

LICENSE AGREEMENT

Static Control Components, Inc. (Static Control) grants this limited license to the person, firm or corporation (hereinafter "User") downloading electronically or by printing this file to use Static Control's copyrighted documents in accordance with the terms of this agreement. If you agree with the terms of the license then you may download this information. If you do not agree with the terms of the license, then you are not authorized to use this information, and any use of it may be in violation of Static Control's copyrights or trademarks.

TRADEMARKS

The Static Control material herein may make reference to its own trademarks, or trademarks of others. Static Control grants a limited license to the User to use Static Control's trademarks in its internal documents and for its internal purposes on the following terms and conditions. Any use of Static Control's trademark must be used in a context which makes it clear that the product reference is a Static Control Components, Inc. product, and not a product from any source. The materials provided to the User may include reference to trademarks of others. Any use of the User makes of these marks should reference the owner of those marks. Nothing in this agreement constitutes any authorization by Static Control to use any of these trademarks in any context.

COPYRIGHTS

Static Control grants a limited license to the User to use the attached copyrighted documents. The permitted use of these documents is limited to internal purposes and needs of the company. The company is prohibited from using these copyrighted documents, or any part of them, including graphic elements, in any materials that are used outside the physical business location of the User. The User is prohibited from using any materials in any documents whether printed or electronic, which are distributed to any third party. The use of these copyrighted documents, or parts of them, including graphic elements, from these documents in marketing material, either print, electronic or web is prohibited. The sale, transfer, copying of these documents or any parts of these documents to any other party is prohibited.

Static Control Components, Inc. retains all rights to its copyrighted documents, and any use of these documents by User should reference Static Control's copyrights, with the notice "copyright Static Control Components, Inc."

Static Control reserves the right to cancel this license on 30-days written notice. All of the User's material incorporating Static Control's copyrighted documents shall be destroyed upon receipt of its notice of termination.

The User may not distribute, share, and otherwise convey the copyrighted documents to any other persons, corporations or individuals.

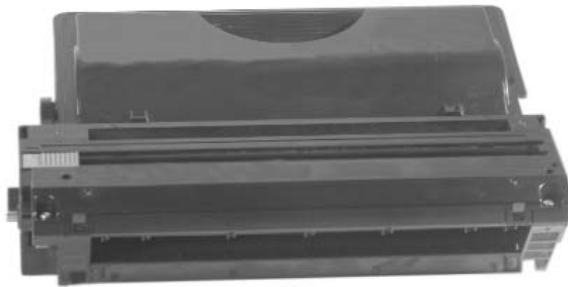
The User, by use of these documents, acknowledges Static Control's copyright in these materials.

STATIC CONTROL DOES NOT GUARANTEE OR WARRANT DOWNLOADED INFORMATION

The information User is downloading is published by Static Control in "as is" condition "with all faults". Static Control makes no representations or warranties of any kind concerning the quality, safety, or suitability of the downloadable materials, either express or implied, including without limitation any implied warranties of merchantability, fitness for a particular purpose, or non-infringement. Further, Static Control makes no representations or warranties as to the truth, accuracy or completeness of any statements, information or materials concerning items available for download. In no event will Static Control be liable for any indirect, punitive, special, incidental, or consequential damages however they may arise even if Static Control has been previously advised of the possibility of such damages.



Brother HL® 7050 Remanufacturing Instructions



About the Printer

In November 2002 Brother released the HL-7050. The HL-7050 was a new Brother design and doesn't replace any previous Brother engine. The HL-7050 is available in two models a base model and a network capable model. The HL-7050 is targeted at high-volume connected workgroups and commercial applications. The HL-7050 looks very similar to the HL-2460 (Canon engine), the only visible difference

is that the HL-7050 is slightly wider. The cartridge comes in two easily replaceable sections the Toner cartridge with a 12k yield, and the Drum Unit with a 40k yield.

Engine Information

Engine Name	Brother® HL7050/7050N
Printer Price	\$999 /\$1,099
Printer Name	Brother® HL-7050
First Page Out	Less than 11 seconds
Charger	Corona
Date of U.S. Printer Introduction	Dec. 2002
Print Speed (pages per minute)	30 ppm
Duty Cycle	150,000 pages per month
Print Resolution (dpi)	600 x 600 (1200 enhanced) dpi

Cartridge Information	Toner Section	Drum Unit
Part Number	TN-700 (N. & S. America) TN-5500 (Europe)	DR-700 (N. & S. Amer.) DR-5500 (Europe)
Cartridge List Price	\$110	\$120
OEM Rated Page Yield	12k	40k
Wholesale Price	\$68	\$71

*Prices as of Jan. 2005

Table of Contents

Introduction	1-2
Tools & Supplies You Will Need	2
Use of Compressed Air	2
Use of Isopropyl Alcohol	2
Toner Unit	3
Waste Bin Unit	4
Disassembly Toner Hopper Section	5-6
Assembly Toner Hopper Section	7-8
Disassembly of the Drum Section	9-10
Assembly of the Drum Section	11

WWW.SCC-INC.COM

Get the latest information on the web at Static Control's Brother® HL 7050 Online Engine Center at www.scc-inc.com

System Support Series™ documents are available on our Web site in Adobe® Acrobat® format.



If you need additional information or technical assistance, please contact your Regional Support Team.

800 488 2426 (USA)
919.774.3808 (Int'l)
+44 (0) 118.923.8800 (UK)
info@scc-inc.com (US Email)
info@scc-europe.co.uk (UK Email)
www.scc-inc.com

Version 1
October 2005

Use of Compressed Air

As of April 28, 1971, the Occupational Safety & Health Administration (OSHA) Standard, 29 CFR 1910.242 paragraphs a & b for general industry requires effective chip guarding and personal protective equipment (PPE) when using compressed air. When cleaning residual toner particles from cartridges using a compressed air system, you must use air nozzles meeting OSHA requirements. Air nozzles that regulate air pressure to a maximum of 30 psi comply with this standard. Refer to the OSHA publication for any updates or changes that have occurred since the date noted above.

Use of Isopropyl Alcohol

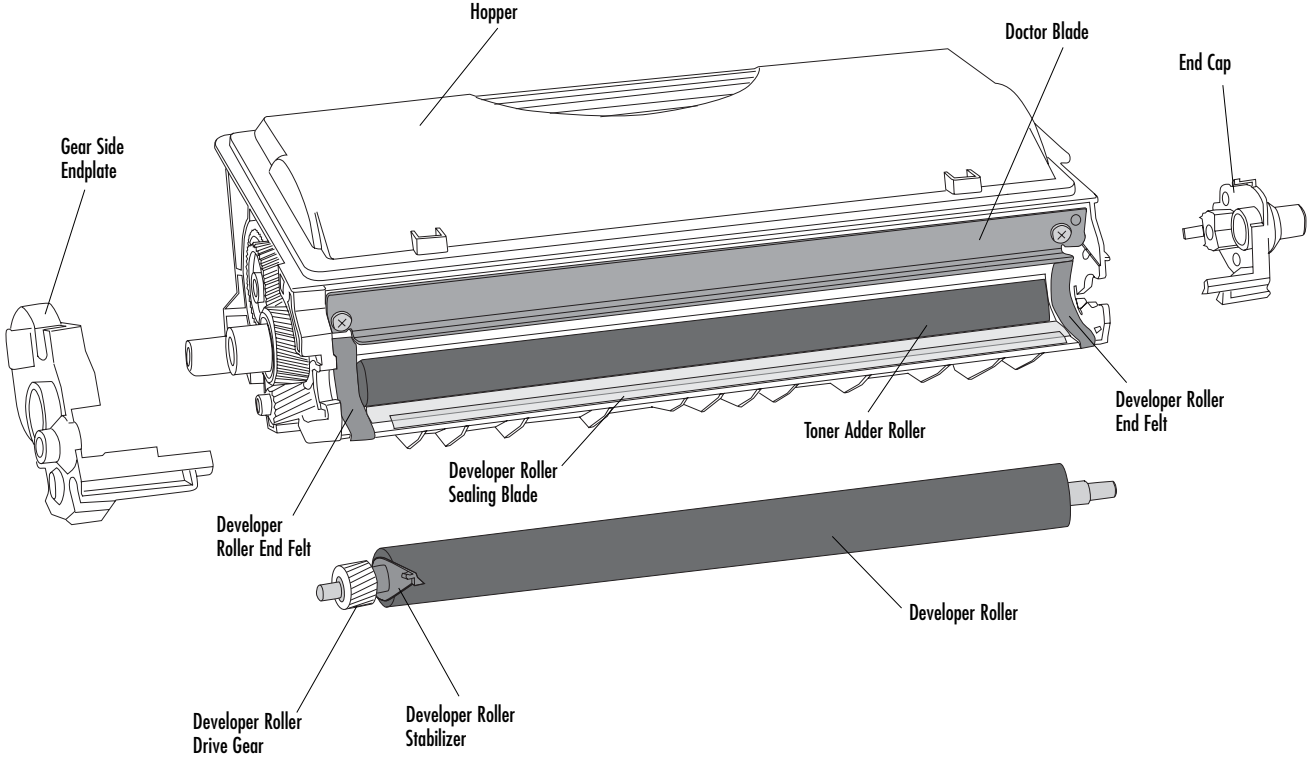
For best results, we recommend using ONLY 91-99% for cleaning as directed in these instructions. 91% Isopropyl alcohol is available at most major drug stores; 99% Isopropyl alcohol is available through distributors of chemical products. Follow the alcohol manufacturer's safety instructions.

Tools and Supplies You Will Need

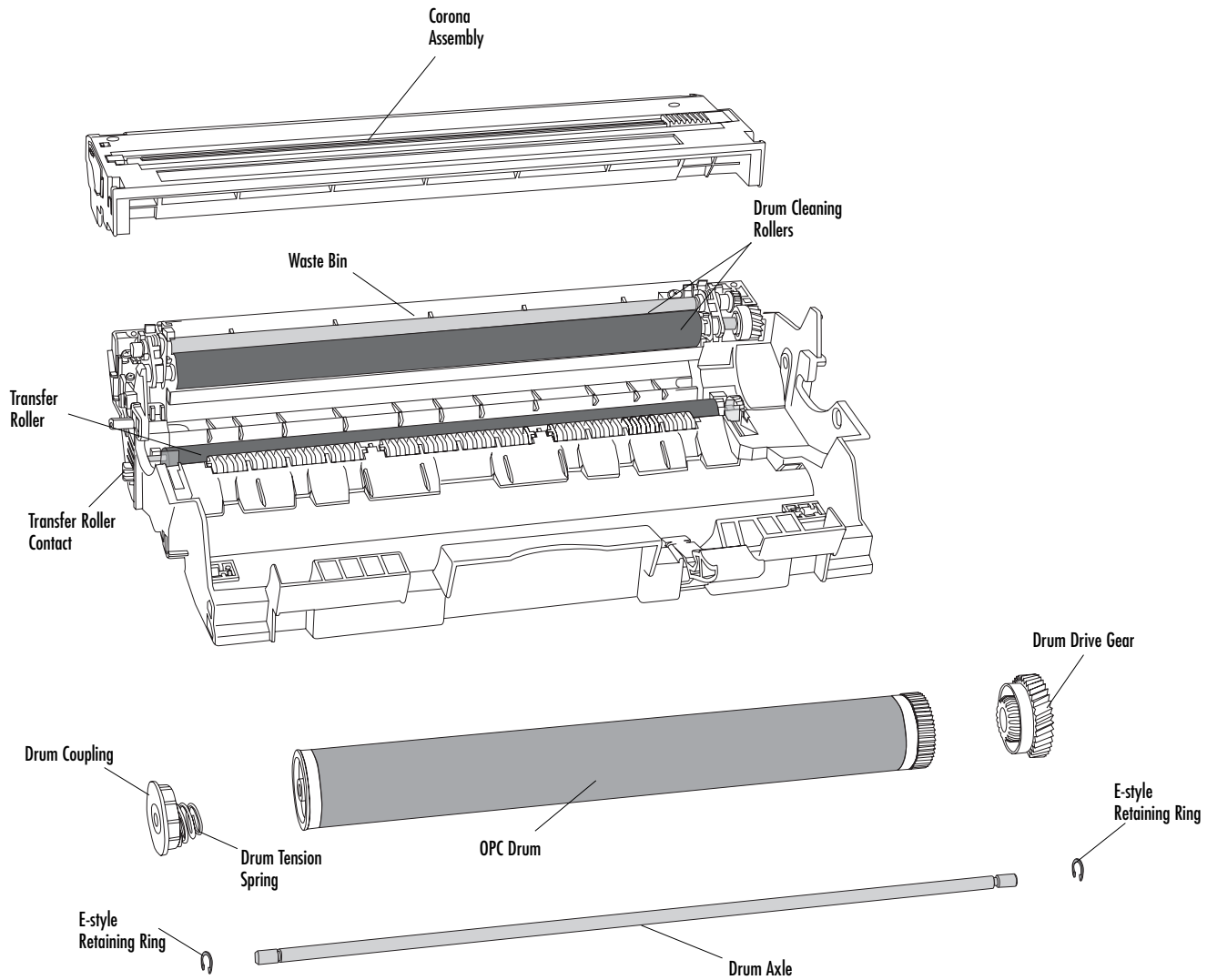
For Basic Remanufacturing:

- Phillips Screwdriver
- Standard Flat Blade Screwdriver
- Small-Tipped Flat Blade Screwdriver
- Needle nose Pliers
- Funnel for Toner Bottle
- Compressed Air for Cleaning(See left)
- 91-99% Isopropyl Alcohol(See left)

Brother® HL 7050 Toner Unit

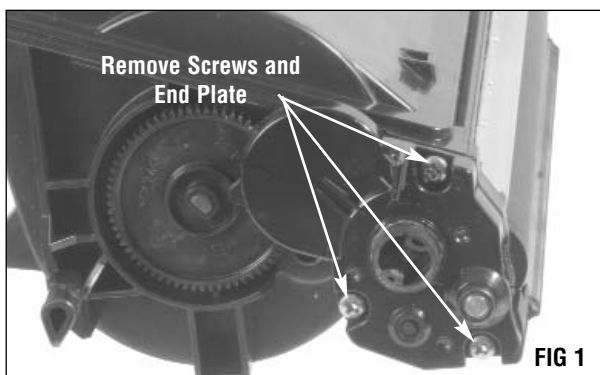


Brother® HL 7050 Waste Bin and Drum Unit

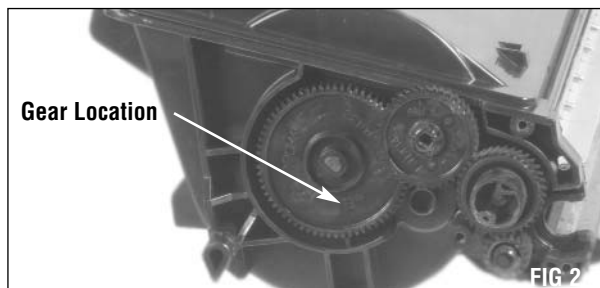


Disassembly of the Toner Hopper Section

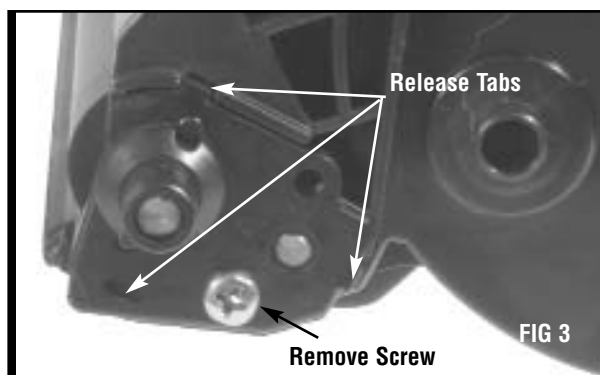
1. Remove the three screws on the gear side end plate. (FIG 1).



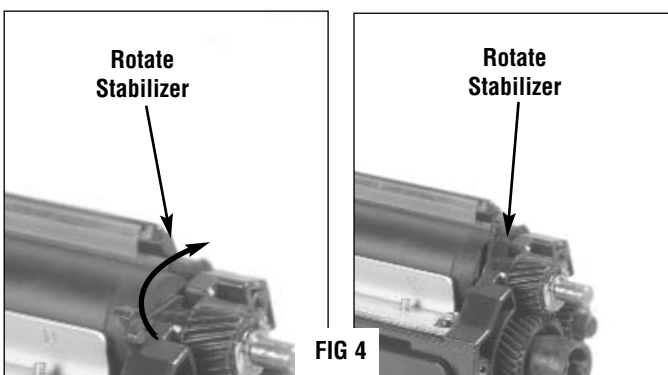
2. Remove the geared side end plate (FIG 2). Note the gear location in case one is accidentally removed.



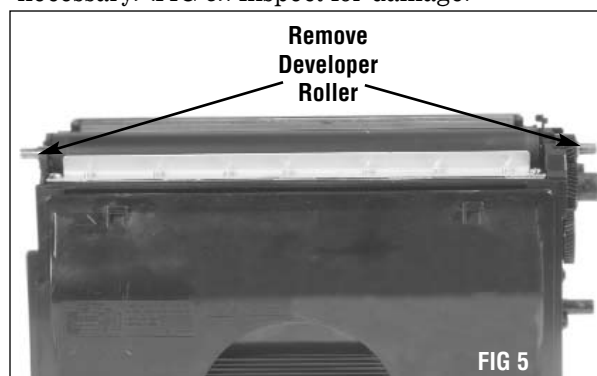
3. Remove the screw on the non-geared side of the Toner Hopper (FIG 4). Using a small flat blade screwdriver, release the three tabs on the geared side end plate, and remove.



4. Release the Developer Roller Stabilizer and rotate upwards (FIG 4).



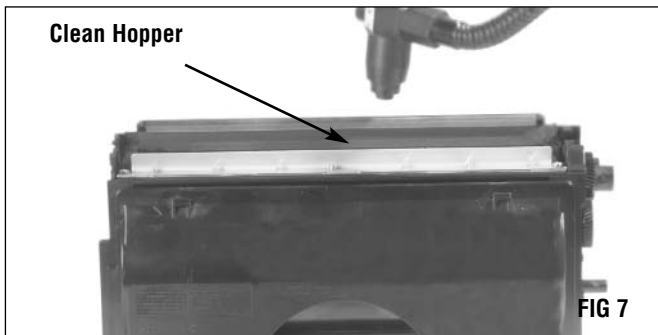
5. Carefully remove the developer roller from the cartridge and clean with dry filtered compressed air a lint-free cloth dampened with water (if necessary) (FIG 5). Inspect for damage.



6. Remove the hopper cap, and dump out any remaining toner (FIG 6). Careful not to damage Hopper Cap.



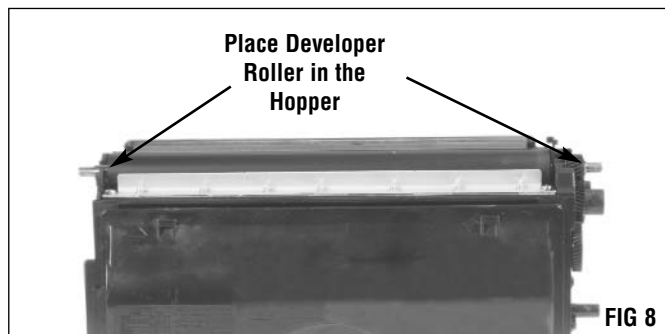
7. Clean the toner hopper section with dry, filtered, compressed air and wipe the doctor blade with a clean, dry cloth (FIG 7).



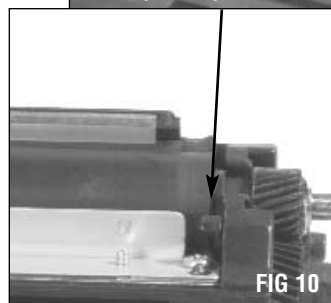
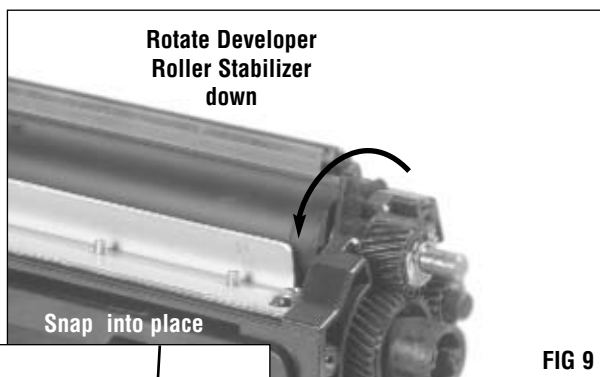
NOTE: Inspect the Doctor Blade for damage. Refer to SSS# 795 for detailed instructions on the removal and installation of the doctor blade and sealing foam (B1240DBLADE) (B1240DBSFM).

Assembly of the Toner Hopper Section

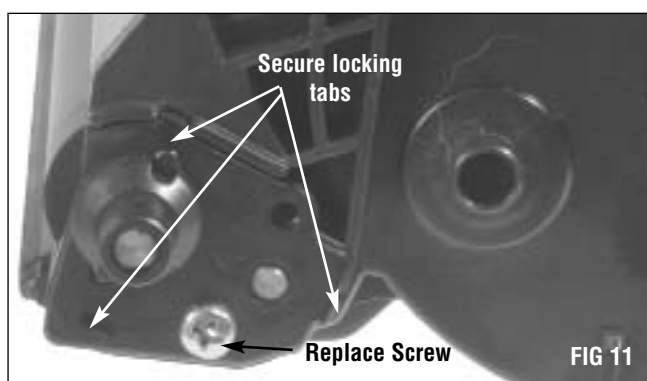
1. Replace the developer roller (FIG 8).



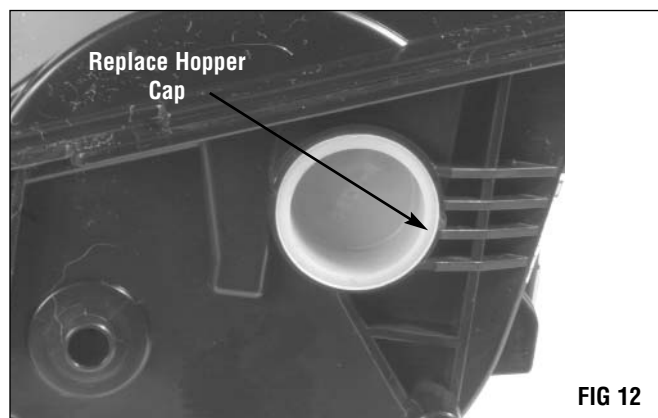
2. Turn the stabilizer down until the tab snaps into place as shown (FIG 9 & 10).



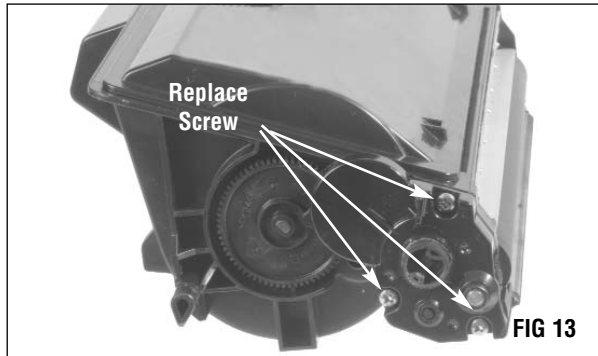
3. Attach the non-g geared side end plate, secure the three locking tabs (FIG 11). Secure with one screw.



4. Fill the hopper with toner and replace hopper cap, use SCC's hopper cap (HCAP-A) if damaged (FIG 12).



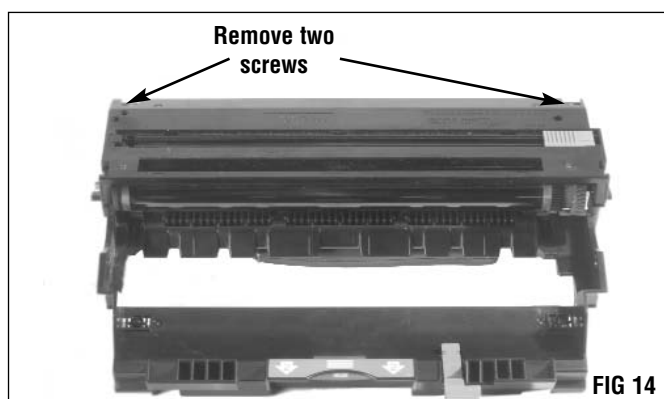
5. Attach the geared side end plate and secure with three screws (FIG 13).



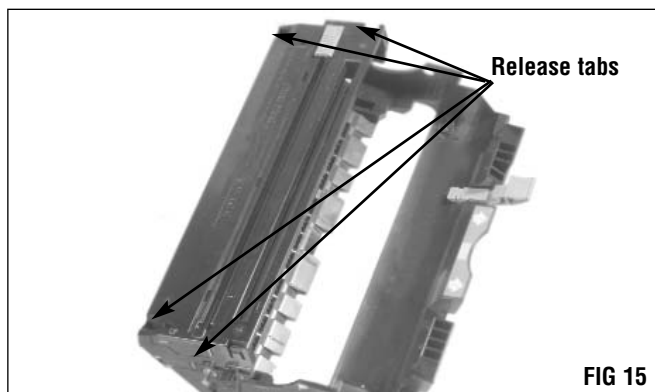
Note: There is a 1/8 Amp (0.125 Amp) fast acting fuse present in the handle of the TN-700 cartridge. The fuse blows every time the printer is turned on with a new cartridge present in the machine. It keeps track of the overall amount of cartridges that have been installed in the printer, and clears the "Toner Life End" message that sometimes appears at the end of the toner cartridges' life. Replace this fuse with B7050FUSE and this message will clear and allow printing when the new cartridge is installed. However, do not post test this cartridge after the fuse is installed. Post test, and then install the fuse.

Disassembly of the Drum Section

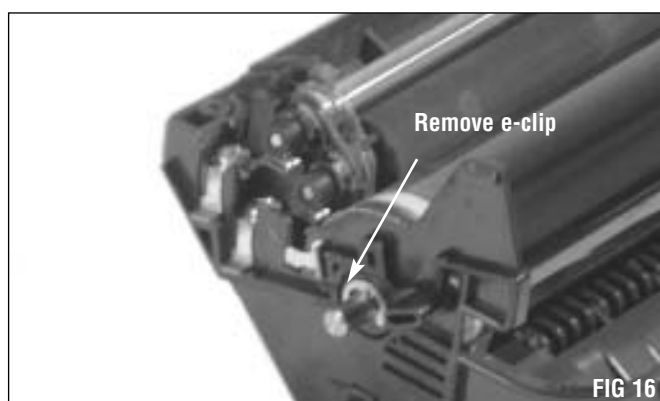
1. Remove the two screws that secure the Corona Assembly (FIG 14).



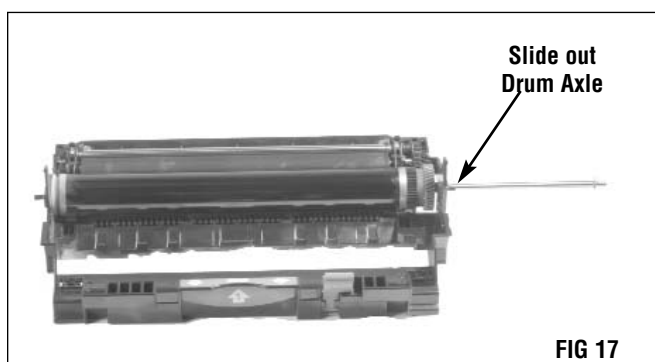
2. Press down to release the four tabs, then remove corona assembly (FIG 15).



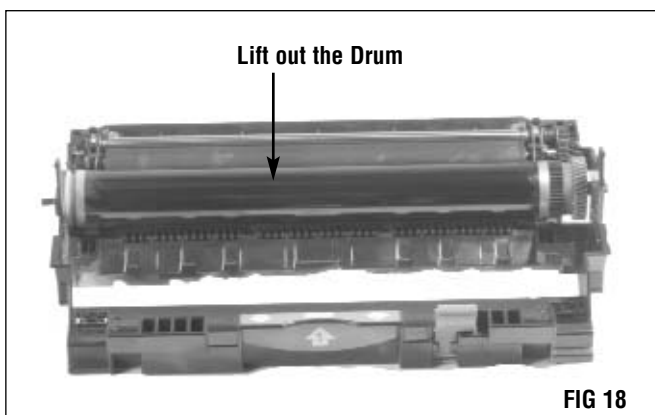
3. Using a small flat blade screwdriver remove the e-clip from the Drum Axle on the non-gear side of the Drum (FIG 15).



4. Slide the Drum Axle out of the geared side of the Drum (FIG 17).



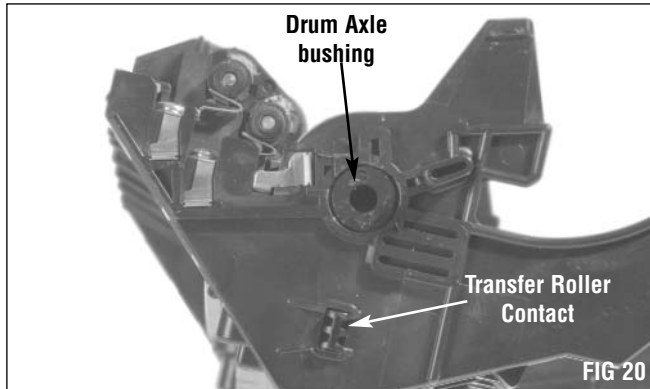
5. Remove the Drum from the Drum Unit (FIG 18).



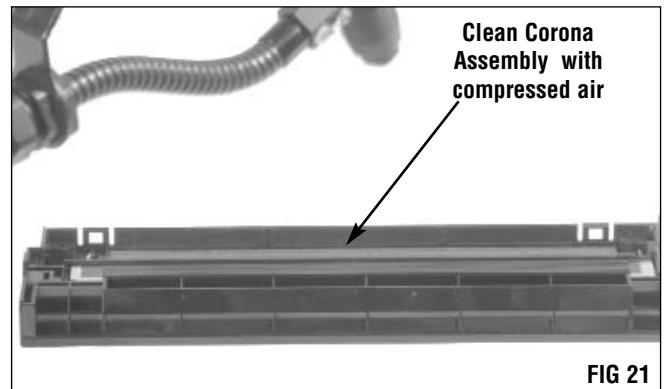
6. Clean the Drum Unit with dry, filtered compressed air (FIG 19)..



7. Be sure not to lose the Drum Axle Bushing and the Transfer Roller Contact (FIG 20).



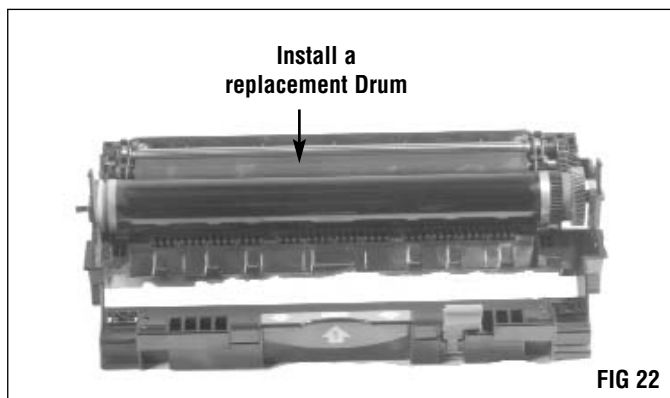
8. Clean the Corona Assembly with dry, filtered compressed air (FIG 21).



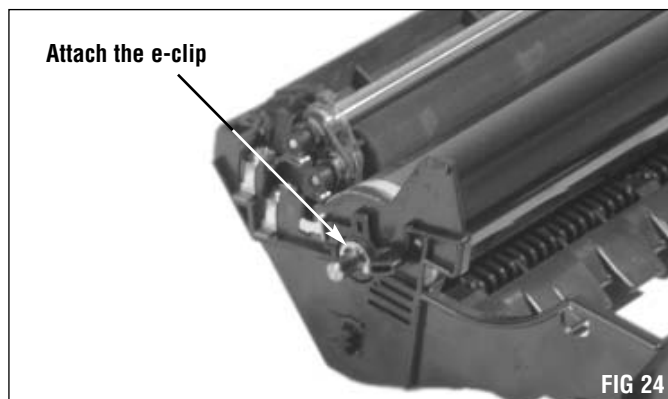
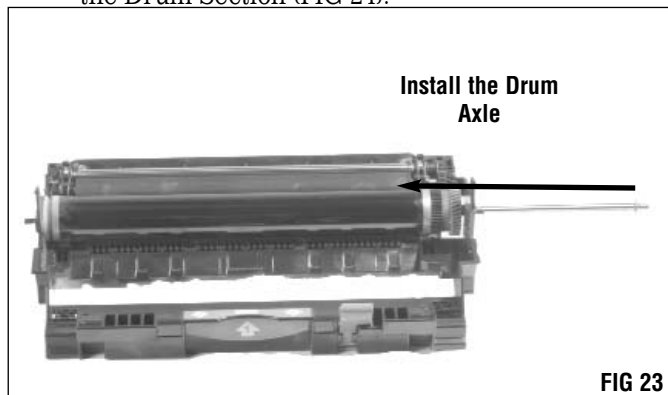


Assembly of the Drum Section

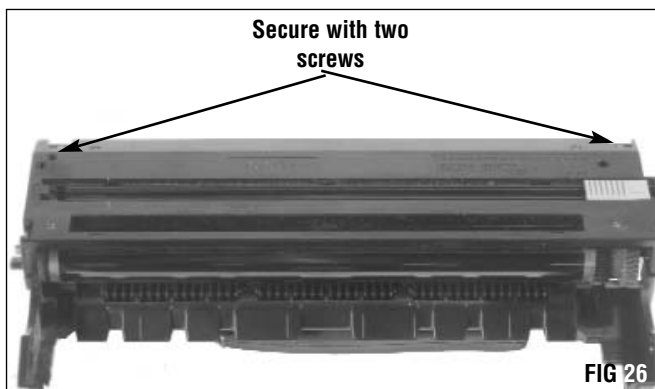
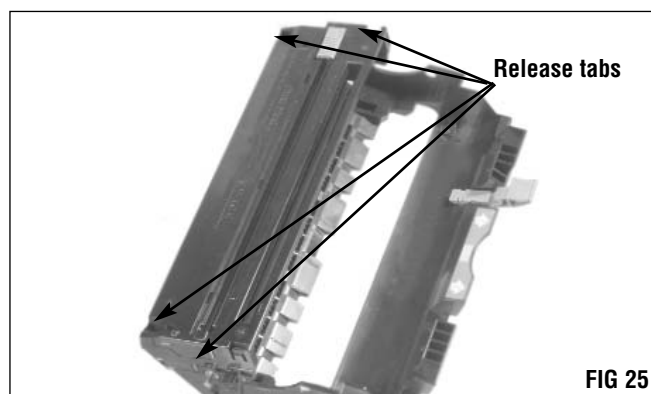
1. Install a replacement Drum into the Drum Unit (FIG 22).



2. Install the Drum Axle (FIG 23), and attach the e-clip to the Drum Axle to secure the Drum in the Drum Section (FIG 24).



3. Attach the Corona Assembly, and secure by locking tabs and attaching the two screws (FIG 25) (FIG 26).





Drum Reset Information

1. With the front cover open press and hold the GO button for 4 seconds or more until the drum resets, then release the button and close the front cover.

Technology and Support You Can Rely On!

We realize that the success of your business directly affects the success of Static Control. It's no longer a matter of keeping up with your competition, but surpassing them. That is why we invest so much time and effort in the technology necessary for your business to address new market opportunities quickly, and with confidence.

Where monochrome once ruled the industry color is now emerging and taking a foothold. It is our pledge to you, our customer, to do all we can to help you move into this new opportunity and others, as quickly and effortlessly as possible. We will continue to support monochrome markets, while building a comprehensive color technology library for your reference, along with products to support your growing business. Together we can build a partnership for a successful future.



Static Control Components, Inc.
3010 Lee Avenue • PO Box 152 • Sanford, NC 27331
US/Can 800-488-2426 • US/Can Fax 800-488-2452
Int'l 919-774-3808 • Int'l Fax 919-774-1287
www.scc-inc.com

Static Control Components (Europe) Limited
Unit 30, Worton Drive
Reading • Berkshire RG2 0TG • United Kingdom
Tel +44 (0) 118 923 8800 • Fax +44 (0) 118 923 8811
www.scc-inc.com