

LICENSE AGREEMENT

Static Control Components, Inc. (Static Control) grants this limited license to the person, firm or corporation (hereinafter "User") downloading electronically or by printing this file to use Static Control's copyrighted documents in accordance with the terms of this agreement. If you agree with the terms of the license then you may download this information. If you do not agree with the terms of the license, then you are not authorized to use this information, and any use of it may be in violation of Static Control's copyrights or trademarks.

TRADEMARKS

The Static Control material herein may make reference to its own trademarks, or trademarks of others. Static Control grants a limited license to the User to use Static Control's trademarks in its internal documents and for its internal purposes on the following terms and conditions. Any use of Static Control's trademark must be used in a context which makes it clear that the product reference is a Static Control Components, Inc. product, and not a product from any source. The materials provided to the User may include reference to trademarks of others. Any use of the User makes of these marks should reference the owner of those marks. Nothing in this agreement constitutes any authorization by Static Control to use any of these trademarks in any context.

COPYRIGHTS

Static Control grants a limited license to the User to use the attached copyrighted documents. The permitted use of these documents is limited to internal purposes and needs of the company. The company is prohibited from using these copyrighted documents, or any part of them, including graphic elements, in any materials that are used outside the physical business location of the User. The User is prohibited from using any materials in any documents whether printed or electronic, which are distributed to any third party. The use of these copyrighted documents, or parts of them, including graphic elements, from these documents in marketing material, either print, electronic or web is prohibited. The sale, transfer, copying of these documents or any parts of these documents to any other party is prohibited.

Static Control Components, Inc. retains all rights to its copyrighted documents, and any use of these documents by User should reference Static Control's copyrights, with the notice "copyright Static Control Components, Inc."

Static Control reserves the right to cancel this license on 30-days written notice. All of the User's material incorporating Static Control's copyrighted documents shall be destroyed upon receipt of its notice of termination.

The User may not distribute, share, and otherwise convey the copyrighted documents to any other persons, corporations or individuals.

The User, by use of these documents, acknowledges Static Control's copyright in these materials.

STATIC CONTROL DOES NOT GUARANTEE OR WARRANT DOWNLOADED INFORMATION

The information User is downloading is published by Static Control in "as is" condition "with all faults". Static Control makes no representations or warranties of any kind concerning the quality, safety, or suitability of the downloadable materials, either express or implied, including without limitation any implied warranties of merchantability, fitness for a particular purpose, or non-infringement. Further, Static Control makes no representations or warranties as to the truth, accuracy or completeness of any statements, information or materials concerning items available for download. In no event will Static Control be liable for any indirect, punitive, special, incidental, or consequential damages however they may arise even if Static Control has been previously advised of the possibility of such damages.



Hewlett Packard® LaserJet® 1320/1160 Remanufacturing Instructions



HP 49A



HP 49X

Reference Info

In September 2004 HP announced the release of the HP LaserJet® 1160/1320. These 20/22 ppm monochrome printers are targeted for small and medium sized businesses. Printers are affordably priced with an introduction price of \$329 (HP1160) and \$429 (HP1320). The sole version of the HP 1160 cannot be networked, while the four models of the HP 1320 have network capabilities.

The HP1160/1320 utilize the same standard yield cartridge (2,500), while a high yield (6,000) cartridge is also available for the HP 1320. Cartridges are chipped, providing supplies

status information, toner low and toner out alerts, internet enabled supplies, ordering and remote troubleshooting capabilities. These cartridges' completely different design appears to prevent conversion of older models into these newly designed cartridges.

In addition, the HP 1160/1320 standard and high yield cartridges' waste bin and hopper sections hold different capacities and have physical differences. Causing conversion of standard to high yield to possibly be difficult as well.

Use of Compressed Air

As of April 28, 1971, the Occupational Safety & Health Administration (OSHA) Standard, 29 CFR 1910.242 paragraphs a & b for general industry requires effective chip guarding and personal protective equipment (PPE) when using compressed air. When cleaning residual toner particles from cartridges using a compressed air system, you must use air nozzles meeting OSHA requirements. Air nozzles that regulate air pressure to a maximum of 30 psi comply with this standard. Refer to the OSHA publication for any updates or changes that have occurred since the date noted above.

Use of Isopropyl Alcohol

For best results, we recommend using ONLY 91-99% for cleaning as directed in these instructions. 91% Isopropyl alcohol is available at most major drug stores; 99% Isopropyl alcohol is available through distributors of chemical products. Follow the alcohol manufacturer's safety instructions.

Table of Contents

Introduction	1-2
Tools & Supplies You Will Need	2
49X Toner Hopper	3
49X Waste Bin	4
49A Toner Hopper	5
49A Waste Bin	6
Separation of the Cartridge	7
Disassembly Reassembly of the Waste Bin Section	8
Disassembly of the Toner Hopper Section	10
Open, Clean, and Seal	11
Assembly of the Toner Hopper	12
Reassembly of the Cartridge	13

WWW.SCC-INC.COM

Get the latest information on the web at Static Control's Hewlett-Packard® LaserJet® 1160/1320 Online Engine Center at www.scc-inc.com

System Support Series™ documents are available on our Web site in Adobe® Acrobat® format.



If you need additional information or technical assistance, please contact your Regional Support Team.

800 488 2426 (USA)
919.774.3808 (Int'l)
+44 (0) 118.923.8800 (UK)
info@scc-inc.com (US Email)
info@scceurope.co.uk (UK Email)
www.scc-inc.com

Engine Information	HP1160
Printer Price	\$329
First Page Out	Less than 9 seconds
Processor	133 MHz
Memory	16MB/16MB
Print Speed (pages per minute)	20
Duty Cycle	10,000 pages per month
Print Resolution (dpi)	600 x 600 dpi

Tools and Supplies You Will Need

For Basic Remanufacturing:

- Phillips Screwdriver
- Standard Flatblade Screwdriver
- Small-Tipped Flatblade Screwdriver
- Needlenose Pliers
- Funnel for Toner Bottle
- Compressed Air for Cleaning(See pg. 1)
- 91-99% Isopropyl Alcohol(See pg. 1)
- Lint-Free Cleaning ClothLFCCLOTH
- Cotton SwabQTIP
- Conductive Cartridge LubricantCONCLUBE
- Kynar® Lubricating PowderKPOW
- Curved Scraper Blade ToolCSBTOOL
- Shallow Trough for Dipping the Wiper Blade
- Hopper Entry ToolHP1320HETOOL
- Hopper CapHP1320HCAP
- HP 1320 Plexiglass Hopper JigHP1320HJIG
- HP 1320/1160 Cartridge PinsCARTPIN-SH
- HP 1200 Pin Removal ToolHP12PRTOOL

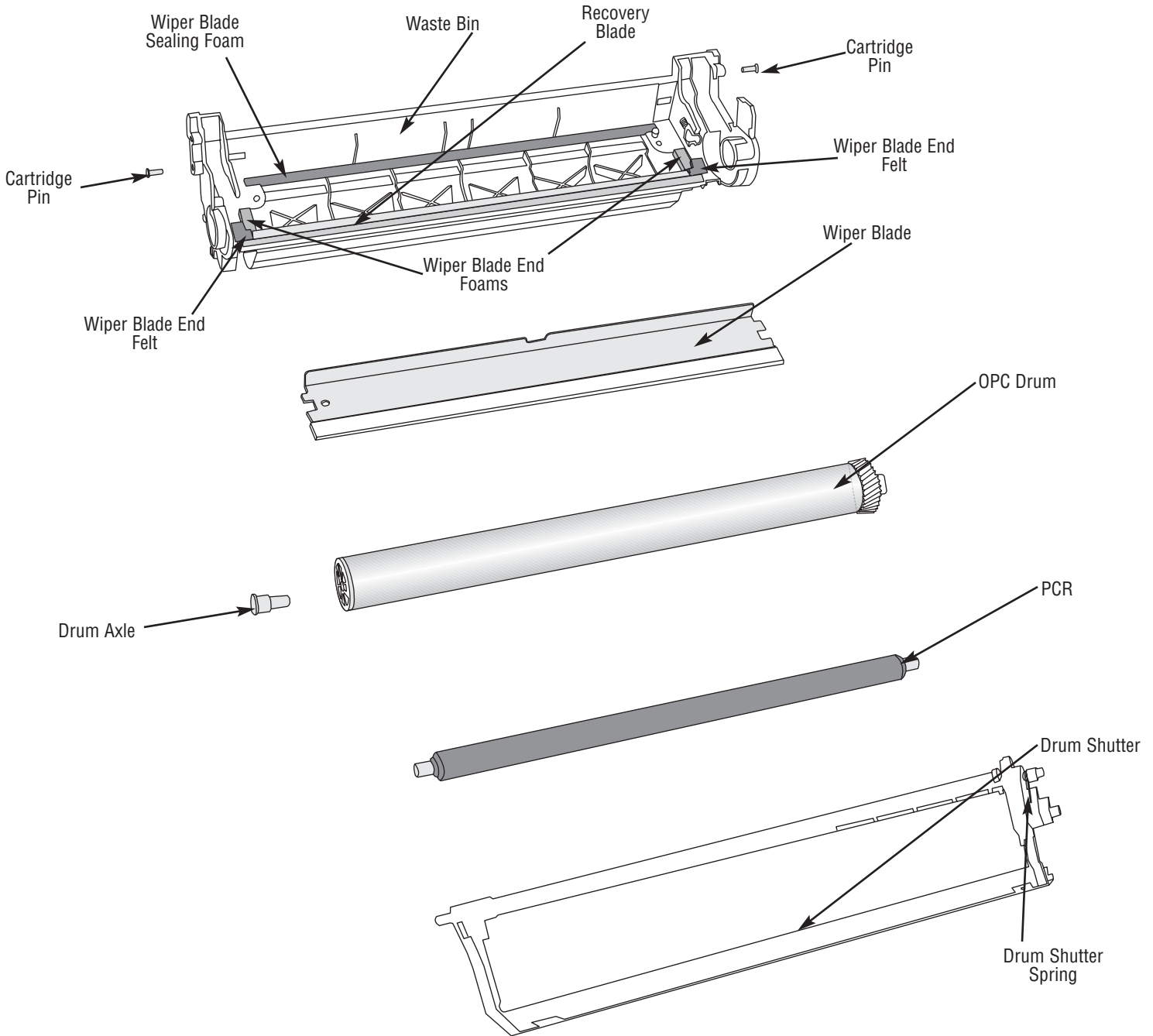
Engine Information	HP1320
Printer Price	\$429
First Page Out	Less than 9 seconds
Processor	133 MHz
Memory	16MB/144MB
Print Speed (pages per minute)	20
Duty Cycle	10,000 pages per month
Print Resolution (dpi)	600 x 600 dpi

Cartridge Information

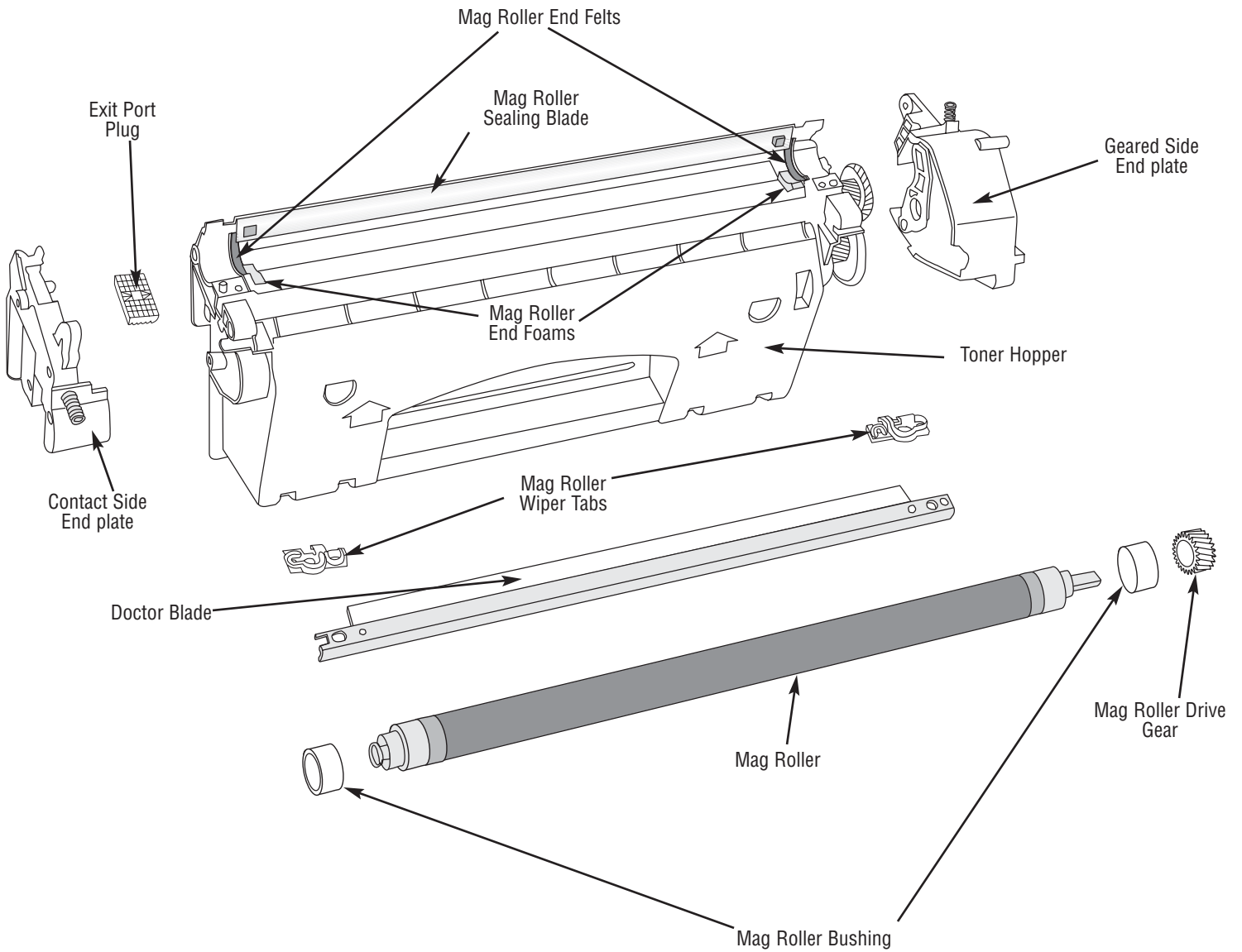
Part Number	Q5949A Standard Yield	Q5949X (HP1320 only) High Yield
OEM MSRP*	\$72.00	\$92.00
OEM Rated Page Yield	2,500	6,000
Wholesale (Supplies Network)*	\$59.00	\$107.00

*Prices as of May 2003

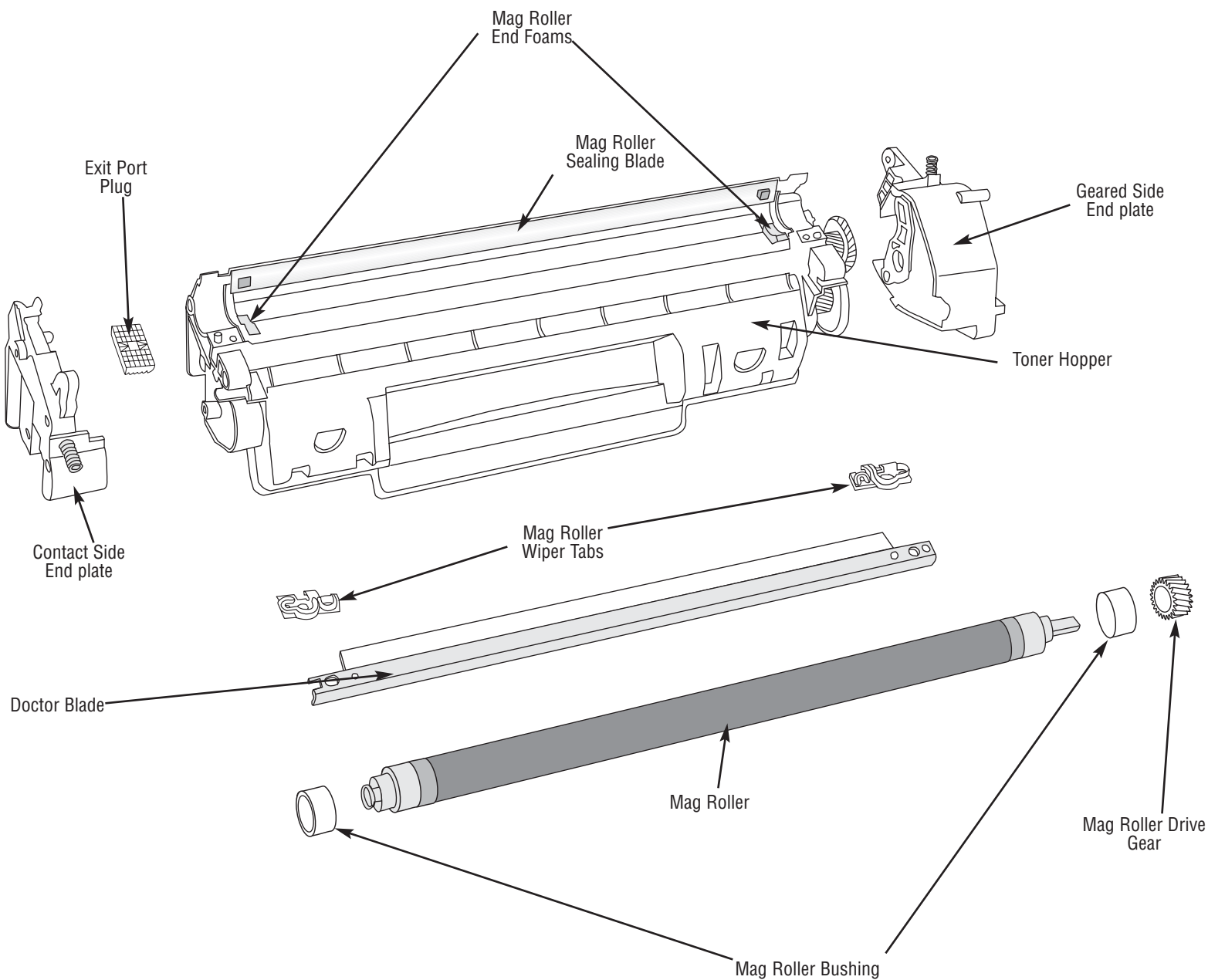
HP49X Waste Bin Unit



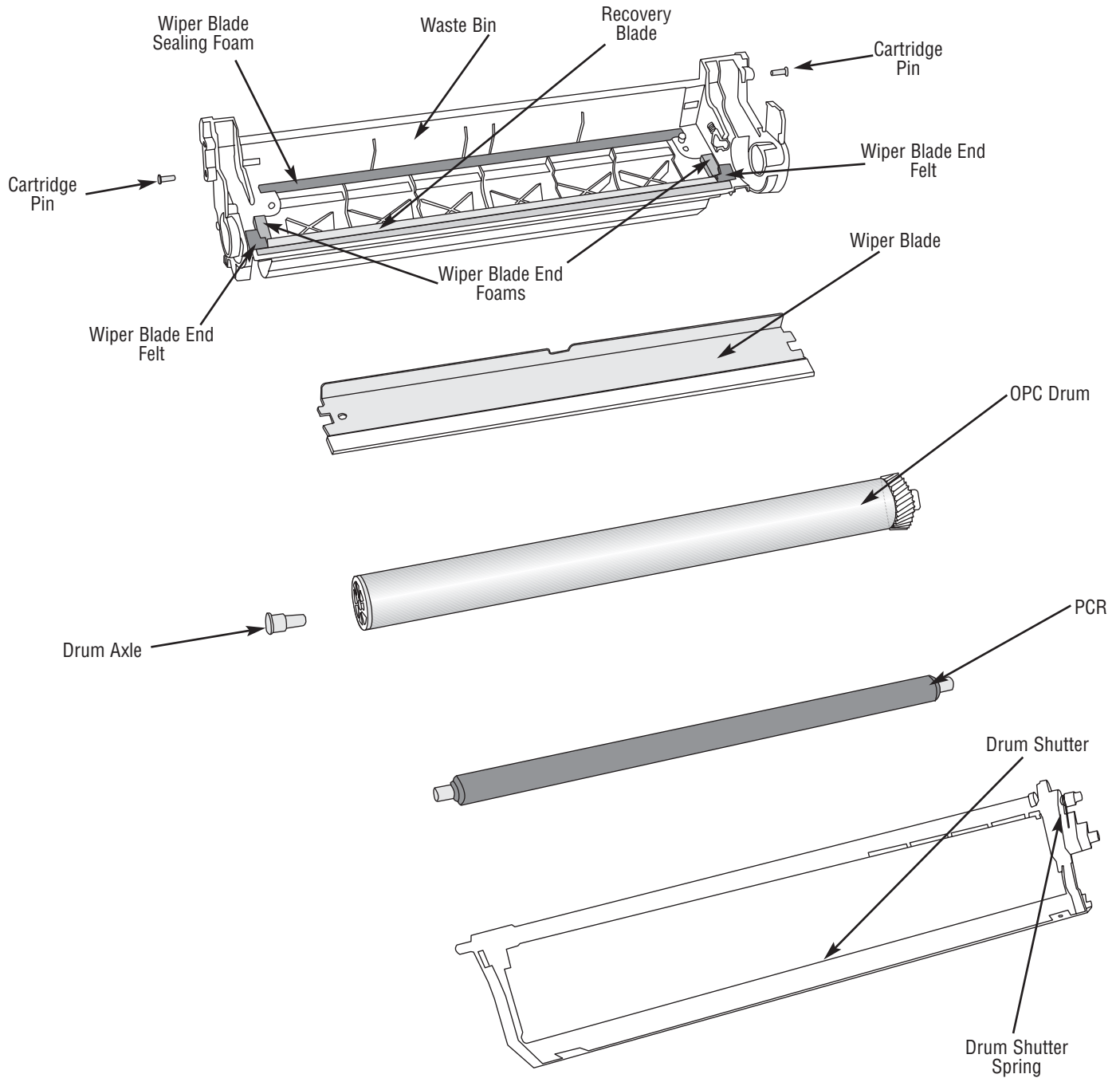
HP49X Toner Unit



HP49A Toner Unit



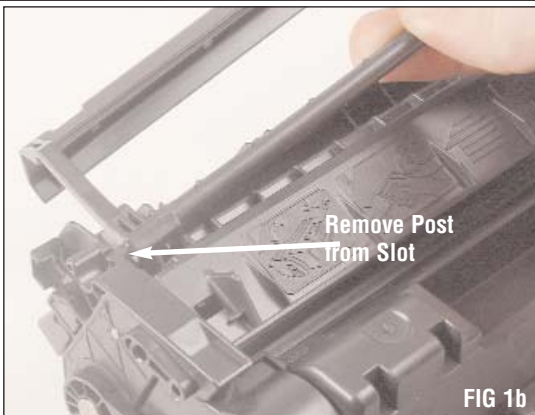
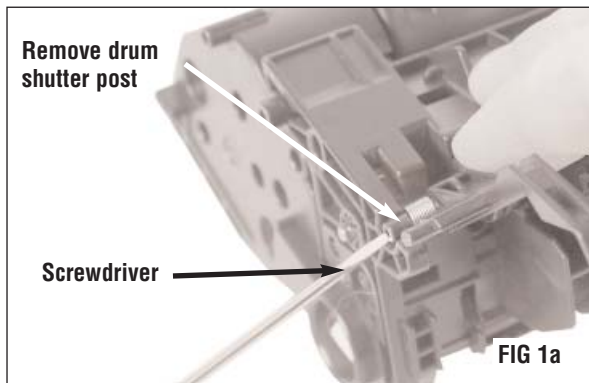
HP49A Waste Bin Unit



Separation of the Cartridge

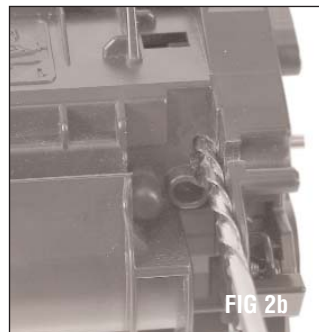
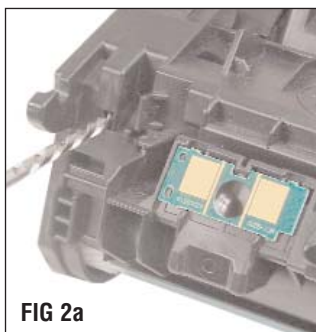
Using these instructions: Remanufacturing steps for the HP49X and HP49A are identical. For illustration purposes, the HP49A cartridge is shown in all photos and illustrations, except as noted.

1. Remove the Drum Shutter.
 - a. Open the Drum Shutter. Holding the spring side of the shutter; use a small flatblade screwdriver to dislocate the shutter post from the slot (FIG 1a).
 - b. Slide the non-spring side from the slot (FIG 1b)



Note: When removing the shutter be careful not to damage shutter axle.

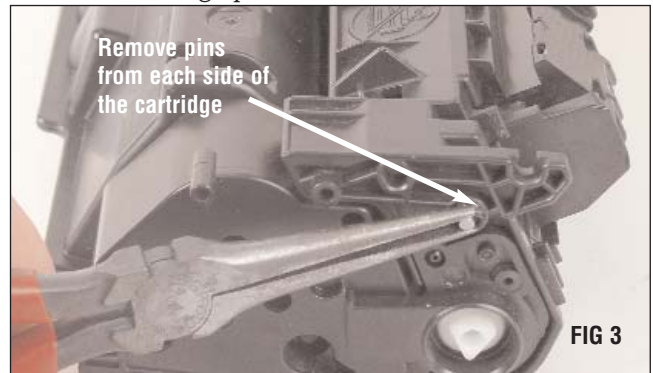
2. Remove the cartridge pins.
 - a. Using a low rpm drill and a 7/64 drill bit, drill a hole into the square slots on the back of the Waste Bin (FIG 2a and 2b). The drill bit will push the pins out enough to pull out.



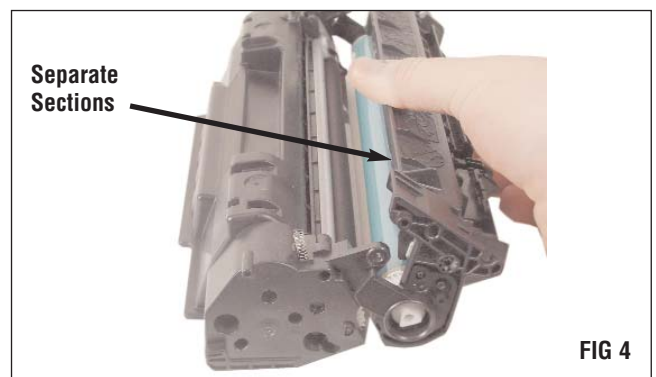
Note: If the drill does not push the pin out of the cartridge, use the HP1200 pin removal tool to push the pins out of the cartridge.

Note: Drill until pins are pushed out. Drilling too deep into the Waste Bin can damage the cartridge.

- b. Using needlenose pliers, remove the cartridge pins (FIG 3).



3. Separate the two sections (FIG 4).



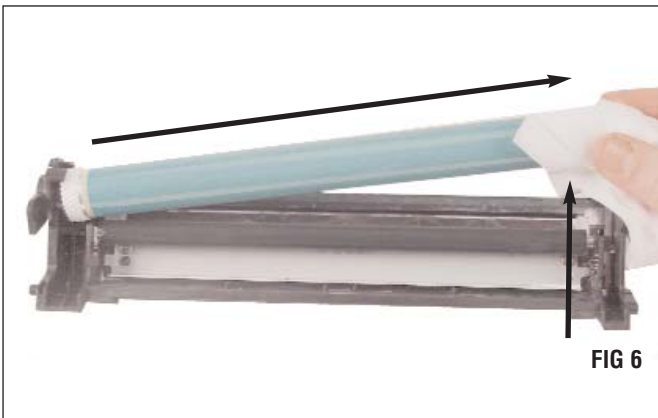


Disassembly/Assembly of the Waste Bin Section

1. Using needlenose pliers, remove the drum axle from the cartridge (FIG 5).



3. Carefully lift the non-gear side of the drum with a dry, lint free cloth and slide the gear side of the drum out of the Waste Bin (FIG 6).



4. Using needlenose pliers, lift the PCR from the Waste Bin by the metal shaft (FIG 7). Be sure to store the PCR on end.



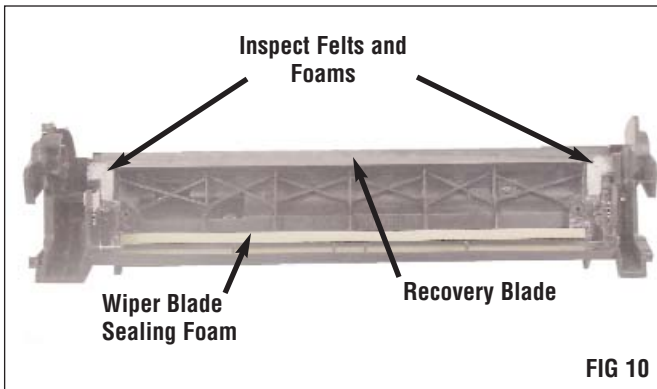
5. Using a phillips screwdriver, remove the two screws that secure the Wiper Blade in place; then, remove the Wiper Blade (FIG 8).



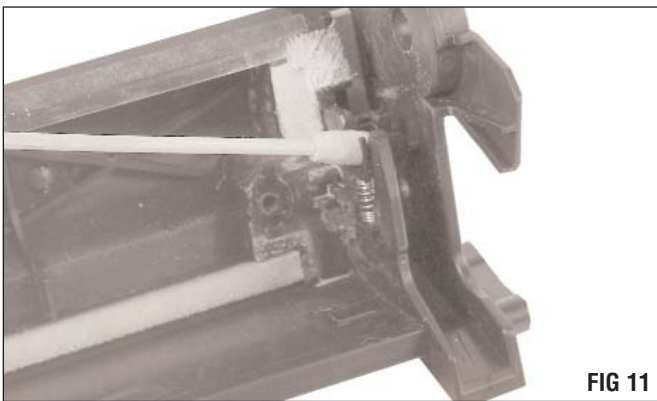
6. Clean the Waste Bin using dry, filtered compressed air (FIG 9).



7. Inspect the Recovery Blade, the Wiper Blade Sealing Foam, and the Wiper Blade End Felts/Foams for damage and replace if needed (FIG 10).



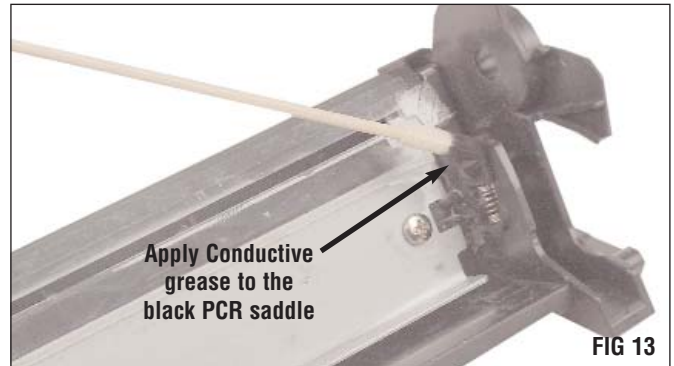
8. Use 91-99% Isopropyl alcohol and a cotton swab to clean the PCR saddles (FIG 11).



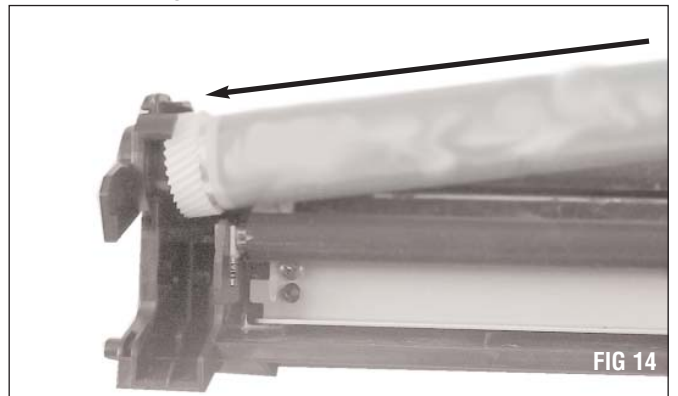
9. Dip the working edge of the Wiper Blade into a trough of Kynar™ Powder; then install the Wiper Blade into the Waste Bin securing with two screws (FIG 12).



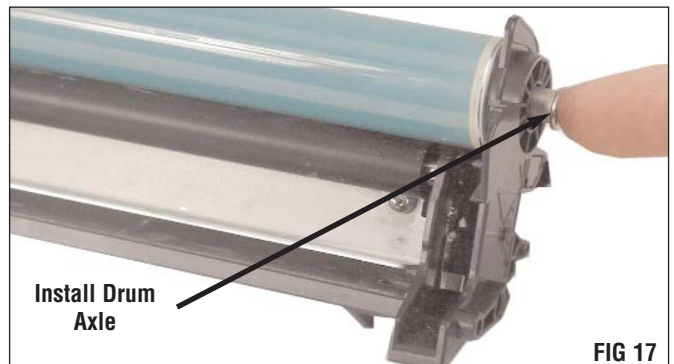
10. Apply conductive grease to the black PCR saddle; (FIG 13) then install the PCR.



11. Lightly dust the drum with Kynar™ Powder and gently install the geared end of the drum into the Waste Bin Bearing Plate and set down in the cartridge (FIG 14).



12. Install the drum axle to secure the drum in the Waste Bin (FIG 17).

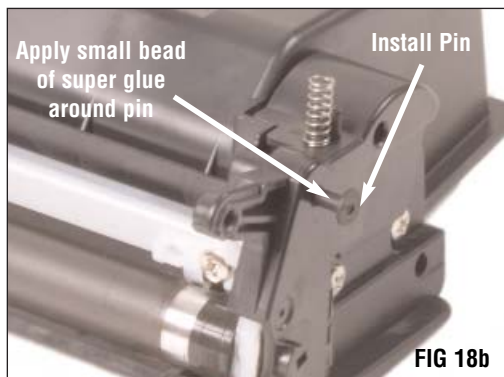




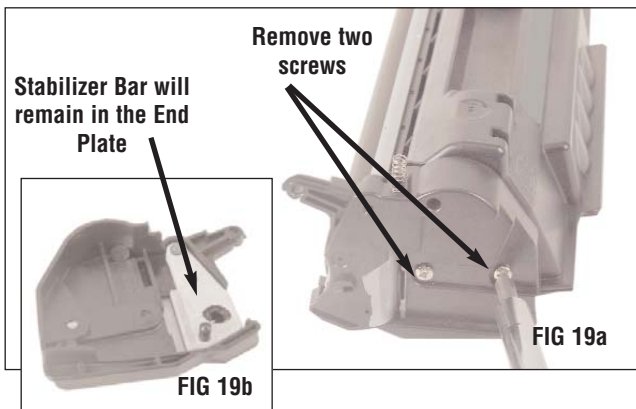
Disassembly of the Toner Hopper Section

Note: Step 1 only needs to be done on cartridges being remanufactured for the first time.

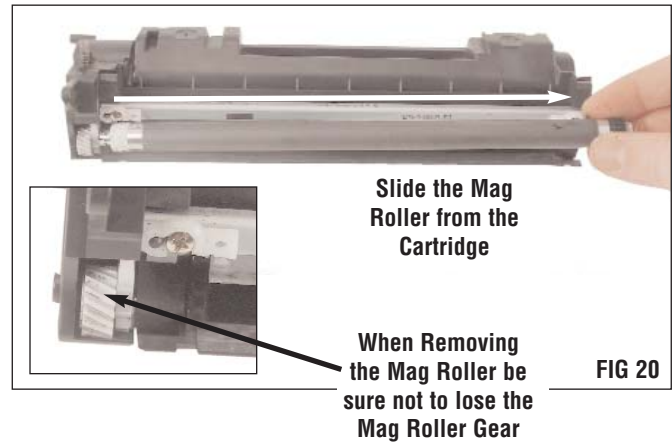
1. To break the sonic weld use a #32 drill bit and drill through the weld (FIG 18a). Install the Stabilizer Pin into the drilled hole. Apply a small amount of super glue to the pin, beneath the head and gently tap in to the hole with a small hammer (FIG 18b).



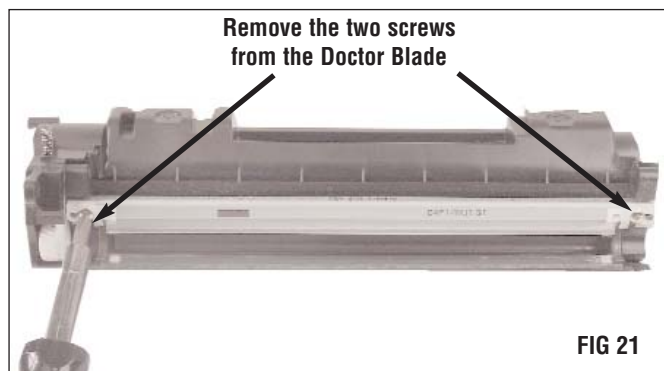
2. Using a phillips screwdriver, remove the two phillips screws on the contact side end plate (FIG 19a and 19b). Remove the End Plate.



3. Remove the Mag Roller from the Toner Hopper (FIG 20).



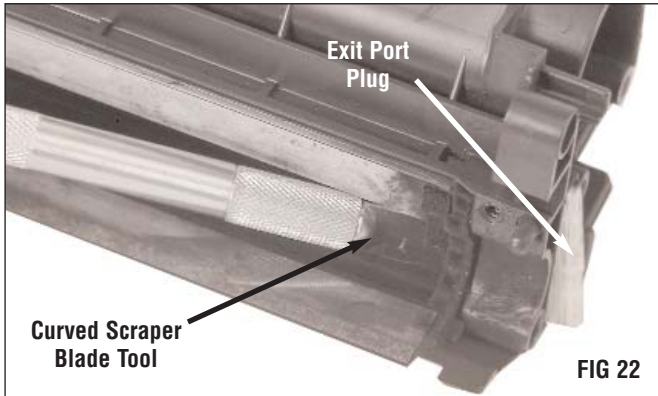
4. Using a phillips screwdriver remove the two screws that secure the Doctor Blade to the Hopper (FIG 21). Remove the Mag Roller Wiper Tabs from the Doctor Blade; then remove the Doctor Blade



Note: If you are not sealing the cartridge skip to "Assembly of the Toner Hopper" on page 12. If skipping to page 12, do not forget to clean out the hopper with dry filtered, compressed air.

Open, Clean, Seal and Fill the Hopper

- Using a curved scraper blade tool; push the exit port plug out the end of the Toner Hopper (FIG 22).

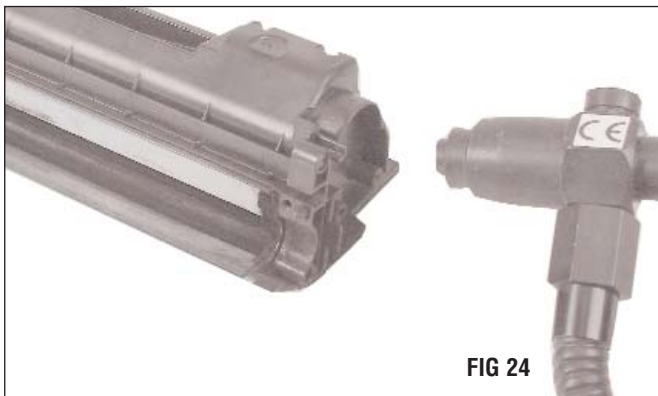


Note: Be sure to wear safety glasses while performing the following steps.

- Install the Hopper Entry Tool into a drill. Place tool into the Hopper against the curved feature as shown in (FIG 23). Drill Hopper entry hole until collar stops against Hopper section; then remove.



- Clean the Hopper using dry, filtered compressed air. Be sure that all plastic material, shavings and remaining toner are removed from the inside of the cartridge and on the surface where the Hopper cap will be placed (FIG 24 and 25).



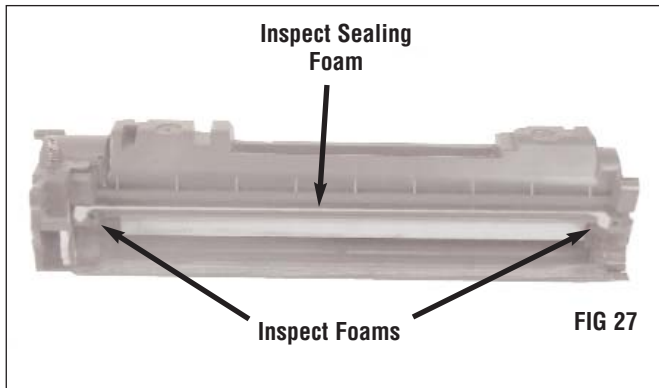
- Seal the Hopper. For complete sealing instructions refer to SSS™ 722 “Adhesive ProSeal” or SSS™ 740 “Rigid Insertable Seal.”
- Fill the Hopper with toner; then, clean the surface of the entry hole with a lint free cloth dampened with 91-99% Isopropyl alcohol.
- Apply the Hopper cap to the hopper entry hole (FIG 26). Then install the Exit Port Plug.



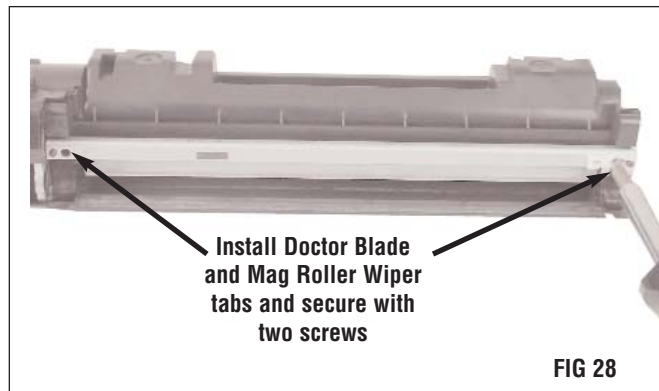


Assembly of the Toner Hopper Section

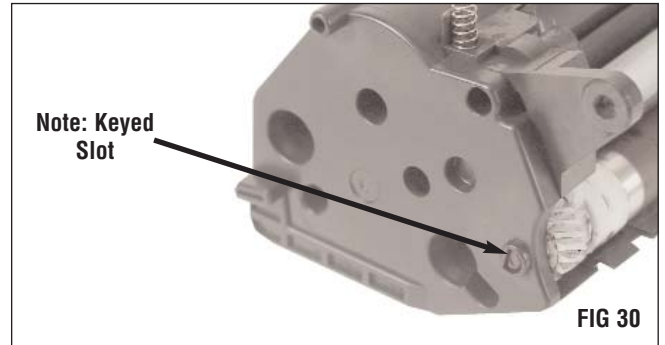
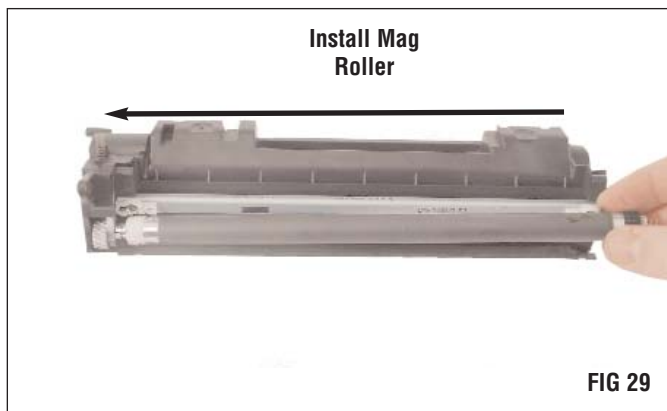
1. Inspect the Mag Roller End Foams and Doctor Blade Sealing Foam for damage. Replace as needed (FIG 27).



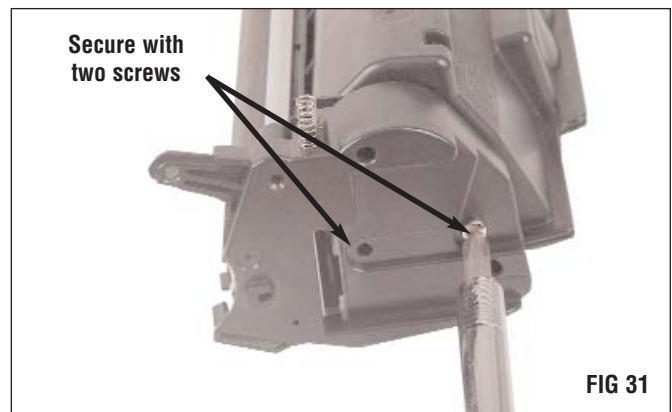
2. Install the Doctor Blade and the Mag Roller Wiper tabs, and secure with two screws. (FIG 28).



3. Install the Mag Roller into the Hopper. The Mag Roller has a keyed end that must fit into the keyed slot of the end plate (FIG 29 and 30).



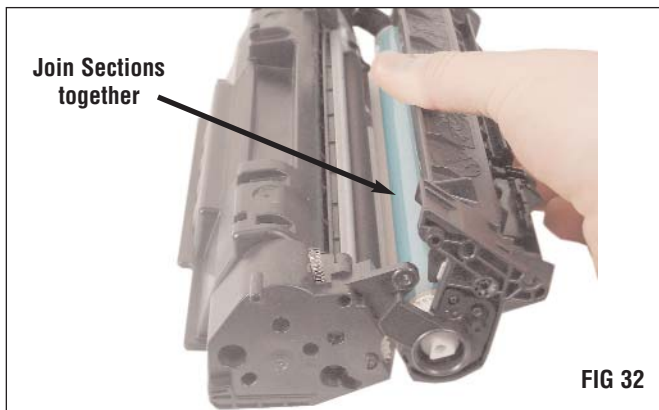
4. Attach the contact end plate to the Hopper and secure with two screws (FIG 31).



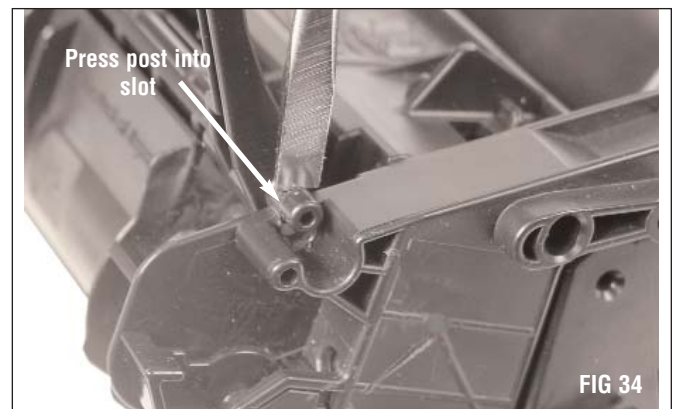
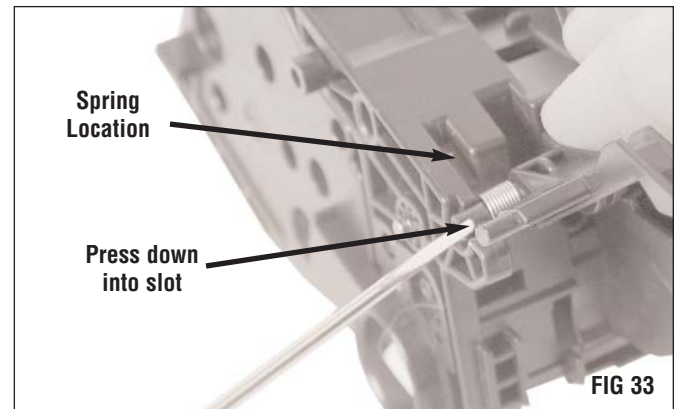


Assembly of the Two Sections

1. Join the Waste Bin with the Toner Hopper, and secure each side of the cartridge with a cartridge pin (FIG 32).



2. Attach the drum shutter to the cartridge (FIG 33 and 34). Be sure that the tension spring fits into the proper slot.



Technology and Support You Can Rely On!

We realize that the success of your business directly affects the success of Static Control. It's no longer a matter of keeping up with your competition, but surpassing them. That is why we invest so much time and effort in the technology necessary for your business to address new market opportunities quickly, and with confidence.

Where monochrome once ruled the industry color is now emerging and taking a foothold. It is our pledge to you, our customer, to do all we can to help you move into this new opportunity and others, as quickly and effortlessly as possible. We will continue to support monochrome markets, while building a comprehensive color technology library for your reference, along with products to support your growing business. Together we can build a partnership for a successful future.



Static Control Components, Inc.
3010 Lee Avenue • PO Box 152 • Sanford, NC 27331
US/Can 800-488-2426 • US/Can Fax 800-488-2452
Int'l 919-774-3808 • Int'l Fax 919-774-1287
www.scc-inc.com

Static Control Components (Europe) Limited
Unit 30, Worton Grange
Reading Berkshire • RG2 0TG • United Kingdom
Tel +44 (0) 118 923 8800 • Fax +44 (0) 118 923 8811
www.scc-inc.com