

## **LICENSE AGREEMENT**

Static Control Components, Inc. (Static Control) grants this limited license to the person, firm or corporation (hereinafter "User") downloading electronically or by printing this file to use Static Control's copyrighted documents in accordance with the terms of this agreement. If you agree with the terms of the license then you may download this information. If you do not agree with the terms of the license, then you are not authorized to use this information, and any use of it may be in violation of Static Control's copyrights or trademarks.

## **TRADEMARKS**

The Static Control material herein may make reference to its own trademarks, or trademarks of others. Static Control grants a limited license to the User to use Static Control's trademarks in its internal documents and for its internal purposes on the following terms and conditions. Any use of Static Control's trademark must be used in a context which makes it clear that the product reference is a Static Control Components, Inc. product, and not a product from any source. The materials provided to the User may include reference to trademarks of others. Any use of the User makes of these marks should reference the owner of those marks. Nothing in this agreement constitutes any authorization by Static Control to use any of these trademarks in any context.

## **COPYRIGHTS**

Static Control grants a limited license to the User to use the attached copyrighted documents. The permitted use of these documents is limited to internal purposes and needs of the company. The company is prohibited from using these copyrighted documents, or any part of them, including graphic elements, in any materials that are used outside the physical business location of the User. The User is prohibited from using any materials in any documents whether printed or electronic, which are distributed to any third party. The use of these copyrighted documents, or parts of them, including graphic elements, from these documents in marketing material, either print, electronic or web is prohibited. The sale, transfer, copying of these documents or any parts of these documents to any other party is prohibited.

Static Control Components, Inc. retains all rights to its copyrighted documents, and any use of these documents by User should reference Static Control's copyrights, with the notice "copyright Static Control Components, Inc."

Static Control reserves the right to cancel this license on 30-days written notice. All of the User's material incorporating Static Control's copyrighted documents shall be destroyed upon receipt of its notice of termination.

The User may not distribute, share, and otherwise convey the copyrighted documents to any other persons, corporations or individuals.

The User, by use of these documents, acknowledges Static Control's copyright in these materials.

## **STATIC CONTROL DOES NOT GUARANTEE OR WARRANT DOWNLOADED INFORMATION**

The information User is downloading is published by Static Control in "as is" condition "with all faults". Static Control makes no representations or warranties of any kind concerning the quality, safety, or suitability of the downloadable materials, either express or implied, including without limitation any implied warranties of merchantability, fitness for a particular purpose, or non-infringement. Further, Static Control makes no representations or warranties as to the truth, accuracy or completeness of any statements, information or materials concerning items available for download. In no event will Static Control be liable for any indirect, punitive, special, incidental, or consequential damages however they may arise even if Static Control has been previously advised of the possibility of such damages.



# Brother HL® 2030/2040/2070 Remanufacturing Instructions



## About the Printer

In January of 2005 Brother® released the HL-2040. The HL-2040 has a print speed of 20 ppm and a first page out of less than 10 seconds. The Brother® HL-2040 is sold in two sections. The Hopper section which sells for \$60 and has an OEM rated

page yield of 2.5k. The Drum Section which sells for \$115 and an OEM rated page yield of 12,000.

## Engine Information

Engine Name	Brother® HL-2040	HL-2070
Printer Price	\$150	\$230
Printer Name	Brother® HL-2040	Brother® HL-2070
First Page Out	Less than 10 sec	Less than 10 sec
Charger	Corona	
Date of U.S. Printer Introduction	Jan. 2005	
Print Speed (pages per minute)	20 ppm	20 ppm
Duty Cycle	N/A	N/A
Print Resolution (dpi)	600 x 600 dpi	600 x 600 dpi

## Cartridge Information

	Toner Section	Drum Unit
Part Number (HL-2040)	TN-350 (N. & S. America) TN-2000 (Europe)	DR-350 (N. & S. Amer.) DR-2000 (Europe)
Cartridge List Price	\$60	\$115
OEM Rated Page Yield	2.5k	12k
Wholesale Price	\$40	\$72

\*Prices as of Jan. 2005

## Table of Contents

Introduction	1-2
Tools & Supplies You Will Need	2
Use of Compressed Air	2
Use of Isopropyl Alcohol	2
Toner Unit	3
Waste Bin Unit	4
Disassembly Toner Hopper Section	5-6
Assembly Toner Hopper Section	7-8
Disassembly of the Drum Section	9-10
Assembly of the Drum Section	11

## WWW.SCC-INC.COM

Get the latest information on the web at Static Control's Brother® HL 2040 Online Engine Center at [www.scc-inc.com](http://www.scc-inc.com)

System Support Series™ documents are available on our Web site in Adobe® Acrobat® format.



If you need additional information or technical assistance, please contact your Regional Support Team.

800 488 2426 (USA)  
919.774.3808 (Int'l)  
+44 (0) 118.923.8800 (UK)  
[info@scc-inc.com](mailto:info@scc-inc.com) (US Email)  
[info@scceurope.co.uk](mailto:info@scceurope.co.uk) (UK Email)  
[www.scc-inc.com](http://www.scc-inc.com)

Version 4  
March 2008

## Use of Compressed Air

As of April 28, 1971, the Occupational Safety & Health Administration (OSHA) Standard, 29 CFR 1910.242 paragraphs a & b for general industry requires effective chip guarding and personal protective equipment (PPE) when using compressed air. When cleaning residual toner particles from cartridges using a compressed air system, you must use air nozzles meeting OSHA requirements. Air nozzles that regulate air pressure to a maximum of 30 psi comply with this standard. Refer to the OSHA publication for any updates or changes that have occurred since the date noted above.

## Use of Isopropyl Alcohol

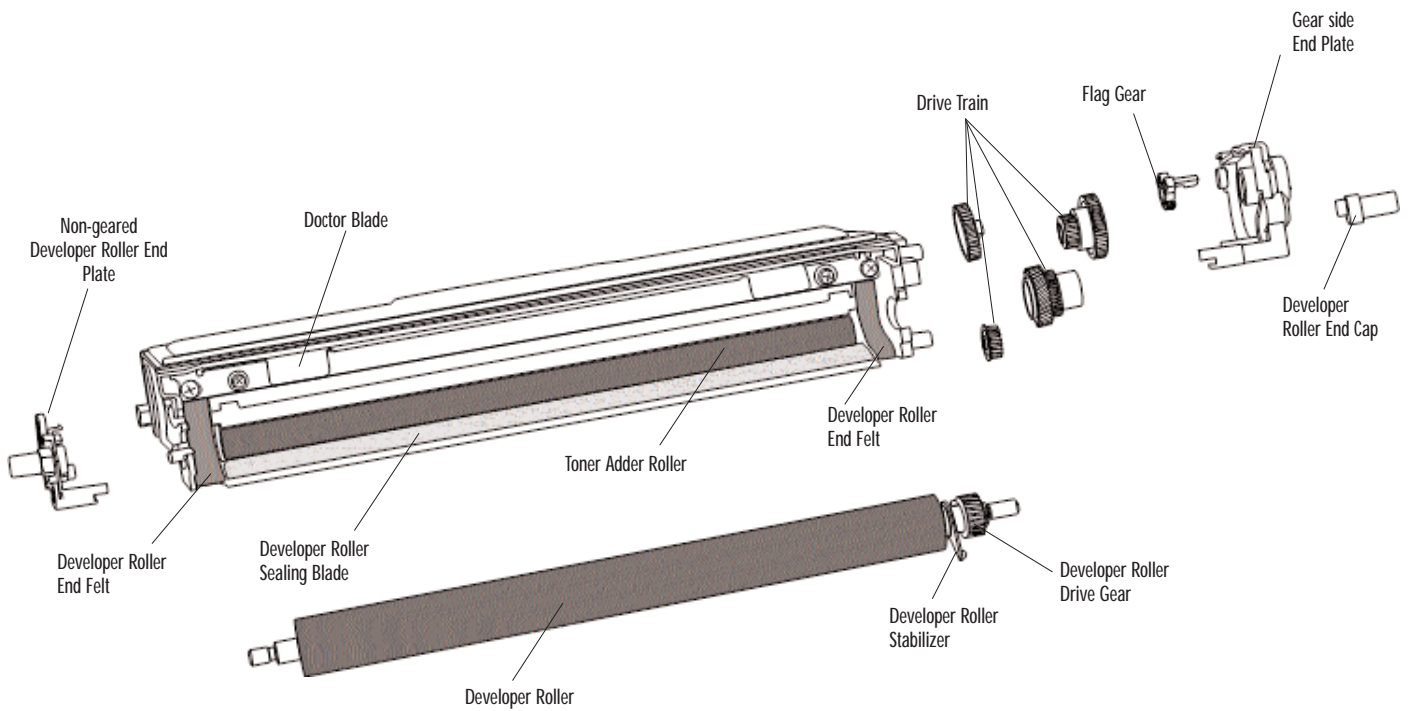
For best results, we recommend using ONLY 91-99% for cleaning as directed in these instructions. 91% Isopropyl alcohol is available at most major drug stores; 99% Isopropyl alcohol is available through distributors of chemical products. Follow the alcohol manufacturer's safety instructions.

## Tools and Supplies You Will Need

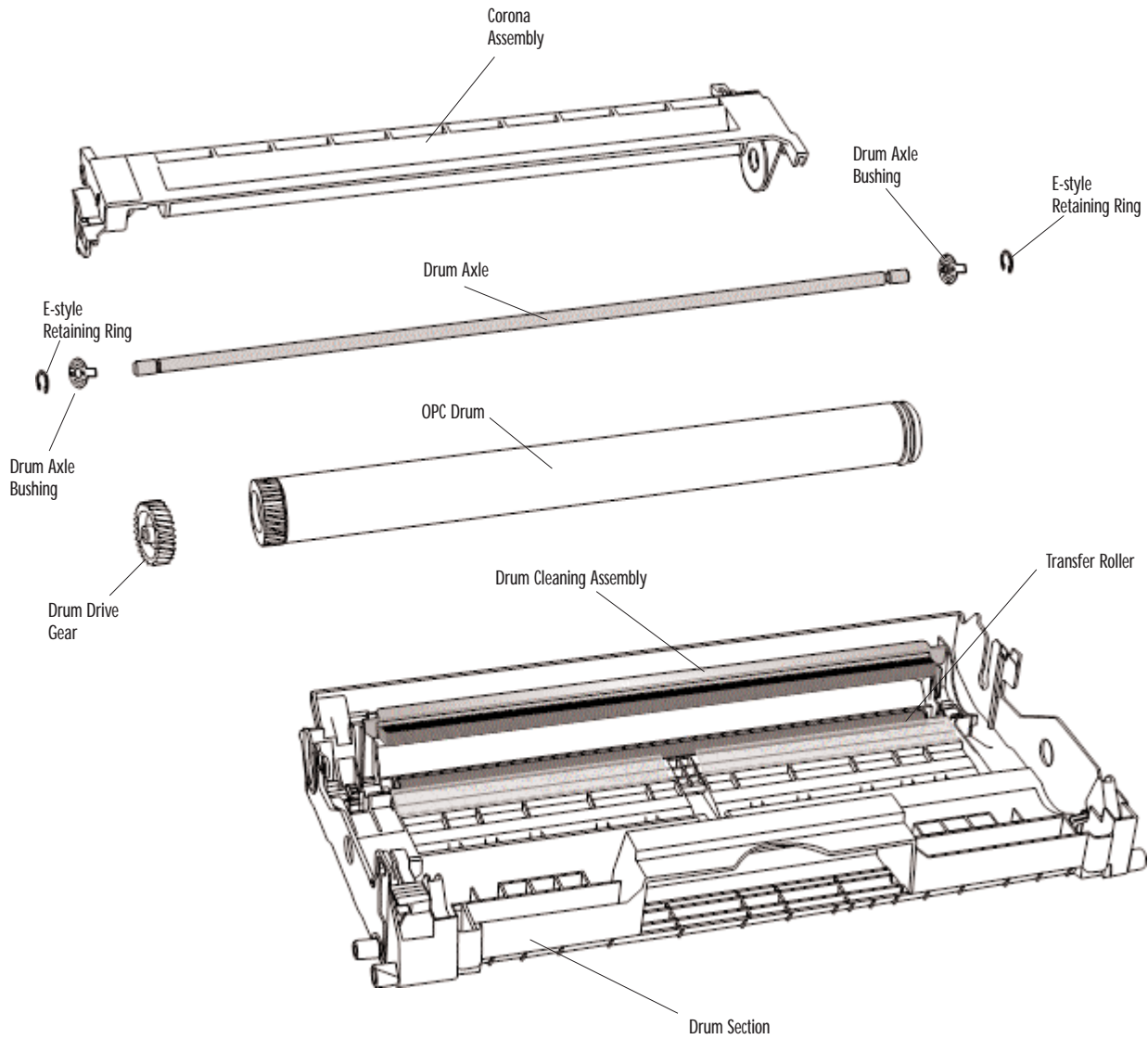
### For Basic Remanufacturing:

- Phillips Screwdriver
- Standard Flat Blade Screwdriver
- Small-Tipped Flat Blade Screwdriver
- Needlenose Pliers
- Funnel for Toner Bottle
- Compressed Air for Cleaning .....(See left)
- 91-99% Isopropyl Alcohol .....(See left)

# Brother® HL 2040 Toner Unit

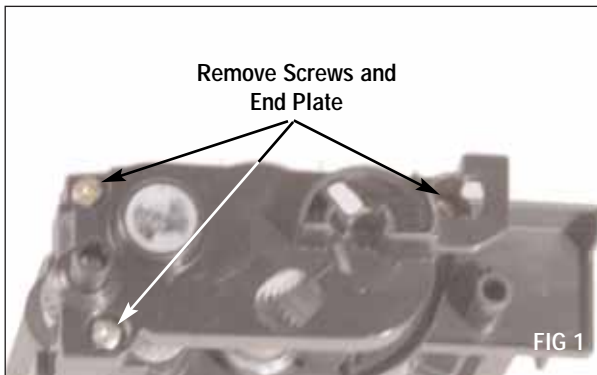


# Brother® HL 2040 Waste Bin and Drum Unit



# Disassembly of the Toner Hopper Section

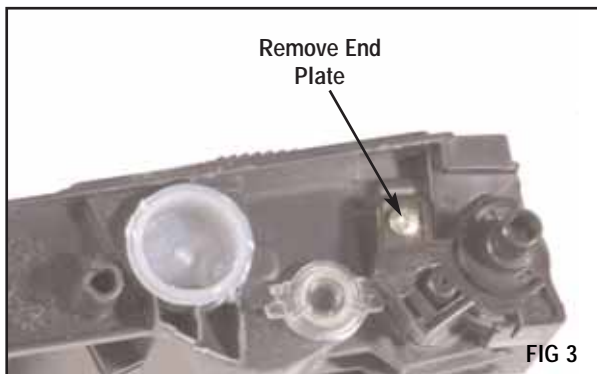
1. Remove the three screws on the gear side end plate. Then remove the gear side end plate (FIG 1).



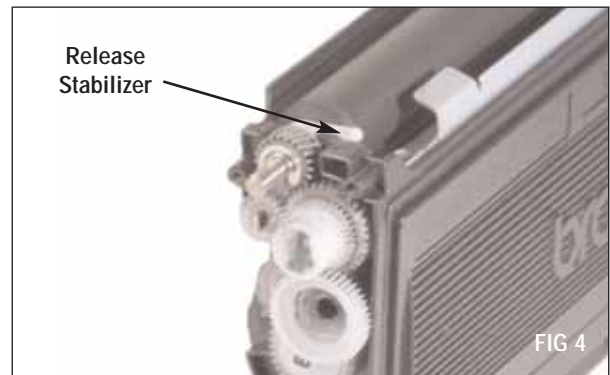
2. Remove the Developer Roller end cap from the geared side of the hopper (FIG 2).



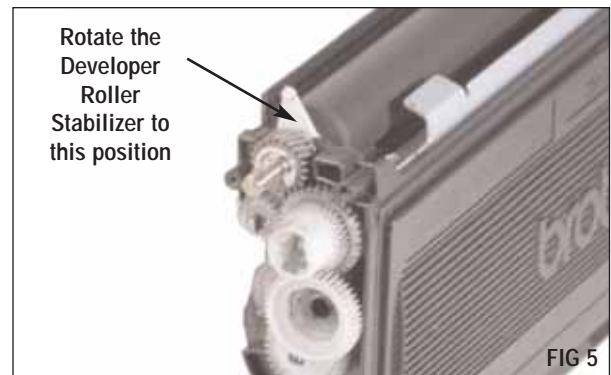
3. Remove the non-geared Developer Roller End Plate (FIG 3).



4. Using a small flat blade screwdriver pry the Developer Roller Stabilizer (FIG 4).



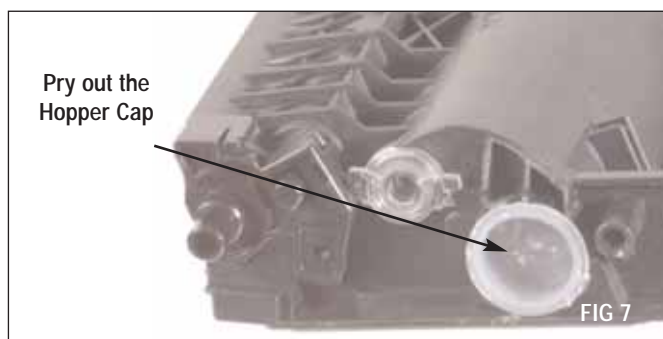
5. Rotate the Developer Roller Stabilizer upwards (FIG 5).



6. Carefully remove the developer roller from the cartridge and clean with dry, filtered compressed air and a lint-free cloth dampened with water (if necessary) (FIG 6). Inspect for damage



7. Using a small flat blade screwdriver pry the Hopper Cap and dump any remaining toner (FIG 7). Careful not to damage the Hopper Cap.

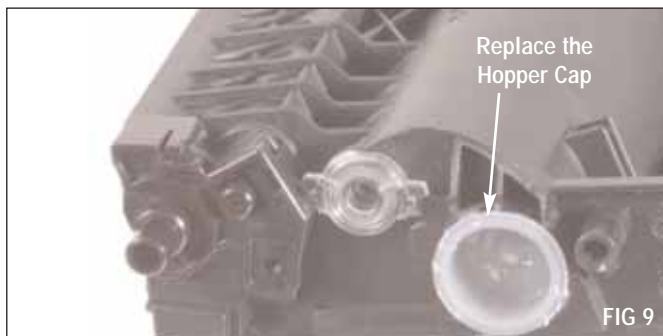


8. Clean the toner hopper section with dry, filtered, compressed air and wipe the doctor blade with a clean, dry cloth (FIG 8).



# Assembly of the Toner Hopper Section

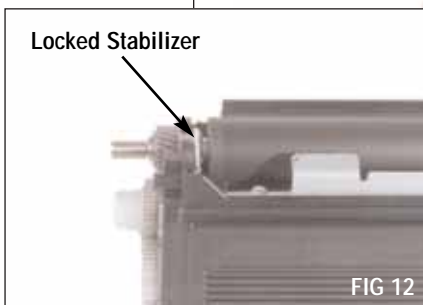
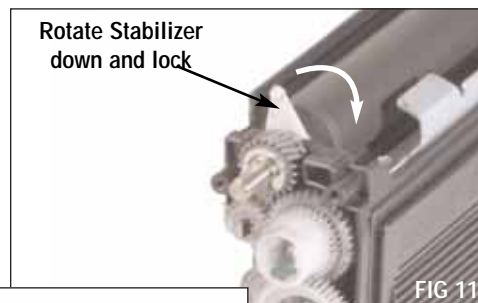
1. Fill the hopper with qualified toner and replace Hopper Cap, use SCC's hopper cap (HCAP-A) if damaged (FIG 9).



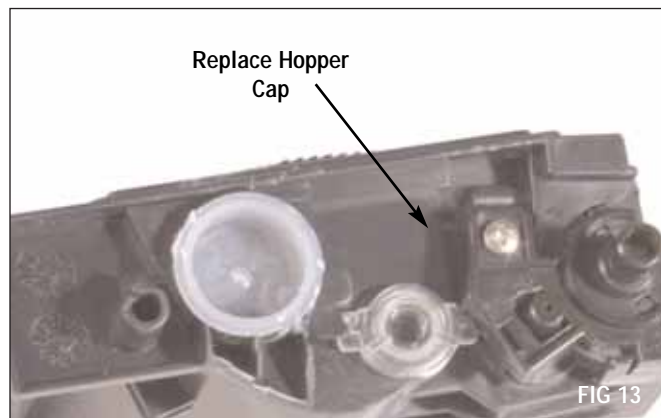
2. Gently place the Developer Roller (B2040DEVRL) into the Hopper (FIG 10).



3. Rotate the Developer Roller Stabilizer downwards and lock to secure the Developer Roller in the Hopper (FIG 11 & 12).



4. Attach the non-g geared side End Plate and secure with one screw (FIG 13).

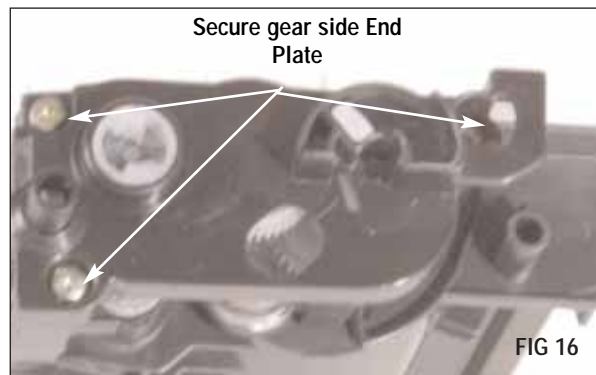
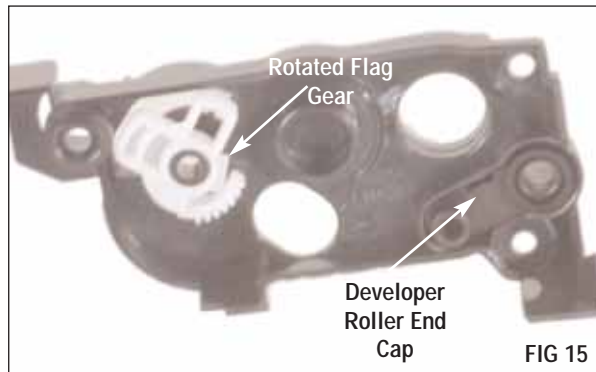
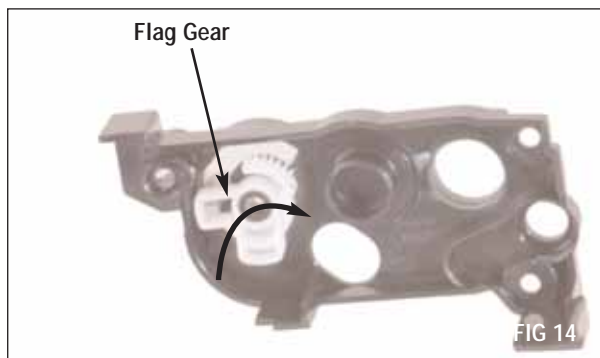




**Note:** Resetting the Flag Gear is necessary in all cartridges, to clear the “Toner Life End” message.

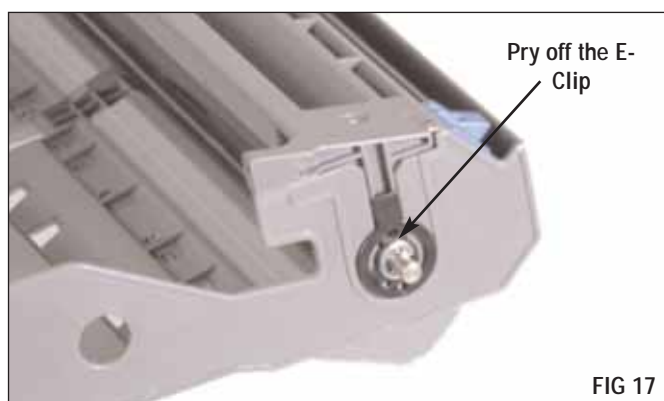
**Note:** The flag should not be reset until the post-testing is completed.

5. If Flag Gear is present in the End Plate it will need to be rotated (FIG 14 and 15). Install the Developer Roller End Cap into the gear side End Plate, then attach to the Hopper and secure with three screws (FIG 16).

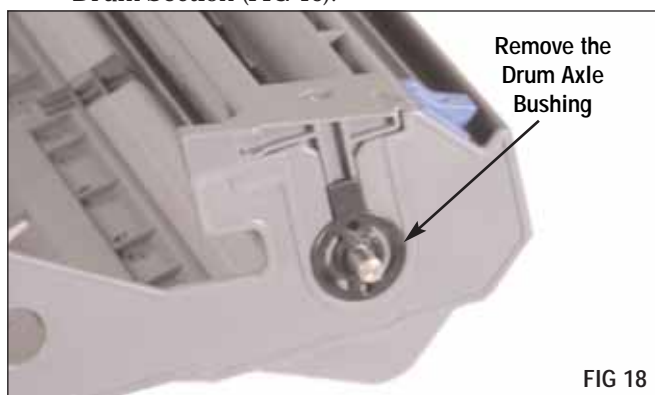


## Disassembly of the Drum Section

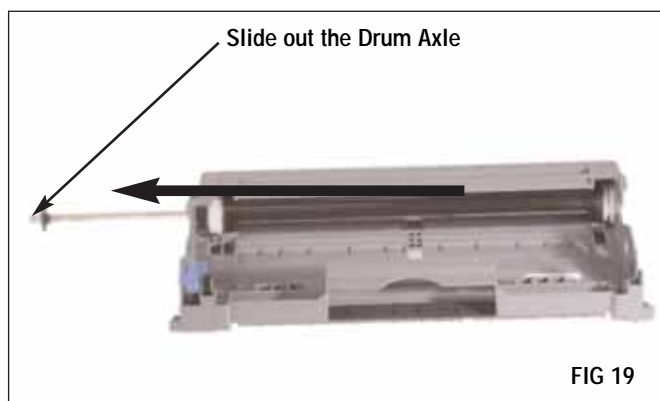
1. Using a small flat blade screwdriver pry off the E-clip on the non-g geared side of the Drum Section (FIG 17).



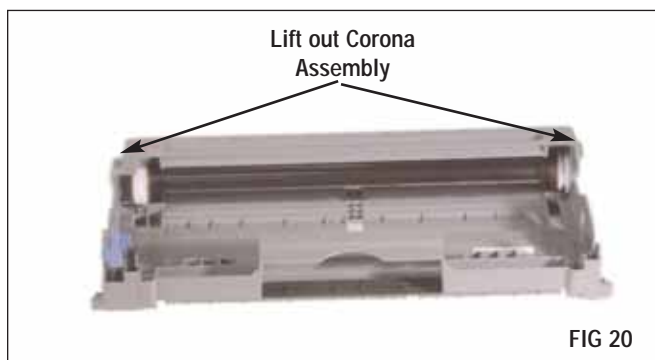
2. Using a small flat blade screwdriver to pry off the Drum Axle Bushing on the non-g geared side of the Drum Section (FIG 18).



3. Slide the Drum Axle out of the geared side of the Drum Section (FIG 19).



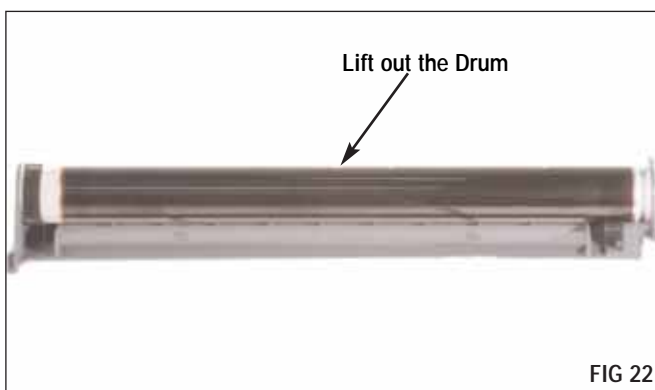
4. Lift the Corona and Drum Assembly from the Drum Section (FIG 20).



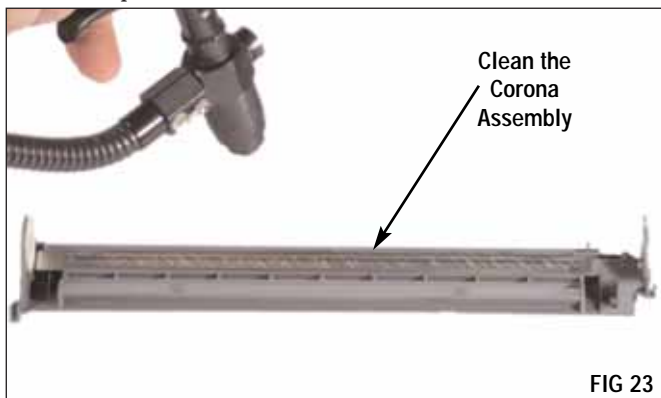
5. Clean the Drum Section with dry, filtered compressed air (FIG 21).



6. Lift the Drum from the Corona Assembly (FIG 22).



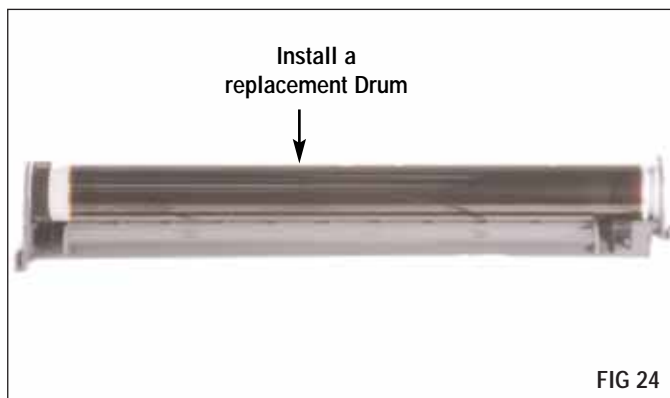
7. Clean the Corona Assembly with dry, filtered compressed air (FIG 23).



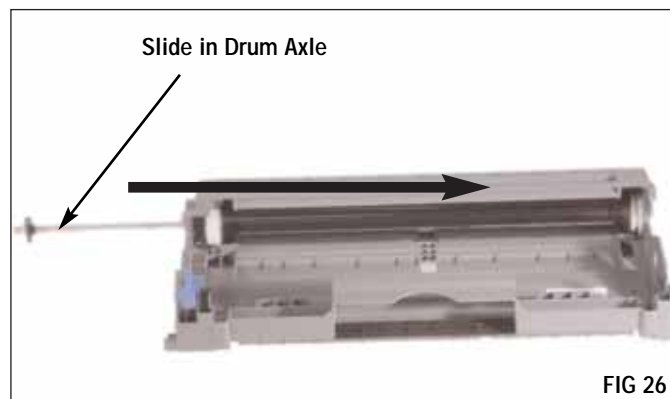


## Assembly of the Drum Section

1. Install a replacement Drum into the Corona Assembly (FIG 24).



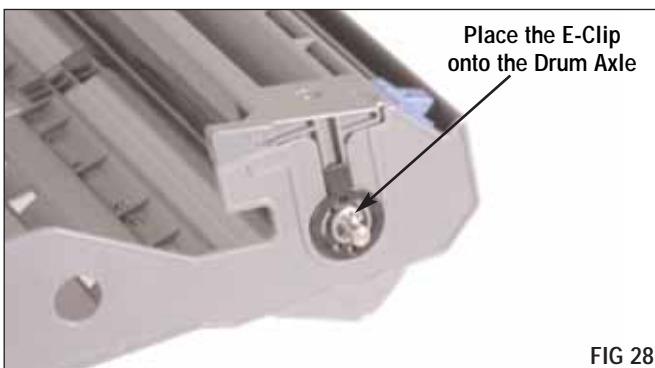
2. Place the Corona Assembly into the Drum Section (FIG 25). Slide the Drum Axle into the geared side of the Drum (FIG 26).



3. Place the Drum Axle Bushing onto the Drum Axle (FIG 27).



4. Fit the E-clip onto the Drum Axle to secure the Drum in the Drum Section (FIG 28).





# Drum and Fax Reset Information

---

## Drum Reset For Printers

1. Turn the printer on. Be sure that the Drum LED is blinking. Open the cover of the printer.
2. Press and hold the GO button until the LEDs light up. Release the GO button after all 4 LEDs are lit.
3. Install the Drum Unit and Toner Hopper Assembly into the printer and close the front cover. Be sure that the Drum LED is now off.

## Drum Reset for Fax/MFP

1. Install the new drum section and leave the front cover open.
2. Press the "Options" button.
3. It will ask if you want to replace the drum, press "1" for YES
4. When you see "Accepted" on the panel, the front cover can be closed.

# Technology and Support You Can Rely On!

---

*We realize that the success of your business directly affects the success of Static Control. It's no longer a matter of keeping up with your competition, but surpassing them. That is why we invest so much time and effort in the technology necessary for your business to address new market opportunities quickly, and with confidence.*

*Where monochrome once ruled the industry color is now emerging and taking a foothold. It is our pledge to you, our customer, to do all we can to help you move into this new opportunity and others, as quickly and effortlessly as possible. We will continue to support monochrome markets, while building a comprehensive color technology library for your reference, along with products to support your growing business. Together we can build a partnership for a successful future.*



**Static Control Components, Inc.**  
3010 Lee Avenue • PO Box 152 • Sanford, NC 27331  
US/Can 800-488-2426 • US/Can Fax 800-488-2452  
Int'l 919-774-3808 • Int'l Fax 919-774-1287  
[www.scc-inc.com](http://www.scc-inc.com)

**Static Control Components (Europe) Limited**  
Unit 30, Worton Grange  
Reading • Berkshire RG2 0TG • United Kingdom  
Tel +44 (0) 118 923 8800 • Fax +44 (0) 118 923 8811  
[www.scceurope.co.uk](http://www.scceurope.co.uk)

©2006 Static Control Components, Inc. All rights reserved worldwide. The stylized S is a registered trademark, and Static Control, SSS and System Support Series are trademarks of Static Control Components Inc. All other brand and product names are trademarks or registered trademarks of their respective companies. Adobe, Acrobat and the Acrobat logo are registered trademarks of Adobe Systems Incorporated.