



Lexmark MS415dn

The Lexmark MS415dn combines a powerful processor, 256 MB of memory, 6 cm (2.4-inch) colour display, eco-conscious features and output at up to 38 pages per minute.

Part Number

35S0255

Print Technology

Monochrome Laser

Workgroup Size

Small Workgroup

Touch Screen Display

No

Display

2.4-inch (60 mm) Colour LCD display

Print Speed (A4, Black)

Up to 38 ppm⁶

Print Speed (A4, Black) Duplex

Up to 16 spm⁶

Time to First Page (Black)

As fast as 6.5 seconds

Duplex (2-sided) Printing

Integrated Duplex

Print Resolution, Black

1200 Image Quality, 1200 x 1200 dpi, 2400 Image Quality, 600 x 600 dpi

Processor

Dual Core, 800 MHz

Memory, Standard

256 MB

Memory, Maximum

256 MB

Hard Disk

Not Available

Apple Operating Systems Supported

Apple OS X (10.6, 10.7, 10.8, 10.9, 10.10)

Linux Operating Systems Supported

SUSE Linux Enterprise Server 10, 11, SUSE Linux Enterprise Desktop 10, 11, Red Hat Linux Desktop 6.0, Linpus Linux Desktop 9.6, Debian GNU/Linux 5.0, 6.0, Red Hat Enterprise Linux WS 4.0, 5.0, 6.0, Ubuntu 11.04, 11.10, 12.04, 12.10, openSUSE 11.3, 11.4, 12.1, 12.2, PCLinuxOS 2011, Mint 9, 10, 11, 12, 13, Fedora 16, 17, 18

Microsoft Windows Operating Systems Supported

Windows XP, Windows Server 2003, Windows XP x64, Windows Server 2003 x64, Windows Vista, Windows Vista x64, Windows Server 2008, Windows Server 2008 x64, Windows 7, Windows 7 x64, Windows Server 2008 R2, Windows 8, Windows 8 x64, Windows Server 2012, Windows 8.1, Windows 8.1 x64, Windows Server 2012 R2, Windows RT, Windows RT 8.1, Windows 10

Novell Operating Systems Supported

Novell NetWare 6.5 Open Enterprise Server, Novell NetWare 5.1(SP 6+), 6.0(SP 3+) with Novell Distributed Print Services (NDPS), Novell Open Enterprise Server on SUSE Linux Enterprise Server

UNIX Operating Systems Supported

HP-UX 11.11, 11.23, 11.31, Sun Solaris SPARC 9, 10, 11, Sun Solaris x86 10, 11, IBM AIX 5.3, 6.1, 7.1

Included Paper Handling

250-Sheet Input, 50-Sheet Multipurpose Feeder, 150-Sheet Output Bin, Integrated Duplex

Optional Paper Handling

250-Sheet Tray, 550-Sheet Tray, 550-Sheet Lockable Tray

Paper Input Capacity, Standard

Up to 300 pages 75 gsm bond

Paper Input Capacity, Maximum

Up to 850 pages 75 gsm bond

Paper Output Capacity, Standard

Up to 150 pages 75 gsm bond

Paper Output Capacity, Maximum

Up to 150 pages 75 gsm bond

Paper Weight Range Supported - Standard Tray (gsm)

60 - 90 gsm

Paper Weight Range Supported - Multipurpose Feeder (gsm)

60 - 163 gsm

Finishing Option

No

Number of Paper Inputs, Standard

2

Number of Paper Inputs, Maximum

3

Media Types Supported

Card Stock, Envelopes, Paper Labels, Plain Paper, Transparencies, Refer to the Card Stock & Label Guide.

Media Sizes Supported

10 Envelope, 7 3/4 Envelope, 9 Envelope, A4, A5, DL Envelope, Executive, Folio, JIS-B5, Legal, Letter, Statement, Universal, Oficio, A6

Standard Ports

Centronics IEEE 1284 Bidirectional Parallel, USB 2.0 Specification Hi-Speed Certified (Type B), Gigabit Ethernet (10/100/1000)

Optional Network Ports

MarkNet N8352 802.11b/g/n Wireless

Direct USB

No

Ethernet Network

Yes

Network Protocol Support

TCP/IP IPv4, AppleTalk™, TCP/IP IPv6, TCP, UDP

Network Printing Methods

LPR/LPD, Direct IP (Port 9100), Enhanced IP (Port 9400), FTP, TFTP, ThinPrint .print integration, IPP 1.0, 1.1, 2.0 (Internet Printing Protocol), Microsoft Web Services WSD, Pull Printing

Network Management Protocols¹

HTTP, HTTPs (SSL/TLS), SNMPv1, SNMPv2c, SNMPv3, WINS, IGMP, APIPA (AutoIP), DHCP, ICMP, DNS, Bonjour, DDNS, mDNS, ARP, NTP, Telnet, Finger,

Network Security

SNMPv3, 802.1x Authentication: MD5, MSCHAPv2, LEAP, PEAP, TLS, TTLS, IPSec

Printable Area (metric)

4.0 mm of the top, bottom, right and left edges (within)

Printer Languages (Standard)

PCL 5e Emulation, PCL 6 Emulation, Personal Printer Data Stream (PPDS), PostScript 3 Emulation, Direct Image, Microsoft XPS (XML Paper Specification), AirPrint™, PDF 1.7 emulation

Fonts and Symbol Sets

3 of 9 scalable PCL 5e fonts in Narrow, Regular and Wide, 2 PCL bitmap fonts, 39 scalable PPDS fonts, 5 PPDS bitmap fonts, 84 scalable PCL fonts, OCR-A, OCR-B scalable PCL 5e fonts, For more information, refer to the Technical Reference., 91 scalable PostScript fonts

Laser Cartridge Yields (up to)⁵

1,500-page Cartridge, 5,000-page Black High Yield Cartridge, 10,000-page Extra High Yield Cartridge,

Imaging Unit Estimated Yield

Up to 60000 pages, based on 3 average letter/A4-size pages per print job and ~ 5% coverage⁴

Cartridge(s) Shipping with Product

3,000-page Starter Return Program Toner Cartridge

Replacement Cartridges:

Product functions only with replacement cartridges designed for use in a specific geographical region. See www.lexmark.com/ regions for more details.

Packaged Size (mm - H x W x D)

380 x 432 x 472 mm

Packaged Weight, kg

16.0 kg

Size (mm - H x W x D)

263 x 399 x 382 mm

Weight

14.2 kg

Noise Level, Idle

15 dBA

Noise Level (Print), Operating

54 dBA

Duplex Print Noise Level, Operating

54 dBA

Quiet Mode

50 dBA

ENERGY STAR

Yes

Average Power (Hibernate Mode)

0.5 watts

Average Power (Sleep Mode)

3 watts

Average Power (Ready Mode)

7 watts

Average Power (Printing)

560 watts

Average Power while Printing Duplex

380 watts

ENERGY STAR Typical Electricity**Consumption (TEC)**

1.8 kilowatt-hours per week

Product Warranty

1-Year Base Warranty Service

Product Certifications

ENERGY STAR, Blue Angel RAL-UZ-171, ICES-003 Class B, BSMI Class B, VCCI Class B, US FDA, UL 60950-1, FCC Class B, cUL CAN/CSA-C22.2 60950-1, NOM, CB EN/IEC 60950-1, CB EN/IEC 60825-1, CE DoC (EN 62301 Class B, EN 62311, CE EN/IEC 60950-1, CE EN/IEC 60825-1, EN 61000-3, EN 55022 Class B, EuP, EN 55024, UL), EFTA (CE), KCC, CCC, CECP, CEL, C-tick DoC, UL-AR, KC mark, UL GS mark, EC 1275, MET-I, ISO 532B, ECMA-370, TED, GOST-R, SII, TER

Maximum Monthly Duty Cycle

Up to 100000 pages per month³

Recommended Monthly Page Volume

750 - 7200 pages²

Specified Operating Environment

Temperature: 16 to 32°C (60 to 90°F),

Humidity: 8 to 80% Relative Humidity, Altitude:

0 - 2896 Meters (9,500 Feet)

License/Agreement Terms

Printers are sold subject to certain license/ agreement conditions. See www.lexmark.com/printerlicense for details.

Country of Origin

China (PRC)

UNSPSC Code

43212105

¹This product includes software developed by the OpenSSL Project for use in the OpenSSL Toolkit. (<http://www.openssl.org/>)

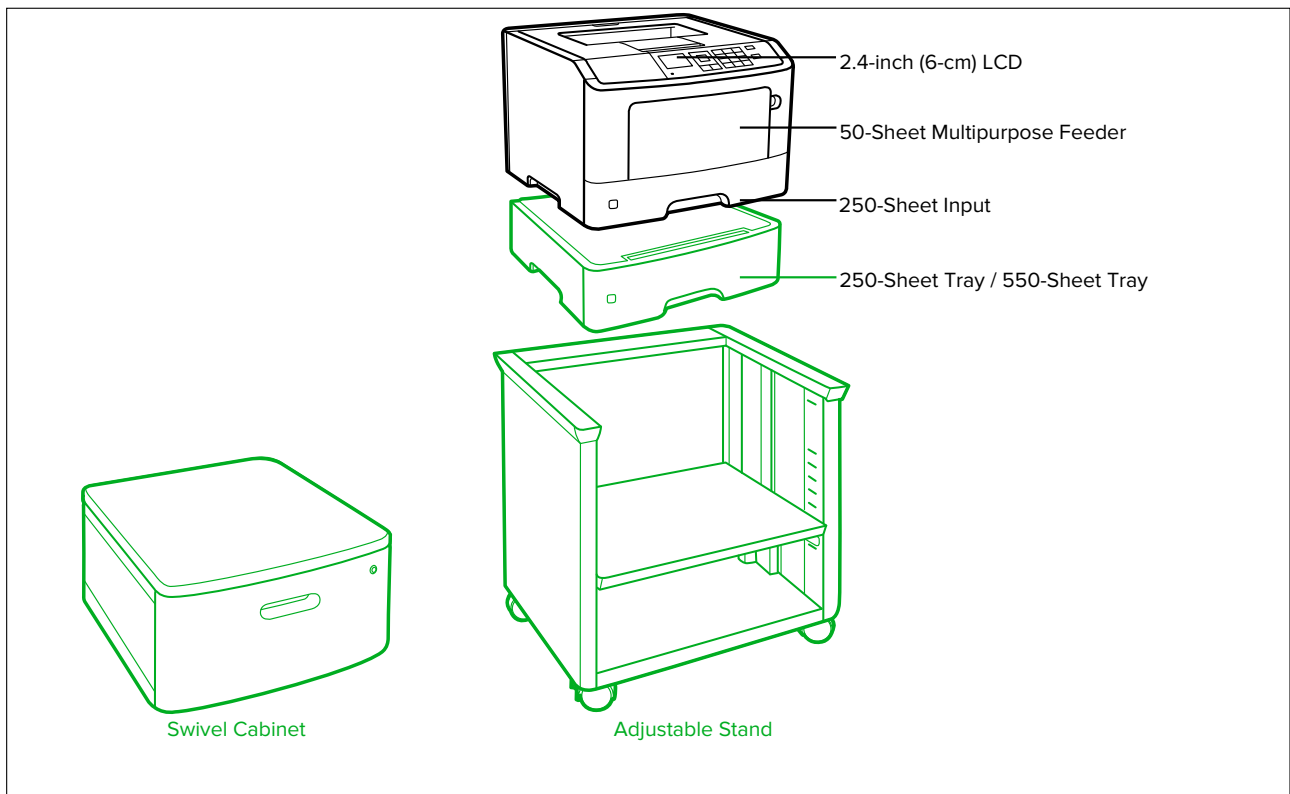
²"Recommended Monthly Page Volume" is a range of pages that helps customers evaluate Lexmark's product offerings based on the average number of pages customers plan to print on the device each month. Lexmark recommends that the number of pages per month be within the stated range for optimum device performance, based on factors including: supplies replacement intervals, paper loading intervals, speed, and typical customer usage.

³"Maximum Monthly Duty Cycle" is defined as the maximum number of pages a device could deliver in a month using a multishift operation. This metric provides a comparison of robustness in relation to other Lexmark printers and MFPS.

⁴Actual Yield may vary based on other factors such as device speed, paper size and feed orientation, toner coverage, tray source, percentage of black-only printing and average print job complexity.

⁵Average standard page yield value declared in accordance with ISO/IEC 19752.

⁶Print and copy speeds measured in accordance with ISO/IEC 24734 and ISO/IEC 24735 respectively (ESAT). For more information see: www.lexmark.com/ISOspeeds.



P/N	Toner Cartridges	P/N	User Replaceable Parts
50F3X00	503X Extra High Yield Return Program Toner Cartridge	41X0918	Pick Tire
50F3H00	503H High Yield Return Program Toner Cartridge	40X8443	Tray Pick roller assembly
50F3000	503 Return Program Toner Cartridge	P/N Installation Service	
50FOXA0	500XA Extra High Yield Toner Cartridge	2355701	MS410 Install, De-Install Service
50FOZ00	500Z Black Return Program Imaging Unit	P/N Service Parts	
50FOZA0	500ZA Black Imaging Unit	40X8295	MPF pick roller and separator pad
		40X8393	Transfer roll
		40X8298	Redrive assembly
		40X8024	Fuser, 220-240V
P/N Paper Handling			
35S0267	250-Sheet Tray		
35S0567	550-Sheet Tray		
35S0367	550-Sheet Lockable Tray		
P/N Memory Options			
57X9101	256MB Flash Memory Card		
P/N Connectivity			
1021294	USB (2 Meter) Cable		
27X0128	MarkNet N8352 802.11b/g/n Wireless Print Server Kit, MS310, MS410, MS510, MS610		
27X0135	MarkNet N8352 Wireless Print Server plus NFC		
SPD0002	Surge Protective Device, 220-240V		
P/N Extended Warranties			
2356745	MS415 1-Year Exchange Service		
2356746	MS415 2-Year Exchange Service		
2356747	MS415 3-Year Exchange Service		
2356752	MS415 Upgrade to Onsite Service		
2356753	MS415 1-Year Onsite Service		
2356754	MS415 2-Year Onsite Service		
2356755	MS415 3-Year Onsite Service		
2356757	MS415 1-Year Onsite Service Renewal		