

New!
Odysey®



- Aitell® 10 Laserprinter/Fax
- BGL® Laserleader Mark 9110
- Burroughs® AP9205-5ppm
- Burroughs® AP9210-10ppm
- Decision Data® 6010 SI-10ppm
- Ergoprint® 510-10ppm/610 II-10ppm
- Facit® 8000/D8100/
P8100/D8103/P8103-10ppm
- Hasi® Inc P810C
- IBM® 3825/ 4019-01-E01
- IBM® 4028/AS1 NS1-10ppm
- IBM® 4029-020/021/022/030/
040/041/042-10ppm
- IBM® 4029 10A/10P-10ppm
- IBM® 4029 Series 20/6A/6P
4029-010-5ppm
- IBM® LaserPrinter 10-10ppm
- IBM® LaserPrinter 10
Model 4029-030
- IBM® LaserPrinter 10A
Model 4029-041
- IBM® LaserPrinter 10L-10ppm
- IBM® LaserPrinter 10L
Model 4029-040
- IBM® LaserPrinter Intelliprint 10
- IBM® LaserPrinter 10P-10ppm
- IBM® LaserPrinter 10P Model
4029-042
- IBM® LaserPrinter 5E/6A/6E/6P
- IBM® LaserPrinter 6 Model 4029-20
- IBM® LaserPrinter 6A Model 4029-21
- IBM® LaserPrinter 6P Model 4029-22
- IBM® LaserPrinter 10/10A/10L/10P
- Lexmark® LaserPrinter 5E/6/10/10L
- Lexmark® Optral®/LX/LXi/R/RX
- Lexmark® WinWriter 600
- Troy® 410
- Unisys® AP9205/AP9210
- Wang® LDP10-SYS
- Memorex® 1910/5030/ 5032
- Memorex® 5038-SCS
- Printer Systems® Intelliprint 10
- BDT ErgoPrint 610 II
- Sun Microsystems® Sparcprinter II/ E
- Decision Data® 6012/ 6016/ 6110
6112/ 6116
- Unisys® AP 9310/ 9312/ 9316
AP 9510/ 9512/ AP9516-Lx
AP 9516-Rx
- Unisys® UDS-9616
- Gestetner Corp. 6110/ 6116/ 6216
- Genicom® 7910/ 7910 CX/ 7910 TX
7912L/ 7912L CX/ 7912L TX
7912R/ 7912R CX/ 7912R TX
7916L/ 7916L CX/ 7916L TX
7916R CX/ 7916R TX/ 7916R
7918L/ 7918R
- Data General® 6892T/ 6948
- Nashuatec® 816/ 910/ 916L
- Tandem® 5576/ 5578
- ITT Courier Alcatel 8339
- Facit P 8165/ P 8166/ P 8167
- Rex Rotary 5116

Engine Overview

The Lexmark® 4019 engine was introduced in several models of IBM's® LaserPrinter series beginning in 1989. The 4019, featuring 300-dpi resolution and a print speed of 5-10 ppm, was an important entry to the printer market as the first desktop laser printer designed and built in the U.S. The subsequent 4029 models, released in 1991, were marked as the first printers introduced by Lexmark® as an independent company. The 4029 family of printers, which ranged from 5-10 ppm, were all based on the 4019 engine.

In 1993, Lexmark® introduced a line of 4039 printers, featuring a new PCR-based cartridge, ranging in print speed from 10-16-ppm and having 600-dpi resolution. The 4049 engine, introduced in 1994, was featured in a new line of Optral® network printers boasting resolution up to 1200 dpi and print speeds ranging from 12-16 ppm. The 4049 introduced yet another PCR-based cartridge. Overall, the printer/cartridge design between the 4019, 4039 and 4049 is very similar.

Some 4019, 4039 and 4049 cartridge components are interchangeable, while others, such as toner and developer rollers, are not.

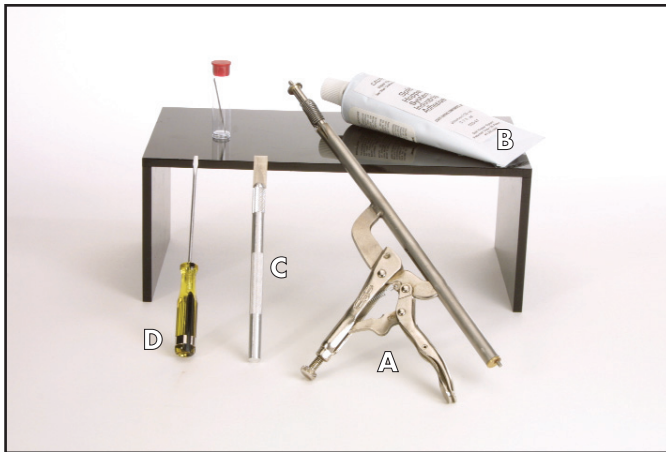
Engine Information

Engine Designation	Lexmark® 4019
Printer Name	LaserPrinter 6 Model 4029-020
Date of Printer Introduction	September 1991
Print Speed (pages per minute)	6 ppm
Resolution (dots per inch)	600 x 600 dpi

Supplies Information

Lexmark® Cartridge	4019/ 4029		4039/ 3912/ 3916		4039/ 4049	
	Standard	High Yield	Standard	High Yield	Standard	High Yield
OEM Part Number	1380200	1380520	1380850	1380950	1382100	1382150
OEM Rated Page Yield	7,000	9,500	7,000	12,800	7,000	14,000
OEM Web MSRP*	\$244.00	\$284.00	\$244.00	\$293.00	\$233.00	\$306.00
Wholesale Price*	\$203.00	\$240.00	\$204.00	\$248.00	\$196.00	\$258.00

*Prices as of March 2005



Lexmark® 4019/39/49 Wiper Blade Tool Kit

SCC offers a creative solution to a tricky wiper blade replacement problem. The Lexmark® 4019/39/49 Wiper Blade Tool Kit was developed to safely spread the cartridge just enough to easily pry the blade from the slots. Once a new wiper blade is installed, the wiper blade tool is released and the cartridge is left completely unchanged and undamaged.

IBMWBTOOLKIT 4019/39/49 Wiper Blade Tool Kit

Includes IBMWBTOOL, IBMWBGGLUE, Scraper Blade Knife Handle, Blades and Flathead Screwdriver

- A. IBMWBTOOL** Wiper Blade Installation Tool
- B. IBMWBGGLUE** Corona Grid Adhesive
- C. Scraper Blade Knife Handle and Blades**
- D. Flathead Screwdriver**



Lexmark® 4019/39/49 Hopper Stabilizer Peg and Bushing

SCC's replacement Lexmark® 4019/39/49 hopper stabilizer peg and bushing positions the hopper in the cartridge shell and provides proper alignment between the developer roller and OPC drum. The OEM peg and bushing are easily damaged when removed.

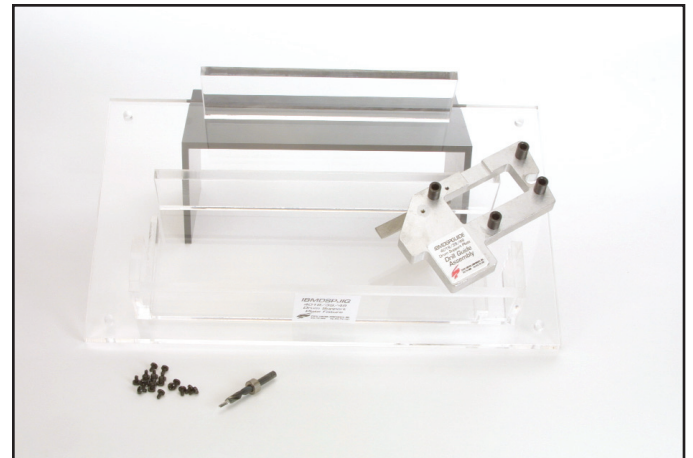
IBMPEG 4019/39/49 Hopper Stabilizer Peg & Bushing



Lexmark® 4019/39/49 Wand

Fuser wands clean excess toner from the fuser and help prevent offsetting. The primary parts of the wand are the injection-molded plastic casing and the silicone-oiled Nomex® felts. In the SX and Lexmark® wands, there is an extra piece of felt on one end of the wand to be used in cleaning the fuser roller before installing the wand. Wands should be replaced each time the cartridge is remanufactured. SCC Nomex® felting is woven to our specifications and delivered in 77" wide rolls. The felting is processed through die-cutting, oiling and adhesive mounting operations. Silicone oil content and viscosity are precisely controlled and adjusted for specific cartridge applications with our proprietary automated process equipment.

4039WAND 4039 Wand - Unflocked in Polybag (qualified for 4049)



Lexmark® 4019/39/49 Support Plate Drill Guide Kit

The 4019/39/49 Support Plate Drill Guide Kit (IBMDSPKIT) provides an extremely fast, reliable method of removing and reinstalling the drum end support plate. This kit precisely removes the plastic rivet heads and pre-drills new screw holes in a single-step operation. Drum support plates and cartridge bodies that have been serviced with this kit are fully interchangeable, an added bonus in your production process.

IBMDSPKIT 4019/39/49 Drum Support Plate Kit

Includes IBMDSPGUIDE, IBMDSPJIG, IBMDRASMBLY, IBMDSPSCREW (100)

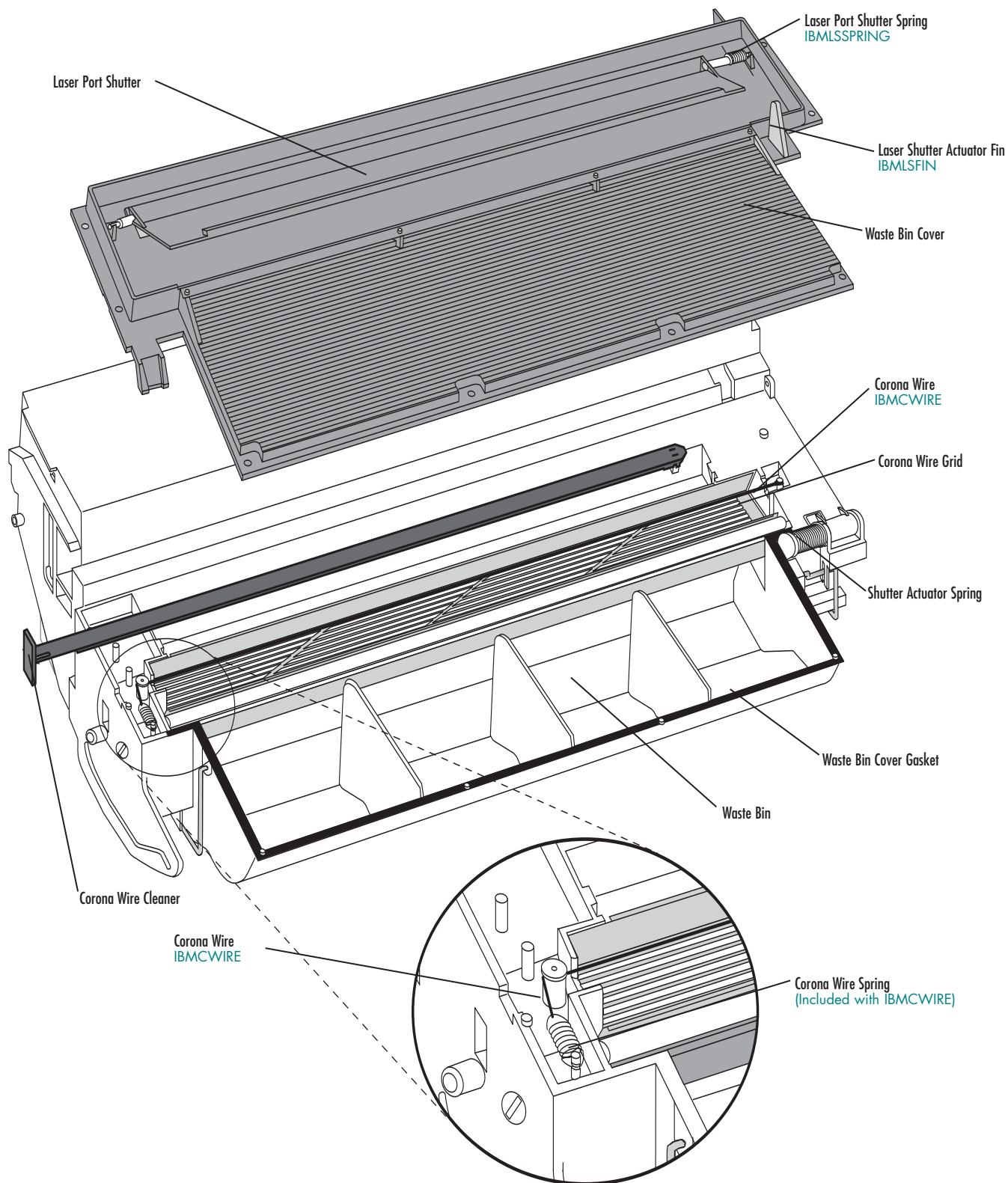


Lexmark® 4019/39/49 Electrical Contact Spring Washer

The electrical contact spring washer provides the necessary electrical contact between the drum and axle on the 4039/49 cartridges. The OEM washer is often misplaced or lost, resulting in a possible print defect. SCC's solution assures you can deliver a complete, high quality cartridge to your customer.

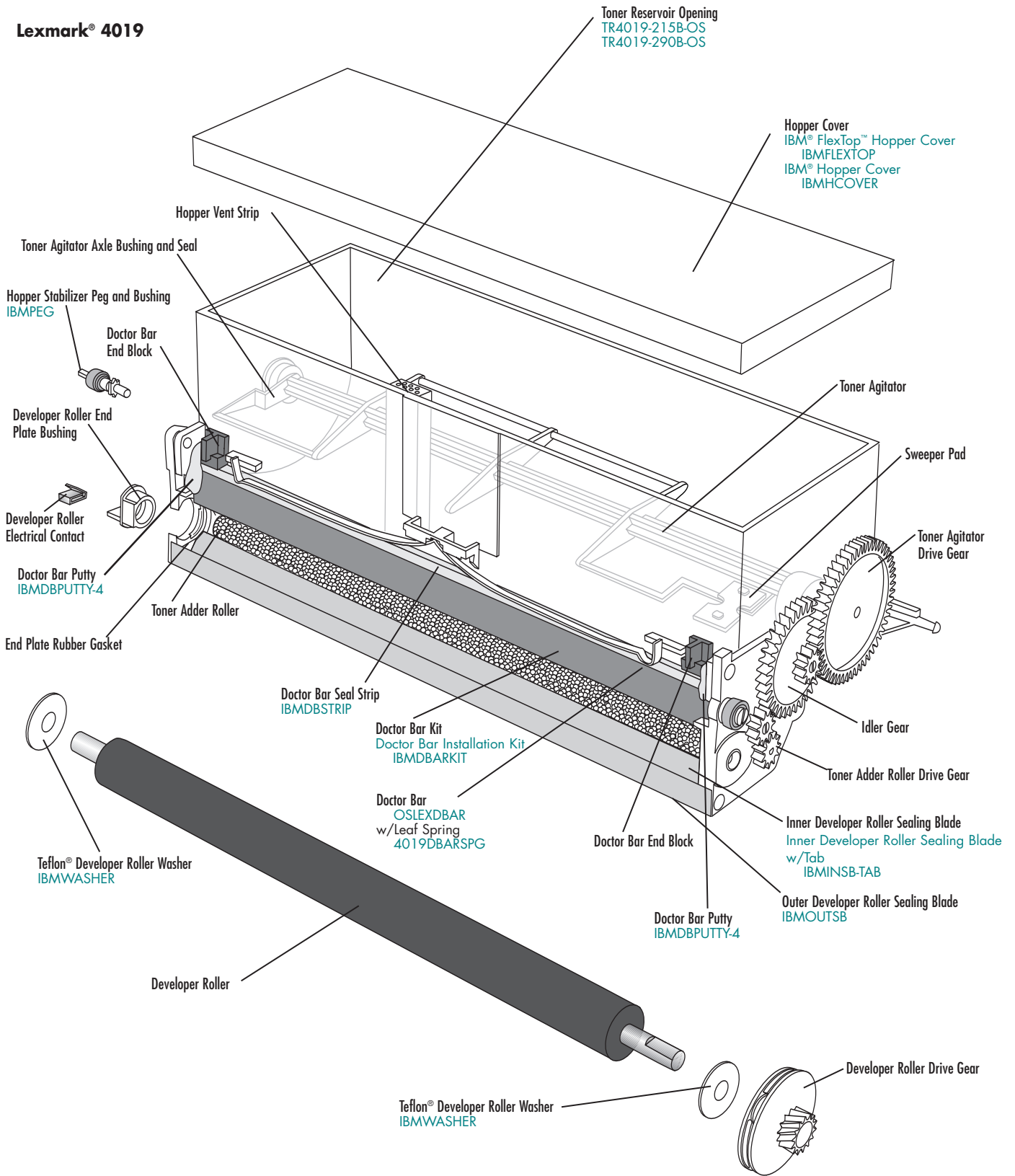
IBMWASHER-2 4039/49 OPC Electrical Contact Spring Washer - Qty. 50

Top View



Waste Bin Assembly

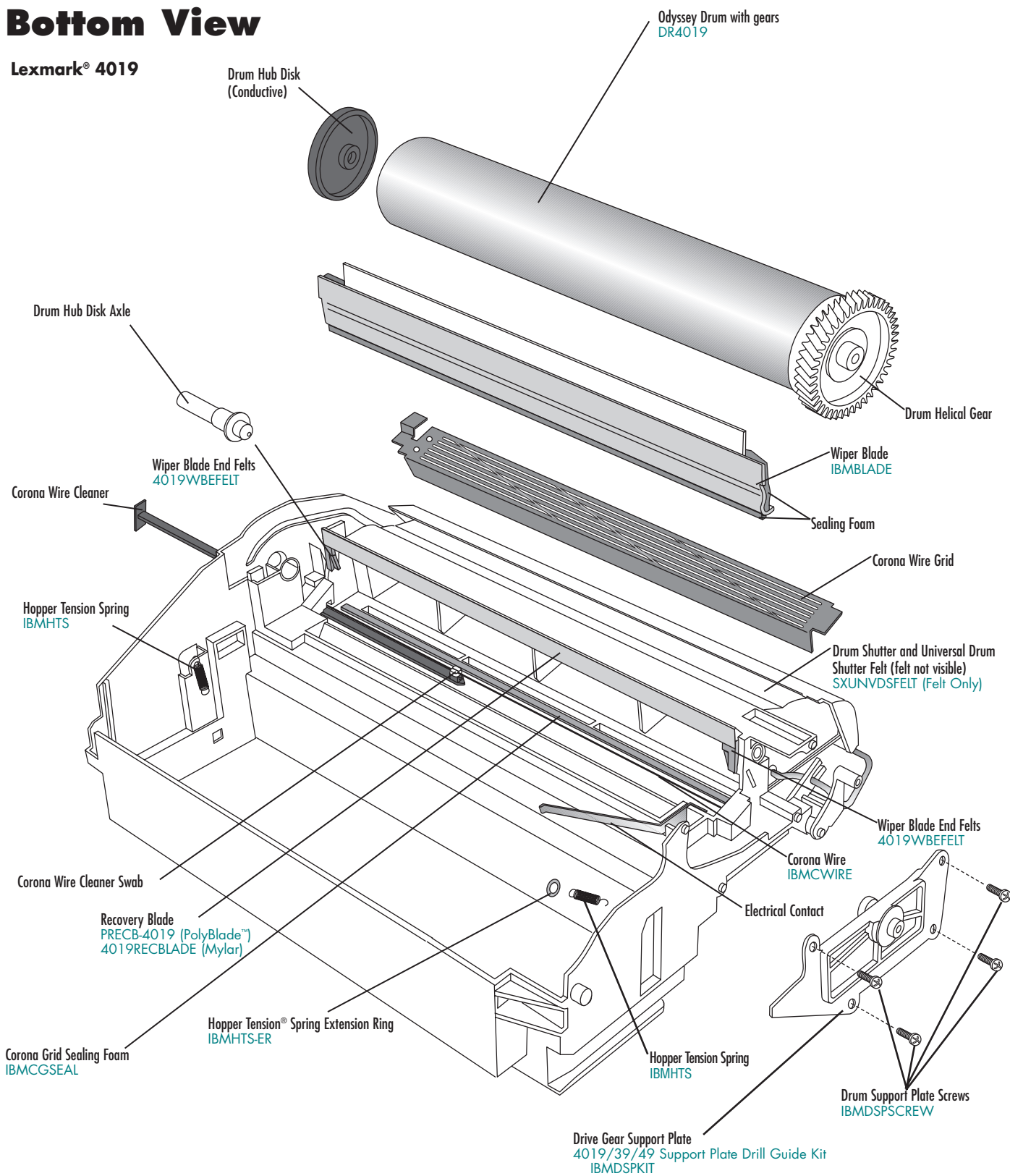
Lexmark® 4019



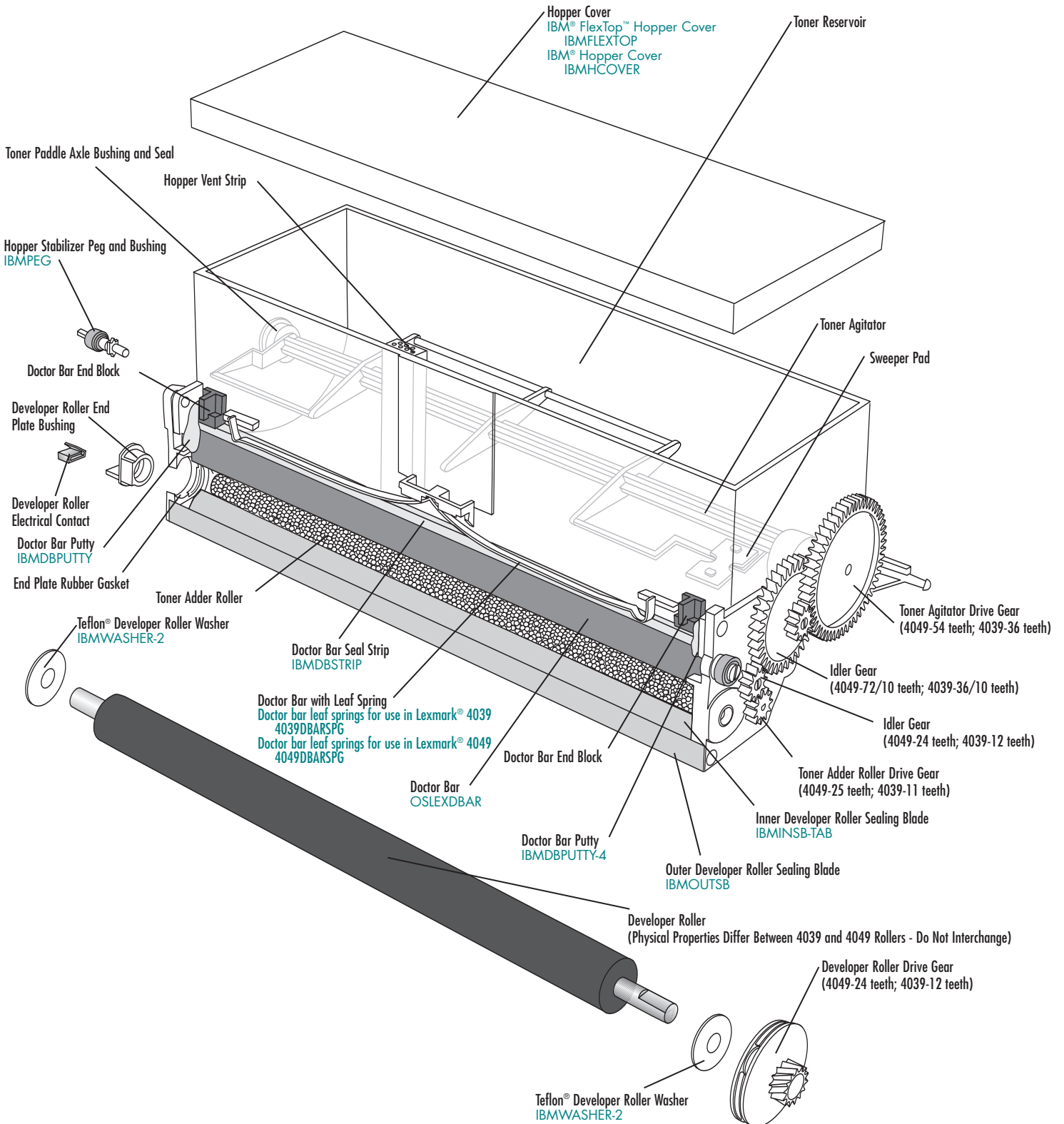
Toner Hopper Assembly
product wirelines

Bottom View

Lexmark® 4019

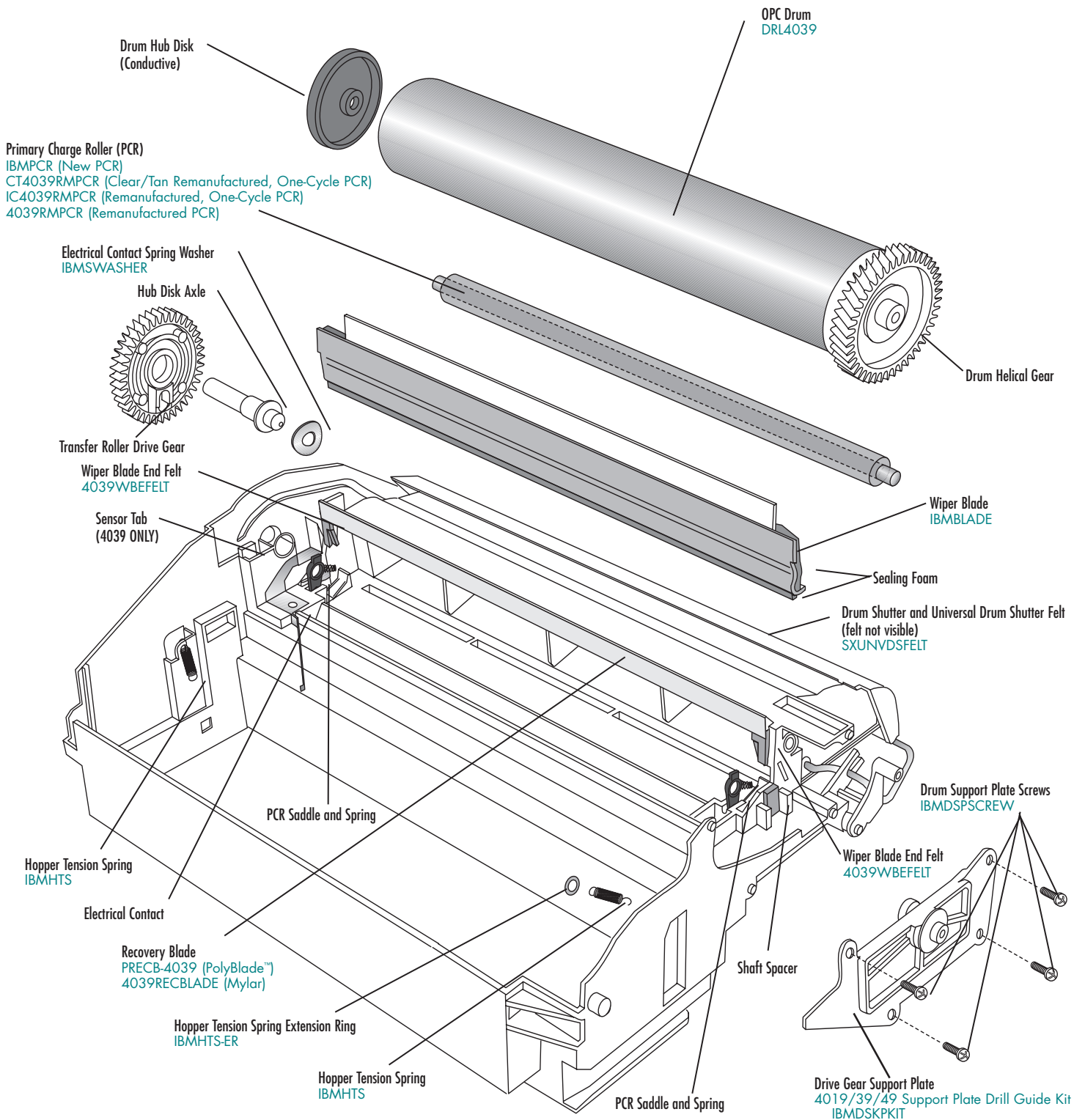


Waste Bin Assembly



Toner Hopper Assembly

product wirelines



Waste Bin Assembly

product wirelines

Lexmark® 4019/39/49

Call for Competitive Market Quotation

SCC Code	Qty.	Description
Toner		
TR4019-215B-OS	1	Odyssey 215g bottle toner for Lexmark 4019
TR4019-290B-OS	1	Odyssey 290g bottle toner for Lexmark 4019
IBM300B-MICR	1	4019 SecureRITE™ MICR Toner, 300g Bottle
4039-270B	1	4039 UltraGraphics™ 1 Toner, 270g Bottle
4039-480B	1	4039 UltraGraphics™ 1 Toner, 480g Bottle
4039-480B-II	1	4039 UltraGraphics™ II Toner, 480g Bottle
4039-480BMICR	1	4039 SecureRITE™ MICR Toner, 480g Bottle
4049-270B	1	4049 Toner 1200 Plus Toner, 270g Bottle
4049-480B	1	4049 Toner 1200 Plus Toner, 480g Bottle
Doctor Bar		
OSLEXDBAR	10	Odyssey Doctor bar for Lexmark engines
4019DBARSPG	10	Doctor bar leaf springs for use in Lexmark 4019
4039DBARSPG	10	Doctor bar leaf springs for use in Lexmark 4039
4049DBARSPG	10	Doctor bar leaf springs for use in Lexmark 4049
Drums		
DR4019	1	Odyssey Drum with gears for use in Lexmark 4019
Primary Charge Rollers (PCRs)		
IBMPCR	10	4039/49 New PCR
CT4039RMPCR	1	4039/49 Clear/Tan Remanufactured One-Cycle PCR
1C4039RMPCR	1	4039 One-Cycle Remanufactured PCR
4039RMPCR	1	4039 Remanufactured PCR
Blades		
IBMBLADE	1	4019/39/49 Wiper Blade
PRECB-4019	25	4019 PolyBlade™ Recovery Blade (Polyurethane)
4019RECBLADE	25	4019 Recovery Blade (Mylar)
PRECB-4039	25	4039/49 PolyBlade™ Recovery Blade (Polyurethane)
4039RECBLADE	25	4039/49 Recovery Blade (Mylar)
IBMOUTSB	25	4019/39/49 Outer Developer Roller Sealing Blade
IBMINSB-TAB	25	IBM® Inner Developer Roller Sealing Blade w/Tab
Packaging Supplies		
IBMBOX	25	4019 Cartridge Box, Two Color Design
IBMINSERT	25	4019/39 Standard Yield Cartridge Box Insert
4019LABEL-S	1	4019 Box Label, Small - Green (100 per roll)
4019LABEL-L	1	4019 Box Label, Large - Green (100 per roll)
4019CLABEL	1	4019 Cartridge Label (100 per roll)
4039BOX	25	4039 Cartridge Box - Brown (with green printing)
4039LABEL-S	1	4039 Box Label, Small - Green (100 per roll)
4039LABEL-L	1	4039 Box Label, Large - Green (100 per roll)
4039CLABEL	1	4039 Cartridge Label (100 per roll)
4049CLABEL	1	4049 Cartridge Label (100 per roll)
4049LABEL-S	1	4049 Box Label, Small - Green (100 per roll)
4049LABEL-L	1	4049 Box Label, Large - Green (100 per roll)
4049BOX	25	4049 Universal Cartridge Box - Brown (with green printing)

SCC Code	Qty.	Description
4049INSERT	25	4039/49 Cartridge Box Insert
EARTHBOX-L	25	EarthBox™ Tapeless Cartridge Box - Large
BPTAPE	1	Brown Paper Tape (2" x 60', 24 rolls per case)
WCTAPE	1	White Flat-Back Paper Tape (2" x 60', 24 rolls per case)
5001418	100	Foil Bag (14" x 18")
5501418	100	ZipTop™ Foil Bag (14" x 18")
LEXCWRAP-SH	10	Foam Cartridge Wrap for Lexmark® 4019/39/49
Cartridge Parts & Supplies		
IBMGUARD	100	4039/49 PCR/OPC Protector Paper w/Warning Sticker
IBMCIWIRE	5	4019 Corona Wire w/Spring
IBMCGSEAL	25	4019 Corona Grid Sealing Foam
4019WBFEFELT	25	4019/39/49 Wiper Blade End Felt (set of four)
SXUNVDSFELT	100	SX Universal Drum Shutter Felt
4039WBFEFELT	25	4039/49 Wiper Blade End Felt (set of four)
4039FELT	50	4039/49/59 Nomex® Felt w/End Pieces
IBMFELT	50	4019 Nomex® Felt w/End Pieces
IBMWASHER-2	100	Lexmark® IBM® 4019/39/49 Developer Roller Washer
IBMFLXTOP	25	4019/39/49 FlexTop™ Hopper Cover
IBMHCOVER	10	4019/39/49 Hopper Cover
IBMHTS	1	4019/39/49 Hopper Tension Spring (package of 20)
IBMHTS-ER	50	4019/39/49 Hopper Tension Spring - Extension Ring
IBMRBAND	20	4019/39/49 Waste Bin Cover Rubber Band
IBMLSSPRING	50	4019/39/49 Laser Port Shutter Spring
IBMPEG	50	4019/39/49 Hopper Stabilizer Peg & Bushing
IBMDSMSCREW	1	4019/39/49 Drum Support Plate Screws (100 per pack)
IBMDBPUTTY-4	1	4019/39/49 Doctor Bar Putty 4" Strip
IBMDBSTRIP	25	4019/39/49 Doctor Bar Seal Strip
IBMLSFIN	25	4019/39/49 Laser Shutter Actuator Fin
4039WAND	10	4039/49 Wand - Unflocked in Polybag
IBMWAND	10	4019 Wand - Flocked in Shrink Wrapping
IBMSWASHER	50	4039/49 OPC Electrical Contact Spring Washer
CSS-46	1	Manual Adhesive Dispenser
LFSWAB	50	Lint-Free Foam Tip Swab
UNIHANDLE	1	Universal Handle
ADHNOZ28	30	Adhesive Nozzle #28 (for use with manual adhesive dispenser)
WBAG	100	Reclosable, Printed Fuser Wand Bag
IBMWBGLUE	1	4019/39/49 Wiper Blade Adhesive (3.7 fl. oz. tube)
CSEALANT	1	Cartridge Sealant/Lubricant

Lexmark® 4019/39/49

Call for Competitive Market Quotation

SCC Code	Qty.	Description
Cartridge Tools & Kits		
IBMWBJIG	1	4019/39/49 Waste Bin Fixture
IBMHJIG	1	4019/39/49 Hopper Fixture
IBMAPTOOL	1	4019 Alignment Post Deburr Tool
IBMDSPGUIDE	1	4019/39/49 Drill Guide Assembly
IBMDRASMBLY	1	4019/39/49 Drill Assembly
IBMDSPJIG	1	4019/39/49 Drum Support Plate Cartridge Fixture
HTOOL	1	Hooked End Metal Tool
PRYTOOL	1	Cartridge Pry Tool
FCPLIER	1	Flush Cutting Pliers
CFILE	1	Cartridge/File Handle
IBMWBTOOL	1	4019/39/49 Wiper Blade Tool
IBMWBTOOLKIT	1	4019/39/49 Wiper Blade Tool Kit Includes Wiper Blade Tool, Wiper Blade Adhesive, Scraper Tool, Three Replacement Blades, Screwdriver
IBMSBTOOL	1	4019/39/49 Developer Roller Sealing Blade Tool
IBMCWKIT	1	4019 Corona Wire Replacement Kit Includes Split Hopper Adhesive Glue, Manual Adhesive Dispenser, Alignment Post Deburr Tool, Universal Handle, Waste Bin Jig, Hooked End Metal Tool, Cartridge Pry Tool, Flush Cutting Pliers, Cartridge/File Handle, Instructions, Adhesive Nozzle #28 (3), Lint-Free Foam Tip Swab (10), Corona Wire/Spring, Waste Bin Cover Rubber Band (20)
IBMDSPKIT	1	4019/39/49 Drum Support Plate Kit
IBMDBARKIT-4	1	4019/39/49 Doctor Bar Installation Kit Includes Doctor Bar Putty, Doctor Bar Seal Strip (25)
IBMDRSBKIT	1	4019/39/49 Developer Roller Sealing Blade Kit Includes Hopper Fixture, Developer Roller Sealing Blade Tool, Inner Developer Roller Sealing Blade (10), Outer Developer Roller Sealing Blade (10)