

5 Parts List

Overview

Introduction	5-3
Subsystem Information	5-4
Symbology	5-5

Parts Lists

Drive

PL 1.1 Drum/IBT Drive	5-7
PL 1.2 Main Motor, Drum Brush Drive	5-8
PL 1.3 Deve./BPD Drive, IBT Cleaner Retract.....	5-9
PL 1.4 2nd BTR/Oil Roll/Auger Drive	5-10
PL 1.5 Main Motor 2, Tray 5/Regi./Tray 1 Take Away Drive.....	5-11
PL 1.6 Fuser/Exit Drive	5-12

Paper Transport

PL 2.1 Tray 1/2/3/4, Tray Sensor, Label	5-13
PL 2.2 Tray 1 Component	5-14
PL 2.3 Tray 2/3/4 Component	5-15
PL 2.4 Tray 1-4 Feeder	5-16
PL 2.5 Feeder Component (Part 1 of 2).....	5-17
PL 2.6 Feeder Component (Part 2 of 2).....	5-18
PL 2.7A Tray 2-4 Take Away Drive (Part 1 of 2).....	5-19
PL 2.7B Tray 2-4 Take Away Drive (Part 2 of 2).....	5-20
PL 2.8 Left Lower Cover	5-21
PL 2.9 Tray 5 Unit, Tray 5 Feed Clutch/Roll	5-22
PL 2.10 Tray 5 Upper (Part 1 of 2).....	5-23
PL 2.11 Tray 5 Upper (Part 2 of 2).....	5-24
PL 2.12 Tray 5 Base	5-25
PL 2.13 Tray 5 Tray	5-26
PL 2.14 Regi. Unit, DTS HVPS	5-27
PL 2.15 Regi.-Regi.	5-28
PL 2.16 Regi.-Pre Regi.	5-29
PL 2.17 Vacuum Transport	5-30
PL 2.18 Drawer Accessory, Duplex Baffle	5-31
PL 2.19 Drawer Frame, Duplex Out Motor/Roll, Duplex Chute.....	5-32
PL 2.20 Duplex In/Aligner Baffle Component.....	5-33
PL 2.21 Duplex In/Aligner Chute Component	5-34
PL 2.22 Drawer Frame Component	5-35
PL 2.23 Inverter Unit	5-36
PL 2.24 Inverter 1 Component	5-37
PL 2.25 Inverter 2 Component (Part 1 of 2).....	5-38
PL 2.26 Inverter 2 Component (Part 2 of 2).....	5-39

IIT

PL 3.1 Platen Glass: ITT	5-40
PL 3.2 CCD PWB, Sensor	5-41
PL 3.3 Carriage Cable/Motor	5-42

PL 3.4 Full/Half Rate Carriage	5-43
PL 3.5 IPS	5-44

ROS

PL 4.1 ROS	5-45
------------------	------

Xerographics

PL 5.1 ESV Sensor, Erase Lamp	5-46
PL 5.2 CC/PCC Connector, Waste Toner Bottle (IOT Rear).....	5-47
PL 5.3 Drum Component.....	5-48
PL 5.4 Charge/Pre Clean Corotron	5-49
PL 5.5 Waste Toner Auger.....	5-50

Development

PL 6.1 Development Components	5-51
PL 6.2 Toner Cartridge Unit	5-52
PL 6.3 Toner Cartridge Component (Part 1 of 2).....	5-53
PL 6.4 Toner Cartridge Component (Part 2 of 2).....	5-54
PL 6.5 Rotary Dispenser	5-55
PL 6.6 Deve. Housing	5-56
PL 6.7 Rotary Frame/Auger	5-57

IBT

PL 7.1 IBT System Component.....	5-58
PL 7.2 Rail Front Plate	5-59
PL 7.3 Left/Right Rail	5-60
PL 7.5 IBT-Belt, Sensor, Steering Roll.....	5-61
PL 7.6 IBT Component (Part 1 of 2).....	5-62
PL 7.7 IBT Component (Part 2 of 2).....	5-63
PL 7.8 IBT Cleaner.....	5-64
PL 7.9 2nd BTR.....	5-65
PL 7.10 2nd BTR Component	5-66

Fusing

PL 8.1 Fuser Unit, Front Cover	5-67
PL 8.2 Fuser Sub Assembly.....	5-68
PL 8.3 Heat/Pressure Roll.....	5-69
PL 8.4 Heat Roll Sensor, External Heat Roll Retract/Web Motor.....	5-70
PL 8.5 Web Shutter, Cleaning Roll (Heat Roll)	5-71
PL 8.6 Pressure Roll Sensor, Pressure Roll Nip.....	5-72
PL 8.7 Oil Pump/Tank	5-73
PL 8.8 External Heat Roll	5-74
PL 8.9 Pick Up/Donor Roll.....	5-75
PL 8.10 Exit Chute	5-76

Electrical

PL 9.1 Front, Right	5-77
PL 9.2 IOT Top/Rear	5-78
PL 9.3 Tray Module, Rear	5-79

PL 9.4 Drawer Connectors	5-80	Part Number Index	5-119
PL 9.5 Control Panel	5-81		
PL 9.6 EMI/Safety for Fuser Heat Lamp (50 Hz)	5-82		
Air System			
PL 10.1 Air System-Front Door	5-83		
PL 10.2 Air System-Rear, Right	5-84		
Cover			
PL 11.1 Platen/Top Cover	5-85		
PL 11.2 Front/Right Cover	5-86		
PL 11.3 Rear/Left Cover	5-87		
DADF			
PL 12.1 Front/Rear Cover, Entrance Tray	5-88		
PL 12.2 Top Cover, Registration Gate Solenoid	5-89		
PL 12.3 Counter Balance, DADF Control PWB	5-90		
PL 12.4 Document Feed Chute (Upper), Feed Motor	5-91		
PL 12.5 Document Feed Chute (Lower)	5-92		
PL 12.6 DADF Belt Motor, Duplex Roll	5-93		
PL 12.7 Duplex Chute	5-94		
PL 12.8 Registration Roll	5-95		
PL 12.9 Exit Motor/Chute	5-96		
PL 12.10 Document Transport, Platen Belt	5-97		
PL 12.11 Platen Glass, Registration Gate, Exit Tray: DADF	5-98		
Mail Box			
PL 13.1 Mail Box Accessory	5-99		
PL 13.2 Docking Rail	5-100		
PL 13.3 Mail Box Sub Assembly	5-101		
PL 13.4 Mail Box Cover	5-102		
PL 13.5 ACT Cover, Bin Tray 1	5-103		
PL 13.6 Bin Tray 2/4/6/8	5-104		
PL 13.7 Bin Tray 3/5/7/9	5-105		
PL 13.8 Bin Tray 10	5-106		
PL 13.9 Mail Box Roll, Chute	5-107		
PL 13.10 Mail Box Motor, PWB	5-108		
PL 13.11 Decurler Cover	5-109		
PL 13.12 Decurler Chute, PWB	5-110		
PL 13.13 Decurler Roll	5-111		
PL 13.14 Decurler Transport Roll	5-112		
PL 13.15 Cabinet	5-113		
Offset Catch Tray			
PL 14.1 Offset Catch Tray	5-114		
IDFE Components			
PL 19.1 IDFE Assembly and Components	5-115		
Electrical Connectors			
PL 25.1 Electrical Connectors	5-116		
Common Hardware			
Common Hardware	5-117		

Introduction

Overview

The Parts List section identifies all part numbers and the corresponding location of all spared subsystem components.

Organization

Parts Lists

Each item number in the part number listing corresponds to an item number in the related illustration. All the parts in a given subsystem of the machine will be located in the same illustration or in a series of associated illustrations.

Electrical Connectors and Fasteners

This section contains the illustrations and descriptions of the plugs, jacks, and fasteners used in the machine. A part number listing of the connectors is included.

Common Hardware

The common hardware is listed in alphabetical order by the letter or letters used to identify each item in the part number listing and in the illustrations. Dimensions are in millimeters unless otherwise identified.

Part Number Index

This index lists all the spared parts in the machine in numerical order. Each number is followed by a reference to the parts list on which the part may be found.

Other Information

Abbreviations

Abbreviations are used in the parts lists and the exploded view illustrations to provide information in a limited amount of space. The following abbreviations are used in this manual:

Table 1

Abbreviation	Meaning
A3	297 x 594 Millimeters
A4	210 x 297 Millimeters
A5	148 x 210 Millimeters
AD	Auto Duplex
AWG	American Wire Gauge
EMI	Electro Magnetic Induction
GB	Giga Byte
KB	Kilo Byte
MB	Mega Byte
MM	Millimeters
MOD	Magneto Optical Drive
NOHAD	Noise Ozone Heat Air Dirt
PL	Parts List
P/O	Part of

Table 1

Abbreviation	Meaning
R/E	Reduction/Enlargement
REF:	Refer to
SCSI	Small Computer Systems Interface
W/	With
W/O	Without

Table 2

Operating Companies	
Abbreviation	Meaning
AO	Americas Operations
NASG - US	North American Solutions Group - US
NASG - Canada	North American Solutions Group - Canada
XE	Xerox Europe

Symbology

Symbology used in the Parts List section is identified in the Symbology section.

Service Procedure Referencing

If a part or assembly has an associated repair or adjustment procedure, the procedure number will be listed at the end of the part description in the parts lists e.g. (REP 5.1, ADJ 5.3)

Subsystem Information

Use of the Term "Assembly"

The term "assembly" will be used for items in the part number listing that include other itemized parts in the part number listing. When the word "assembly" is found in the part number listing, there will be a corresponding item number on the illustrations followed by a bracket and a listing of the contents of the assembly.

Brackets

A bracket is used when an assembly or kit is spared, but is not shown in the illustration. The item number of the assembly or kit precedes the bracket; the item numbers of the piece parts follow the bracket.

Tag

The notation "W/Tag" in the parts description indicates that the part configuration has been updated. Check the change Tag index in the General Information section of the Service Data for the name and purpose of the modification.

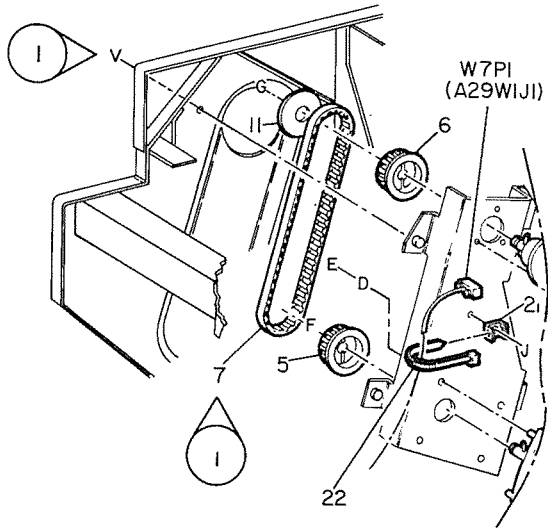
In some cases, a part or assembly may be spared in two versions: with the Tag and without the Tag. In those cases, use whichever part is appropriate for the configuration of the machine on which the part is to be installed. If the machine does not have a particular Tag and the only replacement part available is listed as "W/Tag", install the Tag kit or all of the piece parts. The Change Tag Index tells you which kit or piece parts you need.

Whenever you install a Tag kit or all the piece parts that make up a Tag, mark the appropriate number on the Tag matrix.

Symbology

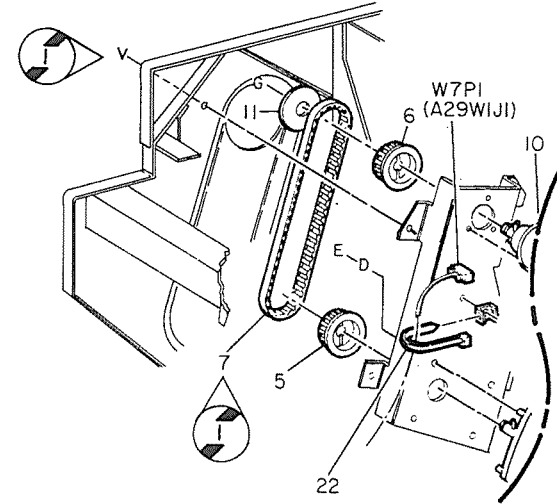
A Tag number within a circle pointing to an item number shows that the part has been changed by the tag number within the circle (Figure 1). Information on the modification is in the Change Tag Index.

A Tag number within a circle having a shaded bar and pointing to an item number shows that the configuration of the part shown is the configuration before the part was changed by the Tag number within the circle (Figure 2).



0	Z004	A
850	PL M I	

Figure 1 With Tag Symbol



0	Z005	A
850	PL M I	

Figure 2 Without Tag Symbol

A tag number within a circle with no apex shows that the entire drawing has been changed by the tag number within the circle (Figure 3). Information on the modification is in the Change Tag Index.

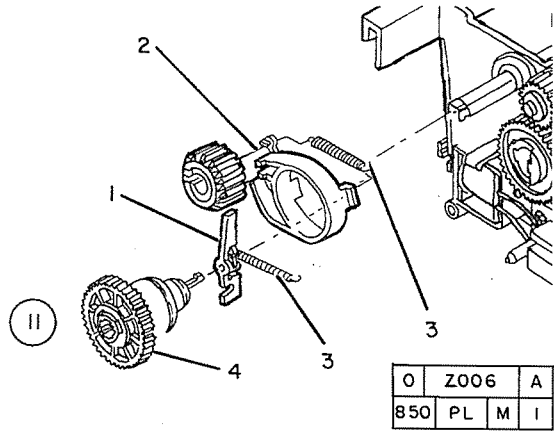


Figure 3 Entire Drawing With Tag Symbol

A tag number within a circle with no apex and having a shaded bar shows that the entire drawing was the configuration before being changed by the tag number within the circle (Figure 4).

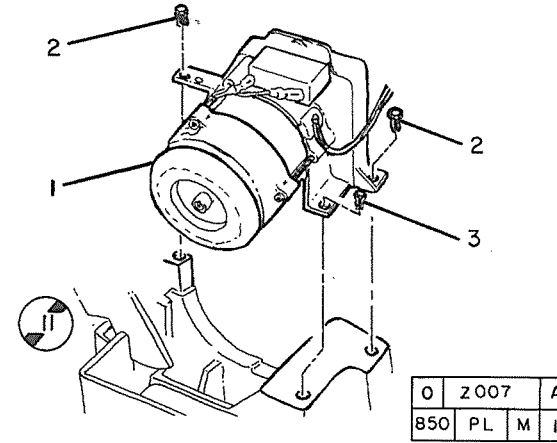
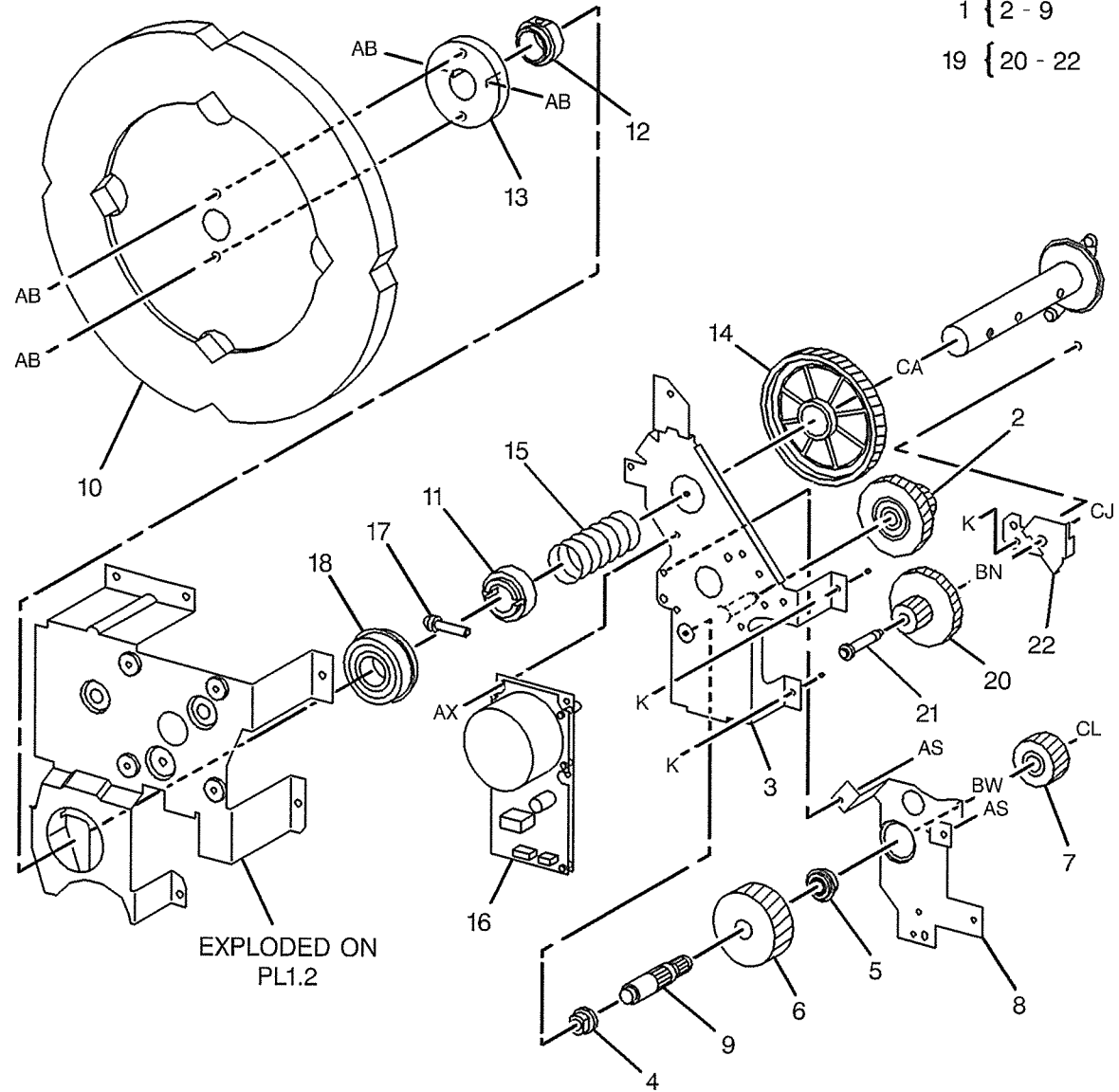


Figure 4 Entire Drawing Without Tag Symbol

PL 1.1 Drum/IBT Drive

Item	Part	Description
1	007K84662	IBT Drive Assembly
2	007K84671	Gear (22/64)
3	-	Bracket (Motor) (P/O PL 1.1 Item 1)
4	-	Bearing (P/O PL 1.1 Item 1)
5	-	Bearing (P/O PL 1.1 Item 1)
6	007E55221	Gear
7	007E55230	Gear (IBT Drive)
8	-	Bracket (IBT Drive) (P/O PL 1.1 Item 1)
9	-	Shaft (P/O PL 1.1 Item 1)
10	-	Fly Wheel (Not Spared)
11	-	Stopper Ring (Not Spared)
12	-	Spacer Ring (Not Spared)
13	-	Flange (Not Spared)
14	007E52280	Gear
15	009E32160	Spring
16	127K21671	Drum Motor
-	600K86080	Drum Motor Kit (W/TAG P34)
17	-	Pin (Not Spared)
18	-	Bearing (Not Spared)
19	007K84871	Drum Idler Gear Assembly
20	007K84680	Gear (23/64)
21	-	Stud (P/O PL 1.1 Item 19)
22	-	Bracket (P/O PL 1.1 Item 19)

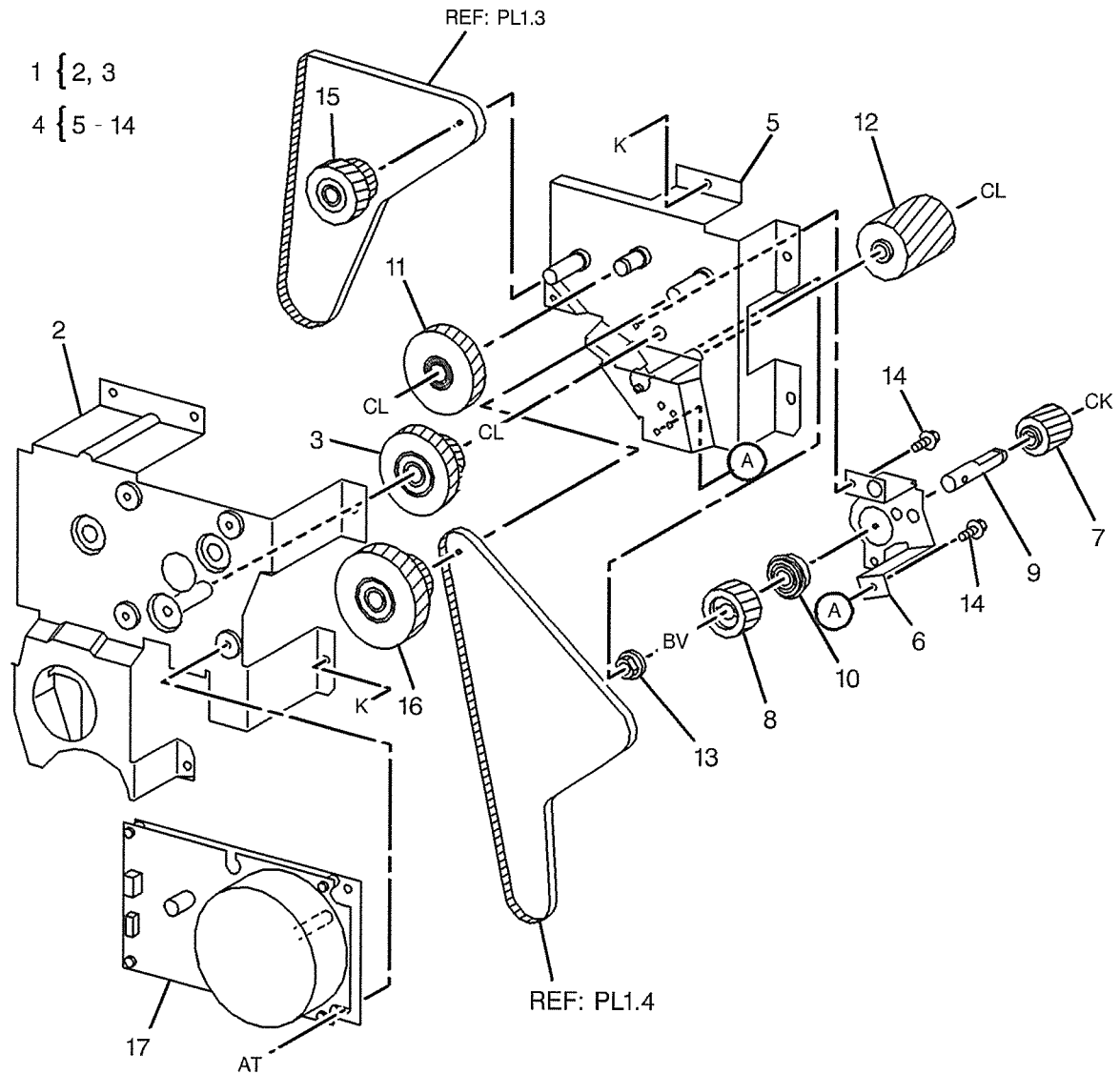


1 { 2 - 9
 19 { 20 - 22

0001001A-LYN

PL 1.2 Main Motor, Drum Brush Drive

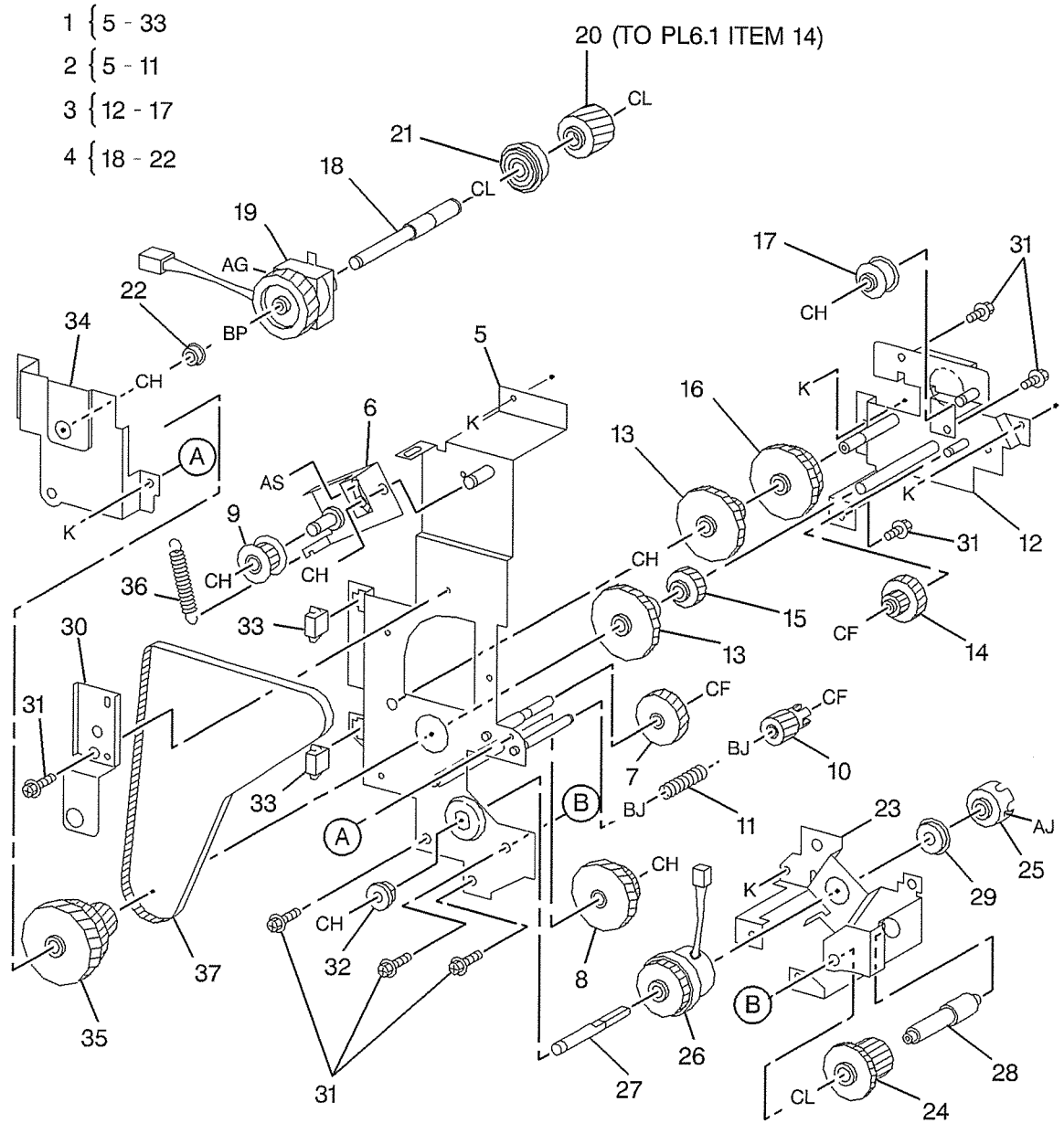
Item	Part	Description
1	007K84820	Main Motor Bracket Assembly
2	-	Bracket (Main Motor) (P/O PL 1.2 Item 1)
3	007K84170	Gear (56/20)
4	007K84634	Drum Brush Drive Assembly
5	-	Bracket (P/O PL 1.2 Item 4)
6	-	Bracket (P/O PL 1.2 Item 4)
7	007E50120	Gear (Drum Brush)
8	007E49980	Gear
9	-	Shaft (P/O PL 1.2 Item 4)
10	-	Bearing (P/O PL 1.2 Item 4)
11	007K84701	Gear
12	007E50112	Gear
13	-	Bearing (P/O PL 1.2 Item 4)
14	-	Screw (P/O PL 1.2 Item 4)
15	007K84641	Gear Pulley (42/27)
16	007K84650	Gear Pulley (56/27)
17	127K21321	Main Motor



0001002A-LYN

PL 1.3 Deve./BPD Drive, IBT Cleaner Retract

Item	Part	Description
1	007K84468	Developer/BPO Drive and IBT Cleaner Retract Assembly
2	007K84282	BPO Roll Drive Assembly
3	007K84291	Developer Drive
4	006K84003	Developer Housing Drive Shaft
5	-	Bracket (P/O PL 1.3 Item 2)
6	-	Bracket (P/O PL 1.3 Item 2)
7	007E51790	Gear
8	007E50052	Gear
9	-	Pulley (P/O PL 1.3 Item 2)
10	-	Coupling (BPO Drive) (P/O PL 1.3 Item 2)
11	809E08690	Spring
12	-	Bracket (P/O PL 1.3 Item 3)
13	007E50030	Gear (18/44)
14	007E51800	Gear (16/26)
15	007E51810	Gear (22)
16	-	Gear (P/O PL 1.3 Item 3) (40/44)
17	-	Pulley (P/O PL 1.3 Item 3)
18	-	Shaft (P/O PL 1.3 Item 4)
19	121K14881	Developer Clutch
20	007K84332	Gear (Developer Housing Drive)
21	-	Bearing (P/O PL 1.3 Item 4)
22	-	Bearing (P/O PL 1.3 Item 4)
23	-	Bracket (P/O PL 1.3 Item 1)
24	007E52290	Gear
25	-	Coupling (IBT Cleaner Retract) (P/O PL 1.3 Item 1)
26	121K17941	Cleaner Retract Clutch
27	-	Shaft (P/O PL 1.3 Item 1)
28	-	Shaft (P/O PL 1.3 Item 1)
29	-	Bearing (P/O PL 1.3 Item 1)
30	-	Bracket (P/O PL 1.3 Item 1)
31	-	Screw (P/O PL 1.3 Item 1)
32	-	Bearing (P/O PL 1.3 Item 1)
33	-	Connector (P/O PL 1.3 Item 1)
34	-	Bracket (Not Spared)
35	007E50042	Gear Pulley
36	-	Spring (Not Spared)
37	423W55355	Belt (Developer Drive) (REP 1.3.1)

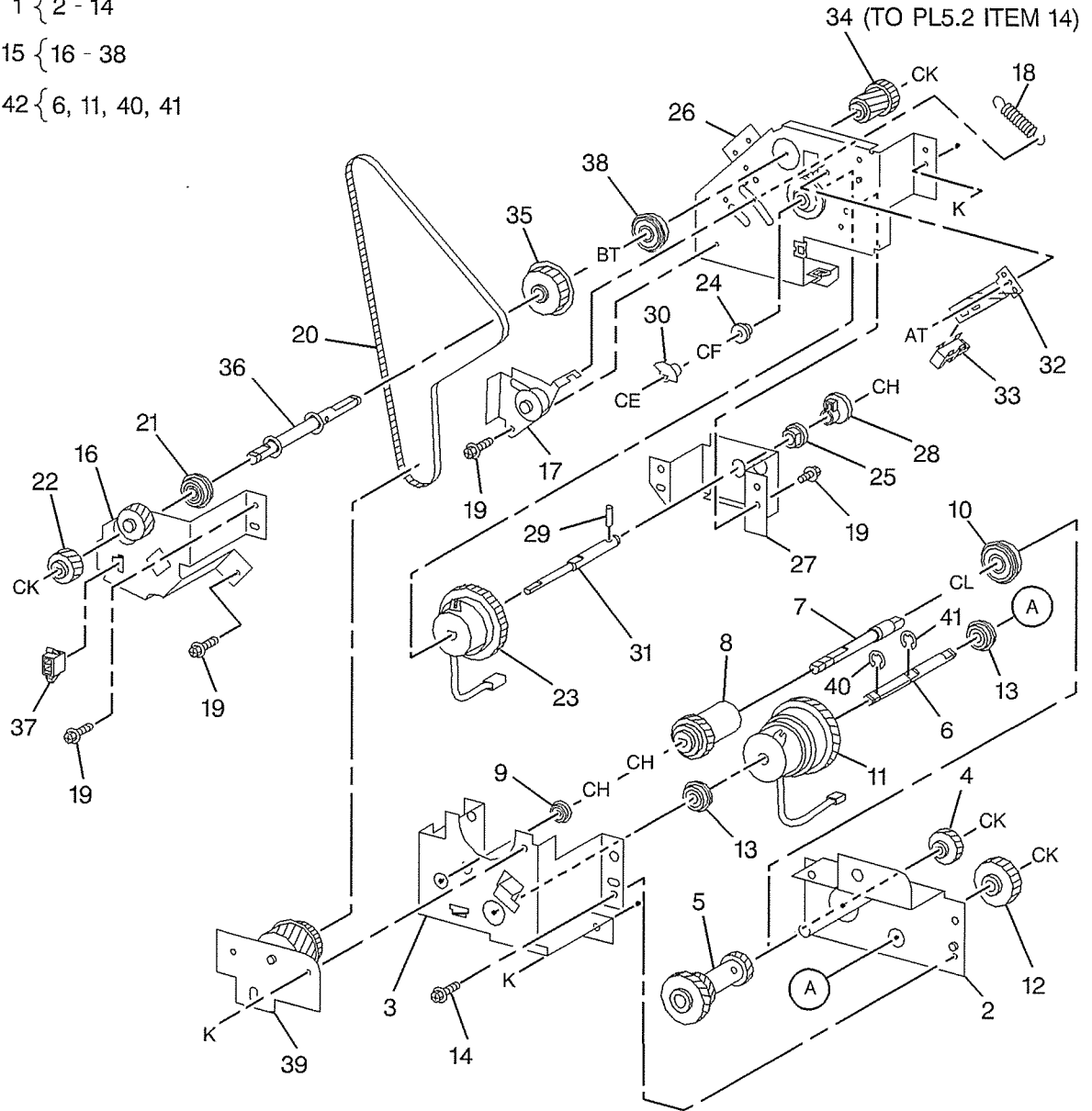


0001003B-LYN

PL 1.4 2nd BTR/Oil Roll/Auger Drive

Item	Part	Description
1	600K85872	2nd BTR Drive Assembly (W/TAG P33)
2	-	Bracket (P/O PL 1.4 Item 1)
3	-	Bracket (P/O PL 1.4 Item 1)
4	007E57660	Gear (16) (2nd BTR Roll)
5	007K84160	Gear
6	-	Shaft (P/O PL 1.4 Item 42)
7	-	Shaft (P/O PL 1.4 Item 1)
8	-	Truque Limiter (P/O PL 1.4 Item 1)
9	-	Bearing (P/O PL 1.4 Item 1)
10	-	Bearing (P/O PL 1.4 Item 1)
11	-	2nd BTR Retract Clutch Assembly (P/O PL 1.4 Item 42)
12	-	Gear (28) (2nd BTR Retract)
13	-	Bearing (P/O PL 1.4 Item 1)
14	-	Screw (P/O PL 1.4 Item 1)
15	007K84265	Oil Roll/Auger Drive Assembly
16	007K84231	Auger Drive (23T) (Includes gear and bracket)
17	007K84240	Tension Roll
18	-	Spring (P/O PL 1.4 Item 15)
19	-	Screw (P/O PL 1.4 Item 15)
20	423W57554	Belt (2nd BTR, Auger) (REP 1.4.1)
21	-	Bearing (P/O PL 1.4 Item 15)
22	007E49950	Gear
23	-	Oil Roll Clutch (P/O PL 1.4 Item 15)
24	-	Bearing (P/O PL 1.4 Item 15)
25	-	Bearing (P/O PL 1.4 Item 15)
26	-	Bracket (P/O PL 1.4 Item 15)
27	-	Sensor Bracket (P/O PL 1.4 Item 15)
28	-	Cam (P/O PL 1.4 Item 15)
29	-	Pin (P/O PL 1.4 Item 15)
30	-	Wheel (P/O PL 1.4 Item 15)
31	-	Shaft (P/O PL 1.4 Item 15)
32	-	Bracket (P/O PL 1.4 Item 15)
33	130E82190	Oil Roll Home Position Sensor
34	007E49940	Gear (Waste Toner Bottle Auger)
35	-	Pulley (P/O PL 1.4 Item 15)
36	-	Shaft (P/O PL 1.4 Item 15)
37	-	Connector (P/O PL 1.4 Item 15)
38	-	Bearing (P/O PL 1.4 Item 15)
39	007K84251	Gear Pulley
40	-	E-Ring (P/O PL 1.4 Item 42)
41	-	E-Ring (P/O PL 1.4 Item 42)
42	604K14830	2BTR Clutch Kit

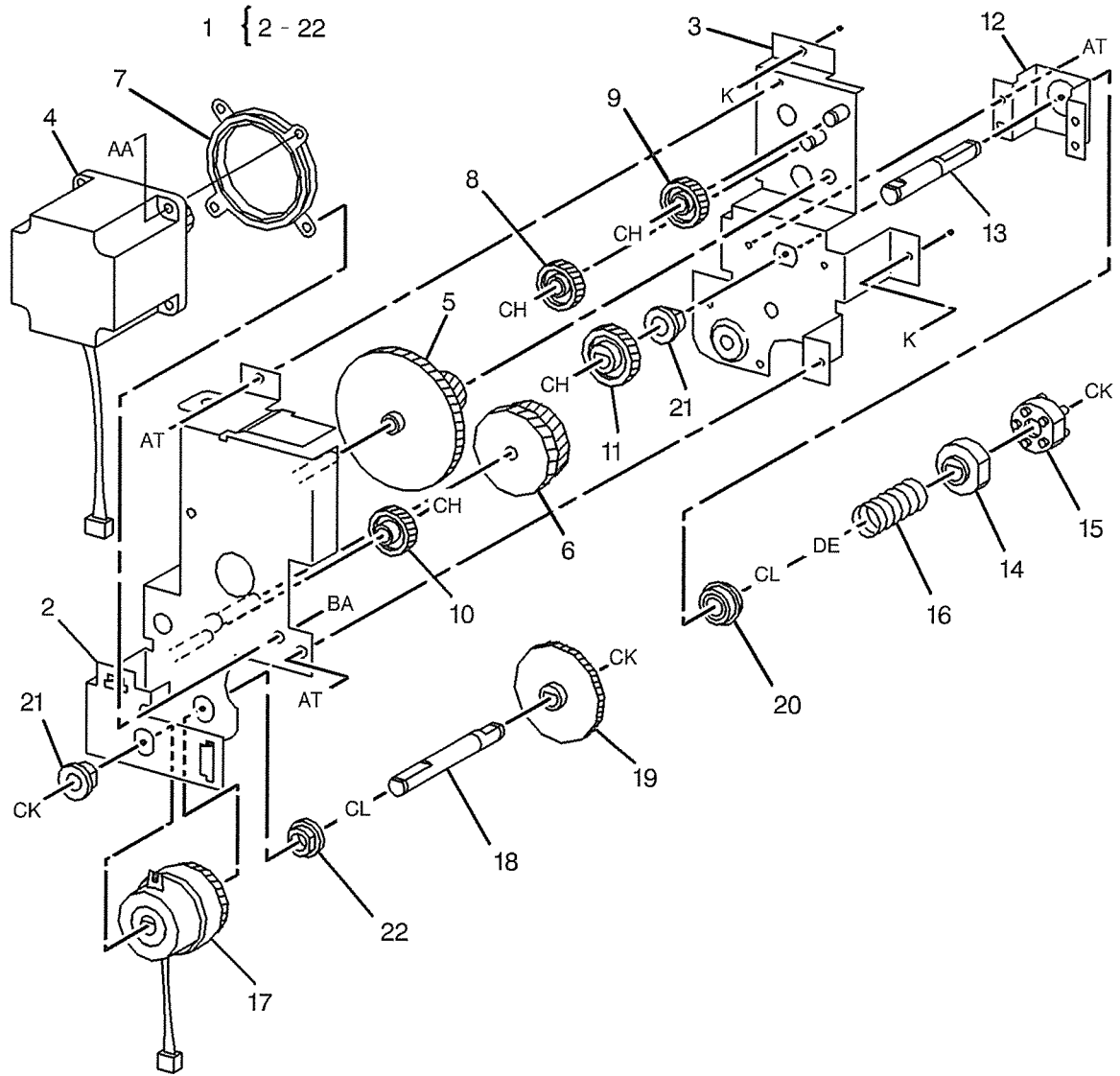
1 { 2 - 14
 15 { 16 - 38
 42 { 6, 11, 40, 41



0001004C-LYN

PL 1.5 Main Motor 2, Tray 5/Regi./Tray 1 Take Away Drive

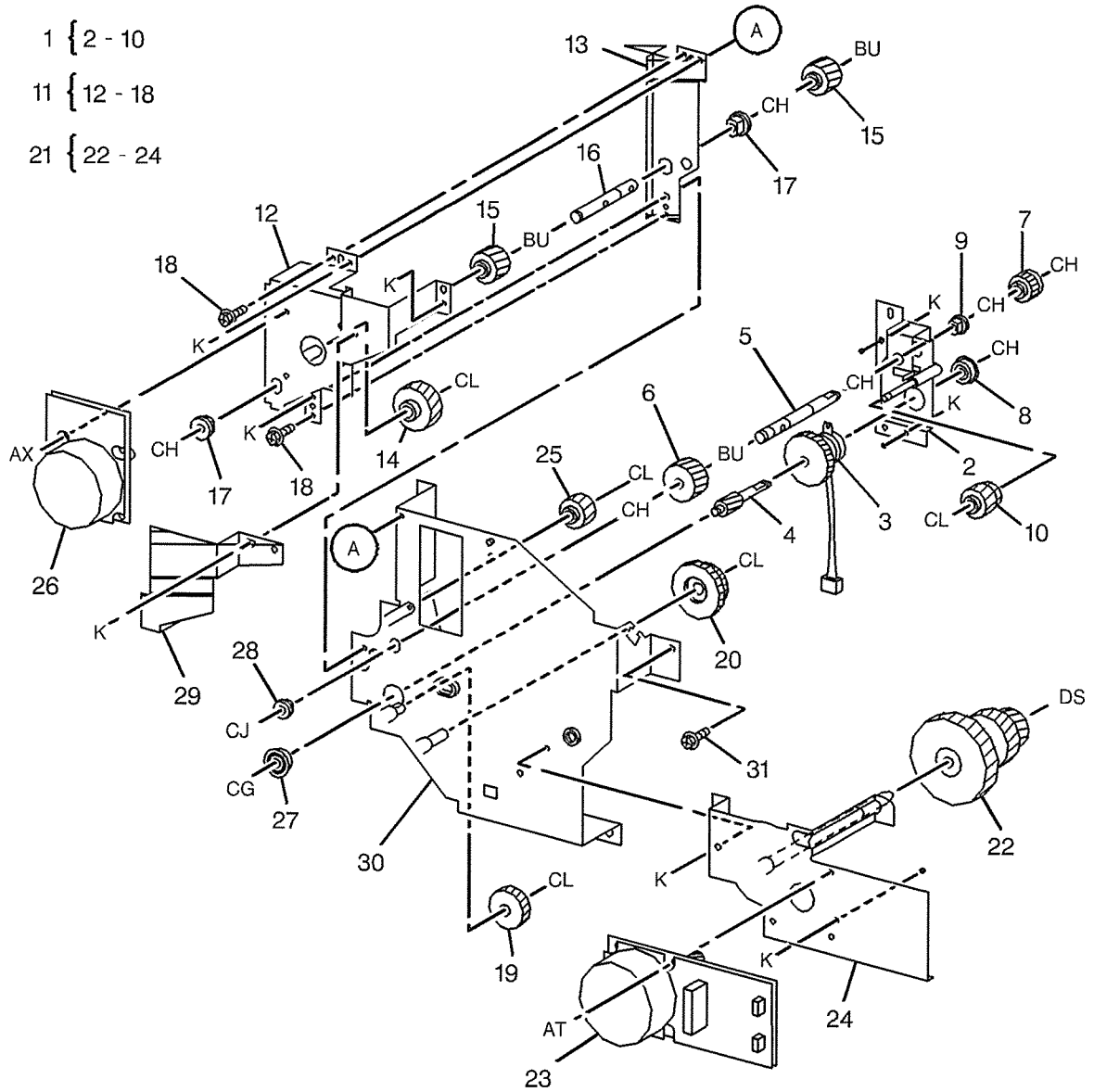
Item	Part	Description
1	007K84313	Tray 5/Regi./Tray 1 Take Away Drive Assembly (REP 1.5.1)
2	-	Bracket (P/O PL 1.5 Item 1)
3	-	Bracket (P/O PL 1.5 Item 1)
4	127K21311	Main Motor 2
5	007E46890	Gear
6	007E46880	Gear
7	-	Dumper (P/O PL 1.5 Item 1)
8	407W08223	Gear
9	407W08273	Gear
10	407W08222	Gear
11	407W08328	Gear (28)
12	-	Bracket (P/O PL 1.5 Item 1)
13	-	Shaft (P/O PL 1.5 Item 1)
14	-	Coupling (Slide) (P/O PL 1.5 Item 1)
15	-	Coupling (Transmitter) (P/O PL 1.5 Item 1)
16	009P62975	Spring
17	121K30050	T/A Feed Clutch
18	-	Shaft (P/O PL 1.5 Item 1)
19	007E52250	Gear (Tray 1 T/A Roll)
20	-	Bearing (P/O PL 1.5 Item 1)
21	-	Bearing (P/O PL 1.5 Item 1)
22	-	Bearing (P/O PL 1.5 Item 1)



0001005A-LYN

PL 1.6 Fuser/Exit Drive

Item	Part	Description
1	007K84577	Exit/Fuser Nip Drive Assembly (W/TAG P9) (REP 1.6.3)
2	-	Bracket (P/O PL 1.6 Item 1)
3	121K21612	Fuser Nip Clutch
4	-	Shaft (P/O PL 1.6 Item 1)
5	-	Shaft (P/O PL 1.6 Item 1)
6	007E50270	Gear (26)
7	007E50280	Gear (16) (Exit Roll)
8	-	Bearing (P/O PL 1.6 Item 1)
9	-	Bearing (P/O PL 1.6 Item 1)
10	-	Gear (25/19) (P/O PL 1.6 Item 1)
11	007K84553	Exit Drive Assembly (REP 1.6.1)
12	-	Bracket (P/O PL 1.6 Item 11)
13	-	Bracket (P/O PL 1.6 Item 1)
14	007K84800	Gear (41)
15	007E51490	Gear (23)
16	-	Shaft (P/O PL 1.6 Item 11)
17	-	Bearing (P/O PL 1.6 Item 11)
18	-	Screw (P/O PL 1.6 Item 11)
19	007K84690	Gear (27)
20	007K84360	Gear (37/28) (Fuser Nip)
21	007K84922	Fuser Drive Assembly (Includes PWB) (REP 1.6.2)
22	007K84110	Gear (Fuser/V-Tra. Drive) (Fuser/V-tra. Drive)
23	-	Fuser Motor (P/O PL 1.6 Item 21)
24	-	Bracket (P/O PL 1.6 Item 21)
25	007E51680	Gear (22)
26	127K21301	Exit Motor
27	-	Bearing (Not Spared)
28	-	Bearing (Not Spared)
29	-	Motor Cover (Not Spared)
30	-	Fuser Rear Bracket (Not Spared)
31	-	Screw (Not Spared)

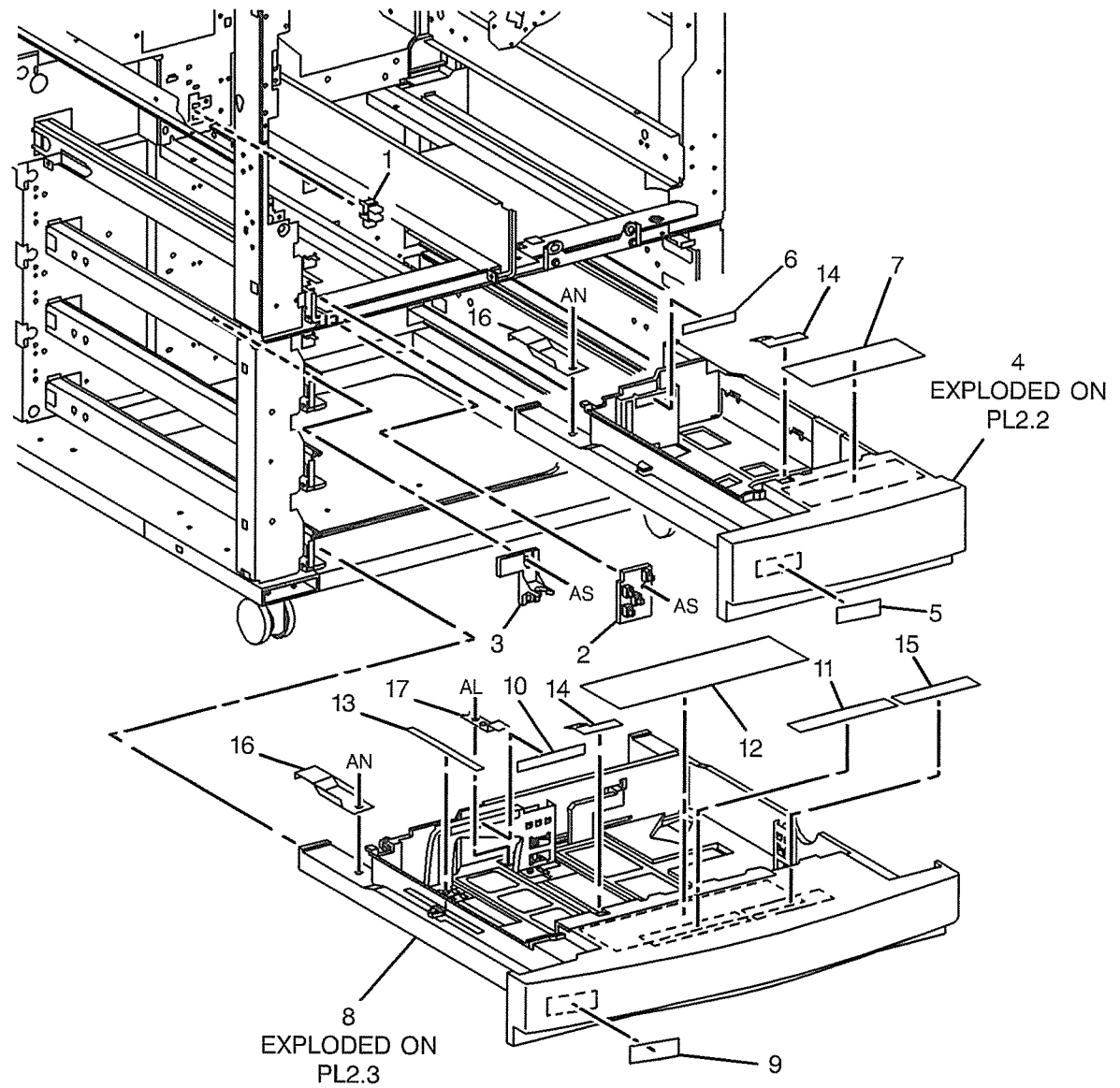


- 1 { 2 - 10
- 11 { 12 - 18
- 21 { 22 - 24

0001006A-LYN

PL 2.1 Tray 1/2/3/4, Tray Sensor, Label

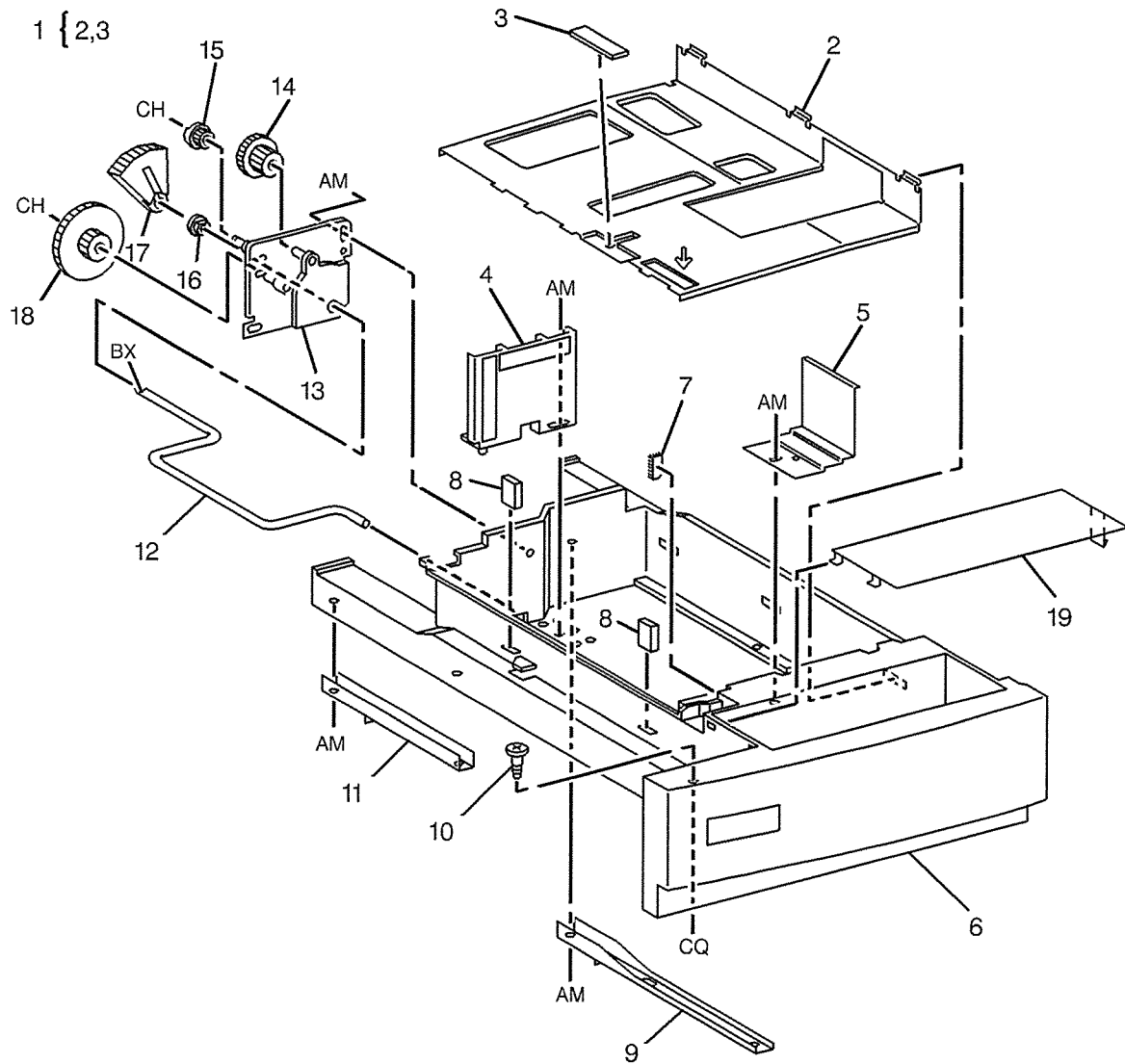
Item	Part	Description
1	130E82190	Tray 1 Set Sensor (REP 2.1.1)
2	110K10460	Tray 2 Size Sensor, Tray 3 Size Sensor, Tray 4 Size Sensor (REP 2.1.2)
3	003E38110	Stopper
4	050K33129	Tray 1 Assembly
5	891E76090	Label (Tray 1)
6	891E78030	Label (Max)
7	891E82980	Label (Installation)
8	050K40941	Tray 2 Assembly, Tray 3 Assembly, Tray 4 Assembly
9	891E49510	Label (Tray 3)
-	891E49520	Label (Tray 4)
-	891E49060	Label (Tray 2)
10	-	Label (Max) (Not Spared)
11	891E80410	Label (Size E End 1)
12	891E80481	Label (Installation)
13	891E80400	Label (Size E Side)
14	891E78020	Label (Max)
15	891E80420	Label (Size E End 2)
16	-	Stopper (Not Spared)
17	-	Stopper (Not Spared)



0002001B-LYN

PL 2.2 Tray 1 Component

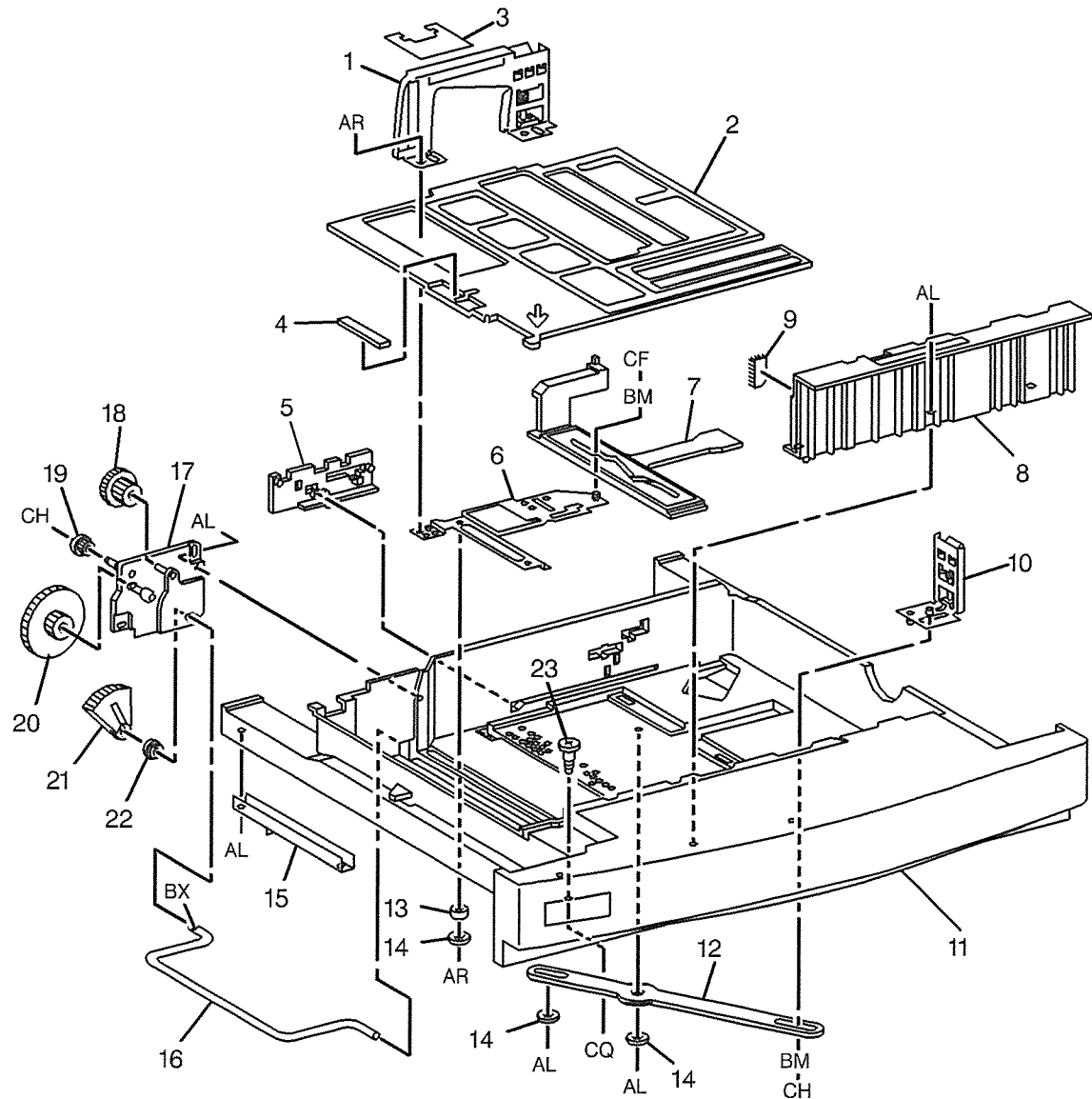
Item	Part	Description
1	015K34310	Bottom Plate Assembly
2	-	Bottom Plate (P/O PL 2.2 Item 1)
3	-	Pad (P/O PL 2.2 Item 1)
4	038E88641	Side Guide
5	038E88650	End Guide
6	050E87465	Cassette
7	019E39131	Pad
8	019K94390	Pad
9	015K41381	Right Rail Plate
10	-	Screw (P/O PL 2.1 Item 4)
11	015K41370	Left Rail Plate
12	-	Shaft (P/O PL 2.1 Item 4)
13	015K31460	Rear Plate
14	007E50410	Gear (18/30)
15	007E30970	Gear (13)
16	013E83730	Bearing
17	007E50430	Gear (60)
18	007E50420	Gear (20/53)
19	-	Cover (P/O PL 2.1 Item 4)



0002002A-LYN

PL 2.3 Tray 2/3/4 Component

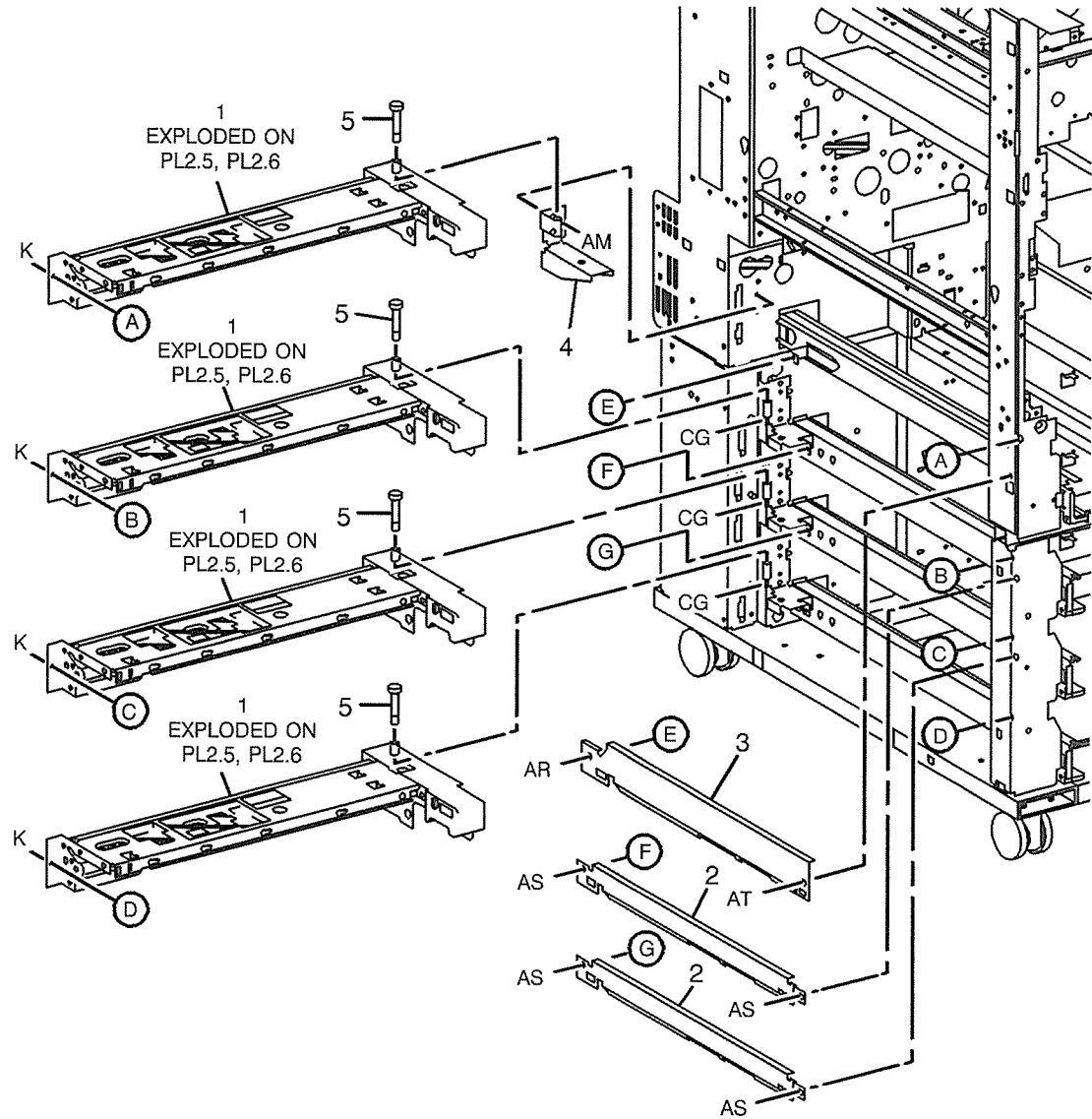
Item	Part	Description
1	038K84621	Side Guide Plate
2	-	Bottom Plate (P/O PL 2.1 Item 8)
3	-	Plate (P/O PL 2.1 Item 8)
4	019K94400	Pad
5	-	Actuator End Guide (P/O PL 2.1 Item 8)
6	015K41503	Plate
7	-	Actuator Side Guide (P/O PL 2.1 Item 8)
8	038E88922	Regi. Side Guide
9	019E39131	Pad
10	038K83973	End Guide
11	050E88159	Cassette
12	-	Link (P/O PL 2.1 Item 8)
13	-	Roll (P/O PL 2.1 Item 8)
14	-	Spacer (P/O PL 2.1 Item 8)
15	-	Plate (P/O PL 2.1 Item 8)
16	-	Shaft (P/O PL 2.1 Item 8)
17	-	Plate (P/O PL 2.1 Item 8)
18	007E50410	Gear (18/30)
19	007E30970	Gear (13)
20	007E50420	Gear (20/53)
21	007E50430	Gear (60)
22	-	Bearing (P/O PL 2.1 Item 8)
23	-	Screw (P/O PL 2.1 Item 8)



0002003A-LYN

PL 2.4 Tray 1-4 Feeder

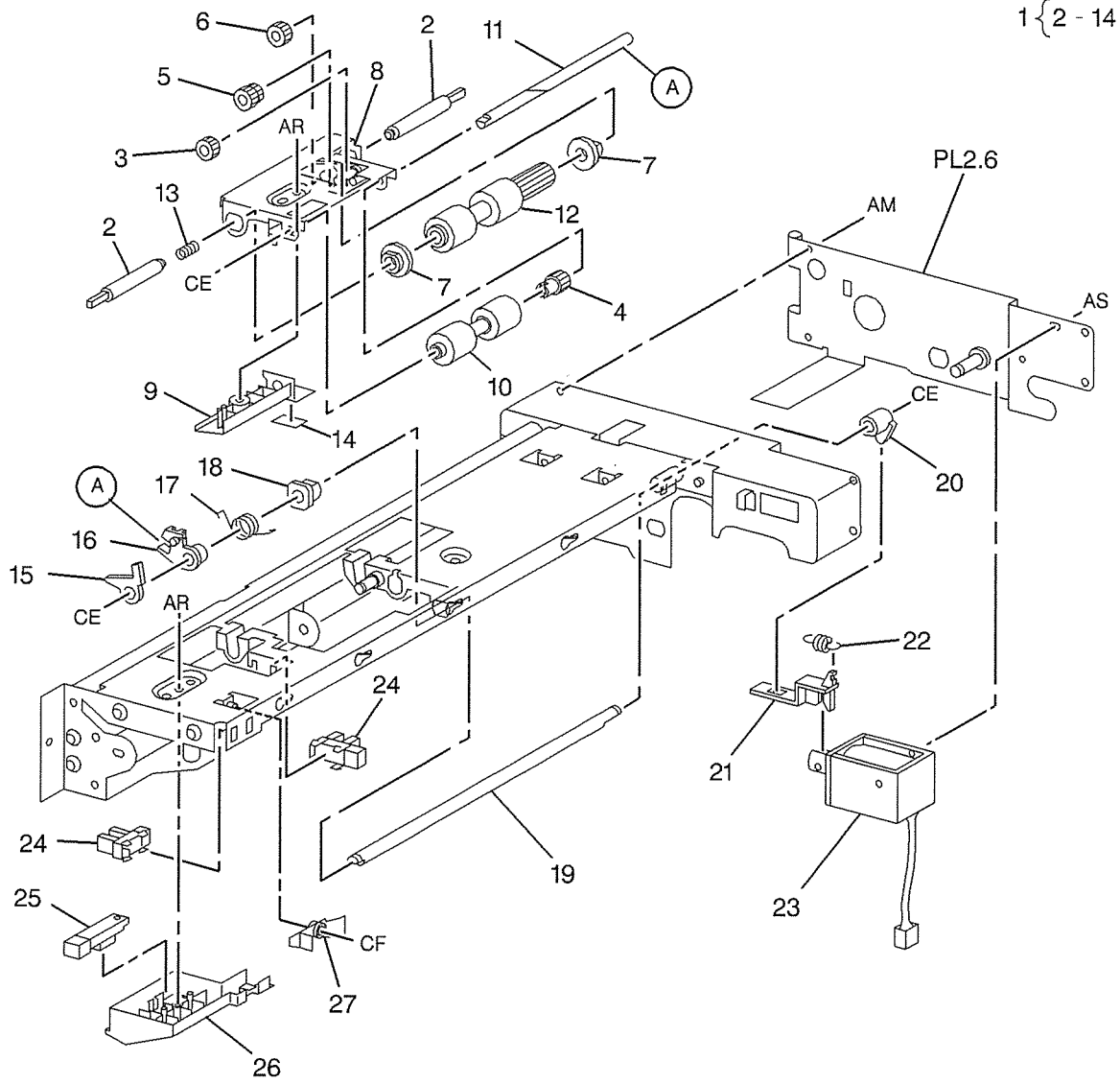
Item	Part	Description
1	059K09948	Tray 1 Feeder Assembly, Tray 2 Feeder Assembly, Tray 3 Feeder Assembly, Tray 4 Feeder Assembly (REP 2.4.1)
2	054E88230	Chute
3	054E88220	Chute
4	003E40140	Hinge
5	-	Stud (Not Spared)



0002004A-LYN

PL 2.5 Feeder Component (Part 1 of 2)

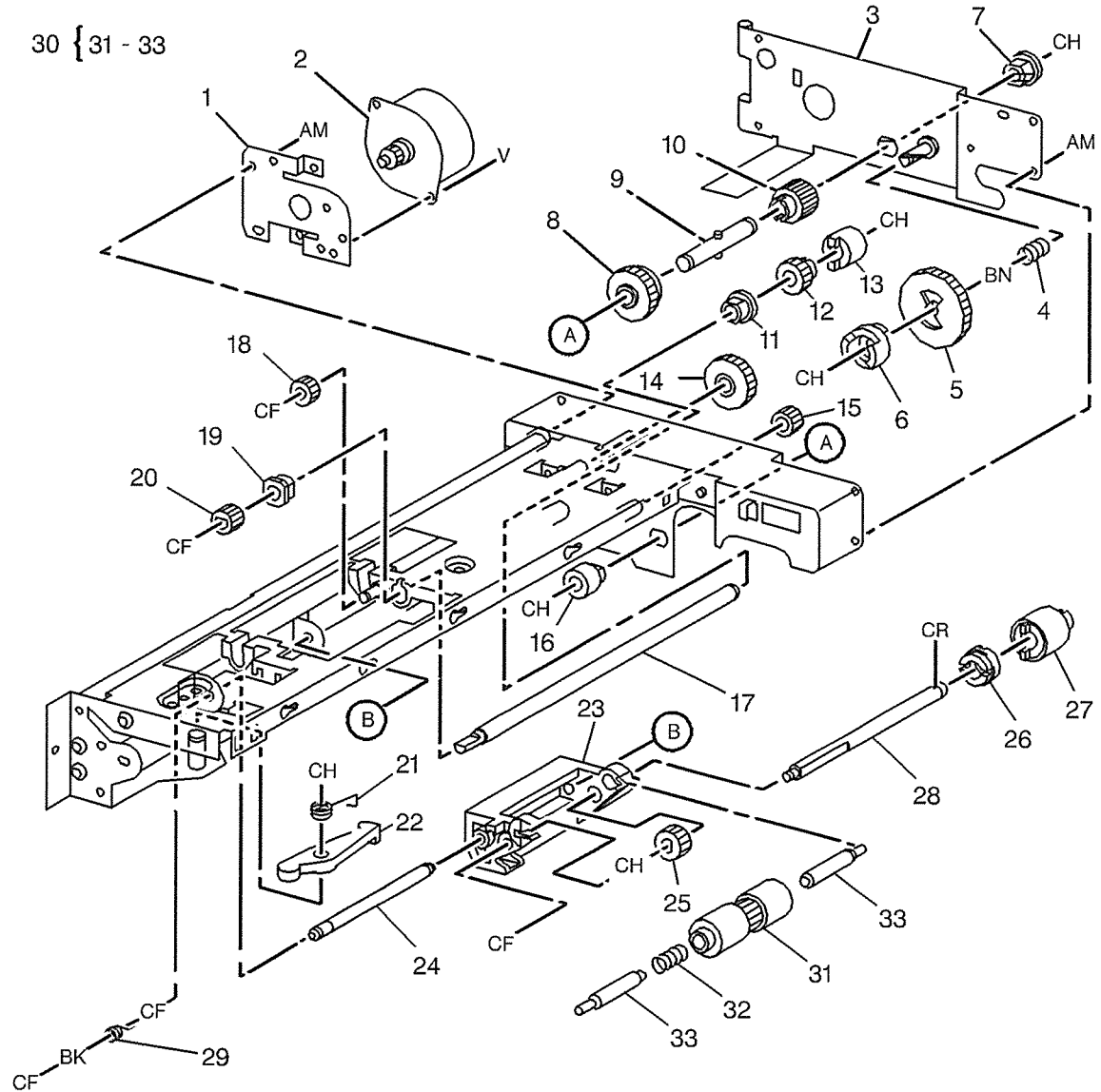
Item	Part	Description
1	059K09561	Feed/Nudger Roll Assembly (REP 2.5.1)
2	-	Pin (P/O PL 2.5 Item 1)
3	007E52210	Gear (14)
4	007E52220	Gear (15)
5	007E52230	Gear (13/16)
6	007E52240	Gear (17)
7	-	Bearing (P/O PL 2.5 Item 1)
8	-	Support (P/O PL 2.5 Item 1)
9	032E10250	Paper Guide
10	-	Nudger Roll (P/O PL 2.5 Item 1)
11	-	Shaft (P/O PL 2.5 Item 1)
12	-	Feed Roll (P/O PL 2.5 Item 1)
13	-	Spring (P/O PL 2.5 Item 1)
14	-	Paper Guide (P/O PL 2.5 Item 1)
15	011E08060	Lever
16	011E08050	Lever
17	809E19530	Spring
18	013E15290	Bearing
19	-	Shaft (P/O PL 2.4 Item 1)
20	011E08071	Lever
21	012E98281	Link
22	809E19540	Spring
23	121K17561	Nudger Solenoid
24	130E82190	No Paper Sensor, Tray Stack Height Sensor
25	130E82650	Pre Feed Sensor
26	-	Front Up Chute (P/O PL 2.4 Item 1)
27	-	Actuator (P/O PL 2.4 Item 1)



0002005B-LYN

PL 2.6 Feeder Component (Part 2 of 2)

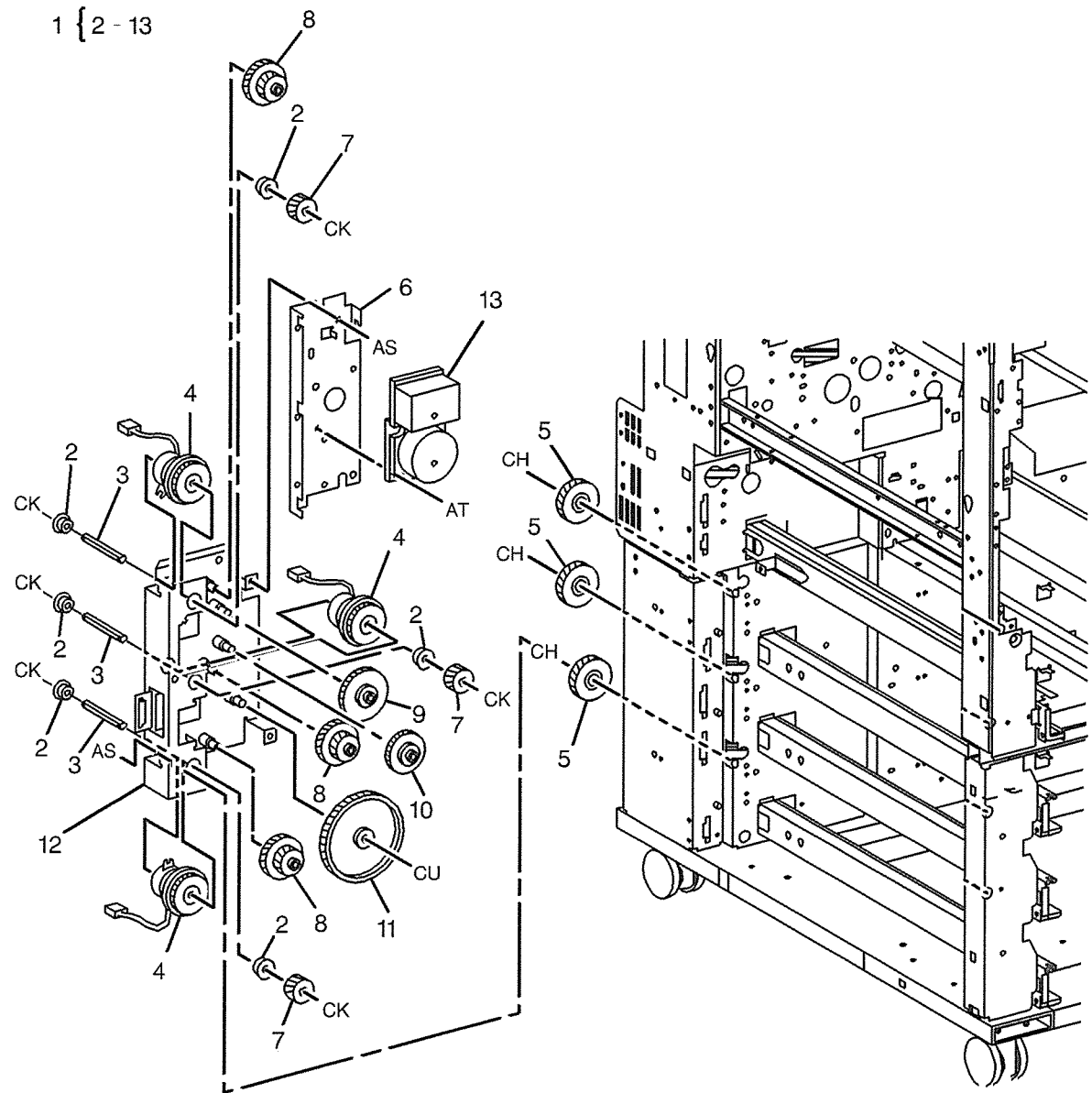
Item	Part	Description
1	830E09140	Motor Bracket
2	127K23230	Feed/Lift Motor (REP 2.6.1)
3	-	Bracket (P/O PL 2.4 Item 1)
4	009E61300	Spring
5	-	Gear (31) (P/O PL 2.4 Item 1)
6	-	Spacer (P/O PL 2.4 Item 1)
7	413W75959	Bearing
8	007K83610	Gear (24)
9	006K83280	Shaft
10	007E31090	Gear (13)
11	-	Bearing (P/O PL 2.4 Item 1)
12	007E52150	Gear (16)
13	005K81750	One Way Clutch
14	007E52130	Gear (26)
15	007E52140	Gear (13)
16	005K81760	One Way Clutch
17	-	Shaft (P/O PL 2.4 Item 1)
18	007E52171	Gear (20)
19	-	Bearing (P/O PL 2.4 Item 1)
20	007E52161	Gear (17)
21	809E19560	Spring
22	-	Retard Lever (P/O PL 2.4 Item 1)
23	-	Bracket (P/O PL 2.4 Item 1)
24	-	Shaft (P/O PL 2.4 Item 1)
25	007E56210	Gear (15)
26	-	Collar (P/O PL 2.4 Item 1)
27	005K81600	Friction Clutch
28	-	Shaft (P/O PL 2.4 Item 1)
29	-	Spring (P/O PL 2.4 Item 1)
30	059K09591	Retard Roll Assembly (REP 2.6.2)
31	-	Retard Roll (P/O PL 2.6 Item 30)
32	809E09100	Spring
33	-	Pin (P/O PL 2.6 Item 30)



0002006A-LYN

PL 2.7A Tray 2-4 Take Away Drive (Part 1 of 2)

Item	Part	Description
1	007K84415	Tray 2-4 Take Away Drive (REP 2.7.1)
2	-	Bearing (P/O PL 2.7A Item 1)
3	-	Shaft (P/O PL 2.7A Item 1)
4	121K30050	Tray 2 T/A Feed Clutch, Tray 3 T/A Feed Clutch, Tray 4 T/A Feed Clutch (REP 2.7.2)
5	007K84422	Gear (43)
6	-	Motor Plate (P/O PL 2.7A Item 1)
7	007E51580	Gear (22)
8	007K84731	Gear (23/45)
9	007E56020	Gear (56)
10	007E56030	Gear (45)
11	007E56010	Gear (100)
12	-	Bracket (P/O PL 2.7A Item 1)
13	127K23051	T/A Motor (REP 2.7.3)

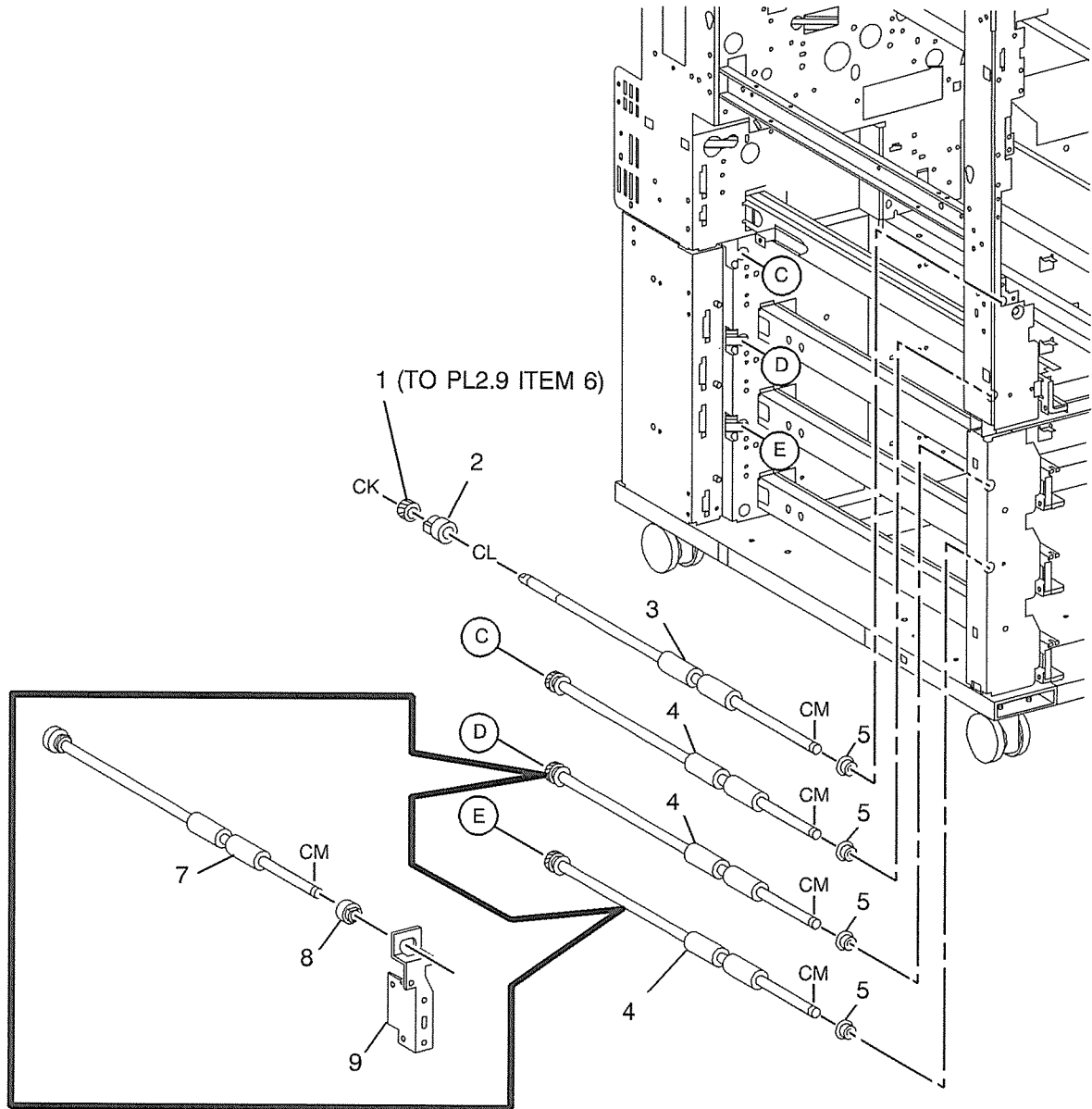


0002007B-LYN

PL 2.7B Tray 2-4 Take Away Drive (Part 2 of 2)

6 { 7 - 9

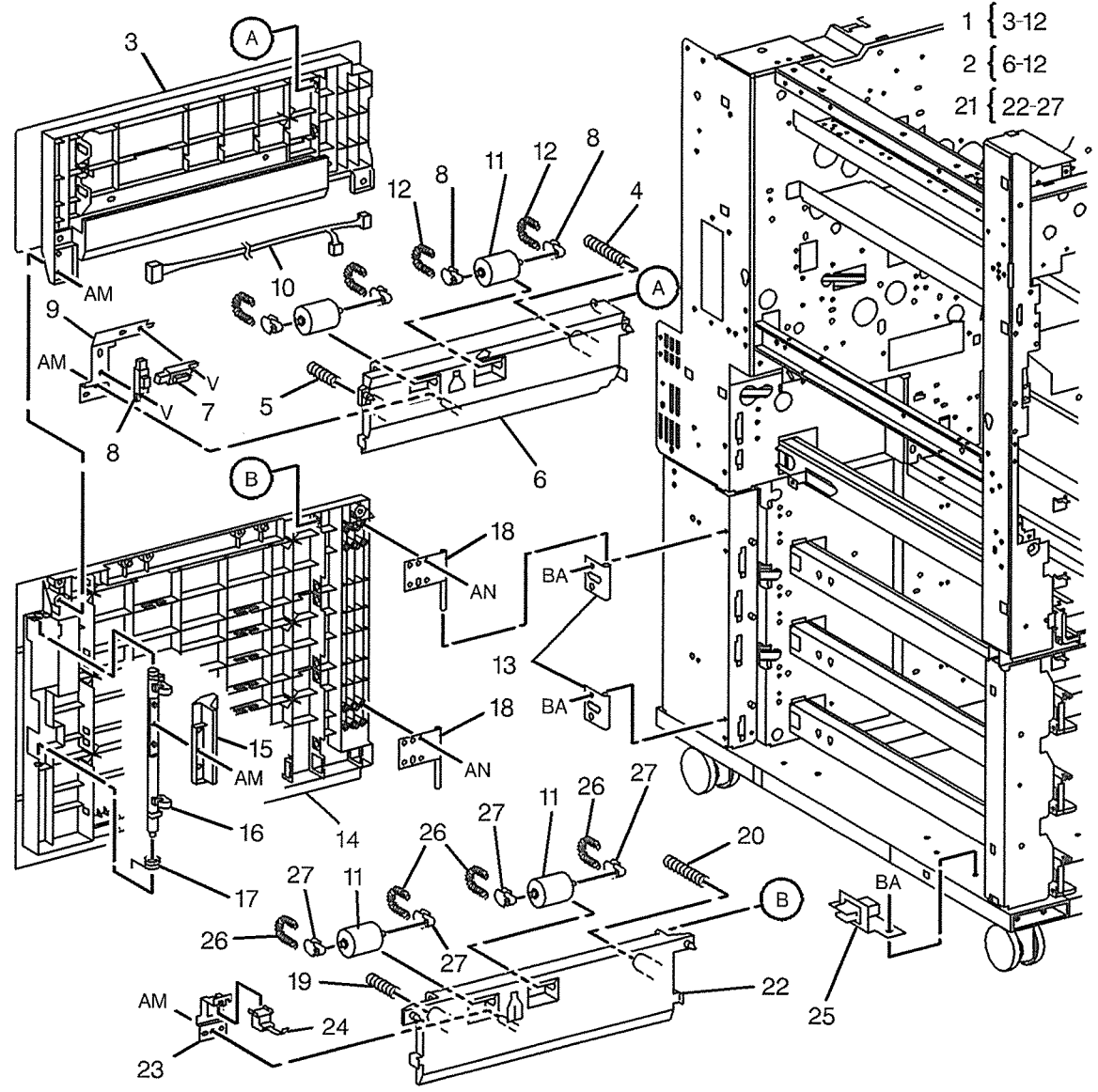
Item	Part	Description
1	-	Gear (Teeth on both gears, pitch in different directions) (Not Spared)
2	005K82730	One Way Clutch
3	059K06831	T/A Roll 1
4	059K09930	T/A Roll 2, T/A Roll 3, T/A Roll 4
5	-	Bearing (P/O PL 2.7A Item 1)
6	600K74790	Noise Impulse Kit
7	-	T/A Roll 3, T/A Roll 4 (P/O PL 2.7B Item 6)
8	-	One Way Clutch (P/O PL 2.7B Item 6)
9	-	Bracket (P/O PL 2.7B Item 6)



0002027B-LYN

PL 2.8 Left Lower Cover

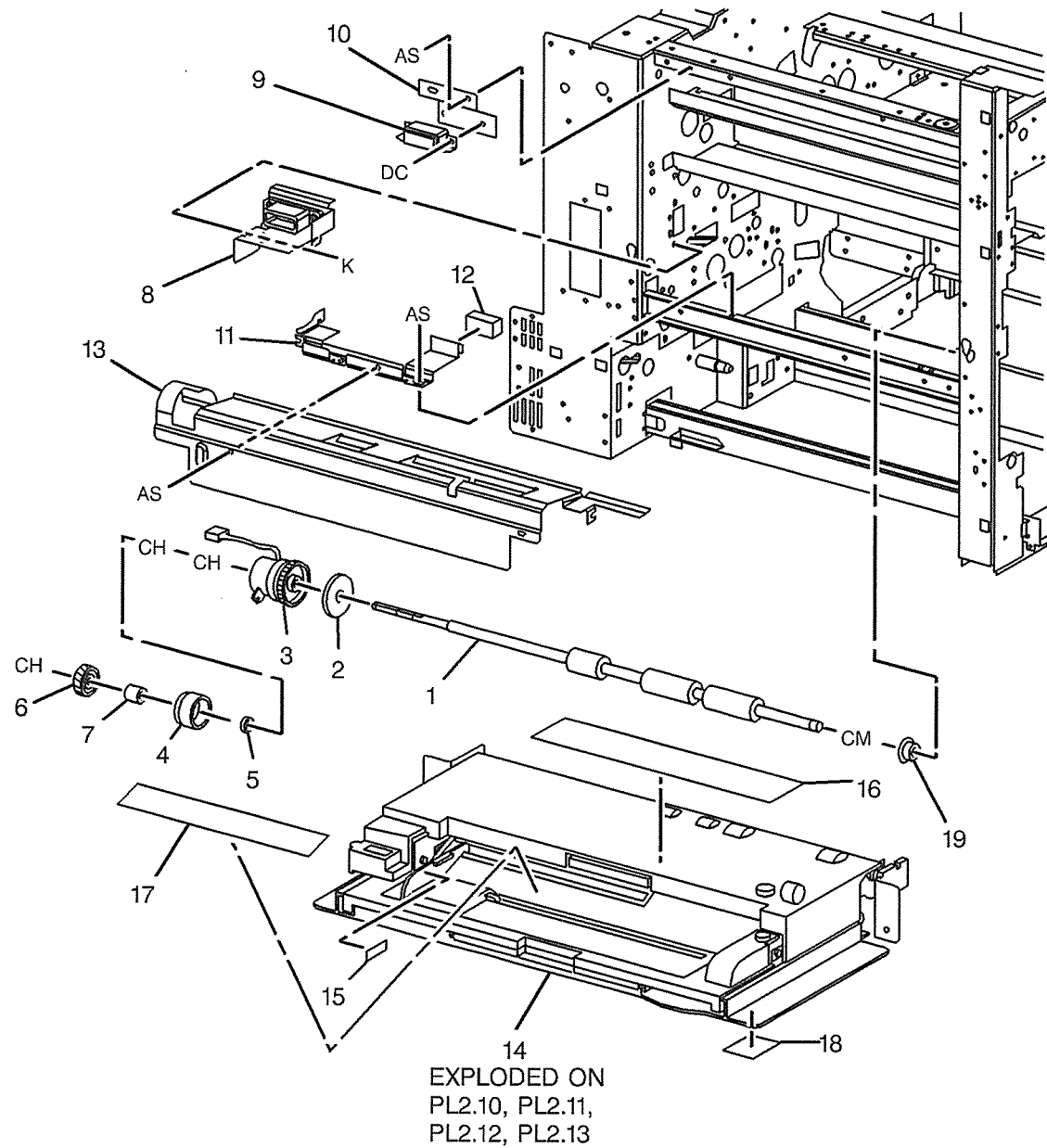
Item	Part	Description
1	048K65250	Left Lower Cover (Upper) and Chute 1 Assembly
2	054K10350	Chute 1 Assembly
3	-	Left Lower Cover (Upper) (P/O PL 2.8 Item 1)
4	809E07780	Spring
5	809E07770	Spring
6	054E10780	Baffle
7	130E82650	T/A Sensor, Tray 1 Feed Out Sensor (REP 2.8.1)
8	013E83380	Bearing
9	-	Bracket (P/O PL 2.8 Item 2)
10	162K37160	Wire Harness
11	059E92920	Pinch Roll
12	009E63110	Spring
13	003E38120	Hinge
14	048E61482	Left Lower Cover (Lower)
15	011E07950	Handle
16	003E38130	Latch
17	-	Spring (Not Spared)
18	003K84500	Hinge
19	-	Spring (Not Spared)
20	-	Spring (Not Spared)
21	054K10341	Chute 2/3/4 Assembly
22	-	Baffle (P/O PL 2.8 Item 21)
23	-	Bracket (P/O PL 2.8 Item 21)
24	130K60770	Tray 2 Feed Out Sensor, Tray 3 Feed Out Sensor, Tray 4 Feed Out Sensor (REP 2.8.2)
25	068K14170	L/H Cover Interlock Switch
26	-	Spring (P/O PL 2.8 Item 21)
27	-	Bearing (P/O PL 2.8 Item 21)



0002008A-LYN

PL 2.9 Tray 5 Unit, Tray 5 Feed Clutch/Roll

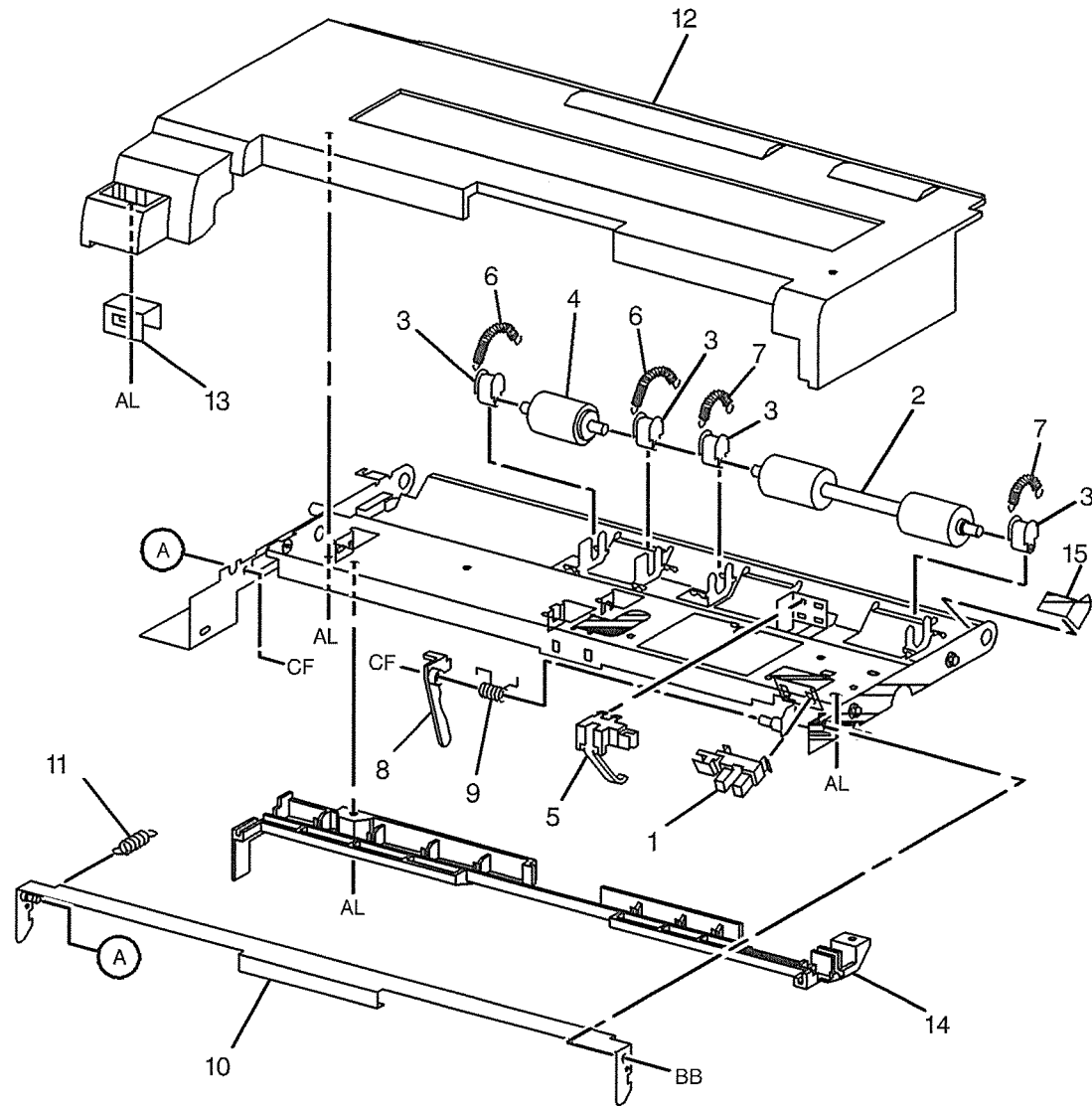
Item	Part	Description
1	059K08821	Tray 5 Feed Roll
2	-	Collar (Not Spared)
3	121K17550	Tray 5 Feed Clutch
4	113E22970	Holder
5	-	Bearing (Not Spared)
6	-	Gear (Not Spared)
7	-	Core (Not Spared)
8	114E11400	Connector (P703)
9	121E89780	Magnet
10	830E09840	Bracket
11	830E17961	Stopper Plate
12	-	Pad (Not Spared)
13	-	Chute (Not Spared)
14	059K31171	Tray 5 Assembly (REP 2.9.1)
15	891E51581	Label (Max)
16	891E73914	Label (Installation)
17	891E73982	Label (Size)
18	891E73971	Label (5)
19	-	Bearing (Not Spared)



0002009A-LYN

PL 2.10 Tray 5 Upper (Part 1 of 2)

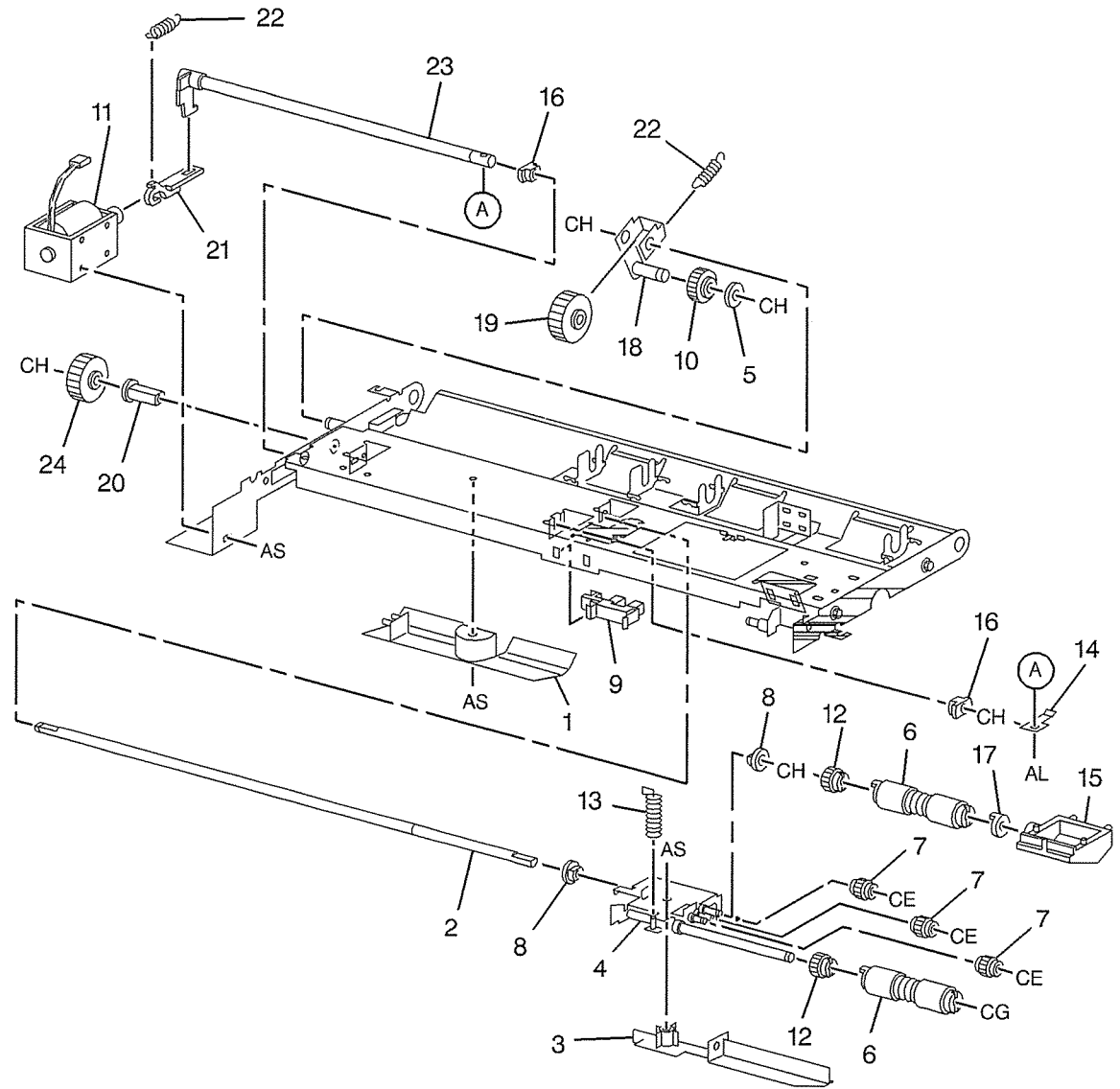
Item	Part	Description
1	130E82190	Tray 5 Paper Sensor
2	059K08831	Pinch Roll
3	-	Bearing (P/O PL 2.9 Item 14)
4	059E90770	Take Away Pinch Roll (P/O PL 2.9 Item 14)
5	130K58070	Tray 5 Feed Sensor
6	009E56020	Spring
7	009E56030	Spring
8	120E13100	Actuator
9	809E09470	Spring
10	-	Latch Lever (P/O PL 2.9 Item 14)
11	809E09410	Spring
12	-	Upper Cover (P/O PL 2.9 Item 14)
13	-	Latch Bracket (P/O PL 2.9 Item 14)
14	-	Inner Cover (P/O PL 2.9 Item 14)
15	-	Paper Guide (P/O PL 2.9 Item 14)



0002010A-LYN

PL 2.11 Tray 5 Upper (Part 2 of 2)

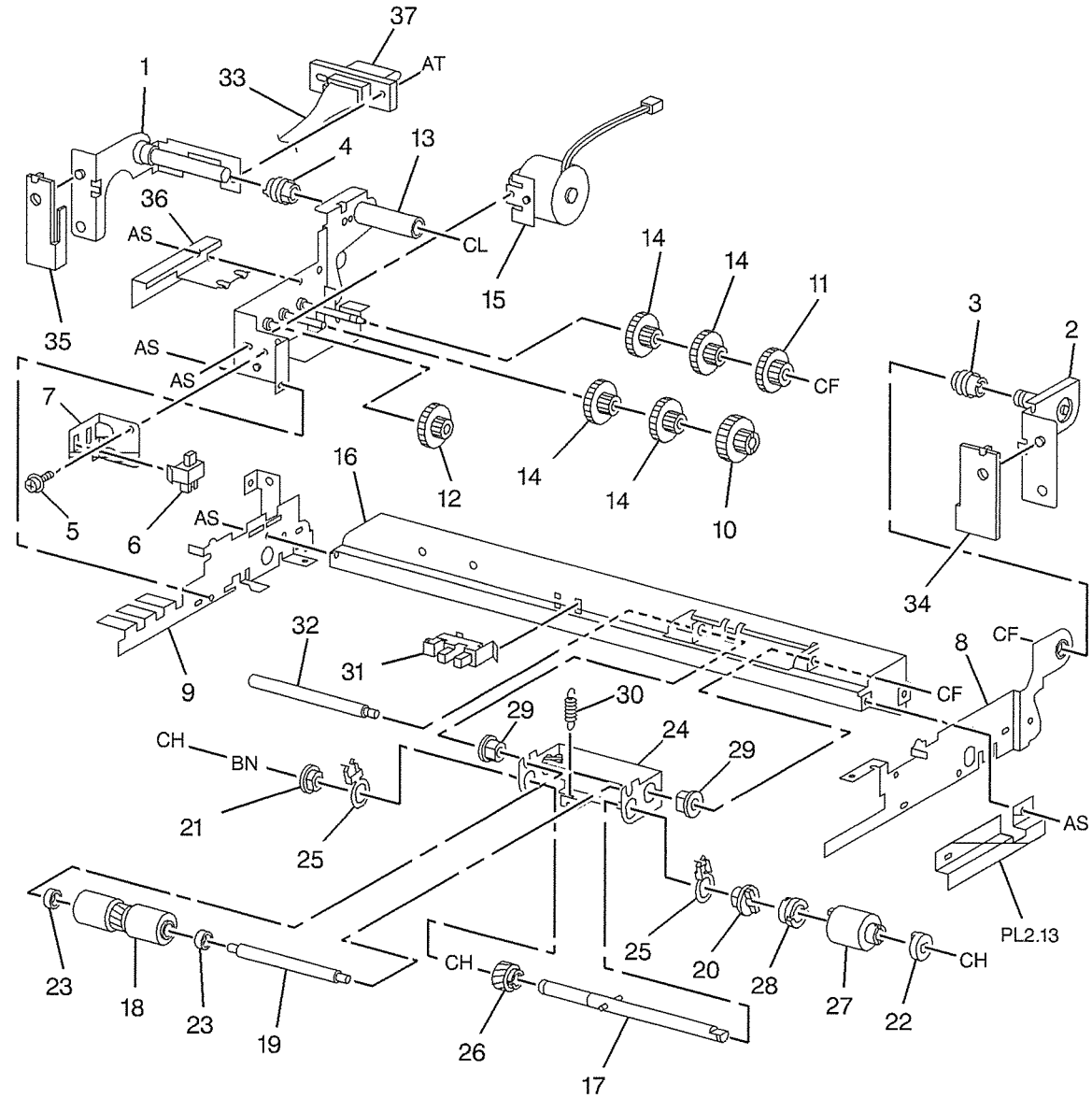
Item	Part	Description
1	-	Chute (P/O PL 2.9 Item 14)
2	-	Shaft (P/O PL 2.9 Item 14)
3	032E10010	Paper Guide
4	-	Support (P/O PL 2.9 Item 14)
5	-	Collar (P/O PL 2.9 Item 14)
6	059K08850	Tray 5 Nudger Roll, Tray 5 Feed Roll (REP 2.11.1 REP 2.11.2)
7	007E31180	Gear
8	-	Bearing (P/O PL 2.9 Item 14)
9	130E82190	Tray 5 Stack Up Sensor
10	-	Gear (P/O PL 2.9 Item 14)
11	121K17561	Tray 5 Nudger Solenoid
12	007E31160	Gear
13	009E76430	Spring
14	-	Lever Plate (P/O PL 2.9 Item 14)
15	-	Chute (Upper Front) (P/O PL 2.9 Item 14)
16	-	Bearing (P/O PL 2.9 Item 14)
17	-	Collar (P/O PL 2.9 Item 14)
18	-	Link (P/O PL 2.9 Item 14)
19	-	Gear (P/O PL 2.9 Item 14)
20	-	Bearing (P/O PL 2.9 Item 14)
21	-	Link (P/O PL 2.9 Item 14)
22	809E09410	Spring
23	-	Lever (P/O PL 2.9 Item 14)
24	-	Gear (P/O PL 2.9 Item 14)



0002011B-LYN

PL 2.12 Tray 5 Base

Item	Part	Description
1	-	Bracket (Rear) (P/O PL 2.9 Item 14)
2	-	Bracket (Front) (P/O PL 2.9 Item 14)
3	-	Damper (Front) (P/O PL 2.9 Item 14)
4	-	Damper (Rear) (P/O PL 2.9 Item 14)
5	-	Screw (P/O PL 2.9 Item 14)
6	110E93440	Tray 5 Interlock Switch
7	-	Switch Bracket (P/O PL 2.9 Item 14)
8	-	Frame (Front) (P/O PL 2.9 Item 14)
9	-	Frame (Rear) (P/O PL 2.9 Item 14)
10	007E23260	Gear (12/28)
11	007E50250	Gear (10/20)
12	007E51430	Gear
13	-	Frame (P/O PL 2.9 Item 14)
14	007E22430	Gear (12/28)
15	127K23470	Tray 5 Lift Motor (REP 2.12.1)
16	-	Chute (P/O PL 2.9 Item 14)
17	-	Shaft (P/O PL 2.9 Item 14)
18	059K08840	Tray 5 Retard Roll (REP 2.12.2)
19	-	Shaft (P/O PL 2.9 Item 14)
20	-	Bearing (P/O PL 2.9 Item 14)
21	-	Bearing (P/O PL 2.9 Item 14)
22	-	Collar (P/O PL 2.9 Item 14)
23	-	Collar (P/O PL 2.9 Item 14)
24	-	Support (P/O PL 2.9 Item 14)
25	-	Spring (P/O PL 2.9 Item 14)
26	007E54910	Gear
27	005K82490	Fiction Clutch
28	-	Collar (P/O PL 2.9 Item 14)
29	-	Bearing (P/O PL 2.9 Item 14)
30	-	Spring (P/O PL 2.9 Item 14)
31	130E82190	Tray 5 Stack Down Sensor
32	-	Shaft (P/O PL 2.9 Item 14)
33	-	Tray 5 Feeder Harness (P/O PL 2.9 Item 14)
34	-	Bracket Cover (Front) (P/O PL 2.9 Item 14)
35	-	Bracket Cover (Rear) (P/O PL 2.9 Item 14)
36	-	Gear Cover (P/O PL 2.9 Item 14)
37	113E24030	Connector (J703)

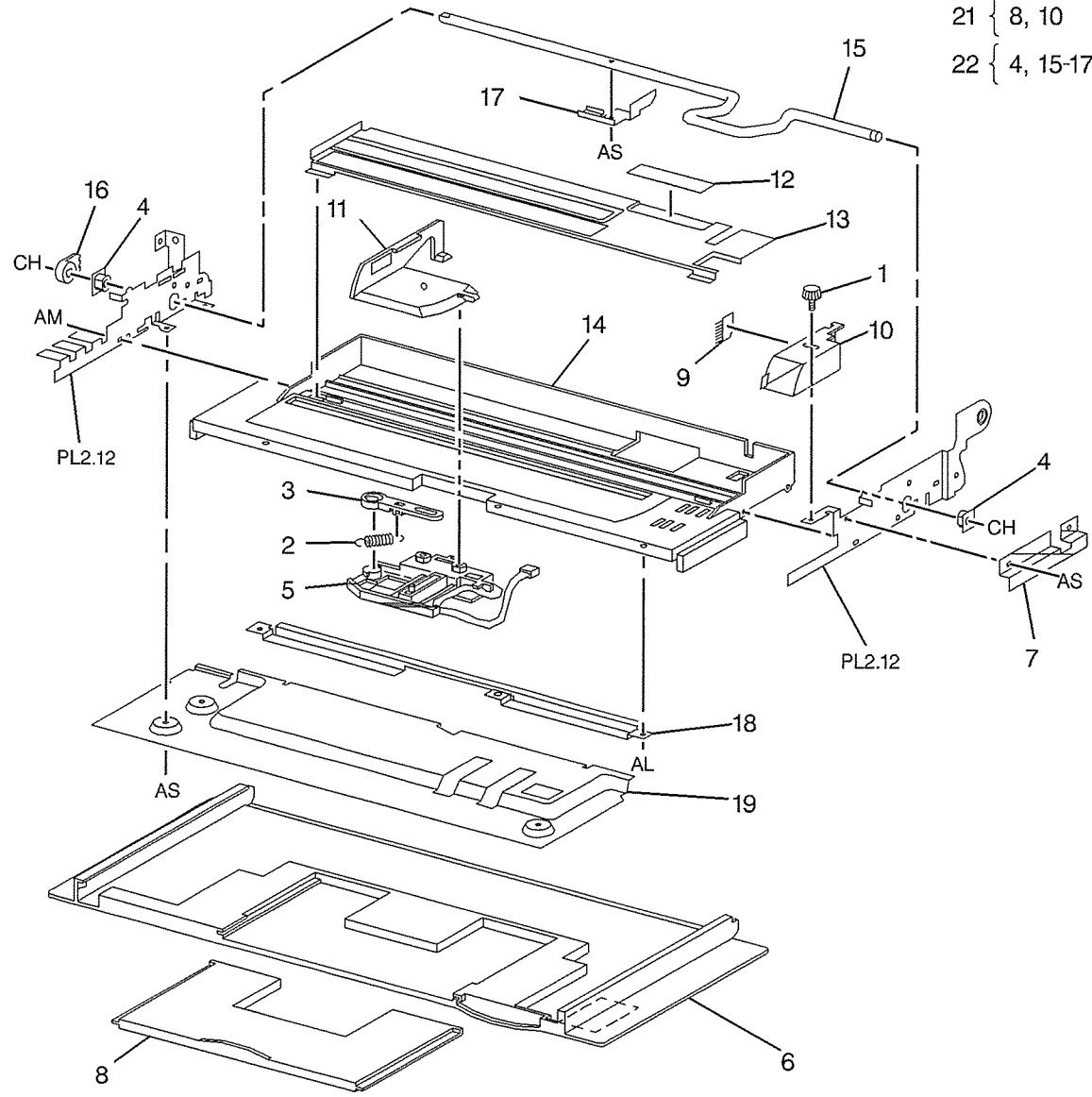


0002012B-LYN

PL 2.13 Tray 5 Tray

Item	Part	Description
1	-	Screw (P/O PL 2.9 Item 14)
2	009E53370	Spring
3	-	Link (P/O PL 2.9 Item 14)
4	-	Bearing (P/O PL 2.9 Item 14)
5	130K58001	Tray 5 Size Sensor
6	-	Tray (Lower) (P/O PL 2.9 Item 14)
7	-	Rail Bracket (P/O PL 2.9 Item 14)
8	-	Tray (Extension) (P/O PL 2.13 Item 21)
9	-	Pad (P/O PL 2.9 Item 14)
10	038K14700	Regi. Guide
11	038E89060	Side Guide
12	019K93320	Pad (Bottom)
13	-	Bottom Plate (P/O PL 2.9 Item 14)
14	-	Tray 5 Tray (P/O PL 2.9 Item 14)
15	-	Lift Shaft (P/O PL 2.9 Item 14)
16	007E66030	Gear
17	-	Actuator (P/O PL 2.9 Item 14)
18	-	Tie Plate (P/O PL 2.9 Item 14)
19	-	Lower Cover (P/O PL 2.9 Item 14)
20	600K82960	Size Sensor Kit
21	604K07960	Tray 5 Extension Kit
22	600K85970	Lift Shaft and Gear Kit

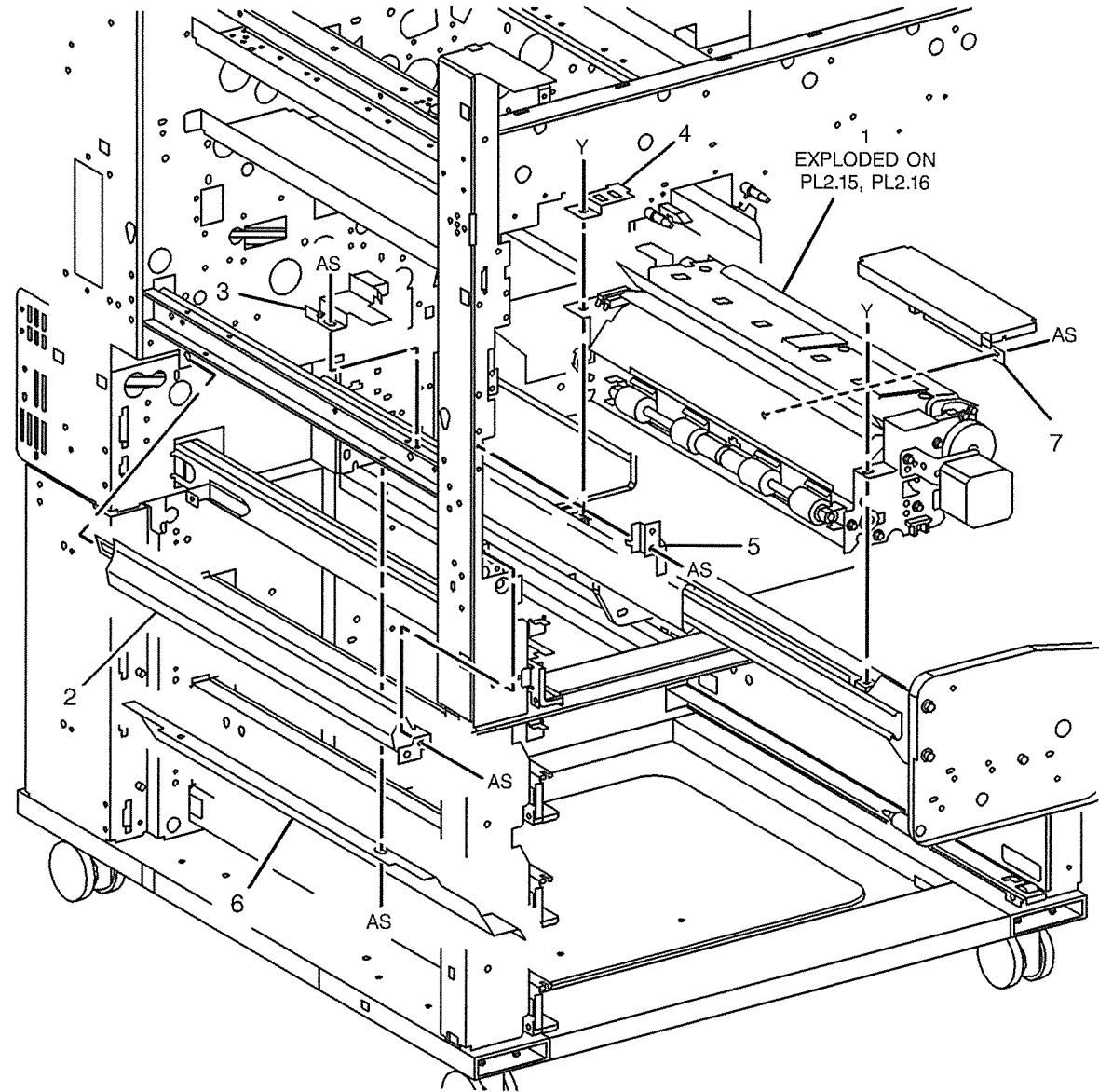
- 20 { 5, 11
- 21 { 8, 10
- 22 { 4, 15-17



0002013C-LYN

PL 2.14 Regi. Unit, DTS HVPS

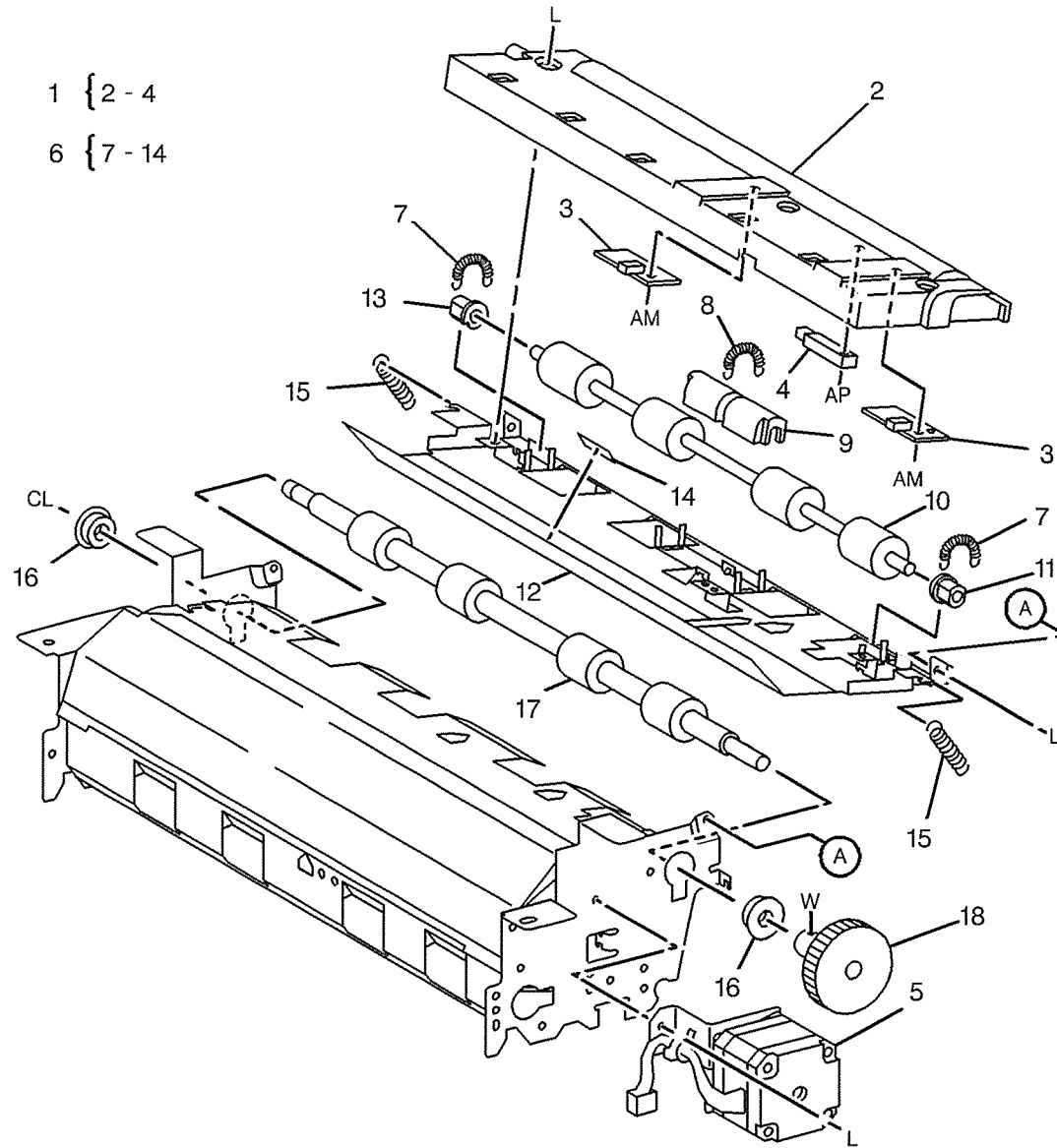
Item	Part	Description
1	059K10025	Regi. Unit Assembly (REP 2.14.1)
2	-	Chute (Not Spared)
3	-	Stopper (Not Spared)
4	-	Cover (Not Spared)
5	-	Guide (Not Spared)
6	-	Cover (Not Spared)
7	105K14923	DTS HVPS



0002014A-LYN

PL 2.15 Regi.-Regi.

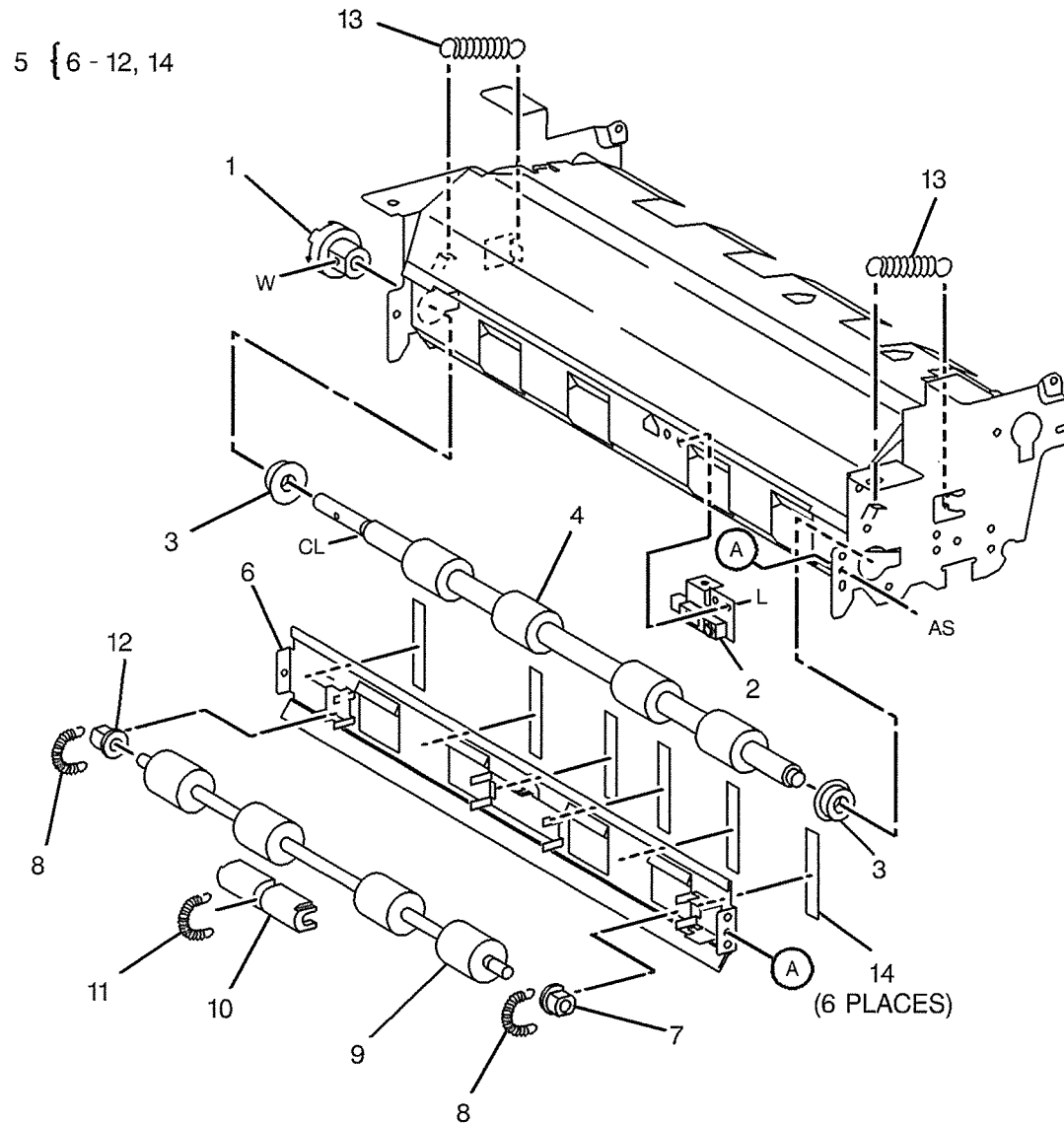
Item	Part	Description
1	048K65921	Regi. Cover Assembly
2	-	Regi. Cover (P/O PL 2.15 Item 1)
3	160K46290	OHP Sensor 1, OHP Sensor 2
4	130K60600	Regi. Sensor (REP 2.15.1)
5	127K21871	Regi. Motor (REP 2.15.3)
6	054K11072	Upper Chute
7	809E09430	Spring
8	-	Spring (P/O PL 2.15 Item 6)
9	013E88020	Bearing
10	059K08760	Pinch Roll
11	013E88030	Bearing
12	-	Chute (P/O PL 2.15 Item 6)
13	013E82490	Bearing
14	-	Label (P/O PL 2.15 Item 6)
15	809E08090	Spring
16	-	Bearing (Not Spared)
17	059K08790	Regi. Roll (REP 2.15.2)
18	007E51370	Gear



0002015B-LYN

PL 2.16 Regi.-Pre Regi.

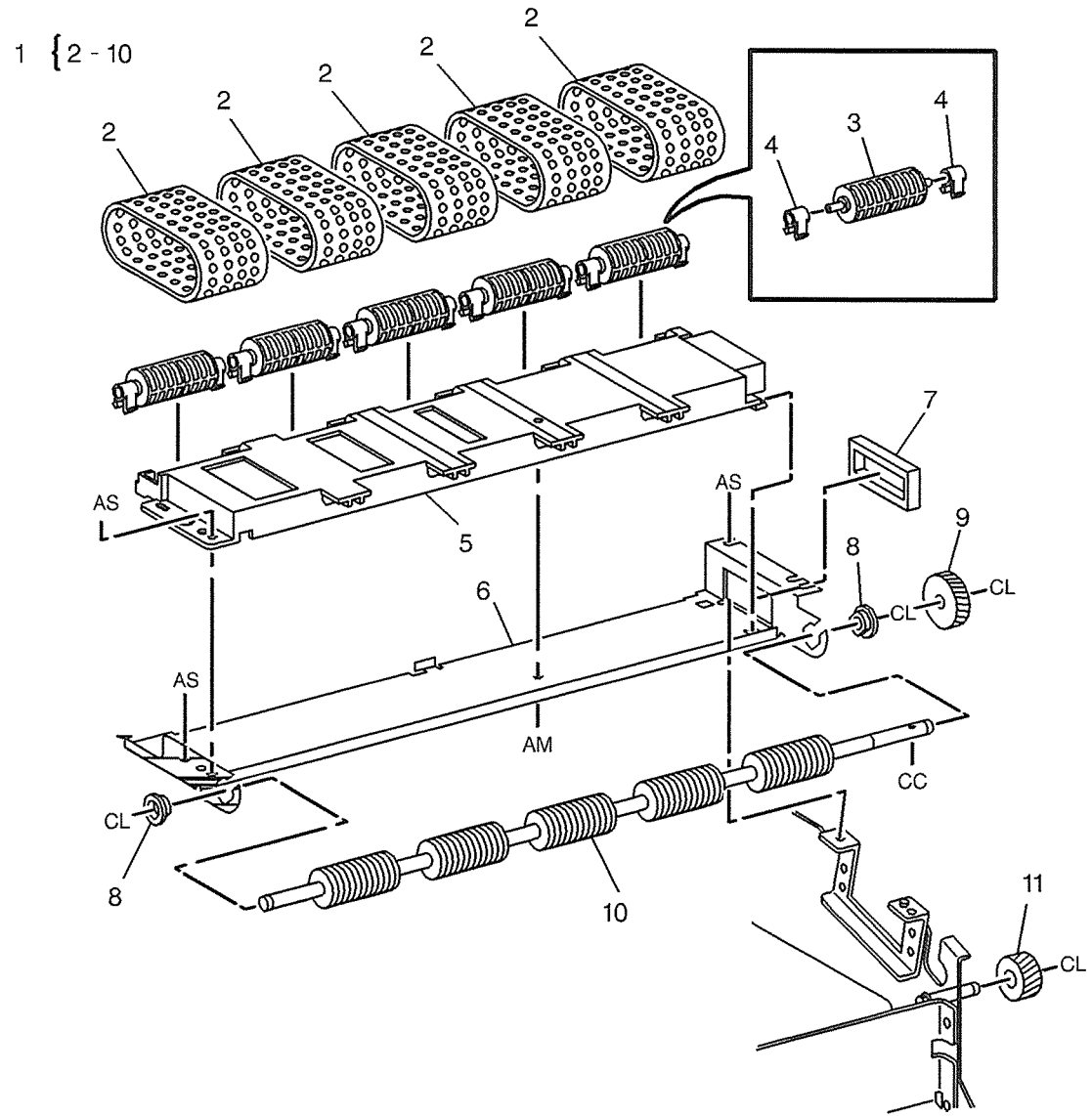
Item	Part	Description
1	005E85810	Coupling
2	130K58030	Pre Regi. Sensor (REP 2.16.1)
3	-	Bearing (Not Spared)
4	059K08780	Pre Regi. Roll (REP 2.16.2)
5	054K11090	Pre Regi. Chute Assembly
6	-	Pre Regi. Chute (P/O PL 2.16 Item 5)
7	013E88030	Bearing
8	-	Spring (P/O PL 2.16 Item 5)
9	059K08770	Pinch Roll
10	013E88020	Bearing
11	-	Spring (P/O PL 2.16 Item 5)
12	013E82490	Bearing
13	009P61135	Spring
14	-	Paper Guide (P/O PL 2.16 Item 5)



0002016A-LYN

PL 2.17 Vacuum Transport

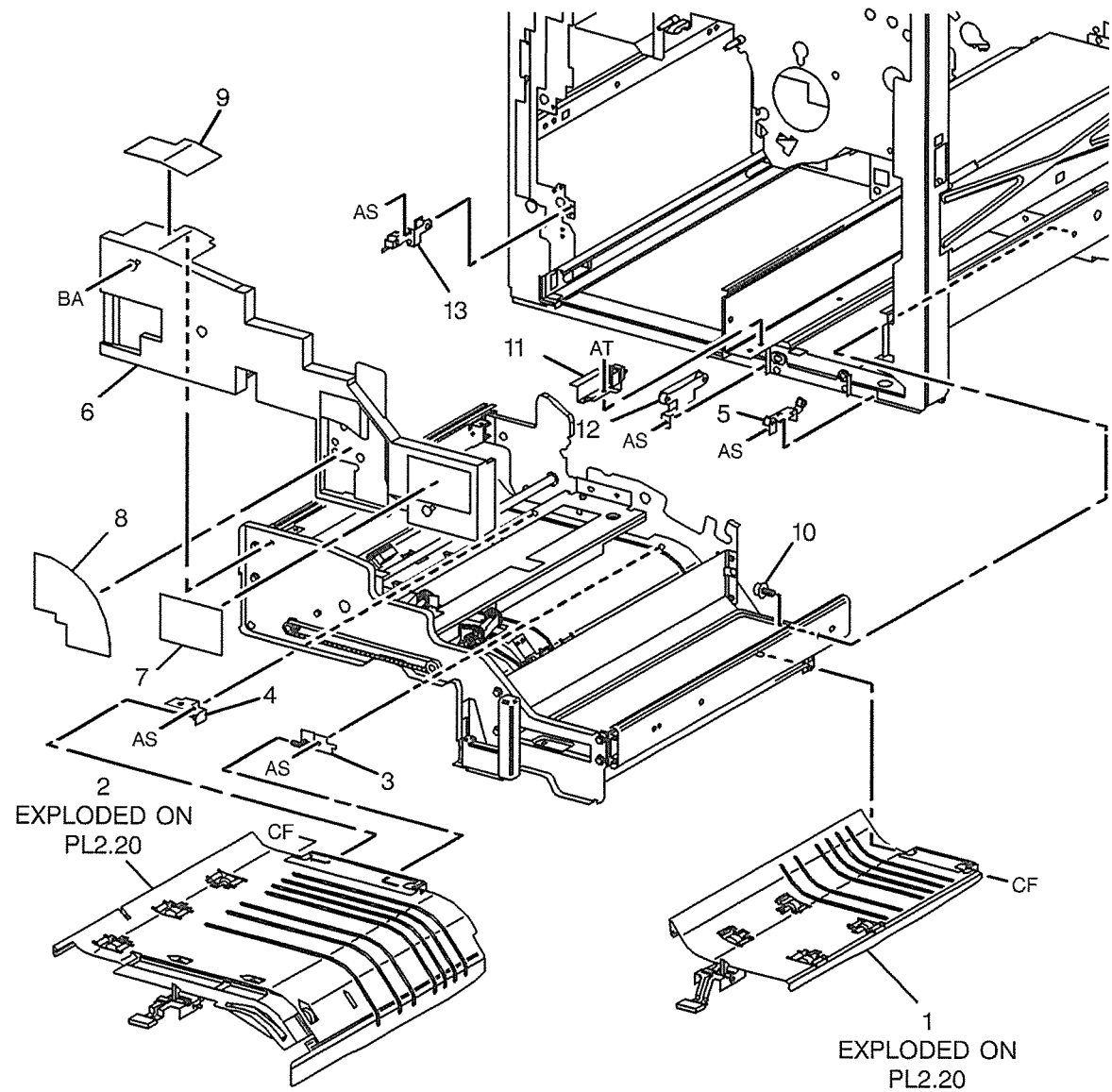
Item	Part	Description
1	059K10122	Vacuum Transport Assembly (REP 2.17.1)
2	023E15480	Vacuum Transport Belt (REP 2.17.2)
3	059E92950	Idler Roll
4	-	Snap Bearing (P/O PL 2.17 Item 1)
5	-	Chute (P/O PL 2.17 Item 1)
6	-	Frame (P/O PL 2.17 Item 1)
7	-	Seal (P/O PL 2.17 Item 1)
8	413W77359	Bearing
9	007E46610	Gear
10	006K84210	Shaft
11	007E49781	Gear



0002017A-LYN

PL 2.18 Drawer Accessory, Duplex Baffle

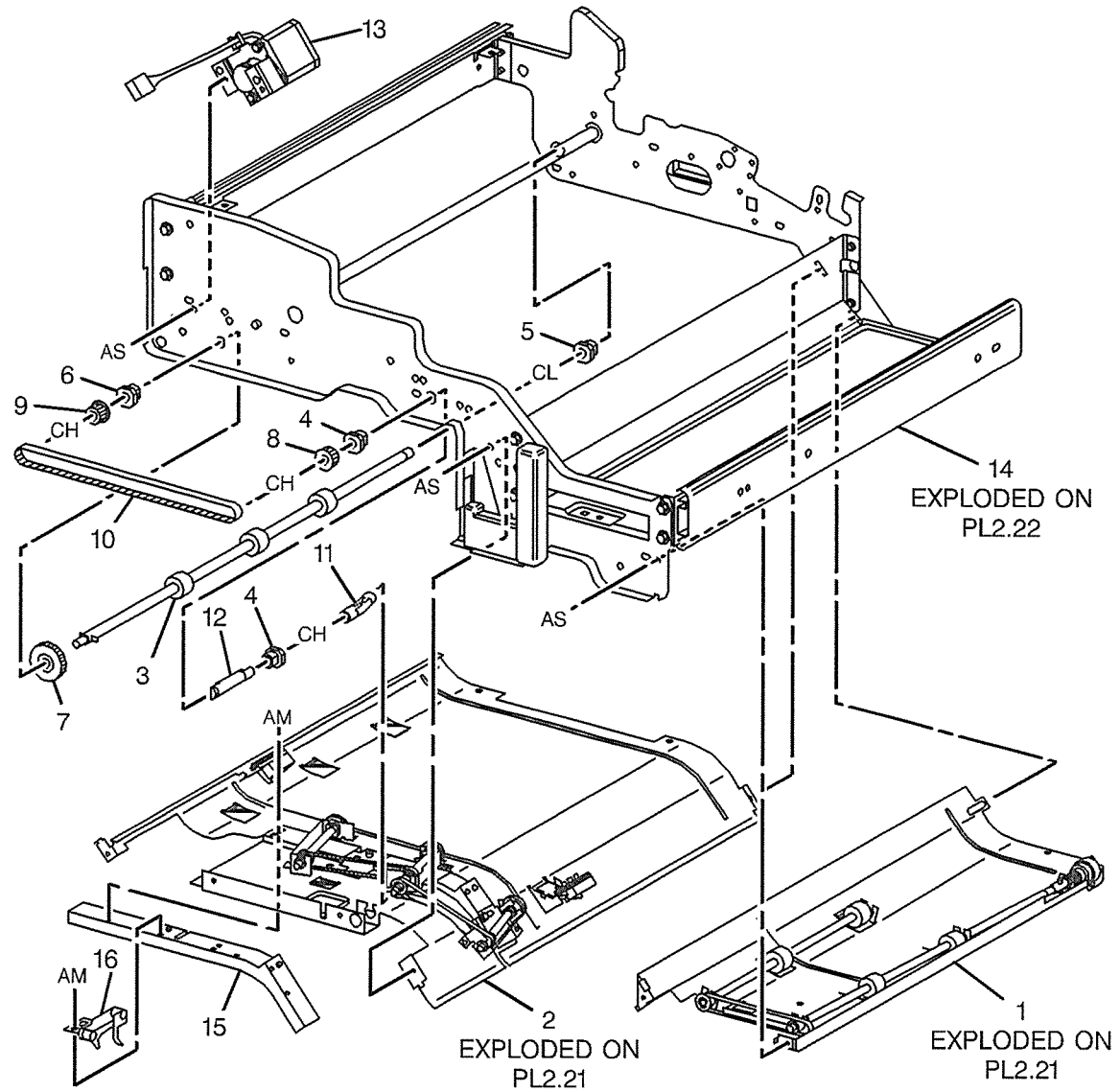
Item	Part	Description
1	054K11395	Duplex In Baffle Assembly
2	054K11416	Aligner Baffle Assembly (W/TAG P3)
3	003K84760	Hinge
4	003K84750	Hinge
5	032K93621	Guide
6	-	Drawer Cover (Not Spared)
7	891E51561	Label
8	891E51571	Label
9	891E74062	Label
10	-	Screw (Not Spared)
11	015K33973	Drawer Interlock Switch
12	-	Guide (Not Spared)
13	-	Guide (Not Spared)



0002018A-LYN

PL 2.19 Drawer Frame, Duplex Out Motor/Roll, Duplex Chute

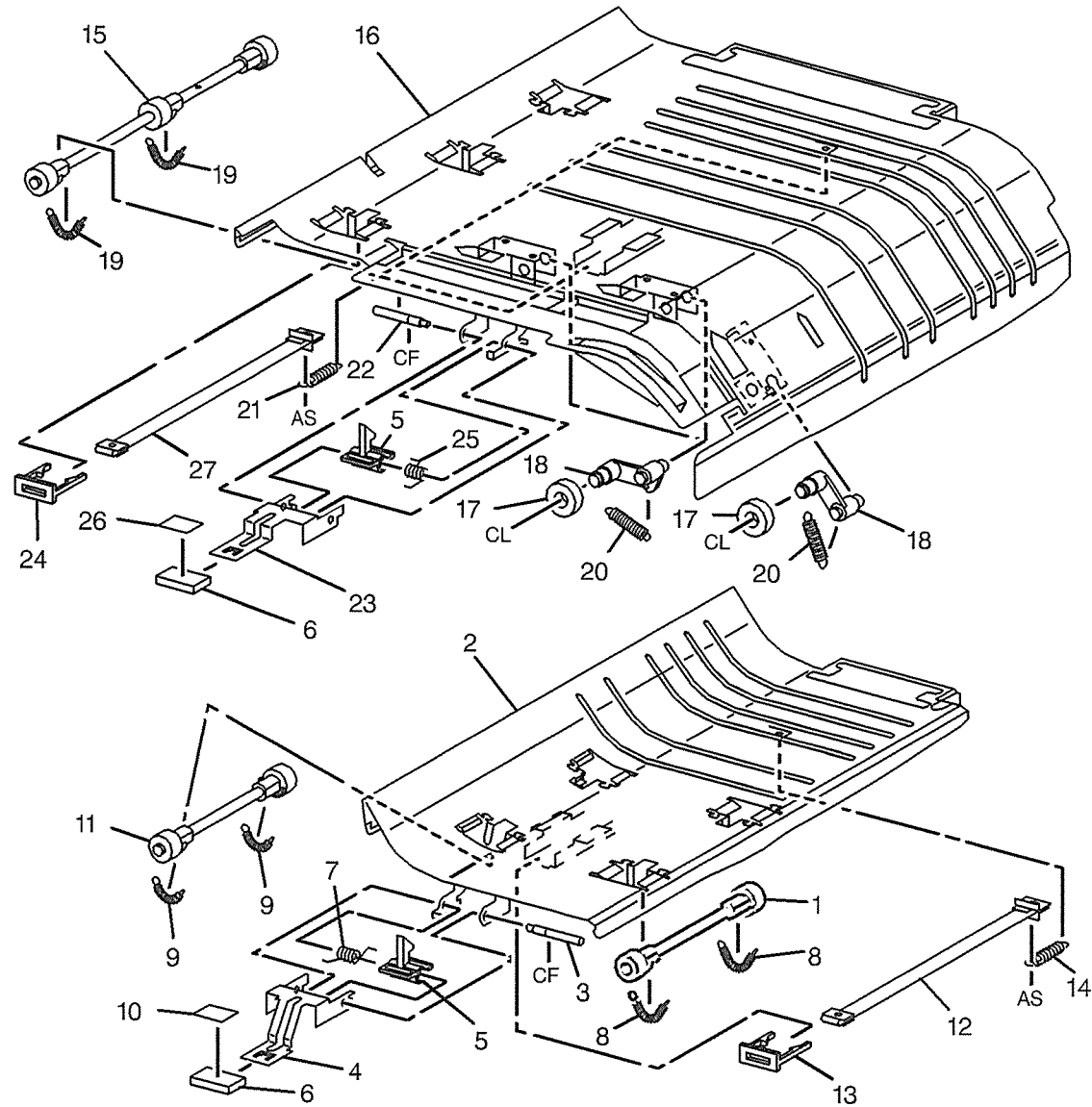
Item	Part	Description
1	054K11363	Duplex In Chute Assembly
2	054K11373	Aligner Chute Assembly
3	059K08600	Duplex Out Roll
4	-	Bearing (Not Spared)
5	-	Bearing (Not Spared)
6	-	Bearing (Not Spared)
7	007E51840	Gear
8	-	Pulley (Not Spared)
9	-	Pulley (Not Spared)
10	423W82555	Belt
11	011K90420	Joint
12	-	Shaft (Not Spared)
13	127K23191	Duplex Out Motor
14	050K34065	Drawer Frame Assembly
15	038E89072	Paper Guide
16	-	Link (Not Spared)



0002019A-LYN

PL 2.20 Duplex In/Aligner Baffle Component

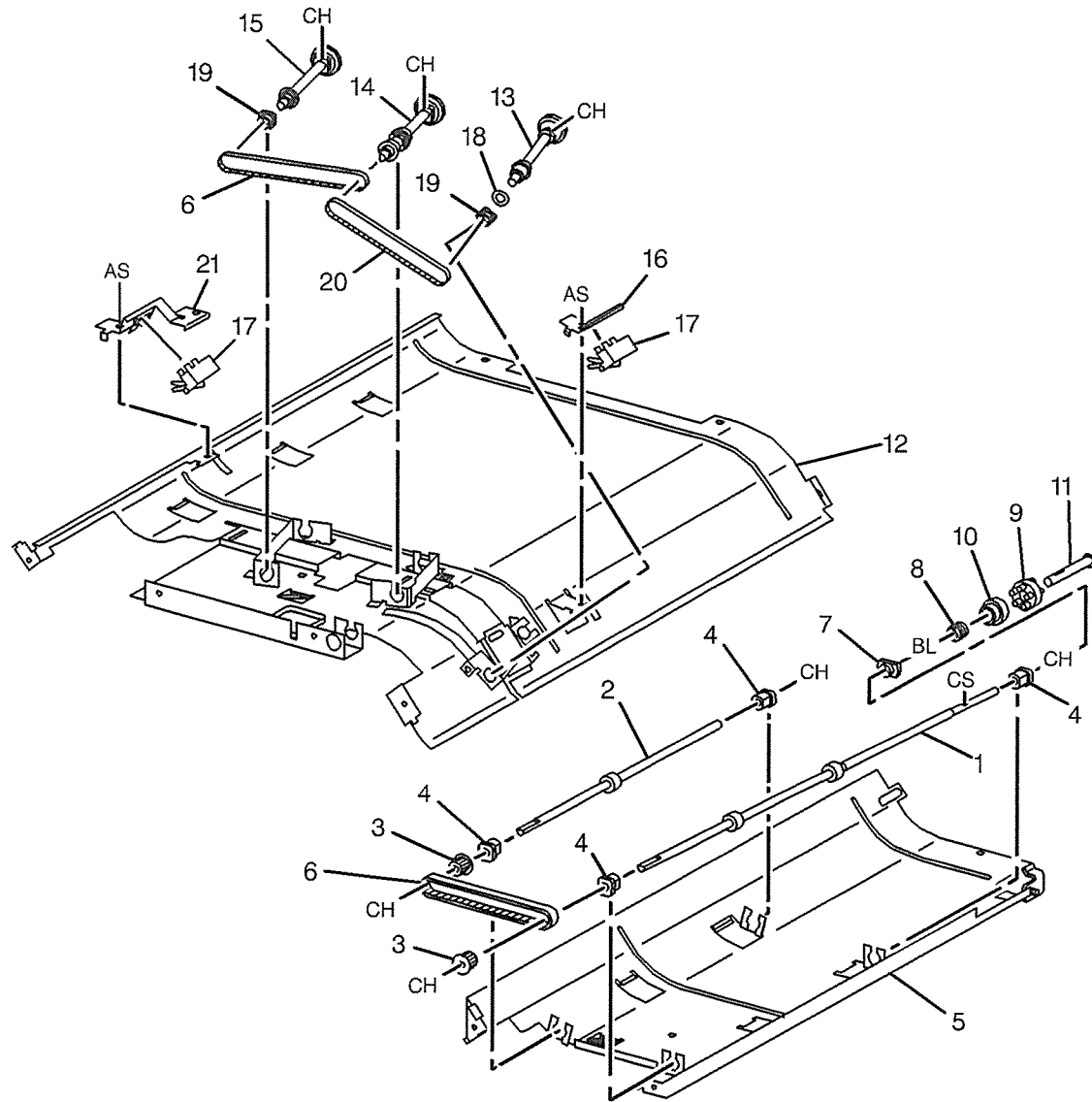
Item	Part	Description
1	-	Pinch Roll (Duplex In) (Roll:F) (P/O PL 2.18 Item 1)
2	-	Duplex In Baffle (P/O PL 2.18 Item 1)
3	-	Shaft (P/O PL 2.18 Item 1)
4	011E08041	Lever
5	003E40151	Latch
6	003E36290	Knob
7	809E16590	Spring
8	809E16580	Spring (16MM)
9	809E14710	Spring (12.4MM)
10	-	Label (P/O PL 2.18 Item 1)
11	-	Pinch Roll (Duplex Path) (Roll: F) (P/O PL 2.18 Item 1)
12	-	Stopper (P/O PL 2.18 Item 1)
13	-	Guide (P/O PL 2.18 Item 1)
14	-	Spring (P/O PL 2.18 Item 1)
15	059K05750	Pinch Roll (Duplex Out)
16	-	Aligner Baffle (P/O PL 2.18 Item 2)
17	059E92980	Pinch Roll
18	-	Link (P/O PL 2.18 Item 2)
19	-	Spring (P/O PL 2.18 Item 2)
20	809E20210	Spring
21	-	Spring (P/O PL 2.18 Item 2)
22	-	Shaft (P/O PL 2.18 Item 2)
23	011E08031	Lever
24	-	Guide (P/O PL 2.18 Item 2)
25	809E09040	Spring
26	-	Label (P/O PL 2.18 Item 2)
27	-	Stopper (P/O PL 2.18 Item 2)



0002020A-LYN

PL 2.21 Duplex In/Aligner Chute Component

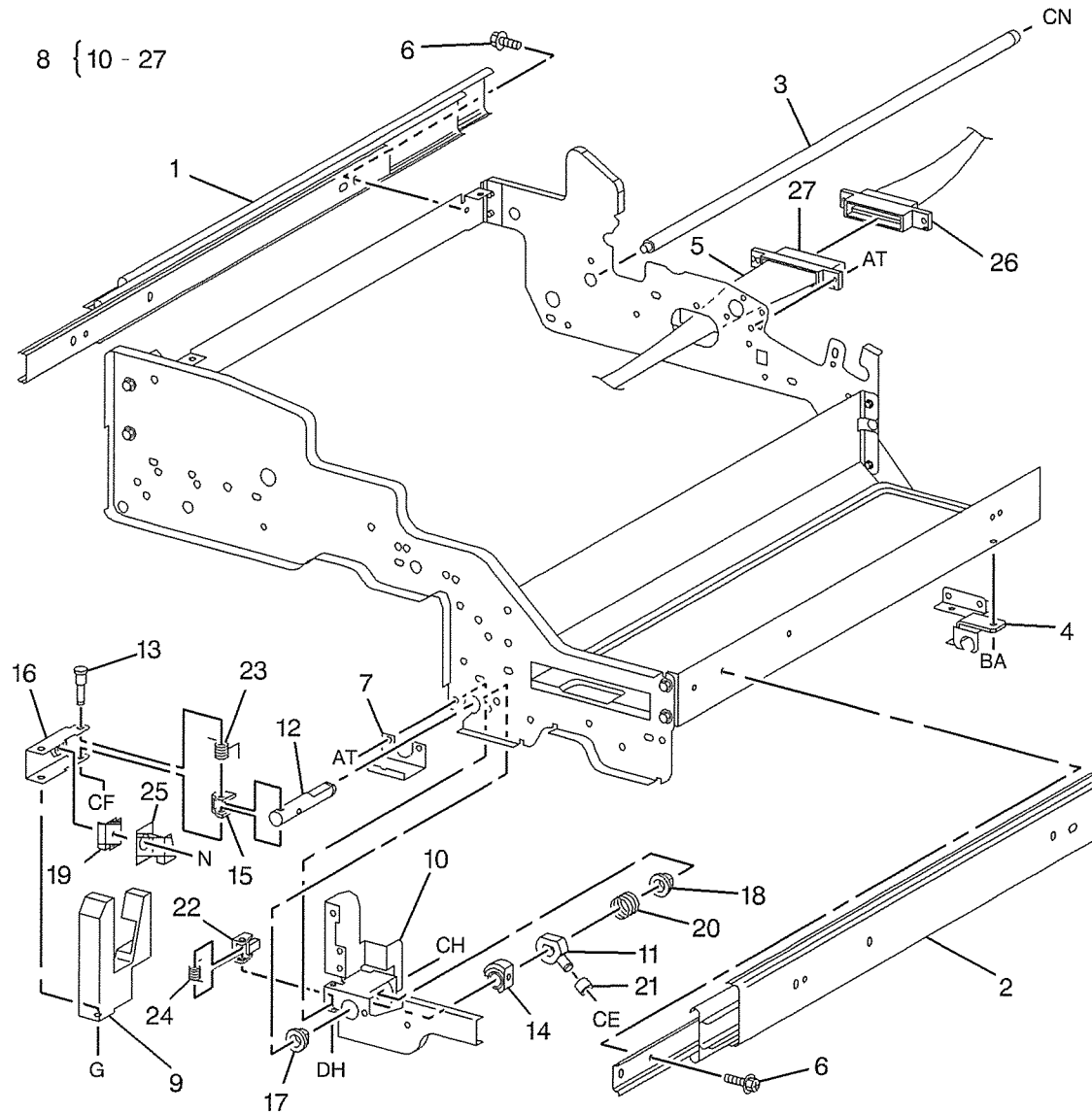
Item	Part	Description
1	059K08610	Duplex In Roll
2	059K08621	Duplex Path Roll
3	-	Pulley (P/O PL 2.19 Item 1)
4	-	Bearing (P/O PL 2.19 Item 1)
5	-	Duplex In Chute (P/O PL 2.19 Item 1)
6	423W11055	Duplex Belt 1, Duplex Belt 2 (REP 2.21.3)
7	-	Bearing (P/O PL 2.19 Item 1)
8	809E09150	Spring
9	-	Coupling (Trans) (P/O PL 2.19 Item 1)
10	-	Coupling (Slide) (P/O PL 2.19 Item 1)
11	-	Pipe (P/O PL 2.19 Item 1)
12	-	Aligner Chute (P/O PL 2.19 Item 2)
13	059K09331	Aligner Roll 1
14	059K09341	Aligner Roll 2
15	059K09350	Aligner Roll 3
16	-	Sensor Bracket (P/O PL 2.19 Item 2)
17	130K93210	Duplex Path Sensor, Duplex Out Sensor (REP 2.21.1 REP 2.21.2)
18	-	Frangé (P/O PL 2.19 Item 2)
19	-	Bearing (P/O PL 2.19 Item 2)
20	423W10055	Belt
21	-	Sensor Bracket (P/O PL 2.19 Item 2)



0002021A-LYN

PL 2.22 Drawer Frame Component

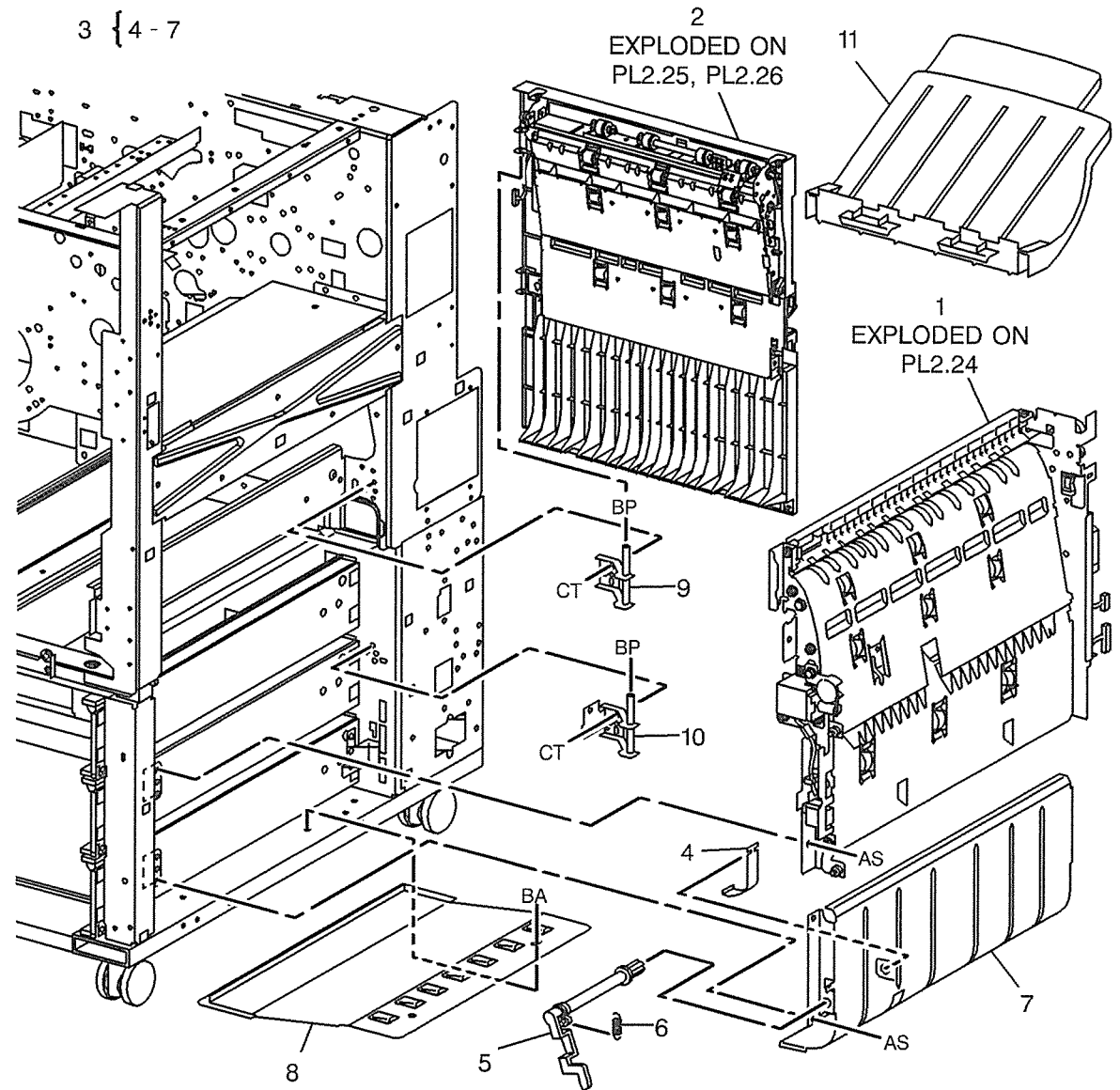
Item	Part	Description
1	001E50590	Rail (Left)
2	001E46411	Rail (Right)
3	-	Shaft (P/O PL 2.19 Item 14)
4	-	Bracket (P/O PL 2.19 Item 14)
5	-	Wire Harness (P/O PL 2.19 Item 14)
6	-	Screw (P/O PL 2.19 Item 14)
7	-	Stopper (P/O PL 2.19 Item 14)
8	003K85871	Latch Assembly
9	003K85851	Knob
10	-	Bracket (P/O PL 2.22 Item 8)
11	003E37791	Latch
12	006E56620	Shaft
13	-	Stud (P/O PL 2.22 Item 8)
14	008E93261	Cam
15	011E08111	Joint
16	-	Handle (P/O PL 2.22 Item 8)
17	-	Bearing (P/O PL 2.22 Item 8)
18	-	Bearing (P/O PL 2.22 Item 8)
19	-	Plate (P/O PL 2.22 Item 8)
20	809E09210	Spring
21	-	Spacer (P/O PL 2.22 Item 8)
22	-	Block (P/O PL 2.22 Item 8)
23	809E09171	Spring
24	809E09180	Spring
25	-	Finger Guide (P/O PL 2.22 Item 8)
26	114E11390	Frame Connector
27	113E24020	Drawer Connector (P701)



0002022B-LYN

PL 2.23 Inverter Unit

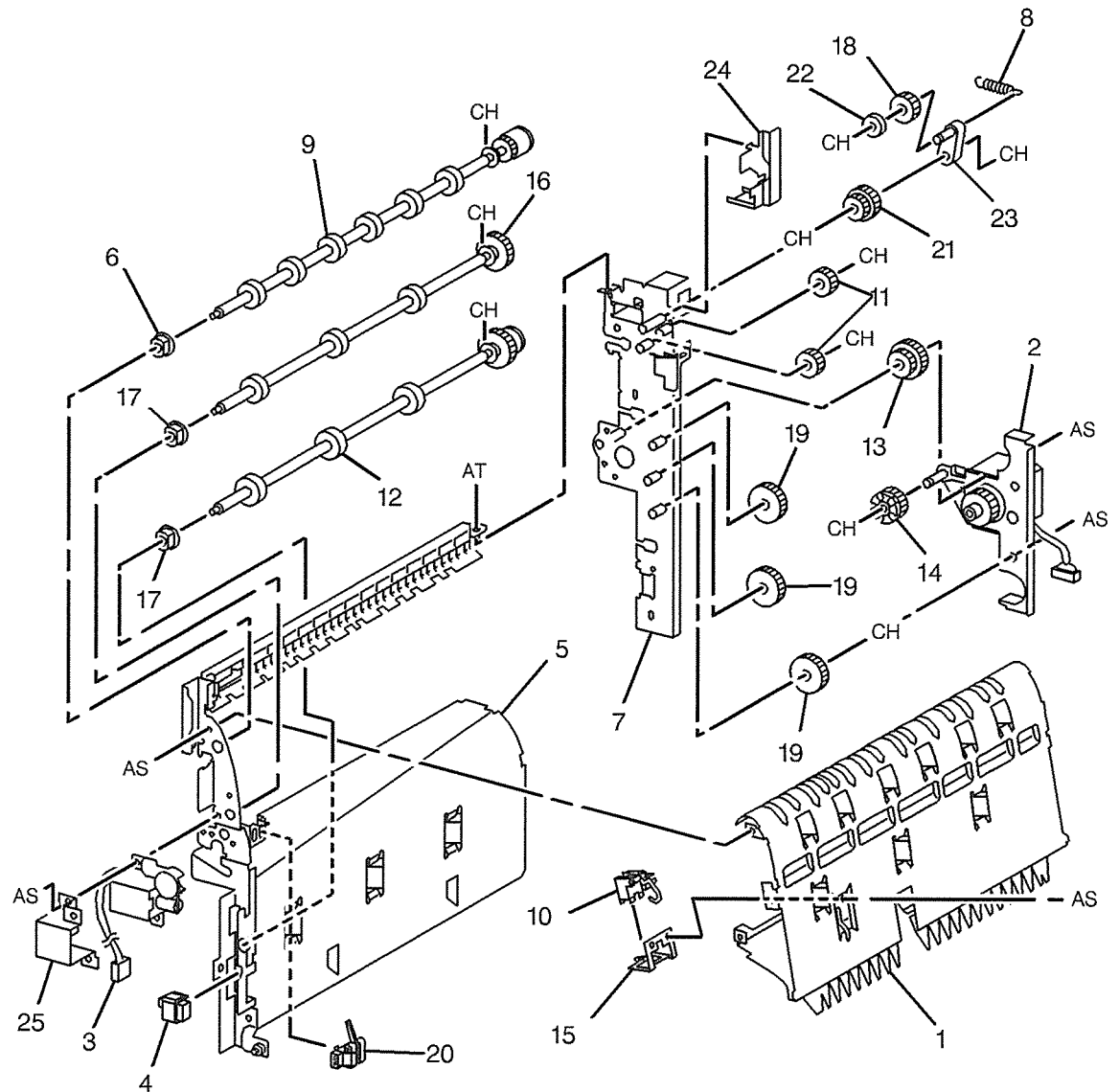
Item	Part	Description
1	059K08686	Inverter 1 Assembly (REP 2.23.1)
2	059K33080	Inverter 2 Assembly (REP 2.23.2)
3	054K11512	Inverter 3 Upper Chute Assembly
4	015E58040	Stopper
5	012E98271	Link
6	009E84220	Spring
7	-	Inverter 3 Upper Chute (P/O PL 2.23 Item 3)
8	-	Inverter 3 Lower Chute (Not Spared)
9	003K84472	Hinge
10	003K84792	Hinge
11	050K36514	Exit Tray



0002023A-LYN

PL 2.24 Inverter 1 Component

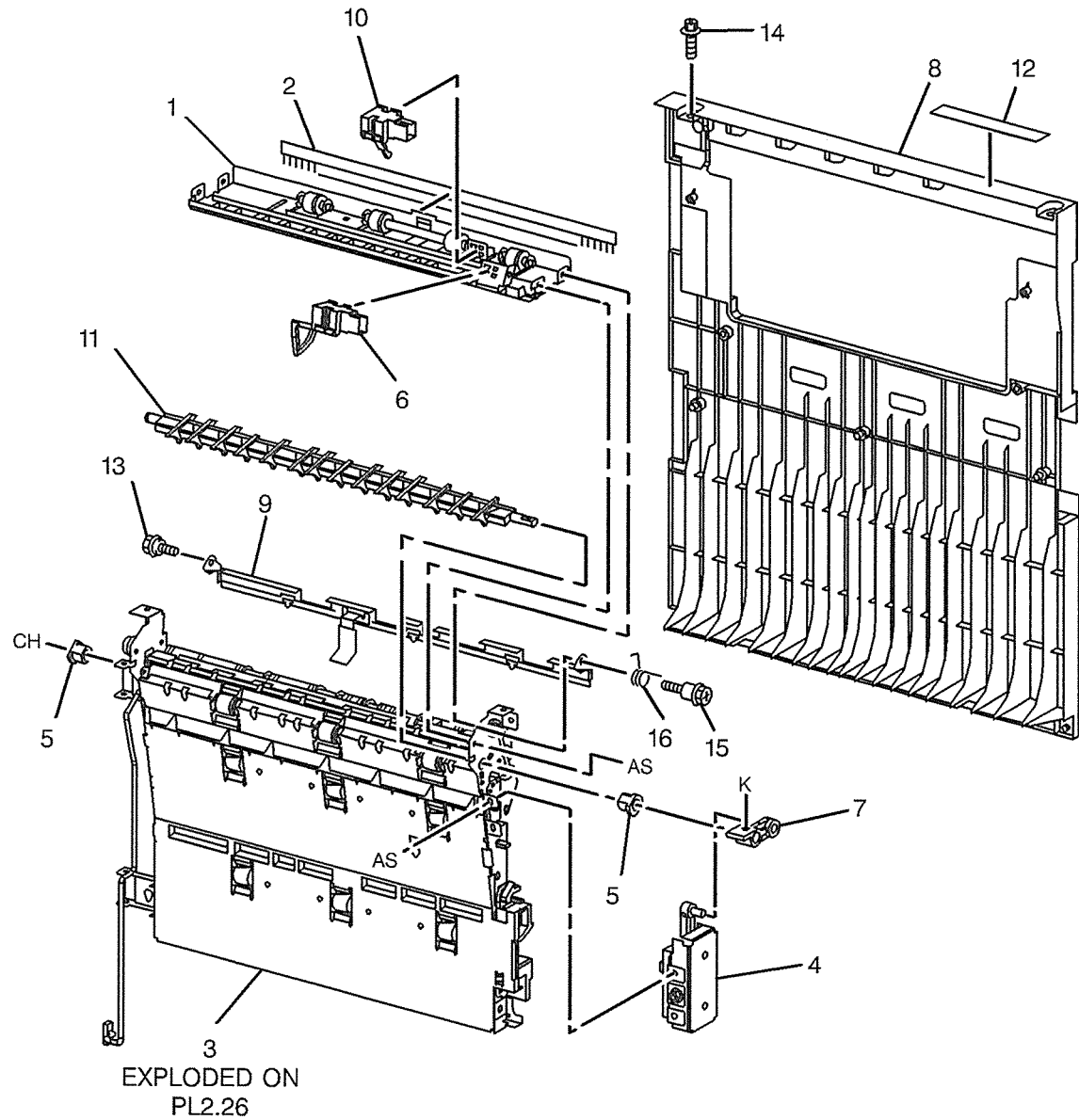
Item	Part	Description
1	054K10303	Inverter 1 Upper Chute
2	127K21661	Inverter Motor (REP 2.24.1)
3	121K16372	Release Solenoid (REP 2.24.2)
4	110E93440	Inverter Cover Switch
5	-	Frame (P/O PL 2.23 Item 1)
6	-	Bearing (P/O PL 2.23 Item 1)
7	001K56820	Rear Frame
8	009E84220	Spring
9	059K09022	Inverter Roll (Upper)
10	130K93220	Inverter Path Sensor
11	007E50130	Gear (14)
12	059K09030	Inverter Roll (Duplex)
13	007E51630	Gear (25/30)
14	007E51641	Gear
15	-	Bracket (P/O PL 2.23 Item 1)
16	059K09040	Inverter Roll (Lower)
17	-	Bearing (P/O PL 2.23 Item 1)
18	007K84601	Gear
19	007E91170	Gear (27)
20	130K57810	Duplex In Sensor
21	007E50140	Gear (15/20)
22	059E92850	Roll
23	011K94050	Lever
24	-	Cover (P/O PL 2.23 Item 1)
25	-	Solenoid Cover (P/O PL 2.23 Item 1)



0002024A-LYN

PL 2.25 Inverter 2 Component (Part 1 of 2)

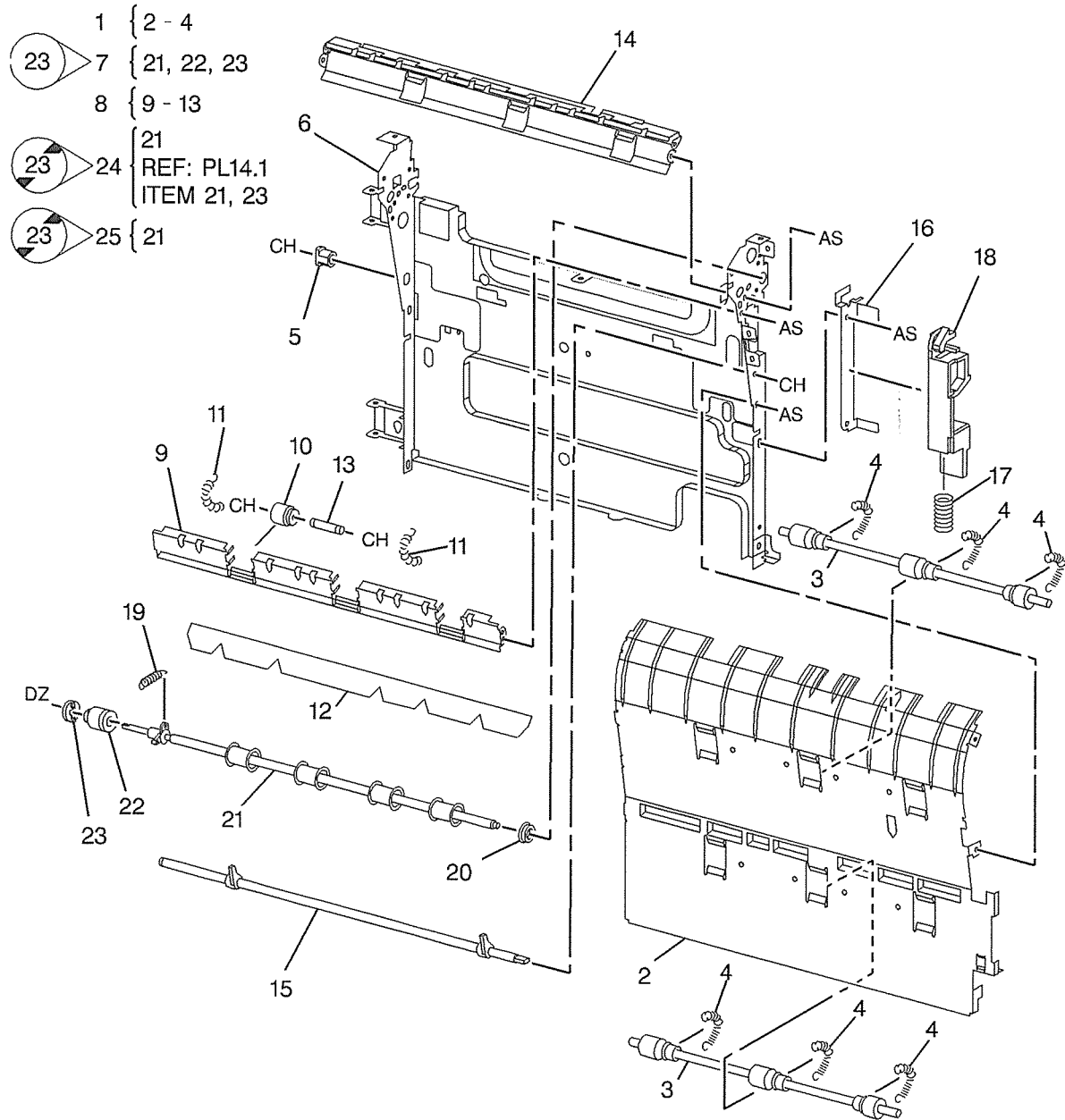
Item	Part	Description
1	054K10317	Inverter 2 Upper Chute
2	105E98690	Eliminator
3	-	Inverter 2 Transport (P/O PL 2.23 Item 2)
4	121K16383	Inverter Gate Solenoid
5	-	Bearing (P/O PL 2.23 Item 2)
6	130K59660	Exit Path Sensor
7	-	Gate 1 Link (P/O PL 2.23 Item 2)
8	802E30660	Inverter 2 Cover
9	054K14675	Exit Chute
10	130K57820	M/C Exit Sensor
11	050K36851	Gate 1
12	891E82991	Label
13	-	Screw (P/O PL 2.23 Item 2)
14	-	Screw (P/O PL 2.23 Item 2)
15	-	Screw (P/O PL 2.23 Item 2)
16	-	Spring (P/O PL 2.23 Item 2)



0002025A-LYN

PL 2.26 Inverter 2 Component (Part 2 of 2)

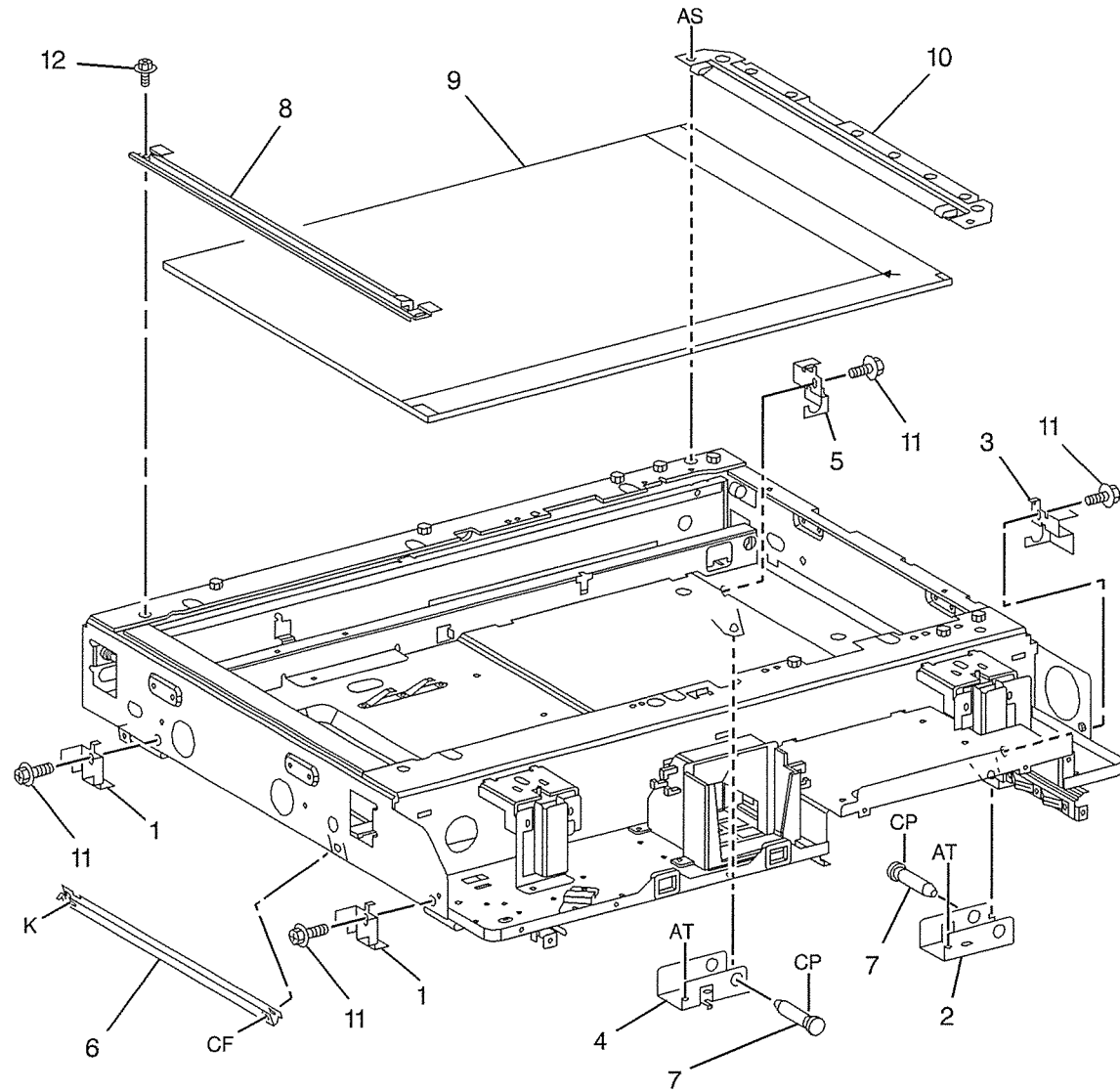
Item	Part	Description
1	054K10323	Inverter 2 Lower Baffle
2	-	Inverter 2 Lower Chute (P/O PL 2.26 Item 1)
3	-	Pinch Roll (P/O PL 2.26 Item 1)
4	009E62420	Spring
5	-	Bearing (P/O PL 2.25 Item 3)
6	001K57333	Frame
7	059K14872	Exit Roll Assembly (W/TAG P23) (REP 2.26.1)
8	054K10333	Inverter 2 Mid.1 Baffle
9	-	Chute (P/O PL 2.26 Item 8)
10	059E92841	Pinch Roll
11	-	Spring (P/O PL 2.26 Item 8)
12	038E88772	Guide
13	-	Shaft (P/O PL 2.26 Item 8)
14	054K11161	Inverter 2 Mid. 2 Baffle
15	-	Link Shaft (P/O PL 2.25 Item 3)
16	-	Bracket (P/O PL 2.25 Item 3)
17	809E09530	Spring
18	011K94391	Lever
19	-	Spring (P/O PL 2.25 Item 3)
20	413W66250	Bearing
21	-	Roller Shaft (P/O PL 2.26 Item 7)
22	005K82470	Clutch (One-way)
23	-	Stopper (P/O PL 2.26 Item 7)
24	600K79560	Offset Roller Kit (W/O TAG P23)
25	600K83590	Offset Corrugation Mark Roller Kit (W/O TAG P23)



0 002026C-LYN

PL 3.1 Platen Glass: ITT

Item	Part	Description
1	-	Stopper (Not Spared) (REP 3.1.2)
2	-	Bracket (Rear) (Not Spared)
3	-	Stopper (Rear) (Not Spared)
4	-	Bracket (Front) (Not Spared)
5	-	Stopper (Front) (Not Spared)
6	-	Brace (Not Spared)
7	-	Stud (Not Spared)
8	-	Right Side Plate (Not Spared)
9	090K92572	Platen Glass (With ADF) (REP 3.1.1)
10	015K37641	Left Side Plate
11	-	Screw (Not Spared)
12	-	Screw (Not Spared)

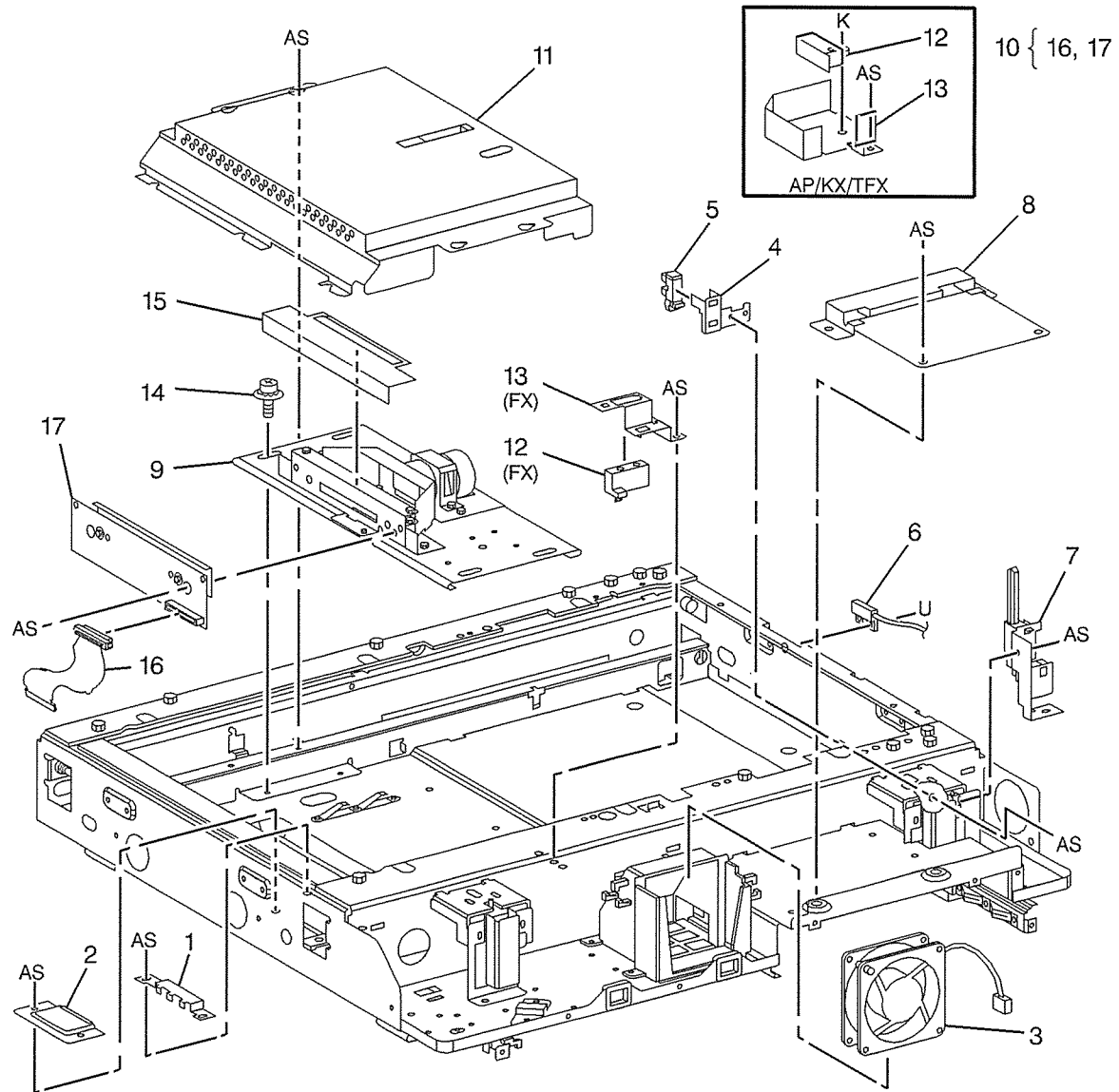


FOR DADF CONFIGURATION,
REFER TO PL12.11

0003001B-LYN

PL 3.2 CCD PWB, Sensor

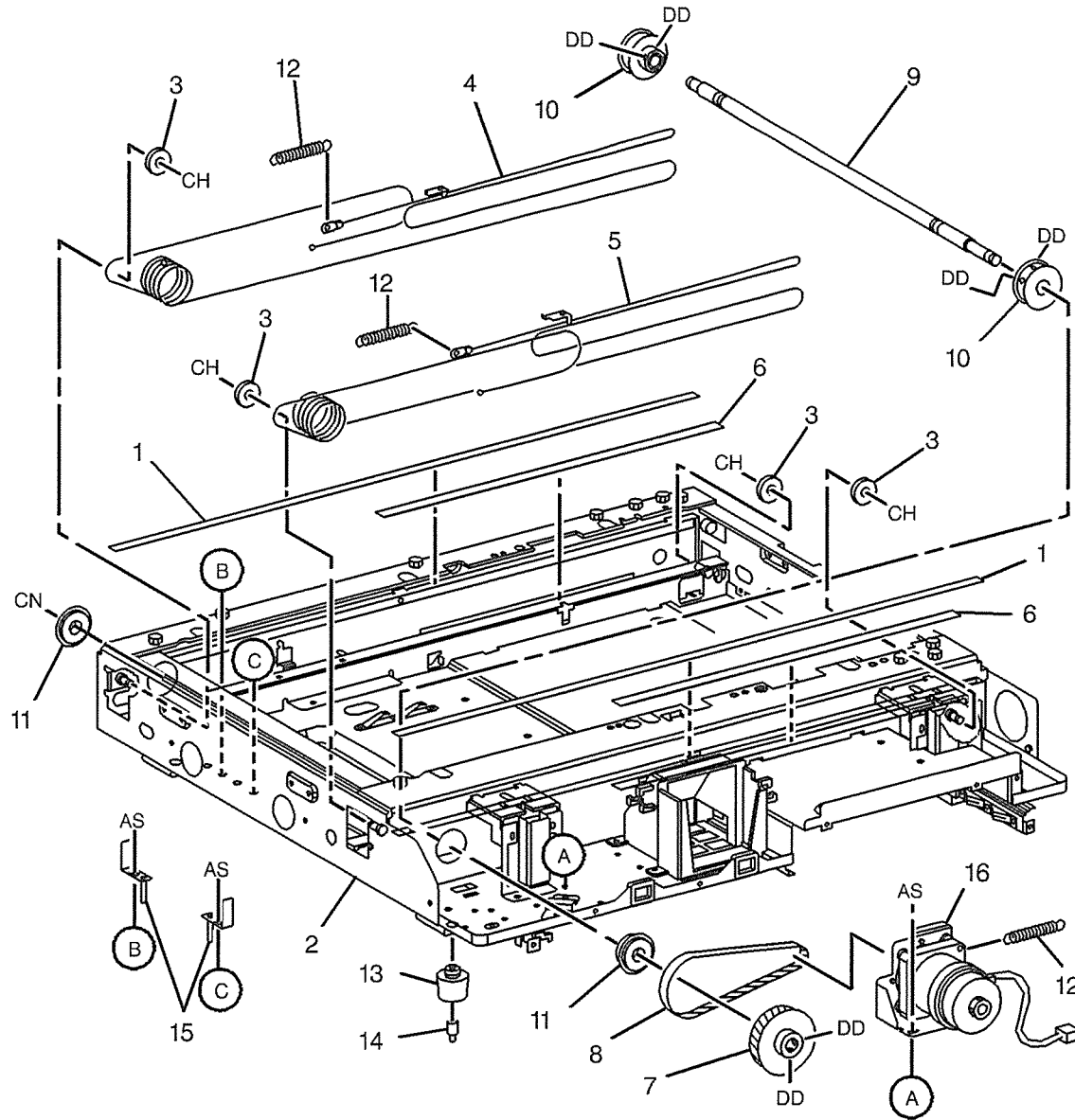
Item	Part	Description
1	-	Cable Stopper (Not Spared)
2	048K71860	Cable Stopper
3	127K23590	IPS Fan
4	-	Bracket (Not Spared)
5	107E06650	IIT Regi. Sensor
6	110K08471	Platen Open Switch
7	130K57990	Platen Angle Sensor
8	160K48230	IIT Driver PWB
9	-	Lens Assembly (Not Spared)
10	160K51931	CCD PWB Assembly (REP 3.2.1)
11	-	Lens Cover (Not Spared)
12	130K87150	APS Sensor
13	-	Bracket (Not Spared)
14	-	Screw (Not Spared)
15	-	Shield (Not Spared)
16	-	Ribbon Cable (P/O PL 3.2 Item 10)
17	-	CCD PWB (P/O PL 3.2 Item 10)



0 003002C-LYN

PL 3.3 Carriage Cable/Motor

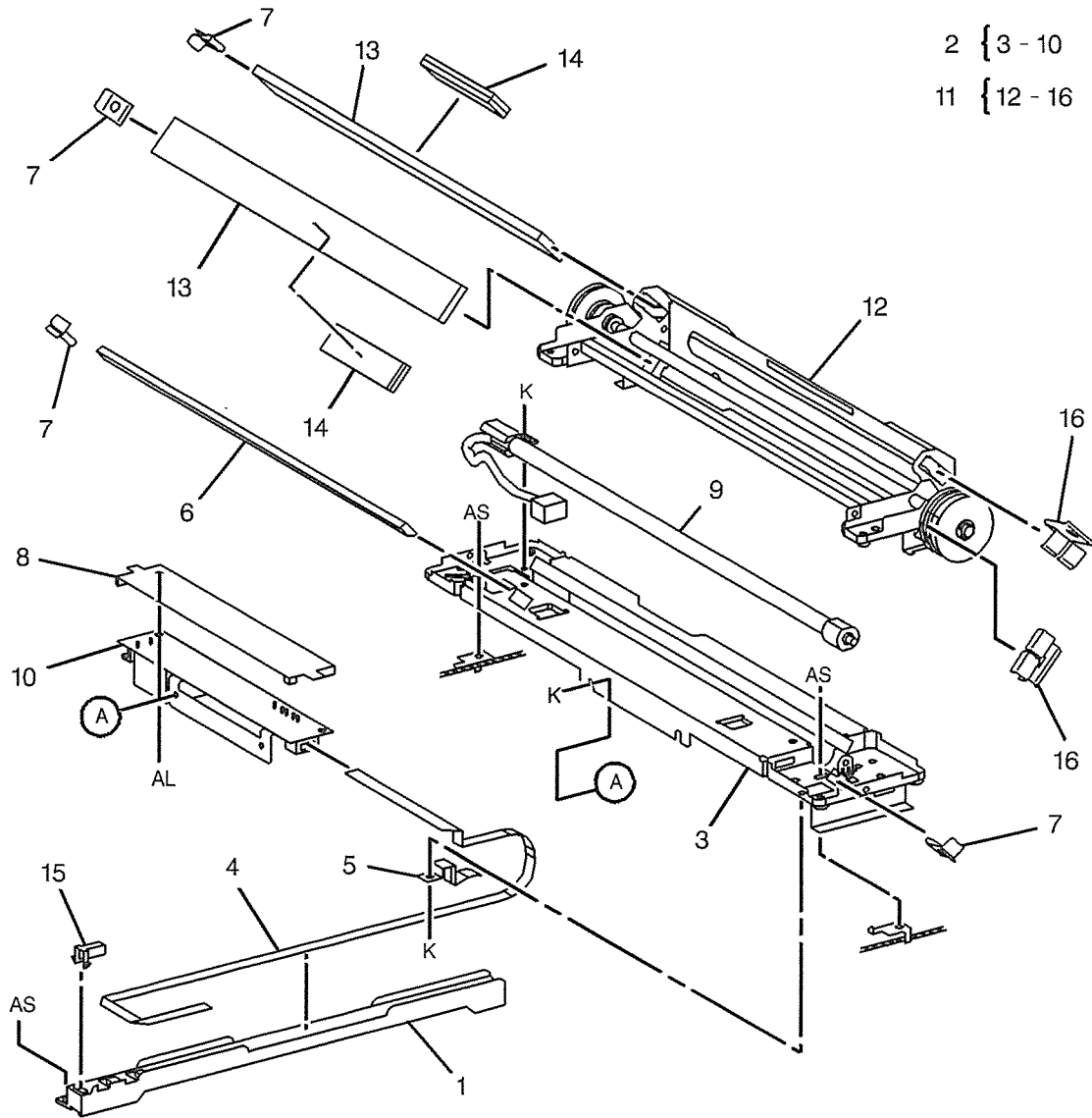
Item	Part	Description
1	063E94040	Tape
2	-	Frame (Not Spared)
3	020K94970	Pulley
4	012K93440	Front Carriage Cable (REP 3.3.1)
5	012K93450	Rear Carriage Cable (REP 3.3.1)
6	063E94050	Tape
7	020E25100	Timing Pulley
8	023E15550	Belt
9	-	Capstan Shaft (Not Spared)
10	020E25090	Capstan Pulley
11	-	Bearing (Not Spared)
12	009E62830	Spring
13	017E92140	Foot
14	-	Stud (Not Spared)
15	-	Pin (Not Spared)
16	127K21513	Carriage Motor (REP 3.3.2)



0003003A-LYN

PL 3.4 Full/Half Rate Carriage

Item	Part	Description
1	-	Harness Guide (Not Spared)
2	041K94210	Full Rate Carriage Assembly
3	-	Full Rate Carriage (P/O PL 3.4 Item 2)
4	117E15970	Lamp Wire Harness (REP 3.4.2)
5	-	Guide (P/O PL 3.4 Item 2)
6	062E98370	No.1 Mirror
7	019E50400	Clip (Single)
8	118E12090	Insulator
9	122E92000	Exposure Lamp (REP 3.4.1)
10	105E08900	Lamp Ballast PWB
11	041K93792	Half Rate Carriage Assembly (REP 3.4.1)
12	-	Half Rate Carriage (P/O PL 3.4 Item 11)
13	062E98380	No.2, No.3 Mirror
14	-	Dumper (P/O PL 3.4 Item 11)
15	-	Clamp (Not Spared)
16	809E09110	Clip (Double)
-	809E15210	Clip (Single)

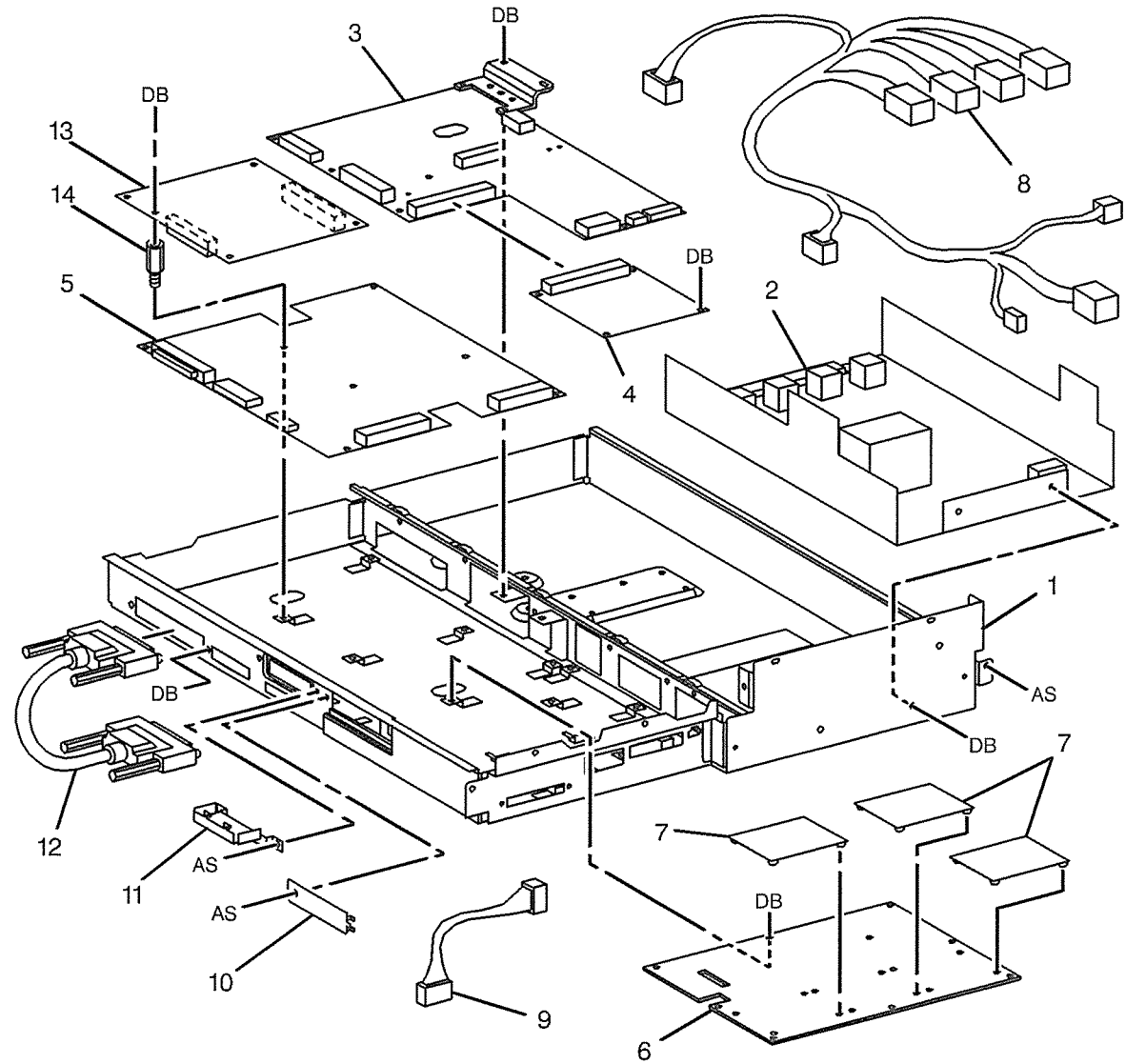


2 { 3 - 10
11 { 12 - 16

0003004A-LYN

PL 3.5 IPS

Item	Part	Description
1	-	IPS Chassis (Not Spared) (REP 3.5.1)
2	105E07351	IIT/IPS LVPS (50 Hz)
-	105E07322	IIT/IPS LVPS (60 Hz)
3	160K57369	Pre. IPS PWB
4	160K42710	BR PWB
-	160K60380	XCD PWB
5	160K84771	Post. IPS PWB
6	160K57375	Mem. Sys PWB
7	160K46113	Option Memory PWB (Duplex)
8	-	Wire Harness (DC) (Not Spared)
9	-	Wire Harness (AC) (Not Spared)
10	048E62151	Cover
11	-	Cover (Not Spared)
12	117E15951	Cable
13	160K53462	IPS Edit PWB
14	-	Spacer Screw (Not Spared)

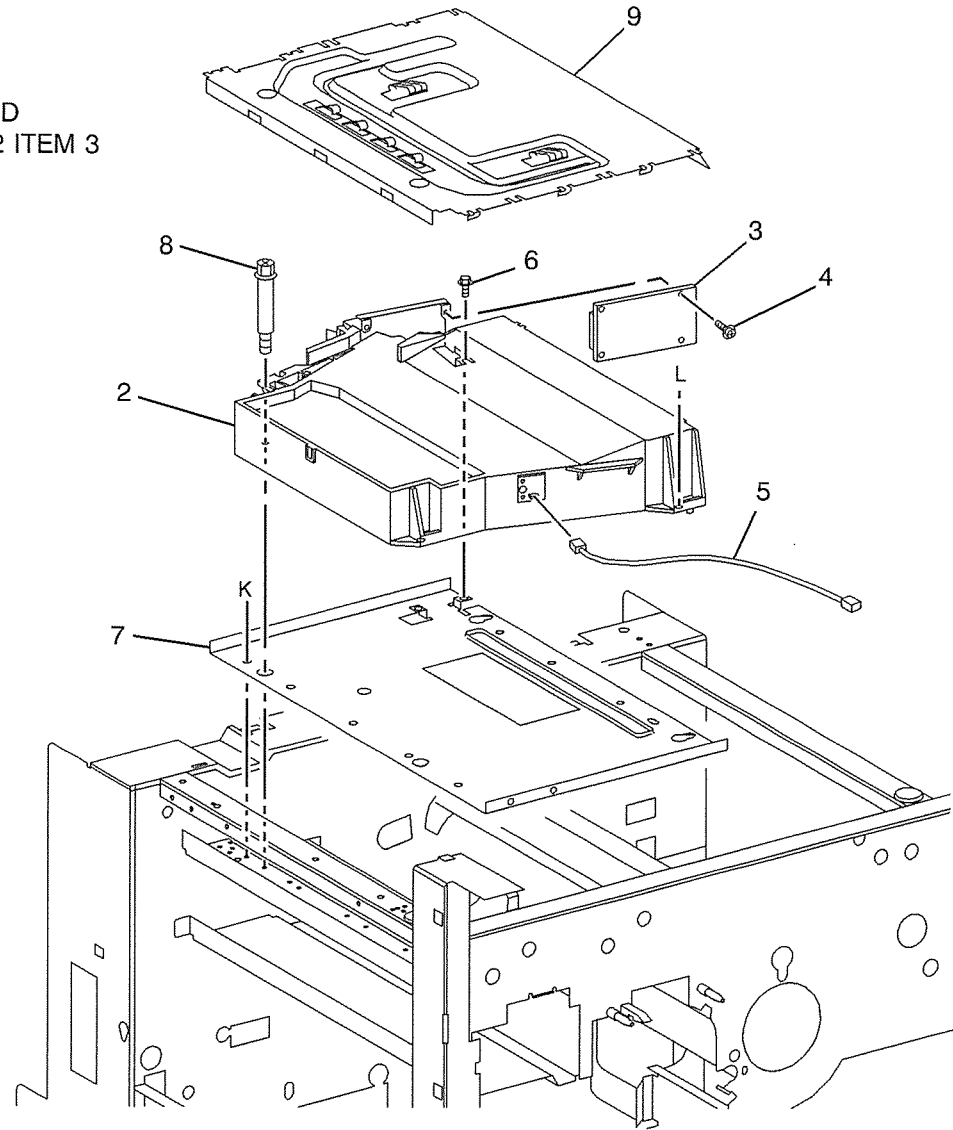


0003005B-LYN

PL 4.1 ROS

Item	Part	Description
1	062K10670	ROS Assembly (W/TAG P5, TAG P32) (REP 4.1.1)
2	-	ROS (P/O PL 4.1 Item 1)
3	160K42851	Ldd PWB
4	-	Screw (P/O PL 4.1 Item 1)
5	-	Wire Harness (Not Spared)
6	-	Screw (Not Spared)
7	-	Bracket (Not Spared)
8	-	Screw (Not Spared)
9	048K76921	ROS Top Cover
10	600K86001	ROS and Halftone PWB Repair Kit (W/TAG P32)

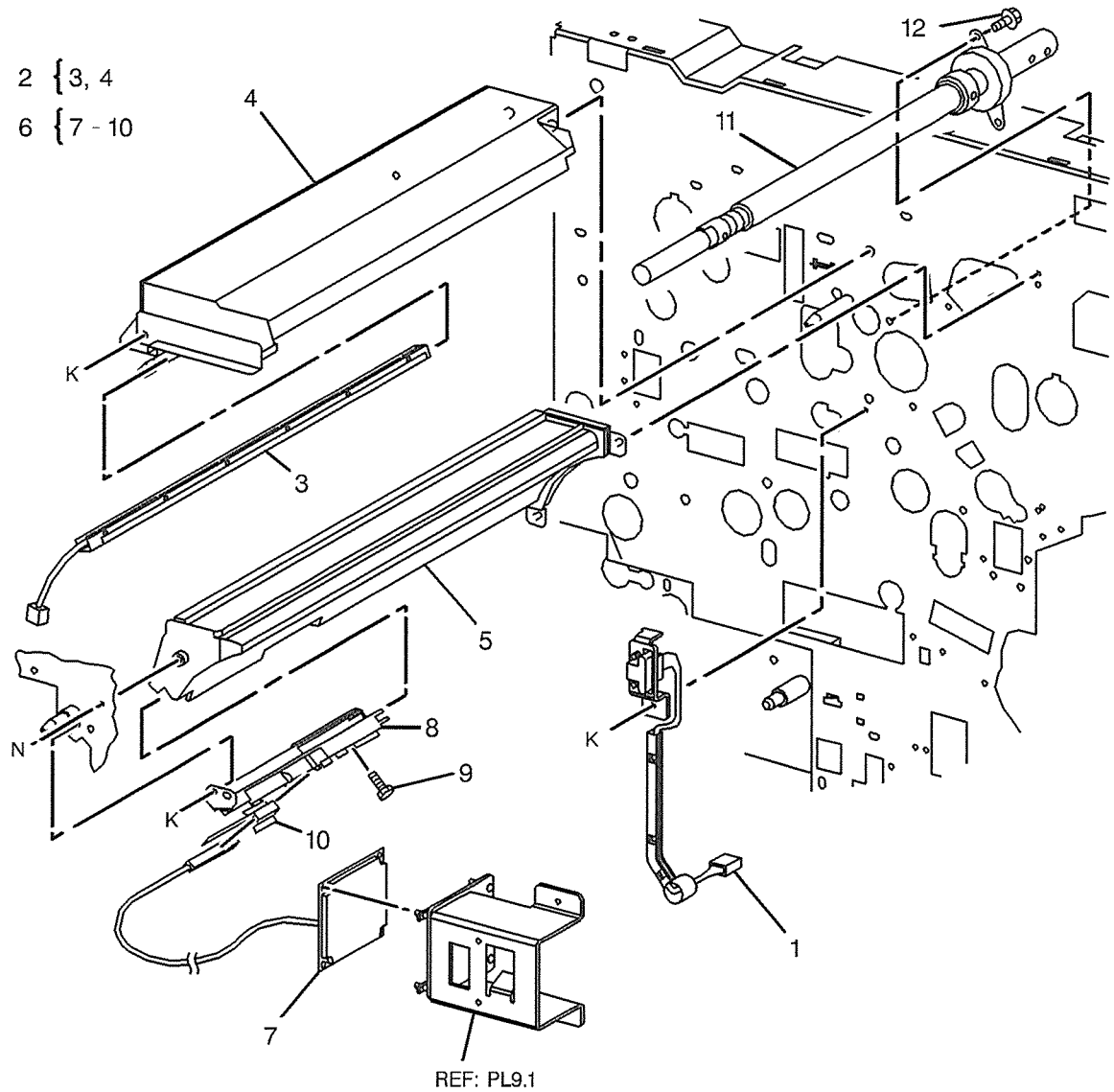
1 { 2 - 4
10 { 1, AND
PL9.2 ITEM 3



0004001B-LYN

PL 5.1 ESV Sensor, Erase Lamp

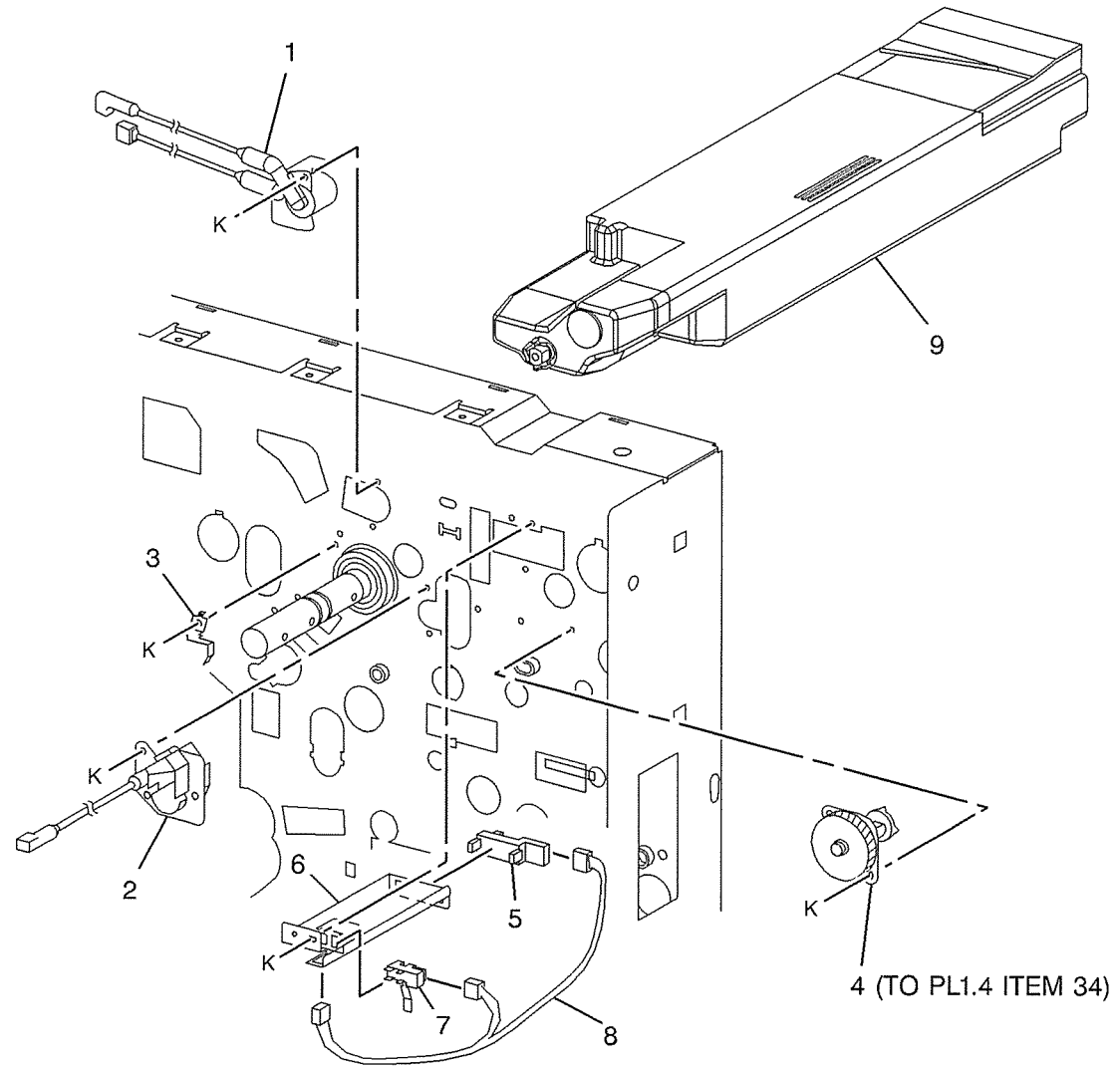
Item	Part	Description
1	114K81062	Connector (EP ROM PWB)
2	054K10151	Duct and Erase Lamp Assembly
3	122K92892	Erase Lamp (REP 5.1.1)
4	-	Duct (P/O PL 5.1 Item 2)
5	-	Duct (Not Spared)
6	-	ESV Sensor and Cover Assembly (Not Spared)
7	130K57720	ESV Sensor
8	-	ESV Sensor Cover (P/O PL 5.1 Item 6)
9	-	Screw (P/O PL 5.1 Item 6)
10	-	Plate (P/O PL 5.1 Item 6)
11	006K84192	Drum Shaft
12	-	Screw (Not Spared)



0005001B-LYN

PL 5.2 CC/PCC Connector, Waste Toner Bottle (IOT Rear)

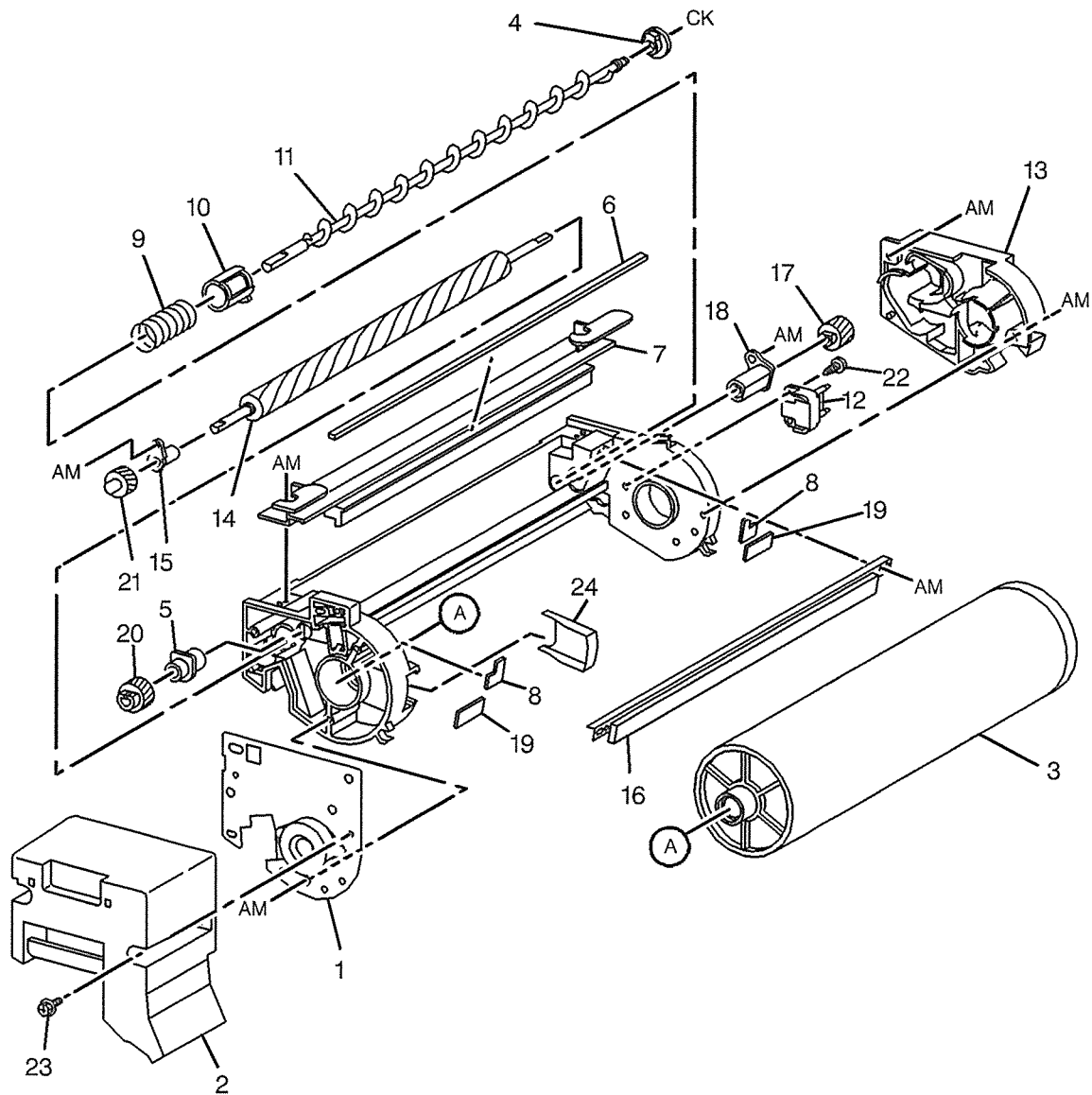
Item	Part	Description
1	114K81082	CC Connector
2	114K81362	PCC Connector
3	115K91160	Earth Plate
4	007K84593	Gear (Bottle Auger)
5	130E91010	Waste Toner Full Sensor
6	-	Bracket (Not Spared)
7	130K82921	Waste Toner Bottle Sensor
8	-	Wire Harness (Not Spared)
9	-	Waste Toner Bottle (REF: PL 5.2) (Not Spared)



0005002B-LYN

PL 5.3 Drum Component

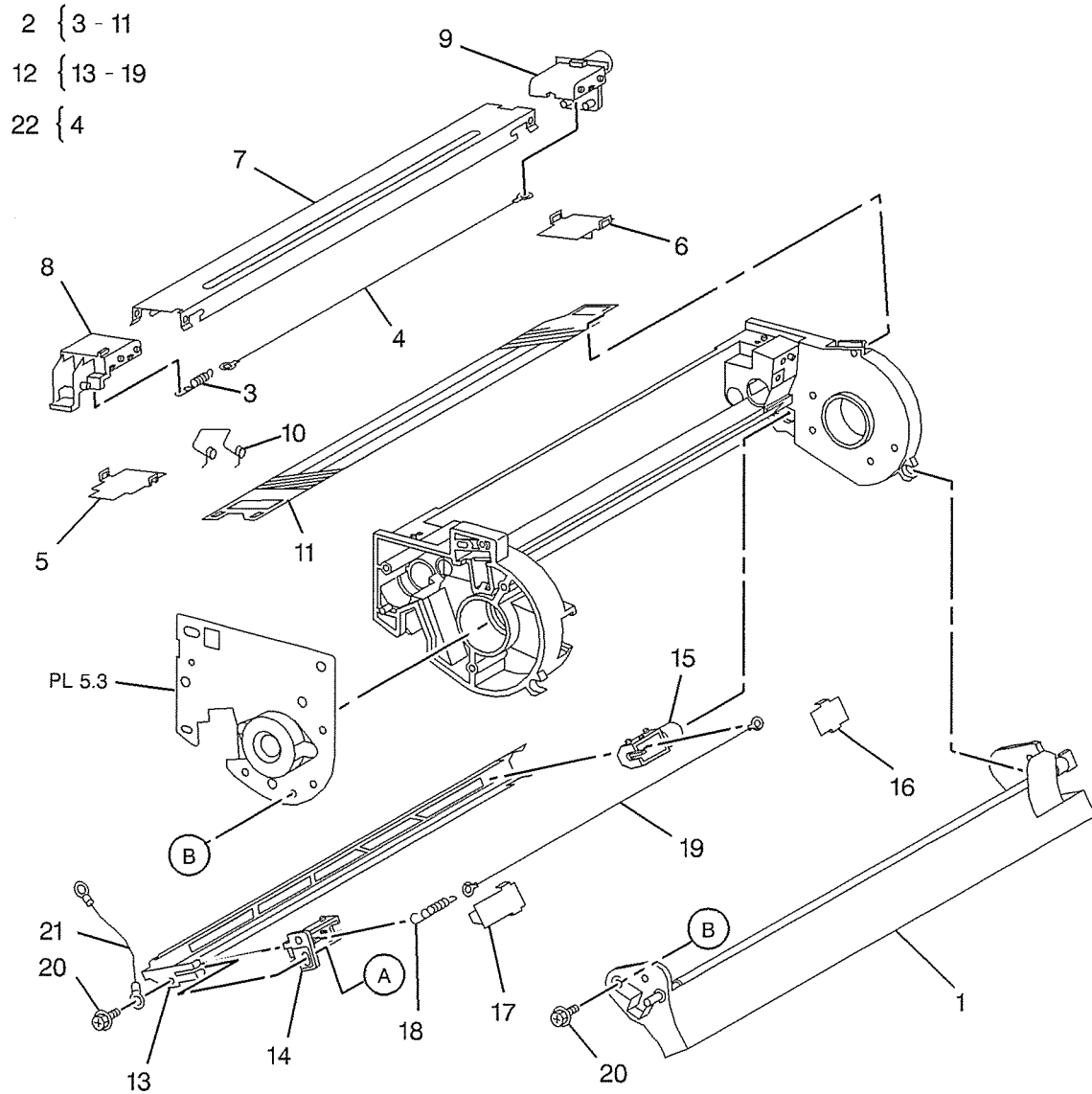
Item	Part	Description
1	-	Front Plate (Not Spared) (REP 5.3.1)
2	802K04428	Front Cover
3	-	Drum (REP 5.3.1)
4	-	Bearing (Not Spared)
5	-	Bearing (Not Spared)
6	-	Seal (Top Cover) (Not Spared)
7	-	Top Cover (Not Spared)
8	-	Seal (Blade Side) (Not Spared)
9	-	Shutter Spring (Not Spared)
10	-	Shutter Pipe (Not Spared)
11	059K09532	Auger (Not Spared)
12	-	EP ROM PWB (Not Spared)
13	-	Rear Cover (Not Spared)
14	042K91811	Cleaning Brush (REP 5.3.3)
15	-	Bearing (Not Spared)
16	033K92970	Cleaning Blade (REP 5.3.4)
17	-	Gear (Not Spared)
18	-	Bearing (Not Spared)
19	035E40690	Side Seal
20	-	Gear (Not Spared)
21	-	Gear (Not Spared)
22	-	Screw (Not Spared)
23	-	Screw (Not Spared)
24	-	Stopper (Not Spared)



0005003A-LYN

PL 5.4 Charge/Pre Clean Corotron

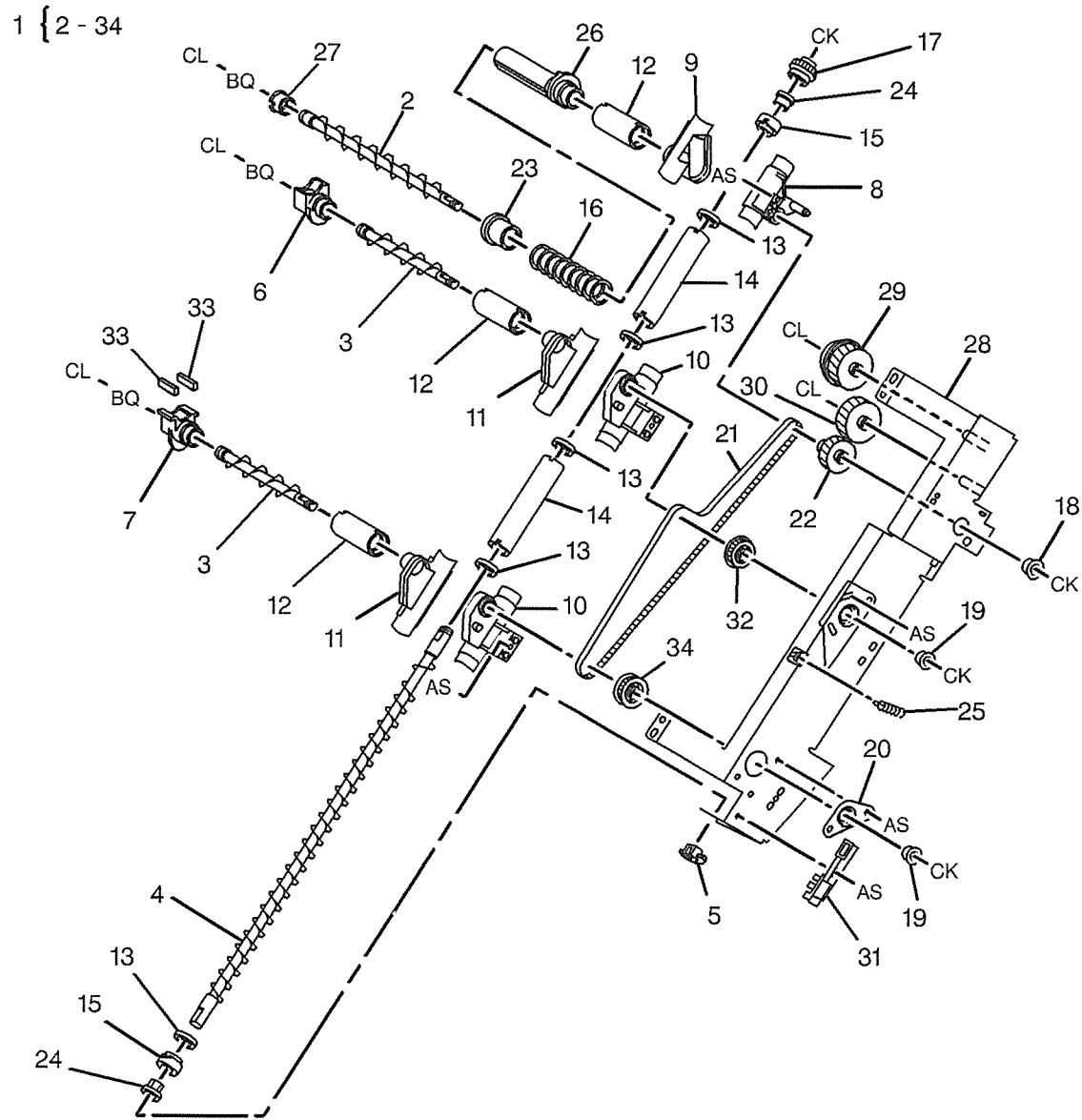
Item	Part	Description
1	-	BPO Roll and Duct (Not Spared)
2	125K03650	Charge Corotron Assembly
3	-	Spring (P/O PL 5.4 Item 2)
4	-	CC Wire (P/O PL 5.4 Item 2) (REP 5.4.1)
5	-	Arc Shield (Front) (P/O PL 5.4 Item 2)
6	-	Arc Shield (Rear) (P/O PL 5.4 Item 2)
7	-	CC Shield (P/O PL 5.4 Item 2)
8	-	Insulator (Front) (P/O PL 5.4 Item 2)
9	-	Insulator (Rear) (P/O PL 5.4 Item 2)
10	-	Grid Spring (P/O PL 5.4 Item 2)
11	-	CC Grid (P/O PL 5.4 Item 2)
12	125K93062	Pre Clean Corotron Assembly
13	-	PCC Shield (P/O PL 5.4 Item 12)
14	118E12251	Insulator (Front)
15	118K91900	Insulator (Rear)
16	-	Arc Shield (Rear) (Not Spared)
17	-	Arc Shield (Front) (Not Spared)
18	009P62935	Spring
19	117K92100	PCC Wire (REP 5.4.2)
20	-	Screw (Not Spared)
21	-	Earth Wire (Not Spared)
22	604K22290	Wire Repair Kit



0 005004B-LYN

PL 5.5 Waste Toner Auger

Item	Part	Description
1	119K90765	Waste Toner Junction Assembly (REP 5.5.1)
2	059K09510	Auger (Waste Toner Bottle)
3	059K09500	Auger (Drum)
4	059K09490	Auger
5	-	Wing Plate (P/O PL 5.5 Item 1)
6	011K94141	Joint (Drum)
7	011K93990	Joint (IBT)
8	011K94160	Joint (Rear)
9	011E08021	Joint (Front)
10	011K94150	Joint (Rear)
11	011E08010	Joint (Front)
12	052E93470	Pipe
13	005E85760	Ring
14	052E93460	Pipe
15	013K81260	Bearing
16	-	Spring (P/O PL 5.5 Item 1)
17	007E52030	Gear
18	413W08350	Bearing
19	413W88650	Bearing
20	-	Plate (P/O PL 5.5 Item 1)
21	423W82054	Auger Belt (REP 5.5.2)
22	007E51830	Gear Pulley
23	052E93640	Shutter
24	413W77559	Bearing
25	009E84150	Spring
26	052E93480	Pipe (Waste Toner Bottle)
27	013K81270	Bearing
28	068K14541	Bracket
29	007E52040	Gear
30	007E52050	Gear
31	068K14550	Auger Sensor
32	020E26710	Pulley
33	035E45550	Seal
34	020E26990	Pulley

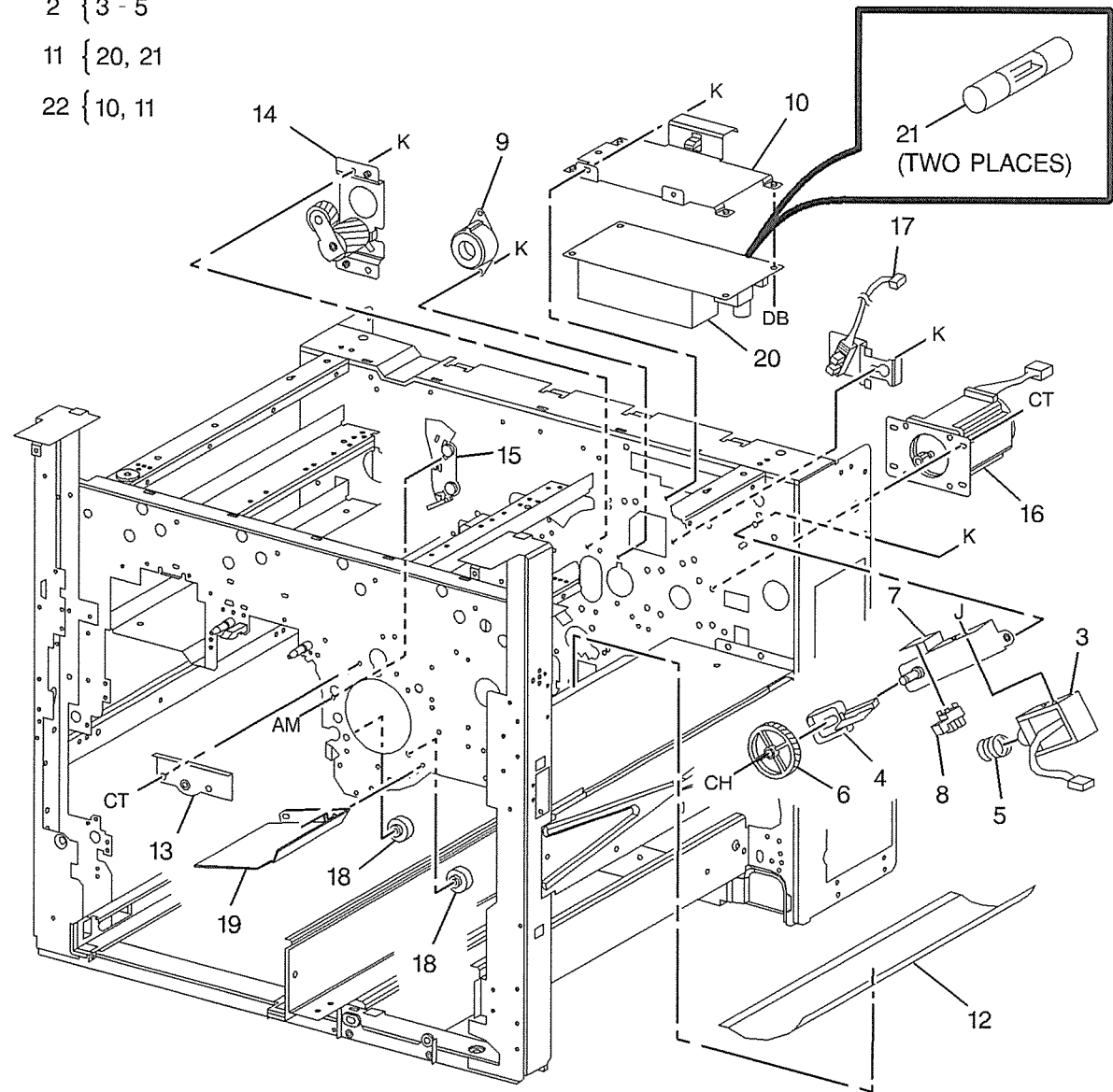


0005005A-LYN

PL 6.1 Development Components

Item	Part	Description
1	011K94091	Rotary Latch Lever Assembly (REP 6.1.3)
2	121K16401	Rotary Latch Solenoid Assembly
3	-	Solenoid (P/O PL 6.1 Item 2)
4	-	Lever (P/O PL 6.1 Item 2)
5	809E15180	Spring
6	-	Gear (P/O PL 6.1 Item 1)
7	-	Bracket (P/O PL 6.1 Item 1)
8	130E82190	Rotary Latch Sensor
9	-	Bearing (Not Spared)
10	-	Rotary PWB (P/O PL 6.1 Item 22)
11	600K82900	High Frequency Noise Rotary PWB Kit (W/TAG P18) (REP 6.1.1)
12	-	Film Seal (Not Spared)
13	-	Bracket (Not Spared)
14	068K86934	Gear Assembly
15	115K91133	Bias Brush (REP 6.1.4)
16	127K28490	Rotary Motor
17	130K87380	Rotary Home Position Sensor (REP 6.1.2)
18	-	Bearing (Not Spared)
19	-	Support Tray (Not Spared)
20	-	High Frequency Noise Rotary PWB (P/O PL 6.1 Item 11)
21	099P03019	Fuses
22	-	Rotary PWB Assembly (Not Spared) (W/TAG P2)

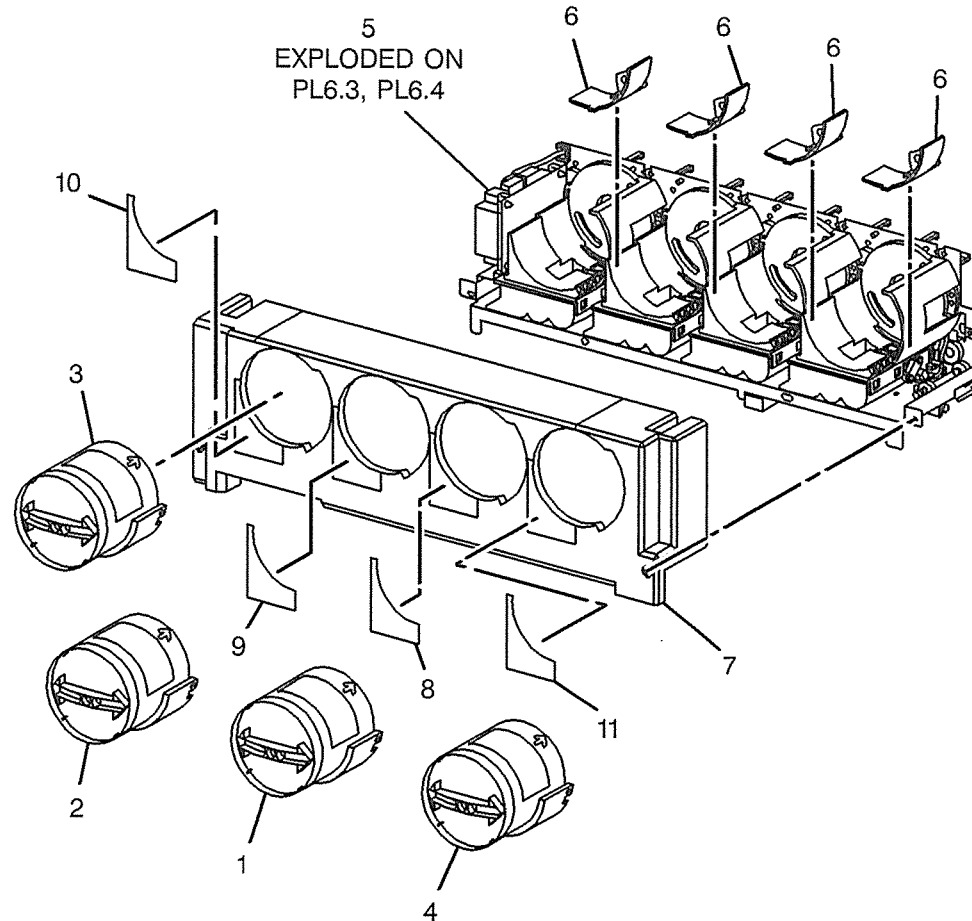
- 1 { 3 - 8
- 2 { 3 - 5
- 11 { 20, 21
- 22 { 10, 11



0006001D-LYN

PL 6.2 Toner Cartridge Unit

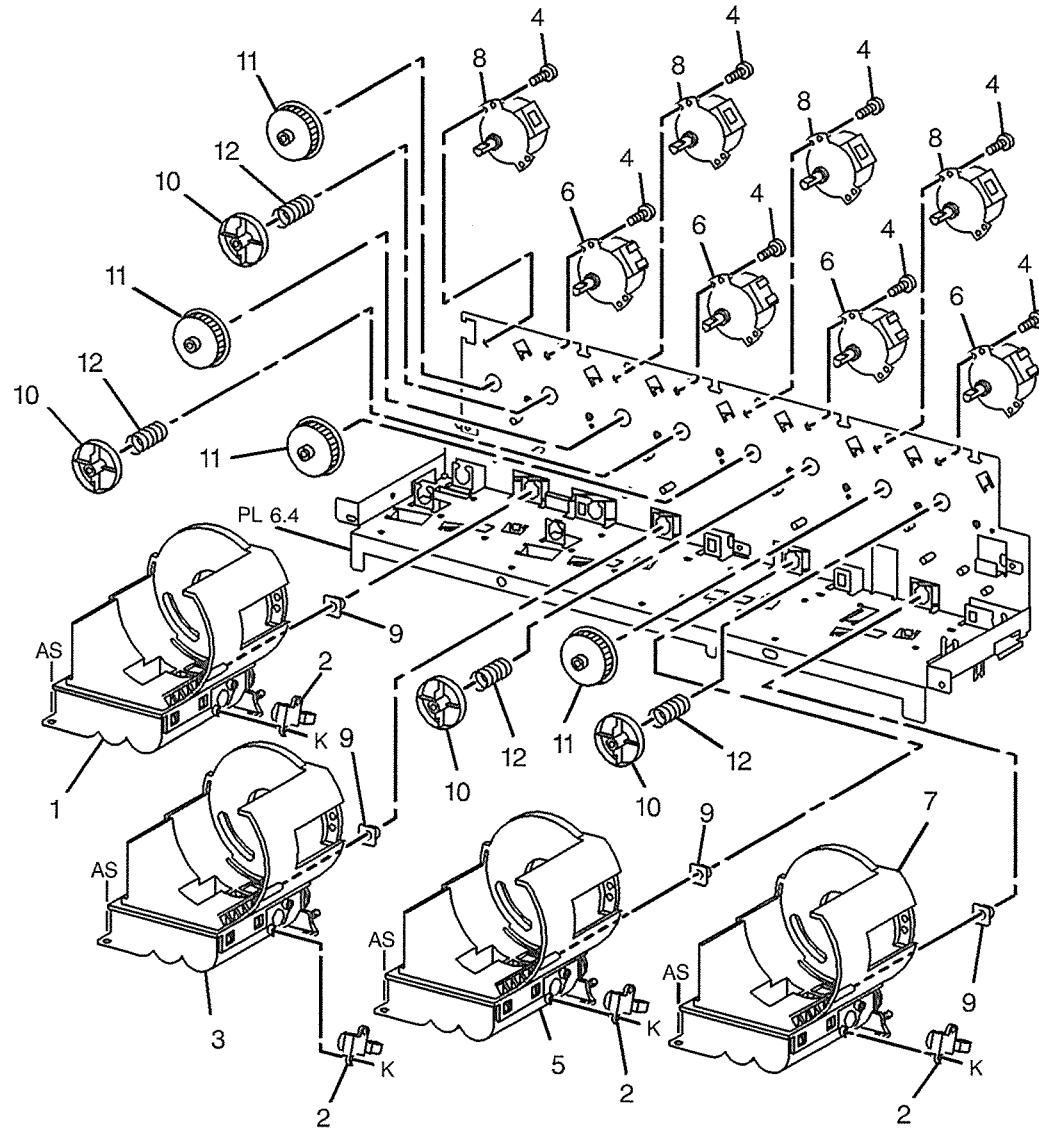
Item	Part	Description
1	-	Toner Cartridge (Y) (Not Spared) (REF: PL 6.2)
2	-	Toner Cartridge (M) (Not Spared) (REF: PL 6.2))
3	-	Toner Cartridge (C) (Not Spared) (REF: PL 6.2)
4	-	Toner Cartridge (K) (Not Spared) (REF: PL 6.2))
5	094K91307	Toner Cartridge Unit Assembly (REP 6.2.1)
6	055E30790	Shutter
7	-	Toner Cartridge Cover (Not Spared)
8	891E74014	Label (Y)
9	891E74023	Label (M)
10	891E74033	Label (C)
11	891E74003	Label (K)



0006002A-LYN

PL 6.3 Toner Cartridge Component (Part 1 of 2)

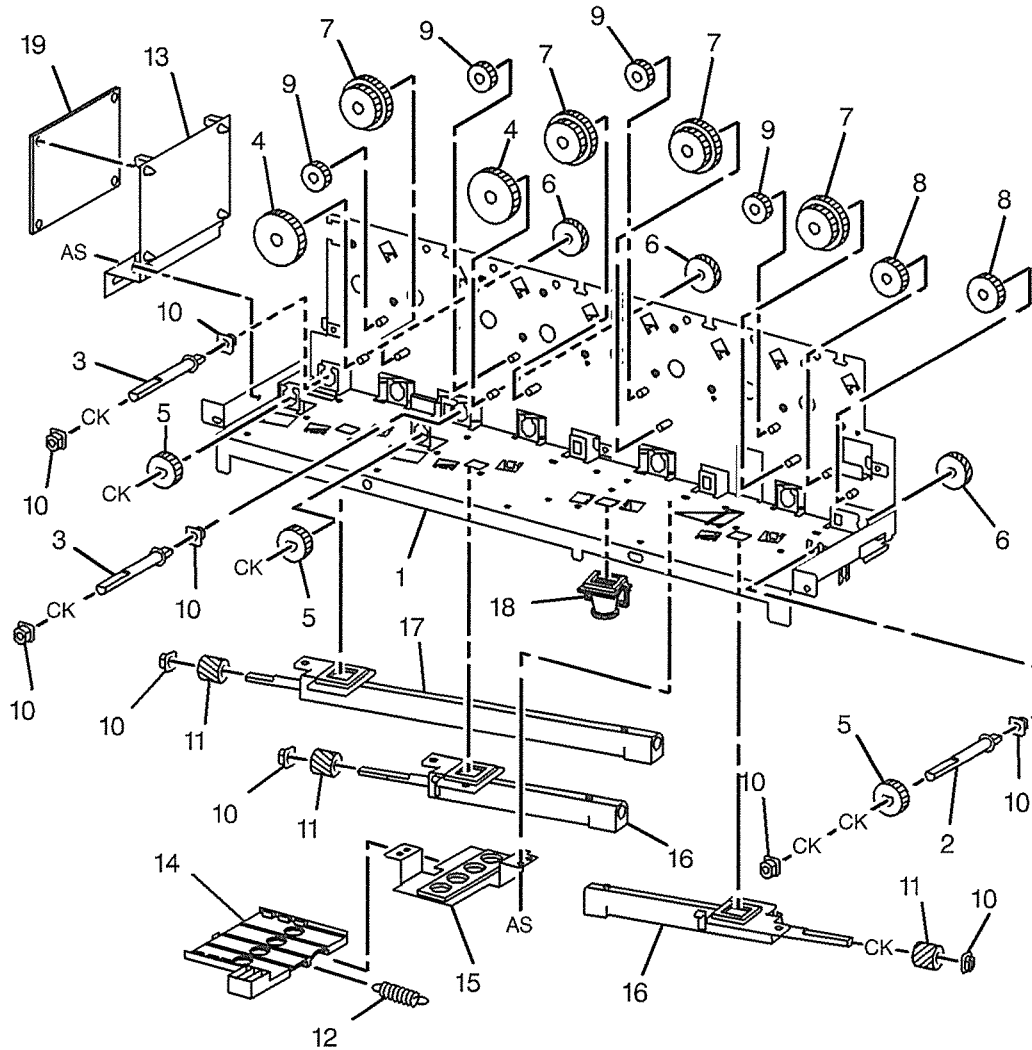
Item	Part	Description
1	802K08652	Toner Cartridge Housing (C) (REP 6.3.1)
2	130E82720	Low Toner Sensor (C), Low Toner Sensor (M), Low Toner Sensor (Y), Low Toner Sensor (K)
3	802K08662	Toner Cartridge Housing (M) (REP 6.3.1)
4	-	Screw (P/O PL 6.2 Item 5)
5	802K08672	Toner Cartridge Housing (Y) (REP 6.3.1)
6	127K32940	Cartridge Motor (C), Cartridge Motor (M), Cartridge Motor (Y), Cartridge Motor (K) (REP 6.3.2)
7	802K08682	Toner Cartridge Housing (REP 6.3.1)
8	127K21270	Dispense Motor (REP 6.3.2)
9	413W11660	Bearing
10	005E85181	Coupling
11	007E46710	Gear
12	809E06790	Spring



0006003A-LYN

PL 6.4 Toner Cartridge Component (Part 2 of 2)

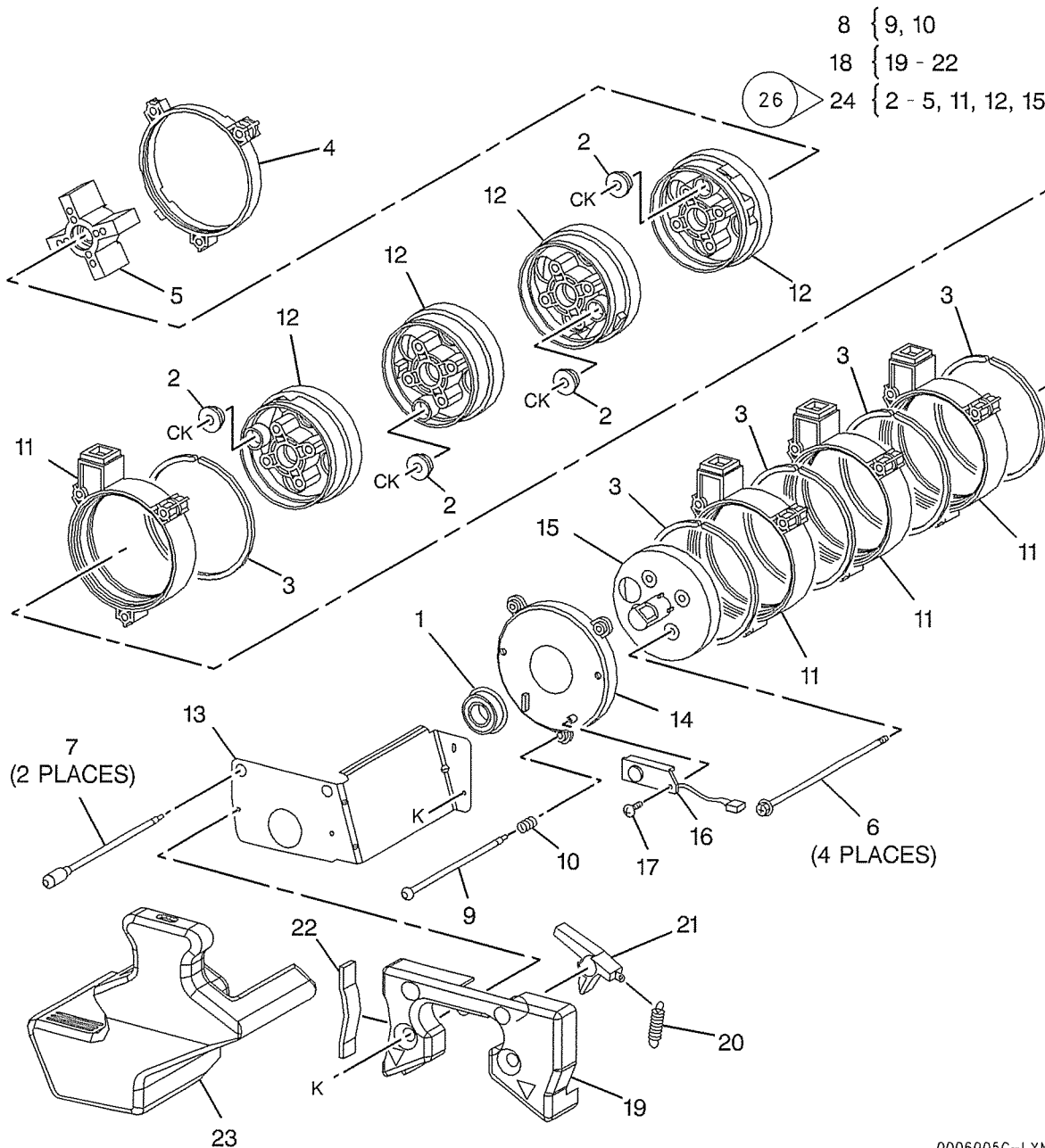
Item	Part	Description
1	-	Frame (P/O PL 6.2 Item 5)
2	-	Shaft (K) (P/O PL 6.2 Item 5)
3	-	Shaft (C, M) (P/O PL 6.2 Item 5)
4	007E46680	Gear (43)
5	007E46780	Gear (23)
6	007E46760	Gear (23)
7	007E49650	Gear
8	007E46700	Gear (25)
9	007E46720	Gear (21)
10	413W11660	Bearing
11	007E46740	Gear
12	009E34940	Spring
13	-	Bracket (P/O PL 6.2 Item 5)
14	015E54911	Shutter
15	015K29910	Plate
16	048K61830	Auger (M, K)
17	048K61840	Auger (C)
18	-	Pipe (Y) (P/O PL 6.2 Item 5)
19	160K45930	Dispense PWB (REP 6.4.1)



0006004A-LYN

PL 6.5 Rotary Dispenser

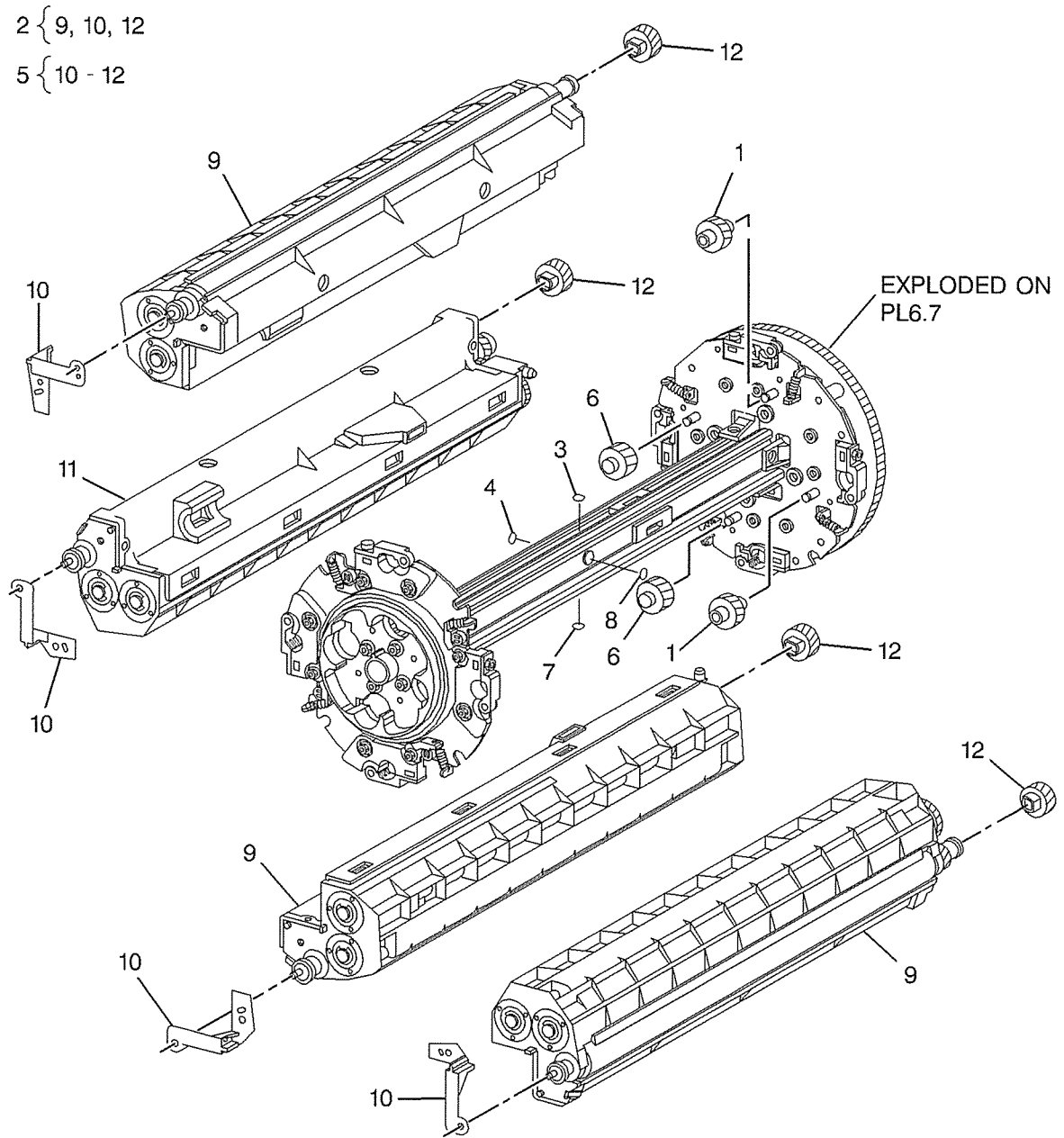
Item	Part	Description
1	-	Bearing (Not Spared)
2	-	Bearing (P/O PL 6.5 Item 24)
3	-	Spacer (P/O PL 6.5 Item 24)
4	-	Spacer (P/O PL 6.5 Item 24)
5	019K94332	Block
6	026E58330	Screw
7	026K80730	Screw
8	026K80740	Screw Assembly (With Spring)
9	026K80750	Screw
10	-	Spring (P/O PL 6.5 Item 8)
11	-	Outer Dispense Housing (P/O PL 6.5 Item 24) (W/TAG P26)
12	048K61963	Inner Dispense Housing (W/TAG P26)
13	-	Bracket (Not Spared)
14	049E85681	Outer Dispense Cover
15	068K87041	Inner Dispense Cover
16	130K57930	Trickle Toner Full Sensor
17	-	Screw (Not Spared)
18	048K76720	Cover Assembly
19	802K08850	Cover
20	809E08810	Spring
21	011E08640	Lever
22	-	Seal (P/O PL 6.5 Item 18)
23	-	Trickle Toner Bottle (REF: PL 6.5) (Not Spared)
24	600K83451	DCD Kit (Tag P26) (W/TAG P26)



0006005C-LYN

PL 6.6 Deve. Housing

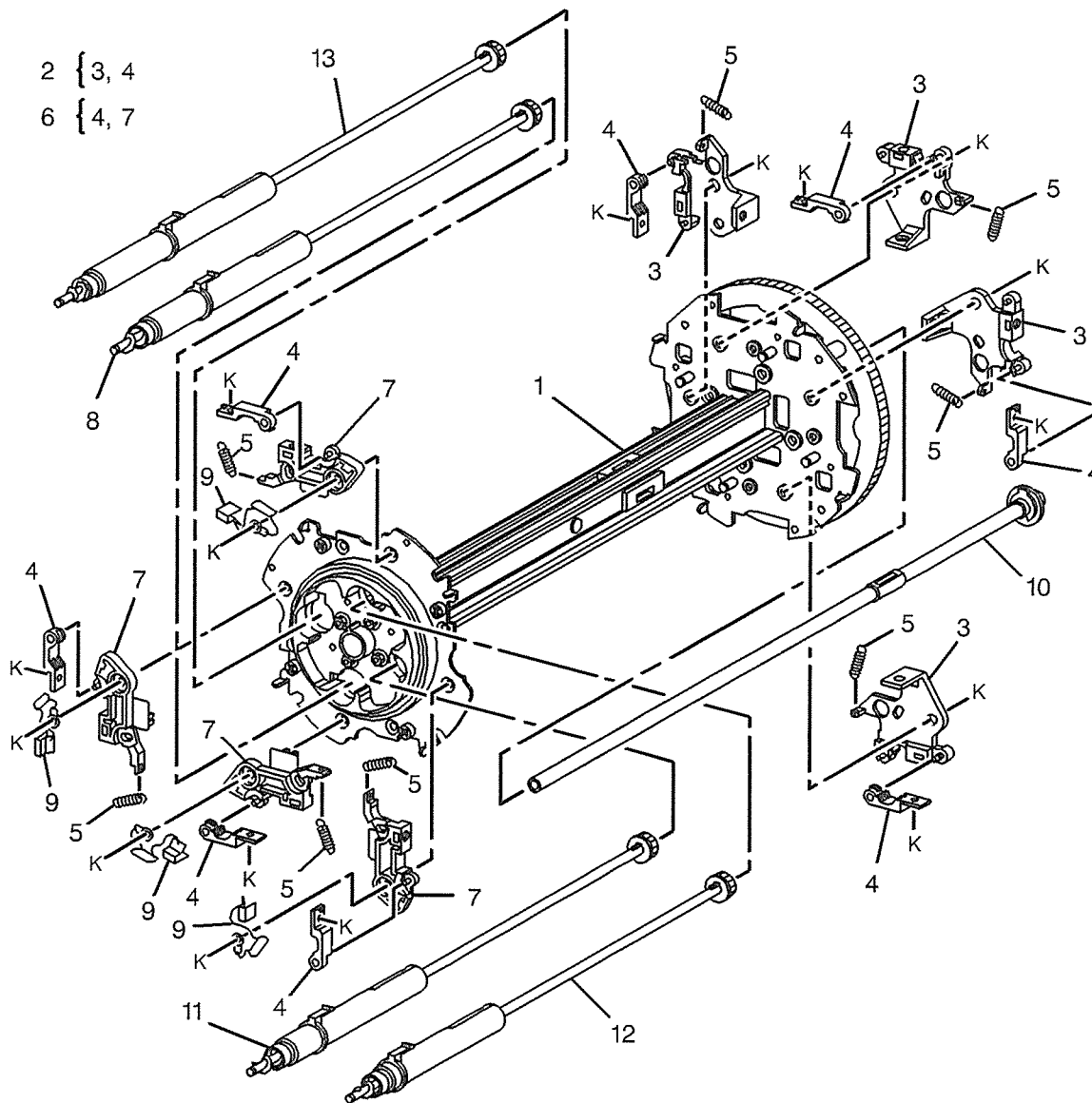
Item	Part	Description
1	007E46820	Auger Gear (19) (M/C)
2	048K61638	Deve. Housing Assembly (Y/M/C) (REP 6.6.1 REP 6.6.2)
3	096E75880	Label (C)
4	096E75850	Label (K)
5	048K77228	Deve. Housing Assembly (REP 6.6.1 REP 6.6.2)
6	007K84881	Auger Gear (19) (Y/K)
7	096E75860	Label (Y)
8	096E75870	Label (M)
9	-	Deve. Housing (Y/M/C) (P/O PL 6.6 Item 2)
10	019E39442	Holder
11	-	Deve. Housing (K) (P/O PL 6.6 Item 5)
12	007E46650	Developer Housing Shaft Gear



00060060-LYN

PL 6.7 Rotary Frame/Auger

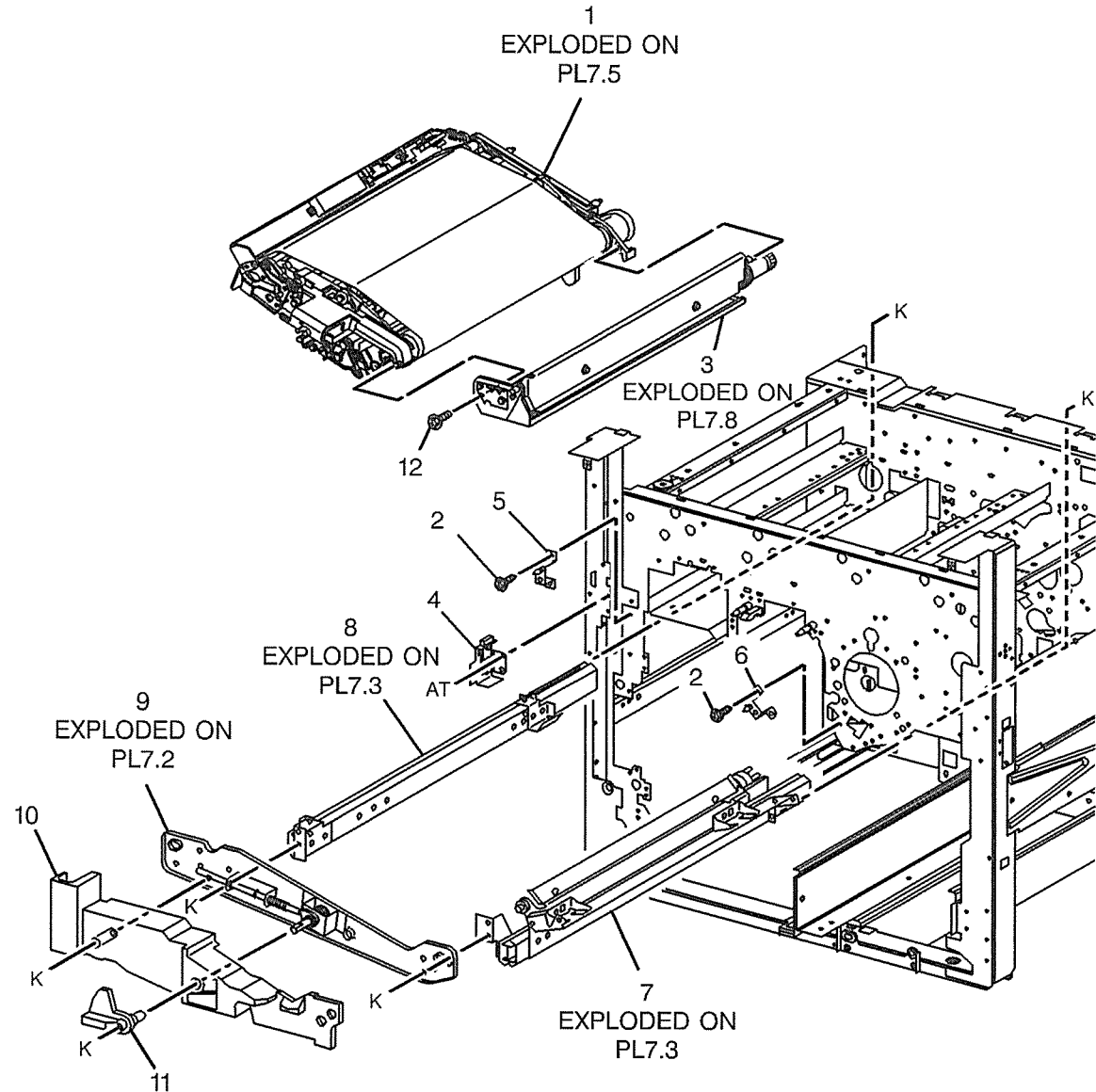
Item	Part	Description
1	-	Rotary Frame (Not Spared)
2	019K94230	Holder Assembly (Rear)
3	-	Holder (P/O PL 6.7 Item 2)
4	019E33780	Clamp
5	809E06550	Spring
6	019K94221	Holder Assembly (Front)
7	-	Holder (P/O PL 6.7 Item 6)
8	106K90660	Rotary Auger (Y) (REP 6.7.1)
9	-	Brush (Not Spared)
10	052K91470	Trickle Auger (REP 6.7.2)
11	106K90650	Rotary Auger (M) (REP 6.7.1)
12	106K90640	Rotary Auger (C) (REP 6.7.1)
13	106K90670	Rotary Auger (K) (REP 6.7.1)



0006007A-LYN

PL 7.1 IBT System Component

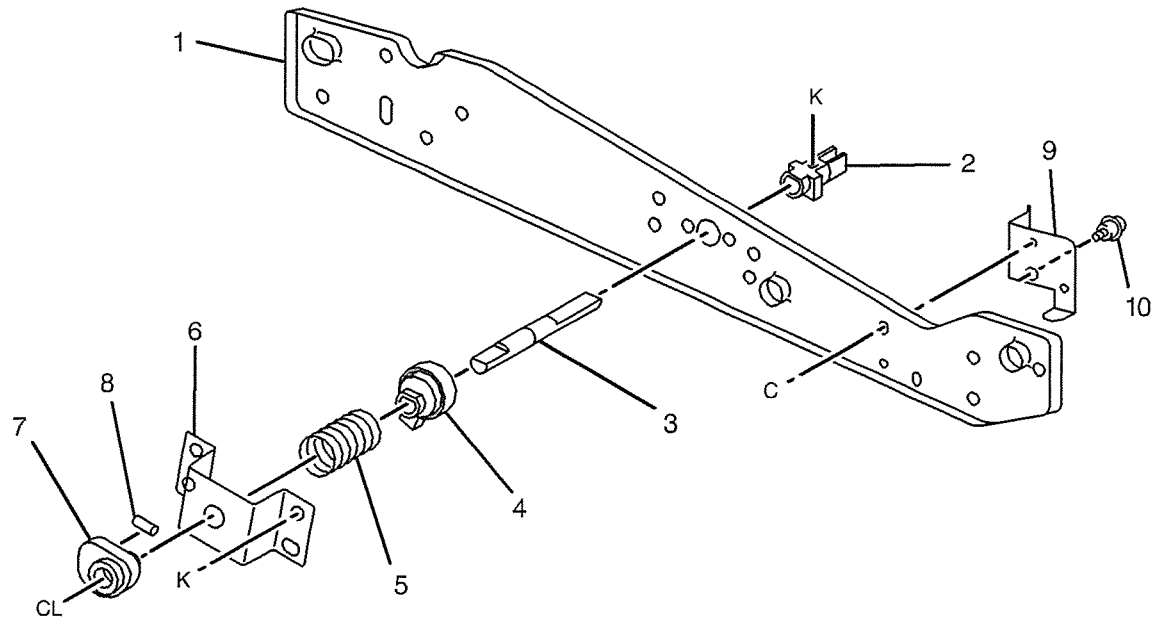
Item	Part	Description
1	600K86096	IBT Assembly (REP 7.1.1)
2	-	Screw (M3 X 4) (Not Spared)
3	042K91906	IBT Cleaner Assembly (W/TAG P1) (REP 7.1.2)
4	130K57690	Temp Humidity Sensor
5	-	Bracket (Not Spared)
6	-	Bracket (Not Spared)
7	015K36962	Right Rail Assembly
8	015K36972	Left Rail Assembly
9	015K29634	Rail Front Plate Assembly
10	048K77264	IBT Inner Cover
11	011E07092	Lever (Yellow Color)
12	-	Screw (M3 X 12) (Not Spared)



0007001B-LYN

PL 7.2 Rail Front Plate

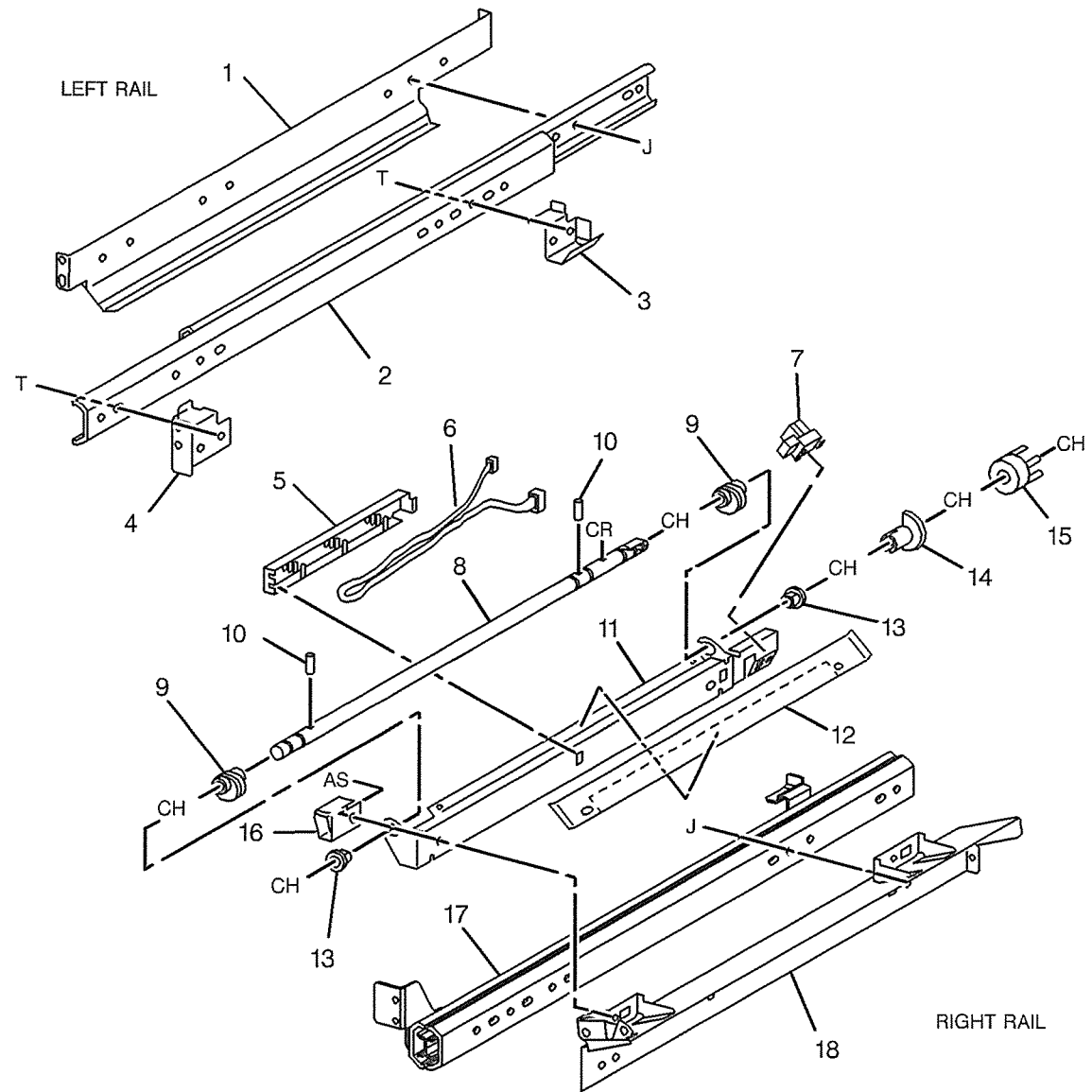
Item	Part	Description
1	-	Front Plate (P/O PL 7.1 Item 9)
2	014E87701	Block
3	006E56632	Shaft
4	-	Cam (P/O PL 7.1 Item 9)
5	009E43970	Spring
6	-	Bracket (P/O PL 7.1 Item 9)
7	008E93400	Retract Cam
8	-	Pin (P/O PL 7.1 Item 1)
9	-	Bracket (P/O PL 7.1 Item 9)
10	-	Screw (P/O PL 8.7 Item 9)



0007002B-LYN

PL 7.3 Left/Right Rail

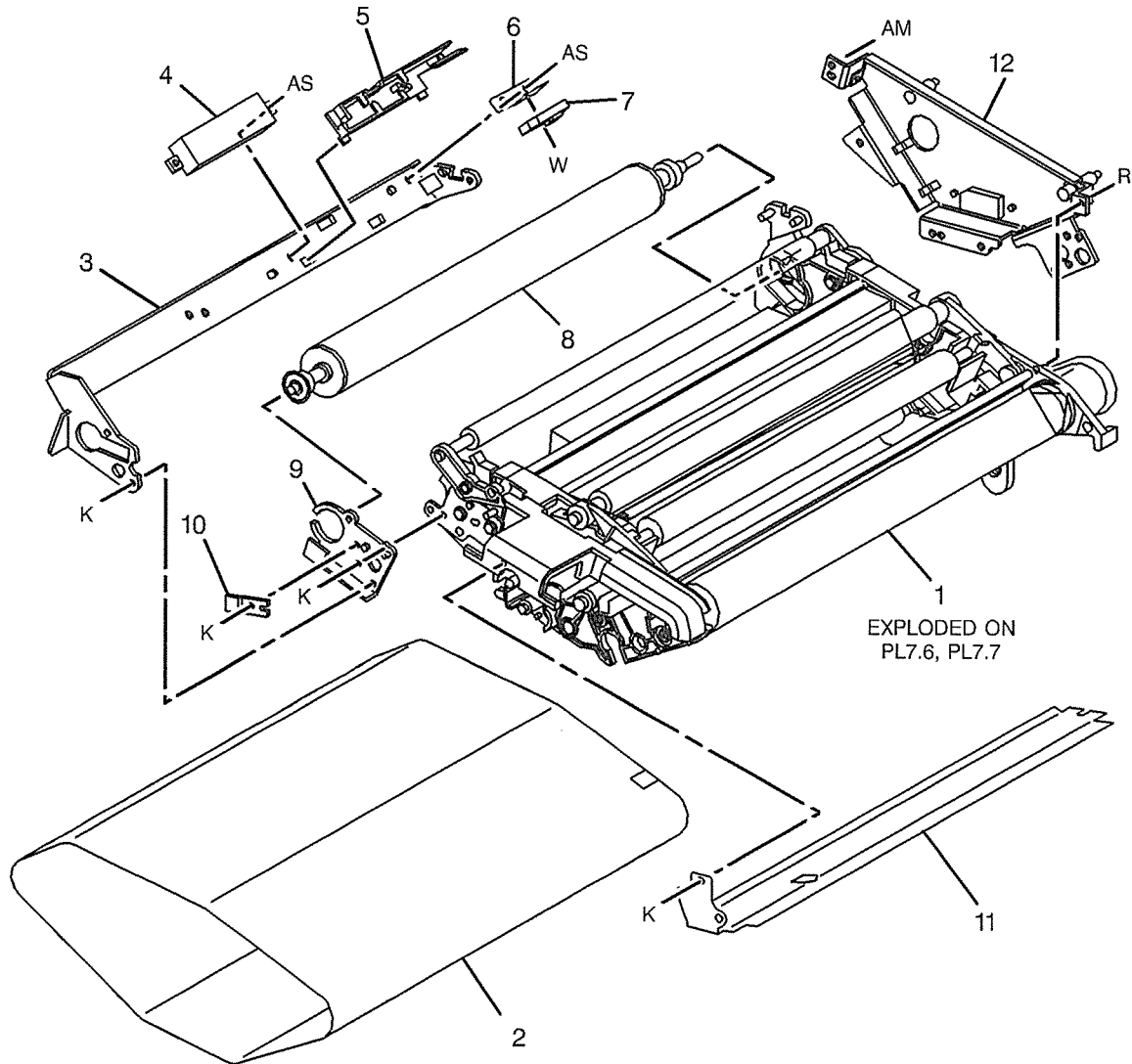
Item	Part	Description
1	-	Left Tie Plate (P/O PL 7.1 Item 8)
2	-	Left Rail (P/O PL 7.1 Item 8)
3	-	Bracket (P/O PL 7.1 Item 8)
4	-	Bracket (P/O PL 7.1 Item 8)
5	-	Harness Cover
6	162K37360	Wire Harness
7	130E82190	IBT Cleaner Blade Home Position Sensor
8	-	Shaft (P/O PL 7.1 Item 7)
9	-	Cam (P/O PL 7.1 Item 7)
10	-	Pin (P/O PL 7.1 Item 7)
11	-	Bracket (P/O PL 7.1 Item 7)
12	-	Seal (P/O PL 7.1 Item 7)
13	-	Bearing (P/O PL 7.1 Item 7)
14	-	Wheel (P/O PL 7.1 Item 7)
15	-	Coupling (P/O PL 7.1 Item 7)
16	-	Plate Spring (P/O PL 7.1 Item 7)
17	001K59370	Right Rail
18	-	Right Tie Plate (P/O PL 7.1 Item 7)



0007003A-LYN

PL 7.5 IBT-Belt, Sensor, Steering Roll

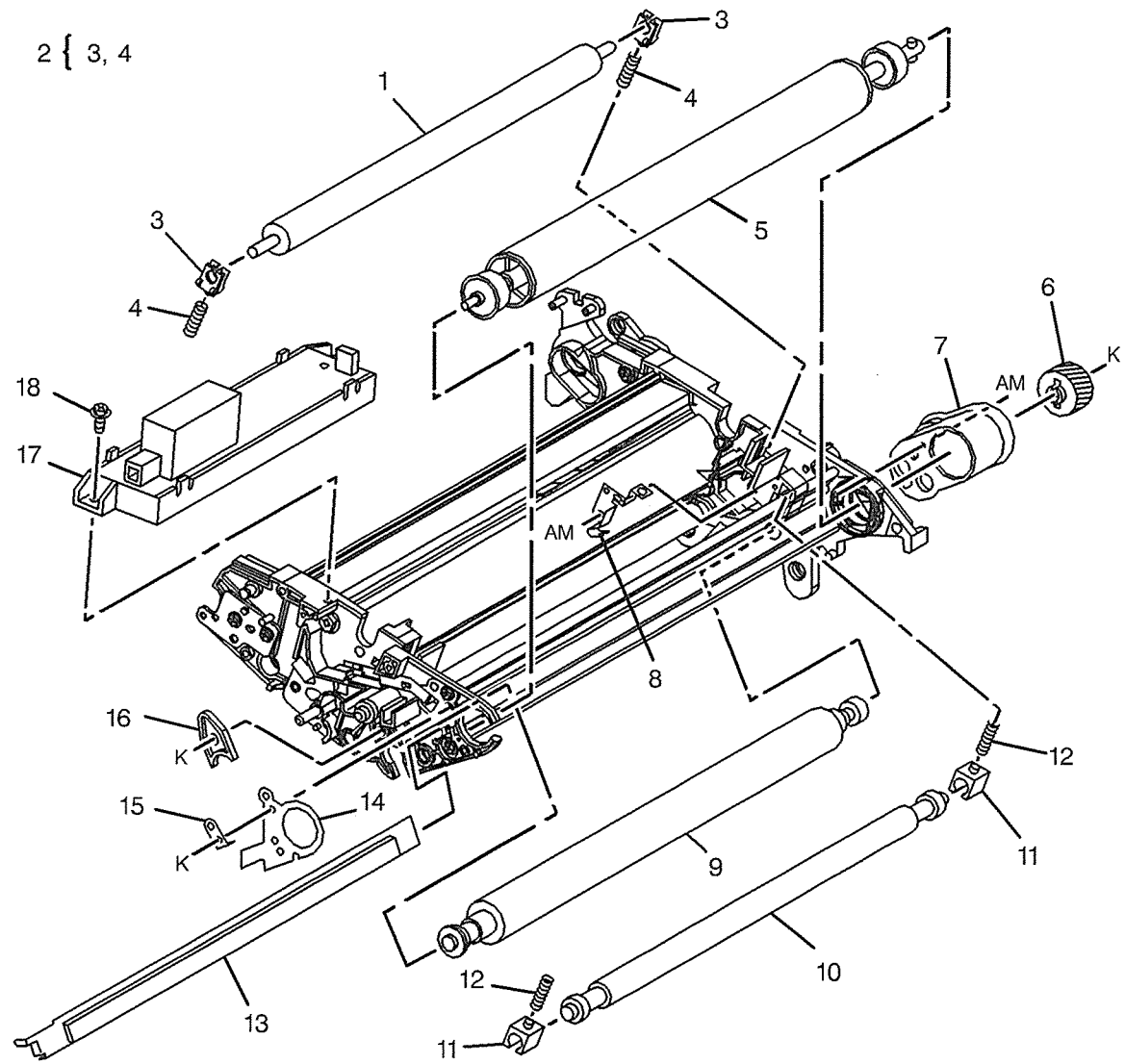
Item	Part	Description
1	-	IBT Assembly (P/O PL 7.1 Item 1)
2	064K91243	IBT Belt (REP 7.5.1)
3	-	Bracket (P/O PL 7.1 Item 1)
4	130K57973	ADC Sensor
5	048E64920	Harness Cover
6	-	Bracket (P/O PL 7.1 Item 1)
7	130E84270	TRO Sensor
8	600K82710	Drive Roll Kit (W/TAG P20)
9	-	Bracket (P/O PL 7.1 Item 1)
10	-	Plate (P/O PL 7.1 Item 1)
11	015K35842	Inlet Plate
12	-	IBT Rear Cover (P/O PL 7.1 Item 1)



0007005A-LYN

PL 7.6 IBT Component (Part 1 of 2)

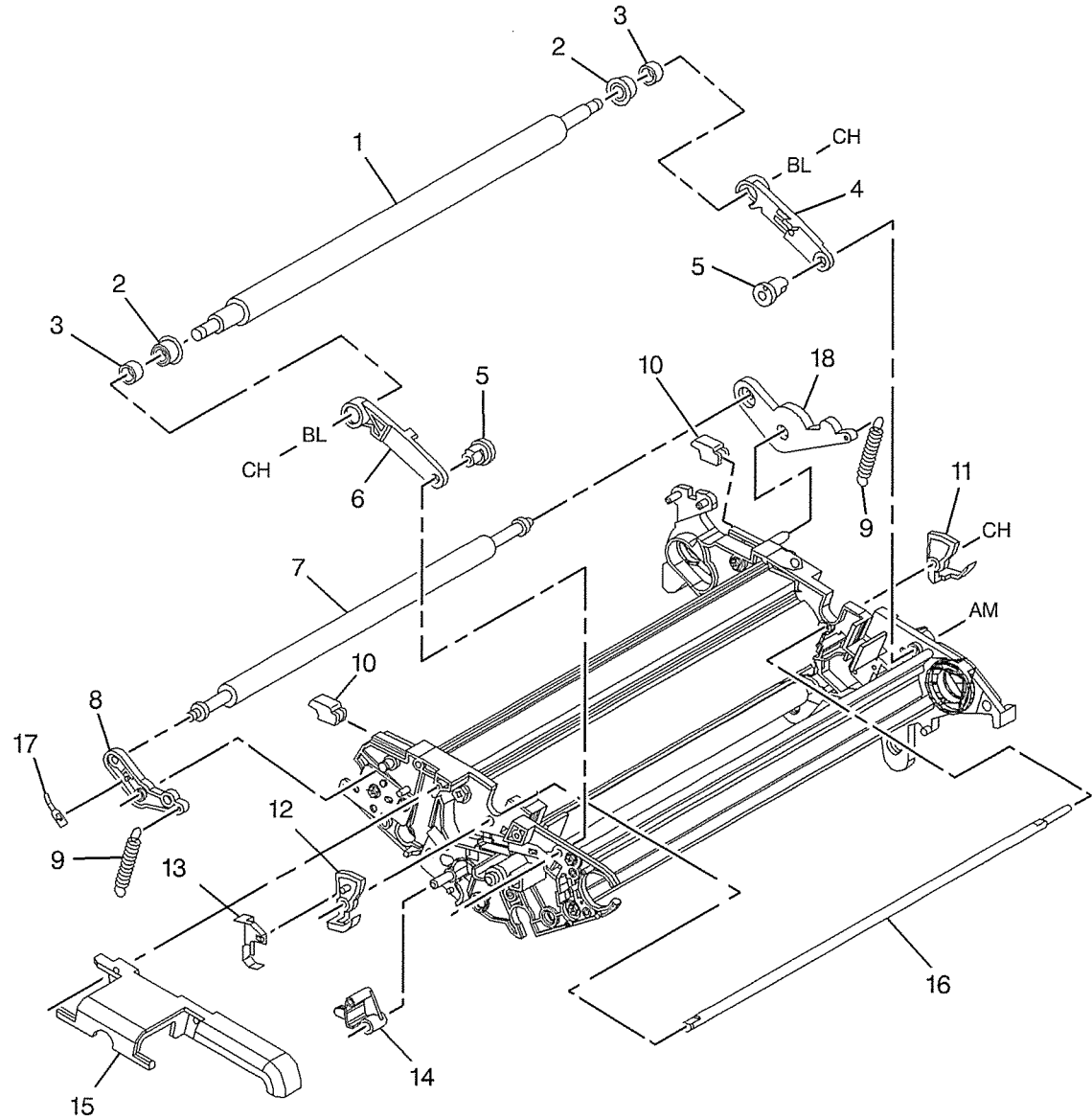
Item	Part	Description
1	059K07800	Bias Roll (REP 7.6.1)
2	013K81510	Bearing and Spring Assembly
3	013E88310	Bearing
4	-	Spring (P/O PL 7.6 Item 2)
5	059K07843	Drive Roll (Pre-Tag 20) (REP 7.6.2)
6	007E46502	Gear
7	048K61601	Gear Cover
8	-	Plate (P/O PL 7.5 Item 1)
9	059K07812	Back Up Roll (REP 7.6.3)
10	059K08160	Contact Roll (REP 7.6.4)
11	013E85430	Bearing
12	809E06330	Spring
13	042K91650	Drive Roll Cleaning Blade
14	-	Bracket (P/O PL 7.5 Item 1)
15	-	Bracket (P/O PL 7.5 Item 1)
16	830E81410	Plate
17	105K14062	1st BTR HVPS
18	-	Screw (P/O PL 7.5 Item 1)



0007006A-LYN

PL 7.7 IBT Component (Part 2 of 2)

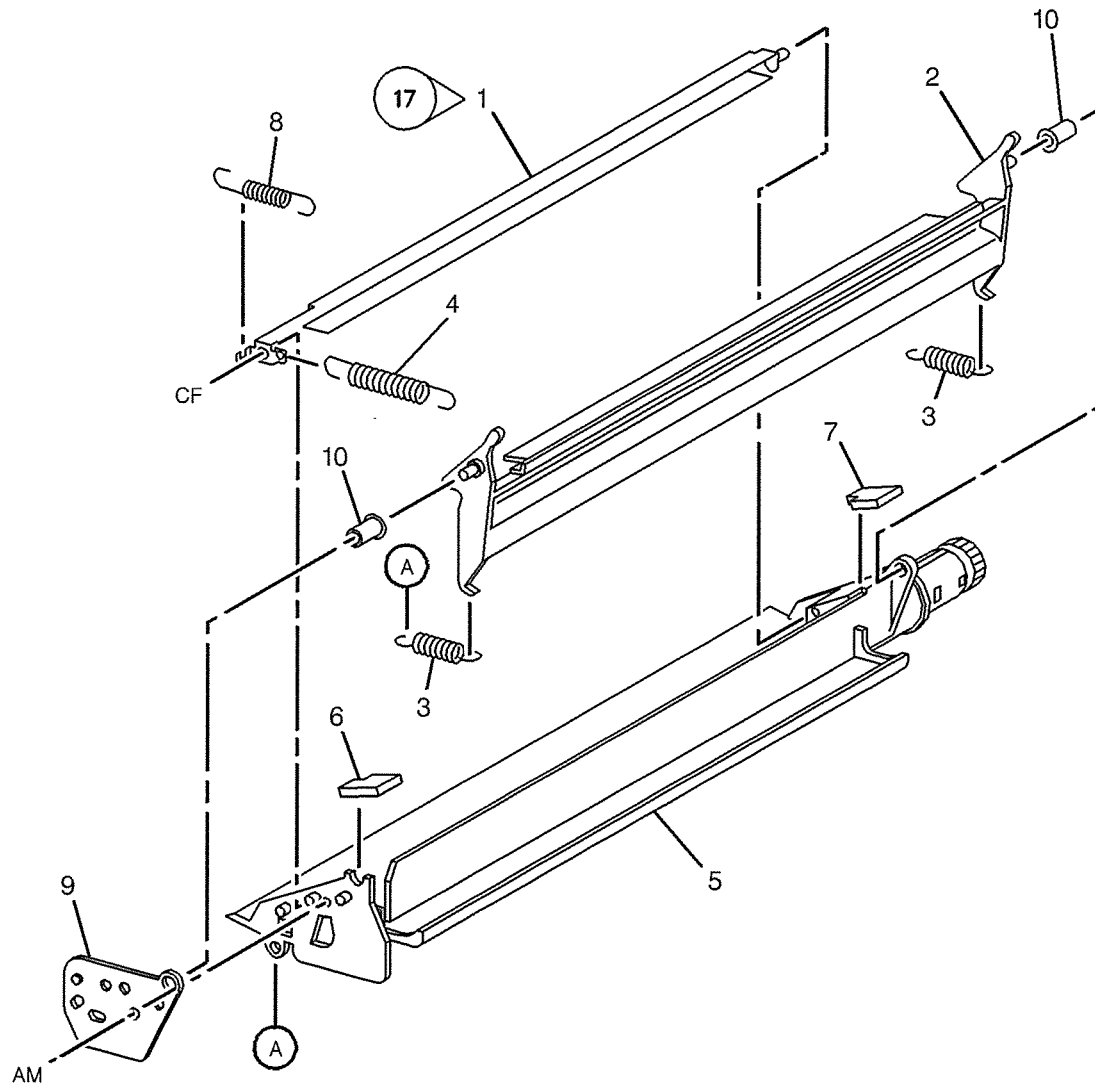
Item	Part	Description
1	059E92720	Idler Roll
2	-	Bearing (P/O PL 7.5 Item 1)
3	-	Spacer (P/O PL 7.5 Item 1)
4	012E98080	Link (Rear)
5	029E26770	Arm Pivot
6	012E98070	Link (Front)
7	059K07882	Tension Roll
8	031E94101	Arm
9	809E06360	Spring
10	003E39980	Stopper
11	008E93250	Rear Cam
12	008E93090	Front Cam
13	-	Earth Plate (Not Spared)
14	008E93270	Foot Cam
15	011E08081	Front Lever
16	006E56290	Shaft
17	-	Earth Plate (Not Spared)
18	031E93022	Inboard Tension Roll Arm



0007007B-LYN

PL 7.8 IBT Cleaner

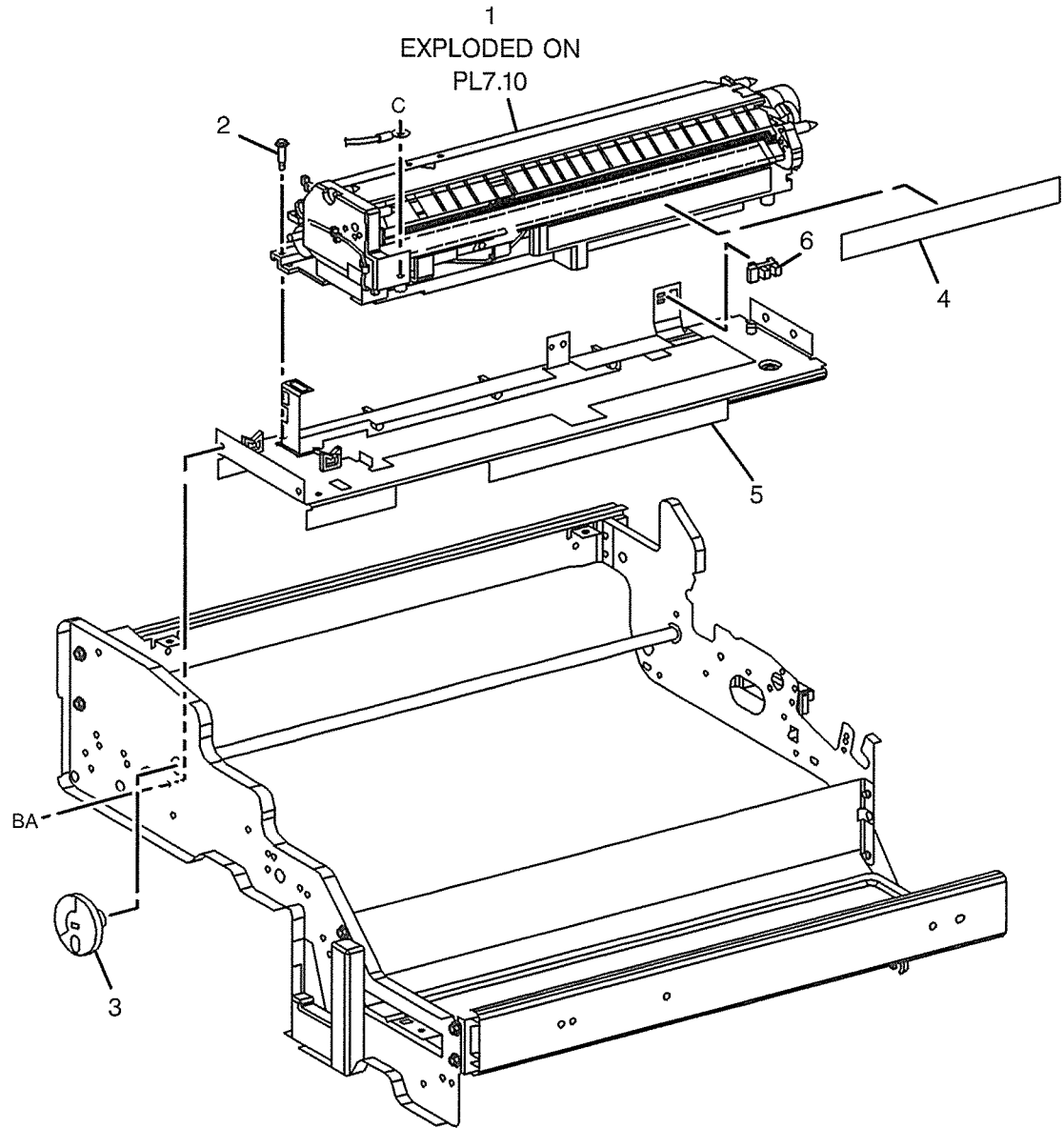
Item	Part	Description
1	035K81498	Seal (W/TAG P17)
2	033K93272	Cleaning Blade
3	809E17001	Spring
4	809E17010	Spring
5	-	Housing (P/O PL 7.1 Item 3)
6	035E48290	Seal
7	035E48300	Seal
8	809E06401	Spring
9	-	Plate (P/O PL 7.1 Item 3)
10	-	Bearing (P/O PL 7.1 Item 3)



0007008B-LYN

PL 7.9 2nd BTR

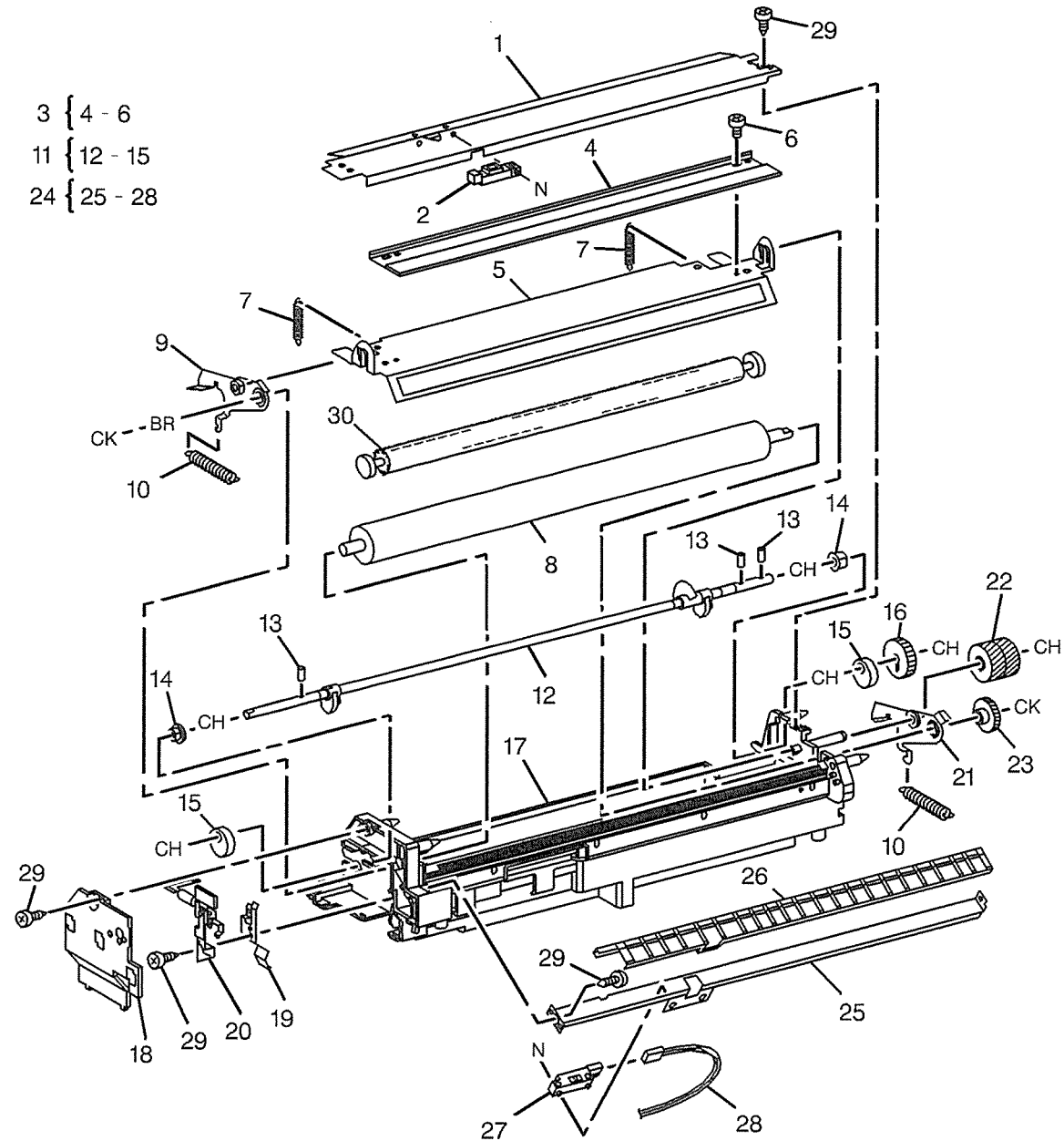
Item	Part	Description
1	059K14186	2nd BTR (REP 7.9.1)
2	029E26180	Screw
3	-	Indicator (Not Spared)
4	-	Label (Not Spared)
5	-	Plate (Not Spared)
6	130E82190	2nd BTR Retract Home Position Sensor



0007009A-LYN

PL 7.10 2nd BTR Component

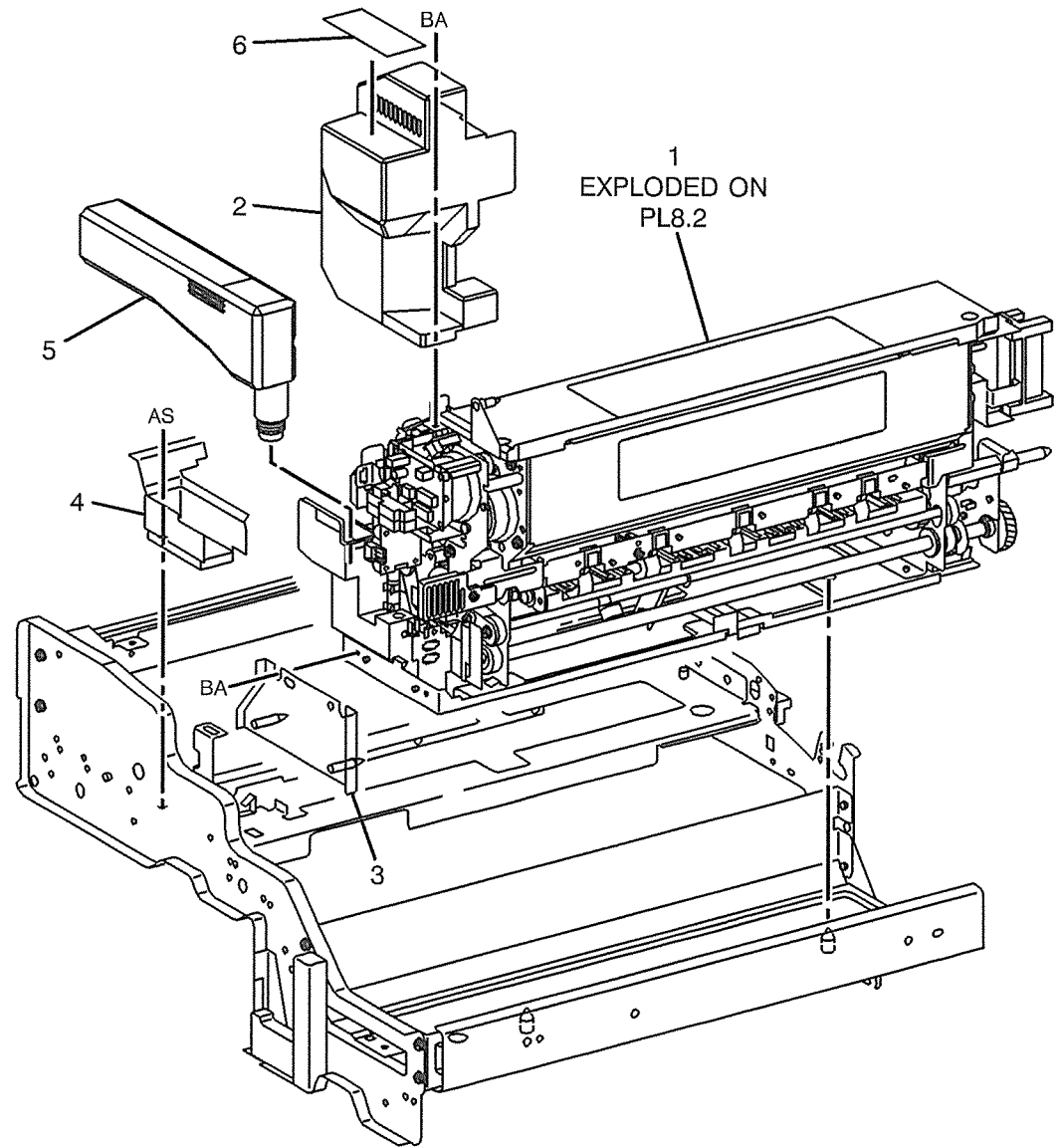
Item	Part	Description
1	-	Inlet Plate (Not Spared)
2	130K60600	Pre IBT Sensor
3	-	Cleaning Blade Assembly (P/O PL 7.9 Item 1)
4	-	Cleaning Blade (P/O PL 7.10 Item 3)
5	-	Plate (P/O PL 7.10 Item 3)
6	-	Screw (P/O PL 7.10 Item 3)
7	809E06380	Spring
8	059K13021	2nd BTR Roll (REP 7.10.1)
9	031K92420	Front Arm
10	809E06370	Spring
11	006K84114	Cam Shaft Assembly
12	-	Shaft (P/O PL 7.10 Item 11)
13	-	Pin (P/O PL 7.10 Item 11)
14	413W75959	Bearing
15	-	Cam (P/O PL 7.10 Item 11)
16	007E46530	Gear
17	048K69086	2nd BTR Housing
18	048E64910	Cover
19	015K39880	Earth Plate
20	015K35800	Earth Plate
21	031K92410	Rear Arm
22	007E46541	Gear
23	007E46551	Gear
24	054K19721	Exit Chute Assembly
25	-	Plate (P/O PL 7.10 Item 24)
26	054E88182	Guide
27	130E91120	Pre Fuser Sensor
28	-	Wire Harness (P/O PL 7.10 Item 24)
29	-	Screw
30	-	BTR Brush (Not Spared)



0007010B-LYN

PL 8.1 Fuser Unit, Front Cover

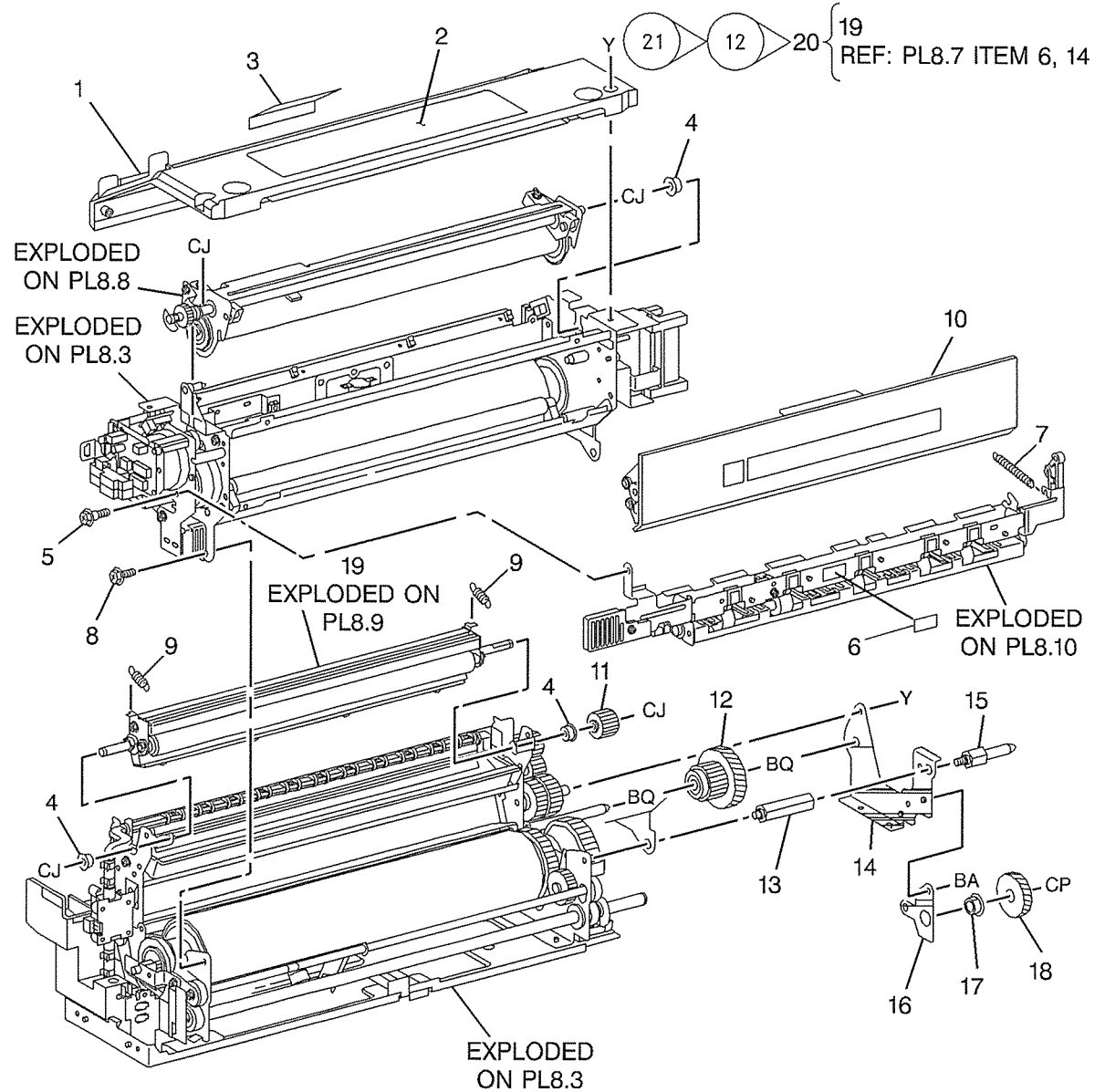
Item	Part	Description
1	604K00846	Fuser Unit (50 Hz) (W/TAG P12) (REP 8.1.1,ADJ 8.1.1)
-	604K00836	Fuser Unit (60 Hz) (W/TAG P12) (REP 8.1.1,ADJ 8.1.1)
2	048E52741	Front Cover
3	068K87161	Pin Bracket
4	-	Cartridge Guide (Not Spared)
5	-	Oil Cartridge (Not Spared) (REF: PL 8.1)
6	-	Label (Not Spared)



0008001A-LYN

PL 8.2 Fuser Sub Assembly

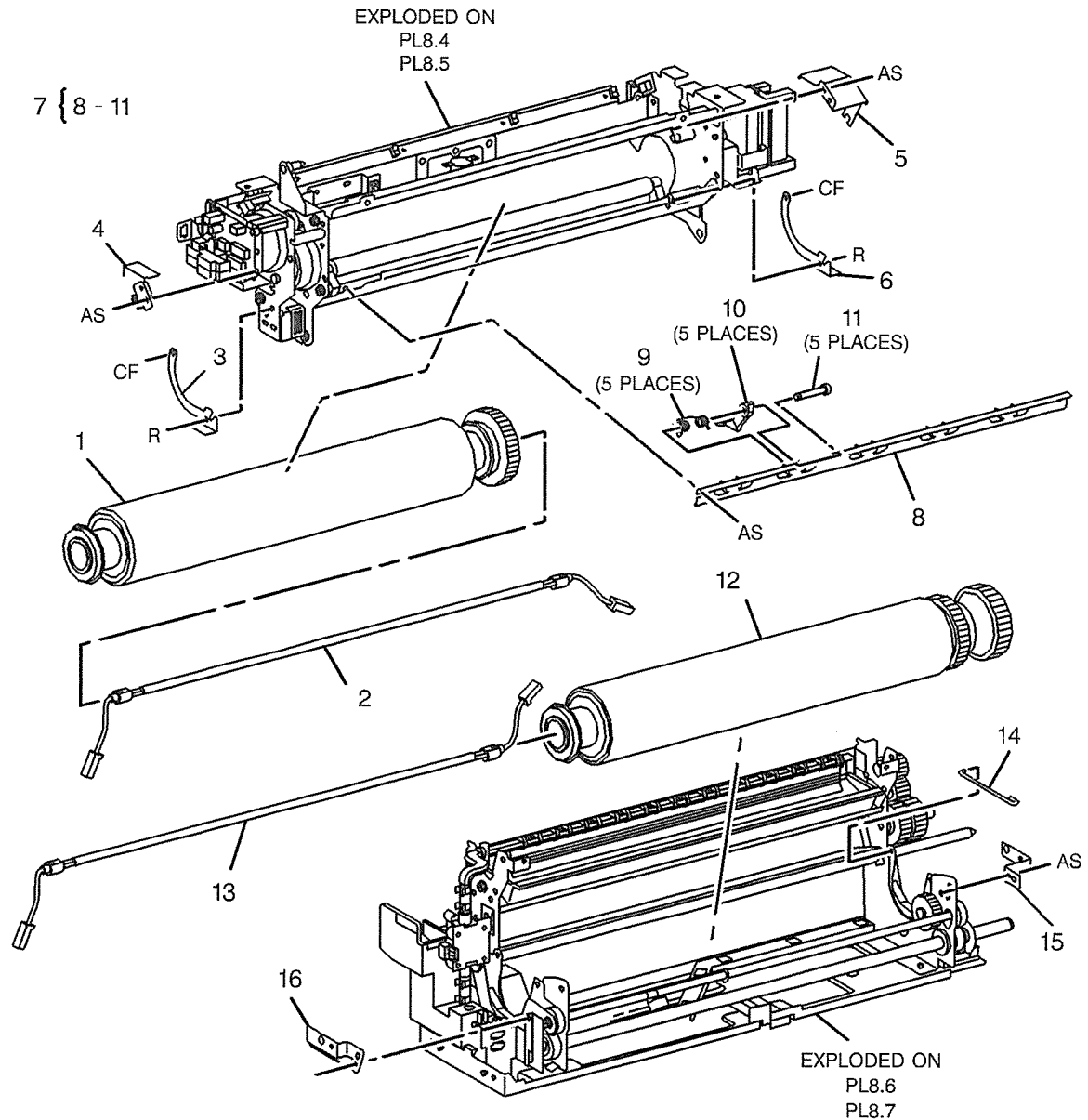
Item	Part	Description
1	-	Top Cover (P/O PL 8.1 Item 1)
2	891E76040	Label
3	891E76001	Label
4	013E87700	Bearing
5	-	Screw (P/O PL 8.1 Item 1)
6	891E75990	Label
7	-	Spring (P/O PL 8.1 Item 1)
8	-	Screw (P/O PL 8.1 Item 1)
9	809E09190	Spring
10	-	Web CRU (P/O PL 8.1 Item 1)
11	007E49730	Gear (19)
12	007K84120	Gear (28/49)
13	-	Stud (P/O PL 8.1 Item 1)
14	-	Frame (P/O PL 8.1 Item 1)
15	-	Pin (P/O PL 8.1 Item 1)
16	-	Plate (P/O PL 8.1 Item 1)
17	-	Bearing (P/O PL 8.1 Item 1)
18	007E49831	Gear
19	-	Donor Roll Assembly (P/O PL 8.2 Item 20) (REP 8.2.1)
20	604K08100	Fuser Reliability Improvement Kit (For Streaks and Offsetting)



0008002C-LYN

PL 8.3 Heat/Pressure Roll

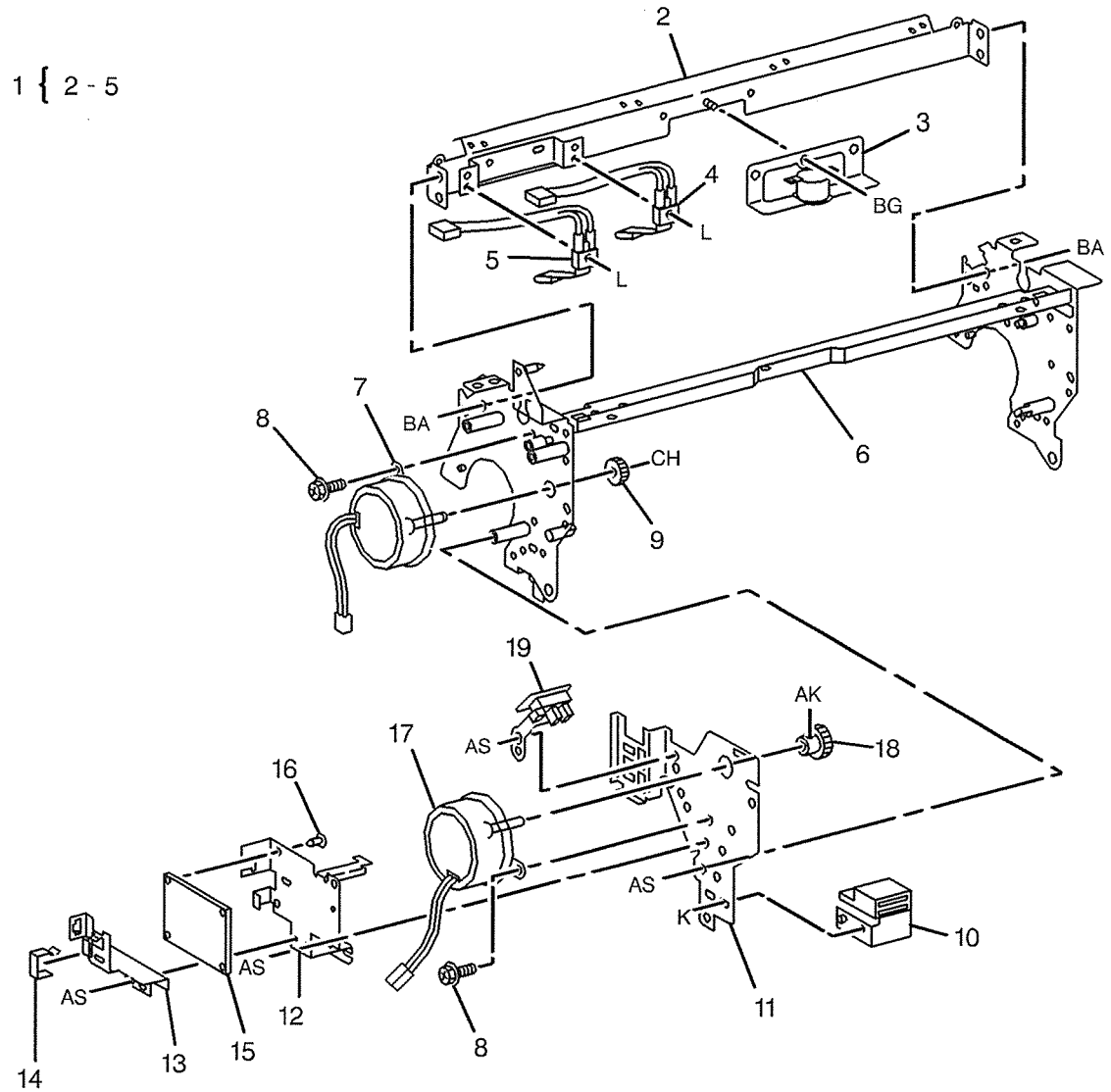
Item	Part	Description
1	059K39500	Heat Roll (REP 8.3.1)
2	126K07960	Heat Roll Heater Rod (60 Hz) (REP 8.3.2)
-	126K08510	Heat Roll Heater Rod (50 Hz) (REP 8.3.2)
3	-	Heat Roll Stopper (Front) (P/O PL 8.1 Item 1)
4	049E86600	Heater Rod Bracket (Front)
5	-	Heater Rod Bracket (Rear) (P/O PL 8.1 Item 1)
6	-	Heat Roll Stopper (Rear) (P/O PL 8.1 Item 1)
7	019K94651	Heat Roll Finger Assembly
8	-	Plate (P/O PL 8.3 Item 7)
9	009E59690	Spring
10	019E42010	Heat Roll Striper Finger (REP 8.3.5)
11	026P63503	Stud
12	059K39670	Pressure Roll (REP 8.3.3)
13	126K07970	Pressure Roll Heater Rod (60 Hz) (REP 8.3.4)
-	126K08520	Pressure Roll Heater Rod (50 Hz) (REP 8.3.4)
14	809E06730	Spring
15	049E86370	Heater Rod Bracket (Rear)
16	049E86360	Heater Rod Bracket (Front)



0008003B-LYN

PL 8.4 Heat Roll Sensor, External Heat Roll Retract/Web Motor

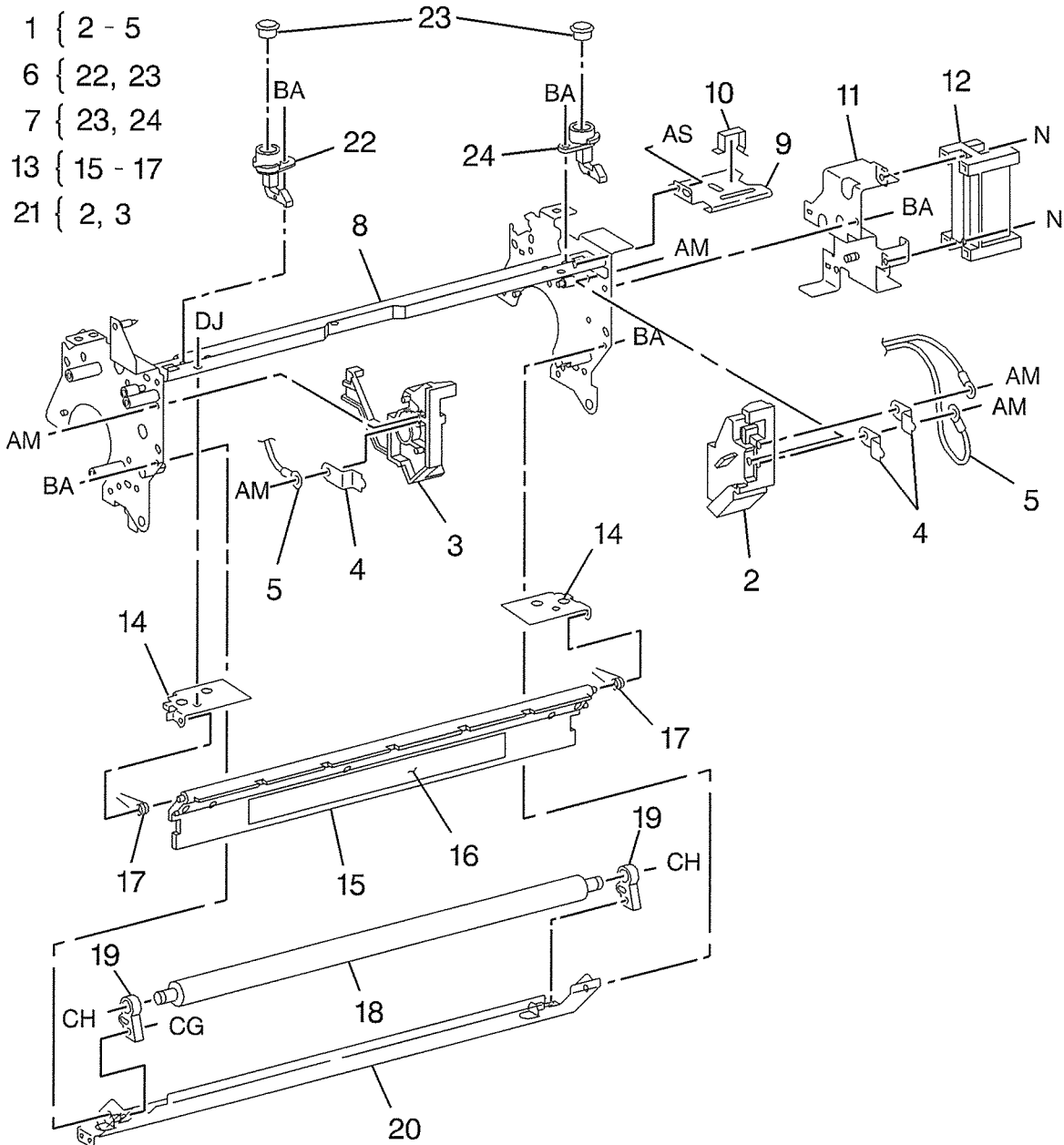
Item	Part	Description
1	130K57471	Heat Roll Sensor Assembly
2	-	Bracket (P/O PL 8.4 Item 1)
3	130K57430	H/R Thermostat
4	130K57390	H/R Control Thermistor
5	130K57400	H/R Overheat Thermistor
6	-	Upper Frame (P/O PL 8.1 Item 1)
7	127K27910	Web Motor (REP 8.4.1)
8	-	Screw (P/O PL 8.1 Item 1)
9	007E82390	Gear
10	121K16800	Magnet
11	-	Bracket (P/O PL 8.1 Item 1)
12	-	Bracket (P/O PL 8.1 Item 1)
13	-	Bracket (P/O PL 8.1 Item 1)
14	-	Holder (P/O PL 8.1 Item 1)
15	160K46120	Web Drive PWB
16	-	PWB Support (P/O PL 8.1 Item 1)
17	127K21351	External Heat Roll Retract Motor (REP 8.4.1)
18	007E51980	Gear
19	130K57490	External Heat Roll Retract Sensor



0008004A-LYN

PL 8.5 Web Shutter, Cleaning Roll (Heat Roll)

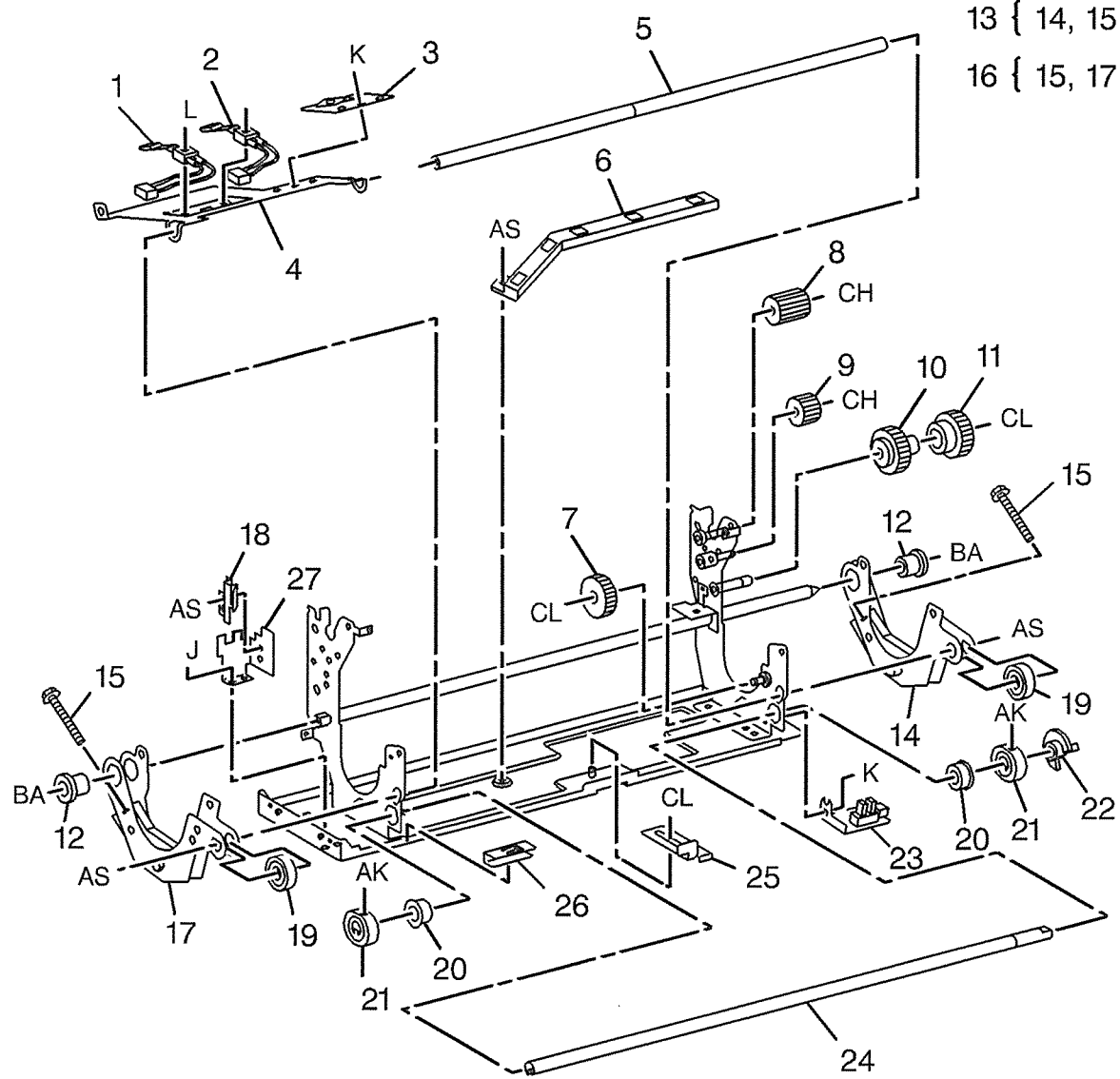
Item	Part	Description
1	-	Web Guide Block Assembly (P/O PL 8.1 Item 1)
2	-	Rear Guide Block (P/O PL 8.5 Item 1)
3	-	Front Guide Block (P/O PL 8.5 Item 1)
4	-	Contact Plate (P/O PL 8.1 Item 1)
5	-	Wire Harness (P/O PL 8.1 Item 1)
6	003K85453	Front Latch Assembly
7	003K85483	Rear Latch Assembly
8	-	Upper Frame (P/O PL 8.1 Item 1)
9	-	Bracket (P/O PL 8.1 Item 1)
10	-	Holder (P/O PL 8.1 Item 1)
11	-	Bracket (P/O PL 8.1 Item 1)
12	913W02310	Connector (Blue) (PJ700)
-	162K37050	Fuser Side Harness
-	162K36960	Frame Side Harness
13	600K84050	Web Shutter Repair Kit
14	-	Support (P/O PL 8.1 Item 1)
15	-	Shutter (P/O PL 8.5 Item 13)
16	-	Label (P/O PL 8.5 Item 13)
17	-	Spring (P/O PL 8.5 Item 13)
18	059K24360	Cleaning Roll
19	013E87551	Bearing
20	-	Tie Plate (P/O PL 8.1 Item 1)
21	014K81273	CRU Block Guide Assembly
22	-	Front Latch (P/O PL 8.5 Item 6)
23	003K85731	Web Release Button
24	-	Rear Latch (P/O PL 8.5 Item 7)



0008005C-LYN

PL 8.6 Pressure Roll Sensor, Pressure Roll Nip

Item	Part	Description
1	130K57380	P/R Overheat Thermistor
2	130K57370	P/R Control Thermistor
3	130K87470	P/R Thermostat
4	068K87410	Bracket
5	-	Shaft (P/O PL 8.1 Item 1)
6	-	Harness Cover (P/O PL 8.1 Item 1)
7	007E49760	Gear (28)
8	007E51500	Gear (20)
9	007E49740	Gear (20)
10	007K84130	Gear (32)
11	007K84140	Gear (34)
12	-	Bearing (P/O PL 8.1 Item 1)
13	011K94040	Rear Lever Assembly
14	-	Rear Lever (P/O PL 8.6 Item 13)
15	026K80720	Adjust Screw
16	011K94030	Front Lever Assembly
17	-	Front Lever (P/O PL 8.6 Item 16)
18	-	Holder (P/O PL 8.1 Item 1)
19	013E87730	Bearing
20	413W10650	Bearing
21	008E93160	Cam
22	120E12630	Actuator
23	015K33670	Nip Sensor
24	-	Shaft (P/O PL 8.1 Item 1)
25	-	Stand Plate (P/O PL 8.1 Item 1)
26	-	Harness Guard (P/O PL 8.1 Item 1)
27	-	Bracket (P/O PL 8.1 Item 1)

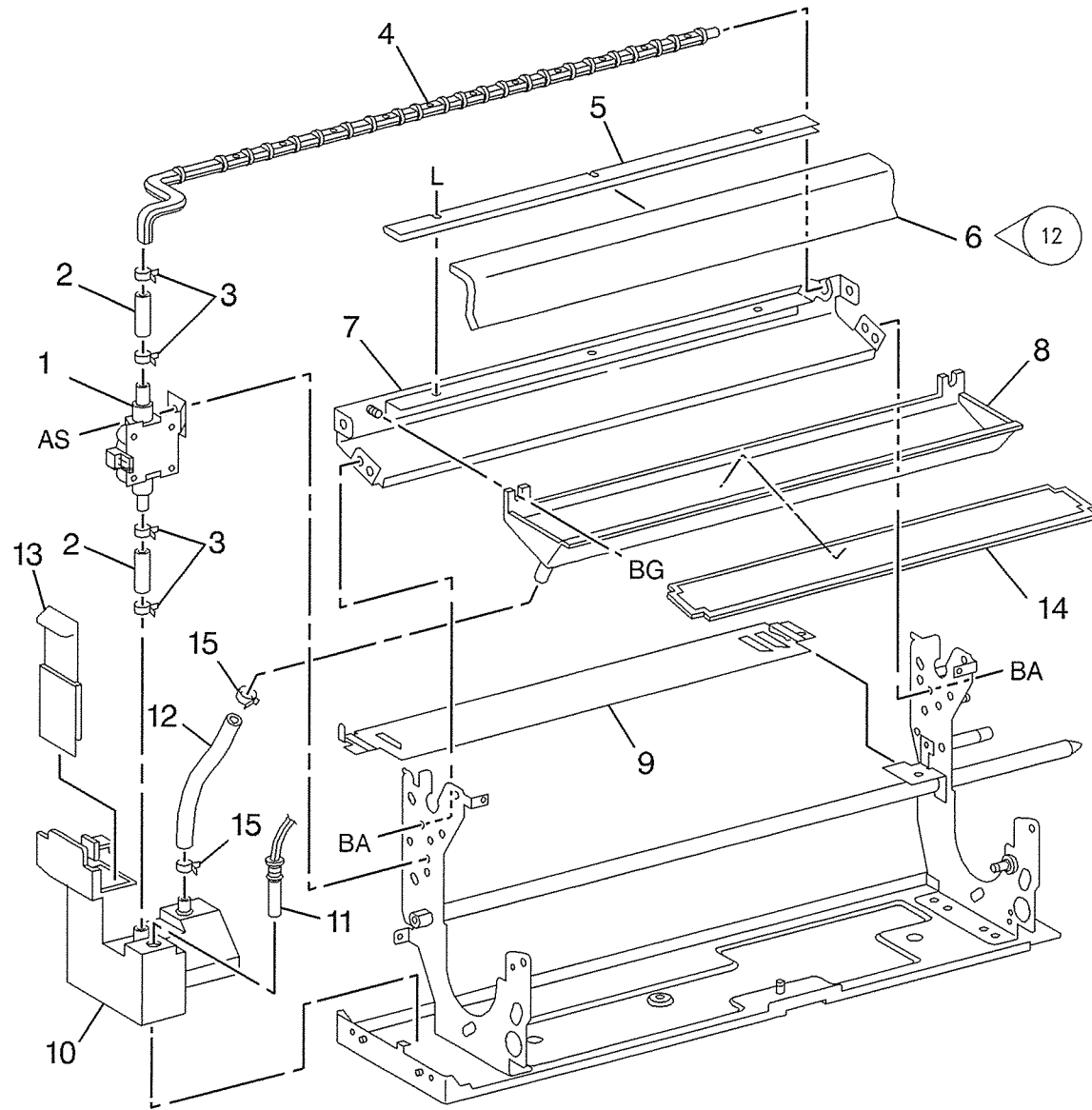


0008006A-LYN

PL 8.7 Oil Pump/Tank

Item	Part	Description
1	127K21410	Oil Pump (REP 8.7.1)
2	052E92750	Tube
3	019E39570	Clamp
4	052E93181	Oil Pipe
5	809E06530	Spring Plate
6	039K90592	Oil Wick (W/TAG P12) (REP 8.7.2)
7	068K21850	Bracket
8	050E17450	Oil Pan
9	054K11220	Inlet Chute
10	093E91961	Oil Tank
11	130K57940	Oil Empty Sensor
12	052E93920	Tube
-	052E96630	Tube (Alternate)
13	809E19010	Support Plate Spring
14	053E92650	Oil Filter
15	019E49780	Hose Clamp
16	604K01911	Oil System Upgrade Kit (W/TAG P37)

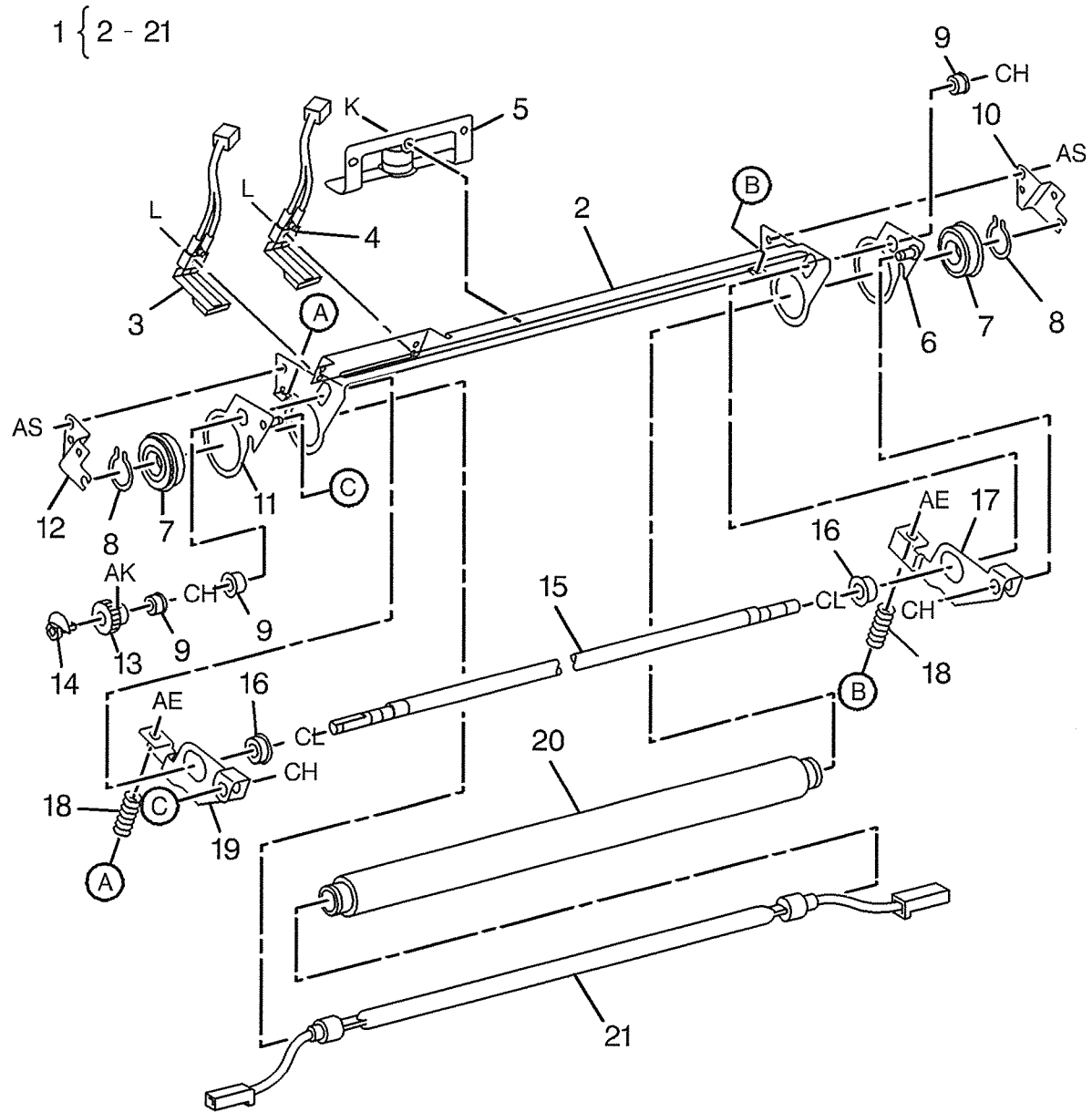
16 { 4, 6, 7, 8, 10, 13, 14, 15



0008007C-LYN

PL 8.8 External Heat Roll

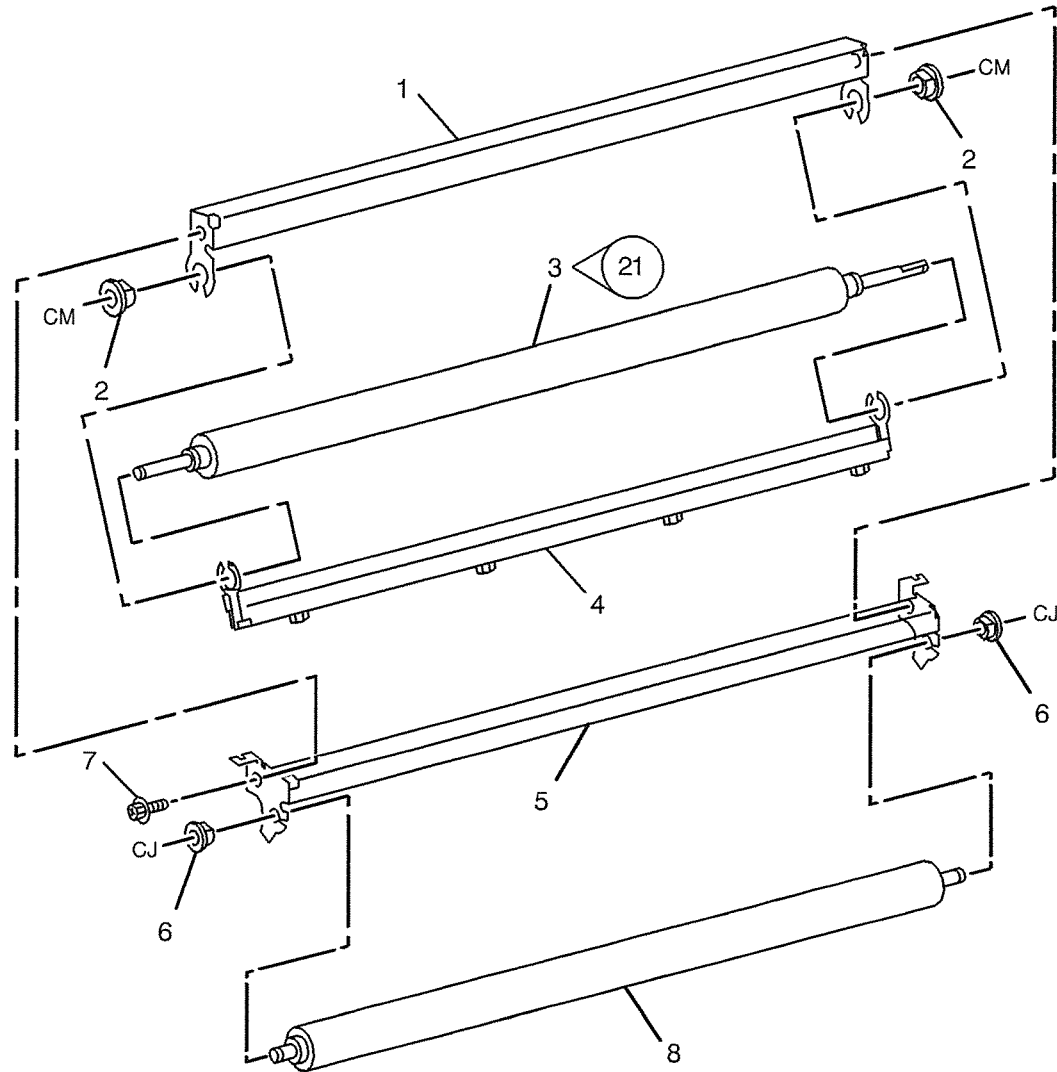
Item	Part	Description
1	001K62603	External Heat Roll Assembly (60 Hz)
-	001K62613	External Heat Roll Assembly (50 Hz)
2	-	Frame (P/O PL 8.8 Item 1)
3	130K87520	External H/R Overheat Thermistor
4	130K87500	External H/R Control Thermistor
5	130K57350	External H/R Thermostat
6	-	Plate (P/O PL 8.8 Item 1)
7	013E87600	Bearing
8	-	Ring (P/O PL 8.8 Item 1)
9	013E87700	Bearing
10	049E86030	Heater Rod Bracket (Rear)
11	-	Plate (P/O PL 8.8 Item 1)
12	049E86040	Heater Rod Bracket (Front)
13	007K85270	Gear (18) (18)
14	-	Actuator (P/O PL 8.8 Item 1)
15	-	Shaft Cam (P/O PL 8.8 Item 1)
16	013E87620	Bearing
17	-	Lever (Rear) (P/O PL 8.8 Item 1)
18	809E06770	Spring
19	-	Lever (Front) (P/O PL 8.8 Item 1)
20	059E92780	External Heater Roll (REP 8.8.2, ADJ 8.8.1)
21	126K07980	External H/R Heater Rod (60 Hz) (REP 8.8.1)
-	126K08530	External H/R Heater Rod (50 Hz) (REP 8.8.1)



0008008A-LYN

PL 8.9 Pick Up/Donor Roll

Item	Part	Description
1	-	Frame (P/O PL 8.2 Item 20)
2	013E94380	Bearing
3	600K83631	Pick Up Roll Kit (W/TAG P21)
4	033K92892	Blade
5	-	Frame (P/O PL 8.2 Item 20)
6	013E94320	Bearing
7	-	Screw (P/O PL 8.2 Item 20)
8	022K62370	Donor Roll

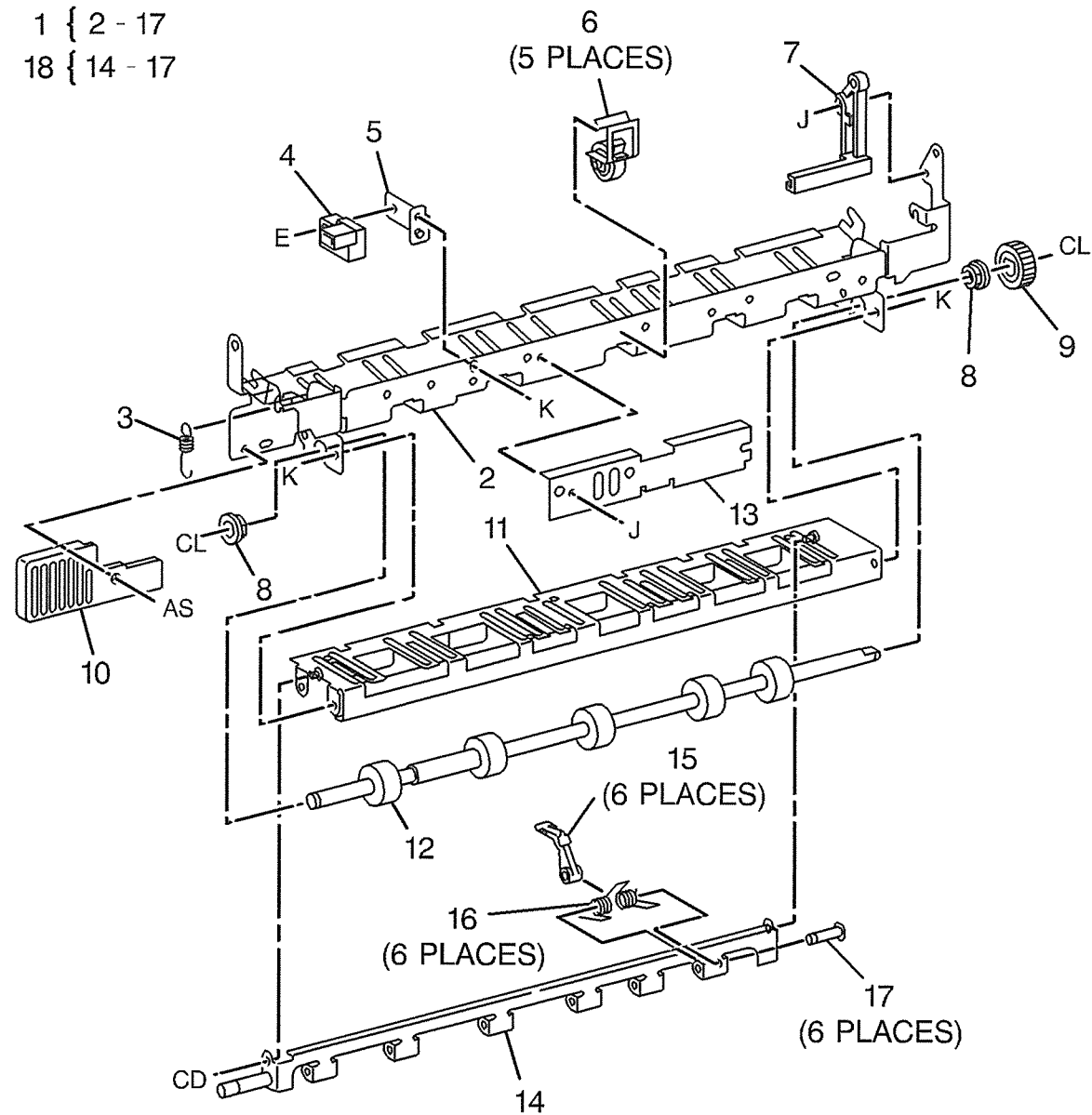


0008009B-LYN

PL 8.10 Exit Chute

Item	Part	Description
1	054K10114	Exit Chute Assembly (50 Hz)
-	054K10115	Exit Chute Assembly (60 Hz)
2	-	Chute Frame (P/O PL 8.10 Item 1)
3	-	Spring (P/O PL 8.10 Item 1)
4	130K92950	Fuser Exit Sensor
5	-	Bracket (P/O PL 8.10 Item 1)
6	022K48260	Pinch Roll
7	-	Wire Cover (P/O PL 8.10 Item 1)
8	413W77559	Bearing
9	007E84880	Gear (17)
10	-	Handle (P/O PL 8.10 Item 1)
11	-	Lower Chute (P/O PL 8.10 Item 1)
12	022K48250	Exit Roll
13	-	Cover (P/O PL 8.10 Item 1)
14	-	Plate (P/O PL 8.10 Item 18)
15	019E33860	Pressure Roll Stripper Finger (REP 8.10.1)
16	009E59690	Spring
17	-	Stud (P/O PL 8.10 Item 18)
18	019K94202	Pressure Roll Finger Assembly

1 { 2 - 17
18 { 14 - 17



0008010A-LYN

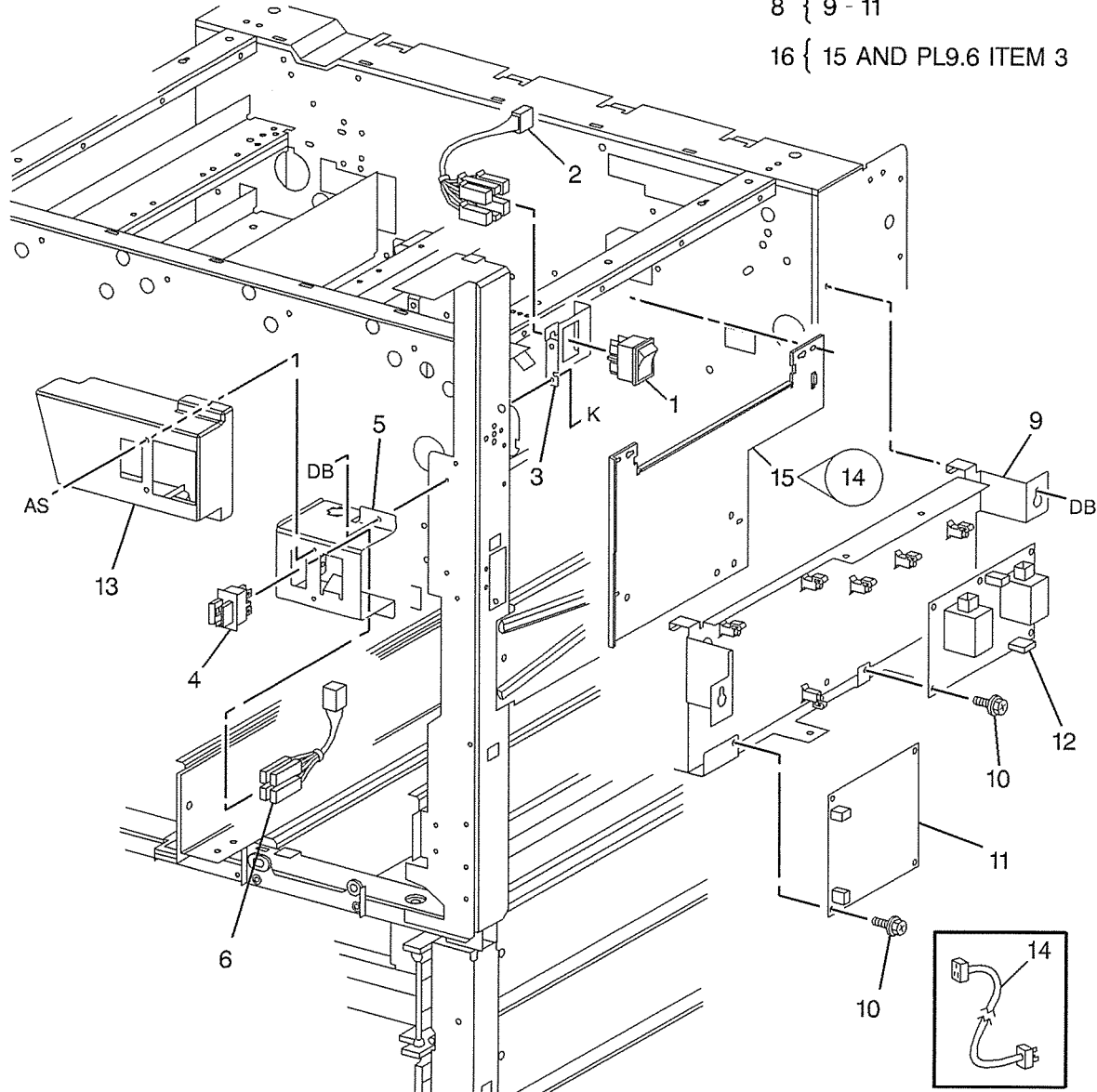
PL 9.1 Front, Right

Item	Part	Description
1	910W00211	Main Switch
2	-	Wire Harness (Not Spared)
3	-	Bracket (Not Spared)
4	910W00122	Front Door Interlock Switch
5	-	Bracket (Not Spared)
6	-	Wire Harness (Not Spared)
7	015K38560	Deve. Bias and CC/PCC HVPS Assembly
8	015K33986	Deve. Bias HVPS Assembly
9	-	Bracket (P/O PL 9.1 Item 7)
10	-	Screw (P/O PL 9.1 Item 7)
11	-	Deve. Bias HVPS (P/O PL 9.1 Item 7)
12	105E99122	CC/PCC HVPS
13	048E65041	Interlock Cover
14	117E22350	Power Cord (120V) (60 Hz)
-	117K31400	Power Cord (110V)
-	117E10550	Power Cord (220V) (60 Hz)
-	152S05105	Power Cord (United Kingdom 250V/10A Gray)
-	152S05121	Power Cord (United Kingdom 240V/10A Black)
-	152S05106	Power Cord (Denmark 250V/10A Gray)
-	152S05122	Power Cord (Denmark 250V/10A Black)
-	152S05107	Power Cord (Switzerland 250V/10A Gray)
-	152S05123	Power Cord (Switzerland 250V/10A Black)
-	152S05104	Power Cord (Europe 250V/10A Gray)
-	152S05120	Power Cord (Europe 250V/10A Black)
-	117K23770	Power Cord (19A)
-	117K22350	Power Cord (20A)
-	117E25300	1670 Epson Scanner Power Cord
-	962K01820	Power Cord (United Kingdom)
-	962K01830	Power Cord (Denmark)
-	962K01810	Power Cord (Europe)
-	962K01840	Power Cord (CH)
15	130K60561	Atc Sensor Bracket (W/TAG P14)
16	606K91040	ATC Sensor Kit (W/TAG P14)

7 { 9 - 12

8 { 9 - 11

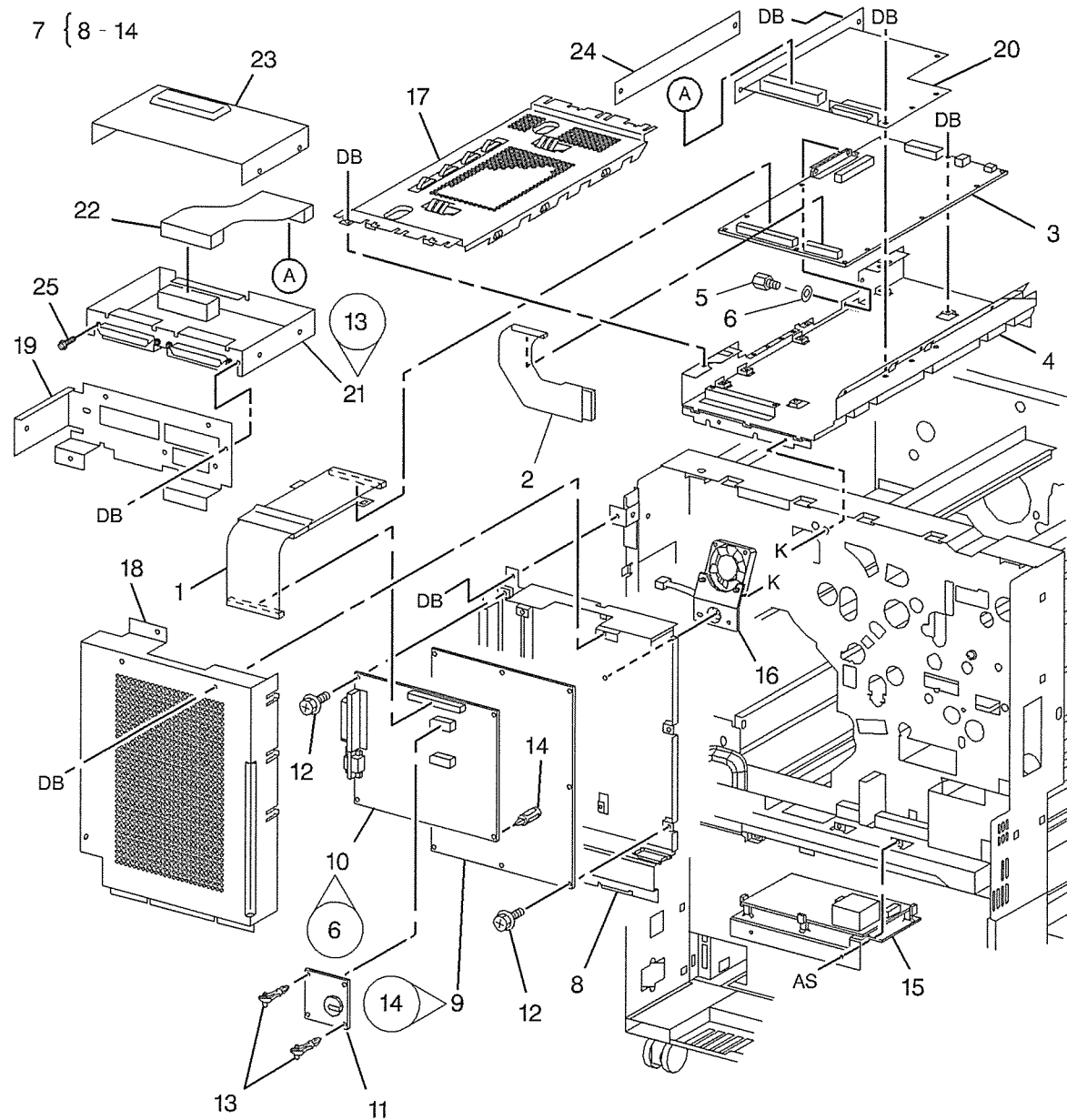
16 { 15 AND PL9.6 ITEM 3



0 009001D-LYN

PL 9.2 IOT Top/Rear

Item	Part	Description
1	162K41511	Flat Cable (FPC-IOT)
2	162K41521	Flat Cable (FPC-ROS) (W/TAG P42)
3	160K74412	Half Tone PWB (W/TAG P32) (REP 9.2.3)
4	-	PWB Bracket (Not Spared)
5	-	Screw (Not Spared)
6	-	Washer (Not Spared)
7	-	IOT Control PWB Chassis Assembly (Not Spared) (REP 9.2.1)
8	-	PWB Chassis (P/O PL 9.2 Item 7)
9	160K61620	IOT Drive PWB (W/TAG P14) (REP 9.2.2)
10	160K61611	IOT CPU PWB (W/TAG P6)
11	160K47911	IOT NVM PWB (REF: PL 9.2) (Rep 9.2.2)
12	-	Screw (P/O PL 9.2 Item 7)
13	-	PWB Support (P/O PL 9.2 Item 7)
14	-	Spacer (P/O PL 9.2 Item 7)
15	105K14914	2nd BTR HVPS
16	127K21750	Rotary Fan
17	048K76941	Half Tone PWB Cover
18	-	IOT Control PWB Cover (Not Spared)
19	-	Extension Plate (Not Spared)
20	160K48688	VSEL Base TTL PWB
21	160K48704	VSEL Extension PWB (W/TAG P13)
22	162K42260	Flat Cable (J388/J389)
23	-	Cover (Not Spared)
24	-	Blind Cover (Not Spared)
25	026E56431	VSEL Screw

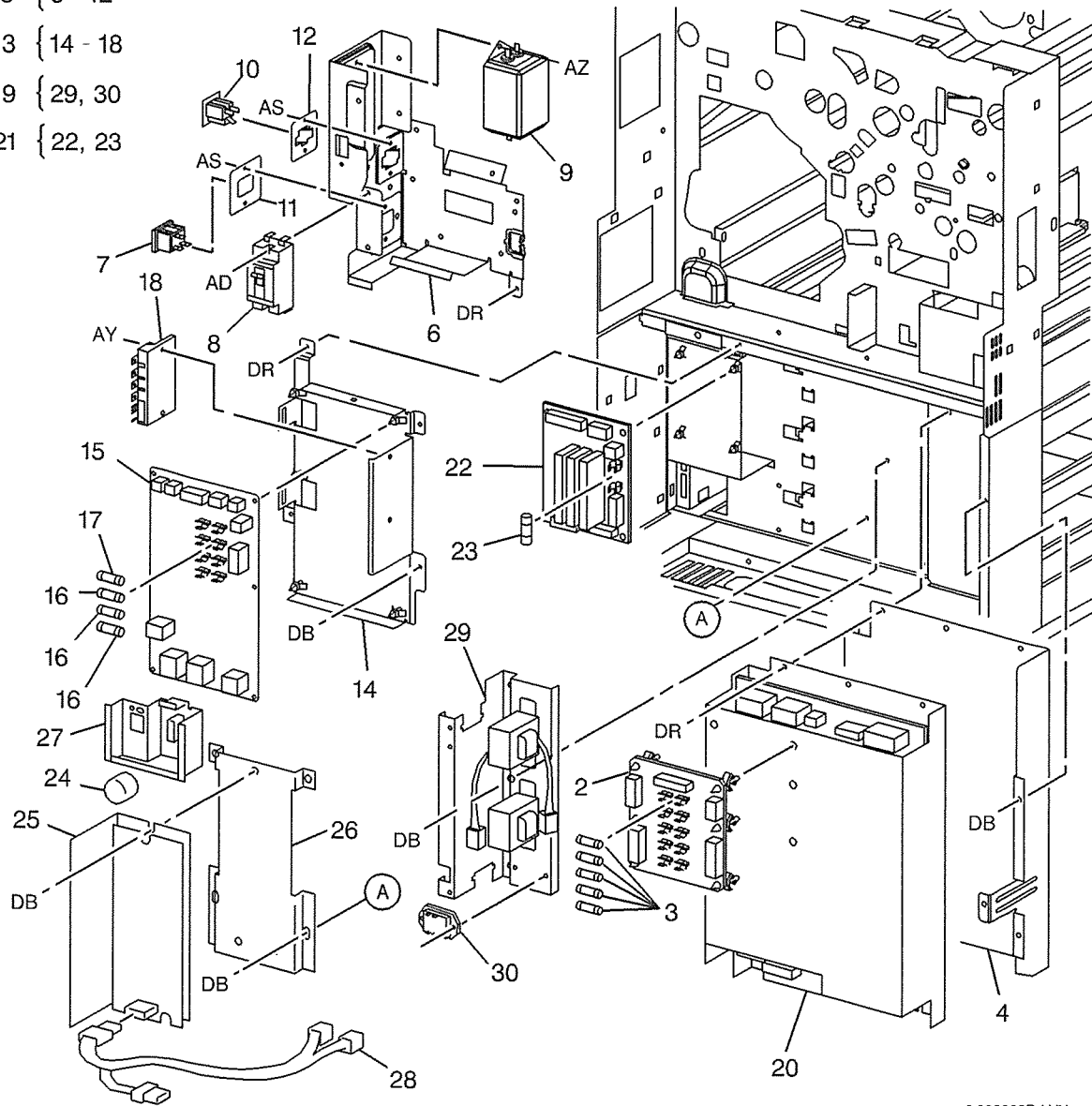


0009002D-LYN

PL 9.3 Tray Module, Rear

Item	Part	Description
1	160K45940	Distribution PWB Assembly
-	160K60770	Distribution PWB Assembly (Alternate)
2	-	PWB (P/O PL 9.3 Item 1)
3	108E94360	Fuse (5A/125V)
4	-	LVPS Bracket (Not Spared)
5	101K33185	Power Chassis Assembly (50 Hz) (W/TAG P28) (REP 9.3.1)
-	101K31295	Power Chassis Assembly (60 Hz) (W/TAG P28) (REP 9.3.1)
6	-	Power Chassis (P/O PL 9.3 Item 5)
7	-	Inlet (P/O PL 9.3 Item 5)
8	908W00914	Circuit Breaker (60 Hz)
-	908W00909	Circuit Breaker (50 Hz)
9	-	Noise Filter (P/O PL 9.3 Item 5)
10	-	Outlet (P/O PL 9.3 Item 5)
11	-	Inlet Plate (P/O PL 9.3 Item 5)
12	-	Outlet Plate (FX/TFX) (P/O PL 9.3 Item 5)
13	101K31312	AC Driver PWB Assembly (60 Hz) (REP 9.3.1)
-	101K31322	AC Driver PWB Assembly (50 Hz) (REP 9.3.1)
14	-	PWB Chassis (P/O PL 9.3 Item 13)
15	-	AC Driver PWB (P/O PL 9.3 Item 13)
16	908W00134	Fuse (6.3A/125V)
17	908W00131	Fuse (3.15A/125V)
18	109E93220	SSR (60 Hz)
-	109E93230	SSR (50 Hz)
19	101K31342	Transformer Assembly (60 Hz)
-	101K31352	Transformer (50 Hz)
20	105E07314	IOT LVPS (60 Hz) (REP 9.3.2)
-	105E07344	IOT LVPS (50 Hz) (REP 9.3.2)
21	160K48351	Tray PWB Assembly
22	-	Tray PWB (P/O PL 9.3 Item 21)
23	-	Fuse (P/O PL 9.3 Item 21)
24	-	Cap (Not Spared)
25	105E98090	Printer B3 LVPS (60 Hz) (REP 9.3.3)
-	105E98110	Printer B3H LVPS (50 Hz) (REP 9.3.3)
26	-	LVPS Bracket (Not Spared)
27	-	Connector Bracket (Not Spared)
28	-	Wire Harness (Not Spared)
29	-	Transformer (P/O PL 9.3 Item 19)
30	109E93260	ESS SSR

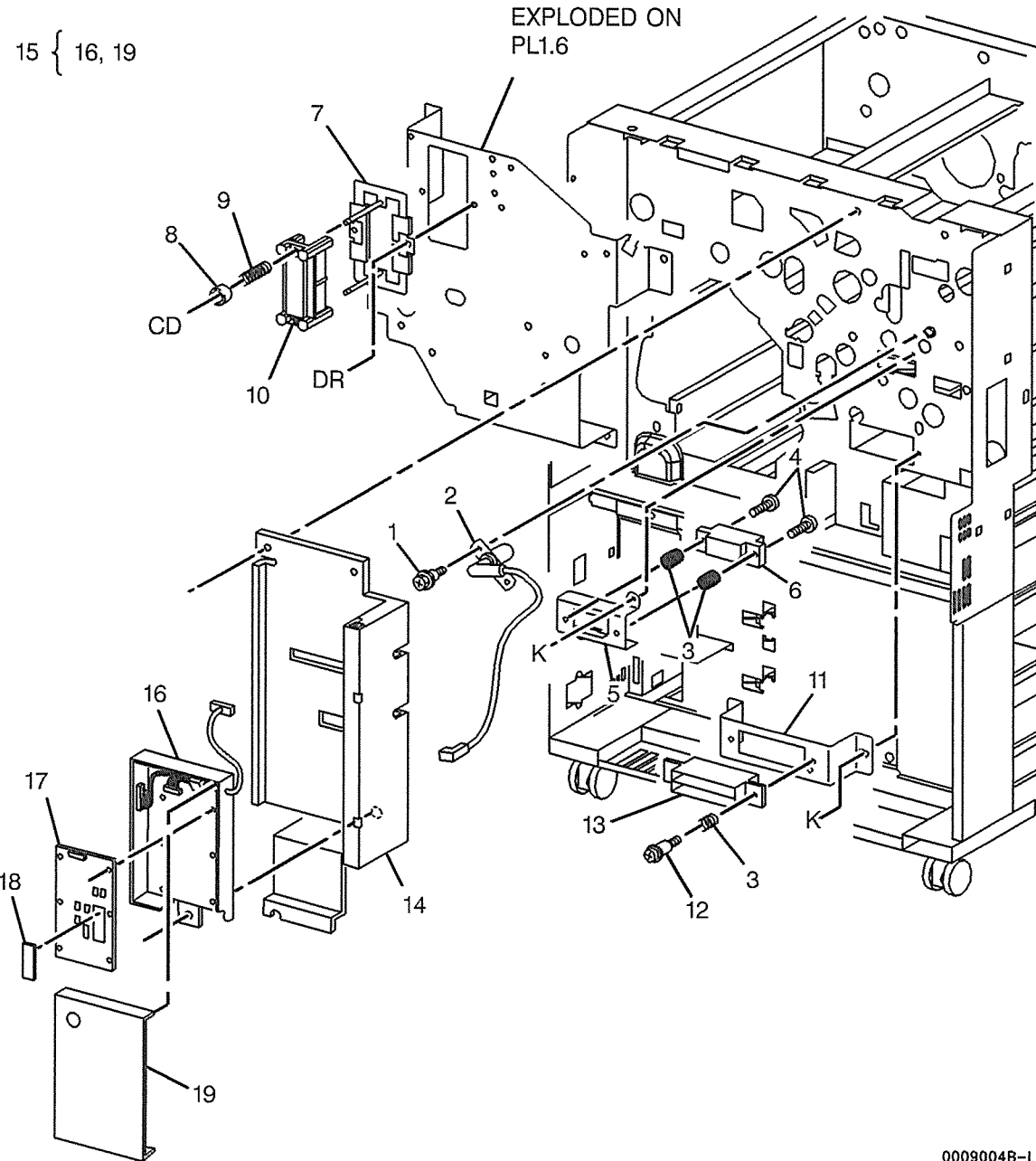
- 1 { 2, 3
- 5 { 6 - 12
- 13 { 14 - 18
- 19 { 29, 30
- 21 { 22, 23



0 009003D-LYN

PL 9.4 Drawer Connectors

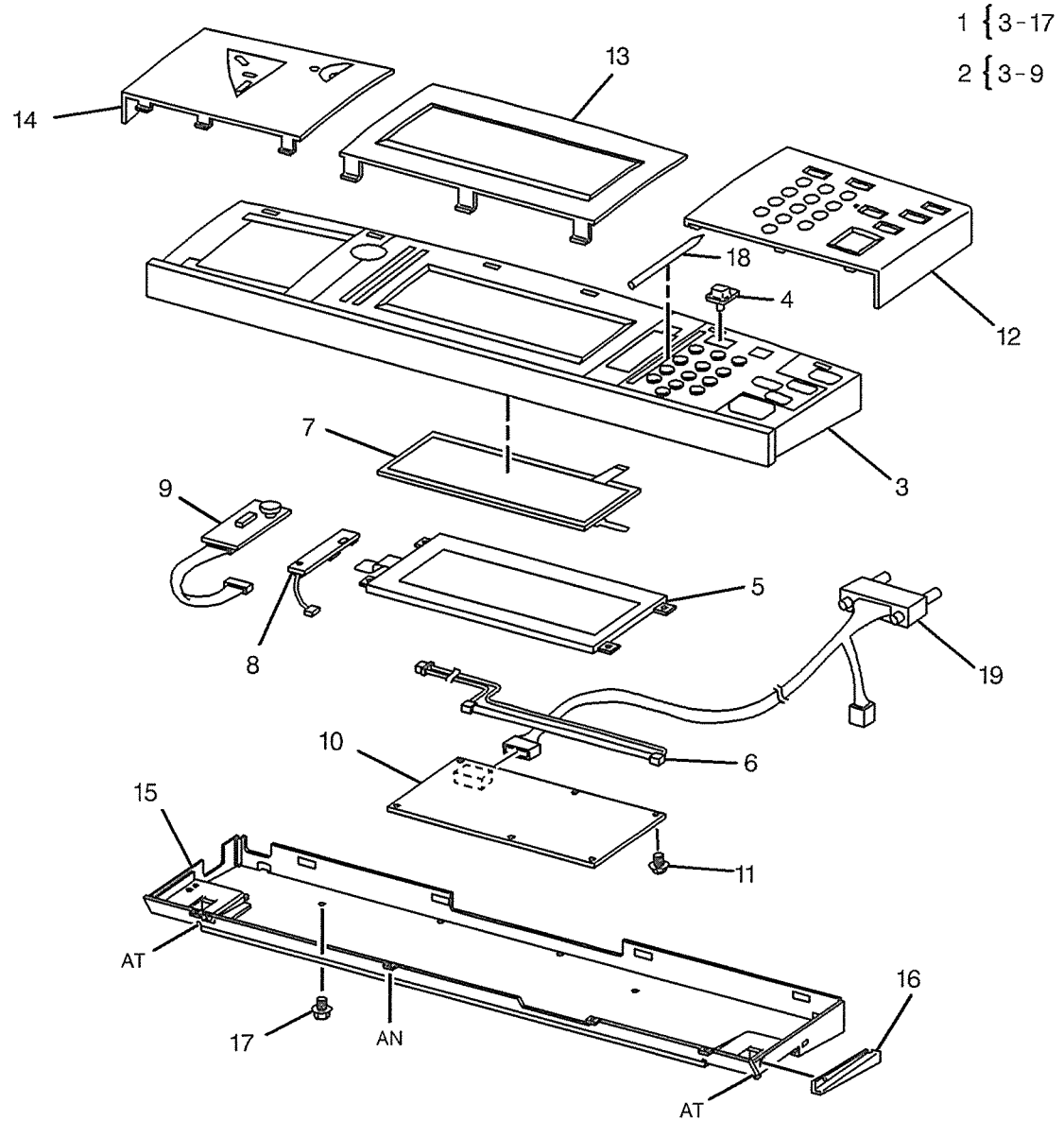
Item	Part	Description
1	-	Screw (Not Spared)
2	-	C/R Connector (Not Spared)
3	009E73310	Spring
4	-	Screw (Not Spared)
5	-	Connector Bracket (Not Spared)
6	-	Connector Housing (P702) (Not Spared)
7	-	Connector Bracket (Not Spared)
8	-	Collar (Not Spared)
9	009E81210	Spring
10	-	Connector Housing (J700) (Not Spared)
11	-	Connector Bracket (Not Spared)
12	-	Screw (Not Spared)
13	-	Connector Housing (P701) (Not Spared)
14	-	Foreign Interface Bracket (Not Spared)
15	101K24030	Foreign Interface Chassis Assembly
16	-	Foreign Interface Chassis (P/O PL 9.4 Item 15)
17	160K29150	A I/F PWB (Foreign Interface PWB)
-	160K80150	I/F PWB (Foreign Interface PWB)
18	537K49510	ROM (Coin Vend/Debit Card)
-	537K43720	ROM (External Auditron)
19	-	Chassis Cover (P/O PL 9.4 Item 15)



0009004B-LYN

PL 9.5 Control Panel

Item	Part	Description
1	048K77776	Control Panel Assembly (W/TAG P24) (REP 9.5.1)
2	802K31691	Control Panel Housing Assembly
3	-	Panel Housing (P/O PL 9.5 Item 2)
4	-	Set Key (P/O PL 9.5 Item 2)
5	-	Display (P/O PL 9.5 Item 2)
6	-	Lamp (P/O PL 9.5 Item 2)
7	-	Touch Panel (P/O PL 9.5 Item 2) (ADJ 9.1.18)
8	-	Power Supply (P/O PL 9.5 Item 2)
9	-	VR PWB (P/O PL 9.5 Item 2)
10	600K83650	UI PWB Kit (W/TAG P24)
11	-	Screw (P/O PL 9.5 Item 1)
12	-	Panel (Right) (P/O PL 9.5 Item 1)
13	-	Panel (Center) (P/O PL 9.5 Item 1)
14	-	Panel (Left) (P/O PL 9.5 Item 1)
15	-	Bottom Plate (P/O PL 9.5 Item 1)
16	-	Cover (P/O PL 9.5 Item 1)
17	-	Screw (P/O PL 9.5 Item 1)
18	-	Adjust Pen (Not Spared)
19	-	Wire Harness (Edit Pad) (Not Spared)

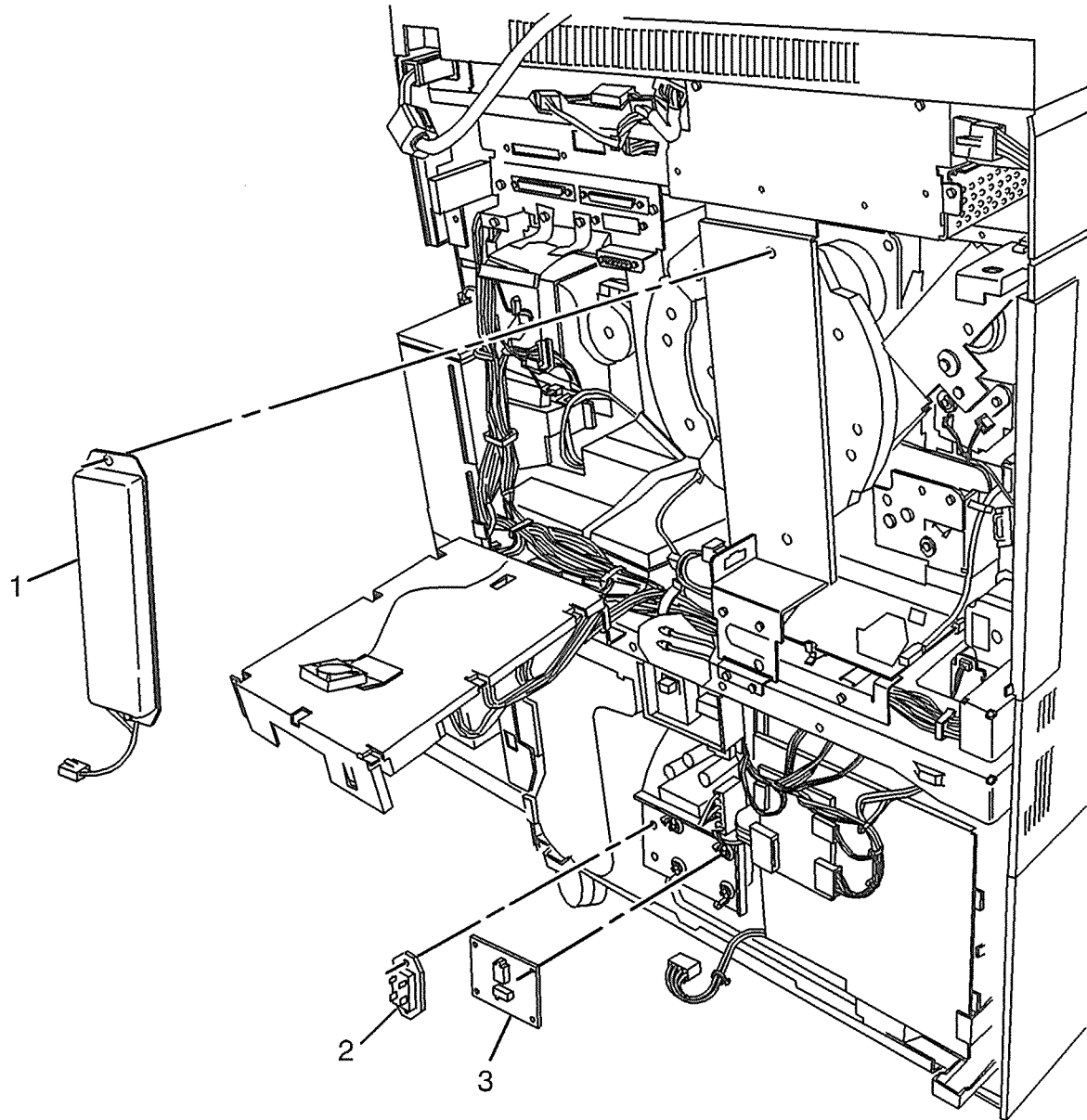


1 { 3-17
2 { 3-9

0009005B-LYN

PL 9.6 EMI/Safety for Fuser Heat Lamp (50 Hz)

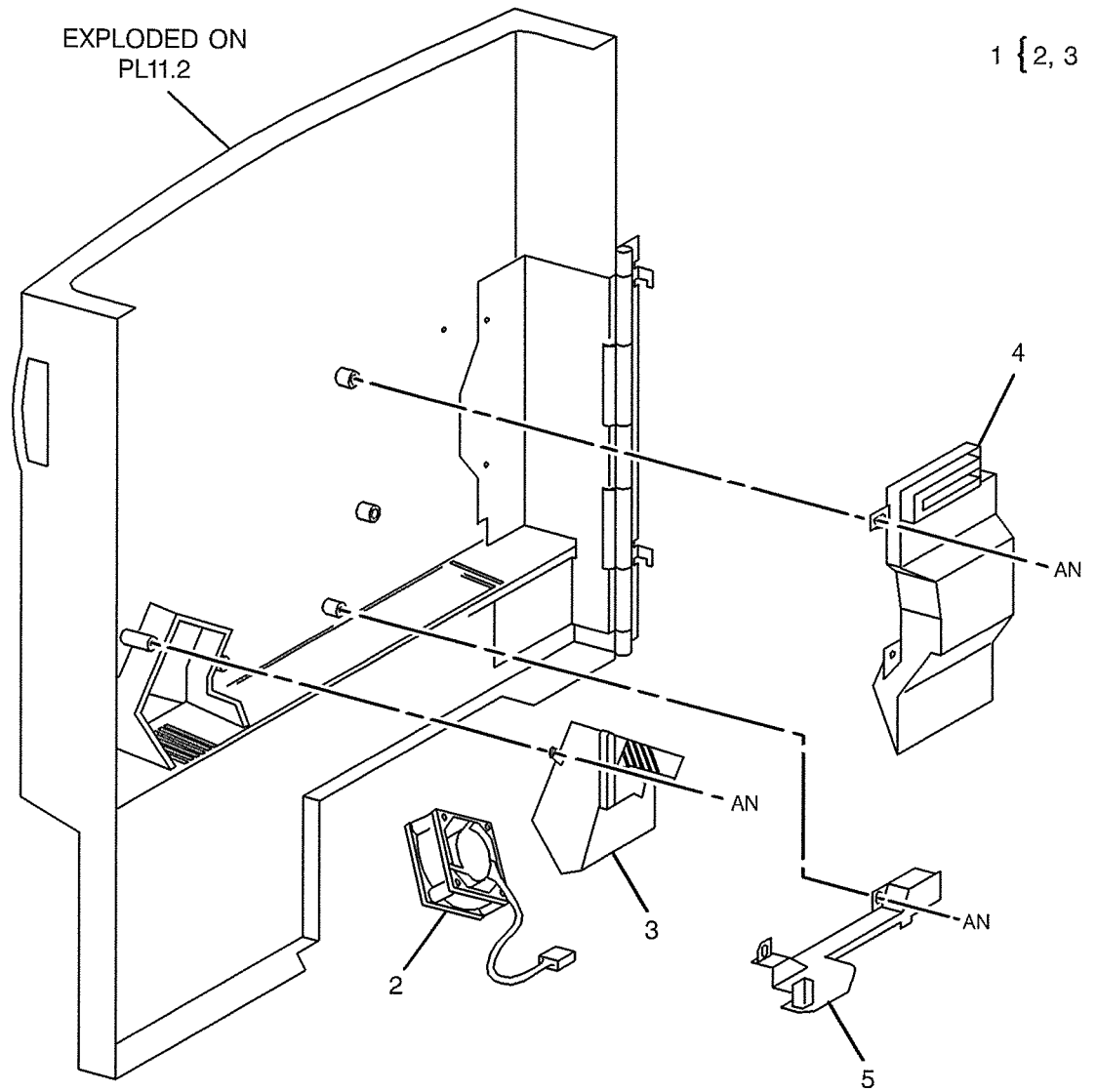
Item	Part	Description
1	103E24040	Surge Resistor
2	109E93260	Surge SSR
3	160K61560	Varistor PWB



0009006A-LYN

PL 10.1 Air System-Front Door

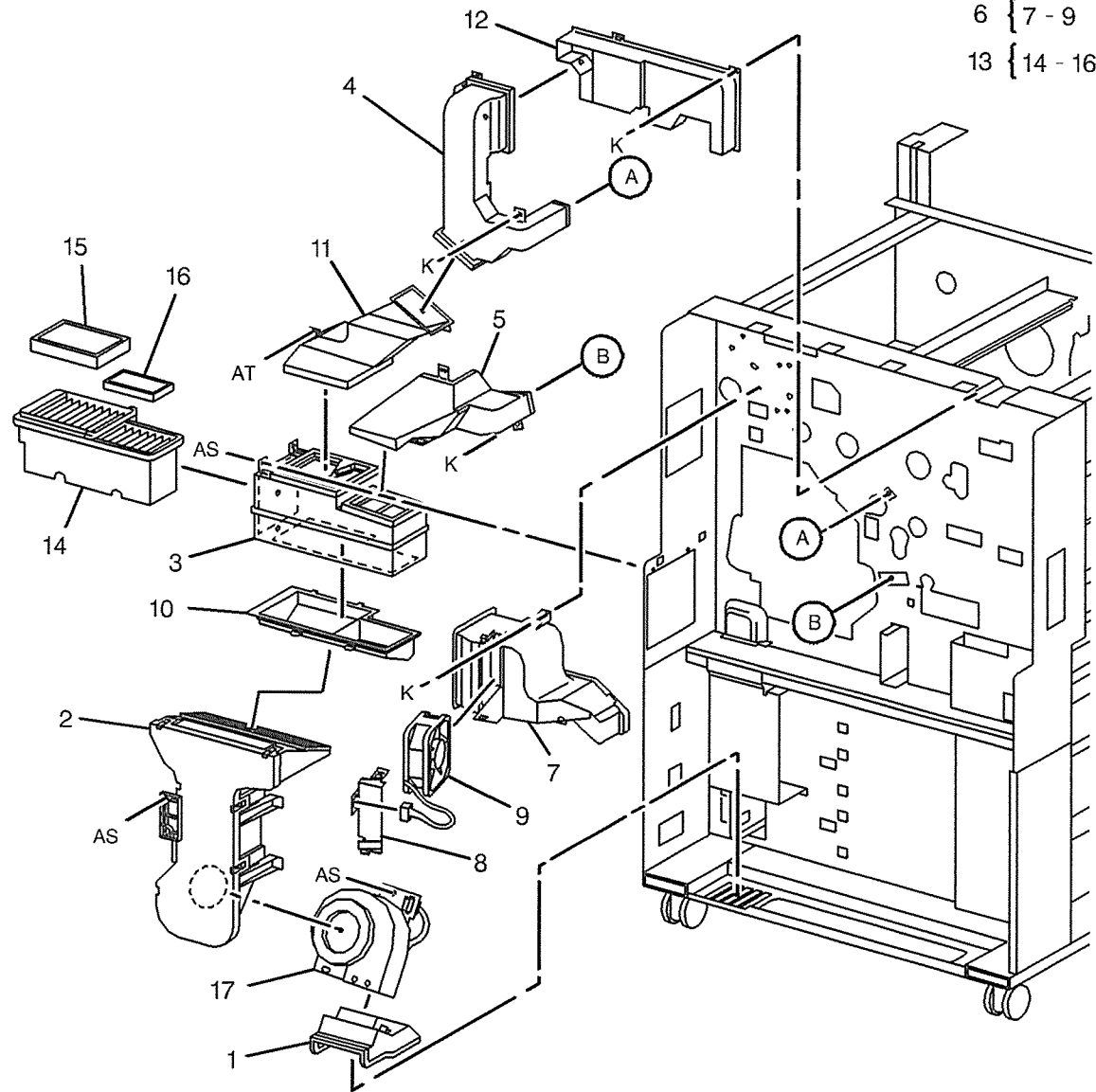
Item	Part	Description
1	127K21761	Fuser Intake Fan and Duct Assembly
2	127K21801	Fuser Intake Fan
3	054K99181	Duct (Fuser Intake)
4	054K99191	Duct (CC Intake)
5	-	Duct (Not Spared)



0010001B-LYN

PL 10.2 Air System-Rear, Right

Item	Part	Description
1	-	Duct (Not Spared)
2	-	Duct (Not Spared)
3	-	Filter Case (Not Spared)
4	-	Duct (Rotary Deve.) (Not Spared)
5	-	Vacuum Transport Duct (Not Spared)
6	127K21770	Fuser Fan and Duct Assembly
7	-	Duct Fuser (P/O PL 10.2 Item 6)
8	-	Fan Cover (P/O PL 10.2 Item 6)
9	127K21780	Fuser Fan (REP 10.2.1)
10	-	Duct (Not Spared)
11	-	Duct (Not Spared)
12	-	Duct (Xero. Module) (Not Spared)
13	-	Filter Assembly (Not Spared)
14	053K91410	Filter (Suction)
15	053K91420	Filter (Ozone)
16	053K91430	Filter (Ozone)
17	127K21822	Suction Blower Motor (REP 10.2.2)



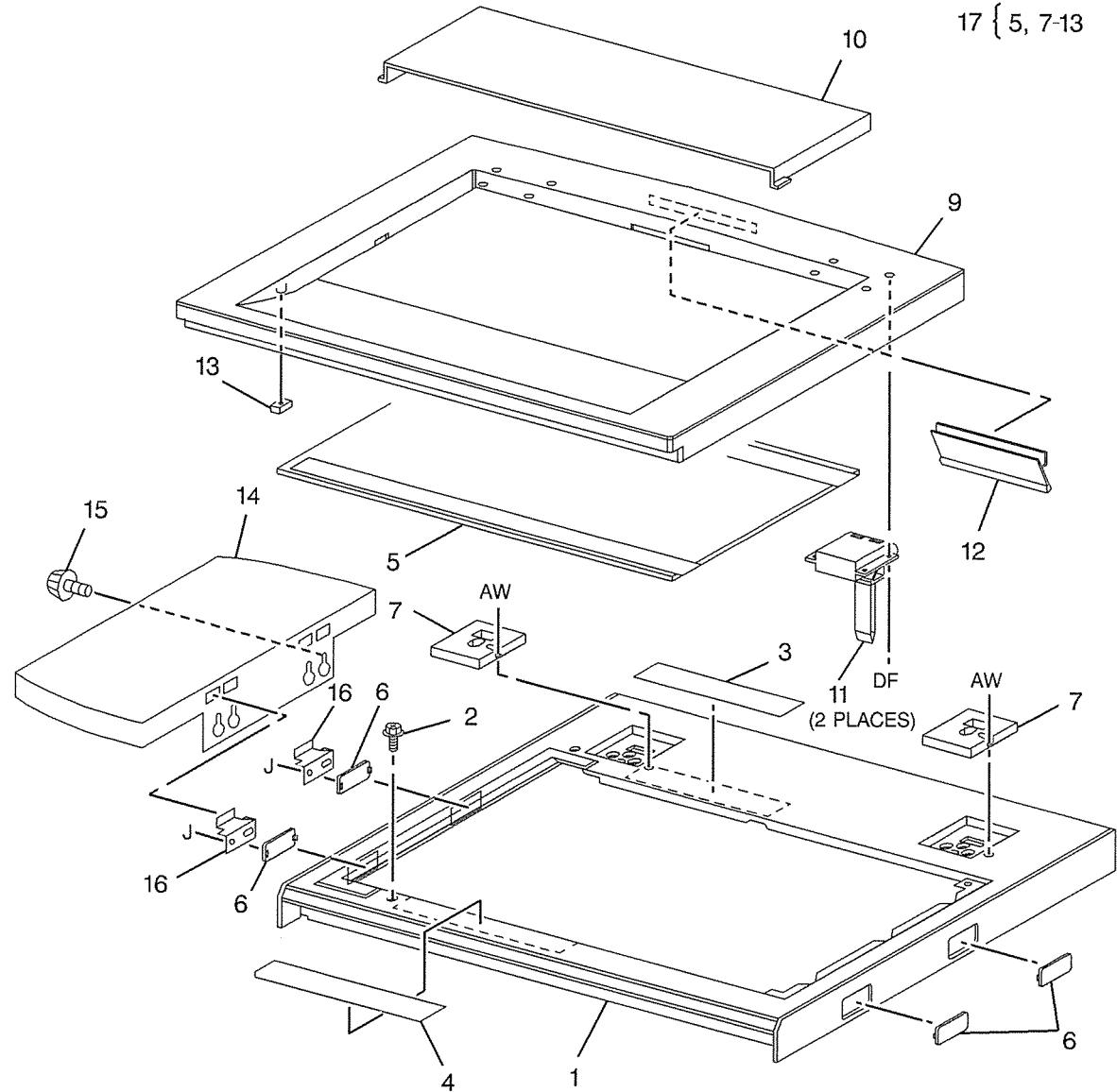
6 { 7 - 9
13 { 14 - 16

0010002A-LYN

PL 11.1 Platen/Top Cover

Item	Part	Description
1	048E61921	Top Cover
2	-	Screw (Not Spared)
3	-	Label (Not Spared)
4	-	Label (Not Spared)
5	004E08250	Platen Cushion (REP 11.1.1)
6	048E66331	Blind Cover
7	048E66221	Blind Cover
8	048K71213	Platen Cover Assembly
9	048E62452	Platen Cover
10	048E62462	Pocket Cover
11	003E40250	Hinge
12	003K85090	Stopper
13	121E90620	Magnet
14	050E88440	Wing Tray
15	003E43840	Thumb Screw (Not Spared)
16	830E20010	Bracket

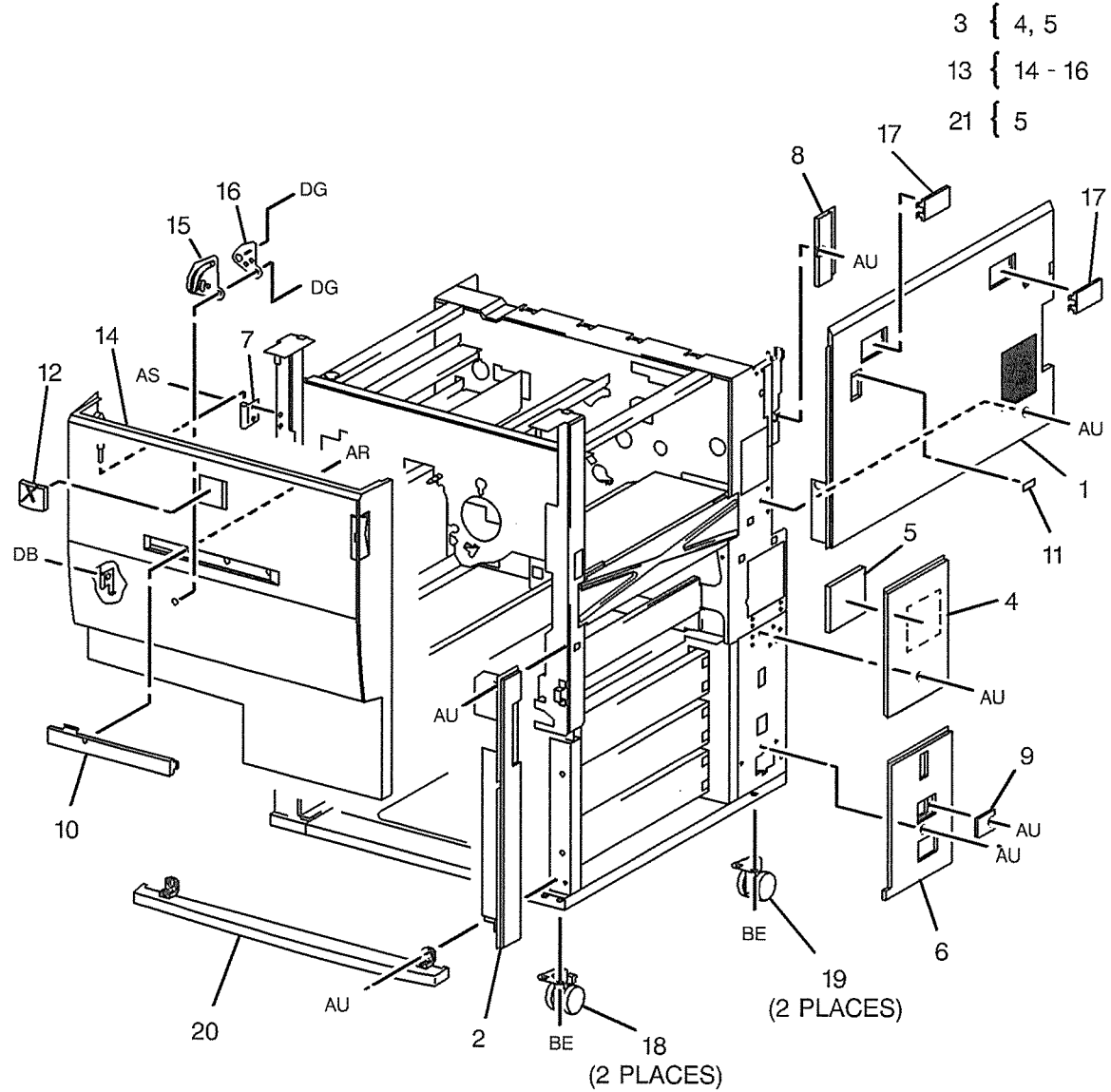
8 { 9 - 13
17 { 5, 7-13



0011001B-LYN

PL 11.2 Front/Right Cover

Item	Part	Description
1	802K06232	Right Upper Cover
2	048E60750	Right Lower Cover
3	048K77462	Filter Unit Cover and Seal Assembly
4	048E60741	Filter Unit Cover
5	-	Seal (P/O PL 11.2 Item 3)
6	048E60762	Power Chassis Cover
7	-	Hinge (Not Spared)
8	048E60670	Blind Cover (PSW)
9	048E60690	Blind Cover (AC Out)
10	891E75721	Name Plate (DC12)
-	892E02000	Name Plate (DCCS50)
11	-	Label (Not Spared)
12	891E75951	Logo Plate
13	048K69818	Front Door Assembly
14	-	Front Door (P/O PL 11.2 Item 13)
15	-	Block (P/O PL 11.2 Item 13)
16	-	Plate (P/O PL 11.2 Item 13)
17	-	Blind Cover (Not Spared)
18	017E93753	Caster (Front) (Locking)
19	017E93743	Caster (Rear) (Unlocking)
20	802E61690	Front Lower Cover
21	600K82870	Cover Seal Kit (W/TAG P15)

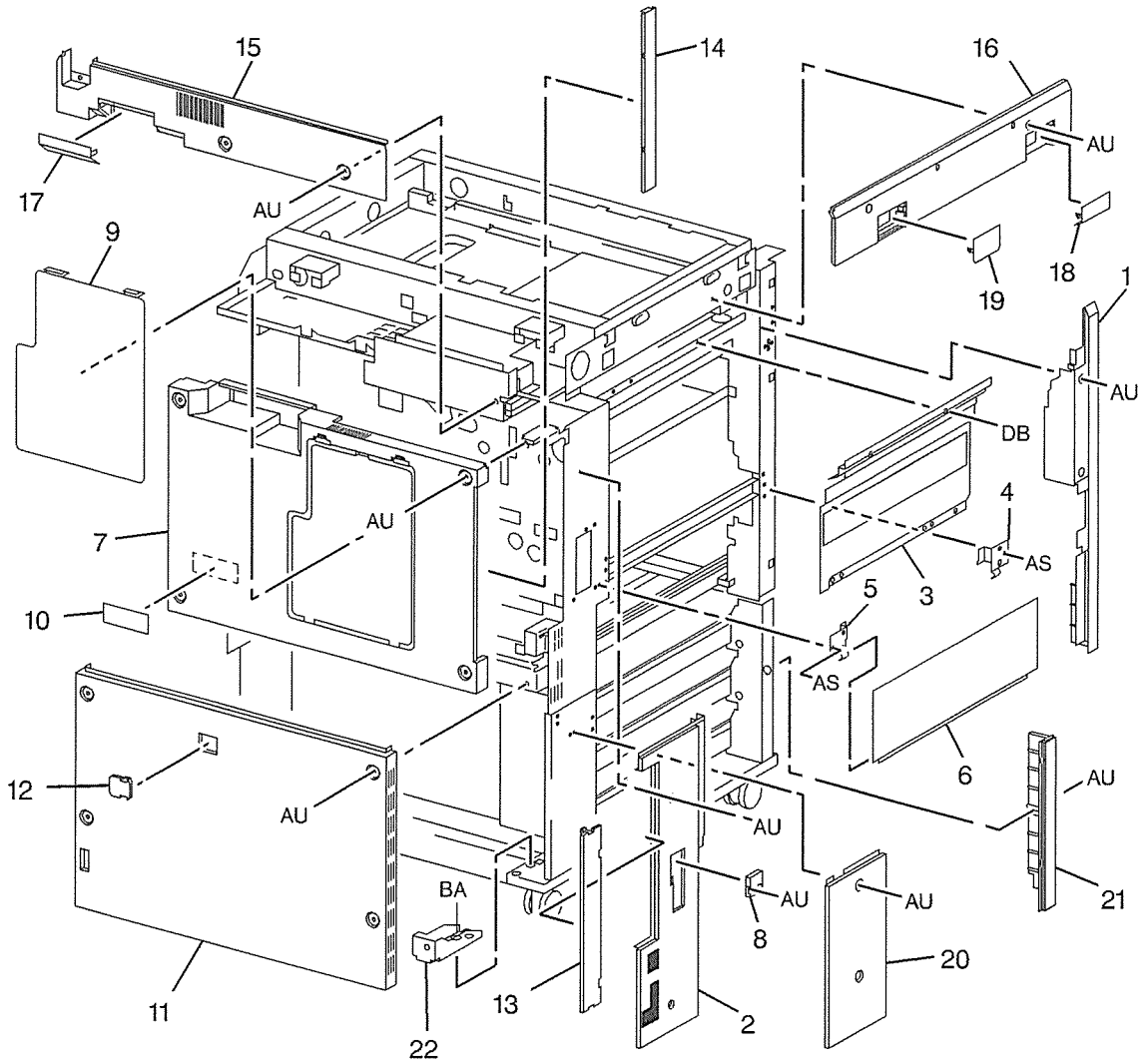


0011002C-LYN

PL 11.3 Rear/Left Cover

Item	Part	Description
1	048E60772	Left Upper Front Cover
2	048E60781	Left Upper Rear Cover
3	048E60790	Left Inner Cover
4	-	Bracket (Front) (Not Spared)
5	-	Bracket (Rear) (Not Spared)
6	802K04681	Left Middle Cover
7	802K31420	IOT Rear Cover (W/TAG P38)
8	048E65171	Blind Cover (EPSV)
9	048E65391	ESS Cover
10	-	Data Plate (Not Spared)
11	048K76341	Tray Module Rear Cover
12	-	Connector Cover (Not Spared)
13	048E65330	ESS Left Cover
14	048E65341	ESS Rear Cover
15	048E61933	IIT Rear Cover
16	048E61941	IIT Left Cover
17	048E61950	Blind Cover
18	-	Blind Cover (P/O PL 11.3 Item 23)
19	-	Blind Cover (P/O PL 11.3 Item 23)
20	-	Left Lower Rear Cover (Not Spared)
21	802E61670	Left Lower Front Cover
22	-	Extension Bracket (Not Spared)
23	600K84700	Cover Kit

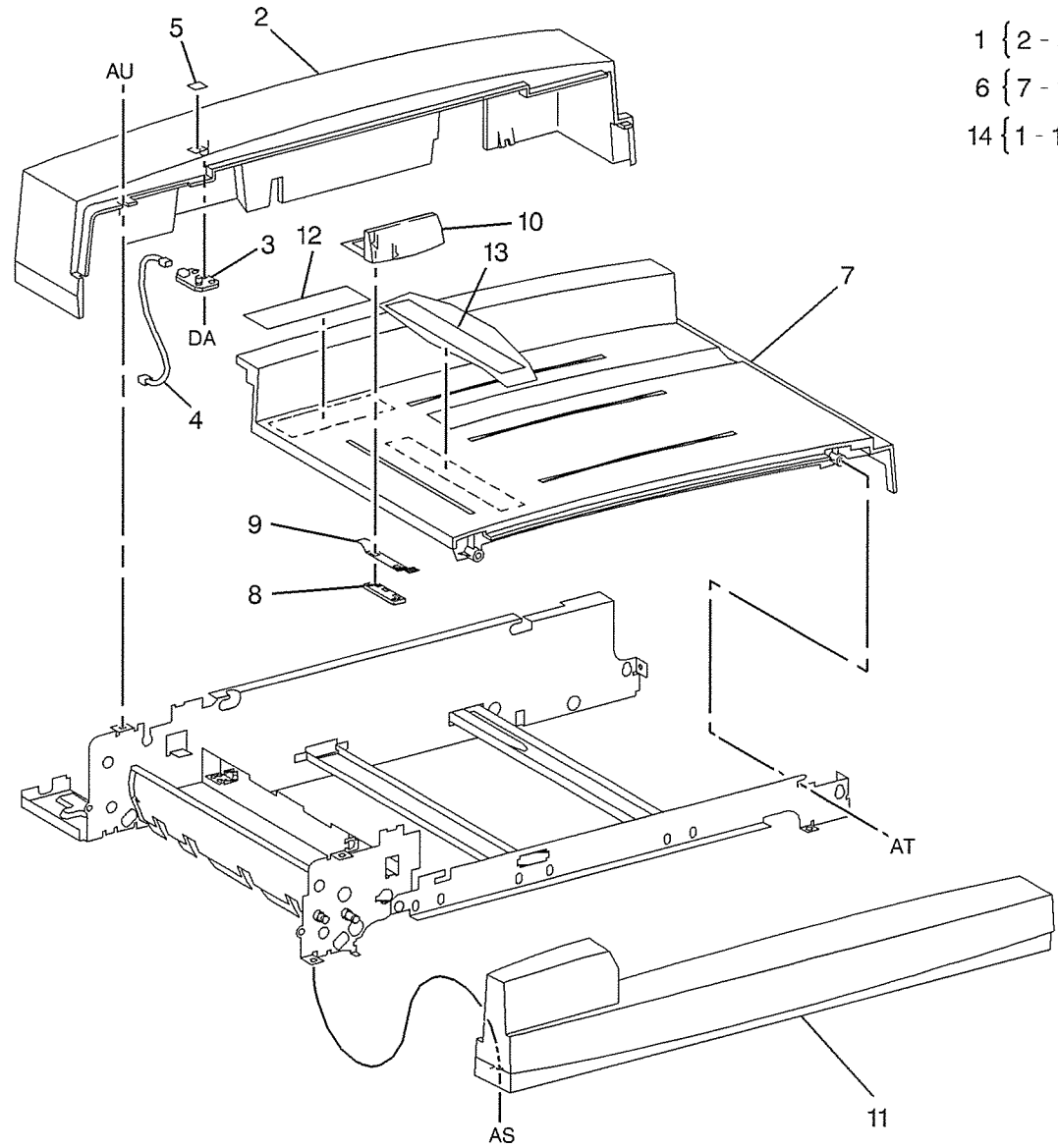
23 { 18, 19, AND
PL11.02 ITEM 17



0011003B-LYN

PL 12.1 Front/Rear Cover, Entrance Tray

Item	Part	Description
1	048K76181	Rear Cover Assembly (REP 12.1.1)
2	-	Rear Cover (P/O PL 12.1 Item 1)
3	140K60480	Led PWB
4	-	Wire Harness (P/O PL 12.1 Item 1)
5	891E65180	Label (Display)
6	050K36410	Entrance Tray Assembly
7	-	Entrance Tray (P/O PL 12.1 Item 6)
8	-	Plate (P/O PL 12.1 Item 6)
9	-	Plate Spring (P/O PL 12.1 Item 6)
10	032K93800	Document Guide
11	048E64201	Front Cover
12	891E77561	Label
13	891E65210	Label (Size)
14	059K23063	DADF Feeder Assembly

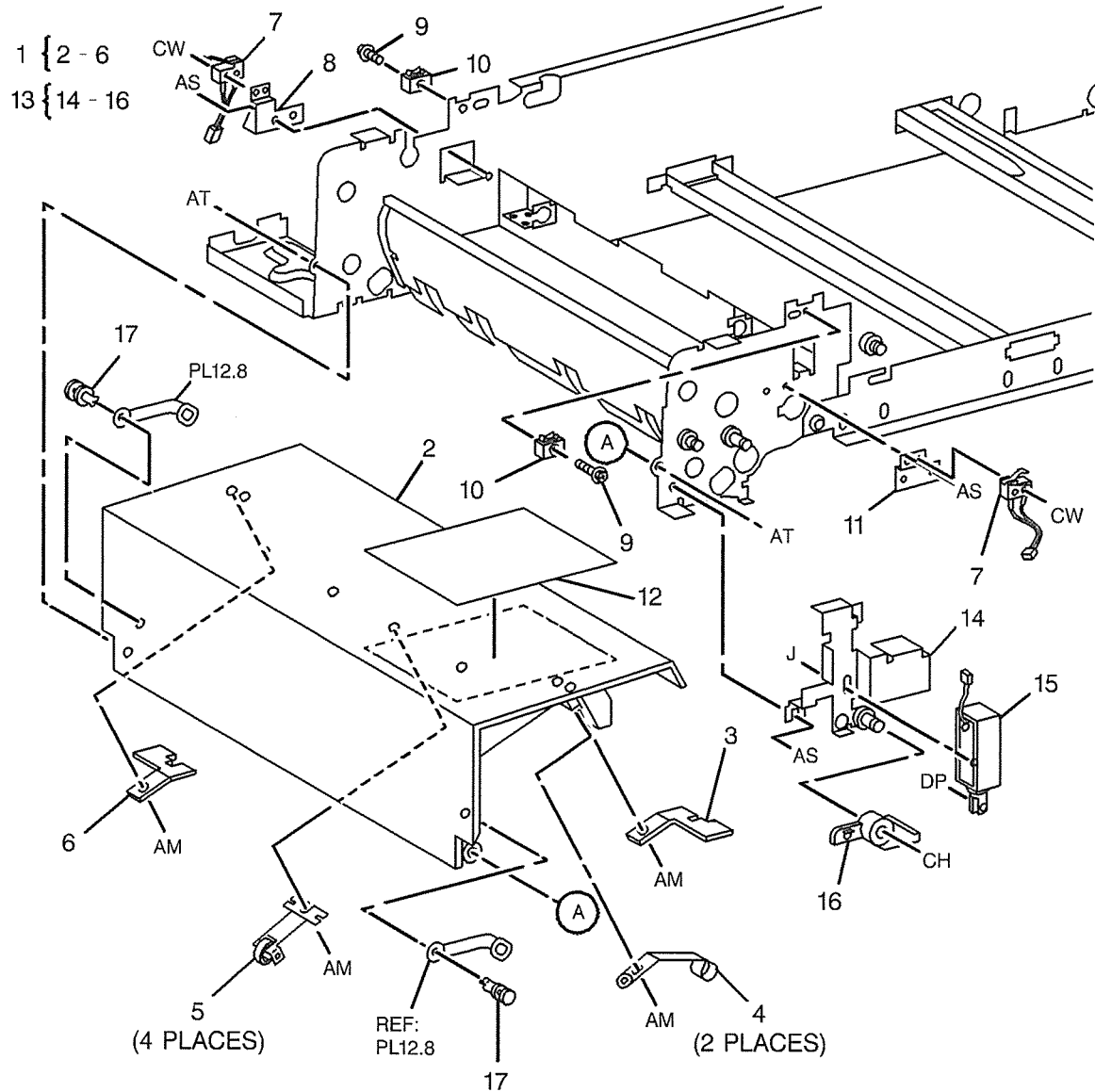


1 { 2 - 5
 6 { 7 - 10
 14 { 1 - 13

0012001B-LYN

PL 12.2 Top Cover, Registration Gate Solenoid

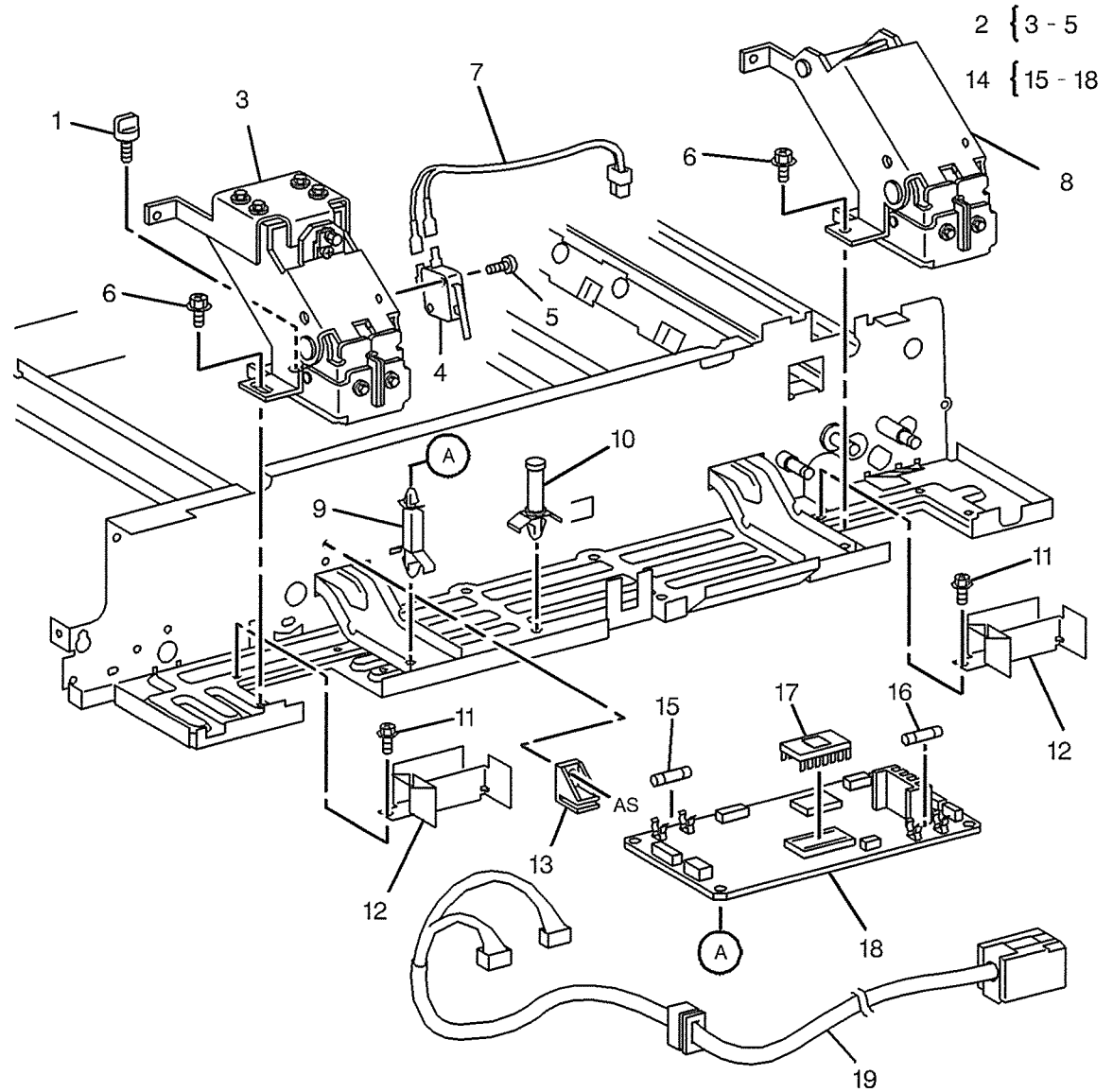
Item	Part	Description
1	054K13622	Top Cover Assembly
2	-	Top Cover (P/O PL 12.2 Item 1)
3	015E48890	Plate (Front Magnet)
4	809E11130	Spring
5	059K11880	Pinch Roll
6	015E48900	Plate (Rear Magnet)
7	110K91972	Top Cover Interlock Switch (Front), Top Cover Interlock Switch (Rear)
8	-	Bracket (Not Spared)
9	-	Screw (Not Spared)
10	121K93870	Magnet
11	-	Bracket (P/O PL 12.2 Item 13)
12	-	Label (Not Spared)
13	121K87790	Registration Gate Solenoid Assembly
14	-	Bracket (P/O PL 12.2 Item 13)
15	121K86550	Registration Gate Solenoid (REP 12.2.2)
16	031E92550	Regi. Arm
17	-	Push Rivet (P/O PL 12.2 Item 13)



0012002A-LYN

PL 12.3 Counter Balance, DADF Control PWB

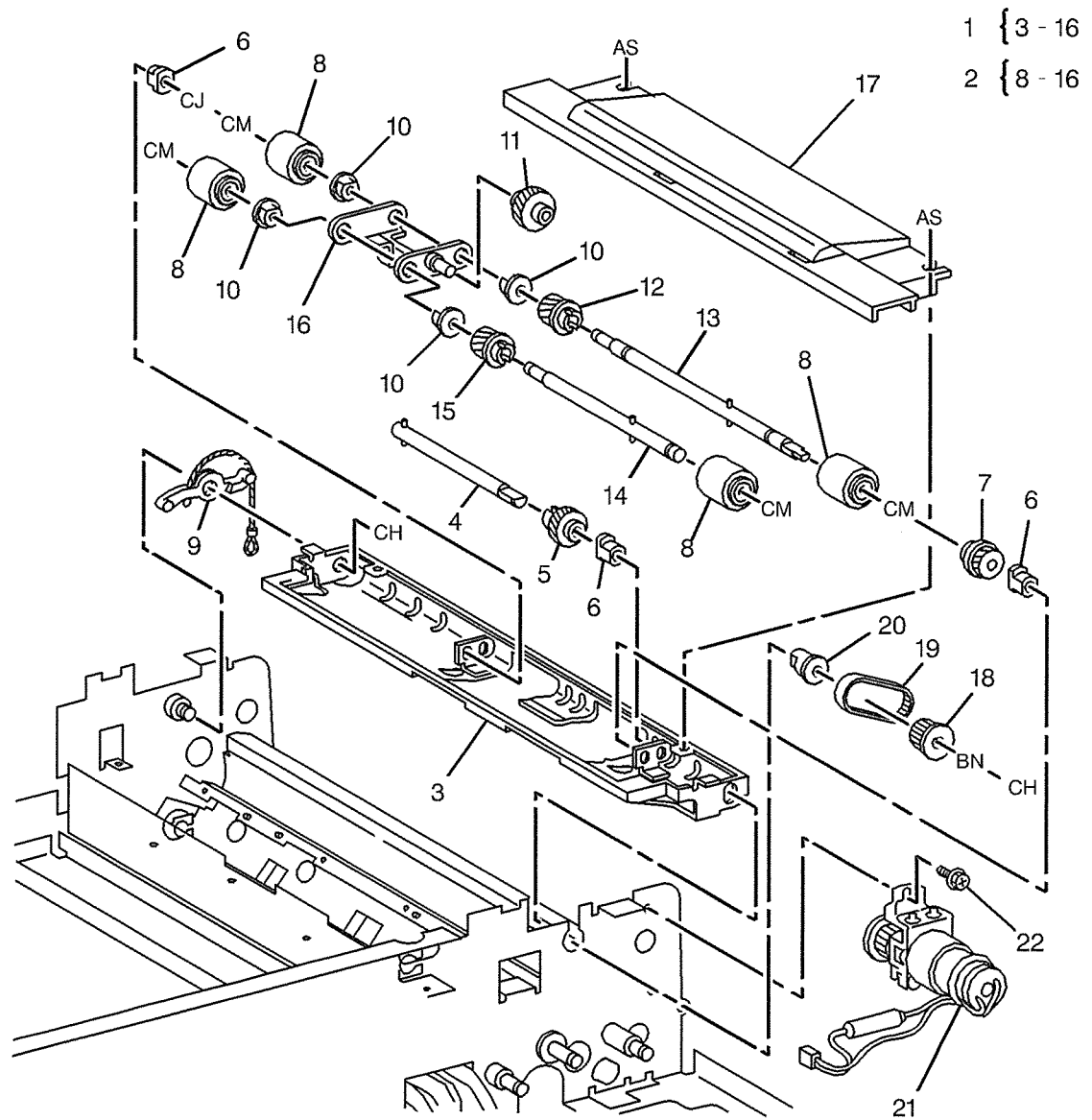
Item	Part	Description
1	003K91881	Knob Screw
2	036K91431	Right Counter Balance Assembly (ADJ 12.3.1 ADJ 12.3.3)
3	-	Counter Balance (P/O PL 12.3 Item 2)
4	-	DADF Interlock Switch (P/O PL 12.3 Item 2)
5	-	Screw (P/O PL 12.3 Item 2)
6	-	Screw (Not Spared)
7	-	Wire Harness (Not Spared)
8	036K91420	Left Counter Balance (ADJ 12.3.1 ADJ 12.3.3)
9	-	PWB Support (Not Spared)
10	-	PWB Support (Not Spared)
11	-	Screw (Not Spared)
12	-	Safety Bracket (Not Spared)
13	-	PWB Support (Not Spared)
14	160K51502	DADF Control PWB Assembly (ADJ 12.3.2)
15	-	Fuse (F2) (P/O PL 12.3 Item 14)
16	-	Fuse (F1) (P/O PL 12.3 Item 14)
17	537K51016	ROM
18	-	DADF Control PWB (P/O PL 12.3 Item 14)
19	162K43311	Wire Harness



0012003A-LYN

PL 12.4 Document Feed Chute (Upper), Feed Motor

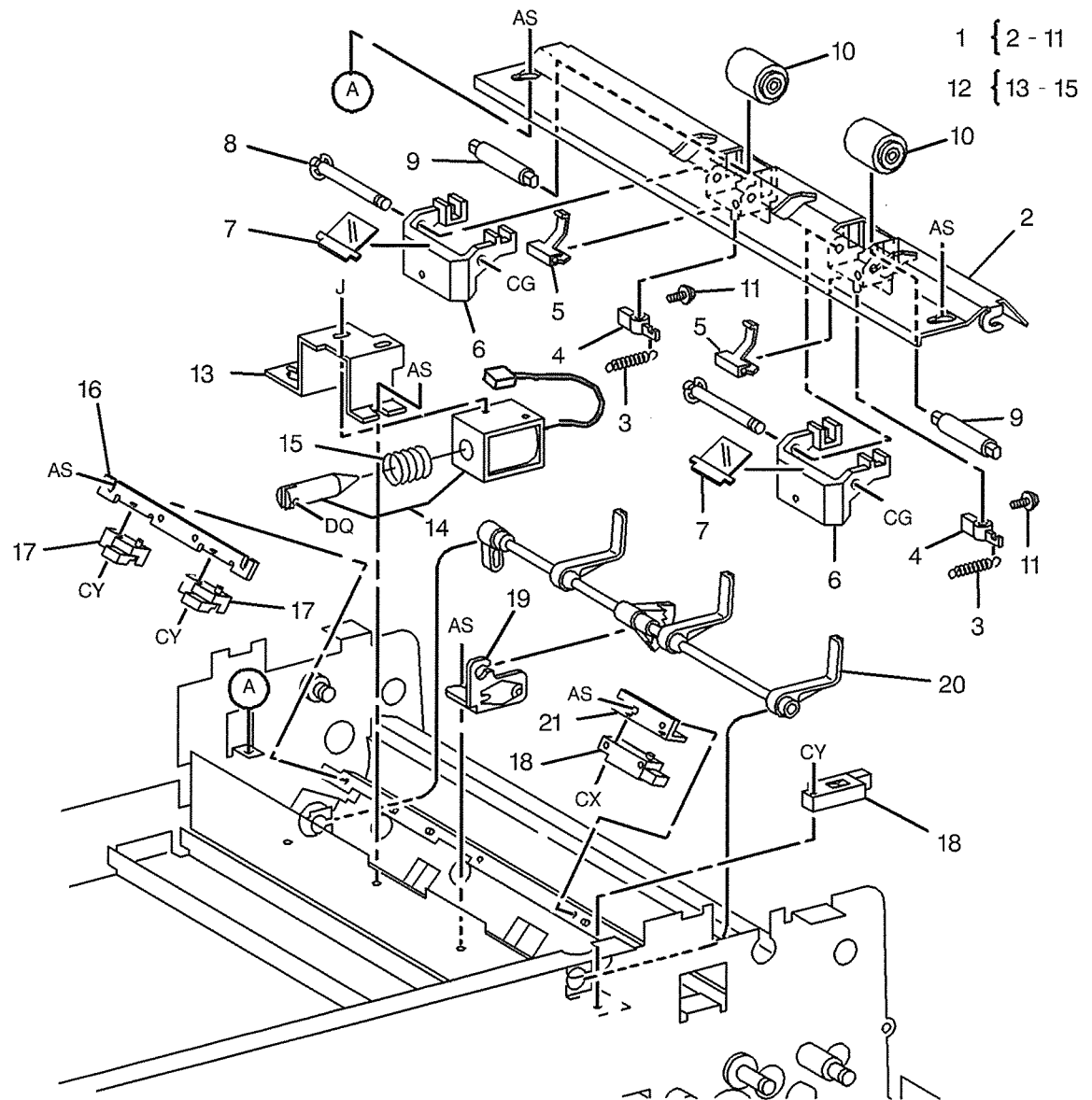
Item	Part	Description
1	054K13600	Document Feed Upper Chute Assembly
2	059K11840	Feed Roll Assembly
3	-	Upper Baffle (P/O PL 12.4 Item 1)
4	-	Shaft (Drive) (P/O PL 12.4 Item 1)
5	007E39420	Gear
6	013E92760	Bearing
7	007E39430	Gear
8	600K90370	Nudger Roll Kit, Feed Roll Kit (2/Kit) (REP 12.4.2)
9	-	Link (Not Spared)
10	413W77559	Bearing
11	007E39410	Gear
12	007E39390	Gear
13	-	Shaft (Feed) (P/O PL 12.4 Item 1)
14	-	Shaft (P/O PL 12.4 Item 1)
15	007E39400	Gear
16	-	Housing (P/O PL 12.4 Item 1)
17	802K08320	Inner Cover
18	020E22160	Pulley
19	023E12610	Belt
20	-	Bearing (Not Spared)
21	127K27590	Feed Motor (REP 12.4.1)
22	-	Screw (Not Spared)



0012004A-LYN

PL 12.5 Document Feed Chute (Lower)

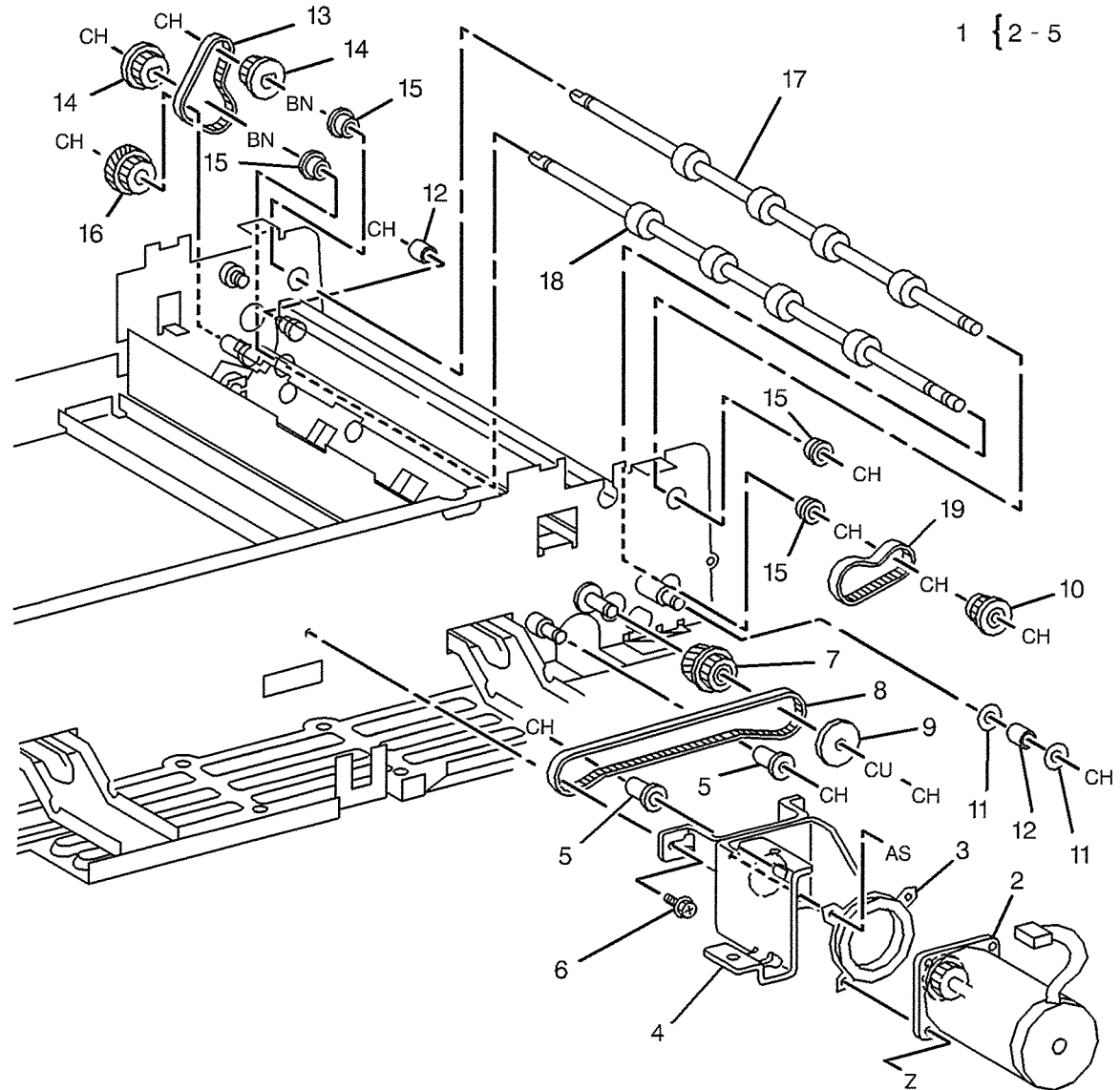
Item	Part	Description
1	054K13591	Document Feed Lower Chute Assembly (REP 12.5.1)
2	-	Lower Chute (P/O PL 12.5 Item 1)
3	009E71890	Spring
4	-	Link (P/O PL 12.5 Item 1)
5	809E11120	Plate Spring
6	-	Arm (P/O PL 12.5 Item 1)
7	055K19260	Guard
8	-	Shaft (Arm) (P/O PL 12.5 Item 1)
9	-	Shaft (Retard) (P/O PL 12.5 Item 1)
10	022K46560	Retard Roll (REP 12.5.2)
11	-	Screw (M3 X 12) (P/O PL 12.5 Item 1)
12	121K87800	Set Gate Solenoid Assembly (REP 12.5.3)
13	-	Bracket (P/O PL 12.5 Item 12)
14	121K87810	Set Gate Solenoid
15	-	Spring (P/O PL 12.5 Item 12)
16	-	Bracket (Not Spared)
17	130E80890	Size Sensor 1 (Rear), Size Sensor 2 (Front) (REP 12.5.5)
18	130E91220	Registration Sensor, Document Sensor (REP 12.5.4)
19	-	Damper (Not Spared)
20	050K27660	Set Gate
21	-	Bracket (Not Spared)



0012005A-LYN

PL 12.6 DADF Belt Motor, Duplex Roll

Item	Part	Description
1	127K83520	DADF Belt Motor Assembly (REP 12.6.1)
2	-	DADF Belt Motor (P/O PL 12.6 Item 1)
3	-	Damper (P/O PL 12.6 Item 1)
4	-	Bracket (P/O PL 12.6 Item 1)
5	013P60566	Tension Roll
6	-	Screw (Not Spared)
7	007K91871	Gear Pulley
8	023E92341	Belt
9	-	Spacer (Not Spared)
10	020K91230	Pulley
11	-	Spacer (Not Spared)
12	022E93660	Tension Roll
13	023E94140	Belt
14	020E21050	Pulley
15	-	Bearing (Not Spared)
16	007E83260	Gear Pulley
17	022K37080	Duplex Roll (Upper)
18	022K37070	Duplex Roll (Lower)
19	023E12230	Belt



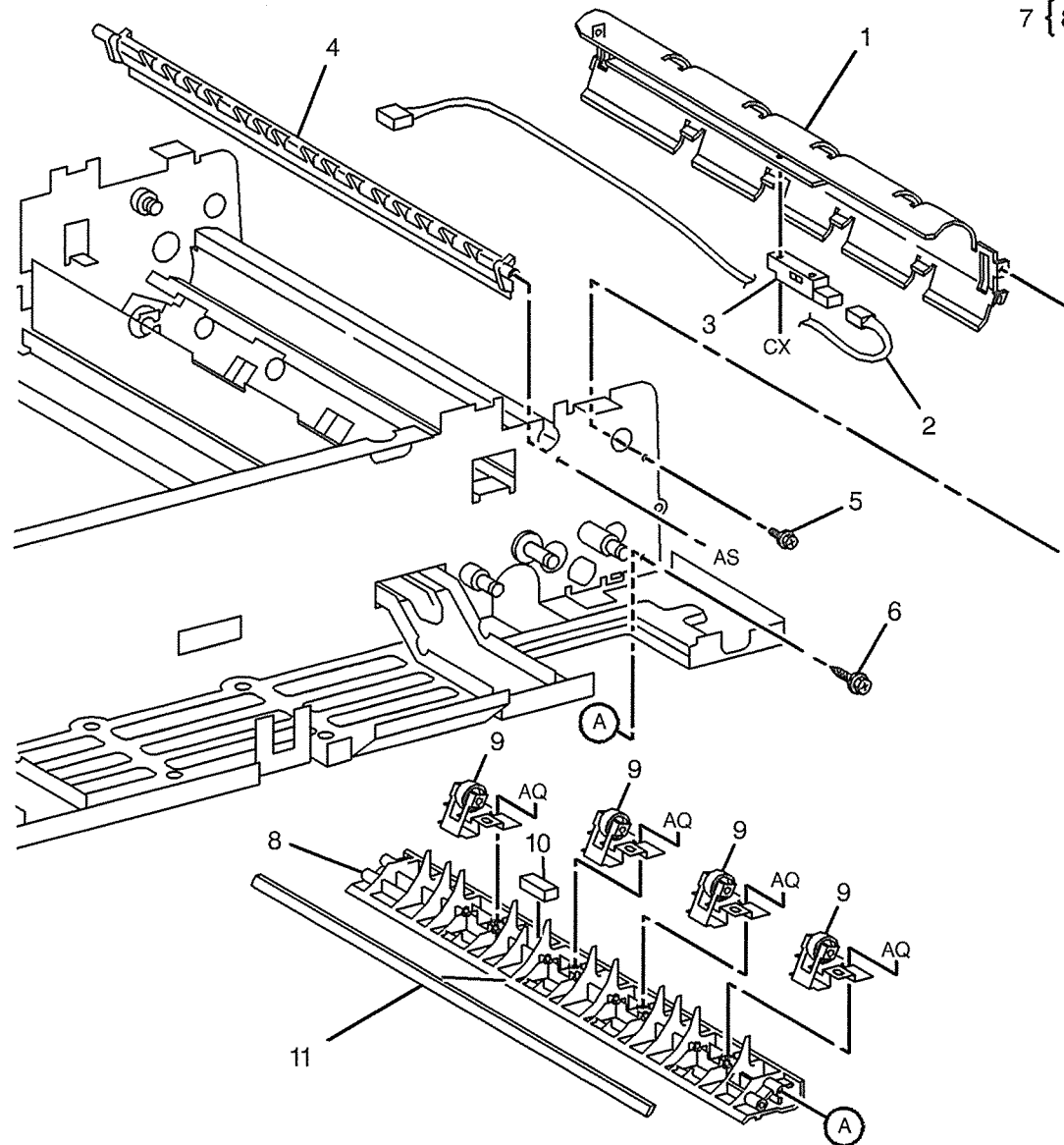
1 { 2 - 5

0012006A-LYN

PL 12.7 Duplex Chute

7 { 8 - 11

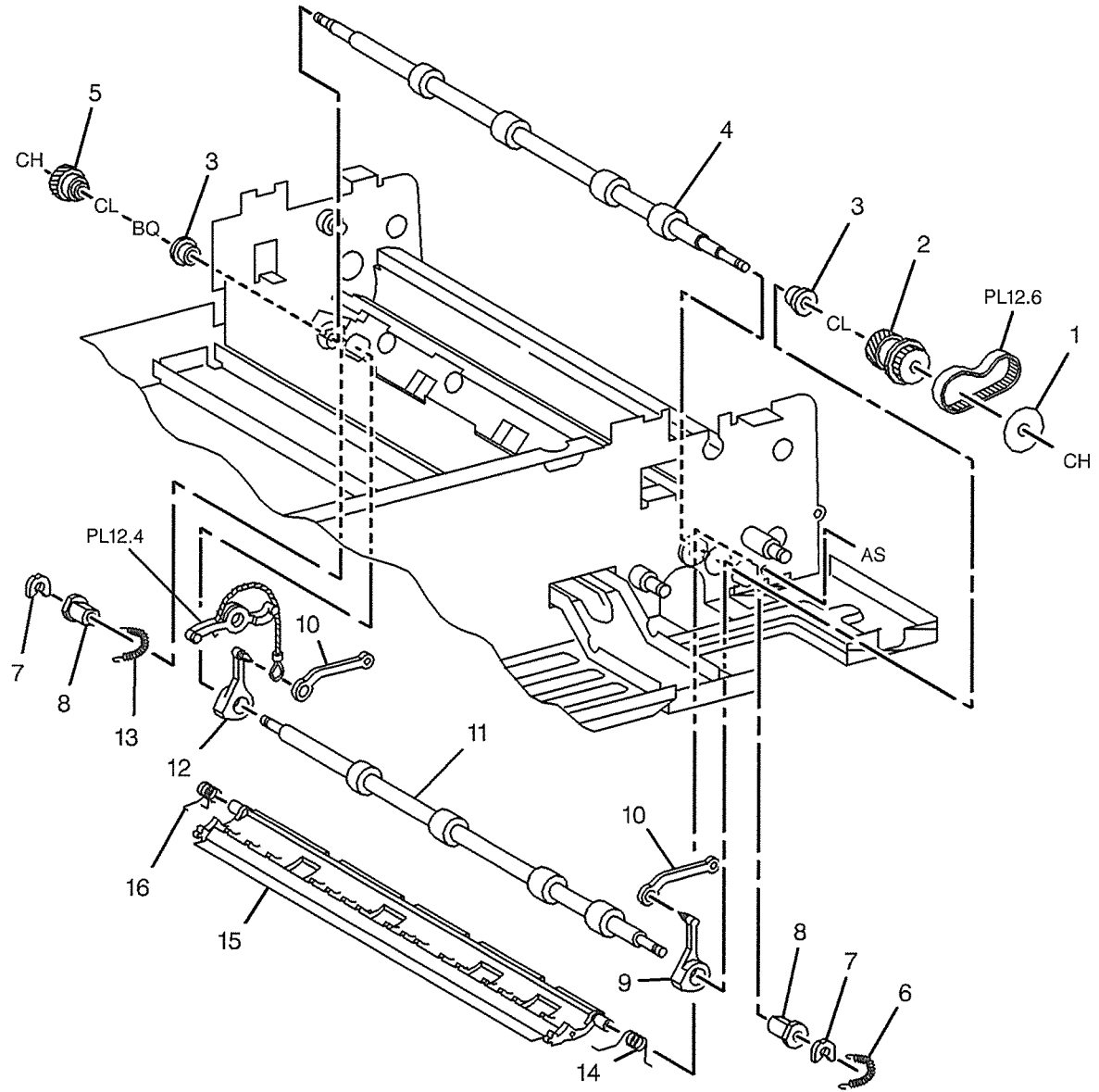
Item	Part	Description
1	054K06692	Duplex Chute
2	-	Wire Harness (Not Spared)
3	130E91220	Duplex Sensor (REP 12.7.1)
4	050K27670	Gate
5	-	Screw (Not Spared)
6	-	Tapping Screw (Not Spared)
7	054K18790	Lower Chute Assembly
8	-	Lower Chute (P/O PL 12.7 Item 7)
9	059K11850	Pinch Roll
10	121E90640	Magnet (Open Switch)
11	-	Guide (Not Spared)



0012007A-LYN

PL 12.8 Registration Roll

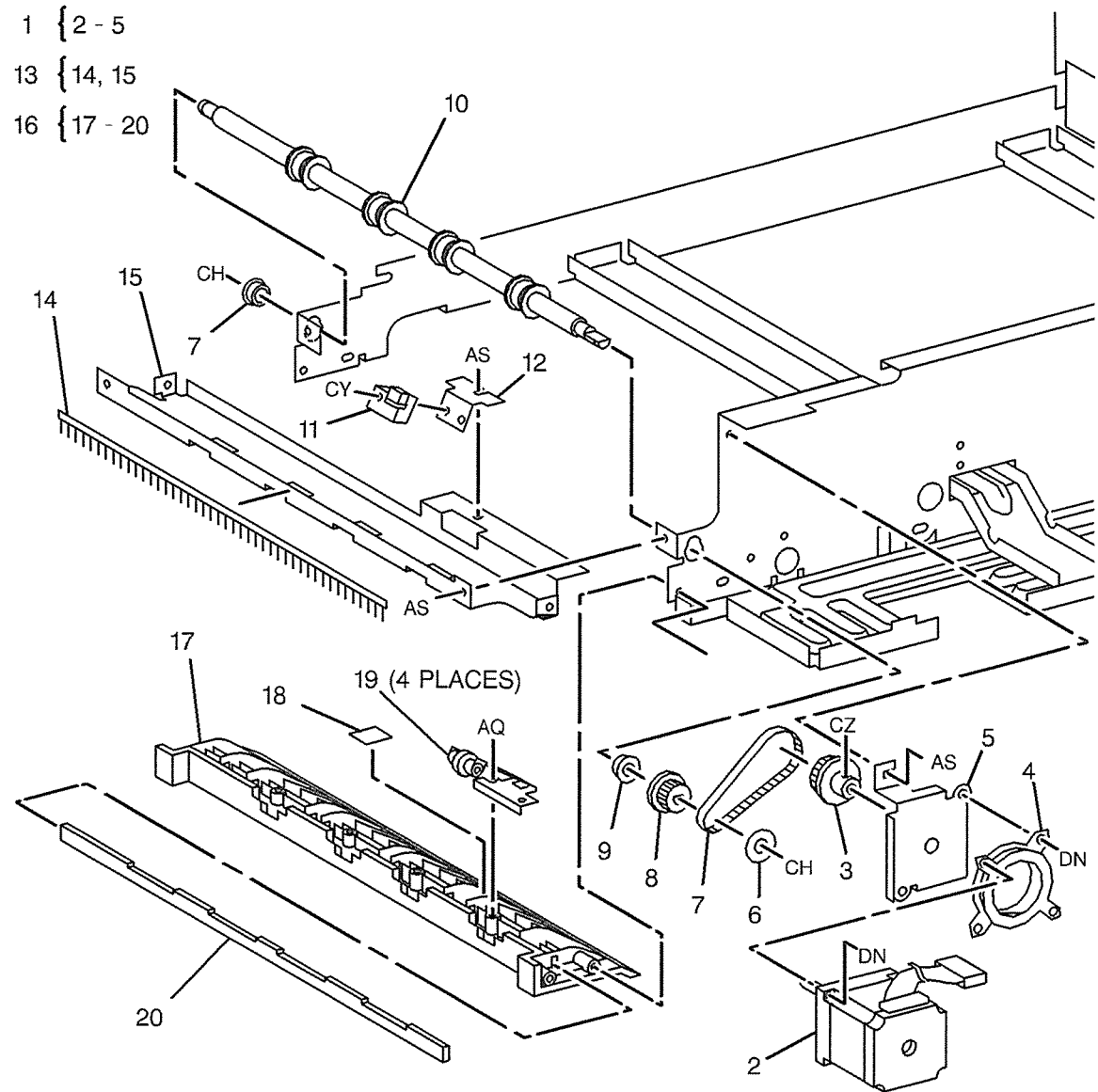
Item	Part	Description
1	-	Spacer (Not Spared)
2	007K81120	Gear Pulley
3	-	Bearing (Not Spared)
4	059K11830	Registration Roll
5	007K91860	Gear
6	009E28580	Spring (Rear)
7	-	C-Clip (Not Spared)
8	013E94561	Bearing
9	-	Cam (Rear) (Not Spared)
10	-	Link (Not Spared)
11	022K38040	Registration Pinch Roll (REP 12.8.1)
12	-	Cam (Front) (Not Spared)
13	009E39080	Spring (Front)
14	009E28570	Spring
15	050K43870	Gate
16	009E28560	Spring



0012008A-LYN

PL 12.9 Exit Motor/Chute

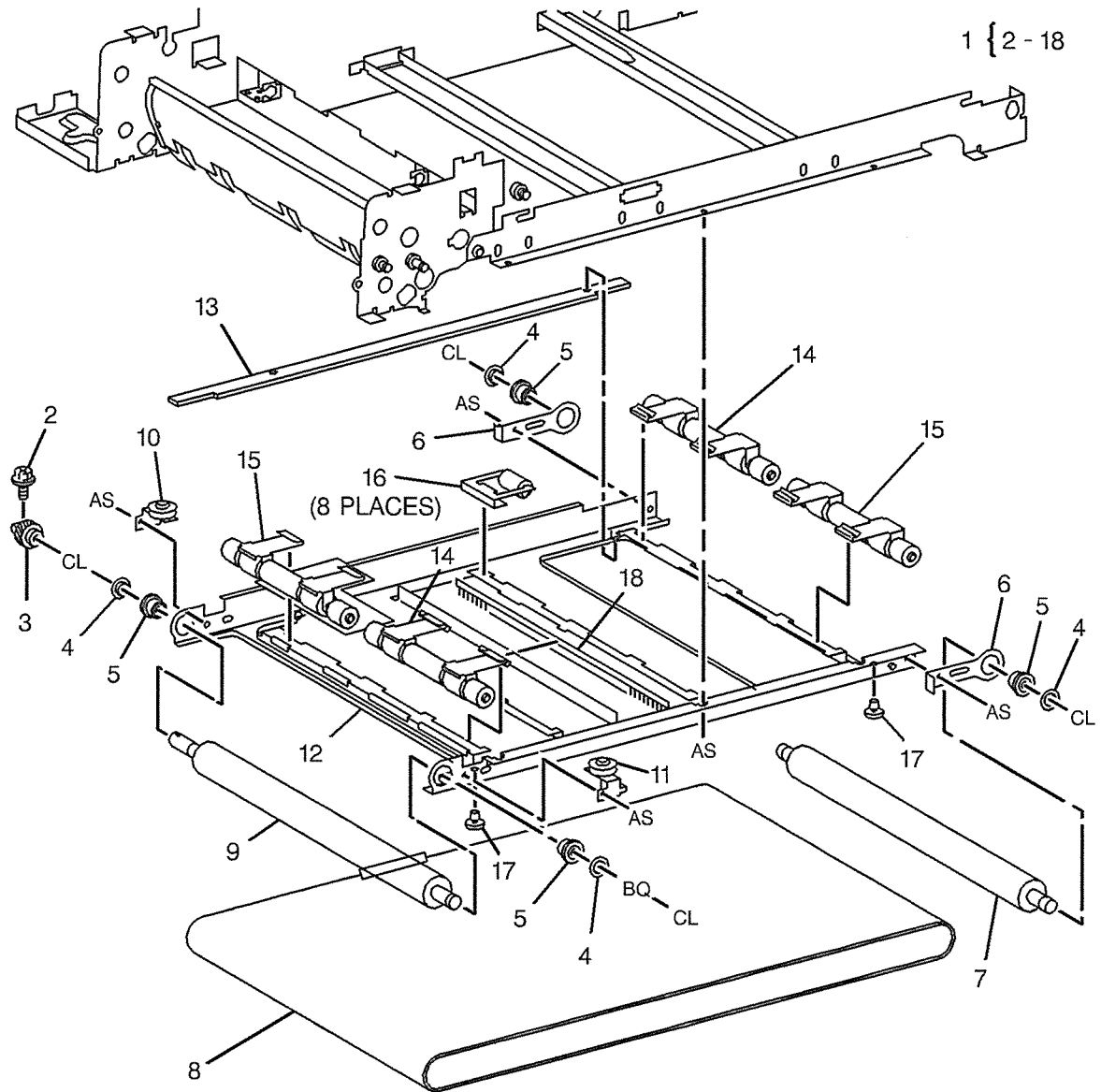
Item	Part	Description
1	127K24060	Exit Motor Assembly (REP 12.9.1)
2	127K24070	Exit Motor
3	020E93240	Pulley
4	-	Damper (P/O PL 12.9 Item 2)
5	-	Bracket (P/O PL 12.9 Item 2)
6	-	Spacer (Not Spared)
7	423W07753	Belt
8	020E93230	Pulley
9	-	Bearing (Not Spared)
10	059K11860	Exit Roll
11	130E80890	DADF Exit Sensor
12	-	Bracket (Not Spared)
13	054K18770	Exit Upper Chute Assembly
14	105E06910	Eliminator
15	-	Exit Upper Chute (P/O PL 12.9 Item 13)
16	054K13082	Exit Lower Chute Assembly
17	-	Exit Lower Chute (P/O PL 12.9 Item 16)
18	019E92320	Sensor Pad
19	059K11821	Pinch Roll
20	-	Plate (P/O PL 12.9 Item 16)



0012009A-LYN

PL 12.10 Document Transport, Platen Belt

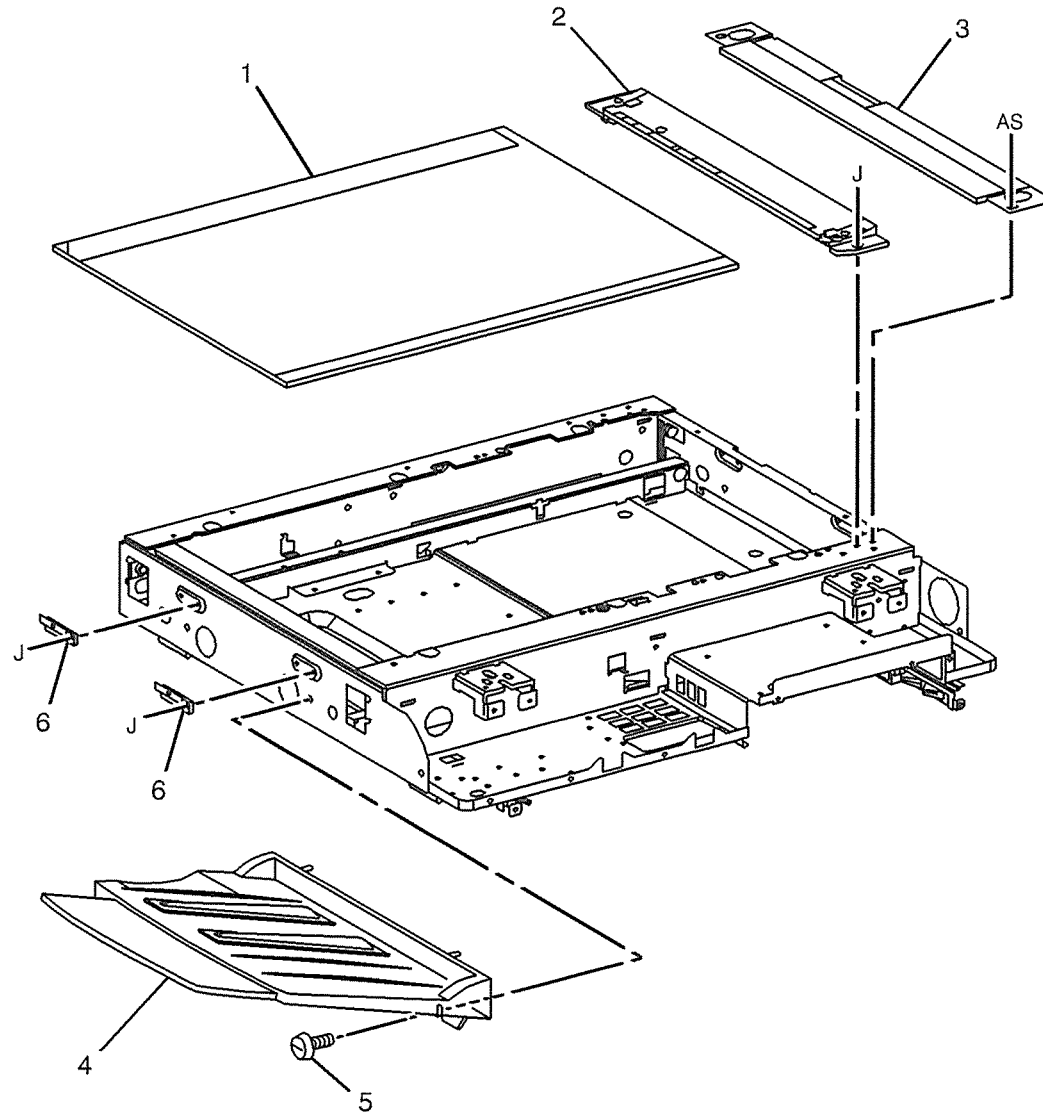
Item	Part	Description
1	059K11870	Document Transport Assembly
2	-	Self Lock Screw (P/O PL 12.10 Item 1)
3	007E83141	Gear
4	-	Collar (P/O PL 12.10 Item 1)
5	013E80970	Bearing
6	049E91070	Tension Plate
7	022K39710	Idler Roll
8	023E15690	Platen Belt (REP 12.10.1)
9	022K39700	Drive Roll
10	-	Belt Guide (P/O PL 12.10 Item 1)
11	-	Belt Guide (P/O PL 12.10 Item 1)
12	-	Transport Frame (P/O PL 12.10 Item 1)
13	-	Deflector (P/O PL 12.10 Item 1)
14	-	Pinch Roll (P/O PL 12.10 Item 1)
15	-	Pinch Roll (P/O PL 12.10 Item 1)
16	059K13440	Pinch Roll
17	-	Damper (P/O PL 12.10 Item 1)
18	-	Eliminator (P/O PL 12.10 Item 1)



0012010A-LYN

PL 12.11 Platen Glass, Registration Gate, Exit Tray: DADF

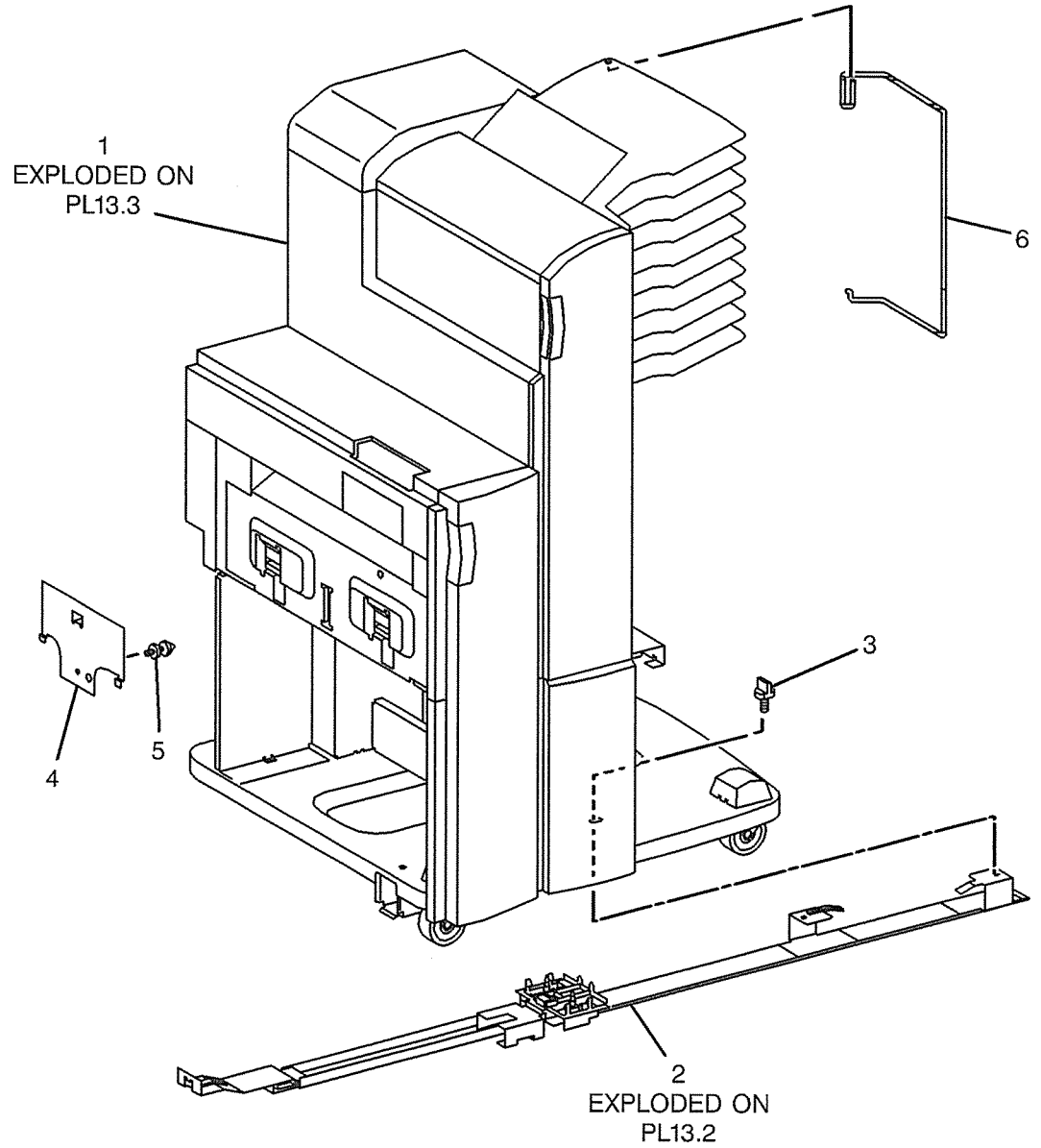
Item	Part	Description
1	090K92572	Platen Glass (REP 3.1.1)
2	050K36421	Registration Gate
3	015K83700	Plate
4	673K51383	Exit Roll Kit
5	003E43840	Knob Screw
6	-	Bracket (Not Spared)



0012011B-LYN

PL 13.1 Mail Box Accessory

Item	Part	Description
1	-	Mail Box Assembly (Not Spared)
2	001K57693	Docking Rail Assembly
3	003K91881	Knob Screw
4	830E19412	Docking Plate
5	029E21610	Docking Pin
6	-	Stopper (Not Spared)

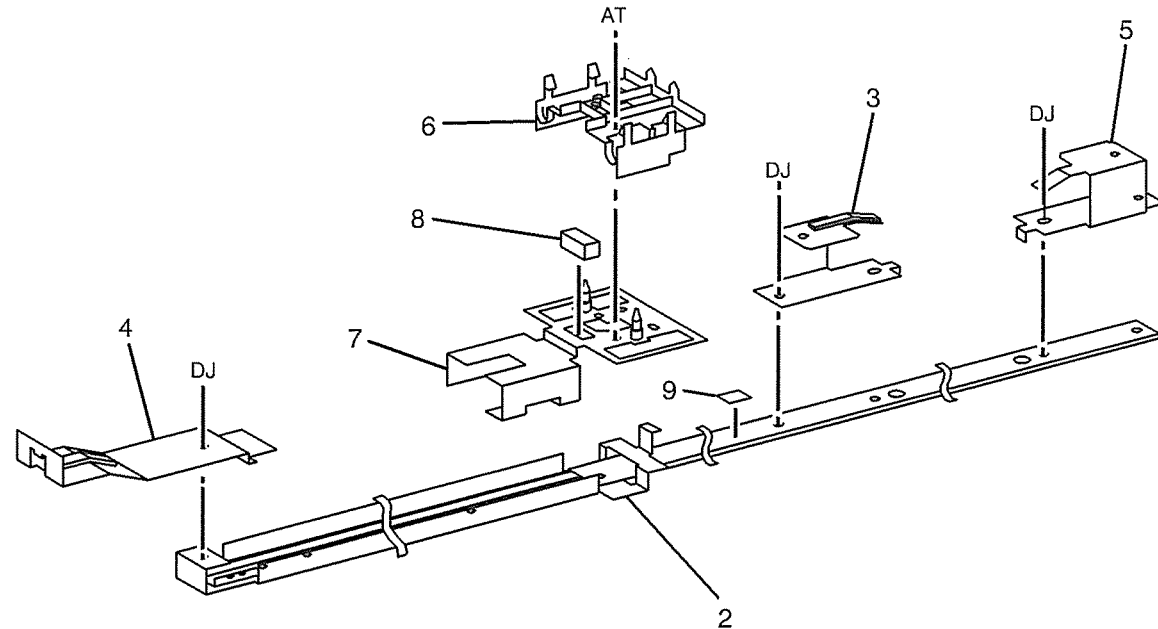


0013001A-LYN

PL 13.2 Docking Rail

Item	Part	Description
1	015K31853	Rail Assembly
2	015K35862	Rail
3	068K14921	Bracket (Mail Box Left)
4	015K31871	Plate (Tray Module Left)
5	830E17801	Bracket (Mail Box Right)
6	032E10210	Guide (Tray Module Right)
7	015K31860	Bracket
8	-	Gasket (P/O PL 13.1 Item 2)
9	-	Label (P/O PL 13.1 Item 2)

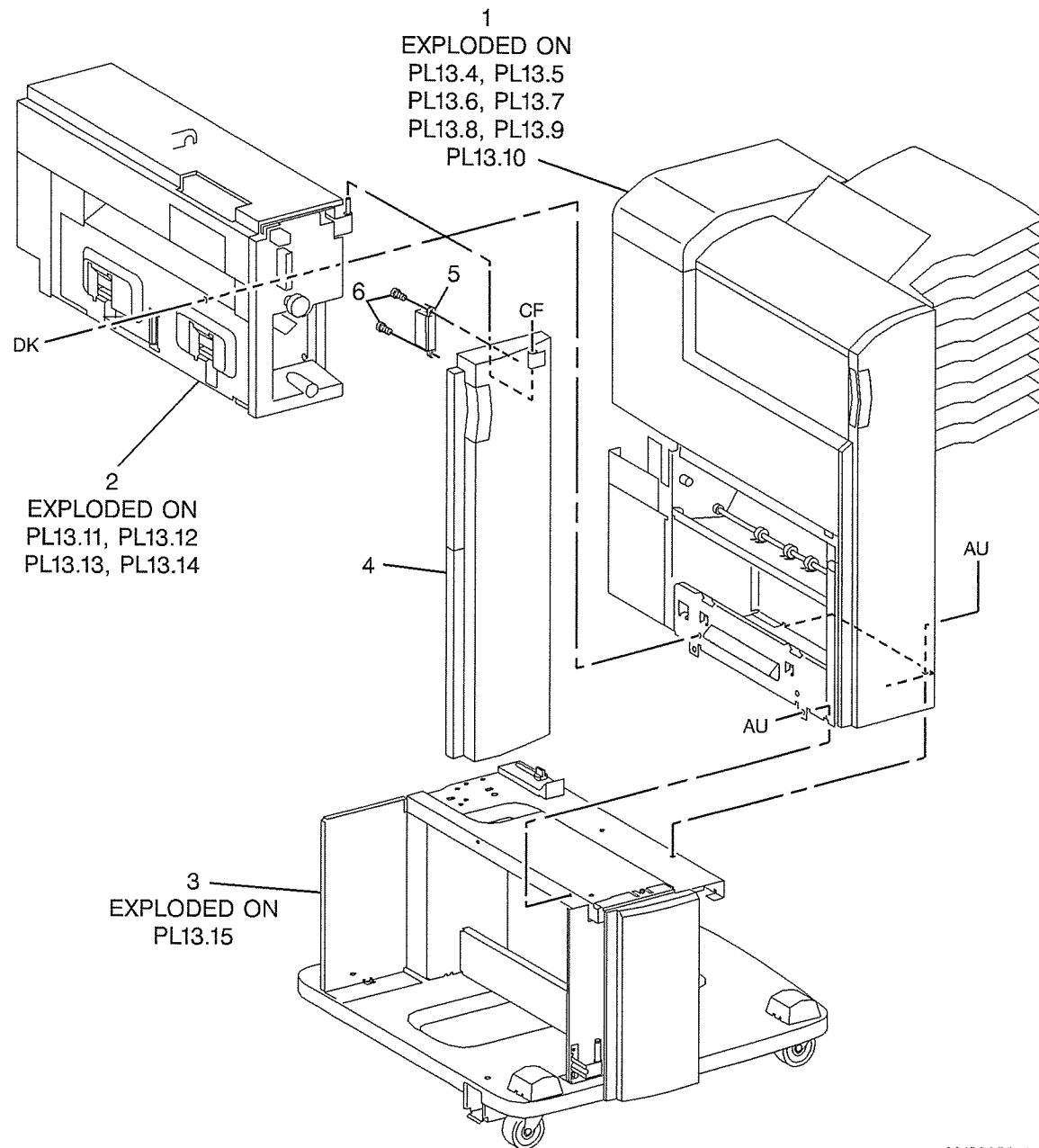
1 { 2 - 5



0013002A-LYN

PL 13.3 Mail Box Sub Assembly

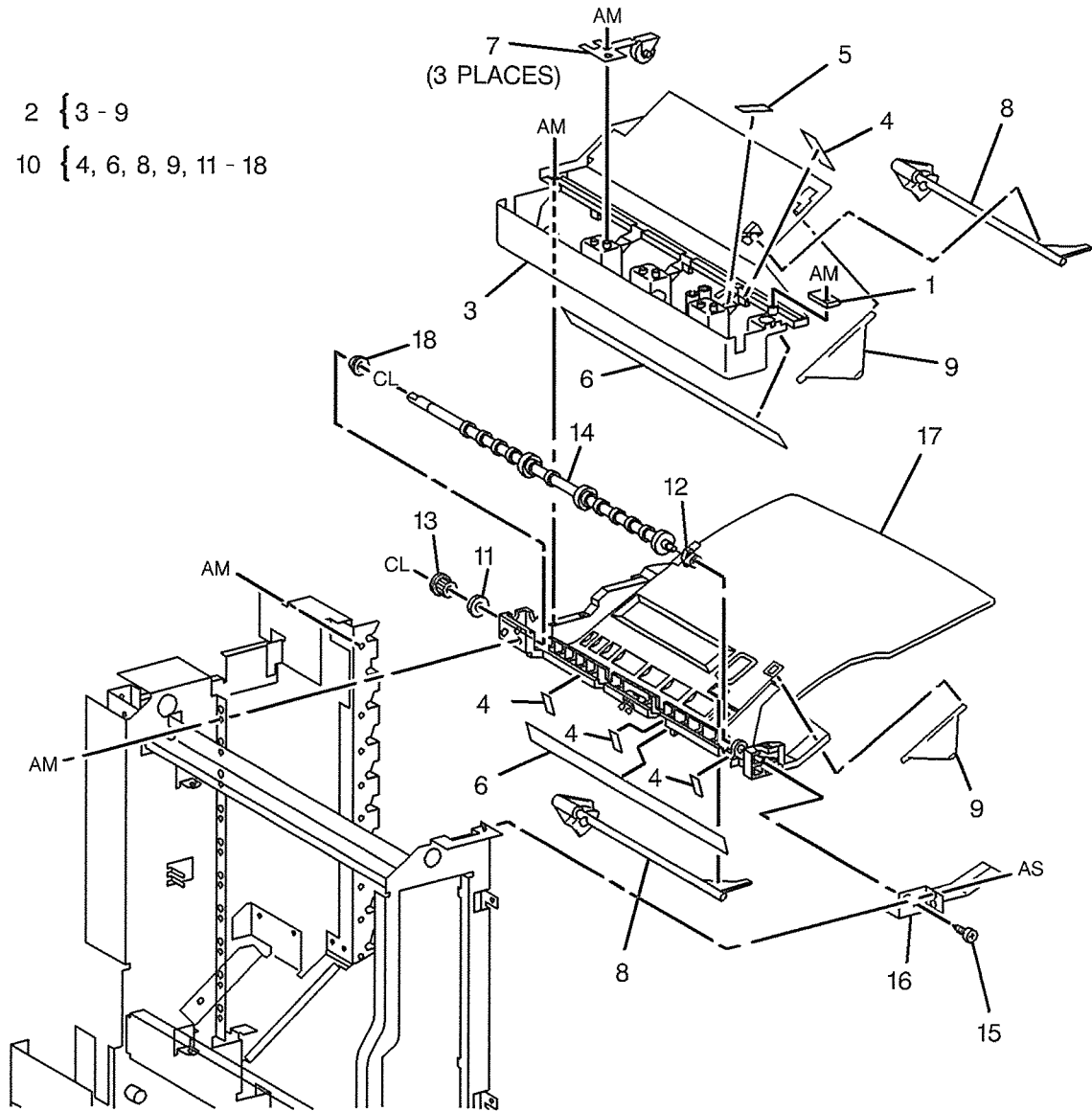
Item	Part	Description
1	059K17861	Mail Box Assembly
2	022K65790	Decurler Assembly (REP 13.3.1)
3	802K07903	Cabinet Assembly
4	048K77410	Decurler Front Cover
5	121E90490	Catch Magnet
6	-	Screw (Not Spared)



0013003B-LYN

PL 13.5 ACT Cover, Bin Tray 1

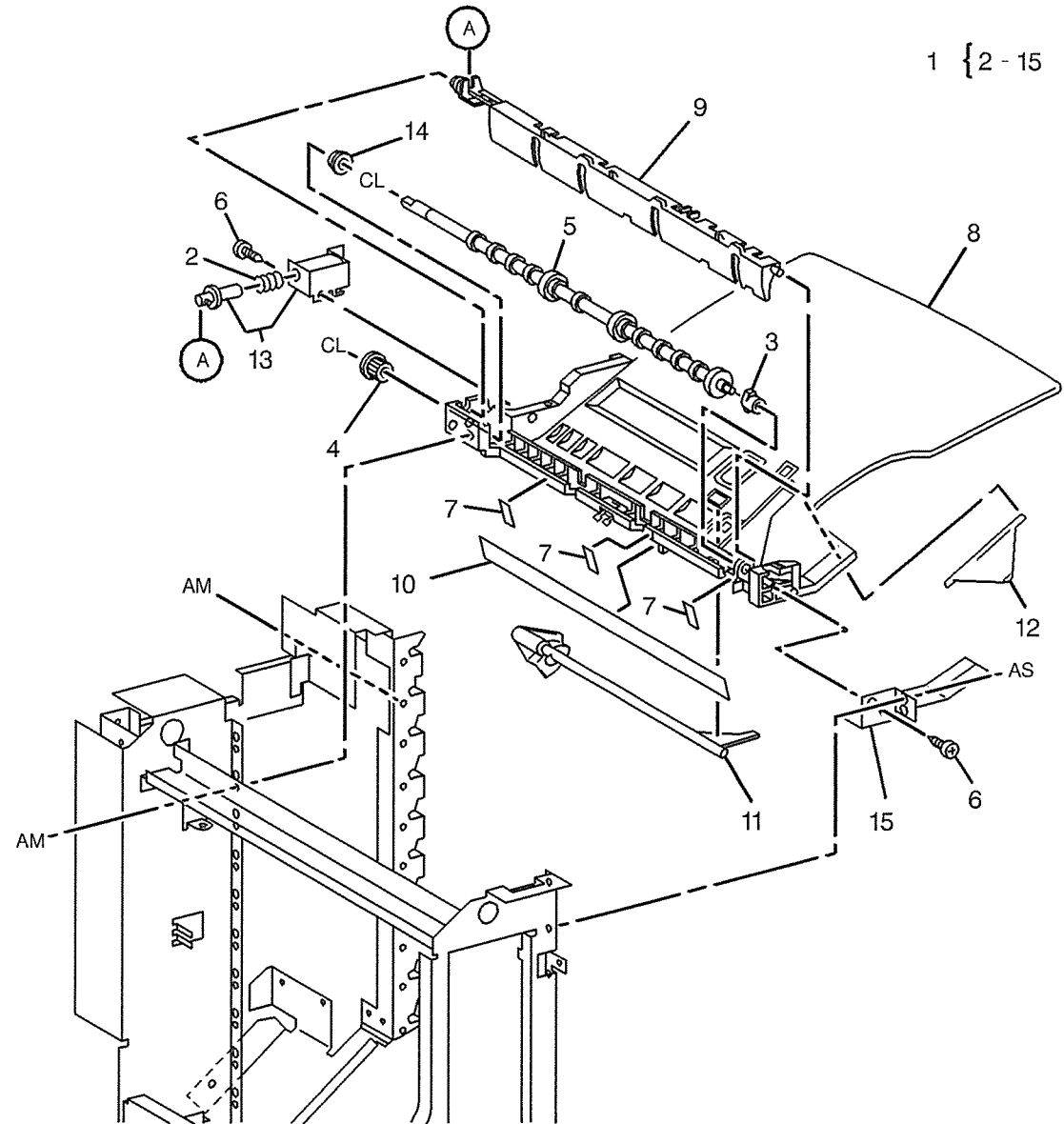
Item	Part	Description
1	160K53431	Vertical Led (REP 13.5.1)
2	802K09190	ACT Cover Assembly
3	-	ACT Cover (P/O PL 13.5 Item 2)
4	038E88980	Paper Guide
5	038E86180	Paper Guide
6	105E98450	Eliminator
7	022K43710	Pinch Roll
8	120E13130	Actuator
9	120E17020	Actuator
10	050K36832	Bin Tray 1 Assembly (REP 13.5.2)
11	005E83570	Collar
12	013E89540	Bearing
13	020E21490	Pulley
14	022E83451	Roll
15	-	Tapping Screw (M3 X 10) (P/O PL 13.5 Item 10)
16	830E32600	Support
17	050E88781	Bin Tray
18	413W77559	Bearing



0013005B-LYN

PL 13.6 Bin Tray 2/4/6/8

Item	Part	Description
1	050K36822	Bin Tray 2/4/6/8 Assembly (REP 13.6.1)
2	009E64140	Spring
3	013E89540	Bearing
4	020E21490	Pulley
5	022E83451	Roll
6	-	Tapping Screw (M3 X 8) (P/O PL 13.6 Item 1)
7	038E88980	Paper Guide
8	050E88781	Bin Tray
9	050K33220	Gate
10	105E98450	Eliminator
11	120E13130	Actuator
12	120E17020	Actuator
13	121E83120	Gate Solenoid
14	413W77559	Bearing
15	830E32600	Support

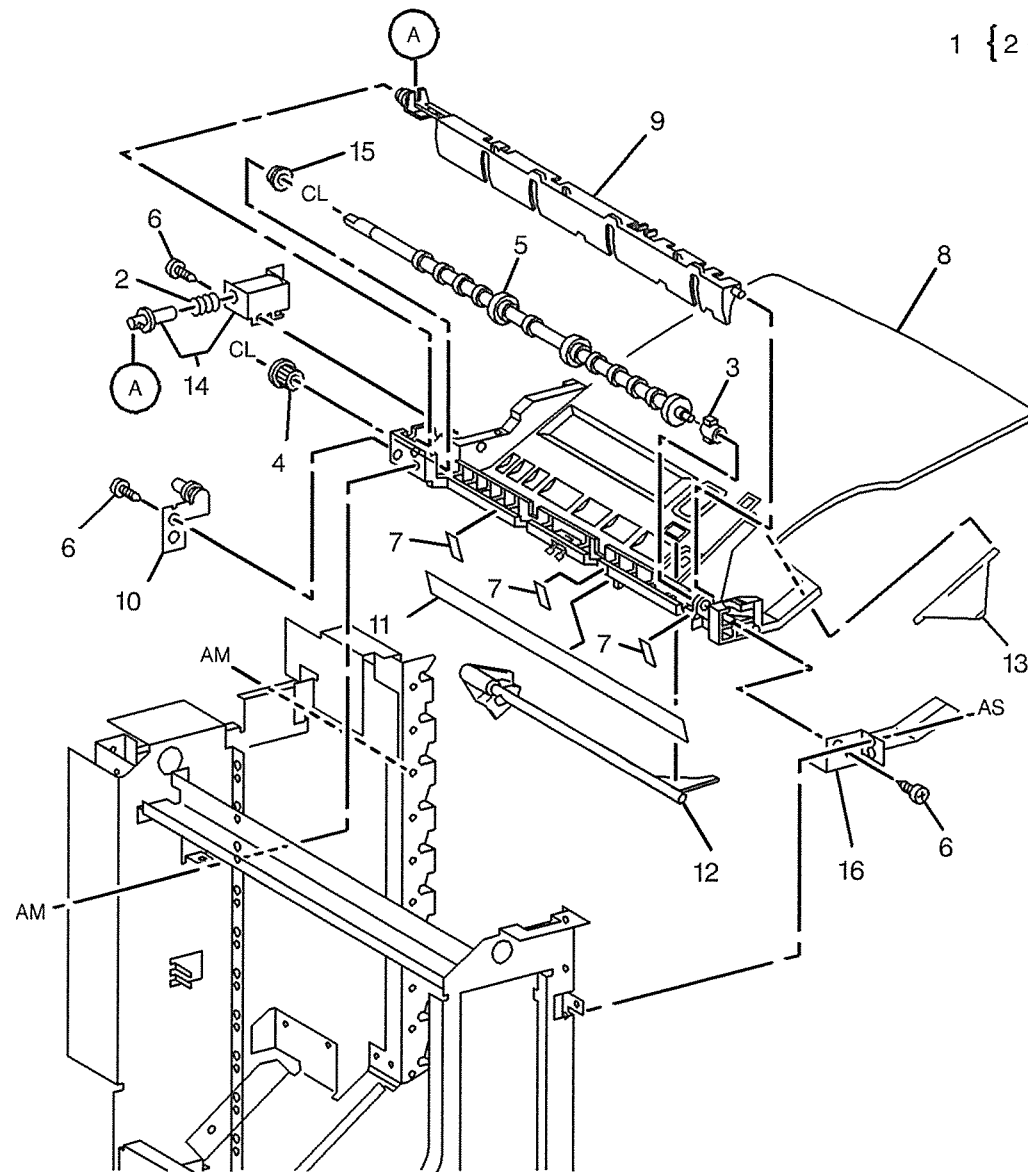


0013006A-LYN

PL 13.7 Bin Tray 3/5/7/9

Item	Part	Description
1	050K36812	Bin Tray 3/5/7/9 Assembly (REP 13.6.1)
2	009E64140	Spring
3	013E89540	Bearing
4	020E21490	Pulley
5	022E83451	Roll
6	-	Tapping Screw (M3 X 8) (P/O PL 13.7 Item 1)
7	038E88980	Paper Guide
8	050E88781	Bin Tray
9	050K33220	Gate
10	059K13261	Idler Roll
11	105E98450	Eliminator
12	120E13130	Actuator
13	120E17020	Actuator
14	121E83120	Gate Solenoid
15	413W77559	Bearing
16	830E32600	Support

1 { 2 - 16

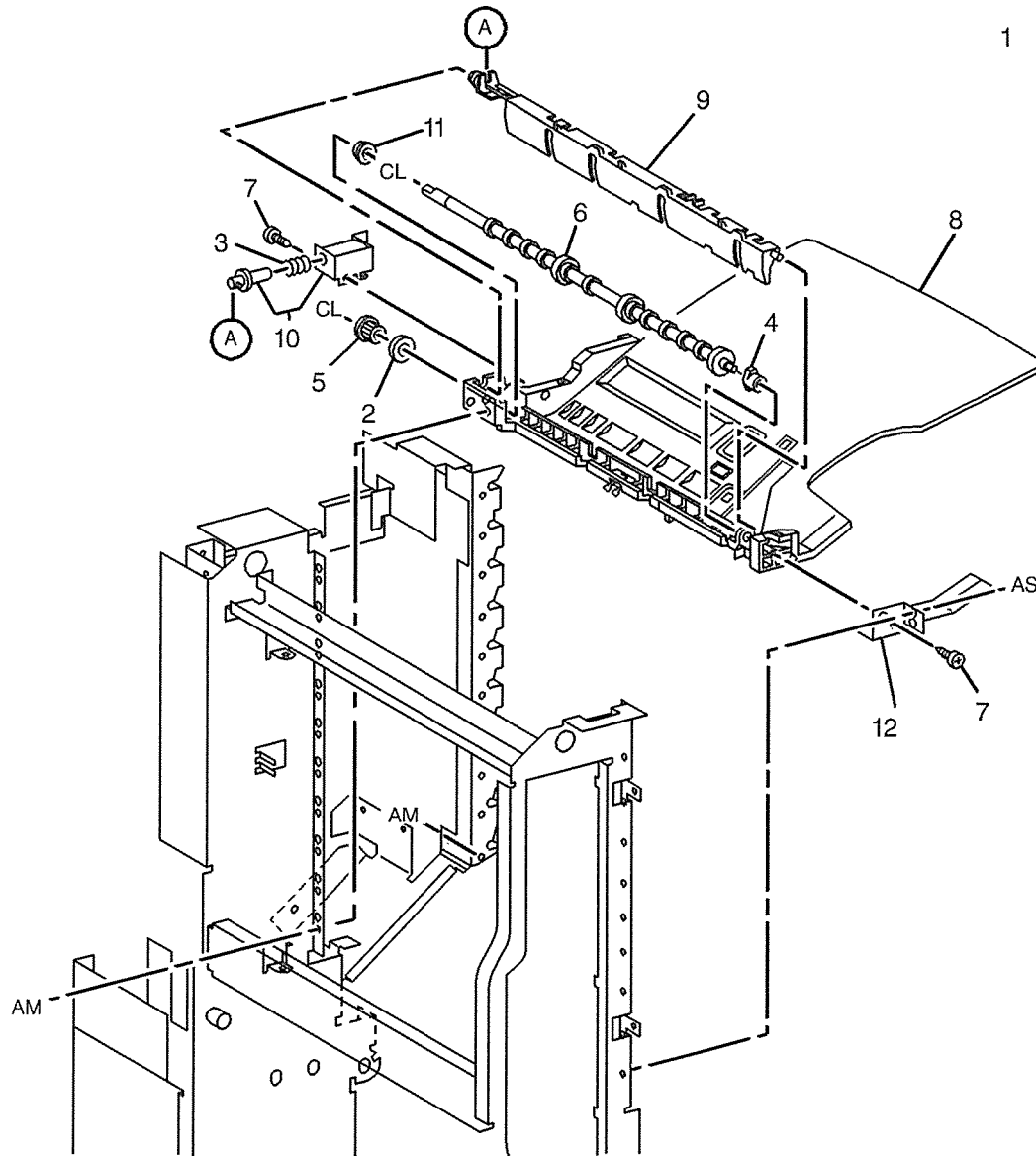


0013007A-LYN

PL 13.8 Bin Tray 10

Item	Part	Description
1	050K36801	Bin Tray 10 Assembly (REP 13.6.1)
2	005E83570	Collar
3	009E64140	Spring
4	013E89540	Bearing
5	020E21490	Pulley
6	022E83451	Roll
7	-	Tapping Screw (M3 X 8) (P/O PL 13.8 Item 1)
8	050E88781	Bin Tray
9	050K33220	Gate
10	121E83120	Gate Solenoid
11	413W77559	Bearing
12	830E32600	Support

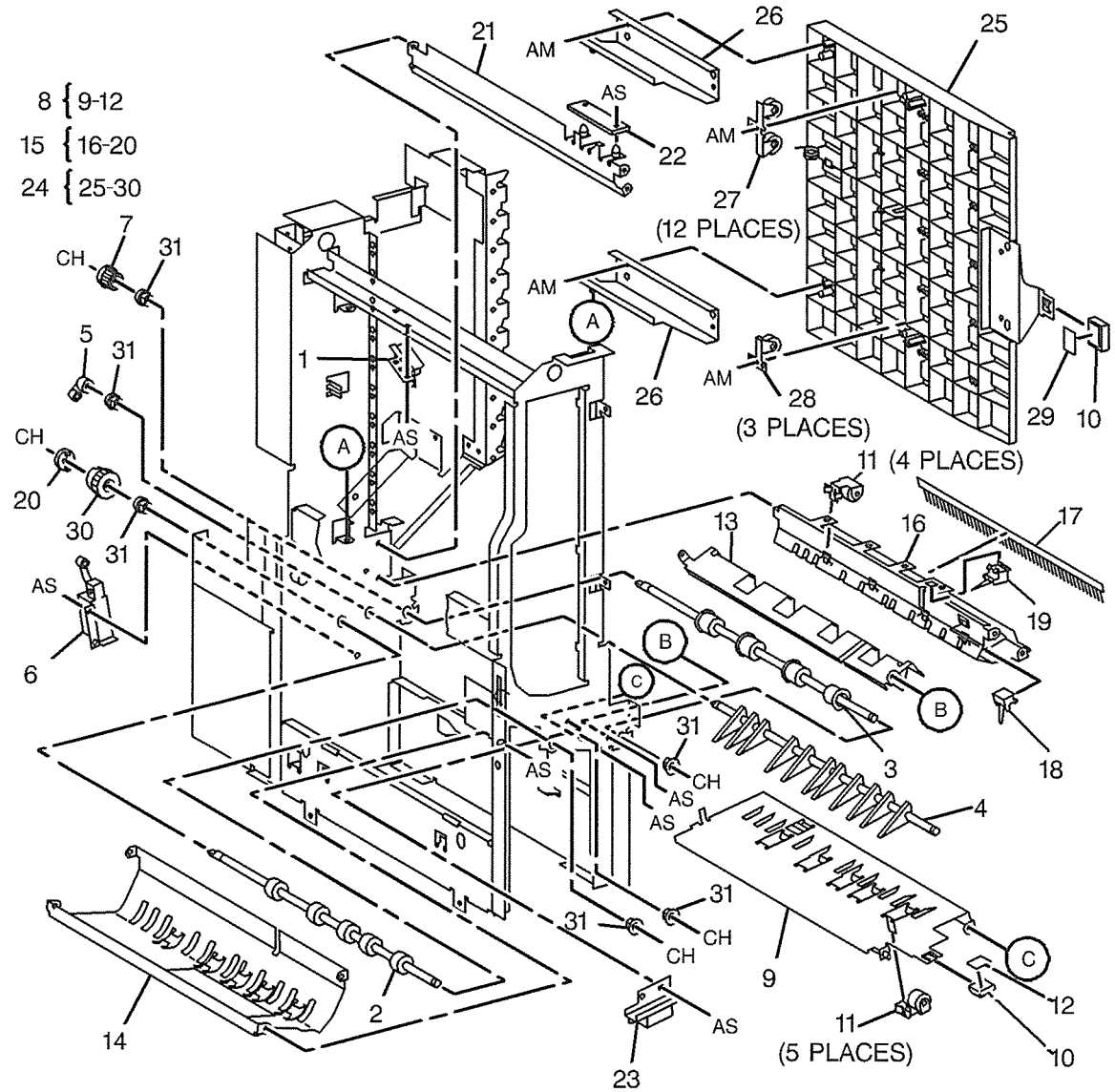
1 { 2 - 12



0013008A-LYN

PL 13.9 Mail Box Roll, Chute

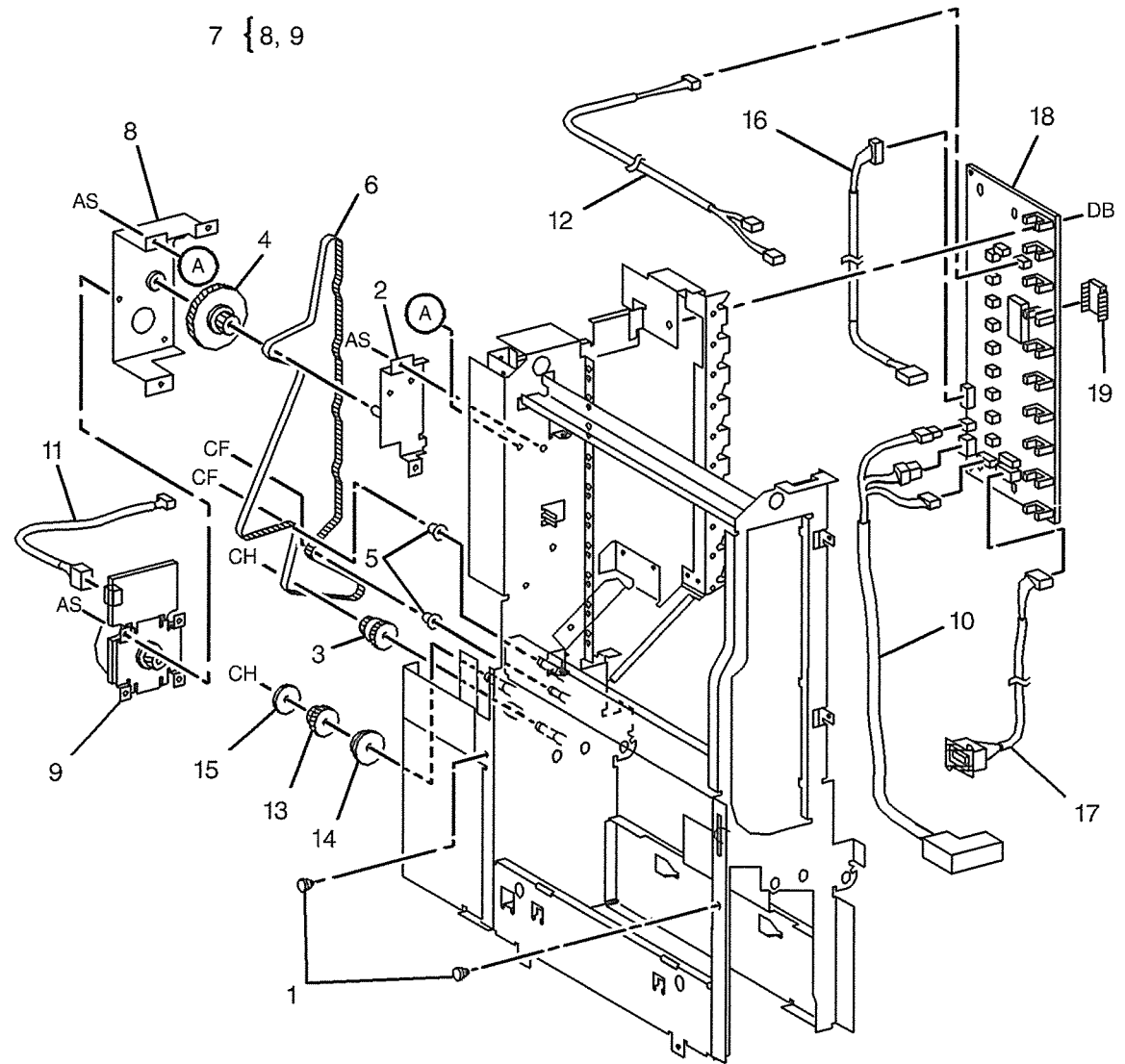
Item	Part	Description
1	121K19230	Magnet
2	059K12460	Entrance Roll
3	059K12471	Exit Roll
4	050K30120	OCT Gate
5	-	Link (P/O PL 13.3 Item 1)
6	121K14541	OCT Gate Solenoid
7	-	Pulley (Not Spared)
8	054K14091	Entrance Lower Baffle Assembly
9	-	Entrance Lower Baffle (P/O PL 13.9 Item 8)
10	003E36290	Knob
11	059K08590	Pinch Roll
12	891E73331	Label (7)
13	-	Exit Lower Chute (P/O PL 13.3 Item 1)
14	-	Entrance Upper Chute (P/O PL 13.3 Item 1)
15	054K14102	Exit Upper Chute Assembly
16	-	Exit Upper Chute (P/O PL 13.9 Item 15)
17	105E98690	Eliminator
18	130E80100	OCT Exit Sensor
19	130K94740	V-Tra. In Sensor
20	-	Stopper (P/O PL 13.3 Item 1)
21	-	Lower Tray Chute (P/O PL 13.3 Item 1)
22	160K53431	Mail Box Vertical Sensor (REP 13.5.1)
23	068K15350	Magnet
24	054K14131	Transport Baffle Assembly
25	-	Transport Baffle (P/O PL 13.9 Item 24)
26	-	Support (P/O PL 13.9 Item 24)
27	022K43720	Pinch Roll
28	022K48240	Pinch Roll
29	891E73431	Label (8)
30	005K82400	Torque Limiter Gear
31	413W75959	Bearing



0013009A-LYN

PL 13.10 Mail Box Motor, PWB

Item	Part	Description
1	-	Stopper (P/O PL 13.3 Item 1)
2	015K48190	Tension Roll
3	007E55351	Gear Pulley
4	007E56970	Gear Pulley (Not Spared)
5	022E83460	Roller
6	023E13160	Belt
7	127K24943	Mail Box Drive Motor Assembly
8	-	Motor Bracket (P/O PL 13.10 Item 7)
9	127K24952	Mail Box Drive Motor
10	162K47062	Wire Harness (PWB-IOT)
11	162K47500	Wire Harness (PWB-Motor)
12	162K47510	Wire Harness (PWB-Sensor)
13	007E55361	Gear Pulley
14	-	Plate (P/O PL 13.3 Item 1)
15	-	Core (P/O PL 13.3 Item 1)
16	162K47050	Wire Harness (PWB-Decurler)
17	-	Wire Harness (PWB-OCT) (P/O PL 13.3 Item 1)
18	160K56450	Mail Box Control PWB (Sorter Configuration Only)
19	539K90924	ROM



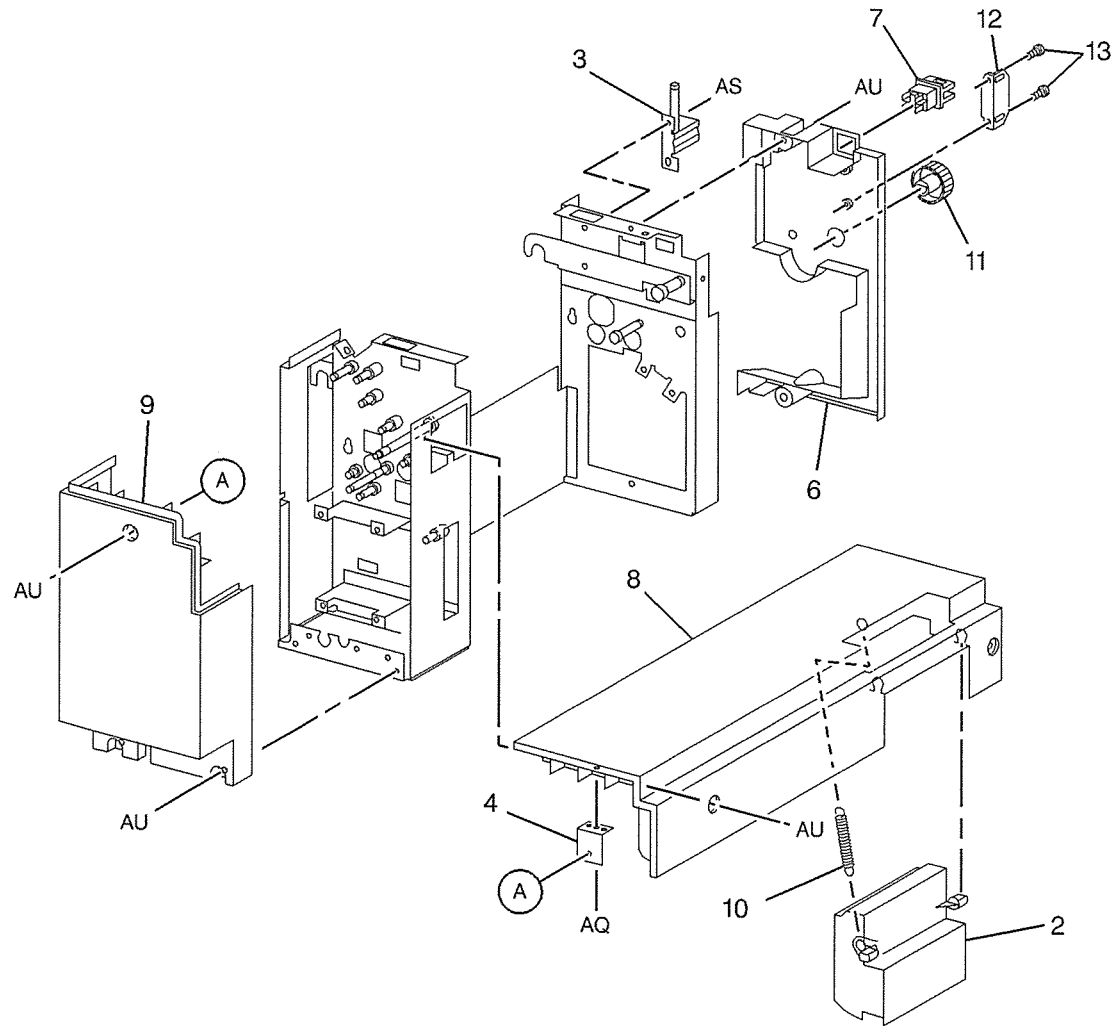
0013010B-LYN

PL 13.11 Decurler Cover

Item	Part	Description
1	003K85570	Knob Assembly
2	003E46501	Handle
3	003K85101	Hinge
4	-	Bracket (P/O PL 13.3 Item 2)
5	048K77420	Decurler Inner Cover Assembly
6	048E65721	Decurler Inner Cover
7	110E97990	Decurler Front Cover Interlock Switch
8	048E65730	Decurler Top Cover
9	048E65740	Decurler Rear Cover
10	809E02991	Spring
11	003K83211	Knob
12	121E90490	Catch Magnet
13	-	Screw (Not Spared)

1 { 11

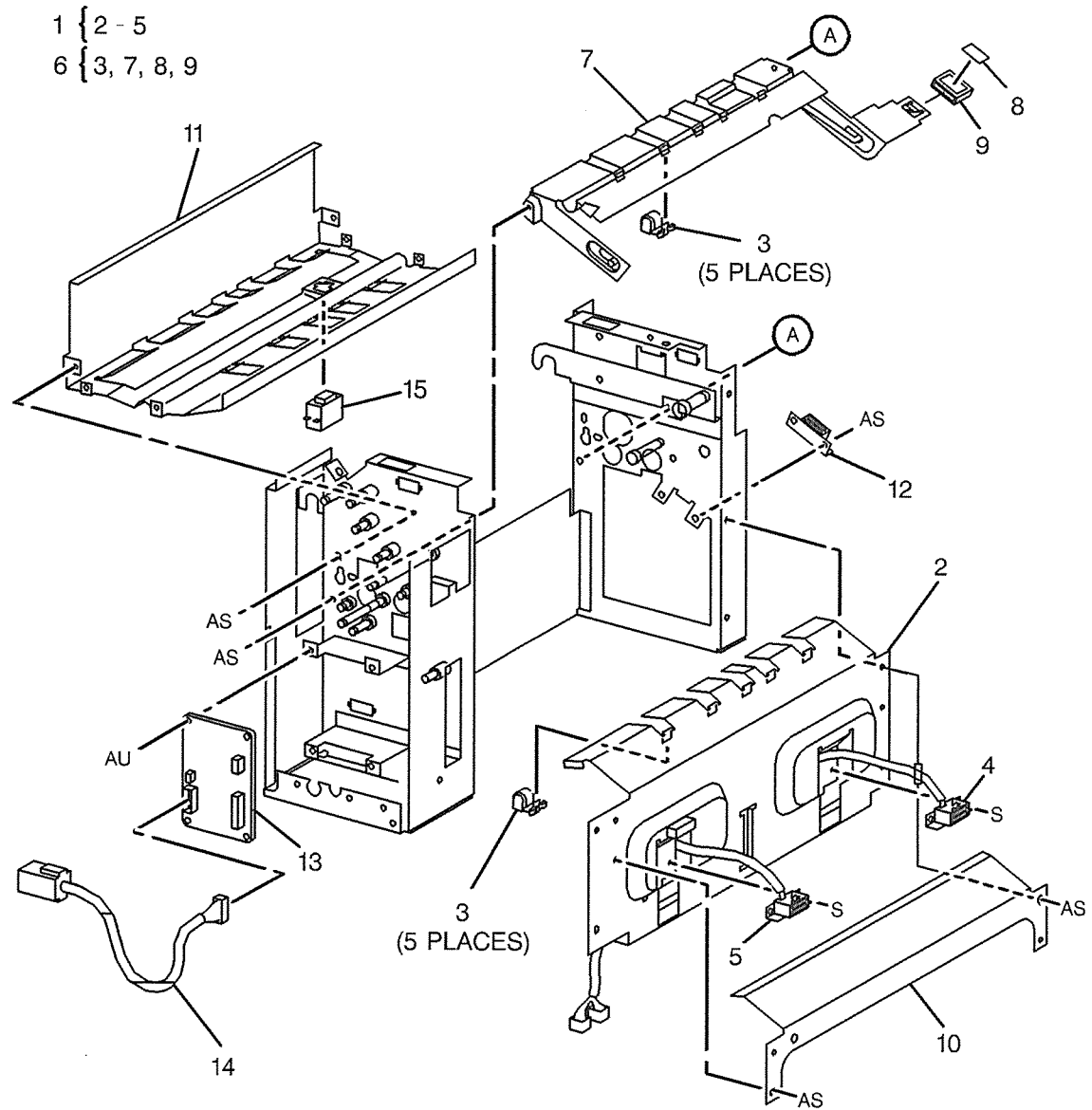
5 { 6, 7, 12, 13



0013011C-LYN

PL 13.12 Decurler Chute, PWB

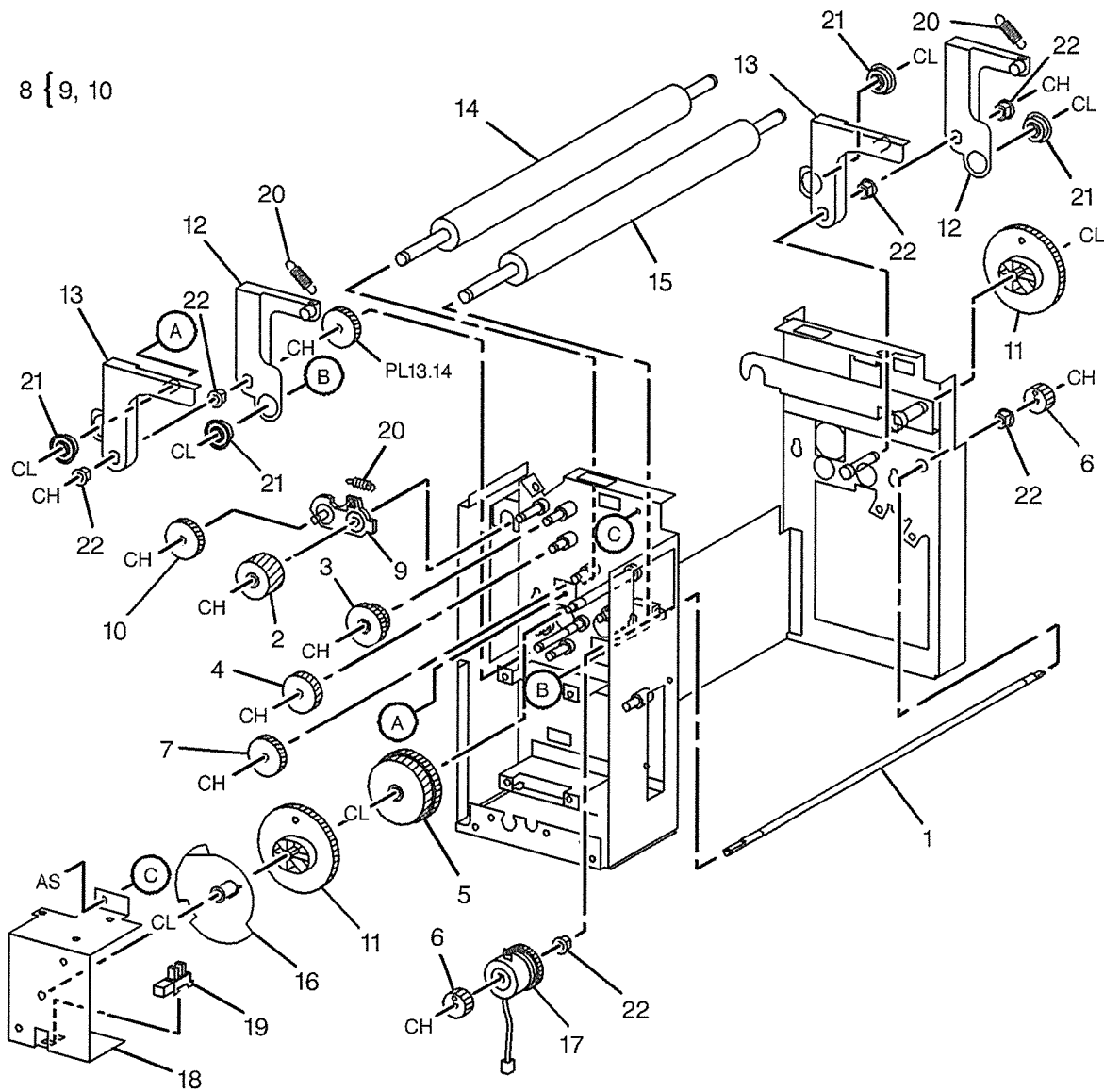
Item	Part	Description
1	054K15550	Entrance Lower Chute Assembly
2	-	Entrance Lower Chute (P/O PL 13.12 Item 1)
3	059K08590	Pinch Roll
4	110K91391	Mail Box Docking Interlock Switch
5	-	Mail Box Docking Interlock Switch (P/O PL 13.12 Item 1)
6	054K13920	Exit Lower Baffle Assembly
7	-	Exit Lower Baffle (P/O PL 13.12 Item 6)
8	-	Label (P/O PL 13.12 Item 6)
9	003E36290	Knob
10	-	Chute (Not Spared)
11	-	Upper Chute (P/O PL 13.3 Item 2)
12	121E89780	Magnet Catch
13	160K52902	Decurler Control PWB
14	-	Wire Harness (PWB-Mail Box) (P/O PL 13.3 Item 2)
15	130E82970	Decurler Exit Sensor



0013012A-LYN

PL 13.13 Decurler Roll

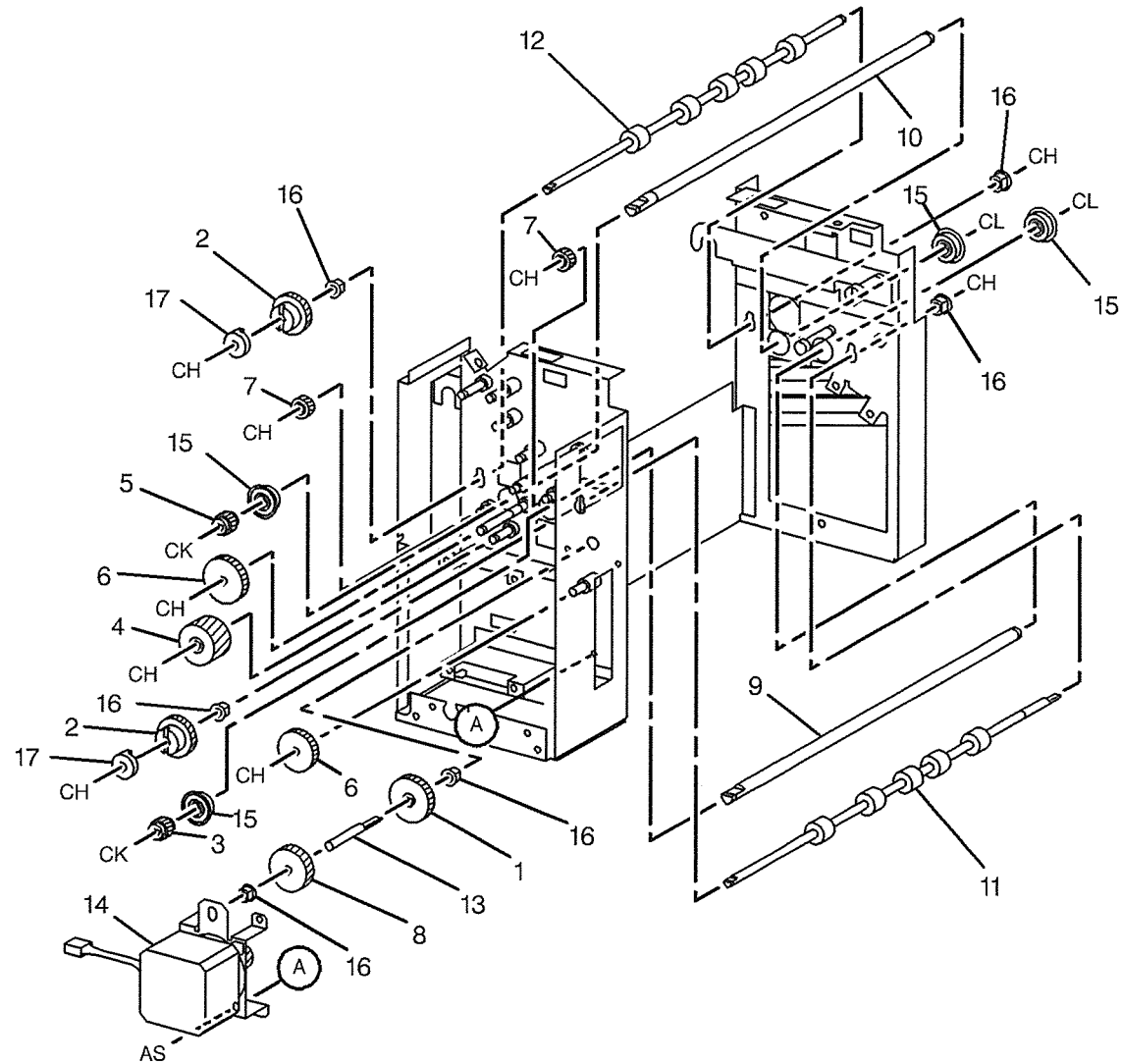
Item	Part	Description
1	006E61320	Cam Drive Shaft
2	007E54990	Gear (32)
3	007E55010	Gear (28/33)
4	-	Gear (32) (P/O PL 13.3 Item 2)
5	007E55030	Gear (52/56)
6	007E55040	Gear (20) (REP 13.13.2)
7	-	Gear (32) (P/O PL 13.3 Item 2)
8	015K28141	Idler Gear Assembly
9	-	Bracket (P/O PL 13.13 Item 8)
10	007E45091	Gear
11	008E93390	Cam (REP 13.13.2)
12	011K94401	Lever (Front)
13	011K94411	Lever (Rear)
14	022K57120	Decurler Roll 1 (Upper) (REP 13.13.1)
15	022K57130	Decurler Roll 2 (Lower) (REP 13.13.1)
16	062E98711	Reflector
17	121K83981	Decurler Clutch
18	-	Sensor Bracket (P/O PL 13.3 Item 2)
19	130E82530	Decurler Cam Sensor
20	809E14570	Spring
21	413W08350	Bearing
22	413W75959	Bearing



0013013A-LYN

PL 13.14 Decurler Transport Roll

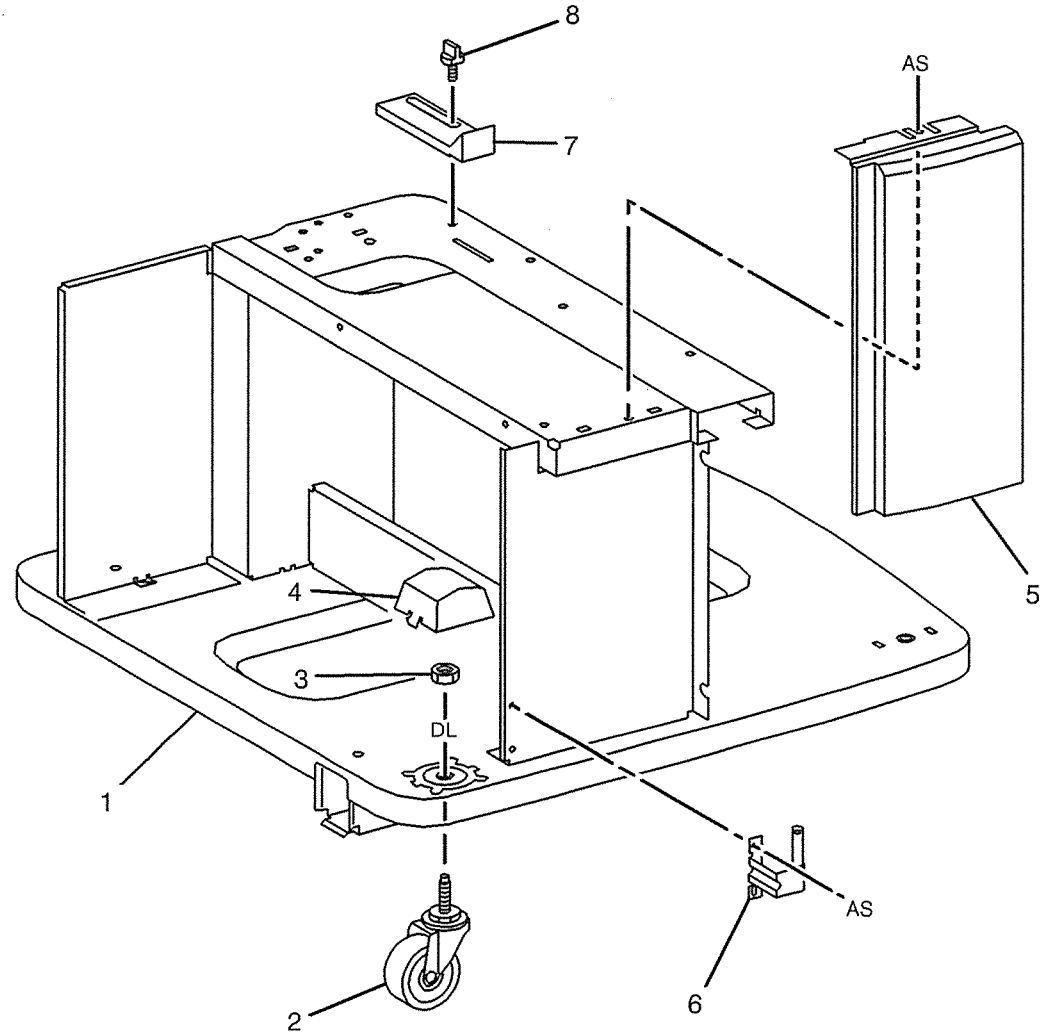
Item	Part	Description
1	007E54960	Gear (38)
2	-	Torque Limiter Gear (P/O PL 13.3 Item 2)
3	007E54980	Gear (16)
4	007E54990	Gear (32)
5	007E55000	Gear (16)
6	-	Gear (32) (P/O PL 13.3 Item 2)
7	407W08220	Gear (20)
8	007E54970	Gear (34)
9	022E19660	Decurler Drive Roll
10	022E19670	Decurler Drive Roll
11	022K51610	Entrance Roll
12	022K51621	Exit Roll
13	-	Motor Shaft (P/O PL 13.3 Item 2)
14	127K24901	Decurler Stepping Motor (REP 13.14.1)
15	413W08350	Bearing
16	413W75959	Bering
17	-	Stopper (P/O PL 13.3 Item 2)



0013014A-LYN

PL 13.15 Cabinet

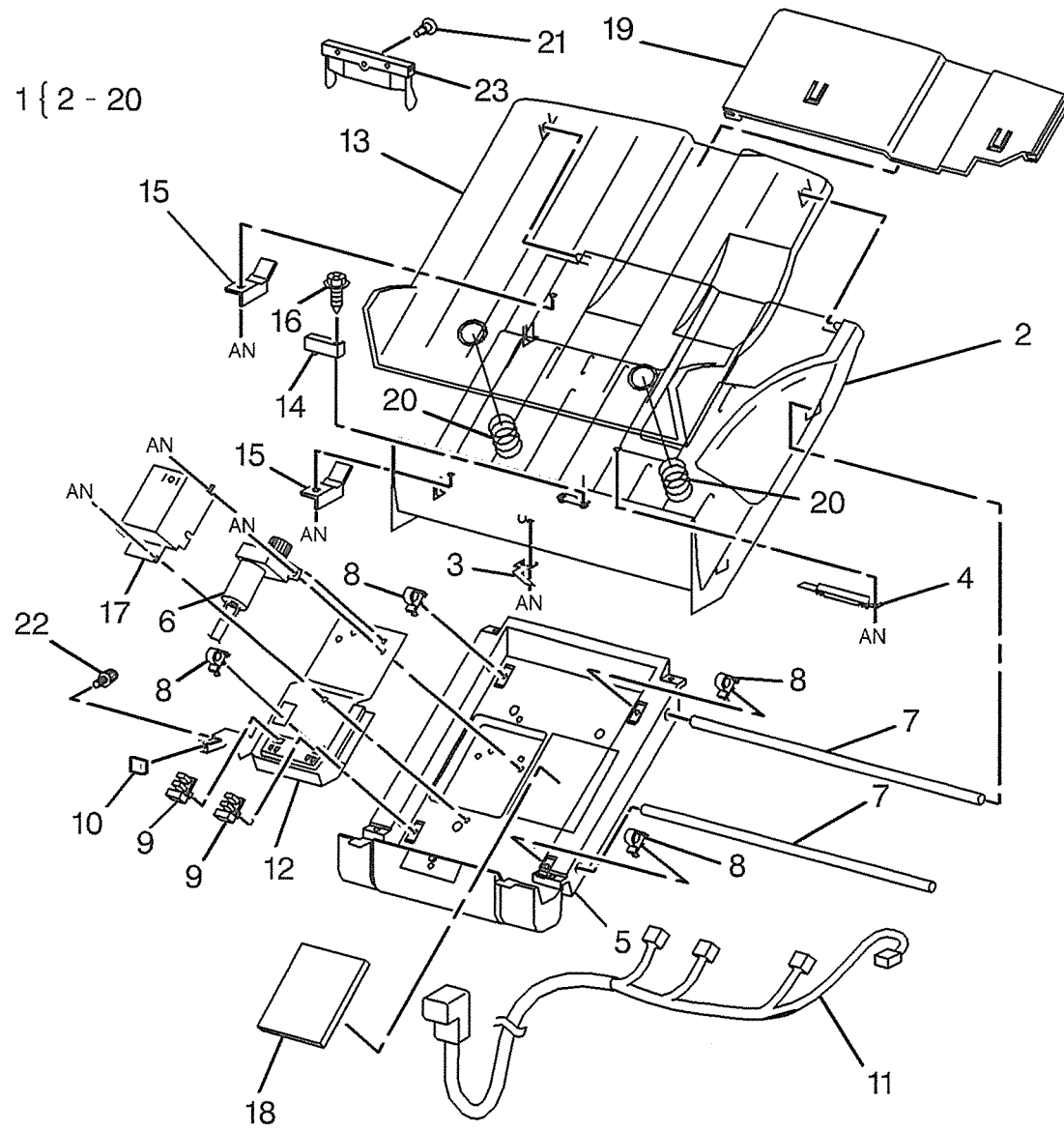
Item	Part	Description
1	-	Cabinet (P/O PL 13.3 Item 3)
2	-	Caster (P/O PL 13.3 Item 3)
3	-	Nut (P/O PL 13.3 Item 3)
4	021E96430	Cap
5	-	Front Cover (P/O PL 13.3 Item 3)
6	-	Hinge (P/O PL 13.3 Item 3)
7	-	OCT Guide (P/O PL 13.3 Item 3)
8	003K91881	Knob Screw



0013015A-LYN

PL 14.1 Offset Catch Tray

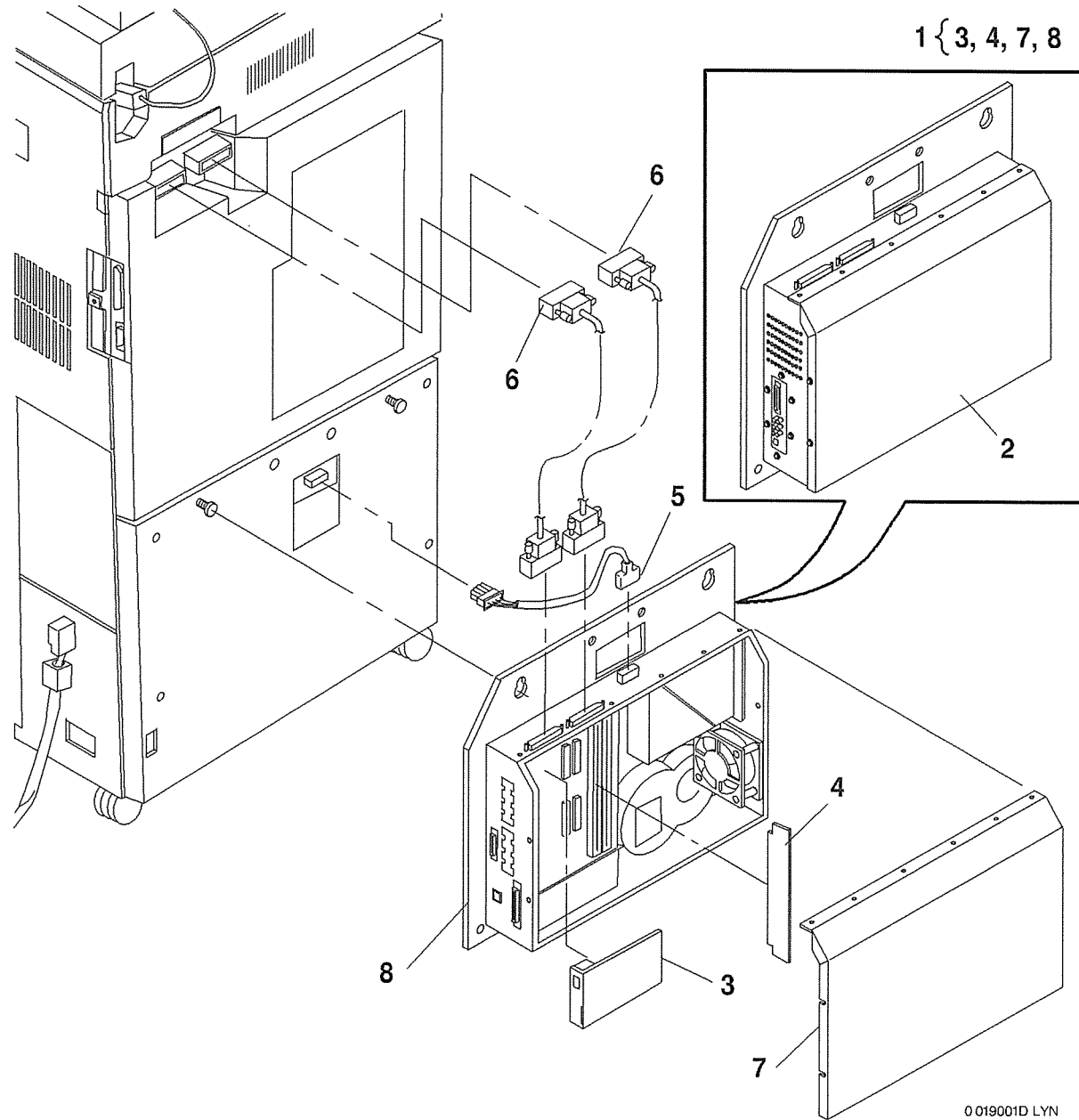
Item	Part	Description
1	050K36782	Offset Catch Tray Assembly
2	-	Tray (Lower) (P/O PL 14.1 Item 1)
3	120E11991	Actuator
4	007E40060	Rack
5	049E58660	Support
6	127K18372	Offset Motor (REP 14.1.1)
7	006E50190	Shaft
8	013E85922	Bearing
9	130E82190	Offset Home Sensor, Offset Position Sensor
10	-	Gasket (P/O PL 14.1 Item 1)
11	-	Wire Harness (P/O PL 14.1 Item 1)
12	015K30880	Plate
13	050E88161	Tray
14	130K60600	Full Stack Sensor
15	048E30000	Cover
16	-	Topping Screw (M3 X 14) (P/O PL 14.1 Item 1)
17	049E86811	Motor Cover
18	-	Baffle (P/O PL 14.1 Item 1)
19	830E33491	Extention Plate
20	809E08900	Spring
21	029E96861	Rivet
22	026E68120	Thumb Screw
23	004K92210	Exit Poper Guide



0014001A-LYN

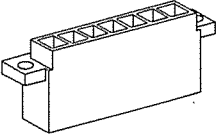
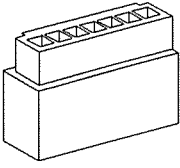
PL 19.1 IDFE Assembly and Components

Item	Part	Description
1	600N01584	IDFE Assembly (GL2) (REP 19.1)
2	604K13420	IDFE Assembly (MFY) (REP 19.1)
3	600N01593	Cobra AUI to BNC Transceiver (REP 19.2)
4	144N00070	256MB Memory DIMM (REP 19.3)
5	152N01668	IDFE DC Wiring Harness
6	101N01175	DDI Cable
7	-	IDFE Rear Cover (P/O PL 19.1 Item 1)
8	-	IDFE Housing (P/O PL 19.1 Item 1)



PL 25.1 Electrical Connectors

Item	Part	Description
1	114E08970	Connector (P543)
-	913W01400	Connector (P702)
-	114E11400	Connector (P703)
-	113E24020	Connector (P701)
2	113E20900	Connector (J543)
-	913W01399	Connector (J702)
-	113E24030	Connector (J703)
3	114E18430	Europe Converter
4	498K02510	Adapter

 <p>1</p>	 <p>2</p>		

0025001A-LYN

Common Hardware

Item	Part	Description
A	112W27651	Screw
B	112W27851	Screw
C	112W27859	Screw
D	112W28051	Screw
E	112W28251	Screw
F	112W29151	Screw
G	112W29751	Screw
H	113W15551	Screw
J	113W20457	Screw
K	113W20657	Screw
L	113W20857	Screw
M	113W21057	Screw
N	113W21257	Screw
P	–	Screw (M2.5 X 14)
Q	113W21651	Screw
R	113W21657	Screw
S	113W27451	Screw
T	113W27456	Screw
U	113W27551	Screw
V	113W27651	Screw
W	113W27851	Screw
X	113W28451	Screw
Y	113W35657	Screw
Z	113W35851	Screw
!!	158W27663	(DB) Screw (M3 X 6)
–	158W35863	(DR) Screw (M4 X 8)
AA	113W36051	Screw
AB	113W36057	Screw
AC	113W36251	Screw
AD	113W36851	Screw
AE	113W37457	Screw
AF	113W38257	Screw
AG	141W27351	Setscrew
AH	141W27451	Setscrew
AJ	141W27851	Setscrew
AK	141W35451	Setscrew
AL	153W17655	Tapping Screw
AM	153W17855	Tapping Screw
AN	153W18055	Tapping Screw
AP	153W18255	Tapping Screw
AQ	153W27650	Tapping Screw
AR	153W27655	Tapping Screw
AS	158W27655	Screw
AT	158W27855	Screw
AU	158W27863	Screw (M3 X 8)
AV	158W28055	Screw
AW	158W28255	Screw
AX	158W28655	Screw
AY	158W35655	Screw

AZ	–	Screw (M4 X 16)
BA	158W35855	Screw
BB	158W36050	Screw
BC	158W36255	Screw
BD	158W36655	Screw
BE	158W45055	Screw
BF	201W21251	Nut (M3)
BG	220W21250	Flange Nut (M3)
BH	251W19251	Washer (2.5)
BJ	251W21251	Washer (3)
BK	251W24251	Washer (4)
BL	251W27251	Washer (6)
BM	252W26450	Nylon Washer (5)
BN	252W27350	Nylon Washer (6)
BP	252W27450	Nylon Washer (6)
BQ	252W29350	Nylon Washer (8)
BR	252W29450	Nylon Washer (8)
BS	252W31350	Nylon Washer (10)
BT	271W21650	Dowel (2.5 X 16)
BU	271W28050	Dowel Pin (3 X 10)
BV	271W28250	Dowel Pin (3 X 12)
BW	271W28650	Dowel Pin (3 X 16)
BX	271W28850	Dowel Pin (3 X 20)
BY	–	Dowel Pin (3 X 25)
BZ	271W37150	Dowel Pin (4 X 25)
CA	–	Dowel Pin (5 X 36)
CB	–	Spring Pin (2 X 12)
CC	285W16251	Spring Pin (2 X 12)
CD	354W15251	E-clip (2)
CE	354W19251	E-clip (2.5)
CF	354W21251	E-clip (3)
CG	354W20952	KL-Clip (3)
–	354W21254	KI-clip (3)
CH	354W24251	E-clip (4)
CJ	354W24254	KI-clip (4)
CK	354W26251	E-clip (5)
CL	354W27251	E-clip (6)
CM	354W27254	KI-clip (6)
CN	354W29251	E-clip (8)
CP	354W29254	KI-clip (8)
CQ	220W24350	Flange Nut (M4)
CR	285W15851	Spring Pin (2 X 8)
CS	–	Spring Pin (1.6 X 10)
CT	113W35857	Screw
CU	252W27250	Nylon Washer (6)
CW	113W15851	Screw
CX	113W28056	Screw
CY	113W28251	Screw
CZ	141W27651	Setscrew
DA	153W27850	Tapping Screw
DB	–	Screw (M3 X 6)
DC	158W27650	Screw

DD	-	Setscrew (M4 X 5)
DE	251W29251	Washer (8)
DF	153W16055	Tapping Screw
DG	-	Tapping Screw (M3 X 10)
DH	113W22557	Screw
DJ	113W35557	Screw
DK	-	Screw (M4 X 16)
DL	-	Spring Washer (12)
DM	113W27656	Screw
DN	113W35850	Screw
DP	285W28651	Spring Pin (3-16)
DQ	285W29151	Spring Pin (3 X 25)
DR	-	Screw (M4 X 8)
DS	351W29250	Retaining Clip (8)
DT	113W28856	Screw
DU	-	Dowel Pin Pin (3 X 22)
DV	113W20557	Screw
DW	-	Capscrew (M3 X 8)
DX	102W27651	Screw
DY	153W28050	Screw
DZ	-	Screw (M3 X 8)
EA	112W25255	Screw (M3 X 8)
EB	153W23452	Screw (2.9 X 9.5)
EC	354W00555	Retaining Ring (4MM)
ED	354W20852	Retaining Ring (5 - 7MM)
-	354W20952	Retaining Ring (5 - 7mm)
EE	354W21052	Retaining Ring
EF	153W23852	Screw

Part Number Index

Table 1 Part Number Index

Part Number	Part List
001E46411	PL 2.22
001E50590	PL 2.22
001K56820	PL 2.24
001K57333	PL 2.26
001K57693	PL 13.1
001K59370	PL 7.3
001K62603	PL 8.8
001K62613	PL 8.8
003E36290	PL 13.12
	PL 2.20
	PL 13.9
003E37791	PL 2.22
003E38110	PL 2.1
003E38120	PL 2.8
003E38130	PL 2.8
003E39980	PL 7.7
003E40140	PL 2.4
003E40151	PL 2.20
003E40250	PL 11.1
003E43840	PL 11.1
	PL 12.11
003E46501	PL 13.11
003K83211	PL 13.11
003K84472	PL 2.23
003K84500	PL 2.8
003K84750	PL 2.18
003K84760	PL 2.18
003K84792	PL 2.23
003K85090	PL 11.1
003K85101	PL 13.11
	PL 13.4
003K85453	PL 8.5
003K85483	PL 8.5
003K85570	PL 13.11
003K85731	PL 8.5
003K85851	PL 2.22
003K85871	PL 2.22
003K91881	PL 12.3
	PL 13.15

Table 1 Part Number Index

Part Number	Part List
	PL 13.1
004E08250	PL 11.1
004K92210	PL 14.1
005K81600	PL 2.6
005K81750	PL 2.6
005K81760	PL 2.6
005K82400	PL 13.9
005K82470	PL 2.26
005K82490	PL 2.12
005K82730	PL 2.7B
005E83570	PL 13.5
	PL 13.8
005E85181	PL 6.3
005E85760	PL 5.5
005E85810	PL 2.16
006E50190	PL 14.1
006E56290	PL 7.7
006E56620	PL 2.22
006E56632	PL 7.2
006E61320	PL 13.13
006K83280	PL 2.6
006K84003	PL 1.3
006K84114	PL 7.10
006K84192	PL 5.1
006K84210	PL 2.17
007E22430	PL 2.12
007E23260	PL 2.12
007E30970	PL 2.2
	PL 2.3
007E31090	PL 2.6
007E31160	PL 2.11
007E31180	PL 2.11
007E39390	PL 12.4
007E39400	PL 12.4
007E39410	PL 12.4
007E39420	PL 12.4
007E39430	PL 12.4
007E40060	PL 14.1
007E45091	PL 13.13
007E46502	PL 7.6
007E46530	PL 7.10

Table 1 Part Number Index

Part Number	Part List
007E46541	PL 7.10
007E46551	PL 7.10
007E46610	PL 2.17
007E46650	PL 6.6
007E46680	PL 6.4
007E46700	PL 6.4
007E46710	PL 6.3
007E46720	PL 6.4
007E46740	PL 6.4
007E46760	PL 6.4
007E46780	PL 6.4
007E46820	PL 6.6
007E46880	PL 1.5
007E46890	PL 1.5
007E49650	PL 6.4
007E49730	PL 8.2
007E49740	PL 8.6
007E49760	PL 8.6
007E49781	PL 2.17
007E49831	PL 8.2
007E49940	PL 1.4
007E49950	PL 1.4
007E49980	PL 1.2
007E50030	PL 1.3
007E50042	PL 1.3
007E50052	PL 1.3
007E50112	PL 1.2
007E50120	PL 1.2
007E50130	PL 2.24
007E50140	PL 2.24
007E50250	PL 2.12
007E50270	PL 1.6
007E50280	PL 1.6
007E50410	PL 2.2
	PL 2.3
007E50420	PL 2.2
	PL 2.3
007E50430	PL 2.2
	PL 2.3
007E51370	PL 2.15
007E51430	PL 2.12

Table 1 Part Number Index

Part Number	Part List
007E51490	PL 1.6
007E51500	PL 8.6
007E51580	PL 2.7A
007E51630	PL 2.24
007E51641	PL 2.24
007E51680	PL 1.6
007E51790	PL 1.3
007E51800	PL 1.3
007E51810	PL 1.3
007E51830	PL 5.5
007E51840	PL 2.19
007E51980	PL 8.4
007E52030	PL 5.5
007E52040	PL 5.5
007E52050	PL 5.5
007E52130	PL 2.6
007E52140	PL 2.6
007E52150	PL 2.6
007E52161	PL 2.6
007E52171	PL 2.6
007E52210	PL 2.5
007E52220	PL 2.5
007E52230	PL 2.5
007E52240	PL 2.5
007E52250	PL 1.5
007E52280	PL 1.1
007E52290	PL 1.3
007E54910	PL 2.12
007E54960	PL 13.14
007E54970	PL 13.14
007E54980	PL 13.14
007E54990	PL 13.13
	PL 13.14
007E55000	PL 13.14
007E55010	PL 13.13
007E55030	PL 13.13
007E55040	PL 13.13
007E55221	PL 1.1
007E55230	PL 1.1
007E55351	PL 13.10
007E55361	PL 13.10

Table 1 Part Number Index

Part Number	Part List
007E56010	PL 2.7A
007E56020	PL 2.7A
007E56030	PL 2.7A
007E56210	PL 2.6
007E56970	PL 13.10
007E57660	PL 1.4
007E66030	PL 2.13
007K81120	PL 12.8
007E82390	PL 8.4
007E83141	PL 12.10
007E83260	PL 12.6
007K83610	PL 2.6
007K84110	PL 1.6
007K84120	PL 8.2
007K84130	PL 8.6
007K84140	PL 8.6
007K84160	PL 1.4
007K84170	PL 1.2
007K84231	PL 1.4
007K84240	PL 1.4
007K84251	PL 1.4
007K84265	PL 1.4
007K84282	PL 1.3
007K84291	PL 1.3
007K84313	PL 1.5
007K84332	PL 1.3
007K84360	PL 1.6
007K84415	PL 2.7A
007K84422	PL 2.7A
007K84468	PL 1.3
007K84553	PL 1.6
007K84577	PL 1.6
007K84593	PL 5.2
007K84601	PL 2.24
007K84634	PL 1.2
007K84641	PL 1.2
007K84650	PL 1.2
007K84662	PL 1.1
007K84671	PL 1.1
007K84680	PL 1.1
007K84690	PL 1.6

Table 1 Part Number Index

Part Number	Part List
007K84701	PL 1.2
007K84731	PL 2.7A
007K84800	PL 1.6
007K84820	PL 1.2
007K84871	PL 1.1
007E84880	PL 8.10
007K84881	PL 6.6
007K84922	PL 1.6
007K85270	PL 8.8
007E91170	PL 2.24
007K91860	PL 12.8
007K91871	PL 12.6
008E93090	PL 7.7
008E93160	PL 8.6
008E93250	PL 7.7
008E93261	PL 2.22
008E93270	PL 7.7
008E93390	PL 13.13
008E93400	PL 7.2
009E28560	PL 12.8
009E28570	PL 12.8
009E28580	PL 12.8
009E32160	PL 1.1
009E34940	PL 6.4
009E39080	PL 12.8
009E43970	PL 7.2
009E53370	PL 2.13
009E56020	PL 2.10
009E56030	PL 2.10
009E59690	PL 8.10
	PL 8.3
009P61135	PL 2.16
009E61300	PL 2.6
009E62420	PL 2.26
009E62830	PL 3.3
009P62935	PL 5.4
009P62975	PL 1.5
009E63110	PL 2.8
009E64140	PL 13.6
	PL 13.8
	PL 13.7

Table 1 Part Number Index

Part Number	Part List
009E71890	PL 12.5
009E73310	PL 9.4
009E76430	PL 2.11
009E81210	PL 9.4
009E84150	PL 5.5
009E84220	PL 2.23
	PL 2.24
009E94910	PL 13.4
011E07092	PL 7.1
011E07950	PL 2.8
011E08010	PL 5.5
011E08021	PL 5.5
011E08031	PL 2.20
011E08041	PL 2.20
011E08050	PL 2.5
011E08060	PL 2.5
011E08071	PL 2.5
011E08081	PL 7.7
011E08111	PL 2.22
011E08640	PL 6.5
011K90420	PL 2.19
011K93990	PL 5.5
011K94030	PL 8.6
011K94040	PL 8.6
011K94050	PL 2.24
011K94091	PL 6.1
011K94141	PL 5.5
011K94150	PL 5.5
011K94160	PL 5.5
011K94391	PL 2.26
011K94401	PL 13.13
011K94411	PL 13.13
012K93440	PL 3.3
012K93450	PL 3.3
012E98070	PL 7.7
012E98080	PL 7.7
012E98271	PL 2.23
012E98281	PL 2.5
013E15290	PL 2.5
013P60566	PL 12.6
013E80970	PL 12.10

Table 1 Part Number Index

Part Number	Part List
013K81260	PL 5.5
013K81270	PL 5.5
013K81510	PL 7.6
013E82490	PL 2.15
	PL 2.16
013E83380	PL 2.8
013E83730	PL 2.2
013E85430	PL 7.6
013E85922	PL 14.1
013E87551	PL 8.5
013E87600	PL 8.8
013E87620	PL 8.8
013E87700	PL 8.2
	PL 8.8
013E87730	PL 8.6
013E88020	PL 2.15
	PL 2.16
013E88030	PL 2.15
	PL 2.16
013E88310	PL 7.6
013E89540	PL 13.5
	PL 13.6
	PL 13.8
	PL 13.7
013E92760	PL 12.4
013E94320	PL 8.9
013E94380	PL 8.9
013E94561	PL 12.8
014K81273	PL 8.5
014E87701	PL 7.2
015K28141	PL 13.13
015K29634	PL 7.1
015K29910	PL 6.4
015K30880	PL 14.1
015K31460	PL 2.2
015K31853	PL 13.2
015K31860	PL 13.2
015K31871	PL 13.2
015K33670	PL 8.6
015K33973	PL 2.18
015K33986	PL 9.1

Table 1 Part Number Index

Part Number	Part List
015K34310	PL 2.2
015K35800	PL 7.10
015K35842	PL 7.5
015K35862	PL 13.2
015K36962	PL 7.1
015K36972	PL 7.1
015K37641	PL 3.1
015K38560	PL 9.1
015K39880	PL 7.10
015K41370	PL 2.2
015K41381	PL 2.2
015K41503	PL 2.3
015K48190	PL 13.10
015E48890	PL 12.2
015E48900	PL 12.2
015E54911	PL 6.4
015E58040	PL 2.23
015K83700	PL 12.11
017E92140	PL 3.3
017E93743	PL 11.2
017E93753	PL 11.2
019E33780	PL 6.7
019E33860	PL 8.10
019E39131	PL 2.2
	PL 2.3
019E39442	PL 6.6
019E39570	PL 8.7
019E42010	PL 8.3
019E49780	PL 8.7
019E50400	PL 3.4
019E92320	PL 12.9
019K93320	PL 2.13
019K94202	PL 8.10
019K94221	PL 6.7
019K94230	PL 6.7
019K94332	PL 6.5
019K94390	PL 2.2
019K94400	PL 2.3
019K94651	PL 8.3
020E21050	PL 12.6
020E21490	PL 13.5

Table 1 Part Number Index

Part Number	Part List
	PL 13.8
	PL 13.6
	PL 13.7
020E22160	PL 12.4
020E25090	PL 3.3
020E25100	PL 3.3
020E26710	PL 5.5
020E26990	PL 5.5
020K91230	PL 12.6
020E93230	PL 12.9
020E93240	PL 12.9
020K94970	PL 3.3
021E96430	PL 13.15
022E19660	PL 13.14
022E19670	PL 13.14
022K37070	PL 12.6
022K37080	PL 12.6
022K38040	PL 12.8
022K39700	PL 12.10
022K39710	PL 12.10
022K43710	PL 13.5
022K43720	PL 13.9
022K46560	PL 12.5
022K48240	PL 13.9
022K48250	PL 8.10
022K48260	PL 8.10
022K51610	PL 13.14
022K51621	PL 13.14
022K57120	PL 13.13
022K57130	PL 13.13
022K62370	PL 8.9
022K65790	PL 13.3
022E83451	PL 13.5
	PL 13.7
	PL 13.8
	PL 13.6
022E83460	PL 13.10
022E93660	PL 12.6
023E12230	PL 12.6
023E12610	PL 12.4
023E13160	PL 13.10

Table 1 Part Number Index

Part Number	Part List
023E15480	PL 2.17
023E15550	PL 3.3
023E15690	PL 12.10
023E92341	PL 12.6
023E94140	PL 12.6
026E56431	PL 9.2
026E58330	PL 6.5
026P63503	PL 8.3
026E68120	PL 14.1
026K80720	PL 8.6
026K80730	PL 6.5
026K80740	PL 6.5
026K80750	PL 6.5
029E21610	PL 13.1
029E26180	PL 7.9
029E26770	PL 7.7
029E96861	PL 14.1
031K92410	PL 7.10
031K92420	PL 7.10
031E92550	PL 12.2
031E93022	PL 7.7
031E94101	PL 7.7
032E10010	PL 2.11
032E10210	PL 13.2
032E10250	PL 2.5
032E13130	PL 2.16
032K93621	PL 2.18
032K93800	PL 12.1
033K92892	PL 8.9
033K92970	PL 5.3
033K93272	PL 7.8
035E40661	PL 5.3
035E40690	PL 5.3
035E45550	PL 5.5
035E48290	PL 7.8
035E48300	PL 7.8
035K81498	PL 7.8
036K91420	PL 12.3
036K91431	PL 12.3
038K14700	PL 2.13
038K83973	PL 2.3

Table 1 Part Number Index

Part Number	Part List
038K84621	PL 2.3
038E86180	PL 13.5
038E88641	PL 2.2
038E88650	PL 2.2
038E88772	PL 2.26
038E88922	PL 2.3
038E88980	PL 13.5
	PL 13.7
	PL 13.6
038E89060	PL 2.13
038E89071	PL 2.19
038E89072	PL 2.19
039K90592	PL 8.7
041K93792	PL 3.4
041K94210	PL 3.4
042K91650	PL 7.6
042K91811	PL 5.3
042K91906	PL 7.1
048E30000	PL 14.1
048E52741	PL 8.1
048E60670	PL 11.2
048E60690	PL 11.2
048E60741	PL 11.2
048E60750	PL 11.2
048E60762	PL 11.2
048E60772	PL 11.3
048E60781	PL 11.3
048E60790	PL 11.3
048E61482	PL 2.8
048K61601	PL 7.6
048K61638	PL 6.6
048K61830	PL 6.4
048K61840	PL 6.4
048E61921	PL 11.1
048E61933	PL 11.3
048E61941	PL 11.3
048E61950	PL 11.3
048K61963	PL 6.5
048E62151	PL 3.5
048E62452	PL 11.1
048E62462	PL 11.1

Table 1 Part Number Index

Part Number	Part List
048E64201	PL 12.1
048E64910	PL 7.10
048E64920	PL 7.5
048E65041	PL 9.1
048E65171	PL 11.3
048K65250	PL 2.8
048E65330	PL 11.3
048E65341	PL 11.3
048E65391	PL 11.3
048K65660	PL 5.1
048E65721	PL 13.11
048E65730	PL 13.11
048E65740	PL 13.11
048K65921	PL 2.15
048E66221	PL 11.1
048E66331	PL 11.1
048E66520	PL 13.4
048E66540	PL 13.4
048E66560	PL 13.4
048E66571	PL 13.4
048E66581	PL 13.4
048K69086	PL 7.10
048K69818	PL 11.2
048K71213	PL 11.1
048K71860	PL 3.2
048K76181	PL 12.1
048K76341	PL 11.3
048K76720	PL 6.5
048K76921	PL 4.1
048K76941	PL 9.2
048K77228	PL 6.6
048K77264	PL 7.1
048K77410	PL 13.3
048K77420	PL 13.11
048K77462	PL 11.2
048K77776	PL 9.5
048K77952	PL 13.4
048K77971	PL 13.4
049E58660	PL 14.1
049E77290	PL 13.4
049E85681	PL 6.5

Table 1 Part Number Index

Part Number	Part List
049E86030	PL 8.8
049E86040	PL 8.8
049E86360	PL 8.3
049E86370	PL 8.3
049E86600	PL 8.3
049E86811	PL 14.1
049E91070	PL 12.10
050E17450	PL 8.7
050K27660	PL 12.5
050K27670	PL 12.7
050K30120	PL 13.9
050K33129	PL 2.1
050K33220	PL 13.6
	PL 13.8
	PL 13.7
050K34065	PL 2.19
050K36410	PL 12.1
050K36421	PL 12.11
050K36514	PL 2.23
050K36782	PL 14.1
050K36801	PL 13.8
050K36812	PL 13.7
050K36822	PL 13.6
050K36832	PL 13.5
050K36851	PL 2.25
050K40941	PL 2.1
050K43870	PL 12.8
050E87465	PL 2.2
050E88159	PL 2.3
050E88161	PL 14.1
050E88440	PL 11.1
050E88781	PL 13.5
	PL 13.6
	PL 13.8
	PL 13.7
052K91470	PL 6.7
052E92750	PL 8.7
052E93181	PL 8.7
052E93460	PL 5.5
052E93470	PL 5.5
052E93480	PL 5.5

Table 1 Part Number Index

Part Number	Part List
052E93640	PL 5.5
052E93920	PL 8.7
052E96630	PL 8.7
053K91410	PL 10.2
053K91420	PL 10.2
053K91430	PL 10.2
053E92650	PL 8.7
054K06692	PL 12.7
054K10114	PL 8.10
054K10115	PL 8.10
054K10151	PL 5.1
054K10303	PL 2.24
054K10317	PL 2.25
054K10323	PL 2.26
054K10333	PL 2.26
054K10341	PL 2.8
054K10350	PL 2.8
054E10780	PL 2.8
054K11072	PL 2.15
054K11090	PL 2.16
054K11161	PL 2.26
054K11220	PL 8.7
054K11363	PL 2.19
054K11373	PL 2.19
054K11395	PL 2.18
054K11416	PL 2.18
054K11512	PL 2.23
054K13082	PL 12.9
054K13591	PL 12.5
054K13600	PL 12.4
054K13622	PL 12.2
054K13920	PL 13.12
054K14091	PL 13.9
054K14102	PL 13.9
054K14131	PL 13.9
054K14675	PL 2.25
054K15550	PL 13.12
054K18770	PL 12.9
054K18790	PL 12.7
054K19721	PL 7.10
054E88182	PL 7.10

Table 1 Part Number Index

Part Number	Part List
054E88220	PL 2.4
054E88230	PL 2.4
054K99181	PL 10.1
054K99191	PL 10.1
055K19260	PL 12.5
055E30790	PL 6.2
059K05750	PL 2.20
059K05780	PL 2.20
059K06831	PL 2.7B
059K07800	PL 7.6
059K07812	PL 7.6
059K07843	PL 7.6
059K07882	PL 7.7
059K08160	PL 7.6
059K08590	PL 13.12
	PL 13.9
059K08600	PL 2.19
059K08610	PL 2.21
059K08621	PL 2.21
059K08686	PL 2.23
059K08760	PL 2.15
059K08770	PL 2.16
059K08780	PL 2.16
059K08790	PL 2.15
059K08821	PL 2.9
059K08831	PL 2.10
059K08840	PL 2.12
059K08850	PL 2.11
059K09022	PL 2.24
059K09030	PL 2.24
059K09040	PL 2.24
059K09331	PL 2.21
059K09341	PL 2.21
059K09350	PL 2.21
059K09490	PL 5.5
059K09500	PL 5.5
059K09510	PL 5.5
059K09532	PL 5.3
059K09561	PL 2.5
059K09591	PL 2.6
059K09930	PL 2.7B

Table 1 Part Number Index

Part Number	Part List
059K09948	PL 2.4
059K10025	PL 2.14
059K10122	PL 2.17
059K11821	PL 12.9
059K11830	PL 12.8
059K11840	PL 12.4
059K11850	PL 12.7
059K11860	PL 12.9
059K11870	PL 12.10
059K11880	PL 12.2
059K12140	PL 2.20
059K12460	PL 13.9
059K12471	PL 13.9
059K13021	PL 7.10
059K13261	PL 13.7
059K13440	PL 12.10
059K14186	PL 7.9
059K14872	PL 2.26
059K17861	PL 13.3
059K23063	PL 12.1
059K24360	PL 8.5
059K31171	PL 2.9
059K33080	PL 2.23
059K39500	PL 8.3
059K39670	PL 8.3
059E90770	PL 2.10
059E92720	PL 7.7
059E92780	PL 8.8
059E92841	PL 2.26
059E92850	PL 2.24
059E92920	PL 2.8
059E92950	PL 2.17
059E92980	PL 2.20
062K10670	PL 4.1
062E98370	PL 3.4
062E98380	PL 3.4
062E98711	PL 13.13
063E94040	PL 3.3
063E94050	PL 3.3
064K91243	PL 7.5
068K14170	PL 2.8

Table 1 Part Number Index

Part Number	Part List
068K14541	PL 5.5
068K14550	PL 5.5
068K14921	PL 13.2
068K15350	PL 13.9
068K21850	PL 8.7
068K86934	PL 6.1
068K87041	PL 6.5
068K87161	PL 8.1
068K87410	PL 8.6
090K92572	PL 12.11
	PL 3.1
093E91961	PL 8.7
094K91307	PL 6.2
096E75850	PL 6.6
096E75860	PL 6.6
096E75870	PL 6.6
096E75880	PL 6.6
099P03019	PL 6.1
101N01175	PL 19.1
101K24030	PL 9.4
101K31295	PL 9.3
101K31312	PL 9.3
101K31322	PL 9.3
101K31342	PL 9.3
101K31352	PL 9.3
101K33185	PL 9.3
103E24040	PL 9.6
105E06910	PL 12.9
105E07314	PL 9.3
105E07322	PL 3.5
105E07344	PL 9.3
105E07351	PL 3.5
105E08900	PL 3.4
105K14062	PL 7.6
105K14914	PL 9.2
105K14923	PL 2.14
105E98090	PL 9.3
105E98110	PL 9.3
105E98450	PL 13.5
	PL 13.7
	PL 13.6

Table 1 Part Number Index

Part Number	Part List
105E98690	PL 13.9
	PL 2.25
105E99122	PL 9.1
106K90640	PL 6.7
106K90650	PL 6.7
106K90660	PL 6.7
106K90670	PL 6.7
107E06650	PL 3.2
108E94360	PL 9.3
109E93220	PL 9.3
109E93230	PL 9.3
109E93260	PL 9.3
	PL 9.6
110K08471	PL 3.2
110K08600	PL 13.4
110K10460	PL 2.1
110K91391	PL 13.12
110K91972	PL 12.2
110E93440	PL 2.12
	PL 2.24
110E97990	PL 13.11
113E20900	PL 25.1
113E22970	PL 2.9
113E24020	PL 2.22
	PL 25.1
113E24030	PL 2.12
	PL 25.1
114E08970	PL 25.1
114E11390	PL 2.22
114E11400	PL 2.9
	PL 25.1
114E18430	PL 25.1
114K81062	PL 5.1
114K81082	PL 5.2
114K81362	PL 5.2
115K91133	PL 6.1
115K91160	PL 5.2
117E10550	PL 9.1
117E15951	PL 3.5
117E15970	PL 3.4
117E22350	PL 9.1

Table 1 Part Number Index

Part Number	Part List
117K22350	PL 9.1
117K23770	PL 9.1
117E25300	PL 9.1
117K31400	PL 9.1
117K92100	PL 5.4
118E12090	PL 3.4
118E12110	PL 9.3
118E12251	PL 5.4
118K91900	PL 5.4
119K90765	PL 5.5
120E11991	PL 14.1
120E12630	PL 8.6
120E13100	PL 2.10
120E13130	PL 13.5
	PL 13.6
	PL 13.7
120E17020	PL 13.5
	PL 13.7
	PL 13.6
121K14541	PL 13.9
121K14881	PL 1.3
121K16372	PL 2.24
121K16383	PL 2.25
121K16401	PL 6.1
121K16800	PL 8.4
121K17550	PL 2.9
121K17561	PL 2.11
	PL 2.5
121K17941	PL 1.3
121K19230	PL 13.9
121K21612	PL 1.6
121K30050	PL 1.5
	PL 2.7A
121E83120	PL 13.6
	PL 13.8
	PL 13.7
121K83981	PL 13.13
121K86550	PL 12.2
121K87790	PL 12.2
121K87800	PL 12.5
121K87810	PL 12.5

Table 1 Part Number Index

Part Number	Part List
121E89780	PL 13.12
	PL 2.9
121E90490	PL 13.11
	PL 13.3
121E90620	PL 11.1
121E90640	PL 12.7
121K93870	PL 12.2
122E92000	PL 3.4
122K92892	PL 5.1
125K03650	PL 5.4
125K93062	PL 5.4
126K07960	PL 8.3
126K07970	PL 8.3
126K07980	PL 8.8
126K08510	PL 8.3
126K08520	PL 8.3
126K08530	PL 8.8
127K18372	PL 14.1
127K21270	PL 6.3
127K21301	PL 1.6
127K21311	PL 1.5
127K21321	PL 1.2
127K21351	PL 8.4
127K21410	PL 8.7
127K21513	PL 3.3
127K21661	PL 2.24
127K21671	PL 1.1
127K21750	PL 9.2
127K21761	PL 10.1
127K21770	PL 10.2
127K21780	PL 10.2
127K21801	PL 10.1
127K21822	PL 10.2
127K21871	PL 2.15
127K23051	PL 2.7A
127K23191	PL 2.19
127K23230	PL 2.6
127K23470	PL 2.12
127K23590	PL 3.2
127K24060	PL 12.9
127K24070	PL 12.9

Table 1 Part Number Index

Part Number	Part List
127K24901	PL 13.14
127K24943	PL 13.10
127K24952	PL 13.10
127K27590	PL 12.4
127K27910	PL 8.4
127K28490	PL 6.1
127K32940	PL 6.3
127K83520	PL 12.6
130K57350	PL 8.8
130K57370	PL 8.6
130K57380	PL 8.6
130K57390	PL 8.4
130K57400	PL 8.4
130K57430	PL 8.4
130K57471	PL 8.4
130K57490	PL 8.4
130K57690	PL 7.1
130K57720	PL 5.1
130K57810	PL 2.24
130K57820	PL 2.25
130K57930	PL 6.5
130K57940	PL 8.7
130K57973	PL 7.5
130K57990	PL 3.2
130K58001	PL 2.13
130K58030	PL 2.16
130K58070	PL 2.10
130K59660	PL 2.25
130K60561	PL 9.1
130K60600	PL 14.1
	PL 2.15
	PL 7.10
130K60770	PL 2.8
130E80100	PL 13.9
130E80890	PL 12.5
	PL 12.9
130E82190	PL 1.4
	PL 7.9
	PL 7.3
	PL 6.1
	PL 2.5

Table 1 Part Number Index

Part Number	Part List
	PL 2.12
	PL 2.11
	PL 2.10
	PL 2.1
	PL 14.1
130E82530	PL 13.13
130E82650	PL 2.5
	PL 2.8
130E82720	PL 6.3
130K82921	PL 5.2
130E82970	PL 13.12
130E84270	PL 7.5
130K87150	PL 3.2
130K87380	PL 6.1
130K87470	PL 8.6
130K87500	PL 8.8
130K87520	PL 8.8
130E91010	PL 5.2
130E91120	PL 7.10
130E91220	PL 12.5
	PL 12.7
130K92950	PL 8.10
130K93210	PL 2.21
130K93220	PL 2.24
130K94740	PL 13.9
140K60480	PL 12.1
144N00070	PL 19.1
152N01668	PL 19.1
152S05104	PL 9.1
152S05105	PL 9.1
152S05106	PL 9.1
152S05107	PL 9.1
152S05120	PL 9.1
152S05121	PL 9.1
152S05122	PL 9.1
152S05123	PL 9.1
160K29150	PL 9.4
160K42710	PL 3.5
160K42851	PL 4.1
160K45930	PL 6.4
160K45940	PL 9.3

Table 1 Part Number Index

Part Number	Part List
160K46113	PL 3.5
160K46120	PL 8.4
160K46290	PL 2.15
160K47911	PL 9.2
160K48230	PL 3.2
160K48351	PL 9.3
160K48688	PL 9.2
160K48704	PL 9.2
160K51502	PL 12.3
160K51931	PL 3.2
160K52902	PL 13.12
160K53431	PL 13.5
	PL 13.9
160K53462	PL 3.5
160K56450	PL 13.10
160K57369	PL 3.5
160K57375	PL 3.5
160K60380	PL 3.5
160K60770	PL 9.3
160K61560	PL 9.6
160K61611	PL 9.2
160K61620	PL 9.2
160K74412	PL 9.2
160K80150	PL 9.4
160K84771	PL 3.5
162K36860	PL 9.3
162K36960	PL 8.5
162K37050	PL 8.5
162K37160	PL 2.8
162K37360	PL 7.3
162K41511	PL 9.2
162K41521	PL 9.2
162K42260	PL 9.2
162K43311	PL 12.3
162K47050	PL 13.10
162K47062	PL 13.10
162K47500	PL 13.10
162K47510	PL 13.10
407W08220	PL 13.14
407W08222	PL 1.5
407W08223	PL 1.5

Table 1 Part Number Index

Part Number	Part List
407W08273	PL 1.5
407W08328	PL 1.5
413W08350	PL 13.13
	PL 13.14
	PL 5.5
413W10650	PL 8.6
413W11660	PL 6.3
	PL 6.4
413W66250	PL 2.26
413W75959	PL 13.13
	PL 2.6
	PL 13.9
	PL 13.14
	PL 7.10
413W77359	PL 2.17
413W77559	PL 12.4
	PL 13.5
	PL 13.6
	PL 8.10
	PL 5.5
	PL 13.8
	PL 13.7
413W88650	PL 5.5
423W07753	PL 12.9
423W10055	PL 2.21
423W11055	PL 2.21
423W55355	PL 1.3
423W57554	PL 1.4
423W82054	PL 5.5
423W82555	PL 2.19
498K02510	PL 25.1
537K43720	PL 9.4
537K49510	PL 9.4
537K51016	PL 12.3
539K90924	PL 13.10
600N01584	PL 19.1
600N01593	PL 19.1
600K74790	PL 2.7B
600K79560	PL 2.26
600K82710	PL 7.5
600K82870	PL 11.2

Table 1 Part Number Index

Part Number	Part List
600K82900	PL 6.1
600K82960	PL 2.13
600K83451	PL 6.5
600K83590	PL 2.26
600K83631	PL 8.9
600K83650	PL 9.5
600K84050	PL 8.5
600K84700	PL 11.3
600K85872	PL 1.4
600K85970	PL 2.13
600K86001	PL 4.1
600K86080	PL 1.1
600K86096	PL 7.1
600K90370	PL 12.4
604K00836	PL 8.1
604K00846	PL 8.1
604K01911	PL 8.7
604K07960	PL 2.13
604K08100	PL 8.2
604K13420	PL 19.1
604K14830	PL 1.4
604K22290	PL 5.4
606K91040	PL 9.1
673K51383	PL 12.11
802K04428	PL 5.3
802K04681	PL 11.3
802K06232	PL 11.2
802K07903	PL 13.3
802K08320	PL 12.4
802K08530	PL 13.4
802K08652	PL 6.3
802K08662	PL 6.3
802K08672	PL 6.3
802K08682	PL 6.3
802K08850	PL 6.5
802K09190	PL 13.5
802E30660	PL 2.25
802K31420	PL 11.3
802K31691	PL 9.5
802E61670	PL 11.3
802E61690	PL 11.2

Table 1 Part Number Index

Part Number	Part List
809E02991	PL 13.11
809E06330	PL 7.6
809E06360	PL 7.7
809E06370	PL 7.10
809E06380	PL 7.10
809E06401	PL 7.8
809E06530	PL 8.7
809E06550	PL 6.7
809E06730	PL 8.3
809E06770	PL 8.8
809E06790	PL 6.3
809E07770	PL 2.8
809E07780	PL 2.8
809E08090	PL 2.15
809E08690	PL 1.3
809E08810	PL 6.5
809E08900	PL 14.1
809E09040	PL 2.20
809E09100	PL 2.6
809E09110	PL 3.4
809E09150	PL 2.21
809E09171	PL 2.22
809E09180	PL 2.22
809E09190	PL 8.2
809E09210	PL 2.22
809E09410	PL 2.10
	PL 2.11
809E09430	PL 2.15
809E09470	PL 2.10
809E09530	PL 2.26
809E11120	PL 12.5
809E11130	PL 12.2
809E14570	PL 13.13
809E14710	PL 2.20
809E15180	PL 6.1
809E15210	PL 3.4
809E16580	PL 2.20
809E16590	PL 2.20
809E17001	PL 7.8
809E17010	PL 7.8
809E19010	PL 8.7

Table 1 Part Number Index

Part Number	Part List
809E19530	PL 2.5
809E19540	PL 2.5
809E19560	PL 2.6
809E20210	PL 2.20
830E09140	PL 2.6
830E09800	PL 9.3
830E09840	PL 2.9
830E17550	PL 9.3
830E17801	PL 13.2
830E17961	PL 2.9
830E19412	PL 13.1
830E20010	PL 11.1
830E32600	PL 13.5
	PL 13.8
	PL 13.7
	PL 13.6
830E33491	PL 14.1
830E81410	PL 7.6
891E48750	PL 2.1
891E49060	PL 2.1
891E49510	PL 2.1
891E49520	PL 2.1
891E50480	PL 8.2
891E51561	PL 2.18
891E51571	PL 2.18
891E51581	PL 2.9
891E51590	PL 2.9
891E51600	PL 2.9
891E65180	PL 12.1
891E65210	PL 12.1
891E73331	PL 13.9
891E73431	PL 13.9
891E73441	PL 13.4
891E73451	PL 13.4
891E73880	PL 2.9
891E73900	PL 2.9
891E73914	PL 2.9
891E73971	PL 2.9
891E73982	PL 2.9
891E74003	PL 6.2
891E74014	PL 6.2

Table 1 Part Number Index

Part Number	Part List
891E74023	PL 6.2
891E74033	PL 6.2
891E74062	PL 2.18
891E75721	PL 11.2
891E75951	PL 11.2
891E75990	PL 8.2
891E76001	PL 8.2
891E76010	PL 8.2
891E76020	PL 8.2
891E76040	PL 8.2
891E76090	PL 2.1
891E77561	PL 12.1
891E78020	PL 2.1
891E78030	PL 2.1
891E80400	PL 2.1
891E80410	PL 2.1
891E80420	PL 2.1
891E80481	PL 2.1
891E82980	PL 2.1
891E82991	PL 2.25
892E02000	PL 11.2
908W00131	PL 9.3
908W00134	PL 9.3
908W00909	PL 9.3
908W00914	PL 9.3
910W00122	PL 9.1
910W00211	PL 9.1
913W01399	PL 25.1
913W01400	PL 25.1
913W02310	PL 8.5
962K01810	PL 9.1
962K01820	PL 9.1
962K01830	PL 9.1
962K01840	PL 9.1