

**5. PARTS LIST SECTION**

TITLE	PAGE	TITLE	PAGE
<u>INTRODUCTION</u> .....	5-2	<b>FRAMES AND COVERS</b>	
<u>PARTS LIST</u>		PL 7.1 EXTERIOR COVERS (W/O SDF) .....	5-25
<b>DRIVES</b>		PL 7.2 DOCUMENT COVER .....	5-26
PL 1.1 MAIN DRIVES .....	5-4	PL 7.3 CONTROL CONSOLE .....	5-27
<b>PAPER SUPPLY AND FEEDING</b>		<b>SDF</b>	
PL 2.1 PAPER FEED UNIT .....	5-5	PL 8.1 SDF (PART 1 OF 3) .....	5-28
PL 2.2 ALTERNATE TRAY .....	5-6	PL 8.2 SDF (PART 2 OF 3) .....	5-29
PL 2.3 SINGLE SHEET BYPASS .....	5-7	PL 8.3 SDF (PART 3 OF 3) .....	5-30
PL 2.4 250 SHEET TRAY .....	5-8	PL 8.4 SDF REGISTRATION GUIDE AND END COVER .....	5-31
PL 2.5 100 SHEET TRAY .....	5-9	<b>COMMON HARDWARE</b> .....	5-32
PL 2.6 TRAY 2 FRAMES .....	5-10	<u>PART NUMBER INDEX</u> .....	5-33
PL 2.7 TRAY 2 FEEDER ASSEMBLY .....	5-11		
<b>OPTICS</b>			
PL 3.1 OPTICS (1 OF 6) .....	5-12		
PL 3.2 OPTICS (2 OF 6) .....	5-13		
PL 3.3 OPTICS (3 OF 6) .....	5-14		
PL 3.4 OPTICS (4 OF 6) .....	5-15		
PL 3.5 OPTICS (5 OF 6) .....	5-16		
PL 3.6 OPTICS (6 OF 6) .....	5-17		
<b>XEROGRAPHICS</b>			
PL 4.1 TRANSFER/DETACK COROTRON ASSEMBLY .....	5-18		
PL 4.2 TONER CARTRIDGE AND DRUM CARTRIDGE .....	5-19		
<b>COPY TRANSPORTATION AND FUSING</b>			
PL 5.1 FUSER ASSEMBLY .....	5-20		
PL 5.2 PRESSURE ROLL AND DRIVES .....	5-21		
<b>ELECTRICAL COMPONENTS</b>			
PL 6.1 ELECTRICAL COMPONENTS (1 OF 3) .....	5-22		
PL 6.2 ELECTRICAL COMPONENTS (2 OF 3) .....	5-23		
PL 6.3 ELECTRICAL COMPONENTS (3 OF 3) .....	5-24		

## OVERVIEW

The Parts List section identifies all part numbers and the corresponding location of all spared subsystem components.

## ORGANIZATION

### PARTS LISTS

Each item number in the part number listing corresponds to an item number in the related illustration. All the parts in a given subsystem of the machine will be located in the same illustration or in a series of associated illustrations.

### ELECTRICAL CONNECTORS AND FASTENERS

This section contains the illustrations and descriptions of the plugs, jacks, and fasteners used in the machine. A part number listing of the connectors is included.

### COMMON HARDWARE

The common hardware is listed in alphabetical order by the letter or letters used to identify each item in the part number listing and in the illustrations. Dimensions are in millimeters unless otherwise identified.

### PART NUMBER INDEX

This index lists all the spared parts in the machine in numerical order. Each number is followed by a reference to the parts list on which the part may be found.

## OTHER INFORMATION

### ABBREVIATIONS

Abbreviations are used in the parts lists and the exploded view illustrations to provide information in a limited amount of space. The following abbreviations are used in this manual:

- A3** - 297 x 420 Millimeters
- A4** - 210 x 297 Millimeters
- A5** - 148 x 210 Millimeters
- A** - Amp
- AO** - Americas Operations
- AD** - Auto Duplex
- ADF** - Automatic Document Feeder
- AWG** - American Wire Gauge
- DIA** - Diameter
- EMI** - Electro Magnetic Induction
- HZ** - Hertz
- ID** - Identification
- LEF** - Long Edge Feed
- M** - Millimeter
- MNL** - Multinational
- NOHAD** - Noise Ozone Heat Air Duct
- PL** - Parts List
- P/O** - Part Of
- PWB** - Printed Wiring Board
- REF** - Reference
- R/E** - Reduction/Enlargement
- SEF** - Short Edge Feed
- USMG** - United States Marketing Group
- USO** - United States Operations
- V** - Volt
- W/** - With

**W/O** - Without

**XCL** - Xerox Canada Limited

**XL** - Xerox Limited

**XLA** - Xerox Latin America

### SYMBOLGY

Symbolgy used in the Parts List section is identified in the Symbolgy section.

## SUBSYSTEM INFORMATION

### USE OF THE TERM "ASSEMBLY"

The term "assembly" will be used for items in the part number listing that include other itemized parts in the part number listing. When the word "assembly" is found in the part number listing, there will be a corresponding item number on the illustrations followed by a bracket and a listing of the contents of the assembly.

### BRACKETS

A bracket is used when an assembly or kit is spared, but is not shown in the illustration. The item number of the assembly or kit precedes the bracket; the item numbers of the piece parts follow the bracket.

### Tag/MOD

The notation "Tag/MOD" in the part description indicates that the item is the entire Tag/MOD. The notation "P/O Tag/MOD" indicates that the item is only part of a tag change, or modification, to the equipment.

When a part or an assembly has a Tag/Mod associated with it, check the change Tag/MOD Index in the General Information section of the Service Data for the name and purpose of the modification.

In some cases, a part or assembly may be spared in two versions: with the Tag/MOD and without the Tag/MOD. In those cases, use whichever part is appropriate for the configuration of the machine on which the part is to be installed. If the machine does not have a particular Tag/MOD and the only replacement part available is listed as "W/Tag/MOD," install the Tag/MOD kit or all of the piece parts. The Change Tag/MOD Index tells you which kit or piece parts you need.

Whenever you install a Tag/MOD kit or all the piece parts that make up a Tag/MOD, mark the appropriate number on the Tag/MOD matrix.

### SYMBOLOLOGY

A tag number within a circle and pointing to an item number shows that the part has been changed by the tag number within the circle (Figure 1). Information on the modification is in the Change Tag Index.

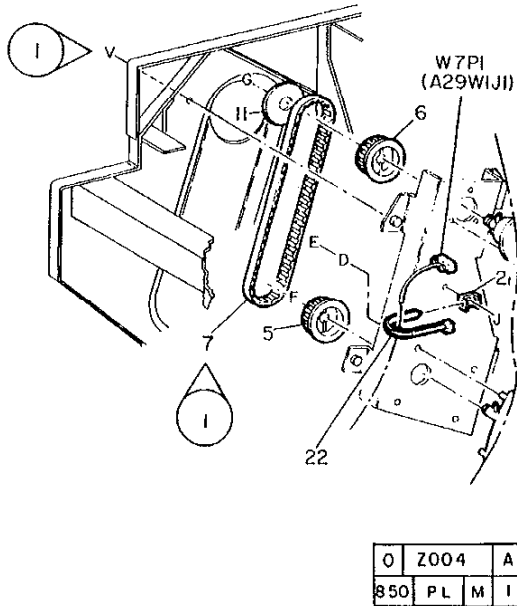


Figure 1. With Tag Symbol

A tag number within a circle having a shaded bar and pointing to an item number shows that the configuration of the part shown is the configuration before the part was changed by the tag number within the circle (Figure 2).

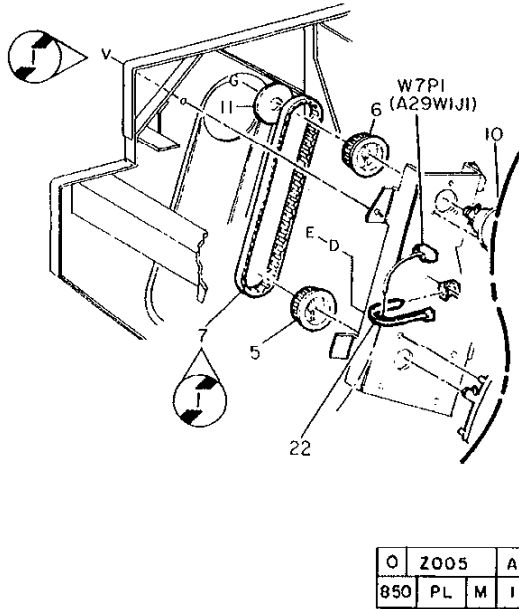


Figure 2. Without Tag Symbol

A tag number within a circle with no apex shows that the entire drawing has been changed by the tag number within the circle (Figure 3). Information on the modification is in the Change Tag Index.

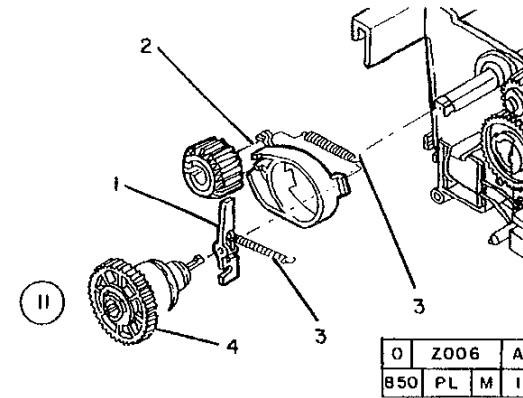


Figure 3. Entire Drawing With Tag Symbol

A tag number within a circle with no apex and having a shaded bar shows that the entire drawing was the configuration before being changed by the tag number within the circle (Figure 4).

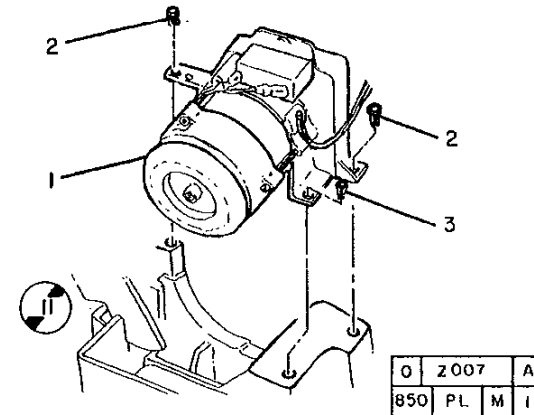
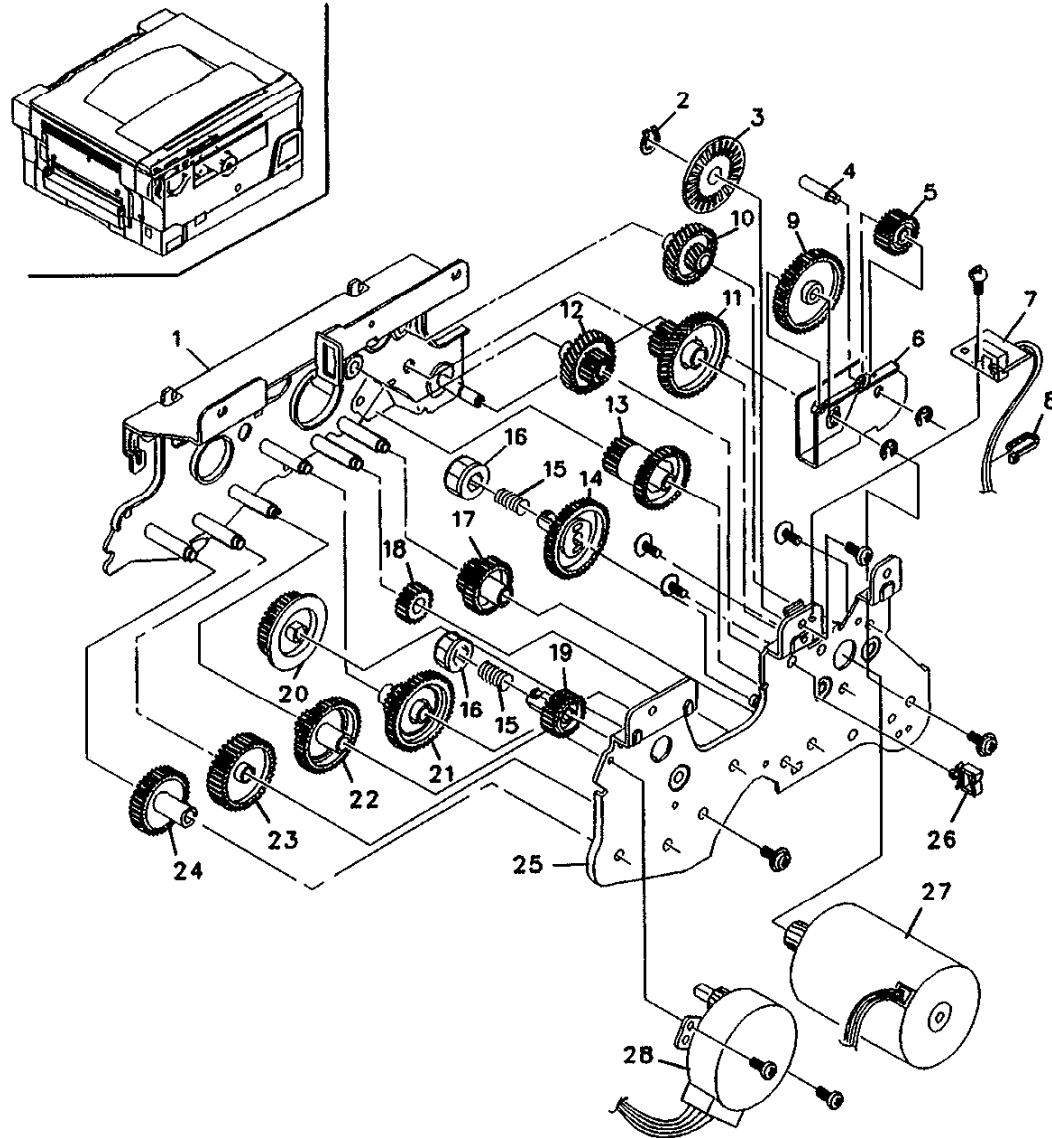


Figure 4. Entire Drawing Without Tag Symbol

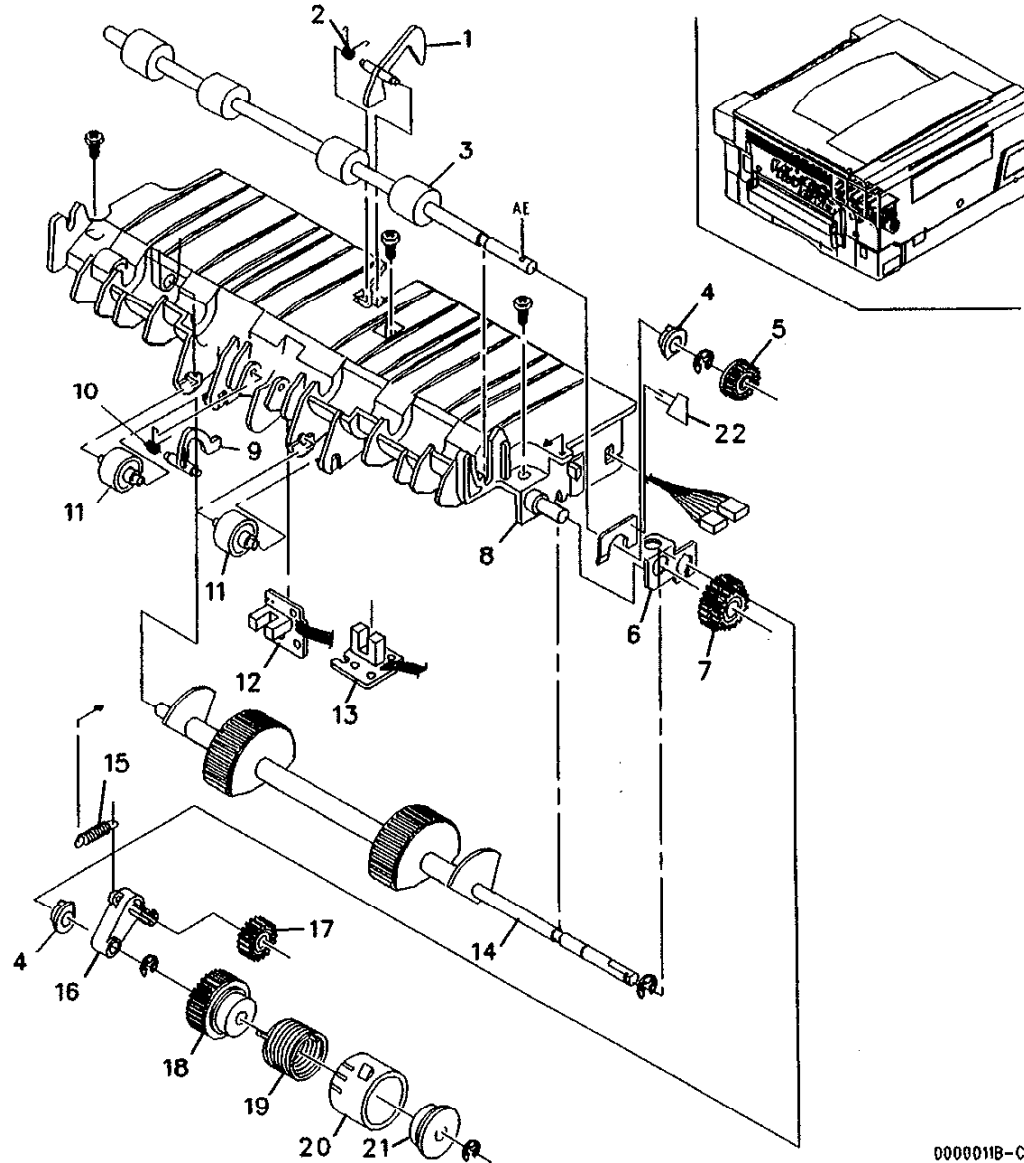
PL 1.1 MAIN DRIVES



ITEM	PART	DESCRIPTION
1	--	MAIN DRIVE PLATE (NOT SPARED)
2	--	RETAINING RING (NOT SPARED)
3	--	ENCODER DISC (NOT SPARED)
4	--	FUSER DRIVE SHAFT (NOT SPARED)
5	7E47500	GEAR
6	--	FUSER DRIVE BRACKET (NOT SPARED)
7	160K31590	MAIN MOTOR ENCODER (06) (REP 4.1)
8	--	CABLE TIE (NOT SPARED)
9	7E47490	GEAR
10	7E47430	GEAR
11	7E47440	GEAR
12	7E47410	GEAR
13	7E47450	GEAR
14	7E47420	GEAR
15	--	SPRING (NOT SPARED)
16	--	HUB (NOT SPARED)
17	7E47460	GEAR
18	7E47470	GEAR
19	7E14870	GEAR
20	7E47480	GEAR
21	7E47510	GEAR
22	7E47530	GEAR
23	7E47520	GEAR
24	7E47540	GEAR
25	--	MOTOR MOUNTING PLATE (NOT SPARED)
26	--	WIRE SUPPORT (NOT SPARED)
27	127K22070	MAIN DRIVE MOTOR (MOT 1) (REP 4.1)
28	127K22170	TONER MOTOR (MOT2) (REP 9.3)

0000013A-AP5

PL 2.1 PAPER FEED UNIT

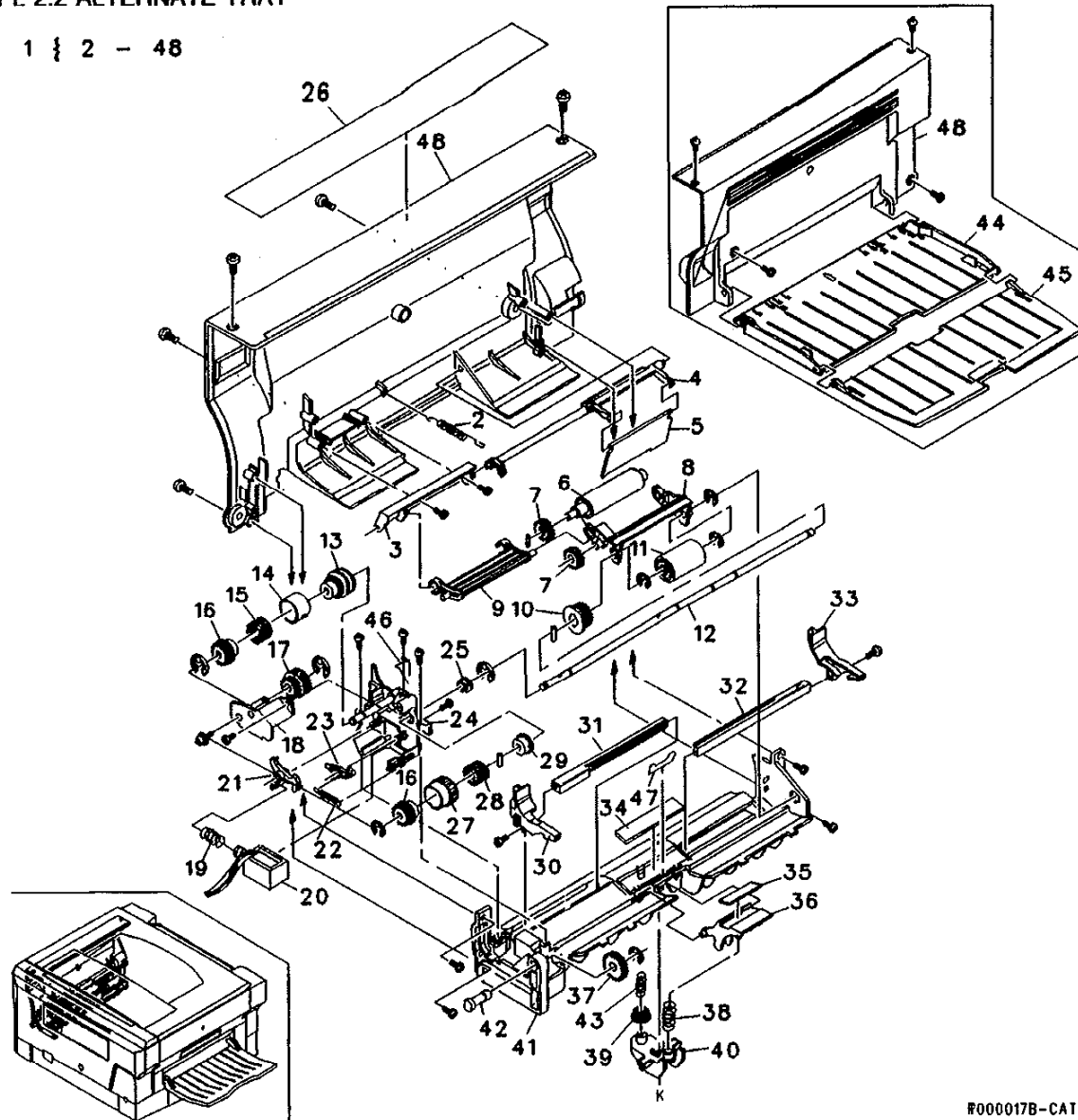


ITEM	PART	DESCRIPTION
1	120E14550	ACTUATOR
2	--	ACTUATOR SPRING (NOT SPARED)
3	22F20710	PRE-REGISTRATION ROLLER
4	--	BEARING (NOT SPARED)
5	7E29480	GEAR
6	--	GROUNDING PLATE (NOT SPARED)
7	7E47580	GEAR
8	--	FEEDER FRAME (NOT SPARED)
9	120E14540	ACTUATOR
10	--	ACTUATOR SPRING (NOT SPARED)
11	--	REVERSING ROLL (NOT SPARED)
12	160K31400	PAPER FEED SENSOR (Q1) (REP 8.3)
13	160K31410	REGISTRATION SENSOR (Q2) (REP 8.4)
14	22K53520	PAPER FEED ROLLER
15	--	SPRING (NOT SPARED)
16	--	PAPER FEED ARM (NOT SPARED)
17	7E47570	GEAR
18	7E47590	CLUTCH GEAR
19	9E17190	CLUTCH SPRING
20	16E12320	CLUTCH SLEEVE
21	5E4260	CLUTCH COLLAR
22	--	DISCHARGE BRUSH (NOT SPARED)

0000011B-CA1

PL 2.2 ALTERNATE TRAY

1 { 2 - 48

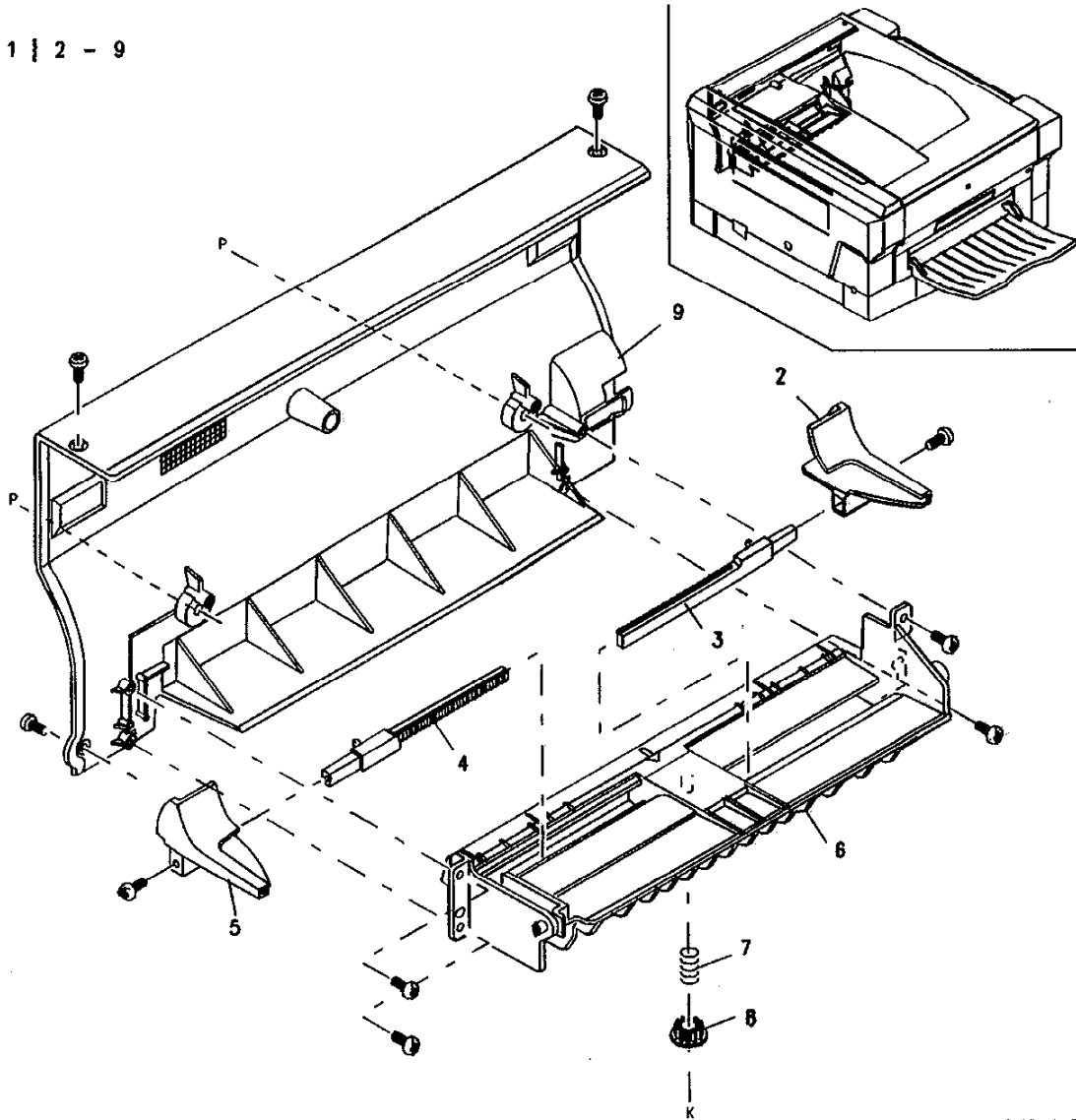


R000017B-CAT

ITEM	PART	DESCRIPTION
1	22K53540	ALTERNATE PAPER TRAY (XC810,XC875,XC1040, XC1045,XC1245)
2	--	SPRING (P/O ITEM 1)
3	--	HINGE (P/O ITEM 1)
4	--	HINGE (P/O ITEM 1)
5	3E27140	ALTERNATE TRAY GATE
6	22E20680	RETARD ROLL(REP 8.9)
7	7E29490	GEAR
8	--	FRAME (P/O ITEM 1)
9	--	ARM (P/O ITEM 1)
10	7E29480	GEAR
11	5E10560	FEED ROLL (REP 8.5)
12	--	SHAFT (P/O ITEM 1)
13	--	CAM HUB (P/O ITEM 1)
14	5E9520	COLLAR
15	9E57580	SPRING
16	5E9540	CAM BOSS
17	7E29500	GEAR
18	--	SUPPORT (P/O ITEM 1)
19	9E57470	SPRING
20	121E13160	ALTERNATE FEED SOLENOID (SOL.3) (REP 8.6)
21	7E25590	MANUAL FEED RATCHET
22	9E57530	SPRING
23	7E25600	PAWL
24	49E13390	BRACKET
25	16E9640	BUSHING
26	891E15230	LABEL (USO/XCL)
	891E15240	LABEL (XL)
27	5E9640	SLEEVE
28	9E57550	SPRING
29	5E9560	CAM BOSS
30	--	GUIDE
31	--	RACK (P/O ITEM 1)
32	--	RACK (P/O ITEM 1)
33	--	GUIDE (P/O ITEM 1)
34	--	GUIDE (P/O ITEM 1)
35	--	GUIDE (P/O ITEM 1)
36	--	PRESSURE PLATE (P/O 1)
37	7E29260	GEAR
38	--	SPRING (P/O ITEM 1)
39	7E47600	GEAR
40	--	SUPPORT (P/O ITEM 1)
41	--	FEED FRAME (P/O 1)
42	--	SHAFT (P/O ITEM 1)
43	--	SPRING (P/O ITEM 1)
44	50E13130	INPUT TRAY
45	50E13140	TRAY EXTENSION
46	--	SPRING (P/O ITEM 1)
47	--	GUIDE (P/O ITEM 1)
48	--	RIGHT COVER (REP 14.4)

PL 2.3 SINGLE SHEET BYPASS

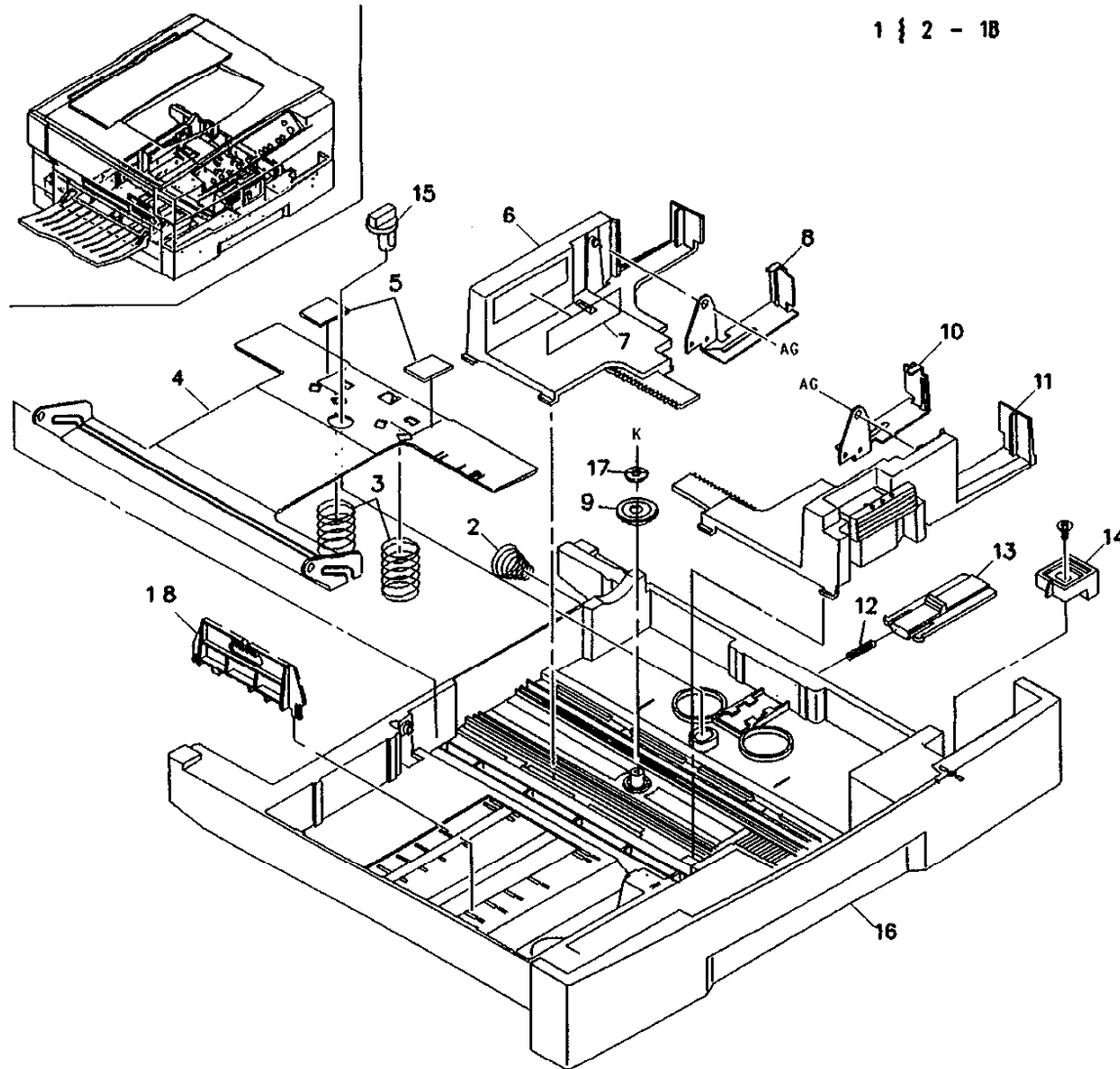
1 | 2 - 9



ITEM	PART	DESCRIPTION
1	22K53550	SINGLE SHEET BYPASS ASSEMBLY
2	--	GUIDE (P/O ITEM 1)
3	--	RACK (P/O ITEM 1)
4	--	RACK (P/O ITEM 1)
5	--	GUIDE (P/O ITEM 1)
6	--	FRAME (P/O ITEM 1)
7	--	SPRING (P/O ITEM 1)
8	7E47600	GEAR
9	--	RIGHT COVER (P/O ITEM 1) (REP 14.4)

0000018B-CAT

PL 2.4 250 SHEET TRAY



1 { 2 - 18

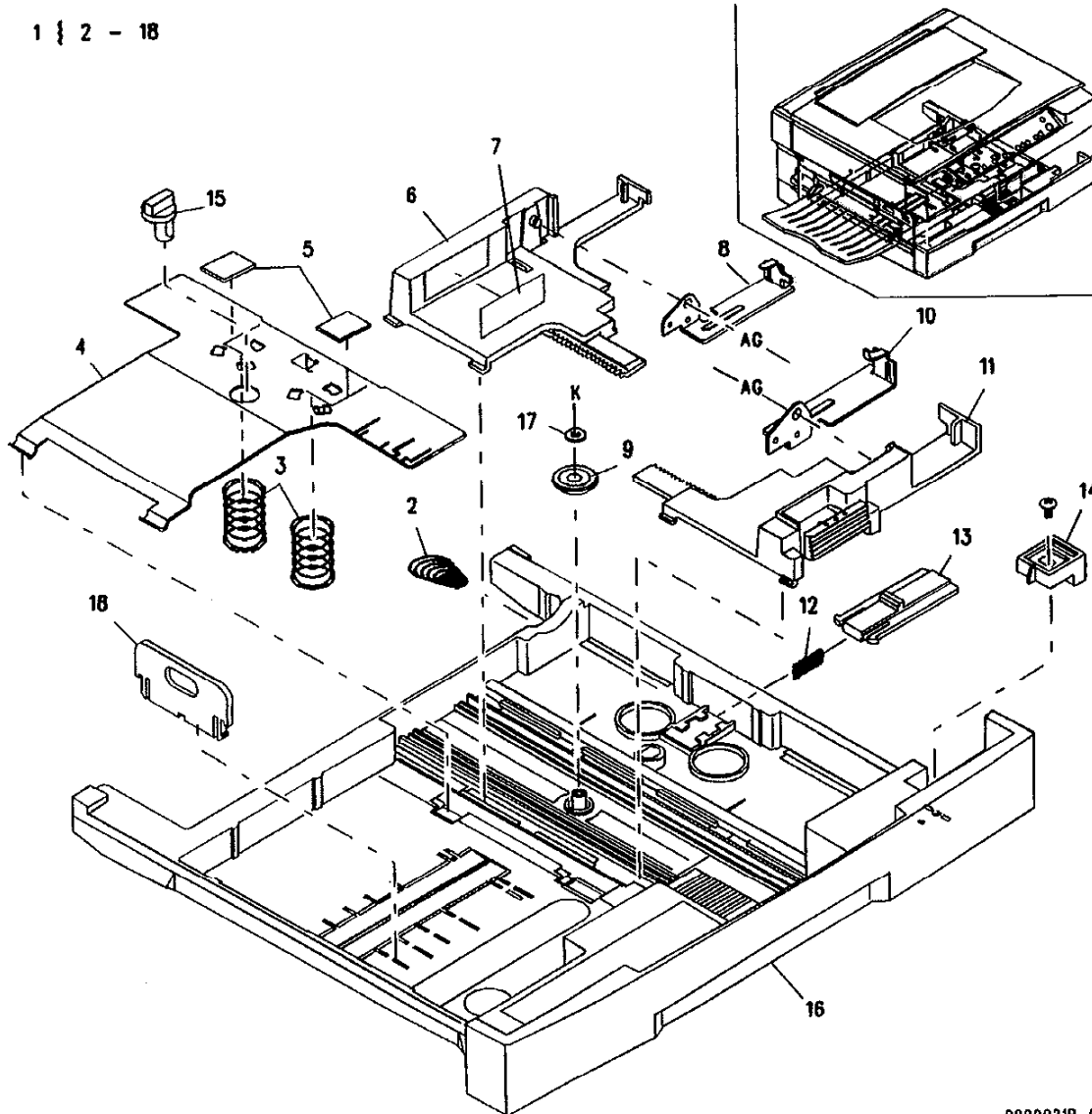
ITEM	PART	DESCRIPTION
1	50K35090	250 SHEET PAPER TRAY ASSEMBLY
2	--	TRAY SPRING (P/O ITEM 1)
3	809E11960	LIFT SPRING
4	--	PAPER PRESSURE PLATE (P/O ITEM 1)
5	19E37760	RETARD PAD
6	--	REAR PAPER GUIDE (P/O ITEM 1)
7	891E15250	LOAD LABEL
8	19E37840	REAR PAPER SNUBBER
9	--	GEAR (P/O ITEM 1)
10	19E37850	FRONT PAPER SNUBBER
11	--	FRONT PAPER GUIDE (P/O ITEM 1)
12	--	SPRING (P/O ITEM 1)
13	--	PLATE RELEASE (P/O ITEM 1)
14	3E44340	TRAY STOPPER (ADJ 8.4)
15	120E10520	PRESSURE PLATE LOCK
16	--	TRAY FRAME (P/O ITEM 1)
17	--	WASHER (P/O ITEM 1)
18	3E26060	PAPER SIZE GUIDE

0000208-CAT



PL 2.5 100 SHEET TRAY

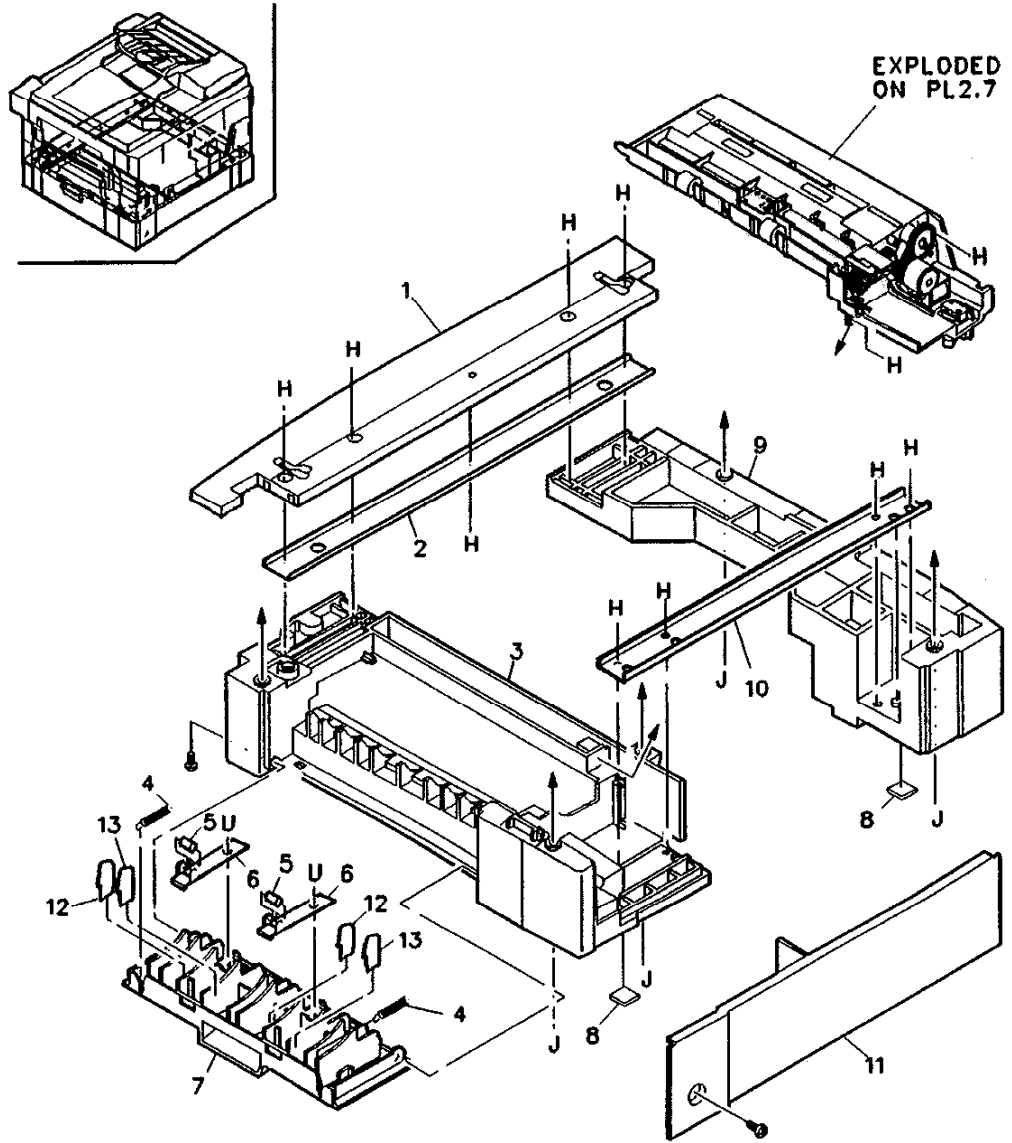
1 { 2 - 18



ITEM	PART	DESCRIPTION
1	50K35100	100 SHEET PAPER TRAY ASSEMBLY
2	--	TRAY SPRING (P/O ITEM 1)
3	809E11970	LIFT SPRING
4	--	PAPER PRESSURE PLATE (P/O ITEM 1)
5	19E37760	RETARD PAD
6	--	REAR PAPER GUIDE (P/O ITEM 1)
7	891E15250	LOAD LABEL
8	19E37820	REAR PAPER SNUBBER
9	--	GEAR (P/O ITEM 1)
10	19E37830	FRONT PAPER SNUBBER
11	--	FRONT PAPER GUIDE (P/O ITEM 1)
12	--	SPRING (P/O ITEM 1)
13	--	PLATE RELEASE (P/O ITEM 1)
14	3E44340	TRAY STOPPER (ADJ 8.4)
15	120E10520	PRESSURE PLATE LOCK
16	--	TRAY FRAME (P/O ITEM 1)
17	--	WASHER (P/O ITEM 1)
18	3E26050	PAPER SIZE GUIDE

00000218-CAT

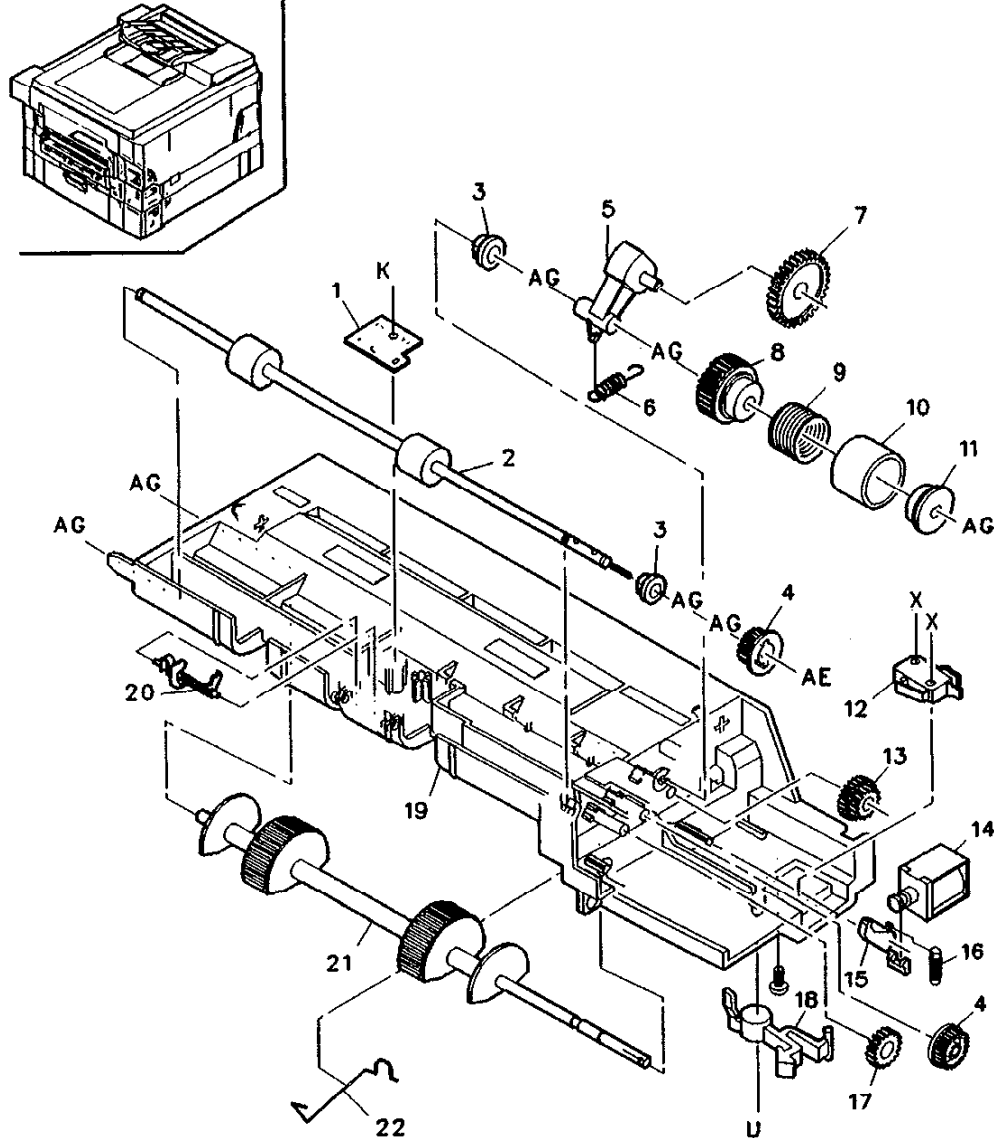
PL 2.6 TRAY 2 FRAMES



ITEM	PART	DESCRIPTION
1	--	TRAY 2 FRONT COVER
2	--	TIE BAR
3	--	RIGHT FRAME
4	809E11980	SPRING
5	22E22050	ROLLER
6	809E11990	LEAF SPRING
7	48E57210	TRANSPORT COVER
8	17E8540	FOOT
9	--	GUIDE
10	--	REAR TIE BAR
11	48E57220	REAR COVER (REP 8.10)
12	--	MYLAR SHEET
13	--	ADHESIVE SHEET

000026A-CAT

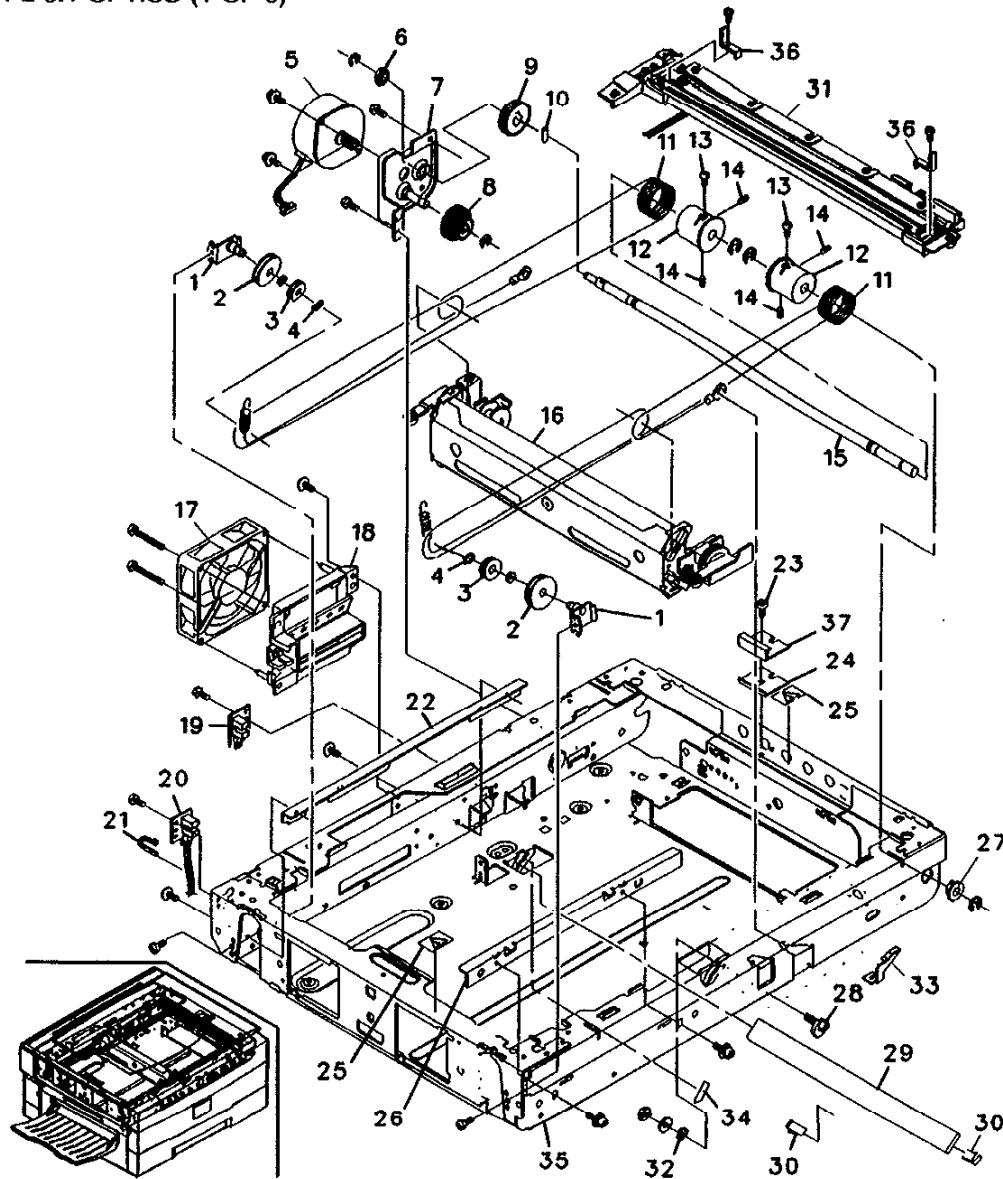
PL 2.7 TRAY 2 FEEDER ASSEMBLY



ITEM	PART	DESCRIPTION
1	160K31600	TRAY 2 PAPER FEED SENSOR (Q9) (REP 8.13)
2	22F20730	TRANSPORT ROLLER (REP 8.17)
3	13E12360	BEARING
4	7E29480	GEAR
5	31E8940	ARM
6	809E12000	SPRING
7	7E47670	GEAR
8	7E47590	CLUTCH GEAR
9	9E17190	CLUTCH SPRING
10	16E12320	CLUTCH HOUSING (REP 8.16)
11	5E4260	CLUTCH END CAP
12	110E8330	TRAY 2 DETECT SWITCH (S4) (REP 8.14)
13	7E47580	GEAR
14	121E13130	TRAY 2 PAPER FEED SOLENOID (SOL 4) (REP 8.12)
15	--	PAPER FEED CLUTCH PAWL
16	809E12010	SPRING
17	7E29490	GEAR
18	120E16020	ACTUATOR
19	--	FRAME
20	120E16030	ACTUATOR
21	22K53530	PAPER FEED ROLLER (REP 8.15)
22	809E12020	GROUNDING SPRING

0000027A-CAT

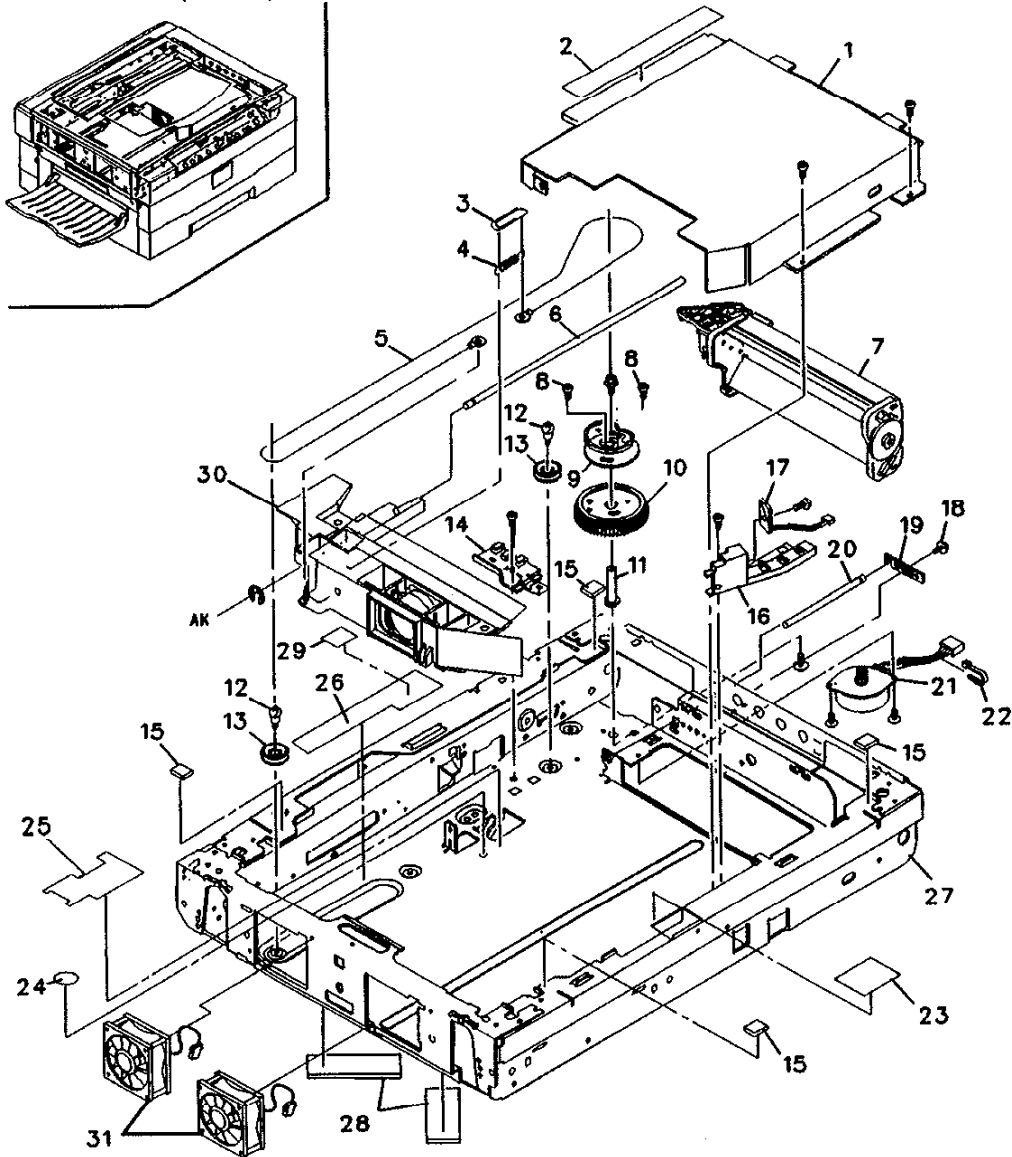
PL 3.1 OPTICS (1 OF 6)



0000004B-CA1

ITEM	PART	DESCRIPTION
1	--	PULLEY SHAFT (NOT SPARED)
2	20E30180	PULLEY
3	20E30190	SMALL PULLEY
4	--	RETAINING RING
5	127K22090	SCAN DRIVE MOTOR (MOT6) (REP 6.8)
6	13E9790	BEARING
7	--	SCAN DRIVE MOTOR PLATE (NOT SPARED)
8	7E47610	SCAN MOTOR GEAR
9	7E29550	SCAN SHAFT GEAR
10	--	DRIVE PIN (NOT SPARED)
11	12K3290	SCAN CABLE (REP 6.11)
12	20E28580	SCAN SHAFT HUB
13	--	HUB SCREW (NOT SPARED)
14	--	SET SCREW (NOT SPARED)
15	--	SCAN SHAFT (NOT SPARED)
16	--	NO. 2/3 MIRROR CARRIAGE (NOT SPARED) (ADJ 6.5)
17	127K22110	OPTICS COOLING FAN (MOT 3) (REP 6.3)
18	--	FAN DUCT (NOT SPARED)
19	160K31430	LENS HOME SENSOR (Q7) (REP 6.6)
20	160K31420	SCAN HOME SENSOR (Q5) (REP 6.7)
21	--	CABLE TIE (NOT SPARED)
22	--	REAR SCAN RAIL
23	--	SCREW (NOT SPARED)
24	--	PLATEN GLASS PAD RETAINER
25	891E15270	HIGH VOLTAGE CAUTION LABEL
26	--	FRONT SCAN RAIL (NOT SPARED)
27	13E10120	SCAN SHAFT BEARING
28	--	SCREW (NOT SPARED)
29	62E8360	NO. 6 MIRROR MIRROR CLAMP (NOT SPARED)
30	--	(NOT SPARED)
31	--	(DELETED)
32	--	WASHER (NOT SPARED)
33	--	REFLECTOR (NOT SPARED)
34	--	REFLECTOR (R) (NOT SPARED)
35	--	OPTICS FRAME (NOT SPARED)
36	--	CABLE CLAMP (NOT SPARED)
37	19E37810	DOCUMENT GLASS PAD

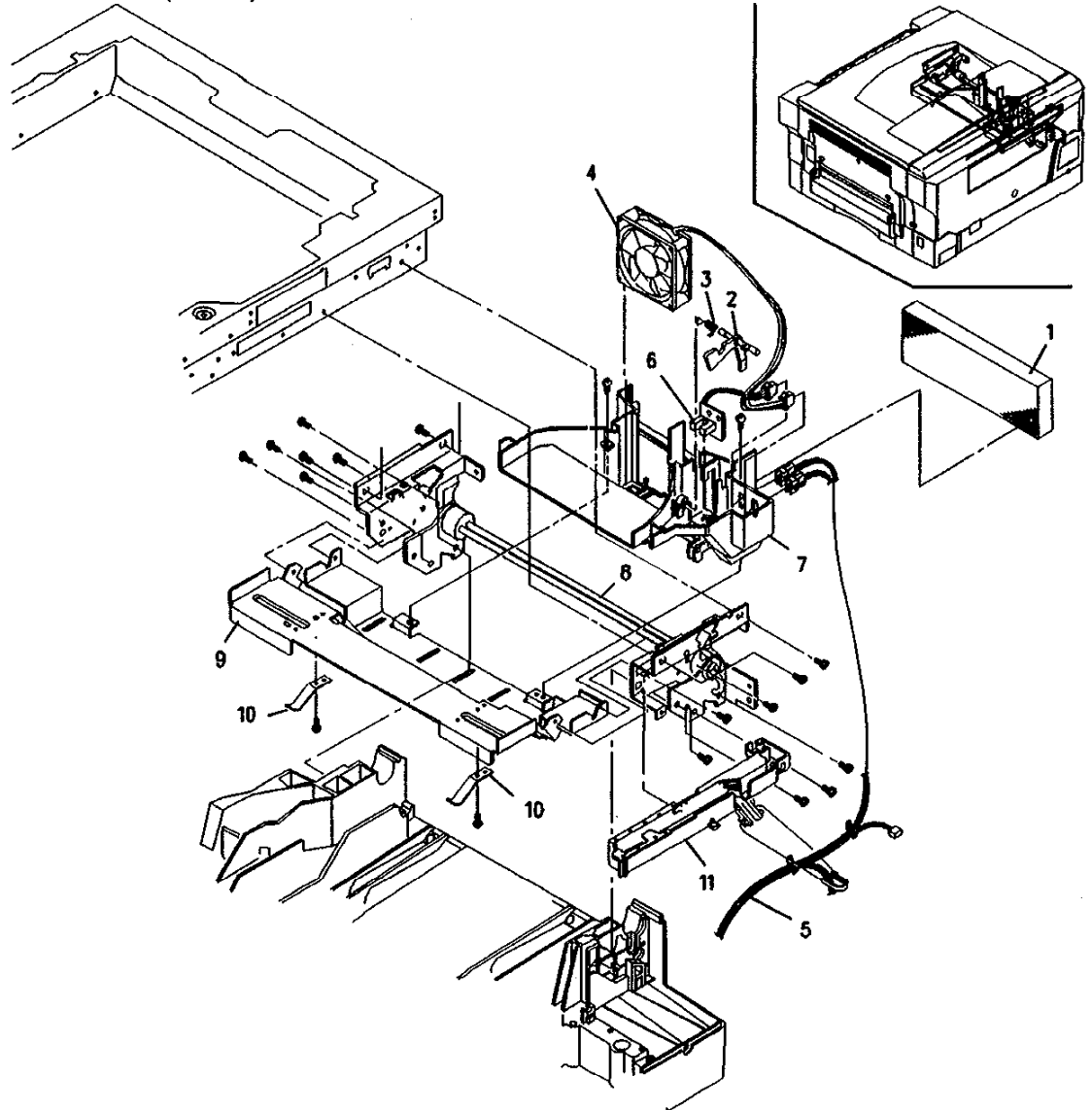
PL 3.2 OPTICS (2 OF 6)



0000005C-CAT

ITEM	PART	DESCRIPTION
1	48E51250	LENS COVER (REP 6.9)
2	--	INSULATOR (NOT SPARED) (220V ONLY)
3	--	CABLE STOP (NOT SPARED)
4	809E12030	LENS CABLE SPRING
5	23K920	LENS CABLE
6	--	LENS SHAFT (NOT SPARED)
7	62K9100	NO. 4/5 MIRROR CARRIAGE (REP 6.10, ADJ 6.3 6.7)
8	--	SCREW (NOT SPARED)
9	--	CAM (NOT SPARED) (ADJ 6.4)
10	20E28590	LENS DRIVE PULLEY
11	--	LENS DRIVE SHAFT (NOT SPARED)
12	--	SCREW (NOT SPARED)
13	--	LENS CABLE PULLEY (NOT SPARED)
14	--	PLATE (NOT SPARED)
15	4E10840	DOCUMENT GLASS CUSHION
16	--	AUTO EXPOSURE SENSOR BRACKET (NOT SPARED)
17	160K31390	AUTO EXPOSURE SENSOR (CR1) (REP 6.4, ADJ 6.1)
18	--	SCREW (NOT SPARED)
19	--	SHAFT FASTENING PLATE
20	--	NO. 4/5 MIRROR SHAFT (NOT SPARED)
21	600K65060	LENS DRIVE MOTOR KIT (MOT5)(TAG P-2) (REP 6.5)
22	--	CABLE TIE (NOT SPARED)
23	--	MIRROR 6 UPPER SHEET (NOT SPARED)
24	55E31290	SHIELD
25	--	MIRROR 6 UPPER SHEET (REAR) (NOT SPARED)
26	--	INSULATOR (220V) (NOT SPARED)
27	--	FRAME (NOT SPARED)
28	4E10850	FAN DUCT CUSHION
29	--	INSULATOR (220V) (NOT SPARED)
30	--	LENS ASSEMBLY (EXPLODED ON PL3.6) (ADJ 6.6)
31	127K24440	SDF OPTICS COOLING FAN (MOT 8, MOT 9)

PL 3.3 OPTICS (3 OF 6)

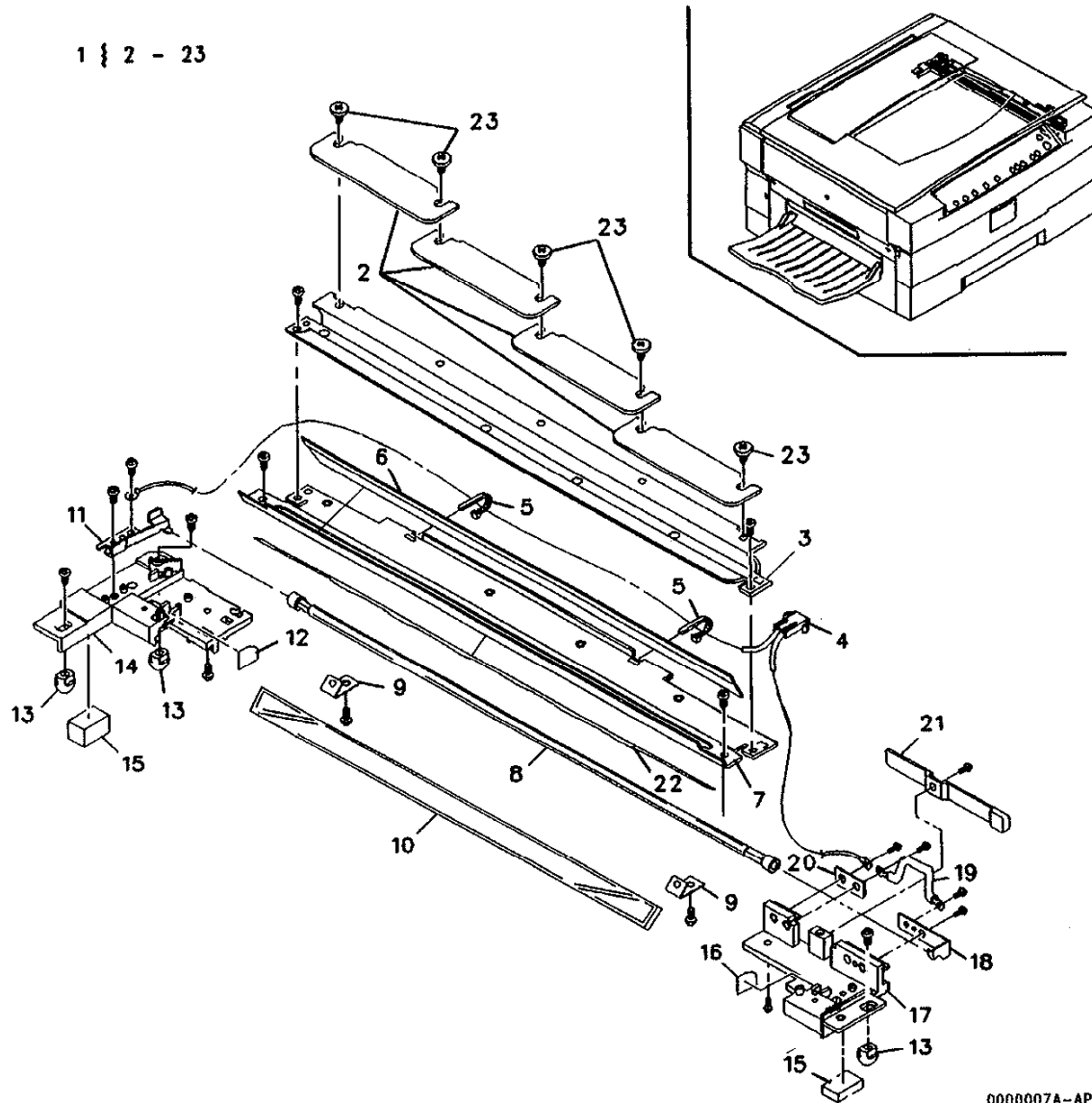


ITEM	PART	DESCRIPTION
1	53E4830	OZONE FILTER (REP 9.7)
2	120E14560	SENSOR ACTUATOR
3	--	SPRING (NOT SPARED)
4	127K22130	FUSER FAN MOTOR (MOT 4) (REP 10.10)
5	--	MAIN HARNESS (NOT SPARED)
6	160K31470	PAPER EXIT SENSOR (Q4) (REP 10.5)
7	--	FAN DUCT (NOT SPARED)
8	9K1760	TORSION SPRING UNIT (XC811/820/822/830 855/865/1250 1020/1033/1044/1255)
-	9K1770	TORSION SPRING UNIT (XC810/875/1040/1045/ 1245)
9	--	PLATE (NOT SPARED)
10	809E14420	SPRING
11	38E18810	HARNESS GUIDE

000006A-AP5

PL 3.4 OPTICS (4 OF 6)

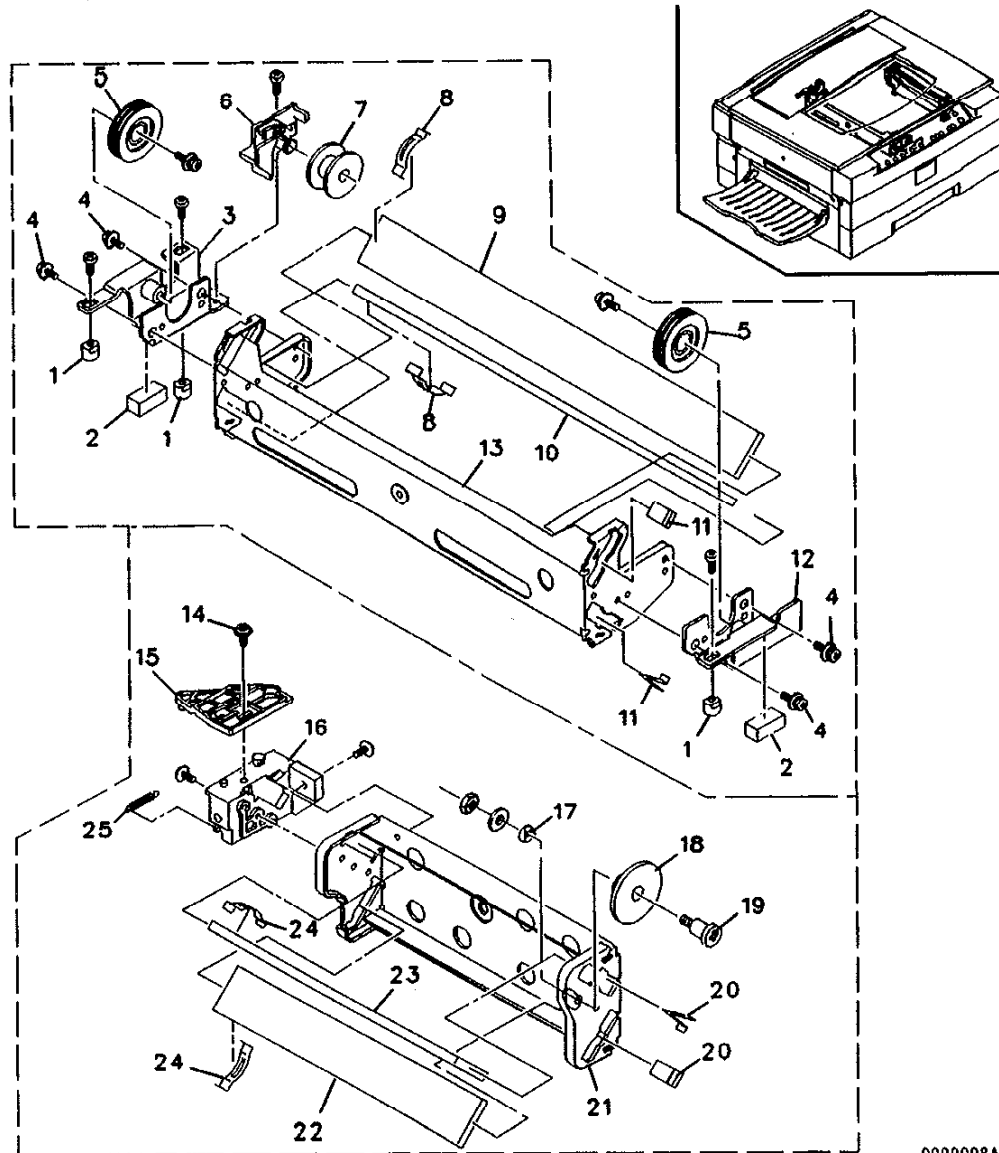
1 { 2 - 23



ITEM	PART	DESCRIPTION
1	--	(DELETED)
2	--	EXPOSURE CONTROL PLATE (P/O ITEM 1)
3	--	MAIN REFLECTOR (P/O ITEM 1)
4	--	HARNESS (P/O ITEM 1)
5	--	CABLE TIE (P/O ITEM 1)
6	--	REFLECTOR (P/O ITEM 1)
7	--	BASE PLATE (P/O ITEM 1)
8	122E2140	EXPOSURE LAMP (110V) (LP1)(REP 6.1, ADJ 6.1)
-	122E2150	EXPOSURE LAMP (220V) (LP1)(REP 6.1, ADJ 6.1)
9	809E12040	NO. 1 MIRROR SPRING CLIP
10	62E8310	NO. 1 MIRROR
11	115E5940	REAR LAMP CONTACT
12	--	REFLECTOR (P/O ITEM 1)
13	--	CARRIAGE PAD (P/O ITEM 1)
14	--	SIDE PLATE (P/O ITEM 1)
15	--	CUSHION (P/O ITEM 1)
16	--	SIDE REFLECTOR (P/O ITEM 1)
17	--	SIDE PLATE (P/O ITEM 1)
18	115E5951	FRONT LAMP CONTACT
19	108E4190	THERMAL FUSE (F1) (REP 6.2)
20	--	TERMINAL (P/O ITEM 1)
21	--	FUSE COVER (P/O ITEM 1)
22	--	REFLECTOR (P/O ITEM 1)
23	--	SCREW (NOT SPARED)

000007A-AP5

PL 3.5 OPTICS (5 OF 6)

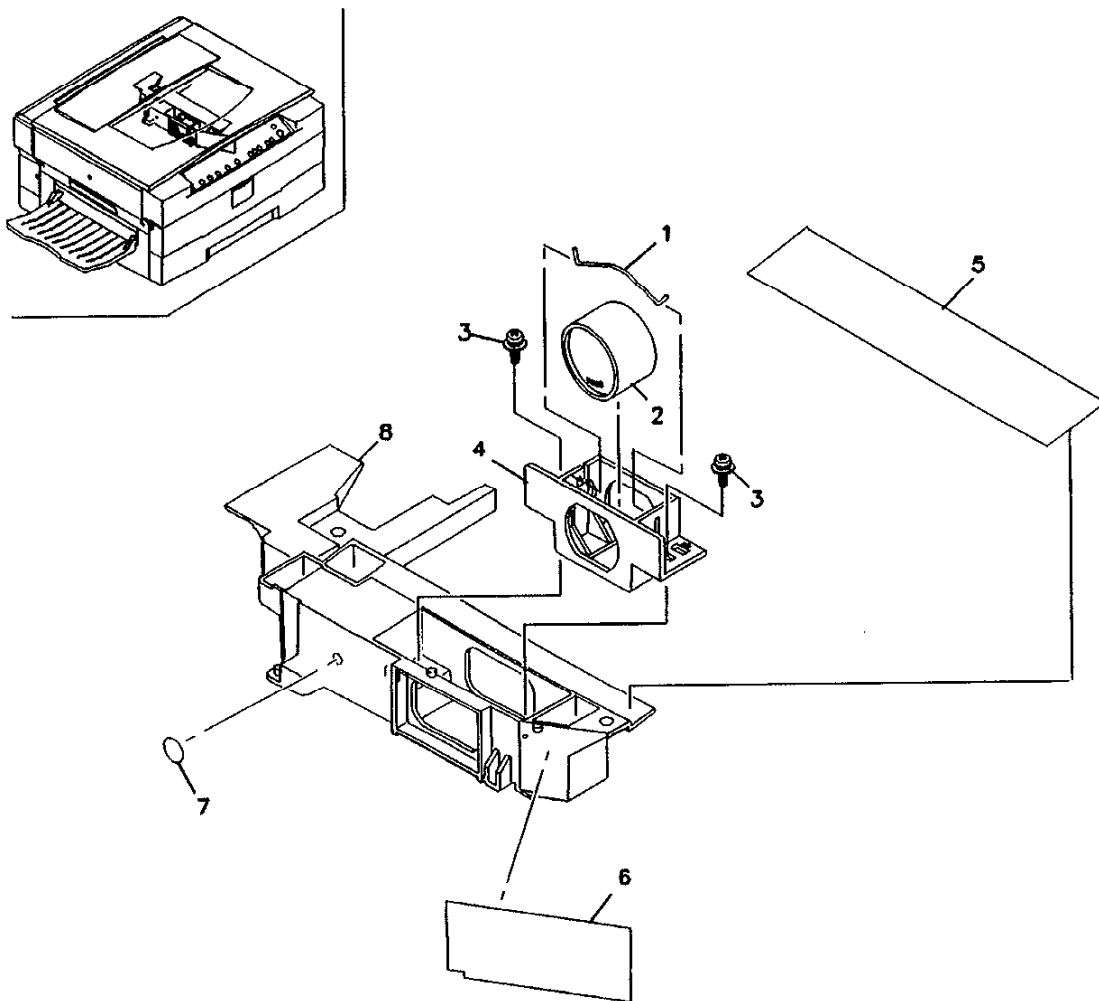


ITEM	PART	DESCRIPTION
1	--	CARRIAGE PAD (NOT SPARED)
2	--	CUSHION (NOT SPARED)
3	--	PULLEY SHAFT PLATE (NOT SPARED)
4	--	SCREW (NOT SPARED)
5	--	PULLEY (NOT SPARED)
6	--	PULLEY BRACKET (NOT SPARED)
7	--	PULLEY (NOT SPARED)
8	19E23740	NO. 2/3 MIRROR CLIP
9	62E8340	NO. 2 MIRROR
10	62E8350	NO. 3 MIRROR
11	19E23730	MIRROR CLIP (FRONT) (NOT SPARED)
12	--	PULLEY PLATE (FRONT) (NOT SPARED)
13	--	NO. 2/3 MIRROR CARRIAGE (NOT SPARED)
14	--	SCREW (NOT SPARED)
15	--	CARRIAGE PLATE (NOT SPARED)
16	--	REAR CARRIAGE SUPPORT (NOT SPARED)
17	--	WASHER (NOT SPARED)
18	--	COLLAR (NOT SPARED)
19	--	SHOULDER SCREW (NOT SPARED)
20	--	MIRROR SPRING CLIP (SAME AS ITEM 11)
21	--	NO. 4/5 MIRROR CARRIAGE (NOT SPARED)
22	62E8320	NO. 5 MIRROR
23	62E8330	NO. 4 MIRROR
24	--	REAR CLIP (SAME AS ITEM 8)
25	--	SPRING (NOT SPARED)

000008A-AP5



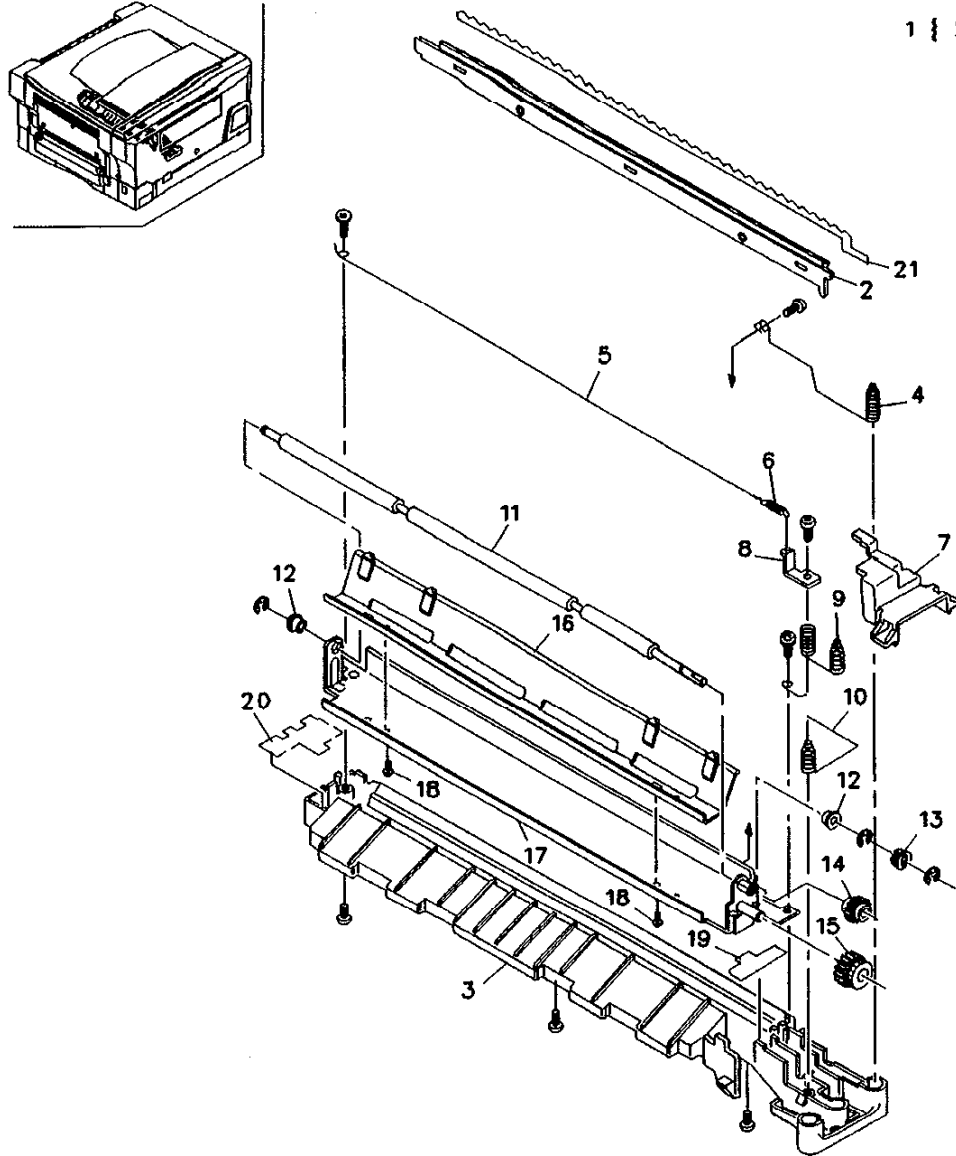
PL 3.6 OPTICS (6 OF 6)



ITEM	PART	DESCRIPTION
1	809E12050	LENS RETAINING SPRING
2	62E8250	LENS (REP 6.9)
3	--	SCREW (NOT SPARED)
4	19E37770	LENS HOUSING
5	55E39180	UPPER LENS SHIELD
6	55E39190	SIDE SHIELD
7	55E31290	SHIELD
8	--	LENS CARRIAGE (NOT SPARED)

000009A-AP5

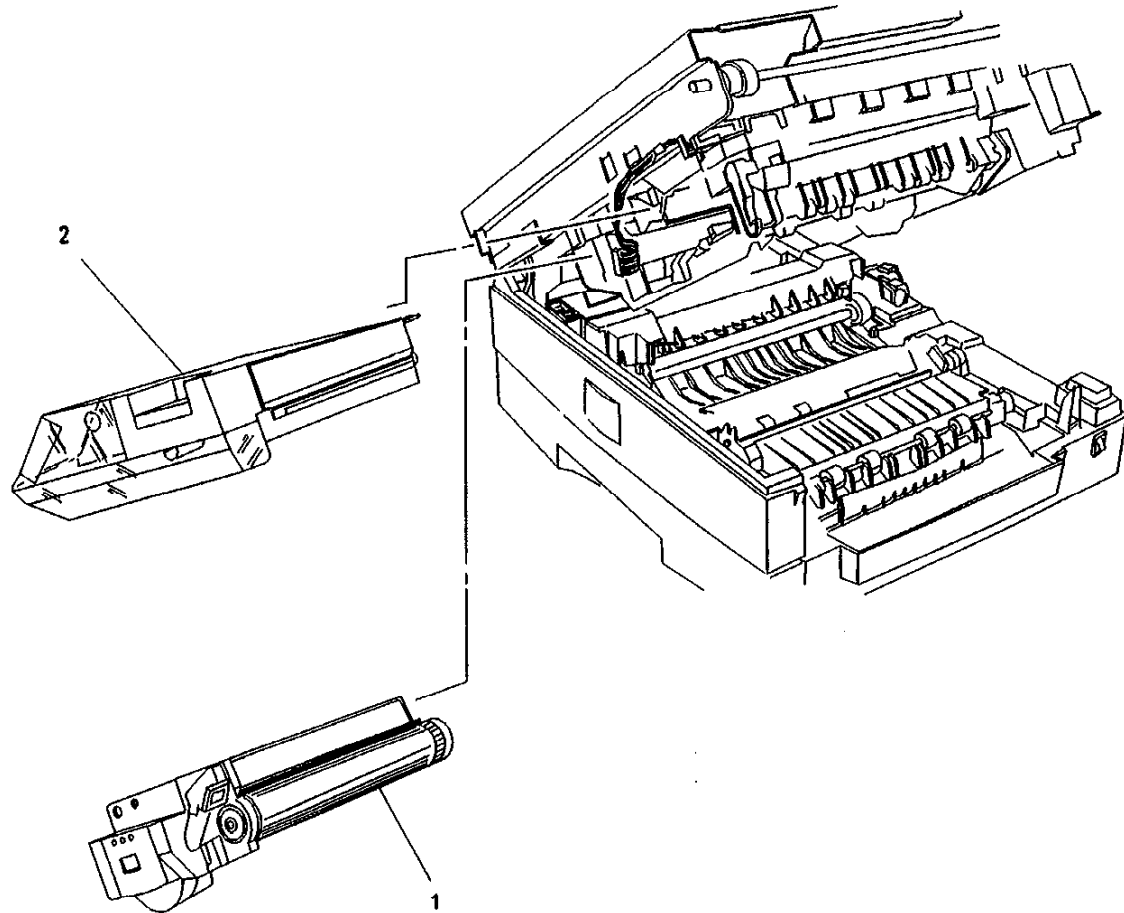
PL 4.1 TRANSFER/DETACK COROTRON ASSEMBLY



ITEM	PART	DESCRIPTION
1	125K2380	TRANSFER/DETACK COROTRON ASSEMBLY (REP 9.1)
2	38E17230	GUIDE
3	--	BASE (P/O ITEM 1)
4	--	ELECTRODE SPRING (P/O ITEM 1)
5	600K15950	COROTRON WIRE
6	9E58000	TENSION SPRING
7	48E57230	COVER
8	--	PLATE (P/O ITEM 1)
9	--	SPRING (P/O ITEM 1)
10	--	GROUNDING SPRING (P/O ITEM 1)
11	22E20720	ROLLER
12	13E9560	BEARING
13	7E47630	ROLLER GEAR
14	7E47550	DRIVE GEAR
15	7E47620	GEAR
16	--	CASE (P/O ITEM 1)
17	--	HOUSING (P/O ITEM 1)
18	--	SCREW (P/O ITEM 1)
19	118E13920	REAR INSULATOR
20	118E13930	FRONT INSULATOR
21	--	DETACK COROTRON (P/O ITEM 1)

0000019A-AP5

PL 4.2 TONER CARTRIDGE AND DRUM CARTRIDGE

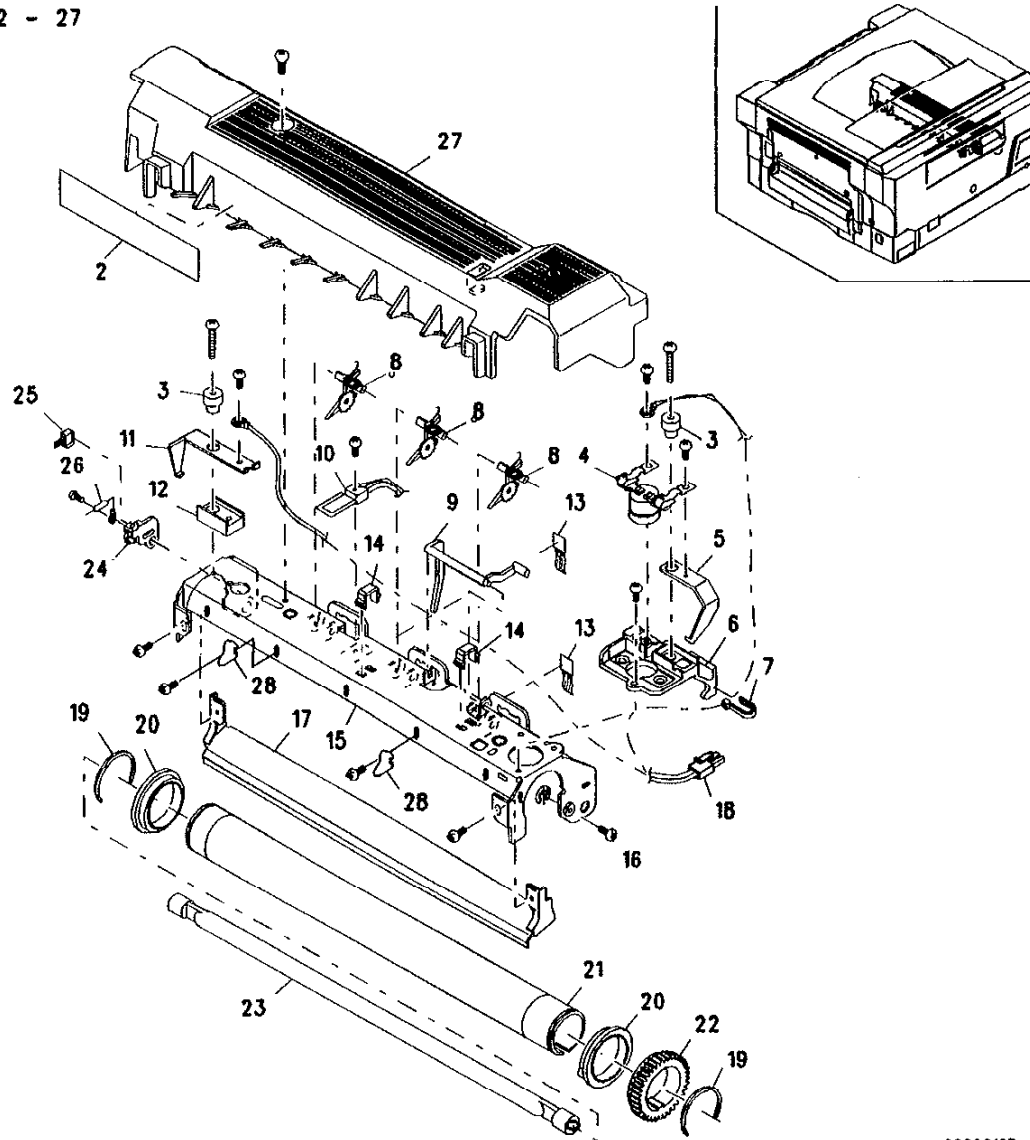


ITEM	PART	DESCRIPTION
1	13R544	DRUM CARTRIDGE (USO/XCL/XL WEST) (REP 9.2)
-	13R547	DRUM CARTRIDGE (AO/XL EAST) (REP 9.2)
2	6R881	TONER CARTRIDGE (USO/XCL/XL WEST) (REP 9.2)
-	6R890	TONER CARTRIDGE (AO/XL EAST) (REP 9.2)

0000022A-AP5

PL 5.1 FUSER ASSEMBLY

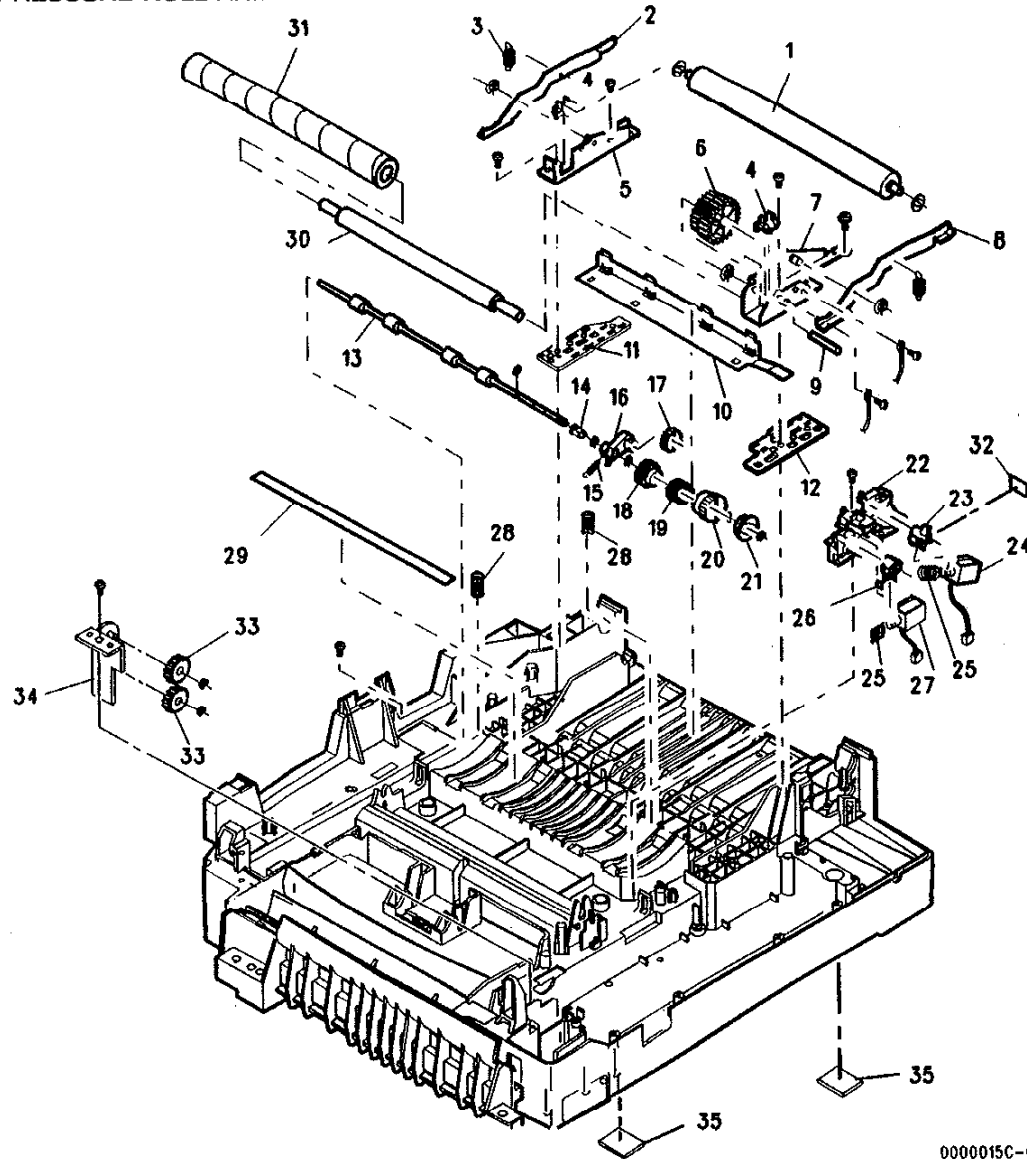
1 | 2 - 27



ITEM	PART	DESCRIPTION
1	126K7390	FUSER ASSEMBLY (120V) (REP 10.1)
-	126K7400	FUSER ASSEMBLY (220V) (REP 10.1)
2	891E15260	CAUTION LABEL
3	120E16040	LAMP SPRING RETAINER
4	130E7831	THERMOSTAT (S3) (REP 10.3)
5	115E5341	LAMP CONTACT (REAR)
6	--	THERMOSTAT SUPPORT (P/O ITEM 1)
7	--	CABLE TIE (P/O ITEM 1)
8	7E47400	STRIPPER FINGER
9	120E16050	ACTUATOR
10	130E7840	THERMISTOR (RT1) (REP 10.4)
11	115E5331	LAMP CONTACT (FRONT)
12	--	LAMP CONTACT SUPPORT (P/O ITEM 1)
13	--	DISCHARGE BRUSH (SAME AS ITEM 25)
14	--	HARNESS CLIP (P/O ITEM 10)
15	--	FUSER FRAME (P/O ITEM 1)
16	--	SCREW (P/O ITEM 1)
17	--	PAPER GUIDE (P/O ITEM 1)
18	--	HARNESS (P/O ITEM 1)
19	3E10140	RETAINING RING
20	13E12780	BEARING
21	22E20870	HEAT ROLLER (REP 10.7)
22	7E14961	HEAT ROLLER GEAR
23	122E2120	HEAT ROD (HTR1) (120V) (REP 10.2)
-	122E2130	HEAT ROD (HTR1) (220V) (REP 10.2)
24	--	RESISTOR BRACKET (P/O ITEM 1)
25	115E5960	DISCHARGE BRUSH
26	--	RESISTOR (P/O ITEM 1)
27	48E57240	FUSER COVER (REP 10.6)
28	38E18160	GUIDE

0000012B-CAT

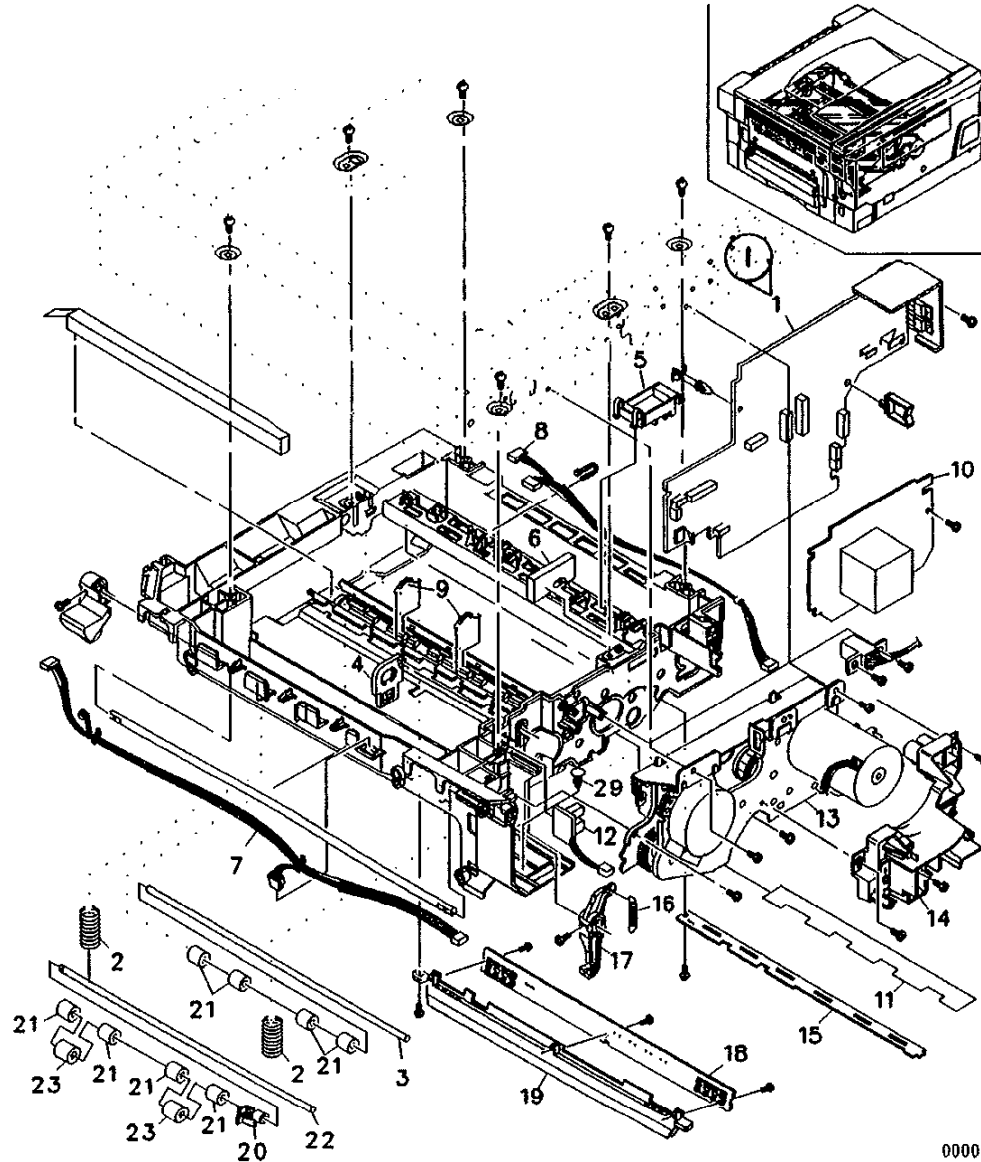
PL 5.2 PRESSURE ROLL AND DRIVES



ITEM	PART	DESCRIPTION
1	22E20700	PRESSURE ROLLER (FUSER) (REP 10.8)
2	--	PRESSURE ROLLER ARM (FRONT)(NOT SPARED)
3	809E12060	SPRING (NOT SPARED)
4	13E5110	PRESSURE ROLLER BEARING
5	--	FRONT BRACKET (NOT SPARED)
6	7E47560	FUSER GEAR
7	--	REAR BRACKET (NOT SPARED)
8	--	PRESSURE ROLLER ARM (REAR)(NOT SPARED)
9	--	SHAFT (NOT SPARED)
10	33E3580	PRESSURE ROLLER STRIPPER
11	--	FRONT FUSER PLATE
12	--	REAR FUSER PLATE
13	22E20890	REGISTRATION ROLLER
14	13E12330	BEARING
15	--	SPRING (NOT SPARED)
16	--	ARM (NOT SPARED)
17	7E47650	GEAR
18	5E9540	CLUTCH HUB
19	9E57580	CLUTCH SPRING
20	5E9640	CLUTCH SLEEVE
21	5E9510	CLUTCH BOSS
22	--	BRACKET (NOT SPARED)
23	7E47730	REG CLUTCH PAWL
24	121E13140	REGISTRATION ROLLER SOL (SOL2) (REP 8.2)
25	9E57470	SPRING
26	7E47720	PAPER FEED CLUTCH PAWL
27	121E13150	PAPER FEED SOLENOID (SOL1) (REP 8.1)
28	809E12070	SPRING
29	--	SHEET (NOT SPARED)
30	--	SHAFT (NOT SPARED)
31	22E21400	CLEANING ROLLER (REP 10.9)
32	4E10720	CUSHION
33	7E47680	GEAR (1255 ONLY)
34	--	GEAR BRACKET (NOT SPARED)
35	17E8540	FOOT PAD (2)

0000015C-CAT

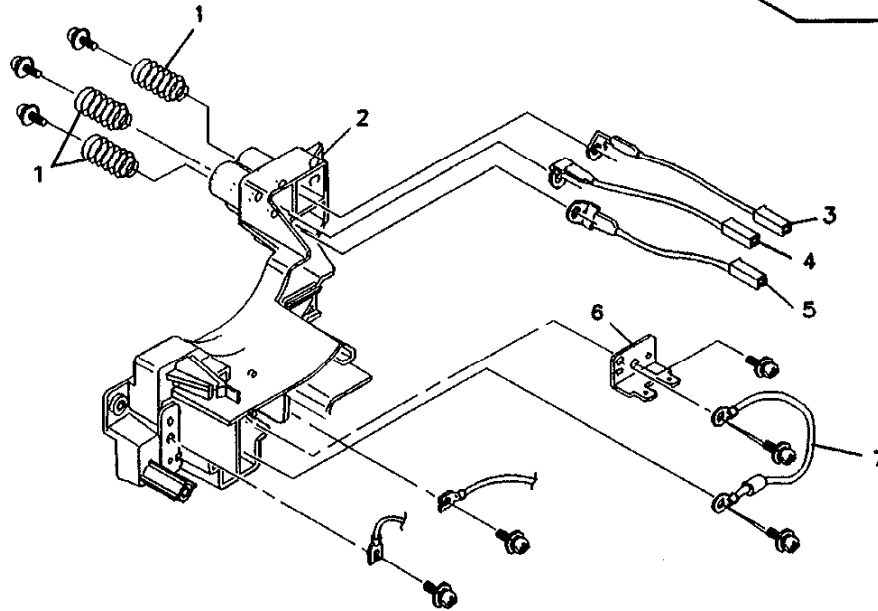
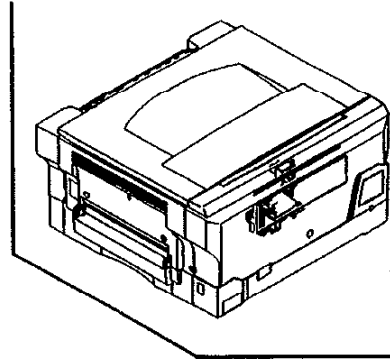
PL 6.1 ELECTRICAL COMPONENTS (1 OF 3)



0000010B-CAT

ITEM	PART	DESCRIPTION
1	160K31482	MAIN PWB (110V) (XC810,XC820,XC830) (REP 1.5)
-	160K31722	MAIN PWB (110V) (XC1020,XC1040) (REP 1.5)
-	160K31732	MAIN PWB (220V) (XC811,XC822,XC830) (REP 1.5)
-	160K31742	MAIN PWB (220V) (XC1033) (REP 1.5)
-	160K31762	(XC1245,XC1255)(220V)
-	160K31702	(XC1255)(110V)
-	160K31712	(XC1044,XC1045)(110V)
-	160K31752	(XC1044,XC1045)(220V)
-	160K49610	(XC1020/1040)(110V)
-	160K49750	(XC865)
-	160K49770	(XC865)
-	160K49760	(XC855/875)
-	160K49590	(XC810/820/830)(110V)
2	809E12090	SPRING
3	--	SHAFT (NOT SPARED)
4	--	GUIDE (NOT SPARED)
5	--	CRU GUIDE
6	--	CUSHION (NOT SPARED)
7	--	OPTICS HARNESS
8	--	HARNESS
9	--	SPRING (NOT SPARED)
10	160K31500	HVPS (REP 1.3, ADJ 9.1 9.2)
11	--	PROTECT SHEET (NOT SPARED)
12	160K32000	TONER CARTRIDGE DETECT SENSOR (Q8) (REP 9.8)
13	--	MAIN DRIVES (EXPLODED ON PL 1.1)
14	--	SOCKET HOLDER (EXPLODED ON PL 6.2)
15	160K31340	DISCHARGE LAMP (DS2) (REP 9.4)
16	809E12080	LATCH SPRING
17	3E44350	COPIER LATCH (REAR)
18	160K31330	SIDE EDGE/ERASE LAMP PWB (REP 9.5)
19	--	LAMP HOLDER (NOT SPARED)
20	--	GUIDE (NOT SPARED)
21	22E22060	REGISTRATION IDLER
22	--	SHAFT (NOT SPARED)
23	5E13140	COLLAR
24	--	ROLLER
25	--	PAD
26	--	LATCH SHAFT
27	3E46030	FRONT LATCH

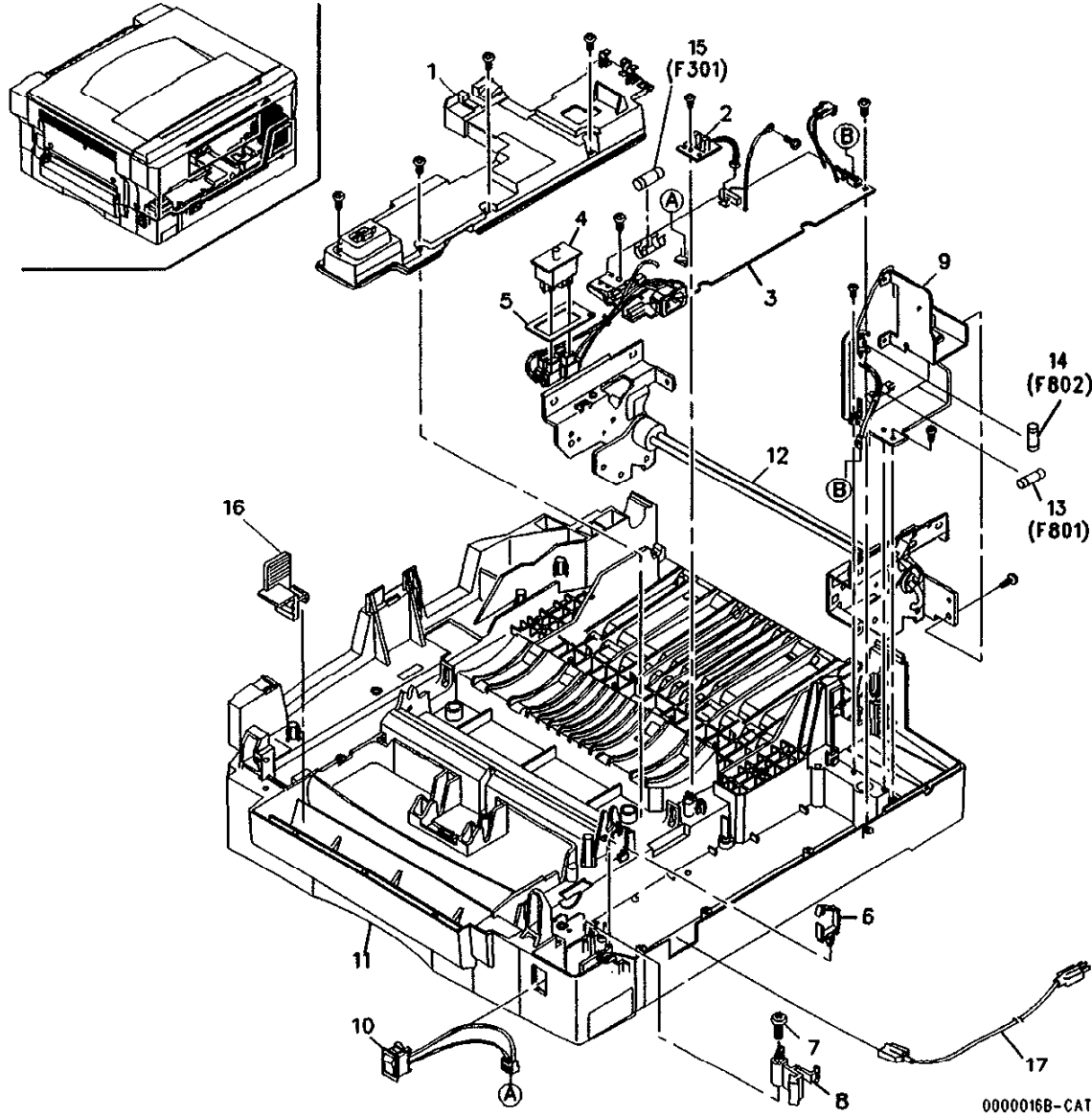
PL 6.2 ELECTRICAL COMPONENTS (2 OF 3)



ITEM	PART	DESCRIPTION
1	809E12100	SPRING
2	--	CONTACT FRAME (NOT SPARED)
3	117K28060	TERMINAL WIRE
4	117K28070	TERMINAL WIRE
5	117K28080	TERMINAL WIRE
6	--	TERMINAL PLATE (NOT SPARED)
7	117K28090	WIRE

0000014A-AP5

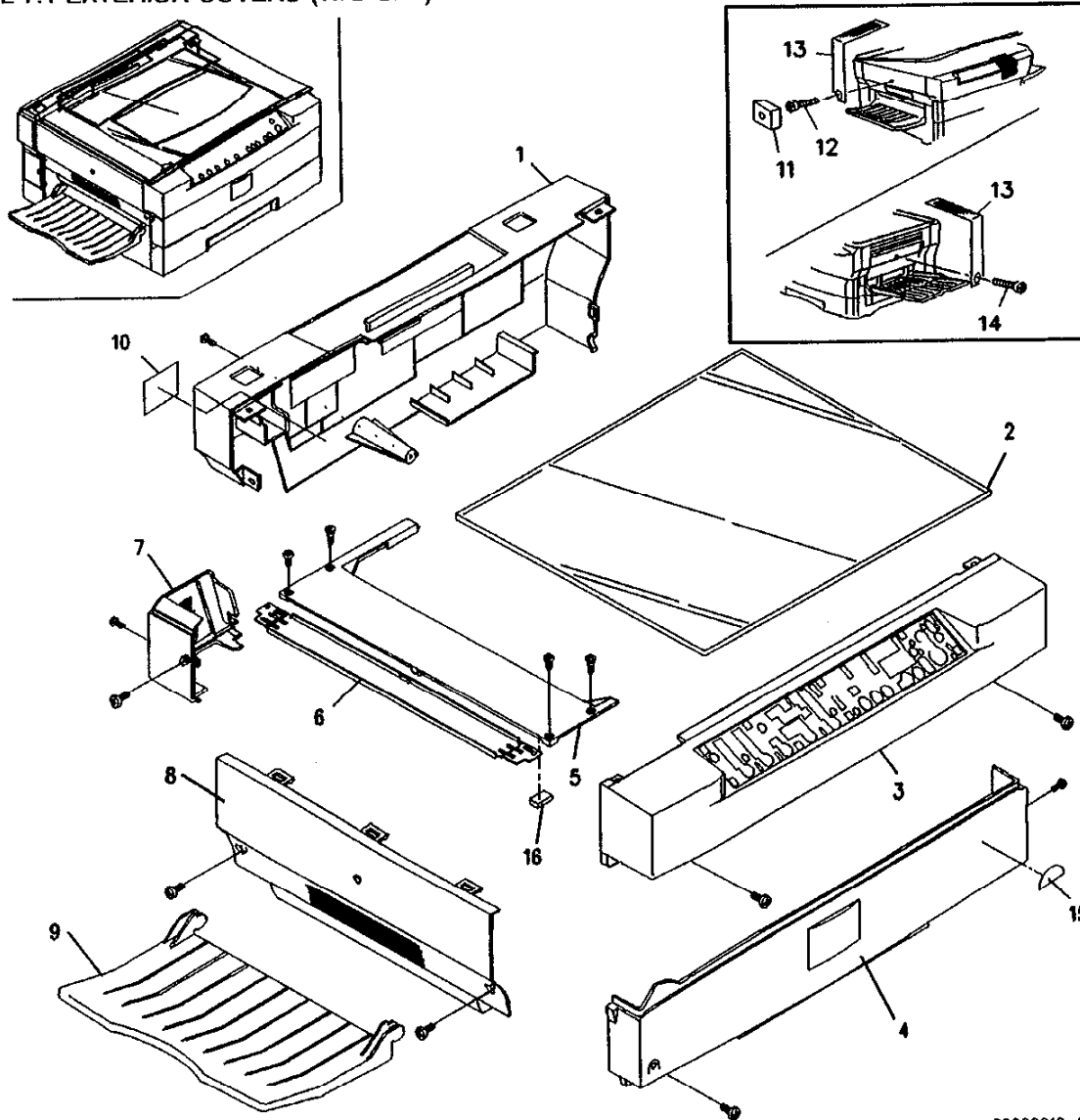
PL 6.3 ELECTRICAL COMPONENTS (3 OF 3)



ITEM	PART	DESCRIPTION
1	48E57290	AC PWB COVER
2	160K31440	NEW DRUM CARTRIDGE SENSOR (Q3) (REP 9.6)
3	160K31621	AC PWB (110V) (XC1255)(REP 1.6)
-	160K31630	AC PWB (220V) (XC1255)(REP 1.6)
-	160K31491	AC PWB (110V) (XC810,820,830,1020,1040,1044,1045) (REP 1.6)
-	160K31610	AC PWB (220V) (XC811,822,830,1033,1040,1044,1045,1245) (REP 1.6)
-	160K49600	AC PWB (110V) (XC810,820,830,1020,1040,1044,1045) (REP 1.6)
4	110E7440	INTERLOCK SWITCH (S2) (REP 1.1)
5	--	SWITCH BRACKET (NOT SPARED)
6	--	WIRE SUPPORT (NOT SPARED)
7	--	SCREW (NOT SPARED)
8	31E8950	CASSETTE DETECT ARM
9	160K31450	LOW VOLTAGE POWER SUPPLY (110V) (REP 1.2)
-	160K31460	LOW VOLTAGE POWER SUPPLY (220V) (REP 1.2)
10	110K9160	POWER ON/OFF SWITCH (S1) (110V) (REP 1.1)
-	110K9170	POWER ON/OFF SWITCH (S1) (220V) (REP 1.1)
11	--	BASE (NOT SPARED)
12	9K01770	COPIER HINGE COUNTERBALANCE (SINGLE TRAY)
-	9K01760	(MULTI TRAY)
13	108E4231	FUSE (F801) (3.15A) (110V)
-	108E4260	FUSE (F801) (3.15A) (220V)
14	108E4240	FUSE (F802) (4A) (110V)
-	108E4250	FUSE (F802) (4A) (220V)
15	108E3660	FUSE (F301) (15A) (110V)
-	108E4370	FUSE (F301) (6.3A) (220V)
16	42E1340	COROTRON CLEANING TOOL
17	117E9750	POWER CORD



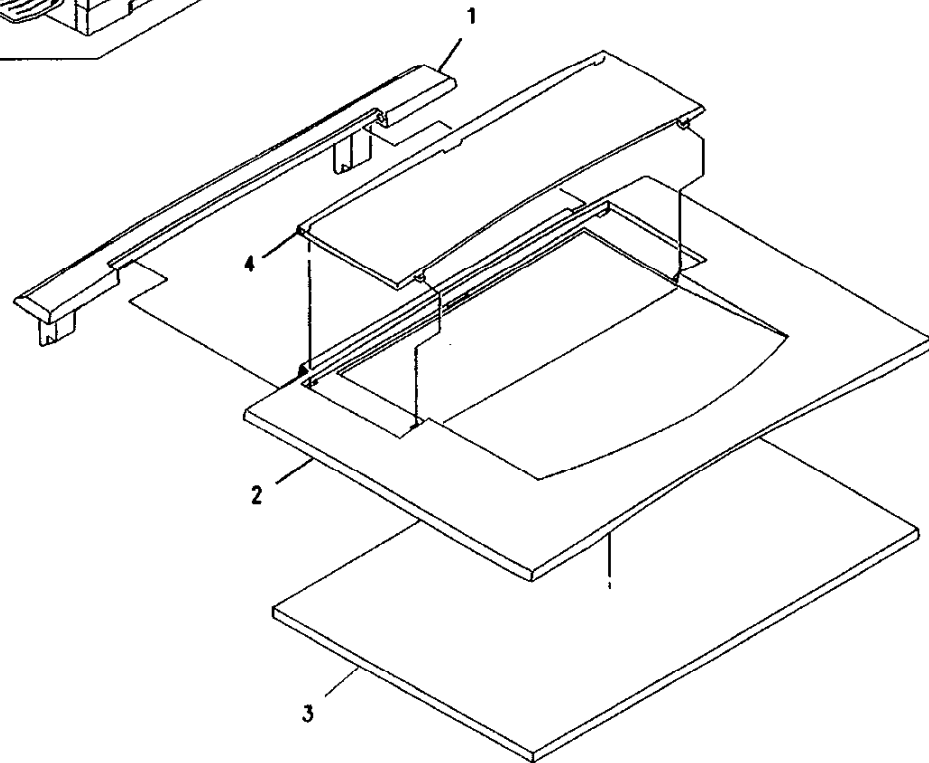
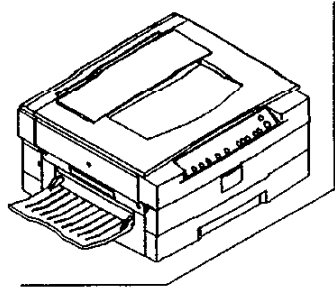
PL 7.1 EXTERIOR COVERS (W/O SDF)



ITEM	PART	DESCRIPTION
1	48E47230	REAR COVER (REP 14.5)
2	62E8300	DOCUMENT GLASS (REP 14.1)
3	--	CONTROL CONSOLE (P/O ITEM 1 ON PL7.3)
4	48E47260	FRONT COVER (REP 14.6)
5	48E47270	REGISTRATION PLATE
6	--	LOWER PLATE (NOT SPARED)
7	48E47280	LVPS COVER
8	48E47290	LEFT END COVER (REP 14.3)
9	50E13440	EXIT TRAY
10	891E15280	CAUTION LABEL
11	--	CUSHION (NOT SPARED)
12	26E64060	MIRROR 2/3 LOCKING SCREW (XC855/865/875 1044/1045/1255)
-	26E61550	MIRROR 2/3 LOCKING SCREW
13	--	CARD (NOT SPARED)
14	26E61570	MIRROR 4/5 LOCKING SCREW (XC810/1040/1045/ 1250)
-	26E61560	MIRROR 4/5 LOCKING SCREW (XC811/820/822 830/855/865/875 1020/1033/1044 1045/1255)
15	891E27220	LABEL
16	121E14470	MAGNET (SDF)

000001C-CAT

PL 7.2 DOCUMENT COVER

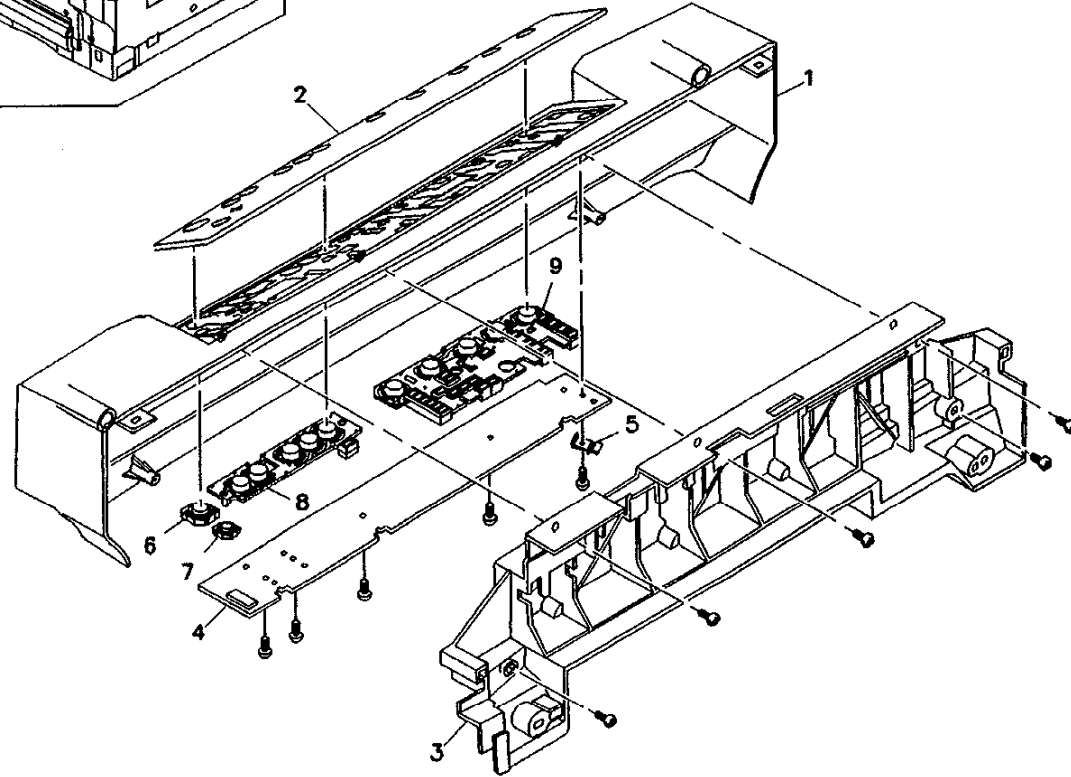
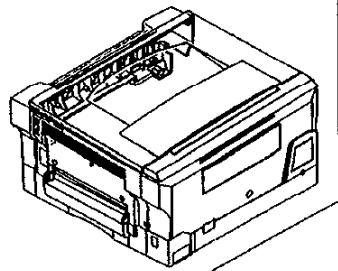


5 | 1 - 4

ITEM	PART	DESCRIPTION
1	48E57250	REAR PIVOT ATTACHMENT (XC810/820/830)
-	48E57260	REAR PIVOT ATTACHMENT (XC822/1020/1040)
2	--	DOCUMENT COVER
3	4E10350	DOCUMENT COVER CUSHION (REP 14.2)
4	48E57270	DOCUMENT COVER POCKET
5	48K63860	DOCUMENT COVER ASSEMBLY (XC810,XC811,XC820,XC830) (REP 14.1)
-	48K63870	DOCUMENT COVER ASSEMBLY (XC822,XC1020,XC1033,XC1040) (REP 14.1)

0000002A-AP5

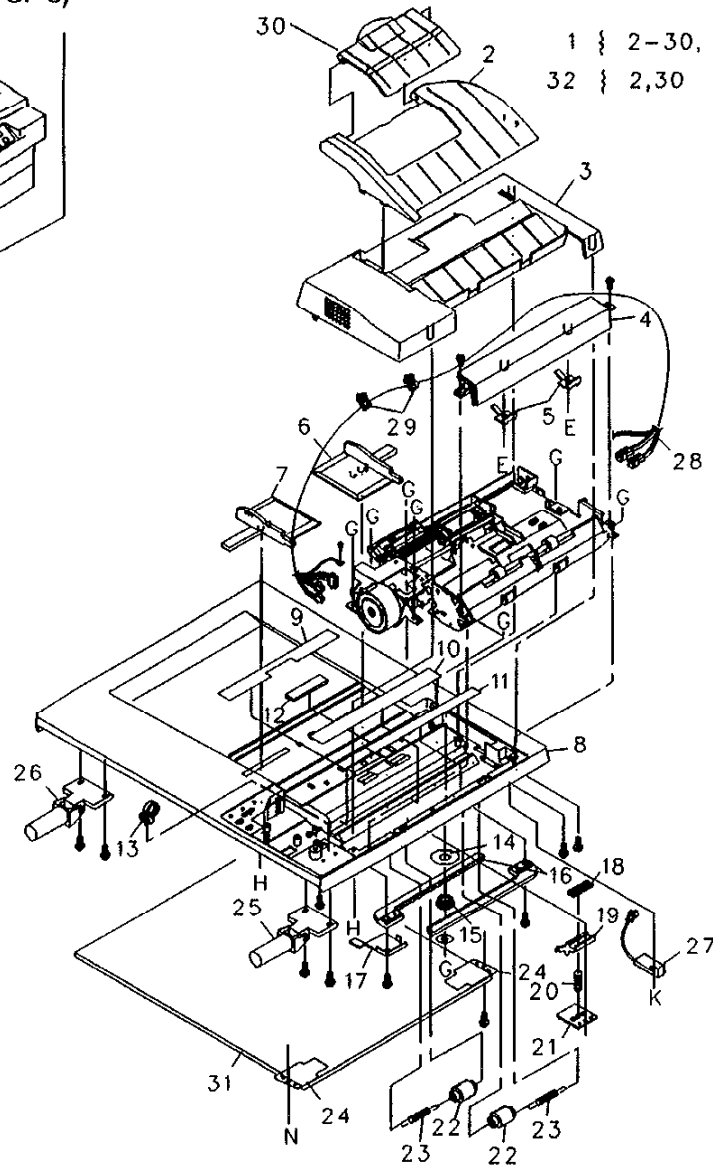
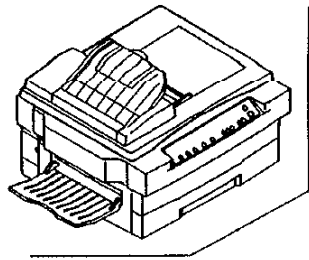
PL 7.3 CONTROL CONSOLE



000003A-AAP

ITEM	PART	DESCRIPTION
1	48E47240	CONTROL CONSOLE (XC810,XC811,XC820, XC1020)
-	48E47250	CONTROL CONSOLE (XC822,XC830,XC1033, XC1040,XC1045, XC1245,XC1255)
2	53E4900	CONTROL BUTTON COVER (XC810)
-	53E4960	CONTROL BUTTON COVER (XC1245)
-	53E4970	CONTROL BUTTON COVER (XC1255)
-	53E4980	CONTROL BUTTON COVER (XC1045)
-	53E4880	CONTROL BUTTON COVER (XC820)
-	53E4890	CONTROL BUTTON COVER (XC830)
-	53E4940	CONTROL BUTTON COVER (XC822)
-	53E4950	CONTROL BUTTON COVER (XC1033)
-	53E4920	CONTROL BUTTON COVER (XC1020)
-	53E4910	CONTROL BUTTON COVER (XC1040)
-	53E4930	CONTROL BUTTON COVER (XC811)
-	53E4990	CONTROL BUTTON COVER (XC1044)
-	53E5000	(XC1255)
-	53E5010	(XC865)
-	53E5020	(XC855)
3	48E47300	PWB FRAME
4	160K31360	CONTROL CONSOLE PWB (XC811,XC820,XC1020) (REP 1.4)
-	160K31370	CONTROL CONSOLE PWB (XC810,XC822,XC830, XC1033,XC1040) (REP 1.4)
-	160K31350	CONTROL CONSOLE PWB (XC1044, XC1045, XC1245 XC1255)
5	--	PWB RETAINER (NOT SPARED)
6	3E41780	START PRINT BUTTON
7	3E41770	CLEAR/STOP BUTTON
8	3E41800	COPY QUANTITY/ZOOM SELECT BUTTONS
9	3E41790	EXPOSURE MODE SELECT BUTTONS

PL 8.1 SDF (PART 1 OF 3)

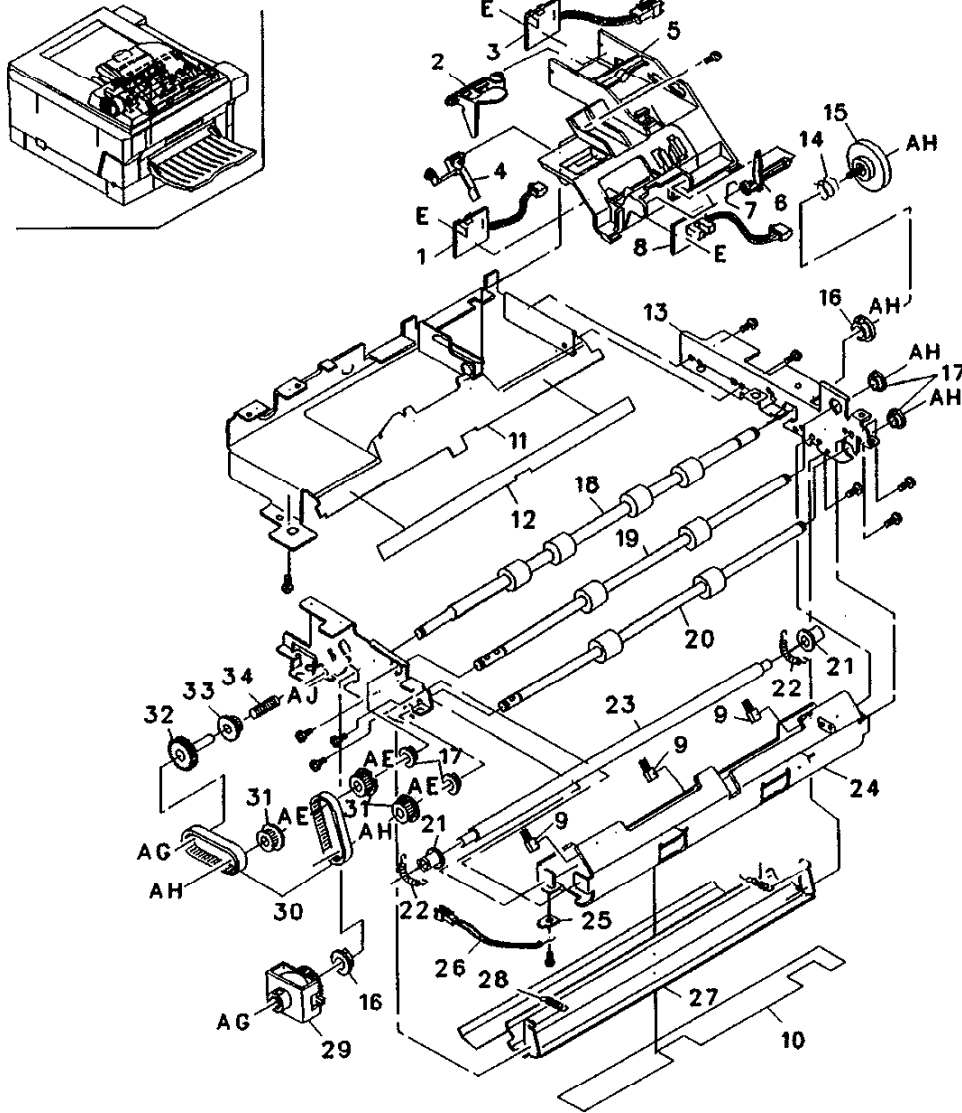


1 { 2-30, PL8.2, PL8.3  
32 { 2,30

ITEM	PART	DESCRIPTION
1	1K58060	SDF ASSEMBLY (REP 5.2)
2	50E13850	SDF EXIT TRAY
3	48E57280	TOP COVER (REP 5.1)
4	--	DOCUMENT GUIDE
5	--	PLATE
6	--	FRONT GUIDE
7	--	REAR GUIDE
8	--	BASE
9	38E18850	GUIDE
10	38E18860	GUIDE
11	38E18870	GUIDE
12	38E13480	PAPER FEED PAD
13	--	TIE WRAP
14	--	WASHER
15	7E52500	MANUAL FEED GEAR
16	--	GEAR
17	--	SPRING
18	19E37780	PAD
19	19E37790	PLATE
20	809E12140	SPRING
21	--	SPRING COVER
22	22E22070	ROLLER
23	809E12110	TRANSPORT SPRING
24	120E16110	PAD
25	3E43310	LEFT HINGE
26	3E43320	RIGHT HINGE
27	110E8340	DOCUMENT INTERLOCK SWITCH (S5)
28	162K38970	INTERFACE HARNESS
29	--	TIE WRAP
30	50E13840	TRAY EXTENSION
31	4E10370	DOCUMENT COVER CUSHION (REP 14.2)
32	600K64710	EXTENSION TRAY KIT

0000023B-CAT

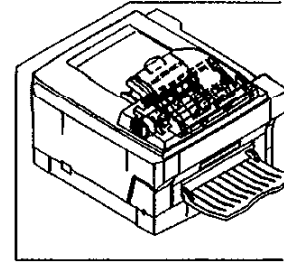
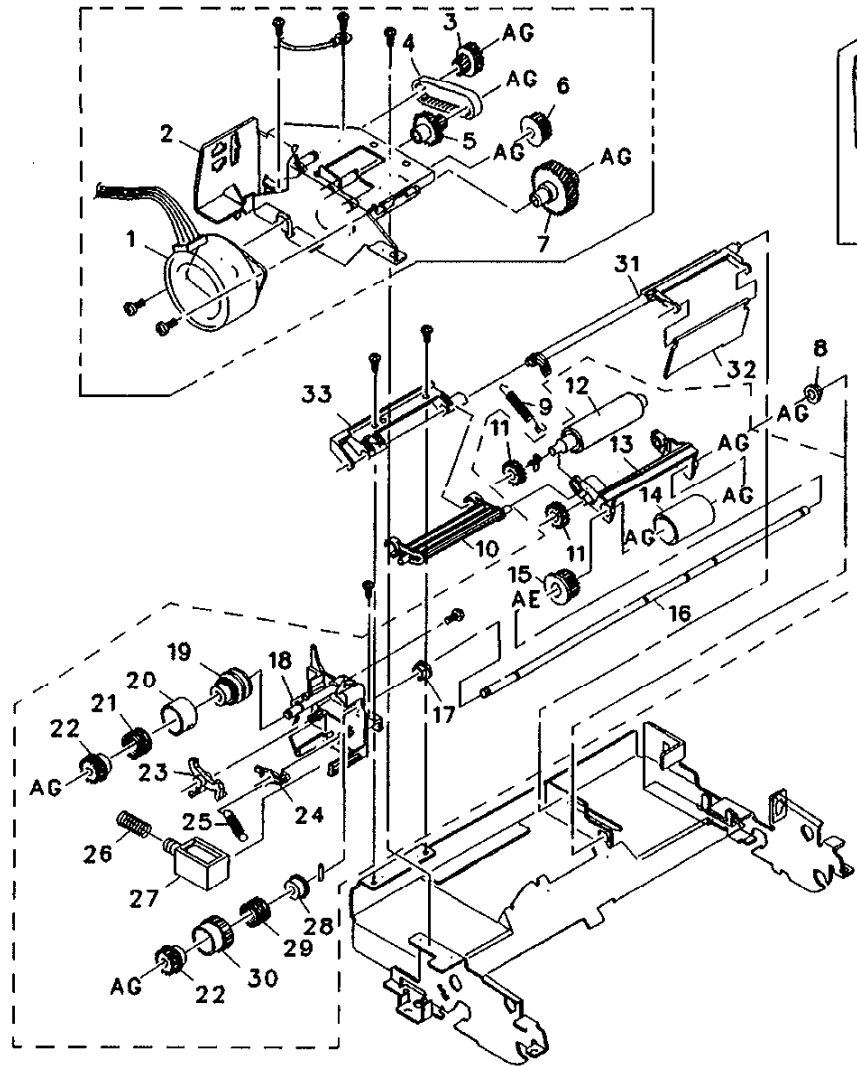
PL 8.2 SDF (PART 2 OF 3)



ITEM	PART	DESCRIPTION
1	160K31560	DOCUMENT REGISTRATION SENSOR (Q11) (REP 5.6)
2	120E16060	ACTUATOR
3	160K31580	DOCUMENT FEED SENSOR (Q10) (REP 5.5)
4	120E16070	ACTUATOR
5	--	PWB MOUNTING BRACKET (REP 5.2)
6	120E16080	ACTUATOR
7	809E12120	SPRING
8	160K31570	DOCUMENT EXIT SENSOR (Q12) (REP 5.4)
9	115E5970	ANTISTATIC BRUSH
10	38E18820	PAPER GUIDE
11	--	PAPER FEED GUIDE
12	38E18840	GUIDE SHEET
13	--	FRAME
14	--	SPRING
15	--	KNOB
16	13E10120	BEARING
17	13E11170	BEARING
18	22K58600	SDF REGISTRATION ROLLER
19	22E20750	SDF EXIT ROLLER
20	22E20740	SDF TRANSPORT ROLLER
21	13E12360	BEARING
22	--	SPRING
23	--	SHAFT
24	--	PAPER GUIDE
25	--	SHEET
26	130K57040	SDF THERMISTOR (RT2)
27	--	UPPER PAPER GUIDE
28	--	SPRING
29	121K15650	DOCUMENT REGISTRATION ROLL CLUTCH (CL1) (REP 5.13)
30	23E15420	BELT
31	20E20740	PULLEY
32	7E52510	GEAR
33	20E29740	PULLEY
34	809E12130	SPRING
35	38E18830	GUIDE

000024A-CAT

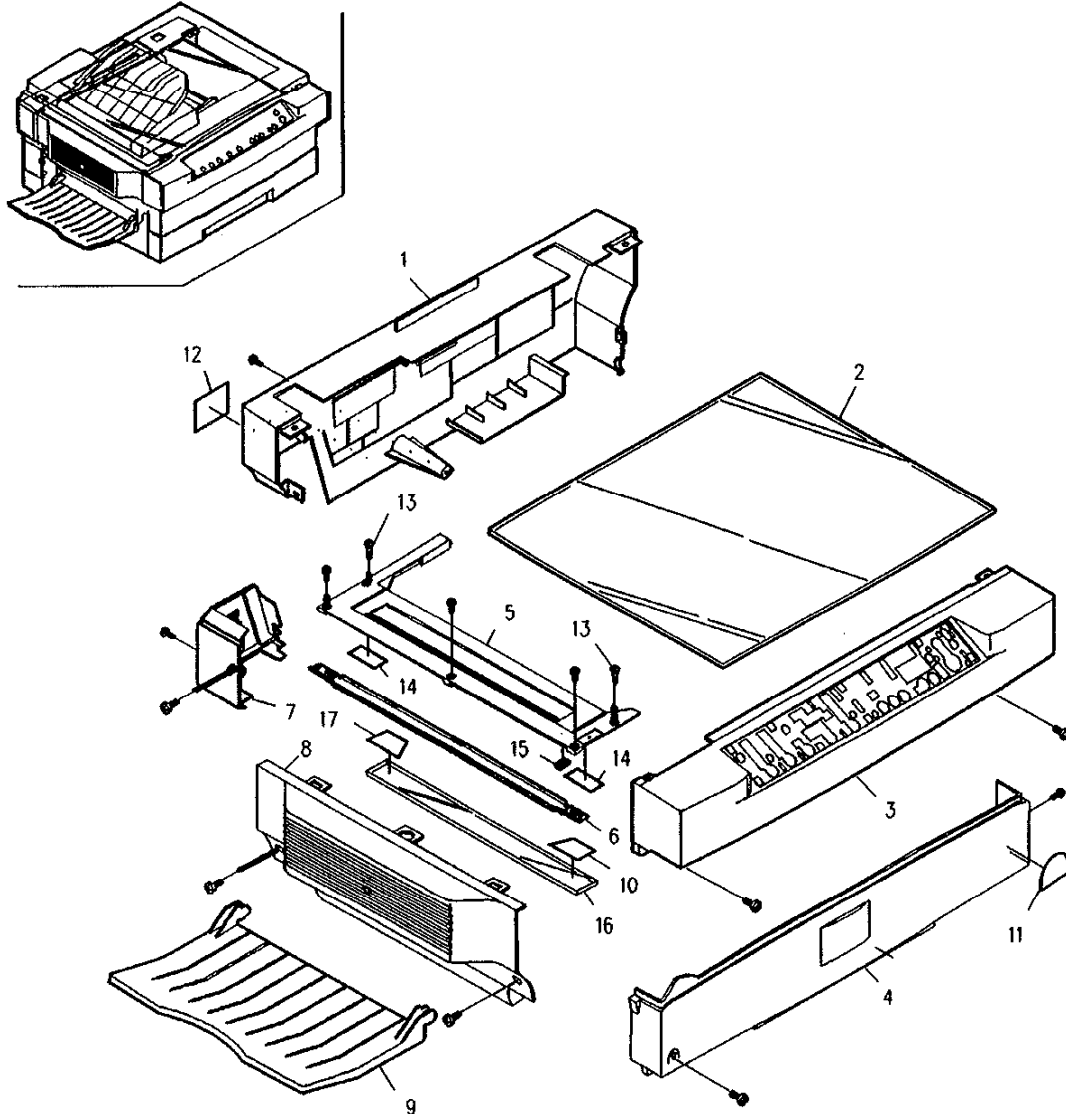
PL 8.3 SDF (PART 3 OF 3)



ITEM	PART	DESCRIPTION
1	127K22100	SDF MOTOR (MOT 7) (REP 5.8)
2	--	MOTOR SUPPORT (REP 5.9)
3	20E29730	DRIVE PULLEY
4	23E15420	DRIVE BELT
5	7E29500	GEAR
6	7E29480	GEAR
7	7E47690	GEAR
8	13E9770	BEARING
9	--	SPRING
10	--	ARM
11	7E29490	GEAR
12	22E20680	SDF RETARD ROLLER (REP 5.7)
13	31E6910	ARM
14	5E10560	SDF FEED ROLLER (REP 5.12)
15	--	GEAR (SAME AS ITEM 6)
16	--	FEED SHAFT
17	16E9640	BUSHING
18	49E13390	BRACKET
19	--	CAM BOSS
20	5E9520	SDF CAM CLUTCH HOUSING (REP 5.10)
21	9E57580	CLUTCH SPRING
22	5E9540	CLUTCH GEAR
23	7E25590	MANUAL FEED PAWL
24	7E25600	MANUAL FEED RATCHET
25	9E57530	SPRING
26	9E57470	FEED SPRING
27	121E13170	DOCUMENT FEED SOLENOID (SOL 5) (REP 5.14)
28	5E9560	CAM BOSS
29	9E57550	CLUTCH SPRING
30	5E9640	SDF FEED CLUTCH HOUSING (REP 5.11)
31	--	ARM
32	3E27140	STOPPER PLATE
33	--	ARM HINGE

0000025A-CAT

PL 8.4 SDF REGISTRATION GUIDE AND END COVER



ITEM	PART	DESCRIPTION
1	48E53860	REAR COVER
2	62E8300	DOCUMENT GLASS (REP 14.1)
3	--	CONTROL CONSOLE (P/O ITEM 1 ON PL7.3)
4	48E47260	FRONT COVER (REP 14.6)
5	48E53870	SDF REGISTRATION PLATE
6	--	LOWER PLATE (NOT SPARED)
7	48E47280	LVPS COVER
8	48E53880	LEFT END COVER (REP 14.3)
9	50E13440	EXIT TRAY
10	62E8790	FRONT LIGHT SHIELD
11	891E27220	LABEL
12	891E15280	CAUTION LABEL
13	26E52950	SCREW
14	--	SPLIT SHEET (NOT SPARED)
15	121E14470	MAGNET
16	62E8770	SDF DOCUMENT GLASS
17	62E8780	REAR LIGHT SHIELD

000028A-CAT

ITEM	PART	DESCRIPTION
A	26E7630	SCREW (M3X8)
B	26E52950	SHOULDER SCREW
C	26E61560	SCREW LOCKING
D	26E61570	SCREW LOCKING
E	26E64130	SCREW (M3X8) (PLASTYPE GOLD)
F	26E64140	SCREW (M4X6) (PLASTYPE GOLD)
G	26E64150	SCREW (M4X8) (PLASTYPE GOLD)
H	26E64160	SCREW (M4X10) (PLASTYPE GOLD)
J	26E64170	SCREW (M4X16) (PLASTYPE GOLD)
K	26E64180	SCREW (M3X8) (PLASTYPE SILVER)
L	26E64190	SCREW (M3X10) (PLASTYPE SILVER)
M	26E64200	SCREW (M3X12) (PLASTYPE SILVER)
N	26E64210	SCREW (M4X8) (PLASTYPE GOLD)
P	26E64220	SCREW (M4X10) (PLASTYPE SILVER)
Q	26E64230	SCREW (M3X5) (PLASTYPE BLACK)
R	26E64240	SCREW (M3X6) (PLASTYPE BLACK)
S	26E64250	SCREW (M4X6) (PLASTYPE BLACK)
T	26E64260	SCREW (M3X6) (PLASTYPE/WASHER GOLD)
U	26E64270	SCREW (M3X8) (PLASTYPE/WASHER GOLD)
V	26E64280	SCREW (M3X8) PLASTYPE)
W	26E64290	SCREW (M3X12) (PLASTYPE/WASHER GOLD)
X	26E64300	SCREW (M3X16) (PLASTYPE GOLD)
Y	26E64310	SCREW (M3X25) (PLASTYPE)
Z	26E64320	SCREW (M4X6)(BLACK)
AA	26E64330	SCREW (M4X4) (GOLD)
AB	26E64340	SCREW (M3X4) (SILVER)
AC	113W27852	SCREW (M3X8)
AD	220W450	NUT (M4)
AE	285W2255	SPRING PIN
AF	354W20652	E-RING (3-4MM)
AG	354W20852	E-RING (5-7MM)
AH	354W20952	E-RING (6-8MM)
AJ	354W21152	E-RING (8-11MM)
AK	356W10553	GRIP RING (5MM)



<u>PART NUMBER</u>	<u>PL LOC.</u>	<u>PART NUMBER</u>	<u>PL LOC.</u>	<u>PART NUMBER</u>	<u>PL LOC.</u>	<u>PART NUMBER</u>	<u>PL LOC.</u>	<u>PART NUMBER</u>	<u>PL LOC.</u>	<u>PART NUMBER</u>	<u>PL LOC.</u>	<u>PART NUMBER</u>	<u>PL LOC.</u>
1K58060	8.1												
3E10140	5.1	7E29550	3.1	13R544	4.2	22K53540	2.2	48E47250	7.3	62E8300	7.1		
3E26050	2.5	7E47400	5.1	13R547	4.2	48E47260	2.3	48E47260	7.1	62E8300	8.4		
3E26060	2.4	7E47410	1.1	13E5110	5.2	22K58600	8.2	48E47260	8.4	62E8310	3.4		
3E27140	2.2	7E47420	1.1	13E9560	4.1	23K920	3.2	48E47270	7.1	62E8320	3.5		
3E27140	8.3	7E47430	1.1	13E9770	8.3	23E15420	8.2	48E47280	7.1	62E8330	3.5		
3E41770	7.3	7E47440	1.1	13E9790	3.1	23E15420	8.3	48E47280	8.4	62E8340	3.5		
3E41780	7.3	7E47450	1.1	13E10120	3.1	26E7630	9.1	48E47290	7.1	62E8350	3.5		
3E41790	7.3	7E47460	1.1	13E10120	8.2	26E52950	8.4	48E47300	7.3	62E8360	3.1		
3E41800	7.3	7E47470	1.1	13E11170	8.2	26E52950	9.1	48E51250	3.2	62E8770	8.4		
3E43310	8.1	7E47480	1.1	13E12330	5.2	26E61550	7.1	48E53860	8.4	62E8780	8.4		
3E43320	8.1	7E47490	1.1	13E12360	2.7	26E61560	7.1	48E53870	8.4	62E8790	8.4		
3E44340	2.4	7E47500	1.1	13E12360	8.2	26E61560	9.1	48E53880	8.4	62K9100	3.2		
3E44340	2.5	7E47510	1.1	13E12780	5.1	26E61570	7.1	48E57210	2.6	108E3660	6.3		
3E44350	6.1	7E47520	1.1	16E9640	2.2	26E61570	9.1	48E57220	2.6	108E4190	3.4		
3E46030	6.1	7E47530	1.1	16E9640	8.3	26E64060	7.1	48E57230	4.1	108E4231	6.3		
4E10350	7.2	7E47540	1.1	16E12320	2.1	26E64130	9.1	48E57240	5.1	108E4240	6.3		
4E10370	8.1	7E47550	4.1	16E12320	2.7	26E64140	9.1	48E57250	7.2	108E4250	6.3		
4E10720	5.2	7E47560	5.2	17E8540	2.6	26E64150	9.1	48E57260	7.2	108E4260	6.3		
4E10840	3.2	7E47570	2.1	17E8540	5.2	26E64160	9.1	48E57270	7.2	108E4370	6.3		
4E10850	3.2	7E47580	2.1	19E23730	3.5	26E64170	9.1	48E57280	8.1	110E7440	6.3		
5E4260	2.1	7E47580	2.7	19E23740	3.5	26E64180	9.1	48E57290	6.3	110E8330	2.7		
5E4260	2.7	7E47590	2.1	19E37760	2.4	26E64190	9.1	48K63860	7.2	110E8340	8.1		
5E9510	5.2	7E47590	2.7	19E37760	2.5	26E64200	9.1	48K63870	7.2	110K9160	6.3		
5E9520	2.2	7E47600	2.2	19E37770	3.6	26E64210	9.1	49E13390	2.2	110K9170	6.3		
5E9520	8.3	7E47600	2.3	19E37780	8.1	26E64220	9.1	49E13390	8.3	115E5331	5.1		
5E9540	2.2	7E47610	3.1	19E37790	8.1	26E64230	9.1	50E13130	2.2	115E5341	5.1		
5E9540	5.2	7E47620	4.1	19E37810	3.1	26E64240	9.1	50E13140	2.2	115E5940	3.4		
5E9540	8.3	7E47630	4.1	19E37820	2.5	26E64250	9.1	50E13440	7.1	115E5951	3.4		
5E9560	2.2	7E47650	5.2	19E37830	2.5	26E64260	9.1	50E13440	8.4	115E5960	5.1		
5E9560	8.3	7E47670	2.7	19E37840	2.4	26E64270	9.1	50E13840	8.1	115E5970	5.1		
5E9640	2.2	7E47680	5.2	19E37850	2.4	26E64280	9.1	50E13850	8.1	115E5970	8.2		
5E9640	5.2	7E47690	8.3	20E20740	8.2	26E64290	9.1	50K35090	2.4	117E9750	6.3		
5E9640	8.3	7E47720	5.2	20E28580	3.1	26E64300	9.1	50K35100	2.5	117K28060	6.2		
5E10560	2.2	7E47730	5.2	20E28590	3.2	26E64310	9.1	53E4830	3.3	117K28070	6.2		
5E10560	8.3	7E52500	8.1	20E29730	8.3	26E64320	9.1	53E4880	7.3	117K28080	6.2		
5E13140	6.1	7E52510	8.2	20E29740	8.2	26E64330	9.1	53E4890	7.3	117K28090	6.2		
6R881	4.2	9K1760	3.3	20E30180	3.1	26E64340	9.1	53E4900	7.3	118E13920	4.1		
6R890	4.2	9K1760	6.3	20E30190	3.1	31E6910	8.3	53E4910	7.3	118E13930	4.1		
7E14870	1.1	9K1770	3.3	22E20680	2.2	31E8940	2.7	53E4920	7.3	120E10520	2.4		
7E14961	5.1	9K1770	6.3	22E20680	8.3	31E8950	6.3	53E4930	7.3	120E10520	2.5		
7E25590	2.2	9E17190	2.1	22E20690	5.2	33E3580	5.2	53E4940	7.3	120E14540	2.1		
7E25590	8.3	9E17190	2.7	22E20700	5.2	38E13480	8.1	53E4950	7.3	120E14550	2.1		
7E25600	2.2	9E57470	2.2	22E20710	2.1	38E17230	4.1	53E4960	7.3	120E14560	3.3		
7E25600	8.3	9E57470	5.2	22E20720	4.1	38E18160	5.1	53E4970	7.3	120E16020	2.7		
7E29260	2.2	9E57470	8.3	22E20730	2.7	38E18810	3.3	53E4980	7.3	120E16030	2.7		
7E29480	2.1	9E57530	2.2	22E20740	8.2	38E18820	8.2	53E4990	7.3	120E16040	5.1		
7E29480	2.2	9E57530	8.3	22E20750	8.2	38E18830	8.2	53E5000	7.3	120E16050	5.1		
7E29480	2.7	9E57550	2.2	22E20870	5.1	38E18840	8.2	53E5010	7.3	120E16060	8.2		
7E29480	8.3	9E57550	8.3	22E21400	5.2	38E18850	8.1	53E5020	7.3	120E16070	8.2		
7E29490	2.2	9E57580	2.2	22E22050	2.6	38E18860	8.1	55E31290	3.2	120E16080	8.2		
7E29490	2.7	9E57580	5.2	22E22060	6.1	38E18870	8.1	55E31290	3.6	120E16110	8.1		
7E29490	8.3	9E57580	8.3	22E22070	8.1	42E1340	6.3	55E39180	3.6	121E13130	2.7		
7E29500	2.2	9E58000	4.1	22K53520	2.1	48E47230	7.1	55E39190	3.6	121E13140	5.2		
7E29500	8.3	12K3290	3.1	22K53530	2.7	48E47240	7.3	62E8250	3.6	121E13150	5.2		

<u>PART NUMBER</u>	<u>PL LOC.</u>	<u>PART NUMBER</u>	<u>PL LOC.</u>
121E13160	2.2	160K32000	6.1
121E13170	8.3	160K49590	6.1
121E14470	7.1	160K49600	6.3
121E14470	8.4	160K49610	6.1
121K15650	8.2	160K49750	6.1
122E2120	5.1	160K49760	6.1
122E2130	5.1	160K49770	6.1
122E2140	3.4	162K38970	8.1
122E2150	3.4	600K15950	4.1
125K2380	4.1	600K64710	8.1
126K7390	5.1	600K65060	3.2
126K7400	5.1	809E11960	2.4
127K22070	1.1	809E11970	2.5
127K22090	3.1	809E11980	2.6
127K22100	8.3	809E11990	2.6
127K22110	3.1	809E12000	2.7
127K22130	3.3	809E12010	2.7
127K22170	1.1	809E12020	2.7
127K24440	3.2	809E12030	3.2
130E7831	5.1	809E12040	3.4
130E7840	5.1	809E12050	3.6
130K57040	8.2	809E12060	5.2
160K31330	6.1	809E12070	5.2
160K31340	6.1	809E12080	6.1
160K31350	7.3	809E12090	6.1
160K31360	7.3	809E12100	6.2
160K31370	7.3	809E12110	8.1
160K31390	3.2	809E12120	8.2
160K31400	2.1	809E12130	8.2
160K31410	2.1	809E12140	8.1
160K31420	3.1	809E14420	3.3
160K31430	3.1	891E15230	2.2
160K31440	6.3	891E15240	2.2
160K31450	6.3	891E15250	2.4
160K31460	6.3	891E15250	2.5
160K31470	3.3	891E15260	5.1
160K31482	6.1	891E15270	3.1
160K31491	6.3	891E15280	7.1
160K31500	6.1	891E15280	8.4
160K31560	8.2	891E27220	7.1
160K31570	8.2	891E27220	8.4
160K31580	8.2		
160K31590	1.1		
160K31600	2.7		
160K31610	6.3		
160K31621	6.3		
160K31630	6.3		
160K31702	6.1		
160K31712	6.1		
160K31722	6.1		
160K31732	6.1		
160K31742	6.1		
160K31752	6.1		
160K31762	6.1		