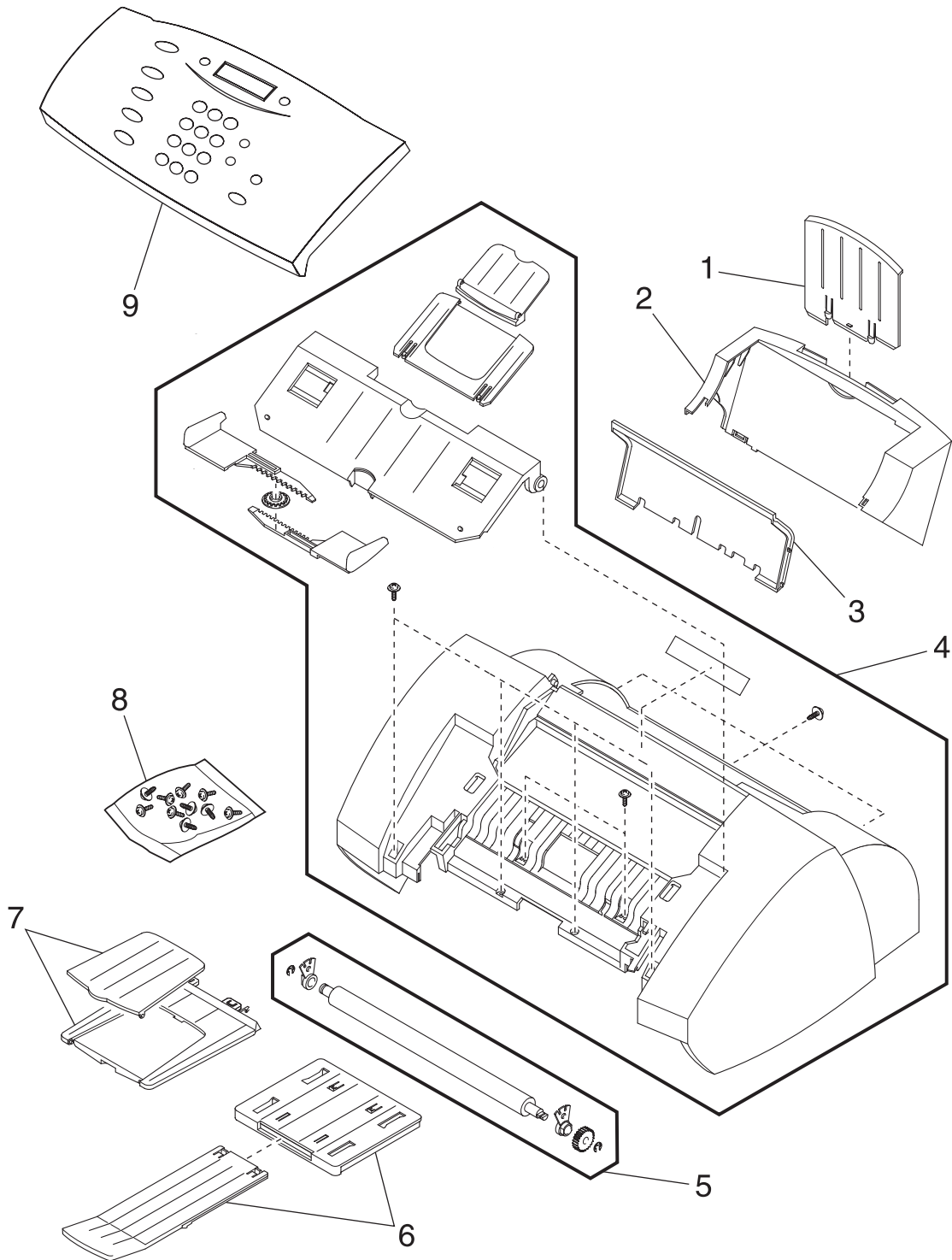


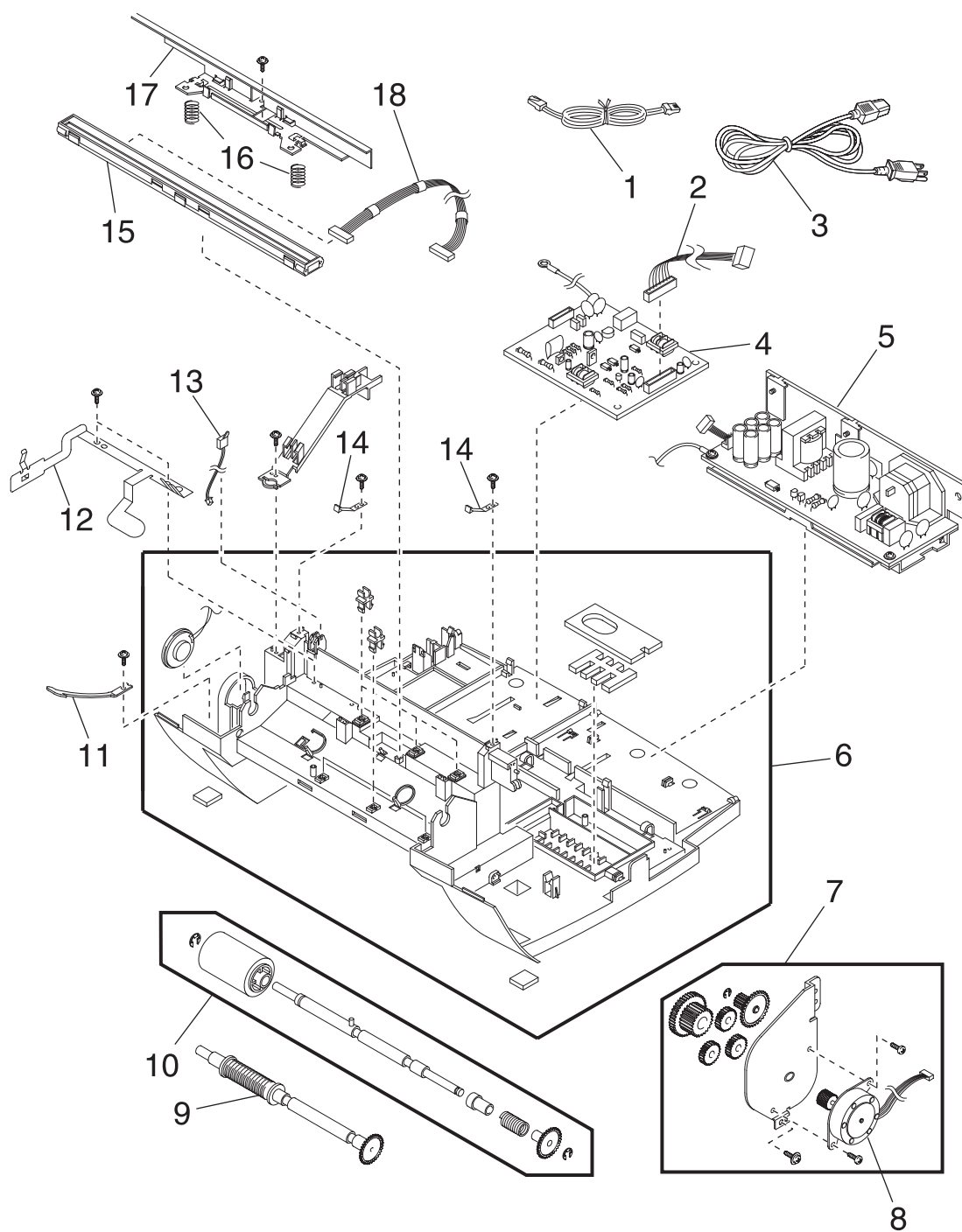
# Assembly 1: Main Assembly



**Assembly 1: Main Assembly**

<b>Asm-Index</b>	<b>Part Number</b>	<b>Units</b>	<b>Description</b>
1	12G6933	1	Support, Paper Extension
2	12G6932	1	Guide, Paper
3	12G6931	1	Deflector, Paper
4	12G6935	1	Cover, Top Assembly
5	12G6934	1	CIS White Roller Assembly
6	12G6936	1	Tray, Paper Exit Assembly
7	12G6937	1	Tray, Scan Exit Assembly
8	12G6938	1	Screw Parts Packet
9	12G6939	1	Panel, Operator Assembly
N/S	12G6973	1	Carrier Sheet

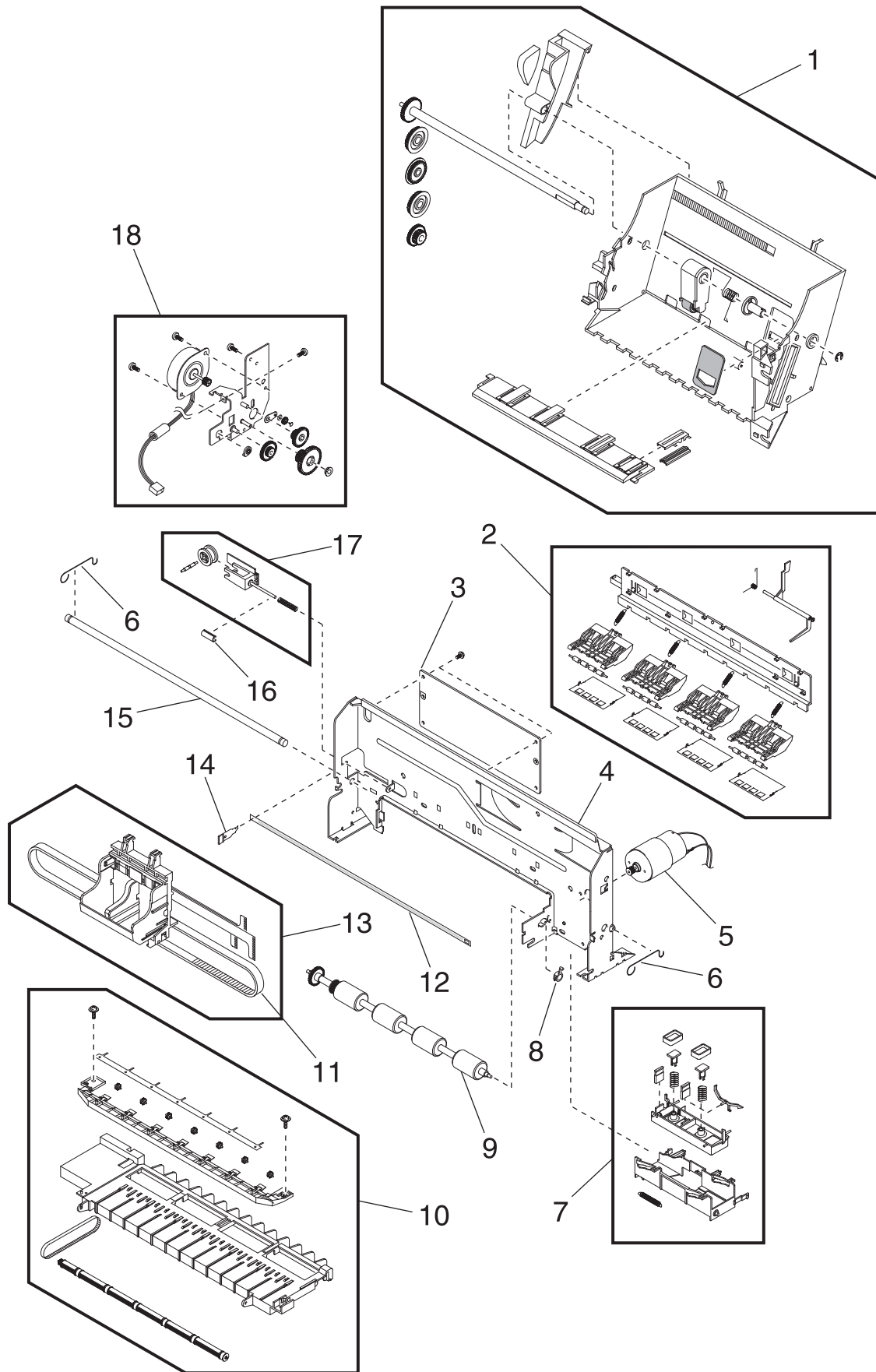
# Assembly 2: Base Unit



**Assembly 2: Base Unit**

<b>Asm-Index</b>	<b>Part Number</b>	<b>Units</b>	<b>Description</b>
1	12G6972	1	Phone Line Cord
2	12G6954	1	Cable, Line Interface Board
3	12G6971	1	Power Line Cord
4	12G6951	1	Board, Line Interface
5	12G6952	1	Power Supply
6	12G6940	1	Base Assembly
7	12G6946	1	Motor, Scanner with Gear Assembly
8	12G6947	1	Motor, Carrier Assembly
9	12G6948	1	Shaft, Exit
10	12G6941	1	Drive Feed Roller Assembly
11	12G6949	1	Strap, Operator Panel Door
12	12G6950	1	Spring, Ground
13	12G6979	1	Sensor, Access Door
14	12G6953	1	Latch, Operator Panel Door
15	12G6942	1	Contact, Image Sensor (CIS)
16	12G6944	1	Spring, CIS
17	12G6945	1	IPR-Bracket CIS
18	12G6943	1	Cable. CIS

# Assembly 3: Engine



**Assembly 3: Engine**

<b>Asm-Index</b>	<b>Part Number</b>	<b>Units</b>	<b>Description</b>
3-1	12G6955	1	ASF Assembly
2	12G6961	1	Small Feed Roller Assembly with EOF and Springs
3	12G6970	1	System Board
4	12G6969	1	Main Frame Assembly with Encoder Clip
5	12G6959	1	Motor, Carrier Transport
6	12G6965	1	Spring, Carrier Shaft Retainer
7	12G6956	1	Maintenance Station Assembly
8	12G6966	1	Bearing, Feed Roller
9	12G6962	1	Feed Roller, Large with Gear
10	12G6964	1	Frame, Mid Assembly with Exit Rollers
11	12G6980	1	Carrier Belt
12	12G6968	1	Strip, Encoder
13	12G6960	1	Carrier Assembly with Belt
14	12G6969	1	Main Frame Assembly with encoder clip
15	12G6967	1	Shaft, Carrier
16	12G6958	1	Stopper Pulley
17	12G6957	1	Pulley, Idle Assembly
18	12G6963	1	Motor, Paper Feed Assembly with Gears

**4400-001**