

---

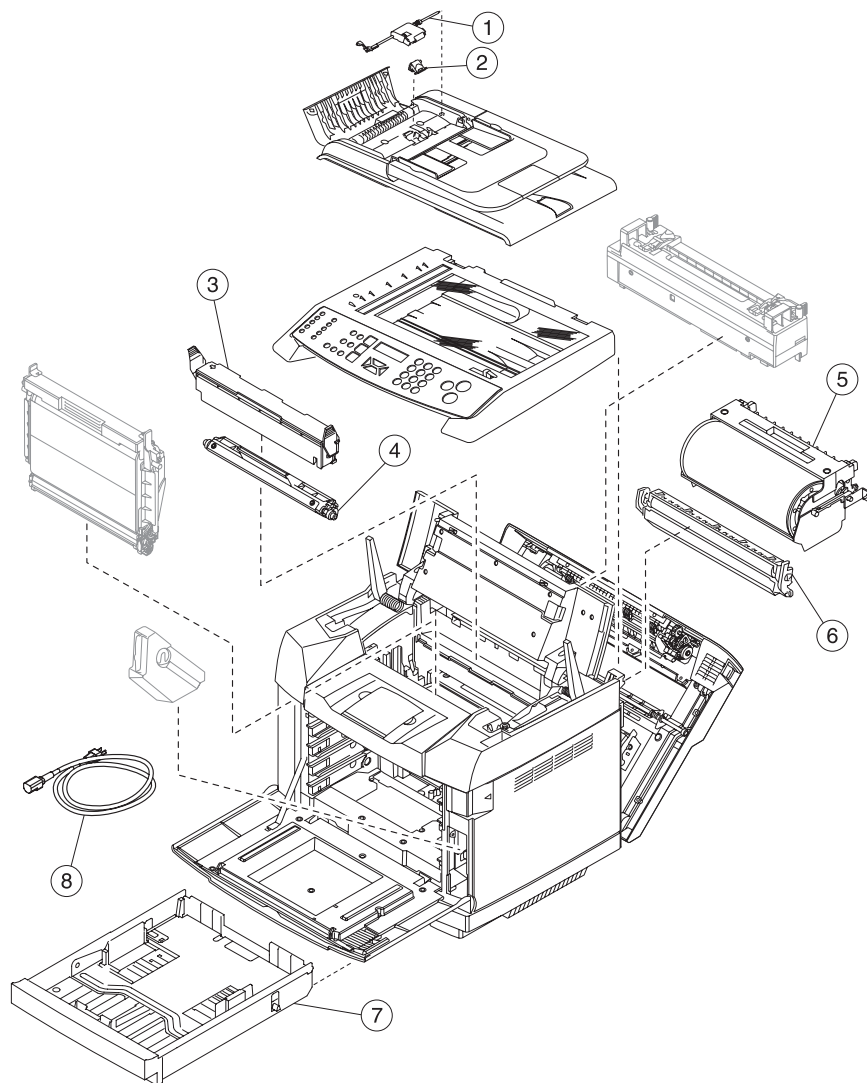
## 7. Parts catalog

---

### How to use this parts catalog

- **SIMILAR ASSEMBLIES:** If two assemblies contain a majority of identical parts, they are shown on the same list. Common parts are shown by one index number. Parts peculiar to one or the other of the assemblies are listed separately and identified by description.
- **NS: (Not Shown)** in the Asm-Index column indicates that the part is procurable but is not pictured in the illustration.

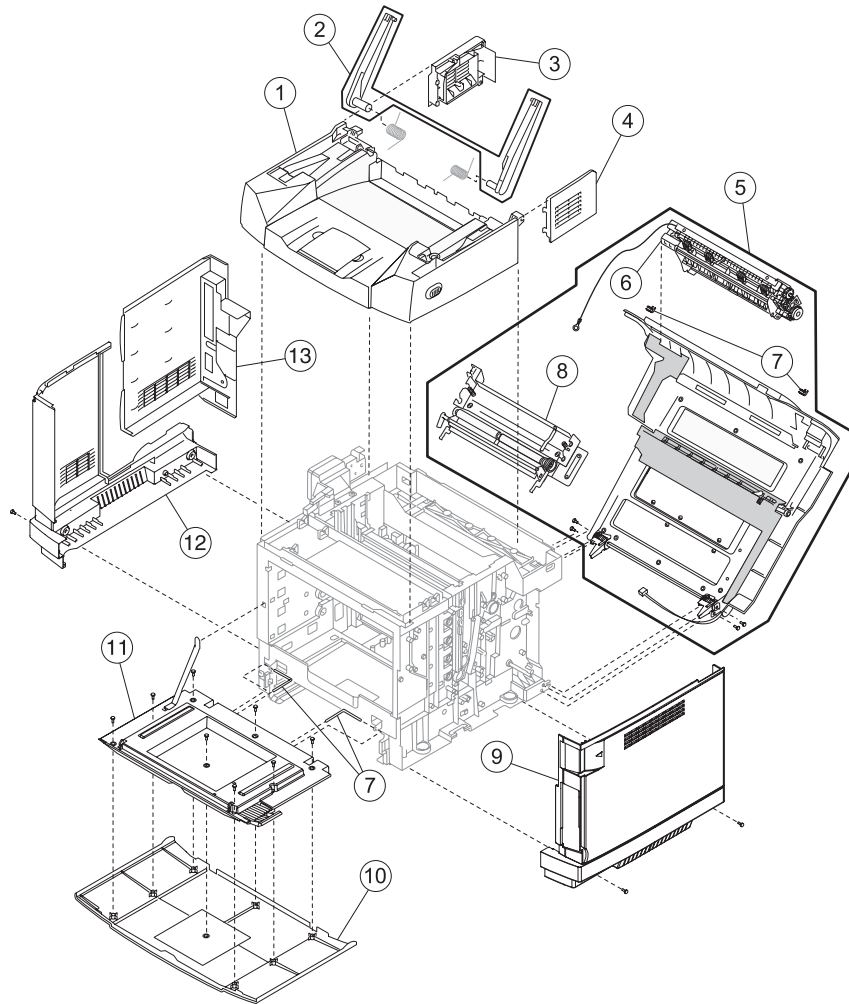
# Assembly 1: Base printer



**Assembly 1: Base printer**

Index	P/N	Units	Description
1-1	40X4702	1	ADF separator roll assembly
2	40X4703	1	ADF separator pad
3	40X3383	1	Cover, cleaning roller
4	40X3382	1	Roller, cleaning
5	40X3412	1	Transfer unit
6	40X3418	1	Transfer roller assembly
7	40X4694	1	Paper tray, universal
8	40X0297	1	Power cord, USA
8	40X1766	1	Power cord, LV, USA, APG, Bolivia, Canada, Columbia, Costa Rica, Ecuador, El Salvador, Guatemala, Honduras, Mexico, Nicaragua, Panama, Peru, Venezuela
8	40X0301	1	Power cord, HV, Argentina
8	40X1767	1	Power cord, HV, Brazil
8	40X0273	1	Power cord, HV, Chile
8	40X0286	1	Power cord, HV, UK, Ireland
8	40X0278	1	Power cord, HV, Austria, Belgium, Euro English, Finland, France, Germany, Greece, Netherlands, Norway, Poland, Portugal, Russia, Slovakia/Czech/Hungary, Spain, Sweden, Turkey
8	40X0275	1	Power cord, HV, Israel
8	40X0274	1	Power cord, HV, Switzerland French, Switzerland German, Switzerland Italian
8	40X0276	1	Power cord, HV, South Africa
8	40X0287	1	Power cord, HV, Italy
8	40X0279	1	Power cord, HV, Denmark
NS	40X4716	1	Cover, Legal Extender

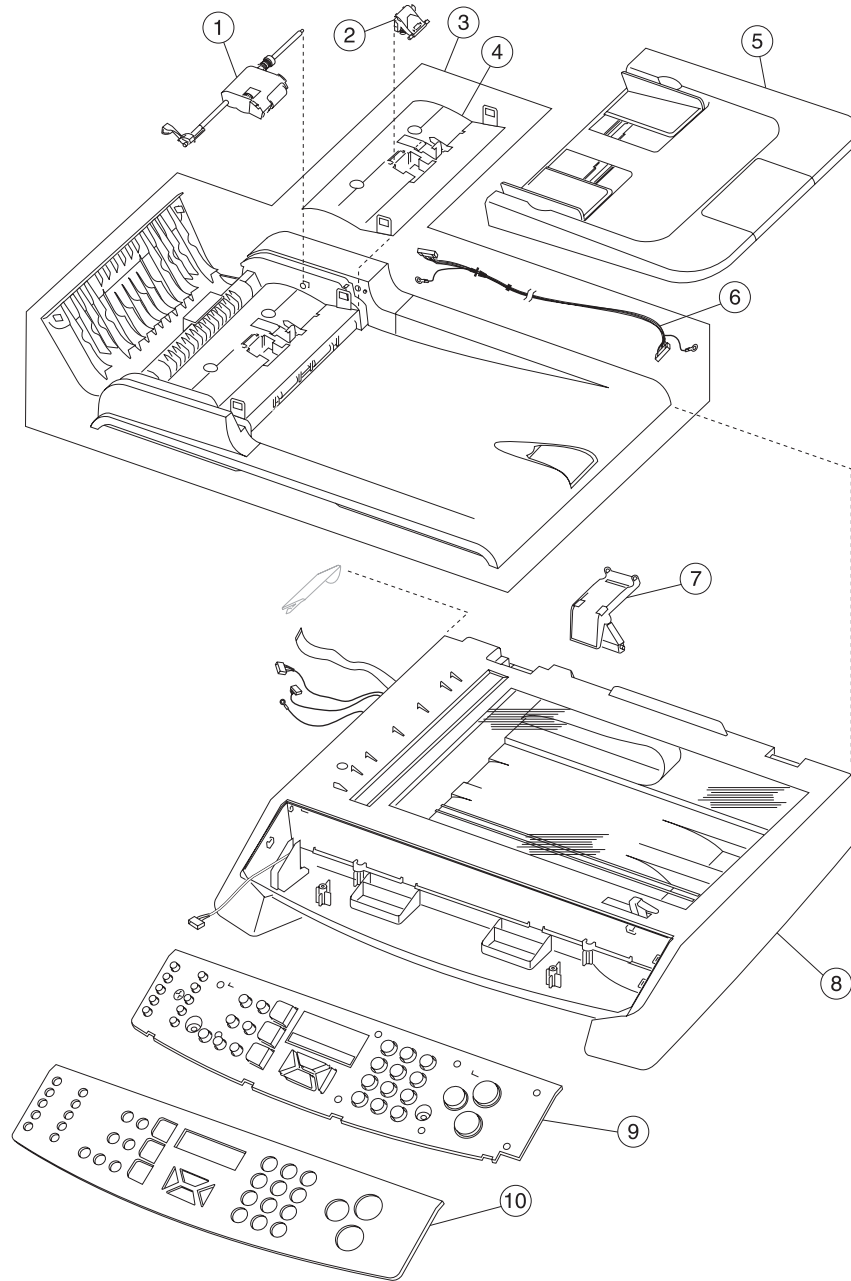
## Assembly 2: Covers



**Assembly 2: Covers**

<b>Index</b>	<b>P/N</b>	<b>Units</b>	<b>Description</b>
2-1	40X4686	1	Cover assembly, top
2	40X4706	1	Arm, scanner (contains the left and right arms)
3	40X4698	1	Cover, top left
4	40X4699	1	Cover, top right
5	40X4692	1	Rear cover assembly (Includes 40X3428, and 40X3430)
6	40X3428	1	Assembly, paper exit (contains fuser exit sensor and flag)
7	40X4718	1	Packet, parts
8	40X3430	1	Assembly, registration
9	40X3385	1	Cover, right
10	40X3388	1	Cover, front
11	40X3387	1	Cover, inner front
12	40X4687	1	Cover, front left
13	40X4688	1	Cover, rear left
NS	40X4716	1	Cover, legal extender

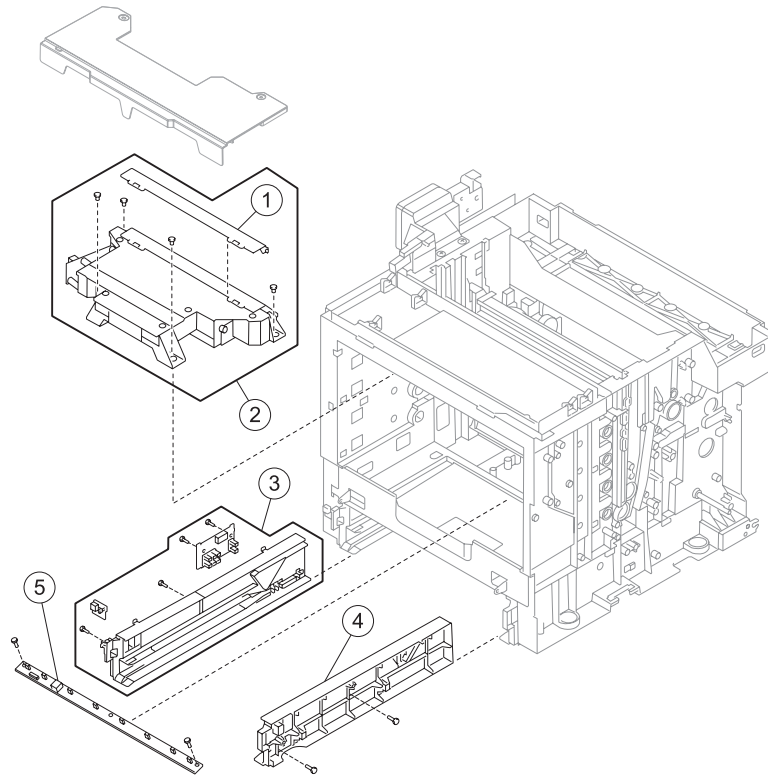
### Assembly 3: Scanner unit



**Assembly 3: Scanner Unit**

<b>Index</b>	<b>P/N</b>	<b>Units</b>	<b>Description</b>
3-1	40X4702	1	Assembly, pick roll
2	40X4703	1	Pad, ADF separator
3	40X4701	1	Assembly, ADF
4	40X4709	1	Cover, ADF mechanism
5	40X4708	1	Tray, ADF input
6	40X4714	1	Cable, ADF
7	40X4713	1	Guide, Cable
8	40X4700	1	Assembly, flatbed
9	40X4693	1	Panel, operator (X 500)
9	40X4695	1	Panel, operator (X 502)
10	40X4721	1	X 500 Bezel, operator panel
10	40X4722	1	X 502 Bezel, operator panel

## Assembly 4: Front

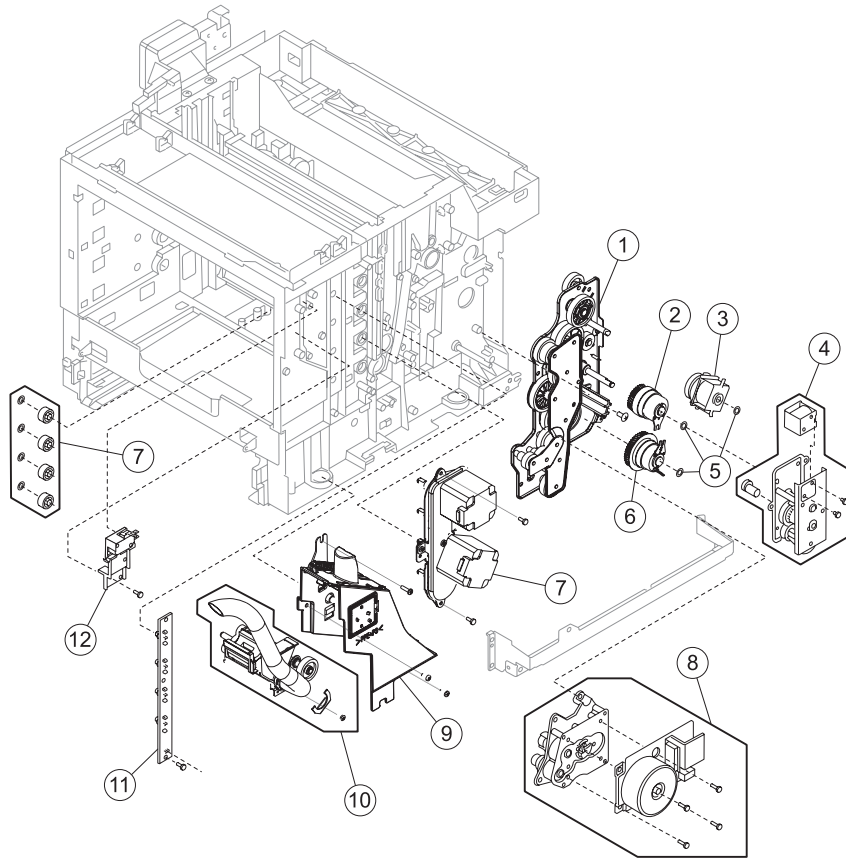




**Assembly 4: Front**

<b>Index</b>	<b>P/N</b>	<b>Units</b>	<b>Description</b>
3-1	40X3441	1	Cover, laser unit assembly lens
2	40X3400	1	Laser unit assembly (printhead)
3	40X3431	1	Left tray guide assembly with cable (includes paper size sensor and temperature thermistor)
4	40X3401	1	Right tray guide
5	40X3416	1	Lamp, erase

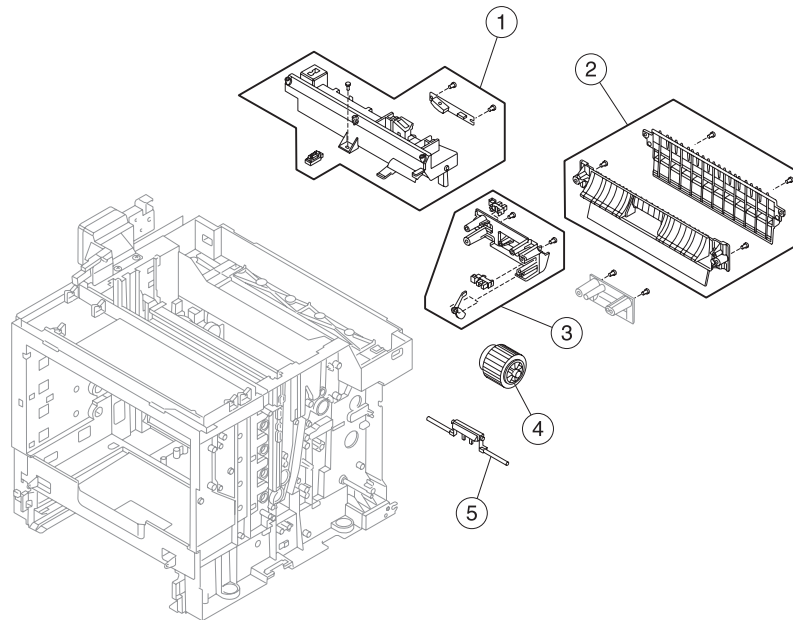
# Assembly 5: Right



**Assembly 5: Right**

<b>Index</b>	<b>P/N</b>	<b>Units</b>	<b>Description</b>
4-1	40X3395	1	Gear assembly, main drive
2	40X3391	1	Clutch, registration
3	40X3393	1	Clutch, transfer roller
4	40X3394	1	Clutch, cleaning roller
5	40X4718	1	Packet, parts
6	40X3390	1	Clutch, paper feed
7	40X3397	1	Drive assembly, developer
8	40X3389	1	Motor assembly, main
9	40X3398	1	Assembly, waste toner holder
10	40X3396	1	Waste toner feeder
11	40X3399	1	Sensor, toner, sender TPD (This is a two-piece sensor system. Ordering of this part number includes both the right and left side.)
12	40X3432	1	Assembly, interlock switch

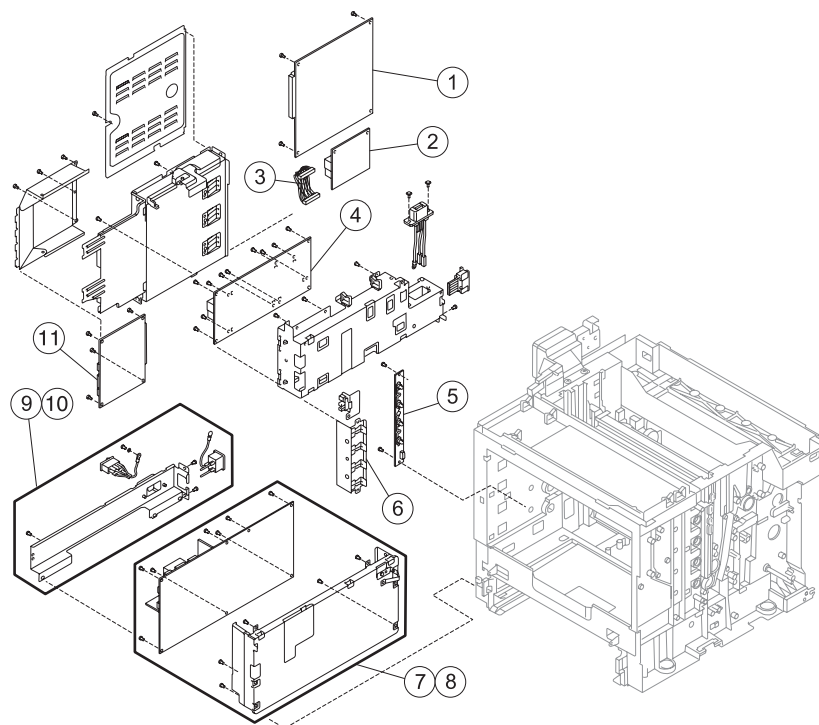
## Assembly 6: Rear



**Assembly 6: Rear**

<b>Index</b>	<b>P/N</b>	<b>Units</b>	<b>Description</b>
5-1	40X3429	1	Assembly, bracket (includes marker sensor (transfer belt unit), toner density sensor)
2	40X3433	1	Paper guide assembly
3	40X3413	1	Paper guide (C) assembly with cable (includes registration sensor, tray empty sensor)
4	40X3414	1	Roller, paper feed
5	40X3415	1	Pad, separator

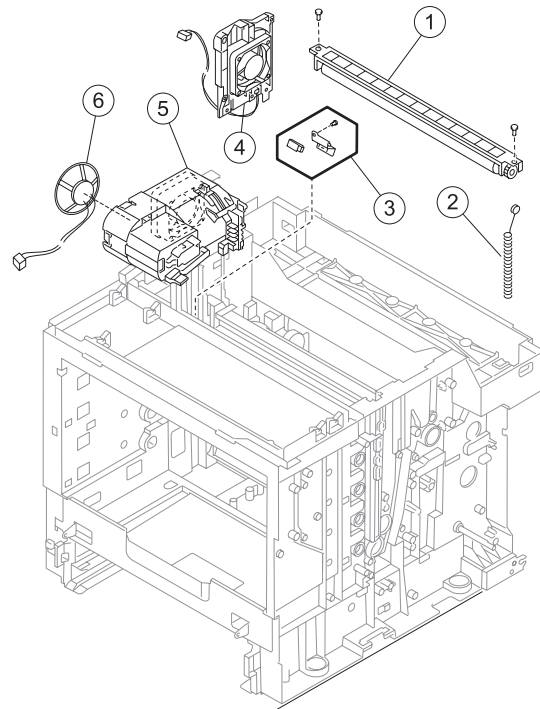
## Assembly 7: Left



**Assembly 7: Left**

<b>Index</b>	<b>P/N</b>	<b>Units</b>	<b>Description</b>
7-1	40X4696	1	Board, Network RIP (US)
2	40X4711	1	Card, modem US
3	40X4715	1	Cable, modem
4	40X3405	1	Power supply, high voltage
5	40X3399	1	Sensor, toner, receiver TTR (This is a two-piece sensor system. Ordering of this part number includes both the right and left side.)
6	40X3410	1	Sensor, toner present
7	40X4704	1	Power supply, 110 V low voltage
8	40X4705	1	Power supply, 220 V low voltage
9	40X4719	1	Bracket, 110 V power supply
10	40X4720	1	Bracket, 220 V power supply
11	40X4689	1	Board, engine controller

## Assembly 8: Top

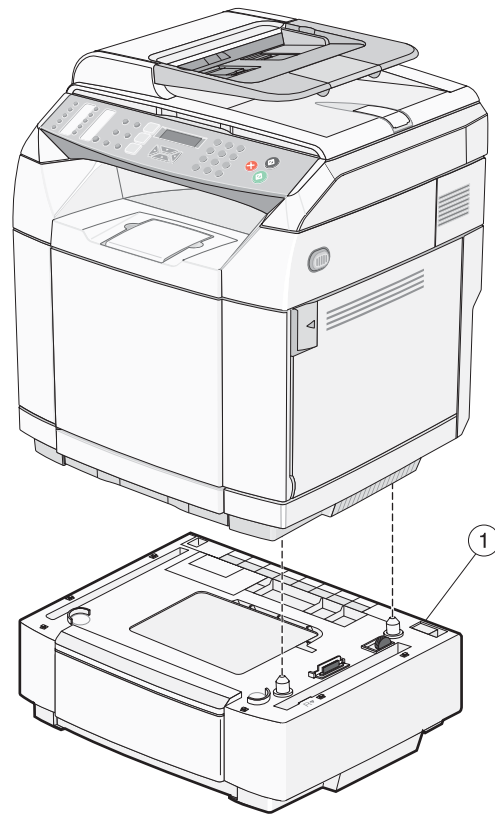




**Assembly 8: Top**

<b>Index</b>	<b>P/N</b>	<b>Units</b>	<b>Description</b>
8-1	40X3402	1	Auger, waste toner
2	40X3403	1	Agitator, waste toner
3	40X3434	1	Assembly, marker sensor (OPC) (includes bracket)
4	40X4691	1	Assembly, fuser fan
5	40X4690	1	Fan, power supply (includes top cover interlock switch and rear cover assembly interlock switch)
6	40X4710	1	Speaker, modem

## Assembly 9: Miscellaneous/Options



**Assembly 9: Miscellaneous/Options**

<b>Index</b>	<b>P/N</b>	<b>Units</b>	<b>Description</b>
9-1	40X3421	1	Assembly, secondary paper feed
NS	40X4717	1	Parts packet, harness
NS	40X3442	1	Cable, 120V fuser
NS	40X3443	1	Cable, 240V fuser
NS	40X4718	1	Parts packet, screw
NS	7372640	1	Field relocation kit
NS	14D0403	1	Cable, USB, 2-meter