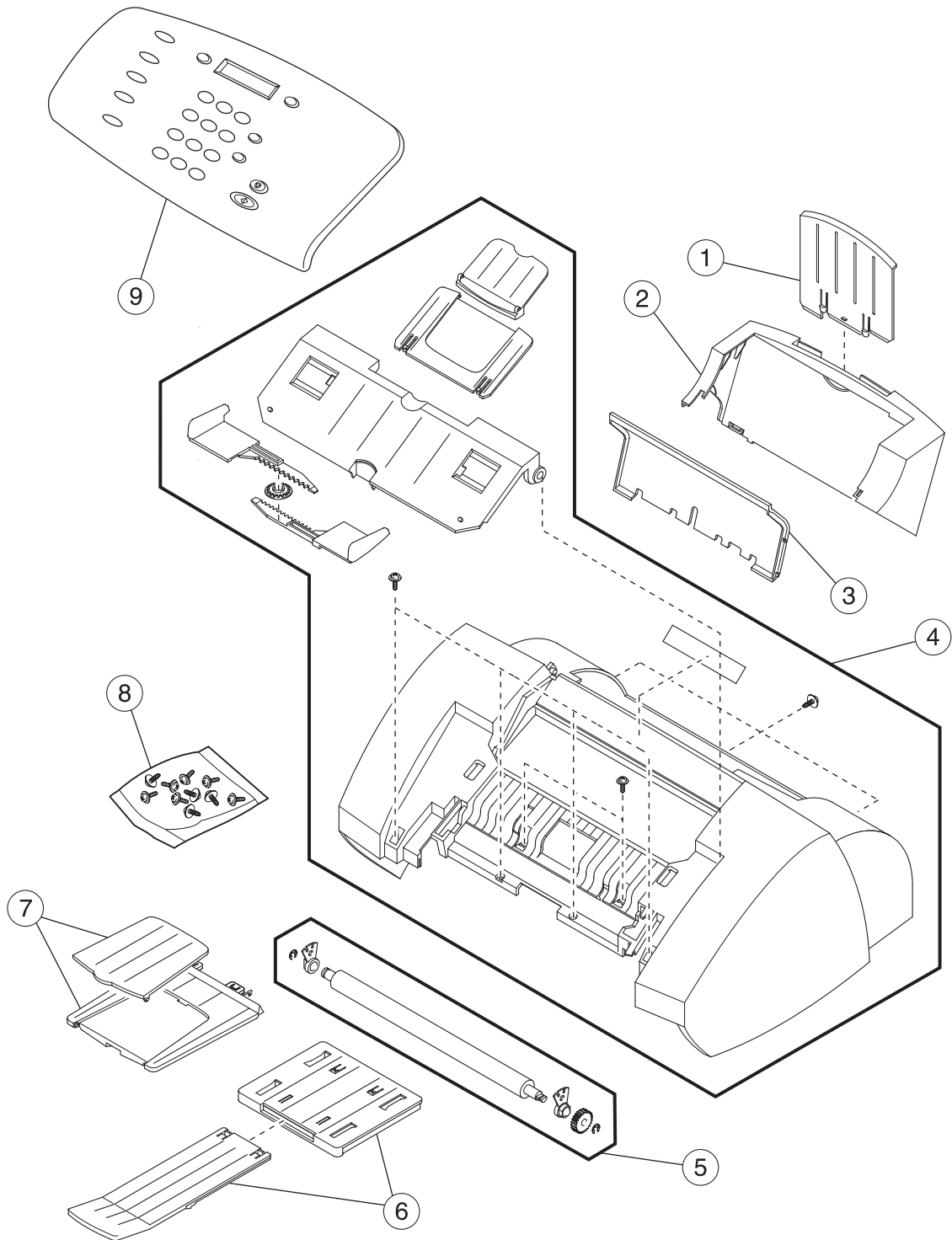


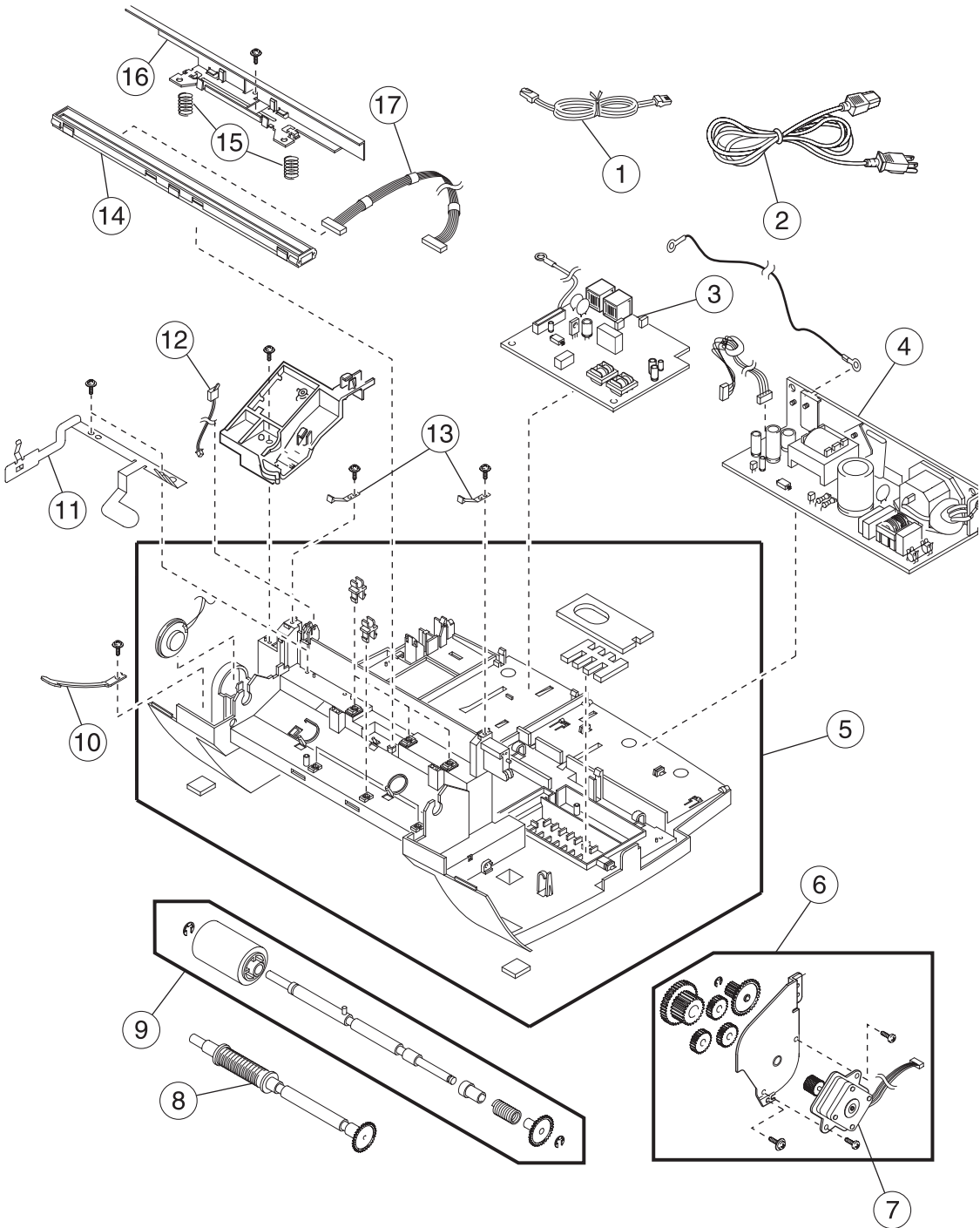
Assembly 1: Main Assembly



Assembly 1: Main Assembly

Asm-Index	Part Number	Units	Description
1-1	NA	1	Support, Paper Extension
2	56P1151	1	Guide, Paper
3	NA	1	Deflector, Paper
4	56P1154	1	Cover, Top Assembly
5	NA	1	CIS White Roller Assembly
6	56P1155	1	Tray, Paper Exit Assembly
7	56P1156	1	Tray, Scan Exit Assembly
8	NA	1	Screw/Rings Parts Packet
9	56P1160	1	Panel, Operator Assembly

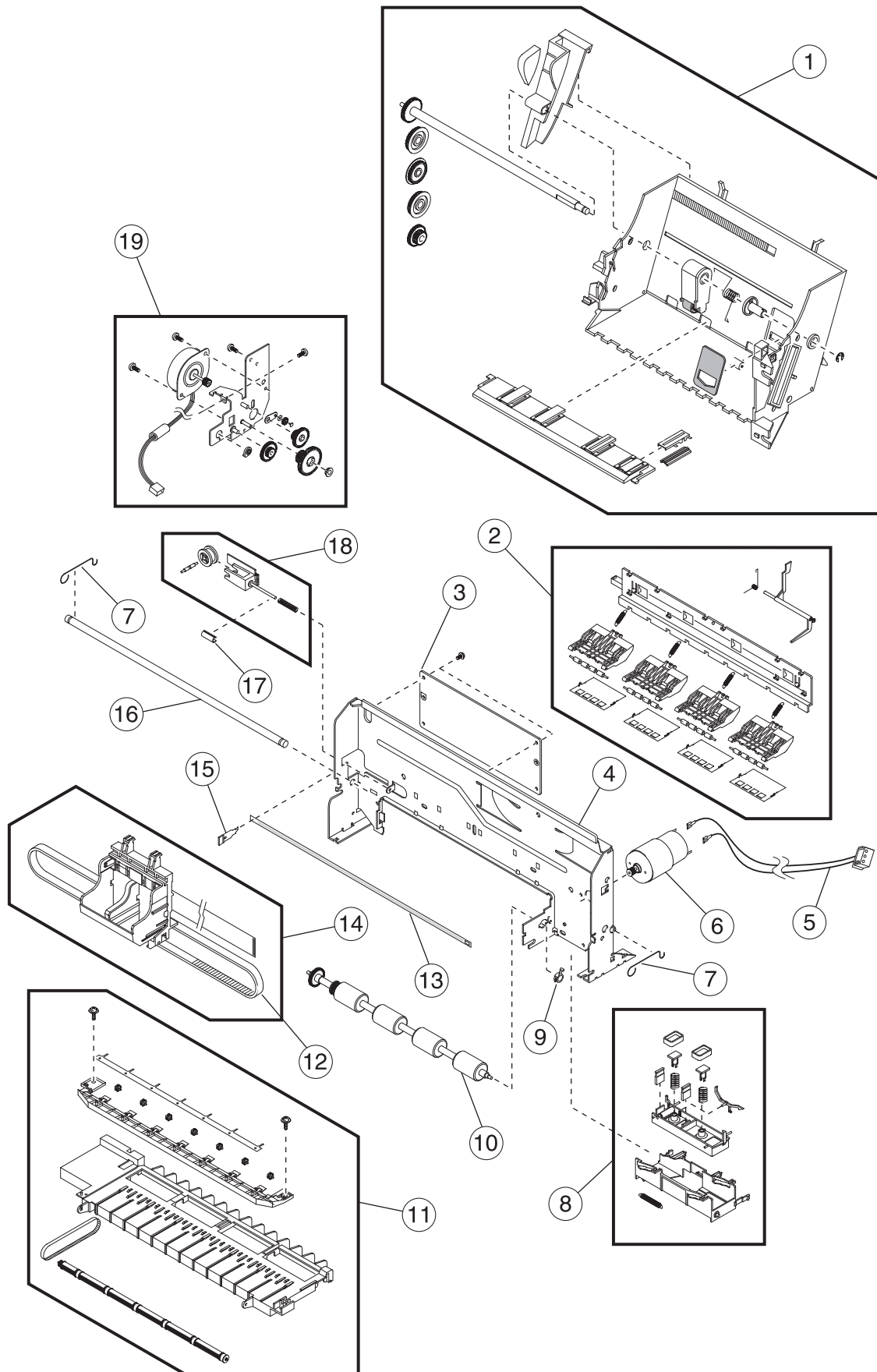
Assembly 2: Base Unit



Assembly 2: Base Unit

Asm-Index	Part Number	Units	Description
2-1	NA	1	Phone Line Cord
2	NA	1	Power Line Cord
3	56P1157	1	Board, Line Interface
3	56P1180	1	Board, Line Interface (EMEA)
3	56P1181	1	Board, Line Interface (Taiwan)
3	56P1182	1	Board, Line Interface (PRC)
4	56P1158	1	Power Supply
5	56P1161	1	Base Assembly
6	56P1164	1	Motor, Scanner with Gear Assembly
7	56P1165	1	Motor, Carrier Assembly
8	NA	1	Shaft, Exit
9	12G6941	1	Drive Feed Roller Assembly
10	NA	1	Strap, Operator Panel Door
11	NA	1	Spring, Ground
12	NA	1	Sensor, Access Door
13	NA	1	Latch, Operator Panel Door
14	56P1162	1	Contact, Image Sensor (CIS)
15	NA	1	Spring, CIS
16	NA	1	IPR-Bracket CIS
17	56P1179	1	Cable CIS

Assembly 3: Engine



Assembly 3: Engine

Asm-Index	Part Number	Units	Description
3-1	56P1167	1	ASF Assembly
2	12G6961	1	Small Feed Roller Assembly with EOF and Springs
3	56P1159	1	System Board
4	NA	1	Main Frame Assembly with Encoder Clip
5	56P1169	1	Cable, Transport Carrier Motor
6	56P1168	1	Motor, Carrier Transport
7	NA	1	Spring, Carrier Shaft Retainer
8	12G6956	1	Maintenance Station Assembly
9	NA	1	Bearing, Feed Roller
10	12G6962	1	Feed Roller, Large with Gear
11	NA	1	Frame, Mid Assembly with Exit Rollers
12	NA	1	Carrier Belt
13	12G6968	1	Strip, Encoder
14	56P1170	1	Carrier Assembly with Belt
15	56P1173	1	Clip, Encoder
16	NA	1	Shaft, Carrier
17	NA	1	Stopper Pulley
18	12G6958	1	Pulley, Idle Assembly
19	12G6963	1	Motor, Paper Feed Assembly with Gears

4412-00X