

**Models:** e-STUDIO 165 / 205  
**Subject:** **SERVICE PARTS LIST**

## Overview

Because the e-STUDIO165/205 uses the same frame as the e-STUDIO163, a unique parts list will not be created for this product. This document describes and illustrates only those e-STUDIO165/205 parts that differ from the e-STUDIO163.

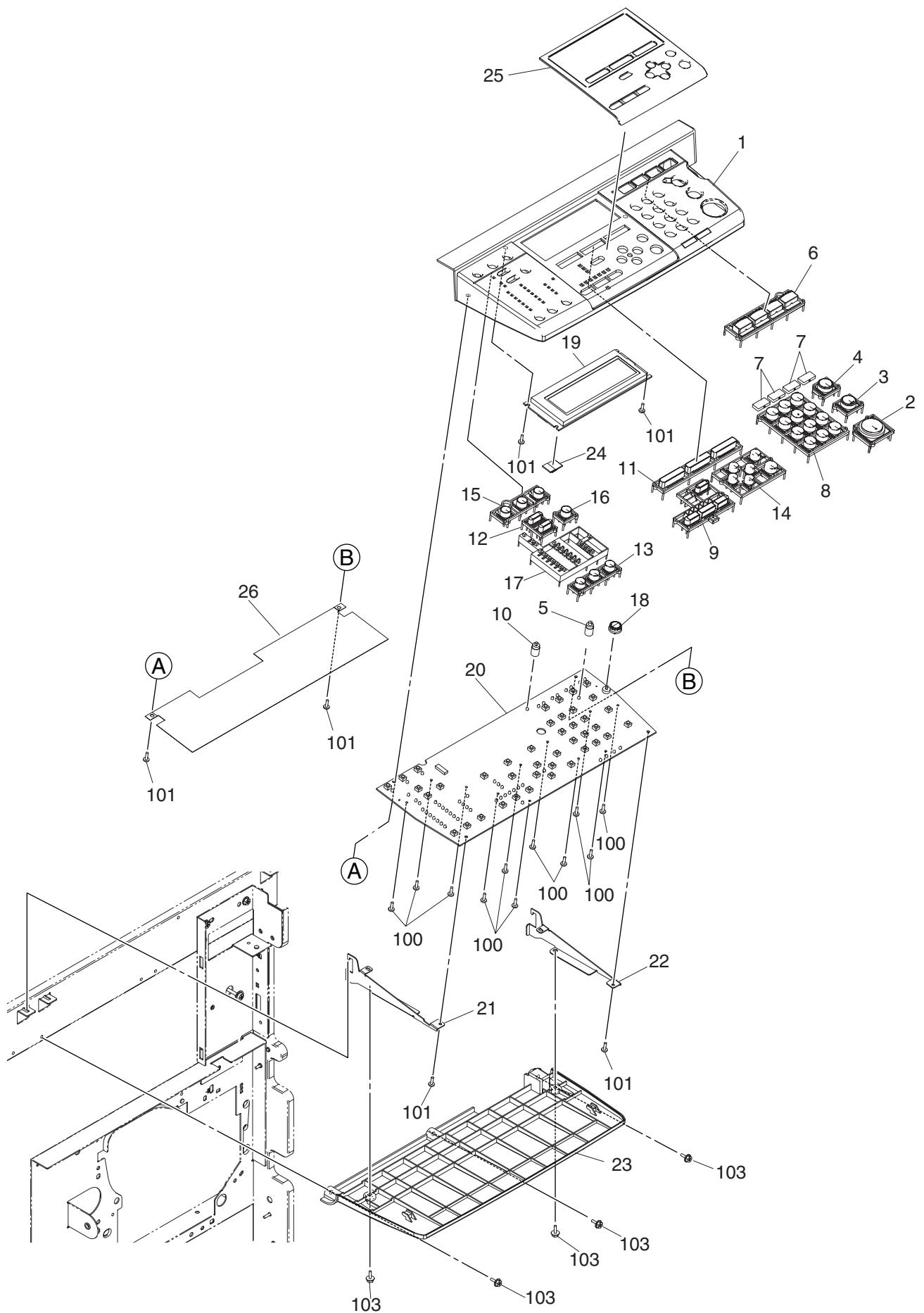
## Detail

See attached pages.

e-STUDIO 163/203 & e-STUDIO 165/205

e-STUDIO 163/203						e-STUDIO 165/205							
PA	IT	S	NUMBER	NAME	Q	REMARK	PA	IT	S	NUMBER	NAME	Q	REMARK
1	2	A	6LE55210000	COVER-EMBLM-163	1	e-STUDIO163	1	2	A	6LE55210100	COVER-EMBLEM-165	1	e-STUDIO165
1	2	B	6LE55210200	COVER-EMBLM-203	1	e-STUDIO203	1	2	B	6LE55210300	COVER-EMBLEM-205	1	e-STUDIO205
2	2		6LE54673000	COVER-SCAN-FRT-L	1		2	2		6LE54674000	COVER-SCAN-FRT-H	1	
3	1		6LE56930000	CASE-ADU-280	1		3	1		6LE56901000	CASE-ADU-280	1	
3	7		6LE57010000	STOPPER-STRING-F-280	1		3	7		6LE57011000	STOPPER-STRING-F-282	1	
5	2	A	6LE64013000	PS-ACC-280J	1	NAD,SAD	5	2	A	6LE64031000	PS-ACC-282J	1	NAD,SAD
5	2	B	6LE64014000	PS-ACC-280E	1	CND,ASU,ASD, AUD,MJD,ARD	5	2	B	6LE64027000	PS-ACC-282E	1	CND,ASU,ASD, AUD,MJD,ARD
5	7		6LE63353000	HRNS-LVPS-280	1		5	7		6LE63354000	HRNS-LVPS-282	1	
7	1	A	6LE63158000	ASY-PWA-MAIN-280S	1	e-STUDIO163	7	1	A	6LE63162000	ASY-PWA-MAIN-282S	1	e-STUDIO165
7	1	B	6LE63158100	ASY-PWA-MAIN-281S	1	e-STUDIO203	7	1	B	6LE63162100	ASY-PWA-MAIN-283S	1	e-STUDIO205
7	30		6LE62745000	PWA-F-CTIF-280	1		7	30		6LE62096000	ASY-HOLD-SP-TNR	1	
7	31		6LE62102000	HOLD-SP-TNR-IC	1		7			-----			
7	32		6LE57801000	SPRING-TNR-IC	6		7			-----			
7	33		6LE62758000	PWA-F-SRAM-280	1		7	33		6LE62758200	PWA-F-SRAM-282	1	
8				-----			8	12		6LE63324000	HRNS-HPNL-282	1	
9	2		44202845000	LVR-OPEN-SNS	1		9	2		6LE60780000	LVR-OPEN-SNS-280	1	
9	5		6LE60794000	BRKT-HING-L	1		9	5		6LE60795000	BRKT-HING-L	1	
9	8		6LE64010000	SNSR-CISM-280	1		9	8		6LE60830000	ASY-CIS	1	
9	9		6LE60839000	GUIDE-GLASS-CIS	2		9			-----			
9	12		6LE60691000	ASY-CASE-CIS	1		9	12		6LE60692000	ASY-CASE-CIS-V	1	
9	13		4408604590	FOOT-CRG-3.64	2		9	13		4408604590	FOOT-CRG-3.64	1	
9				-----			9	19	B	6LE63995000	SNSR-PS-181EL1-S42	4	
9				-----			9	19	B	6LE63995000	SNSR-PS-181EL1-S42	5	
9	101		C0-11250000	LG248NL1	2		9	101		C0-11250000	LG248NL1	1	
9	10		6LE60843000	BRKT-HP-SENSOR	1		10	4		6LE60845000	BRKT-HP-SENSOR	1	
10				-----			10	102		F0-01046000	UAMS-02WL-0	1	
10				-----			10	106		C0-11250000	LG248NL1	1	
11	1		6LE62362000	ASYS-CASE-SIDE	1		11	1		6LE62307100	ASYS-CASE-SIDE-H	1	
11	8		6LE62386000	ARM-TRU-F	1		11	8		6LE62311000	ARM-TRU-F	1	
13	15		6LE53443000	PUSHER-PAPER-GUIDE	1		13	15		6LE53506000	PUSHER-PAPER-GUIDE	1	
13	21		6LE53445000	COVER-PUSHER-GUIDE	1		13	21		6LE53507000	COVER-PUSHER-GUIDE	1	
14	18		6LE53432000	ARM-CAM-LINK	1		14	18		6LE53503000	ARM-CAM-LINK	1	
14				-----			14	43		6LE53501000	CUSHION-COV-BYP-1T11	1	
14				-----			14	44		6LE53502000	CUSHION-HLDR-BYP-2T11	1	
15	5		6LE57970000	BRKT-HOLD-SP-280	2		15	5		6LE57972000	BRKT-HOLD-SP-280	2	
15	15		6LA85910000	MYLAR-SUPPORT-SNS	1		15	15		6LA85910000	MYLAR-SUPPORT-SNS	2	
16	3		6LE57200000	GUIDE-BUSH-RGST-R	1		16	3		6LE57224000	GUIDE-BUSH-RGST-R	1	

e-STUDIO 163/203						e-STUDIO 165/205							
PA	IT	S	NUMBER	NAME	Q	REMARK	PA	IT	S	NUMBER	NAME	Q	REMARK
16	16		6LE53727000	ASYB-CARRY-ROLL-SCKT	2		16	16		6LE53756000	ASYB-CARRY-ROLL-SCKT	2	
23	2	A	6LA82550000	ROLL-GUIDE-EXIT	5	NAD,ASU,SAD,ASD, AUD,MJD,ARD	23				-----		
23	18		44203198000	ROLL-EXIT-L-320	4		23	18		6LE58555000	ROLL-EXIT-L-282	4	
23	19		6LE58585000	ROLLER-EXIT-280	1		23	19		6LE58587000	ROLLER-EXIT-282	1	
23	38		6LE58567000	MYLAR-HR-280	2		23	39		6LE58625000	GUIDE-FUS-CURL-282	1	
23				-----			23	40		6LA65683000	SCREW-HLDR-MG	2	
24	12		6LE58840000	GUIDE-OPEN-FUS-280	1		24	12		6LE58841000	GUIDE-OPEN-FUS-282	1	
24	13		6LE58860000	SPG-T-ACT-EXIT-280	1		24	13		6LE58862000	SPG-T-ACT-EXIT-282	1	
24	14		6LE58760000	ACTR-EXIT-280	1		24	14		6LE58845000	ACTR-EXIT-282	1	
25	1		6LE53703000	TRAY-CST-280	1		25	1		6LE53749000	TRAY-CST-280	1	
25	3		6LE53715000	CLAW-F-280	1		25	3		6LE53754000	CLAW-F-280	1	
25	6		6LE53701000	SLIDE-WALL-R	1		25	6		6LE53748000	SLIDE-WALL-R	1	
25	7		6LE53716000	CLAW-R-280	1		25	7		6LE53753000	CLAW-R-280	1	
25	15		6LE53702000	PLATE-CSSTT-280	1		25	15		6LE53750000	PLATE-CSSTT-280	1	
25				-----			25	24		6LE53747000	LBL-CST-PUSH-280	1	
103				-----			103	7	A	6AG00001075	GA-1200	1	Except for China
103				-----			103	7	B	6AG00001076	GA-1200C	1	China
103				-----			103	8	A	6AG00001095	GH-1050	1	Except for China
103				-----			103	8	B	6AG00001096	GH-1050-C	1	China
103				-----			103	15		6LE55622000	COVER-ENABLER	1	
103				-----			103	16		6LE63159000	ASY-PWA-PFC-637	1	
103				-----			103	17		6LE55701000	SHEET-PWA-PFC	1	
103				-----			103	18		6LE55700000	BRKT-PFC	2	
103				-----			103	19		6LE63384000	HRNS-PFC-637	1	
103				-----			103	20		6LE63335000	HRNS-PFC-POW2-637	1	
104	4	A	6LE65610100	FUSER-1640-115	1	NAD,SAD	104	4	A	6LE65510100	FUSER-1650-115	1	NAD,SAD
104	4	B	6LE65610200	FUSER-1640-220	1	ASU,ASD,AUD,MJD, ARD	104	4	B	6LE65510200	FUSER-1650-230	1	CND,ASU,ASD,AUD, MJD,ARD
104	4	C	6LE65610300	FUSER-1640-KRD	1	KRD	104	4	C	6LE65510300	FUSER-1650-KRD	1	KRD
104	4	D	6LE65610400	FUSER-1640-CND	1	CND	104				-----		



ITEM NO.	PARTS NO.	PARTS NAME	Q'TY / PAGE	Q'TY / PACK	PIR	BSI NO.	TO	T	FROM	SERIAL NO.	REMARKS	C
1A	6LE54658200	ASYB-COMPANE-H-U		1/1/PP							NAD	
1B	6LE54658000	ASYB-COMPANE-H-E		1/1/PP							ASU, SAD, ASD, AUD, MJD, ARD	
1C	6LE54658300	ASYB-COMPANE-H-C		1/1/PP							CND	
2	6LE54679000	ASYS-KEY-START-LH		1/1/D								
3	6LE54645000	KEY-CL-STOP-LH		1/1/D								
4	6LE54639000	KEY-FC-LH-E		1/1/D								
5	6LE54640000	HOLDER-LED-LH		1/1/P								
6	6LE54653000	KEY-COPY-H		1/1/D								
7	6LE54668000	KEY-COPY-H-SUB		4/1/D								
8	6LE54649000	KEY-TEN-LH		1/1/D								
9	6LE54643000	KEY-DEN-LH		1/1/D								
10	6LE54651000	HOLDER-LED-TEL-H		1/1/P								
11	6LE54656000	KEY-SELECT-H		1/1/D								
12	6LE54644000	KEY-LH		1/1/D								
13	6LE54646000	KEY-COPY-LH		1/1/D								
14	6LE54654000	KEY-ENTER-H		1/1/D								
15	6LE54655000	KEY-ES-H		1/1/D								
16	6LE54652000	KEY-COPY-SETTINGS-H		1/1/D								
17	6LE54666000	HOLDER-LED-PAPER-H		1/1/P								
18	6LE54667000	COVER-DIAL-H		1/1/P								
19	6LE64026000	DSP-LCD-282		1/1/C								
20	6LE62774000	PWA-F-HPNL-282		1/1/SB								
21	6LE54681000	ASYS-BRKT-COMPANE-H		1/1/P								
22	6LE54661000	BRKT-COMPANE-H-R		1/1/P								
23	6LE54672000	COVER-COMPANE-H-LOW		1/1/PP								
24	6LE63325000	HRNS-LCD-282		1/1/P								
25A	6LE54629000	PANEL-COMPANE-H-E		1/1/P							NAD, ASU, SAD, ASD, AUD, MJD, ARD	
25B	6LE54629200	PANEL-COMPANE-H-C		1/1/P							CND	
26	6LE54700000	SHIELD-COMPANE-H		1/1/KP								
100	X0-02117000	S/TPB/BID-2X6-ZU3		11/10/P								
101	6LA80090000	S/TPP/BID-3*8-NI		6/5/P								
103	X0-02239000	S/TPS/FHEXM-3X8-ZU3		2/10/P								

