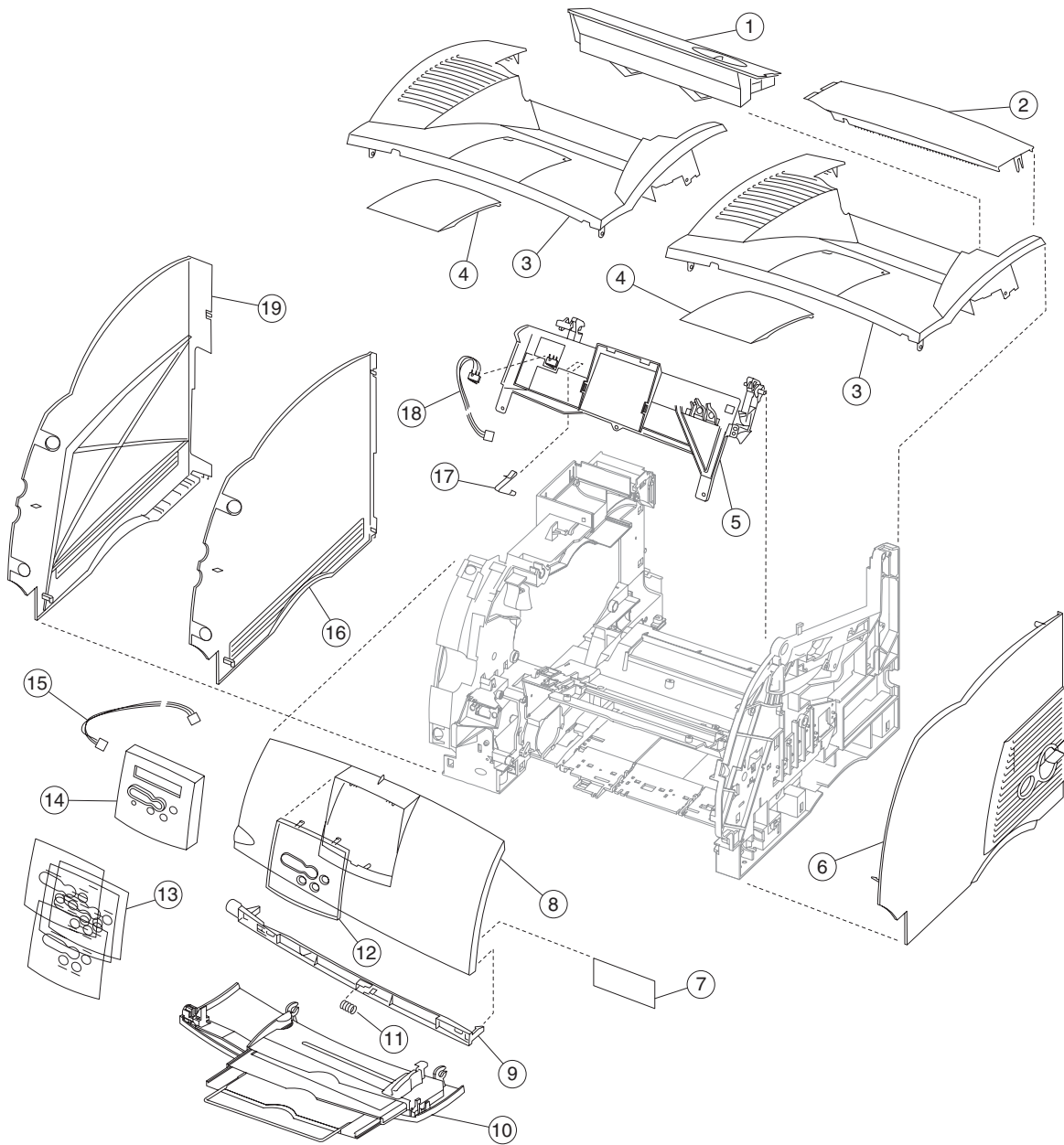


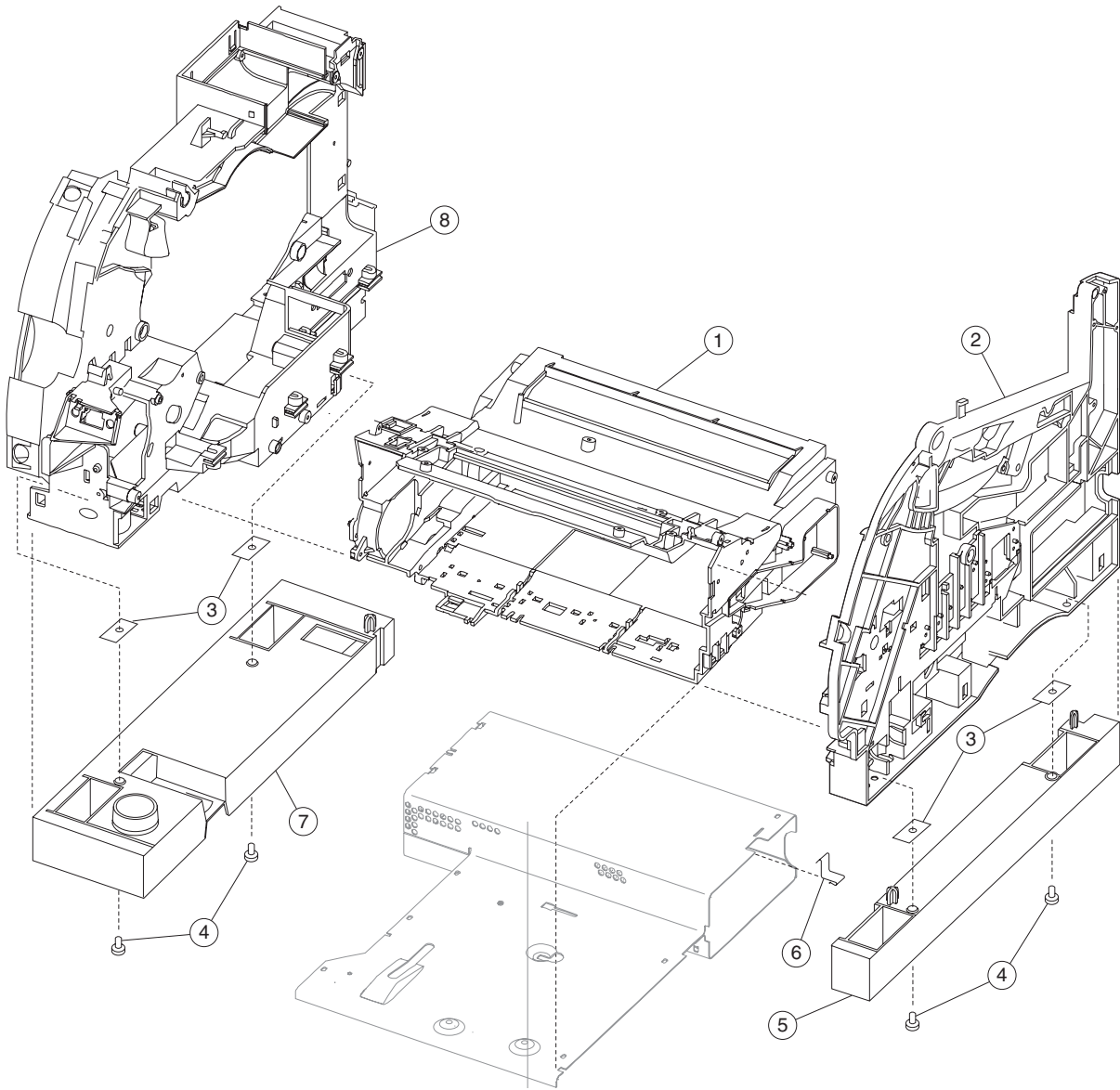
Assembly 1: Covers



Assembly 1: Covers

Asm-Index	Part number	Units	Description
1—1	56P1300	1	Cover, fuser wick assembly
2	99A2074	1	Cover assembly, redrive cap
3	56P1301	1	Cover assembly, laser assembly, 250-sheet output, 000/010
3	56P1302	1	Cover assembly, laser assembly, 500-sheet output, 200/210/400/410
4	99A1587	1	Support, paper
5	56P1305	1	Hinge, upper front cover
6	56P1306	1	Cover, right side, 250-sheet output, 000/010
6	56P1307	1	Cover, right side 500-sheet output, 200/210/400/410
7	99A0007	1	Label, TLI/ID/serial number—blank
8	56P1303	1	Upper front cover with Lexmark logo
9	56P1308	1	Latch, upper cover
10	56P1309	1	Cover assembly, lower front
11	99A0004	1	Spring, latch
12	56P1356	1	Cover, clear bezel, 000/010
12	56P1358	1	Cover, clear bezel, 200/210
12	56P1862	1	Cover, clear bezel, 400/410
13	56P1753	1	Kit, operator panel overlay—English, Brazilian Portuguese, French, and Spanish
13	56P1754	1	Kit, operator panel overlay—Dutch, French, German, and Italian
13	56P1755	1	Kit, operator panel overlay—Czech and Hungarian
13	56P1756	1	Kit, operator panel overlay—Danish, Finnish, Norwegian, and Swedish
13	56P1757	1	Kit, operator panel overlay—Polish, Russian, and Turkish
13	56P1758	1	Kit, operator panel overlay—WW English and Spanish
13	56P1759	1	Kit, operator panel overlay—WW English, Simplified Chinese, Traditional Chinese, and Japanese
14	56P1310	1	Operator panel assembly 110V
14	56P1311	1	Operator panel assembly 220V
15	56P1394	1	Cable assembly, operator panel
16	56P2122	1	Cover, left door, 250 1-slot, 000/010
17	99A1524	1	Cartridge load spring
18	56P1395	1	Switch, cover closed w/cable assembly
19	56P2126	1	Cover, left door, 500 2-slot, 200/210/400/410
NS	99A0577	1	Parts packet, cable ties (10 each)
NS	99A1594	1	Retainer, cable
NS	99A0263	5	Parts packet, screw (left side cover mounting)
NS	99A0263	3	Parts packet, screw (right side cover mounting)
NS	99A0263	6	Parts packet, screw (laser cover)
NS	99A0263	5	Parts packet, screw (upper front cover mounting)

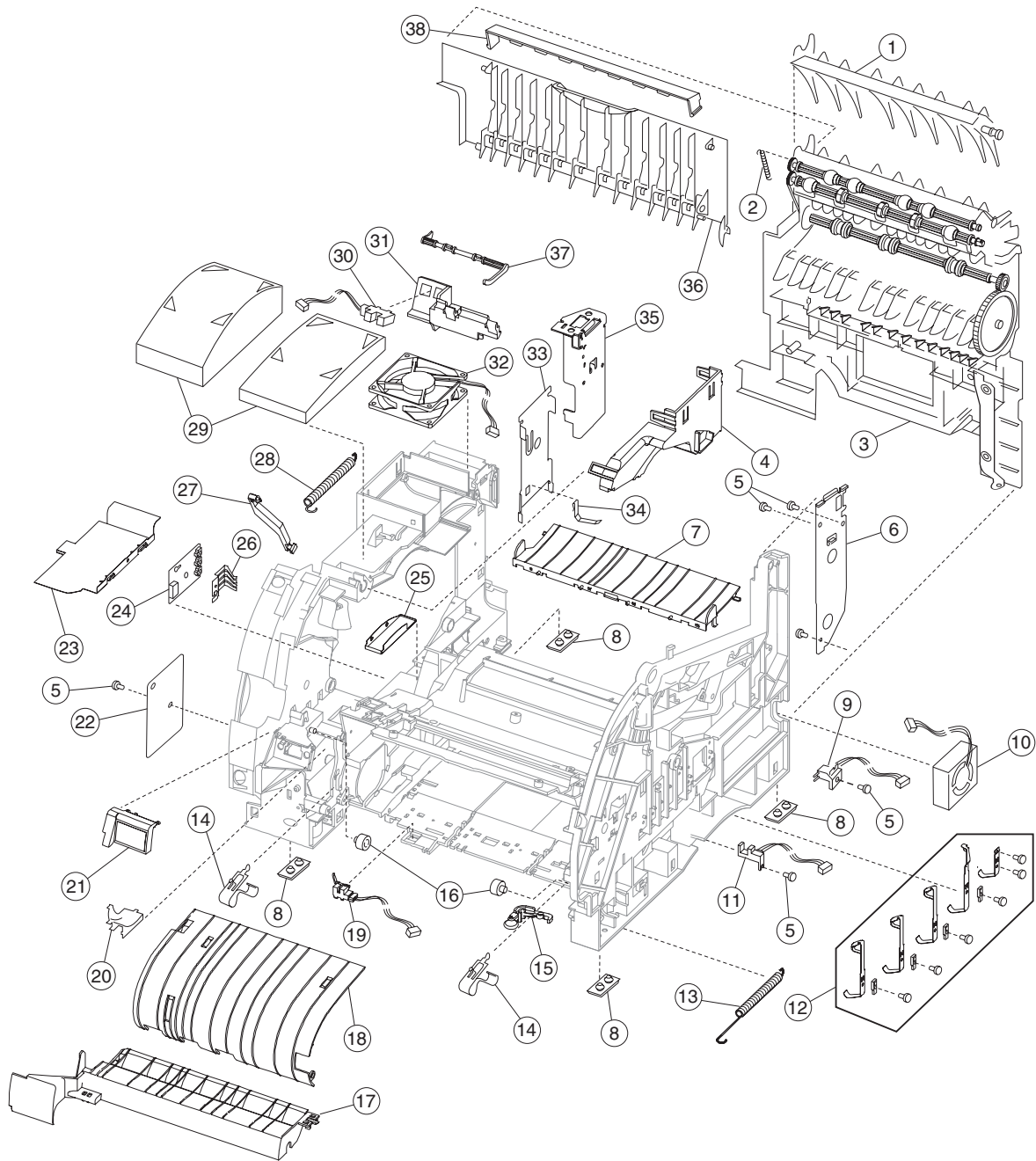
Assembly 2: Frame 1



Assembly 2: Frame 1

Asm-index	Part number	Units	Description
2—1	56P1322	1	Frame, EP module, 000/010
1	56P1347	1	Frame, EP module, 200/210/400/410
2	56P1320	1	Right side frame assembly
3	99A1540	4	Nut plate, frame extension, 200/210/400/410
4	99A0263	4	Parts packet, screw
5	99A1518	1	Frame extension, right, 200/210/400/410
6	99A1538	1	Contact, RSF ground
7	99A1517	1	Frame extension, left, 200/210/400/410
8	56P1321	1	Left side frame

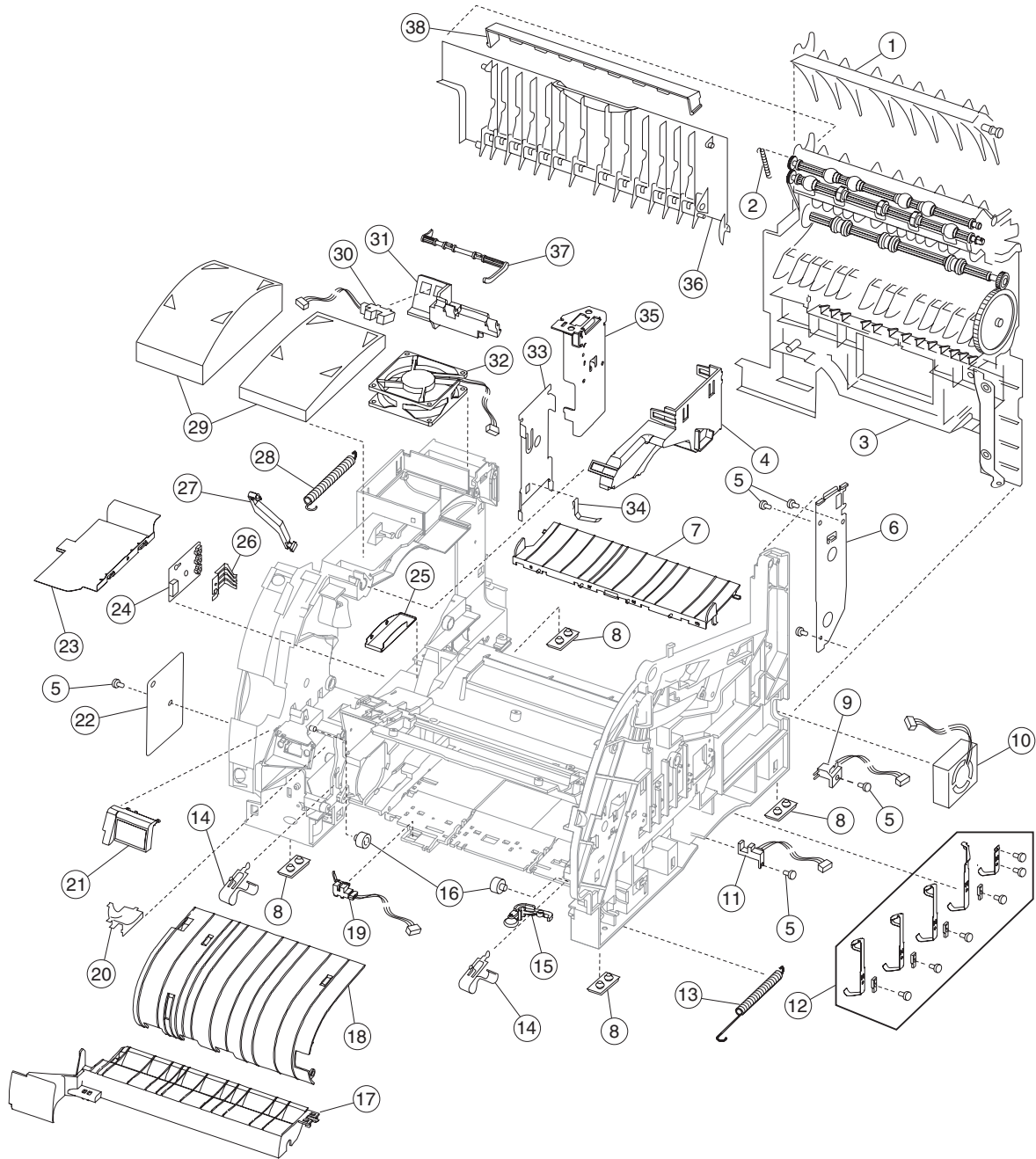
Assembly 3: Frame 2



Assembly 3: Frame 2

Asm-index	Part number	Units	Description
3—1	99A1857	1	Upper redrive deflector
2	99A0104	1	Upper diverter spring
3	99A2151	1	Redrive assembly, 250 in/250 out, 000/010
3	56P1328	1	Redrive assembly, 500 in/500 out, 200/210/400/410
4	56P1318	1	Duct, main cap
5	99A0263	3	Parts packet, screw
6	99A2021	1	Support, right stacker plate, 000/010
6	56P1319	1	Support, right stacker plate, 200/210/400/410
7	99A2020	1	Transfer plate assembly
8	99A2077	4	Pad, machine mounting
9	56P1399	1	Smart cartridge contact assembly w/cable
10	56P1408	1	Cartridge fan
11	56P1361	1	Toner sensor assembly
12	99A0585	1	Parts packet, contact kit <ul style="list-style-type: none"> • Contact, doctor blade/TAR/developer roll (3) • Contact, PC drum (1) • Contact, charge roll (1) • Block, contact mounting (4) • Screw, contact mounting (5)
13	99A0028	1	Spring, tray bias
14	99A2019	2	Spring, cartridge hold down
15	99A0026	1	Tray bias arm assembly
16	99A0039	2	Roller, developer support
17	99A1525	1	Deflector, upper PF
18	56P1334	1	Deflector, inner, 000/010
18	56P1336	1	Deflector, inner, 200/210/400/410
19	99A0053	1	Sensor, input
20	99A1546	1	Shield, gear #60/MPF
21	99A0549	1	Shield, ESD assembly with label
22	99A2445	1	Guard, gear
23	99A2078	1	Pan, motor drip
24	56P1350	1	Board, input tray (ITC)
25	99A2076	1	Pan, drip ITC
26	99A0063	1	Paper switch activate
27	99A0567	1	Link, gear release
28	99A0556	1	Spring, counterbalance
29	56P1314	1	Shroud, fan, 000/010
29	56P1315	1	Shroud, fan, 200/210/400/410
30	56P1391	1	Sensor, standard bin level with cable
31	99A0062	1	Bracket, level sensor
32	56P1360	1	Fan, main w/cable
33	99A2018	1	Support, left lower stacker

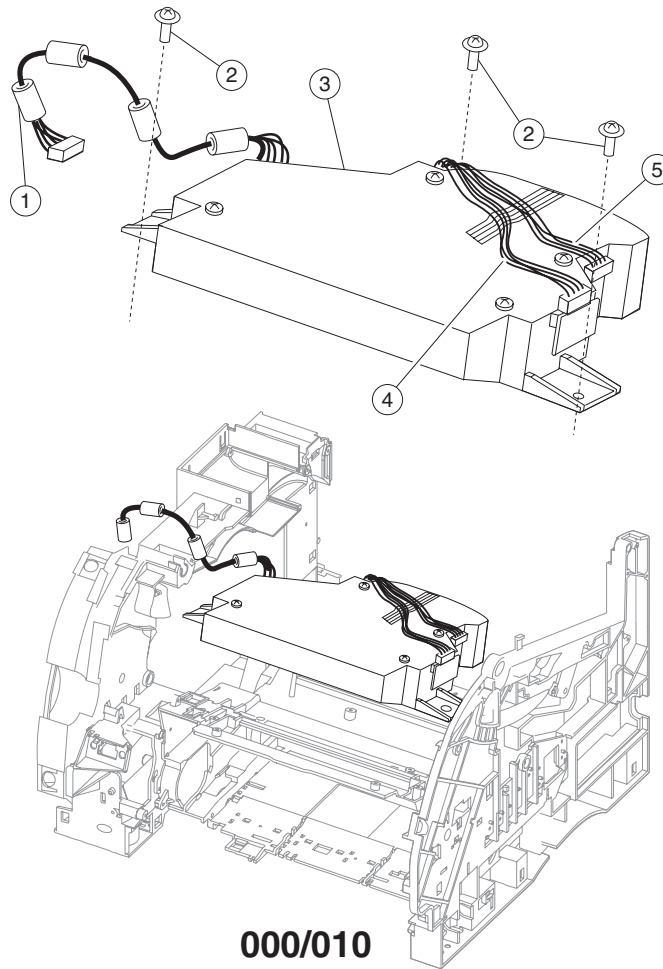
Assembly 3 (cont.): Frame 2



Assembly 3 (cont.): Frame 2

Asm-index	Part number	Units	Description
3—34	99A1596	1	Contact, LSF ground
35	56P1317	1	Duct, left stacker, 250-sheet, 000/010
35	99A2016	1	Duct, left stacker, 500-sheet, 200/210/400/410
36	99A1644	1	Door assembly, redrive 250 sheet
37	99A1613	1	Flag, output paper level, 000/010
37	56P1316	1	Flag, output paper level, 200/210/400/410
38	99A2017	1	Guide, extension
NS	99A1541	1	Clip, external ground
NS	99A0263	17	Parts packet, screw

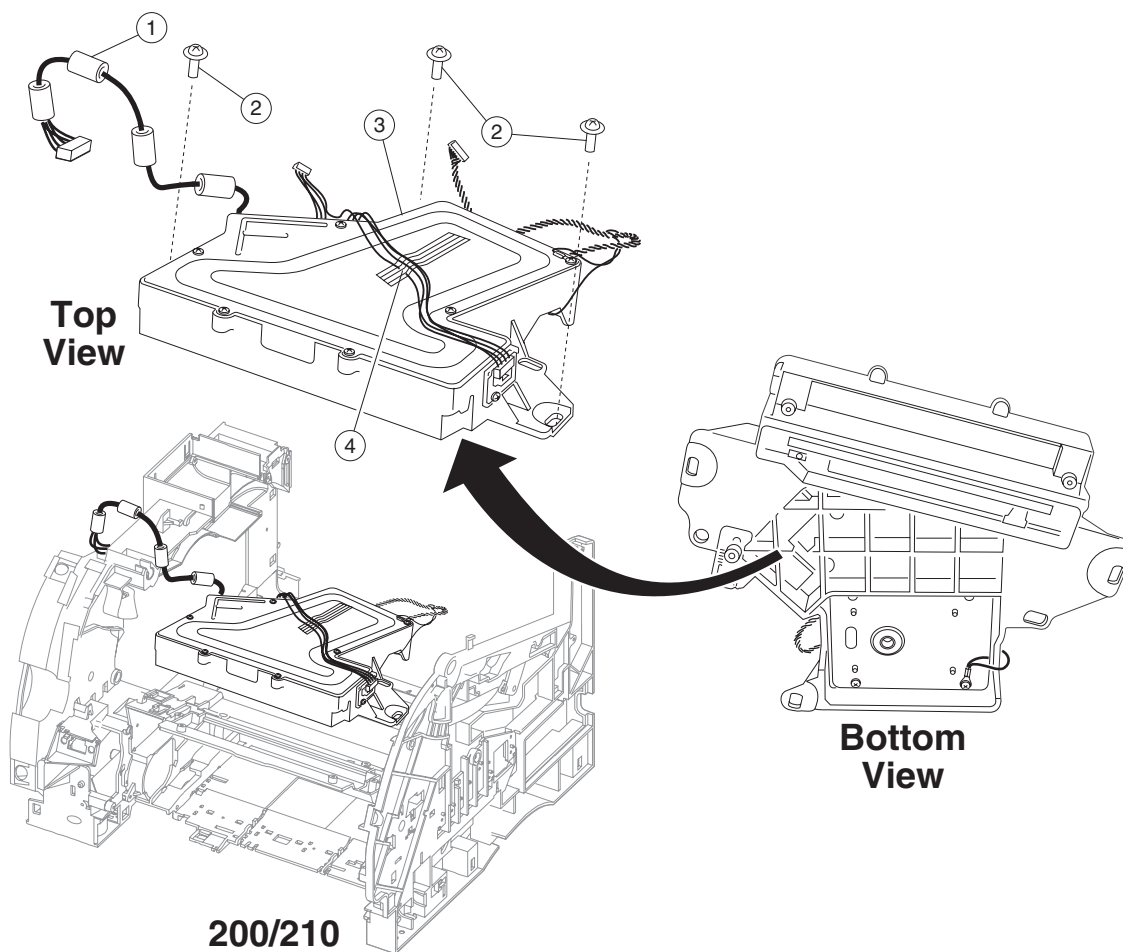
Assembly 4: Printhead 1 (000/010)



000/010

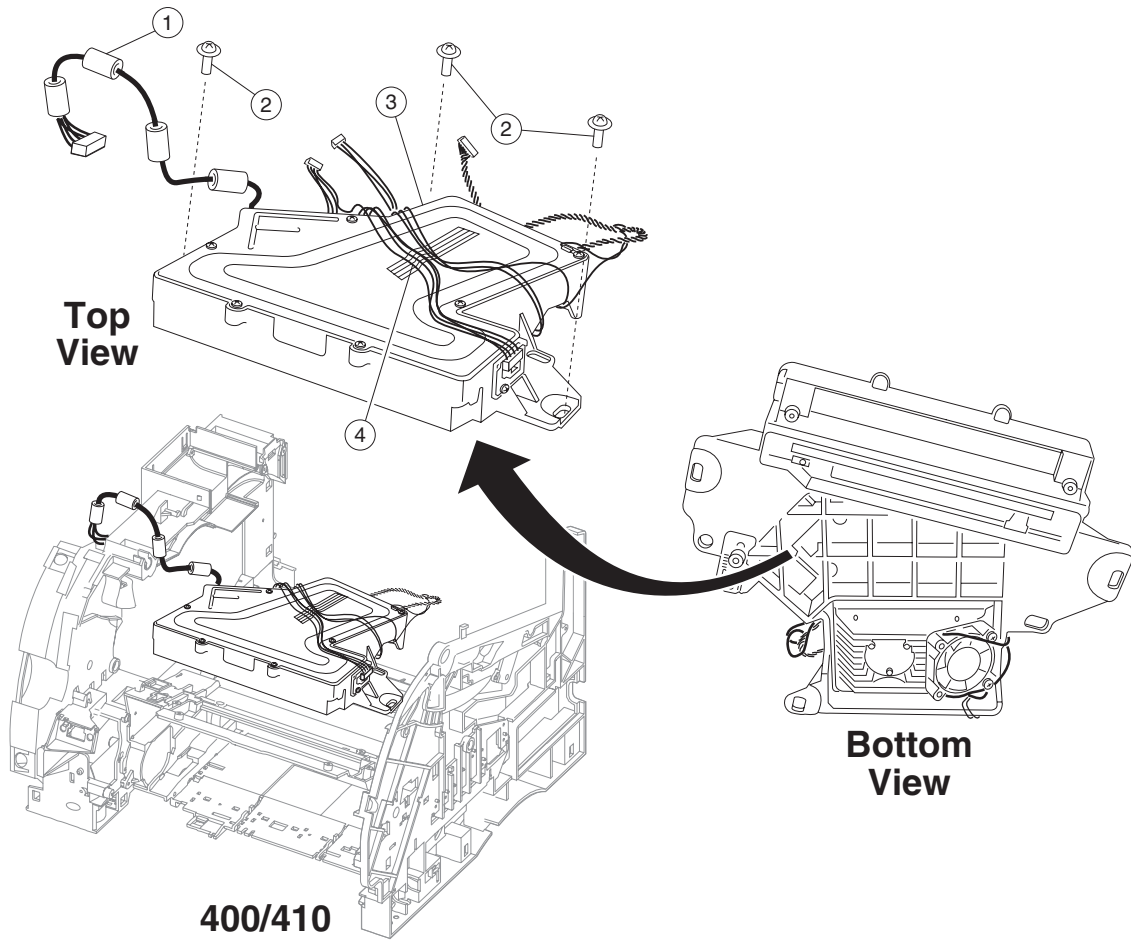
Asm-index	Part number	Units	Description
4—1	56P1386	1	Cable, laser
2	99A0263	3	Parts packet, screw (printhead mounting)
3	56P1396	1	Printhead assembly (includes all cables), 000/010
4	56P1387	1	Cable, HSYNC
5	56P1388	1	Cable, mirror motor, 000/010

Assembly 5: Printhead 2 (200/210)



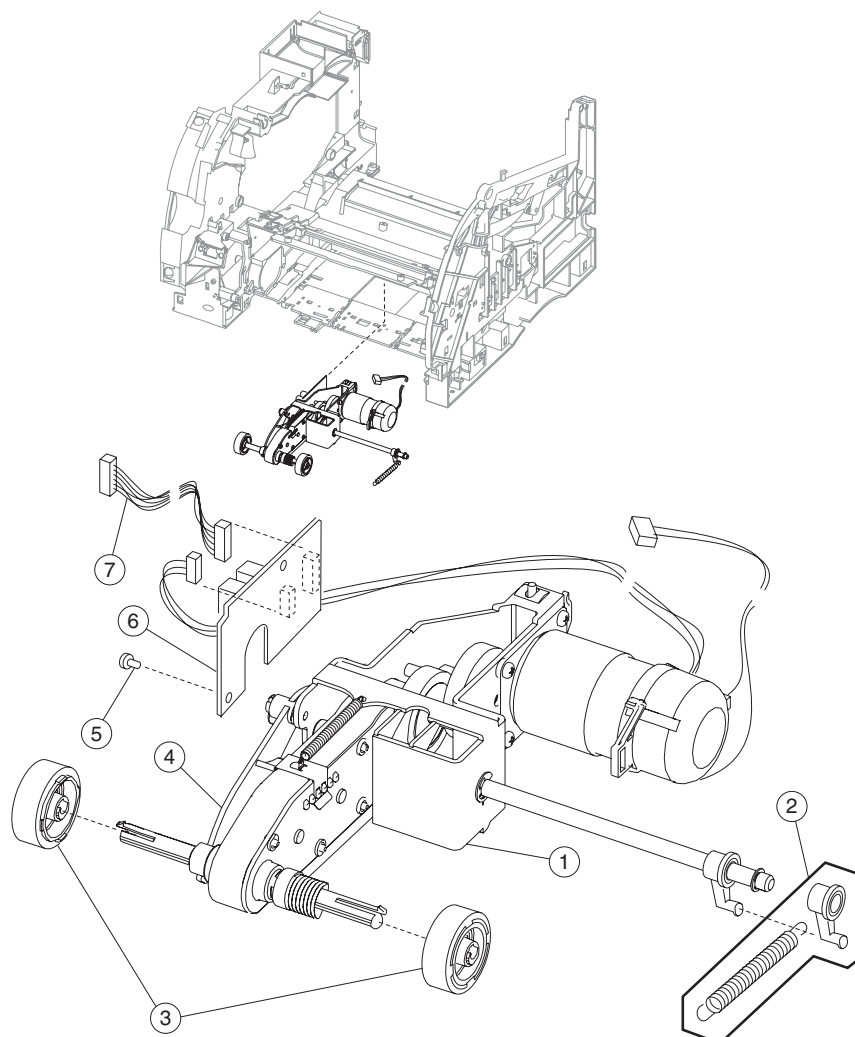
Asm-index	Part number	Units	Description
5—1	56P1386	1	Cable, laser
2	99A0263	3	Parts packet, screw (printhead mounting)
3	56P1443	1	Printhead assembly (includes all cables), 200/210
4	56P1387	1	Cable, HSYNC

Assembly 6: Printhead 3 (400/410)



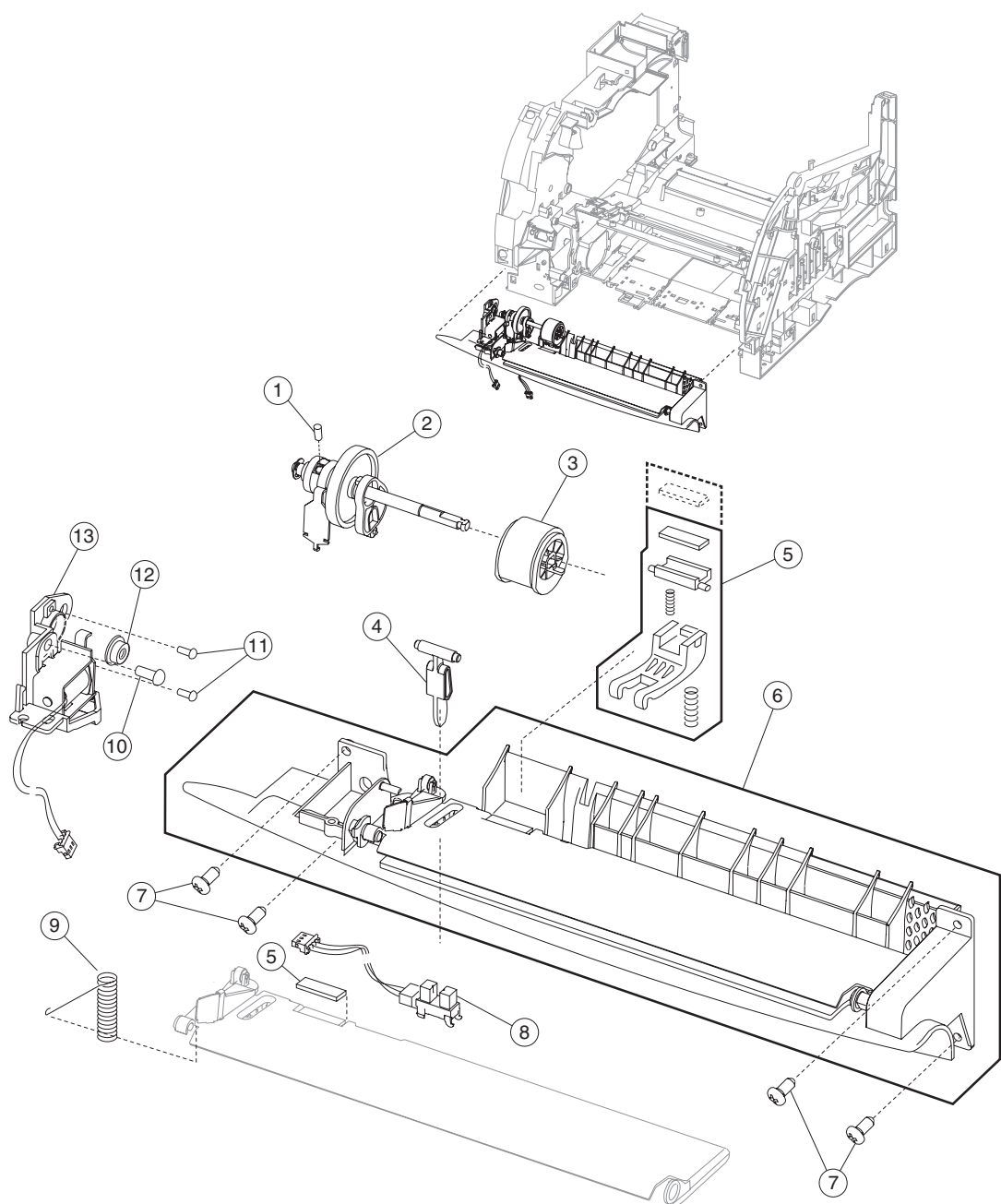
Asm-index	Part number	Units	Description
6—1	56P1386	1	Cable, laser
2	99A0263	3	Parts packet, screw (printhead mounting)
3	56P1854	1	Printhead assembly (includes all cables), 400/410
4	56P1387	1	Cable, HSYNC

Assembly 7: Paper feed—autocompensator



Asm-index	Part number	Units	Description
7—1	56P1325	1	Pick arm assembly (500-sheet), 200/210/400/410
1	56P1326	1	Pick arm assembly (250-sheet), 000/010
2	56P1337	1	Parts packet, bellcrank and spring for 250 tray, 000/010
2	56P1331	1	Parts packet, bellcrank and spring for 500 tray, 200/210/400/410
3	99A0070	2	Pick roll assembly
4	56P1324	1	Flag, paper out 250-sheet tray, 000/010
4	56P1323	1	Flag, paper out 500-sheet tray, 200/210/400/410
5	99A0263	1	Parts packet, screw (hanger)
6	56P1406	1	Card asm, paper wt/paper low/out sensor
7	56P1382	1	Int. card/autocomp card cable (paper low/out sensors)

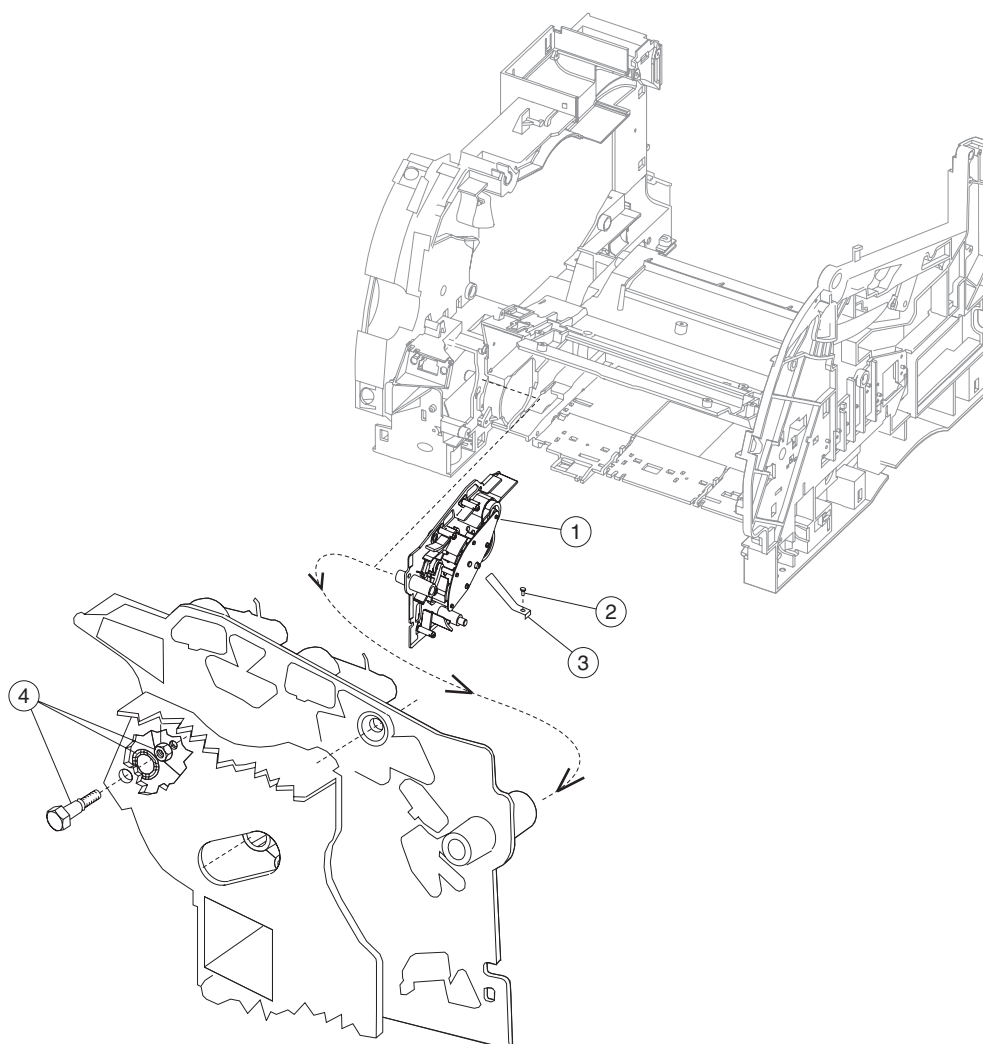
Assembly 8: Paper feed—multipurpose feeder



Assembly 8: Paper feed—multipurpose feeder

Asm-index	Part number	Units	Description
8—1	99A0075	1	Screw, socket set M4X5 mm
2	99A0071	1	Arm assembly, MPF
3	99A0076	1	Pick roll assembly
4	99A0084	1	Flag, MPT paper out
5	56P1352	1	MPF pad/separator arm assembly, includes: <ul style="list-style-type: none"> • Pad, restraint • Pad, separator • Housing, separator pad • Spring, sep pad • Arm, separator • Spring, sep
6	99A1531	1	MPF lower deflector
7	99A0263	2	Parts packet, screw (lower deflector mounting 8 mm)
7	99A0263	2	Parts packet, screw (lower deflector mounting 12 mm)
8	99A2071	1	Sensor, MPF paper out
9	99A0081	1	Spring assembly, separator
10	99A0263	1	Parts packet, screw (frame mounting)
11	99A0073	2	Screw, damper
12	99A0074	2	Bushing, pick roll shaft
13	56P2407	1	MPF frame assembly with solenoid
NS	99A0267	2	Parts packet, clip (pick roll shaft)

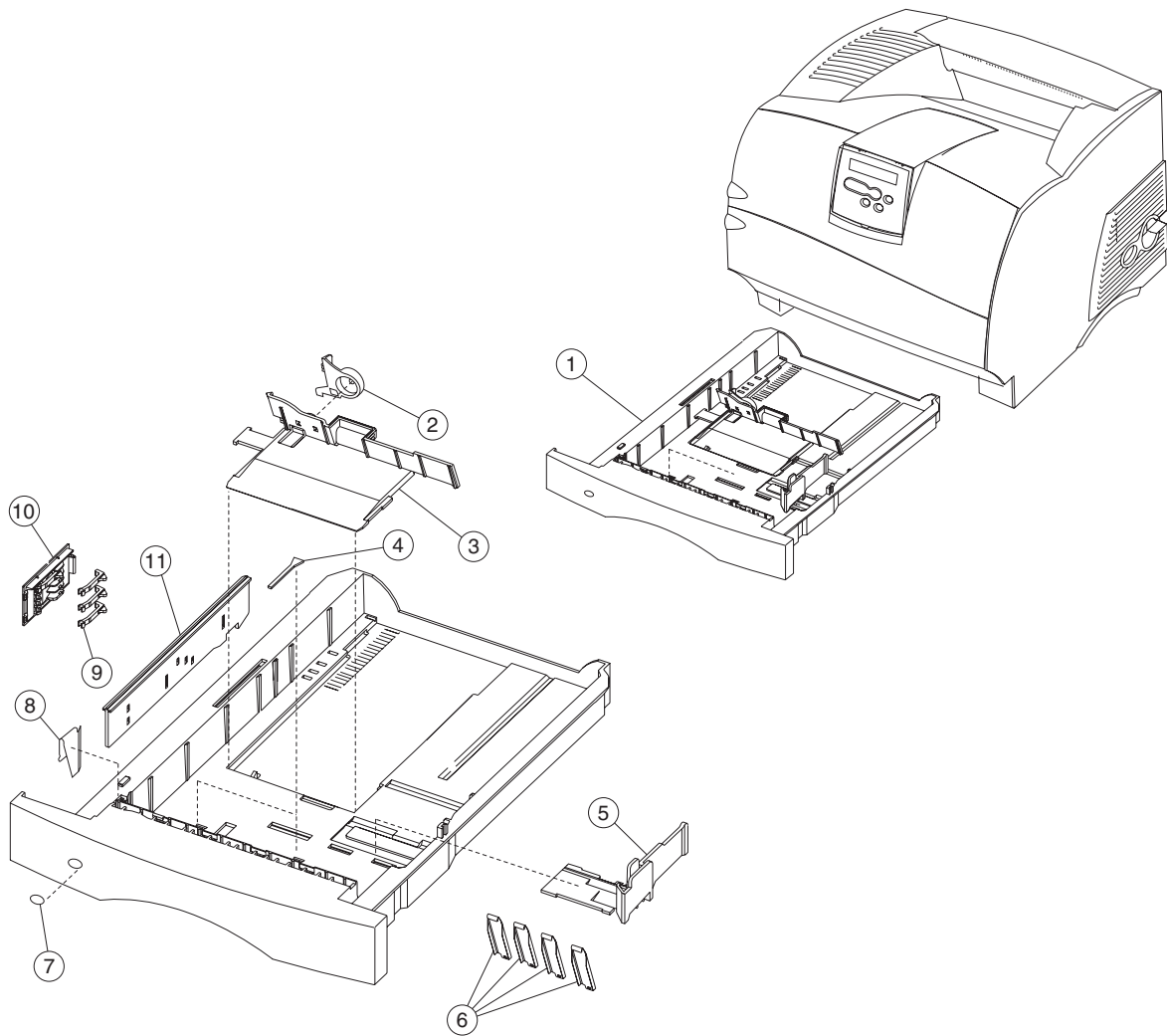
Assembly 9: Paper feed—alignment



Assembly 9: Paper feed—alignment

Asm-index	Part number	Units	Description
9—1	56P1327	1	Alignment assembly paper feed
2	99A0263	1	Parts packet, screw (clip ref ground mounting)
3	56P1349	1	Clip, reference ground
4	56P1346	1	Parts packet (reference adjust) <ul style="list-style-type: none"> • Screw, paper reference adjust • Washer, paper reference adjust • Nut, paper reference adjust
NS	99A0263	3	Parts packet, screw (alignment asm mounting)

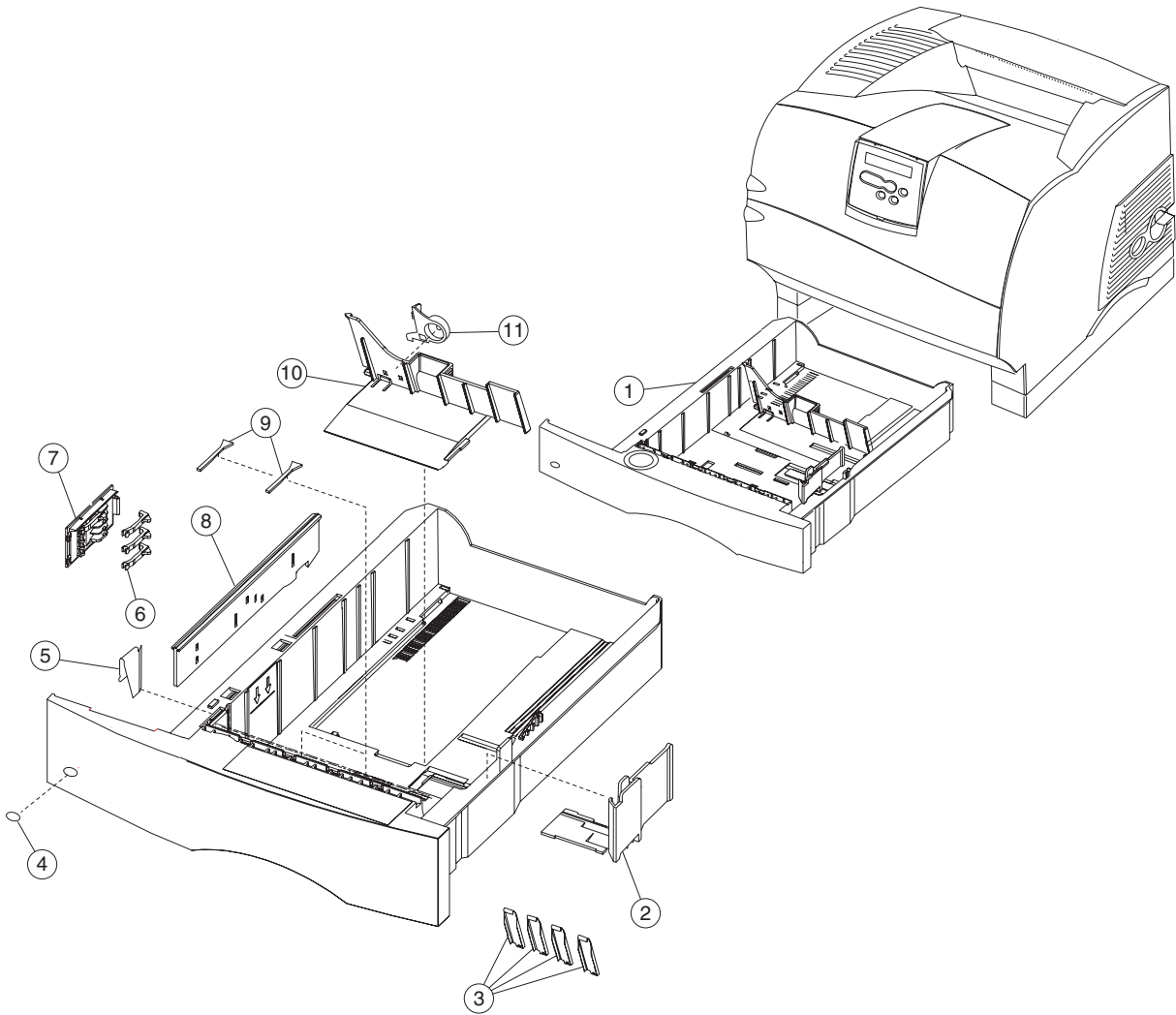
Assembly 10: Integrated paper tray—250-sheet



Assembly 10: Integrated paper tray—250-sheet

Asm-index	Part number	Units	Description
10—1	99A1536	1	Tray, integrated 250-sheet
2	99A1601	1	Latch, back restraint
3	99A2160	1	Restraint, back 250-sheet tray
4	99A0120	2	Restraint pad
5	99A1894	1	Restraint, side 250-sheet tray
6	99A0119	4	Wear strips
7	99A1812	1	Label, tray option number
8	99A0121	1	Clip, 250-sheet tray wear
9	99A0126	3	Finger, autosize
10	99A0124	1	Plate, snap-in
11	99A0127	1	Slider, autosize 250-sheet

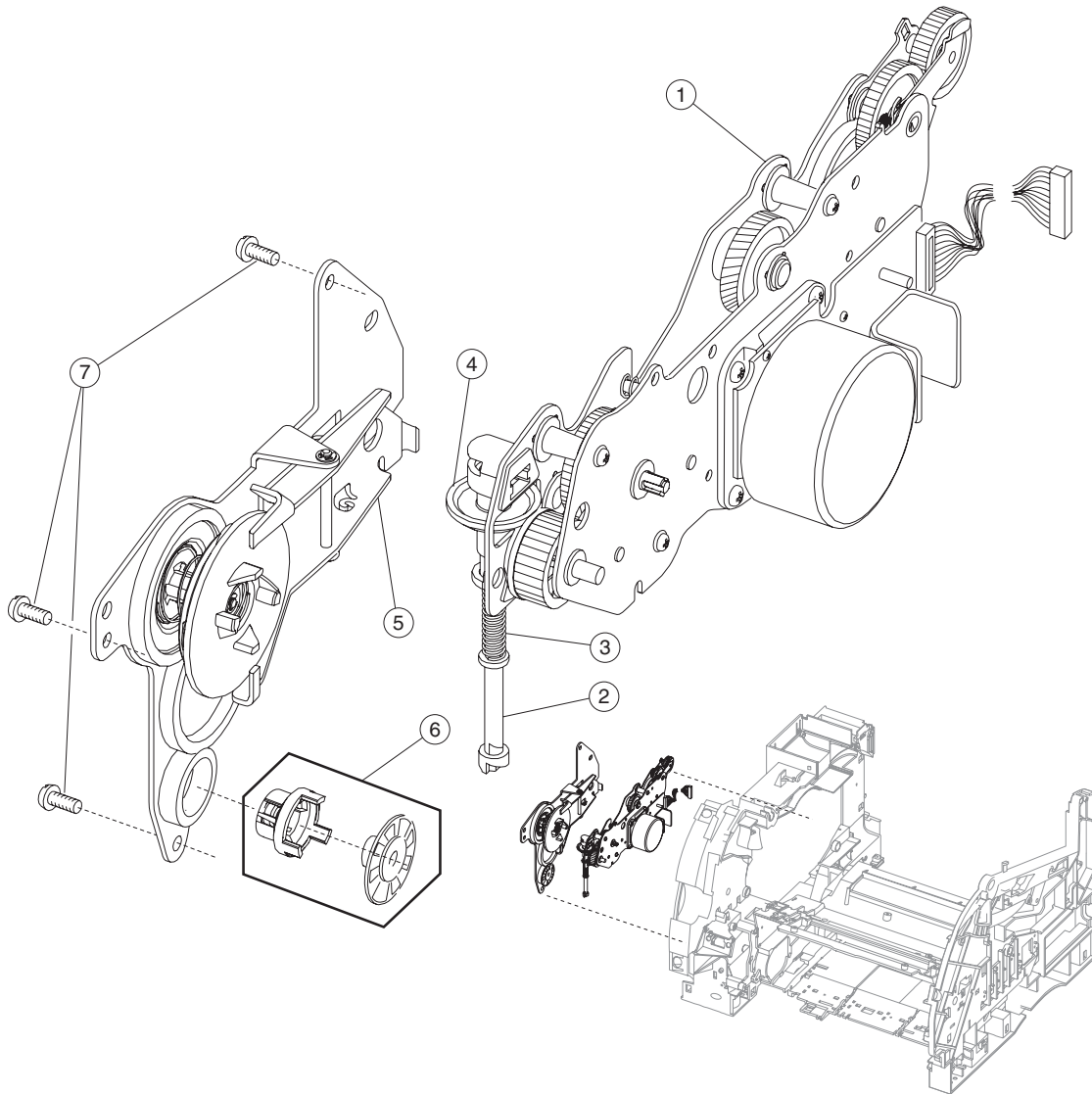
Assembly 11: Integrated paper tray—500-sheet



Assembly 11: Integrated paper tray—500-sheet

Asm-index	Part number	Units	Description
11—1	99A1576	1	Tray assembly 500-sheet
2	99A1895	1	Restraint, side
3	99A0292	4	Strip, wear
4	99A1812	1	Label, tray option number
5	99A1583	1	Plate, 500-sheet tray wear
6	99A0126	3	Finger, autosize
7	99A0124	1	Plate, snap-in
8	99A1582	1	Slider, autosize 500-sheet
9	99A0120	2	Restraint pad
10	99A2093	1	Restraint, back
11	99A1601	1	Latch, back restraint

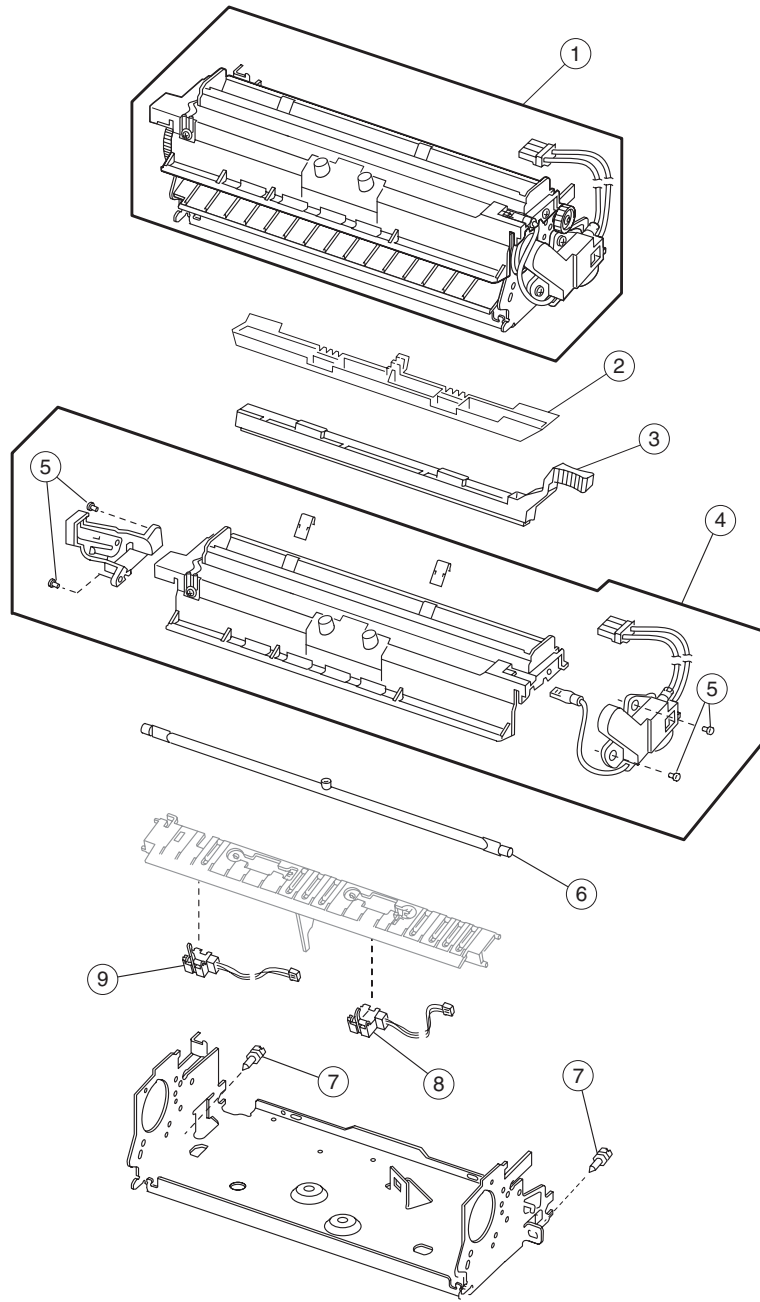
Assembly 12: Drives—Main drive and developer drive



Assembly 12: Drives—Main drive and developer drive

Asm-index	Part number	Units	Description
12—1	56P1330	1	Gearbox, w/motor, 000/010
1	56P1332	1	Gearbox, w/motor, 200/210
1	56P1858	1	Gearbox, w/motor, 400/410
2	99A0134	1	Shaft, power takeoff 250, 000/010
2	99A1569	1	Shaft, power takeoff 500, 200/210/400/410
3	99A0275	1	Spring, power takeoff shaft
4	56P2162	1	Gear, bevel with grease packet and washer
5	99A1544	1	Developer drive assembly
6	99A2081	1	Parts packet, developer drive shaft, coupler gear #55
7	99A0263	3	Parts packet, screw (developer drive ground)
NS	99A0263	4	Parts packet, screw (gearbox mounting)
NS	99A0263	3	Parts packet, screw (motor mounting)

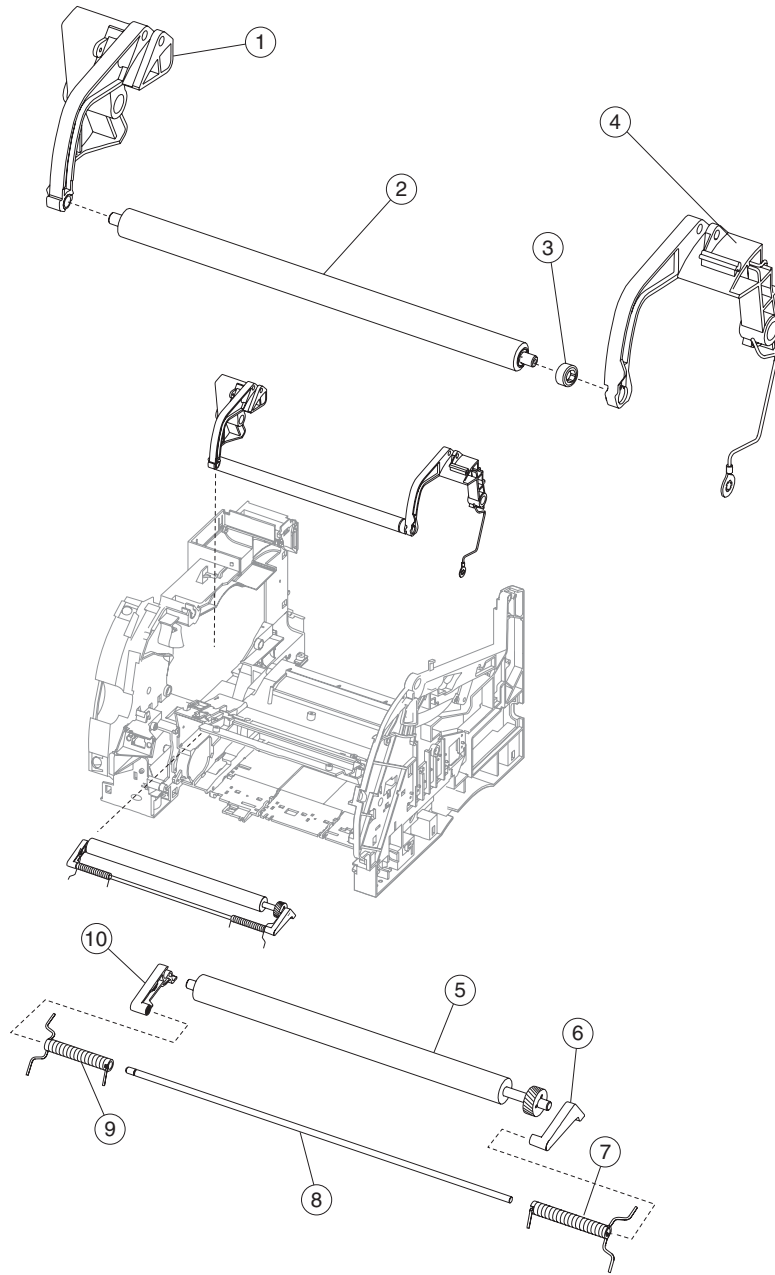
Assembly 13: Hot roll fuser



Assembly 13: Hot roll fuser

Asm-index	Part number	Units	Description
13—1	56P1333	1	Fuser assembly w/115V lamp, 000/010/200/210
1	56P1338	1	Fuser assembly w/100V lamp, 000/010/200/210
1	56P1335	1	Fuser assembly w/220V lamp, 000/010/200/210
1	56P1859	1	Fuser assembly w/115V lamp, 400/410
1	56P1860	1	Fuser assembly w/220V lamp, 400/410
1	56P1861	1	Fuser assembly w/100V lamp, 400/410
2	99A1658	1	Cover, fuser wiper cavity
3	56P1415	1	Wiper assembly, wet
4	56P1348	1	Kit, fuser cover assembly with thermistor, thermal fuse, and L & R fuser lamp contact assemblies, w/ fuser cover control card
5	99A0263	4	Parts packet, screws: <ul style="list-style-type: none"> • Contact assembly (4) • Solenoid mounting (1) • Board cover mounting (1) • Fuser cover assembly (4) • Hanger (7)
6	56P1362	1	Lamp, 115V, 000/010/200/210
6	56P1363	1	Lamp, 220V, 000/010/200/210
7		2	Screw, PP 99A0263
8	56P1402	1	Sensor, narrow media
9	56P1403	1	Sensor, exit

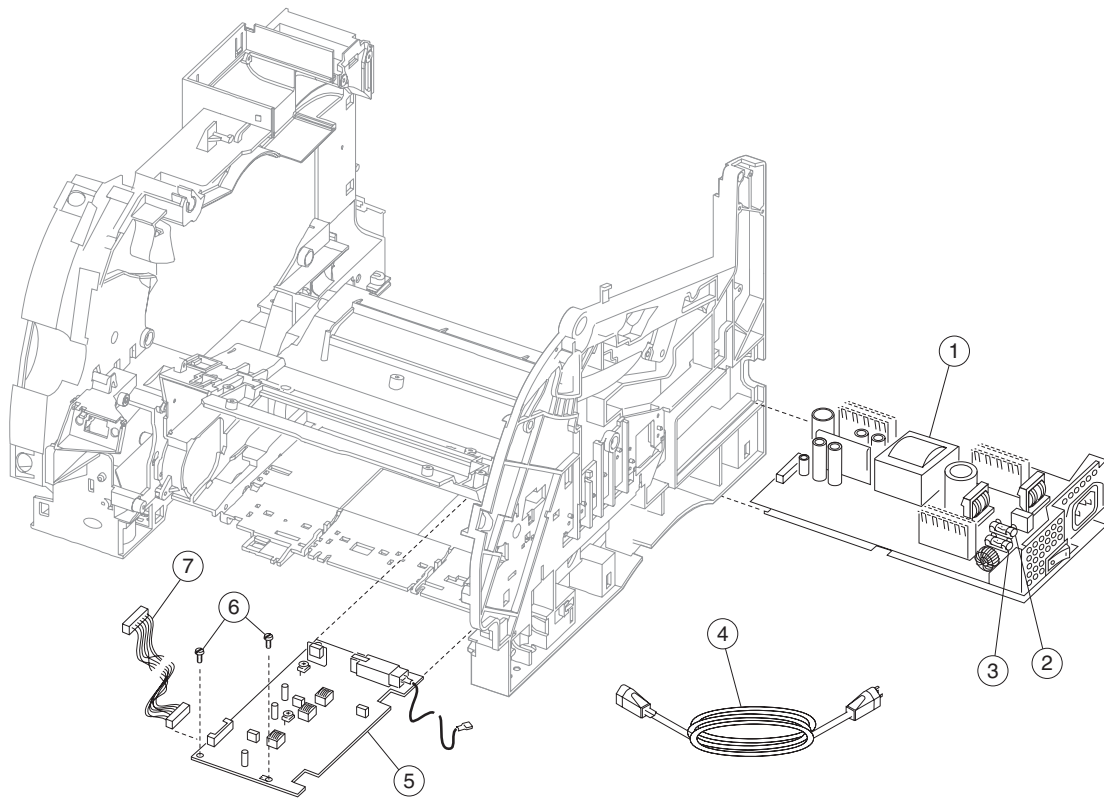
Assembly 14: Transfer/charging



Assembly 14: Transfer/charging

Asm-index	Part number	Units	Description
14—1	99A0512	1	Parts kit, charge roll link asm, left side
2	99A1017	1	Roll assembly, charge
3	99A1555	1	Bushing, charge roll
4	99A0513	1	Parts kit, charge roll link asm, right side
5	56P1357	1	Transfer roll assembly
6	99A0349	1	Arm, transfer roll assembly right
7	99A0184	1	Spring, transfer roll right
8	99A0185	1	Shaft, transfer pivot
9	99A0181	1	Spring, transfer roll left
10	99A1578	1	Arm, transfer roll left
NS	99A0263	1	Parts packet, screw (charge roll)
NS	99A0267	1	Parts packet, retainer (pivot shaft)

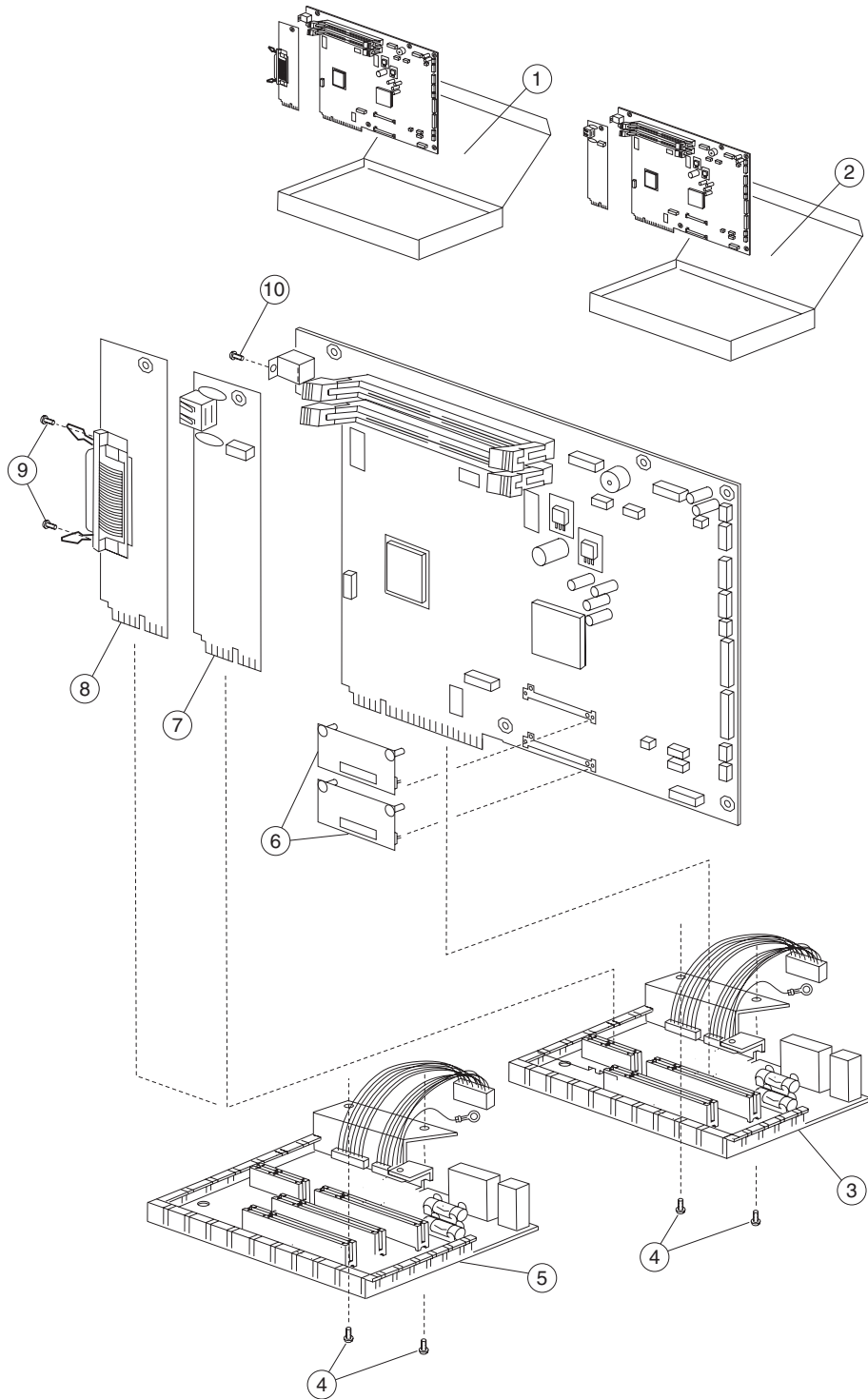
Assembly 15: Electronics—power supplies



Assembly 15: Electronics—power supplies

Asm-index	Part number	Units	Description
15—1	56P1369	1	LVPS, 110 V ac, 000/010
1	56P1371	1	LVPS, 110 V ac, 200/210/400/410
1	56P1372	1	LVPS, 220 V ac, 000/010
1	56P1374	1	LVPS, 220 V ac, 200/210/400/410
2	56P1365	1	Fuse, for 110 V ac LVPS 5 a/250V (fuse F1), 000/010
2	56P1367	1	Fuse, for 220 V ac LVPS 3.15 a/250V (fuse F1), 200/210/400/410
3	56P1366	1	Fuse, for 110 V ac LVPS 10 a/250V (fuse F2), 200/210/400/410
3	56P1364	1	Fuse, for 220 V ac LVPS 6.3 a/250V (fuse F2), 000/010
4	43H5248	1	Power cord set,—USA, Canada, Columbia, Costa Rica, Dominican Republic, El Salvador, Ecuador, Guatemala, Honduras, Mexico, Nicaragua, Panama, Puerto Rico, Saudi Arabia, Taiwan (LV), Venezuela, Virgin Islands
4	1332514	1	Power cord set, 8 ft.—Bolivia (HV), Peru (HV)
4	1339538	1	Power cord set —Austria, Belgium, BlueMark, Catalan, CIS, Czechoslovakia, Finland, France, Germany, Greece, Hungary, Italy, Netherlands, Norway, Poland, Portugal, Russia, Slovak countries, Spain, Sweden, Turkey
4	1339537	1	Power cord set—Ireland, U.K.
4	1339539	1	Power cord set—Israel
4	1339552	1	Power cord set—Japan
4	1339540	1	Power cord set—Switzerland
4	1339541	1	Power cord set—Botswana, Lesotho, Namibia, Pakistan, South Africa
4	1342534	1	Power cord set, 8 ft.—Chile, Uruguay
4	1339543	1	Power cord set—Denmark
4	1339545	1	Power cord set, 8 ft., right angle—Argentina (HV)
4	1342530	1	Power cord set—Paraguay (HV)
4	43H5546	1	Power cord set—PRC (HV)
4	1339549	1	Power cord set—Brazil (HV)
4	1339551	1	Power cord set—Brazil (LV)
5	56P1375	1	Power supply, high voltage
6	99A0263	1	Parts packet, screw(s): <ul style="list-style-type: none"> • System board mtg (2) • System board mtg Front (2) • System mtg ground (1) • HVPS mtg (2) • INA cover mtg (12) • Interconnect board mtg (2) • Interconnect board shield ground (1) • Interconnect shield mtg (5) • Outer shield mtg (10) • Parallel connector mtg (2)
7	56P1385	1	Cable, front harness (HVPS/input sensor/toner sensor)

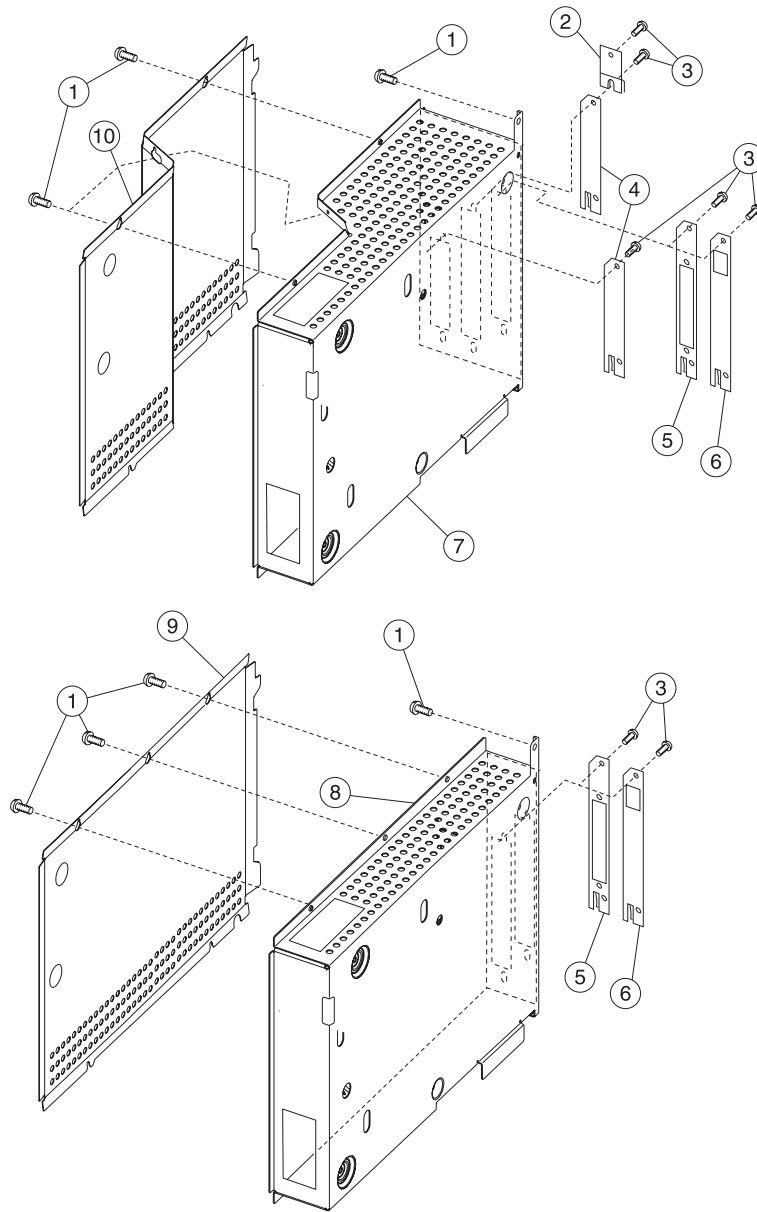
Assembly 16: Electronics—card assemblies



Assembly 16: Electronics—card assemblies

Asm-index	Part number	Units	Description
16—1	56P2410	1	System board assembly (non-network), 000 includes 56P1444
1	56P2412	1	System board assembly (non-network), 200 includes 56P1444
1	56P2414	1	System board assembly (non-network), 400 includes 45P1444
2	56P2411	1	System board assembly (network), 010 includes 56P1445
2	56P2413	1	System board assembly (network), 210 includes 56P1445
2	56P2415	1	System board assembly (network), 410 includes 45P1445
3	56P1340	1	Interconnect board assembly 1 slot, 000/010
4		2	Screws, PP 99A0263
5	56P1339	1	Interconnect board assembly 2 slot, 200/210/400/410
6	56P1850	1	Card assembly, Bar code
6	56P2468	1	Card assembly, IPDS and SC5/TNe
6	56P2182	1	Card assembly, ImageQuick
6	56P1851	1	Card assembly, PrintCryption
7	56P1445	1	Card assembly, communications, network
8	56P1444	1	Card assembly, communications, non-network
9	99A0426	2	Screws, parallel connector mounting
10	99A0263	1	Screw, USB attaching

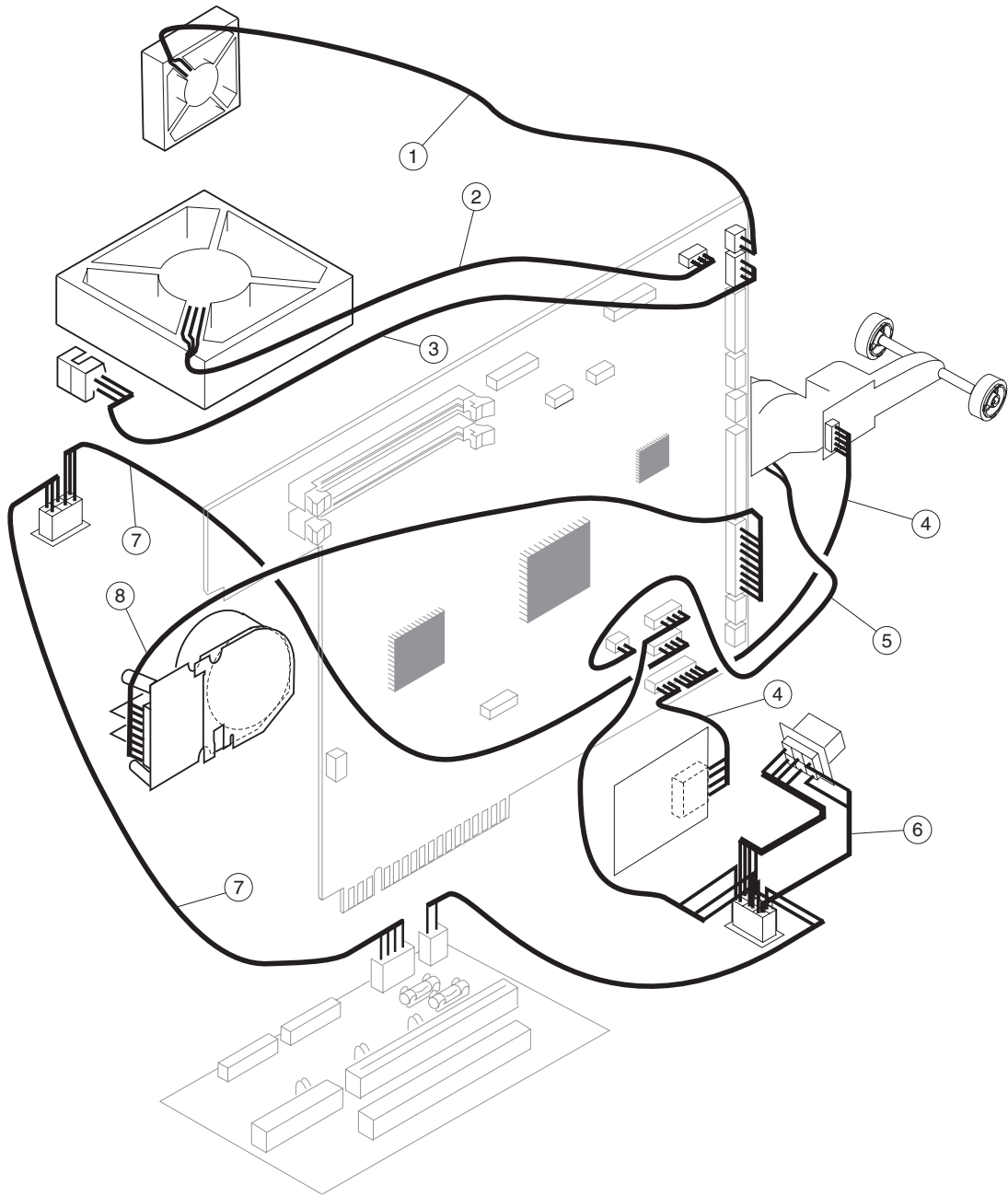
Assembly 17: Electronics—shields



Assembly 17: Electronics—shields

Asm-index	Part number	Units	Description
17—1	99A0263	1	Parts packet, screw (INA cover mounting)
2	99A1611	1	Shield, Ethernet (blank)
3	99A0263	6	Parts packet, screw (outer shield mounting)
3	99A0263	1	Parts packet, screw (inner shield mounting)
4	56P1341	1	Cover, INA flat (blank)
5	56P2404	1	Shield, INA flat non-network
6	56P2405	1	Shield, INA flat network
7	56P1342	1	Shield, inner assembly, 2 slot, 200/210/400/410
8	56P1343	1	Shield, inner assembly, 1 slot. 000/010
9	56P1345	1	Shield, outer 1 slot, 000/010
10	56P1344	1	Shield, outer 2 slot, 200/210/400/410

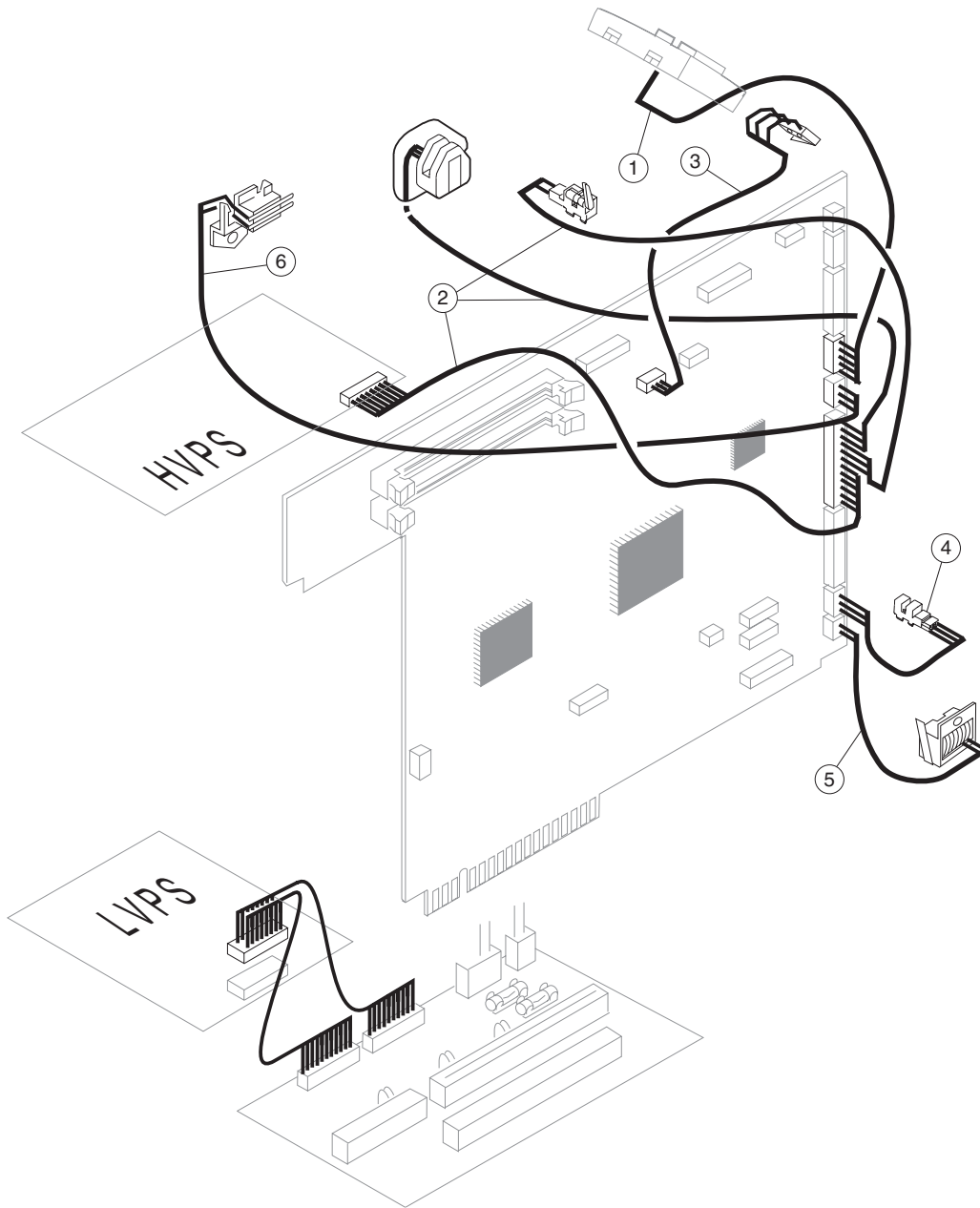
Assembly 18: Cabling diagrams 1



Assembly 18: Cabling diagrams 1

Asm-index	Part number	Units	Description
18—1	56P1408	1	Cartridge fan
2	56P1360	1	Fan, main w/cable
3	56P1391	1	Sensor, standard bin level with cable
4	56P1382	1	Int. card/autocomp card cable (paper low/out sensors)
5	56P1326	1	Pick arm assembly (250-sheet) 000/010
5	56P1325	1	Pick arm assembly (500-sheet) 200/210/400/410
6	56P1383	1	Cable, autoconnect bottom
7	56P1400	1	Autoconnect top, 000/010
7	56P1401	1	Autoconnect top, 200/210/400/410
8	56P1384	1	Cable, main drive motor

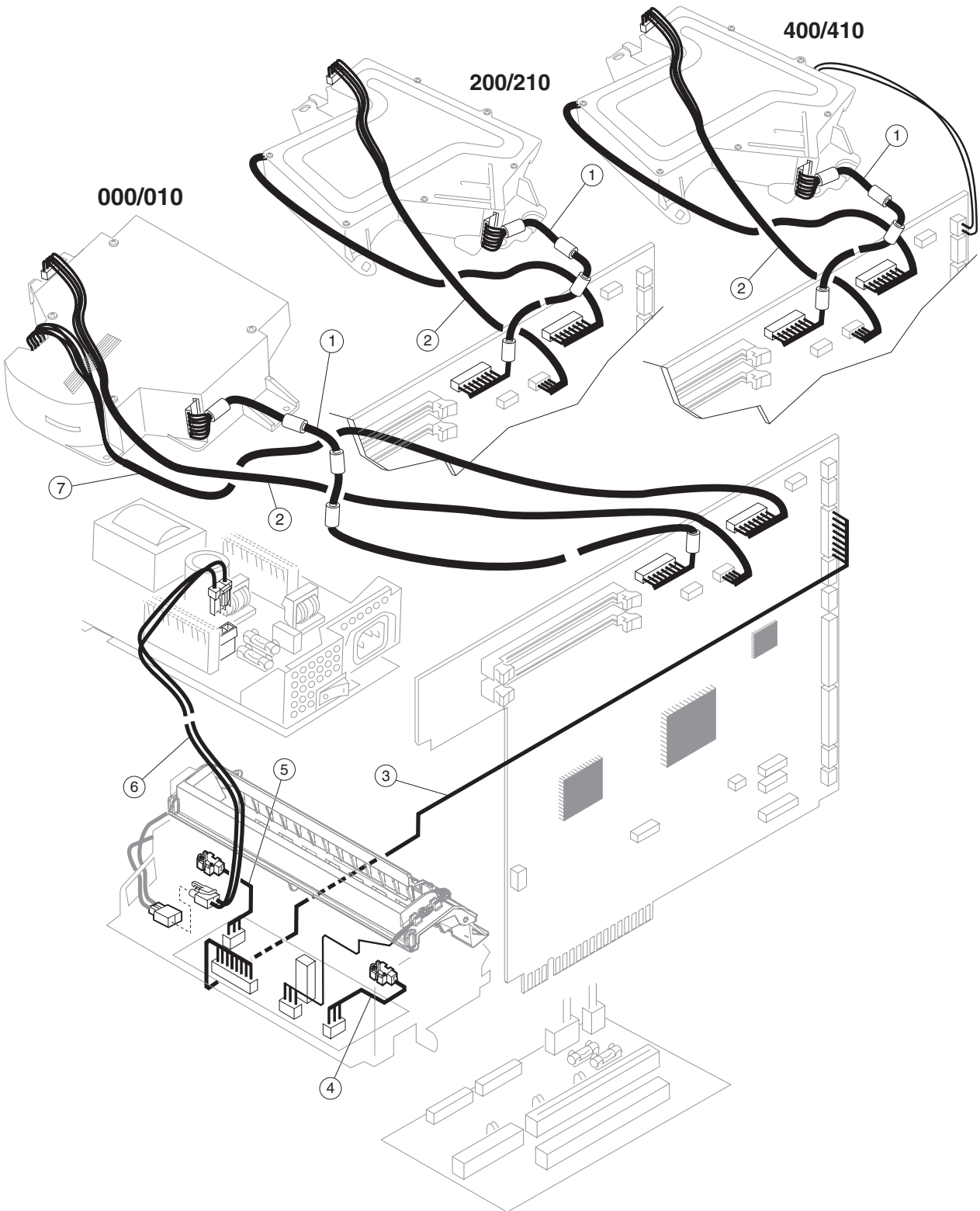
Assembly 19: Cabling diagrams 2



Assembly 19: Cabling diagrams 2

Asm-index	Part number	Units	Description
19—1	56P1394	1	Cable assembly, operator panel
2	56P1385	1	Cable, front harness (HVPS/input sensor/toner sensor)
3	56P1395	1	Switch, cover closed w/cable
4	56P1398	1	Sensor, MPF cable
5	56P2407	1	MPF solenoid w/cable
6	56P1399	1	Smart contact assembly w/cable
NS	56P1389	1	Cable, deflector

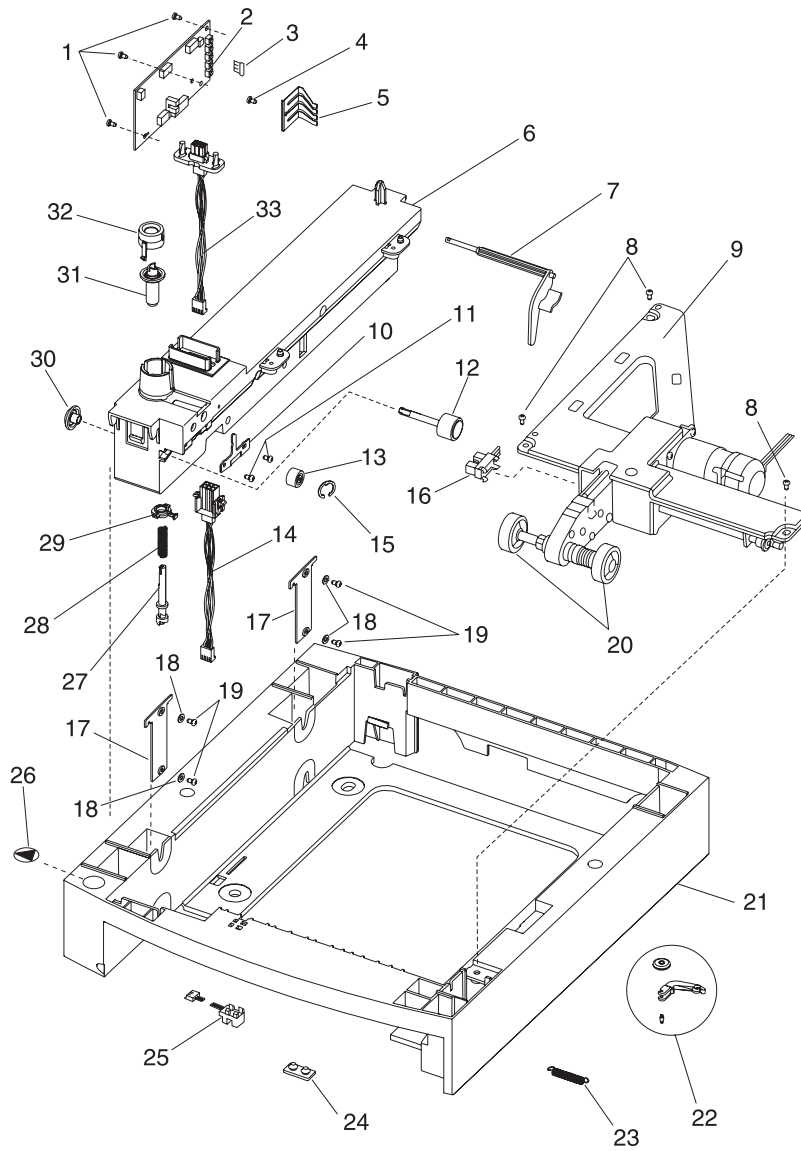
Assembly 20: Cabling diagrams 3



Assembly 20: Cabling diagrams 3

Asm-index	Part number	Units	Description
20—1	56P1386	1	Cable, laser
2	56P1387	1	Cable, HSYNC
3	56P1390	1	Cable, system board to fuser board
4	56P1403	1	Exit sensor
5	56P1402	1	Narrow media sensor
6	56P1405	1	Cable, AC fuser lamp to LVPS
7	56P1388	1	Cable, mirror motor, 000/010

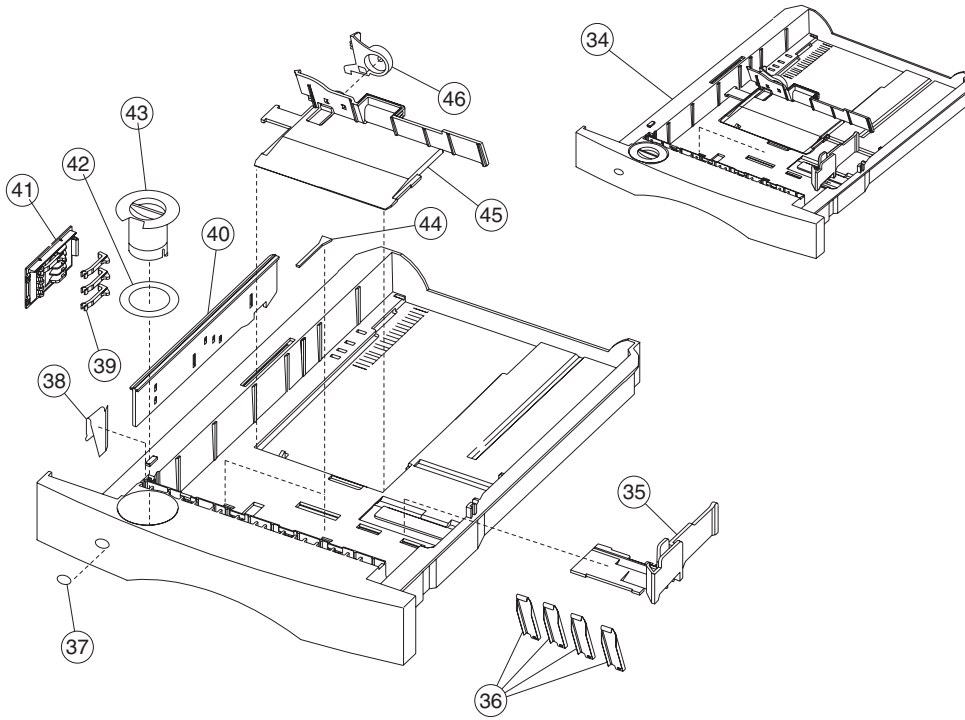
Assembly 21: 250-sheet paper tray



Assembly 21: 250-sheet paper tray

Asm-index	Part number	Units	Description
21—1	99A0263	3	Parts packet, screw (option board)
2	56P0557	1	Board, option tray
3	99A0627	1	Jumper, pin
4	99A0263	1	Parts packet, screw (switch spring)
5	99A0063	1	Spring, switch activate
6	99A0445	1	Stud assembly, 250-sheet frame
7	99A0448	1	Arm, paper out 250-sheet
8	99A0263	3	Parts packet, screw (auto comp mounting)
9	99A1054	1	Pick arm assembly
10	99A0277	1	Wear plate, pass thru
11	99A0263	2	Parts packet, screw (wear plate mounting)
12	99A0276	1	500 Drive roll assembly
13	99A0451	1	Roll, skewed backup
14	99A0282	1	Cable, 250-sheet autoconnect
15	99A0450	1	Retainer, roller
16	99A0350	1	Sensor, paper low
17	99A0679	2	Bracket, 250-sheet frame retention
18	99A0677	4	Parts packet, washer
19	99A0263	4	Parts packet, screw
20	99A0070	2	Pick roll assembly
21	99A1638	1	Base, 250-sheet option
22	99A0026	1	Tray bias arm assembly
23	99A0419	1	Spring, tray bias
24	99A0058	4	Pad, machine mounting
25	99A0288	1	Sensor, option pass thru
26	99A1666	1	Label, tray options
27	99A0272	1	Shaft, 250-sheet drive
28	99A0275	1	Spring, power takeoff
29	99A0280	1	Bushing, drive shaft low
30	99A0274	1	Gear, feed roll
31	99A0273	1	Gear, bevel
32	99A0279	1	Bearing, drive shaft
33	99A0281	1	Cable, 250-sheet autoconnect

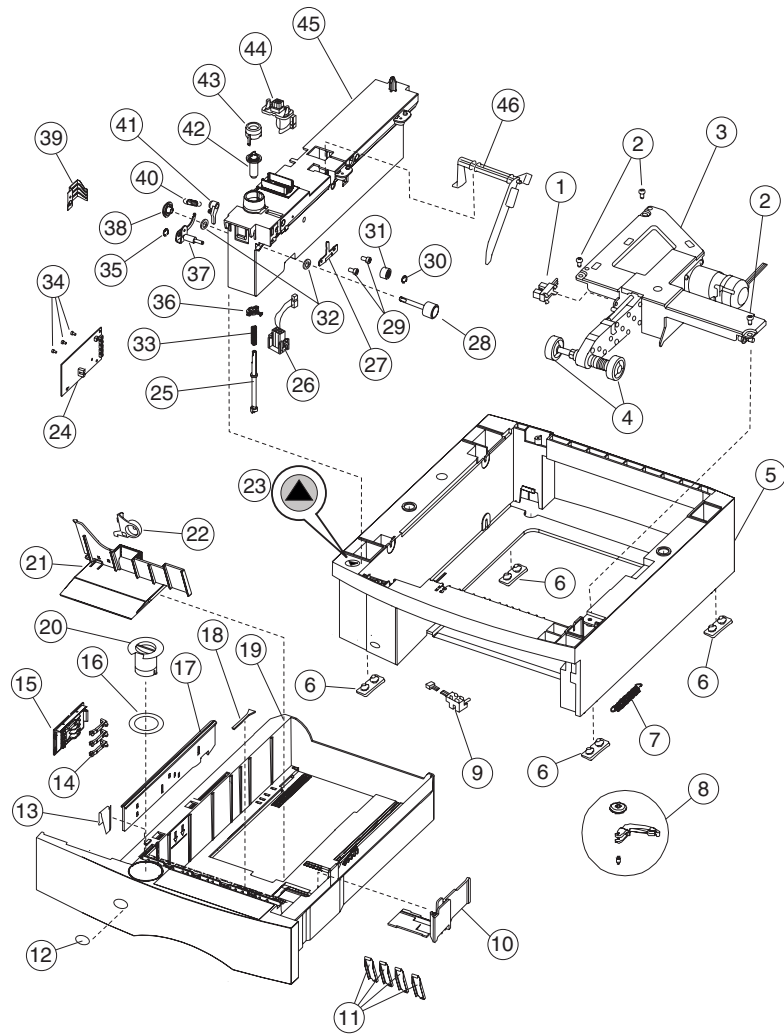
Assembly 21 (cont.): 250-sheet paper tray



Assembly 21 (cont.): 250-sheet paper tray

Asm-index	Part number	Units	Description
21—34	99A1536	1	Tray assembly, 250-sheet option
35	99A0892	1	Restraint, side 250-sheet tray
36	99A0119	4	Wear strips
37	99A1829	1	Label, tray option number
38	99A0121	1	Clip, 250-sheet tray wear
39	99A0126	3	Finger, autosize
40	99A0127	1	Slider, autosize 250-sheet
41	99A0124	1	Plate, snap-in
42	99A1952	1	Label, paper size
43	99A1537	1	Knob, paper size
44	99A0120	2	Restraint pad
45	99A0893	1	Restraint, back 250-sheet tray
46	99A1601	1	Latch, back restraint
NS	99A0286	1	Spring, backup roller
NS	99A1928	1	Spring, bellcrank 250-sheet tray option
NS	99A0438	2	Bushing, drive roll
NS	99A0278	1	Bellcrank, roller release

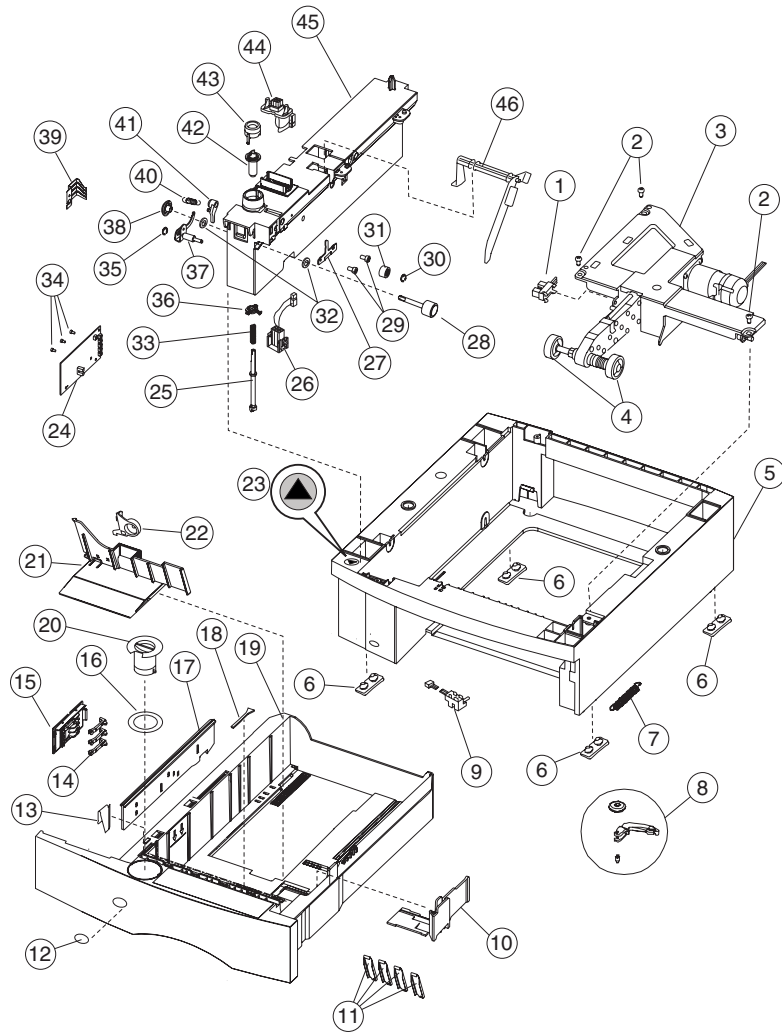
Assembly 22: 500-sheet paper tray



Assembly 22: 500-sheet paper tray

Asm-index	Part number	Units	Description
22—1	99A0350	1	Sensor, paper low
2	99A0263	3	Parts packet, screw (auto comp mounting)
3	99A0405	1	Pick arm assembly
4	99A0070	2	Pick roll assembly
5	99A1636	1	Base, 500-sheet tray
6	99A0058	4	Pad, base 500-sheet
7	99A0419	1	Spring, tray bias
8	99A0026	1	Tray bias arm assembly
9	99A0288	1	Sensor, option pass thru
10	99A0895	1	Restraint, side 500-sheet tray
11	99A0292	4	Wear strips
12	99A1829	1	Label, tray option number
13	99A1583	1	Plate, 500-sheet tray wear
14	99A0126	3	Finger, autosize
15	99A0124	1	Plate, snap-in
16	99A1952	1	Label, paper size
17	99A1582	1	Slider, autosize 500-sheet
18	99A0120	2	Restraint pad
19	99A1576	1	Tray assembly, 500-sheet
20	99A1537	1	Knob, paper size
21	99A1602	1	Restraint, back 500-sheet tray
22	99A1601	1	Latch, back restraint
23	99A1666	1	Label, options
24	56P0557	1	Board, option tray
25	99A0447	1	Shaft, 500-sheet drive
26	99A0282	1	Cable, 250 autoconnect
27	99A1750	1	Wear plate, pass thru
28	99A0276	1	500 Drive roll assembly
29	99A0263	2	Parts packet, screw (wear plate mounting)
30	99A0450	1	Retainer, roller
31	99A0451	1	Roller, skewed backup
32	99A0438	2	Bushing, drive roll
33	99A0275	1	Spring, power takeoff
34	99A0263	3	Parts packet, screw (board mounting)
35	99A0267	1	Parts packet, retainer (aligner assembly)
36	99A0280	1	Bearing, drive shaft low
37	99A0446	1	Aligner assembly, paper
38	99A0274	1	Gear, feed roll
39	99A0063	1	Spring, switch activate

Assembly 22 (cont.): 500-sheet paper tray

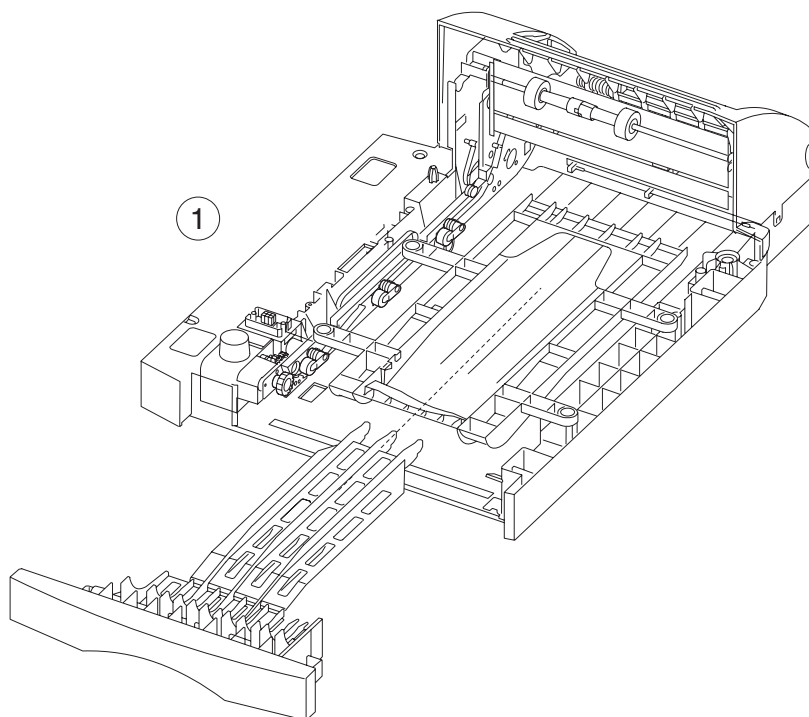


Assembly 22 (cont.): 500-sheet paper tray

Asm-index	Part number	Units	Description
22—40	99A0286	1	Spring, backup roller
41	99A1664	1	Bellcrank, roller release
42	99A0273	1	Gear, bevel
43	99A0279	1	Bearing, drive shaft
44	99A0281	1	Cable, 250-sheet autoconnect
45	99A1702	1	Stud assembly, 500 frame
46	99A1645	1	Arm, paper out 500
NS	99A0452	4	Washer, frame mounting
NS	99A1665	1	Deflector, base 500
NS	99A1667	2	Bracket, 500-sheet tray retention
NS	99A1929	1	Spring, bellcrank 500-sheet option tray

4060-xxx

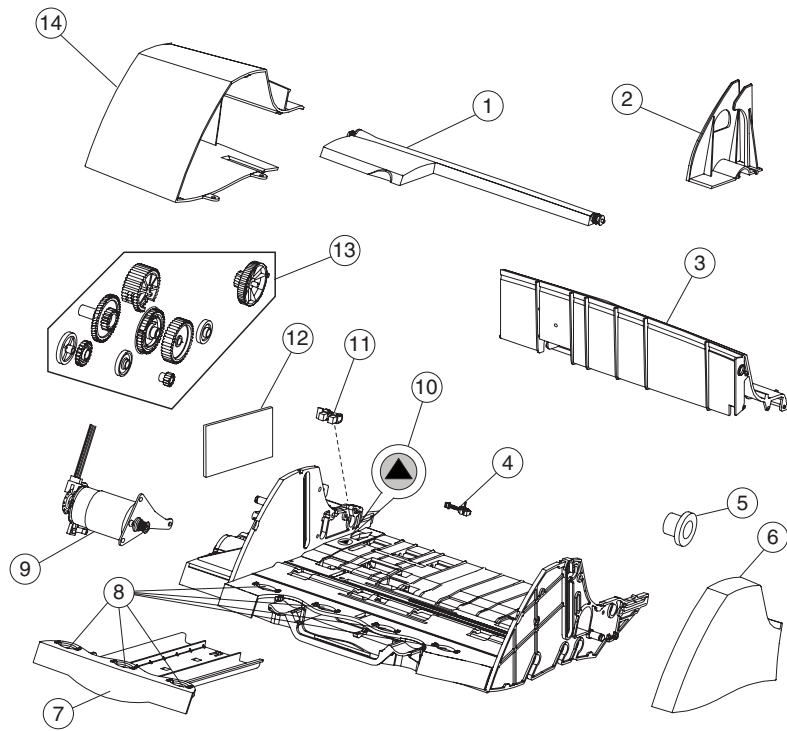
Assembly 23: Duplex option



Assembly 23: Duplex option

Asm-index	Part number	Units	Description
23—1	56P1414	1	250 duplex assembly
1	56P1416	1	500 duplex assembly

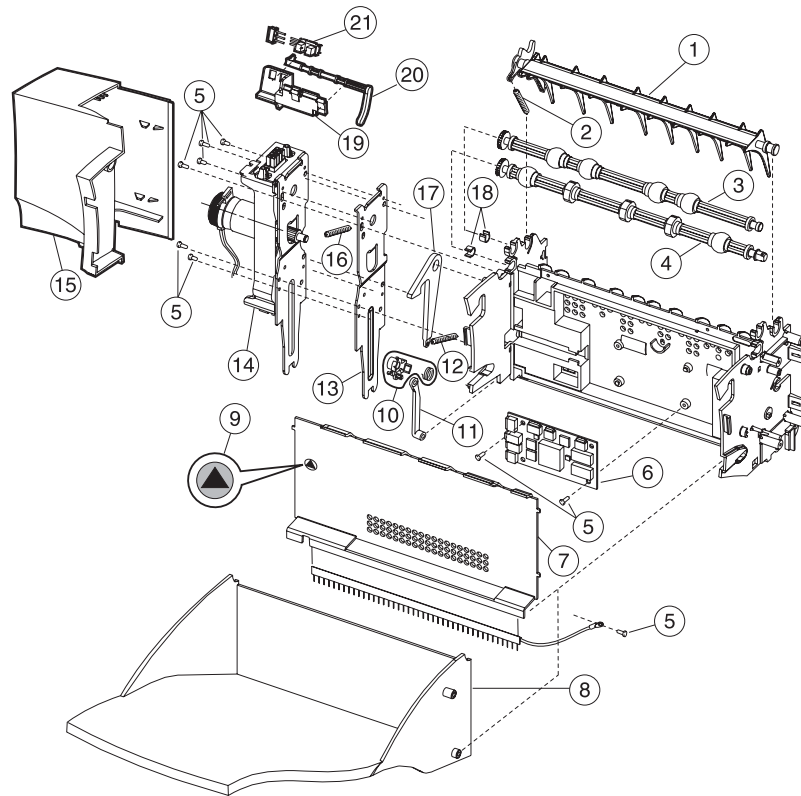
Assembly 24: Envelope feeder



Assembly 24: Envelope feeder

Asm-index	Part number	Units	Description
24—1	99A0389	1	Paper weight assembly
2	99A1694	1	Guide, edge
3	99A1696	1	Cover, top
4	99A0485	1	Sensor, envelope pass thru
5	99A0393	1	Clutch, restraint/gear
6	99A1697	1	Cover, right side
7	99A0390	1	Support, slide out
8	99A0488	7	Roller, support
9	99A0382	1	Motor, stepper DC
10	99A1666	1	Label, options
11	99A0388	1	Switch, envelope out
12	99A1700	1	Board assembly, electronic control
13	99A0271	1	Parts packet, gear kit
14	99A1698	1	Cover, left side
NS	99A0404	1	Parts packet, retainer (4 mm PP)
NS	99A0404	3	Parts packet, retainer (clip 5 mm shaft)
NS	99A0404	2	Parts packet, retainer (6 mm)
NS	99A0404	3	Parts packet, retainer (7 mm shaft)
NS	99A0384	1	Shaft, drive pressure roller
NS	99A0385	1	Cable, auto connect front
NS	99A0494	1	Spring, cam clutch
NS	99A0427	1	Label, envelope orientation icon
NS	99A0469	1	Deflector guide
NS	99A1699	1	Guard, pass thru sensor
NS	99A0413	6	Screw, top/motor/board
NS	99A0484	1	Belt, gear drive
NS	99A0491	1	Bracket, stack limiter
NS	99A0400	1	Spring, restraint roll shaft
NS	99A0489	1	Spring, latch return
NS	99A0487	1	Flag, envelope out sensor

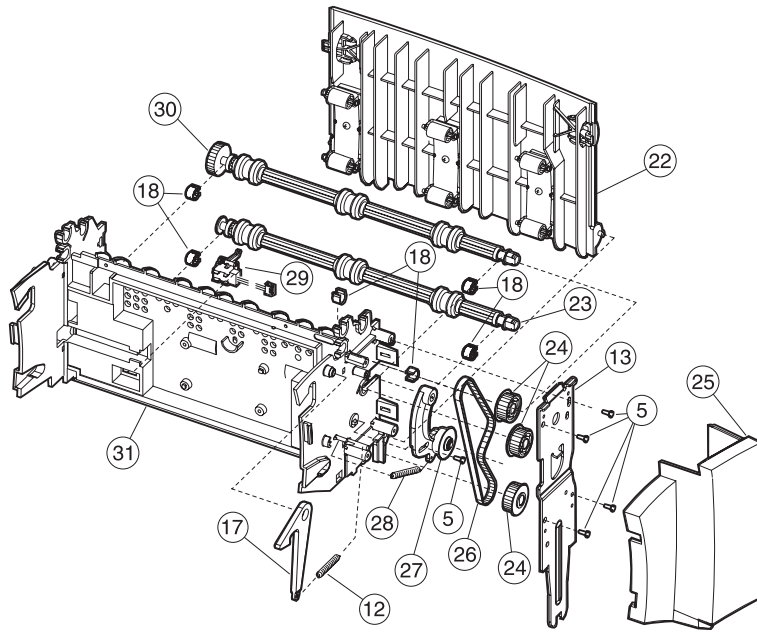
Assembly 25: Output expander



Assembly 25: Output expander

Asm-Index	Part Number	Units	Description
25—1	99A1857	1	Deflector, upper redrive, also order 99A0104
2	99A0104	1	Spring, upper diverter
3	99A0369	1	Shaft assembly, exit, also order PP 99A0572
4	99A0052	1	Shaft assembly, lower exit, also order PP 99A0572
5		11	Screw, PP 99A0263
6	99A0915	1	Board, output expander DC motor
7	99A0571	1	Cover, front control board with ESD brush
8	99A1817	1	Tray, output expander
9	99A1666	1	Label, options
10	99A1689	1	Spring clutch assembly
11	99A1688	1	Diverter arm
12	99A0482	1	Spring, output tray
13	99A1784	2	Bracket, attach
14	99A0914	1	Output expander assembly, mechanical linkage
15	99A0372	1	Cover, left side
16	99A0415	2	Spring, swing arm
17	99A0481	1	Latch, output tray
18		2	Shaft bearing PP 99A0572
19	99A0409	1	Level sensor bracket
20	99A1580	1	Flag, output paper level
21	99A0414	1	Sensor, dual bin full

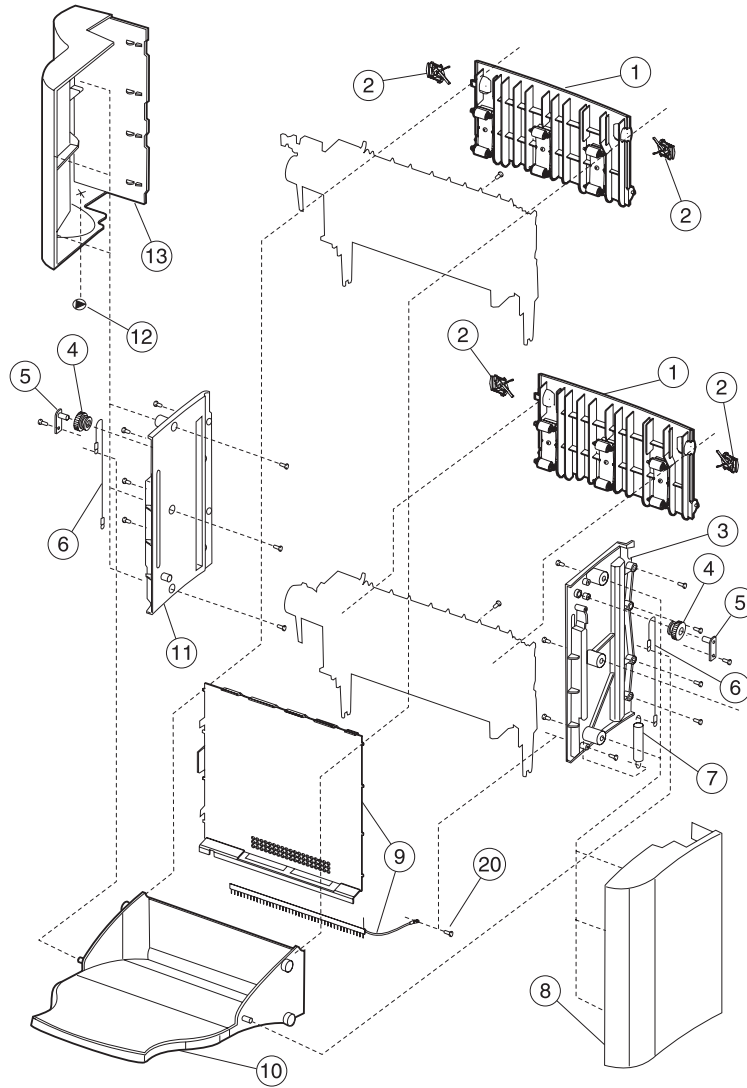
Assembly 25 (cont.): Output expander



Assembly 25 (cont.): Output expander

Asm-Index	Part Number	Units	Description
25—22	99A1748	1	Door assembly, rear access
23	99A0368	1	Shaft assembly, lower, also order PP 99A0572
24	99A0363	3	Pulley, drive
25	99A0371	1	Cover, right side
26	99A0361	1	Belt, 160 gear
27	99A0362	1	Arm assembly, belt idler
28	99A0364	1	Spring, belt tensioner
29	99A0351	1	Sensor, output expander pass thru
30	99A0913	1	Shaft assembly, middle 40T, also order PP 99A0572
31	99A0912	1	Frame assembly

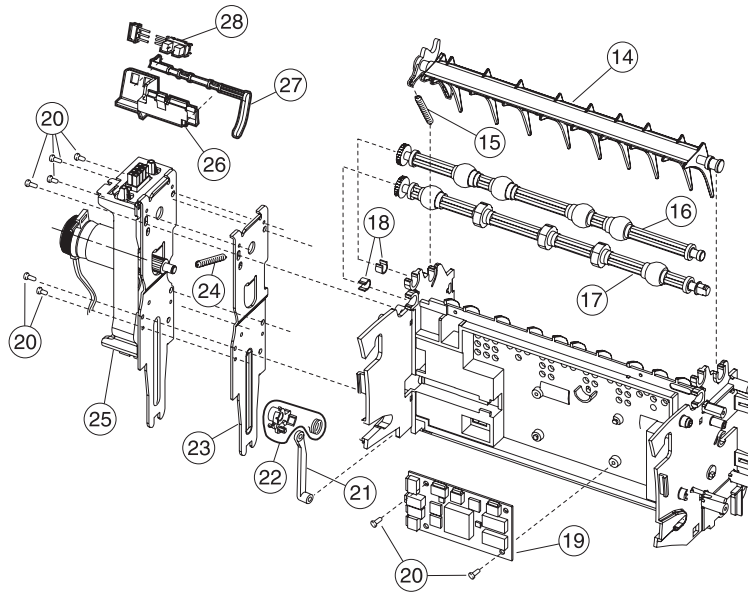
Assembly 26: High-capacity output expander



Assembly 26: High-capacity output expander

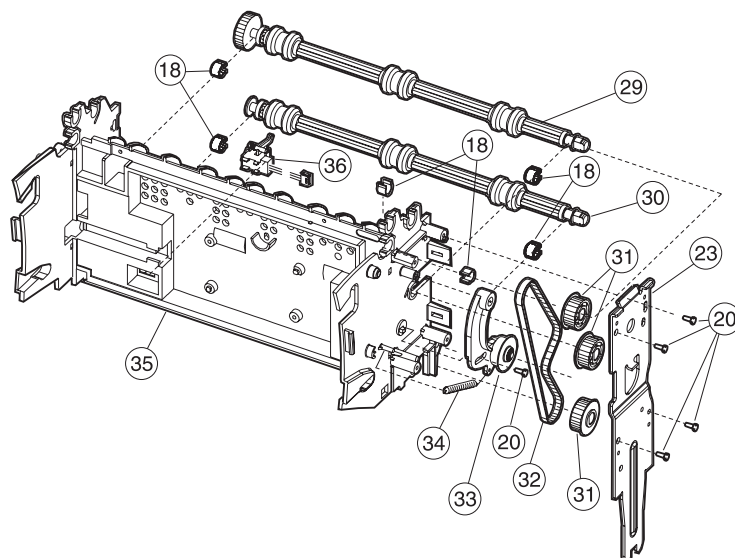
Asm-Index	Part Number	Units	Description
26-1	99A1748	2	Door asm, rear access
2	99A1785	4	Latch, rear door
3	99A1783	1	Frame, right
4	99A1778	2	Pulley, output tray
5	99A1782	2	Shaft, pulley
6	99A1790	2	Guide, output tray
7	99A1779	2	Spring, output tray
8	99A1746	1	Cover, right
9	99A1747	1	Cover, front
10	99A1701	1	Tray asm, output
11	99A1781	1	Frame, left
12	99A1666	1	Label, options
13	99A1745	1	Cover, left
NS	99A1751	1	Switch asm, tray sensing
NS	99A1777	1	Flag, tray sensing switch
NS	99A1780	2	Gear, damping
NS	99A1744	2	Kit, high-capacity output stacker

Assembly 26 (cont.): High-capacity output expander



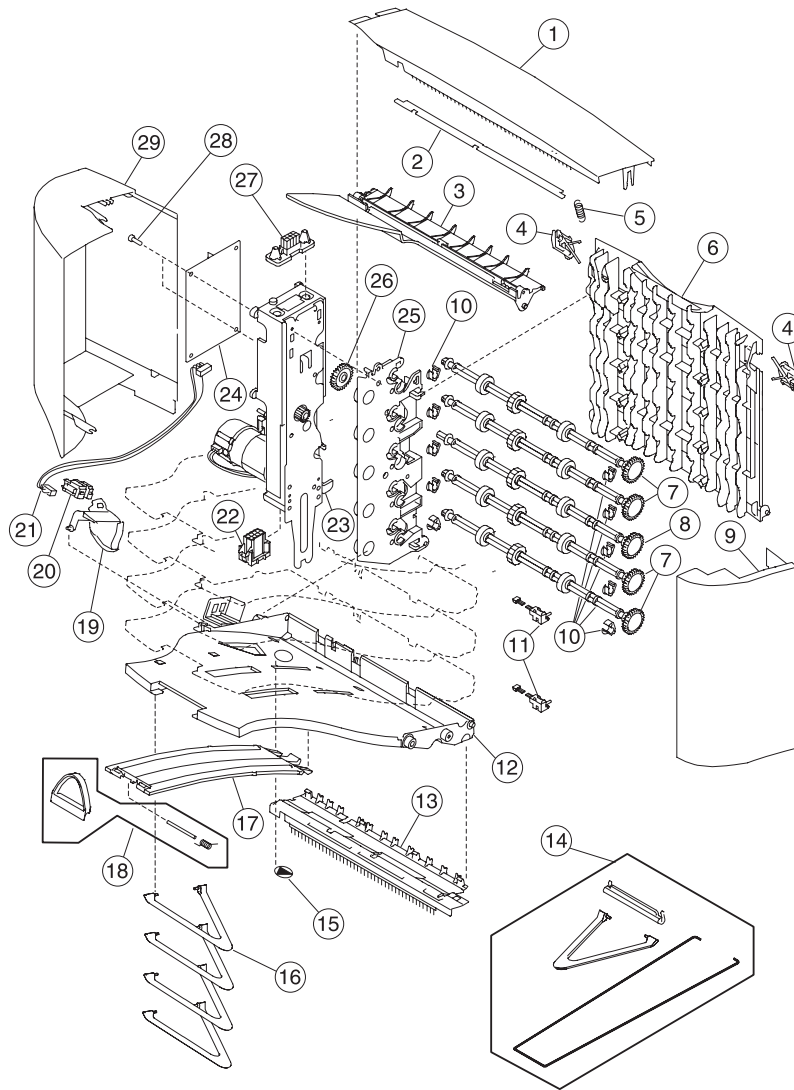
Asm-Index	Part Number	Units	Description
26-14	99A0107	2	Deflector, upper, also order 99A0104
15	99A0104	2	Spring, upper diverter
16	99A0369	1	Shaft asm, exit upper stacker asm
17	99A0052	1	Shaft asm, stacker lower exit upper stacker asm
18		12	Bearings, shaft PP 99A0572
19	99A1749	2	Board asm, high-capacity output stacker
20		31	Screws, PP 99A0263
21	99A1688	1	Arm, diverter
22	99A1689	1	Clutch asm, output stacker
23	99A1784	2	Bracket, attach
24	99A0415	2	Spring, swing arm
25	99A0914	2	Drive asm, output stacker DC motor
26	99A0409	1	Bracket, dual sensor mounting upper stacker asm
27	99A1613	1	Flag, bin full dual sensor upper stacker asm
28	99A0414	1	Sensor asm, bin full dual upper stacker asm
NS	99A1690	1	Belt, 95G lower stacker asm

Assembly 26 (cont.): High-capacity output expander



Asm-Index	Part Number	Units	Description
26-29	99A0913	2	Shaft, 40T middle output stacker
30	99A0368	2	Shaft asm lower
31	99A0363	6	Pulley, drive
32	99A0361	1	Belt, 160G upper stacker asm
33	99A0362	1	Arm asm, belt idler
34	99A0364	2	Spring, belt tensioner
35	99A1791	1	Stacker asm, paper path lower
35	99A1792	1	Stacker, asm paper path upper
36	99A0351	2	Sensor, stacker pass thru
NS	99A1751	1	Switch asm
NS	99A0462	1	Packet grease, IBM #23
NS	99A0627	1	Jumper, 2 pin (use with 99A1749)

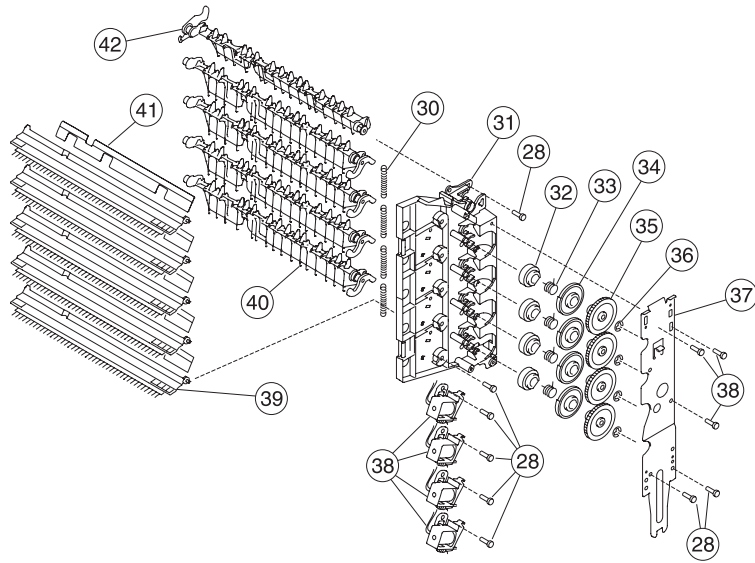
Assembly 27: 5-bin mailbox



Assembly 27: 5-bin mailbox

Asm-Index	Part Number	Units	Description
27-1	99A1512	1	Cover, redrive cap
2	99A1710	1	Cover, wire
3	99A1711	1	Cover, top bin
4	99A1785	2	Latch, rear access door
5	99A0104	1	Spring, upper diverter
6	99A1714	1	Door, rear access
7	99A1723	4	Shaft asm, drive
8	99A1724	1	Shaft asm, drive w/gear
9	99A1708	1	Cover, right side
10	99A1725	1	Packet, drive shaft bushing
11	99A1742	2	Sensor, 5-bin mailbox pass thru
12	99A1712	5	Tray, paper cap
13	99A1739	1	Bracket asm, bail attach w/brush
14	99A1743	1	Kit, 5-bin mailbox asm
15	99A1666	1	Label, options
16		1	Bail, order 99A1743, 5-bin mailbox asm kit
17	99A1713	5	Support, paper tray
18	99A1687	5	Stop asm, paper tray
19	99A1735	5	Flag, bin full
20	99A1737	5	Sensor, dual paper height
21	99A1736	5	Cable, dual sensor
22	99A1718	1	Cable asm, lower auto connect
23	99A1716	1	Drive asm, main DC drive
24	99A1740	1	Board asm, 5-bin mailbox system
25	99A1726	1	Frame asm, left w/clutch asm
26	99A1786	1	Gear, drive
27	99A1719	1	Cable asm, upper auto connect
28		12	Screw, board mounting PP 99A0263
29	99A1709	1	Cover, left side

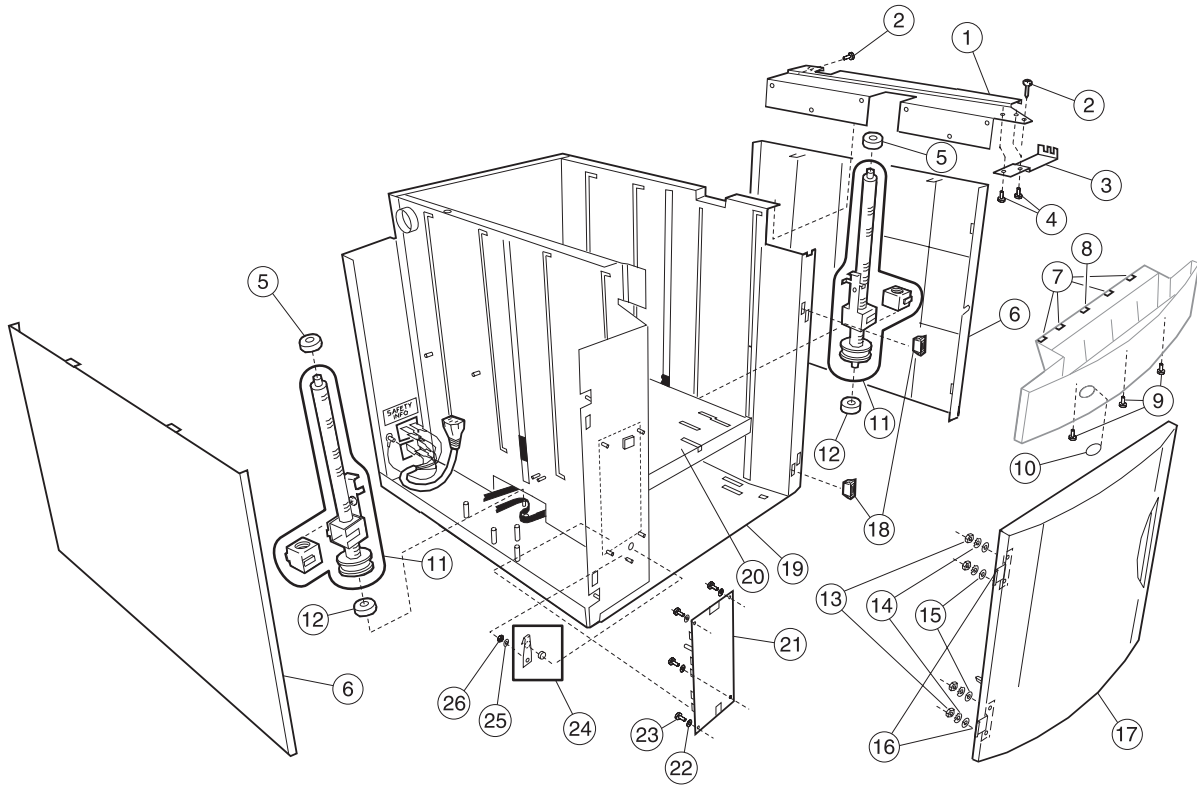
Assembly 27 (cont.): 5-bin mailbox



Assembly 27 (cont.): 5-bin mailbox

Asm-Index	Part Number	Units	Description
27-30	99A1741	4	Spring, diverter
31	99A1727	1	Frame asm, right side
32	99A1728	4	Cam, diverter actuator
33	99A1731	4	Spring, diverter actuator
34	99A1729	4	Latch, diverter actuator
35	99A1730	4	Arbor, diverter actuator
36	99A1789	4	C-clip
37	99A1720	1	Bracket, attach
38	99A1732	4	Solenoid, diverter
39	99A1738	5	Deflector, paper exit w/brush
40	99A1722	4	Deflector, paper
41	99A1787	4	Deflector
42	99A1721	1	Deflector, paper top bin
NS	99A1734	1	Spring, static ground
NS	99A0462	1	Grease packet, IBM #23
NS	99A1715	1	Roller asm, rear access door
NS	99A1717	1	Gear, drive
NS	99A1788	1	Retainer, R-ring

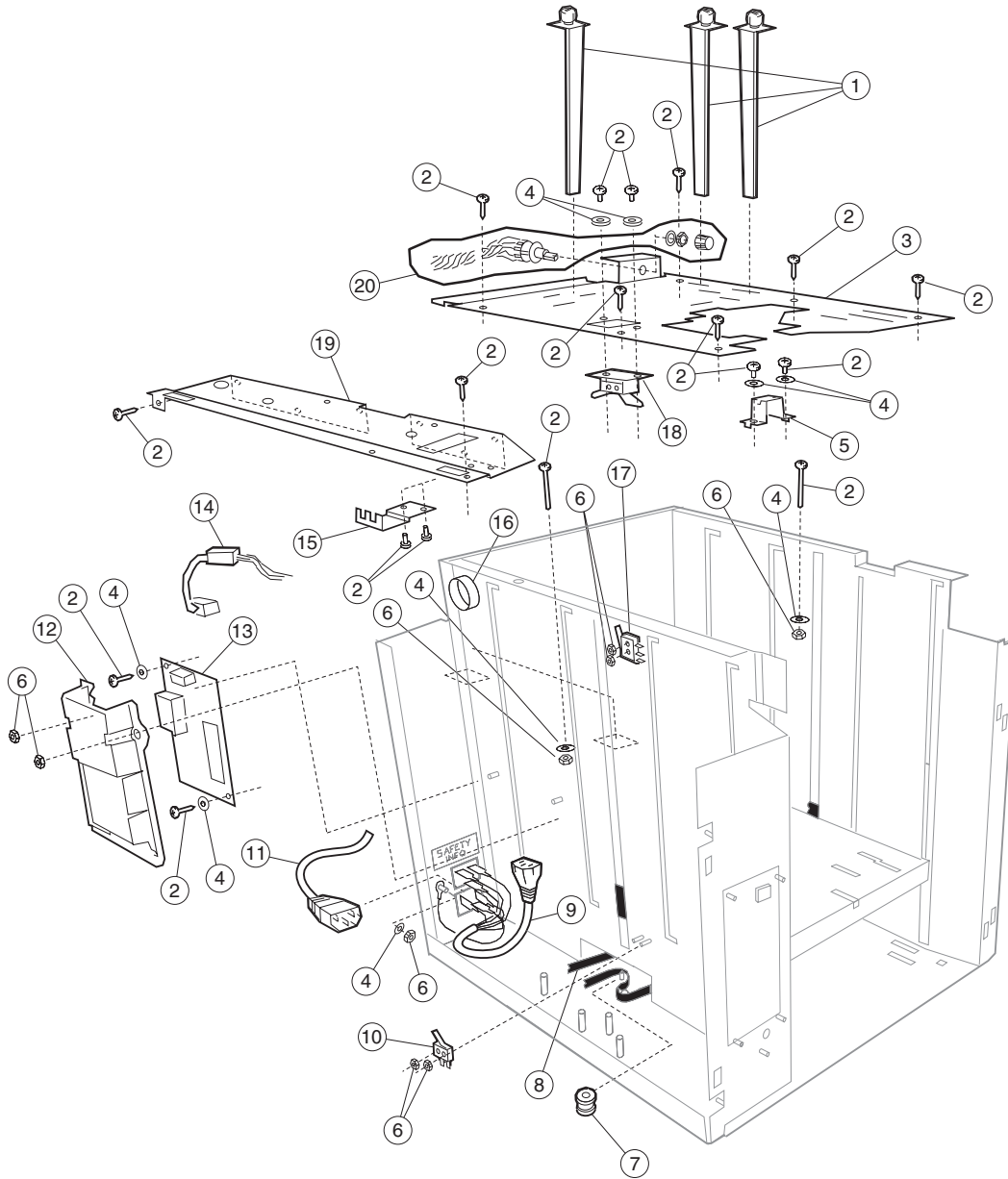
Assembly 28: High-capacity feeder 1



Assembly 28: High-capacity feeder 1

Asm-index	Part number	Units	Description
28—1	99A0660	1	Frame, printer support frame 2
2	99A0675	3	Parts packet, screw (printer support 2 frame mounting)
3	99A0698	2	Clamp, feed frame
4	99A0675	4	Parts packet, screw (feed frame clamp)
5	99A0691	2	Bearing, Nyliner leadscrew top
6	99A0656	1	Cover, left side
7	99A0681	4	Strip, wear
8	99A1818	1	Strip, wear dimple
9	99A0675	3	Parts packet, screw (deflector mt 8-18 x 7/8 inch)
10	99A1829	1	Label, tray option number
11	99A0662	2	Transfer leadscrew assembly
12	99A0716	2	Bearing, leadscrew bottom
13	99A0676	4	Parts packet, nut (6-32 hinge mounting)
14	99A0677	4	Parts packet, washer (hinge mounting flat)
15	99A0677	4	Parts packet, washer (hinge mounting star)
16	99A0657	2	Hinge, door
17	99A0655	1	Door assembly, front
18	99A0658	2	Magnet, door
19	99A0650	1	Frame assembly
20	99A0661	1	Tray assembly, elevator
21	99A1806	1	Card assembly, 2000 option control
22	99A0677	4	Parts packet, washer (card asm. mounting)
23	99A0675	4	Parts packet, screw (card asm. mounting)
24	99A0392	1	Kit, door switch spring and bumper
25	99A0677	1	Parts packet, washer (door switch spring mounting)
26	99A0676	1	Parts packet, nut (door switch spring mounting)
NS	99A0690	1	Cable, optical sensor

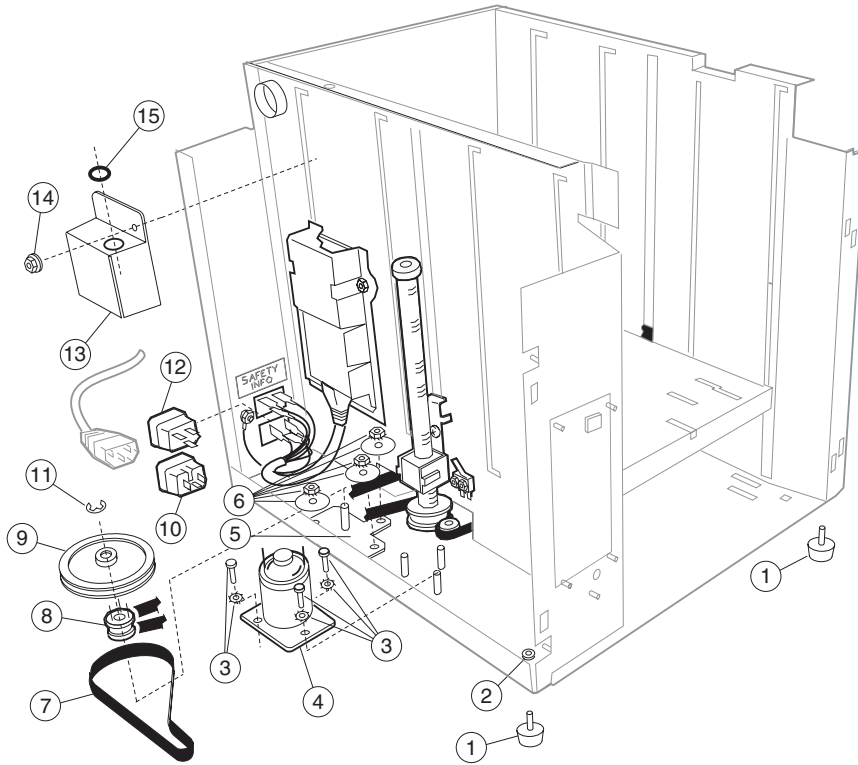
Assembly 29: High-capacity feeder 2



Assembly 29: High-capacity feeder 2

Asm-index	Part number	Units	Description
29—1	99A0188	3	Guide, rear paper, use with 99A0219
2	99A0675		Parts packet, screws (including): <ul style="list-style-type: none"> • Top frame mounting (6) • Base mounting (2) • Power supply board mtg (2) • Sensor bracket mtg (2) • Support 1 frame mtg (2) • Screw (2)
3	99A0219	1	Frame assembly, top with labels
4	99A0677		Parts packet, washers, (including): <ul style="list-style-type: none"> • Top frame clamp (2) • Base mounting (2) • Motor plate mtg (4) • Power supply board (2) • Sensor bracket mtg (2)
5	99A0719	1	Clamp, top frame mounting
6	99A0676		Parts packet, nuts, (including): <ul style="list-style-type: none"> • Base mounting (2) • 2-56 switch mounting (2) • Power supply cover (2) • Power supply ground (2)
7	99A0663	1	Pulley, idler
8	99A0664	1	Belt, drive
9	99A1807	1	Cable, AC internal wiring
10	99A0653	1	Switch, lower limit microswitch
11	99A1808	1	Cord, AC external jumper
12	99A0714	1	Cover, power supply
13	99A0667	1	Power supply board
14	99A0715	1	Cable, low voltage power supply
15	99A0698	2	Clamp, feed frame
16	99A0685	1	Bushing
17	99A0654	1	Switch, paper low
18	99A0651	1	Sensor assembly, paper out/upper limit
19	99A0659	1	Frame, printer support 1
20	99A0695	1	Parts kit, paper size switch assembly

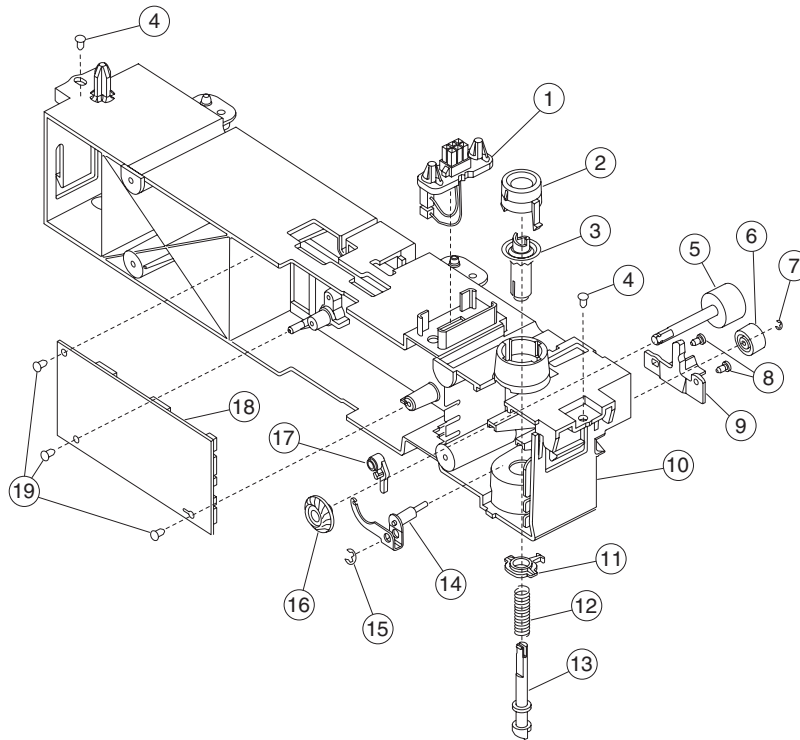
Assembly 30: High-capacity feeder 3



Assembly 30: High-capacity feeder 3

Asm-index	Part number	Units	Description
30—1	99A0687	4	Parts packet, mounting feet
2	99A0672	4	Parts packet, foot (stabilizer)
3	99A1793	3	Parts packet, screw w/washer (motor mt)
4	99A1795	1	Motor assembly, DC
5	99A1798	1	Plate, drive pulley
6	99A1794	3	Parts packet, nut and washer (drive pulley plate)
7	99A1796	1	Belt, DC motor drive
8	99A1797	1	Idler pulley, belt tension
9	99A1800	1	Pulley, drive
10	99A1799	1	AC receptacle, lower AC
11	99A1801	1	Retainer, C-clip
12	99A1802	1	AC receptacle, upper AC
13	99A1803	1	Cover, top LVPS
14	99A1804	3	Nut w/lock washer, top LVPS cover mounting
15	99A1805	1	Grommet, top LVPS cover

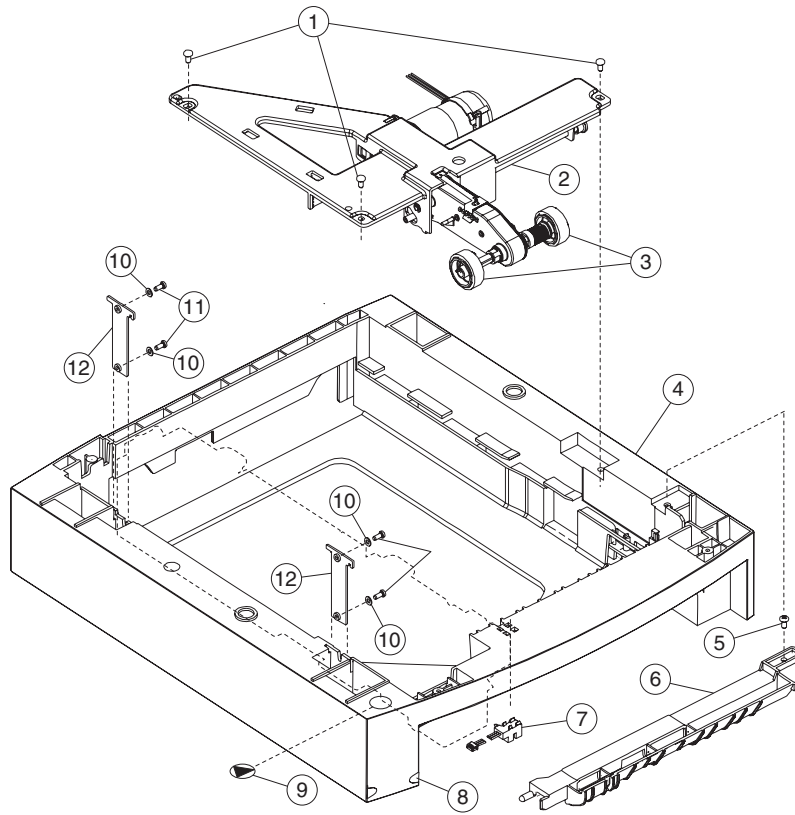
Assembly 31: High-capacity feeder 4



Assembly 31: High-capacity feeder 4

Asm-index	Part number	Units	Description
31—1	99A0281	1	Cable, 250-sheet autoconnect
2	99A0279	1	Bearing, drive shaft
3	99A0273	1	Gear, bevel
4	99A0276	1	500 Drive roll assembly
5	99A0263	2	Parts packet, screw (frame mounting)
6	99A0451	1	Roll, skewed backup
7	99A0267	1	Parts packet, retainer (roller)
8	99A0675	2	Parts packet, screw (wear plate mounting)
9	99A0277	1	Wear plate wear, pass thru
10	99A0445	1	Stud assembly, 250-sheet frame
11	99A0280	1	Bearing, drive shaft low
12	99A0275	1	Spring, power takeoff
13	99A0272	1	Shaft, 250-sheet drive
14	99A0446	1	Aligner assembly, paper
15	99A0267	1	Parts packet, retainer (aligner assembly)
16	99A0274	1	Gear, feed roll
17	99A0278	1	Bellcrank, roller release
18	56P0556	1	Card assembly, 2000 tray option
19	99A0263	3	Parts packet, screw (tray option card mounting)
NS	99A0675	10	Parts packet, screw (door to door frame mounting)
NS	99A0676	6	Parts packet, nut support frame 1 hex, support frame 2, hex
NS	99A0677	6	Parts packet, washer (support frame 1 star, support frame 2 star)
NS	99A0684	1	Cable, HCIT-14 pin flex
NS	99A0286	1	Spring, backup roller

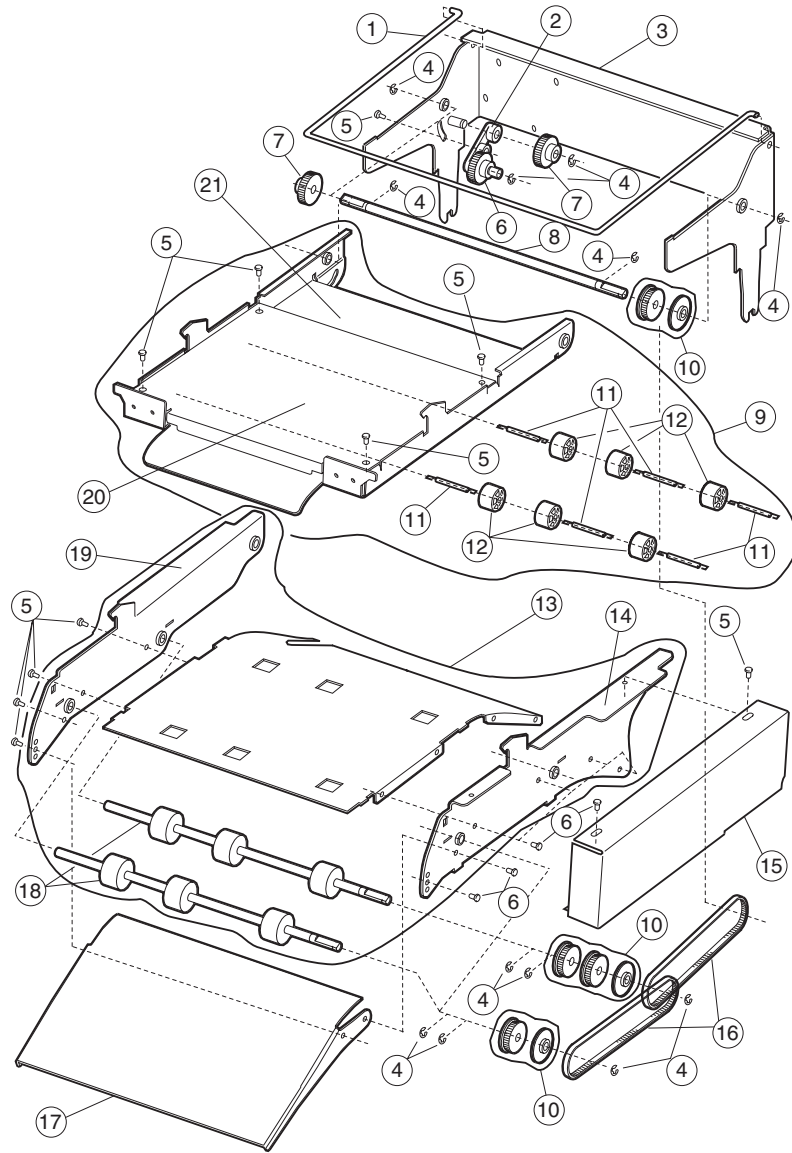
Assembly 32: High-capacity feeder 5



Assembly 32: High-capacity feeder 5

Asm-index	Part number	Units	Description
32—1	99A0263	3	Parts packet, screw (auto comp assembly mounting)
2	99A1055	1	Arm assembly, pick 2000
3	99A0070	2	Roll assembly, pick
4	99A0692	1	Base, 2000 option
5	99A0263	1	Parts packet, screw (deflector mounting)
6	99A0678	1	Deflector, base
7	99A0288	1	Sensor, pass thru
8	99A1812	1	Label, tray option number
9	99A1666	1	Label, options
10	99A0677	4	Parts packet, washer (bracket 250-sheet frame retention mounting)
11	99A0263	4	Parts packet, screw (bracket 250-sheet frame retention mounting)
12	99A0679	2	Bracket, 250-sheet frame retention
NS	99A0717	1	Cable, paper low switch
NS	99A0720	1	Cable, lower limit switch

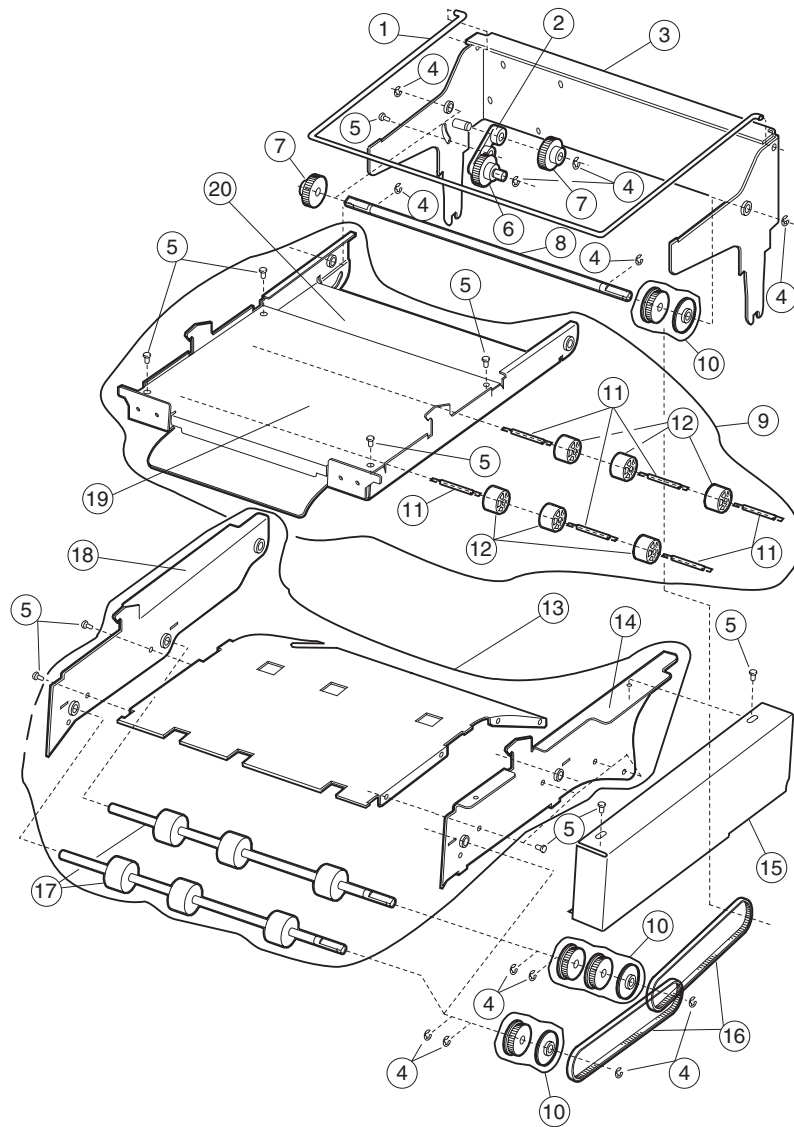
Assembly 33: Kiosk—vertical paper adapter



Assembly 33: Kiosk—vertical paper adapter

Asm-index	Part number	Units	Description
33—1	99A0231	1	Bail, support
2	99A1646	1	Arm assembly, pivot
3	99A1819	1	Mounting, frame assembly
4	99A0240	12	Parts packet, retainer
5	99A0234	16	Parts packet, screw
6	99A1705	1	Gear, idler
7	99A1704	2	Gear, idler
8	99A0197	1	Shaft, drive rear
9	99A0079	1	Tray assembly, backup roller
10	99A0208	3	Parts packet, pulley
11	99A0087	6	Spring, backup roller
12	99A0086	6	Roller, backup
13	99A1706	1	Tray assembly, drive roller
14	99A0125	1	Frame assembly, right side
15	99A0232	1	Cover, right
16	99A1820	2	Belt, 185G
17	99A0226	1	Guide, paper exit
18	99A0122	2	Shaft assembly, drive roller
19	99A0137	1	Frame assembly, left side
20	99A0088	1	Cover, backup tray
21	99A0085	1	Tray, backup roller

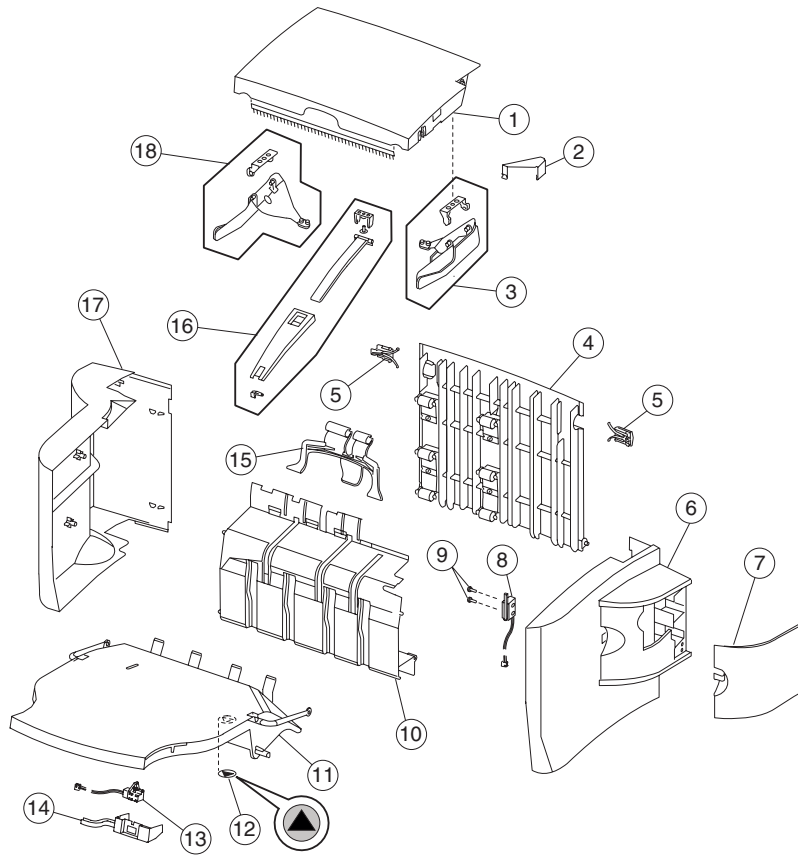
Assembly 34: Kiosk—horizontal paper adapter



Assembly 34: Kiosk—horizontal paper adapter

Asm-index	Part number	Units	Description
34—1	99A0231	1	Bail, support
2	99A1646	1	Arm assembly, pivot
3	99A1819	1	Mounting, frame assembly
4	99A2409	12	Parts packet, retainer
5	99A0234	15	Parts packet, screw
6	99A1705	1	Gear, idler
7	99A1704	2	Gear, idler
8	99A0197	1	Shaft, drive rear
9	99A0079	1	Tray assembly, backup roller
10	99A0208	3	Parts packet, pulley
11	99A0087	6	Spring, backup roller
12	99A0086	6	Roller, backup
13	99A1707	1	Tray assembly, drive roller
14	99A0907	1	Frame assembly, right side
15	99A0232	1	Cover, right
16	99A1820	2	Belt, 185G
17	99A0122	2	Shaft assembly, drive roller
18	99A0906	1	Frame assembly, left side
19	99A0088	1	Cover, backup tray
20	99A0085	1	Tray, backup roller

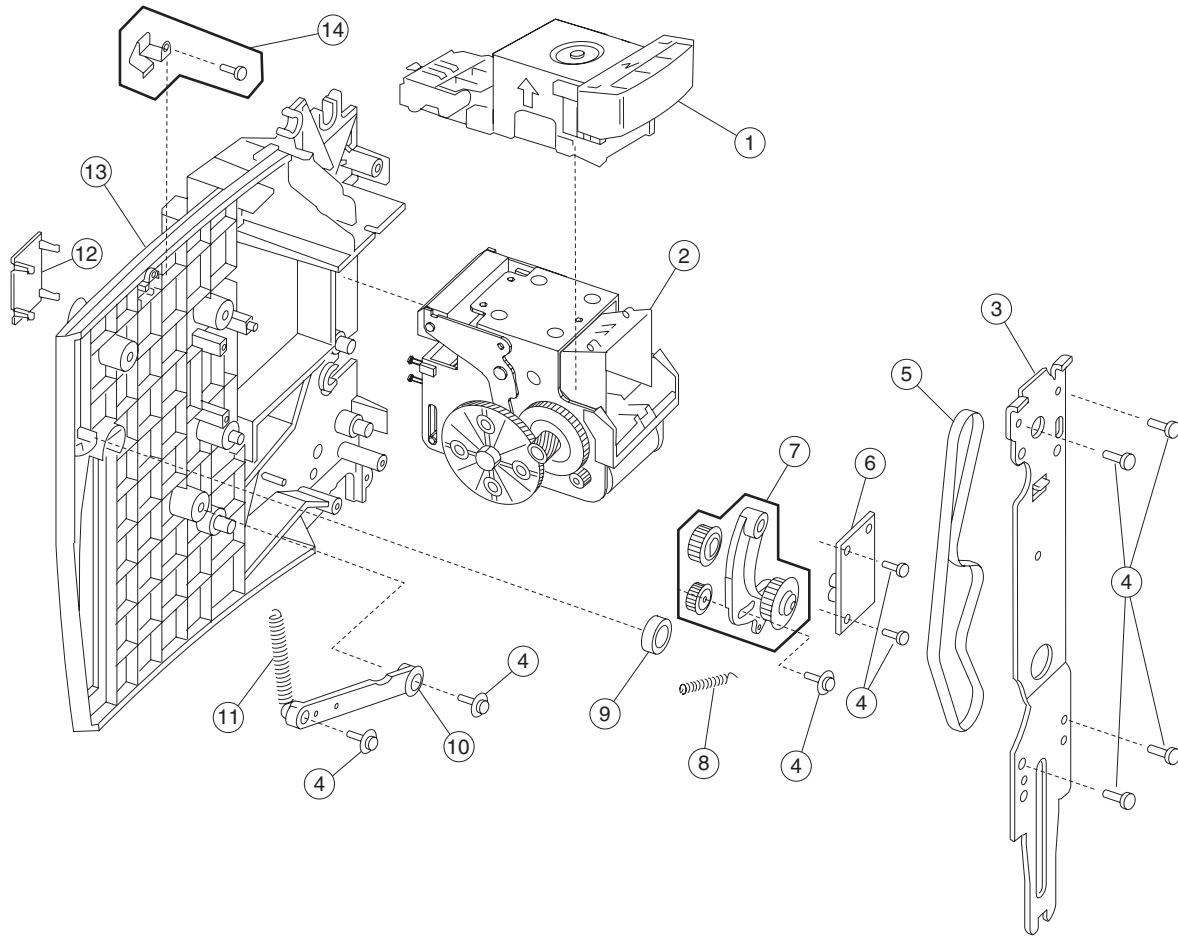
Assembly 35: StapleSmart finisher I



Assembly 35: StapleSmart finisher 1

Asm-index	Part number	Units	Description
35—1	99A2505	1	Cover, top assembly
2	99A2510	1	Clip, brush ground
3	99A2506	1	Top cover bail/plate, right side
4	99A2512	1	Door, rear access
5	99A1785	2	Latch, rear access door
6	99A2501	1	Cover, right base assembly
7	99A2503	1	Cover, stapler access
8	99A2502	1	Switch, stapler access door assembly
9		2	Screws, switch (stapled access) mounting 99A2509 Parts Packet
10	99A2519	1	Cover, accumulator assembly
11	99A2520	1	Tray, output assembly
11	99A2542	1	Tray, output
12	99A1666	1	Label, tray options
13	99A2521	1	Sensor, stapler bin empty
14	99A2541	1	Sensor cover, stapler bin empty
15	99A2511	1	Bail, center stapler
16	99A2508	1	Kit, stacking bail
17	99A2500	1	Cover, left base assembly
18	99A2507	1	Top cover bail/plate, left side

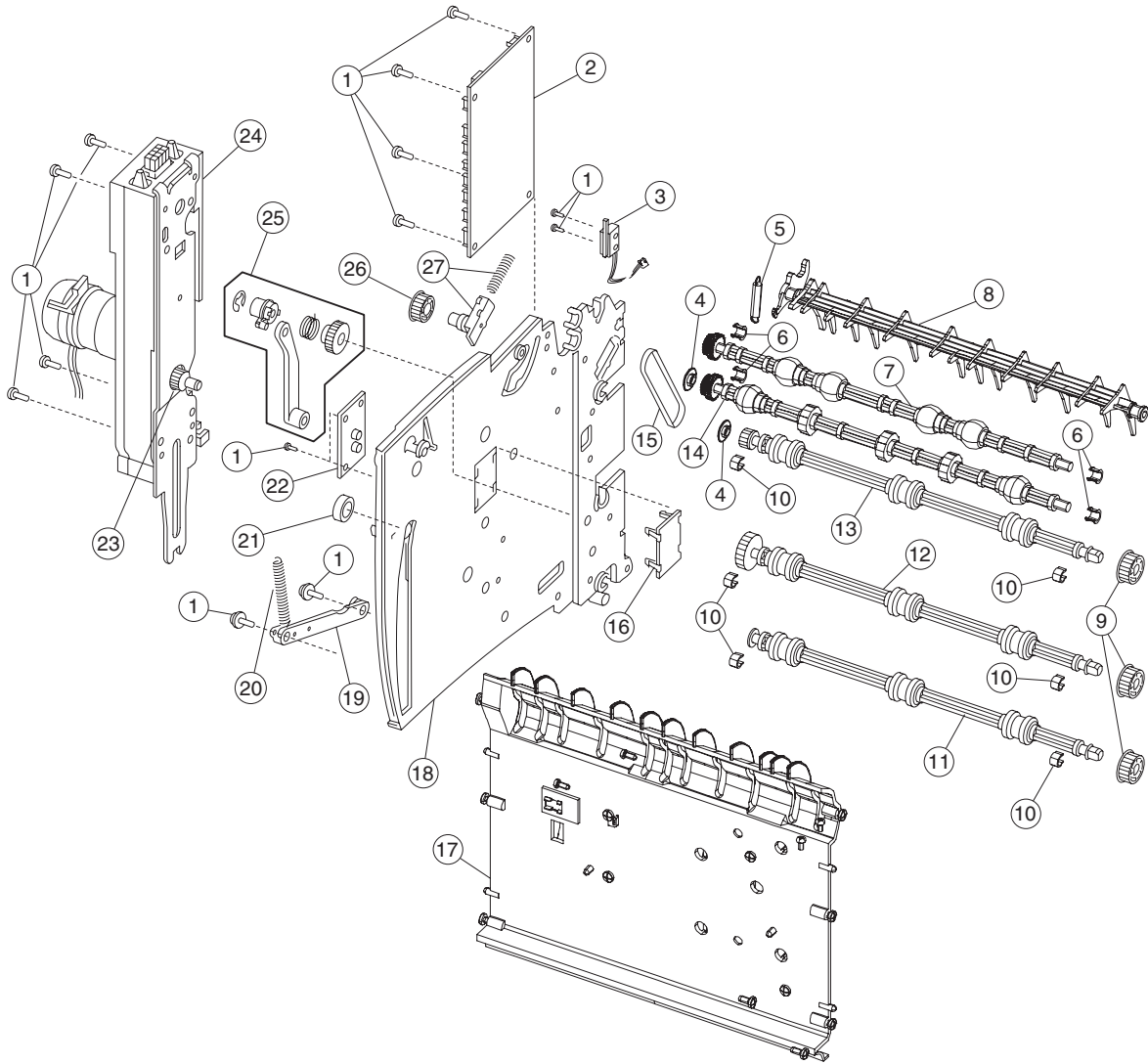
Assembly 36: StapleSmart finisher 2



Assembly 36: StapleSmart finisher 2

Asm-index	Part number	Units	Description
36—1	99A2575	1	Stapler cartridge holder 321-C
2	99A2526	1	Stapler assembly
3	99A2556	1	Bracket, attach
4	99A0263	1	Parts packet, screws
5	99A1820	1	Belt, 185G
6	99A2544	1	Card assembly, right stapler bin level
7	99A0362	1	Arm assembly, belt idler
8	99A2545	1	Spring, swing arm
9	99A2548	1	Bumper, output tray
10	99A2533	1	Bar, upper output tray
11	99A2523	2	Spring, output tray
12	99A2543	2	Cover, optical sensor
13	99A2528	1	Frame assembly, right
14	99A2557	1	Clip, static ground

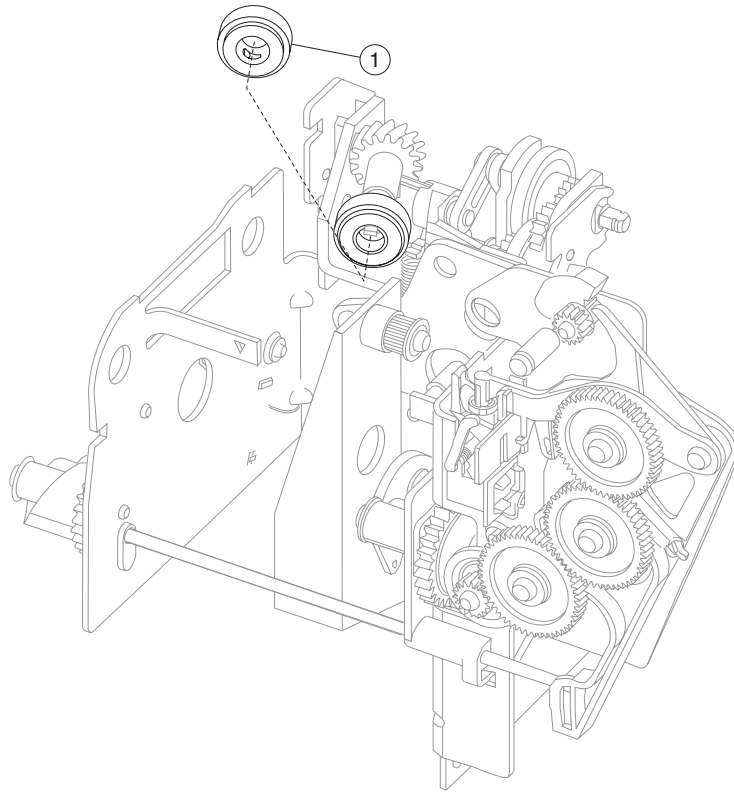
Assembly 37: StapleSmart finisher 3



Assembly 37: StapleSmart finisher 3

Asm-index	Part number	Units	Description
37—1	99A0263	1	Parts packet, screws
2	56P1747	1	System card assembly, stapler option
3	99A2531	1	Switch assembly, top cover open
4	99A2539	1	Flange, pulley
5	99A0104	1	Spring, upper diverter
6	99A2540	4	Bearing, redrive
7	99A2517	1	Shaft assembly, upper exit
8	99A2516	1	Deflector, upper
9	99A0363	1	Pulley, drive
10		1	Bearings, 500-sheet stacker PP 99A0572
11	99A0368	1	Shaft assembly, lower
12	99A0913	1	Shaft assembly, 40T middle stacker
13	99A2515	1	Shaft assembly, upper drive
14	99A2518	1	Shaft assembly, lower exit
15	99A2538	1	Belt, FHT 86T
16	99A2543	1	Cover, optical sensor
17	99A2529	1	Guide, inner bias
18	99A2527	1	Frame assembly, left
19	99A2533	1	Bar, upper output tray
20	99A2523	1	Spring, output tray
21	99A2548	1	Bumper, output tray
22	99A2549	1	Card assembly, left stapler bin level
23	99A1717	1	Gear, drive
24	99A2513	1	Motor assembly, drive
25	99A2551	1	Clutch assembly, stapler option
26	99A2547	1	Pulley, belt idler
27	99A2552	1	Bushing, tensioner CBM

Assembly 38: StapleSmart finisher 4



Assembly 38: StapleSmart finisher 4

Asm-index	Part number	Units	Description
38—1	99A2559	1	Paper alignment wheel
NS	99A2480	1	Kit, maintenance StapleSmart wheels
NS	99A2525	1	Sensor, stapler pass thru
NS	99A2530	1	Cable assembly, right stapler bin level
NS	99A2534	2	Ground cable, stapler tray bar
NS	99A2524	1	Cable, stapler
NS	99A2532	1	Cable, ground
NS	99A2504	1	Cable assembly, left stapler bin level
NS	99A2546	1	Label, pinch point
NS	99A0548	1	Tie, cable

Assembly 39: Options

Asm-index	Part number	Units	Description
NS	56P0695	1	8MB memory option
NS	56P0696	1	16MB memory option
NS	56P0697	1	32MB memory option
NS	56P0698	1	64MB memory option
NS	56P0699	1	128MB memory option
NS	56P1417	1	16MB Flash card
NS	56P1418	1	32MB Flash card
NS	56P1850	1	Card assembly, Bar Code
NS	56P2468	1	Card assembly IPDS and SCS/TNe
NS	56P1851	1	PrintCryption card assembly
NS	56P1419	1	Hard disk, with adapter 20+GB
NS	99A0629	1	Adapter card, SES for SCS
NS	13A0296	1	Cable, Twinax
NS	13A0297	1	Cable, Coax
NS	99A0545	1	External serial adapter
NS	13A0298	1	Cable, serial
NS	56P2182	1	Card assembly, ImageQuick
NS	56P1424	1	Optra Forms hard disk, with adapter (20+GB)
NS	99A1890	1	Tray assembly, 250-sheet special media
NS	99A1647	1	Rib assembly, 250-sheet special media tray
NS	99A1654	1	Tray, universal adjustable 250-sheet
NS	56P1100	1	Cartridge, empty shipping
NS	99A1605	1	Kit, cap/stack bails 500-sheet
NS	56P1742	1	MarkNet N2101e Ethernet 10BaseT/100Base TX internal print server
NS	56P1743	1	MarkNet N2104fl-SC fiber optic (10MB) internal
NS	56P1744	1	MarkNet N2103fx-SC fiber optic (100MB) internal
NS	56P1741	1	MarkNet N2100t token ring internal print server
NS	56P0161	1	INA, serial and parallel "C"
NS	56P0162	1	Adapter, parallel 1284 C-B
NS	56P1437	1	Parallel 1284-B interface card
NS	56P1436	1	RS232C serial interface card
NS	99A2485	1	Tray assembly, UAT 400-sheet
NS	56P1435	1	Serial adapter, int w/out +5 V ac

Assembly 39 (cont.): Options

Asm-index	Part number	Units	Description
NS	56P1427	1	Optra Forms 32MB Flash card
NS	56P1428	1	Optra Forms 16MB Flash card
NS	56P1429	1	Simplified Chinese font card
NS	56P1430	1	Traditional Chinese font card
NS	56P1438	1	Japanese font card
NS	56P1101	1	Cable assembly, 6' parallel, A-C
NS	56P0161	1	Cable assembly, SER+PAR 1284C INA
NS	56P0162	1	Cable, parallel 1284 C-B adapter

Assembly 40: Miscellaneous

Asm-index	Part number	Units	Description
NS	99A1633	1	Parts packet, screw
NS	99A0585	1	Parts packet, contact kit
NS	99A0267	1	Parts packet, retainers
NS	99A0268	1	Parts packet, springs paper feed
NS	99A0269	1	Parts packet, duplex option fan mounting
NS	99A0299	1	Parts packet, duplex option cam follower assembly
NS	99A0271	1	Parts packet, envelope option gears
NS	99A0404	1	Parts packet, retainers envelope option
NS	99A0413	1	Parts packet, screw duplex
NS	99A0572	1	Parts packet, bearings, 500-sheet stacker
NS	99A0577	1	Parts packet, cable ties (10 each)
NS	99A0675	1	Parts packet, screw high-capacity feeder
NS	99A0676	1	Parts packet, nuts high-capacity feeder
NS	99A0677	1	Parts packet, washers high-capacity feeder
NS	99A0083	1	Parts kit, multipurpose tray
NS	99A0512	1	Parts kit, charge roll link asm, left side
NS	99A0513	1	Parts kit, charge roll link asm, right side
NS	99A0702	2	Printer stand caster, non-locking
NS	99A0703	2	Printer stand caster, locking
NS	99A0704	1	Printer stand grommet, wire
NS	99A0705	2	Printer stand lock, cam
NS	99A0706	1	Printer stand storage shelf
NS	99A0707	1	Printer stand door assembly, cabinet
NS	99A0710	1	Printer stand filler, rear top piece
NS	99A0711	1	Printer stand table assembly, large
NS	99A0712	1	Printer stand table assembly, small
NS	99A0208	1	Parts packet, pulley
NS	99A0234	1	Parts packet, screw—kiosk
NS	99A0394	1	Grease packet, Nyogel 744
NS	7371454	1	Relocation kit, 250/250-sheet printer
NS	7371455	1	Relocation kit, 500/250-sheet printer