

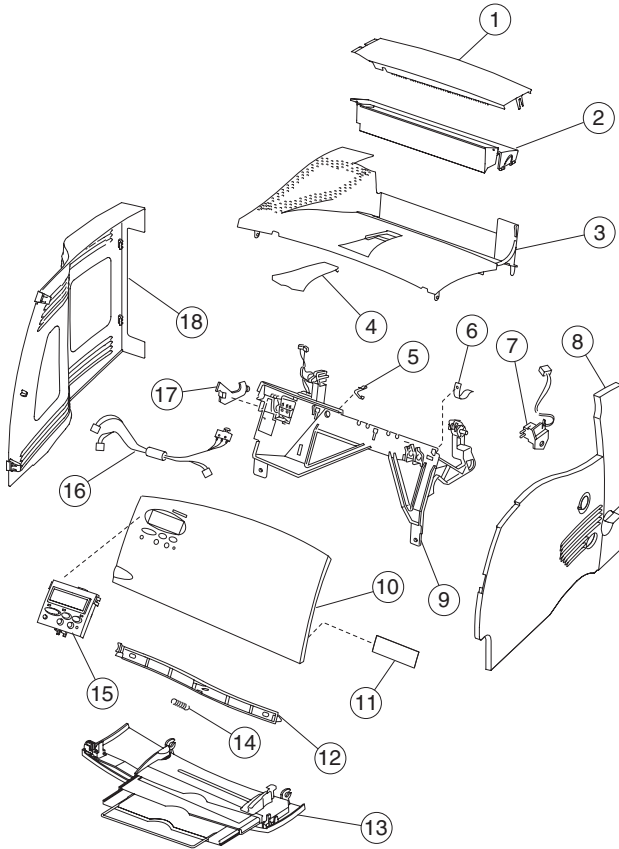
7. Parts Catalog

How to Use This Parts Catalog

- **SIMILAR ASSEMBLIES:** If two assemblies contain a majority of identical parts, they are shown on the same list. Common parts are shown by one index number. Parts peculiar to one or the other of the assemblies are listed separately and identified by description.
- **NS: (Not Shown)** in the Asm-Index column indicates that the part is procurable but is not pictured in the illustration.

4520-xxx

Assembly 1: Covers

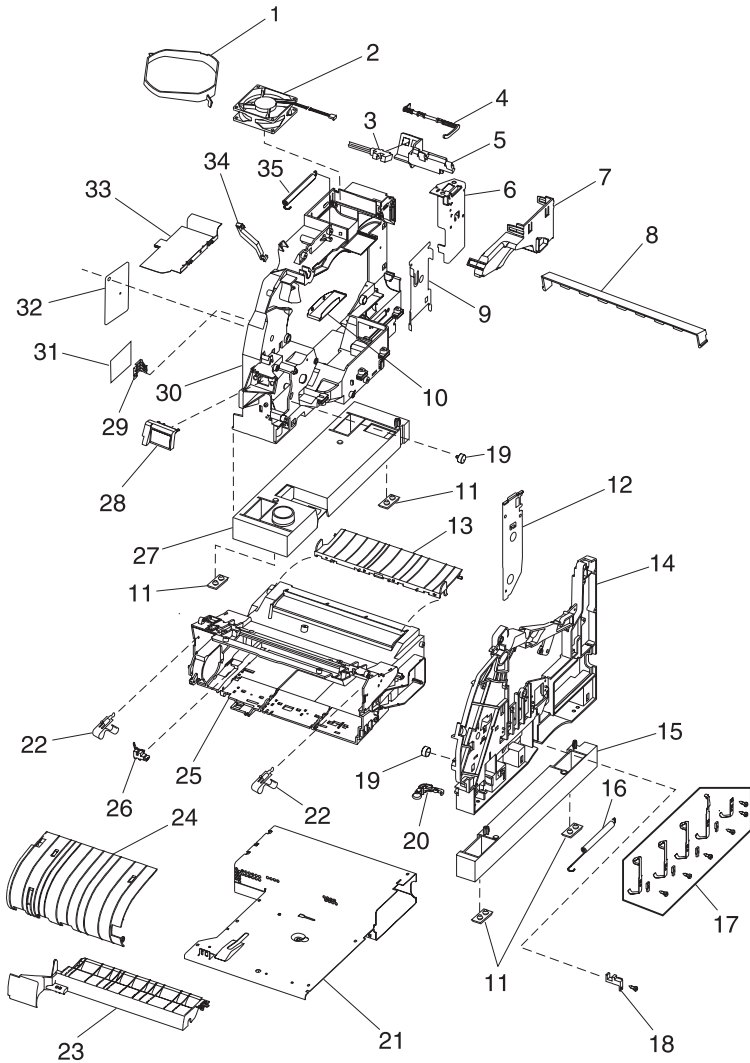


4520-xxx

Asm-Index	Part Number	Units	Description
1 - 1	99A2074	1	Cover Assembly, Redrive Cap
2	99A1508	1	Cover, Fuser Wick Assembly
3	99A1506	1	Cover Asm, Laser Assembly
4	99A1587	1	Support, Paper
5	99A1524	1	Cartridge Load Spring
6	99A2435	1	Cartridge Load Spring
7	99A2087	1	Smart Contact Assembly
8	99A2075	1	Cover, Right Side
9	99A2011	1	Hinge, Upper Front Cover
10	99A2010	1	Kit, Upper Front Cover with Labels 210/220
10	99A2150	1	Kit, Upper Front Cover with Labels 001/002
11	99A0007	1	Label, TLI/ID/Serial No. - Blank
12	99A1502	1	Latch, Upper Cover
13	99A1511	1	Cover Assembly, Lower Front
14	99A0004	1	Spring, Latch
15	99A2014	1	Operator Panel Assembly 110V
15	99A2015	1	Operator Panel Assembly 220V
16	99A2060	1	Switch, Cover Open w/Operator Panel Cable Assembly
17	99A1594	1	Retainer, Cable
18	99A1509	1	Cover, Left Door 001/002 1-slot
18	99A1510	1	Cover, Left Door 210/220 2-slot
NS	99A0577	1	Cable Tie
NS	99A0263	5	Parts Packet, Screw (Left Side Cover Mounting)
NS	99A0263	3	Parts Packet, Screw (Right Side Cover Mounting)
NS	99A0263	6	Parts Packet, Screw (Laser Cover)
NS	99A0263	5	Parts Packet, Screw (Upper Front Cover Mounting)

4520-xxx

Assembly 2: Frame

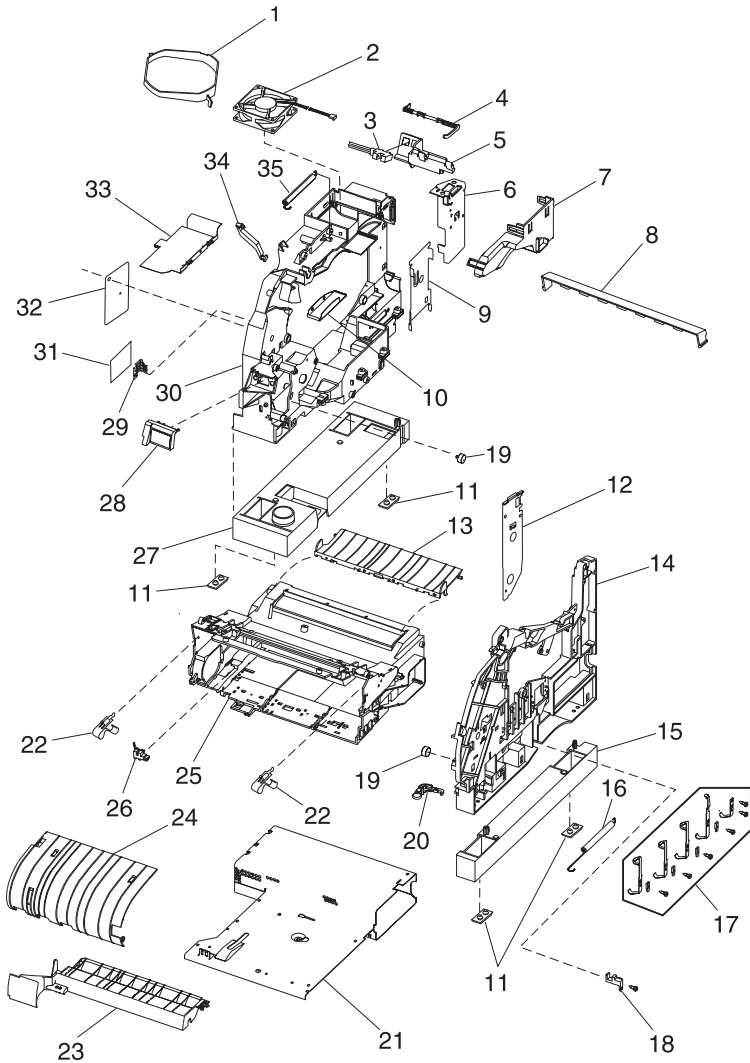


4520-xxx

Asm-Index	Part Number	Units	Description
2 - 1	99A1643	1	Shroud, Fan
2	99A2063	1	Fan, Main
3	56P1049	1	Sensor, Standard Bin Level with Cable
4	99A1613	1	Flag, Output Paper Level
5	99A0062	1	Bracket, Level Sensor
6	99A2016	1	Duct, Left Stacker
7	99A0867	1	Duct, Main Body
8	99A2017	1	Guide, Redrive Exit
9	99A2018	1	Support, Left Lower Stacker
10	99A2076	1	Pan, Drip ITC
11	99A2077	4	Pad, Machine Mounting
12	99A2021	1	Support, Right Stacker Plate
13	99A2020	1	Transfer Plate Assembly
14	99A2022	1	Right Sideframe
15	99A1518	1	Frame Extension, Right 210/220
16	99A0028	1	Spring, Tray Bias
17	99A0585	1	Parts Packet, Contact Kit <ul style="list-style-type: none"> • Contact, Dr Blade/TAR/Developer Roll (3) • Contact, PC Drum (1) • Contact, Charge Roll (1) • Block, Contact Mounting (4) • Screw, Contact Mounting (5)
18	99A0466	1	Sensor, Toner Cartridge Level
19	99A0039	2	Roller, Developer Support
20	99A0026	1	Tray Bias Arm Assembly
21	99A2024	1	Pan, Center Assembly
22	99A2019	2	Spring, Cartridge Hold Down
23	99A1525	1	Deflector, Upper PF
24	99A1850	1	Deflector, Inner
25	99A2065	1	Frame, EP Module
26	99A0053	1	Sensor, Input
27	99A1517	1	Frame Extension, Left 210/220
28	99A0549	1	Shield, ESD Assembly with label
29	99A0063	1	Spring, PA Out Activate

4520-xxx

Assembly 2: Frame (continued)

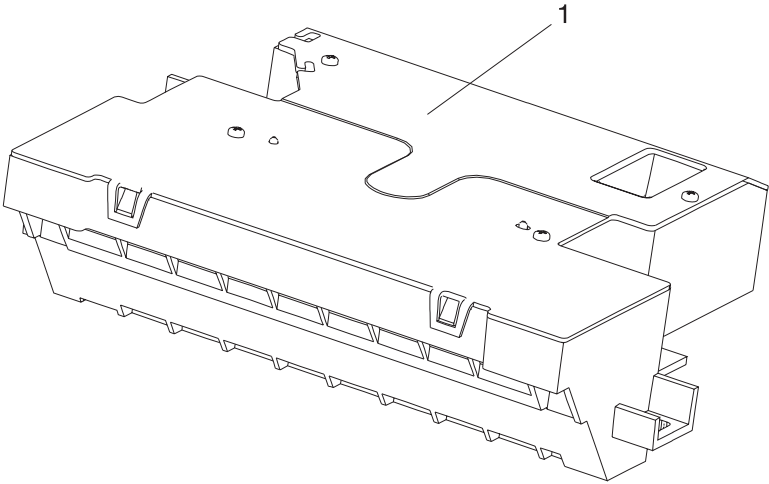


4520-xxx

Asm-Index	Part Number	Units	Description
2 - 30	99A2025	1	Left Side Frame
31	56P1139	1	Board, Input Tray (ITC)
32	99A1896	1	Guard, Gear
33	99A2078	1	Pan, Motor Drip
34	99A0567	1	Link, Gear Release
35	99A0556	1	Spring, Counterbalance
NS	99A0263	17	Parts Packet, Screw
NS	99A1546	1	Shield, Gear
NS	99A1596	1	Contact, LSF Ground
NS	99A1538	1	Contact, RSF Ground
NS	99A1540	4	Nut Plate, Frame 210/220
NS	99A1541	1	Spring, Duplex Ground

4520-xxx

Assembly 3: Printhead

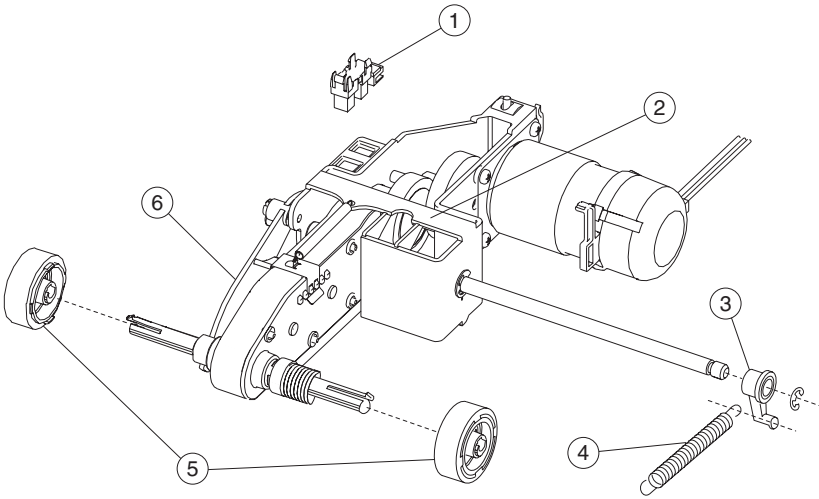


4520-xxx

Asm-Index	Part Number	Units	Description
3 - 1	99A2026	1	Printhead Assembly (Includes All Cables)
NS	99A0263	3	Parts Packet, Screw (Printhead Mounting)

4520-xxx

Assembly 4: Paper Feed (Autocompensator)

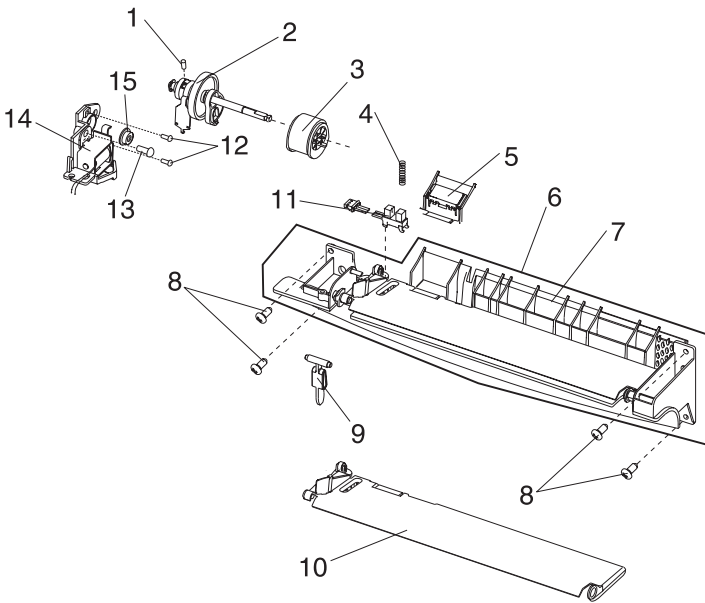


4520-xxx

Asm-Index	Part Number	Units	Description
4 - 1	99A2070	1	Sensor, Paper Out Internal Tray
2	99A2079	1	Pick Arm Assembly (500) 210/220
2	99A2157	1	Pick Arm Assembly (250) 001/002
3	56P1228	1	Spring Arm Belcrank
4	99A1927	1	Spring, Bellcrank Internal 250
4	99A1930	1	Spring, Bellcrank Internal 500
5	99A0070	2	Pick Rolls
6	99A1616	1	Flag, Paper Out 500 Tray
6	99A1609	1	Flag, Paper Out 250 Tray 001/002
NS	99A0263	1	Parts Packet, Screw (Hanger)

4520-xxx

Assembly 5: Paper Feed - Multipurpose Unit

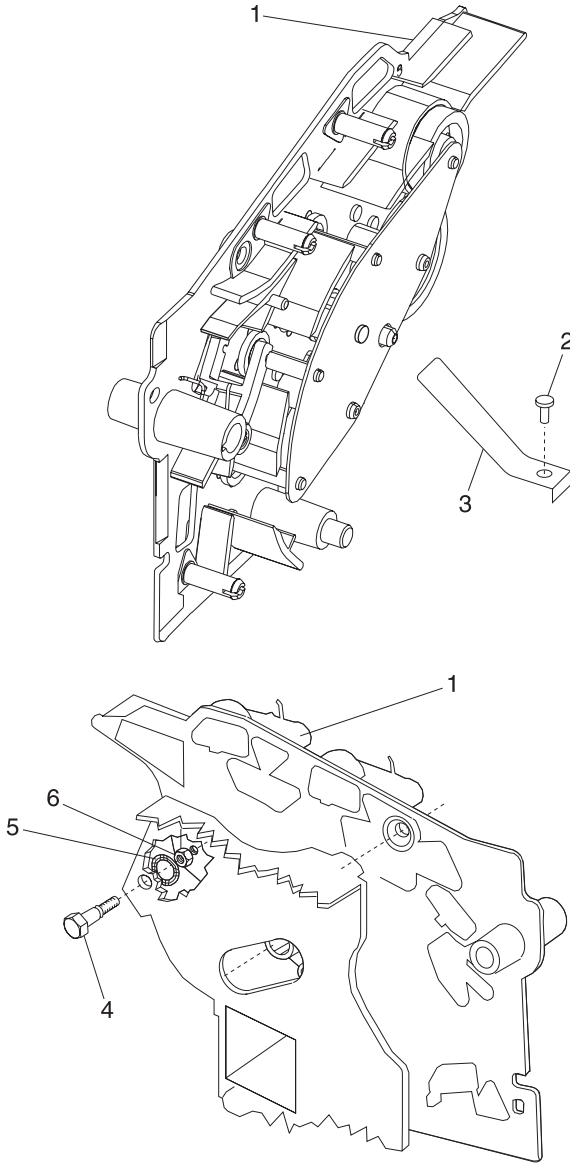


4520-xxx

Asm-Index	Part Number	Units	Description
5 - 1	99A0075	1	Screw, Socket Set M4X5 mm
2	99A0071	1	Arm Assembly, MPT
3	99A0076	1	Pick Roll Assembly
4	99A0081	1	Spring Assembly, Separator
5	99A0083	1	MPT Pad/Separator Arm Assembly
6	99A2092	1	Deflector Assembly, MPT
7	99A1531	1	Deflector, Lower
8	99A0263	2	Parts Packet, Screw (Lower Deflector Mounting 8 mm)
8	99A0263	2	Parts Packet, Screw (Lower Deflector Mounting 12 mm)
9	99A0084	1	Flag, MPT Paper Out
10	99A0082	1	Plate Assembly, MPT
11	99A2071	1	Sensor, MPT Paper Out
12	99A0073	2	Screw, Damper
13	99A0263	1	Parts Packet, Screw (Frame Mounting)
14	99A2027	1	Frame Assembly, MPT with Solenoid
15	99A0074	2	Bushing, Pick Roll Shaft
NS	99A0267	2	Parts Packet, Clip (Pick Roll Shaft)

4520-xxx

Assembly 6: Paper Feed - Alignment

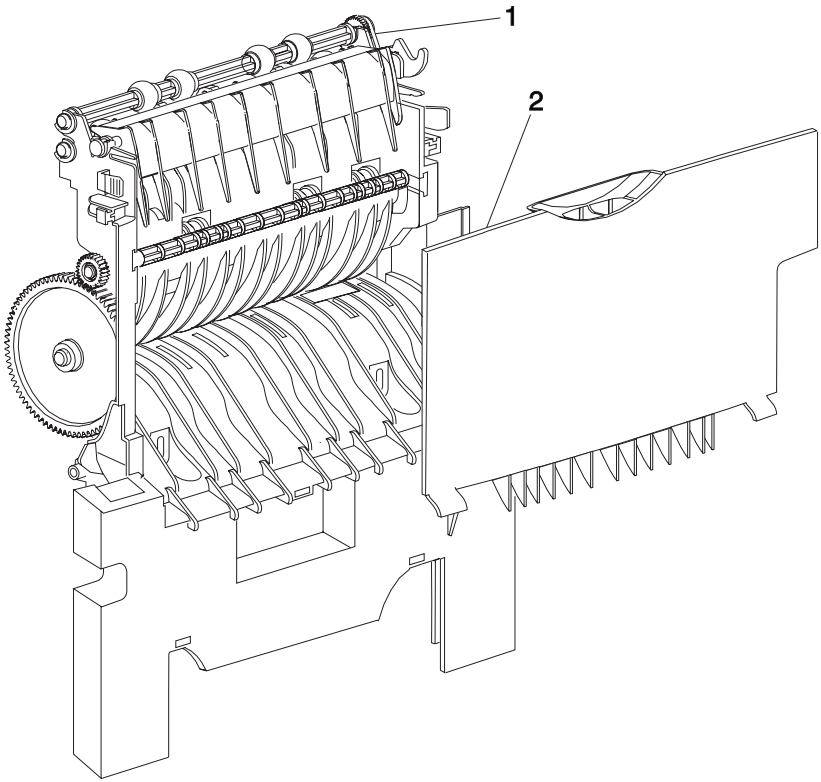


4520-xxx

Asm-Index	Part Number	Units	Description
6 - 1	99A0089	1	Alignment Assembly Paper Feed
2	99A0263	3	Parts Packet, Screw (Paper Feed)
3	99A2066	1	Clip, Reference Ground
4	99A0492	1	Screw, Paper Reference Adjustment
5	99A0565	1	Washer, Reference Adjustment
6	99A0566	1	Nut, Paper Reference Adjustment
NS	99A0263	2	Parts Packet, Screw (Alignment Asm Mounting)

4520-xxx

Assembly 7: Paper Feed - Output

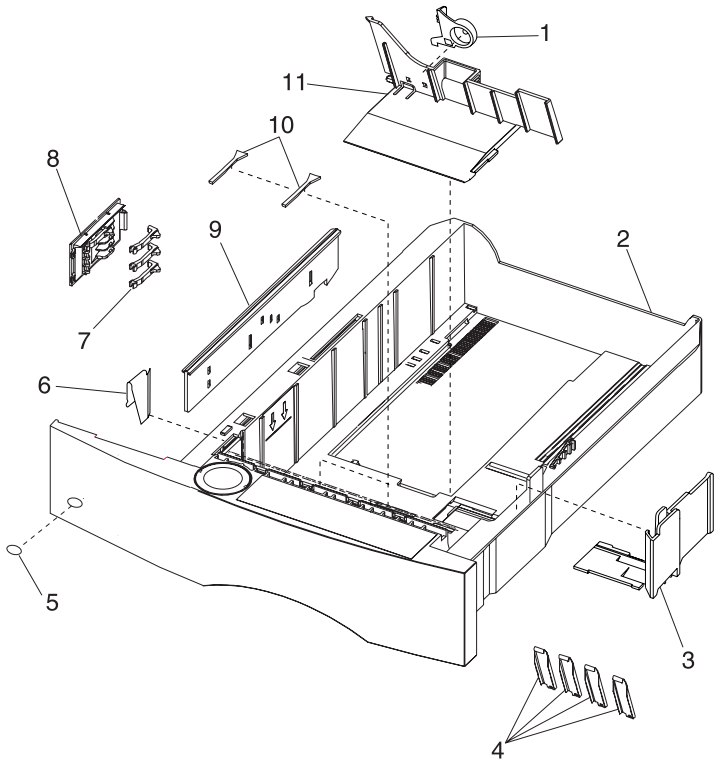


4520-xxx

Asm-Index	Part Number	Units	Description
7 - 1	99A2029	1	Redrive Assembly, 500 Input/250 Output 210/220
1	99A2151	1	Redrive Assembly, 250 Input/250 Output 001/002
2	99A1644	1	Door Assembly, Redrive 250
NS	99A0104	1	Spring, Upper Diverter
NS	99A1857	1	Deflector, Upper Redrive
NS	99A0263	2	Parts Packet, Screw (Duplex Path)

4520-xxx

Assembly 8: Integrated Paper Tray - 500 Sheet

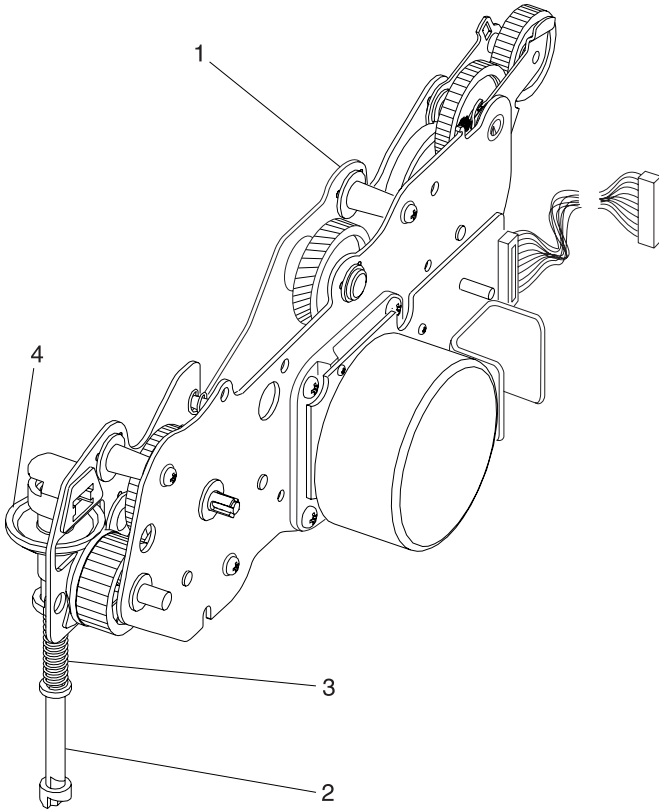


4520-xxx

Asm-Index	Part Number	Units	Description
8 - 1	99A1601	1	Latch, Back Restraint
2	99A1576	1	Tray Assembly 500 Sheet
3	99A1895	1	Restraint, Side
4	99A0292	4	Strip, Wear
5	99A1812	1	Label, Tray Option Number
6	99A1583	1	Plate, 500 Tray Wear
7	99A0126	3	Finger, Autosize
8	99A0124	1	Plate, Snap-in
9	99A1582	1	Slider, Autosize 500
10	99A0120	2	Pad, Restraint
11	99A2093	1	Restraint, Back

4520-xxx

Assembly 9: Main Drive

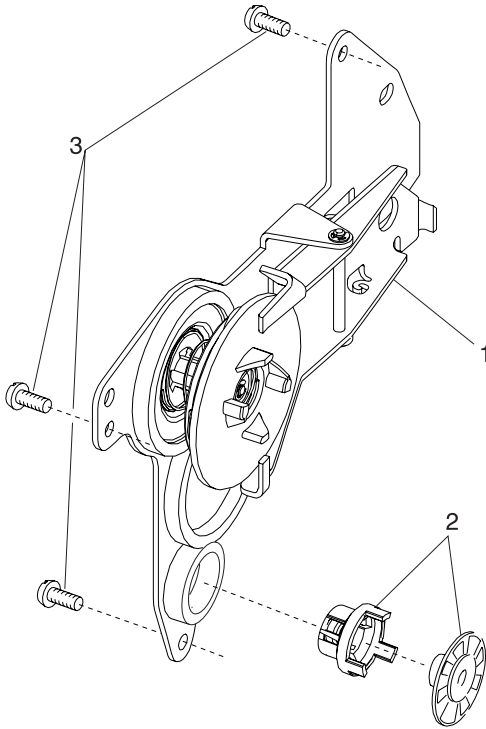


4520-xxx

Asm-Index	Part Number	Units	Description
9 - 1	99A2030	1	Gearbox, w/Motor
2	99A0134	1	Shaft, Power Takeoff 250
2	99A1569	1	Shaft, Power Takeoff 500
3	99A0275	1	Spring, Power Takeoff Shaft
4	99A2080	1	Gear, Bevel with Grease Packet
NS	99A0263	4	Parts Packet, Screw (Gearbox Mounting)
NS	99A0263	3	Parts Packet, Screw (Motor Mounting)
NS	99A0260	2	Clip, Cable

4520-xxx

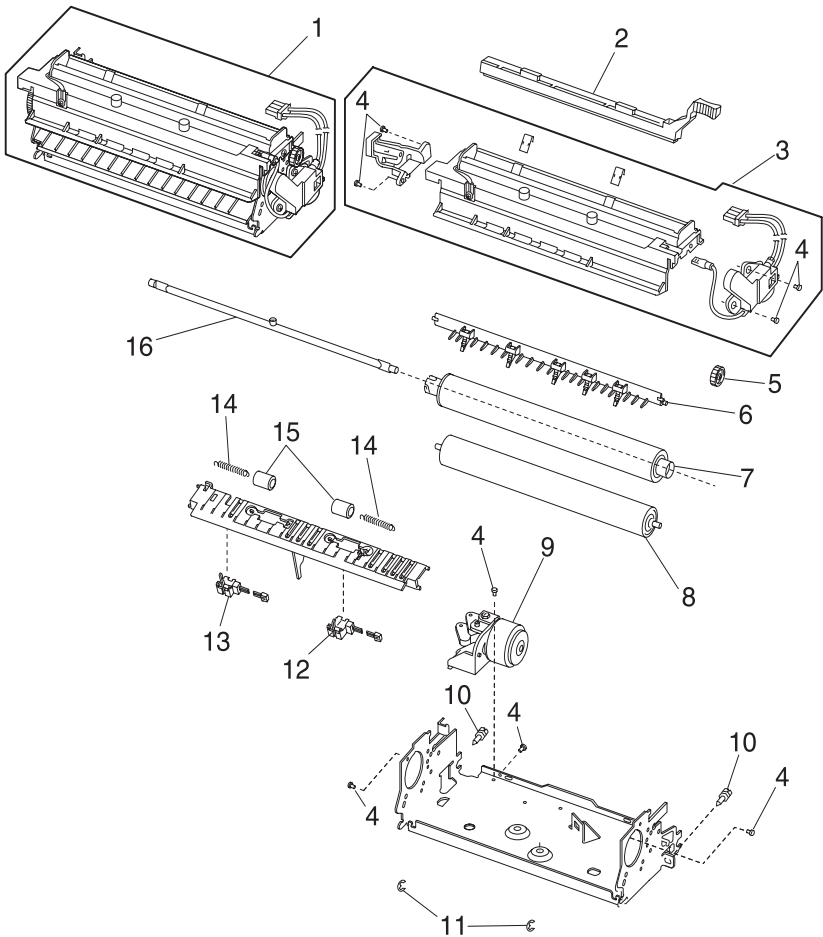
Assembly 10: Developer Drive



4520-xxx

Asm-Index	Part Number	Units	Description
10 - 1	99A1544	1	Developer Drive Assembly
2	99A2081	1	Parts Packet, Developer Drive Shaft, Coupler Gear #55
3	99A0263	3	Parts Packet, Screw (Developer Drive Ground)

Assembly 11: Hot Roll Fuser

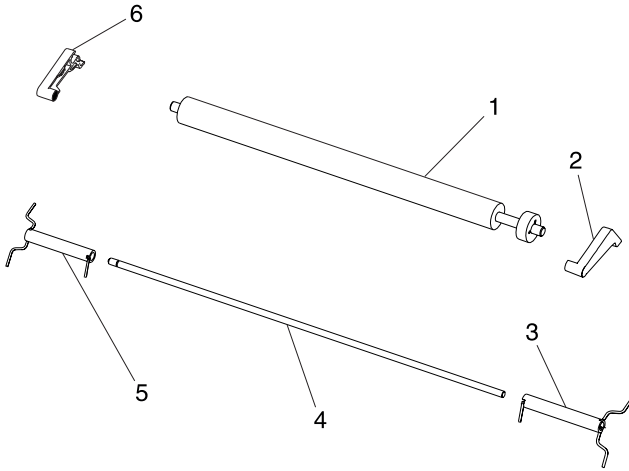


4520-xxx

Asm-Index	Part Number	Units	Description
11 - 1	99A2423	1	Fuser Assembly w/115V 630W Lamp
1	99A2422	1	Fuser Assembly w/220V 630W Lamp
2	99A0725	1	Wiper Assembly, Wet
3	56P0150	1	Kit, Fuser Cover Assembly with Thermistor, Thermal Fuse, and L & R Fuser Lamp Contact Assemblies, W/ Fuser Cover Control Card
4	99A0263	4	Parts Packet, Screws: <ul style="list-style-type: none"> • Contact Assembly (4) • Solenoid Mounting (1) • Board Cover Mounting(1) • Fuser Cover Assembly (4) • Hanger (7)
5	99A1520	1	Gear, Upper Redrive
6	99A2035	1	Housing, Detack Assembly
7	99A2036	1	Hot Roll
8	99A2038	1	Backup Roll
9	99A2067	1	Envelop Conditioner Solenoid Assembly
10	99A1649	2	Screw, Fuser Mounting
11	99A0267	2	Parts Packet, Retainer (Backup Roll Bellcrank)
12	99A1651	1	Sensor, Narrow Media
13	99A1551	1	Sensor, Exit
14	99A0897	2	Spring, Redrive Idler
15	99A0167	4	Roller, Redrive Idler
16	99A2050	1	Lamp, 115V 630W CC Gold
16	99A2051	1	Lamp, 220V 630W CC Silver
NS	99A1658	1	Cover, Fuser Wiper Cavity
NS	99A2037	2	Grip Ring
NS	99A0148	1	Gear, Idler

4520-xxx

Assembly 12: Transfer

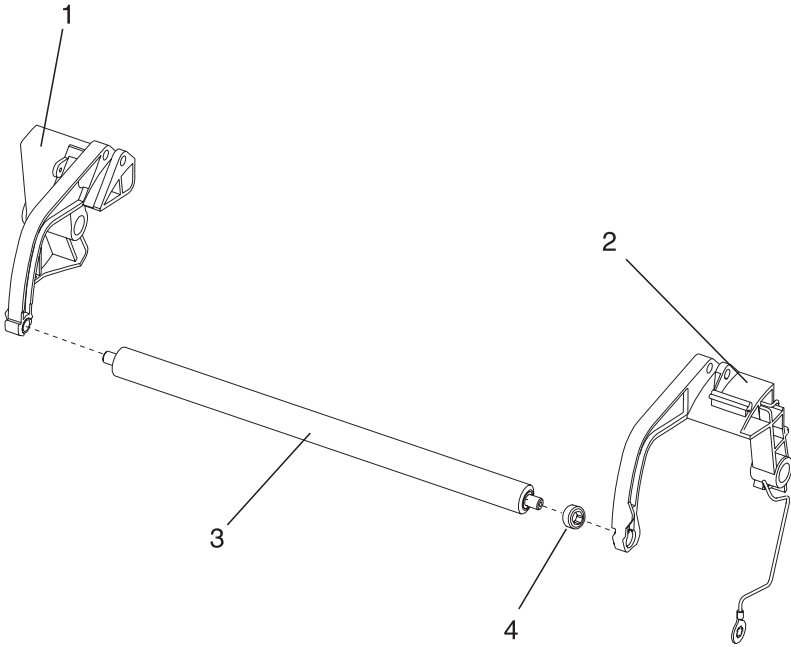


4520-xxx

Asm-Index	Part Number	Units	Description
12 - 1	99A1015	1	Transfer Roll Assembly
2	99A0349	1	Arm, Transfer Roll Assembly Right
3	99A0184	1	Spring, Transfer Roll Right
4	99A0185	1	Shaft, Transfer Pivot
5	99A0181	1	Spring, Transfer Roll Left
6	99A1578	1	Arm, Transfer Roll Left
NS	99A0267	1	Parts Packet, Retainer (Pivot Shaft)

4520-xxx

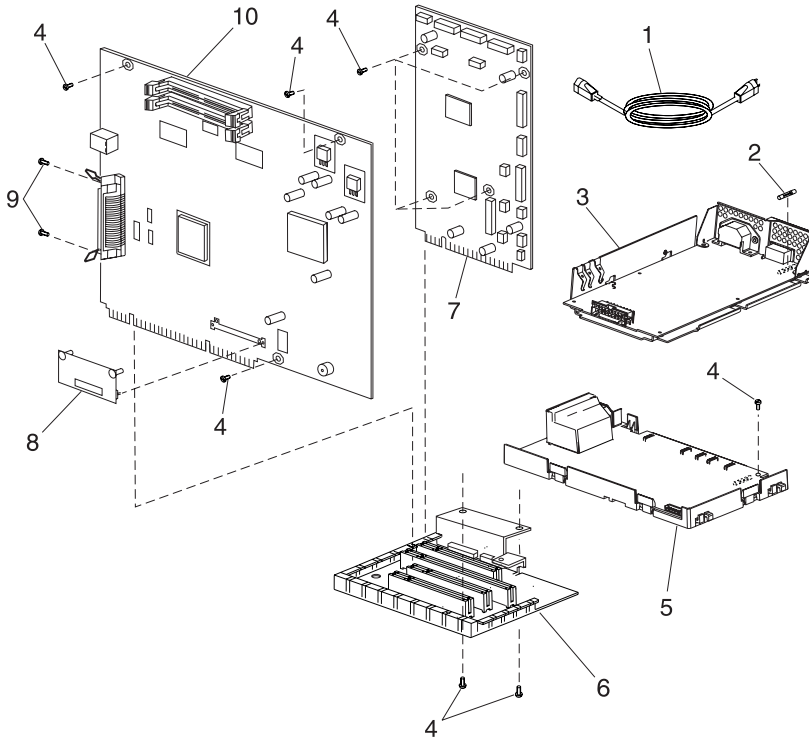
Assembly 13: Charging



4520-xxx

Asm-Index	Part Number	Units	Description
13 - 1	99A0512	1	Link Assembly, Charge Left Kit
2	99A0513	1	Link Assembly, Charge Right Kit
3	99A1017	1	Roll Assembly, Charge
4	99A1555	1	Bushing, Charge Roll
NS	99A0263	1	Parts Packet, Screw (Charge Roll)

Assembly 14: Electronics 1

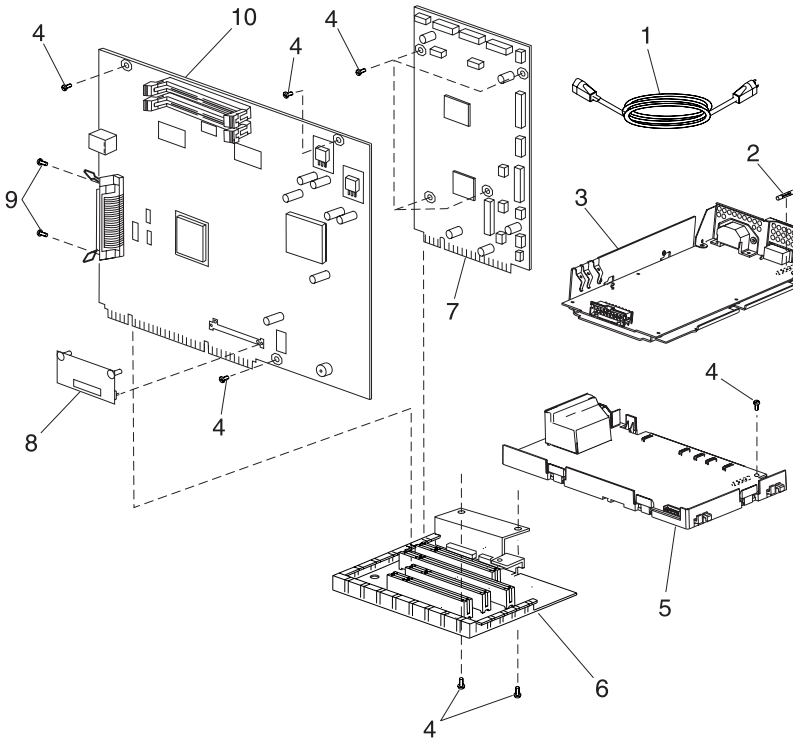


4520-xxx

Asm-Index	Part Number	Units	Description
14 - 1	1342514	1	Power Cord Set, 8 ft. U.S., Canada (LV), Nicaragua, Venezuela, Peru (LV), Bolivia (HV), Colombia, Costa Rica, Ecuador, El Salvador, Guatemala, Honduras, Mexico, Panama
1	1339535	1	Power Cord Set, 8 ft. U.S., Canada (LV), Nicaragua, Venezuela, Peru (LV), Bolivia, Colombia, Costa Rica, Ecuador, El Salvador, Guatemala, Honduras, Mexico, Panama, Brazil (LV), AP (English)
1	1339538	1	Italy, 6 ft. Paraguay, Uruguay, Finland, Norway, Sweden
1	1342536	1	Power Cord Set, 6 ft. - APG (LV)
1	1339537	1	Power Cord Set, 8 ft. - U.K., Ireland
1	1339539	1	Power Cord Set, 6 ft. - Israel, Germany
1	1339540	1	Power Cord Set, 6 ft. - Switzerland
1	1339541	1	Power Cord Set, 6 ft. - South Africa
1	1339546	1	Power Cord Set, 6 ft. - Two-Prong Argentina (HV)
1	1342534	1	Power Cord Set, 8 ft. - Chile (HV)
1	1339543	1	Power Cord Set, 8 ft. - Denmark
1	1339542	1	Power Cord Set, 6 ft. - Italy
1	1374067	1	Power Cord Set, 8 ft. - Peru (HV)
1	1339544	1	Power Cord Set, 8 ft. - Straight Argentina (HV)
1	1339545	1	Power Cord Set, 8 ft. - Right Angle Argentina (HV)
1	1342530	1	Power Cord Set - Brazil (HV), Paraguay (HV), Uruguay (HV)
2	99A2082	1	Fuse, for 110 V ac LVPS 10 a
2	99A2083	1	Fuse, for 110 V ac LVPS 5 a
2	99A2090	1	Fuse, for 220 V ac LVPS 6.3 a
2	99A2091	1	Fuse, for 220 V ac LVPS 3.15 a
3	99A2043	1	LVPS, 110 V ac
3	99A2044	1	LVPS, 220 V ac

4520-xxx

Assembly 14: Electronics I (continued)

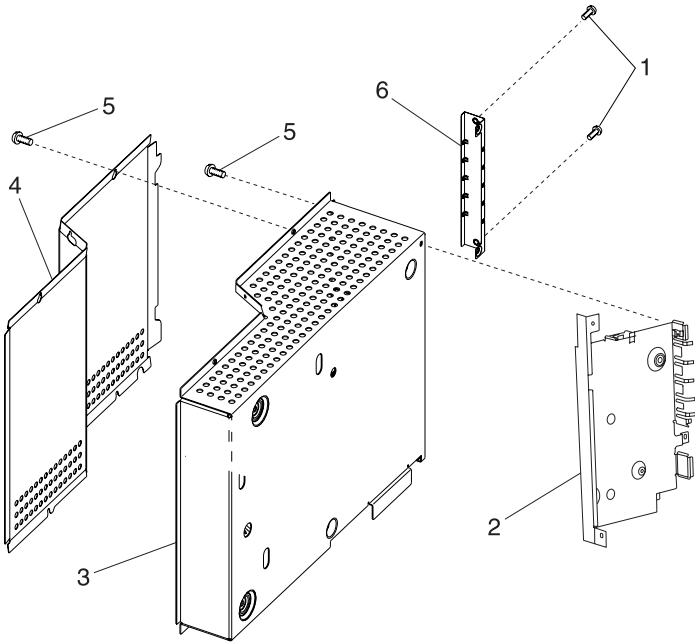


4520-xxx

Asm-Index	Part Number	Units	Description
14 - 4	99A0263	1	Parts Packet, Screw(s): <ul style="list-style-type: none"> • Controller Board Mtg (2) • Controller Board Mtg Front (2) • Controller Mtg Ground (1) • Engine Board Mtg (6) • Engine Board Mtg Top (2) • HVPS Mtg • INA Cover Mtg (12) • Interconnect Board Mtg (2) • Interconnect Board Shield Ground (1) • Interconnect Shield Mtg (5) • Outer Shield Mtg (10) • Parallel Connector Mtg (2)
5	99A2045	1	Power Supply, High Voltage
6	99A2046	1	Interconnect Board Assembly 2 slot 210/220
6	99A2152	1	Interconnect Board Assembly 1 slot 001/002
7	56P1005	1	Engine Board Assembly 210/220
7	56P1004	1	Engine Board Assembly 001/002
8	99A2486	1	Card Assembly, Bar Code
8	99A2200	1	Card Assembly, IPDS and SC5/TNE
8	99A2487	1	Card Assembly, Prescribe 5/4/2 Flash
8	99A2558	1	Card Assembly, Image Quick
9	99A0426	2	Screws, Parallel Connector Mounting
10	56P1190	1	Controller Board Assembly (Non Network) 001
10	56P1191	1	Controller Board Assembly (Network) 002
10	56P1192	1	Controller Board Assembly (Non-Network) 210
10	56P1193	1	Controller Board Assembly (Network) 220

4520-xxx

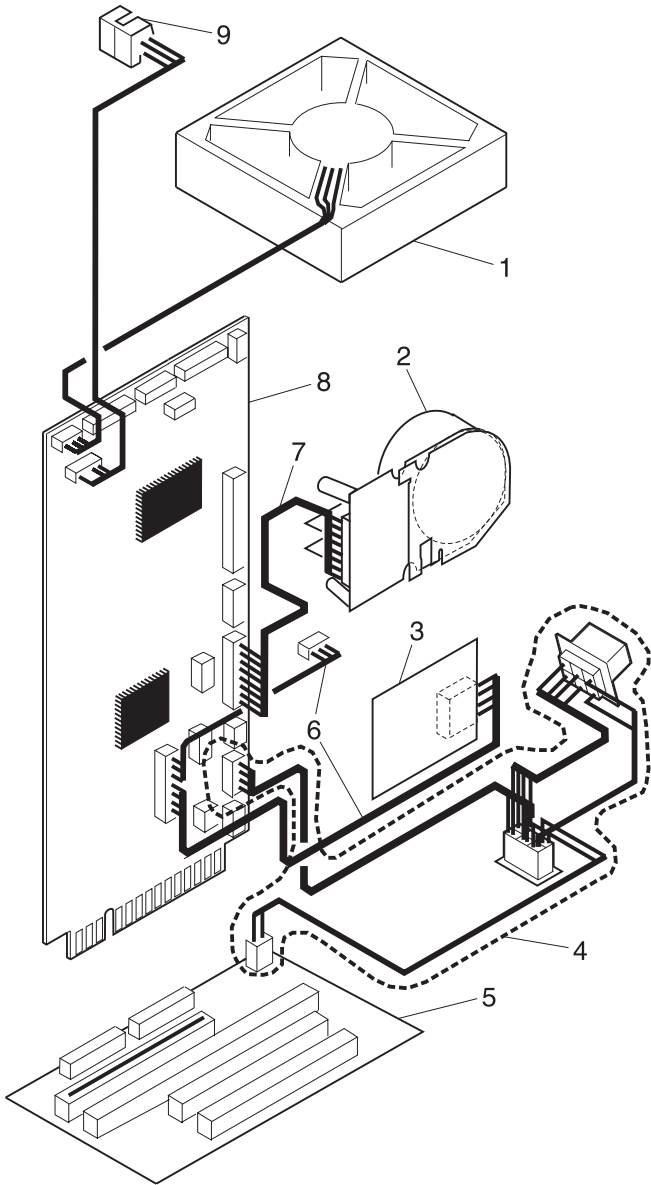
Assembly 15: Electronics II



4520-xxx

Asm-Index	Part Number	Units	Description
15 - 1	99A0263	6	Parts Packet, Screw (INA Cover Mounting)
2	99A2084	1	Engine Board Shield Assembly
3	99A2049	1	Shield, Inner Assembly, 2 Slot 210/220
3	99A2156	1	Shield, Inner Assembly, 1 Slot 001/002
4	99A2094	1	Shield, Outer 2 Slot 210/220
4	99A2095	1	Shield, Outer 1 Slot 001/002
5	99A0263	4	Parts Packet, Screw (Outer Shield Mounting)
5	99A0263	6	Parts Packet, Screw (Outer Shield Mounting)
6	99A0408	1	Cover, INA Flat (Blank)
NS	99A1611	1	Shield, Ethernet (Blank)
NS	99A0227	1	Clip, Two Finger EMC
NS	99A0347	1	Clip, Six Finger EMC

Assembly 16: Electronics III

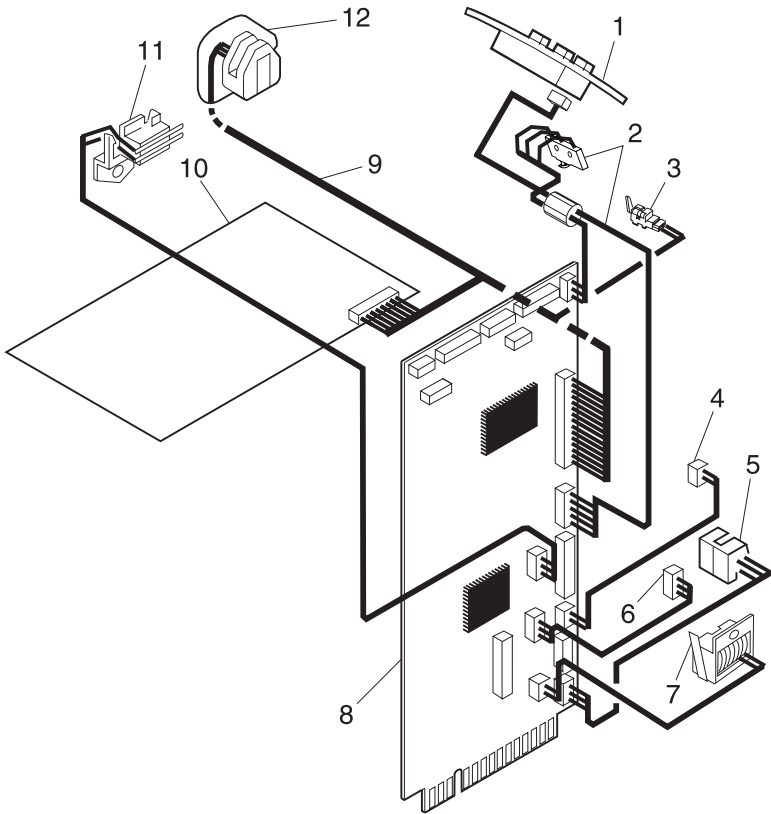


4520-xxx

Asm-Index	Part Number	Units	Description
16 - 1	99A0803	1	Fan, Main
2	99A2030	1	Gearbox, w/Motor
3	56P1139	1	Board, Input Tray (ITC)
4	99A2053	1	Cable, Auto Connect Bottom
5	99A2046	1	Interconnect Board Assembly
6	99A2052	1	Cable, Integrated Tray
7	99A2054	1	Cable, Main Drive Motor
8	99A2042	1	Engine Board Assembly
9	56P1049	1	Sensor, Standard Bin Level

4520-xxx

Assembly 17: Electronics IV

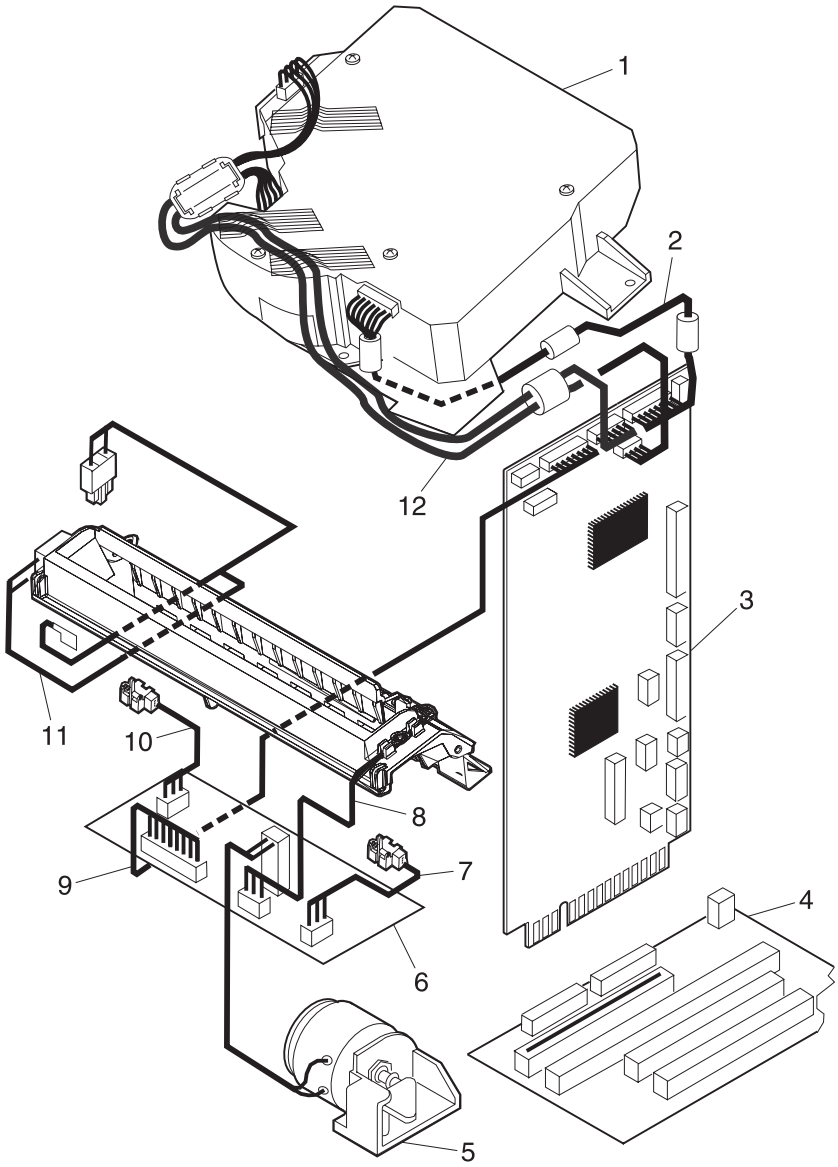


4520-xxx

Asm-Index	Part Number	Units	Description
17 - 1	99A2014	1	Operator Panel Assembly 110 V
1	99A2015	1	Operator Panel Assembly 220 V
2	99A2060	1	Switch, Cover Open w/Operator Panel Cable Assembly
3	99A0053	1	Sensor, Input
4	99A2079	1	Pick Arm Assembly (500) 210/220
4	99A2157	1	Pick Arm Assembly (250) 001/002
5	99A2071	1	Sensor, MPT Paper Out
6	99A2079	1	Pick Arm Assembly (500) 210/220
6	99A2157	1	Pick Arm Assembly (250) 001/002
7	99A2438	1	MPT Solenoid
8	99A2042	1	Engine Board Assembly
9	99A2055	1	Cable, Front Harness
10	99A2045	1	Power Supply, High Voltage
11	99A2087	1	Smart Contact Assembly
12	99A0466	1	Sensor, Toner Cartridge Level
NS	99A2059	1	Cable, Deflector

4520-xxx

Assembly 18: Electronics V

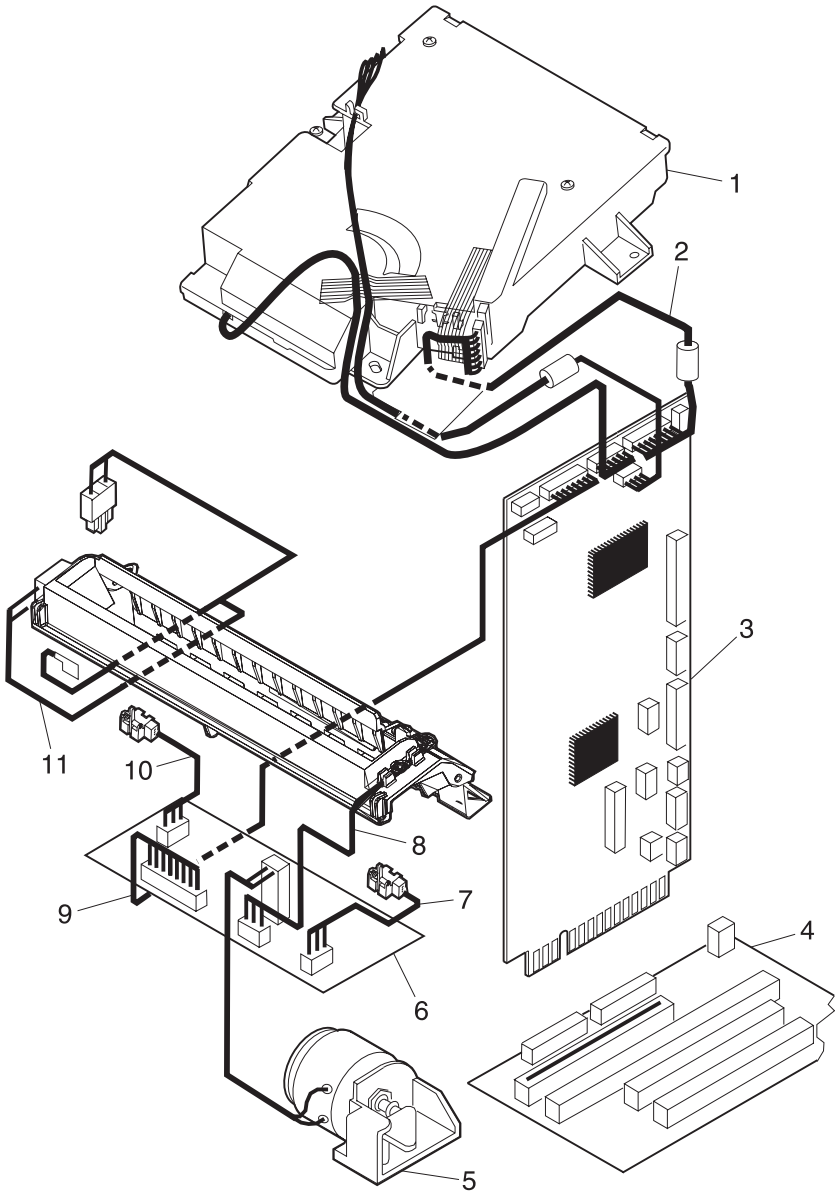


4520-xxx

Asm-Index	Part Number	Units	Description
18 - 1	99A2026	1	Printhead Assembly (Includes All Cables)
2	99A2056	1	Cable, Laser
3	99A2042	1	Engine Board Assembly
4	99A2046	1	Interconnect Board Assembly
5	99A2067	1	Solenoid Assembly, Envelope Conditioner
6	99A2039	1	Fuser Board Assembly
7	99A1551	1	Sensor, Exit
8	99A2033	1	Cover, Fuser Assembly with Thermistor
9	99A2062	1	Cable, Engine Board to Fuser Board
10	99A1651	1	Sensor, Narrow Media
11	99A2061	1	Cable, Fuser AC Fuser to LVPS

4520-xxx

Assembly 19: Electronics VI

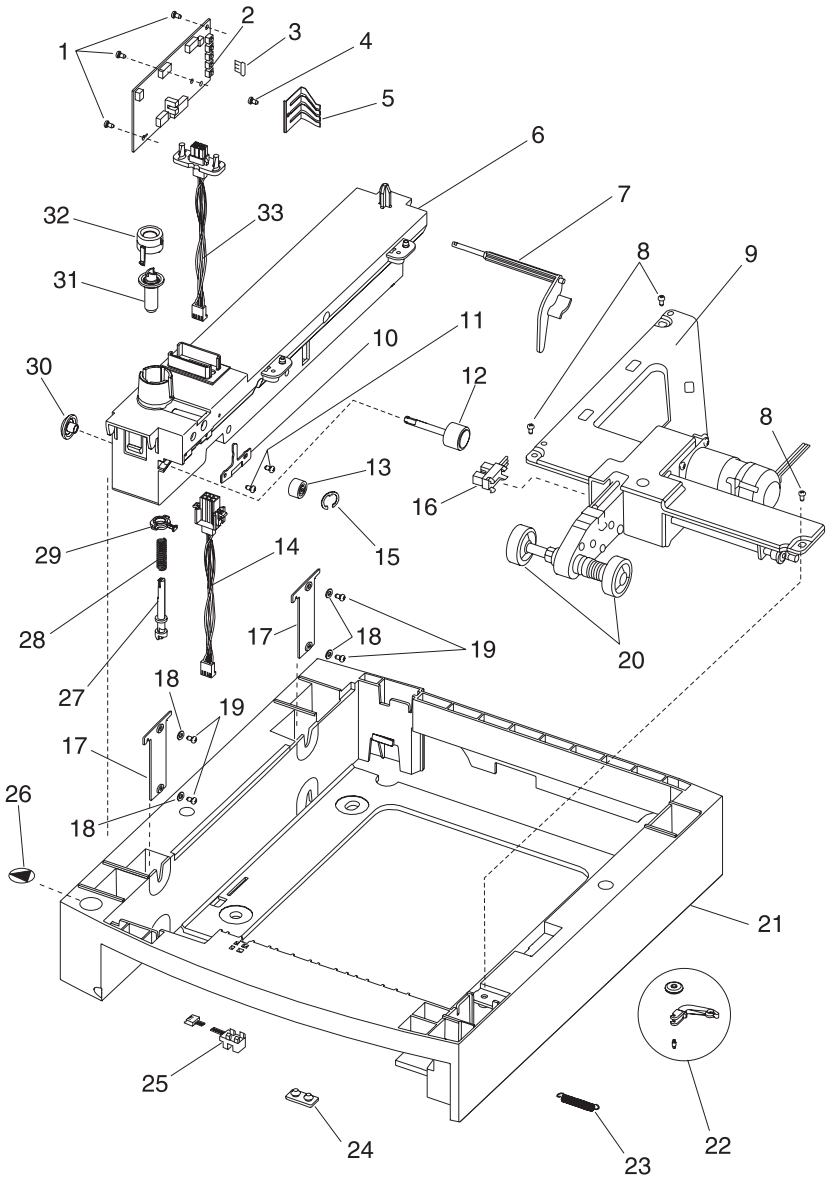


4520-xxx

Asm-Index	Part Number	Units	Description
19 - 1	99A2026	1	Printhead Assembly (Includes All Cables)
2	99A2056	1	Cable, Laser
3	99A2042	1	Engine Board Assembly
4	99A2046	1	Interconnect Board Assembly
5	99A2067	1	Solenoid Assembly, Envelope Conditioner
6	99A2039	1	Fuser Board Assembly
7	99A1551	1	Sensor, Exit
8	99A2033	1	Cover, Fuser Assembly with Thermistor
9	99A2062	1	Cable, Engine Board to Fuser Board
10	99A1651	1	Sensor, Narrow Media
11	99A2061	1	Cable, Fuser AC Fuser to LVPS

4520-xxx

Assembly 20: 250-Sheet Tray

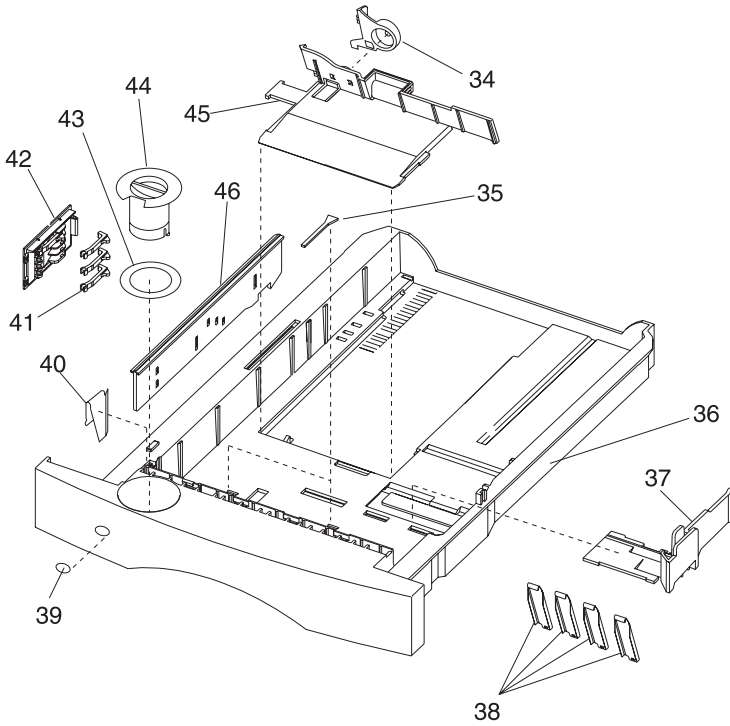


4520-xxx

Asm-Index	Part Number	Units	Description
20 - 1	99A0263	3	Parts Packet, Screw (Option Board)
2	99A1967	1	Board, Option Tray
3	99A0627	1	Jumper, pin
4	99A0263	1	Parts Packet, Screw (Switch Spring)
5	99A0063	1	Spring, Switch Activate
6	99A0445	1	Stud Assembly, 250 Frame
7	99A0448	1	Arm, Paper Out 250
8	99A0263	3	Parts Packet, Screw (Auto Comp Mounting)
9	99A1054	1	Pick Arm Assembly
10	99A0277	1	Wear Plate, Pass Thru 250 Tray
11	99A0263	2	Parts Packet, Screw (Wear Plate Mounting)
12	99A0276	1	Roll Assembly, Drive 500 Dual
13	99A0451	1	Roller, Skewed Backup
14	99A0282	1	Cable, 250 Tray Option
15	99A0450	1	Retainer, Roller
16	99A0350	1	Sensor, Paper Low
17	99A0679	2	Bracket, 250 Frame Retention
18	99A0677	4	Parts Packet, Washer
19	99A0263	4	Parts Packet, Screw
20	99A0070	2	Roll Assembly, Pick
21	99A1638	1	Base, 250 Option
22	99A0026	1	Tray Bias Arm Assembly
23	99A0419	1	Spring, Tray Bias
24	99A0058	4	Pad, Machine Mounting
25	99A0288	1	Sensor, Option Pass Thru
26	99A1666	1	Label, Options
27	99A0272	1	Shaft, 250 Drive
28	99A0275	1	Spring, Power Takeoff
29	99A0280	1	Bushing, Drive Shaft Low
30	99A0274	1	Gear, Feed Roll
31	99A0273	1	Gear, Bevel
32	99A0279	1	Bearing, Drive Shaft
33	99A0281	1	Cable, 250 Auto Connect Option

4520-xxx

Assembly 20: 250-Sheet Tray (continued)

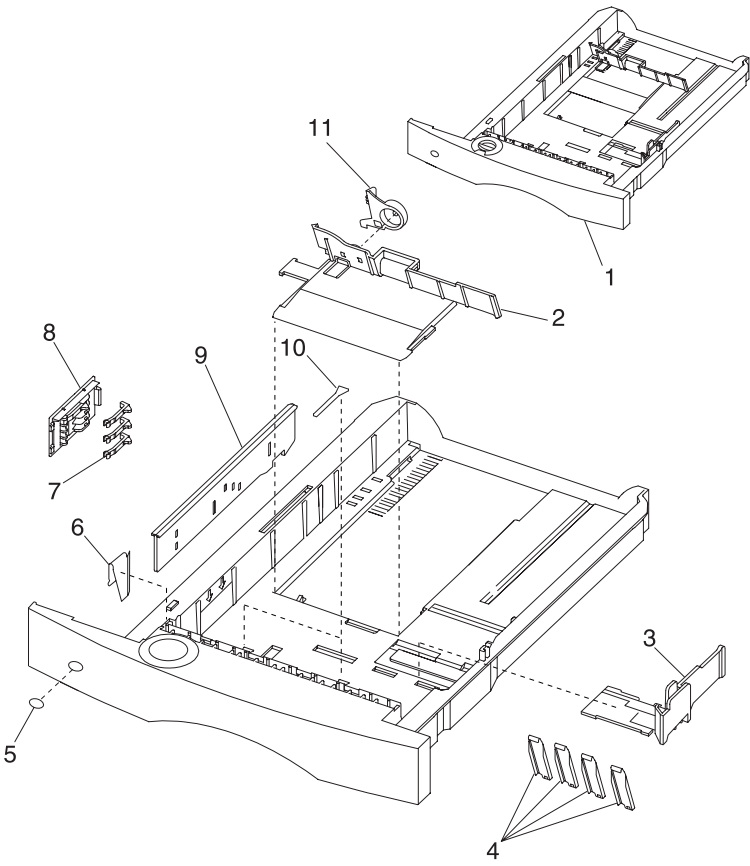


4520-xxx

Asm-Index	Part Number	Units	Description
20 - 34	99A1601	1	Latch, Back Restraint
35	99A0120	2	Restraint Pad
36	99A1536	1	Tray Assembly, 250-Sheet Option
37	99A0892	1	Restraint, Side 250-Sheet Tray
38	99A0119	4	Wear Strips
39	99A1829	1	Label, Tray Option Number
40	99A0121	1	Clip, 250 Tray Wear
41	99A0126	4	Finger, Autosize
42	99A0124	1	Plate, Snap-In
43	99A1952	1	Label, Paper Size
44	99A1537	1	Knob, Paper Size
45	99A0893	1	Restraint, Back 250 Sheet Tray
46	99A0127	1	Slider, Autosize 250
NS	99A0286	1	Spring, Backup Roller
NS	99A1928	1	Spring, Bellcrank 250 Tray Option
NS	99A0438	2	Bushing, Drive Roll
NS	99A0278	1	Bellcrank, Roller Release

4520-xxx

Assembly 21: Integrated Paper Tray - 250 Sheet

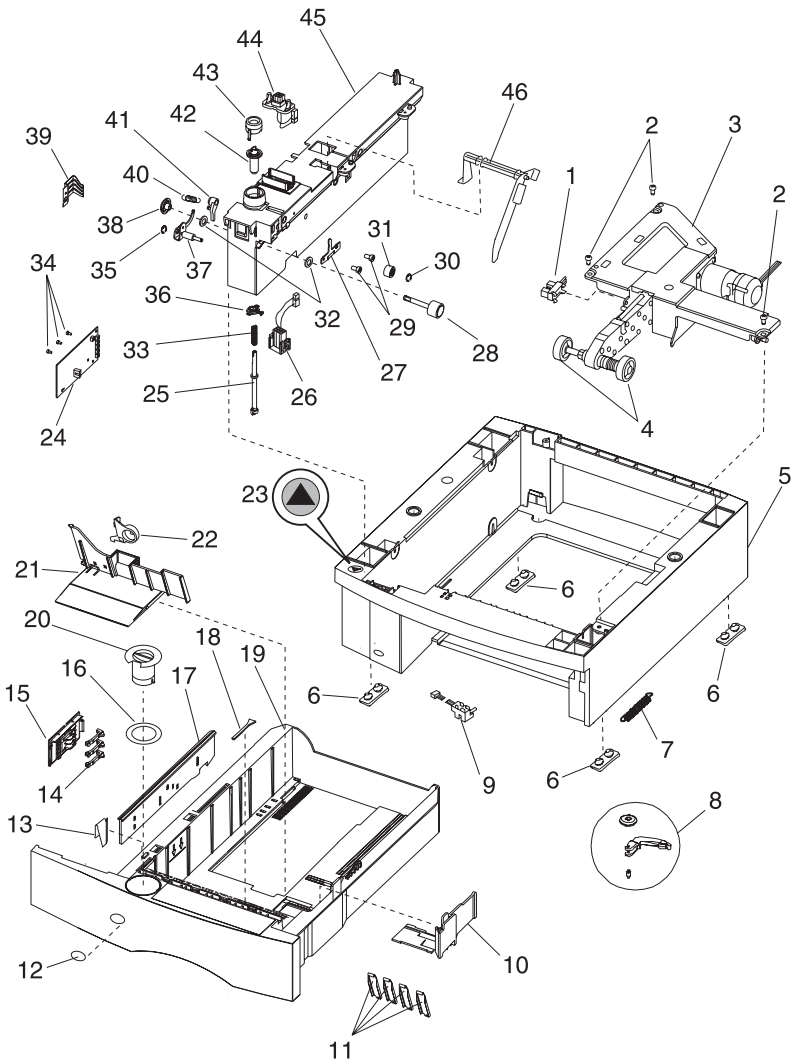


4520-xxx

Asm-Index	Part Number	Units	Description
21 - 1	99A1536	1	Tray, Integrated 250 Sheet
2	99A2160	1	Restraint, Back 250 Sheet Tray
3	99A1894	1	Restraint, Side 250 Sheet Tray
4	99A0119	4	Wear Strips
5	99A1812	1	Label, Tray Option Number
6	99A0121	1	Clip, 250 Tray Wear
7	99A0126	4	Finger, Autosize
8	99A0124	1	Plate, Snap-In
9	99A0127	1	Slider, Autosize 250
10	99A0120	2	Restraint Pad
11	99A1601	1	Latch, Back Restraint

4520-xxx

Assembly 22: 500-Sheet Tray

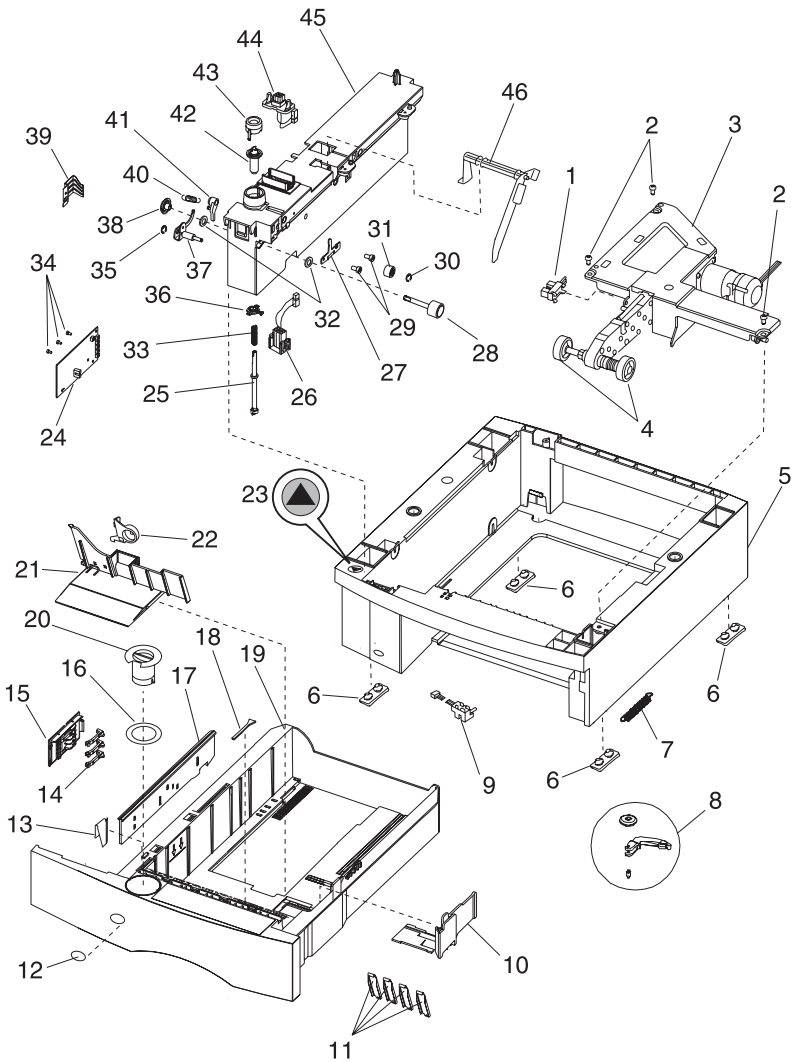


4520-xxx

Asm-Index	Part Number	Units	Description
22 - 1	99A0350	1	Sensor, Paper Low
2	99A0263	3	Parts Packet, Screw (Auto Comp Mounting)
3	99A0405	1	Pick Arm Assembly
4	99A0070	2	Pick Roll Assembly
5	99A1636	1	Base, 500 Tray
6	99A0058	4	Pad, Base 500
7	99A0419	1	Spring, Tray Bias
8	99A0026	1	Tray Bias Arm Assembly
9	99A0288	1	Sensor, Option Pass Thru
10	99A0895	1	Restraint, Side 500-Sheet Tray
11	99A0292	4	Wear Strips
12	99A1829	1	Label, Tray Option Number
13	99A1583	1	Plate, 500 Tray Wear
14	99A0126	4	Finger, Autosize
15	99A0124	1	Plate, Snap-In
16	99A1952	1	Label, Paper Size
17	99A1582	1	Slider, Autosize 500
18	99A0120	2	Restraint Pad
19	99A1576	1	Tray Assembly, 500 Sheet
20	99A1537	1	Knob, Paper Size
21	99A1602	1	Restraint, Back 500-Sheet Tray
22	99A1601	1	Latch, Back Restraint
23	99A1666	1	Label, Options
24	99A1967	1	Board, Tray
25	99A0447	1	Shaft, 500 Drive

4520-xxx

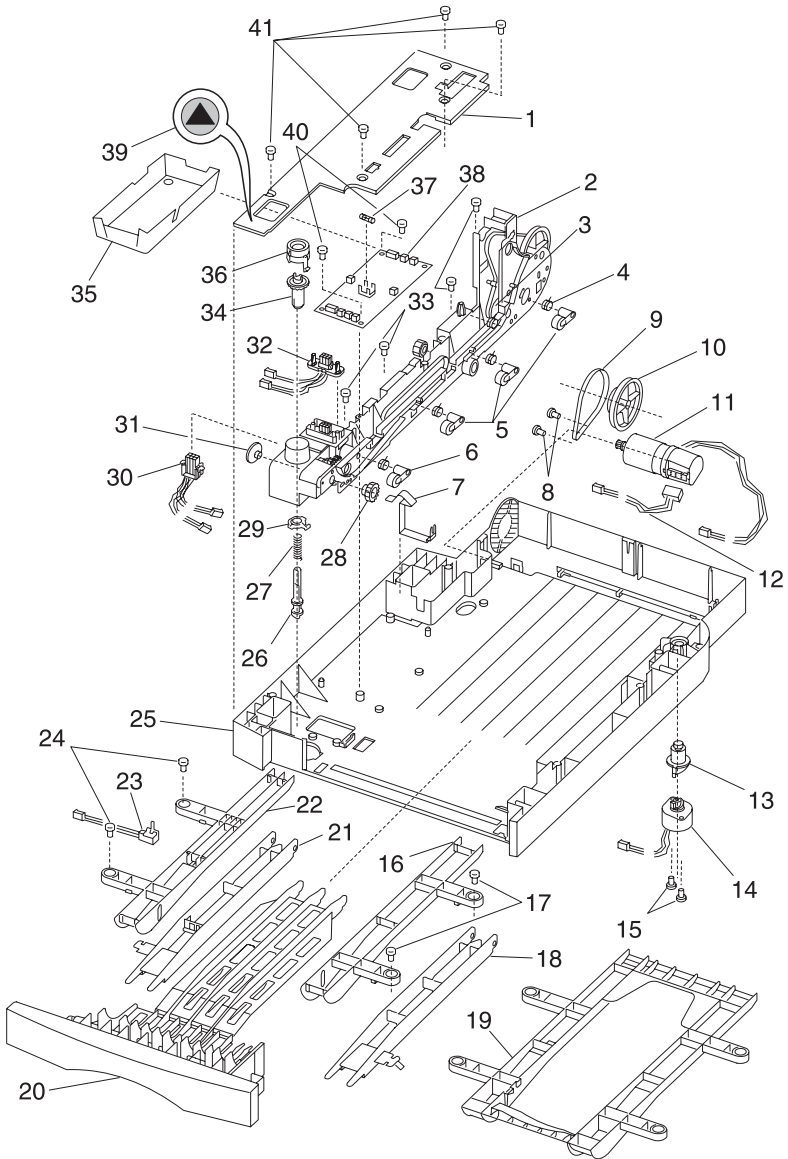
Assembly 22: 500-Sheet Tray (continued)



4520-xxx

Asm-Index	Part Number	Units	Description
22 - 26	99A0282	1	Cable, 500 Auto Connect Bottom
27	99A1750	1	Wear Plate, Pass Thru
28	99A0276	1	Roll Assembly, Drive 500
29	99A0263	2	Parts Packet, Screw (Wear Plate Mounting)
30	99A0450	1	Retainer, Roller
31	99A0451	1	Roller, Skewed Backup
32	99A0438	2	Bearing, Drive Roll
33	99A0275	1	Spring, Power Takeoff
34	99A0263	3	Parts Packet, Screw (Board Mounting)
35	99A0267	1	Parts Packet, Retainer (Aligner Assembly)
36	99A0280	1	Bearing, Drive Shaft Low
37	99A0446	1	Aligner Assembly, Paper
38	99A0274	1	Gear, Feed Roll
39	99A0063	1	Spring, Switch Activate
40	99A0286	1	Spring, Backup Roller
41	99A1664	1	Bellcrank, Roller Release
42	99A0273	1	Gear, Bevel
43	99A0279	1	Bearing, Drive Shaft
44	99A0281	1	Cable, 500 Auto Connect Top
45	99A1702	1	Stud Assembly, 500 Frame
46	99A1645	1	Arm, Paper Out 500
NS	99A0452	4	Washer, Frame Mounting
NS	99A1665	1	Deflector, Base 500
NS	99A1667	2	Bracket, 500 Tray Retention
NS	99A1929	1	Spring, Bellcrank 500 Option Tray

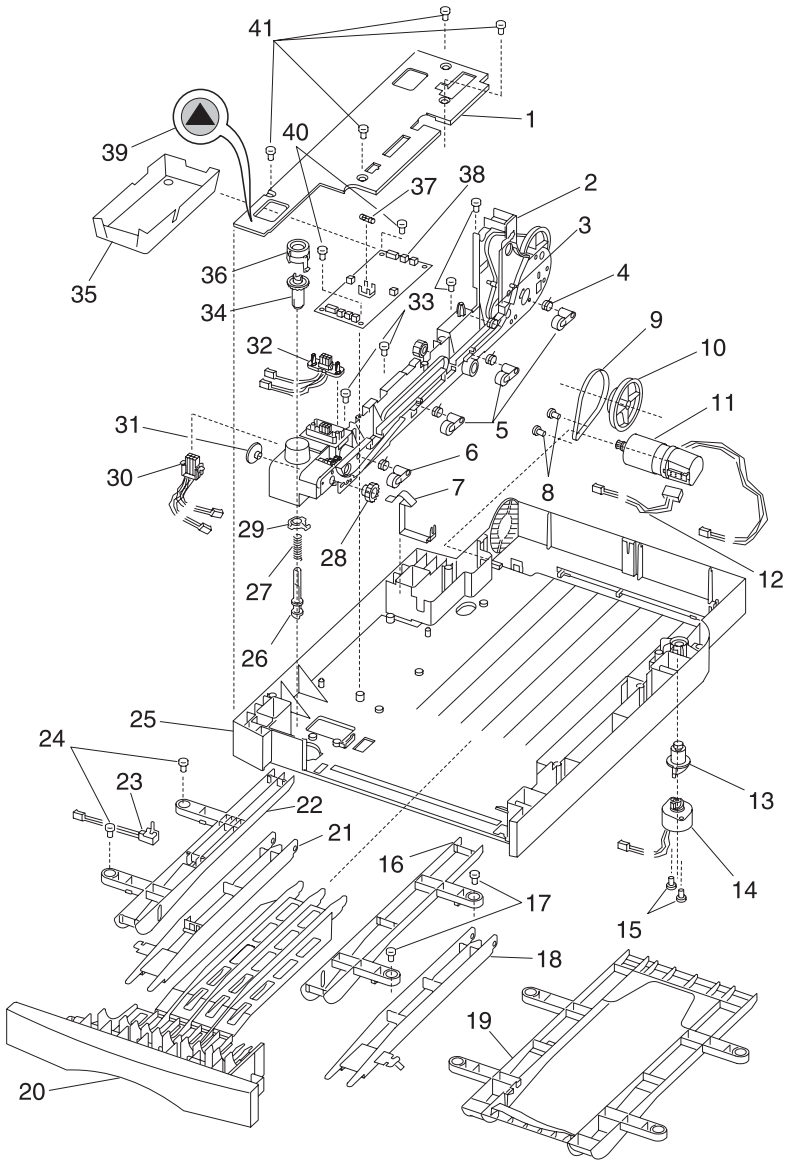
Assembly 23: Duplex Unit



4520-xxx

Asm-Index	Part Number	Units	Description
23 - 1	99A1674	1	Cover, Engine Board
2	99A0322	1	Main Frame Assembly 250 Duplex
2	99A1693	1	Main Frame Assembly 500 Duplex
3	99A0324	1	Idler Assembly, Belt Tension
4	99A0326	3	Spring, Aligner
5	99A0323	3	Guide Assembly, Paper
6	99A1675	1	Guide Assembly, Paper
7	99A0314	2	Spring, Chassis Ground
8	99A0413	2	Parts Packet, Screw (Motor Mount 3 mm)
9	99A0328	1	Belt, Motor 114 Gear
10	99A0329	1	Pulley, Main Drive 96/54 Gear
11	99A0321	1	Motor Assembly, DC Drive
12	99A1673	1	Cable, D.C. Motor Tach 250 Duplex
13	99A0299	1	Parts Packet, Cam Follower Assembly Kit
14	99A0312	1	Actuator Assembly, Deflector
15	99A0413	2	Parts Packet, Screw (Actuator Mtg)
16	99A1130	1	Guide, Return RH Upper 250 Duplex
17	99A0413	2	Parts Packet, Screw (Guide Mounting)
18	99A0340	1	Guide, Return RH Lower 250 Duplex
18	99A1680	1	Guide, Return RH Lower 500 Duplex
19	99A1579	1	Guide, Upper 500 Duplex
20	99A1133	1	Tray Assembly, Jam Removal 250 Duplex
20	99A1134	1	Tray Assembly, Jam Removal 500 Duplex
21	99A0342	1	Guide, LH Lower Return 250 Duplex
21	99A1682	1	Guide, LH Lower Return 500 Duplex
22	99A1131	1	Guide, Return LH Upper 250 Duplex
23	99A0341	1	Sensor, Exit - Optical
24	99A0413	2	Parts Packet, Screw (Upper Guide Mtg)
25	99A1668	1	Base Assembly, w/Tray Bias 250 Duplex
25	99A1677	1	Base Assembly, w/Tray Bias 500 Duplex
26	99A0316	1	Shaft, Duplex Drive
27	99A0315	1	Spring, Duplex Shaft
28	99A0325	1	Gear, Pass Thru Idler
29	99A0280	1	Bearing, Drive Shaft Low

Assembly 23: Duplex Unit (continued)

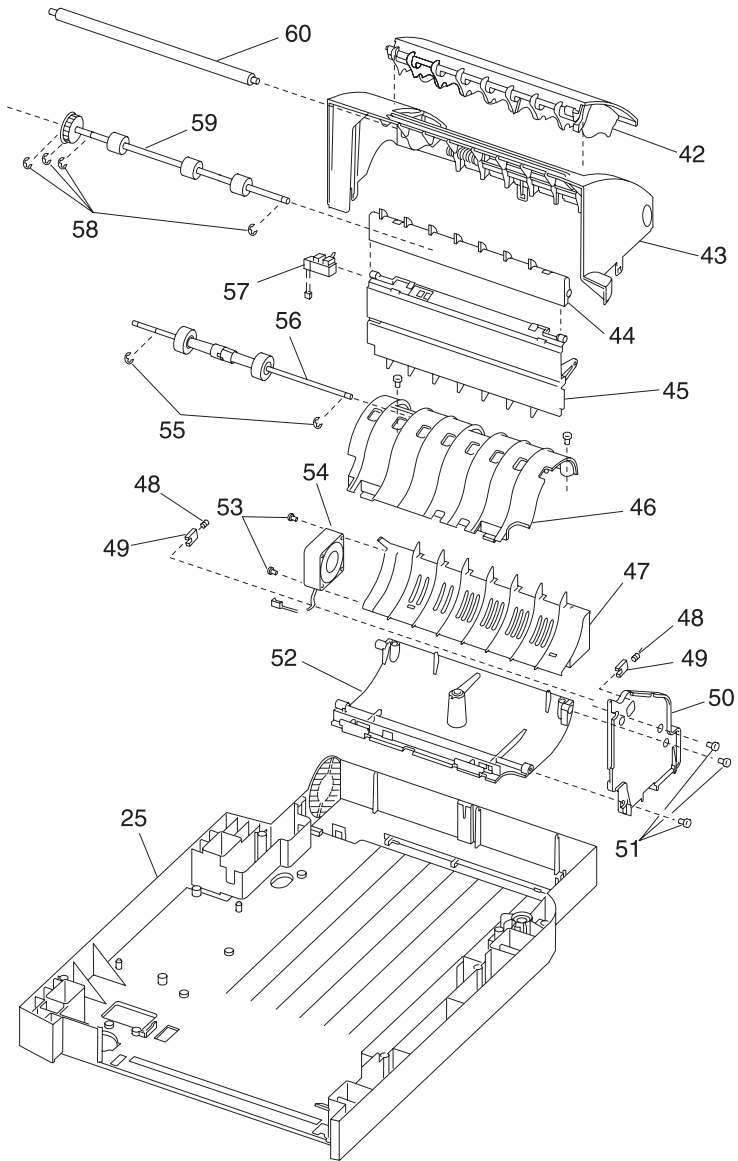


4520-xxx

Asm-Index	Part Number	Units	Description
23 - 30	99A0311	1	Cable, Auto Connect Bottom
31	99A0274	1	Gear, Pass Thru Drive Roll
32	99A0310	1	Cable, Auto Connect Top
33	99A0413	4	Parts Packet, Screw (Main Frame Assembly Mounting)
34	99A0317	1	Gear, Duplex Bevel
35	99A0434	1	Pan, Engine Board Drip
36	99A0279	1	Bearing, Drive Shaft
37	99A0191	1	Fuse,.8A SB
38	99A1669	1	Board, System with Jumper 250/500 Duplex
39	99A1666	1	Label, Options
40	99A0413	2	Parts Packet, Screw
41	99A0413	4	Parts Packet, Screw
NS	99A1129	1	Roller, Duplex Pass Thru
NS	99A0627	1	Jumper, Engine Board 250 Duplex
NS	99A0404	2	Parts Packet, Retainer (6 mm Backup Roll)
NS	99A0413	2	Parts Packet, Screw (M3x6L:G Supradrive)

4520-xxx

Assembly 23: Duplex Unit (continued)

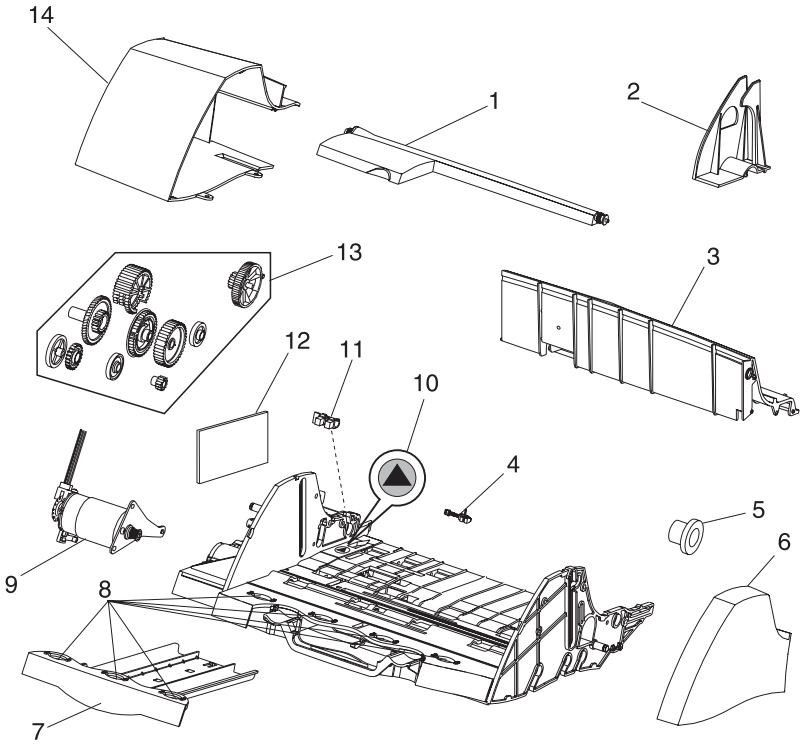


4520-xxx

Asm-Index	Part Number	Units	Description
23 - 42	99A1290	1	Top Cover Assembly, Movable 250 Duplex
42	99A1280	1	Top Cover Assembly, Movable 500 Duplex
43	99A1634	1	Top Cover Assembly, Fixed 250 Duplex
43	99A1679	1	Top Cover Assembly, Fixed 500 Duplex
44	99A0435	1	Guide, Lower Entry 250 Duplex
44	99A1691	1	Guide, Lower Entry 500 Duplex
45	99A1672	1	Guide Assembly, Paper Decurl
46	99A0332	1	Guide, Center Drive Upper
47	99A0307	1	Air Plenum
48	99A0335	2	Spring, Decurl Shaft
49	99A0334	2	Bushing, Decurl Shaft
50	99A0952	1	Frame Assembly, 250 Duplex
51	99A0413	3	Parts Packet, Screw (Outer Frame)
52	99A0330	1	Guide Assembly, Center Drive
53	99A0269	1	Parts Packet, Fan Mounting Kit
54	99A0308	1	Fan, Cooling Duplex
55	99A0404	2	Parts Packet, Retainer (5 mm Main Drive)
56	99A0337	1	Main Drive Assembly
57	99A0319	1	Sensor, Input Optical 250 Duplex
57	99A1676	1	Sensor, Input Optical 500 Duplex
58	99A0404	4	Parts Packet, Retainer (6 mm Drive Roll)
59	99A0336	1	Shaft Assembly, Drive 250 Duplex
59	99A1692	1	Shaft Assembly, Drive 3 Roll 500 Duplex
60	99A1059	1	Shaft Assembly, Decurl
NS	99A0413	1	Parts Packet, Screw (Tensioner)
NS	99A0404	2	Parts Packet, Retainer (6 mm Clutch Roll)
NS	99A0058	4	Feet, Duplex Base
NS	99A1695	1	Shaft Assembly, Drive 2 Roll 500 Duplex
NS	99A0404	1	Parts Packet, Retainer (6 mm Top Cover)
NS	99A1164	1	Guide, Debuckle

4520-xxx

Assembly 24: Envelope Feeder

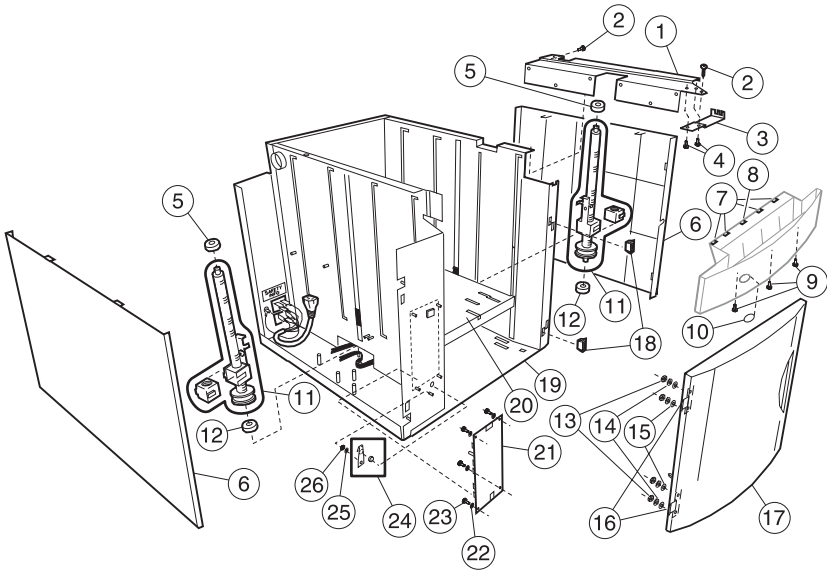


4520-xxx

Asm-Index	Part Number	Units	Description
24 - 1	99A0389	1	Paper Weight Assembly
2	99A1694	1	Guide, Edge
3	99A1696	1	Cover, Top
4	99A0485	1	Sensor, Envelope Pass Thru
5	99A0393	1	Clutch, Restraint/Gear
6	99A1697	1	Cover, Right Side
7	99A0390	1	Support, Slide Out
8	99A0488	7	Roller, Support
9	99A0382	1	Motor, Stepper D.C.
10	99A1666	1	Label, Options
11	99A0388	1	Switch, Envelope Out
12	99A1700	1	Board Assembly, Electronic Control
13	99A0271	1	Parts Packet, Gear Kit
14	99A1698	1	Cover, Left Side
NS	99A0404	1	Parts Packet, Retainer (4 mm PP)
NS	99A0404	3	Parts Packet, Retainer (Clip 5 mm Shaft)
NS	99A0404	2	Parts Packet, Retainer (6 mm)
NS	99A0404	3	Parts Packet, Retainer (7 mm Shaft)
NS	99A0384	1	Shaft, Drive Pressure Roller
NS	99A0385	1	Cable, Auto Connect Front
NS	99A0494	1	Spring, Cam Clutch
NS	99A0427	1	Label, Envelope Orientation Icon
NS	99A0469	1	Deflector Guide
NS	99A1699	1	Guard, Pass Thru Sensor
NS	99A0413	6	Screw, Top/Motor/Board
NS	99A0484	1	Belt, Gear Drive
NS	99A0491	1	Bracket, Stack Limiter
NS	99A0400	1	Spring, Restraint Roll Shaft
NS	99A0489	1	Spring, Latch Return
NS	99A0487	1	Flag, Envelope Out Sensor

4520-xxx

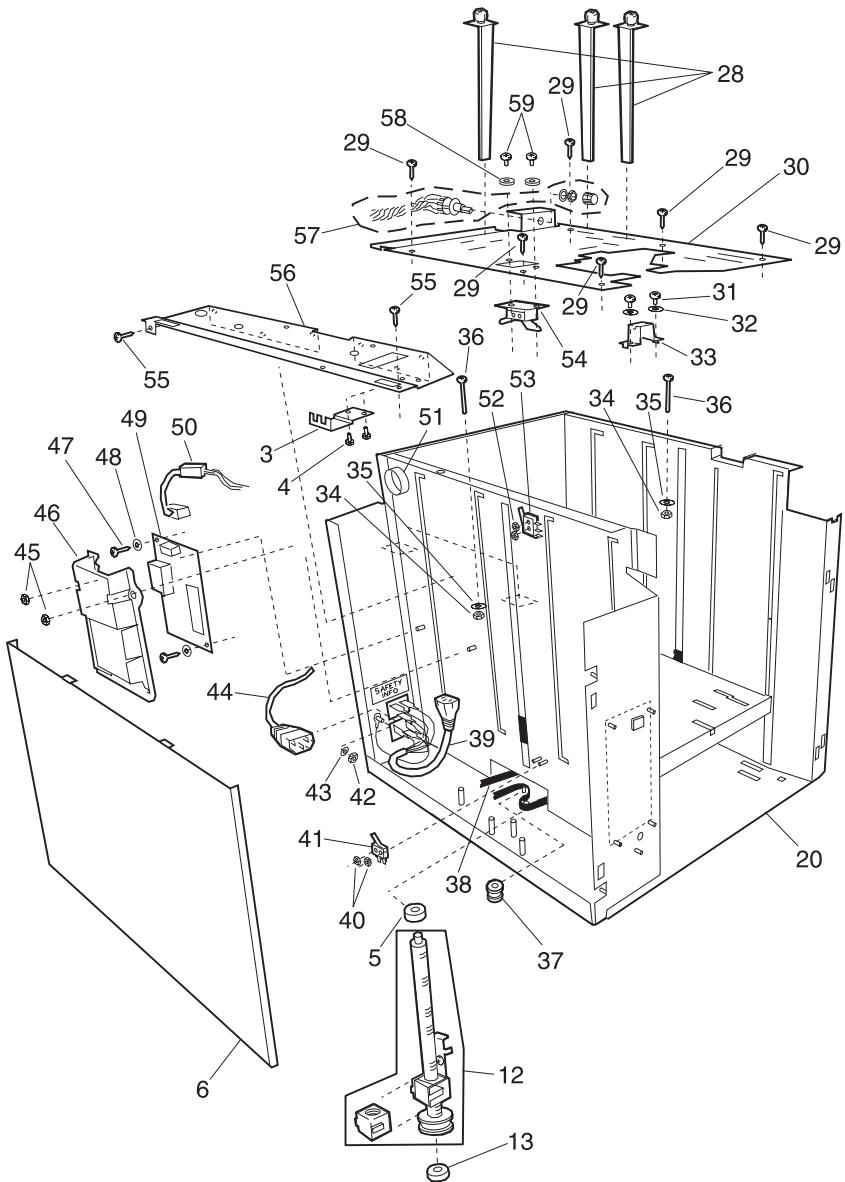
Assembly 25: High-Capacity Feeder



4520-xxx

Asm-Index	Part Number	Units	Description
25 - 1	99A0660	1	Frame, Printer Support Frame 2
2	99A0675	3	Parts Packet, Screw (Printer Support 2 Frame Mounting)
3	99A0698	2	Clamp, Feed Frame
4	99A0675	4	Parts Packet, Screw (Feed Frame Clamp)
5	99A0691	2	Bearing, Nyliner Leadscrew Top
6	99A0656	1	Cover, Side
7	99A0681	4	Strip, Wear
8	99A1818	1	Strip, Wear Dimple
9	99A1809	1	Deflector Assembly Front
10	99A0675	3	Parts Packet, Screw (Deflector Mt 8-18 x 7/8 inch)
11	99A1829	1	Label, Tray Option Number
12	99A0662	2	Transfer Lead Screw Assembly
13	99A0716	1	Bearing, Leadscrew Bottom
14	99A0676	4	Parts Packet, Nut (6-32 Hinge Mounting)
15	99A0677	4	Parts Packet, Washer (Hinge Mounting Flat)
16	99A0677	4	Parts Packet, Washer (Hinge Mounting Star)
17	99A0657	2	Hinge, Door
18	99A0655	1	Door Assembly, Front
19	99A0658	2	Magnet, Door
20	99A0650	1	Frame Assembly
21	99A0661	1	Tray Assembly, Elevator
22	99A1806	1	Card Assembly, 2000 Option Control
23	99A0677	4	Parts Packet, Washer (Card Asm Mounting)
24	99A0675	4	Parts Packet, Screw (Card Asm Mounting)
25	99A0392	1	Kit, Door Switch Spring and Bumper
26	99A0677	1	Parts Packet, Washer (Door Switch Spring Mounting)
27	99A0676	1	Parts Packet, Nut (Door Switch Spring Mounting)
NS	99A0690	1	Cable, Optical Sensor

Assembly 25: High Capacity Feeder (continued)

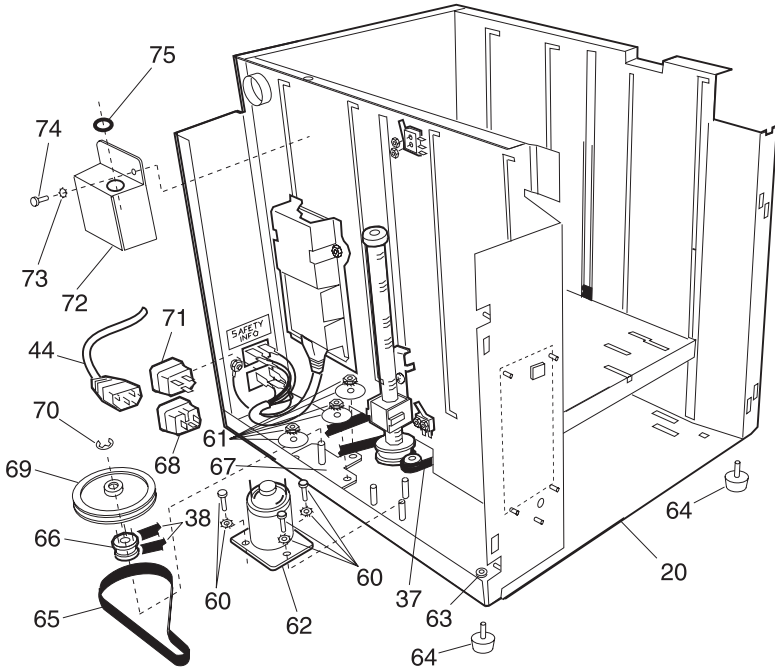


4520-xxx

Asm-Index	Part Number	Units	Description
25 - 28	99A0188	3	Guide, Rear Paper use with 99A0219
29	99A0675	6	Parts Packet, Screw (Top Frame Mounting)
30	99A0219	1	Frame Assembly, Top with labels
31	99A0675	2	Parts Packet, Screw
32	99A0677	2	Parts Packet, Washer (Top Frame Clamp)
33	99A0719	1	Clamp, Top Frame Mounting
34	99A0676	2	Parts Packet, Nut (Base Mounting)
35	99A0677	2	Parts Packet, Washer (Base Mounting)
36	99A0675	2	Parts Packet, Screw (Base Mounting)
37	99A0663	1	Pulley, Idler
38	99A0664	1	Belt, Drive
39	99A1807	1	Cable, AC Internal Wiring
40	99A0676	2	Parts Packet, Nut (2-56 Switch Mounting)
41	99A0653	1	Switch, Lower Limit Microswitch
42	99A0676	2	Parts Packet, Nut (Power Supply Ground)
43	99A0677	4	Parts Packet, Washer (Motor Plate Mtg)
44	99A1808	1	Cord, AC External Jumper
45	99A0676	2	Parts Packet, Nut (Power Supply Cover)
46	99A0714	1	Cover, Power Supply
47	99A0675	2	Parts Packet, Screw (Power Supply Bd Mtg)
48	99A0677	2	Parts Packet, Washer (Power Supply Board)
49	99A0667	1	Power Supply Board
50	99A0715	1	Cable, Low Voltage Power Supply
51	99A0685	1	Bushing
52	99A0676	2	Parts Packet, Nut - 2-56
53	99A0654	1	Switch, Paper Low
54	99A0651	1	Sensor Assembly, Paper Out/Upper Limit
55	99A0675	3	Parts Packet, Screw (Support 1 Frame Mtg)
56	99A0659	1	Frame, Printer Support 1
57	99A0695	1	Parts Kit, Paper Size Switch Assembly
58	99A0677	2	Parts Packet, Washer (Sensor Bracket Mtg)
59	99A0675	2	Parts Packet, Screw (Sensor Bracket Mtg)

4520-xxx

Assembly 25: High Capacity Feeder (continued)

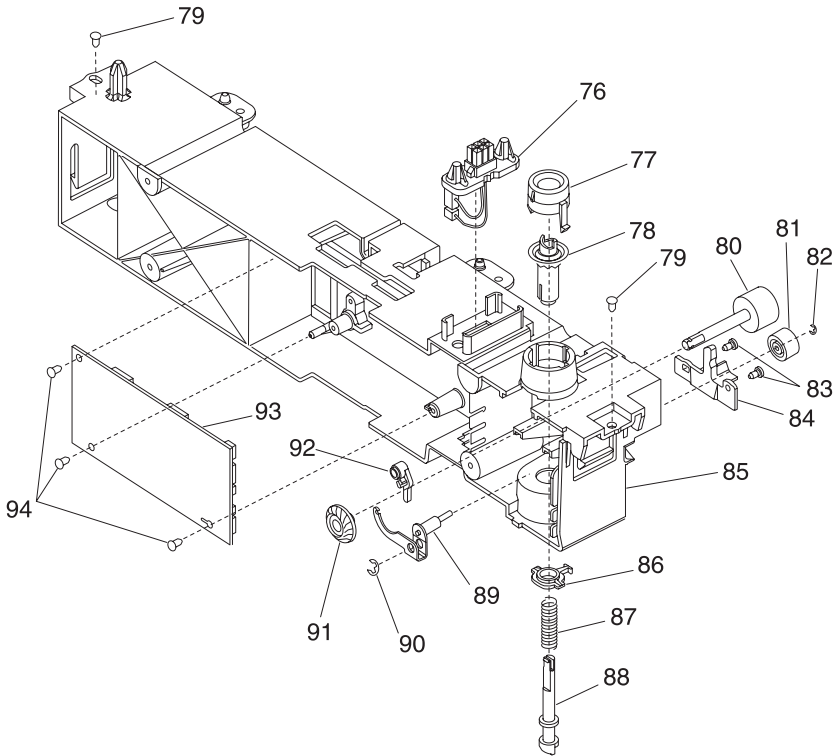


4520-xxx

Asm-Index	Part Number	Units	Description
25 - 60	99A1793	3	Parts Packet, Screw w/washer (Motor Mt)
61	99A1794	3	Parts Packet, Nut & washer (Drive Pulley Plate)
62	99A1795	1	Motor Assembly, DC
63	99A0672	4	Parts Packet, Foot (Stabilizer)
64	99A0687	4	Parts Packet, Mounting Feet
65	99A1796	1	Belt, DC Motor Drive
66	99A1797	1	Idler Pulley, Belt Tension
67	99A1798	1	Plate, Drive Pulley
68	99A1799	1	AC Receptacle, Lower AC
69	99A1800	1	Pulley, Drive
70	99A1801	1	Retainer, C-Clip
71	99A1802	1	AC Receptacle, Upper AC
72	99A1803	1	Cover, Top LVPS
73	99A1804	3	Nut w/lock washer, Top LVPS Cover Mounting
74	99A1804	1	Nut w/lock washer, Top LVPS Cover Mounting
75	99A1805	1	Grommet, Top LVPS Cover
76	99A0281	1	Cable, 250 Auto Connect
77	99A0279	1	Bearing, Drive Shaft
78	99A0273	1	Gear, Bevel
79	99A0263	2	Parts Packet, Screw (Frame Mounting)
80	99A0276	1	Roll Assembly, Drive 250 Option
81	99A0451	1	Roll, Skew Backup
82	99A0267	1	Parts Packet, Retainer (Roller)
83	99A0675	2	Parts Packet, Screw (Wear Plate Mounting)
84	99A0277	1	Plate Wear, Pass Thru
85	99A0445	1	Stud Assembly, 250 Frame
86	99A0280	1	Bearing, Drive Shaft Low
87	99A0275	1	Spring, Power Takeoff
88	99A0272	1	Shaft, 250 Drive
89	99A0446	1	Aligner Assembly, Paper

4520-xxx

Assembly 25: High Capacity Feeder (continued)

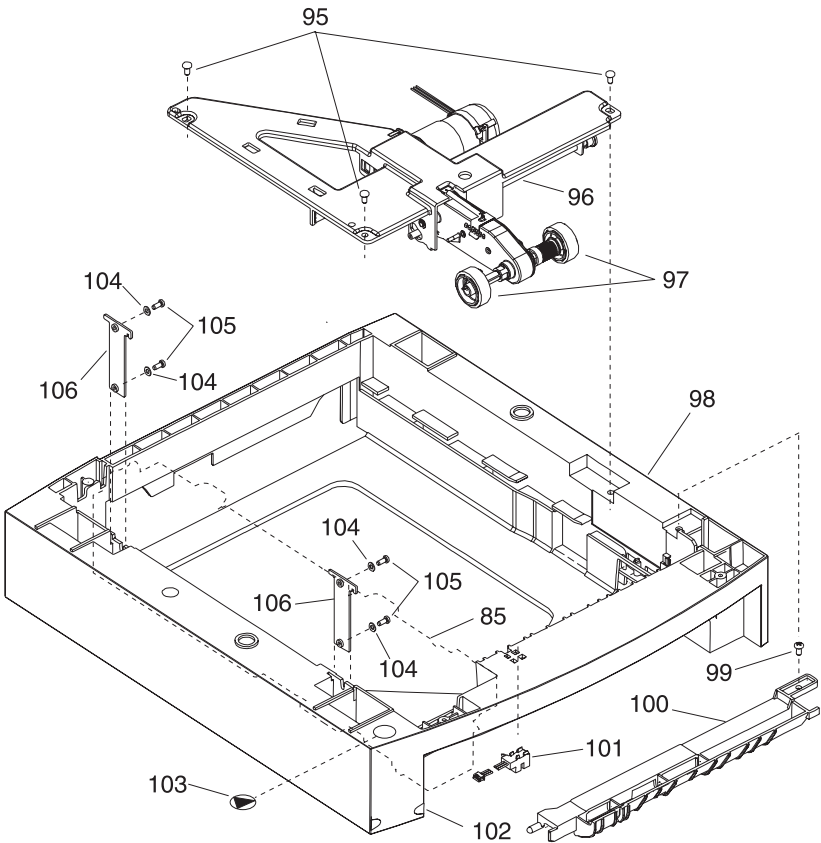


4520-xxx

Asm-Index	Part Number	Units	Description
25 - 90	99A0267	1	Parts Packet, Retainer (Aligner Assembly)
91	99A0274	1	Gear, Feed Roll
92	99A0278	1	Bellcrank, Roller Release
93	99A1967	1	Card Assembly, 2000 Tray Option
94	99A0263	3	Parts Packet, Screw (Tray Option Card Mtg)
NS	99A0675	10	Parts Packet, Screw (Door to Door Frame Mounting)
NS	99A0676	6	Parts Packet, Nut Support Frame 1Hex, Support Frame 2, Hex
NS	99A0677	6	Parts Packet, Washer (Support Frame 1 Star, Support Frame 2 Star)
NS	99A0684	1	Cable, HCIT-14Pin Flex
NS	99A0286	1	Spring, Backup Roller

4520-xxx

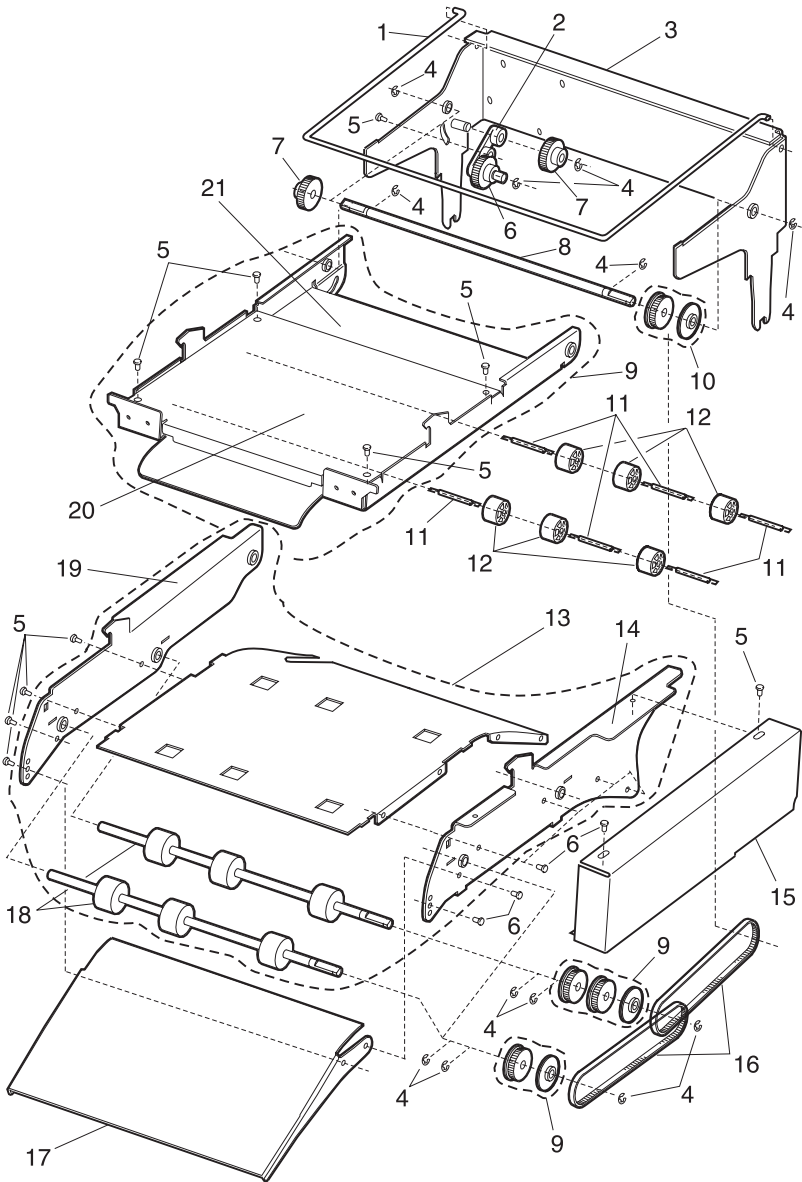
Assembly 25: High Capacity Feeder (continued)



4520-xxx

Asm-Index	Part Number	Units	Description
25 - 95	99A0263	3	Parts Packet, Screw (Auto Comp Assembly Mounting)
96	99A1055	1	Arm Assembly, Pick 2000
97	99A0070	2	Roll Assembly, Pick
98	99A0692	1	Base, 2000 Option
99	99A0263	1	Parts Packet, Screw (Deflector Mounting)
100	99A0678	1	Deflector, Base
101	99A0288	1	Sensor, Pass Thru
102	99A1812	1	Label, Tray Option Number
103	99A1666	1	Label, Options
104	99A0677	4	Parts Packet, Washer (Bracket 250 Frame Retention Mounting)
105	99A0263	4	Parts Packet, Screw (Bracket 250 Frame Retention Mounting)
106	99A0679	2	Bracket, 250 Frame Retention
NS	99A0717	1	Cable, Paper Low Switch
NS	99A0720	1	Cable, Lower Limit Switch

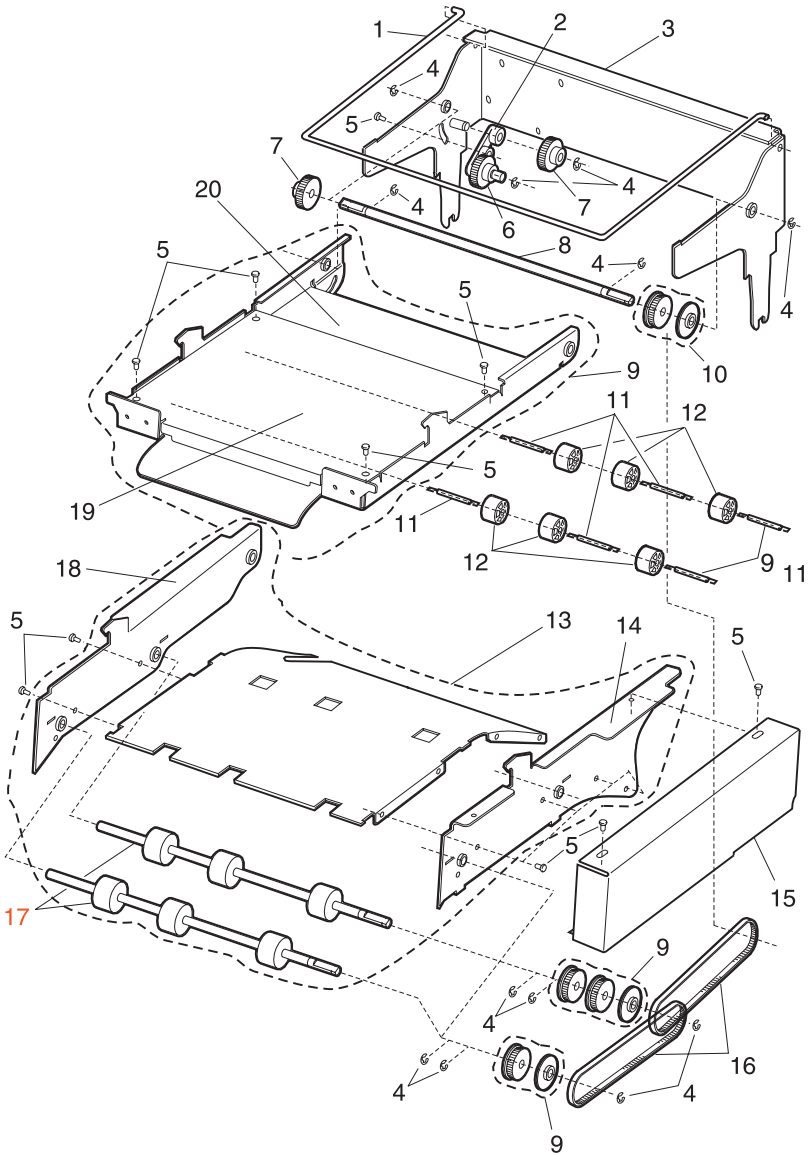
Assembly 26: Kiosk - Vertical Paper Adapter



4520-xxx

Asm-Index	Part Number	Units	Description
26 - 1	99A0231	1	Bail, Support
2	99A1646	1	Arm Assembly, Pivot
3	99A1819	1	Mounting, Frame Assembly
4	99A0240	12	Parts Packet, Retainer
5	99A0234	16	Parts Packet, Screw
6	99A1705	1	Gear, Idler
7	99A1704	2	Gear, Idler
8	99A0197	1	Shaft, Drive Rear
9	99A0079	1	Tray Assembly, Backup Roller
10	99A0208	3	Parts Packet, Pulley
11	99A0087	6	Spring, Backup Roller
12	99A0086	6	Roller, Backup
13	99A1706	1	Tray Assembly, Drive Roller
14	99A0125	1	Frame Assembly, Right Side
15	99A0232	1	Cover, Right
16	99A1820	2	Belt, 185G
17	99A0226	1	Guide, Paper Exit
18	99A0122	2	Shaft Assembly, Drive Roller
19	99A0137	1	Frame Assembly, Left Side
20	99A0088	1	Cover, Backup Tray
21	99A0085	1	Tray, Backup Roller

Assembly 27: Kiosk - Horizontal Paper Adapter



4520-xxx

Asm-Index	Part Number	Units	Description
27 - 1	99A0231	1	Bail, Support
2	99A1646	1	Arm Assembly, Pivot
3	99A1819	1	Mounting, Frame Assembly
4	99A2409	12	Parts Packet, Retainer
5	99A0234	15	Parts Packet, Screw
6	99A1705	1	Gear, Idler
7	99A1704	2	Gear, Idler
8	99A0197	1	Shaft, Drive Rear
9	99A0079	1	Tray Assembly, Backup Roller
10	99A0208	3	Parts Packet, Pulley
11	99A0087	6	Spring, Backup Roller
12	99A0086	6	Roller, Backup
13	99A1707	1	Tray Assembly, Drive Roller
14	99A0907	1	Frame Assembly, Right Side
15	99A0232	1	Cover, Right
16	99A1820	2	Belt, 185G
17	99A0122	2	Shaft Assembly, Drive Roller
18	99A0906	1	Frame Assembly, Left Side
19	99A0088	1	Cover, Backup Tray
20	99A0085	1	Tray, Backup Roller

Assembly 28: Options

Asm-Index	Part Number	Units	Description
28	99A1752	1	4MB SDRAM DIMM
28	99A1753	1	8MB SDRAM DIMM
28	99A1754	1	16MB SDRAM DIMM
28	99A1755	1	32MB SDRAM DIMM
28	99A1756	1	64MB SDRAM DIMM
28	99A1773	1	128MB SDRAM DIMM
28	99A1757	1	2MB Flash DIMM
28	99A1758	1	4MB Flash DIMM
28	99A1759	1	8MB Flash DIMM
28	99A1774	1	Card Assembly 16MB Flash DIMM
28	99A2486	1	Card Assembly Bar Code
28	99A2487	1	Card Assembly Prescribe 5/4/2 Flash
28	99A2200	1	Card Assembly IPDS and SCS/Tne
28	99A2488	1	Hard Disk, with Control Board 5.0GB
28	99A0629	1	Adapter Card, SES for SCS
28	13A0296	1	Cable, Twinax
28	13A0297	1	Cable, Coax
28	99A0545	1	Adapter, Serial
28	13A0298	1	Cable, Serial
28	99A0923	1	Board, USB/Parallel Port
28	99A1182	1	Card Assembly Image Quick
28	99A2489	1	Optra Forms Hard Disk, with Control Board

Assembly 28: Options (continued)

Asm-Index	Part Number	Units	Description
28	99A1890	1	Tray Assembly, 250 Special Media
28	99A1647	1	Rib Assembly, 250 Special Media Tray
28	99A1654	1	Tray, Universal Adjustable 250 Sheet
28	56P1100	1	Cartridge, Empty Shipping - T62X/T52X
28	99A0799	1	Drive, Forms HD 2.1GB or larger
28	99A1605	1	Kit, Cap/Stack Bails 500
28	99A1830	1	MarkNet N2001e 10/100 Ethernet
28	12G1696	1	MarkNet N2002e 10Base2/10Baset
28	12G1697	1	MarkNet N2000t 4/16
28	99A0560	1	Adapter, Omnibus INA Card
28	99A1889	1	Paper Presentator, Front
28	56P0161	1	INA, Serial & Parallel "C"
28	56P0162	1	Adapter, Parallel 1284 C-B
28	90A2485	1	Tray Assembly, UAT 400 Sheet
28	99A1683	1	Card Assembly, FORMS Flash DIMM 2mb
28	99A1684	1	Card Assembly, FORMS Flash DIMM 4mb
28	99A1685	1	Card Assembly, FORMS Flash DIMM 8mb
28	99A1686	1	Card Assembly, FORMS Flash DIMM 16mb
28	56P1101	1	Cable Assembly, 6' Parallel, A-C
28	56P0161	1	Card Assembly, SER+PAR 1284C INA
28	56P0162	1	Cable, Parallel 1284 C-B Adapter

Assembly 29: Miscellaneous

Asm-Index	Part Number	Units	Description
29	99A1633	1	Parts Packet, Screw
29	99A0585	1	Parts Packet, Contact Kit
29	99A0267	1	Parts Packet, Retainers
29	99A0268	1	Parts Packet, Springs Paper Feed
29	99A0269	1	Parts Packet, Duplex Option Fan Mounting
29	99A0299	1	Parts Packet, Duplex Option Cam Follower Assembly
29	99A0271	1	Parts Packet, Envelope Option Gears
29	99A0404	1	Parts Packet, Retainers Envelope Option
29	99A0413	1	Parts Packet, Screw Duplex
29	99A0572	1	Parts Packet, 500-Sheet Feeder Option Shaft Bearings
29	99A0577	1	Parts Packet, Cable Ties (10 each)
29	99A0675	1	Parts Packet, Screw High Capacity Feeder
29	99A0676	1	Parts Packet, Nuts High Capacity Feeder
29	99A0677	1	Parts Packet, Washers High Capacity Feeder
29	99A0083	1	Parts Kit, Multipurpose Tray
29	99A0512	1	Parts Kit, Charge Roll Link Asm, Left Side
29	99A0513	1	Parts Kit, Charge Roll Link Asm, Right Side
29	99A0702	2	Printer Stand Caster, Non Locking
29	99A0703	2	Printer Stand Caster, Locking
29	99A0704	1	Printer Stand Grommet, Wire
29	99A0705	2	Printer Stand Lock, Cam
29	99A0706	1	Printer Stand Storage Shelf
29	99A0707	1	Printer Stand Door Assembly, Cabinet
29	99A0710	1	Printer Stand Filler, Rear Top Piece
29	99A0711	1	Printer Stand Table Assembly, Large
29	99A0712	1	Printer Stand Table Assembly, Small

4520-xxx

Assembly 29:Miscellaneous (continued)

Asm-Index	Part Number	Units	Description
29	99A0208	1	Parts Packet, Pulley - Kiosk
29	99A0234	1	Parts Packet, Screw - Kiosk
29	99A0394	1	Grease Packet, Nyogel 744
29	99A0462	1	Grease Packet, IBM 23
29	99A1852	1	Packaging, 4069 250/250 printer
29	99A1853	1	Packaging, 4069 500/250 printer