

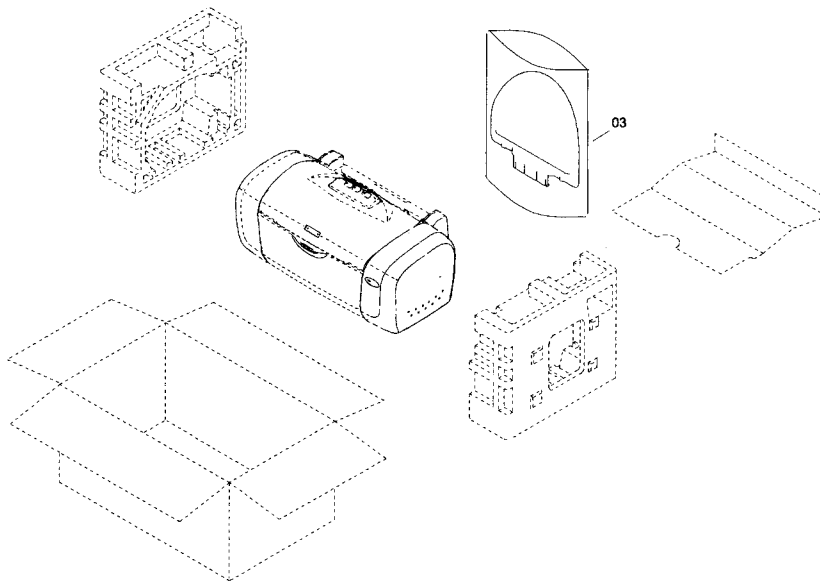
STYLUS C84 PHOTO EDITION

Page No.:1

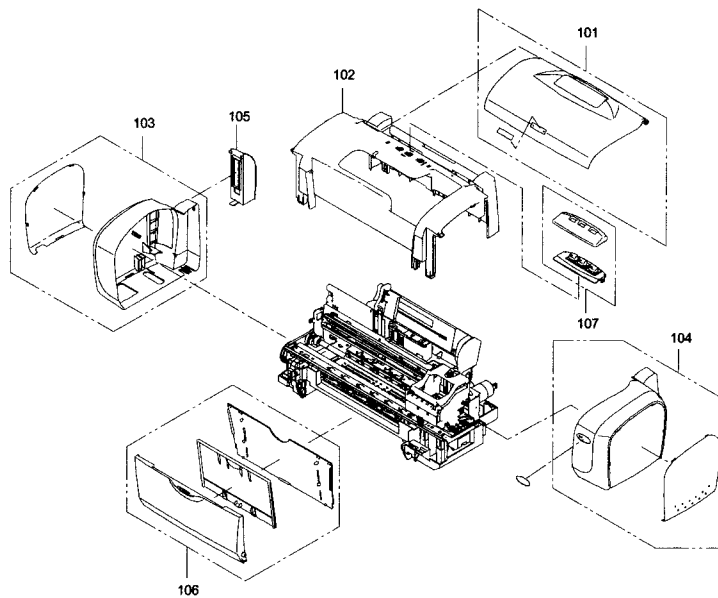
REF.	PART NO	DESCRIPTION	SPEC	QTY
101	1269611	COVER PRINTER;NO TEXTURE;PE ASSY.,C84,IEI		1
102	1244261	HOUSING,FRAME DARK GREY		1
103	1265267	HOUSING,LEFT;ENM3 ASSY.		1
104	1265266	HOUSING,RIGHT;ENM3 ASSY.		1
105	1244356	COVER,I/F;ENM3		1
106	1260395	STACKER,NO TEXTURE ASSY.		1
107	1269613	BUTTON,SW;B ASSY.,C84,IEI		1
200	2082082	BOARD ASSY., MAIN	5949B, STANDARD C529	1
300	1260394	POWER SUPPLY ASSY.		1
500	2085684	PRINTER MECHANISM(ASP)MAE10-103		1
501	1262102	PRINT HEAD ASSY.		1
502	1217084	FOOT		2
503	1244284	INSULATOR,FRAME,MAIN		2
504	1245632	ASF UNIT		1
505	1249157	HOLDER,SHAFT ASSY.		1
506	1265263	ROLLER,EJECT;B		1
507	1265313	PULLEY,EJECT,DRIVE;B		1
508	1249148	FRAME,FRONT ASSY.		1
509	1265265	PAPER GUIDE,FRONT ASSY.		1
510	1265264	HOLDER,INK CART. ASSY.		1
511	1254664	TORSION SPRING,LEVER,CARTRIDGE		1
512	1244345	SCALE,CR		1
513	2082306	CABLE,HEAD		1
514	1265366	INK SYSTEM ASSY.		1
515	2082085	BOARD ASSY., PANEL	5951A,STANDARD	1
516	1244334	POROUS PAD,INK EJECT,UPPER		1
517	1244336	POROUS PAD,INK EJECT,LOWER		1
518	1244241	POROUS PAD,INK EJECT,FB		1
519	1244242	POROUS PAD,TUBE,FASTEN		1
520	1259682	POROUS PAD,CAP,LOWER,SMALL		1
522	2083649	BOARD ASSY.,ENCODER		1
523	2036378	BOARD ASSY.,DETECTOR,PH		1
524	1254899	SHIELD PLATE,FFC		1
525	1265518	POROUS PAD,INK EJECT,UPPER,SMALL		1
526	1265521	POROUS PAD,INK EJECT,LOWER,SMALL		1
N/A	1250714	INK CART. UNBOXED GREY,		1
N/A	1250715	INK CART. UNBOXED BLACK		1
N/A	1250716	INK CART. UNBOXED CYAN		1
N/A	1250717	INK CART. UNBOXED MAGENTA		1
N/A	1250718	INK CART. UNBOXED YELLOW		1
END				

STYLUS C84 PHOTO EDITION

Page No.:2



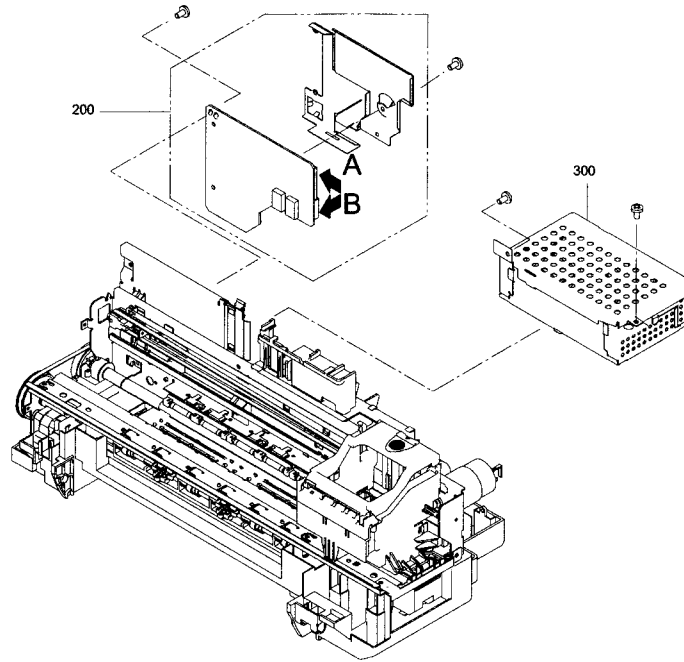
STYLUS C83/C84 No.1



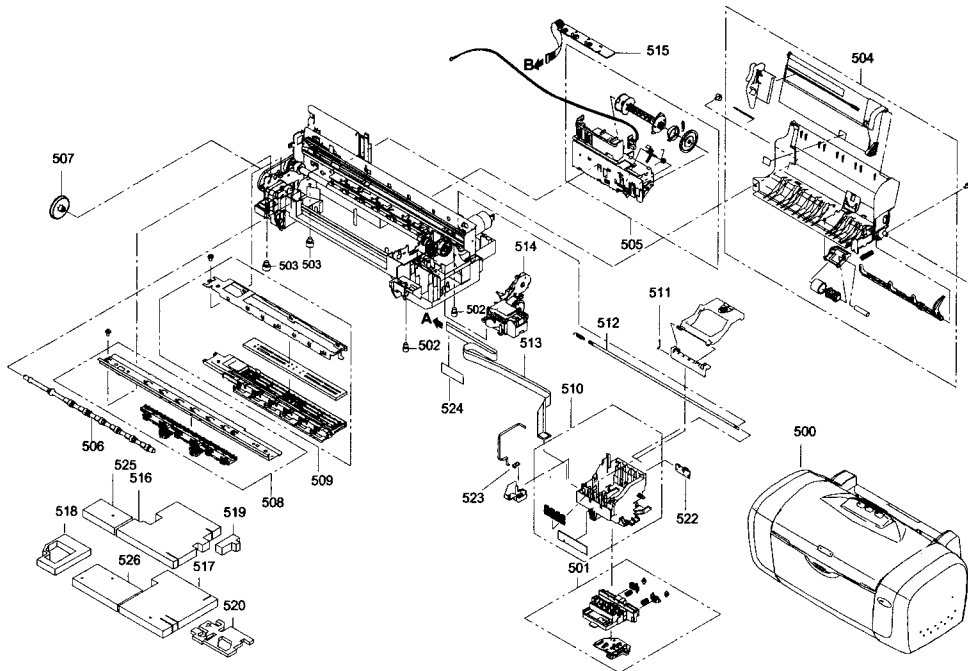
STYLUS C83/C84 No.2

STYLUS C84 PHOTO EDITION

Page No.:3



STYLUS C83/C84 No.3



STYLUS C83/C84 No.4