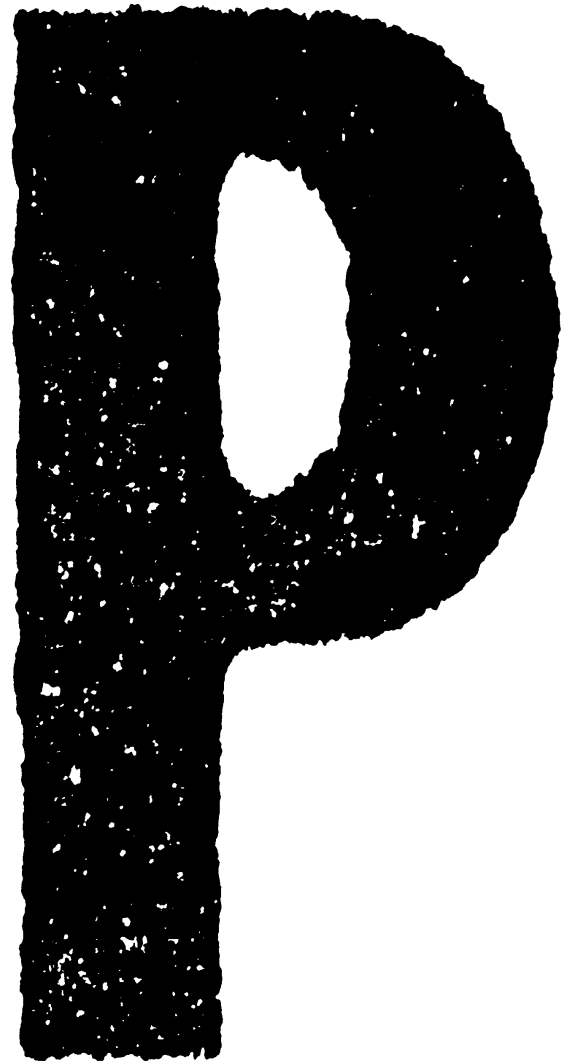


TOSHIBA

SERVICE PARTS LIST

MULTIFUNCTIONAL DIGITAL SYSTEMS

e-STUDIO0350/450



© 2003 TOSHIBA TEC CORPORATION

All rights reserved

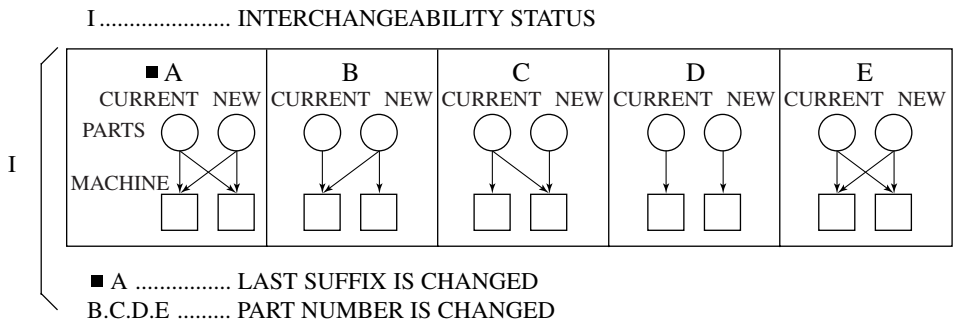
EXPLANATION OF SERVICE-PARTS LIST

1. HOW TO READ THE PARTS LIST

- (1) Number of pieces
The number of pieces in the list denotes total pieces used per unit. But the numbers in the list for PACKING MATERIAL and ACCESSORY denote total pieces used per machine.
- (2) One pack of screws in the list includes 50 pieces.
- (3) ABBREVIATED CODES

| | | |
|---------|------------|---|
| QTY/PAC | QTY | one piece |
| | PAC | one pack |
| | 1/P | one piece packed in polyethylene bag |
| | 1/S | one piece packed in special pack |
| | 1/C | one piece packed in carton box |
| | 1/PP | one piece packed in paper and polyethylene bag |
| | 1/KP | one piece packed in polyethylene bag with cardboard |
| | 1/D | one piece packed in polyethylene-cushion bag |
| | 1/SB | one piece packed in shielding bag |
| | N/A | not available |

| | | |
|---|---------|-------------|
| P | P | PURPOSE |
| | A | ADD |
| | B | DELETE |
| | C | CHANGE |
| | D | QTY, CHANGE |
| | E | MISENTRY |
| | F | OMISSION |



2. HOW TO PLACE ORDER FOR PARTS

- (1) The parts handled as service parts are only those with their "QTY/PACK" column listed with a quantity other than "N/A***" or "SUPPLY".
Those parts with "N/A***" are listed only for the purpose of showing the mechanical construction, those listed with "SUPPLY" are handled only as a sales item, and therefore both types of parts are not supplied as service parts.
- (2) Orders for any parts which form a component of a semi-assembled unit are not acceptable.
Note: All the screws and nuts used are ISO standard.

3. REGION

| | |
|-----------|-------------------------|
| NAD | 115V/60Hz, UL & CSA |
| TWD | 110V/60Hz, TAIWAN |
| SAD | 127V/60Hz, SAUDI ARABIA |
| ASD | 220V |
| | 50/60Hz, ASIA, etc. |
| AUD | 240V/50Hz, AUSTRALIA |
| MJD | 230-240V |
| | 50/60Hz, EUROPE |
| UKD | 230-240V |
| | 50/60Hz, UNITED KINGDOM |

NOTICE EXPLICATIVE DE LA LISTE DES PIECES DE RECHANGE

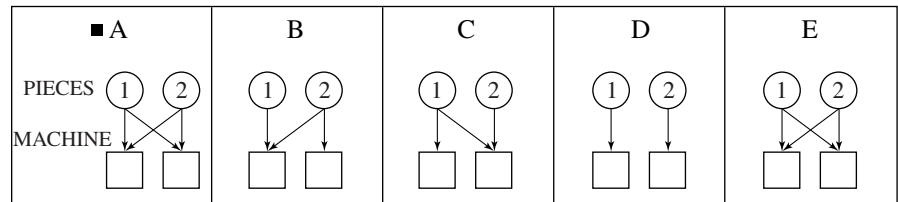
1. COMMENT UTILISER LA LISTE DES PIECES DE RECHANGE

- (1) Nombre de pièces
Le nombre de pièces indiqué sur la liste est le nombre total de pièces utilisées pour chaque unité.
Toutefois, le nombre indiqué sur la liste EMBALLAGE ACCESSOIRES est le nombre total de pièces utilisées pour chaque machine.
- (2) Un paquet de vis indiqué sur la liste contient 50 vis.
- (3) ABREVIATIONS

| | | |
|------------------------------------|---|--|
| Q'TY/PAC | { | QTY une pièce |
| | | PAC un paquet |
| | | 1/P une pièce emballée dans un sac en polyéthylène |
| | | 1/S une pièce emballée dans un sac spécial |
| | | 1/C une pièce emballée dans une boîte en carton |
| | | 1/PP une pièce emballée dans un sac en papier et en polyéthylène |
| | | 1/KP une pièce emballée dans un sac en polyéthylène avec carton |
| | | 1/D une pièce emballée dans un sac rembourré en polyéthylène |
| 1/SB une pièce emballée dans | | |
| N/A*** non disponible | | |

| | | |
|---|---|-----------------------------------|
| P | { | P BUT |
| | | A AJOUTER |
| | | B SUPPRIMER |
| | | C MODIFIER |
| | | D CHANGEMENT DE QUANTITE |
| | | E INSCRIPTION ERRONEE |
| | | F OMISSION |

I INTERCHANGEABILITE



- ① ACTUELLE ② NOUVELLE
- A LE DERNIER SUFFIXE EST CHANGE
B.C.D.E LE NOMBRE DE PIECES EST CHANGE

2. COMMENT COMMANDER LES PIECES

- (1) Les pièces de rechange sont uniquement celles qui sont mentionnées dans la colonne "Q'TY/PACK" avec une quantité autre que "N/A***" ou "SUPPLY".
Les pièces dans la colonne "N/A***" sont mentionnées uniquement dans le but d'indiquer la construction mécanique. Les pièces dans la colonne "SUPPLY" sont destinées uniquement à la vente. Par conséquent, ces deux types de pièces ne sont pas fournies en tant que pièces de rechange.
- (2) Les commandes de toute pièce formant un élément ou une unité semi-assemblée ne seront pas acceptées.
Nota: Toutes les vis et tours le écrous seront conformes au code ISO.

3. PAYS

| | |
|-----|----------------------------------|
| NAD | 115V/60Hz, UL & CSA |
| TWD | 110V/60Hz, TAIWAN |
| SAD | 127V/60Hz, ARABIE SAOUDITE |
| ASD | 220V 50/60Hz, ASIE, etc. |
| AUD | 240V/50Hz, AUSTRALIE |
| MJD | 230-240V 50/60Hz, EUROPE |
| UKD | 230-240V 50/60Hz, ROYAUME-UNI |

ERKLÄRUNG DES ERSATZTEIL-KATALOGES

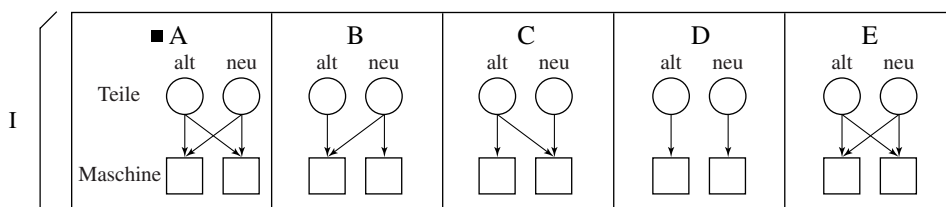
1. WIE LIEST MAN DIE TEILELISTE?

- (1) Die Teileanzahl
Die Anzahl der Teile in der Liste, drücken die gesamten Teile pro Verpackungseinheit aus. Aber die Zahl in der Liste "Packing" (Verpackung) und "Accessory" (Zubehör) beschreibt die gesamte Teileanzahl pro Maschine.
- (2) Eine Verpackungseinheit SCHRAUBEN enthält 50 Stück.
- (3) Abkürzungscode

| | | | |
|------------|--------------------------------|------------|---|
| QTY/PAC | { | QTY | Stück |
| | | PAC | Packung |
| | | 1/P | ein Stück in einem Plastikbeutel |
| | | 1/S | ein Stück in einer Spezialverpackung |
| | | 1/C | ein Stück in einem Karton |
| | | 1/PP | ein Stück in Papier und einem Plastikbeutel |
| | | 1/KP | ein Stück in einem Plastikbeutel mit Pappdeckel |
| | | 1/D | ein Stück in einem gepolsterten Plastikbeutel |
| N/A | nicht lieferbar | | |
| 1/SB | ein Stück in einer Schutzhülle | | |

| | | | |
|---------|-----------|---------|----------------|
| P | { | P | Zweck |
| | | A | Zusätzlich |
| | | B | Entfernen |
| | | C | Ändern |
| | | D | Menge geändert |
| | | E | Fehlangabe |
| F | Weglassen | | |

I Austauschbar untereinander



- A letzte Ziffer ist geändert
- B.C.D.E Teilenummer ist geändert

2. WIE WERDEN ERSATZTEILE BESTELLT?

- (1) Die Ersatzteile für den Service haben in der Spalte "QTY/PACK" eine Nummer.
Die Teile mit der Angabe "N/A****" sind nur aufgeführt, um die technische Konstruktion zu zeigen und sind einzeln nicht lieferbar.
Die Bezeichnung "SUPPLY" weist darauf hin, daß dieses Teil als Zubehör gehandelt wird und beim Verkauf bestellt werden muß.
- (2) Bestellungen für Einzelteile, die einer Baueinheit angehören können nicht akzeptiert werden.
Hinweis: Alle Schrauben und Muttern werden nach dem ISO-Standard hergestellt.

3. REGION

| | |
|-----------|--------------------------|
| NAD | 115V/60Hz, UL & CSA |
| TWD | 110V/60Hz, TAIWAN |
| SAD | 127V/60Hz, SAUDI-ARABIEN |
| ASD | 220V |
| | 50/60Hz, ASIEN, usw. |
| AUD | 240V/50Hz, AUSTRALIEN |
| MJD | 230-240V |
| | 50/60Hz, EUROPA |
| UKD | 230-240V |
| | 50/60Hz, GROSSBRITANNIEN |

SPIEGAZIONE DELLA LISTA DEI PEZZI DI RICAMBIO

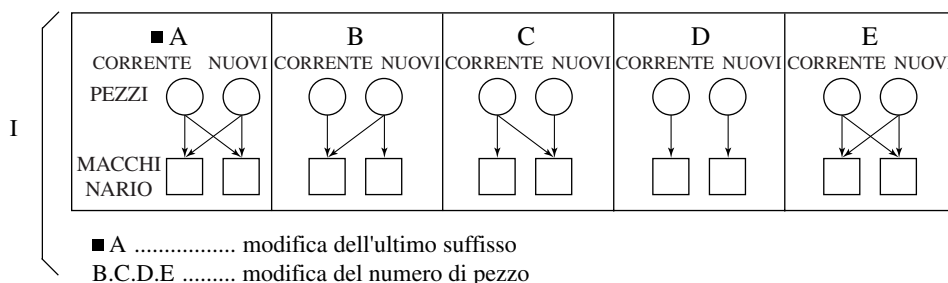
1. COME LEGGERE LA LISTA DEI PEZZI DI RICAMBIO

- (1) Numero dei pezzi
Il numero dei pezzi indica il totale dei pezzi per elemento. I numeri nella lista del materiale d'imballaggio e accessori indicano il totale dei pezzi per macchina.
- (2) Nella lista, un pacco di viti contiene 50 viti.
- (3) ABBREVIAZIONI

| | |
|---------|---|
| QTY/PAC | QTY un pezzo PAC un pacco I/P un pezzo imballato in sacco di polietilene I/S un pezzo imballato in pacco speciale I/C un pezzo imballato in scatola di cartone I/PP un pezzo imballato in sacco di polietilene e carta I/KP un pezzo imballato in sacco di polietilene con cartone I/D un pezzo imballato in sacco morbido di polietilene I/SB un pezzo imballato in sacco di protezione N/A non disponibile |
|---------|---|

| | |
|---|---|
| P | P scopo A aggiunta B annullamento C modifica D modifica QTY E ingresso errato F omissione |
|---|---|

I stato di intercambiabilità



2. ORDINAZIONE DEI PEZZI

- (1) I pezzi usati come pezzi di ricambio sono elencati nella colonna "QTY/PACK" con una quantità differente da "N/A***" o "SUPPLY".
I pezzi con "N/A***" sono elencati solamente per mostrare la costruzione meccanica e quelli con "SUPPLY" sono elencati solamente come articoli di vendita: ciò significa che questi due tipi di pezzi non sono forniti come pezzi di ricambio.
- (2) L'ordinazione dei pezzi non viene accettata quando questi pezzi formano un componente di un messo elemento.
Nota: Tuttle le viti e i dadi sono standard ISO.

3. NAZIONE

| | |
|-----|------------------------------------|
| NAD | 115V/60Hz, UL & CSA |
| TWD | 110V/60Hz, TAIWAN |
| SAD | 127V/60Hz, ARABIA SAUDITA |
| ASD | 220V 50/60Hz, ASIA, ecc. |
| AUD | 240V/50Hz, AUSTRALIA |
| MJD | 230-240V 50/60Hz, EUROPA |
| UKD | 230-240V 50/60Hz, GRAN BRETAGNA |

EXPLICACION DE LA LISTA DE PIEZAS DE SERVICIO

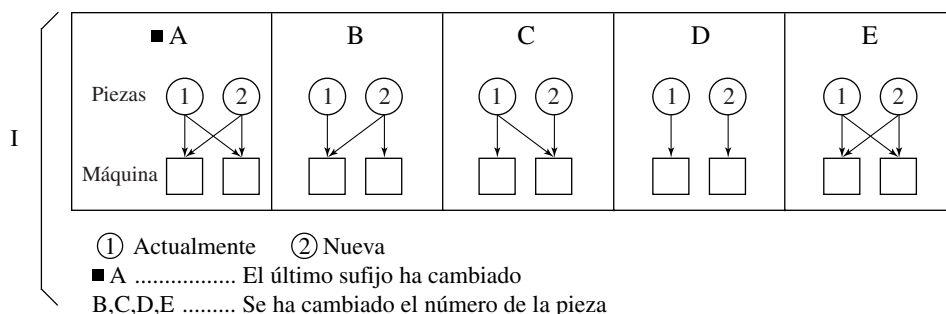
1. Cómo se lee la lista de piezas

- (1) El número de piezas
El número de piezas en la lista especifica las piezas totales usada pou unidad, mientras que el número en la lista para METERIAL DE EMBALAJE y ACCESORIOS especifica las piezas totales usadas por máquina.
- (2) En el paquete de tornillos se incluyen 50 unidades.
- (3) Códigos abreviados

| | | | |
|------------|------------------------------|------------|--|
| QTY/PAC | { | QTY | una pieza |
| | | PAC | una paquete |
| | | 1/P | una pieza empaquetada en la bolsa de politileno |
| | | 1/S | una pieza empaquetada en paquete especial |
| | | 1/C | una pieza empaquetada en caja de cartón |
| | | 1/PP | una pieza empaquetada en papel y bolsa de politileno |
| | | 1/KP | una pieza empaquetada en bolsa de politileno con cartón |
| | | 1/D | una pieza empaquetada en bolsa almohadillada de politileno |
| 1/SB | una pieza empaquetada en una | | |
| N/A | bolsa protegida | | |

| | | | |
|---|---|---------|---------------------|
| P | { | P | PROPOSITO |
| | | A | AÑADIR |
| | | B | BORRAR |
| | | C | CAMBIO |
| | | D | CANTIDAD, CAMBIO |
| | | E | ENTRADA ERRONEA |
| | | F | OMISION |

I SITUACION DE INTERCAMBIABILIDAD



2. Cómo realizar un pedido de piezas

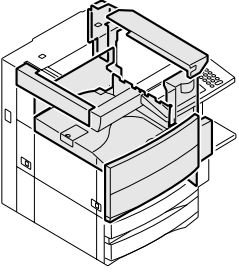
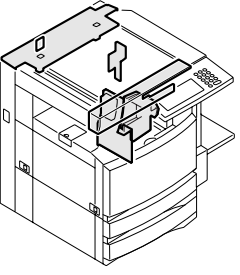
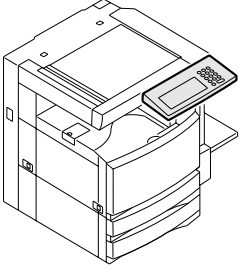
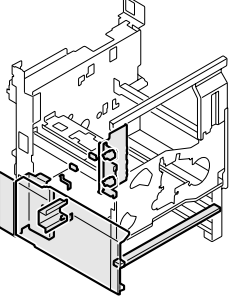
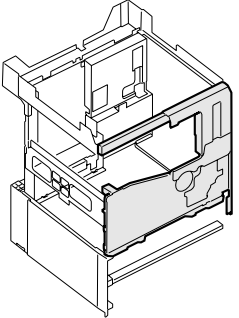
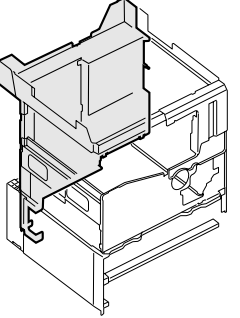
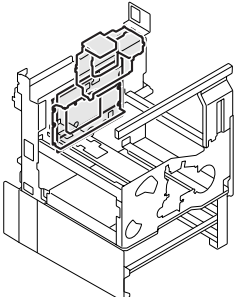
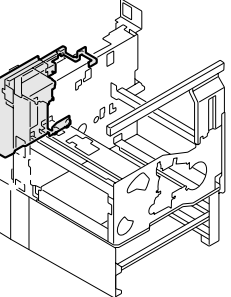
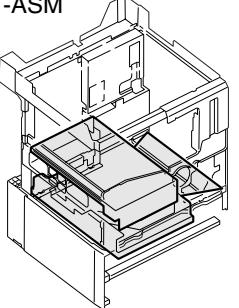
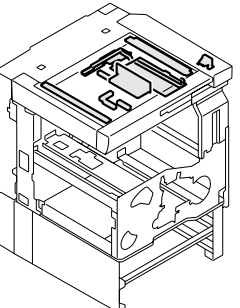
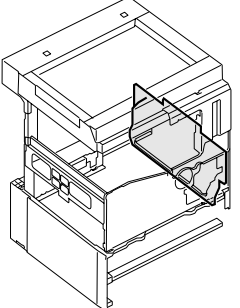
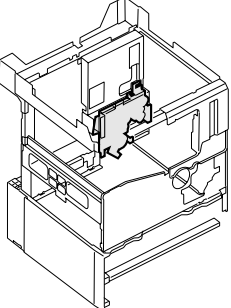
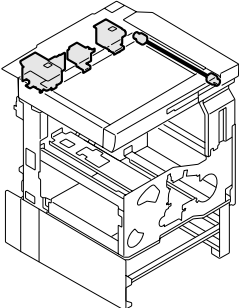
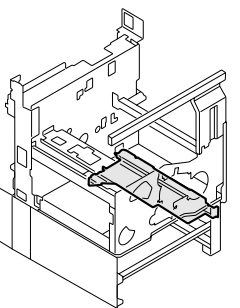
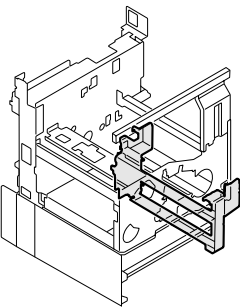
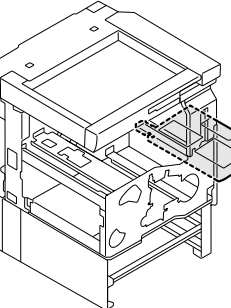
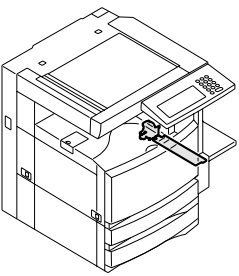
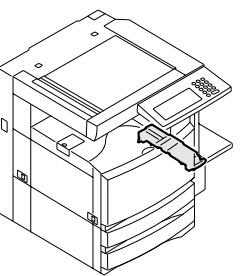
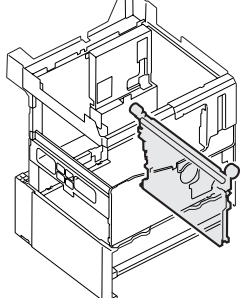
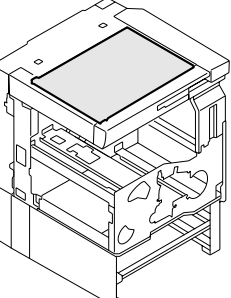
- (1) Las piezas consideradas como piezas de servicio son sólo aquellas designadas con Q'TY/PACK y no las designadas con N/A ... o SUPPLY.
Aquellas piezas con N/A ... se ponen en lista sólo con el propósito de mostrar la construcción mecánlca. Aquéllas piezas designadas bajo SUPPLY se consideran sólo como un artículo para ventas y por lo tanto ambos tipos de piezas no se consideran como piezas de servicio.
- (2) Los pedidos para cualquier pieza que forme un componente de la unidad semiensamblada no será aceptados.
NOTA: todos los tornillos y tuercas son del estandar ISO.

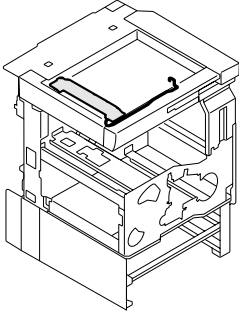
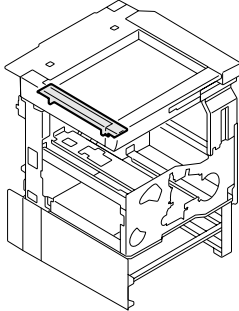
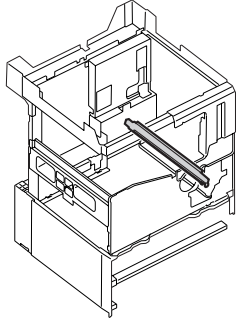
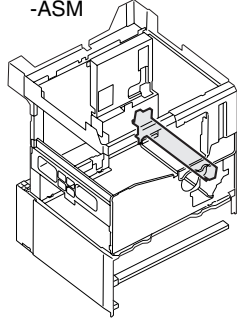
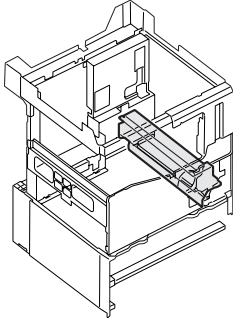
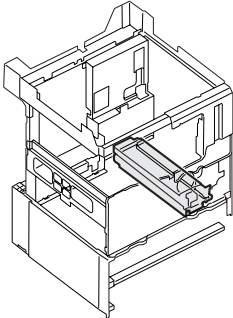
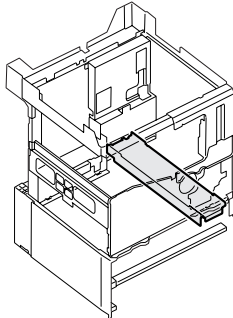
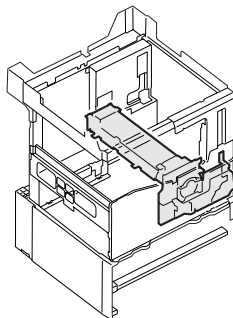
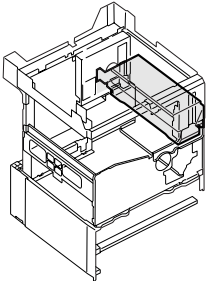
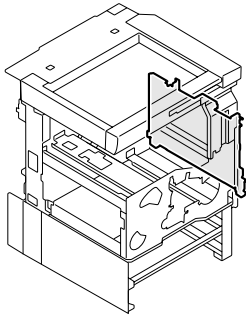
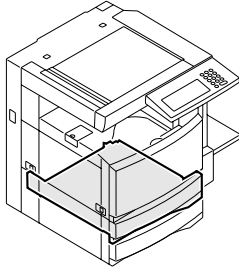
3. PAISES

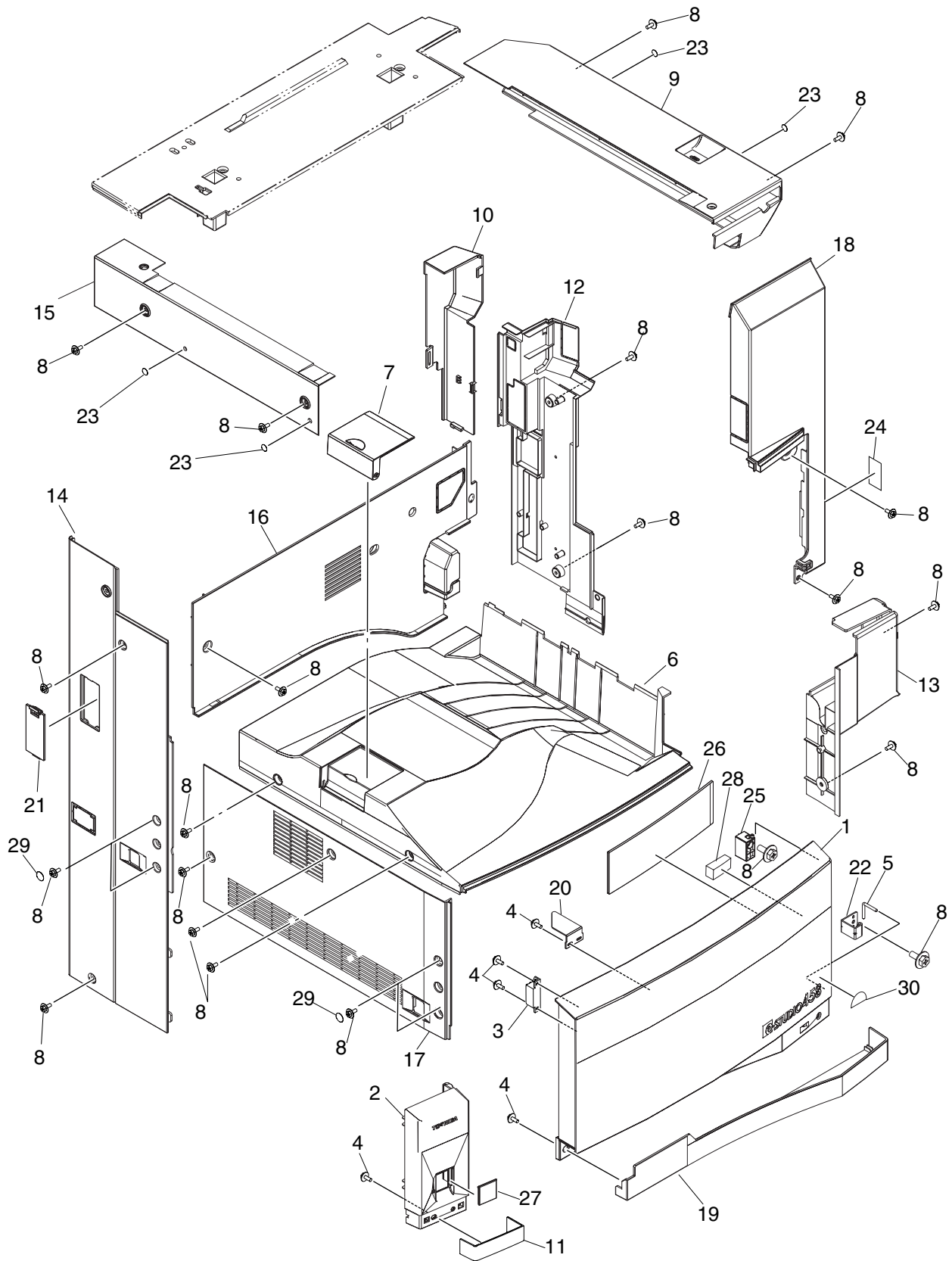
| | |
|-----------|-------------------------|
| NAD | 115V/60Hz, UL & CSA |
| TWD | 110V/60Hz, TAIWAN |
| SAD | 127V/60Hz, SAUDI ARABIA |
| ASD | 220V |
| | 50/60Hz, ASIA, etc. |
| AUD | 240V/50Hz, AUSTRALIA |
| MJD | 230-240V |
| | 50/60Hz, EUROPA |
| UKD | 230-240V |
| | 50/60Hz, GRAN BRETAÑA |

CONTENTS

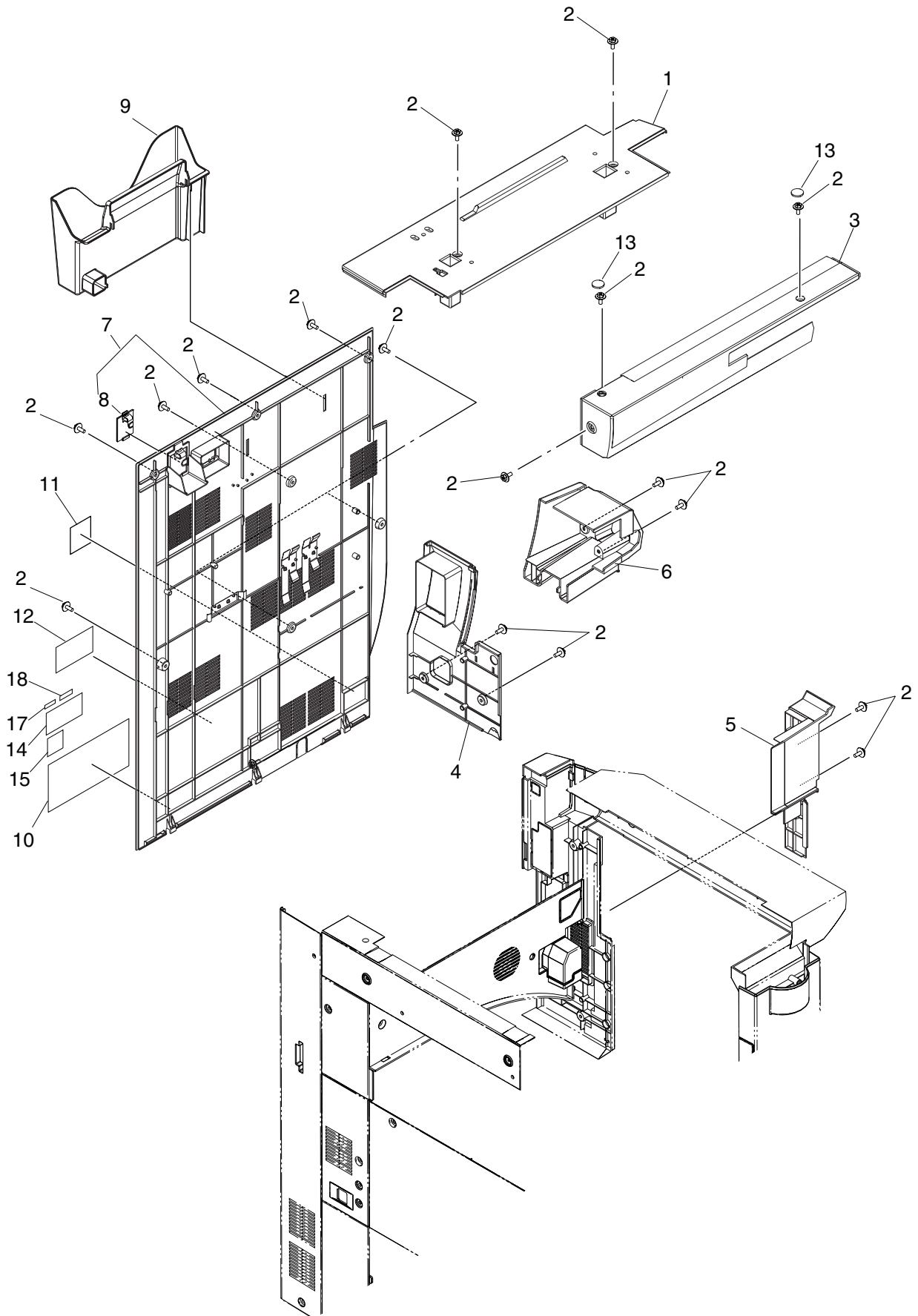
| | | | |
|---------------------------------|----|--------------------------|-----|
| 1. COVER-1-ASM | 1 | 51. ASY-LGC-360S-1 | 51 |
| 2. COVER-2-ASM | 2 | 52. ASY-LGC-360S-2 | 52 |
| 3. CONTROL-PANEL-ASM | 3 | 53. ASY-SYS-360S-1 | 53 |
| 4. BASE-FRAME-ASM | 4 | 54. ASY-SYS-360S-2 | 54 |
| 5. FRONT-FRAME-ASM | 5 | 55. ASY-SYS-360S-3 | 55 |
| 6. REAR-FRAME-ASM | 6 | 56. ASY-SLG-360S-1 | 56 |
| 7. CASE-SYS-ASM | 7 | 57. ASY-SLG-360S-2 | 57 |
| 8. CASE-LGC-ASM | 8 | 58. PWA-LRL | 58 |
| 9. LASER-OPTICAL-UNIT-ASM | 9 | 59. PWA-ADU | 59 |
| 10. OPTICAL-FRAME-ASM | 10 | 101. JIGS & GREASE | 101 |
| 11. COVER-GUIDE-ASM | 11 | 102. DOWNLOAD JIGS | 102 |
| 12. MAIN-DRIVE-ASM | 12 | 103. SUPPLIES | 103 |
| 13. OPTICAL-DRIVE-ASM | 13 | 104. REPLACE UNIT | 104 |
| 14. FEEDER-1-ASM | 14 | 105. PM-KIT | 105 |
| 15. FEEDER-2-ASM | 15 | | |
| 16. BYPASS-ASM | 16 | | |
| 17. BYPASS-FEEDER-1-ASM | 17 | | |
| 18. BYPASS-FEEDER-2-ASM | 18 | | |
| 19. ALIGNING-ASM | 19 | | |
| 20. PLATEN-ASM | 20 | | |
| 21. CRG-1-ASM | 21 | | |
| 22. CRG-2-ASM | 22 | | |
| 23. MAIN-CHARGER-ASM | 23 | | |
| 24. TRANSPORT-CHARGER-ASM | 24 | | |
| 25. CLEANER-ASM | 25 | | |
| 26. DEVELOPER-ASM | 26 | | |
| 27. DEV-STAY-ASM | 27 | | |
| 28. TONER-ASM | 28 | | |
| 29. FUSER-1-ASM | 29 | | |
| 30. FUSER-2-ASM | 30 | | |
| 31. FUSER-3-ASM | 31 | | |
| 32. ADU-ASM | 32 | | |
| 33. DRAWER-ASM | 33 | | |

| | | | |
|---|--|--|--|
| <p>1. COVER-1-ASM</p>  | <p>2. COVER-2-ASM</p>  | <p>3. CONTROL-PANEL-ASM</p>  | <p>4. BASE-FRAME-ASM</p>  |
| <p>5. FRONT-FRAME-ASM</p>  | <p>6. REAR-FRAME-ASM</p>  | <p>7. CASE-SYS-ASM</p>  | <p>8. CASE-LGC-ASM</p>  |
| <p>9. LASER-OPTICAL-UNIT-ASM</p>  | <p>10. OPTICAL-FRAME-ASM</p>  | <p>11. COVER-GUIDE-ASM</p>  | <p>12. MAIN-DRIVE-ASM</p>  |
| <p>13. OPTICAL-DRIVE-ASM</p>  | <p>14. FEEDER-1-ASM</p>  | <p>15. FEEDER-2-ASM</p>  | <p>16. BYPASS-ASM</p>  |
| <p>17. BYPASS-FEEDER-1-ASM</p>  | <p>18. BYPASS-FEEDER-2-ASM</p>  | <p>19. ALGINING-ASM</p>  | <p>20. PLATEN-ASM</p>  |

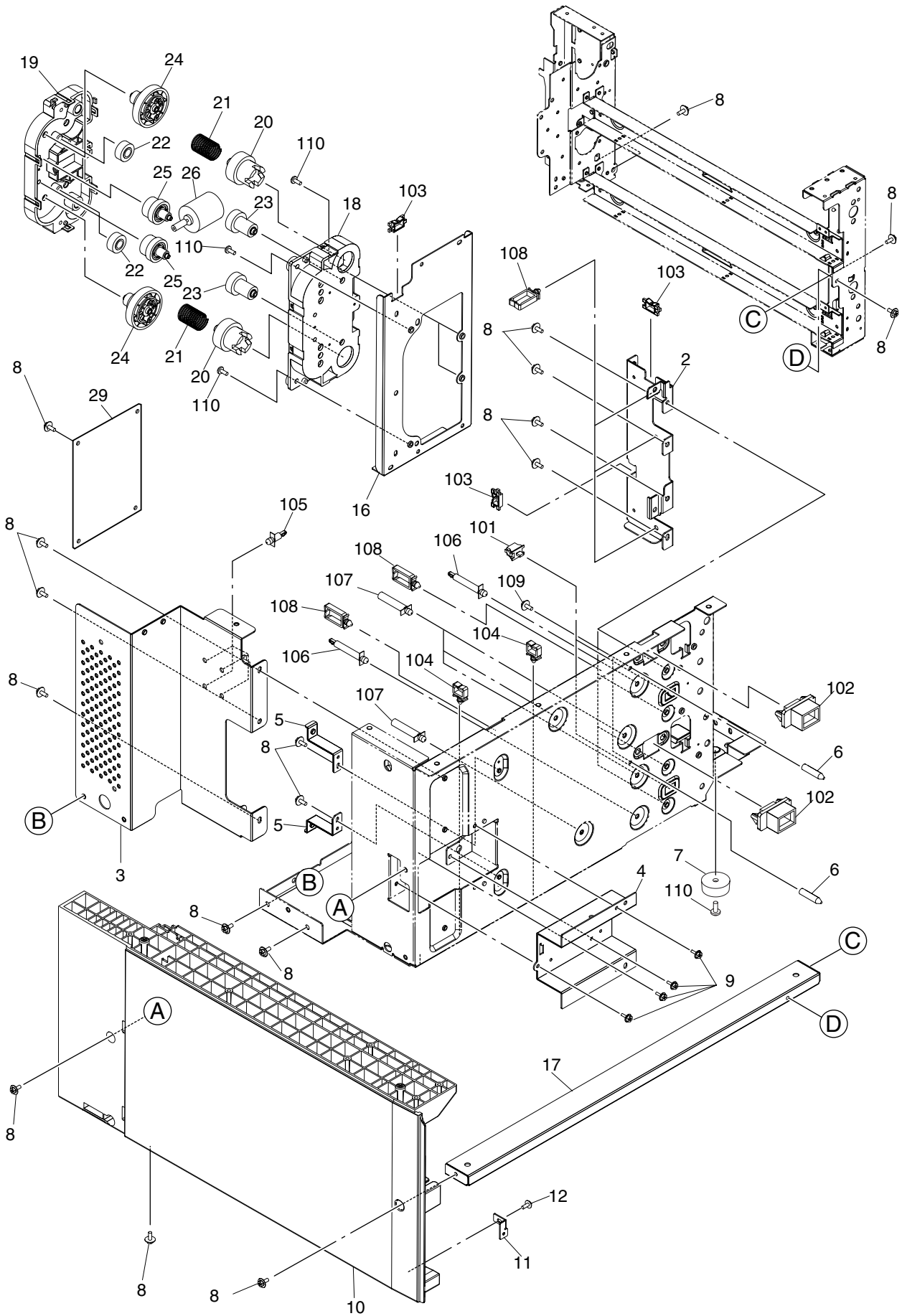
| | | | |
|---|--|--|--|
| <p>21. CRG-1-ASM</p>  | <p>22. CRG-2-ASM</p>  | <p>23. MAIN-CHARGER-ASM</p>  | <p>24. TRANSPORT-CHARGER-ASM</p>  |
| <p>25. CLEANER-ASM</p>  | <p>26. DEVELOPER-ASM</p>  | <p>27. DEV-STAY-ASM</p>  | <p>28. TONER-ASM</p>  |
| <p>29. FUSER-1-ASM 31. FUSER-3-ASM</p>  | <p>32. ADU-ASM</p>  | <p>33. DRAWER-ASM</p>  | |
| | | | |
| | | | |



| ITEM NO. | PARTS NO. | PARTS NAME | QTY / PAGE | QTY / PACK | P | I | R | BSI NO. | TO | FROM | SERIAL NO. | REMARKS | C |
|----------|-------------|------------------------|------------|------------|---|---|---|---------|----|------|------------|-------------|---|
| 1A | 6LA60612000 | ASYS-COVER-FRT-UPR-45 | 1 | 1/PP | | | | | | | | e-Studio450 | |
| 1B | 6LA60612100 | ASYS-COVER-FRT-UPR-35 | 1 | 1/PP | | | | | | | | e-Studio350 | |
| 2 | 6LA60616000 | ASYS-COVER-FRT-STY-UPR | 1 | 1/P | | | | | | | | | |
| 3 | 44200424000 | MG-CATCH-44 | 1 | 1/P | | | | | | | | | |
| 4 | 6LA08917000 | S/TPP/HEX-3*8-NI | 6 | 10/P | | | | | | | | | |
| 5 | 6LA60573000 | PIN-COVER-FRT | 1 | 1/P | | | | | | | | | |
| 6 | 6LA60621000 | COVER-TRAY | 1 | 1/PP | | | | | | | | | |
| 7 | 6LA60622000 | COVER-STOP-PAPER | 1 | 1/P | | | | | | | | | |
| 8 | 6LA08913000 | S/TPS/HEX-4*8-NI | 22 | 10/P | | | | | | | | | |
| 9 | 6LA60641000 | COVER-TP-RGT-360 | 1 | 1/PP | | | | | | | | | |
| 10 | 6LA29524000 | COVER-CABLE-FAX | 1 | 1/PP | | | | | | | | | |
| 11 | 6LA60618000 | COVER-FRT-STY-LWR | 1 | 1/P | | | | | | | | | |
| 12 | 6LA60657000 | ASYS-COVER-RGT-UPR | 1 | 1/PP | | | | | | | | | |
| 13 | 6LA60624000 | COVER-HINGE-FRT | 1 | 1/PP | | | | | | | | | |
| 14 | 6LA60629000 | COVER-LFT-RER | 1 | 1/PP | | | | | | | | | |
| 15 | 6LA60644000 | COVER-TP-LFT-360 | 1 | 1/PP | | | | | | | | | |
| 16 | 6LA60623000 | COVER-TRAY-BCK | 1 | 1/PP | | | | | | | | | |
| 17 | 6LA60619000 | COVER-LFT | 1 | 1/PP | | | | | | | | | |
| 18 | 6LA60627000 | COVER-FRAME-FRT | 1 | 1/PP | | | | | | | | | |
| 19 | 6LA60614000 | COVER-FRT-LWR | 1 | 1/PP | | | | | | | | | |
| 20 | 6LA60576000 | BRKT-PUSH-SW | 1 | 1/P | | | | | | | | | |
| 21 | 6LA60630000 | COVER-LFT-RER-LGC | 1 | 1/P | | | | | | | | | |
| 22 | 6LA65139000 | BRKT-HINGE-FRT-LWR | 1 | 1/P | | | | | | | | | |
| 23 | 6LA29578000 | LBL-MASK-FW | 4 | 10/KP | | | | | | | | | |
| 24 | 6LA37667000 | LBL-O-RGST | 1 | 5/P | | | | | | | | | |
| 25 | 6LA60561000 | HINGE-FRT-UPR | 1 | 1/P | | | | | | | | | |
| 26 | 6LA75475000 | LBL-O-TONER-FRT | 1 | 1/KP | | | | | | | | | |
| 27 | 6LA60531000 | LID-SW | 1 | 1/P | | | | | | | | | |
| 28 | 6LA60655000 | FORM-COVER-FRT | 1 | 1/P | | | | | | | | | |
| 29 | 6LA29555000 | LBL-MASK-N. P. GRAY | 4 | 10/KP | | | | | | | | | |
| 30 | 6LA47530000 | LBL-ENERGY-T-PS | 1 | 5/P | | | | | | | | | |

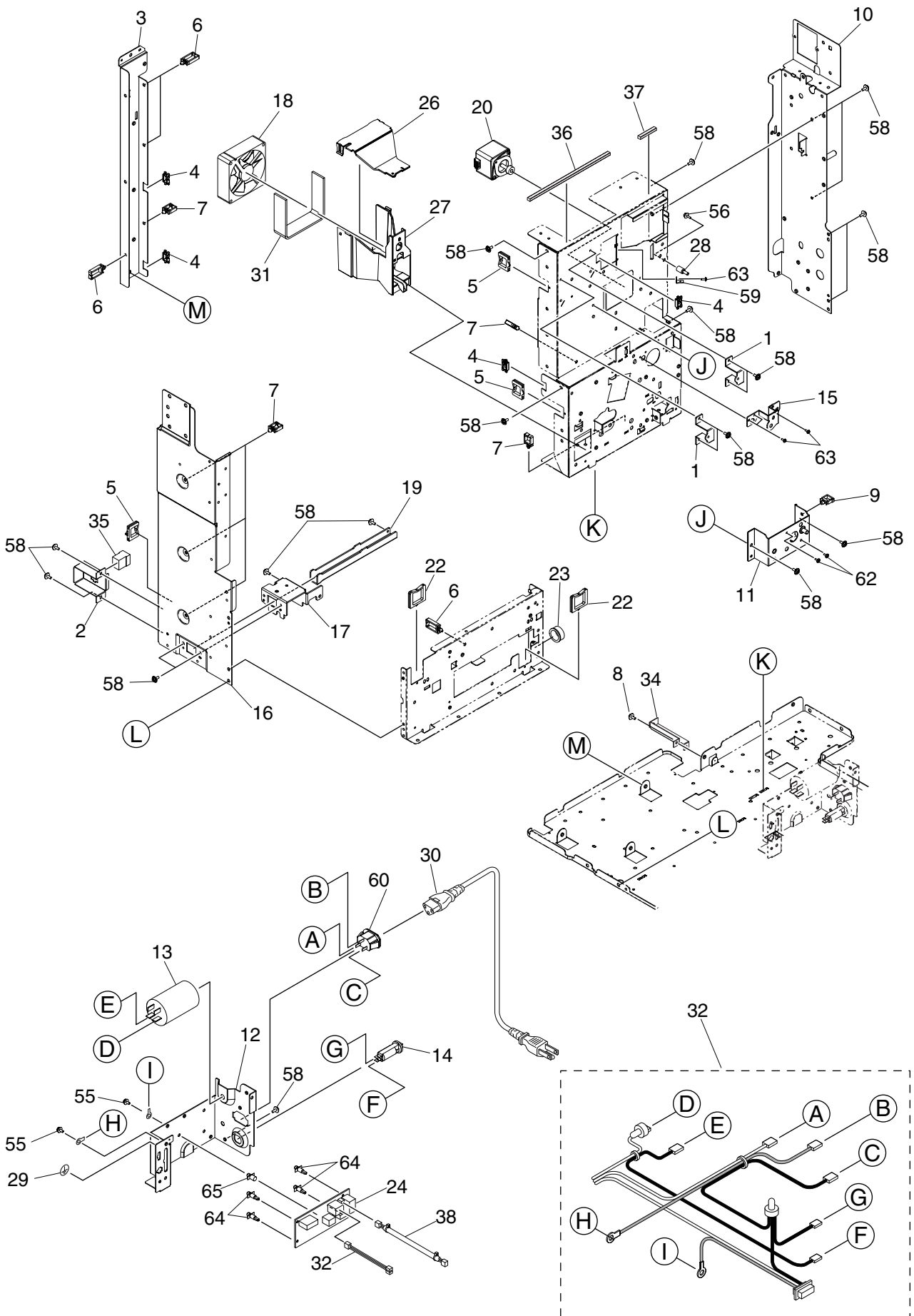


| ITEM NO. | PARTS NO. | PARTS NAME | QTY / PAGE | QTY / PACK | PIR | BSI NO. | TO | FROM | SERIAL NO. | REMARKS | C |
|----------|-------------|-------------------------|------------|------------|-----|---------|----|------|------------|-------------------|---|
| 1A | 6LA37030000 | ASYS-COV-CONPANE-UPR-U | 1 | 1/PP | | | | | | NAD, MJD, SAD. AS | |
| 1B | 6LA37033000 | ASYS-COV-CONPANE-UPR-TW | 1 | 1/PP | | | | | | D, AUD, CND | |
| 2 | 6LA37038000 | SHEET-BLIND | 2 | 5/P | | | | | | TWD | |
| 3 | 6LA37004000 | COVER-CONPANE-LWR | 1 | 1/PP | | | | | | | |
| 4 | 6LA37007000 | KEY-START | 1 | 1/D | | | | | | | |
| 5 | 6LA37008000 | KEY-STOP | 1 | 1/D | | | | | | | |
| 6 | 6LA37009000 | KEY-FC | 1 | 1/D | | | | | | | |
| 7 | 6LA37010000 | KEY-TEN | 1 | 1/D | | | | | | | |
| 8 | 6LA37011000 | KEY-FUNCTION-A | 1 | 1/D | | | | | | | |
| 9 | 6LA37012000 | KEY-FUNCTION-B | 1 | 1/KP | | | | | | | |
| 10 | 6LA37013000 | KEY-FUNCTION-C | 1 | 1/D | | | | | | | |
| 11 | 6LA37014000 | KEY-HELP | 1 | 1/D | | | | | | | |
| 12 | 6LA37015000 | LID-LED-A | 1 | 1/D | | | | | | | |
| 13 | 6LA37016000 | LID-LED-B | 1 | 1/D | | | | | | | |
| 14 | 6LA37017000 | PLATE-DIFFUSION | 5 | 1/P | | | | | | | |
| 15 | 6LA37018100 | MYLAR-SHIELD | 1 | 1/KP | | | | | | | |
| 16 | 6LA37019000 | SHIELD-CONPANE | 1 | 1/P | | | | | | | |
| 17 | 6LA37027000 | ASYS-HINGE-R | 2 | 1/P | | | | | | | |
| 18 | 6LA37028000 | ASYS-HINGE-L | 1 | 1/P | | | | | | | |
| 19 | 6LA37029000 | ASYS-PNL-TOUCH | 1 | 1/C | | | | | | | |
| 25 | 6LA41769000 | PWA-F-KEY-350 | 1 | 1/SB | | | | | | | |
| 26 | 6LA41771100 | PWA-F-DSP-350 | 1 | 1/SB | | | | | | | |
| 27 | 6LA37037000 | SPG-F-CONPANE | 1 | 1/P | | | | | | | |
| 28 | 6LA41824000 | HRNS-DSP-LCD-350 | 1 | 1/P | | | | | | | |
| 29 | 6LA37034000 | PLATE-HINGE-OPE | 3 | 1/P | | | | | | | |
| 30 | FO-01213000 | EB-6U | 2 | 5/P | | | | | | | |
| 101 | X0-02094000 | S/TPB/BID-2X6-NI | 16 | 10/P | | | | | | | |
| 102 | X0-02095000 | S/TPP/BRZ-3X10-NI | 7 | 10/P | | | | | | | |
| 103 | X0-02096000 | S/TPP/BRZ-3X8-NI | 4 | 10/P | | | | | | | |
| 104 | X0-02093000 | S/PAN/SWWS-M4X6-NI | 1 | 10/P | | | | | | | |
| 105 | X0-01771000 | S/PAN/SWWP-M4X12-NI | 6 | 10/P | | | | | | | |
| 106 | 6LA08915000 | S/TPS/HEX-4*12-NI | 4 | 10/P | | | | | | | |

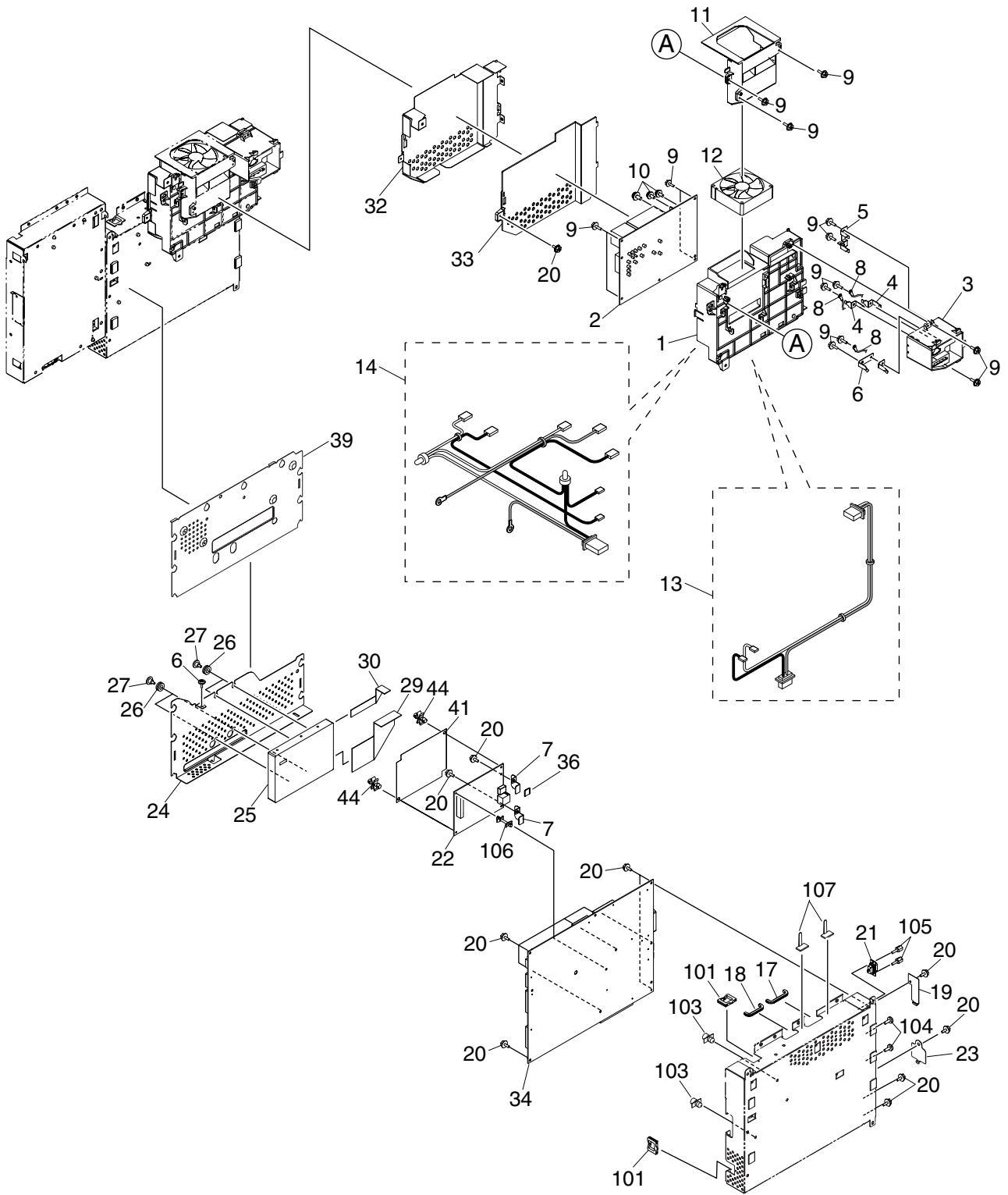


| ITEM NO. | PARTS NO. | PARTS NAME | Q'TY / PAGE | Q'TY / PACK | P | I | R | BSI NO. | TO | FROM | SERIAL NO. | REMARKS | C |
|----------|-------------|-------------------|-------------|-------------|---|---|---|---------|----|------|------------|---------|---|
| 2 | 6LA35502000 | BRKT-REAR-LOW-MC | 1 | 1/P | | | | | | | | | |
| 3 | 6LA35503000 | BRKT-FRAME-R-L-D | 1 | 1/P | | | | | | | | | |
| 4 | 6LA65308000 | BRKT-HOLD-DUMP | 1 | 1/P | | | | | | | | | |
| 5 | 6LA35588000 | BRKT-EARTH-REAR2 | 2 | 1/P | | | | | | | | | |
| 6 | 6LA35501000 | STUD-FEED-LEFT-MC | 2 | 1/P | | | | | | | | | |
| 7 | 41306501000 | FOOT-MAIN-AT | 1 | 1/P | | | | | | | | | |
| 8 | 6LA08913000 | S/TPS/HEX-4*8-NI | 30 | 10/P | | | | | | | | | |
| 9 | 6LA08909000 | S/TPS/HEX-3*8-NI | 6 | 10/P | | | | | | | | | |
| 10 | 6LA65327000 | FOOT-RAIL-LEF | 1 | 1/PP | | | | | | | | | |
| 11 | 6LA65302000 | BRKT-JOINT-PFP | 1 | 1/P | | | | | | | | | |
| 12 | 6LA08921000 | S/TPP/HEX-4*8-NI | 1 | 10/P | | | | | | | | | |
| 16 | 6LA65303000 | PLATE-DRV-TRAY | 1 | 1/D | | | | | | | | | |
| 17 | 6LA65310000 | STAY-CSSTT-MID | 1 | 1/P | | | | | | | | | |
| 18 | 44201850000 | CASE-DRV-TRY-F | 1 | 1/D | | | | | | | | | |
| 19 | 44201851000 | CASE-DRV-TRY-R | 1 | 1/C | | | | | | | | | |
| 20 | 41306022000 | CPG-LIFT-28 | 2 | 1/P | | | | | | | | | |
| 21 | 4401966050 | SPC172-100-3400 | 2 | 1/P | | | | | | | | | |
| 22 | 41306025000 | GER-TRAY-21 | 2 | 1/P | | | | | | | | | |
| 23 | 41306024000 | GER-TRAY-24-14 | 2 | 1/P | | | | | | | | | |
| 24 | 44201853000 | G06S-13/G05S-80 | 2 | 1/P | | | | | | | | | |
| 25 | 44201854000 | G05H-45/G05S-15 | 2 | 1/P | | | | | | | | | |
| 26 | 4401981710 | K-M/DC-TRAY-210 | 1 | 1/D | | | | | | | | | |
| 29 | 6LA70805000 | PS-HVT-360 | 1 | 1/C | | | | | | | | | |
| 101 | EO-01853000 | CS1A-B2CA | 2 | 1/D | | | | | | | | | |
| 102 | EO-01106000 | 55533-1211 | 2 | 5/P | | | | | | | | | |
| 103 | FO-00045000 | EDS-1 | 3 | 10/P | | | | | | | | | |
| 104 | FO-00341000 | LWS-2U | 2 | 5/P | | | | | | | | | |
| 105 | FO-00342000 | SPLSN-6U | 4 | 5/P | | | | | | | | | |
| 106 | FO-00315000 | SPLSN-22U | 2 | 5/P | | | | | | | | | |
| 107 | FO-00330000 | SPSN-22U | 4 | 5/P | | | | | | | | | |
| 108 | FO-00025000 | LWS-3U | 5 | 5/P | | | | | | | | | |
| 109 | XO-00430000 | S/BID-M3X6-NI | 2 | 10/P | | | | | | | | | |
| 110 | XO-02074000 | S/TPS/BID-4X8-ZU3 | 1 | 10/P | | | | | | | | | |

| ITEM NO. | PARTS NO. | PARTS NAME | QTY / PAGE | QTY / PACK | P | I | R | BSI NO. | TO | FROM | SERIAL NO. | REMARKS | C |
|----------|-------------|----------------------|------------|------------|---|---|---|---------|----|------|------------|---------|---|
| 2 | 6LA35557000 | BRKT-TOP-FRT-SUB | 1 | 1/P | | | | | | | | | |
| 3 | 6LA08932000 | SCREW-ACTR-TRU | 1 | 10/P | | | | | | | | | |
| 4 | 6LA65321000 | BRKT-FRONT-SUB | 1 | 1/P | | | | | | | | | |
| 5 | 44200855000 | STUD-DRSW-TR | 1 | 1/P | | | | | | | | | |
| 6 | F0-00045000 | EDS-1 | 1 | 10/P | | | | | | | | | |
| 7 | E0-01853000 | CS1A-B2CA | 1 | 1/D | | | | | | | | | |
| 8 | F0-00341000 | LWS-2U | 2 | 5/P | | | | | | | | | |
| 9 | 6LA35525000 | BRKT-HANDLE | 1 | 1/P | | | | | | | | | |
| 10 | 44205162000 | SZ-AJ8R2004ZC | 1 | 1/D | | | | | | | | | |
| 11 | 6LA35534000 | HANDLE | 1 | 1/P | | | | | | | | | |
| 12 | 44203227000 | STUD-LEVER-ADU | 1 | 1/P | | | | | | | | | |
| 13 | 44201901000 | STUD-KNOB-RGST | 1 | 5/P | | | | | | | | | |
| 14 | 6LA67468000 | BRKT-ADJT-TP-FRT-360 | 1 | 1/P | | | | | | | | | |
| 15 | 6LA41767000 | SNSR-THS-350 | 1 | 1/C | | | | | | | | | |
| 16 | 6LA60461000 | COVER-FRAME-FRT-BCK | 1 | 1/PP | | | | | | | | | |
| 17 | 6LA65135000 | RF_MB-FRAME-FRT | 1 | 1/P | | | | | | | | | |
| 19 | E0-02347000 | AGX226 | 1 | 1/D | | | | | | | | | |
| 20 | 44200852000 | GUIDE-SW-DOOR | 1 | 1/P | | | | | | | | | |
| 21 | 44200854000 | STUD-DOOR-SW | 1 | 5/P | | | | | | | | | |
| 23 | 44200865000 | GUIDE-DRSW-F-TR | 1 | 1/P | | | | | | | | | |
| 24 | 6LA65301000 | BRKT-DOOR-SW | 1 | 1/P | | | | | | | | | |
| 25 | 6LA65141000 | HLDR-SNSR-THS | 1 | 1/P | | | | | | | | | |
| 26 | 6LA65231000 | SHAFT-DOOR-SW | 1 | 1/P | | | | | | | | | |
| 28 | 6LA65137000 | BRKT-SW-MAIN | 1 | 1/P | | | | | | | | | |
| 31 | 6LA71352000 | HRNS-FRT-THS-360 | 1 | 1/P | | | | | | | | | |
| 32 | 6LA71369000 | HRNS-MAIN-SW-360 | 1 | 1/P | | | | | | | | | |
| 33 | 6LA71406000 | HRNS-FRT-360 | 1 | 1/P | | | | | | | | | |
| 101 | F0-00026000 | LWS-4U | 1 | 5/P | | | | | | | | | |
| 102 | X0-00964000 | RR/E-3-SS | 1 | 10/P | | | | | | | | | |
| 103 | X0-00965000 | RR/E-4-SS | 1 | 10/P | | | | | | | | | |
| 104 | 6LA67500000 | SCREW-ADJT-FRM | 1 | 1/P | | | | | | | | | |
| 105 | 4406509170 | BD/W-TWS-3027 | 1 | 1/P | | | | | | | | | |
| 106 | 6LA08901000 | S/HEX-M3*8-NI | 2 | 10/P | | | | | | | | | |
| 107 | 6LA08913000 | S/TPS/HEX-4*8-NI | 2 | 10/P | | | | | | | | | |
| 108 | 6LA08917000 | S/TPP/HEX-3*8-NI | 1 | 10/P | | | | | | | | | |
| 110 | X0-01953000 | S/TPS/BID/R-M4X7-CR | 2 | 10/P | | | | | | | | | |

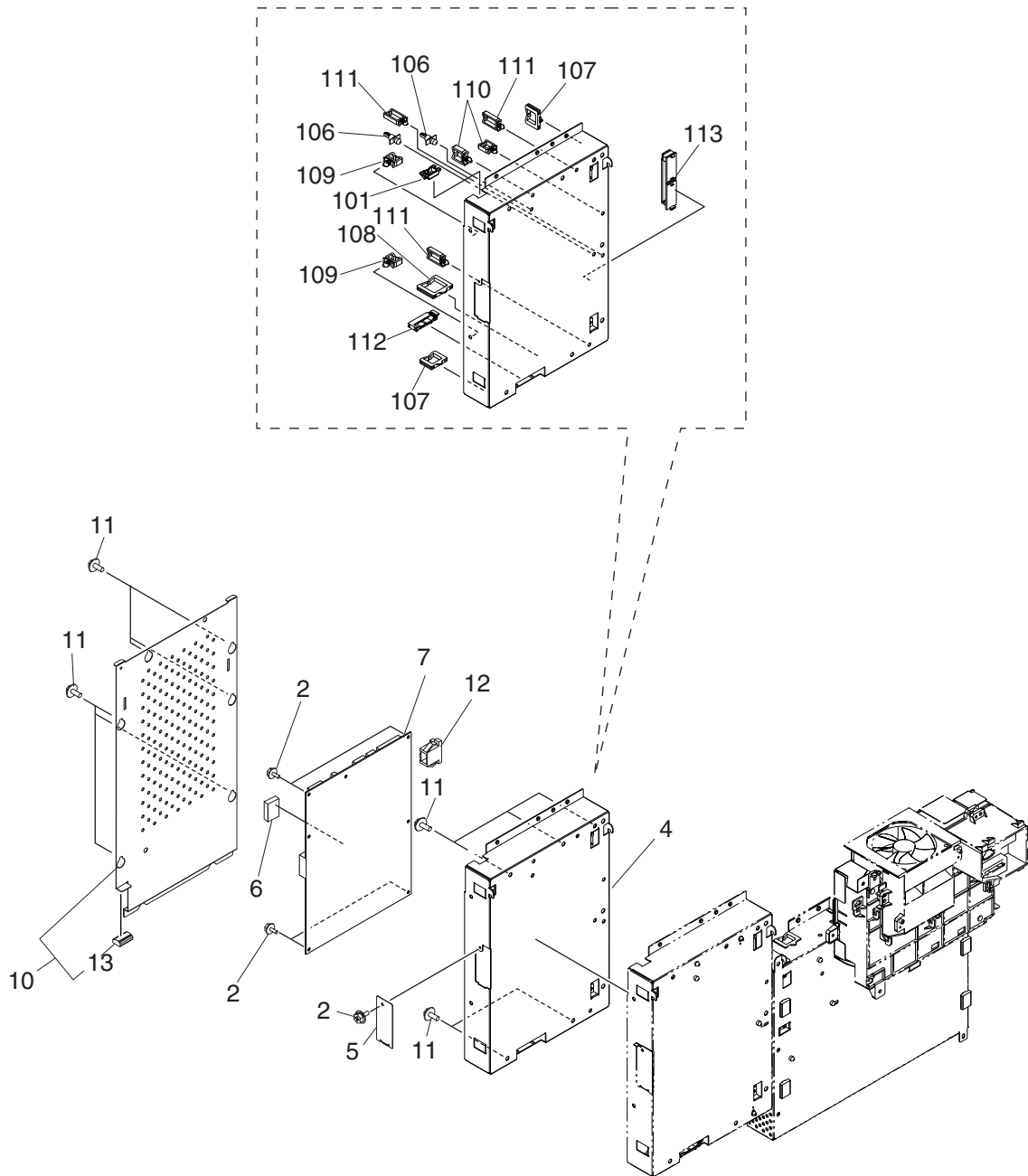


| ITEM NO. | PARTS NO. | PARTS NAME | Q'TY / PAGE | Q'TY / PACK | PIR | BSI NO. | TO | FROM | SERIAL NO. | REMARKS | C |
|----------|-------------|-----------------------|-------------|-------------|-----|---------|------|------|------------|---------------|---|
| 1 | 6LA65305000 | BRKT-BRIDGE | 2 | 1/P | | | | | | | |
| 2 | 6LA65198000 | BRKT-CNTR-FNSR | 1 | 1/P | | | | | | | |
| 3 | 6LA65225000 | BRKT-REAR-MID | 1 | 1/P | | | | | | | |
| 4 | FO-00045000 | EDS-1 | 4 | 10/P | | | | | | | |
| 5C | FO-00047000 | EDS-1717U | 3 | 10/P | | | | | | | |
| 6 | FO-00025000 | LWS-3U | 4 | 5/P | | | | | | | |
| 7 | FO-00341000 | LWS-2U | 6 | 5/P | | | | | | | |
| 9 | FO-00364000 | LWS-3S | 1 | 5/P | | | | | | | |
| 10 | 6LA65182000 | ASYS-BRKT-FRM-RER-RGT | 1 | 1/P | | | | | | | |
| 11 | 6LA65294000 | ASYS-BRKT-MOTR-EXIT | 1 | 1/P | | | | | | | |
| 12 | 6LA35530000 | BRKT-INLET | 1 | 1/P | | | | | | | |
| 13B | 4402953150 | FL-ZSG2215-11 | 1 | 1/D | | | | | | MJD, ASD, AUD | |
| 13C | 4402322610 | FL-VU-215F3-M | 1 | 1/D | | | | | | NAD, SAD | |
| 14B | 4402255050 | B-NRW10-10A-Y | 1 | 1/P | | | | | | MJD, ASD, AUD | |
| 14C | 4402255020 | B-NRW10-15A-Y | 1 | 1/P | | | | | | NAD, SAD | |
| 15 | 6LA65311000 | BRKT-DRIVE-DRUM | 1 | 1/P | | | | | | | |
| 16 | 6LA65195000 | BRKT-FRAME-RER-LFT | 1 | 1/P | | | | | | | |
| 17 | 6LA35525000 | BRKT-HANDLE | 1 | 1/P | | | | | | | |
| 18 | 6LA34314000 | FAN-D-8025-350NH | 1 | 1/D | | | | | | | |
| 19 | 6LA35534000 | HANDLE | 1 | 1/P | | | | | | | |
| 20 | 6LA64510000 | MOTR_S-EXIT | 1 | 1/C | | | | | | | |
| 22 | FO-00034000 | EDS-2323U | 2 | 5/P | | | | | | | |
| 23 | FO-00019000 | OCB-875 | 1 | 10/P | | | | | | | |
| 24A | 6LA42007000 | PWA-F-FUS-350 | 1 | 1/SB | | | | | | ASD, AUD | |
| 24C | 6LA69837000 | PWA-F-FIL-360 | 1 | 1/SB | | | | | | NAD | |
| 24D | 6LA69837100 | PWA-F-FIL-360 | 1 | 1/SB | | | | | | SAD | |
| 26 | 6LA63925000 | DUCT-DEV-UPR | 1 | 1/P | | | | | | | |
| 27 | 6LA63927000 | DUCT-DEV-LWR | 1 | 1/P | | | | | | | |
| 28 | 44203228000 | STUD-LEV-ADU-R | 1 | 1/P | | | | | | | |
| 29 | 4404610110 | MARK-EARTH-VDE | 1 | 10/P | | | | | | | |
| 30A | 6LA55883000 | CABLE-P-INLET-US | 1 | 1/P | | | | | | NAD, SAD | |
| 30B | 4402449920 | CBL/P-INLET-AU | 1 | 1/P | | | | | | AUD | |
| 30C | 4402449910 | CBL/P-INLET-EUR | 1 | 1/P | | | | | | MJD, ASD | |
| 31 | 6LA63929000 | SEAL-DEV-FAN | 1 | 1/KP | | | | | | | |
| 32 | 6LA41578200 | HRNS-INLT-ACC-350 | 1 | 1/P | | | | | | | |
| 33 | 6LA34684000 | BRKT-COVER-R-R | 1 | 1/P | | | | | | | |
| 34 | 6LA29531000 | BRKT-RER-COV-M | 1 | 1/P | | | | | | | |
| 35 | 6LA71407000 | HRNS-LGC-FIN-360 | 1 | 1/P | | | | | | | |
| 36 | 6LA64249000 | GASKET-4-5-150 | 1 | 1/P | | | | | | | |
| 37 | 6LA64247000 | GASKET-4-5-30 | 1 | 1/P | | | | | | | |
| 38 | 6LA71416000 | HRNS-PWR-SLG-360 | 1 | 1/P | | | | | | | |
| 39 | 44205180000 | FAN-DEV-320 | 1 | 1/C | | | | | | | |
| 40 | FO-00362000 | EMT-5N | 2 | 5/P | | | | | | | |
| 41 | 6LA63934000 | DUCT-NOZZLE-LWR | 2 | 1/P | | | | | | | |
| 42 | 6LA63933000 | DUCT-NOZZLE-UPR | 1 | 1/P | | | | | | | |
| 43 | 44204267000 | SEAL-DEV-DUCT | 1 | 1/P | | | | | | | |
| 44 | 6LA63939000 | SEAL-NOZZLE-DEV-L | 1 | 1/KP | | | | | | | |
| 45 | 6LA63938000 | SEAL-NOZZLE-DEV-U | 3 | 1/KP | | | | | | | |
| 46 | 6LA63937000 | SEAL-NOZZLE-LWR | 1 | 1/KP | | | | | | | |
| 47 | 6LA63936000 | SEAL-NOZZLE-UPR | 1 | 1/KP | | | | | | | |
| 48 | 6LA08917000 | S/TPP/HEX-3*8-NI | 1 | 10/P | | | | | | | |
| 55 | XO-00169000 | S/PAN/SWWP-M4X8-BSNI | 2 | 10/P | | | | | | | |
| 56 | 6LA08901000 | S/HEX-M3*8-NI | 1 | 10/P | | | | | | | |
| 57 | 6LA08908000 | S/TPS/HEX-3*6-NI | 3 | 10/P | | | | | | | |
| 58 | 6LA08913000 | S/TPS/HEX-4*8-NI | 4 | 8/10/P | | | | | | | |
| 59 | EO-06031000 | 42117-2 | 1 | 5/P | | | | | | | |
| 60 | EO-06067000 | NC-179-F6.35 | 1 | 1/P | | | | | | | |
| 61 | FO-00044000 | UAMS-05-2 | 1 | 5/P | | | 61-1 | | | | |
| 61-1 | FO-00136000 | K-103G | 2 | 5/P | | | | 61 | | | |
| 62 | XO-00430000 | S/BID-M3X6-NI | 2 | 10/P | | | | | | | |
| 63 | XO-02069000 | S/TPS/BID-3X6-ZU3 | 4 | 10/P | | | | | | | |

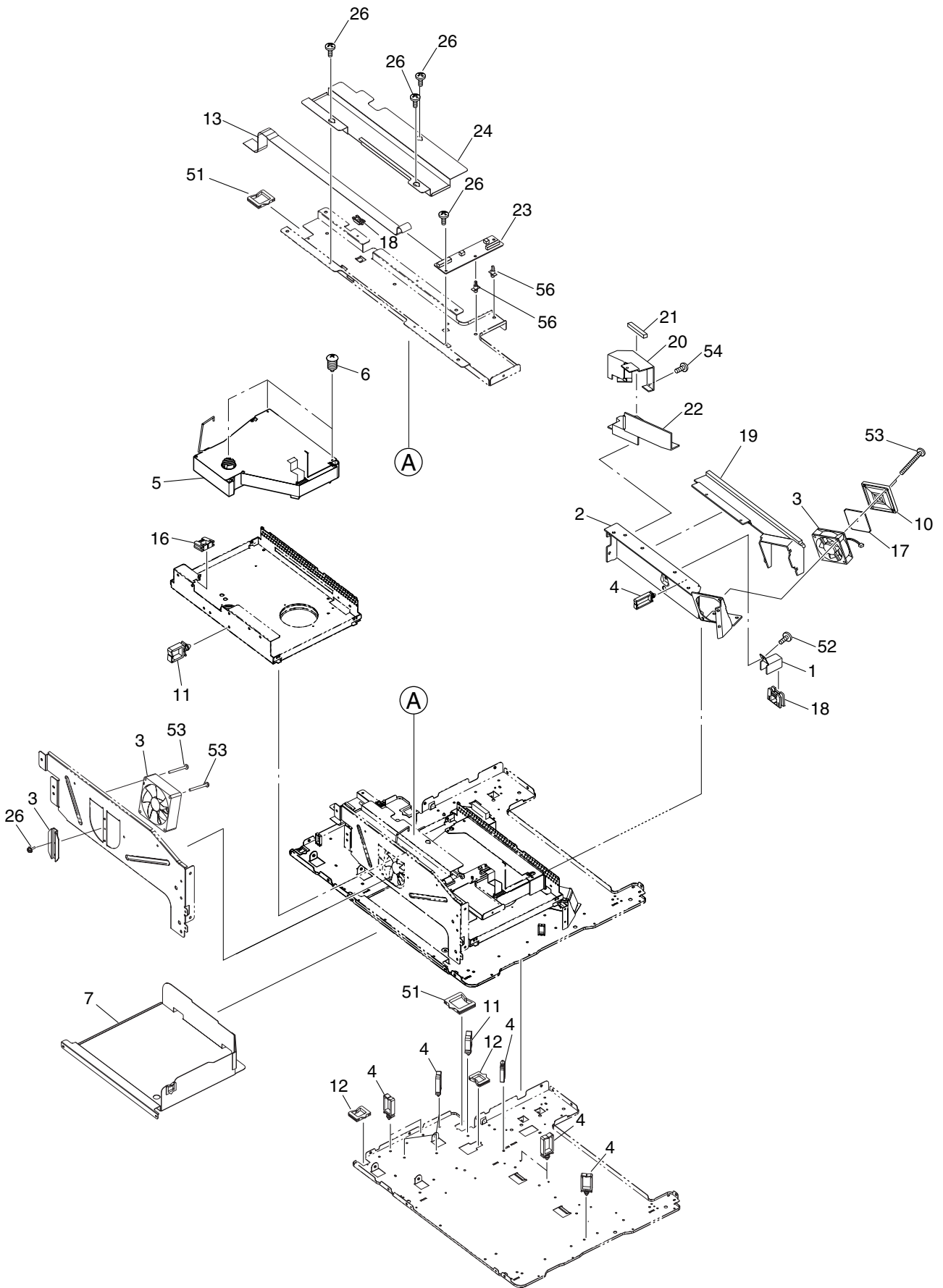


| ITEM NO. | PARTS NO. | PARTS NAME | QTY / PAGE | QTY / PACK | P | I | R | BSI NO. | TO | T | FROM | SERIAL NO. | REMARKS | C |
|----------|-------------|--------------------|------------|------------|---|---|---|---------|----|---|------|------------|------------------------|---|
| 1 | 6LA34617000 | CASE-PS-IH | 1 | 1/P | | | | | | | | | | |
| 2A | 6LA70826000 | PS-TH-IH-360-U | 1 | 1/C | | | | | | | | | NAD, TWD | |
| 2B | 6LA70824000 | PS-TH-IH-360-E | 1 | 1/C | | | | | | | | | MJD, ASD, AUD, CN D | |
| 2C | 6LA70827000 | PS-TH-IH-360-S | 1 | 1/C | | | | | | | | | SAD | |
| 3 | 6LA34618000 | CASE-TRM-PS-IH | 1 | 1/P | | | | | | | | | | |
| 4 | 6LA34657000 | TERM-PS-IH-N1 | 1 | 1/P | | | | | | | | | | |
| 5 | 6LA34656000 | TERM-PS-IH-N2 | 1 | 1/P | | | | | | | | | | |
| 6 | 44201086000 | SCREW-#6-32*1/4 | 1 | 10/P | | | | | | | | | | |
| 7 | 6LA34672000 | BRKT-NIC-EARTH | 2 | 1/P | | | | | | | | | | |
| 8 | 6LA41837000 | HRNS-IH-RLY-350 | 2 | 1/P | | | | | | | | | | |
| 9 | 6LA08917000 | S/TPP/HEX-3*8-NI | 12 | 10/P | | | | | | | | | | |
| 10 | X0-00164000 | S/PAN/SWHP-M4X8-NI | 3 | 10/P | | | | | | | | | | |
| 11 | 6LA34668000 | CASE-FAN-PS-IH | 1 | 1/D | | | | | | | | | | |
| 12 | 6LA34314000 | FAN-D-8025-350NH | 1 | 1/D | | | | | | | | | | |
| 13 | 6LA71370000 | HRNS-IH-ACIN-360 | 1 | 1/P | | | | | | | | | | |
| 14 | 6LA71376000 | HRNS-IH-360 | 1 | 1/P | | | | | | | | | | |
| 17 | 6LA34634000 | BUSH-KG-016L-FA | 1 | 5/P | | | | | | | | | | |
| 18 | 6LA34635000 | BUSH-KG-016L-SC | 1 | 5/P | | | | | | | | | | |
| 19 | 6LA34629000 | COV-CNCT-DWN | 1 | 1/P | | | | | | | | | | |
| 20 | 6LA08908000 | S/TPS/HEX-3*6-NI | 3 | 10/P | | | | | | | | | | |
| 21 | 6LA41609000 | HRNS-SYS-FSMS-350 | 1 | 1/P | | | | | | | | | | |
| 22 | 6LA41692000 | CTRL-F-NIC-350 | 1 | 1/SB | | | | | | | | | | |
| 23 | 6LA64243000 | COVER-USB-SYS | 1 | 1/P | | | | | | | | | | |
| 24 | 6LA34624000 | COVER-SYS-L | 1 | 1/D | | | | | | | | | | |
| 25 | G0-00291000 | 6E040LO | 1 | 1/C | | | | | | | | | | |
| 26 | 6LA56134000 | DAMPER-HDD-320 | 4 | 5/P | | | | | | | | | | |
| 27 | 44201254000 | SCREW-HDD-DSS | 4 | 10/P | | | | | | | | | | |
| 29 | 6LA41610000 | HRNS-HDD-SIG-350 | 1 | 1/P | | | | | | | | | | |
| 30 | 6LA41611000 | HRNS-HDD-POW-350 | 1 | 1/P | | | | | | | | | | |
| 32 | 6LA34644000 | ASYS-SHLD-PS-IH | 1 | 1/P | | | | | | | | | | |
| 33 | 6LA34621000 | COVER-PS-IH | 1 | 1/D | | | | | | | | | | |
| 34 | 6LA69846000 | ASY-PWA-SYS-360S | 1 | 1/SB | | | | | | | | | | |
| 36 | 6LA34678000 | GSKT-STG1-10CF | 1 | 5/P | | | | | | | | | | |
| 39 | 6LA34623000 | COVER-SYS-U | 1 | 1/P | | | | | | | | | | |
| 41 | 6LA34683000 | MYLAR-NIC | 1 | 1/KP | | | | | | | | | | |
| 44 | F0-00273000 | WLS-06-0 | 2 | 5/P | | | | | | | | | | |
| 101 | F0-00047000 | EDS-1717U | 2 | 10/P | | | | | | | | | | |
| 103 | F0-00331000 | SPSN-4U | 3 | 5/P | | | | | | | | | | |
| 104 | X0-00057000 | S/PAN-M3X6-NI | 2 | 10/P | | | | | | | | | | |
| 105 | E0-04314000 | JFS-4S-C1N | 2 | 5/P | | | | | | | | | | |
| 106 | F0-00280000 | WLS-20-0 | 1 | 5/P | | | | | | | | | | |
| 107 | F0-00136000 | K-103G | 2 | 5/P | | | | | | | | | | |
| 108 | 6LA08913000 | S/TPS/HEX-4*8-NI | 24 | 10/P | | | | | | | | | | |

CNT

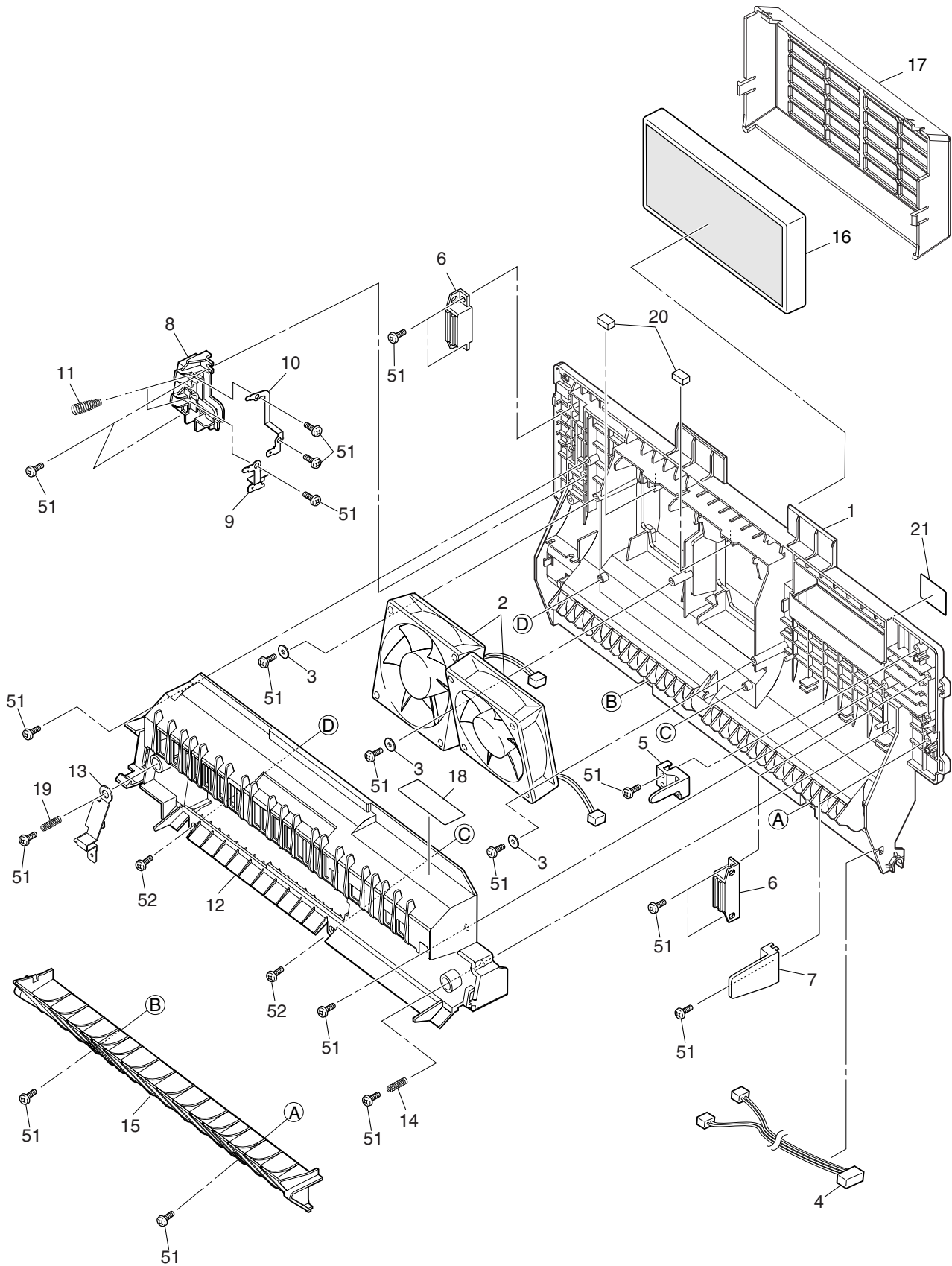


| ITEM NO. | PARTS NO. | PARTS NAME | QTY / PAGE | QTY / PACK | PIR | BSI NO. | TO | FROM | SERIAL NO. | REMARKS | C |
|----------|-------------|------------------|------------|------------|-----|---------|----|------|------------|-------------|---|
| 2 | 6LA08909000 | S/TPS/HEX-3*8-NI | 5 | 10/P | | | | | | | |
| 4 | 6LA34606000 | CASE-LGC-350 | 1 | 1/P | | | | | | | |
| 5 | 6LA34627000 | LID-LGC | 1 | 1/P | | | | | | | |
| 6A | 6LA72405000 | WR. RAM-T360MU | 1 | 1/S | | | | | | e-Studio350 | |
| 6B | 6LA72406000 | WR. RAM-T360ME | 1 | 1/S | | | | | | NAD | |
| | | | | | | | | | | e-Studio350 | |
| | | | | | | | | | | MJD | |
| 6C | 6LA72408000 | WR. RAM-T360MT | 1 | 1/S | | | | | | e-Studio350 | |
| | | | | | | | | | | TWD | |
| 6D | 6LA72409000 | WR. RAM-T360MS | 1 | 1/S | | | | | | e-Studio350 | |
| | | | | | | | | | | SAD | |
| 6E | 6LA72410000 | WR. RAM-T360MA | 1 | 1/S | | | | | | e-Studio350 | |
| | | | | | | | | | | ASD, AUD | |
| 6F | 6LA72411000 | WR. RAM-T360MC | 1 | 1/S | | | | | | e-Studio350 | |
| | | | | | | | | | | CND | |
| 6G | 6LA72412000 | WR. RAM-T361MU | 1 | 1/S | | | | | | e-Studio450 | |
| | | | | | | | | | | NAD | |
| 6H | 6LA72413000 | WR. RAM-T361ME | 1 | 1/S | | | | | | e-Studio450 | |
| | | | | | | | | | | MJD | |
| 6I | 6LA72415000 | WR. RAM-T361MT | 1 | 1/S | | | | | | e-Studio450 | |
| | | | | | | | | | | TWD | |
| 6J | 6LA72416000 | WR. RAM-T361MS | 1 | 1/S | | | | | | e-Studio450 | |
| | | | | | | | | | | SAD, AUD | |
| 6K | 6LA72417000 | WR. RAM-T361MA | 1 | 1/S | | | | | | e-Studio450 | |
| | | | | | | | | | | ASD | |
| 6L | 6LA72418000 | WR. RAM-T361MC | 1 | 1/S | | | | | | e-Studio450 | |
| | | | | | | | | | | CND | |
| 7A | 6LA69854000 | ASY-PWA-LGC-361S | 1 | 1/SB | | | | | | e-Studio450 | |
| 7B | 6LA69853000 | ASY-PWA-LGC-360S | 1 | 1/SB | | | | | | e-Studio350 | |
| 10 | 6LA64214000 | ASYS-COVER-LGC | 1 | 1/P | | | | | | | |
| 11 | 6LA08913000 | S/TPS/HEX-4*8-NI | 13 | 10/P | | | | | | | |
| 12 | EO-06676000 | BU03P-TR-P-H | 1 | 5/P | | | | | | | |
| 13 | 6LA34675000 | GSKT-STG4-9CF | 1 | 5/P | | | | | | | |
| 101 | FO-00229000 | KGLS-8RT | 2 | 5/P | | | | | | | |
| 102 | FO-01263000 | RWS-3T V0 | 2 | 5/P | | | | | | | |
| 103 | FO-00341000 | LWS-2U | 1 | 5/P | | | | | | | |
| 107 | FO-00047000 | EDS-1717U | 2 | 10/P | | | | | | | |
| 108 | FO-00034000 | EDS-2323U | 1 | 5/P | | | | | | | |
| 112 | FO-01047000 | LFCS-30 | 1 | 1/P | | | | | | | |
| 113 | FO-01181000 | FCT-6010 | 1 | 1/P | | | | | | | |

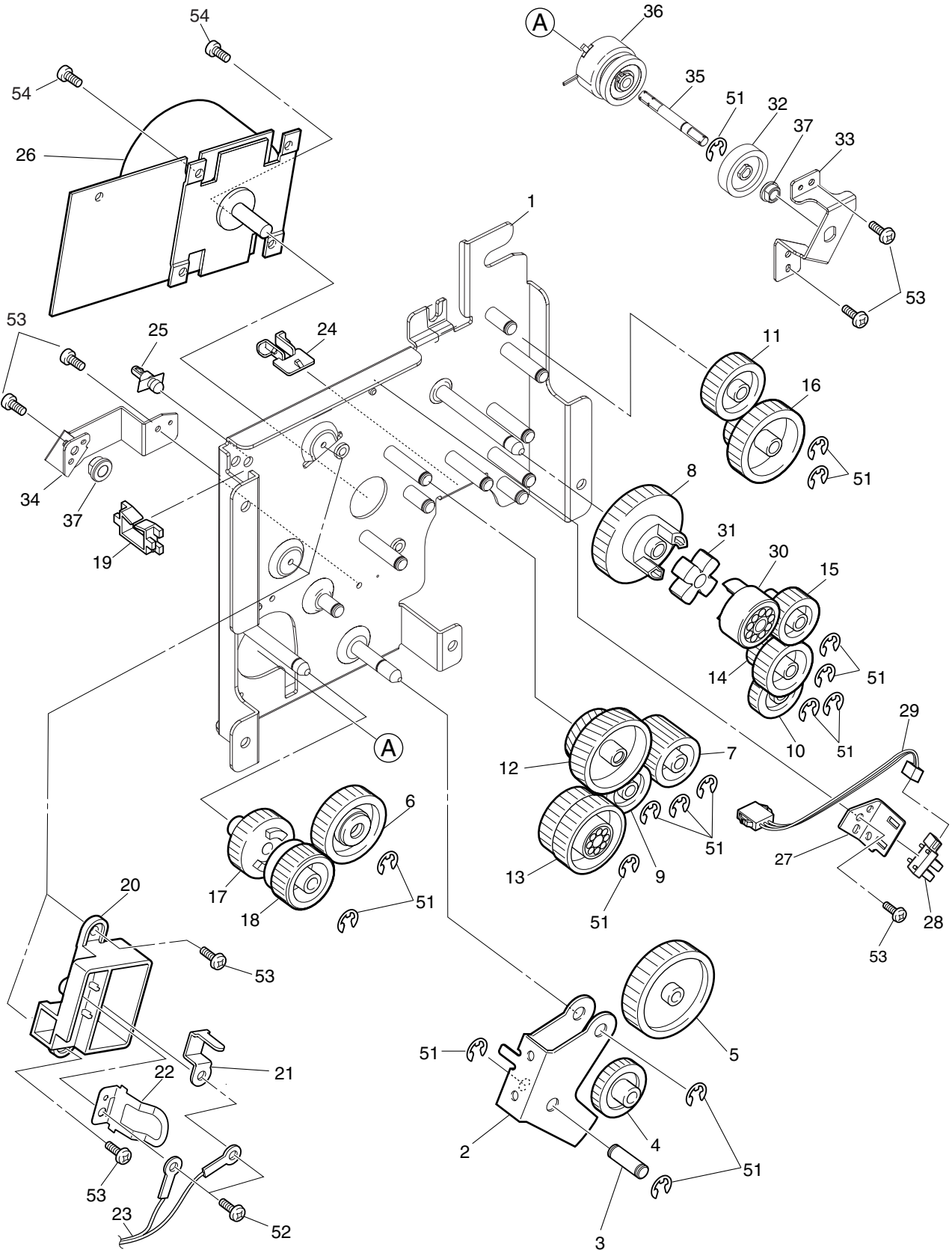


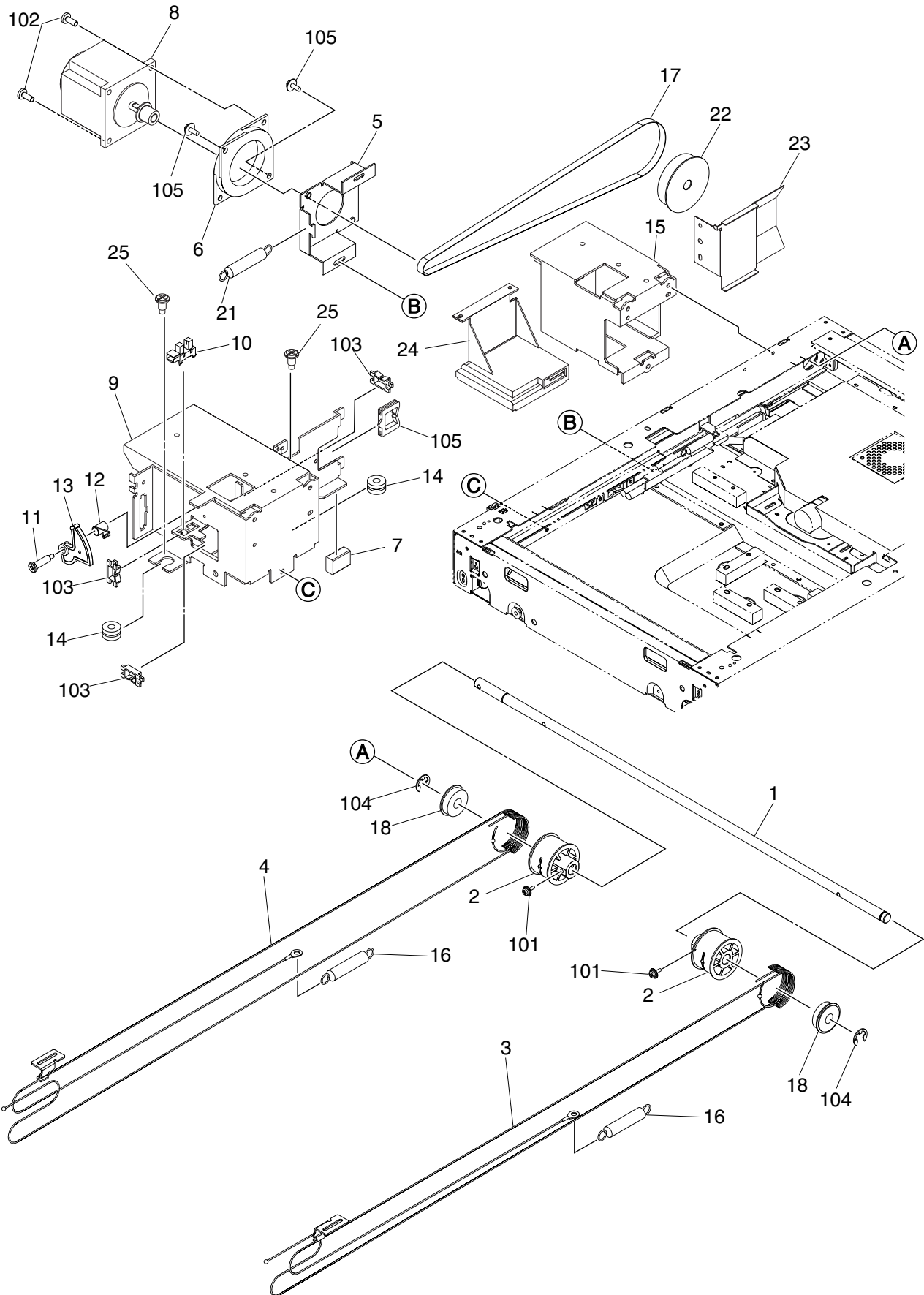
| ITEM NO. | PARTS NO. | PARTS NAME | QTY / PAGE | QTY / PACK | P | I | R | BSI NO. | TO | FROM | SERIAL NO. | REMARKS | C |
|----------|-------------|--------------------|------------|------------|---|---|---|---------|----|------|------------|---------------|---|
| 1 | 6LA65342000 | COVER-HTR-CNTR | 1 | 1/P | | | | | | | | | |
| 2 | 6LA65289000 | ASYS-BRKT-FAN-MID | 1 | 1/P | | | | | | | | | |
| 3 | 6LA34314000 | FAN-D-8025-350NH | 2 | 1/D | | | | | | | | | |
| 4 | F0-00025000 | LWS-3U | 10 | 5/P | | | | | | | | | |
| 5 | 6LA76558000 | LASER-UNIT-360 | 1 | 1/S | | | | | | | | | |
| 6 | 6LA36749000 | ASYS-SCREW-LSU-NI | 3 | 5/P | | | | | | | | | |
| 7A | 6LA70822000 | PS-ACC-360-E | 1 | 1/C | | | | | | | | MJD, ASD, AUD | |
| 7B | 6LA70823000 | PS-ACC-360-JU | 1 | 1/C | | | | | | | | NAD, SAD | |
| 8 | 6LA08934000 | SCR-M4*8ITSR-NI | 10 | 10/P | | | | | | | | | |
| 10 | 44201156000 | COV-FILTER-FAN | 1 | 1/P | | | | | | | | | |
| 11 | F0-00341000 | LWS-2U | 1 | 5/P | | | | | | | | | |
| 12 | F0-00047000 | EDS-1717U | 2 | 10/P | | | | | | | | | |
| 13 | 6LA71313000 | HRNS-LGC-LDR-360 | 1 | 1/P | | | | | | | | | |
| 16 | F0-00339000 | EHP-6U | 1 | 5/P | | | | | | | | | |
| 17 | 44201159000 | MYLAR-FAN-MID | 1 | 1/P | | | | | | | | | |
| 18 | F0-00045000 | EDS-1 | 2 | 10/P | | | | | | | | | |
| 19 | 6LA65351000 | ASYS-BRKT-DUCT-1 | 1 | 1/P | | | | | | | | | |
| 20 | 6LA65357000 | BRKT-DUCT-2 | 1 | 1/P | | | | | | | | | |
| 21 | 44201128000 | SEAL-DUCT-2 | 1 | 5/P | | | | | | | | | |
| 22 | 44201158000 | LOUVER-MID-DUCT | 1 | 1/P | | | | | | | | | |
| 23 | 6LA69849000 | PWA-F-LRL-360 | 1 | 1/SB | | | | | | | | | |
| 24 | 6LA65215000 | COVER-STAY-OPT-UPR | 1 | 1/P | | | | | | | | | |
| 26 | 6LA08909000 | S/TPS/HEX-3*8-NI | 5 | 10/P | | | | | | | | | |
| 51 | F0-00034000 | EDS-2323U | 2 | 5/P | | | | | | | | | |
| 52 | 6LA08913000 | S/TPS/HEX-4*8-NI | 14 | 10/P | | | | | | | | | |
| 53 | X0-02114000 | S/TPS/PAN-4X32-ZU3 | 2 | 10/P | | | | | | | | | |
| 54 | 6LA08917000 | S/TPP/HEX-3*8-NI | 1 | 10/P | | | | | | | | | |
| 55 | X0-00158000 | S/PAN-M4X8-ZC | 1 | 10/P | | | | | | | | | |
| 56 | F0-00340000 | SPLSN-4U | 2 | 5/P | | | | | | | | | |

| ITEM NO. | PARTS NO. | PARTS NAME | QTY / PAGE | QTY / PACK | PIR | BSI NO. | TO | FROM | SERIAL NO. | REMARKS | C |
|----------|-------------|---------------------|------------|------------|-----|---------|----|------|------------|--------------------|---|
| 1 | 6LA39656000 | ASYS-COVER-LENS-350 | 1 | 1/P | | | | | | | |
| 2 | 6LA39881000 | LID-DOWNLOAD | 1 | 1/P | | | | | | | |
| 3 | 6LA39931000 | SPL-SHLD-102-7 | 2 | 1/KP | | | | | | | |
| 4 | 6LA71414000 | HRNS-SLG-SYS-360 | 1 | 1/P | | | | | | | |
| 5 | 6LA39661000 | DUCT-SCAN-INR | 1 | 1/P | | | | | | | |
| 6 | 6LA39385000 | GUIDE-HRNS-RER | 1 | 1/P | | | | | | | |
| 7 | 6LA71384000 | HRNS-SNSR-SCN-360 | 1 | 1/P | | | | | | | |
| 8 | 6LA71417000 | HRNS-SLG-SPLY-360 | 1 | 1/P | | | | | | | |
| 9B | 6LA39898000 | BRKT-D_H-LENS | 1 | 1/P | | | | | | SAD, ASD, AUD | |
| 10 | 6LA76557000 | LENS-UNIT-360 | 1 | 1/S | | | | | | | |
| 11 | 6LA71418000 | HRNS-CCD-360 | 1 | 1/KP | | | | | | | |
| 12A | 44205167000 | SNSR-PS-TW05 | 3 | 1/C | | | | | | NAD | |
| 12B | 44205167000 | SNSR-PS-TW05 | 4 | 1/C | | | | | | MJD, SAD, ASD, AUD | |
| 13 | 4406379920 | SNSR-PS-TY1CH56 | 1 | 1/D | | | | | | D | |
| 14 | 6LA67453000 | ASY-SCREW-SCAN | 3 | 5/P | | | | | | | |
| 15 | 6LA67461000 | ASYS-BRKT-FRC | 1 | 1/P | | | | | | | |
| 16 | 6LA08915000 | S/TPS/HEX-4*12-NI | 2 | 10/P | | | | | | | |
| 17 | CO-07598000 | GP1A73AR | 1 | 1/P | | | | | | | |
| 18 | 6LA39453000 | COVER-HRNS-SLG | 1 | 1/P | | | | | | | |
| 19 | 6LA67465000 | GSKT-18-10-38 | 1 | 1/P | | | | | | | |
| 22A | 6LA39892000 | ASY-D-H-SCAN-L-U | 1 | 1/C | | | | | | SAD | |
| 22B | 6LA39893000 | ASY-D-H-SCAN-L-E | 1 | 1/C | | | | | | ASD, AUD | |
| 23 | 6LA39866000 | STAY-TP-RGT-SCAN | 1 | 1/P | | | | | | | |
| 25 | 6LA08935000 | SCR-M3X6BISR-NI | 26 | 10/P | | | | | | | |
| 26 | 6LA08908000 | S/TPS/HEX-3*6-NI | 53 | 10/P | | | | | | | |
| 31 | 6LA08913000 | S/TPS/HEX-4*8-NI | 29 | 10/P | | | | | | | |
| 32A | 6LA39902000 | ASY-D-H-SCAN-R-U | 1 | 1/C | | | | | | SAD | |
| 32B | 6LA39903000 | ASY-D-H-SCAN-R-E | 1 | 1/C | | | | | | ASD, AUD | |
| 34 | 6LA29530000 | BRKT-RER-COV-U | 2 | 1/P | | | | | | | |
| 36 | 6LA39313000 | BRKT-PWA-SLG | 2 | 1/P | | | | | | | |
| 38 | 6LA69843000 | ASY-SLG-360S | 1 | 1/SB | | | | | | | |
| 40 | 6LA39815000 | GASKET-COV-LENS | 1 | 1/P | | | | | | | |
| 41 | 6LA39814000 | GASKET-3-4-38 | 1 | 1/P | | | | | | | |
| 42 | 6LA39813000 | GASKET-3-4-30 | 1 | 1/P | | | | | | | |
| 43 | 6LA39816000 | GASKET-LS13-8 | 1 | 1/P | | | | | | | |
| 44 | 6LA29595000 | BRKT-COV-RER-UPR-L | 1 | 1/P | | | | | | | |
| 101 | FO-00034000 | EDS-2323U | 1 | 5/P | | | | | | | |
| 102B | FO-00339000 | EHP-6U | 1 | 5/P | | | | | | SAD, ASD, AUD | |
| 105 | FO-00044000 | UAMS-05-2 | 1 | 5/P | | | | | | | |
| 106 | FO-00041000 | EDS-2 | 1 | 10/P | | | | | | | |
| 107 | FO-01179000 | WWS-2U | 3 | 5/P | | | | | | | |

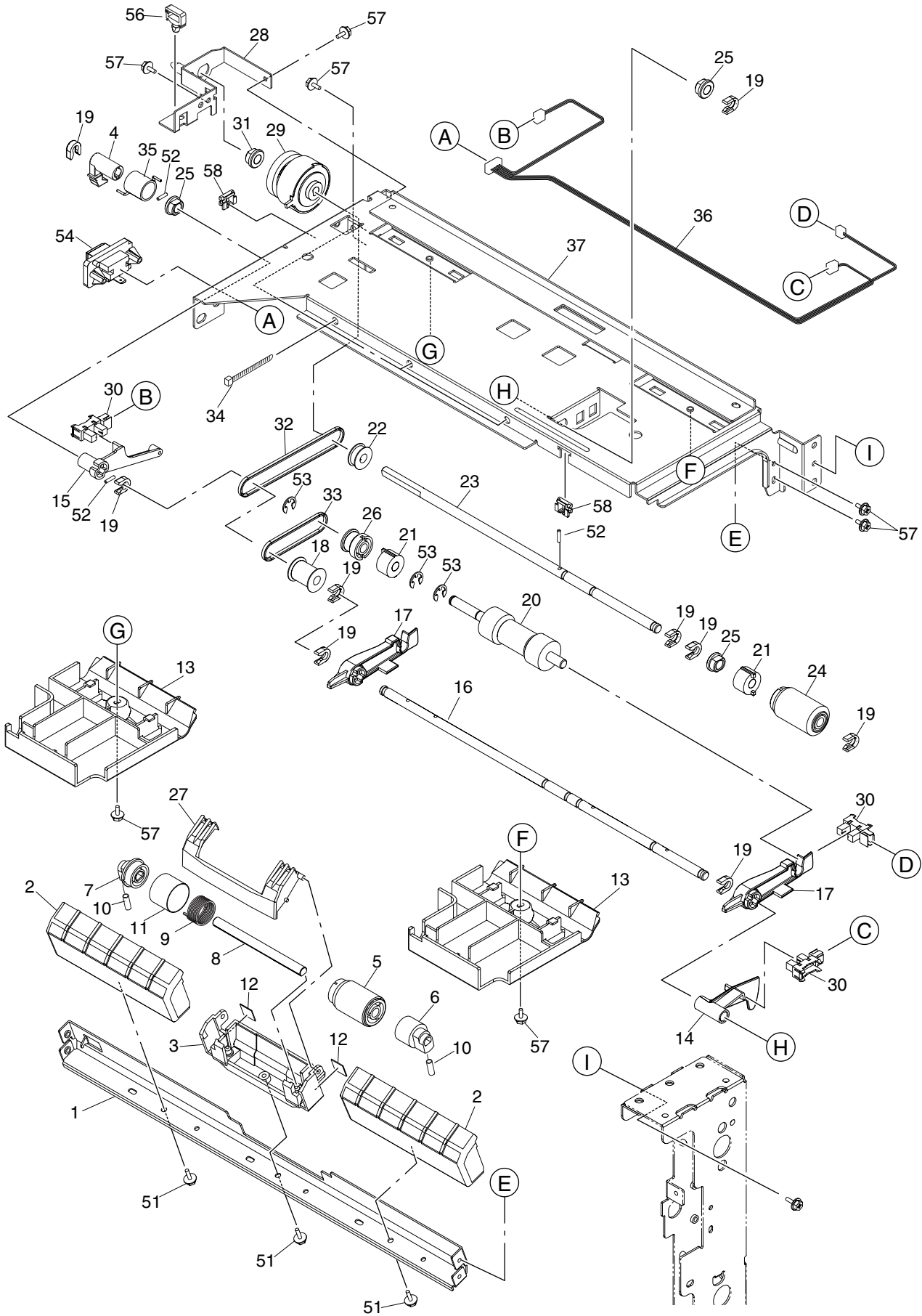


| ITEM NO. | PARTS NO. | PARTS NAME | Q'TY / PAGE | Q'TY / PACK | P | I | R | BSI NO. | TO | T | FROM | SERIAL NO. | REMARKS | C |
|----------|-------------|-------------------|-------------|-------------|---|---|---|---------|----|---|------|------------|---------|-----|
| 1 | 6LA60634000 | ASYS-COVER-GUIDE | 1 | 1/PP | | | | | | | | | | |
| 2 | 6LA34314000 | FAN-D-8025-350NH | 2 | 1/D | | | | | | | | | | |
| 3 | 6LA69091000 | RING-STOP-FAN | 3 | 5/P | | | | | | | | | | |
| 4 | 6LA71321000 | HRNS-EXIT-FAN-360 | 1 | 1/P | | | | | | | | | | |
| 5 | 44203117000 | PUSHER-DOOR-SW | 1 | 1/P | | | | | | | | | | |
| 6 | 44200424000 | MG-CATCH-44 | 2 | 1/P | | | | | | | | | | |
| 7 | 44203115000 | STOPPER-COV-CLN | 1 | 1/P | | | | | | | | | | |
| 8 | 44203902000 | TERM-TCH-COV | 1 | 1/P | | | | | | | | | | |
| 9 | 44203905000 | PLT-T-TRM-COV | 1 | 1/P | | | | | | | | | | |
| 10 | 44203906000 | PLT-S-TRM-COV | 1 | 1/P | | | | | | | | | | |
| 11 | 44203910000 | SPC-TRM-COV-078 | 2 | 5/P | | | | | | | | | | |
| 12 | 44203121000 | HOLDER-TRS | 1 | 1/PP | | | | | | | | | | |
| 13 | 44203146000 | BRKT-GND-TCH-R | 1 | 1/P | | | | | | | | | | |
| 14 | 6LA67026000 | SPG-C-CHARGR | 1 | 5/P | | | | | | | | | | |
| 15 | 44203139000 | GUIDE-COVER-ADU | 1 | 1/PP | | | | | | | | | | |
| 16 | 6LA63943000 | FILTER-OZ-DPB-600 | 1 | 1/C | | | | | | | | | | MSP |
| 17 | 6LA60636000 | COVER-FILTER | 1 | 1/PP | | | | | | | | | | |
| 18 | 44204544000 | LABEL-DRUM-PS | 1 | 1/KP | | | | | | | | | | |
| 19 | 44203134000 | SPC093-070-0227 | 1 | 5/P | | | | | | | | | | |
| 20 | 44203143000 | STOPPER-FAN-TRS | 2 | 5/P | | | | | | | | | | |
| 21 | 6LA67028000 | LBL-JAM-1 | 1 | 5/P | | | | | | | | | | |
| 51 | XO-02096000 | S/TPP/BRZ-3X8-NI | 18 | 10/P | | | | | | | | | | |
| 52 | 6LA08917000 | S/TPP/HEX-3*8-NI | 4 | 10/P | | | | | | | | | | |

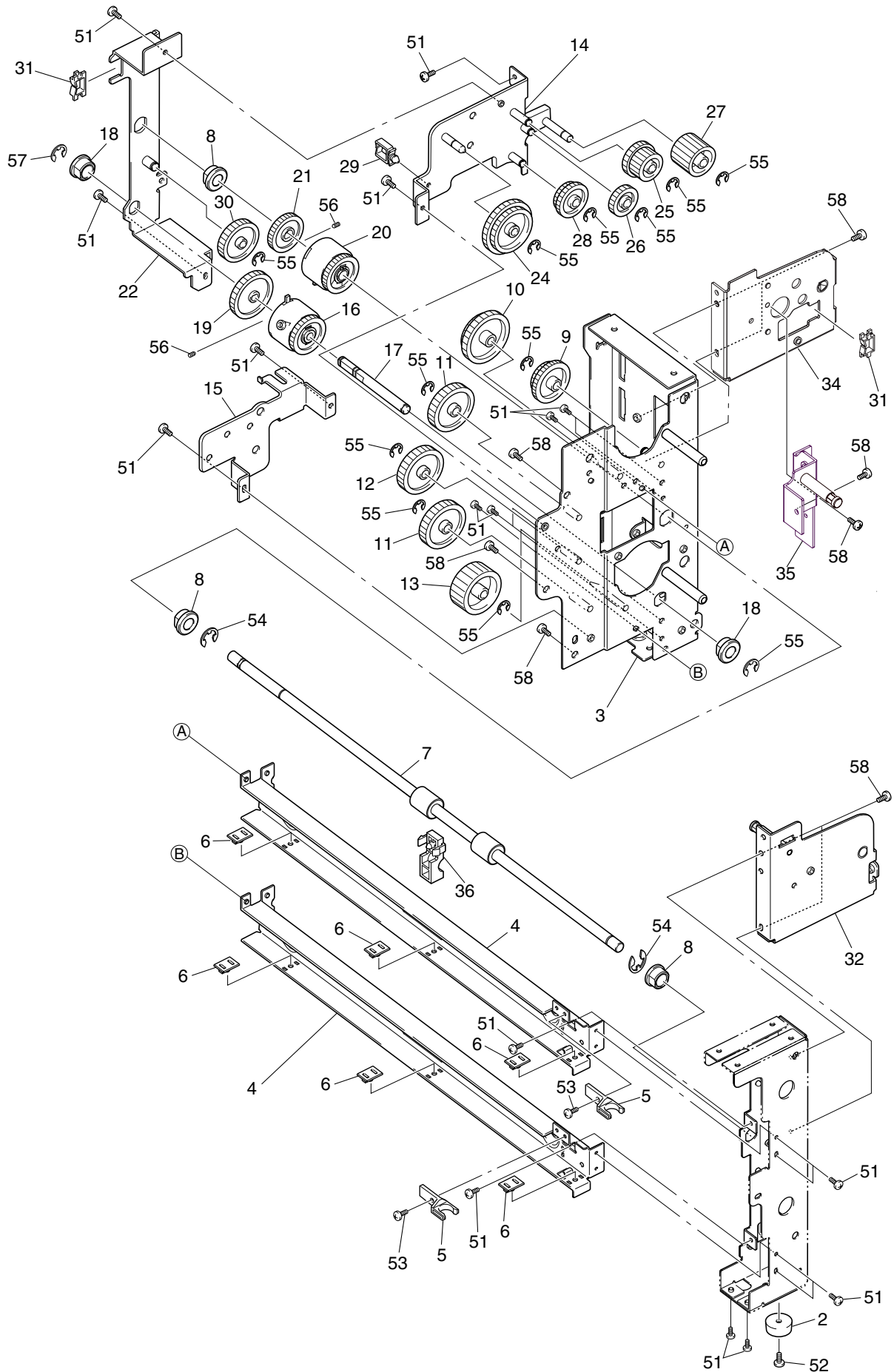




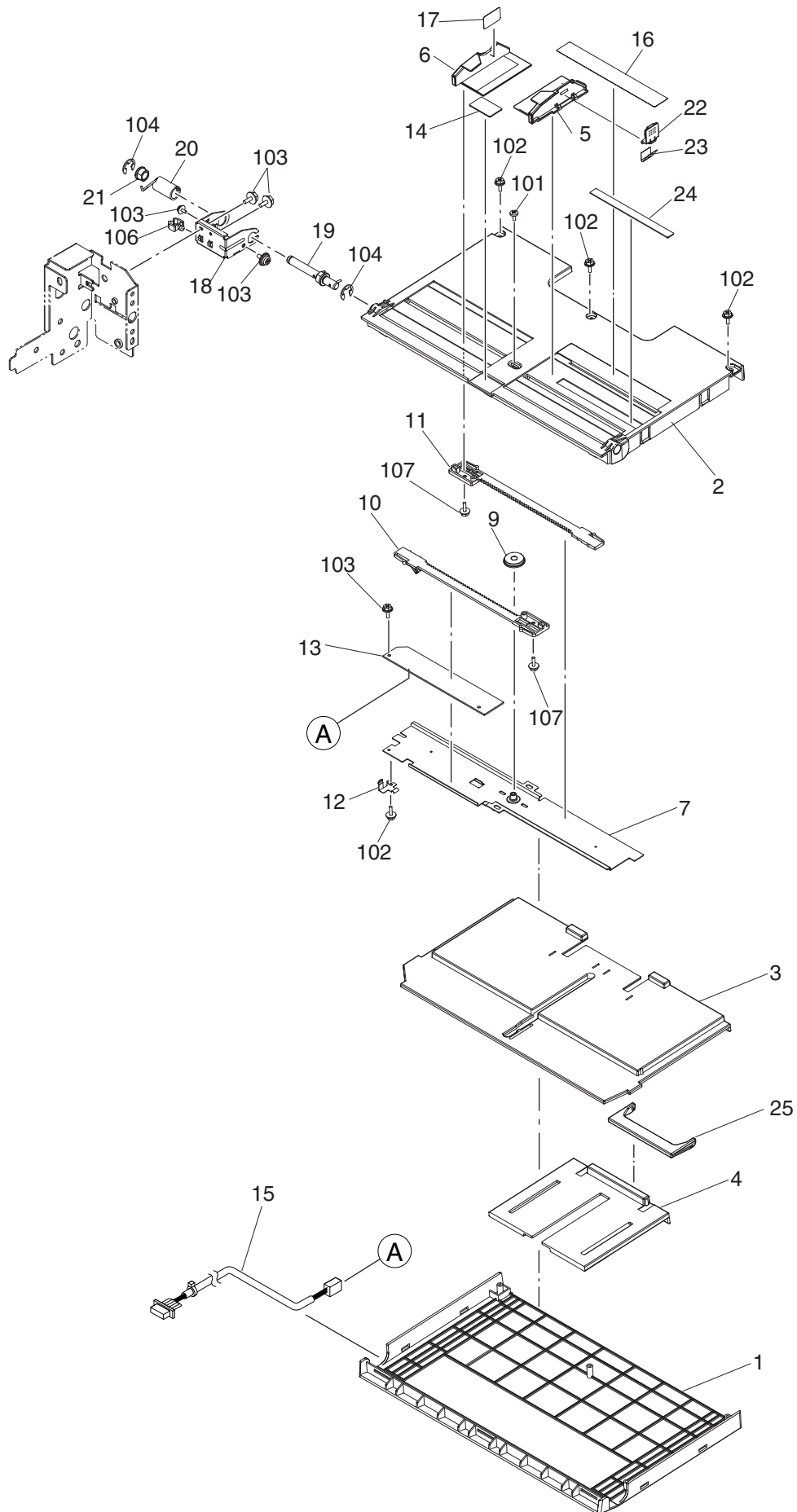
| ITEM NO. | PARTS NO. | PARTS NAME | QTY / PAGE | QTY / PACK | P | I | R | BSI NO. | TO | FROM | SERIAL NO. | REMARKS | C |
|----------|-------------|----------------------|------------|------------|---|---|---|---------|-------|------|------------|---------|---|
| 1 | 6LA39397000 | SHAFT-DRV-SCAN | 1 | 1/P | | | | | | | | | |
| 2 | 6LA01742000 | PLY-WIRE-SCAN | 2 | 1/P | | | | | | | | | |
| 3 | 6LA39410000 | ASYS-WIR_RP-SCAN-FRT | 1 | 1/P | | | | | | | | | |
| 4 | 6LA39430000 | ASYS-WIR_RP-SCAN-RER | 1 | 1/P | | | | | | | | | |
| 5 | 6LA39733000 | BRKT-MOTR-SCAN | 1 | 1/P | | | | | | | | | |
| 6 | 6LA39739000 | DUMPER-MOTR | 1 | 1/P | | | | | | | | | |
| 7 | 6LA67501000 | GSKT-18-10-25 | 1 | 1/P | | | | | | | | | |
| 8 | 6LA67446000 | ASYS-MOTR-SCAN | 1 | 1/C | | | | | | | | | |
| 9 | 6LA39792000 | BRKT-DF-LFT-350 | 1 | 1/P | | | | | | | | | |
| 10 | C0-07598000 | GP1A73AR | 1 | 1/P | | | | | | | | | |
| 11 | 6LA67393000 | SHAFT-OPN-SNS | 1 | 1/P | | | | | | | | | |
| 12 | 44202846000 | SPR-OPEN-SNS | 1 | 1/P | | | | | | | | | |
| 13 | 44202845000 | LVR-OPEN-SNS | 1 | 1/P | | | | | | | | | |
| 14 | 6LA39794000 | GROMMET-DF | 2 | 5/P | | | | | | | | | |
| 15 | 6LA67466000 | ASYS-BRKT-DF-RGT | 1 | 1/P | | | | | | | | | |
| 16 | 44202660000 | SPE-WIRE-TENS | 2 | 1/P | | | | | | | | | |
| 17 | 6LA39745000 | BLT_SY-560-S2M-6 | 1 | 1/P | | | | | | | | | |
| 18 | 4407545610 | BRG-608ZZNR | 2 | 1/P | | | | | | | | | |
| 20 | 6LA41922000 | HRNS-D_H-SCN2-350 | 1 | 1/P | | | | | | | | | |
| 21 | 44202661000 | SPE-MOT-TNS | 1 | 1/P | | | | | | | | | |
| 22 | 6LA39444000 | PULLEY-73S2M | 1 | 1/P | | | | | | | | | |
| 23 | 6LA39784000 | COVER-PILLEY | 1 | 1/P | | | | | | | | | |
| 24 | 6LA67452000 | DUCT-SCAN-OUT | 1 | 1/P | | | | | | | | | |
| 25 | 6LA39824000 | SCREW-SCAN-DF | 2 | 5/P | | | | | | | | | |
| 101 | X0-00077000 | S/PAN/SWVP-M3X8-NI | 2 | 10/P | | | | | | | | | |
| 102 | X0-00455000 | S/BID-M4X10-NI | 2 | 10/P | | | | | | | | | |
| 103 | F0-00041000 | EDS-2 | 3 | 10/P | | | | | | | | | |
| 104 | X0-00968000 | RR/E-7-SS | 2 | 10/P | | | | | | | | | |
| 105 | 6LA08908000 | S/TPS/HEX-3*6-NI | 5 | 10/P | | | | | 105-1 | | | | |
| 105-1 | F0-00047000 | EDS-1717U | 1 | 10/P | C | | | 1117 | | 105 | | | |



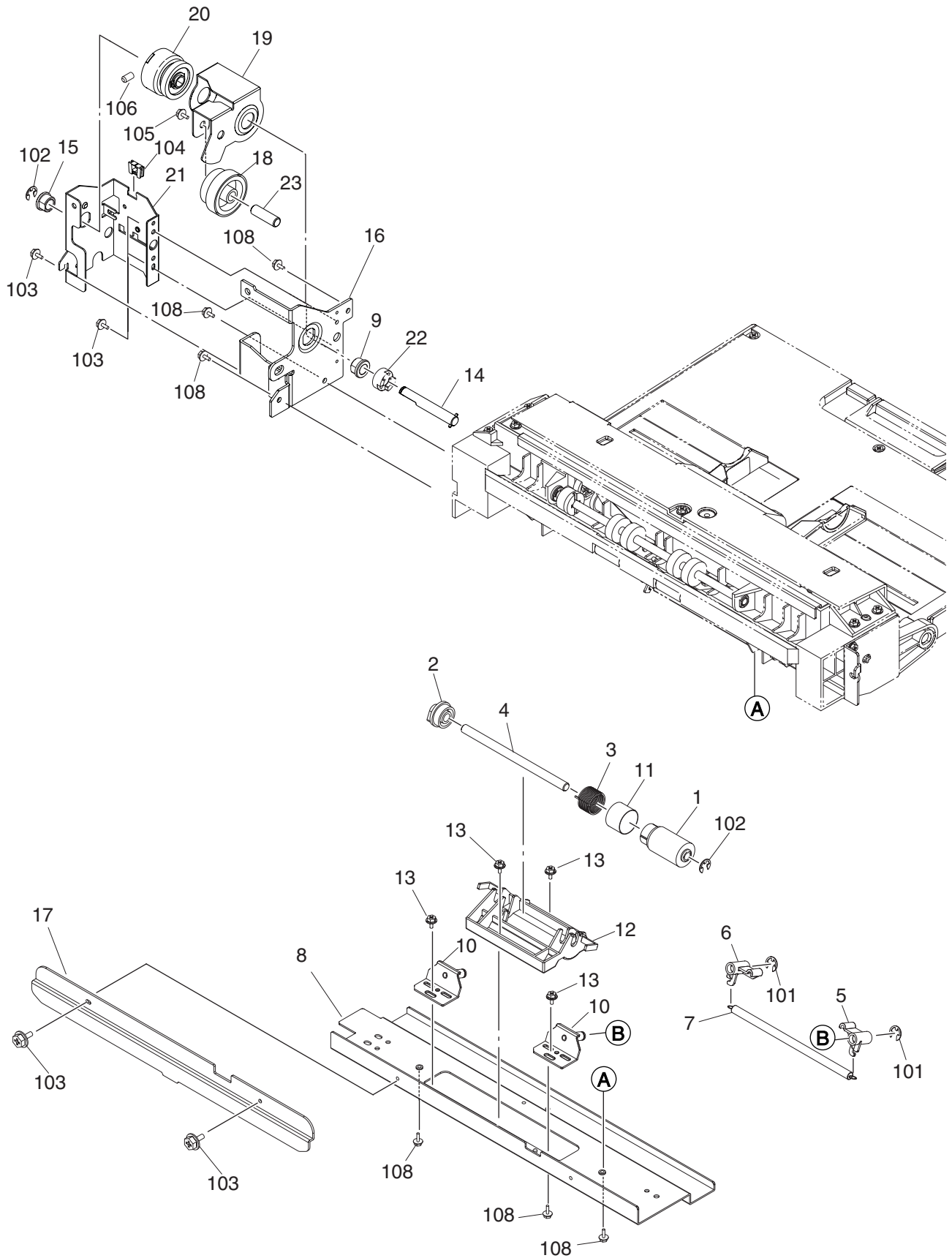
| ITEM NO. | PARTS NO. | PARTS NAME | QTY / PAGE | QTY / PACK | P | I | R | BSI NO. | TO | FROM | SERIAL NO. | REMARKS | C |
|----------|-------------|-----------------------|------------|------------|---|---|---|---------|------|------|------------|---------|-----|
| 1 | 6LA47898000 | BRKT-ROL-SEP | 1 | 1/P | | | | | | | | | |
| 2 | 6LA66947000 | ASYS-GUIDE-P-SEP | 2 | 1/KP | | | | | | | | | |
| 3 | 44201805000 | HLDR-SEP-ROL-DM | 1 | 1/P | | | | | | | | | |
| 4 | 6LA47910000 | LEVER-RLR-PICK | 1 | 1/P | | | | | | | | | |
| 5 | 41304047100 | K-ROLL-SPT | 1 | 1/P | | | | | | | | | MSP |
| 6 | 4401964360 | ARBOR-SPT-F | 1 | 1/P | | | | | | | | | |
| 7 | 4401964270 | ARBOR-SPT-R | 1 | 1/P | | | | | | | | | |
| 8 | 41304506000 | SFT-SEP-AT | 1 | 1/P | | | | | | | | | |
| 9 | 44201817000 | SPR-1.0-15.60RF | 1 | 5/P | | | | | | | | | |
| 10 | 6LA47909000 | SPC055-045-01525 | 2 | 5/P | | | | | | | | | |
| 11 | 44201773000 | COV-SPE/ARBOR | 2 | 1/P | | | | | | | | | |
| 12 | 41319491000 | CHIP-HLDR-SEP | 2 | 1/P | | | | | | | | | |
| 13 | 41318610000 | GUIDE-P-FEED | 2 | 1/P | | | | | 13-1 | | | | |
| 13-1 | 6LA47908000 | GUIDE-P-FEED | 2 | 1/P | C | | | 1117 | | 13 | | | |
| 14 | 41306012000 | ACTR-EMPTY-PPR | 1 | 1/P | | | | | | | | | |
| 15 | 41318603000 | ARM-FEED-UNIT | 1 | 1/P | | | | | | | | | |
| 16 | 41318604000 | SFT-DRV-PICK | 1 | 1/P | | | | | | | | | |
| 17 | 41306011000 | ARM-RLR-PICK | 2 | 1/P | | | | | | | | | |
| 18 | 41306002000 | PLY/T-PICK-20 | 1 | 1/P | | | | | | | | | |
| 19 | 4407972860 | STOP-RING-6-5 | 9 | 5/P | | | | | | | | | |
| 20 | 41306719000 | ROLLER-PICK-AT | 1 | 1/KP | | | | | | | | | MSP |
| 21 | 4402833110 | CLUTCH-6-L | 2 | 1/P | | | | | | | | | |
| 22 | 4402231780 | PLY-20-2M | 1 | 1/P | | | | | | | | | |
| 23 | 6LA47900000 | SFT-ROL-FEED | 1 | 1/P | | | | | | | | | |
| 24 | 4401964410 | K-ROLL-FEED | 1 | 1/P | | | | | | | | | MSP |
| 25 | 44201492000 | BUSH-6-POM | 3 | 5/P | | | | | | | | | |
| 26 | 4400884670 | PLY-20-ROL | 1 | 1/P | | | | | | | | | |
| 27 | 44201810000 | LEV-ROL-SEP-DM | 1 | 1/P | | | | | | | | | |
| 28 | 6LA47895000 | ASYS-BRKT-CLT | 1 | 1/P | | | | | | | | | |
| 29 | 6LA31944000 | CLUTCH-33C-6-CW-GEAR | 1 | 1/D | | | | | | | | | |
| 30 | CO-07598000 | GP1A73AR | 3 | 1/P | | | | | | | | | |
| 31 | 4407734980 | BUSH-6-GCB | 1 | 5/P | | | | | | | | | |
| 32 | 41306504000 | BLT/T-194-2GT-2 | 1 | 1/P | | | | | | | | | |
| 33 | 41306502000 | BLT/T-124-2GT-2 | 1 | 1/P | | | | | | | | | |
| 34 | FO-00455000 | SKB-1M | 4 | 5/P | | | | | | | | | |
| 35 | 41305501000 | SPR-LVR-PICK | 1 | 1/P | | | | | | | | | |
| 36 | 6LA41754000 | HRNS-PFP-FED-UNIT-576 | 1 | 1/P | | | | | | | | | |
| 37 | 6LA47892000 | ASYS-BRKT-FEED-UNIT | 1 | 1/PP | | | | | | | | | |
| 51 | 6LA08917000 | S/TPP/HEX-3*8-NI | 3 | 10/P | | | | | | | | | |
| 52 | XO-00979000 | P/PRL/AH7-2X8-SS | 5 | 10/P | | | | | | | | | |
| 53 | XO-00966000 | RR/E-5-SS | 3 | 10/P | | | | | | | | | |
| 54 | EO-01105000 | 54702-1211 | 1 | 5/P | | | | | | | | | |
| 55 | XO-00730000 | S/SET/K-M3X4-B | 1 | 10/P | | | | | | | | | |
| 56 | FO-00235000 | LWS-1S | 1 | 5/P | | | | | | | | | |
| 57 | 6LA08908000 | S/TPS/HEX-3*6-NI | 8 | 10/P | | | | | | | | | |
| 58 | FO-00671000 | EDS-0607M | 3 | 5/P | | | | | | | | | |
| 59 | 6LA08909000 | S/TPS/HEX-3*8-NI | 1 | 10/P | | | | | | | | | |



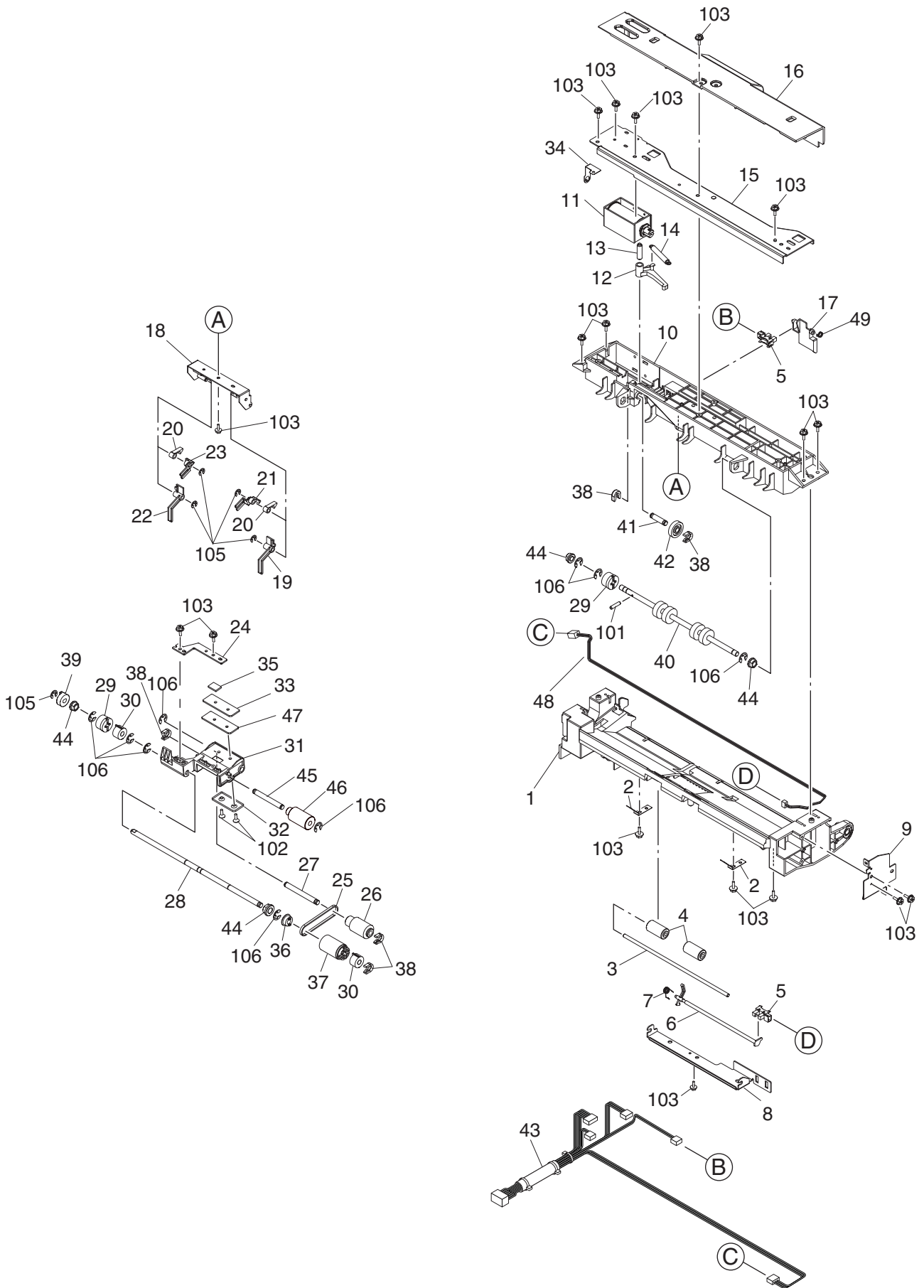
| ITEM NO. | PARTS NO. | PARTS NAME | Q'TY / PAGE | Q'TY / PACK | P | I | R | BSI NO. | TO | T | FROM | SERIAL NO. | REMARKS | C |
|----------|-------------|----------------------|-------------|-------------|------|---|---|---------|----|---|------|------------|---------|---|
| 2 | 41306501000 | FOOT-MAIN-AT | 1 | 1/P | | | | | | | | | | |
| 3 | 6LA66921000 | ASYS-FRAME-FED-RER | 1 | 1/P | | | | | | | | | | |
| 4 | 6LA64841000 | RAIL-CSSTT-RGT | 2 | 1/P | | | | | | | | | | |
| 5 | 44201601000 | CATCH-CST-320 | 2 | 1/P | | | | | | | | | | |
| 6 | 41306007000 | SLIDER-CST | 6 | 1/P | | | | | | | | | | |
| 7 | 44201611000 | ROLLER-FEEDER | 1 | 1/KP | | | | | | | | | | |
| 8 | 6LA65698000 | BUSH-8X12X8F | 3 | 5/P | | | | | | | | | | |
| 9 | 44201684000 | GG10S024/10S030 | 1 | 1/P | | | | | | | | | | |
| 10 | 44201681000 | GG10S031/10S038 | 1 | 1/P | | | | | | | | | | |
| 11 | 44201862000 | GEAR-10S035-06 | 2 | 1/P | | | | | | | | | | |
| 12 | 44201683000 | GEAR-10S034-06 | 1 | 1/P | | | | | | | | | | |
| 13 | 44201686000 | GEAR-10S033-06 | 1 | 1/P | | | | | | | | | | |
| 14 | 6LA62585000 | ASYS-BRKT-DRV-FED-1 | 1 | 1/P | | | | | | | | | | |
| 15 | 6LA62597000 | BRKT-DRIVE-FED-2 | 1 | 1/P | | | | | | | | | | |
| 16 | 6LA66937000 | CLUCH-33C-6-CCW-GEAR | 1 | 1/D | | | | | | | | | | |
| 17 | 44201747000 | SHAFT-1D-CLUCH | 1 | 1/P | | | | | | | | | | |
| 18 | 44201492000 | BUSH-6-POM | 2 | 5/P | | | | | | | | | | |
| 19 | 44201700000 | GEAR-10S035-06D | 1 | 1/P | | | | | | | | | | |
| 20 | 6LA66938000 | CLUCH-33C-8-CCW-GEAR | 1 | 1/D | | | | | | | | | | |
| 21 | 44201701000 | GEAR-10S028-06D | 1 | 1/P | | | | | | | | | | |
| 22 | 6LA62604000 | ASYS-BRKT-DRV-FED-3 | 1 | 1/P | | | | | | | | | | |
| 24 | 44201730000 | GG10S040/10S034 | 1 | 1/P | | | | | | | | | | |
| 25 | 44201732000 | GG10S020/10S025 | 1 | 1/P | | | | | | | | | | |
| 26 | 44201733000 | GEAR-10S021-06 | 1 | 1/P | | | | | | | | | | |
| 27 | 6LA62589000 | GEAR-10S23-6-BLK | 1 | 1/P | | | | | | | | | | |
| 28 | 44201680000 | GG10S025/10S021 | 1 | 1/P | | | | | | | | | | |
| 30 | 44201746000 | GEAR-10S033-06 | 1 | 1/P | | | | | | | | | | |
| 31 | F0-00041000 | EDS-2 | 2 | 10/P | | | | | | | | | | |
| 32 | 6LA65262000 | ASYS-BRKT-ADU-F | 1 | 1/P | | | | | | | | | | |
| 34 | 6LA65252000 | ASYS-BRKT-ADU-R | 1 | 1/P | | | | | | | | | | |
| 35 | 6LA65256000 | ASYS-BRKT-HOLD-R | 1 | 1/P | | | | | | | | | | |
| 36 | 44201613000 | BUSH-ROL-FEEDER | 1 | 1/P | | | | | | | | | | |
| 51 | X0-02069000 | S/TPS/BID-3X6-ZU3 | 2 | 10/P | | | | | | | | | | |
| 52 | X0-02074000 | S/TPS/BID-4X8-ZU3 | 1 | 10/P | | | | | | | | | | |
| 53 | X0-02070000 | S/TPS/BID-3X8-ZU3 | 2 | 10/P | | | | | | | | | | |
| 54 | X0-00968000 | RR/E-7-SS | 2 | 10/P | | | | | | | | | | |
| 55 | X0-00966000 | RR/E-5-SS | 1 | 6 | 10/P | | | | | | | | | |
| 56 | X0-00730000 | S/SET/K-M3X4-B | 2 | 10/P | | | | | | | | | | |
| 57 | X0-00965000 | RR/E-4-SS | 1 | 10/P | | | | | | | | | | |
| 58 | 6LA08913000 | S/TPS/HEX-4*8-NI | 1 | 2 | 10/P | | | | | | | | | |



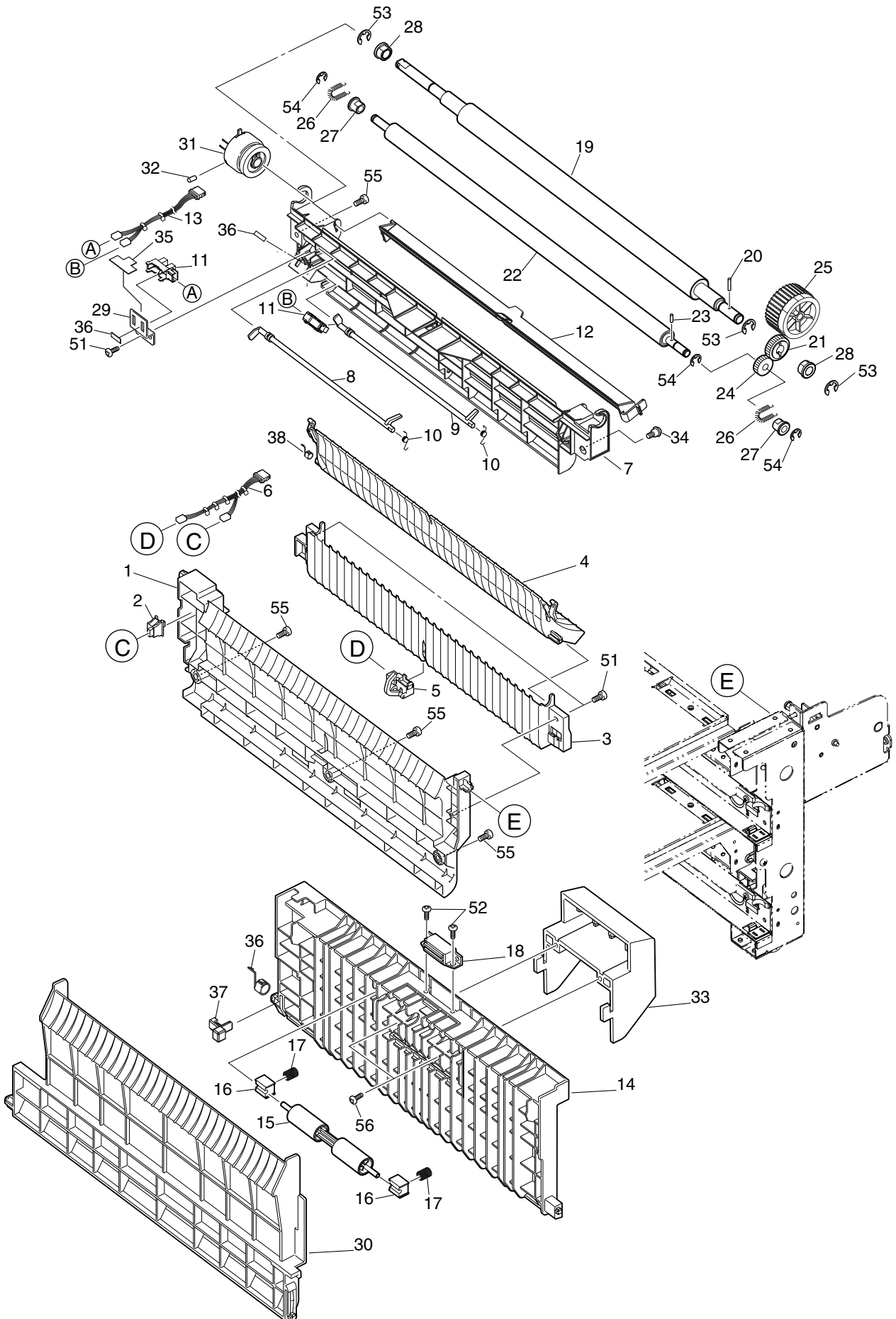
| ITEM NO. | PARTS NO. | PARTS NAME | QTY / PAGE | QTY / PACK | P | I | R | BSI NO. | TO | FROM | SERIAL NO. | REMARKS | C |
|----------|-------------|-----------------------|------------|------------|---|---|---|---------|----|------|------------|-------------------|---|
| 1 | 6LA64857000 | TRAY-BP-L-360 | 1 | 1/PP | | | | | | | | | |
| 2 | 6LA64860000 | TRAY-BYP-UP-360 | 1 | 1/PP | | | | | | | | | |
| 3 | 6LA64858000 | TRAY-BYP-M | 1 | 1/PP | | | | | | | | | |
| 4 | 6LA64859000 | TRAY-BYP-M-SUB | 1 | 1/P | | | | | | | | | |
| 5 | 6LA28998000 | GUIDE-TRAY-FRT | 1 | 1/D | | | | | | | | | |
| 6 | 6LA28999000 | GUIDE-TRAY-RER | 1 | 1/D | | | | | | | | | |
| 7 | 6LA28995000 | ASYS-PLATE-PINION-350 | 1 | 1/P | | | | | | | | | |
| 9 | 4407726480 | PINION-18-395 | 1 | 1/P | | | | | | | | | |
| 10 | 6LA28997000 | ASYS-RACK-BYPASS | 1 | 1/P | | | | | | | | | |
| 11 | 6LA28996000 | RACK-BYPASS-350 | 1 | 1/P | | | | | | | | | |
| 12 | 41316597000 | SPG-PT-TRAY-BYP | 1 | 1/P | | | | | | | | | |
| 13 | 6LA41705000 | PWA-F-SFB-350 | 1 | 1/C | | | | | | | | | |
| 14 | 4400901130 | PAD-BRAKE | 1 | 5/P | | | | | | | | | |
| 15 | 6LA71350000 | HRNS-SFB-SIZE-360 | 1 | 1/P | | | | | | | | | |
| 16A | 6LA29000000 | LBL-TRAY-U-350 | 1 | 1/KP | | | | | | | | NAD | |
| 16B | 6LA29003000 | LBL-TRAY-E-350 | 1 | 1/KP | | | | | | | | MJD, SAD, ASD, AU | |
| | | | | | | | | | | | | D | |
| 17 | 6LA29002000 | LBL-HIGH-TRAY-350 | 1 | 5/P | | | | | | | | | |
| 18 | 6LA28941000 | BRKT-TRAY-BYP-R | 1 | 1/P | | | | | | | | | |
| 19 | 6LA28943000 | ASYS-SFT-TRAY-BYP-350 | 1 | 1/P | | | | | | | | | |
| 20 | 6LA28948000 | SPA-HINGE-BYPASS | 1 | 1/P | | | | | | | | | |
| 21 | 6LA65698000 | BUSH-8X12X8F | 1 | 5/P | | | | | | | | | |
| 22 | 6LA29006000 | LEVER-GUIDE-F | 1 | 1/D | | | | | | | | | |
| 23 | 6LA29007000 | SPG-GUIDE-F | 1 | 1/P | | | | | | | | | |
| 24 | 6LA29009000 | SHEET-PAD-GUIDE-F | 1 | 1/KP | | | | | | | | | |
| 25 | 6LA64856000 | STOP-PAPER-BYP | 1 | 1/P | | | | | | | | | |
| 101 | X0-00430000 | S/BID-M3X6-NI | 1 | 10/P | | | | | | | | | |
| 102 | 6LA08917000 | S/TPP/HEX-3*8-NI | 4 | 10/P | | | | | | | | | |
| 103 | 6LA08908000 | S/TPS/HEX-3*6-NI | 5 | 10/P | | | | | | | | | |
| 104 | X0-00968000 | RR/E-7-SS | 2 | 10/P | | | | | | | | | |
| 106 | F0-00043000 | UAMS-05SN-W | 1 | 5/P | | | | | | | | | |
| 107 | X0-00595000 | S/TPP/PAN-3X6-NI | 2 | 10/P | | | | | | | | | |



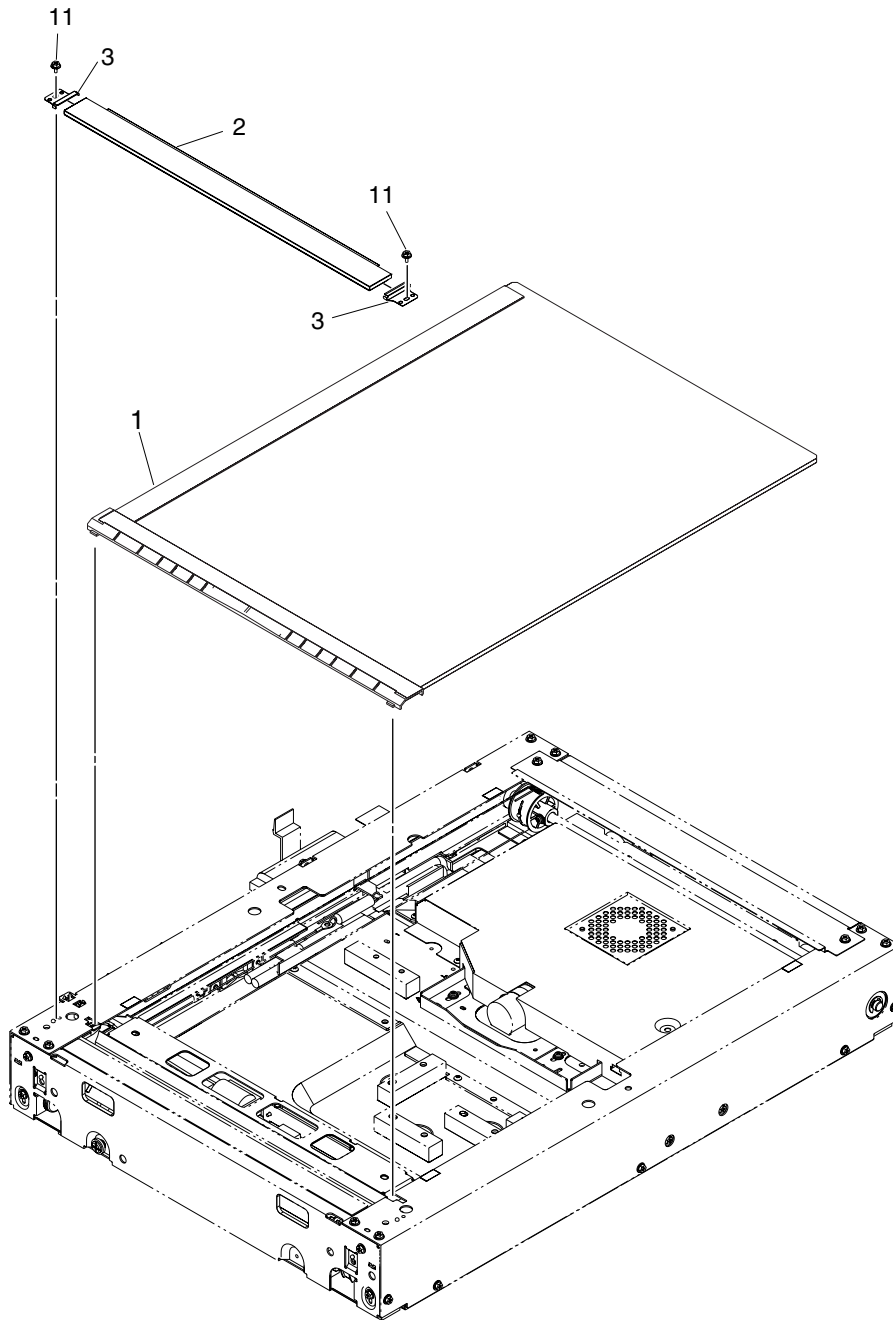
| ITEM NO. | PARTS NO. | PARTS NAME | QTY / PAGE | QTY / PACK | P | I | R | BSI NO. | TO | FROM | SERIAL NO. | REMARKS | C |
|----------|-------------|----------------------|------------|------------|---|---|---|---------|----|------|------------|---------|-----|
| 1 | 6LA28899000 | ASYS-ROLL-SPT-L30 | 1 | 1/P | | | | | | | | | MSP |
| 2 | 6LA28863000 | ARBOR-SPT-BYP | 1 | 1/P | | | | | | | | | |
| 3 | 6LA28865000 | SPG-1.0-0.15-65-13L | 1 | 1/P | | | | | | | | | |
| 4 | 6LA28887000 | SHAFT-ROL-SPT | 1 | 1/P | | | | | | | | | |
| 5 | 6LA28921000 | LEVER-SPT-F | 1 | 1/P | | | | | | | | | |
| 6 | 6LA28922000 | LEVER-SPT-R | 1 | 1/P | | | | | | | | | |
| 7 | 6LA28840000 | SPG-E-6XR6X91R7R | 1 | 1/P | | | | | | | | | |
| 8 | 6LA28896000 | STAY-SPT-BYP-350 | 1 | 1/P | | | | | | | | | |
| 9 | 6LA65698000 | BUSH-8X12X8F | 1 | 5/P | | | | | | | | | |
| 10 | 6LA28857000 | ASYS-BRKT-LVR-SPT | 2 | 1/P | | | | | | | | | |
| 11 | 6LA28861000 | COVER-SPE-ARBOR-17 | 1 | 1/P | | | | | | | | | |
| 12 | 6LA28862000 | HOLDER-ROL-SPT-BYP | 1 | 1/D | | | | | | | | | |
| 13 | 6LA08935000 | SCR-M3X6BISR-NI | 4 | 10/P | | | | | | | | | |
| 14 | 6LA64837000 | ASYS-SHAFT-DRV-BYP | 1 | 1/P | | | | | | | | | |
| 15 | 4407734980 | BUSH-6-GCB | 1 | 5/P | | | | | | | | | |
| 16 | 6LA64821000 | ASYS-FRM-DRV-BYP | 1 | 1/P | | | | | | | | | |
| 17 | 6LA64851000 | PLATE-MG-BYP | 1 | 1/P | | | | | | | | | |
| 18 | 6LA64833000 | GEAR-10S20_10S25-6 | 1 | 1/P | | | | | | | | | |
| 19 | 6LA64831000 | BRKT-DRV-BYP | 1 | 1/P | | | | | | | | | |
| 20 | 6LA31944000 | CLUTCH-33C-6-CW-GEAR | 1 | 1/D | | | | | | | | | |
| 21 | 6LA64846000 | BRKT-DRV-BYP-R-N | 1 | 1/P | | | | | | | | | |
| 22 | 6LA28915000 | CPG-DRV-BYP-350 | 1 | 1/P | | | | | | | | | |
| 23 | 6LA64832000 | STUD-DRV-BYP | 1 | 1/P | | | | | | | | | |
| 101 | X0-00966000 | RR/E-5-SS | 6 | 10/P | | | | | | | | | |
| 102 | X0-00965000 | RR/E-4-SS | 2 | 10/P | | | | | | | | | |
| 103 | 6LA08908000 | S/TPS/HEX-3*6-NI | 2 | 10/P | | | | | | | | | |
| 104 | FO-00291000 | IHP-6 | 1 | 10/P | | | | | | | | | |
| 105 | 6LA08900000 | S/HEX-M3*6-NI | 1 | 10/P | | | | | | | | | |
| 106 | X0-00730000 | S/SET/K-M3X4-B | 1 | 10/P | | | | | | | | | |
| 107 | X0-01989000 | S/TPP/B1D-3X8-NI | 3 | 10/P | | | | | | | | | |
| 108 | 6LA08917000 | S/TPP/HEX-3*8-NI | 3 | 10/P | | | | | | | | | |

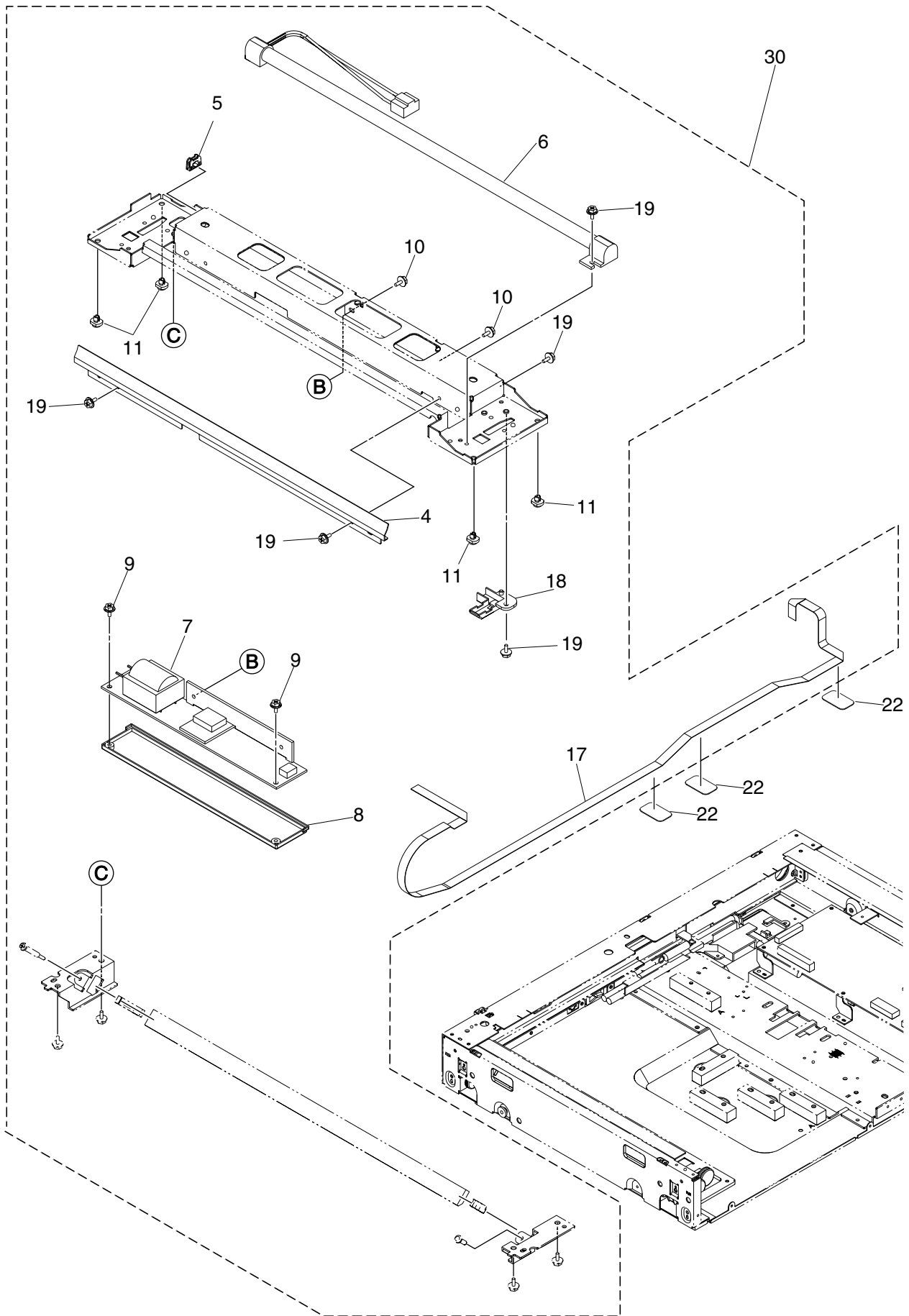


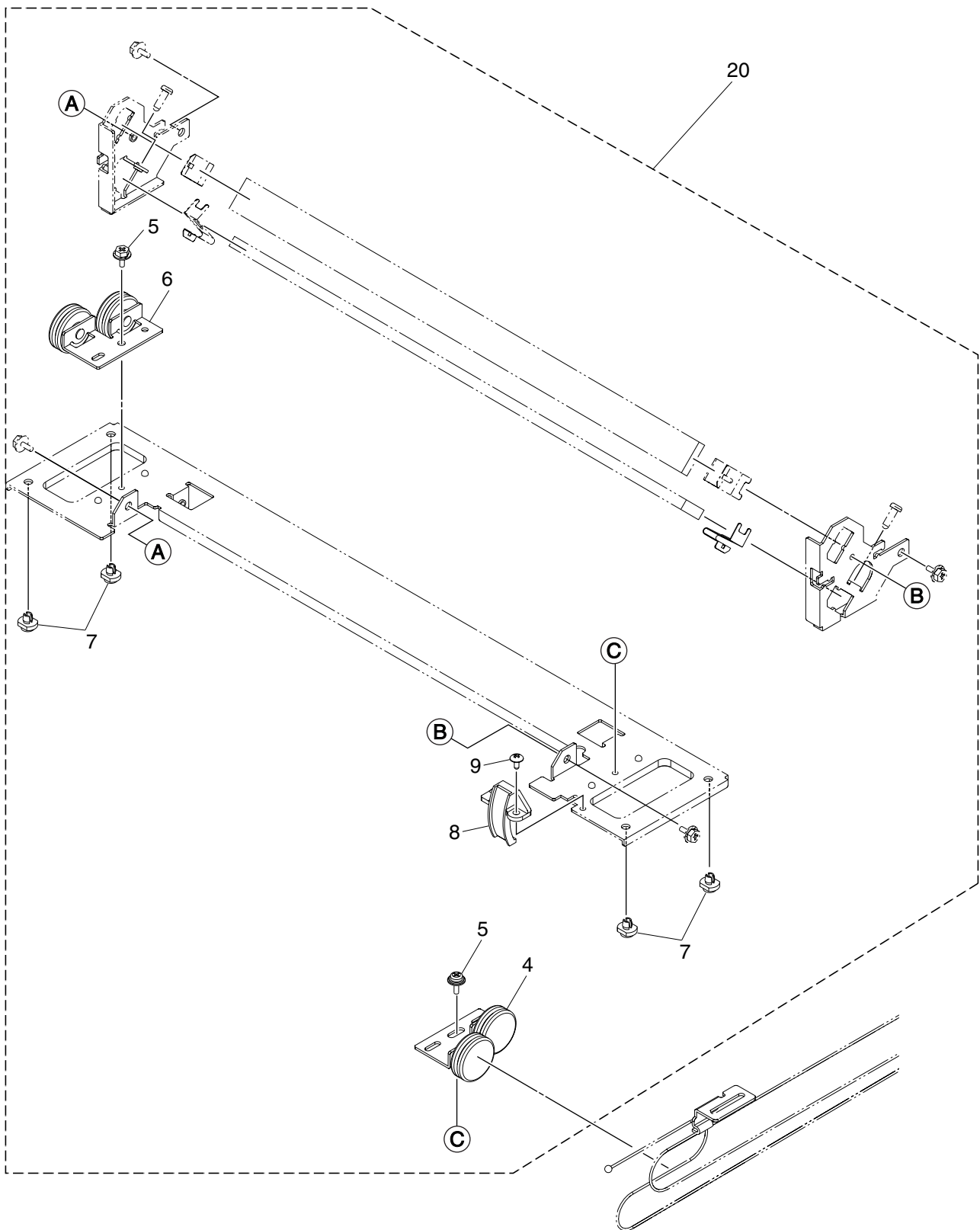
| ITEM NO. | PARTS NO. | PARTS NAME | Q'TY / PAGE | Q'TY / PACK | P | I | R | BSI NO. | TO | FROM | SERIAL NO. | REMARKS | C |
|----------|-------------|---------------------|-------------|-------------|----|---|---|---------|----|------|------------|---------|-----|
| 1 | 6LA64868000 | ASYS-FRAME-BYPASS | 1 | 1 | C | | | | | | | | |
| 2 | 6LA28967000 | SPL-IDLR-TR-BYPS | 2 | 1 | P | | | | | | | | |
| 3 | 6LA28966000 | SHAFT-IDLR-TR-BYPS | 1 | 1 | P | | | | | | | | |
| 4 | 6LA28965000 | IDLER-TR-BYPASS | 2 | 1 | P | | | | | | | | |
| 5 | CO-07598000 | GP1A73AR | 2 | 1 | P | | | | | | | | |
| 6 | 6LA28951000 | ACTUATOR-BYP | 1 | 1 | P | | | | | | | | |
| 7 | 6LA28960000 | SPG-T-SNSR-LOW-T | 1 | 1 | P | | | | | | | | |
| 8 | 6LA28952000 | BRKT-ACT-BYP | 1 | 1 | P | | | | | | | | |
| 9 | 6LA28963000 | BRKT-FRM-BYPS-F | 1 | 1 | P | | | | | | | | |
| 10 | 6LA28805000 | GUIDE-BYPASS-U | 1 | 1 | PP | | | | | | | | |
| 11 | 6LA04769000 | SOL-SFB-340 | 1 | 1 | P | | | | | | | | |
| 12 | 6LA28814000 | LEVER-PICK | 1 | 1 | P | | | | | | | | |
| 13 | 6LA28815000 | STUD-LVR-PIC-BP | 1 | 1 | P | | | | | | | | |
| 14 | 6LA28759000 | SPG-E-6XR8X36. 8XR | 1 | 1 | P | | | | | | | | |
| 15 | 6LA28827000 | STAY-BYPASS-U | 1 | 1 | P | | | | | | | | |
| 16 | 6LA64816000 | COVER-BYPASS-U | 1 | 1 | P | | | | | | | | |
| 17 | 6LA28842000 | ACTR-EMP-SW-BYP | 1 | 1 | P | | | | | | | | |
| 18 | 6LA28823000 | ASYS-BRKT-STOPPER | 1 | 1 | P | | | | | | | | |
| 19 | 6LA28821000 | STPR-BYP-F-350 | 1 | 1 | P | | | | | | | | |
| 20 | 4401965270 | ARM-STOPPER | 2 | 5 | P | | | | | | | | |
| 21 | 4401965250 | LEVER-STOPPER-F | 1 | 1 | P | | | | | | | | |
| 22 | 6LA28822000 | STPR-BYP-R-350 | 1 | 1 | P | | | | | | | | |
| 23 | 4401965260 | LEVER-STOPPER-R | 1 | 1 | P | | | | | | | | |
| 24 | 6LA28819000 | PLATE-ARM-PICK | 1 | 1 | P | | | | | | | | |
| 25 | 6LA28835000 | BLT-SY-138-2GT-2. 8 | 1 | 1 | P | | | | | | | | |
| 26 | 44218398000 | K-ROLL-PICK-SFB | 1 | 1 | P | | | | | | | | MSP |
| 27 | 6LA28818000 | SFT-ROL-PIC-BYP-350 | 1 | 1 | P | | | | | | | | |
| 28 | 6LA28807000 | SHAFT-ROL-FEED-BYPS | 1 | 1 | P | | | | | | | | |
| 29 | 6LA28811000 | GEAR-06S-027-06 | 2 | 1 | P | | | | | | | | |
| 30 | 4402833110 | CLUTCH-6-L | 2 | 1 | P | | | | | | | | |
| 31 | 6LA28756000 | ARM-PICK-350 | 1 | 1 | P | | | | | | | | |
| 32 | 6LA28832000 | WEIGHT-PICK-BYP-LOW | 1 | 1 | P | | | | | | | | |
| 33 | 6LA28834000 | WEIGHT-PICK-BYP-UP | 1 | 1 | P | | | | | | | | |
| 34 | 6LA28817000 | SPL-ROL-FEED-BYP | 1 | 1 | P | | | | | | | | |
| 35 | 6LA28758000 | CUSHION-PAD | 1 | 5 | P | | | | | | | | |
| 36 | 4401966400 | PLY/T-2GT020-06 | 1 | 1 | P | | | | | | | | |
| 37 | 44218389000 | K-RLR-FEED-SFB | 1 | 1 | P | | | | | | | | MSP |
| 38 | 4407972860 | STOP-RING-6-5 | 5 | 5 | P | | | | | | | | |
| 39 | 6LA28812000 | CPG-DRVN-BYP-350 | 1 | 1 | P | | | | | | | | |
| 40 | 6LA28841000 | ROLLER-TR-BYPASS | 1 | 1 | KP | | | | | | | | |
| 41 | 6LA28820000 | STUD-G032-BYPS | 1 | 1 | P | | | | | | | | |
| 42 | 44201789000 | GEAR-06S-032-06 | 1 | 1 | P | | | | | | | | |
| 43 | 6LA71420000 | HRNS-SFB-360 | 1 | 1 | P | | | | | | | | |
| 44 | 4407734980 | BUSH-6-GCB | 4 | 5 | P | | | | | | | | |
| 45 | 6LA28837000 | SHAFT-WEIGHT-BYP | 1 | 1 | P | | | | | | | | |
| 46 | 6LA28831000 | WEIGHT-PICK-BYP | 1 | 1 | P | | | | | | | | |
| 47 | 6LA28833000 | WEIGHT-PICK-BYP-MID | 1 | 1 | P | | | | | | | | |
| 48 | 6LA71421000 | HRNS-SFB-PIS-360 | 1 | 1 | P | | | | | | | | |
| 50 | 6LA28839000 | SPG-ACTR-EMP-SW | 1 | 1 | P | | | | | | | | |
| 101 | X0-00979000 | P/PRL/AH7-2X8-SS | 1 | 10 | P | | | | | | | | |
| 102 | X0-02011000 | S/CTS-M3X8-NI | 2 | 10 | P | | | | | | | | |
| 103 | 6LA08917000 | S/TPP/HEX-3*8-NI | 15 | 10 | P | | | | | | | | |
| 105 | X0-00964000 | RR/E-3-SS | 5 | 10 | P | | | | | | | | |
| 106 | X0-00966000 | RR/E-5-SS | 8 | 10 | P | | | | | | | | |
| 107 | 6LA08913000 | S/TPS/HEX-4*8-NI | 2 | 10 | P | | | | | | | | |
| 108 | 6LA08900000 | S/HEX-M3*6-NI | 2 | 10 | P | | | | | | | | |

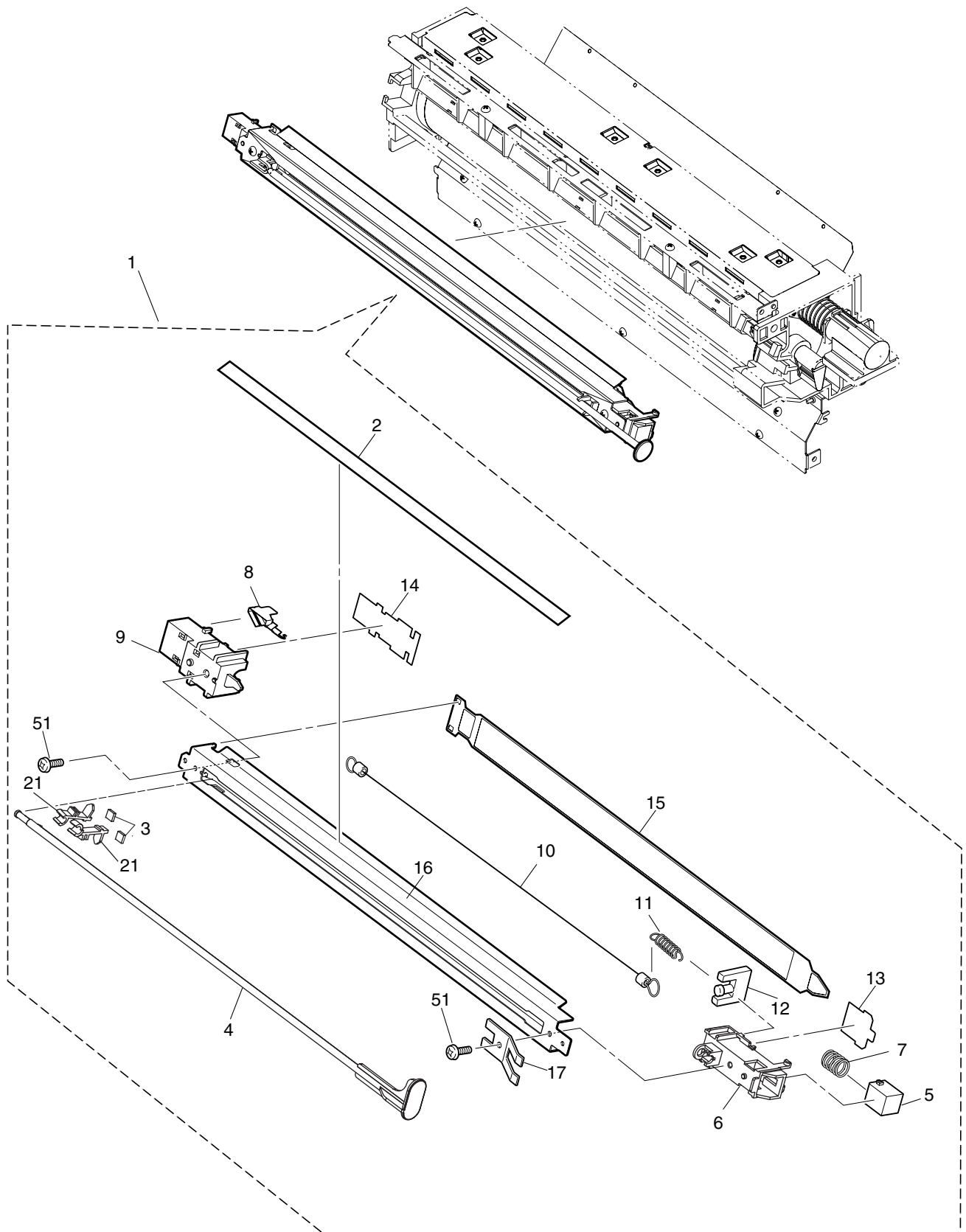


| ITEM NO. | PARTS NO. | PARTS NAME | Q'TY / PAGE | Q'TY / PACK | P | I | R | BSI NO. | TO | FROM | SERIAL NO. | REMARKS | C |
|----------|-------------|---------------------|-------------|-------------|---|---|---|---------|----|------|------------|---------|---|
| 1 | 44201890000 | GUIDE-FEEDER-L | 1 | 1/D | | | | | | | | | |
| 2 | E0-01853000 | CS1A-B2CA | 1 | 1/D | | | | | | | | | |
| 3 | 44201891000 | GUIDE-FEED-R | 1 | 1/P | | | | | | | | | |
| 4 | 6LA67001000 | GUIDE-FEED-BYP | 1 | 1/PP | | | | | | | | | |
| 5 | 4401983080 | SZ-FED-210 | 1 | 1/P | | | | | | | | | |
| 6 | 6LA71303000 | HRNS-TR-SW-360 | 1 | 1/P | | | | | | | | | |
| 7 | 6LA66907000 | ASYS-GUIDE-RGST-L | 1 | 1/PP | | | | | | | | | |
| 8 | 44201537000 | ACT-SW-RGST-N | 1 | 1/P | | | | | | | | | |
| 9 | 6LA66909000 | ACT-SW-FEED-1 | 1 | 1/P | | | | | | | | | |
| 10 | 44201535000 | SPA-RGST-SW | 2 | 1/P | | | | | | | | | |
| 11 | 00-07598000 | GP1A73AR | 2 | 1/P | | | | | | | | | |
| 12 | 6LA66906000 | ASYS-GUIDE-RGST-R | 1 | 1/PP | | | | | | | | | |
| 13 | 6LA71302000 | HRNS-RGT-SW-360 | 1 | 1/P | | | | | | | | | |
| 14 | 6LA66967000 | GUIDE-COV-FED-L | 1 | 1/PP | | | | | | | | | |
| 15 | 44201622000 | ROLLER-FEED-IDL | 1 | 1/KP | | | | | | | | | |
| 16 | 44201623000 | BUSH-FEED-IDL | 2 | 5/P | | | | | | | | | |
| 17 | 6LA66976000 | SPG-C-8R2XR9X15R5 | 2 | 5/P | | | | | | | | | |
| 18 | 44200424000 | MG-CATCH-44 | 1 | 1/P | | | | | | | | | |
| 19 | 44201490000 | ROLLER-RGST-R | 1 | 1/KP | | | | | | | | | |
| 20 | 4346312020 | PIN | 1 | 10/P | | | | | | | | | |
| 21 | 4401964660 | GEAR-10S020-08 | 1 | 1/P | | | | | | | | | |
| 22 | 44201510000 | ROLLER-RGST-L | 1 | 1/KP | | | | | | | | | |
| 23 | 4407403790 | NPIN2-8 | 1 | 10/P | | | | | | | | | |
| 24 | 4402813190 | GEAR-15-1.0 | 1 | 1/P | | | | | | | | | |
| 25 | 6LA37666000 | KNOB-RGST | 1 | 1/P | | | | | | | | | |
| 26 | 6LA66911000 | SPG-E-RGST | 2 | 1/P | | | | | | | | | |
| 27 | 4407976990 | BUSH-D6-GCB | 2 | 1/P | | | | | | | | | |
| 28 | 6LA65698000 | BUSH-8X12X8F | 2 | 5/P | | | | | | | | | |
| 29 | 6LA66952000 | BRKT-SW-RGST | 1 | 1/P | | | | | | | | | |
| 30 | 44201627000 | GUIDE-OPEN-L | 1 | 1/PP | | | | | | | | | |
| 31 | 6LA66939000 | CLUCH-33C-8-CW-GEAR | 1 | 1/C | | | | | | | | | |
| 32 | X0-00730000 | S/SET/K-M3X4-B | 1 | 10/P | | | | | | | | | |
| 33 | 6LA66968000 | KNOB-COVER-FEED | 1 | 1/P | | | | | | | | | |
| 34 | 6LA37669000 | SCREW-LOCK-ARM | 1 | 5/P | | | | | | | | | |
| 35 | 44201542000 | MYLAR-SW-RGST-1 | 1 | 5/P | | | | | | | | | |
| 36 | 44201543000 | MYLAR-SW-RGST-2 | 2 | 5/P | | | | | | | | | |
| 37 | 44201629000 | STOPPER-COV-FED | 1 | 1/P | | | | | | | | | |
| 38 | 6LA67002000 | SPL-GUIDE-FED-BYP | 1 | 1/P | | | | | | | | | |
| 51 | 6LA08917000 | S/TPP/HEX-3*8-NI | 3 | 10/P | | | | | | | | | |
| 52 | X0-02092000 | S/TPP/BRZ-4X8-NI | 2 | 10/P | | | | | | | | | |
| 53 | X0-00968000 | RR/E-7-SS | 3 | 10/P | | | | | | | | | |
| 54 | X0-00966000 | RR/E-5-SS | 3 | 10/P | | | | | | | | | |
| 55 | 6LA08913000 | S/TPS/HEX-4*8-NI | 4 | 10/P | | | | | | | | | |
| 56 | 6LA08923000 | S/TPP/HEX-4*12-NI | 2 | 10/P | | | | | | | | | |

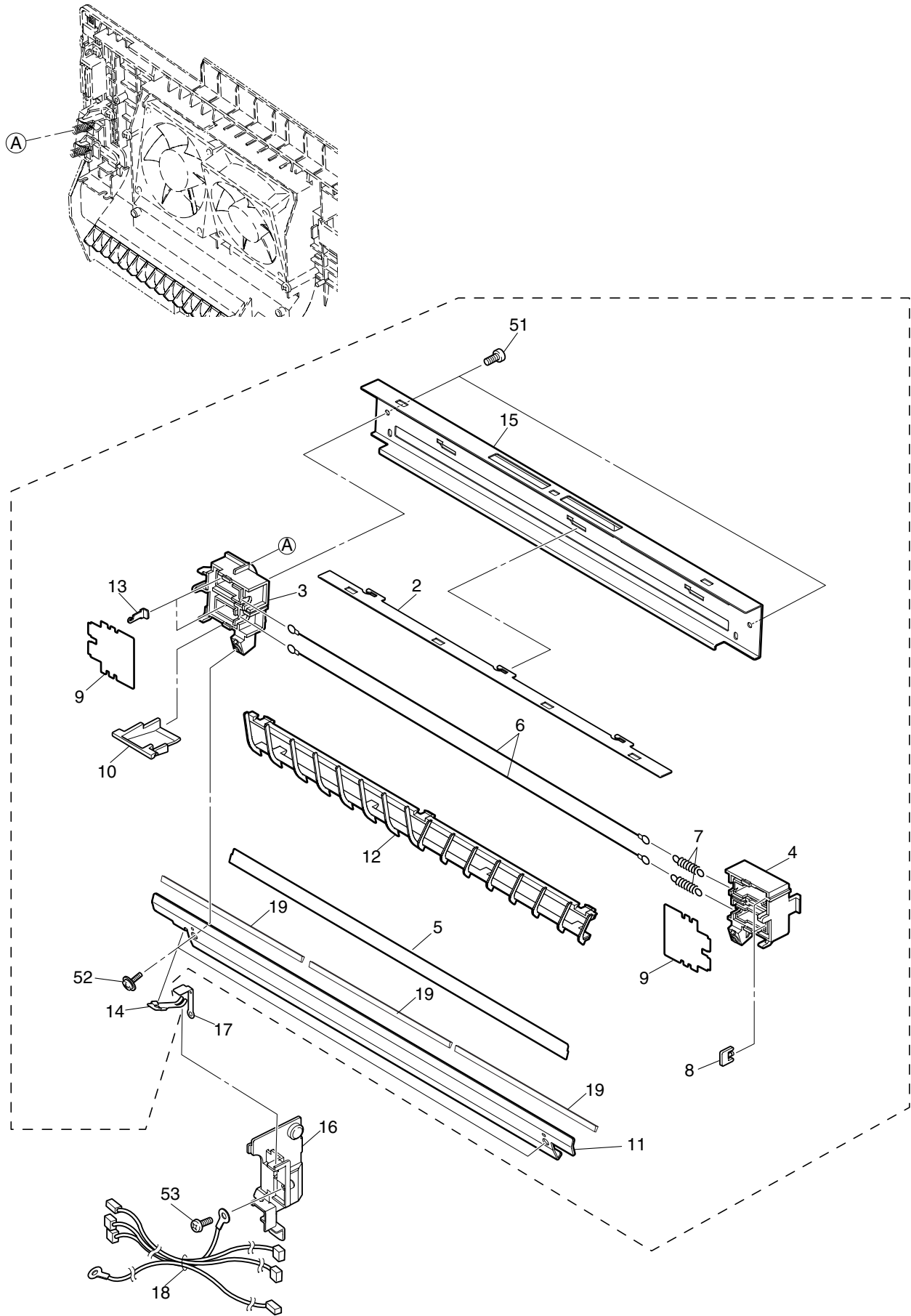




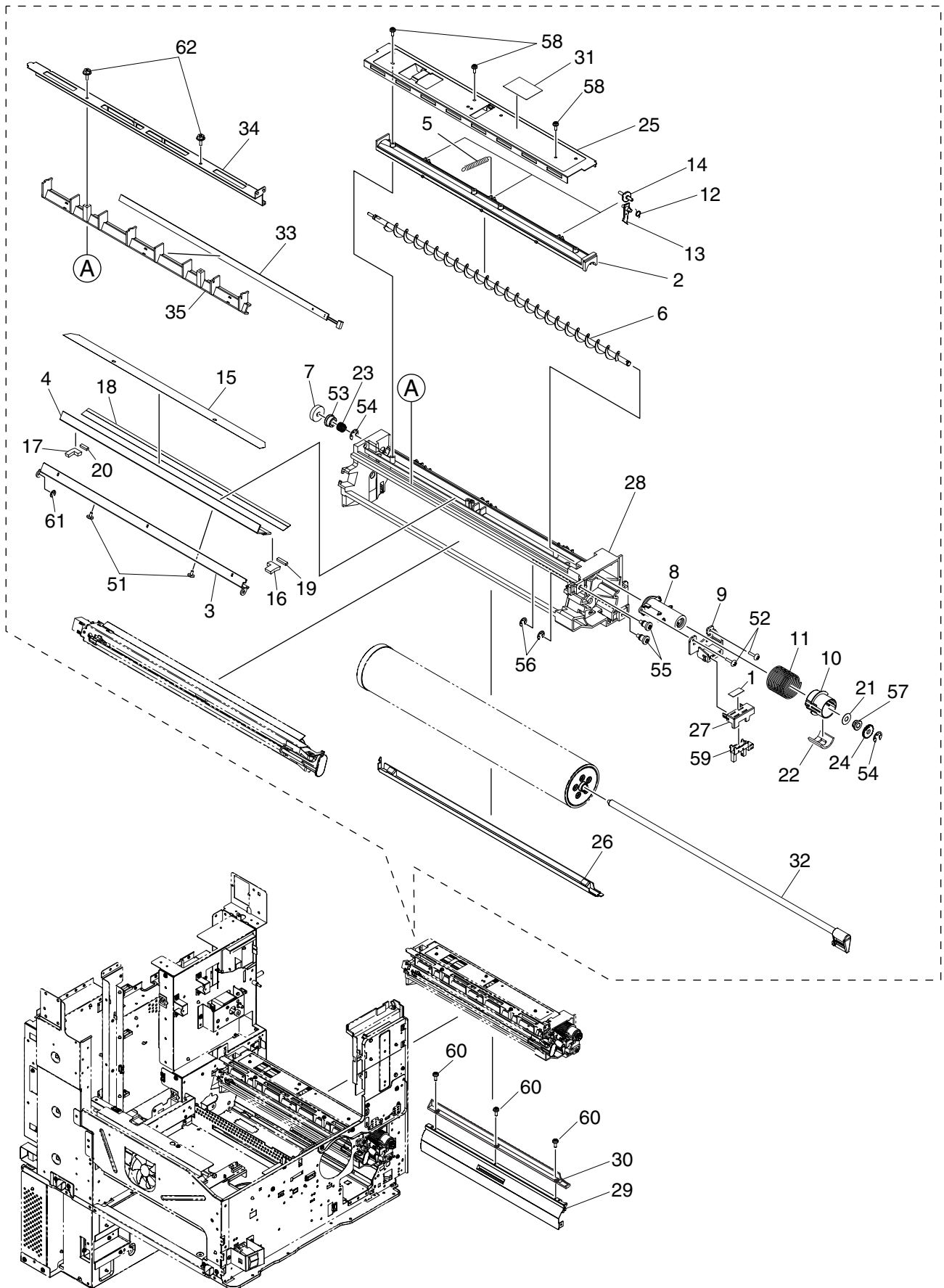




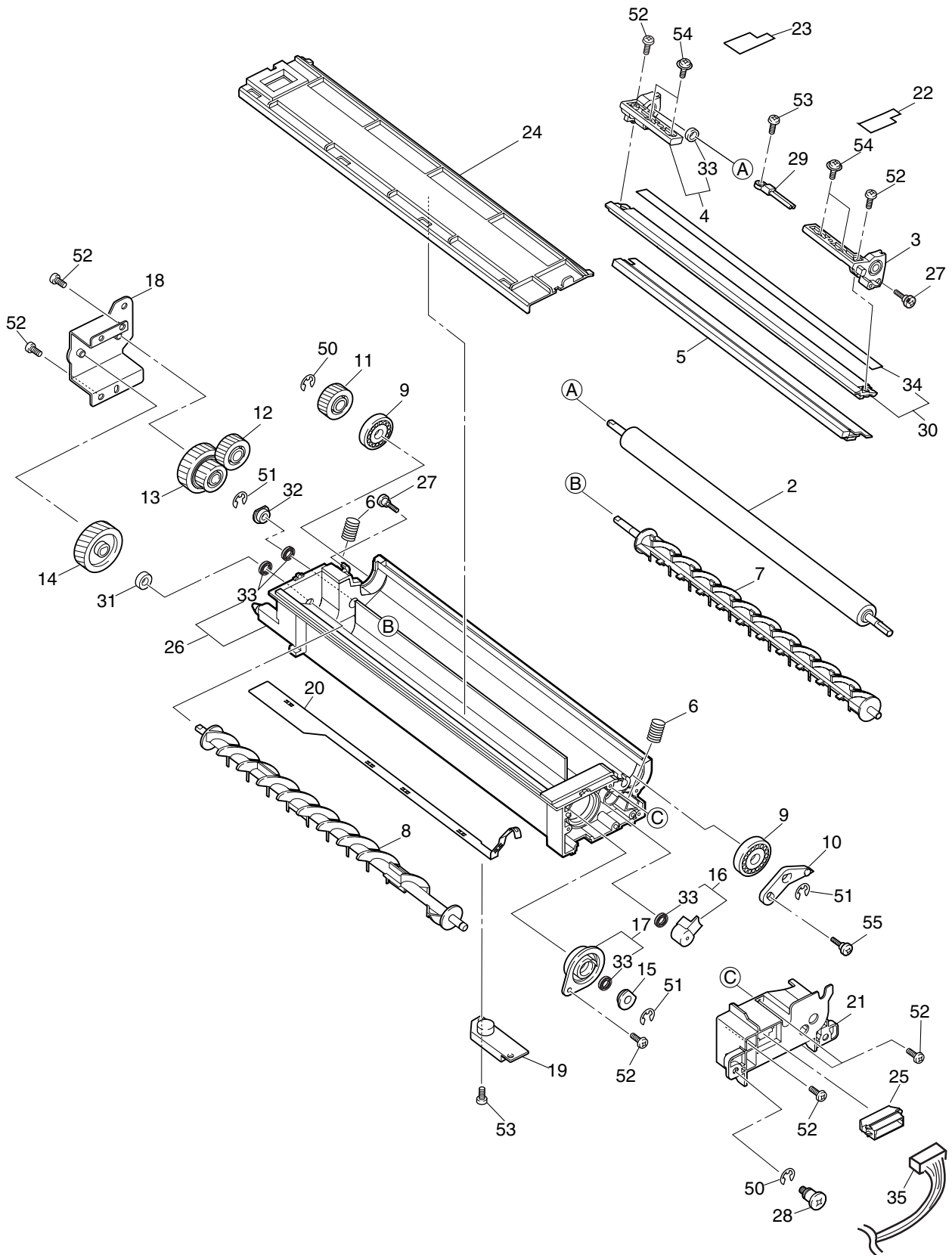
| ITEM NO. | PARTS NO. | PARTS NAME | QTY / PAGE | QTY / PACK | P | I | R | BSI NO. | TO | FROM | SERIAL NO. | REMARKS | C |
|----------|-------------|------------------|------------|------------|---|---|---|---------|----|------|------------|---------|-----|
| 1 | 6LA62890000 | ASY-CH-MAIN | 1 | 1 | | | | | | | | | |
| 2 | 44203518000 | MYLAR-M-CH | 1 | 1 | | | | | | | | | |
| 3 | 4406330470 | PAD-CLN-300 | 2 | 5 | | | | | | | | | |
| 4 | 6LA62891000 | SFT-WIRE-CLN | 1 | 1 | | | | | | | | | |
| 5 | 4408672550 | PUSH-CH-M-F-220 | 1 | 1 | | | | | | | | | |
| 6 | 44203503000 | TERMINAL-CH-M-F | 1 | 1 | | | | | | | | | |
| 7 | 4408672530 | SPC060-010-0227 | 1 | 5 | | | | | | | | | |
| 8 | 44203517000 | HOO K-R-CH-M | 1 | 1 | | | | | | | | | |
| 9 | 44203505000 | TERMINAL-CH-M-R | 1 | 1 | | | | | | | | | |
| 10 | 4408672510 | WIRE-CH-363 | 1 | 5 | | | | | | | | | MSP |
| 11 | 4407402190 | SPRING-TENS-CH | 1 | 5 | | | | | | | | | |
| 12 | 4407682120 | HANGER-WIRE | 1 | 1 | | | | | | | | | |
| 13 | 44203510000 | LID-TERM-F | 1 | 1 | | | | | | | | | |
| 14 | 44203512000 | LID-TERM-R | 1 | 1 | | | | | | | | | |
| 15 | 4408672480 | GRID-220 | 1 | 1 | | | | | | | | | MSP |
| 16 | 44203507000 | CASE-CH-M-320 | 1 | 1 | | | | | | | | | |
| 17 | 44203519000 | SPL-CH-M | 1 | 1 | | | | | | | | | |
| 21 | 44203522000 | HLD-PAD-CH-M | 2 | 1 | | | | | | | | | |
| 51 | X0-00595000 | S/TPP/PAN-3X6-N1 | 2 | 10 | | | | | | | | | |



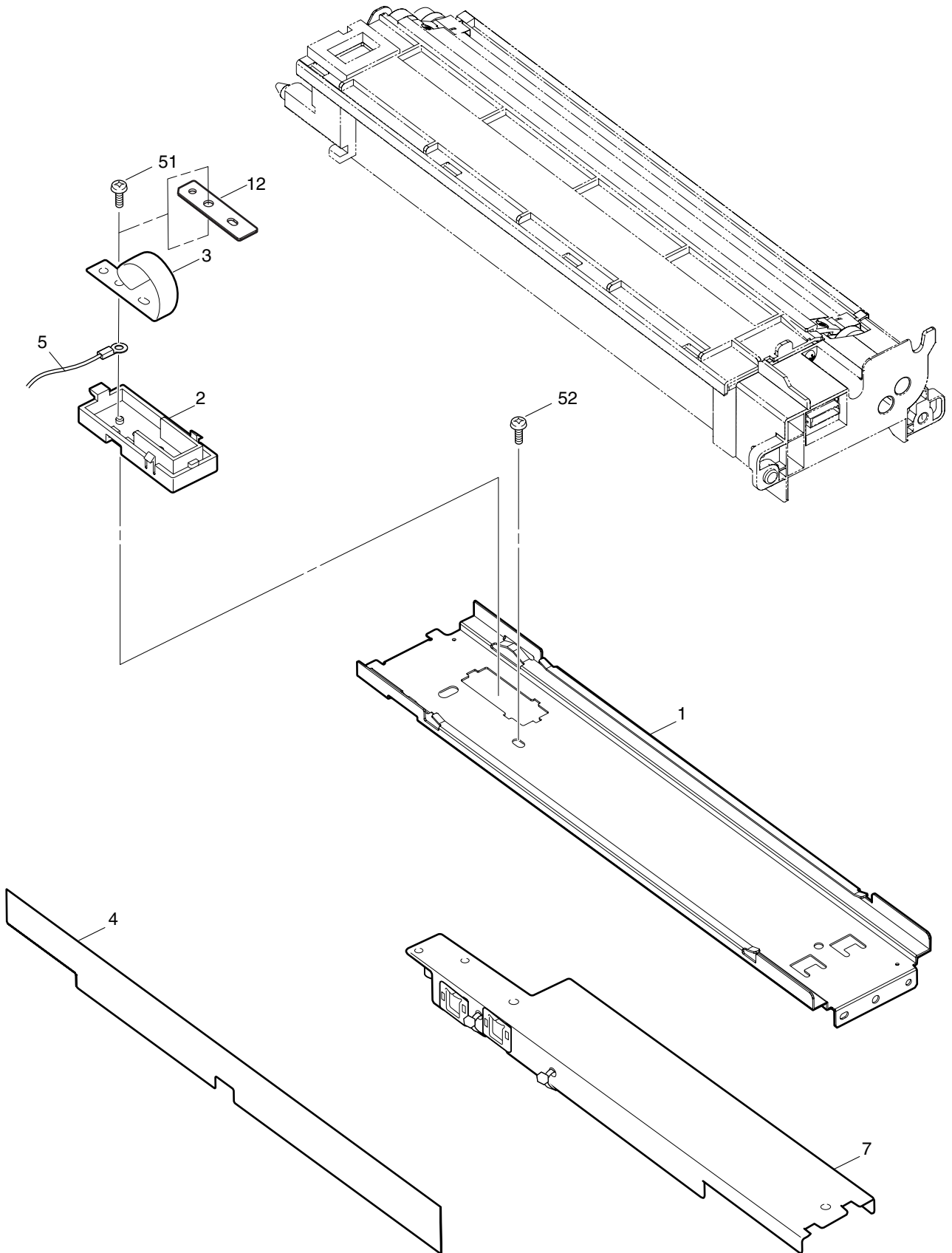
| ITEM NO. | PARTS NO. | PARTS NAME | QTY / PAGE | QTY / PACK | P | I | R | BSI NO. | TO | FROM | SERIAL NO. | REMARKS | C |
|----------|-------------|---------------------|------------|------------|---|---|---|---------|----|------|------------|---------|-----|
| 2 | 44203830000 | PLT-CASE-TR-320 | 1 | 1/KP | | | | | | | | | |
| 3 | 44203855000 | TERM-TR-R-320 | 1 | 1/P | | | | | | | | | |
| 4 | 44203850000 | TERM-TR-F-320 | 1 | 1/P | | | | | | | | | |
| 5 | 44203833000 | MYLAR-TR-GUIDE | 1 | 1/KP | | | | | | | | | |
| 6 | 4400674790 | WIRE-CH-060*353 | 2 | 5/S | | | | | | | | | MSP |
| 7 | 4407402190 | SPRING-TENS-CH | 2 | 5/P | | | | | | | | | |
| 8 | 4407682120 | HANGER-WIRE | 2 | 1/P | | | | | | | | | |
| 9 | 44203868000 | LID-TR-320 | 2 | 1/P | | | | | | | | | |
| 10 | 44203847000 | COVER-TERM-TR | 1 | 1/P | | | | | | | | | |
| 11 | 6LA63603000 | GUIDE-CHARGR-TR | 1 | 1/P | | | | | | | | | |
| 12 | 6LA56333000 | SUPPORTER-320PP | 1 | 1/P | | | | | | | | | |
| 13 | 44203860000 | PLT-TERM-1 | 2 | 1/P | | | | | | | | | |
| 14 | 44203845000 | SPL-GUIDE-CH-TR | 1 | 1/P | | | | | | | | | |
| 15 | 44203820000 | CASE-CH-TR-320 | 1 | 1/P | | | | | | | | | |
| 16 | 44203885000 | TERM-TCH-320 | 1 | 1/P | | | | | | | | | |
| 17 | 44203887000 | PLT-G-TRM-TCH | 1 | 1/P | | | | | | | | | |
| 18 | 6LA71328000 | HRNS-HVT-TCH-360 | 1 | 1/P | | | | | | | | | |
| 19 | 6LA63607000 | GUIDE-TR-SUB | 3 | 1/P | | | | | | | | | |
| 51 | X0-02096000 | S/TPP/BRZ-3X8-NI | 2 | 10/P | | | | | | | | | |
| 52 | X0-02115000 | S/TP/FPAN2/S-3X8-NI | 2 | 10/P | | | | | | | | | |
| 53 | 6LA08917000 | S/TPP/HEX-3*8-NI | 1 | 10/P | | | | | | | | | |

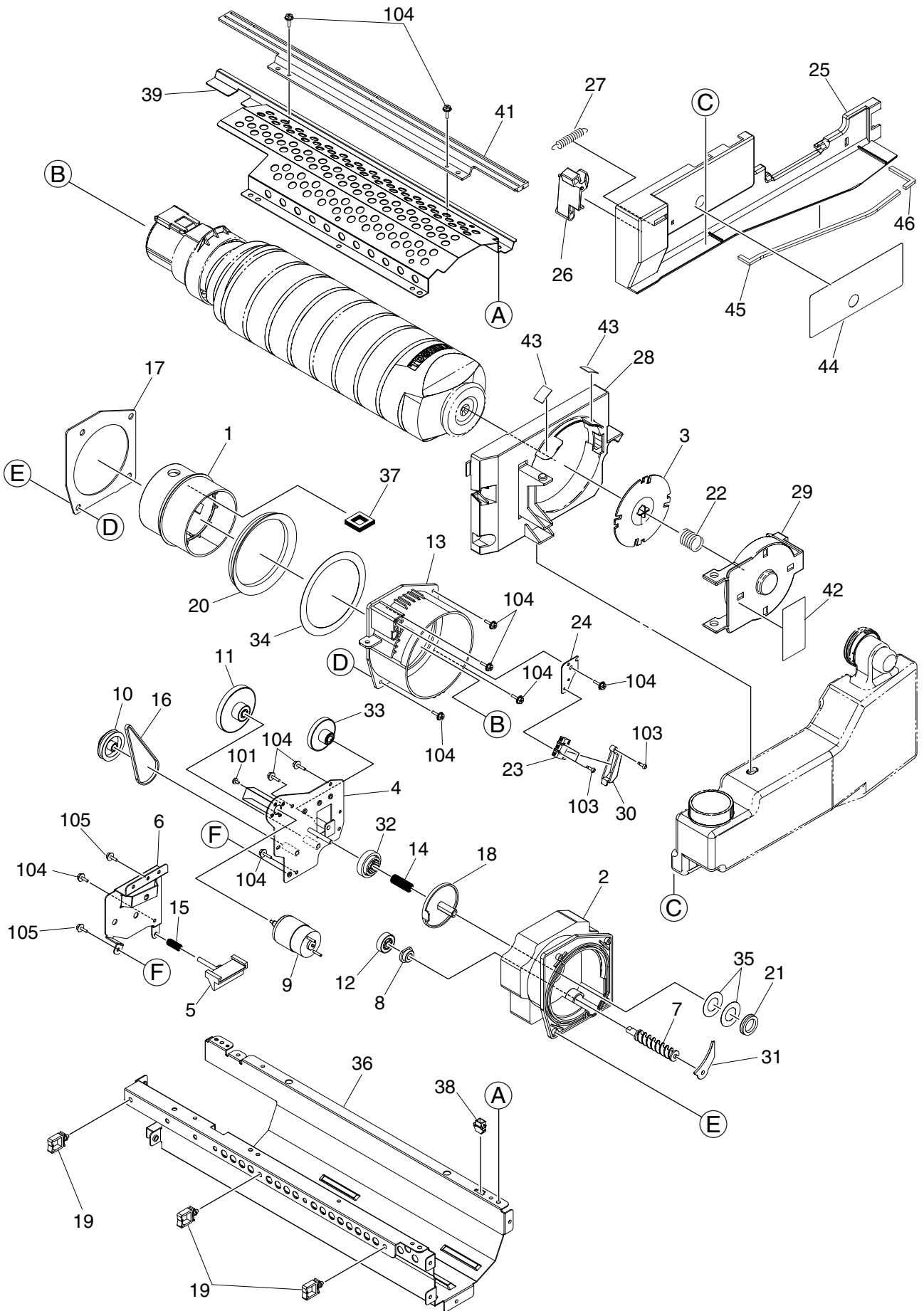


| ITEM NO. | PARTS NO. | PARTS NAME | QTY / PAGE | QTY / PACK | P | I | R | BSI NO. | TO | FROM | SERIAL NO. | REMARKS | C |
|----------|-------------|-------------------|------------|------------|---|---|---|---------|----|------|------------|---------|-----|
| 1 | 6LA62866000 | SHEET-TONER-FULL | 1 | 5/P | | | | | | | | | |
| 2 | 44203449000 | K-CASE-AUG-CLN | 1 | 1/PP | | | | | | | | | |
| 3 | 6LA62871000 | BRKT-BLADE | 1 | 1/P | | | | | | | | | |
| 4 | 6LA27554000 | BL-3520D | 1 | 1/S | | | | | | | | | GSP |
| 5 | 44203422000 | SPE-BLADE-320 | 1 | 5/P | | | | | | | | | |
| 6 | 44203427000 | K-AUGER-CLN-320 | 1 | 1/KP | | | | | | | | | |
| 7 | 44203428000 | GEAR-AUGER | 1 | 1/P | | | | | | | | | |
| 8 | 6LA62855000 | NOZZLE-CLNR | 1 | 1/P | | | | | | | | | |
| 9 | 6LA62865000 | HLDR-TONER-FULL | 1 | 1/P | | | | | | | | | |
| 10 | 6LA62858000 | COVER-NOZZLE-CLNR | 1 | 1/P | | | | | | | | | |
| 11 | 6LA62857000 | SPG-C-30R8X1R3X54 | 1 | 1/P | | | | | | | | | |
| 12 | 41305536000 | SPD-SCRPR-DRUM | 3 | 1/P | | | | | | | | | |
| 13 | 41306133000 | SCRAPER-DRUM | 3 | 3/P | | | | | | | | | MSP |
| 14 | 44203459000 | WHEEL-CLN-320 | 3 | 1/P | | | | | | | | | |
| 15 | 44203414000 | MYLAR-BLADE-BK | 1 | 1/KP | | | | | | | | | |
| 16 | 44203410000 | SEAL-CLN-F | 1 | 5/P | | | | | | | | | |
| 17 | 44203412000 | SEAL-CLN-R | 1 | 5/P | | | | | | | | | |
| 18 | 44203416000 | K-BLADE-REC | 1 | 1/KP | | | | | | | | | |
| 19 | 44203423000 | SEAL-CLN-F2 | 1 | 5/P | | | | | | | | | |
| 20 | 44203425000 | SEAL-CLN-R2 | 1 | 5/P | | | | | | | | | |
| 21 | 44203435000 | WASHER-CLN-AUG | 1 | 5/P | | | | | | | | | |
| 22 | 6LA62856000 | SEAL-NOZZLE-CLNR | 1 | 1/KP | | | | | | | | | |
| 23 | 6LA62868000 | SPG-C-8XR55X12L | 1 | 5/P | | | | | | | | | |
| 24 | 44203436000 | KNOB-CLN-AUG | 1 | 1/P | | | | | | | | | |
| 25 | 6LA62915000 | ROOF-CLNR-TOP | 1 | 1/P | | | | | | | | | |
| 26 | 6LA62881000 | ASYS-RAIL-CLN-LWR | 1 | 1/KP | | | | | | | | | |
| 27 | 6LA62862000 | HLDR-TONER-SNSR | 1 | 1/P | | | | | | | | | |
| 28 | 44203405000 | K-CASE-CLN-320 | 1 | 1/C | | | | | | | | | |
| 29 | 6LA63802000 | RAIL-CLN-A | 1 | 1/P | | | | | | | | | |
| 30 | 44203745000 | GUIDE-CLN-RGST | 1 | 1/P | | | | | | | | | |
| 31 | 6LA75501000 | LBL-HNDL-CLNR | 1 | 1/KP | | | | | | | | | |
| 32 | 44203474000 | K-SFT-DRUM-320 | 1 | 1/KP | | | | | | | | | |
| 33 | 44203765000 | LP-ERASE-320 | 1 | 1/C | | | | | | | | | |
| 34 | 6LA63701000 | RAIL-CLN-B | 1 | 1/P | | | | | | | | | |
| 35 | 44203720000 | HOLDER-LED-320 | 1 | 1/P | | | | | | | | | |
| 51 | X0-00426000 | S/BID-M3X4-NI | 2 | 10/P | | | | | | | | | |
| 52 | X0-02095000 | S/TPP/BRZ-3X10-NI | 2 | 10/P | | | | | | | | | |
| 53 | 6LA62875000 | BUSH-6X10X6F-M | 1 | 5/P | | | | | | | | | |
| 54 | X0-00966000 | RR/E-5-SS | 2 | 10/P | | | | | | | | | |
| 55 | 6LA65682000 | SCREW-CLNR-DEV | 2 | 10/P | | | | | | | | | |
| 56 | X0-00965000 | RR/E-4-SS | 2 | 10/P | | | | | | | | | |
| 57 | 6LA02367000 | BUSH-0613-06F-M | 1 | 5/P | | | | | | | | | |
| 58 | X0-00595000 | S/TPP/PAN-3X6-NI | 3 | 10/P | | | | | | | | | |
| 59 | 6LA62863000 | SNR-TFUL-360 | 1 | 1/C | | | | | | | | | |
| 60 | X0-02069000 | S/TPS/BID-3X6-ZU3 | 3 | 10/P | | | | | | | | | |
| 61 | X0-00964000 | RR/E-3-SS | 1 | 10/P | | | | | | | | | |
| 62 | 6LA08917000 | S/TPP/HEX-3*8-NI | 2 | 10/P | | | | | | | | | |

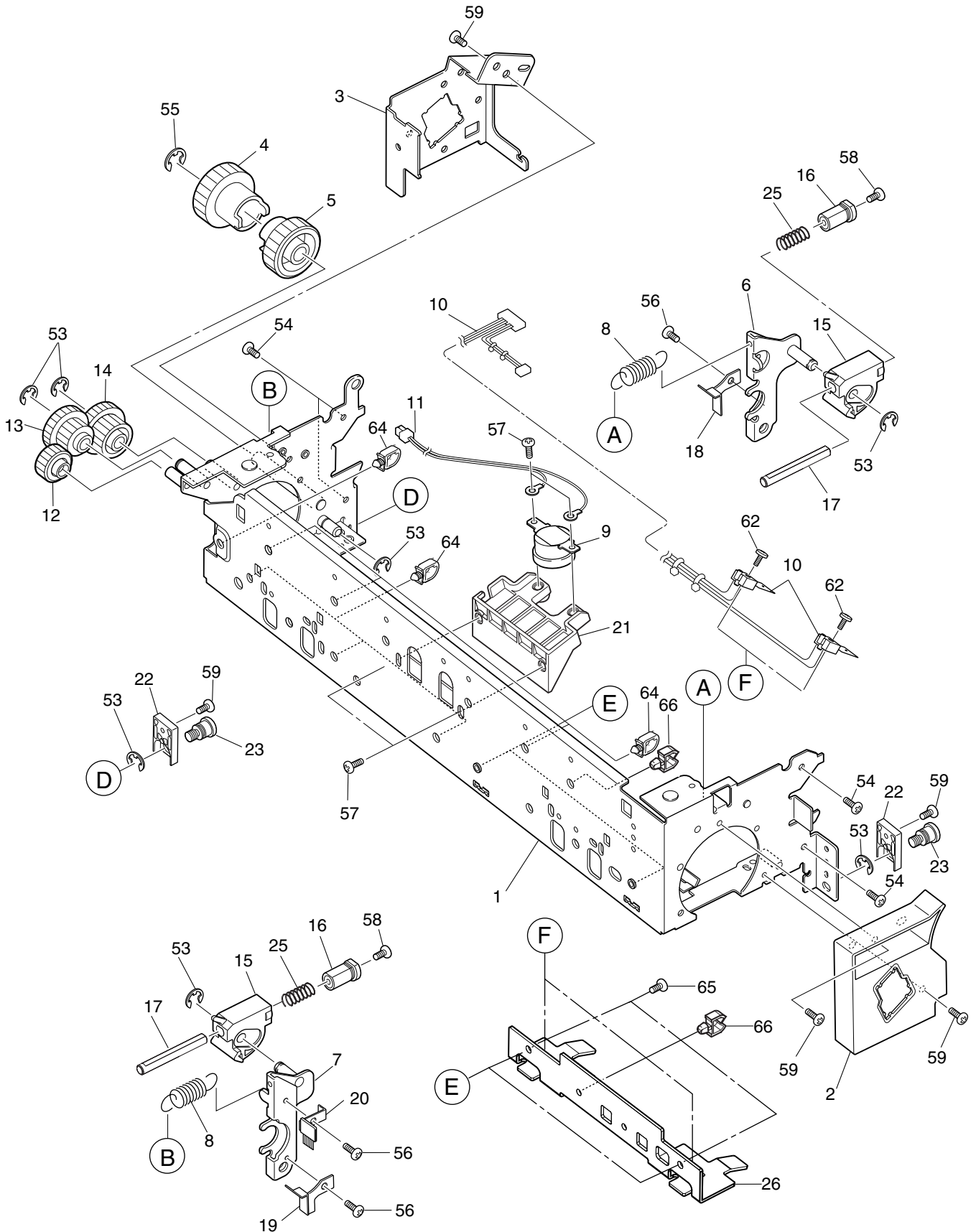


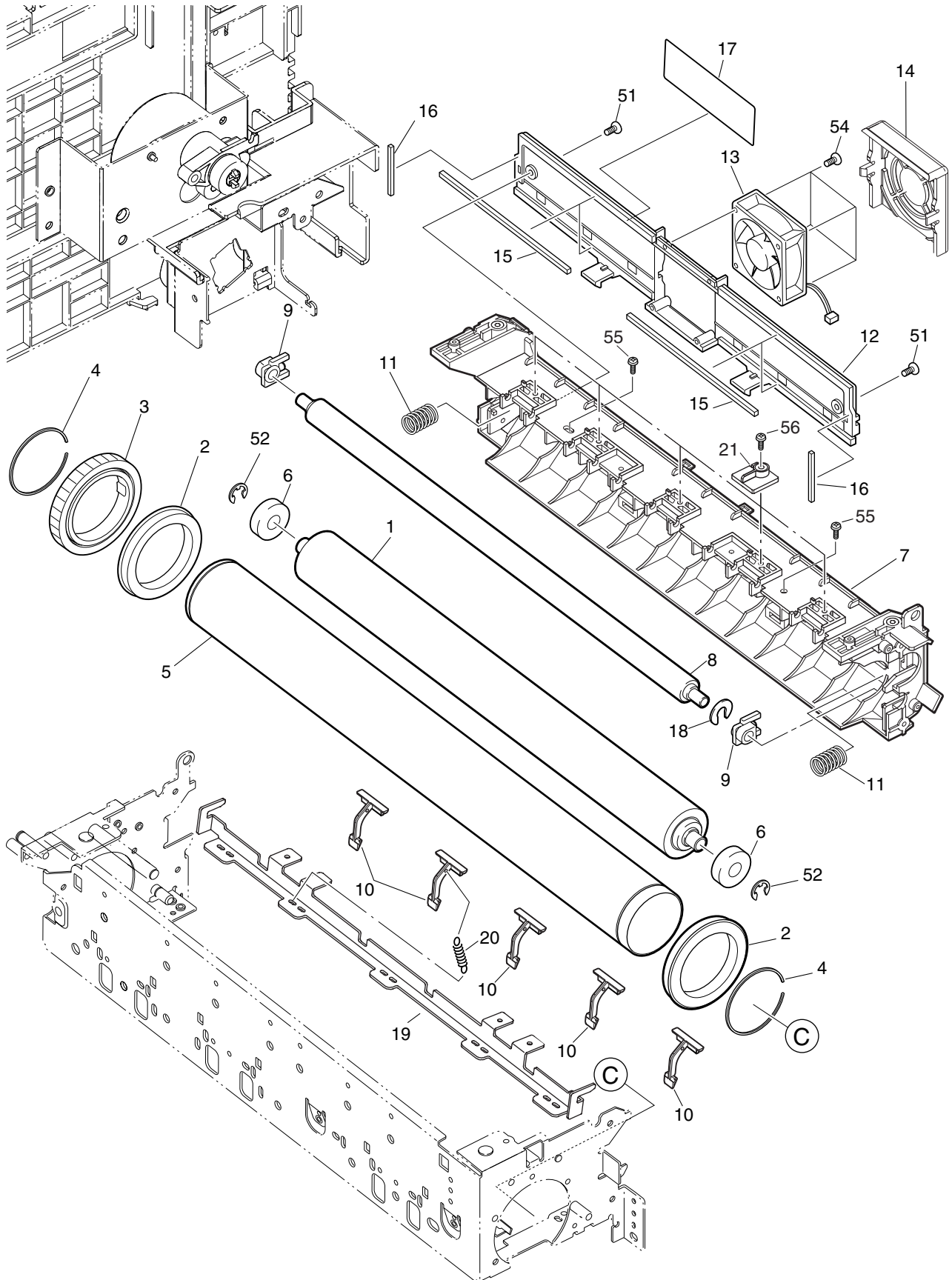
| ITEM NO. | PARTS NO. | PARTS NAME | QTY / PAGE | QTY / PACK | P | I | R | BSI NO. | TO | FROM | SERIAL NO. | REMARKS | C |
|----------|-------------|----------------------|------------|------------|---|---|---|---------|----|------|------------|---------|---|
| 2 | 44204030000 | ROLLER-MGN-320 | 1 | 1/KP | | | | | | | | | |
| 3 | 6LA60781000 | ASYS-HLDR-MG-FRT | 1 | 1/P | | | | | | | | | |
| 4 | 6LA60870000 | ASYS-HLDR-MG-RER | 1 | 1/P | | | | | | | | | |
| 5 | 44204048000 | K-DOCTOR-MG | 1 | 1/P | | | | | | | | | |
| 6 | 44204050000 | SPC-PUSH-MG | 2 | 5/P | | | | | | | | | |
| 7 | 44204052000 | MIXER-1-320 | 1 | 1/KP | | | | | | | | | |
| 8 | 44204053000 | K-MIXER-2-320 | 1 | 1/KP | | | | | | | | | |
| 9 | 44204055000 | RLR-GUIDE-320 | 2 | 1/P | | | | | | | | | |
| 10 | 44204057000 | PLT-ADJUST-MG | 1 | 1/P | | | | | | | | | |
| 11 | 44204060000 | GEAR-08H020-MG | 1 | 1/P | | | | | | | | | |
| 12 | 44204061000 | GEAR-08H021-IDL | 1 | 1/P | | | | | | | | | |
| 13 | 44204062000 | GG10H026/08H019 | 1 | 1/P | | | | | | | | | |
| 14 | 44204063000 | GEAR-10H026-MX2 | 1 | 1/P | | | | | | | | | |
| 15 | 44204339000 | BUSH-0612*06F-M | 1 | 5/P | | | | | | | | | |
| 16 | 44204065000 | K-BUSH-MIX1 | 1 | 1/P | | | | | | | | | |
| 17 | 44204069000 | K-BUSH-MIX2 | 1 | 1/P | | | | | | | | | |
| 18 | 6LA60771000 | ASYS-PLATE-DEV-RER | 1 | 1/P | | | | | | | | | |
| 19 | 4402859550 | SNR-ATC-121 | 1 | 1/D | | | | | | | | | |
| 20 | 44204079000 | PLT-DEV-BIAS | 1 | 1/C | | | | | | | | | |
| 21 | 44204080000 | COV-DEV-FRONT | 1 | 1/P | | | | | | | | | |
| 22 | 44204084000 | SEAL-SIDE-MG-F | 1 | 5/P | | | | | | | | | |
| 23 | 44204085000 | SEAL-SIDE-MG-R | 1 | 5/P | | | | | | | | | |
| 24 | 44204127000 | K-COV-DEV-MIX | 1 | 1/P | | | | | | | | | |
| 25 | 6LA71322000 | HRNS-ATS-360 | 1 | 1/P | | | | | | | | | |
| 26 | 44204031000 | K-CASING-DEV320 | 1 | 1/C | | | | | | | | | |
| 27 | 6LA65683000 | SCREW-HLDR-MG | 2 | 10/P | | | | | | | | | |
| 28 | 6LA65682000 | SCREW-CLNR-DEV | 1 | 10/P | | | | | | | | | |
| 29 | 44205158000 | THMS-DRM-320 | 1 | 1/P | | | | | | | | | |
| 30 | 44204120000 | K-COV-DEV-MG | 1 | 1/P | | | | | | | | | |
| 31 | FO-00492000 | L-1260DDL Y83 | 1 | 1/P | | | | | | | | | |
| 32 | 6LA65696000 | BUSH-6X12X4R8F | 1 | 5/P | | | | | | | | | |
| 33 | 4401949290 | SEAL-VC6-10-2.5 | 5 | 1/P | | | | | | | | | |
| 34 | 44204122000 | SEAL-DRUM-320 | 1 | 1/KP | | | | | | | | | |
| 35 | 6LA71375000 | HRNS-LGC-PSU-360 | 1 | 1/P | | | | | | | | | |
| 50 | X0-00965000 | RR/E-4-SS | 2 | 10/P | | | | | | | | | |
| 51 | X0-00966000 | RR/E-5-SS | 3 | 10/P | | | | | | | | | |
| 52 | X0-02096000 | S/TPP/BRZ-3X8-NI | 8 | 10/P | | | | | | | | | |
| 53 | X0-01726000 | S/BID-M3X6-BSNI | 2 | 10/P | | | | | | | | | |
| 54 | X0-00084000 | S/PAN/SWWP-M3X8-BSNI | 4 | 10/P | | | | | | | | | |
| 55 | X0-02046000 | S/TP/PAN2/S-3X8-NI | 1 | 10/P | | | | | | | | | |



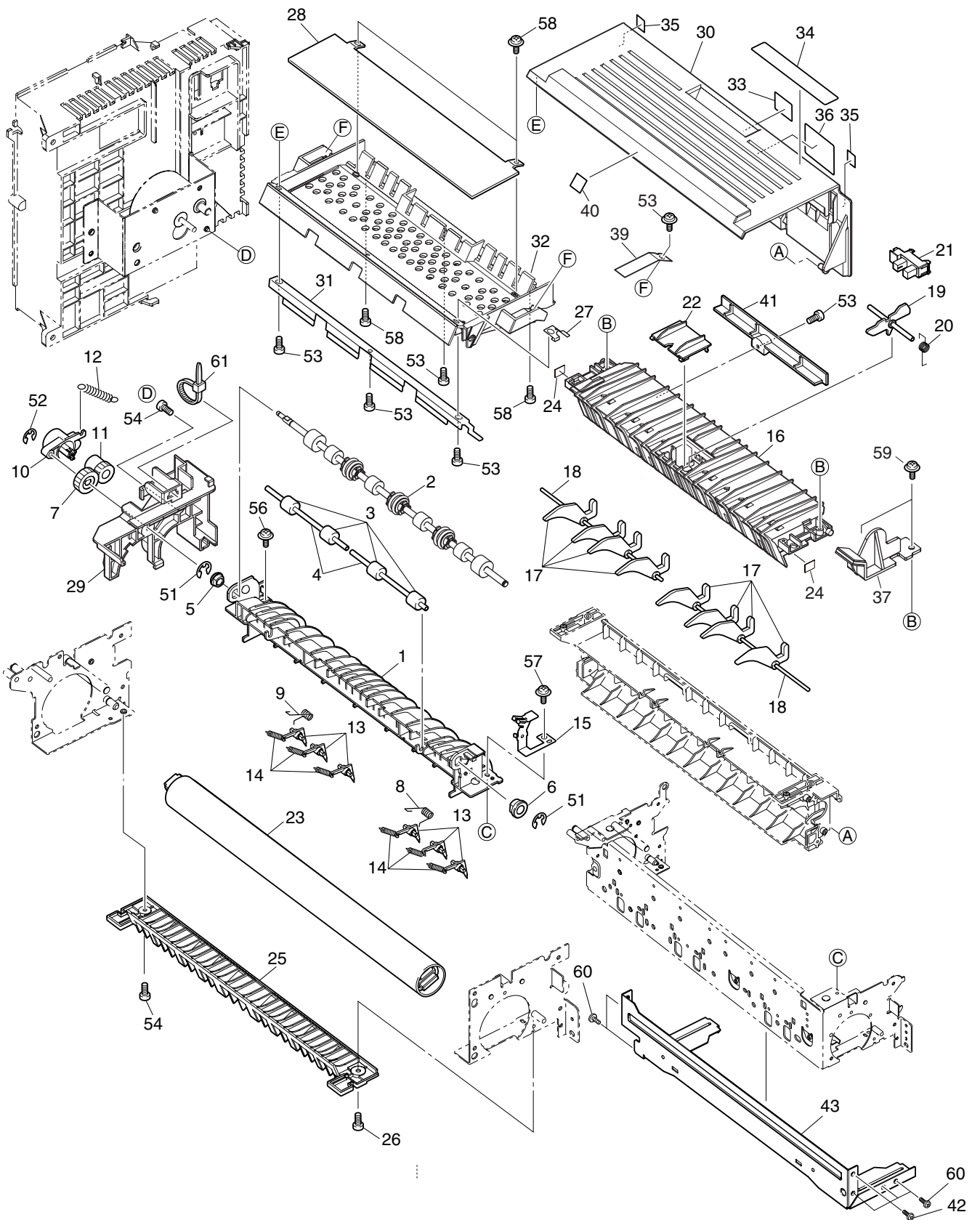


| ITEM NO. | PARTS NO. | PARTS NAME | Q'TY / PAGE | Q'TY / PACK | P | I | R | BSI NO. | TO | T FROM | SERIAL NO. | REMARKS | C |
|----------|-------------|--------------------|-------------|-------------|---|---|---|---------|----|--------|------------|------------------------|---|
| 1A | 6LA68867100 | COUPL-BTL-U | 1 | 1/P | | | | | | | | NAD | |
| 1B | 6LA68867200 | COUPL-BTL-E | 1 | 1/P | | | | | | | | MJD | |
| 1C | 6LA68867300 | COUPL-BTL-D | 1 | 1/P | | | | | | | | TWD, SAD, ASD, AU D | |
| 2 | 6LA68881000 | CASE-GATE-TNR | 1 | 1/P | | | | | | | | | |
| 3 | 6LA69037000 | PUSHER-BOTL | 1 | 1/P | | | | | | | | | |
| 4 | 6LA68891000 | ASYS-BRKT-TNR-DRV | 1 | 1/P | | | | | | | | | |
| 5 | 44204336000 | SHUTTER-GATE | 1 | 1/P | | | | | | | | | |
| 6 | 6LA68899000 | BRKT-GEAR-R | 1 | 1/P | | | | | | | | | |
| 7 | 44204338000 | AUGER-TNR | 1 | 1/P | | | | | | | | | |
| 8 | 44204339000 | BUSH-0612*06F-M | 1 | 5/P | | | | | | | | | |
| 9 | 6LA68922000 | MOTR_D-TNR | 1 | 1/C | | | | | | | | | |
| 10 | 6LA68902000 | GEAR-08S16_2GT-44 | 1 | 1/P | | | | | | | | | |
| 11 | 6LA68903000 | GEAR-08S19_08S58 | 1 | 1/P | | | | | | | | | |
| 12 | 6LA68904000 | GEAR-08S22-6 | 1 | 1/P | | | | | | | | | |
| 13 | 6LA68882000 | COVER-TNR-DRV | 1 | 1/P | | | | | | | | | |
| 14 | 6LA68910000 | SPG-C-8R4XR7X22L | 1 | 5/P | | | | | | | | | |
| 15 | 44204347000 | SPC054-040-0440 | 1 | 5/P | | | | | | | | | |
| 16 | 6LA68908000 | BLT_SY-192-2GT-3 | 1 | 1/P | | | | | | | | | |
| 17 | 6LA68885000 | GASSKET-TNR-DRV | 1 | 1/KP | | | | | | | | | |
| 18 | 6LA68901000 | COUPL-GEAR-STOP | 1 | 1/P | | | | | | | | | |
| 19 | F0-00341000 | LWS-2U | 2 | 5/P | | | | | | | | | |
| 20 | 6LA68886000 | SEAL-VR70A | 1 | 5/P | | | | | | | | | |
| 21 | 44204479000 | SEAL-VR14A | 1 | 1/P | | | | | | | | | |
| 22 | 6LA69040000 | SPG-C-16R4X1R4X18R | 1 | 5/P | | | | | | | | | |
| 23 | 6LA68913000 | SW-DE3LAASB-TNR | 1 | 1/C | | | | | | | | | |
| 24 | 6LA68912000 | BRKT-SW-TNR | 1 | 1/P | | | | | | | | | |
| 25 | 6LA69022000 | COVER-HRNS-DEV | 1 | 1/P | | | | | | | | | |
| 26 | 6LA69023000 | ARM-BOX-SPG | 1 | 1/P | | | | | | | | | |
| 27 | 6LA69024000 | SPG-E-5XR5X24R1 | 1 | 1/P | | | | | | | | | |
| 28 | 6LA69032000 | COVER-BOTL-IN | 1 | 1/P | | | | | | | | | |
| 29 | 6LA69036000 | HLDR-BOTL | 1 | 1/D | | | | | | | | | |
| 30 | 6LA03099000 | COVER-SW-340 | 1 | 1/P | | | | | | | | | |
| 31 | 6LA68887000 | BUSH-AUGER-TNR | 1 | 5/P | | | | | | | | | |
| 32 | 44204467000 | GG08S031/COUP | 1 | 1/P | | | | | | | | | |
| 33 | 6LA68905000 | GEAR-08S14_08S40 | 1 | 1/P | | | | | | | | | |
| 34 | 6LA68888000 | SEAL-WAS-7287 | 1 | 1/KP | | | | | | | | | |
| 35 | 44204459000 | SEAL-WAS-1426 | 2 | 5/P | | | | | | | | | |
| 36 | 6LA68974000 | STAY-BOTTLE | 1 | 1/P | | | | | | | | | |
| 37 | 6LA68873000 | ASYS-SEAL-SHTR | 1 | 1/P | | | | | | | | | |
| 38 | E0-00116000 | 175694-2 | 1 | 5/P | | | | | | | | | |
| 39 | 6LA68984000 | BRKT-TNR-COV | 1 | 1/P | | | | | | | | | |
| 40 | 6LA68976000 | SEAL-STAY-BTL | 1 | 1/KP | | | | | | | | | |
| 41 | 6LA68985000 | COVER-TNR-SUB | 1 | 1/P | | | | | | | | | |
| 42 | 6LA75474000 | LBL-O-TONER-IN | 1 | 1/KP | | | | | | | | | |
| 43 | 6LA75473000 | LBL-INSRT-BOTL | 1 | 5/P | | | | | | | | | |
| 44 | 6LA75465000 | LBL-CAU-LASER | 1 | 1/KP | | | | | | | | | |
| 45 | 6LA69030000 | SEAL-COV-DEV-L | 1 | 1/KP | | | | | | | | | |
| 46 | 6LA69029000 | SEAL-COV-DEV-S | 1 | 1/KP | | | | | | | | | |
| 101 | X0-02112000 | S/PAN-M3X3-NI | 2 | 10/P | | | | | | | | | |
| 102 | 6LA08913000 | S/TPS/HEX-4*8-NI | 14 | 10/P | | | | | | | | | |
| 103 | 44204394000 | SCREW20*D23 | 3 | 10/P | | | | | | | | | |
| 104 | 6LA08917000 | S/TPP/HEX-3*8-NI | 9 | 10/P | | | | | | | | | |
| 105 | 6LA08909000 | S/TPS/HEX-3*8-NI | 4 | 10/P | | | | | | | | | |





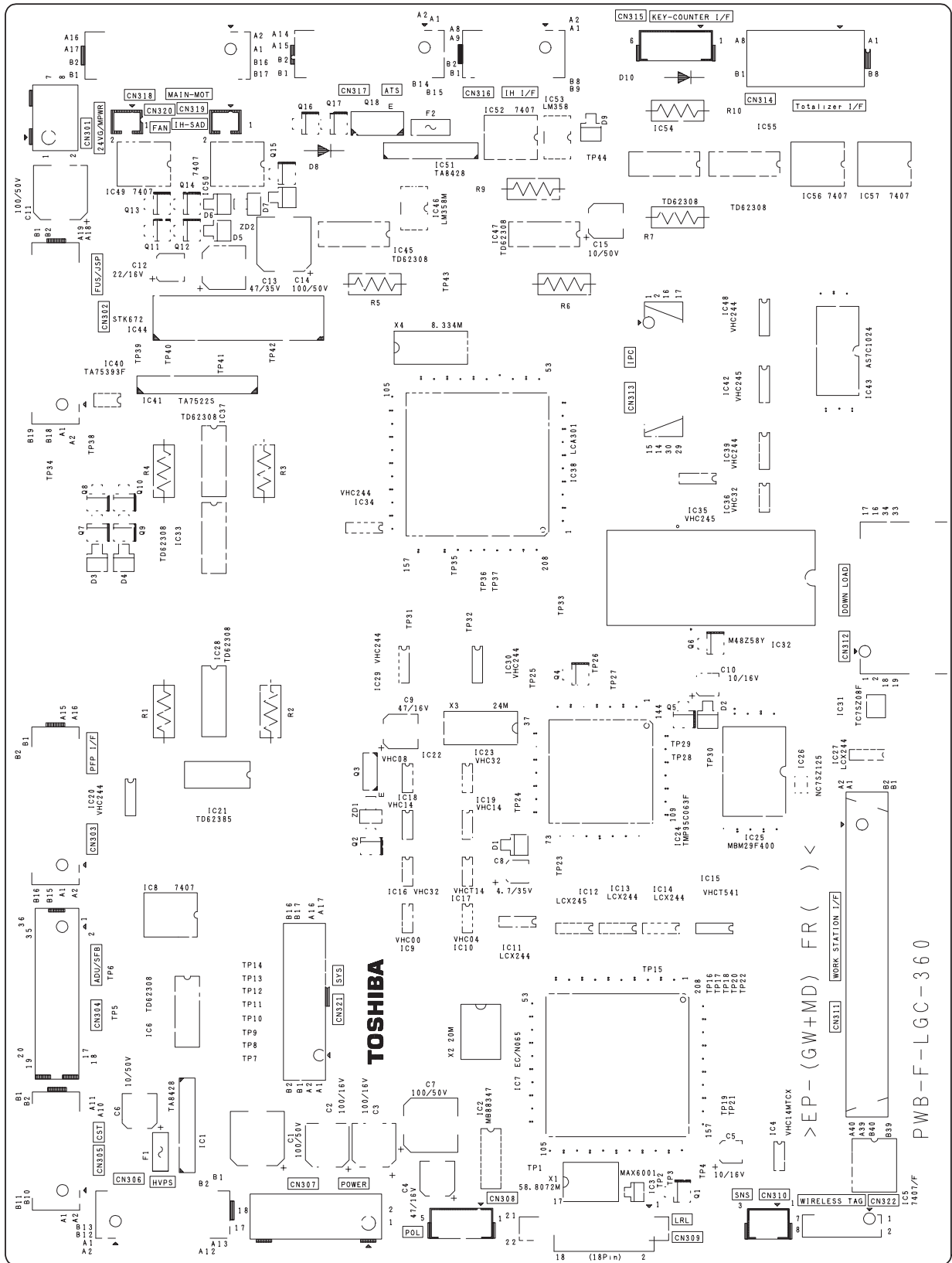
| ITEM NO. | PARTS NO. | PARTS NAME | QTY / PAGE | QTY / PACK | P | I | R | BSI NO. | TO | FROM | SERIAL NO. | REMARKS | C |
|----------|-------------|-------------------|------------|------------|---|---|---|---------|----|------|------------|---------|-----|
| 1 | 6LA27553000 | HR-3520-L | 1 | 1/S | | | | | | | | | GSP |
| 2 | 44202938000 | BRG6808ZZNRS1C4 | 2 | 1/P | | | | | | | | | |
| 3 | 44202940000 | GEAR-H/R-320 | 1 | 1/P | | | | | | | | | |
| 4 | 6LA65755000 | RING-STOPPER | 2 | 1/P | | | | | | | | | |
| 5 | 6LA27552000 | HR-3520-U | 1 | 1/S | | | | | | | | | GSP |
| 6 | 44202925000 | BRG608ZZM4 | 2 | 1/P | | | | | | | | | |
| 7 | 6LA65703000 | K-FRM-FUS-PRS | 1 | 1/PP | | | | | | | | | |
| 8 | 44202985000 | SHAFT-CLN-P/R | 1 | 1/P | | | | | | | | | MSP |
| 9 | 44202988000 | BUSH-CLN-PRS | 2 | 5/P | | | | | | | | | |
| 10 | 44203114000 | SCRAPER-P/R | 5 | 5/P | | | | | | | | | |
| 11 | 6LA65774000 | SPG-C-RL-PS | 2 | 5/P | | | | | | | | | |
| 12 | 44203070000 | DUCT-FUSER | 1 | 1/PP | | | | | | | | | |
| 13 | 44205181000 | FAN-HTR-320 | 1 | 1/C | | | | | | | | | |
| 14 | 6LA65810000 | COVER-FUSER-FAN | 1 | 1/P | | | | | | | | | |
| 15 | 44203072000 | SEAL-DUCT-FUS-1 | 4 | 5/P | | | | | | | | | |
| 16 | 44203073000 | SEAL-DUCT-FUS-2 | 2 | 5/P | | | | | | | | | |
| 17 | 6LA75469000 | LBL-HOT | 1 | 1/KP | | | | | | | | | |
| 18 | 44202990000 | STOPPER-SFT-CLN | 1 | 5/P | | | | | | | | | |
| 19 | 6LA65805000 | STAY-GUIDE-SCRAPR | 1 | 1/P | | | | | | | | | |
| 20 | 44203109000 | SPE-SCRAPER-50 | 5 | 5/P | | | | | | | | | |
| 21 | 6LA56170000 | STOP-SCRAPER | 5 | 5/P | | | | | | | | | |
| 51 | X0-00430000 | S/BID-M3X6-NI | 2 | 10/P | | | | | | | | | |
| 52 | X0-00967000 | RR/E-6-SS | 2 | 10/P | | | | | | | | | |
| 54 | X0-02034000 | S/TPP/PAN-3X12-NI | 4 | 10/P | | | | | | | | | |
| 55 | 6LA08901000 | S/HEX-M3*8-NI | 2 | 10/P | | | | | | | | | |
| 56 | X0-02096000 | S/TPP/BRZ-3X8-NI | 5 | 10/P | | | | | | | | | |



| ITEM NO. | PARTS NO. | PARTS NAME | Q'TY / PAGE | Q'TY / PACK | PI | R | BSI NO. | TO | T FROM | SERIAL NO. | REMARKS | C |
|----------|-------------|---------------------|-------------|-------------|----|---|---------|----|--------|------------|---------------|-----|
| 1 | 6LA55227000 | COVER-EXIT-PE | 1 | 1 | PP | | | | | | | |
| 2 | 6LA65821000 | ASYS-ROL-EXIT-J-HUD | 1 | 1 | KP | | | | | | | |
| 3 | 44203198000 | ROLL-EXIT-L-320 | 4 | 1 | P | | | | | | | |
| 4 | 44202977000 | SFT-EXIT-L | 2 | 1 | P | | | | | | | |
| 5 | 44201492000 | BUSH-6-POM | 1 | 5 | P | | | | | | | |
| 6 | 4407734980 | BUSH-6-GCB | 1 | 5 | P | | | | | | | |
| 7 | 44202975000 | GEAR-EXIT-U | 1 | 1 | P | | | | | | | |
| 8 | 6LA65818000 | SPG-T-EXIT-F-2 | 1 | 1 | P | | | | | | | |
| 9 | 6LA65819000 | SPG-T-EXIT-R-2 | 1 | 1 | P | | | | | | | |
| 10 | 44203026000 | HOLDER-ROL-EXIT | 1 | 1 | P | | | | | | | |
| 11 | 44203022000 | GEAR-MOT-EXT-ID | 1 | 1 | P | | | | | | | |
| 12 | 6LA65893000 | SPG-E-8R8XR6X20R3 | 1 | 1 | P | | | | | | | |
| 13 | 44202983000 | SCRAPER-H/R | 6 | 6 | P | | | | | | | MSP |
| 14 | 6LA65894000 | SPG-E-RL-HT | 6 | 1 | P | | | | | | | |
| 15 | 44202982000 | SPL-GND-EXIT | 1 | 6 | P | | | | | | | |
| 16 | 44203323000 | GUIDE-EXIT-RTN | 1 | 1 | PP | | | | | | | |
| 17 | 44202991000 | GATE-FUSER | 8 | 1 | P | | | | | | | |
| 18 | 44202994000 | SHAFT-GATE | 2 | 1 | P | | | | | | | |
| 19 | 44202997000 | ACT-SEN-EXIT | 1 | 1 | P | | | | | | | |
| 20 | 6LA65778000 | SPG-T-ACT | 1 | 1 | P | | | | | | | |
| 21 | 4401983230 | SZ-LG248L1 | 1 | 1 | P | | | | | | | |
| 22 | 44202946000 | GUIDE-EXIT-COV | 1 | 1 | D | | | | | | | |
| 23A | 6LA65881000 | ASY-COIL-IH-100 | 1 | 1 | C | | | | | | NAD, TWD, SAD | |
| 23B | 6LA65881100 | ASY-COIL-IH-200 | 1 | 1 | C | | | | | | MJD, ASD, AUD | |
| 25 | 44202927000 | GUIDE-ENT-FUS | 1 | 1 | P | | | | | | | |
| 26 | 6LA65685000 | SCREW-FUS-ENT | 1 | 10 | P | | | | | | | |
| 27 | 44203061000 | SPL-COV-FUSER | 1 | 1 | P | | | | | | | |
| 28 | 44203009000 | PLATE-COV-FUSER | 1 | 1 | P | | | | | | | |
| 29 | 44203320000 | COVER-H/R-R | 1 | 1 | PP | | | | | | | |
| 30 | 6LA65816000 | COVER-FUSER-U | 1 | 1 | PP | | | | | | | |
| 31 | 44203052000 | PLATE-EXIT | 1 | 1 | P | | | | | | | |
| 32 | 6LA65823000 | COVER-FUSER-SUB | 1 | 1 | PP | | | | | | | |
| 33 | 6LA65899000 | LBL-FUS-3 | 1 | 5 | P | | | | | | | |
| 34 | 6LA75470000 | LBL-HOT-COV | 1 | 1 | KP | | | | | | | |
| 35 | 6LA65898000 | LBL-FUS-2 | 2 | 5 | P | | | | | | | |
| 36 | 6LA65897000 | LBL-INST-FUS | 1 | 1 | P | | | | | | | |
| 37 | 6LA65751000 | ASYS-LEVER-GUIDE | 2 | 1 | P | | | | | | | |
| 38 | 6LA56446000 | MYLAR-FUS-SUB | 2 | 5 | P | | | | | | | |
| 39 | 44203326000 | SPL-GUIDE-RTN | 2 | 1 | P | | | | | | | |
| 40 | 41307995000 | LBL/W-FUSER | 1 | 5 | KP | | | | | | | |
| 41 | 44203330000 | COVER-WH | 1 | 1 | P | | | | | | | |
| 42 | 6LA65681000 | SCREW-LINK-M4 | 1 | 10 | P | | | | | | | |
| 43 | 6LA65781000 | ASYS-STAY-FUSER | 1 | 1 | P | | | | | | | |
| 51 | X0-00966000 | RR/E-5-SS | 2 | 10 | P | | | | | | | |
| 52 | X0-00964000 | RR/E-3-SS | 1 | 10 | P | | | | | | | |
| 53 | X0-02096000 | S/TPP/BRZ-3X8-NI | 7 | 10 | P | | | | | | | |
| 54 | 4842040370 | TBID3006MSZN3L | 2 | 50 | P | | | | | | | |
| 55 | X0-00073000 | S/PAN/SWHP-M3X8-ZC | 1 | 10 | P | | | | | | | |
| 56 | X0-00091000 | S/PAN/SWHP-M3X10-ZC | 1 | 10 | P | | | | | | | |
| 57 | 6LA08937000 | SCREW-BKT-DEV | 1 | 10 | P | | | | | | | |
| 58 | 4842040148 | 12ZPAN3008MSZ3A | 4 | 50 | P | | | | | | | |
| 59 | X0-00678000 | S/TPP/BID-3X8-ZC | 4 | 10 | P | | | | | | | |
| 60 | 6LA08917000 | S/TPP/HEX-3*8-NI | 5 | 10 | P | | | | | | | |
| 61 | FO-00455000 | SKB-1M | 1 | 5 | P | | | | | | | |

| ITEM NO. | PARTS NO. | PARTS NAME | QTY / PAGE | QTY / PACK | P | I | R | BSI NO. | TO | FROM | SERIAL NO. | REMARKS | C |
|----------|-------------|----------------------|------------|------------|---|---|---|---------|----|------|------------|---------|---|
| 2 | 6LA28604000 | ASYS-FRM-RER-ADU | 1 | 1/P | | | | | | | | | |
| 4 | 6LA28621000 | GUIDE-PAPER-UPR | 1 | 1/PP | | | | | | | | | |
| 5 | 44203252000 | GUIDE-PAPER-L32 | 1 | 1/P | | | | | | | | | |
| 6 | 6LA28608000 | SCREW-CASET | 2 | 5/P | | | | | | | | | |
| 7 | 41316029000 | ROLL-TRANS-C | 2 | 1/KP | | | | | | | | | |
| 8 | 4407734980 | BUSH-6-GCB | 3 | 5/P | | | | | | | | | |
| 11 | 41317051000 | PLY/T-2GT020-6F | 3 | 1/P | | | | | | | | | |
| 12 | X0-00979000 | P/PRL/AH7-2X8-SS | 3 | 10/P | | | | | | | | | |
| 13 | 41316033000 | BLT/T-282-2GT-5 | 1 | 1/P | | | | | | | | | |
| 15 | 6LA76208000 | BRKT-MOTR-UPR | 1 | 1/P | | | | | | | | | |
| 16 | 6LA32838000 | CLUCH-33C-6-CCW-GEAR | 1 | 1/D | | | | | | | | | |
| 17 | 6LA28605000 | ASYS-BRKT-MOT-ADU | 1 | 1/P | | | | | | | | | |
| 18 | 44205169000 | K-MOT-EXIT-320 | 1 | 1/D | | | | | | | | | |
| 19 | 44203218000 | GP08S024/2GT020 | 1 | 1/P | | | | | | | | | |
| 20 | 44203219000 | GG08S024/10S028 | 1 | 1/P | | | | | | | | | |
| 21 | 44203220000 | GEAR-08S024 | 1 | 1/P | | | | | | | | | |
| 22 | 44203250000 | BLT/T-426-2GT-5 | 1 | 1/P | | | | | | | | | |
| 23 | 41316054000 | LEVER-LATCH-F | 1 | 1/P | | | | | | | | | |
| 24 | 44203255000 | LEVER-LATCH-R32 | 1 | 1/P | | | | | | | | | |
| 25 | 44203253000 | SHAFT-OPEN-320 | 1 | 1/P | | | | | | | | | |
| 26 | 6LA67043000 | LEVER-OPEN-ADU | 1 | 1/P | | | | | | | | | |
| 27 | 41316064000 | SPE-068-070-241 | 1 | 1/P | | | | | | | | | |
| 28 | F0-00339000 | EHP-6U | 4 | 5/P | | | | | | | | | |
| 29 | F0-00221000 | KGLS-24RTVO | 4 | 5/P | | | | | | | | | |
| 30 | 6LA69830000 | PWA-F-ADU-360 | 1 | 1/SB | | | | | | | | | |
| 31 | 4401983080 | SZ-FED-210 | 2 | 1/P | | | | | | | | | |
| 32 | 6LA71341000 | HRNS-ADU-CVSW-360 | 1 | 1/P | | | | | | | | | |
| 33 | 6LA71342000 | HRNS-ADU-FED-L-360 | 1 | 1/P | | | | | | | | | |
| 34 | 6LA71324000 | HRNS-ADU-360 | 1 | 1/P | | | | | | | | | |
| 35 | 6LA71343000 | HRNS-ADU-FED-U-360 | 1 | 1/P | | | | | | | | | |
| 36 | 6LA28622000 | ASYB-ROLL-TRANS-L | 1 | 1/KP | | | | | | | | | |
| 38 | F0-00455000 | SKB-1M | 2 | 5/P | | | | | | | | | |
| 39 | 44203240000 | SPL-ADU-320 | 1 | 1/P | | | | | | | | | |
| 41 | F0-00260000 | SG-130 | 4 | 5/P | | | | | | | | | |
| 42 | 6LA67042000 | CASE-ADU | 1 | 1/PP | | | | | | | | | |
| 43 | 4402859600 | SP-CS3A-B2BA | 1 | 1/D | | | | | | | | | |
| 44 | 44203271000 | COVER-INSIDE-F | 1 | 1/P | | | | | | | | | |
| 45 | 44203272000 | COVER-IN-R-320 | 1 | 1/P | | | | | | | | | |
| 46 | 6LA56500000 | GUIDE-PAPER-IN | 1 | 1/PP | | | | | | | | | |
| 47 | 41316101000 | ROLL-TRANS-IDLE | 6 | 1/P | | | | | | | | | |
| 48 | 41316103000 | SPR-IDLE | 6 | 1/P | | | | | | | | | |
| 49 | 41316102000 | SPL-GUIDE-IN | 2 | 1/P | | | | | | | | | |
| 50 | 6LA28607000 | LBL-O-PLACE-COV | 1 | 1/KP | | | | | | | | | |
| 101 | X0-02069000 | S/TPS/BID-3X6-ZU3 | 13 | 10/P | | | | | | | | | |
| 102 | 6LA08935000 | SCR-M3X6BISR-NI | 7 | 10/P | | | | | | | | | |
| 103 | X0-00730000 | S/SET/K-M3X4-B | 1 | 10/P | | | | | | | | | |
| 104 | X0-00966000 | RR/E-5-SS | 4 | 10/P | | | | | | | | | |
| 105 | 6LA08901000 | S/HEX-M3*8-NI | 4 | 10/P | | | | | | | | | |
| 106 | 6LA08909000 | S/TPS/HEX-3*8-NI | 8 | 10/P | | | | | | | | | |

| ITEM NO. | PARTS NO. | PARTS NAME | QTY / PAGE | QTY / PACK | P | I | R | BSI NO. | TO | FROM | SERIAL NO. | REMARKS | C |
|----------|-------------|---------------------|------------|------------|---|---|---|---------|----|------|------------|-------------------|---|
| 1 | 41306032000 | CST-AT | 1 | 1/PP | | | | | | | | | |
| 2 | 41304004000 | K-SFT-LIFT-TRAY | 1 | 1/P | | | | | | | | | |
| 3 | 41306028000 | BUSH-SFT-LIFT | 2 | 5/P | | | | | | | | | |
| 4 | 6LA29052000 | LEVER-LIFT-TRAY | 1 | 1/P | | | | | | | | | |
| 5 | 41306614000 | CUSH-LVR-LIFT | 1 | 5/P | | | | | | | | | |
| 6 | 6LA29053000 | ASYS-TRAY-CST | 1 | 1/P | | | | | | | | | |
| 7 | 41306517000 | CUSH-TRAY-CST | 3 | 1/P | | | | | | | | | |
| 8 | 41306033000 | WALL-SIDE-F-AT | 1 | 1/PP | | | | | | | | | |
| 9 | 41305015000 | LVR-ADJUST-WALL | 1 | 1/P | | | | | | | | | |
| 10 | 6LA29056000 | LID-LEVER-ADJUST | 1 | 1/P | | | | | | | | | |
| 11 | 41305012000 | PL-ADJUST-WALL | 1 | 1/P | | | | | | | | | |
| 12 | 41304510000 | PIN-ADJUST-LVR | 1 | 1/P | | | | | | | | | |
| 14 | 41304511000 | PIN-ADJUST-WALL | 1 | 1/P | | | | | | | | | |
| 15 | 41304065000 | K-WALL-SIDE-R | 1 | 1/PP | | | | | | | | | |
| 16 | 6LA29058000 | LEVER-LOCK-WALL-RER | 1 | 1/P | | | | | | | | | |
| 17 | 41306260000 | LOCK-WALL-R | 1 | 1/P | | | | | | | | | |
| 18 | 41305546000 | SPL-LOCK-WALL-R | 1 | 1/P | | | | | | | | | |
| 21 | 6LA29061000 | WALL-CSSTT-END | 1 | 1/P | | | | | | | | | |
| 22 | 6LA60646000 | COVER-CSSTT | 1 | 1/PP | | | | | | | | | |
| 23 | 6LA60647000 | COVER-CSSTT-HNDL | 1 | 1/PP | | | | | | | | | |
| 24 | 6LA29059000 | ASYS-PLATE-PINION | 1 | 1/P | | | | | | | | | |
| 25 | 41305503000 | SPC-LVR-WALL | 1 | 1/P | | | | | | | | | |
| 26 | 41307701000 | LBL/O-P-MAX | 1 | 5/KP | | | | | | | | | |
| 27 | 6LA29062000 | LBL-O-PAPER | 1 | 1/KP | | | | | | | | | |
| 28 | 6LA29063000 | LBL-O-GUIDE | 1 | 1/KP | | | | | | | | | |
| 29 | 6LA29064000 | LBL-O-LD | 1 | 1/KP | | | | | | | | | |
| 30 | 41307599000 | SHEET-CST | 1 | 1/KP | | | | | | | | | |
| 31A | 6LA29549000 | SHEET-SIZE-LT | 1 | 1/KP | | | | | | | | NAD | |
| 31B | 6LA29550000 | SHEET-SIZE-A4 | 1 | 1/KP | | | | | | | | TWD, SAD, ASD, AU | |
| | | | | | | | | | | | | D | |
| | | | | | | | | | | | | CND | |
| 31C | 6LA47905000 | SHEET-SIZE-CN | 1 | 1/KP | | | | | | | | | |
| 51 | X0-00963000 | RR/E-2-SS | 1 | 10/P | | | | | | | | | |
| 52 | X0-00434000 | S/BID-M3X8-NI | 2 | 10/P | | | | | | | | | |
| 54 | 6LA08917000 | S/TPP/HEX-3*8-NI | 10 | 10/P | | | | | | | | | |
| 55 | X0-00968000 | RR/E-7-SS | 2 | 10/P | | | | | | | | | |
| 56 | X0-01989000 | S/TPP/BID-3X8-NI | 2 | 10/P | | | | | | | | | |
| 57 | X0-02116000 | W/TH/A-3-SS | 2 | 10/P | | | | | | | | | |



| ITEM NO. | PARTS NO. | PARTS NAME | QTY / PAGE | QTY / PACK | P | I | R | BSI NO. | TO | FROM | SERIAL NO. | REMARKS | C |
|----------|-------------|---------------------|------------|------------|---|---|---|---------|----|------|------------|-------------|---|
| 1A | 6LA69853000 | ASY-PWA-LGC-360S | 1 | 1/SB | | | | | | | | e-Studio350 | |
| 1B | 6LA69854000 | ASY-PWA-LGC-361S | 1 | 1/SB | | | | | | | | e-Studio450 | |
| 11 | C0-00921000 | TA8428K(S) | 1 | 5/S | | | | | | | | | |
| | | IC1 | | | | | | | | | | | |
| 12 | C0-02028001 | MB88347PF-G-BND-ER | 1 | 1/S | | | | | | | | | |
| | | IC2 | | | | | | | | | | | |
| 13 | C0-02013001 | MAX6001EUR-T | 1 | 1/S | | | | | | | | | |
| | | IC3 | | | | | | | | | | | |
| 14 | C0-01941001 | 74VHC14MTCX | 1 | 1/S | | | | | | | | | |
| | | IC4 | | | | | | | | | | | |
| 16 | C0-01452002 | | 1 | | | | | | | | | | |
| | | IC6 | | | | | | | | | | | |
| 17 | C0-06993000 | | 1 | | | | | | | | | | |
| | | IC7 | | | | | | | | | | | |
| 18 | C0-01957001 | DM7407MX | 1 | 5/S | | | | | | | | | |
| | | IC8 | | | | | | | | | | | |
| 19 | C0-01934001 | 74VHC00MTCX | 1 | 1/S | | | | | | | | | |
| | | IC9 | | | | | | | | | | | |
| 20 | C0-01935001 | 74VHC04MTCX | 1 | 1/S | | | | | | | | | |
| | | IC10 | | | | | | | | | | | |
| 21 | C0-01931001 | 74LCX244MTCX | 1 | 1/S | | | | | | | | | |
| | | IC11 | | | | | | | | | | | |
| 22 | C0-01932001 | 74LCX245MTCX | 1 | 1/S | | | | | | | | | |
| | | IC12 | | | | | | | | | | | |
| 23 | C0-01931001 | 74LCX244MTCX | 1 | 1/S | | | | | | | | | |
| | | IC13 | | | | | | | | | | | |
| 24 | C0-01931001 | 74LCX244MTCX | 1 | 1/S | | | | | | | | | |
| | | IC14 | | | | | | | | | | | |
| 25 | C0-01952001 | 74VHCT541AMTCX | 1 | 1/S | | | | | | | | | |
| | | IC15 | | | | | | | | | | | |
| 26 | C0-01946001 | 74VHC32MTCX | 1 | 1/S | | | | | | | | | |
| | | IC16 | | | | | | | | | | | |
| 27 | C0-06568001 | | 1 | | | | | | | | | | |
| | | IC17 | | | | | | | | | | | |
| 28 | C0-01941001 | 74VHC14MTCX | 1 | 1/S | | | | | | | | | |
| | | IC18 | | | | | | | | | | | |
| 29 | C0-01941001 | 74VHC14MTCX | 1 | 1/S | | | | | | | | | |
| | | IC19 | | | | | | | | | | | |
| 30 | C0-01943001 | 74VHC244MTCX | 1 | 1/S | | | | | | | | | |
| | | IC20 | | | | | | | | | | | |
| 31 | C0-01555001 | TD62385AF(EL) | 1 | 1/S | | | | | | | | | |
| | | IC21 | | | | | | | | | | | |
| 32 | C0-01937001 | 74VHC08MTCX | 1 | 1/S | | | | | | | | | |
| | | IC22 | | | | | | | | | | | |
| 33 | C0-01946001 | 74VHC32MTCX | 1 | 1/S | | | | | | | | | |
| | | IC23 | | | | | | | | | | | |
| 34 | C0-06762000 | EC-N062 TMP95C063FE | 1 | 1/S | | | | | | | | | |
| | | IC24 | | | | | | | | | | | |
| 35 | C0-04172000 | | 1 | | | | | | | | | | |
| | | IC25 | | | | | | | | | | | |
| 36 | C0-07812001 | | 1 | | | | | | | | | | |
| | | IC26 | | | | | | | | | | | |
| 38 | C0-01452002 | | 1 | | | | | | | | | | |
| | | IC28 | | | | | | | | | | | |
| 39 | C0-01943001 | 74VHC244MTCX | 1 | 1/S | | | | | | | | | |
| | | IC29 | | | | | | | | | | | |
| 40 | C0-01943001 | 74VHC244MTCX | 1 | 1/S | | | | | | | | | |
| | | IC30 | | | | | | | | | | | |
| 42 | E0-06671000 | CLC1028-0301 | 1 | 5/S | | | | | | | | | |
| | | IC32 | | | | | | | | | | | |
| 43 | C0-01452002 | | 1 | | | | | | | | | | |
| | | IC33 | | | | | | | | | | | |
| 44 | C0-01943001 | 74VHC244MTCX | 1 | 1/S | | | | | | | | | |
| | | IC34 | | | | | | | | | | | |
| 46 | C0-01946001 | 74VHC32MTCX | 1 | 1/S | | | | | | | | | |
| | | IC36 | | | | | | | | | | | |
| 47 | C0-01452002 | | 1 | | | | | | | | | | |
| | | IC37 | | | | | | | | | | | |
| 48 | 4849300232 | IC-LCA301 | 1 | 1/S | | | | | | | | | |
| | | IC38 | | | | | | | | | | | |

| ITEM NO. | PARTS NO. | PARTS NAME | Q'TY / PAGE | Q'TY / PACK | P | I | R | BSI NO. | TO | FROM | SERIAL NO. | REMARKS | C |
|----------|-------------|--------------------------|-------------|-------------|---|---|---|---------|----|------|------------|---------|---|
| 49 | C0-01943001 | 74VHC244MTCX IC39 | 1 | 1/S | | | | | | | | | |
| 50 | C0-01521002 | TA75393F (EL) IC40 | 1 | 5/S | | | | | | | | | |
| 51 | C0-01568000 | TA7522S IC41 | 1 | 5/S | | | | | | | | | |
| 52 | C0-04597001 | 74VHC245MTCX IC42 | 1 | 5/S | | | | | | | | | |
| 53 | C0-05984001 | IC43 | 1 | | | | | | | | | | |
| 54 | C0-02021000 | STK672-210 IC44 | 1 | 1/S | | | | | | | | | |
| 55 | C0-01452002 | IC45 | 1 | | | | | | | | | | |
| 56 | C0-06859001 | IC46 | 1 | | | | | | | | | | |
| 57 | C0-01452002 | IC47 | 1 | | | | | | | | | | |
| 58 | C0-01943001 | 74VHC244MTCX IC48 | 1 | 1/S | | | | | | | | | |
| 59 | C0-01957001 | DM7407MX IC49 | 1 | 5/S | | | | | | | | | |
| 60 | C0-01957001 | DM7407MX IC50 | 1 | 5/S | | | | | | | | | |
| 61 | C0-00921000 | TA8428K (S) IC51 | 1 | 5/S | | | | | | | | | |
| 62 | C0-01957001 | DM7407MX IC52 | 1 | 5/S | | | | | | | | | |
| 63 | C0-06859001 | IC53 | 1 | | | | | | | | | | |
| 64 | C0-01452002 | IC54 | 1 | | | | | | | | | | |
| 65 | C0-01452002 | IC55 | 1 | | | | | | | | | | |
| 66 | C0-01957001 | DM7407MX IC56 | 1 | 5/S | | | | | | | | | |
| 67 | C0-01957001 | DM7407MX IC57 | 1 | 5/S | | | | | | | | | |
| 101 | C0-00657001 | RN1401 (TE85R) Q1 | 1 | 5/P | | | | | | | | | |
| 102 | C0-00657001 | RN1401 (TE85R) Q2 | 1 | 5/P | | | | | | | | | |
| 103 | C0-00527000 | 2SA1428-Y Q3 | 1 | 5/P | | | | | | | | | |
| 104 | C0-00657001 | RN1401 (TE85R) Q4 | 1 | 5/P | | | | | | | | | |
| 105 | C0-00675001 | Q5 | 1 | | | | | | | | | | |
| 106 | C0-00657001 | RN1401 (TE85R) Q6 | 1 | 5/P | | | | | | | | | |
| 107 | C0-00675001 | Q7 | 1 | | | | | | | | | | |
| 108 | C0-00675001 | Q8 | 1 | | | | | | | | | | |
| 109 | C0-00675001 | Q9 | 1 | | | | | | | | | | |
| 110 | C0-00675001 | Q10 | 1 | | | | | | | | | | |
| 111 | C0-00657001 | RN1401 (TE85R) Q11 | 1 | 5/P | | | | | | | | | |
| 112 | C0-00551001 | 2SC2712-Y (TE85L) Q12 | 1 | 5/ | | | | | | | | | |
| 113 | C0-00657001 | RN1401 (TE85R) Q13 | 1 | 5/P | | | | | | | | | |
| 114 | C0-00657001 | RN1401 (TE85R) Q14 | 1 | 5/P | | | | | | | | | |
| 115 | C0-00675001 | Q15 | 1 | | | | | | | | | | |
| 116 | C0-00565001 | 2SC3325-Y (TE85R) Q16 | 1 | 5/P | | | | | | | | | |

| ITEM NO. | PARTS NO. | PARTS NAME | Q'TY / PAGE | Q'TY / PACK | P | I | R | BSI NO. | TO | FROM | SERIAL NO. | REMARKS | C |
|----------|-------------|---------------------------|-------------|-------------|---|---|---|---------|----|------|------------|---------|---|
| 117 | C0-00675001 | Q17 | 1 | | | | | | | | | | |
| 118 | C0-00579000 | 2SD1415A Q18 | 1 | 5/S | | | | | | | | | |
| 151 | C0-00473001 | 1SS193 (TE85R) D1 | 1 | 5/P | | | | | | | | | |
| 152 | C0-00473001 | 1SS193 (TE85R) D2 | 1 | 5/P | | | | | | | | | |
| 153 | C0-00473001 | 1SS193 (TE85R) D3 | 1 | 5/P | | | | | | | | | |
| 154 | C0-00473001 | 1SS193 (TE85R) D4 | 1 | 5/P | | | | | | | | | |
| 155 | C0-00473001 | 1SS193 (TE85R) D5 | 1 | 5/P | | | | | | | | | |
| 156 | C0-00473001 | 1SS193 (TE85R) D6 | 1 | 5/P | | | | | | | | | |
| 157 | C0-00473001 | 1SS193 (TE85R) D7 | 1 | 5/P | | | | | | | | | |
| 158 | C0-00465000 | 1S1834 D8 | 1 | 5/P | | | | | | | | | |
| 159 | C0-00473001 | 1SS193 (TE85R) D9 | 1 | 5/P | | | | | | | | | |
| 201 | C0-00426001 | 02CZ3. 3-X (TE85R) ZD1 | 1 | 5/P | | | | | | | | | |
| 202 | C0-00696001 | 02CZ18-Y (TE85R) ZD2 | 1 | 5/S | | | | | | | | | |
| 251 | D0-16820001 | C1 | 1 | | | | | | | | | | |
| 252 | D0-16831001 | C2 | 1 | | | | | | | | | | |
| 253 | D0-16831001 | C3 | 1 | | | | | | | | | | |
| 254 | D0-16814001 | C4 | 1 | | | | | | | | | | |
| 255 | D0-16812001 | C5 | 1 | | | | | | | | | | |
| 256 | D0-16818001 | C6 | 1 | | | | | | | | | | |
| 257 | D0-16820001 | C7 | 1 | | | | | | | | | | |
| 258 | D0-16817001 | C8 | 1 | | | | | | | | | | |
| 259 | D0-16814001 | C9 | 1 | | | | | | | | | | |
| 261 | D0-16820001 | C11 | 1 | | | | | | | | | | |
| 262 | D0-16813001 | C12 | 1 | | | | | | | | | | |
| 263 | D0-16841001 | C13 | 1 | | | | | | | | | | |
| 264 | D0-16820001 | C14 | 1 | | | | | | | | | | |
| 265 | D0-16818001 | C15 | 1 | | | | | | | | | | |
| 266 | D0-04098001 | GRM188F11E104ZA01D C16 | 1 | 10/P | | | | | | | | | |
| 267 | D0-05042001 | C1608JB1H104KT C17 | 1 | 5/P | | | | | | | | | |
| 268 | D0-04098001 | GRM188F11E104ZA01D C18 | 1 | 10/P | | | | | | | | | |
| 269 | D0-04098001 | GRM188F11E104ZA01D C19 | 1 | 10/P | | | | | | | | | |
| 270 | D0-04098001 | GRM188F11E104ZA01D C20 | 1 | 10/P | | | | | | | | | |
| 271 | D0-04098001 | GRM188F11E104ZA01D C21 | 1 | 10/P | | | | | | | | | |
| 273 | D0-04098001 | GRM188F11E104ZA01D C23 | 1 | 10/P | | | | | | | | | |
| 274 | D0-04098001 | GRM188F11E104ZA01D C24 | 1 | 10/P | | | | | | | | | |

| ITEM NO. | PARTS NO. | PARTS NAME | Q'TY / PAGE | Q'TY / PACK | P | I | R | BSI NO. | TO | FROM | SERIAL NO. | REMARKS | C |
|----------|-------------|---------------------------|-------------|-------------|---|---|---|---------|----|------|------------|---------|---|
| 275 | D0-05042001 | C1608JB1H104KT C25 | 1 | 5/P | | | | | | | | | |
| 276 | D0-04098001 | GRM188F11E104ZA01D C26 | 1 | 10/P | | | | | | | | | |
| 277 | D0-05042001 | C1608JB1H104KT C27 | 1 | 5/P | | | | | | | | | |
| 278 | D0-05042001 | C1608JB1H104KT C28 | 1 | 5/P | | | | | | | | | |
| 279 | D0-04098001 | GRM188F11E104ZA01D C29 | 1 | 10/P | | | | | | | | | |
| 280 | D0-04098001 | GRM188F11E104ZA01D C30 | 1 | 10/P | | | | | | | | | |
| 281 | D0-05042001 | C1608JB1H104KT C31 | 1 | 5/P | | | | | | | | | |
| 282 | D0-05042001 | C1608JB1H104KT C32 | 1 | 5/P | | | | | | | | | |
| 283 | D0-04098001 | GRM188F11E104ZA01D C33 | 1 | 10/P | | | | | | | | | |
| 284 | D0-04098001 | GRM188F11E104ZA01D C34 | 1 | 10/P | | | | | | | | | |
| 285 | D0-04098001 | GRM188F11E104ZA01D C35 | 1 | 10/P | | | | | | | | | |
| 286 | D0-04098001 | GRM188F11E104ZA01D C36 | 1 | 10/P | | | | | | | | | |
| 287 | D0-04098001 | GRM188F11E104ZA01D C37 | 1 | 10/P | | | | | | | | | |
| 288 | D0-04098001 | GRM188F11E104ZA01D C38 | 1 | 10/P | | | | | | | | | |
| 289 | D0-04098001 | GRM188F11E104ZA01D C39 | 1 | 10/P | | | | | | | | | |
| 290 | D0-04098001 | GRM188F11E104ZA01D C40 | 1 | 10/P | | | | | | | | | |
| 291 | D0-05042001 | C1608JB1H104KT C41 | 1 | 5/P | | | | | | | | | |
| 292 | D0-05042001 | C1608JB1H104KT C42 | 1 | 5/P | | | | | | | | | |
| 293 | D0-04098001 | GRM188F11E104ZA01D C43 | 1 | 10/P | | | | | | | | | |
| 294 | D0-04095001 | GRM1882C1H150JZ01D C44 | 1 | 10/P | | | | | | | | | |
| 295 | D0-04098001 | GRM188F11E104ZA01D C45 | 1 | 10/P | | | | | | | | | |
| 296 | D0-04098001 | GRM188F11E104ZA01D C46 | 1 | 10/P | | | | | | | | | |
| 297 | D0-04098001 | GRM188F11E104ZA01D C47 | 1 | 10/P | | | | | | | | | |
| 298 | D0-04092001 | GRM188B11H222KA01D C48 | 1 | 10/P | | | | | | | | | |
| 299 | D0-05042001 | C1608JB1H104KT C49 | 1 | 5/P | | | | | | | | | |
| 300 | D0-05042001 | C1608JB1H104KT C50 | 1 | 5/P | | | | | | | | | |
| 301 | D0-04098001 | GRM188F11E104ZA01D C51 | 1 | 10/P | | | | | | | | | |
| 302 | D0-05042001 | C1608JB1H104KT C52 | 1 | 5/P | | | | | | | | | |
| 303 | D0-04098001 | GRM188F11E104ZA01D C53 | 1 | 10/P | | | | | | | | | |
| 304 | D0-04098001 | GRM188F11E104ZA01D C54 | 1 | 10/P | | | | | | | | | |
| 305 | D0-04098001 | GRM188F11E104ZA01D C55 | 1 | 10/P | | | | | | | | | |
| 306 | D0-04098001 | GRM188F11E104ZA01D C56 | 1 | 10/P | | | | | | | | | |
| 308 | D0-04098001 | GRM188F11E104ZA01D C58 | 1 | 10/P | | | | | | | | | |
| 309 | D0-04098001 | GRM188F11E104ZA01D C59 | 1 | 10/P | | | | | | | | | |
| 310 | D0-04098001 | GRM188F11E104ZA01D C60 | 1 | 10/P | | | | | | | | | |

| ITEM NO. | PARTS NO. | PARTS NAME | QTY / PAGE | QTY / PACK | P | I | R | BSI NO. | TO | FROM | SERIAL NO. | REMARKS | C |
|----------|-------------|---------------------------|------------|------------|---|---|---|---------|----|------|------------|---------|---|
| 311 | D0-04098001 | GRM188F11E104ZA01D C61 | 1 | 10/P | | | | | | | | | |
| 312 | D0-04095001 | GRM1882C1H150JZ01D C62 | 1 | 10/P | | | | | | | | | |
| 313 | D0-04098001 | GRM188F11E104ZA01D C63 | 1 | 10/P | | | | | | | | | |
| 314 | D0-04098001 | GRM188F11E104ZA01D C64 | 1 | 10/P | | | | | | | | | |
| 315 | D0-04098001 | GRM188F11E104ZA01D C65 | 1 | 10/P | | | | | | | | | |
| 316 | D0-04098001 | GRM188F11E104ZA01D C66 | 1 | 10/P | | | | | | | | | |
| 317 | D0-04098001 | GRM188F11E104ZA01D C67 | 1 | 10/P | | | | | | | | | |
| 318 | D0-04098001 | GRM188F11E104ZA01D C68 | 1 | 10/P | | | | | | | | | |
| 319 | D0-07512001 | GRM188B11E223KA01D C69 | 1 | 10/P | | | | | | | | | |
| 320 | D0-04098001 | GRM188F11E104ZA01D C70 | 1 | 10/P | | | | | | | | | |
| 321 | D0-04098001 | GRM188F11E104ZA01D C71 | 1 | 10/P | | | | | | | | | |
| 322 | D0-04098001 | GRM188F11E104ZA01D C72 | 1 | 10/P | | | | | | | | | |
| 323 | D0-04098001 | GRM188F11E104ZA01D C73 | 1 | 10/P | | | | | | | | | |
| 324 | D0-05042001 | C1608JB1H104KT C74 | 1 | 5/P | | | | | | | | | |
| 325 | D0-04098001 | GRM188F11E104ZA01D C75 | 1 | 10/P | | | | | | | | | |
| 326 | D0-04098001 | GRM188F11E104ZA01D C76 | 1 | 10/P | | | | | | | | | |
| 327 | D0-04098001 | GRM188F11E104ZA01D C77 | 1 | 10/P | | | | | | | | | |
| 328 | D0-04098001 | GRM188F11E104ZA01D C78 | 1 | 10/P | | | | | | | | | |
| 329 | D0-04098001 | GRM188F11E104ZA01D C79 | 1 | 10/P | | | | | | | | | |
| 330 | D0-04098001 | GRM188F11E104ZA01D C80 | 1 | 10/P | | | | | | | | | |
| 331 | D0-04098001 | GRM188F11E104ZA01D C81 | 1 | 10/P | | | | | | | | | |
| 332 | D0-04098001 | GRM188F11E104ZA01D C82 | 1 | 10/P | | | | | | | | | |
| 333 | D0-05042001 | C1608JB1H104KT C83 | 1 | 5/P | | | | | | | | | |
| 334 | D0-05042001 | C1608JB1H104KT C84 | 1 | 5/P | | | | | | | | | |
| 335 | D0-05042001 | C1608JB1H104KT C85 | 1 | 5/P | | | | | | | | | |
| 336 | D0-05042001 | C1608JB1H104KT C86 | 1 | 5/P | | | | | | | | | |
| 337 | D0-04098001 | GRM188F11E104ZA01D C87 | 1 | 10/P | | | | | | | | | |
| 338 | D0-04098001 | GRM188F11E104ZA01D C88 | 1 | 10/P | | | | | | | | | |
| 339 | D0-04098001 | GRM188F11E104ZA01D C89 | 1 | 10/P | | | | | | | | | |
| 340 | D0-04098001 | GRM188F11E104ZA01D C90 | 1 | 10/P | | | | | | | | | |
| 341 | D0-04098001 | GRM188F11E104ZA01D C91 | 1 | 10/P | | | | | | | | | |
| 342 | D0-04098001 | GRM188F11E104ZA01D C92 | 1 | 10/P | | | | | | | | | |
| 343 | D0-04098001 | GRM188F11E104ZA01D C93 | 1 | 10/P | | | | | | | | | |
| 344 | D0-04098001 | GRM188F11E104ZA01D C94 | 1 | 10/P | | | | | | | | | |
| 345 | D0-04098001 | GRM188F11E104ZA01D C95 | 1 | 10/P | | | | | | | | | |

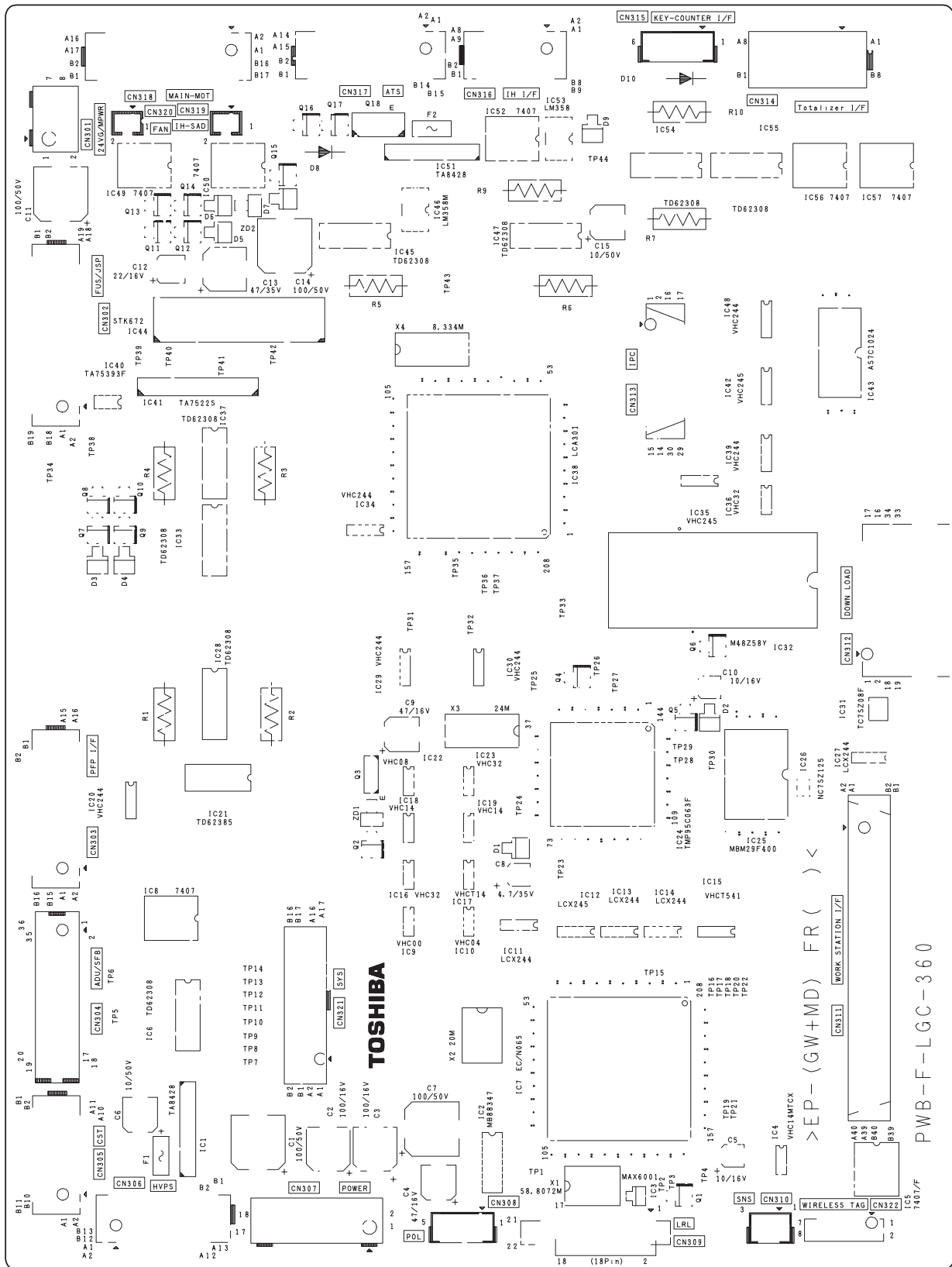
| ITEM NO. | PARTS NO. | PARTS NAME | Q'TY / PAGE | Q'TY / PACK | P | I | R | BSI NO. | TO | FROM | SERIAL NO. | REMARKS | C |
|----------|-------------|----------------------------|-------------|-------------|---|---|---|---------|----|------|------------|---------|---|
| 346 | D0-04098001 | GRM188F11E104ZA01D C96 | 1 | 10/P | | | | | | | | | |
| 347 | D0-04098001 | GRM188F11E104ZA01D C97 | 1 | 10/P | | | | | | | | | |
| 348 | D0-05042001 | C1608JB1H104KT C98 | 1 | 5/P | | | | | | | | | |
| 349 | D0-04098001 | GRM188F11E104ZA01D C99 | 1 | 10/P | | | | | | | | | |
| 350 | D0-04098001 | GRM188F11E104ZA01D C100 | 1 | 10/P | | | | | | | | | |
| 351 | D0-04098001 | GRM188F11E104ZA01D C101 | 1 | 10/P | | | | | | | | | |
| 352 | D0-05042001 | C1608JB1H104KT C102 | 1 | 5/P | | | | | | | | | |
| 353 | D0-05042001 | C1608JB1H104KT C103 | 1 | 5/P | | | | | | | | | |
| 354 | D0-04098001 | GRM188F11E104ZA01D C104 | 1 | 10/P | | | | | | | | | |
| 355 | D0-04098001 | GRM188F11E104ZA01D C105 | 1 | 10/P | | | | | | | | | |
| 356 | D0-04098001 | GRM188F11E104ZA01D C106 | 1 | 10/P | | | | | | | | | |
| 357 | D0-04085001 | GRM1882C1H100JZ01D C107 | 1 | 5/ | | | | | | | | | |
| 358 | D0-04085001 | GRM1882C1H100JZ01D C108 | 1 | 5/ | | | | | | | | | |
| 359 | D0-04092001 | GRM188B11H222KA01D C109 | 1 | 10/P | | | | | | | | | |
| 360 | D0-04098001 | GRM188F11E104ZA01D C110 | 1 | 10/P | | | | | | | | | |
| 361 | D0-04098001 | GRM188F11E104ZA01D C111 | 1 | 10/P | | | | | | | | | |
| 362 | D0-04098001 | GRM188F11E104ZA01D C112 | 1 | 10/P | | | | | | | | | |
| 363 | D0-04098001 | GRM188F11E104ZA01D C113 | 1 | 10/P | | | | | | | | | |
| 364 | D0-04098001 | GRM188F11E104ZA01D C114 | 1 | 10/P | | | | | | | | | |
| 365 | D0-04098001 | GRM188F11E104ZA01D C115 | 1 | 10/P | | | | | | | | | |
| 366 | D0-04098001 | GRM188F11E104ZA01D C116 | 1 | 10/P | | | | | | | | | |
| 367 | D0-04098001 | GRM188F11E104ZA01D C117 | 1 | 10/P | | | | | | | | | |
| 368 | D0-04092001 | GRM188B11H222KA01D C118 | 1 | 10/P | | | | | | | | | |
| 369 | D0-04098001 | GRM188F11E104ZA01D C119 | 1 | 10/P | | | | | | | | | |
| 370 | D0-04098001 | GRM188F11E104ZA01D C120 | 1 | 10/P | | | | | | | | | |
| 371 | D0-04098001 | GRM188F11E104ZA01D C121 | 1 | 10/P | | | | | | | | | |
| 372 | D0-04098001 | GRM188F11E104ZA01D C122 | 1 | 10/P | | | | | | | | | |
| 373 | D0-04098001 | GRM188F11E104ZA01D C123 | 1 | 10/P | | | | | | | | | |
| 374 | D0-04098001 | GRM188F11E104ZA01D C124 | 1 | 10/P | | | | | | | | | |
| 375 | D0-04098001 | GRM188F11E104ZA01D C125 | 1 | 10/P | | | | | | | | | |
| 376 | D0-04098001 | GRM188F11E104ZA01D C126 | 1 | 10/P | | | | | | | | | |
| 377 | D0-04098001 | GRM188F11E104ZA01D C127 | 1 | 10/P | | | | | | | | | |
| 378 | D0-04092001 | GRM188B11H222KA01D C128 | 1 | 10/P | | | | | | | | | |
| 379 | D0-04098001 | GRM188F11E104ZA01D C129 | 1 | 10/P | | | | | | | | | |
| 380 | D0-04098001 | GRM188F11E104ZA01D C130 | 1 | 10/P | | | | | | | | | |

| ITEM NO. | PARTS NO. | PARTS NAME | Q'TY / PAGE | Q'TY / PACK | P | I | R | BSI NO. | TO | FROM | SERIAL NO. | REMARKS | C |
|----------|-------------|----------------------------|-------------|-------------|---|---|---|---------|----|------|------------|---------|---|
| 381 | D0-04098001 | GRM188F11E104ZA01D C131 | 1 | 10/P | | | | | | | | | |
| 382 | D0-04098001 | GRM188F11E104ZA01D C132 | 1 | 10/P | | | | | | | | | |
| 383 | D0-04098001 | GRM188F11E104ZA01D C133 | 1 | 10/P | | | | | | | | | |
| 384 | D0-04098001 | GRM188F11E104ZA01D C134 | 1 | 10/P | | | | | | | | | |
| 386 | D0-04098001 | GRM188F11E104ZA01D C136 | 1 | 10/P | | | | | | | | | |
| 387 | D0-04092001 | GRM188B11H222KA01D C137 | 1 | 10/P | | | | | | | | | |
| 388 | D0-04098001 | GRM188F11E104ZA01D C138 | 1 | 10/P | | | | | | | | | |
| 389 | D0-04098001 | GRM188F11E104ZA01D C139 | 1 | 10/P | | | | | | | | | |
| 390 | D0-05042001 | C1608JB1H104KT C140 | 1 | 5/P | | | | | | | | | |
| 391 | D0-04092001 | GRM188B11H222KA01D C141 | 1 | 10/P | | | | | | | | | |
| 392 | D0-04098001 | GRM188F11E104ZA01D C142 | 1 | 10/P | | | | | | | | | |
| 393 | D0-04098001 | GRM188F11E104ZA01D C143 | 1 | 10/P | | | | | | | | | |
| 394 | D0-04098001 | GRM188F11E104ZA01D C144 | 1 | 10/P | | | | | | | | | |
| 395 | D0-04098001 | GRM188F11E104ZA01D C145 | 1 | 10/P | | | | | | | | | |
| 396 | D0-04098001 | GRM188F11E104ZA01D C146 | 1 | 10/P | | | | | | | | | |
| 397 | D0-04098001 | GRM188F11E104ZA01D C147 | 1 | 10/P | | | | | | | | | |
| 398 | D0-04098001 | GRM188F11E104ZA01D C148 | 1 | 10/P | | | | | | | | | |
| 399 | D0-05042001 | C1608JB1H104KT C149 | 1 | 5/P | | | | | | | | | |
| 400 | D0-04098001 | GRM188F11E104ZA01D C150 | 1 | 10/P | | | | | | | | | |
| 401 | D0-04098001 | GRM188F11E104ZA01D C151 | 1 | 10/P | | | | | | | | | |
| 402 | D0-05042001 | C1608JB1H104KT C152 | 1 | 5/P | | | | | | | | | |
| 403 | D0-05042001 | C1608JB1H104KT C153 | 1 | 5/P | | | | | | | | | |
| 404 | D0-04093001 | GRM1882C1H220JZ01D C154 | 1 | 10/P | | | | | | | | | |
| 405 | D0-04093001 | GRM1882C1H220JZ01D C155 | 1 | 10/P | | | | | | | | | |
| 406 | D0-04093001 | GRM1882C1H220JZ01D C156 | 1 | 10/P | | | | | | | | | |
| 407 | D0-04093001 | GRM1882C1H220JZ01D C157 | 1 | 10/P | | | | | | | | | |
| 408 | D0-04093001 | GRM1882C1H220JZ01D C158 | 1 | 10/P | | | | | | | | | |
| 409 | D0-04093001 | GRM1882C1H220JZ01D C159 | 1 | 10/P | | | | | | | | | |
| 410 | D0-04093001 | GRM1882C1H220JZ01D C160 | 1 | 10/P | | | | | | | | | |
| 411 | D0-04093001 | GRM1882C1H220JZ01D C161 | 1 | 10/P | | | | | | | | | |
| 415 | D0-04098001 | GRM188F11E104ZA01D C165 | 1 | 10/P | | | | | | | | | |
| 416 | D0-04098001 | GRM188F11E104ZA01D C166 | 1 | 10/P | | | | | | | | | |
| 417 | D0-04098001 | GRM188F11E104ZA01D C167 | 1 | 10/P | | | | | | | | | |
| 421 | D0-04101001 | GRM188B11H102KA01D C171 | 1 | 10/P | | | | | | | | | |
| 422 | D0-04100001 | GRM188B11H103KA01D C172 | 1 | 10/P | | | | | | | | | |

| ITEM NO. | PARTS NO. | PARTS NAME | Q'TY / PAGE | Q'TY / PACK | P | I | R | BSI NO. | TO | FROM | SERIAL NO. | REMARKS | C |
|----------|-------------|----------------------------|-------------|-------------|---|---|---|---------|----|------|------------|---------|---|
| 425 | D0-04092001 | GRM188B11H222KA01D C175 | 1 | 10/P | | | | | | | | | |
| 426 | D0-04098001 | GRM188F11E104ZA01D C176 | 1 | 10/P | | | | | | | | | |
| 427 | D0-04098001 | GRM188F11E104ZA01D C177 | 1 | 10/P | | | | | | | | | |
| 428 | D0-04101001 | GRM188B11H102KA01D C178 | 1 | 10/P | | | | | | | | | |
| 429 | D0-04098001 | GRM188F11E104ZA01D C179 | 1 | 10/P | | | | | | | | | |
| 430 | D0-04101001 | GRM188B11H102KA01D C180 | 1 | 10/P | | | | | | | | | |
| 431 | D0-04098001 | GRM188F11E104ZA01D C181 | 1 | 10/P | | | | | | | | | |
| 432 | D0-04101001 | GRM188B11H102KA01D C182 | 1 | 10/P | | | | | | | | | |
| 433 | D0-04101001 | GRM188B11H102KA01D C183 | 1 | 10/P | | | | | | | | | |
| 434 | D0-04098001 | GRM188F11E104ZA01D C184 | 1 | 10/P | | | | | | | | | |
| 435 | D0-04101001 | GRM188B11H102KA01D C185 | 1 | 10/P | | | | | | | | | |
| 436 | D0-04098001 | GRM188F11E104ZA01D C186 | 1 | 10/P | | | | | | | | | |
| 437 | D0-04100001 | GRM188B11H103KA01D C187 | 1 | 10/P | | | | | | | | | |
| 438 | D0-04101001 | GRM188B11H102KA01D C188 | 1 | 10/P | | | | | | | | | |
| 439 | D0-04098001 | GRM188F11E104ZA01D C189 | 1 | 10/P | | | | | | | | | |
| 440 | D0-04098001 | GRM188F11E104ZA01D C190 | 1 | 10/P | | | | | | | | | |
| 441 | D0-04098001 | GRM188F11E104ZA01D C191 | 1 | 10/P | | | | | | | | | |
| 442 | D0-04098001 | GRM188F11E104ZA01D C192 | 1 | 10/P | | | | | | | | | |
| 443 | D0-04098001 | GRM188F11E104ZA01D C193 | 1 | 10/P | | | | | | | | | |
| 444 | D0-04098001 | GRM188F11E104ZA01D C194 | 1 | 10/P | | | | | | | | | |
| 445 | D0-04101001 | GRM188B11H102KA01D C195 | 1 | 10/P | | | | | | | | | |
| 446 | D0-04101001 | GRM188B11H102KA01D C196 | 1 | 10/P | | | | | | | | | |
| 447 | D0-04101001 | GRM188B11H102KA01D C197 | 1 | 10/P | | | | | | | | | |
| 448 | D0-04101001 | GRM188B11H102KA01D C198 | 1 | 10/P | | | | | | | | | |
| 449 | D0-04101001 | GRM188B11H102KA01D C199 | 1 | 10/P | | | | | | | | | |
| 450 | D0-04101001 | GRM188B11H102KA01D C200 | 1 | 10/P | | | | | | | | | |
| 451 | D0-04098001 | GRM188F11E104ZA01D C201 | 1 | 10/P | | | | | | | | | |
| 452 | D0-04098001 | GRM188F11E104ZA01D C202 | 1 | 10/P | | | | | | | | | |
| 453 | D0-05042001 | C1608JB1H104KT C203 | 1 | 5/P | | | | | | | | | |
| 454 | D0-05042001 | C1608JB1H104KT C204 | 1 | 5/P | | | | | | | | | |
| 455 | D0-07518001 | GRM188B11H471KA01D C205 | 1 | 10/P | | | | | | | | | |
| 456 | D0-04098001 | GRM188F11E104ZA01D C206 | 1 | 10/P | | | | | | | | | |
| 457 | D0-07518001 | GRM188B11H471KA01D C207 | 1 | 10/P | | | | | | | | | |
| 458 | D0-04098001 | GRM188F11E104ZA01D C208 | 1 | 10/P | | | | | | | | | |
| 459 | D0-04098001 | GRM188F11E104ZA01D C209 | 1 | 10/P | | | | | | | | | |

| ITEM NO. | PARTS NO. | PARTS NAME | Q'TY / PAGE | Q'TY / PACK | P | I | R | BSI NO. | TO | FROM | SERIAL NO. | REMARKS | C |
|----------|-------------|----------------------------|-------------|-------------|---|---|---|---------|----|------|------------|---------|---|
| 460 | D0-04098001 | GRM188F11E104ZA01D C210 | 1 | 10/P | | | | | | | | | |
| 461 | D0-04098001 | GRM188F11E104ZA01D C211 | 1 | 10/P | | | | | | | | | |
| 462 | D0-04101001 | GRM188B11H102KA01D C212 | 1 | 10/P | | | | | | | | | |
| 463 | D0-04098001 | GRM188F11E104ZA01D C213 | 1 | 10/P | | | | | | | | | |
| 464 | D0-04098001 | GRM188F11E104ZA01D C214 | 1 | 10/P | | | | | | | | | |
| 465 | D0-04101001 | GRM188B11H102KA01D C215 | 1 | 10/P | | | | | | | | | |
| 466 | D0-04098001 | GRM188F11E104ZA01D C216 | 1 | 10/P | | | | | | | | | |
| 467 | D0-04098001 | GRM188F11E104ZA01D C217 | 1 | 10/P | | | | | | | | | |
| 468 | D0-04098001 | GRM188F11E104ZA01D C218 | 1 | 10/P | | | | | | | | | |
| 469 | D0-04101001 | GRM188B11H102KA01D C219 | 1 | 10/P | | | | | | | | | |
| 470 | D0-04098001 | GRM188F11E104ZA01D C220 | 1 | 10/P | | | | | | | | | |
| 472 | D0-04098001 | GRM188F11E104ZA01D C222 | 1 | 10/P | | | | | | | | | |
| 474 | D0-04098001 | GRM188F11E104ZA01D C224 | 1 | 10/P | | | | | | | | | |
| 475 | D0-04098001 | GRM188F11E104ZA01D C225 | 1 | 10/P | | | | | | | | | |
| 476 | D0-04093001 | GRM1882C1H220JZ01D C226 | 1 | 10/P | | | | | | | | | |
| 478 | D0-04098001 | GRM188F11E104ZA01D C228 | 1 | 10/P | | | | | | | | | |
| 801 | E0-01581000 | CN301 | 1 | | | | | | | | | | |
| 802 | E0-03979000 | CN302 | 1 | | | | | | | | | | |
| 803 | E0-03976000 | CN303 | 1 | | | | | | | | | | |
| 804 | E0-02255000 | 3-353308-6 CN304 | 1 | 1/P | | | | | | | | | |
| 805 | E0-03971000 | CN305 | 1 | | | | | | | | | | |
| 806 | E0-03973000 | CN306 | 1 | | | | | | | | | | |
| 807 | E0-01544000 | DF1B-18DP-2. 5DSA CN307 | 1 | 5/P | | | | | | | | | |
| 808 | E0-00091000 | 175487-5 CN308 | 1 | 5/P | | | | | | | | | |
| 809 | E0-06614001 | CN309 | 1 | | | | | | | | | | |
| 810 | E0-00089000 | 175487-3 CN310 | 1 | 5/P | | | | | | | | | |
| 812 | E0-02160000 | DHB-PA34-R13NNA CN312 | 1 | 1/P | | | | | | | | | |
| 813 | E0-00112000 | 174215-1 CN313 | 1 | 1/P | | | | | | | | | |
| 814 | E0-02232000 | 1-175132-6 CN314 | 1 | 5/P | | | | | | | | | |
| 815 | E0-00092000 | 175487-6 CN315 | 1 | 5/P | | | | | | | | | |
| 816 | E0-03969000 | B18B-CZWHK-B-1 CN316 | 1 | 5/P | | | | | | | | | |
| 817 | E0-03975000 | CN317 | 1 | | | | | | | | | | |
| 818 | E0-03977000 | CN318 | 1 | | | | | | | | | | |
| 819 | E0-00231000 | B2B-PH-K-Y CN319 | 1 | 5/ | | | | | | | | | |
| 820 | E0-00230000 | B2B-PH-K-S CN320 | 1 | 10/P | | | | | | | | | |

| ITEM NO. | PARTS NO. | PARTS NAME | Q'TY / PAGE | Q'TY / PACK | P | I | R | BSI NO. | TO | FROM | SERIAL NO. | REMARKS | C |
|----------|-------------|--------------|-------------|-------------|---|---|---|---------|----|------|------------|---------|---|
| 821 | E0-01712000 | CN321 | 1 | | | | | | | | | | |
| 852 | E0-04295000 | RXE030 F2 | 1 | 5/P | | | | | | | | | |
| 901 | D0-18595001 | X1 | 1 | | | | | | | | | | |
| 902 | D0-18594001 | X2 | 1 | | | | | | | | | | |
| 903 | D0-12253001 | X3 | 1 | | | | | | | | | | |
| 904 | D0-16117001 | X4 | 1 | | | | | | | | | | |



| ITEM NO. | PARTS NO. | PARTS NAME | Q'TY / PAGE | Q'TY / PACK | P | I | R | BSI NO. | TO | FROM | SERIAL NO. | REMARKS | C |
|----------|-------------|--------------|-------------|-------------|---|---|---|---------|----|------|------------|---------|---|
| 1 | D0-16495000 | R1 | 1 | | | | | | | | | | |
| 2 | D0-16495000 | R2 | 1 | | | | | | | | | | |
| 3 | D0-16495000 | R3 | 1 | | | | | | | | | | |
| 4 | D0-16543000 | R4 | 1 | | | | | | | | | | |
| 5 | D0-16495000 | R5 | 1 | | | | | | | | | | |
| 6 | D0-16496000 | R6 | 1 | | | | | | | | | | |
| 7 | D0-16543000 | R7 | 1 | | | | | | | | | | |
| 9 | D0-17328000 | R9 | 1 | | | | | | | | | | |
| 10 | D0-16495000 | R10 | 1 | | | | | | | | | | |
| 11 | D0-00949001 | MCR03EZHJ000 | 1 | 10/P | | | | | | | | | |
| 12 | D0-01020001 | MCR03EZHJ472 | 1 | 10/P | | | | | | | | | |
| 14 | D0-00952001 | MCR03EZHJ102 | 1 | 10/P | | | | | | | | | |
| 15 | D0-01020001 | MCR03EZHJ472 | 1 | 10/P | | | | | | | | | |
| 16 | D0-00952001 | MCR03EZHJ102 | 1 | 10/P | | | | | | | | | |
| 17 | D0-00952001 | MCR03EZHJ102 | 1 | 10/P | | | | | | | | | |
| 18 | D0-00952001 | MCR03EZHJ102 | 1 | 10/P | | | | | | | | | |
| 19 | D0-00952001 | MCR03EZHJ102 | 1 | 10/P | | | | | | | | | |
| 20 | D0-00952001 | MCR03EZHJ102 | 1 | 10/P | | | | | | | | | |
| 22 | D0-00949001 | MCR03EZHJ000 | 1 | 10/P | | | | | | | | | |
| 23 | D0-00952001 | MCR03EZHJ102 | 1 | 10/P | | | | | | | | | |
| 24 | D0-00952001 | MCR03EZHJ102 | 1 | 10/P | | | | | | | | | |
| 25 | D0-00952001 | MCR03EZHJ102 | 1 | 10/P | | | | | | | | | |
| 26 | D0-00949001 | MCR03EZHJ000 | 1 | 10/P | | | | | | | | | |
| 28 | D0-00952001 | MCR03EZHJ102 | 1 | 10/P | | | | | | | | | |
| 29 | D0-00983001 | MCR03EZHJ222 | 1 | 10/P | | | | | | | | | |
| 30 | D0-00949001 | MCR03EZHJ000 | 1 | 10/P | | | | | | | | | |
| 32 | D0-00952001 | MCR03EZHJ102 | 1 | 10/P | | | | | | | | | |
| 33 | D0-01020001 | MCR03EZHJ472 | 1 | 10/P | | | | | | | | | |
| 34 | D0-01020001 | MCR03EZHJ472 | 1 | 10/P | | | | | | | | | |
| 35 | D0-00952001 | MCR03EZHJ102 | 1 | 10/P | | | | | | | | | |
| 36 | D0-01020001 | MCR03EZHJ472 | 1 | 10/P | | | | | | | | | |
| 37 | D0-01020001 | MCR03EZHJ472 | 1 | 10/P | | | | | | | | | |
| 38 | D0-01020001 | MCR03EZHJ472 | 1 | 10/P | | | | | | | | | |
| 39 | D0-01020001 | MCR03EZHJ472 | 1 | 10/P | | | | | | | | | |
| 40 | D0-01018001 | MCR03EZHJ470 | 1 | 10/P | | | | | | | | | |
| | | R40 | | | | | | | | | | | |

| ITEM NO. | PARTS NO. | PARTS NAME | QTY / PAGE | QTY / PACK | P | I | R | BSI NO. | TO | FROM | SERIAL NO. | REMARKS | C |
|----------|-------------|-----------------------|------------|------------|---|---|---|---------|----|------|------------|---------|---|
| 41 | D0-01018001 | MCR03EZHJ470 R41 | 1 | 10/P | | | | | | | | | |
| 42 | D0-01018001 | MCR03EZHJ470 R42 | 1 | 10/P | | | | | | | | | |
| 43 | D0-01018001 | MCR03EZHJ470 R43 | 1 | 10/P | | | | | | | | | |
| 44 | D0-01018001 | MCR03EZHJ470 R44 | 1 | 10/P | | | | | | | | | |
| 45 | D0-00952001 | MCR03EZHJ102 R45 | 1 | 10/P | | | | | | | | | |
| 46 | D0-01004001 | MCR03EZHJ332 R46 | 1 | 10/P | | | | | | | | | |
| 47 | D0-01004001 | MCR03EZHJ332 R47 | 1 | 10/P | | | | | | | | | |
| 48 | D0-00952001 | MCR03EZHJ102 R48 | 1 | 10/P | | | | | | | | | |
| 49 | D0-00966001 | MCR03EZHJ152 R49 | 1 | 10/P | | | | | | | | | |
| 50 | D0-00984001 | MCR03EZHJ223 R50 | 1 | 10/P | | | | | | | | | |
| 51 | D0-00952001 | MCR03EZHJ102 R51 | 1 | 10/P | | | | | | | | | |
| 52 | D0-00949001 | MCR03EZHJ000 R52 | 1 | 10/P | | | | | | | | | |
| 54 | D0-00953001 | MCR03EZHJ103 R54 | 1 | 10/P | | | | | | | | | |
| 55 | D0-00967001 | MCR03EZHJ153 R55 | 1 | 5/ | | | | | | | | | |
| 56 | D0-00984001 | MCR03EZHJ223 R56 | 1 | 10/P | | | | | | | | | |
| 57 | D0-01004001 | MCR03EZHJ332 R57 | 1 | 10/P | | | | | | | | | |
| 58 | D0-01020001 | MCR03EZHJ472 R58 | 1 | 10/P | | | | | | | | | |
| 59 | D0-01018001 | MCR03EZHJ470 R59 | 1 | 10/P | | | | | | | | | |
| 60 | D0-00953001 | MCR03EZHJ103 R60 | 1 | 10/P | | | | | | | | | |
| 61 | D0-00983001 | MCR03EZHJ222 R61 | 1 | 10/P | | | | | | | | | |
| 62 | D0-01037001 | MCR03EZHJ681 R62 | 1 | 5/ | | | | | | | | | |
| 63 | D0-00984001 | MCR03EZHJ223 R63 | 1 | 10/P | | | | | | | | | |
| 64 | D0-01150001 | MCR03EZPFX4702 R64 | 1 | 10/P | | | | | | | | | |
| 65 | D0-01020001 | MCR03EZHJ472 R65 | 1 | 10/P | | | | | | | | | |
| 66 | D0-01020001 | MCR03EZHJ472 R66 | 1 | 10/P | | | | | | | | | |
| 67 | D0-00992001 | MCR03EZHJ271 R67 | 1 | 5/ | | | | | | | | | |
| 68 | D0-00953001 | MCR03EZHJ103 R68 | 1 | 10/P | | | | | | | | | |
| 69 | D0-00949001 | MCR03EZHJ000 R69 | 1 | 10/P | | | | | | | | | |
| 70 | D0-00953001 | MCR03EZHJ103 R70 | 1 | 10/P | | | | | | | | | |
| 71 | D0-00984001 | MCR03EZHJ223 R71 | 1 | 10/P | | | | | | | | | |
| 75 | D0-00949001 | MCR03EZHJ000 R75 | 1 | 10/P | | | | | | | | | |
| 76 | D0-01020001 | MCR03EZHJ472 R76 | 1 | 10/P | | | | | | | | | |
| 77 | D0-00949001 | MCR03EZHJ000 R77 | 1 | 10/P | | | | | | | | | |
| 79 | D0-00949001 | MCR03EZHJ000 R79 | 1 | 10/P | | | | | | | | | |
| 80 | D0-00949001 | MCR03EZHJ000 R80 | 1 | 10/P | | | | | | | | | |

| ITEM NO. | PARTS NO. | PARTS NAME | QTY / PAGE | QTY / PACK | P | I | R | BSI NO. | TO | FROM | SERIAL NO. | REMARKS | C |
|----------|-------------|-----------------------|------------|------------|---|---|---|---------|----|------|------------|---------|---|
| 82 | D0-00949001 | MCR03EZHJ000 R82 | 1 | 10/P | | | | | | | | | |
| 83 | D0-01036001 | MCR03EZHJ680 R83 | 1 | 10/P | | | | | | | | | |
| 84 | D0-01036001 | MCR03EZHJ680 R84 | 1 | 10/P | | | | | | | | | |
| 85 | D0-01036001 | MCR03EZHJ680 R85 | 1 | 10/P | | | | | | | | | |
| 86 | D0-01036001 | MCR03EZHJ680 R86 | 1 | 10/P | | | | | | | | | |
| 87 | D0-01020001 | MCR03EZHJ472 R87 | 1 | 10/P | | | | | | | | | |
| 88 | D0-01052001 | MCR03EZPFX1001 R88 | 1 | 10/P | | | | | | | | | |
| 89 | D0-01099001 | MCR03EZPFX2202 R89 | 1 | 5/ | | | | | | | | | |
| 90 | D0-01149001 | MCR03EZPFX4701 R90 | 1 | 5/ | | | | | | | | | |
| 91 | D0-01053001 | MCR03EZPFX1002 R91 | 1 | 10/P | | | | | | | | | |
| 92 | D0-01052001 | MCR03EZPFX1001 R92 | 1 | 10/P | | | | | | | | | |
| 93 | D0-01052001 | MCR03EZPFX1001 R93 | 1 | 10/P | | | | | | | | | |
| 94 | D0-00976001 | MCR03EZHJ184 R94 | 1 | 5/ | | | | | | | | | |
| 95 | D0-01052001 | MCR03EZPFX1001 R95 | 1 | 10/P | | | | | | | | | |
| 96 | D0-01052001 | MCR03EZPFX1001 R96 | 1 | 10/P | | | | | | | | | |
| 97 | D0-00976001 | MCR03EZHJ184 R97 | 1 | 5/ | | | | | | | | | |
| 98 | D0-01172001 | MCR03EZPFX6201 R98 | 1 | 10/P | | | | | | | | | |
| 99 | D0-01052001 | MCR03EZPFX1001 R99 | 1 | 10/P | | | | | | | | | |
| 103 | D0-01020001 | MCR03EZHJ472 R103 | 1 | 10/P | | | | | | | | | |
| 104 | D0-00955001 | MCR03EZHJ105 R104 | 1 | 10/P | | | | | | | | | |
| 105 | D0-00951001 | MCR03EZHJ101 R105 | 1 | 10/P | | | | | | | | | |
| 106 | D0-00984001 | MCR03EZHJ223 R106 | 1 | 10/P | | | | | | | | | |
| 107 | D0-01020001 | MCR03EZHJ472 R107 | 1 | 10/P | | | | | | | | | |
| 108 | D0-01020001 | MCR03EZHJ472 R108 | 1 | 10/P | | | | | | | | | |
| 109 | D0-01020001 | MCR03EZHJ472 R109 | 1 | 10/P | | | | | | | | | |
| 110 | D0-00981001 | MCR03EZHJ220 R110 | 1 | 10/P | | | | | | | | | |
| 111 | D0-01036001 | MCR03EZHJ680 R111 | 1 | 10/P | | | | | | | | | |
| 112 | D0-01036001 | MCR03EZHJ680 R112 | 1 | 10/P | | | | | | | | | |
| 113 | D0-00951001 | MCR03EZHJ101 R113 | 1 | 10/P | | | | | | | | | |
| 114 | D0-00951001 | MCR03EZHJ101 R114 | 1 | 10/P | | | | | | | | | |
| 115 | D0-00951001 | MCR03EZHJ101 R115 | 1 | 10/P | | | | | | | | | |
| 116 | D0-00951001 | MCR03EZHJ101 R116 | 1 | 10/P | | | | | | | | | |
| 117 | D0-01018001 | MCR03EZHJ470 R117 | 1 | 10/P | | | | | | | | | |
| 118 | D0-01018001 | MCR03EZHJ470 R118 | 1 | 10/P | | | | | | | | | |
| 119 | D0-01036001 | MCR03EZHJ680 R119 | 1 | 10/P | | | | | | | | | |

| ITEM NO. | PARTS NO. | PARTS NAME | QTY / PAGE | QTY / PACK | P | I | R | BSI NO. | TO | FROM | SERIAL NO. | REMARKS | C |
|----------|-------------|-------------|------------|------------|---|---|---|---------|----|------|------------|---------|---|
| 120 | D0-01036001 | MCR03EZJ680 | 1 | 10/P | | | | | | | | | |
| | | R120 | | | | | | | | | | | |
| 121 | D0-00951001 | MCR03EZJ101 | 1 | 10/P | | | | | | | | | |
| | | R121 | | | | | | | | | | | |
| 122 | D0-00951001 | MCR03EZJ101 | 1 | 10/P | | | | | | | | | |
| | | R122 | | | | | | | | | | | |
| 123 | D0-00951001 | MCR03EZJ101 | 1 | 10/P | | | | | | | | | |
| | | R123 | | | | | | | | | | | |
| 124 | D0-00951001 | MCR03EZJ101 | 1 | 10/P | | | | | | | | | |
| | | R124 | | | | | | | | | | | |
| 125 | D0-00981001 | MCR03EZJ220 | 1 | 10/P | | | | | | | | | |
| | | R125 | | | | | | | | | | | |
| 126 | D0-00981001 | MCR03EZJ220 | 1 | 10/P | | | | | | | | | |
| | | R126 | | | | | | | | | | | |
| 127 | D0-01020001 | MCR03EZJ472 | 1 | 10/P | | | | | | | | | |
| | | R127 | | | | | | | | | | | |
| 128 | D0-00949001 | MCR03EZJ000 | 1 | 10/P | | | | | | | | | |
| | | R128 | | | | | | | | | | | |
| 129 | D0-00981001 | MCR03EZJ220 | 1 | 10/P | | | | | | | | | |
| | | R129 | | | | | | | | | | | |
| 130 | D0-01020001 | MCR03EZJ472 | 1 | 10/P | | | | | | | | | |
| | | R130 | | | | | | | | | | | |
| 131 | D0-00949001 | MCR03EZJ000 | 1 | 10/P | | | | | | | | | |
| | | R131 | | | | | | | | | | | |
| 132 | D0-00981001 | MCR03EZJ220 | 1 | 10/P | | | | | | | | | |
| | | R132 | | | | | | | | | | | |
| 133 | D0-00981001 | MCR03EZJ220 | 1 | 10/P | | | | | | | | | |
| | | R133 | | | | | | | | | | | |
| 134 | D0-00981001 | MCR03EZJ220 | 1 | 10/P | | | | | | | | | |
| | | R134 | | | | | | | | | | | |
| 135 | D0-00981001 | MCR03EZJ220 | 1 | 10/P | | | | | | | | | |
| | | R135 | | | | | | | | | | | |
| 136 | D0-00981001 | MCR03EZJ220 | 1 | 10/P | | | | | | | | | |
| | | R136 | | | | | | | | | | | |
| 137 | D0-00981001 | MCR03EZJ220 | 1 | 10/P | | | | | | | | | |
| | | R137 | | | | | | | | | | | |
| 138 | D0-01020001 | MCR03EZJ472 | 1 | 10/P | | | | | | | | | |
| | | R138 | | | | | | | | | | | |
| 139 | D0-01020001 | MCR03EZJ472 | 1 | 10/P | | | | | | | | | |
| | | R139 | | | | | | | | | | | |
| 140 | D0-01020001 | MCR03EZJ472 | 1 | 10/P | | | | | | | | | |
| | | R140 | | | | | | | | | | | |
| 141 | D0-01020001 | MCR03EZJ472 | 1 | 10/P | | | | | | | | | |
| | | R141 | | | | | | | | | | | |
| 142 | D0-01020001 | MCR03EZJ472 | 1 | 10/P | | | | | | | | | |
| | | R142 | | | | | | | | | | | |
| 143 | D0-01020001 | MCR03EZJ472 | 1 | 10/P | | | | | | | | | |
| | | R143 | | | | | | | | | | | |
| 144 | D0-00951001 | MCR03EZJ101 | 1 | 10/P | | | | | | | | | |
| | | R144 | | | | | | | | | | | |
| 146 | D0-00949001 | MCR03EZJ000 | 1 | 10/P | | | | | | | | | |
| | | R146 | | | | | | | | | | | |
| 148 | D0-00951001 | MCR03EZJ101 | 1 | 10/P | | | | | | | | | |
| | | R148 | | | | | | | | | | | |
| 149 | D0-00951001 | MCR03EZJ101 | 1 | 10/P | | | | | | | | | |
| | | R149 | | | | | | | | | | | |
| 150 | D0-01020001 | MCR03EZJ472 | 1 | 10/P | | | | | | | | | |
| | | R150 | | | | | | | | | | | |
| 151 | D0-01020001 | MCR03EZJ472 | 1 | 10/P | | | | | | | | | |
| | | R151 | | | | | | | | | | | |
| 152 | D0-01020001 | MCR03EZJ472 | 1 | 10/P | | | | | | | | | |
| | | R152 | | | | | | | | | | | |
| 153 | D0-01020001 | MCR03EZJ472 | 1 | 10/P | | | | | | | | | |
| | | R153 | | | | | | | | | | | |
| 154 | D0-00984001 | MCR03EZJ223 | 1 | 10/P | | | | | | | | | |
| | | R154 | | | | | | | | | | | |
| 155 | D0-00984001 | MCR03EZJ223 | 1 | 10/P | | | | | | | | | |
| | | R155 | | | | | | | | | | | |
| 156 | D0-00984001 | MCR03EZJ223 | 1 | 10/P | | | | | | | | | |
| | | R156 | | | | | | | | | | | |

| ITEM NO. | PARTS NO. | PARTS NAME | Q'TY / PAGE | Q'TY / PACK | P | I | R | BSI NO. | TO | FROM | SERIAL NO. | REMARKS | C |
|----------|-------------|----------------|-------------|-------------|---|---|---|---------|----|------|------------|---------|---|
| 157 | D0-00984001 | MCR03EZHZ223 | 1 | 10/P | | | | | | | | | |
| | | R157 | | | | | | | | | | | |
| 158 | D0-00984001 | MCR03EZHZ223 | 1 | 10/P | | | | | | | | | |
| | | R158 | | | | | | | | | | | |
| 159 | D0-00984001 | MCR03EZHZ223 | 1 | 10/P | | | | | | | | | |
| | | R159 | | | | | | | | | | | |
| 160 | D0-01020001 | MCR03EZHZ472 | 1 | 10/P | | | | | | | | | |
| | | R160 | | | | | | | | | | | |
| 161 | D0-01020001 | MCR03EZHZ472 | 1 | 10/P | | | | | | | | | |
| | | R161 | | | | | | | | | | | |
| 162 | D0-01020001 | MCR03EZHZ472 | 1 | 10/P | | | | | | | | | |
| | | R162 | | | | | | | | | | | |
| 163 | D0-00984001 | MCR03EZHZ223 | 1 | 10/P | | | | | | | | | |
| | | R163 | | | | | | | | | | | |
| 164 | D0-01020001 | MCR03EZHZ472 | 1 | 10/P | | | | | | | | | |
| | | R164 | | | | | | | | | | | |
| 165 | D0-00951001 | MCR03EZHZ101 | 1 | 10/P | | | | | | | | | |
| | | R165 | | | | | | | | | | | |
| 166 | D0-00951001 | MCR03EZHZ101 | 1 | 10/P | | | | | | | | | |
| | | R166 | | | | | | | | | | | |
| 167 | D0-01020001 | MCR03EZHZ472 | 1 | 10/P | | | | | | | | | |
| | | R167 | | | | | | | | | | | |
| 168 | D0-00981001 | MCR03EZHZ220 | 1 | 10/P | | | | | | | | | |
| | | R168 | | | | | | | | | | | |
| 169 | D0-00981001 | MCR03EZHZ220 | 1 | 10/P | | | | | | | | | |
| | | R169 | | | | | | | | | | | |
| 170 | D0-00981001 | MCR03EZHZ220 | 1 | 10/P | | | | | | | | | |
| | | R170 | | | | | | | | | | | |
| 171 | D0-00981001 | MCR03EZHZ220 | 1 | 10/P | | | | | | | | | |
| | | R171 | | | | | | | | | | | |
| 172 | D0-00981001 | MCR03EZHZ220 | 1 | 10/P | | | | | | | | | |
| | | R172 | | | | | | | | | | | |
| 173 | D0-01020001 | MCR03EZHZ472 | 1 | 10/P | | | | | | | | | |
| | | R173 | | | | | | | | | | | |
| 174 | D0-00981001 | MCR03EZHZ220 | 1 | 10/P | | | | | | | | | |
| | | R174 | | | | | | | | | | | |
| 175 | D0-00981001 | MCR03EZHZ220 | 1 | 10/P | | | | | | | | | |
| | | R175 | | | | | | | | | | | |
| 176 | D0-00981001 | MCR03EZHZ220 | 1 | 10/P | | | | | | | | | |
| | | R176 | | | | | | | | | | | |
| 177 | D0-00984001 | MCR03EZHZ223 | 1 | 10/P | | | | | | | | | |
| | | R177 | | | | | | | | | | | |
| 178 | D0-00984001 | MCR03EZHZ223 | 1 | 10/P | | | | | | | | | |
| | | R178 | | | | | | | | | | | |
| 179 | D0-00984001 | MCR03EZHZ223 | 1 | 10/P | | | | | | | | | |
| | | R179 | | | | | | | | | | | |
| 180 | D0-00984001 | MCR03EZHZ223 | 1 | 10/P | | | | | | | | | |
| | | R180 | | | | | | | | | | | |
| 181 | D0-01020001 | MCR03EZHZ472 | 1 | 10/P | | | | | | | | | |
| | | R181 | | | | | | | | | | | |
| 182 | D0-01020001 | MCR03EZHZ472 | 1 | 10/P | | | | | | | | | |
| | | R182 | | | | | | | | | | | |
| 183 | D0-01020001 | MCR03EZHZ472 | 1 | 10/P | | | | | | | | | |
| | | R183 | | | | | | | | | | | |
| 184 | D0-01020001 | MCR03EZHZ472 | 1 | 10/P | | | | | | | | | |
| | | R184 | | | | | | | | | | | |
| 185 | D0-01020001 | MCR03EZHZ472 | 1 | 10/P | | | | | | | | | |
| | | R185 | | | | | | | | | | | |
| 186 | D0-00984001 | MCR03EZHZ223 | 1 | 10/P | | | | | | | | | |
| | | R186 | | | | | | | | | | | |
| 187 | D0-00984001 | MCR03EZHZ223 | 1 | 10/P | | | | | | | | | |
| | | R187 | | | | | | | | | | | |
| 188 | D0-01020001 | MCR03EZHZ472 | 1 | 10/P | | | | | | | | | |
| | | R188 | | | | | | | | | | | |
| 189 | D0-01150001 | MCR03EZPFX4702 | 1 | 10/P | | | | | | | | | |
| | | R189 | | | | | | | | | | | |
| 190 | D0-01172001 | MCR03EZPFX6201 | 1 | 10/P | | | | | | | | | |
| | | R190 | | | | | | | | | | | |
| 191 | D0-01052001 | MCR03EZPFX1001 | 1 | 10/P | | | | | | | | | |
| | | R191 | | | | | | | | | | | |

| ITEM NO. | PARTS NO. | PARTS NAME | QTY / PAGE | QTY / PACK | P | I | R | BSI NO. | TO | FROM | SERIAL NO. | REMARKS | C |
|----------|-------------|-----------------------|------------|------------|---|---|---|---------|----|------|------------|---------|---|
| 192 | D0-00949001 | MCR03EZHZ000 R192 | 1 | 10/P | | | | | | | | | |
| 193 | D0-01099001 | MCR03EZPF2202 R193 | 1 | 5/ | | | | | | | | | |
| 194 | D0-01052001 | MCR03EZPF1001 R194 | 1 | 10/P | | | | | | | | | |
| 195 | D0-01052001 | MCR03EZPF1001 R195 | 1 | 10/P | | | | | | | | | |
| 196 | D0-01099001 | MCR03EZPF2202 R196 | 1 | 5/ | | | | | | | | | |
| 197 | D0-00954001 | MCR03EZHZ104 R197 | 1 | 10/P | | | | | | | | | |
| 198 | D0-01052001 | MCR03EZPF1001 R198 | 1 | 10/P | | | | | | | | | |
| 200 | D0-00949001 | MCR03EZHZ000 R200 | 1 | 10/P | | | | | | | | | |
| 201 | D0-01020001 | MCR03EZHZ472 R201 | 1 | 10/P | | | | | | | | | |
| 202 | D0-01020001 | MCR03EZHZ472 R202 | 1 | 10/P | | | | | | | | | |
| 203 | D0-01020001 | MCR03EZHZ472 R203 | 1 | 10/P | | | | | | | | | |
| 204 | D0-01020001 | MCR03EZHZ472 R204 | 1 | 10/P | | | | | | | | | |
| 205 | D0-01020001 | MCR03EZHZ472 R205 | 1 | 10/P | | | | | | | | | |
| 206 | D0-01020001 | MCR03EZHZ472 R206 | 1 | 10/P | | | | | | | | | |
| 207 | D0-00984001 | MCR03EZHZ223 R207 | 1 | 10/P | | | | | | | | | |
| 208 | D0-00984001 | MCR03EZHZ223 R208 | 1 | 10/P | | | | | | | | | |
| 209 | D0-00984001 | MCR03EZHZ223 R209 | 1 | 10/P | | | | | | | | | |
| 210 | D0-00984001 | MCR03EZHZ223 R210 | 1 | 10/P | | | | | | | | | |
| 211 | D0-00984001 | MCR03EZHZ223 R211 | 1 | 10/P | | | | | | | | | |
| 212 | D0-00984001 | MCR03EZHZ223 R212 | 1 | 10/P | | | | | | | | | |
| 213 | D0-01018001 | MCR03EZHZ470 R213 | 1 | 10/P | | | | | | | | | |
| 214 | D0-00951001 | MCR03EZHZ101 R214 | 1 | 10/P | | | | | | | | | |
| 215 | D0-00984001 | MCR03EZHZ223 R215 | 1 | 10/P | | | | | | | | | |
| 216 | D0-00984001 | MCR03EZHZ223 R216 | 1 | 10/P | | | | | | | | | |
| 217 | D0-00951001 | MCR03EZHZ101 R217 | 1 | 10/P | | | | | | | | | |
| 218 | D0-01020001 | MCR03EZHZ472 R218 | 1 | 10/P | | | | | | | | | |
| 219 | D0-01020001 | MCR03EZHZ472 R219 | 1 | 10/P | | | | | | | | | |
| 220 | D0-01020001 | MCR03EZHZ472 R220 | 1 | 10/P | | | | | | | | | |
| 221 | D0-01020001 | MCR03EZHZ472 R221 | 1 | 10/P | | | | | | | | | |
| 222 | D0-01020001 | MCR03EZHZ472 R222 | 1 | 10/P | | | | | | | | | |
| 223 | D0-01020001 | MCR03EZHZ472 R223 | 1 | 10/P | | | | | | | | | |
| 224 | D0-01020001 | MCR03EZHZ472 R224 | 1 | 10/P | | | | | | | | | |
| 225 | D0-00951001 | MCR03EZHZ101 R225 | 1 | 10/P | | | | | | | | | |
| 226 | D0-01020001 | MCR03EZHZ472 R226 | 1 | 10/P | | | | | | | | | |
| 227 | D0-01020001 | MCR03EZHZ472 R227 | 1 | 10/P | | | | | | | | | |

| ITEM NO. | PARTS NO. | PARTS NAME | QTY / PAGE | QTY / PACK | P | I | R | BSI NO. | TO | FROM | SERIAL NO. | REMARKS | C |
|----------|-------------|----------------------|------------|------------|---|---|---|---------|----|------|------------|---------|---|
| 228 | D0-00949001 | MCR03EZHJ000 R228 | 1 | 10/P | | | | | | | | | |
| 230 | D0-01020001 | MCR03EZHJ472 R230 | 1 | 10/P | | | | | | | | | |
| 231 | D0-00949001 | MCR03EZHJ000 R231 | 1 | 10/P | | | | | | | | | |
| 233 | D0-00949001 | MCR03EZHJ000 R233 | 1 | 10/P | | | | | | | | | |
| 235 | D0-00949001 | MCR03EZHJ000 R235 | 1 | 10/P | | | | | | | | | |
| 237 | D0-01020001 | MCR03EZHJ472 R237 | 1 | 10/P | | | | | | | | | |
| 238 | D0-00949001 | MCR03EZHJ000 R238 | 1 | 10/P | | | | | | | | | |
| 240 | D0-00949001 | MCR03EZHJ000 R240 | 1 | 10/P | | | | | | | | | |
| 242 | D0-01020001 | MCR03EZHJ472 R242 | 1 | 10/P | | | | | | | | | |
| 243 | D0-00949001 | MCR03EZHJ000 R243 | 1 | 10/P | | | | | | | | | |
| 245 | D0-00949001 | MCR03EZHJ000 R245 | 1 | 10/P | | | | | | | | | |
| 247 | D0-01020001 | MCR03EZHJ472 R247 | 1 | 10/P | | | | | | | | | |
| 248 | D0-01020001 | MCR03EZHJ472 R248 | 1 | 10/P | | | | | | | | | |
| 249 | D0-01020001 | MCR03EZHJ472 R249 | 1 | 10/P | | | | | | | | | |
| 250 | D0-01020001 | MCR03EZHJ472 R250 | 1 | 10/P | | | | | | | | | |
| 251 | D0-01020001 | MCR03EZHJ472 R251 | 1 | 10/P | | | | | | | | | |
| 252 | D0-01020001 | MCR03EZHJ472 R252 | 1 | 10/P | | | | | | | | | |
| 253 | D0-01020001 | MCR03EZHJ472 R253 | 1 | 10/P | | | | | | | | | |
| 254 | D0-01020001 | MCR03EZHJ472 R254 | 1 | 10/P | | | | | | | | | |
| 255 | D0-01020001 | MCR03EZHJ472 R255 | 1 | 10/P | | | | | | | | | |
| 256 | D0-01020001 | MCR03EZHJ472 R256 | 1 | 10/P | | | | | | | | | |
| 257 | D0-00984001 | MCR03EZHJ223 R257 | 1 | 10/P | | | | | | | | | |
| 258 | D0-00984001 | MCR03EZHJ223 R258 | 1 | 10/P | | | | | | | | | |
| 259 | D0-00984001 | MCR03EZHJ223 R259 | 1 | 10/P | | | | | | | | | |
| 260 | D0-01020001 | MCR03EZHJ472 R260 | 1 | 10/P | | | | | | | | | |
| 261 | D0-00984001 | MCR03EZHJ223 R261 | 1 | 10/P | | | | | | | | | |
| 262 | D0-01020001 | MCR03EZHJ472 R262 | 1 | 10/P | | | | | | | | | |
| 263 | D0-00984001 | MCR03EZHJ223 R263 | 1 | 10/P | | | | | | | | | |
| 264 | D0-01020001 | MCR03EZHJ472 R264 | 1 | 10/P | | | | | | | | | |
| 265 | D0-00984001 | MCR03EZHJ223 R265 | 1 | 10/P | | | | | | | | | |
| 266 | D0-01020001 | MCR03EZHJ472 R266 | 1 | 10/P | | | | | | | | | |
| 267 | D0-00984001 | MCR03EZHJ223 R267 | 1 | 10/P | | | | | | | | | |
| 268 | D0-01020001 | MCR03EZHJ472 R268 | 1 | 10/P | | | | | | | | | |
| 269 | D0-00984001 | MCR03EZHJ223 R269 | 1 | 10/P | | | | | | | | | |
| 270 | D0-01020001 | MCR03EZHJ472 R270 | 1 | 10/P | | | | | | | | | |

| ITEM NO. | PARTS NO. | PARTS NAME | QTY / PAGE | QTY / PACK | P | I | R | BSI NO. | TO | FROM | SERIAL NO. | REMARKS | C |
|----------|-------------|----------------------|------------|------------|---|---|---|---------|----|------|------------|-------------|---|
| 271 | D0-00984001 | MCR03EZHZ223 R271 | 1 | 10/P | | | | | | | | | |
| 272 | D0-01020001 | MCR03EZHZ472 R272 | 1 | 10/P | | | | | | | | | |
| 273 | D0-00984001 | MCR03EZHZ223 R273 | 1 | 10/P | | | | | | | | | |
| 274 | D0-01020001 | MCR03EZHZ472 R274 | 1 | 10/P | | | | | | | | | |
| 275 | D0-00984001 | MCR03EZHZ223 R275 | 1 | 10/P | | | | | | | | | |
| 276 | D0-01020001 | MCR03EZHZ472 R276 | 1 | 10/P | | | | | | | | | |
| 277 | D0-00984001 | MCR03EZHZ223 R277 | 1 | 10/P | | | | | | | | | |
| 278 | D0-01020001 | MCR03EZHZ472 R278 | 1 | 10/P | | | | | | | | | |
| 279 | D0-00984001 | MCR03EZHZ223 R279 | 1 | 10/P | | | | | | | | | |
| 280 | D0-01037001 | MCR03EZHZ681 R280 | 1 | 5/ | | | | | | | | | |
| 281B | D0-01019001 | MCR03EZHZ471 R281 | 1 | 5/ | | | | | | | | e-Studio450 | |
| 282 | D0-01020001 | MCR03EZHZ472 R282 | 1 | 10/P | | | | | | | | | |
| 283 | D0-01020001 | MCR03EZHZ472 R283 | 1 | 10/P | | | | | | | | | |
| 284 | D0-01020001 | MCR03EZHZ472 R284 | 1 | 10/P | | | | | | | | | |
| 285 | D0-01020001 | MCR03EZHZ472 R285 | 1 | 10/P | | | | | | | | | |
| 286 | D0-01020001 | MCR03EZHZ472 R286 | 1 | 10/P | | | | | | | | | |
| 287 | D0-01020001 | MCR03EZHZ472 R287 | 1 | 10/P | | | | | | | | | |
| 288 | D0-01020001 | MCR03EZHZ472 R288 | 1 | 10/P | | | | | | | | | |
| 289 | D0-01020001 | MCR03EZHZ472 R289 | 1 | 10/P | | | | | | | | | |
| 290 | D0-00951001 | MCR03EZHZ101 R290 | 1 | 10/P | | | | | | | | | |
| 291 | D0-00954001 | MCR03EZHZ104 R291 | 1 | 10/P | | | | | | | | | |
| 292 | D0-00951001 | MCR03EZHZ101 R292 | 1 | 10/P | | | | | | | | | |
| 293 | D0-00954001 | MCR03EZHZ104 R293 | 1 | 10/P | | | | | | | | | |
| 294 | D0-01020001 | MCR03EZHZ472 R294 | 1 | 10/P | | | | | | | | | |
| 295 | D0-01020001 | MCR03EZHZ472 R295 | 1 | 10/P | | | | | | | | | |
| 296 | D0-01020001 | MCR03EZHZ472 R296 | 1 | 10/P | | | | | | | | | |
| 297 | D0-00967001 | MCR03EZHZ153 R297 | 1 | 5/ | | | | | | | | | |
| 298 | D0-01020001 | MCR03EZHZ472 R298 | 1 | 10/P | | | | | | | | | |
| 299 | D0-01020001 | MCR03EZHZ472 R299 | 1 | 10/P | | | | | | | | | |
| 300 | D0-01020001 | MCR03EZHZ472 R300 | 1 | 10/P | | | | | | | | | |
| 301 | D0-01020001 | MCR03EZHZ472 R301 | 1 | 10/P | | | | | | | | | |
| 302 | D0-01020001 | MCR03EZHZ472 R302 | 1 | 10/P | | | | | | | | | |
| 303 | D0-01020001 | MCR03EZHZ472 R303 | 1 | 10/P | | | | | | | | | |
| 304 | D0-01018001 | MCR03EZHZ470 R304 | 1 | 10/P | | | | | | | | | |
| 305 | D0-01020001 | MCR03EZHZ472 R305 | 1 | 10/P | | | | | | | | | |

| ITEM NO. | PARTS NO. | PARTS NAME | Q'TY / PAGE | Q'TY / PACK | P | I | R | BSI NO. | TO | FROM | SERIAL NO. | REMARKS | C |
|----------|-------------|--------------|-------------|-------------|---|---|---|---------|----|------|------------|---------|---|
| 306 | D0-01020001 | MCR03EZHJ472 | 1 | 10/P | | | | | | | | | |
| | | R306 | | | | | | | | | | | |
| 307 | D0-01020001 | MCR03EZHJ472 | 1 | 10/P | | | | | | | | | |
| | | R307 | | | | | | | | | | | |
| 308 | D0-01020001 | MCR03EZHJ472 | 1 | 10/P | | | | | | | | | |
| | | R308 | | | | | | | | | | | |
| 309 | D0-01020001 | MCR03EZHJ472 | 1 | 10/P | | | | | | | | | |
| | | R309 | | | | | | | | | | | |
| 310 | D0-01020001 | MCR03EZHJ472 | 1 | 10/P | | | | | | | | | |
| | | R310 | | | | | | | | | | | |
| 311 | D0-01020001 | MCR03EZHJ472 | 1 | 10/P | | | | | | | | | |
| | | R311 | | | | | | | | | | | |
| 312 | D0-01020001 | MCR03EZHJ472 | 1 | 10/P | | | | | | | | | |
| | | R312 | | | | | | | | | | | |
| 313 | D0-01020001 | MCR03EZHJ472 | 1 | 10/P | | | | | | | | | |
| | | R313 | | | | | | | | | | | |
| 314 | D0-00984001 | MCR03EZHJ223 | 1 | 10/P | | | | | | | | | |
| | | R314 | | | | | | | | | | | |
| 315 | D0-00984001 | MCR03EZHJ223 | 1 | 10/P | | | | | | | | | |
| | | R315 | | | | | | | | | | | |
| 316 | D0-00984001 | MCR03EZHJ223 | 1 | 10/P | | | | | | | | | |
| | | R316 | | | | | | | | | | | |
| 317 | D0-00984001 | MCR03EZHJ223 | 1 | 10/P | | | | | | | | | |
| | | R317 | | | | | | | | | | | |
| 318 | D0-00984001 | MCR03EZHJ223 | 1 | 10/P | | | | | | | | | |
| | | R318 | | | | | | | | | | | |
| 319 | D0-00984001 | MCR03EZHJ223 | 1 | 10/P | | | | | | | | | |
| | | R319 | | | | | | | | | | | |
| 320 | D0-00984001 | MCR03EZHJ223 | 1 | 10/P | | | | | | | | | |
| | | R320 | | | | | | | | | | | |
| 321 | D0-00984001 | MCR03EZHJ223 | 1 | 10/P | | | | | | | | | |
| | | R321 | | | | | | | | | | | |
| 322 | D0-00984001 | MCR03EZHJ223 | 1 | 10/P | | | | | | | | | |
| | | R322 | | | | | | | | | | | |
| 323 | D0-01020001 | MCR03EZHJ472 | 1 | 10/P | | | | | | | | | |
| | | R323 | | | | | | | | | | | |
| 324 | D0-00955001 | MCR03EZHJ105 | 1 | 10/P | | | | | | | | | |
| | | R324 | | | | | | | | | | | |
| 325 | D0-00952001 | MCR03EZHJ102 | 1 | 10/P | | | | | | | | | |
| | | R325 | | | | | | | | | | | |
| 326 | D0-00952001 | MCR03EZHJ102 | 1 | 10/P | | | | | | | | | |
| | | R326 | | | | | | | | | | | |
| 327 | D0-00952001 | MCR03EZHJ102 | 1 | 10/P | | | | | | | | | |
| | | R327 | | | | | | | | | | | |
| 328 | D0-00952001 | MCR03EZHJ102 | 1 | 10/P | | | | | | | | | |
| | | R328 | | | | | | | | | | | |
| 329 | D0-00952001 | MCR03EZHJ102 | 1 | 10/P | | | | | | | | | |
| | | R329 | | | | | | | | | | | |
| 330 | D0-00952001 | MCR03EZHJ102 | 1 | 10/P | | | | | | | | | |
| | | R330 | | | | | | | | | | | |
| 331 | D0-00984001 | MCR03EZHJ223 | 1 | 10/P | | | | | | | | | |
| | | R331 | | | | | | | | | | | |
| 332 | D0-00984001 | MCR03EZHJ223 | 1 | 10/P | | | | | | | | | |
| | | R332 | | | | | | | | | | | |
| 333 | D0-00984001 | MCR03EZHJ223 | 1 | 10/P | | | | | | | | | |
| | | R333 | | | | | | | | | | | |
| 334 | D0-00952001 | MCR03EZHJ102 | 1 | 10/P | | | | | | | | | |
| | | R334 | | | | | | | | | | | |
| 336 | D0-00952001 | MCR03EZHJ102 | 1 | 10/P | | | | | | | | | |
| | | R336 | | | | | | | | | | | |
| 338 | D0-00952001 | MCR03EZHJ102 | 1 | 10/P | | | | | | | | | |
| | | R338 | | | | | | | | | | | |
| 339 | D0-00952001 | MCR03EZHJ102 | 1 | 10/P | | | | | | | | | |
| | | R339 | | | | | | | | | | | |
| 340 | D0-00952001 | MCR03EZHJ102 | 1 | 10/P | | | | | | | | | |
| | | R340 | | | | | | | | | | | |
| 342 | D0-00952001 | MCR03EZHJ102 | 1 | 10/P | | | | | | | | | |
| | | R342 | | | | | | | | | | | |
| 343 | D0-00984001 | MCR03EZHJ223 | 1 | 10/P | | | | | | | | | |
| | | R343 | | | | | | | | | | | |

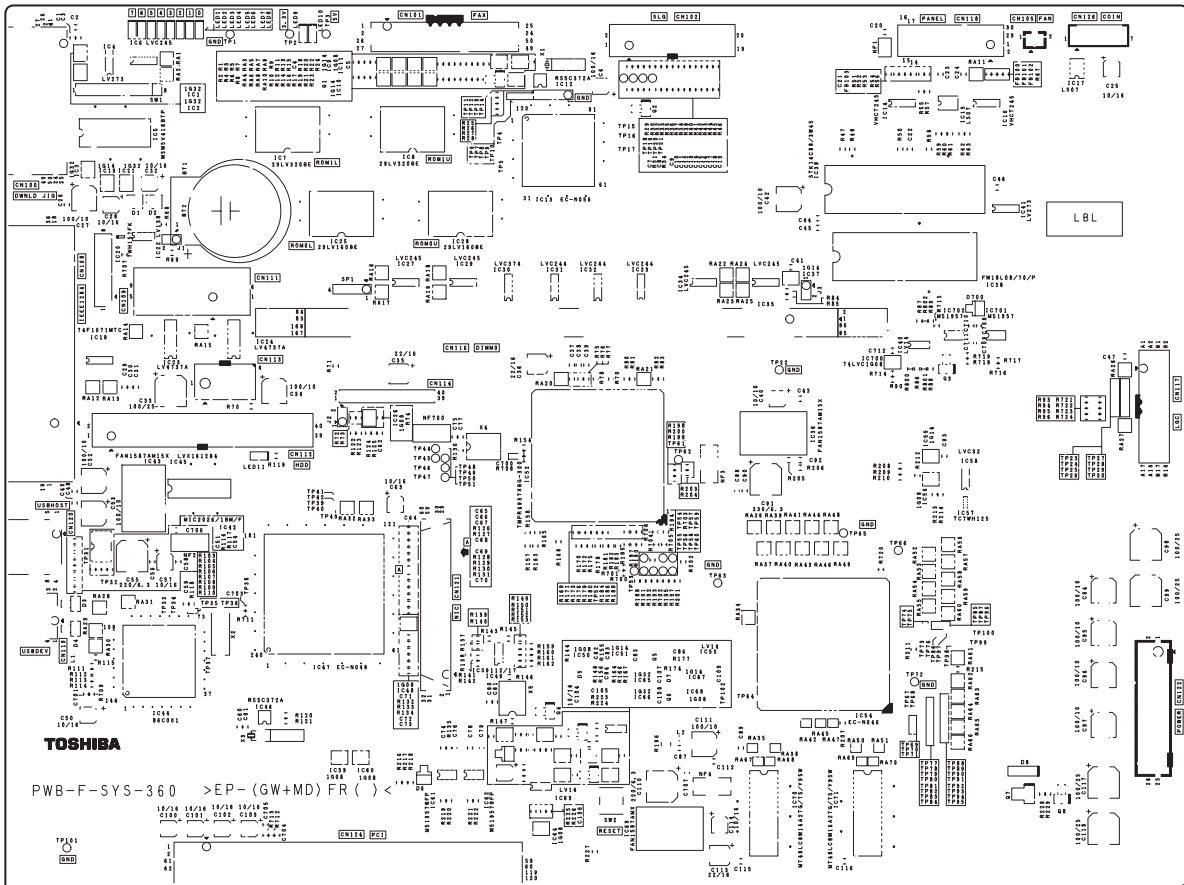
| ITEM NO. | PARTS NO. | PARTS NAME | Q'TY / PAGE | Q'TY / PACK | P | I | R | BSI NO. | TO | FROM | SERIAL NO. | REMARKS | C |
|----------|-------------|----------------------|-------------|-------------|---|---|---|---------|----|------|------------|---------|---|
| 344 | D0-00984001 | MCR03EZHJ223 R344 | 1 | 10/P | | | | | | | | | |
| 345 | D0-00949001 | MCR03EZHJ000 R345 | 1 | 10/P | | | | | | | | | |
| 346 | D0-01020001 | MCR03EZHJ472 R346 | 1 | 10/P | | | | | | | | | |
| 347 | D0-01020001 | MCR03EZHJ472 R347 | 1 | 10/P | | | | | | | | | |
| 348 | D0-01020001 | MCR03EZHJ472 R348 | 1 | 10/P | | | | | | | | | |
| 349 | D0-01020001 | MCR03EZHJ472 R349 | 1 | 10/P | | | | | | | | | |
| 350 | D0-01020001 | MCR03EZHJ472 R350 | 1 | 10/P | | | | | | | | | |
| 351 | D0-01020001 | MCR03EZHJ472 R351 | 1 | 10/P | | | | | | | | | |
| 352 | D0-01020001 | MCR03EZHJ472 R352 | 1 | 10/P | | | | | | | | | |
| 353 | D0-01020001 | MCR03EZHJ472 R353 | 1 | 10/P | | | | | | | | | |
| 357 | D0-01004001 | MCR03EZHJ332 R357 | 1 | 10/P | | | | | | | | | |
| 358 | D0-01020001 | MCR03EZHJ472 R358 | 1 | 10/P | | | | | | | | | |
| 359 | D0-01036001 | MCR03EZHJ680 R359 | 1 | 10/P | | | | | | | | | |
| 361 | D0-01020001 | MCR03EZHJ472 R361 | 1 | 10/P | | | | | | | | | |
| 363 | D0-01020001 | MCR03EZHJ472 R363 | 1 | 10/P | | | | | | | | | |
| 364 | D0-01020001 | MCR03EZHJ472 R364 | 1 | 10/P | | | | | | | | | |
| 365 | D0-01020001 | MCR03EZHJ472 R365 | 1 | 10/P | | | | | | | | | |
| 367 | D0-00984001 | MCR03EZHJ223 R367 | 1 | 10/P | | | | | | | | | |
| 368 | D0-00953001 | MCR03EZHJ103 R368 | 1 | 10/P | | | | | | | | | |
| 372 | D0-00949001 | MCR03EZHJ000 R372 | 1 | 10/P | | | | | | | | | |
| 375 | D0-00954001 | MCR03EZHJ104 R375 | 1 | 10/P | | | | | | | | | |
| 376 | D0-01020001 | MCR03EZHJ472 R376 | 1 | 10/P | | | | | | | | | |
| 378 | D0-00951001 | MCR03EZHJ101 R378 | 1 | 10/P | | | | | | | | | |
| 379 | D0-01020001 | MCR03EZHJ472 R379 | 1 | 10/P | | | | | | | | | |
| 380 | D0-00981001 | MCR03EZHJ220 R380 | 1 | 10/P | | | | | | | | | |
| 381 | D0-01020001 | MCR03EZHJ472 R381 | 1 | 10/P | | | | | | | | | |
| 382 | D0-00951001 | MCR03EZHJ101 R382 | 1 | 10/P | | | | | | | | | |
| 383 | D0-01020001 | MCR03EZHJ472 R383 | 1 | 10/P | | | | | | | | | |
| 384 | D0-01020001 | MCR03EZHJ472 R384 | 1 | 10/P | | | | | | | | | |
| 385 | D0-00983001 | MCR03EZHJ222 R385 | 1 | 10/P | | | | | | | | | |
| 387 | D0-00951001 | MCR03EZHJ101 R387 | 1 | 10/P | | | | | | | | | |
| 388 | D0-00953001 | MCR03EZHJ103 R388 | 1 | 10/P | | | | | | | | | |
| 389 | D0-00953001 | MCR03EZHJ103 R389 | 1 | 10/P | | | | | | | | | |
| 390 | D0-00951001 | MCR03EZHJ101 R390 | 1 | 10/P | | | | | | | | | |
| 393 | D0-00984001 | MCR03EZHJ223 R393 | 1 | 10/P | | | | | | | | | |

| ITEM NO. | PARTS NO. | PARTS NAME | QTY / PAGE | QTY / PACK | P | I | R | BSI NO. | TO | FROM | SERIAL NO. | REMARKS | C |
|----------|-------------|----------------------|------------|------------|---|---|---|---------|----|------|------------|---------|---|
| 394 | D0-01003001 | MCR03EZHJ331 R394 | 1 | 10/P | | | | | | | | | |
| 395 | D0-01020001 | MCR03EZHJ472 R395 | 1 | 10/P | | | | | | | | | |
| 396 | D0-00952001 | MCR03EZHJ102 R396 | 1 | 10/P | | | | | | | | | |
| 397 | D0-01020001 | MCR03EZHJ472 R397 | 1 | 10/P | | | | | | | | | |
| 398 | D0-00981001 | MCR03EZHJ220 R398 | 1 | 10/P | | | | | | | | | |
| 399 | D0-00981001 | MCR03EZHJ220 R399 | 1 | 10/P | | | | | | | | | |
| 400 | D0-00981001 | MCR03EZHJ220 R400 | 1 | 10/P | | | | | | | | | |
| 401 | D0-00981001 | MCR03EZHJ220 R401 | 1 | 10/P | | | | | | | | | |
| 402 | D0-00981001 | MCR03EZHJ220 R402 | 1 | 10/P | | | | | | | | | |
| 403 | D0-00981001 | MCR03EZHJ220 R403 | 1 | 10/P | | | | | | | | | |
| 404 | D0-00981001 | MCR03EZHJ220 R404 | 1 | 10/P | | | | | | | | | |
| 405 | D0-01020001 | MCR03EZHJ472 R405 | 1 | 10/P | | | | | | | | | |
| 406 | D0-01020001 | MCR03EZHJ472 R406 | 1 | 10/P | | | | | | | | | |
| 407 | D0-01020001 | MCR03EZHJ472 R407 | 1 | 10/P | | | | | | | | | |
| 408 | D0-01020001 | MCR03EZHJ472 R408 | 1 | 10/P | | | | | | | | | |
| 409 | D0-01020001 | MCR03EZHJ472 R409 | 1 | 10/P | | | | | | | | | |
| 410 | D0-01020001 | MCR03EZHJ472 R410 | 1 | 10/P | | | | | | | | | |
| 411 | D0-01020001 | MCR03EZHJ472 R411 | 1 | 10/P | | | | | | | | | |
| 412 | D0-01020001 | MCR03EZHJ472 R412 | 1 | 10/P | | | | | | | | | |
| 413 | D0-00949001 | MCR03EZHJ000 R413 | 1 | 10/P | | | | | | | | | |
| 415 | D0-00949001 | MCR03EZHJ000 R415 | 1 | 10/P | | | | | | | | | |
| 416 | D0-00953001 | MCR03EZHJ103 R416 | 1 | 10/P | | | | | | | | | |
| 417 | D0-00951001 | MCR03EZHJ101 R417 | 1 | 10/P | | | | | | | | | |
| 418 | D0-00953001 | MCR03EZHJ103 R418 | 1 | 10/P | | | | | | | | | |
| 419 | D0-00951001 | MCR03EZHJ101 R419 | 1 | 10/P | | | | | | | | | |
| 420 | D0-00951001 | MCR03EZHJ101 R420 | 1 | 10/P | | | | | | | | | |
| 421 | D0-00951001 | MCR03EZHJ101 R421 | 1 | 10/P | | | | | | | | | |
| 422 | D0-01020001 | MCR03EZHJ472 R422 | 1 | 10/P | | | | | | | | | |
| 423 | D0-01020001 | MCR03EZHJ472 R423 | 1 | 10/P | | | | | | | | | |
| 424 | D0-00949001 | MCR03EZHJ000 R424 | 1 | 10/P | | | | | | | | | |
| 425 | D0-00949001 | MCR03EZHJ000 R425 | 1 | 10/P | | | | | | | | | |
| 426 | D0-00949001 | MCR03EZHJ000 R426 | 1 | 10/P | | | | | | | | | |
| 427 | D0-01003001 | MCR03EZHJ331 R427 | 1 | 10/P | | | | | | | | | |
| 428 | D0-01003001 | MCR03EZHJ331 R428 | 1 | 10/P | | | | | | | | | |
| 432 | D0-00953001 | MCR03EZHJ103 R432 | 1 | 10/P | | | | | | | | | |

| ITEM NO. | PARTS NO. | PARTS NAME | Q'TY / PAGE | Q'TY / PACK | P | I | R | BSI NO. | TO | FROM | SERIAL NO. | REMARKS | C |
|----------|-------------|----------------------|-------------|-------------|---|---|---|---------|----|------|------------|---------|---|
| 435 | D0-00981001 | MCR03EZHJ220 R435 | 1 | 10/P | | | | | | | | | |
| 436 | D0-01020001 | MCR03EZHJ472 R436 | 1 | 10/P | | | | | | | | | |
| 437 | D0-01020001 | MCR03EZHJ472 R437 | 1 | 10/P | | | | | | | | | |
| 438 | D0-01020001 | MCR03EZHJ472 R438 | 1 | 10/P | | | | | | | | | |
| 439 | D0-01020001 | MCR03EZHJ472 R439 | 1 | 10/P | | | | | | | | | |
| 440 | D0-01020001 | MCR03EZHJ472 R440 | 1 | 10/P | | | | | | | | | |
| 441 | D0-01020001 | MCR03EZHJ472 R441 | 1 | 10/P | | | | | | | | | |
| 442 | D0-01020001 | MCR03EZHJ472 R442 | 1 | 10/P | | | | | | | | | |
| 443 | D0-01020001 | MCR03EZHJ472 R443 | 1 | 10/P | | | | | | | | | |
| 444 | D0-00949001 | MCR03EZHJ000 R444 | 1 | 10/P | | | | | | | | | |
| 446 | D0-00949001 | MCR03EZHJ000 R446 | 1 | 10/P | | | | | | | | | |
| 448 | D0-00949001 | MCR03EZHJ000 R448 | 1 | 10/P | | | | | | | | | |
| 451 | D0-00949001 | MCR03EZHJ000 R451 | 1 | 10/P | | | | | | | | | |
| 455 | D0-01020001 | MCR03EZHJ472 R455 | 1 | 10/P | | | | | | | | | |
| 456 | D0-01020001 | MCR03EZHJ472 R456 | 1 | 10/P | | | | | | | | | |
| 457 | D0-01020001 | MCR03EZHJ472 R457 | 1 | 10/P | | | | | | | | | |
| 458 | D0-01020001 | MCR03EZHJ472 R458 | 1 | 10/P | | | | | | | | | |
| 459 | D0-01020001 | MCR03EZHJ472 R459 | 1 | 10/P | | | | | | | | | |
| 460 | D0-01020001 | MCR03EZHJ472 R460 | 1 | 10/P | | | | | | | | | |
| 461 | D0-01020001 | MCR03EZHJ472 R461 | 1 | 10/P | | | | | | | | | |
| 462 | D0-01020001 | MCR03EZHJ472 R462 | 1 | 10/P | | | | | | | | | |
| 466 | D0-00981001 | MCR03EZHJ220 R466 | 1 | 10/P | | | | | | | | | |
| 467 | D0-00981001 | MCR03EZHJ220 R467 | 1 | 10/P | | | | | | | | | |
| 468 | D0-00981001 | MCR03EZHJ220 R468 | 1 | 10/P | | | | | | | | | |
| 469 | D0-00981001 | MCR03EZHJ220 R469 | 1 | 10/P | | | | | | | | | |
| 470 | D0-00981001 | MCR03EZHJ220 R470 | 1 | 10/P | | | | | | | | | |
| 471 | D0-00981001 | MCR03EZHJ220 R471 | 1 | 10/P | | | | | | | | | |
| 472 | D0-00981001 | MCR03EZHJ220 R472 | 1 | 10/P | | | | | | | | | |
| 473 | D0-00981001 | MCR03EZHJ220 R473 | 1 | 10/P | | | | | | | | | |
| 474 | D0-01020001 | MCR03EZHJ472 R474 | 1 | 10/P | | | | | | | | | |
| 475 | D0-01020001 | MCR03EZHJ472 R475 | 1 | 10/P | | | | | | | | | |
| 476 | D0-01020001 | MCR03EZHJ472 R476 | 1 | 10/P | | | | | | | | | |
| 477 | D0-00951001 | MCR03EZHJ101 R477 | 1 | 10/P | | | | | | | | | |
| 478 | D0-01020001 | MCR03EZHJ472 R478 | 1 | 10/P | | | | | | | | | |
| 479 | D0-00951001 | MCR03EZHJ101 R479 | 1 | 10/P | | | | | | | | | |

| ITEM NO. | PARTS NO. | PARTS NAME | Q'TY / PAGE | Q'TY / PACK | P | I | R | BSI NO. | TO | FROM | SERIAL NO. | REMARKS | C |
|----------|-------------|------------------------|-------------|-------------|---|---|---|---------|----|------|------------|---------|---|
| 480 | D0-00949001 | MCR03EZHJ000 R480 | 1 | 10/P | | | | | | | | | |
| 483 | D0-00951001 | MCR03EZHJ101 R483 | 1 | 10/P | | | | | | | | | |
| 485 | D0-00981001 | MCR03EZHJ220 R485 | 1 | 10/P | | | | | | | | | |
| 486 | D0-00981001 | MCR03EZHJ220 R486 | 1 | 10/P | | | | | | | | | |
| 487 | D0-00951001 | MCR03EZHJ101 R487 | 1 | 10/P | | | | | | | | | |
| 488 | D0-01099001 | MCR03EZPFX2202 R488 | 1 | 5/ | | | | | | | | | |
| 489 | D0-01041001 | MCR03EZHJ750 R489 | 1 | 5/ | | | | | | | | | |
| 490 | D0-00981001 | MCR03EZHJ220 R490 | 1 | 10/P | | | | | | | | | |
| 491 | D0-00981001 | MCR03EZHJ220 R491 | 1 | 10/P | | | | | | | | | |
| 492 | D0-00952001 | MCR03EZHJ102 R492 | 1 | 10/P | | | | | | | | | |
| 494 | D0-01149001 | MCR03EZPFX4701 R494 | 1 | 5/ | | | | | | | | | |
| 496 | D0-00951001 | MCR03EZHJ101 R496 | 1 | 10/P | | | | | | | | | |
| 497 | D0-01020001 | MCR03EZHJ472 R497 | 1 | 10/P | | | | | | | | | |
| 498 | D0-00951001 | MCR03EZHJ101 R498 | 1 | 10/P | | | | | | | | | |
| 499 | D0-01149001 | MCR03EZPFX4701 R499 | 1 | 5/ | | | | | | | | | |
| 501 | D0-01041001 | MCR03EZHJ750 R501 | 1 | 5/ | | | | | | | | | |
| 502 | D0-01149001 | MCR03EZPFX4701 R502 | 1 | 5/ | | | | | | | | | |
| 503 | D0-01149001 | MCR03EZPFX4701 R503 | 1 | 5/ | | | | | | | | | |
| 507 | D0-00949001 | MCR03EZHJ000 R507 | 1 | 10/P | | | | | | | | | |
| 516 | D0-00952001 | MCR03EZHJ102 R516 | 1 | 10/P | | | | | | | | | |
| 517 | D0-01020001 | MCR03EZHJ472 R517 | 1 | 10/P | | | | | | | | | |
| 519 | D0-00949001 | MCR03EZHJ000 R519 | 1 | 10/P | | | | | | | | | |
| 521 | D0-00949001 | MCR03EZHJ000 R521 | 1 | 10/P | | | | | | | | | |
| 522 | D0-00951001 | MCR03EZHJ101 R522 | 1 | 10/P | | | | | | | | | |
| 523 | D0-00949001 | MCR03EZHJ000 R523 | 1 | 10/P | | | | | | | | | |
| 525 | D0-01037001 | MCR03EZHJ681 R525 | 1 | 5/ | | | | | | | | | |
| 526 | D0-01037001 | MCR03EZHJ681 R526 | 1 | 5/ | | | | | | | | | |
| 527 | D0-01037001 | MCR03EZHJ681 R527 | 1 | 5/ | | | | | | | | | |
| 528 | D0-00981001 | MCR03EZHJ220 R528 | 1 | 10/P | | | | | | | | | |
| 529 | D0-01020001 | MCR03EZHJ472 R529 | 1 | 10/P | | | | | | | | | |
| 530 | D0-01149001 | MCR03EZPFX4701 R530 | 1 | 5/ | | | | | | | | | |
| 532 | D0-01149001 | MCR03EZPFX4701 R532 | 1 | 5/ | | | | | | | | | |
| 533 | D0-00984001 | MCR03EZHJ223 R533 | 1 | 10/P | | | | | | | | | |
| 534 | D0-00981001 | MCR03EZHJ220 R534 | 1 | 10/P | | | | | | | | | |
| 535 | D0-00951001 | MCR03EZHJ101 R535 | 1 | 10/P | | | | | | | | | |

| ITEM NO. | PARTS NO. | PARTS NAME | Q'TY / PAGE | Q'TY / PACK | P | I | R | BSI NO. | TO | FROM | SERIAL NO. | REMARKS | C |
|----------|-------------|----------------------|-------------|-------------|---|---|---|---------|----|------|------------|---------|---|
| 537 | D0-00951001 | MCR03EZHJ101 R537 | 1 | 10/P | | | | | | | | | |
| 538 | D0-01012001 | MCR03EZHJ392 R538 | 1 | 5/ | | | | | | | | | |
| 540 | D0-01020001 | MCR03EZHJ472 R540 | 1 | 10/P | | | | | | | | | |
| 541 | D0-00951001 | MCR03EZHJ101 R541 | 1 | 10/P | | | | | | | | | |
| 542 | D0-00949001 | MCR03EZHJ000 R542 | 1 | 10/P | | | | | | | | | |
| 543 | D0-00949001 | MCR03EZHJ000 R543 | 1 | 10/P | | | | | | | | | |
| 545 | D0-00951001 | MCR03EZHJ101 R545 | 1 | 10/P | | | | | | | | | |
| 549 | D0-00949001 | MCR03EZHJ000 R549 | 1 | 10/P | | | | | | | | | |
| 700 | D0-00952001 | MCR03EZHJ102 R700 | 1 | 10/P | | | | | | | | | |
| 701 | D0-01020001 | MCR03EZHJ472 R701 | 1 | 10/P | | | | | | | | | |
| 702 | D0-00949001 | MCR03EZHJ000 R702 | 1 | 10/P | | | | | | | | | |
| 703 | D0-00949001 | MCR03EZHJ000 R703 | 1 | 10/P | | | | | | | | | |
| 704 | D0-00949001 | MCR03EZHJ000 R704 | 1 | 10/P | | | | | | | | | |
| 705 | D0-01021001 | MCR03EZHJ473 R705 | 1 | 10/P | | | | | | | | | |
| 706 | D0-00951001 | MCR03EZHJ101 R706 | 1 | 10/P | | | | | | | | | |



| ITEM NO. | PARTS NO. | PARTS NAME | Q'TY / PAGE | Q'TY / PACK | P | I | R | BSI NO. | TO | FROM | SERIAL NO. | REMARKS | C |
|----------|-------------|-------------------------|-------------|-------------|---|---|---|---------|----|------|------------|---------|---|
| 1 | 6LA69846000 | ASY-PWA-SYS-360S | 1 | 1/SB | | | | | | | | | |
| 2 | C0-00379001 | | 1 | | | | | | | | | | |
| 13 | C0-06557001 | LED11 | 1 | | | | | | | | | | |
| 15 | C0-06848000 | IC3 | 1 | | | | | | | | | | |
| 17 | C0-07828000 | IC5 | 1 | | | | | | | | | | |
| 18 | C0-07828000 | IC7 | 1 | | | | | | | | | | |
| 19 | C0-06556001 | IC8 | 1 | | | | | | | | | | |
| 20 | C0-06556001 | IC9 | 1 | | | | | | | | | | |
| 21 | C0-06558001 | IC10 | 1 | | | | | | | | | | |
| 22 | C0-08180001 | IC11 | 1 | | | | | | | | | | |
| 23 | C0-06711000 | IC12 | 1 | | | | | | | | | | |
| 24 | C0-06569001 | IC13 | 1 | | | | | | | | | | |
| 25 | C0-02676001 | IC14 SN74LS07DBR | 1 | 5/ | | | | | | | | | |
| 26 | C0-06569001 | IC15 | 1 | | | | | | | | | | |
| 27 | C0-02676001 | IC16 SN74LS07DBR | 1 | 5/ | | | | | | | | | |
| 28 | C0-06955001 | IC17 | 1 | | | | | | | | | | |
| 29 | C0-06556001 | IC18 | 1 | | | | | | | | | | |
| 30 | C0-08122001 | IC19 | 1 | | | | | | | | | | |
| 31 | C0-06557001 | IC20 | 1 | | | | | | | | | | |
| 32 | C0-02802001 | IC21 | 1 | | | | | | | | | | |
| 33 | C0-02010001 | IC22 SN75LV4737ADBLE | 1 | 1/S | | | | | | | | | |
| 35 | C0-07827000 | IC23 | 1 | | | | | | | | | | |
| 37 | C0-02884001 | IC25 | 1 | | | | | | | | | | |
| 38 | C0-07827000 | IC27 | 1 | | | | | | | | | | |
| 39 | C0-02884001 | IC28 | 1 | | | | | | | | | | |
| 40 | C0-06570001 | IC29 | 1 | | | | | | | | | | |
| 41 | C0-02883001 | IC30 | 1 | | | | | | | | | | |
| 42 | C0-02883001 | IC31 | 1 | | | | | | | | | | |
| 43 | C0-02883001 | IC32 | 1 | | | | | | | | | | |
| 44 | C0-02884001 | IC33 | 1 | | | | | | | | | | |
| 45 | C0-02884001 | IC34 | 1 | | | | | | | | | | |
| 46 | C0-06562001 | IC35 | 1 | | | | | | | | | | |
| 47 | C0-06556001 | IC36 | 1 | | | | | | | | | | |
| 48 | E0-06671000 | IC37 GLC1028-0301 | 1 | 5/S | | | | | | | | | |
| 50 | C0-02806001 | IC38 | 1 | | | | | | | | | | |
| 51 | C0-02838001 | IC40 | 1 | | | | | | | | | | |

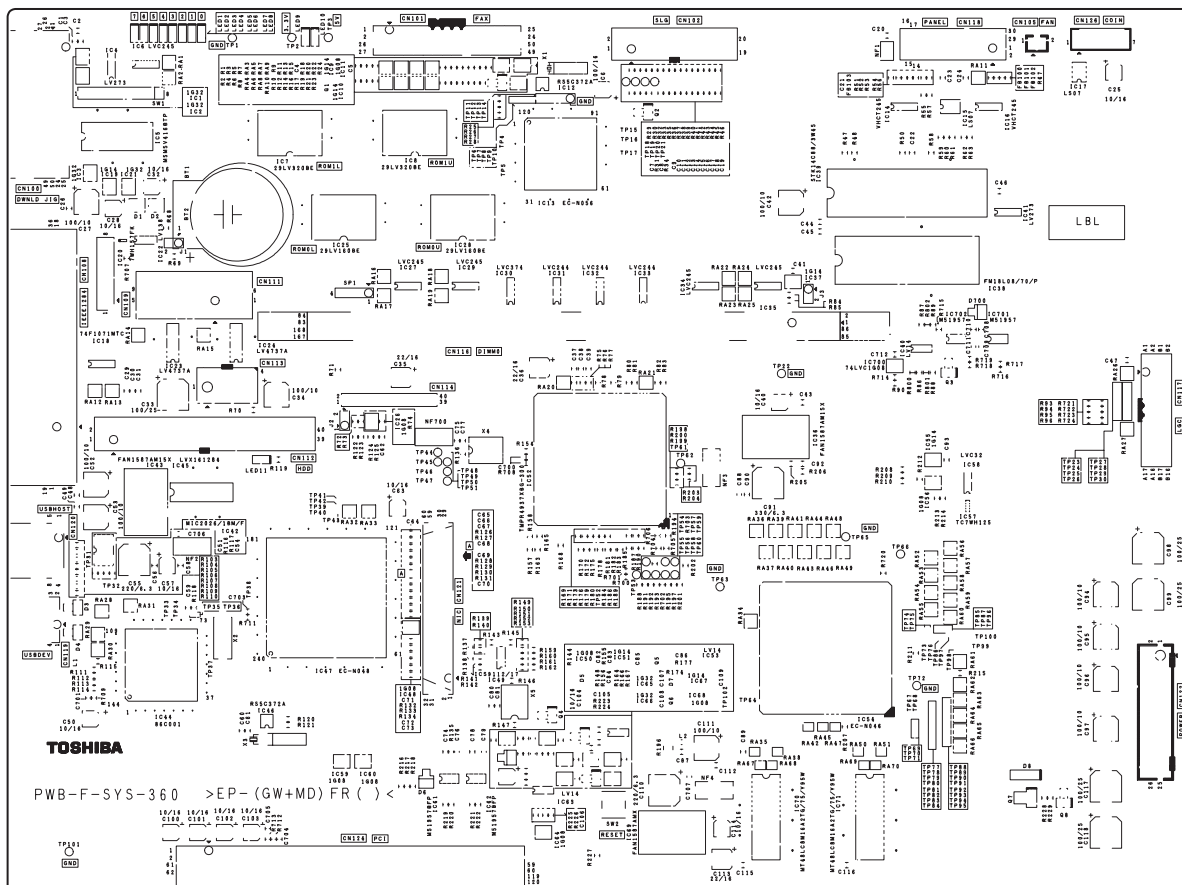
| ITEM NO. | PARTS NO. | PARTS NAME | Q'TY / PAGE | Q'TY / PACK | P | I | R | BSI NO. | TO | FROM | SERIAL NO. | REMARKS | C |
|----------|-------------|------------------------|-------------|-------------|---|---|---|---------|----|------|------------|---------|---|
| 52 | C0-07808001 | IC41 | 1 | | | | | | | | | | |
| 53 | C0-06562001 | IC42 | 1 | | | | | | | | | | |
| 54 | C0-07809000 | IC43 | 1 | | | | | | | | | | |
| 55 | C0-05778001 | IC44 | 1 | | | | | | | | | | |
| 57 | C0-06325000 | IC45 | 1 | | | | | | | | | | |
| 58 | C0-06558001 | IC47 | 1 | | | | | | | | | | |
| 60 | C0-06558001 | IC48 | 1 | | | | | | | | | | |
| 61 | C0-06556001 | IC50 | 1 | | | | | | | | | | |
| 62 | C0-07854000 | IC51 | 1 | | | | | | | | | | |
| 63 | C0-02806001 | IC52 | 1 | | | | | | | | | | |
| 64 | C0-06535000 | IC53 | 1 | | | | | | | | | | |
| 65 | C0-06556001 | IC54 | 1 | | | | | | | | | | |
| 66 | C0-06558001 | IC55 | 1 | | | | | | | | | | |
| 67 | C0-08121001 | IC56 | 1 | | | | | | | | | | |
| 68 | C0-06549001 | IC57 | 1 | | | | | | | | | | |
| 69 | C0-06558001 | IC58 | 1 | | | | | | | | | | |
| 70 | C0-06558001 | IC59 | 1 | | | | | | | | | | |
| 71 | C0-02019001 | IC60 M51957BFP C61J | 1 | 5/S | | | | | | | | | |
| 72 | C0-02019001 | IC61 M51957BFP C61J | 1 | 5/S | | | | | | | | | |
| 73 | C0-02806001 | IC62 | 1 | | | | | | | | | | |
| 74 | C0-06558001 | IC63 | 1 | | | | | | | | | | |
| 75 | C0-06557001 | IC64 | 1 | | | | | | | | | | |
| 76 | C0-06557001 | IC65 | 1 | | | | | | | | | | |
| 77 | C0-06556001 | IC66 | 1 | | | | | | | | | | |
| 78 | C0-06558001 | IC67 | 1 | | | | | | | | | | |
| 79 | C0-06563001 | IC68 | 1 | | | | | | | | | | |
| 80 | C0-05776000 | IC69 | 1 | | | | | | | | | | |
| 81 | C0-05776000 | IC70 | 1 | | | | | | | | | | |
| 101 | C0-08138001 | IC71 | 1 | | | | | | | | | | |
| 102 | C0-08138001 | Q1 | 1 | | | | | | | | | | |
| 103 | C0-08138001 | Q2 | 1 | | | | | | | | | | |
| 104 | C0-08138001 | Q3 | 1 | | | | | | | | | | |
| 105 | C0-08138001 | Q4 | 1 | | | | | | | | | | |
| 106 | C0-08138001 | Q5 | 1 | | | | | | | | | | |
| | | Q6 | | | | | | | | | | | |

| ITEM NO. | PARTS NO. | PARTS NAME | Q'TY / PAGE | Q'TY / PACK | P | I | R | BSI NO. | TO | FROM | SERIAL NO. | REMARKS | C |
|----------|-------------|-----------------------------|-------------|-------------|---|---|---|---------|----|------|------------|---------|---|
| 400 | C0-08138001 | Q300 | 1 | | | | | | | | | | |
| 401 | C0-08138001 | Q301 | 1 | | | | | | | | | | |
| 441 | C0-08125001 | D1 | 1 | | | | | | | | | | |
| 442 | C0-08125001 | D2 | 1 | | | | | | | | | | |
| 443 | C0-08128001 | D3 | 1 | | | | | | | | | | |
| 444 | C0-08128001 | D4 | 1 | | | | | | | | | | |
| 445 | C0-08126001 | D5 | 1 | | | | | | | | | | |
| 446 | C0-08126001 | D6 | 1 | | | | | | | | | | |
| 447 | C0-08125001 | D7 | 1 | | | | | | | | | | |
| 450 | E0-06438000 | CN100 | 1 | | | | | | | | | | |
| 451 | E0-00068000 | DHB-PB50-S13NN | 15/ | | | | | | | | | | |
| 452 | E0-06559000 | CN101 | 1 | | | | | | | | | | |
| 458 | E0-03094000 | CN102 | 1 | | | | | | | | | | |
| 459 | E0-00962000 | CN108 53324-0810 | 15/P | | | | | | | | | | |
| 462 | E0-06675000 | CN109 | 1 | | | | | | | | | | |
| 463 | E0-00780000 | CN112 | 1 | | | | | | | | | | |
| 466 | E0-06446000 | CN113 | 1 | | | | | | | | | | |
| 467 | E0-01712000 | CN116 | 1 | | | | | | | | | | |
| 468 | E0-06910000 | CN117 | 1 | | | | | | | | | | |
| 469 | E0-06444000 | CN118 | 1 | | | | | | | | | | |
| 470 | E0-07052000 | CN119 | 1 | | | | | | | | | | |
| 471 | E0-00077000 | CN120 DHB-RD60-S131N-4.9 | 15/ | | | | | | | | | | |
| 472 | E0-01547000 | CN121 DF1B-26DP-2.5DSA | 15/P | | | | | | | | | | |
| 474 | E0-06440000 | CN122 | 1 | | | | | | | | | | |
| 476 | E0-06856000 | CN124 | 1 | | | | | | | | | | |
| 481 | E0-04238000 | CN126 | 1 | | | | | | | | | | |
| 492 | E0-04340000 | J1 CR2450-HE4 | 11/C | | | | | | | | | | |
| 500 | D0-04445001 | BT2 | 1 | | | | | | | | | | |
| 501 | D0-04445001 | FB100 | 1 | | | | | | | | | | |
| 502 | D0-04445001 | FB101 | 1 | | | | | | | | | | |
| 503 | D0-04445001 | FB102 | 1 | | | | | | | | | | |
| 552 | D0-15881001 | FB103 | 1 | | | | | | | | | | |
| 600 | D0-15881001 | L2 | 1 | | | | | | | | | | |
| 601 | D0-15881001 | L300 | 1 | | | | | | | | | | |
| 602 | D0-15881001 | L301 | 1 | | | | | | | | | | |
| | | L302 | 1 | | | | | | | | | | |

| ITEM NO. | PARTS NO. | PARTS NAME | QTY / PAGE | QTY / PACK | P | I | R | BSI NO. | TO | FROM | SERIAL NO. | REMARKS | C |
|----------|-------------|-----------------|------------|------------|---|---|---|---------|----|------|------------|---------|---|
| 603 | D0-15881001 | L303 | 1 | | | | | | | | | | |
| 604 | D0-15881001 | L304 | 1 | | | | | | | | | | |
| 605 | D0-15881001 | L305 | 1 | | | | | | | | | | |
| 606 | D0-15881001 | L306 | 1 | | | | | | | | | | |
| 607 | D0-15881001 | L307 | 1 | | | | | | | | | | |
| 651 | D0-05475001 | NF1 | 1 | | | | | | | | | | |
| 652 | D0-05478001 | NFE61PT472C1H9L | 15/ | | | | | | | | | | |
| 653 | D0-05478001 | NF2 | 15/ | | | | | | | | | | |
| 654 | D0-05478001 | NFE61PT472C1H9L | 15/ | | | | | | | | | | |
| 700 | D0-05478001 | NF3 | 15/ | | | | | | | | | | |
| 753 | D0-05419001 | NFE61PT472C1H9L | 15/ | | | | | | | | | | |
| 754 | D0-01201001 | NF700 | 15/ | | | | | | | | | | |
| 755 | D0-05419001 | MNR14E0ABJ220 | 15/ | | | | | | | | | | |
| 756 | D0-01201001 | RA3 | 15/ | | | | | | | | | | |
| 757 | D0-05419001 | MNR14E0ABJ103 | 15/ | | | | | | | | | | |
| 758 | D0-01201001 | RA4 | 15/ | | | | | | | | | | |
| 759 | D0-05419001 | MNR14E0ABJ220 | 15/ | | | | | | | | | | |
| 760 | D0-01201001 | RA5 | 15/ | | | | | | | | | | |
| 761 | D0-05419001 | MNR14E0ABJ103 | 15/ | | | | | | | | | | |
| 762 | D0-05418001 | RA6 | 15/ | | | | | | | | | | |
| 763 | D0-05418001 | MNR14E0ABJ220 | 15/ | | | | | | | | | | |
| 764 | D0-05418001 | RA7 | 15/ | | | | | | | | | | |
| 765 | D0-01201001 | MNR14E0ABJ103 | 15/ | | | | | | | | | | |
| 766 | D0-01217001 | RA8 | 15/ | | | | | | | | | | |
| 767 | D0-01217001 | MNR14E0ABJ220 | 15/ | | | | | | | | | | |
| 768 | D0-01217001 | RA9 | 15/ | | | | | | | | | | |
| 769 | D0-01217001 | MNR14E0ABJ103 | 15/ | | | | | | | | | | |
| 770 | D0-01222001 | RA10 | 15/ | | | | | | | | | | |
| 771 | D0-01222001 | MNR14E0ABJ220 | 15/ | | | | | | | | | | |
| 772 | D0-01217001 | RA11 | 15/ | | | | | | | | | | |
| 773 | D0-01217001 | MNR14E0ABJ472 | 15/ | | | | | | | | | | |
| 774 | D0-01217001 | RA12 | 15/ | | | | | | | | | | |
| 775 | D0-01217001 | MNR14E0ABJ472 | 15/ | | | | | | | | | | |
| 776 | D0-05419001 | RA13 | 15/ | | | | | | | | | | |
| 777 | D0-05419001 | MNR14E0ABJ220 | 15/ | | | | | | | | | | |
| | | RA14 | 15/ | | | | | | | | | | |
| | | MNR14E0ABJ103 | 15/ | | | | | | | | | | |
| | | RA15 | 15/ | | | | | | | | | | |
| | | MNR14E0ABJ472 | 15/ | | | | | | | | | | |
| | | RA16 | 15/ | | | | | | | | | | |
| | | MNR14E0ABJ472 | 15/ | | | | | | | | | | |
| | | RA17 | 15/ | | | | | | | | | | |
| | | MNR14E0ABJ472 | 15/ | | | | | | | | | | |
| | | RA18 | 15/ | | | | | | | | | | |
| | | MNR14E0ABJ472 | 15/ | | | | | | | | | | |
| | | RA19 | 15/ | | | | | | | | | | |
| | | MNR14E0ABJ220 | 15/ | | | | | | | | | | |
| | | RA20 | 15/ | | | | | | | | | | |
| | | MNR14E0ABJ472 | 15/ | | | | | | | | | | |
| | | RA21 | 15/ | | | | | | | | | | |
| | | MNR14E0ABJ472 | 15/ | | | | | | | | | | |
| | | RA22 | 15/ | | | | | | | | | | |
| | | MNR14E0ABJ472 | 15/ | | | | | | | | | | |
| | | RA23 | 15/ | | | | | | | | | | |
| | | MNR14E0ABJ472 | 15/ | | | | | | | | | | |
| | | RA24 | 15/ | | | | | | | | | | |
| | | MNR14E0ABJ472 | 15/ | | | | | | | | | | |
| | | RA25 | 15/ | | | | | | | | | | |
| | | MNR14E0ABJ220 | 15/ | | | | | | | | | | |
| | | RA26 | 15/ | | | | | | | | | | |
| | | MNR14E0ABJ220 | 15/ | | | | | | | | | | |
| | | RA27 | 15/ | | | | | | | | | | |

| ITEM NO. | PARTS NO. | PARTS NAME | Q'TY / PAGE | Q'TY / PACK | P | I | R | BSI NO. | TO | FROM | SERIAL NO. | REMARKS | C |
|----------|-------------|---------------|-------------|-------------|---|---|---|---------|----|------|------------|---------|---|
| 778 | D0-01212001 | RA28 | 1 | | | | | | | | | | |
| 779 | D0-01212001 | RA29 | 1 | | | | | | | | | | |
| 780 | D0-01212001 | RA30 | 1 | | | | | | | | | | |
| 781 | D0-01212001 | RA31 | 1 | | | | | | | | | | |
| 782 | D0-01217001 | MNR14E0ABJ472 | 15/ | | | | | | | | | | |
| 783 | D0-01217001 | RA32 | | | | | | | | | | | |
| 784 | D0-01217001 | MNR14E0ABJ472 | 15/ | | | | | | | | | | |
| 785 | D0-01201001 | RA33 | | | | | | | | | | | |
| 786 | D0-01196001 | MNR14E0ABJ103 | 15/ | | | | | | | | | | |
| 787 | D0-01196001 | RA34 | 1 | | | | | | | | | | |
| 788 | D0-01217001 | RA35 | | | | | | | | | | | |
| 789 | D0-01217001 | MNR14E0ABJ472 | 15/ | | | | | | | | | | |
| 790 | D0-01217001 | RA36 | | | | | | | | | | | |
| 791 | D0-01217001 | MNR14E0ABJ472 | 15/ | | | | | | | | | | |
| 792 | D0-01196001 | RA37 | 1 | | | | | | | | | | |
| 793 | D0-01217001 | RA38 | | | | | | | | | | | |
| 794 | D0-01217001 | MNR14E0ABJ472 | 15/ | | | | | | | | | | |
| 795 | D0-01217001 | RA39 | | | | | | | | | | | |
| 796 | D0-01217001 | MNR14E0ABJ472 | 15/ | | | | | | | | | | |
| 797 | D0-01194001 | RA40 | | | | | | | | | | | |
| 798 | D0-01194001 | MNR14E0ABJ472 | 15/ | | | | | | | | | | |
| 799 | D0-01217001 | RA41 | | | | | | | | | | | |
| 800 | D0-01194001 | RA42 | 1 | | | | | | | | | | |
| 801 | D0-01217001 | MNR14E0ABJ472 | 15/ | | | | | | | | | | |
| 802 | D0-01217001 | RA43 | | | | | | | | | | | |
| 803 | D0-01217001 | MNR14E0ABJ472 | 15/ | | | | | | | | | | |
| 804 | D0-01194001 | RA44 | 1 | | | | | | | | | | |
| 805 | D0-01194001 | RA45 | | | | | | | | | | | |
| 806 | D0-01217001 | MNR14E0ABJ472 | 15/ | | | | | | | | | | |
| 807 | D0-01194001 | RA46 | 1 | | | | | | | | | | |
| 808 | D0-01217001 | RA47 | | | | | | | | | | | |
| 809 | D0-01217001 | MNR14E0ABJ472 | 15/ | | | | | | | | | | |
| 810 | D0-01217001 | RA48 | | | | | | | | | | | |
| 811 | D0-01217001 | MNR14E0ABJ472 | 15/ | | | | | | | | | | |
| 812 | D0-01196001 | RA49 | 1 | | | | | | | | | | |
| 813 | D0-01196001 | RA50 | 1 | | | | | | | | | | |
| 814 | D0-01196001 | RA51 | | | | | | | | | | | |
| 815 | D0-01201001 | MNR14E0ABJ103 | 15/ | | | | | | | | | | |
| 816 | D0-01201001 | RA52 | | | | | | | | | | | |
| 817 | D0-01201001 | MNR14E0ABJ103 | 15/ | | | | | | | | | | |
| 818 | D0-01201001 | RA53 | | | | | | | | | | | |
| 819 | D0-01201001 | MNR14E0ABJ103 | 15/ | | | | | | | | | | |
| 820 | D0-01201001 | RA54 | | | | | | | | | | | |
| 821 | D0-01201001 | MNR14E0ABJ103 | 15/ | | | | | | | | | | |
| 822 | D0-01201001 | RA55 | | | | | | | | | | | |
| 823 | D0-01201001 | MNR14E0ABJ103 | 15/ | | | | | | | | | | |
| 824 | D0-01201001 | RA56 | | | | | | | | | | | |
| 825 | D0-01201001 | MNR14E0ABJ103 | 15/ | | | | | | | | | | |
| 826 | D0-01201001 | RA57 | | | | | | | | | | | |
| 827 | D0-01201001 | MNR14E0ABJ103 | 15/ | | | | | | | | | | |
| 828 | D0-01201001 | RA58 | | | | | | | | | | | |
| 829 | D0-01201001 | MNR14E0ABJ103 | 15/ | | | | | | | | | | |
| 830 | D0-01201001 | RA59 | | | | | | | | | | | |
| 831 | D0-01201001 | MNR14E0ABJ103 | 15/ | | | | | | | | | | |
| 832 | D0-01201001 | RA60 | | | | | | | | | | | |
| 833 | D0-01201001 | MNR14E0ABJ103 | 15/ | | | | | | | | | | |
| 834 | D0-01201001 | RA61 | | | | | | | | | | | |
| 835 | D0-01201001 | MNR14E0ABJ103 | 15/ | | | | | | | | | | |
| 836 | D0-01201001 | RA62 | | | | | | | | | | | |

| ITEM NO. | PARTS NO. | PARTS NAME | QTY / PAGE | QTY / PACK | P | I | R | BSI NO. | TO | FROM | SERIAL NO. | REMARKS | C |
|----------|-------------|-----------------------|------------|------------|---|---|---|---------|----|------|------------|---------|---|
| 813 | D0-01217001 | MNR14E0ABJ472 | 1 | 5/ | | | | | | | | | |
| | | RA63 | | | | | | | | | | | |
| 814 | D0-01217001 | MNR14E0ABJ472 | 1 | 5/ | | | | | | | | | |
| | | RA64 | | | | | | | | | | | |
| 815 | D0-01217001 | MNR14E0ABJ472 | 1 | 5/ | | | | | | | | | |
| | | RA65 | | | | | | | | | | | |
| 816 | D0-01217001 | MNR14E0ABJ472 | 1 | 5/ | | | | | | | | | |
| | | RA66 | | | | | | | | | | | |
| 817 | D0-01196001 | | 1 | | | | | | | | | | |
| | | RA67 | | | | | | | | | | | |
| 818 | D0-01196001 | | 1 | | | | | | | | | | |
| | | RA68 | | | | | | | | | | | |
| 819 | D0-01196001 | | 1 | | | | | | | | | | |
| | | RA69 | | | | | | | | | | | |
| 820 | D0-01196001 | | 1 | | | | | | | | | | |
| | | RA70 | | | | | | | | | | | |
| 851 | E0-07053000 | | 1 | | | | | | | | | | |
| | | SP1 | | | | | | | | | | | |
| 901 | D0-07067000 | MX-38T-32.768KHZ-5PPM | 1 | 1/C | | | | | | | | | |
| | | X1 | | | | | | | | | | | |
| 902 | D0-15882001 | | 1 | | | | | | | | | | |
| | | X2 | | | | | | | | | | | |
| 904 | D0-15929001 | | 1 | | | | | | | | | | |
| | | X4 | | | | | | | | | | | |
| 951 | E0-03359000 | | 1 | | | | | | | | | | |
| | | JP1 | | | | | | | | | | | |



| ITEM NO. | PARTS NO. | PARTS NAME | QTY / PAGE | QTY / PACK | P | I | R | BSI NO. | TO | FROM | SERIAL NO. | REMARKS | C |
|----------|-------------|---------------------------|------------|------------|---|---|---|---------|----|------|------------|---------|---|
| 3 | D0-07622001 | C3 | 1 | | | | | | | | | | |
| 4 | D0-04102001 | GRM1882C1H101JA01D C4 | 1 | 10/P | | | | | | | | | |
| 5 | D0-07622001 | C5 | 1 | | | | | | | | | | |
| 6 | D0-16812001 | C6 | 1 | | | | | | | | | | |
| 7 | D0-04102001 | GRM1882C1H101JA01D C7 | 1 | 10/P | | | | | | | | | |
| 8 | D0-04102001 | GRM1882C1H101JA01D C8 | 1 | 10/P | | | | | | | | | |
| 9 | D0-07492001 | GRM1882C1H331JA01D C9 | 1 | 5/ | | | | | | | | | |
| 10 | D0-04102001 | GRM1882C1H101JA01D C10 | 1 | 10/P | | | | | | | | | |
| 11 | D0-07492001 | GRM1882C1H331JA01D C11 | 1 | 5/ | | | | | | | | | |
| 12 | D0-04102001 | GRM1882C1H101JA01D C12 | 1 | 10/P | | | | | | | | | |
| 13 | D0-04102001 | GRM1882C1H101JA01D C13 | 1 | 10/P | | | | | | | | | |
| 14 | D0-04102001 | GRM1882C1H101JA01D C14 | 1 | 10/P | | | | | | | | | |
| 15 | D0-04102001 | GRM1882C1H101JA01D C15 | 1 | 10/P | | | | | | | | | |
| 16 | D0-04102001 | GRM1882C1H101JA01D C16 | 1 | 10/P | | | | | | | | | |
| 17 | D0-04102001 | GRM1882C1H101JA01D C17 | 1 | 10/P | | | | | | | | | |
| 18 | D0-04102001 | GRM1882C1H101JA01D C18 | 1 | 10/P | | | | | | | | | |
| 19 | D0-04102001 | GRM1882C1H101JA01D C19 | 1 | 10/P | | | | | | | | | |
| 20 | D0-07622001 | C20 | 1 | | | | | | | | | | |
| 21 | D0-07622001 | C21 | 1 | | | | | | | | | | |
| 22 | D0-07622001 | C22 | 1 | | | | | | | | | | |
| 23 | D0-07622001 | C23 | 1 | | | | | | | | | | |
| 24 | D0-07622001 | C24 | 1 | | | | | | | | | | |
| 25 | D0-16812001 | C25 | 1 | | | | | | | | | | |
| 26 | D0-07622001 | C26 | 1 | | | | | | | | | | |
| 28 | D0-16812001 | C28 | 1 | | | | | | | | | | |
| 29 | D0-07496001 | GRM1882C1H470JZ01D C29 | 1 | 10/P | | | | | | | | | |
| 30 | D0-07496001 | GRM1882C1H470JZ01D C30 | 1 | 10/P | | | | | | | | | |
| 31 | D0-07496001 | GRM1882C1H470JZ01D C31 | 1 | 10/P | | | | | | | | | |
| 32 | D0-16812001 | C32 | 1 | | | | | | | | | | |
| 33 | D0-16835001 | C33 | 1 | | | | | | | | | | |
| 34 | D0-16829001 | C34 | 1 | | | | | | | | | | |
| 35 | D0-16813001 | C35 | 1 | | | | | | | | | | |
| 36 | D0-16813001 | C36 | 1 | | | | | | | | | | |
| 37 | D0-04091001 | GRM1882C1H330JZ01D C37 | 1 | 10/P | | | | | | | | | |
| 38 | D0-04085001 | GRM1882C1H100JZ01D C38 | 1 | 5/ | | | | | | | | | |

| ITEM NO. | PARTS NO. | PARTS NAME | Q'TY / PAGE | Q'TY / PACK | P | I | R | BSI NO. | TO | FROM | SERIAL NO. | REMARKS | C |
|----------|-------------|--------------------|-------------|-------------|---|---|---|---------|----|------|------------|---------|---|
| 39 | D0-04091001 | GRM1882C1H330JZ01D | 1 | 10/P | | | | | | | | | |
| | | C39 | | | | | | | | | | | |
| 40 | D0-16812001 | | 1 | | | | | | | | | | |
| | | C40 | | | | | | | | | | | |
| 41 | D0-07622001 | | 1 | | | | | | | | | | |
| | | C41 | | | | | | | | | | | |
| 43 | D0-07622001 | | 1 | | | | | | | | | | |
| | | C43 | | | | | | | | | | | |
| 45 | D0-07622001 | | 1 | | | | | | | | | | |
| | | C45 | | | | | | | | | | | |
| 46 | D0-07622001 | | 1 | | | | | | | | | | |
| | | C46 | | | | | | | | | | | |
| 47 | D0-07622001 | | 1 | | | | | | | | | | |
| | | C47 | | | | | | | | | | | |
| 48 | D0-07622001 | | 1 | | | | | | | | | | |
| | | C48 | | | | | | | | | | | |
| 49 | D0-07622001 | | 1 | | | | | | | | | | |
| | | C49 | | | | | | | | | | | |
| 50 | D0-16812001 | | 1 | | | | | | | | | | |
| | | C50 | | | | | | | | | | | |
| 51 | D0-07622001 | | 1 | | | | | | | | | | |
| | | C51 | | | | | | | | | | | |
| 52 | D0-16829001 | | 1 | | | | | | | | | | |
| | | C52 | | | | | | | | | | | |
| 53 | D0-16829001 | | 1 | | | | | | | | | | |
| | | C53 | | | | | | | | | | | |
| 54 | D0-07622001 | | 1 | | | | | | | | | | |
| | | C54 | | | | | | | | | | | |
| 55 | D0-16824001 | | 1 | | | | | | | | | | |
| | | C55 | | | | | | | | | | | |
| 56 | D0-07622001 | | 1 | | | | | | | | | | |
| | | C56 | | | | | | | | | | | |
| 57 | D0-16812001 | | 1 | | | | | | | | | | |
| | | C57 | | | | | | | | | | | |
| 58 | D0-07622001 | | 1 | | | | | | | | | | |
| | | C58 | | | | | | | | | | | |
| 59 | D0-04102001 | GRM1882C1H101JA01D | 1 | 10/P | | | | | | | | | |
| | | C59 | | | | | | | | | | | |
| 62 | D0-04102001 | GRM1882C1H101JA01D | 1 | 10/P | | | | | | | | | |
| | | C62 | | | | | | | | | | | |
| 63 | D0-16812001 | | 1 | | | | | | | | | | |
| | | C63 | | | | | | | | | | | |
| 64 | D0-04102001 | GRM1882C1H101JA01D | 1 | 10/P | | | | | | | | | |
| | | C64 | | | | | | | | | | | |
| 65 | D0-07622001 | | 1 | | | | | | | | | | |
| | | C65 | | | | | | | | | | | |
| 66 | D0-07622001 | | 1 | | | | | | | | | | |
| | | C66 | | | | | | | | | | | |
| 67 | D0-07622001 | | 1 | | | | | | | | | | |
| | | C67 | | | | | | | | | | | |
| 68 | D0-07622001 | | 1 | | | | | | | | | | |
| | | C68 | | | | | | | | | | | |
| 69 | D0-07622001 | | 1 | | | | | | | | | | |
| | | C69 | | | | | | | | | | | |
| 70 | D0-07622001 | | 1 | | | | | | | | | | |
| | | C70 | | | | | | | | | | | |
| 71 | D0-04102001 | GRM1882C1H101JA01D | 1 | 10/P | | | | | | | | | |
| | | C71 | | | | | | | | | | | |
| 72 | D0-07622001 | | 1 | | | | | | | | | | |
| | | C72 | | | | | | | | | | | |
| 73 | D0-07622001 | | 1 | | | | | | | | | | |
| | | C73 | | | | | | | | | | | |
| 74 | D0-07622001 | | 1 | | | | | | | | | | |
| | | C74 | | | | | | | | | | | |
| 75 | D0-07622001 | | 1 | | | | | | | | | | |
| | | C75 | | | | | | | | | | | |
| 76 | D0-05723001 | GRM21BF11C105ZA01L | 1 | 10/P | | | | | | | | | |
| | | C76 | | | | | | | | | | | |
| 77 | D0-04102001 | GRM1882C1H101JA01D | 1 | 10/P | | | | | | | | | |
| | | C77 | | | | | | | | | | | |

| ITEM NO. | PARTS NO. | PARTS NAME | Q'TY / PAGE | Q'TY / PACK | P | I | R | BSI NO. | TO | FROM | SERIAL NO. | REMARKS | C |
|----------|-------------|---------------------------|-------------|-------------|---|---|---|---------|----|------|------------|---------|---|
| 78 | D0-07622001 | C78 | 1 | | | | | | | | | | |
| 79 | D0-05723001 | GRM21BF11C105ZA01L C79 | 1 | 10/P | | | | | | | | | |
| 82 | D0-07622001 | C82 | 1 | | | | | | | | | | |
| 83 | D0-05723001 | GRM21BF11C105ZA01L C83 | 1 | 10/P | | | | | | | | | |
| 84 | D0-05723001 | GRM21BF11C105ZA01L C84 | 1 | 10/P | | | | | | | | | |
| 85 | D0-07622001 | C85 | 1 | | | | | | | | | | |
| 86 | D0-07622001 | C86 | 1 | | | | | | | | | | |
| 87 | D0-07622001 | C87 | 1 | | | | | | | | | | |
| 88 | D0-05723001 | GRM21BF11C105ZA01L C88 | 1 | 10/P | | | | | | | | | |
| 89 | D0-04102001 | GRM1882C1H101JA01D C89 | 1 | 10/P | | | | | | | | | |
| 90 | D0-07622001 | C90 | 1 | | | | | | | | | | |
| 91 | D0-16825001 | C91 | 1 | | | | | | | | | | |
| 93 | D0-07622001 | C93 | 1 | | | | | | | | | | |
| 94 | D0-16829001 | C94 | 1 | | | | | | | | | | |
| 95 | D0-16829001 | C95 | 1 | | | | | | | | | | |
| 96 | D0-16829001 | C96 | 1 | | | | | | | | | | |
| 97 | D0-16829001 | C97 | 1 | | | | | | | | | | |
| 98 | D0-16835001 | C98 | 1 | | | | | | | | | | |
| 99 | D0-16835001 | C99 | 1 | | | | | | | | | | |
| 100 | D0-16812001 | C100 | 1 | | | | | | | | | | |
| 101 | D0-16812001 | C101 | 1 | | | | | | | | | | |
| 102 | D0-16812001 | C102 | 1 | | | | | | | | | | |
| 103 | D0-16812001 | C103 | 1 | | | | | | | | | | |
| 104 | D0-16812001 | C104 | 1 | | | | | | | | | | |
| 105 | D0-07622001 | C105 | 1 | | | | | | | | | | |
| 106 | D0-07622001 | C106 | 1 | | | | | | | | | | |
| 107 | D0-07622001 | C107 | 1 | | | | | | | | | | |
| 108 | D0-07622001 | C108 | 1 | | | | | | | | | | |
| 109 | D0-07622001 | C109 | 1 | | | | | | | | | | |
| 110 | D0-16824001 | C110 | 1 | | | | | | | | | | |
| 111 | D0-16829001 | C111 | 1 | | | | | | | | | | |
| 112 | D0-07622001 | C112 | 1 | | | | | | | | | | |
| 113 | D0-16813001 | C113 | 1 | | | | | | | | | | |
| 114 | D0-16812001 | C114 | 1 | | | | | | | | | | |
| 115 | D0-07622001 | C115 | 1 | | | | | | | | | | |

| ITEM NO. | PARTS NO. | PARTS NAME | Q'TY / PAGE | Q'TY / PACK | P | I | R | BSI NO. | TO | FROM | SERIAL NO. | REMARKS | C |
|----------|-------------|--------------------|-------------|-------------|---|---|---|---------|----|------|------------|---------|---|
| 116 | D0-07622001 | C116 | 1 | | | | | | | | | | |
| 117 | D0-16835001 | C117 | 1 | | | | | | | | | | |
| 118 | D0-16835001 | C118 | 1 | | | | | | | | | | |
| 300 | D0-07622001 | C300 | 1 | | | | | | | | | | |
| 301 | D0-07622001 | C301 | 1 | | | | | | | | | | |
| 302 | D0-07622001 | C302 | 1 | | | | | | | | | | |
| 303 | D0-07622001 | C303 | 1 | | | | | | | | | | |
| 304 | D0-07622001 | C304 | 1 | | | | | | | | | | |
| 305 | D0-07622001 | C305 | 1 | | | | | | | | | | |
| 306 | D0-07622001 | C306 | 1 | | | | | | | | | | |
| 307 | D0-04102001 | GRM1882C1H101JA01D | 1 | 10/P | | | | | | | | | |
| 308 | D0-04102001 | C307 | 1 | 10/P | | | | | | | | | |
| 309 | D0-04102001 | GRM1882C1H101JA01D | 1 | 10/P | | | | | | | | | |
| 310 | D0-04102001 | C308 | 1 | 10/P | | | | | | | | | |
| 311 | D0-04102001 | GRM1882C1H101JA01D | 1 | 10/P | | | | | | | | | |
| 312 | D0-04102001 | C309 | 1 | 10/P | | | | | | | | | |
| 313 | D0-04102001 | GRM1882C1H101JA01D | 1 | 10/P | | | | | | | | | |
| 314 | D0-04102001 | C310 | 1 | 10/P | | | | | | | | | |
| 315 | D0-04102001 | GRM1882C1H101JA01D | 1 | 10/P | | | | | | | | | |
| 316 | D0-04102001 | C311 | 1 | 10/P | | | | | | | | | |
| 317 | D0-04102001 | GRM1882C1H101JA01D | 1 | 10/P | | | | | | | | | |
| 318 | D0-04102001 | C312 | 1 | 10/P | | | | | | | | | |
| 319 | D0-04102001 | GRM1882C1H101JA01D | 1 | 10/P | | | | | | | | | |
| 320 | D0-04102001 | C313 | 1 | 10/P | | | | | | | | | |
| 321 | D0-07622001 | GRM1882C1H101JA01D | 1 | 10/P | | | | | | | | | |
| 322 | D0-07622001 | C314 | 1 | 10/P | | | | | | | | | |
| 323 | D0-07622001 | GRM1882C1H101JA01D | 1 | 10/P | | | | | | | | | |
| 324 | D0-07622001 | C315 | 1 | 10/P | | | | | | | | | |
| 325 | D0-07622001 | GRM1882C1H101JA01D | 1 | 10/P | | | | | | | | | |
| 326 | D0-07622001 | C316 | 1 | 10/P | | | | | | | | | |
| 327 | D0-07622001 | GRM1882C1H101JA01D | 1 | 10/P | | | | | | | | | |
| 328 | D0-07622001 | C317 | 1 | 10/P | | | | | | | | | |
| 329 | D0-07622001 | GRM1882C1H101JA01D | 1 | 10/P | | | | | | | | | |
| 330 | D0-07622001 | C318 | 1 | 10/P | | | | | | | | | |
| 331 | D0-07622001 | GRM1882C1H101JA01D | 1 | 10/P | | | | | | | | | |
| | | C319 | 1 | | | | | | | | | | |
| | | C320 | 1 | | | | | | | | | | |
| | | C321 | 1 | | | | | | | | | | |
| | | C322 | 1 | | | | | | | | | | |
| | | C323 | 1 | | | | | | | | | | |
| | | C324 | 1 | | | | | | | | | | |
| | | C325 | 1 | | | | | | | | | | |
| | | C326 | 1 | | | | | | | | | | |
| | | C327 | 1 | | | | | | | | | | |
| | | C328 | 1 | | | | | | | | | | |
| | | C329 | 1 | | | | | | | | | | |
| | | C330 | 1 | | | | | | | | | | |
| | | C331 | 1 | | | | | | | | | | |

| ITEM NO. | PARTS NO. | PARTS NAME | Q'TY / PAGE | Q'TY / PACK | P | I | R | BSI NO. | TO | FROM | SERIAL NO. | REMARKS | C |
|----------|-------------|----------------------------|-------------|-------------|---|---|---|---------|----|------|------------|---------|---|
| 332 | D0-04085001 | GRM1882C1H100JZ01D C332 | 1 | 5/ | | | | | | | | | |
| 333 | D0-04093001 | GRM1882C1H220JZ01D C333 | 1 | 10/P | | | | | | | | | |
| 334 | D0-04101001 | GRM188B11H102KA01D C334 | 1 | 10/P | | | | | | | | | |
| 335 | D0-07622001 | C335 | 1 | | | | | | | | | | |
| 336 | D0-07622001 | C336 | 1 | | | | | | | | | | |
| 337 | D0-07622001 | C337 | 1 | | | | | | | | | | |
| 338 | D0-07622001 | C338 | 1 | | | | | | | | | | |
| 339 | D0-07622001 | C339 | 1 | | | | | | | | | | |
| 340 | D0-07622001 | C340 | 1 | | | | | | | | | | |
| 341 | D0-07622001 | C341 | 1 | | | | | | | | | | |
| 342 | D0-07622001 | C342 | 1 | | | | | | | | | | |
| 343 | D0-07622001 | C343 | 1 | | | | | | | | | | |
| 344 | D0-07622001 | C344 | 1 | | | | | | | | | | |
| 345 | D0-07622001 | C345 | 1 | | | | | | | | | | |
| 346 | D0-07622001 | C346 | 1 | | | | | | | | | | |
| 347 | D0-07622001 | C347 | 1 | | | | | | | | | | |
| 348 | D0-07622001 | C348 | 1 | | | | | | | | | | |
| 349 | D0-07622001 | C349 | 1 | | | | | | | | | | |
| 350 | D0-07622001 | C350 | 1 | | | | | | | | | | |
| 351 | D0-07622001 | C351 | 1 | | | | | | | | | | |
| 352 | D0-07622001 | C352 | 1 | | | | | | | | | | |
| 353 | D0-07622001 | C353 | 1 | | | | | | | | | | |
| 355 | D0-07622001 | C355 | 1 | | | | | | | | | | |
| 356 | D0-07622001 | C356 | 1 | | | | | | | | | | |
| 358 | D0-07622001 | C358 | 1 | | | | | | | | | | |
| 359 | D0-07622001 | C359 | 1 | | | | | | | | | | |
| 360 | D0-07622001 | C360 | 1 | | | | | | | | | | |
| 361 | D0-07622001 | C361 | 1 | | | | | | | | | | |
| 362 | D0-07622001 | C362 | 1 | | | | | | | | | | |
| 363 | D0-07622001 | C363 | 1 | | | | | | | | | | |
| 364 | D0-07622001 | C364 | 1 | | | | | | | | | | |
| 365 | D0-07622001 | C365 | 1 | | | | | | | | | | |
| 366 | D0-07622001 | C366 | 1 | | | | | | | | | | |
| 367 | D0-04101001 | GRM188B11H102KA01D C367 | 1 | 10/P | | | | | | | | | |
| 368 | D0-07622001 | C368 | 1 | | | | | | | | | | |

| ITEM NO. | PARTS NO. | PARTS NAME | Q'TY / PAGE | Q'TY / PACK | P | I | R | BSI NO. | TO | FROM | SERIAL NO. | REMARKS | C |
|----------|-------------|----------------------------|-------------|-------------|---|---|---|---------|----|------|------------|---------|---|
| 369 | D0-04101001 | GRM188B11H102KA01D C369 | 1 | 10/P | | | | | | | | | |
| 370 | D0-07622001 | C370 | 1 | | | | | | | | | | |
| 371 | D0-07622001 | C371 | 1 | | | | | | | | | | |
| 372 | D0-07622001 | C372 | 1 | | | | | | | | | | |
| 373 | D0-07622001 | C373 | 1 | | | | | | | | | | |
| 374 | D0-04101001 | GRM188B11H102KA01D C374 | 1 | 10/P | | | | | | | | | |
| 375 | D0-04091001 | GRM1882C1H330JZ01D C375 | 1 | 10/P | | | | | | | | | |
| 376 | D0-04101001 | GRM188B11H102KA01D C376 | 1 | 10/P | | | | | | | | | |
| 377 | D0-04091001 | GRM1882C1H330JZ01D C377 | 1 | 10/P | | | | | | | | | |
| 378 | D0-04101001 | GRM188B11H102KA01D C378 | 1 | 10/P | | | | | | | | | |
| 379 | D0-07622001 | C379 | 1 | | | | | | | | | | |
| 380 | D0-07622001 | C380 | 1 | | | | | | | | | | |
| 381 | D0-04101001 | GRM188B11H102KA01D C381 | 1 | 10/P | | | | | | | | | |
| 382 | D0-07622001 | C382 | 1 | | | | | | | | | | |
| 383 | D0-07622001 | C383 | 1 | | | | | | | | | | |
| 384 | D0-04091001 | GRM1882C1H330JZ01D C384 | 1 | 10/P | | | | | | | | | |
| 385 | D0-04091001 | GRM1882C1H330JZ01D C385 | 1 | 10/P | | | | | | | | | |
| 386 | D0-07622001 | C386 | 1 | | | | | | | | | | |
| 387 | D0-07622001 | C387 | 1 | | | | | | | | | | |
| 388 | D0-07622001 | C388 | 1 | | | | | | | | | | |
| 389 | D0-04091001 | GRM1882C1H330JZ01D C389 | 1 | 10/P | | | | | | | | | |
| 390 | D0-07622001 | C390 | 1 | | | | | | | | | | |
| 391 | D0-07622001 | C391 | 1 | | | | | | | | | | |
| 392 | D0-07622001 | C392 | 1 | | | | | | | | | | |
| 393 | D0-07622001 | C393 | 1 | | | | | | | | | | |
| 394 | D0-07622001 | C394 | 1 | | | | | | | | | | |
| 395 | D0-07622001 | C395 | 1 | | | | | | | | | | |
| 396 | D0-07622001 | C396 | 1 | | | | | | | | | | |
| 397 | D0-07622001 | C397 | 1 | | | | | | | | | | |
| 398 | D0-07622001 | C398 | 1 | | | | | | | | | | |
| 400 | D0-07622001 | C400 | 1 | | | | | | | | | | |
| 401 | D0-07622001 | C401 | 1 | | | | | | | | | | |
| 402 | D0-07622001 | C402 | 1 | | | | | | | | | | |
| 403 | D0-07622001 | C403 | 1 | | | | | | | | | | |
| 404 | D0-07622001 | C404 | 1 | | | | | | | | | | |

| ITEM NO. | PARTS NO. | PARTS NAME | Q'TY / PAGE | Q'TY / PACK | P | I | R | BSI NO. | TO | FROM | SERIAL NO. | REMARKS | C |
|----------|-------------|--------------------|-------------|-------------|---|---|---|---------|----|------|------------|---------|---|
| 410 | D0-07622001 | C410 | 1 | | | | | | | | | | |
| 411 | D0-07622001 | C411 | 1 | | | | | | | | | | |
| 412 | D0-07622001 | C412 | 1 | | | | | | | | | | |
| 413 | D0-07622001 | C413 | 1 | | | | | | | | | | |
| 414 | D0-07622001 | C414 | 1 | | | | | | | | | | |
| 415 | D0-04086001 | GRM1882C1H221JA01D | 1 | 10/P | | | | | | | | | |
| 416 | D0-04086001 | C415 | 1 | 10/P | | | | | | | | | |
| 417 | D0-04086001 | GRM1882C1H221JA01D | 1 | 10/P | | | | | | | | | |
| 418 | D0-04086001 | C417 | 1 | 10/P | | | | | | | | | |
| 419 | D0-07622001 | GRM1882C1H221JA01D | 1 | 10/P | | | | | | | | | |
| 420 | D0-07622001 | C418 | 1 | | | | | | | | | | |
| 421 | D0-07622001 | C419 | 1 | | | | | | | | | | |
| 422 | D0-07622001 | C420 | 1 | | | | | | | | | | |
| 423 | D0-07496001 | C421 | 1 | | | | | | | | | | |
| 424 | D0-07496001 | GRM1882C1H470JZ01D | 1 | 10/P | | | | | | | | | |
| 425 | D0-07622001 | C422 | 1 | | | | | | | | | | |
| 426 | D0-07622001 | C423 | 1 | | | | | | | | | | |
| 427 | D0-07622001 | C424 | 1 | | | | | | | | | | |
| 428 | D0-07496001 | GRM1882C1H470JZ01D | 1 | 10/P | | | | | | | | | |
| 429 | D0-07622001 | C425 | 1 | | | | | | | | | | |
| 430 | D0-07622001 | C426 | 1 | | | | | | | | | | |
| 431 | D0-07622001 | C427 | 1 | | | | | | | | | | |
| 432 | D0-07622001 | C428 | 1 | | | | | | | | | | |
| 433 | D0-07622001 | C429 | 1 | | | | | | | | | | |
| 434 | D0-07622001 | C430 | 1 | | | | | | | | | | |
| 435 | D0-07496001 | GRM1882C1H470JZ01D | 1 | 10/P | | | | | | | | | |
| 436 | D0-07496001 | C431 | 1 | 10/P | | | | | | | | | |
| 437 | D0-07496001 | GRM1882C1H470JZ01D | 1 | 10/P | | | | | | | | | |
| 438 | D0-07622001 | C432 | 1 | | | | | | | | | | |
| 439 | D0-07496001 | C433 | 1 | 10/P | | | | | | | | | |
| 440 | D0-07496001 | GRM1882C1H470JZ01D | 1 | 10/P | | | | | | | | | |
| 441 | D0-07496001 | C434 | 1 | 10/P | | | | | | | | | |
| 442 | D0-07496001 | GRM1882C1H470JZ01D | 1 | 10/P | | | | | | | | | |
| 443 | D0-07496001 | C435 | 1 | 10/P | | | | | | | | | |
| 444 | D0-07496001 | GRM1882C1H470JZ01D | 1 | 10/P | | | | | | | | | |
| 445 | D0-07496001 | C436 | 1 | 10/P | | | | | | | | | |
| 446 | D0-07496001 | GRM1882C1H470JZ01D | 1 | 10/P | | | | | | | | | |
| 447 | D0-07496001 | C437 | 1 | 10/P | | | | | | | | | |
| 448 | D0-07496001 | GRM1882C1H470JZ01D | 1 | 10/P | | | | | | | | | |
| 449 | D0-07496001 | C438 | 1 | 10/P | | | | | | | | | |
| 450 | D0-07496001 | GRM1882C1H470JZ01D | 1 | 10/P | | | | | | | | | |
| 451 | D0-07496001 | C439 | 1 | 10/P | | | | | | | | | |
| 452 | D0-07496001 | GRM1882C1H470JZ01D | 1 | 10/P | | | | | | | | | |
| 453 | D0-07496001 | C440 | 1 | 10/P | | | | | | | | | |
| 454 | D0-07496001 | GRM1882C1H470JZ01D | 1 | 10/P | | | | | | | | | |
| 455 | D0-07622001 | C441 | 1 | | | | | | | | | | |
| 456 | D0-07622001 | C442 | 1 | | | | | | | | | | |
| 457 | D0-07622001 | C443 | 1 | | | | | | | | | | |
| 458 | D0-07622001 | C444 | 1 | | | | | | | | | | |

| ITEM NO. | PARTS NO. | PARTS NAME | Q'TY / PAGE | Q'TY / PACK | P | I | R | BSI NO. | TO | FROM | SERIAL NO. | REMARKS | C |
|----------|-------------|--------------------|-------------|-------------|---|---|---|---------|----|------|------------|---------|---|
| 445 | D0-07622001 | C445 | 1 | | | | | | | | | | |
| 446 | D0-07622001 | C446 | 1 | | | | | | | | | | |
| 447 | D0-07622001 | C447 | 1 | | | | | | | | | | |
| 448 | D0-07622001 | C448 | 1 | | | | | | | | | | |
| 449 | D0-07622001 | C449 | 1 | | | | | | | | | | |
| 450 | D0-07622001 | C450 | 1 | | | | | | | | | | |
| 451 | D0-07622001 | C451 | 1 | | | | | | | | | | |
| 452 | D0-07622001 | C452 | 1 | | | | | | | | | | |
| 453 | D0-07622001 | C453 | 1 | | | | | | | | | | |
| 454 | D0-07622001 | C454 | 1 | | | | | | | | | | |
| 455 | D0-07622001 | C455 | 1 | | | | | | | | | | |
| 456 | D0-07622001 | C456 | 1 | | | | | | | | | | |
| 457 | D0-07622001 | C457 | 1 | | | | | | | | | | |
| 458 | D0-07622001 | C458 | 1 | | | | | | | | | | |
| 459 | D0-04101001 | GRM188B11H102KA01D | 1 | 10/P | | | | | | | | | |
| 460 | D0-07622001 | C459 | 1 | | | | | | | | | | |
| 461 | D0-07622001 | C460 | 1 | | | | | | | | | | |
| 462 | D0-07622001 | C461 | 1 | | | | | | | | | | |
| 463 | D0-04091001 | GRM1882C1H330JZ01D | 1 | 10/P | | | | | | | | | |
| 464 | D0-04101001 | GRM188B11H102KA01D | 1 | 10/P | | | | | | | | | |
| 465 | D0-07622001 | C464 | 1 | | | | | | | | | | |
| 466 | D0-07622001 | C465 | 1 | | | | | | | | | | |
| 467 | D0-04101001 | GRM188B11H102KA01D | 1 | 10/P | | | | | | | | | |
| 468 | D0-07622001 | C467 | 1 | | | | | | | | | | |
| 469 | D0-04101001 | GRM188B11H102KA01D | 1 | 10/P | | | | | | | | | |
| 470 | D0-04091001 | GRM1882C1H330JZ01D | 1 | 10/P | | | | | | | | | |
| 471 | D0-04101001 | GRM188B11H102KA01D | 1 | 10/P | | | | | | | | | |
| 472 | D0-07622001 | C471 | 1 | | | | | | | | | | |
| 473 | D0-04091001 | GRM1882C1H330JZ01D | 1 | 10/P | | | | | | | | | |
| 475 | D0-04091001 | GRM1882C1H330JZ01D | 1 | 10/P | | | | | | | | | |
| 476 | D0-04091001 | GRM1882C1H330JZ01D | 1 | 10/P | | | | | | | | | |
| 477 | D0-07622001 | C476 | 1 | | | | | | | | | | |
| 478 | D0-04101001 | GRM188B11H102KA01D | 1 | 10/P | | | | | | | | | |
| 479 | D0-04091001 | GRM1882C1H330JZ01D | 1 | 10/P | | | | | | | | | |
| 480 | D0-04091001 | GRM1882C1H330JZ01D | 1 | 10/P | | | | | | | | | |
| | | C480 | | | | | | | | | | | |

| ITEM NO. | PARTS NO. | PARTS NAME | Q'TY / PAGE | Q'TY / PACK | P | I | R | BSI NO. | TO | FROM | SERIAL NO. | REMARKS | C |
|----------|-------------|----------------------------|-------------|-------------|---|---|---|---------|----|------|------------|---------|---|
| 481 | D0-04091001 | GRM1882C1H330JZ01D C481 | 1 | 10/P | | | | | | | | | |
| 482 | D0-04101001 | GRM188B11H102KA01D C482 | 1 | 10/P | | | | | | | | | |
| 483 | D0-07622001 | C483 | 1 | | | | | | | | | | |
| 484 | D0-07622001 | C484 | 1 | | | | | | | | | | |
| 485 | D0-07622001 | C485 | 1 | | | | | | | | | | |
| 486 | D0-04091001 | GRM1882C1H330JZ01D C486 | 1 | 10/P | | | | | | | | | |
| 487 | D0-07622001 | C487 | 1 | | | | | | | | | | |
| 488 | D0-07622001 | C488 | 1 | | | | | | | | | | |
| 489 | D0-04101001 | GRM188B11H102KA01D C489 | 1 | 10/P | | | | | | | | | |
| 490 | D0-07622001 | C490 | 1 | | | | | | | | | | |
| 491 | D0-04101001 | GRM188B11H102KA01D C491 | 1 | 10/P | | | | | | | | | |
| 492 | D0-04101001 | GRM188B11H102KA01D C492 | 1 | 10/P | | | | | | | | | |
| 493 | D0-04091001 | GRM1882C1H330JZ01D C493 | 1 | 10/P | | | | | | | | | |
| 494 | D0-07622001 | C494 | 1 | | | | | | | | | | |
| 495 | D0-07622001 | C495 | 1 | | | | | | | | | | |
| 496 | D0-07622001 | C496 | 1 | | | | | | | | | | |
| 497 | D0-07622001 | C497 | 1 | | | | | | | | | | |
| 498 | D0-07622001 | C498 | 1 | | | | | | | | | | |
| 499 | D0-04091001 | GRM1882C1H330JZ01D C499 | 1 | 10/P | | | | | | | | | |
| 500 | D0-05723001 | GRM21BF11C105ZA01L C500 | 1 | 10/P | | | | | | | | | |
| 501 | D0-07622001 | C501 | 1 | | | | | | | | | | |
| 502 | D0-04101001 | GRM188B11H102KA01D C502 | 1 | 10/P | | | | | | | | | |
| 503 | D0-07622001 | C503 | 1 | | | | | | | | | | |
| 504 | D0-09434001 | C504 | 1 | | | | | | | | | | |
| 505 | D0-04091001 | GRM1882C1H330JZ01D C505 | 1 | 10/P | | | | | | | | | |
| 506 | D0-04091001 | GRM1882C1H330JZ01D C506 | 1 | 10/P | | | | | | | | | |
| 507 | D0-07622001 | C507 | 1 | | | | | | | | | | |
| 508 | D0-04091001 | GRM1882C1H330JZ01D C508 | 1 | 10/P | | | | | | | | | |
| 509 | D0-07622001 | C509 | 1 | | | | | | | | | | |
| 510 | D0-05723001 | GRM21BF11C105ZA01L C510 | 1 | 10/P | | | | | | | | | |
| 511 | D0-04101001 | GRM188B11H102KA01D C511 | 1 | 10/P | | | | | | | | | |
| 516 | D0-09434001 | C516 | 1 | | | | | | | | | | |
| 522 | D0-07622001 | C522 | 1 | | | | | | | | | | |
| 523 | D0-07622001 | C523 | 1 | | | | | | | | | | |
| 524 | D0-04091001 | GRM1882C1H330JZ01D C524 | 1 | 10/P | | | | | | | | | |

| ITEM NO. | PARTS NO. | PARTS NAME | QTY / PAGE | QTY / PACK | P | I | R | BSI NO. | TO | FROM | SERIAL NO. | REMARKS | C |
|----------|-------------|----------------------------|------------|------------|---|---|---|---------|----|------|------------|---------|---|
| 525 | D0-04091001 | GRM1882C1H330JZ01D C525 | 1 | 10/P | | | | | | | | | |
| 526 | D0-04091001 | GRM1882C1H330JZ01D C526 | 1 | 10/P | | | | | | | | | |
| 527 | D0-04091001 | GRM1882C1H330JZ01D C527 | 1 | 10/P | | | | | | | | | |
| 528 | D0-07622001 | C528 | 1 | | | | | | | | | | |
| 529 | D0-04101001 | GRM188B11H102KA01D C529 | 1 | 10/P | | | | | | | | | |
| 530 | D0-04101001 | GRM188B11H102KA01D C530 | 1 | 10/P | | | | | | | | | |
| 531 | D0-07622001 | C531 | 1 | | | | | | | | | | |
| 532 | D0-04101001 | GRM188B11H102KA01D C532 | 1 | 10/P | | | | | | | | | |
| 533 | D0-07622001 | C533 | 1 | | | | | | | | | | |
| 534 | D0-07622001 | C534 | 1 | | | | | | | | | | |
| 535 | D0-04101001 | GRM188B11H102KA01D C535 | 1 | 10/P | | | | | | | | | |
| 536 | D0-07622001 | C536 | 1 | | | | | | | | | | |
| 537 | D0-07622001 | C537 | 1 | | | | | | | | | | |
| 538 | D0-07622001 | C538 | 1 | | | | | | | | | | |
| 539 | D0-07622001 | C539 | 1 | | | | | | | | | | |
| 542 | D0-04101001 | GRM188B11H102KA01D C542 | 1 | 10/P | | | | | | | | | |
| 543 | D0-04101001 | GRM188B11H102KA01D C543 | 1 | 10/P | | | | | | | | | |
| 544 | D0-09434001 | C544 | 1 | | | | | | | | | | |
| 545 | D0-05723001 | GRM21BF11C105ZA01L C545 | 1 | 10/P | | | | | | | | | |
| 546 | D0-07622001 | C546 | 1 | | | | | | | | | | |
| 547 | D0-09434001 | C547 | 1 | | | | | | | | | | |
| 548 | D0-04101001 | GRM188B11H102KA01D C548 | 1 | 10/P | | | | | | | | | |
| 549 | D0-05723001 | GRM21BF11C105ZA01L C549 | 1 | 10/P | | | | | | | | | |
| 550 | D0-04093001 | GRM1882C1H220JZ01D C550 | 1 | 10/P | | | | | | | | | |
| 551 | D0-04085001 | GRM1882C1H100JZ01D C551 | 1 | 5/ | | | | | | | | | |
| 552 | D0-07622001 | C552 | 1 | | | | | | | | | | |
| 553 | D0-07622001 | C553 | 1 | | | | | | | | | | |
| 554 | D0-07622001 | C554 | 1 | | | | | | | | | | |
| 555 | D0-07622001 | C555 | 1 | | | | | | | | | | |
| 556 | D0-07622001 | C556 | 1 | | | | | | | | | | |
| 557 | D0-07622001 | C557 | 1 | | | | | | | | | | |
| 558 | D0-07622001 | C558 | 1 | | | | | | | | | | |
| 559 | D0-07622001 | C559 | 1 | | | | | | | | | | |
| 560 | D0-07622001 | C560 | 1 | | | | | | | | | | |
| 561 | D0-07622001 | C561 | 1 | | | | | | | | | | |

| ITEM NO. | PARTS NO. | PARTS NAME | Q'TY / PAGE | Q'TY / PACK | P | I | R | BSI NO. | TO | FROM | SERIAL NO. | REMARKS | C |
|----------|-------------|--------------------|-------------|-------------|---|---|---|---------|----|------|------------|---------|---|
| 562 | D0-07622001 | C562 | 1 | | | | | | | | | | |
| 563 | D0-07622001 | C563 | 1 | | | | | | | | | | |
| 564 | D0-07622001 | C564 | 1 | | | | | | | | | | |
| 565 | D0-07622001 | C565 | 1 | | | | | | | | | | |
| 566 | D0-07622001 | C566 | 1 | | | | | | | | | | |
| 567 | D0-07622001 | C567 | 1 | | | | | | | | | | |
| 568 | D0-07622001 | C568 | 1 | | | | | | | | | | |
| 569 | D0-07622001 | C569 | 1 | | | | | | | | | | |
| 570 | D0-07622001 | C570 | 1 | | | | | | | | | | |
| 571 | D0-07622001 | C571 | 1 | | | | | | | | | | |
| 572 | D0-07622001 | C572 | 1 | | | | | | | | | | |
| 573 | D0-07622001 | C573 | 1 | | | | | | | | | | |
| 574 | D0-07622001 | C574 | 1 | | | | | | | | | | |
| 575 | D0-07622001 | C575 | 1 | | | | | | | | | | |
| 576 | D0-04102001 | GRM1882C1H101JA01D | 1 | 10/P | | | | | | | | | |
| 577 | D0-07622001 | C576 | 1 | | | | | | | | | | |
| 578 | D0-07496001 | GRM1882C1H470JZ01D | 1 | 10/P | | | | | | | | | |
| 579 | D0-07622001 | C578 | 1 | | | | | | | | | | |
| 580 | D0-07622001 | C579 | 1 | | | | | | | | | | |
| 581 | D0-07622001 | C580 | 1 | | | | | | | | | | |
| 582 | D0-07622001 | C581 | 1 | | | | | | | | | | |
| 583 | D0-07622001 | C582 | 1 | | | | | | | | | | |
| 584 | D0-07622001 | C583 | 1 | | | | | | | | | | |
| 585 | D0-07622001 | C584 | 1 | | | | | | | | | | |
| 586 | D0-07622001 | C585 | 1 | | | | | | | | | | |
| 587 | D0-07622001 | C586 | 1 | | | | | | | | | | |
| 588 | D0-07622001 | C587 | 1 | | | | | | | | | | |
| 589 | D0-07622001 | C588 | 1 | | | | | | | | | | |
| 590 | D0-07622001 | C589 | 1 | | | | | | | | | | |
| 591 | D0-07622001 | C590 | 1 | | | | | | | | | | |
| 592 | D0-07622001 | C591 | 1 | | | | | | | | | | |
| 593 | D0-07622001 | C592 | 1 | | | | | | | | | | |
| 594 | D0-07622001 | C593 | 1 | | | | | | | | | | |
| 595 | D0-07622001 | C594 | 1 | | | | | | | | | | |
| 596 | D0-07622001 | C595 | 1 | | | | | | | | | | |
| | | C596 | 1 | | | | | | | | | | |

| ITEM NO. | PARTS NO. | PARTS NAME | Q'TY / PAGE | Q'TY / PACK | P | I | R | BSI NO. | TO | FROM | SERIAL NO. | REMARKS | C |
|----------|-------------|----------------------------|-------------|-------------|---|---|---|---------|----|------|------------|---------|---|
| 597 | D0-07622001 | C597 | 1 | | | | | | | | | | |
| 598 | D0-07622001 | C598 | 1 | | | | | | | | | | |
| 599 | D0-07622001 | C599 | 1 | | | | | | | | | | |
| 600 | D0-07622001 | C600 | 1 | | | | | | | | | | |
| 601 | D0-07622001 | C601 | 1 | | | | | | | | | | |
| 603 | D0-07622001 | C603 | 1 | | | | | | | | | | |
| 604 | D0-07622001 | C604 | 1 | | | | | | | | | | |
| 605 | D0-07622001 | C605 | 1 | | | | | | | | | | |
| 606 | D0-07622001 | C606 | 1 | | | | | | | | | | |
| 607 | D0-07622001 | C607 | 1 | | | | | | | | | | |
| 608 | D0-07622001 | C608 | 1 | | | | | | | | | | |
| 609 | D0-07622001 | C609 | 1 | | | | | | | | | | |
| 610 | D0-07622001 | C610 | 1 | | | | | | | | | | |
| 611 | D0-07622001 | C611 | 1 | | | | | | | | | | |
| 612 | D0-07622001 | C612 | 1 | | | | | | | | | | |
| 613 | D0-07622001 | C613 | 1 | | | | | | | | | | |
| 614 | D0-07622001 | C614 | 1 | | | | | | | | | | |
| 615 | D0-07622001 | C615 | 1 | | | | | | | | | | |
| 616 | D0-07622001 | C616 | 1 | | | | | | | | | | |
| 617 | D0-07622001 | C617 | 1 | | | | | | | | | | |
| 618 | D0-07622001 | C618 | 1 | | | | | | | | | | |
| 619 | D0-07622001 | C619 | 1 | | | | | | | | | | |
| 620 | D0-07622001 | C620 | 1 | | | | | | | | | | |
| 621 | D0-07622001 | C621 | 1 | | | | | | | | | | |
| 622 | D0-07622001 | C622 | 1 | | | | | | | | | | |
| 623 | D0-07622001 | C623 | 1 | | | | | | | | | | |
| 624 | D0-07622001 | C624 | 1 | | | | | | | | | | |
| 700 | D0-04093001 | GRM1882C1H220JZ01D C700 | 1 | 10/P | | | | | | | | | |
| 701 | D0-04093001 | GRM1882C1H220JZ01D C701 | 1 | 10/P | | | | | | | | | |
| 702 | D0-04093001 | GRM1882C1H220JZ01D C702 | 1 | 10/P | | | | | | | | | |
| 703 | D0-04093001 | GRM1882C1H220JZ01D C703 | 1 | 10/P | | | | | | | | | |
| 704 | D0-04093001 | GRM1882C1H220JZ01D C704 | 1 | 10/P | | | | | | | | | |
| 705 | D0-04093001 | GRM1882C1H220JZ01D C705 | 1 | 10/P | | | | | | | | | |
| 706 | D0-05723001 | GRM21BF11C105ZA01L C706 | 1 | 10/P | | | | | | | | | |
| 707 | D0-05723001 | GRM21BF11C105ZA01L C707 | 1 | 10/P | | | | | | | | | |

| ITEM NO. | PARTS NO. | PARTS NAME | QTY / PAGE | QTY / PACK | P | I | R | BSI NO. | TO | FROM | SERIAL NO. | REMARKS | C |
|----------|-------------|--------------|------------|------------|---|---|---|---------|----|------|------------|---------|---|
| 1 | D0-00981001 | MCR03EZHZ220 | 1 | 10/P | | | | | | | | | |
| | | R1 | | | | | | | | | | | |
| 3 | D0-00981001 | MCR03EZHZ220 | 1 | 10/P | | | | | | | | | |
| | | R3 | | | | | | | | | | | |
| 5 | D0-00981001 | MCR03EZHZ220 | 1 | 10/P | | | | | | | | | |
| | | R5 | | | | | | | | | | | |
| 7 | D0-00981001 | MCR03EZHZ220 | 1 | 10/P | | | | | | | | | |
| | | R7 | | | | | | | | | | | |
| 9 | D0-00981001 | MCR03EZHZ220 | 1 | 10/P | | | | | | | | | |
| | | R9 | | | | | | | | | | | |
| 11 | D0-00981001 | MCR03EZHZ220 | 1 | 10/P | | | | | | | | | |
| | | R11 | | | | | | | | | | | |
| 13 | D0-00981001 | MCR03EZHZ220 | 1 | 10/P | | | | | | | | | |
| | | R13 | | | | | | | | | | | |
| 15 | D0-00981001 | MCR03EZHZ220 | 1 | 10/P | | | | | | | | | |
| | | R15 | | | | | | | | | | | |
| 17 | D0-00981001 | MCR03EZHZ220 | 1 | 10/P | | | | | | | | | |
| | | R17 | | | | | | | | | | | |
| 18 | D0-00953001 | MCR03EZHZ103 | 1 | 10/P | | | | | | | | | |
| | | R18 | | | | | | | | | | | |
| 19 | D0-00981001 | MCR03EZHZ220 | 1 | 10/P | | | | | | | | | |
| | | R19 | | | | | | | | | | | |
| 20 | D0-01031001 | MCR03EZHZ562 | 1 | 5/ | | | | | | | | | |
| | | R20 | | | | | | | | | | | |
| 21 | D0-00981001 | MCR03EZHZ220 | 1 | 10/P | | | | | | | | | |
| | | R21 | | | | | | | | | | | |
| 22 | D0-00952001 | MCR03EZHZ102 | 1 | 10/P | | | | | | | | | |
| | | R22 | | | | | | | | | | | |
| 23 | D0-00981001 | MCR03EZHZ220 | 1 | 10/P | | | | | | | | | |
| | | R23 | | | | | | | | | | | |
| 24 | D0-00953001 | MCR03EZHZ103 | 1 | 10/P | | | | | | | | | |
| | | R24 | | | | | | | | | | | |
| 25 | D0-01020001 | MCR03EZHZ472 | 1 | 10/P | | | | | | | | | |
| | | R25 | | | | | | | | | | | |
| 26 | D0-01020001 | MCR03EZHZ472 | 1 | 10/P | | | | | | | | | |
| | | R26 | | | | | | | | | | | |
| 27 | D0-01020001 | MCR03EZHZ472 | 1 | 10/P | | | | | | | | | |
| | | R27 | | | | | | | | | | | |
| 28 | D0-01020001 | MCR03EZHZ472 | 1 | 10/P | | | | | | | | | |
| | | R28 | | | | | | | | | | | |
| 31 | D0-00951001 | MCR03EZHZ101 | 1 | 10/P | | | | | | | | | |
| | | R31 | | | | | | | | | | | |
| 34 | D0-00951001 | MCR03EZHZ101 | 1 | 10/P | | | | | | | | | |
| | | R34 | | | | | | | | | | | |
| 35 | D0-00953001 | MCR03EZHZ103 | 1 | 10/P | | | | | | | | | |
| | | R35 | | | | | | | | | | | |
| 36 | D0-00952001 | MCR03EZHZ102 | 1 | 10/P | | | | | | | | | |
| | | R36 | | | | | | | | | | | |
| 37 | D0-00952001 | MCR03EZHZ102 | 1 | 10/P | | | | | | | | | |
| | | R37 | | | | | | | | | | | |
| 38 | D0-00952001 | MCR03EZHZ102 | 1 | 10/P | | | | | | | | | |
| | | R38 | | | | | | | | | | | |
| 39 | D0-00952001 | MCR03EZHZ102 | 1 | 10/P | | | | | | | | | |
| | | R39 | | | | | | | | | | | |
| 40 | D0-00952001 | MCR03EZHZ102 | 1 | 10/P | | | | | | | | | |
| | | R40 | | | | | | | | | | | |
| 41 | D0-00952001 | MCR03EZHZ102 | 1 | 10/P | | | | | | | | | |
| | | R41 | | | | | | | | | | | |
| 42 | D0-00952001 | MCR03EZHZ102 | 1 | 10/P | | | | | | | | | |
| | | R42 | | | | | | | | | | | |
| 43 | D0-00952001 | MCR03EZHZ102 | 1 | 10/P | | | | | | | | | |
| | | R43 | | | | | | | | | | | |
| 44 | D0-00952001 | MCR03EZHZ102 | 1 | 10/P | | | | | | | | | |
| | | R44 | | | | | | | | | | | |
| 45 | D0-00952001 | MCR03EZHZ102 | 1 | 10/P | | | | | | | | | |
| | | R45 | | | | | | | | | | | |
| 46 | D0-00952001 | MCR03EZHZ102 | 1 | 10/P | | | | | | | | | |
| | | R46 | | | | | | | | | | | |
| 48 | D0-00953001 | MCR03EZHZ103 | 1 | 10/P | | | | | | | | | |
| | | R48 | | | | | | | | | | | |

| ITEM NO. | PARTS NO. | PARTS NAME | Q'TY / PAGE | Q'TY / PACK | P | I | R | BSI NO. | TO | FROM | SERIAL NO. | REMARKS | C |
|----------|-------------|--------------|-------------|-------------|---|---|---|---------|----|------|------------|---------|---|
| 50 | D0-00953001 | MCR03EZHJ103 | 1 | 10/P | | | | | | | | | |
| | | R50 | | | | | | | | | | | |
| 51 | D0-00981001 | MCR03EZHJ220 | 1 | 10/P | | | | | | | | | |
| | | R51 | | | | | | | | | | | |
| 52 | D0-00981001 | MCR03EZHJ220 | 1 | 10/P | | | | | | | | | |
| | | R52 | | | | | | | | | | | |
| 53 | D0-00981001 | MCR03EZHJ220 | 1 | 10/P | | | | | | | | | |
| | | R53 | | | | | | | | | | | |
| 54 | D0-00981001 | MCR03EZHJ220 | 1 | 10/P | | | | | | | | | |
| | | R54 | | | | | | | | | | | |
| 55 | D0-00953001 | MCR03EZHJ103 | 1 | 10/P | | | | | | | | | |
| | | R55 | | | | | | | | | | | |
| 56 | D0-00981001 | MCR03EZHJ220 | 1 | 10/P | | | | | | | | | |
| | | R56 | | | | | | | | | | | |
| 57 | D0-00953001 | MCR03EZHJ103 | 1 | 10/P | | | | | | | | | |
| | | R57 | | | | | | | | | | | |
| 58 | D0-00953001 | MCR03EZHJ103 | 1 | 10/P | | | | | | | | | |
| | | R58 | | | | | | | | | | | |
| 59 | D0-01020001 | MCR03EZHJ472 | 1 | 10/P | | | | | | | | | |
| | | R59 | | | | | | | | | | | |
| 60 | D0-01020001 | MCR03EZHJ472 | 1 | 10/P | | | | | | | | | |
| | | R60 | | | | | | | | | | | |
| 61 | D0-01020001 | MCR03EZHJ472 | 1 | 10/P | | | | | | | | | |
| | | R61 | | | | | | | | | | | |
| 62 | D0-01020001 | MCR03EZHJ472 | 1 | 10/P | | | | | | | | | |
| | | R62 | | | | | | | | | | | |
| 63 | D0-01020001 | MCR03EZHJ472 | 1 | 10/P | | | | | | | | | |
| | | R63 | | | | | | | | | | | |
| 67 | D0-00981001 | MCR03EZHJ220 | 1 | 10/P | | | | | | | | | |
| | | R67 | | | | | | | | | | | |
| 68 | D0-00952001 | MCR03EZHJ102 | 1 | 10/P | | | | | | | | | |
| | | R68 | | | | | | | | | | | |
| 70 | D0-00953001 | MCR03EZHJ103 | 1 | 10/P | | | | | | | | | |
| | | R70 | | | | | | | | | | | |
| 71 | D0-00953001 | MCR03EZHJ103 | 1 | 10/P | | | | | | | | | |
| | | R71 | | | | | | | | | | | |
| 72 | D0-00952001 | MCR03EZHJ102 | 1 | 10/P | | | | | | | | | |
| | | R72 | | | | | | | | | | | |
| 73 | D0-00953001 | MCR03EZHJ103 | 1 | 10/P | | | | | | | | | |
| | | R73 | | | | | | | | | | | |
| 75 | D0-00950001 | MCR03EZHJ100 | 1 | 10/P | | | | | | | | | |
| | | R75 | | | | | | | | | | | |
| 76 | D0-01002001 | MCR03EZHJ330 | 1 | 10/P | | | | | | | | | |
| | | R76 | | | | | | | | | | | |
| 77 | D0-00950001 | MCR03EZHJ100 | 1 | 10/P | | | | | | | | | |
| | | R77 | | | | | | | | | | | |
| 78 | D0-01020001 | MCR03EZHJ472 | 1 | 10/P | | | | | | | | | |
| | | R78 | | | | | | | | | | | |
| 79 | D0-01020001 | MCR03EZHJ472 | 1 | 10/P | | | | | | | | | |
| | | R79 | | | | | | | | | | | |
| 80 | D0-01002001 | MCR03EZHJ330 | 1 | 10/P | | | | | | | | | |
| | | R80 | | | | | | | | | | | |
| 81 | D0-01018001 | MCR03EZHJ470 | 1 | 10/P | | | | | | | | | |
| | | R81 | | | | | | | | | | | |
| 82 | D0-01018001 | MCR03EZHJ470 | 1 | 10/P | | | | | | | | | |
| | | R82 | | | | | | | | | | | |
| 83 | D0-01018001 | MCR03EZHJ470 | 1 | 10/P | | | | | | | | | |
| | | R83 | | | | | | | | | | | |
| 85 | D0-00949001 | MCR03EZHJ000 | 1 | 10/P | | | | | | | | | |
| | | R85 | | | | | | | | | | | |
| 86 | D0-01020001 | MCR03EZHJ472 | 1 | 10/P | | | | | | | | | |
| | | R86 | | | | | | | | | | | |
| 87 | D0-00953001 | MCR03EZHJ103 | 1 | 10/P | | | | | | | | | |
| | | R87 | | | | | | | | | | | |
| 88 | D0-01020001 | MCR03EZHJ472 | 1 | 10/P | | | | | | | | | |
| | | R88 | | | | | | | | | | | |
| 89 | D0-01020001 | MCR03EZHJ472 | 1 | 10/P | | | | | | | | | |
| | | R89 | | | | | | | | | | | |
| 90 | D0-00953001 | MCR03EZHJ103 | 1 | 10/P | | | | | | | | | |
| | | R90 | | | | | | | | | | | |

| ITEM NO. | PARTS NO. | PARTS NAME | QTY / PAGE | QTY / PACK | P | I | R | BSI NO. | TO | FROM | SERIAL NO. | REMARKS | C |
|----------|-------------|----------------------|------------|------------|---|---|---|---------|----|------|------------|---------|---|
| 93 | D0-00951001 | MCR03EZHJ101 R93 | 1 | 10/P | | | | | | | | | |
| 94 | D0-00951001 | MCR03EZHJ101 R94 | 1 | 10/P | | | | | | | | | |
| 95 | D0-00951001 | MCR03EZHJ101 R95 | 1 | 10/P | | | | | | | | | |
| 96 | D0-00951001 | MCR03EZHJ101 R96 | 1 | 10/P | | | | | | | | | |
| 103 | D0-00967001 | MCR03EZHJ153 R103 | 1 | 5/ | | | | | | | | | |
| 104 | D0-08713001 | R104 | 1 | | | | | | | | | | |
| 105 | D0-08713001 | R105 | 1 | | | | | | | | | | |
| 106 | D0-00967001 | MCR03EZHJ153 R106 | 1 | 5/ | | | | | | | | | |
| 107 | D0-00967001 | MCR03EZHJ153 R107 | 1 | 5/ | | | | | | | | | |
| 108 | D0-08713001 | R108 | 1 | | | | | | | | | | |
| 109 | D0-08713001 | R109 | 1 | | | | | | | | | | |
| 110 | D0-00967001 | MCR03EZHJ153 R110 | 1 | 5/ | | | | | | | | | |
| 111 | D0-00991001 | MCR03EZHJ270 R111 | 1 | 5/ | | | | | | | | | |
| 112 | D0-00991001 | MCR03EZHJ270 R112 | 1 | 5/ | | | | | | | | | |
| 113 | D0-01047001 | MCR03EZHJ823 R113 | 1 | 5/ | | | | | | | | | |
| 114 | D0-00963001 | MCR03EZHJ124 R114 | 1 | 5/ | | | | | | | | | |
| 115 | D0-01002001 | MCR03EZHJ330 R115 | 1 | 10/P | | | | | | | | | |
| 116 | D0-00953001 | MCR03EZHJ103 R116 | 1 | 10/P | | | | | | | | | |
| 117 | D0-00953001 | MCR03EZHJ103 R117 | 1 | 10/P | | | | | | | | | |
| 119 | D0-01019001 | MCR03EZHJ471 R119 | 1 | 5/ | | | | | | | | | |
| 120 | D0-01020001 | MCR03EZHJ472 R120 | 1 | 10/P | | | | | | | | | |
| 121 | D0-01020001 | MCR03EZHJ472 R121 | 1 | 10/P | | | | | | | | | |
| 122 | D0-00953001 | MCR03EZHJ103 R122 | 1 | 10/P | | | | | | | | | |
| 123 | D0-00952001 | MCR03EZHJ102 R123 | 1 | 10/P | | | | | | | | | |
| 124 | D0-00949001 | MCR03EZHJ000 R124 | 1 | 10/P | | | | | | | | | |
| 125 | D0-01002001 | MCR03EZHJ330 R125 | 1 | 10/P | | | | | | | | | |
| 126 | D0-00953001 | MCR03EZHJ103 R126 | 1 | 10/P | | | | | | | | | |
| 127 | D0-00953001 | MCR03EZHJ103 R127 | 1 | 10/P | | | | | | | | | |
| 128 | D0-01002001 | MCR03EZHJ330 R128 | 1 | 10/P | | | | | | | | | |
| 129 | D0-00953001 | MCR03EZHJ103 R129 | 1 | 10/P | | | | | | | | | |
| 130 | D0-01002001 | MCR03EZHJ330 R130 | 1 | 10/P | | | | | | | | | |
| 131 | D0-01002001 | MCR03EZHJ330 R131 | 1 | 10/P | | | | | | | | | |
| 132 | D0-01020001 | MCR03EZHJ472 R132 | 1 | 10/P | | | | | | | | | |
| 133 | D0-01002001 | MCR03EZHJ330 R133 | 1 | 10/P | | | | | | | | | |
| 134 | D0-01002001 | MCR03EZHJ330 R134 | 1 | 10/P | | | | | | | | | |

| ITEM NO. | PARTS NO. | PARTS NAME | QTY / PAGE | QTY / PACK | P | I | R | BSI NO. | TO | FROM | SERIAL NO. | REMARKS | C |
|----------|-------------|----------------------|------------|------------|---|---|---|---------|----|------|------------|---------|---|
| 135 | D0-00953001 | MCR03EZHJ103 R135 | 1 | 10/P | | | | | | | | | |
| 136 | D0-01020001 | MCR03EZHJ472 R136 | 1 | 10/P | | | | | | | | | |
| 137 | D0-01002001 | MCR03EZHJ330 R137 | 1 | 10/P | | | | | | | | | |
| 138 | D0-01018001 | MCR03EZHJ470 R138 | 1 | 10/P | | | | | | | | | |
| 144 | D0-01020001 | MCR03EZHJ472 R144 | 1 | 10/P | | | | | | | | | |
| 148 | D0-00952001 | MCR03EZHJ102 R148 | 1 | 10/P | | | | | | | | | |
| 154 | D0-00981001 | MCR03EZHJ220 R154 | 1 | 10/P | | | | | | | | | |
| 155 | D0-00952001 | MCR03EZHJ102 R155 | 1 | 10/P | | | | | | | | | |
| 156 | D0-00953001 | MCR03EZHJ103 R156 | 1 | 10/P | | | | | | | | | |
| 157 | D0-00993001 | MCR03EZHJ272 R157 | 1 | 5/ | | | | | | | | | |
| 158 | D0-00981001 | MCR03EZHJ220 R158 | 1 | 10/P | | | | | | | | | |
| 159 | D0-01010001 | MCR03EZHJ390 R159 | 1 | 10/P | | | | | | | | | |
| 160 | D0-01010001 | MCR03EZHJ390 R160 | 1 | 10/P | | | | | | | | | |
| 161 | D0-01018001 | MCR03EZHJ470 R161 | 1 | 10/P | | | | | | | | | |
| 162 | D0-01018001 | MCR03EZHJ470 R162 | 1 | 10/P | | | | | | | | | |
| 163 | D0-00993001 | MCR03EZHJ272 R163 | 1 | 5/ | | | | | | | | | |
| 164 | D0-00952001 | MCR03EZHJ102 R164 | 1 | 10/P | | | | | | | | | |
| 165 | D0-00981001 | MCR03EZHJ220 R165 | 1 | 10/P | | | | | | | | | |
| 166 | D0-00953001 | MCR03EZHJ103 R166 | 1 | 10/P | | | | | | | | | |
| 167 | D0-00952001 | MCR03EZHJ102 R167 | 1 | 10/P | | | | | | | | | |
| 168 | D0-00981001 | MCR03EZHJ220 R168 | 1 | 10/P | | | | | | | | | |
| 169 | D0-01002001 | MCR03EZHJ330 R169 | 1 | 10/P | | | | | | | | | |
| 170 | D0-01002001 | MCR03EZHJ330 R170 | 1 | 10/P | | | | | | | | | |
| 171 | D0-01002001 | MCR03EZHJ330 R171 | 1 | 10/P | | | | | | | | | |
| 172 | D0-01002001 | MCR03EZHJ330 R172 | 1 | 10/P | | | | | | | | | |
| 173 | D0-01002001 | MCR03EZHJ330 R173 | 1 | 10/P | | | | | | | | | |
| 175 | D0-01002001 | MCR03EZHJ330 R175 | 1 | 10/P | | | | | | | | | |
| 176 | D0-01002001 | MCR03EZHJ330 R176 | 1 | 10/P | | | | | | | | | |
| 177 | D0-00953001 | MCR03EZHJ103 R177 | 1 | 10/P | | | | | | | | | |
| 178 | D0-01002001 | MCR03EZHJ330 R178 | 1 | 10/P | | | | | | | | | |
| 179 | D0-01002001 | MCR03EZHJ330 R179 | 1 | 10/P | | | | | | | | | |
| 180 | D0-01002001 | MCR03EZHJ330 R180 | 1 | 10/P | | | | | | | | | |
| 181 | D0-00952001 | MCR03EZHJ102 R181 | 1 | 10/P | | | | | | | | | |
| 182 | D0-00953001 | MCR03EZHJ103 R182 | 1 | 10/P | | | | | | | | | |
| 183 | D0-00953001 | MCR03EZHJ103 R183 | 1 | 10/P | | | | | | | | | |

| ITEM NO. | PARTS NO. | PARTS NAME | QTY / PAGE | QTY / PACK | PI | R | BSI NO. | TO | FROM | SERIAL NO. | REMARKS | C |
|----------|-------------|------------------------|------------|------------|----|---|---------|----|------|------------|---------|---|
| 184 | D0-01002001 | MCR03EZHJ330 R184 | 1 | 10/P | | | | | | | | |
| 185 | D0-00953001 | MCR03EZHJ103 R185 | 1 | 10/P | | | | | | | | |
| 186 | D0-01002001 | MCR03EZHJ330 R186 | 1 | 10/P | | | | | | | | |
| 187 | D0-00953001 | MCR03EZHJ103 R187 | 1 | 10/P | | | | | | | | |
| 189 | D0-01002001 | MCR03EZHJ330 R189 | 1 | 10/P | | | | | | | | |
| 190 | D0-00953001 | MCR03EZHJ103 R190 | 1 | 10/P | | | | | | | | |
| 194 | D0-01002001 | MCR03EZHJ330 R194 | 1 | 10/P | | | | | | | | |
| 196 | D0-00600001 | | 1 | | | | | | | | | |
| 198 | D0-01002001 | MCR03EZHJ330 R198 | 1 | 10/P | | | | | | | | |
| 199 | D0-01018001 | MCR03EZHJ470 R199 | 1 | 10/P | | | | | | | | |
| 202 | D0-00953001 | MCR03EZHJ103 R202 | 1 | 10/P | | | | | | | | |
| 203 | D0-00953001 | MCR03EZHJ103 R203 | 1 | 10/P | | | | | | | | |
| 206 | D0-00949001 | MCR03EZHJ000 R206 | 1 | 10/P | | | | | | | | |
| 207 | D0-01002001 | MCR03EZHJ330 R207 | 1 | 10/P | | | | | | | | |
| 208 | D0-01002001 | MCR03EZHJ330 R208 | 1 | 10/P | | | | | | | | |
| 209 | D0-01002001 | MCR03EZHJ330 R209 | 1 | 10/P | | | | | | | | |
| 210 | D0-01002001 | MCR03EZHJ330 R210 | 1 | 10/P | | | | | | | | |
| 211 | D0-01020001 | MCR03EZHJ472 R211 | 1 | 10/P | | | | | | | | |
| 212 | D0-01020001 | MCR03EZHJ472 R212 | 1 | 10/P | | | | | | | | |
| 213 | D0-00953001 | MCR03EZHJ103 R213 | 1 | 10/P | | | | | | | | |
| 214 | D0-00953001 | MCR03EZHJ103 R214 | 1 | 10/P | | | | | | | | |
| 215 | D0-00953001 | MCR03EZHJ103 R215 | 1 | 10/P | | | | | | | | |
| 216 | D0-00953001 | MCR03EZHJ103 R216 | 1 | 10/P | | | | | | | | |
| 217 | D0-00953001 | MCR03EZHJ103 R217 | 1 | 10/P | | | | | | | | |
| 218 | D0-00953001 | MCR03EZHJ103 R218 | 1 | 10/P | | | | | | | | |
| 219 | D0-01149001 | MCR03EZPFX4701 R219 | 1 | 5/ | | | | | | | | |
| 220 | D0-01134001 | | 1 | | | | | | | | | |
| 221 | D0-01053001 | MCR03EZPFX1002 R221 | 1 | 10/P | | | | | | | | |
| 222 | D0-01134001 | | 1 | | | | | | | | | |
| 223 | D0-01021001 | MCR03EZHJ473 R223 | 1 | 10/P | | | | | | | | |
| 224 | D0-00952001 | MCR03EZHJ102 R224 | 1 | 10/P | | | | | | | | |
| 225 | D0-00952001 | MCR03EZHJ102 R225 | 1 | 10/P | | | | | | | | |
| 226 | D0-01021001 | MCR03EZHJ473 R226 | 1 | 10/P | | | | | | | | |
| 227 | D0-01020001 | MCR03EZHJ472 R227 | 1 | 10/P | | | | | | | | |
| 300 | D0-00953001 | MCR03EZHJ103 R300 | 1 | 10/P | | | | | | | | |

| ITEM NO. | PARTS NO. | PARTS NAME | QTY / PAGE | QTY / PACK | P | I | R | BSI NO. | TO | FROM | SERIAL NO. | REMARKS | C |
|----------|-------------|-------------|------------|------------|---|---|---|---------|----|------|------------|---------|---|
| 301 | D0-01020001 | MCR03EZJ472 | 1 | 10/P | | | | | | | | | |
| | | R301 | | | | | | | | | | | |
| 302 | D0-01020001 | MCR03EZJ472 | 1 | 10/P | | | | | | | | | |
| | | R302 | | | | | | | | | | | |
| 303 | D0-00953001 | MCR03EZJ103 | 1 | 10/P | | | | | | | | | |
| | | R303 | | | | | | | | | | | |
| 304 | D0-01020001 | MCR03EZJ472 | 1 | 10/P | | | | | | | | | |
| | | R304 | | | | | | | | | | | |
| 305 | D0-00953001 | MCR03EZJ103 | 1 | 10/P | | | | | | | | | |
| | | R305 | | | | | | | | | | | |
| 306 | D0-00953001 | MCR03EZJ103 | 1 | 10/P | | | | | | | | | |
| | | R306 | | | | | | | | | | | |
| 307 | D0-01020001 | MCR03EZJ472 | 1 | 10/P | | | | | | | | | |
| | | R307 | | | | | | | | | | | |
| 308 | D0-00953001 | MCR03EZJ103 | 1 | 10/P | | | | | | | | | |
| | | R308 | | | | | | | | | | | |
| 309 | D0-01020001 | MCR03EZJ472 | 1 | 10/P | | | | | | | | | |
| | | R309 | | | | | | | | | | | |
| 310 | D0-01020001 | MCR03EZJ472 | 1 | 10/P | | | | | | | | | |
| | | R310 | | | | | | | | | | | |
| 311 | D0-00953001 | MCR03EZJ103 | 1 | 10/P | | | | | | | | | |
| | | R311 | | | | | | | | | | | |
| 312 | D0-00953001 | MCR03EZJ103 | 1 | 10/P | | | | | | | | | |
| | | R312 | | | | | | | | | | | |
| 313 | D0-01020001 | MCR03EZJ472 | 1 | 10/P | | | | | | | | | |
| | | R313 | | | | | | | | | | | |
| 314 | D0-01020001 | MCR03EZJ472 | 1 | 10/P | | | | | | | | | |
| | | R314 | | | | | | | | | | | |
| 315 | D0-01020001 | MCR03EZJ472 | 1 | 10/P | | | | | | | | | |
| | | R315 | | | | | | | | | | | |
| 318 | D0-01020001 | MCR03EZJ472 | 1 | 10/P | | | | | | | | | |
| | | R318 | | | | | | | | | | | |
| 328 | D0-00953001 | MCR03EZJ103 | 1 | 10/P | | | | | | | | | |
| | | R328 | | | | | | | | | | | |
| 329 | D0-01020001 | MCR03EZJ472 | 1 | 10/P | | | | | | | | | |
| | | R329 | | | | | | | | | | | |
| 330 | D0-01020001 | MCR03EZJ472 | 1 | 10/P | | | | | | | | | |
| | | R330 | | | | | | | | | | | |
| 332 | D0-01020001 | MCR03EZJ472 | 1 | 10/P | | | | | | | | | |
| | | R332 | | | | | | | | | | | |
| 333 | D0-01020001 | MCR03EZJ472 | 1 | 10/P | | | | | | | | | |
| | | R333 | | | | | | | | | | | |
| 341 | D0-00953001 | MCR03EZJ103 | 1 | 10/P | | | | | | | | | |
| | | R341 | | | | | | | | | | | |
| 342 | D0-00953001 | MCR03EZJ103 | 1 | 10/P | | | | | | | | | |
| | | R342 | | | | | | | | | | | |
| 343 | D0-01020001 | MCR03EZJ472 | 1 | 10/P | | | | | | | | | |
| | | R343 | | | | | | | | | | | |
| 347 | D0-01020001 | MCR03EZJ472 | 1 | 10/P | | | | | | | | | |
| | | R347 | | | | | | | | | | | |
| 348 | D0-01020001 | MCR03EZJ472 | 1 | 10/P | | | | | | | | | |
| | | R348 | | | | | | | | | | | |
| 349 | D0-01020001 | MCR03EZJ472 | 1 | 10/P | | | | | | | | | |
| | | R349 | | | | | | | | | | | |
| 350 | D0-01020001 | MCR03EZJ472 | 1 | 10/P | | | | | | | | | |
| | | R350 | | | | | | | | | | | |
| 352 | D0-01020001 | MCR03EZJ472 | 1 | 10/P | | | | | | | | | |
| | | R352 | | | | | | | | | | | |
| 353 | D0-01020001 | MCR03EZJ472 | 1 | 10/P | | | | | | | | | |
| | | R353 | | | | | | | | | | | |
| 355 | D0-01020001 | MCR03EZJ472 | 1 | 10/P | | | | | | | | | |
| | | R355 | | | | | | | | | | | |
| 357 | D0-00953001 | MCR03EZJ103 | 1 | 10/P | | | | | | | | | |
| | | R357 | | | | | | | | | | | |
| 358 | D0-00600001 | | 1 | | | | | | | | | | |
| | | R358 | | | | | | | | | | | |
| 359 | D0-00600001 | | 1 | | | | | | | | | | |
| | | R359 | | | | | | | | | | | |
| 360 | D0-01020001 | MCR03EZJ472 | 1 | 10/P | | | | | | | | | |
| | | R360 | | | | | | | | | | | |

| ITEM NO. | PARTS NO. | PARTS NAME | QTY / PAGE | QTY / PACK | P | I | R | BSI NO. | TO | FROM | SERIAL NO. | REMARKS | C |
|----------|-------------|-------------|------------|------------|---|---|---|---------|----|------|------------|---------|---|
| 361 | D0-01020001 | MCR03EZJ472 | 1 | 10/P | | | | | | | | | |
| | | R361 | | | | | | | | | | | |
| 362 | D0-01020001 | MCR03EZJ472 | 1 | 10/P | | | | | | | | | |
| | | R362 | | | | | | | | | | | |
| 363 | D0-01020001 | MCR03EZJ472 | 1 | 10/P | | | | | | | | | |
| | | R363 | | | | | | | | | | | |
| 364 | D0-00950001 | MCR03EZJ100 | 1 | 10/P | | | | | | | | | |
| | | R364 | | | | | | | | | | | |
| 365 | D0-00950001 | MCR03EZJ100 | 1 | 10/P | | | | | | | | | |
| | | R365 | | | | | | | | | | | |
| 366 | D0-00950001 | MCR03EZJ100 | 1 | 10/P | | | | | | | | | |
| | | R366 | | | | | | | | | | | |
| 367 | D0-00952001 | MCR03EZJ102 | 1 | 10/P | | | | | | | | | |
| | | R367 | | | | | | | | | | | |
| 368 | D0-01002001 | MCR03EZJ330 | 1 | 10/P | | | | | | | | | |
| | | R368 | | | | | | | | | | | |
| 369 | D0-01002001 | MCR03EZJ330 | 1 | 10/P | | | | | | | | | |
| | | R369 | | | | | | | | | | | |
| 370 | D0-01002001 | MCR03EZJ330 | 1 | 10/P | | | | | | | | | |
| | | R370 | | | | | | | | | | | |
| 371 | D0-01002001 | MCR03EZJ330 | 1 | 10/P | | | | | | | | | |
| | | R371 | | | | | | | | | | | |
| 372 | D0-01002001 | MCR03EZJ330 | 1 | 10/P | | | | | | | | | |
| | | R372 | | | | | | | | | | | |
| 373 | D0-01021001 | MCR03EZJ473 | 1 | 10/P | | | | | | | | | |
| | | R373 | | | | | | | | | | | |
| 374 | D0-00950001 | MCR03EZJ100 | 1 | 10/P | | | | | | | | | |
| | | R374 | | | | | | | | | | | |
| 375 | D0-00953001 | MCR03EZJ103 | 1 | 10/P | | | | | | | | | |
| | | R375 | | | | | | | | | | | |
| 376 | D0-00953001 | MCR03EZJ103 | 1 | 10/P | | | | | | | | | |
| | | R376 | | | | | | | | | | | |
| 377 | D0-01020001 | MCR03EZJ472 | 1 | 10/P | | | | | | | | | |
| | | R377 | | | | | | | | | | | |
| 378 | D0-01004001 | MCR03EZJ332 | 1 | 10/P | | | | | | | | | |
| | | R378 | | | | | | | | | | | |
| 379 | D0-01020001 | MCR03EZJ472 | 1 | 10/P | | | | | | | | | |
| | | R379 | | | | | | | | | | | |
| 380 | D0-01020001 | MCR03EZJ472 | 1 | 10/P | | | | | | | | | |
| | | R380 | | | | | | | | | | | |
| 381 | D0-01020001 | MCR03EZJ472 | 1 | 10/P | | | | | | | | | |
| | | R381 | | | | | | | | | | | |
| 382 | D0-01020001 | MCR03EZJ472 | 1 | 10/P | | | | | | | | | |
| | | R382 | | | | | | | | | | | |
| 383 | D0-01020001 | MCR03EZJ472 | 1 | 10/P | | | | | | | | | |
| | | R383 | | | | | | | | | | | |
| 384 | D0-01020001 | MCR03EZJ472 | 1 | 10/P | | | | | | | | | |
| | | R384 | | | | | | | | | | | |
| 385 | D0-01020001 | MCR03EZJ472 | 1 | 10/P | | | | | | | | | |
| | | R385 | | | | | | | | | | | |
| 388 | D0-01020001 | MCR03EZJ472 | 1 | 10/P | | | | | | | | | |
| | | R388 | | | | | | | | | | | |
| 389 | D0-01020001 | MCR03EZJ472 | 1 | 10/P | | | | | | | | | |
| | | R389 | | | | | | | | | | | |
| 390 | D0-01020001 | MCR03EZJ472 | 1 | 10/P | | | | | | | | | |
| | | R390 | | | | | | | | | | | |
| 392 | D0-00951001 | MCR03EZJ101 | 1 | 10/P | | | | | | | | | |
| | | R392 | | | | | | | | | | | |
| 393 | D0-01020001 | MCR03EZJ472 | 1 | 10/P | | | | | | | | | |
| | | R393 | | | | | | | | | | | |
| 394 | D0-01020001 | MCR03EZJ472 | 1 | 10/P | | | | | | | | | |
| | | R394 | | | | | | | | | | | |
| 396 | D0-00951001 | MCR03EZJ101 | 1 | 10/P | | | | | | | | | |
| | | R396 | | | | | | | | | | | |
| 398 | D0-00951001 | MCR03EZJ101 | 1 | 10/P | | | | | | | | | |
| | | R398 | | | | | | | | | | | |
| 399 | D0-00981001 | MCR03EZJ220 | 1 | 10/P | | | | | | | | | |
| | | R399 | | | | | | | | | | | |
| 400 | D0-00981001 | MCR03EZJ220 | 1 | 10/P | | | | | | | | | |
| | | R400 | | | | | | | | | | | |

| ITEM NO. | PARTS NO. | PARTS NAME | QTY / PAGE | QTY / PACK | P | I | R | BSI NO. | TO | FROM | SERIAL NO. | REMARKS | C |
|----------|-------------|----------------------|------------|------------|---|---|---|---------|----|------|------------|---------|---|
| 401 | D0-00981001 | MCR03EZHZ220 R401 | 1 | 10/P | | | | | | | | | |
| 402 | D0-00981001 | MCR03EZHZ220 R402 | 1 | 10/P | | | | | | | | | |
| 403 | D0-00981001 | MCR03EZHZ220 R403 | 1 | 10/P | | | | | | | | | |
| 404 | D0-00981001 | MCR03EZHZ220 R404 | 1 | 10/P | | | | | | | | | |
| 405 | D0-01018001 | MCR03EZHZ470 R405 | 1 | 10/P | | | | | | | | | |
| 406 | D0-01018001 | MCR03EZHZ470 R406 | 1 | 10/P | | | | | | | | | |
| 407 | D0-00981001 | MCR03EZHZ220 R407 | 1 | 10/P | | | | | | | | | |
| 408 | D0-01002001 | MCR03EZHZ330 R408 | 1 | 10/P | | | | | | | | | |
| 409 | D0-01018001 | MCR03EZHZ470 R409 | 1 | 10/P | | | | | | | | | |
| 410 | D0-00981001 | MCR03EZHZ220 R410 | 1 | 10/P | | | | | | | | | |
| 411 | D0-00981001 | MCR03EZHZ220 R411 | 1 | 10/P | | | | | | | | | |
| 412 | D0-01002001 | MCR03EZHZ330 R412 | 1 | 10/P | | | | | | | | | |
| 413 | D0-01020001 | MCR03EZHZ472 R413 | 1 | 10/P | | | | | | | | | |
| 414 | D0-00981001 | MCR03EZHZ220 R414 | 1 | 10/P | | | | | | | | | |
| 415 | D0-00953001 | MCR03EZHZ103 R415 | 1 | 10/P | | | | | | | | | |
| 416 | D0-01020001 | MCR03EZHZ472 R416 | 1 | 10/P | | | | | | | | | |
| 417 | D0-01018001 | MCR03EZHZ470 R417 | 1 | 10/P | | | | | | | | | |
| 418 | D0-00952001 | MCR03EZHZ102 R418 | 1 | 10/P | | | | | | | | | |
| 419 | D0-00953001 | MCR03EZHZ103 R419 | 1 | 10/P | | | | | | | | | |
| 420 | D0-01020001 | MCR03EZHZ472 R420 | 1 | 10/P | | | | | | | | | |
| 421 | D0-01020001 | MCR03EZHZ472 R421 | 1 | 10/P | | | | | | | | | |
| 422 | D0-01002001 | MCR03EZHZ330 R422 | 1 | 10/P | | | | | | | | | |
| 423 | D0-00952001 | MCR03EZHZ102 R423 | 1 | 10/P | | | | | | | | | |
| 424 | D0-01002001 | MCR03EZHZ330 R424 | 1 | 10/P | | | | | | | | | |
| 425 | D0-01002001 | MCR03EZHZ330 R425 | 1 | 10/P | | | | | | | | | |
| 426 | D0-01018001 | MCR03EZHZ470 R426 | 1 | 10/P | | | | | | | | | |
| 427 | D0-01018001 | MCR03EZHZ470 R427 | 1 | 10/P | | | | | | | | | |
| 428 | D0-01020001 | MCR03EZHZ472 R428 | 1 | 10/P | | | | | | | | | |
| 429 | D0-01020001 | MCR03EZHZ472 R429 | 1 | 10/P | | | | | | | | | |
| 430 | D0-01020001 | MCR03EZHZ472 R430 | 1 | 10/P | | | | | | | | | |
| 431 | D0-00951001 | MCR03EZHZ101 R431 | 1 | 10/P | | | | | | | | | |
| 432 | D0-00953001 | MCR03EZHZ103 R432 | 1 | 10/P | | | | | | | | | |
| 433 | D0-00953001 | MCR03EZHZ103 R433 | 1 | 10/P | | | | | | | | | |
| 434 | D0-01020001 | MCR03EZHZ472 R434 | 1 | 10/P | | | | | | | | | |
| 435 | D0-01020001 | MCR03EZHZ472 R435 | 1 | 10/P | | | | | | | | | |

| ITEM NO. | PARTS NO. | PARTS NAME | Q'TY / PAGE | Q'TY / PACK | P | I | R | BSI NO. | TO | FROM | SERIAL NO. | REMARKS | C |
|----------|-------------|--------------|-------------|-------------|---|---|---|---------|----|------|------------|---------|---|
| 436 | D0-01020001 | MCR03EZHJ472 | 1 | 10/P | | | | | | | | | |
| | | R436 | | | | | | | | | | | |
| 437 | D0-00981001 | MCR03EZHJ220 | 1 | 10/P | | | | | | | | | |
| | | R437 | | | | | | | | | | | |
| 438 | D0-00952001 | MCR03EZHJ102 | 1 | 10/P | | | | | | | | | |
| | | R438 | | | | | | | | | | | |
| 439 | D0-00953001 | MCR03EZHJ103 | 1 | 10/P | | | | | | | | | |
| | | R439 | | | | | | | | | | | |
| 440 | D0-01020001 | MCR03EZHJ472 | 1 | 10/P | | | | | | | | | |
| | | R440 | | | | | | | | | | | |
| 441 | D0-00953001 | MCR03EZHJ103 | 1 | 10/P | | | | | | | | | |
| | | R441 | | | | | | | | | | | |
| 442 | D0-00993001 | MCR03EZHJ272 | 1 | 5/ | | | | | | | | | |
| | | R442 | | | | | | | | | | | |
| 443 | D0-00953001 | MCR03EZHJ103 | 1 | 10/P | | | | | | | | | |
| | | R443 | | | | | | | | | | | |
| 444 | D0-00953001 | MCR03EZHJ103 | 1 | 10/P | | | | | | | | | |
| | | R444 | | | | | | | | | | | |
| 445 | D0-00953001 | MCR03EZHJ103 | 1 | 10/P | | | | | | | | | |
| | | R445 | | | | | | | | | | | |
| 446 | D0-00953001 | MCR03EZHJ103 | 1 | 10/P | | | | | | | | | |
| | | R446 | | | | | | | | | | | |
| 447 | D0-01002001 | MCR03EZHJ330 | 1 | 10/P | | | | | | | | | |
| | | R447 | | | | | | | | | | | |
| 448 | D0-00953001 | MCR03EZHJ103 | 1 | 10/P | | | | | | | | | |
| | | R448 | | | | | | | | | | | |
| 449 | D0-01002001 | MCR03EZHJ330 | 1 | 10/P | | | | | | | | | |
| | | R449 | | | | | | | | | | | |
| 450 | D0-00952001 | MCR03EZHJ102 | 1 | 10/P | | | | | | | | | |
| | | R450 | | | | | | | | | | | |
| 451 | D0-01002001 | MCR03EZHJ330 | 1 | 10/P | | | | | | | | | |
| | | R451 | | | | | | | | | | | |
| 452 | D0-00952001 | MCR03EZHJ102 | 1 | 10/P | | | | | | | | | |
| | | R452 | | | | | | | | | | | |
| 453 | D0-00953001 | MCR03EZHJ103 | 1 | 10/P | | | | | | | | | |
| | | R453 | | | | | | | | | | | |
| 454 | D0-01002001 | MCR03EZHJ330 | 1 | 10/P | | | | | | | | | |
| | | R454 | | | | | | | | | | | |
| 455 | D0-01002001 | MCR03EZHJ330 | 1 | 10/P | | | | | | | | | |
| | | R455 | | | | | | | | | | | |
| 456 | D0-01002001 | MCR03EZHJ330 | 1 | 10/P | | | | | | | | | |
| | | R456 | | | | | | | | | | | |
| 457 | D0-00600001 | | 1 | | | | | | | | | | |
| | | R457 | | | | | | | | | | | |
| 458 | D0-00600001 | | 1 | | | | | | | | | | |
| | | R458 | | | | | | | | | | | |
| 459 | D0-01002001 | MCR03EZHJ330 | 1 | 10/P | | | | | | | | | |
| | | R459 | | | | | | | | | | | |
| 460 | D0-01020001 | MCR03EZHJ472 | 1 | 10/P | | | | | | | | | |
| | | R460 | | | | | | | | | | | |
| 461 | D0-01002001 | MCR03EZHJ330 | 1 | 10/P | | | | | | | | | |
| | | R461 | | | | | | | | | | | |
| 462 | D0-00993001 | MCR03EZHJ272 | 1 | 5/ | | | | | | | | | |
| | | R462 | | | | | | | | | | | |
| 463 | D0-00993001 | MCR03EZHJ272 | 1 | 5/ | | | | | | | | | |
| | | R463 | | | | | | | | | | | |
| 464 | D0-00993001 | MCR03EZHJ272 | 1 | 5/ | | | | | | | | | |
| | | R464 | | | | | | | | | | | |
| 465 | D0-00993001 | MCR03EZHJ272 | 1 | 5/ | | | | | | | | | |
| | | R465 | | | | | | | | | | | |
| 466 | D0-00981001 | MCR03EZHJ220 | 1 | 10/P | | | | | | | | | |
| | | R466 | | | | | | | | | | | |
| 467 | D0-00981001 | MCR03EZHJ220 | 1 | 10/P | | | | | | | | | |
| | | R467 | | | | | | | | | | | |
| 468 | D0-00993001 | MCR03EZHJ272 | 1 | 5/ | | | | | | | | | |
| | | R468 | | | | | | | | | | | |
| 469 | D0-00981001 | MCR03EZHJ220 | 1 | 10/P | | | | | | | | | |
| | | R469 | | | | | | | | | | | |
| 470 | D0-00981001 | MCR03EZHJ220 | 1 | 10/P | | | | | | | | | |
| | | R470 | | | | | | | | | | | |

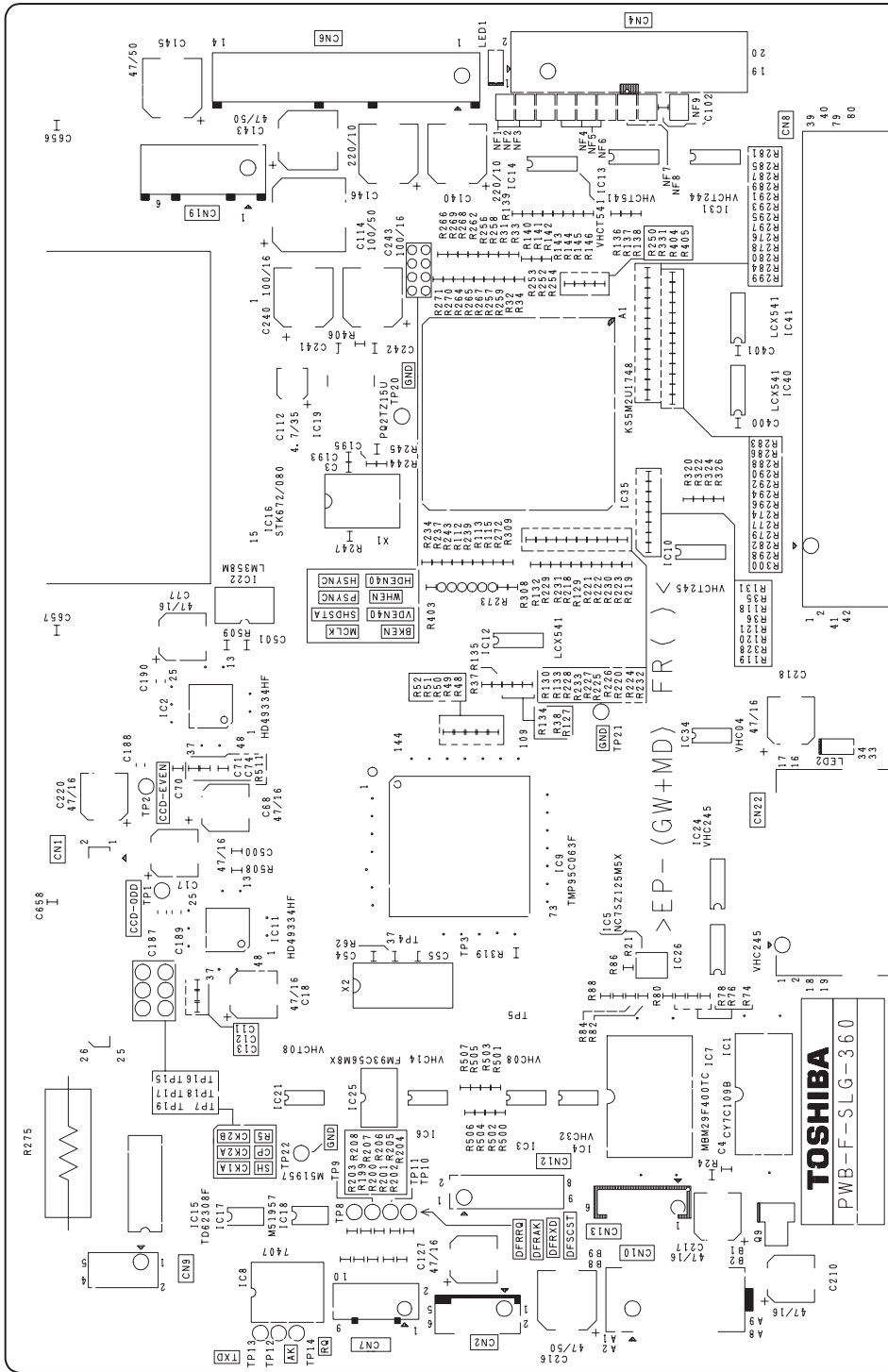
| ITEM NO. | PARTS NO. | PARTS NAME | Q'TY / PAGE | Q'TY / PACK | P | I | R | BSI NO. | TO | FROM | SERIAL NO. | REMARKS | C |
|----------|-------------|----------------------|-------------|-------------|---|---|---|---------|----|------|------------|---------|---|
| 471 | D0-00981001 | MCR03EZHZ220 R471 | 1 | 10/P | | | | | | | | | |
| 472 | D0-00981001 | MCR03EZHZ220 R472 | 1 | 10/P | | | | | | | | | |
| 473 | D0-00981001 | MCR03EZHZ220 R473 | 1 | 10/P | | | | | | | | | |
| 474 | D0-00993001 | MCR03EZHZ272 R474 | 1 | 5/ | | | | | | | | | |
| 475 | D0-00981001 | MCR03EZHZ220 R475 | 1 | 10/P | | | | | | | | | |
| 476 | D0-00993001 | MCR03EZHZ272 R476 | 1 | 5/ | | | | | | | | | |
| 477 | D0-00949001 | MCR03EZHZ000 R477 | 1 | 10/P | | | | | | | | | |
| 478 | D0-01020001 | MCR03EZHZ472 R478 | 1 | 10/P | | | | | | | | | |
| 479 | D0-00993001 | MCR03EZHZ272 R479 | 1 | 5/ | | | | | | | | | |
| 480 | D0-00993001 | MCR03EZHZ272 R480 | 1 | 5/ | | | | | | | | | |
| 481 | D0-00993001 | MCR03EZHZ272 R481 | 1 | 5/ | | | | | | | | | |
| 482 | D0-00993001 | MCR03EZHZ272 R482 | 1 | 5/ | | | | | | | | | |
| 483 | D0-00993001 | MCR03EZHZ272 R483 | 1 | 5/ | | | | | | | | | |
| 484 | D0-01002001 | MCR03EZHZ330 R484 | 1 | 10/P | | | | | | | | | |
| 485 | D0-01002001 | MCR03EZHZ330 R485 | 1 | 10/P | | | | | | | | | |
| 486 | D0-01002001 | MCR03EZHZ330 R486 | 1 | 10/P | | | | | | | | | |
| 487 | D0-01002001 | MCR03EZHZ330 R487 | 1 | 10/P | | | | | | | | | |
| 488 | D0-01002001 | MCR03EZHZ330 R488 | 1 | 10/P | | | | | | | | | |
| 489 | D0-01002001 | MCR03EZHZ330 R489 | 1 | 10/P | | | | | | | | | |
| 490 | D0-01002001 | MCR03EZHZ330 R490 | 1 | 10/P | | | | | | | | | |
| 491 | D0-01002001 | MCR03EZHZ330 R491 | 1 | 10/P | | | | | | | | | |
| 492 | D0-00953001 | MCR03EZHZ103 R492 | 1 | 10/P | | | | | | | | | |
| 493 | D0-00953001 | MCR03EZHZ103 R493 | 1 | 10/P | | | | | | | | | |
| 494 | D0-01002001 | MCR03EZHZ330 R494 | 1 | 10/P | | | | | | | | | |
| 495 | D0-01002001 | MCR03EZHZ330 R495 | 1 | 10/P | | | | | | | | | |
| 496 | D0-01002001 | MCR03EZHZ330 R496 | 1 | 10/P | | | | | | | | | |
| 497 | D0-01002001 | MCR03EZHZ330 R497 | 1 | 10/P | | | | | | | | | |
| 498 | D0-01002001 | MCR03EZHZ330 R498 | 1 | 10/P | | | | | | | | | |
| 499 | D0-01002001 | MCR03EZHZ330 R499 | 1 | 10/P | | | | | | | | | |
| 500 | D0-01002001 | MCR03EZHZ330 R500 | 1 | 10/P | | | | | | | | | |
| 501 | D0-01002001 | MCR03EZHZ330 R501 | 1 | 10/P | | | | | | | | | |
| 502 | D0-01002001 | MCR03EZHZ330 R502 | 1 | 10/P | | | | | | | | | |
| 503 | D0-01002001 | MCR03EZHZ330 R503 | 1 | 10/P | | | | | | | | | |
| 504 | D0-01002001 | MCR03EZHZ330 R504 | 1 | 10/P | | | | | | | | | |
| 505 | D0-01002001 | MCR03EZHZ330 R505 | 1 | 10/P | | | | | | | | | |

| ITEM NO. | PARTS NO. | PARTS NAME | QTY / PAGE | QTY / PACK | P | I | R | BSI NO. | TO | FROM | SERIAL NO. | REMARKS | C |
|----------|-------------|-------------|------------|------------|---|---|---|---------|----|------|------------|---------|---|
| 506 | D0-01002001 | MCR03EZJ330 | 1 | 10/P | | | | | | | | | |
| | | R506 | | | | | | | | | | | |
| 507 | D0-01002001 | MCR03EZJ330 | 1 | 10/P | | | | | | | | | |
| | | R507 | | | | | | | | | | | |
| 508 | D0-01002001 | MCR03EZJ330 | 1 | 10/P | | | | | | | | | |
| | | R508 | | | | | | | | | | | |
| 509 | D0-01002001 | MCR03EZJ330 | 1 | 10/P | | | | | | | | | |
| | | R509 | | | | | | | | | | | |
| 510 | D0-01002001 | MCR03EZJ330 | 1 | 10/P | | | | | | | | | |
| | | R510 | | | | | | | | | | | |
| 511 | D0-01002001 | MCR03EZJ330 | 1 | 10/P | | | | | | | | | |
| | | R511 | | | | | | | | | | | |
| 512 | D0-01002001 | MCR03EZJ330 | 1 | 10/P | | | | | | | | | |
| | | R512 | | | | | | | | | | | |
| 513 | D0-01002001 | MCR03EZJ330 | 1 | 10/P | | | | | | | | | |
| | | R513 | | | | | | | | | | | |
| 514 | D0-01002001 | MCR03EZJ330 | 1 | 10/P | | | | | | | | | |
| | | R514 | | | | | | | | | | | |
| 515 | D0-01002001 | MCR03EZJ330 | 1 | 10/P | | | | | | | | | |
| | | R515 | | | | | | | | | | | |
| 516 | D0-01002001 | MCR03EZJ330 | 1 | 10/P | | | | | | | | | |
| | | R516 | | | | | | | | | | | |
| 517 | D0-01020001 | MCR03EZJ472 | 1 | 10/P | | | | | | | | | |
| | | R517 | | | | | | | | | | | |
| 518 | D0-01020001 | MCR03EZJ472 | 1 | 10/P | | | | | | | | | |
| | | R518 | | | | | | | | | | | |
| 519 | D0-01020001 | MCR03EZJ472 | 1 | 10/P | | | | | | | | | |
| | | R519 | | | | | | | | | | | |
| 520 | D0-01020001 | MCR03EZJ472 | 1 | 10/P | | | | | | | | | |
| | | R520 | | | | | | | | | | | |
| 521 | D0-01020001 | MCR03EZJ472 | 1 | 10/P | | | | | | | | | |
| | | R521 | | | | | | | | | | | |
| 522 | D0-01020001 | MCR03EZJ472 | 1 | 10/P | | | | | | | | | |
| | | R522 | | | | | | | | | | | |
| 523 | D0-01020001 | MCR03EZJ472 | 1 | 10/P | | | | | | | | | |
| | | R523 | | | | | | | | | | | |
| 524 | D0-01020001 | MCR03EZJ472 | 1 | 10/P | | | | | | | | | |
| | | R524 | | | | | | | | | | | |
| 525 | D0-01020001 | MCR03EZJ472 | 1 | 10/P | | | | | | | | | |
| | | R525 | | | | | | | | | | | |
| 526 | D0-01020001 | MCR03EZJ472 | 1 | 10/P | | | | | | | | | |
| | | R526 | | | | | | | | | | | |
| 527 | D0-01020001 | MCR03EZJ472 | 1 | 10/P | | | | | | | | | |
| | | R527 | | | | | | | | | | | |
| 528 | D0-01020001 | MCR03EZJ472 | 1 | 10/P | | | | | | | | | |
| | | R528 | | | | | | | | | | | |
| 529 | D0-01020001 | MCR03EZJ472 | 1 | 10/P | | | | | | | | | |
| | | R529 | | | | | | | | | | | |
| 530 | D0-00951001 | MCR03EZJ101 | 1 | 10/P | | | | | | | | | |
| | | R530 | | | | | | | | | | | |
| 531 | D0-01027001 | MCR03EZJ512 | 1 | 10/P | | | | | | | | | |
| | | R531 | | | | | | | | | | | |
| 532 | D0-00984001 | MCR03EZJ223 | 1 | 10/P | | | | | | | | | |
| | | R532 | | | | | | | | | | | |
| 533 | D0-00600001 | | 1 | | | | | | | | | | |
| | | R533 | | | | | | | | | | | |
| 534 | D0-00600001 | | 1 | | | | | | | | | | |
| | | R534 | | | | | | | | | | | |
| 535 | D0-00949001 | MCR03EZJ000 | 1 | 10/P | | | | | | | | | |
| | | R535 | | | | | | | | | | | |
| 536 | D0-00953001 | MCR03EZJ103 | 1 | 10/P | | | | | | | | | |
| | | R536 | | | | | | | | | | | |
| 537 | D0-00600001 | | 1 | | | | | | | | | | |
| | | R537 | | | | | | | | | | | |
| 538 | D0-00600001 | | 1 | | | | | | | | | | |
| | | R538 | | | | | | | | | | | |
| 539 | D0-01020001 | MCR03EZJ472 | 1 | 10/P | | | | | | | | | |
| | | R539 | | | | | | | | | | | |
| 540 | D0-01020001 | MCR03EZJ472 | 1 | 10/P | | | | | | | | | |
| | | R540 | | | | | | | | | | | |

| ITEM NO. | PARTS NO. | PARTS NAME | QTY / PAGE | QTY / PACK | P | I | R | BSI NO. | TO | FROM | SERIAL NO. | REMARKS | C |
|----------|-------------|---------------------|------------|------------|---|---|---|---------|----|------|------------|---------|---|
| 541 | D0-00953001 | MCR03EZJ103 R541 | 1 | 10/P | | | | | | | | | |
| 542 | D0-00953001 | MCR03EZJ103 R542 | 1 | 10/P | | | | | | | | | |
| 543 | D0-01002001 | MCR03EZJ330 R543 | 1 | 10/P | | | | | | | | | |
| 544 | D0-01002001 | MCR03EZJ330 R544 | 1 | 10/P | | | | | | | | | |
| 545 | D0-01002001 | MCR03EZJ330 R545 | 1 | 10/P | | | | | | | | | |
| 546 | D0-01002001 | MCR03EZJ330 R546 | 1 | 10/P | | | | | | | | | |
| 547 | D0-00953001 | MCR03EZJ103 R547 | 1 | 10/P | | | | | | | | | |
| 548 | D0-01002001 | MCR03EZJ330 R548 | 1 | 10/P | | | | | | | | | |
| 549 | D0-01044001 | MCR03EZJ820 R549 | 1 | 10/P | | | | | | | | | |
| 550 | D0-00953001 | MCR03EZJ103 R550 | 1 | 10/P | | | | | | | | | |
| 551 | D0-00981001 | MCR03EZJ220 R551 | 1 | 10/P | | | | | | | | | |
| 552 | D0-00952001 | MCR03EZJ102 R552 | 1 | 10/P | | | | | | | | | |
| 553 | D0-01044001 | MCR03EZJ820 R553 | 1 | 10/P | | | | | | | | | |
| 554 | D0-00981001 | MCR03EZJ220 R554 | 1 | 10/P | | | | | | | | | |
| 555 | D0-00981001 | MCR03EZJ220 R555 | 1 | 10/P | | | | | | | | | |
| 556 | D0-00951001 | MCR03EZJ101 R556 | 1 | 10/P | | | | | | | | | |
| 557 | D0-01031001 | MCR03EZJ562 R557 | 1 | 5/ | | | | | | | | | |
| 558 | D0-01044001 | MCR03EZJ820 R558 | 1 | 10/P | | | | | | | | | |
| 559 | D0-01020001 | MCR03EZJ472 R559 | 1 | 10/P | | | | | | | | | |
| 560 | D0-01020001 | MCR03EZJ472 R560 | 1 | 10/P | | | | | | | | | |
| 561 | D0-01020001 | MCR03EZJ472 R561 | 1 | 10/P | | | | | | | | | |
| 562 | D0-00953001 | MCR03EZJ103 R562 | 1 | 10/P | | | | | | | | | |
| 563 | D0-00954001 | MCR03EZJ104 R563 | 1 | 10/P | | | | | | | | | |
| 564 | D0-00954001 | MCR03EZJ104 R564 | 1 | 10/P | | | | | | | | | |
| 565 | D0-00953001 | MCR03EZJ103 R565 | 1 | 10/P | | | | | | | | | |
| 566 | D0-00966001 | MCR03EZJ152 R566 | 1 | 10/P | | | | | | | | | |
| 567 | D0-00953001 | MCR03EZJ103 R567 | 1 | 10/P | | | | | | | | | |
| 568 | D0-00953001 | MCR03EZJ103 R568 | 1 | 10/P | | | | | | | | | |
| 569 | D0-01020001 | MCR03EZJ472 R569 | 1 | 10/P | | | | | | | | | |
| 570 | D0-01020001 | MCR03EZJ472 R570 | 1 | 10/P | | | | | | | | | |
| 571 | D0-01020001 | MCR03EZJ472 R571 | 1 | 10/P | | | | | | | | | |
| 572 | D0-01020001 | MCR03EZJ472 R572 | 1 | 10/P | | | | | | | | | |
| 573 | D0-01020001 | MCR03EZJ472 R573 | 1 | 10/P | | | | | | | | | |
| 574 | D0-01020001 | MCR03EZJ472 R574 | 1 | 10/P | | | | | | | | | |
| 575 | D0-01020001 | MCR03EZJ472 R575 | 1 | 10/P | | | | | | | | | |

| ITEM NO. | PARTS NO. | PARTS NAME | Q'TY / PAGE | Q'TY / PACK | P | I | R | BSI NO. | TO | FROM | SERIAL NO. | REMARKS | C |
|----------|-------------|-------------|-------------|-------------|---|---|---|---------|----|------|------------|---------|---|
| 576 | D0-01020001 | MCR03EZJ472 | 1 | 10/P | | | | | | | | | |
| | | R576 | | | | | | | | | | | |
| 577 | D0-01020001 | MCR03EZJ472 | 1 | 10/P | | | | | | | | | |
| | | R577 | | | | | | | | | | | |
| 578 | D0-01020001 | MCR03EZJ472 | 1 | 10/P | | | | | | | | | |
| | | R578 | | | | | | | | | | | |
| 579 | D0-01020001 | MCR03EZJ472 | 1 | 10/P | | | | | | | | | |
| | | R579 | | | | | | | | | | | |
| 580 | D0-01020001 | MCR03EZJ472 | 1 | 10/P | | | | | | | | | |
| | | R580 | | | | | | | | | | | |
| 581 | D0-01020001 | MCR03EZJ472 | 1 | 10/P | | | | | | | | | |
| | | R581 | | | | | | | | | | | |
| 582 | D0-01020001 | MCR03EZJ472 | 1 | 10/P | | | | | | | | | |
| | | R582 | | | | | | | | | | | |
| 583 | D0-01020001 | MCR03EZJ472 | 1 | 10/P | | | | | | | | | |
| | | R583 | | | | | | | | | | | |
| 584 | D0-01020001 | MCR03EZJ472 | 1 | 10/P | | | | | | | | | |
| | | R584 | | | | | | | | | | | |
| 585 | D0-01020001 | MCR03EZJ472 | 1 | 10/P | | | | | | | | | |
| | | R585 | | | | | | | | | | | |
| 586 | D0-01020001 | MCR03EZJ472 | 1 | 10/P | | | | | | | | | |
| | | R586 | | | | | | | | | | | |
| 587 | D0-01020001 | MCR03EZJ472 | 1 | 10/P | | | | | | | | | |
| | | R587 | | | | | | | | | | | |
| 588 | D0-01020001 | MCR03EZJ472 | 1 | 10/P | | | | | | | | | |
| | | R588 | | | | | | | | | | | |
| 589 | D0-01020001 | MCR03EZJ472 | 1 | 10/P | | | | | | | | | |
| | | R589 | | | | | | | | | | | |
| 590 | D0-01020001 | MCR03EZJ472 | 1 | 10/P | | | | | | | | | |
| | | R590 | | | | | | | | | | | |
| 591 | D0-01020001 | MCR03EZJ472 | 1 | 10/P | | | | | | | | | |
| | | R591 | | | | | | | | | | | |
| 592 | D0-01020001 | MCR03EZJ472 | 1 | 10/P | | | | | | | | | |
| | | R592 | | | | | | | | | | | |
| 593 | D0-01020001 | MCR03EZJ472 | 1 | 10/P | | | | | | | | | |
| | | R593 | | | | | | | | | | | |
| 594 | D0-01020001 | MCR03EZJ472 | 1 | 10/P | | | | | | | | | |
| | | R594 | | | | | | | | | | | |
| 595 | D0-01020001 | MCR03EZJ472 | 1 | 10/P | | | | | | | | | |
| | | R595 | | | | | | | | | | | |
| 596 | D0-01020001 | MCR03EZJ472 | 1 | 10/P | | | | | | | | | |
| | | R596 | | | | | | | | | | | |
| 597 | D0-01020001 | MCR03EZJ472 | 1 | 10/P | | | | | | | | | |
| | | R597 | | | | | | | | | | | |
| 598 | D0-01020001 | MCR03EZJ472 | 1 | 10/P | | | | | | | | | |
| | | R598 | | | | | | | | | | | |
| 599 | D0-01020001 | MCR03EZJ472 | 1 | 10/P | | | | | | | | | |
| | | R599 | | | | | | | | | | | |
| 600 | D0-01020001 | MCR03EZJ472 | 1 | 10/P | | | | | | | | | |
| | | R600 | | | | | | | | | | | |
| 601 | D0-00951001 | MCR03EZJ101 | 1 | 10/P | | | | | | | | | |
| | | R601 | | | | | | | | | | | |
| 602 | D0-00951001 | MCR03EZJ101 | 1 | 10/P | | | | | | | | | |
| | | R602 | | | | | | | | | | | |
| 603 | D0-01020001 | MCR03EZJ472 | 1 | 10/P | | | | | | | | | |
| | | R603 | | | | | | | | | | | |
| 604 | D0-00953001 | MCR03EZJ103 | 1 | 10/P | | | | | | | | | |
| | | R604 | | | | | | | | | | | |
| 700 | D0-01002001 | MCR03EZJ330 | 1 | 10/P | | | | | | | | | |
| | | R700 | | | | | | | | | | | |
| 701 | D0-01002001 | MCR03EZJ330 | 1 | 10/P | | | | | | | | | |
| | | R701 | | | | | | | | | | | |
| 702 | D0-01002001 | MCR03EZJ330 | 1 | 10/P | | | | | | | | | |
| | | R702 | | | | | | | | | | | |
| 703 | D0-01002001 | MCR03EZJ330 | 1 | 10/P | | | | | | | | | |
| | | R703 | | | | | | | | | | | |
| 704 | D0-01002001 | MCR03EZJ330 | 1 | 10/P | | | | | | | | | |
| | | R704 | | | | | | | | | | | |
| 705 | D0-01002001 | MCR03EZJ330 | 1 | 10/P | | | | | | | | | |
| | | R705 | | | | | | | | | | | |

| ITEM NO. | PARTS NO. | PARTS NAME | Q'TY / PAGE | Q'TY / PACK | P | I | R | BSI NO. | TO | FROM | SERIAL NO. | REMARKS | C |
|----------|-------------|-----------------------|-------------|-------------|---|---|---|---------|----|------|------------|---------|---|
| 706 | D0-01002001 | MCR03EZHJ330 R706 | 1 | 10/P | | | | | | | | | |
| 707 | D0-00981001 | MCR03EZHJ220 R707 | 1 | 10/P | | | | | | | | | |
| 708 | D0-00950001 | MCR03EZHJ100 R708 | 1 | 10/P | | | | | | | | | |
| 709 | D0-00950001 | MCR03EZHJ100 R709 | 1 | 10/P | | | | | | | | | |
| 710 | D0-00950001 | MCR03EZHJ100 R710 | 1 | 10/P | | | | | | | | | |
| 711 | D0-00950001 | MCR03EZHJ100 R711 | 1 | 10/P | | | | | | | | | |
| 712 | D0-00950001 | MCR03EZHJ100 R712 | 1 | 10/P | | | | | | | | | |
| 713 | D0-00950001 | MCR03EZHJ100 R713 | 1 | 10/P | | | | | | | | | |
| 714 | D0-00949001 | MCR03EZHJ000 R714 | 1 | 10/P | | | | | | | | | |
| 718 | D0-01149001 | MCR03EZPF4701 R718 | 1 | 5/ | | | | | | | | | |
| 720 | D0-01020001 | MCR03EZHJ472 R720 | 1 | 10/P | | | | | | | | | |
| 721 | D0-01020001 | MCR03EZHJ472 R721 | 1 | 10/P | | | | | | | | | |
| 722 | D0-01020001 | MCR03EZHJ472 R722 | 1 | 10/P | | | | | | | | | |
| 723 | D0-01020001 | MCR03EZHJ472 R723 | 1 | 10/P | | | | | | | | | |
| 724 | D0-01020001 | MCR03EZHJ472 R724 | 1 | 10/P | | | | | | | | | |
| 800 | D0-00953001 | MCR03EZHJ103 R800 | 1 | 10/P | | | | | | | | | |
| 801 | D0-00953001 | MCR03EZHJ103 R801 | 1 | 10/P | | | | | | | | | |
| 802 | D0-00952001 | MCR03EZHJ102 R802 | 1 | 10/P | | | | | | | | | |



| ITEM NO. | PARTS NO. | PARTS NAME | QTY / PAGE | QTY / PACK | P | I | R | BSI NO. | TO | FROM | SERIAL NO. | REMARKS | C |
|----------|-------------|----------------------------|------------|------------|---|---|---|---------|----|------|------------|---------|---|
| 1 | 6LA69843000 | ASY-SLG-360S | 1 | 1/SB | | | | | | | | | |
| 2 | C0-02006001 | LT1D40A | 1 | 5/P | | | | | | | | | |
| 3 | C0-02006001 | LED1 LT1D40A | 1 | 5/P | | | | | | | | | |
| 11 | C0-05984001 | LED2 IC1 | 1 | | | | | | | | | | |
| 12 | C0-06856000 | IC2 | 1 | | | | | | | | | | |
| 13 | C0-01937001 | 74VHC08MTCX | 1 | 1/S | | | | | | | | | |
| 14 | C0-01946001 | IC3 74VHC32MTCX | 1 | 1/S | | | | | | | | | |
| 15 | C0-01990001 | IC4 NC7SZ125M5X | 1 | 1/S | | | | | | | | | |
| 16 | C0-01941001 | IC5 74VHC14MTCX | 1 | 1/S | | | | | | | | | |
| 17 | C0-02029000 | IC6 MBM29F400TC-90PFTN | 1 | 1/S | | | | | | | | | |
| 18 | C0-01957001 | IC7 DM7407MX | 1 | 5/S | | | | | | | | | |
| 19 | C0-06762000 | IC8 EC-N062 TMP95C063FE | 1 | 1/S | | | | | | | | | |
| 20 | C0-06569001 | IC9 | 1 | | | | | | | | | | |
| 21 | C0-06856000 | IC10 | 1 | | | | | | | | | | |
| 22 | C0-06889001 | IC11 | 1 | | | | | | | | | | |
| 23 | C0-06889001 | IC12 | 1 | | | | | | | | | | |
| 24 | C0-06889001 | IC13 | 1 | | | | | | | | | | |
| 25 | C0-01456001 | IC14 | 1 | | | | | | | | | | |
| 26 | C0-06838000 | IC15 | 1 | | | | | | | | | | |
| 27 | C0-02019001 | IC16 M51957BFP C61J | 1 | 5/S | | | | | | | | | |
| 28 | C0-02019001 | IC17 M51957BFP C61J | 1 | 5/S | | | | | | | | | |
| 29 | C0-02005001 | IC18 PQ2TZ15U | 1 | 1/S | | | | | | | | | |
| 31 | C0-06444001 | IC19 | 1 | | | | | | | | | | |
| 32 | C0-01902001 | IC21 LM358MX | 1 | 5/S | | | | | | | | | |
| 34 | C0-04597001 | IC22 74VHC245MTCX | 1 | 5/S | | | | | | | | | |
| 35 | C0-04602001 | IC24 FM93C56M8X | 1 | 5/P | | | | | | | | | |
| 36 | C0-04597001 | IC25 74VHC245MTCX | 1 | 5/S | | | | | | | | | |
| 41 | C0-01951001 | IC26 | 1 | | | | | | | | | | |
| 44 | C0-01935001 | IC31 74VHC04MTCX | 1 | 1/S | | | | | | | | | |
| 45 | C0-06999000 | IC34 | 1 | | | | | | | | | | |
| 50 | C0-06889001 | IC35 | 1 | | | | | | | | | | |
| 51 | C0-06889001 | IC40 | 1 | | | | | | | | | | |
| 72 | C0-00657001 | IC41 RN1401 (TE85R) | 1 | 5/P | | | | | | | | | |
| 74 | C0-00675001 | Q2 | 1 | | | | | | | | | | |
| 75 | C0-00657001 | Q4 RN1401 (TE85R) | 1 | 5/P | | | | | | | | | |
| 76 | C0-00657001 | Q5 RN1401 (TE85R) | 1 | 5/P | | | | | | | | | |

| ITEM NO. | PARTS NO. | PARTS NAME | Q'TY / PAGE | Q'TY / PACK | P | I | R | BSI NO. | TO | FROM | SERIAL NO. | REMARKS | C |
|----------|-------------|----------------------------------|-------------|-------------|---|---|---|---------|----|------|------------|---------|---|
| 77 | C0-00517002 | Q6 | 1 | | | | | | | | | | |
| 79 | C0-00517002 | Q7 | 1 | | | | | | | | | | |
| 80 | C0-00551002 | Q9 2SC2712-Y (TE85R) | 1 | 5/P | | | | | | | | | |
| 101 | C0-00470001 | Q10 1SS184 (TE85L) | 1 | 5/ | | | | | | | | | |
| 102 | C0-00470001 | D1 1SS184 (TE85L) | 1 | 5/ | | | | | | | | | |
| 103 | C0-00473001 | D2 1SS193 (TE85R) | 1 | 5/P | | | | | | | | | |
| 106 | C0-00473001 | D3 1SS193 (TE85R) | 1 | 5/P | | | | | | | | | |
| 121 | C0-00426001 | D6 02CZ3. 3-X (TE85R) | 1 | 5/P | | | | | | | | | |
| 141 | E0-07026001 | ZD1 | 1 | | | | | | | | | | |
| 142 | E0-03985000 | CN1 | 1 | | | | | | | | | | |
| 144 | E0-06559000 | CN2 | 1 | | | | | | | | | | |
| 146 | E0-04753000 | CN4 B14B-XASK-1 | 1 | 5/P | | | | | | | | | |
| 147 | E0-03219000 | CN6 B10B-PHDSS | 1 | 10/P | | | | | | | | | |
| 148 | E0-04756000 | CN7 | 1 | | | | | | | | | | |
| 149 | E0-06588000 | CN8 | 1 | | | | | | | | | | |
| 150 | E0-03969000 | CN9 B18B-CZWHK-B-1 | 1 | 5/P | | | | | | | | | |
| 159 | E0-04745000 | CN10 B06B-XASK-1 | 1 | 5/P | | | | | | | | | |
| 162 | E0-02160000 | CN19 DHB-PA34-R13NNA | 1 | 1/P | | | | | | | | | |
| 181 | D0-04472001 | CN22 | 1 | | | | | | | | | | |
| 201 | D0-04075001 | FB1 SC050FT | 1 | 5/P | | | | | | | | | |
| 202 | D0-04075001 | NF1 SC050FT | 1 | 5/P | | | | | | | | | |
| 203 | D0-04075001 | NF2 SC050FT | 1 | 5/P | | | | | | | | | |
| 204 | D0-04075001 | NF3 SC050FT | 1 | 5/P | | | | | | | | | |
| 205 | D0-04075001 | NF4 SC050FT | 1 | 5/P | | | | | | | | | |
| 206 | D0-04075001 | NF5 SC050FT | 1 | 5/P | | | | | | | | | |
| 207 | D0-04075001 | NF6 SC050FT | 1 | 5/P | | | | | | | | | |
| 208 | D0-04075001 | NF7 SC050FT | 1 | 5/P | | | | | | | | | |
| 209 | D0-04075001 | NF8 SC050FT | 1 | 5/P | | | | | | | | | |
| 220 | E0-02984000 | NF9 246SNP | 1 | 10/P | | | | | | | | | |
| 221 | E0-02984000 | TP20 246SNP | 1 | 10/P | | | | | | | | | |
| 251 | D0-05690001 | TP21 SG-8002JC-20. 0000M-PCCL | 1 | 1/C | | | | | | | | | |
| 252 | D0-06100001 | X1 MA-406-22M-8/50L2 | 1 | 1/D | | | | | | | | | |
| 301 | D0-04100001 | X2 GRM188B11H103KA01D | 1 | 10/P | | | | | | | | | |
| 302 | D0-04098001 | C1 GRM188F11E104ZA01D | 1 | 10/P | | | | | | | | | |
| | | C2 | | | | | | | | | | | |

| ITEM NO. | PARTS NO. | PARTS NAME | Q'TY / PAGE | Q'TY / PACK | P | I | R | BSI NO. | TO | FROM | SERIAL NO. | REMARKS | C |
|----------|-------------|--------------------|-------------|-------------|---|---|---|---------|----|------|------------|---------|---|
| 303 | D0-04090001 | GRM1882C1H471JA01D | 1 | 10/P | | | | | | | | | |
| | | C3 | | | | | | | | | | | |
| 306 | D0-04092001 | GRM188B11H222KA01D | 1 | 10/P | | | | | | | | | |
| | | C6 | | | | | | | | | | | |
| 307 | D0-04098001 | GRM188F11E104ZA01D | 1 | 10/P | | | | | | | | | |
| | | C7 | | | | | | | | | | | |
| 308 | D0-04098001 | GRM188F11E104ZA01D | 1 | 10/P | | | | | | | | | |
| | | C8 | | | | | | | | | | | |
| 309 | D0-04098001 | GRM188F11E104ZA01D | 1 | 10/P | | | | | | | | | |
| | | C9 | | | | | | | | | | | |
| 310 | D0-04098001 | GRM188F11E104ZA01D | 1 | 10/P | | | | | | | | | |
| | | C10 | | | | | | | | | | | |
| 311 | D0-04098001 | GRM188F11E104ZA01D | 1 | 10/P | | | | | | | | | |
| | | C11 | | | | | | | | | | | |
| 312 | D0-04098001 | GRM188F11E104ZA01D | 1 | 10/P | | | | | | | | | |
| | | C12 | | | | | | | | | | | |
| 313 | D0-04098001 | GRM188F11E104ZA01D | 1 | 10/P | | | | | | | | | |
| | | C13 | | | | | | | | | | | |
| 314 | D0-04098001 | GRM188F11E104ZA01D | 1 | 10/P | | | | | | | | | |
| | | C14 | | | | | | | | | | | |
| 315 | D0-04098001 | GRM188F11E104ZA01D | 1 | 10/P | | | | | | | | | |
| | | C15 | | | | | | | | | | | |
| 316 | D0-04087001 | GRM1882C1E821JA01D | 1 | 5/P | | | | | | | | | |
| | | C16 | | | | | | | | | | | |
| 317 | D0-15995001 | | 1 | | | | | | | | | | |
| | | C17 | | | | | | | | | | | |
| 318 | D0-15995001 | | 1 | | | | | | | | | | |
| | | C18 | | | | | | | | | | | |
| 344 | D0-04098001 | GRM188F11E104ZA01D | 1 | 10/P | | | | | | | | | |
| | | C44 | | | | | | | | | | | |
| 345 | D0-04098001 | GRM188F11E104ZA01D | 1 | 10/P | | | | | | | | | |
| | | C45 | | | | | | | | | | | |
| 346 | D0-04098001 | GRM188F11E104ZA01D | 1 | 10/P | | | | | | | | | |
| | | C46 | | | | | | | | | | | |
| 347 | D0-04098001 | GRM188F11E104ZA01D | 1 | 10/P | | | | | | | | | |
| | | C47 | | | | | | | | | | | |
| 348 | D0-04098001 | GRM188F11E104ZA01D | 1 | 10/P | | | | | | | | | |
| | | C48 | | | | | | | | | | | |
| 349 | D0-04098001 | GRM188F11E104ZA01D | 1 | 10/P | | | | | | | | | |
| | | C49 | | | | | | | | | | | |
| 350 | D0-04098001 | GRM188F11E104ZA01D | 1 | 10/P | | | | | | | | | |
| | | C50 | | | | | | | | | | | |
| 351 | D0-04098001 | GRM188F11E104ZA01D | 1 | 10/P | | | | | | | | | |
| | | C51 | | | | | | | | | | | |
| 352 | D0-04098001 | GRM188F11E104ZA01D | 1 | 10/P | | | | | | | | | |
| | | C52 | | | | | | | | | | | |
| 353 | D0-04098001 | GRM188F11E104ZA01D | 1 | 10/P | | | | | | | | | |
| | | C53 | | | | | | | | | | | |
| 354 | D0-04085001 | GRM1882C1H100JZ01D | 1 | 5/ | | | | | | | | | |
| | | C54 | | | | | | | | | | | |
| 355 | D0-04085001 | GRM1882C1H100JZ01D | 1 | 5/ | | | | | | | | | |
| | | C55 | | | | | | | | | | | |
| 357 | D0-04098001 | GRM188F11E104ZA01D | 1 | 10/P | | | | | | | | | |
| | | C57 | | | | | | | | | | | |
| 358 | D0-04098001 | GRM188F11E104ZA01D | 1 | 10/P | | | | | | | | | |
| | | C58 | | | | | | | | | | | |
| 359 | D0-04098001 | GRM188F11E104ZA01D | 1 | 10/P | | | | | | | | | |
| | | C59 | | | | | | | | | | | |
| 360 | D0-04098001 | GRM188F11E104ZA01D | 1 | 10/P | | | | | | | | | |
| | | C60 | | | | | | | | | | | |
| 361 | D0-04098001 | GRM188F11E104ZA01D | 1 | 10/P | | | | | | | | | |
| | | C61 | | | | | | | | | | | |
| 362 | D0-04098001 | GRM188F11E104ZA01D | 1 | 10/P | | | | | | | | | |
| | | C62 | | | | | | | | | | | |
| 363 | D0-04098001 | GRM188F11E104ZA01D | 1 | 10/P | | | | | | | | | |
| | | C63 | | | | | | | | | | | |
| 364 | D0-04098001 | GRM188F11E104ZA01D | 1 | 10/P | | | | | | | | | |
| | | C64 | | | | | | | | | | | |
| 365 | D0-04098001 | GRM188F11E104ZA01D | 1 | 10/P | | | | | | | | | |
| | | C65 | | | | | | | | | | | |

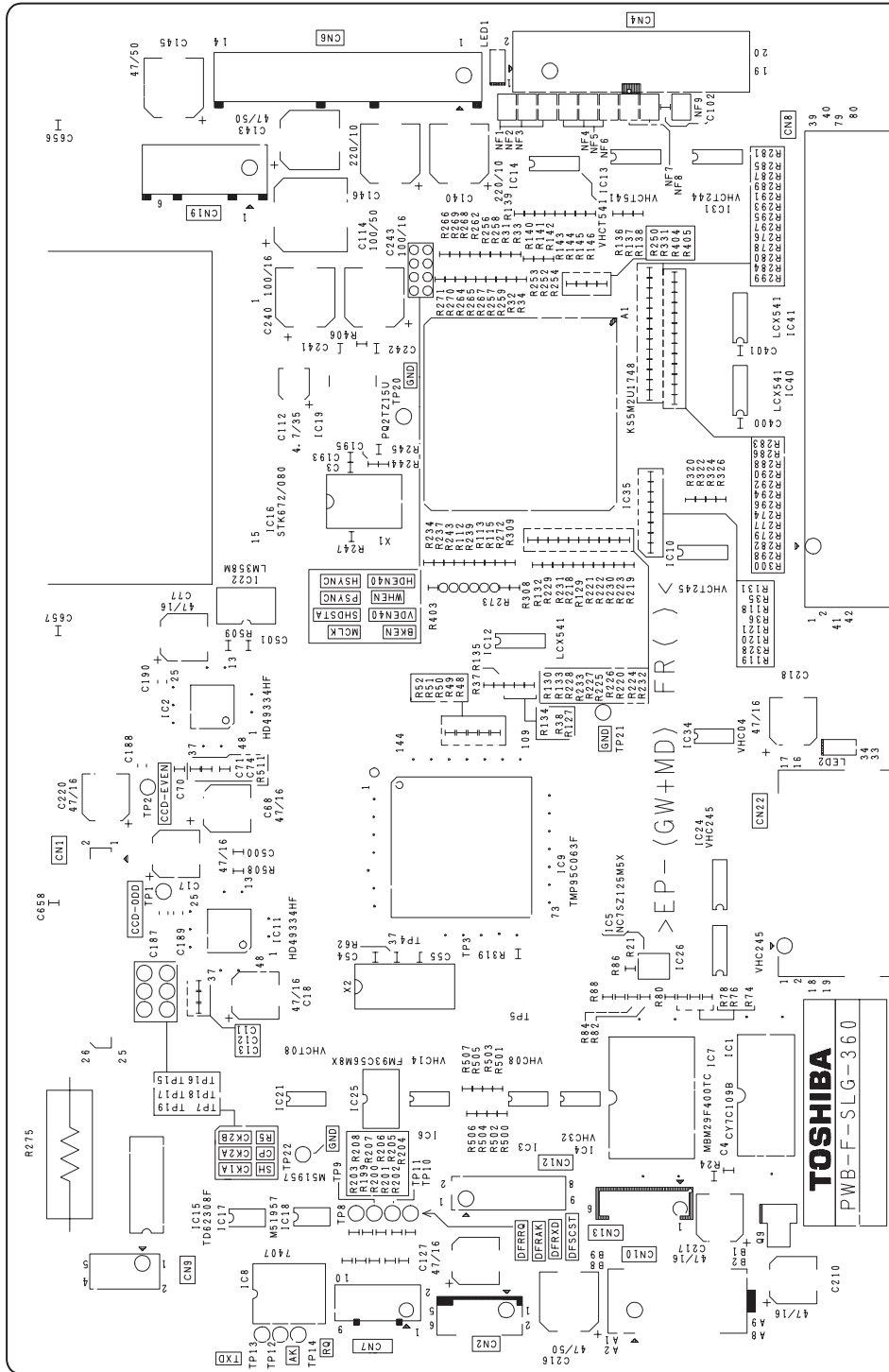
| ITEM NO. | PARTS NO. | PARTS NAME | Q'TY / PAGE | Q'TY / PACK | P | I | R | BSI NO. | TO | FROM | SERIAL NO. | REMARKS | C |
|----------|-------------|----------------------------|-------------|-------------|---|---|---|---------|----|------|------------|---------|---|
| 366 | D0-04098001 | GRM188F11E104ZA01D C66 | 1 | 10/P | | | | | | | | | |
| 367 | D0-04098001 | GRM188F11E104ZA01D C67 | 1 | 10/P | | | | | | | | | |
| 368 | D0-15995001 | | 1 | | | | | | | | | | |
| 369 | D0-04087001 | GRM1882C1E821JA01D C68 | 1 | 5/P | | | | | | | | | |
| 370 | D0-04098001 | GRM188F11E104ZA01D C69 | 1 | 10/P | | | | | | | | | |
| 371 | D0-04098001 | GRM188F11E104ZA01D C70 | 1 | 10/P | | | | | | | | | |
| 372 | D0-05723001 | GRM21BF11C105ZA01L C71 | 1 | 10/P | | | | | | | | | |
| 373 | D0-05723001 | GRM21BF11C105ZA01L C72 | 1 | 10/P | | | | | | | | | |
| 374 | D0-04098001 | GRM188F11E104ZA01D C73 | 1 | 10/P | | | | | | | | | |
| 375 | D0-04098001 | GRM188F11E104ZA01D C74 | 1 | 10/P | | | | | | | | | |
| 376 | D0-04098001 | GRM188F11E104ZA01D C75 | 1 | 10/P | | | | | | | | | |
| 377 | D0-15995001 | | 1 | | | | | | | | | | |
| 378 | D0-04098001 | GRM188F11E104ZA01D C76 | 1 | 10/P | | | | | | | | | |
| 380 | D0-04102001 | GRM1882C1H101JA01D C77 | 1 | 10/P | | | | | | | | | |
| 381 | D0-04093001 | GRM1882C1H220JZ01D C78 | 1 | 10/P | | | | | | | | | |
| 382 | D0-04102001 | GRM1882C1H101JA01D C80 | 1 | 10/P | | | | | | | | | |
| 383 | D0-04093001 | GRM1882C1H220JZ01D C81 | 1 | 10/P | | | | | | | | | |
| 384 | D0-04093001 | GRM1882C1H220JZ01D C82 | 1 | 10/P | | | | | | | | | |
| 385 | D0-04093001 | GRM1882C1H220JZ01D C83 | 1 | 10/P | | | | | | | | | |
| 386 | D0-04093001 | GRM1882C1H220JZ01D C84 | 1 | 10/P | | | | | | | | | |
| 387 | D0-04093001 | GRM1882C1H220JZ01D C85 | 1 | 10/P | | | | | | | | | |
| 388 | D0-04093001 | GRM1882C1H220JZ01D C86 | 1 | 10/P | | | | | | | | | |
| 389 | D0-04093001 | GRM1882C1H220JZ01D C87 | 1 | 10/P | | | | | | | | | |
| 390 | D0-04093001 | GRM1882C1H220JZ01D C88 | 1 | 10/P | | | | | | | | | |
| 391 | D0-04093001 | GRM1882C1H220JZ01D C89 | 1 | 10/P | | | | | | | | | |
| 392 | D0-04093001 | GRM1882C1H220JZ01D C90 | 1 | 10/P | | | | | | | | | |
| 395 | D0-04099001 | GRM188F11C104ZA01D C91 | 1 | 10/P | | | | | | | | | |
| 396 | D0-04099001 | GRM188F11C104ZA01D C92 | 1 | 10/P | | | | | | | | | |
| 397 | D0-04099001 | GRM188F11C104ZA01D C95 | 1 | 10/P | | | | | | | | | |
| 398 | D0-04099001 | GRM188F11C104ZA01D C96 | 1 | 10/P | | | | | | | | | |
| 399 | D0-04099001 | GRM188F11C104ZA01D C97 | 1 | 10/P | | | | | | | | | |
| 400 | D0-04099001 | GRM188F11C104ZA01D C98 | 1 | 10/P | | | | | | | | | |
| 401 | D0-04099001 | GRM188F11C104ZA01D C99 | 1 | 10/P | | | | | | | | | |
| 402 | D0-04102001 | GRM1882C1H101JA01D C100 | 1 | 10/P | | | | | | | | | |
| 403 | D0-04099001 | GRM188F11C104ZA01D C101 | 1 | 10/P | | | | | | | | | |
| | | GRM1882C1H101JA01D C102 | 1 | 10/P | | | | | | | | | |
| | | GRM188F11C104ZA01D C103 | 1 | 10/P | | | | | | | | | |

| ITEM NO. | PARTS NO. | PARTS NAME | Q'TY / PAGE | Q'TY / PACK | P | I | R | BSI NO. | TO | FROM | SERIAL NO. | REMARKS | C |
|----------|-------------|----------------------------|-------------|-------------|---|---|---|---------|----|------|------------|---------|---|
| 404 | D0-04102001 | GRM1882C1H101JA01D C104 | 1 | 10/P | | | | | | | | | |
| 405 | D0-04099001 | GRM188F11C104ZA01D C105 | 1 | 10/P | | | | | | | | | |
| 406 | D0-04098001 | GRM188F11E104ZA01D C106 | 1 | 10/P | | | | | | | | | |
| 407 | D0-04098001 | GRM188F11E104ZA01D C107 | 1 | 10/P | | | | | | | | | |
| 408 | D0-04101001 | GRM188B11H102KA01D C108 | 1 | 10/P | | | | | | | | | |
| 409 | D0-04092001 | GRM188B11H222KA01D C109 | 1 | 10/P | | | | | | | | | |
| 410 | D0-04042001 | C1608JF1H104ZT C110 | 1 | 10/P | | | | | | | | | |
| 411 | D0-04042001 | C1608JF1H104ZT C111 | 1 | 10/P | | | | | | | | | |
| 412 | D0-15999001 | C112 | 1 | | | | | | | | | | |
| 413 | D0-04042001 | C1608JF1H104ZT C113 | 1 | 10/P | | | | | | | | | |
| 414 | D0-16003001 | C114 | 1 | | | | | | | | | | |
| 415 | D0-04098001 | GRM188F11E104ZA01D C115 | 1 | 10/P | | | | | | | | | |
| 416 | D0-04098001 | GRM188F11E104ZA01D C116 | 1 | 10/P | | | | | | | | | |
| 417 | D0-04098001 | GRM188F11E104ZA01D C117 | 1 | 10/P | | | | | | | | | |
| 418 | D0-04098001 | GRM188F11E104ZA01D C118 | 1 | 10/P | | | | | | | | | |
| 419 | D0-04100001 | GRM188B11H103KA01D C119 | 1 | 10/P | | | | | | | | | |
| 420 | D0-04099001 | GRM188F11C104ZA01D C120 | 1 | 10/P | | | | | | | | | |
| 421 | D0-04098001 | GRM188F11E104ZA01D C121 | 1 | 10/P | | | | | | | | | |
| 422 | D0-04099001 | GRM188F11C104ZA01D C122 | 1 | 10/P | | | | | | | | | |
| 423 | D0-04098001 | GRM188F11E104ZA01D C123 | 1 | 10/P | | | | | | | | | |
| 424 | D0-04098001 | GRM188F11E104ZA01D C124 | 1 | 10/P | | | | | | | | | |
| 425 | D0-04098001 | GRM188F11E104ZA01D C125 | 1 | 10/P | | | | | | | | | |
| 426 | D0-04099001 | GRM188F11C104ZA01D C126 | 1 | 10/P | | | | | | | | | |
| 427 | D0-15995001 | C127 | 1 | | | | | | | | | | |
| 428 | D0-04098001 | GRM188F11E104ZA01D C128 | 1 | 10/P | | | | | | | | | |
| 429 | D0-04099001 | GRM188F11C104ZA01D C129 | 1 | 10/P | | | | | | | | | |
| 430 | D0-04099001 | GRM188F11C104ZA01D C130 | 1 | 10/P | | | | | | | | | |
| 431 | D0-04099001 | GRM188F11C104ZA01D C131 | 1 | 10/P | | | | | | | | | |
| 432 | D0-04102001 | GRM1882C1H101JA01D C132 | 1 | 10/P | | | | | | | | | |
| 433 | D0-04102001 | GRM1882C1H101JA01D C133 | 1 | 10/P | | | | | | | | | |
| 434 | D0-04102001 | GRM1882C1H101JA01D C134 | 1 | 10/P | | | | | | | | | |
| 435 | D0-04102001 | GRM1882C1H101JA01D C135 | 1 | 10/P | | | | | | | | | |
| 436 | D0-04101001 | GRM188B11H102KA01D C136 | 1 | 10/P | | | | | | | | | |
| 437 | D0-04101001 | GRM188B11H102KA01D C137 | 1 | 10/P | | | | | | | | | |
| 438 | D0-04101001 | GRM188B11H102KA01D C138 | 1 | 10/P | | | | | | | | | |

| ITEM NO. | PARTS NO. | PARTS NAME | Q'TY / PAGE | Q'TY / PACK | P | I | R | BSI NO. | TO | FROM | SERIAL NO. | REMARKS | C |
|----------|-------------|------------------------------------|-------------|-------------|---|---|---|---------|----|------|------------|---------|---|
| 439 | D0-04098001 | GRM188F11E104ZA01D C139 | 1 | 10/P | | | | | | | | | |
| 440 | D0-15993001 | C140 | 1 | | | | | | | | | | |
| 441 | D0-04042001 | C1608JF1H104ZT | 1 | 10/P | | | | | | | | | |
| 442 | D0-04098001 | C141 GRM188F11E104ZA01D C142 | 1 | 10/P | | | | | | | | | |
| 443 | D0-16002001 | C143 | 1 | | | | | | | | | | |
| 444 | D0-04042001 | C1608JF1H104ZT C144 | 1 | 10/P | | | | | | | | | |
| 445 | D0-16002001 | C145 | 1 | | | | | | | | | | |
| 446 | D0-15993001 | C146 | 1 | | | | | | | | | | |
| 447 | D0-04099001 | GRM188F11C104ZA01D C147 | 1 | 10/P | | | | | | | | | |
| 448 | D0-04099001 | GRM188F11C104ZA01D C148 | 1 | 10/P | | | | | | | | | |
| 449 | D0-04099001 | GRM188F11C104ZA01D C149 | 1 | 10/P | | | | | | | | | |
| 450 | D0-04099001 | GRM188F11C104ZA01D C150 | 1 | 10/P | | | | | | | | | |
| 451 | D0-04099001 | GRM188F11C104ZA01D C151 | 1 | 10/P | | | | | | | | | |
| 452 | D0-04099001 | GRM188F11C104ZA01D C152 | 1 | 10/P | | | | | | | | | |
| 453 | D0-04099001 | GRM188F11C104ZA01D C153 | 1 | 10/P | | | | | | | | | |
| 454 | D0-04099001 | GRM188F11C104ZA01D C154 | 1 | 10/P | | | | | | | | | |
| 455 | D0-04099001 | GRM188F11C104ZA01D C155 | 1 | 10/P | | | | | | | | | |
| 456 | D0-04099001 | GRM188F11C104ZA01D C156 | 1 | 10/P | | | | | | | | | |
| 457 | D0-04099001 | GRM188F11C104ZA01D C157 | 1 | 10/P | | | | | | | | | |
| 458 | D0-04099001 | GRM188F11C104ZA01D C158 | 1 | 10/P | | | | | | | | | |
| 485 | D0-04098001 | GRM188F11E104ZA01D C185 | 1 | 10/P | | | | | | | | | |
| 487 | D0-05723001 | GRM21BF11C105ZA01L C187 | 1 | 10/P | | | | | | | | | |
| 488 | D0-05723001 | GRM21BF11C105ZA01L C188 | 1 | 10/P | | | | | | | | | |
| 489 | D0-05723001 | GRM21BF11C105ZA01L C189 | 1 | 10/P | | | | | | | | | |
| 490 | D0-05723001 | GRM21BF11C105ZA01L C190 | 1 | 10/P | | | | | | | | | |
| 491 | D0-04098001 | GRM188F11E104ZA01D C191 | 1 | 10/P | | | | | | | | | |
| 492 | D0-04098001 | GRM188F11E104ZA01D C192 | 1 | 10/P | | | | | | | | | |
| 493 | D0-04098001 | GRM188F11E104ZA01D C193 | 1 | 10/P | | | | | | | | | |
| 494 | D0-04098001 | GRM188F11E104ZA01D C194 | 1 | 10/P | | | | | | | | | |
| 495 | D0-04085001 | GRM1882C1H100JZ01D C195 | 1 | 5/ | | | | | | | | | |
| 496 | D0-04092001 | GRM188B11H222KA01D C196 | 1 | 10/P | | | | | | | | | |
| 509 | D0-04098001 | GRM188F11E104ZA01D C209 | 1 | 10/P | | | | | | | | | |
| 510 | D0-15995001 | C210 | 1 | | | | | | | | | | |
| 511 | D0-04098001 | GRM188F11E104ZA01D C211 | 1 | 10/P | | | | | | | | | |
| 512 | D0-04098001 | GRM188F11E104ZA01D C212 | 1 | 10/P | | | | | | | | | |

| ITEM NO. | PARTS NO. | PARTS NAME | Q'TY / PAGE | Q'TY / PACK | P | I | R | BSI NO. | TO | FROM | SERIAL NO. | REMARKS | C |
|----------|-------------|----------------------------|-------------|-------------|---|---|---|---------|----|------|------------|---------|---|
| 516 | D0-16002001 | C216 | 1 | | | | | | | | | | |
| 517 | D0-15995001 | C217 | 1 | | | | | | | | | | |
| 518 | D0-15995001 | C218 | 1 | | | | | | | | | | |
| 519 | D0-04098001 | GRM188F11E104ZA01D C219 | 1 | 10/P | | | | | | | | | |
| 520 | D0-15995001 | C220 | 1 | | | | | | | | | | |
| 523 | D0-04090001 | GRM1882C1H471JA01D C223 | 1 | 10/P | | | | | | | | | |
| 524 | D0-04090001 | GRM1882C1H471JA01D C224 | 1 | 10/P | | | | | | | | | |
| 540 | D0-15996001 | C240 | 1 | | | | | | | | | | |
| 541 | D0-04098001 | GRM188F11E104ZA01D C241 | 1 | 10/P | | | | | | | | | |
| 542 | D0-04093001 | GRM1882C1H220JZ01D C242 | 1 | 10/P | | | | | | | | | |
| 543 | D0-15996001 | C243 | 1 | | | | | | | | | | |
| 590 | D0-04098001 | GRM188F11E104ZA01D C290 | 1 | 10/P | | | | | | | | | |
| 606 | D0-04042001 | C1608JF1H104ZT C306 | 1 | 10/P | | | | | | | | | |
| 607 | D0-04098001 | GRM188F11E104ZA01D C307 | 1 | 10/P | | | | | | | | | |
| 608 | D0-04042001 | C1608JF1H104ZT C308 | 1 | 10/P | | | | | | | | | |
| 628 | D0-04098001 | GRM188F11E104ZA01D C328 | 1 | 10/P | | | | | | | | | |
| 630 | D0-04042001 | C1608JF1H104ZT C330 | 1 | 10/P | | | | | | | | | |
| 636 | D0-04098001 | GRM188F11E104ZA01D C336 | 1 | 10/P | | | | | | | | | |
| 637 | D0-04098001 | GRM188F11E104ZA01D C337 | 1 | 10/P | | | | | | | | | |
| 648 | D0-07625001 | C348 | 1 | | | | | | | | | | |
| 700 | D0-04098001 | GRM188F11E104ZA01D C400 | 1 | 10/P | | | | | | | | | |
| 701 | D0-04098001 | GRM188F11E104ZA01D C401 | 1 | 10/P | | | | | | | | | |
| 900 | D0-04099001 | GRM188F11C104ZA01D C600 | 1 | 10/P | | | | | | | | | |
| 901 | D0-04099001 | GRM188F11C104ZA01D C601 | 1 | 10/P | | | | | | | | | |
| 902 | D0-04099001 | GRM188F11C104ZA01D C602 | 1 | 10/P | | | | | | | | | |
| 903 | D0-04099001 | GRM188F11C104ZA01D C603 | 1 | 10/P | | | | | | | | | |
| 904 | D0-04099001 | GRM188F11C104ZA01D C604 | 1 | 10/P | | | | | | | | | |
| 905 | D0-04099001 | GRM188F11C104ZA01D C605 | 1 | 10/P | | | | | | | | | |
| 907 | D0-04099001 | GRM188F11C104ZA01D C607 | 1 | 10/P | | | | | | | | | |
| 908 | D0-04099001 | GRM188F11C104ZA01D C608 | 1 | 10/P | | | | | | | | | |
| 910 | D0-04042001 | C1608JF1H104ZT C610 | 1 | 10/P | | | | | | | | | |
| 911 | D0-04042001 | C1608JF1H104ZT C611 | 1 | 10/P | | | | | | | | | |
| 912 | D0-04099001 | GRM188F11C104ZA01D C612 | 1 | 10/P | | | | | | | | | |
| 913 | D0-04099001 | GRM188F11C104ZA01D C613 | 1 | 10/P | | | | | | | | | |
| 914 | D0-04099001 | GRM188F11C104ZA01D C614 | 1 | 10/P | | | | | | | | | |

| ITEM NO. | PARTS NO. | PARTS NAME | Q'TY / PAGE | Q'TY / PACK | P | I | R | BSI NO. | TO | FROM | SERIAL NO. | REMARKS | C |
|----------|-------------|----------------------------|-------------|-------------|---|---|---|---------|----|------|------------|---------|---|
| 915 | D0-04099001 | GRM188F11C104ZA01D C615 | 1 | 10/P | | | | | | | | | |
| 916 | D0-04099001 | GRM188F11C104ZA01D C616 | 1 | 10/P | | | | | | | | | |
| 917 | D0-04099001 | GRM188F11C104ZA01D C617 | 1 | 10/P | | | | | | | | | |
| 918 | D0-04099001 | GRM188F11C104ZA01D C618 | 1 | 10/P | | | | | | | | | |
| 919 | D0-04099001 | GRM188F11C104ZA01D C619 | 1 | 10/P | | | | | | | | | |
| 920 | D0-04099001 | GRM188F11C104ZA01D C620 | 1 | 10/P | | | | | | | | | |
| 921 | D0-04099001 | GRM188F11C104ZA01D C621 | 1 | 10/P | | | | | | | | | |
| 922 | D0-04042001 | C1608JF1H104ZT C622 | 1 | 10/P | | | | | | | | | |
| 923 | D0-04042001 | C1608JF1H104ZT C623 | 1 | 10/P | | | | | | | | | |
| 924 | D0-04042001 | C1608JF1H104ZT C624 | 1 | 10/P | | | | | | | | | |
| 925 | D0-04042001 | C1608JF1H104ZT C625 | 1 | 10/P | | | | | | | | | |
| 926 | D0-04042001 | C1608JF1H104ZT C626 | 1 | 10/P | | | | | | | | | |
| 950 | D0-04042001 | C1608JF1H104ZT C650 | 1 | 10/P | | | | | | | | | |
| 951 | D0-04042001 | C1608JF1H104ZT C651 | 1 | 10/P | | | | | | | | | |
| 952 | D0-04042001 | C1608JF1H104ZT C652 | 1 | 10/P | | | | | | | | | |
| 953 | D0-04042001 | C1608JF1H104ZT C653 | 1 | 10/P | | | | | | | | | |
| 954 | D0-04042001 | C1608JF1H104ZT C654 | 1 | 10/P | | | | | | | | | |
| 955 | D0-04042001 | C1608JF1H104ZT C655 | 1 | 10/P | | | | | | | | | |
| 956 | D0-04042001 | C1608JF1H104ZT C656 | 1 | 10/P | | | | | | | | | |
| 957 | D0-04042001 | C1608JF1H104ZT C657 | 1 | 10/P | | | | | | | | | |
| 958 | D0-04042001 | C1608JF1H104ZT C658 | 1 | 10/P | | | | | | | | | |



| ITEM NO. | PARTS NO. | PARTS NAME | QTY / PAGE | QTY / PACK | P | I | R | BSI NO. | TO | FROM | SERIAL NO. | REMARKS | C |
|----------|-------------|--------------|------------|------------|---|---|---|---------|----|------|------------|---------|---|
| 1 | D0-01020001 | MCR03EZHJ472 | 1 | 10/P | | | | | | | | | |
| | | R1 | | | | | | | | | | | |
| 2 | D0-01020001 | MCR03EZHJ472 | 1 | 10/P | | | | | | | | | |
| | | R2 | | | | | | | | | | | |
| 3 | D0-01020001 | MCR03EZHJ472 | 1 | 10/P | | | | | | | | | |
| | | R3 | | | | | | | | | | | |
| 4 | D0-01020001 | MCR03EZHJ472 | 1 | 10/P | | | | | | | | | |
| | | R4 | | | | | | | | | | | |
| 5 | D0-01020001 | MCR03EZHJ472 | 1 | 10/P | | | | | | | | | |
| | | R5 | | | | | | | | | | | |
| 6 | D0-01020001 | MCR03EZHJ472 | 1 | 10/P | | | | | | | | | |
| | | R6 | | | | | | | | | | | |
| 7 | D0-01020001 | MCR03EZHJ472 | 1 | 10/P | | | | | | | | | |
| | | R7 | | | | | | | | | | | |
| 8 | D0-01020001 | MCR03EZHJ472 | 1 | 10/P | | | | | | | | | |
| | | R8 | | | | | | | | | | | |
| 9 | D0-01020001 | MCR03EZHJ472 | 1 | 10/P | | | | | | | | | |
| | | R9 | | | | | | | | | | | |
| 10 | D0-01020001 | MCR03EZHJ472 | 1 | 10/P | | | | | | | | | |
| | | R10 | | | | | | | | | | | |
| 11 | D0-01020001 | MCR03EZHJ472 | 1 | 10/P | | | | | | | | | |
| | | R11 | | | | | | | | | | | |
| 12 | D0-01020001 | MCR03EZHJ472 | 1 | 10/P | | | | | | | | | |
| | | R12 | | | | | | | | | | | |
| 13 | D0-01020001 | MCR03EZHJ472 | 1 | 10/P | | | | | | | | | |
| | | R13 | | | | | | | | | | | |
| 14 | D0-01020001 | MCR03EZHJ472 | 1 | 10/P | | | | | | | | | |
| | | R14 | | | | | | | | | | | |
| 15 | D0-01020001 | MCR03EZHJ472 | 1 | 10/P | | | | | | | | | |
| | | R15 | | | | | | | | | | | |
| 16 | D0-01020001 | MCR03EZHJ472 | 1 | 10/P | | | | | | | | | |
| | | R16 | | | | | | | | | | | |
| 17 | D0-01020001 | MCR03EZHJ472 | 1 | 10/P | | | | | | | | | |
| | | R17 | | | | | | | | | | | |
| 18 | D0-01020001 | MCR03EZHJ472 | 1 | 10/P | | | | | | | | | |
| | | R18 | | | | | | | | | | | |
| 19 | D0-01020001 | MCR03EZHJ472 | 1 | 10/P | | | | | | | | | |
| | | R19 | | | | | | | | | | | |
| 20 | D0-00951001 | MCR03EZHJ101 | 1 | 10/P | | | | | | | | | |
| | | R20 | | | | | | | | | | | |
| 21 | D0-00951001 | MCR03EZHJ101 | 1 | 10/P | | | | | | | | | |
| | | R21 | | | | | | | | | | | |
| 22 | D0-00951001 | MCR03EZHJ101 | 1 | 10/P | | | | | | | | | |
| | | R22 | | | | | | | | | | | |
| 23 | D0-00953001 | MCR03EZHJ103 | 1 | 10/P | | | | | | | | | |
| | | R23 | | | | | | | | | | | |
| 24 | D0-00949001 | MCR03EZHJ000 | 1 | 10/P | | | | | | | | | |
| | | R24 | | | | | | | | | | | |
| 25 | D0-00949001 | MCR03EZHJ000 | 1 | 10/P | | | | | | | | | |
| | | R25 | | | | | | | | | | | |
| 28 | D0-00951001 | MCR03EZHJ101 | 1 | 10/P | | | | | | | | | |
| | | R28 | | | | | | | | | | | |
| 29 | D0-00951001 | MCR03EZHJ101 | 1 | 10/P | | | | | | | | | |
| | | R29 | | | | | | | | | | | |
| 30 | D0-00951001 | MCR03EZHJ101 | 1 | 10/P | | | | | | | | | |
| | | R30 | | | | | | | | | | | |
| 31 | D0-00950001 | MCR03EZHJ100 | 1 | 10/P | | | | | | | | | |
| | | R31 | | | | | | | | | | | |
| 32 | D0-00950001 | MCR03EZHJ100 | 1 | 10/P | | | | | | | | | |
| | | R32 | | | | | | | | | | | |
| 33 | D0-00950001 | MCR03EZHJ100 | 1 | 10/P | | | | | | | | | |
| | | R33 | | | | | | | | | | | |
| 34 | D0-00950001 | MCR03EZHJ100 | 1 | 10/P | | | | | | | | | |
| | | R34 | | | | | | | | | | | |
| 35 | D0-00981001 | MCR03EZHJ220 | 1 | 10/P | | | | | | | | | |
| | | R35 | | | | | | | | | | | |
| 36 | D0-00981001 | MCR03EZHJ220 | 1 | 10/P | | | | | | | | | |
| | | R36 | | | | | | | | | | | |
| 37 | D0-01020001 | MCR03EZHJ472 | 1 | 10/P | | | | | | | | | |
| | | R37 | | | | | | | | | | | |

| ITEM NO. | PARTS NO. | PARTS NAME | Q'TY / PAGE | Q'TY / PACK | P | I | R | BSI NO. | TO | FROM | SERIAL NO. | REMARKS | C |
|----------|-------------|---------------------|-------------|-------------|---|---|---|---------|----|------|------------|---------|---|
| 39 | D0-01005001 | MCR03EZHJ333 R39 | 1 | 5/ | | | | | | | | | |
| 41 | D0-00965001 | MCR03EZHJ151 R41 | 1 | 10/P | | | | | | | | | |
| 42 | D0-01003001 | MCR03EZHJ331 R42 | 1 | 10/P | | | | | | | | | |
| 43 | D0-00949001 | MCR03EZHJ000 R43 | 1 | 10/P | | | | | | | | | |
| 44 | D0-00949001 | MCR03EZHJ000 R44 | 1 | 10/P | | | | | | | | | |
| 45 | D0-00984001 | MCR03EZHJ223 R45 | 1 | 10/P | | | | | | | | | |
| 46 | D0-01020001 | MCR03EZHJ472 R46 | 1 | 10/P | | | | | | | | | |
| 47 | D0-00984001 | MCR03EZHJ223 R47 | 1 | 10/P | | | | | | | | | |
| 48 | D0-00953001 | MCR03EZHJ103 R48 | 1 | 10/P | | | | | | | | | |
| 49 | D0-00953001 | MCR03EZHJ103 R49 | 1 | 10/P | | | | | | | | | |
| 50 | D0-00953001 | MCR03EZHJ103 R50 | 1 | 10/P | | | | | | | | | |
| 51 | D0-00953001 | MCR03EZHJ103 R51 | 1 | 10/P | | | | | | | | | |
| 52 | D0-00953001 | MCR03EZHJ103 R52 | 1 | 10/P | | | | | | | | | |
| 54 | D0-00953001 | MCR03EZHJ103 R54 | 1 | 10/P | | | | | | | | | |
| 55 | D0-00981001 | MCR03EZHJ220 R55 | 1 | 10/P | | | | | | | | | |
| 56 | D0-00953001 | MCR03EZHJ103 R56 | 1 | 10/P | | | | | | | | | |
| 57 | D0-00981001 | MCR03EZHJ220 R57 | 1 | 10/P | | | | | | | | | |
| 58 | D0-00965001 | MCR03EZHJ151 R58 | 1 | 10/P | | | | | | | | | |
| 59 | D0-00951001 | MCR03EZHJ101 R59 | 1 | 10/P | | | | | | | | | |
| 60 | D0-00951001 | MCR03EZHJ101 R60 | 1 | 10/P | | | | | | | | | |
| 61 | D0-00981001 | MCR03EZHJ220 R61 | 1 | 10/P | | | | | | | | | |
| 62 | D0-00955001 | MCR03EZHJ105 R62 | 1 | 10/P | | | | | | | | | |
| 63 | D0-01020001 | MCR03EZHJ472 R63 | 1 | 10/P | | | | | | | | | |
| 64 | D0-01020001 | MCR03EZHJ472 R64 | 1 | 10/P | | | | | | | | | |
| 67 | D0-01020001 | MCR03EZHJ472 R67 | 1 | 10/P | | | | | | | | | |
| 68 | D0-01020001 | MCR03EZHJ472 R68 | 1 | 10/P | | | | | | | | | |
| 69 | D0-01020001 | MCR03EZHJ472 R69 | 1 | 10/P | | | | | | | | | |
| 70 | D0-01020001 | MCR03EZHJ472 R70 | 1 | 10/P | | | | | | | | | |
| 71 | D0-00951001 | MCR03EZHJ101 R71 | 1 | 10/P | | | | | | | | | |
| 72 | D0-00951001 | MCR03EZHJ101 R72 | 1 | 10/P | | | | | | | | | |
| 73 | D0-01020001 | MCR03EZHJ472 R73 | 1 | 10/P | | | | | | | | | |
| 74 | D0-01038001 | MCR03EZHJ682 R74 | 1 | 5/ | | | | | | | | | |
| 75 | D0-01020001 | MCR03EZHJ472 R75 | 1 | 10/P | | | | | | | | | |
| 76 | D0-01038001 | MCR03EZHJ682 R76 | 1 | 5/ | | | | | | | | | |
| 77 | D0-01020001 | MCR03EZHJ472 R77 | 1 | 10/P | | | | | | | | | |

| ITEM NO. | PARTS NO. | PARTS NAME | QTY / PAGE | QTY / PACK | P | I | R | BSI NO. | TO | FROM | SERIAL NO. | REMARKS | C |
|----------|-------------|----------------------|------------|------------|---|---|---|---------|----|------|------------|---------|---|
| 78 | D0-01038001 | MCR03EZHJ682 R78 | 1 | 5/ | | | | | | | | | |
| 79 | D0-01020001 | MCR03EZHJ472 R79 | 1 | 10/P | | | | | | | | | |
| 80 | D0-01038001 | MCR03EZHJ682 R80 | 1 | 5/ | | | | | | | | | |
| 81 | D0-01020001 | MCR03EZHJ472 R81 | 1 | 10/P | | | | | | | | | |
| 82 | D0-01038001 | MCR03EZHJ682 R82 | 1 | 5/ | | | | | | | | | |
| 83 | D0-01020001 | MCR03EZHJ472 R83 | 1 | 10/P | | | | | | | | | |
| 84 | D0-01038001 | MCR03EZHJ682 R84 | 1 | 5/ | | | | | | | | | |
| 85 | D0-01020001 | MCR03EZHJ472 R85 | 1 | 10/P | | | | | | | | | |
| 86 | D0-01038001 | MCR03EZHJ682 R86 | 1 | 5/ | | | | | | | | | |
| 87 | D0-01020001 | MCR03EZHJ472 R87 | 1 | 10/P | | | | | | | | | |
| 88 | D0-01038001 | MCR03EZHJ682 R88 | 1 | 5/ | | | | | | | | | |
| 89 | D0-01020001 | MCR03EZHJ472 R89 | 1 | 10/P | | | | | | | | | |
| 90 | D0-01038001 | MCR03EZHJ682 R90 | 1 | 5/ | | | | | | | | | |
| 91 | D0-01020001 | MCR03EZHJ472 R91 | 1 | 10/P | | | | | | | | | |
| 92 | D0-01038001 | MCR03EZHJ682 R92 | 1 | 5/ | | | | | | | | | |
| 93 | D0-01020001 | MCR03EZHJ472 R93 | 1 | 10/P | | | | | | | | | |
| 94 | D0-01038001 | MCR03EZHJ682 R94 | 1 | 5/ | | | | | | | | | |
| 95 | D0-01020001 | MCR03EZHJ472 R95 | 1 | 10/P | | | | | | | | | |
| 96 | D0-01038001 | MCR03EZHJ682 R96 | 1 | 5/ | | | | | | | | | |
| 97 | D0-01020001 | MCR03EZHJ472 R97 | 1 | 10/P | | | | | | | | | |
| 98 | D0-01038001 | MCR03EZHJ682 R98 | 1 | 5/ | | | | | | | | | |
| 99 | D0-01020001 | MCR03EZHJ472 R99 | 1 | 10/P | | | | | | | | | |
| 100 | D0-01038001 | MCR03EZHJ682 R100 | 1 | 5/ | | | | | | | | | |
| 101 | D0-01020001 | MCR03EZHJ472 R101 | 1 | 10/P | | | | | | | | | |
| 102 | D0-01038001 | MCR03EZHJ682 R102 | 1 | 5/ | | | | | | | | | |
| 103 | D0-01020001 | MCR03EZHJ472 R103 | 1 | 10/P | | | | | | | | | |
| 104 | D0-01038001 | MCR03EZHJ682 R104 | 1 | 5/ | | | | | | | | | |
| 106 | D0-00965001 | MCR03EZHJ151 R106 | 1 | 10/P | | | | | | | | | |
| 107 | D0-01003001 | MCR03EZHJ331 R107 | 1 | 10/P | | | | | | | | | |
| 108 | D0-01005001 | MCR03EZHJ333 R108 | 1 | 5/ | | | | | | | | | |
| 109 | D0-00951001 | MCR03EZHJ101 R109 | 1 | 10/P | | | | | | | | | |
| 110 | D0-00951001 | MCR03EZHJ101 R110 | 1 | 10/P | | | | | | | | | |
| 111 | D0-00951001 | MCR03EZHJ101 R111 | 1 | 10/P | | | | | | | | | |
| 112 | D0-00951001 | MCR03EZHJ101 R112 | 1 | 10/P | | | | | | | | | |
| 113 | D0-00951001 | MCR03EZHJ101 R113 | 1 | 10/P | | | | | | | | | |

| ITEM NO. | PARTS NO. | PARTS NAME | Q'TY / PAGE | Q'TY / PACK | P | I | R | BSI NO. | TO | FROM | SERIAL NO. | REMARKS | C |
|----------|-------------|--------------|-------------|-------------|---|---|---|---------|----|------|------------|---------|---|
| 116 | D0-01020001 | MCR03EZHJ472 | 1 | 10/P | | | | | | | | | |
| | | R116 | | | | | | | | | | | |
| 117 | D0-00951001 | MCR03EZHJ101 | 1 | 10/P | | | | | | | | | |
| | | R117 | | | | | | | | | | | |
| 118 | D0-00981001 | MCR03EZHJ220 | 1 | 10/P | | | | | | | | | |
| | | R118 | | | | | | | | | | | |
| 119 | D0-00981001 | MCR03EZHJ220 | 1 | 10/P | | | | | | | | | |
| | | R119 | | | | | | | | | | | |
| 120 | D0-00981001 | MCR03EZHJ220 | 1 | 10/P | | | | | | | | | |
| | | R120 | | | | | | | | | | | |
| 121 | D0-00981001 | MCR03EZHJ220 | 1 | 10/P | | | | | | | | | |
| | | R121 | | | | | | | | | | | |
| 122 | D0-01020001 | MCR03EZHJ472 | 1 | 10/P | | | | | | | | | |
| | | R122 | | | | | | | | | | | |
| 123 | D0-01020001 | MCR03EZHJ472 | 1 | 10/P | | | | | | | | | |
| | | R123 | | | | | | | | | | | |
| 124 | D0-01020001 | MCR03EZHJ472 | 1 | 10/P | | | | | | | | | |
| | | R124 | | | | | | | | | | | |
| 125 | D0-01020001 | MCR03EZHJ472 | 1 | 10/P | | | | | | | | | |
| | | R125 | | | | | | | | | | | |
| 126 | D0-01020001 | MCR03EZHJ472 | 1 | 10/P | | | | | | | | | |
| | | R126 | | | | | | | | | | | |
| 127 | D0-01020001 | MCR03EZHJ472 | 1 | 10/P | | | | | | | | | |
| | | R127 | | | | | | | | | | | |
| 128 | D0-01020001 | MCR03EZHJ472 | 1 | 10/P | | | | | | | | | |
| | | R128 | | | | | | | | | | | |
| 129 | D0-01020001 | MCR03EZHJ472 | 1 | 10/P | | | | | | | | | |
| | | R129 | | | | | | | | | | | |
| 130 | D0-00951001 | MCR03EZHJ101 | 1 | 10/P | | | | | | | | | |
| | | R130 | | | | | | | | | | | |
| 131 | D0-01020001 | MCR03EZHJ472 | 1 | 10/P | | | | | | | | | |
| | | R131 | | | | | | | | | | | |
| 132 | D0-00951001 | MCR03EZHJ101 | 1 | 10/P | | | | | | | | | |
| | | R132 | | | | | | | | | | | |
| 133 | D0-00951001 | MCR03EZHJ101 | 1 | 10/P | | | | | | | | | |
| | | R133 | | | | | | | | | | | |
| 134 | D0-01020001 | MCR03EZHJ472 | 1 | 10/P | | | | | | | | | |
| | | R134 | | | | | | | | | | | |
| 136 | D0-00951001 | MCR03EZHJ101 | 1 | 10/P | | | | | | | | | |
| | | R136 | | | | | | | | | | | |
| 137 | D0-00951001 | MCR03EZHJ101 | 1 | 10/P | | | | | | | | | |
| | | R137 | | | | | | | | | | | |
| 138 | D0-00951001 | MCR03EZHJ101 | 1 | 10/P | | | | | | | | | |
| | | R138 | | | | | | | | | | | |
| 139 | D0-00951001 | MCR03EZHJ101 | 1 | 10/P | | | | | | | | | |
| | | R139 | | | | | | | | | | | |
| 140 | D0-00951001 | MCR03EZHJ101 | 1 | 10/P | | | | | | | | | |
| | | R140 | | | | | | | | | | | |
| 141 | D0-00951001 | MCR03EZHJ101 | 1 | 10/P | | | | | | | | | |
| | | R141 | | | | | | | | | | | |
| 142 | D0-00951001 | MCR03EZHJ101 | 1 | 10/P | | | | | | | | | |
| | | R142 | | | | | | | | | | | |
| 143 | D0-00951001 | MCR03EZHJ101 | 1 | 10/P | | | | | | | | | |
| | | R143 | | | | | | | | | | | |
| 144 | D0-00951001 | MCR03EZHJ101 | 1 | 10/P | | | | | | | | | |
| | | R144 | | | | | | | | | | | |
| 145 | D0-00951001 | MCR03EZHJ101 | 1 | 10/P | | | | | | | | | |
| | | R145 | | | | | | | | | | | |
| 146 | D0-00951001 | MCR03EZHJ101 | 1 | 10/P | | | | | | | | | |
| | | R146 | | | | | | | | | | | |
| 147 | D0-01036001 | MCR03EZHJ680 | 1 | 10/P | | | | | | | | | |
| | | R147 | | | | | | | | | | | |
| 148 | D0-01036001 | MCR03EZHJ680 | 1 | 10/P | | | | | | | | | |
| | | R148 | | | | | | | | | | | |
| 149 | D0-01036001 | MCR03EZHJ680 | 1 | 10/P | | | | | | | | | |
| | | R149 | | | | | | | | | | | |
| 150 | D0-01036001 | MCR03EZHJ680 | 1 | 10/P | | | | | | | | | |
| | | R150 | | | | | | | | | | | |
| 151 | D0-01036001 | MCR03EZHJ680 | 1 | 10/P | | | | | | | | | |
| | | R151 | | | | | | | | | | | |

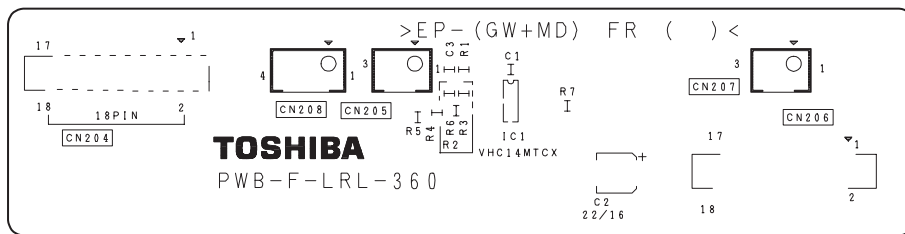
| ITEM NO. | PARTS NO. | PARTS NAME | Q'TY / PAGE | Q'TY / PACK | P | I | R | BSI NO. | TO | FROM | SERIAL NO. | REMARKS | C |
|----------|-------------|----------------------|-------------|-------------|---|---|---|---------|----|------|------------|---------|---|
| 152 | D0-01036001 | MCR03EZHJ680 R152 | 1 | 10/P | | | | | | | | | |
| 153 | D0-01036001 | MCR03EZHJ680 R153 | 1 | 10/P | | | | | | | | | |
| 154 | D0-01036001 | MCR03EZHJ680 R154 | 1 | 10/P | | | | | | | | | |
| 155 | D0-01036001 | MCR03EZHJ680 R155 | 1 | 10/P | | | | | | | | | |
| 156 | D0-01036001 | MCR03EZHJ680 R156 | 1 | 10/P | | | | | | | | | |
| 157 | D0-01036001 | MCR03EZHJ680 R157 | 1 | 10/P | | | | | | | | | |
| 158 | D0-00951001 | MCR03EZHJ101 R158 | 1 | 10/P | | | | | | | | | |
| 159 | D0-01020001 | MCR03EZHJ472 R159 | 1 | 10/P | | | | | | | | | |
| 160 | D0-00952001 | MCR03EZHJ102 R160 | 1 | 10/P | | | | | | | | | |
| 161 | D0-00952001 | MCR03EZHJ102 R161 | 1 | 10/P | | | | | | | | | |
| 162 | D0-01020001 | MCR03EZHJ472 R162 | 1 | 10/P | | | | | | | | | |
| 163 | D0-00951001 | MCR03EZHJ101 R163 | 1 | 10/P | | | | | | | | | |
| 165 | D0-00953001 | MCR03EZHJ103 R165 | 1 | 10/P | | | | | | | | | |
| 166 | D0-01012001 | MCR03EZHJ392 R166 | 1 | 5/ | | | | | | | | | |
| 167 | D0-01020001 | MCR03EZHJ472 R167 | 1 | 10/P | | | | | | | | | |
| 168 | D0-01012001 | MCR03EZHJ392 R168 | 1 | 5/ | | | | | | | | | |
| 169 | D0-00951001 | MCR03EZHJ101 R169 | 1 | 10/P | | | | | | | | | |
| 170 | D0-00953001 | MCR03EZHJ103 R170 | 1 | 10/P | | | | | | | | | |
| 171 | D0-00953001 | MCR03EZHJ103 R171 | 1 | 10/P | | | | | | | | | |
| 172 | D0-00953001 | MCR03EZHJ103 R172 | 1 | 10/P | | | | | | | | | |
| 173 | D0-00953001 | MCR03EZHJ103 R173 | 1 | 10/P | | | | | | | | | |
| 174 | D0-00949001 | MCR03EZHJ000 R174 | 1 | 10/P | | | | | | | | | |
| 175 | D0-00951001 | MCR03EZHJ101 R175 | 1 | 10/P | | | | | | | | | |
| 176 | D0-01041001 | MCR03EZHJ750 R176 | 1 | 5/ | | | | | | | | | |
| 177 | D0-01020001 | MCR03EZHJ472 R177 | 1 | 10/P | | | | | | | | | |
| 178 | D0-01012001 | MCR03EZHJ392 R178 | 1 | 5/ | | | | | | | | | |
| 179 | D0-01020001 | MCR03EZHJ472 R179 | 1 | 10/P | | | | | | | | | |
| 180 | D0-01020001 | MCR03EZHJ472 R180 | 1 | 10/P | | | | | | | | | |
| 181 | D0-01020001 | MCR03EZHJ472 R181 | 1 | 10/P | | | | | | | | | |
| 182 | D0-01020001 | MCR03EZHJ472 R182 | 1 | 10/P | | | | | | | | | |
| 183 | D0-01020001 | MCR03EZHJ472 R183 | 1 | 10/P | | | | | | | | | |
| 184 | D0-00984001 | MCR03EZHJ223 R184 | 1 | 10/P | | | | | | | | | |
| 185 | D0-00984001 | MCR03EZHJ223 R185 | 1 | 10/P | | | | | | | | | |
| 186 | D0-00984001 | MCR03EZHJ223 R186 | 1 | 10/P | | | | | | | | | |
| 187 | D0-00984001 | MCR03EZHJ223 R187 | 1 | 10/P | | | | | | | | | |

| ITEM NO. | PARTS NO. | PARTS NAME | QTY / PAGE | QTY / PACK | P | I | R | BSI NO. | TO | FROM | SERIAL NO. | REMARKS | C |
|----------|-------------|----------------------|------------|------------|---|---|---|---------|----|------|------------|---------|---|
| 188 | D0-00984001 | MCR03EZHZ223 R188 | 1 | 10/P | | | | | | | | | |
| 189 | D0-01020001 | MCR03EZHZ472 R189 | 1 | 10/P | | | | | | | | | |
| 190 | D0-01020001 | MCR03EZHZ472 R190 | 1 | 10/P | | | | | | | | | |
| 191 | D0-00984001 | MCR03EZHZ223 R191 | 1 | 10/P | | | | | | | | | |
| 192 | D0-00984001 | MCR03EZHZ223 R192 | 1 | 10/P | | | | | | | | | |
| 199 | D0-01020001 | MCR03EZHZ472 R199 | 1 | 10/P | | | | | | | | | |
| 200 | D0-01020001 | MCR03EZHZ472 R200 | 1 | 10/P | | | | | | | | | |
| 201 | D0-01020001 | MCR03EZHZ472 R201 | 1 | 10/P | | | | | | | | | |
| 202 | D0-01020001 | MCR03EZHZ472 R202 | 1 | 10/P | | | | | | | | | |
| 203 | D0-01020001 | MCR03EZHZ472 R203 | 1 | 10/P | | | | | | | | | |
| 204 | D0-00984001 | MCR03EZHZ223 R204 | 1 | 10/P | | | | | | | | | |
| 205 | D0-00984001 | MCR03EZHZ223 R205 | 1 | 10/P | | | | | | | | | |
| 206 | D0-00984001 | MCR03EZHZ223 R206 | 1 | 10/P | | | | | | | | | |
| 207 | D0-00984001 | MCR03EZHZ223 R207 | 1 | 10/P | | | | | | | | | |
| 208 | D0-00984001 | MCR03EZHZ223 R208 | 1 | 10/P | | | | | | | | | |
| 209 | D0-01026001 | MCR03EZHZ511 R209 | 1 | 5/ | | | | | | | | | |
| 218 | D0-00951001 | MCR03EZHZ101 R218 | 1 | 10/P | | | | | | | | | |
| 219 | D0-00951001 | MCR03EZHZ101 R219 | 1 | 10/P | | | | | | | | | |
| 220 | D0-00951001 | MCR03EZHZ101 R220 | 1 | 10/P | | | | | | | | | |
| 221 | D0-00951001 | MCR03EZHZ101 R221 | 1 | 10/P | | | | | | | | | |
| 222 | D0-00951001 | MCR03EZHZ101 R222 | 1 | 10/P | | | | | | | | | |
| 223 | D0-00951001 | MCR03EZHZ101 R223 | 1 | 10/P | | | | | | | | | |
| 234 | D0-01020001 | MCR03EZHZ472 R234 | 1 | 10/P | | | | | | | | | |
| 235 | D0-01020001 | MCR03EZHZ472 R235 | 1 | 10/P | | | | | | | | | |
| 236 | D0-01020001 | MCR03EZHZ472 R236 | 1 | 10/P | | | | | | | | | |
| 237 | D0-00951001 | MCR03EZHZ101 R237 | 1 | 10/P | | | | | | | | | |
| 238 | D0-01020001 | MCR03EZHZ472 R238 | 1 | 10/P | | | | | | | | | |
| 239 | D0-00951001 | MCR03EZHZ101 R239 | 1 | 10/P | | | | | | | | | |
| 240 | D0-01020001 | MCR03EZHZ472 R240 | 1 | 10/P | | | | | | | | | |
| 241 | D0-01020001 | MCR03EZHZ472 R241 | 1 | 10/P | | | | | | | | | |
| 242 | D0-01020001 | MCR03EZHZ472 R242 | 1 | 10/P | | | | | | | | | |
| 243 | D0-00951001 | MCR03EZHZ101 R243 | 1 | 10/P | | | | | | | | | |
| 244 | D0-00951001 | MCR03EZHZ101 R244 | 1 | 10/P | | | | | | | | | |
| 245 | D0-00950001 | MCR03EZHZ100 R245 | 1 | 10/P | | | | | | | | | |
| 246 | D0-01020001 | MCR03EZHZ472 R246 | 1 | 10/P | | | | | | | | | |

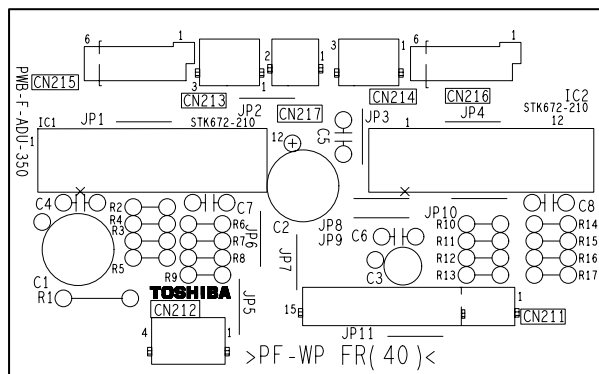
| ITEM NO. | PARTS NO. | PARTS NAME | QTY / PAGE | QTY / PACK | P | I | R | BSI NO. | TO | FROM | SERIAL NO. | REMARKS | C |
|----------|-------------|----------------------|------------|------------|---|---|---|---------|----|------|------------|---------|---|
| 247 | D0-00983001 | MCR03EZHZ222 R247 | 1 | 10/P | | | | | | | | | |
| 248 | D0-01020001 | MCR03EZHZ472 R248 | 1 | 10/P | | | | | | | | | |
| 249 | D0-00952001 | MCR03EZHZ102 R249 | 1 | 10/P | | | | | | | | | |
| 250 | D0-01020001 | MCR03EZHZ472 R250 | 1 | 10/P | | | | | | | | | |
| 252 | D0-00950001 | MCR03EZHZ100 R252 | 1 | 10/P | | | | | | | | | |
| 253 | D0-00950001 | MCR03EZHZ100 R253 | 1 | 10/P | | | | | | | | | |
| 254 | D0-00950001 | MCR03EZHZ100 R254 | 1 | 10/P | | | | | | | | | |
| 255 | D0-01020001 | MCR03EZHZ472 R255 | 1 | 10/P | | | | | | | | | |
| 256 | D0-00950001 | MCR03EZHZ100 R256 | 1 | 10/P | | | | | | | | | |
| 257 | D0-00950001 | MCR03EZHZ100 R257 | 1 | 10/P | | | | | | | | | |
| 258 | D0-00950001 | MCR03EZHZ100 R258 | 1 | 10/P | | | | | | | | | |
| 259 | D0-00950001 | MCR03EZHZ100 R259 | 1 | 10/P | | | | | | | | | |
| 260 | D0-00984001 | MCR03EZHZ223 R260 | 1 | 10/P | | | | | | | | | |
| 261 | D0-00951001 | MCR03EZHZ101 R261 | 1 | 10/P | | | | | | | | | |
| 262 | D0-01020001 | MCR03EZHZ472 R262 | 1 | 10/P | | | | | | | | | |
| 263 | D0-01041001 | MCR03EZHZ750 R263 | 1 | 5/ | | | | | | | | | |
| 264 | D0-00950001 | MCR03EZHZ100 R264 | 1 | 10/P | | | | | | | | | |
| 265 | D0-00950001 | MCR03EZHZ100 R265 | 1 | 10/P | | | | | | | | | |
| 266 | D0-00950001 | MCR03EZHZ100 R266 | 1 | 10/P | | | | | | | | | |
| 267 | D0-00950001 | MCR03EZHZ100 R267 | 1 | 10/P | | | | | | | | | |
| 268 | D0-00950001 | MCR03EZHZ100 R268 | 1 | 10/P | | | | | | | | | |
| 269 | D0-00950001 | MCR03EZHZ100 R269 | 1 | 10/P | | | | | | | | | |
| 270 | D0-00950001 | MCR03EZHZ100 R270 | 1 | 10/P | | | | | | | | | |
| 271 | D0-00950001 | MCR03EZHZ100 R271 | 1 | 10/P | | | | | | | | | |
| 272 | D0-00951001 | MCR03EZHZ101 R272 | 1 | 10/P | | | | | | | | | |
| 273 | D0-00951001 | MCR03EZHZ101 R273 | 1 | 10/P | | | | | | | | | |
| 274 | D0-00981001 | MCR03EZHZ220 R274 | 1 | 10/P | | | | | | | | | |
| 275 | D0-15182000 | | 1 | | | | | | | | | | |
| 276 | D0-00981001 | MCR03EZHZ220 R275 | 1 | 10/P | | | | | | | | | |
| 277 | D0-00981001 | MCR03EZHZ220 R276 | 1 | 10/P | | | | | | | | | |
| 278 | D0-00981001 | MCR03EZHZ220 R277 | 1 | 10/P | | | | | | | | | |
| 279 | D0-00981001 | MCR03EZHZ220 R278 | 1 | 10/P | | | | | | | | | |
| 280 | D0-00981001 | MCR03EZHZ220 R279 | 1 | 10/P | | | | | | | | | |
| 281 | D0-00981001 | MCR03EZHZ220 R280 | 1 | 10/P | | | | | | | | | |
| 282 | D0-00981001 | MCR03EZHZ220 R281 | 1 | 10/P | | | | | | | | | |
| | | R282 | | | | | | | | | | | |

| ITEM NO. | PARTS NO. | PARTS NAME | QTY / PAGE | QTY / PACK | P | I | R | BSI NO. | TO | FROM | SERIAL NO. | REMARKS | C |
|----------|-------------|----------------------|------------|------------|---|---|---|---------|----|------|------------|---------|---|
| 283 | D0-00981001 | MCR03EZHZ220 R283 | 1 | 10/P | | | | | | | | | |
| 284 | D0-00981001 | MCR03EZHZ220 R284 | 1 | 10/P | | | | | | | | | |
| 285 | D0-00981001 | MCR03EZHZ220 R285 | 1 | 10/P | | | | | | | | | |
| 286 | D0-00981001 | MCR03EZHZ220 R286 | 1 | 10/P | | | | | | | | | |
| 287 | D0-00981001 | MCR03EZHZ220 R287 | 1 | 10/P | | | | | | | | | |
| 288 | D0-00981001 | MCR03EZHZ220 R288 | 1 | 10/P | | | | | | | | | |
| 289 | D0-00981001 | MCR03EZHZ220 R289 | 1 | 10/P | | | | | | | | | |
| 290 | D0-00981001 | MCR03EZHZ220 R290 | 1 | 10/P | | | | | | | | | |
| 291 | D0-00981001 | MCR03EZHZ220 R291 | 1 | 10/P | | | | | | | | | |
| 292 | D0-00981001 | MCR03EZHZ220 R292 | 1 | 10/P | | | | | | | | | |
| 293 | D0-00981001 | MCR03EZHZ220 R293 | 1 | 10/P | | | | | | | | | |
| 294 | D0-00981001 | MCR03EZHZ220 R294 | 1 | 10/P | | | | | | | | | |
| 295 | D0-00981001 | MCR03EZHZ220 R295 | 1 | 10/P | | | | | | | | | |
| 296 | D0-00981001 | MCR03EZHZ220 R296 | 1 | 10/P | | | | | | | | | |
| 297 | D0-00981001 | MCR03EZHZ220 R297 | 1 | 10/P | | | | | | | | | |
| 298 | D0-00981001 | MCR03EZHZ220 R298 | 1 | 10/P | | | | | | | | | |
| 299 | D0-00981001 | MCR03EZHZ220 R299 | 1 | 10/P | | | | | | | | | |
| 300 | D0-00981001 | MCR03EZHZ220 R300 | 1 | 10/P | | | | | | | | | |
| 301 | D0-01026001 | MCR03EZHZ511 R301 | 1 | 5/ | | | | | | | | | |
| 303 | D0-00951001 | MCR03EZHZ101 R303 | 1 | 10/P | | | | | | | | | |
| 304 | D0-01020001 | MCR03EZHZ472 R304 | 1 | 10/P | | | | | | | | | |
| 305 | D0-01020001 | MCR03EZHZ472 R305 | 1 | 10/P | | | | | | | | | |
| 306 | D0-01020001 | MCR03EZHZ472 R306 | 1 | 10/P | | | | | | | | | |
| 307 | D0-01020001 | MCR03EZHZ472 R307 | 1 | 10/P | | | | | | | | | |
| 308 | D0-00951001 | MCR03EZHZ101 R308 | 1 | 10/P | | | | | | | | | |
| 309 | D0-00951001 | MCR03EZHZ101 R309 | 1 | 10/P | | | | | | | | | |
| 310 | D0-00951001 | MCR03EZHZ101 R310 | 1 | 10/P | | | | | | | | | |
| 311 | D0-00951001 | MCR03EZHZ101 R311 | 1 | 10/P | | | | | | | | | |
| 312 | D0-00951001 | MCR03EZHZ101 R312 | 1 | 10/P | | | | | | | | | |
| 314 | D0-00981001 | MCR03EZHZ220 R314 | 1 | 10/P | | | | | | | | | |
| 315 | D0-00981001 | MCR03EZHZ220 R315 | 1 | 10/P | | | | | | | | | |
| 316 | D0-00981001 | MCR03EZHZ220 R316 | 1 | 10/P | | | | | | | | | |
| 317 | D0-00949001 | MCR03EZHZ000 R317 | 1 | 10/P | | | | | | | | | |
| 318 | D0-00951001 | MCR03EZHZ101 R318 | 1 | 10/P | | | | | | | | | |
| 319 | D0-00965001 | MCR03EZHZ151 R319 | 1 | 10/P | | | | | | | | | |

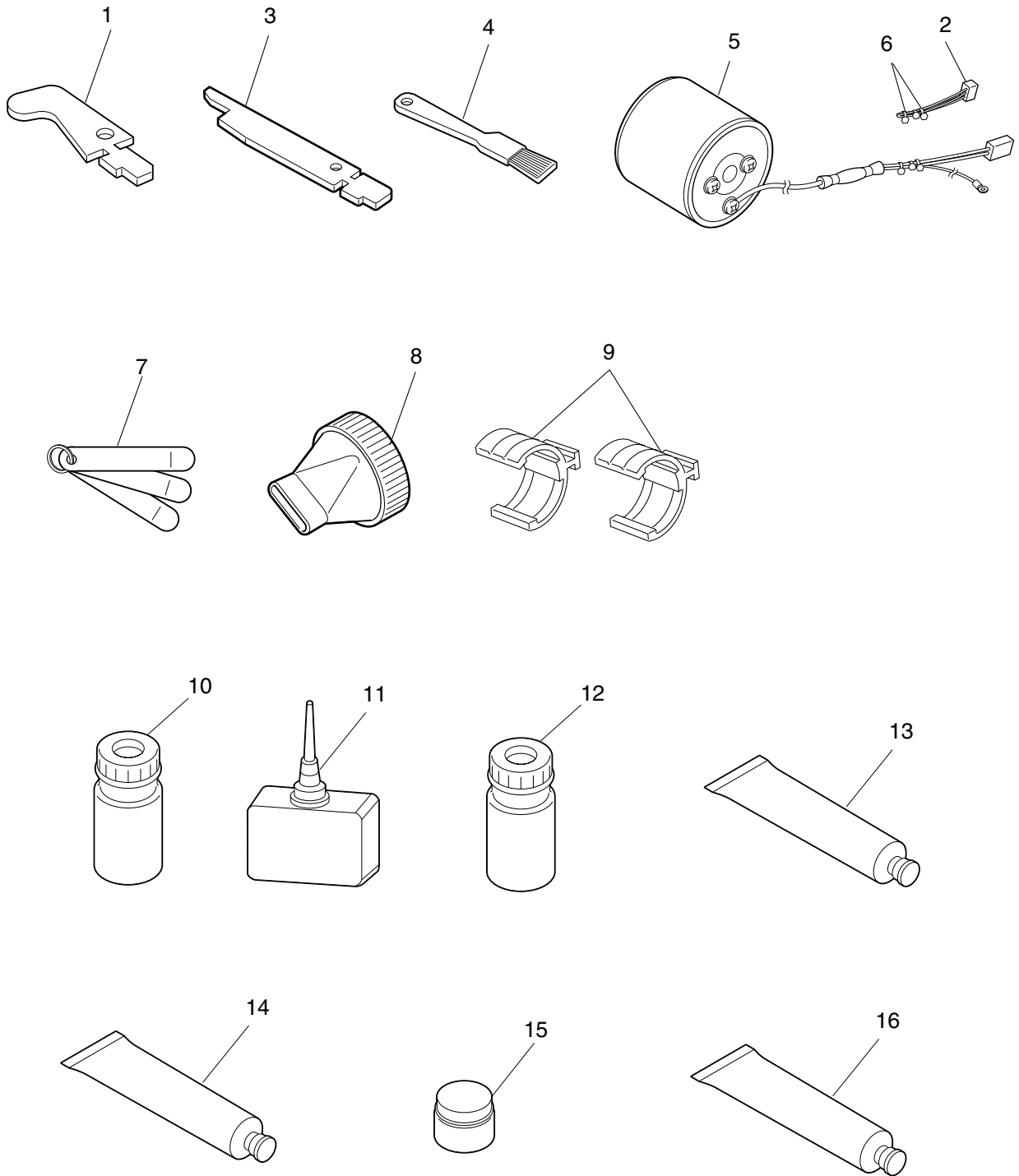
| ITEM NO. | PARTS NO. | PARTS NAME | Q'TY / PAGE | Q'TY / PACK | P | I | R | BSI NO. | TO | FROM | SERIAL NO. | REMARKS | C |
|----------|-------------|--------------|-------------|-------------|---|---|---|---------|----|------|------------|---------|---|
| 320 | D0-01020001 | MCR03EZHJ472 | 1 | 10/P | | | | | | | | | |
| | | R320 | | | | | | | | | | | |
| 321 | D0-01020001 | MCR03EZHJ472 | 1 | 10/P | | | | | | | | | |
| | | R321 | | | | | | | | | | | |
| 322 | D0-01020001 | MCR03EZHJ472 | 1 | 10/P | | | | | | | | | |
| | | R322 | | | | | | | | | | | |
| 323 | D0-01020001 | MCR03EZHJ472 | 1 | 10/P | | | | | | | | | |
| | | R323 | | | | | | | | | | | |
| 324 | D0-01020001 | MCR03EZHJ472 | 1 | 10/P | | | | | | | | | |
| | | R324 | | | | | | | | | | | |
| 325 | D0-01020001 | MCR03EZHJ472 | 1 | 10/P | | | | | | | | | |
| | | R325 | | | | | | | | | | | |
| 326 | D0-01020001 | MCR03EZHJ472 | 1 | 10/P | | | | | | | | | |
| | | R326 | | | | | | | | | | | |
| 327 | D0-01020001 | MCR03EZHJ472 | 1 | 10/P | | | | | | | | | |
| | | R327 | | | | | | | | | | | |
| 328 | D0-00981001 | MCR03EZHJ220 | 1 | 10/P | | | | | | | | | |
| | | R328 | | | | | | | | | | | |
| 329 | D0-00951001 | MCR03EZHJ101 | 1 | 10/P | | | | | | | | | |
| | | R329 | | | | | | | | | | | |
| 330 | D0-00951001 | MCR03EZHJ101 | 1 | 10/P | | | | | | | | | |
| | | R330 | | | | | | | | | | | |
| 331 | D0-00950001 | MCR03EZHJ100 | 1 | 10/P | | | | | | | | | |
| | | R331 | | | | | | | | | | | |
| 340 | D0-00952001 | MCR03EZHJ102 | 1 | 10/P | | | | | | | | | |
| | | R340 | | | | | | | | | | | |
| 350 | D0-00966001 | MCR03EZHJ152 | 1 | 10/P | | | | | | | | | |
| | | R350 | | | | | | | | | | | |
| 355 | D0-00983001 | MCR03EZHJ222 | 1 | 10/P | | | | | | | | | |
| | | R355 | | | | | | | | | | | |
| 357 | D0-00951001 | MCR03EZHJ101 | 1 | 10/P | | | | | | | | | |
| | | R357 | | | | | | | | | | | |
| 358 | D0-00949001 | MCR03EZHJ000 | 1 | 10/P | | | | | | | | | |
| | | R358 | | | | | | | | | | | |
| 400 | D0-00951001 | MCR03EZHJ101 | 1 | 10/P | | | | | | | | | |
| | | R400 | | | | | | | | | | | |
| 401 | D0-00953001 | MCR03EZHJ103 | 1 | 10/P | | | | | | | | | |
| | | R401 | | | | | | | | | | | |
| 402 | D0-00953001 | MCR03EZHJ103 | 1 | 10/P | | | | | | | | | |
| | | R402 | | | | | | | | | | | |
| 403 | D0-00951001 | MCR03EZHJ101 | 1 | 10/P | | | | | | | | | |
| | | R403 | | | | | | | | | | | |
| 404 | D0-01020001 | MCR03EZHJ472 | 1 | 10/P | | | | | | | | | |
| | | R404 | | | | | | | | | | | |
| 405 | D0-01020001 | MCR03EZHJ472 | 1 | 10/P | | | | | | | | | |
| | | R405 | | | | | | | | | | | |
| 406 | D0-00953001 | MCR03EZHJ103 | 1 | 10/P | | | | | | | | | |
| | | R406 | | | | | | | | | | | |
| 407 | D0-00951001 | MCR03EZHJ101 | 1 | 10/P | | | | | | | | | |
| | | R407 | | | | | | | | | | | |
| 500 | D0-00951001 | MCR03EZHJ101 | 1 | 10/P | | | | | | | | | |
| | | R500 | | | | | | | | | | | |
| 501 | D0-00951001 | MCR03EZHJ101 | 1 | 10/P | | | | | | | | | |
| | | R501 | | | | | | | | | | | |
| 502 | D0-00951001 | MCR03EZHJ101 | 1 | 10/P | | | | | | | | | |
| | | R502 | | | | | | | | | | | |
| 503 | D0-00951001 | MCR03EZHJ101 | 1 | 10/P | | | | | | | | | |
| | | R503 | | | | | | | | | | | |
| 504 | D0-00951001 | MCR03EZHJ101 | 1 | 10/P | | | | | | | | | |
| | | R504 | | | | | | | | | | | |
| 505 | D0-00951001 | MCR03EZHJ101 | 1 | 10/P | | | | | | | | | |
| | | R505 | | | | | | | | | | | |
| 506 | D0-00951001 | MCR03EZHJ101 | 1 | 10/P | | | | | | | | | |
| | | R506 | | | | | | | | | | | |
| 507 | D0-00951001 | MCR03EZHJ101 | 1 | 10/P | | | | | | | | | |
| | | R507 | | | | | | | | | | | |
| 510 | D0-00951001 | MCR03EZHJ101 | 1 | 10/P | | | | | | | | | |
| | | R510 | | | | | | | | | | | |
| 511 | D0-00951001 | MCR03EZHJ101 | 1 | 10/P | | | | | | | | | |
| | | R511 | | | | | | | | | | | |



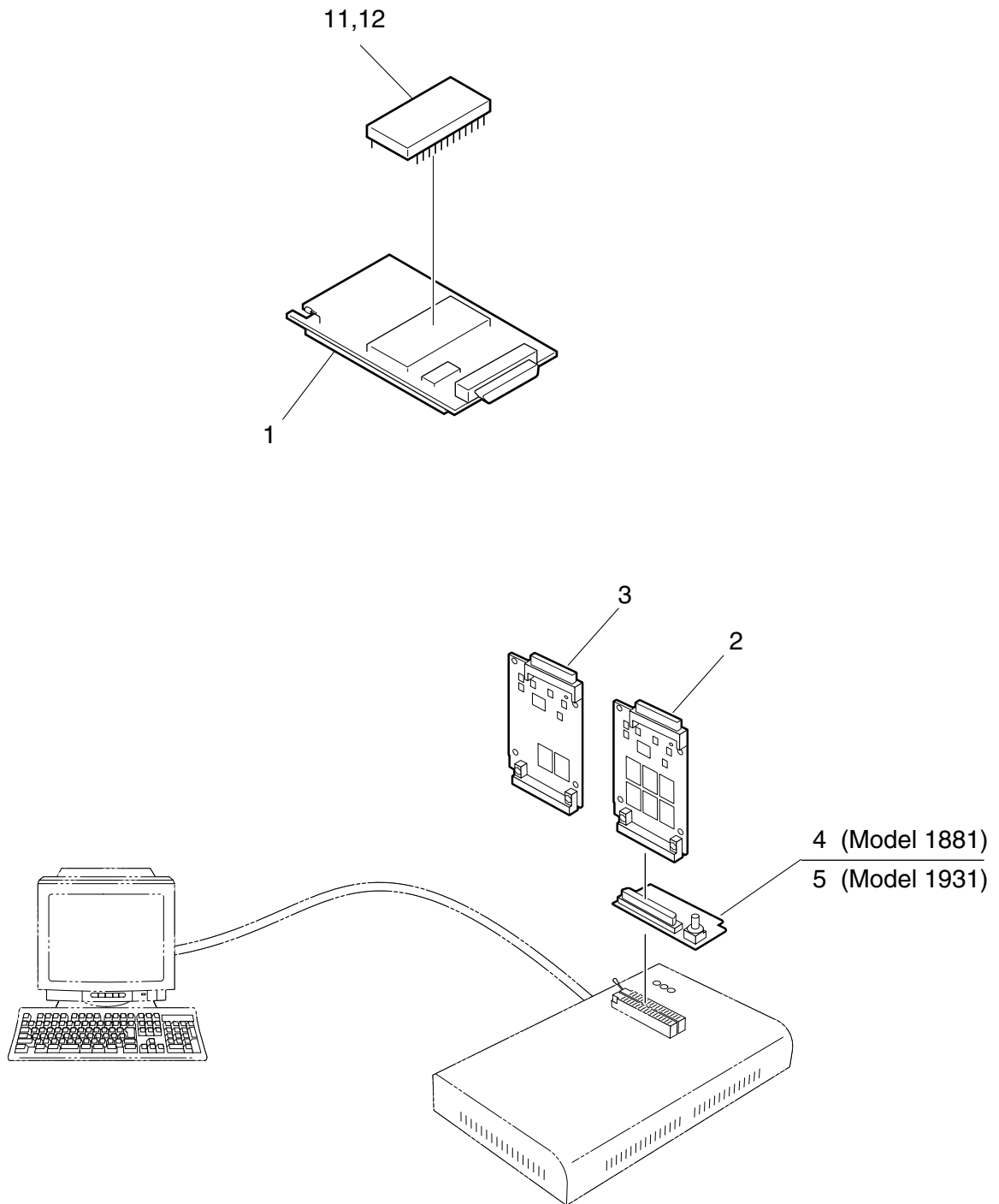
| ITEM NO. | PARTS NO. | PARTS NAME | QTY / PAGE | QTY / PACK | P | I | R | BSI NO. | TO | FROM | SERIAL NO. | REMARKS | C |
|----------|-------------|----------------------------|------------|------------|---|---|---|---------|----|------|------------|---------|---|
| 1 | 6LA69849000 | PWA-F-LRL-360 | 1 | 1/SB | | | | | | | | | |
| 11 | C0-01941001 | 74VHC14MTCX | 1 | 1/S | | | | | | | | | |
| 51 | D0-04098001 | IC1 GRM188F11E104ZA01D | 1 | 10/P | | | | | | | | | |
| 52 | D0-16813001 | C1 | 1 | | | | | | | | | | |
| 53 | D0-04093001 | C2 GRM1882C1H220JZ01D | 1 | 10/P | | | | | | | | | |
| 101 | D0-01036001 | C3 MCR03EZHZJ680 | 1 | 10/P | | | | | | | | | |
| 105 | D0-00949001 | R1 MCR03EZHZJ000 | 1 | 10/P | | | | | | | | | |
| 106 | D0-00949001 | R5 MCR03EZHZJ000 | 1 | 10/P | | | | | | | | | |
| 107 | D0-00949001 | R6 MCR03EZHZJ000 | 1 | 10/P | | | | | | | | | |
| 354 | E0-06614001 | R7 | 1 | | | | | | | | | | |
| 356 | E0-06614001 | CN204 | 1 | | | | | | | | | | |
| 357 | E0-00089000 | CN206 175487-3 CN207 | 1 | 5/P | | | | | | | | | |

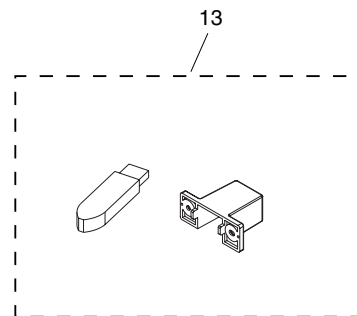
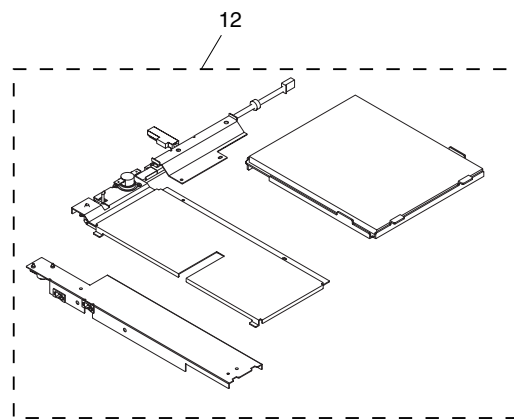
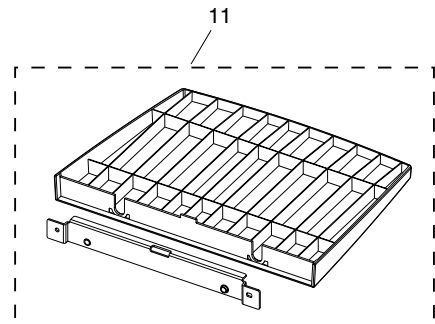
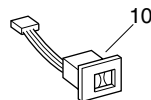
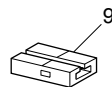
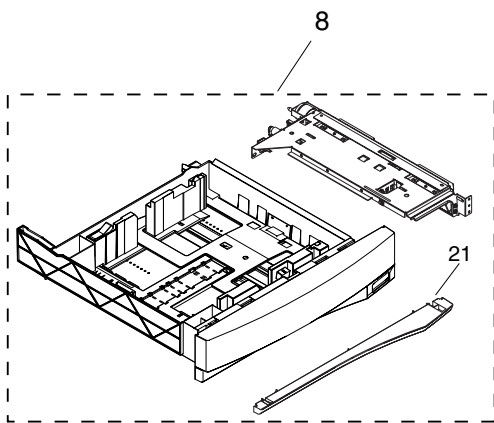
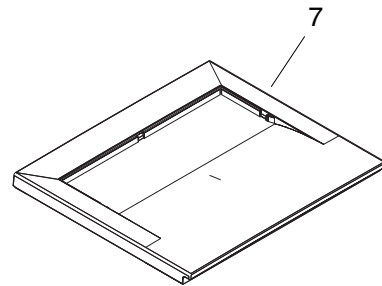
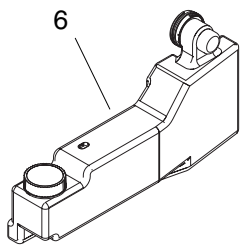
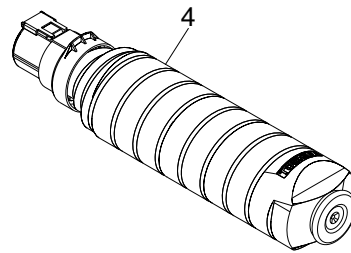
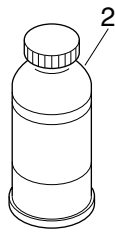
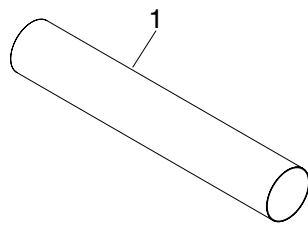


| ITEM NO. | PARTS NO. | PARTS NAME | QTY / PAGE | QTY / PACK | P | I | R | BSI NO. | TO | FROM | SERIAL NO. | REMARKS | C |
|----------|-------------|-------------------------|------------|------------|---|---|---|---------|----|------|------------|---------|---|
| 1 | 6LA69830000 | PWA-F-ADU-360 | 1 | 1/SB | | | | | | | | | |
| 11 | C0-02021000 | STK672-210 | 1 | 1/S | | | | | | | | | |
| 51 | D0-04050000 | IC1 UVZ1H221MPH1CA | 1 | 5/P | | | | | | | | | |
| 53 | D0-04051000 | IC1 JMT1C220MDH1YJ | 1 | 5/P | | | | | | | | | |
| 54 | D0-04078000 | C3 DD308-63F104Z50 | 1 | 10/P | | | | | | | | | |
| 56 | D0-04078000 | C4 DD308-63F104Z50 | 1 | 10/P | | | | | | | | | |
| 57 | D0-04078000 | C6 DD308-63F104Z50 | 1 | 10/P | | | | | | | | | |
| 101 | D0-15380000 | C7 | 1 | | | | | | | | | | |
| 102 | D0-03163000 | R1 ERDS2TJ102A | 1 | 10/P | | | | | | | | | |
| 103 | D0-03163000 | R2 ERDS2TJ102A | 1 | 10/P | | | | | | | | | |
| 104 | D0-03163000 | R3 ERDS2TJ102A | 1 | 10/P | | | | | | | | | |
| 105 | D0-03163000 | R4 ERDS2TJ102A | 1 | 10/P | | | | | | | | | |
| 106 | D0-04168000 | R5 | 1 | | | | | | | | | | |
| 107 | D0-04077000 | R6 ERDS2TJ101A | 1 | 10/P | | | | | | | | | |
| 108 | D0-04077000 | R7 ERDS2TJ101A | 1 | 10/P | | | | | | | | | |
| 109 | D0-04076000 | R8 ERDS2TJ680A | 1 | 10/P | | | | | | | | | |
| 361 | E0-00083000 | R9 1-175487-1 | 1 | 5/P | | | | | | | | | |
| 362 | E0-00090000 | CN211 175487-4 | 1 | 5/P | | | | | | | | | |
| 363 | E0-00132000 | CN212 2-175487-3 | 1 | 5/P | | | | | | | | | |
| 364 | E0-00089000 | CN213 175487-3 | 1 | 5/P | | | | | | | | | |
| 365 | E0-00092000 | CN214 175487-6 | 1 | 5/P | | | | | | | | | |
| 367 | E0-00088000 | CN215 175487-2 | 1 | 5/P | | | | | | | | | |
| 401 | 4407782660 | CN217 JUMPER-WIRE-10 | 1 | 10/P | | | | | | | | | |
| 402 | 4407782660 | JP1 JUMPER-WIRE-10 | 1 | 10/P | | | | | | | | | |
| 403 | 4407782660 | JP2 JUMPER-WIRE-10 | 1 | 10/P | | | | | | | | | |
| 408 | 4407782660 | JP3 JUMPER-WIRE-10 | 1 | 10/P | | | | | | | | | |
| 409 | 4407782660 | JP8 JUMPER-WIRE-10 | 1 | 10/P | | | | | | | | | |
| | | JP9 | | | | | | | | | | | |



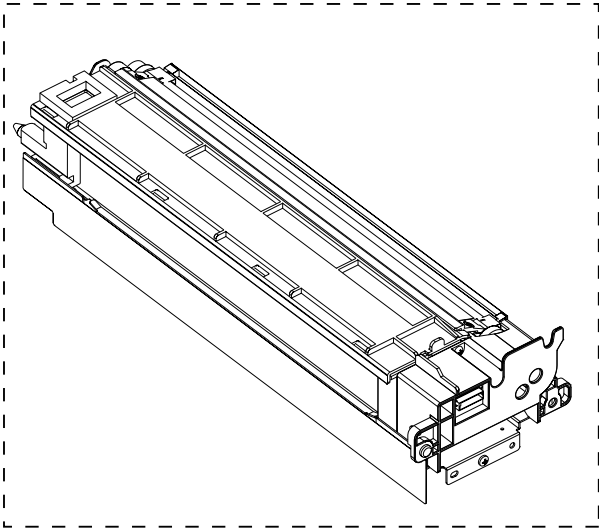
| ITEM NO. | PARTS NO. | PARTS NAME | QTY / PAGE | QTY / PACK | P | I | R | BSI NO. | TO | FROM | SERIAL NO. | REMARKS | C |
|----------|-------------|------------------|------------|------------|---|---|---|---------|----|------|------------|------------------------------|---|
| 1 | 4407915730 | JIG-SW-F-COV | 1 | 1/P | | | | | | | | | |
| 2 | 44205820000 | WH-DEV-JIG-320 | 1 | 1/P | | | | | | | | | |
| 3 | 44203795000 | JIG-BLADE-FIX | 1 | 1/P | | | | | | | | | |
| 4 | 4407915710 | BRUSH-33 | 1 | 1/P | | | | | | | | | |
| 5 | 4400675700 | ASM-JIG-DRM-140 | 1 | 1/C | | | | | | | | | |
| 6 | FO-00017000 | T18S | 1 | 10/P | | | | | | | | | |
| 7 | 4402048100 | ASM-JIG-DOC-180 | 1 | 1/P | | | | | | | | | |
| 8 | 4407914000 | NOZZLE-BOTTLE | 1 | 1/P | | | | | | | | | |
| 9 | 6LA01757000 | HOLDER-WIRE-SCAN | 2 | 1/P | | | | | | | | | |
| 10 | 4407933080 | ASM-SILICONE-1M | 1 | 1/P | | | | | | | | | |
| 11 | 4842512170 | OIL-LAUNA40-100 | 1 | 1/P | | | | | | | | Silicon Oil LAUNA40 100cc | |
| 12A | 41303709000 | ASM-PG-HP300-S | 1 | 1/D | | | | | | | | White grease 100g | |
| 12B | 6LA00019000 | GREASE-HP300-S | 1 | 1/P | | | | | | | | White grease 10g | |
| 13 | 41303711000 | ASM-PG-ALV2 | 1 | 1/P | | | | | | | | Alvania No.2 | |
| 14 | 4400545160 | MOLYKOTE-100 | 1 | 1/C | | | | | | | | | |
| 15 | 41303710000 | ASM-PG-GE334C-S | 1 | 1/C | | | | | | | | | |
| 16 | 44216380000 | GRS-KS660 | 1 | 1/P | | | | | | | | | |



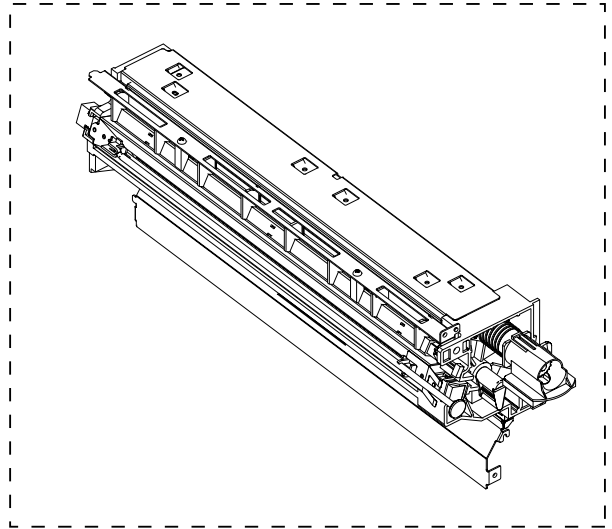


| ITEM NO. | PARTS NO. | PARTS NAME | QTY / PAGE | QTY / PACK | PIR | BSI NO. | TO | FROM | SERIAL NO. | REMARKS | C |
|----------|-------------|-------------------|------------|------------|-----|---------|----|------|------------|-------------------|-----|
| 1 | 44299006000 | OD-3500 | 1 | 1/S | | | | | | Drum | DRM |
| 2 | 44295004000 | D-3500 | 1 | 1/S | | | | | | Developer | DEV |
| 4A | 6AK00000005 | PS-ZT3520 | 1 | SUPPLY | | | | | | NAD | SUP |
| 4B | 6AJ00000001 | PS-ZT3520E | 1 | SUPPLY | | | | | | MJD | SUP |
| 4C | 6AK00000006 | PS-ZT3520D | 1 | SUPPLY | | | | | | AUD | SUP |
| 4D | 6AJ00000002 | PS-ZT3520D | 1 | SUPPLY | | | | | | SAD | SUP |
| 4E | 6AG00000144 | PS-ZT3520D | 1 | SUPPLY | | | | | | ASD | SUP |
| 4F | 6AG00000143 | PS-ZT3520T | 1 | SUPPLY | | | | | | TWD | SUP |
| 4G | 6AG00000146 | PS-ZT3520C | 1 | SUPPLY | | | | | | CND | SUP |
| 6A | 6AG00000147 | PS-TB3520 | 1 | SUPPLY | | | | | | NAD | SUP |
| 6B | 6AG00000148 | PS-TB3520E | 1 | SUPPLY | | | | | | MJD | SUP |
| 6C | 6AG00000149 | PS-TB3520N | 1 | SUPPLY | | | | | | SAD, AUD, ASD, CN | SUP |
| 7A | 6AR00000032 | KA-3511PC | 1 | SUPPLY | | | | | | D, TWD | |
| 7B | 6AR00000033 | KA-3511PC-N | 1 | SUPPLY | | | | | | NAD, MJD, SAD, AU | OPT |
| 7C | 6AR00000034 | KA-3511PC-C | 1 | SUPPLY | | | | | | D | |
| 8A | 6AR00000056 | MY-1021 | 1 | SUPPLY | | | | | | ASD, TWD | OPT |
| 8B | 6AR00000057 | MY-1021-N | 1 | SUPPLY | | | | | | CND | OPT |
| 8C | 6AR00000058 | MY-1021-C | 1 | SUPPLY | | | | | | NAD, MJD, SAD, AU | OPT |
| 9 | 66002050 | MU-8 | 1 | SUPPLY | | | | | | D | |
| 10 | 66002051 | MU-10 | 1 | SUPPLY | | | | | | ASD, TWD | OPT |
| 11A | 6AR00000059 | KK-3511 | 1 | SUPPLY | | | | | | CND | OPT |
| 11B | 6AR00000060 | KK-3511-N | 1 | SUPPLY | | | | | | NAD, MJD, SAD, AU | OPT |
| 11C | 6AR00000061 | KK-3511-C | 1 | SUPPLY | | | | | | D | |
| 12A | 6AG00000151 | MF-3520U | 1 | SUPPLY | | | | | | ASD, TWD | OPT |
| 12B | 6AG00000152 | MF-3520E | 1 | SUPPLY | | | | | | CND | OPT |
| 13 | 6A000000079 | GM-2010 | 1 | SUPPLY | | | | | | NAD | OPT |
| 21 | 6LA47822000 | COVER-F-SKIRT-PFP | 1 | 1/P | | | | | | MJD | OPT |

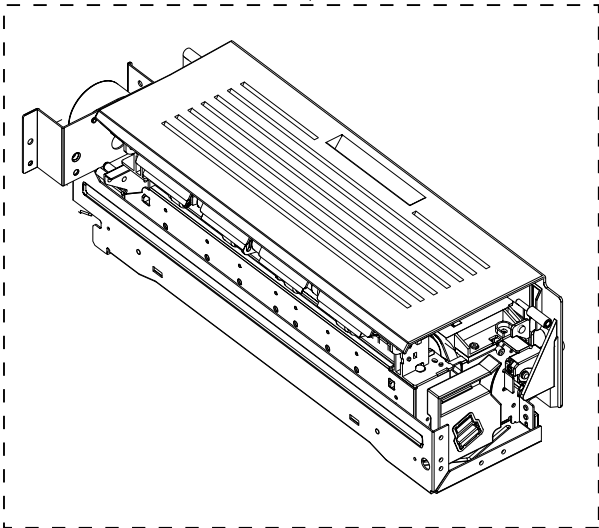
1



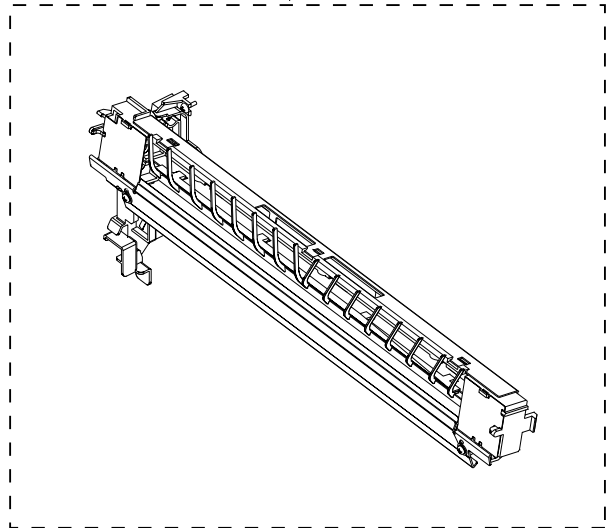
2

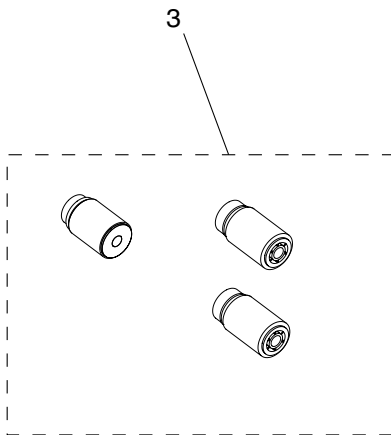
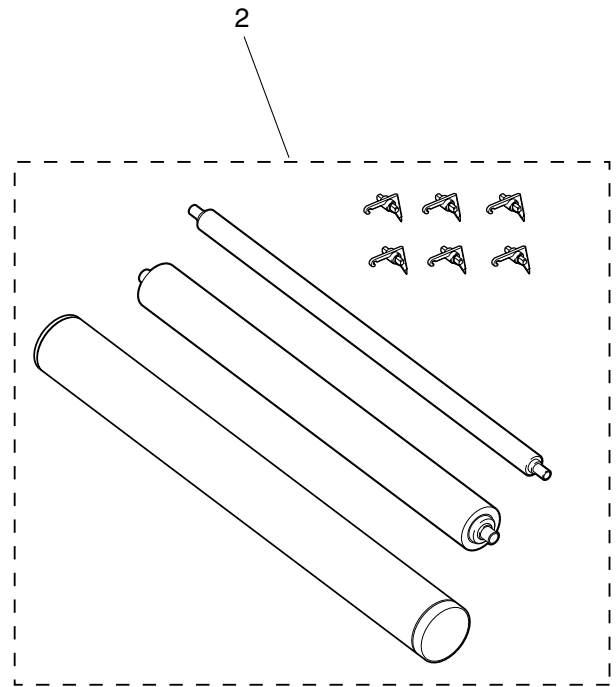
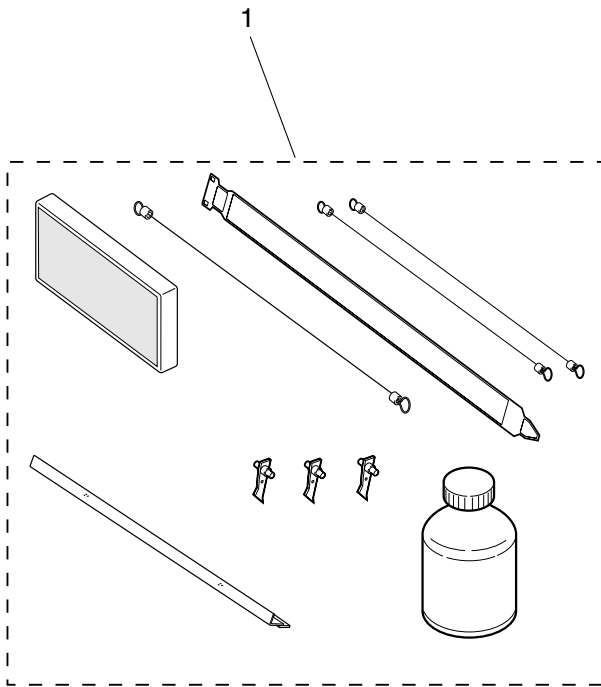


3



4





TOSHIBA

TOSHIBA TEC CORPORATION

1-1, KANDA NISHIKI-CHO, CHIYODA-KU, TOKYO, 101-8442 JAPAN