



Parts Catalog - SCX-6555NX



**Copier based Multi-Function Laser printer
(Print, Copy, FAX, Scan)**

- 55ppm (Letter), 53ppm (A4)
- Max. 1200dpi effective output
- Ethernet 10/100/1000 Base TX
- USB 2.0

- CPU : 500MHz
- Max. paper capacity : 3,140sheets
- Drum Life :80K
- Toner yield : 23K
- HDD : 80G
- Option : Finisher, SCF, HCF, NW Scan Kit
- Machine Life : 1,500K

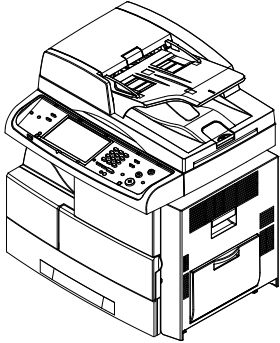
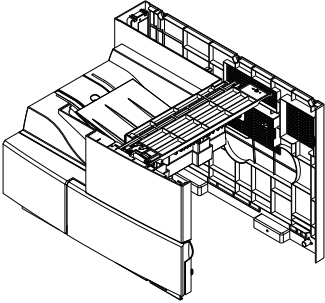
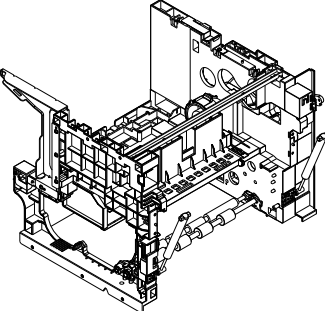
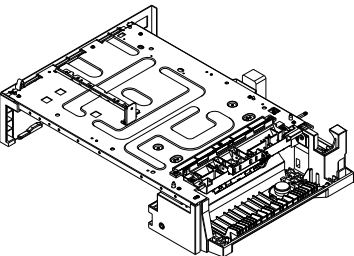
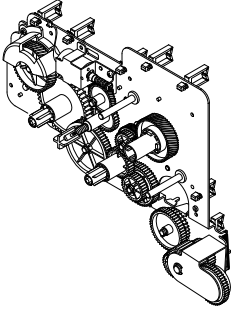
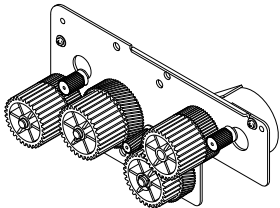
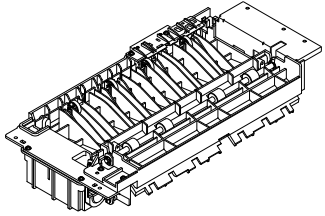
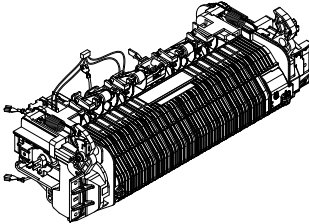
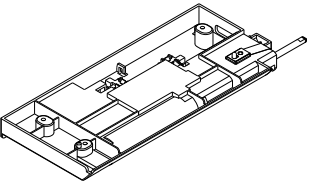
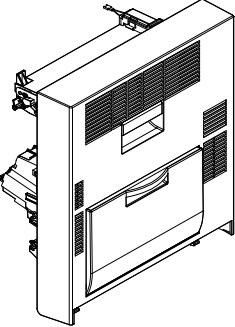
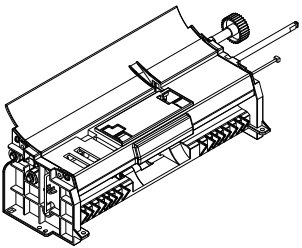
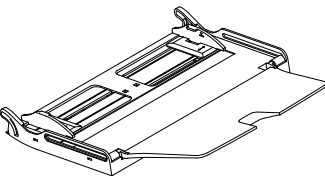
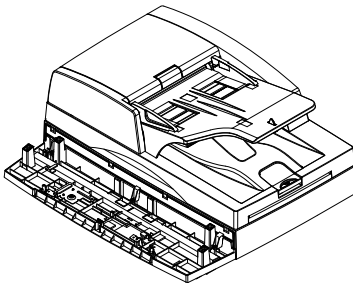
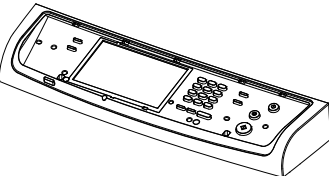
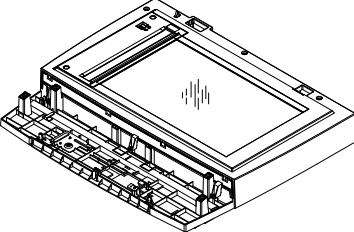
**This Parts Catalog is a property of Samsung Electronics Co.,Ltd.
Any unauthorized use of this manual can be punished under
applicable International and/or domestic law.**

ExplodedView and Parts List

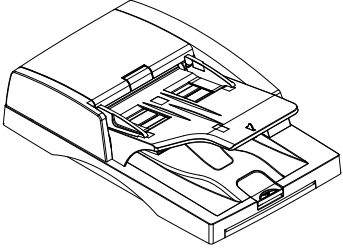
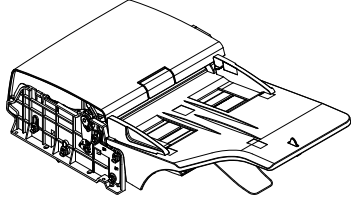
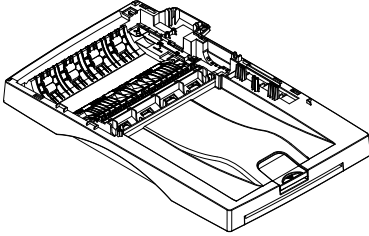
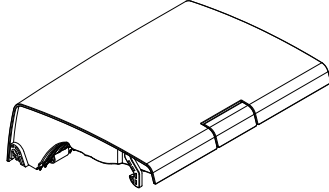
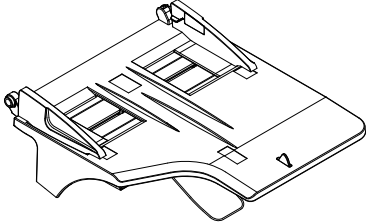
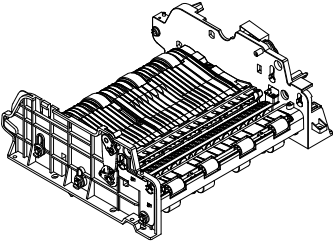
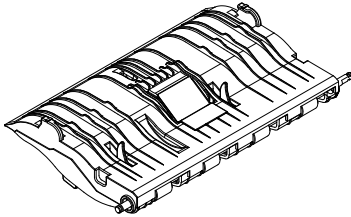
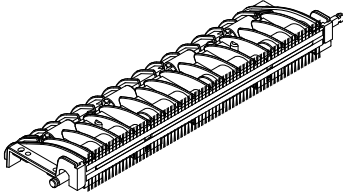
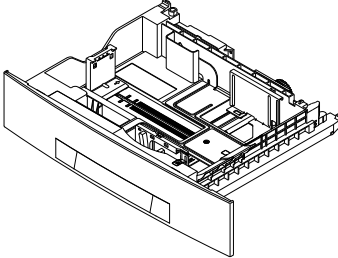
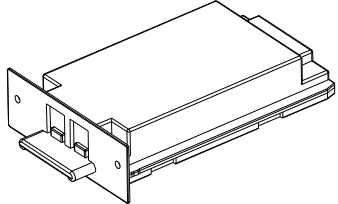
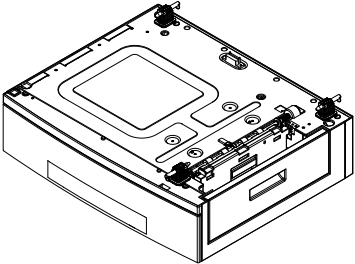
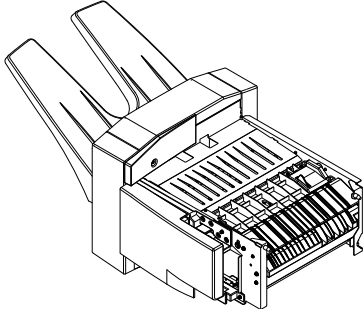
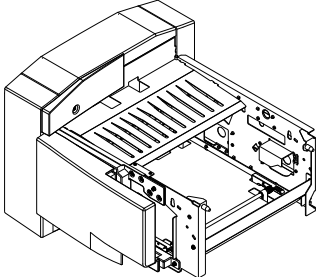
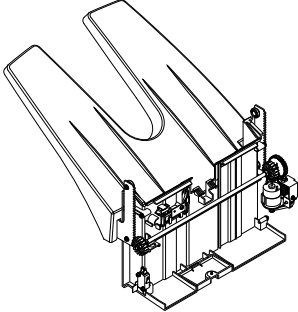
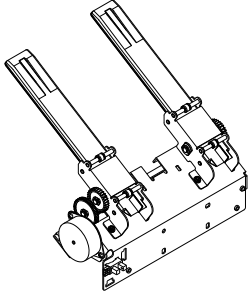
Contents

Thumbnail	2	23. Exit Unit_DADF	57
Mech tree	7	24. Cassette	59
1. Main	8	25. Fax Unit	61
2. Cover Unit	11	26. SCF.....	63
3. Main Frame	13	27. FINISHER UNIT (Optional Unit).....	66
4. Base Frame	16	27-1. Main_Finisher.....	66
5. Main Drive	19	27-2. Frame Unit	68
6. Fuser Drive	21	27-3. Stacker Unit	70
7. Exit Ass'y	23	27-4. Extension Tray Unit	72
8. Fuser Unit.....	25	27-5. EjectorUnit	74
9. Pick Up Ass'y	27	27-6. Compile Unit	76
10. Side Duplex	29	27-7. Feed Unit.....	78
11. MP Unit	32	28. HCF UNIT (Optional Unit)	80
12. MP Tray	34	28-1. ELA HOU-HCF	80
13. Scanner Ass'y	36	28-2. SUB PLATE-BOTTOM	82
14. OPE Unit	38	28-3. SUB UNIT-REAR	84
15. Platen Ass'y	40	28-4. AS-UNIT FRAME RIGHT	86
16. DADF Ass'y	43	28-5. ELA HOU-UPPER	88
17. DADF SUB Ass'y	45	28-6. AS-UNIT CASSETTE	90
18. Cover Platen_DADF.....	47	28-7. MEA UNIT-KNOCK UP	92
19. Cover Open_DADF	49	28-8. MEA UNIT-PAPER SIDE R	94
20. TX Stacker_DADF	51	28-9. MEA UNIT-PAPER SIDE L	96
21. Guide Scan_DADF	53	28-10. SUB GUIDE REAR	98
22. Guide Pickup_DADF	55		

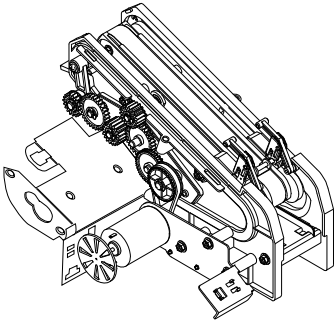
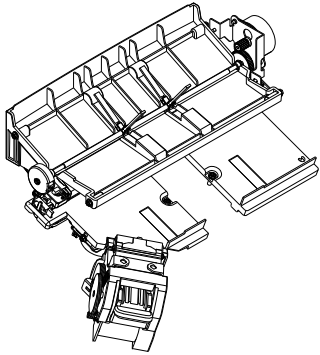
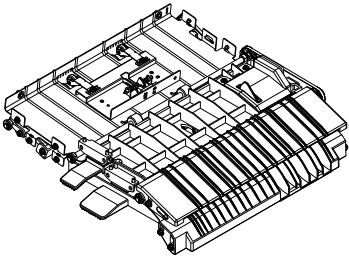
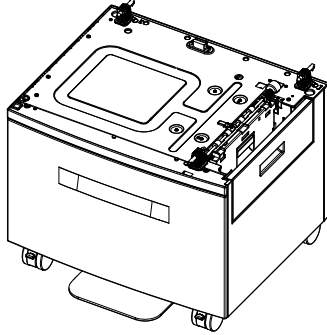
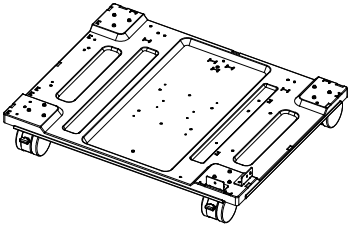
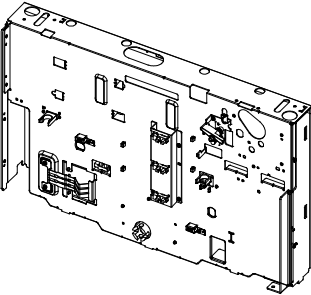
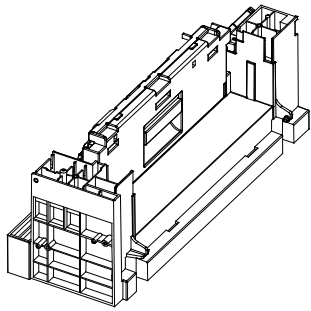
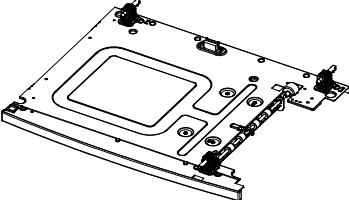
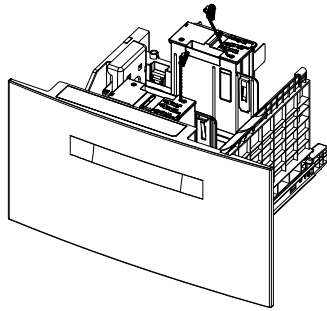
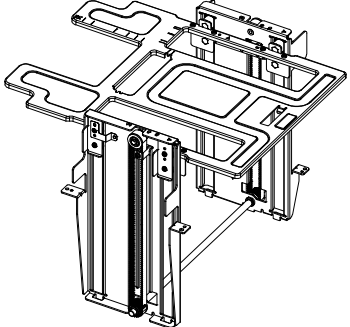
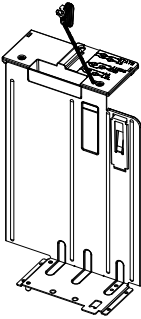
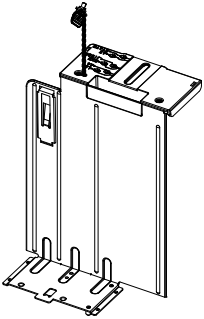
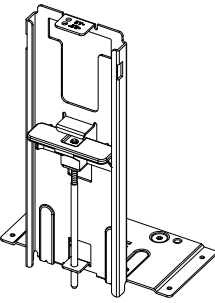
Thumbnail 1

				
<p>1. Main</p>	<p>2. Cover Unit</p>	<p>3. Main Frame</p>	<p>4. Base Frame</p>	<p>5. Main Drive</p>
				
<p>6. Fuser Drive</p>	<p>7. Exit Ass'y</p>	<p>8. Fuser Unit</p>	<p>9. Pick Up Ass'y</p>	<p>10. Side Duplex</p>
				
<p>11. MP Unit</p>	<p>12. MP Tray</p>	<p>13. Scanner Ass'y</p>	<p>14. OPE Unit</p>	<p>15. Platen Ass'y</p>

Thumbnail 2

				
16. DADF Ass'y	17. DADF SUB Ass'y	18. Cover Platen_DADF	19. Cover Open_DADF	20. TX Stacker_DADF
				
21. Guide Scan_DADF	22. Guide Pickup_DADF	23. Exit Unit_DADF	24. Cassette	25. Fax Unit
				
26. SCF	27-1. Main_Finisher	27-2. Frame Unit	27-3. Stacker Unit	27-4. Extension Tray Unit

Thumbnail 3

				
<p>27-5. EjectorUnit</p>	<p>27-6. Compile Unit</p>	<p>27-7. Feed Unit</p>	<p>28-1. ELA HOU-HCF</p>	<p>28-2. Sub Plate-Bottom</p>
				
<p>28-3. Sub Unit-Rear</p>	<p>28-4. AS-Unit Frame Right</p>	<p>28-5. ELA HOU-Upper</p>	<p>28-6. AS-Unit Cassette</p>	<p>28-7. MEA Unit-Knock Up</p>
				
<p>28-8. MEA Unit-Paper Side R</p>	<p>28-9. MEA Unit-Paper Side L</p>	<p>28-10. Sub Guide Rear</p>		

Mech tree

ELA HOU-OPE — PBA-OPE
 ELA HOU-OPE COVER — PBA SUB-KEY_SUB
 MEA UNIT-PLATE LCD — PBA SUB-KEY

CARTRIDGE-DRUM — ELA HOU-DEVE UNIT — ELA HOU-DEVE — PBA-DEVE_CRUM
 MEA UNIT-BUSH DEVE
 MEA UNIT-MAGNET PLATE
 MEA-MIXINGSCREW UNIT
 MEA-UNIT_MIXER DEVE
 MEA UNIT-COVER UPPER
 ELA HOU-OPC — ELA HOU-ERASE LAMP — PBA-ERASER
 MEA UNIT-HOUSING OPC
 MEA-DRUM OPC
 MEA-HOUSING CR
 MEA UNIT-COVER_DEVE — MEA UNIT-BUSH DEVE
 MEA UNIT-COVER FRONT

CARTRIDGE-TONER — MEA-TONER KIT — PBA-TONER_CRUM
 MEA UNIT-TONER WTB

ELA UNIT-LSU

ELA HOU-SCAN — ELA HOU-DADF — PBA-DADF
 ELA HOU-COVER PLATEN — ELA HOU-COVER JAM
 MEA UNIT-HINGE JF
 MEA UNIT-HINGE
 MEA-COVER PLATEN SUB
 ELA HOU-DADF SUB — ELA HOU-DADF MOTOR — MEA-CAM DADF
 ELA HOU-DUPLEX MOTOR
 ELA HOU-GUIDE SCAN — MEA-FEED ROLLER
 ELA HOU-COVER OPEN — MEA-PICK UP — MEA-ADF ROLLER
 MEA-EXIT
 MEA-GUIDE PICKUP — MEA-HOLDER ADF
 RUBBER
 MEA-TX STACKER
 MEA-ONE WAY DADF
 MEA UNIT-DUMMY UPPER — MEA UNIT-LEVER LOCKER
 ELA HOU-PLATEN — ELA HOU-SCAN LOWER — PBA SUB-SCAN_IF
 PBA-APS_IF
 ELA UNIT-CCDM HC — PBA-CCDM KC
 PBA-INVERTER KC
 MEA UNIT-COVER KHC
 ELA UNIT-SCAN MOTOR

ELA HOU-FRAME TOP — ELA HOU-FRAME MAIN — PBA-TCRUM_IF
 ELA HOU-CVR OPN
 ELA HOU-TERMINAL — ELA HOU-VARISTOR
 MEA UNIT-REGI R
 MEA UNIT-REGI F
 MEA UNIT-F DR
 MEA UNIT-DAMPER,L
 ELA HOU-BASE FRAME — ELA HOU-MP — ELA HOU-MP PICK UP
 ELA HOU-SIZE SENSOR — ELA UNIT-CST SENSOR — PBA SUB-CASSETTE
 ELA HOU-UPPER DP — MEA UNIT-ACT READY
 ELA HOU-BASE PLATE R
 ELA HOU-BASE RIGHT — MEA UNIT-RETARD — MEA UNIT-ROLLER PU
 MEA UNIT-FEED IDLE MP
 ELA HOU-PLATE UPPER — ELA HOU-PICK UP — MEA UNIT-ROLLER PU
 MEA UNIT-GEAR ONE WAY
 MEA UNIT-IDLE FORWARD
 MEA UNIT-HOLDER PAD
 MEA UNIT-ACT FEED
 MEA UNIT-ACT REGI
 MEA-SUPPORT SCAN

ELA HOU-SIDE DUPLEX — ELA HOU-SIDE — ELA HOU-GUIDE SIDE — MEA-ACTUATOR_DUPLEX
 MEA-GUIDE EXIT
 ELA HOU-DUPLEX
 MEA UNIT-TRAY
 MEA UNIT-TR — MEA UNIT-TR SUB

ELA HOU-DRIVE MAIN — MEA UNIT-GEAR SUPPLY
 MEA-GEAR REGI IDLE A

ELA HOU-EXIT — ELA HOU-SOLENOID DP
 MEA-GATE SPONGE

ELA HOU-DRIVE FUSER

ELA HOU-HDD MAIN — MEA UNIT-HOLDER HDD

ELA HOU-ENGINE — ELA UNIT-SHIELD SMPs
 ELA HOU-FAN DUCT

ELA UNIT-MSOK — PBA-MSOK

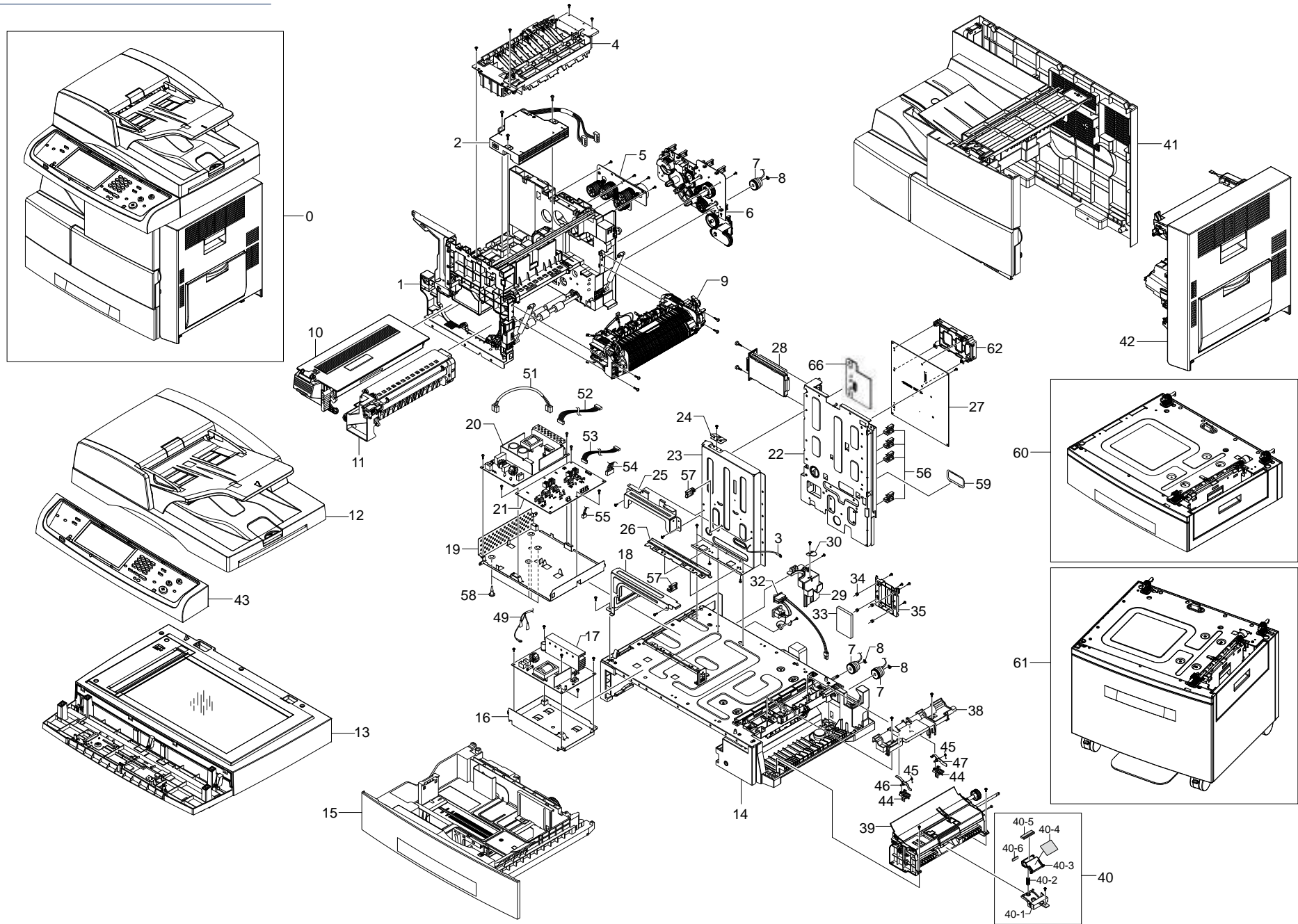
ELA UNIT-MAIN — PBA MAIN-DIMM
 PBA-MAIN

ELA HOU-FUSER — PBA-FUSER_CRUM
 ELA HOU-THERMISTER
 MEA UNIT-ACTUATOR
 MEA UNIT-CLAW
 MEA-BRACKET FUSER

MEA UNIT-CASSETTE — MEA UNIT-LIFTING GEAR

COVER — MEA UNIT-COVER TOP
 MEA UNIT-COVER UPPER
 MEA-COVER REAR
 COVER-FORNT

1. Main



Main Parts List

SA : SERVICE AVAILABLE, SNA : SERVICE not AVAILABLE

Drawer#	SEC_Code	Description	QT'y	Service	Remark
0	SCX-6555NX	SET	-	-	
1	JC96-04898A	ELA HOU-FRAME MAIN	1	SNA	
2	JC97-03624A	LSU	1	SA	
3	JB39-00065A	CBF HARNESS-DRIVER GND	1	SNA	
4	JC96-04892A	ELA HOU-EXIT	1	SA	
5	JC93-00169A	DRIVE FUSER	1	SA	
6	JC93-00168A	DRIVE MAIN	1	SA	
7	JC66-00994A	CLUTCH-5K Z32 (SPUR)	2	SA	
7	JC66-00994B	CLUTCH-5K Z32 (HELICAL)	1	SA	
8	JC61-01367A	FIXER-M_E RING 4PI	3	SA	
9	JC91-00973A	FUSER	1	SA	110V
9	JC91-00973B	FUSER	1	SA	220V
10	JC96-04710B	CARTRIDGE-DRUM	1	SNA	Sales Item
11	JC96-04711B	CARTRIDGE-TONER	1	SNA	Sales Item
12	JC96-04855A	ELA HOU-DADF	1	SA	
13	JC97-03842A	ELA HOU-PLATEN	1	SA	
14	JC96-04903A	ELA HOU-BASE FRAME	1	SNA	
15	JC97-02273B	MEA UNIT-CASSETTE	1	SA	
16	JC63-01645A	SHIELD-BD FUSER	1	SNA	
17	JC44-00159A	FDB-MULTI TRIAC V1	1	SA	110V
17	JC44-00160A	FDB-MULTI TRIAC V2C	1	SA	220V
18	JC61-01309A	PLATE-P-FINISHER F	1	SNA	
19	JC63-00832A	SHIELD-P_SMPS LOWER	1	SNA	
20	JC44-00093B	SMPS-PSP_TYPE5_V1	1	SA	110V
20	JC44-00100B	SMPS-PSP_TYPE5_V2	1	SA	220V
21	JC44-00158A	HVPS	1	SA	
22	JC63-00827A	SHIELD-P_MAIN LOWER	1	SNA	
23	JC61-01310A	PLATE-P_SUPPORT SCAN	1	SNA	
24	JC63-00791A	GROUND-P_SPRING SCAN	1	SNA	
25	JC61-01311A	PLATE-P_FINISHER REAR	1	SNA	
26	JC61-01314A	GUIDE-P_SHIELD SMPS	1	SNA	

Drawer#	SEC_Code	Description	QT'y	Service	Remark
27	JC92-02332A	PBA-MAIN	1	SA	
28	JC96-04081B	ELA HOU-FAX	1	SNA	Option Unit
29	JC67-00113A	CAP-M INLET	1	SNA	
30	JC61-00667A	STOPPER-M FAN80	1	SA	
31	4301-001042	BATTERY-LI	1	SNA	
32	JC39-00834A	HARNESS-POWER_SW	1	SNA	
33	JC59-00030A	HDD	1	SA	160GB
34	JC73-00215A	RUBBER-DAMPER HDD	4	SA	
35	JC61-01389A	HOLDER-M_HDD	1	SNA	
36	JC92-01946C	PBA-MSOK	1	SNA	
38	JC61-01295A	PLATE-M_FEED UPPER	1	SA	
39	JC96-04905A	ELA HOU-MP	1	SA	
40	JC97-02260A	MEA UNIT-HOLDER PAD	1	SA	
40-1	JC61-01415A	GUIDE-M_PAD LOWER	1	SNA	
40-2	JC61-00387A	SPRING ETC-PAD	1	SA	
40-3	JC61-00744A	HOLDER-M-ADF RUBBER UPPER	1	SNA	
40-4	JC63-01085A	SHEET-GUIDE MP	1	SNA	
40-5	JB73-00052A	RMO-ADF RUBBER	1	SA	
40-6	JC73-00079A	RPR-SEAL SIDE	1	SNA	
41	JC95-01270A	COVER	1	SNA	
42	JC96-04890A	ELA HOU-SIDE DUPLEX	1	SA	
43	JC97-03852A	OPE	1	SA	
44	JC61-01421A	HOLDER-M_ACT FEED	2	SA	
45	6107-001261	SPRING TS	2	SA	
46	JC61-01426A	LEG-M_ACT FEED BASE	1	SA	
47	JC61-01408A	LEG-M_ACTUATOR REGI	1	SA	
49	JC39-00832A	HARNESS-FUSER_FR	1	SNA	
51	JC39-00798A	HARNESS-FUSER_AC	1	SNA	
52	JC39-00460A	HARNESS-SMPS	1	SA	
53	JC39-00779A	HARNESS-HVPS_FUSER	1	SNA	
54	JC39-00544A	CBF HARNESS_HVPS(8P)	1	SA	

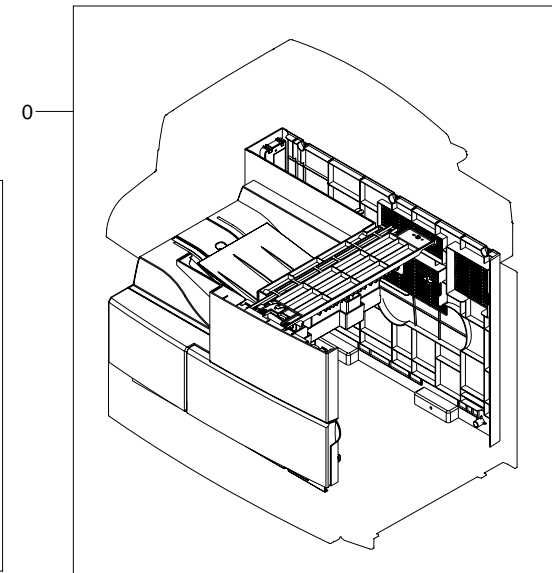
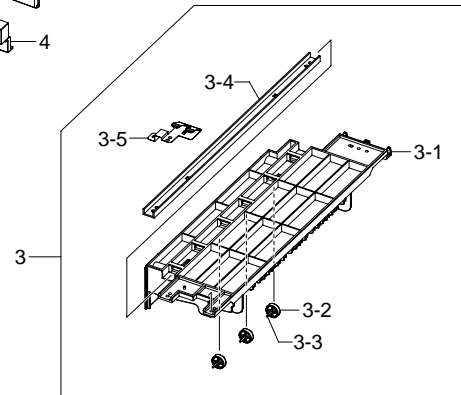
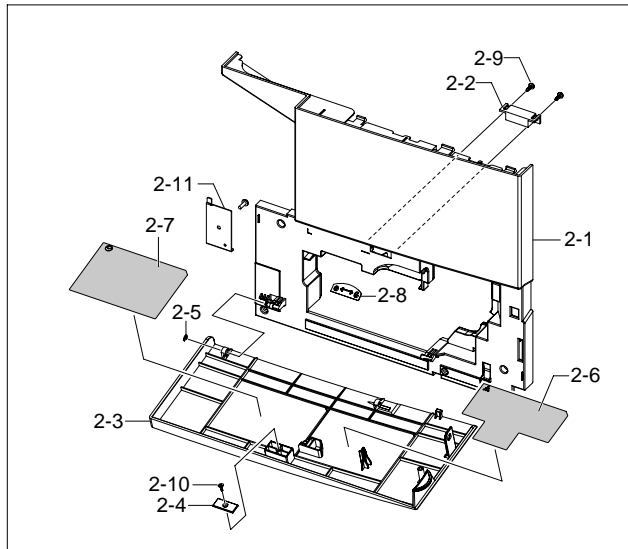
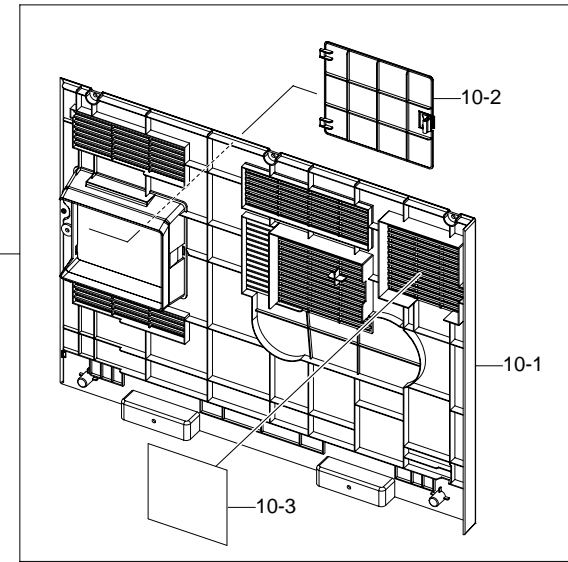
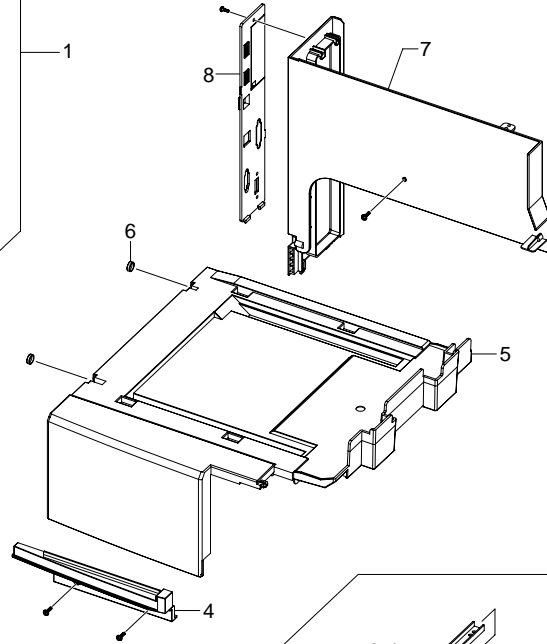
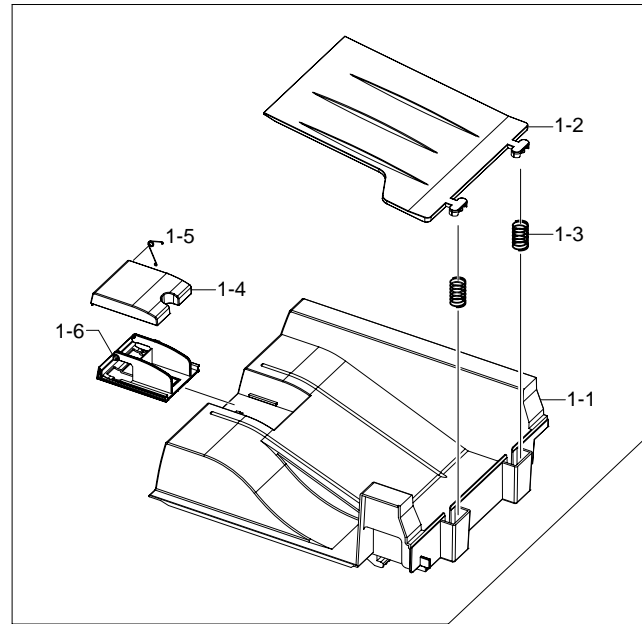
Main Parts List

SA : SERVICE AVAILABLE, SNA : SERVICE not AVAILABLE

Drawer#	SEC_Code	Description	QT'y	Service	Remark
55	JC39-00545A	CBF HARNESS_HVPS(3P)	1	SA	
56	6502-001101	CABLE CLAMP LARGE	4	SNA	
57	6502-000132	CABLE CLAMP	2	SNA	
58	6103-000101	STOPPER CLAMP	4	SNA	
59	JC61-01012A	GUIDE-M_BUSH HARNESS	1	SNA	

Drawer#	SEC_Code	Description	QT'y	Service	Remark
60	JC96-03530A	ELA HOU-SCF	1	SNA	Option Unit
61	JC96-04852A	ELA HOU-HCF	1	SNA	Option Unit
62	JC61-01406A	HOLDER-M_LIU	1	SA	
66	JC92-02327A	PBA-USB HOST	1	SA	

2. Cover Unit



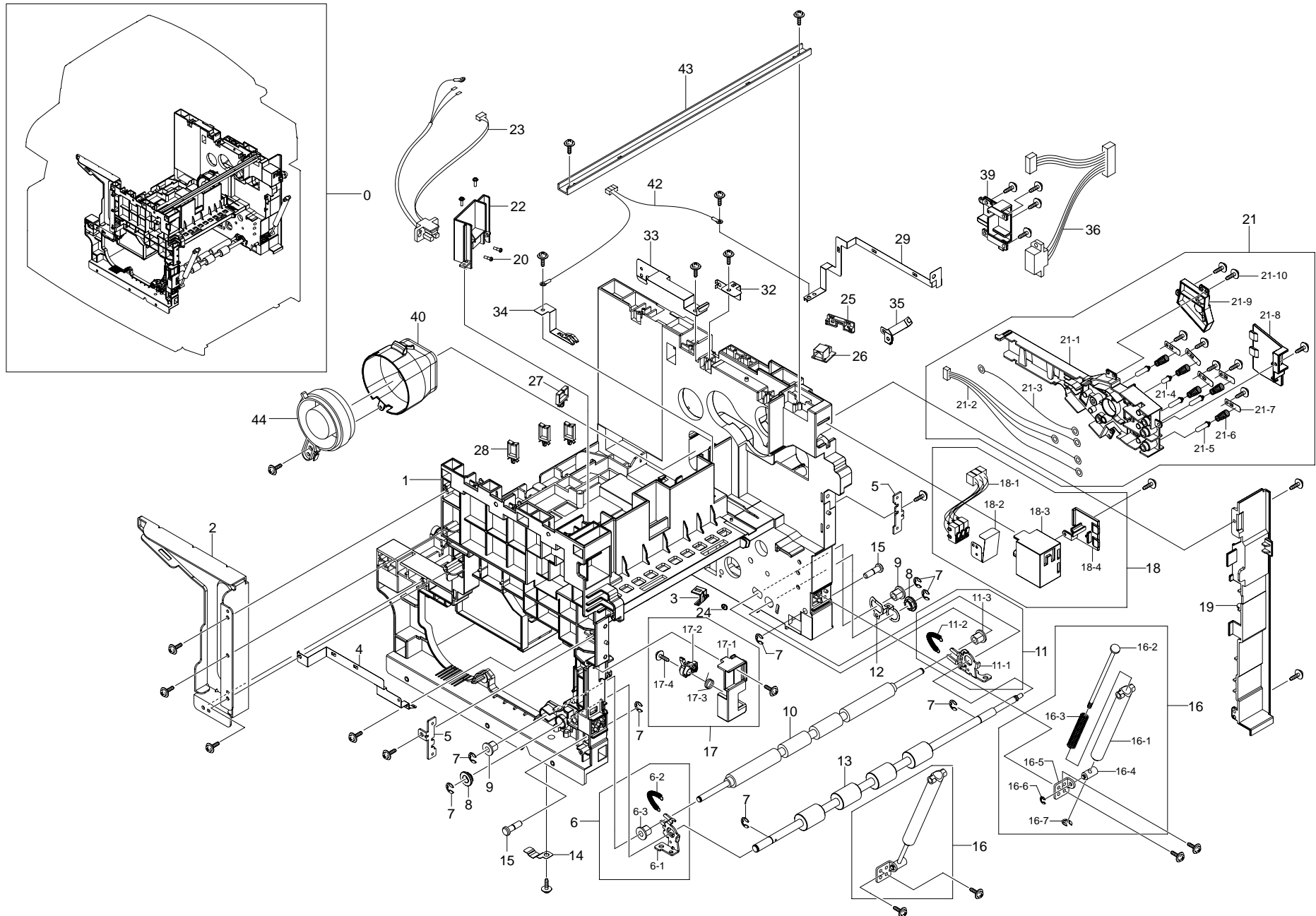
Cover Unit Parts List

SA : SERVICE AVAILABLE, SNA : SERVICE not AVAILABLE

Drawer#	SEC_Code	Description	QT'y	Service	Remark
0	JC95-01270A	COVER	1	SNA	
1	JC97-02258B	MEA UNIT-COVER TOP	1	SA	
1-1	JC63-00736B	COVER-EXIT TOP	1	SNA	
1-2	JC63-00739B	COVER-GUIDE STACKER	1	SNA	
1-3	6107-000117	SPRING-CS	2	SA	
1-4	JC63-00737B	COVER-EXIT ST LOWER	1	SNA	
1-5	6107-001264	SPRING-TS	1	SNA	
1-6	JC63-00738B	COVER-EXIT STACKER	1	SNA	
2	JC97-02810A	MEA UNIT-COVER FRONT	1	SNA	
2-1	JC63-00733J	COVER-FRONT INNER	1	SNA	
2-2	JC61-00961A	MAGNET-CATCH DELL	1	SNA	
2-3	JC63-00735B	COVER-FRONT	1	SNA	
2-4	JC61-00962A	PLATE-MAGNET CATCH	1	SNA	
2-5	6044-000159	RING-C	1	SA	
2-6	JC68-01624B	LABEL-INSTALLATION	1	SNA	
2-7	JC68-01623B	LABEL-INSTALLATION	1	SNA	
2-8	JC68-01694B	LABEL-INSTALLATION	1	SNA	

Drawer#	SEC_Code	Description	QT'y	Service	Remark
2-9	6003-000196	SCREW-TATITE	1	SA	
2-10	6003-001001	SCREW-TATITE	1	SNA	
2-11	JC61-02561A	PLATE-FRONT INNER	1	SNA	
3	JC97-02274B	MEA UNIT-COVER UPPER	1	SA	
3-1	JC63-00734B	COVER-EXIT UPPER	1	SNA	
3-2	JC66-01019A	ROLLER-M EXIT DP IDLE	3	SA	
3-3	JC70-00064A	IPR-PIN ROLLER EXIT	3	SNA	
3-4	JC61-01353A	BRACKET-P-CHANNEL	1	SNA	
3-5	JC63-00740A	GROUND-P-OPE	1	SNA	
4	JC63-00728B	COVER-EXIT BRACKET	1	SA	
5	JC63-00727B	COVER-EXIT BOTTOM	1	SA	
6	JC67-00164B	CAP-HOLE SCREW	2	SNA	
7	JC63-00731B	COVER-M_EXIT REAR	1	SA	
8	JC63-02813A	COVER-PANEL MFP	1	SA	
10	JC97-03123A	MEA-COVER REAR	1	SA	
10-1	JC63-01639A	COVER-MAIN REAR	1	SNA	
10-2	JC63-00730B	COVER-REAR DUMMY	1	SNA	

3. Main Frame



Main Frame Parts List

SA : SERVICE AVAILABLE, SNA : SERVICE not AVAILABLE

Drawer#	SEC_Code	Description	QT'y	Service	Remark
0	JC96-04898A	ELA HOU-FRAME MAIN	1	SNA	
1	JC61-01315A	FRAME-M_MAIN	1	SNA	
2	JC61-01360A	BRACKET-P-SUP SCAN F	1	SNA	
3	JC61-02710A	HOLDER-STAR WHEEL	1	SA	
4	JC63-00802A	GROUND-P-OPC CONTACT	1	SNA	
5	JC61-01285A	HOLDER-P-FUSER	2	SNA	
6	JC97-02262A	MEA UNIT-REGI F	1	SA	
6-1	JC61-01355A	BRACKET-P-REGI F	1	SNA	
6-2	6107-001155	SPRING-ES	1	SA	
6-3	JC61-00884A	BUSH-6_D(L)	1	SA	
7	6044-000231	RING-E	1	SA	
8	JC61-00426A	BUSH-8/5	2	SA	
9	JC61-00423A	BUSH-6_D	2	SA	
10	JC66-01028A	ROLLER-IDLE REGI	1	SA	
11	JC97-02261A	MEA UNIT-REGI R	1	SA	
11-1	JC61-01356A	BRACKET-P-REGI R	1	SNA	
11-2	6107-001155	SPRING-ES	1	SA	
11-3	JC61-00884A	BUSH-6_D(L)	1	SA	
12	JC63-00804A	GROUND-P-FEED	1	SNA	
13	JC66-01029A	ROLLER-DR REGI	1	SA	
14	JC63-00803A	GROUND-P-REGI	1	SNA	
15	JC66-00960A	SHAFT-DUP GUIDE	2	SNA	
16	JC97-02301A	MEA UNIT-DAMPER,L	2	SA	
16-1	JC61-00194A	CASE-DAMPER DUP	1	SNA	
16-2	JC61-00196A	SHAFT-DAMPER DUP	1	SNA	
16-3	6107-001254	SPRING-CS	1	SNA	
16-4	JC61-00197A	HINGE-SHAFT DUP	1	SNA	
16-5	JC61-00310A	BRACKET-L DAMPER DUP	1	SNA	
16-6	6044-000159	RING-C	1	SA	
16-7	6044-000121	RING-E	1	SNA	
17	JC97-02263A	MEA UNIT-F DR	1	SA	

Drawer#	SEC_Code	Description	QT'y	Service	Remark
17-1	JC63-00741A	COVER-M_FRONT DUMMY	1	SNA	
17-2	JC61-01358A	BRACKET-M_SIDE OPEN	1	SNA	
17-3	JC61-00486A	SPRING ETC-TORSION	1	SA	
17-4	6003-000196	SCREW-TAPTITE	1	SA	
18	JC96-03534A	ELA HOU-CVR OPN	1	SA	
18-1	JC39-00541A	HARNESS-COVER_SW	1	SNA	
18-2	JC63-00753A	GUARD-P_SW	1	SNA	
18-3	JC61-01354A	HOUSING-M_SIDE DR SNR	1	SNA	
18-4	JC63-00760A	COVER-M_SIDE DOOR SNR	1	SNA	
19	JC61-01316A	FRAME-M_COVER REAR	1	SNA	
20	6009-001396	SCREW-SPECIAL	2	SNA	
21	JC96-03535A	ELA HOU-TERMINAL	1	SA	
21-1	JC61-01357A	HOUSING-M_TERMINAL	1	SNA	
21-2	JC39-00544A	CBF HARNESS-HVPS(8P)	1	SA	
21-3	JC96-04056A	ELA HOU-VARISTOR	1	SA	
21-4	JC70-40912A	ICT-SHAFT HV LARGE	1	SNA	
21-5	JC66-00979A	SHAFT-TERMINAL_16L	4	SNA	
21-6	JC61-70930A	SPRING ETC-HV SMALL	5	SNA	
21-7	JC61-01330A	PLATE-P-TERMIANL_HV	5	SNA	
21-8	JC63-00757A	COVER-M_TERMINAL DUP	1	SNA	
21-9	JC63-00742A	COVER-M_TERMINAL	1	SNA	
21-10	6003-000196	SCREW-TAPTITE	1	SA	
22	JC61-02257A	HOLDER-FUSER LAMP	1	SNA	
23	JC39-00832A	HARNESS-FUSER_FR	1	SNA	
24	JB61-00439A	PLATE-STARWHEEL	1	SNA	
25	JC61-02422A	HOLDER-TONER CRUM	1	SNA	
26	JC92-01963A	PBA-TCRUM_IF		SA	
27	6502-001101	CABLE CLAMP	1	SNA	
28	6502-001093	CABLE CLAMP	1	SNA	
29	JC63-00797A	GROUND-P-P FUSER	1	SNA	
32	JC63-00798A	GROUND-P-EXIT	1	SNA	

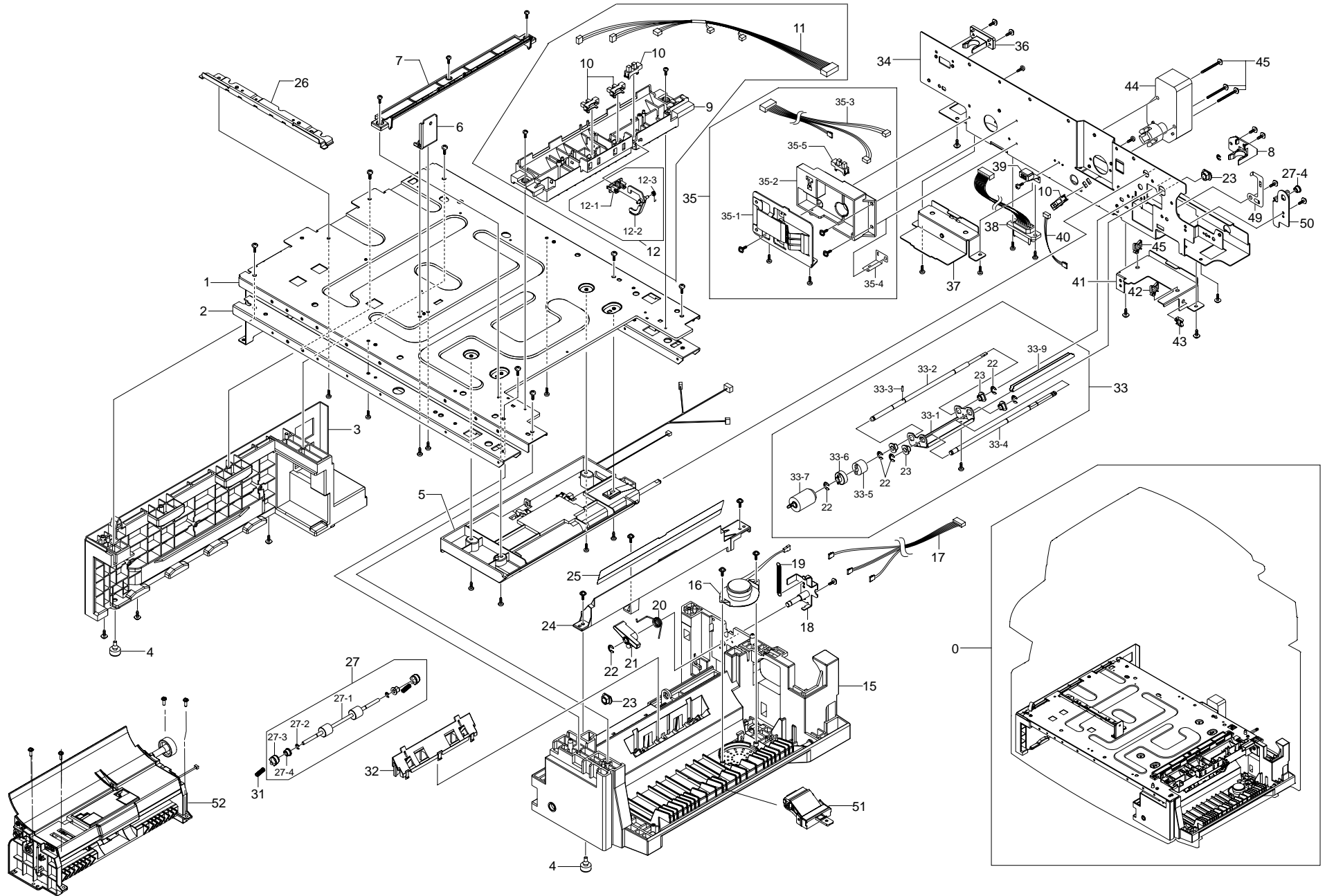
Main Frame Parts List

SA : SERVICE AVAILABLE, SNA : SERVICE not AVAILABLE

Drawer#	SEC_Code	Description	QT'y	Service	Remark
33	JC63-00800A	GROUND-P-OPE REAR	1	SNA	
34	JC63-00796A	GROUND-P-H FUSER	1	SNA	
35	JC63-00799A	GROUND-P-MAIN DRIVE L	1	SNA	
36	JC39-00784A	HARNES-DEVE_RF	1	SNA	
39	JC61-01287A	HOLDER-M_DEVE CONN	1	SNA	

Drawer#	SEC_Code	Description	QT'y	Service	Remark
40	JC67-00127A	DUCT-M_FAN LSU	1	SA	
42	JC39-00545A	CBF HARNES-HVPS(3P)	1	SA	
43	JC61-01353A	BRACKET-P-CHANNEL	1	SNA	
44	JC31-00099A	FAN	1	SA	

4. Base Frame



Base Frame Parts List

SA : SERVICE AVAILABLE, SNA : SERVICE not AVAILABLE

Drawer#	SEC_Code	Description	QT'y	Service	Remark
0	JC96-04903A	ELA HOU-BASE FRAME	1	SNA	
1	JC61-01337A	BASE-P-PLATE	1	SNA	
2	JC61-01312A	PLATE-P-BEAM BASE	2	SNA	
3	JC61-01342B	HOUSING-BASE LEFT	1	SNA	
4	JC61-40001A	FOOT-ML80	1	SA	
5	JC96-05046A	ELA HOU-PICK UP	1	SA	
6	JC61-01347A	BRACKET-P-JOINT BASE	1	SNA	
7	JC61-01296A	GUIDE-M_FEED UPPER	1	SNA	
8	JC61-01344A	HOLDER-M_CST R	1	SNA	
9	JC61-01294A	GUIDE-M_FEED DP	1	SNA	
10	0604-001095	PHOTO-INTERRUPTER	3	SA	
11	JC39-00790A	CBF HARNESS-REGI	1	SNA	
12	JC97-02704A	MEA UNIT-ACT READY	1	SA	
12-1	JC61-01422A	HOLD-M ACT READY	1	SA	
12-2	JC61-01435A	LEG-M_ACT READY DP	1	SA	
12-3	JB61-00076A	SPRING ETC-TORSION DOC (CC2-F)	1	SA	
15	JC61-01341B	HOUSING-BASE RIGHT	1	SA	
16	3001-002207	SPEAKER	1	SA	
17	JC39-00792A	HARNESS-MP_SPK	1	SNA	
18	JC61-01423A	BRACKET-P-ARM FRIC	1	SNA	
19	6107-001258	SPRING-ES	1	SA	
20	6107-001263	SPRING-TS	1	SNA	
21	JC66-00959A	LEVER-M_ARM FRICTION	1	SA	
22	6044-000125	RING-E	6	SA	
23	JC61-00423A	BUSH-6_D	4	SA	
24	JC61-01313A	GUIDE-M_PICKUP BASE	1	SNA	
25	JC63-00795A	SHEET-GUIDE FILM BASE	1	SA	
26	JC61-01314A	GUIDE-P-SHIELD SMPS	1	SNA	
27	JC97-02705A	MEA UNIT-FEED IDLE MP	1	SA	
27-1	JC66-01027A	ROLLER-RUBBER IDLE	1	SNA	
27-2	JC61-00046A	SPRING ETC-TR R HAWK	2	SNA	

Drawer#	SEC_Code	Description	QT'y	Service	Remark
27-3	JC61-01434A	HOLDER-M_BUSHING IDLE	2	SNA	
27-4	JC61-00424A	BUSH-4	2	SA	
31	6107-001258	SPRING-ES	1	SA	
32	JC61-01297A	GUIDE-M_FEED IDLE MP	1	SA	
33	JC97-02290A	MEA UNIT-RETARD	1	SA	
33-1	JC61-01348A	BRACKET-P-RETARD	1	SNA	
33-2	JC66-00937A	SHAFT-RETARD S	1	SA	
33-3	JC66-00939A	SHAFT-LOCK	1	SA	
33-4	JC66-00938A	SHAFT-RETARD M	1	SNA	
33-5	JC67-00126A	COUPLER-TORQUELIMITER	1	SNA	
33-6	JC66-00976A	JOINT-M_RETARD	1	SNA	
33-7	JC97-02259A	MEA UNIT-ROLLER PU	1	SA	
33-8	JC61-01349A	BRACKET-P-BAR RETARD	1	SNA	
34	JC61-01338A	BASE-P-PLATE REAR	1	SNA	
35	JC96-04906A	ELA HOU-SIZE SENSOR	1	SA	
35-1	JC96-02127B	ELA HOU-CST SENSOR HAWK16	1	SA	
35-2	JC61-01343A	HOUSING-M_SIZE SENSOR	1	SNA	
35-3	JC39-00795A	HARNESS-TRAY_SIZE	1	SNA	
35-4	JC63-00794A	GROUND-P-PAPER SIZE	1	SNA	
36	JC61-01345A	HOLDER-M_CST L	1	SNA	
37	JC61-01340A	BRACKET-P_HANDLE L	1	SNA	
38	JC39-00780A	HARNESS-SCF_MAIN	1	SNA	
39	JC70-11028A	IPR-GROUND TOP	1	SA	
40	JC39-00793A	CBF HARNESS-NEAR SEN	1	SA	
41	JC61-01436A	BRACKET-P_HANDLE R	1	SNA	
42	6502-000132	CABLE CLAMP	1	SNA	
43	6502-001101	CABLE CLAMP	1	SNA	
44	JC31-00045A	MOTOR GEARED-P LIFT	1	SA	
49	JC63-00833A	GROUND-P-SHAFT RETARD	1	SA	
50	JC61-02262A	HOLDER-P-MP FEED	1	SNA	
51	JC97-02260A	MEA UNIT-HOLDER PAD	1	SA	

Base Frame Parts List

SA : SERVICE AVAILABLE, SNA : SERVICE not AVAILABLE

Drawer#	SEC_Code	Description	QT'y	Service	Remark
52	JC96-04905A	ELA HOU-MP	1	SA	

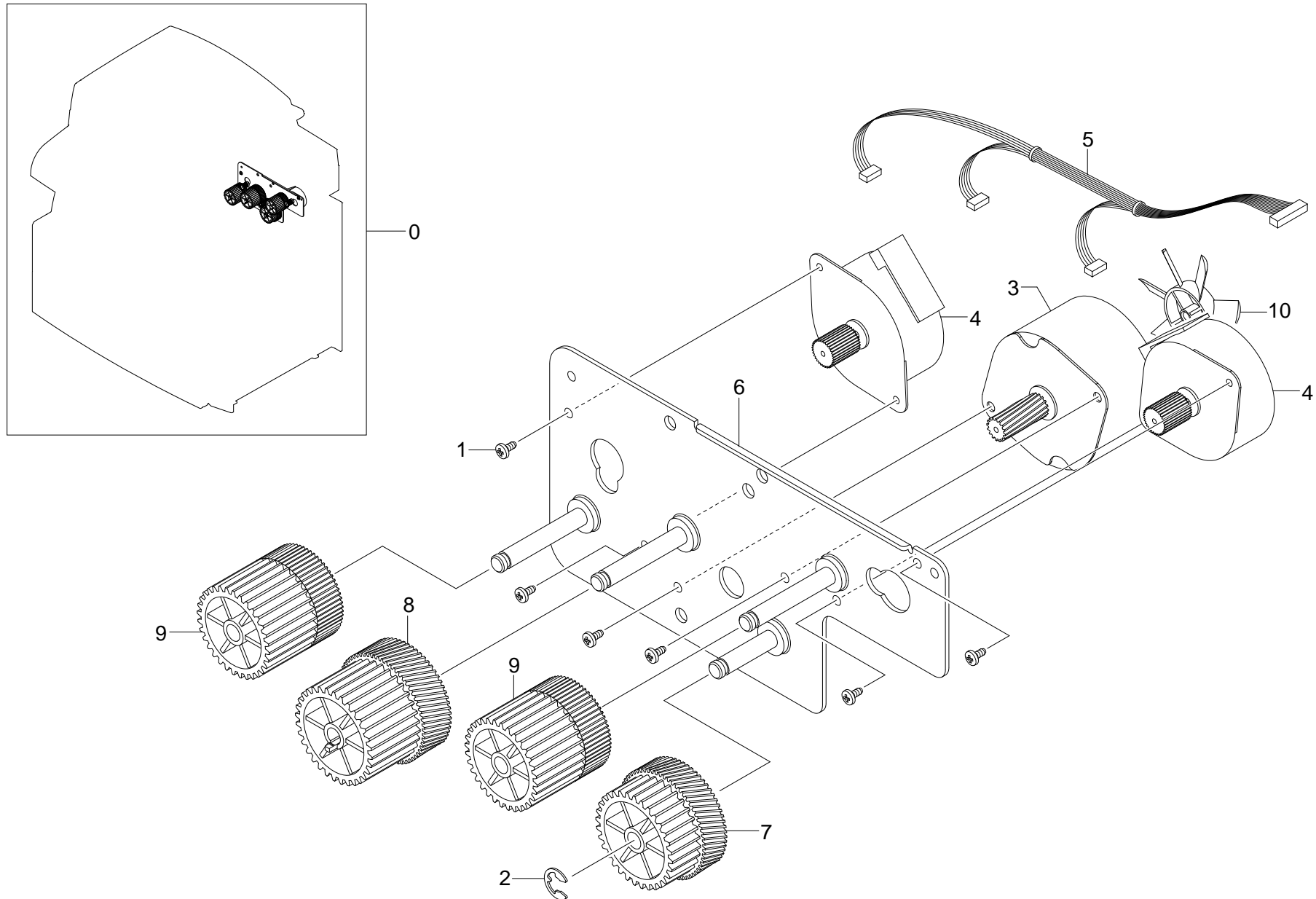
Main Drive Parts List

SA : SERVICE AVAILABLE, SNA : SERVICE not AVAILABLE

Drawer#	SEC_Code	Description	QT'y	Service	Remark
0	JC93-00168A	DRIVE MAIN	1	SA	
1	6003-000269	SCREW-TAPTITE	14	SA	
2	6044-000159	RING-C	1	SA	
3	6044-000231	RING-E	7	SA	
4	6502-000132	CABLE CLAMP	3	SNA	
5	JC31-00090A	MOTOR BLDC	2	SA	
6	JC39-00777A	HARNESS-MAIN_MTR	1	SNA	
7	JC61-02245A	BRACKET-MAIN	1	SNA	
8	JC61-01369A	BRACKET-P-DPX SWING	1	SNA	
9	JC61-01370A	BRACKET-P-TONER MOTOR	1	SNA	
10	JC61-70950A	SPRING ETC-EXTENSION	1	SA	
11	JC66-00982A	GEAR-M_OPC BASE	1	SA	
12	JC97-03120A	MEA-GEAR REGI IDLE A	1	SNA	
12-1	JC66-01681A	GEAR-REGI HELICAL	1	SA	
12-2	JC61-01428A	BUSH-DRY	2	SNA	
13	JC66-01677A	GEAR-REGI IDLE C	1	SA	
14	JC66-00985A	GEAR-M_MIXER	1	SA	
15	JC66-00986A	GEAR-M_AGITATOR	1	SA	
16	JC66-01682A	GEAR-PICKUP HELICAL	1	SA	

Drawer#	SEC_Code	Description	QT'y	Service	Remark
17	JC66-01680A	GEAR-MP HELICAL	1	SA	
18	JC66-00989A	GEAR-M_AGI IDLE	1	SA	
19	JC66-00990A	GEAR-M_MP IDLE B	1	SA	
20	JC66-00991A	GEAR-M_DUPLEX IDLE	1	SA	
21	JC66-00993A	GEAR-M_SUPPLY IDLE	1	SA	
22	JC67-00115A	OTHER MECHA-M CPL OPC	1	SA	
23	JC67-00116A	OTHER MECHA-M COLLAR DP	1	SNA	
24	JC72-00743A	PMO-DEV/COUPLING	2	SA	
25	JC31-00078A	MOTOR DC	1	SA	
26	JC97-02681A	MEA UNIT-GEAR SUPPLY	1	SA	
26-1	6043-001028	PIN-SPRING	1	SA	
26-2	JC61-00396A	SPRING ETC-COIL CONTAINER	1	SA	
26-3	JC66-00992A	GEAR-M_SUPPLY	1	SNA	
26-4	JC72-00621A	JOINT-COUPLING_CONTAINER	1	SA	
27	JC66-01678A	GEAR-MIDDLE	1	SA	
28	JC66-01679A	GEAR-AGI IDLE B	1	SA	
29	JC67-00276A	CAP-GEAR	1	SNA	
30	6502-001093	CABLE CLAMP	5	SNA	

6. Fuser Drive



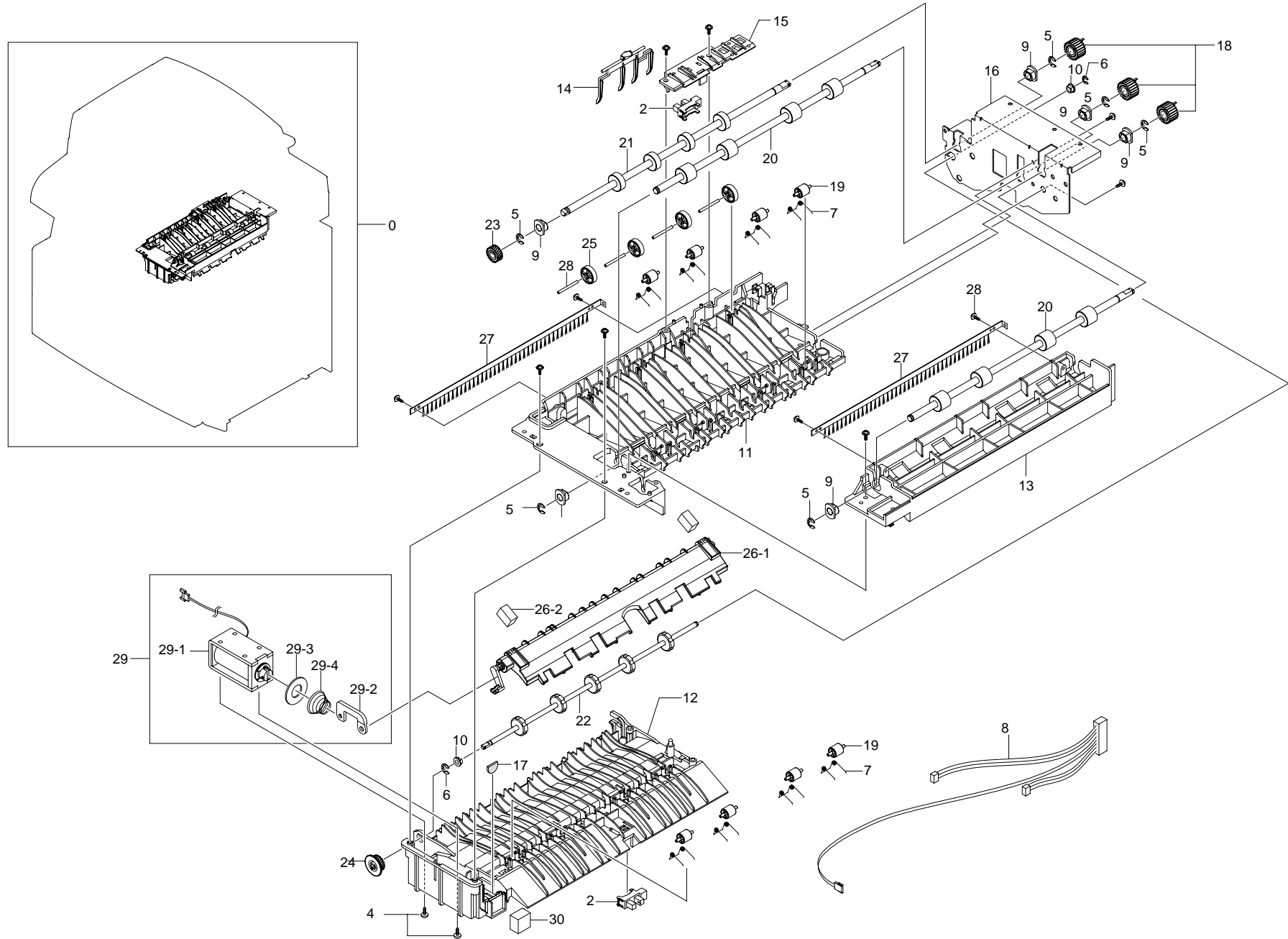
Fuser Drive Parts List

SA : SERVICE AVAILABLE, SNA : SERVICE not AVAILABLE

Drawer#	SEC_Code	Description	QT'y	Service	Remark
0	JC93-00169A	DRIVE FUSER	1	SA	
1	6003-000269	SCREW-TAPTITE	6	SA	
2	6044-000231	RING-E	1	SA	
3	JC31-00100A	MOTOR STEP	1	SA	
4	JC31-00077A	MOTOR STEP	2	SNA	
5	JC39-00789A	HARNESS-STP_MTR	1	SA	

Drawer#	SEC_Code	Description	QT'y	Service	Remark
6	JC61-01371A	BRACKET-P-FUSER EXIT	1	SNA	
7	JC66-01986A	GEAR-FUSER IDLE A	1	SNA	
8	JC66-01988A	GEAR-EXIT IDLE A	1	SNA	
9	JC66-01987A	GEAR-EXIT IDLE C	2	SNA	
10	JC72-00825A	PMO-IMPELLER_DRV	1	SA	

7. Exit Ass'y



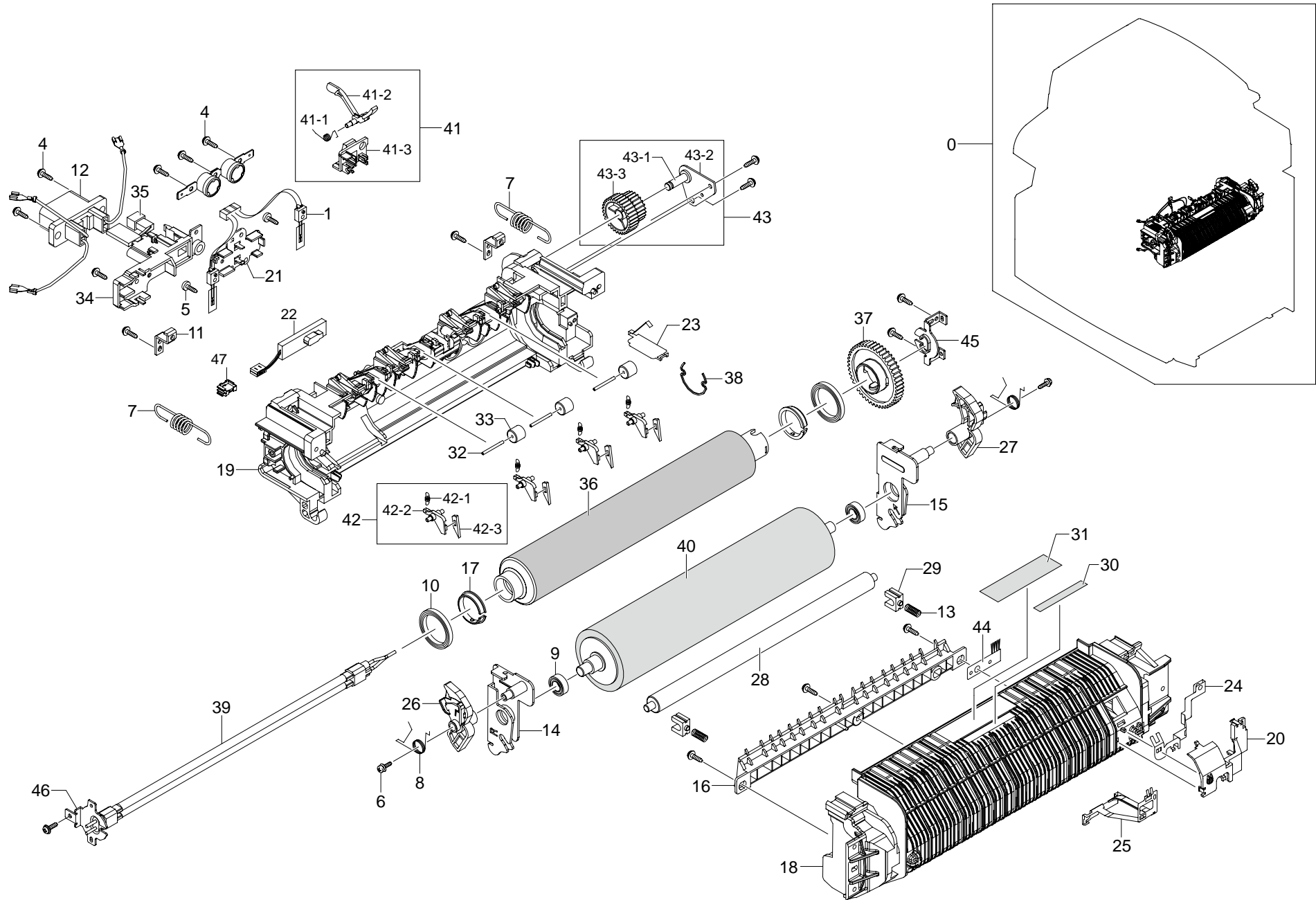
Exit Ass'y Parts List

SA : SERVICE AVAILABLE, SNA : SERVICE not AVAILABLE

Drawer#	SEC_Code	Description	QT'y	Service	Remark
0	JC96-04892A	ELA HOU-EXIT	1	SA	
2	0604-001095	PHOTO-INTERRUPTER	2	SA	
3	6003-000196	SCREW-TAPTITE	1	SA	
4	6003-000269	SCREW-TAPTITE	1	SA	
5	6044-000125	RING-E	6	SA	
6	6044-000159	RING-C	1	SA	
7	6107-001540	SPRING-TS	8	SA	
8	JC39-00788A	HARNESS-EXIT	1	SNA	
9	JC61-00423A	BUSH-6_D	6	SA	
10	JC61-00424A	BUSH-4	2	SA	
11	JC61-01301A	GUIDE-M_EXIT UPPER	1	SNA	
12	JC61-01302A	GUIDE-M_EXIT LOWER	1	SNA	
13	JC61-01303A	GUIDE-M_EXIT DUPLEX	1	SNA	
14	JC61-01391A	LEG-M LIMIT STACKING	1	SA	
15	JC61-01392A	HOLDER-M_ACT OUTBIN	1	SNA	
16	JC61-01393A	BRACKET-P-EXIT	1	SNA	
17	JC63-00821A	ABSORBER-DAMPER S	1	SNA	
18	JC66-01012A	GEAR-M_EXIT	3	SA	

Drawer#	SEC_Code	Description	QT'y	Service	Remark
19	JC66-01013A	ROLLER-M IDLE JF	8	SA	
20	JC66-01014A	ROLLER-EXIT DRV	1	SNA	
21	JC66-01015A	ROLLER-EXIT UPPER	1	SNA	
22	JC66-01016A	ROLLER-EXIT_LOWER	1	SNA	
23	JC66-01017A	GEAR-M_EXIT UPPER	1	SA	
24	JC66-01018A	GEAR-M_EXIT LOWER	1	SA	
25	JC66-01019A	ROLLER-M EXIT DP IDLE	4	SA	
26	JC97-03208A	MEA-GATE SPONGE	1	SNA	
26-1	JC67-00122A	OTHER MECHA-M GATE DP	1	SA	
26-2	JC72-01415A	SPONGE-DAMPER GATE	1	SA	
27	JC67-00125A	BRUSH-EXIT	2	SA	
28	JC70-00064A	IPR-PIN ROLLER EXIT	1	SNA	
29	JC96-03749B	ELA HOU-SOLENOID DP	1	SA	
29-1	JC33-00029A	SOLENOID-DUPLEX	1	SA	
29-2	JC61-01332A	GUIDE RAIL-M LINK GATE	1	SNA	
29-3	JC61-70915A	SPRING ETC-SOLENOID DP	1	SA	
29-4	JC63-00820A	ABSORBER-DAMPER L	1	SNA	
30	JC72-01416A	SPONGE-DAMPER SOL	1	SNA	

8. Fuser Unit



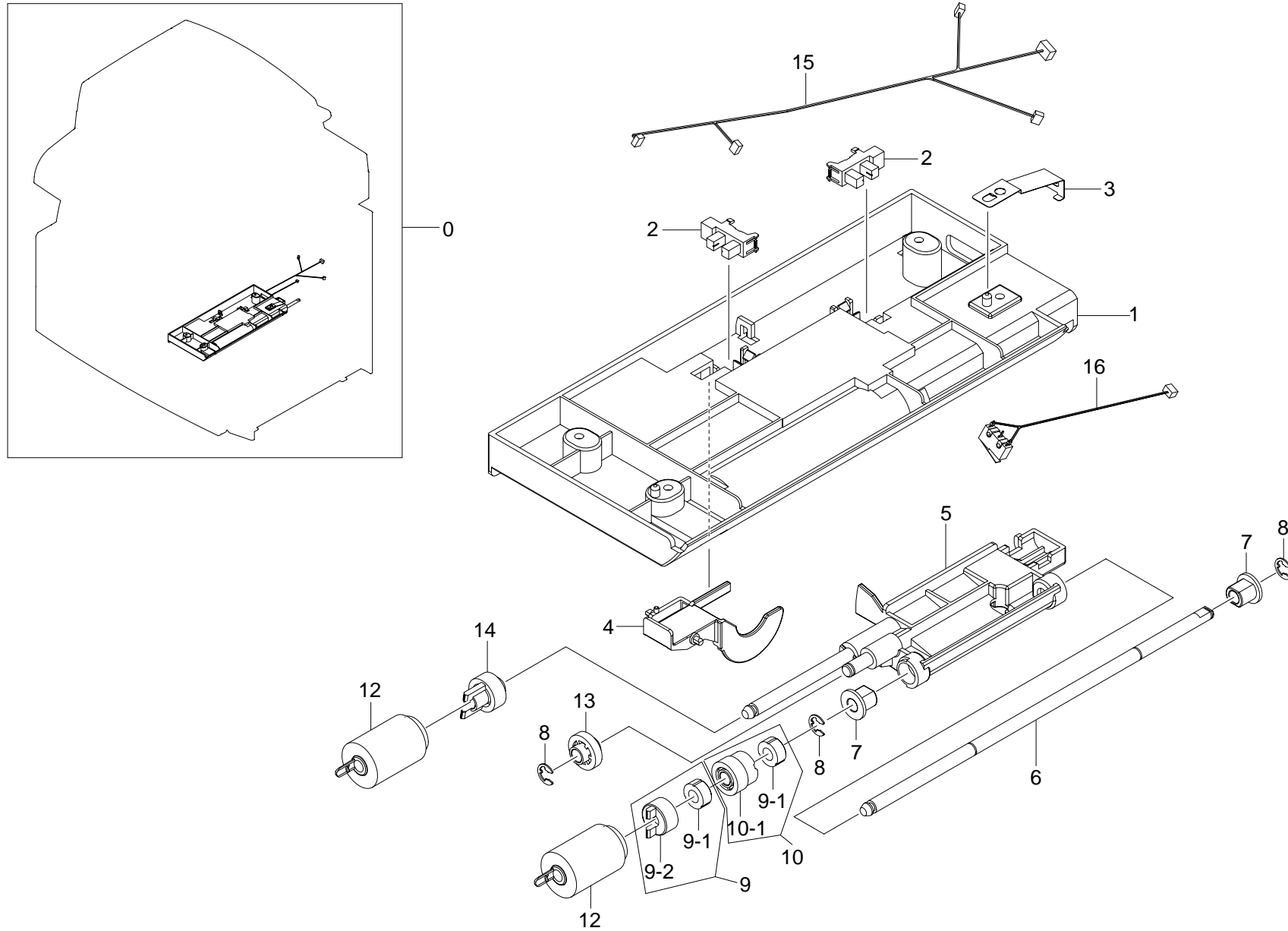
Fuser Unit Parts List

SA : SERVICE AVAILABLE, SNA : SERVICE not AVAILABLE

Drawer#	SEC_Code	Description	QT'y	Service	Remark
0	JC91-00973A	FUSER	1	SA	110V
0	JC91-00973B	FUSER	1	SA	220V
1	1404-001355	THERMISTOR-NTC ASSY	1	SA	
2	4712-001028	THERMOSTAT	1	SA	
3	6002-000440	SCREW-TAPPING	3	SNA	
4	6003-000196	SCREW-TAPTITE	20	SA	
5	6003-001086	SCREW-TAPTITE	2	SNA	
6	6006-001193	SCREW-MACHINE	2	SNA	
7	6107-001385	SPRING-ES	2	SNA	
8	6107-001260	SPRING-TS	2	SNA	
9	6601-001341	BEARING-BALL	2	SA	
10	6601-001479	BEARING-BALL	2	SA	
11	JC61-02264A	BRACKET-SPR SUPPORT	2	SNA	
12	JC39-00831A	HARNESS-FUSER_FU	1	SNA	
13	JC61-00013A	SPRING ETC-PAD	2	SNA	
14	JC61-02277A	BRACKET-PR R	1	SNA	
15	JC61-02266A	BRACKET-PR L	1	SNA	
16	JC61-01419A	GUIDE-M_INPUT JF	1	SNA	
17	JC61-01958A	BUSH-HR	2	SA	
18	JC63-01598A	COVER-LOWER FUSER	1	SNA	
19	JC63-01604A	COVER-UPPER FUSER	1	SNA	
20	JC63-00761A	COVER-M_GROUND	1	SNA	
21	JC63-01587A	COVER-NC THERMISTOR	1	SNA	
22	1404-001453	THERMISTOR-NTC ASSY	1	SA	
23	JC63-01642A	GROUND-HR	1	SNA	
24	JC63-00819A	GROUND-P-PR	1	SNA	
25	JC63-01640A	GROUND-PR2	1	SNA	
26	JC66-01687A	LEVER-JAM R	1	SA	
27	JC66-01859A	LEVER-JAM L	1	SA	
28	JC66-01870A	SHAFT-CLEANING_PR	1	SA	

Drawer#	SEC_Code	Description	QT'y	Service	Remark
29	JC66-10205A	BEARING-PRESSURE R	2	SA	
30	JC68-01134A	LABEL(P)-BLANK(FUSER)	1	SNA	
31	JC68-01581B	LABEL-CAUTION	1	SNA	
32	JC70-00064A	IPR-PIN ROLLER EXIT	3	SNA	
33	JC72-20902A	PEX-ROLLER F/UP(2)	3	SA	
34	JC63-01591A	COVER-TERMINAL LAMP	1	SNA	
35	JC92-02008A	PBA-FUSER_CRUM	1	SNA	
36	JC66-01871A	ROLLER-HEAT	1	SA	
37	JC66-01666A	GEAR-FUSER	1	SA	
38	JC61-02551A	SPRING ETC-LOCK	1	SNA	
39	4713-001235	LAMP-HALOGEN (220V)	1	SA	220V
39	4713-001236	LAMP-HALOGEN (110V)	1	SA	110V
40	JC66-01825A	ROLLER-PRESSURE	1	SA	
41	JC97-02288B	FRAME-ACTUATOR	1	SA	
41-1	JC61-00019A	SPRING ETC-ACT, FEED	1	SA	
41-2	JC61-01384B	LEG-M ACTUATOR EXIT	1	SNA	
41-3	JC61-01385B	HOLDER-ACTUATOR	1	SNA	
42	JC97-02294A	MEA UNIT-CLAW	4	SA	
42-1	6107-001291	SPRING-ES	1	SA	
42-2	JC61-01383A	HOLDER-M_CLAW	1	SNA	
42-3	JC67-00121A	OTHER MECHA-FINGER	1	SNA	
43	JC97-02680A	MEA-BRACKET FUSER	1	SA	
43-1	0205-001003	GREASE-BEARING	0.001KG	SNA	
43-2	JC61-01388A	BRACKET-P-FUSER GEAR	1	SNA	
43-3	JC66-01011A	GEAR-M DRV Z2228	1	SA	
44	JC67-00317A	BRUSH-ANTISTATIC_FUSER	1	SNA	
45	JC61-02281A	BRACKET-LAMP L	1	SNA	
46	JC61-02271A	BRACKET-LAMP R	1	SNA	
47	JC61-02657A	HOLDER THERMISTOR	1	SNA	

9. Pick Up Ass'y



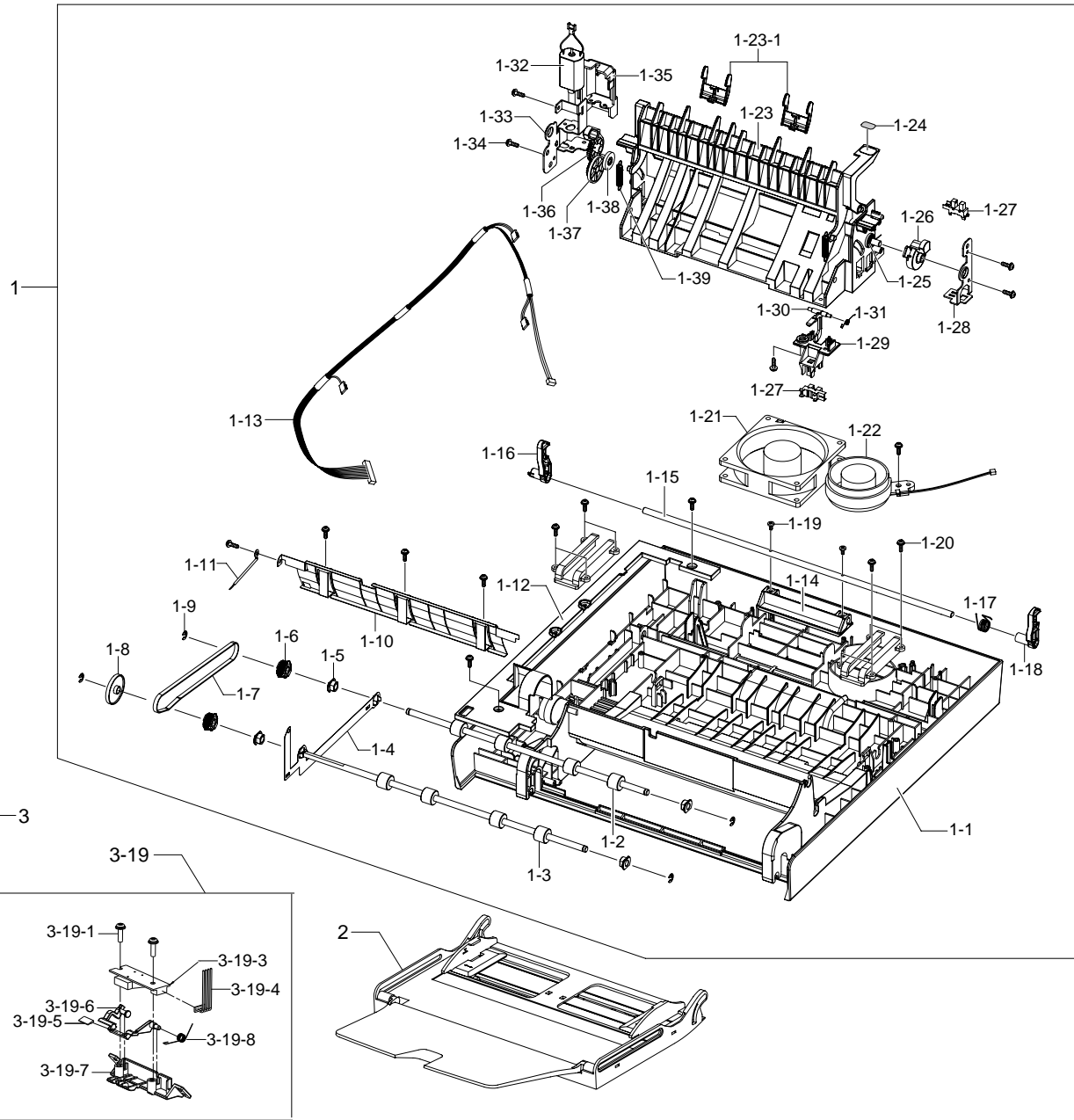
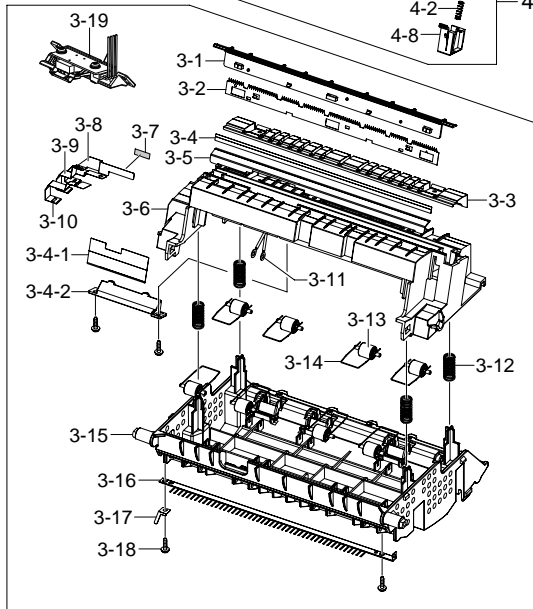
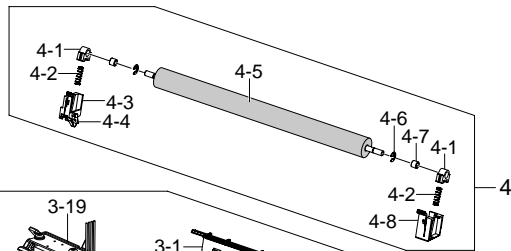
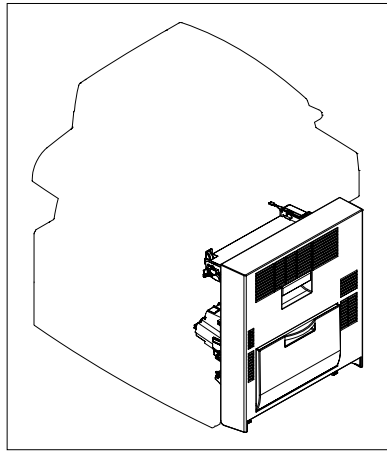
Pick Up Ass'y Parts List

SA : SERVICE AVAILABLE, SNA : SERVICE not AVAILABLE

Drawer#	SEC_Code	Description	QT'y	Service	Remark
0	JC96-05046A	ELA HOU-PICK UP	1	SA	
1	JC61-01298A	FRAME-M_BASE PICK UP	1	SNA	
2	0604-001095	PHOTO-INTERRUPTER	2	SA	
3	JC63-00743A	GROUND-P-SHAFT PU	1	SNA	
4	JC61-01350A	LEG-M_ACT NO PAPER	1	SNA	
5	JC61-01299A	GUIDE-M_UPPER PICK UP	1	SNA	
6	JC66-00942A	SHAFT-PICK UP	1	SNA	
7	JC61-00884A	BUSH-6_D(L)	2	SA	
8	6044-000125	RING-E	3	SA	
9	JC97-02291A	MEA UNIT-GEAR ONE WAY	1	SNA	

Drawer#	SEC_Code	Description	QT'y	Service	Remark
9-1	JC66-00977A	CLUTCH-P_ONE WAY	2	SA	
9-2	JC66-00941A	GEAR-M_ONE WAY	1	SA	
10	JC97-02292A	MEA UNIT-IDLE FORWARD	1	SNA	
10-1	JC61-01288A	HOLDER-M_IDLE ONE WAY	1	SA	
12	JC97-02259A	MEA UNIT-ROLLER PU	2	SA	
13	JC66-00940A	GEAR-M_IDLE PU	1	SA	
14	JC66-00943A	GEAR-M_PU JOINT	1	SA	
15	JC39-00794A	HARNESS-SCF_EMPTY	1	SNA	
16	JC39-00833A	HARNESS-MOTOR_SW	1	SNA	

10. Side Duplex



Side Duplex Parts List

SA : SERVICE AVAILABLE, SNA : SERVICE not AVAILABLE

Drawer#	SEC_Code	Description	QT'y	Service	Remark
0	JC96-04890A	ELA HOU-SIDE DUPLEX	1	SA	
1	JC96-04896A	ELA HOU-SIDE	1	SA	
1-1	JC63-00775B	COVER-M_SIDE	1	SNA	
1-2	JC66-00969A	ROLLER-DUPLEX	1	SA	
1-3	JC66-00970A	ROLLER-DUPLEX READY	1	SA	
1-4	JC63-00784A	GROUND-P-DUPLEX	1	SNA	
1-5	JC61-00423A	BUSH-6_D	4	SA	
1-6	JC66-00971A	PULLEY-M_DUPLEX	2	SA	
1-7	6602-001092	BELT-TIMING GEAR	1	SA	
1-8	JC67-00116A	OTHER MECHA-M COLLAR DP	1	SNA	
1-9	6044-000125	RING-E	4	SA	
1-10	JC61-01334A	BRACKET-P-DUPLEX	1	SNA	
1-11	JB39-00103A	CBF HARNESS-LIU GND	1	SA	
1-12	JC67-00112A	CAP-M_SIDE	1	SNA	
1-13	JC39-00783A	HARNESS-DUPLEX	1	SA	
1-14	JC64-00205B	HANDLE-M_SIDE	1	SNA	
1-15	JC66-00935A	SHAFT-HANDLE	1	SNA	
1-16	JC64-00199A	LOCKER-M_REAR	1	SA	
1-17	JC61-00479A	SPRING ETC-LOCKER TORSION	1	SA	
1-18	JC64-00198A	LOCKER-M_FRONT	1	SA	
1-19	6001-000130	SCREW-MACHINE	2	SNA	
1-20	6003-000196	SCREW-TAPTITE	10	SA	
1-21	JC31-00088A	FAN-DC	1	SA	
1-22	JC31-00087A	FAN-DC	1	SA	
1-23	JC61-01308A	GUIDE-M_EXIT	1	SA	
1-23-1	JC61-02562A	GUIDE-EXIT SUB	2	SA	
1-24	JC68-01246B	LABEL(R)-GUIDE_DUPLEX	1	SNA	
1-25	JC61-02557A	SPRING-TS	1	SA	
1-26	JC66-01686A	LEVER-GEAR FRONT	1	SA	
1-27	0604-001095	PHOTO-INTERRUPTER	2	SA	
1-28	JC61-02246A	BRACKET-CAM FRONT	1	SA	

Drawer#	SEC_Code	Description	QT'y	Service	Remark
1-29	JC61-01335A	HOLDER-M_ACTUATOR DP	1	SA	
1-30	JC61-01336A	LEG-M_ACTUATOR DUPLEX	1	SA	
1-31	JC61-00019A	SPRING ETC-ACT, FEED	1	SA	
1-32	JC31-00094A	MOTOR DC	1	SA	
1-33	JC61-02269A	BRACKET-MOTOR	1	SNA	
1-34	6003-000196	SCREW-TAPTITE	7	SA	
1-35	JC63-01585A	COVER-MOTOR ENV	1	SNA	
1-36	JC66-01665A	GEAR-IDLE ENV	1	SA	
1-37	JC66-01684A	GEAR-CAM REAR	1	SA	
1-38	JC66-01685A	GEAR-DRIVE REAR	1	SA	
1-39	JC61-70910A	SPRING ETC-RAIL	2	SNA	
2	JC97-02264B	MEA UNIT-TRAY	1	SA	
3	JC96-04982A	ELA HOU-DUPLEX	1	SA	
3-1	JC61-01407A	HOLDER-M_SAW	1	SNA	
3-2	JC70-10232D	IPR-E-PLATE SAW(MCK2)	1	SA	
3-3	JC61-01290A	GUIDE-P-TR	1	SNA	
3-4	JC63-01868A	SHEET-CLEARING TR	1	SNA	
3-4-1	JC63-01869A	SHEET-FEED CTD	1	SNA	
3-4-2	JC61-02259A	HOLDER-CTD SENSOR	1	SNA	
3-5	JC61-02760A	GUIDE-P-EARTH TR	1	SA	
3-6	JC61-01292A	GUIDE-M_FEED	1	SNA	
3-7	0203-001778	TAPE-DOUBLE FACE	1	SNA	
3-8	JC63-00786A	GROUND-P-GND	1	SNA	
3-9	JC63-00788A	GROUND-P-SAW	1	SNA	
3-10	JC63-00787A	GROUND-P-TR	1	SNA	
3-11	JC39-00187A	CBF HARNESS-ADF ROLLER GND	1	SNA	
3-12	JC61-70959A	SPRING ETC-SPRING ETC FEED	4	SA	
3-13	JC66-01013A	ROLLER-M IDLE JF	8	SA	
3-14	JC65-00012A	TERMINAL-S_IDLE	8	SNA	
3-15	JC61-01293A	GUIDE-M_DUPLEX	1	SNA	
3-16	JC67-00125A	BRUSH-EXIT	1	SA	

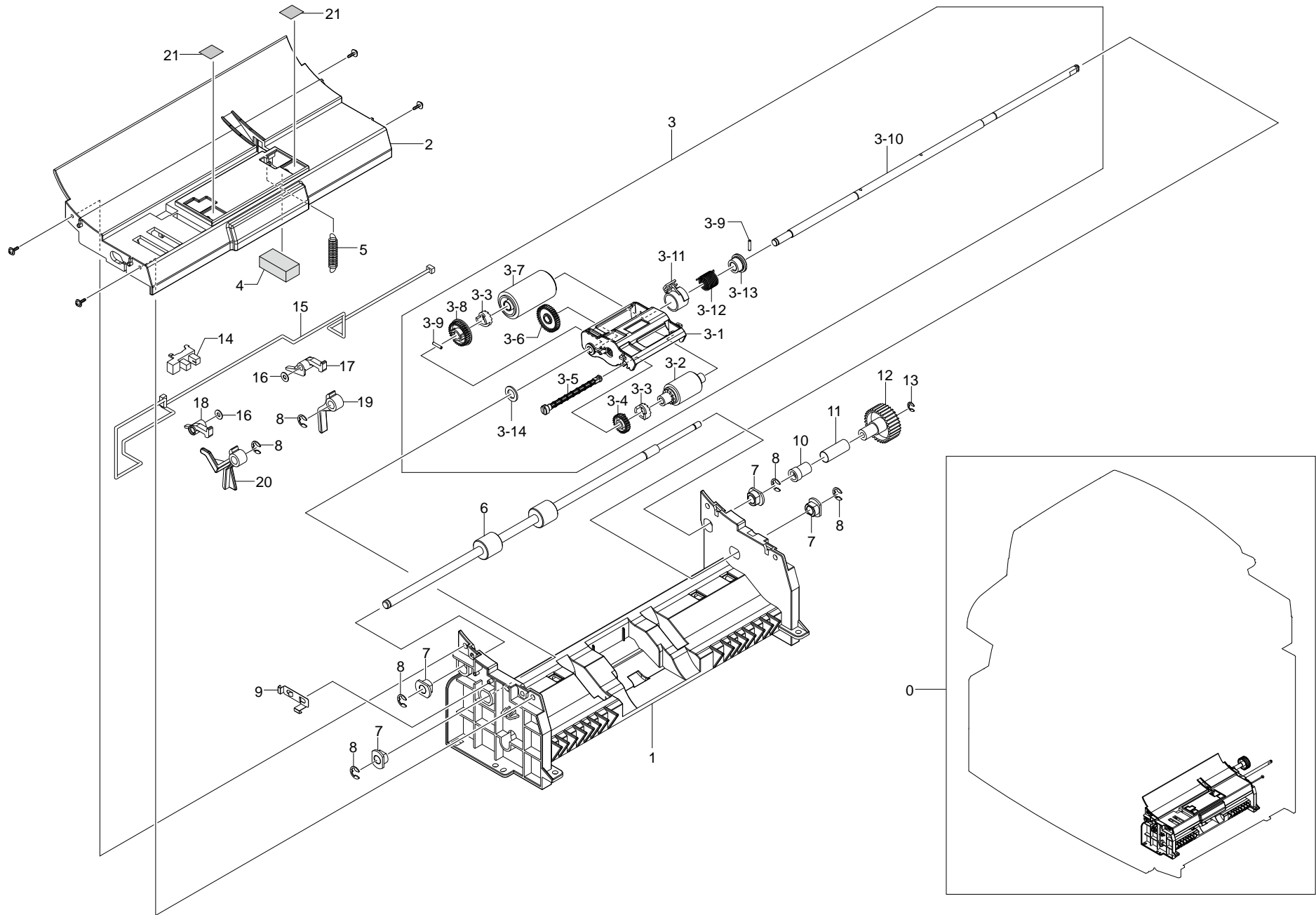
Side Duplex Parts List

SA : SERVICE AVAILABLE, SNA : SERVICE not AVAILABLE

Drawer#	SEC_Code	Description	QT'y	Service	Remark
3-17	JC63-00785A	GROUND-P-BRUSH	1	SNA	
3-18	6003-000196	SCREW-TAPTITE	12	SA	
3-19	JC96-05348A	ELA HOU-ID SENSOR	1	SA	
3-19-1	6003-000196	SCREW-TAPTITE	2	SA	
3-19-3	JC32-00009A	SENSOR-CTD	1	SA	
3-19-4	JC39-00797A	HARNES-CTD	1	SNA	
3-19-5	JC61-02767A	BLADE-CLEANER	1	SA	
3-19-6	JC61-02753A	HOLDER-CLEANER	1	SA	
3-19-7	JC61-02259A	HOLDER-CTD	1	SNA	
3-19-8	6107-001261	SPRING-TS	1	SA	

Drawer#	SEC_Code	Description	QT'y	Service	Remark
4	JC97-02287A	MEA UNIT-TR	1	SA	
4-1	JC61-01694A	BUSH-46D	2	SNA	
4-2	JC61-70906A	SPRING ETC-TR_R	2	SA	
4-3	JC72-00884A	PMO-HOLDER GEAR TR	1	SNA	
4-4	JC61-70203A	SPRING ETC-PLATE TR	1	SA	
4-5	JC97-02375A	MEA UNIT-TR SUB	1	SA	
4-6	6044-000125	RING-E	2	SA	
4-7	JC72-40228A	PMO-BUSH	2	SNA	
4-8	JC72-00883A	PMO-HOLDER GND TR	1	SNA	

11. MP Unit



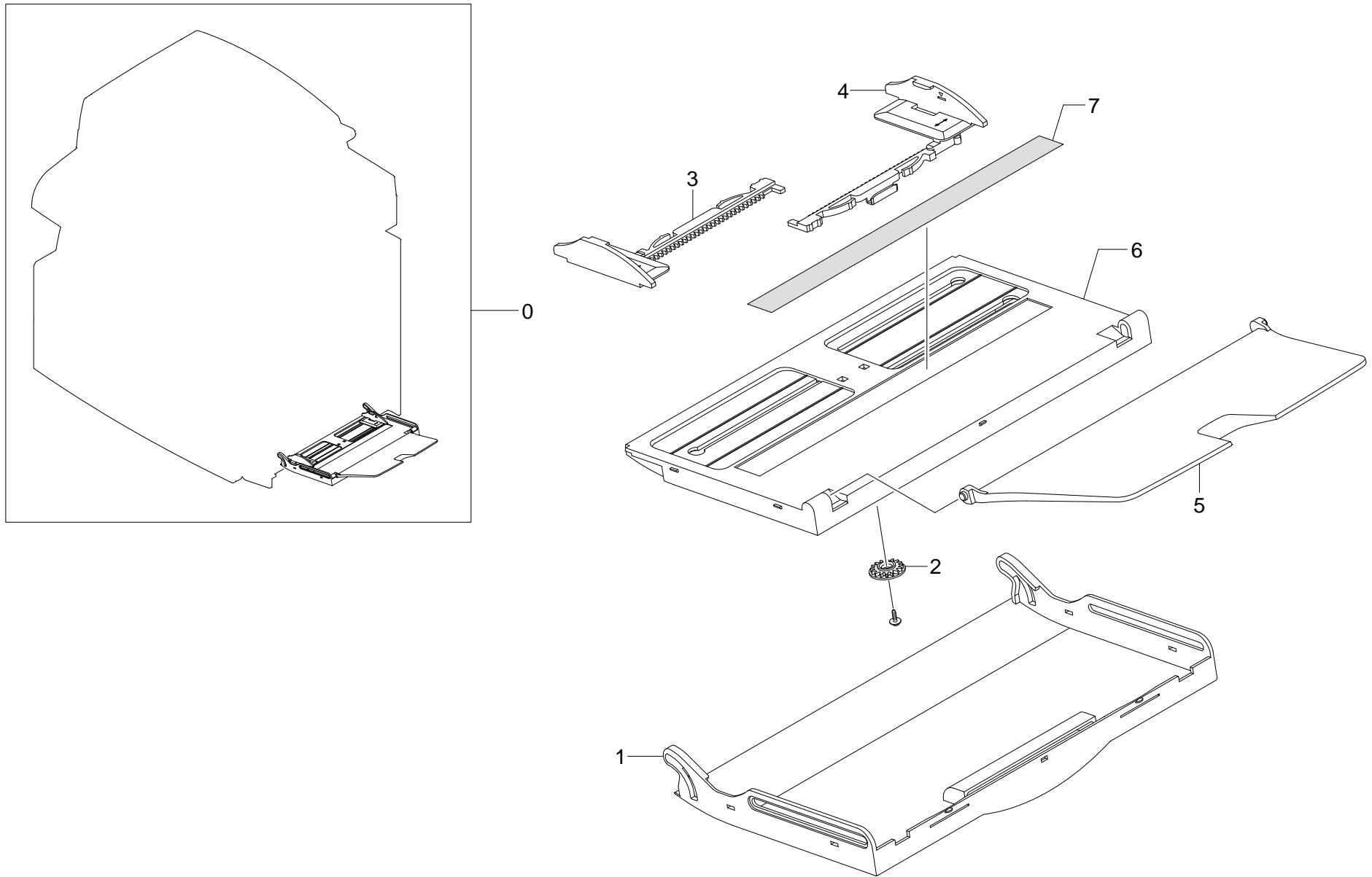
MP Unit Parts List

SA : SERVICE AVAILABLE, SNA : SERVICE not AVAILABLE

Drawer#	SEC_Code	Description	QT'y	Service	Remark
0	JC96-04905A	ELA HOU-MP	1	SA	
1	JC61-01351B	FRAME-M_MP LOWER	1	SA	
2	JC61-01352B	FRAME-M_MP TOP	1	SA	
3	JC96-03533A	ELA HOU-MP PICK UP	1	SA	
3-1	JC61-01410A	GUIDE-M_PICKUP DOC	1	SNA	
3-2	JB75-00300A	MEC-PICK UP ROLLER ASSY	1	SA	
3-3	JB72-00845A	PMO-PICK UP CLUTCH SUB	1	SA	
3-4	JB66-00105A	GEAR-PICK UP 26	1	SA	
3-5	JC72-00744A	PMO-SHAFT PICK UP	1	SA	
3-6	JB66-00102A	GEAR-PICK UP IDEL 38	1	SA	
3-7	JB75-00299A	MEC-ADF ROLLER ASSY	1	SA	
3-8	JB66-00104A	GEAR-ADF IDLE 34	1	SA	
3-9	JB70-00168A	ICT-PIN ADF	1	SNA	
3-10	JC66-00978A	SHAFT-PICK UP MP	1	SNA	
3-11	JB72-00821A	PMO-ADF COLAR	1	SA	
3-12	JB61-70904A	SPRING ETC-CLUTCH	1	SA	
3-13	JC61-00750A	BUSH-M-ADF CLUTCH	1	SA	
3-14	6031-000023	WASHER-PLAIN	1	SA	

Drawer#	SEC_Code	Description	QT'y	Service	Remark
4	JC72-01375A	SPONGE-DAMPER MP	1	SNA	
5	6107-001256	SPRING-ES	1	SA	
6	JC66-01026A	ROLLER-MP DRV	1	SA	
7	JC61-00423A	BUSH-6_D	1	SA	
8	6044-000125	RING-E	1	SA	
9	JC63-00744A	GROUND-P-MP	1	SNA	
10	JG72-40732A	PMO-BUSHING HOLDER	1	SNA	
11	JG70-40534A	ICT-SPRING CLUTCH	1	SA	
12	JC66-00936A	GEAR-M_MP FEED	1	SA	
13	6044-000159	RING-C	1	SA	
14	0604-001095	PHOTO-INTERRUPTER	1	SA	
15	JC39-00791A	HARNESS-LIMIT_EMPTY	1	SNA	
16	6031-001247	WASHER-PLAIN	1	SNA	
17	JC66-00958B	LATCH-M_ARM REAR	1	SNA	
18	JC66-00958A	LATCH-M_ARM FRT	1	SNA	
19	JC61-01307B	STOPPER-M_PAPER REAR	1	SNA	
20	JC61-01307A	STOPPER-M_PAPER FRT	1	SNA	
21	JB63-00058A	SHEET-FILM ASF	1	SNA	

12. MP Tray



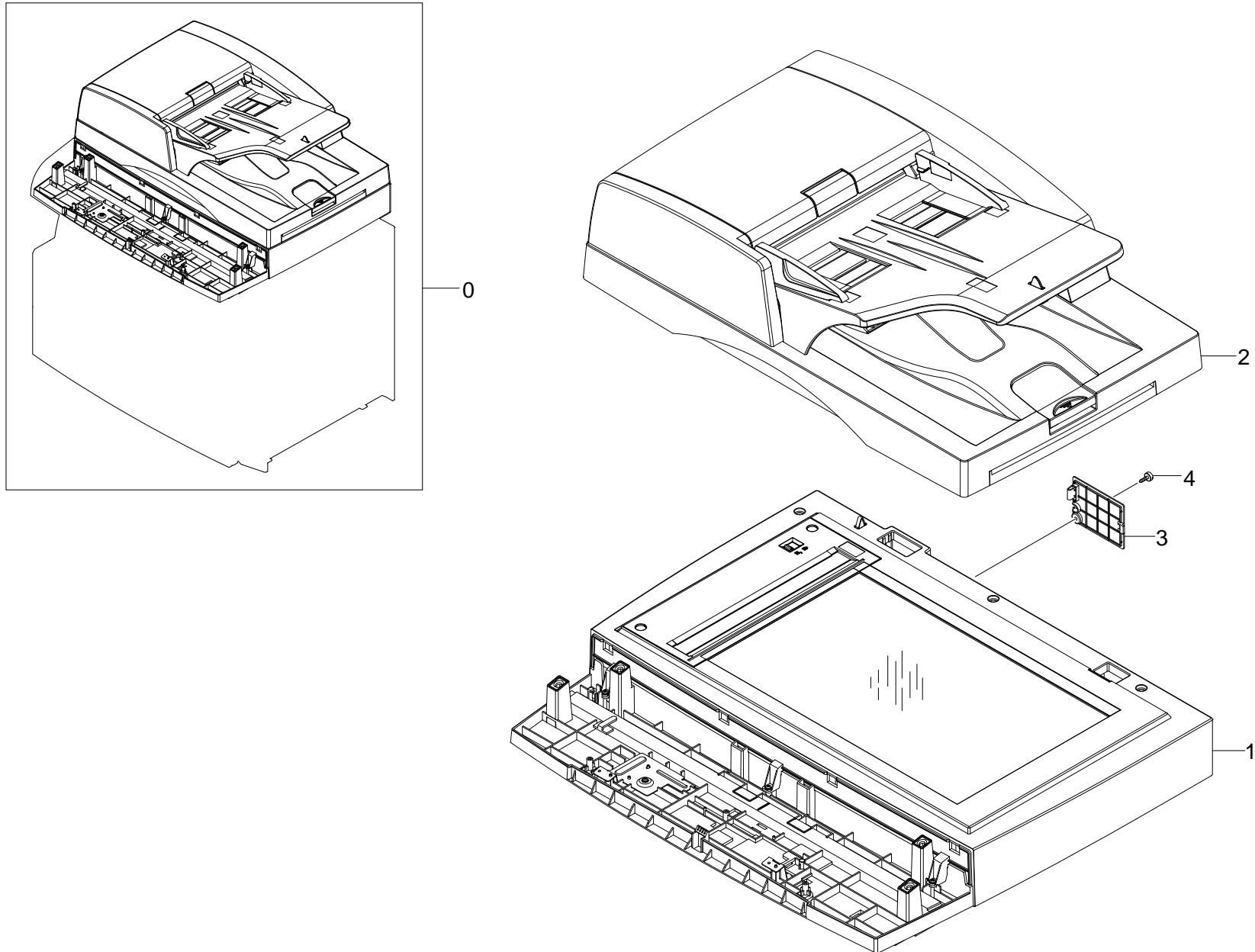
MP Tray Parts List

SA : SERVICE AVAILABLE, SNA : SERVICE not AVAILABLE

Drawer#	SEC_Code	Description	QT'y	Service	Remark
0	JC97-02264B	MEA UNIT-TRAY	1	SA	
1	JC63-00746B	TRAY-COVER LOWER	1	SNA	
2	JG66-40003A	GEAR-PINION	1	SA	
3	JC72-01005D	PMO-SIDE GUIDE MP(L)	1	SNA	

Drawer#	SEC_Code	Description	QT'y	Service	Remark
4	JC72-01006C	PMO-SIDE GUIDE MP(R)	1	SNA	
5	JC63-00447E	TRAY-M_ASF_FOLDER	1	SC	
6	JC63-00745B	TRAY-COVER TOP	1	SNA	
7	JC68-01622B	LABEL-INSTALLATION	1	SNA	

13. Scanner Ass'y



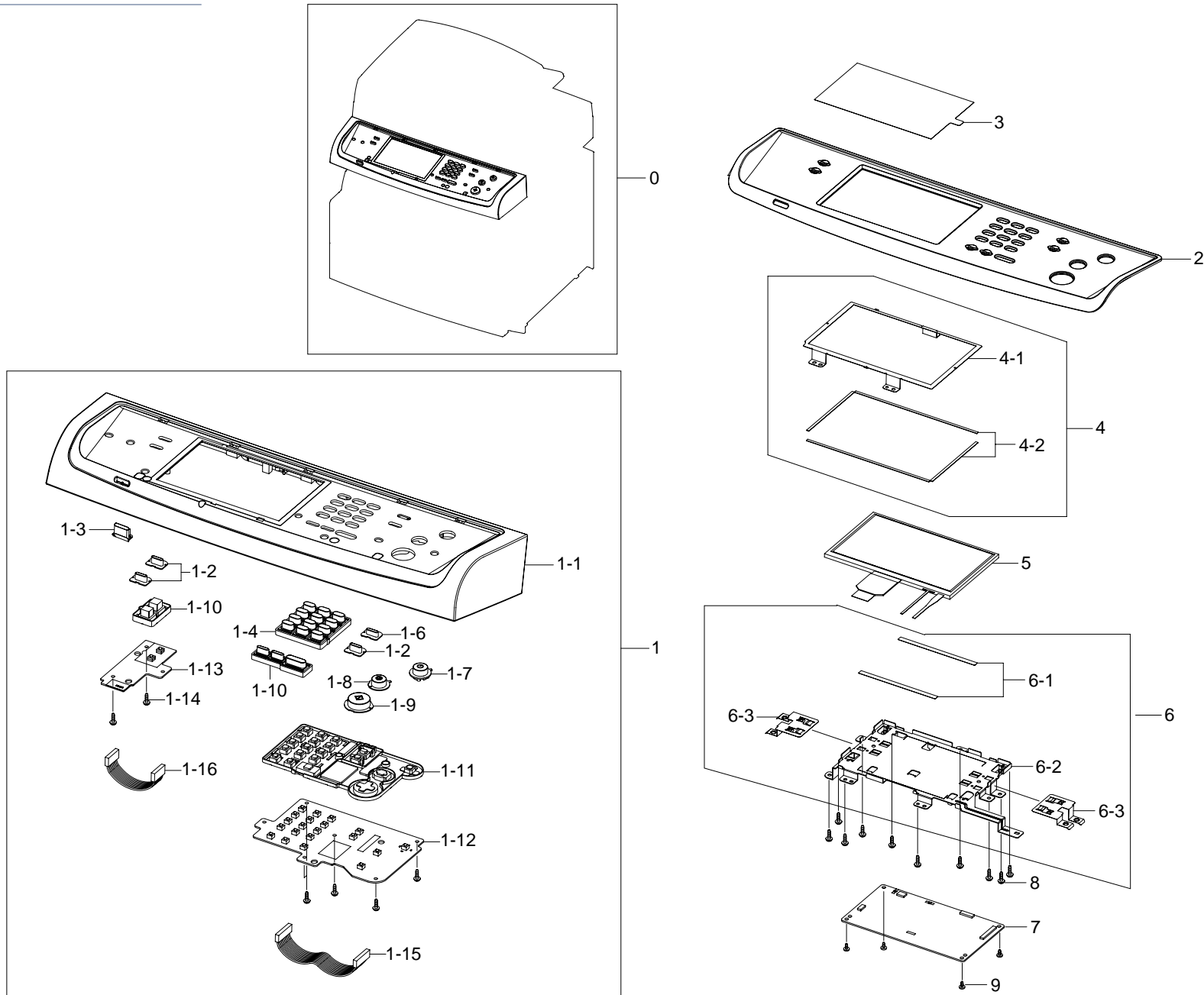
Scanner Ass'y Parts List

SA : SERVICE AVAILABLE, SNA : SERVICE not AVAILABLE

Drawer#	SEC_Code	Description	QT'y	Service	Remark
0	JC97-03853A	SCANNER	1	SNA	
1	JC97-03842A	PLATEN	1	SA	
2	JC96-04855A	ELA HOU-DADF	1	SA	

Drawer#	SEC_Code	Description	QT'y	Service	Remark
3	JC63-00765B	COVER M_CONNECTOR	1	SNA	
4	6009-001390	SCREW-SPECIAL	1	SNA	

14. OPE Unit



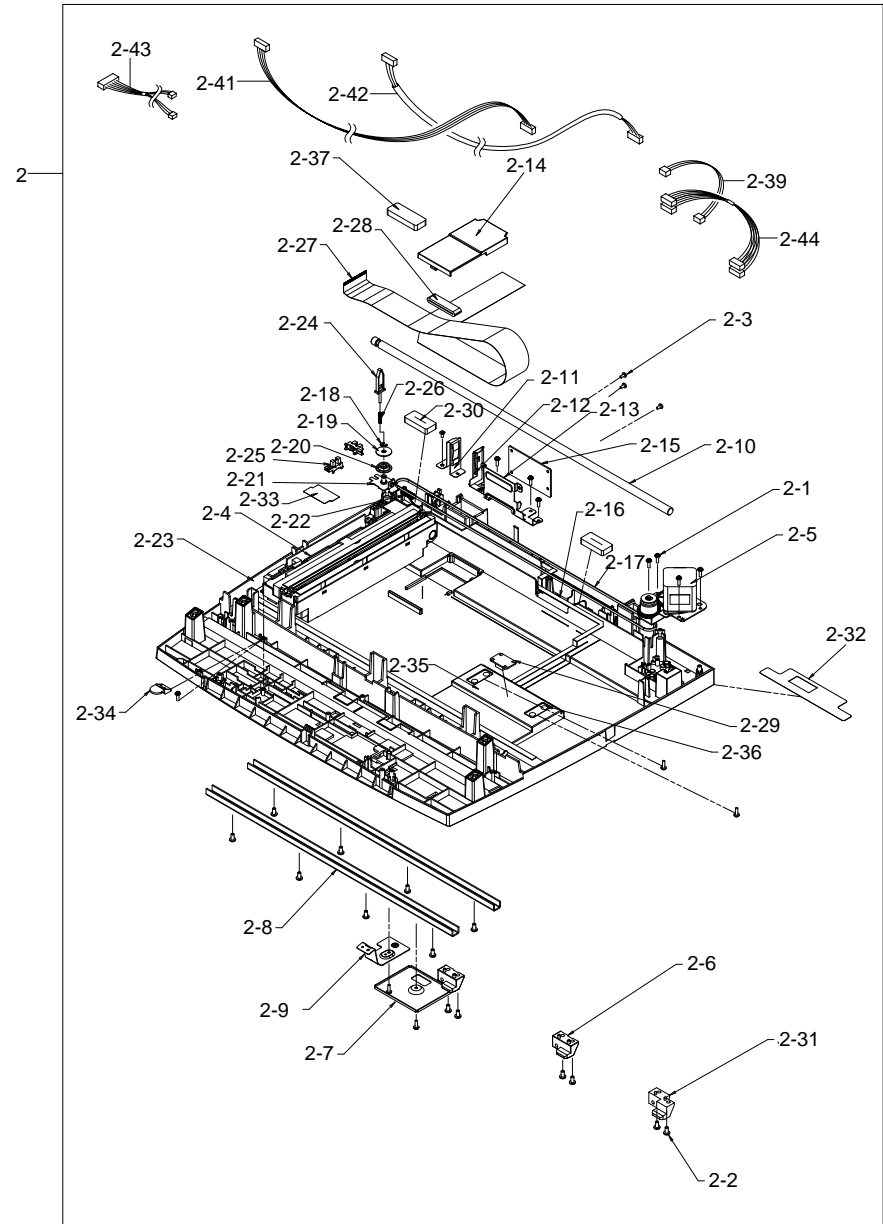
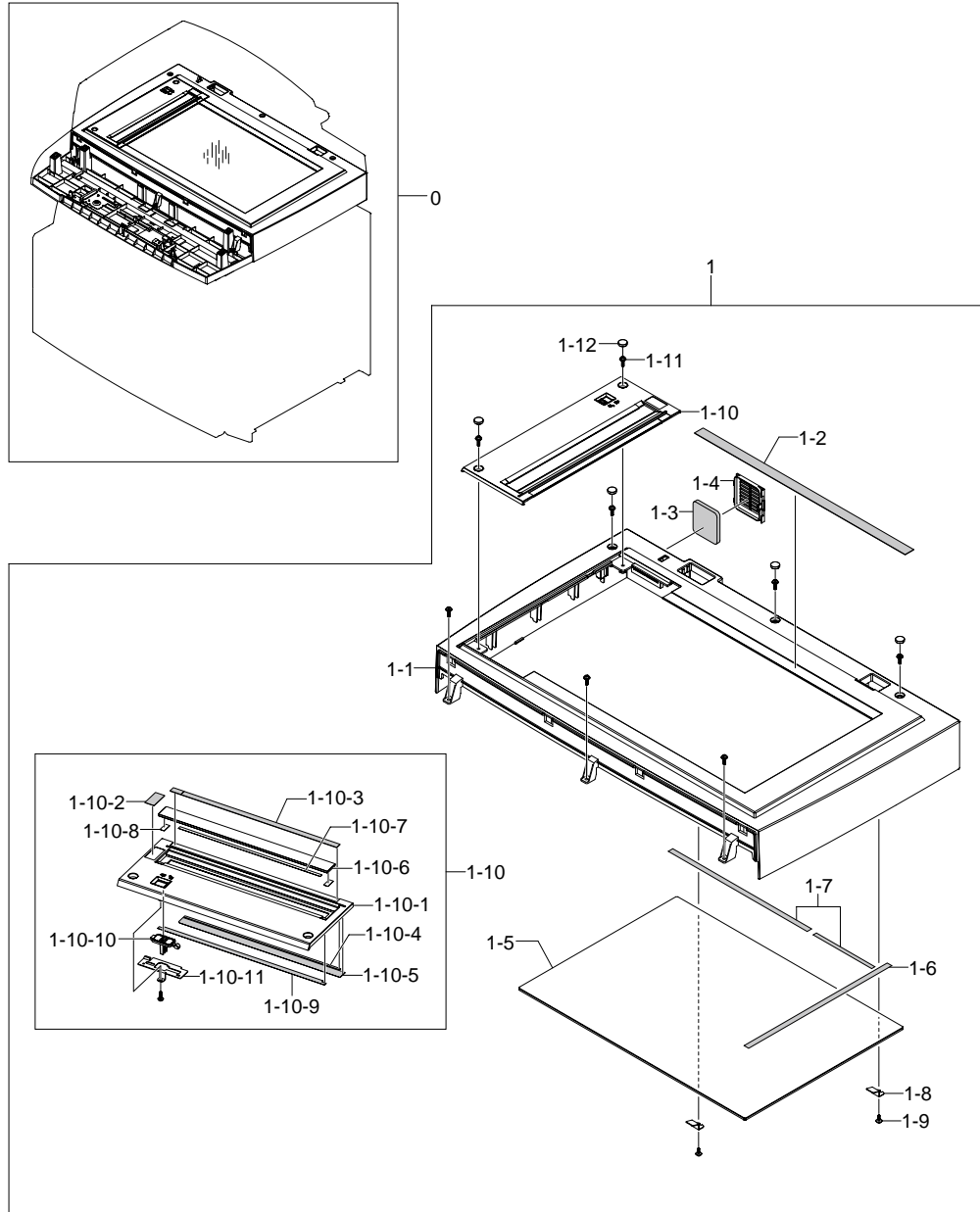
OPE Unit Parts List

SA : SERVICE AVAILABLE, SNA : SERVICE not AVAILABLE

Drawer#	SEC_Code	Description	QT'y	Service	Remark
0	JC97-03852A	OPE	1	SA	
1	JC96-04667A	ELA HOU-OPE COVER	1	SA	
1-1	JC63-01455A	COVER-OPE	1	SNA	
1-2	JC64-00287A	KEY-JOB_STATUS	3	SA	
1-3	JC67-00209A	LENS-STATUS	1	SA	
1-4	JC64-00239A	KEY-M_TEL	1	SNA	
1-5	JC64-00288A	KEY-HOOK	1	SA	
1-6	JC64-00244A	KEY-M_BLACK	1	SNA	
1-7	JC64-00289A	KEY-STOP	1	SA	
1-8	JC64-00290A	KEY-START	1	SA	
1-9	JC64-00335A	KEY-POWER	1	SA	
1-10	JC73-00258A	RUBBER-JOB STATUS	1	SNA	
1-11	JC73-00257A	RUBBER-JOB START	1	SNA	
1-12	JC92-01929A	PBA SUB-KEY	1	SA	
1-13	JC92-01928A	PBA SUB-KEY_SUB	1	SA	
1-14	6003-000196	SCREW-TAPTITE	7	SA	

Drawer#	SEC_Code	Description	QT'y	Service	Remark
1-15	JC39-00764A	HARNESS-OPE_KEY	1	SNA	
1-16	JC39-00765A	HARNESS-OPE_KEY_SUB	1	SNA	
2	JC63-01456A	COVER-PANEL FRONT	1	SNA	
3	JC01-00036A	SHEET FILM LCD	1	SNA	
4	JC97-03138A	MEA UNIT-PLATE LCD	1	SNA	
4-1	JC61-02521A	PLATE-LCD	1	SNA	
4-2	JC62-00428A	SEAL-COLOR LCD	2	SNA	
5	JC07-00011A	LCD	1	SA	
6	JC97-03477A	MEA UNIT-PLATE OPE	1	SA	
6-1	JC02-00013A	TAPE ETC-DOUBLE TAPE SMALL	2	SNA	
6-2	JC61-02522A	PLATE-OPE	1	SNA	
6-3	JC63-01459A	GROUND-LCD R	2	SNA	
7	JC92-02328A	PBA-OPE	1	SA	
8	6003-000196	SCREW-TAPTITE	10	SA	
9	6003-000269	SCREW-TAPTITE	4	SA	

15. Platen Ass'y



Platen Ass'y Parts List

SA : SERVICE AVAILABLE, SNA : SERVICE not AVAILABLE

Drawer#	SEC_Code	Description	QT'y	Service	Remark
0	JC97-03842A	PLATEN	1	SA	
1	JC96-04569A	ELA UNIT-SCAN UPPER	1	SA	
1-1	JC63-01371A	COVER SCAN UPPER	1	SNA	
1-2	JC63-00748A	SHEET-ABS_REGI_EDGE	1	SNA	
1-3	JC63-01874A	SHEET-COVER_FAN	1	SNA	
1-4	JC63-01364A	COVER FAN	1	SNA	
1-5	JC01-00016A	GLASS SCAN HEATING	1	SA	
1-6	JC02-00012A	TAPE ETC-DOUBLE TAPE LARGE	2	SNA	
1-7	JC02-00013A	TAPE ETC-DOUBLE TAPE SMALL	1	SNA	
1-8	JB70-00148A	IPR-HOLDER GLASS	2	SA	
1-9	6002-000440	SCREW-TAPPING	2	SNA	
1-10	JC97-02950A	MEA UNIT DUMMY UPPER	1	SA	
1-10-1	JC63-01361A	COVER-ADF GLASS	1	SNA	
1-10-2	JC68-01548B	LABEL-INSTALLATION	1	SNA	
1-10-3	JC68-01550A	LABEL(R)-REGI_EDGE(L)	1	SNA	
1-10-4	JC63-00074A	SHEET-DUMMY UPPER	1	SA	
1-10-5	JC63-01674A	SHEET-SHADING	1	SNA	
1-10-6	JC74-00019A	MCT-GLASS ADF	1	SA	
1-10-7	0203-001744	TAPE-DOUBLE FACE	1	SNA	
1-10-8	0203-001800	TAPE-DOUBLE FACE	2	SNA	
1-10-9	JC63-01152A	SHEET ADF GLASS	1	SNA	
1-10-10	JC97-03035A	MEA UNIT-LEVER-LOCKER	1	SNA	
1-10-11	JC61-01987A	BRACKET-LOCKER	1	SNA	
1-11	6003-000196	SCREW-TAPTITE	9	SA	
1-12	JC67-00164B	CAP-HOLE SCREW	5	SNA	
2	JC97-03841A	PLATEN LOWER	1	SNA	
2-1	JC63-01367A	COVER-SCAN LOWER	1	SNA	
2-2	6003-001256	SCREW-TAPTITE	14	SNA	
2-3	6003-000269	SCREW-TAPTITE	4	SA	
2-4	JC96-04615A	ELA UNIT-CCDM HC	1	SA	
2-5	JC96-04958A	ELA UNIT-SCAN MOTOR	1	SA	

Drawer#	SEC_Code	Description	QT'y	Service	Remark
2-6	JC61-02015A	HOLDER-FRAME	2	SNA	
2-7	JC61-01318A	PLATE-P-SCAN LOWER	1	SNA	
2-8	JC70-00239A	IPR-CHANNEL BASE FRAME	2	SNA	
2-9	JC61-02091A	BRACKET-OPE GROUND	1	SNA	
2-10	JC66-01526A	SHAFT-CCD	1	SNA	
2-11	JC63-00812A	GROUND-P-SCAN LOWER	1	SNA	
2-12	JC63-01406A	GROUND-SCAN IF	1	SNA	
2-13	JC61-02090A	BRACKET-BOARD	1	SNA	
2-14	JC63-01362A	COVER-CCD CABLE	1	SA	
2-15	JC92-01884A	PBA SUB-SCAN_IF	1	SA	
2-16	JC39-00941A	FLAT CABLE-APS_FFC	1	SNA	
2-17	6602-001090	BELT-TIMING GEAR	1	SA	
2-18	6044-000125	RING-E	1	SA	
2-19	JB72-00764A	PMO-HOLDER BELT	1	SA	
2-20	JB72-00763A	PMO-PULLEY	1	SA	
2-21	JC61-01365A	BRACKET-P-PULLEY	1	SNA	
2-22	6107-001194	SPRING-CS	1	SA	
2-23	JC63-01367A	COVER-SCAN LOWER	1	SNA	
2-24	JC72-00755A	PMO-LEVER SENSOR	1	SA	
2-25	0604-001095	PHOTO-INTERRUPTER	2	SA	
2-26	JB61-70939A	SPRING ETC-EXIT	1	SNA	
2-27	JC39-00815A	HARNESS-CCD_FFC	1	SNA	
2-28	3301-001900	CORE-FERRITE	1	SNA	
2-29	JC92-02009A	PBA-APS_IF	1	SA	
2-30	JC62-00499A	SEAL-SCAN_LOWER	2	SA	
2-31	JC64-00360A	LOCKER-SCAN FR L	1	SNA	
2-32	JC63-01876A	SHEET-SCAN_LOWER_L	1	SA	
2-33	JC63-01875A	SHEET-SCAN_LOWER_S	1	SA	
2-34	JC61-00667A	STOPPER-M-FAN80	1	SA	
2-35	JC61-02365A	PLATE-DOC SIZE	1	SNA	
2-36	0604-001370	PHOTO-INTERRUPTER	2	SA	

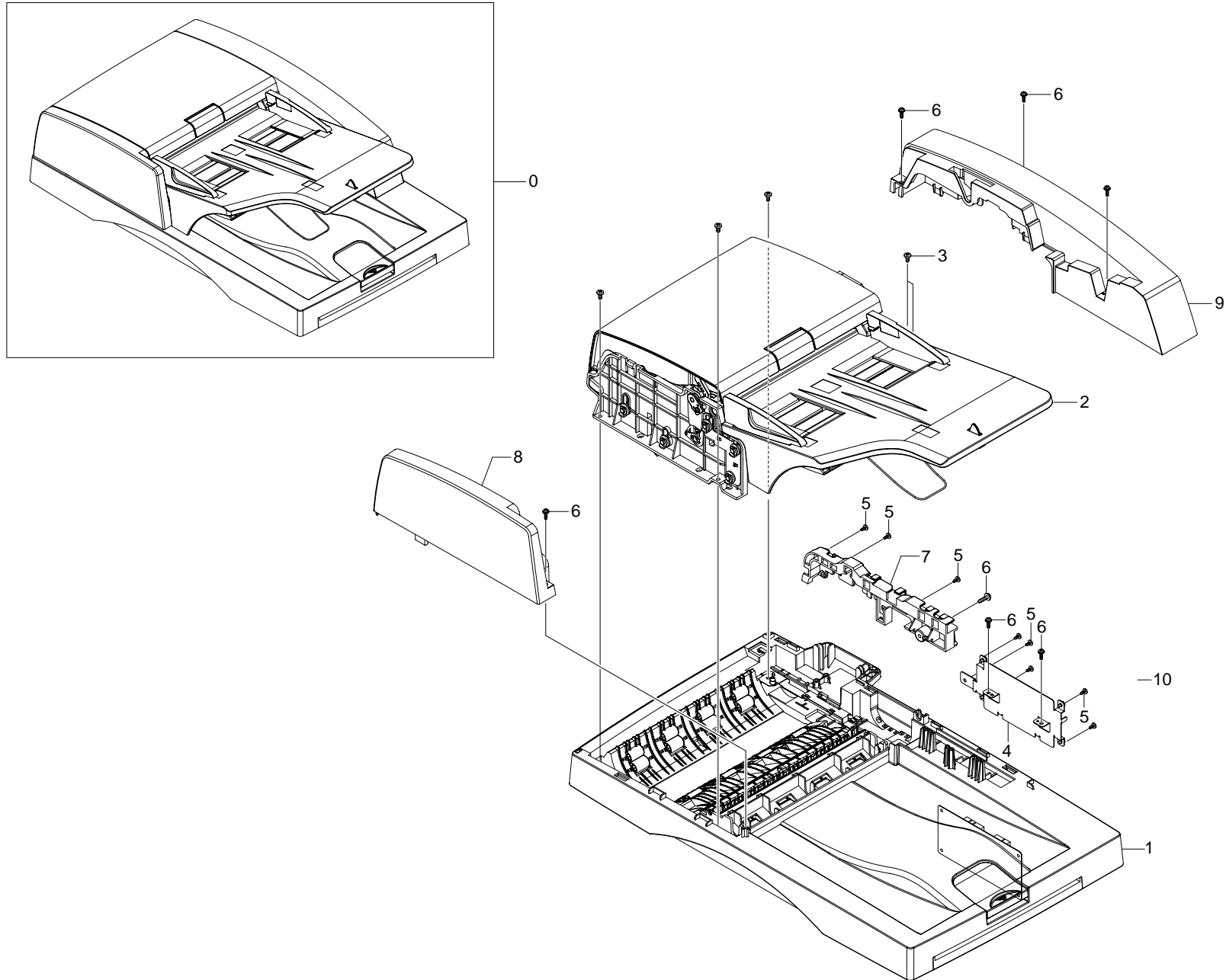
Platen Ass'y Parts List

SA : SERVICE AVAILABLE, SNA : SERVICE not AVAILABLE

Drawer#	SEC_Code	Description	QT'y	Service	Remark
2-37	JC62-00492A	SEAL-COVER CCD	1	SA	
2-38	JC39-00322A	CBF HARNESS-SCAN GND	1	SNA	
2-39	JC39-00723A	HARNESS-SCAN MT	1	SNA	
2-40	JC39-00781A	HARNESS-SCAN_IF	1	SNA	
2-41	JC39-00786A	HARNESS-OPE_USB	1	SNA	

Drawer#	SEC_Code	Description	QT'y	Service	Remark
2-42	JC39-00787A	HARNESS-OPE_MAIN	1	SNA	
2-43	JC39-00796A	HARNESS-APS_SEN	1	SNA	
2-44	JC39-00811A	HARNESS-SCAN_SEN	1	SNA	
2-45	JC39-01417A	CBF SIGNAL-HDMI	1	SNA	

16. DADF Ass'y



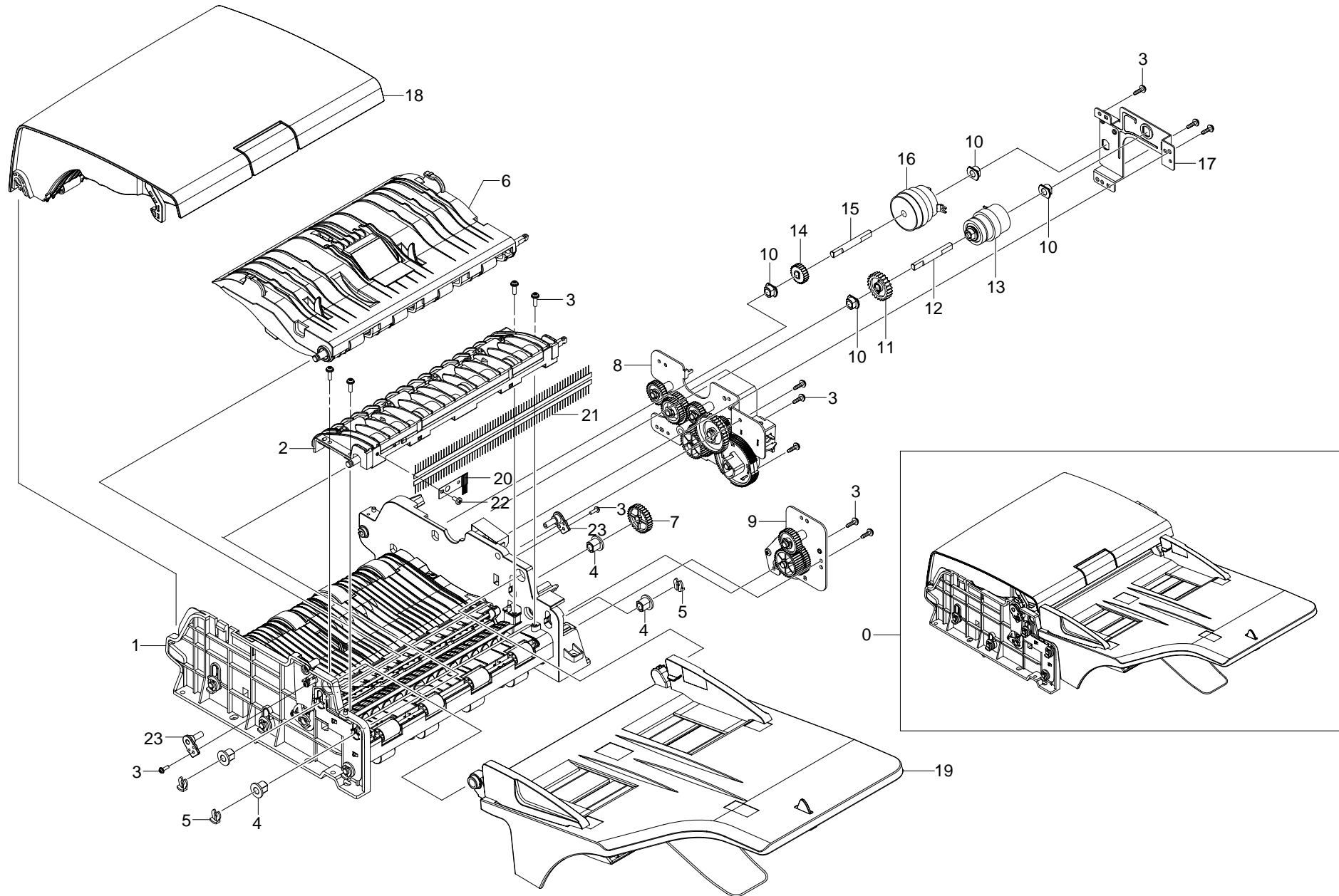
DADF Ass'y Parts List

SA : SERVICE AVAILABLE, SNA : SERVICE not AVAILABLE

Drawer#	SEC_Code	Description	QT'y	Service	Remark
0	JC96-04855A	ELA HOU-DADF	1	SA	
1	JC96-04856A	ELA-COVER PLATEN	1	SNA	
2	JC96-04858A	ELA-DADF SUB	1	SA	
3	6003-001256	SCREW-TAPTITE	5	SNA	
4	JC63-01643A	SHIELD-DADF BD	1	SNA	
5	6003-000269	SCREW-TAPTITE	8	SA	

Drawer#	SEC_Code	Description	QT'y	Service	Remark
6	6003-000196	SCREW-TAPTITE	7	SA	
7	JC61-02298A	HOLDER HARNESS	1	SNA	
8	JC63-01611A	COVER-FRONT	1	SNA	
9	JC63-01637A	COVER-REAR	1	SNA	
10	JC92-01942A	PBA-DADF	1	SA	

17. DADF SUB Ass'y



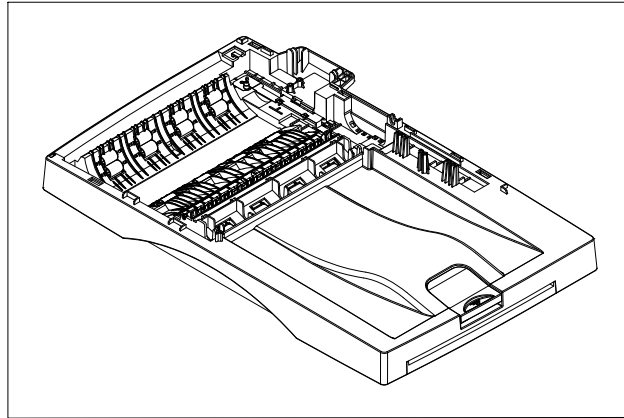
DADF SUB Ass'y Parts List

SA : SERVICE AVAILABLE, SNA : SERVICE not AVAILABLE

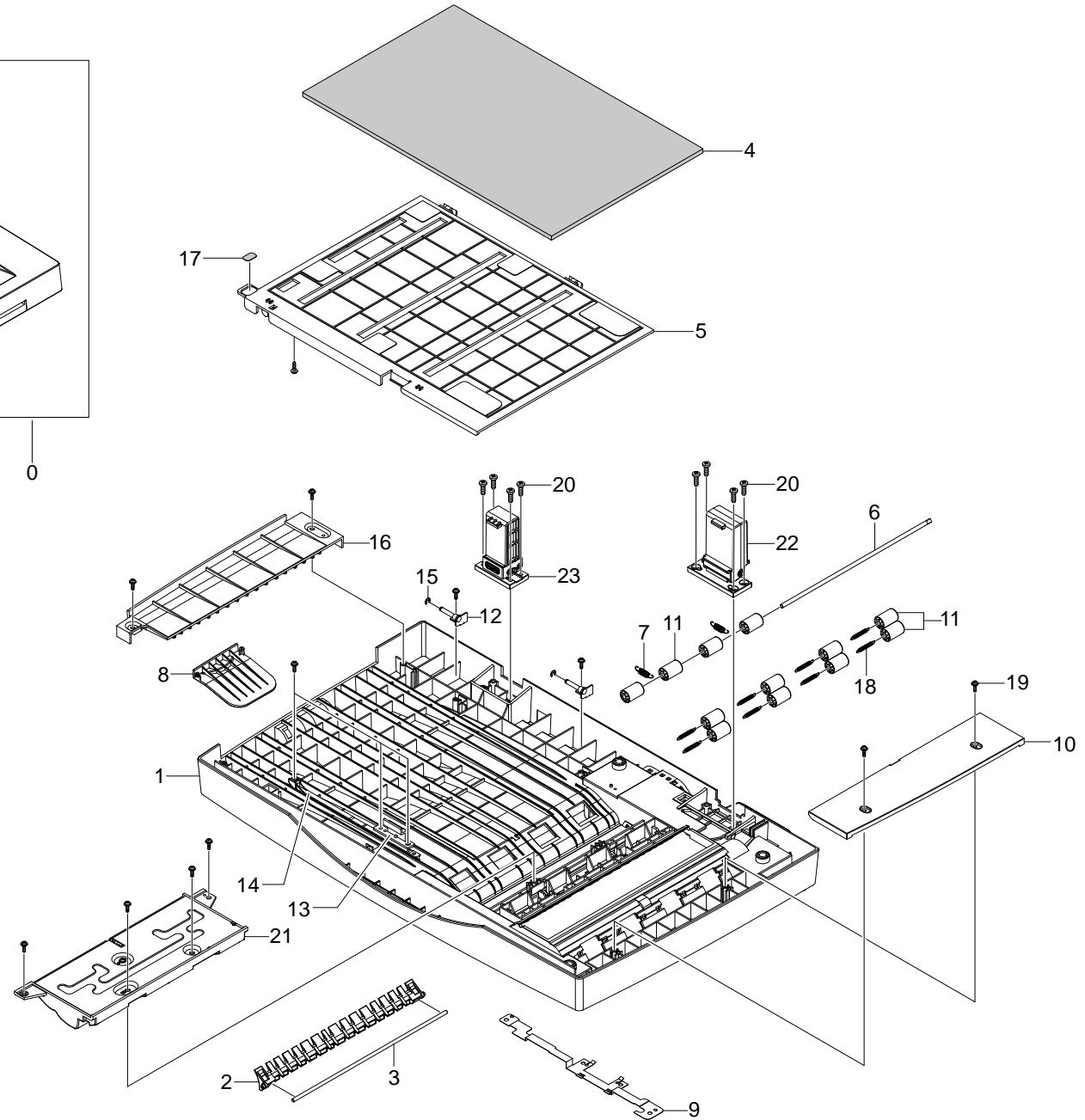
Drawer#	SEC_Code	Description	QT'y	Service	Remark
0	JC96-04858A	ELA-HOU DADF SUB	1	SA	
1	JC96-04861A	ELA HOU-GUIDE SCAN	1	SA	
2	JC97-03095A	MEA-EXIT	1	SA	
3	6003-000196	SCREW-TAPTITE	14	SA	
4	JC61-00884A	BUSH-6_D(L)	4	SA	
5	JC61-01367A	FIXER-M_E RING 4PI	3	SA	
6	JC97-03096A	MEA-GUIDE PICK UP	1	SA	
7	JC66-01675A	GEAR-ROLLER DRIVE	1	SA	
8	JC96-04859A	ELA HOU-DADF MOTOR	1	SA	
9	JC96-04860A	ELA HOU-DUPLEX MOTOR	1	SA	
10	JC61-00423A	BUSH-6_D	4	SA	
11	JC66-00565A	GEAR-DADF24(A)	1	SA	

Drawer#	SEC_Code	Description	QT'y	Service	Remark
12	JC66-00662A	SHAFT-REGI	1	SA	
13	JC66-01864A	CLUTCH-2.5K Z24	1	SA	
14	JC66-01667A	GEAR-CLUTCH	1	SA	
15	JC66-00662A	SHAFT-REGI	1	SA	
16	JC66-00994A	CLUTCH-5K Z32	1	SA	
17	JC61-02283A	BRACKET-CLUTCH	1	SNA	
18	JC96-04862A	ELA HOU-COVER OPEN	1	SA	
19	JC97-03098A	MEA-TX STACKER	1	SA	
20	JC67-00317A	BRUSH-ANTISTATIC-FUSER	1	SNA	
21	JC75-00095A	MEC-BRUSH ANTISTATIC	2	SA	
22	6003-000269	SCREW-TAPTITE	1	SA	
23	JC64-00355A	HANDLE-STUD	2	SNA	

18. Cover Platen_DADF



0



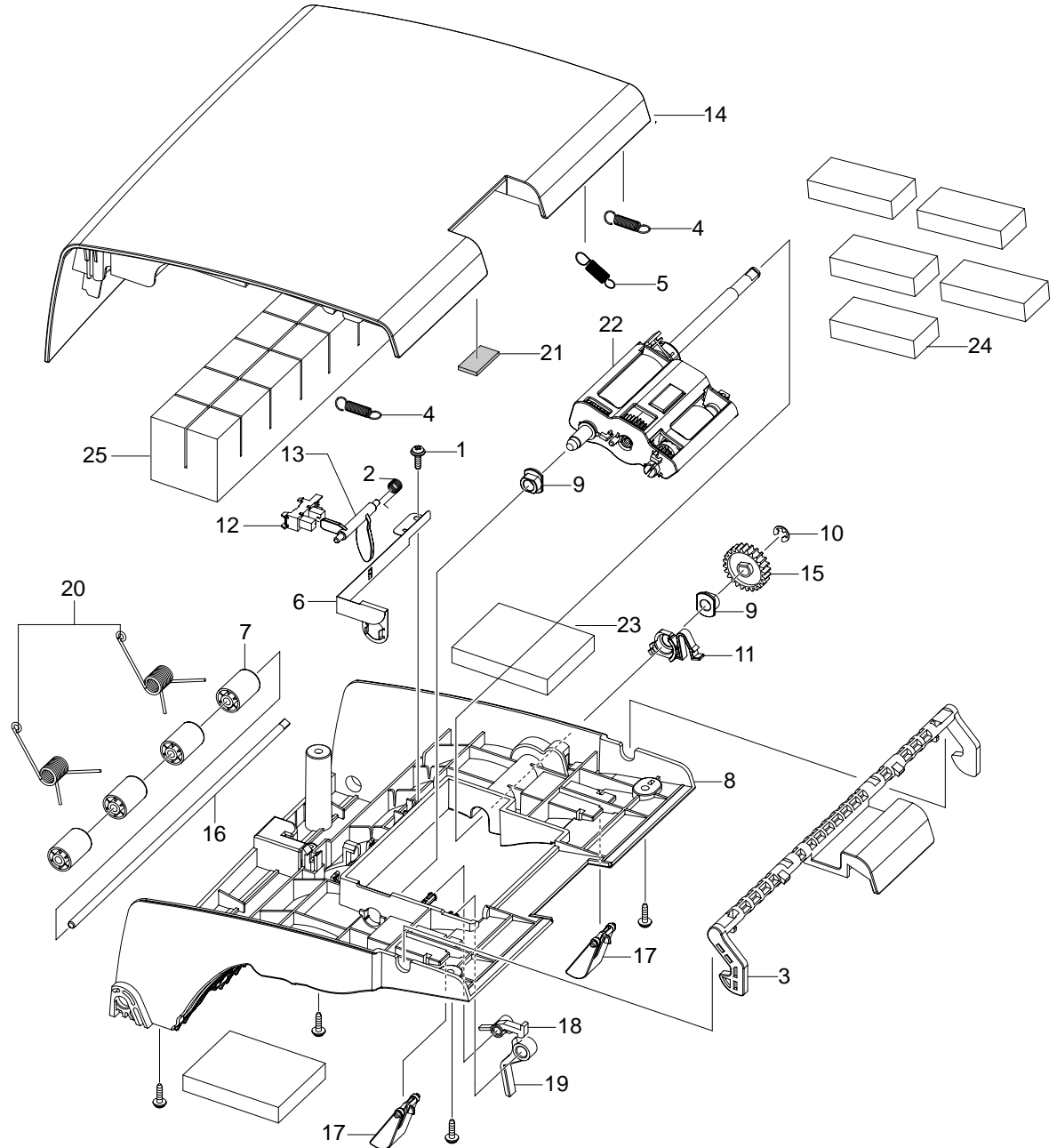
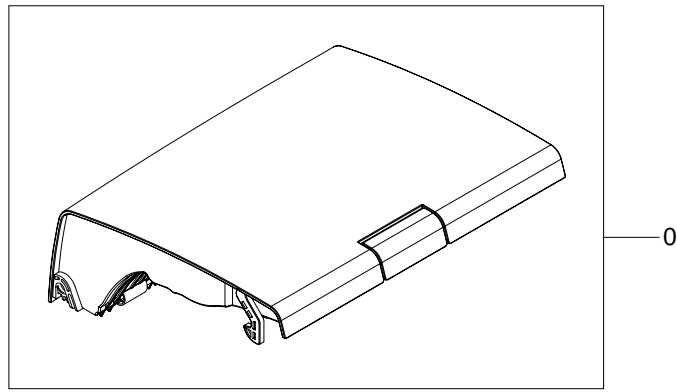
Cover Platen_DADF Parts List

SA : SERVICE AVAILABLE, SNA : SERVICE not AVAILABLE

Drawer#	SEC_Code	Description	QT'y	Service	Remark
0	JC96-04856A	ELA HOU-COVER PLATEN	1	SNA	
1	JC63-01638A	COVER-PLATEN	1	SNA	
2	JC61-02345A	GUIDE-REVERSE	1	SNA	
3	JC66-01861A	SHAFT-GATE	1	SNA	
4	JC72-00751A	PPR-SPONGE SHEET	1	SA	
5	JC63-01601A	COVER-PLATEN_SUB	1	SNA	
6	JC66-01860A	SHAFT-IDLE ROLLER	1	SNA	
7	JC61-70928A	SPRING ETC-DEV_R	2	SA	
8	JC61-02347A	GUIDE-EXTENSION PLATEN	1	SA	
9	JC63-01649A	GROUND-COVER PLATEN	1	SNA	
10	JC63-01600A	COVER-DUMMY PLATEN	1	SNA	
11	JC66-01022B	ROLLER-M_IDLE SCF	12	SNA	

Drawer#	SEC_Code	Description	QT'y	Service	Remark
12	JC61-02270A	BRACKET-PLATEN SUB	2	SNA	
13	JC64-00357A	HANDLE-SUB PLATEN	1	SNA	
14	JC72-00766A	PMO-TIE STOPPER	1	SA	
15	6044-000159	GING-C	2	SA	
16	JC63-01625A	COVER-PLATEN SUB DUMMY	1	SNA	
17	JC68-02216A	LABEL-INFORMATION	1	SNA	
18	6107-001390	SPRING-ES	8	SNA	
19	6003-000196	SCREW-TAPTITE	14	SA	
20	6003-001324	SCREW-TAPTITE	8	SNA	
21	JC96-04857A	ELA-COVER JAM	1	SA	
22	JC97-02265B	MEA UNIT-HINGE RM	1	SA	
23	JC97-02635A	MEA UNIT-HINGE	1	SA	

19. Cover Open_DADF



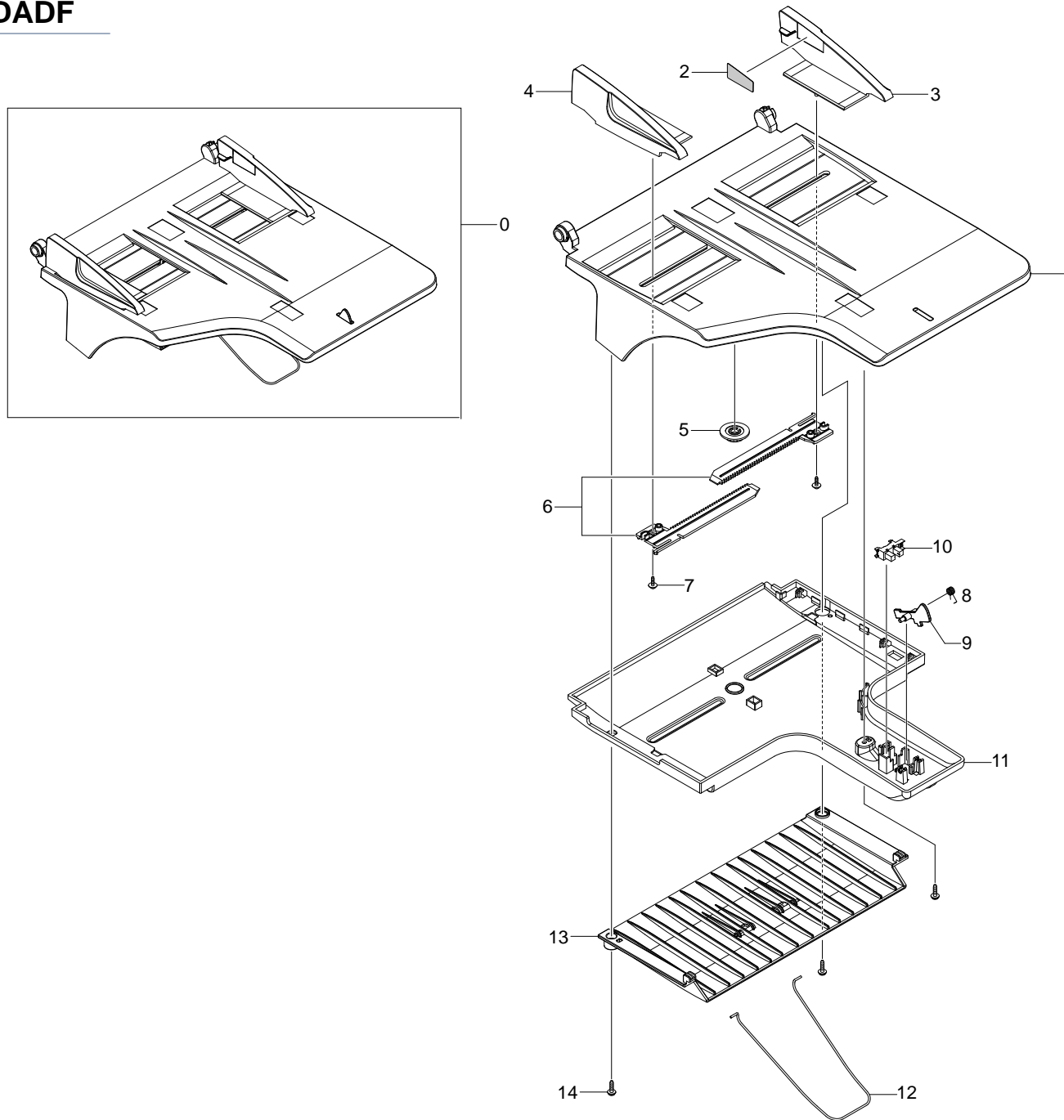
Cover Open_DADF Parts List

SA : SERVICE AVAILABLE, SNA : SERVICE not AVAILABLE

Drawer#	SEC_Code	Description	QT'y	Service	Remark
0	JC96-04862A	ELA-COVER OPEN	1	SA	
1	6003-000196	SCREW-TAPTITE	5	SA	
2	JB61-00076A	SPRING ETC-TORSION DOC(CC2-F)	1	SA	
3	JC64-00351A	HANDLE-COVER-OPEN	1	SNA	
4	JC61-00483A	SPRING-KNOCK UP MP	2	SA	
5	JC61-00482A	SPRING-ETC-PICK UP	1	SA	
6	JC63-01644A	GROUND-PICK UP	1	SNA	
7	JC66-01022B	ROLLER-M_IDLE_SCF	4	SNA	
8	JC63-01599A	COVER-OPEN-LOWER	1	SNA	
9	JC61-00423A	BUSH-6_D	2	SA	
10	6044-000125	RING-E	1	SA	
11	JC61-02250A	HOLDER-BUSH-PICK UP	1	SNA	
12	0604-001095	PHOTO-INTERRUPTER	1	SA	

Drawer#	SEC_Code	Description	QT'y	Service	Remark
13	JC66-01688A	ACTUATOR-REGI	1	SA	
14	JC63-01577A	COVER-OPEN-UPPER	1	SNA	
15	JC66-01676A	GEAR-PICK UP-DRIVE	1	SA	
16	JC66-01860A	SHAFT-IDLE ROLLER	1	SNA	
17	JC61-00788B	GUIDE-M_DOC SENSOR	2	SNA	
18	JC66-00958A	LATCH-M_ARM FRT	1	SNA	
19	JC61-01307B	STOPPER-M_PAPER REAR	1	SNA	
20	JB61-00074A	SPRING-SCAN STOPPER	2	SA	
21	JC72-01421A	SPONGE-COVER-UPPER1	1	SNA	
22	JC97-03099A	MEA-PICK UP	1	SA	
23	JC72-01483A	SPONGE-OPEN LOWER	2	SA	
24	JC72-01484A	SPONGE-OPEN UPPER A	5	SA	
25	JC72-01485A	SPONGE-OPEN UPPER B	1	SA	

20. TX Stacker_DADF



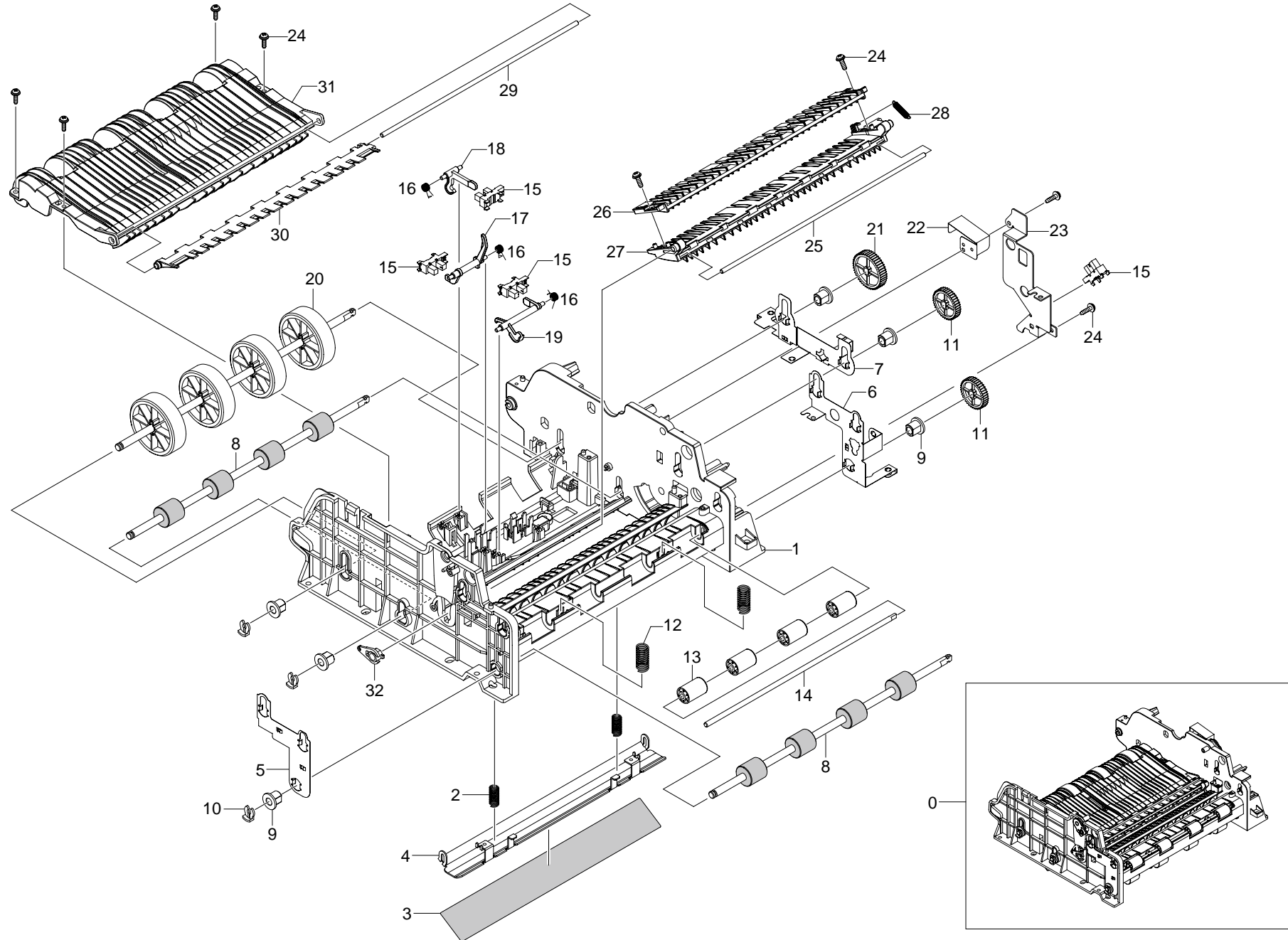
TX Stacker_DADF Parts List

SA : SERVICE AVAILABLE, SNA : SERVICE not AVAILABLE

Drawer#	SEC_Code	Description	QT'y	Service	Remark
0	JC97-03098A	MEA-TX STACKER	1	SA	
1	JC61-02344A	GUIDE_TX_STACKER	1	SNA	
2	JC68-01547B	LABEL-INSTALLATION	1	SNA	
3	JC61-02341A	GUIDE-DOC_REAR	1	SNA	
4	JC61-02340A	GUIDE-DOC FRONT	1	SNA	
5	JF72-41354A	PMO-GEAR PINION	1	SNA	
6	JC66-01807A	GEAR-RACK DOCU TX	2	SNA	
7	6002-000440	SCREW-TAPPING	2	SNA	

Drawer#	SEC_Code	Description	QT'y	Service	Remark
8	JB61-00076A	SPRING ETC-TORSION DOC(CC2-F)	1	SA	
9	JC72-01250B	PMO-ACTUATOR LENGTH	1	SA	
10	0604-001095	PHOTO-INTERRUPTER	1	SA	
11	JC61-02342A	GUIDE_STACKER_LOWER	1	SNA	
12	JC61-01438A	GUIDE-STACKER WIRE	1	SNA	
13	JC61-02342A	GUIDE_STACKER_DUMMY	4	SNA	
14	6003-000196	SCREW-TAPTITE	3	SA	

21. Guide Scan_DADF



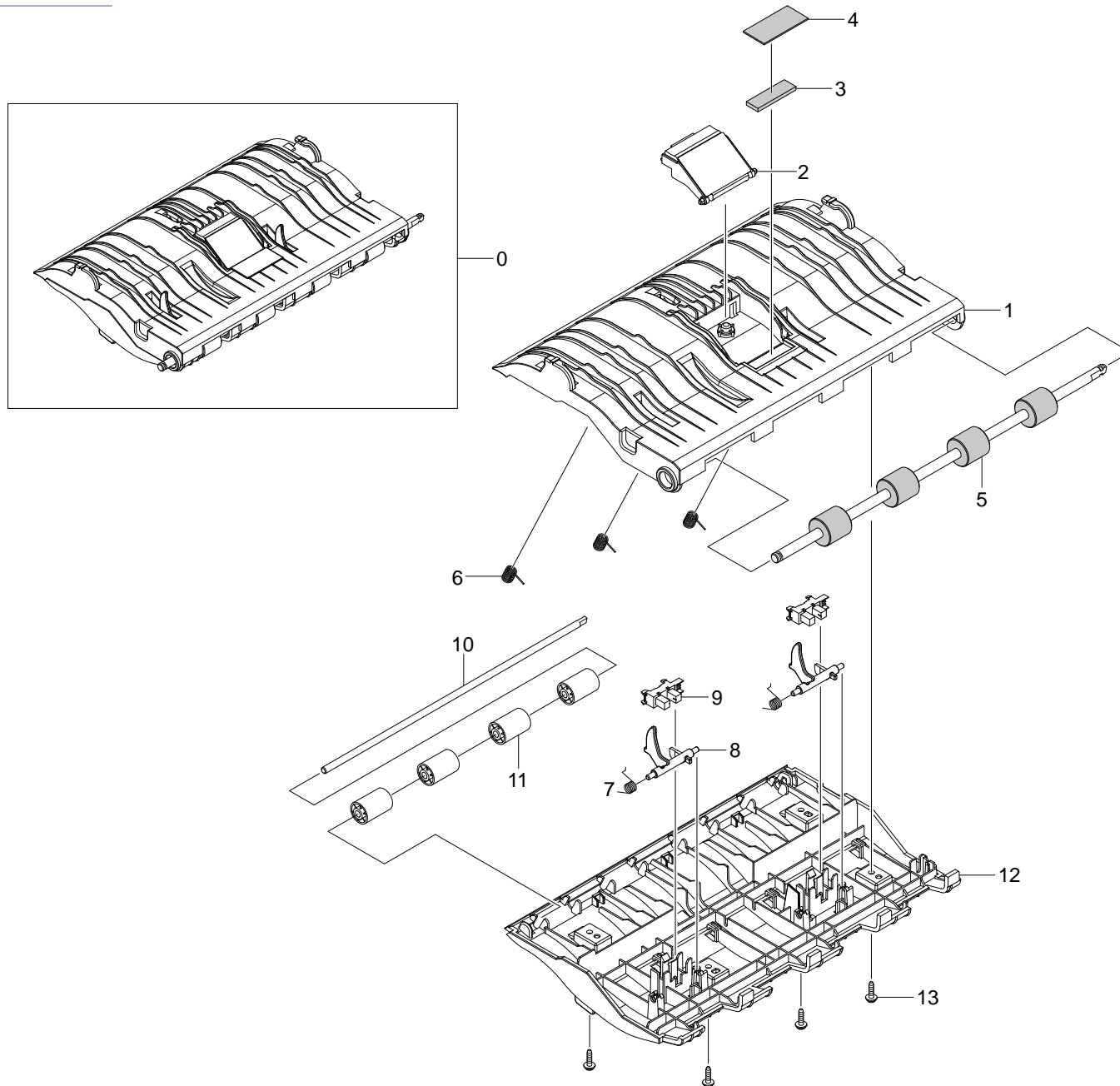
Guide Scan_DADF Parts List

SA : SERVICE AVAILABLE, SNA : SERVICE not AVAILABLE

Drawer#	SEC_Code	Description	QT'y	Service	Remark
0	JC96-04861A	ELA HOU-GUIDE SCAN	1	SA	
1	JC61-02346A	GUIDE-SCAN	1	SNA	
2	JC61-00548A	SPRING ETC-WHITE BAR	2	SA	
3	JC63-00810A	SHEET-WHITE BAR	1	SA	
4	JC61-02754A	BRACKET-P-WHITE BAR	1	SA	
5	JC63-01647A	GROUND-EXIT FRONT	1	SNA	
6	JC63-01648A	GROUND-EXIT	1	SNA	
7	JC63-01646A	GROUND-DADF	1	SNA	
8	JC66-01826A	ROLLER-DUPLEX	2	SNA	
9	JC61-00884A	BUSH-6_D(L)	6	SA	
10	JC61-01367A	FIXER-M_E RING 4PI	3	SA	
11	JC66-01675A	GEAR-ROLLER DRIVE	2	SA	
12	JC61-70959B	SPRING ETC-FEED	2	SNA	
13	JC66-01022B	ROLLER-M_IDLE SCF	4	SNA	
14	JC66-01860A	SHAFT-IDLE ROLLER	1	SNA	
15	0604-001095	PHOTO-INTERRUPTER	4	SA	
16	JB61-00076A	SPRING ETC-TORSION DOC(CC2-F)	3	SA	

Drawer#	SEC_Code	Description	QT'y	Service	Remark
17	JC66-01689A	ACTUATOR-DUPLEX	1	SA	
18	JC66-01690A	ACTUATOR-SCAN	1	SA	
19	JC66-01803A	ACTUATOR-GATE	1	SA	
20	JC97-03119A	MEA-FEED ROLLER	1	SA	
21	JC66-01806A	GEAR-MULTI ROLLER	1	SA	
22	JC70-00218A	IPR-GUARD C/O S/W	1	SNA	
23	JC61-02282A	BRACKET-GROUND	1	SNA	
24	6003-000196	SCREW-TAPTITE	8	SA	
25	JC66-00683A	SHAFT-GATE DUPLEX	1	SNA	
26	JC61-02348A	GUIDE-PATH TOP	1	SNA	
27	JC61-02338A	GUIDE-PATH LOWER	1	SNA	
28	6107-001388	SPRING-GATE	1	SNA	
29	JC66-01861A	SHAFT-GATE	1	SNA	
30	JC61-02339A	GUIDE-DUPLEX	1	SNA	
31	JC63-01605A	COVER-DUPLEX	1	SNA	
32	JC72-41191A	PMO-BEARING SHAFT	1	SA	

22. Guide Pickup_DADF



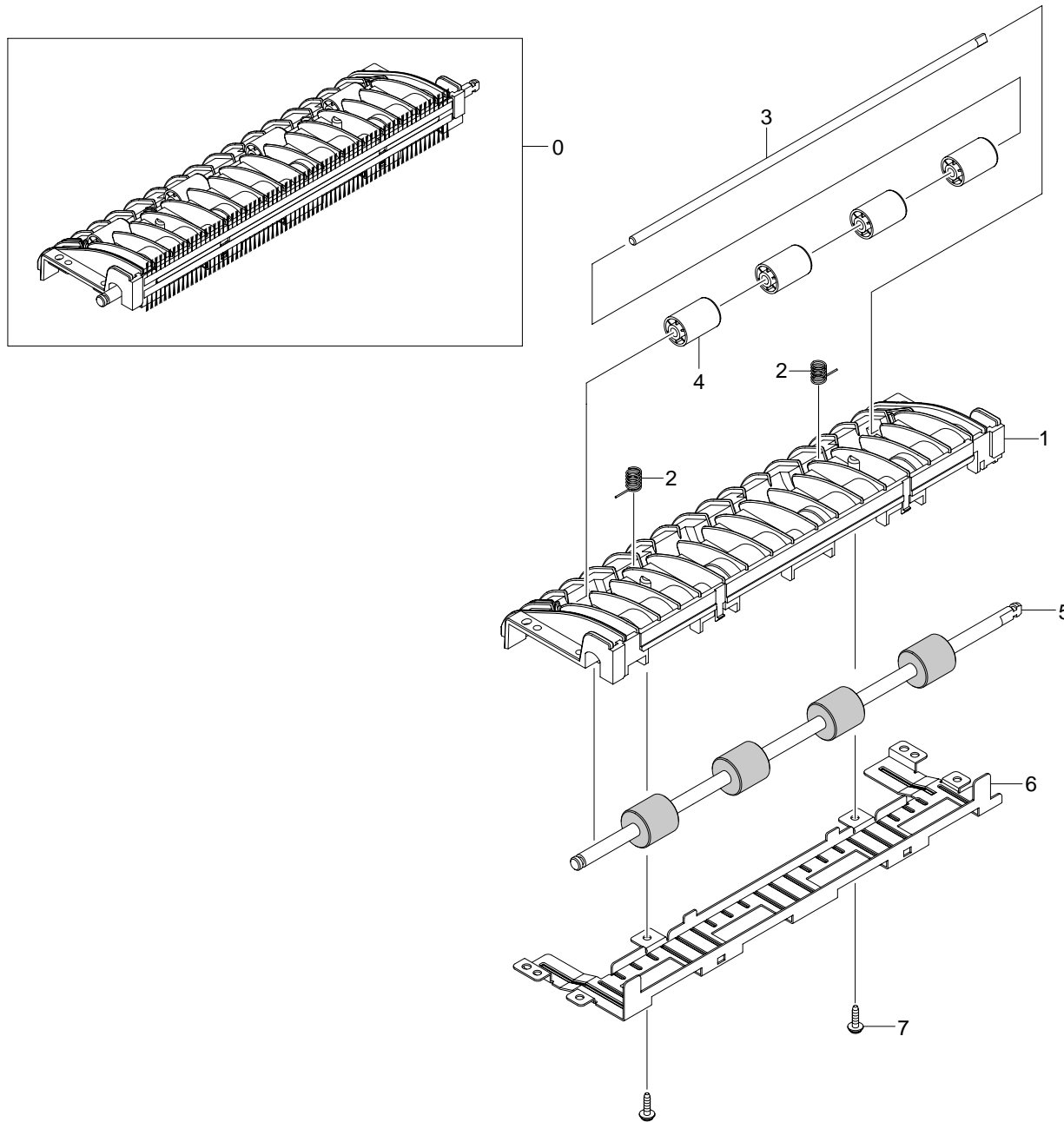
Guide Pickup_DADF Parts List

SA : SERVICE AVAILABLE, SNA : SERVICE not AVAILABLE

Drawer#	SEC_Code	Description	QT'y	Service	Remark
0	JC97-03096A	MEA-GUIDE PICK UP	1	SA	
1	JC61-02350A	GUIDE PICK UP_UPPER	1	SNA	
2	JC97-03097A	MEA-HOLDER ADF RUBBER	1	SA	
3	JC72-01422A	SPONGE-GUIDE PICK UP	1	SNA	
4	JC69-01326A	PAD-GUIDE PICK UP	1	SNA	
5	JC66-01826A	ROLLER-DUPLEX	1	SNA	
6	JC61-01563A	SPRING ETC-DUP IDLE	3	SNA	

Drawer#	SEC_Code	Description	QT'y	Service	Remark
7	JB61-00076A	SPRING ETC-TORSION DOC(CC2-F)	2	SA	
8	JC72-01248A	PMO-ACTUATOR DOC	2	SA	
9	0604-001095	PHOTO-INTERRUPTER	2	SA	
10	JC66-01860A	SHAFT-IDLE ROLLER	1	SNA	
11	JC66-01022B	ROLLER-M_IDLE SCF	4	SNA	
12	JC61-02351A	GUIDE PICK UP LOWER	1	SNA	
13	6003-000196	SCREW-TAPTITE	4	SA	

23. Exit Unit_DADF



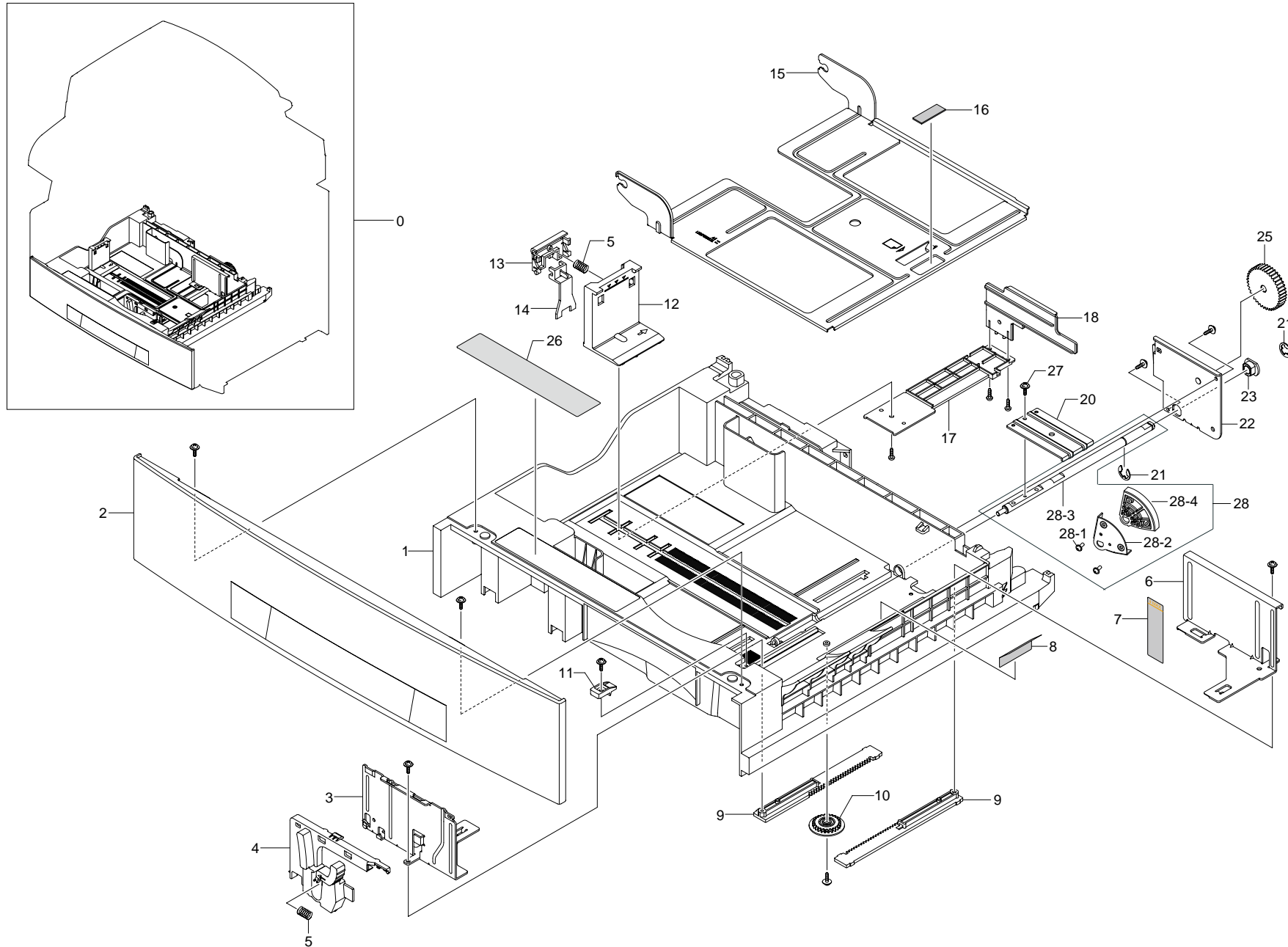
Exit Unit_DADF Parts List

SA : SERVICE AVAILABLE, SNA : SERVICE not AVAILABLE

Drawer#	SEC_Code	Description	QT'y	Service	Remark
0	JC97-03095A	MEA-EXIT	1	SA	
1	JC61-02349A	GUIDE-DUPLEX_INNER	1	SNA	
2	JC61-01563A	SPRING ETC-DUP IDLE	2	SNA	
3	JC66-01860A	SHAFT-IDLE ROLLER	1	SNA	

Drawer#	SEC_Code	Description	QT'y	Service	Remark
4	JC66-01022B	ROLLER-M_IDLE SCF	4	SNA	
5	JC66-01826A	ROLLER-DUPLEX	1	SNA	
6	JC61-02353A	PLATE-DUPLEX LOWER	1	SNA	
7	6003-000196	SCREW-TAPTITE	2	SA	

24. Cassette



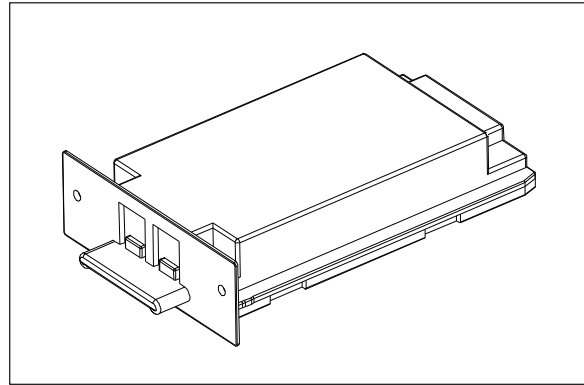
Cassette Parts List

SA : SERVICE AVAILABLE, SNA : SERVICE not AVAILABLE

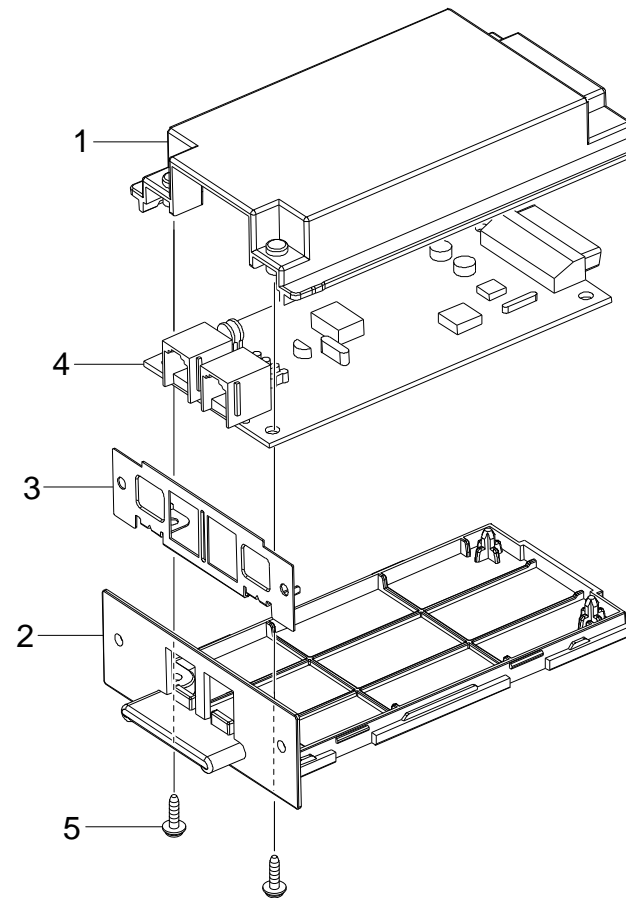
Drawer#	SEC_Code	Description	QT'y	Service	Remark
0	JC97-02273B	MEA UNIT-CASSETTE	1	SA	
1	JC61-01411B	FRAME-M_CASSETTE	1	SA	
2	JC63-00782B	COVER-CASSETTE	1	SNA	
3	JC61-01413A	GUIDE-P-SIDE LEFT	1	SA	
4	JC67-00123B	CAP-M_HANDLE LEFT	1	SNA	
5	JC61-00548A	SPRING ETC-WHITE BAR	2	SA	
6	JC61-01414A	GUIDE-P-SIDE RIGHT	1	SNA	
7	JC68-01621A	LABEL(R)-MAX FILL	1	SNA	
8	JC63-00747A	SHEET-GUIDE RETARD	1	SA	
9	JC66-00956A	GEAR-M_RACK	2	SNA	
10	JC66-01020A	GEAR-M_PINION 24	1	SA	
11	JC61-00832B	STOPPER-M_KNOCK UP	1	SA	
12	JC61-01395B	GUIDE-REAR	1	SNA	
13	JC66-00202C	LEVER-LENTH HANDLE	1	SNA	
14	JC61-01304B	GUIDE-HOOK	1	SNA	
15	JC61-01412A	PLATE-P-KNOCK UP	1	SNA	

Drawer#	SEC_Code	Description	QT'y	Service	Remark
16	JC69-00494A	PAD-MP(PLUS)	1	SA	
17	JC61-01416A	SUPPORT-M_BAR PAPER	1	SNA	
18	JC61-01417A	SUPPORT-M_PUSH PAPER	1	SNA	
20	JC61-01322A	PLATE-P-LEVER	1	SNA	
21	6044-000231	RING-E	1	SA	
22	JC61-01394A	BRACKET-P-LIFTING	1	SNA	
23	JC61-00426A	BUSH-8/5	1	SA	
25	JC66-00955A	GEAR-M_LIFT COUPLING	1	SA	
26	JC68-01622B	LABEL-INSTALLATION	1	SNA	
27	6001-000130	SCREW-MACHINE	1	SNA	
28	JC97-02836A	MEA UNIT-LIFTING GEAR	1	SA	
28-1	6002-000440	SCREW-TAPPING	2	SNA	
28-2	JC61-01791A	PLATE-LIFTING GEAR	1	SNA	
28-3	JC66-00953A	SHAFT-PLATE LEVER	1	SA	
28-4	JC66-00954A	GEAR-M_LIFTING	1	SA	

25. Fax Unit



0



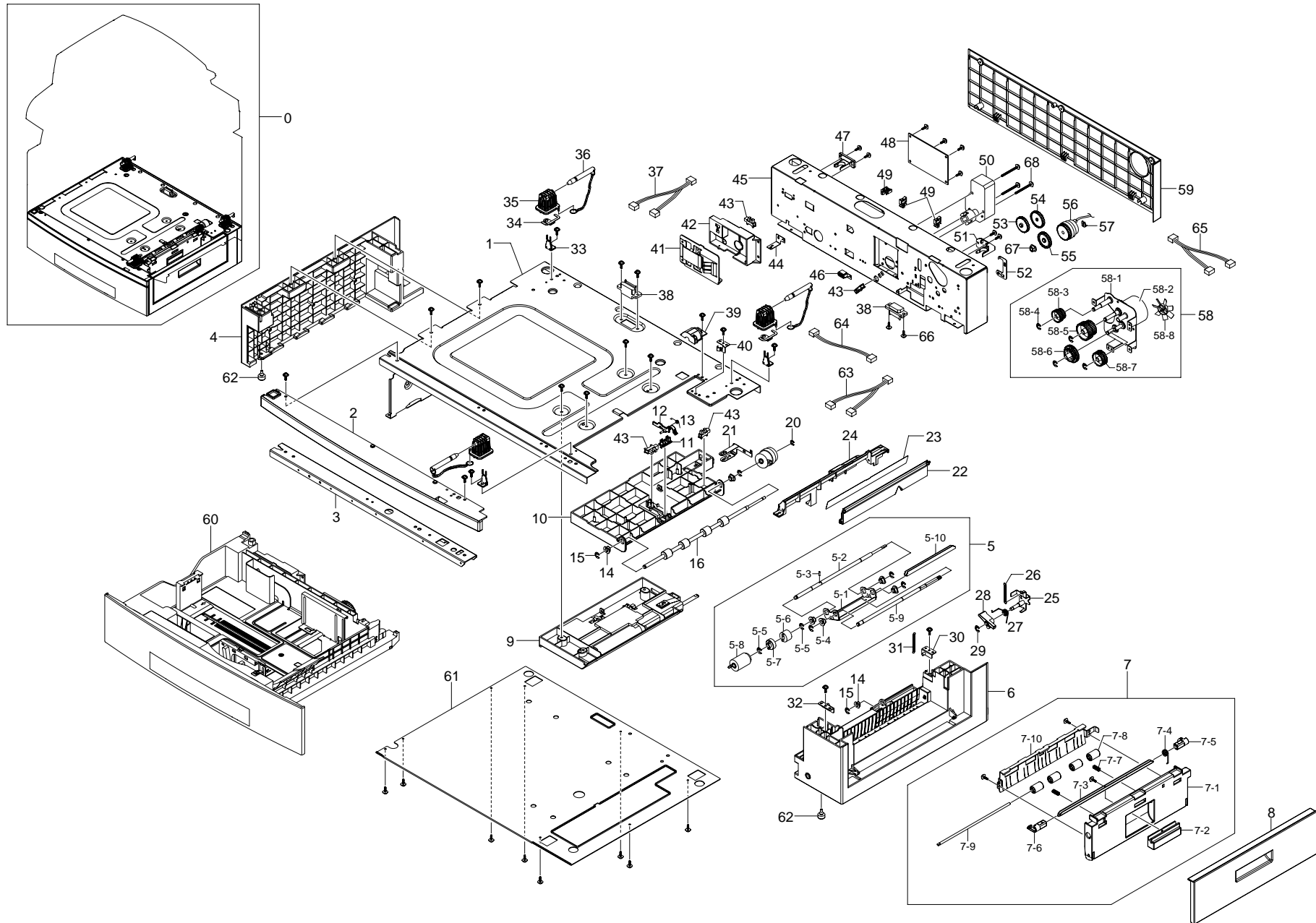
Fax Unit Parts List

SA : SERVICE AVAILABLE, SNA : SERVICE not AVAILABLE

Drawer#	SEC_Code	Description	QT'y	Service	Remark
0	JC96-05173A	ELA HOU-FAX	1	SNA	Option Unit
1	JC63-00822B	COVER-M_LIUUPPER	1	SNA	
2	JC63-00823B	COVER-M_LIUBOTTOM	1	SNA	

Drawer#	SEC_Code	Description	QT'y	Service	Remark
3	JC61-01396A	BRACKET-P_LIU	1	SNA	
4	JC92-01981A	PBA-FAX_PARALLE	1	SA	
5	6003-000196	SCREW-TAPTITE	2	SA	

26. SCF



SCF Parts List

SA : SERVICE AVAILABLE, SNA : SERVICE not AVAILABLE

Drawer#	SEC_Code	Description	QT'y	Service	Remark
0	JC96-05221A	ELA UNIT-SCF	1	SNA	Option Unit
1	JC61-01333A	FRAME-P_TOPSCF	1	SNA	
2	JC63-00771B	COVER-M_FRONTSCF	1	SNA	
3	JC61-01312A	PLATE-P-BEAM BASE	1	SNA	
4	JC61-01397B	BASE-M_LEFTSCF	1	SNA	
5	JC97-02290A	MEA UNIT-RETARD	1	SA	
5-1	JC61-01348A	BRACKET-P-RETARD	1	SNA	
5-2	JC66-00937A	SHAFT-RETARD S	1	SA	
5-3	JC66-00939A	SHAFT-LOCK	1	SA	
5-4	JC61-00423A	BUSH-6_D	1	SA	
5-5	6044-000125	RING-E	1	SA	
5-6	JC67-00126A	COUPLER-TORQUELIMITER	1	SA	
5-7	JC66-00976A	JOINT-M_RETARD	1	SA	
5-8	JC97-02259A	MEA UNIT-ROLLER PU	1	SA	
5-9	JC66-00938A	SHAFT-RETARD M	1	SNA	
5-10	JC61-01349A	BRACKET-P-BAR RETARD	1	SNA	
6	JC61-01398B	BASE-M_RIGHT SCF	1	SNA	
7	JC97-02275B	MEA UNIT-SCF DOOR	1	SA	
7-1	JC61-01327B	GUIDE-DOOR INNER	1	SNA	
7-2	JC64-00208B	HANDLE-DOOR	1	SNA	
7-3	JC61-01404A	BRACKET-P_HANDLE SCF	1	SNA	
7-4	6107-001206	SPRINGTS	1	SNA	
7-5	JC64-00204B	LOCKER-M_RIGHT	1	SNA	
7-6	JC64-00204A	LOCKER-M_LEFT	1	SNA	
7-7	JC61-70959B	SPRING FEED	1	SNA	
7-8	JC66-01022A	ROLLER-M_IDLE SCF	1	SNA	
7-9	JC66-00661A	SHAFT-EXIT IDLE	1	SA	
7-10	JC61-01328A	PLATE-P_GUIDE SCF	1	SNA	
8	JC63-00769B	COVER-M_DOOR SIDE SCF	1	SNA	
9	JC96-03558A	ELA HOU-PICK UP	1	SA	
10	JC61-01401A	HOUSING-M_PICKUP SCF	1	SNA	

Drawer#	SEC_Code	Description	QT'y	Service	Remark
11	JC61-01422A	HOLDER-M_ACT READY	1	SA	
12	JC61-01402A	LEG-M_ACT FEED SCF	1	SNA	
13	6107-001262	SPRING-TS	1	SA	
14	JC61-00423A	BUSH-6_D	1	SA	
15	6044-000125	RING-E	1	SA	
16	JC66-02012A	ROLLER-FEED SCF	1	SNA	
17	JC66-01865A	CLUTCH-ELECRTIC	1	SNA	
20	6044-000159	RING-C	1	SA	
21	JC63-00825A	GROUND-P_SHAFTSCF	1	SNA	
22	JC61-01326A	GUIDE-M_PUUPPERSCF	1	SNA	
23	JC63-00754A	SHEET-GUIDEFILMSCF	1	SA	
24	C61-01325A	GUIDE-M_PULOWERSCF	1	SNA	
25	JC61-01423A	BRACKET-P-ARM FRIC	1	SNA	
26	6107-001257	SPRING-ES	1	SA	
27	6107-001262	SPRING-TS	1	SNA	
28	JC66-00959A	LEVER-M_ARM FRICTION	1	SA	
29	6044-000125	RING-E	1	SA	
30	JC61-01400A	PLATE-P_LOCKER R	1	SNA	
31	6107-001257	SPRING-ES	1	SA	
32	JC61-01399A	PLATE-P_LOCKER L	1	SNA	
33	JC64-00207A	LOCKER-M_GRIPPIN	1	SNA	
34	JC63-00826A	GROUND-P_TOP	1	SA	
35	JC61-01403A	HOLDER-M_PIN	1	SNA	
36	JC66-01021A	SHAFT-PIN LOCK	1	SA	
37	JC96-03735A	ELA HOU-SIZE SENSOR	1	SA	
37-1	JC96-02127A	ELA HOU-CST SENSOR HAWK16	1	SA	
37-2	JC61-01343A	HOUSING-M_SIZE SENSOR	1	SA	
37-3	0604-001095	PHOTO-INTERRUPTER	1	SA	
37-4	JC63-00794A	GROUND-P-PAPER SIZE	1	SA	
37-5	JC39-00548A	CBFHARNES-SCF_TRAY	1	SNA	
38	JC39-00547A	CBFHARNES-SCF	1	SA	

SCF Parts List

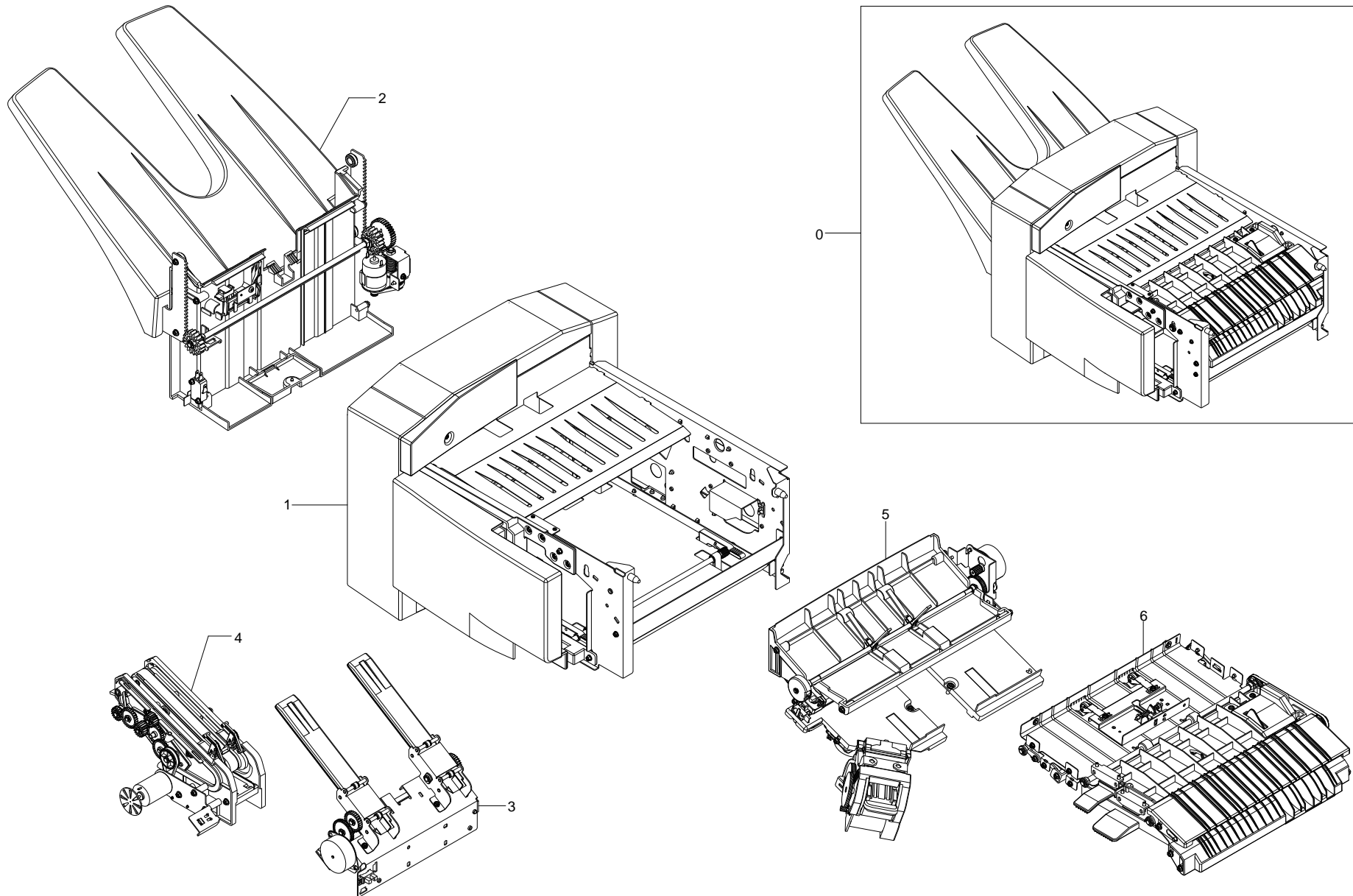
SA : SERVICE AVAILABLE, SNA : SERVICE not AVAILABLE

Drawer#	SEC_Code	Description	QT'y	Service	Remark
39	JC67-00124A	CAP-M_GEAR FEED	1	SNA	
40	JC63-00824A	GROUND-P DOOR INNER	1	SNA	
43	0604-001095	PHOTO-INTERRUPTER	1	SA	
45	JC61-01324A	FRAME-P_REAR SCF	1	SNA	
46	JC70-11028A	IPR-GROUND TOP	1	SA	
47	JC61-01345A	HOLDER-M_CST L	1	SNA	
48	JC92-01697A	PBA SUB-SCF	1	SA	
49	6502-000132	CABLE CLAMP	1	SA	
50	JC31-00045A	MOTOR GEARED-P LIFT	1	SA	
51	JC61-01344A	HOLDER-M_CST R	1	SNA	
52	JC63-00833A	GROUND-P-SHAFT RETARD	1	SA	
53	JC66-00975A	GEAR-M_RETARD	1	SA	
54	JC66-00974A	GEAR-M_FORWARD	1	SA	
55	JC66-00973A	GEAR-M_PICKUP IDLE B	1	SA	
56	JC66-00994A	CLUTCH-5K Z32	1	SA	
57	6044-000125	RING-E	1	SA	
58	JC96-05278A	ELA-HOU-DRIVE SCF	1	SA	
58-1	JC61-02704A	BRACKET-DRIVE SCF	1	SNA	

Drawer#	SEC_Code	Description	QT'y	Service	Remark
58-2	JC31-00028B	Motor Pickup SCF	1	SNA	
58-3	JC66-02011A	GEAR-FEED SCF	1	SNA	
58-4	6044-000125	RING-E	1	SA	
58-5	JC66-00965A	GEAR-M_FDIDLEASCF	1	SNA	
58-6	JC66-00967A	GEAR-M_PUIDLEASCF	1	SNA	
58-7	JC66-00968A	GEAR-M_PUIDLECSCF	1	SNA	
58-8	JC72-00825A	PMO-IMPELLER_DRV	1	SA	
59	JC63-00770B	COVER-M_REARSCF	1	SNA	
60	JC97-02273B	MEA UNIT-CASSETTE	1	SA	
61	JC61-01323A	FRAME-P_BOTTOMSCF	1	SNA	
62	JC61-40001A	FOOT-ML80	1	SA	
63	JC39-00461A	HARNESS-SCF_FEED	1	SNA	
64	JC39-00463A	HARNESS-GATE_NEAR	1	SA	
65	JC39-00549A	CBFHARNESS-SCF_CLUT	1	SNA	
66	6009-001390	SCREW-SPECIAL	1	SNA	
67	6003-000221	SCREW-TAPTITE	1	SA	
68	JC39-00462A	HARNESS-SCF_EMPTY	1	SA	
69	JC39-00477A	HARNESS-MOTOR_SW	1	SA	

27. FINISHER UNIT (Optional Unit)

27-1. Main_Finisher



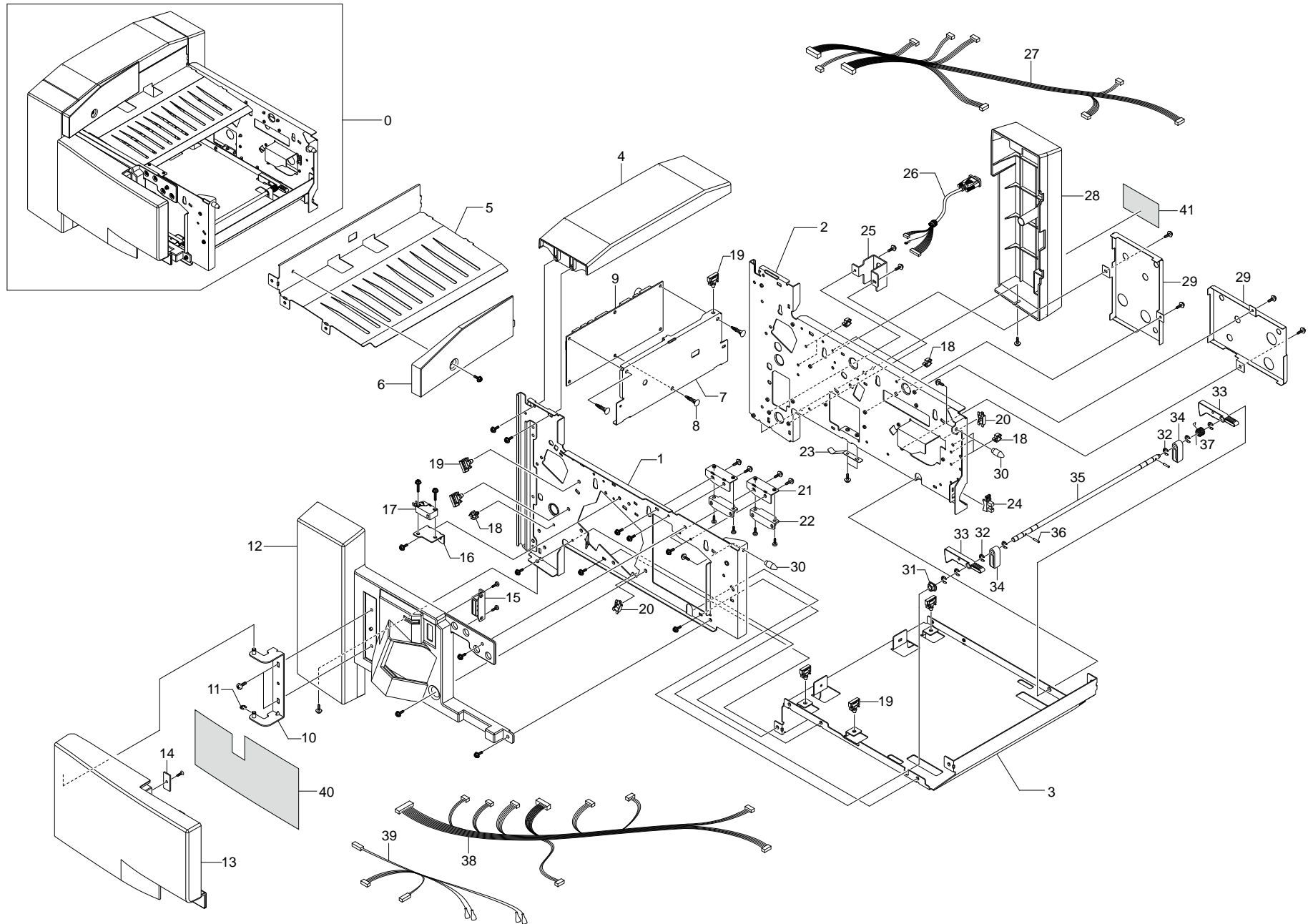
Main_Finisher Parts List

SA : SERVICE AVAILABLE, SNA : SERVICE not AVAILABLE

Drawer#	SEC_Code	Description	QT'y	Service	Remark
0	JC96-03908C	ELA HOU-FINISHER	1	SNA	Option Unit
1	-	FRAME UNIT	1	SNA	
2	-	STACKER UNIT	1	SNA	
3	-	EXTENTION TRAY UNIT	1	SNA	

Drawer#	SEC_Code	Description	QT'y	Service	Remark
4	JC81-03773A	EJECTOR UNIT	1	SA	
5	-	COMPILE UNIT	1	SNA	
6	-	FEED UNIT	1	SNA	

27-2. Frame Unit



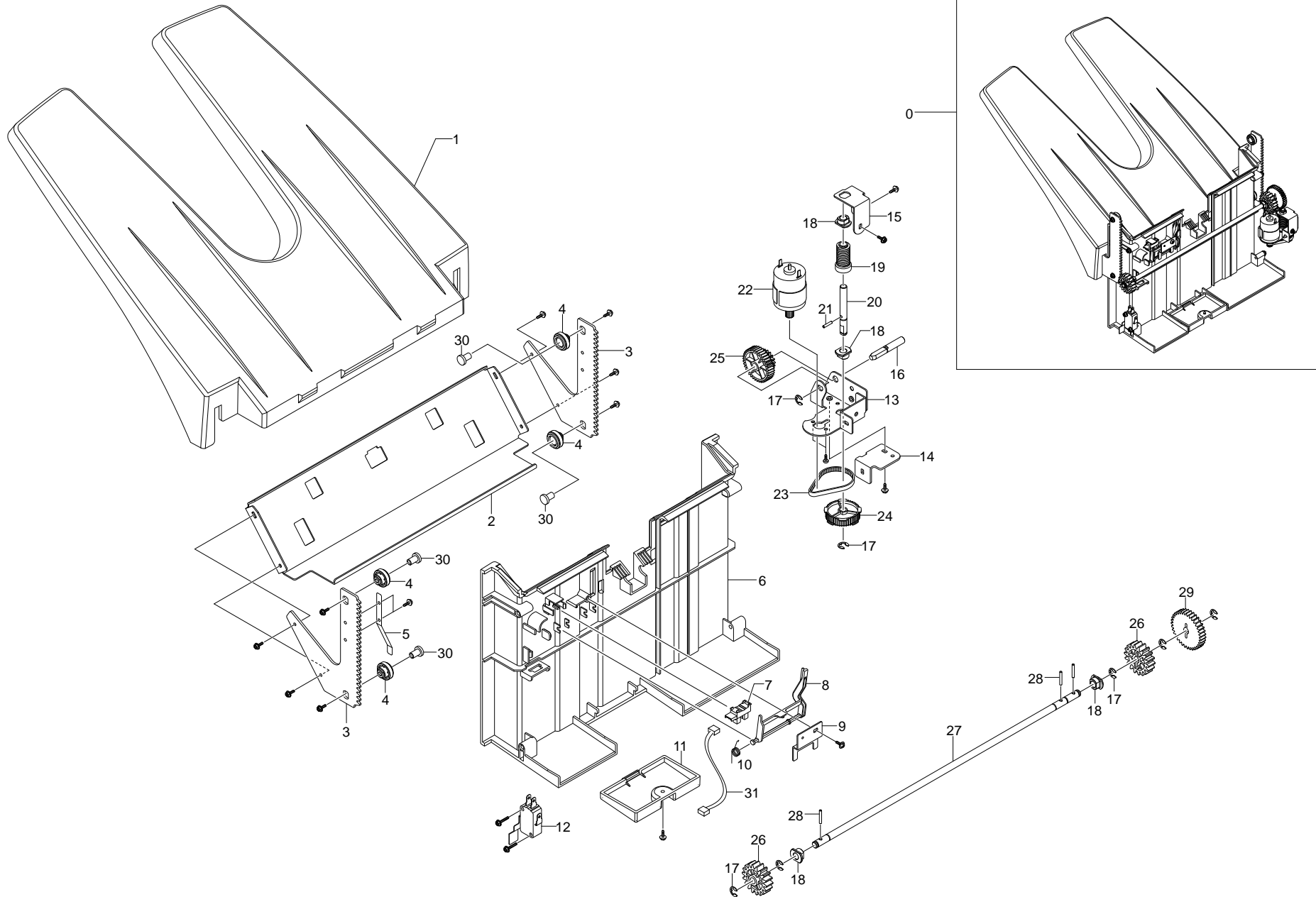
Frame Unit Parts List

SA : SERVICE AVAILABLE, SNA : SERVICE not AVAILABLE

Drawer#	SEC_Code	Description	QT'y	Service	Remark
0	-	FRAME UNIT	1	SNA	
1	-	ASSY:SIDE PLATE:FRONT	1	SNA	
2	-	ASSY:SIDE PLATE:REAR	1	SNA	
3	-	BASE:LOWER	1	SNA	
4	JC81-03487B	AS-COVER TOP	1	SA	
5	-	STAY:DUPLX GUIDE	1	SNA	
6	JC81-03767B	AS-COVER SCAN DUMMY	1	SA	
7	-	BKT:MAIN PCB	1	SNA	
8	-	BUTTON LOCKING SUPPORT:BLSS12	1	SNA	
9	JC81-03467A	AS-PCB MAIN ASSY	1	SA	
10	-	ASSY:HINGE:DOOR	1	SNA	
11	-	E-RING:Φ4	1	SNA	
12	JC81-03768B	AS-COVER FRONT	1	SA	
13	JC81-03488B	AS-COVER DOOR ASSY	1	SA	
13-1	-	COVER-DOOR	1	SNA	
13-2	-	HANDLE-DOOR	1	SNA	
13-3	-	LABEL-STAPLE REPLACE	1	SNA	
13-4	-	MAGNET CATCH PLATE:12x26	1	SNA	
13-5	-	SCREW-TAPTITEFH,+,B,M3,L8	1	SNA	
15	JC81-03468A	AS-MAGNET ASSY	1	SA	
16	-	BKT:INTER LOCK:DOOR OPEN	1	SNA	
17	JC81-03469A	AS-SWITCH MICRO	1	SA	

Drawer#	SEC_Code	Description	QT'y	Service	Remark
18	-	MICRO WIRE SADDLE	1	SNA	
19	-	SIDE LOCKING SADDLE	1	SNA	
20	-	COVER SADDLE:DS-1	1	SNA	
21	-	BKT:MAGNET:GUIDE	1	SNA	
23	-	LEAF SPRING:EARTH	1	SNA	
24	0604-001095	PHOTO-INTERRUPTER	1	SA	
26	JC81-03470A	AS-MH INTER FACE ASSY	1	SA	
27	-	ASSY:M/H:REAR FRAME	1	SNA	
28	JC81-03490B	AS-COVER REAR	1	SA	
29	-	BKT:COVER:REAR	1	SNA	
30	-	STUD:SET	1	SNA	
31	JC61-00423A	BUSH-6_D	1	SA	
32	-	E-RING:Φ4	1	SNA	
33	-	HOOK:INSTALL	1	SNA	
34	-	GUIDE:SET	1	SNA	
35	-	SHAFT:HOOK:SET	1	SNA	
36	-	PARALLEL PIN:Φ2x10	1	SNA	
37	-	T-SPRING:HOOK:SET	1	SNA	
38	-	ASSY:M/H:FRONT FRAME	1	SNA	
39	-	ASSY:M/H:INTER LOCK	1	SNA	
40	-	RATING-LABEL	1	SNA	

27-3. Stacker Unit



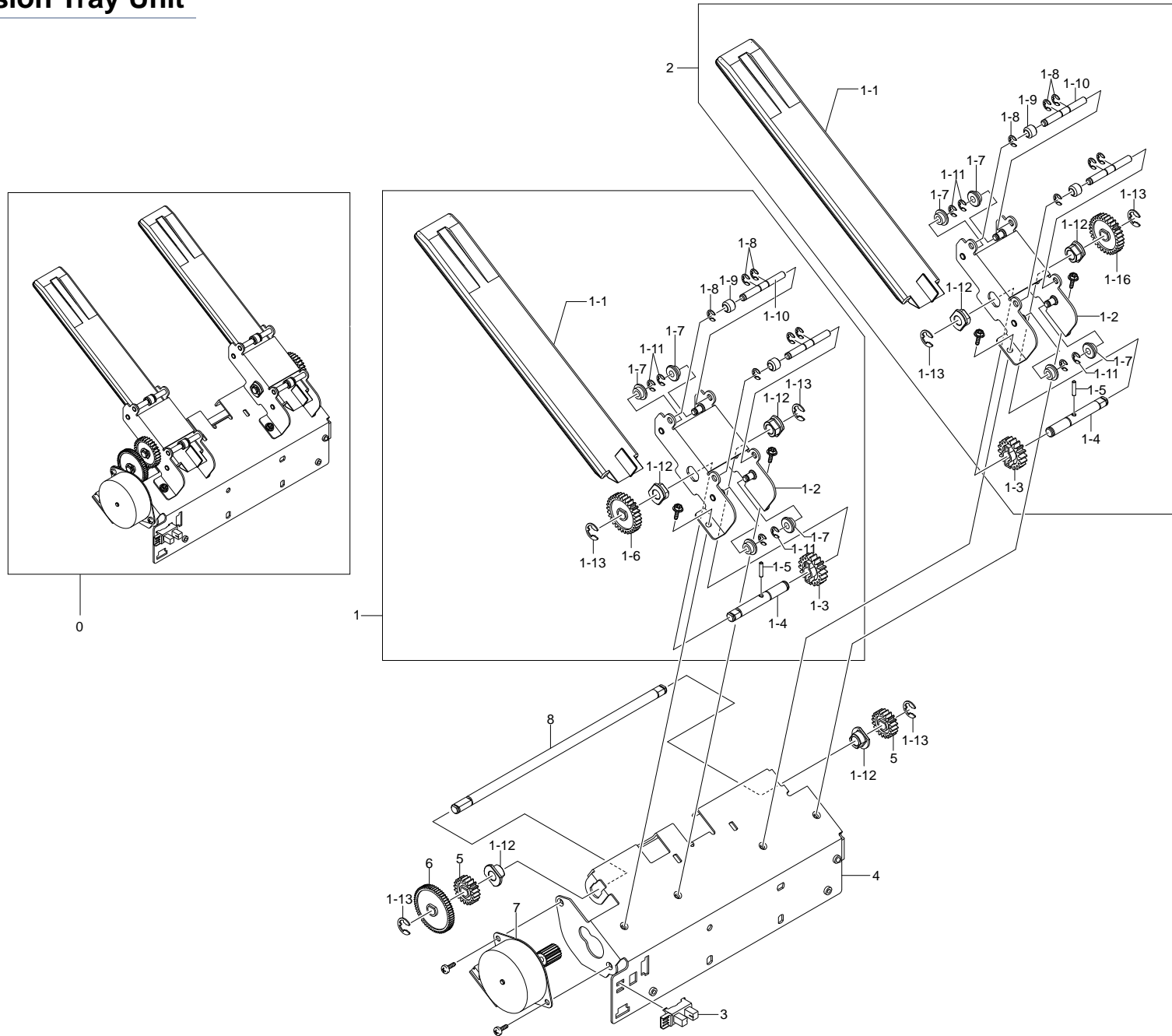
Stacker Unit Parts List

SA : SERVICE AVAILABLE, SNA : SERVICE not AVAILABLE

Drawer#	SEC_Code	Description	QT'y	Service	Remark
0	-	STACKER UNIT	1	SNA	
1	JC81-03472B	AS-TRAY STACKER	1	SA	
2	-	STAY:STACKER	1	SNA	
3	-	SIDE FRAME:STACKER	1	SNA	
4	-	ROLLER:STACKER	1	SNA	
5	-	LEAF SPRING:EARTH	1	SNA	
6	-	SHIELD:STACKER	1	SNA	
7	0604-001095	PI SENSOR:GP1S73P2	1	SA	
8	-	ACTUATOR:STACKER	1	SNA	
9	-	BKT:SENSOR	1	SNA	
10	-	T-SPRING:ACTUATOR:STACK	1	SNA	
11	-	COVER:PCB	1	SNA	
12	JC81-03471A	AS-MS STACKER ASSY	1	SA	
13	-	BKT:MOTOR:STACKER	1	SNA	
14	-	BKT:SUPPORT:MORTOR	1	SNA	
15	-	BKT:WORM:STACK	1	SNA	

Drawer#	SEC_Code	Description	QT'y	Service	Remark
16	-	SHAFT:WORM WHEEL	1	SNA	
17	-	E-RING:4	1	SNA	
18	JC61-00423A	BUSH-6_D	1	SA	
19	JC81-03489A	AS-WORM STACKER	1	SA	
20	-	SHAFT:WORM	1	SNA	
21	-	PARALLEL PIN:210	1	SNA	
22	JC81-03484A	AS-MOTOR DC	1	SA	
23	JC81-03525A	AS-BELT STACKER	1	SA	
24	JC81-03491A	AS-PULLEY S2M48T	1	SA	
25	JC81-03524A	AS-W_WHEEL STACKER	1	SA	
26	JC81-03492A	AS-GEAR PINION18T	1	SA	
27	-	SHAFT:STACKER:DRIVE	1	SNA	
28	-	PARALLEL PIN:214	1	SNA	
29	JC81-03523A	AS-GEAR SPUR Z35	1	SA	
30	-	STUD:STACKER:LIFT	1	SNA	
31	-	ASSY:M/H:STK TOP SNR	1	SNA	

27-4. Extension Tray Unit



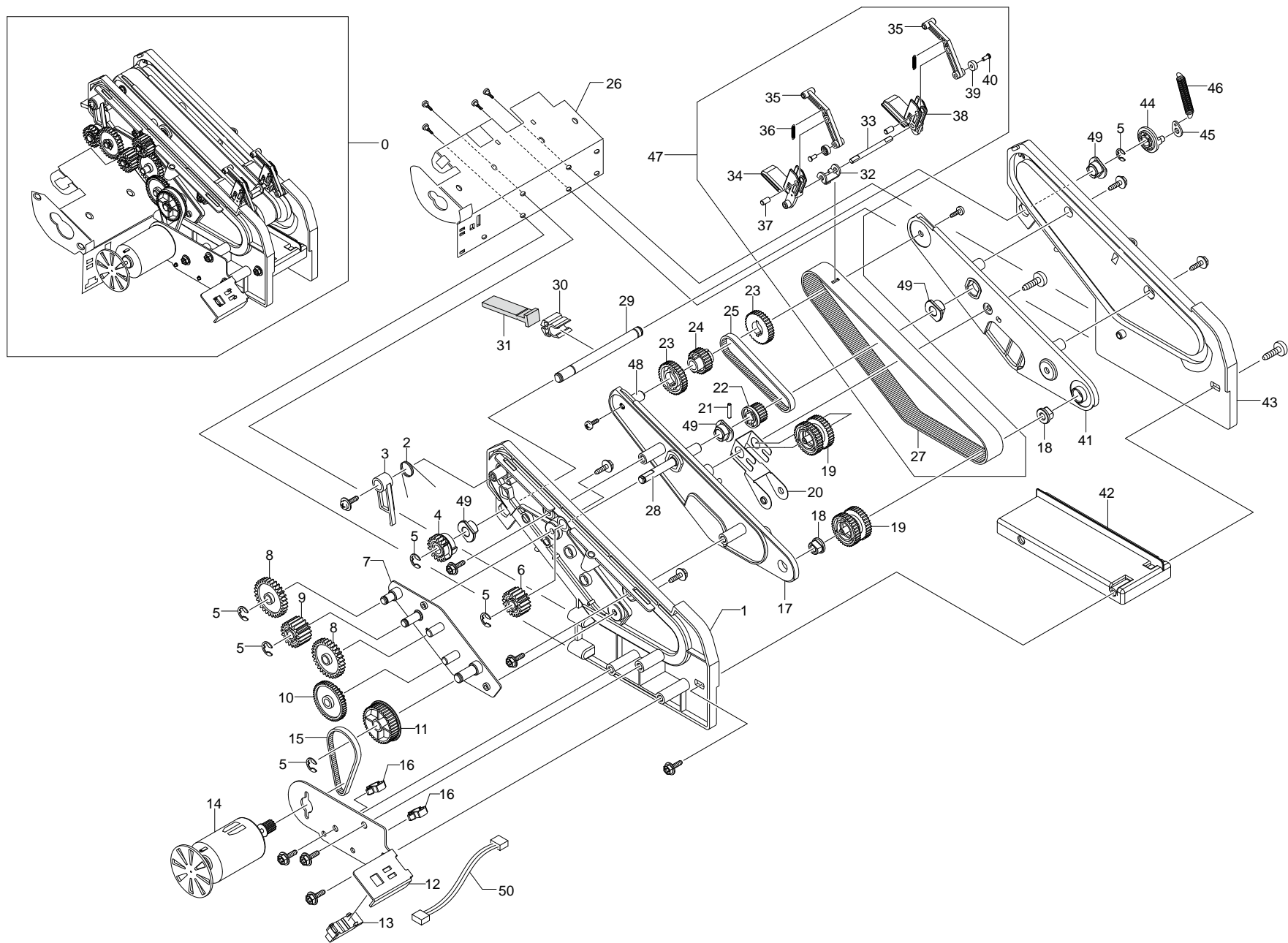
Extension Tray Unit Parts List

SA : SERVICE AVAILABLE, SNA : SERVICE not AVAILABLE

Drawer#	SEC_Code	Description	QT'y	Service	Remark
0	-	EXTENTION TRAY UNIT	1	SNA	
1	JC81-03769B	AS-SUPP FINGER ASSY_F	1	SA	
1-1	JC81-03483B	AS-TRAY BERO	1	SA	
1-2	-	BKT:TRAY:BERO:ASSY	1	SNA	
1-3	JC81-03494A	AS-RACK PINION Z18	1	SA	
1-4	-	SHAFT:RACK PINION	1	SNA	
1-5	-	PARALLEL PIN:2x10	1	SNA	
1-6	JC81-03521A	AS-GEARZ30	1	SA	
1-7	-	ROLLER:BERO:LOWER	1	SNA	
1-8	-	E-RING:2.5	1	SNA	
1-9	-	ROLLER:BERO:UPPER	1	SNA	
1-10	-	SHAFT:ROLLER:BERO	1	SNA	
1-11	-	E-RING:3	1	SNA	
1-12	JC61-00423A	BUSH-6_D	1	SA	
1-13	-	E-RING:4	1	SNA	
2	JC81-03770A	AS-SUPP FINGER ASSY_R	1	SA	
2-1-1	JC81-03483A	AS-TRAY BERO	1	SA	
2-1-2	-	BKT:TRAY:BERO:ASSY	1	SNA	
2-1-3	JC81-03494A	AS-RACK PINION Z18	1	SA	

Drawer#	SEC_Code	Description	QT'y	Service	Remark
2-1-4	-	SHAFT:RACK PINION	1	SNA	
2-1-5	-	PARALLEL PIN:2x10	1	SNA	
2-1-6	JC81-03521A	AS-GEAR Z30	1	SA	
2-1-7	-	ROLLER:BERO:LOWER	1	SNA	
2-1-8	-	E-RING:2.5	1	SNA	
2-1-9	-	ROLLER:BERO:UPPER	1	SNA	
2-1-10	-	SHAFT:ROLLER:BERO	1	SNA	
2-1-11	-	E-RING:3	1	SNA	
2-1-12	JC61-00423A	BUSH-6_D	1	SA	
2-1-13	-	E-RING:4	1	SNA	
3	0604-001095	PHOTO-INTERRUPTER	1	SA	
4	-	FRAME:BERO	1	SNA	
5	JC81-03493A	AS-GEAR Z20	1	SA	
6	JC81-03522A	AS-GEAR Z60	1	SA	
7	JC81-03473A	AS-MOTOR PM ASSY Z18	1	SA	
8	-	SHAFT:TRANS:BERO	1	SNA	
8-1-12	JC61-00423A	BUSH-6_D	1	SA	
8-1-13	-	E-RING:4	1	SNA	

27-5. EjectorUnit



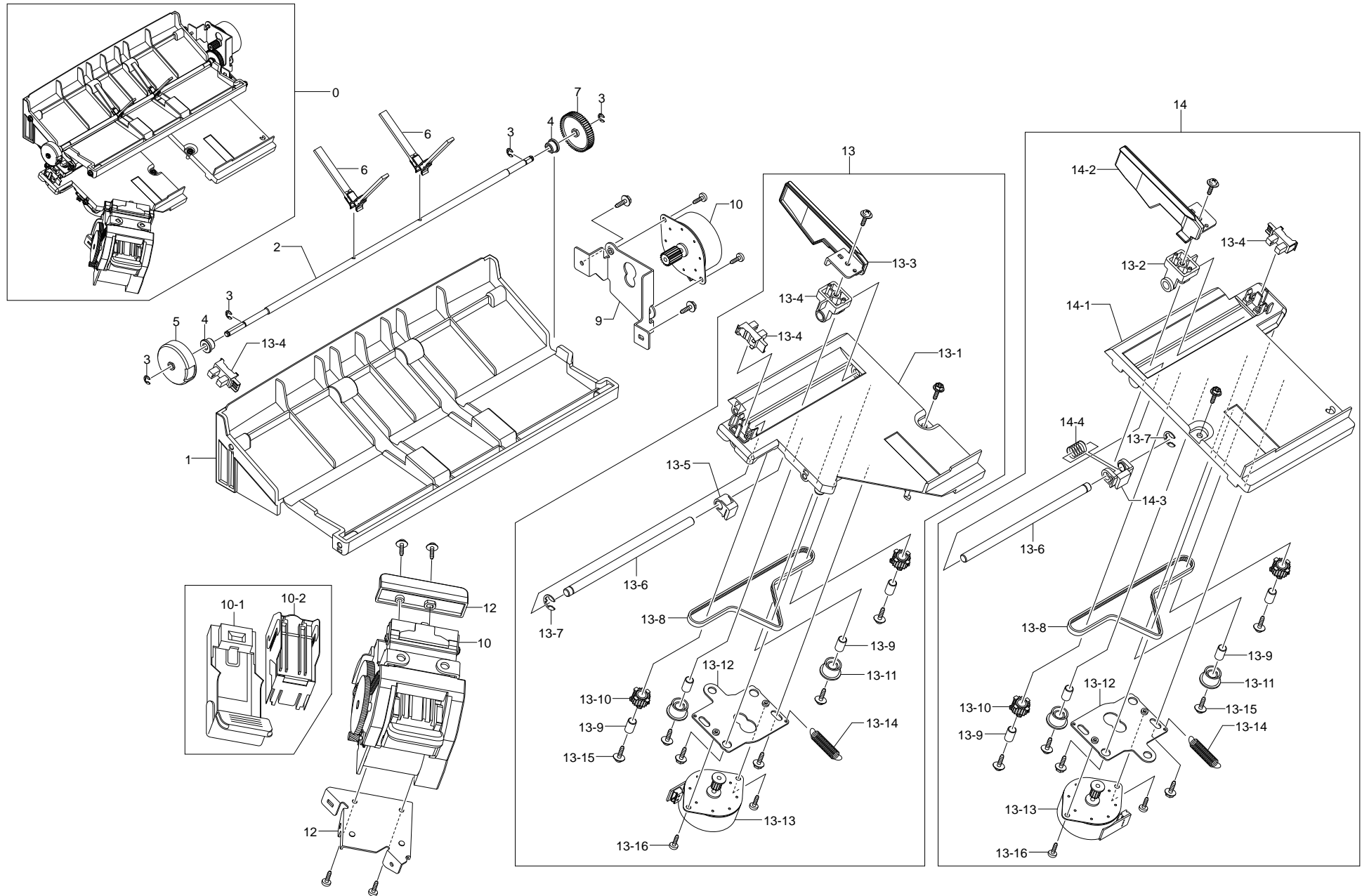
EjectorUnit Parts List

SA : SERVICE AVAILABLE, SNA : SERVICE not AVAILABLE

Drawer#	SEC_Code	Description	QT'y	Service	Remark
0	JC81-03773A	AS-EJECTOR UNIT ASSY	1	SA	
1	-	FRMAE:FRONT:EJECT	1	SNA	
2	-	T-SPRING:LATCH:SCU	1	SNA	
3	-	HOOK:CAM:EJECT	1	SNA	
4	JC81-03526A	AS-GEAR CAM SCU	1	SA	
5	-	E-RING:4	1	SNA	
6	JC81-03495A	AS-SPUR GEAR Z19	1	SA	
7	-	ASSY:BKT:DRIVING:EJECT	1	SNA	
8	JC81-03504A	AS-SPUR GEAR Z30	1	SA	
9	JC81-03503A	AS-SPUR GEAR Z19 SCU	1	SA	
10	JC81-03502A	AS-GEAR M08Z19M05Z50	1	SA	
11	JC81-03501A	AS-PULLEY S2MT40M05T24	1	SA	
12	-	BKT:DC MOTOR:EJECT	1	SNA	
13	0604-001095	PI SENSOR:GP1S73P2	1	SA	
14	JC81-03474A	AS-MOTOR EJECT	1	SA	
15	C81-03500A	AS-BELT B35S2M118J	1	SA	
16	-	MICRO WIRE SADDLE	1	SNA	
17	-	FRAME:BELT:EJECT:FRONT	1	SNA	
18	JC61-00424A	BUSH-4_D	1	SA	
19	C81-03499A	AS-PULLEY S2M34TJ	1	SA	
20	-	PLATE SPRING:TIGHTNER:EJECT	1	SNA	
21	-	PARALLEL PIN:2x10	1	SNA	
22	JC81-03498A	AS-PULLEY S2M20T	1	SA	
23	JC81-03497A	AS-PULLEY DRVS2M34T	1	SA	
24	JC81-03496A	AS-PULLEY S2M25T	1	SA	
25	JC81-03513A	AS-BELT B35S2M144	1	SA	

Drawer#	SEC_Code	Description	QT'y	Service	Remark
26	-	FRAME:BERO	1	SNA	
27	JC81-03512A	AS-BELT ASSY EJECT	1	SA	
27-1	-	BELT-EJECT B130S2M370	1	SNA	
27-2	-	HOLER-BELT EJECT	1	SNA	
28	-	SHAFT:BELT TRANS:EJECT	1	SNA	
29	-	SHAFT:SCU	1	SNA	
30	-	HOLDER:SCU	1	SNA	
31	-	PADDLE:SCU	1	SNA	
32	-	ASSY:M/H:EXT TRAY HOME SNR	1	SNA	
33	-	SHAFT D-CUT:GRIP HINGE:EJECT	1	SNA	
34	-	GRIP BASE:FRONT:EJECT	1	SNA	
35	-	GRIP LINK:EJECT	1	SNA	
36	-	E-SPRING:GRIP	1	SNA	
37	-	SHAFT:GRIP HINGE:EJECT	1	SNA	
38	-	GRIP BASE:REAR:EJECT	1	SNA	
39	-	ROLLER:GRIP:EJECT	1	SNA	
40	-	PIN:ROLLER:EJECT	1	SNA	
41	-	FRAME:BELT:EJECT:REAR	1	SNA	
42	-	FRAME:RETURN:EJECT	1	SNA	
43	-	FRAME:REAR:EJECT	1	SNA	
44	-	ROTATOR:CAM:SCU	1	SNA	
45	-	HOOK:SPRING:SCU	1	SNA	
46	-	E-SPRING:CLUTCH:SCU	1	SNA	
47	JC81-03772A	AS-EJT BELT SUBASSY	1	SA	
48	-	SHAFT:BELT PULLEY:EJECT	1	SNA	
49	JC61-00423A	BUSH-6_D	1	SA	

27-6. Compile Unit



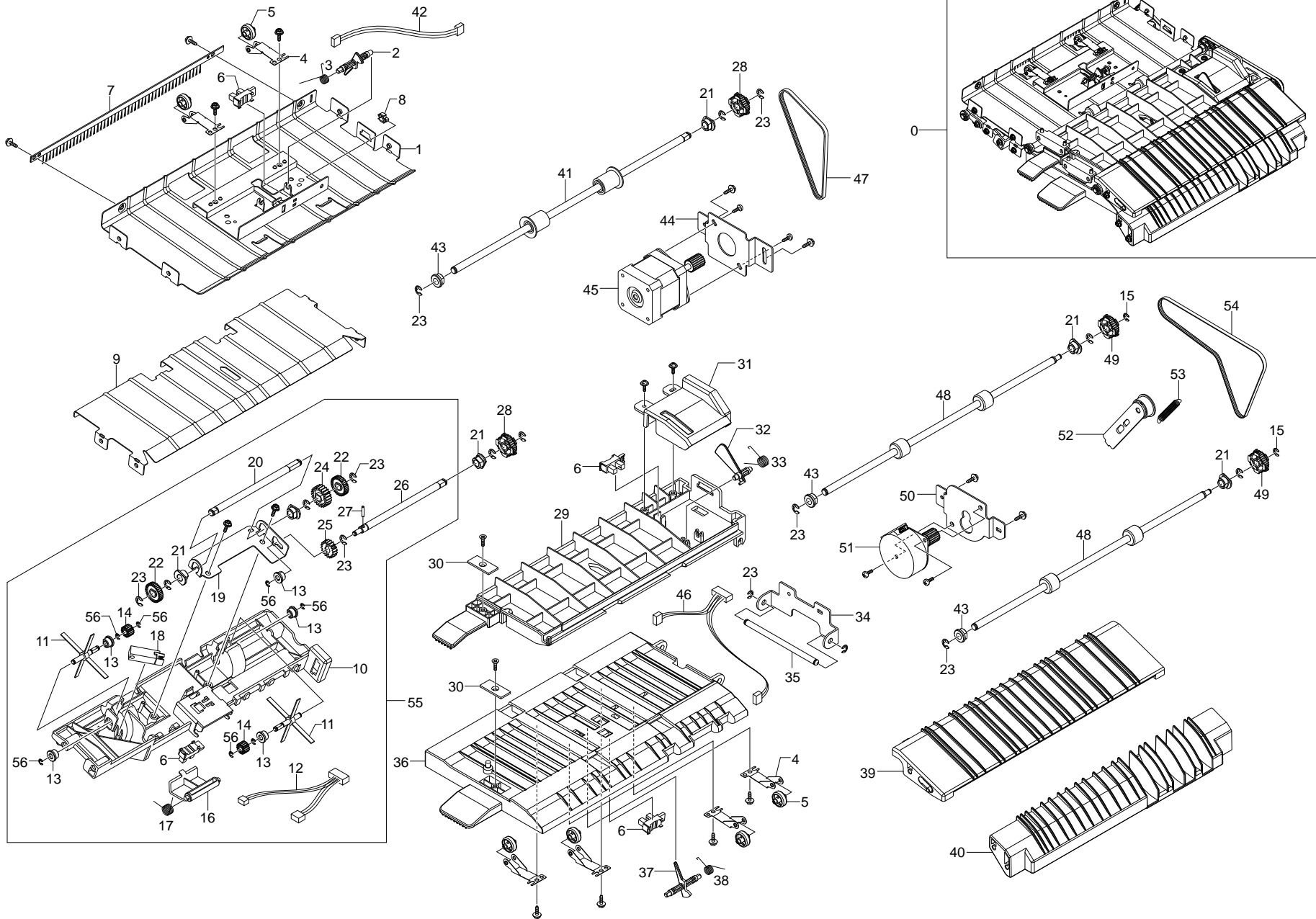
Compile Unit Parts List

SA : SERVICE AVAILABLE, SNA : SERVICE not AVAILABLE

Drawer#	SEC_Code	Description	QT'y	Service	Remark
0	-	COMPILE UNIT	1	SNA	
1	-	COVER:COMPILE:UPPER	1	SNA	
2	-	SHAFT:PADDLE	1	SNA	
3	-	E-RING:3	1	SNA	
4	JC61-00424A	BUSH-4_D	1	SA	
5	-	ACTUATOR:HOME:PADDLE	1	SNA	
6	JC81-03482A	AS-PADDLE COMPILE	1	SA	
7	JC81-03510A	AS-GEAR PADDLE Z56	1	SA	
8	-	BKT:MOTOR:PADDLE	1	SNA	
9	JC81-03473A	AS-MOTOR PM ASSY Z18	1	SA	
10	JC81-03475A	AS-STAPLER ASSY EH-C590	1	SA	
10-1	JC81-03481A	AS-CARTRIDGE STAPLER No.590X	1	SA	
10-2	JC81-03476A	AS-STAPLES REFILL No.505XW	1	SA	
11	-	GUIDE:STAPLER	1	SNA	
12	-	BASEBKT:STAPLER	1	SNA	
13	JC81-03511B	AS-FRONT JOGGER ASSY	1	SA	
13-1	-	FRAME:COMPILE:FRONT	1	SNA	
13-2	-	LMBUSH:TAMPER	1	SNA	
13-3	-	SIDEFENCE:TAMPER:FRONT	1	SNA	

Drawer#	SEC_Code	Description	QT'y	Service	Remark
13-4	0604-001095	PHOTO-INTERRUPTER	1	SA	
13-5	-	HOLDER:BELT:TAMPER:FRONT	1	SNA	
13-6	-	LM SHAFT:TAMPER	1	SNA	
13-7	-	E-RING:4	1	SNA	
13-8	JC81-03509A	AS-BELT B40S2M290	1	SA	
13-9	-	HOLLOW SHAFT:D_6	1	SNA	
13-10	JC81-03508A	AS-PULLEY T20 TAMPER	1	SA	
13-11	-	ROLLER:TAMPER	1	SNA	
13-12	-	BKT:MOTOR:TAMPER	1	SNA	
13-13	JC81-03486A	AS-MOTOR PM ASSY S2M12T	1	SA	
13-14	-	E-SPRING:TIGHTNER:TAMPER	1	SNA	
13-15	-	SCREW-TAPTITE M3L10	1	SNA	
13-16	-	SCREW-TAPPING M3L8	1	SNA	
14	JC81-03507B	AS-REAR JOGGER ASSY	1	SA	
14-1	-	FRAME:COMPILE:REAR	1	SNA	
14-2	-	SIDE FENCE:TAMPER:REAR	1	SNA	
14-3	-	HOLDER:BELT:TAMPER:REAR	1	SNA	
14-4	-	C-SPRING:TAMPER	1	SNA	
15	-	DAMPER-SPONGE	1	SNA	

27-7. Feed Unit



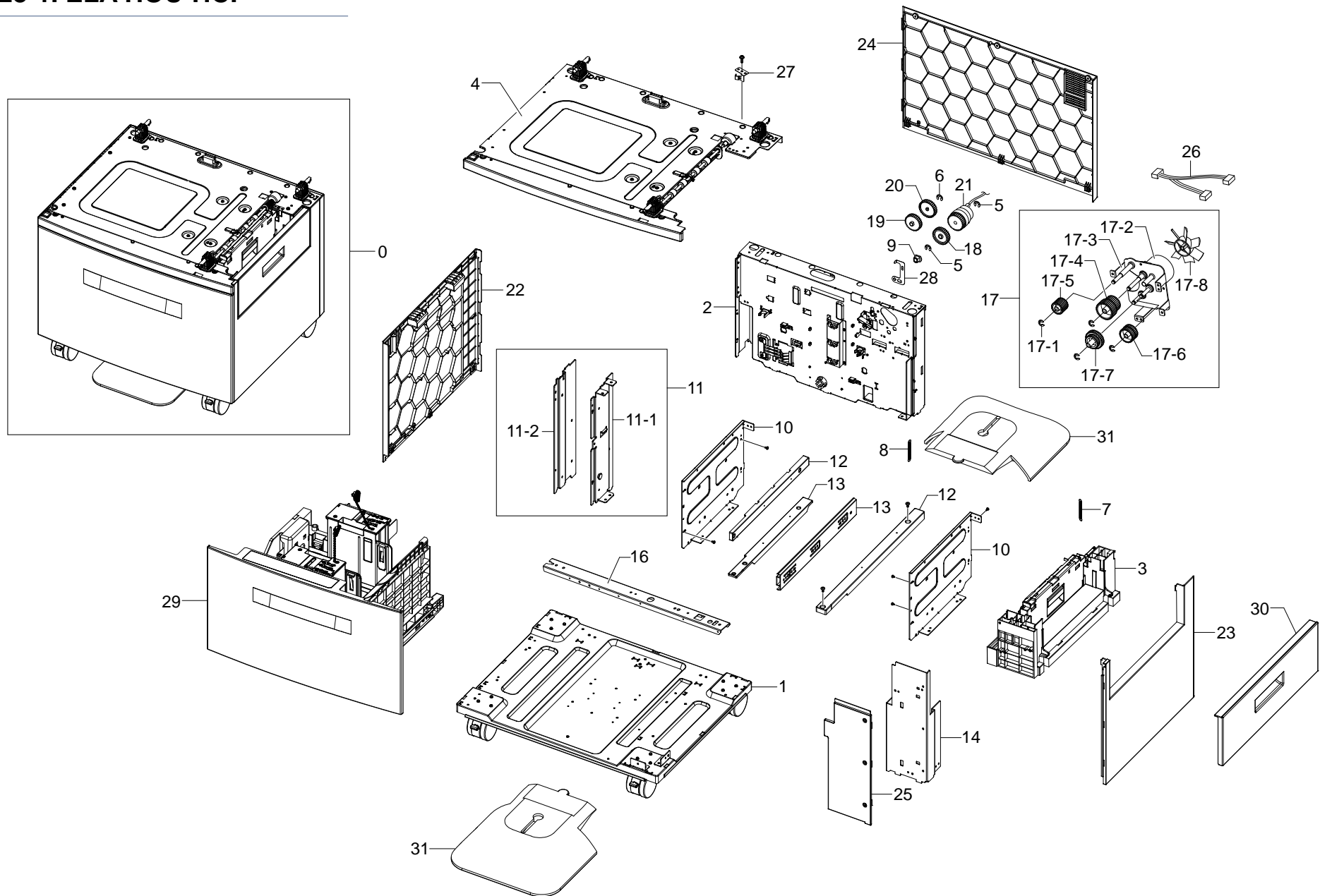
Feed Unit Parts List

SA : SERVICE AVAILABLE, SNA : SERVICE not AVAILABLE

Drawer#	SEC_Code	Description	QT'y	Service	Remark
0	-	FEED UNIT	1	SNA	
1	-	GUIDE:EXIT:UPPER:ASSY	1	SNA	
2	-	ACTUATOR:FEED	1	SNA	
3	-	T-SPRING:ACTUATOR:FEED	1	SNA	
4	-	LEAF SPRING:FEED	1	SNA	
5	-	ROLLER:IDLE:FEED	1	SNA	
6	0604-001095	PHOTO-INTERRUPTER	1	SA	
7	JC67-00125A	ANTI-STATIC BRUSH	1	SA	
8	-	MICRO WIRE SADDLE	1	SNA	
9	-	GUIDE:EXIT:LOWER	1	SNA	
10	-	GUIDE:COMPILE	1	SNA	
11	JC81-03506A	AS-PADDLE SUB ASSY	1	SA	
12	-	ASSY:M/H:EJEC THOMESNR	1	SNA	
13	JC61-00424A	BUSH-4_D	1	SA	
14	JC81-03505A	AS-GEAR P □ Z18M05	1	SA	
15	-	E-RING:3	1	SNA	
16	-	ACTUATOR:EJECTOR	1	SNA	
17	-	T-SPRING:ACTUATOR:EJECT	1	SNA	
18	JC81-03480A	AS-SENSOR PHOTO	1	SA	
19	-	BKT:PADDLE:SUB	1	SNA	
20	-	SHAFT:TRANS:SUB PADDLE	1	SNA	
21	-	BUSH-6_D	1	SNA	
22	JC81-03520A	AS-GEAR SUB PDL Z34	1	SA	
23	-	E-RING:4	1	SNA	
24	JC81-03519A	AS-GEAR SUB PDL Z22	1	SA	
25	JC81-03518A	AS-GEAR SUB PDL Z18M08	1	SA	
26	-	SHAFT:TRANS:SUB PADDLE:FEED	1	SNA	
27	-	PARALLEL PIN:2x10	1	SNA	
28	JC81-03517A	AS-PULLEY T30S2M	1	SA	

Drawer#	SEC_Code	Description	QT'y	Service	Remark
29	-	GUIDE:OPEN:DUPLEX	1	SNA	
30	-	MAGNET CATCHPLATE:12x26	1	SNA	
31	-	COVER:ACTUATOR:DUPLEX	1	SNA	
32	-	ACTUATOR:DUPLEX	1	SNA	
33	-	T-SPRING:ACTUATOR:DUPLEX	1	SNA	
34	-	BKT:HINGE:GUIDE	1	SNA	
35	-	SHAFT:HINGE:GUIDE	1	SNA	
36	-	GUIDE:OPEN	1	SNA	
37	-	ACTUATOR:FEED	1	SNA	
38	-	T-SPRING:ACTUATOR:STACK	1	SNA	
39	-	GUIDE:ENTRANCE:UPPER	1	SNA	
40	-	GUIDE:ENTRANCE:LOWER	1	SNA	
41	JC81-03477A	AS-ROLLER EXIT	1	SA	
42	-	ASSY:M/H:EXIT SNR	1	SNA	
43	-	BEARING:6	1	SNA	
44	-	BKT:MOTOR:FEED:EXIT	1	SNA	
45	JC81-03479A	AS-MOTOR HB ASSY	1	SA	
46	-	ASSY:M/H:MID SNR	1	SNA	
47	JC81-03516A	AS-BELT B30S2M244	1	SA	
48	JC81-03485A	AS-ROLLERENT	1	SA	
49	JC81-03515A	AS-PULLEY T33S2M	1	SA	
50	-	BKT:MOTOR:FEED:ENT	1	SNA	
51	JC81-03478A	AS-MOTOR PM ASSY	1	SA	
52	-	ASSY:BKT:TIGHTNER	1	SNA	
53	-	E-SPRING:TIGHTNER:FEED	1	SNA	
54	JC81-03514A	AS-BELT B30S2M354 ENT	1	SA	
55	JC81-03771A	AS-FEED UNIT ASSY	1	SA	
56	-	E-RING:2.5	1	SNA	

28. HCF UNIT (Optional Unit)
28-1. ELA HOU-HCF



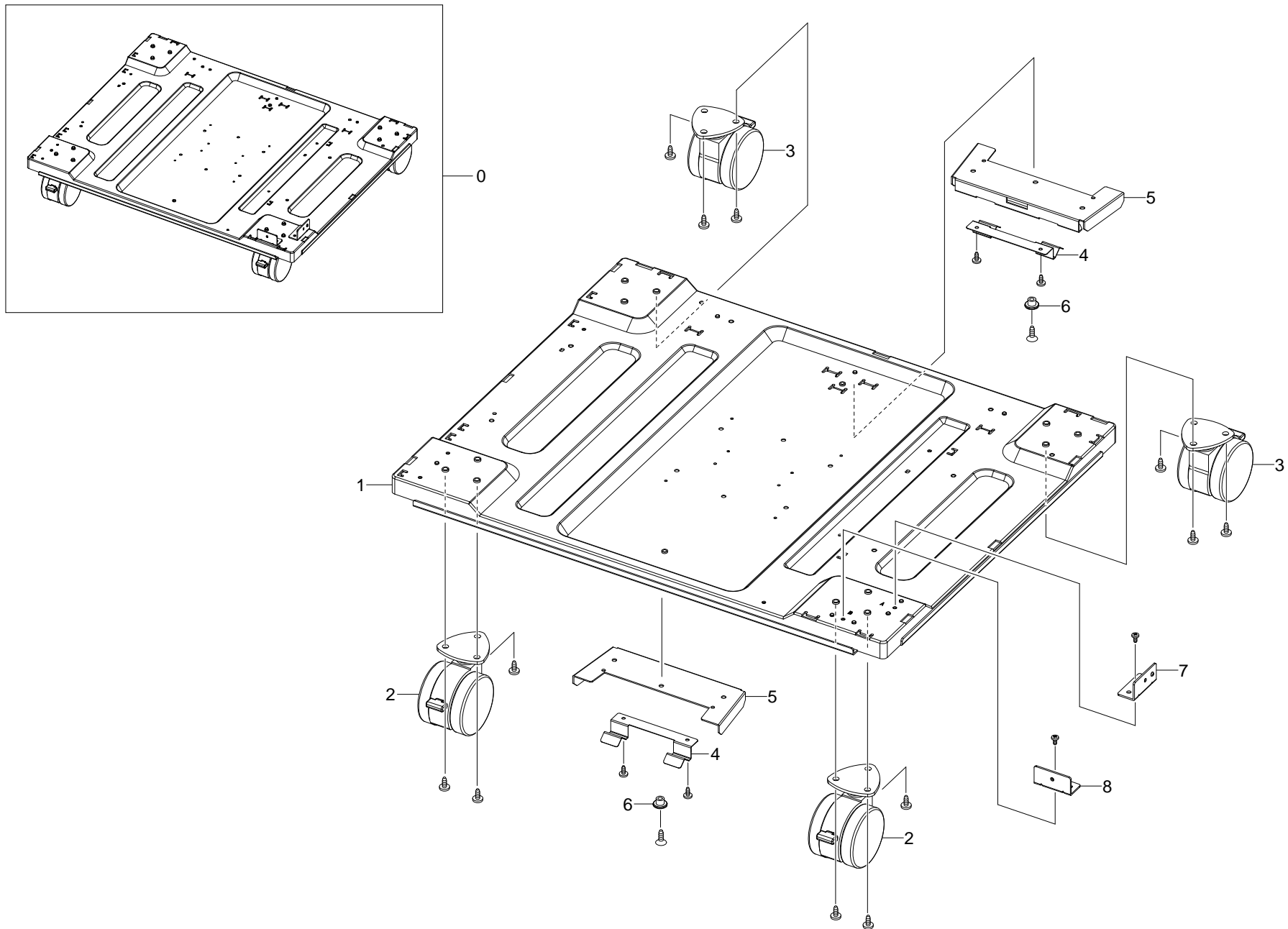
ELA HOU-HCF Parts List

SA : SERVICE AVAILABLE, SNA : SERVICE not AVAILABLE

Drawer#	SEC_Code	Description	QT'y	Service	Remark
0	JC96-04852A	ELA HOU-HCF	1	SA	
1	-	SUB PLATE-BOTTOM_HCF	1	SNA	
2	-	SUB UNIT-REAR_HCF	1	SNA	
3	JC81-06298A	AS-UNIT FRAME RIGHT	1	SA	
4	-	ELA HOU-UPPER_HCF	1	SNA	
5	6044-000125	RING-E, ID4	2	SA	
6	6044-000159	RING-C, ID3	1	SA	
7	6107-001258	SPRING-ES	1	SA	
8	6107-001259	SPRING-ES	1	SA	
9	JC61-00423A	BUSH-6D	2	SA	
10	-	PLATE-BEAM_HCF	2	SNA	
11	-	MEA UNIT-LEFT_HCF	1	SNA	
11-1	-	PLATE-SUP LEFT	1	SNA	
11-2	-	PLATE-SUP BRKT L	1	SNA	
12	-	GUIDE-RAIL SIDE_HCF	2	SNA	
13	-	GUIDE-RAIL_HCF	1	SNA	
14	-	PLATE-SUP RIGHT	1	SNA	
15	JC81-06067A	AS-SLIDE RAIL HCF	1	SA	
16	JC61-01312A	PLATER-P_BEAM BASE	1	SNA	
17	JC96-05278A	ELA HOU-SCF DRIVE	1	SA	
17-1	6044-000231	RINGE-E	4	SA	
17-2	JC31-00028B	MOTOR PICKUP SCF	1	SA	

Drawer#	SEC_Code	Description	QT'y	Service	Remark
17-3	JC61-02704A	BRACKET-SCF DRIVE	1	SA	
17-4	JC66-00965A	GEAR-M_FD IDLE A SCF	1	SA	
17-5	JC66-02011A	GEAR-FEED SCF	1	SA	
17-6	JC66-00967A	GEAR-M_PU IDLE A SCF	1	SA	
17-7	JC66-00968A	GEAR-M_PU IDLE C SCF	1	SA	
17-8	JC72-00825A	PMO-IMPELLER_DRV	1	SA	
18	JC66-00973A	GEAR-M_PICKUP IDLE B	1	SA	
19	JC66-00974A	GEAR-M_FORWARD	1	SA	
20	JC66-00975A	GEAR-M_RETARD	1	SA	
21	JC66-00994A	CLUTCH-5K Z32	1	SA	
22	-	COVER-LEFT_HCF	1	SNA	
23	-	COVER-RIGHT_HCF	1	SNA	
24	-	COVER-REAR_HCF	1	SNA	
25	-	COVER-RIGHT_FRONT	1	SNA	
26	JC39-00549A	CBF HARNESS-SCF_CLUT	1	SA	
27	JC63-00824A	GROUND-P-DOOR INNER	1	SA	
28	JC63-00833A	GROUND-P-SHAFT RETARD	1	SA	
29	JC81-06068A	AS- UNIT CASSETTE HCF	1	SA	
30	JC63-00769B	COVER-M_DOOR SIDE SCF	1	SA	
31	-	STABILITY FOOT-SMALL	2	SNA	
32	-	RUBBER-DROP	3	SNA	
33	JC67-00328A	CAP-CLUTCH SCF	1	SNA	

28-2. SUB PLATE-BOTTOM



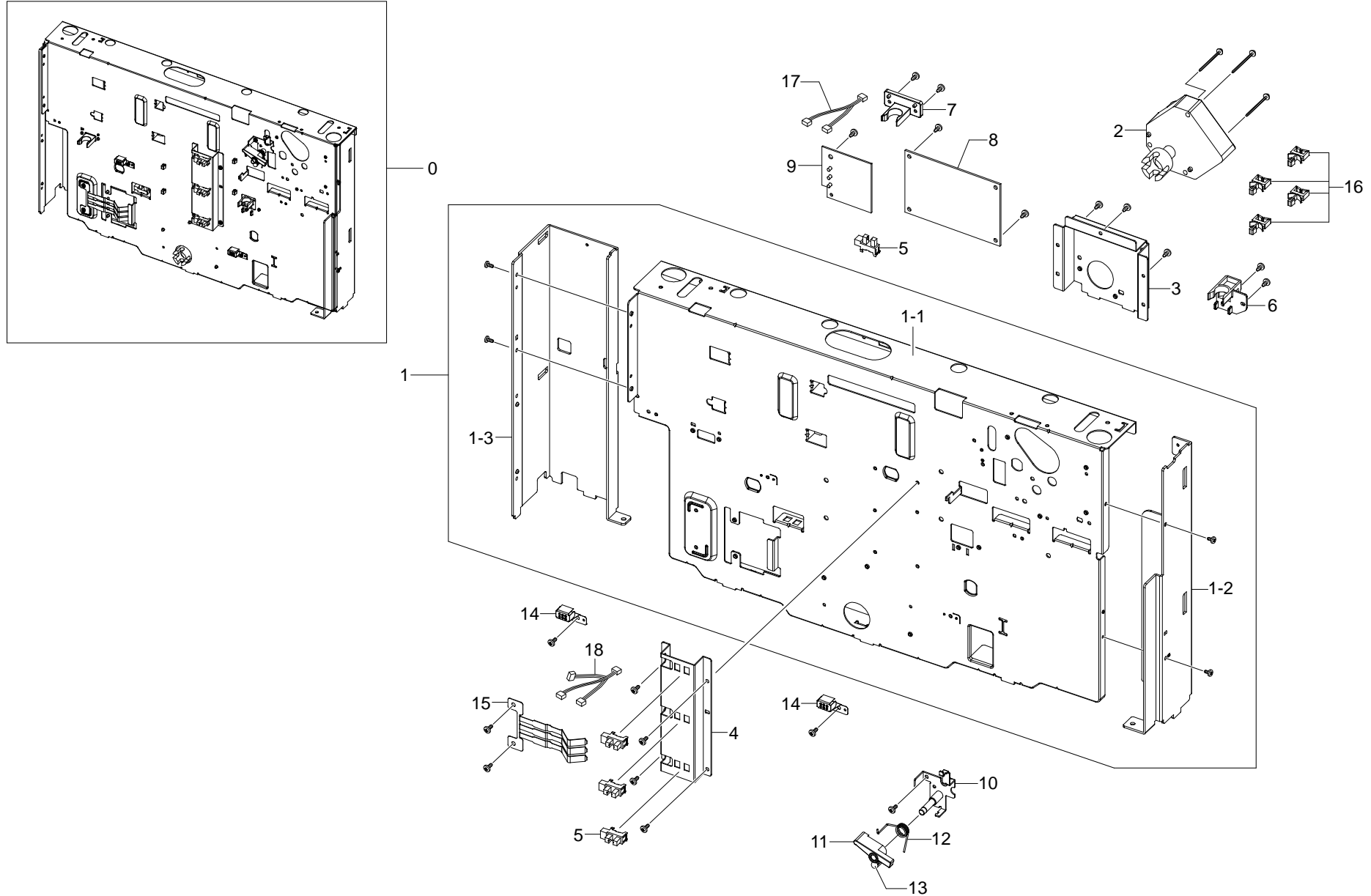
SUB PLATE-BOTTOM Parts List

SA : SERVICE AVAILABLE, SNA : SERVICE not AVAILABLE

Drawer#	SEC_Code	Description	QT'y	Service	Remark
0	-	SUB PLATE-BOTTOM_HCF	1	SNA	
1	-	PLATE-BOTTOM HCF	1	SNA	
2	JC81-06304A	CASTER (FIX)	2	SA	
3	JC81-06305A	CASTER	2	SA	
4	-	SPRING CLIP	2	SNA	

Drawer#	SEC_Code	Description	QT'y	Service	Remark
5	-	STABILISER BRACKET SPRING CLIP	2	SNA	
6	-	LOCATING BUSH	2	SNA	
7	-	PLATE-BRKT A	1	SNA	
8	-	PLATE-BRKT B	1	SNA	

28-3. SUB UNIT-REAR



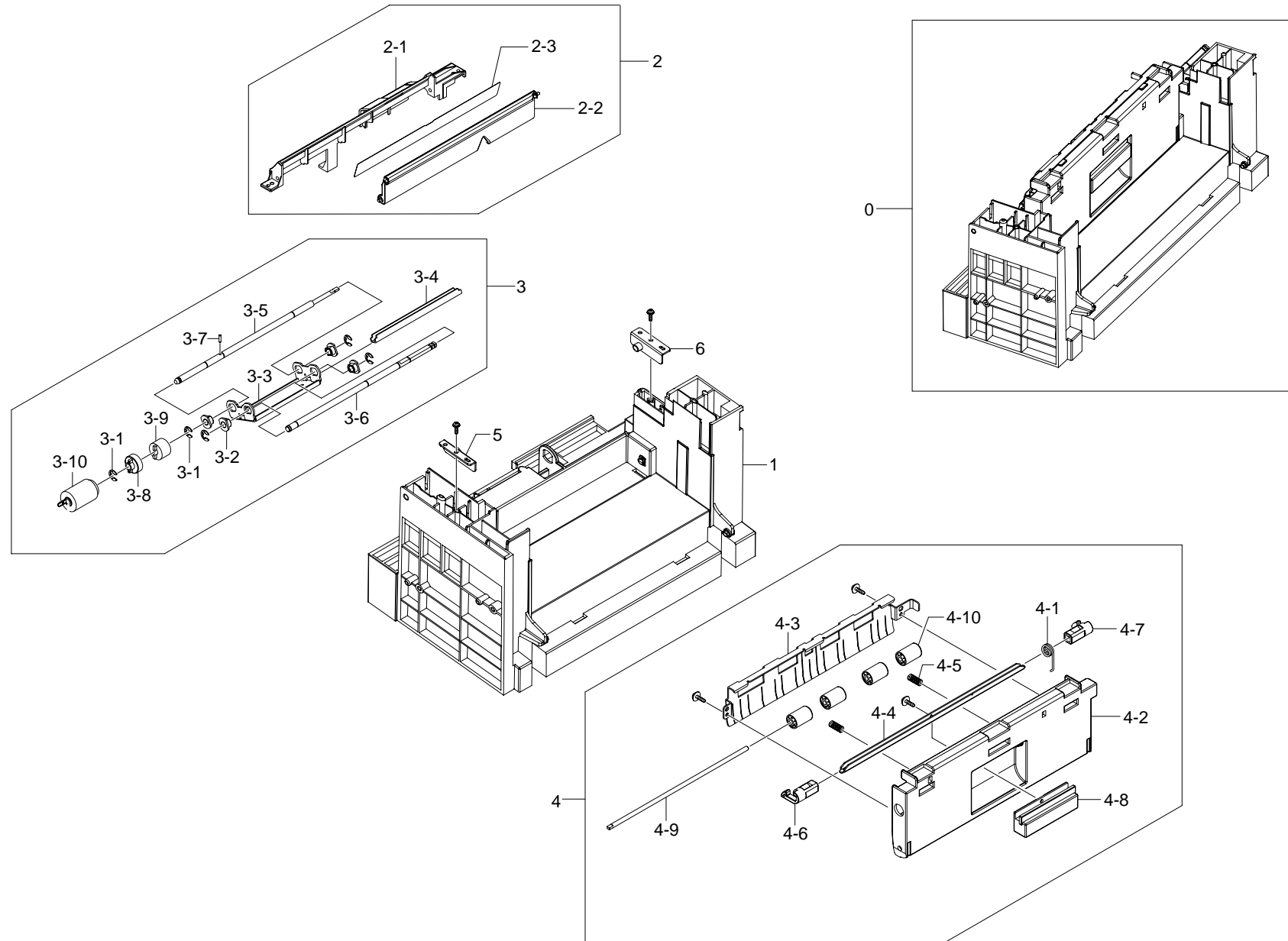
SUB UNIT-REAR Parts List

SA : SERVICE AVAILABLE, SNA : SERVICE not AVAILABLE

Drawer#	SEC_Code	Description	QT'y	Service	Remark
0	-	SUB UNIT-REAR_HCF	1	SNA	
1	-	MEA UNIT-REAR_HCF	1	SNA	
1-1	-	PLATE-REAR HCF	1	SNA	
1-2	-	PLATE-REAR RIGHT	1	SNA	
1-3	-	PLATE-REAR LEFT	1	SNA	
2	JC31-00109A	AS-MOTOR GEARED	1	SA	
3	-	PLATE-MOTOR GEARED	1	SNA	
4	-	PLATE-PAPER LEVEL	1	SNA	
5	0604-001095	PHOTO-INTERRUPTER	4	SA	
6	JC61-01344A	HOLDER-M_CST R	1	SNA	
7	JC61-01345A	HOLDER-M_CST L	1	SNA	

Drawer#	SEC_Code	Description	QT'y	Service	Remark
8	JC92-01697A	PBA SUB-SCF	1	SA	
9	JC92-01336A	PBA SUB-CASSETTE	1	SA	
10	JC61-01423A	BRACKET-P-ARM FRIC	1	SNA	
11	JC66-00959A	LEVER-M_ARM FRICTION	1	SA	
12	6107-001263	SPRING-TS	1	SNA	
13	6044-000125	RING-E	1	SA	
14	JC61-01423A	IPR-GROUND-TOP	2	SNA	
15	JC66-00959A	IPR-PLATE SENSOR	1	SA	
16	6107-001263	CABLE CLAMP	4	SNA	
17	JC39-00548A	CBF HARNESS HCF TRAY	1	SNA	
18	-	PAPER-LEVER HARNESS	1	SNA	

28-4. AS-UNIT FRAME RIGHT



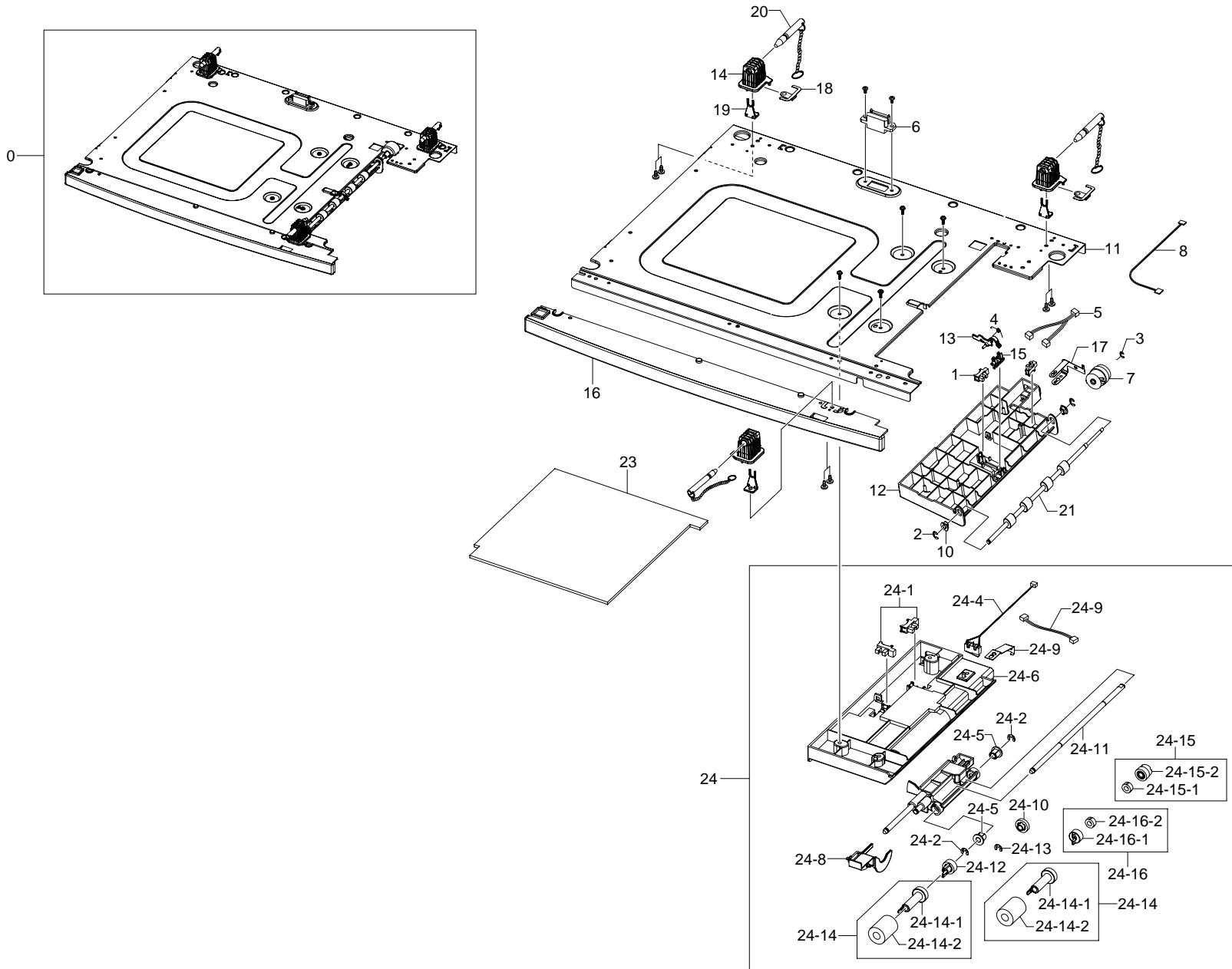
AS-UNIT FRAME RIGHT Parts List

SA : SERVICE AVAILABLE, SNA : SERVICE not AVAILABLE

Drawer#	SEC_Code	Description	QT'y	Service	Remark
0	JC81-06298A	AS-UNIT FRAME RIGHT	1	SA	
1	-	FRAME-RIGHT_HCF	1	SNA	
2	JC97-02284A	MAE UNIT-GUIDE PU SCF	1	SNA	
2-1	JC61-01325A	GUIDE-M_PU LOWER SCF	1	SNA	
2-2	JC61-01326A	GUIDE-M_PU UPPER SCF	1	SNA	
2-3	JC63-00754A	SHEET-GUIDE FILM SCF	1	SA	
3	JC97-02290A	MEA UINT-RETARD	1	SA	
3-1	6044-000125	RING-E, ID4	5	SA	
3-2	JC61-00423A	BUSH-6D	4	SA	
3-3	JC61-01348A	BRACKET-P-RETARD	1	SNA	
3-4	JC61-01349A	BRACKET-P_BAR RETARD	1	SNA	
3-5	JC66-00937A	SHAFT-RETARD S	1	SA	
3-6	JC66-00938A	SHAFT-RETARD M	1	SNA	
3-7	JC66-00939A	SHAFT-LOCK	1	SA	
3-8	JC66-00976A	JOINT-M_RETARD	1	SA	

Drawer#	SEC_Code	Description	QT'y	Service	Remark
3-9	JC67-00126A	COUPLER-TORQUE LIMITER	1	SA	
3-10	JC97-02259A	MEA UNIT-ROLLER PU	1	SA	
4	JC97-02275B	MEA UNIT-SCF DOOR	1	SA	
4-1	6107-001206	SPRING TS	1	SNA	
4-2	JC61-01327B	GUIDE-DOOR INNER	1	SNA	
4-3	JC61-01328A	PLATE-P_GUIDE SCF	1	SNA	
4-4	JC61-01404A	BRACKET-P_HANDLE SCF	1	SNA	
4-5	JC61-70959B	SPRING ETC-FEED	2	SNA	
4-6	JC64-00204A	LOCKER-LEFT	1	SNA	
4-7	JC64-00204B	LOCKER-RIGHT	1	SNA	
4-8	JC64-00208B	HANDLE-M_DOOR	1	SNA	
4-9	JC66-00661A	SHAFT-EXIT IDLE	1	SNA	
4-10	JC66-01022A	ROLLER-M_IDLE SCF	4	SNA	
5	JC61-01399A	PLATE-P_LOCKER L	1	SNA	
6	JC61-01400A	PLATE-P_LOCKER R6	1	SNA	

28-5. ELA HOU-UPPER



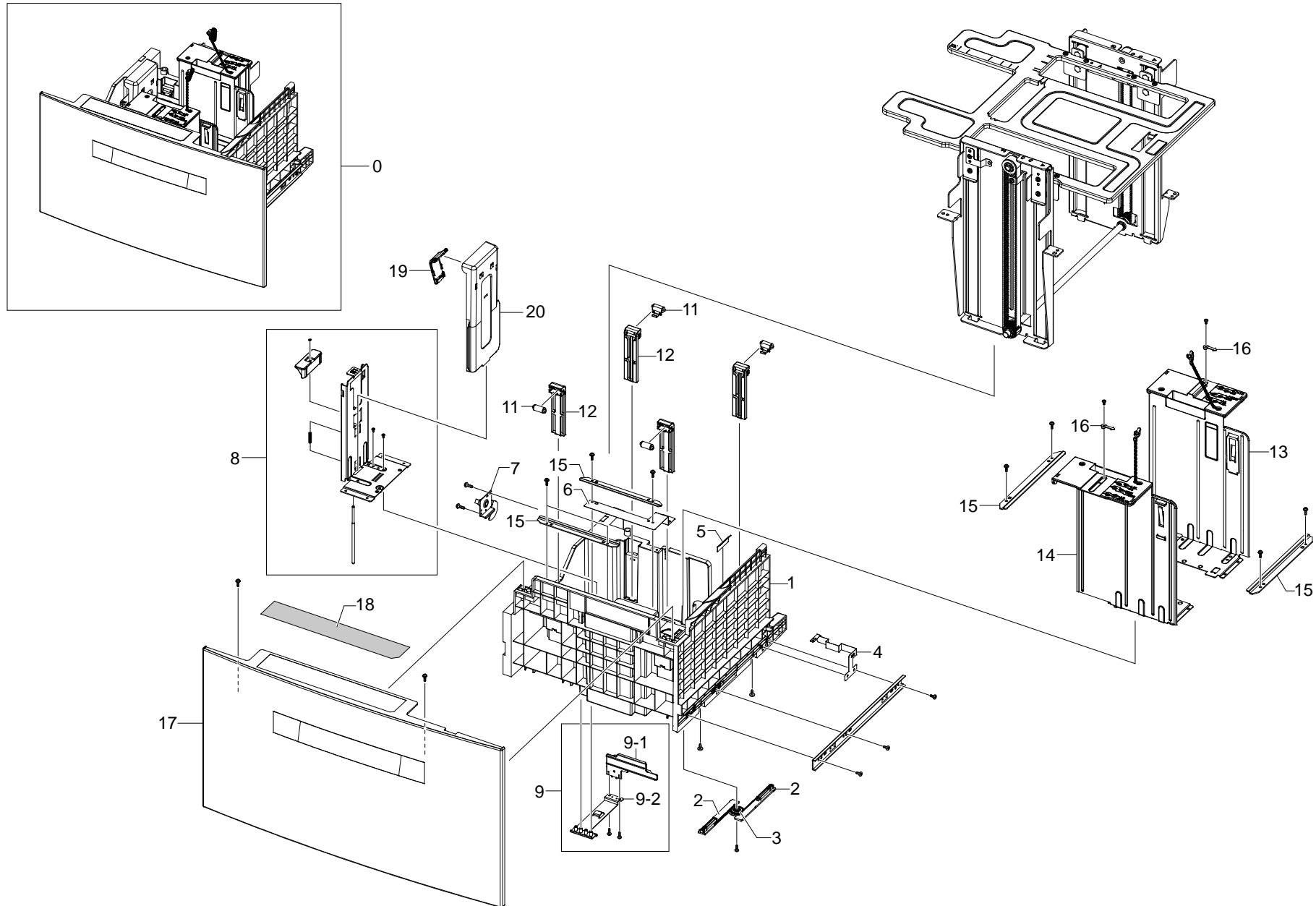
ELA HOU-UPPER Parts List

SA : SERVICE AVAILABLE, SNA : SERVICE not AVAILABLE

Drawer#	SEC_Code	Description	QT'y	Service	Remark
0	-	ELA HOU-UPPER_HCF	1	SNA	
1	0604-001095	PHOTO-INTERRUPTER	2	SA	
2	6044-000125	RING-E, ID4	2	SA	
3	6044-000159	RING-C, ID3	1	SA	
4	6107-001261	SPRING-TS	1	SA	
5	JC39-00461A	CBF HARNESS-SCF_FEED	1	SA	
6	JC39-00547A	CBF HARNESS-SCF	1	SA	
7	JC66-01865A	CLUTCH-ELECTRIC	1	SA	
8	JC39-00721A	HARNESS-SCF_CLT	1	SA	
10	JC61-00423A	BUSH-6_D	2	SA	
11	-	PLATE-TOP_HCF	1	SNA	
12	JC61-01401A	HOUSING-M_PICKUP SCF	1	SA	
13	JC61-01402A	LEG-M_ACT FEED SCF	1	SA	
14	JC61-01403A	HOLDER-M_PIN	3	SA	
15	JC61-01403A	HOLDER ACTUATOR SCF	1	SA	
16	JC63-00771B	COVER-M_FRONT SCF	1	SA	
17	JC63-00825A	GROUND-P_SHAFT SCF	1	SA	
18	JC63-00826A	GROUND-P_TOP	2	SA	
19	JC64-00207A	LOCKER-M_GRIP PIN	3	SA	
20	JC66-01021A	SHAFT-PIN LOCK	3	SA	
21	JC66-02012A	ROLLER-FEED SCF	1	SA	
23	-	SPONGE-TOP	1	SNA	
24	JC96-03558A	ELA UNIT PICKUP	1	SA	

Drawer#	SEC_Code	Description	QT'y	Service	Remark
24-1	0604-001095	PHOTO-INTERRUPTER	2	SA	
24-2	6044-000125	RING-E, ID4	2	SA	
24-3	-	HCF_EMPTY HARNESS	1	SNA	
24-4	JC39-00477A	HARNESS-MOTOR_SW	1	SA	
24-5	JC61-00884A	BUSH 6D L	2	SNA	
24-6	JC61-01298A	FRAME-M_BASE PICK UP	1	SNA	
24-7	JC61-01299A	GUIDE-M_UPPER PICK UP	1	SNA	
24-8	JC61-01350A	LEG-M_ACT NO PAPER	1	SNA	
24-9	JC63-00743A	GROUND-P_SHAFT PU	1	SNA	
24-10	JC66-00940A	GEAR-M_IDLE PU	1	SA	
24-11	JC66-00942A	SHAFT-PICKUP	1	SNA	
24-12	JC66-00943A	GEAR-M_PU JOINT	1	SA	
24-13	6044-000159	RING-E, ID3	1	SA	
24-14	JC97-02259A	MEA UNIT-ROLLER PU	2	SA	
24-14-1	JC61-01409A	HOUSING-M_ROLLER PU	1	SNA	
24-14-2	JC73-00216A	RUBBER-ROLLER P	1	SA	
24-15	JC97-02291A	MEA UNIT-GEAR ONE WAY	1	SNA	
24-15-1	JC66-00941A	GEAR-M_ONE WAY	1	SA	
24-15-2	JC66-00977A	CLUTCH-P_ONE WAY	1	SA	
24-16	JC97-02292A	MEA UNIT-IDLE FORWARD	1	SA	
24-16-1	JC61-01288A	HOLDER-M_IDLE ONE WAY	1	SA	
24-16-2	JC66-00977A	CLUTCH-P_ONE WAY	1	SA	

28-6. AS-UNIT CASSETTE



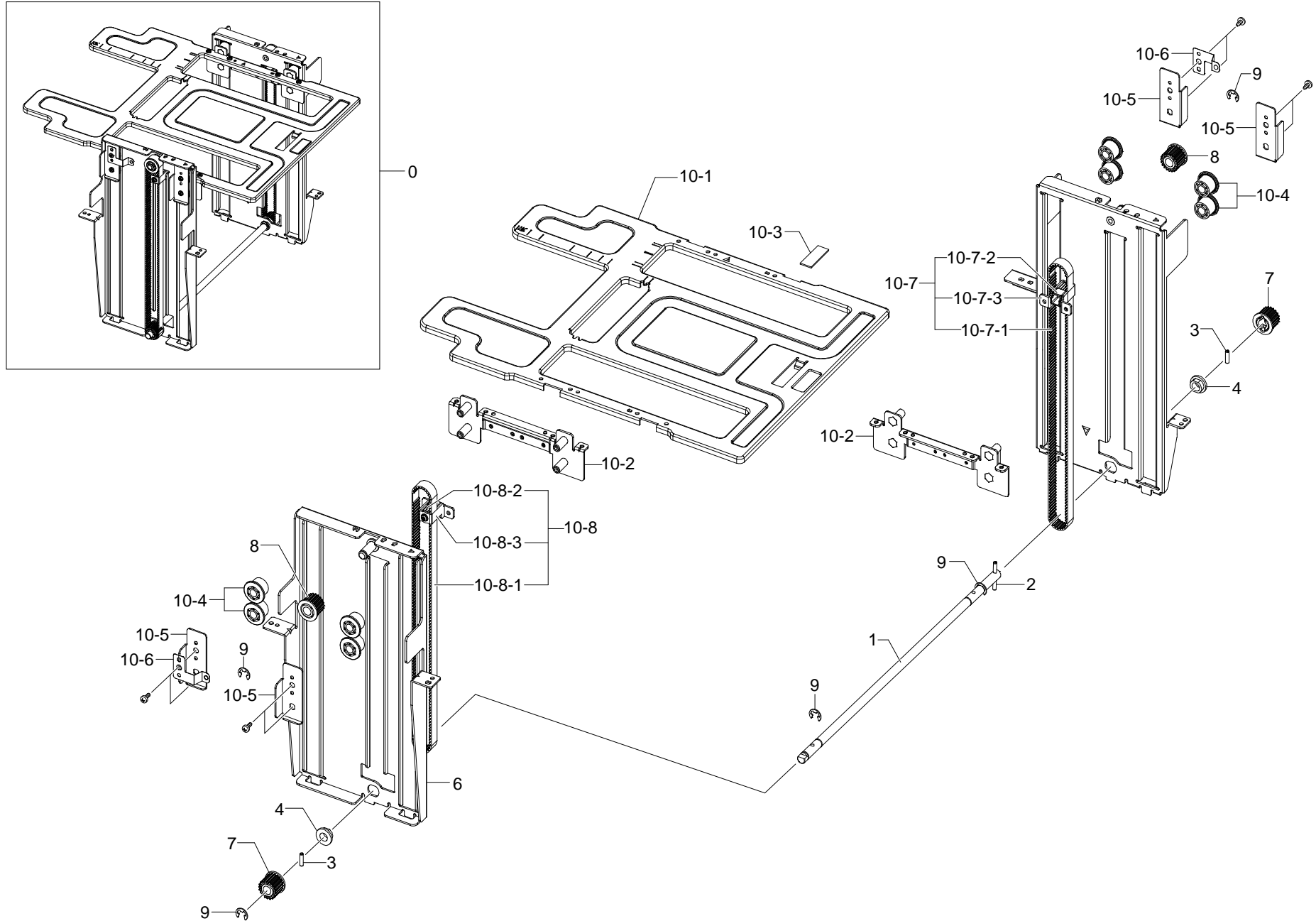
AS-UNIT CASSETTE Parts List

SA : SERVICE AVAILABLE, SNA : SERVICE not AVAILABLE

Drawer#	SEC_Code	Description	QT'y	Service	Remark
0	JC81-06068A	AS-UNIT CASSETTE HCF	1	SA	
1	-	FRAME-CASSETTE_HCF	1	SNA	
2	-	RACK-GEAR_HCF	2	SNA	
3	JC66-01020A	GEAR-M_PINION 24	1	SA	
4	-	GROUND-RAIL_HCF	1	SNA	
5	JC63-00747A	SHEET-GUIDE RETARD	1	SA	
6	-	GROUND-REAR_HCF	1	SNA	
7	-	MEA UNIT-HOLDER_HCF	1	SNA	
7-1	-	PLATE-HOLDER LOCKER	1	SNA	
7-2	-	BRKT-HOLDER-LOCKER_HCF	1	SNA	
7-3	-	STUD-HOLDER_HCF	1	SNA	
8	-	SUB GUIDE REAR	1	SNA	
9	-	SUB SUPPORT	1	SNA	
9-1	JC61-01417A	SUPPORT-M_PUSH PAPER	1	SNA	

Drawer#	SEC_Code	Description	QT'y	Service	Remark
9-2	-	SUPPORT-BAR PAPER	1	SNA	
10	-	MEA UNIT-KNOCK UP_HCF	4	SNA	
11	JC81-06074A	AS-UNIT SPRING ROLL	4	SA	
11-1	-	SPRING-ROLL	4	SNA	
11-2	-	BRKT-SPRING ROLL	4	SNA	
12	JC81-06075A	AS-GUIDE SPRING ROLL	4	SA	
13	-	MEA UNIT-PAPER SIDE R_HCF	1	SNA	
14	-	MEA UNIT-PAPER SIDE L_HCF	1	SNA	
15	-	PLATE-GUIDE RAIL	4	SNA	
16	-	SET-PAPER_HCF	2	SNA	
17	-	COVER-CASSETTE_HCF	1	SNA	
18	-	LABEL(R)-INSTALLATION	1	SNA	
19	JC81-06070A	AS-COVER PAPER HOOK	1	SA	
20	JC81-06069A	AS-COVER PAPER REAR DUMMY	1	SA	

28-7. MEA UNIT-KNOCK UP



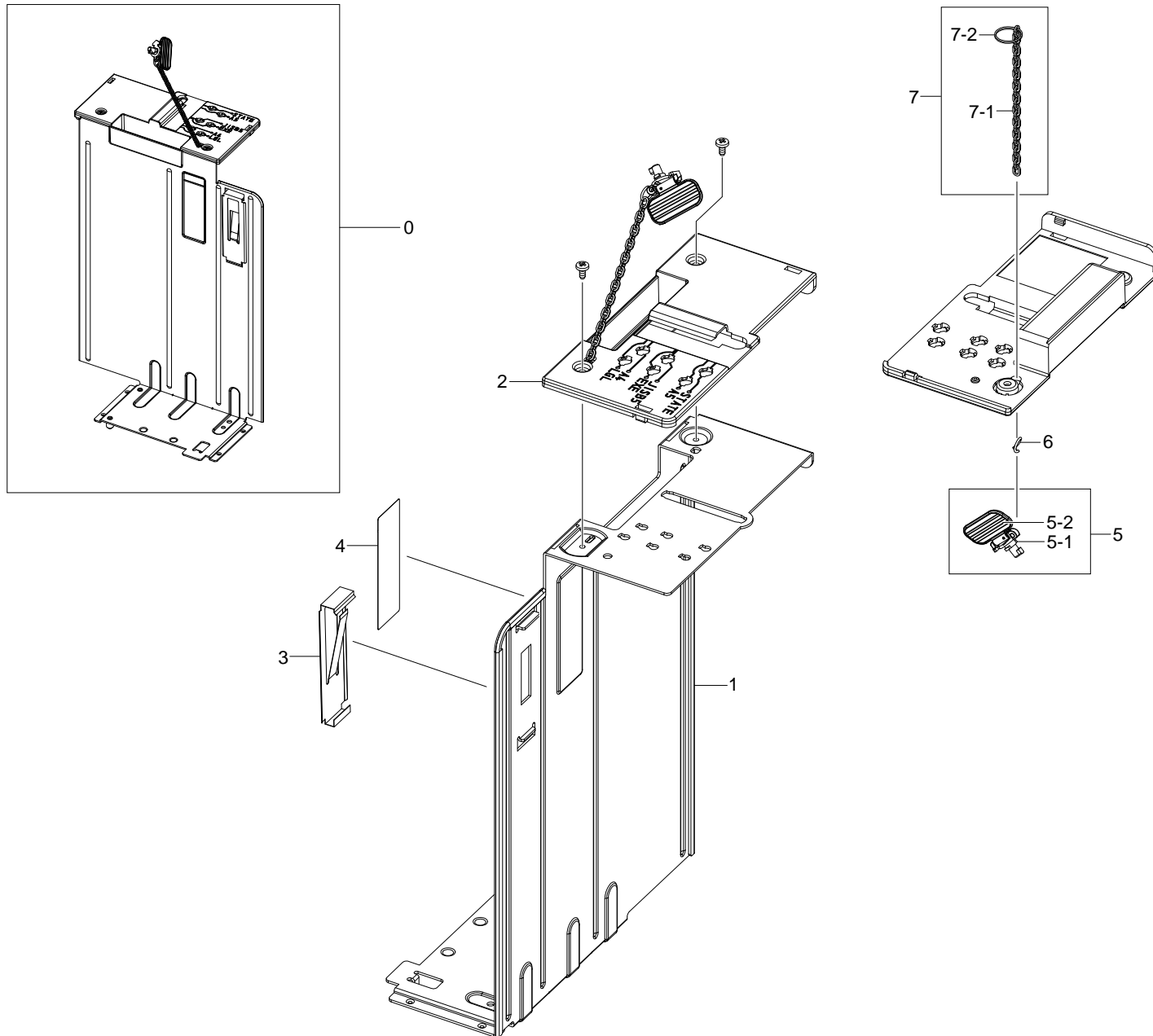
MEA UNIT-KNOCK UP Parts List

SA : SERVICE AVAILABLE, SNA : SERVICE not AVAILABLE

Drawer#	SEC_Code	Description	QT'y	Service	Remark
0	-	MEA UNIT-KNOCK UP_HCF	1	SNA	
1	-	SHAFT-PLATE LEVER	1	SNA	
2	-	SPRING-PIN ASMO	1	SNA	
3	-	SPRING-PIN PULLEY	2	SNA	
4	JC61-00426A	BUSH 8/5	2	SA	
5	-	PLATE-LIFT R	1	SNA	
6	-	PLATE-LIFT L	1	SNA	
7	-	PULLEY-LOWER BELT	2	SNA	
8	-	PULLEY-UPPER BELT	2	SNA	
9	6044-000129	RING-E	6	SA	
10	-	SUB KNOCK-UP	1	SNA	
10-1	-	PLATE-KNOCK UP	1	SNA	
10-2	-	BRKT-KNOCK UP	2	SNA	

Drawer#	SEC_Code	Description	QT'y	Service	Remark
10-3	JC69-00494A	RPR- PAD MP(PLUS)	1	SA	
10-4	-	ROLLER-GUIDE KU	8	SNA	
10-5	-	BRKT-GUIDE ROLLER	4	SNA	
10-6	-	GROUND-LEFT_HCF	2	SNA	
10-7	JC81-06071A	AS-UNIT BELT R HCF	1	SA	
10-7-1	JC81-06072A	AS-TIMING BELT S3M	1	SA	
10-7-2	-	BELT-STOPPER	1	SNA	
10-7-3	-	BRKT-STOPPER_R	1	SNA	
10-8	JC81-06073A	AS-UNIT BELT L HCF	1	SA	
10-8-1	JC81-06072A	AS-TIMING BELT S3M	1	SA	
10-8-2	-	BELT-STOPPER	1	SNA	
10-8-3	-	BRKT-STOPPER_L	1	SNA	

28-8. MEA UNIT-PAPER SIDE R



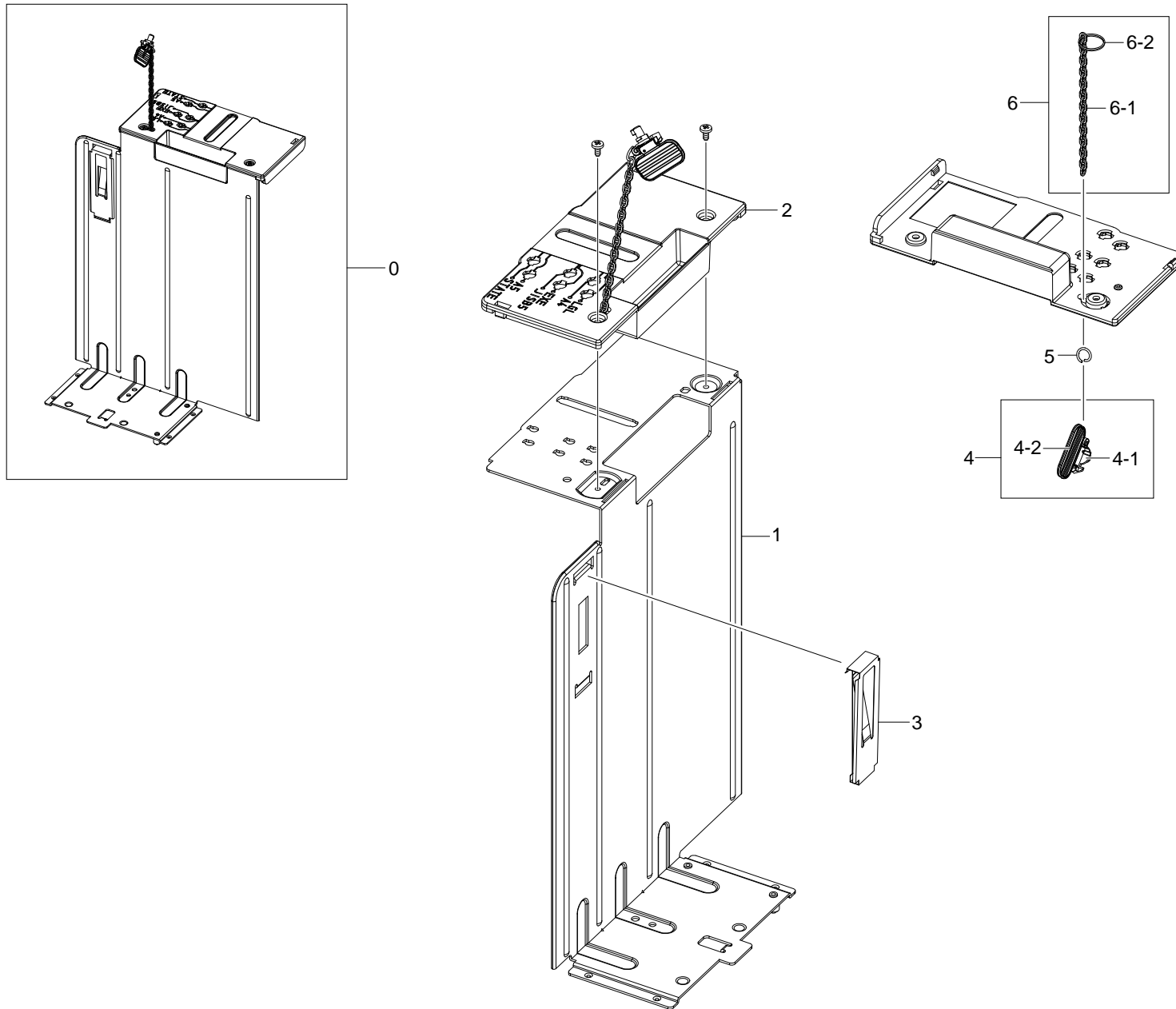
ME A UNIT-PAPER SIDE R Parts List

SA : SERVICE AVAILABLE, SNA : SERVICE not AVAILABLE

Drawer#	SEC_Code	Description	QT'y	Service	Remark
0	-	MEA UNIT-PAPER SIDE R_HCF	1	SNA	
1	-	PLATE-PAPER SIDE R	1	SNA	
2	-	COVER-PAPER_SIDE R	1	SNA	
3	JC70-10929A	IPR-SPR PLATE G/SIDE	1	SA	
4	JC68-01621A	LABEL(R)-MAX FILL	1	SA	
5	JC81-06076A	AS-PIN PAPER HCF	1	SA	

Drawer#	SEC_Code	Description	QT'y	Service	Remark
5-1	-	PIN-PAPER_HCF	1	SNA	
5-2	-	PIN-HANDLE_HCF	1	SNA	
6	-	PIN_RING	1	SNA	
7	-	MEA UNIT-LINK	1	SNA	
7-1	-	PIN_LINK	1	SNA	
7-2	-	PIN_SPRING	1	SNA	

28-9. MEA UNIT-PAPER SIDE L



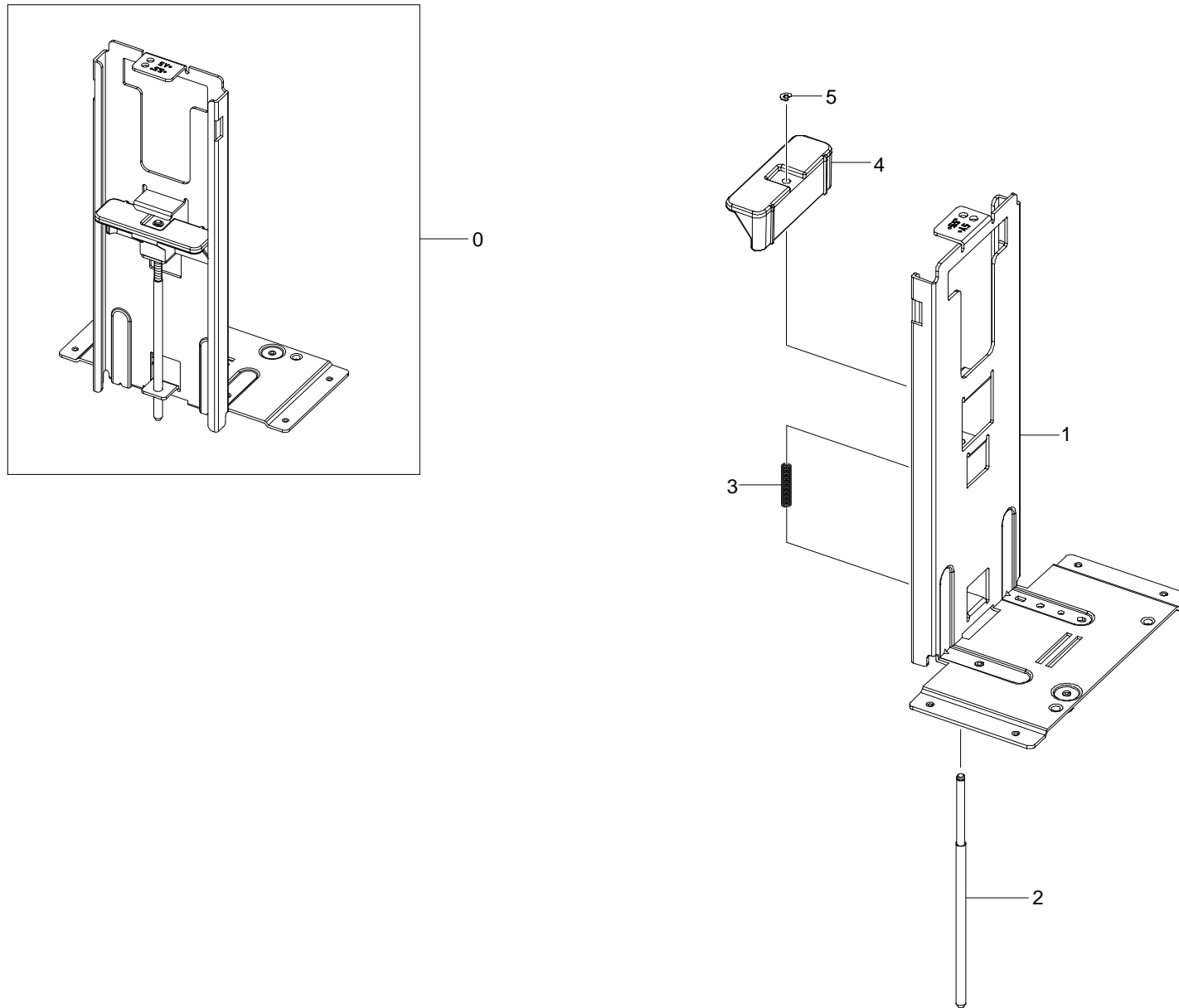
ME A UNIT-PAPER SIDE L Parts List

SA : SERVICE AVAILABLE, SNA : SERVICE not AVAILABLE

Drawer#	SEC_Code	Description	QT'y	Service	Remark
0	-	MEA UNIT-PAPER SIDE L_HCF	1	SNA	
1	-	PLATE-PAPER SIDE L	1	SNA	
2	-	COVER-PAPER_SIDE L	1	SNA	
3	JC70-10929A	IPR-SPR PLATE G/SIDE	1	SA	
4	JC81-06076A	AS-PIN PAPER HCF	1	SA	
4-1	-	PIN-PAPER_HCF	1	SNA	

Drawer#	SEC_Code	Description	QT'y	Service	Remark
4-2	-	PIN-HANDLE_HCF	1	SNA	
5	-	PIN_RING	1	SNA	
6	-	MEA UNIT-LINK	1	SNA	
6-1	-	PIN_LINK	1	SNA	
6-2	-	PIN_SPRING	1	SNA	

28-10. SUB GUIDE REAR



SUB GUIDE REAR Parts List

SA : SERVICE AVAILABLE, SNA : SERVICE not AVAILABLE

Drawer#	SEC_Code	Description	QT'y	Service	Remark
0	-	SUB GUIDE REAR	1	SNA	
1	-	PLATER-PAPER REAR	1	SNA	
2	-	SHAFT-HOOK	1	SNA	

Drawer#	SEC_Code	Description	QT'y	Service	Remark
3	JC61-00043A	SPRING-F/DOWN	1	SNA	
4	-	HANDLE-PAPER HOOK	1	SNA	
5	6044-000159	RING-E, ID3	1	SA	