

7. Exploded Views and Parts List (ML-4550 Series)

Contents

- 7.1 Main Assembly
- 7.2 Cover Assembly
- 7.3 Frame Assembly
- 7.4 Fuser Unit
- 7.5 REGI Assembly
- 7.6 Main Motor Assembly
- 7.7 Deve Motor Assembly
- 7.8 Exit Sorenoid Assembly
- 7.9 Cassette Assembly
- 7.10 Duplex Unit
- 7.11 SCF Unit

DIGITAL LASER PRINT

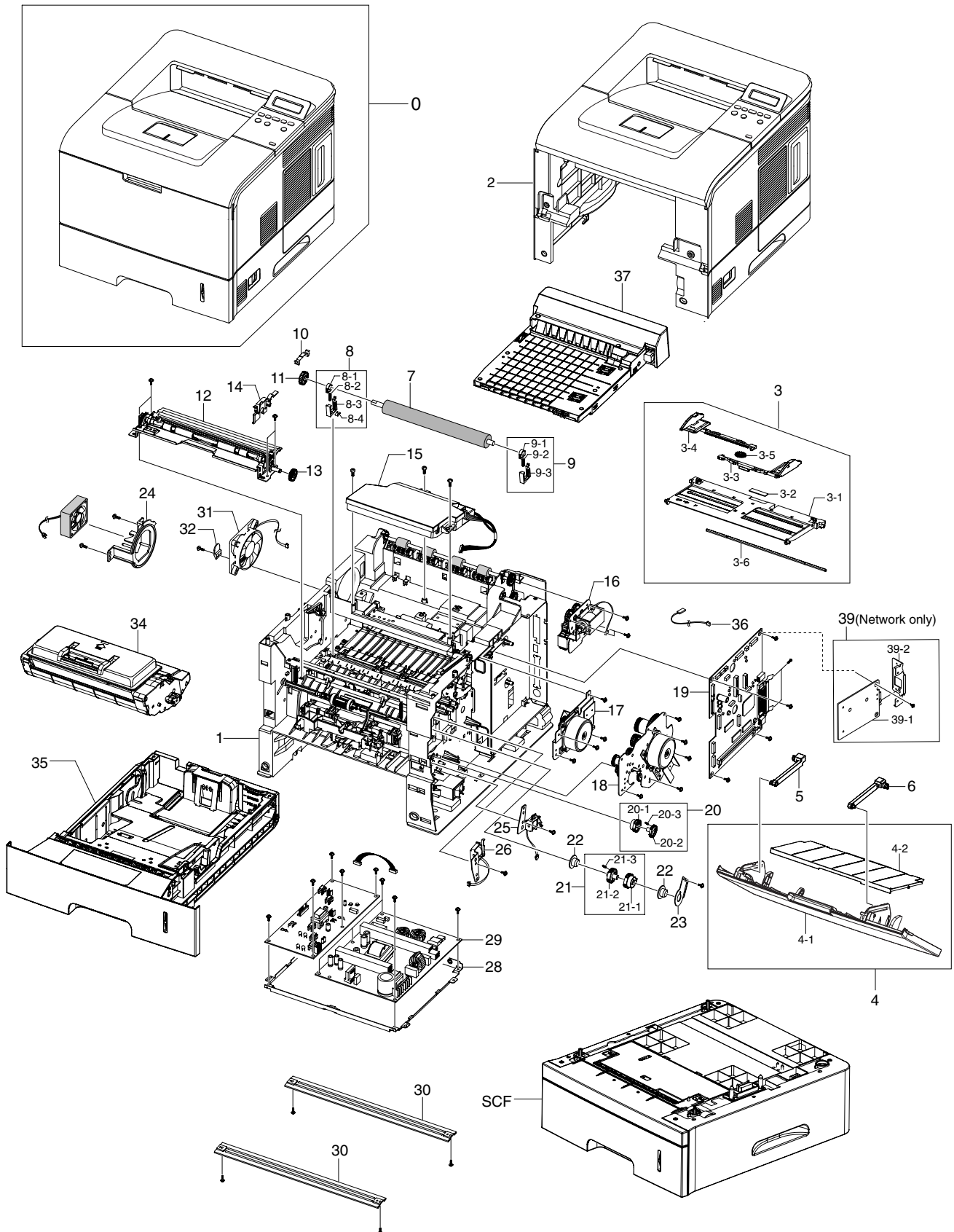


CONTENTS

[The keynote of Product]

- Series Model: ML-4550 / 4551N / 4551ND
- High speed Laser Printer:
Up to 43 ppm in A4 (45 ppm in Letter),
Duplex: 29 ipm (A4); 30 ipm (Letter)
- Resolution: Up to 1200 x 1200 dpi
- Marvell 500Mhz
- Memory: 128 MB (Max. 512 MB)
128, or 256 MB optional memory available.
Use only the Samsung-approved DIMM.
128 MB: ML-MEM150, 256 MB: ML-MEM160
- Option:
ML-4550:500-sheet trays, ethernet 10/100 Base
TX wired LAN, ethernet 10/100 Base
hard disk, duplex unit, DIMM
- Toner cartridge:
 - Starter: 10K or 20K pages
 - Consumable: 10K or 20K pages
- Duty cycle: Monthly Up to 150,000 pages

7.1 Main Assembly



Service Parts List(ML-4551N/ND/NDR)

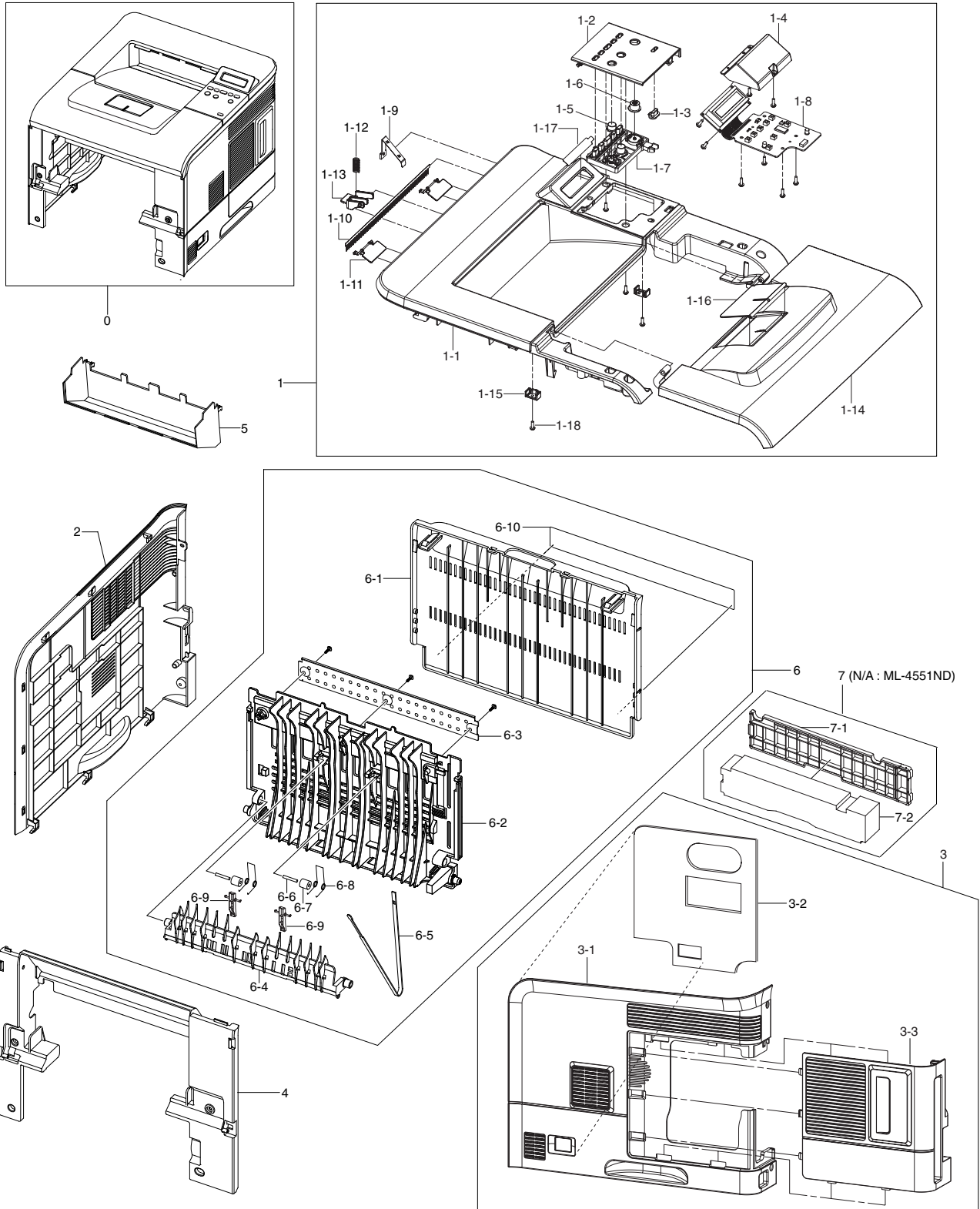
Service(SA:service available, SNA:service not available)

Drawer#	SEC_Code	Description	Location	QTY	Service	Remark
7.1-0	ML-4550	MONO LASER,43PPM/A4		1	-	
7.1-0	ML-4551N	MONO LASER,43PPM/A4,NETWORK		1	-	
7.1-0	ML-4551ND	MONO LASER,43PPM/A4,NETWORK,DUPLEX		1	-	
7.1-1	JC96-04004A	ELA UNIT-FRAME BASE		1	SA	110V
7.1-1	JC96-04004B	ELA UNIT-FRAME BASE	Z4398	1	SA	220V
7.1-2	JC96-04064A	ELA HOU BASE-HOUSING	Z4399	1	SNA	ML-4551N
7.1-2	JC96-04064B	ELA HOU BASE-HOUSING	Z4399	1	SNA	ML-4551ND
7.1-2	JC96-04064E	ELA HOU BASE-HOUSING	Z4399	1	SNA	ML-4551NDR
7.1-2	JC96-04064C	ELA HOU BASE-HOUSING	Z4399	1	SNA	ML-4550R,4551NR
7.1-3	JC97-02230B	MEA UNIT-KNOCK_UP MP	G0470	1	SA	
7.1-3	JC97-02230D	MEA UNIT-KNOCK_UP MP	G0470	1	SA	ML-4551NDR
7.1-3-1	JC61-01251B	PLATE-M_KNOCK UP MP	W3027	1	SA	
7.1-3-1	JC61-01251C	PLATE-M_KNOCKUP MP	W3027	1	SA	ML-4551NDR
7.1-3-2	JC74-00011A	MPR-PAD KNOCK UP MP	O1109	1	SA	
7.1-3-3	JC72-01006B	PMO-SIDE GUIDE MP(R)	G2301	1	SA	
7.1-3-4	JC72-01005B	PMO-SIDE GUIDE MP(L)	G2299	1	SA	
7.1-3-5	JG66-40003A	GEAR-PINION	O1127	1	SA	
7.1-3-6	JC66-00895A	SHAFT-REINFORCEMENT	Z4400	1	SNA	
7.1-4	JC97-02231A	MEA UNIT-COVER MP_SEC	E4062	1	SA	
7.1-4	JC97-02231D	MEA UNIT-COVER MP	E4062	1	SA	ML-4551NDR
7.1-4-1	JC63-00695A	COVER-M-MP_SEC	Z4401	1	SNA	
7.1-4-1	JC63-00695D	COVER-M_MP	Z4401	1	SNA	ML-4551NDR
7.1-4-2	JC63-00691B	TRAY-M_EXTEND_MP	K4281	1	SA	
7.1-4-2	JC63-00691C	TRAY-M_EXTEND_MP	K4281	1	SA	ML-4551NDR
7.1-5	JC63-00694B	TRAY-M_LINK MP(L)	K4282	1	SA	
7.1-6	JC63-00689B	TRAY-M_LINK MP(R)	K4283	1	SA	
7.1-5	JC63-00694C	TRAY-M_LINK MP(L)	K4282	1	SA	ML-4551NDR
7.1-6	JC63-00689C	TRAY-M_LINK MP(R)	K4283	1	SA	ML-4551NDR
7.1-7	JC66-00540B	ROLLER-TRANSFER	Z4402	1	SA	
7.1-8	JC96-01729A	ELA UNIT-HOLDER TR R	K3139	1	SA	
7.1-8-1	JC72-41142A	PMO-BUSHING TR	Z4403	1	SNA	
7.1-8-2	JC61-00046A	SPRING ETC-TR R HAWK	Z4404	1	SNA	
7.1-8-3	JC72-41145C	PMO-TRANSFER HOLDER R	Z4405	1	SNA	
7.1-8-4	JC70-11053A	IPR-PLATE TR	Z4406	1	SNA	
7.1-9	JC96-01730B	ELA UNIT-HOLDER_TR_L	Z6106	1	SA	
7.1-9-1	JC72-41142A	PMO-BUSHING TR	Z4403	1	SNA	
7.1-9-2	JC61-00046A	SPRING ETC-TR R HAWK	Z4404	1	SNA	
7.1-9-3	JC72-41145F	PMO-TRANSFER HOLDER L	Z4407	1	SA	
7.1-10	JC72-41292B	PMO-CAP TR	Z0015	1	SA	
7.1-11	JC66-00039A	GEAR-TR29	G0439	1	SA	
7.1-12	JC96-03959A	ELA UNIT-REGI	Z4408	1	SA	
7.1-13	JC66-00420A	GEAR-REGI Z25	G0415	1	SA	
7.1-14	JC67-00039A	CAP-M-GEAR	C1013	1	SA	
7.1-15	JC96-04066A	ELA UNIT-LSU	Z4409	1	SA	
7.1-16	JC96-03426A	ELA UNIT-EXIT SOL	K3059	1	SA	
7.1-17	JC96-03408A	ELA UNIT-DEVE MOTOR	K3057	1	SA	
7.1-18	JC96-04063A	ELA UNIT-MAIN	Z4410	1	SA	
7.1-19	JC96-04109A	ELA HOU-MAIN	Z4411	1	SNA	
7.1-19-1	JC92-01823A	PBA MAIN-CONTROLLER	Z4412	1	SA	
7.1-19-2	JC92-01824A	PBA MAIN-DIMM	Z4413	1	SA	
7.1-20	JC97-02226A	MEA UNIT-GEAR PICK UP	G0468	1	SA	
7.1-20-1	JC66-00870A	GEAR-M-PICK UP CAM	Z4414	1	SNA	
7.1-20-2	JC66-00876A	GEAR-M-PICK UP	Z4415	1	SNA	
7.1-20-3	JC61-00003A	SPRING ETC--CAM MP	S0020	1	SA	
7.1-21	JC97-01738A	MEA UNIT-GEAR P/UP MP CARDINA	G0467	1	SA	
7.1-21-1	JC66-00424A	GEAR-MP HOLDER_CAM	H4008	1	SA	
7.1-21-2	JC66-00423A	GEAR-MP PICK_UP	P2055	1	SA	
7.1-21-3	JC61-00003A	SPRING ETC--CAM MP	S0020	1	SA	
7.1-22	JC66-10202A	BEARING-PICK UP	B0003	1	SA	
7.1-23	JC61-00755A	BRACKET-P-SHAFT MP	S4013	1	SA	
7.1-24	JC61-01735A	HOLDER-FAN	Z4416	1	SA	
7.1-25	JC33-00012A	SOLENOID-MAIN	S8015	1	SA	
7.1-26	JC33-00016A	SOLENOID-MP	S8016	1	SA	
7.1-27	JC96-04121A	ELA UNIT-DEVE_ERASER	Z4417	1	SA	
7.1-28	JC63-01133A	SHIELD-SMPS	Z4418	1	SNA	
7.1-29	JC96-04003B	ELA HOU-SMPS_HVPS_V2	Z4419	1	SA	220V

Service(SA:service available, SNA:service not available)

Drawer#	SEC_Code	Description	Location	QTY	Service	Remark
7.1-29	JC96-04003A	ELA HOU-SMPS_HVPS_V1	Z4419	1	SA	110V
7.1-30	JC71-00042A	BAR-P_GROSS BOTTOM	K2861	2	SA	
7.1-31	JC31-00050A	FAN	Z4425	1	SA	
7.1-32	JC61-00667A	STOPPER-M-FAN80	F5029	1	SA	
7.1-33	JC61-01760A	HOLDER-ERASER	Z4421	1	SA	
7.1-34	JC96-03963A	ELA UNIT-DEVE	Z4422	1	SNA	
7.1-35	JC96-04015A	ELA UNIT-CASSETTE	Z4423	1	SA	
7.1-35	JC96-04015B	ELA UNIT-CASSETTE	Z4423	1	SA	ML-4551NDR
7.1-36	JC92-01839A	PBA-ERASE_LAMP	Z4424	1	SA	
7.1-37	JC96-03412C	ELA UNIT-DUPLEX	Z6089	1	SA	
7.1-37	JC96-03412E	ELA UNIT-DUPLEX	Z6089	1	SA	ML-4551NDR
7.1-38	JC31-00050A	FAN	Z4425	1	SA	
7.1-39	JC96-03586A	ELA HOU-EMBEDDED_MAC	Z4426	1	SNA	
7.1-39-1	JC92-01700B	PBA SUB-NPC_PRT	Z4427	1	SA	
7.1-39-2	JC61-00809A	BRACKET-_M_NPC	B0005	1	SNA	
Replacement	-	CBF-POWER CORD			SA	
Replacement	-	BOX-MAIN			SA	

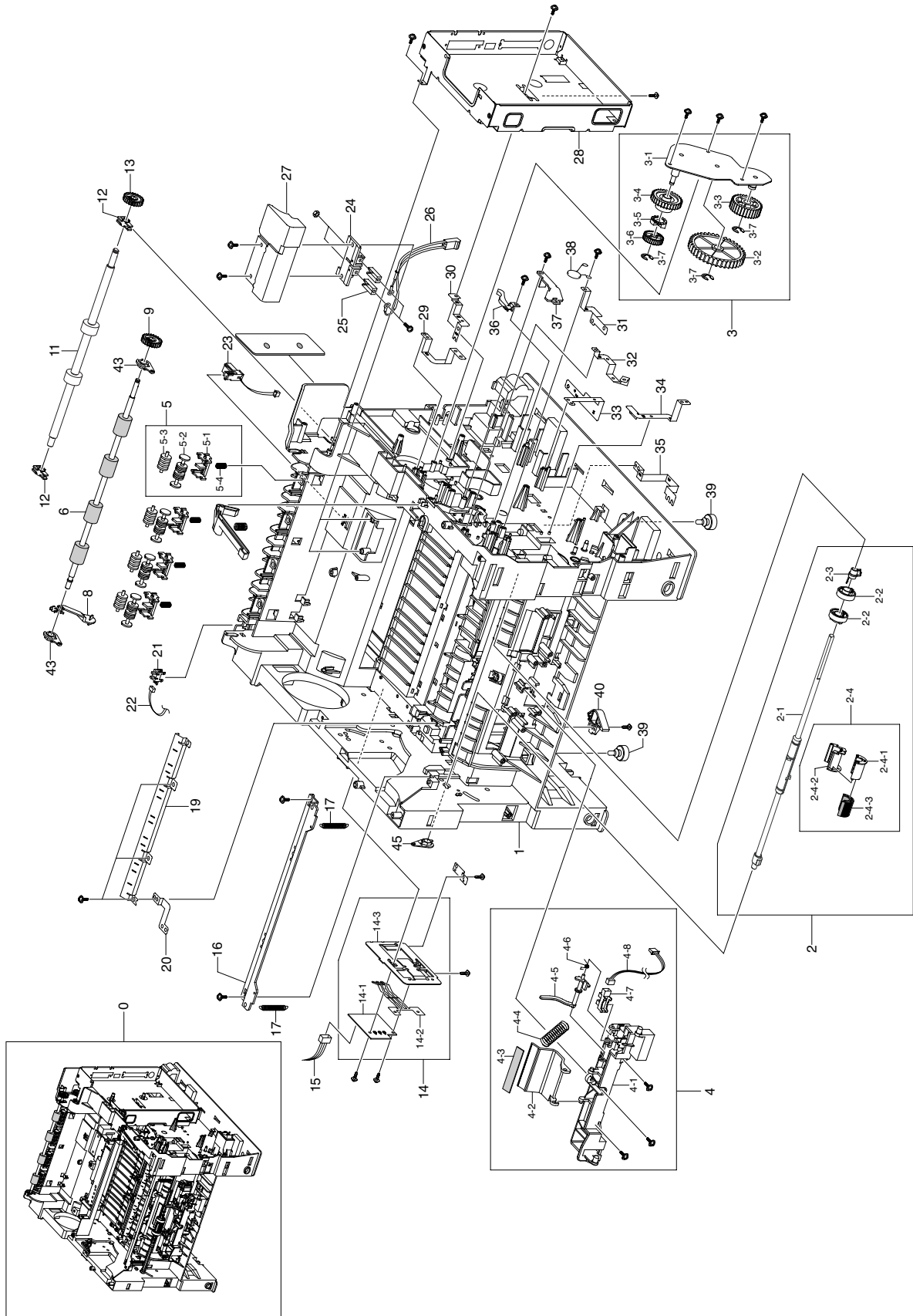
7.2 Cover Assembly



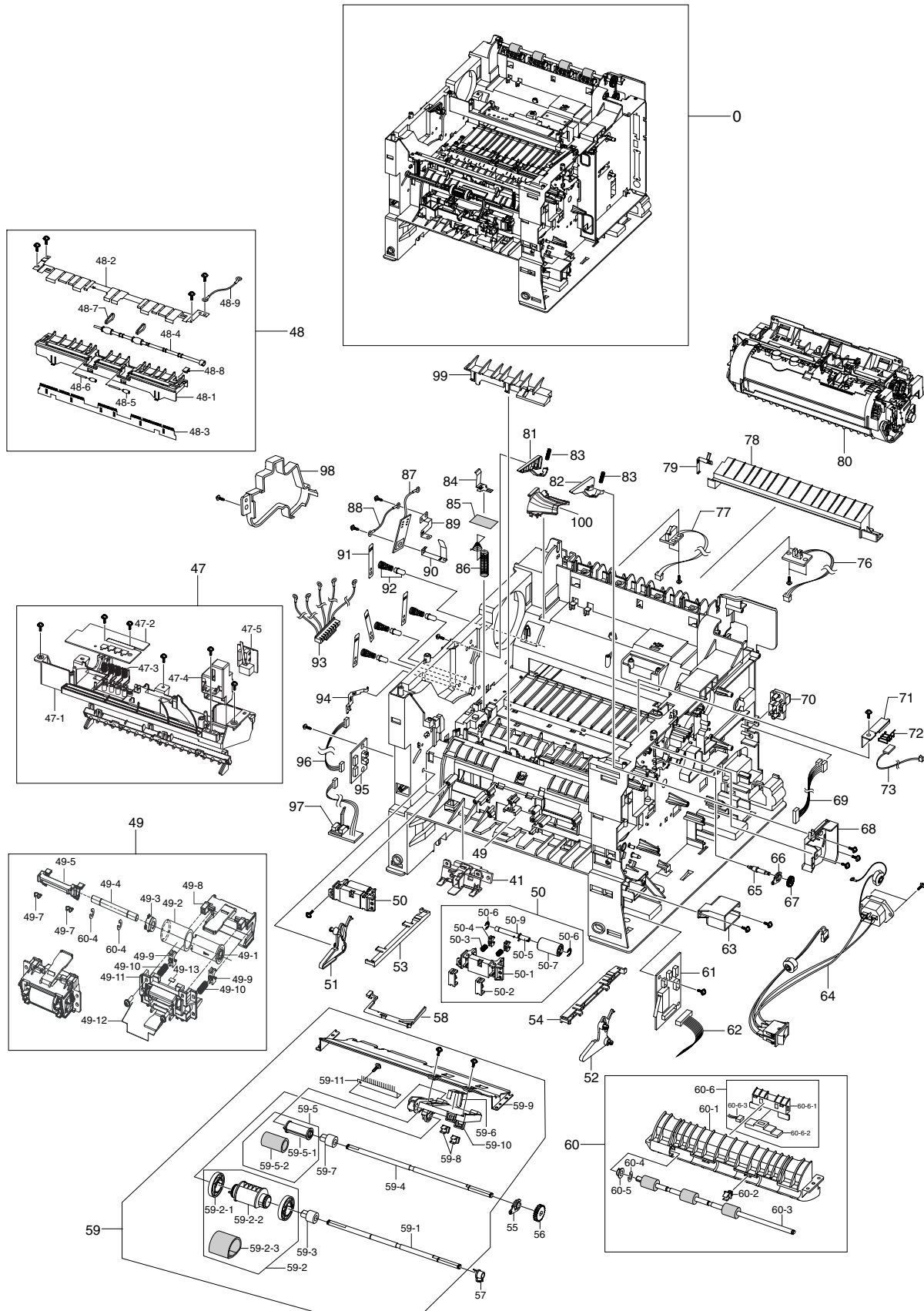
Service(SA:service available, SNA:service not available)

Drawer#	SEC_Code	Description	Location	QTY	Service	Remark
7.2-0	JC96-04064A	ELA HOU BASE-HOUSING	Z4399	1	SNA	ML-4550
7.2-0	JC96-04064B	ELA HOU BASE-HOUSING	Z4399	1	SNA	ML-4551ND
7.2-0	JC96-04064E	ELA HOU BASE-HOUSING	Z4399	1	SNA	ML-4551NDR
7.2-0	JC96-04064C	ELA HOU BASE-HOUSING	Z4399	1	SNA	ML-4550R,4551NR
7.2-1	JC96-03978A	ELA UNIT-COVER TOP	Z6090	1	SA	ML-4550
7.2-1	JC96-03978B	ELA UNIT-COVER TOP	Z6090	1	SA	ML-4550
7.2-1	JC96-03978C	ELA UNIT-COVER TOP	Z6090	1	SA	ML-4551ND
7.2-1	JC96-03978W	ELA UNIT-COVER TOP	Z6090	1	SA	ML-4551NDR
7.2-1	JC96-03978U	ELA UNIT-COVER TOP	Z6090	1	SA	ML-4551NR
7.2-1	JC96-03978Q	ELA UNIT-COVER TOP	Z6090	1	SA	ML-4550R
7.2-1-1	JC63-00699B	COVER-M_TOP	Z4429	1	SNA	
7.2-1-1	JC63-00699B	COVER-M_TOP	Z4429	1	SNA	
7.2-1-1	JC63-00699C	COVER-TOP	Z4429	1	SNA	ML-4551NDR
7.2-1-2	JC63-01101A	COVER-M_OPEN	Z4430	1	SA	
7.2-1-2	JC63-01101B	COVER-M_OPEN	Z4430	1	SA	ML-4551NDR
7.2-1-3	JC72-01367B	PMO-STACKER_RX	L6055	1	SA	
7.2-1-3	JC72-01367C	PMO-STACKER_RX	L6055	1	SA	ML-4551NDR
7.2-1-4	JC66-00902B	LEVER-M_STACKING 38	L3019	2	SA	
7.2-1-4	JC66-00902C	LEVER-STACKING	L3019	2	SA	ML-4551NDR
7.2-1-5	JC61-00656A	STOPPER-M-HINGE OPEN	H3073	2	SA	
7.2-1-6	JC63-01100C	COVER-OP PANEL	Z6100	1	SA	
7.2-1-6	JC63-01445C	COVER-OP PANEL	Z6100	1	SA	ML-4551NDR
7.2-1-6	JC63-01445A	COVER-OP PANEL	Z6100	1	SA	ML-4551NR
7.2-1-6	JC63-01100W	COVER-OP PANEL	Z6100	1	SA	ML-4550R
7.2-1-7	JC67-00147A	LENS LED-M_STATUS	Z4432	1	SNA	
7.2-1-8	JC75-00095A	MEC-BRUSH ANTISTATIC	M0022	1	SA	
7.2-1-9	JC92-01825B	PBA SUB-PANEL	Z4433	1	SA	
7.2-1-10	JC64-00265A	KEY-M_BUTTON	Z4434	1	SA	
7.2-1-10	JC64-00265B	KEY-M_BUTTON	Z4434	1	SA	ML-4551NDR
7.2-1-11	JC64-00236A	KEY-M_STOP	Z4435	1	SNA	
7.2-1-12	JC64-00047A	KEY-M-SAVE MODE	K0049	1	SA	
7.2-1-13	JC64-00194A	WINDOW-M-LCD	K4285	1	SA	
7.2-1-14	JC63-00836A	GROUND-P-TOP_COVER	G0440	1	SA	
7.2-2	JC63-00684B	COVER-M_LEFT	H1292	1	SA	
7.2-2	JC63-00684C	COVER-M_LEFT	H1292	1	SA	ML-4551NDR
7.2-3	JC63-00701B	COVER-M_RIGHT	H1294	1	SA	
7.2-3	JC63-00701C	COVER-M_RIGHT	H1294	1	SA	ML-4551NDR
7.2-4	JC63-00702B	COVER-M_CONTROL BOX	H1288	1	SA	
7.2-4	JC63-00702C	COVER-M_CONTROL BOX	H1288	1	SA	ML-4551NDR
7.2-5	JC63-00685B	COVER-M_FRONT INNER	H1291	1	SA	
7.2-5	JC63-00685C	COVER-M_FRONT INNER	H1291	1	SA	ML-4551NDR
7.2-6	JC97-02232B	MEA UNIT-COVER REAR	E4063	1	SA	
7.2-6	JC97-02232C	MEA UNIT-COVER REAR	E4063	1	SA	ML-4551NDR
7.2-6-1	JC63-00703B	COVER-M_REAR	H1293	1	SA	
7.2-6-1	JC63-00703C	COVER-M_REAR	H1293	1	SA	ML-4551NDR
7.2-6-2	JC72-01357A	PMO-STACKER REAR	L6054	1	SA	
7.2-6-2	JC72-01357B	PMO-STACKER REAR	L6054	1	SA	ML-4551NDR
7.2-6-3	JC70-00007A	ICT-BRKT REAR COVER	Z4436	1	SNA	
7.2-6-4	JC61-01217A	GUIDE-M_EXIT	G0441	1	SA	
7.2-6-5	JC72-01359A	PMO-STRIFE	L6056	1	SA	
7.2-6-6	JC70-20901A	IEX-SHAFT IDLE,F/UP	D2149	2	SA	
7.2-6-7	JC72-20902A	PEX-ROLLER F/UP(2)	O1106	2	SA	
7.2-6-8	JC61-01774A	SPRING ETC-SEPERATION	Z6115	5	SA	
7.2-6-9	JC68-01526A	LABEL(P)-JAM REMOVAL	Z4438	1	SNA	
7.2-7	JC97-02389B	MEA UNIT-COVER DUMMY	Z4420	1	SA	ML-4550
7.2-7	JC97-02389C	MEA UNIT-COVER DUMMY	Z4420	1	SA	ML-4550R
7.2-7-1	JC72-01374A	SPONGE-COVER DUMMY	Z4421	1	SNA	ML-4550
7.2-7-2	JC63-00697B	COVER-M_DUMMY DUP	Z4422	1	SA	ML-4550
7.2-7	JC97-02389C	MEA UNIT-COVER DUMMY	Z4420	1	SA	ML-4551NR
7.2-7-2	JC63-00697C	COVER-M_DUMMY DUP	Z4422	1	SA	ML-4550R,4551NR
7.2-8	JC63-00696B	COVER-M_FRAME EXIT	H1290	1	SA	
7.2-8	JC63-00696C	COVER-M_FRAME EXIT	H1290	1	SA	ML-4551NDR

7.3 Frame Assembly(1/2)



Frame Assembly(2/2)



Service(SA:service available, SNA:service not available)

Drawer#	SEC_Code	Description	Location	QTY	Service	Remark
7.3-0	JC96-04004A	ELA UNIT-FRAME BASE	Z4398	1	SA	110V
7.3-0	JC96-04004B	ELA UNIT-FRAME BASE	Z4398	1	SA	220V
7.3-1	JC61-01206A	FRAME-M_BASE	Z4440	1	SNA	
7.3-2	JC97-02649A	MEA UNIT-PICK UP MP	Z4441	1	SA	
7.3-2-1	JC66-01265A	SHAFT-PICK UP MP	Z4442	1	SA	
7.3-2-2	JC72-01003A	PMO-IDLE PICK UP MP	P0042	2	SA	
7.3-2-3	JC66-00893A	CAM-M-SHAFT	P2043	1	SA	
7.3-2-4	JC96-02686B	ELA UNIT-ROLLER P/UP MP	K3144	1	SA	
7.3-2-4-1	JC61-00705A	HOLDER-M-PICKUP MP	P2062	1	SA	
7.3-2-4-2	JC61-00685A	HOUSING-M-PICK UP MP	H0025	1	SA	
7.3-2-4-3	JC73-00224A	RUBBER-PICK UP MP	C4024	1	SA	
7.3-3	JC97-02238A	MEA UNIT-GEAR IDLE	E4065	1	SA	
7.3-3-1	JC61-01200A	BRACKET-P-GEAR IDLE	Z4443	1	SNA	
7.3-3-2	JC66-00872A	GEAR-FUSER IDLE 3	Z4444	1	SNA	
7.3-3-3	JC66-00859A	GEAR-M-FUSER IDLE 2	Z4445	1	SNA	
7.3-3-4	JC66-00858A	GEAR-M-FUSER DRV IN		1	SNA	
7.3-3-5	JC66-00868A	CLUTCH-M-HUB	Z4446	1	SNA	
7.3-3-6	JC66-01155A	GEAR-FUSER RDCN OUT V	Z4536	1	SNA	
7.3-3-7	6044-000231	RING-E	R0006	2	SA	
7.3-4	JC96-03403A	ELA HOU BASE-HOLDER	H1297	1	SA	
7.3-4-1	JC61-01248A	FRAME-M-HOLDER PAD	Z4448	1	SNA	
7.3-4-2	JC61-00684A	HOLDER-M-PAD	H4029	1	SA	
7.3-4-3	JC73-00132A	RPR-FRICTION PAD MP	R0019	1	SA	
7.3-4-4	JC61-00387A	SPRING ETC-PAD	S0028	1	SA	
7.3-4-5	JC72-01365A	PMO-ACTUATOR EMPTY MP	W3028	1	SA	
7.3-4-6	JC61-70965A	SPRING ETC-EMPTY	O1099	1	SA	
7.3-4-7	0604-001095	PHOTO-INTERRUPTER	P0013	1	SA	
7.3-4-8	JC39-00451A	CBF HARNESS-MP_EMPTY	H1253	1	SA	
7.3-5	JC97-01034A	MEA RACK-EXIT ROLLER	E4060	4	SA	
7.3-5-1	JC72-41006A	PMO-HOLDER EXIT ROLL	E4126	1	SA	
7.3-5-2	JC72-41007A	PMO-ROLLER FD F	P0048	1	SA	
7.3-5-3	JC72-41008A	PMO-ROLLER FD R	P0049	1	SA	
7.3-5-4	JC61-70911A	SPRING ETC-EXIT ROLL FD	O1053	1	SA	
7.3-6	JC66-00883A	ROLLER-EXIT_F/DOWN	D4089	1	SA	
7.3-8	JC72-01310A	PMO-ACTUATOR OUTFULL	K3819	1	SA	
7.3-9	JC66-00674A	GEAR-M-EXIT Z17	G0331	1	SA	
7.3-12	JC61-01262A	BUSH-M_EXIT D7	S4014	2	SA	
7.3-13	JC66-00854A	GEAR-M-EXIT DUP Z21	G0200	1	SA	
7.3-14	JC96-02127A	ELA HOU-CST SENSOR HAWK16	Z2263	1	SA	
7.3-14-1	JC92-01336A	PBA SUB-CASSETTE	Z4451	1	SA	
7.3-14-2	JC70-00192A	IPR-PLATE SENSOR	S3058	1	SA	
7.3-14-3	JC70-00195A	IPR-BRACKET SENSOR	S3055	1	SA	
7.3-15	JC39-00261A	CBF HARNESS-SENSOR	H1242	1	SA	
7.3-16	JC61-00675A	GUIDE-P_REGI UPPER	G2082	1	SA	
7.3-17	JC61-70918A	SPRING ETC-LEVER	L4097	2	SA	
7.3-19	JC61-00691A	GUIDE-PLATE PAPER	G2091	1	SA	
7.3-20	JC70-00339A	IPR-P_GROUND PLATE PAPER	P5064	1	SA	
7.3-21	0604-001095	PHOTO-INTERRUPTER	P0013	1	SA	
7.3-23	JC39-00458A	CBF HARNESS-THERM	H1256	1	SA	
7.3-24	JC61-01581A	HOUSING-M_TERMINAL	Z4452	1	SNA	
7.3-25	JC65-00013A	TERMINAL-P-FUSER	K4277	1	SA	
7.3-26	JC39-00456A	CBF HARNESS-FUSER	H1249	1	SA	
7.3-27	JC67-00099A	CAP-M-HOUS TERM	Z4453	1	SNA	
7.3-28	JC63-01132A	SHIELD-CTRL	Z4454	1	SA	
7.3-29	JC63-00677A	GROUND-P-MOTOR_DEVE	Z4455	1	SNA	
7.3-30	JC63-00669A	GROUND-P_GUIDE TR	Z4456	1	SNA	
7.3-31	JC63-00672A	GROUND-P-REGL_ROLLER	Z4457	1	SNA	
7.3-32	JC63-00678A	GROUND-P-PICK_UP_MP	Z4458	1	SNA	
7.3-33	JC63-00673A	GROUND-P-SCF_MAIN	Z4459	1	SNA	
7.3-34	JC63-00671A	GROUND-P-MOTOR_MAIN	Z4460	1	SNA	
7.3-35	JC63-00680A	GROUND-P_GUIDE_DUP	Z4461	1	SNA	
7.3-36	JC67-00093A	CAP-M-GUIDE_HARNESS	Z4462	1	SNA	
7.3-37	JC72-01356A	PMO-DUMMY_DEVE	Z0016	1	SA	
7.3-38	JC96-01772A	ELA HOU-VARISTOR	K3053	1	SA	
7.3-39	JC61-40001A	FOOT-ML80	F0003	2	SA	
7.3-40	JC72-01355A	PMO-REMOVE_LOCK_CST	L6040	1	SA	
7.3-43	JC72-41191B	PMO-BEARING SHAFT	P0032	6	SA	
7.3-47	JC96-03960A	ELA HOU-FRAME_LSU_LO	Z4463	1	SA	
7.3-47-1	JC61-01732A	FRAME-PART_UPPER	Z4464	1	SNA	
7.3-47-2	JC92-01807A	PBA SUB-TONER_SENSOR	Z4465	1	SA	
7.3-47-3	JC65-00004A	TERMINAL-P_DEVE	T2175	4	SA	
7.3-47-4	JC92-01730A	PBA SUB-COVER OEPN	M0443	1	SA	

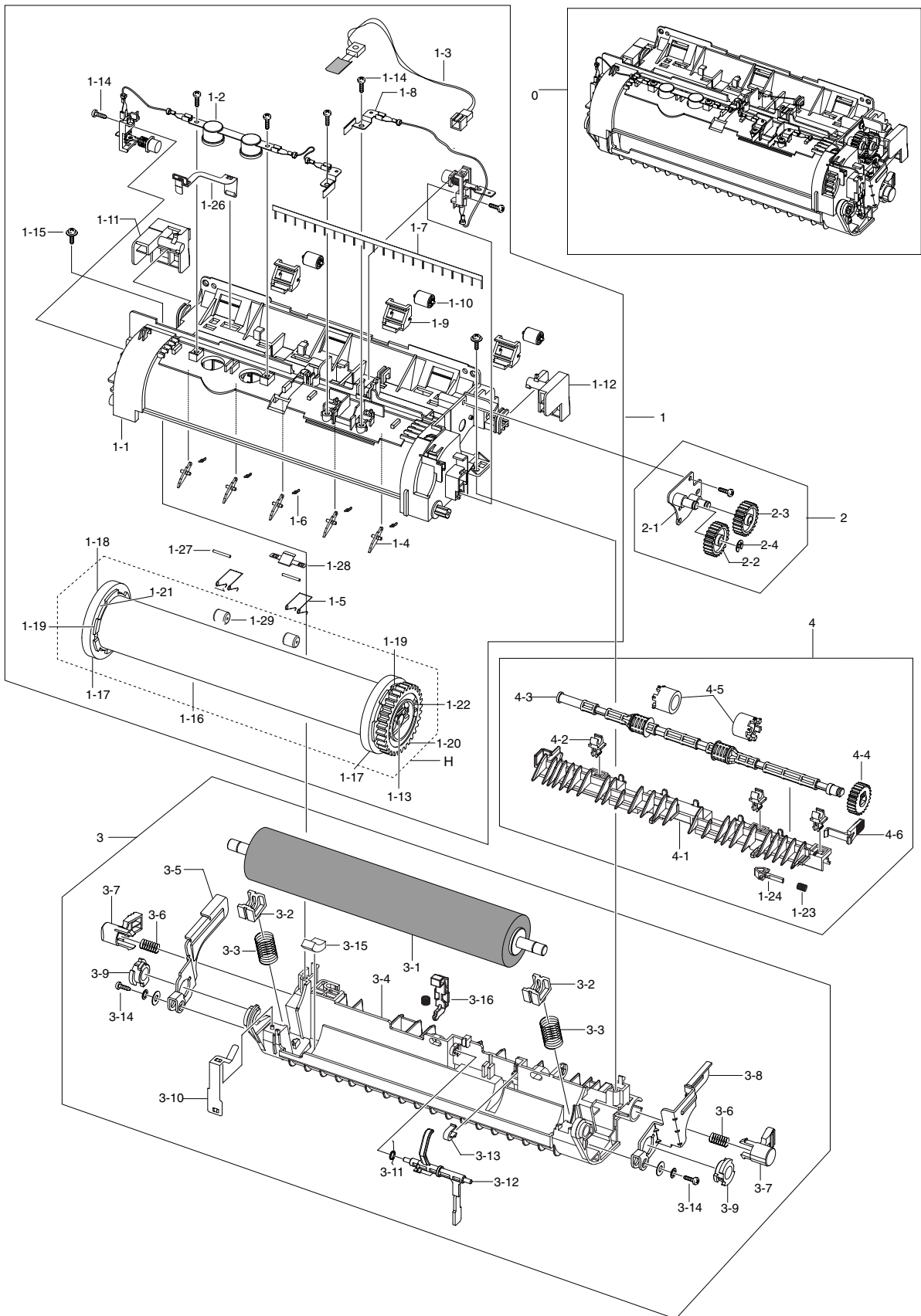
Service(SA:service available, SNA:service not available)

Drawer#	SEC_Code	Description	Location	QTY	Service	Remark
7.3-47-5	JC67-00095A	CAP-M COVER_OPEN	Z4466	1	SNA	
7.3-48	JC96-03425A	ELA UNIT-FEED3X5	K3062	1	SA	
7.3-48-1	JC61-01240A	HOLDER-M-SAW	Z4467	1	SNA	
7.3-48-2	JC61-01235A	GUIDE-P-TRANSFER_FRONT	Z4468	1	SNA	
7.3-48-3	JC61-01236A	PLATE-P-SAW	Z4469	1	SNA	
7.3-48-4	JC66-00889A	SHAFT-M ROLLER_BELT	Z4470	1	SNA	
7.3-48-5	JC66-00887A	ROLLER-M IDLE_BELT	Z4471	2	SNA	
7.3-48-6	JC70-20901A	IEX-SHAFT IDLE F/UP	D2149	2	SA	
7.3-48-7	JC73-00206A	RUBBER-BELT_FEED	C4020	2	SA	
7.3-48-8	JC61-01239A	GUIDE-M SHAFT_BELT	Z4472	1	SNA	
7.3-49	JC96-04016A	ELA UNIT-ROLLER_IDLE	Z4473	1	SA	
7.3-49-2	JC61-00635A	HOUSING-M-RETARD	H6035	1	SA	
7.3-49-3	JC73-00207A	RUBBER-RETARD	C4026	1	SA	
7.3-49-4	JC72-00993A	PMO-HUB OUT RETARD	K4021	1	SA	
7.3-49-5	JC66-01273A	SHAFT-IDLE FEED	Z4474	1	SA	
7.3-49-6	JC64-00271A	SHUTTER-PATH_FEED	Z4475	1	SA	
7.3-49-7	JC61-01550A	STOPPER-SPACE	Z4476	2	SNA	
7.3-49-8	JC64-00272A	SHUTTER-CLAW		2	SNA	
7.3-49-9	JC61-01741A	HOLD-IDLE FRONT	Z4477	1	SA	
7.3-49-10	JC61-00652A	BUSH-M-RETARD	K2883	2	SA	
7.3-49-11	JC61-00387A	SPRING ETC-PAD	S0028	2	SA	
7.3-49-12	JC61-01739A	HOLD-IDLE REAR	Z4479	1	SA	
7.3-49-14	JC64-00270A	SHUTTER-TENSION	Z4480	2	SA	
7.3-50	JC96-03421A	ELA UNIT-FEED2_IDLE	K3060	2	SA	
7.3-50-1	JC61-01242A	HOLDER-IDLE_FEED2	Z4481	1	SNA	
7.3-50-2	JC67-00105A	CAP-M IDLE_FEED2	Z4482	2	SNA	
7.3-50-3	JC61-00387A	SPRING ETC-PAD	S0028	2	SA	
7.3-50-4	JC61-00652A	BUSH-M-RETARD	K2883	2	SA	
7.3-50-5	JC66-00912A	SHAFT-IDLE_FEED2	S4108	1	SA	
7.3-50-6	6044-000231	RING-E	R0006	2	SA	
7.3-50-7	JC66-00892A	ROLLER-M IDLE_FEED2	Z4483	1	SNA	
7.3-51	JC61-01250A	STOPPER-M-KNOCK UP MP_L	H3074	1	SA	
7.3-52	JC61-01249A	STOPPER-M-KNOCK UP MP_R	H3075	1	SA	
7.3-53	JC61-01252A	RAIL-M-LEFT_DUP	L6057	1	SA	
7.3-54	JC61-01253A	RAIL-M-RIGHT_DUP	L6058	1	SA	
7.3-55	JC72-41191B	PMO-BEARING SHAFT	P0032	1	SA	
7.3-56	JC66-01262A	GEAR-FEED	Z4484	1	SNA	
7.3-57	JC72-01362A	PMO-M CAM_PICK_UP	Z4485	1	SNA	
7.3-58	JC72-00991A	PMO-ACTUATOR EMPTY	K3816	1	SA	
7.3-59	JC96-03422A	ELA UNIT-PICK UP	K3141	1	SA	
7.3-59-1	JC66-00910A	SHAFT-PICK UP	S4118	1	SA	
7.3-59-2	JC97-02233A	MEA UNIT-P/UP HOUSING	G0471	1	SA	
7.3-59-2-1	JC72-01361A	PMO-M IDLE-PICK UP	L6039	2	SA	
7.3-59-2-2	JC61-01238A	HOUSING-M-PICK UP	Z4486	1	SNA	
7.3-59-2-3	JC73-00223A	RUBBER-PICK_UP	C4025	1	SA	
7.3-59-3	JC61-01579A	HOLDER-P-REGI	Z4487	1	SNA	
7.3-59-4	JC66-00911A	SHAFT-FEED1	C4028	1	SA	
7.3-59-5	JC81-03458A	AS-UNIT_FEED1	K2860	1	SA	
7.3-59-5-1	JC61-01237A	HOUSING-M-FEED1	Z4488	1	SNA	
7.3-59-5-2	JC73-00208A	RUBBER-FEED1	C4022	1	SA	
7.3-59-6	JC63-00674A	GROUND-P-PICK_UP_MAIN	Z4489	1	SNA	
7.3-59-7	JC61-01579A	HOLDER-P-REGI	Z4487	1	SNA	
7.3-59-8	JC72-00382B	PMO-BUSHING FEED	O1102	2	SA	
7.3-59-9	JC61-01234A	GUIDE-P-FRONT-DUP-PICKUP	Z4490	1	SNA	
7.3-59-10	JC61-01233A	GUIDE-M SUPPORT-PICKUP	Z4491	1	SNA	
7.3-60	JC96-04119A	ELA UNIT-FEED	Z4492	1	SA	
7.3-61	JC92-01704A	PBA SUB-JOINT	M0448	1	SA	
7.3-62	JC39-00441A	CBF HARNESS-TRAY OUT	H1257	1	SA	
7.3-63	JC67-00094A	CAP-M POWER	Z4493	1	SNA	
7.3-64	JC39-00624A	HARNESS-INLET	Z4494	1	SA	
7.3-65	JC66-00888A	SHAFT-M BELT_GEAR	Z4495	1	SNA	
7.3-66	JC72-41191B	PMO-BEARING SHAFT	P0032	1	SA	
7.3-67	JC66-00674A	GEAR-M-EXIT Z17	G0331	1	SA	
7.3-68	JC67-00092A	CAP-M-DEVE MOTOR	Z4496	1	SNA	
7.3-69	JC39-00449A	CBF HARNESS-DUPLEX	Z4497	1	SNA	
7.3-71	JC67-00036A	CAP-M-WIRE PTL LOWER	C1015	1	SA	
7.3-72	JC65-00001A	TERMINAL-P_PTL	K4276	2	SA	
7.3-73	JC92-01516A	PBA SUB-PTL2	M0411	1	SA	
7.3-76	JC92-01512B	PBA SUB-EXIT SENSOR	M0445	1	SA	
7.3-77	JC92-01261C	PBA SUB-FUSER SW	M0447	1	SA	
7.3-78	JC61-01218A	GUIDE-M-FRONT	G0442	1	SA	
7.3-79	JC65-00010B	TERMINAL-GUIDE_FRONT		1	SNA	

Service(SA:service available, SNA:service not available)

Drawer#	SEC_Code	Description	Location	QTY	Service	Remark
7.3-81	JC72-00317A	PMO-GUIDE DEVE L	T2158	1	SA	
7.3-82	JC72-00318A	PMO-GUIDE DEVE R	T2159	1	SA	
7.3-83	JC61-70932A	SPRING ETC-GUIDE DEVE	Z4159	2	SA	
7.3-84	JC65-00008A	TERMINAL-P-TR_KESTREL	K4278	1	SA	
7.3-86	JC65-00009A	TERMINAL-SPRING_TR	K4279	1	SA	
7.3-89	JC63-00679A	GROUND-P-ZENER	Z4498	1	SNA	
7.3-90	JC63-00676A	GROUND-P-FUSER	Z4499	1	SNA	
7.3-91	JC65-00006A	TERMINAL-P_HV CARDINAL	K4272	4	SA	
7.3-92	JC97-01401A	MEA UNIT-TERMINAL:TR	Z4500	4	SA	
7.3-93	JC39-00625A	HARNESS-HVPS	Z4501	1	SA	
7.3-94	JC70-00332A	IPR-P_GROUND OPC	O0020	1	SA	
7.3-95	JC92-01831A	PBA SUB-EMPTY	Z4502	1	SA	
7.3-96	JC39-00620A	HARNESS-SENSOR	Z4503	1	SA	
7.3-97	JC92-01262C	PBA SUB-FEED SENSOR	M0446	1	SA	
7.3-98	JC67-00098A	CAP-M_HV	Z4504	1	SNA	
7.3-99	JC67-00097A	CAP-M_SENSOR_FEED	Z4505	1	SNA	

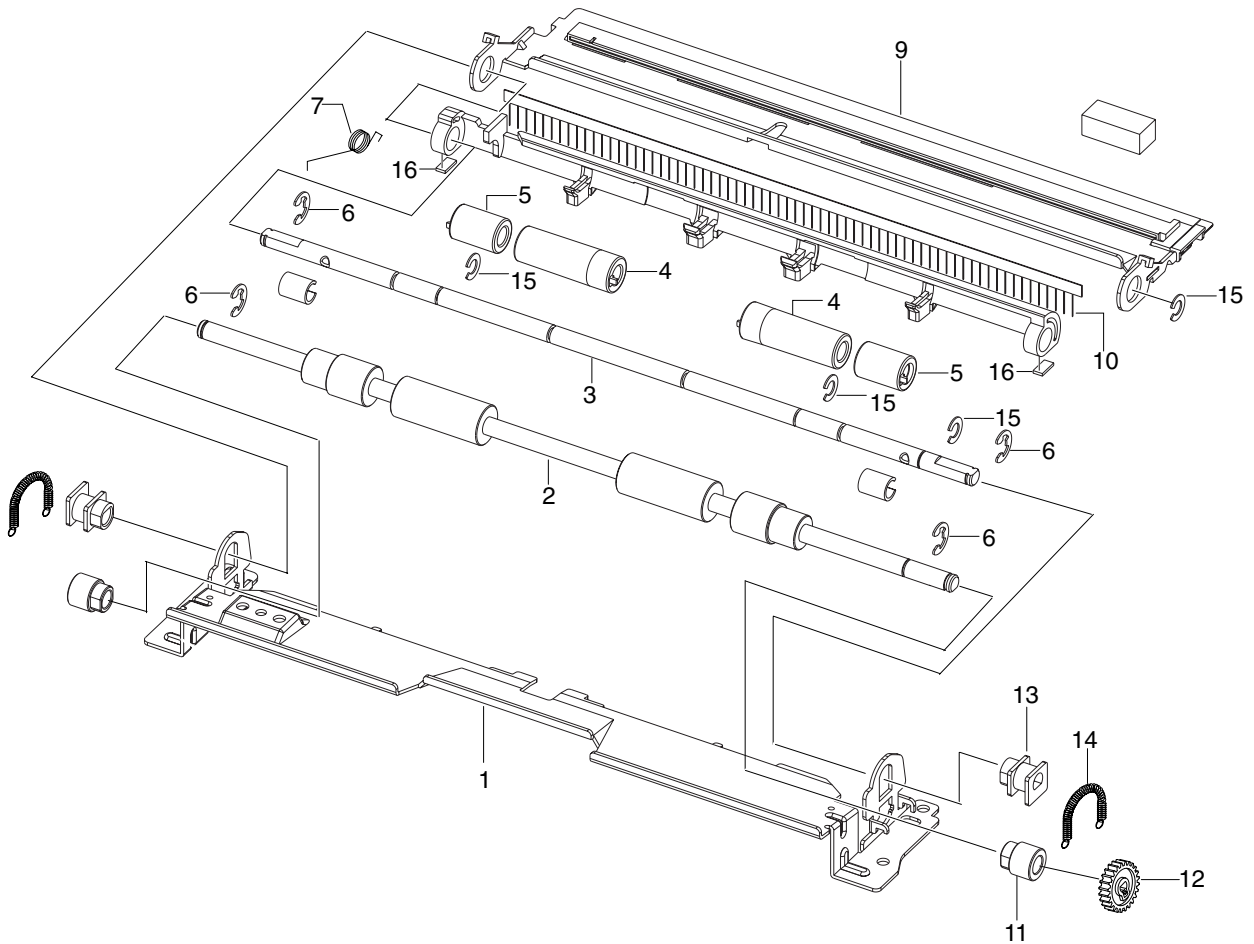
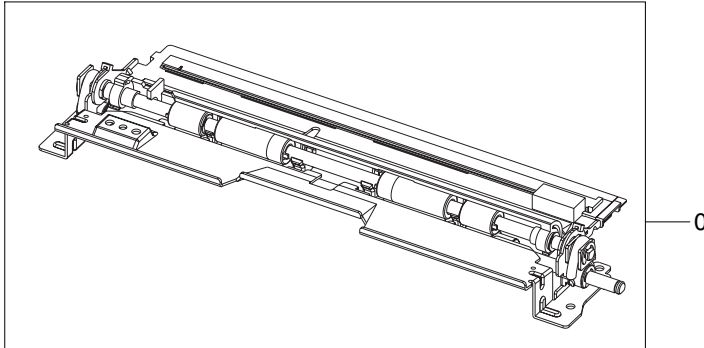
7.4 Fuser Unit



Service(SA:service available, SNA:service not available)

Drawer#	SEC_Code	Description	Location	QTY	Service	Remark
7.4-0	JC96-03957B	ELA UNIT-FUSER_220V	Z4506	1	SA	220V
7.4-0	JC96-03957A	ELA UNIT-FUSER_110V	Z4506	1	SA	110V
7.4-1	JC96-03958A	ELA UNIT-FUSER_UPPER	Z4507	1	SNA	110V
7.4-1	JC96-03958B	ELA UNIT-FUSER_UPPER	Z4507	1	SNA	220V
7.4-1-2	JC71-00056A	ELECTRODE-P-FU_L_08	Z4508	1	SNA	
7.4-1-4	JC72-41012C	PMO-GUIDE CLAW GREEN	Z0018	5	SA	
7.4-1-5	6107-001165	SPRING-TS		2	SA	
7.4-1-8	JC61-01215A	HOLDER-M-LEVER_L	Z4509	1	SNA	
7.4-1-9	JC61-00785A	HOLDER-M-IDLE ROLLER	H4027	3	SA	
7.4-1-10	JC72-40981A	PMO-ROLLER UPPER DP	K4068	3	SA	
7.4-1-12	JC61-01216A	HOLDER-M-LEVER_R	Z4510	1	SNA	
7.4-1-13	JC71-00052A	ELECTRODE-P-SUPPORT	Z4511	2	SNA	
7.4-1-15	6003-000196	SCREW-TAPTITE	Z4397	31	SA	
7.4-1-KIT	JC96-04058A	ELA UNIT-HEAT	Z6118	1	SNA	110V
7.4-1-KIT	JC96-04058B	ELA UNIT-HEAT	Z6118	1	SNA	220V
7.4-1-16	JC66-01268A	ROLLER-HEAT	Z4518	1	SNA	110V
7.4-1-16	JC66-01268B	ROLLER-HEAT	Z4518	1	SNA	220V
7.4-1-17	6601-001384	BEARING-BALL	Z4519	2	SNA	
7.4-1-19	JC61-01260A	BUSH-M_HR	S4015	2	SA	
7.4-1-21	JC61-01550A	STOPPER-SPACER	Z4476	4	SNA	
7.4-1-22	JC71-00051A	ELECTRODE-FU	Z4521	2	SNA	
7.4-1-24	JC67-00111A	CAP-M ACTUATOR_UP	Z4522	1	SNA	
7.4-1-25	JC63-00726A	COVER-M-REAR GUIDE UP	Z4523	1	SNA	
7.4-1-26	JC71-00055A	ELECTRODE-P-SU CARBON	Z4524	1	SNA	
7.4-1-28	JC61-01284A	HOLDER-P-SL CONNECTOR	Z4525	1	SNA	
7.4-2-1	JC61-01213A	BRACKET-P-FUSER	Z4526	1	SNA	
7.4-2-3	JC66-00869A	GEAR-M-IDLE 25	Z4527	2	SNA	
7.4-3	JC97-02630A	MEA UNIT-FUSER_LOWER	Z4528	1	SNA	
7.4-3-1	JC66-00931A	ROLLER-PRESSURE	K4222	1	SA	
7.4-3-3	6107-001304	SPRING-CS	Z4530	1	SA	
7.4-3-5	JC66-00880A	LEVER-P-RELEASE_L	Z4532	1	SNA	
7.4-3-6	6107-001304	SPRING-CS	Z4530	1	SA	
7.4-3-7	JC67-00102A	CAP-M-FUSER LOCK	Z4533	2	SNA	
7.4-3-8	JC66-00881A	LEVER-P-RELEASE_R	Z4534	1	SNA	
7.4-3-10	JC63-00683A	GROUND-P-HR	Z4535	1	SNA	
7.4-3-11	JC61-70903A	SPRING ETC-ACTUATOR	Z4132	1	SA	
7.4-3-12	JC72-01358A	PMO-ACTUATOR EXIT	Z4536	1	SNA	
7.4-3-13	JC67-00103A	CAP-M-ACTUATOR	Z4537	1	SNA	
7.4-3-14	6003-000196	SCREW-TAPTITE	Z4397	2	SA	
7.4-4	JC97-02631A	MEA UNIT-FUSER_GU_R	Z4539	1	SNA	
7.4-4-1	JC61-01226B	GUIDE-M_REAR	Z4540	1	SNA	
7.4-4-2	JC72-00382A	PMO-BUSHING TX	Z4606	2	SNA	
7.4-4-6	JC61-01549A	HOLDER-M REAR_LEVER	Z4542	1	SNA	

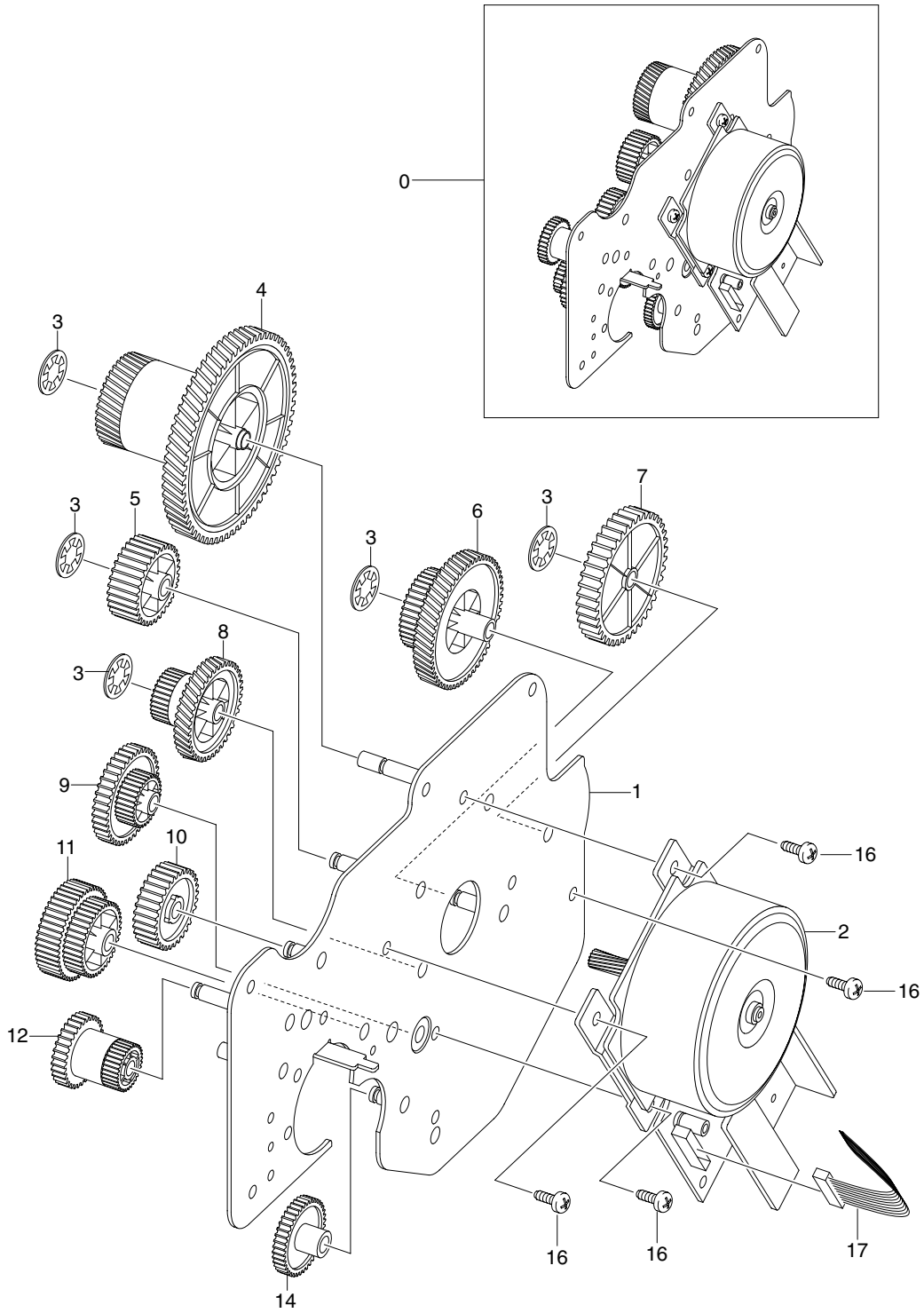
7.5 REGI Assembly



Service(SA:service available, SNA:service not available)

Drawer#	SEC_Code	Description	Location	QT'Y	Service	Remark
7.5-0	JC96-03959A	ELA UNIT-REGI	Z4408	1	SA	
7.5-1	JC61-00674A	GUIDE-P_REGI LOWER	G2080	1	SA	
7.5-2	JC66-00450A	ROLLER-REGI LOWER L	Z4543	1	SNA	
7.5-3	JC66-00446A	SHAFT-REGI UPPER	S0010	1	SA	
7.5-4	JC66-00647A	ROLLER-M_REGI IDLE L25	R0014	2	SA	
7.5-5	JC66-00648A	ROLLER-M_REGI IDLE S25	R0015	2	SA	
7.5-6	6044-000231	RING-E	R0006	4	SA	
7.5-7	6107-001165	SPRING-TS		1	SA	
7.5-8	JC72-00998A	PMO-ACTUATOR REGISHUTTER	P0030	1	SA	
7.5-9	JC61-00670A	GUIDE-P_REGI PLATE	G2081	1	SA	
7.5-10	JC75-00095A	MEC-BRUSH ANTISTATIC	M0022	1	SA	
7.5-11	JC61-00669A	BUSH-M-ROLLER REGI U	B0029	2	SA	
7.5-12	JC66-00420A	GEAR-REGI Z25	G0415	1	SA	
7.5-13	JC61-00669A	BUSH-M-ROLLER REGI U	B0029	2	SA	
7.5-14	6107-001155	SPRING-ES	Z4544	2	SA	

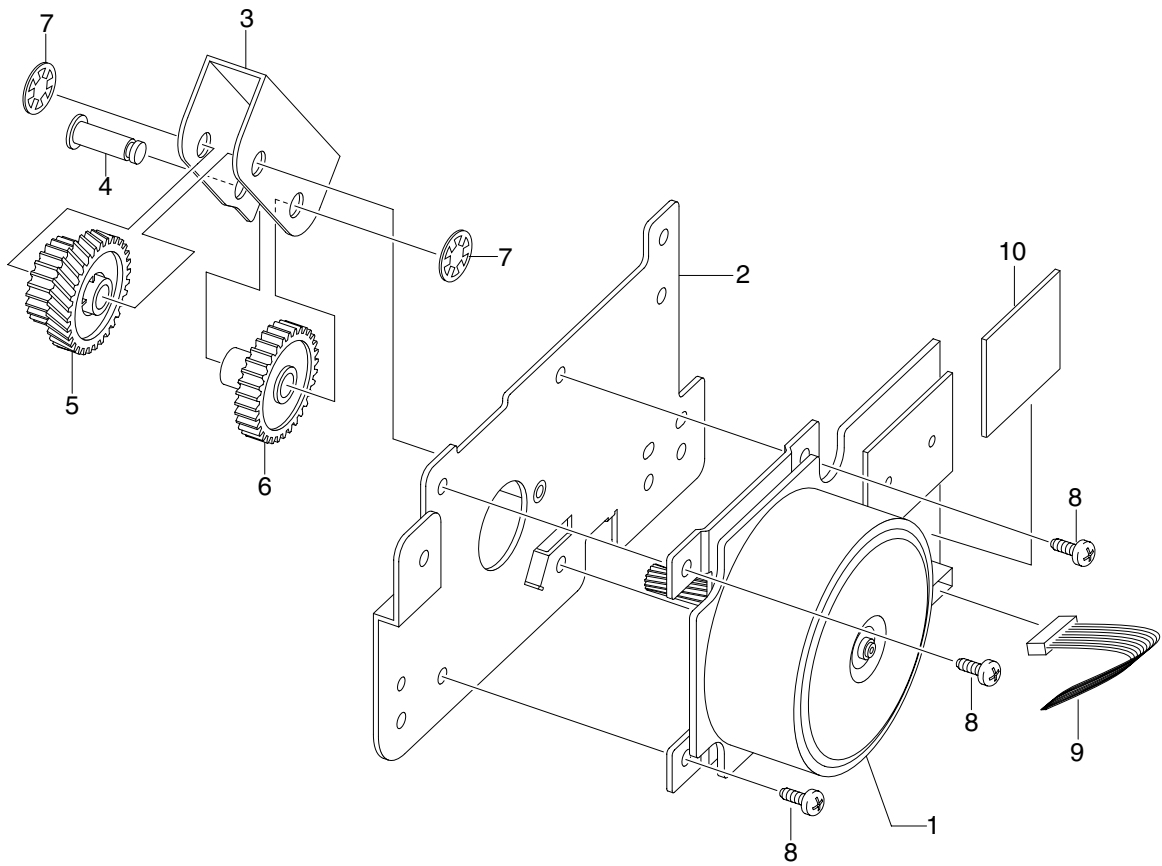
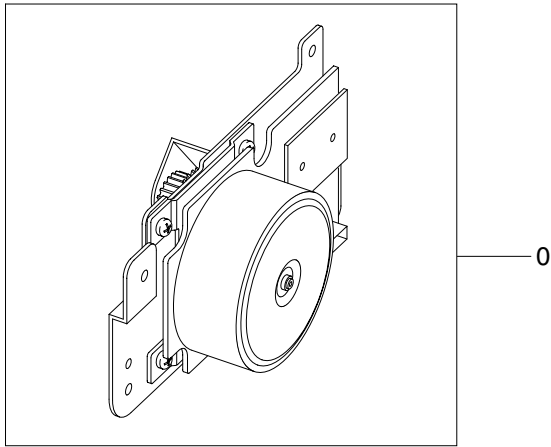
7.6 Main Motor Assembly



Service(SA:service available, SNA:service not available)

Drawer#	SEC_Code	Description	Location	QT'Y	Service	Remark
7.6-0	JC96-04063A	ELA UNIT-MAIN	Z4410	1	SA	
7.6-1	JC61-01204A	BRACKET-P-MAIN	Z4545	1	SNA	
7.6-2	JC31-00040A	MOTOR DC-BLDC MAIN	B5013	1	SA	
7.6-3	6031-001255	WASHER-PLAIN	W0004	2	SA	
7.6-4	JC66-00867A	GEAR-M-OPC DRV	Z4546	1	SNA	
7.6-5	JC66-00864A	GEAR-M-REGI DRV	Z4547	1	SNA	
7.6-6	JC66-00860A	GEAR-M-RDCN FUSER	Z4548	1	SNA	
7.6-7	JC66-00875A	GEAR-M-FUSER IDLE 1	Z4549	1	SNA	
7.6-8	JC66-00865A	GEAR-M-RDCN REGI	Z4550	1	SNA	
7.6-9	JC66-00866A	GEAR-M-RDCN PICK UP	Z4551	1	SNA	
7.6-10	JC66-00861A	GEAR-M-MP DRV	Z4552	1	SNA	
7.6-11	JC66-00862A	GEAR-M-FEED DRV	Z4553	1	SNA	
7.6-12	JC66-00873A	GEAR-M-RDCN MP	Z4554	1	SNA	
7.6-14	JC66-00863A	GEAR-M-PICK UP DRV	Z4555	1	SNA	

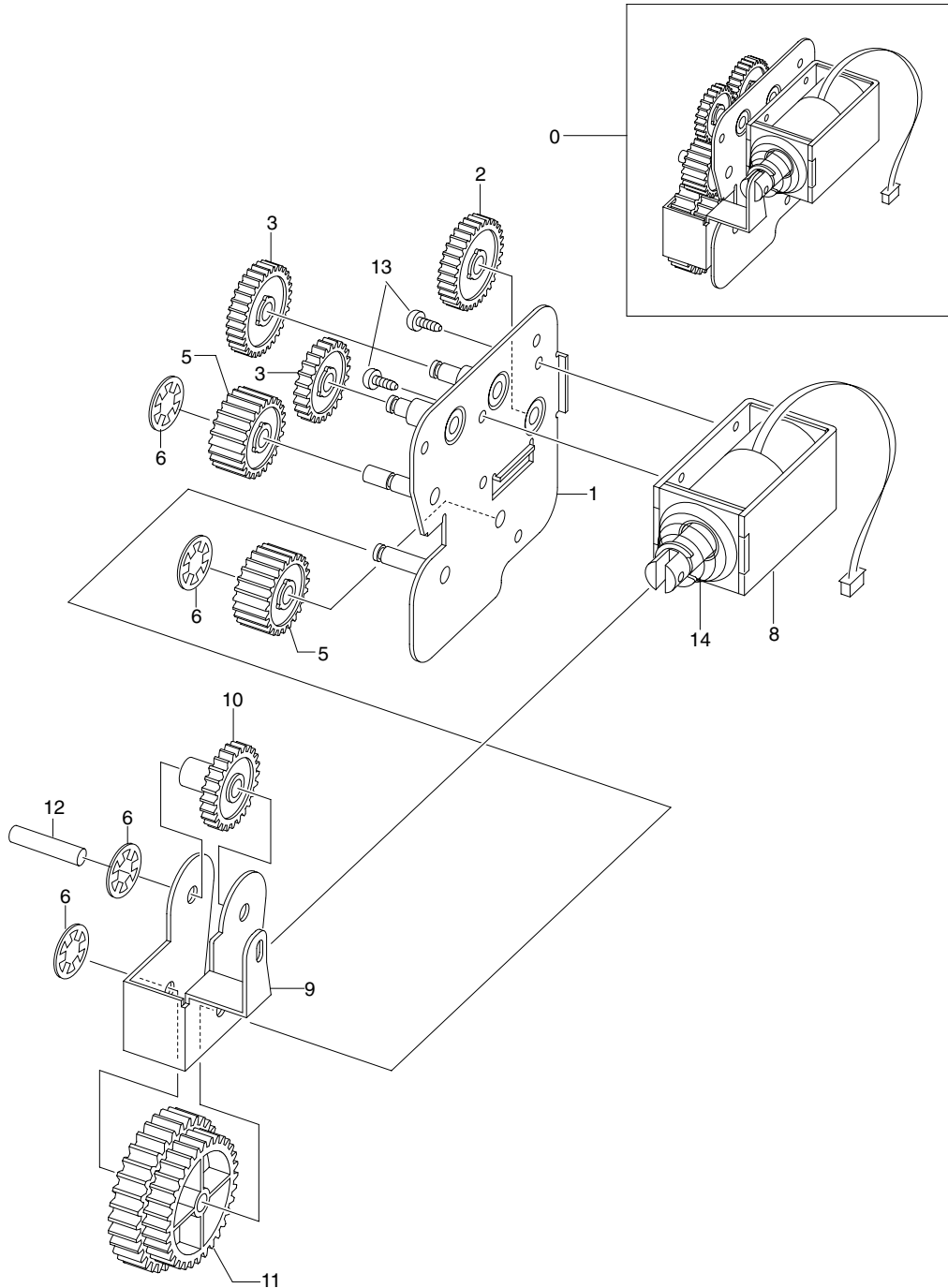
7.7 Deve Motor Assembly



Service(SA:service available, SNA:service not available)

Drawer#	SEC_Code	Description	Location	QTY	Service	Remark
7.7-0	JC96-03408A	ELA UNIT-DEVE MOTOR	K3057	1	SA	
7.7-1	JC31-00039A	MOTOR DC-BLDC DEVE	B5012	1	SA	
7.7-2	JC61-01201A	BRACKET-P-DEVE	Z4556	1	SNA	
7.7-3	JC61-01203A	BRACKET-P-SWING	Z4557	1	SNA	
7.7-4	JC66-00915A	SHAFT-SWING DEVE	Z4558	1	SNA	
7.7-5	JC66-00871A	GEAR-M-RDCN DEVE	Z4559	1	SNA	
7.7-6	JC66-00857A	GEAR-M-SWING	Z4560	1	SNA	

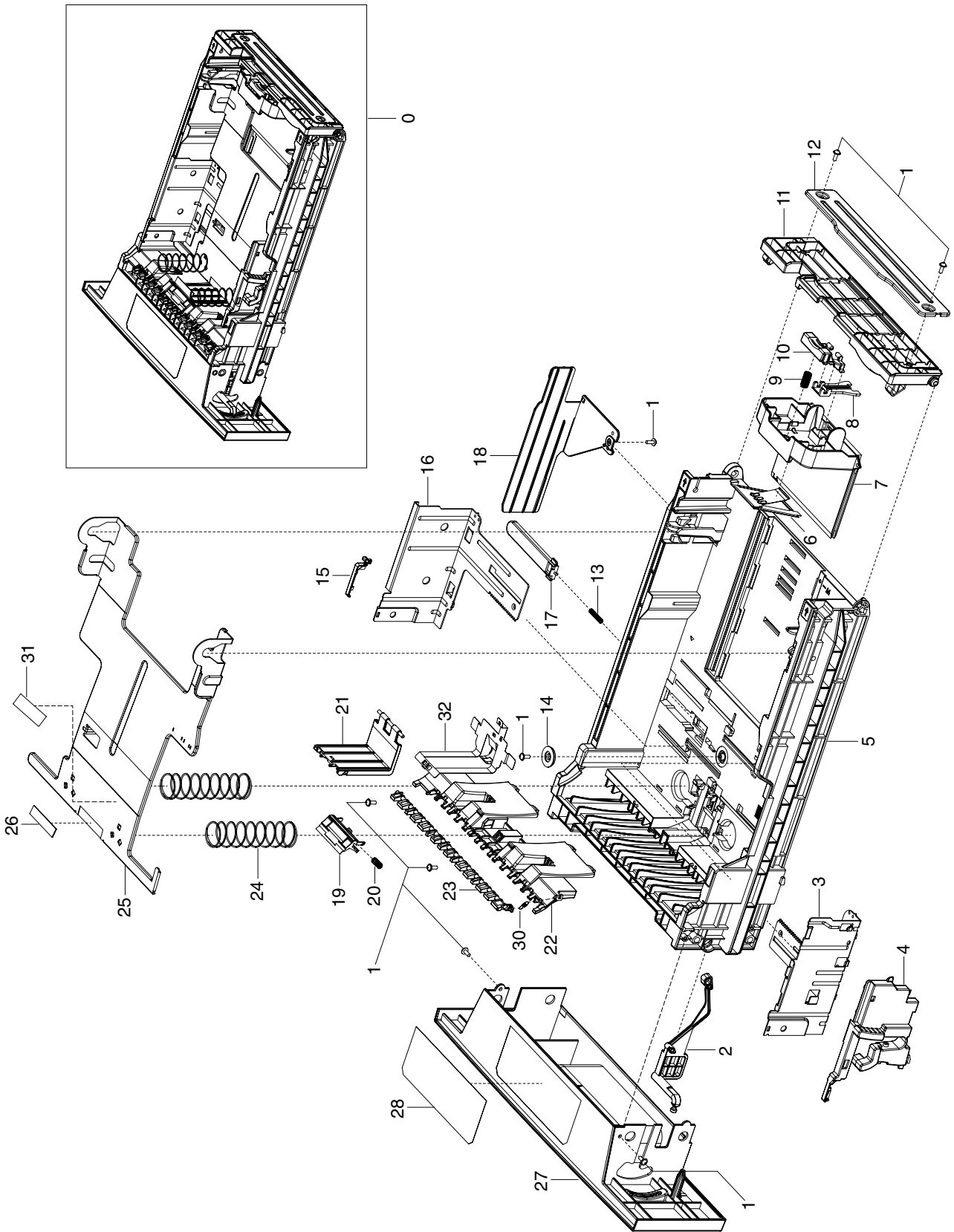
7.8 Duplex Sorenoid Assembly



Service(SA:service available, SNA:service not available)

Drawer#	SEC_Code	Description	Location	QT'Y	Service	Remark
7.8-0	JC96-03426A	ELA UNIT-EXIT SOL	K3059	1	SA	
7.8-1	JC61-01205A	BRACKET-P-EXIT	Z4561	1	SNA	
7.8-2	JC66-00869A	GEAR-M-IDLE 25	Z4527	1	SNA	
7.8-3	JC66-00869A	GEAR-M-IDLE 25	Z4527	1	SNA	
7.8-4	JC66-40911A	GEAR-DP,IDLE	G0198	1	SA	
7.8-5	JC66-00100A	GEAR-6	Z4562	3	SNA	
7.8-6	6031-001255	WASHER-PLAIN	W0004	4	SA	
7.8-8	JC33-00008A	SOLENOID-DUPLEX	S8014	1	SA	
7.8-9	JC61-01202A	BRACKET-P-LINK SWING	Z4563	1	SNA	
7.8-10	JC66-00855A	GEAR-M-SWING DUPLEX	Z4564	1	SNA	
7.8-11	JC66-00856A	GEAR-M-RDCN EXIT	Z4565	1	SNA	
7.8-12	JC66-00916A	SHAFT-SWING DUPLEX	Z4566	1	SNA	

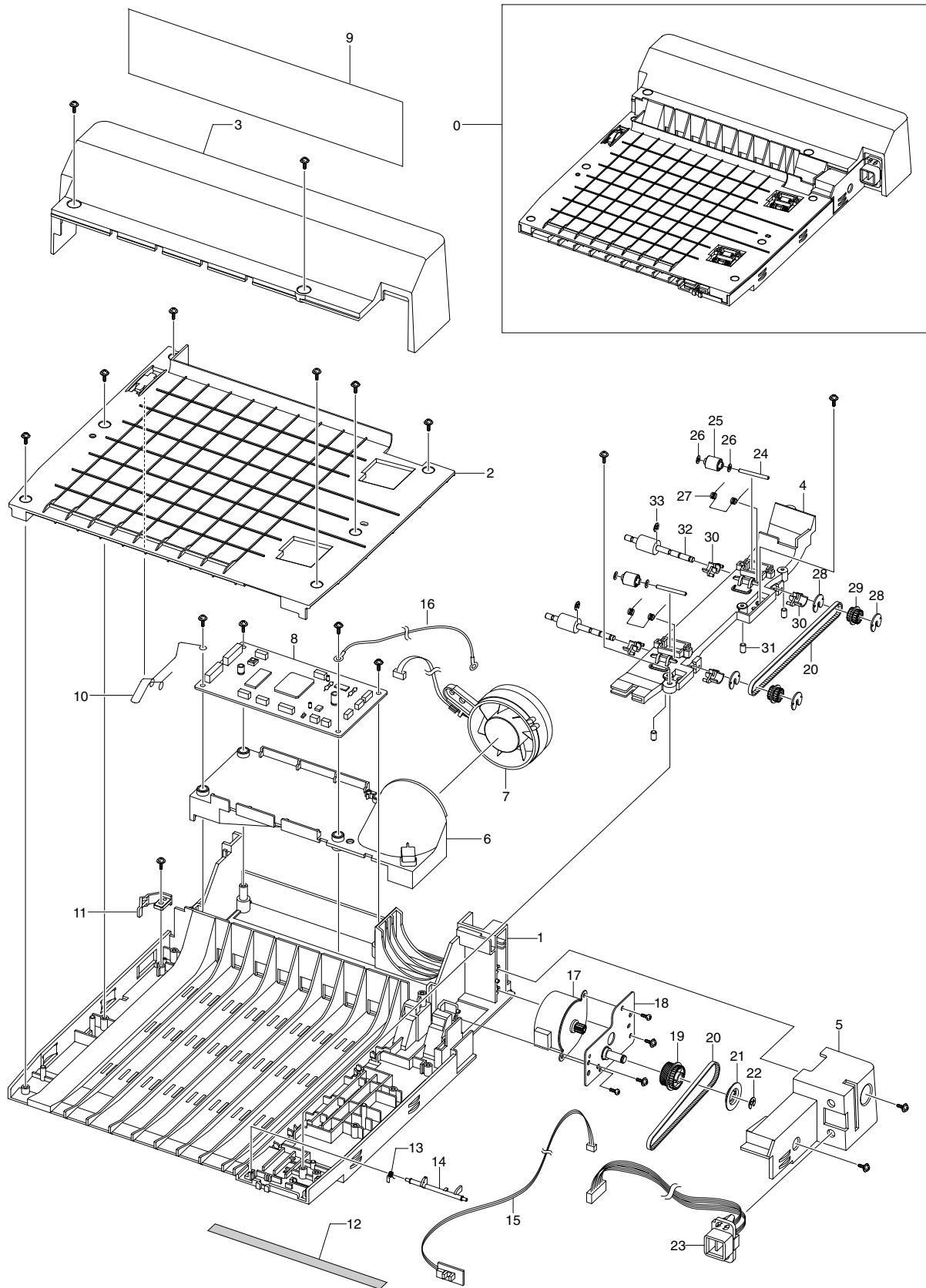
7.9 Cassette Assembly



Service(SA:service available, SNA:service not available)

Drawer#	SEC_Code	Description	Location	QTY	Service	Remark
7.9-0	JC96-04015A	ELA UNIT-CASSETTE	Z4423	1	SA	
7.9-0	JC96-04015B	ELA UNIT-CASSETTE	Z4423	1	SA	ML-4551NDR
7.9-1	6002-000440	SCREW-TAPPING	Z4418	8	SA	
7.9-2	JC64-00189B	INDICATOR-M_EMPTY	Z4569	1	SNA	
7.9-3	JC61-01244A	GUIDE-P-SIDE_R	Z4573	1	SNA	
7.9-4	JC61-01225B	GUIDE-M_SIDE LOCK	Z4572	1	SNA	
7.9-5	JC61-01220B	FRAME-M_CASSETTE	Z4567	1	SNA	
7.9-5	JC61-01220C	FRAME-M_CASSETTE	Z4567	1	SNA	ML-4551NDR
7.9-6	JC61-00751A	GUIDE-P-REAR PAPER CST	G2088	1	SA	
7.9-7	JC61-01226B	GUIDE-M_REAR	Z4540	1	SNA	
7.9-8	JC61-00267B	GUIDE-M-LOCK A	G2068	1	SA	
7.9-9	JC61-00414A	SPRING ETC-GUIDE PAPER	Z4247	1	SA	
7.9-10	JC64-00190B	KNOB-M_REAR		1	SNA	
7.9-11	JC61-01224B	GUIDE-M_EXTENSION CST	Z4574	1	SNA	
7.9-11	JC61-01224C	GUIDE-M_EXTENSION CST	Z4574	1	SNA	ML-4551NDR
7.9-12	JC61-01223A	BRACKET-P-EXTENTION	Z4575	1	SNA	
7.9-13	JG61-70531A	SPRING ETC-LOCKER,PLATE	S0025	1	SA	
7.9-14	JG66-40003A	GEAR-PINION	O1127	1	SA	
7.9-15	JC67-00037A	CAP-M-GUIDE SIDE,L	C1014	1	SA	
7.9-16	JC61-01222A	GUIDE-P-SIDE_L	Z4571	1	SNA	
7.9-17	JC72-41210A	PMO-LOCKER PLATE	L6038	1	SA	
7.9-18	JC61-01227A	GUIDE-M-PAPER SIZE	Z4579	1	SNA	
7.9-19	JC97-02234A	MEA UNIT-HOLDER PAD	G0469	1	SA	
7.9-20	JC61-70911A	SPRING ETC-EXIT ROLL FD	O1053	1	SA	
7.9-21	JC61-01228A	HOLDER-M-PAD_HOUSING	Z4576	1	SNA	
7.9-22	JC61-01724A	GUIDE-PAPER		1	SNA	
7.9-23	JC64-00268A	SHUTTER-PATH		1	SNA	
7.9-24	JC61-00455A	SPRING ETC-PLATE K/UP	Z4228	2	SA	
7.9-25	JC61-01245A	PLATE-P-KNOCK UP	Z4570	1	SNA	
7.9-26	JC73-00141A	RPR-PAD CASSETTE	R0020	1	SA	
7.9-27	JC61-01221B	GUIDE-M_HANDLE	Z4568	1	SNA	
7.9-27	JC61-01221C	GUIDE-M_HANDLE	Z4568	1	SNA	ML-4551NDR
7.9-28	JC68-01552A	LABEL(R)-CASSETTE		1	SNA	

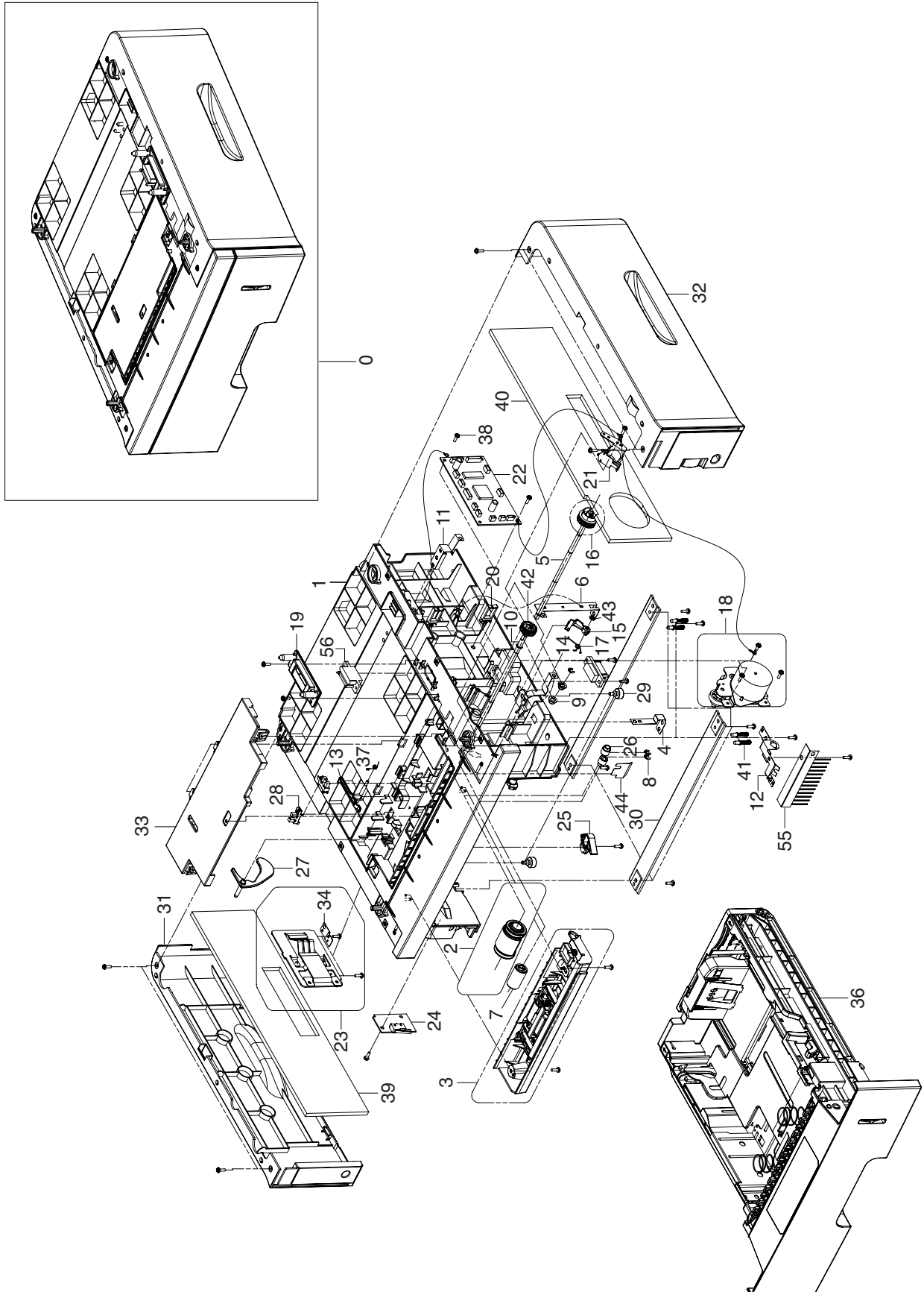
7.10 Duplex Unit



Service(SA:service available, SNA:service not available)

Drawer#	SEC_Code	Description	Location	QTY	Service	Remark
7.10-0	JC96-03412C	ELA UNIT-DUPLEX	Z6089	1	SA	
7.10-0	JC96-03412E	ELA UNIT-DUPLEX	Z6089	1	SA	ML-4551NDR
7.10-1	JC61-01254A	FRAME-M-DUPLEX	Z6096	1	SA	
7.10-2	JC61-01255A	GUIDE-M-UPPER_DUP	Z6097	1	SA	
7.10-3	JC63-00693B	COVER-M_REAR_DUP	Z6099	1	SA	
7.10-3	JC63-00693C	COVER-M_REAR_DUP	Z6099	1	SA	ML-4551NDR
7.10-4	JC61-01697A	GUIDE-M_ALIGN_DPX		1	SNA	
7.10-5	JC67-00107A	CAP-M-CONNECTOR_DUP	Z4412	1	SA	
7.10-6	JC67-00106A	DUCT-M-FAN_DUP	Z4413	1	SA	
7.10-7	JC31-00004A	FAN-DC_HAWK	F5018	1	SA	
7.10-8	JC92-01679A	PBA SUB-DUPLEX	Z6105	1	SA	
7.10-8	JC92-01883A	PBA-DPX	Z6105	1	SA	ML-4551NDR
7.10-10	JC70-00512A	IPR-TERMINAL GND_DUP	Z6104	1	SA	
7.10-11	JC64-00191A	LOCKER-M-DUP	Z6102	1	SA	
7.10-12	JC63-00706A	SHEET-FRAME_DUP	Z4619	1	SA	
7.10-13	6107-001165	SPRING-TS		1	SA	
7.10-14	JC72-01366A	PMO-ACTUATOR FEED DUP	Z4483	1	SA	
7.10-15	JC92-01362A	PBA SUB-MP SEN	M0395	1	SA	
7.10-16	JB39-00103A	CBF HARNESS-LIU GND	L5004	1	SA	
7.10-17	JC31-00009A	MOTOR STEP	M2150	1	SA	
7.10-18	JC61-01257A	BRACKET-P-MOTOR_DUP	Z4547	1	SA	
7.10-19	JC66-00897A	PULLEY-M-30_DUP	Z6103	1	SA	
7.10-20	6602-001084	BELT-TIMING GEAR	Z6091	2	SA	
7.10-21	JC66-00898A	PULLEY-M-30-DUMMY_DUP	Z4419	1	SA	
7.10-22	6044-000231	RING-E	R0006	1	SA	
7.10-23	JC39-00450A	CBF HARNESS-D_JOINT	Z6093	1	SA	
7.10-24	JC66-00444A	SHAFT-IDLE ROLL_DUP	S4108	2	SA	
7.10-25	JC66-00896A	ROLLER-M-IDLE_DUP	D2117	2	SA	
7.10-26	JK72-00058A	PCT-SILP WASHER		4	SNA	
7.10-27	JC61-01277A	SPRING ETC-DUP	Z4553	2	SA	
7.10-28	JC66-00900A	PULLEY-M-18-DUMMY_DUP	D2119	4	SA	
7.10-29	JC66-00899A	PULLEY-18_DUP	D2118	2	SA	
7.10-30	JC61-00665A	BUSH-M-FEED_DUP	F6042	4	SA	
7.10-32	JC66-00901A	ROLLER-FEED_DUP	D2145	1	SA	
7.10-33	6044-000107	RING-C	Z4396	1	SA	
7.10-34	JC70-00457A	ICT-STUD PAPER GUIDE, DP	G2098	3	SA	

7.11 SCF Unit



Service(SA:service available, SNA:service not available)

Drawer#	SEC_Code	Description	Location	QTY	Service	Remark
7.11-0	JC96-04015D	ELA UNIT-CASSETTE	Z4423	1	SA	
7.11-0	JC96-04015E	ELA UNIT-CASSETTE	Z4423	1	SA	ML-4551NDR
7.11-1	6002-000440	SCREW-TAPPING	Z4418	8	SA	
7.11-2	JC64-00189B	INDICATOR-M_EMPTY	Z4569	1	SNA	
7.11-3	JC61-01244A	GUIDE-P-SIDE_R	Z4573	1	SNA	
7.11-4	JC61-01225C	GUIDE-M_SIDE LOCK		1	SNA	
7.11-5	JC61-01220B	FRAME-M_CASSETTE	Z4567	1	SNA	
7.11-5	JC61-01220C	FRAME-M_CASSETTE	Z4567	1	SNA	ML-4551NDR
7.11-6	JC61-00751A	GUIDE-P-REAR PAPER CST	G2088	1	SA	
7.11-7	JC61-01226C	GUIDE-M_REAR		1	SNA	
7.11-8	JC61-00267D	GUIDE-M_LOCK A		1	SNA	
7.11-9	JC61-00414A	SPRING ETC-GUIDE PAPER	Z4247	1	SA	
7.11-10	JC64-00190C	KNOB-M_REAR		1	SNA	
7.11-11	JC61-01224B	GUIDE-M_EXTENSION CST	Z4574	1	SNA	
7.11-11	JC61-01224C	GUIDE-M_EXTENSION CST	Z4574	1	SNA	ML-4551NDR
7.11-12	JC61-01223A	BRACKET-P-EXTENTION	Z4575	1	SNA	
7.11-13	JG61-70531A	SPRING ETC-LOCKER,PLATE	S0025	1	SA	
7.11-14	JG66-40003A	GEAR-PINION	O1127	1	SA	
7.11-15	JC67-00037A	CAP-M-GUIDE SIDE,L	C1014	1	SA	
7.11-16	JC61-01222A	GUIDE-P-SIDE_L	Z4571	1	SNA	
7.11-17	JC72-41210A	PMO-LOCKER PLATE	L6038	1	SA	
7.11-18	JC61-01227A	GUIDE-M-PAPER SIZE	Z4579	1	SNA	
7.11-19	JC97-02844A	MEA-UNIT HOLDER PAD	Z4424	1	SA	
7.11-20	JC61-70911A	SPRING ETC-EXIT ROLL FD	O1053	1	SA	
7.11-21	JC61-01228A	HOLDER-M-PAD_HOUSING	Z4576	1	SNA	
7.11-22	JC61-01724A	GUIDE-PAPER		1	SNA	
7.11-23	JC64-00268A	SHUTTER-PATH		1	SNA	
7.11-24	JC61-00455A	SPRING ETC-PLATE K/UP	Z4228	2	SA	
7.11-25	JC61-01245A	PLATE-P-KNOCK UP	Z4570	1	SNA	
7.11-26	JC73-00141A	RPR-PAD CASSETTE	R0020	1	SA	
7.11-27	JC61-01221B	GUIDE-M_HANDLE	Z4568	1	SNA	
7.11-27	JC61-01221C	GUIDE-M_HANDLE	Z4568	1	SNA	ML-4551NDR
7.11-28	JC68-01552A	LABEL(R)-CASSETTE		1	SNA	
7.11-30	JC61-00064A	SPRING ETC-CLAW	O1032	1	SA	
7.11-32	JC63-01206A	GROUND-CASSETTE	Z6101	1	SA	