

Gestetner® **RICOH**® **SAVIN**®



A283/A284
PARTS CATALOG

RICOH GROUP COMPANIES

000957MIU

Gestetner[®]

RICOH[®]

savin[®]

**A283/A284
PARTS CATALOG**

RICOH GROUP COMPANIES

Gestetner **RICOH** **SAVIN**

A283/A284
PARTS CATALOG

It is the reader's responsibility when discussing the information contained within this document to maintain a level of confidentiality that is in the best interest of Ricoh Corporation and its member companies.

***NO PART OF THIS DOCUMENT MAY BE REPRODUCED IN ANY
FASHION AND DISTRIBUTED WITHOUT THE PRIOR
PERMISSION OF RICOH CORPORATION.***

All product names, domain names or product illustrations, including desktop images, used in this document are trademarks, registered trademarks or the property of their respective companies.

They are used throughout this book in an informational or editorial fashion only and for the benefit of such companies. No such use, or the use of any trade name, or web site is intended to convey endorsement or other affiliation with Ricoh products.

LEGEND

PRODUCT CODE	COMPANY		
	GESTETNER	RICOH	SAVIN
A283	3235e	Aficio 350e	9935DPE
A284	3245e	Aficio 450e	9945DPE
A872	Expansion Box Type450e		
A874/B368	Fax Option		
B358	Printer Controller Type 450e		
B359	Scanner Unit Type 450e		

DOCUMENTATION HISTORY

REV. NO.	DATE	COMMENT
*	3/2000	First Printing

A283/A284 PARTS CATALOG

TABLE OF CONTENTS

A283/A284 PARTS LOCATION AND LIST

LOCATION OF UNIT.....	2
1.EXTERIOR 1 (A283/A284).....	8
2.EXTERIOR 2 (A283/A284).....	10
3.EXTERIOR 3 (A283/A284).....	12
4.PLATEN COVER (A381).....	14
5.OPERATION PANEL ASS'Y (A283/A284).....	16
6.OPTICS UNIT 1 (A283/A284).....	18
7.OPTICS UNIT 2 (A283/A284).....	20
8.LASER UNIT (A283/A284).....	22
9.BY-PASS FEED UNIT 1 (A283/A284).....	24
10.BY-PASS FEED UNIT 2 (A283/A284).....	26
11.PAPER TRAY UNIT (A283/A284).....	32
12.PAPER FEED SECTION (A283/A284).....	28
13.PAPER REGISTRATION (A283/A284).....	30
14.TONER HOPPER UNIT (A283/A284).....	34
15.PCU UNIT 1 (A283/A284).....	36
16.PCU UNIT 2 (A283/A284).....	38
17.TRANSFER UNIT 1 (A283/A284).....	40
18.TRANSFER UNIT 2 (A283/A284).....	42
19.DEVELOPMENT UNIT (A283/A284).....	44
20.FUSING UNIT (A283/A284).....	46
21.PAPER SEPARATION UNIT (A283/A284).....	48

22.DUPLEX UNIT 1 (A283/A284).....	50
23.DUPLEX UNIT 2 (A283/A284).....	52
24.DUPLEX UNIT 3 (A283/A284).....	54
25.DRIVE SECTION 1 (A283/A284).....	56
26.DRIVE SECTION 2 (A283/A284).....	58
27.ELECTRICAL SECTION 1 (A283/A284).....	60
28.ELECTRICAL SECTION 2 (A283/A284).....	62
29.FRAME SECTION 1 (A283/A284).....	64
30.FRAME SECTION 2 (A283/A284).....	66
31.OPTION EXIT TRAY (A825).....	68
32.KEY COUNTER UNIT (A674).....	70
33.IOB BOARD (A283/A284).....	72
34.BICU BOARD (A283/A284).....	76
35.DECAL AND DOCUMENT (A283/A284).....	82
36.SPECIAL TOOLS (A283/A284).....	86

A283/A284 PARTS INDEX

PARTS INDEX.....	2
------------------	---

EXPANSION BOX TYPE 450e A872 PARTS LOCATION AND LIST

1.EXPANSION BOX (A872).....	2
-----------------------------	---

EXPANSION BOX TYPE 450e PARTS INDEX	
PARTS INDEX.....	2

FAX OPTION TYPE 450e A8774/B368 PARTS LOCATION AND LIST	
1.FAX OPTION TYPE 450E (A874)	2
2.FAX OPTION TYPE 450E (A874)	4
3.PC-FAX EXPANDER (B368).....	6
4.FCU BOARD (A874).....	8

FAX OPTION TYPE 450e A8774/B368 PARTS INDEX	
PARTS INDEX.....	2

PRINTER CONTROLLER TYPE 450e B358 PARTS LOCATION AND LIST	
1.PRINTER CONTROLER UNIT (B358)	2
2.PRINTER CONTROL BOARD (B358).....	5

PRINTER CONTROLLER TYPE 450e B358 PARTS INDEX	
PARTS INDEX.....	2

SCANNER UNIT TYPE 450e B359 PARTS LOCATION AND LIST	
1.SCANNER UNIT TYPE 450e B359	2

SCANNER UNIT TYPE 450e B359 PARTS INDEX	
PARTS INDEX.....	2

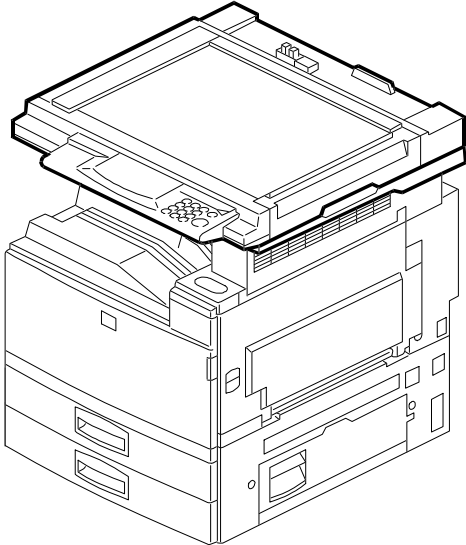
A283/A284

PARTS LOCATION AND LIST

This section instructs you as to the numbers and names of parts on this machine.

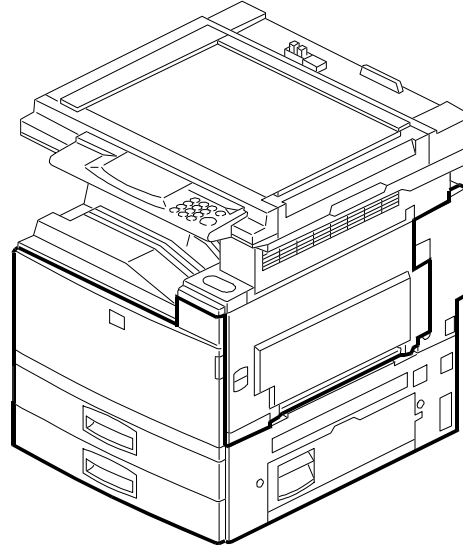
LOCATION OF UNIT

1.EXTERIOR 1 (A283/A284)



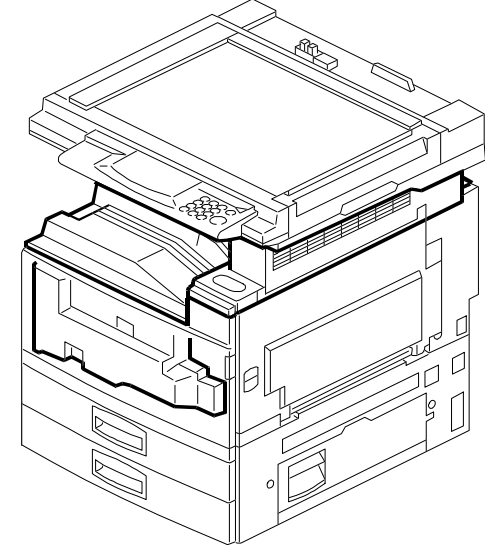
See Page 9

2.EXTERIOR 2 (A283/A284)



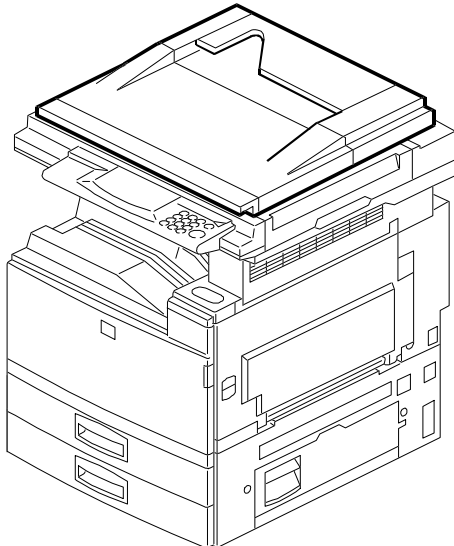
See Page 11

3.EXTERIOR 3 (A283/A284)



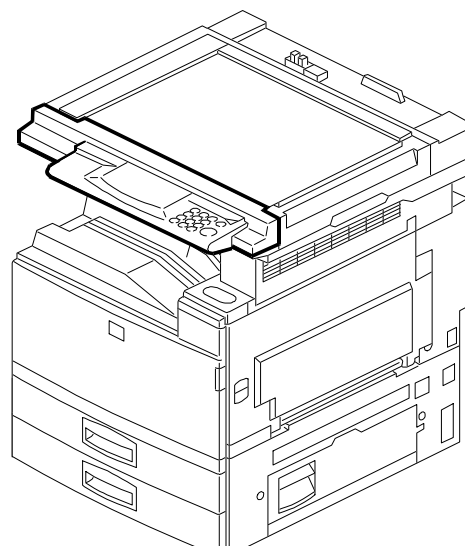
See Page 13

4.PLATEN COVER (A381)



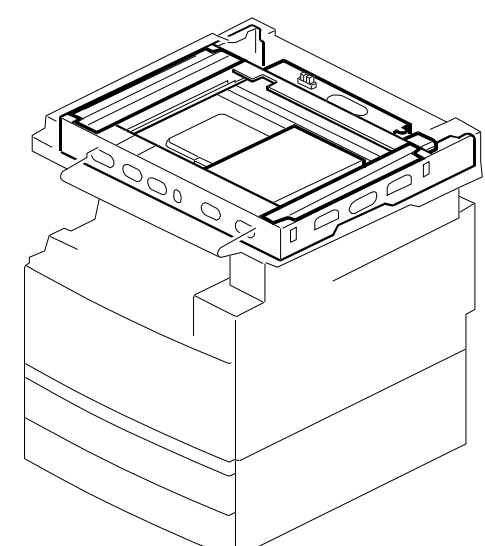
See Page 15

5.OPERATION PANEL ASS'Y (A283/A284)



See Page 17

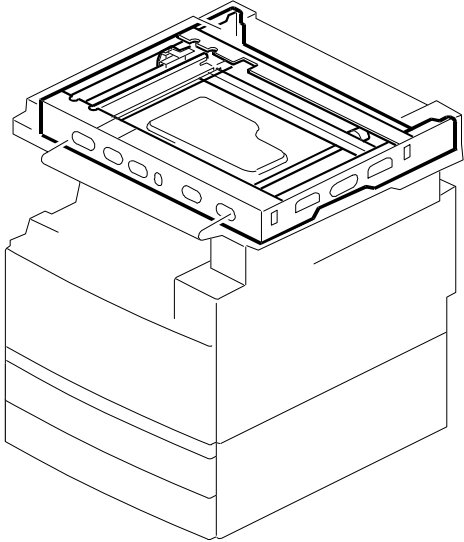
6.OPTICS UNIT 1 (A283/A284)



See Page 19

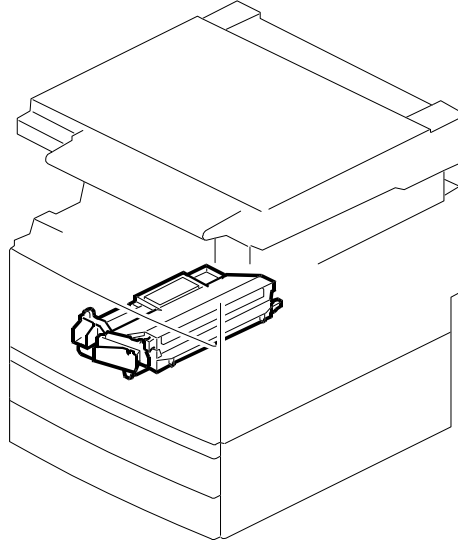
LOCATION OF UNIT

7.OPTICS UNIT 2 (A283/A284)



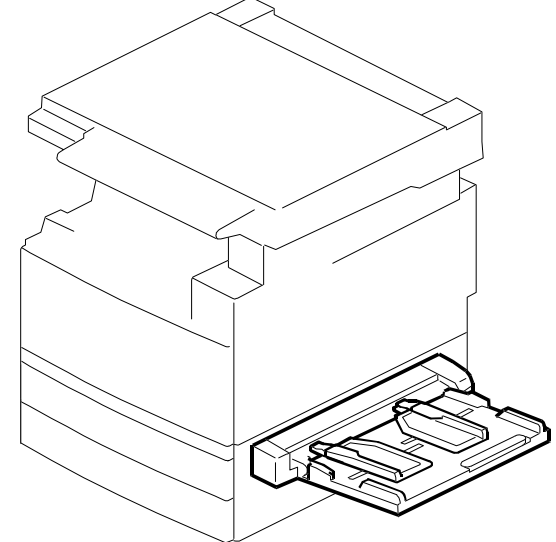
See Page 21

8.LASER UNIT (A283/A284)



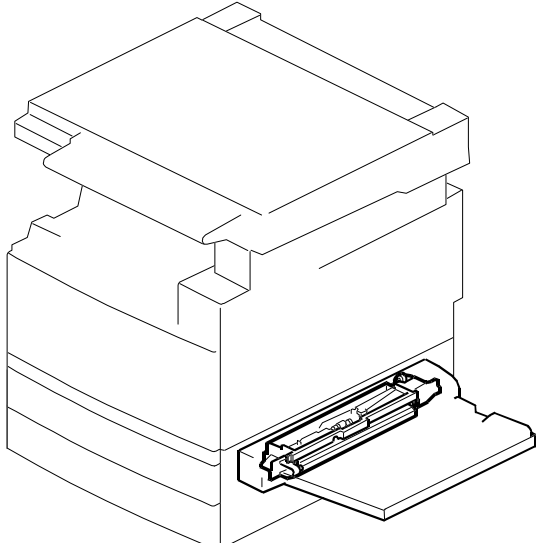
See Page 23

9.BY-PASS FEED UNIT 1 (A283/A284)



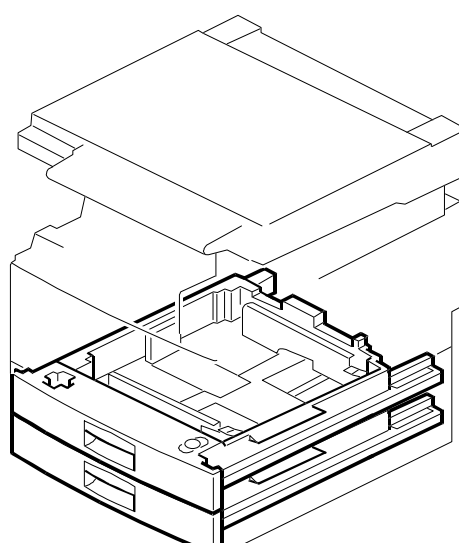
See Page 25

10.BY-PASS FEED UNIT 2 (A283/A284)



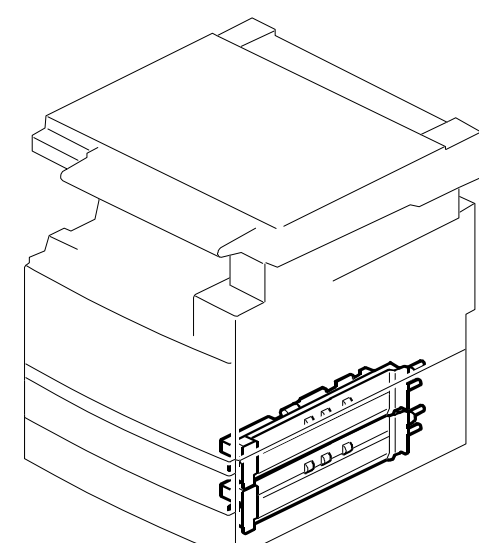
See Page 27

11.PAPER TRAY UNIT (A283/A284)



See Page 33

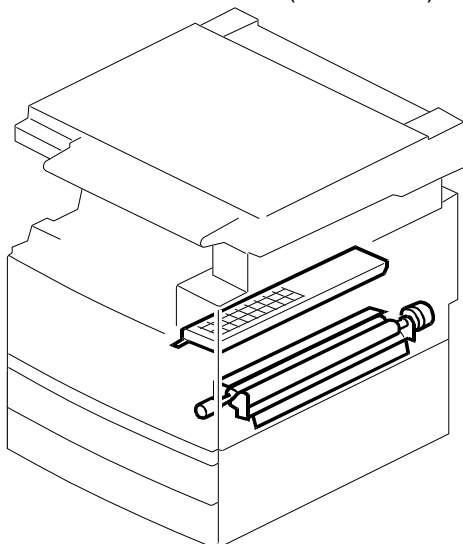
12.PAPER FEED SECTION (A283/A284)



See Page 29

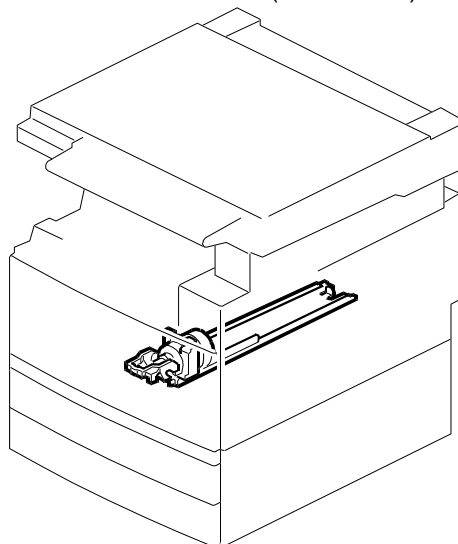
LOCATION OF UNIT

13.PAPER REGISTRATION (A283/A284)



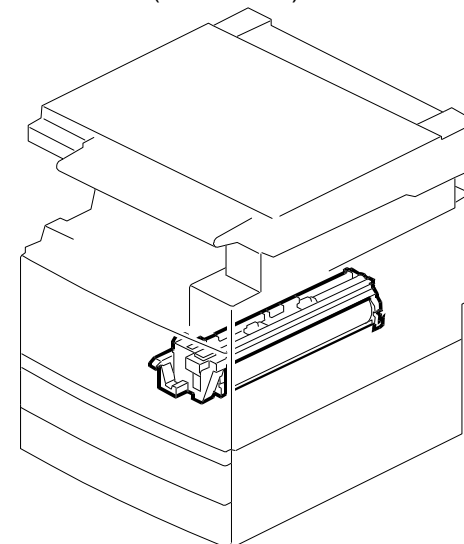
See Page 31

14.TONER HOPPER UNIT (A283/A284)



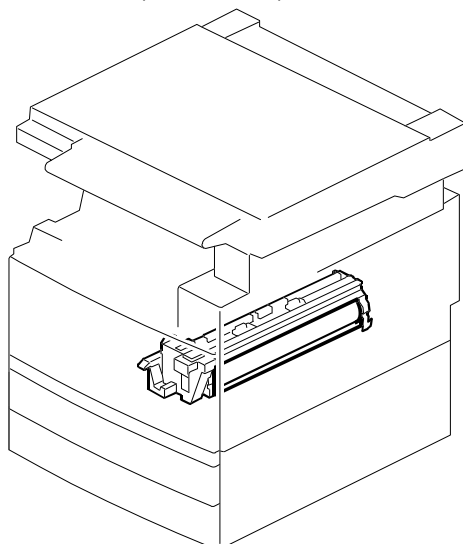
See Page 35

15.PCU UNIT 1 (A283/A284)



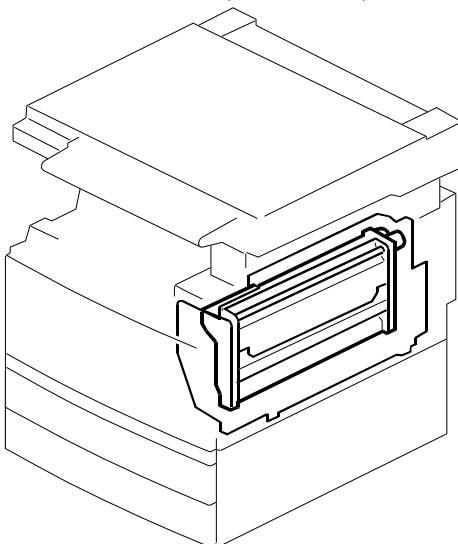
See Page 37

16.PCU UNIT 2 (A283/A284)



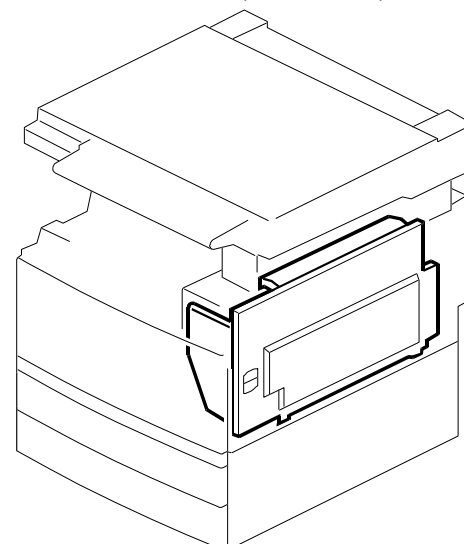
See Page 39

17.TRANSFER UNIT 1 (A283/A284)



See Page 41

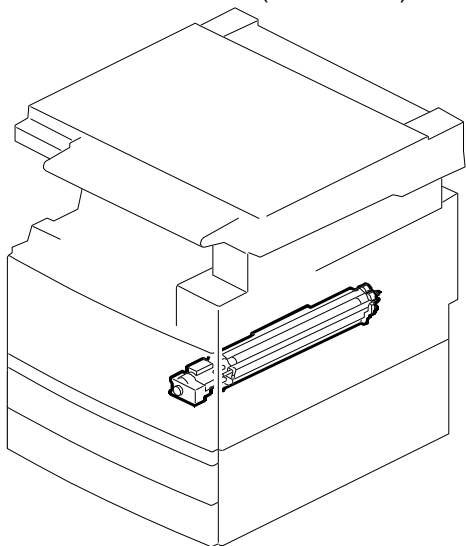
18.TRANSFER UNIT 2 (A283/A284)



See Page 43

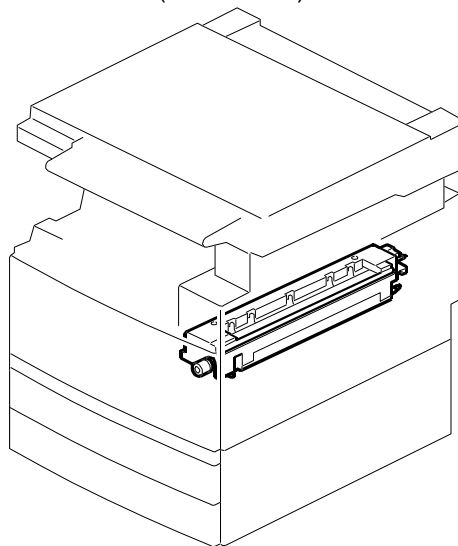
LOCATION OF UNIT

19.DEVELOPMENT UNIT (A283/A284)



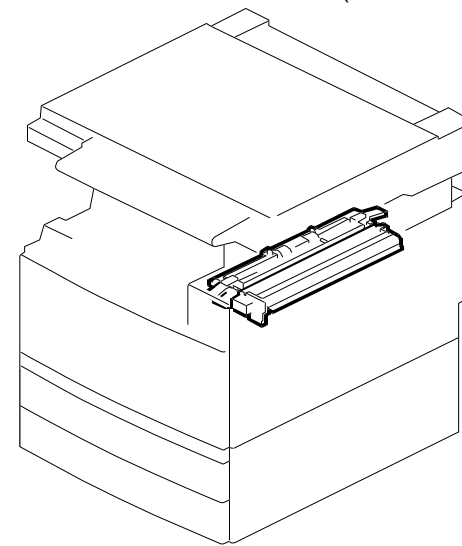
See Page 45

20.FUSING UNIT (A283/A284)



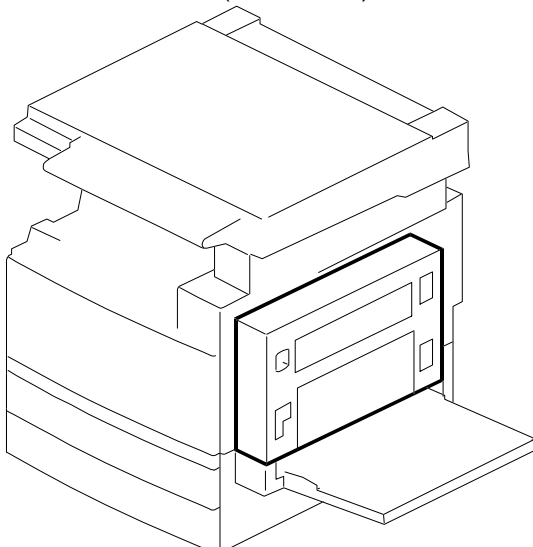
See Page 47

21.PAPER SEPARATION UNIT (A283/A284)



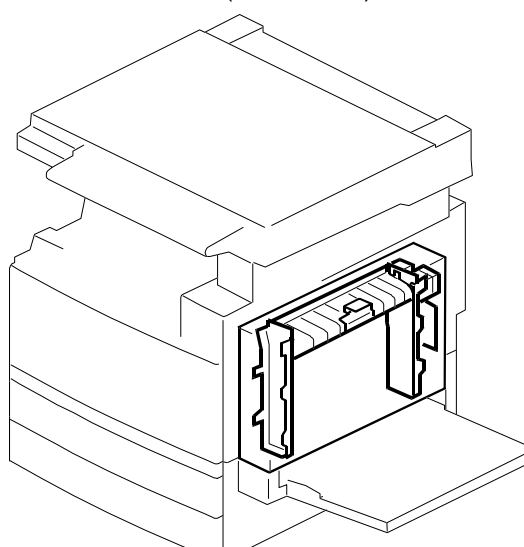
See Page 49

22.DUPLEX UNIT 1 (A283/A284)



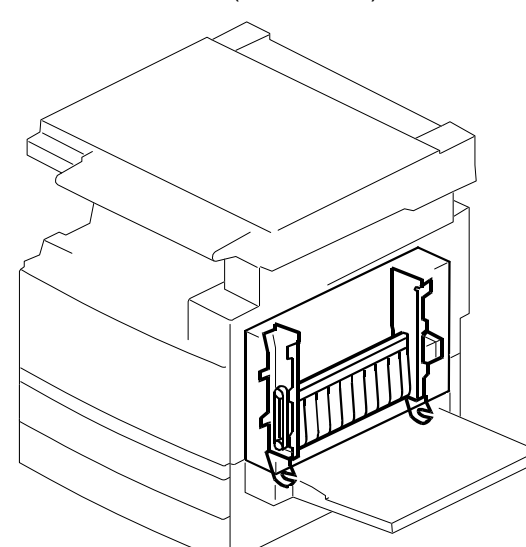
See Page 51

23.DUPLEX UNIT 2 (A283/A284)



See Page 53

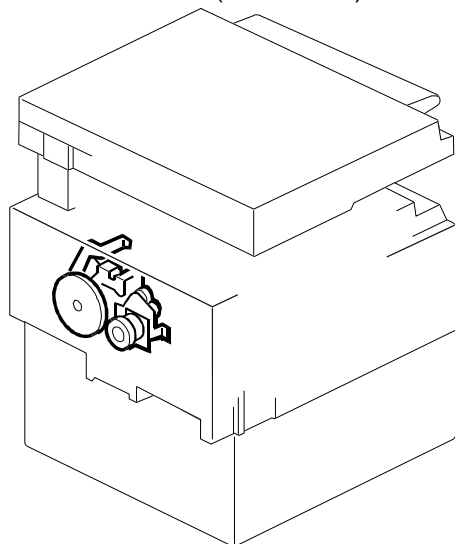
24.DUPLEX UNIT 3 (A283/A284)



See Page 55

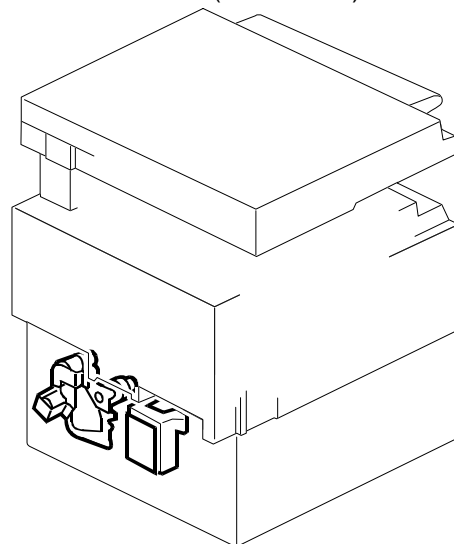
LOCATION OF UNIT

25.DRIVE SECTION 1 (A283/A284)



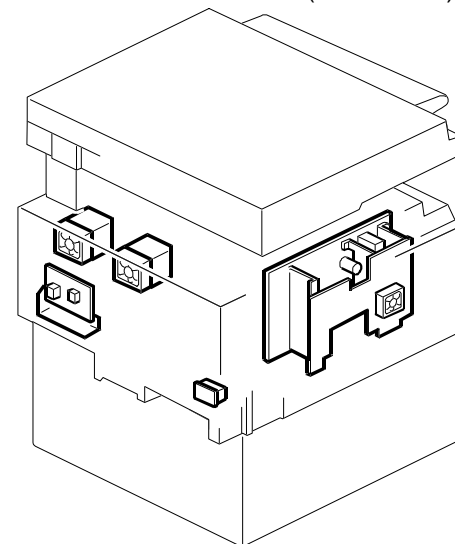
See Page 57

26.DRIVE SECTION 2 (A283/A284)



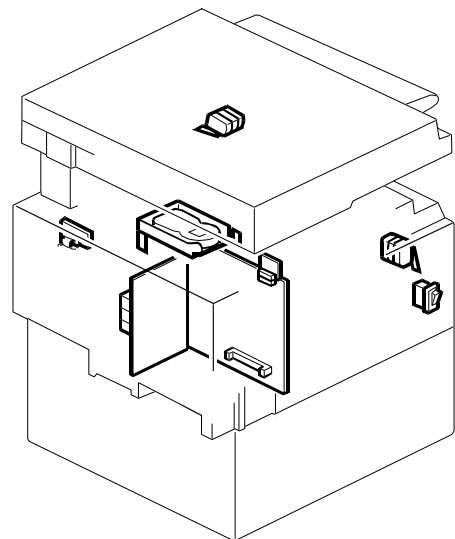
See Page 59

27.ELECTRICAL SECTION 1 (A283/A284)



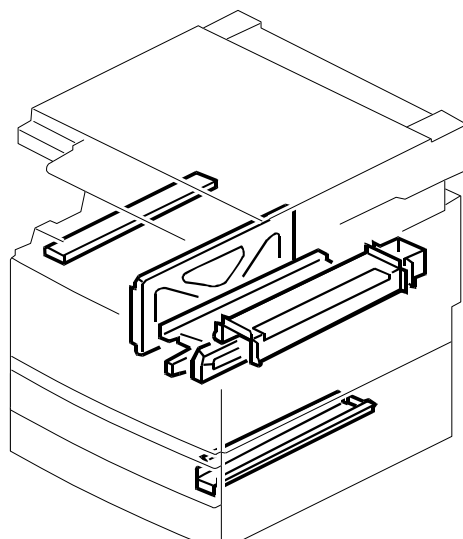
See Page 61

28.ELECTRICAL SECTION 2 (A283/A284)



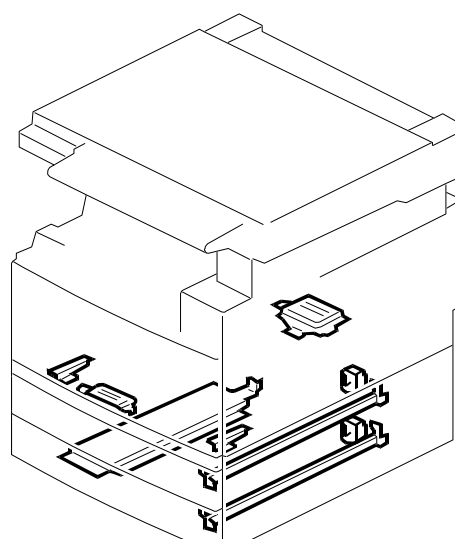
See Page 63

29.FRAME SECTION 1 (A283/A284)



See Page 65

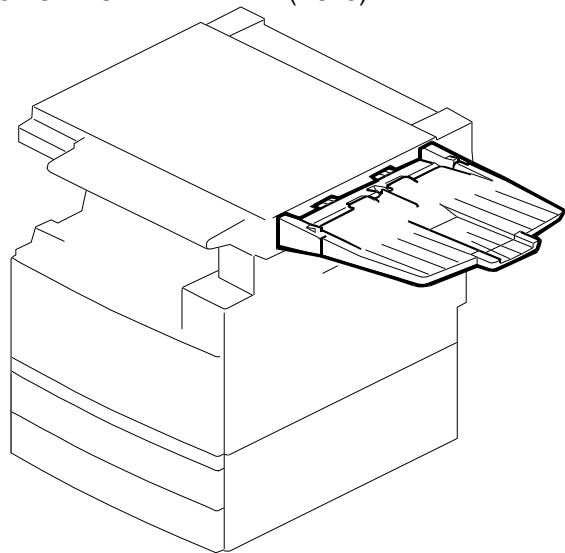
30.FRAME SECTION 2 (A283/A284)



See Page 67

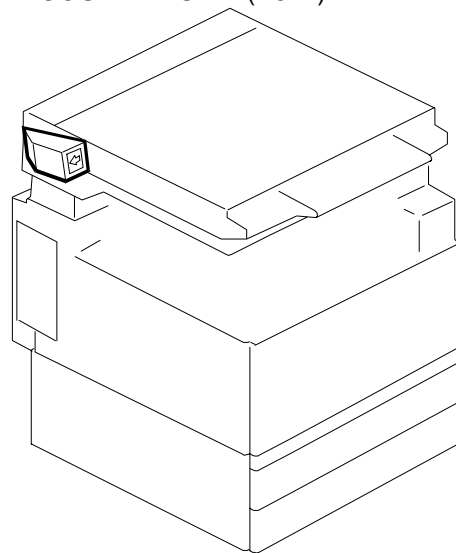
LOCATION OF UNIT

31.OPTION EXIT TRAY (A825)



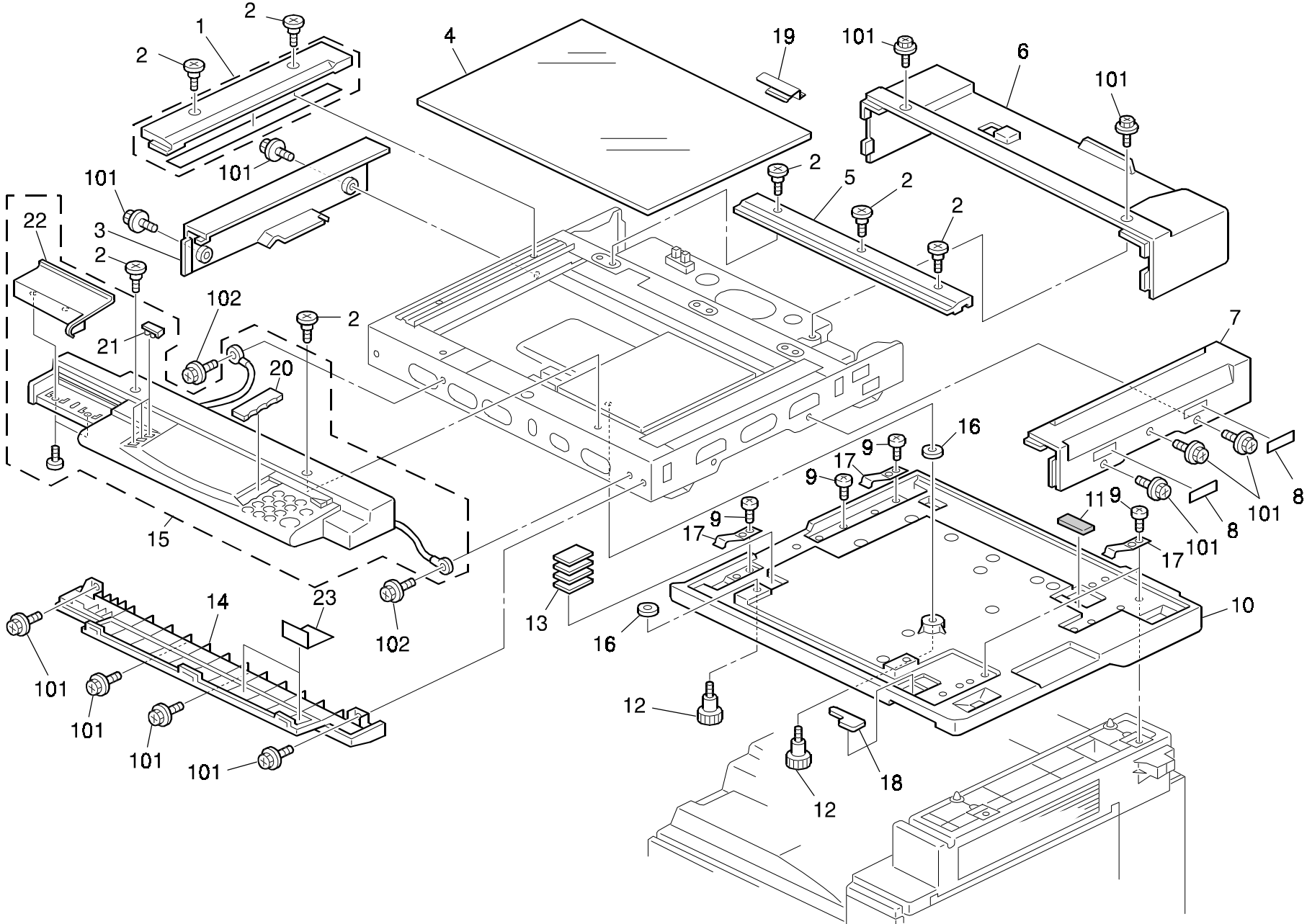
See Page 69

32.KEY COUNTER UNIT (A674)



See Page 71

1.EXTERIOR 1 (A283/A284)

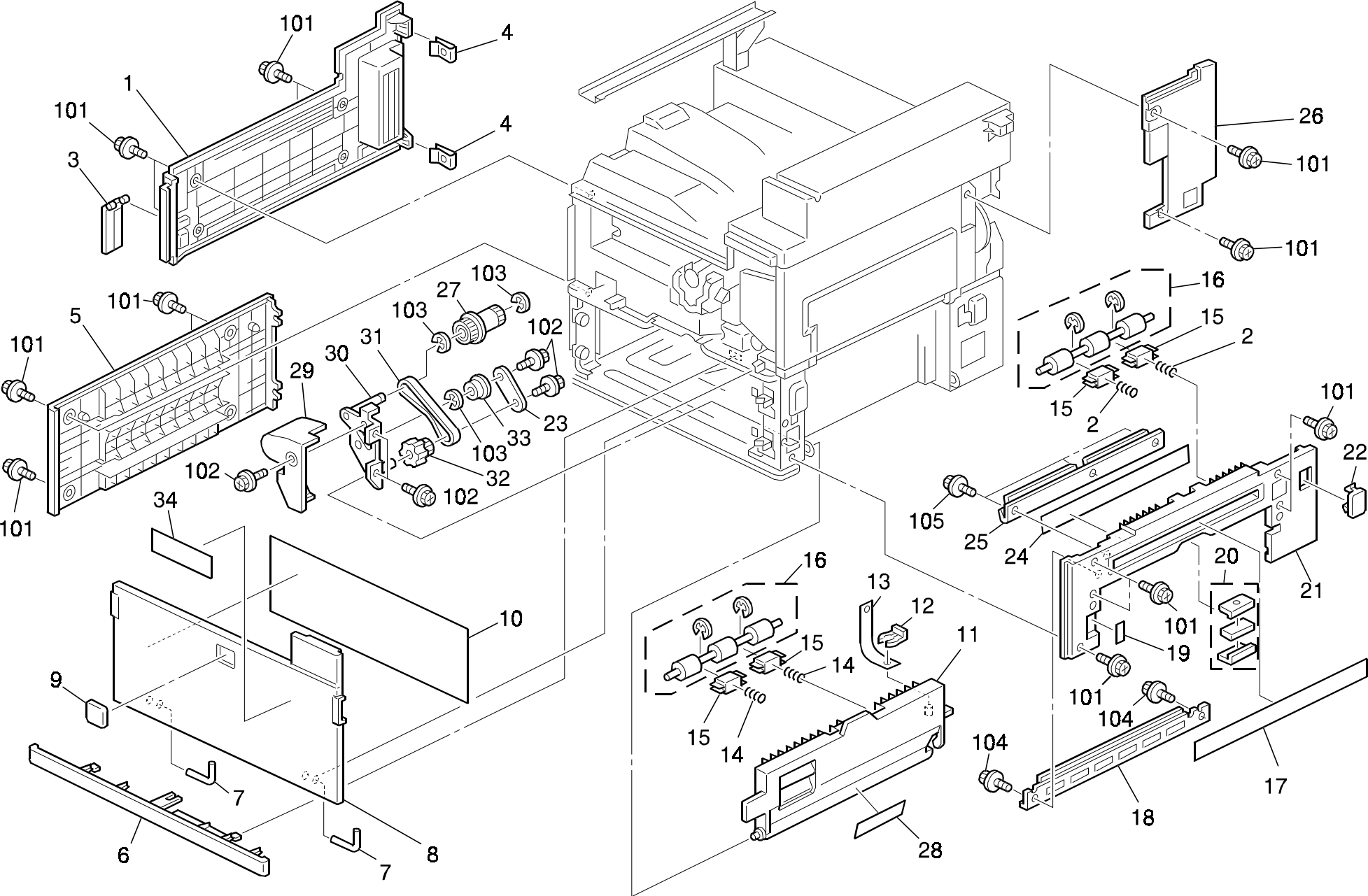


1.EXTERIOR 1 (A283/A284)

Index No.	Part No.	Description	Q'ty Per Assembly
1	A232 1672	Left Scale	1
2	5206 2684	Shoulder Screw - M3	7
3	A232 1357	Left Cover - Scanner	1
4	AC01 2064	Exposure Glass	1
4	AC01 2065	Exposure Glass - A3 T-3.2	1
5	A232 1677	Rear Scale	1
6	A232 1350	Upper Rear Cover - Scanner	1
7	A232 1356	Right Cover - Scanner	1
8	A232 1383	Decal - Right Scanner Cover	2
9	A217 1340	Knob Screw - M4x10	4
10	A284 1090	Holder - Scanner Unit	1
11	A232 1663	Cushion - Scanner Unit Plate	2
12	AA14 3500	Stepped Screw - M6	2
13	A232 1846	Spacer - Scanner Unit Plate	4
14	A232 1358	Lower Cover - Op Panel	1
15	A284 7232	Operation Panel Ass'y	1
16	AA10 0006	Nut - M3.6	2
17	A232 5835	Spring - Scanner Unit Plate	4
18	A284 1663	Holder Cushion	2
19	A232 1844	Spring Plate - Exposure	1
20	A232 1515	Cover - Basic	1
21	A232 1520	Cover - Copy/Fax	3
22	A232 1532	Operation Panel Case - Basic	1
23	A232 1359	Seal - Lower Operation Cover	2

Index No.	Part No.	Description	Q'ty Per Assembly
101	0451 3008H	Tapping Screw - M3x8	
102	0451 3006B	Tapping Screw - M3x6	

2.EXTERIOR 2 (A283/A284)

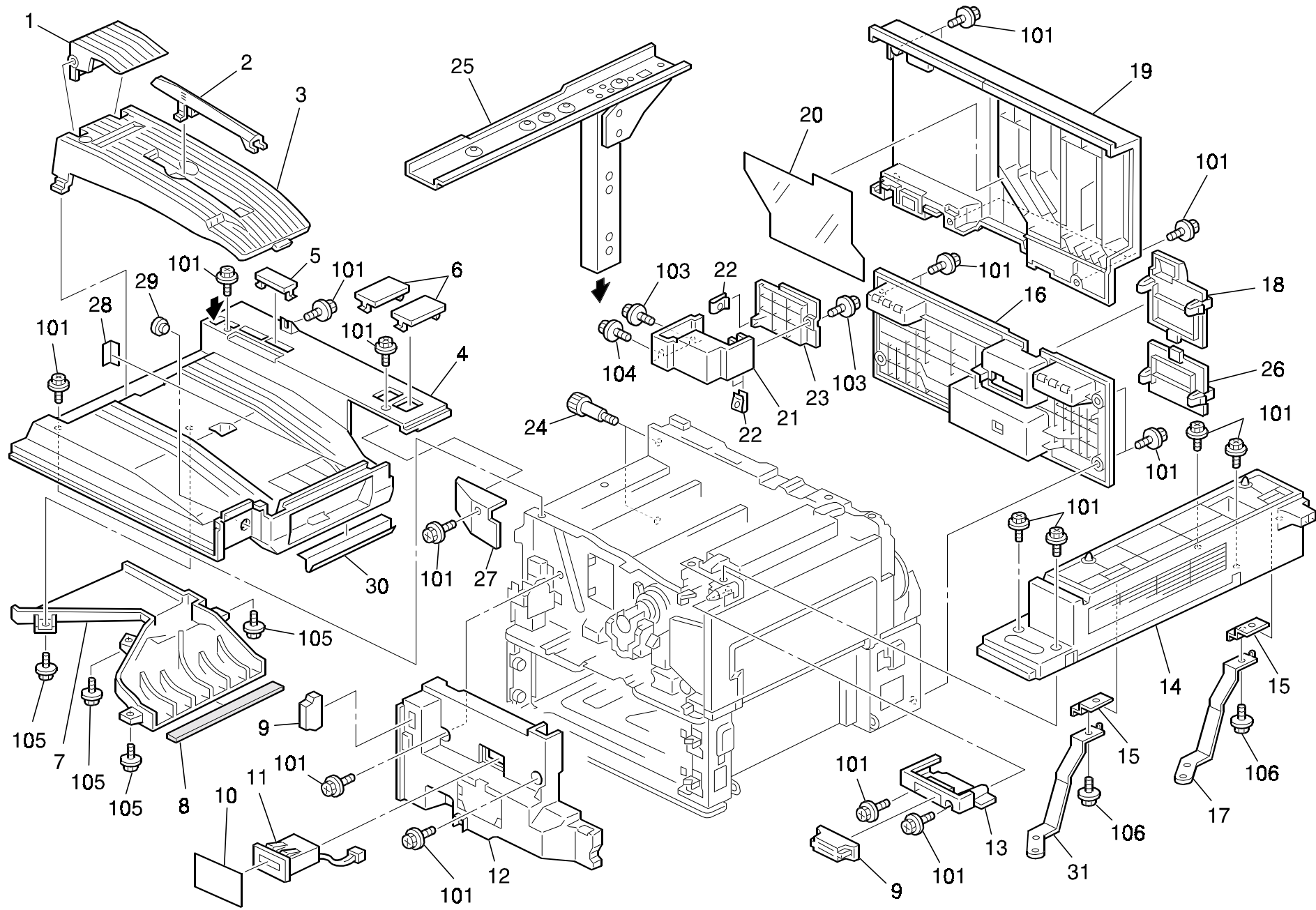


2.EXTERIOR 2 (A283/A284)

Index No.	Part No.	Description	Q'ty Per Assembly
1	A284 1286	Left Cover	1
2	AA06 3563	Spring	2
3	A232 1282	Cap - Switch	1
4	A232 1284	Spring Holder	2
5	A232 1283	Left Cover - Paper Feed Sub-unit	1
6	A232 1268	Upper Cover - Paper Feed	1
7	G020 1332	Hinge - Front Cover	2
8	A283 7228	Front Cover (A283 RIC)	1
8	A283 7617	Front Cover (A283 RIC-GSA)	1
8	A284 7228	Front Cover (A284 RIC)	1
8	A232 7021	Front Cover (SVN/GES/LAN)	1
8	A284 7617	Front Cover (A284 RIC-GSA)	1
9	A134 1383	Emblem (RIC)	1
10	A232 1380	Jam Removal Sheet	1
11	A232 2876	Lower Cover - Vertical Transport	1
12	5206 2686	Snap Ring	1
13	A232 2863	Stopper Band	1
14	AA06 3564	Tension Spring	2
15	AA08 0254	Bushing - M4	4
16	A232 2862	Driven Roller	2
17	A232 2860	Entrance Seal	1
18	A232 2859	Lower Support Plate	1
19	AA00 1392	Decal - A1	1
20	AG07 0014	Magnet Catch	1
21	A232 2857	Cover - Vertical Transport	1
22	A232 2867	Cap - 68x28	1
23	A232 2723	Support Plate - Knob	1
24	A232 2860	Entrance Seal	1
25	A232 2858	Upper Support Plate	1
26	A232 1272	Right Rear Cover	1
27	AB03 0584	Timing Pulley - 15T	1
28	AA00 0204	Decal - Right Lower Cover	1
29	A232 2724	Knob Cover	1
30	A232 2720	Gear Bracket	1
31	AA04 3416	Timing Belt - 40S3M192	1

Index No.	Part No.	Description	Q'ty Per Assembly
32	A232 2722	Knob	1
33	AB03 0564	Pulley - M17	1
34	A283 7072	Model Name Plate (A283 SVN)	1
34	A283 7073	Model Name Plate (A283 SVN-GSA)	1
34	A284 6371	Model Name Plate - LAN (A284)	1
34	A284 7072	Model Name Plate (A284 SVN)	1
34	A284 7073	Model Name Plate (A284 SVN-GSA)	1
34	A283 6371	Model Name Plate - LAN (A283)	1
101	0451 3008H	Tapping Screw - M3x8	
102	0451 3006B	Tapping Screw - M3x6	
103	0720 0060E	Retaining Ring - M6	
104	0450 3008B	Tapping Screw - M3x8	

3.EXTERIOR 3 (A283/A284)



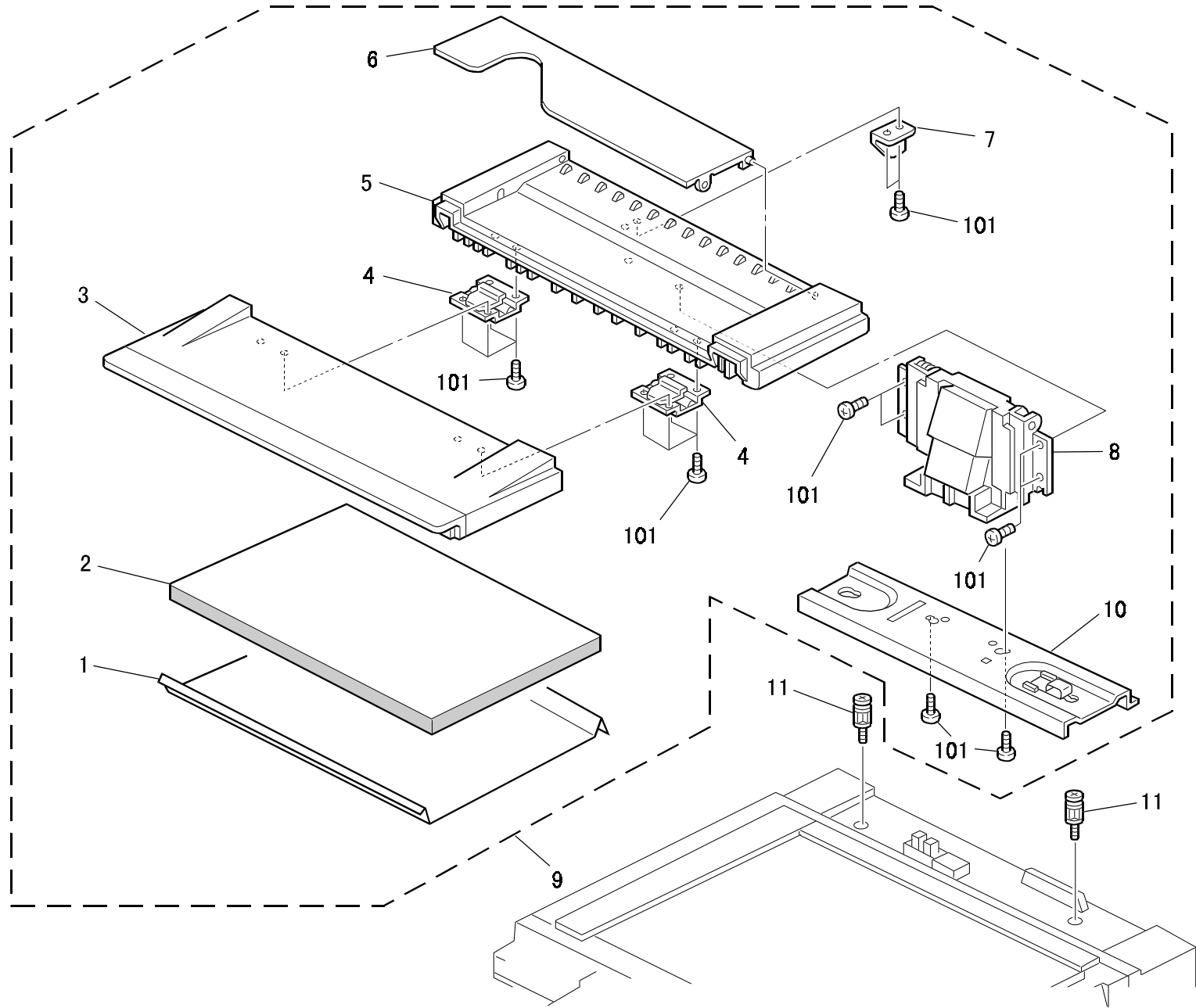
3.EXTERIOR 3 (A283/A284)

Rev. 08/09/2001

Index No.	Part No.	Description	Q'ty Per Assembly
1	A232 4497	End Fence - Copy Tray	1
2	A232 4498	Copy Tray Guide	1
3	A232 4496	Sub Copy Tray	1
4	A284 1250	Upper Cover	1
5	A232 1258	Cap - IC Card	1
6	A176 1317	Cap - 34x55	2
7	A232 1252	Duct - Upper Cover	1
8	AA15 3390	Sponge - 202x3.5x4	1
9	AG07 1010	Magnet Catch	2
10	A232 1381	Decal - Total Counter	1
11	AX31 0035	Total Counter	1
12	A232 1376	Left Inner Cover	1
13	A232 1372	Inner Cover - Right Upper	1
14	A232 1093	Spacer	1
15	A232 1094	Nut	1
16	A232 7219	Lower Rear Cover	1
17	A232 5837	Rear Grounding Plate	1
18	A232 1297	Upper Cap - Rear Cover	1
19	A232 1291	Rear Cover	1
20	A232 1173	Sheet - Duct	1
21	A284 1338	Front Cover - Scanner Harness	1
22	A232 1284	Spring Holder	3
23	A284 1341	Rear Harness Cover	1
24	AA14 3501	Stepped Screw - M8	2
25	A232 1095	Scanner Arm Ass'y	1
26	A232 1298	Lower Cap - Rear Cover	1
27	G034 1253	Cover - Small - Upper Right	1
28	A232 4499	Copy Tray Mylar	4
29	A232 1257	Cap - Upper Cover	1
30	AA15 0685	Seal - 215x10	1
31	A232 5836	Front Grounding Plate	1

Index No.	Part No.	Description	Q'ty Per Assembly
101	0451 3008H	Tapping Screw - M3x8	
102	0354 0080B	Screw - M4X8	
103	0451 3010H	Tapping Screw - 3x10	
104	0451 3014H	Tapping Screw - 3x14	
105	0450 3006B	Tapping Screw - M3x6	
106	0451 3006B	Tapping Screw - M3x6	

4.PLATEN COVER (A381)

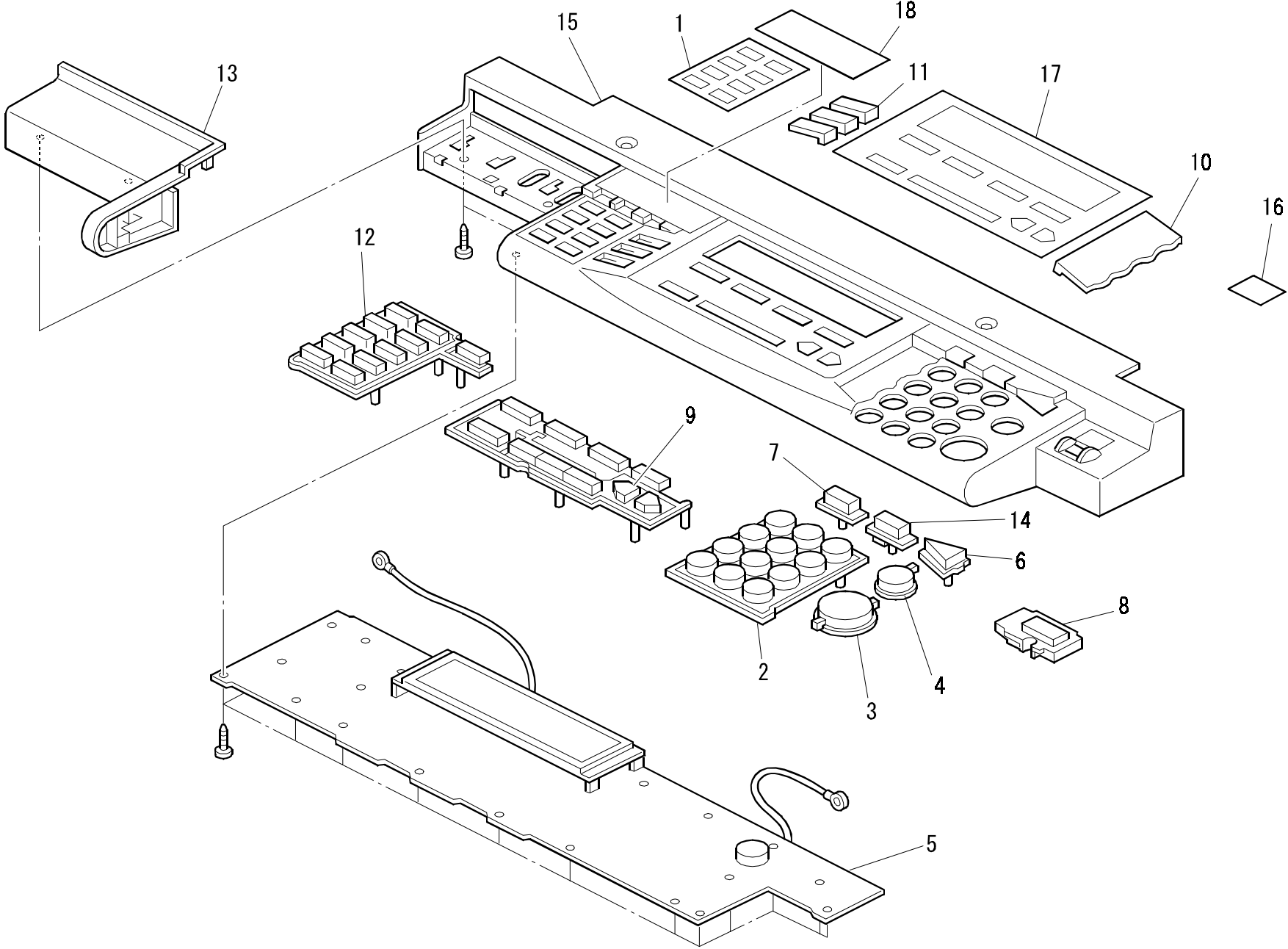


4.PLATEN COVER (A381)

Index No.	Part No.	Description	Q'ty Per Assembly
1	5448 2804	Platen Cover Sheet	1
2	AA16 2067	Platen Cover Pad	1
3	A134 1394	Front Platen Cover	1
4	A053 1957	Flex Hinge - Platen Cover	2
5	A134 1395	Rear Platen Cover	1
6	A134 1396	Original Holder	1
7	A153 1383	Platen Cover Feeler	1
8	A153 1370	Platen Cover Hinge	1
9	AC00 1060	Platen Cover Ass'y	1
10	A153 1380	Platen Cover Bracket	1
11	AA14 8447	Guide Pin - Platen Cover	2

Index No.	Part No.	Description	Q'ty Per Assembly
101	0414 0142B	Binding Self Tapping Screw - M4x4	

5.OPERATION PANEL ASS'Y (A283/A284)

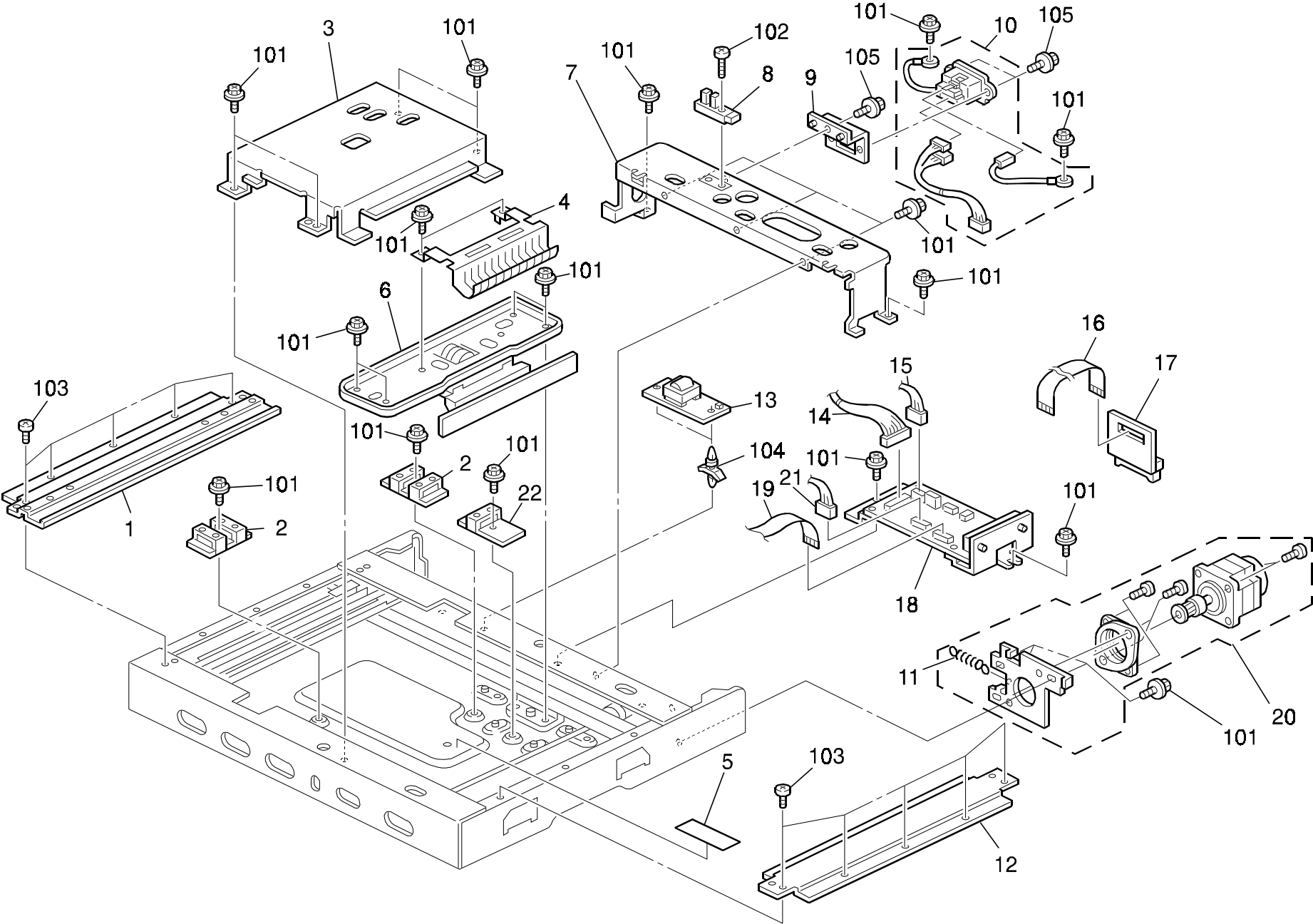


5.OPERATION PANEL ASS'Y (A283/A284)

Index No.	Part No.	Description	Q'ty Per Assembly
*	A284 7232	Operation Panel Ass'y	1
1	A232 7237	Sheet - Image Edit	1
2	A232 7239	Key Top - 10 Key	1
3	A232 1503	Key Top - Start	1
4	A232 1504	Key Top - Clear	1
5	A232 7639	Operation Panel Board	1
6	A232 1505	Key Top - Interrupt	1
7	A232 1507	Key Top - Program	1
8	A232 1508	Key Top - Switch	1
9	A232 1510	Key Top - Arrow	1
10	A232 1515	Cover - Basic	1
11	A232 1520	Cover - Copy/Fax	3
12	A232 1522	Key Top - Image Edit	1
13	A232 1532	Operation Panel Case - Basic	1
14	A232 7238	Key Top - Clear Modes	1
15	A232 7233	Operation Panel Case	1
16	A232 7234	Sheet - Switch	1
17	A232 7235	Sheet - LCD	1
18	A232 7236	Sheet - Option	1

Index No.	Part No.	Description	Q'ty Per Assembly

6.OPTICS UNIT 1 (A283/A284)

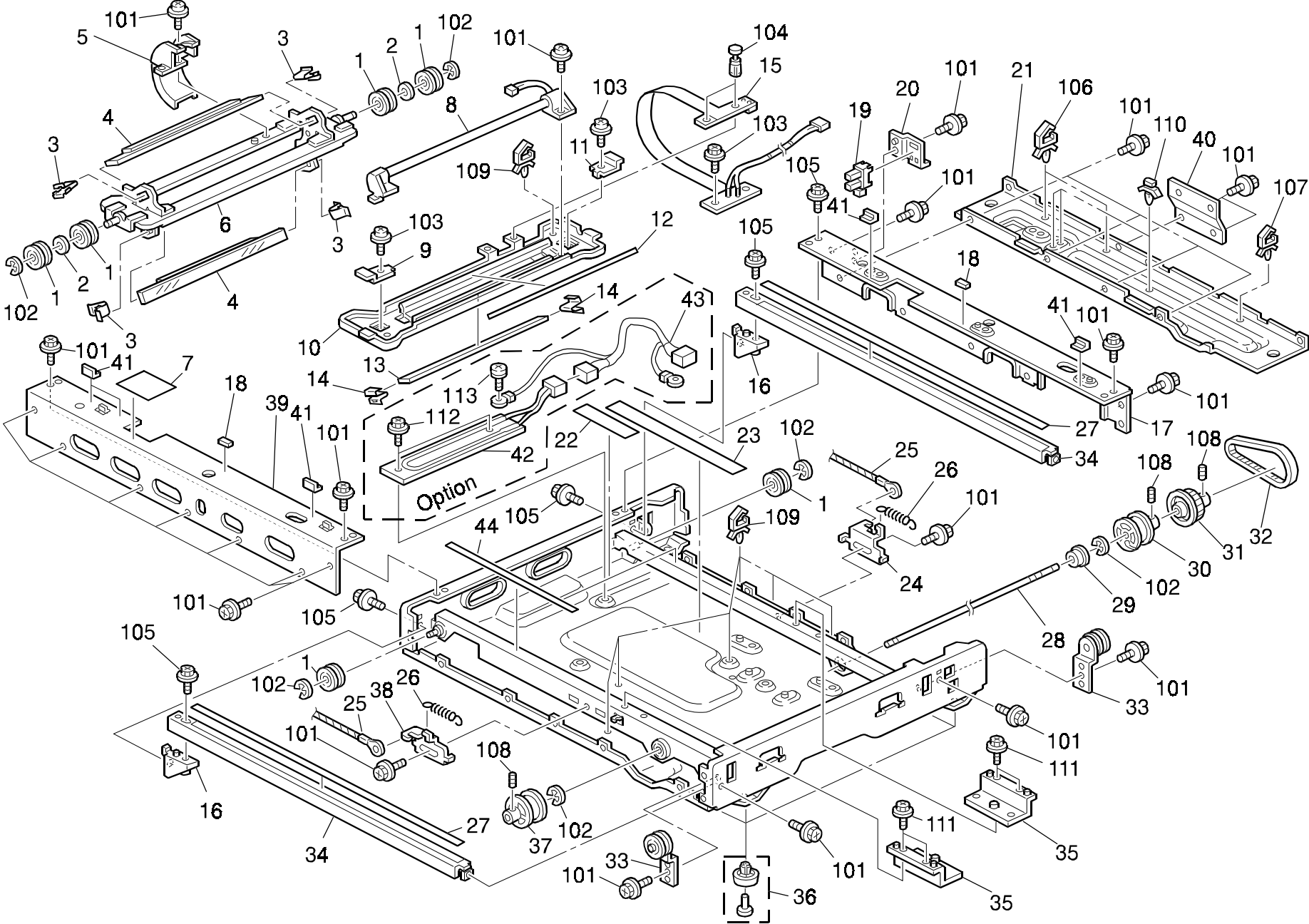


6.OPTICS UNIT 1 (A283/A284)

Index No.	Part No.	Description	Q'ty Per Assembly
1	A232 1675	Bracket Left Scale	1
1	A284 1675	Bracket Left Scale (GSA)	1
2	AW01 0056	Original Sensor - H=2-66	2
3	A284 1680	Inner Cover Ass'y	1
4	A284 1685	Shading Plate	1
5	AA15 0701	Shield - 40x70	1
6	A284 1826	Lens Block Assembly	1
6	A284 1831	Lens Block Assembly (GSA)	1
7	A284 1738	Hinge Bracket	1
8	AW02 0100	Photointerrupter - P1CH2MM	1
9	A232 1836	Bracket - ADF I/F Harness	1
10	A232 5485	Harness - Scanner/ADF	1
11	AA06 0702	Tension Spring	1
12	A232 1682	Right Stay - Scanner Unit	1
13	AZ50 0053	Stabilizer - Xenon Lamp	1
14	A284 5602	SIB Harness	1
15	A284 5605	Rear Scanner Harness	1
16	A284 5610	FFC BICU Harness	1
17	A284 5400	SIFB Board	1
18	A284 1842	Scanner Control Board	1
19	A284 5600	FFC SIB Harness	1
20	A284 1751	Scanner Motor Assembly	1
21	A284 5615	Front Scanner Harness	1
22	AW01 0059	Original Sensor - H=1-66	1

Index No.	Part No.	Description	Q'ty Per Assembly
101	0451 3006B	Tapping Screw - M3x6	
102	0314 0120B	Philips Pan Head Screw - M4x12	
103	0353 0060B	Philips Pan Head Screw - M3x6	
104	1105 0162	Locking Support	
105	0451 3008B	Tapping Screw - M3x8	

7.OPTICS UNIT 2 (A283/A284)



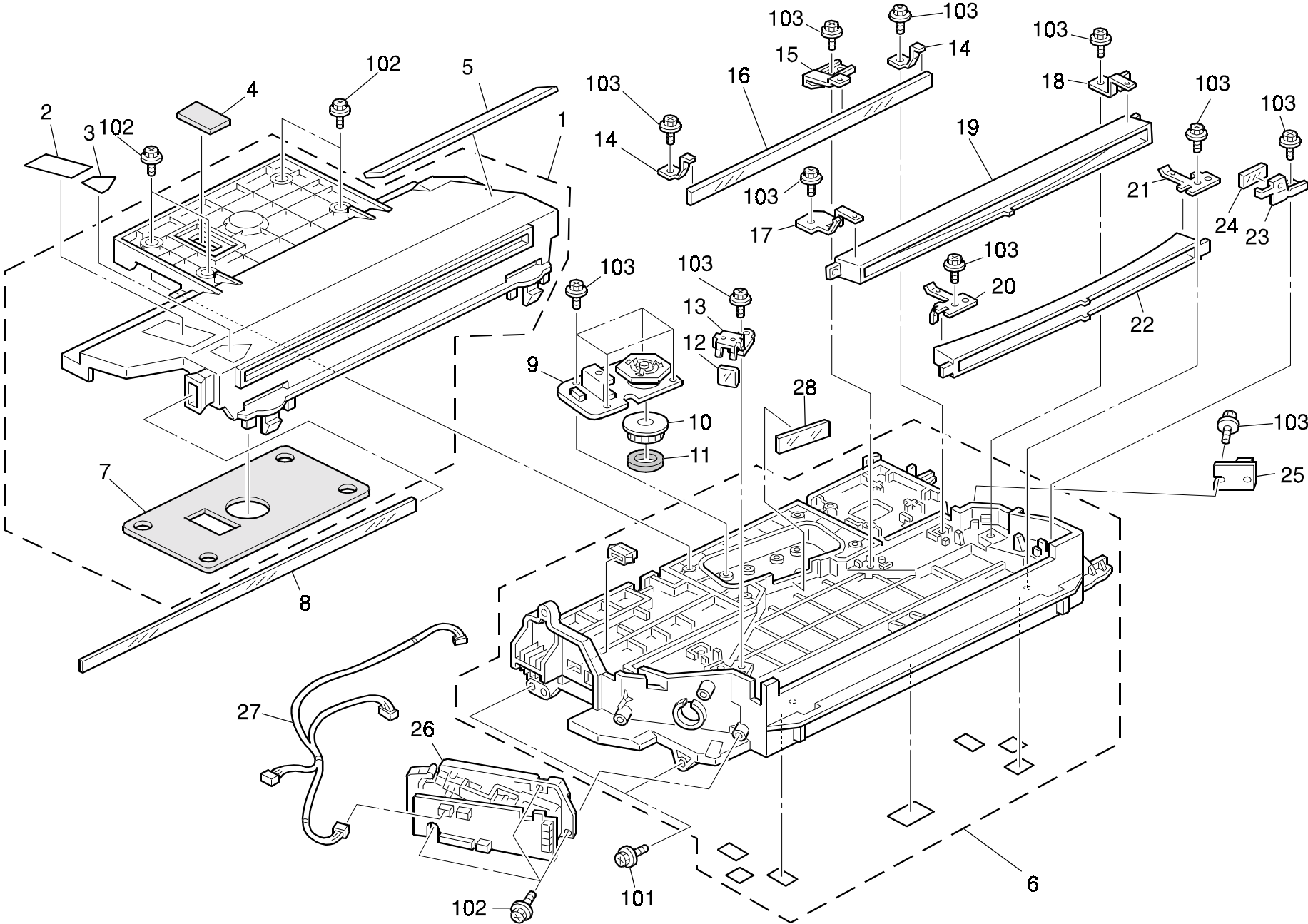
7.OPTICS UNIT 2 (A283/A284)

Rev. 05/23/2002

Index No.	Part No.	Description	Q'ty Per Assembly
1	AB03 2060	Pulley - M22	6
2	AA13 2174	Spacer - M8	2
3	A284 1819	Spring Plate - 2nd Mirror	4
4	A284 1820	2nd Mirror	2
5	A284 1818	FPC Guide	1
6	A284 1810	Carriage 2	1
7	AA15 0702	Front Shield Plate	1
8	AX50 0068	Xenon Lamp	1
9	A232 1791	Front Wire Holder	1
10	A232 1782	1st Scanner Ass'y	1
11	A232 1792	Rear Wire Holder	1
12	A232 1788	Reflector	1
13	AC03 0110	Scanner Mirror	1
14	A232 1789	1st Mirror Holder	2
15	A284 5621	Flexible Board	1
16	A232 1728	Rail Supporter	2
17	A284 1736	Rear Side Plate	1
18	AA16 1133	Cushion - 4x15x1	2
19	AW02 0056	Photointerrupter - EE-SX4235A-P1	1
20	A232 1839	Bracket - Sensor	1
21	A284 1737	Rear Scanner Base	1
22	AA15 0668	Sheet - 100x21	1
23	AA15 0669	Sheet - 250x21	1
24	A232 1722	Rear Tension Plate - Scanner Wire	1
25	AA05 0106	Carriage Drive Wire	1
26	AA06 0703	Tension Spring	2
27	A232 1731	Scanner Rail	2
28	A232 1771	Scanner Drive Shaft	1
29	A232 3566	Ball Bearing - 8x16x5	1
30	AB03 2062	Rear Scanner Pulley	1
31	AB03 0572	Timing Pulley - Z61	1
32	AA04 3439	Timing Belt - S2M-224	1
33	A284 1710	Idler Pulley Ass'y	2
34	A232 1732	Rail Bracket	2
35	A284 1713	Lens Holder Bracket	2

Index No.	Part No.	Description	Q'ty Per Assembly
36	AH01 0009	Rubber Pad - H5	4
37	AB03 2061	Front Scanner Pulley	1
38	A232 1712	Front Tension Plate - Scanner Wire	1
39	A284 1735	Front Side Plate	1
40	A284 1739	Shading Plate	1
41	A284 1674	Exposure Glass Holder	4
42	AX40 0117	Heater - 120V 15W (Option)	1
43	A232 5715	AC Connector Harness (Option)	1
44	A232 1707	Second Slide Rail	2
101	0451 3006B	Tapping Screw - M3x6	
102	0720 0060E	Retaining Ring - M6	
103	0951 3006B	Philips Screw With Flat Washer - M3x6	
104	1005 0728	Rivet - Nrp335	
105	0450 3008B	Tapping Screw - M3x8	
106	1105 0292	Wire Saddle	
107	1105 0310	Harness Clamp - LWS-1S	
108	0575 0050E	Hexagon Headless Set Screw - M5x5	
109	1105 0460	Clamp	
110	1105 0409	Card Spacer - 6.4MM	
111	0451 3010B	Tapping Screw - M3x10	
112	0314 0060B	Philips Pan Head Screw - M4x6	
113	0957 3006Z	Screw With Spring Washer - M3X6	

8.LASER UNIT (A283/A284)

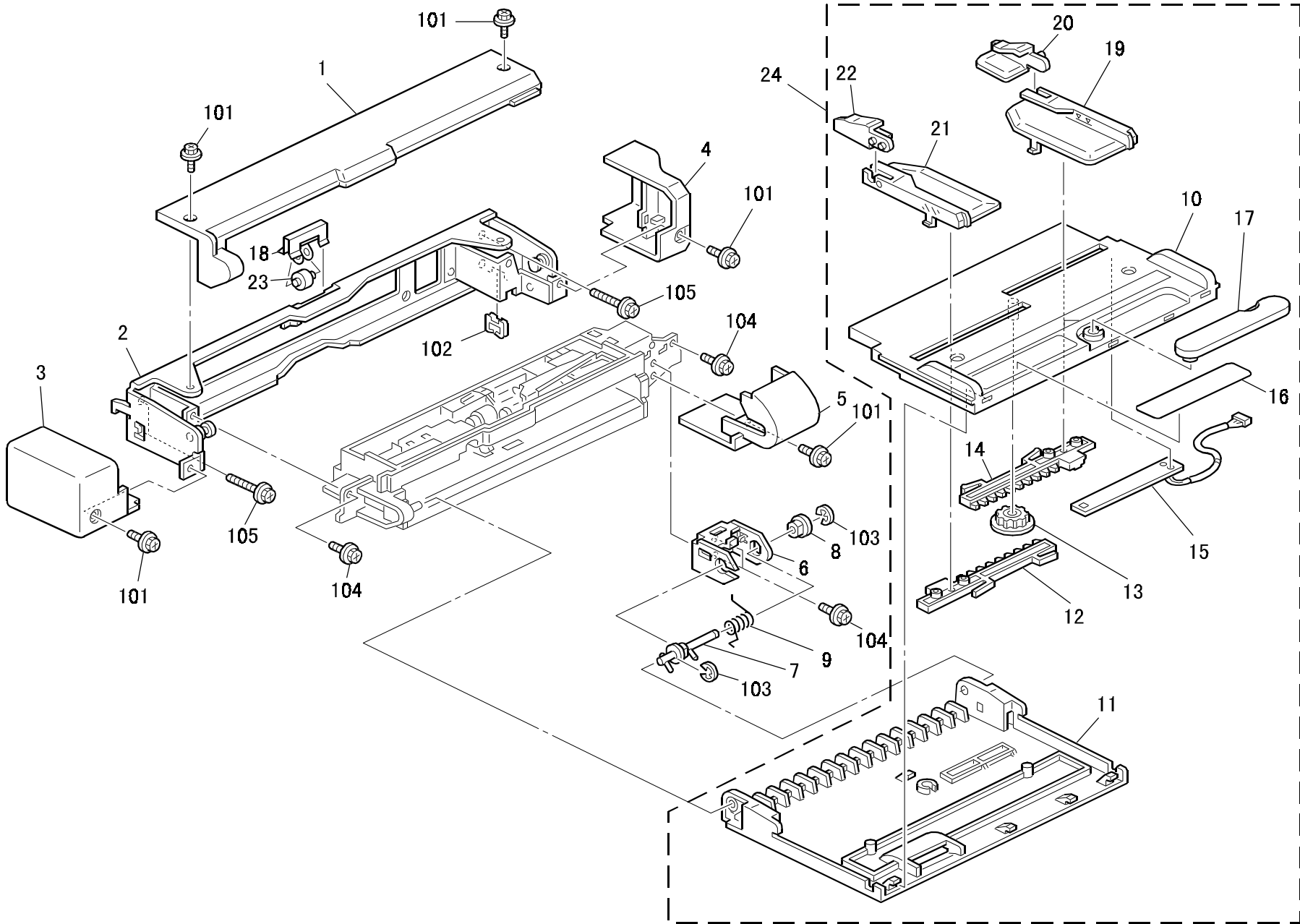


8.LASER UNIT (A283/A284)

Index No.	Part No.	Description	Q'ty Per Assembly
*	A283 1873	LD Unit Assembly (A283)	1
*	A284 1873	LD Unit Assembly (A284)	1
*	A283 1875	LD Unit Assembly (A283 GSA)	1
*	A284 1875	LD Unit Assembly (A284 GSA)	1
1	A284 1904	Cover - Optical Housing	1
2	G020 1920	Decal - Laser Diode (115v)	1
3	G020 1917	Decal - LD	1
4	A232 1904	Cap - Laser Unit Cover	1
5	A232 1971	Support Cover - Imaging Unit	1
6	A232 1900	Housing - Laser Unit	1
7	AA15 2403	Sponge - Laser Unit Cover	1
8	AC01 5025	Shield Glass	1
9	AX06 0141	Polygon Mirror Motor (A283)	1
9	AX06 0180	Polygon Mirror Motor (A284)	1
10	A232 1918	Heat Sink - Polygon Motor	1
11	A232 1920	Decal - Heat Sink	1
12	G020 1966	Cylindrical Lens	1
13	A232 1927	Cylindrical Lens Holder	1
14	A232 1926	Mirror Holder	2
15	A232 1925	Middle Mirror Holder	1
16	AC03 0115	Mirror	1
16	G020 1964	Mirror (GSA,-30,-37)	1
17	A232 1923	Front Holder - BTL	1
18	A232 1924	Rear Holder - BTL	1
19	G020 1969	BTL Lens	1
20	A232 1921	Front Holder - F Theta Mirror	1
21	A232 1922	Rear Holder - F Theta Mirror	1
22	G020 1968	F Theta Mirror	1
23	A232 1928	Holder - Sync. Detector Mirror	1
24	GC03 0020	Sync. Detector Mirror	1
25	A293 5310	Laser Sync. Detector	1
26	A282 1891	Laser Diode Unit (A283)	1
26	A284 1891	Laser Diode Unit (A284)	1
27	A232 5445	Harness - Laser Unit (A283)	1
27	A232 5444	Harness - Laser Unit (A284)	1

Index No.	Part No.	Description	Q'ty Per Assembly
28	AC01 5024	Shield Glass - Polygon Motor	1
101	0951 3008B	Philips Screw With Flat Washer - M3x8	
102	0450 3010B	Tapping Screw - M3x10	
103	0450 3008B	Tapping Screw - M3x8	

9.BY-PASS FEED UNIT 1 (A283/A284)

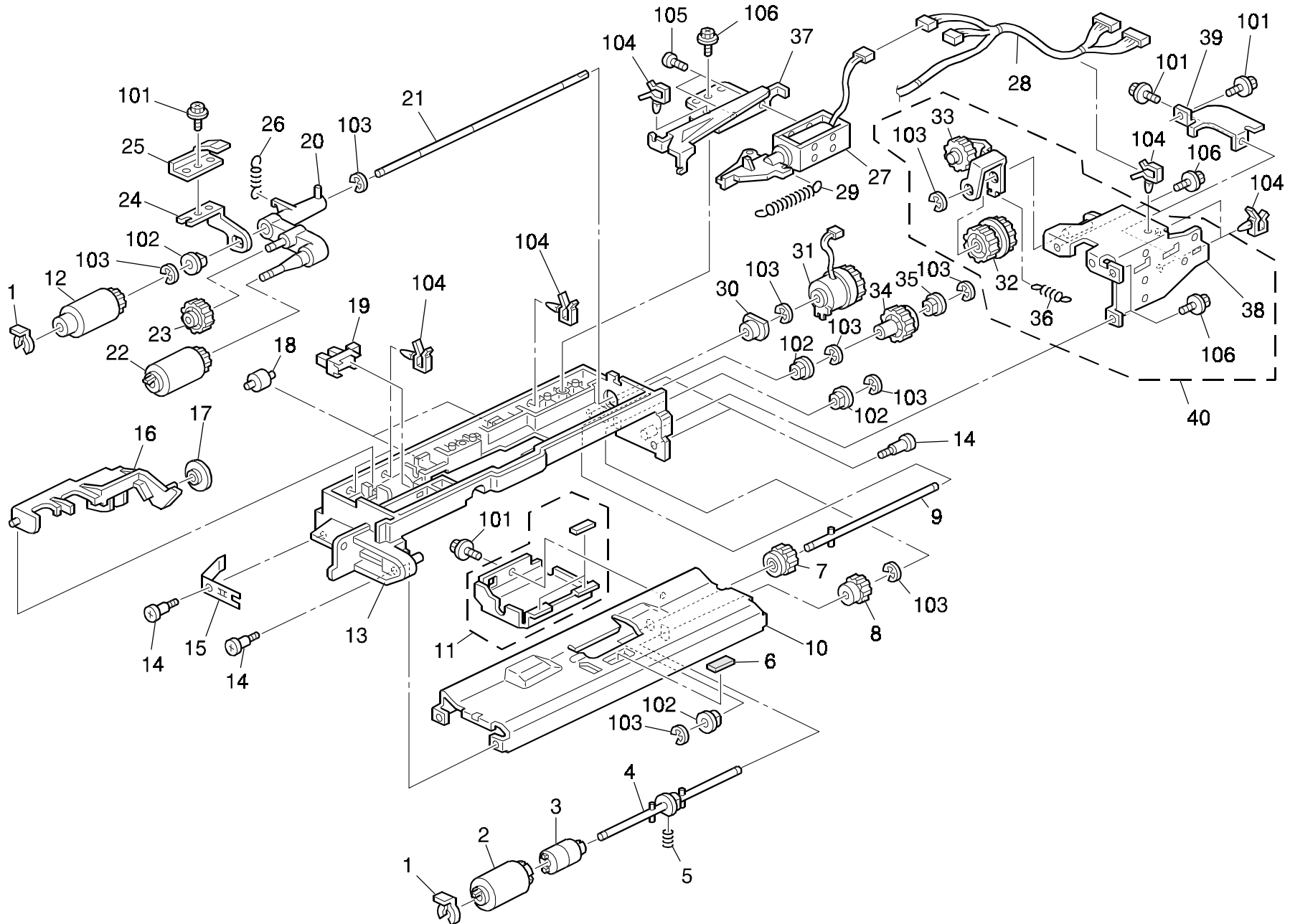


9.BY-PASS FEED UNIT 1 (A283/A284)

Index No.	Part No.	Description	Q'ty Per Assembly
1	A232 6106	Middle Lower Cover	1
2	A232 6095	Frame By-pass Unit Holder	1
3	A232 6109	Front Cover - By-pass Unit	1
4	A232 6108	Rear Cover -by-pass Unit	1
5	A232 6107	Middle Upper Cover	1
6	A232 6090	Bracket Positioning Pin	1
7	A232 6091	Positioning Pin	1
8	AA08 2070	Bushing - 8x16x7	1
9	AA06 6574	Torsion Spring	1
10	A232 6067	By - Pass Feed Table	1
11	A232 6068	Cover By-pass Table	1
12	A232 6082	Front Rack	1
13	G011 3305	Gear - 16T	1
14	A232 6083	Rear Rack	1
15	A232 6080	Paper Size Detector	1
16	A232 6073	Decal - By-pass Feed	1
17	A232 6085	Guide By - Pass Table	1
18	A232 6092	Roller - Holder	1
19	A232 6070	Rear Side Fence	1
20	A232 6072	Sub - Rear Fence	1
21	A232 6069	Front Side Fence	1
22	A232 6071	Sub - Front Fence	1
23	AF04 0559	Driven Roller - M9	1
24	A232 6009	By-pass Feed Table Ass'y	1

Index No.	Part No.	Description	Q'ty Per Assembly
101	0451 3008H	Tapping Screw - M3x8	
102	1105 0349	Edge Saddle	
103	0720 0060E	Retaining Ring - M6	
104	0451 3008B	Tapping Screw - M3x8	
105	0451 4010B	Tapping Screw - 4x10	

10.BY-PASS FEED UNIT 2 (A283/A284)



10.BY-PASS FEED UNIT 2 (A283/A284)

Index No.	Part No.	Description	Q'ty Per Assembly
1	5447 2681	Snap Ring	2
2	AF03 2036	Separation Roller	1
3	A284 2783	Torque Limiter	1
4	A232 6033	Shaft Driven Roller	1
5	AA06 3499	Pressure Spring	1
6	AF01 3016	Bottom Plate Pad	1
7	AB01 1389	Gear - 20Z	1
8	AB01 1388	Gear - Z16	1
9	A232 6035	Shaft - Drive Roller	1
10	A232 6028	Guide Plate Paper Separator	1
11	A232 6038	Gear Cover	1
12	AF03 1036	Feed Roller	1
13	A232 6022	Housing - By-pass Feed	1
14	5216 4198	Stepped Screw - Guide Plate	4
15	A232 6023	Grounding Plate - Reverse	1
16	A232 6055	Paper End Feeler	1
17	A134 2661	Feeler Roller	1
18	AF04 0031	Driven Roller	2
19	AW02 0056	Photointerrupter - EE-SX4235A-P1	1
20	A232 6043	Arm Paper Pick Up	1
21	AA14 0660	Feed Shaft	1
22	AF03 0036	Pick Up Roller	1
23	AB01 1387	Gear - 23Z	1
24	A232 6044	Support Plate	1
25	A232 6046	Grounding Plate - Feed	1
26	AA06 3568	Pressure Spring	1
27	A232 6051	Pickup Solenoid	1
28	A232 5427	Harness By-pass Feed	1
29	AA06 3567	Tension Spring	1
30	AA08 3010	Clutch Roller - 6x14x10	1
31	AX20 0140	Electrical Clutch	1
32	AB01 7454	Gear - 24Z/30Z	1
33	A232 6059	Arm Tightener	1
34	AB01 1390	Gear - 27Z	1
35	GA08 0002	Bushing - 6mm	1

Index No.	Part No.	Description	Q'ty Per Assembly
36	AA06 3569	Spring	1
37	A232 6049	Solenoid Bracket	1
38	A232 6061	Tightener Bracket	1
39	A232 6065	Rail - By-pass Feed	1
40	A232 6057	Bracket - By-pass Feed Drive	1
101	0451 3008B	Tapping Screw - M3x8	
102	0805 3480	Bushing - 6mm	
103	0720 0040E	Retaining Ring - M4	
104	1105 0267	Harness Clamp - YMC-10-0	
105	0353 0040B	Screw - M3X4	
106	0450 3008B	Tapping Screw - M3x8	

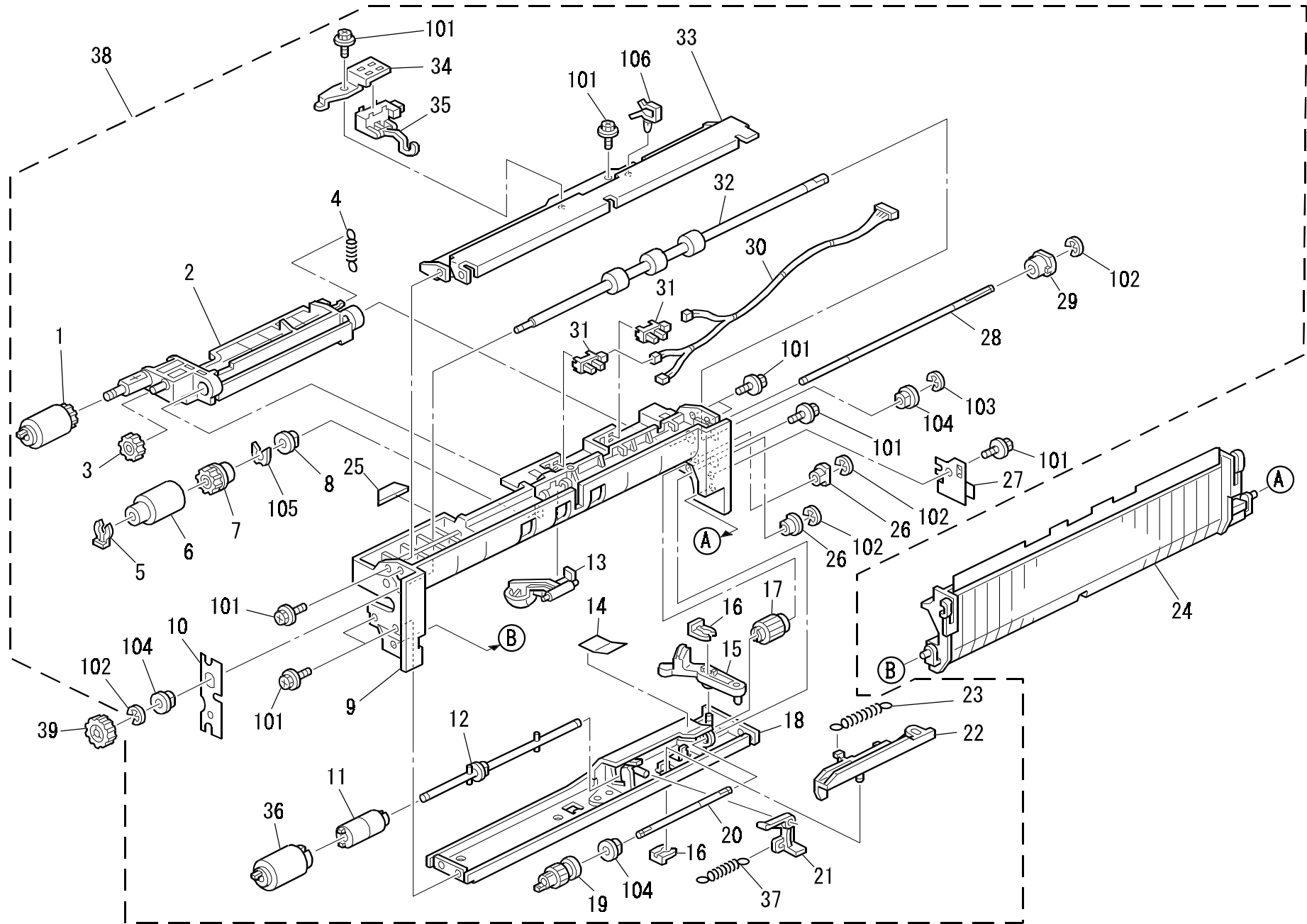
11.PAPER TRAY UNIT (A283/A284)

Rev. 05/23/2002

Index No.	Part No.	Description	Q'ty Per Assembly
1	A232 2951	Paper Tray Assembly	1
1	A232 2952	Paper Tray Assembly (GSA)	1
2	A232 2986	Screw - M4X8	4
3	A232 2979	Front Side Fence	1
4	A232 2977	Tray Bottom Plate	1
5	AF01 3014	Bottom Plate Pad	1
6	AF01 7026	End Fence	1
7	AA00 3006	Decal - Paper Set Direction	1
8	A232 2988	Handle - Paper Tray	1
9	A232 2997	Right Stopper - Paper Tray	1
10	A232 2975	Bottom Lift Plate	1
11	A232 2987	Roller - Paper Tray	2
12	A232 2972	Bottom Lift Shaft	1
13	A232 2976	Grounding Plate - Paper Tray	1
14	A232 2983	Rear Side Fence	1
15	A232 2989	Screw Holder	1
16	A232 2999	Right Spacer	1
17	A232 2978	Left Shoe	1
18	AA14 3762	Tapping Screw - M3x10	1
19	A096 6554	Side Fence Pad	1
20	AF00 2005	Paper Tray	1
20	AF00 2007	Paper Tray (GSA)	1

Index No.	Part No.	Description	Q'ty Per Assembly
101	0720 0060E	Retaining Ring - M6	
102	0353 0060B	Philips Pan Head Screw - M3x6	

12.PAPER FEED SECTION (A283/A284)

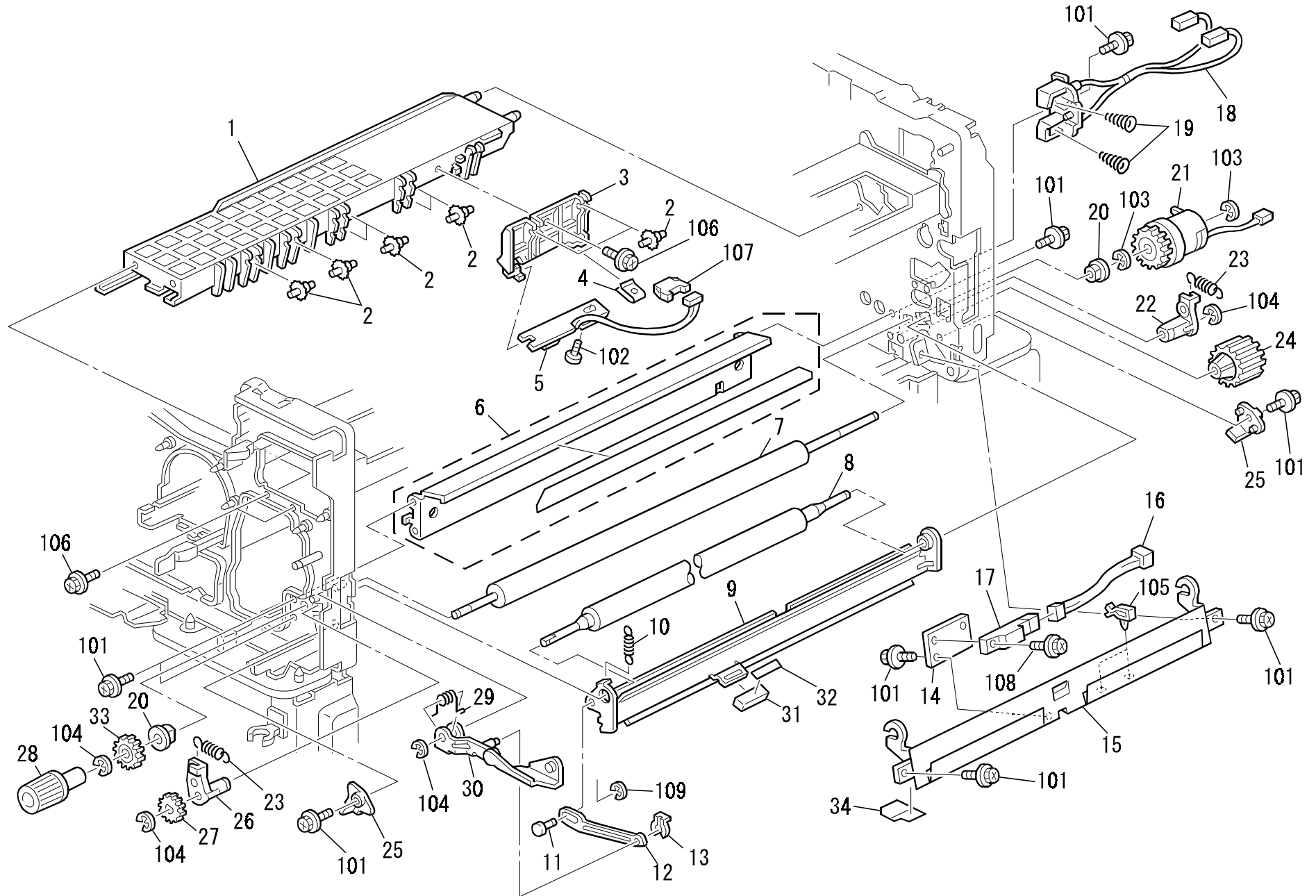


12.PAPER FEED SECTION (A283/A284)

Index No.	Part No.	Description	Q'ty Per Assembly
1	AF03 0035	Pick-up Roller	1
2	A232 2763	Pick-up Arm	1
3	AB01 1188	Gear - 21Z	1
4	AA06 0691	Tension Spring	1
5	5447 2681	Snap Ring	1
6	AF03 1035	Feed Roller	1
7	AB01 1189	Gear - 18Z	1
8	AA08 2070	Bushing - 8x16x7	1
9	A232 2760	Housing - Paper Feed Unit	1
10	A232 2765	Front Grounding Plate	1
11	A284 2783	Torque Limiter	1
12	A232 2777	Shaft - Paper Separation	1
13	A232 2762	Paper End Feeler	1
14	A232 2782	Rear Feed Mylar	1
15	A232 2776	Release Lever	1
16	5206 2686	Snap Ring	1
17	AB01 0107	Gear - 23Z	2
18	A232 2770	Stay - Paper Separation	1
19	AB01 0106	Gear - 24Z	1
20	AA14 0656	Shaft - Gear	1
21	A232 2774	Pressure Lever	1
22	A232 2775	Link Lever	1
23	AA06 0692	Tension Spring	1
24	A232 2785	Vertical Guide	1
25	A232 2766	Feed Mylar	1
26	AA08 2072	Bushing - M6	2
27	A232 2764	Rear Grounding Plate	1
28	AA14 0655	Shaft - Paper Feed	1
29	AA08 3014	One-way Clutch	1
30	A232 5428	Harness - Paper Feed Unit	1
31	AW02 0056	Photointerrupter - EE-SX4235A-P1	2
32	AF02 0404	Transport Roller	1
33	A232 2780	Stay - Paper Feed	1
34	A232 2781	Sensor Bracket	1
35	AW02 0096	Photointerrupter	1

Index No.	Part No.	Description	Q'ty Per Assembly
36	AF03 2035	Separation Roller	1
37	AA06 0693	Tension Spring	1
38	A232 2750	Paper Feed Unit Ass'y	1
39	AB01 4090	Gear - 18Z	1
101	0451 3008B	Tapping Screw - M3x8	
102	0720 0040E	Retaining Ring - M4	
103	0720 0060E	Retaining Ring - M6	
104	0805 3480	Bushing - 6mm	
105	0805 0089	Retaining Ring - M4	
106	1105 0283	Clamp	

13.PAPER REGISTRATION (A283/A284)

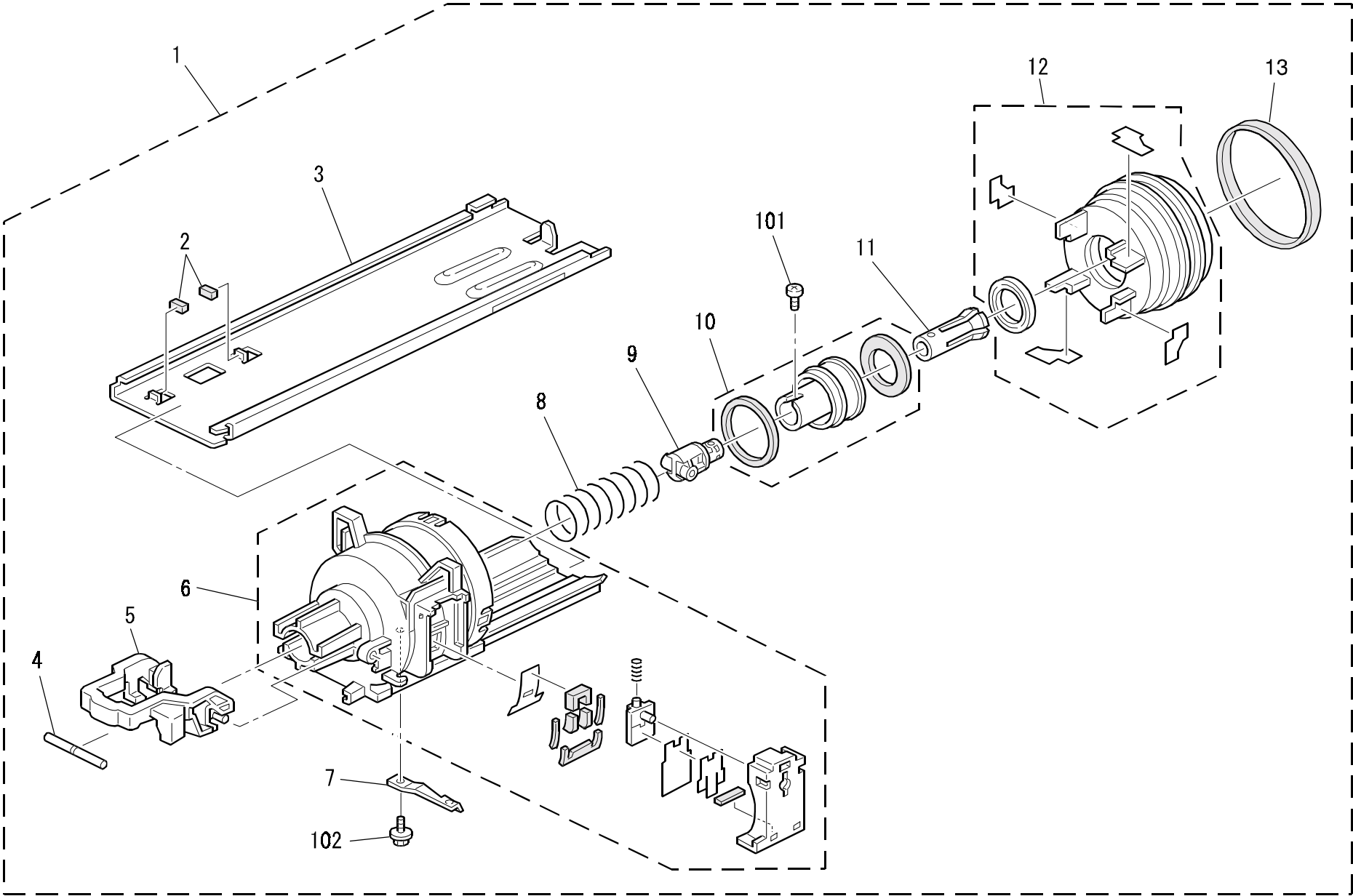


13.PAPER REGISTRATION (A283/A284)

Index No.	Part No.	Description	Q'ty Per Assembly
1	A232 2365	Guide Rail - PCU	1
2	A232 2374	Spur	6
3	A232 2366	Holder - ID Sensor	1
4	A232 1284	Spring Holder	1
5	A232 2367	ID Sensor	1
6	A232 1072	Lower Stay - PCU	1
7	AF02 0410	Registration Roller	1
8	AF02 1059	Driven Registration Roller	1
9	A232 2574	Upper Entrance Guide	1
10	AA06 2305	Tension Spring	1
11	AA14 9291	Pin - Link	1
12	A232 2596	Link Lever	1
13	5206 2686	Snap Ring	1
14	A232 2594	Bracket - Registration Sensor	1
15	A232 2583	Lower Entrance Guide	1
16	A232 5420	Harness - Registration Sensor	1
17	AW01 0048	Photo Sensor - Gp2a28n1	1
18	AD02 1127	Receptacle	1
19	AA06 3304	Terminal Spring	2
20	AA08 2080	Bushing - M8	2
21	AX20 0138	Electrical Clutch	1
22	AA08 0230	Rear Busing - M6	1
23	AA06 2304	Pressure Spring	2
24	AB01 4047	Gear - 29Z	1
25	A232 2578	Stopper - Guide Plate	2
26	AA08 0229	Front Busing - M6	1
27	AB01 4051	Gear - 16Z	1
28	AG05 0085	Registration Roller Knob	1
29	AA06 6577	Torsion Spring	1
30	A232 3985	Link - Cover	1
31	G010 3039	Knob - Entrance Guide	1
32	AA00 1393	Decal - A2	1
33	AB01 3485	Gear - 20Z	1
34	A232 3198	Mylar - Resist Guide Plate	1

Index No.	Part No.	Description	Q'ty Per Assembly
101	0451 3006B	Tapping Screw - M3x6	
102	0353 0060B	Philips Pan Head Screw - M3x6	
103	0720 0060E	Retaining Ring - M6	
104	0720 0040E	Retaining Ring - M4	
105	1105 0283	Clamp	
106	0450 3008B	Tapping Screw - M3x8	
107	1102 6246	Relay Connector - 4P	
108	0313 0060B	Philips Pan Head Screw - M3x6	
109	0720 0020E	Retaining Ring - M2	

14.TONER HOPPER UNIT (A283/A284)

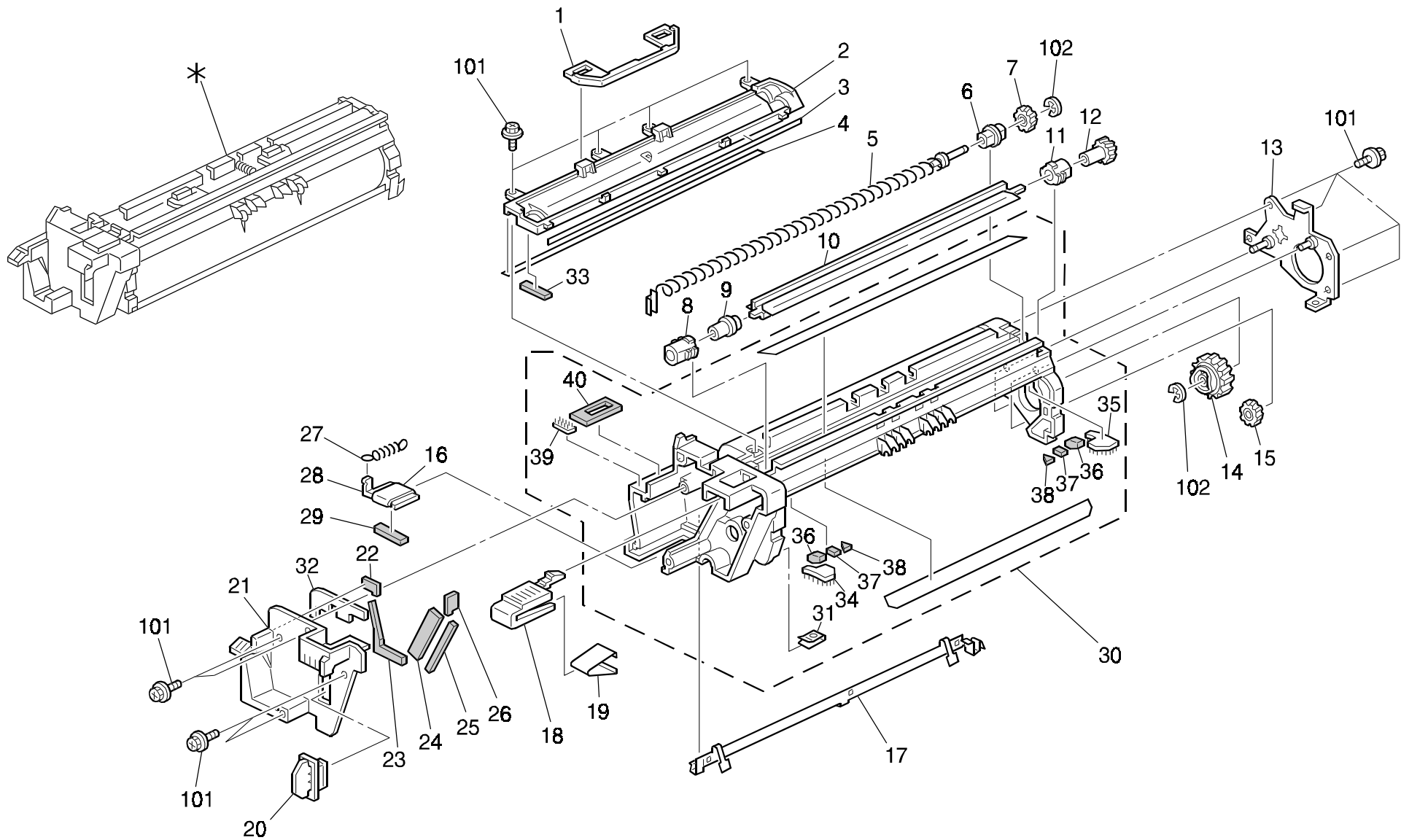


14.TONER HOPPER UNIT (A283/A284)

Index No.	Part No.	Description	Q'ty Per Assembly
1	A232 7266	Toner Supply Unit (RIC)	1
1	A232 7466	Toner Supply Unit (OEM)	1
2	A232 3266	Seal - Slide Rail	2
3	A232 3262	Slide Rail - Toner Supply	1
4	AA14 5810	Slide Shaft	1
5	A232 3261	Handle - Toner Supply	1
6	A232 3230	Case - Toner Supply Ass'y	1
7	A232 3263	Spring Plate - Toner Bottle	1
8	AA06 3566	Pressure Spring	1
9	A232 3251	Chuck Shaft	1
10	A232 3252	Slider Ass'y	1
11	A134 3180	Bottle Chuck	1
12	A232 7263	Cover - Toner Supply Unit (RIC)	1
12	A232 7463	Cover - Toner Supply Unit (OEM)	1
13	AA15 3083	Seal - Toner Supply Unit Cover (RIC)	1
13	AA15 3084	Seal - Toner Supply Unit Cover (OEM)	1

Index No.	Part No.	Description	Q'ty Per Assembly
101	0452 3010B	Tapping Bind Screw - M3x10	
102	0450 3008B	Tapping Screw - M3x8	

15.PCU UNIT 1 (A283/A284)

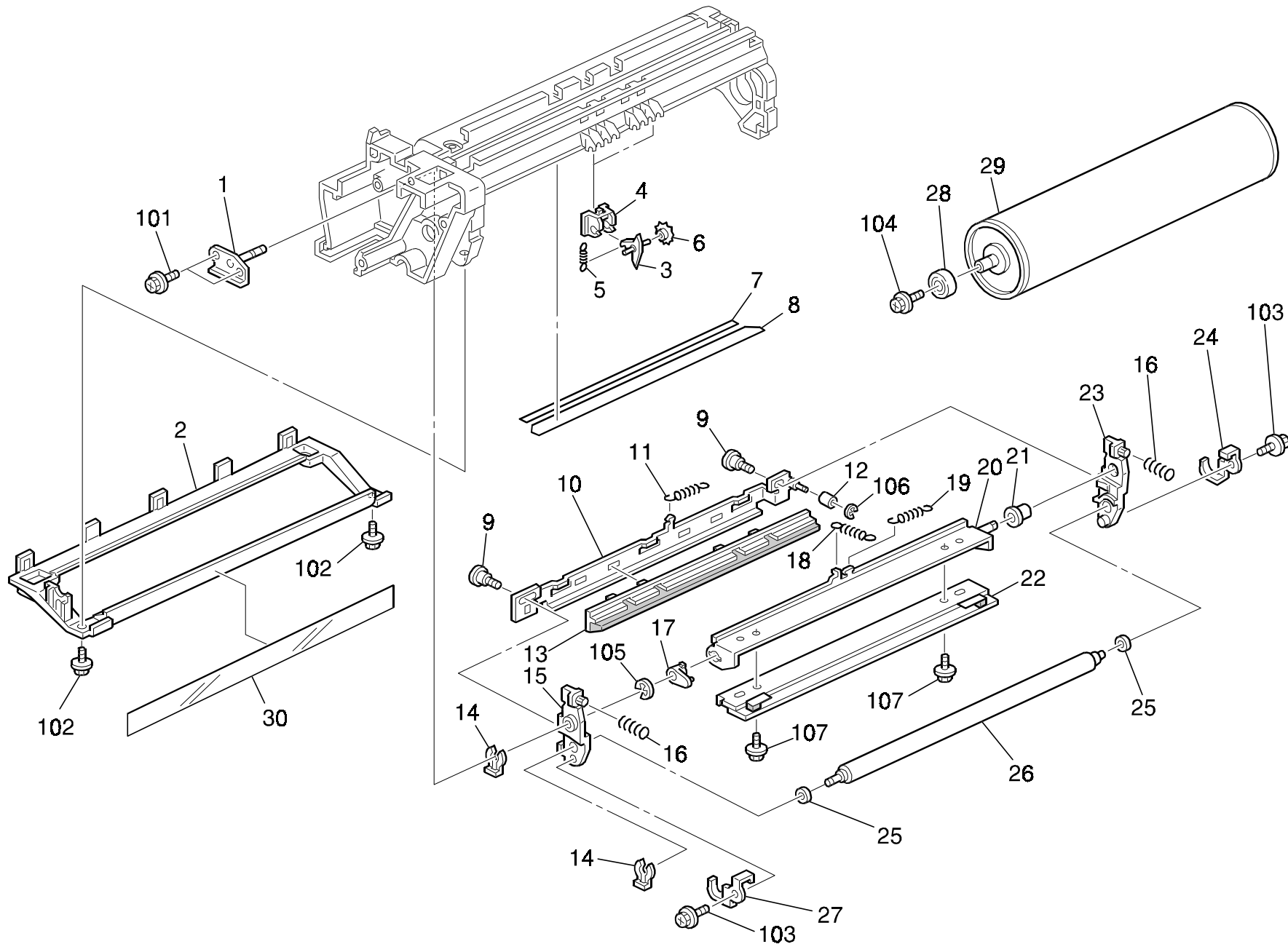


15.PCU UNIT 1 (A283/A284)

Index No.	Part No.	Description	Q'ty Per Assembly
*	A232 7361	PCU Assembly	1
1	A232 2293	Handle - PCU	1
2	A232 2281	Cover - Cleaning Unit	1
3	A232 2420	Right Seal - Cleaning Cover	1
4	A232 2419	Left Seal - Cleaning Cover	1
5	AD04 3050	Toner Collection Coil	1
6	A232 2292	Bushing - Toner Collection Coil	1
7	AB01 1377	Gear - 14Z	1
8	A232 2289	Front Bushing - Collection Mylar	1
9	A232 2288	Shaft - Toner Collection Mylar	1
10	AD04 4000	Toner Collection Mylar	1
11	A232 2290	Bushing - Collection Mylar	1
12	AB01 1378	Gear - 19Z	1
13	A232 2294	Idler Bracket	1
14	AB01 1380	Cam - Cleaning Blade	1
15	AB01 1379	Gear - 19Z	1
16	A232 2322	Shield - Shutter - Toner Supply	1
17	A232 2403	Receptacle - Charge Roller	1
18	A232 2329	Stopper - PCU	1
19	A232 2408	Spring Plate	1
20	A232 2328	Cap - Toner Supply	1
21	A232 2323	Front Cover - PCU	1
22	A232 2417	Seal - 1x7x12.5	1
23	A232 2413	Seal - Front Lower	1
24	A232 2414	Seal - 2x20x45	1
25	A232 2416	Seal - 1x3x80	1
26	A232 2412	Seal - 2x7x14.5	1
27	AA06 2303	Tension Spring	1
28	A232 2321	Shutter - Toner Supply	1
29	B004 2211	Shield - Shutter - Middle	1
30	A232 7365	Upper Frame - PCU	1
31	A232 1284	Spring Holder	1
32	B004 2210	Shield - PCU - Upper Left	1
33	B004 2212	Shield - Cleaning Cover - Front	1
34	A232 2277	Seal - Drum Front	1

Index No.	Part No.	Description	Q'ty Per Assembly
35	A232 2278	Seal - Drum Rear	1
36	A232 2399	Seal - Blade 13x9.5x3	2
37	A232 2348	Seal - Blade 12x7x3	2
38	A232 2350	Seal - Entrance	2
39	A232 3267	Seal - Toner Supply - Entrance -Front	1
40	A232 2279	Seal - Toner Supply Entrance	1
101	0450 3008B	Tapping Screw - M3x8	
102	0720 0040E	Retaining Ring - M4	

16.PCU UNIT 2 (A283/A284)

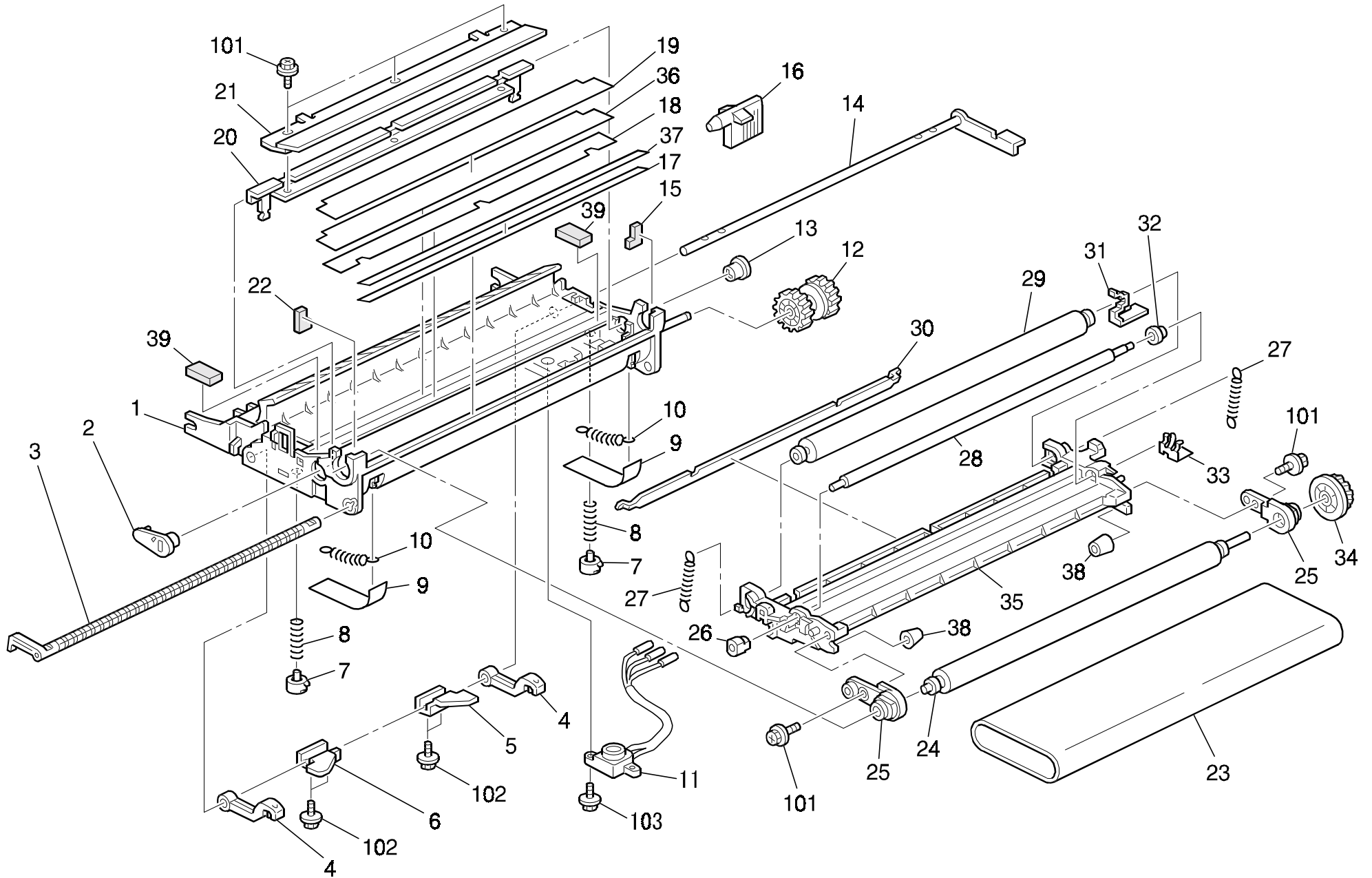


16.PCU UNIT 2 (A283/A284)

Index No.	Part No.	Description	Q'ty Per Assembly
1	A232 2316	Stud - Cleaning Bracket	1
2	A232 2406	Lower Frame - OPC	1
3	AD02 5021	Pick-off Pawl	2
4	A232 2340	Holder - Pick-off Pawl	2
5	AA06 2310	Pressure Spring	2
6	A232 2339	Spur	2
7	A232 2280	Tape - Entrance Seal	1
8	AD04 7023	Cleaning Entrance Seal	1
9	A232 2356	Stepped Screw - M6	2
10	A232 2298	Bracket - Charge Cleaning	1
11	AA06 2301	Tension Spring	1
12	A232 2300	Roller - Cleaning	1
13	A232 2430	Cleaning Pad	1
14	5447 2681	Snap Ring	2
15	A232 2303	Front Arm - Charge Unit	1
16	AA06 3561	Pressure Spring	2
17	A232 2315	Front Bushing - Cleaning Bracket	1
18	AA06 2299	Pressure Spring	1
19	AA06 2300	Tension Spring	1
20	A232 2310	Bracket - Cleaning Blade	1
21	A232 2318	Collar - Cleaning	1
22	A232 2353	Cleaning Blade Ass'y	1
23	A232 2305	Rear Arm - Charge Unit	1
24	A232 2308	Rear Terminal - Charge Roller	1
25	A232 2421	Bushing - 6x10x3	2
26	AD02 7006	Charge Roller	1
27	A232 2354	Front Terminal - Charge Roller	1
28	A232 3553	Ball Bearing - 8x16x5	1
29	A230 9510	OPC Drum	1
30	A232 2422	Guide PCU	1

Index No.	Part No.	Description	Q'ty Per Assembly
101	0450 3008B	Tapping Screw - M3x8	
102	0451 3008B	Tapping Screw - M3x8	
103	0450 3006B	Tapping Screw - M3x6	
104	0450 4010B	Tapping Screw - M4x10	
105	0720 0040E	Retaining Ring - M4	
106	0720 0015E	Retaining Ring - M1.5	
107	0451 3006B	Tapping Screw - M3x6	

17.TRANSFER UNIT 1 (A283/A284)



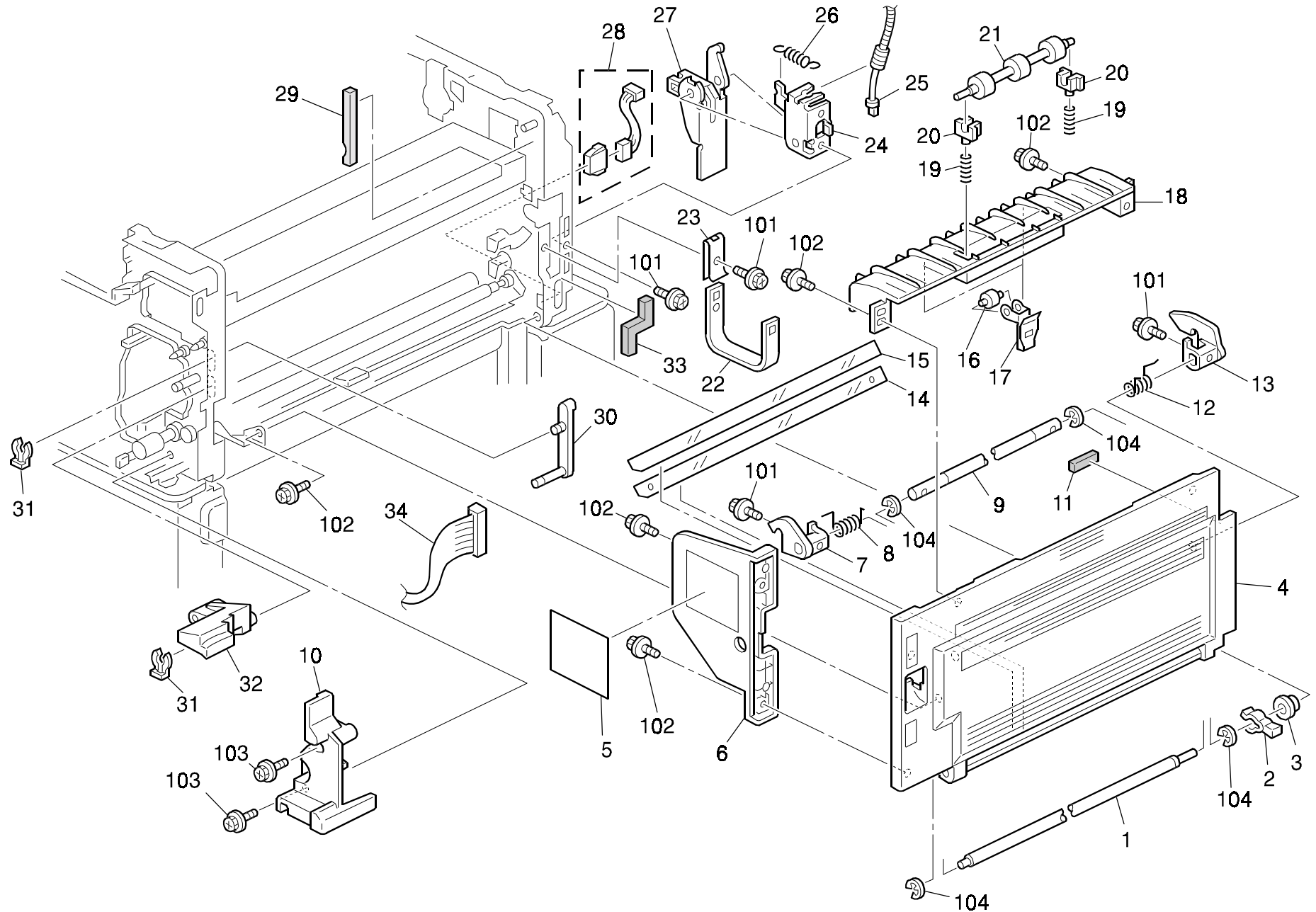
17.TRANSFER UNIT 1 (A283/A284)

Rev. 05/23/2002

Index No.	Part No.	Description	Q'ty Per Assembly
1	G035 3900	Case - Transfer Unit	1
2	A232 3925	Front Bushing - Cleaning Holder	1
3	A232 3935	Shaft - Transfer Unit Stopper	1
4	A232 3916	Pressure Lever - Transfer Belt	2
5	A232 3911	Rear Lever - Transfer Belt	1
6	A232 3912	Front Lever - Transfer Belt	1
7	A232 3921	Spring Anchor	2
8	AA06 3305	Torsion Spring	2
9	AA15 0401	Seal - 70x20	2
10	AA06 0711	Pressure Spring	2
11	AW31 0006	Toner Overflow Sensor	1
12	AB01 4189	Gear - 27Z	1
13	A232 3924	Rear Bushing - Cleaning Holder	1
14	A232 3917	Release Lever - Transfer Belt	1
15	A232 3908	Seal - Rear Case	1
16	A232 3913	Bin - Release Lever	1
17	A232 3903	Tape - Entrance Mylar	1
18	A232 3905	Seal - Shield Plate	1
19	A232 3907	Seal - Transfer Exit	1
20	A232 3923	Bracket - Cleaning Blade	1
21	A232 3830	Cleaning Blade - Transfer Belt	1
22	A232 3909	Seal - Front Case	1
23	A232 3880	Transfer Belt	1
24	A232 3894	Drive Roller - Transfer Belt	1
25	A232 3893	Arm - Transfer Belt	2
26	AA08 0246	Bushing-bias Roller	1
27	AA06 0712	Torsion Spring	2
28	A232 3889	Bias Roller	1
29	A232 3885	Driven Roller - Transfer Unit	1
30	A232 3883	Spring Plate - Transfer Unit	1
31	A232 3887	Rear Terminal - Transfer Belt	1
32	AA08 2054	Bushing - M4	1
33	A232 3891	Bias Terminal	1
34	AB01 1190	Gear - 25Z	1
35	A232 3882	Frame - Transfer Unit	1

Index No.	Part No.	Description	Q'ty Per Assembly
36	A232 3906	Seal - Rear Transfer Exit	1
37	A232 3904	Entrance Mylar - Transfer Unit	1
38	A232 3926	Transfer Belt Roller	2
39	A232 3927	Shield - Transfer Belt - Exit	2
101	0451 3006B	Tapping Screw - M3x6	
102	0951 3006B	Philips Screw With Flat Washer - M3x6	
103	0450 3008B	Tapping Screw - M3x8	

18.TRANSFER UNIT 2 (A283/A284)



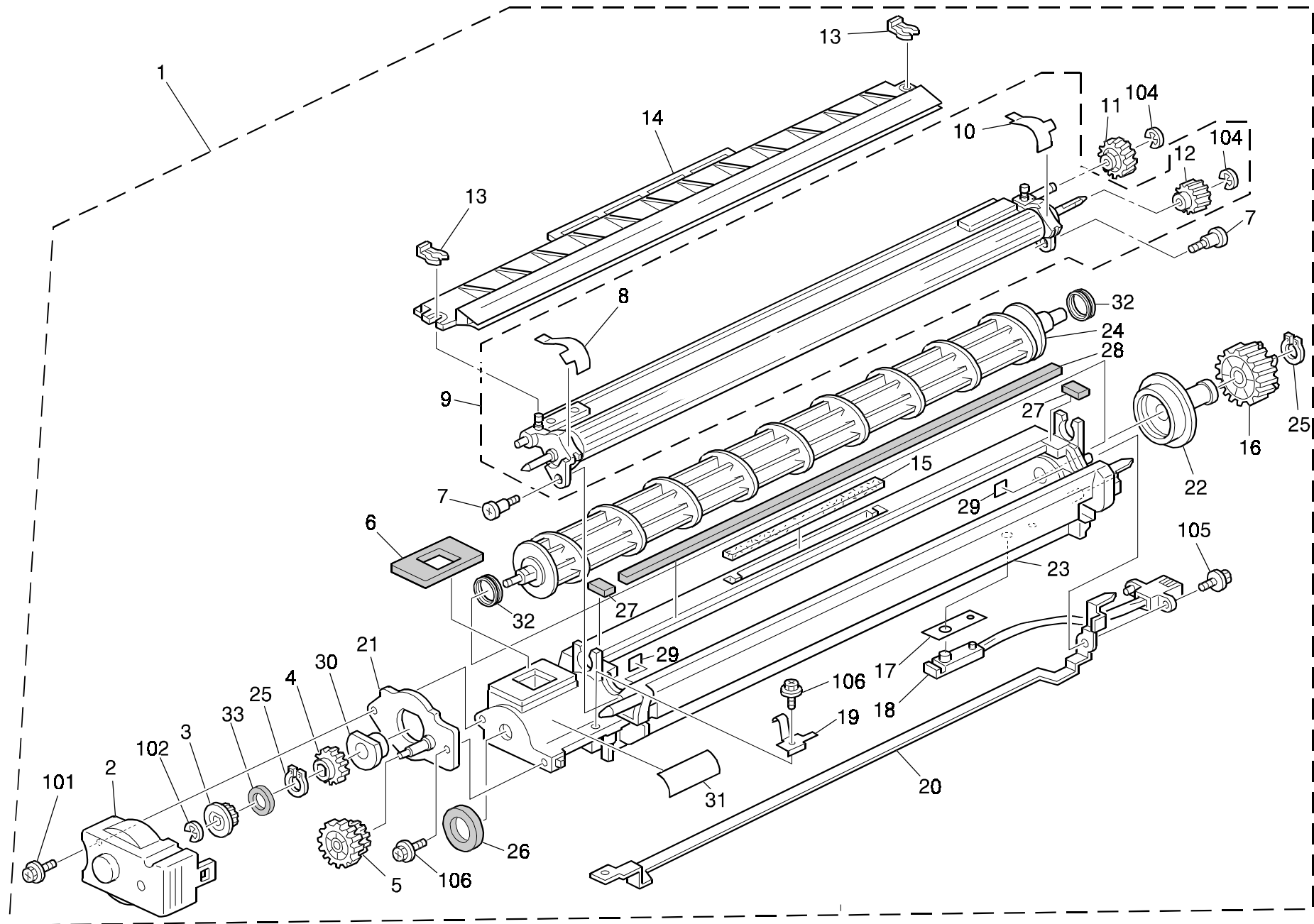
18.TRANSFER UNIT 2 (A283/A284)

Rev. 05/23/2002

Index No.	Part No.	Description	Q'ty Per Assembly
1	A232 3941	Fulcrum Pin - Right Cover	1
2	A232 3942	Stopper - Right Cover	1
3	AA08 2079	Bushing - 6x8x5.8	1
4	A232 3940	Right Cover	1
5	A232 3991	Decal - Shield Cover	1
6	A232 3977	Shield Cover	1
7	A232 3945	Front Hook - Right Cover	1
8	AA06 6575	Torsion Spring	1
9	AA14 0666	Shaft - Hook	1
10	G034 1373	Right Inner Cover	1
11	AA15 3392	Sponge - 24x6x5	1
12	AA06 6576	Torsion Spring	1
13	A232 3948	Rear Hook - Right Cover	1
14	A232 3999	Lower Entrance Guide	1
15	A232 3998	Upper Entrance Guide	1
16	AF04 0575	Driven Roller - M9	2
17	A232 4493	Roller Holder	2
18	A284 4491	Guide Plate - Fusing Exit	1
19	AA06 3306	Tension Spring	2
20	AA08 0232	Bushing - M4	2
21	AF02 0408	Driven Roller - M16	1
22	A232 3963	Band Stopper	1
23	A232 3962	Spring Plate - Band Stopper	1
24	A232 1160	Bracket - Switch Lever	1
25	AA05 1027	Wire - Fusing Drive	1
26	AA06 0689	Tension Spring	1
27	A232 1161	Lever - Interlock Switch	1
28	A232 5421	Harness - Toner Overflow Sensor	1
29	AA15 3393	Frame Seal - Rear Vertical	1
30	A232 3950	Hook Lever	1
31	5447 2681	Snap Ring	2
32	AG05 1137	Handle Lever	1
33	AA15 3391	Frame Seal - Rear Right	1
34	A232 3995	Relay Harness - Toner Overflow Sensor	1

Index No.	Part No.	Description	Q'ty Per Assembly
101	0451 3006B	Tapping Screw - M3x6	
102	0450 3008B	Tapping Screw - M3x8	
103	0451 3008H	Tapping Screw - M3x8	
104	0720 0060E	Retaining Ring - M6	

19.DEVELOPMENT UNIT (A283/A284)



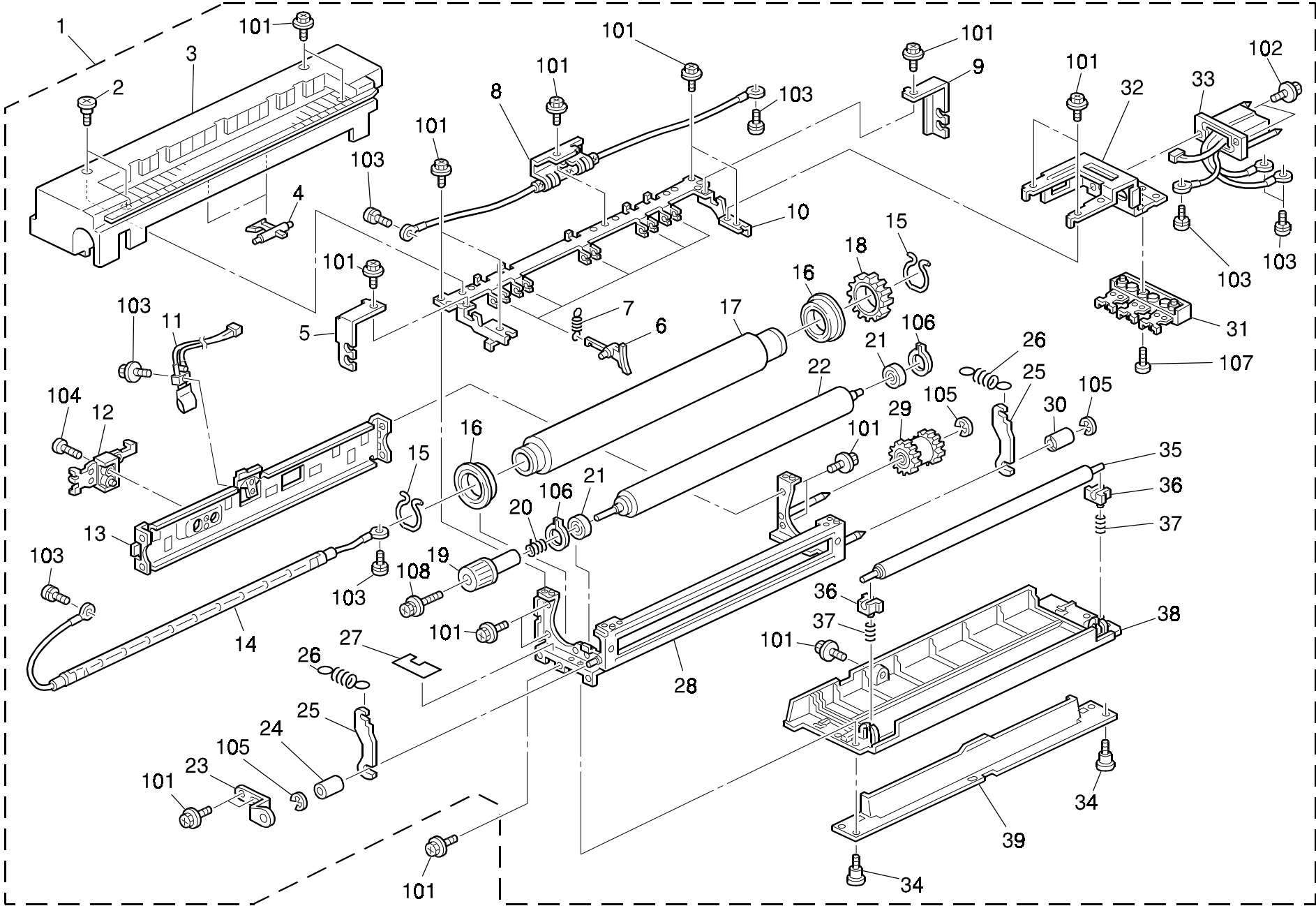
19.DEVELOPMENT UNIT (A283/A284)

Rev. 12/06/2001

Index No.	Part No.	Description	Q'ty Per Assembly
1	A232 7459	Development Unit	1
2	A232 3155	Front Cover - Development Unit	1
3	AB01 4061	Gear - 13Z	1
4	AB01 4060	Gear - 21Z	1
5	AB01 4062	Gear - 17Z/25Z	1
6	AA15 3052	Entrance Seal - Toner Supply	1
7	AA14 3219	Stepped Screw - M3	2
8	A232 3132	Rear Shield - Development Sleeve	1
9	A232 3100	Development Roller Ass'y	1
10	A232 3131	Front Shield - Development Sleeve	1
11	AB01 1446	Gear - 29Z	1
12	AB01 1386	Development Sleeve Gear	1
13	5206 2686	Snap Ring	2
14	A232 3150	Entrance Seal Ass'y	1
15	AA01 2102	Development Filter	1
16	AB01 1383	Joint Gear - 45z	1
17	A232 3067	Tape - TD Sensor	1
18	A232 3065	TD Sensor	1
19	A232 3068	Front Bias Terminal - Dev.unit	1
20	A232 3069	Rear Bias Terminal - Dev.unit	1
21	A232 3096	Flange - Side Plate	1
22	A232 3081	Flange - Paddle	1
23	A232 3056	Lower Development Case	1
24	AD03 8078	Paddle	1
25	AA15 2283	Ring - M12	2
26	AA15 3062	Sponge - M46	1
27	AA15 3054	Sponge - 17x7x5	2
28	AA15 3053	Sponge - 317x5x5	1
29	AA15 3077	Sponge - 8x8x2	2
30	AA08 0234	Bushing - 12x18x6	1
31	A232 3066	Decal - Development Unit	1
32	AA15 2283	Ring - M12	2
33	A232 3077	Spacer - M5	1

Index No.	Part No.	Description	Q'ty Per Assembly
101	0450 3010B	Tapping Screw - M3x10	
102	0720 0030E	Retaining Ring - M3	
103	0725 0110E	C Ring - M11	
104	0720 0040E	Retaining Ring - M4	
105	0450 3008B	Tapping Screw - M3x8	
106	0450 3010B	Tapping Screw - M3x10	

20.FUSING UNIT (A283/A284)



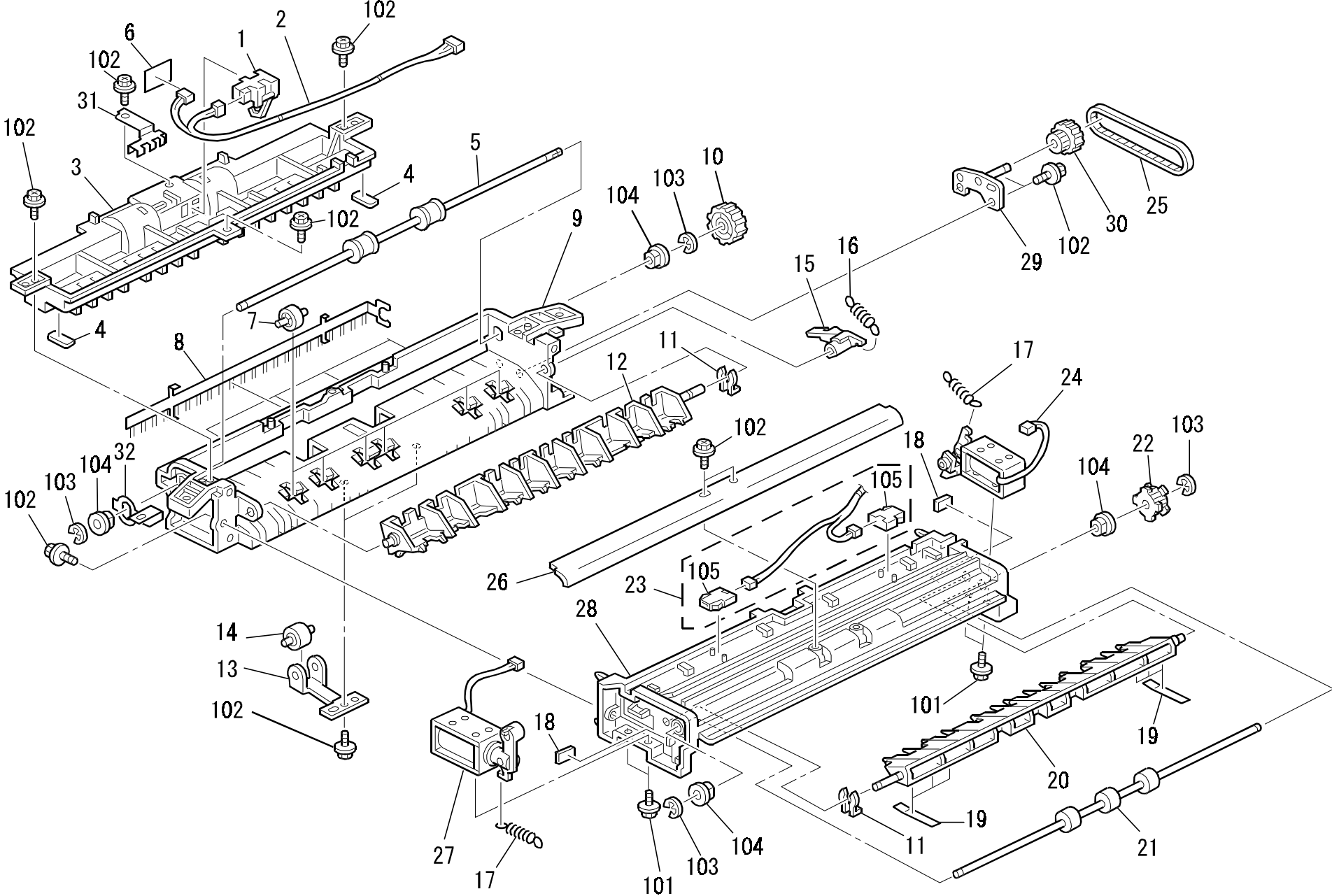
20.FUSING UNIT (A283/A284)

Rev. 08/09/2001

Index No.	Part No.	Description	Q'ty Per Assembly
1	A231 7320	Fusing Unit Ass'y - 115V	1
2	5206 2684	Shoulder Screw - M3	2
3	A232 4131	Fusing Cover	1
4	AE04 4024	Pressure Roller Stripper	2
5	A232 4111	Front Bracket - Fusing Lamp	1
6	AE04 4028	Stripper Pawls	5
7	AA06 0837	Tension Spring	5
8	A231 4100	Thermofuse	1
9	A232 4115	Rear Bracket - Fusing Lamp	1
10	A232 4081	Upper Frame - Fusing Unit	1
11	AW10 0051	Thermistor	1
12	A232 4105	Terminal Plate - Thermofuse	1
13	A232 4055	Stay - Fusing Unit	1
14	AX44 0107	Fusing Lamp - 120V 860W	1
15	A232 4064	C Ring - Hot Roller	2
16	A232 3559	Ball Bearing - 30x42x7	2
17	AE01 1059	Hot Roller	1
18	AB01 3882	Gear - 40Z	1
19	AG05 0086	Knob - Hot Roller	1
20	A232 4072	Spring - Hot Roller Knob	1
21	A232 3560	Ball Bearing - 8x22x7	1
22	AE02 0074	Pressure Roller - M30	1
23	A232 4059	Positioning Plate - Pressure Lever	1
24	A232 4057	Front Collar - Pressure Lever	1
25	A232 4056	Pressure Lever	2
26	AA06 0687	Pressure Spring	2
27	A232 4053	Fusing Lower Shield	1
28	A232 4051	Frame - Fusing Unit	1
29	AB01 4046	Gear - 25Z	1
30	A232 4058	Rear Collar - Pressure Lever	1
31	A232 4095	Terminal Plate - Fusing Unit	1
32	A232 4092	Bracket - Fusing Connector	1
33	A232 4094	Harness - Fusing Unit	1
34	AA14 0140	Screw - M3X4.5	2
35	AE04 2039	Fusing Cleaning Roller	1

Index No.	Part No.	Description	Q'ty Per Assembly
36	AA08 2073	Roller Busing	2
37	AA06 3570	Tension Spring	2
38	A232 4123	Upper Fusing Entrance Guide	1
39	A232 4127	Lower Fusing Entrance Guide	1
101	0451 3006B	Tapping Screw - M3x6	
102	0451 3008B	Tapping Screw - M3x8	
103	0950 4006M	Philips Screw With Flat Washer - M4x6	
104	0453 3012B	Binding Self Tapping Screw - 3x12	
105	0720 0030E	Retaining Ring - M3	
106	0720 0080E	Retaining Ring - M8	
107	0957 3012B	Double Sems Screw - M3 X 12	
108	0954 3008B	Philips Screw - M3x8	

21.PAPER SEPARATION UNIT (A283/A284)

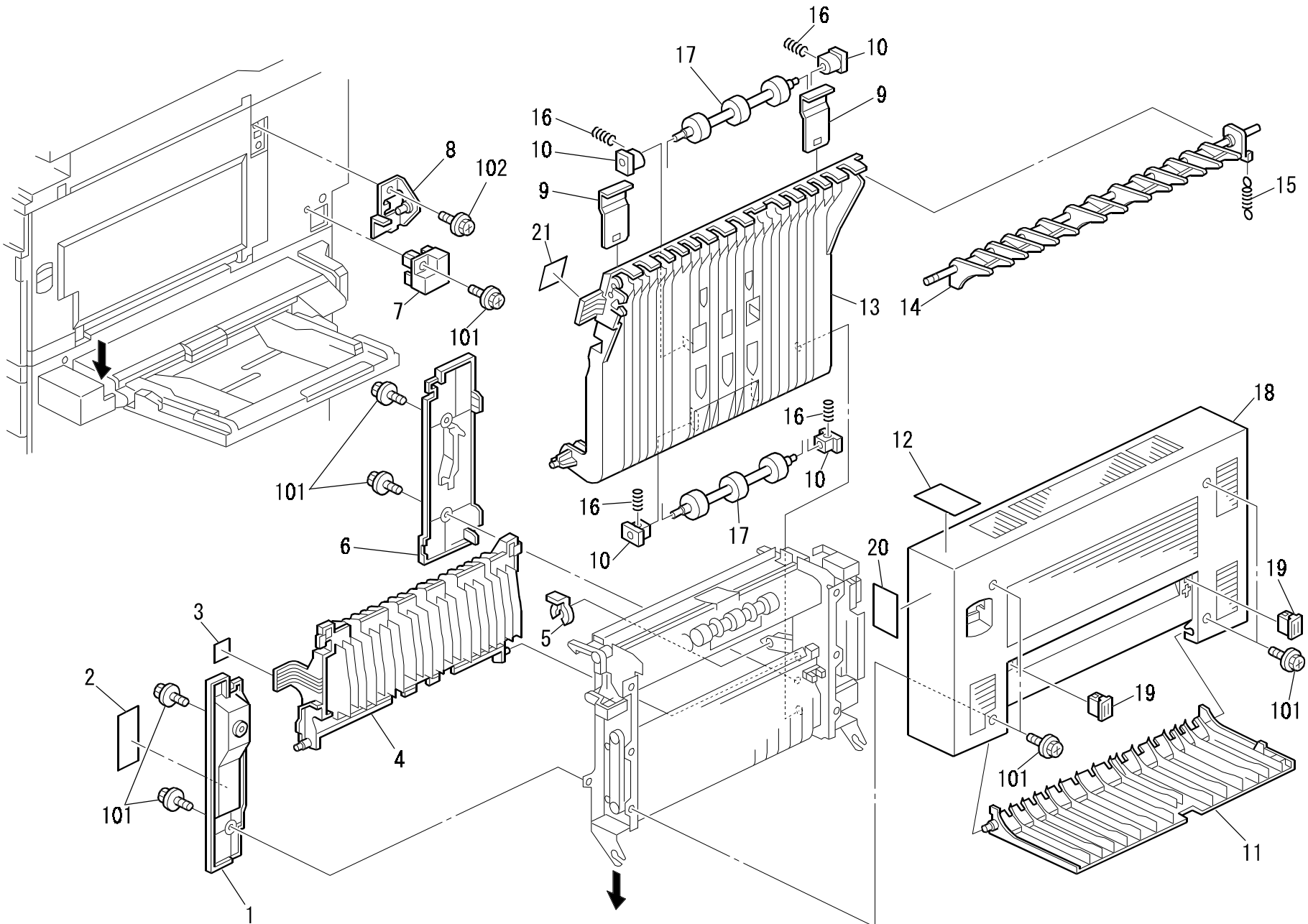


21.PAPER SEPARATION UNIT (A283/A284)

Index No.	Part No.	Description	Q'ty Per Assembly
1	AW02 0098	Photosensor	1
2	A232 5422	Harness - Exit Sensor	1
3	A232 4465	Upper Guide Plate - Paper Exit	1
4	AA16 1127	Cushion - 16x6x4	2
5	AF02 0406	Transport Roller	1
6	A232 4488	Harness Guide	1
7	AF04 0557	Roller - M16	6
8	A284 4460	Antistatic Brush	1
9	A232 4460	Left Frame - Paper Exit	1
10	AB01 4049	Gear - 24Z	1
11	5447 2681	Snap Ring	2
12	A232 4452	Gate Pawl - Entrance	1
13	A232 4463	Roller Holder	2
14	AF04 0560	Driven Roller	2
15	A232 4468	Lever - Entrance Junction Gate	1
16	AA06 0697	Tension Spring	1
17	AA06 0716	Tension Spring	2
18	AA16 1128	Cushion - 12x8x2	2
19	A232 4477	Guide - Junction Gate	6
20	A232 4473	Exit Junction Gate	1
21	AF02 0407	Transport Roller	1
22	AB03 0568	Pulley - 23T	1
23	A232 5423	Harness - Exit Gate Solenoid	1
24	A232 4481	Solenoid- Entrance Gate	1
25	AA04 3447	Timing Belt - S2M 210	1
26	A232 4479	Support Plate - Right Frame	1
27	A232 4484	Solenoid - Exit Gate	1
28	A232 4470	Right Frame - Paper Exit	1
29	A232 4474	Bracket - Idle Gear	1
30	AB01 7458	Gear Pulley - 18Z/22T	1
31	A284 4463	Grounding Plate - Exit Sensor	1
32	A284 4462	Grounding Plate - Transport Roller - Front	1

Index No.	Part No.	Description	Q'ty Per Assembly
101	0951 3005B	Philips Screw With Flat Washer M3x5	
102	0450 3008B	Tapping Screw - M3x8	
103	0720 0040E	Retaining Ring - M4	
104	0805 3480	Bushing - 6mm	
105	1102 6245	Relay Connector - 2P	

22.DUPLEX UNIT 1 (A283/A284)

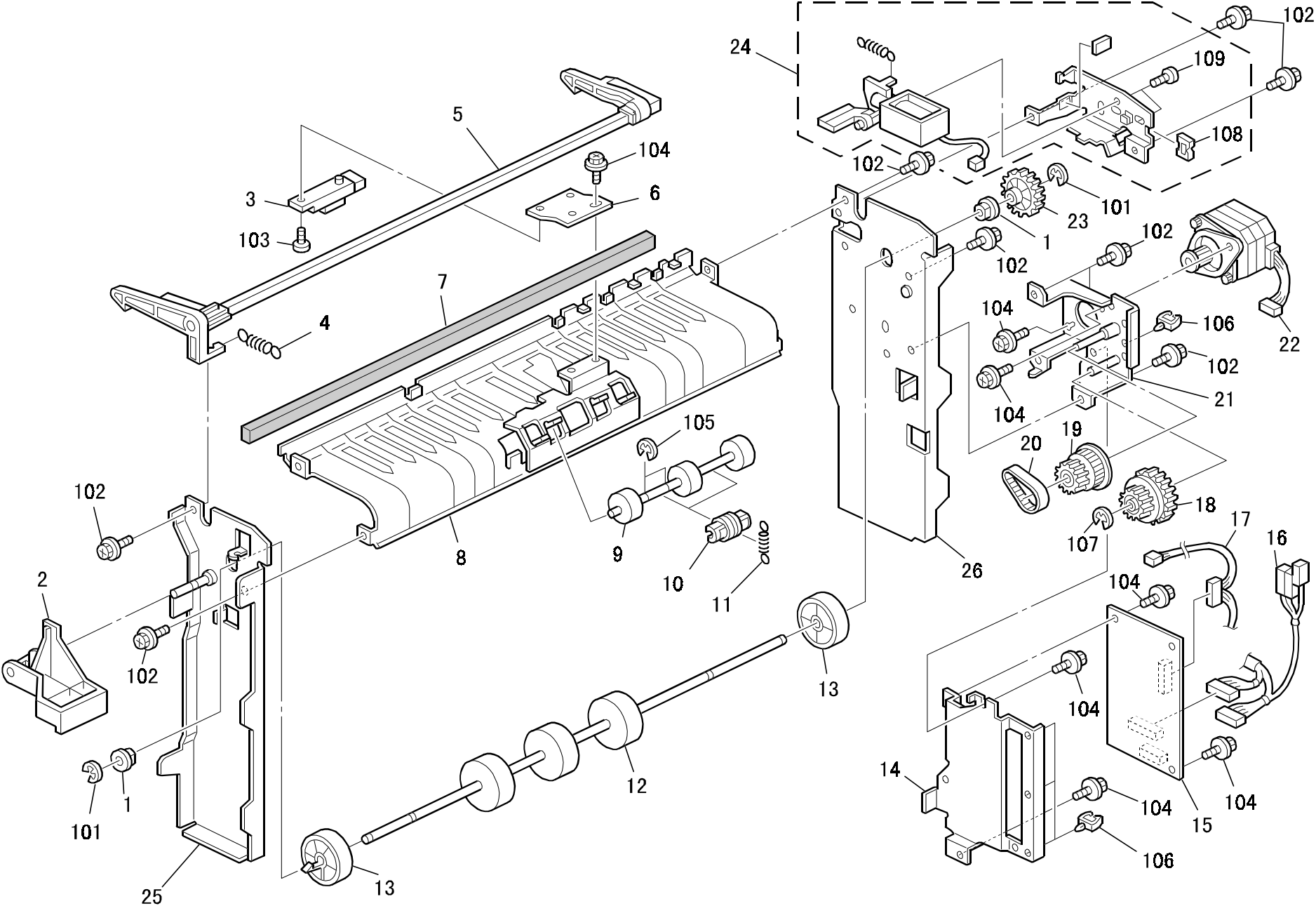


22.DUPLEX UNIT 1 (A283/A284)

Index No.	Part No.	Description	Q'ty Per Assembly
1	A232 4720	Inner Cover - Duplex Unit	1
2	A232 4852	Jam Removal Decal - Duplex	1
3	A232 4851	Decal - Jam Removal	1
4	A232 4645	Middle Guide Plate	1
5	5447 2681	Snap Ring	1
6	A232 4730	Rear Inner Cover	1
7	A232 4810	Harness Cover - Duplex Unit	1
8	A232 4793	Bracket - Link Lever	1
9	A232 4653	Pressure Plate - Guide Plate	2
10	AA08 0034	Bushing - 4x5x7	4
11	A232 4709	Support Tray - Duplex Unit	1
12	A232 4853	Upper Decal - Duplex Unit	1
13	A232 4648	Guide Plate - Driven Roller	1
14	AF02 5036	Duplex Junction Gate	1
15	AA06 0709	Tension Spring	1
16	AA06 3303	Pressure Spring	4
17	AF02 0412	Driven Roller	2
18	A232 4700	Duplex Cover	1
19	AA02 1030	Magnet Catch	2
20	A232 1386	Decal - Fusing Jam	1
21	A232 4850	Decal - Upper Grip	1

Index No.	Part No.	Description	Q'ty Per Assembly
101	0451 3008H	Tapping Screw - M3x8	
102	0451 3006B	Tapping Screw - M3x6	

23.DUPLEX UNIT 2 (A283/A284)

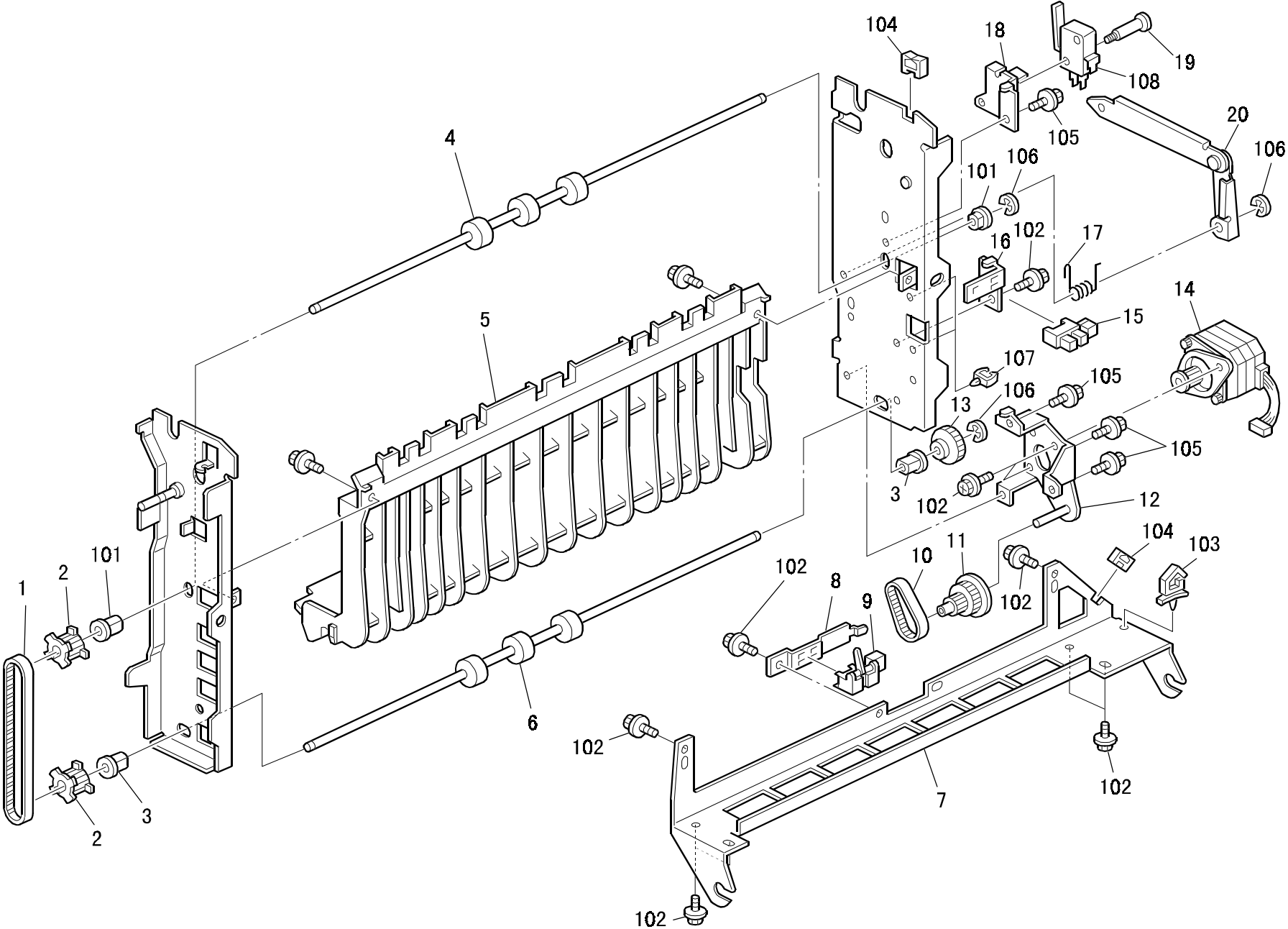


23.DUPLEX UNIT 2 (A283/A284)

Index No.	Part No.	Description	Q'ty Per Assembly
1	AA08 2074	Bushing - M8	2
2	A232 4684	Handle - Unit Release	1
3	AW01 0048	Photo Sensor - Gp2a28n1	1
4	AA06 6152	Tension Spring	1
5	A232 4685	Hook - Unit Release	1
6	A232 4763	Bracket - Entrance Sensor	1
7	AA16 2046	Cushion - 347x10x5	1
8	A232 4634	Inverter Guide	1
9	AF02 0411	Driven Roller	1
10	AA08 0227	Bushing - M4	2
11	AA06 0708	Pressure Spring	2
12	AF02 0413	Driven Roller	1
13	A232 4657	Inverter Roller	1
14	A232 4800	Bracket - Duplex Drive Board	13
15	A232 5140	Duplex Drive Board	1
16	A232 5432	Harness - Duplex Unit	1
17	A232 5433	Harness - Duplex Sensor	1
18	AB01 7455	Gear - 21Z/35Z	1
19	AB01 7456	Gear - 20Z	1
20	AA04 3443	Timing Belt - S2M 140	1
21	A232 4668	Bracket - Inverter Motor	1
22	A232 4665	DC Motor - 17w	1
23	AB01 4053	Gear - 30Z	1
24	A232 4692	Link Solenoid Ass'y	1
25	A232 4638	Front Side Plate	1
26	A232 4642	Rear Side Plate	1

Index No.	Part No.	Description	Q'ty Per Assembly
101	0720 0060E	Retaining Ring - M6	
102	0802 5265	Tapping Screw - M3x6	
103	0313 0060B	Philips Pan Head Screw - M3x6	
104	0451 3006B	Tapping Screw - M3x6	
105	0720 0030E	Retaining Ring - M3	
106	1105 0229	Clamp	
107	0720 0040E	Retaining Ring - M4	
108	1105 0328	Harness Clamp - ES-0505	
109	0313 0040B	Philips Pan Head Screw - M3x4	

24.DUPLEX UNIT 3 (A283/A284)



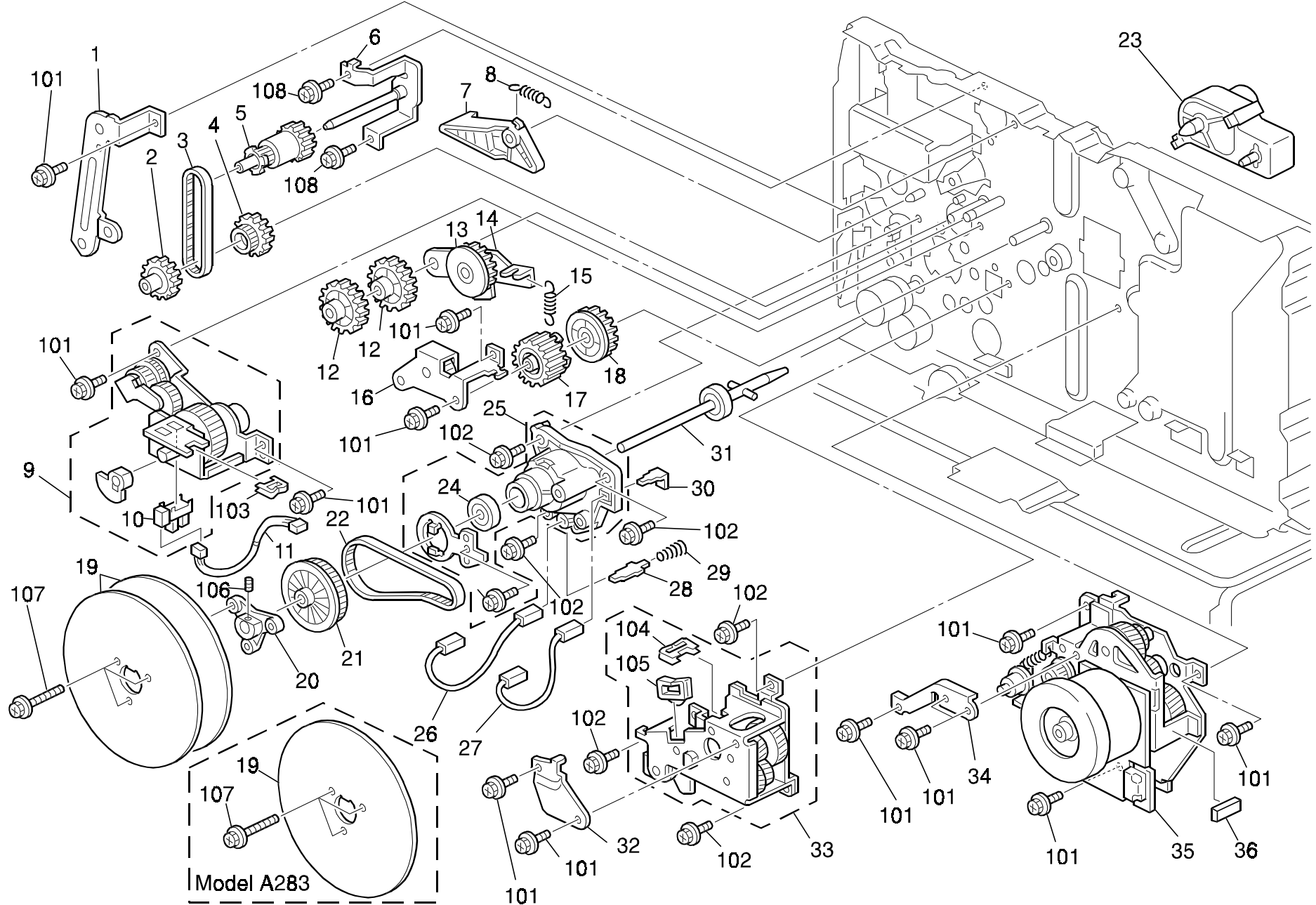
24.DUPLEX UNIT 3 (A283/A284)

Rev.08/09/2001

Index No.	Part No.	Description	Q'ty Per Assembly
1	AA04 3444	Timing Belt - S2M 350	1
2	AB03 0474	Pulley - 24T	2
3	AA08 2075	Bushing - M6	2
4	AF02 0414	Transport Roller	1
5	A232 4622	Guide Plate - Right Lower	1
6	AF02 0415	Transport Roller	1
7	A232 4630	Lower Stay - Duplex	1
8	A232 4757	Bracket - Feed Sensor	1
9	AW02 0126	Photointerrupter	1
10	AA04 3443	Timing Belt - S2M 140	1
11	AB01 7457	Gear Pulley - 20Z/40T	1
12	A232 4678	Bracket - Feed Motor	1
13	AB01 1088	Gear - 30Z	1
14	A232 4665	DC Motor - 17W	1
15	AW02 0056	Photointerrupter - EE-SX4235A-P1	1
16	A232 4751	Sensor Bracket	1
17	AA06 6293	Torsion Spring	1
18	A232 4697	Bracket - Micro Switch	1
19	AA14 3461	Stepped Screw - M2.5	1
20	A232 4790	Link - Duplex Unit	1

Index No.	Part No.	Description	Q'ty Per Assembly
101	0805 3480	Bushing - 6mm	
102	0451 3006B	Tapping Screw - M3x6	
103	1105 0291	Harness Clamp - LWS-3S	
104	1105 0328	Harness Clamp - ES-0505	
105	0802 5265	Tapping Screw - M3x6	
106	0720 0040E	Retaining Ring - M4	
107	1105 0229	Clamp	
108	1204 2466	Micro Switch - V-16506-1c25	

25.DRIVE SECTION 1 (A283/A284)

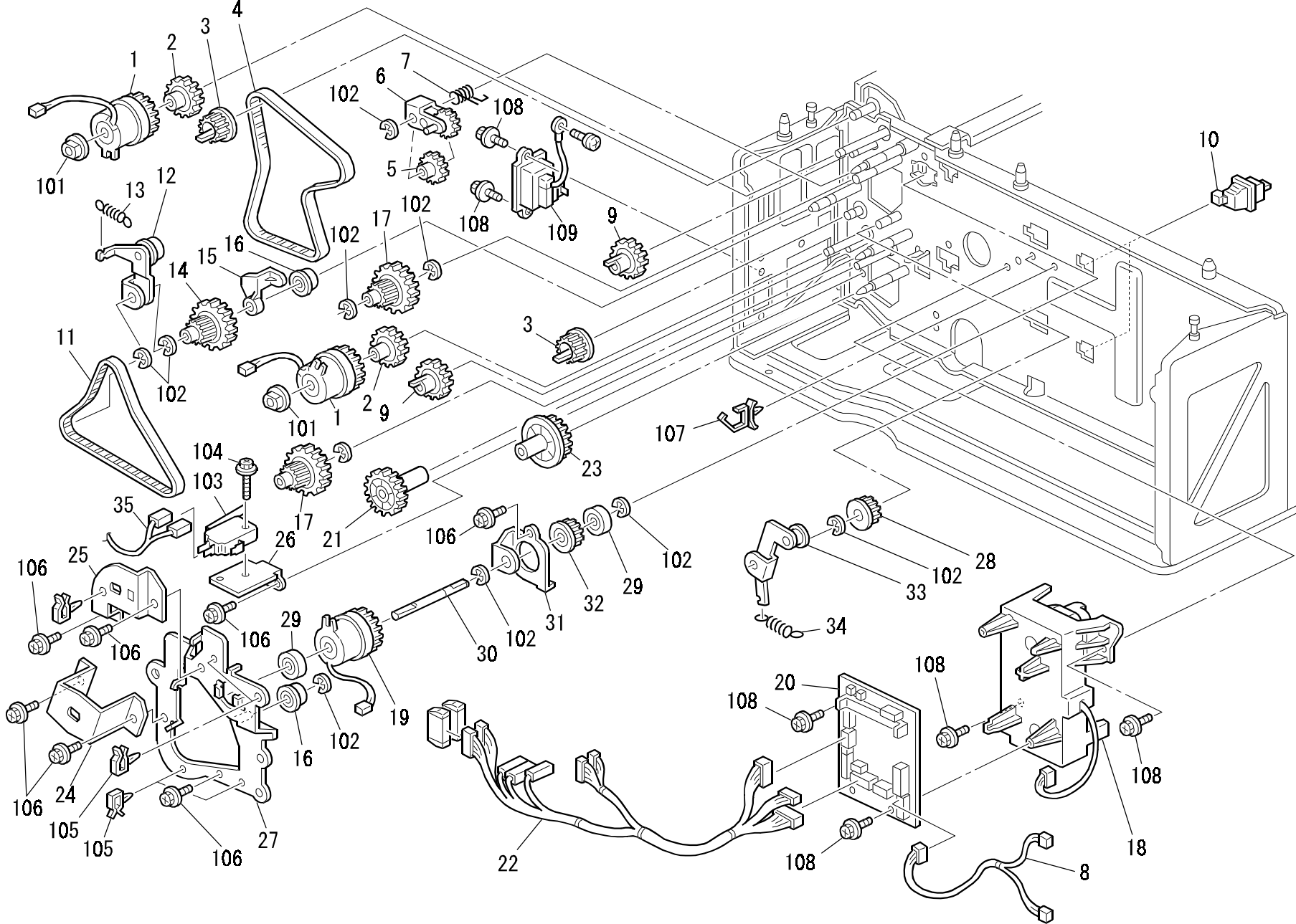


25.DRIVE SECTION 1 (A283/A284)

Index No.	Part No.	Description	Q'ty Per Assembly
1	A232 1138	Belt Holder	1
2	AB01 4048	Gear - 30Z	1
3	AA04 3442	Timing Belt - S3M-264	1
4	AB01 7460	Gear - Pulley - 30Z/24T	1
5	AB01 7461	Gear Pulley - 30Z/20T	1
6	A232 1136	Bracket - Belt Stopper	1
6	G034 1136	Bracket - Belt Stopper (GSA)	1
7	A232 2372	Lock Lever - Transfer Unit	1
8	AA06 0696	Tension Spring	1
9	A232 2379	Transfer Unit Clutch	1
10	AW02 0097	Photointerrupter	1
11	A232 5437	Relay Harness-charge Contact Sensor	1
12	AB01 4045	Gear - 33Z	2
13	AB01 4043	Gear - 39Z	1
14	A232 1124	Bracket - Gear	1
15	AA06 0690	Spring	1
16	A232 1115	Fusing Relay Gear	1
17	AB01 4041	Gear - 37Z	1
18	AB01 4042	Gear - 37Z	1
19	G020 1189	Fly Wheel (A283)	1
19	G020 1189	Fly Wheel (A284)	2
20	G020 1184	Flange - Fly Wheel	1
21	AB03 0574	Timing Pulley - 79T	1
22	AA04 3441	Timing Belt - S2M	1
23	AX05 0117	DC Motor - 2.4W	1
24	A232 3552	Ball Bearing - 8x22x7	1
25	A232 7210	Drum Holder	1
26	A232 2383	Harness - Development Bias	1
27	A232 2381	Harness - Charge Roller	1
28	A232 2382	Terminal Plate - Development Bias	1
29	AA06 3371	Spring	1
30	A232 2380	Terminal Plate - Change Roller	1
31	AD01 5020	Drum Shaft	1
32	A232 1149	Support Bracket - Drum Drive	1
33	A232 3170	Development Drive Unit Ass'y	1

Index No.	Part No.	Description	Q'ty Per Assembly
34	A232 1151	Link Plate - Drum Drive	1
35	AX06 0146	DC Motor - 38W (A283)	1
35	AX06 0145	DC Motor - 48W (A284)	1
36	A232 5839	Sheet - DC Motor	1
101	0451 3006B	Tapping Screw - M3x6	
102	0451 3008B	Tapping Screw - M3x8	
103	1105 0328	Harness Clamp - ES-0505	
104	1105 0329	Clamp - ES-0510	
105	1105 0349	Edge Saddle	
106	0534 0050E	Headless Screw - M4 X 5	
107	0451 3014B	Tapping Screw - M3-14	
108	0802 5276	Tapping Screw With Washer - M3x6	

26.DRIVE SECTION 2 (A283/A284)

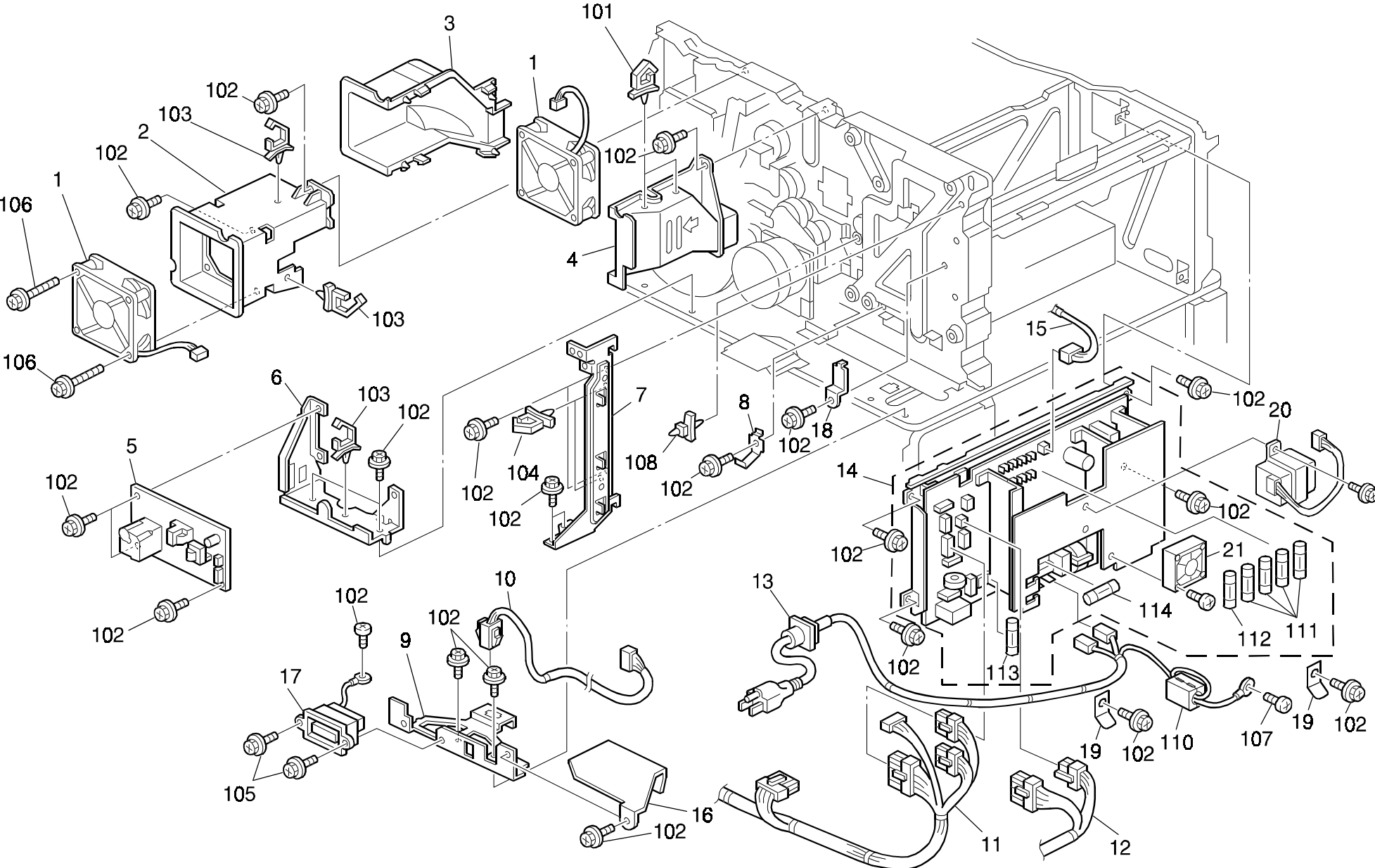


26.DRIVE SECTION 2 (A283/A284)

Index No.	Part No.	Description	Q'ty Per Assembly
1	AX20 0153	Electrical Clutch	2
2	AB01 4037	Gear - 24Z	2
3	AB03 0565	Timing Pulley - 20T	2
4	AA04 3445	Timing Belt - S3M-360	1
5	AB01 4036	Gear - 27Z	1
6	A232 2700	Arm - Gear	1
7	AA06 6292	Tension Spring	1
8	A232 5406	Harness - Paper Tray Set	1
9	AB01 4038	Gear - 22Z	2
10	AW50 0022	Push Switch	2
11	AA04 3446	Timing Belt - S3M-312	1
12	A232 2705	Tightener - Paper Feed	1
13	AA06 0694	Tension Spring	1
14	AB03 0562	Timing Pulley - 31Z/20T	1
15	A232 2709	Spacer - By-pass Feed	1
16	AB03 0590	Pulley - M17	1
17	AB03 0561	Timing Pulley - 31Z/20T	2
18	AX04 0077	DC Motor - 3W (GES,-30,-37)	1
18	AX04 0078	DC Motor - 3W	1
19	AX20 0138	Electrical Clutch	1
20	A232 5130	PFB Board	1
21	AB01 4039	Gear - 31Z	1
22	A232 5405	Main Harness - Paper Feed	1
23	AB01 4040	Gear - 29Z	1
24	A232 2711	Lower Holder Plate	1
25	A232 2710	Upper Holder Plate	1
26	A232 2882	Bracket - Micro Switch	1
27	A232 2707	Support Bracket	1
28	AB03 0567	Timing Pulley - 18T	1
29	A232 3552	Ball Bearing - 8x22x7	2
30	AA14 5260	Gear Shaft	1
31	A232 2702	Pulley Bracket	1
32	AB03 0566	Timing Pulley - 20T	1
33	A232 2703	Tightener	1
34	AA06 0695	Tension Spring	1

Index No.	Part No.	Description	Q'ty Per Assembly
35	A232 5522	Harness - Interlock Switch	1
101	0805 3480	Bushing - 6mm	
102	0720 0060E	Retaining Ring - M6	
103	1204 2466	Micro Switch - V-16506-1c25	
104	0451 3014B	Tapping Screw - M3-14	
105	1105 0267	Harness Clamp - YMC-10-0	
106	0451 3006B	Tapping Screw - M3x6	
107	1105 0310	Harness Clamp - LWS-1S	
108	0451 3008H	Tapping Screw - M3x8	
109	1102 7672	Connector - 54111-1615	

27.ELECTRICAL SECTION 1 (A283/A284)

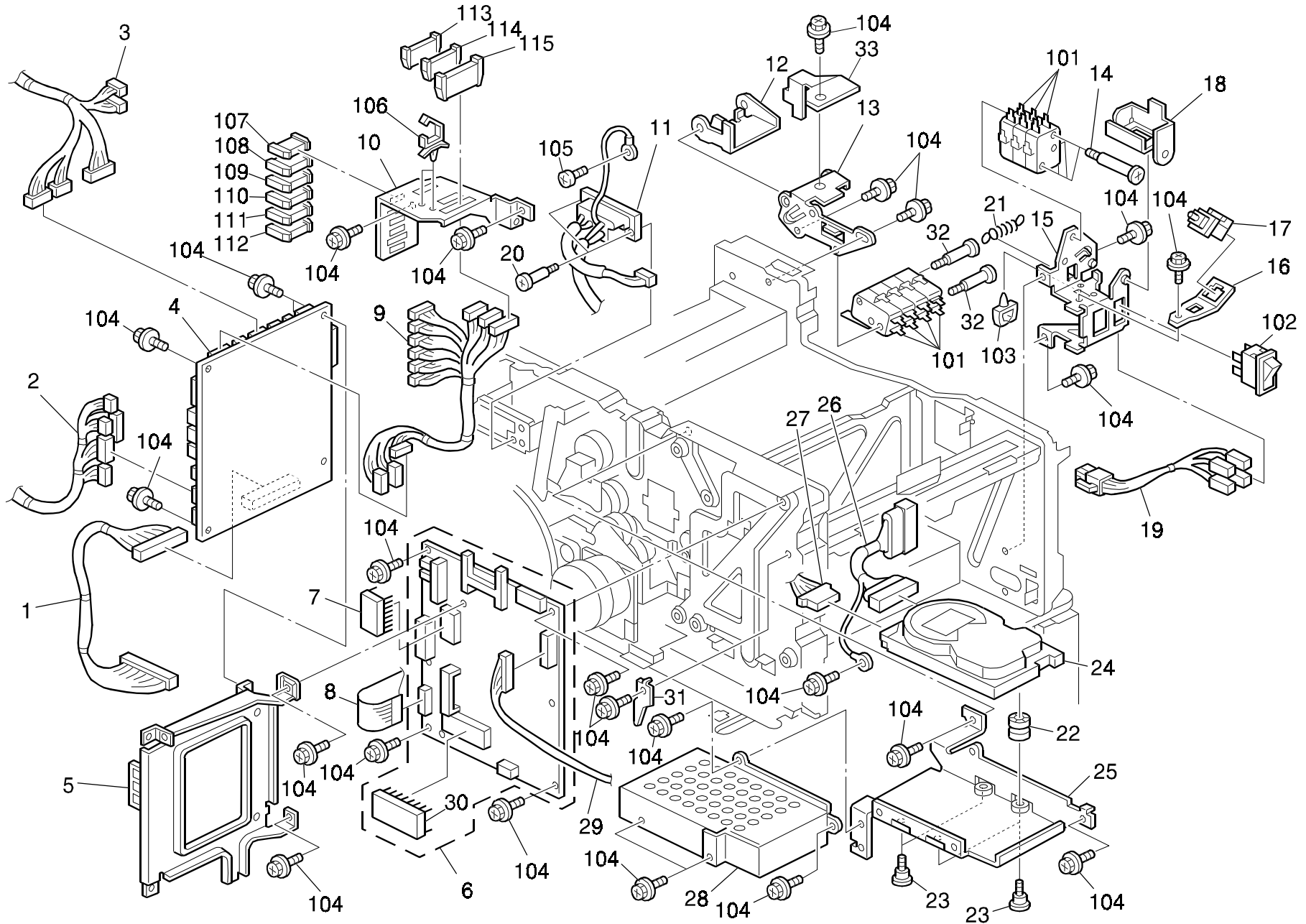


27.ELECTRICAL SECTION 1 (A283/A284)

Index No.	Part No.	Description	Q'ty Per Assembly
1	AX64 0080	Fan Motor - DC 2.88W	2
2	A232 1172	Duct - Cooling Fan	1
3	A232 1170	Left Duct	1
3	G034 1170	Left Duct (GSA)	1
4	A232 1171	Right Duct	1
5	AZ32 0086	High Voltage Supply - CBT	1
6	A232 5811	Bracket High Voltage Supply	1
7	A284 1086	Support Plate - Scanner Arm	1
8	A232 1936	Holder - Laser Unit Ass'y	1
9	A232 5874	Bracket - Power Supply Cord	1
10	A232 7758	Harness - Heater	1
11	A232 5520	Harness - DC Supply	1
12	A284 5500	DC Harness - Scanner	1
13	A232 5526	Power Supply Cord - 115V	1
14	AZ23 0077	Power Supply Unit - 115V	1
14	AZ23 0074	Power Supply Unit - 115V (GSA)	1
15	A232 5522	Harness - Interlock Switch	1
16	A232 1349	Harness Rear Cover	1
17	A232 5410	Connector - Finisher	1
18	A284 1015	Bracket - BICU	1
19	G034 5820	Spring Plate - Power Supply Unit	2
20	N601 4576	Coil - SK12M4	1
21	N607 6527	Fan Motor - DC 0.96W	1

Index No.	Part No.	Description	Q'ty Per Assembly
101	1105 0291	Harness Clamp - LWS-3S	
102	0451 3006B	Tapping Screw - M3x6	
103	1105 0310	Harness Clamp - LWS-1S	
104	1105 0292	Wire Saddle	
105	0451 3008B	Tapping Screw - M3x8	
107	0801 0149	Philips Pan Head Screw - M4x6	
108	1105 0437	Locking Support - FGS-4S	
109	0450 4035B	Philips Tapping Screw - M4x35	
110	1607 0627	Ferite Core - SFC-10	
111	1107 0907	Fuse - 6.3A 125V	
112	1107 0906	Fuse - 4A 125V	
113	1107 0910	Fuse - 2A 125V	
114	1107 0919	Fuse - 8A 125V	

28.ELECTRICAL SECTION 2 (A283/A284)



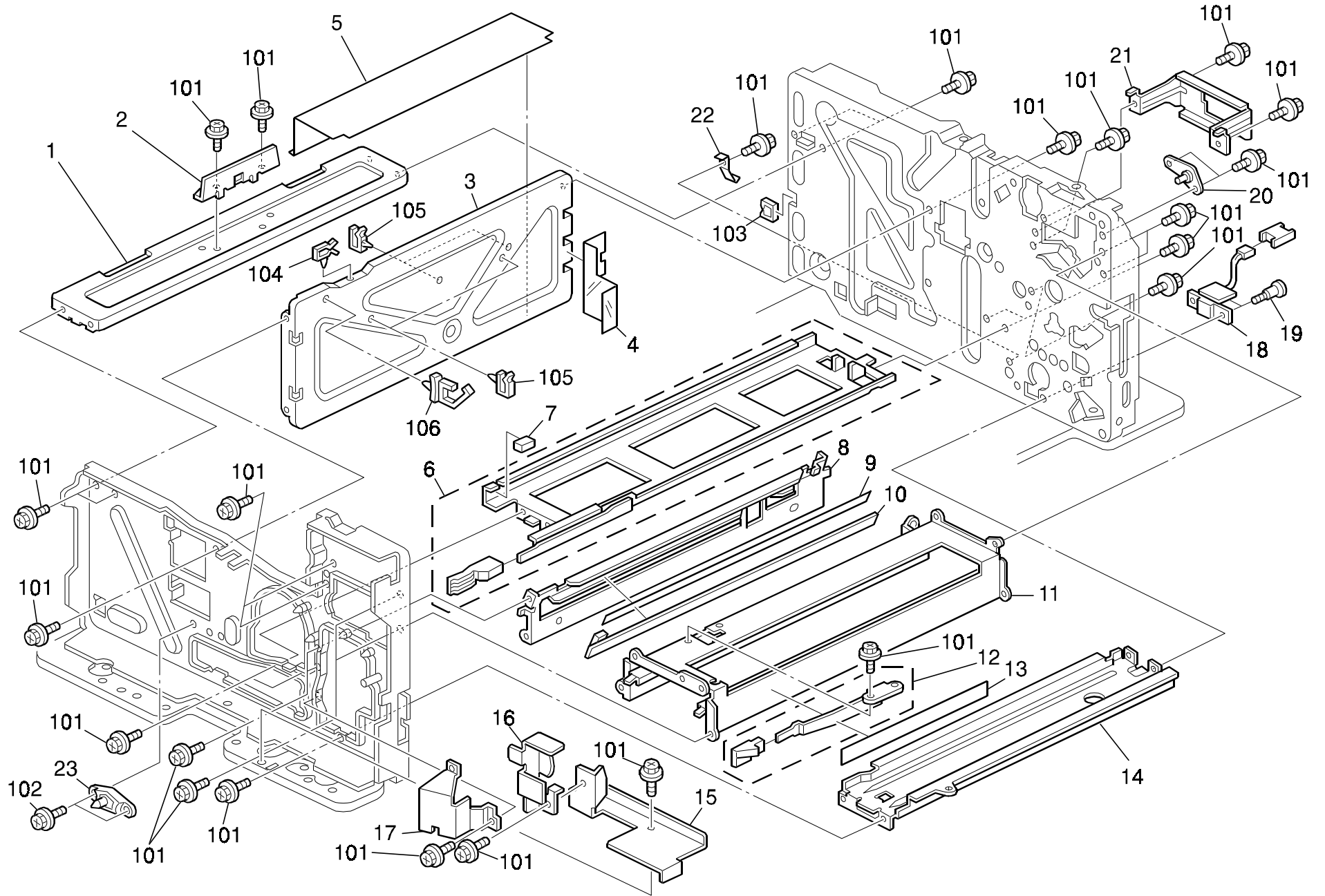
28.ELECTRICAL SECTION 2 (A283/A284)

Rev. 06/24/2002

Index No.	Part No.	Description	Q'ty Per Assembly
1	A232 5403	Harness - IOB / PFB	1
2	A232 5401	DC Main Harness - Lower	1
3	A284 5520	DC Harness - Front Upper	1
4	A232 5125	IOB Board	1
5	A232 5831	Bracket - IOB	1
6	A284 5960	BICU Board	1
7	A284 9099	NVRAM - Minus Counter	1
8	A284 5441	Harness - Laser Diode Control	1
9	A232 5400	DC Main Harness - Upper	1
10	A232 5825	Connector Bracket	1
11	A232 5431	Main Harness - Fusing Unit	1
12	A232 5861	Lever - Interlock Switch	1
13	A232 5860	Bracket - Interlock Switch	1
14	AA14 3512	Stepped Screw - M2.5	2
15	A232 5866	Bracket - Push Switch	1
16	A232 5867	Angle Bracket - Push Switch	1
17	AW50 0022	Push Switch	1
18	A232 5865	Lever - Push Switch	1
19	A232 5515	Harness - AC Switch	1
20	AA14 3301	Stepped Screw - M3x4	1
21	AA06 0713	Tension Spring	1
22	AA16 1125	Rubber Cushion	4
23	AA14 3499	Stepped Screw	4
24	A691 5863	Hard Disk Drive	1
25	A284 5892	HDD Bracket	1
26	A284 5880	MSU Harness	1
27	A284 5881	HDD DC Harness	1
28	A284 5893	HDD Cover	1
29	A284 5603	BICU Harness	1
30	A691 5170	ROM - MSU	1
31	A232 5838	Spring Plate - BICU	1
32	AA14 3519	Stepped Screw - M2.5-L	2
33	A232 5862	Cover - Switch Lever	1

Index No.	Part No.	Description	Q'ty Per Assembly
101	1204 2466	Micro Switch - V-16506-1C25	
102	1204 2468	Switch - AC250/16A	
103	1105 0229	Clamp	
104	0451 3006B	Tapping Screw - M3x6	
105	0950 4006M	Philips Screw With Flat Washer - M4x6	
106	1105 0310	Harness Clamp - LWS-1S	
107	1102 6261	Relay Connector - 4P	
108	1102 6249	Relay Connector - 6P	
109	1102 6246	Relay Connector - 4P	
110	1102 6260	Relay Connector - 3P	
111	1102 6247	Connector - 4P	
112	1102 6245	Relay Connector - 2P	
113	1102 6943	Relay Connector -10p	
114	1102 6266	Relay Connector - 9P	
115	1102 6256	Relay Connector - 13P	

29.FRAME SECTION 1 (A283/A284)

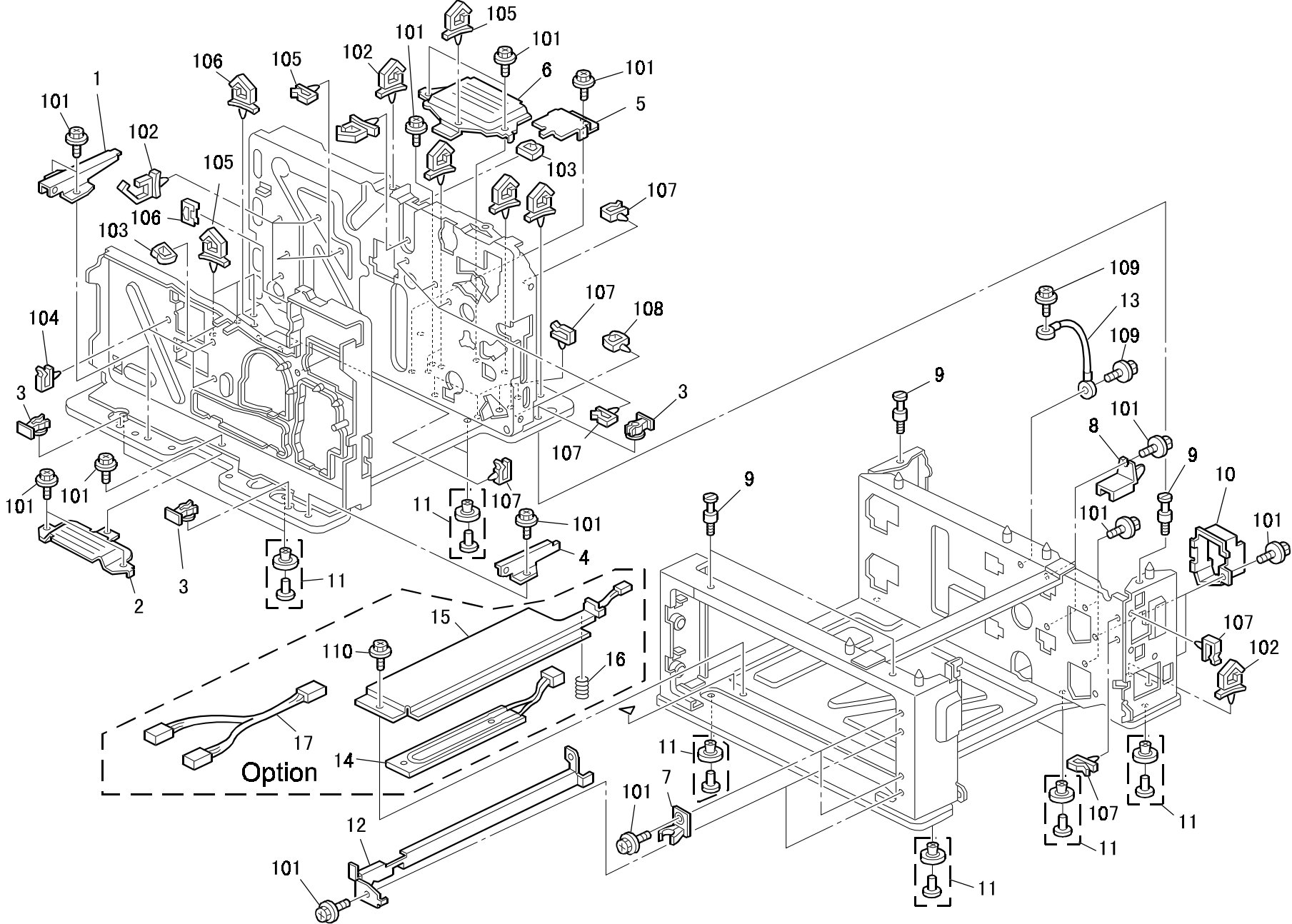


29.FRAME SECTION 1 (A283/A284)

Index No.	Part No.	Description	Q'ty Per Assembly
1	A232 1082	Left Stay - Paper Exit	1
2	A232 1083	Bracket - Bridge Unit	1
3	A232 1081	Center Frame	1
4	AA15 0684	Shield Plate	1
5	A232 1089	Upper Plate - Laser Unit	1
6	A232 3210	Guide - Toner Supply Unit	1
7	A232 3264	Stopper - Slide Rail	1
8	A232 2362	Stay - PCU	1
9	A232 2373	Magnet - Quenching Lamp	1
10	AX50 0046	Quenching Lamp	1
11	A232 1075	Guide Rail - Fusing Unit	1
12	A232 4201	Stopper - Fusing Unit	1
13	A190 4476	Decal - High Temperature	1
14	A232 1071	Guide Rail - Development Unit	1
15	A232 1176	Lower Development Bracket	1
16	A232 1177	Development Bracket	1
17	G034 1968	Shield Plate - LDDR	1
18	A232 5425	Development I/F Board	1
19	AA14 3432	Stepped Screw - M3	2
20	A232 4780	Pin - Stopper	1
21	A232 1088	Bracket- Fusing Connector	1
22	A232 1936	Holder - Laser Unit Ass'y	1
23	A232 1937	Positioning Pin - Laser Unit Ass'y	1

Index No.	Part No.	Description	Q'ty Per Assembly
101	0451 3006B	Tapping Screw - M3x6	
102	0451 3008B	Tapping Screw - M3x8	
103	1105 0349	Edge Saddle	
104	1105 0267	Harness Clamp - YMC-10-0	
105	1105 0290	Harness Clamp - HORIZONTAL	
106	1105 0291	Harness Clamp - LWS-3S	

30.FRAME SECTION 2 (A283/A284)

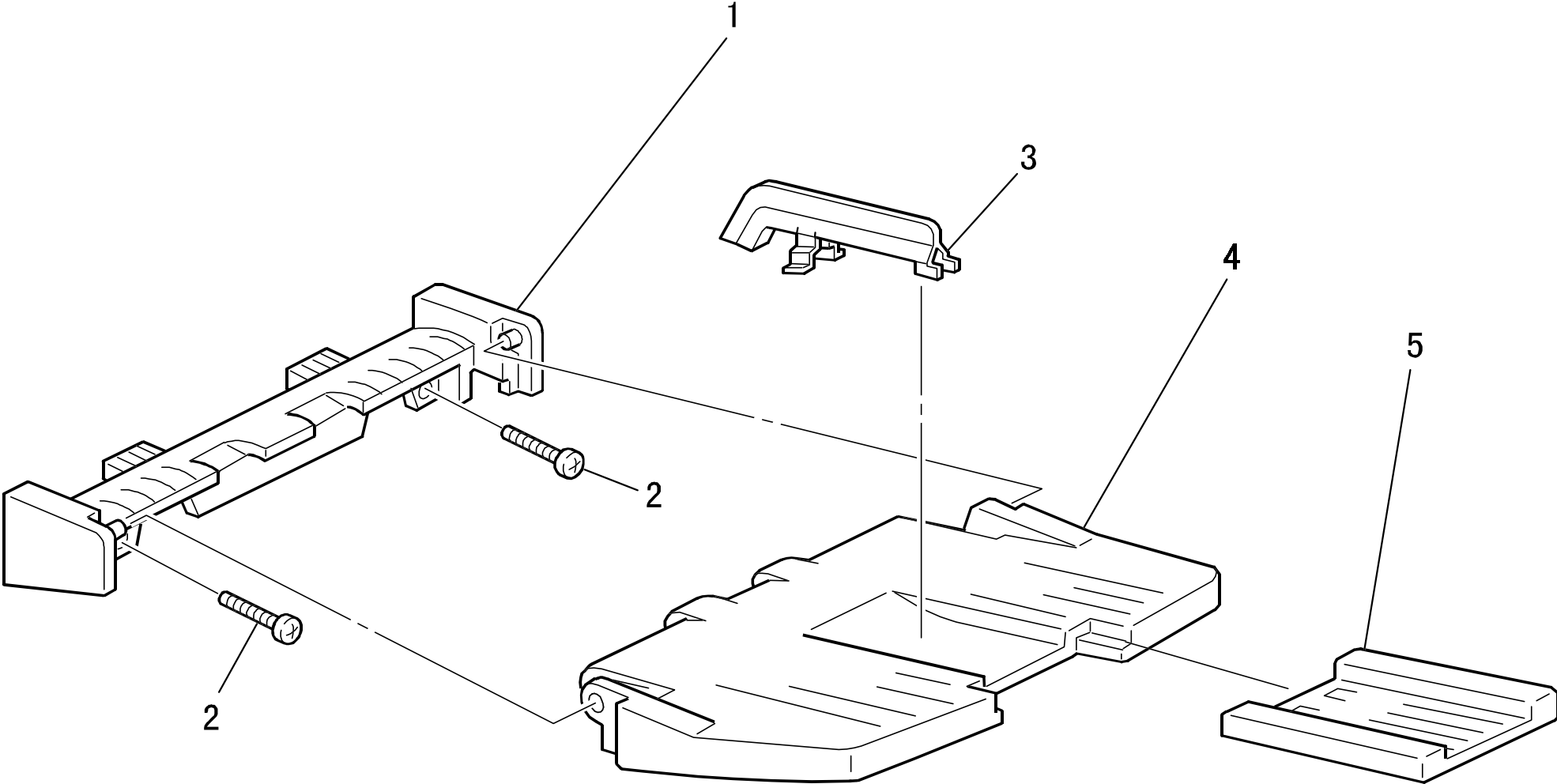


30.FRAME SECTION 2 (A283/A284)

Index No.	Part No.	Description	Q'ty Per Assembly
1	A232 1266	Left Hinge - Front Cover	1
2	A232 1052	Front Grip Plate	1
3	A232 1054	Joint Stopper	4
4	A232 1267	Right Hinge - Front Cover	1
5	G020 1053	Guard Bracket	1
6	A232 1053	Rear Grip Plate	1
7	A232 2995	Front Positioning Guide	2
8	A232 2996	Rear Positioning Guide	1
9	AA14 3502	Bin Joint Guide	4
9	AA14 3511	Bin Joint Guide (GSA)	4
10	A232 2692	Cover - Paper Drive	2
11	AH01 0009	Rubber Pad - H5	9
12	A232 2990	Guide Rail - Paper Tray	2
13	A230 5516	Ground Wire Harness	1
14	AX40 0109	Heater - 120V 9W	1
15	A230 2520	Heat Sink - Heater	1
16	A230 2525	Stopper - Heater	1
17	A230 5518	AC Harness - Connector	1

Index No.	Part No.	Description	Q'ty Per Assembly
101	0451 3006B	Tapping Screw - M3x6	
102	1105 0310	Harness Clamp - LWS-1S	
103	1105 0349	Edge Saddle	
104	1105 0290	Harness Clamp - HORIZONTAL	
105	1105 0291	Harness Clamp - LWS-3S	
106	1105 0329	Clamp - ES-0510	
107	1105 0267	Harness Clamp - YMC-10-0	
108	1105 0229	Clamp	
109	0801 0149	Philips Pan Head Screw - M4x6	
110	0451 4006B	Tapping Scrw - 4X6	

31.OPTION EXIT TRAY (A825)



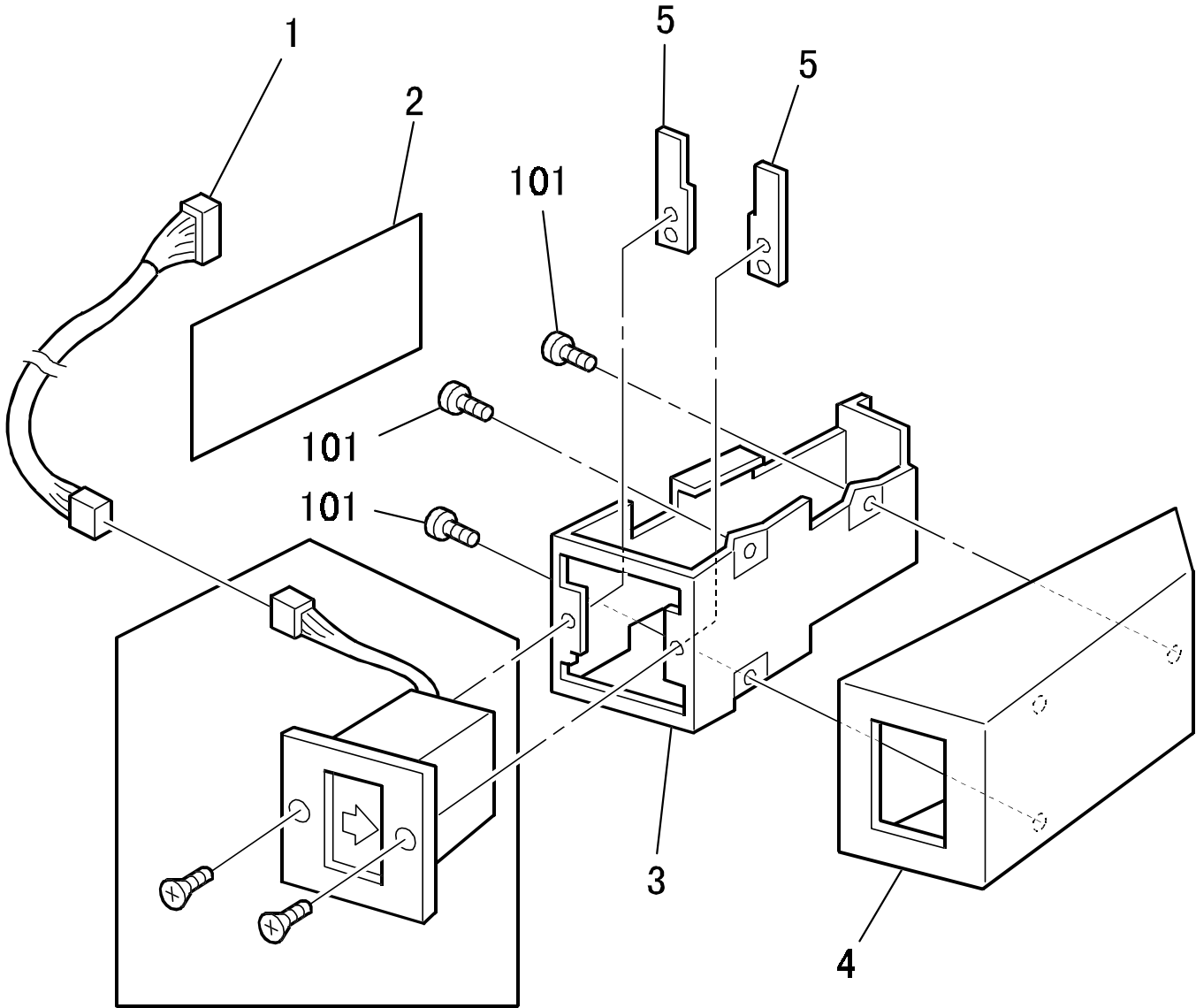
31.OPTION EXIT TRAY (A825)

Rev. 02/08/2001

Index No.	Part No.	Description	Q'ty Per Assembly
1	A680 4321	Exit Tray Holder	1
2	A680 4351	Screw - M4x17mm	2
3	A680 4332	Original Guide	1
4	A680 4331	Exit Tray	1
5	A666 2421	SUB - Shift Tray	1

Index No.	Part No.	Description	Q'ty Per Assembly

32.KEY COUNTER UNIT (A674)



32.KEY COUNTER UNIT (A674)

Index No.	Part No.	Description	Q'ty Per Assembly
1	A674 5401	Key Counter Harness	1
1	A674 5402	Key Counter Harness (LAN)	1
2	A674 5810	Duplex Tape	1
3	A509 1055	Key Counter Bracket Ass'y	1
4	A598 1260	Key Counter Cover	1
5	A509 1063	Plate Nut	2

Index No.	Part No.	Description	Q'ty Per Assembly
101	0452 4008B	Tapping Screw - 3x8	

33.IOB BOARD (A283/A284)

CAPACITOR

SYMBOL NO.	INDEX NO.	SYMBOL NO.	INDEX NO.	SYMBOL NO.	INDEX NO.	SYMBOL NO.	INDEX NO.	SYMBOL NO.	INDEX NO.	SYMBOL NO.	INDEX NO.	SYMBOL NO.	INDEX NO.
C 101	----	C 111	191	C 121	182	C 131	191	C 141	191	C 151	192	C 161	191
C 102	----	C 112	188	C 122	182	C 132	191	C 142	191	C 152	----	C 162	191
C 103	191	C 113	191	C 123	181	C 133	191	C 143	191	C 153	191	C 163	191
C 104	191	C 114	----	C 124	183	C 134	191	C 144	191	C 154	191	C 164	191
C 105	----	C 115	188	C 125	191	C 135	191	C 145	191	C 155	191	C 165	191
C 106	----	C 116	190	C 126	191	C 136	191	C 146	191	C 156	191	C 166	192
C 107	----	C 117	190	C 127	191	C 137	191	C 147	191	C 157	191	C 167	191
C 108	191	C 118	190	C 128	191	C 138	191	C 148	191	C 158	192	C 168	185
C 109	----	C 119	191	C 129	191	C 139	191	C 149	192	C 159	191	C 169	192
C 110	192	C 120	180	C 130	191	C 140	191	C 150	191	C 160	191	C 170	191

CAPACITOR

SYMBOL NO.	INDEX NO.	SYMBOL NO.	INDEX NO.	SYMBOL NO.	INDEX NO.	SYMBOL NO.	INDEX NO.	SYMBOL NO.	INDEX NO.	SYMBOL NO.	INDEX NO.	SYMBOL NO.	INDEX NO.
C 171	191	C 181	191	C 191	192	C 201	191	C 211	192	C 221	192	C 261	184
C 172	192	C 182	191	C 192	192	C 202	----	C 212	192	C 224	192	C 262	----
C 173	191	C 183	191	C 193	192	C 203	188	C 213	192	C 225	191	C 263	189
C 174	191	C 184	191	C 194	192	C 204	192	C 214	192	C 226	191	C 264	189
C 175	191	C 185	191	C 195	192	C 205	192	C 215	192	C 254	183	C 265	189
C 176	191	C 186	191	C 196	192	C 206	----	C 216	147	C 255	183	C 266	189
C 177	185	C 187	188	C 197	192	C 207	----	C 217	191	C 256	183	C 267	183
C 178	191	C 188	187	C 198	188	C 208	----	C 218	192	C 257	183	C 268	183
C 179	191	C 189	188	C 199	----	C 209	188	C 219	191	C 258	183	C 269	186
C 180	191	C 190	183	C 200	----	C 210	188	C 220	192	C 259	183	C 270	186

33.IOB BOARD (A283/A284)

CAPACITOR

SYMBOL NO.	INDEX NO.
C 271	191
C 272	184

CONNECTOR

SYMBOL NO.	INDEX NO.
CN 201	105
CN 202	112
CN 203	117
CN 204	106
CN 205	107
CN 206	111
CN 207	116
CN 208	119
CN 209	118
CN 210	103

SYMBOL NO.	INDEX NO.
CN 211	110
CN 212	114
CN 213	120
CN 214	104
CN 215	104
CN 216	104
CN 217	108
CN 218	109
CN 219	115
CN 220	113

DA

SYMBOL NO.	INDEX NO.
DA 101	129
DA 102	129
DA 103	125
DA 104	125
DA 105	125
DA 106	129

DIODE

SYMBOL NO.	INDEX NO.
D 102	127
D 103	127
D 104	127
D 105	126

FILTER

SYMBOL NO.	INDEX NO.
FIL 101	148
FIL 102	148
FIL 103	148

IC

SYMBOL NO.	INDEX NO.
IC 105	134
IC 106	134
IC 107	136
IC 108	134
IC 109	134
IC 110	140
IC 111	133
IC 113	137
IC 114	138
IC 115	141

IC

SYMBOL NO.	INDEX NO.
IC 116	141
IC 117	134
IC 118	113
IC 119	2
IC 120	1
IC 121	139
IC 122	142

JP

SYMBOL NO.	INDEX NO.
JP 101	171
JP 102	169
JP 103	153

OSC

SYMBOL NO.	INDEX NO.
OSC 101	143
OSC 102	143

Q

SYMBOL NO.	INDEX NO.
Q 101	----
Q 102	132
Q 103	135
Q 104	135
Q 105	135
Q 106	123
Q 107	124
Q 108	135

RESISTOR

SYMBOL NO.	INDEX NO.
R 111	----
R 112	----
R 113	----
R 114	----
R 115	----
R 116	153
R 117	150
R 118	153
R 119	144
R 120	----

SYMBOL NO.	INDEX NO.
R 121	150
R 122	153
R 123	150
R 124	177
R 125	150
R 126	154
R 127	154
R 128	179
R 129	150
R 130	166

SYMBOL NO.	INDEX NO.
R 131	153
R 132	150
R 133	161
R 134	150
R 135	177
R 136	150
R 137	166
R 138	----
R 139	158
R 140	168

33.IOB BOARD (A283/A284)

RESISTOR

SYMBOL NO.	INDEX NO.	SYMBOL NO.	INDEX NO.	SYMBOL NO.	INDEX NO.	SYMBOL NO.	INDEX NO.	SYMBOL NO.	INDEX NO.	SYMBOL NO.	INDEX NO.		
R 141	153	R 151	173	R 161	167	R 171	154	R 181	155	R 191	153	R 201	154
R 142	----	R 152	173	R 162	160	R 172	154	R 182	----	R 192	153	R 202	159
R 143	153	R 153	153	R 163	153	R 173	151	R 183	----	R 193	154	R 203	158
R 144	153	R 154	154	R 164	174	R 174	153	R 184	----	R 194	175	R 204	166
R 145	160	R 155	----	R 165	174	R 175	153	R 185	----	R 195	175	R 205	172
R 146	165	R 156	153	R 166	166	R 176	----	R 186	153	R 196	153	R 206	166
R 147	173	R 157	173	R 167	168	R 177	----	R 187	163	R 197	176	R 207	153
R 148	174	R 158	173	R 168	158	R 178	153	R 188	153	R 198	178	R 208	152
R 149	154	R 159	153	R 169	153	R 179	----	R 189	160	R 199	168	R 209	152
R 150	173	R 160	----	R 170	153	R 180	154	R 190	152	R 200	159	R 210	165

RESISTOR

SYMBOL NO.	INDEX NO.	SYMBOL NO.	INDEX NO.	SYMBOL NO.	INDEX NO.	SYMBOL NO.	INDEX NO.	SYMBOL NO.	INDEX NO.	SYMBOL NO.	INDEX NO.		
R 211	160	R 221	157	R 231	153	R 251	154	R 261	156	RN 101	----	RN 111	145
R 212	153	R 222	153	R 232	153	R 252	154	R 262	164	RN 102	----	RN 112	145
R 213	160	R 223	154	R 234	166	R 253	164	R 263	163	RN 103	146	RN 113	----
R 214	----	R 224	166	R 238	157	R 254	156	R 264	154	RN 104	146	RN 114	----
R 215	153	R 225	166	R 239	153	R 255	163	R 265	144	RN 105	146	RN 115	----
R 216	170	R 226	154	R 241	157	R 256	154	R 266	154	RN 106	146	RN 116	146
R 217	157	R 227	154	R 242	153	R 257	154	R 267	----	RN 107	146	RN 117	145
R 218	149	R 228	153	R 243	153	R 258	164	R 268	162	RN 108	146	RN 118	145
R 219	170	R 229	154	R 244	153	R 259	163	R 269	162	RN 109	145	RN 119	146
R 220	153	R 230	154	R 249	153	R 260	156			RN 110	145	RN 120	145

RN

33.IOB BOARD (A283/A284)

Index No.	Part No.	Description	Q'ty Per Assembly
*	A232 5125	IOB Board	1
1	A232 5355	IC - GATEX	1
2	A232 5371	MPU CSS	1

Index No.	Part No.	Description	Q'ty Per Assembly
101	1101 0328	Connector Pin Contact	
102	1102 2452	Terminal Block - 3p	
103	1102 3822	Connector - 20P	
104	1102 4872	CT Header - 6P	
105	1102 5306	Connector - 7P	
106	1102 6297	Connector - 4P	
107	1102 6299	Connector - 6P	
108	1102 6301	Connector - 8P	
109	1102 6305	Connector - 12P	
110	1102 6311	Connector - 4P	
111	1102 6334	Connector - 3P	
112	1102 6337	Connector - 6P	
113	1102 6340	Connector - 12P	
114	1102 6341	Connector - 10P	
115	1102 6342	Connector - 11P	
116	1102 6395	Connector - 1P	
117	1102 6400	Connector - 24P	
118	1102 6401	Connector - 26P	
119	1102 6896	Connector - 50P	
120	1102 7700	Connector - 50P	
121	1103 1878	Receptacle - 9067	
122	1204 1543	Dip Switch	
123	1400 0556	Transistor - DTB143EK	
124	1400 0558	Transistor - 2SD780	
125	1402 0478	Diode - 1SS226TE85L	
126	1402 0513	Diode - EK03	
127	1402 0942	Diode - 1SS193	
128	1402 1037	Diode - U1ZB12	
129	1402 1122	Diode - MA159A	
130	1402 1380	Diode - PTZ 6.2A	
131	1404 0238	Serge Absorber 22V 0.6J	
132	1407 1535	IC - TD62308AP	
133	1407 1596	TTLIC - SN74LS14NS	
134	1407 2187	TTLIC - SN74LS07NS	
135	1407 2219	IC - TD62003AP	

Index No.	Part No.	Description	Q'ty Per Assembly
136	1407 3281	IC - TC74HCU04AF	
137	1407 3290	IC - TC74HC02AF	
138	1407 3380	HS-C2MOS - TC74HCT04AF	
139	1407 4114	IC - SN751177	
140	1408 0877	Comparator - LM339NS	
141	1408 0920	OPEAMP - NJM2902E	
142	1408 1204	IC - TA8083P	
143	1503 0261	Oscillator - 9.8304MHZ	
144	1600 1178	Resistor Array - 330Ω ±5% 1W	
145	1601 7800	Resistor Array - 1KΩ ±5% 1/16W	
146	1601 7801	Resistor Array - 10KΩ ±5% 1/16W	
147	1604 2601	Capacitor - 47μF±20% 25V	
148	1607 1002	IC - NFM60R30T222	
149	1630 1121	Resistor - 120Ω±5% 1/8W	
150	1630 1221	Resistor - 220 Ω ±5% 1/4W	
151	1630 2221	Resistor - 220 Ω	
152	1630 3100	Resistor - 10 Ω ±5% 1/10W	
153	1630 3102	Resistor - 1KΩ 1/10W ±5%	
154	1630 3103	Resistor - 10KΩ 1/10W ±5%	
155	1630 3105	Resistor - 1M Ω ±5% 1/10W	
156	1630 3152	Resistor - 1.5kΩ - 1/10W	
157	1630 3154	Resistor - 150K 0HM ±5% 1/10W	
158	1630 3161	Resistor - 160Ω 1/10W ±5%	
159	1630 3204	Resistor - 200K Ω 1/10W ±5%	
160	1630 3222	Resistor - 2.2KΩ 1/10W ±5%	
161	1630 3223	Resistor - 22kΩ - 1/10W	
162	1630 3330	Resistor - 33 Ω ±5% 1/10W	
163	1630 3332	Resistor - 3.3KΩ 1/10W ±5%	
164	1630 3362	Resistor - 3.6K Ω ±5% 1/10W	
165	1630 3471	Resistor - 470Ω - 1/10W	
166	1630 3472	Resistor - 4.7KΩ 1/10W ±5%	
167	1630 3511	Resistor - 510 Ω ±5% 1/10W	
168	1630 3562	Resistor - 5.6K Ω +5% 1/10W	
169	1630 3681	Resistor - 680 Ω ±5% 1/10W	

Index No.	Part No.	Description	Q'ty Per Assembly
170	1630 3752	Resistor - 7.5K Ω ±5% 1/10W	
171	1631 0000	Resistor - 0Ω 1/4W	
172	1631 1000	Resistor - 100 Ω ±1% 1/4W	
173	1633 1003	Resistor - 100K Ω ±1% 1/10W	
174	1633 1403	Resistor - 140K Ω ±1% 1/10W	
175	1633 2402	Resistor - 24K Ω ±1% 1/10W	
176	1633 4641	Resistor - 4.64K Ω ±1% 1/10W	
177	1633 5231	Resistor - 5.23K Ω ±1% 1/10W	
178	1633 5621	Resistor - 5.62K Ω ±1% 1/10W	
179	1633 7150	Resistor - 715 Ω ±1% 1/10W	
180	1640 2470	Capacitor - 47μF±20% 25V	
181	1640 5101	Capacitor - 100μF±20% 50V	
182	1640 5470	Capacitor - 47μF±20% 50V	
183	1660 3101	Capacitor - 100pF 50V	
184	1660 3102	Capacitor - 1000pF ±5% 50V	
185	1660 3220	Capacitor - 122pF ±5% 50V	
186	1660 3270	Capacitor - 27pF ±5% 50V	
187	1660 3331	Capacitor - 330pF ±5% 50V	
188	1660 3471	Capacitor - 470pF 50V	
189	1660 3820	Capacitor - 82pF ±5% 50V	
190	1660 5472	Capacitor - 4700pF 50V	
191	1660 7103	Capacitor - 10000pF 50V	
192	1660 7104	Capacitor - 100000pF 50V	

34.BICU BOARD (A283/A284)

CAPACITOR

SYMBOL NO.	INDEX NO.	SYMBOL NO.	INDEX NO.	SYMBOL NO.	INDEX NO.	SYMBOL NO.	INDEX NO.	SYMBOL NO.	INDEX NO.	SYMBOL NO.	INDEX NO.	SYMBOL NO.	INDEX NO.
C 101	201	C 111	201	C 121	192	C 131	191	C 141	191	C 151	194	C 161	198
C 102	189	C 112	192	C 122	196	C 132	192	C 142	191	C 152	194	C 162	201
C 103	188	C 113	192	C 123	150	C 133	196	C 143	191	C 153	201	C 163	200
C 104	201	C 114	192	C 124	201	C 134	191	C 144	192	C 154	198	C 164	----
C 105	188	C 115	192	C 125	150	C 135	196	C 145	192	C 155	201	C 165	200
C 106	201	C 116	191	C 126	188	C 136	191	C 146	201	C 156	201	C 166	200
C 107	191	C 117	191	C 127	196	C 137	192	C 147	187	C 157	201	C 167	----
C 108	191	C 118	191	C 128	192	C 138	191	C 148	199	C 158	198	C 168	----
C 109	191	C 119	191	C 129	191	C 139	192	C 149	199	C 159	198	C 169	191
C 110	200	C 120	192	C 130	191	C 140	192	C 150	199	C 160	----	C 170	191

CAPACITOR

SYMBOL NO.	INDEX NO.	SYMBOL NO.	INDEX NO.	SYMBOL NO.	INDEX NO.	SYMBOL NO.	INDEX NO.	SYMBOL NO.	INDEX NO.	SYMBOL NO.	INDEX NO.	SYMBOL NO.	INDEX NO.
C 171	----	C 181	200	C 191	192	C 201	201	C 211	198	C 221	201	C 231	201
C 172	200	C 182	----	C 192	198	C 202	201	C 212	200	C 222	191	C 232	195
C 173	191	C 183	191	C 193	201	C 203	200	C 213	191	C 223	200	C 233	195
C 174	200	C 184	191	C 194	191	C 204	201	C 214	201	C 224	201	C 234	201
C 175	191	C 185	191	C 195	192	C 205	201	C 215	196	C 225	201	C 235	201
C 176	191	C 186	191	C 196	201	C 206	191	C 216	191	C 226	201	C 236	201
C 177	201	C 187	191	C 197	192	C 207	191	C 217	196	C 227	192	C 237	191
C 178	200	C 188	191	C 198	200	C 208	198	C 218	151	C 228	201	C 238	200
C 179	191	C 189	192	C 199	200	C 209	200	C 219	191	C 229	201	C 239	191
C 180	198	C 190	191	C 200	198	C 210	201	C 220	201	C 230	201	C 240	201

34.BICU BOARD (A283/A284)

CAPACITOR

SYMBOL NO.	INDEX NO.	SYMBOL NO.	INDEX NO.	SYMBOL NO.	INDEX NO.	SYMBOL NO.	INDEX NO.	SYMBOL NO.	INDEX NO.	SYMBOL NO.	INDEX NO.		
C 241	201	C 251	196	C 261	192	C 271	200	C 281	201	C 291	201	C 301	200
C 242	191	C 252	201	C 262	201	C 272	152	C 282	201	C 292	201	C 302	200
C 243	201	C 253	191	C 263	201	C 273	200	C 283	201	C 293	201	C 303	200
C 244	191	C 254	196	C 264	201	C 274	201	C 284	201	C 294	201	C 304	191
C 245	200	C 255	201	C 265	152	C 275	153	C 285	192	C 295	201	C 305	201
C 246	201	C 256	195	C 266	151	C 276	201	C 286	201	C 296	200	C 306	198
C 247	191	C 257	192	C 267	201	C 277	201	C 287	201	C 297	191	C 307	191
C 248	196	C 258	191	C 268	152	C 278	200	C 288	201	C 298	200	C 308	192
C 249	191	C 259	197	C 269	201	C 279	201	C 289	201	C 299	200	C 309	192
C 250	195	C 260	152	C 270	201	C 280	198	C 290	201	C 300	201	C 310	192

CAPACITOR

SYMBOL NO.	INDEX NO.	SYMBOL NO.	INDEX NO.	SYMBOL NO.	INDEX NO.
C 311	201	C 321	192	C 331	198
C 312	192	C 322	192	C 332	190
C 313	201	C 323	192	C 333	190
C 314	200	C 324	192	C 334	190
C 315	192	C 325	192	C 335	190
C 316	192	C 326	192	C 336	190
C 317	193	C 327	192	C 337	190
C 318	192	C 328	197	C 338	190
C 319	192	C 329	192	C 339	190
C 320	192	C 330	198	C 340	190

CONNECTOR

SYMBOL NO.	INDEX NO.	SYMBOL NO.	INDEX NO.
C 341	190	CN 301	103
C 342	190	CN 302	110
C 343	190	CN 303	108
C 344	190	CN 304	111
C 345	190	CN 305	105
C 346	190	CN 306	106
C 347	190	CN 307	107
		CN 308	---
		CN 309	---
		CN 310	109

SYMBOL NO.	INDEX NO.
CN 311	---
CN 312	104
CN 313	102

DIODE

SYMBOL NO.	INDEX NO.
D 101	117
D 102	117
D 103	117
D 104	117

34.BICU BOARD (A283/A284)

FILTER

SYMBOL NO.	INDEX NO.
FIL 101	156
FIL 102	154
FIL 103	154
FIL 104	156
FIL 105	156
FIL 106	159
FIL 107	159
FIL 108	156
FIL 109	156
FIL 110	156

SYMBOL NO.	INDEX NO.
FIL 111	157
FIL 112	156
FIL 113	156
FIL 114	161
FIL 115	156
FIL 116	160
FIL 117	160
FIL 118	160
FIL 119	160
FIL 120	160

SYMBOL NO.	INDEX NO.
FIL 121	160
FIL 122	160
FIL 123	160
FIL 124	158
FIL 125	160
FIL 126	158
FIL 127	158
FIL 128	160
FIL 129	160
FIL 130	154

SYMBOL NO.	INDEX NO.
FIL 131	154
FIL 132	154
FIL 133	154

IC

SYMBOL NO.	INDEX NO.
IC 101	5
(Socket)	113
IC 102	203
IC 103	203
IC 104	---
IC 105	204
IC 106	---
IC 107	126
IC 108	123
IC 109	3

SYMBOL NO.	INDEX NO.
IC 110	204
IC 111	202
IC 112	123
IC 113	127
IC 114	135
IC 115	131
IC 116	1
IC 117	127
IC 118	132
IC 119	132

SYMBOL NO.	INDEX NO.
IC 120	112
IC 121	129
IC 122	129
IC 123	127
IC 124	127
IC 125	135
IC 126	127
IC 127	133
IC 128	134
IC 129	2

JP

SYMBOL NO.	INDEX NO.
IC 130	134
IC 131	122
IC 132	130
IC 133	124
IC 134	125
IC 135	124
IC 136	136
IC 137	128

SYMBOL NO.	INDEX NO.
JP 107	184

L

SYMBOL NO.	INDEX NO.
L 101	155
L 102	155
L 103	155
L 104	---
L 105	155
L 106	---
L 107	155
L 108	155
L 109	155
L 110	155

SYMBOL NO.	INDEX NO.
L 111	155
L 112	155
L 113	155
L 114	155
L 115	155
L 116	155
L 117	155
L 118	155
L 119	155
L 120	155

LED

SYMBOL NO.	INDEX NO.
LED 101	120
LED 102	121
LED 103	120
LED 104	121

OSC

SYMBOL NO.	INDEX NO.
OSC 101	138
OSC 102	141
OSC 103	140
OSC 104	142
OSC 105	139

Q

SYMBOL NO.	INDEX NO.
Q 101	115
Q 102	115
Q 103	114
Q 104	114
Q 105	116
Q 106	114

34.BICU BOARD (A283/A284)

REG

SYMBOL NO.	INDEX NO.
REG 101	137

RESISTOR

SYMBOL NO.	INDEX NO.
R 101	168
R 102	167
R 103	173
R 104	168
R 105	168
R 106	171
R 107	168
R 108	168
R 109	168
R 110	168

SYMBOL NO.	INDEX NO.
R 111	168
R 112	168
R 113	164
R 114	168
R 115	167
R 116	167
R 117	168
R 118	167
R 119	172
R 120	177

SYMBOL NO.	INDEX NO.
R 121	168
R 122	167
R 123	173
R 124	168
R 125	174
R 126	173
R 127	173
R 128	168
R 129	164
R 130	173

SYMBOL NO.	INDEX NO.
R 131	174
R 132	164
R 133	173
R 134	168
R 135	168
R 136	173
R 137	167
R 138	173
R 139	173
R 140	173

SYMBOL NO.	INDEX NO.
R 141	177
R 142	177
R 143	167
R 144	177
R 145	167
R 146	174
R 147	174
R 148	173
R 149	173
R 150	183

SYMBOL NO.	INDEX NO.
R 151	183
R 152	183
R 153	183
R 154	170
R 155	168
R 156	183
R 157	167
R 158	183
R 159	183
R 160	187

RESISTOR

SYMBOL NO.	INDEX NO.
R 161	167
R 162	177
R 163	167
R 164	180
R 165	167
R 166	183
R 167	183
R 168	167
R 169	182
R 170	182

SYMBOL NO.	INDEX NO.
R 171	167
R 172	183
R 173	167
R 174	183
R 175	183
R 176	183
R 177	183
R 178	183
R 179	167
R 180	177

SYMBOL NO.	INDEX NO.
R 181	173
R 182	173
R 183	173
R 184	173
R 185	168
R 186	173
R 187	168
R 188	165
R 189	167
R 190	165

SYMBOL NO.	INDEX NO.
R 191	165
R 192	173
R 193	165
R 194	168
R 195	167
R 196	167
R 197	167
R 198	168
R 199	171
R 200	174

SYMBOL NO.	INDEX NO.
R 201	168
R 202	166
R 203	173
R 204	173
R 205	173
R 206	---
R 207	173
R 208	173
R 209	173
R 210	173

SYMBOL NO.	INDEX NO.
R 211	173
R 212	173
R 213	173
R 214	173
R 215	173
R 216	174
R 217	168
R 218	174
R 219	173
R 220	168

SYMBOL NO.	INDEX NO.
R 221	168
R 222	174
R 223	173
R 224	173
R 225	168
R 226	167
R 227	168
R 228	174
R 229	171
R 230	168

34.BICU BOARD (A283/A284)

RESISTOR

SYMBOL NO.	INDEX NO.	SYMBOL NO.	INDEX NO.	SYMBOL NO.	INDEX NO.	SYMBOL NO.	INDEX NO.	SYMBOL NO.	INDEX NO.	SYMBOL NO.	INDEX NO.	SYMBOL NO.	INDEX NO.
R 231	167	R 241	173	R 251	168	R 261	167	R 271	173	R 281	173	R 291	173
R 232	168	R 242	----	R 252	168	R 262	173	R 272	173	R 282	173	R 292	170
R 233	168	R 243	173	R 253	167	R 263	177	R 273	176	R 283	168	R 293	173
R 234	168	R 244	173	R 254	168	R 264	167	R 274	173	R 284	167	R 294	173
R 235	168	R 245	173	R 255	167	R 265	167	R 275	173	R 285	167	R 295	167
R 236	173	R 246	----	R 256	167	R 266	178	R 276	173	R 286	168	R 296	168
R 237	173	R 247	173	R 257	167	R 267	167	R 277	173	R 287	167	R 297	173
R 238	----	R 248	173	R 258	171	R 268	178	R 278	173	R 288	173	R 298	180
R 239	173	R 249	----	R 259	167	R 269	173	R 279	173	R 289	175	R 299	173
R 240	173	R 250	----	R 260	181	R 270	176	R 280	173	R 290	173	R 300	167

RESISTOR

SYMBOL NO.	INDEX NO.	SYMBOL NO.	INDEX NO.	SYMBOL NO.	INDEX NO.	SYMBOL NO.	INDEX NO.	SYMBOL NO.	INDEX NO.	SYMBOL NO.	INDEX NO.	SYMBOL NO.	INDEX NO.
R 301	168	R 311	168	R 321	177	R 331	173	R 341	173	R 351	168	R 361	168
R 302	173	R 312	168	R 322	173	R 332	183	R 342	183	R 352	173	R 362	167
R 303	177	R 313	168	R 323	173	R 333	173	R 343	186	R 353	183	R 363	163
R 304	168	R 314	168	R 324	168	R 334	183	R 344	173	R 354	167	R 364	168
R 305	173	R 315	168	R 325	177	R 335	177	R 345	183	R 355	173	R 365	173
R 306	177	R 316	168	R 326	173	R 336	173	R 346	177	R 356	168	R 366	163
R 307	167	R 317	168	R 327	168	R 337	183	R 347	173	R 357	168	R 367	173
R 308	168	R 318	168	R 328	----	R 338	185	R 348	183	R 358	168	R 368	168
R 309	177	R 319	171	R 329	173	R 339	177	R 349	173	R 359	168	R 369	162
R 310	168	R 320	167	R 330	183	R 340	173	R 350	167	R 360	164	R 370	167

RESISTOR

SYMBOL NO.	INDEX NO.
R 371	168
R 372	177
R 373	168
R 374	177
R 375	168
R 376	183
R 377	173
R 378	179
R 379	167
R 380	178

SYMBOL NO.	INDEX NO.
R 381	167
R 382	168
R 383	168
R 384	172
R 385	167
R 386	168
R 387	168
R 388	169
R 389	168
R 390	---

SYMBOL NO.	INDEX NO.
R 391	173
R 392	183
R 393	183
R 394	167
R 395	167
R 396	167
R 397	167
R 398	167
R 399	168
R 400	168

RN

SYMBOL NO.	INDEX NO.
RN 101	144
RN 102	144
RN 103	144
RN 104	145
RN 105	145
RN 106	146
RN 107	146
RN 108	146
RN 109	145
RN 110	147

SYMBOL NO.	INDEX NO.
RN 111	145
RN 112	146
RN 113	146
RN 114	146
RN 115	146
RN 116	146
RN 117	145
RN 118	146
RN 119	146
RN 120	147

SYMBOL NO.	INDEX NO.
RN 121	145
RN 122	146
RN 123	146
RN 124	146
RN 125	145
RN 126	146
RN 127	146
RN 128	143
RN 129	149
RN 130	146

SYMBOL NO.	INDEX NO.
RN 131	146
RN 132	146
RN 133	145
RN 134	148
RN 135	145
RN 136	145
RN 137	146
RN 138	146
RN 139	146
RN140	146

RN

SYMBOL NO.	INDEX NO.
RN 141	146
RN 142	147
RN 143	145
RN 144	146
RN 145	147
RN 146	146
RN 147	147
RN 148	145
RN 149	146
RN 150	147

SYMBOL NO.	INDEX NO.
RN 151	145
RN 152	146
RN 153	146
RN 154	146
RN 155	146
RN 156	146
RN 157	148
RN 158	148
RN 159	148
RN 160	148

SYMBOL NO.	INDEX NO.
RN 161	145
RN 162	145
RN 163	145
RN 164	145
RN 165	144
RN 166	144
RN 167	144
RN 168	144
RN 169	144

ZD

SYMBOL NO.	INDEX NO.
ZD 101	119
ZD 102	118

34.BICU BOARD (A283/A284)

Index No.	Part No.	Description	Q'ty Per Assembly
*	A284 5960	BICU Board	1
1	A232 5350	IC - HG71C103FD	1
2	A250 5503	IC - V-IPU	1
3	A284 5250	IC - IMAC_R RF5C499	1
5	A691 5171	ROM - MSUOP	1

Index No.	Part No.	Description	Q'ty Per Assembly
101	1101 0328	Connector Pin Contact	
102	1102 2854	Connector - 40P	
103	1102 5304	Connector - 5P	
104	1102 6297	Connector - 4P	
105	1102 6402	Connector - 2P	
106	1102 7132	Card Slot - 68p	
107	1102 7196	Connector - 50P	
108	1102 7389	Connector - FH12-50S-0.5SV	
109	1102 7456	Connector 176125-5	
110	1102 7701	Connector - 50P	
111	1102 7702	Connector - 60P	
112	1104 0588	Dip Socket - 28p	
113	1104 0769	IC Socket	
114	1400 0392	Transistor - DTC114EK	
115	1400 0398	Transistor - 2SC2412K	
116	1400 0459	Transistor - DTC143XKA	
117	1402 0477	Silicon Diode - 1ss187	
118	1402 1345	Diode - UDZ3.6B	
119	1402 1380	Diode - PTZ 6.2A	
120	1403 0828	Diode - SEC1901C	
121	1403 0829	Diode - SEC1201C	
122	1407 2135	TTLIC - 74F74SJ	
123	1407 2143	TTLIC - 74F244SJ	
124	1407 2144	TTLIC - 74F245SJ	
125	1407 2187	TTLIC - SN74LS07NS	
126	1407 2218	TTLIC - SN74LS06NS	
127	1407 3008	TTL - SN74ALS244CNS	
128	1407 3021	TTL SN74ALS139NS	
129	1407 3206	IC - TC7S32F	
130	1407 3411	SN74ALS541NS	
131	1407 4044	IC - 74ACT14	
132	1407 4322	IC - TD74ABT374F	
133	1407 4771	IC - MC68334GFC16	
134	1407 4963	IC - MBM29F800TA-70pFTN	
135	1407 5110	IC - SN74LV244ANS	

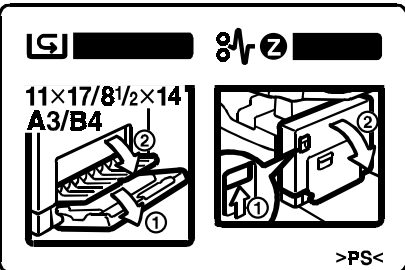
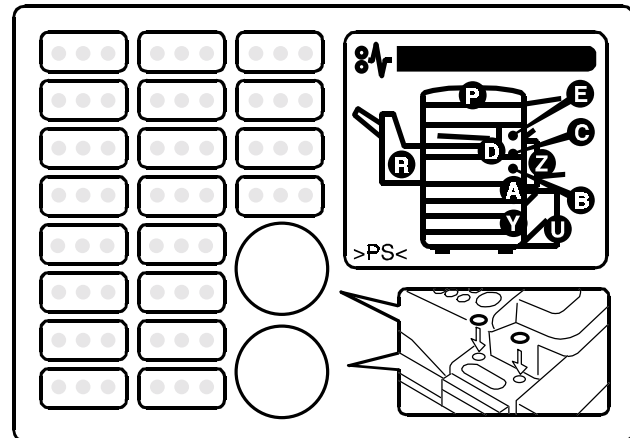
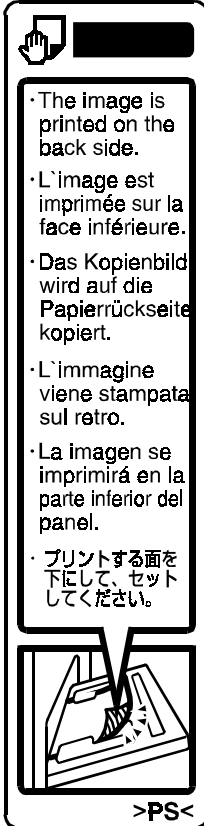
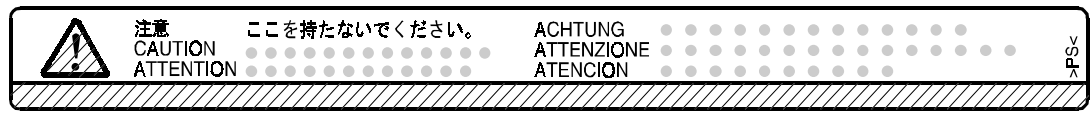

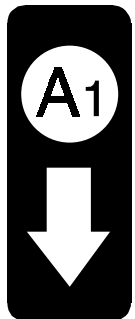
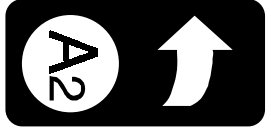
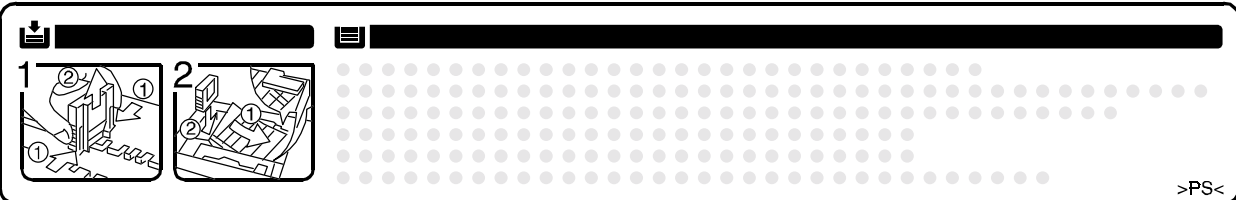
Index No.	Part No.	Description	Q'ty Per Assembly
136	1408 0575	IC - M51957BFP	
137	1408 1266	Regulator - LT1086CM-3.3	
138	1503 0239	Oscillator - HC-49/U-S 10MHZ	
139	1503 0460	Oscillator - 32.768KHZ	
140	1503 0784	Oscillator - MA-406 19.6608MHZ	
141	1503 0809	Crystal Oscillator - 30MHz	
142	1503 0860	Crystal Oscillator - 40.97MHz	
143	1601 7724	Resistor - 680 Ω MNR14J681	
144	1601 7800	Resistor Array - 1K Ω \pm 5% 1/16W	
145	1601 7801	Resistor Array - 10K Ω \pm 5% 1/16W	
146	1601 7805	Resistor Array - 33 Ω \pm 5% 1/16W	
147	1601 7807	Resistor Array - 3.3K Ω \pm 5% 1/16W	
148	1601 7808	Resistor - 4.7K Ω \pm 5% 1/16W	
149	1601 7809	Resistor Array - 2.2K Ω 1/16W	
150	1604 4333	Capacitor - 100 μ F \pm 20% 10V	
151	1605 0685	Capacitor - 0.47MF	
152	1605 0869	Capacitor - 820pF \pm 10% 50V	
153	1605 0943	Capacitor - 0.33 μ F+80 -20% 25V	
154	1607 0280	Inductor - BLM41	
155	1607 0723	Noise Filter - N2012Z121	
156	1607 0732	Noise Filter - AEF321825-470	
157	1607 0906	EMI Filter ACF321825-101	
158	1607 1022	Filter - MMZ1608Y301B	
159	1607 1023	Filter - MZA3216Y301B	
160	1607 1031	Filter - ACB1608I-060	
161	1607 1044	Filter - MMZ1608S102A	
162	1630 3471	Resistor - 470W - 1/10W	
163	1630 3473	Resistor - 47KW 1/10W \pm 5%	
164	1630 3511	Resistor - 510 W \pm 5% 1/10W	
165	1630 4100	Resistor - 10 W \pm 5% 1/16W	
166	1630 4101	Resistor - 100 W \pm 5% 1/16W	
167	1630 4102	Resistor - 1.0KW \pm 5% 1/16W	
168	1630 4103	Resistor - 10KW \pm 5% 1/16W	
169	1630 4104	Resistor - 100 W \pm 5% 1/16W	
170	1630 4106	Resistor -10m Ω \pm 5% 1/16w	

Index No.	Part No.	Description	Q'ty Per Assembly
171	1630 4222	Resistor - 2.2K Ω \pm 5%	
172	1630 4223	Resistor - 22K Ω \pm 5% 1/16W	
173	1630 4330	Resistor - 33 Ω \pm 5% 1/8W	
174	1630 4332	Resistor - 3.3K Ω \pm 5% 1/16W	
175	1630 4334	Resistor - 330K Ω \pm 5% 1/16W	
176	1630 4471	Resistor - 470 Ω \pm 5% 1/16W	
177	1630 4472	Resistor - 4.7K Ω \pm 5% 1/16W	
178	1630 4562	Resistor - 5.6k Ω - \pm 5% - 1/16W	
179	1630 4563	Resistor - 56K Ω \pm 5% 1/16W	
180	1630 4680	Resistor - 68 Ω \pm 5% 1/16W	
181	1630 4681	Resistor - 680 Ω \pm 5% 1/16W	
182	1630 4751	Resistor - 50 Ω \pm 5.00% 1/16W	
183	1630 4820	Resistor - 82 Ω \pm 5% 1/16W	
184	1634 0000	Resistor - 0 Ω 1/16W	
185	1634 1002	Resistor - 10 Ω \pm 5% 1/16W	
186	1634 3921	Resistor - 3.92K Ω \pm 1% 1/1	
187	1644 0100	Capacitor - 10 μ F \pm 20% 10V	
188	1644 0470	Capacitor - 47 μ F \pm 20% 10V	
189	1644 5100	Capacitor - 10 μ F \pm 20% 50V	
190	1660 0100	Capacitor - 10PF \pm 0.5pF 50V	
191	1660 2101	Capacitor - 100pF - \pm 10% - 50V	
192	1660 2150	Capacitor - 15pF \pm 5% 50V	
193	1660 2151	Capacitor - 150pF \pm 20% 35V	
194	1660 2180	Capacitor 18pF \pm 5% 50v	
195	1660 2220	Capacitor - 22pF \pm 20% 35V	
196	1660 2330	Capacitor - 33pF - \pm 5% - 50V	
197	1660 2470	Capacitor - 47pF \pm 5% 50V	
198	1660 4102	Capacitor - 1000pF \pm 10% 50V	
199	1660 4222	Capacitor - 2200pF - \pm 10% - 50V	
200	1660 6103	Capacitor - 10000pF - +80%-20%50V	
201	1660 8104	Capacitor - 0.1 μ F+80-20% 25V	
202	1901 0046	Dram - 4M 256KX16 70ns G8	
203	1903 1012	SDRAM - 16M 512KX16X2 100MHz G1	
204	1907 0002	SDRAM - 64M 1MX16X4 100MHz G1	

35.DECAL AND DOCUMENT (A283/A284)

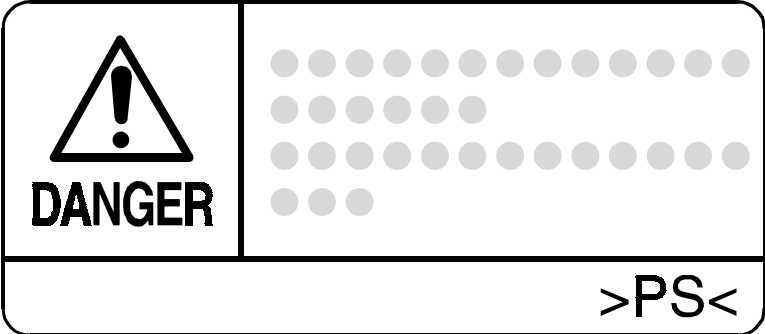
<p>1</p> <p>•HOT SURFACE AVOID • SUPERFICIE CALDA NON TOCCARE CONTACT • NO TOCAR, ALTA TEMPERATURA •HEIßE OBERFLÄCHE • 高温です SURFACE CHAUDE • 高温です EVITEZ LE CONTACT 手をあれないでください。</p>	<p>4</p> <table border="1"> <tr> <td></td> <td>A3</td> <td>A4</td> <td>11x17</td> <td>5½x8½</td> </tr> <tr> <td></td> <td>A3</td> <td>B4</td> <td>11x17</td> <td>8½x11</td> </tr> <tr> <td></td> <td>A4</td> <td>B5</td> <td>8½x14</td> <td>8½x11</td> </tr> <tr> <td></td> <td>A4</td> <td>B5</td> <td>11x8½</td> <td>11x15</td> </tr> <tr> <td></td> <td>A4</td> <td>レター</td> <td>11x8½</td> <td>10x14</td> </tr> <tr> <td></td> <td>A4</td> <td>レター</td> <td>11x8½</td> <td>8x10½</td> </tr> <tr> <td></td> <td>A4</td> <td>A5</td> <td>11x8½</td> <td>8x10</td> </tr> <tr> <td></td> <td>F</td> <td>F</td> <td>*</td> <td>*</td> </tr> <tr> <td></td> <td colspan="2">消耗品入れ</td> <td></td> <td></td> </tr> </table>		A3	A4	11x17	5½x8½		A3	B4	11x17	8½x11		A4	B5	8½x14	8½x11		A4	B5	11x8½	11x15		A4	レター	11x8½	10x14		A4	レター	11x8½	8x10½		A4	A5	11x8½	8x10		F	F	*	*		消耗品入れ				<p>5</p> <p>>PS<</p>
	A3	A4	11x17	5½x8½																																											
	A3	B4	11x17	8½x11																																											
	A4	B5	8½x14	8½x11																																											
	A4	B5	11x8½	11x15																																											
	A4	レター	11x8½	10x14																																											
	A4	レター	11x8½	8x10½																																											
	A4	A5	11x8½	8x10																																											
	F	F	*	*																																											
	消耗品入れ																																														
<p>2</p> <p>>PS<</p>	<p>3</p> <p>>PS<</p>	<p>6</p> <p>>PS<</p>																																													
<p>7</p> <p>>PS<</p>	<p>8</p> <p>>PS<</p>	<p>9</p> <p>>PS<</p>																																													
<p>10</p> <p>>PS<</p>																																															

35.DECAL AND DOCUMENT (A283/A284)

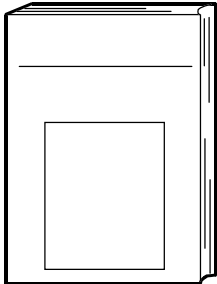
<p>11</p> 	<p>13</p> 	
<p>12</p>  <p> · The image is printed on the back side. · L'image est imprimée sur la face inférieure. · Das Kopienbild wird auf die Papierrückseite kopiert. · L'immagine viene stampata sul retro. · La imagen se imprimirá en la parte inferior del panel. · プリントする面を下にして、セットしてください。 </p>	<p>14</p> 	
<p>15</p> 	<p>16</p> 	<p>17</p> 
<p>18</p> 		

35.DECAL AND DOCUMENT (A283/A284)

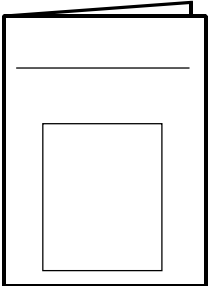
19



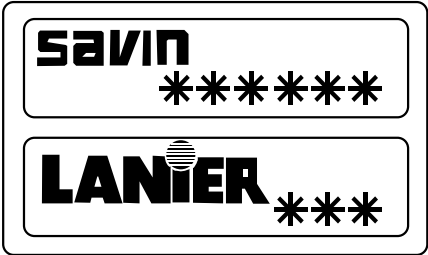
20,21



22



23



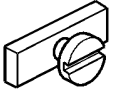
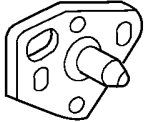
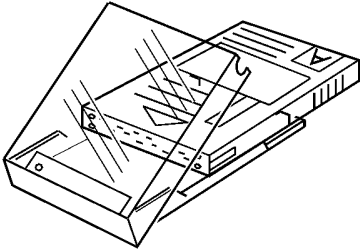
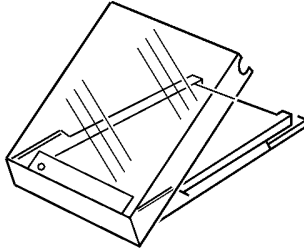
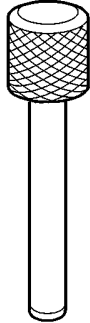
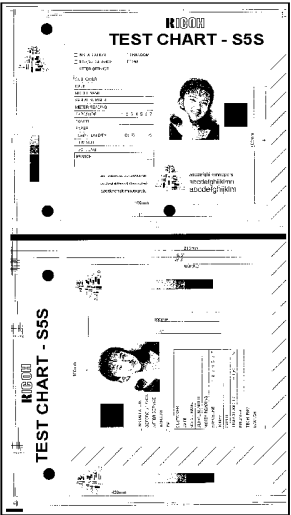
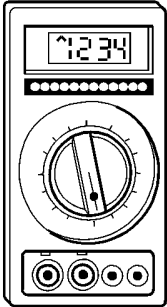
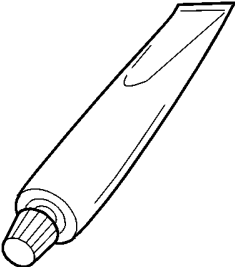
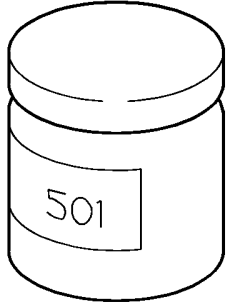
35.DECAL AND DOCUMENT (A283/A284)

Index No.	Part No.	Description	Q'ty Per Assembly
1	A190 4476	Decal - High Temperature	1
2	A232 1381	Decal - Total Counter	1
3	A232 1383	Decal - Right Scanner Cover	1
4	A232 1385	Decal - Indication	1
5	A232 1386	Decal - Fusing Jam	1
6	A232 3066	Decal - Development Unit	1
7	A232 3991	Decal - Shield Cover	1
8	A232 4850	Decal - Upper Grip	1
9	A232 4851	Decal - Jam Removal	1
10	A232 4852	Jam Removal Decal - Duplex	1
11	A232 4853	Upper Decal - Duplex Unit	1
12	A232 6073	Decal - By-pass Feed	1
13	A232 7380	Option Decal - Sub-unit Lt	1
14	AA00 0204	Decal - Right Lower Cover	1
15	AA00 1389	Large Decal - Energy Star	1
16	AA00 1392	Decal - A1	1
17	AA00 1393	Decal - A2	1
18	AA00 3006	Decal - Paper Set Direction	1
19	G020 1920	Decal - Laser Diode (115V)	1
20	A284 6607	Operating Instructions - Copy (RIC)	1
20	A283 6607	Operating Instructions - Copy (RIC-GSA)	1
20	A284 6697	Operating Instructions - Copy (NRG/SVN)	1
20	A283 6697	Operating Instructions - Copy (NRG/SVN-GSA)	1
21	A284 8607	Operating Instructions - System (RIC)	1
21	A283 8607	Operating Instructions - System (RIC-GSA)	1
21	A284 8697	Operating Instructions - System (NRG/SVN)	1
21	A283 8697	Operating Instructions - System (NRG/SVN-GSA)	1
22	A284 6707	Operating Instructions - CS	1
23	A283 7072	Model Name Plate (A283 SVN)	1
23	A283 7073	Model Name Plate (A283 SVN-GSA)	1
23	A284 6371	Model Name Plate - LAN (A284)	1
23	A284 7072	Model Name Plate (A284 SVN)	1
23	A284 7073	Model Name Plate (A284 SVN-GSA)	1

Index No.	Part No.	Description	Q'ty Per Assembly
23	A283 6371	Model Name Plate - LAN (A283)	1

36.SPECIAL TOOLS (A283/A284)

Rev. 10/30/2000

<p>1</p> 	<p>2</p> 	<p>3</p> 	<p>4</p> 	<p>5</p> 
<p>6</p> 	<p>7</p> 	<p>8</p> 	<p>9</p> 	

36.SPECIAL TOOLS (A283/A284)

Rev. 12/05/2001

Index No.	Part No.	Description	Q'ty Per Assembly
1	A230 9004	Positioning Pin Laser Unit	1
2	A230 9003	Adjusting Cam - Laser Unit	1
3	N803 6701	Flash Memory Card - 4MB	1
4	N803 1000	Case - Flash Memory Card	1
5	A006 9104	Adjusting Scanner Pin (4pcs/set)	1
6	A292 9500	Test Chart - S5S (10pcs/set)	1
7	A029 9387	Digital Multimeter - FLUKE87	1
8	A257 9300	Grease Barrierta S552R	1
9	5203 9501	Grease 501	1

Index No.	Part No.	Description	Q'ty Per Assembly

A283/A284
PARTS INDEX

This section instructs you as to the numbers and names of parts on this machine.

PM Parts Index

Section Name	Part No.	Description in Service Manual	Description in Parts Catalog	Q'ty Per Assembly	Page and Index No
BY-PASS FEED UNIT 2 (A283/A284)	AF03 0036	Pick Up Roller (By-pass)	Pick Up Roller	1	27- 22
	AF03 1036	Feed Roller (By-pass)	Feed Roller	1	27- 12
	AF03 2036	Separation Roller (By-pass)	Separation Roller	1	27- 2
PAPER FEED SECTION (A283/A284)	AF03 0035	Pick-up Roller (Paper Tray)	Pick-up Roller	1	29- 1
	AF03 1035	Feed Roller (Paper Tray)	Feed Roller	1	29- 6
	AF03 2035	Separation Roller (Paper Tray)	Separation Roller	1	29- 36
PCU UNIT 2 (A283/A284)	A232 2430	Cleaning Pad - Charge Roller	Cleaning Pad	1	39- 13
	A232 2353	Drum Cleaning Blade	Cleaning Blade Ass'y	1	39- 22
	AD02 5021	Pick-off Pawl	Pick-off Pawl	2	39- 3
	AD02 7006	Charge Roller	Charge Roller	1	39- 26
TRANSFER UNIT 1 (A283/A284)	A232 3880	Transfer Belt	Transfer Belt	1	41- 23
	A232 3830	Transfer Belt Cleaning Blade	Cleaning Blade - Transfer Belt	1	41- 21
DEVELOPMENT UNIT (A283/A284)	AA01 2102	Development Filter	Development Filter	1	45- 15
FUSING UNIT (A283/A284)	AE01 1041	Hot Roller	Hot Roller	1	47- 17
	AE02 0074	Pressure Roller	Pressure Roller - M30	1	47- 22
	AE04 4028	Hot Roller Strippers	Stripper Pawls	5	47- 6

Part No.	Description	Page and Index No.
A283 1873	LD Unit Assembly (A283)	23- *
A283 1875	LD Unit Assembly (A283 GSA)	23- *
A283 6371	Model Name Plate - LAN (A283)	11- 34
A283 6371	Model Name Plate - LAN (A283)	85- 23
A283 6607	Operating Instructions - Copy (RIC-GSA)	85- 20
A283 6697	Operating Instructions - Copy (NRG/SVN-GSA)	85- 20
A283 7072	Model Name Plate (A283 SVN)	11- 34
A283 7072	Model Name Plate (A283 SVN)	85- 23
A283 7073	Model Name Plate (A283 SVN-GSA)	11- 34
A283 7073	Model Name Plate (A283 SVN-GSA)	85- 23
A283 7228	Front Cover (A283 RIC)	11- 8
A283 7617	Front Cover (A283 RIC-GSA)	11- 8
A283 8607	Operating Instructions - System (RIC-GSA)	85- 21
A283 8697	Operating Instructions - System (NRG/SVN-GSA)	85- 21
A284 1015	Bracket - BICU	61- 18
A284 1086	Support Plate - Scanner Arm	61- 7
A284 1090	Holder - Scanner Unit	9- 10
A284 1250	Upper Cover	13- 4
A284 1286	Left Cover	11- 1
A284 1338	Front Cover - Scanner Harness	13- 21
A284 1341	Rear Harness Cover	13- 23
A284 1663	Holder Cushion	9- 18
A284 1674	Exposure Glass Holder	21- 41
A284 1675	Bracket Left Scale (GSA)	19- 1
A284 1680	Inner Cover Ass'y	19- 3
A284 1685	Shading Plate	19- 4
A284 1710	Idler Pulley Ass'y	21- 33
A284 1713	Lens Holder Bracket	21- 35
A284 1735	Front Side Plate	21- 39
A284 1736	Rear Side Plate	21- 17
A284 1737	Rear Scanner Base	21- 21
A284 1738	Hinge Bracket	19- 7
A284 1739	Shading Plate	21- 40
A284 1751	Scanner Motor Assembly	19- 20
A284 1810	Carriage 2	21- 6

Part No.	Description	Page and Index No.
A284 1818	FPC Guide	21- 5
A284 1819	Spring Plate - 2nd Mirror	21- 3
A284 1820	2nd Mirror	21- 4
A284 1826	Lens Block Assembly	19- 6
A284 1831	Lens Block Assembly (GSA)	19- 6
A284 1842	Scanner Control Board	19- 18
A284 1873	LD Unit Assembly (A284)	23- *
A284 1875	LD Unit Assembly (A284 GSA)	23- *
A284 1891	Laser Diode Unit (A284)	23- 26
A284 1904	Cover - Optical Housing	23- 1
A284 2783	Torque Limiter	29- 11
A284 2783	Torque Limiter	27- 3
A284 4460	Antistatic Brush	49- 8
A284 4462	Grounding Plate - Transport Roller - Front	49- 32
A284 4463	Grounding Plate - Exit Sensor	49- 31
A284 5250	IC - IMAC_R RF5C499	81- 3
A284 5400	SIFB Board	19- 17
A284 5441	Harness - Laser Diode Control	63- 8
A284 5500	DC Harness - Scanner	61- 12
A284 5520	DC Harness - Front Upper	63- 3
A284 5600	FFC SIB Harness	19- 19
A284 5602	SIB Harness	19- 14
A284 5603	BICU Harness	63- 29
A284 5605	Rear Scanner Harness	19- 15
A284 5610	FFC BICU Harness	19- 16
A284 5615	Front Scanner Harness	19- 21
A284 5620	Flexible Board	21- 15
A284 5880	MSU Harness	63- 26
A284 5881	HDD DC Harness	63- 27
A284 5892	HDD Bracket	63- 25
A284 5893	HDD Cover	63- 28
A284 5960	BICU Board	63- 6
A284 5960	BICU Board	81- *
A284 6371	Model Name Plate - LAN (A284)	85- 23
A284 6371	Model Name Plate - LAN (A284)	11- 34

Part No.	Description	Page and Index No.
A284 6607	Operating Instructions - Copy (RIC)	85- 20
A284 6697	Operating Instructions - Copy (NRG/SVN)	85- 20
A284 6707	Operating Instructions - CS	85- 22
A284 7072	Model Name Plate (A284 SVN)	11- 34
A284 7072	Model Name Plate (A284 SVN)	85- 23
A284 7073	Model Name Plate (A284 SVN-GSA)	11- 34
A284 7073	Model Name Plate (A284 SVN-GSA)	85- 23
A284 7228	Front Cover (A284 RIC)	11- 8
A284 7232	Operation Panel Ass'y	9- 15
A284 7232	Operation Panel Ass'y	17- *
A284 7617	Front Cover (A284 RIC-GSA)	11- 8
A284 8607	Operating Instructions - System (RIC)	85- 21
A284 8697	Operating Instructions - System (NRG/SVN)	85- 21
A284 9099	NVRAM - Minus Counter	63- 7

Part No.	Description	Page and Index No.
AA00 0204	Decal - Right Lower Cover	11- 28
AA00 0204	Decal - Right Lower Cover	85- 14
AA00 1389	Large Decal - Energy Star	85- 15
AA00 1392	Decal - A1	11- 19
AA00 1392	Decal - A1	85- 16
AA00 1393	Decal - A2	31- 32
AA00 1393	Decal - A2	85- 17
AA00 3006	Decal - Paper Set Direction	85- 18
AA00 3006	Decal - Paper Set Direction	33- 7
AA01 2102	Development Filter	45- 15
AA02 1030	Magnet Catch	51- 19
AA04 3416	Timing Belt - 40S3M192	11- 31
AA04 3439	Timing Belt - S2M-224	21- 32
AA04 3441	Timing Belt - S2M	57- 22
AA04 3442	Timing Belt - S3M-264	57- 3
AA04 3443	Timing Belt - S2M 140	55- 10
AA04 3443	Timing Belt - S2M 140	53- 20
AA04 3444	Timing Belt - S2M 350	55- 1
AA04 3445	Timing Belt - S3M-360	59- 4
AA04 3446	Timing Belt - S3M-312	59- 11
AA04 3447	Timing Belt - S2M 210	49- 25
AA05 0106	Carriage Drive Wire	21- 25
AA05 1027	Wire - Fusing Drive	43- 25
AA06 0687	Pressure Spring	47- 26
AA06 0689	Tension Spring	43- 26
AA06 0690	Spring	57- 15
AA06 0691	Tension Spring	29- 4
AA06 0692	Tension Spring	29- 23
AA06 0693	Tension Spring	29- 37
AA06 0694	Tension Spring	59- 13
AA06 0695	Tension Spring	59- 34
AA06 0696	Tension Spring	57- 8
AA06 0697	Tension Spring	49- 16
AA06 0702	Tension Spring	19- 11
AA06 0703	Tension Spring	21- 26

Part No.	Description	Page and Index No.
AA06 0708	Pressure Spring	53- 11
AA06 0709	Tension Spring	51- 15
AA06 0711	Pressure Spring	41- 10
AA06 0712	Torsion Spring	41- 27
AA06 0713	Tension Spring	63- 21
AA06 0716	Tension Spring	49- 17
AA06 0837	Tension Spring	47- 7
AA06 2299	Pressure Spring	39- 18
AA06 2300	Tension Spring	39- 19
AA06 2301	Tension Spring	39- 11
AA06 2303	Tension Spring	37- 27
AA06 2304	Pressure Spring	31- 23
AA06 2305	Tension Spring	31- 10
AA06 2310	Pressure Spring	39- 5
AA06 3303	Pressure Spring	51- 16
AA06 3304	Terminal Spring	31- 19
AA06 3305	Torsion Spring	41- 8
AA06 3306	Tension Spring	43- 19
AA06 3371	Spring	57- 29
AA06 3499	Pressure Spring	27- 5
AA06 3561	Pressure Spring	39- 16
AA06 3563	Spring	11- 2
AA06 3564	Tension Spring	11- 14
AA06 3566	Pressure Spring	35- 8
AA06 3567	Tension Spring	27- 29
AA06 3568	Pressure Spring	27- 26
AA06 3569	Spring	27- 36
AA06 3570	Tension Spring	47- 37
AA06 6152	Tension Spring	53- 4
AA06 6292	Tension Spring	59- 7
AA06 6293	Torsion Spring	55- 17
AA06 6574	Torsion Spring	25- 9
AA06 6575	Torsion Spring	43- 8
AA06 6576	Torsion Spring	43- 12
AA06 6577	Torsion Spring	31- 29

Part No.	Description	Page and Index No.
AA08 0034	Bushing - 4x5x7	51- 10
AA08 0227	Bushing - M4	53- 10
AA08 0229	Front Busing - M6	31- 26
AA08 0230	Rear Busing - M6	31- 22
AA08 0232	Bushing - M4	43- 20
AA08 0234	Bushing - 12x18x6	45- 30
AA08 0246	Bushing-bias Roller	41- 26
AA08 0254	Bushing - M4	11- 15
AA08 2054	Bushing - M4	41- 32
AA08 2070	Bushing - 8x16x7	25- 8
AA08 2070	Bushing - 8x16x7	29- 8
AA08 2072	Bushing - M6	29- 26
AA08 2073	Roller Busing	47- 36
AA08 2074	Bushing - M8	53- 1
AA08 2075	Bushing - M6	55- 3
AA08 2079	Bushing - 6x8x5.8	43- 3
AA08 2080	Bushing - M8	31- 20
AA08 3010	Clutch Roller - 6x14x10	27- 30
AA08 3014	One-way Clutch	29- 29
AA10 0006	Nut - M3.6	9- 16
AA13 2174	Spacer - M8	21- 2
AA14 0140	Screw - M3X4.5	47- 34
AA14 0655	Shaft - Paper Feed	29- 28
AA14 0656	Shaft - Gear	29- 20
AA14 0660	Feed Shaft	27- 21
AA14 0666	Shaft - Hook	43- 9
AA14 3219	Stepped Screw - M3	45- 7
AA14 3301	Stepped Screw - M3x4	63- 20
AA14 3432	Stepped Screw - M3	65- 19
AA14 3461	Stepped Screw - M2.5	55- 19
AA14 3499	Stepped Screw	63- 23
AA14 3500	Stepped Screw - M6	9- 12
AA14 3501	Stepped Screw - M8	13- 24
AA14 3502	Bin Joint Guide	67- 9
AA14 3511	Bin Joint Guide (GSA)	67- 9

Part No.	Description	Page and Index No.
AA14 3512	Stepped Screw - M2.5	63- 14
AA14 3519	Stepped Screw - M2.5-L	63- 32
AA14 3762	Tapping Screw - M3x10	33- 18
AA14 5260	Gear Shaft	59- 30
AA14 5810	Slide Shaft	35- 4
AA14 8447	Guide Pin - Platen Cover	15- 11
AA14 9291	Pin - Link	31- 11
AA15 0401	Seal - 70x20	41- 9
AA15 0668	Sheet - 100x21	21- 22
AA15 0669	Sheet - 250x21	21- 23
AA15 0684	Shield Plate	65- 4
AA15 0685	Seal - 215x10	13- 30
AA15 0701	Shield - 40x70	19- 5
AA15 0702	Front Shield Plate	21- 7
AA15 2283	Ring - M12	45- 32
AA15 2283	Ring - M12	45- 25
AA15 2403	Sponge - Laser Unit Cover	23- 7
AA15 3052	Entrance Seal - Toner Supply	45- 6
AA15 3053	Sponge - 317x5x5	45- 28
AA15 3054	Sponge - 17x7x5	45- 27
AA15 3062	Sponge - M46	45- 26
AA15 3077	Sponge - 8x8x2	45- 29
AA15 3083	Seal - Toner Supply Unit Cover (RIC)	35- 13
AA15 3084	Seal - Toner Supply Unit Cover (OEM)	35- 13
AA15 3390	Sponge - 202x3.5x4	13- 8
AA15 3391	Frame Seal - Rear Right	43- 33
AA15 3392	Sponge - 24x6x5	43- 11
AA15 3393	Frame Seal - Rear Vertical	43- 29
AA16 1125	Rubber Cushion	63- 22
AA16 1127	Cushion - 16x6x4	49- 4
AA16 1128	Cushion - 12x8x2	49- 18
AA16 1133	Cushion - 4x15x1	21- 18
AA16 2046	Cushion - 347x10x5	53- 7
AA16 2067	Platen Cover Pad	15- 2
AB01 0106	Gear - 24Z	29- 19

Part No.	Description	Page and Index No.
AB01 0107	Gear - 23Z	29- 17
AB01 1088	Gear - 30Z	55- 13
AB01 1188	Gear - 21Z	29- 3
AB01 1189	Gear - 18Z	29- 7
AB01 1190	Gear - 25Z	41- 34
AB01 1377	Gear - 14Z	37- 7
AB01 1378	Gear - 19Z	37- 12
AB01 1379	Gear - 19Z	37- 15
AB01 1380	Cam - Cleaning Blade	37- 14
AB01 1383	Joint Gear - 45z	45- 16
AB01 1384	Gear - 29Z	45- 11
AB01 1386	Development Sleeve Gear	45- 12
AB01 1387	Gear - 23Z	27- 23
AB01 1388	Gear - Z16	27- 8
AB01 1389	Gear - 20Z	27- 7
AB01 1390	Gear - 27Z	27- 34
AB01 3485	Gear - 20Z	31- 33
AB01 3882	Gear - 40Z	47- 18
AB01 4036	Gear - 27Z	59- 5
AB01 4037	Gear - 24Z	59- 2
AB01 4038	Gear - 22Z	59- 9
AB01 4039	Gear - 31Z	59- 21
AB01 4040	Gear - 29Z	59- 23
AB01 4041	Gear - 37Z	57- 17
AB01 4042	Gear - 37Z	57- 18
AB01 4043	Gear - 39Z	57- 13
AB01 4045	Gear - 33Z	57- 12
AB01 4046	Gear - 25Z	47- 29
AB01 4047	Gear - 29Z	31- 24
AB01 4048	Gear - 30Z	57- 2
AB01 4049	Gear - 24Z	49- 10
AB01 4051	Gear - 16Z	31- 27
AB01 4053	Gear - 30Z	53- 23
AB01 4060	Gear - 21Z	45- 4
AB01 4061	Gear - 13Z	45- 3

Part No.	Description	Page and Index No.
AB01 4062	Gear - 17Z/25Z	45- 5
AB01 4090	Gear - 18Z	29- 39
AB01 7429	Gear - 27Z	41- 12
AB01 7454	Gear - 24Z/30Z	27- 32
AB01 7455	Gear - 21Z/35Z	53- 18
AB01 7456	Gear - 20Z	53- 19
AB01 7457	Gear Pulley - 20Z/40T	55- 11
AB01 7458	Gear Pulley - 18Z/22T	49- 30
AB01 7460	Gear - Pulley - 30Z/24T	57- 4
AB01 7461	Gear Pulley - 30Z/20T	57- 5
AB03 0474	Pulley - 24T	55- 2
AB03 0561	Timing Pulley - 31Z/20T	59- 17
AB03 0562	Timing Pulley - 31Z/20T	59- 14
AB03 0564	Pulley - M17	11- 33
AB03 0565	Timing Pulley - 20T	59- 3
AB03 0566	Timing Pulley - 20T	59- 32
AB03 0567	Timing Pulley - 18T	59- 28
AB03 0568	Pulley - 23T	49- 22
AB03 0572	Timing Pulley - Z61	21- 31
AB03 0574	Timing Pulley - 79T	57- 21
AB03 0584	Timing Pulley - 15T	11- 27
AB03 0590	Pulley - M17	59- 16
AB03 2060	Pulley - M22	21- 1
AB03 2061	Front Scanner Pulley	21- 37
AB03 2062	Rear Scanner Pulley	21- 30
AC00 1060	Platen Cover Ass'y	15- 9
AC01 2064	Exposure Glass	9- 4
AC01 2065	Exposure Glass - A3 T-3.2	9- 4
AC01 5024	Shield Glass - Polygon Motor	23- 28
AC01 5025	Shield Glass	23- 8
AC03 0110	Scanner Mirror	21- 13
AC03 0115	Mirror	23- 16
AD01 5020	Drum Shaft	57- 31
AD02 1127	Receptacle	31- 18
AD02 5021	Pick-off Pawl	39- 3

Part No.	Description	Page and Index No.
AD02 7006	Charge Roller	39- 26
AD03 8078	Paddle	45- 24
AD04 3050	Toner Collection Coil	37- 5
AD04 4000	Toner Collection Mylar	37- 10
AD04 7023	Cleaning Entrance Seal	39- 8
AE01 1041	Hot Roller	47- 17
AE02 0074	Pressure Roller - M30	47- 22
AE04 2039	Fusing Cleaning Roller	47- 35
AE04 4024	Pressure Roller Stripper	47- 4
AE04 4028	Stripper Pawls	47- 6
AF00 2005	Paper Tray	33- 20
AF00 2007	Paper Tray (GSA)	33- 20
AF01 3014	Bottom Plate Pad	33- 5
AF01 3016	Bottom Plate Pad	27- 6
AF01 7020	End Fence	33- 6
AF02 0404	Transport Roller	29- 32
AF02 0406	Transport Roller	49- 5
AF02 0407	Transport Roller	49- 21
AF02 0408	Driven Roller - M16	43- 21
AF02 0410	Registration Roller	31- 7
AF02 0411	Driven Roller	53- 9
AF02 0412	Driven Roller	51- 17
AF02 0413	Driven Roller	53- 12
AF02 0414	Transport Roller	55- 4
AF02 0415	Transport Roller	55- 6
AF02 1059	Driven Registration Roller	31- 8
AF02 5036	Duplex Junction Gate	51- 14
AF03 0035	Pick-up Roller	29- 1
AF03 0036	Pick Up Roller	27- 22
AF03 1035	Feed Roller	29- 6
AF03 1036	Feed Roller	27- 12
AF03 2035	Separation Roller	29- 36
AF03 2036	Separation Roller	27- 2
AF04 0031	Driven Roller	27- 18
AF04 0557	Roller - M16	49- 7

Part No.	Description	Page and Index No.
AF04 0559	Driven Roller - M9	43- 16
AF04 0559	Driven Roller - M9	25- 23
AF04 0560	Driven Roller	49- 14
AG05 0085	Registration Roller Knob	31- 28
AG05 0086	Knob - Hot Roller	47- 19
AG05 1137	Handle Lever	43- 32
AG07 0014	Magnet Catch	11- 20
AG07 1010	Magnet Catch	13- 9
AH01 0009	Rubber Pad - H5	21- 36
AH01 0009	Rubber Pad - H5	67- 11
AW01 0048	Photo Sensor - Gp2a28n1	53- 3
AW01 0048	Photo Sensor - Gp2a28n1	31- 17
AW01 0056	Original Sensor - H=2-66	19- 2
AW01 0059	Original Sensor - H=1-66	19- 22
AW02 0056	Photointerrupter - EE-SX4235A-P1	55- 15
AW02 0056	Photointerrupter - EE-SX4235A-P1	29- 31
AW02 0056	Photointerrupter - EE-SX4235A-P1	27- 19
AW02 0056	Photointerrupter - EE-SX4235A-P1	21- 19
AW02 0096	Photointerrupter	29- 35
AW02 0097	Photointerrupter	57- 10
AW02 0098	Photosensor	49- 1
AW02 0100	Photointerrupter - P1CH2MM	19- 8
AW02 0102	Photointerrupter	55- 9
AW10 0051	Thermistor	47- 11
AW31 0006	Toner Overflow Sensor	41- 11
AW50 0022	Push Switch	59- 10
AW50 0022	Push Switch	63- 17
AX04 0077	DC Motor - 3W (GES,-30,-37)	59- 18
AX04 0078	DC Motor - 3W	59- 18
AX05 0117	DC Motor - 2.4W	57- 23
AX06 0141	Polygon Mirror Motor (A283)	23- 9
AX06 0145	DC Motor - 48W (A284)	57- 35
AX06 0146	DC Motor - 38W (A283)	57- 35
AX06 0180	Polygon Mirror Motor (A284)	23- 9
AX20 0138	Electrical Clutch	59- 19

Part No.	Description	Page and Index No.
AX20 0138	Electrical Clutch	31- 21
AX20 0140	Electrical Clutch	27- 31
AX20 0153	Electrical Clutch	59- 1
AX31 0035	Total Counter	13- 11
AX40 0109	Heater - 120V 9W	67- 14
AX40 0117	Heater - 120V 15W (Option)	21- 42
AX44 0107	Fusing Lamp - 120V 860W	47- 14
AX50 0046	Quenching Lamp	65- 10
AX50 0068	Xenon Lamp	21- 8
AX64 0080	Fan Motor - DC 2.88W	61- 1
AZ23 0074	Power Supply Unit - 115V (GSA)	61- 14
AZ23 0077	Power Supply Unit - 115V	61- 14
AZ32 0086	High Voltage Supply - CBT	61- 5
AZ50 0053	Stabilizer - Xenon Lamp	19- 13
B004 2210	Shield - PCU - Upper Left	37- 32
B004 2211	Shield - Shutter - Middle	37- 29
B004 2212	Shield - Cleaning Cover - Front	37- 33
G010 3039	Knob - Entrance Guide	31- 31
G011 3305	Gear - 16T	25- 13
G020 1053	Guard Bracket	67- 5
G020 1184	Flange - Fly Wheel	57- 20
G020 1189	Fly Wheel (A284)	57- 19
G020 1189	Fly Wheel (A283)	57- 19
G020 1332	Hinge - Front Cover	11- 7
G020 1917	Decal - LD	23- 3
G020 1920	Decal - Laser Diode (115v)	23- 2
G020 1920	Decal - Laser Diode (115V)	85- 19
G020 1964	Mirror (GSA,-30,-37)	23- 16
G020 1966	Cylindrical Lens	23- 12
G020 1968	F Theta Mirror	23- 22
G020 1969	BTL Lens	23- 19
G034 1136	Bracket - Belt Stopper (GSA)	57- 6
G034 1170	Left Duct (GSA)	61- 3
G034 1253	Cover - Small - Upper Right	13- 27
G034 1373	Right Inner Cover (GSA)	43- 10

Part No.	Description	Page and Index No.
G034 1968	Shield Plate - LDDR	65- 17
G034 5820	Spring Plate - Power Supply Unit	61- 19
G035 3900	Case - Transfer Unit	41- 1
GA08 0002	Bushing - 6mm	27- 35
GC03 0020	Sync. Detector Mirror	23- 24
N601 4576	Coil - SK12M4	61- 20
N607 6527	Fan Motor - DC 0.96W	61- 21

Part No.	Description	Page and Index No.
A006 9104	Adjusting Scanner Pin (4pcs/set)	87- 5
A028 9300	Grease Barrierta JFE 55/2	87- 8
A029 9387	Digital Multimeter - FLUKE87	87- 7
A053 1957	Flex Hinge - Platen Cover	15- 4
A096 6554	Side Fence Pad	33- 19
A134 1383	Emblem (RIC)	11- 9
A134 1394	Front Platen Cover	15- 3
A134 1395	Rear Platen Cover	15- 5
A134 1396	Original Holder	15- 6
A134 2661	Feeler Roller	27- 17
A134 3180	Bottle Chuck	35- 11
A153 1370	Platen Cover Hinge	15- 8
A153 1380	Platen Cover Bracket	15- 10
A153 1383	Platen Cover Feeler	15- 7
A176 1317	Cap - 34x55	13- 6
A190 4476	Decal - High Temperature	65- 13
A190 4476	Decal - High Temperature	85- 1
A217 1340	Knob Screw - M4x10	9- 9
A230 2520	Heat Sink - Heater	67- 15
A230 2525	Stopper - Heater	67- 16
A230 5516	Ground Wire Harness	67- 13
A230 5518	AC Harness - Connector	67- 17
A230 9003	Adjusting Cam - Laser Unit	87- 2
A230 9004	Positioning Pin Laser Unit	87- 1
A230 9351	Case - Flash Memory Card	87- 4
A230 9352	Flash Memory Card - 4MB	87- 3
A230 9510	OPC Drum	39- 29
A232 1052	Front Grip Plate	67- 2
A232 1053	Rear Grip Plate	67- 6
A232 1054	Joint Stopper	67- 3
A232 1071	Guide Rail - Development Unit	65- 14
A232 1072	Lower Stay - PCU	31- 6
A232 1075	Guide Rail - Fusing Unit	65- 11
A232 1081	Center Frame	65- 3
A232 1082	Left Stay - Paper Exit	65- 1

Part No.	Description	Page and Index No.
A232 1083	Bracket - Bridge Unit	65- 2
A232 1088	Bracket- Fusing Connector	65- 21
A232 1089	Upper Plate - Laser Unit	65- 5
A232 1093	Spacer	13- 14
A232 1094	Nut	13- 15
A232 1095	Scanner Arm Ass'y	13- 25
A232 1115	Fusing Relay Gear	57- 16
A232 1124	Bracket - Gear	57- 14
A232 1136	Bracket - Belt Stopper	57- 6
A232 1138	Belt Holder	57- 1
A232 1149	Support Bracket - Drum Drive	57- 32
A232 1151	Link Plate - Drum Drive	57- 34
A232 1160	Bracket - Switch Lever	43- 24
A232 1161	Lever - Interlock Switch	43- 27
A232 1170	Left Duct	61- 3
A232 1171	Right Duct	61- 4
A232 1172	Duct - Cooling Fan	61- 2
A232 1173	Sheet - Duct	13- 20
A232 1176	Lower Development Bracket	65- 15
A232 1177	Development Bracket	65- 16
A232 1252	Duct - Upper Cover	13- 7
A232 1257	Cap - Upper Cover	13- 29
A232 1258	Cap - IC Card	13- 5
A232 1266	Left Hinge - Front Cover	67- 1
A232 1267	Right Hinge - Front Cover	67- 4
A232 1268	Upper Cover - Paper Feed	11- 6
A232 1272	Right Rear Cover	11- 26
A232 1282	Cap - Switch	11- 3
A232 1283	Left Cover - Paper Feed Sub-unit	11- 5
A232 1284	Spring Holder	37- 31
A232 1284	Spring Holder	13- 22
A232 1284	Spring Holder	31- 4
A232 1284	Spring Holder	11- 4
A232 1291	Rear Cover	13- 19
A232 1297	Upper Cap - Rear Cover	13- 18

Part No.	Description	Page and Index No.
A232 1298	Lower Cap - Rear Cover	13- 26
A232 1349	Harness Rear Cover	61- 16
A232 1350	Upper Rear Cover - Scanner	9- 6
A232 1356	Right Cover - Scanner	9- 7
A232 1357	Left Cover - Scanner	9- 3
A232 1358	Lower Cover - Op Panel	9- 14
A232 1359	Seal - Lower Operation Cover	9- 23
A232 1371	Inner Cover - Right Upper	13- 13
A232 1373	Right Inner Cover	43- 10
A232 1375	Left Inner Cover	13- 12
A232 1380	Jam Removal Sheet	11- 10
A232 1381	Decal - Total Counter	13- 10
A232 1381	Decal - Total Counter	85- 2
A232 1383	Decal - Right Scanner Cover	9- 8
A232 1383	Decal - Right Scanner Cover	85- 3
A232 1385	Decal - Indication	85- 4
A232 1386	Decal - Fusing Jam	85- 5
A232 1386	Decal - Fusing Jam	51- 20
A232 1503	Key Top - Start	17- 3
A232 1504	Key Top - Clear	17- 4
A232 1505	Key Top - Interrupt	17- 6
A232 1507	Key Top - Program	17- 7
A232 1508	Key Top - Switch	17- 8
A232 1510	Key Top - Arrow	17- 9
A232 1515	Cover - Basic	17- 10
A232 1515	Cover - Basic	9- 20
A232 1520	Cover - Copy/Fax	17- 11
A232 1520	Cover - Copy/Fax	9- 21
A232 1522	Key Top - Image Edit	17- 12
A232 1532	Operation Panel Case - Basic	17- 13
A232 1532	Operation Panel Case - Basic	9- 22
A232 1663	Cushion - Scanner Unit Plate	9- 11
A232 1672	Left Scale	9- 1
A232 1675	Bracket Left Scale	19- 1
A232 1677	Rear Scale	9- 5

Part No.	Description	Page and Index No.
A232 1682	Right Stay - Scanner Unit	19- 12
A232 1707	Second Slide Rail	21- 44
A232 1712	Front Tension Plate - Scanner Wire	21- 38
A232 1722	Rear Tension Plate - Scanner Wire	21- 24
A232 1728	Rail Supporter	21- 16
A232 1731	Scanner Rail	21- 27
A232 1732	Rail Bracket	21- 34
A232 1771	Scanner Drive Shaft	21- 28
A232 1782	1st Scanner Ass'y	21- 10
A232 1788	Reflector	21- 12
A232 1789	1st Mirror Holder	21- 14
A232 1791	Front Wire Holder	21- 9
A232 1792	Rear Wire Holder	21- 11
A232 1836	Bracket - ADF I/F Harness	19- 9
A232 1839	Bracket - Sensor	21- 20
A232 1844	Spring Plate - Exposure	9- 19
A232 1846	Spacer - Scanner Unit Plate	9- 13
A232 1900	Housing - Laser Unit	23- 6
A232 1904	Cap - Laser Unit Cover	23- 4
A232 1918	Heat Sink - Polygon Motor	23- 10
A232 1920	Decal - Heat Sink	23- 11
A232 1921	Front Holder - F Theta Mirror	23- 20
A232 1922	Rear Holder - F Theta Mirror	23- 21
A232 1923	Front Holder - BTL	23- 17
A232 1924	Rear Holder - BTL	23- 18
A232 1925	Middle Mirror Holder	23- 15
A232 1926	Mirror Holder	23- 14
A232 1927	Cylindrical Lens Holder	23- 13
A232 1928	Holder - Sync. Detector Mirror	23- 23
A232 1936	Holder - Laser Unit Ass'y	61- 8
A232 1936	Holder - Laser Unit Ass'y	65- 22
A232 1937	Positioning Pin - Laser Unit Ass'y	65- 23
A232 1971	Support Cover - Imaging Unit	23- 5
A232 2277	Seal - Drum Front	37- 34
A232 2278	Seal - Drum Rear	37- 35

Part No.	Description	Page and Index No.
A232 2279	Seal - Toner Supply Entrance	37- 40
A232 2280	Tape - Entrance Seal	39- 7
A232 2281	Cover - Cleaning Unit	37- 2
A232 2288	Shaft - Toner Collection Mylar	37- 9
A232 2289	Front Bushing - Collection Mylar	37- 8
A232 2290	Bushing - Collection Mylar	37- 11
A232 2292	Bushing - Toner Collection Coil	37- 6
A232 2293	Handle - PCU	37- 1
A232 2294	Idler Bracket	37- 13
A232 2298	Bracket - Charge Cleaning	39- 10
A232 2300	Roller - Cleaning	39- 12
A232 2303	Front Arm - Charge Unit	39- 15
A232 2305	Rear Arm - Charge Unit	39- 23
A232 2308	Rear Terminal - Charge Roller	39- 24
A232 2310	Bracket - Cleaning Blade	39- 20
A232 2315	Front Bushing - Cleaning Bracket	39- 17
A232 2316	Stud - Cleaning Bracket	39- 1
A232 2318	Collar - Cleaning	39- 21
A232 2321	Shutter - Toner Supply	37- 28
A232 2322	Shield - Shutter - Toner Supply	37- 16
A232 2323	Front Cover - PCU	37- 21
A232 2328	Cap - Toner Supply	37- 20
A232 2329	Stopper - PCU	37- 18
A232 2339	Spur	39- 6
A232 2340	Holder - Pick-off Pawl	39- 4
A232 2348	Seal - Blade 12x7x3	37- 37
A232 2350	Seal - Entrance	37- 38
A232 2353	Cleaning Blade Ass'y	39- 22
A232 2354	Front Terminal - Charge Roller	39- 27
A232 2356	Stepped Screw - M6	39- 9
A232 2362	Stay - PCU	65- 8
A232 2365	Guide Rail - PCU	31- 1
A232 2366	Holder - ID Sensor	31- 3
A232 2367	ID Sensor	31- 5
A232 2372	Lock Lever - Transfer Unit	57- 7

Part No.	Description	Page and Index No.
A232 2373	Magnet - Quenching Lamp	65- 9
A232 2374	Spur	31- 2
A232 2379	Transfer Unit Clutch	57- 9
A232 2380	Terminal Plate - Change Roller	57- 30
A232 2381	Harness - Charge Roller	57- 27
A232 2382	Terminal Plate - Development Bias	57- 28
A232 2383	Harness - Development Bias	57- 26
A232 2399	Seal - Blade 13x9.5x3	37- 36
A232 2403	Receptacle - Charge Roller	37- 17
A232 2406	Lower Frame - OPC	39- 2
A232 2408	Spring Plate	37- 19
A232 2412	Seal - 2x7x14.5	37- 26
A232 2413	Seal - Front Lower	37- 23
A232 2414	Seal - 2x20x45	37- 24
A232 2416	Seal - 1x3x80	37- 25
A232 2417	Seal - 1x7x12.5	37- 22
A232 2419	Left Seal - Cleaning Cover	37- 4
A232 2420	Right Seal - Cleaning Cover	37- 3
A232 2421	Bushing - 6x10x3	39- 25
A232 2422	Guide PCU	39- 30
A232 2430	Cleaning Pad	39- 13
A232 2574	Upper Entrance Guide	31- 9
A232 2578	Stopper - Guide Plate	31- 25
A232 2583	Lower Entrance Guide	31- 15
A232 2594	Bracket - Registration Sensor	31- 14
A232 2596	Link Lever	31- 12
A232 2692	Cover - Paper Drive	67- 10
A232 2700	Arm - Gear	59- 6
A232 2702	Pulley Bracket	59- 31
A232 2703	Tightener	59- 33
A232 2705	Tightener - Paper Feed	59- 12
A232 2707	Support Bracket	59- 27
A232 2709	Spacer - By-pass Feed	59- 15
A232 2710	Upper Holder Plate	59- 25
A232 2711	Lower Holder Plate	59- 24

Part No.	Description	Page and Index No.
A232 2720	Gear Bracket	11- 30
A232 2722	Knob	11- 32
A232 2723	Support Plate - Knob	11- 23
A232 2724	Knob Cover	11- 29
A232 2750	Paper Feed Unit Ass'y	29- 38
A232 2760	Housing - Paper Feed Unit	29- 9
A232 2762	Paper End Feeler	29- 13
A232 2763	Pick-up Arm	29- 2
A232 2764	Rear Grounding Plate	29- 27
A232 2765	Front Grounding Plate	29- 10
A232 2766	Feed Mylar	29- 25
A232 2770	Stay - Paper Separation	29- 18
A232 2774	Pressure Lever	29- 21
A232 2775	Link Lever	29- 22
A232 2776	Release Lever	29- 15
A232 2777	Shaft - Paper Separation	29- 12
A232 2780	Stay - Paper Feed	29- 33
A232 2781	Sensor Bracket	29- 34
A232 2782	Rear Feed Mylar	29- 14
A232 2785	Vertical Guide	29- 24
A232 2857	Cover - Vertical Transport	11- 21
A232 2858	Upper Support Plate	11- 25
A232 2859	Lower Support Plate	11- 18
A232 2860	Entrance Seal	11- 17
A232 2860	Entrance Seal	11- 24
A232 2862	Driven Roller	11- 16
A232 2863	Stopper Band	11- 13
A232 2867	Cap - 68x28	11- 22
A232 2876	Lower Cover - Vertical Transport	11- 11
A232 2882	Bracket - Micro Switch	59- 26
A232 2951	Paper Tray Assembly	33- 1
A232 2952	Paper Tray Assembly (GSA)	33- 1
A232 2972	Bottom Lift Shaft	33- 12
A232 2975	Bottom Lift Plate	33- 10
A232 2976	Grounding Plate - Paper Tray	33- 13

Part No.	Description	Page and Index No.
A232 2977	Tray Bottom Plate	33- 4
A232 2978	Left Shoe	33- 17
A232 2979	Front Side Fence	33- 3
A232 2983	Rear Side Fence	33- 14
A232 2986	Screw - M4X8	33- 2
A232 2987	Roller - Paper Tray	33- 11
A232 2988	Handle - Paper Tray	33- 8
A232 2989	Screw Holder	33- 15
A232 2990	Guide Rail - Paper Tray	67- 12
A232 2995	Front Positioning Guide	67- 7
A232 2996	Rear Positioning Guide	67- 8
A232 2997	Right Stopper - Paper Tray	33- 9
A232 2999	Right Spacer	33- 16
A232 3056	Lower Development Case	45- 23
A232 3065	TD Sensor	45- 18
A232 3066	Decal - Development Unit	85- 6
A232 3066	Decal - Development Unit	45- 31
A232 3067	Tape - TD Sensor	45- 17
A232 3068	Front Bias Terminal - Dev.unit	45- 19
A232 3069	Rear Bias Terminal - Dev.unit	45- 20
A232 3077	Spacer - M5	45- 33
A232 3081	Flange - Paddle	45- 22
A232 3096	Flange - Side Plate	45- 21
A232 3100	Development Roller Ass'y	45- 9
A232 3131	Front Shield - Development Sleeve	45- 10
A232 3132	Rear Shield - Development Sleeve	45- 8
A232 3150	Entrance Seal Ass'y	45- 14
A232 3155	Front Cover - Development Unit	45- 2
A232 3170	Development Drive Unit Ass'y	57- 33
A232 3198	Mylar - Resist Guide Plate	31- 34
A232 3210	Guide - Toner Supply Unit	65- 6
A232 3230	Case - Toner Supply Ass'y	35- 6
A232 3251	Chuck Shaft	35- 9
A232 3252	Slider Ass'y	35- 10
A232 3261	Handle - Toner Supply	35- 5

Part No.	Description	Page and Index No.
A232 3262	Slide Rail - Toner Supply	35- 3
A232 3263	Spring Plate - Toner Bottle	35- 7
A232 3264	Stopper - Slide Rail	65- 7
A232 3266	Seal - Slide Rail	35- 2
A232 3267	Seal - Toner Supply - Entrance -Front	37- 39
A232 3552	Ball Bearing - 8x22x7	57- 24
A232 3552	Ball Bearing - 8x22x7	59- 29
A232 3553	Ball Bearing - 8x16x5	39- 28
A232 3559	Ball Bearing - 30x42x7	47- 16
A232 3560	Ball Bearing - 8x22x7	47- 21
A232 3566	Ball Bearing - 8x16x5	21- 29
A232 3830	Cleaning Blade - Transfer Belt	41- 21
A232 3880	Transfer Belt	41- 23
A232 3882	Frame - Transfer Unit	41- 35
A232 3883	Spring Plate - Transfer Unit	41- 30
A232 3885	Driven Roller - Transfer Unit	41- 29
A232 3887	Rear Terminal - Transfer Belt	41- 31
A232 3889	Bias Roller	41- 28
A232 3891	Bias Terminal	41- 33
A232 3893	Arm - Transfer Belt	41- 25
A232 3894	Drive Roller - Transfer Belt	41- 24
A232 3903	Tape - Entrance Mylar	41- 17
A232 3904	Entrance Mylar - Transfer Unit	41- 37
A232 3905	Seal - Shield Plate	41- 18
A232 3906	Seal - Rear Transfer Exit	41- 36
A232 3907	Seal - Transfer Exit	41- 19
A232 3908	Seal - Rear Case	41- 15
A232 3909	Seal - Front Case	41- 22
A232 3911	Rear Lever - Transfer Belt	41- 5
A232 3912	Front Lever - Transfer Belt	41- 6
A232 3913	Bin - Release Lever	41- 16
A232 3916	Pressure Lever - Transfer Belt	41- 4
A232 3917	Release Lever - Transfer Belt	41- 14
A232 3921	Spring Anchor	41- 7
A232 3923	Bracket - Cleaning Blade	41- 20

Part No.	Description	Page and Index No.
A232 3924	Rear Bushing - Cleaning Holder	41- 13
A232 3925	Front Bushing - Cleaning Holder	41- 2
A232 3926	Transfer Belt Roller	41- 38
A232 3927	Shield - Transfer Belt - Exit	41- 39
A232 3935	Shaft - Transfer Unit Stopper	41- 3
A232 3940	Right Cover	43- 4
A232 3941	Fulcrum Pin - Right Cover	43- 1
A232 3942	Stopper - Right Cover	43- 2
A232 3945	Front Hook - Right Cover	43- 7
A232 3948	Rear Hook - Right Cover	43- 13
A232 3950	Hook Lever	43- 30
A232 3962	Spring Plate - Band Stopper	43- 23
A232 3963	Band Stopper	43- 22
A232 3977	Shield Cover	43- 6
A232 3985	Link - Cover	31- 30
A232 3991	Decal - Shield Cover	43- 5
A232 3991	Decal - Shield Cover	85- 7
A232 3995	Relay Harness - Toner Overflow Sensor	43- 34
A232 3998	Upper Entrance Guide	43- 15
A232 3999	Lower Entrance Guide	43- 14
A232 4051	Frame - Fusing Unit	47- 28
A232 4053	Fusing Lower Shield	47- 27
A232 4055	Stay - Fusing Unit	47- 13
A232 4056	Pressure Lever	47- 25
A232 4057	Front Collar - Pressure Lever	47- 24
A232 4058	Rear Collar - Pressure Lever	47- 30
A232 4059	Positioning Plate - Pressure Lever	47- 23
A232 4064	C Ring - Hot Roller	47- 15
A232 4072	Spring - Hot Roller Knob	47- 20
A232 4081	Upper Frame - Fusing Unit	47- 10
A232 4092	Bracket - Fusing Connector	47- 32
A232 4094	Harness - Fusing Unit	47- 33
A232 4095	Terminal Plate - Fusing Unit	47- 31
A232 4100	Thermofuse	47- 8
A232 4105	Terminal Plate - Thermofuse	47- 12

Part No.	Description	Page and Index No.
A232 4111	Front Bracket - Fusing Lamp	47- 5
A232 4115	Rear Bracket - Fusing Lamp	47- 9
A232 4123	Upper Fusing Entrance Guide	47- 38
A232 4127	Lower Fusing Entrance Guide	47- 39
A232 4131	Fusing Cover	47- 3
A232 4201	Stopper - Fusing Unit	65- 12
A232 4452	Gate Pawl - Entrance	49- 12
A232 4460	Left Frame - Paper Exit	49- 9
A232 4463	Roller Holder	49- 13
A232 4465	Upper Guide Plate - Paper Exit	49- 3
A232 4468	Lever - Entrance Junction Gate	49- 15
A232 4470	Right Frame - Paper Exit	49- 28
A232 4473	Exit Junction Gate	49- 20
A232 4474	Bracket - Idle Gear	49- 29
A232 4477	Guide - Junction Gate	49- 19
A232 4479	Support Plate - Right Frame	49- 26
A232 4481	Solenoid- Entrance Gate	49- 24
A232 4484	Solenoid - Exit Gate	49- 27
A232 4488	Harness Guide	49- 6
A232 4491	Guide Plate - Fusing Exit	43- 18
A232 4493	Roller Holder	43- 17
A232 4496	Sub Copy Tray	13- 3
A232 4497	End Fence - Copy Tray	13- 1
A232 4498	Copy Tray Guide	13- 2
A232 4499	Copy Tray Mylar	13- 28
A232 4622	Guide Plate - Right Lower	55- 5
A232 4630	Lower Stay - Duplex	55- 7
A232 4634	Inverter Guide	53- 8
A232 4638	Front Side Plate	53- 25
A232 4642	Rear Side Plate	53- 26
A232 4645	Middle Guide Plate	51- 4
A232 4648	Guide Plate - Driven Roller	51- 13
A232 4653	Pressure Plate - Guide Plate	51- 9
A232 4657	Inverter Roller	53- 13
A232 4665	DC Motor - 17w	53- 22

Part No.	Description	Page and Index No.
A232 4665	DC Motor - 17W	55- 14
A232 4668	Bracket - Inverter Motor	53- 21
A232 4678	Bracket - Feed Motor	55- 12
A232 4684	Handle - Unit Release	53- 2
A232 4685	Hook - Unit Release	53- 5
A232 4692	Link Solenoid Ass'y	53- 24
A232 4697	Bracket - Micro Switch	55- 18
A232 4700	Duplex Cover	51- 18
A232 4709	Support Tray - Duplex Unit	51- 11
A232 4720	Inner Cover - Duplex Unit	51- 1
A232 4730	Rear Inner Cover	51- 6
A232 4751	Sensor Bracket	55- 16
A232 4757	Bracket - Feed Sensor	55- 8
A232 4763	Bracket - Entrance Sensor	53- 6
A232 4780	Pin - Stopper	65- 20
A232 4790	Link - Duplex Unit	55- 20
A232 4793	Bracket - Link Lever	51- 8
A232 4800	Bracket - Duplex Drive Board	53- 14
A232 4810	Harness Cover - Duplex Unit	51- 7
A232 4850	Decal - Upper Grip	85- 8
A232 4850	Decal - Upper Grip	51- 21
A232 4851	Decal - Jam Removal	51- 3
A232 4851	Decal - Jam Removal	85- 9
A232 4852	Jam Removal Decal - Duplex	51- 2
A232 4852	Jam Removal Decal - Duplex	85- 10
A232 4853	Upper Decal - Duplex Unit	51- 12
A232 4853	Upper Decal - Duplex Unit	85- 11
A232 5125	IOB Board	75- *
A232 5125	IOB Board	63- 4
A232 5130	PFB Board	59- 20
A232 5140	Duplex Drive Board	53- 15
A232 5350	IC - HG71C103FD	81- 1
A232 5355	IC - GATEX	75- 1
A232 5371	MPU CSS	75- 2
A232 5400	DC Main Harness - Upper	63- 9

Part No.	Description	Page and Index No.
A232 5401	DC Main Harness - Lower	63- 2
A232 5403	Harness - IOB / PFB	63- 1
A232 5405	Main Harness - Paper Feed	59- 22
A232 5406	Harness - Paper Tray Set	59- 8
A232 5410	Connector - Finisher	61- 17
A232 5420	Harness - Registration Sensor	31- 16
A232 5421	Harness - Toner Overflow Sensor	43- 28
A232 5422	Harness - Exit Sensor	49- 2
A232 5423	Harness - Exit Gate Solenoid	49- 23
A232 5425	Development I/F Board	65- 18
A232 5427	Harness By-pass Feed	27- 28
A232 5428	Harness - Paper Feed Unit	29- 30
A232 5431	Main Harness - Fusing Unit	63- 11
A232 5432	Harness - Duplex Unit	53- 16
A232 5433	Harness - Duplex Sensor	53- 17
A232 5437	Relay Harness-charge Contact Sensor	57- 11
A232 5444	Harness - Laser Unit (A284)	23- 27
A232 5445	Harness - Laser Unit (A283)	23- 27
A232 5485	Harness - Scanner/ADF	19- 10
A232 5515	Harness - AC Switch	63- 19
A232 5520	Harness - DC Supply	61- 11
A232 5522	Harness - Interlock Switch	59- 35
A232 5522	Harness - Interlock Switch	61- 15
A232 5526	Power Supply Cord - 115V	61- 13
A232 5715	AC Connector Harness (Option)	21- 43
A232 5811	Bracket High Voltage Supply	61- 6
A232 5825	Connector Bracket	63- 10
A232 5831	Bracket - IOB	63- 5
A232 5835	Spring - Scanner Unit Plate	9- 17
A232 5836	Front Grounding Plate	13- 31
A232 5837	Rear Grounding Plate	13- 17
A232 5838	Spring Plate - BICU	63- 31
A232 5839	Sheet - DC Motor	57- 36
A232 5860	Bracket - Interlock Switch	63- 13
A232 5861	Lever - Interlock Switch	63- 12

Part No.	Description	Page and Index No.
A232 5862	Cover - Switch Lever	63- 33
A232 5865	Lever - Push Switch	63- 18
A232 5866	Bracket - Push Switch	63- 15
A232 5867	Angle Bracket - Push Switch	63- 16
A232 5874	Bracket - Power Supply Cord	61- 9
A232 6009	By-pass Feed Table Ass'y	25- 24
A232 6022	Housing - By-pass Feed	27- 13
A232 6023	Grounding Plate - Reverse	27- 15
A232 6028	Guide Plate Paper Separator	27- 10
A232 6033	Shaft Driven Roller	27- 4
A232 6035	Shaft - Drive Roller	27- 9
A232 6038	Gear Cover	27- 11
A232 6043	Arm Paper Pick Up	27- 20
A232 6044	Support Plate	27- 24
A232 6046	Grounding Plate - Feed	27- 25
A232 6049	Solenoid Bracket	27- 37
A232 6051	Pickup Solenoid	27- 27
A232 6055	Paper End Feeler	27- 16
A232 6057	Bracket - By-pass Feed Drive	27- 40
A232 6059	Arm Tightener	27- 33
A232 6061	Tightener Bracket	27- 38
A232 6065	Rail - By-pass Feed	27- 39
A232 6067	By - Pass Feed Table	25- 10
A232 6068	Cover By-pass Table	25- 11
A232 6069	Front Side Fence	25- 21
A232 6070	Rear Side Fence	25- 19
A232 6071	Sub - Front Fence	25- 22
A232 6072	Sub - Rear Fence	25- 20
A232 6073	Decal - By-pass Feed	85- 12
A232 6073	Decal - By-pass Feed	25- 16
A232 6080	Paper Size Detector	25- 15
A232 6082	Front Rack	25- 12
A232 6083	Rear Rack	25- 14
A232 6085	Guide By - Pass Table	25- 17
A232 6090	Bracket Positioning Pin	25- 6

Part No.	Description	Page and Index No.
A232 6091	Positioning Pin	25- 7
A232 6092	Roller - Holder	25- 18
A232 6095	Frame By-pass Unit Holder	25- 2
A232 6106	Middle Lower Cover	25- 1
A232 6107	Middle Upper Cover	25- 5
A232 6108	Rear Cover -by-pass Unit	25- 4
A232 6109	Front Cover - By-pass Unit	25- 3
A232 7021	Front Cover (SVN/GES/LAN)	11- 8
A232 7210	Drum Holder	57- 25
A232 7219	Lower Rear Cover	13- 16
A232 7233	Operation Panel Case	17- 15
A232 7234	Sheet - Switch	17- 16
A232 7235	Sheet - LCD	17- 17
A232 7236	Sheet - Option	17- 18
A232 7237	Sheet - Image Edit	17- 1
A232 7238	Key Top - Clear Modes	17- 14
A232 7239	Key Top - 10 Key	17- 2
A232 7263	Cover - Toner Supply Unit (RIC)	35- 12
A232 7266	Toner Supply Unit (RIC)	35- 1
A232 7320	Fusing Unit Ass'y - 115V	47- 1
A232 7361	PCU Assembly	37- *
A232 7365	Upper Frame - PCU	37- 30
A232 7380	Option Decal - Sub-unit Lt	85- 13
A232 7460	Development Unit	45- 1
A232 7463	Cover - Toner Supply Unit (OEM)	35- 12
A232 7466	Toner Supply Unit (OEM)	35- 1
A232 7639	Operation Panel Board	17- 5
A232 7758	Harness - Heater	61- 10
A250 5503	IC - V-IPU	81- 2
A282 1891	Laser Diode Unit (A283)	23- 26

Part No.	Description	Page and Index No.
A293 5310	Laser Sync. Detector	23- 25
A509 1055	Key Counter Bracket Ass'y	71- 3
A509 1063	Plate Nut	71- 5
A598 1260	Key Counter Cover	71- 4
A666 2421	SUB - Shift Tray	69- 5
A674 5401	Key Counter Harness	71- 1
A674 5402	Key Counter Harness (LAN)	71- 1
A674 5810	Duplex Tape	71- 2
A680 4321	Exit Tray Holder	69- 1
A680 4321	Exit Tray	69- 4
A680 4332	Original Guide	69- 3
A680 4351	Screw - M4x17mm	69- 2
A691 5170	ROM - MSU	63- 30
A691 5171	ROM - MSUOP	81- 5
A691 5879	Hard Disk Drive	63- 24

Part No.	Description	Page and Index No.
5203 9501	Grease 501	87- 9
5206 2684	Shoulder Screw - M3	47- 2
5206 2684	Shoulder Screw - M3	9- 2
5206 2686	Snap Ring	29- 16
5206 2686	Snap Ring	45- 13
5206 2686	Snap Ring	11- 12
5206 2686	Snap Ring	31- 13
5216 4198	Stepped Screw - Guide Plate	27- 14
5420 9516	Test Chart - OS - A3 (10pcs/set)	87- 6
5447 2681	Snap Ring	27- 1
5447 2681	Snap Ring	29- 5
5447 2681	Snap Ring	39- 14
5447 2681	Snap Ring	43- 31
5447 2681	Snap Ring	49- 11
5447 2681	Snap Ring	51- 5
5448 2804	Platen Cover Sheet	15- 1

Part No.	Description	Page and Index No.
0313 0040B	Philips Pan Head Screw - M3x4	53-109
0313 0060B	Philips Pan Head Screw - M3x6	31-108
0313 0060B	Philips Pan Head Screw - M3x6	53-103
0314 0060B	Philips Pan Head Screw - M4x6	21-112
0314 0120B	Philips Pan Head Screw - M4x12	19-102
0353 0040B	Screw - M3X4	27-105
0353 0060B	Philips Pan Head Screw - M3x6	31-102
0353 0060B	Philips Pan Head Screw - M3x6	19-103
0353 0060B	Philips Pan Head Screw - M3x6	33-102
0354 0080B	Screw - M4X8	13-102
0414 0142B	Binding Self Tapping Screw - M4x4	15-101
0450 3006B	Tapping Screw - M3x6	13-105
0450 3006B	Tapping Screw - M3x6	39-103
0450 3008B	Tapping Screw - M3x8	49-102
0450 3008B	Tapping Screw - M3x8	31-106
0450 3008B	Tapping Screw - M3x8	23-103
0450 3008B	Tapping Screw - M3x8	27-106
0450 3008B	Tapping Screw - M3x8	21-105
0450 3008B	Tapping Screw - M3x8	43-102
0450 3008B	Tapping Screw - M3x8	37-101
0450 3008B	Tapping Screw - M3x8	45-105
0450 3008B	Tapping Screw - M3x8	39-101
0450 3008B	Tapping Screw - M3x8	41-103
0450 3008B	Tapping Screw - M3x8	35-102
0450 3008B	Tapping Screw - M3x8	11-104
0450 3010B	Tapping Screw - M3x10	45-106
0450 3010B	Tapping Screw - M3x10	45-101
0450 3010B	Tapping Screw - M3x10	23-102
0450 4010B	Tapping Screw - M4x10	39-104
0450 4035B	Philips Tapping Screw - M4x35	61-109
0451 3006B	Tapping Screw - M3x6	39-107
0451 3006B	Tapping Screw - M3x6	57-101
0451 3006B	Tapping Screw - M3x6	41-101
0451 3006B	Tapping Screw - M3x6	55-102
0451 3006B	Tapping Screw - M3x6	51-102

Part No.	Description	Page and Index No.
0451 3006B	Tapping Screw - M3x6	53-104
0451 3006B	Tapping Screw - M3x6	63-104
0451 3006B	Tapping Screw - M3x6	31-101
0451 3006B	Tapping Screw - M3x6	47-101
0451 3006B	Tapping Screw - M3x6	43-101
0451 3006B	Tapping Screw - M3x6	19-101
0451 3006B	Tapping Screw - M3x6	9-102
0451 3006B	Tapping Screw - M3x6	21-101
0451 3006B	Tapping Screw - M3x6	13-106
0451 3006B	Tapping Screw - M3x6	67-101
0451 3006B	Tapping Screw - M3x6	61-102
0451 3006B	Tapping Screw - M3x6	59-106
0451 3006B	Tapping Screw - M3x6	65-101
0451 3006B	Tapping Screw - M3x6	11-102
0451 3008B	Tapping Screw - M3x8	61-105
0451 3008B	Tapping Screw - M3x8	19-105
0451 3008B	Tapping Screw - M3x8	27-101
0451 3008B	Tapping Screw - M3x8	47-102
0451 3008B	Tapping Screw - M3x8	39-102
0451 3008B	Tapping Screw - M3x8	65-102
0451 3008B	Tapping Screw - M3x8	29-101
0451 3008B	Tapping Screw - M3x8	57-102
0451 3008B	Tapping Screw - M3x8	25-104
0451 3008H	Tapping Screw - M3x8	11-101
0451 3008H	Tapping Screw - M3x8	13-101
0451 3008H	Tapping Screw - M3x8	9-101
0451 3008H	Tapping Screw - M3x8	59-108
0451 3008H	Tapping Screw - M3x8	25-101
0451 3008H	Tapping Screw - M3x8	43-103
0451 3008H	Tapping Screw - M3x8	51-101
0451 3010B	Tapping Screw - M3x10	21-111
0451 3010H	Tapping Screw - 3x10	13-103
0451 3014B	Tapping Screw - M3-14	59-104
0451 3014B	Tapping Screw - M3-14	57-107
0451 3014H	Tapping Screw - 3x14	13-104

Part No.	Description	Page and Index No.
0451 4006B	Tapping Scrw - 4X6	67-110
0451 4010B	Tapping Screw - 4x10	25-105
0452 3010B	Tapping Bind Screw - M3x10	35-101
0452 4008B	Tapping Screw - 3x8	71-101
0453 3012B	Binding Self Tapping Screw - 3x12	47-104
0534 0050E	Headless Screw - M4 X 5	57-106
0575 0050E	Hexagon Headless Set Screw - M5x5	21-108
0720 0015E	Retaining Ring - M1.5	39-106
0720 0020E	Retaining Ring - M2	31-109
0720 0030E	Retaining Ring - M3	47-105
0720 0030E	Retaining Ring - M3	45-102
0720 0030E	Retaining Ring - M3	53-105
0720 0040E	Retaining Ring - M4	29-102
0720 0040E	Retaining Ring - M4	27-103
0720 0040E	Retaining Ring - M4	53-107
0720 0040E	Retaining Ring - M4	49-103
0720 0040E	Retaining Ring - M4	31-104
0720 0040E	Retaining Ring - M4	55-106
0720 0040E	Retaining Ring - M4	45-104
0720 0040E	Retaining Ring - M4	37-102
0720 0040E	Retaining Ring - M4	39-105
0720 0060E	Retaining Ring - M6	21-102
0720 0060E	Retaining Ring - M6	11-103
0720 0060E	Retaining Ring - M6	59-102
0720 0060E	Retaining Ring - M6	43-104
0720 0060E	Retaining Ring - M6	29-103
0720 0060E	Retaining Ring - M6	33-101
0720 0060E	Retaining Ring - M6	25-103
0720 0060E	Retaining Ring - M6	31-103
0720 0060E	Retaining Ring - M6	53-101
0720 0080E	Retaining Ring - M8	47-106
0725 0110E	C Ring - M11	45-103
0801 0149	Philips Pan Head Screw - M4x6	61-107
0801 0149	Philips Pan Head Screw - M4x6	67-109
0802 5265	Tapping Screw - M3x6	55-105

Part No.	Description	Page and Index No.
0802 5265	Tapping Screw - M3x6	53-102
0802 5276	Tapping Screw With Washer - M3x6	57-108
0805 0089	Retaining Ring - M4	29-105
0805 3480	Bushing - 6mm	29-104
0805 3480	Bushing - 6mm	49-104
0805 3480	Bushing - 6mm	55-101
0805 3480	Bushing - 6mm	59-101
0805 3480	Bushing - 6mm	27-102
0950 4006M	Philips Screw With Flat Washer - M4x6	63-105
0950 4006M	Philips Screw With Flat Washer - M4x6	47-103
0951 3005B	Philips Screw With Flat Washer M3x5	49-101
0951 3006B	Philips Screw With Flat Washer - M3x6	41-102
0951 3006B	Philips Screw With Flat Washer - M3x6	21-103
0951 3008B	Philips Screw With Flat Washer - M3x8	23-101
0954 3008B	Philips Screw - M3x8	47-108
0957 3006Z	Screw With Spring Washer - M3X6	21-113
0957 3012B	Double Sems Screw - M3 X 12	47-107
1005 0728	Rivet - Nrp335	21-104
1101 0328	Connector Pin Contact	75-101
1101 0328	Connector Pin Contact	81-101
1102 2452	Terminal Block - 3p	75-102
1102 2854	Connector - 40P	81-102
1102 3822	Connector - 20P	75-103
1102 4872	CT Header - 6P	75-104
1102 5304	Connector - 5P	81-103
1102 5306	Connector - 7P	75-105
1102 6245	Relay Connector - 2P	49-105
1102 6245	Relay Connector - 2P	63-112
1102 6246	Relay Connector - 4P	31-107
1102 6246	Relay Connector - 4P	63-109
1102 6247	Connector - 4P	63-111
1102 6249	Relay Connector - 6P	63-108
1102 6256	Relay Connector - 13P	63-115
1102 6260	Relay Connector - 3P	63-110
1102 6261	Relay Connector - 4P	63-107

Part No.	Description	Page and Index No.
1102 6266	Relay Connector - 9P	63-114
1102 6297	Connector - 4P	81-104
1102 6297	Connector - 4P	75-106
1102 6299	Connector - 6P	75-107
1102 6301	Connector - 8P	75-108
1102 6305	Connector - 12P	75-109
1102 6311	Connector - 4P	75-110
1102 6334	Connector - 3P	75-111
1102 6337	Connector - 6P	75-112
1102 6340	Connector - 12P	75-113
1102 6341	Connector - 10P	75-114
1102 6342	Connector - 11P	75-115
1102 6395	Connector - 1P	75-116
1102 6400	Connector - 24P	75-117
1102 6401	Connector - 26P	75-118
1102 6402	Connector - 2P	81-105
1102 6896	Connector - 50P	75-119
1102 6943	Relay Connector -10p	63-113
1102 7132	Card Slot - 68p	81-106
1102 7196	Connector - 50P	81-107
1102 7389	Connector - FH12-50S-0.5SV	81-108
1102 7456	Connector 176125-5	81-109
1102 7672	Connector - 54111-1615	59-109
1102 7700	Connector - 50P	75-120
1102 7701	Connector - 50P	81-110
1102 7702	Connector - 60P	81-111
1103 1878	Receptacle - 9067	75-121
1104 0588	Dip Socket - 28p	81-112
1104 0769	IC Socket	81-113
1105 0162	Locking Support	19-104
1105 0229	Clamp	63-103
1105 0229	Clamp	67-108
1105 0229	Clamp	55-107
1105 0229	Clamp	53-106
1105 0267	Harness Clamp - YMC-10-0	59-105

Part No.	Description	Page and Index No.
1105 0267	Harness Clamp - YMC-10-0	27-104
1105 0267	Harness Clamp - YMC-10-0	65-104
1105 0267	Harness Clamp - YMC-10-0	67-107
1105 0283	Clamp	29-106
1105 0283	Clamp	31-105
1105 0290	Harness Clamp - HORIZONTAL	65-105
1105 0290	Harness Clamp - HORIZONTAL	67-104
1105 0291	Harness Clamp - LWS-3S	55-103
1105 0291	Harness Clamp - LWS-3S	65-106
1105 0291	Harness Clamp - LWS-3S	67-105
1105 0291	Harness Clamp - LWS-3S	61-101
1105 0292	Wire Saddle	61-104
1105 0292	Wire Saddle	21-106
1105 0310	Harness Clamp - LWS-1S	59-107
1105 0310	Harness Clamp - LWS-1S	67-102
1105 0310	Harness Clamp - LWS-1S	61-103
1105 0310	Harness Clamp - LWS-1S	21-107
1105 0310	Harness Clamp - LWS-1S	63-106
1105 0328	Harness Clamp - ES-0505	53-108
1105 0328	Harness Clamp - ES-0505	57-103
1105 0328	Harness Clamp - ES-0505	55-104
1105 0329	Clamp - ES-0510	67-106
1105 0329	Clamp - ES-0510	57-104
1105 0349	Edge Saddle	25-102
1105 0349	Edge Saddle	65-103
1105 0349	Edge Saddle	57-105
1105 0349	Edge Saddle	67-103
1105 0409	Card Spacer - 6.4MM	21-110
1105 0437	Locking Support - FGS-4S	61-108
1105 0460	Clamp	21-109
1107 0906	Fuse - 4A 125V	61-112
1107 0907	Fuse - 6.3A 125V	61-111
1107 0910	Fuse - 2A 125V	61-113
1107 0919	Fuse - 8A 125V	61-114
1204 1543	Dip Switch	75-122

Part No.	Description	Page and Index No.
1204 2466	Micro Switch - V-16506-1C25	63-101
1204 2466	Micro Switch - V-16506-1c25	55-108
1204 2466	Micro Switch - V-16506-1c25	59-103
1204 2468	Switch - AC250/16A	63-102
1400 0392	Transistor - DTC114EK	81-114
1400 0398	Transistor - 2SC2412K	81-115
1400 0459	Transistor - DTC143XKA	81-116
1400 0556	Transistor - DTB143EK	75-123
1400 0558	Transistor - 2SD780	75-124
1402 0477	Silicon Diode - 1ss187	81-117
1402 0478	Diode - 1SS226TE85L	75-125
1402 0513	Diode - EK03	75-126
1402 0942	Diode - 1SS193	75-127
1402 1037	Diode - U1ZB12	75-128
1402 1122	Diode - MA159A	75-129
1402 1345	Diode - UDZ3.6B	81-118
1402 1380	Diode - PTZ 6.2A	75-130
1402 1380	Diode - PTZ 6.2A	81-119
1403 0828	Diode - SEC1901C	81-120
1403 0829	Diode - SEC1201C	81-121
1404 0238	Serge Absorber 22V 0.6J	75-131
1407 1535	IC - TD62308AP	75-132
1407 1596	TTLIC - SN74LS14NS	75-133
1407 2135	TTLIC - 74F74SJ	81-122
1407 2143	TTLIC - 74F244SJ	81-123
1407 2144	TTLIC - 74F245SJ	81-124
1407 2187	TTLIC - SN74LS07NS	75-134
1407 2187	TTLIC - SN74LS07NS	81-125
1407 2218	TTLIC - SN74LS06NS	81-126
1407 2219	IC - TD62003AP	75-135
1407 3008	TTL - SN74ALS244CNS	81-127
1407 3021	TTL SN74ALS139NS	81-128
1407 3206	IC - TC7S32F	81-129
1407 3281	IC - TC74HCU04AF	75-136
1407 3290	IC - TC74HC02AF	75-137

Part No.	Description	Page and Index No.
1407 3380	HS-C2MOS - TC74HCT04AF	75-138
1407 3411	SN74ALS541NS	81-130
1407 4044	IC - 74ACT14	81-131
1407 4114	IC - SN751177	75-139
1407 4322	IC - TD74ABT374F	81-132
1407 4771	IC - MC68334GFC16	81-133
1407 4963	IC - MBM29F800TA-70PFTN	81-134
1407 5110	IC - SN74LV244ANS	81-135
1408 0575	IC - M51957BFP	81-136
1408 0877	Comparator - LM339NS	75-140
1408 0920	OPEAMP - NJM2902E	75-141
1408 1204	IC - TA8083P	75-142
1408 1266	Regulator - LT1086CM-3.3	81-137
1503 0239	Oscillator - HC-49/U-S 10MHZ	81-138
1503 0261	Oscillator - 9.8304MHZ	75-143
1503 0460	Oscillator - 32.768KHZ	81-139
1503 0784	Oscillator - MA-406 19.6608MHZ	81-140
1503 0809	Crystal Oscillator - 30MHz	81-141
1503 0860	Crystal Oscillator - 40.97MHz	81-142
1600 1178	Resistor Array - 330Ω ±5% 1W	75-144
1601 7724	Resistor - 680 Ω MNR14J681	81-143
1601 7800	Resistor Array - 1KΩ ±5% 1/16W	75-145
1601 7800	Resistor Array - 1KΩ ±5% 1/16W	81-144
1601 7801	Resistor Array - 10KΩ ±5% 1/16W	81-145
1601 7801	Resistor Array - 10KΩ ±5% 1/16W	75-146
1601 7805	Resistor Array - 33 Ω ±5% 1/16W	81-146
1601 7807	Resistor Array - 3.3KΩ ±5% 1/16W	81-147
1601 7808	Resistor - 4.7KΩ ±5% 1/16W	81-148
1601 7809	Resistor Array - 2.2K Ω 1/16W	81-149
1604 2601	Capacitor - 47μF ±20% 25V	75-147
1604 4333	Capacitor - 100μF ±20% 10V	81-150
1605 0685	Capacitor - 0.47μF	81-151
1605 0869	Capacitor - 820pF ±10% 50V	81-152
1605 0943	Capacitor - 0.33μF +80 -20% 25V	81-153

Part No.	Description	Page and Index No.
1607 0280	Inductor - BLM41	81-154
1607 0627	Ferite Core - SFC-10	61-110
1607 0723	Noise Filter - N2012Z121	81-155
1607 0732	Noise Filter - AEF321825-470	81-156
1607 0906	EMI Filter ACF321825-101	81-157
1607 1002	IC - NFM60R30T222	75-148
1607 1022	Filter - MMZ1608Y301B	81-158
1607 1023	Filter - MZA3216Y301B	81-159
1607 1031	Filter - ACB1608I-060	81-160
1607 1044	Filter - MMZ1608S102A	81-161
1630 1121	Resistor - 120Ω±5% 1/8W	75-149
1630 1221	Resistor - 220 Ω ±5% 1/4W	75-150
1630 2221	Resistor - 220 Ω	75-151
1630 3100	Resistor - 10 Ω ±5% 1/10W	75-152
1630 3102	Resistor - 1KΩ 1/10W ±5%	75-153
1630 3103	Resistor - 10KΩ 1/10W ±5%	75-154
1630 3105	Resistor - 1M Ω ±5% 1/10W	75-155
1630 3152	Resistor - 1.5kΩ - 1/10W	75-156
1630 3154	Resistor - 150K 0HM ±5% 1/10W	75-157
1630 3161	Resistor - 160Ω 1/10W ±5%	75-158
1630 3204	Resistor - 200K Ω 1/10W ±5%	75-159
1630 3222	Resistor - 2.2KΩ 1/10W ±5%	75-160
1630 3223	Resistor - 22kΩ - 1/10W	75-161
1630 3330	Resistor - 33 Ω ±5% 1/10W	75-162
1630 3332	Resistor - 3.3KΩ 1/10W ±5%	75-163
1630 3362	Resistor - 3.6K Ω ±5% 1/10W	75-164
1630 3471	Resistor - 470Ω - 1/10W	81-162
1630 3471	Resistor - 470Ω - 1/10W	75-165
1630 3472	Resistor - 4.7KΩ 1/10W ±5%	75-166
1630 3473	Resistor - 47KΩ 1/10W ±5%	81-163
1630 3511	Resistor - 510 Ω ±5% 1/10W	81-164
1630 3511	Resistor - 510 Ω ±5% 1/10W	75-167
1630 3562	Resistor - 5.6K Ω +5% 1/10W	75-168
1630 3681	Resistor - 680 Ω ±5% 1/10W	75-169

Part No.	Description	Page and Index No.
1630 3752	Resistor - 7.5K Ω ±5% 1/10W	75-170
1630 4100	Resistor - 10 Ω ±5% 1/16W	81-165
1630 4101	Resistor - 100 Ω ±5% 1/16W	81-166
1630 4102	Resistor - 1.0KΩ ±5% 1/16W	81-167
1630 4103	Resistor - 10KΩ ±5% 1/16W	81-168
1630 4104	Resistor - 100 Ω ±5% 1/16W	81-169
1630 4106	Resistor -10m Ω ±5% 1/16w	81-170
1630 4222	Resistor - 2.2K Ω ±5%	81-171
1630 4223	Resistor - 22K Ω ±5% 1/16W	81-172
1630 4330	Resistor - 33 Ω ±5% 1/8W	81-173
1630 4332	Resistor - 3.3K Ω ±5% 1/16W	81-174
1630 4334	Resistor - 330K Ω ±5% 1/16W	81-175
1630 4471	Resistor - 470 Ω ±5% 1/16W	81-176
1630 4472	Resistor - 4.7KΩ ±5% 1/16W	81-177
1630 4562	Resistor - 5.6k Ω - ±5% - 1/16W	81-178
1630 4563	Resistor - 56KΩ ±5% 1/16W	81-179
1630 4680	Resistor - 68 Ω ±5% 1/16W	81-180
1630 4681	Resistor - 680 Ω ±5% 1/16W	81-181
1630 4751	Resistor - 50Ω±5.00% 1/16W	81-182
1630 4820	Resistor - 82 Ω ±5% 1/16W	81-183
1631 0000	Resistor - 0Ω 1/4W	75-171
1631 1000	Resistor - 100 Ω ±1% 1/4W	75-172
1633 1003	Resistor - 100K Ω ±1% 1/10W	75-173
1633 1403	Resistor - 140K Ω ±1% 1/10W	75-174
1633 2402	Resistor - 24K Ω ±1% 1/10W	75-175
1633 4641	Resistor - 4.64K Ω ±1% 1/10W	75-176
1633 5231	Resistor - 5.23K Ω ±1% 1/10W	75-177
1633 5621	Resistor - 5.62K Ω ±1% 1/10W	75-178
1633 7150	Resistor - 715 Ω ±1% 1/10W	75-179
1634 0000	Resistor - 0 Ω 1/16W	81-184
1634 1002	Resistor - 10 Ω ±5% 1/16W	81-185
1634 3921	Resistor - 3.92KΩ ±1% 1/1	81-186
1640 2470	Capacitor - 47μF ±20% 25V	75-180

Part No.	Description	Page and Index No.
1640 5101	Capacitor - 100 μ F \pm 20% 50V	75-181
1640 5470	Capacitor - 47 μ F \pm 20% 50V	75-182
1644 0100	Capacitor - 10 μ F \pm 20% 10V	81-187
1644 0470	Capacitor - 47 μ F \pm 20% 10V	81-188
1644 5100	Capacitor - 10 μ F \pm 20% 50V	81-189
1660 0100	Capacitor - 10PF \pm 0.5pF 50V	81-190
1660 2101	Capacitor - 100pF - \pm 10% - 50V	81-191
1660 2150	Capacitor - 15pF \pm 5% 50V	81-192
1660 2151	Capacitor - 150pF \pm 20% 35V	81-193
1660 2180	Capacitor 18pF \pm 5% 50v	81-194
1660 2220	Capacitor - 22pF \pm 20% 35V	81-195
1660 2330	Capacitor - 33pF - \pm 5% - 50V	81-196
1660 2470	Capacitor - 47pF \pm 5% 50V	81-197
1660 3101	Capacitor - 100pF 50V	75-183
1660 3102	Capacitor - 1000pF \pm 5% 50V	75-184
1660 3220	Capacitor - 122pF \pm 5% 50V	75-185
1660 3270	Capacitor - 27pF \pm 5% 50V	75-186
1660 3331	Capacitor - 330pF \pm 5% 50V	75-187
1660 3471	Capacitor - 470pF 50V	75-188
1660 3820	Capacitor - 82pF \pm 5% 50V	75-189
1660 4102	Capacitor - 1000pF \pm 10% 50V	81-198
1660 4222	Capacitor - 2200pF - \pm 10% - 50V	81-199
1660 5472	Capacitor - 4700pF 50V	75-190
1660 6103	Capacitor - 10000pF - +80%-20%50V	81-200
1660 7103	Capacitor - 10000pF 50V	75-191
1660 7104	Capacitor - 100000pF 50V	75-192
1660 8104	Capacitor - 0.1 μ F +80-20% 25V	81-201
1901 0046	Dram - 4M 256KX16 70ns G8	81-202
1903 1012	SDRAM - 16M 512KX16X2 100MHz G1	81-203
1907 0002	SDRAM - 64M 1MX16X4 100MHz G1	81-204

Part No.	Description	Page and Index No