

ADAM (A193)
PARTS LOCATION AND LIST

AFICIO 200 (A193)

PARTS CATALOG

TABLE OF CONTENTS

SECTION 1 AFICIO 200 (A193) PARTS LOCATION & LIST

Location of unit.....	2
1. Exterior 1 (A193).....	6
2. Exterior 2 (A193).....	8
3. Platen Cover (A193)	10
4. Operation Panel (A193)	12
5. By-pass Feed Table (A193)	14
6. Paper Tray (A193)	16
7. Registration (A193).....	18
8. Paper Feed Section (A193)	20
9. Optics Section 1(A193)	22
10. Optics Section 2 (A193)	24
11. Laser Unit (A193).....	26
12. Toner Hopper Unit (A193).....	28
13. P.C.U. (A193).....	30
14. Fusing Unit (A193)	32
15. Paper Exit Section (A193).....	34
16. Transport Section 1 (A193).....	36
17. Transport Section 2 (A193).....	38
18. Drive Section 1 (A193).....	40
19. Drive Section 2 (A193).....	42
20. Electrical Section 1 (A193).....	44
21. Electrical Section 2 (A193).....	46

22. Frame Section 1 (A193)	48
23. Frame Section 2 (A193)	50
24. BICU Board (A193)	52
25. IOCSS Board (A193).....	58
26. Decal and Document (A193)	62
27. Special Tools (A193)	64

SECTION 2 AFICIO 200 (A193) PARTS INDEX

Parts Index	2
-------------------	---

SECTION 3 DF43 (A628)PARTS LOCATION & LIST

1. Exterior (A628)	2
2. Paper Feed Unit (A628)	4
3. Paper Exit Section (A628)	6
4. Electrical Section (A628)	8
5. Decal And Document	10

SECTION 4 DF43 (A628)PARTS INDEX

Parts Index	2
-------------------	---

SECTION 5 PT200 (A629) PARTS LOCATION & LIST

1. 1 Bin Tray (A629)	2
----------------------------	---

SECTION 6 PT200 (A629) PARTS INDEX

Parts Index	2
-------------------	---

SECTION 7 PARTS LOCATION & LIST**FAX Unit (A639) ISDN Unit (A644) PRINTER (A643)**

1. Fax Unit type 200 (A639)	2
2. NCU Board USA (A639)	4
3. NCU Board Europe (A639)	6
4. NCU Board France (A639).....	8
5. FCU Board USA (A639).....	10
6. FCU Board Europe/France (A639)	14
8. Handset (A639).....	18
9. ISDN Unit Type 200 (A644)	20
10. Fax Hard Disk Type 200 (A641)	22
11. Printer Control Unit/HDD Unit(A643)	24

**SECTION 8 FAX Unit (A639) ISDN Unit (A644)
PRINTER (A643) PARTS INDEX**

Parts Index.....	2
------------------	---

**SECTION 9 AD330 (G694) PARTS LOCATION &
LIST**

1. Duplex Unit 1 (G694)	2
2. Duplex Unit 2 (G694)	4
3. Inverter Unit (G694)	6

SECTION 10 AD330 (G694) PARTS INDEX

Parts Index.....	2
------------------	---

**SECTION 11 PS330 (G697) PARTS LOCATION &
LIST**

1. Exterior (G697)	2
2. Paper Feed Section (G697)	4
3. Drive & Electrical Section (G697)	6
4. Paper Tray (G697)	8

SECTION 12 PS330 (G697)

Parts Index	2
-------------------	---

**SECTION 13 DF65 (A661) PARTS LOCATION &
LIST**

Location of unit	3
1. Exterior 1 (A661)	4
2. Original Feed Section 1 (A661)	6
3. Original Feed Section 2 (A661)	8
4. Original Transport And Exit (A661)	10
5. Drive And Electrical (A661)	12
6. Original Holder Section (A661)	14
7. Decal And Document (A661).....	16

SECTION 14 DF65 (A661) PARTS INDEX

Parts Index	2
-------------------	---

**SECTION 15 SR210 (A666) PARTS LOCATION &
LIST**

1. Exterior (A666)	2
2. Entrance Section (A666)	4
3. Inverter and Exit Section (A666)	6
4. Staple Unit (A666)	8
5. Jogger Unit (A666)	10
6. Shift Tray Drive Section (A666).....	12
7. Drive and Electrical Section (A666).....	14
8. Decal and Document.....	16

SECTION 16 SR210 (A666) PARTS INDEX

Parts Index	2
-------------------	---

PARTS CATALOG

INTRODUCTION

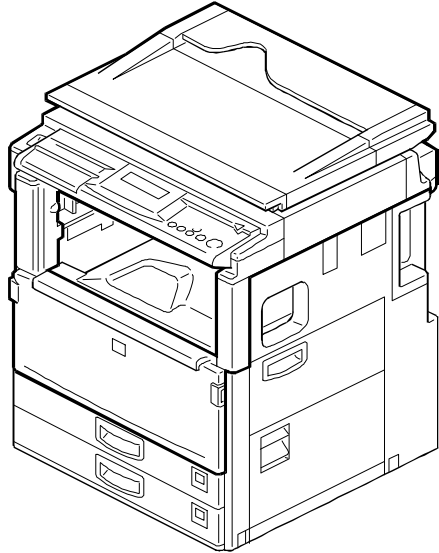
This section instructs you as to the numbers and names of the parts of this machine.

INDEX to PARTS CATALOG

AFICIO 200	(A193)
DF43	(A628)
PS330	(G697)
AD330	(G694)
PT200	(A629)
FAX Unit/ISDN Unit	(A639/A644)
Printer Control Unit	(A643)
DF65	(A661)
SR210	(A666)

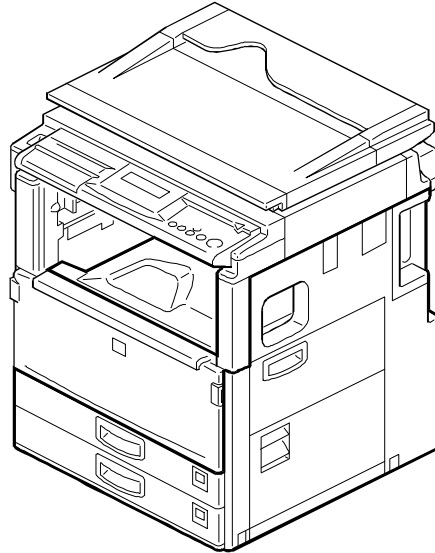
Location of unit

1. Exterior 1 (A193)



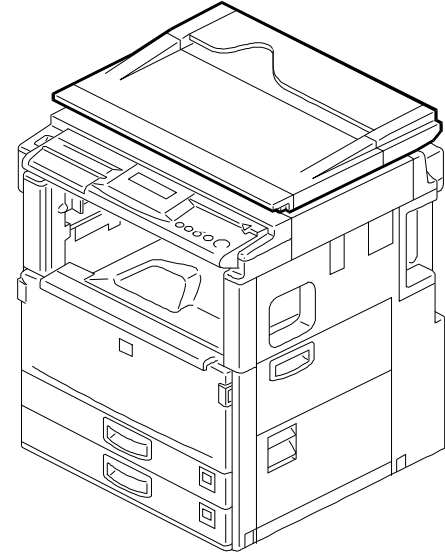
See Page 6

2. Exterior 2 (A193)



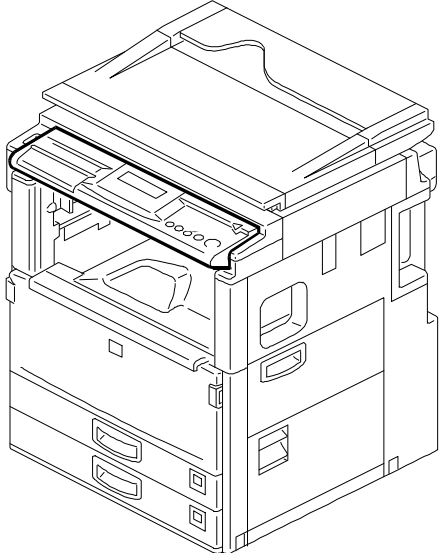
See Page 8

3. Platen Cover (A193)



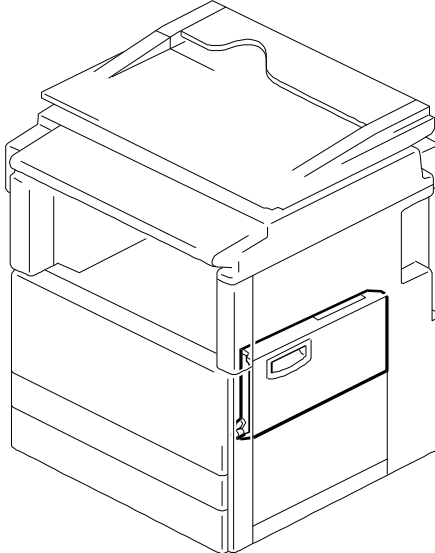
See Page 10

4. Operation Panel (A193)



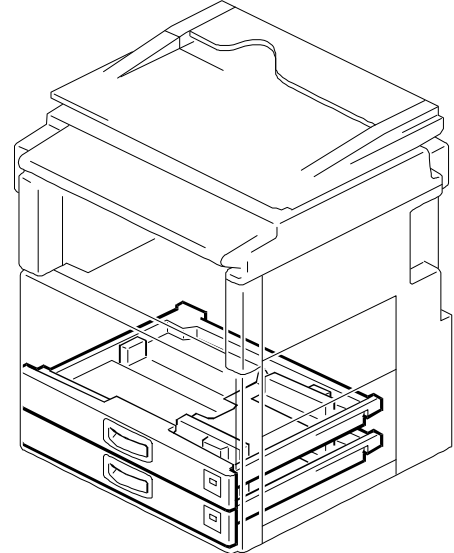
See Page 12

5. By-pass Feed Table (A193)



See Page 14

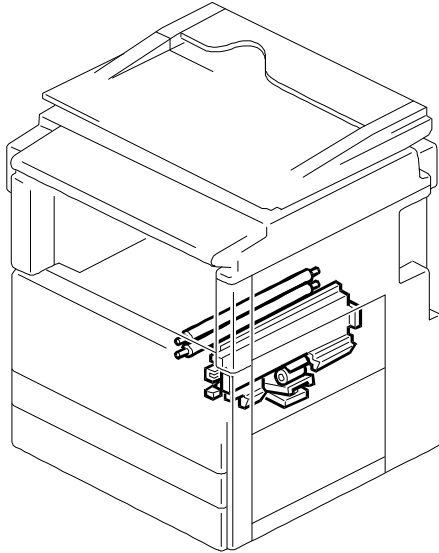
6. Paper Tray (A193)



6
7
8
9
10
11
12
13
14
15
16
17
18
19
20
21
22
23
24
25
26
27
28
29
30
31
32
33
34
35
36
37
38
39
40
41
42
43
44
45
46
47
48
49
50
51
52
53
54
55
56
57
58
59
60
61
62
63
64
65
66
67
68
69
70
71
72
73
74
75
76
77
78
79
80
81
82
83
84
85
86
87
88
89
90
91
92
93
94
95
96
97
98
99
100

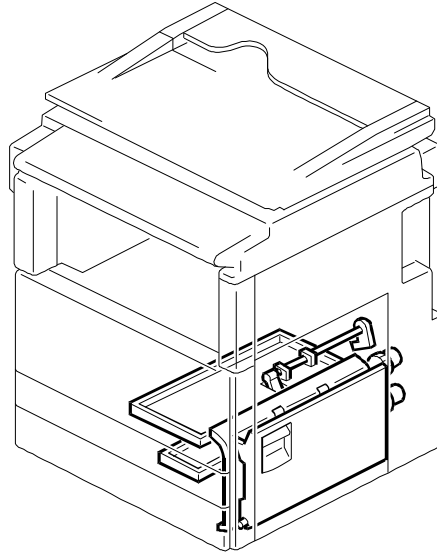
Location of unit

tration (A193)



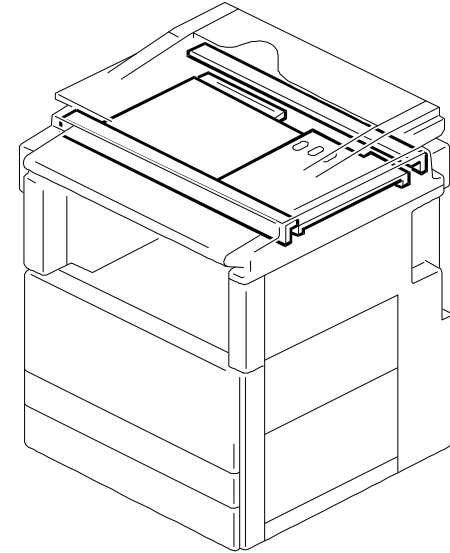
See Page 18

8. Paper Feed Section (A193)



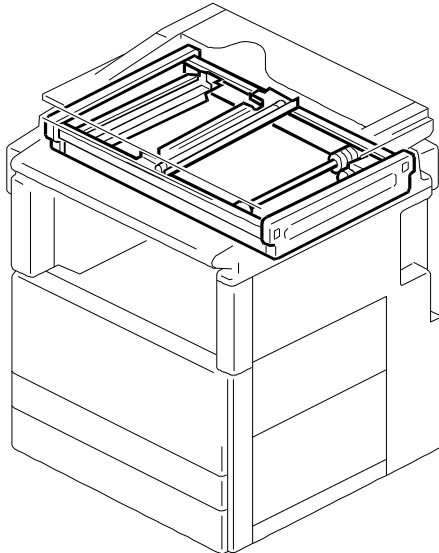
See Page 20

9. Optics Section 1 (A193)



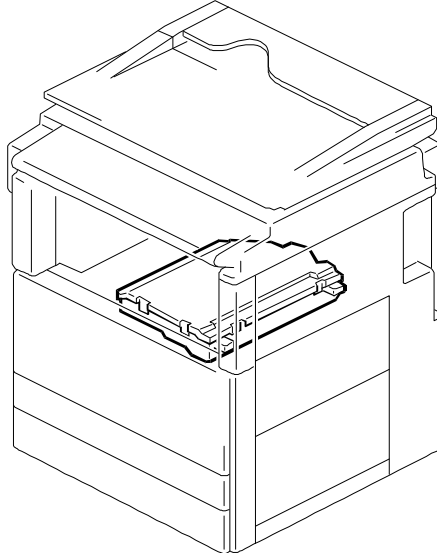
See Page 22

10. Optics Section 2 (A193)



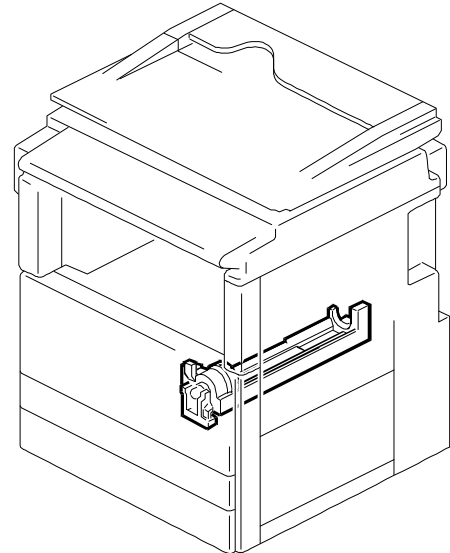
See Page 24

11. Laser Unit (A193)



See Page 26

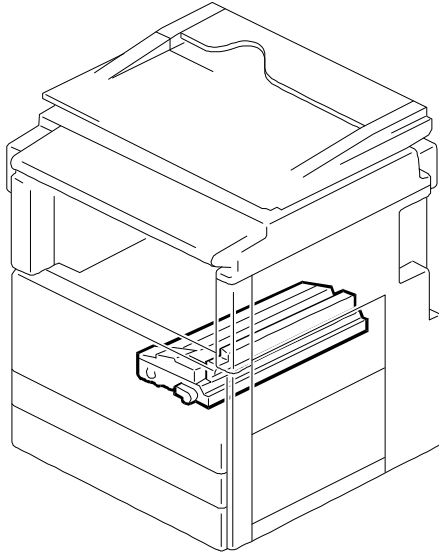
12. Toner Hopper Unit (A193)



See Page 28

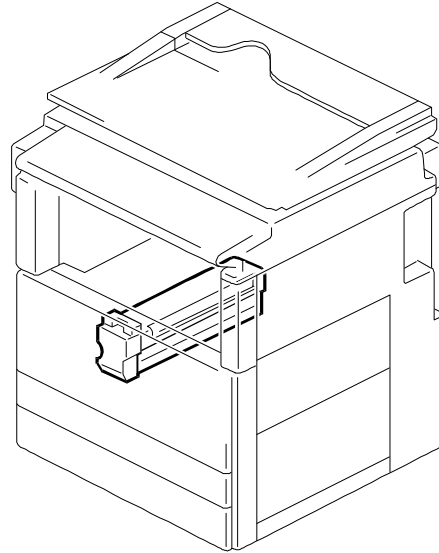
Location of unit

13. P.C.U. (A193)



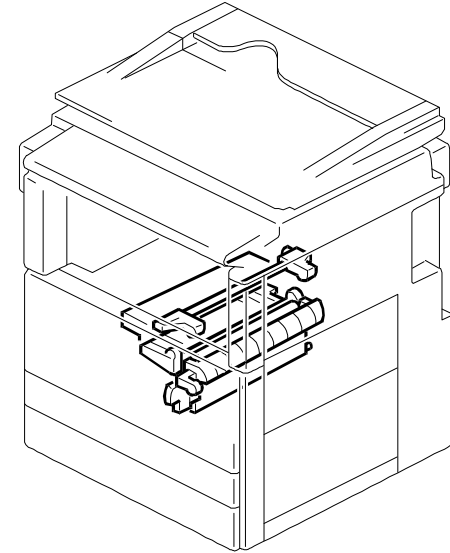
See Page 30

14. Fusing Unit (A193)



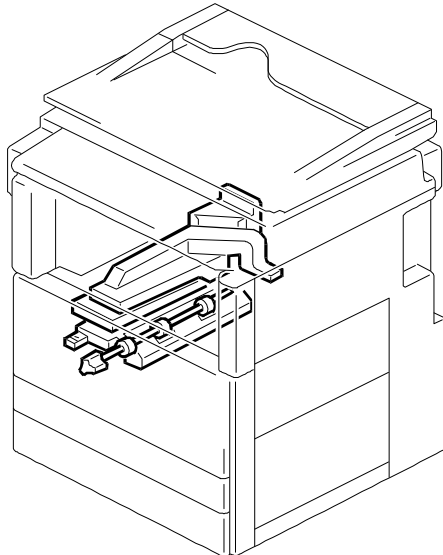
See Page 32

15. Paper Exit Section (A193)



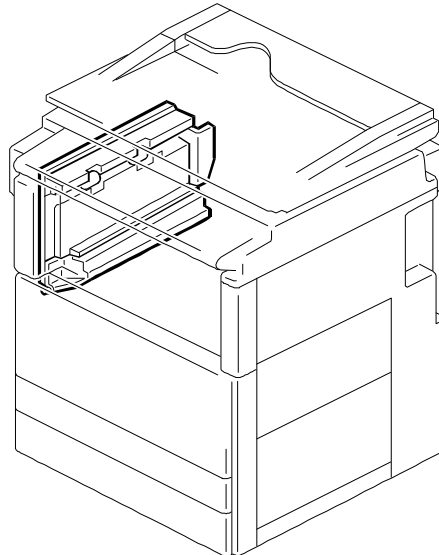
See Page 34

16. Transport Section 1 (A193)



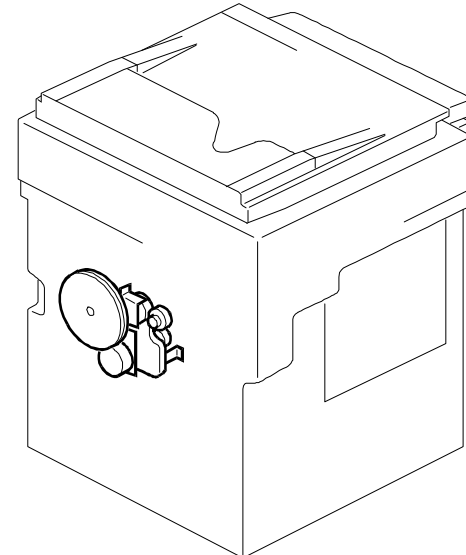
See Page 36

17. Transport Section 2 (A193)



See Page 38

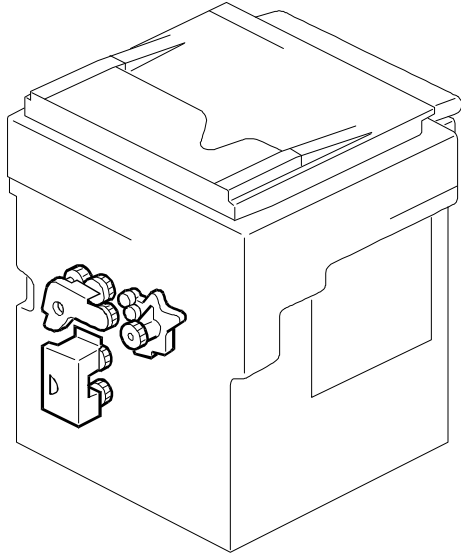
18. Drive Section 1 (A193)



See Page 40

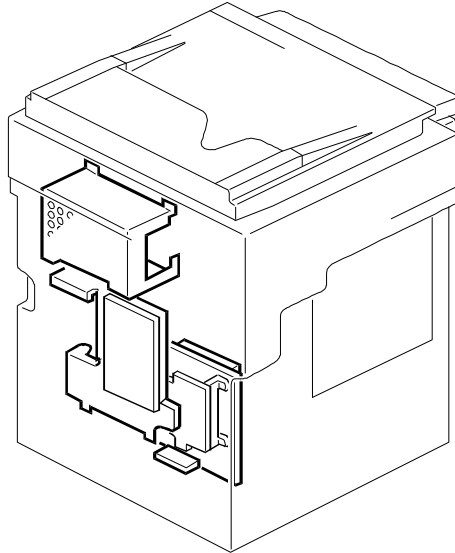
Location of unit

19. Drive Section 2 (A193)



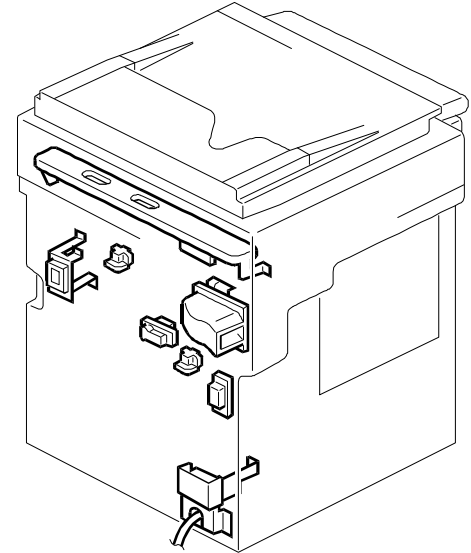
See Page 42

20. Electrical Section 1 (A193)



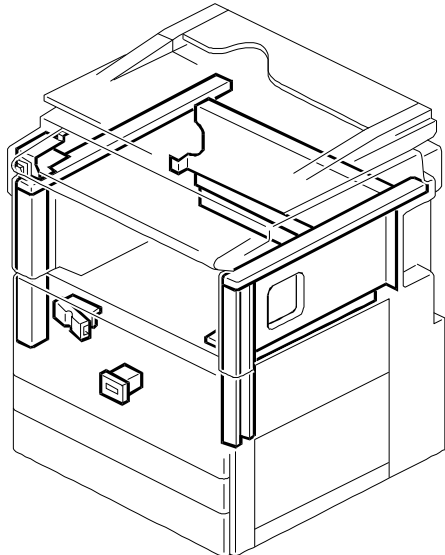
See Page 44

21. Electrical Section 2 (A193)



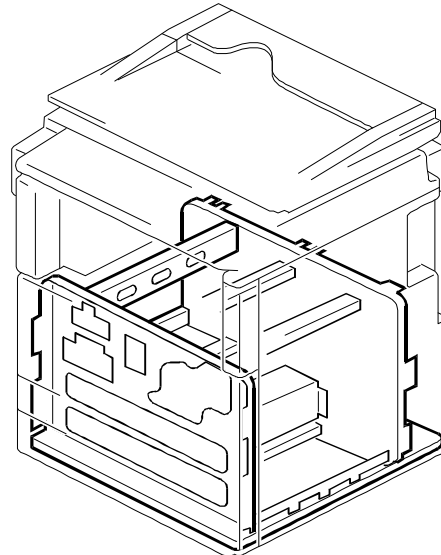
See Page 46

22. Frame Section 1 (A193)



See Page 48

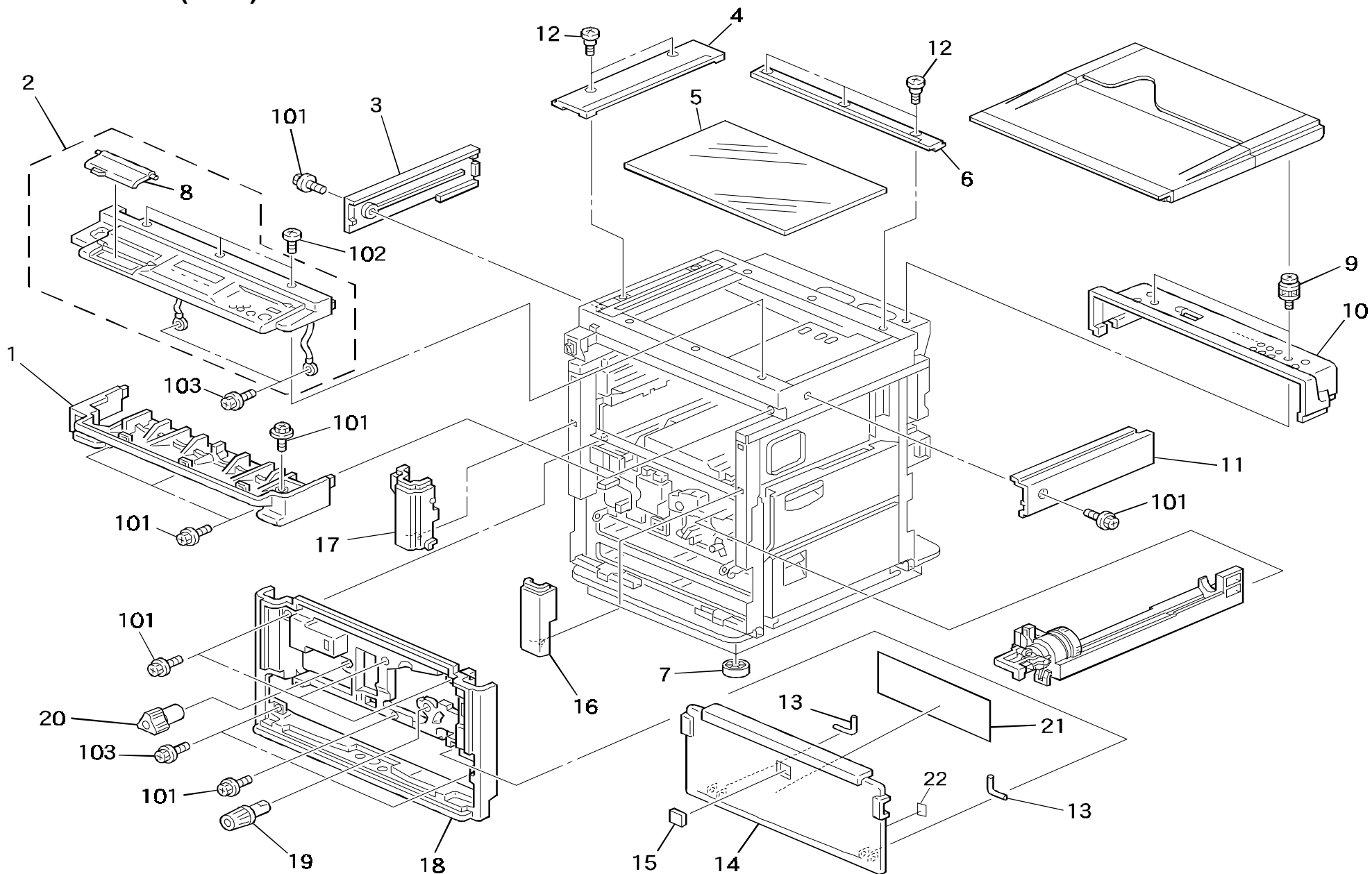
23. Frame Section 2 (A193)



See Page 50

1. Exterior 1 (A193)

Rev. 6/13/97



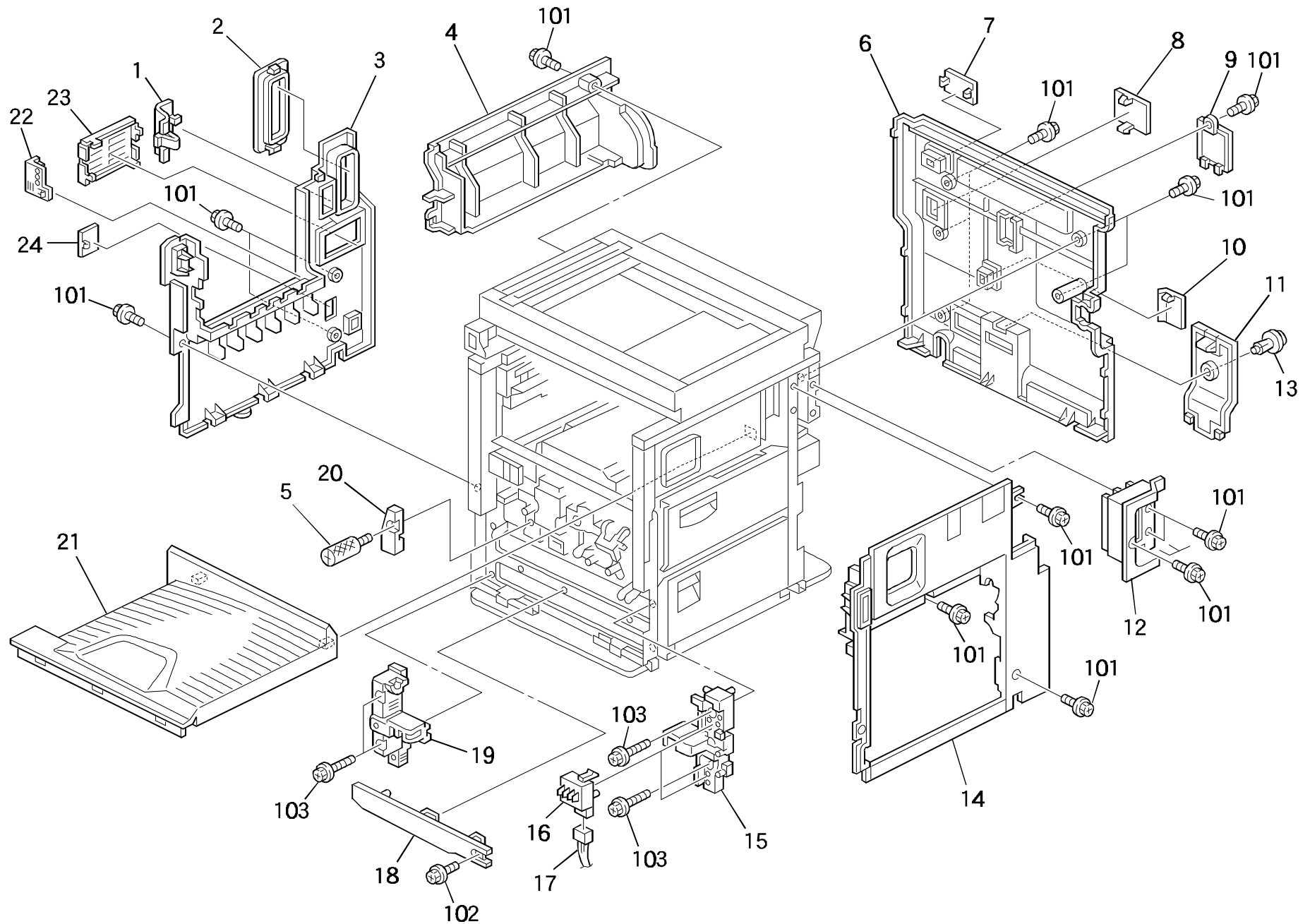
1. Exterior 1 (A193)

Rev. 7/25/97

Index No.	Part No.	Description	Q'ty Per Assembly
1	A193 1266	Lower Cover - Operation Panel	1
2	A193 1451	Operation Panel Ass'y (LT)	1
2	A193 1452	Operation Sub-unit (A4)	1
2	A193 1453	Operation Sub-unit (SVN)	1
3	A193 1251	Scanner Left Cover	1
4	A193 1680	Left Original Scale	1
5	5215 1980	Exposure Glass - A3T-3.2	1
6	A193 1757	Rear Original Scale	1
7	G020 1052	Stand	4
8	A193 1474	Lower Cover - Operation Panel	1
9	5215 1667	Platen Cover Stud	2
10	A193 1256	Upper Rear Cover	1
11	A193 1261	Scanner Right Cover	1
12	A193 1759	Stepped Screw	5
13	G020 1332	Hinge Front Door	2
14	A193 7226	Front Door (GES/LAN)	1
14	A193 7224	Front Door (SVN)	1
14	A193 7214	Front Door (INF)	1
14	A193 1501	Front Door (RIC)	1
15	A133 7112	Emblem (SVN)	1
15	A134 1383	Emblem (RIC)	1
15	A153 6423	Support Cover (INF)	1
16	A193 1341	Right Front Cover	1
17	A193 1336	Left Front Cover	1
18	A193 1301	Front Cover	1
19	G020 2783	Registration Roller Knob	1
20	G020 4480	Fusing Knob	1
21	A224 1319	Operation Decal	1
22	G020 1259	Rubber Guard	1

Index No.	Part No.	Description	Q'ty Per Assembly
101	0802 5255	Tapping Screw - M3x8	
102	0353 0050F	Tapping Screw - M3x5	

2. Exterior 2 (A193)



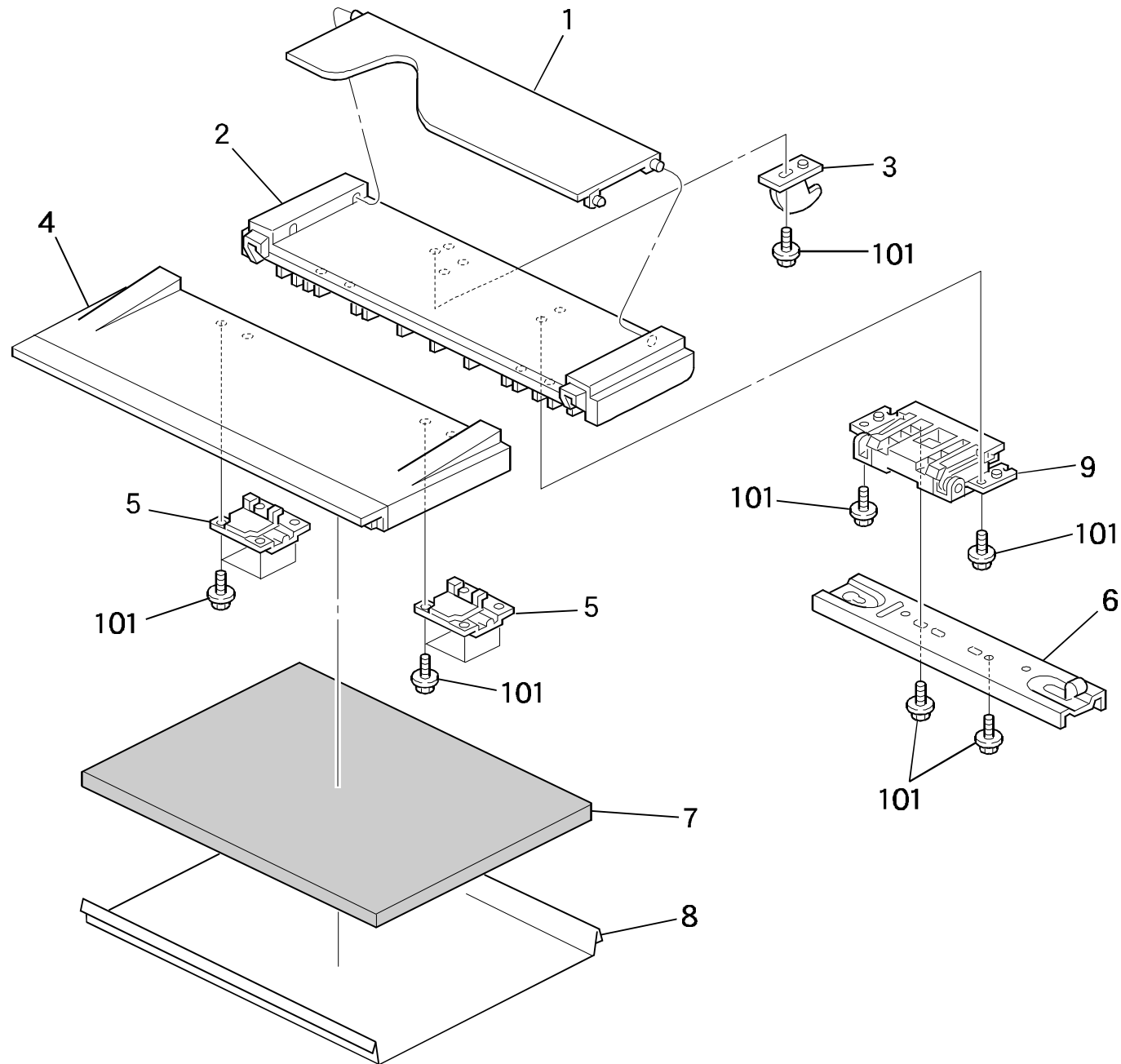
2. Exterior 2 (A193)

Rev. 7/25/97

Index No.	Part No.	Description	Q'ty Per Assembly
1	A193 1358	Cap - RS232C	1
2	A193 1356	Cap - IC Card	1
3	A224 1207	Lower Left Cover	1
4	A193 1276	Middle Left Cover	1
5	G020 1327	Knob Screw - M3	1
6	A193 1210	Lower Rear Cover	1
7	A193 1348	Cap - G4	1
8	A193 1350	Cap - NCU	1
9	A193 1354	Cap - Memory	1
10	A193 1352	Cap - CSS	1
11	A193 1361	Cap - Paper Tray Unit	1
12	A193 1281	Rear Right Cover	1
13	A193 1345	Rivet - M20	1
14	A193 1291	Lower Right Cover	1
15	G020 2676	Support - Paper Tray - Right	1
16	G020 2620	Paper Size Detector	2
17	G020 5403	Harness - Paper Size Detector	1
18	G020 1316	Inner Cover - Paper Feed Tray	1
19	G020 2677	Support - Paper Tray - Left	1
20	G020 1326	Cap - Inverter Unit	1
21	A193 1316	Lower Exit Cover	1
22	A193 1349	Cap - Sorter	1
23	A193 1366	Fan Cover	1
24	G020 1351	Cap - Finisher	1
25	G020 1327	Knob Screw - M3	1

Index No.	Part No.	Description	Q'ty Per Assembly
101	0802 5255	Tapping Screw - M3x8	
102	0802 5256	Tapping Screw - M3x8	
103	0451 3014B	Tapping Screw - M3x14	

3. Platen Cover (A645)



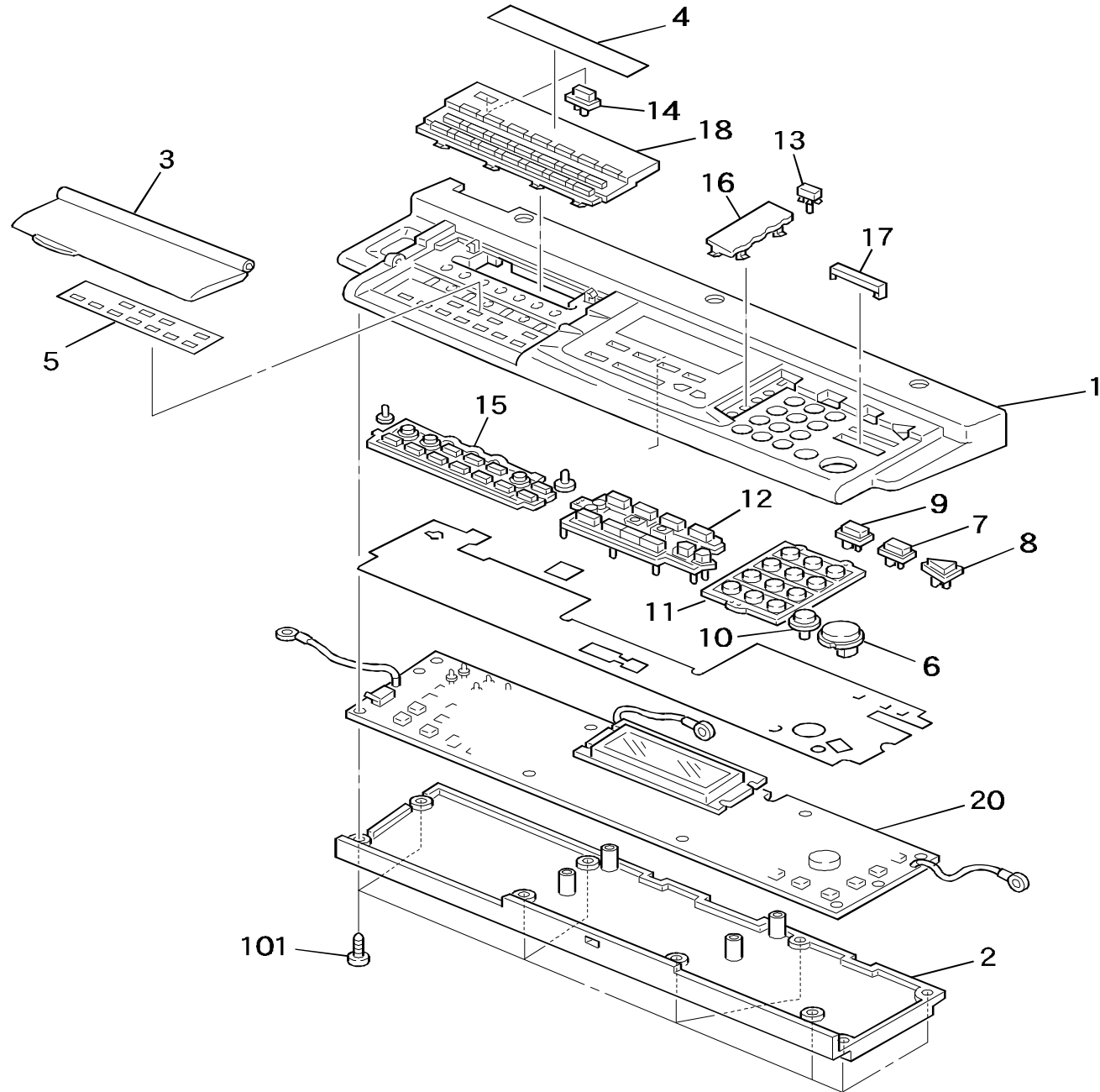
3. Platen Cover (A645)

Index No.	Part No.	Description	Q'ty Per Assembly
1	A193 1396	Original Holder	1
2	A193 1391	Rear Platen Cover	1
3	A193 1381	Platen Cover Actuator	1
4	A193 1386	Front Platen Cover	1
5	A193 1317	Platen Cover Bracket	2
6	A053 1957	Flex Hinge - Platen Cover	1
7	AA16 2067	Platen Cover Pad	1
8	5448 2804	Platen Cover Sheet	1
9	A193 1246	Platen Cover Hinge Ass'y	1

Index No.	Part No.	Description	Q'ty Per Assembly
101	0450 4012D	Tapping Screw - M4x12	

4. Operation Panel (A193)

Rev. 2/28/97

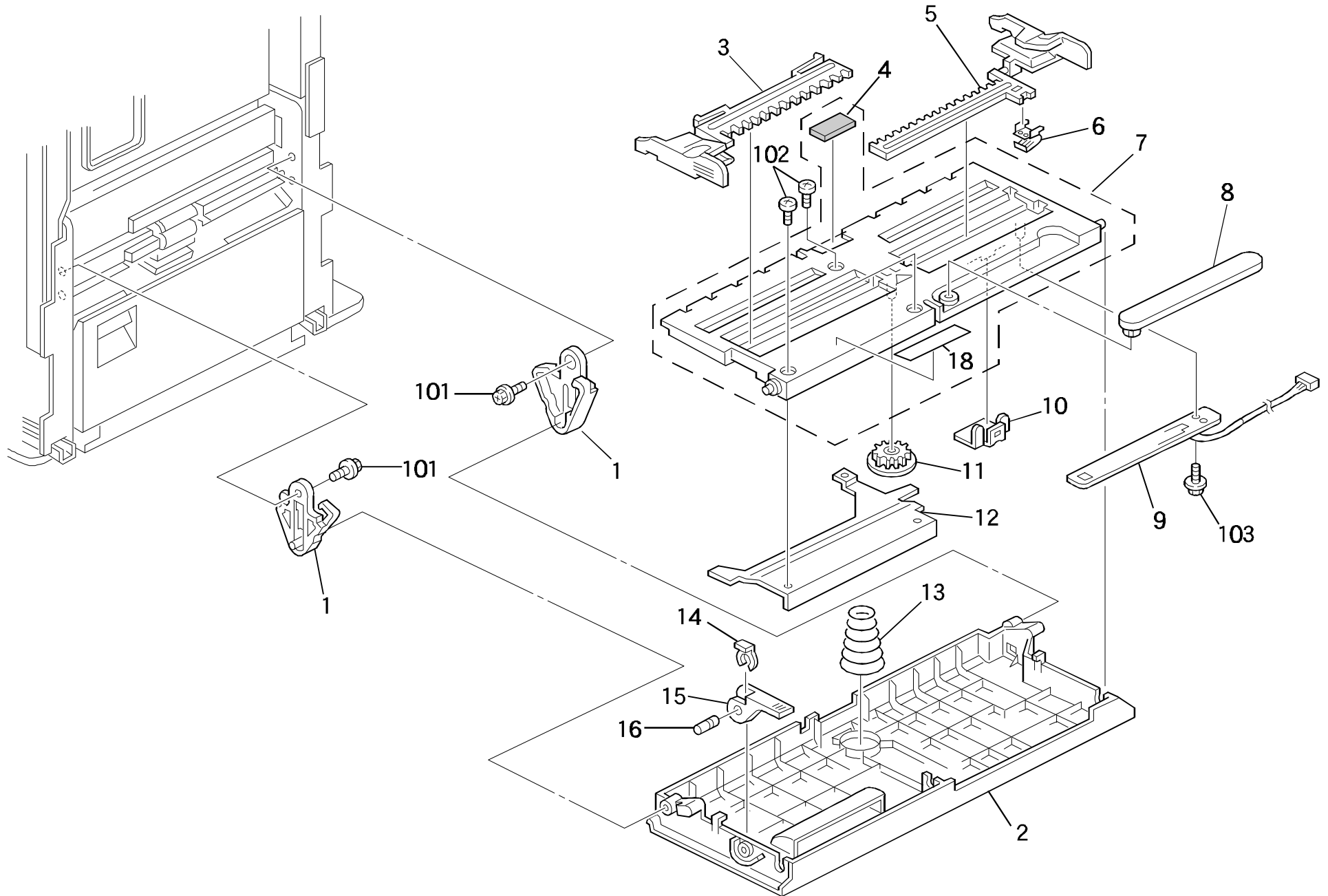


4. Operation Panel (A193)

Index No.	Part No.	Description	Q'ty Per Assembly
*	A193 1451	Operation Panel Ass'y (LT)	1
*	A193 1452	Operation Panel Ass'y (A4)	1
1	A193 1455	Operation Panel Case (LT)	1
1	A193 1465	Operation Panel Case (A4)	1
2	A193 1472	Lower Case - Operation Panel	1
3	A193 1474	Lower Cover - Operation Panel	1
4	A193 1456	Decal - Operation Panel (LT)	1
4	A193 1466	Decal - Operation Panel (A4)	1
5	A193 1457	Sheet - Operation Panel (LT)	1
5	A193 1467	Sheet - Operation Panel (A4)	1
6	A193 1477	Key Top - Start	1
7	A193 1478	Key Top - Clear Mode	1
8	A193 1479	Key Top - Interrupt	1
9	A193 1480	Key Top - Program Mode	1
10	A193 1481	Key Top - Clear	1
11	A193 1461	Key Top - 10 Key (LT)	1
11	A193 1482	Key Top - 10 Key (A4)	1
12	A193 1483	Key Top - LCD	1
13	A193 1458	Key Top - Memory (LT)	1
13	A193 1468	Key Top - Memory (A4)	1
14	A193 1485	Key Top - Initial	1
15	A193 1486	Key Top - Behind	1
16	A193 1487	Right Cover - Operation Panel	1
17	A193 1488	Cover - Apprication	1
18	A193 1473	Upper Cover - Operation Panel	1
19	A193 1460	LCD (LT)	1
19	A193 1469	LCD (A4)	1
20	A193 1459	Operation Board (LT)	1
20	A193 1462	Operation Panel Board (A4)	1
21	A193 1483	Key Top - LCD	1

Index No.	Part No.	Description	Q'ty Per Assembly
101	0353 0050F	Tapping Screw - M3x5	

5. By-pass Feed Table (A193)

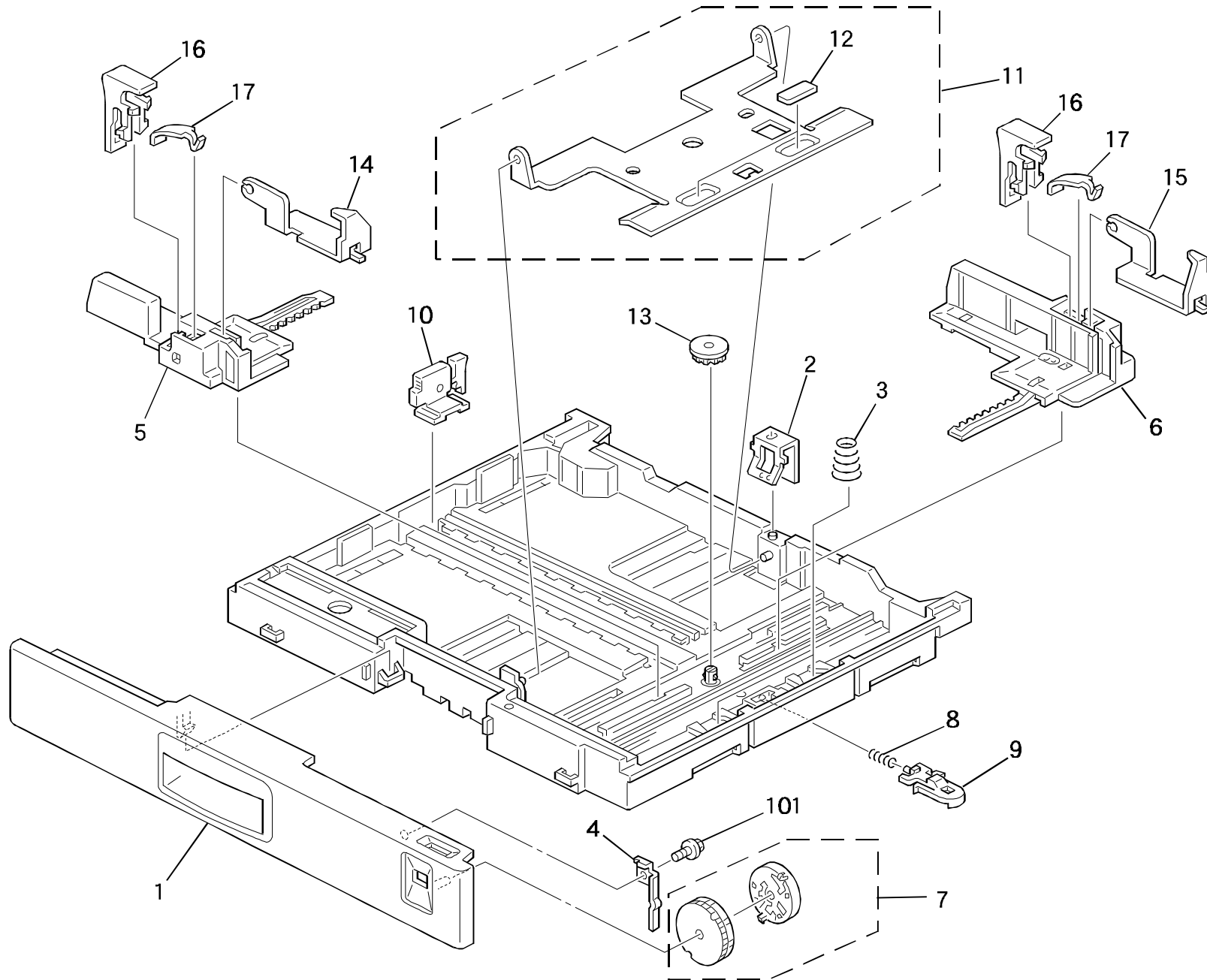


5. By-pass Feed Table (A193)

Index No.	Part No.	Description	Q'ty Per Assembly
1	G020 2735	Guide - By-pass Feed Table	2
2	G020 2701	Cover - By-pass Table	1
3	G020 2706	Left Side Fence - By-pass Feed	1
4	5215 2713	Bottom Plate Pad	1
5	G020 2705	Right Side Fence - By-pass Feed	1
6	G020 2707	Sensor Conductor - By-pass Feed	1
7	G020 2709	Bottom Plate - By-pass Table	1
8	A190 2702	Paper Guide	1
9	G020 5280	By-pass Feed Sensor	1
10	G020 2708	Spring Plate - By-pass Feed	1
11	G011 3305	Gear - 16T	1
12	G020 2782	Stay - By-pass Table	1
13	G020 2702	Pressure Spring - By-pass Feed Table	1
14	5447 2681	Snap Ring	1
15	G020 2784	Lever - By-pass Feed Table	1
16	G020 2786	Shaft - By-pass Release Lever	1

Index No.	Part No.	Description	Q'ty Per Assembly
101	0451 3006B	Tapping Screw - M3x6	

6. Paper Tray (A193)

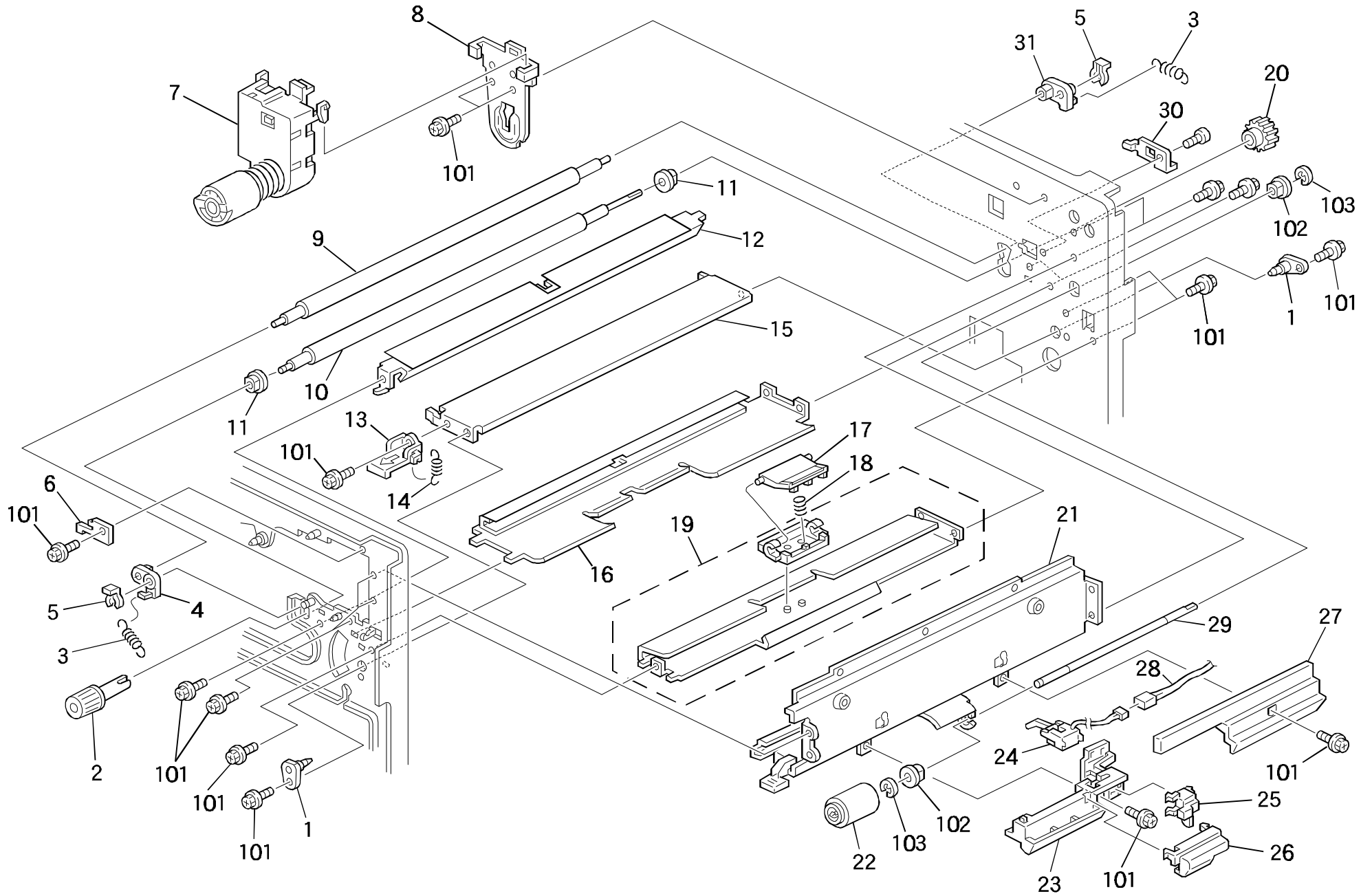


6. Paper Tray (A193)

Index No.	Part No.	Description	Q'ty Per Assembly
1	G020 2647	Paper Tray Cover	1
2	G020 2658	Grounding Plate - Bottom Plate	1
3	G020 2656	Pressure Spring - Bottom Plate	1
4	G020 2648	Holder - Paper Size Detector	1
5	G020 2560	Front Side Fence	1
6	G020 2567	Rear Side Fence	1
7	A193 2649	Paper Size Detector (LT)	1
7	A193 2650	Paper Size Detector (A4)	1
8	G020 2599	Spring - Release Lever	1
9	G020 2592	Release Lever - Bottom Plate	1
10	G020 2644	End Fence	1
11	G020 2661	Bottom Plate Ass'y	1
12	G020 2645	Friction Pad	2
13	AB01 3868	Gear - 16Z	1
14	G020 2561	Front Paper Separator	1
15	G020 2568	Rear Paper Separator	1
16	G020 2664	Front Stopper Lever	2
17	A157 2769	Rear Stopper Spring	2

Index No.	Part No.	Description	Q'ty Per Assembly

7. Registration (A193)



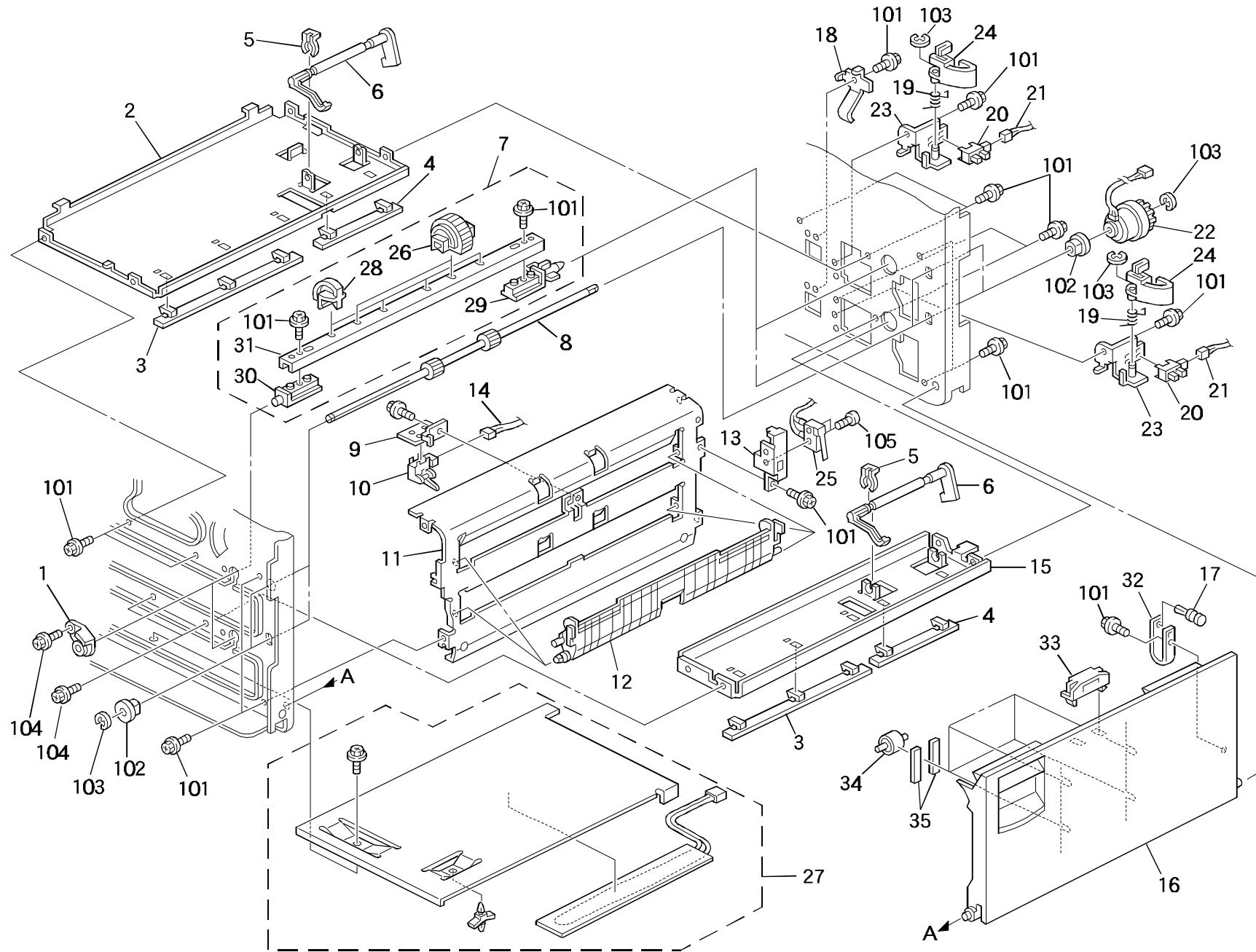
7. Registration (A193)

Rev. 2/28/97

Index No.	Part No.	Description	Q'ty Per Assembly
1	G020 3888	Pin - Transfer Guide	2
2	G020 2783	Registration Roller Knob	1
3	G020 2743	Tension Spring	2
4	G020 2780	Front Bushing - Registration	1
5	5447 2681	Snap Ring	2
6	G020 3365	Cover Guide - Toner Bottle (LT)	1
6	A193 3367	Cover Guide - Toner Bottle (A4)	1
6	A193 3371	Cover Guide - Toner Bottle (OEM)	1
7	G020 1111	Motor - DC 2.16W	1
8	G020 1161	Bracket - Toner Supply Motor	1
9	G020 2741	Upper Registration Roller	1
10	G020 2740	Lower Registration Roller	1
11	AA08 2070	Bushing - 8x16x7	2
12	G020 2745	Lower Guide Plate - Regist	1
13	G020 2765	Knob - Lower Transport Guide	1
14	AA06 0331	Release Spring	1
15	G020 2761	Lower Transport Guide	1
16	G020 2754	Upper Paper Guide	1
17	G020 2714	Friction Pad - By-pass Feed	1
18	G020 2713	Pressure Spring	1
19	G020 2719	Stay - By-pass Feed	1
20			
21	G020 3361	Guide Plate - Toner Supply	1
22	G020 2721	By-pass Feed Roller	1
23	G020 2753	Bracket - Registration Sensor	1
24	G020 2771	Registration Sensor	1
25	G020 2772	By-pass Paper End Sensor	1
26	G020 2787	Cover - By-pass Paper End Sensor	1
27	G020 2785	Cover - Feed Roller Shaft	1
28	G020 5417	Harness - Registration Sensor	1
29	G020 2723	By-pass Feed Shaft	1
30	A193 1090	Bracket - PCU	1
31	G020 2781	Rear Bushing - Registration Roller	1

Index No.	Part No.	Description	Q'ty Per Assembly
101	0451 3006B	Tapping Screw - M3x6	
102	0805 3385	Bushing - 6 mm	
103	0720 0040E	Retaining Ring - M4	

8. Paper Feed Section (A193)



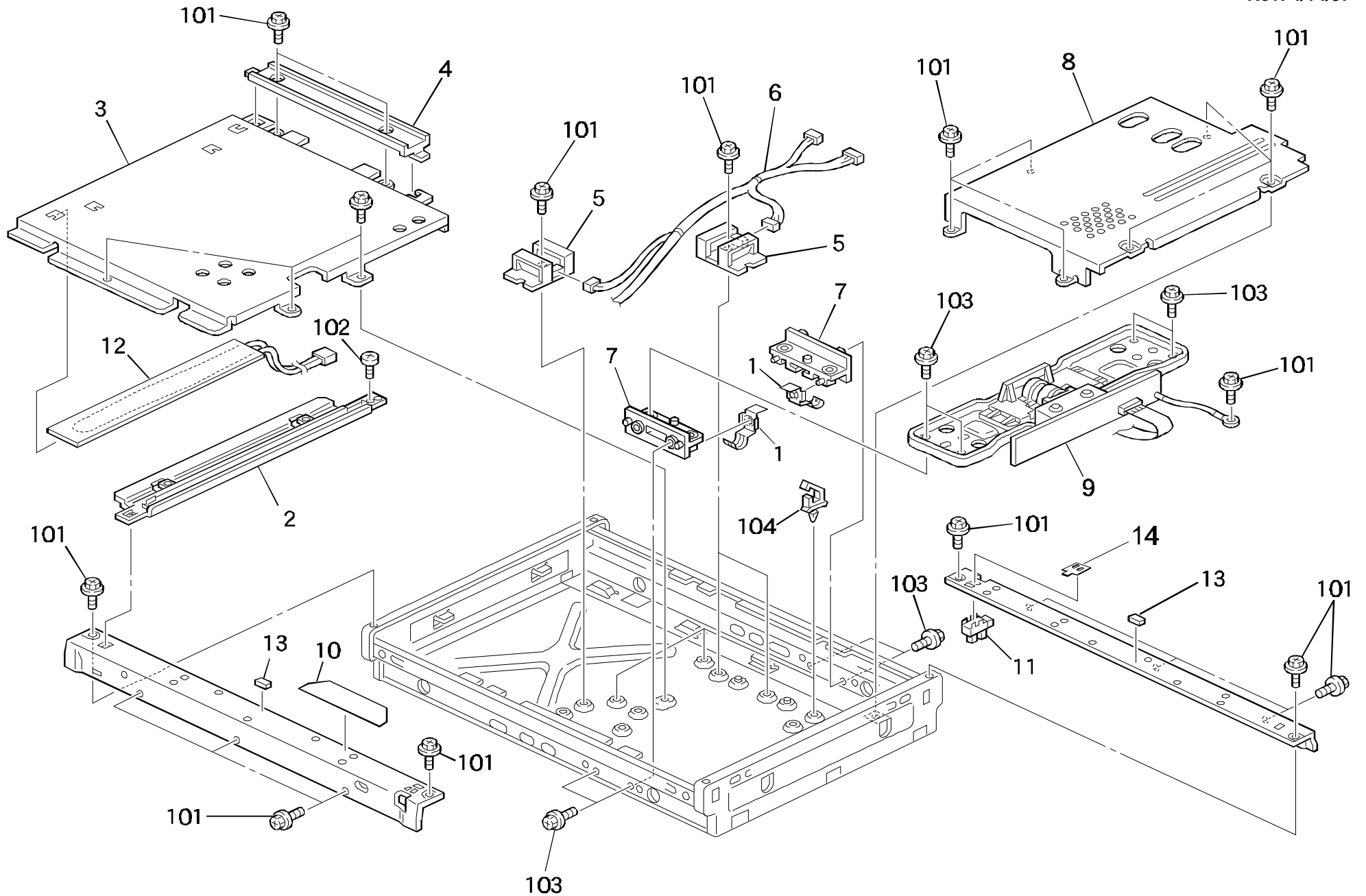
8. Paper Feed Section (A193)

Index No.	Part No.	Description	Q'ty Per Assembly
1	G020 2587	Bushing - Paper Feed	2
2	G020 1096	Right Shielding Plate	1
3	G020 2655	Upper Front Guide - Paper Tray	2
4	G020 2654	Upper Rear Guide - Paper Tray	2
5	5447 2681	Snap Ring	2
6	G020 2581	Paper End Feeler	2
7	G020 2554	Paper Feed Roller Ass'y	2
8	G020 2564	Relay Roller	1
9	G020 2589	Bracket - Vertical Transport Sensor	1
10	G020 2584	Photointerruptor	1
11	G020 2610	Left Vertical Transport Guide	1
12	G020 2613	Vertical Relay Guide	2
13	G020 2616	Bracket - Microswitch	1
14	G020 5408	Harness - Transport Sensor	1
15	G020 2618	Stay - Paper End Sensor	1
16	G020 2575	Guide Plate - Vertical Transport	1
17	A048 2838	Nylon Rivet	1
18	G020 2643	Front Grounding Plate - Paper Tray	2
19	G020 2626	Release Spring - Paper End Feeler	2
20	AW02 0075	Photointerrupter	2
21	G020 5409	Harness - Paper End Sensor	1
22	G020 1113	Relay Roller Clutch	2
23	G020 2580	Paper End Sensor Bracket	2
24	G020 2622	Release Arm - Paper End Feeler	2
25	G020 2615	Microswitch	1
26	G020 2555	Paper Feed Roller	4
27	A193 9800	Tray Heater - 115V	1
27	A193 9801	Tray Heater - 230V	1
28	G020 2565	Paper Guide	8
29	G020 2586	Rear Shaft - Paper Feed Roller	2
30	G020 2585	Front Shaft - Paper Feed Roller	2
31	G020 2570	Shaft - Paper Feed Roller	2
32	G020 2625	Holder - Vertical Transport Guide	1
33	G020 2630	Magnetic Catch	1
34	AF02 0283	Pressure Roller	4

Index No.	Part No.	Description	Q'ty Per Assembly
35	G020 2577	Spring Plate - Driven Roller	8
101	0451 3006B	Tapping Screw - M3x6	
102	0805 3480	Bushing - 6 mm	
103	0720 0040E	Retaining Ring - M4	
104	0451 3008B	Tapping Screw - M3x8	
105	0242 0080B	Philips Pan Head Screw - M2X8	

9. Optics Section 1(A193)

Rev. 4/14/97



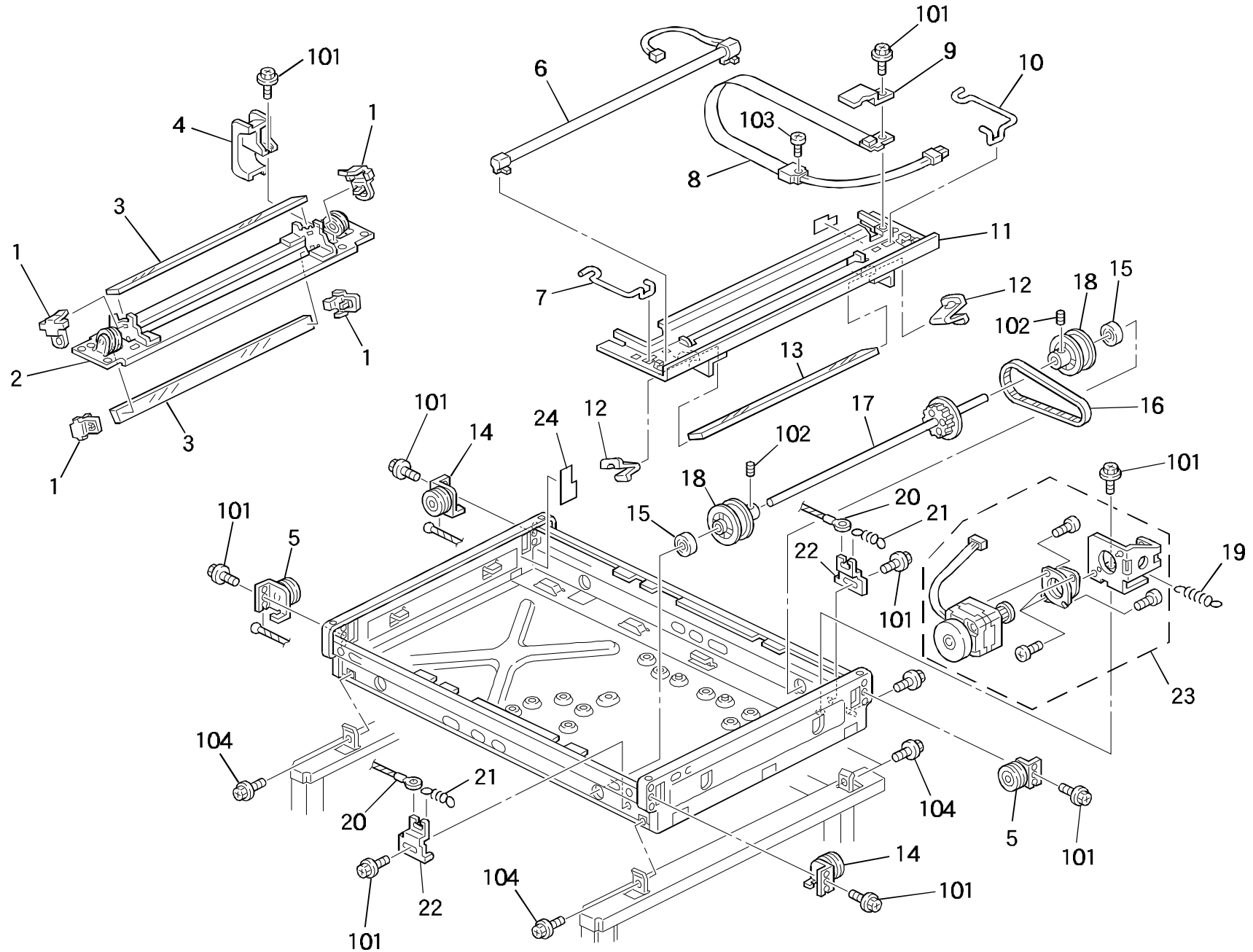
9. Optics Section 1(A193)

Rev. 4/14/97

Index No.	Part No.	Description	Q'ty Per Assembly
1	A193 1790	Grounding Plate - Lens Block	1
2	A193 1754	Bracket - Left Original Scale	1
3	A193 1824	Left Inner Cover - Scanner Unit	1
4	A193 1781	Lower Harness Guide	1
5	A193 5906	Original Sensor	3
6	A193 5414	Harness - Scanner Unit	1
7	A193 1826	Lens Block Holder	2
8	A193 1689	Right Inner Cover - Scanner Unit	1
9	A193 1673	Lens Holder Ass'y	1
10	A193 1819	Front Seal - Scanner Frame	1
11	AW02 0075	Photointerrupter	1
12	AX40 0089	Anticondensation Heater - 230V	1
12	AX40 0088	Anticondensation Heater - 115V	1
13	5442 1924	Exposure Glass Cushion	1
14	A193 1793	Scanner Home Sensor - Mylar lock sheet	1

Index No.	Part No.	Description	Q'ty Per Assembly
101	0451 3006B	Tapping Screw - M3x6	
102	0353 0050F	Tapping Screw - M3x5	
103	0450 3010B	Tapping Screw - M3x10	
104	1105 0460	Clamp	

10. Optics Section 2 (A193)



10. Optics Section 2 (A193)

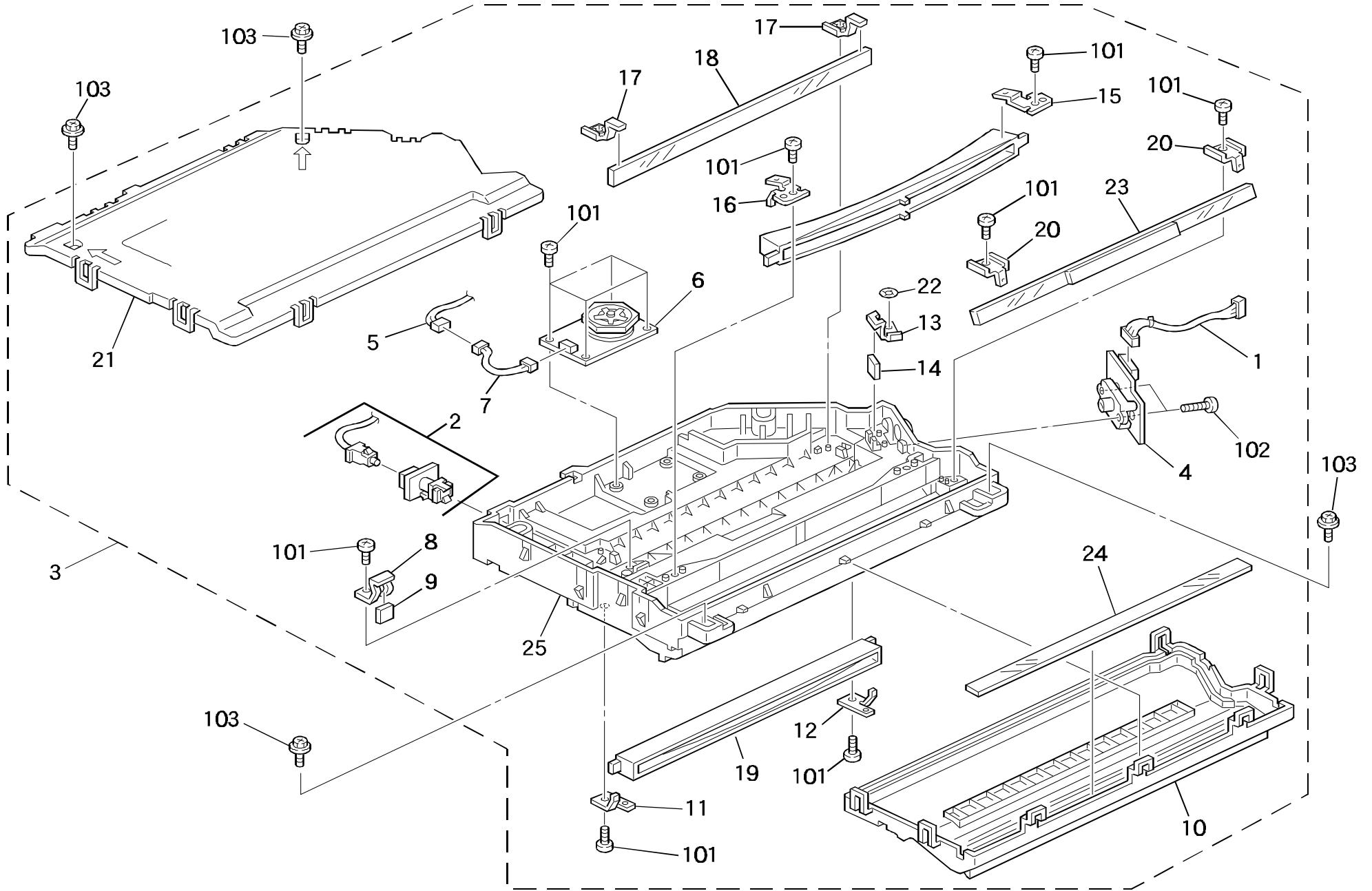
Rev. 4/14/97

Index No.	Part No.	Description	Q'ty Per Assembly
1	A193 1777	2nd/3rd Mirror Holder	4
2	A193 1770	2nd Scanner Ass'y	1
3	A193 1669	2nd/3rd Mirror	2
4	A193 1776	Upper Harness Guide	1
5	A193 1841	Pulley - Front Left	2
6	A193 5702	Exposure Lamp	1
7	A193 1766	Wire Clamp	1
8	A193 5703	Exposure Lamp Harness	1
9	A193 1799	Harness Guide - Exposure Lamp	1
10	A193 1769	Wire Clamp	1
11	A193 1760	1st Scanner Ass'y	1
12	A193 1767	1st Mirror Holder	2
13	A193 1764	1st Mirror	1
14	A193 1845	Pulley - Rear Left	2
15	A193 1829	Ball Bearing - M8	2
16	A193 1840	Timing Belt - L220 B8	1
17	A193 1682	Scanner Drive Pulley Ass'y	1
18	A193 1832	Front Scanner Pulley	2
19	A193 1784	Tension Spring	1
20	A193 1838	Scanner Drive Wire	2
21	A193 1783	Tension Spring	2
22	A193 1849	Tension Bracket	2
23	A193 1690	Scanner Motor - DC 5.64W	1
24	A193 1796	Seal - Carriage	1

Index No.	Part No.	Description	Q'ty Per Assembly
101	0451 3006B	Tapping Screw - M3x6	
102	0575 0050E	Hexagon Headless Set Screw - M5x5	
103	0453 3014B	Tapping Screw - M3x14	
104	0451 3008B	Tapping Screw - M3x8	

11. Laser Unit (A193)

Rev. 2/28/97



(A193)

26

Parts Location & List

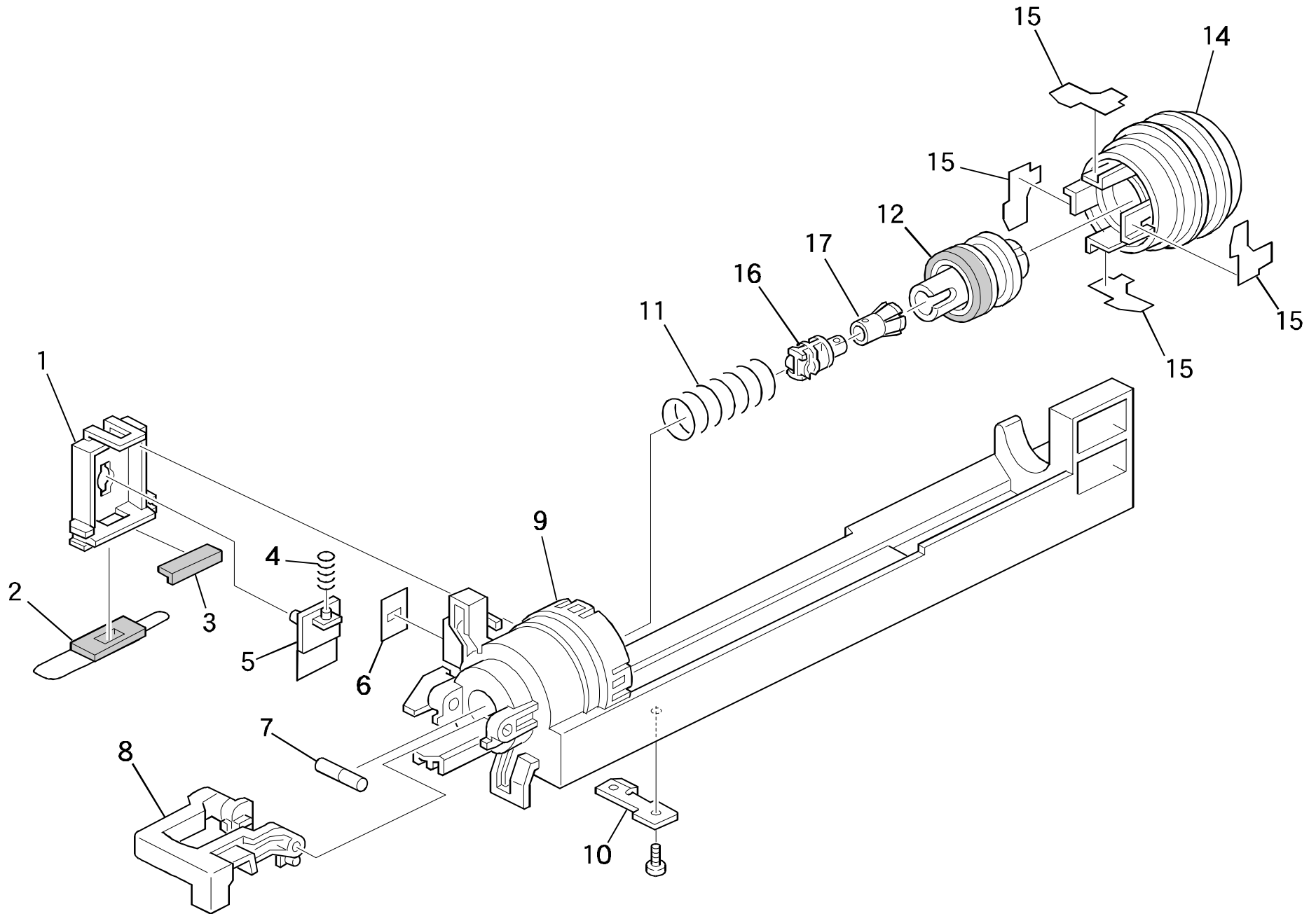
11. Laser Unit (A193)

Rev. 2/28/97

Index No.	Part No.	Description	Q'ty Per Assembly
1	A193 5742	LD Unit Harness (230V)	1
1	A193 5220	LD Unit Harness (115V)	1
2	G020 1912	Sync Detector	1
3	A193 1853	LD Unit Ass'y (115V)	1
3	A193 1855	LD Unit Ass'y (230V)	1
4	A193 1861	Laser Unit (115V)	1
4	A193 1865	Laser Unit (230V)	1
5	A193 5438	Relay Harness - Polygon Mirror Motor	1
6	G020 1961	Polygon Mirror Motor	1
7	G020 5439	Harness - Polygon Mirror Motor	1
8	G020 1915	Sync Detector Mirror Holder	1
9	G020 1911	Sync Detector Mirror	1
10	G020 1902	Lower Cover - Laser Unit	1
11	G020 1903	Right Holder - BTL Lens	2
12	G020 1904	Left Holder - BTL Lens	1
13	G020 1905	Cylindrical Lens Holder	1
14	G020 1966	Cylindrical Lens	1
15	G020 1906	Left Holder - F Theta Mirror	1
16	G020 1907	Right Holder - F Theta Mirror	1
17	G020 1908	1st Mirror Holder	2
18	G020 1964	1st Mirror - Laser Unit	1
19	G020 1969	BTL Lens	1
20	G020 1909	2nd Mirror Holder	2
21	G020 1910	Laser Unit Cover	1
22	G020 1923	CS Ring - M2.4	1
23	G020 1928	2nd Mirror - Laser Unit	1
24	G020 1962	Shield Glass	1
25	G020 1900	Laser Unit Case	1

Index No.	Part No.	Description	Q'ty Per Assembly
101	0452 3008B	Tapping Screw - M3x8	
102	0452 3010B	Tapping Bind Screw - M3x10	

12. Toner Hopper Unit (A193)

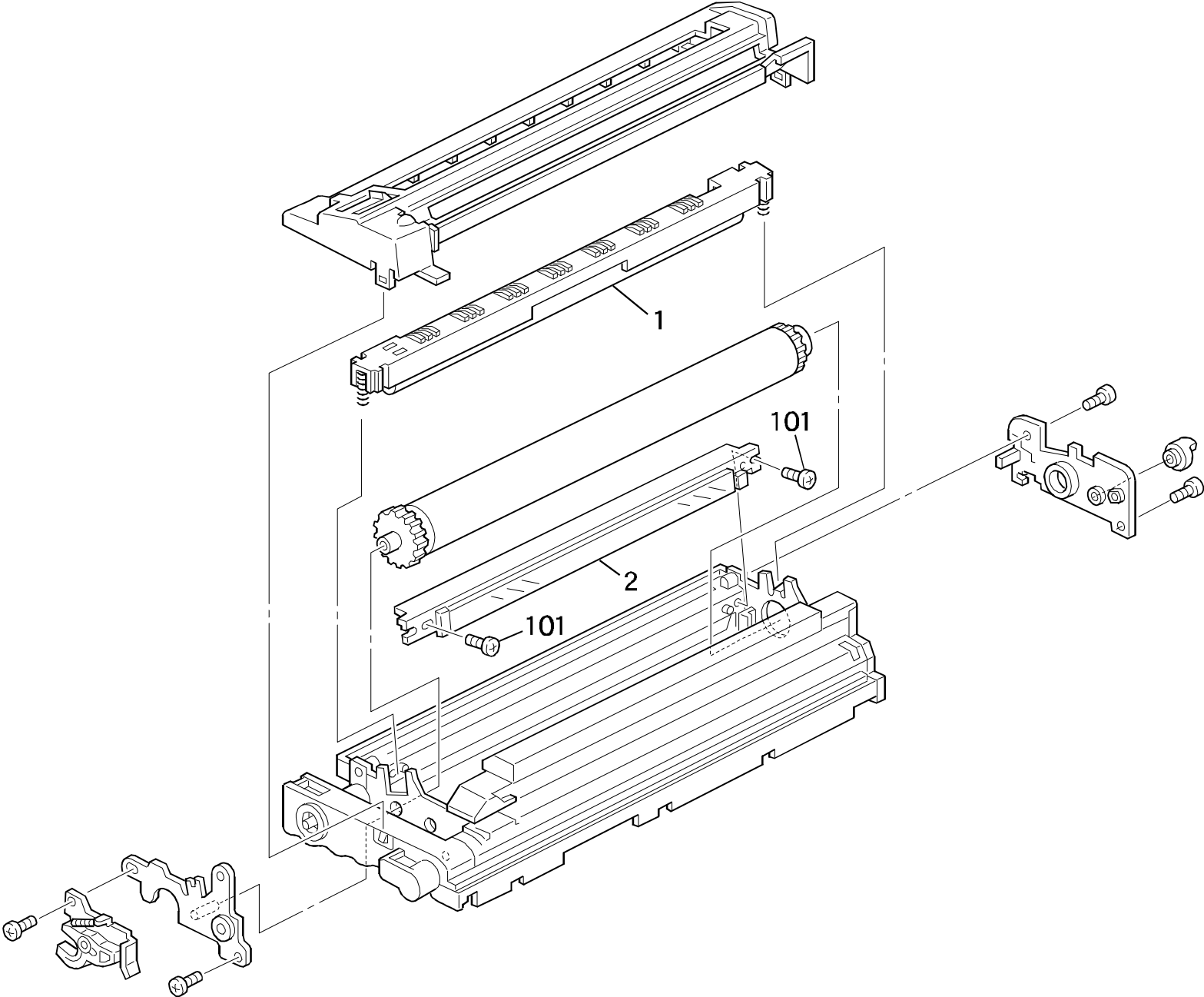


12. Toner Hopper Unit (A193)

Index No.	Part No.	Description	Q'ty Per Assembly
1	G020 3311	Cover - Toner Supply	1
2	G020 3340	Lower Seal - Toner Supply	1
3	G020 3345	Right Seal - Toner Supply	1
4	G020 3313	Spring - Toner Supply Cover	1
5	G020 3317	Shutter - Toner Supply	1
6	G020 3312	Gate - Toner Supply	1
7	A184 3422	Toner Slider	1
8	G020 3339	Handle - Toner Supply	1
9	G020 3314	Toner Supply Unit	1
10	G020 3320	Hook - Toner Supply Unit	1
11	A184 3411	Chuck Spring	1
12	G020 3334	Slider - Toner Supply	1
14	G020 3322	Cover - Toner Supply Unit	1
15	G020 3325	Sheet - Agitator	4
16	A184 3421	Chuck Shaft	1
17	A184 3420	Bottle Chuch	1

Index No.	Part No.	Description	Q'ty Per Assembly

13. P.C.U. (A193)



13. P.C.U. (A193)

Index No.	Part No.	Description	Q'ty Per Assembly
1	G020 2020	Charge Roller Ass'y	1
2	G020 3550	Cleaning Blade	1

Index No.	Part No.	Description	Q'ty Per Assembly
101	0452 3008B	Tapping Screw - M3x8	

14. Fusing Unit (A193)

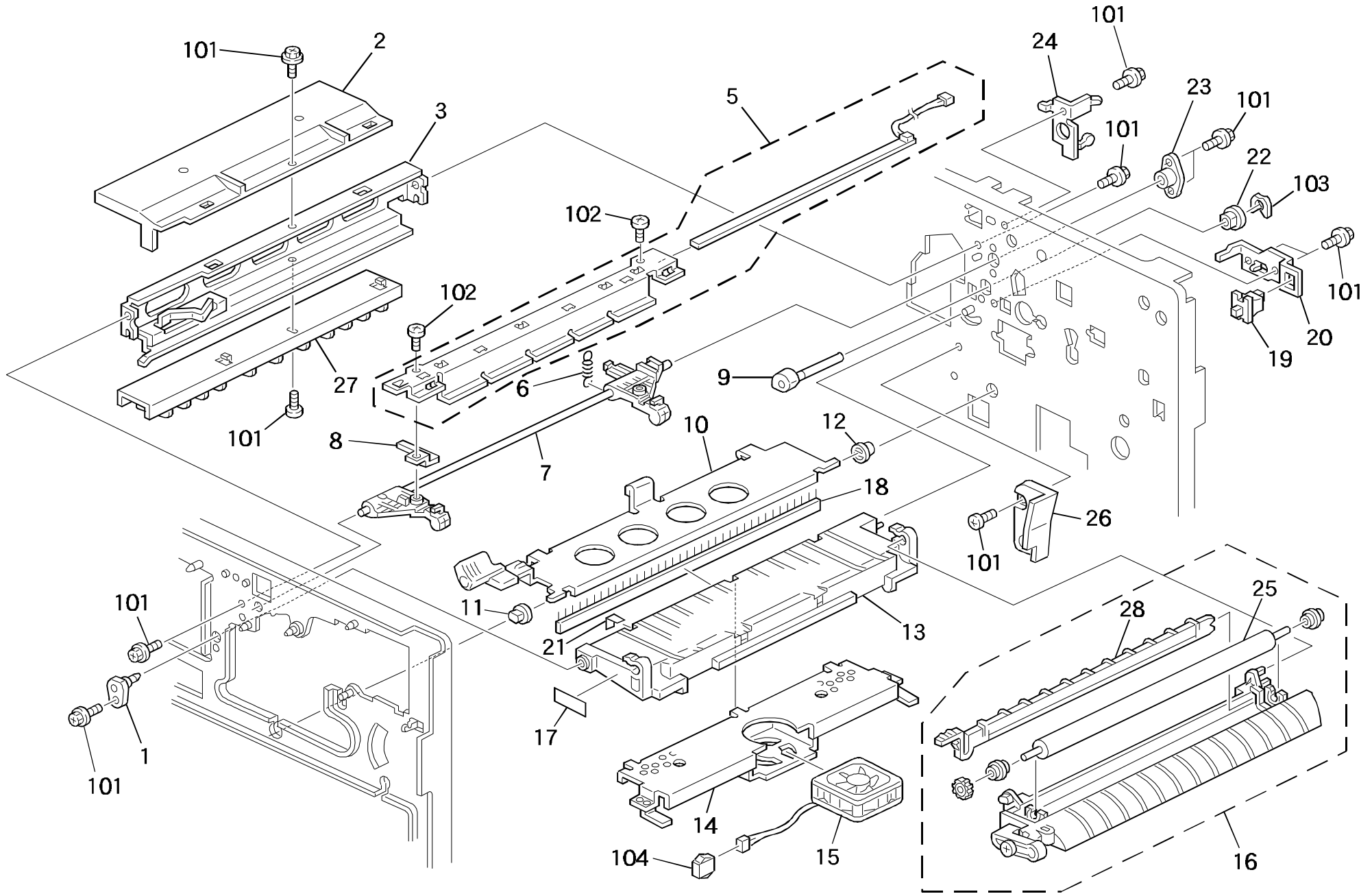
Rev. 7/25/97

Index No.	Part No.	Description	Q'ty Per Assembly
*	A193 4017	Fusing Unit (115V)	1
*	A193 4027	Fusing Unit (230V)	1
1	G020 4149	Upper Exit Guide - Fusing Unit	1
2	G020 4178	Hot Roller Stripper	5
3	G020 4193	Spring - Hot Roller Stripper	5
4	G020 4179	Bracket - Hot Roller Stripper	1
5	G020 4129	Upper Fusing Cover	1
6	G020 4133	Thermofuse - 169°C	1
7	G020 4185	Fusing Thermistor	1
8	G020 4130	Star - Fusing Unit	1
9	G020 4166	Front Fusing Cover	1
10	G020 4147	Lower Exit Guide - Fusing Unit	1
11	G020 4152	Connector Bracket - Fusing Unit	1
12	G020 4191	Pressure Spring	2
13	G020 4145	Pressure Lever - Fusing Unit	2
14	A193 4187	Fusing Lamp - 120V 800W	1
14	A193 4188	Header - 230V 700W	1
15	G020 4174	C-ring - Hot Roller	2
16	G020 4173	Bushing - 36 mm	2
17	G020 4170	Hot Roller	1
18	G020 4177	Gear - 40Z	1
19	G020 4180	Pressure Roller	1
20	G020 4175	Bushing - Pressure Roller	2
21	G020 4112	Bracket - Cleaning Roller	1
22	AE04 2009	Cleaning Roller	1
23	G020 4176	Bushing - Cleaning Roller	2
24	G020 4141	Fusing Unit Frame	1
25	G020 4159	Rear Holder - Fusing Lamp	1
26	G020 4146	Lower Entrance Guide	1
27	G020 4160	Front Holder Fusing Lamp	1
28	A193 4183	Fusing Unit Harness (115V)	1
28	A193 4184	Fusing Unit Harness (230V)	1
29	G020 4151	Bracket - Fusing Connector	1
30	G020 4163	Heater Socket	1

Index No.	Part No.	Description	Q'ty Per Assembly
101	0451 3006B	Tapping Screw - M3x6	
102	0950 4006M	Philips Screw With Flat Washer - M4x6	
103	0451 3010B	Tapping Screw - M3x10	

15. Paper Exit Section (A193)

Rev. 2/28/97



(A193)

34

Parts Location & List

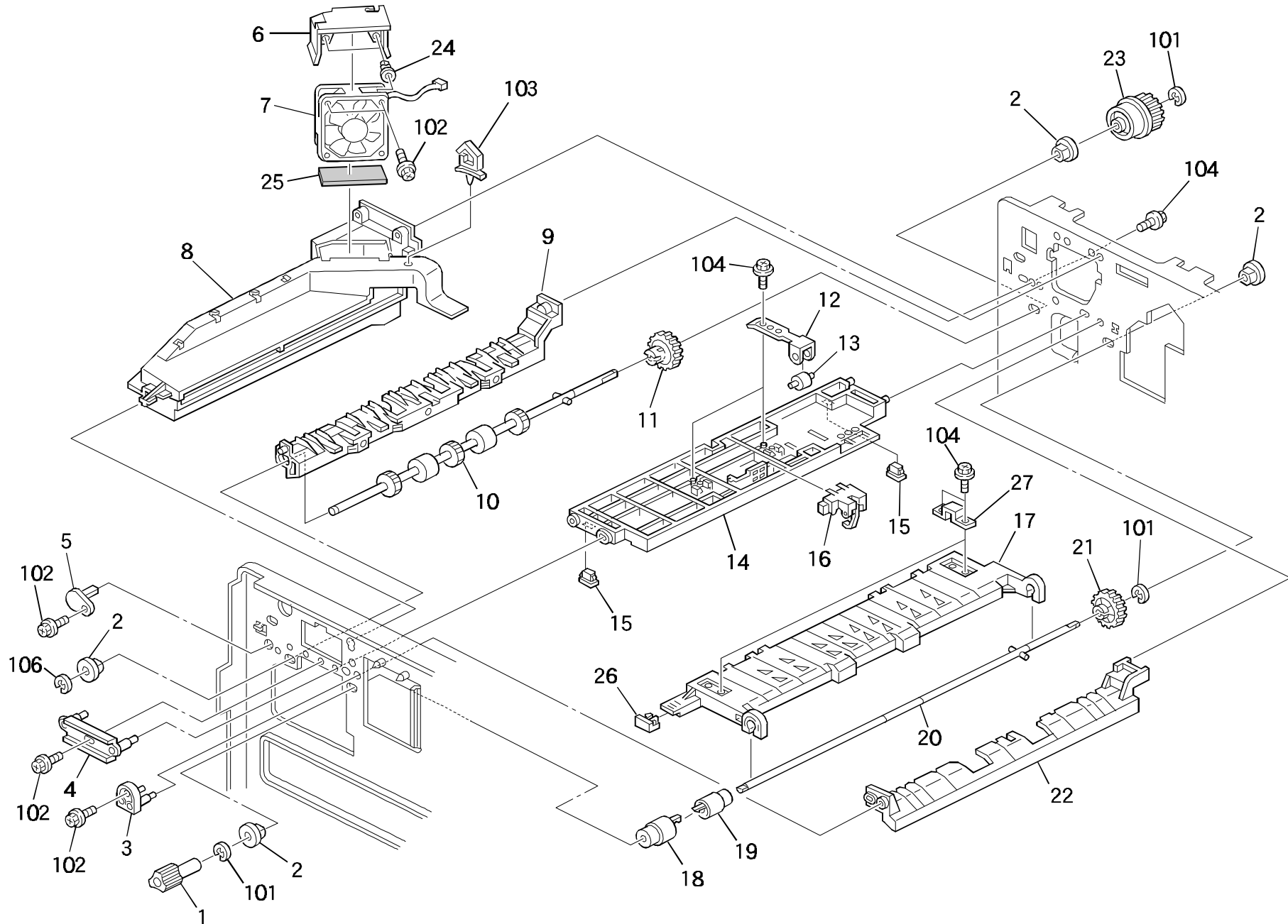
15. Paper Exit Section (A193)

Rev. 8/29/97

Index No.	Part No.	Description	Q'ty Per Assembly
1	G020 3888	Pin - Transfer Guide	1
2	G020 1106	Right Duct	1
3	G020 1098	Stay - OPU	1
4			
5	G020 2104	Quenching Lamp Assembly	1
6	G020 2103	Tension Spring	1
7	G020 2107	Pressure Lever - Charge Roller	1
8	G020 2148	Grounding Plate - Quenching Lamp	1
9	G020 2121	CAM - Charge Roller	1
10	G020 3910	Stay - Transfer Unit	1
11	G020 3914	Bushing - Front Transfer Unit	1
12	G020 3915	Bushing - Rear Transfer Unit	1
13	G020 3880	Transport Guide Plate	1
14	G020 3882	Grounding Plate - Transfer Guide	1
15	G020 3887	Fan Motor - DC 3.12W	1
16	A673 3881	Transfer And Separation Unit	1
17	G020 4128	Decal - High Temperature	1
18	G020 3897	Discharge Brush - Transport	1
19	G020 5626	Push Switch	1
20	G020 5817	Bracket - OPU Switch	1
21	G020 3896	Grounding Plate - Discharge Brush	1
22	AA08 2070	Bushing - 8x16x7	1
23	G020 2106	Bushing - Pressure Lever	1
24	G020 1194	Bracket - Fusing Drive Gear	1
25	G020 3852	Transfer Roller	1
26	G020 3940	Guide - Transfer Roller Unit	1
27			
28	A193 3870	Discharge Brush	1

Index No.	Part No.	Description	Q'ty Per Assembly
101	0451 3006B	Tapping Screw - M3x6	
102	0452 3008B	Tapping Screw - M3x8	
103	0805 0088	Retaining Ring - M6	
104	1102 6245	Connector - 2P	

16. Transport Section 1 (A193)



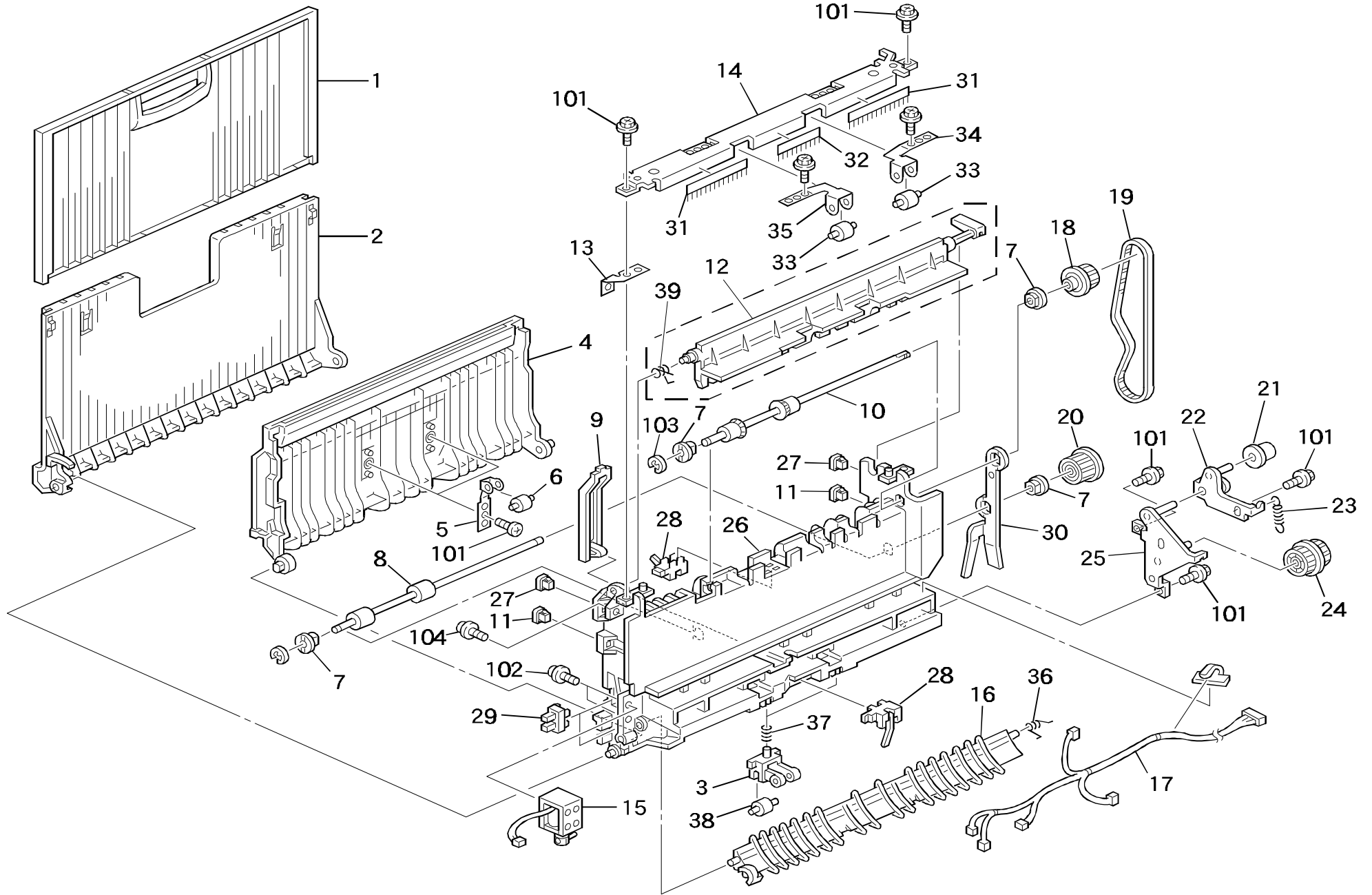
16. Transport Section 1 (A193)

Index No.	Part No.	Description	Q'ty Per Assembly
1	G020 4480	Fusing Knob	1
2	G020 4479	Bushing - 6 mm	4
3	G020 4477	Support Bracket - Transport Plate	1
4	G020 4476	Guide Plate Holder	1
5	G020 4331	Front Stud - 1 Bin Sorter	1
6	G020 1104	Fan Motor Holder	1
7	AX64 0058	Fan Motor - DC 24V 4.32W	1
8	G020 1100	Duct	1
9	G020 4459	Relay Guide - Transport Roller	1
10	G020 4414	Transport Roller Ass'y	1
11	G020 4487	Gear - 26Z	1
12	G020 4491	Roller Holder	2
13	AF04 0031	Upper Exit Roller	2
14	G020 4473	Upper Transport Guide	1
15	G012 1531	Magnet	2
16	G020 4490	Paper Exit Sensor	1
17	G020 4412	Lower Transport Plate Ass'y	1
18	G020 4457	Transport Roller - 1	1
19	G020 4458	Transport Roller - 2	1
20	G020 4413	Shaft - Transport Roller	1
21	G020 4489	Gear - 24Z	1
22	G020 4475	Guide Plate - Transport	1
23	G020 4456	Pulley - 33Z	1
24	G020 1107	Nut - M4	1
25	G020 1105	Cushion - Fan Motor	1
26	G020 4492	Knob - Guide Plate	1
27	G020 4493	Magnet	1

Index No.	Part No.	Description	Q'ty Per Assembly
101	0720 0040E	Retaining Ring - M4	
102	0451 3006B	Tapping Screw - M3x6	
103	1105 0310	Wire Clamp	
104	0450 3008B	Tapping Screw - M3x8	

17. Transport Section 2 (A193)

Rev. 2/28/97



(A193)

38

Parts Location & List

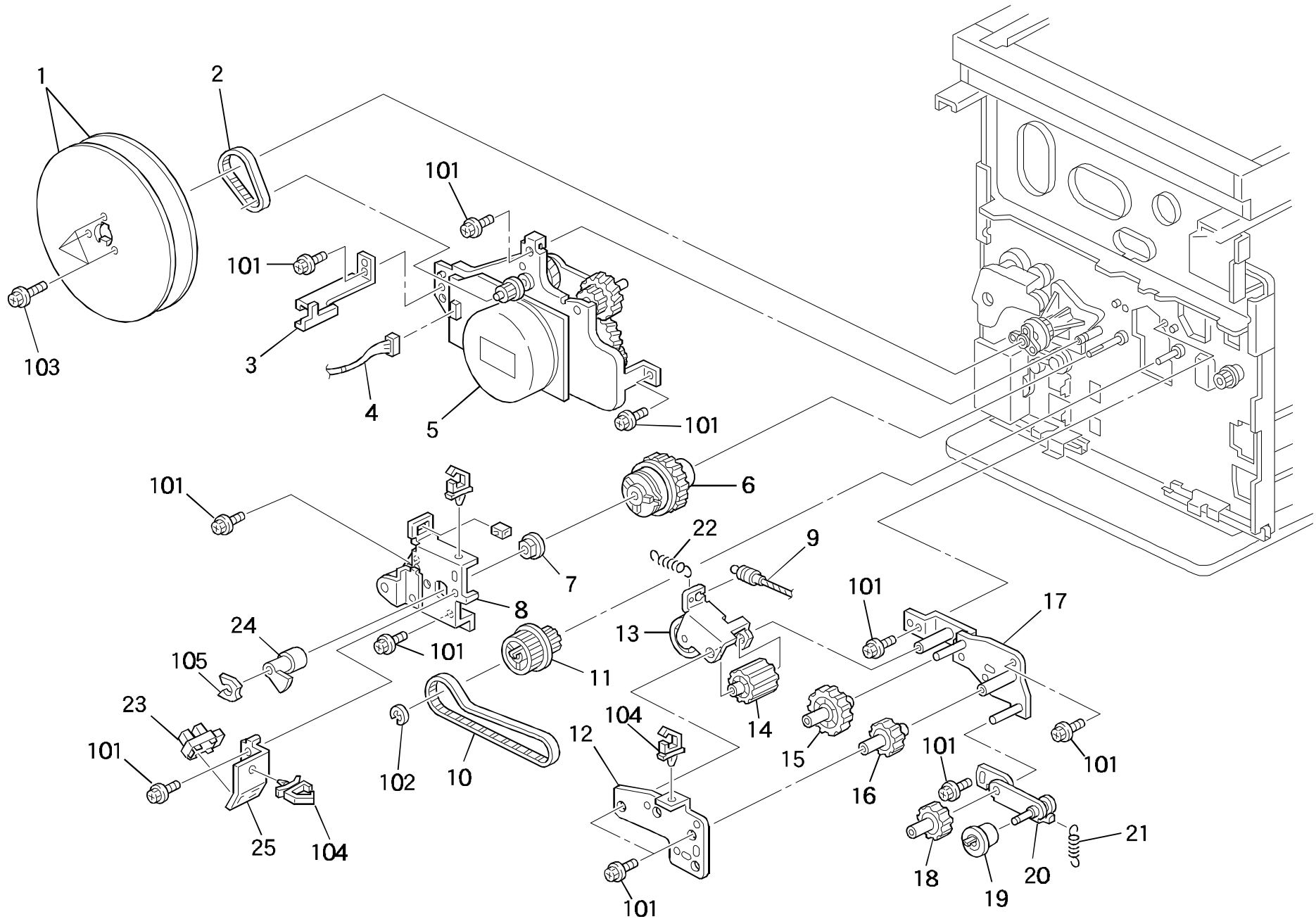
17. Transport Section 2 (A193)

Rev. 2/28/97

Index No.	Part No.	Description	Q'ty Per Assembly
1	G020 4423	Sub Copy Tray - FU	1
2	G020 4419	Left Cover Tray	1
3	G020 4463	Roller Holder	2
4	G020 4452	Right Vertical Guide	1
5	G020 4446	Spring Plate - Roller	2
6	G012 4865	Exit Roller	2
7	G020 4466	Bushing - M6	4
8	G020 4426	Exit Relay Roller	1
9	G020 4465	Harness Cover	1
10	G020 4427	Exit Roller - FD	1
11	G012 1531	Magnet	2
12	G020 4454	Paper Exit Pawl	1
13	G020 4453	Grounding Plate	1
14	G020 4468	Stay - FD	1
15	G020 4439	Junction Gate Solenoid - FD	1
16	G020 4424	Junction Gate - FU	1
17	G020 5402	Harness - Paper Exit	1
18	G020 4436	Pulley - 28Z	1
19	G020 4437	Timing Belt - B60S2M-386	1
20	G020 4435	Pulley - 32Z	1
21	G020 4444	Tightener	1
22	G020 4333	Tightener - 1 Bin Sorter	1
23	G020 4440	Tension Spring	1
24	G020 4447	Pulley - 44Z	1
25	G020 4332	Rear Stud - 1 Bin Sorter	1
26	G020 4409	Guide Plate - Feed Down	1
27	A049 3371	Magnet	2
28	G020 4429	Exit Sensor	2
29	AW02 0075	Photointerrupter	1
30	G020 4481	Grounding Plate - Exit Roller	1
31	G020 4483	Antistatic Brush - FD	2
32	G020 4374	Middle Antistatic Brush - FD	1
33	G020 4390	Exit Roller	2
34	G020 4471	Rear Spring Plate - Driven Roller	1
35	G020 4470	Front Spring Plate - Driven Roller	1

Index No.	Part No.	Description	Q'ty Per Assembly
36	G020 4467	Tension Spring	1
37	G020 4431	Pressure Spring	2
38	AF04 0031	Upper Exit Roller	2
39	G020 4455	Spring	2
101	0450 3008B	Tapping Screw - M3x8	
102	0957 3008B	Philips Screw	
103	0720 0040E	Retaining Ring - M4	
104	0451 3006B	Tapping Screw - M3x6	

18. Drive Section 1 (A193)

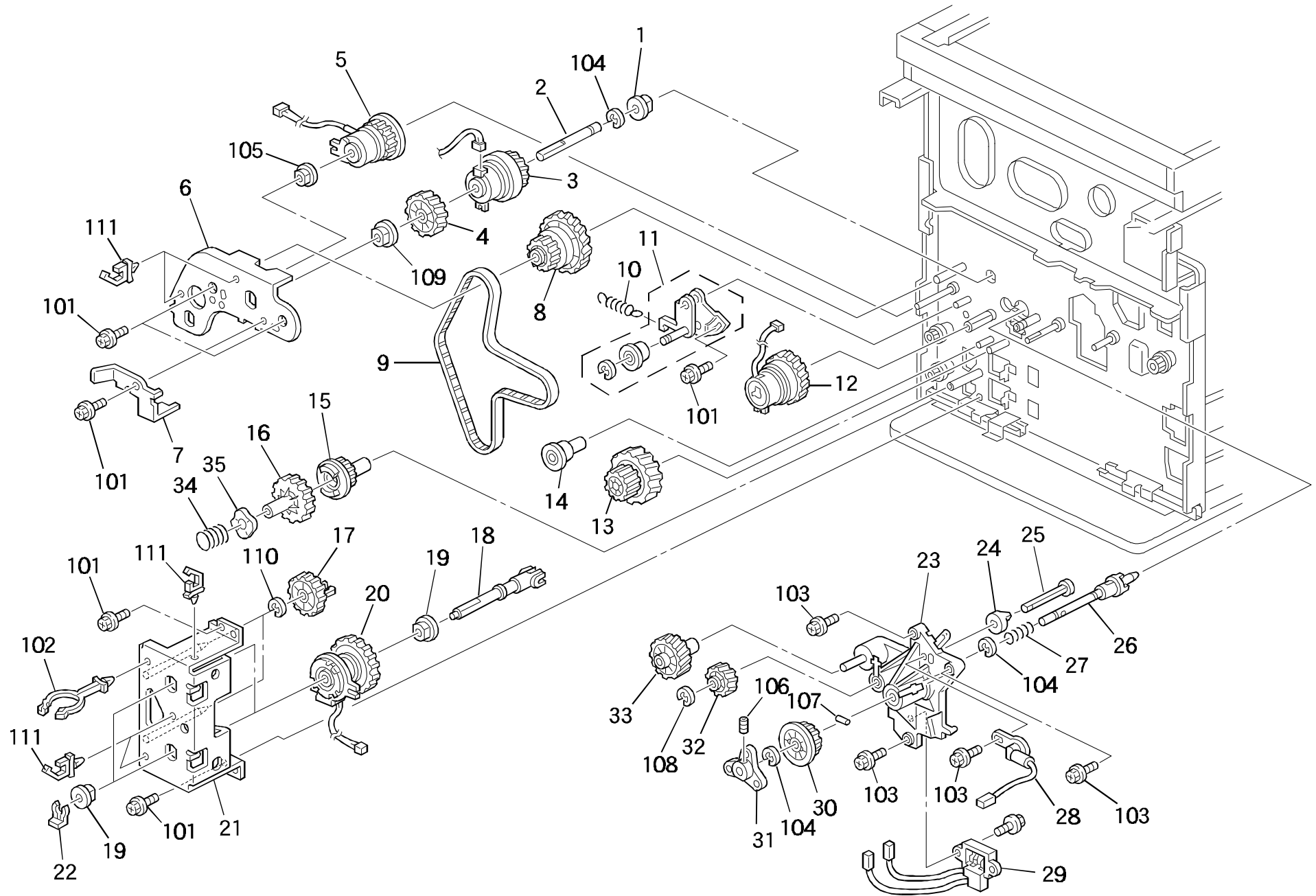


18. Drive Section 1 (A193)

Index No.	Part No.	Description	Q'ty Per Assembly
1	G020 1189	Fly Wheel	2
2	G020 1187	Timing Belt - S2M 158 mm	1
3	A193 5865	Stand - IOB	1
4	G020 5434	Harness - Main Motor	1
5	G020 1125	Main Motor Ass'y - DC 24W	1
6	G020 1117	Charge Roller Contact Clutch	1
7	AA08 2070	Bushing - 8x16x7	1
8	G020 1196	Tighener - PCU Ass'y	1
9	G020 5839	Release Wire - Fusing Drive	1
10	G020 4438	Timing Belt - B60S2M-292	1
11	G020 4488	Pulley/Gear - 45Z/20Z	1
12	G020 1158	Support Bracket - Fusing Drive	1
13	G020 1153	Gear - 40Z	1
14	G020 1157	Gear - 28Z	1
15	G020 1167	Gear - 35Z	1
16	G020 4441	Idle Gear - 27Z	1
17	G020 1150	Fusing Drive Bracket	1
18	G020 4442	Idle Gear - 27Z	1
19	G020 4484	Tightener	1
20	G020 4330	Tightener Bracket	1
21	G020 4449	Spring - Tighlener	1
22	G020 1084	Tension Spring	1
23	AW02 0075	Photointerrupter	1
24	G020 2143	Actuator - Charge Roller Clutch	1
25	G020 2141	Bracket - Charge Roller Contact SN	1

Index No.	Part No.	Description	Q'ty Per Assembly
101	0451 3006B	Tapping Screw - M3x6	
102	0720 0040E	Retaining Ring - M4	
103	0451 3014B	Tapping Screw - M3x14	
104	1105 0460	Clamp	
105	0805 0088	Retaining Ring - M6	

19. Drive Section 2 (A193)



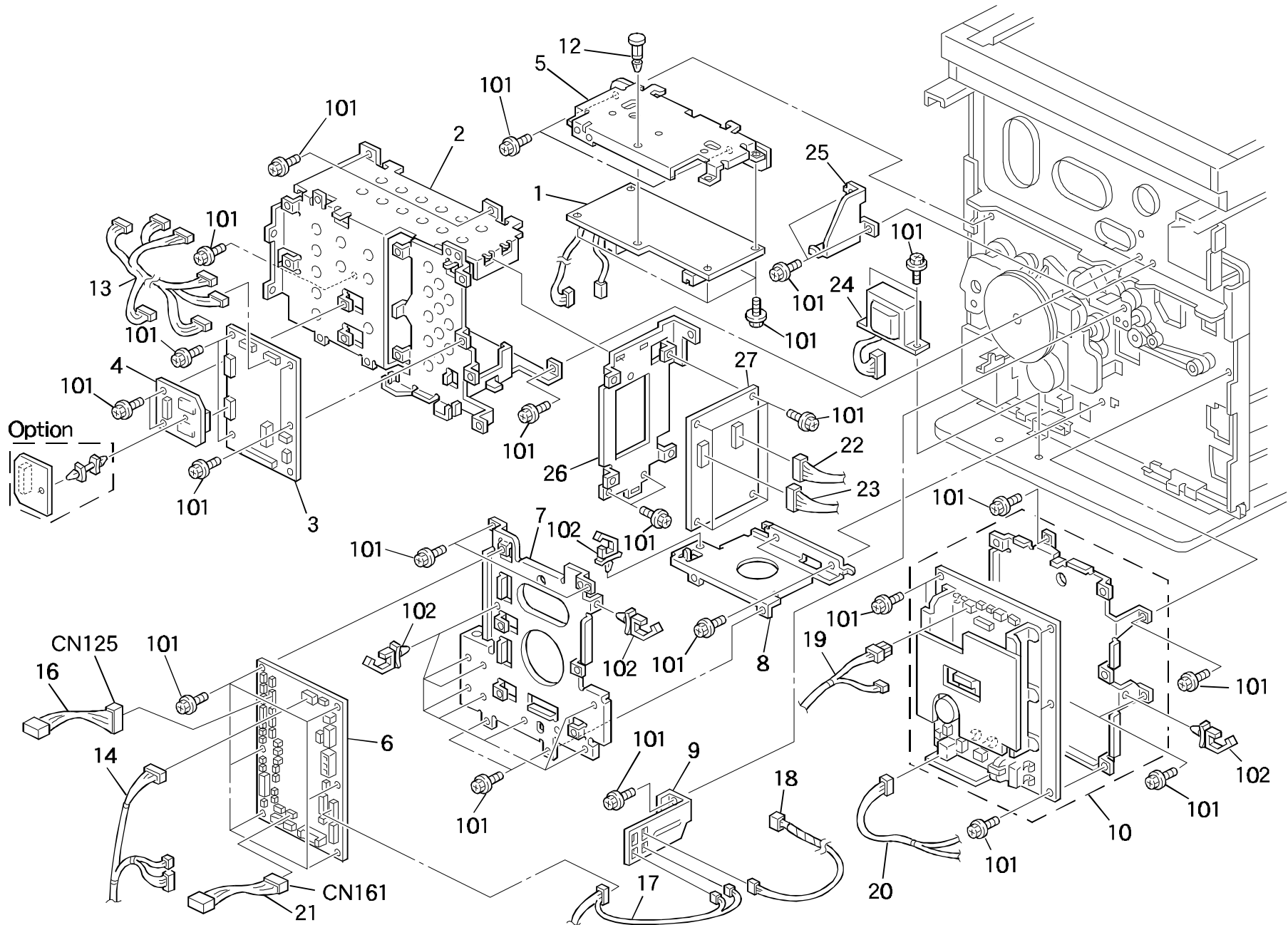
19. Drive Section 2 (A193)

Rev. 2/28/97

Index No.	Part No.	Description	Q'ty Per Assembly
1	AA08 2070	Bushing - 8x16x7	1
2	G020 1162	Development Clutch Shaft	1
3	G020 1116	Development Clutch	1
4	G020 1163	Gear - 43Z	1
5	G020 1114	By-pass Feed Clutch	1
6	G020 1165	Development Drive Bracket	1
7	G020 1166	Stopper Bracket - Development Clutch	1
8	G020 1147	Pulley - 65Z/26T	1
9	G020 1149	Timing Belt - S3M 588 mm	1
10	G020 1086	Spring - Tightener	1
11	G020 1190	Tightener Bracket Ass'y	1
12	G020 1115	Registration Clutch	1
13	G020 1168	Gear - 52Z/26T	1
14	G020 1146	Belt Tightener	1
15	G020 1148	Pulley - 30T	1
16	G020 1169	Gear - 40Z	1
17	G020 1144	Gear - 27Z	2
18	G020 1145	Shaft - Paper Feed Roller	2
19	G020 1119	Bushing - M8	4
20	G020 1112	Paper Feed Clutch	2
21	G020 1141	Bracket - Paper Feed Clutch	1
22	G020 1160	C Ring - Paper Feed Roller	1
23	G020 1171	Bracket - PCU Driver	1
24	G020 1186	Joint Bracket - Development Drive	1
25	G020 1185	Development Drive Shaft	1
26	G020 1180	PCU Drive Shaft	1
27	G020 1183	Pressure Spring	1
28	G020 2110	Terminal - Charge Roller	1
29	G020 3890	T/S Corona Receptacle	1
30	G020 1187	Timing Belt - S2M 158 mm	1
31	G020 1184	Bracket - Fly Wheel	1
32	G020 1177	Gear - 26Z	1
33	G020 1164	Gear - 37Z	1
34	G020 2682	Spring - 2.4N	1
35	5353 1803	Wabe Washer	1

Index No.	Part No.	Description	Q'ty Per Assembly
101	0451 3006B	Tapping Screw - M3x6	
102	1105 0458	Clamp - LHL-18	
103	0451 3014B	Tapping Screw - M3X14	
104	0720 0060E	Retaining Ring - M6	
105	0805 3385	Bushing - 6 mm	
106	0574 0050E	Hexagon Headless Set Screw - M4x5	
107	0633 0120E	Spring Pin - M3x12	
108	0720 0040E	Retaining Ring - M4	

20. Electrical Section 1 (A193)



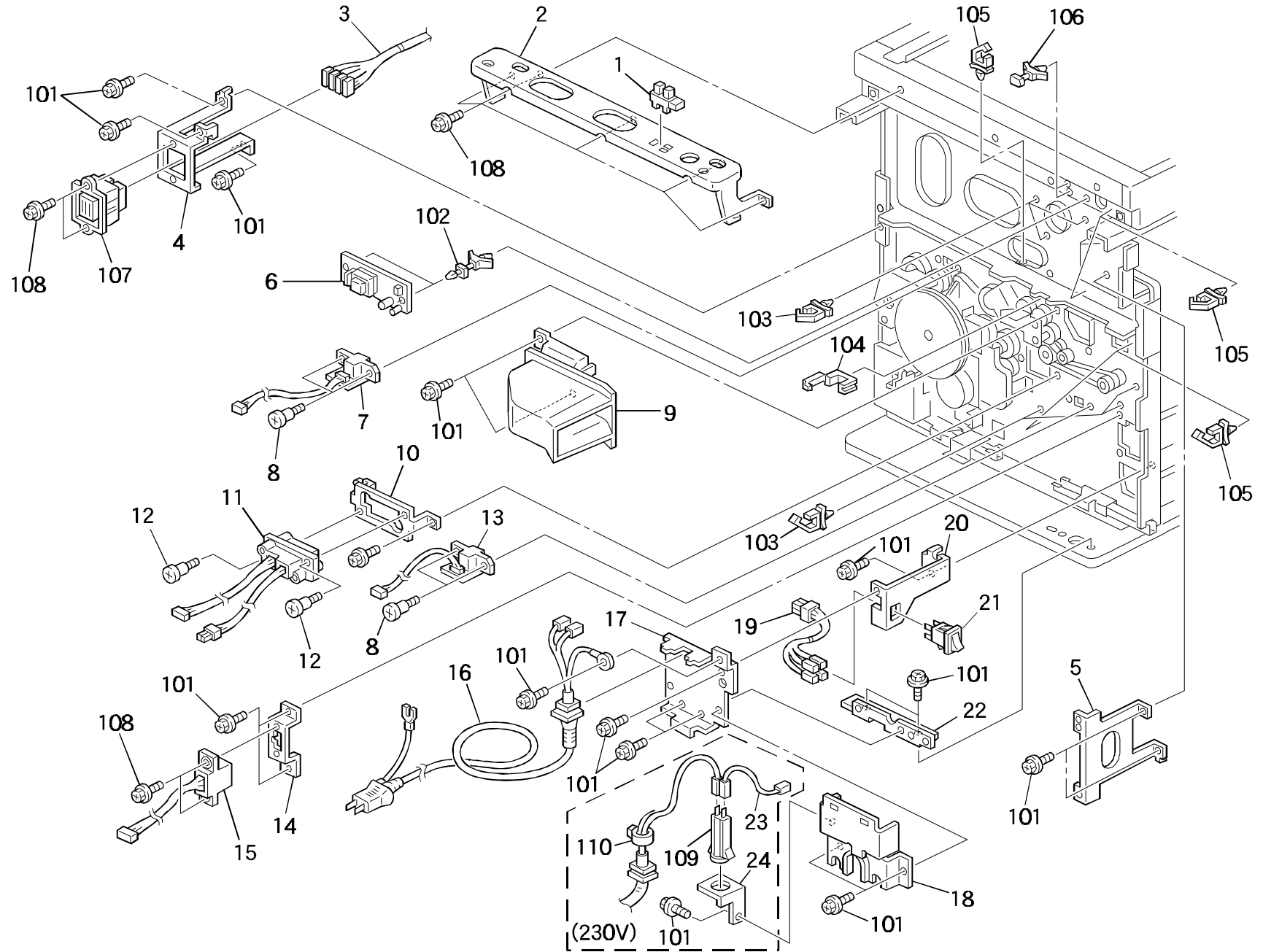
20. Electrical Section 1 (A193)

Rev. 7/25/97

Index No.	Part No.	Description	Q'ty Per Assembly
1	G020 5739	Power Pack - BCTD	1
2	A193 5803	Bracket - BICU Board	1
3	A193 5091	BICU Board (115V)	1
3	A193 5092	BICU Board (230V)	1
4	A193 5122	MSU - 4MB	1
5	G020 5870	Bracket - Power Pack	1
6	A193 5105	IOC Board	1
7	A193 5863	IOB - Bracket	1
8	A193 5864	IOB Support Bracket	1
9	A193 5820	Bracket - Harness Guide	1
10	A193 5800	DC Power Supply Board (115V)	1
10	A193 5061	DC Power Supply Board (230V)	1
11	A193 5730	Stabilizer - Xenon Lamp	1
12	G020 5871	Spacer - KGLS-12RF	1
13	A193 5414	Harness - Scanner Unit	1
14	A193 5419	Relay Harness - Scanner Unit	1
16	G020 5404	Harness - PCU Detector	1
17	G020 5412	Harness - Fan Motor	1
18	A193 5474	Harness - Key Counter	1
19	A193 5452	Harness - Power Supply Board	1
20	A193 5459	Harness - Fusing Lamp	1
21	G020 5494	Invertor Relay Harness	1
22	A193 5451	DC Harness - Mother Board	1
23	A193 5490	Harness - Mother Board	1
24	AZ02 0010	Choke Coil - 10MH-2A	1
25	A193 1072	Harness Clamp Bracket	1
26	A193 5806	Bracket - Mother Board	1
27	A193 5128	Mother Board	1
28	A193 5475	Harness Key Counter	1
29	A193 5497	Harness - Finisher	1
30	A193 5819	Bracket Assembly - Finisher	1

Index No.	Part No.	Description	Q'ty Per Assembly
101	0451 3006B	Tapping Screw - M3x6	

21. Electrical Section 2 (A193)

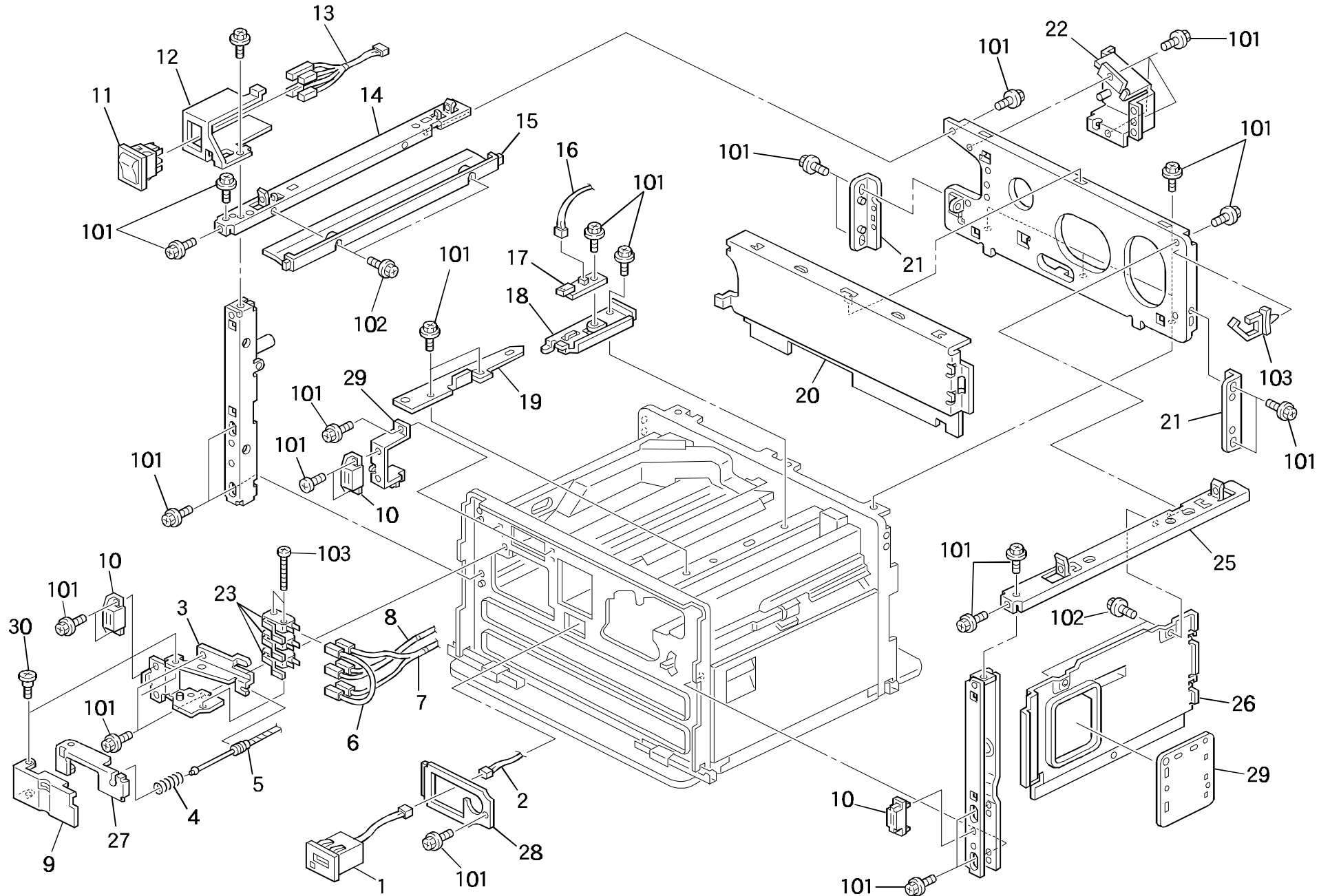


21. Electrical Section 2 (A193)

Index No.	Part No.	Description	Q'ty Per Assembly
1	AW02 0075	Photointerrupter	1
2	A193 1786	Platen Cover Bracket	1
3	A193 5496	DF Relay Harness	1
4	A193 5808	ADF Connector - Bracket	1
5	A193 1364	Stand Cover	1
6	A193 5730	Atabilizer - Xenon Lamp	1
7	G020 5115	PCU Relay Board	1
8	G020 5829	Shoulder Screw - M3	4
9	A193 1101	Rear Duct	1
10	G020 5818	Bracket - Drawer Connector	1
11	A193 5211	Harness - Fusing Unit (115V)	1
11	A193 5214	Harness - Fusing Unit (230V)	1
12	AA14 3301	Stepped Screw - M3x4	1
13	G020 5116	Inverter Unit Connector	1
14	G020 5816	Bracket - Duplex Harness	1
15	G020 5497	Harness - Duplex Unit	1
16	A193 5711	Power Supply Cord (115V)	1
16	A193 5712	Power Supply Cord (230V)	1
17	A193 5858	Bracket - Power Supply Cord	1
18	A193 5861	Cover - Power Supply Cord	1
19	A193 5457	Harness - Main Switch	1
20	A193 5862	Stand - Power Supply Cord	1
21	G020 5616	Main Switch	1
22	G020 5862	Support Bracket - Base	1
23	A193 5215	Circuit Breaker Harness (230V)	1
24	A193 5817	Bracket - Circuit Breaker (230V)	1

Index No.	Part No.	Description	Q'ty Per Assembly
101	0451 3006B	Tapping Screw - M3x6	
102	1105 0195	PCB Stud	
103	1105 0291	Wire Saddle	
104	1105 0334	Edge - 17	
105	1105 0310	Wire Clamp	
106	1105 0415	Spacer - 12.7 mm	
107	1102 7445	Connector - 46P	
108	0451 3008B	Tapping Screw - M3x8	
109	1107 0472	Circuit Breaker - 250V/8A	
110	1607 0638	Ferrite Core - TFC25-15-12	

22. Frame Section 1 (A193)

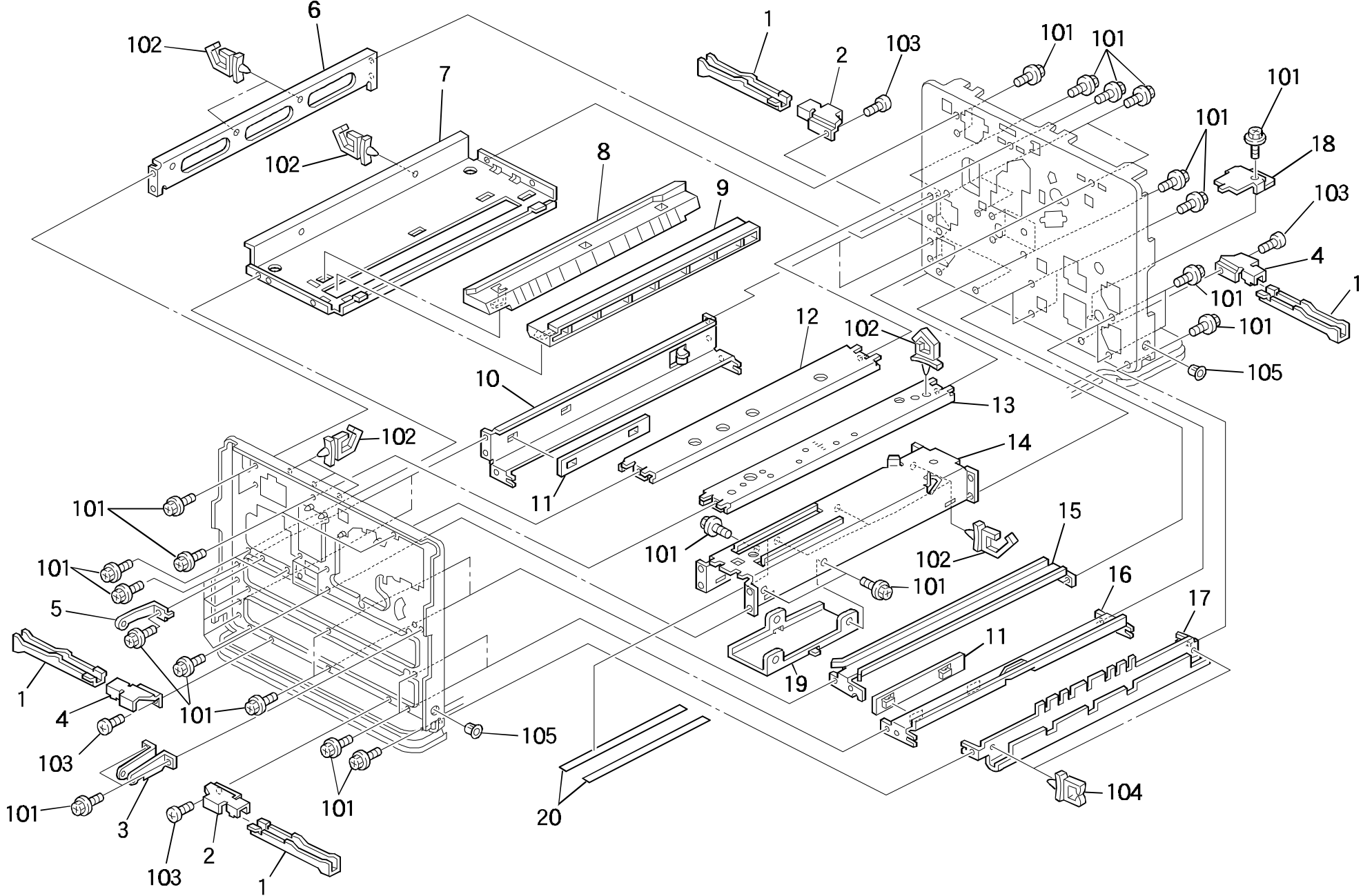


22. Frame Section 1 (A193)

Index No.	Part No.	Description	Q'ty Per Assembly
1	AX31 0022	Total Counter	1
2	G020 5477	Relay Harness - Total Counter	1
3	G020 5810	Bracket - Door Switch	1
4	G020 5835	Tension Spring	1
5	G020 1159	Release Wire - Fusing Drive	1
6	G020 5486	Harness - Front Door SW	1
7	A193 5411	Harness Safety Switch - 5V	1
8	A193 5410	Harness Safety Switch - 24V	1
9	G020 5811	Safety Switch Actuator	1
10	AG07 0004	Magnetic Catch	3
11	1204 2446	Main Switch	1
12	A193 5809	Bracket - Operation Switch	1
13	A193 5456	Harness - Operation Switch	1
14	A193 1079	Left Lower Stay - Scanner Unit	1
15	A193 1321	Left Exit Cover	1
16	G020 5415	Harness - Humidity Sensor	1
17	G020 5625	Humidity Sensor	1
18	G020 2135	Bracket - Humidity Sensor	1
19	G020 1054	Positioning Plate	1
20	A193 1326	Rear Exit Cover	1
21	A193 1068	Rear Fixed Plate	1
22	A193 1083	Bracket - Sorter	1
23	G020 5812	Microswitch	1
24	A193 1382	Window Cover	1
25	A193 1077	Right Lower Stay - Scanner Unit	1
26	A193 1331	Right Exit Cover	1
27	G020 5815	Actuator - Release Gear	1
28	A193 5813	Bracket - Total Counter	1
29	G020 5813	Bracket - Magnet	1
30	G020 5829	Shoulder Screw - M3	1
31	G020 5486	Harness - Front Door SW	1

Index No.	Part No.	Description	Q'ty Per Assembly
101	0451 3006B	Tapping Screw - M3x6	
102	0802 5255	Tapping Screw - M3x8	
103	0313 0400B	Tapping Screw - M3x40	

23. Frame Section 2 (A193)



23. Frame Section 2 (A193)

Index No.	Part No.	Description	Q'ty Per Assembly
1	A193 1070	Grip Plate	4
2	A134 1072	Right Bracket - Grip Plate	2
3	G020 1330	Right Hinge Bracket - Front Door	1
4	G020 1085	Bracket - Grip Plate	2
5	G020 1331	Left Hinge Bracket - Front Door	1
6	G020 1074	Harness Stay	1
7	G020 1073	Lower Left Plate	1
8	G020 1090	Left Relay Guide	1
9	G020 1087	Right Relay Guide	1
10	G020 2651	Left Guide - Paper Tray	1
11	G020 2678	Guide Plate - Paper Tray	1
12	G020 1071	Left Stay - Laser Unit	1
13	G020 1070	Right Stay - Laser Unit	1
14	G020 1072	Fusing Unit Guide	1
15	G020 2652	Stay - Paper Tray	1
16	G020 2650	Right Guide - Paper Tray	1
17	G020 2631	Stay - Vertical Transport	1
18	G020 1053	Guard Bracket	1
19	A193 1074	Relay Harness Cover	1
20	A193 1075	Sheet - Fusing Rail	2

Index No.	Part No.	Description	Q'ty Per Assembly
101	0451 3006B	Tapping Screw - M3x6	
102	1105 0291	Wire Saddle	
103	0434 0060B	Philips Tapping Screw - M4x6	

24. BICU Board (A193)

115V Model

AR

SYMBOL NO.	INDEX NO.
AR3	146
AR4	146
AR5	146
AR6	146
AR7	146
AR8	148
AR9	148
AR10	148
AR11	148
AR12	146

SYMBOL NO.	INDEX NO.
AR13	146
AR14	146
AR15	146
AR16	146
AR17	146
AR18	146
AR19	147
AR20	146
AR21	148
AR22	146

SYMBOL NO.	INDEX NO.
AR22	146
AR23	146
AR24	146
AR25	146
AR26	148
AR27	148
AR28	149

CAPACITOR

SYMBOL NO.	INDEX NO.
C1	187
C2	194
C3	195
C4	195
C5	185
C6	186
C7	186
C8	195
C9	150
C10	195

SYMBOL NO.	INDEX NO.
C11	195
C12	----
C13	192
C14	192
C15	195
C16	151
C17	195
C18	192
C19	----
C20	195

SYMBOL NO.	INDEX NO.
C21	188
C22	195
C23	195
C24	195
C25	192
C26	195
C27	192
C28	195
C29	151
C30	195

SYMBOL NO.	INDEX NO.
C31	191
C32	189
C33	195
C34	192
C35	195
C36	195
C37	184
C38	----
C39	195
C40	195

CAPACITOR

SYMBOL NO.	INDEX NO.
C41	192
C42	195
C43	195
C44	195
C45	195
C46	195
C47	195
C48	195
C49	190
C50	195

SYMBOL NO.	INDEX NO.
C51	195
C52	193
C53	193
C54	193
C55	193
C56	195
C57	193
C58	195
C59	195
C60	195

SYMBOL NO.	INDEX NO.
C61	195
C62	193
C63	193
C64	193
C65	193
C66	193
C67	193
C68	195
C69	195
C70	192

SYMBOL NO.	INDEX NO.
C71	195
C72	195
C73	195
C74	192
C75	195
C76	195
C77	195
C78	195
C79	195
C80	195

SYMBOL NO.	INDEX NO.
C81	192
C82	192
C83	192
C84	192
C85	192
C86	193
C87	193
C88	190
C89	190
C90	189

SYMBOL NO.	INDEX NO.
C91	189
C92	192
C93	192
C94	192
C95	192
C96	192
C97	191
C98	191
C99	191
C100	191

SYMBOL NO.	INDEX NO.
C101	191
C102	191
C103	191
C104	191
C105	191
C106	192
C107	192
C108	192
C109	192

24. BICU Board (A193)

115V Model

CONNECTOR

SYMBOL NO.	INDEX NO.
CN301	110
CN302	105
CN303	106
CN304	110
CN305	103
CN306	107
CN307	102
CN308	104
CN309	101
CN310	109
CN311	108

DA

SYMBOL NO.	INDEX NO.
DA1	119
DA2	119
DA3	119
DA4	119
DA5	119
DA6	119
DA7	119
DA8	119

DIODE

SYMBOL NO.	INDEX NO.
D1	118
D2	118
D3	120

FILTER

SYMBOL NO.	INDEX NO.
FIL1	152
FIL2	152
FIL3	152
FIL4	152
FIL5	155
FIL6	152
FIL7	152
FIL8	152
FIL9	152
FIL10	153
FIL11	180

IC

SYMBOL NO.	INDEX NO.
IC2	132
IC4	137
IC5	2
IC6	1
IC7	136
IC8	135
IC9	139
IC10	3
IC11	141
IC12	124

SYMBOL NO.	INDEX NO.
IC13	124
IC14	134
IC15	140
IC16	134
IC17	142
IC18	127
IC19	125
IC20	128
IC21	126
IC22	126

SYMBOL NO.	INDEX NO.
IC23	126
IC24	124
IC26	129
IC27	4
IC28	130
IC29	127
IC30	127
IC31	127
IC99	138
[SOCKET]	111

JP

SYMBOL NO.	INDEX NO.
JP1	183
JP2	183
JP3	183
JP4	183

L

SYMBOL NO.	INDEX NO.
L1	154

LED

SYMBOL NO.	INDEX NO.
LED1	123
LED2	122

Q

SYMBOL NO.	INDEX NO.
Q1	114
Q2	116
Q3	114
Q4	113
Q5	115
Q6	114
Q7	117
Q8	114

RESISTOR

SYMBOL NO.	INDEX NO.
R1	163
R2	----
R3	167
R4	173
R5	173
R6	----
R7	173
R8	173
R9	173
R10	173

SYMBOL NO.	INDEX NO.
R11	165
R12	165
R13	156
R14	167
R15	167
R16	156
R17	165
R18	165
R19	163
R20	165

SYMBOL NO.	INDEX NO.
R21	165
R22	165
R23	165
R24	169
R25	----
R26	162
R27	162
R28	162
R29	162
R30	162

SYMBOL NO.	INDEX NO.
R31	162
R32	162
R33	162
R34	162
R35	162
R36	160
R37	157
R38	158
R39	161
R40	158

24. BICU Board (A193)

115V Model

RESISTOR

SYMBOL NO.	INDEX NO.	SYMBOL NO.	INDEX NO.	SYMBOL NO.	INDEX NO.	SYMBOL NO.	INDEX NO.	SYMBOL NO.	INDEX NO.	SYMBOL NO.	INDEX NO.	SYMBOL NO.	INDEX NO.
R41	161	R51	161	R61	167	R71	167	R81	167	R91	167	R101	174
R42	158	R52	158	R62	174	R72	183	R82	167	R92	167	R102	174
R43	161	R53	161	R63	174	R73	173	R83	174	R93	173	R103	174
R44	158	R54	158	R64	174	R74	173	R84	174	R94	173	R104	167
R45	161	R55	161	R65	174	R75	173	R85	174	R95	173	R105	167
R46	158	R56	174	R66	167	R76	173	R86	----	R96	173	R106	167
R47	161	R57	167	R67	173	R77	173	R87	174	R97	173	R107	167
R48	158	R58	----	R68	167	R78	173	R88	174	R98	173	R108	167
R49	161	R59	167	R69	167	R79	173	R89	174	R99	174	R109	174
R50	158	R60	167	R70	167	R80	167	R90	167	R100	174	R110	174

RESISTOR

SYMBOL NO.	INDEX NO.	SYMBOL NO.	INDEX NO.	SYMBOL NO.	INDEX NO.	SYMBOL NO.	INDEX NO.	SYMBOL NO.	INDEX NO.	SYMBOL NO.	INDEX NO.	SYMBOL NO.	INDEX NO.
R111	174	R121	167	R131	167	R141	173	R151	173	R161	174	R171	177
R112	174	R122	173	R132	181	R142	156	R152	167	R162	167	R172	174
R113	173	R123	167	R133	182	R143	164	R153	174	R163	----	R173	178
R114	174	R124	167	R134	170	R144	167	R154	167	R164	----	R174	168
R115	174	R125	167	R135	166	R145	----	R155	174	R165	166	R175	173
R116	174	R126	167	R136	----	R146	167	R156	167	R166	173	R176	167
R117	174	R127	173	R137	167	R147	----	R157	174	R167	173	R177	167
R118	167	R128	183	R138	165	R148	173	R158	167	R168	156	R178	166
R119	167	R129	167	R139	169	R149	173	R159	174	R169	165	R179	----
R120	167	R130	----	R140	173	R150	173	R160	167	R170	165	R180	----

24. BICU Board (A193)

115V Model

RESISTOR

SYMBOL NO.	INDEX NO.	SYMBOL NO.	INDEX NO.	SYMBOL NO.	INDEX NO.	SYMBOL NO.	INDEX NO.	SYMBOL NO.	INDEX NO.	SYMBOL NO.	INDEX NO.	SYMBOL NO.	INDEX NO.
R181	173	R191	171	R201	----	R211	158	R221	156	R231	177	R241	179
R182	177	R192	174	R202	----	R212	158	R222	157	R232	177	R242	179
R183	166	R193	174	R203	177	R213	158	R223	166	R233	167	R243	179
R184	176	R194	175	R204	174	R214	158	R224	167	R234	179	R244	179
R185	166	R195	171	R205	174	R215	158	R225	167	R235	179	R245	179
R186	170	R196	173	R206	174	R216	159	R226	177	R236	179	R246	179
R187	175	R197	173	R207	158	R217	158	R227	156	R237	179	R247	179
R188	171	R198	167	R208	158	R218	159	R228	156	R238	179	R248	177
R189	177	R199	172	R209	158	R219	158	R229	156	R239	179	R249	165
R190	166	R200	173	R210	158	R220	177	R230	177	R240	179	R250	173

RESISTOR

SYMBOL NO.	INDEX NO.
R251	166
R252	166
R253	166
R254	177
R255	177
R256	177
R257	177
R258	179
R259	179
R260	167

SYMBOL NO.	INDEX NO.
R261	167
R262	179
R263	165
R264	165
R265	173
R266	173
R267	173
R268	177

REG

SYMBOL NO.	INDEX NO.
REG1	143

SW

SYMBOL NO.	INDEX NO.
SW1	112

XTL

SYMBOL NO.	INDEX NO.
XTL1	144
XTL2	145

ZD

SYMBOL NO.	INDEX NO.
ZD1	121

24. BICU Board (A193)

230V Model

AR

SYMBOL NO.	INDEX NO.
AR1	197
AR2	197
AR3	197
AR4	197
AR5	201
AR6	197
AR7	199
AR8	146
AR9	146
AR10	146

SYMBOL NO.	INDEX NO.
AR11	146
AR12	149
AR13	197
AR14	197
AR15	197
AR16	197
AR17	146
AR18	146
AR19	146
AR20	146

SYMBOL NO.	INDEX NO.
AR21	148
AR22	148
AR23	146
AR24	146
AR25	146
AR26	200
AR27	198
AR28	200
AR29	198
AR30	201

SYMBOL NO.	INDEX NO.
AR31	199
AR32	201
AR33	201
AR34	199
AR35	199
AR36	146
AR37	146
AR38	146
AR39	146
AR40	146

SYMBOL NO.	INDEX NO.
AR41	146
AR42	201
AR43	199
AR44	148
AR45	148
AR46	148
AR47	148
AR48	147
AR49	146
AR50	146

SYMBOL NO.	INDEX NO.
AR51	146
AR52	146
AR53	146
AR54	146
AR55	146
AR56	148
AR57	146

CAPACITOR

SYMBOL NO.	INDEX NO.
C1	187
C2	194
C3	195
C4	180
C5	180
C6	193
C7	195
C8	195
C9	195
C10	195

CAPACITOR

SYMBOL NO.	INDEX NO.
C11	192
C12	195
C13	195
C14	189
C15	191
C16	192
C17	195
C18	195
C19	195
C20	195

SYMBOL NO.	INDEX NO.
C21	184
C22	195
C23	192
C24	195
C25	195
C26	195
C27	193
C28	195
C29	151
C30	193

SYMBOL NO.	INDEX NO.
C31	193
C32	193
C33	193
C34	191
C35	191
C36	191
C37	191
C38	191
C39	191
C40	191

SYMBOL NO.	INDEX NO.
C41	191
C42	191
C43	191
C44	191
C45	191
C46	191
C47	191
C48	191
C49	191
C50	191

SYMBOL NO.	INDEX NO.
C51	191
C52	191
C53	191
C54	193
C55	190
C56	193
C57	193
C58	190
C59	193
C60	195

SYMBOL NO.	INDEX NO.
C61	192
C62	193
C63	193
C64	193
C65	193
C66	188
C67	193
C68	195
C69	195
C70	195

SYMBOL NO.	INDEX NO.
C71	192
C72	195
C73	195
C74	192
C75	195
C76	192
C77	195
C78	151
C79	195
C80	195

24. BICU Board (A193)

230V Model

CAPACITOR

SYMBOL NO.	INDEX NO.	SYMBOL NO.	INDEX NO.	SYMBOL NO.	INDEX NO.	SYMBOL NO.	INDEX NO.	SYMBOL NO.	INDEX NO.	SYMBOL NO.	INDEX NO.	SYMBOL NO.	INDEX NO.
C81	195	C91	195	C101	195	C111	193	C121	195	C131	193	C141	195
C82	195	C92	195	C102	192	C112	193	C122	195	C132	193	C142	195
C83	195	C93	195	C103	192	C113	192	C123	192	C133	193		
C84	195	C94	195	C104	195	C114	195	C124	193	C134	189		
C85	195	C95	195	C105	195	C115	195	C125	193	C135	193		
C86	195	C96	192	C106	189	C116	193	C126	192	C136	193		
C87	195	C97	195	C107	190	C117	193	C127	193	C137	185		
C88	193	C98	195	C108	195	C118	193	C128	193	C138	195		
C89	193	C99	195	C109	192	C119	193	C129	193	C139	193		
C90	193	C100	190	C110	192	C120	150	C130	193	C140	193		

CONNECTOR

SYMBOL NO.	INDEX NO.
CN301	110
CN302	105
CN303	106
CN304	110
CN305	103
CN306	107
CN307	102
CN308	104
CN309	101
CN310	109
CN311	108

DA

SYMBOL NO.	INDEX NO.
DA1	119
DA2	119
DA3	119
DA4	119
DA5	119
DA6	119
DA7	119
DA8	119

DIODE

SYMBOL NO.	INDEX NO.
D1	118
D2	118
D3	118

FILTER

SYMBOL NO.	INDEX NO.
FIL1	202
FIL2	202
FIL3	202
FIL4	202
FIL5	202
FIL6	204
FIL7	156
FIL8	156
FIL9	156
FIL10	156

SYMBOL NO.	INDEX NO.
FIL11	156
FIL12	202
FIL13	156
FIL14	156
FIL15	156
FIL16	156
FIL17	156
FIL18	156
FIL19	156
FIL20	156

SYMBOL NO.	INDEX NO.
FIL21	203
FIL22	203
FIL23	156
FIL24	202
FIL25	202
FIL26	202
FIL27	202
FIL28	202
FIL29	157

IC

SYMBOL NO.	INDEX NO.
IC2	132
IC3	128
[SOCKET]	111
IC4	129
IC5	136
IC6	2
IC7	135
IC8	1
IC9	133
IC10	136

24. BICU Board (A193)
230V Model

IC

SYMBOL NO.	INDEX NO.
IC11	4
IC12	139
IC13	3
IC14	141
IC15	124
IC16	124
IC17	135
IC18	140
IC19	130
IC20	127

SYMBOL NO.	INDEX NO.
IC21	127
IC22	142
IC23	127
IC24	127
IC25	196
IC26	126
IC27	126
IC28	126
IC29	196

JP

SYMBOL NO.	INDEX NO.
JP3	180
JP4	180
JP5	180

LED

SYMBOL NO.	INDEX NO.
LED1	123
LED2	122

Q

SYMBOL NO.	INDEX NO.
Q1	114
Q2	114
Q3	116
Q4	113
Q5	117
Q6	114
Q7	115
Q8	114

REG

SYMBOL NO.	INDEX NO.
REG1	143

RESISTOR

SYMBOL NO.	INDEX NO.
R1	179
R2	167
R3	167
R4	173
R5	179
R6	179
R7	179
R8	179
R9	173
R10	177

RESISTOR

SYMBOL NO.	INDEX NO.
R11	171
R12	166
R13	177
R14	171
R15	174
R16	167
R17	165
R18	169
R19	165
R20	165

SYMBOL NO.	INDEX NO.
R21	163
R22	173
R23	167
R24	164
R25	167
R26	173
R27	156
R28	173
R29	205
R30	156

SYMBOL NO.	INDEX NO.
R31	167
R32	167
R33	174
R34	174
R35	167
R36	167
R37	170
R38	----
R39	167
R40	166

SYMBOL NO.	INDEX NO.
R41	169
R42	167
R43	167
R44	167
R45	173
R46	174
R47	174
R48	174
R49	167
R50	167

SYMBOL NO.	INDEX NO.
R51	167
R52	173
R53	173
R54	174
R55	174
R56	174
R57	174
R58	173
R59	167
R60	167

SYMBOL NO.	INDEX NO.
R61	167
R62	167
R63	167
R64	181
R65	182
R66	170
R67	166
R68	166
R69	165
R70	165

SYMBOL NO.	INDEX NO.
R71	167
R72	177
R73	173
R74	167
R75	167
R76	173
R77	173
R78	173
R79	173
R80	167

24. BICU Board (A193)

230V Model

RESISTOR

SYMBOL NO.	INDEX NO.	SYMBOL NO.	INDEX NO.	SYMBOL NO.	INDEX NO.	SYMBOL NO.	INDEX NO.	SYMBOL NO.	INDEX NO.	SYMBOL NO.	INDEX NO.	SYMBOL NO.	INDEX NO.
R81	166	R91	177	R101	173	R111	173	R121	177	R131	173	R141	158
R82	166	R92	165	R102	167	R112	176	R122	175	R132	173	R142	158
R83	166	R93	165	R103	167	R113	166	R123	167	R133	172	R143	158
R84	165	R94	177	R104	166	R114	179	R124	167	R134	167	R144	158
R85	165	R95	177	R105	173	R115	173	R125	167	R135	174	R145	158
R86	173	R96	177	R106	173	R116	177	R126	179	R136	174	R146	158
R87	173	R97	177	R107	173	R117	173	R127	179	R137	174	R147	158
R88	177	R98	168	R108	165	R118	174	R128	179	R138	174	R148	159
R89	177	R99	178	R109	166	R119	167	R129	179	R139	158	R149	158
R90	177	R100	174	R110	177	R120	177	R130	171	R140	158	R150	159

RESISTOR

SYMBOL NO.	INDEX NO.
R151	158
R152	179
R153	177
R154	163
R200	206
R201	206
R202	206

SW

SYMBOL NO.	INDEX NO.
SW1	112

XTL

SYMBOL NO.	INDEX NO.
XTL1	144
XTL2	145

ZD

SYMBOL NO.	INDEX NO.
ZD1	121

24. BICU Board 115V & 230V (A193)

Rev. 2/28/97

Index No.	Part No.	Description	Q'ty Per Assembly
*	A193 5091	BICU Board (115V)	1
*	A193 5092	BICU Board (230V)	1
1	A193 5510	IC - BU6206KV	1
2	A193 5520	IC - GAPD	1
3	A193 5550	IC - ADIPU M66359FP	1
4	G018 5914	IC - FCI 1.6	1
101	1102 7676	Connector Header - 16P	
102	1102 7383	Connector FC-102H	
103	1102 7677	Connector DF11-22DP - 2V	

Index No.	Part No.	Description	Q'ty Per Assembly
104	1102 7453	Connector FX2-80S-1.27SVL	
105	1102 7454	Connector FX6-60P-0.8SV2	
106	1102 7455	Connector FX6-60S-0.8SV2	
107	1102 7456	Connector 176125-5	
108	1102 7463	Connector KX14-70K8D1	
109	1102 7465	Connector IL-FHR-20S-HF	
110	1102 7466	Connector IL-FHR-50S-HF	
111	1104 0759	IC Socket 28P 2-382409-3	
112	1204 2373	Key Board Switch - SKQDPA	
113	1400 0390	TR 2SA1122D	
114	1400 0392	Transistor - DTC114EK	
115	1400 0398	Transistor - 2SC2412K	
116	1400 0702	Transistor - DTD143EK	
117	1400 0703	Transistor - 2SA1313	
118	1402 0477	Silicon Diode - 1SS187	
119	1402 0478	Diode - 1SS226TE85L	
120	1402 0804	Silicon Diode - 45V - 0.3A	
121	1402 1111	Diode - HZM5.1NB2	
122	1403 0828	Diode - SEC1901C	
123	1403 0829	Diode - SEC1201C	
124	1407 1600	TTLIC - SN74LS244NS	
125	1407 2143	TTLIC - 74F244SJ	
126	1407 2187	TTLIC - SN74LS07NS	
127	1407 2561	TTLIC 74F157ASJ	
128	1407 2948	IC - TC7S04F	
129	1407 3263	IC - TC7S08F	
130	1407 4179	CMOSIC TC7W04FU	
131	1407 4322	IC - TD74ABT374F	
132	1407 4336	PSRAM	
133	1407 4536	IC - ICS1574	
134	1407 4657	IC - RS5 μ F1050	
135	1407 4671	FIFO M66256FP	
136	1407 4683	MPU HD6413003TF-10	
137	1407 4685	EEPROM LH28F800SUT-70	
138	1407 4730	SRAM STK12C68-W45	

24. BICU Board 115V & 230V (A193)

Index No.	Part No.	Description	Q'ty Per Assembly
139	1407 4734	IC - M66257FP	
140	1408 0575	IC - M51957BFP	
141	1408 0797	CMOSIC TC74HC03AF	
142	1408 1065	Comparator BA10339F	
143	1408 1226	Regurator 3.3V PQ3TZ53	
144	1503 0587	Oscillator CX-5F 19.6608MHZ	
145	1503 0704	Oscillator CSTCS16.00MX040	
146	1601 1413	Resistor - RCB8C330J	
147	1601 7751	Resistor - 4.7K Ω \pm 5%	
148	1601 7752	Resistor - 10K Ω \pm 5%	
149	1601 7797	Resistor Array - 100 Ω \pm 5%	
150	1604 4333	Capacitor - 100 μ F \pm 20% 10V	
151	1605 0577	Capacitor - 0.33 μ F +80-20%	
152	1607 0705	Noize Filter - ACF51832-470	
153	1607 0706	Noize Filter - ACF51832-220	
154	1607 0723	Noize Filter - N2012Z121	
155	1607 0803	Filter - ACF451832-680	
156	1607 0847	Data Line Filter - ACB1608H-300	
157	1607 0907	EMI Filter - ACB2012H-300	
158	1630 3102	Resistor - 1K Ω 1/10W \pm 5%	
159	1630 3103	Resistor - 10K Ω 1/10W \pm 5%	
160	1630 3150	Resistor - 15 Ω \pm 5% 1/10W	
161	1630 3222	Resistor - 2.2K Ω 1/10W \pm 5%	
162	1630 3330	Resistor - 33 Ω \pm 5% 1/10W	
163	1630 3471	Resistor - 470 Ω - 1/10W	
164	1630 4100	Resistor - 10 Ω \pm 5% 1/16W	
165	1630 4101	Resistor - 100 Ω \pm 5% 1/16W	
166	1630 4102	Resistor - 100 Ω \pm 5% 1/16W	
167	1630 4103	Resistor - 10K Ω \pm 5% 1/16W	
168	1630 4104	Resistor - 100 Ω \pm 5% 1/16W	
169	1630 4105	Resistor - 1.0M Ω \pm 5% 1/16W	
170	1630 4222	Resistor - 2.2K Ω \pm 5%	
171	1630 4223	Resistor - 22K Ω \pm 5% - 1/16W	
172	1630 4273	Resistor - 27K Ω \pm 5% - 1/16W	

Index No.	Part No.	Description	Q'ty Per Assembly
173	1630 4330	Resistor - 33 Ω \pm 5% 1/8W	
174	1630 4332	Resistor - 33K Ω \pm 5% 1/16W	
175	1630 4333	Resistor - 33K Ω : \pm 5% 1/16W	
176	1630 4471	Resistor - 470 Ω \pm 5% 1/16W	
177	1630 4472	Resistor - 4.7K Ω \pm 5% 1/16W	
178	1630 4510	Resistor - 51 Ω \pm 5% 1/16W	
179	1630 4680	Resistor - 68 Ω \pm 5% 1/16W	
180	1633 0000	Resistor - 0 Ω 1/10W - Jamper Chip	
181	1633 1002	Resistor - 10K Ω \pm 1% 1/10W	
182	1633 3921	Resistor - 3.92K Ω \pm 1% 1/10W	
183	1634 0000	Resistor - 0 Ω - 1/16W	
184	1644 0220	Capacitor - 22 μ F \pm 20% 10V	
185	1644 0470	Capacitor - 47 μ F \pm 20% 10V	
186	1644 2100	Capacitor - 10 μ F \pm 20% 25V	
187	1644 5100	Capacitor - 10 μ F \pm 20% 50V	
188	1644 6220	Capacitor - 22 μ F \pm 20% 6.3V	
189	1660 1100	Capacitor - 10PF 50V	
190	1660 3101	Capacitor - 100PF 50V	
191	1660 3150	Capacitor - 15PF 50V	
192	1660 3471	Capacitor - 470PF 50V	
193	1660 7103	Capacitor - 10000PF 50V	
194	1660 7104	Capacitor - 100000PF 50V	
195	1660 9104	Capacitor - 0.1 μ F 25V	
196	1407 4323	TTL TD74ABT244A	
197	1601 1930	Resistor - 100 Ω \pm 5% 1/10W	
198	1601 7792	Resistor - 1k Ω	
199	1601 7793	Resistor - 10k Ω	
200	1601 7796	Resistor Array - 2.2k Ω \pm 5%	
201	1601 7814	Resistor - 3.3k Ω \pm 5%	
202	1607 0732	Noize Filter - AEF321825-470	
203	1607 0926	Frilter - ACF321825-680	
204	1607 0927	Frilter - ACF321825-220	
205	1630 4150	Resistor - 15 Ω \pm 5% 1/16W	
206	1630 4301	Resistor - 300 Ω \pm 5% 1/10W	

25. IOCSS Board (A193)

CAPACITOR

SYMBOL NO.	INDEX NO.	SYMBOL NO.	INDEX NO.	SYMBOL NO.	INDEX NO.	SYMBOL NO.	INDEX NO.	SYMBOL NO.	INDEX NO.	SYMBOL NO.	INDEX NO.	SYMBOL NO.	INDEX NO.
C101	----	C111	173	C121	168	C131	174	C141	173	C151	174	C161	173
C102	173	C112	172	C122	170	C132	173	C142	173	C152	174	C162	174
C103	173	C113	172	C123	168	C133	173	C143	173	C153	174	C163	173
C104	169	C114	173	C124	173	C134	173	C144	173	C154	173	C164	173
C105	173	C115	----	C125	174	C135	173	C145	173	C155	174	C165	173
C106	173	C116	173	C126	----	C136	173	C146	171	C156	173	C166	173
C107	174	C117	173	C127	168	C137	173	C147	173	C157	174	C167	----
C108	----	C118	171	C128	173	C138	173	C148	173	C158	----	C168	174
C109	173	C119	149	C129	174	C139	173	C149	173	C159	173	C169	173
C110	173	C120	149	C130	171	C140	173	C150	173	C160	173	C170	173

CAPACITOR

SYMBOL NO.	INDEX NO.	SYMBOL NO.	INDEX NO.	SYMBOL NO.	INDEX NO.	SYMBOL NO.	INDEX NO.	SYMBOL NO.	INDEX NO.	SYMBOL NO.	INDEX NO.	SYMBOL NO.	INDEX NO.
C171	173	C181	173	C191	173	C201	173	C211	173	C221	173	C231	173
C172	173	C182	174	C192	173	C202	173	C212	172	C222	173	C232	173
C173	173	C183	174	C193	173	C203	173	C213	174	C223	173	C233	173
C174	173	C184	173	C194	173	C204	174	C214	173	C224	173	C234	172
C175	174	C185	174	C195	173	C205	174	C215	173	C225	173	C235	173
C176	174	C186	174	C196	173	C206	173	C216	173	C226	173	C236	173
C177	173	C187	173	C197	174	C207	173	C217	173	C227	173	C237	----
C178	173	C188	174	C198	173	C208	173	C218	173	C228	173	C238	173
C179	173	C189	174	C199	173	C209	173	C219	173	C229	173	C239	----
C180	173	C190	----	C200	174	C210	173	C220	173	C230	173	C240	149

25. IOCSS Board (A193)

CAPACITOR

SYMBOL NO.	INDEX NO.
C241	173
C242	173
C243	173
C244	173
C245	173
C246	173
C247	173
C248	173
C249	173
C250	173

SYMBOL NO.	INDEX NO.
C251	173
C252	173
C253	173
C254	173
C255	173
C256	173
C257	173
C258	173
C259	173
C260	173
C263	173

CONNECTOR

SYMBOL NO.	INDEX NO.
CN101	129
CN102	125
CN103	114
CN104	104
CN105	127
CN106	123
CN107	111
CN108	103
CN109	112
CN110	111

SYMBOL NO.	INDEX NO.
CN111	103
CN112	121
CN113	128
CN116	115
CN117	117
CN118	103
CN119	124
CN120	122
CN121	109
CN122	116

SYMBOL NO.	INDEX NO.
CN123	118
CN124	110
CN125	106
CN126	105
CN130	132
CN131	106
CN132	119
CN134	133
CN136	102
CN137	126

SYMBOL NO.	INDEX NO.
CN150	107
CN151	131
CN153	130
CN157	120
CN160	115
CN161	106
CN162	108
CN170	113

DIODE

SYMBOL NO.	INDEX NO.
D101	154
D102	137
D103	137
D104	136
D105	136
D106	136

FIB

SYMBOL NO.	INDEX NO.
FIB101	100
FIB102	100
FIB103	100
FIB104	100
FIB105	100

FUSE

SYMBOL NO.	INDEX NO.
FS101	134

IC

SYMBOL NO.	INDEX NO.
IC101	143
IC102	140
IC103	142
IC104	140
IC105	140
IC106	141
IC107	----
IC108	140
IC109	141
IC110	139

SYMBOL NO.	INDEX NO.
IC111	----
IC112	145
IC113	141
IC114	141
IC115	140
IC116	140
IC117	140
IC118	144
IC119	141

RAY

SYMBOL NO.	INDEX NO.
RAY101	148
RAY102	148
RAY103	148
RAY104	148
RAY105	148
RAY106	148
RAY107	148
RAY108	148
RAY109	148
RAY114	148

SYMBOL NO.	INDEX NO.
RAY115	147
RAY116	148
RAY117	148
RAY118	147
RAY119	148
RAY120	148
RAY121	148
RAY122	148
RAY123	148
RAY124	148

SYMBOL NO.	INDEX NO.
RAY125	148
RAY126	148
RAY127	148
RAY128	148
RAY129	148
RAY130	148
RAY131	148
RAY132	148
RAY133	148
RAY134	148

25. IOCSS Board (A193)

RAY

SYMBOL NO.	INDEX NO.
RAY135	148
RAY136	147
RAY137	148
RAY138	148
RAY139	148
RAY140	148
RAY141	148
RAY142	148

RESISTOR

SYMBOL NO.	INDEX NO.
R101	154
R102	162
R103	161
R104	167
R105	152
R106	164
R107	155
R108	154
R109	152
R110	155

SYMBOL NO.	INDEX NO.
R111	160
R112	152
R113	150
R114	151
R115	158
R116	160
R117	150
R118	151
R119	154
R120	151

SYMBOL NO.	INDEX NO.
R121	152
R122	152
R123	160
R124	157
R125	160
R126	158
R127	156
R128	156
R129	151
R130	150

SYMBOL NO.	INDEX NO.
R131	150
R132	156
R133	150
R134	156
R135	150
R136	156
R137	150
R138	156
R139	150
R140	152

SYMBOL NO.	INDEX NO.
R141	160
R142	155
R143	151
R144	152
R145	152
R146	151
R147	152
R148	152
R149	152
R150	152

SYMBOL NO.	INDEX NO.
R151	152
R152	146
R153	156
R154	158
R155	----
R156	156
R157	156
R158	152
R159	----
R160	----

RESISTOR

SYMBOL NO.	INDEX NO.
R161	----
R162	----
R163	----
R164	----
R165	----
R166	151
R167	156
R168	----
R169	163
R170	152

SYMBOL NO.	INDEX NO.
R171	166
R172	158
R173	152
R174	150
R175	152
R176	152
R177	152
R178	152
R179	152
R180	156

SYMBOL NO.	INDEX NO.
R181	152
R182	152
R183	152
R184	156
R185	152
R186	152
R187	158
R188	152
R189	154
R190	151

SYMBOL NO.	INDEX NO.
R191	----
R192	----
R193	161
R194	152
R195	155
R196	158
R197	152
R198	165
R199	152
R200	151

SYMBOL NO.	INDEX NO.
R201	152
R202	151
R203	152
R204	151
R205	152
R206	156
R207	166
R208	152
R209	155
R210	156

SYMBOL NO.	INDEX NO.
R211	151
R212	155
R213	158
R214	----
R215	155
R216	156
R217	155
R218	155
R219	151
R220	158

SYMBOL NO.	INDEX NO.
R221	166
R222	161
R223	151
R224	159
R225	151
R226	152
R227	155
R228	158
R229	157
R230	155

25. IOCSS Board (A193)

RESISTOR

SYMBOL NO.	INDEX NO.
R231	152
R232	152
R233	154
R234	158
R235	155
R236	152
R237	152
R238	155
R239	155
R240	152

SYMBOL NO.	INDEX NO.
R241	152
R242	----
R243	151
R244	151
R245	166
R246	152
R247	152
R248	----
R249	----
R250	151

TP

SYMBOL NO.	INDEX NO.
TP105	101

25. IOCSS Board (A193)

Index No.	Part No.	Description	Q'ty Per Assembly
*	A193 5105	IOC Board	1

Index No.	Part No.	Description	Q'ty Per Assembly
100	1002 0307	Jumper Wire	
101	1100 1474	Test Pin - Red	
102	1102 3822	Connector - HIF3FC-20PA-2.54DSA	
103	1102 4201	Connector - 2P	
104	1102 4202	Connector - 3P	
105	1102 4203	CT Header - 4P	
106	1102 4204	CT Header - 5P	
107	1102 4205	CT Header - 6P	
108	1102 4207	Connector - 8P	
109	1102 4209	CT Header - 10P	
110	1102 4211	CT Header - 12P	
111	1102 4619	Connector - 2P	
112	1102 4620	CT Header - 3P	
113	1102 4621	CT Header - 4P	
114	1102 4623	CT Connector - 6P	
115	1102 4631	CT Connector - 2P	
116	1102 4634	CT Connector - 5P	
117	1102 4643	CT Connector - 2P	
118	1102 4648	CT Connector - 7P	
119	1102 4818	Connector - 20P	
120	1102 5007	CT Header - 14P	
121	1102 5301	Connector - 2P	
122	1102 5844	Connector - 5566-02A	
123	1102 6295	Connector - 2P	
124	1102 6300	Connector - 7P	
125	1102 6303	Connector - 10P	
126	1102 6304	Connector - 11P	
127	1102 6515	Connector - 34P	
128	1102 6662	Connector - 4P	
129	1102 6895	Connector - 40P	
130	1102 6957	Connector - 14P	
131	1102 6958	Connector - 14P	
132	1102 7513	Header - 80P	
133	1102 7583	Connector - 5566-06A - RE	
134	1107 0898	Fuse 3216CP - 3A	

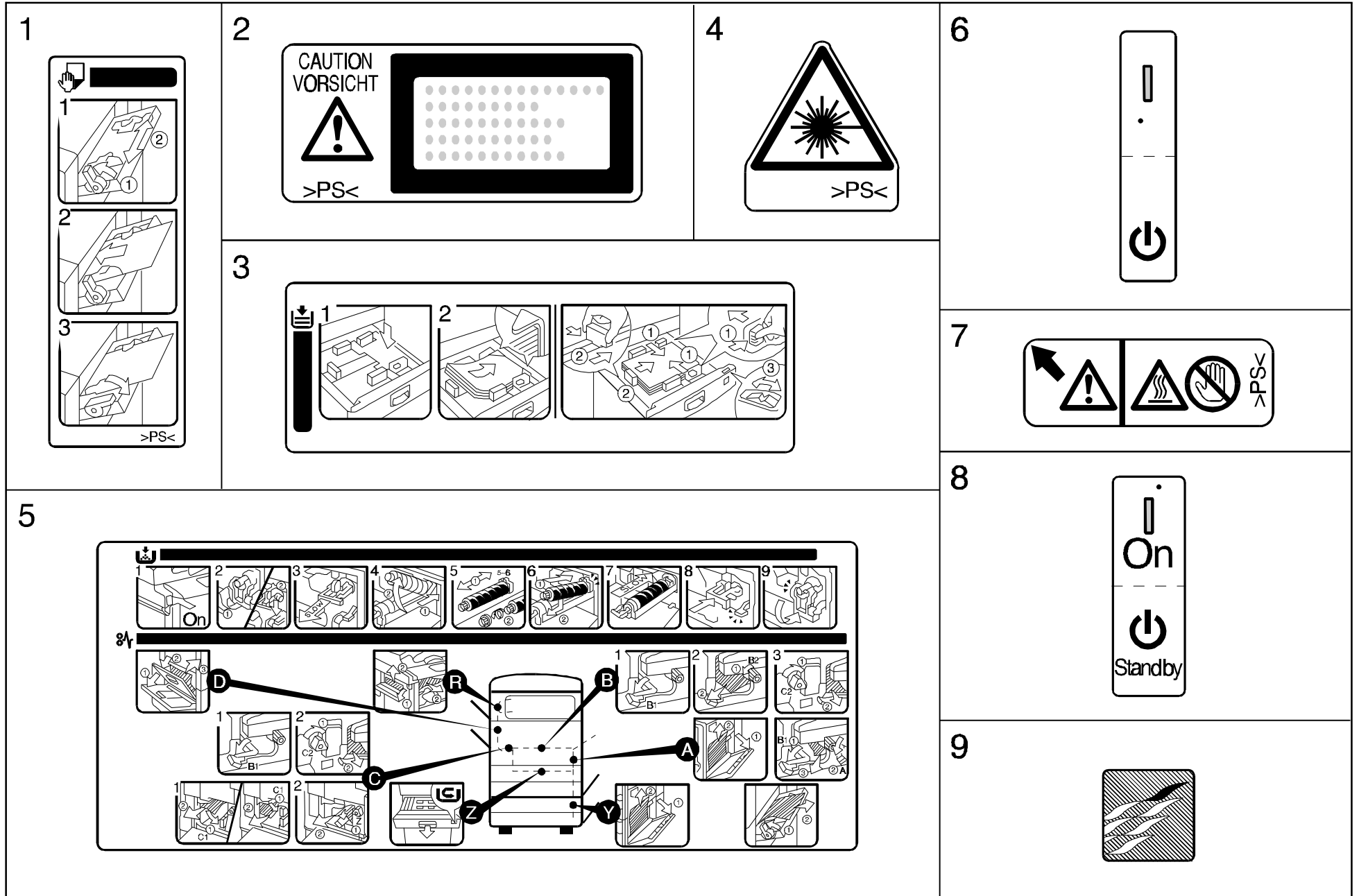
25. IOCSS Board (A193)

Rev. 7/25/97

Index No.	Part No.	Description	Q'ty Per Assembly
135	1400 0700	Transistor - DTD133HK	
136	1402 1144	Diode - 150MW 1SS319	
137	1402 1327	Diode - 2.0V	
138	1403 0404	LED - SEL2110R	
139	1407 1535	IC - TD62308AP	
140	1407 2187	TTLIC - SN74LS07NS	
141	1407 2219	IC - TD62003AP	
142	1407 4565	IC - TE6251	
143	1408 0595	IC - NJM2904M	
144	1408 1204	IC - TA8083P	
145	1408 1225	IC - STK672-040	
146	1600 1449	Resistor - 47 Ω 3W	
147	1601 7800	Resistor Array - 1K Ω \pm 5% 1/16W	
148	1601 7801	Resistor Array - 10K Ω \pm 5% 1/16W	
149	1605 0447	Capacitor - 10PF 50V	
150	1630 2221	Resistor - 220 Ω	
151	1630 3102	Resistor - 1K Ω 1/10W \pm 5%	
152	1630 3103	Resistor - 10K Ω 1/10W \pm 5%	
153	1630 3154	Resistor - 150K 0HM \pm 5% 1/10W	
154	1630 3220	Resistor - 22 Ω \pm 5% 1/10W	
155	1630 3243	Resistor - 24K Ω \pm 5% 1/10W	
156	1630 3332	Resistor - 3.3K Ω 1/10W \pm 5%	
157	1630 3391	Resistor - 390 Ω 1/10W \pm 5%	
158	1630 3472	Resistor - 4.7K Ω 1/10W \pm 5%	
159	1630 3820	Resistor - 82 Ω \pm 5% 1/10W	
160	1632 3900	Resistor - 390 Ω \pm 1% 1/10W	
161	1633 1001	Resistor - 1K Ω \pm 1% 1/10W	
162	1633 1002	Resistor - 10K Ω \pm 1% 1/10W	
163	1633 1201	Resistor - 1.2K Ω \pm 1% 1/10W	
164	1633 3301	Resistor - 3.3K Ω \pm 1% 1/10W	
165	1633 3901	Resistor - 3.9 Ω \pm 1% 1/10W	
166	1633 4700	Resistor - 470 Ω - \pm 1% - 1/10W	
167	1633 4701	Resistor - 4.7K Ω \pm 1% 1/10W	
168	1640 5101	Capacitor - 100 μ F \pm 20% 50V	

Index No.	Part No.	Description	Q'ty Per Assembly
169	1642 1101	Capacitor - 100 μ F \pm 20% 16V	
170	1642 1470	Capacitor - 47 μ F \pm 20% 16V	
171	1643 5100	Capacitor - 10 μ F \pm 20% 50V	
172	1660 3471	Capacitor - 470PF 50V	
173	1660 7103	Capacitor - 10000PF 50V	
174	1660 7104	Capacitor - 100000PF 50V	
175	A193 5863	IOB - Bracket	
176	0451 3006B	Tapping Screw - M3x6	
177	1105 0239	Spacer	
178			
179	1105 0409	Spacer	
180	A193 5820	Bracket - Harness Guide	
181			
182	A193 5826	Shield Plate	
183	A193 5864	IOB Support Bracket	
184	A193 5865	Stand - IOB	
185	A193 5871	Rear Cover Bracket - Right	
186	A193 5872	Rear Cover Bracket - Middle	
187	0451 3006B	Tapping Screw - M3x6	

26. Decal & Document (A193)

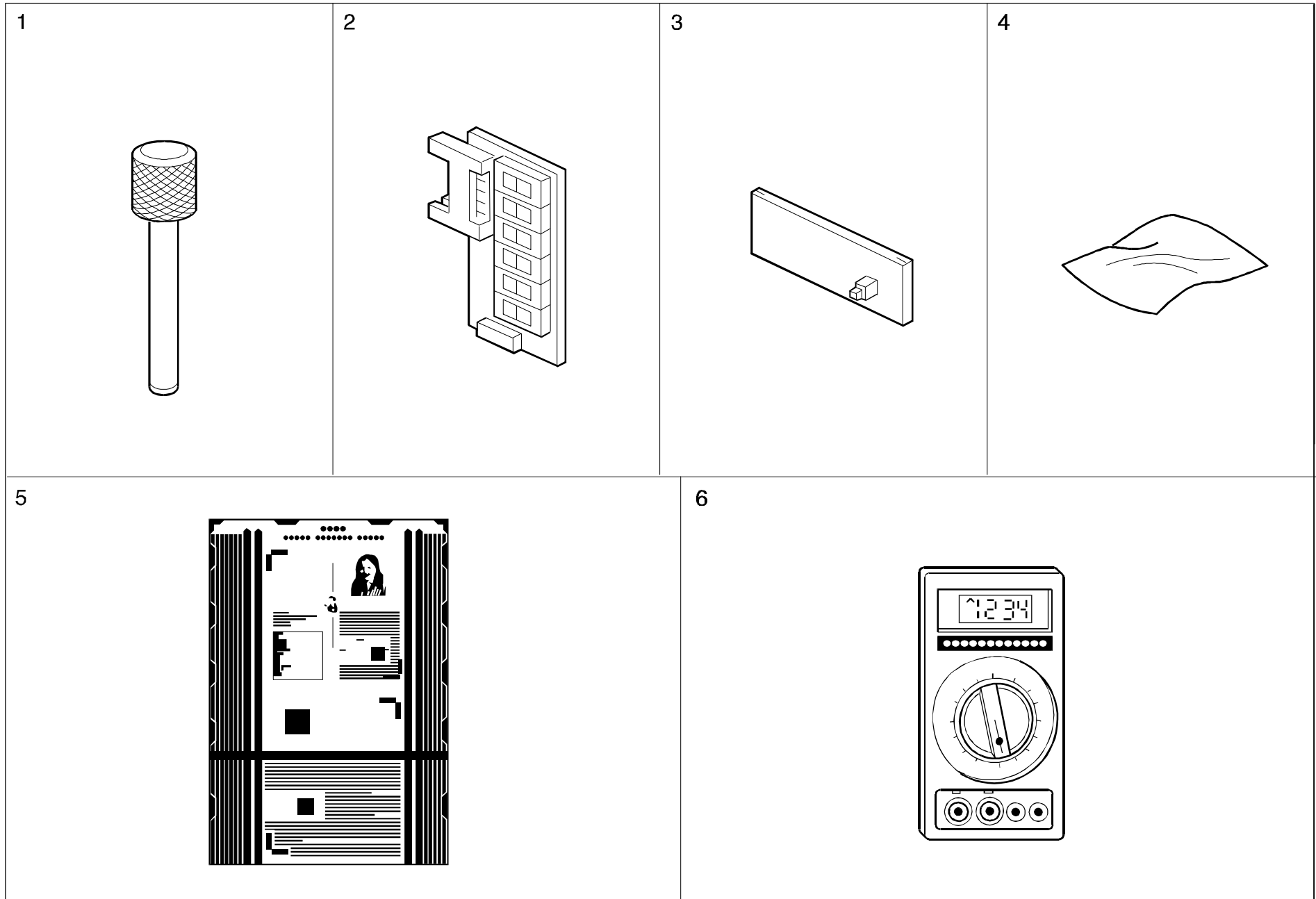


26. Decal & Document (A193)

Index No.	Part No.	Description	Q'ty Per Assembly
1	G020 2788	Decal - By-pass Table	1
2	G020 1919	Decal - Optics Fiber	1
3	G020 2668	Decal - Paper Set	1
4	G020 1917	Decal - LD	1
5	A193 1319	Operation Decal	1
6	A193 7361	Decal - Main Switch	1
7	G020 4128	Decal - High Temperature	1
8	A193 7363	Decal - AC Switch	1
9	A134 1380	Emblem (GES)	1
9	A133 7112	Emblem (SVN)	1
9	A134 1383	Emblem (RIC/LEN)	1

Index No.	Part No.	Description	Q'ty Per Assembly

27. Special Tools (A193)



27. Special Tools (A193)

Rev. 2/28/97

Index No.	Part No.	Description	Q'ty Per Assembly
1	A006 9104	Scanner Positioning Pin (4PCS/SET)	1
2	A193 9351	ROM Board 2	1
3	A193 9353	Flash ROM/SRAM Copy Tool 2	1
4	A153 9004	Wiping Cloth (for the Drum Charge RO)	1
5	5420 9516	Test Chart - OS-A3 (10 PCS/SET)	1
6	5420 9507	Digital Multimeter	1

Index No.	Part No.	Description	Q'ty Per Assembly

PARTS INDEX

PM Parts Index

Section Name	Part No.	Description in Service Manual	Description in Parts Catalog	Q'ty Per Assembly	Page and Index No
Paper Feed Section (G697)	AF03 1033	Paper Feed Roller	Paper Feed Roller	1	5- 24

Parts Index

Part No.	Description	Page and Index No.
A193 1068	Rear Fixed Plate	49- 21
A193 1070	Grip Plate	51- 1
A193 1072	Harness Clamp Bracket	45- 25
A193 1074	Relay Harness Cover	51- 19
A193 1075	Sheet - Fusing Rail	51- 20
A193 1077	Right Lower Stay - Scanner Unit	49- 25
A193 1079	Left Lower Stay - Scanner Unit	49- 14
A193 1083	Bracket - Sorter	49- 22
A193 1090	Bracket - PCU	19- 30
A193 1101	Rear Duct	47- 9
A193 1207	Lower Left Cover	9- 3
A193 1210	Lower Rear Cover	9- 6
A193 1246	Platen Cover Hinge Ass'y	11- 9
A193 1251	Scanner Left Cover	7- 3
A193 1256	Upper Rear Cover	7- 10
A193 1261	Scanner Right Cover	7- 11
A193 1266	Lower Cover - Operation Panel	7- 1
A193 1276	Middle Left Cover	9- 4
A193 1281	Rear Right Cover	9- 12
A193 1291	Lower Right Cover	9- 14
A193 1301	Front Cover	7- 18
A193 1316	Lower Exit Cover	9- 21
A193 1317	Platen Cover Bracket	11- 5
A193 1319	Operation Decal	7- 21
A193 1319	Operation Decal	63- 5
A193 1321	Left Exit Cover	49- 15
A193 1326	Rear Exit Cover	49- 20
A193 1331	Right Exit Cover	49- 26
A193 1336	Left Front Cover	7- 17
A193 1341	Right Front Cover	7- 16
A193 1345	Rivet - M20	9- 13
A193 1348	Cap - G4	9- 7
A193 1349	Cap - Sorter	9- 22
A193 1350	Cap - NCU	9- 8
A193 1352	Cap - CSS	9- 10

Part No.	Description	Page and Index No.
A193 1354	Cap - Memory	9- 9
A193 1356	Cap - IC Card	9- 2
A193 1358	Cap - RS232C	9- 1
A193 1361	Cap - Paper Tray Unit	9- 11
A193 1364	Stand Cover	47- 5
A193 1366	Fan Cover	9- 23
A193 1381	Platen Cover Actuator	11- 3
A193 1382	Window Cover	49- 24
A193 1386	Front Platen Cover	11- 4
A193 1391	Rear Platen Cover	11- 2
A193 1396	Original Holder	11- 1
A193 1451	Operation Panel Ass'y (LT)	7- 2
A193 1451	Operation Panel Ass'y (LT)	13- *
A193 1452	Operation Sub-unit (A4)	7- 2
A193 1452	Operation Panel Ass'y (A4)	13- *
A193 1453	Operation Sub-unit (SVN)	7- 2
A193 1455	Operation Panel Case (LT)	13- 1
A193 1456	Decal - Operation Panel (LT)	13- 4
A193 1457	Sheet - Operation Panel (LT)	13- 5
A193 1458	Key Top - Memory (LT)	13- 13
A193 1459	Operation Board (LT)	13- 20
A193 1460	LCD (LT)	13- 19
A193 1461	Key Top - 10 Key (LT)	13- 11
A193 1462	Operation Panel Board (A4)	13- 20
A193 1465	Operation Panel Case (A4)	13- 1
A193 1466	Decal - Operation Panel (A4)	13- 4
A193 1467	Sheet - Operation Panel (A4)	13- 5
A193 1468	Key Top - Memory (A4)	13- 13
A193 1469	LCD (A4)	13- 19
A193 1472	Lower Case - Operation Panel	13- 2
A193 1473	Upper Cover - Operation Panel	13- 18
A193 1474	Lower Cover - Operation Panel	7- 8
A193 1474	Lower Cover - Operation Panel	13- 3
A193 1477	Key Top - Start	13- 6
A193 1478	Key Top - Clear Mode	13- 7

Part No.	Description	Page and Index No.
A193 1479	Key Top - Interrupt	13- 8
A193 1480	Key Top - Program Mode	13- 9
A193 1481	Key Top - Clear	13- 10
A193 1482	Key Top - 10 Key (A4)	13- 11
A193 1483	Key Top - LCD	13- 12
A193 1483	Key Top - LCD	13- 21
A193 1485	Key Top - Initial	13- 14
A193 1486	Key Top - Behind	13- 15
A193 1487	Right Cover - Operation Panel	13- 16
A193 1488	Cover - Application	13- 17
A193 1501	Front Door (RIC)	7- 14
A193 1669	2nd/3rd Mirror	25- 3
A193 1673	Lens Holder Ass'y	23- 9
A193 1680	Left Original Scale	7- 4
A193 1682	Scanner Drive Pulley Ass'y	25- 17
A193 1689	Right Inner Cover - Scanner Unit	23- 8
A193 1690	Scanner Motor - DC 5.64W	25- 23
A193 1754	Bracket - Left Original Scale	23- 2
A193 1757	Rear Original Scale	7- 6
A193 1759	Stepped Screw	7- 12
A193 1760	1st Scanner Ass'y	25- 11
A193 1764	1st Mirror	25- 13
A193 1766	Wire Clamp	25- 7
A193 1767	1st Mirror Holder	25- 12
A193 1769	Wire Clamp	25- 10
A193 1770	2nd Scanner Ass'y	25- 2
A193 1776	Upper Harness Guide	25- 4
A193 1777	2nd/3rd Mirror Holder	25- 1
A193 1781	Lower Harness Guide	23- 4
A193 1783	Tension Spring	25- 21
A193 1784	Tension Spring	25- 19
A193 1786	Platen Cover Bracket	47- 2
A193 1790	Grounding Plate - Lens Block	23- 1
A193 1799	Harness Guide - Exposure Lamp	25- 9
A193 1819	Front Seal - Scanner Frame	23- 10

Part No.	Description	Page and Index No.
A193 1824	Left Inner Cover - Scanner Unit	23- 3
A193 1826	Lens Block Holder	23- 7
A193 1829	Ball Bearing - M8	25- 15
A193 1832	Front Scanner Pulley	25- 18
A193 1838	Scanner Drive Wire	25- 20
A193 1840	Timing Belt - L220 B8	25- 16
A193 1841	Pulley - Front Left	25- 5
A193 1845	Pulley - Rear Left	25- 14
A193 1849	Tension Bracket	25- 22
A193 1853	Laser Unit (115V)	27- 3
A193 1855	Laser Unit (230V)	27- 3
A193 1861	LD Unit Ass'y (115V)	27- 4
A193 1865	LD Unit Ass'y (230V)	27- 4
A193 2649	Paper Size Detector (LT)	17- 7
A193 2650	Paper Size Detector (A4)	17- 7
A193 3367	Cover Guide - Toner Bottle (A4)	19- 6
A193 3371	Cover Guide - Toner Bottle (OEM)	19- 6
A193 4017	Fusing Unit (115V)	33- *
A193 4027	Fusing Unit (230V)	33- *
A193 4183	Fusing Unit Harness (115V)	33- 28
A193 4184	Fusing Unit Harness (230V)	33- 28
A193 4187	Fusing Lamp - 120V 800W	33- 14
A193 4188	Header - 230V 700W	33- 14
A193 5061	DC Power Supply Board (230V)	45- 10
A193 5091	BICU Board (115V)	45- 3
A193 5091	BICU Board	57- *
A193 5092	BICU Board (230V)	45- 3
A193 5105	IOC Board	45- 6
A193 5105	IOC Board	61- *
A193 5120	BICU Board (115V)	57- *
A193 5122	MSU - 4MB	45- 4
A193 5128	Mother Board	45- 27
A193 5134	BICU Board (230V)	57- *
A193 5211	Harness - Fusing Unit (115V)	47- 11
A193 5214	Harness - Fusing Unit (230V)	47- 11

Part No.	Description	Page and Index No.
A193 5215	Circuit Breaker Harness (230V)	47- 23
A193 5220	LD Unit Harness (115V)	27- 1
A193 5410	Harness Safety Switch - 24V	49- 8
A193 5411	Harness Safety Switch - 5V	49- 7
A193 5414	Harness - Scanner Unit	23- 6
A193 5414	Harness - Scanner Unit	45- 13
A193 5419	Relay Harness - Scanner Unit	45- 14
A193 5438	Relay Harness - Polygon Mirror Motor	27- 5
A193 5451	DC Harness - Mother Board	45- 22
A193 5452	Harness - Power Supply Board	45- 19
A193 5456	Harness - Operation Switch	49- 13
A193 5457	Harness - Main Switch	47- 19
A193 5459	Harness - Fusing Lamp	45- 20
A193 5474	Harness - Key Counter	45- 18
A193 5490	Harness - Mother Board	45- 23
A193 5496	DF Relay Harness	47- 3
A193 5510	IC - BU6206KV	57- 1
A193 5520	IC - GAPD	57- 2
A193 5550	IC - ADIPU M66359FP	57- 3
A193 5702	Exposure Lamp	25- 6
A193 5703	Exposure Lamp Harness	25- 8
A193 5711	Power Supply Cord (115V)	47- 16
A193 5712	Power Supply Cord (230V)	47- 16
A193 5730	Atabilizer - Xenon Lamp	45- 11
A193 5730	Atabilizer - Xenon Lamp	47- 6
A193 5742	LD Unit Harness (230V)	27- 1
A193 5800	DC Power Supply Board (115V)	45- 10
A193 5803	Bracket - BICU Board	45- 2
A193 5806	Bracket - Mother Board	45- 26
A193 5808	ADF Connector - Bracket	47- 4
A193 5809	Bracket - Operation Switch	49- 12
A193 5813	Bracket - Total Counter	49- 28
A193 5817	Bracket - Circuit Breaker (230V)	47- 24
A193 5820	Bracket - Harness Guide	45- 9
A193 5820	Bracket - Harness Guide	61-180

Part No.	Description	Page and Index No.
A193 5823	Bracket - Finisher	61-181
A193 5826	Shield Plate	61-182
A193 5858	Bracket - Power Supply Cord	47- 17
A193 5861	Cover - Power Supply Cord	47- 18
A193 5862	Stand - Power Supply Cord	47- 20
A193 5863	IOB - Bracket	45- 7
A193 5863	IOB - Bracket	61-175
A193 5864	IOB Support Bracket	45- 8
A193 5864	IOB Support Bracket	61-183
A193 5865	Stand - IOB	41- 3
A193 5865	Stand - IOB	61-184
A193 5871	Rear Cover Bracket - Right	61-185
A193 5872	Rear Cover Bracket - Middle	61-186
A193 5906	Original Sensor	23- 5
A193 7214	Front Door (INF)	7- 14
A193 7224	Front Door (SVN)	7- 14
A193 7226	Front Door (GES/LAN)	7- 14
A193 7361	Decal - Main Switch	63- 6
A193 7363	Decal - AC Switch	63- 8
A193 9353	Flash ROM/SRAM Copy Tool 2	65- 3
A193 9800	Tray Heater - 115V	21- 27
A193 9801	Tray Heater - 230V	21- 27

Part No.	Description	Page and Index No.
AA06 0331	Release Spring	19- 14
AA08 2070	Bushing - 8x16x7	19- 11
AA08 2070	Bushing - 8x16x7	35- 22
AA08 2070	Bushing - 8x16x7	41- 7
AA08 2070	Bushing - 8x16x7	43- 1
AA14 3301	Stepped Screw - M3x4	47- 12
AA16 2067	Platen Cover Pad	11- 7
AB01 3868	Gear - 16Z	17- 13
AE04 2009	Cleaning Roller	33- 22
AF02 0283	Pressure Roller	21- 34
AF04 0031	Upper Exit Roller	37- 13
AF04 0031	Upper Exit Roller	39- 38
AG07 0004	Magnetic Catch	49- 10
AW02 0075	Photointerrupter	21- 20
AW02 0075	Photointerrupter	23- 11
AW02 0075	Photointerrupter	39- 29
AW02 0075	Photointerrupter	41- 23
AW02 0075	Photointerrupter	47- 1
AX31 0022	Total Counter	49- 1
AX40 0088	Anticondensation Heater - 115V	23- 12
AX40 0089	Anticondensation Heater - 230V	23- 12
AX64 0058	Fan Motor - DC 24V 4.32W	37- 7
AZ02 0010	Choke Coil - 10MH-2A	45- 24
G011 3305	Gear - 16T	15- 11
G012 1531	Magnet	37- 15
G012 1531	Magnet	39- 11
G012 4865	Exit Roller	39- 6
G018 5914	IC - FCI 1.6	57- 4
G020 1052	Stand	7- 7
G020 1053	Guard Bracket	51- 18
G020 1054	Positioning Plate	49- 19
G020 1070	Right Stay - Laser Unit	51- 13
G020 1071	Left Stay - Laser Unit	51- 12
G020 1072	Fusing Unit Guide	51- 14
G020 1073	Lower Left Plate	51- 7

Part No.	Description	Page and Index No.
G020 1074	Harness Stay	51- 6
G020 1084	Tension Spring	41- 22
G020 1085	Bracket - Grip Plate	51- 4
G020 1086	Spring - Tightener	43- 10
G020 1087	Right Relay Guide	51- 9
G020 1088	Front Guide - Fusing Unit	35- 27
G020 1090	Left Relay Guide	51- 8
G020 1096	Right Shielding Plate	21- 2
G020 1098	Stay - OPU	35- 3
G020 1100	Duct	37- 8
G020 1104	Fan Motor Holder	37- 6
G020 1105	Cushion - Fan Motor	37- 25
G020 1106	Right Duct	35- 2
G020 1107	Nut - M4	37- 24
G020 1111	Motor - DC 2.16W	19- 7
G020 1112	Paper Feed Clutch	43- 20
G020 1113	Relay Roller Clutch	21- 22
G020 1114	By-pass Feed Clutch	43- 5
G020 1115	Registration Clutch	43- 12
G020 1116	Development Clutch	43- 3
G020 1117	Charge Roller Contact Clutch	41- 6
G020 1119	Bushing - M8	43- 19
G020 1125	Main Motor Ass'y - DC 24W	41- 5
G020 1141	Bracket - Paper Feed Clutch	43- 21
G020 1144	Gear - 27Z	43- 17
G020 1145	Shaft - Paper Feed Roller	43- 18
G020 1146	Belt Tightener	43- 14
G020 1147	Pulley - 65Z/26T	43- 8
G020 1148	Pulley - 30T	43- 15
G020 1149	Timing Belt - S3M 588 mm	43- 9
G020 1150	Fusing Drive Bracket	41- 17
G020 1153	Gear - 40Z	41- 13
G020 1157	Gear - 28Z	41- 14
G020 1158	Support Bracket - Fusing Drive	41- 12
G020 1159	Release Wire - Fusing Drive	49- 5

Part No.	Description	Page and Index No.
G020 1161	Bracket - Toner Supply Motor	19- 8
G020 1162	Development Clutch Shaft	43- 2
G020 1163	Gear - 43Z	43- 4
G020 1164	Gear - 37Z	43- 33
G020 1165	Development Drive Bracket	43- 6
G020 1166	Stopper Bracket - Development Clutch	43- 7
G020 1167	Gear - 35Z	41- 15
G020 1168	Gear - 52Z/26T	43- 13
G020 1169	Gear - 40Z	43- 16
G020 1171	Bracket - PCU Driver	43- 23
G020 1177	Gear - 26Z	43- 32
G020 1180	PCU Drive Shaft	43- 26
G020 1183	Pressure Spring	43- 27
G020 1184	Bracket - Fly Wheel	43- 31
G020 1185	Development Drive Shaft	43- 25
G020 1186	Joint Bracket - Development Drive	43- 24
G020 1187	Timing Belt - S2M 158 mm	41- 2
G020 1187	Timing Belt - S2M 158 mm	43- 30
G020 1189	Fly Wheel	41- 1
G020 1190	Tightener Bracket Ass'y	43- 11
G020 1194	Bracket - Fusing Drive Gear	35- 24
G020 1196	Tighener - PCU Ass'y	41- 8
G020 1316	Inner Cover - Paper Feed Tray	9- 18
G020 1326	Cap - Inverter Unit	9- 20
G020 1327	Knob Screw - M3	9- 5
G020 1327	Knob Screw - M3	9- 25
G020 1330	Right Hinge Bracket - Front Door	51- 3
G020 1331	Left Hinge Bracket - Front Door	51- 5
G020 1332	Hinge Front Door	7- 13
G020 1351	Cap - Finisher	9- 24
G020 1900	Laser Unit Case	27- 25
G020 1902	Lower Cover - Laser Unit	27- 10
G020 1903	Right Holder - BTL Lens	27- 11
G020 1904	Left Holder - BTL Lens	27- 12
G020 1905	Cylindrical Lens Holder	27- 13

Part No.	Description	Page and Index No.
G020 1906	Left Holder - F Theta Mirror	27- 15
G020 1907	Right Holder - F Theta Mirror	27- 16
G020 1908	1st Mirror Holder	27- 17
G020 1909	2nd Mirror Holder	27- 20
G020 1910	Laser Unit Cover	27- 21
G020 1911	Sync Detector Mirror	27- 9
G020 1912	Sync Detector	27- 2
G020 1915	Sync Detector Mirror Holder	27- 8
G020 1917	Decal - LD	63- 4
G020 1919	Decal - Optics Fiber	63- 2
G020 1923	CS Ring - M2.4	27- 22
G020 1928	2nd Mirror - Laser Unit	27- 23
G020 1961	Polygon Mirror Motor	27- 6
G020 1962	Shield Glass	27- 24
G020 1964	1st Mirror - Laser Unit	27- 18
G020 1966	Cylindrical Lens	27- 14
G020 1969	BTL Lens	27- 19
G020 2020	Charge Roller Ass'y	31- 1
G020 2103	Tension Spring	35- 6
G020 2104	Quenching Lamp	35- 5
G020 2105	Bracket - Quenching Lamp	35- 4
G020 2106	Bushing - Pressure Lever	35- 23
G020 2107	Pressure Lever - Charge Roller	35- 7
G020 2110	Terminal - Charge Roller	43- 28
G020 2121	CAM - Charge Roller	35- 9
G020 2135	Bracket - Humidity Sensor	49- 18
G020 2141	Bracket - Charge Roller Contact SN	41- 25
G020 2143	Actuator - Charge Roller Clutch	41- 24
G020 2148	Grounding Plate - Quenching Lamp	35- 8
G020 2554	Paper Feed Roller Ass'y	21- 7
G020 2555	Paper Feed Roller	21- 26
G020 2560	Front Side Fence	17- 5
G020 2561	Front Paper Separator	17- 14
G020 2564	Relay Roller	21- 8
G020 2565	Paper Guide	21- 28

Part No.	Description	Page and Index No.
G020 2567	Rear Side Fence	17- 6
G020 2568	Rear Paper Separator	17- 15
G020 2570	Shaft - Paper Feed Roller	21- 31
G020 2575	Guide Plate - Vertical Transport	21- 16
G020 2577	Spring Plate - Driven Roller	21- 35
G020 2580	Paper End Sensor Bracket	21- 23
G020 2581	Paper End Feeler	21- 6
G020 2584	Photointerruptor	21- 10
G020 2585	Front Shaft - Paper Feed Roller	21- 30
G020 2586	Rear Shaft - Paper Feed Roller	21- 29
G020 2587	Bushing - Paper Feed	21- 1
G020 2589	Bracket - Vertical Transport Sensor	21- 9
G020 2592	Release Lever - Bottom Plate	17- 9
G020 2599	Spring - Release Lever	17- 8
G020 2610	Left Vertical Transport Guide	21- 11
G020 2613	Vertical Relay Guide	21- 12
G020 2615	Microswitch	21- 25
G020 2616	Bracket - Microswitch	21- 13
G020 2618	Stay - Paper End Sensor	21- 15
G020 2620	Paper Size Detector	9- 16
G020 2622	Release Arm - Paper End Feeler	21- 24
G020 2625	Holder - Vertical Transport Guide	21- 32
G020 2626	Release Spring - Paper End Feeler	21- 19
G020 2630	Magnetic Catch	21- 33
G020 2631	Stay - Vertical Transport	51- 17
G020 2643	Front Grounding Plate - Paper Tray	21- 18
G020 2644	End Fence	17- 10
G020 2645	Friction Pad	17- 12
G020 2647	Paper Tray Cover	17- 1
G020 2648	Holder - Paper Size Detector	17- 4
G020 2650	Right Guide - Paper Tray	51- 16
G020 2651	Left Guide - Paper Tray	51- 10
G020 2652	Stay - Paper Tray	51- 15
G020 2654	Upper Rear Guide - Paper Tray	21- 4
G020 2655	Upper Front Guide - Paper Tray	21- 3

Part No.	Description	Page and Index No.
G020 2656	Pressure Spring - Bottom Plate	17- 3
G020 2658	Grounding Plate - Bottom Plate	17- 2
G020 2661	Bottom Plate Ass'y	17- 11
G020 2664	Front Stopper Lever	17- 16
G020 2668	Decal - Paper Set	63- 3
G020 2676	Support - Paper Tray - Right	9- 15
G020 2677	Support - Paper Tray - Left	9- 19
G020 2678	Guide Plate - Paper Tray	51- 11
G020 2682	Spring - 2.4N	43- 34
G020 2701	Cover - By-pass Table	15- 2
G020 2702	Pressure Spring - By-pass Feed Table	15- 13
G020 2705	Right Side Fence - By-pass Feed	15- 5
G020 2706	Left Side Fence - By-pass Feed	15- 3
G020 2707	Sensor Conductor - By-pass Feed	15- 6
G020 2708	Spring Plate - By-pass Feed	15- 10
G020 2709	Bottom Plate - By-pass Table	15- 7
G020 2713	Pressure Spring	19- 18
G020 2714	Friction Pad - By-pass Feed	19- 17
G020 2719	Stay - By-pass Feed	19- 19
G020 2721	By-pass Feed Roller	19- 22
G020 2723	By-pass Feed Shaft	19- 29
G020 2735	Guide - By-pass Feed Table	15- 1
G020 2740	Lower Registration Roller	19- 10
G020 2742	Upper Registration Roller	19- 9
G020 2743	Tension Spring	19- 3
G020 2744	Gear - 16Z	19- 20
G020 2745	Lower Guide Plate - Regist	19- 12
G020 2753	Bracket - Registration Sensor	19- 23
G020 2754	Upper Paper Guide	19- 16
G020 2761	Lower Transport Guide	19- 15
G020 2765	Knob - Lower Transport Guide	19- 13
G020 2771	Registration Sensor	19- 24
G020 2772	By-pass Paper End Sensor	19- 25
G020 2780	Front Bushing - Registration	19- 4
G020 2781	Rear Bushing - Registration Roller	19- 31

Part No.	Description	Page and Index No.
G020 2782	Stay - By-pass Table	15- 12
G020 2783	Registration Roller Knob	7- 19
G020 2783	Registration Roller Knob	19- 2
G020 2784	Lever - By-pass Feed Table	15- 15
G020 2785	Cover - Feed Roller Shaft	19- 27
G020 2786	Shaft - By-pass Release Lever	15- 16
G020 2787	Cover - By-pass Paper End Sensor	19- 26
G020 2788	Decal - By-pass Table	63- 1
G020 3311	Cover - Toner Supply	29- 1
G020 3312	Gate - Toner Supply	29- 6
G020 3313	Spring - Toner Supply Cover	29- 4
G020 3314	Toner Supply Unit	29- 9
G020 3317	Shutter - Toner Supply	29- 5
G020 3320	Hook - Toner Supply Unit	29- 10
G020 3322	Cover - Toner Supply Unit	29- 14
G020 3325	Sheet - Agitator	29- 15
G020 3334	Slider - Toner Supply	29- 12
G020 3339	Handle - Toner Supply	29- 8
G020 3340	Lower Seal - Toner Supply	29- 2
G020 3345	Right Seal - Toner Supply	29- 3
G020 3361	Guide Plate - Toner Supply	19- 21
G020 3365	Cover Guide - Toner Bottle (LT)	19- 6
G020 3550	Cleaning Blade	31- 2
G020 3852	Transfer Roller	35- 25
G020 3880	Transport Guide Plate	35- 13
G020 3882	Grounding Plate - Transfer Guide	35- 14
G020 3887	Fan Motor - DC 3.12W	35- 15
G020 3888	Pin - Transfer Guide	19- 1
G020 3888	Pin - Transfer Guide	35- 1
G020 3890	T/S Corona Receptacle	43- 29
G020 3896	Grounding Plate - Discharge Brush	35- 21
G020 3897	Discharge Brush - Transport	35- 18
G020 3910	Stay - Transfer Unit	35- 10
G020 3914	Bushing - Front Transfer Unit	35- 11
G020 3915	Bushing - Rear Transfer Unit	35- 12

Part No.	Description	Page and Index No.
G020 3940	Guide - Transfer Roller Unit	35- 26
G020 4112	Bracket - Cleaning Roller	33- 21
G020 4128	Decal - High Temperature	35- 17
G020 4128	Decal - High Temperature	63- 7
G020 4129	Upper Fusing Cover	33- 5
G020 4130	Star - Fusing Unit	33- 8
G020 4133	Thermofuse - 169°C	33- 6
G020 4141	Fusing Unit Frame	33- 24
G020 4145	Pressure Lever - Fusing Unit	33- 13
G020 4146	Lower Entrance Guide	33- 26
G020 4147	Lower Exit Guide - Fusing Unit	33- 10
G020 4149	Upper Exit Guide - Fusing Unit	33- 1
G020 4151	Bracket - Fusing Connector	33- 29
G020 4152	Connector Bracket - Fusing Unit	33- 11
G020 4159	Rear Holder - Fusing Lamp	33- 25
G020 4161	Front Holder Fusing Lamp	33- 27
G020 4163	Heater Socket	33- 30
G020 4166	Front Fusing Cover	33- 9
G020 4170	Hot Roller	33- 17
G020 4173	Bushing - 36 mm	33- 16
G020 4174	C-ring - Hot Roller	33- 15
G020 4175	Bushing - Pressure Roller	33- 20
G020 4176	Bushing - Cleaning Roller	33- 23
G020 4177	Gear - 40Z	33- 18
G020 4178	Hot Roller Stripper	33- 2
G020 4179	Bracket - Hot Roller Stripper	33- 4
G020 4180	Pressure Roller	33- 19
G020 4185	Fusing Thermistor	33- 7
G020 4191	Pressure Spring	33- 12
G020 4193	Spring - Hot Roller Stripper	33- 3
G020 4330	Tightener Bracket	41- 20
G020 4331	Front Stud - 1 Bin Sorter	37- 5
G020 4332	Rear Stud - 1 Bin Sorter	39- 25
G020 4333	Tightener - 1 Bin Sorter	39- 22
G020 4390	Exit Roller	39- 33

Part No.	Description	Page and Index No.
G020 4409	Guide Plate - Feed Down	39- 26
G020 4411	Paper Exit Pawl	39- 12
G020 4412	Lower Transport Plate Ass'y	37- 17
G020 4413	Shaft - Transport Roller	37- 20
G020 4414	Transport Roller Ass'y	37- 10
G020 4419	Left Cover Tray	39- 2
G020 4423	Sub Copy Tray - FU	39- 1
G020 4424	Junction Gate - FU	39- 16
G020 4426	Exit Relay Roller	39- 8
G020 4427	Exit Roller - FD	39- 10
G020 4429	Exit Sensor	39- 28
G020 4431	Pressure Spring	39- 37
G020 4435	Pulley - 32Z	39- 20
G020 4436	Pulley - 28Z	39- 18
G020 4437	Timing Belt - B60S2M-386	39- 19
G020 4438	Timing Belt - B60S2M-292	41- 10
G020 4439	Junction Gate Solenoide - FD	39- 15
G020 4440	Tension Spring	39- 23
G020 4441	Idle Gear - 27Z	41- 16
G020 4442	Idle Gear - 27Z	41- 18
G020 4444	Tightener	39- 21
G020 4446	Spring Plate - Roller	39- 5
G020 4447	Pulley - 44Z	39- 24
G020 4449	Spring - Tighlener	41- 21
G020 4452	Right Vertical Guide	39- 4
G020 4453	Grounding Plate	39- 13
G020 4456	Pulley - 33Z	37- 23
G020 4457	Transport Roller - 1	37- 18
G020 4458	Transport Roller - 2	37- 19
G020 4459	Relay Guide - Transport Roller	37- 9
G020 4463	Roller Holder	39- 3
G020 4465	Harness Cover	39- 9
G020 4466	Bushing - M6	39- 7
G020 4467	Tension Spring	39- 36
G020 4468	Stay - FD	39- 14

Part No.	Description	Page and Index No.
G020 4470	Front Spring Plate - Driven Roller	39- 35
G020 4471	Rear Spring Plate - Driven Roller	39- 34
G020 4473	Upper Transport Guide	37- 14
G020 4475	Guide Plate - Transport	37- 22
G020 4476	Guide Plate Holder	37- 4
G020 4477	Support Bracket - Transport Plate	37- 3
G020 4479	Bushing - 6 mm	37- 2
G020 4480	Fusing Knob	7- 20
G020 4480	Fusing Knob	37- 1
G020 4481	Grounding Plate - Exit Roller	39- 30
G020 4482	Middle Antistatic Brush - FD	39- 32
G020 4483	Antistatic Brush - FD	39- 31
G020 4484	Tightener	41- 19
G020 4487	Gear - 26Z	37- 11
G020 4488	Pulley/Gear - 45Z/20Z	41- 11
G020 4489	Gear - 24Z	37- 21
G020 4490	Paper Exit Sensor	37- 16
G020 4491	Roller Holder	37- 12
G020 4492	Knob - Guide Plate	37- 26
G020 4493	Magnet	37- 27
G020 5115	PCU Relay Board	47- 7
G020 5116	Inverter Unit Connector	47- 13
G020 5280	By-pass Feed Sensor	15- 9
G020 5402	Harness - Paper Exit	39- 17
G020 5403	Harness - Paper Size Detector	9- 17
G020 5404	Harness - PCU Detector	45- 16
G020 5408	Harness - Transport Sensor	21- 14
G020 5409	Harness - Paper End Sensor	21- 21
G020 5412	Harness - Fan Motor	45- 17
G020 5415	Harness - Humidity Sensor	49- 16
G020 5417	Harness - Registration Sensor	19- 28
G020 5434	Harness - Main Motor	41- 4
G020 5439	Harness - Polygon Mirror Motor	27- 7
G020 5477	Relay Harness - Total Counter	49- 2
G020 5486	Harness - Front Door SW	49- 6

Part No.	Description	Page and Index No.
G020 5486	Harness - Front Door SW	49- 31
G020 5494	Invertor Relay Harness	45- 21
G020 5497	Harness - Duplex Unit	47- 15
G020 5616	Main Switch	47- 21
G020 5625	Humidity Sensor	49- 17
G020 5626	Push Switch	35- 19
G020 5739	Power Pack - BCTD	45- 1
G020 5810	Bracket - Door Switch	49- 3
G020 5811	Safety Switch Actuator	49- 9
G020 5812	Microswitch	49- 23
G020 5813	Bracket - Magnet	49- 29
G020 5815	Actuator - Release Gear	49- 27
G020 5816	Bracket - Duplex Harness	47- 14
G020 5817	Bracket - OPU Switch	35- 20
G020 5818	Bracket - Drawer Connector	47- 10
G020 5829	Shoulder Screw - M3	47- 8
G020 5829	Shoulder Screw - M3	49- 30
G020 5835	Tension Spring	49- 4
G020 5839	Release Wire - Fusing Drive	41- 9
G020 5862	Support Bracket - Base	47- 22
G020 5870	Bracket - Power Pack	45- 5
G020 5871	Spacer - KGLS-12RF	45- 12
H521 3355	C Ring - Paper Feed Roller	43- 22

Part No.	Description	Page and Index No.
A006 9104	Scanner Positioning Pin (4PCS/SET)	65- 1
A048 2838	Nylon Rivet	21- 17
A049 3371	Magnet	39- 27
A053 1957	Flex Hinge - Platen Cover	11- 6
A133 7112	Emblem (SVN)	7- 15
A133 7112	Emblem (SVN)	63- 9
A134 1072	Right Bracket - Grip Plate	51- 2
A134 1380	Emblem (GES)	63- 9
A134 1383	Emblem (RIC)	7- 15
A134 1383	Emblem (RIC/LEN)	63- 9
A139 9351	ROM Board 2	65- 2
A153 6423	Support Cover (INF)	7- 15
A153 9004	Wiping Cloth (for the Drum Charge RO)	65- 4
A157 2769	Rear Stopper Spring	17- 17
A184 3411	Chuck Spring	29- 11
A184 3420	Bottle Chuch	29- 17
A184 3421	Chuck Shaft	29- 16
A184 3422	Toner Slider	29- 7
A190 2702	Paper Guide	15- 8
A673 3881	Transfer And Separation Unit	35- 16
5215 1667	Platen Cover Stud	7- 9
5215 1980	Exposure Glass - A3T-3.2	7- 5
5215 2713	Bottom Plate Pad	15- 4
5353 1803	Wabe Washer	43- 35
5420 9507	Digital Multimeter	65- 6
5420 9516	Test Chart - OS-A3 (10 PCS/SET)	65- 5
5442 1924	Exposure Glass Cushion	23- 13
5447 2681	Snap Ring	15- 14
5447 2681	Snap Ring	19- 5
5447 2681	Snap Ring	21- 5
5448 2804	Platen Cover Sheet	11- 8

Part No.	Description	Page and Index No.
0242 0080B	Philips Pan Head Screw - M2X8	21-105
0313 0400B	Tapping Screw - M3x40	49-103
0353 0050F	Tapping Screw - M3x5	7-102
0353 0050F	Tapping Screw - M3x5	13-101
0353 0050F	Tapping Screw - M3x5	23-102
0434 0060B	Philips Tapping Screw - M4x6	51-103
0450 3008B	Tapping Screw - M3x8	37-104
0450 3008B	Tapping Screw - M3x8	39-101
0450 3010B	Tapping Screw - M3x10	23-103
0450 4012D	Tapping Screw - M4x12	11-101
0451 3006B	Tapping Screw - M3x6	15-101
0451 3006B	Tapping Screw - M3x6	19-101
0451 3006B	Tapping Screw - M3x6	21-101
0451 3006B	Tapping Screw - M3x6	23-101
0451 3006B	Tapping Screw - M3x6	25-101
0451 3006B	Tapping Screw - M3x6	33-101
0451 3006B	Tapping Screw - M3x6	35-101
0451 3006B	Tapping Screw - M3x6	37-102
0451 3006B	Tapping Screw - M3x6	39-104
0451 3006B	Tapping Screw - M3x6	41-101
0451 3006B	Tapping Screw - M3x6	43-101
0451 3006B	Tapping Screw - M3x6	45-101
0451 3006B	Tapping Screw - M3x6	47-101
0451 3006B	Tapping Screw - M3x6	49-101
0451 3006B	Tapping Screw - M3x6	51-101
0451 3006B	Tapping Screw - M3x6	61-176
0451 3006B	Tapping Screw - M3x6	61-187
0451 3008B	Tapping Screw - M3x8	21-104
0451 3008B	Tapping Screw - M3x8	25-104
0451 3008B	Tapping Screw - M3x8	47-108
0451 3010B	Tapping Screw - M3x10	33-103
0451 3014B	Tapping Screw - M3x14	9-103
0451 3014B	Tapping Screw - M3x14	41-103
0451 3014B	Tapping Screw - M3X14	43-103
0452 3008B	Tapping Screw - M3x8	27-101

Part No.	Description	Page and Index No.
0452 3008B	Tapping Screw - M3x8	31-101
0452 3008B	Tapping Screw - M3x8	35-102
0452 3010B	Tapping Bind Screw - M3x10	27-102
0453 3014B	Tapping Screw - M3x14	25-103
0574 0050E	Hexagon Headless Set Screw - M4x5	43-106
0575 0050E	Hexagon Headless Set Screw - M5x5	25-102
0633 0120E	Spring Pin - M3x12	43-107
0720 0040E	Retaining Ring - M4	19-103
0720 0040E	Retaining Ring - M4	21-103
0720 0040E	Retaining Ring - M4	37-101
0720 0040E	Retaining Ring - M4	39-103
0720 0040E	Retaining Ring - M4	41-102
0720 0040E	Retaining Ring - M4	43-108
0720 0060E	Retaining Ring - M6	43-104
0802 5255	Tapping Screw - M3x8	7-101
0802 5255	Tapping Screw - M3x8	9-101
0802 5255	Tapping Screw - M3x8	49-102
0802 5256	Tapping Screw - M3x8	9-102
0805 0088	Retaining Ring - M6	35-103
0805 0088	Retaining Ring - M6	41-105
0805 3385	Bushing - 6 mm	19-102
0805 3385	Bushing - 6 mm	43-105
0805 3480	Bushing - 6 mm	21-102
0950 4006M	Philips Screw With Flat Washer - M4x6	33-102
0957 3008B	Philips Screw	39-102
1002 0307	Jumper Wire	61-100
1100 1474	Test Pin - Red	61-101
1102 3822	Connector - HIF3FC-20PA-2.54DSA	61-102
1102 4201	Connector - 2P	61-103
1102 4202	Connector - 3P	61-104
1102 4203	CT Header - 4P	61-105
1102 4204	CT Header - 5P	61-106
1102 4205	CT Header - 6P	61-107
1102 4207	Connector - 8P	61-108
1102 4209	CT Header - 10P	61-109

Part No.	Description	Page and Index No.
1102 4211	CT Header - 12P	61-110
1102 4619	Connector - 2P	61-111
1102 4620	CT Header - 3P	61-112
1102 4621	CT Header - 4P	61-113
1102 4623	CT Connector - 6P	61-114
1102 4631	CT Connector - 2P	61-115
1102 4634	CT Connector - 5P	61-116
1102 4643	CT Connector - 2P	61-117
1102 4648	CT Connector - 7P	61-118
1102 4818	Connector - 20P	61-119
1102 5007	CT Header - 14P	61-120
1102 5301	Connector - 2P	61-121
1102 5844	Connector - 5566-02A	61-122
1102 6245	Connector - 2P	35-104
1102 6295	Connector - 2P	61-123
1102 6300	Connector - 7P	61-124
1102 6303	Connector - 10P	61-125
1102 6304	Connector - 11P	61-126
1102 6515	Connector - 34P	61-127
1102 6662	Connector - 4P	61-128
1102 6895	Connector - 40P	61-129
1102 6957	Connector - 14P	61-130
1102 6958	Connector - 14P	61-131
1102 7324	Connector Header - 16P	57-101
1102 7383	Connector FC-102H	57-102
1102 7445	Connector - 46P	47-107
1102 7452	Connector DF11-22DP - 2V	57-103
1102 7453	Connector FX2-80S-1.27SVL	57-104
1102 7454	Connector FX6-60P-0.8SV2	57-105
1102 7455	Connector FX6-60S-0.8SV2	57-106
1102 7456	Connector 176125-5	57-107
1102 7463	Connector KX14-70K8D1	57-108
1102 7465	Connector IL-FHR-20S-HF	57-109
1102 7466	Connector IL-FHR-50S-HF	57-110
1102 7513	Header - 80P	61-132

Part No.	Description	Page and Index No.
1102 7583	Connector - 5566-06A - RE	61-133
1104 0759	IC Socket 28P 2-382409-3	57-111
1105 0195	PCB Stud	47-102
1105 0239	Spacer	61-177
1105 0291	Wire Saddle	47-103
1105 0291	Wire Saddle	51-102
1105 0310	Wire Clamp	37-103
1105 0310	Wire Clamp	47-105
1105 0334	Edge - 17	47-104
1105 0344	Clamp	61-178
1105 0409	Spacer	61-179
1105 0415	Spacer - 12.7 mm	47-106
1105 0458	Clamp - LHL-18	43-102
1105 0460	Clamp	23-104
1105 0460	Clamp	41-104
1107 0472	Circuit Breaker - 250V/8A	47-109
1107 0898	Fuse 3216CP - 3A	61-134
1204 2373	Key Board Switch - SKQDPA	57-112
1204 2446	Main Switch	49- 11
1400 0390	TR 2SA1122D	57-113
1400 0392	Transistor - DTC114EK	57-114
1400 0398	Transistor - 2SC2412K	57-115
1400 0700	Transistor - DTD133HK	61-135
1400 0702	Transistor - DTD143EK	57-116
1400 0703	Transistor - 2SA1313	57-117
1402 0477	Silicon Diode - 1SS187	57-118
1402 0478	Diode - 1SS226TE85L	57-119
1402 0804	Silicon Diode - 45V - 0.3A	57-120
1402 1111	Diode - HZM5.1NB2	57-121
1402 1144	Diode - 150MW 1SS319	61-136
1402 1327	Diode - 2.0V	61-137
1403 0404	LED - SEL2110R	61-138
1403 0828	Diode - SEC1901C	57-122
1403 0829	Diode - SEC1201C	57-123
1407 1535	IC - TD62308AP	61-139

Part No.	Description	Page and Index No.
1407 1600	TTLIC - SN74LS244NS	57-124
1407 2143	TTLIC - 74F244SJ	57-125
1407 2187	TTLIC - SN74LS07NS	57-126
1407 2187	TTLIC - SN74LS07NS	61-140
1407 2219	IC - TD62003AP	61-141
1407 2561	TTLIC 74F157ASJ	57-127
1407 2948	IC - TC7S04F	57-128
1407 3263	IC - TC7S08F	57-129
1407 4179	CMOSIC TC7W04FU	57-130
1407 4322	IC - TD74ABT374F	57-131
1407 4323	TTL TD74ABT244A	57-196
1407 4336	PSRAM	57-132
1407 4536	IC - ICS1574	57-133
1407 4565	IC - TE6251	61-142
1407 4657	IC - RS5 μ F1050	57-134
1407 4671	FIFO M66256FP	57-135
1407 4683	MPU HD6413003TF-10	57-136
1407 4685	EEPROM LH28F800SUT-70	57-137
1407 4730	SRAM STK12C68-W45	57-138
1407 4734	IC - M66257FP	57-139
1408 0575	IC - M51957BFP	57-140
1408 0595	IC - NJM2904M	61-143
1408 0797	CMOSIC TC74HC03AF	57-141
1408 1065	Comparator BA10339F	57-142
1408 1204	IC - TA8083P	61-144
1408 1225	IC - STK672-040	61-145
1408 1226	Regurator 3.3V PQ3TZ53	57-143
1503 0587	Oscillator CX-5F 19.6608MHZ	57-144
1503 0704	Oscillator CSTCS16.00MX040	57-145
1600 1449	Resistor - 47 Ω 3W	61-146
1601 1413	Resistor - RCB8C330J	57-146
1601 1930	Resistor - 100 Ω \pm 5% 1/10W	57-197
1601 7751	Resistor - 4.7K Ω \pm 5%	57-147
1601 7752	Resistor - 10K Ω \pm 5%	57-148
1601 7792	Resistor - 1k Ω	57-198

Part No.	Description	Page and Index No.
1601 7793	Resistor - 10k Ω	57-199
1601 7796	Resistor Array - 2.2k Ω \pm 5%	57-200
1601 7797	Resistor Array - 100 Ω \pm 5%	57-149
1601 7800	Resistor Array - 1K Ω \pm 5% 1/16W	61-147
1601 7801	Resistor Array - 10K Ω \pm 5% 1/16W	61-148
1601 7814	Resistor - 3.3k Ω \pm 5%	57-201
1604 4333	Capacitor - 100 μ F \pm 20% 10V	57-150
1605 0447	Capacitor - 10PF 50V	61-149
1605 0577	Capacitor - 0.33 μ F +80-20%	57-151
1607 0638	Ferrite Core - TFC25-15-12	47-110
1607 0705	Noize Filter - ACF51832-470	57-152
1607 0706	Noize Filter - ACF51832-220	57-153
1607 0723	Noize Filter - N2012Z121	57-154
1607 0732	Noize Filter - AEF321825-470	57-202
1607 0803	Filter - ACF451832-680	57-155
1607 0847	Data Line Filter - ACB1608H-300	57-156
1607 0907	EMI Filter - ACB2012H-300	57-157
1607 0926	Frilter - ACF321825-680	57-203
1607 0927	Frilter - ACF321825-220	57-204
1630 2221	Resistor - 220 Ω	61-150
1630 3102	Resistor - 1K Ω 1/10W \pm 5%	57-158
1630 3102	Resistor - 1K Ω 1/10W \pm 5%	61-151
1630 3103	Resistor - 10K Ω 1/10W \pm 5%	57-159
1630 3103	Resistor - 10K Ω 1/10W \pm 5%	61-152
1630 3150	Resistor - 15 Ω \pm 5% 1/10W	57-160
1630 3154	Resistor - 150K 0HM \pm 5% 1/10W	61-153
1630 3220	Resistor - 22 Ω \pm 5% 1/10W	61-154
1630 3222	Resistor - 2.2K Ω 1/10W \pm 5%	57-161
1630 3243	Resistor - 24K Ω \pm 5% 1/10W	61-155
1630 3330	Resistor - 33 Ω \pm 5% 1/10W	57-162
1630 3332	Resistor - 3.3K Ω 1/10W \pm 5%	61-156
1630 3391	Resistor - 390 Ω 1/10W \pm 5%	61-157
1630 3471	Resistor - 470 Ω - 1/10W	57-163
1630 3472	Resistor - 4.7K Ω 1/10W \pm 5%	61-158

Part No.	Description	Page and Index No.
1630 3820	Resistor - 82 Ω \pm 5% 1/10W	61-159
1630 4100	Resistor - 10 Ω \pm 5% 1/16W	57-164
1630 4101	Resistor - 100 Ω \pm 5% 1/16W	57-165
1630 4102	Resistor - 100 Ω \pm 5% 1/16W	57-166
1630 4103	Resistor - 10K Ω \pm 5% 1/16W	57-167
1630 4104	Resistor - 100 Ω \pm 5% 1/16W	57-168
1630 4105	Resistor - 1.0M Ω \pm 5% 1/16W	57-169
1630 4150	Resistor - 15 Ω \pm 5% 1/16W	57-205
1630 4222	Resistor - 2.2K Ω \pm 5%	57-170
1630 4223	Resistor - 22K Ω \pm 5% - 1/16W	57-171
1630 4273	Resistor - 27K Ω \pm 5% - 1/16W	57-172
1630 4301	Resistor - 300 Ω \pm 5% 1/10W	57-206
1630 4330	Resistor - 33 Ω \pm 5% 1/8W	57-173
1630 4332	Resistor - 33K Ω \pm 5% 1/16W	57-174
1630 4333	Resistor - 33K Ω : \pm 5% 1/16W	57-175
1630 4471	Resistor - 470 Ω \pm 5% 1/16W	57-176
1630 4472	Resistor - 4.7K Ω \pm 5% 1/16W	57-177
1630 4510	Resistor - 51 Ω \pm 5% 1/16W	57-178
1630 4680	Resistor - 68 Ω \pm 5% 1/16W	57-179
1632 3900	Resistor - 390 Ω \pm 1% 1/10W	61-160
1633 0000	Resistor - 0 Ω 1/10W - Jamper Chip	57-180
1633 1001	Resistor - 1K Ω \pm 1% 1/10W	61-161
1633 1002	Resistor - 10K Ω \pm 1% 1/10W	57-181
1633 1002	Resistor - 10K Ω \pm 1% 1/10W	61-162
1633 1201	Resistor - 1.2K Ω \pm 1% 1//10W	61-163
1633 3301	Resistor - 3.3K Ω \pm 1% 1/10W	61-164
1633 3901	Resistor - 3.9 Ω \pm 1% 1/10W	61-165
1633 3921	Resistor - 3.92K Ω \pm 1% 1/10W	57-182
1633 4700	Resistor - 470 Ω - \pm 1% - 1/10W	61-166
1633 4701	Resistor - 4.7K Ω \pm 1% 1/10W	61-167
1634 0000	Resistor - 0 Ω - 1/16W	57-183
1640 5101	Capacitor - 100 μ F \pm 20% 50V	61-168
1642 1101	Capacitor - 100 μ F \pm 20% 16V	61-169

Part No.	Description	Page and Index No.
1642 1470	Capacitor - 47 μ F \pm 20% 16V	61-170
1643 5100	Capacitor - 10 μ F \pm 20% 50V	61-171
1644 0220	Capacitor - 22 μ F \pm 20% 10V	57-184
1644 0470	Capacitor - 47 μ F \pm 20% 10V	57-185
1644 2100	Capacitor - 10 μ F \pm 20% 25V	57-186
1644 5100	Capacitor - 10 μ F \pm 20% 50V	57-187
1644 6220	Capacitor - 22 μ F \pm 20% 6.3V	57-188
1660 1100	Capacitor - 10PF 50V	57-189
1660 3101	Capacitor - 100PF 50V	57-190
1660 3150	Capacitor - 15PF 50V	57-191
1660 3471	Capacitor - 470PF 50V	57-192
1660 3471	Capacitor - 470PF 50V	61-172
1660 7103	Capacitor - 10000PF 50V	57-193
1660 7103	Capacitor - 10000PF 50V	61-173
1660 7104	Capacitor - 100000PF 50V	57-194
1660 7104	Capacitor - 100000PF 50V	61-174
1660 9104	Capacitor - 0.1 μ F 25V	57-195

**A224 (AFICIO 250)
PARTS LOCATION AND LIST**

LEGEND

PRODUCT CODE	COMPANY				
	RICOH	SAVIN	GESTETNER	LANIER	NASHUATEC
A193	(AFICIO 200)	9920DP	3220	5020MFD	D420
A224	(AFICIO 250)	9925DP	3225	5025MFD	D425

A224 (AFICIO 250) PARTS CATALOG TABLE OF CONTENTS

SECTION 1 A224 (AFICIO 250) PARTS LOCATION AND LIST

LOCATION OF UNIT.....	2
1. Exterior 1 (A224)	6
2. Exterior 2 (A224)	8
3. Platen COVER (A224).....	10
4. OPERATION PANEL (A224).....	12
5. By-pass Feed Table (A224)	14
6. Paper Tray (A224).....	16
7. Duplex Tray 1 (A224)	18
8. Duplex Tray 2 (A224)	20
9. Resistration (A224).....	22
10. Paper Feed Section (A224).....	24
11. Optics Section 1 (A224)	26
12. Optics Section 2 (A224)	28
13. Laser Unit (A224)	30
14. Toner Hopper Unit (A224)	32
15. P.C.U. (A224)	34
16. Fusing Unit (A224)	36
17. Paper Exit Section (A224)	38
18. Inverter Unit.....	40
19. Transport Section 1 (A224)	42
20. Transport Section 2 (A224)	44
21. Drive Section 1 (A224)	46
22. Drive Section 2 (A224)	48
23. Electrical Section 1 (A224)	50
24. Electrical Section 2 (A224).....	52
25. Frame Section 1 (A224)	54
26. Frame Section 2 (A224)	56
27. BICU Board (A224)	58
28. IOCSS Board (A224).....	62
29. Decal and Document (A224)	66

30. Special Tools (A224).....	68
-------------------------------	----

SECTION 2 A224 (AFICIO 250) PARTS INDEX

Parts Index.....	2
------------------	---

SECTION 3 LARGE CAPACITY TRAY (A667) PARTS LOCATION AND LIST

1. LCT Unit 1 (A667)	2
2. LCT Unit 2 (A667)	4
3. LCT Unit 3 (A667)	6
4. LCT Unit 4 (A667)	10
5. LCT Unit 5 (A667)	12

SECTION 4 LARGE CAPACITY TRAY (A667) PARTS INDEX

Parts Index.....	2
------------------	---

SECTION 5 FAX UNIT (A804), ISDN UNIT (A644), PRINTER CONTROL UNIT (A805) PARTS LOCATION AND LIST

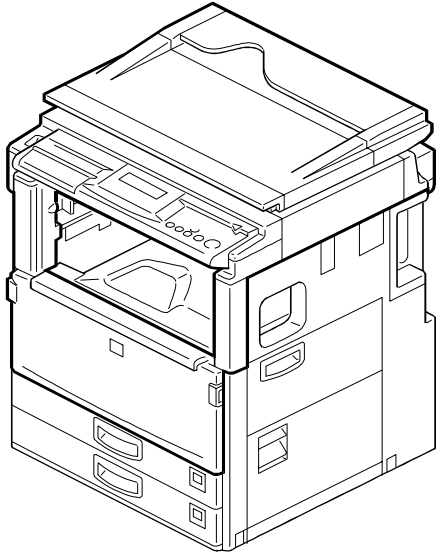
1. Fax Unit Type 250 (A804)	2
2. NCU Board USA (A804).....	4
3. NCU Board Europe (A804)	6
4. NCU Board France (A804).....	8
5. FCU Board USA (A804)	10
6. FCU Board Europe/France (A804).....	14
7. Handset (H160).....	18
8. ISDN Unit Type 200 (A644)	20
9. Fax Hard Disk Type 200 (A641).....	22
10. Printer Control Unit (A805)/HDD Unit (A643).....	24

SECTION 5 FAX UNIT (A804), ISDN UNIT (A644), PRINTER CONTROL UNIT (A805) PARTS INDEX

Parts Index.....	2
------------------	---

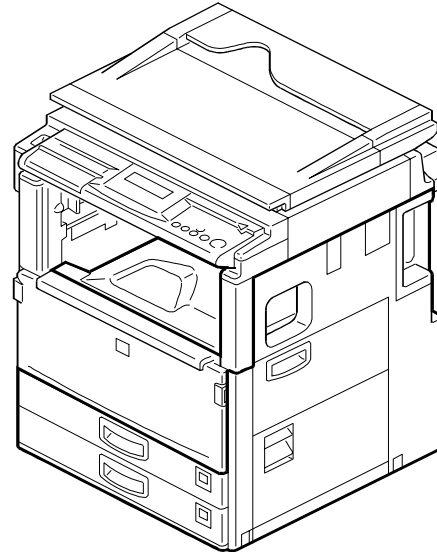
LOCATION OF UNIT

1.Exterior 1 (A224)



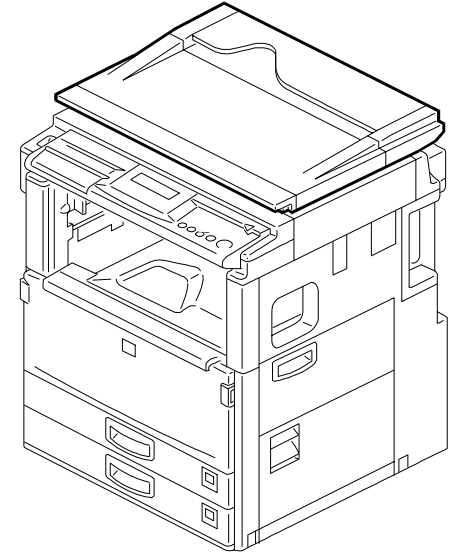
See Page 7

2.Exterior 2 (A224)



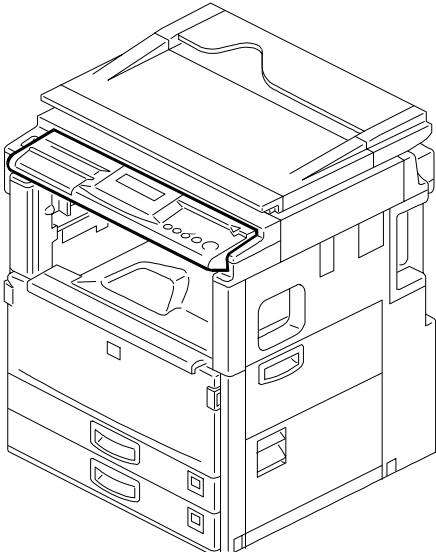
See Page 9

3.Platen Cover (A224)



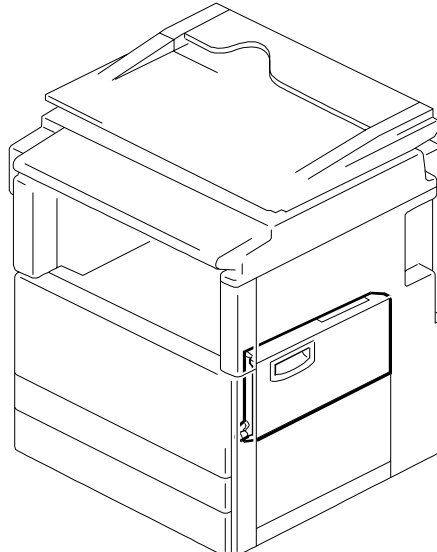
See Page 11

4.Operation Panel (A224)



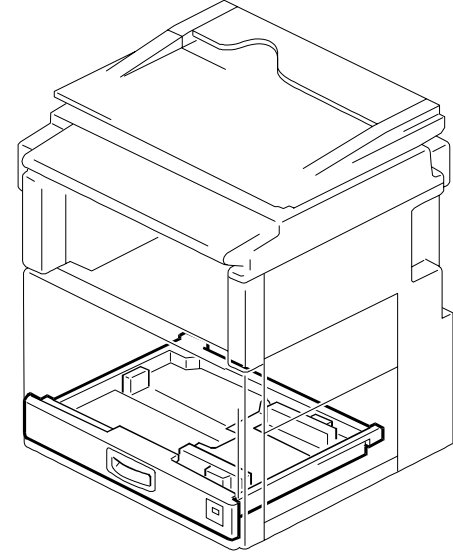
See Page 13

5.By-pass Feed Table (A224)



See Page 15

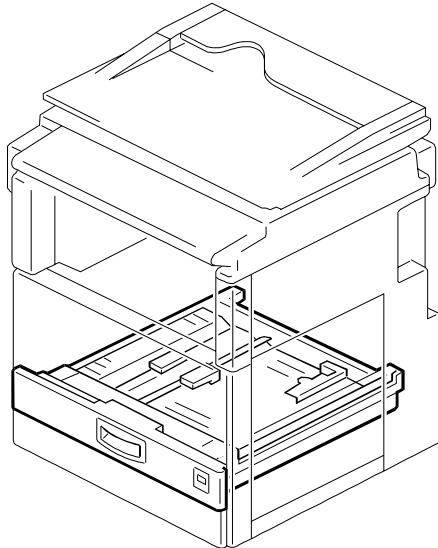
6.Paper Tray (A224)



See Page 17

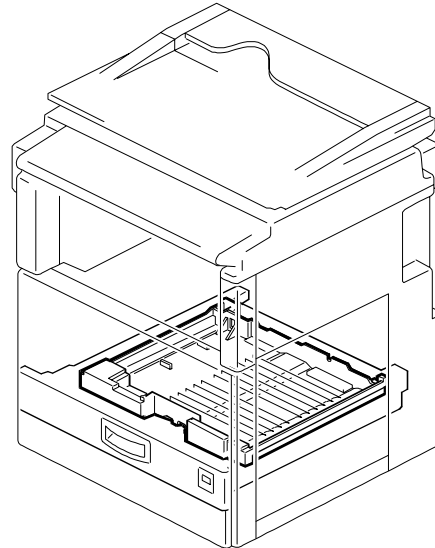
LOCATION OF UNIT

7. Duplex Tray 1 (A224)



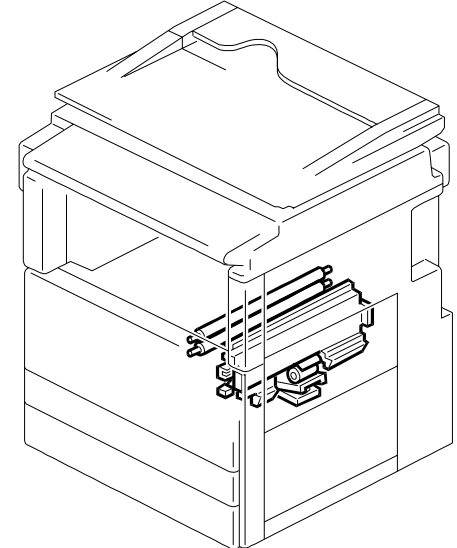
See Page 19

8. Duplex Tray 2 (A224)



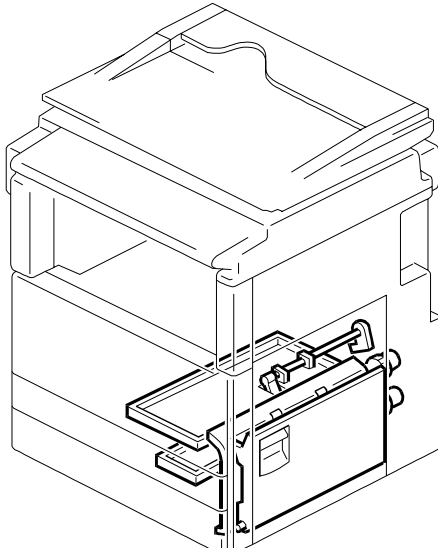
See Page 21

9. Registration (A224)



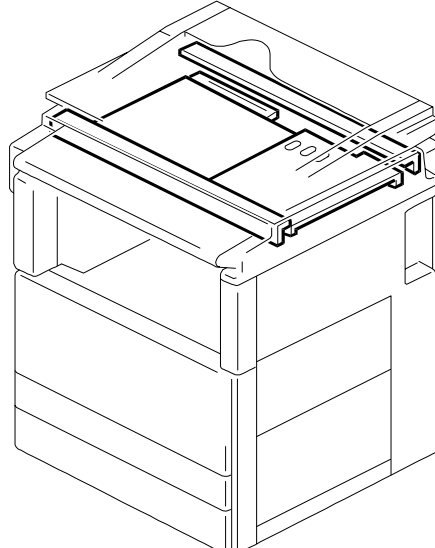
See Page 23

10. Paper Feed Section (A224)



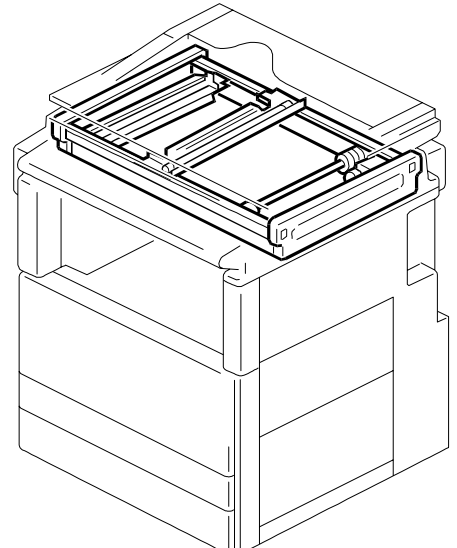
See Page 25

11. Optics Section 1 (A224)



See Page 27

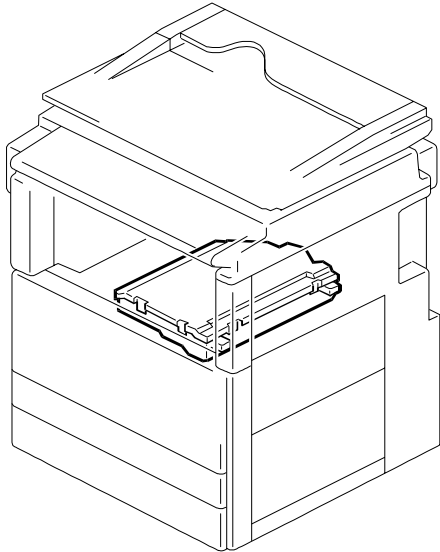
12. Optics Section 2 (A224)



See Page 29

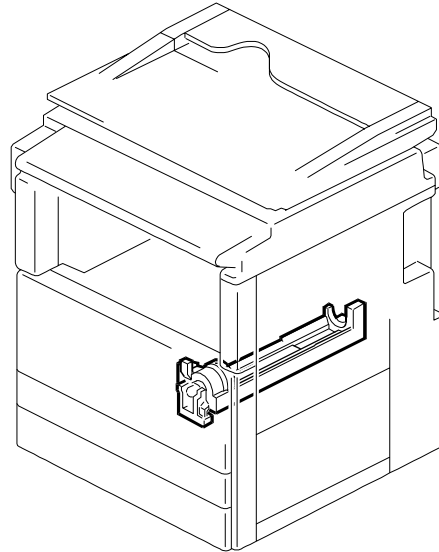
LOCATION OF UNIT

13.Laser Unit (A224)



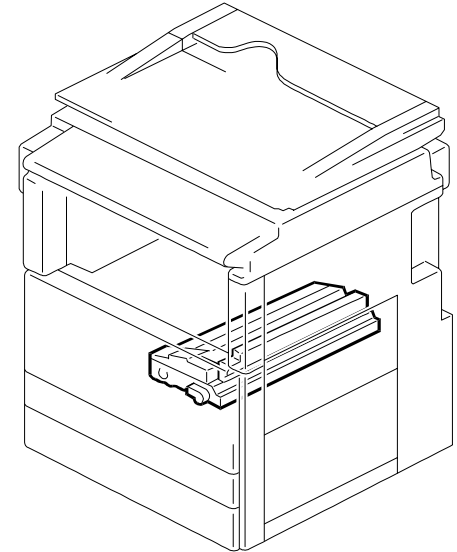
See Page 31

14.Toner Hopper Unit (A224)



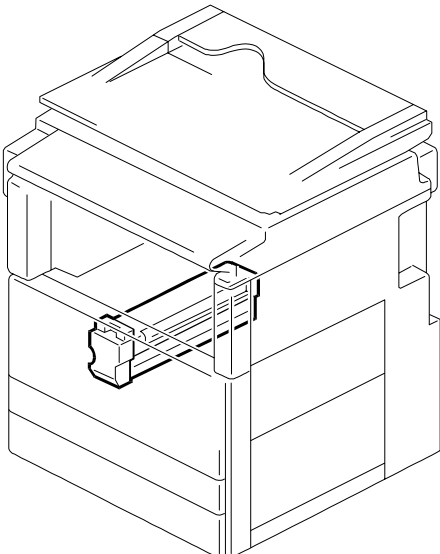
See Page 33

15.P.C.U. (A224)



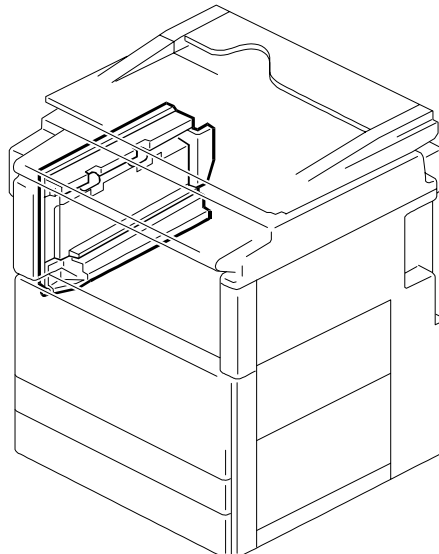
See Page 35

16.Fusing Unit (A224)



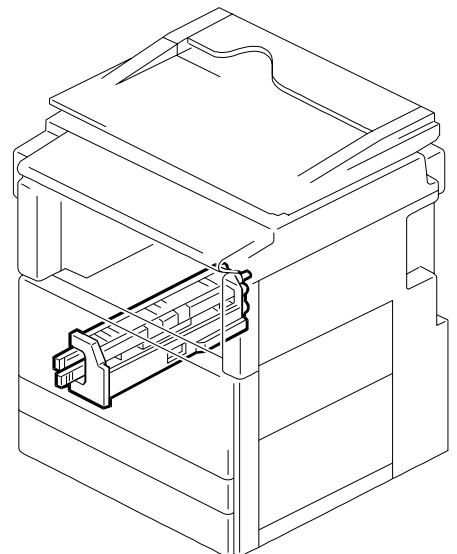
See Page 37

17.Paper Exit Section (A224)



See Page 39

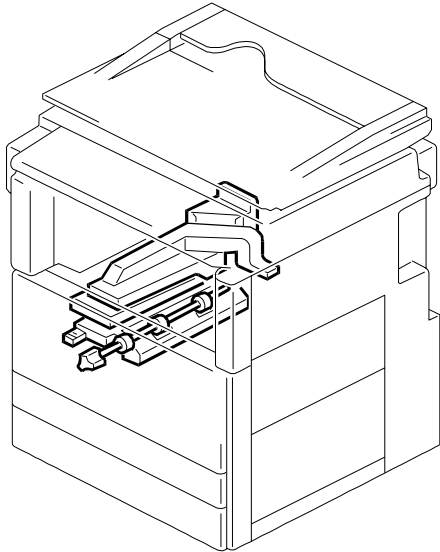
18.Inverter Unit



See Page 41

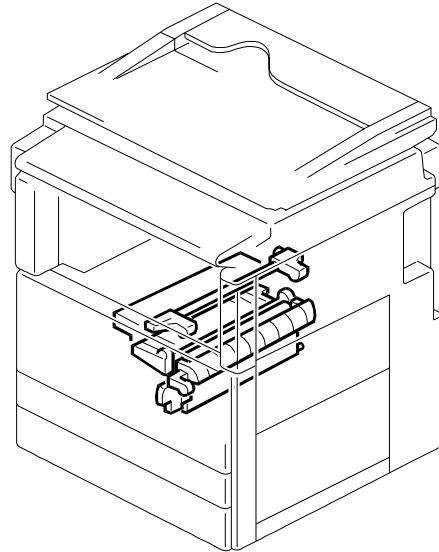
LOCATION OF UNIT

19.Transport Section 1 (A224)



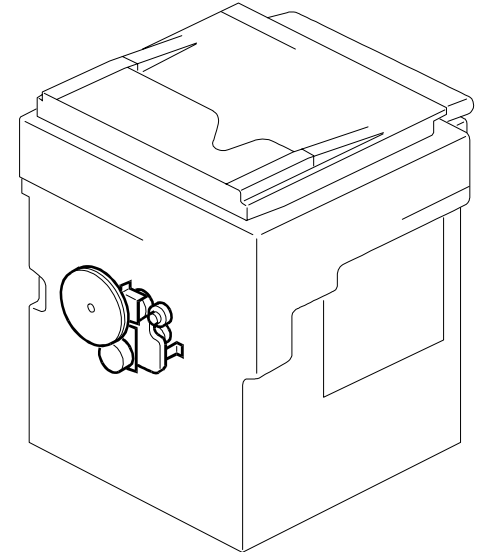
See Page 43

20.Transport Section 2 (A224)



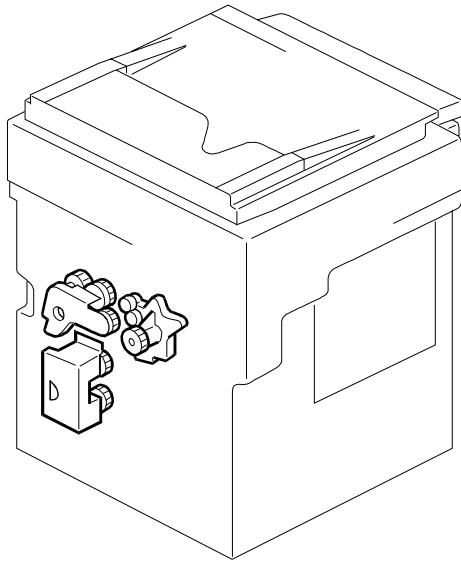
See Page 45

21.Drive Section 1 (A224)



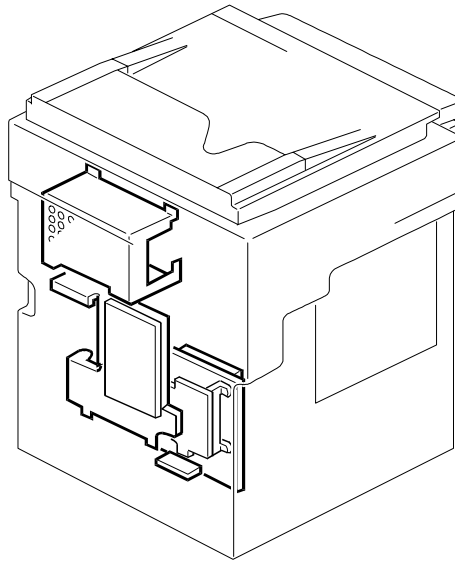
See Page 47

22.Drive Section 2 (A224)



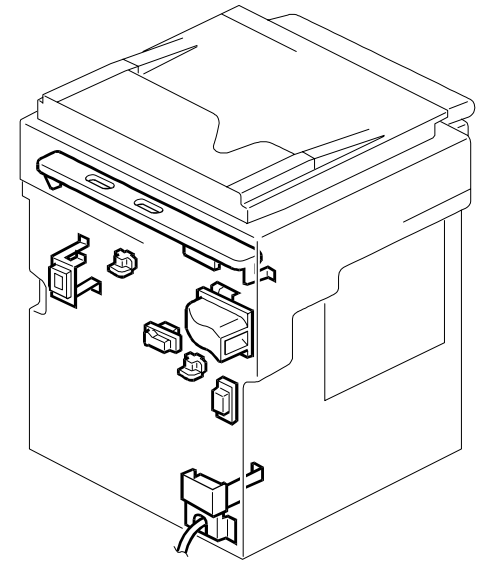
See Page 49

23.Electrical Section 1 (A224)



See Page 51

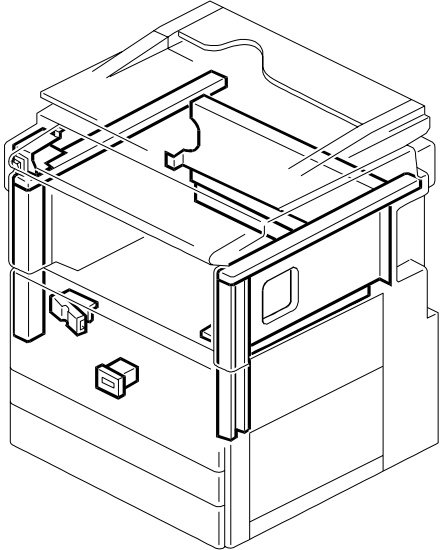
24.Electrical Section 2 (A224)



See Page 53

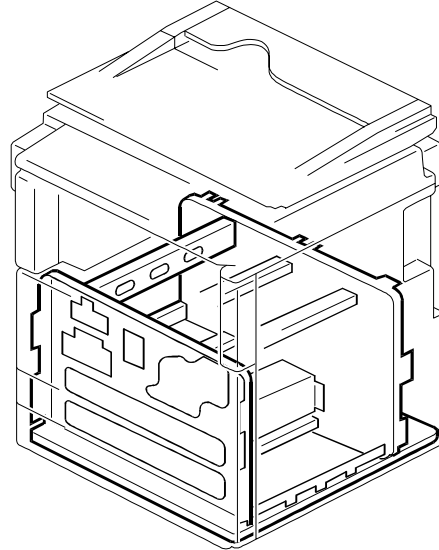
LOCATION OF UNIT

25.Frame Section 1 (A224)



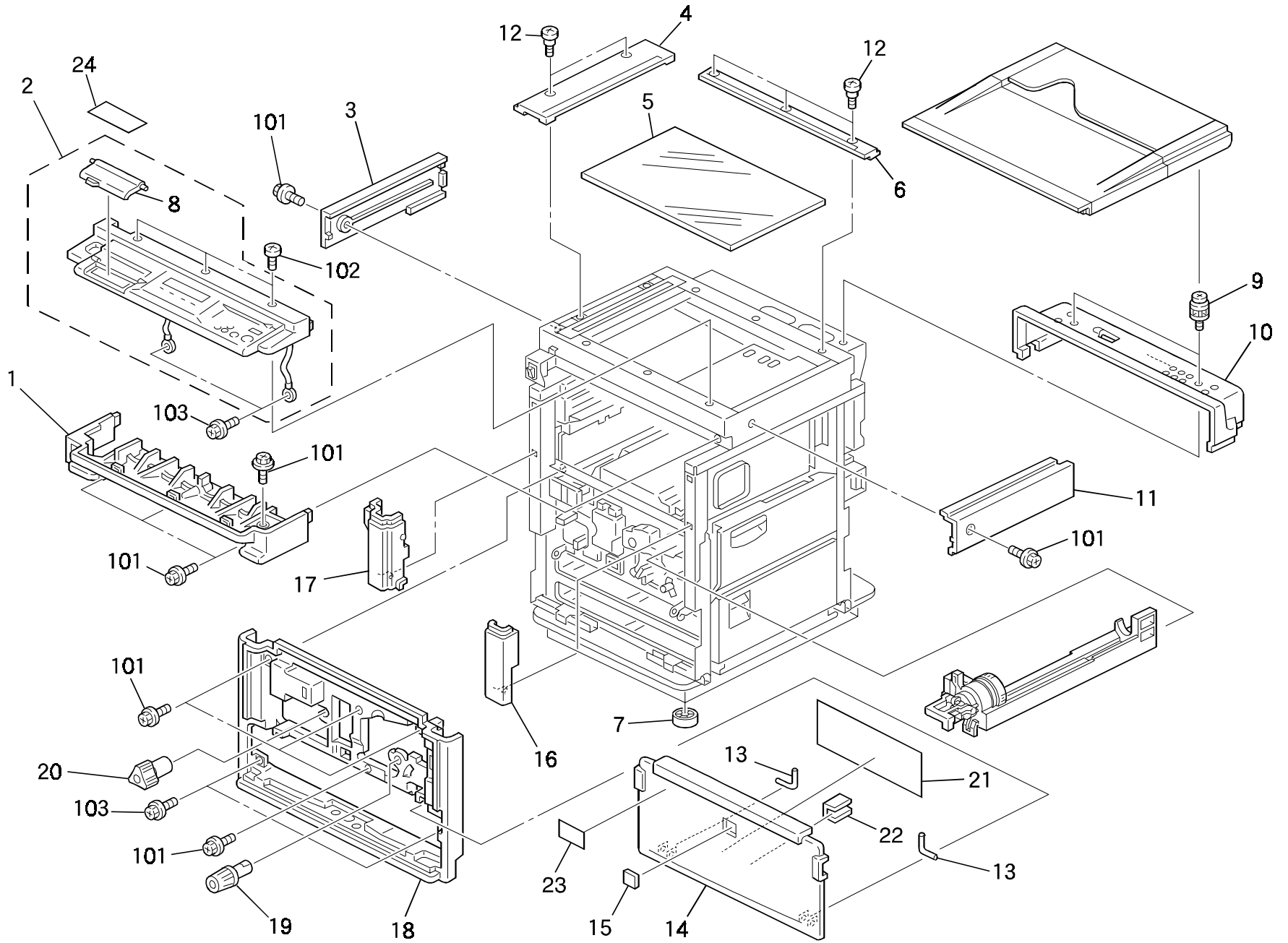
See Page 55

26.Frame Section 2 (A224)



See Page 57

1. EXTERIOR 1 (A224)

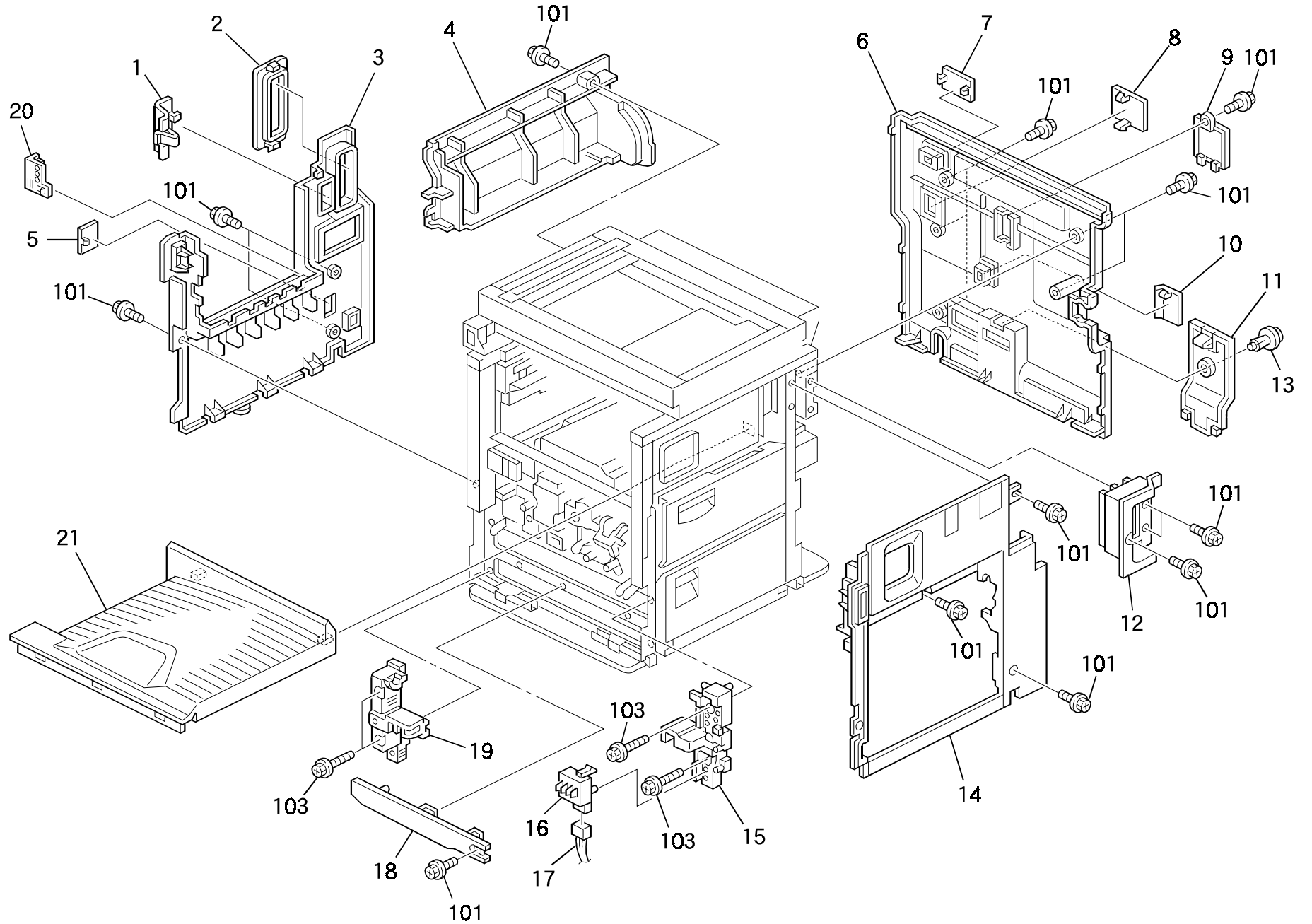


1. EXTERIOR 1 (A224)

Index No.	Part No.	Description	Q'ty Per Assembly
1	A193 1266	Lower Cover - Operation Panel	1
2	A193 1451	Operation Panel Ass'y (LT)	1
2	A193 1452	Operation Panel Ass'y (A4)	1
2	A193 1453	Operation Panel Ass'y (SVN)	1
2	A193 1404	Operation Panel Ass'y (Asia)	1
3	A193 1251	Scanner Left Cover	1
4	A193 1680	Left Original Scale	1
5	5215 1980	Exposure Glass - A3T-3.2	1
6	A193 1757	Rear Original Scale	1
7	G020 1052	Stand	4
8	A193 1474	Lower Cover - Operation Panel	1
9	5215 1667	Platen Cover Stud	2
10	A193 1256	Upper Rear Cover	1
11	A193 1261	Scanner Right Cover	1
12	A193 1759	Stepped Screw	5
13	G020 1332	Hinge Front Door	2
14	A193 7226	Front Door (GES/LAN)	1
14	A224 7224	Front Door (SVN)	1
14	A224 7214	Front Door (INF)	1
14	A224 1501	Front Door (RIC)	1
15	A133 7112	Emblem (SVN)	1
15	A134 1383	Emblem (RIC)	1
15	A153 6423	Support Cover	1
16	A193 1341	Right Front Cover	1
17	A193 1336	Left Front Cover	1
18	A193 1301	Front Cover	1
19	G020 2783	Registration Roller Knob	1
20	G020 4480	Fusing Knob	1
21	A224 1320	Operating Instruction Sheet	1
22	G020 1259	Rubber Protector - Front Cover	1
23	A224 7341	Decal - Brand Name - GES	1
23	A224 7343	Decal - Brand Name - NSA	1
23	A224 7345	Decal - Brand Name - REX	1
23	A224 7347	Decal - Brand Name - LAN	1
24	C224 2867	Decal - Key Top Cover (NSA)	1

Index No.	Part No.	Description	Q'ty Per Assembly
24	C225 2866	Decal - Key Top Cover (REX)	1
24	A153 6409	Decal - Key Top Cover (GES)	1
101	0802 5255	Tapping Screw - M3x8	
102	0353 0050F	Tapping Screw - M3x5	

2. EXTERIOR 2 (A224)

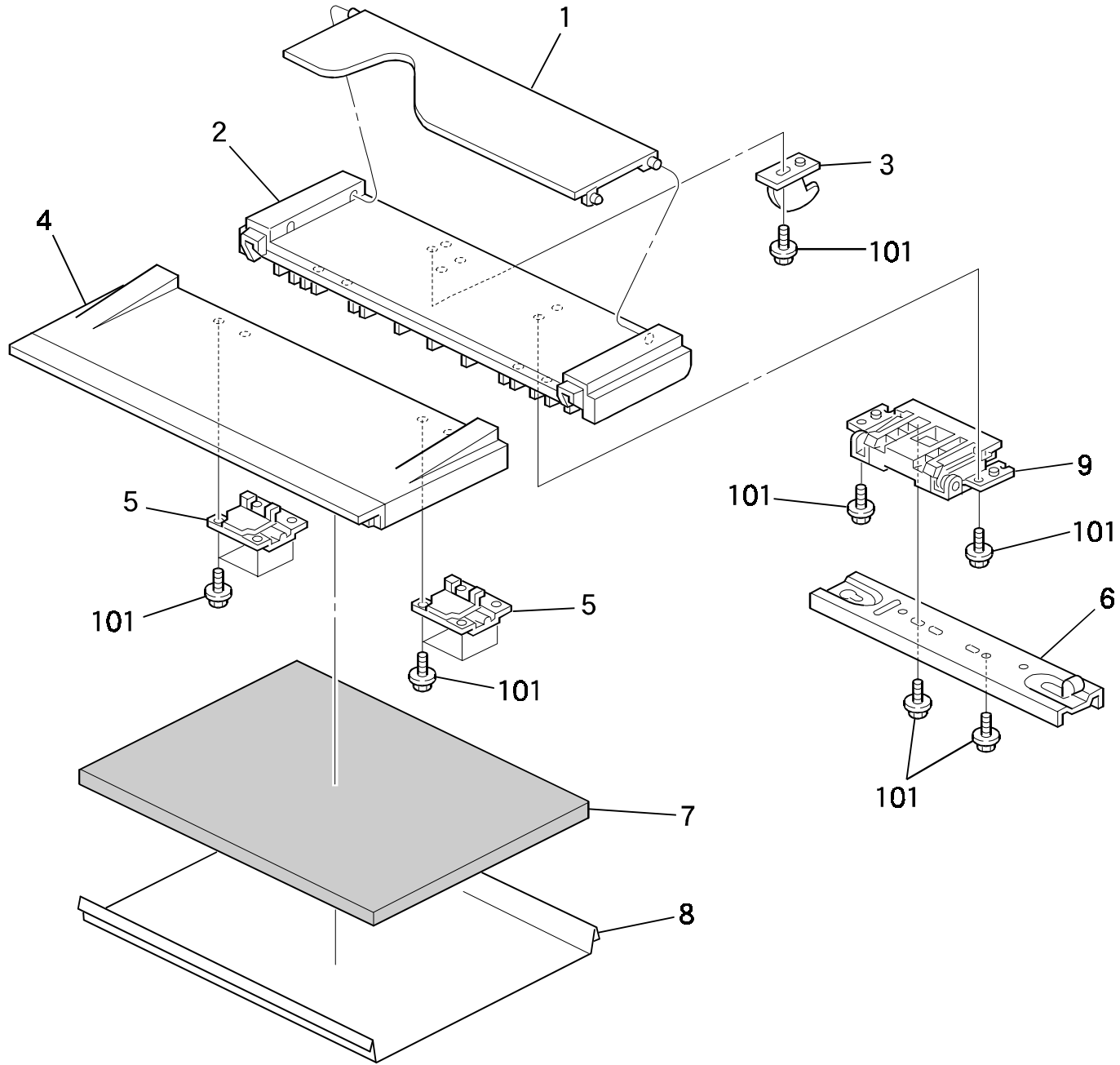


2. EXTERIOR 2 (A224)

Index No.	Part No.	Description	Q'ty Per Assembly
1	A193 1358	Cap - RS232C	1
2	A193 1356	Cap - IC Card	1
3	A224 1207	Lower Left Cover (115V)	1
3	A224 1209	Lower Left Cover (230V)	1
4	A193 1276	Middle Left Cover	1
5	G020 1351	Cap - Finisher	1
6	A193 1210	Lower Rear Cover	1
7	A193 1348	Cap - G4	1
8	A193 1350	Cap - NCU	1
9	A193 1354	Cap - Memory	1
10	A193 1352	Cap - CSS	1
11	A193 1361	Cap - Paper Tray Unit	1
12	A193 1281	Rear Right Cover	1
13	A193 1345	Rivet - M20	1
14	A224 1291	Lower Right Cover	1
15	G020 2676	Support - Paper Tray - Right	1
16	G020 2620	Push Switch - Paper Size	1
17	A224 5404	Harness - Paper Size Sensor	1
18	G020 1316	Inner Cover - Paper Feed Tray	1
19	G020 2677	Support - Paper Tray - Left	1
20	A193 1349	Cap - Sorter	1
21	A193 1316	Lower Exit Cover	1

Index No.	Part No.	Description	Q'ty Per Assembly
101	0802 5255	Tapping Screw - M3x8	
103	0451 3014B	Tapping Screw - M3-14	

3. PLATEN COVER (A224)

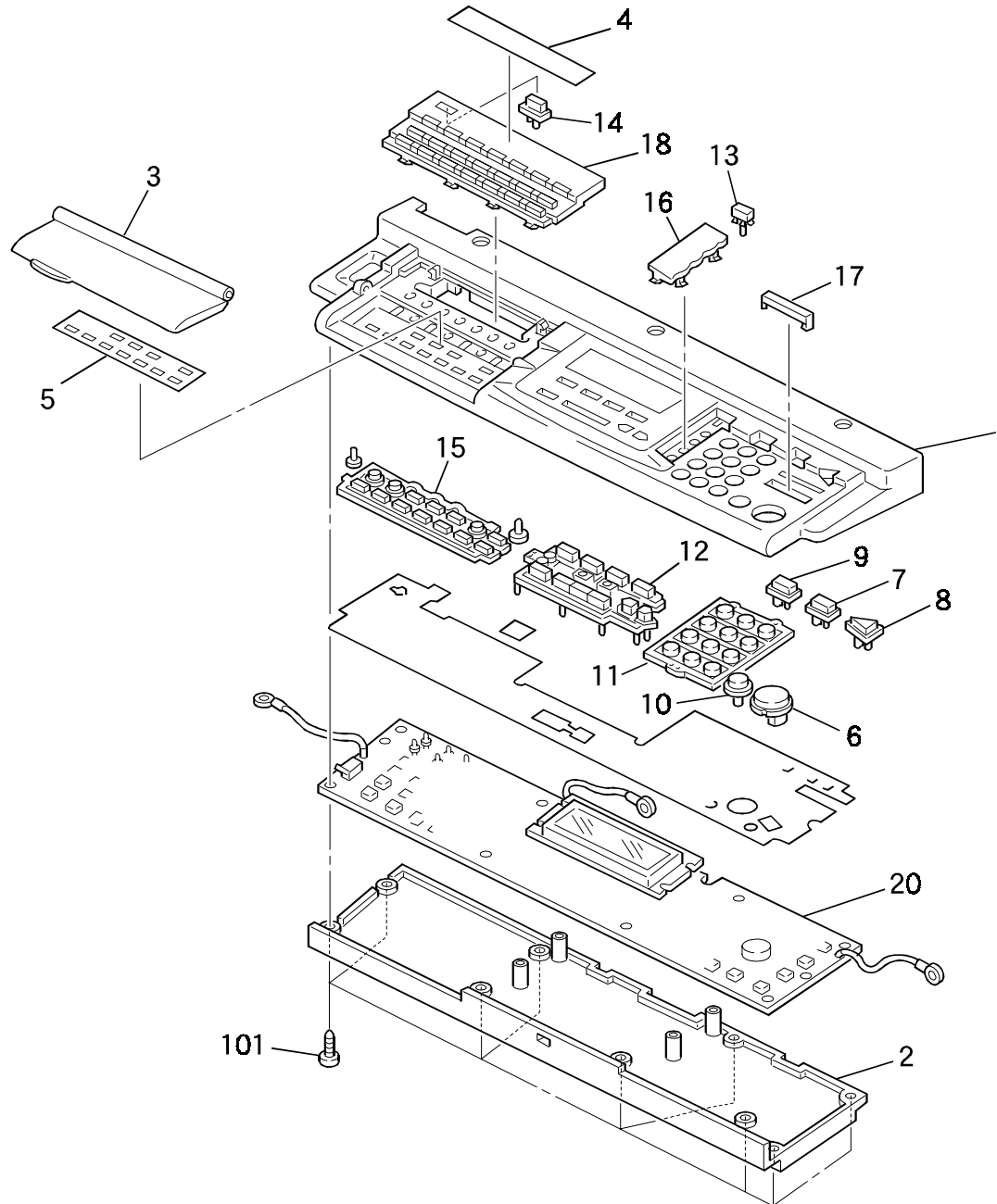


3. PLATEN COVER (A224)

Index No.	Part No.	Description	Q'ty Per Assembly
1	A193 1396	Original Holder	1
2	A193 1391	Rear Platen Cover	1
3	A193 1381	Platen Cover Actuator	1
4	A193 1386	Front Platen Cover	1
5	A193 1317	Platen Cover Bracket	2
6	A053 1957	Flex Hinge - Platen Cover	1
7	AA16 2067	Platen Cover Pad	1
8	5448 2804	Platen Cover Sheet	1
9	A193 1246	Platen Cover Hinge Ass'y	1

Index No.	Part No.	Description	Q'ty Per Assembly
101	0450 4012D	Tapping Screw - M4x12	

4. OPERATION PANEL (A224)

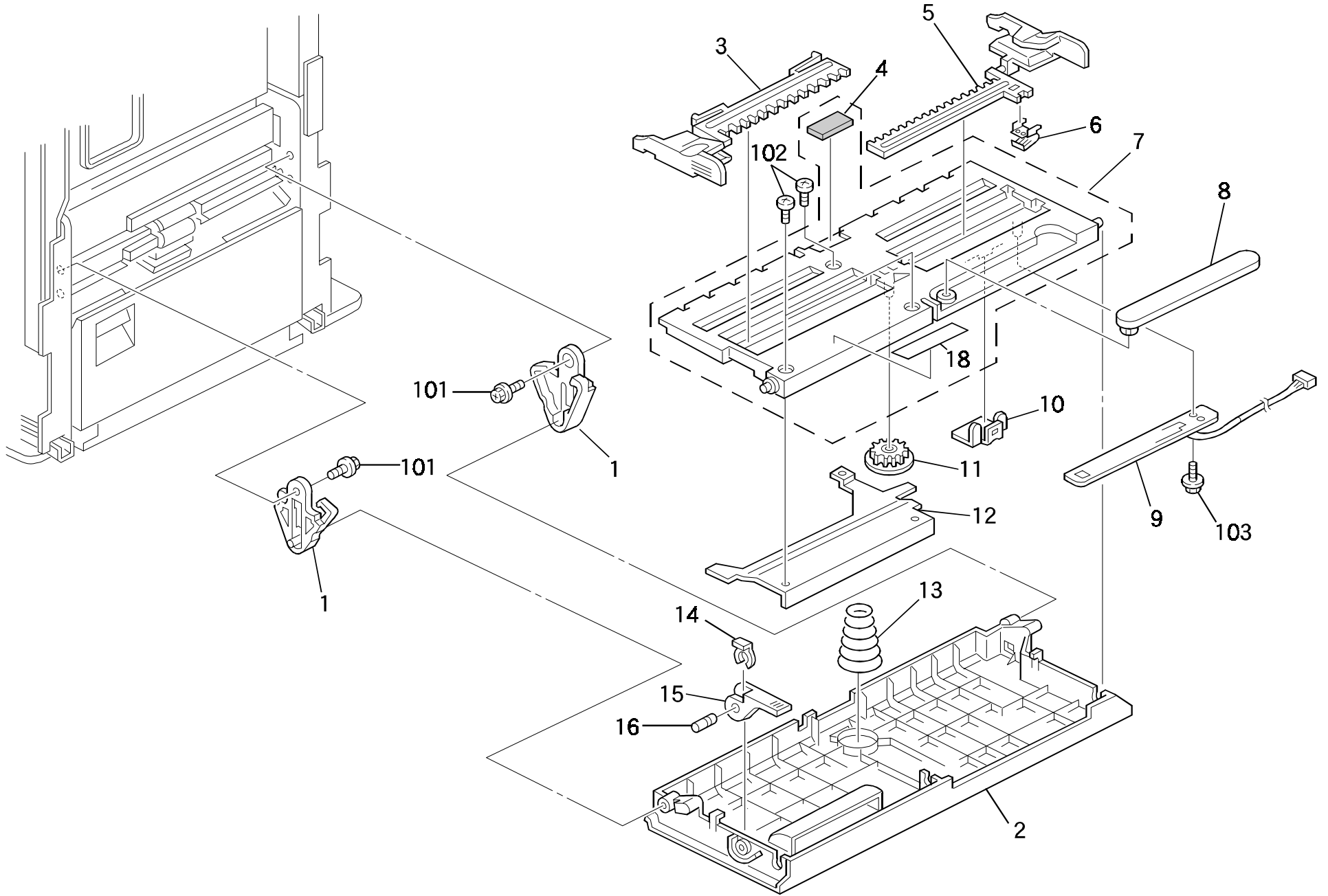


4. OPERATION PANEL (A224)

Index No.	Part No.	Description	Q'ty Per Assembly
*	A193 1451	Operation Panel Ass'y (LT)	1
*	A193 1452	Operation Panel Ass'y (A4)	1
*	A193 1453	Operation Panel Ass'y (SVN)	1
*	A193 1404	Operation Panel Ass'y (ASIA)	1
1	A193 1455	Operation Panel Case (LT)	1
1	A193 1465	Operation Panel Case (A4)	1
2	A193 1472	Lower Case - Operation Panel	1
3	A193 1474	Lower Cover - Operation Panel	1
4	A193 1456	Decal - Operation Panel (LT)	1
4	A193 1466	Decal - Operation Panel (A4)	1
5	A193 1457	Sheet - Operation Panel (LT)	1
5	A193 1467	Sheet - Operation Panel (A4)	1
6	A193 1477	Key Top - Start	1
6	A193 1491	Key Top - Start (SVN)	1
7	A193 1478	Key Top - Clear Mode	1
7	A193 1492	Key Top - Clear Mode (SVN)	1
8	A193 1479	Key Top - Interrupt	1
8	A193 1493	Key Top - Interrupt (SVN)	1
9	A193 1480	Key Top - Program Mode	1
9	A193 1494	Key Top - Program (SVN)	1
10	A193 1481	Key Top - Clear	1
10	A193 1495	Key Top - Clear (SVN)	1
11	A193 1461	Key Top - 10 Key (LT)	1
11	A193 1463	Key Top - 10 Key (ASIA)	1
11	A193 1482	Key Top - 10 Key (A4)	1
11	A193 1496	Key Top - 10 Key (SVN)	1
12	A193 1483	Key Top - LCD	1
12	A193 1497	Key Top - LCD (SVN)	1
13	A193 1458	Key Top - Memory (LT)	1
13	A193 1468	Key Top - Memory (A4)	1
13	A193 1498	Key Top - Memory (SVN)	1
14	A193 1485	Key Top - Initial	1
14	A193 1499	Key Top - Initial (SVN)	1
15	A193 1486	Key Top - Behind	1
15	A193 1449	Key Top - Behind (SVN)	1

Index No.	Part No.	Description	Q'ty Per Assembly
16	A193 1487	Right Cover - Operation Panel	1
17	A193 1488	Cover - Application	1
18	A193 1473	Upper Cover - Operation Panel	1
19	A193 1460	LCD (LT)	1
19	A193 1469	LCD (A4)	1
20	A193 1459	Operation Board (LT)	1
20	A193 1462	Operation Panel Board (A4)	1
101	0353 0050F	Tapping Screw - M3x5	

5. BY-PASS FEED TABLE (A224)

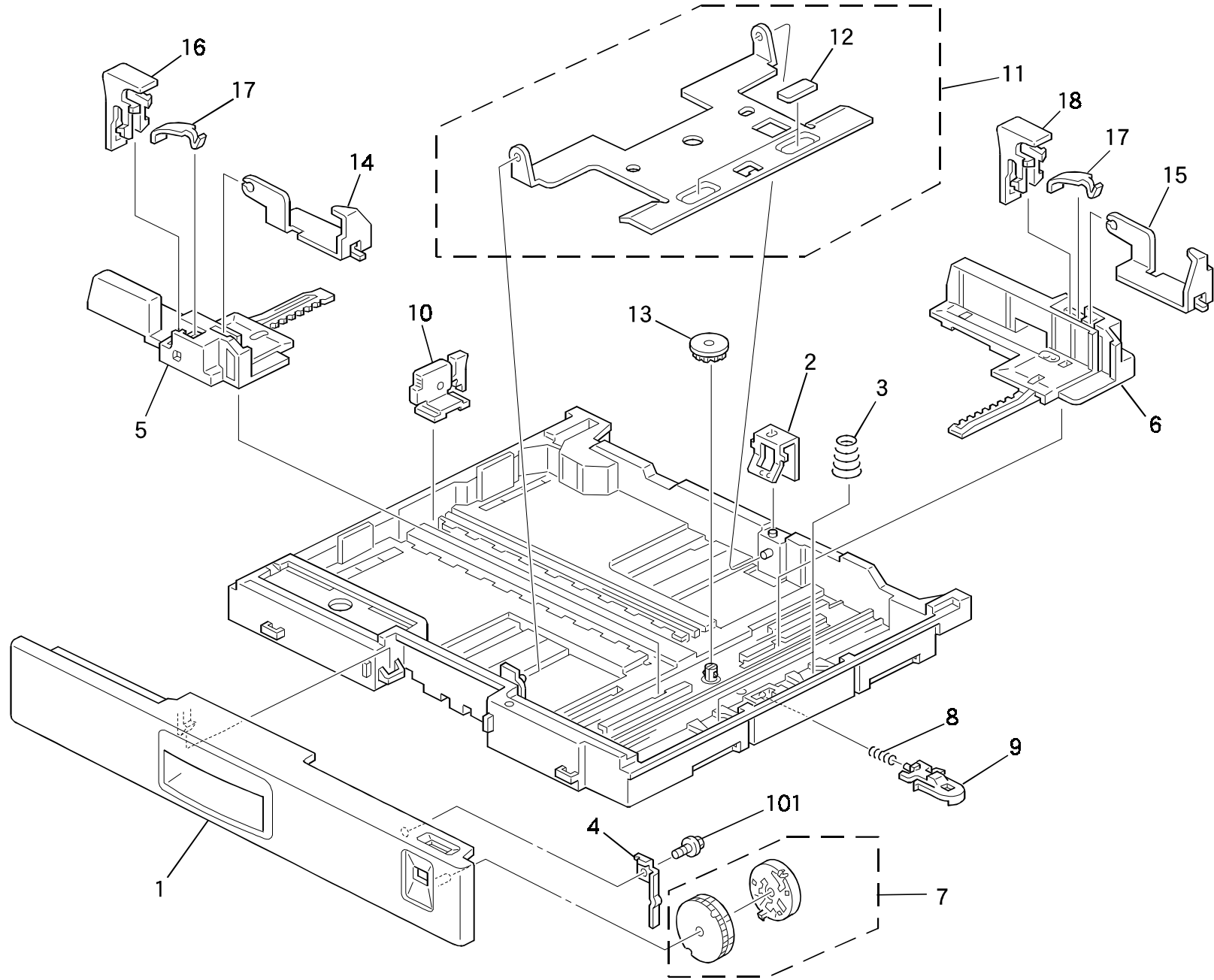


5. BY-PASS FEED TABLE (A224)

Index No.	Part No.	Description	Q'ty Per Assembly
1	G020 2735	Guide - By-pass Feed Table	2
2	G020 2701	Cover - By-pass Table	1
3	G020 2706	Left Side Fence - By-pass Feed	1
4	5215 2713	Bottom Plate Pad	1
5	G020 2705	Right Side Fence - By-pass Feed	1
6	G020 2707	Sensor Conductor - By-pass Feed	1
7	G020 2709	Bottom Plate - By-pass Table	1
8	A190 2702	Paper Guide	1
9	G020 5280	By-pass Feed Sensor	1
10	G020 2708	Spring Plate - By-pass Feed	1
11	G011 3305	Gear - 16T	1
12	G020 2782	Stay - By-pass Table	1
13	G020 2702	Pressure Spring - By-pass Feed	1
14	5447 2681	Snap Ring	1
15	G020 2784	Lever - By-pass Feed Table	1
16	G020 2786	Shaft - By-pass Release Lever	1

Index No.	Part No.	Description	Q'ty Per Assembly
101	0451 3006B	Tapping Screw - M3x6	

6. PAPER TRAY (A224)

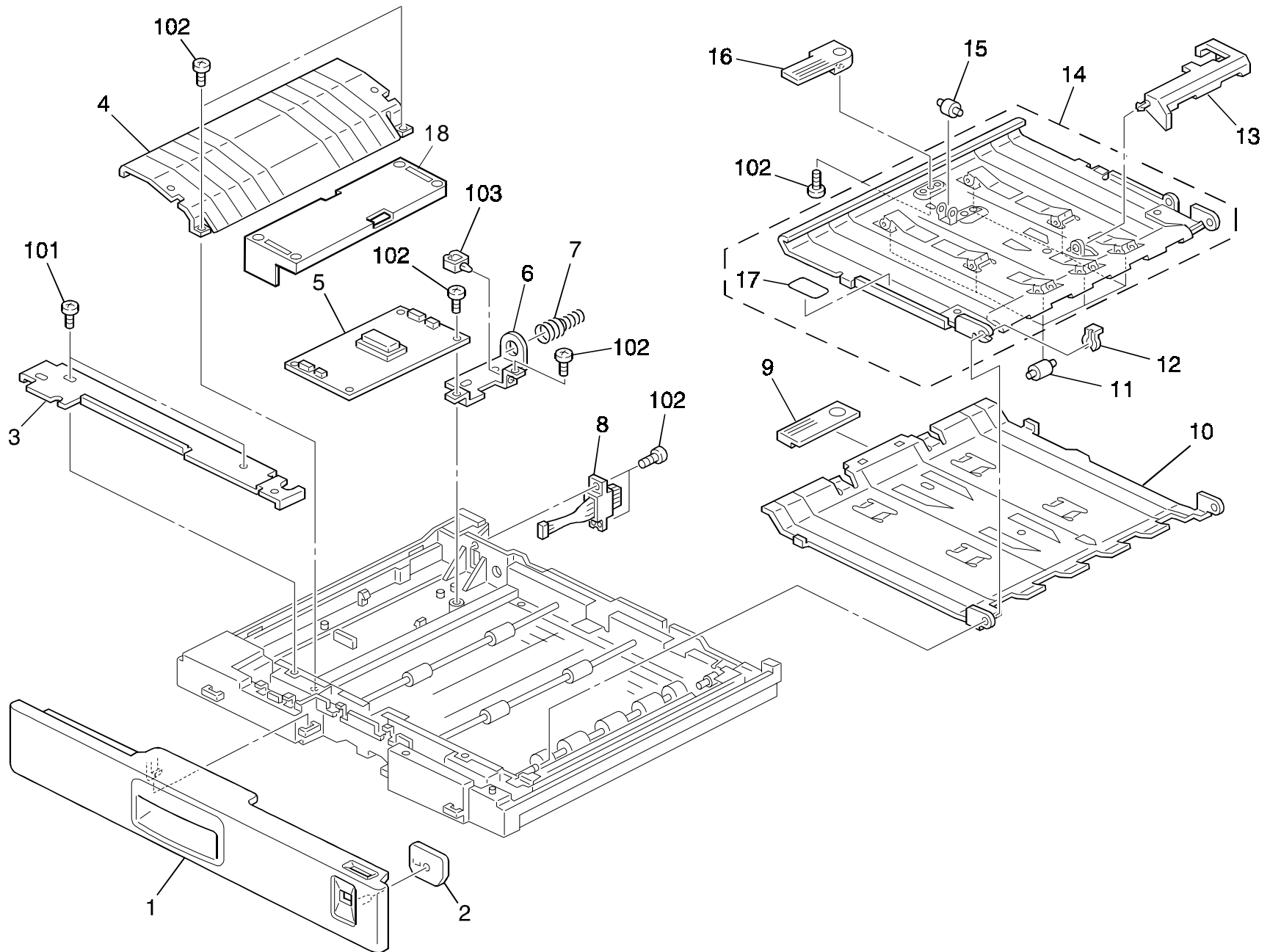


6. PAPER TRAY (A224)

Index No.	Part No.	Description	Q'ty Per Assembly
1	G020 2647	Paper Tray Cover	1
2	G020 2658	Grounding Plate - Bottom Plate	1
3	G020 2656	Pressure Spring - Bottom Plate	1
4	G020 2648	Holder - Paper Size Detector	1
5	G020 2560	Front Side Fence	1
6	G020 2567	Rear Side Faence	1
7	A193 2649	Paper Size Detector - LT	1
7	A193 2650	Paper Size Detector - A4	1
8	G020 2599	Spring - Release Lever	1
9	G020 2592	Release Lever - Bottom Plate	1
10	G020 2644	End Fence	1
11	G020 2661	Bottom Plate Ass'y	1
12	G020 2645	Friction Pad	2
13	AB01 3868	Gear - 16Z	1
14	G020 2573	Front Paper Separator	1
15	G020 2558	Rear Paper Separator	1
16	G020 2664	Front Stopper Lever	1
17	A157 2769	Rear Stopper Spring	2
18	A190 2642	Rear Lever Stopper	1

Index No.	Part No.	Description	Q'ty Per Assembly

7. DUPLEX TRAY 1 (A224)

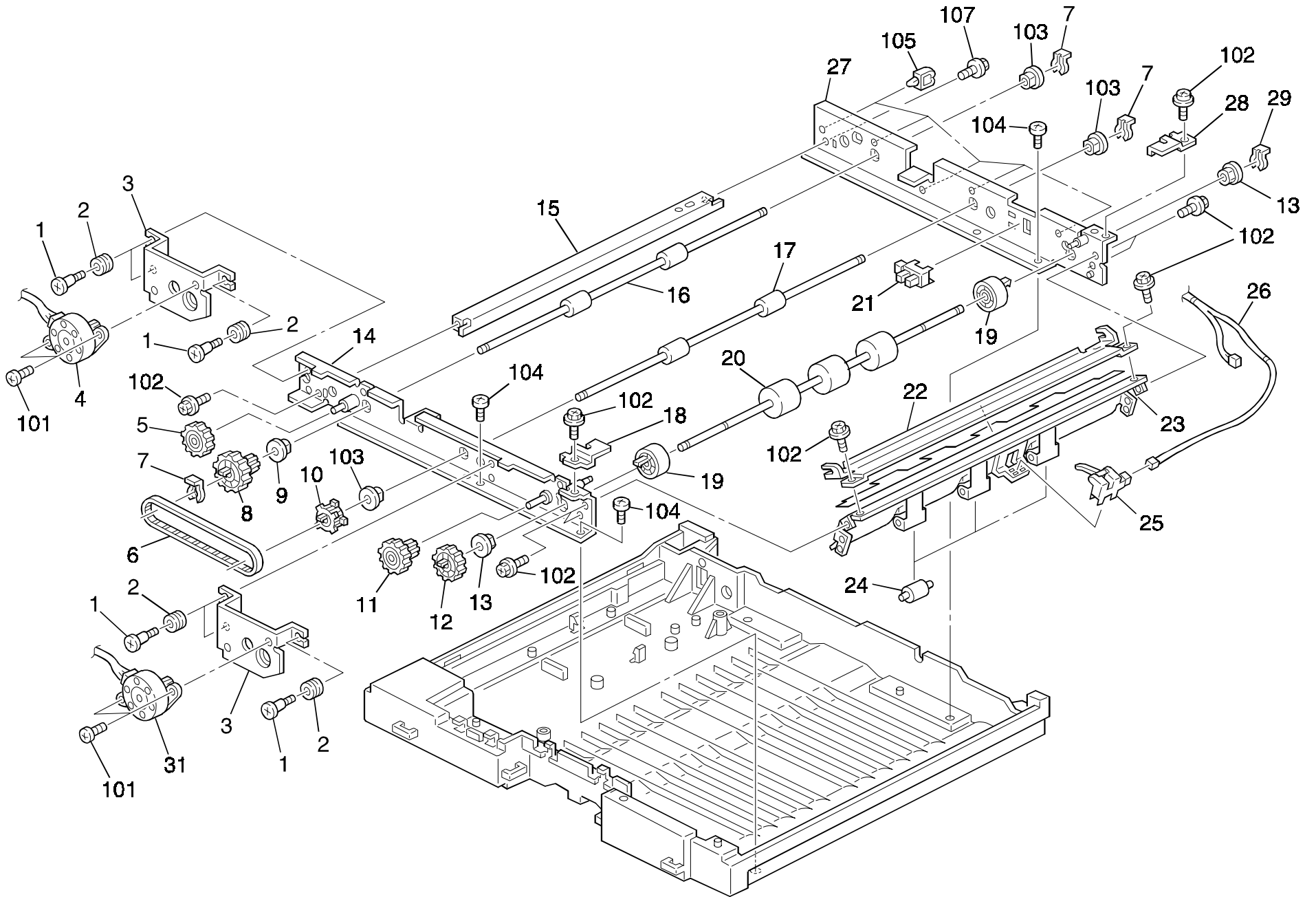


7. DUPLEX TRAY 1 (A224)

Index No.	Part No.	Description	Q'ty Per Assembly
1	G020 2647	Paper Tray Cover	1
2	G694 4703	Duplex Indicator	1
3	G694 4781	Front Duplex Cover	1
4	G694 4783	Left Duplex Cover	1
5	G694 5350	Duplex Drive Board	1
6	G694 4791	Grounding Plate	1
7	G694 4792	Grounding Plate Spring	1
8	G694 5200	Duplex Connector Harness	1
9	A134 4739	Lower Guide Plate Knob	1
10	G694 4730	Lower Guide Plate	1
11	AF02 2077	Driven Roller	1
12	5206 2686	Snap Ring	1
13	G694 4735	Inverter Feeler	1
14	G694 4740	Upper Guide Plate	1
15	G694 4747	Guide Plate Holder	1
16	A134 4726	Guide Plate Knob	1
17	A134 4884	Decal - Duplex Misfeed Removal	1
18	G694 4788	Lower Cover - Duplex Board	1

Index No.	Part No.	Description	Q'ty Per Assembly
101	0451 3006B	Tapping Screw - M3x6	
102	0452 3008Z	Bind Tapping Screw - M3x8	
103	1105 0319	Harness Clamp	

8. DUPLEX TRAY 2 (A224)

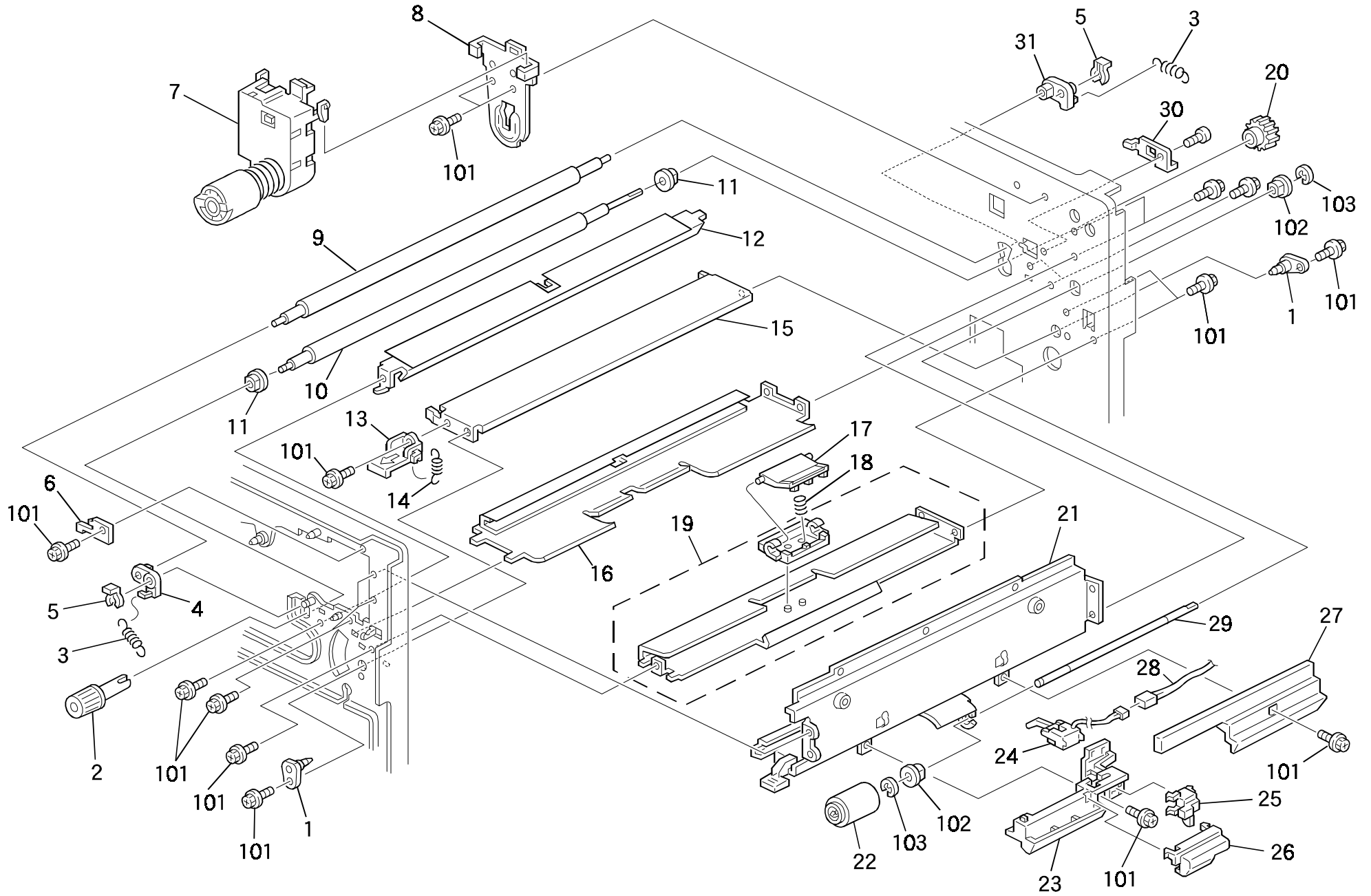


8. DUPLEX TRAY 2 (A224)

Index No.	Part No.	Description	Q'ty Per Assembly
1	G694 4762	Stepped Screw - M3	6
2	G694 4761	Cushion	6
3	G694 4760	Motor Bracket	2
4	G694 5202	Transport Motor	1
5	G694 4716	Gear - 46Z	1
6	AA04 3373	Timing Belt - S2M308	1
7	5447 2681	Snap Ring	3
8	G694 4757	Gear - 24Z	1
9	G694 4759	Bushing - 6mm	1
10	AB03 0474	Pulley - 24Z	1
11	G694 4715	Gear - 24Z/46Z	1
12	G694 4753	Gear - 48Z	1
13	5053 0223	Bushing - 8mm	2
14	G694 4710	Front Side Plate - Duplex Unit	1
15	G694 4728	Duplex Unit Stay	1
16	G694 4755	Left Transport Roller	1
17	G694 4756	Middle Transport Roller	1
18	G694 4717	Front Stopper - Guide Plate	1
19	G694 4752	Inverter Roller Supporter	2
20	G694 4751	Inverter Roller - Duplex Unit	1
21	AW02 0075	Photointerrupter	1
22	G694 4725	Inverter Guide Plate	1
23	G694 4706	Lower Exit Guide	1
24	AF02 2077	Driven Roller	3
25	G694 5736	Exit Sensor	1
26	G694 5201	Sensor Harness - Duplex Unit	1
27	G694 4720	Rear Side Plate - Duplex Unit	1
28	G694 4723	Rear Stopper - Guide Plate	1
29	5215 2621	Snap Ring - M6	1
30	G694 5737	Inverter Motor DC 8.4W	1

Index No.	Part No.	Description	Q'ty Per Assembly
101	0353 0060B	Philips Pan Head Screw - M3x6	
102	0451 3006B	Tapping Screw - M3x6	
103	0805 3480	Bushing - 6mm	
104	0452 3008Z	Bind Tapping Screw - M3x8	
105	1105 0319	Harness Clamp	

9. REGISTRATION (A224)

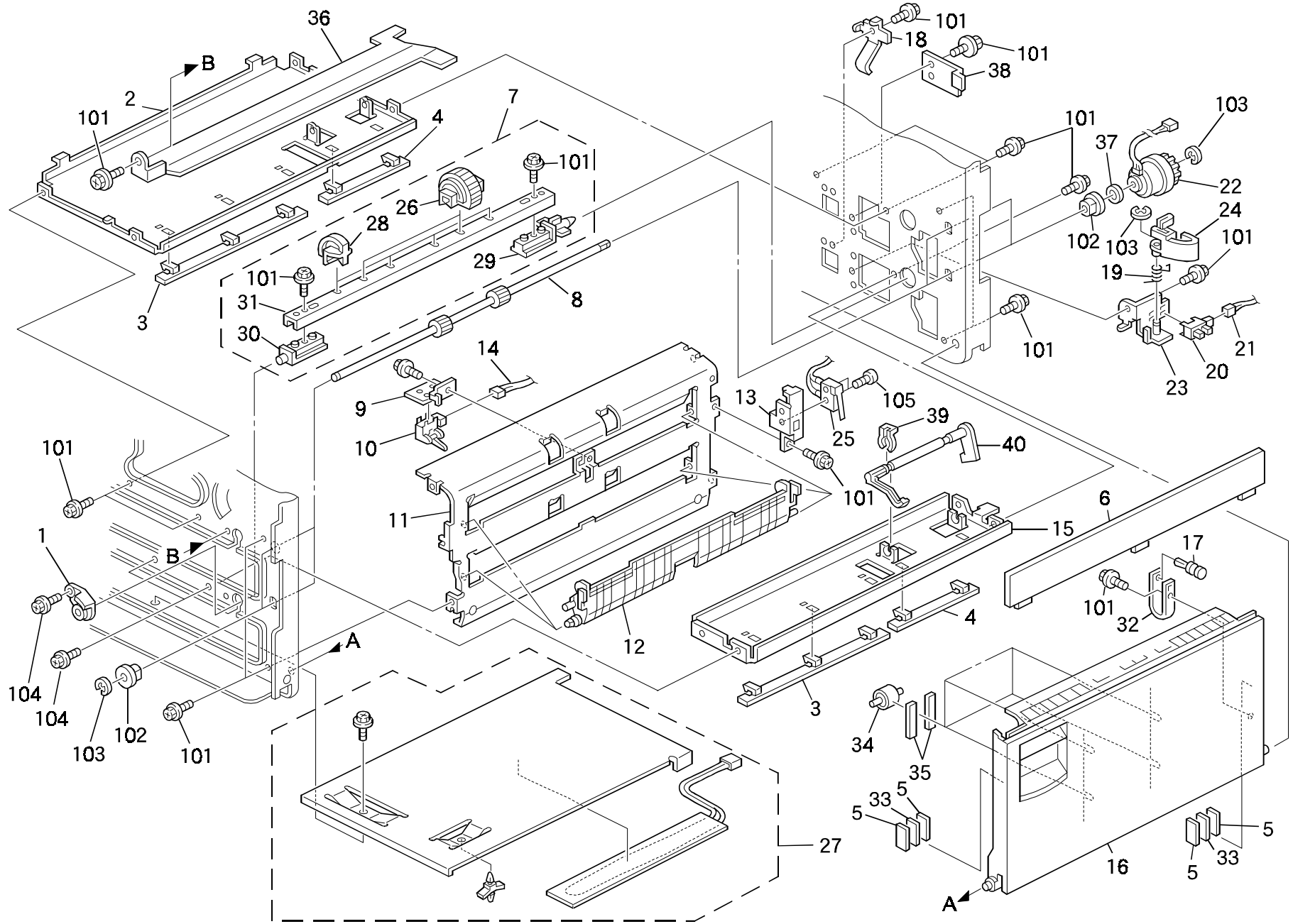


9. REGISTRATION (A224)

Index No.	Part No.	Description	Q'ty Per Assembly
1	G020 3888	Pin - Transfer Guide	2
2	G020 2783	Registration Roller Knob	1
3	G020 2743	Tension Spring	2
4	G020 2780	Front Bushing - Registration	1
5	5447 2681	Snap Ring	2
6	A193 3370	Cover Guide - Toner Bottle - Asia	1
6	A193 3367	Cover Guide - Toner Bottle (A4)	1
6	A193 3371	Cover Guide - Toner Bottle (OEM)	1
7	G020 1111	Motor - DC 2.16W	1
8	G020 1161	Bracket - Toner Supply Motor	1
9	A224 2741	Upper Registration Roller	1
10	G020 2740	Lower Registration Roller	1
11	AA08 2070	Bushing - 8x16x7	2
12	G020 2745	Lower Guide Plate - Regist	1
13	G020 2765	Knob - Lower Transport Guide	1
14	AA06 0331	Release Spring	1
15	G020 2761	Lower Transport Guide	1
16	G020 2754	Upper Paper Guide	1
17	G020 2714	Friction Pad - By-pass Feed	1
18	G020 2713	Pressure Spring	1
19	G020 2718	Stay - By-pass Feed	1
21	G020 3361	Guide Plate - Toner Supply	1
22	G020 2721	By-pass Feed Roller	1
23	G020 2753	Bracket - Registration Sensor	1
24	G020 2771	Registration Sensor	1
25	G020 2772	By-pass Paper End Sensor	1
26	G020 2787	Cover - By-pass Paper End Sensor	1
27	G020 2785	Cover - Feed Roller Shaft	1
28	G020 5417	Harness - Registration Sensor	1
29	G020 2722	By-pass Feed Shaft	1
30	A224 1064	PCU Bracket	1
31	G020 2781	Rear Bushing - Registration Roller	1

Index No.	Part No.	Description	Q'ty Per Assembly
101	0451 3006B	Tapping Screw - M3x6	
102	0805 3385	Bushing - 6mm	
103	0720 0040E	Retaining Ring - M4	

10. PAPER FEED SECTION (A224)

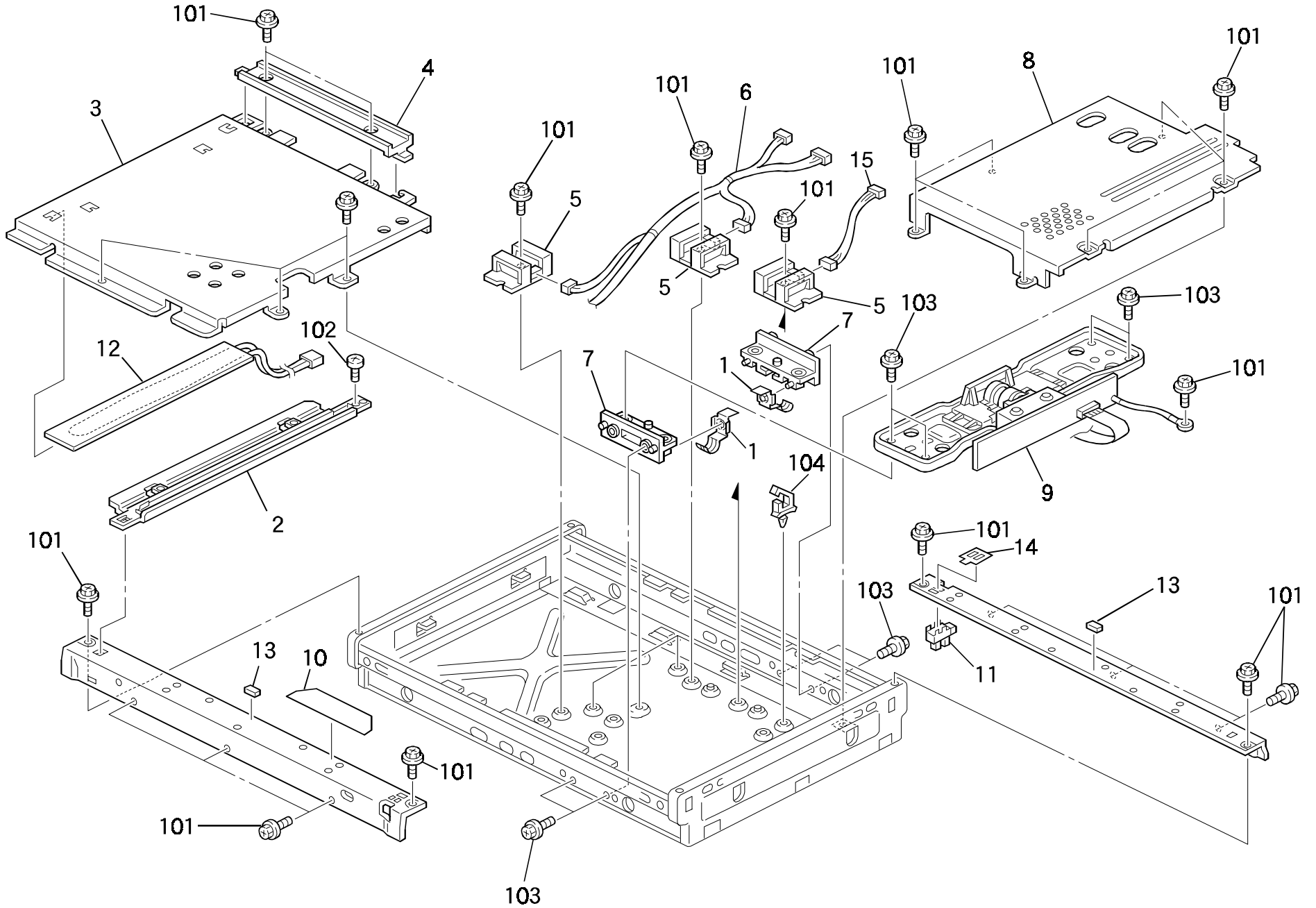


10. PAPER FEED SECTION (A224)

Index No.	Part No.	Description	Q'ty Per Assembly
1	G020 2587	Bushing - Paper Feed	2
2	G020 1096	Right Shielding Plate	1
3	G020 2655	Upper Front Guide - Paper Tray	2
4	G020 2654	Upper Rear Guide - Paper Tray	2
5	G697 1261	Magnetic Catch Bracket	4
6	G020 2762	Lower Transport Guide	1
7	G020 2554	Paper Feed Roller Ass'y	1
8	A224 2564	Relay Roller	1
9	G020 2589	Bracket - Vertical Transport Sensor	1
10	G020 2584	Photointerruptor	1
11	G020 2610	Left Vertical Transport Guide	1
12	G020 2612	Vertical Relay Guide	2
13	G020 2616	Bracket - Microswitch	1
14	G020 5408	Harness - Transport Sensor	1
15	G020 2618	Stay - Paper End Sensor	1
16	G020 2632	Guide Plate - Vertical Transport	1
17	A048 2838	Nylon Rivet	1
18	G020 2643	Front Grounding Plate - Paper Tray	2
19	G020 2626	Release Spring - Paper End Feeler	1
20	AW02 0075	Photointerrupter	1
21	A224 5409	Harness - Paper End Sensor	1
22	G020 1113	Relay Roller Clutch	1
23	G020 2580	Paper End Sensor Bracket	1
24	G020 2622	Release Arm - Paper End Feeler	1
25	G020 2615	Microswitch	1
26	G020 2555	Paper Feed Roller	2
27	A193 9800	Tray Heater - 115V	1
27	A193 9801	Tray Heater - 230V	1
28	G020 2565	Paper Guide	4
29	G020 2586	Rear Pin - Paper Feed Roller	1
30	G020 2585	Front Pin - Paper Feed Roller	1
31	G020 2570	Shaft - Paper Feed Roller	1
32	G020 2625	Holder - Vertical Transport Guide	1
33	AG07 0012	Magnet	2
34	AF02 0283	Pressure Roller	4

Index No.	Part No.	Description	Q'ty Per Assembly
35	G020 2635	Spring Plate - Driven Roller	8
36	A224 2554	Cover - Paper Feed	1
37	5415 2578	Spacer - 6x14x3mm	2
38	A224 2596	Cover - Paper End Sensor	1
39	5447 2681	Snap Ring	1
40	G020 2581	Paper End Feeler	1
101	0451 3006B	Tapping Screw - M3x6	
102	0805 3480	Bushing - 6mm	
103	0720 0040E	Retaining Ring - M4	
104	0451 3008B	Tapping Screw - M3x8	
105	0242 0080B	Philips Pan Head Screw - M2 X 8	

11. OPTICS SECTION 1 (A224)

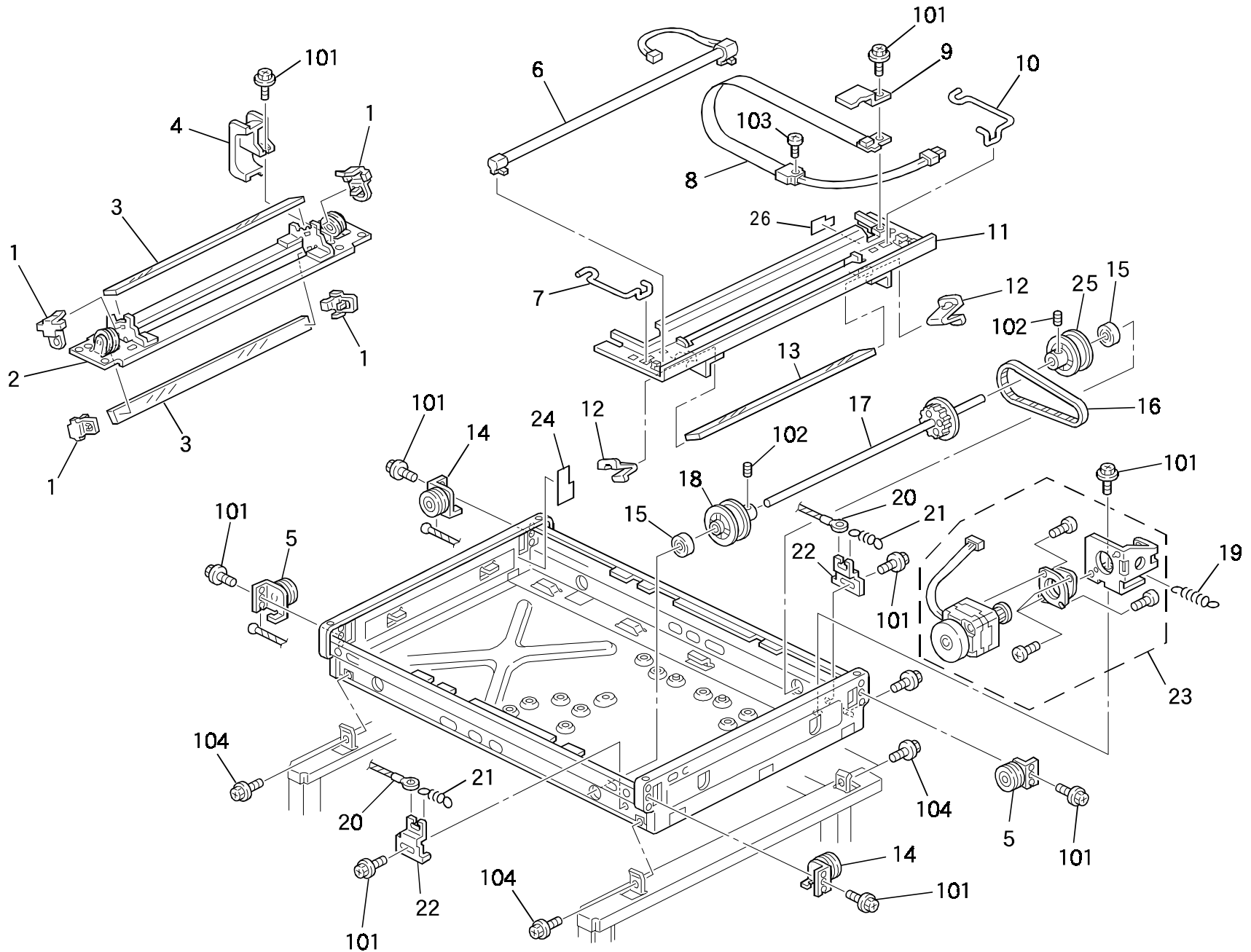


11. OPTICS SECTION 1 (A224)

Index No.	Part No.	Description	Q'ty Per Assembly
1	A193 1790	Grounding Plate - Lens Block	1
2	A193 1754	Bracket - Left Orignal Scale	1
3	A193 1824	Left Inner Cover - Scanner Unit	1
4	A193 1781	Lower Harness Guide	1
5	A193 5906	Original Sensor	3
6	A224 5414	Harness - Scanner Unit	1
7	A193 1826	Lens Block Holder	2
8	A193 1689	Right Inner Cover	1
9	A193 1673	Lens Holder Ass'y	1
10	A193 1819	Front Seal - Scanner Frame	1
11	AW02 0075	Photointerrupter	1
12	AX40 0089	Anticondensation Heater - 230V	1
12	AX40 0088	Anticondensation Heater - 115V	1
13	5442 1924	Exposure Glass Cushion	1
14	A193 1793	Scanner Home Sensor Stopper	1
15	A193 5401	Harness - Original Sensor (230V)	1

Index No.	Part No.	Description	Q'ty Per Assembly
101	0451 3006B	Tapping Screw - M3x6	
102	0353 0050F	Tapping Screw - M3x5	
103	0450 3010B	Tapping Screw - M3x10	
104	1105 0460	Clamp	

12. OPTICS SECTION 2 (A224)

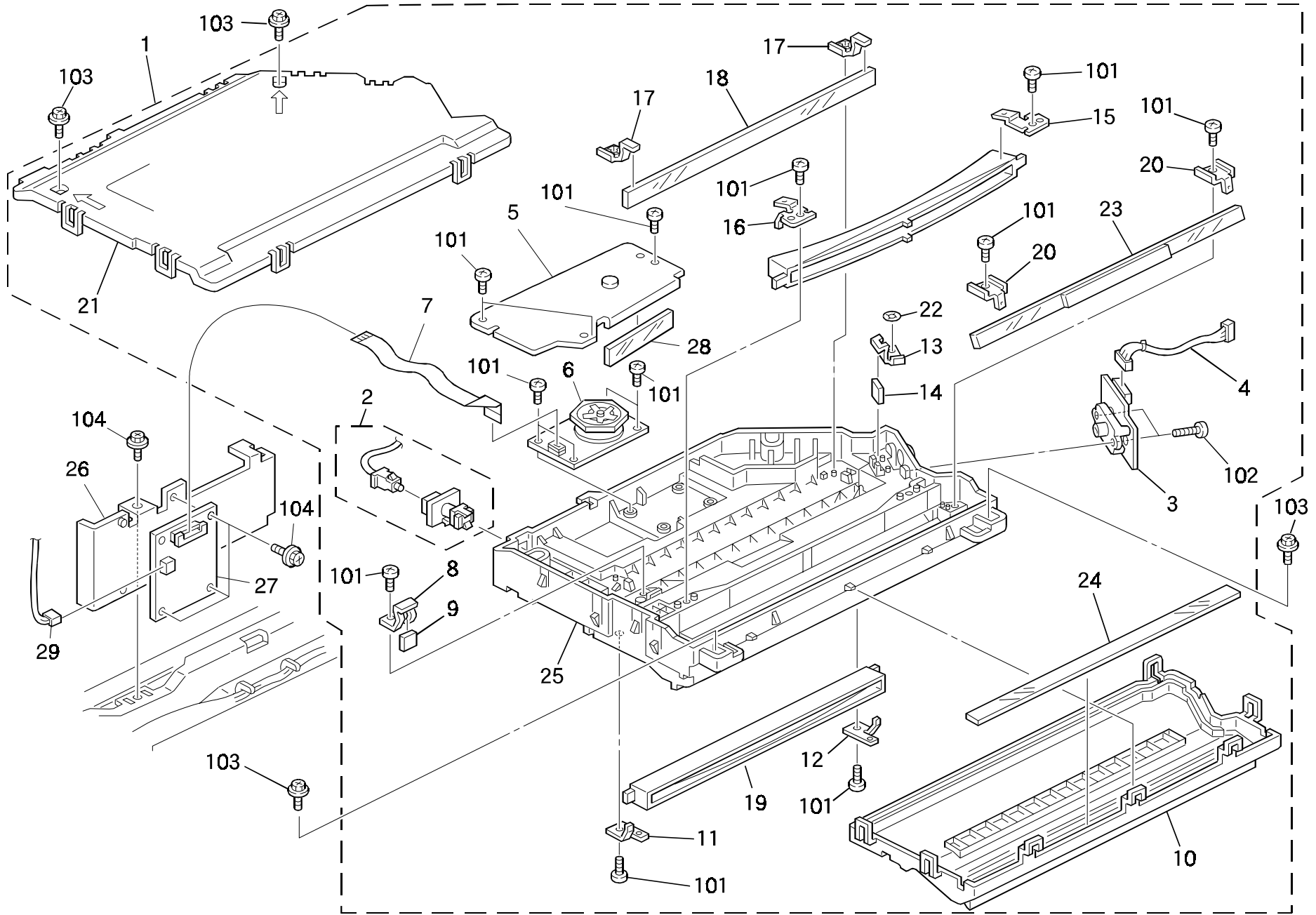


12. OPTICS SECTION 2 (A224)

Index No.	Part No.	Description	Q'ty Per Assembly
1	A193 1777	2nd/3rd Mirror Holder	4
2	A193 1770	2nd Scanner Ass'y	1
3	A193 1669	2nd/3rd Mirror	2
4	A193 1776	Upper Harness Guide	1
5	A193 1841	Pulley - Front Left	2
6	A193 5702	Exposure Lamp	1
7	A193 1766	Wire Clamp	1
8	A193 5703	Exposure Lamp Harness	1
9	A193 1799	Harness Guide - Exposure Lamp	1
10	A193 1769	Clamp - Rear Wire	1
11	A193 1760	1st Scanner Ass'y	1
12	A193 1767	1st Mirror Holder	2
13	A193 1764	1st Mirror	1
14	A193 1845	Pulley - Rear Left	2
15	A193 1829	Ball Bearing - M8	2
16	A193 1840	Timing Belt - L220 B8	1
17	A193 1682	Scanner Drive Pulley Ass'y	1
18	A193 1832	Front Scanner Pulley	2
19	A193 1784	Tension Spring	1
20	A193 1838	Scanner Drive Wire	2
21	A193 1783	Tension Spring	2
22	A193 1849	Tension Bracket	2
23	A193 1690	Scanner Motor - DC 6W	1
24	A193 1798	Decal- Side Plate	1
25	A193 1831	Rear Scanner Pulley	1
26	A193 1796	Decal - Carriage	1

Index No.	Part No.	Description	Q'ty Per Assembly
101	0451 3006B	Tapping Screw - M3x6	
102	0575 0050E	Hexagon Headless Set Screw - M5x5	
103	0453 3014B	Taping Screw - M3x14	
104	0451 3008B	Tapping Screw - M3x8	

13. LASER UNIT (A224)

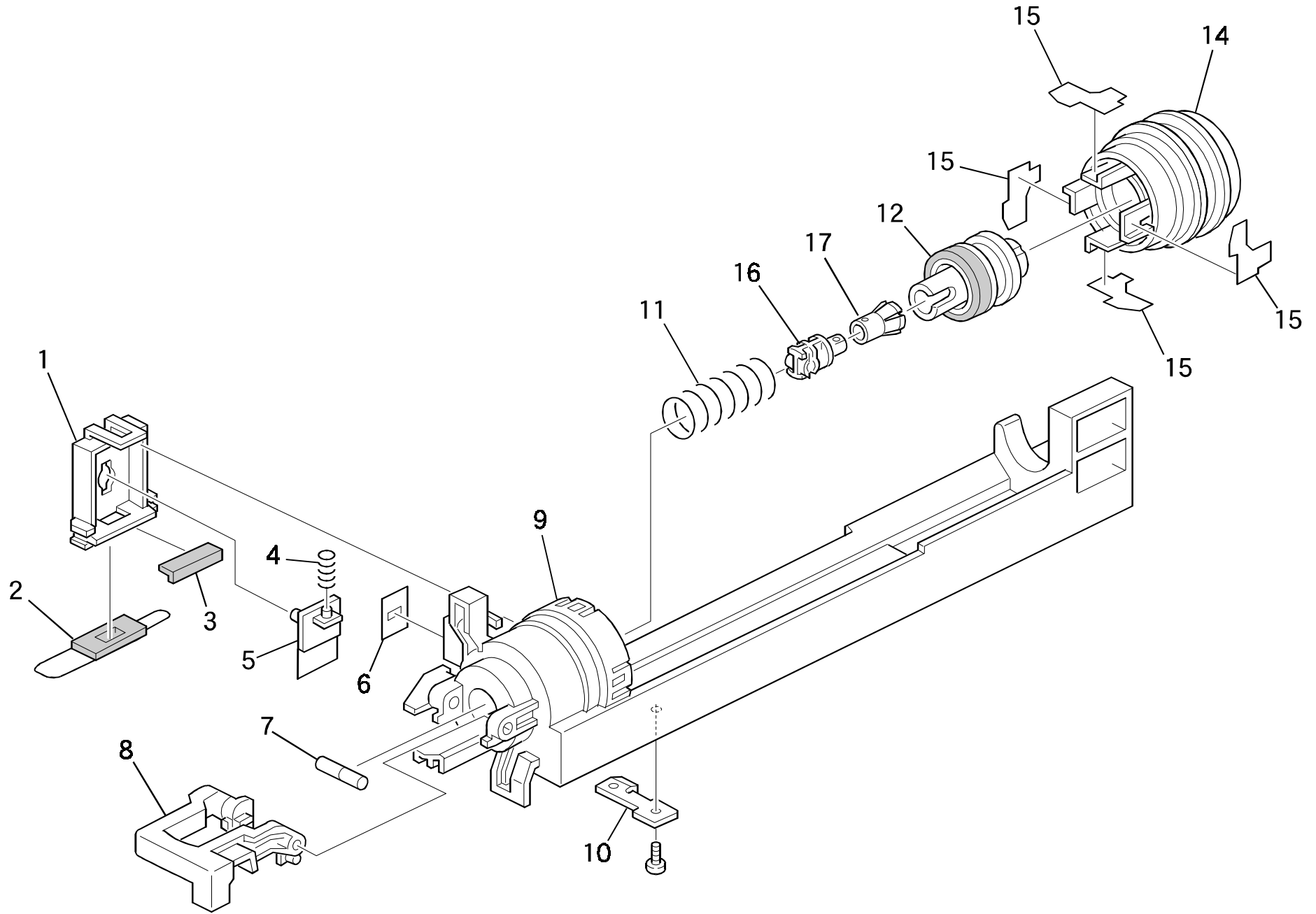


13. LASER UNIT (A224)

Index No.	Part No.	Description	Q'ty Per Assembly
1	A224 1853	Laser Unit Ass'y (115V)	1
1	A224 1855	Laser Unit Ass'y (230V)	1
2	G020 1912	Sync Detector	1
3	A224 1861	LD Unit (115V)	1
3	A224 1865	LD Unit (230V)	1
4	A193 5742	LD Unit Harness (115V)	1
4	A193 5220	LD Unit Harness (230V)	1
5	G020 1952	Cover - Polygon Motor	1
6	G020 1942	Polygon Mirror Motor	1
7	G020 5234	Relay Harness -Polygon Mirror Drive	1
8	G020 1915	Sync Detector Mirror Holder	1
9	G020 1911	Sync Detector Mirror	1
10	G020 1902	Lower Cover - Laser Unit	1
11	G020 1903	Right Holder - BTL Lens	2
12	G020 1904	Left Holder - BTL Lens	1
13	G020 1905	Cylindrical Lens Holder	1
14	G020 1966	Cylindrical Lens	1
15	G020 1906	Left Holder - F Theta Mirror	1
16	G020 1907	Right Holder - F Theta Mirror	1
17	G020 1908	1st Mirror Holder	2
18	G020 1964	1st Mirror - Laser Unit	1
19	G020 1969	BTL Lens	1
20	G020 1909	2nd Mirror Holder	2
21	G020 1940	Laser Unit Cover (230V)	1
21	G020 1941	Laser Unit Cover (115V)	1
22	G020 1923	CS Ring - M2.4	1
23	G020 1928	2nd Mirror - Laser Unit	1
24	G020 1962	Shield Glass	1
25	G020 1924	Housing - Laser Unit	1
26	G020 1939	Bracket - Polygon Motor Driver	1
27	G020 1943	Polygon Motor Driver	1
28	G020 1877	Shield Glass	1
29	A224 5438	Harness - Polygon Mirror Motor	1

Index No.	Part No.	Description	Q'ty Per Assembly
101	0452 3008B	Tapping Screw - M3x8	
102	0452 3010B	Tapping Bind Screw - M3x10	

14. TONER HOPPER UNIT (A224)

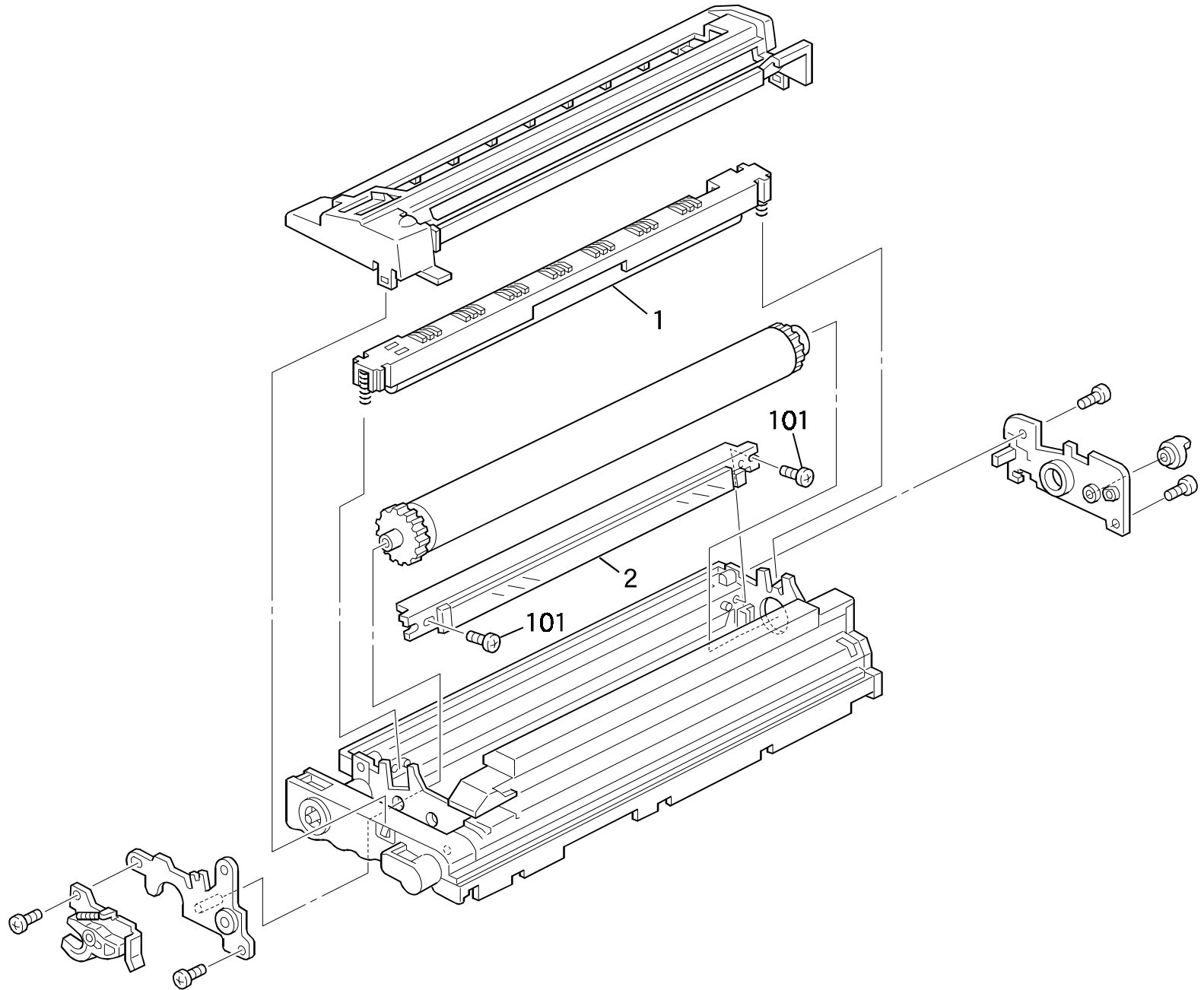


14. TONER HOPPER UNIT (A224)

Index No.	Part No.	Description	Q'ty Per Assembly
1	G020 3311	Cover - Toner Supply	1
2	G020 3340	Lower Seal - Toner Supply	1
3	G020 3345	Right Seal	1
4	G020 3313	Spring	1
5	G020 3317	Shutter - Toner Supply	1
6	G020 3312	Gate - Toner Supply	1
7	A184 3422	Toner Slider	1
8	G020 3339	Handle - Toner Supply	1
9	A224 3314	Toner Supply Unit	1
10	G020 3320	Hook - Toner Supply Unit	1
11	A184 3411	Chuck Spring	1
12	G020 3334	Slider Ass'y	1
14	G020 3322	Cover - Toner Supply Unit	1
15	G020 3325	Sheet - Agitator	4
16	A184 3421	Chuck Shaft	1
17	A184 3420	Bottle Chuck	1

Index No.	Part No.	Description	Q'ty Per Assembly

15. P.C.U. (A224)

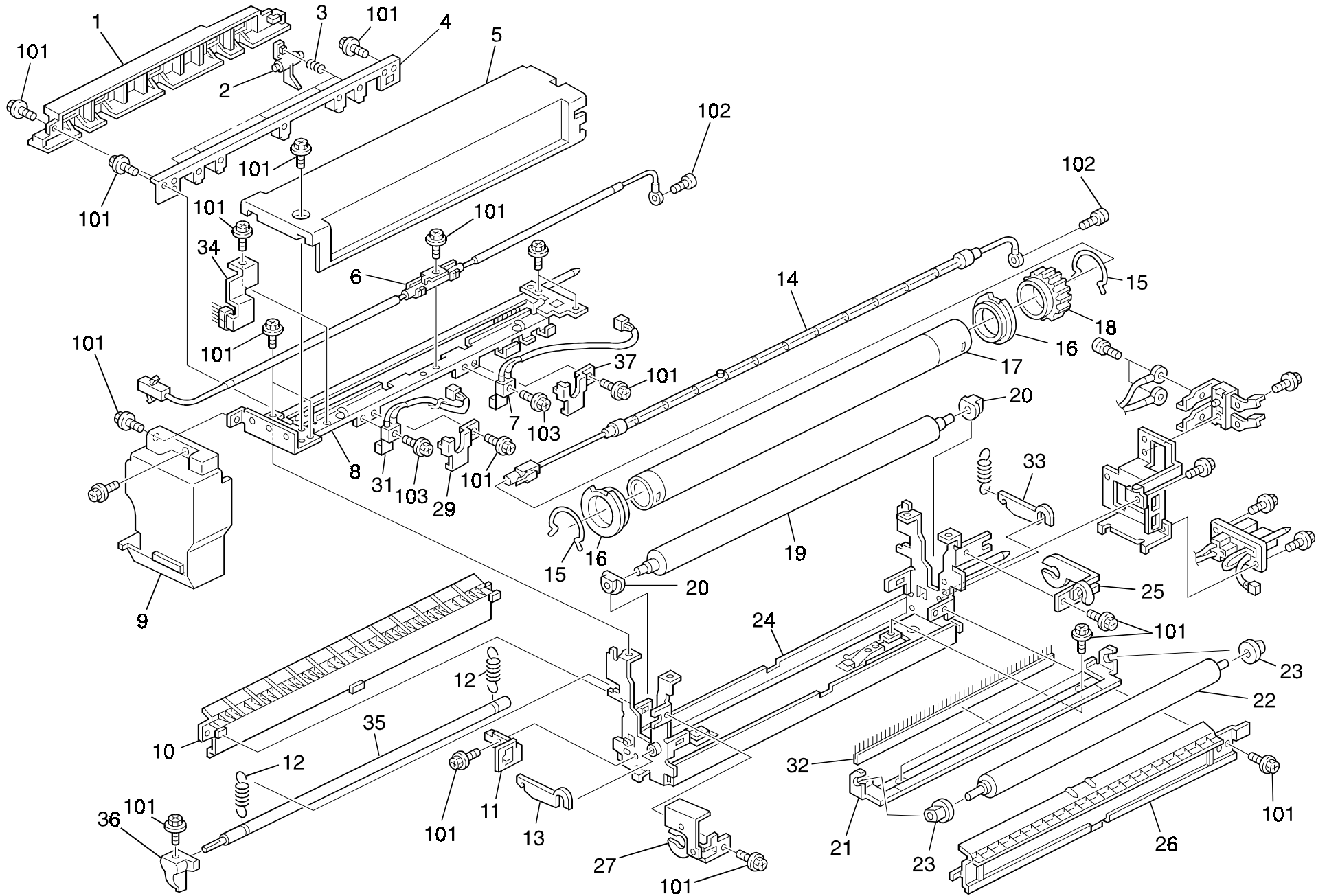


15. P.C.U. (A224)

Index No.	Part No.	Description	Q'ty Per Assembly
1	G020 2020	Charge Roller Ass'y	1
2	G020 3550	Cleaning Blade	1

Index No.	Part No.	Description	Q'ty Per Assembly
101	0452 3008B	Tapping Screw - M3x8	

16. FUSING UNIT (A224)

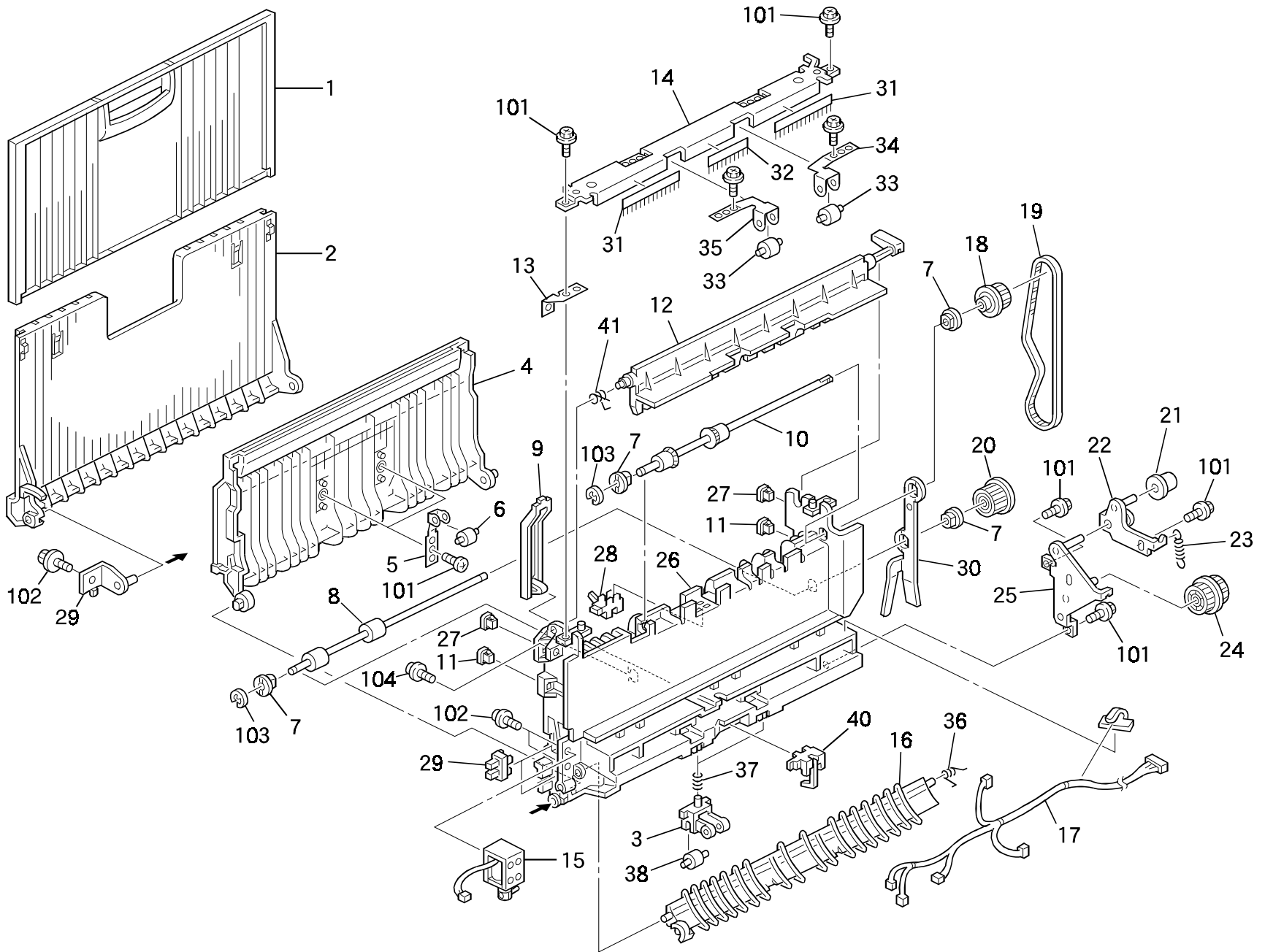


16. FUSING UNIT (A224)

Index No.	Part No.	Description	Q'ty Per Assembly
*	G020 4017	Fusing Unit Ass'y (115V)	1
*	G020 4027	Fusing Unit Ass'y (230V)	1
1	G020 4149	Upper Exit Guide - Fusing Unit	1
2	G020 4178	Hot Roller Stripper	5
3	G020 4193	Spring - Hot Roller Stripper	5
4	G020 4179	Bracket - Hot Roller Stripper	1
5	G020 4129	Upper Fusing Cover	1
6	G020 4133	Thermofuse - 169°C	1
7	G020 4185	Fusing Thermistor	1
8	A224 4130	Stay Fusing Unit	1
9	G020 4294	Front Fusing Cover	1
10	G020 4247	Lower Exit Guide - Fusing Unit	1
11	G020 4152	Connector Bracket - Fusing Unit	1
12	G020 4291	Tension Spring	2
13	G020 4243	Front Pressure Lever - Fusing Unit	2
14	A193 4187	Fusing Lamp - 120V 800W	1
14	A193 4188	Fusing Lamp - 230V 700W	1
15	0725 0200E	C-Ring - Hot Roller	2
16	A224 4173	Ball Bearing - 20x32x7	2
17	A224 4170	Hot Roller	1
18	A224 4177	Gear - Hot Roller	1
19	G020 4280	Pressure Roller	1
20	G020 4175	Bushing - Pressure Roller	2
21	A224 4112	Bracket Cleaning Roller	1
22	AE04 2009	Cleaning Roller	1
23	G020 4176	Bushing - Cleaning Roller	2
24	A224 4141	Fusing Unit Frame	1
25	G020 4159	Rear Holder - Fusing Lamp	1
26	G020 4246	Lower Entrance Guide	1
27	G020 4160	Front Heater Holder	1
28	G020 4183	Fusing Unit Harness (115V)	1
28	G020 4184	Fusing Unit Harness (230V)	1
29	G020 4151	Bracket - Fusing Connector	1
30	G020 4163	Heater Socket	1
31	G020 4285	Thermistor	1

Index No.	Part No.	Description	Q'ty Per Assembly
32	AA12 0005	Antistatic Brush	1
33	G020 4244	Rear Pressure Lever - Fusing Unit	1
34	A224 4136	Antistatic Brush - Hot Roller	1
35	G020 4293	Shaft	1
36	G020 4292	Lever - Shaft	1
37	G020 4287	Cover - Thermistor	1
101	0451 3006B	Tapping Screw - M3x6	
102	0950 4006M	Philips Screw With Flat Washer - M4x6	
103	0451 3010B	Tapping Screw - M3x10	

17. PAPER EXIT SECTION (A224)

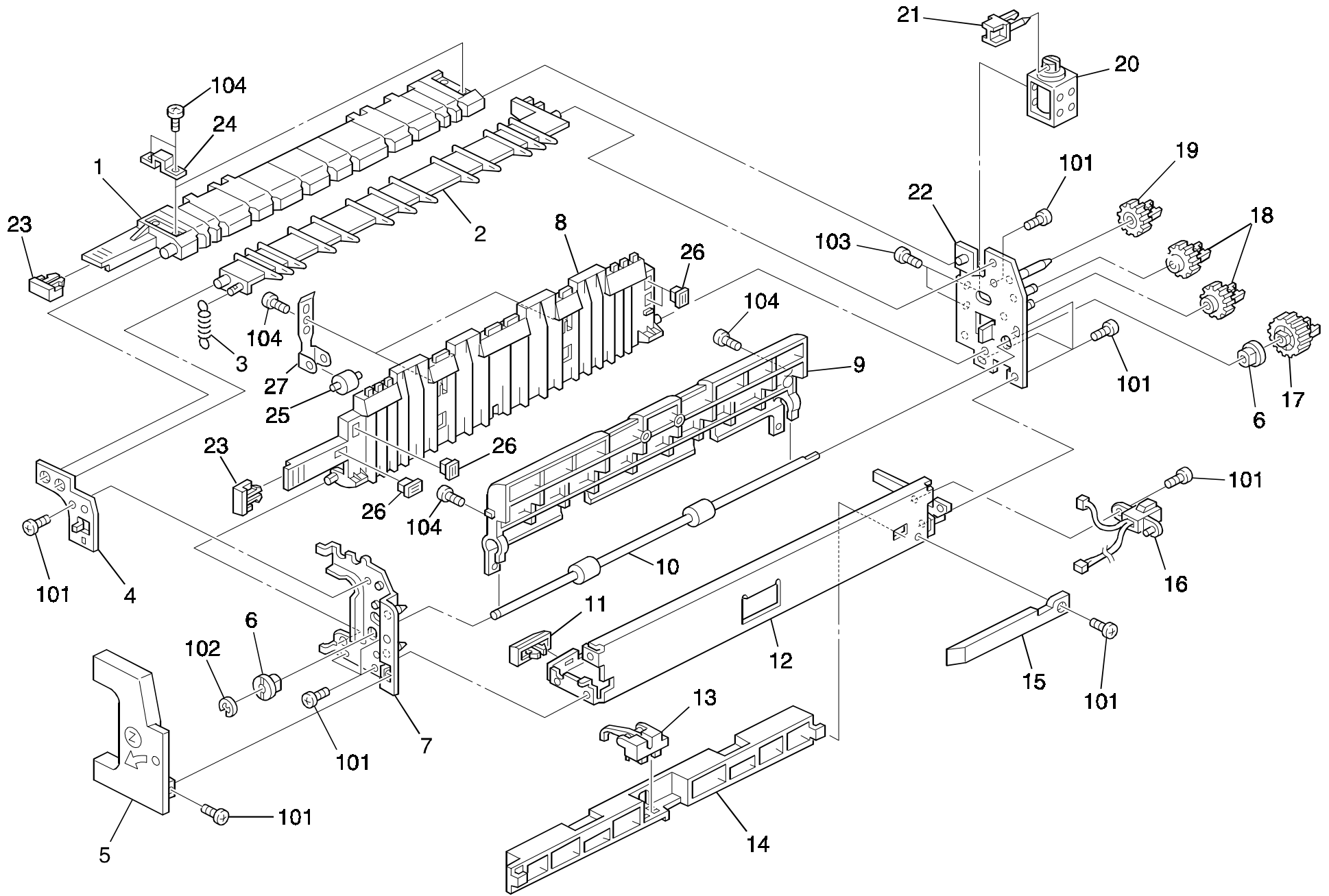


17. PAPER EXIT SECTION (A224)

Index No.	Part No.	Description	Q'ty Per Assembly
1	G020 4423	Sub Copy Tray - FU	1
2	G020 4419	Left Cover Tray	1
3	G020 4463	Roller Holder	2
4	G020 4452	Right Vertical Guide	1
5	G020 4446	Spring Plate - Roller	2
6	G012 4865	Exit Roller	2
7	G020 4466	Bushing - M6	4
8	G020 4426	Exit Relay Roller	1
9	G020 4465	Harness Cover	1
10	G020 4427	Exit Roller - FD	1
11	G012 1531	Magnet	2
12	G020 4411	Paper Exit Pawl	1
13	G020 4453	Grounding Plate	1
14	G020 4468	Stay - FD	1
15	G020 4439	Junction Gate Solenoid - FD	1
16	G020 4424	Junction Gate - FU	1
17	G020 5402	Harness - Paper Exit	1
18	G020 4436	Pulley - 28Z	1
19	G020 4437	Timing Belt - B60S2M-386	1
20	G020 4435	Pulley - 32Z	1
21	G020 4444	Tightener	1
22	G020 4333	Tightener - 1bin Sorter	1
23	G020 4440	Tension Spring	1
24	G020 4447	Pulley - 44Z	1
25	G020 4332	Rear Stud - 1bin Sorter	1
26	G020 4409	Guide Plate - Feed Down	1
27	A049 3371	Magnet	2
28	G020 4429	Exit Sensor	1
29	AW02 0075	Photointerrupter	1
30	G020 4481	Grounding Plate - Exit Roller	1
31	G020 4483	Antistatic Brush - FD	2
32	G020 4374	Middle Antistatic Brush - FD	1
33	G020 4390	Exit Roller	2
34	G020 4471	Rear Spring Plate - Driven Roller	1
35	G020 4470	Front Spring Plate - Driven Roller	1

Index No.	Part No.	Description	Q'ty Per Assembly
36	G020 4467	Tension Spring	1
37	G020 4431	Pressure Spring	2
38	AF04 0031	Upper Exit Roller	2
39	G020 1710	Exit Tray Holder	1
40	G020 4472	Paper Feed Sensor	1
41	G020 4455	Spring	1
101	0450 3008B	Tapping Screw - M3x8	
102	0957 3008B	Philips Screw	
103	0720 0040E	Retaining Ring - M4	
104	0451 3006B	Tapping Screw - M3x6	

18. INVERTER UNIT

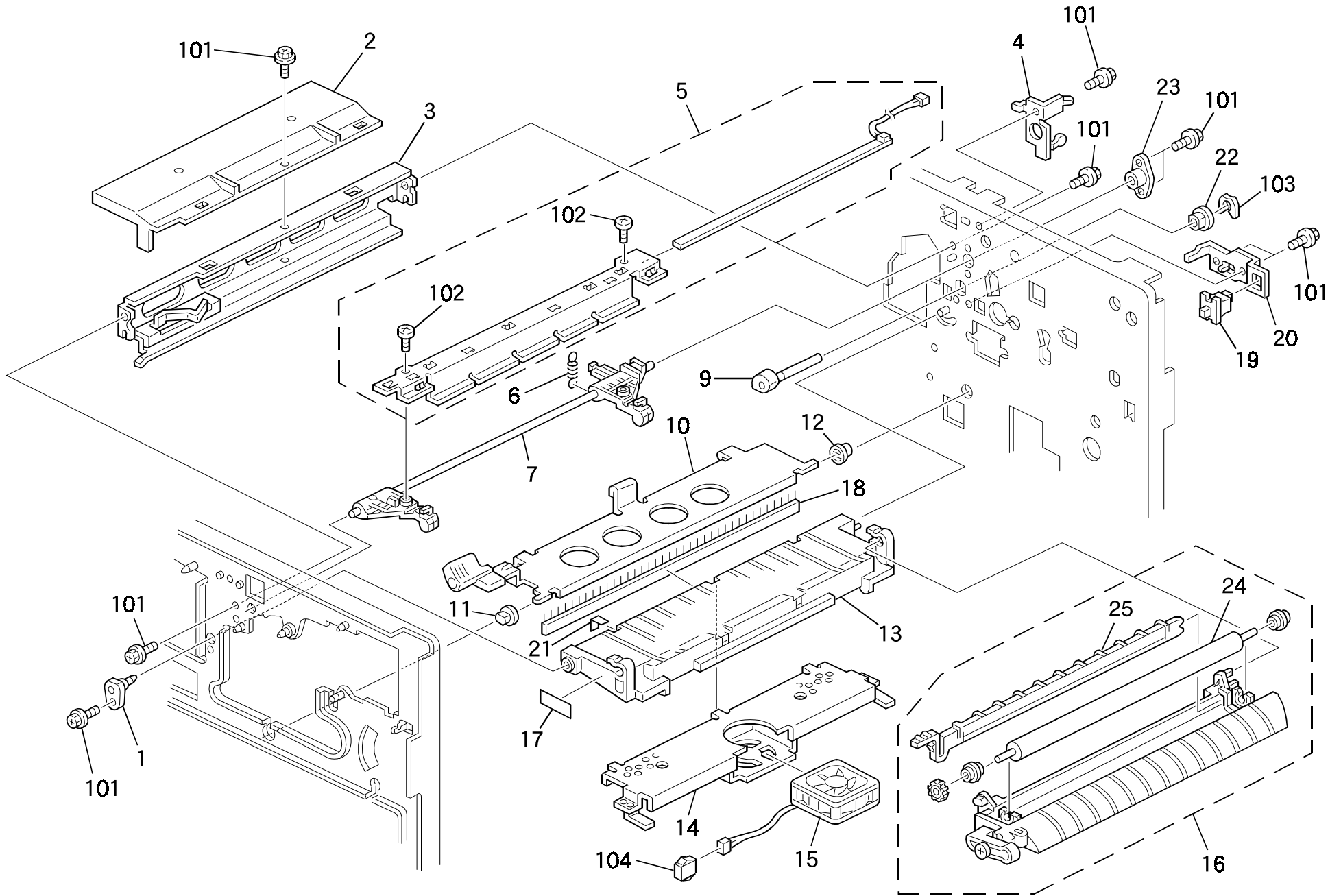


18. INVERTER UNIT

Index No.	Part No.	Description	Q'ty Per Assembly
1	G694 4639	Transport Guide Plate	1
2	G694 4638	Junction Gate	1
3	G694 4647	Junction Gate Spring	1
4	G694 4646	Front Holder	1
5	G694 4648	Inverter Unit Cover	1
6	G020 4479	Bushing - 6mm	2
7	G694 4660	Front Side Plate	1
8	G694 4634	Left Guide Plate	1
9	G694 4636	Right Guide Plate - Upper	1
10	G694 4640	Inverter Roller	1
11	G694 4673	Left Guide	1
12	G694 4670	Frame - Inverter Unit	1
13	G020 4490	Paper Exit Sensor	1
14	G694 4671	Right Guide Plate - Lower	1
15	G694 4672	Right Guide	1
16	G694 5470	Inverter Unit Harness	1
17	G694 4641	Gear - 24Z	1
18	G694 4643	Gear - 18Z	2
19	G694 4642	Gear - 17Z	1
20	G020 4425	DC Solenoid	1
21	G694 4645	Junction Gate Lever	1
22	G694 4650	Rear Side Plate	1
23	G020 4492	Knob - Guide Plate	2
24	G020 4493	Magnet	2
25	AF04 0031	Upper Exit Roller	2
26	G012 1531	Magnet	4
27	G020 4491	Roller Holder	2

Index No.	Part No.	Description	Q'ty Per Assembly
101	0453 3008B	Tapping Screw - M3x8	
102	0720 0040B	Retaining Ring - M4	
103	0313 0040B	Philips Pan Head Screw - M3x4	
104	0452 3008B	Tapping Screw - M3x8	

19. TRANSPORT SECTION 1 (A224)

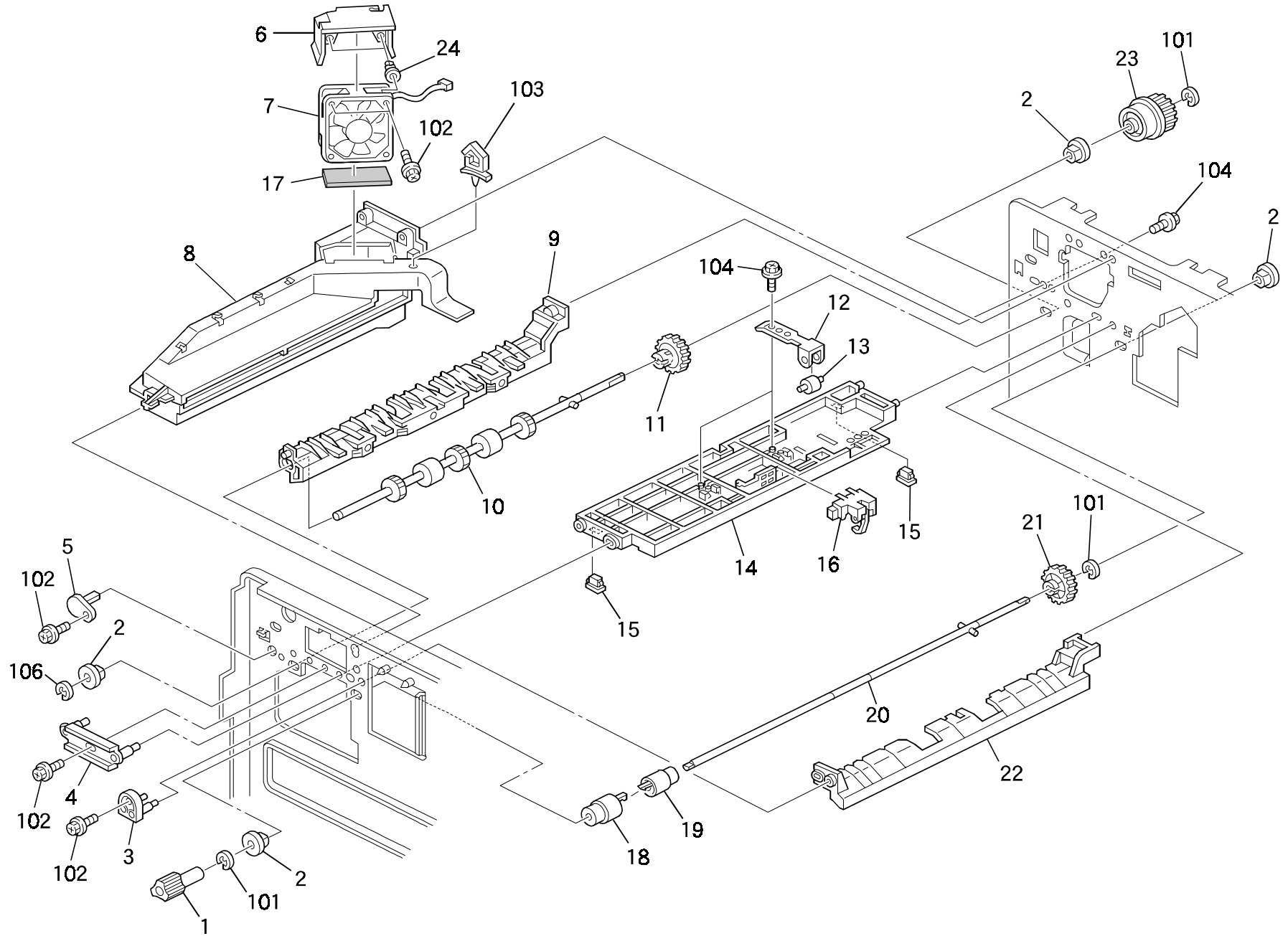


19. TRANSPORT SECTION 1 (A224)

Index No.	Part No.	Description	Q'ty Per Assembly
1	G020 3888	Pin - Transfer Guide	1
2	G020 1106	Right Duct	1
3	G020 1098	Stay - OPU	1
4	G020 1194	Bracket - Fusing Drive Gear	1
5	G020 2160	Quenching Lamp	1
6	G020 2103	Tension Spring	1
7	G020 2170	Pressure Lever - Charge Roller	1
9	G020 2121	Cam - Charge Roller	1
10	G020 3910	Stay - Transfer Unit	1
11	G020 3914	Bushing - Front Transfer Unit	1
12	G020 3915	Bushing - Rear Transfer Unit	1
13	G020 3880	Transport Guide Plate	1
14	G020 3882	Grounding Plate - Transfer Guide	1
15	G020 3887	Fan Motor - DC 3.12W	1
16	A673 3880	Transfer And Separation Unit	1
17	G020 4128	Decal - High Temperature	1
18	G020 3897	Discharge Brush - Transport	1
19	G020 5626	Push Switch	1
20	G020 5817	Bracket - OPU Switch	1
21	G020 3896	Grounding Plate - Discharge Brush	1
22	AA08 2070	Bushing - 8x16x7	1
23	G020 2106	Bushing - Pressure Lever	1
24	G020 3852	Transfer Roller	1
25	A193 3870	Discharge Brush	1

Index No.	Part No.	Description	Q'ty Per Assembly
101	0451 3006B	Tapping Screw - M3x6	
102	0452 3008B	Tapping Screw - M3x8	
103	0805 0088	Retaining Ring - M6	
104	1102 6245	Connector - 2p	

20. TRANSPORT SECTION 2 (A224)

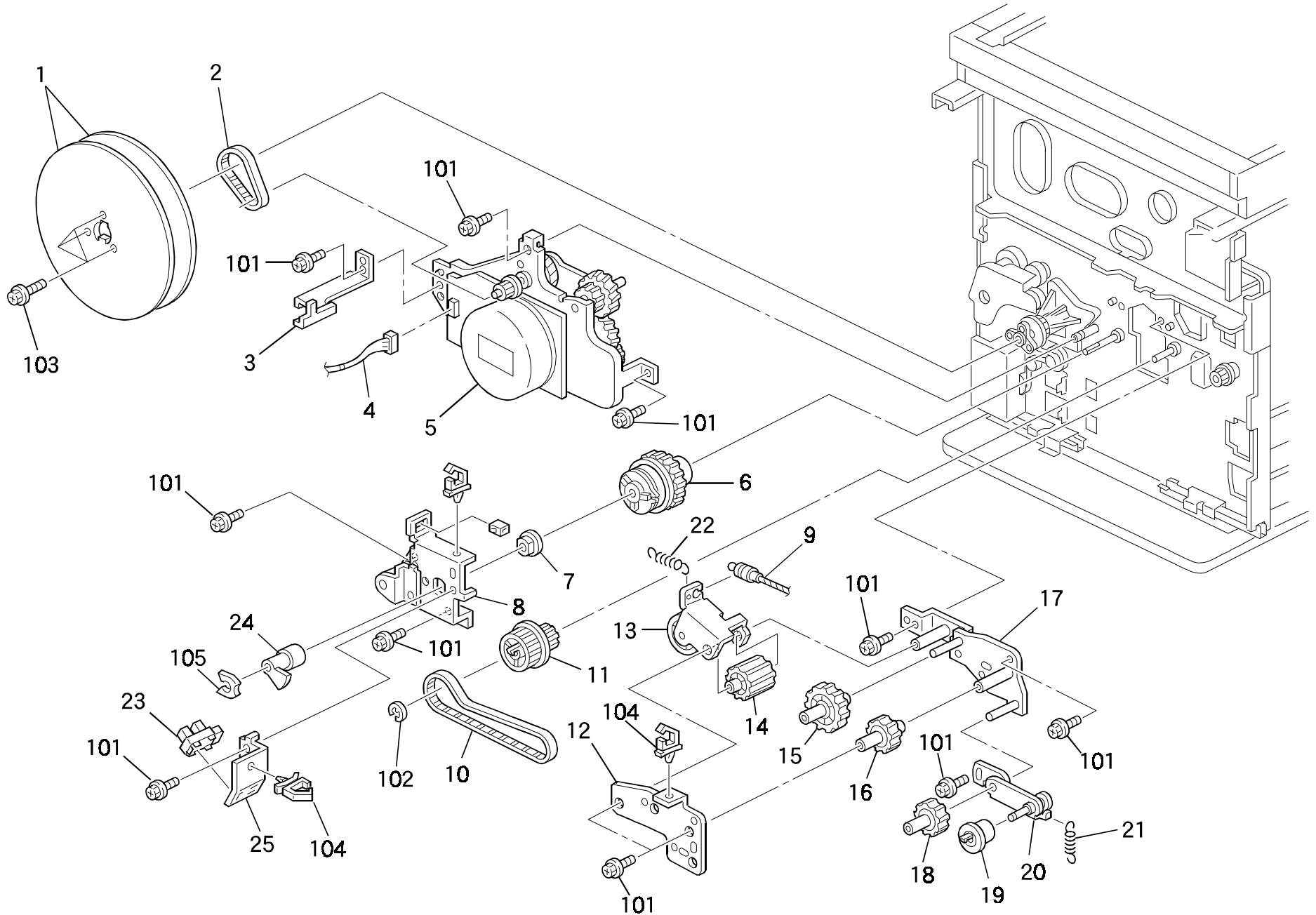


20. TRANSPORT SECTION 2 (A224)

Index No.	Part No.	Description	Q'ty Per Assembly
1	G020 4480	Fusing Knob	1
2	G020 4479	Bushing - 6mm	4
3	G020 4477	Support Bracket - Transport Plate	1
4	G020 4476	Guide Plate Holder	1
5	G020 4331	Front Stud - 1bin Sorter	1
6	G020 1104	Fan Motor Holder	1
7	AX64 0058	Fan Motor - DC 24V 4.32W	1
8	A224 1100	Duct	1
9	G020 4459	Relay Guide - Transport Roller	1
10	G020 4414	Transport Roller Ass'y	1
11	G020 4487	Gear - 26Z	1
12	G020 4491	Roller Holder	2
13	AF04 0031	Upper Exit Roller	2
14	G020 4473	Upper Transport Guide	1
15	G012 1531	Magnet	2
16	G020 4472	Paper Feed Sensor	1
18	G020 4457	Transport Roller - 1	1
19	G020 4458	Transport Roller 2	1
20	G020 4413	Shaft - Transport Roller	1
21	G020 4489	Gear - 24Z	1
22	G020 4475	Guide Plate - Transport	1
23	G020 4382	Pulley 40z	1
24	G020 1107	Nut - M4	1
25	G020 1105	Cushion - Fan Motor	1

Index No.	Part No.	Description	Q'ty Per Assembly
101	0720 0040E	Retaining Ring - M4	
102	0451 3006B	Tapping Screw - M3x6	
103	1105 0310	Wire Clamp	
104	0450 3008B	Tapping Screw - M3x8	

21. DRIVE SECTION 1 (A224)

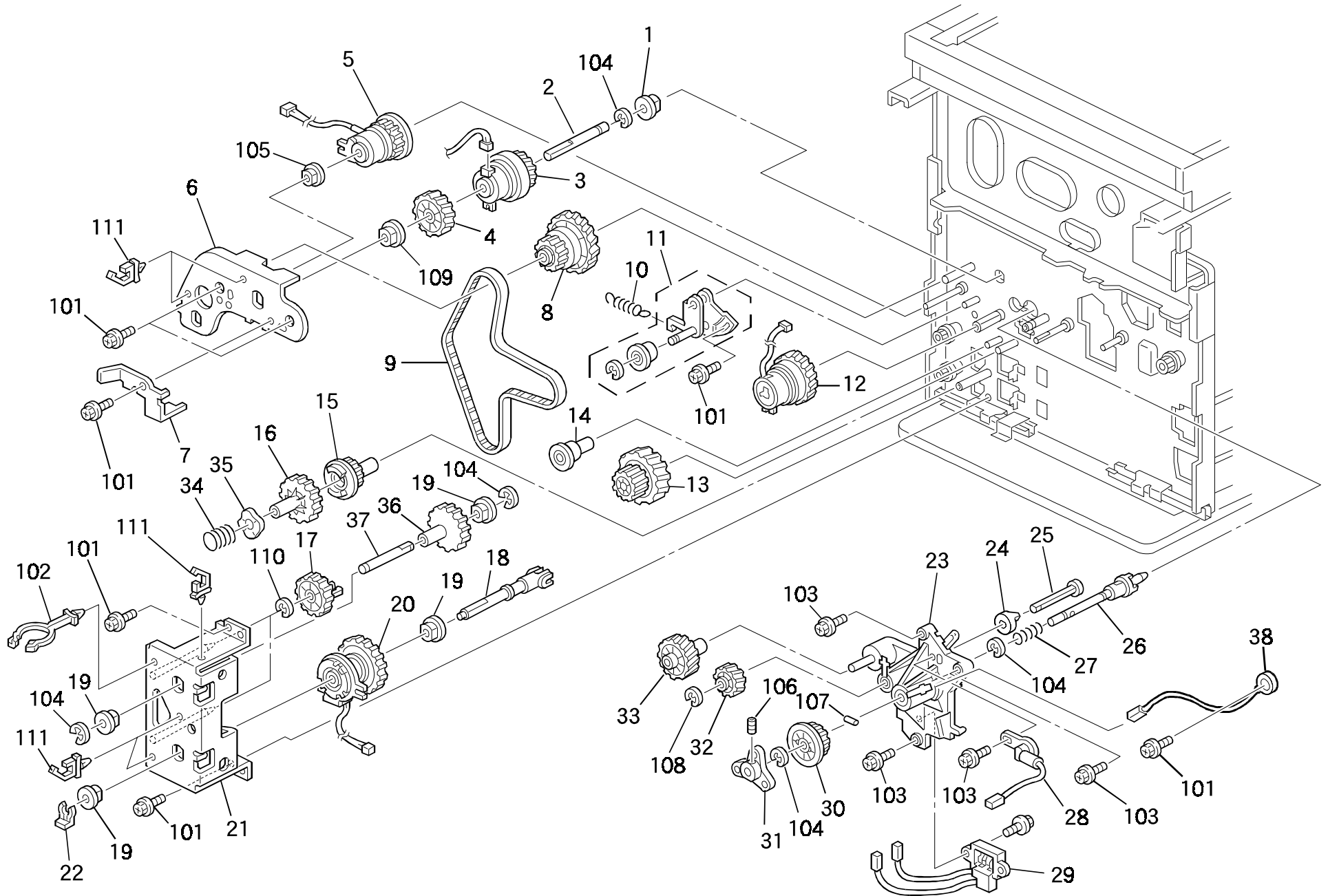


21. DRIVE SECTION 1 (A224)

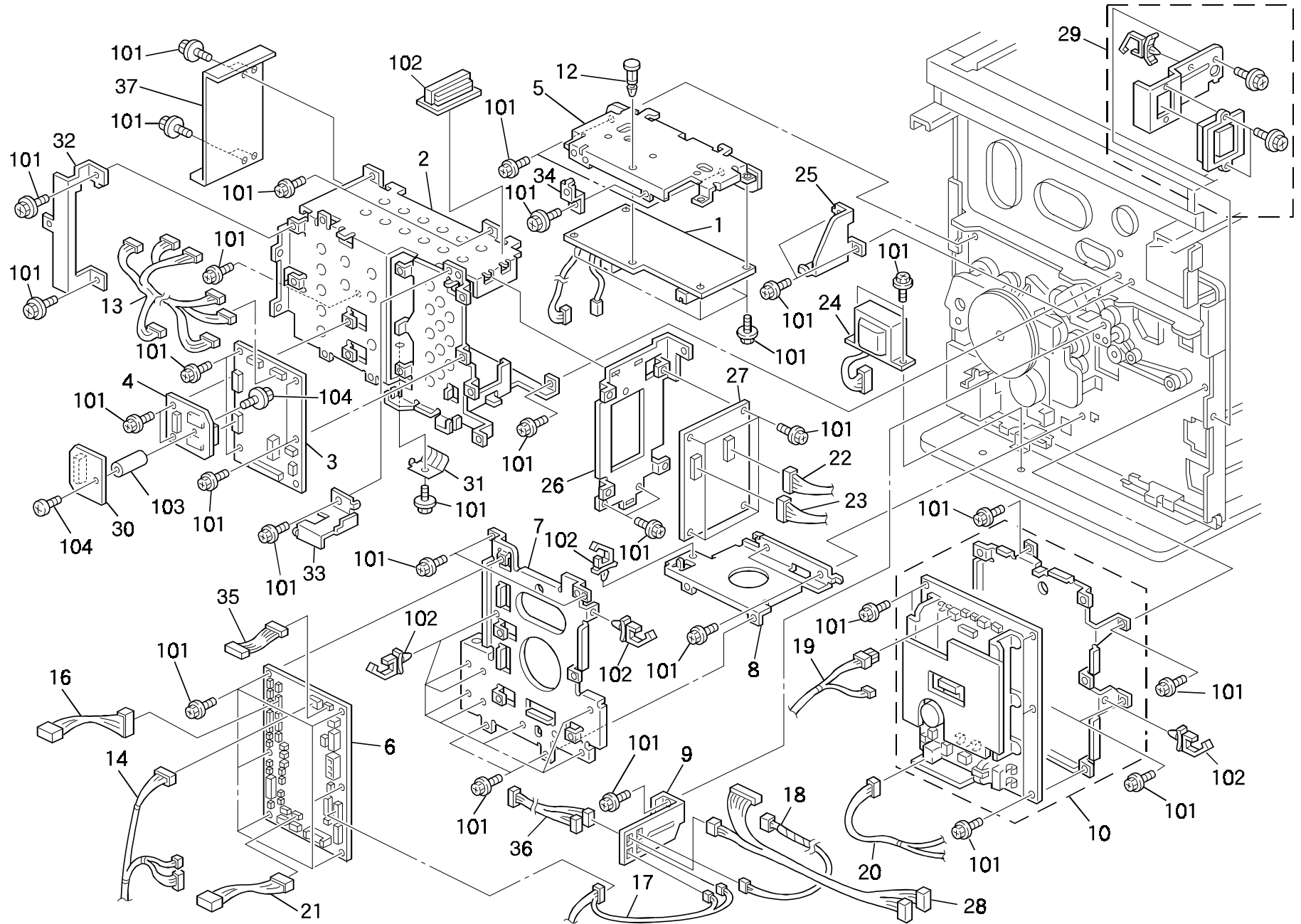
Index No.	Part No.	Description	Q'ty Per Assembly
1	G020 1189	Fly Wheel	2
2	G020 1187	Timing Belt - S2M 158MM	1
3	A193 5865	Stand - IOB	1
4	G020 5434	Harness - Main Motor (115V)	1
4	A193 5435	Harness - Main Motor (230V)	1
5	G020 1725	Main Motor Ass'y	1
6	G020 1117	Charge Roller Contact Clutch	1
7	AA08 2070	Bushing - 8x16x7	1
8	G020 1796	Bracket - Charge Roller	1
9	G020 5839	Release Wire - Fusing Drive	1
10	G020 4380	Timing Belt - 60S2M296	1
11	G020 4381	Gear/pulley - 20Z/43Z	1
12	G020 1158	Support Bracket - Fusing Drive	1
13	G020 1153	Gear - 40Z	1
14	G020 1157	Gear - 28Z	1
15	G020 1167	Gear - 35Z	1
16	G020 4441	Idle Gear - 27Z	1
17	G020 1150	Fusing Drive Bracket	1
18	G020 4442	Idle Gear - 27Z	1
19	G020 4484	Tightener	1
20	G020 4330	Tightener Bracket	1
21	G020 4449	Spring - Tighlener	1
22	G020 1084	Tension Spring	1
23	AW02 0075	Photointerrupter	1
24	G020 2143	Actuator - Charge Roller Clutch	1
25	G020 2141	Bracket - Charge Roller Contact SN	1

Index No.	Part No.	Description	Q'ty Per Assembly
101	0451 3006B	Tapping Screw - M3x6	
102	0720 0040E	Retaining Ring - M4	
103	0451 3014B	Tapping Screw - M3-14	
104	1105 0460	Clamp	
105	0805 0088	Retaining Ring - M6	

22. DRIVE SECTION 2 (A224)



23. ELECTRICAL SECTION 1 (A224)



23. ELECTRICAL SECTION 1 (A224)

Index No.	Part No.	Description	Q'ty Per Assembly
1	A224 5739	Power Pack - BCTD	1
2	A193 5803	Bracket - BICU Board	1
3	A224 5091	BICU Board (115V)	1
3	A224 5092	BICU Board (230V)	1
4	A224 5122	MSU - 4mb	1
5	G020 5870	Bracket - Power Pack	1
6	A224 5105	IOCSS Board (115V)	1
6	A224 5106	IOCSS Board (230V)	1
7	A224 5815	Bracket - IOCSS	1
8	A193 5864	IOB Support Bracket	1
9	A193 5820	Bracket - Harness Guide	1
10	A193 5800	DC Power Supply Board - 115V	1
10	A193 5061	DC Power Supply Board - 220/240V	1
12	G020 5871	Spacer - Kgls-12rf	1
13	A224 5414	Harness - Scanner Unit	1
14	A193 5418	Relay Harness - Scanner Unit (115V)	1
14	A193 5419	Relay Harness - Scanner Unit (230V)	1
16	G020 5404	Harness - PCU Detector	1
17	G020 5412	Harness - Fan Motor	1
18	A193 5474	Harness - Key Counter	1
18	A193 5475	Key Counter Harness (LANIER)	1
19	A193 5452	Harness - Power Supply Board (115V)	1
19	A224 5452	Harness - Power Supply Board (230V)	1
20	A193 5459	Harness - Fusing Lamp (115V)	1
20	A193 5216	Harness - Fusing Lamp (230V)	1
21	G020 5494	Inverter Relay Harness	1
22	A193 5451	DC Harness - Mother Board	1
23	A193 5490	Harness - Mother Board	1
24	AZ02 0010	Choke Coil - 1 0mh-2A	1
25	A193 1072	Harness Clamp Bracket (230V)	1
26	A193 5806	Bracket - Mother Board	1
27	A193 5128	Mother Board	1
28	A193 5497	Harness - Finisher	1
29	A193 5819	Bracket - Finisher	1
30	A224 5130	MSU - 8MB	1

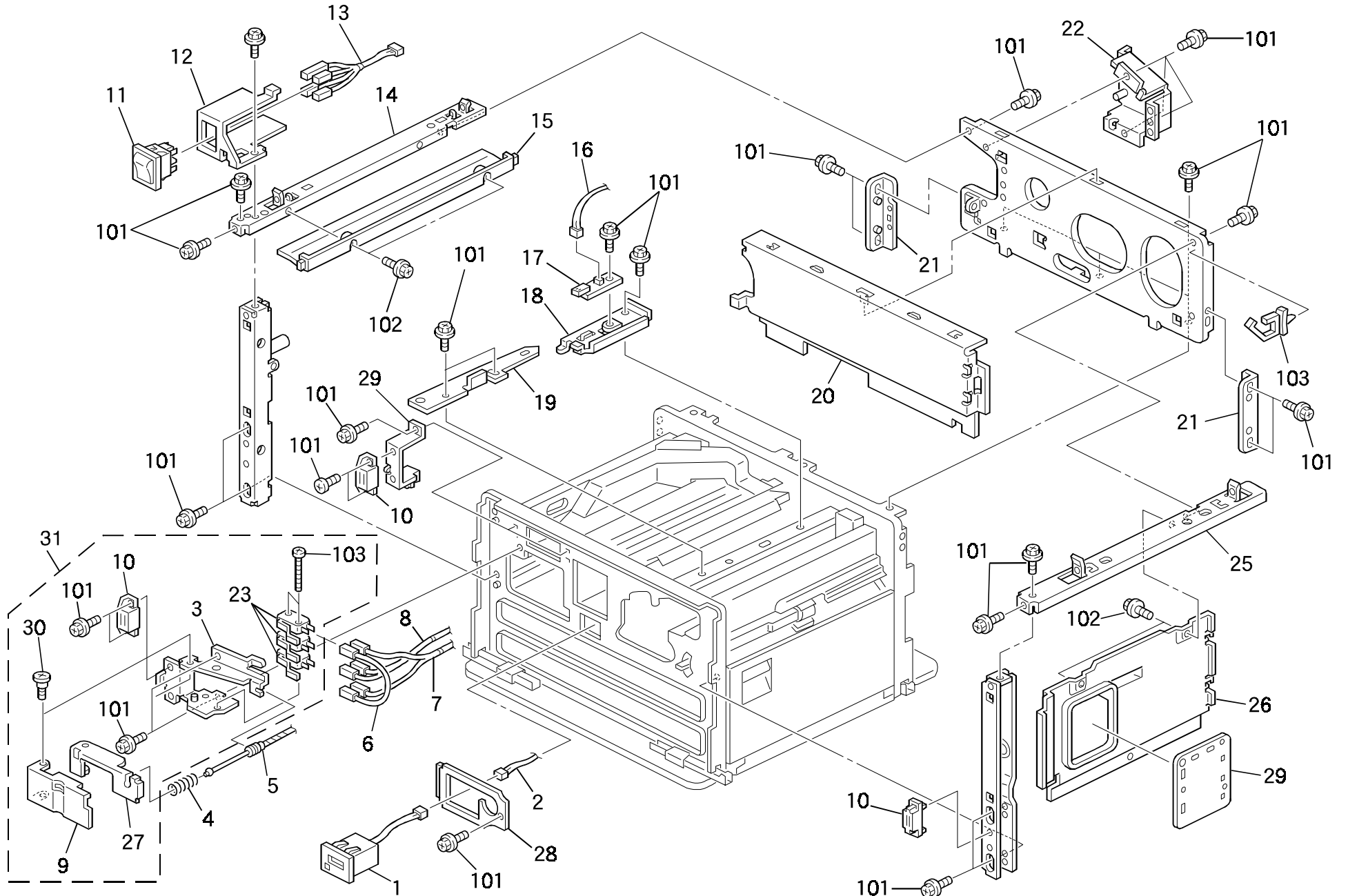
Index No.	Part No.	Description	Q'ty Per Assembly
31	A193 5824	Grounding Plate - PCB (230V)	1
32	A193 5871	Rear Cover Bracket - Right	1
33	A193 5872	Rear Cover Bracket - Middle	1
34	A193 5816	Grounding Plate - Power Pack	1
35	A193 5498	Relay Harness - APS Sensor	1
36	A193 5499	Relay Harness - Finisher 2	1
37	A193 5826	Shield Plate	1
101	0451 3006B	Tapping Screw - M3x6	
102	1607 0644	Ferrite Core - BNC-26	
103	1005 0963	Spacer MP-10	
104	0971 3005	APilips Polycarbonate Screw - M3x5	

24. ELECTRICAL SECTION 2 (A224)

Index No.	Part No.	Description	Q'ty Per Assembly
1	AW02 0075	Photointerrupter	1
2	A193 1786	Platen Cover Bracket	1
3	A193 5496	Df Relay Harness	1
4	A193 5808	ADF Connector - Bracket	1
5	A193 1364	Stand Cover	1
6	A193 5730	Stabilizer - Xenon Lamp	1
7	G020 5115	Pcu Relay Board	1
8	G020 5829	Shoulder Screw - M3x2.5	4
9	A193 1101	Rear Duct	1
10	G020 5818	Bracket - Drawer Connector	1
11	A224 5211	Harness - Fusing Unit (115V)	1
11	A224 5214	Harness - Fusing Unit (230V)	1
12	AA14 3301	Stepped Screw - M3x4	1
13	G020 5116	Inverter Unit Connector	1
14	G020 5816	Bracket - Duplex Harness	1
15	G020 5497	Harness - Duplex Unit	1
16	A193 5711	Power Supply Cord	1
16	A193 5712	Power Supply Cord	1
17	A193 5858	Bracket - Power Supply Cord	1
18	A193 5861	Cover - Power Supply Cord	1
19	A224 5457	Harness - Main Switch (230V)	1
19	A193 5457	Harness - Main Switch (115V)	1
20	A193 5862	Stand - Power Supply Cord (115V)	1
20	A224 5862	Stand - Power Supply Cord (230V)	1
21	G020 5616	Main Switch (115V)	1
21	1204 2421	Main Switch (230V)	1
22	G020 5862	Support Bracket - Base	1
23	A193 5215	Harness - Circuit Breaker	1
24	A193 5817	Bracket - Circuit Breaker	1
25	A224 5820	Connector - Bracket - LCT	1
26	A224 5402	Relay Harness - LCIT	1
27	A193 5841	Grounding Plate - Printer	1
28	A193 5837	Grounding Plate - PSU	1
29	A224 5458	Harness - DC Brack-up (230V)	1
30	A193 5870	Bracket - Handset	1

Index No.	Part No.	Description	Q'ty Per Assembly
101	0451 3006B	Tapping Screw - M3x6	
102	1105 0195	PCB Stud	
103	1105 0291	Wire Saddle	
104	1105 0334	Edge - 17	
105	1105 0310	Wire Clamp	
106	1105 0415	Spacer - 12.7mm	
107	1102 7445	Connector - 46p	
108	0451 3008B	Tapping Screw - M3x8	
109	1107 0472	Circuit Breaker - 250V/8A	
110	1607 0638	Ferrite Core - Tfc25-15-12	
111	1102 7445	Connector - 46p	

25. FRAME SECTION 1 (A224)

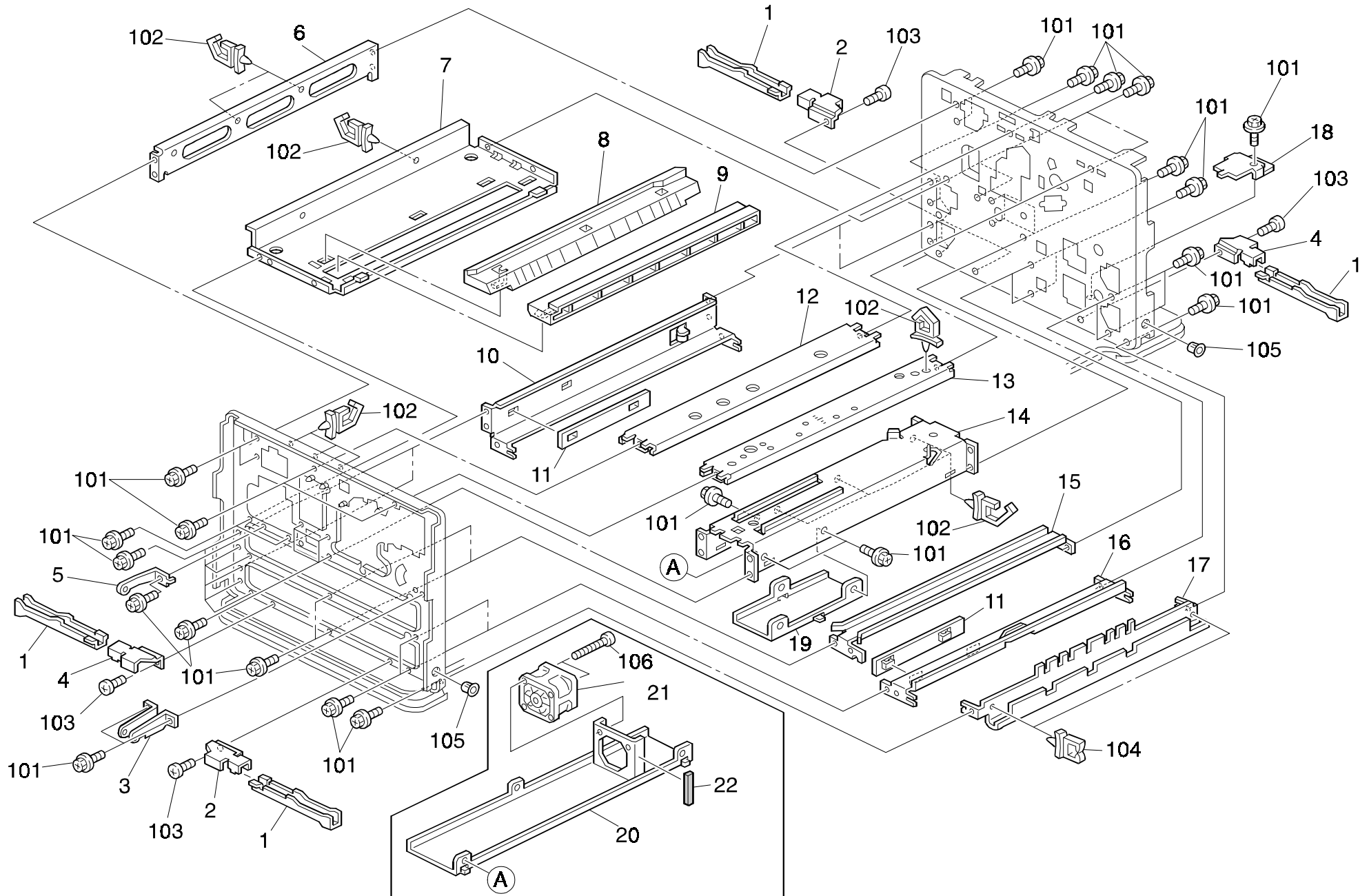


25. FRAME SECTION 1 (A224)

Index No.	Part No.	Description	Q'ty Per Assembly
1	AX31 0022	Total Counter	1
2	A224 5401	Relay Harness - Total Counter	1
3	G020 5807	Bracket - Door Switch	1
4	G020 5835	Release Spring - Fusing Drive	1
5	G020 5839	Release Wire - Fusing Drive	1
6	G020 5486	Harness - Front Door Sw	1
7	A193 5411	Harness Safety Switch - 5V	1
8	A193 5410	Harness Safety Switch - 24V	1
9	G020 5811	Safety Switch Actuator	1
10	AG07 0004	Magnetic Catch	3
11	1204 2446	Switch	1
12	A193 5809	Bracket - Operation Switch	1
13	A193 5456	Harness - Operation Switch	1
14	A193 1079	Left Lower Stay - Scanner Unit	1
15	A193 1321	Left Exit Cover	1
16	G020 5415	Harness - Humidity Sensor	1
17	G020 5625	Humidity Sensor	1
18	G020 2135	Bracket - Humidity Sensor	1
19	G020 1054	Positioning Plate	1
20	A193 1326	Rear Exit Cover	1
21	A193 1068	Rear Fixed Plate	1
22	A193 1083	Bracket - Sorter	1
23	G020 5812	Microswitch	1
24	A193 1382	Window Cover	1
25	A193 1077	Right Lower Stay - Scanner Unit	1
26	A193 1331	Right Exit Cover	1
27	G020 5815	Actuator - Release Gear	1
28	A193 5813	Bracket - Total Counter	1
29	G020 5813	Bracket - Magnet	1
30	G020 5829	Shoulder Screw - M3x2.5	1
31	G020 5486	Harness - Front Door Sw	1

Index No.	Part No.	Description	Q'ty Per Assembly
101	0451 3006B	Tapping Screw - M3x6	
102	0802 5255	Tapping Screw - M3x8	
103	0313 0400B	Tapping Screw - W3x40	

26. FRAME SECTION 2 (A224)



26. FRAME SECTION 2 (A224)

Index No.	Part No.	Description	Q'ty Per Assembly
1	A193 1070	Grip Plate	4
2	A134 1072	Right Bracket - Grip Plate	2
3	G020 1330	Right Hinge Bracket - Front Door	1
4	G020 1085	Bracket - Grip Plate	2
5	G020 1331	Left Hinge Bracket - Front Door	1
6	G020 1074	Harness Stay	1
7	G020 1073	Lower Left Plate	1
8	G020 1090	Left Relay Guide	1
9	G020 1087	Right Relay Guide	1
10	G020 2651	Left Guide - Paper Tray	1
11	G020 2678	Guide Plate - Paper Tray	1
12	G020 1071	Left Stay - Laser Unit	1
13	G020 1070	Right Stay - Laser Unit	1
14	A193 1073	Rail - Fusing Unit	1
15	G020 2652	Middle Rail - Paper Tray	1
16	G020 2650	Right Guide - Paper Tray	1
17	G020 2631	Stay - Vertical Transport	1
18	G020 1053	Guard Bracket	1
19	A224 1070	Relay Harness Cover	1
20	A224 1073	Relay Harness Cover	2
21	AX64 0024	Fan Motor - DC24V 2.16W	1
22	A224 1076	Seal - Fan Motor	1

Index No.	Part No.	Description	Q'ty Per Assembly
101	0451 3006B	Tapping Screw - M3x6	
102	1105 0291	Wire Saddle	
103	0434 0060B	Pan Head Self-tapping Screw - M4x6	

26. FRAME SECTION 2 (A224)

AR

SYMBOL NO.	INDEX NO.	SYMBOL NO.	INDEX NO.	SYMBOL NO.	INDEX NO.	SYMBOL NO.	INDEX NO.	SYMBOL NO.	INDEX NO.	SYMBOL NO.	INDEX NO.	SYMBOL NO.	INDEX NO.
AR1	199	AR11	155	AR21	148	AR31	148	AR41	151	AR51	151	C1	197
AR2	199	AR12	153	AR22	148	AR32	148	AR42	151	AR52	199	C2	196
AR3	199	AR13	199	AR23	154	AR33	153	AR43	148	AR53	199	C3	196
AR4	199	AR14	153	AR24	154	AR34	153	AR44	148	AR54	199	C4	188
AR5	199	AR15	153	AR25	148	AR35	155	AR45	148	AR55	199	C5	198
AR6	148	AR16	155	AR26	152	AR36	155	AR46	148	AR56	199	C6	186
AR7	148	AR17	155	AR27	152	AR37	150	AR47	148	AR57	199	C7	198
AR8	148	AR18	148	AR28	148	AR38	148	AR48	148	AR58	199	C8	156
AR9	148	AR19	148	AR29	148	AR39	151	AR49	148	AR59	148	C9	198
AR10	151	AR20	148	AR30	148	AR40	151	AR50	151	AR60	148	C10	194

CAPACITOR

CAPACITOR

SYMBOL NO.	INDEX NO.	SYMBOL NO.	INDEX NO.	SYMBOL NO.	INDEX NO.	SYMBOL NO.	INDEX NO.	SYMBOL NO.	INDEX NO.	SYMBOL NO.	INDEX NO.	SYMBOL NO.	INDEX NO.
C11	196	C21	194	C31	193	C41	198	C51	192	C61	194	C71	196
C12	187	C22	157	C32	193	C42	194	C52	192	C62	198	C72	198
C13	187	C23	198	C33	193	C43	194	C53	192	C63	198	C73	198
C14	190	C24	198	C34	193	C44	189	C54	192	C64	194	C74	194
C15	198	C25	198	C35	193	C45	196	C55	193	C65	196	C75	198
C16	198	C26	192	C36	193	C46	157	C56	196	C66	196	C76	196
C17	192	C27	192	C37	193	C47	196	C57	196	C67	196	C77	196
C18	190	C28	192	C38	192	C48	196	C58	196	C68	196	C78	196
C19	198	C29	192	C39	192	C49	196	C59	191	C69	196	C79	198
C20	185	C30	193	C40	192	C50	196	C60	191	C70	198	C80	198

CAPACITOR

SYMBOL NO.	INDEX NO.
C81	198
C82	198
C83	194
C84	198
C85	198
C86	198
C87	198
C88	194
C89	198
C90	198

SYMBOL NO.	INDEX NO.
C91	198
C92	194
C93	198
C94	198
C95	198
C96	198
C97	198
C98	198
C99	198
C100	191

SYMBOL NO.	INDEX NO.
C101	190
C102	198
C103	198
C104	191
C105	198
C106	194
C107	194
C108	196
C109	196
C110	198

SYMBOL NO.	INDEX NO.
C111	198
C112	196
C113	198
C114	196
C115	194
C116	194
C117	194
C118	---
C119	198
C120	198

SYMBOL NO.	INDEX NO.
C121	198
C122	198
C123	198
C124	198
C125	196
C126	196
C127	196
C128	196
C129	196
C130	196

SYMBOL NO.	INDEX NO.
C131	196
C132	196
C133	196
C134	196
C135	198
C136	198
C137	196
C138	198
C139	194
C140	194

SYMBOL NO.	INDEX NO.
C141	198
C142	198
C143	198
C144	194
C145	194
C146	194
C147	194
C148	194
C149	194
C150	193

CAPACITOR

SYMBOL NO.	INDEX NO.
C151	193
C152	193
C153	193
C154	193
C155	193
C156	193
C157	193
C158	193

CONNECTOR

SYMBOL NO.	INDEX NO.
CN301	108
CN302	103
CN303	104
CN304	108
CN305	110
CN306	105
CN307	101
CN308	102
CN309	109
CN310	107

DIODE

SYMBOL NO.	INDEX NO.
CN311	106

SYMBOL NO.	INDEX NO.
D1	119
D2	119
D3	121

DA

SYMBOL NO.	INDEX NO.
DA1	120
DA2	120
DA3	120
DA4	120
DA5	120
DA6	120
DA7	120
DA8	120

FILTER

SYMBOL NO.	INDEX NO.
FIL1	158
FIL2	158
FIL3	158
FIL4	158
FIL5	158
FIL6	158
FIL7	158
FIL8	158
FIL9	158
FIL10	158

SYMBOL NO.	INDEX NO.
FIL11	162
FIL12	159
FIL13	159
FIL14	159
FIL15	159
FIL16	159
FIL17	161
FIL18	159
FIL19	159
FIL20	---

27. BICU BOARD (A224)

FIL

SYMBOL NO.	INDEX NO.
FIL21	----
FIL22	159
FIL23	159
FIL24	159
FIL25	159
FIL26	159
FIL27	160

FUSE

SYMBOL NO.	INDEX NO.
FU1	112
FU2	112

IC

SYMBOL NO.	INDEX NO.
IC1	----
IC2	140
(SOCKET)	111
IC3	195
IC4	139
IC5	138
IC6	2
IC7	1
IC8	3
IC9	125
IC10	125

SYMBOL NO.	INDEX NO.
IC11	141
IC12	137
IC13	143
IC14	4
IC15	136
IC16	142
IC17	131
IC18	128
IC19	135
IC20	137

SYMBOL NO.	INDEX NO.
IC21	129
IC22	144
IC23	134
IC24	134
IC25	126
IC26	126
IC27	127

JP

SYMBOL NO.	INDEX NO.
JP1	182
JP2	182
JP3	182
JP4	182
JP5	182
JP6	182

LED

SYMBOL NO.	INDEX NO.
LED1	124
LED2	123

Q

RESISTOR

SYMBOL NO.	INDEX NO.
Q1	117
Q2	115
Q3	115
Q4	118
Q5	115
Q6	114
Q7	115
Q8	116

SYMBOL NO.	INDEX NO.
R1	167
R2	163
R3	167
R4	167
R5	167
R6	175
R7	175
R8	175
R9	163
R10	172

SYMBOL NO.	INDEX NO.
R11	179
R12	175
R13	165
R14	175
R15	179
R16	167
R17	179
R18	165
R19	165
R20	165

SYMBOL NO.	INDEX NO.
R21	166
R22	166
R23	166
R24	165
R25	169
R26	175
R27	167
R28	175
R29	167
R30	165

SYMBOL NO.	INDEX NO.
R31	175
R32	175
R33	175
R34	175
R35	167
R36	167
R37	167
R38	167
R39	176
R40	176

SYMBOL NO.	INDEX NO.
R41	170
R42	175
R43	175
R44	175
R45	175
R46	175
R47	175
R48	175
R49	170
R50	166

SYMBOL NO.	INDEX NO.
R51	167
R52	171
R53	166
R54	165
R55	165
R56	167
R57	176
R58	167
R59	176
R60	169

27. BICU BOARD (A224)

RESISTOR

SYMBOL NO.	INDEX NO.	SYMBOL NO.	INDEX NO.	SYMBOL NO.	INDEX NO.	SYMBOL NO.	INDEX NO.	SYMBOL NO.	INDEX NO.	SYMBOL NO.	INDEX NO.	SYMBOL NO.	INDEX NO.
R61	167	R71	179	R81	167	R91	184	R101	164	R111	179	R121	181
R62	167	R72	179	R82	175	R92	183	R102	175	R112	179	R122	175
R63	167	R73	167	R83	175	R93	166	R103	179	R113	177	R123	179
R64	167	R74	167	R84	167	R94	166	R104	165	R114	178	R124	175
R65	167	R75	167	R85	166	R95	167	R105	179	R115	166	R125	175
R66	175	R76	167	R86	171	R96	167	R106	166	R116	180	R126	172
R67	175	R77	176	R87	167	R97	167	R107	179	R117	177	R127	166
R68	175	R78	176	R88	181	R98	179	R108	176	R118	168	R128	179
R69	175	R79	176	R89	165	R99	165	R109	167	R119	171	R129	172
R70	175	R80	176	R90	171	R100	165	R110	166	R120	176	R120	167

RESISTOR

SYMBOL NO.	INDEX NO.	SYMBOL NO.	INDEX NO.	SYMBOL NO.	INDEX NO.	SYMBOL NO.	INDEX NO.	SYMBOL NO.	INDEX NO.
R131	173	R141	181	R151	166	R161	166	R171	167
R132	175	R142	181	R152	166	R162	167	R172	165
R133	181	R143	176	R153	166	R163	165	R173	165
R134	181	R144	176	R154	166	R164	175	R174	165
R135	181	R145	176	R155	167	R165	175	R175	165
R136	181	R146	176	R156	166	R166	174	R176	174
R137	181	R147	176	R157	166	R167	165		
R138	181	R148	179	R158	166	R168	165		
R139	181	R149	179	R159	166	R169	175		
R140	181	R150	166	R160	166	R170	165		

REG

SYMBOL NO.	INDEX NO.
REG1	145

SW

SYMBOL NO.	INDEX NO.
SW1	113

XTL

SYMBOL NO.	INDEX NO.
XTL1	146
XTL2	147

ZD

SYMBOL NO.	INDEX NO.
ZD1	122

230V Model Only

AR

CAPACITOR

SYMBOL NO.	INDEX NO.
AR 1	149
AR 2	149
AR 3	149
AR 4	149
AR 5	149
AR 13	149
AR 18	201
AR 30	201
AR 31	201
AR 32	201

SYMBOL NO.	INDEX NO.
AR 52	149
AR 53	149
AR 54	149
AR 55	149
AR 56	149
AR 57	149
AR 58	149

SYMBOL NO.	INDEX NO.
C 161	---
C 162	---
C 163	194
C 164	200
C 165	200
C 166	200
C 167	200
C 168	200
C 169	200
C 170	200

SYMBOL NO.	INDEX NO.
C 171	200
C 172	200
C 173	200
C 174	200
C 175	200
C 176	200
C 177	200
C 178	200
C 179	200
C 180	200

SYMBOL NO.	INDEX NO.
C 181	200
C 182	194
C 183	194
C 184	200
C 185	200
C 186	194
C 187	--
C 188	194
C 189	194
C 190	194

SYMBOL NO.	INDEX NO.
C 191	194
C 192	194
C 193	---
C 194	194
C 195	---
C 196	194
C 197	194
C 198	194
C 199	---
C 200	194

SYMBOL NO.	INDEX NO.
C 201	---
C 202	---
C 203	---
C 204	194
C 205	---
C 206	---
C 207	194
C 208	194
C 209	---
C 210	194

RESISTOR

SYMBOL NO.	INDEX NO.
C 211	---
C 212	194
C 213	194
C 214	194
C 215	194
C 216	---
C 217	---
C 218	---
C 219	194
C 220	---

SYMBOL NO.	INDEX NO.
C 221	194
C 222	194
C 223	---
C 224	194
C 225	200
C 226	200
C 227	194
C 228	194
C 229	194
C 230	194

SYMBOL NO.	INDEX NO.
C 231	194
C 232	---
C 233	---
C 234	194
C 235	---
C 236	194
C 237	194
C 238	---
C 239	---
C 240	---

SYMBOL NO.	INDEX NO.
C 241	194
C 242	200
C 243	200
C 244	200
C 245	--
C 246	194
C 247	200
C 248	200
C 249	194
C 250	194

SYMBOL NO.	INDEX NO.
C 251	--
C 252	194
C 253	194
C 254	194
C 255	194
C 256	--
C 257	--
C 258	--
C 259	--
C 260	--

SYMBOL NO.	INDEX NO.
R 36	204
R 37	204
R 38	204
R 39	203
R 40	203
R 41	203
R 42	202
R 168	202
R 170	202

27. BICU BOARD (A224)

Index No.	Part No.	Description	Q'ty Per Assembly
*	A224 5091	Bicu Board (115V)	1
*	A224 5092	Bicu Board (230V)	1
1	A193 5510	IC - BU6206KV	1
2	A193 5520	IC - GAPD	1
3	A193 5550	IC - ADIPU M66359FP	1
4	G022 5901	IC - Asic - FCI1	1
101	1102 7383	Connector FC-102H	
102	1102 7453	Connector FX2-80S-1.27SV1	

Index No.	Part No.	Description	Q'ty Per Assembly
103	1102 7454	Connector FX6-60P-0.8SV2	
104	1102 7455	Connector FX6-60S-0.8SV2	
105	1102 7456	Connector 176125-5	
106	1102 7463	Connector KX14-70K8D1	
107	1102 7465	Connector IL-FHR-20S-HF	
108	1102 7466	Connector IL-FHR-50S-HF	
109	1102 7676	Connector - 16P	
110	1102 7677	Connector - 22P	
111	1104 0759	IC Socket 28P 2-382409-3	
112	1107 0900	Fuse - 3216FF-3A	
113	1204 2373	Key Board Switch - Skqdp	
114	1400 0390	Transistor, 2SA1122, Hitachi	
115	1400 0392	Transistor - DTC114EK	
116	1400 0398	Transistor - 2SC2412K	
117	1400 0702	Transistor - DTD143EK	
118	1400 0703	Transistor - 2SA1313	
119	1402 0477	Silicon Diode - 1SS187	
120	1402 0478	Diode - 1SS226TE85L	
121	1402 0804	Silicon Diode - 45V - 0.3A	
122	1402 1111	Diode - HZM5.1NB2	
123	1403 0828	Diode - SEC1901C	
124	1403 0829	Diode - SEC1201C	
125	1407 1600	TTLIC - SN74LS244NS	
126	1407 2187	TTLIC - SN74LS07NS	
127	1407 2218	TTLIC SN74LS06NS	
128	1407 2561	TTLIC - 74F157ASJ	
129	1407 2783	TTL SN74AS00NS	
130	1407 2948	IC - TC7S04F	
131	1407 3263	IC - TC7S08F	
132	1407 4179	Cmos IC TC7W04FU	
133	1407 4322	IC - TD74ABT374F	
134	1407 4323	TTL TD74ABT244AF	
135	1407 4536	IC - ICS1574	
136	1407 4651	IC - TC7S04FU	
137	1407 4671	Fifo M66256FP	

Index No.	Part No.	Description	Q'ty Per Assembly
138	1407 4683	MPU HD6413003TF-10	
139	1407 4685	EEPROM LH28F800SUT-70	
140	1407 4730	SRAM STK12C68-W45	
141	1407 4734	IC - M66257FP	
142	1408 0575	IC - M51957BFP	
143	1408 0797	IC - TC74HCO3AF : CMOS	
144	1408 1065	Comparator BA10339F	
145	1408 1226	Regulator:3.3V:PQ3TZ53	
146	1503 0587	Oscillator CX-5F 19.6608MHZ	
147	1503 0787	Oscillator CSTCS19.58MX040	
148	1601 1413	Resistor - RCB8C330J	
149	1601 7722	Resistor - 100Ω	
150	1601 7751	Resistor - 4.7KΩ ±5%	
151	1601 7752	Resistor Array - 10K Ω ±5%	
152	1601 7792	Resistor Array - 1K Ω	
153	1601 7793	Resistor Array - 10K Ω	
154	1601 7796	Resistor Array - 2.2K Ω ±5%	
155	1601 7814	Resistor 3.3K Ω ±5%	
156	1604 4333	Capacitor - 100μF ±20% 10V	
157	1605 0577	Capacitor - 0.33μF +80-20%	
158	1607 0732	Noise Filter - AEF321825-470	
159	1607 0847	Data Line Filter - ACB1608H-300	
160	1607 0907	Emi Filter ACB2012H-300	
161	1607 0926	Filter - ACF321825-680	
162	1607 0927	Filter - ACF321825-220	
163	1630 3471	Resistor - 470Ω - 1/10W	
164	1630 4100	Resistor - 10 Ω ±5% 1/16W	
165	1630 4101	Resistor - 100 Ω ±5% 1/16W	
166	1630 4102	Resistor - 1.0KΩ ±5% 1/16W	
167	1630 4103	Resistor - 10KΩ ±5% 1/16W	
168	1630 4104	Resistor - 100 Ω ±5% 1/16W	
169	1630 4105	Resistor - 1.0MΩ ±5% 1/16W	
170	1630 4150	Resistor - 15Ω ±5.00%,1/16W	
171	1630 4222	Register - 2.2k Ω - ±5%	

Index No.	Part No.	Description	Q'ty Per Assembly
172	1630 4223	Register - 22k Ω - ±5% - 1/16w	
173	1630 4273	Register - 27k Ω - ±5% - 1/16w	
174	1630 4301	Register - 300 Ω ±5% 1/10W	
175	1630 4330	Resistor - 33Ω ±5% 1/8w	
176	1630 4332	Register:3.3kΩ:±5%:1/16w	
177	1630 4333	Resistor: 33kΩ: ±5%: 1/16w	
178	1630 4471	Resistor - 470 Ω ±5% 1/16W	
179	1630 4472	Resistor - 4.7KΩ ±5% 1/16W	
180	1630 4510	Resistor - 51 Ω ±5%:1/16W	
181	1630 4680	Resistor - 68 Ω ±5% 1/16W	
182	1634 0000	Register - 0Ω - 1/16w	
183	1634 1002	Resistor - 10 Ω ±5% 1/16W	
184	1634 3921	Resistor - 3.92KΩ ±1% 1/1	
185	1644 0220	Capacitor - 22μF ±20% 10V	
186	1644 0470	Capacitor - 47μF ±20% 10V	
187	1644 2100	Capacitor - 10μF ±20% 25V	
188	1644 5100	Capacitor - 10μF ±20% 50V	
189	1644 6220	Capacitor 22μF ±20% 6.3v	
190	1660 0100	Capacitor:10pf:±0.5pf:50v	
191	1660 2101	Capacitor:- 100PF - ±10% - 50V	
192	1660 2150	Capacitor - 15PF ±5% 50V	
193	1660 2330	Capacitor:- 33PF - ±5% - 50V	
194	1660 2471	Capacitor:- 470PF - ±5% - 50V	
195	1901 0023	DRAM 4M 256X16 70NS G3	
196	1660 6103	Capacitor - 10000PF - +80%-20% 50V	
197	1660 7104	Capacitor - 100000PF 50V	
198	1660 8104	Capacitor - 0.1uF +80-20% 25V	
199	1601 1930	Resistor - 100Ω ±5% 1/10W (115V)	
200	1660 2151	Capacitor - 150PF ±20% 35V (230V)	
201	1601 7723	Resistor - 150 Ω (230V)	
202	1630 4151	Resistor - 150 Ω ±5% 1/16W (230V)	
203	1630 4221	Resistor - 220 Ω ±5% 1/16W (230V)	
204	1630 4681	Resistor - 680 Ω ±5% 1/16W (230V)	

27. BICU BOARD (A224)
CAPACITOR

SYMBOL NO.	INDEX NO.	SYMBOL NO.	INDEX NO.	SYMBOL NO.	INDEX NO.	SYMBOL NO.	INDEX NO.	SYMBOL NO.	INDEX NO.	SYMBOL NO.	INDEX NO.	SYMBOL NO.	INDEX NO.
C101	137	C111	179	C121	176	C131	173	C141	178	C151	178	C161	178
C102	178	C112	178	C122	153	C132	179	C142	178	C152	179	C162	178
C103	178	C113	178	C123	153	C133	176	C143	176	C153	179	C163	178
C104	178	C114	178	C124	173	C134	179	C144	178	C154	179	C164	179
C105	178	C115	177	C125	175	C135	----	C145	178	C155	178	C165	178
C106	179	C116	178	C126	173	C136	179	C146	178	C156	179	C166	177
C107	178	C117	179	C127	178	C137	178	C147	178	C157	178	C167	----
C108	174	C118	178	C128	----	C138	178	C148	178	C158	178	C168	178
C109	----	C119	178	C129	179	C139	178	C149	178	C159	179	C169	179
C110	177	C120	179	C130	----	C140	178	C150	178	C160	----	C170	178

CAPACITOR

SYMBOL NO.	INDEX NO.	SYMBOL NO.	INDEX NO.	SYMBOL NO.	INDEX NO.	SYMBOL NO.	INDEX NO.	SYMBOL NO.	INDEX NO.	SYMBOL NO.	INDEX NO.	SYMBOL NO.	INDEX NO.
C171	178	C181	178	C191	179	C201	179	C211	178	C221	178	C231	178
C172	178	C182	178	C192	178	C202	178	C212	178	C222	178	C232	178
C173	178	C183	178	C193	179	C203	178	C213	178	C223	178	C233	178
C174	178	C184	178	C194	178	C204	178	C214	179	C224	179	C234	178
C175	179	C185	178	C195	179	C205	179	C215	178	C225	178	C235	178
C176	179	C186	178	C196	----	C206	----	C216	178	C226	178	C236	178
C177	178	C187	179	C197	178	C207	153	C217	178	C227	178	C237	178
C178	178	C188	179	C198	178	C208	178	C218	178	C228	178	C238	178
C179	178	C189	178	C199	178	C209	178	C219	178	C229	178	C239	178
C180	178	C190	----	C200	178	C210	178	C220	178	C230	178	C240	178

CAPACITOR

SYMBOL NO.	INDEX NO.
C241	178
C242	178
C243	178
C244	178
C245	178
C246	178
C247	179
C248	178
C249	----
C250	178

SYMBOL NO.	INDEX NO.
C251	178
C252	178
C253	178
C254	178
C255	177
C256	178
C257	178
C258	178
C259	178
C260	178

SYMBOL NO.	INDEX NO.
C261	178
C262	178
C263	178
C264	178
C265	178
C266	178
C267	178
C268	178
C269	178
C270	178

SYMBOL NO.	INDEX NO.
C271	178
C272	178
C273	178
C274	178
C275	178
C276	177
C277	178
C278	178
C279	178
C280	178

SYMBOL NO.	INDEX NO.
C281	----
C282	----
C283	178
C284	----
C285	179
C286	178
C287	178

CNNECTOR

SYMBOL NO.	INDEX NO.
CN101	131
CN102	125
CN103	112
CN104	104
CN105	129
CN106	----
CN107	109
CN108	103
CN109	110
CN110	109

SYMBOL NO.	INDEX NO.
CN111	103
CN112	121
CN113	130
CN114	135
CN115	----
CN116	113
CN117	117
CN118	103
CN119	----
CN120	122

CNNECTOR

SYMBOL NO.	INDEX NO.
CN121	108
CN122	115
CN123	118
CN124	116
CN125	105
CN126	112
CN127	----
CN128	----
CN129	----
CN130	134

SYMBOL NO.	INDEX NO.
CN131	105
CN132	119
CN137	126
CN150	106
CN151	133
CN153	132
CN157	120
CN160	114
CN161	105
CN162	107

SYMBOL NO.	INDEX NO.
CN163	127
CN164	128
CN170	111

DA

SYMBOL NO.	INDEX NO.
DA101	158
DA106	138
DA107	138
DA108	138
DA109	138

FILTER

SYMBOL NO.	INDEX NO.
FIL101	180
FIL102	180
FIL103	180
FIL104	180
FIL105	180

FUSE

SYMBOL NO.	INDEX NO.
FU101	136
FU102	136
FU103	136

IC

SYMBOL NO.	INDEX NO.
IC101	147
IC102	142
IC103	144
IC104	142
IC105	146
IC106	142
IC107	----
IC108	142
IC109	142
IC110	----

28. IOCSS BOARD (A224)

IC

SYMBOL NO.	INDEX NO.
IC114	149
IC117	142
IC118	142
IC119	142
IC120	148
IC122	144
IC123	144
IC124	145

LED

SYMBOL NO.	INDEX NO.
LE101	----
LE102	140
LE103	140

Q

SYMBOL NO.	INDEX NO.
Q101	137
Q102	137
Q103	----
Q104	137
Q105	----
Q106	----
Q107	143
Q108	----
Q109	----
Q110	----

SYMBOL NO.	INDEX NO.
Q111	143
Q112	141
Q113	----
Q114	----
Q115	141
Q116	141
Q121	143

RESISTOR

SYMBOL NO.	INDEX NO.
R101	157
R102	----
R103	167
R104	166
R105	159
R106	162
R107	172
R108	169
R109	156
R110	159

SYMBOL NO.	INDEX NO.
R111	157
R112	156
R113	159
R114	156
R115	161
R116	155
R117	162
R118	155
R119	165
R120	155

SYMBOL NO.	INDEX NO.
R121	158
R122	155
R123	154
R124	154
R125	156
R126	160
R127	155
R128	154
R129	160
R130	154

RESISTOR

SYMBOL NO.	INDEX NO.
R131	160
R132	165
R133	154
R134	160
R135	154
R136	156
R137	160
R138	154
R139	154
R140	165

SYMBOL NO.	INDEX NO.
R141	159
R142	----
R143	----
R144	----
R145	160
R146	156
R147	156
R148	162
R149	155
R150	156

SYMBOL NO.	INDEX NO.
R151	156
R152	156
R153	150
R154	160
R155	162
R156	----
R157	163
R158	163
R159	----
R160	----

SYMBOL NO.	INDEX NO.
R161	----
R162	----
R163	----
R164	----
R165	----
R166	----
R167	156
R168	156
R169	168
R170	156

SYMBOL NO.	INDEX NO.
R171	162
R172	156
R173	171
R174	156
R175	156
R176	156
R177	156
R178	156
R179	156
R180	160

SYMBOL NO.	INDEX NO.
R181	156
R182	156
R183	156
R184	156
R185	----
R186	156
R187	156
R188	156
R189	162
R190	156

SYMBOL NO.	INDEX NO.
R191	155
R192	158
R193	----
R194	----
R195	166
R196	156
R197	170
R198	156
R199	156
R200	156

28. IOCSS BOARD (A224)

RESISTOR

SYMBOL NO.	INDEX NO.	SYMBOL NO.	INDEX NO.	SYMBOL NO.	INDEX NO.	SYMBOL NO.	INDEX NO.	SYMBOL NO.	INDEX NO.	SYMBOL NO.	INDEX NO.	SYMBOL NO.	INDEX NO.
R201	156	R211	155	R221	160	R231	159	R241	156	R251	161	R261	156
R202	155	R212	165	R222	160	R232	155	R242	162	R252	159	R262	156
R203	156	R213	155	R223	155	R233	162	R243	159	R253	159	R263	156
R204	165	R214	165	R224	171	R234	171	R244	156	R254	156	R264	162
R205	160	R215	155	R225	159	R235	166	R245	156	R255	156	R265	156
R206	156	R216	156	R226	162	R236	155	R246	156	R256	162	R266	156
R207	165	R217	155	R227	156	R237	164	R247	158	R257	----	R267	----
R208	155	R218	155	R228	159	R238	156	R248	159	R258	156	R268	----
R209	155	R219	159	R229	160	R239	156	R249	156	R259	156	R269	155
R210	155	R220	156	R230	159	R240	159	R250	162	R260	156	R270	166

RESISTOR

RN

SYMBOL NO.	INDEX NO.	SYMBOL NO.	INDEX NO.	SYMBOL NO.	INDEX NO.	SYMBOL NO.	INDEX NO.	SYMBOL NO.	INDEX NO.	SYMBOL NO.	INDEX NO.
R271	155	RN101	152	RN111	----	RN121	152	RN131	152	RN141	152
R272	155	RN102	152	RN112	----	RN122	152	RN132	152	RN142	152
R273	155	RN103	152	RN113	----	RN123	152	RN133	152	RN143	152
R274	155	RN104	152	RN114	----	RN124	152	RN134	152	RN144	152
R275	155	RN105	152	RN115	152	RN125	152	RN135	152	RN145	151
		RN106	152	RN116	152	RN126	152	RN136	152	RN146	152
		RN107	152	RN117	151	RN127	152	RN137	152	RN147	152
		RN108	152	RN118	152	RN128	152	RN138	152	RN148	152
		RN109	152	RN119	151	RN129	152	RN139	152	RN149	152
		RN110	---	RN120	152	RN130	152	RN140	152	RN150	152

TP

SYMBOL NO.	INDEX NO.
TP105	101

ZD

SYMBOL NO.	INDEX NO.
ZD105	139

28. IOCSS BOARD (A224)

Index No.	Part No.	Description	Q'ty Per Assembly
*	A224 5105	IOCSS Board (115V)	1
*	A224 5106	IOCSS Board (230V)	1

Index No.	Part No.	Description	Q'ty Per Assembly
101	1100 1474	Test Pin	
102	1102 3822	Connector - 20p	
103	1102 4201	Connector - 2p	
104	1102 4202	Connector - 3p	
105	1102 4204	CT Header - 5p	
106	1102 4205	CT Header- 6p	
107	1102 4207	Connector - 8p	
108	1102 4209	CT Header - 10p	
109	1102 4619	Connector - 2p	
110	1102 4620	CT Header - 3p	
111	1102 4621	CT Header - 4p	
112	1102 4623	CT Connector - 6p	
113	1102 4631	CT Connector - 2p	
114	1102 4633	CT Header - 4P	
115	1102 4634	CT Connector - 5p	
116	1102 4641	Connector - 12p	
117	1102 4643	CT Connector - 2p	
118	1102 4648	CT Connector - 7p	
119	1102 4818	Connector - 20p	
120	1102 5007	CT Header - 14p	
121	1102 5301	Connector - 2p	
122	1102 5844	Connector - 5566-02A	
123	1102 6295	Connector - 2p	
124	1102 6300	Connector - 7p	
125	1102 6303	Connector - 10p	
126	1102 6304	Connector - 11p	
127	1102 6396	Connector - 1p	
128	1102 6397	Box Header	
129	1102 6515	Connector - 34p	
130	1102 6662	Connector - 4p	
131	1102 6895	Connector - 40p	
132	1102 6957	Connector - 14p Blue	
133	1102 6958	Connector - 14p	
134	1102 7513	Header - 80p	
135	1102 7583	Connector 5566-06A-RE	

Index No.	Part No.	Description	Q'ty Per Assembly
136	1107 0555	Fuse - 4A : Semko	
137	1400 0700	Transistor - DTD133HK	
138	1402 1144	Diode Array - 1SS319	
139	1402 1327	Diode 2.0V	
140	1403 0404	LED - SEL2110R	
141	1407 1535	IC - TD62308AP	
142	1407 2187	TTLIC - SN74LS07NS	
143	1407 2219	IC - TD62003AP	
144	1407 3486	CMOS IC TC74HC153AF	
145	1407 3488	CMOS IC TC74HC4053AF	
146	1407 4565	IC - TE6251	
147	1408 0595	IC - NJM2904M	
148	1408 1204	IC - TA8083P	
149	1408 1225	IC - STK672-040	
150	1600 1449	Resistor - 47 Ω 3W	
151	1601 7800	Resistor Array - 1K Ω \pm 5% 1/16W	
152	1601 7801	Resistor Array:10k Ω : \pm 5%:1/16w	
153	1605 0447	Cap.,ceramic,10pf \pm 0.5% 50v	
154	1630 1221	Resistor - 220 Ω \pm 5% 1/4W	
155	1630 3102	Resistor - 1K Ω 1/10W \pm 5%	
156	1630 3103	Resistor - 10K Ω 1/10W \pm 5%	
157	1630 3154	Resistor - 150K 0HM \pm 5% 1/10W	
158	1630 3220	Resistor - 22 Ω \pm 5% 1/10W	
159	1630 3243	Resistor - 24K Ω \pm 5% 1/10W	
160	1630 3332	Resistor - 3.3K Ω 1/10W \pm 5%	
161	1630 3391	Resistor - 390 Ω 1/10W \pm 5%	
162	1630 3472	Resistor - 4.7K Ω 1/10W \pm 5%	
163	1630 3680	Resistor - 68 Ω \pm 5% 1/10W	
164	1630 3820	Resistor - 82 Ω \pm 5% 1/10W	
165	1632 3900	Resistor - 390 0HM \pm 1% 1/8W	
166	1633 1001	Resistor - 1K Ω \pm 1% 1/10W	
167	1633 1002	Resistor - 10K Ω \pm 1% 1/10W	
168	1633 1201	Resistor - 1.2K Ω \pm 1% 1/10W	
169	1633 3301	Resistor - 3.3K Ω \pm 1% 1/10W	

Index No.	Part No.	Description	Q'ty Per Assembly
170	1633 3901	Resistor - 3.9 Ω \pm 1% 1/10W	
171	1633 4700	Resistor - 470 Ω - \pm 1% - 1/10w	
172	1633 4701	Resistor - 4.7K Ω \pm 1% 1/10W	
173	1640 5101	Capacitor - 100 μ F \pm 20% 50V	
174	1642 1101	Capacitor - 100 μ F \pm 20% 16V	
175	1642 1470	Capacitor 47 μ F \pm 20% 16v	
176	1643 5100	Capacitor - 10 μ F \pm 20% 50V	
177	1660 3471	Capacitor - 470PF 50V	
178	1660 7103	Capacitor - 10000PF 50V	
179	1660 7104	Capacitor - 100000PF 50V	
180	1002 0307	Jumper Wire	

29. DECAL AND DOCUMENT (A224)

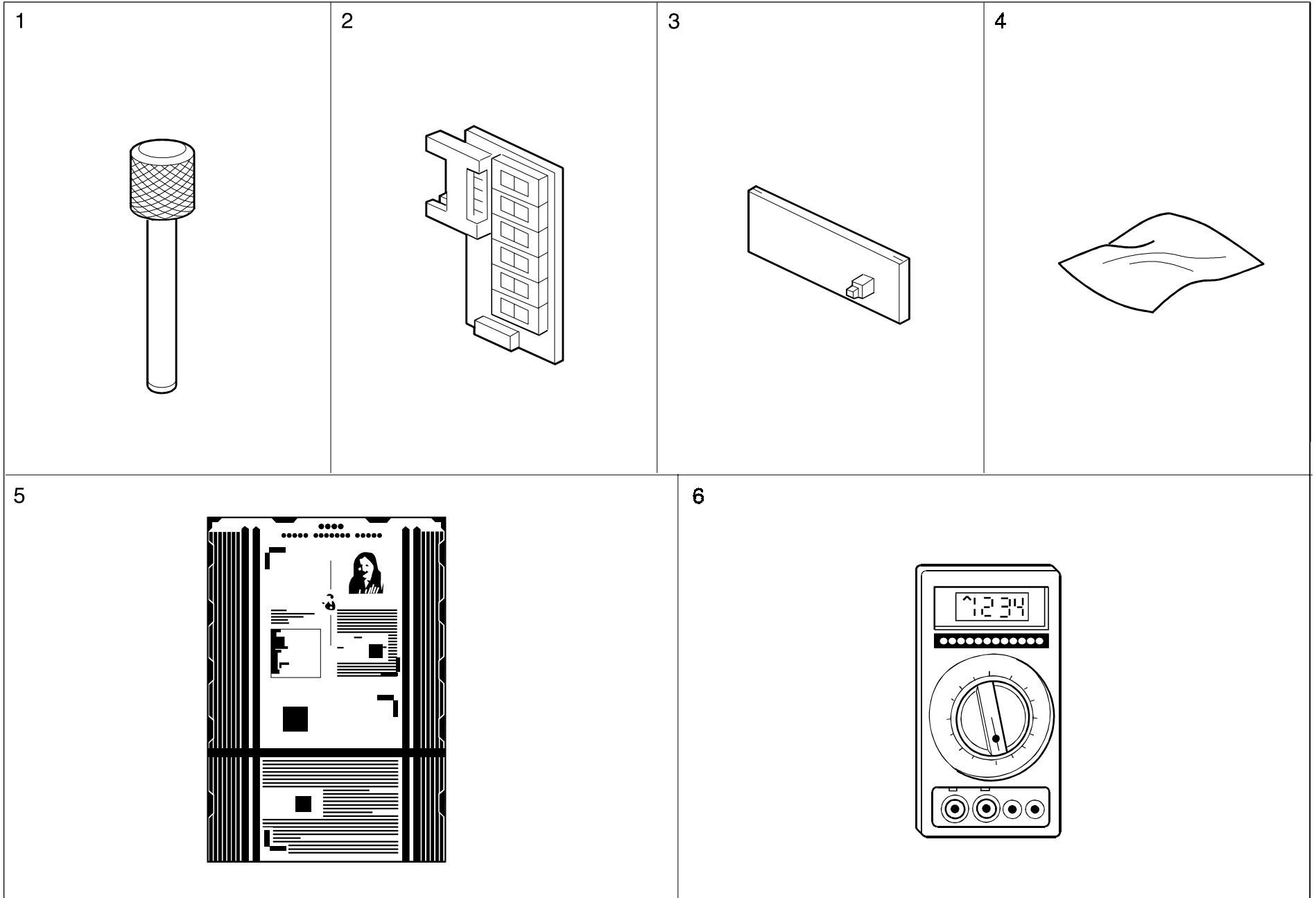
<p>1</p>	<p>2</p> <p>CAUTION VORSICHT</p> <p>>PS<</p>	<p>4</p> <p>>PS<</p>	<p>6</p>
<p>5</p>	<p>3</p>	<p>7</p>	<p>8</p>
			<p>9</p>

29. DECAL AND DOCUMENT (A224)

Index No.	Part No.	Description	Q'ty Per Assembly
1	G020 2788	Decal - By-pass Table	1
2	G020 1919	Decal - Optics Fiber	1
3	G020 2668	Decal - Paper Set	1
4	G020 1917	Decal - LD	1
5	A224 1320	Operating Instruction Sheet	1
6	A193 7361	Decal - Main Switch	1
7	G020 4128	Decal - High Temperature	1
8	A193 7363	Decal - AC Switch	1
9	A133 7112	Emblem (SVN)	1
9	A134 1383	Emblem	1
10	A810 8607	Operating Instructions - Main - NA	1
10	A810 8650	Operating Instructions - Main-SVN	1
10	A810 8697	Operating Instructions - Main - NRG (LT)	1
10	A810 8690	Operating Instructions - Main-NRG (A4)	1
10	A224 8650	Operating Instructions - Copy - SVN	1
10	A224 8607	Operating Instructions - Copy - NA	1
10	A193 8690	Operating Instructions - Copy - NRG (A4)	1
10	A224 8697	Operating Instructions - Copy - NRG (LT)	1

Index No.	Part No.	Description	Q'ty Per Assembly

30. SPECIAL TOOLS (A224)



**A224 (AFICIO 250)
PARTS INDEX**

This section instructs you as to the numbers and names of the parts on this machine.

PM Parts Index

Section Name	Part No.	Description in Service Manual	Description in Parts Catalog	Q'ty Per Assembly	Page and Index No
Transport Section 1 (A224)	A193 3870	Discharge Brush	Discharge Brush	1	43- 25
Fusing Unit (A224)	A224 4170	Fusing Hot Roller	Hot Roller	1	37- 17
Transport Section 1 (A224)	A673 3880	Transfer and Separation Unit	Transfer and Separation Unit	1	43- 16
Fusing Unit (A224)	AA12 0005	Antistatic Brush	Antistatic Brush	1	37- 32
Paper Feed Section (A224)	G020 2555	Paper Feed Roller	Paper Feed Roller	1	25- 26
Fusing Unit (A224)	G020 4178	Fusing Stripper	Hot Roller Stripper	1	37- 2
Fusing Unit (A224)	G020 4280	Fusing Pressure Roller	Pressure Roller	1	37- 19

Parts Index

Part No.	Description	Page and Index No.
A224 1064	PCU Bracket	23- 30
A224 1070	Relay Harness Cover	57- 19
A224 1073	Relay Harness Cover	57- 20
A224 1076	Seal - Fan Motor	57- 22
A224 1100	Duct	45- 8
A224 1207	Lower Left Cover (115V)	9- 3
A224 1209	Lower Left Cover (230V)	9- 3
A224 1291	Lower Right Cover	9- 14
A224 1320	Operating Instruction Sheet	7- 21
A224 1320	Operating Instruction Sheet	67- 5
A224 1501	Front Door (RIC)	7- 14
A224 1744	Shaft - Gear	49- 37
A224 1745	Gear - 46z	49- 36
A224 1853	Laser Unit Ass'y (115V)	31- 1
A224 1855	Laser Unit Ass'y (230V)	31- 1
A224 1861	LD Unit (115V)	31- 3
A224 1865	LD Unit (230V)	31- 3
A224 2554	Cover - Paper Feed	25- 36
A224 2564	Relay Roller	25- 8
A224 2596	Cover - Paper End Sensor	25- 38
A224 2741	Upper Registration Roller	23- 9
A224 3314	Toner Supply Unit	33- 9
A224 4112	Bracket Cleaning Roller	37- 21
A224 4130	Stay Fusing Unit	37- 8
A224 4136	Antistatic Brush - Hot Roller	37- 34
A224 4141	Fusing Unit Frame	37- 24
A224 4170	Hot Roller	37- 17
A224 4173	Ball Bearing - 20x32x7	37- 16
A224 4177	Gear - Hot Roller	37- 18
A224 5091	BICU Board (115V)	51- 3
A224 5091	Bicu Board (115V)	61- *
A224 5092	Bicu Board (230V)	61- *
A224 5092	BICU Board (230V)	51- 3
A224 5105	IOCSS Board (115V)	65- *
A224 5105	IOCSS Board (115V)	51- 6

Part No.	Description	Page and Index No.
A224 5106	IOCSS Board (230V)	65- *
A224 5106	IOCSS Board (230V)	51- 6
A224 5122	MSU - 4mb	51- 4
A224 5130	MSU - 8MB	51- 30
A224 5211	Harness - Fusing Unit (115V)	53- 11
A224 5214	Harness - Fusing Unit (230V)	53- 11
A224 5401	Relay Harness - Total Counter	55- 2
A224 5402	Relay Harness - LCIT	53- 26
A224 5404	Harness - Paper Size Sensor	9- 17
A224 5409	Harness - Paper End Sensor	25- 21
A224 5414	Harness - Scanner Unit	51- 13
A224 5414	Harness - Scanner Unit	27- 6
A224 5438	Harness - Polygon Mirror Motor	31- 29
A224 5452	Harness - Power Supply Board (230V)	51- 19
A224 5457	Harness - Main Switch (230V)	53- 19
A224 5458	Harness - DC Back-up (230V)	53- 29
A224 5739	Power Pack - BCTD	51- 1
A224 5815	Bracket - IOCSS	51- 7
A224 5820	Connector - Bracket - LCT	53- 25
A224 5862	Stand - Power Supply Cord (230V)	53- 20
A224 7214	Front Door (INF)	7- 14
A224 7224	Front Door (SVN)	7- 14
A224 7341	Decal - Brand Name - GES	7- 23
A224 7343	Decal - Brand Name - NSA	7- 23
A224 7345	Decal - Brand Name - REX	7- 23
A224 7347	Decal - Brand Name - LAN	7- 23
A224 8607	Operating Instructions - Copy - NA	67- 10
A224 8650	Operating Instructions - Copy - SVN	67- 10
A224 8697	Operating Instructions - Copy - NRG (LT)	67- 10

Part No.	Description	Page and Index No.
AA04 3373	Timing Belt - S2M308	21- 6
AA06 0331	Release Spring	23- 14
AA08 2070	Bushing - 8x16x7	43- 22
AA08 2070	Bushing - 8x16x7	23- 11
AA08 2070	Bushing - 8x16x7	49- 1
AA08 2070	Bushing - 8x16x7	47- 7
AA12 0005	Antistatic Brush	37- 32
AA14 3301	Stepped Screw - M3x4	53- 12
AA16 2067	Platen Cover Pad	11- 7
AB01 3868	Gear - 16Z	17- 13
AB03 0474	Pulley - 24Z	21- 10
AE04 2009	Cleaning Roller	37- 22
AF02 0283	Pressure Roller	25- 34
AF02 2077	Driven Roller	21- 24
AF02 2077	Driven Roller	19- 11
AF04 0031	Upper Exit Roller	45- 13
AF04 0031	Upper Exit Roller	41- 25
AF04 0031	Upper Exit Roller	39- 38
AG07 0004	Magnetic Catch	55- 10
AG07 0012	Magnet	25- 33
AW02 0075	Photointerrupter	27- 11
AW02 0075	Photointerrupter	21- 21
AW02 0075	Photointerrupter	39- 29
AW02 0075	Photointerrupter	25- 20
AW02 0075	Photointerrupter	47- 23
AW02 0075	Photointerrupter	53- 1
AX31 0022	Total Counter	55- 1
AX40 0088	Anticondensation Heater - 115V	27- 12
AX40 0089	Anticondensation Heater - 230V	27- 12
AX64 0024	Fan Motor - DC24V 2.16W	57- 21
AX64 0058	Fan Motor - DC 24V 4.32W	45- 7
AZ02 0010	Choke Coil - 1 0mh-2A	51- 24
C224 2867	Decal - Key Top Cover (NSA)	7- 24
C225 2866	Decal - Key Top Cover (REX)	7- 24
G011 3305	Gear - 16T	15- 11

Part No.	Description	Page and Index No.
G012 1531	Magnet	39- 11
G012 1531	Magnet	45- 15
G012 1531	Magnet	41- 26
G012 4865	Exit Roller	39- 6
G020 1052	Stand	7- 7
G020 1053	Guard Bracket	57- 18
G020 1054	Positioning Plate	55- 19
G020 1070	Right Stay - Laser Unit	57- 13
G020 1071	Left Stay - Laser Unit	57- 12
G020 1073	Lower Left Plate	57- 7
G020 1074	Harness Stay	57- 6
G020 1084	Tension Spring	47- 22
G020 1085	Bracket - Grip Plate	57- 4
G020 1086	Spring - Tightener	49- 10
G020 1087	Right Relay Guide	57- 9
G020 1090	Left Relay Guide	57- 8
G020 1096	Right Shielding Plate	25- 2
G020 1098	Stay - OPU	43- 3
G020 1104	Fan Motor Holder	45- 6
G020 1105	Cushion - Fan Motor	45- 25
G020 1106	Right Duct	43- 2
G020 1107	Nut - M4	45- 24
G020 1111	Motor - DC 2.16W	23- 7
G020 1112	Paper Feed Clutch	49- 20
G020 1113	Relay Roller Clutch	25- 22
G020 1114	By-pass Feed Clutch	49- 5
G020 1115	Registration Clutch	49- 12
G020 1116	Development Clutch	49- 3
G020 1117	Charge Roller Contact Clutch	47- 6
G020 1119	Bushing - M8	49- 19
G020 1144	Gear - 27Z	49- 17
G020 1145	Shaft - Paper Feed Roller	49- 18
G020 1146	Belt Tightener	49- 14
G020 1147	Pulley - 65Z/26T	49- 8
G020 1150	Fusing Drive Bracket	47- 17

Part No.	Description	Page and Index No.
G020 1153	Gear - 40Z	47- 13
G020 1157	Gear - 28Z	47- 14
G020 1158	Support Bracket - Fusing Drive	47- 12
G020 1160	Snap Ring	49- 22
G020 1161	Bracket - Toner Supply Motor	23- 8
G020 1162	Development Clutch Shaft	49- 2
G020 1163	Gear - 43Z	49- 4
G020 1164	Gear - 37Z	49- 33
G020 1165	Development Drive Bracket	49- 6
G020 1166	Stopper Bracket - Development Clutch	49- 7
G020 1167	Gear - 35Z	47- 15
G020 1168	Gear - 52Z/26T	49- 13
G020 1169	Gear - 40Z	49- 16
G020 1171	Bracket - Pcu Driver	49- 23
G020 1177	Gear - 26Z	49- 32
G020 1178	Timing Pulley - 51T	49- 30
G020 1180	PCU Drive Shaft	49- 26
G020 1183	Pressure Spring	49- 27
G020 1184	Bracket - Fly Wheel	49- 31
G020 1185	Development Drive Shaft	49- 25
G020 1186	Joint Bracket - Development Drive	49- 24
G020 1187	Timing Belt - S2M 158MM	47- 2
G020 1189	Fly Wheel	47- 1
G020 1190	Tightener Bracket Ass'y	49- 11
G020 1194	Bracket - Fusing Drive Gear	43- 4
G020 1259	Rubber Protector - Front Cover	7- 22
G020 1316	Inner Cover - Paper Feed Tray	9- 18
G020 1330	Right Hinge Bracket - Front Door	57- 3
G020 1331	Left Hinge Bracket - Front Door	57- 5
G020 1332	Hinge Front Door	7- 13
G020 1351	Cap - Finisher	9- 5
G020 1710	Exit Tray Holder	39- 39
G020 1720	Timing Belt - S3M-597mm	49- 9
G020 1721	Timing Pulley - 38T	49- 15
G020 1725	Main Motor Ass'y	47- 5

Part No.	Description	Page and Index No.
G020 1741	Bracket - Paper Feed Clutch	49- 21
G020 1796	Bracket - Charge Roller	47- 8
G020 1877	Shield Glass	31- 28
G020 1902	Lower Cover - Laser Unit	31- 10
G020 1903	Right Holder - BTL Lens	31- 11
G020 1904	Left Holder - BTL Lens	31- 12
G020 1905	Cylindrical Lens Holder	31- 13
G020 1906	Left Holder - F Theta Mirror	31- 15
G020 1907	Right Holder - F Theta Mirror	31- 16
G020 1908	1st Mirror Holder	31- 17
G020 1909	2nd Mirror Holder	31- 20
G020 1911	Sync Detector Mirror	31- 9
G020 1912	Sync Detector	31- 2
G020 1915	Sync Detector Mirror Holder	31- 8
G020 1917	Decal - LD	67- 4
G020 1919	Decal - Optics Fiber	67- 2
G020 1923	CS Ring - M2.4	31- 22
G020 1924	Housing - Laser Unit	31- 25
G020 1928	2nd Mirror - Laser Unit	31- 23
G020 1939	Bracket - Polygon Motor Driver	31- 26
G020 1940	Laser Unit Cover (230V)	31- 21
G020 1941	Laser Unit Cover (115V)	31- 21
G020 1942	Polygon Mirror Motor	31- 6
G020 1943	Polygon Motor Driver	31- 27
G020 1952	Cover - Polygon Motor	31- 5
G020 1962	Shield Glass	31- 24
G020 1964	1st Mirror - Laser Unit	31- 18
G020 1966	Cylindrical Lens	31- 14
G020 1969	BTL Lens	31- 19
G020 2020	Charge Roller Ass'y	35- 1
G020 2103	Tension Spring	43- 6
G020 2106	Bushing - Pressure Lever	43- 23
G020 2110	Terminal - Charge Roller	49- 28
G020 2121	Cam - Charge Roller	43- 9
G020 2135	Bracket - Humidity Sensor	55- 18

Part No.	Description	Page and Index No.
G020 2141	Bracket - Charge Roller Contact SN	47- 25
G020 2143	Actuator - Charge Roller Clutch	47- 24
G020 2160	Quenching Lamp	43- 5
G020 2170	Pressure Lever - Charge Roller	43- 7
G020 2554	Paper Feed Roller Ass'y	25- 7
G020 2555	Paper Feed Roller	25- 26
G020 2558	Rear Paper Separator	17- 15
G020 2560	Front Side Fence	17- 5
G020 2565	Paper Guide	25- 28
G020 2567	Rear Side Fence	17- 6
G020 2570	Shaft - Paper Feed Roller	25- 31
G020 2573	Front Paper Separator	17- 14
G020 2580	Paper End Sensor Bracket	25- 23
G020 2581	Paper End Feeler	25- 40
G020 2584	Photointerruptor	25- 10
G020 2585	Front Pin - Paper Feed Roller	25- 30
G020 2586	Rear Pin - Paper Feed Roller	25- 29
G020 2587	Bushing - Paper Feed	25- 1
G020 2589	Bracket - Vertical Transport Sensor	25- 9
G020 2592	Release Lever - Bottom Plate	17- 9
G020 2599	Spring - Release Lever	17- 8
G020 2610	Left Vertical Transport Guide	25- 11
G020 2612	Vertical Relay Guide	25- 12
G020 2615	Microswitch	25- 25
G020 2616	Bracket - Microswitch	25- 13
G020 2618	Stay - Paper End Sensor	25- 15
G020 2620	Push Switch - Paper Size	9- 16
G020 2622	Release Arm - Paper End Feeler	25- 24
G020 2625	Holder - Vertical Transport Guide	25- 32
G020 2626	Release Spring - Paper End Feeler	25- 19
G020 2631	Stay - Vertical Transport	57- 17
G020 2632	Guide Plate - Vertical Transport	25- 16
G020 2635	Spring Plate - Driven Roller	25- 35
G020 2643	Front Grounding Plate - Paper Tray	25- 18
G020 2644	End Fence	17- 10

Part No.	Description	Page and Index No.
G020 2645	Friction Pad	17- 12
G020 2647	Paper Tray Cover	17- 1
G020 2647	Paper Tray Cover	19- 1
G020 2648	Holder - Paper Size Detector	17- 4
G020 2650	Right Guide - Paper Tray	57- 16
G020 2651	Left Guide - Paper Tray	57- 10
G020 2652	Middle Rail - Paper Tray	57- 15
G020 2654	Upper Rear Guide - Paper Tray	25- 4
G020 2655	Upper Front Guide - Paper Tray	25- 3
G020 2656	Pressure Spring - Bottom Plate	17- 3
G020 2658	Grounding Plate - Bottom Plate	17- 2
G020 2661	Bottom Plate Ass'y	17- 11
G020 2664	Front Stopper Lever	17- 16
G020 2668	Decal - Paper Set	67- 3
G020 2676	Support - Paper Tray - Right	9- 15
G020 2677	Support - Paper Tray - Left	9- 19
G020 2678	Guide Plate - Paper Tray	57- 11
G020 2682	Spring - 2.4n	49- 34
G020 2701	Cover - By-pass Table	15- 2
G020 2702	Pressure Spring - By-pass Feed	15- 13
G020 2705	Right Side Fence - By-pass Feed	15- 5
G020 2706	Left Side Fence - By-pass Feed	15- 3
G020 2707	Sensor Conductor - By-pass Feed	15- 6
G020 2708	Spring Plate - By-pass Feed	15- 10
G020 2709	Bottom Plate - By-pass Table	15- 7
G020 2713	Pressure Spring	23- 18
G020 2714	Friction Pad - By-pass Feed	23- 17
G020 2718	Stay - By-pass Feed	23- 19
G020 2721	By-pass Feed Roller	23- 22
G020 2722	By-pass Feed Shaft	23- 29
G020 2735	Guide - By-pass Feed Table	15- 1
G020 2740	Lower Registration Roller	23- 10
G020 2743	Tension Spring	23- 3
G020 2745	Lower Guide Plate - Regist	23- 12
G020 2753	Bracket - Registration Sensor	23- 23

Part No.	Description	Page and Index No.
G020 2754	Upper Paper Guide	23- 16
G020 2761	Lower Transport Guide	23- 15
G020 2762	Lower Transport Guide	25- 6
G020 2765	Knob - Lower Transport Guide	23- 13
G020 2771	Registration Sensor	23- 24
G020 2772	By-pass Paper End Sensor	23- 25
G020 2780	Front Bushing - Registration	23- 4
G020 2781	Rear Bushing - Registration Roller	23- 31
G020 2782	Stay - By-pass Table	15- 12
G020 2783	Registration Roller Knob	7- 19
G020 2783	Registration Roller Knob	23- 2
G020 2784	Lever - By-pass Feed Table	15- 15
G020 2785	Cover - Feed Roller Shaft	23- 27
G020 2786	Shaft - By-pass Release Lever	15- 16
G020 2787	Cover - By-pass Paper End Sensor	23- 26
G020 2788	Decal - By-pass Table	67- 1
G020 3311	Cover - Toner Supply	33- 1
G020 3312	Gate - Toner Supply	33- 6
G020 3313	Spring	33- 4
G020 3317	Shutter - Toner Supply	33- 5
G020 3320	Hook - Toner Supply Unit	33- 10
G020 3322	Cover - Toner Supply Unit	33- 14
G020 3325	Sheet - Agitator	33- 15
G020 3334	Slider Ass'y	33- 12
G020 3339	Handle - Toner Supply	33- 8
G020 3340	Lower Seal - Toner Supply	33- 2
G020 3345	Right Seal	33- 3
G020 3361	Guide Plate - Toner Supply	23- 21
G020 3550	Cleaning Blade	35- 2
G020 3852	Transfer Roller	43- 24
G020 3880	Transport Guide Plate	43- 13
G020 3882	Grounding Plate - Transfer Guide	43- 14
G020 3887	Fan Motor - DC 3.12W	43- 15
G020 3888	Pin - Transfer Guide	23- 1
G020 3888	Pin - Transfer Guide	43- 1

Part No.	Description	Page and Index No.
G020 3890	Receptacle - Transfer Unit	49- 29
G020 3896	Grounding Plate - Discharge Brush	43- 21
G020 3897	Discharge Brush - Transport	43- 18
G020 3910	Stay - Transfer Unit	43- 10
G020 3914	Bushing - Front Transfer Unit	43- 11
G020 3915	Bushing - Rear Transfer Unit	43- 12
G020 4017	Fusing Unit Ass'y (115V)	37- *
G020 4027	Fusing Unit Ass'y (230V)	37- *
G020 4128	Decal - High Temperature	43- 17
G020 4128	Decal - High Temperature	67- 7
G020 4129	Upper Fusing Cover	37- 5
G020 4133	Thermofuse - 169°C	37- 6
G020 4149	Upper Exit Guide - Fusing Unit	37- 1
G020 4151	Bracket - Fusing Connector	37- 29
G020 4152	Connector Bracket - Fusing Unit	37- 11
G020 4159	Rear Holder - Fusing Lamp	37- 25
G020 4160	Front Heater Holder	37- 27
G020 4163	Heater Socket	37- 30
G020 4175	Bushing - Pressure Roller	37- 20
G020 4176	Bushing - Cleaning Roller	37- 23
G020 4178	Hot Roller Stripper	37- 2
G020 4179	Bracket - Hot Roller Stripper	37- 4
G020 4183	Fusing Unit Harness (115V)	37- 28
G020 4184	Fusing Unit Harness (230V)	37- 28
G020 4185	Fusing Thermistor	37- 7
G020 4193	Spring - Hot Roller Stripper	37- 3
G020 4243	Front Pressure Lever - Fusing Unit	37- 13
G020 4244	Rear Pressure Lever - Fusing Unit	37- 33
G020 4246	Lower Entrance Guide	37- 26
G020 4247	Lower Exit Guide - Fusing Unit	37- 10
G020 4280	Pressure Roller	37- 19
G020 4285	Thermistor	37- 31
G020 4287	Cover - Thermistor	37- 37
G020 4291	Tension Spring	37- 12
G020 4292	Lever - Shaft	37- 36

Part No.	Description	Page and Index No.
G020 4293	Shaft	37- 35
G020 4294	Front Fusing Cover	37- 9
G020 4330	Tightener Bracket	47- 20
G020 4331	Front Stud - 1bin Sorter	45- 5
G020 4332	Rear Stud - 1bin Sorter	39- 25
G020 4333	Tightener - 1bin Sorter	39- 22
G020 4374	Middle Antistatic Brush - FD	39- 32
G020 4380	Timing Belt - 60S2M296	47- 10
G020 4381	Gear/pulley - 20Z/43Z	47- 11
G020 4382	Pulley 40z	45- 23
G020 4390	Exit Roller	39- 33
G020 4409	Guide Plate - Feed Down	39- 26
G020 4411	Paper Exit Pawl	39- 12
G020 4413	Shaft - Transport Roller	45- 20
G020 4414	Transport Roller Ass'y	45- 10
G020 4419	Left Cover Tray	39- 2
G020 4423	Sub Copy Tray - FU	39- 1
G020 4424	Junction Gate - FU	39- 16
G020 4425	DC Solenoid	41- 20
G020 4426	Exit Relay Roller	39- 8
G020 4427	Exit Roller - FD	39- 10
G020 4429	Exit Sensor	39- 28
G020 4431	Pressure Spring	39- 37
G020 4435	Pulley - 32Z	39- 20
G020 4436	Pulley - 28Z	39- 18
G020 4437	Timing Belt - B60S2M-386	39- 19
G020 4439	Junction Gate Solenoid - FD	39- 15
G020 4440	Tension Spring	39- 23
G020 4441	Idle Gear - 27Z	47- 16
G020 4442	Idle Gear - 27Z	47- 18
G020 4444	Tightener	39- 21
G020 4446	Spring Plate - Roller	39- 5
G020 4447	Pulley - 44Z	39- 24
G020 4449	Spring - Tightener	47- 21
G020 4452	Right Vertical Guide	39- 4

Part No.	Description	Page and Index No.
G020 4453	Grounding Plate	39- 13
G020 4455	Spring	39- 41
G020 4457	Transport Roller - 1	45- 18
G020 4458	Transport Roller 2	45- 19
G020 4459	Relay Guide - Transport Roller	45- 9
G020 4463	Roller Holder	39- 3
G020 4465	Harness Cover	39- 9
G020 4466	Bushing - M6	39- 7
G020 4467	Tension Spring	39- 36
G020 4468	Stay - FD	39- 14
G020 4470	Front Spring Plate - Driven Roller	39- 35
G020 4471	Rear Spring Plate - Driven Roller	39- 34
G020 4472	Paper Feed Sensor	39- 40
G020 4472	Paper Feed Sensor	45- 16
G020 4473	Upper Transport Guide	45- 14
G020 4475	Guide Plate - Transport	45- 22
G020 4476	Guide Plate Holder	45- 4
G020 4477	Support Bracket - Transport Plate	45- 3
G020 4479	Bushing - 6mm	41- 6
G020 4479	Bushing - 6mm	45- 2
G020 4480	Fusing Knob	45- 1
G020 4480	Fusing Knob	7- 20
G020 4481	Grounding Plate - Exit Roller	39- 30
G020 4483	Antistatic Brush - FD	39- 31
G020 4484	Tightener	47- 19
G020 4487	Gear - 26Z	45- 11
G020 4489	Gear - 24Z	45- 21
G020 4490	Paper Exit Sensor	41- 13
G020 4491	Roller Holder	41- 27
G020 4491	Roller Holder	45- 12
G020 4492	Knob - Guide Plate	41- 23
G020 4493	Magnet	41- 24
G020 5115	Pcu Relay Board	53- 7
G020 5116	Inverter Unit Connector	53- 13
G020 5234	Relay Harness -Polygon Mirror Drive	31- 7

Part No.	Description	Page and Index No.
G020 5280	By-pass Feed Sensor	15- 9
G020 5402	Harness - Paper Exit	39- 17
G020 5404	Harness - PCU Detector	51- 16
G020 5408	Harness - Transport Sensor	25- 14
G020 5412	Harness - Fan Motor	51- 17
G020 5415	Harness - Humidity Sensor	55- 16
G020 5417	Harness - Registration Sensor	23- 28
G020 5434	Harness - Main Motor (115V)	47- 4
G020 5486	Harness - Front Door Sw	55- 31
G020 5486	Harness - Front Door Sw	55- 6
G020 5493	Grounding Wire - Drum	49- 38
G020 5494	Inverter Relay Harness	51- 21
G020 5497	Harness - Duplex Unit	53- 15
G020 5616	Main Switch (115V)	53- 21
G020 5625	Humidity Sensor	55- 17
G020 5626	Push Switch	43- 19
G020 5807	Bracket - Door Switch	55- 3
G020 5811	Safety Switch Actuator	55- 9
G020 5812	Microswitch	55- 23
G020 5813	Bracket - Magnet	55- 29
G020 5815	Actuator - Release Gear	55- 27
G020 5816	Bracket - Duplex Harness	53- 14
G020 5817	Bracket - OPU Switch	43- 20
G020 5818	Bracket - Drawer Connector	53- 10
G020 5829	Shoulder Screw - M3x2.5	53- 8
G020 5829	Shoulder Screw - M3x2.5	55- 30
G020 5835	Release Spring - Fusing Drive	55- 4
G020 5839	Release Wire - Fusing Drive	47- 9
G020 5839	Release Wire - Fusing Drive	55- 5
G020 5862	Support Bracket - Base	53- 22
G020 5870	Bracket - Power Pack	51- 5
G020 5871	Spacer - KglS-12rf	51- 12
G022 5901	IC - Asic - FCI1	61- 4
G694 4634	Left Guide Plate	41- 8
G694 4636	Right Guide Plate - Upper	41- 9

Part No.	Description	Page and Index No.
G694 4638	Junction Gate	41- 2
G694 4639	Transport Guide Plate	41- 1
G694 4640	Inverter Roller	41- 10
G694 4641	Gear - 24Z	41- 17
G694 4642	Gear - 17Z	41- 19
G694 4643	Gear - 18Z	41- 18
G694 4645	Junction Gate Lever	41- 21
G694 4646	Front Holder	41- 4
G694 4647	Junction Gate Spring	41- 3
G694 4648	Inverter Unit Cover	41- 5
G694 4650	Rear Side Plate	41- 22
G694 4660	Front Side Plate	41- 7
G694 4670	Frame - Inverter Unit	41- 12
G694 4671	Right Guide Plate - Lower	41- 14
G694 4672	Right Guide	41- 15
G694 4673	Left Guide	41- 11
G694 4703	Duplex Indicator	19- 2
G694 4706	Lower Exit Guide	21- 23
G694 4710	Front Side Plate - Duplex Unit	21- 14
G694 4715	Gear - 24Z/46Z	21- 11
G694 4716	Gear - 46Z	21- 5
G694 4717	Front Stopper - Guide Plate	21- 18
G694 4720	Rear Side Plate - Duplex Unit	21- 27
G694 4723	Rear Stopper - Guide Plate	21- 28
G694 4725	Inverter Guide Plate	21- 22
G694 4728	Duplex Unit Stay	21- 15
G694 4730	Lower Guide Plate	19- 10
G694 4735	Inverter Feeler	19- 13
G694 4740	Upper Guide Plate	19- 14
G694 4747	Guide Plate Holder	19- 15
G694 4751	Inverter Roller - Duplex Unit	21- 20
G694 4752	Inverter Roller Supporter	21- 19
G694 4753	Gear - 48Z	21- 12
G694 4755	Left Transport Roller	21- 16
G694 4756	Middle Transport Roller	21- 17

Part No.	Description	Page and Index No.
G694 4757	Gear - 24Z	21- 8
G694 4759	Bushing - 6mm	21- 9
G694 4760	Motor Bracket	21- 3
G694 4761	Cushion	21- 2
G694 4762	Stepped Screw - M3	21- 1
G694 4781	Front Duplex Cover	19- 3
G694 4783	Left Duplex Cover	19- 4
G694 4788	Lower Cover - Duplex Board	19- 18
G694 4791	Grounding Plate	19- 6
G694 4792	Grounding Plate Spring	19- 7
G694 5200	Duplex Connector Harness	19- 8
G694 5201	Sensor Harness - Duplex Unit	21- 26
G694 5202	Transport Motor	21- 4
G694 5350	Duplex Drive Board	19- 5
G694 5470	Inverter Unit Harness	41- 16
G694 5736	Exit Sensor	21- 25
G694 5737	Inverter Motor DC 8.4W	21- 30
G697 1261	Magnetic Catch Bracket	25- 5

Part No.	Description	Page and Index No.
A006 9104	Adjusting Scanner Pin (4pcs/set)	69- 1
A048 2838	Nylon Rivet	25- 17
A049 3371	Magnet	39- 27
A053 1957	Flex Hinge - Platen Cover	11- 6
A133 7112	Emblem (SVN)	7- 15
A133 7112	Emblem (SVN)	67- 9
A134 1072	Right Bracket - Grip Plate	57- 2
A134 1383	Emblem	67- 9
A134 1383	Emblem (RIC)	7- 15
A134 4726	Guide Plate Knob	19- 16
A134 4739	Lower Guide Plate Knob	19- 9
A134 4884	Decal - Duplex Misfeed Removal	19- 17
A153 6409	Decal - Key Top Cover (GES)	7- 24
A153 6423	Support Cover	7- 15
A153 9004	Wiping Cloth(100pcs/set)	69- 4
A157 2769	Rear Stopper Spring	17- 17
A184 3411	Chuck Spring	33- 11
A184 3420	Bottle Chuck	33- 17
A184 3421	Chuck Shaft	33- 16
A184 3422	Toner Slider	33- 7
A190 2642	Rear Lever Stopper	17- 18
A190 2702	Paper Guide	15- 8
A193 1068	Rear Fixed Plate	55- 21
A193 1070	Grip Plate	57- 1
A193 1072	Harness Clamp Bracket (230V)	51- 25
A193 1073	Rail - Fusing Unit	57- 14
A193 1077	Right Lower Stay - Scanner Unit	55- 25
A193 1079	Left Lower Stay - Scanner Unit	55- 14
A193 1083	Bracket - Sorter	55- 22
A193 1101	Rear Duct	53- 9
A193 1210	Lower Rear Cover	9- 6
A193 1246	Platen Cover Hinge Ass'y	11- 9
A193 1251	Scanner Left Cover	7- 3
A193 1256	Upper Rear Cover	7- 10
A193 1261	Scanner Right Cover	7- 11

Part No.	Description	Page and Index No.
A193 1266	Lower Cover - Operation Panel	7- 1
A193 1276	Middle Left Cover	9- 4
A193 1281	Rear Right Cover	9- 12
A193 1301	Front Cover	7- 18
A193 1316	Lower Exit Cover	9- 21
A193 1317	Platen Cover Bracket	11- 5
A193 1321	Left Exit Cover	55- 15
A193 1326	Rear Exit Cover	55- 20
A193 1331	Right Exit Cover	55- 26
A193 1336	Left Front Cover	7- 17
A193 1341	Right Front Cover	7- 16
A193 1345	Rivet - M20	9- 13
A193 1348	Cap - G4	9- 7
A193 1349	Cap - Sorter	9- 20
A193 1350	Cap - NCU	9- 8
A193 1352	Cap - CSS	9- 10
A193 1354	Cap - Memory	9- 9
A193 1356	Cap - IC Card	9- 2
A193 1358	Cap - RS232C	9- 1
A193 1361	Cap - Paper Tray Unit	9- 11
A193 1364	Stand Cover	53- 5
A193 1381	Platen Cover Actuator	11- 3
A193 1382	Window Cover	55- 24
A193 1386	Front Platen Cover	11- 4
A193 1391	Rear Platen Cover	11- 2
A193 1396	Original Holder	11- 1
A193 1404	Operation Panel Ass'y (Asia)	7- 2
A193 1404	Operation Panel Ass'y (ASIA)	13- *
A193 1449	Key Top - Behind (SVN)	13- 15
A193 1451	Operation Panel Ass'y (LT)	13- *
A193 1451	Operation Panel Ass'y (LT)	7- 2
A193 1452	Operation Panel Ass'y (A4)	7- 2
A193 1452	Operation Panel Ass'y (A4)	13- *
A193 1453	Operation Panel Ass'y (SVN)	13- *
A193 1453	Operation Panel Ass'y (SVN)	7- 2

Part No.	Description	Page and Index No.
A193 1455	Operation Panel Case (LT)	13- 1
A193 1456	Decal - Operation Panel (LT)	13- 4
A193 1457	Sheet - Operation Panel (LT)	13- 5
A193 1458	Key Top - Memory (LT)	13- 13
A193 1459	Operation Board (LT)	13- 20
A193 1460	LCD (LT)	13- 19
A193 1461	Key Top - 10 Key (LT)	13- 11
A193 1462	Operation Panel Board (A4)	13- 20
A193 1463	Key Top - 10 Key (ASIA)	13- 11
A193 1465	Operation Panel Case (A4)	13- 1
A193 1466	Decal - Operation Panel (A4)	13- 4
A193 1467	Sheet - Operation Panel (A4)	13- 5
A193 1468	Key Top - Memory (A4)	13- 13
A193 1469	LCD (A4)	13- 19
A193 1472	Lower Case - Operation Panel	13- 2
A193 1473	Upper Cover - Operation Panel	13- 18
A193 1474	Lower Cover - Operation Panel	13- 3
A193 1474	Lower Cover - Operation Panel	7- 8
A193 1477	Key Top - Start	13- 6
A193 1478	Key Top - Clear Mode	13- 7
A193 1479	Key Top - Interrupt	13- 8
A193 1480	Key Top - Program Mode	13- 9
A193 1481	Key Top - Clear	13- 10
A193 1482	Key Top - 10 Key (A4)	13- 11
A193 1483	Key Top - LCD	13- 12
A193 1485	Key Top - Initial	13- 14
A193 1486	Key Top - Behind	13- 15
A193 1487	Right Cover - Operation Panel	13- 16
A193 1488	Cover - Application	13- 17
A193 1491	Key Top - Start (SVN)	13- 6
A193 1492	Key Top - Clear Mode (SVN)	13- 7
A193 1493	Key Top - Interrupt (SVN)	13- 8
A193 1494	Key Top - Program (SVN)	13- 9
A193 1495	Key Top - Clear (SVN)	13- 10
A193 1496	Key Top - 10 Key (SVN)	13- 11

Part No.	Description	Page and Index No.
A193 1497	Key Top - LCD (SVN)	13- 12
A193 1498	Key Top - Memory (SVN)	13- 13
A193 1499	Key Top - Initial (SVN)	13- 14
A193 1669	2nd/3rd Mirror	29- 3
A193 1673	Lens Holder Ass'y	27- 9
A193 1680	Left Original Scale	7- 4
A193 1682	Scanner Drive Pulley Ass'y	29- 17
A193 1689	Right Inner Cover	27- 8
A193 1690	Scanner Motor - DC 6W	29- 23
A193 1754	Bracket - Left Original Scale	27- 2
A193 1757	Rear Original Scale	7- 6
A193 1759	Stepped Screw	7- 12
A193 1760	1st Scanner Ass'y	29- 11
A193 1764	1st Mirror	29- 13
A193 1766	Wire Clamp	29- 7
A193 1767	1st Mirror Holder	29- 12
A193 1769	Clamp - Rear Wire	29- 10
A193 1770	2nd Scanner Ass'y	29- 2
A193 1776	Upper Harness Guide	29- 4
A193 1777	2nd/3rd Mirror Holder	29- 1
A193 1781	Lower Harness Guide	27- 4
A193 1783	Tension Spring	29- 21
A193 1784	Tension Spring	29- 19
A193 1786	Platen Cover Bracket	53- 2
A193 1790	Grounding Plate - Lens Block	27- 1
A193 1793	Scanner Home Sensor Stopper	27- 14
A193 1796	Decal - Carriage	29- 26
A193 1798	Decal - Side Plate	29- 24
A193 1799	Harness Guide - Exposure Lamp	29- 9
A193 1819	Front Seal - Scanner Frame	27- 10
A193 1824	Left Inner Cover - Scanner Unit	27- 3
A193 1826	Lens Block Holder	27- 7
A193 1829	Ball Bearing - M8	29- 15
A193 1831	Rear Scanner Pulley	29- 25
A193 1832	Front Scanner Pulley	29- 18

Part No.	Description	Page and Index No.
A193 1838	Scanner Drive Wire	29- 20
A193 1840	Timing Belt - L220 B8	29- 16
A193 1841	Pulley - Front Left	29- 5
A193 1845	Pulley - Rear Left	29- 14
A193 1849	Tension Bracket	29- 22
A193 2649	Paper Size Detector - LT	17- 7
A193 2650	Paper Size Detector - A4	17- 7
A193 3367	Cover Guide - Toner Bottle (A4)	23- 6
A193 3370	Cover Guide - Toner Bottle - Asia	23- 6
A193 3371	Cover Guide - Toner Bottle (OEM)	23- 6
A193 3870	Discharge Brush	43- 25
A193 4187	Fusing Lamp - 120V 800W	37- 14
A193 4188	Fusing Lamp - 230V 700W	37- 14
A193 5061	DC Power Supply Board - 220/240V	51- 10
A193 5128	Mother Board	51- 27
A193 5215	Harness - Circuit Breaker	53- 23
A193 5216	Harness - Fusing Lamp (230V)	51- 20
A193 5220	LD Unit Harness (230V)	31- 4
A193 5401	Harness - Original Sensor (230V)	27- 15
A193 5410	Harness Safety Switch - 24V	55- 8
A193 5411	Harness Safety Switch - 5V	55- 7
A193 5418	Relay Harness - Scanner Unit (115V)	51- 14
A193 5419	Relay Harness - Scanner Unit (230V)	51- 14
A193 5435	Harness - Main Motor (230V)	47- 4
A193 5451	DC Harness - Mother Board	51- 22
A193 5452	Harness - Power Supply Board (115V)	51- 19
A193 5456	Harness - Operation Switch	55- 13
A193 5457	Harness - Main Switch (115V)	53- 19
A193 5459	Harness - Fusing Lamp (115V)	51- 20
A193 5474	Harness - Key Counter	51- 18
A193 5475	Key Counter Harness (LANIER)	51- 18
A193 5490	Harness - Mother Board	51- 23
A193 5496	Df Relay Harness	53- 3
A193 5497	Harness - Finisher	51- 28
A193 5498	Relay Harness - APS Sensor	51- 35

Part No.	Description	Page and Index No.
A193 5499	Relay Harness - Finisher 2	51- 36
A193 5510	IC - BU6206KV	61- 1
A193 5520	IC - GAPD	61- 2
A193 5550	IC - ADIPU M66359FP	61- 3
A193 5702	Exposure Lamp	29- 6
A193 5703	Exposure Lamp Harness	29- 8
A193 5711	Power Supply Cord	53- 16
A193 5712	Power Supply Cord	53- 16
A193 5730	Stabilizer - Xenon Lamp	53- 6
A193 5742	LD Unit Harness (115V)	31- 4
A193 5800	DC Power Supply Board - 115V	51- 10
A193 5803	Bracket - BICU Board	51- 2
A193 5806	Bracket - Mother Board	51- 26
A193 5808	ADF Connector - Bracket	53- 4
A193 5809	Bracket - Operation Switch	55- 12
A193 5813	Bracket - Total Counter	55- 28
A193 5816	Grounding Plate - Power Pack	51- 34
A193 5817	Bracket - Circuit Breaker	53- 24
A193 5819	Bracket - Finisher	51- 29
A193 5820	Bracket - Harness Guide	51- 9
A193 5824	Grounding Plate - PCB (230V)	51- 31
A193 5826	Shield Plate	51- 37
A193 5837	Grounding Plate - PSU	53- 28
A193 5841	Grounding Plate - Printer	53- 27
A193 5858	Bracket - Power Supply Cord	53- 17
A193 5861	Cover - Power Supply Cord	53- 18
A193 5862	Stand - Power Supply Cord (115V)	53- 20
A193 5864	IOB Support Bracket	51- 8
A193 5865	Stand - IOB	47- 3
A193 5870	Bracket - Handset	53- 30
A193 5871	Rear Cover Bracket - Right	51- 32
A193 5872	Rear Cover Bracket - Middle	51- 33
A193 5906	Original Sensor	27- 5
A193 7226	Front Door (GES/LAN)	7- 14
A193 7361	Decal - Main Switch	67- 6

Part No.	Description	Page and Index No
A193 7363	Decal - AC Switch	67- 8
A193 8690	Operating Instructions - Copy - NRG (A4)	67- 10
A193 9351	ROM Board 2	69- 2
A193 9353	Flash Rom / Sram Copy Tool 2	69- 3
A193 9800	Tray Heater - 115V	25- 27
A193 9801	Tray Heater - 230V	25- 27
A673 3880	Transfer And Separation Unit	43- 16
A810 8607	Operating Instructions - Main - NA	67- 10
A810 8650	Operating Instructions - Main-SVN	67- 10
A810 8690	Operating Instructions - Main-NRG (A4)	67- 10
A810 8697	Operating Instructions - Main - NRG (LT)	67- 10

Part No.	Description	Page and Index No.
5053 0223	Bushing - 8mm	21- 13
5206 2686	Snap Ring	19- 12
5215 1667	Platen Cover Stud	7- 9
5215 1980	Exposure Glass - A3T-3.2	7- 5
5215 2621	Snap Ring - M6	21- 29
5215 2713	Bottom Plate Pad	15- 4
5353 1803	Wave Washer	49- 35
5415 2578	Spacer - 6x14x3mm	25- 37
5420 9507	Digital Multimeter - Beckman	69- 6
5420 9516	Test Chart - Os - A3 (10psc/set)	69- 5
5442 1924	Exposure Glass Cushion	27- 13
5447 2681	Snap Ring	15- 14
5447 2681	Snap Ring	21- 7
5447 2681	Snap Ring	23- 5
5447 2681	Snap Ring	25- 39
5448 2804	Platen Cover Sheet	11- 8

Part No.	Description	Page and Index No.
0242 0080B	Philips Pan Head Screw - M2 X 8	25-105
0313 0040B	Philips Pan Head Screw - M3x4	41-103
0313 0400B	Tapping Screw - W3x40	55-103
0353 0050F	Tapping Screw - M3x5	7-102
0353 0050F	Tapping Screw - M3x5	13-101
0353 0050F	Tapping Screw - M3x5	27-102
0353 0060B	Philips Pan Head Screw - M3x6	21-101
0434 0060B	Pan Head Self-tapping Screw - M4x6	57-103
0450 3008B	Tapping Screw - M3x8	45-104
0450 3008B	Tapping Screw - M3x8	39-101
0450 3010B	Tapping Screw - M3x10	27-103
0450 4012D	Tapping Screw - M4x12	11-101
0451 3006B	Tapping Screw - M3x6	57-101
0451 3006B	Tapping Screw - M3x6	29-101
0451 3006B	Tapping Screw - M3x6	27-101
0451 3006B	Tapping Screw - M3x6	37-101
0451 3006B	Tapping Screw - M3x6	39-104
0451 3006B	Tapping Screw - M3x6	25-101
0451 3006B	Tapping Screw - M3x6	53-101
0451 3006B	Tapping Screw - M3x6	43-101
0451 3006B	Tapping Screw - M3x6	49-101
0451 3006B	Tapping Screw - M3x6	23-101
0451 3006B	Tapping Screw - M3x6	45-102
0451 3006B	Tapping Screw - M3x6	21-102
0451 3006B	Tapping Screw - M3x6	55-101
0451 3006B	Tapping Screw - M3x6	19-101
0451 3006B	Tapping Screw - M3x6	15-101
0451 3006B	Tapping Screw - M3x6	47-101
0451 3006B	Tapping Screw - M3x6	51-101
0451 3008B	Tapping Screw - M3x8	25-104
0451 3008B	Tapping Screw - M3x8	53-108
0451 3008B	Tapping Screw - M3x8	29-104
0451 3010B	Tapping Screw - M3x10	37-103
0451 3014B	Tapping Screw - M3-14	49-103
0451 3014B	Tapping Screw - M3-14	47-103

Part No.	Description	Page and Index No.
0451 3014B	Tapping Screw - M3-14	9-103
0452 3008B	Tapping Screw - M3x8	41-104
0452 3008B	Tapping Screw - M3x8	43-102
0452 3008B	Tapping Screw - M3x8	35-101
0452 3008B	Tapping Screw - M3x8	31-101
0452 3008Z	Bind Tapping Screw - M3x8	19-102
0452 3008Z	Bind Tapping Screw - M3x8	21-104
0452 3010B	Tapping Bind Screw - M3x10	31-102
0453 3008B	Tapping Screw - M3x8	41-101
0453 3014B	Taping Screw - M3x14	29-103
0574 0050E	Hexagon Headless Set Screw - M4x5	49-106
0575 0050E	Hexagon Headless Set Screw - M5x5	29-102
0633 0120E	Spring Pin - M3x12	49-107
0720 0040B	Retaining Ring - M4	41-102
0720 0040E	Retaining Ring - M4	23-103
0720 0040E	Retaining Ring - M4	45-101
0720 0040E	Retaining Ring - M4	49-108
0720 0040E	Retaining Ring - M4	25-103
0720 0040E	Retaining Ring - M4	39-103
0720 0040E	Retaining Ring - M4	47-102
0720 0060E	Retaining Ring - M6	49-104
0725 0200E	C-Ring - Hot Roller	37- 15
0802 5255	Tapping Screw - M3x8	55-102
0802 5255	Tapping Screw - M3x8	7-101
0802 5255	Tapping Screw - M3x8	9-101
0805 0088	Retaining Ring - M6	47-105
0805 0088	Retaining Ring - M6	43-103
0805 3385	Bushing - 6mm	49-105
0805 3385	Bushing - 6mm	23-102
0805 3480	Bushing - 6mm	25-102
0805 3480	Bushing - 6mm	21-103
0950 4006M	Philips Screw With Flat Washer - M4x6	37-102
0957 3008B	Philips Screw	39-102
0971 3005	Philips Polycarbonate Screw - M3x5	51-104
1002 0307	Jumper Wire	65-180

Part No.	Description	Page and Index No.
1005 0963	Spacer MP-10	51-103
1100 1474	Test Pin	65-101
1102 3822	Connector - 20p	65-102
1102 4201	Connector - 2p	65-103
1102 4202	Connector - 3p	65-104
1102 4204	CT Header - 5p	65-105
1102 4205	CT Header- 6p	65-106
1102 4207	Connector - 8p	65-107
1102 4209	CT Header - 10p	65-108
1102 4619	Connector - 2p	65-109
1102 4620	CT Header - 3p	65-110
1102 4621	CT Header - 4p	65-111
1102 4623	CT Connector - 6p	65-112
1102 4631	CT Connector - 2p	65-113
1102 4633	CT Header - 4P	65-114
1102 4634	CT Connector - 5p	65-115
1102 4641	Connector - 12p	65-116
1102 4643	CT Connector - 2p	65-117
1102 4648	CT Connector - 7p	65-118
1102 4818	Connector - 20p	65-119
1102 5007	CT Header - 14p	65-120
1102 5301	Connector - 2p	65-121
1102 5844	Connector - 5566-02A	65-122
1102 6245	Connector - 2p	43-104
1102 6295	Connector - 2p	65-123
1102 6300	Connector - 7p	65-124
1102 6303	Connector - 10p	65-125
1102 6304	Connector - 11p	65-126
1102 6396	Connector - 1p	65-127
1102 6397	Box Header	65-128
1102 6515	Connector - 34p	65-129
1102 6662	Connector - 4p	65-130
1102 6895	Connector - 40p	65-131
1102 6957	Connector - 14p Blue	65-132
1102 6958	Connector - 14p	65-133

Part No.	Description	Page and Index No.
1102 7383	Connector FC-102H	61-101
1102 7445	Connector - 46p	53-111
1102 7445	Connector - 46p	53-107
1102 7453	Connector FX2-80S-1.27SV1	61-102
1102 7454	Connector FX6-60P-0.8SV2	61-103
1102 7455	Connector FX6-60S-0.8SV2	61-104
1102 7456	Connector 176125-5	61-105
1102 7463	Connector KX14-70K8D1	61-106
1102 7465	Connector IL-FHR-20S-HF	61-107
1102 7466	Connector IL-FHR-50S-HF	61-108
1102 7513	Header - 80p	65-134
1102 7583	Connector 5566-06A-RE	65-135
1102 7676	Connector - 16P	61-109
1102 7677	Connector - 22P	61-110
1104 0759	IC Socket 28P 2-382409-3	61-111
1105 0195	PCB Stud	53-102
1105 0291	Wire Saddle	53-103
1105 0291	Wire Saddle	57-102
1105 0310	Wire Clamp	45-103
1105 0310	Wire Clamp	53-105
1105 0319	Harness Clamp	21-105
1105 0319	Harness Clamp	19-103
1105 0334	Edge - 17	53-104
1105 0415	Spacer - 12.7mm	53-106
1105 0458	Clamp - LHL-18	49-102
1105 0460	Clamp	47-104
1105 0460	Clamp	27-104
1107 0472	Circuit Breaker - 250V/8A	53-109
1107 0555	Fuse - 4A : Semko	65-136
1107 0900	Fuse - 3216FF-3A	61-112
1204 2373	Key Board Switch - Skqdpa	61-113
1204 2421	Main Switch (230V)	53- 21
1204 2446	Switch	55- 11
1400 0390	Transistor, 2SA1122, Hitachi	61-114
1400 0392	Transistor - DTC114EK	61-115

Part No.	Description	Page and Index No.
1400 0398	Transistor - 2SC2412K	61-116
1400 0700	Transistor - DTD133HK	65-137
1400 0702	Transistor - DTD143EK	61-117
1400 0703	Transistor - 2SA1313	61-118
1402 0477	Silicon Diode - 1SS187	61-119
1402 0478	Diode - 1SS226TE85L	61-120
1402 0804	Silicon Diode - 45V - 0.3A	61-121
1402 1111	Diode - HZM5.1NB2	61-122
1402 1144	Diode Array - 1SS319	65-138
1402 1327	Diode 2.0V	65-139
1403 0404	LED - SEL2110R	65-140
1403 0828	Diode - SEC1901C	61-123
1403 0829	Diode - SEC1201C	61-124
1407 1535	IC - TD62308AP	65-141
1407 1600	TTLIC - SN74LS244NS	61-125
1407 2187	TTLIC - SN74LS07NS	61-126
1407 2187	TTLIC - SN74LS07NS	65-142
1407 2218	TTLIC SN74LS06NS	61-127
1407 2219	IC - TD62003AP	65-143
1407 2561	TTLIC - 74F157ASJ	61-128
1407 2783	TTL SN74AS00NS	61-129
1407 2948	IC - TC7S04F	61-130
1407 3263	IC - TC7S08F	61-131
1407 3486	CMOS IC TC74HC153AF	65-144
1407 3488	CMOS IC TC74HC4053AF	65-145
1407 4179	Cmos IC TC7W04FU	61-132
1407 4322	IC - TD74ABT374F	61-133
1407 4323	TTL TD74ABT244AF	61-134
1407 4536	IC - ICS1574	61-135
1407 4565	IC - TE6251	65-146
1407 4651	IC - TC7S04FU	61-136
1407 4671	Fifo M66256FP	61-137
1407 4683	MPU HD6413003TF-10	61-138
1407 4685	EEPROM LH28F800SUT-70	61-139
1407 4730	SRAM STK12C68-W45	61-140

Part No.	Description	Page and Index No.
1407 4734	IC - M66257FP	61-141
1408 0575	IC - M51957BFP	61-142
1408 0595	IC - NJM2904M	65-147
1408 0797	IC - TC74HCO3AF : CMOS	61-143
1408 1065	Comparator BA10339F	61-144
1408 1204	IC - TA8083P	65-148
1408 1225	IC - STK672-040	65-149
1408 1226	Regulator:3.3V:PQ3TZ53	61-145
1503 0587	Oscillator CX-5F 19.6608MHZ	61-146
1503 0787	Oscillator CSTCS19.58MX040	61-147
1600 1449	Resistor - 47 Ω 3W	65-150
1601 1413	Resistor - RCB8C330J	61-148
1601 1930	Resistor - 100 Ω \pm 5% 1/10W (115V)	61-199
1601 7722	Resistor - 100 Ω	61-149
1601 7723	Resistor - 150 Ω (230V)	61-201
1601 7751	Resistor - 4.7K Ω \pm 5%	61-150
1601 7752	Resistor Array - 10K Ω \pm 5%	61-151
1601 7792	Resistor Array - 1K Ω	61-152
1601 7793	Resistor Array - 10K Ω	61-153
1601 7796	Resistor Array - 2.2K Ω \pm 5%	61-154
1601 7800	Resistor Array - 1K Ω \pm 5% 1/16W	65-151
1601 7801	Resistor Array:10k Ω : \pm 5%:1/16w	65-152
1601 7814	Resistor 3.3K Ω \pm 5%	61-155
1604 4333	Capacitor - 100 μ F \pm 20% 10V	61-156
1605 0447	Cap.,ceramic,10pf \pm 0.5% 50v	65-153
1605 0577	Capacitor - 0.33 μ F +80-20%	61-157
1607 0638	Ferrite Core - Tfc25-15-12	53-110
1607 0644	Ferrite Core - BNC-26	51-102
1607 0732	Noise Filter - AEF321825-470	61-158
1607 0847	Data Line Filter - ACB1608H-300	61-159
1607 0907	Emi Filter ACB2012H-300	61-160
1607 0926	Filter - ACF321825-680	61-161
1607 0927	Filter - ACF321825-220	61-162
1630 1221	Resistor - 220 Ω \pm 5% 1/4W	65-154

Part No.	Description	Page and Index No.
1630 3102	Resistor - 1K Ω 1/10W \pm 5%	65-155
1630 3103	Resistor - 10K Ω 1/10W \pm 5%	65-156
1630 3154	Resistor - 150K 0HM \pm 5% 1/10W	65-157
1630 3220	Resistor - 22 Ω \pm 5% 1/10W	65-158
1630 3243	Resistor - 24K Ω \pm 5% 1/10W	65-159
1630 3332	Resistor - 3.3K Ω 1/10W \pm 5%	65-160
1630 3391	Resistor - 390 Ω 1/10W \pm 5%	65-161
1630 3471	Resistor - 470 Ω - 1/10W	61-163
1630 3472	Resistor - 4.7K Ω 1/10W \pm 5%	65-162
1630 3680	Resistor - 68 Ω \pm 5% 1/10W	65-163
1630 3820	Resistor - 82 Ω \pm 5% 1/10W	65-164
1630 4100	Resistor - 10 Ω \pm 5% 1/16W	61-164
1630 4101	Resistor - 100 Ω \pm 5% 1/16W	61-165
1630 4102	Resistor - 1.0K Ω \pm 5% 1/16W	61-166
1630 4103	Resistor - 10K Ω \pm 5% 1/16W	61-167
1630 4104	Resistor - 100 Ω \pm 5% 1/16W	61-168
1630 4105	Resistor - 1.0M Ω \pm 5% 1/16W	61-169
1630 4150	Resistor - 15 Ω \pm 5.00%,1/16W	61-170
1630 4151	Resistor - 150 Ω \pm 5% 1/16W (230V)	61-202
1630 4221	Resistor - 220 Ω \pm 5% 1/16W (230V)	61-203
1630 4222	Resistor - 2.2k Ω - \pm 5%	61-171
1630 4223	Resistor - 22k Ω - \pm 5% - 1/16w	61-172
1630 4273	Resistor - 27k Ω - \pm 5% - 1/16w	61-173
1630 4301	Resistor - 300 Ω \pm 5% 1/10W	61-174
1630 4330	Resistor - 33 Ω \pm 5% 1/8w	61-175
1630 4332	Resistor:3.3k Ω : \pm 5%:1/16w	61-176
1630 4333	Resistor: 33k Ω : \pm 5%: 1/16w	61-177
1630 4471	Resistor - 470 Ω \pm 5% 1/16W	61-178
1630 4472	Resistor - 4.7K Ω \pm 5% 1/16W	61-179
1630 4510	Resistor - 51 Ω \pm 5%:1/16W	61-180
1630 4680	Resistor - 68 Ω \pm 5% 1/16W	61-181
1630 4681	Resistor - 680 Ω \pm 5% 1/16W (230V)	61-204
1632 3900	Resistor - 390 0HM \pm 1% 1/8W	65-165

