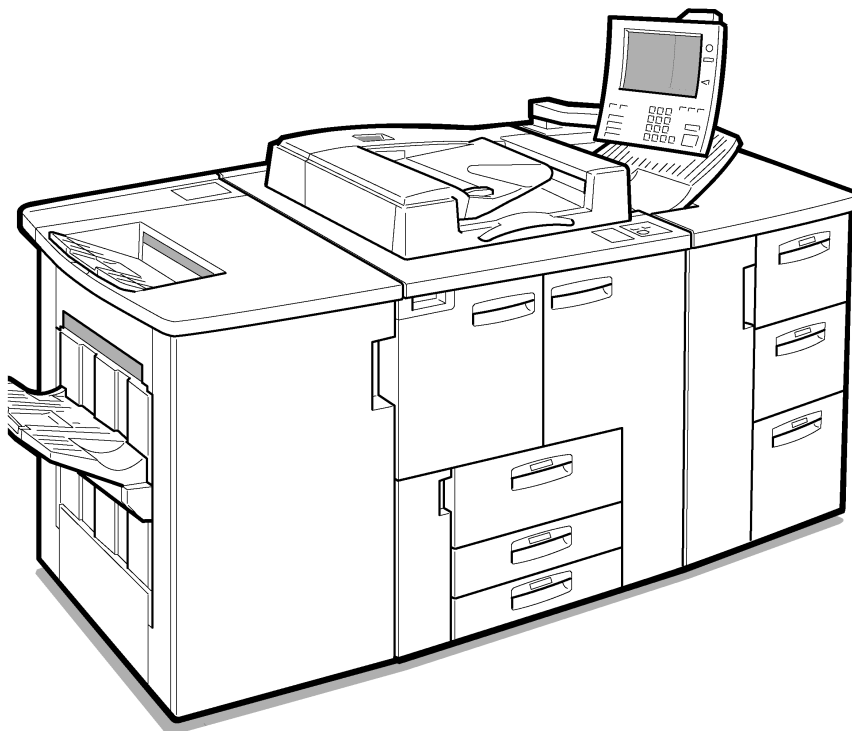


**Gestetner**<sup>®</sup> **RICOH**<sup>®</sup> **savin**<sup>®</sup>



**A294/A295**  
**PARTS CATALOG**

RICOH GROUP COMPANIES

000903MIU



*Gestetner*<sup>®</sup>

**RICOH**<sup>®</sup>

**savin**<sup>®</sup>

**A294/A295**  
**PARTS CATALOG**

RICOH GROUP COMPANIES





***Gestetner*** **RICOH** **SAVIN**

**A294/A295  
PARTS CATALOG**



It is the reader's responsibility when discussing the information contained within this document to maintain a level of confidentiality that is in the best interest of Ricoh Corporation and its member companies.

***NO PART OF THIS DOCUMENT MAY BE REPRODUCED IN ANY  
FASHION AND DISTRIBUTED WITHOUT THE PRIOR  
PERMISSION OF RICOH CORPORATION.***

All product names, domain names or product illustrations, including desktop images, used in this document are trademarks, registered trademarks or the property of their respective companies.

They are used throughout this book in an informational or editorial fashion only and for the benefit of such companies. No such use, or the use of any trade name, or web site is intended to convey endorsement or other affiliation with Ricoh products.



# LEGEND

PRODUCT CODE	COMPANY		
	GESTETNER	RICOH	SAVIN
A294I	3285	Aficio 850	2085DP
A295I	32105	Aficio 1050	2105DP
A294II	8502	Aficio1085	2585
A295II	10502	Aficio1105	25105
B303	Large Capacity Tray RT42		
B302	Finisher SR810		
B331	Tray Kit Type 850		
A812	Punch Unit Type 850		
B327	Interface Board Type 850		
B336	Printer Controller Type 850		

# DOCUMENTATION HISTORY

REV. NO.	DATE	COMMENT
*	01/2000	First Printing
1	07/2000	A295 Addition
2	09/2001	A294II/A295II Addition



# A294/A295 PARTS CATALOG

## TABLE OF CONTENTS

### A294/A295 PARTS LOCATION AND LIST

<b>LOCATION OF UNIT .....</b>	<b>2</b>	18.OPTICS SECTION 4 (A294/A295) .....	48
1.EXTERIOR 1 (A294/A295) .....	14	19.LASER UNIT (A294/A295) .....	50
2.EXTERIOR 2 (A294/A295) .....	16	20.TANDEM TRAY 1 (A294/A295) .....	52
3.EXTERIOR 3 (A294/A295) .....	18	21.TANDEM TRAY 2 (A294/A295) .....	54
4.OPERATION PANEL (A294/A295) .....	20	22.TANDEM TRAY 3 (A294/A295) .....	56
5.DF EXTERIOR (A294/A295) .....	22	23.UNIVERSAL TRAY (A294/A295) .....	58
6.ORIGINAL FEED 1 (A294/A295).....	24	24.PAPER FEED UNIT 1 (A294/A295) .....	60
7.ORIGINAL FEED 2 (A294/A295).....	26	25.PAPER FEED UNIT 2 (A294/A295) .....	62
8.ORIGINAL FEED 3 (A294/A295).....	28	26.PAPER FEED UNIT 3 (A294/A295) .....	64
9.ORIGINAL TRANSPORT (A294/A295).....	30	27.VERTICAL TRANSPORT (A294/A295) .....	66
10.ORIGINAL EXIT 1 (A294/A295) .....	32	28.PAPER REGISTRATION 1 (A294/A295) .....	68
11.ORIGINAL EXIT 2 (A294/A295) .....	34	29.PAPER REGISTRATION 2 (A294/A295) .....	70
12.DF DRIVE SECTION 1 (A294A295) .....	36	30.PAPER REGISTRATION 3 (A294/A295) .....	72
13.DF DRIVE SECTION 2 (A294/A295) .....	38	31.TONER BANK UNIT 1 (A294/A295) .....	74
14.DF FRAME SECTION (A294/A295).....	40	32.TONER BANK UNIT 2 (A294/A295) .....	76
15.OPTICS SECTION 1 (A294/A295) .....	42	33.TONER SUPPLY UNIT 1 (A294/A295) .....	78
16.OPTICS SECTION 2 (A294/A295) .....	44	34.TONER SUPPLY UNIT 2 (A294/A295) .....	80
17.OPTICS SECTION 3 (A294/A295) .....	46	35.TONER HOPPER SECTION (A294/A295) .....	82
		36.DEVELOPMENT UNIT 1(A294/A295).....	84

37.DEVELOPMENT UNIT 2(A294/A295) .....	86
38.PCU 1 (A294/A295) .....	88
39.PCU 2 (A294/A295) .....	90
40.PCU 3 (A294/A295) .....	92
41.PCU 4 (A294/A295) .....	94
42.TRANSFER BELT UNIT 1 (A294/A295).....	96
43.TRANSFER BELT UNIT 2 (A294/A295).....	98
44.FUSING UNIT 1 (A294/A295).....	100
45.FUSING UNIT 2 (A294/A295).....	102
46.FUSING UNIT 3 (A294/A295).....	104
47.FUSING UNIT 4 (A294/A295).....	106
48.PAPER EXIT SECTION 1 (A294/A295) .....	108
49.PAPER EXIT SECTION 2 (A294/A295) .....	110
50.PAPER EXIT SECTION 3 (A294/A295) .....	112
51.PAPER EXIT SECTION 4 (A294/A295) .....	114
52.DUPLEX UNIT 1 (A294/A295).....	116
53.DUPLEX UNIT 2 (A294/A295).....	118
54.DUPLEX UNIT 3 (A294/A295).....	120
55.DUPLEX UNIT 4 (A294/A295).....	122
56.DUPLEX UNIT 5 (A294/A295).....	124
57.DRIVE SECTION 1 (A294/A295).....	126
58.DRIVE SECTION 2 (A294/A295).....	128
59.DRIVE SECTION 3 (A294/A295).....	130
60.DRIVE SECTION 4 (A294/A295).....	132
61.DRIVE SECTION 5 (A294/A295).....	134
62.ELECTRICAL SECTION 1 (A294/A295) .....	136
63.ELECTRICAL SECTION 2 (A294/A295) .....	138
64.ELECTRICAL SECTION 3 (A294/A295) .....	140
65.ELECTRICAL SECTION 4 (A294/A295) .....	142
66.ELECTRICAL SECTION 5 (A294/A295) .....	144
67.ELECTRICAL SECTION 6 (A294/A295) .....	146

68.FRAME SECTION 1 (A294/A295) .....	148
69.FRAME SECTION 2 (A294/A295) .....	150
70.FRAME SECTION 3 (A294/A295) .....	152
71.FRAME SECTION 4 (A294/A295) .....	154
72.FRAME SECTION 5 (A294/A295) .....	156
73.MAINCONTROL BOARD (A294/A295) .....	158
74.BCU BOARD (A294/A295) .....	162
75.IO BOARD (A294/A295) .....	170
76.ADF MAIN CONTROL BOARD (A294/A295) .....	172
77.DECAL AND DOCUMENT (A294/A295) .....	176
78.SPECIAL TOOLS (A294/A295) .....	182

**A294/A295 PARTS INDEX**

<b>PARTS INDEX</b> .....	<b>2</b>
--------------------------	----------

**LARGE CAPACITY TRAY B303 PARTS LOCATION AND LIST**

<b>LOCATION OF UNIT</b> .....	<b>3</b>
1.EXTERIOR (B303).....	6
2.PAPER TRAY SECTION 1 (B303) .....	8
3.PAPER TRAY SECTION 2 (B303) .....	10
4.PAPER TRAY SECTION 3 (B303) .....	12
5.PAPER TRAY SECTION 4 (B303) .....	14
6.PAPER FEED UNIT 1 (B303).....	16
7.PAPER FEED UNIT 2 (B303).....	18
8.TRANSPORT SECTION 1 (B303).....	20
9.TRANSPORT SECTION 2 (B303).....	22
10.TRANSPORT SECTION 3 (B303).....	24
11.DRIVE SECTION (B303) .....	26
12.ELECTRICAL SECTION (B303).....	28
13.FRAME SECTION 1 (B303) .....	30
14.FRAME SECTION 2 (B303) .....	32



15.DECAL AND DOCUMENT (B303) .....	34
------------------------------------	----

<b>LARGE CAPACITY TRAY B303 PARTS INDEX</b>	
<b>PARTS INDEX .....</b>	<b>2</b>

<b>FINISHER B302 PARTS LOCATION AND LIST</b>	
<b>LOCATION OF UNIT .....</b>	<b>2</b>
1.EXTERIOR (B302) .....	6
2.STAPLE TRAY 1 (B302) .....	8
3.STAPLE TRAY 2 (B302) .....	10
4.STAPLE TRAY 3 (B302) .....	12
5.STAPLE TRAY 4 (B302) .....	14
6.STAPLER UNIT (B302).....	16
7.STAPLE TRANSPORT 1 (B302).....	18
8.STAPLE TRANSPORT 2 (B302).....	20
9.STAPLE TRANSPORT 3 (B302).....	22
10.STAPLE TRANSPORT 4 (B302).....	24
11.TRANSPORT SECTION 1 (B302) .....	26
12.TRANSPORT SECTION 2 (B302) .....	28
13.PAPER EXIT SECTION 1 (B302) .....	30
14.PAPER EXIT SECTION 2 (B302) .....	32
15.PAPER EXIT SECTION 3 (B302) .....	34
16.DRIVE SECTION (B302).....	36
17.ELECTRICAL SECTION (B302) .....	38
18.FRAME SECTION 1 (B302) .....	40
19.FRAME SECTION 2 (B302) .....	42
20.DECAL AND DOCUMENT (B302) .....	44

<b>FINISHER B302 PARTS INDEX</b>	
<b>PARTS INDEX .....</b>	<b>2</b>

<b>TRAY KIT TYPE 850 B331 PARTS LOCATION AND LIST</b>	
1.PAPER TRAY 1 (B331).....	2
2.PAPER TRAY 2 (B331).....	4

<b>TRAY KIT TYPE 850 B331 PARTS INDEX</b>	
<b>PARTS INDEX .....</b>	<b>2</b>

<b>PUNCH UNIT TYPE 850 A812 PARTS LOCATION AND LIST</b>	
1.PUNCH UNIT (A812) .....	2

<b>PUNCH UNIT TYPE 850 A812 PARTS INDEX</b>	
<b>PARTS INDEX .....</b>	<b>2</b>

<b>INTERFACE BOARD TYPE 850 B327 PARTS LOCATION AND LIST</b>	
1.INTERFACE BOARD (327).....	2

<b>INTERFACE BOARD TYPE 850 B327 PARTS INDEX</b>	
<b>PARTS INDEX .....</b>	<b>2</b>



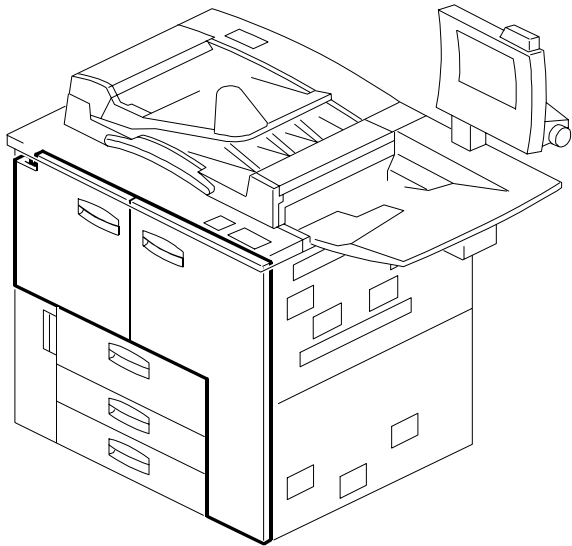
**A294/A295**  
**PARTS LOCATION AND LIST**



This section instructs you as to the numbers and names of parts on this machine.

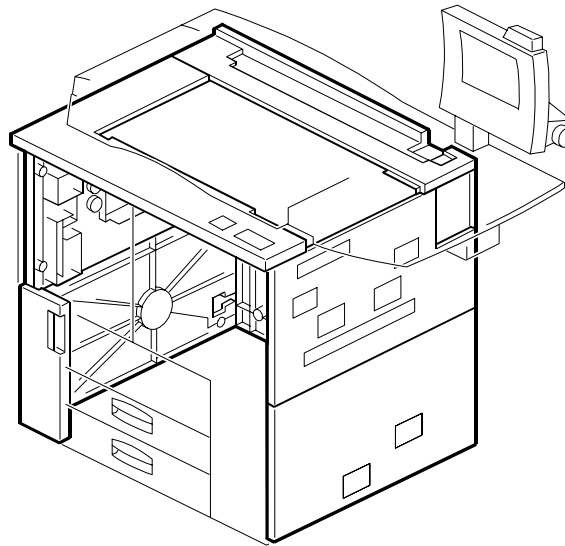
# LOCATION OF UNIT

1.EXTERIOR 1 (A294/A295)



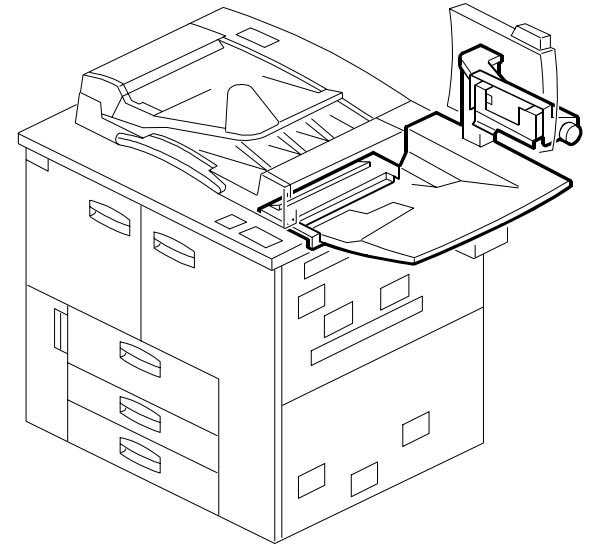
See Page 15

2.EXTERIOR 2 (A294/A295)



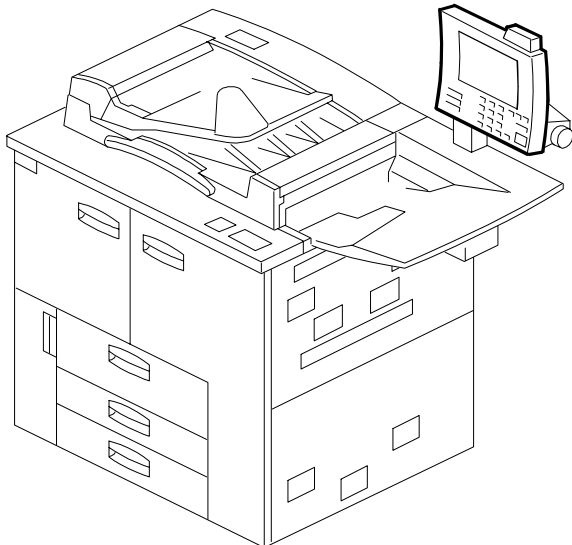
See Page 17

3.EXTERIOR 3 (A294/A295)



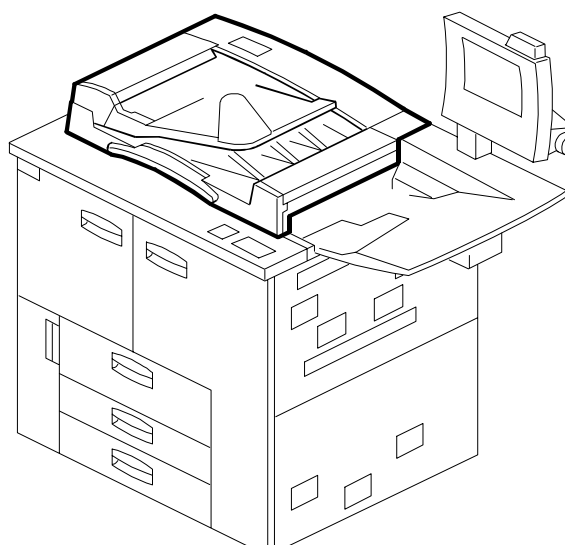
See Page 19

4.OPERATION PANEL (A294/A295)



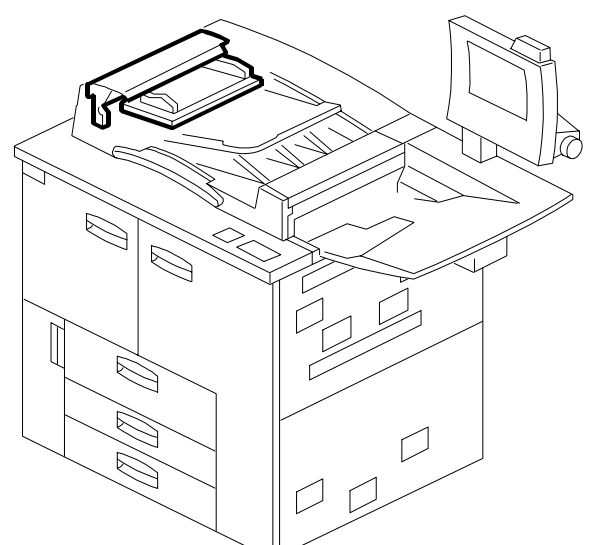
See Page 21

5.DF EXTERIOR (A294/A295)



See Page 23

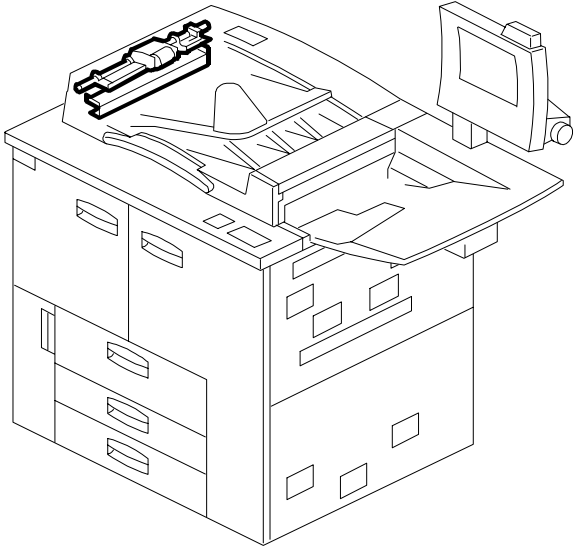
6.ORIGINAL FEED 1 (A294/A295)



See Page 25

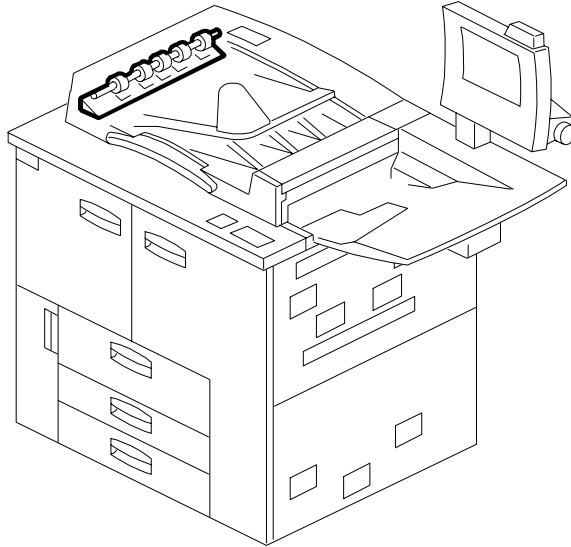
# LOCATION OF UNIT

7.ORIGINAL FEED 2 (A294/A295)



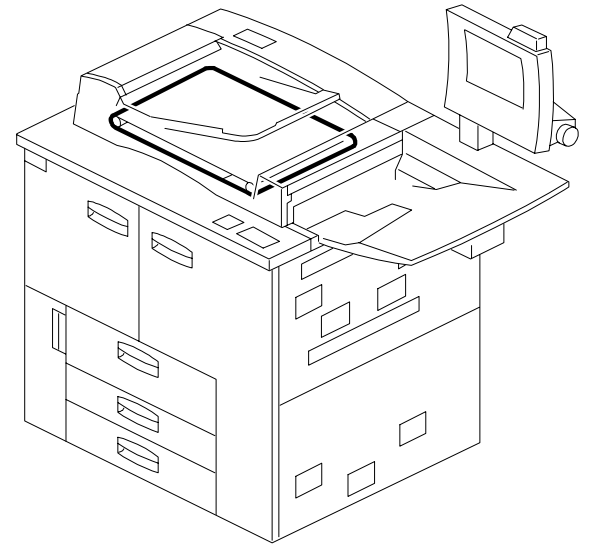
See Page 27

8.ORIGINAL FEED 3 (A294/A295)



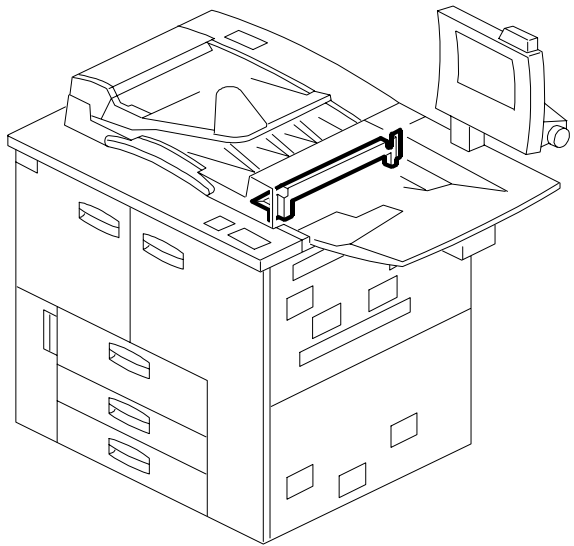
See Page 29

9.ORIGINAL TRANSPORT (A294/A295)



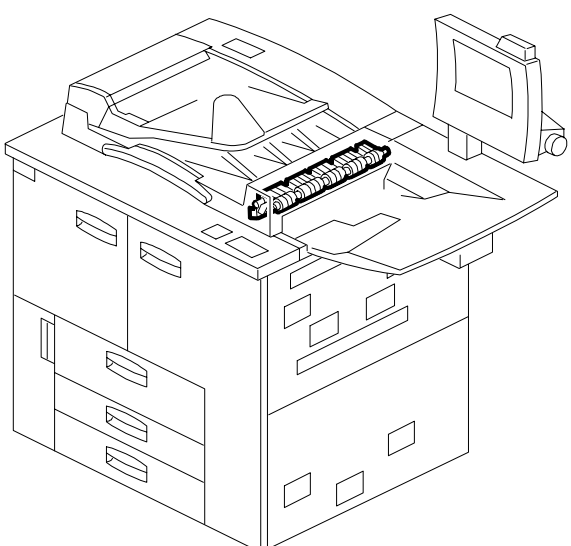
See Page 31

10.ORIGINAL EXIT 1 (A294/A295)



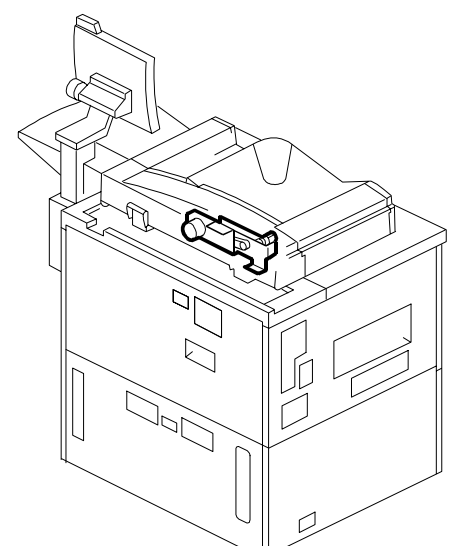
See Page 33

11.ORIGINAL EXIT 2 (A294/A295)



See Page 35

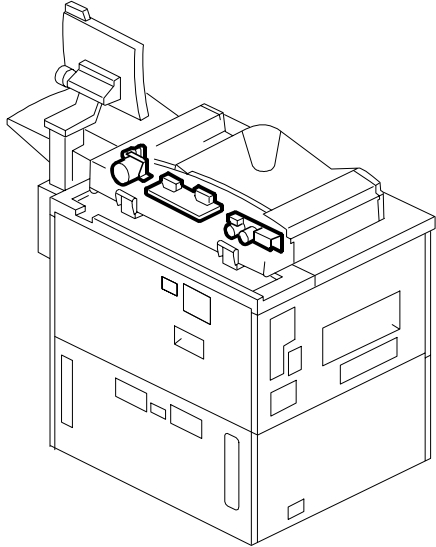
12.DF DRIVE SECTION 1 (A294/A295)



See Page 37

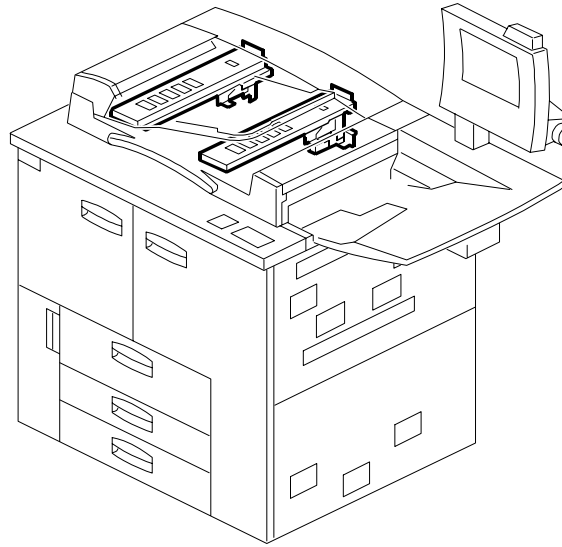
# LOCATION OF UNIT

13.DF DRIVE SECTION 2 (A294/A295)



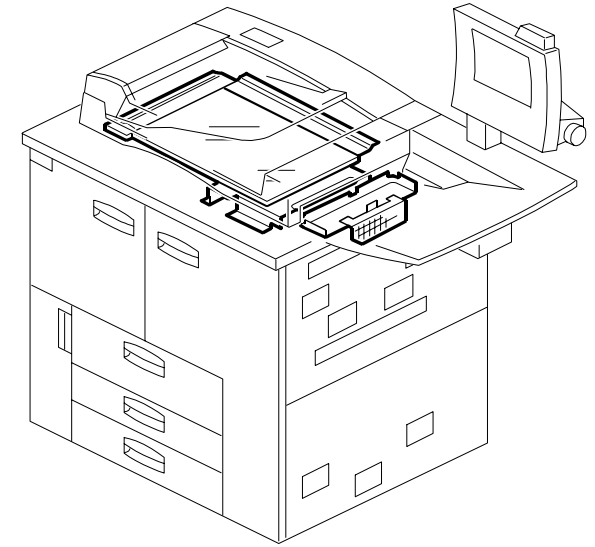
See Page 39

14.DF FRAME SECTION (A294/A295)



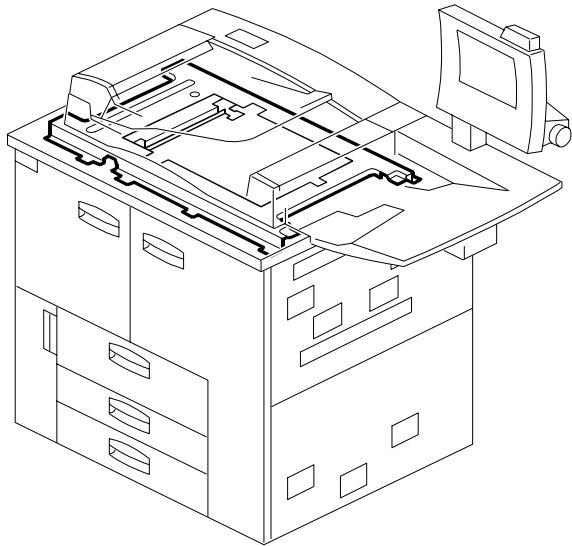
See Page 41

15.OPTICS SECTION 1 (A294/A295)



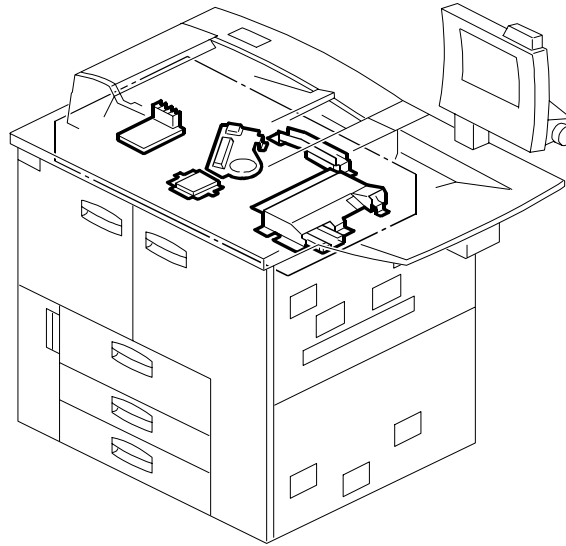
See Page 43

16.OPTICS SECTION 2 (A294/A295)



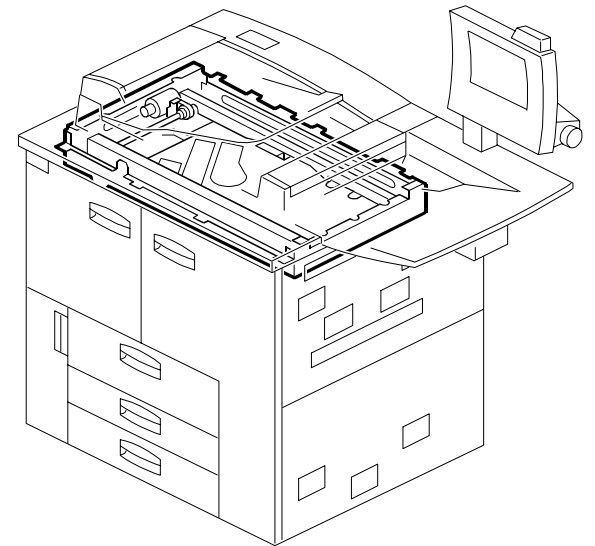
See Page 45

17.OPTICS SECTION 3 (A294/A295)



See Page 47

18.OPTICS SECTION 4 (A294/A295)

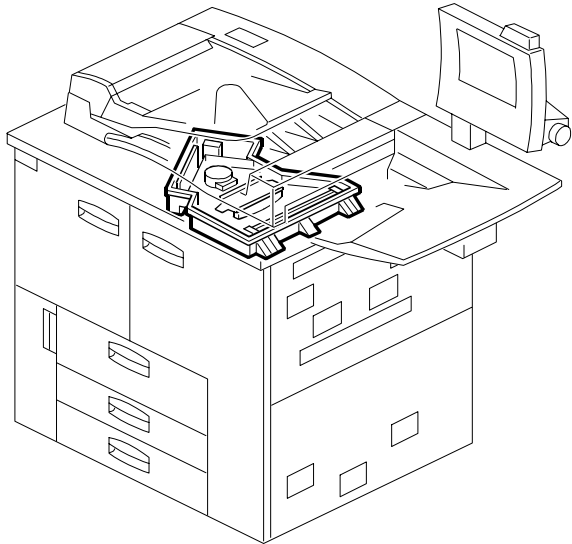


See Page 49



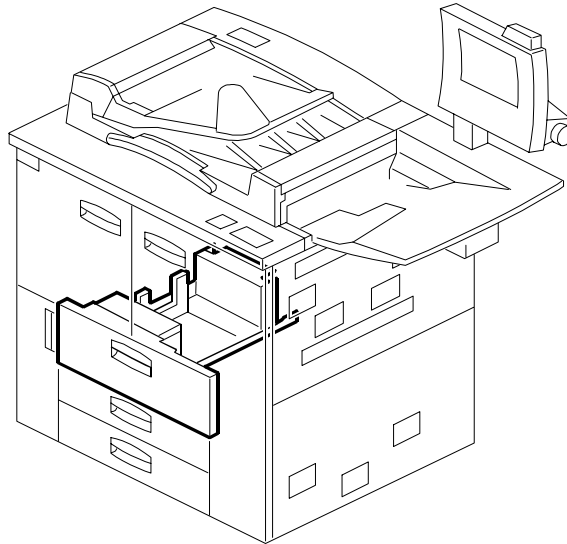
# LOCATION OF UNIT

19.LASER UNIT (A294/A295)



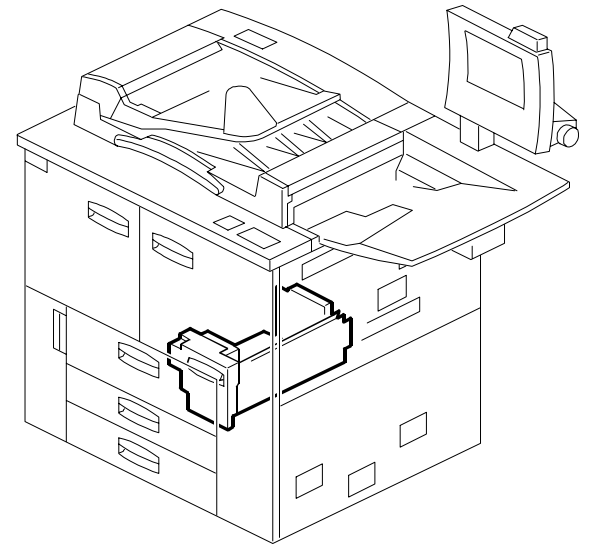
See Page 51

20.TANDEM TRAY 1 (A294/A295)



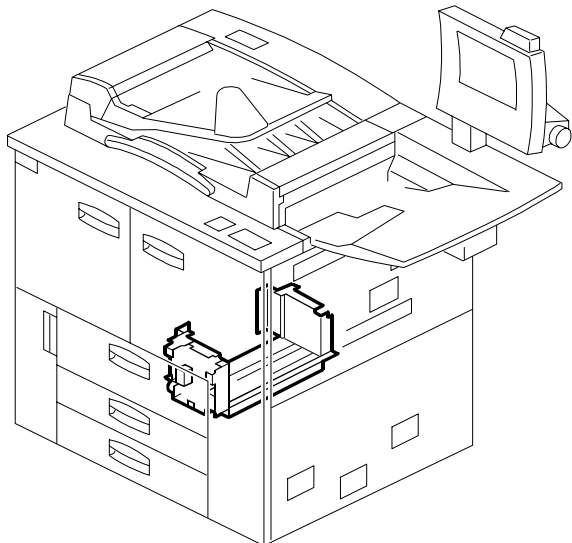
See Page 53

21.TANDEM TRAY 2 (A294/A295)



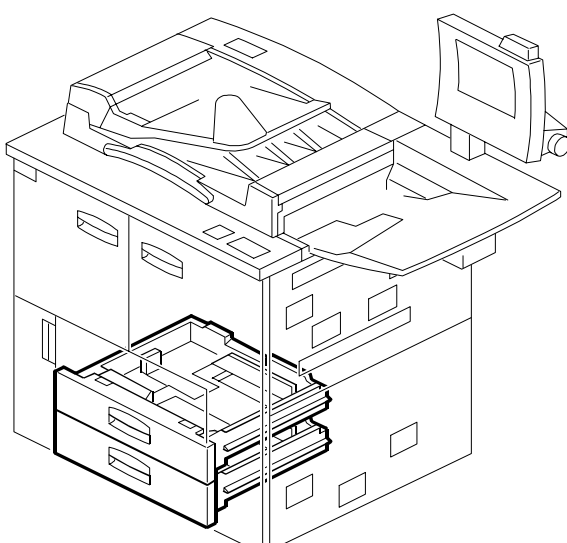
See Page 55

22.TANDEM TRAY 3 (A294/A295)



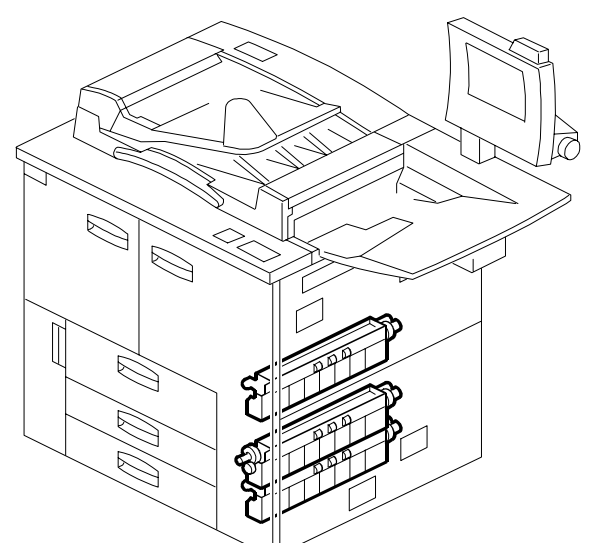
See Page 57

23.UNIVERSAL TRAY (A294/A295)



See Page 59

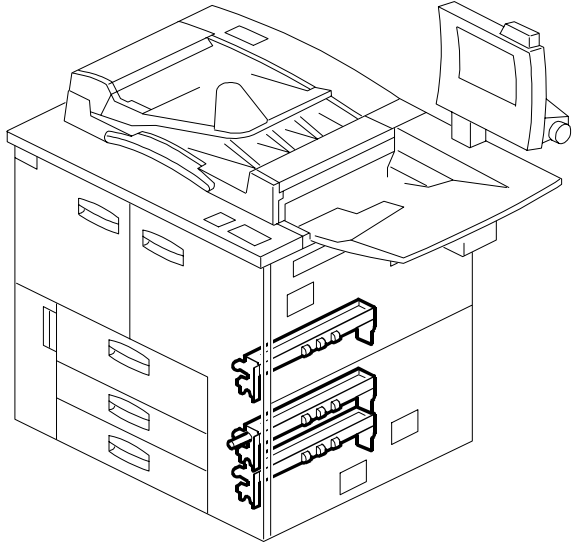
24.PAPER FEED UNIT 1 (A294/A295)



See Page 61

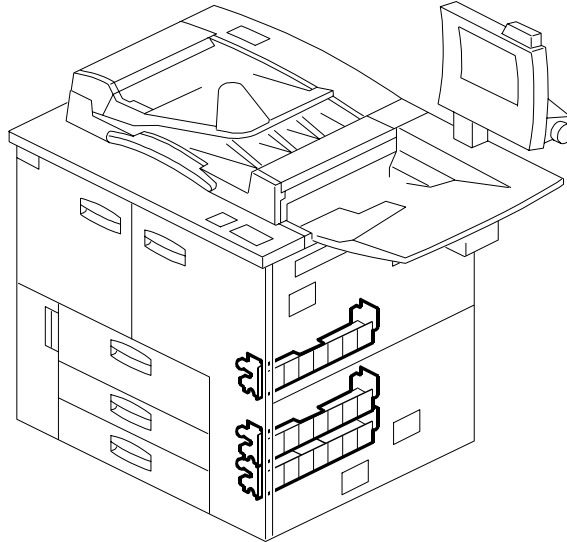
# LOCATION OF UNIT

25.PAPER FEED UNIT 2 (A294/A295)



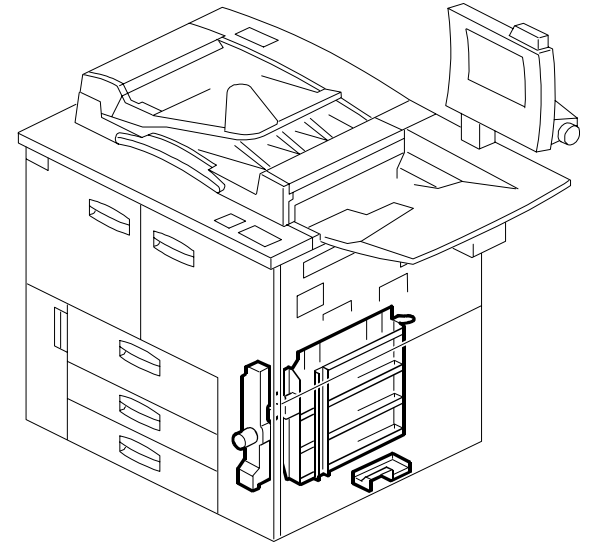
See Page 63

26.PAPER FEED UNIT 3 (A294/A295)



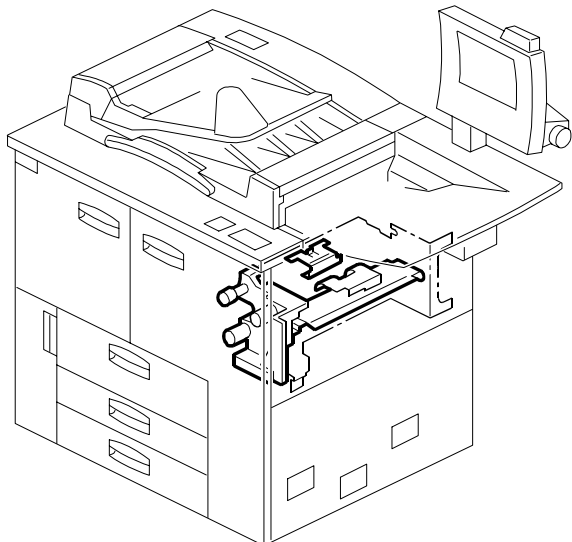
See Page 65

27.VERTICAL TRANSPORT (A294/A295)



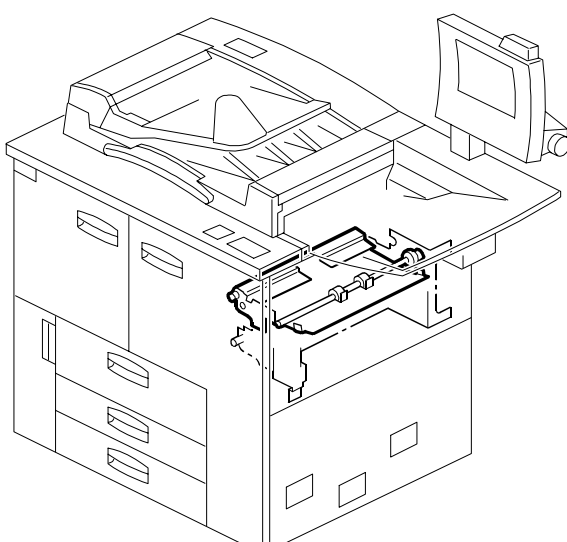
See Page 67

28.PAPER REGISTRATION 1 (A294/A295)



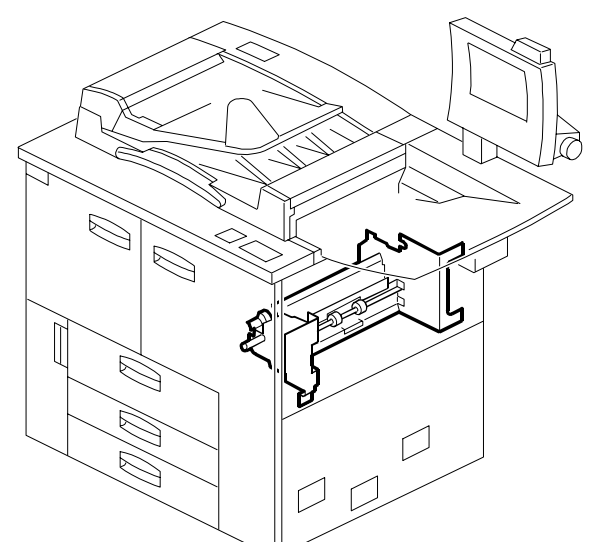
See Page 69

29.PAPER REGISTRATION 2 (A294/A295)



See Page 71

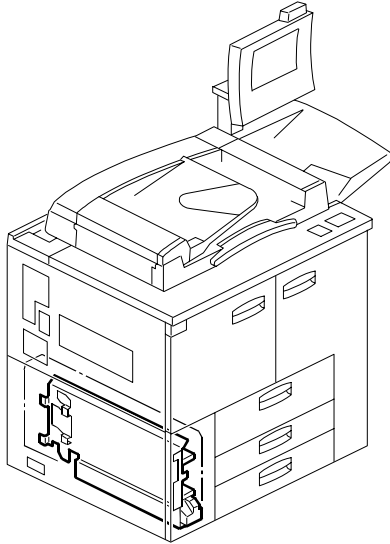
30.PAPER REGISTRATION 3 (A294/A295)



See Page 73

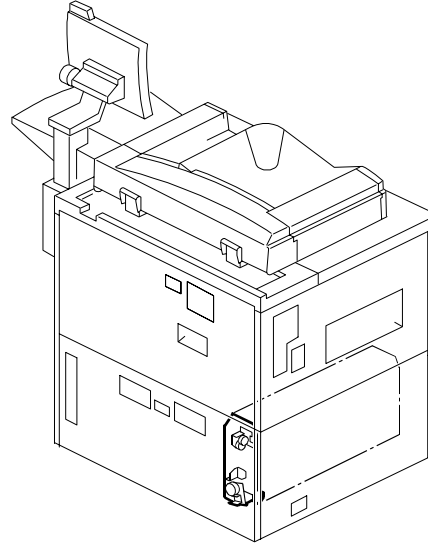
# LOCATION OF UNIT

31.TONER BANK UNIT 1 (A294/A295)



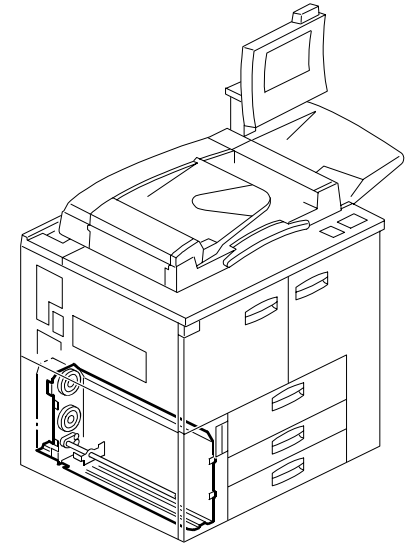
See Page 75

32.TONER BANK UNIT 2 (A294/A295)



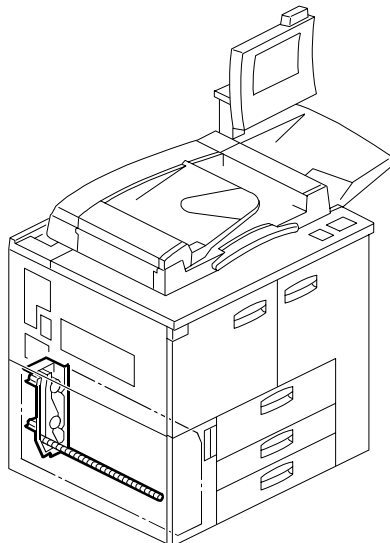
See Page 77

33.TONER SUPPLY UNIT 1 (A294/A295)



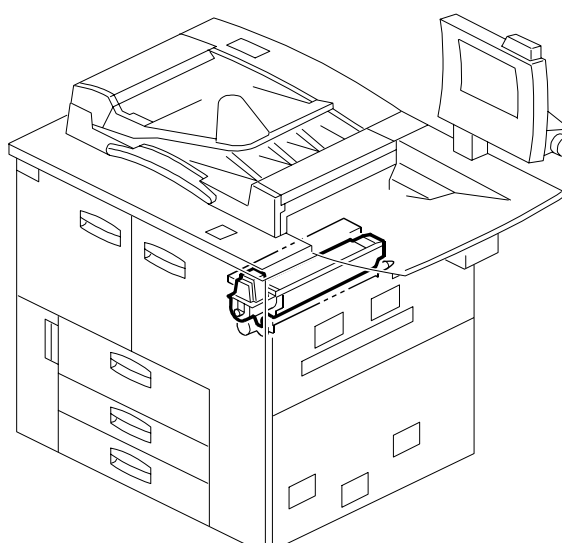
See Page 79

34.TONER SUPPLY UNIT 2 (A294/A295)



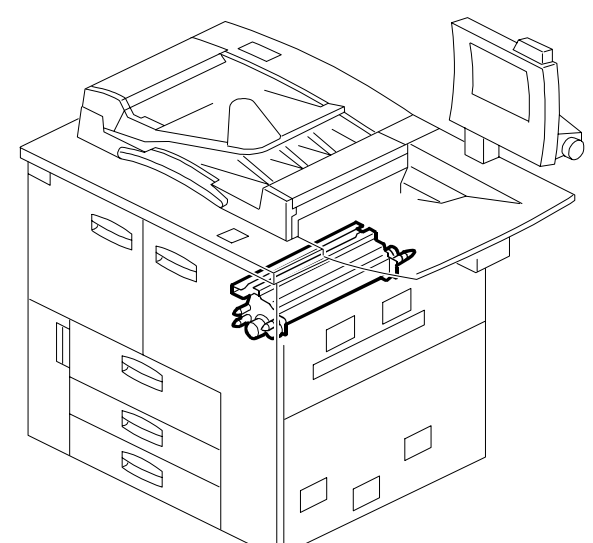
See Page 81

35.TONER HOPPER SECTION (A294/A295)



See Page 83

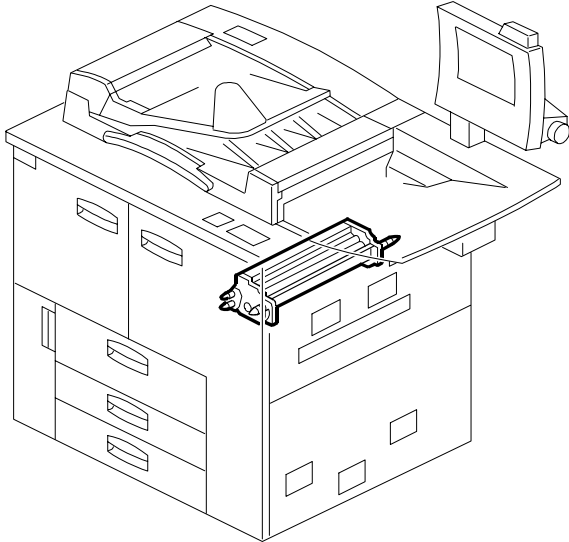
36.DEVELOPMENT UNIT 1(A294/A295)



See Page 85

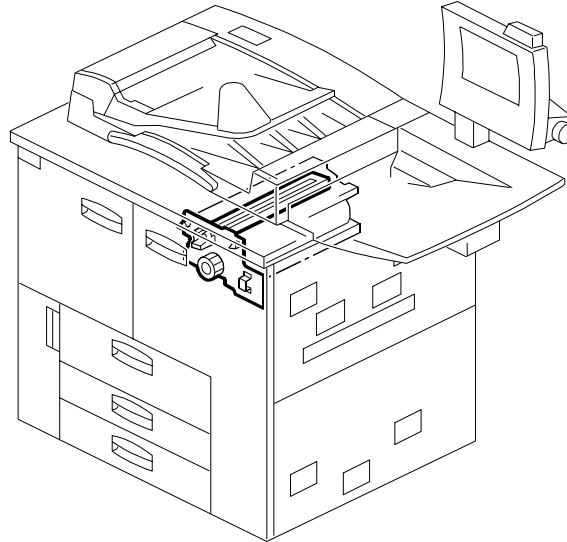
# LOCATION OF UNIT

37.DEVELOPMENT UNIT 2(A294/A295)



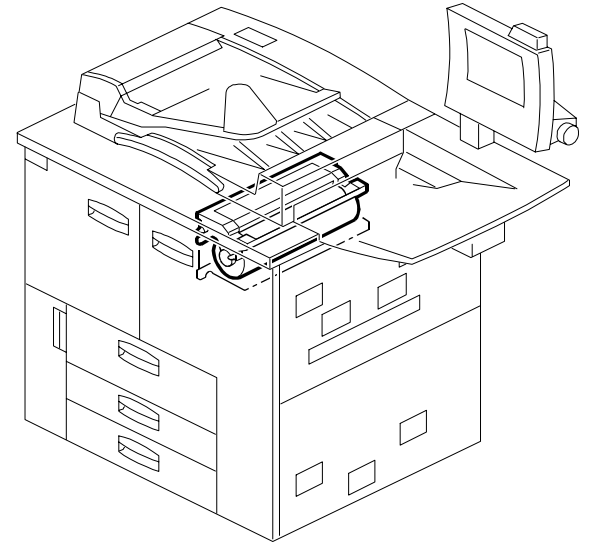
See Page 87

38.PCU 1 (A294/A295)



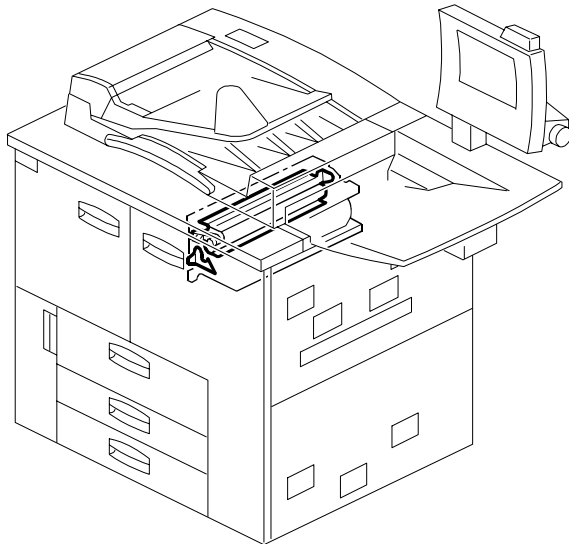
See Page 89

39.PCU 2 (A294/A295)



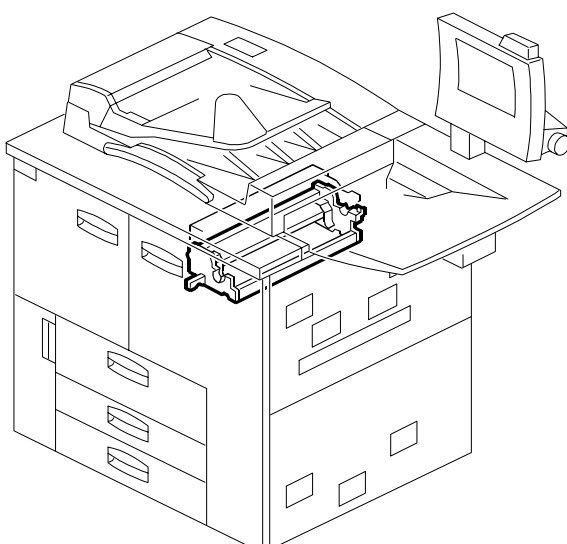
See Page 91

40.PCU 3 (A294/A295)



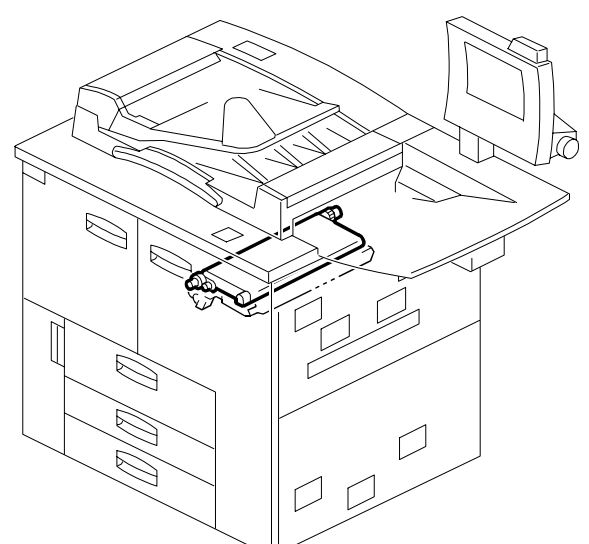
See Page 93

41.PCU 4 (A294/A295)



See Page 95

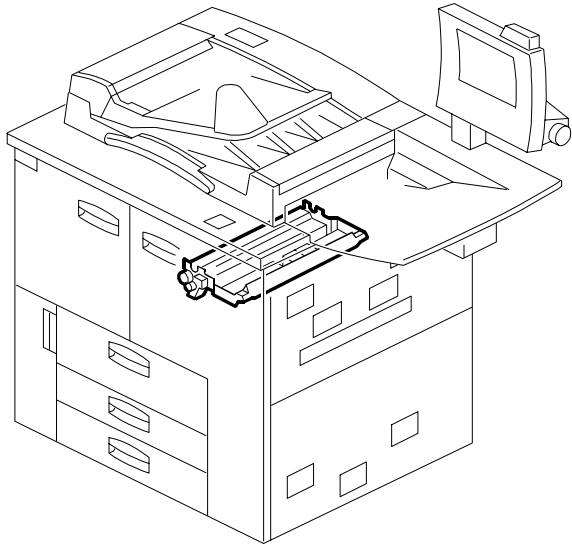
42.TRANSFER BELT UNIT 1 (A294/A295)



See Page 97

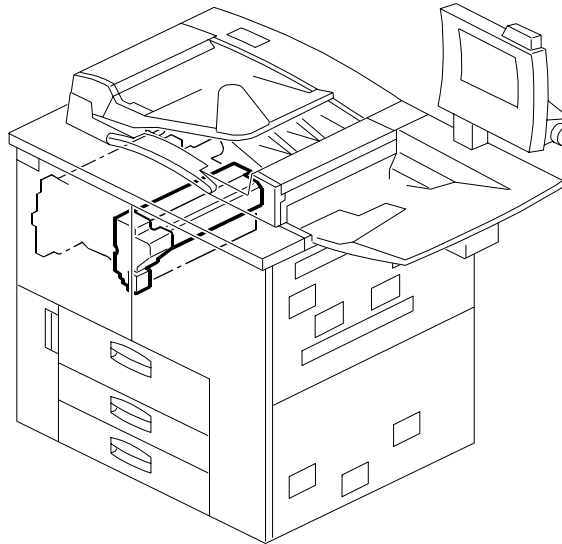
# LOCATION OF UNIT

43. TRANSFER BELT UNIT 2 (A294/A295)



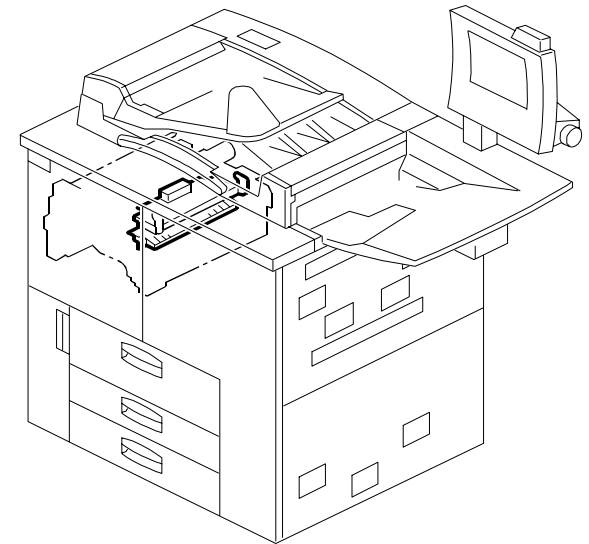
See Page 99

44. FUSING UNIT 1 (A294/A295)



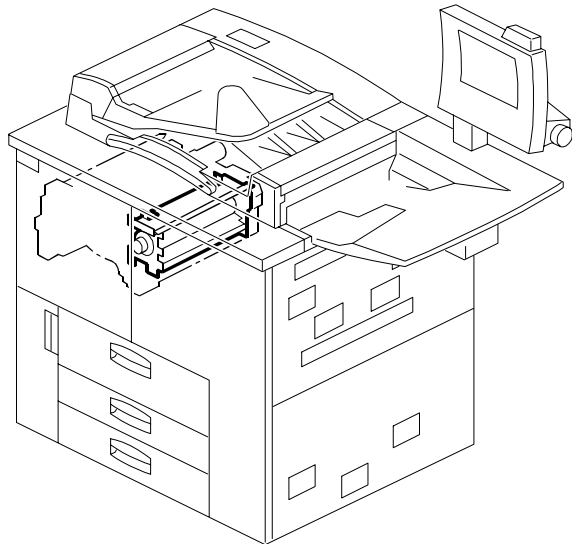
See Page 101

45. FUSING UNIT 2 (A294/A295)



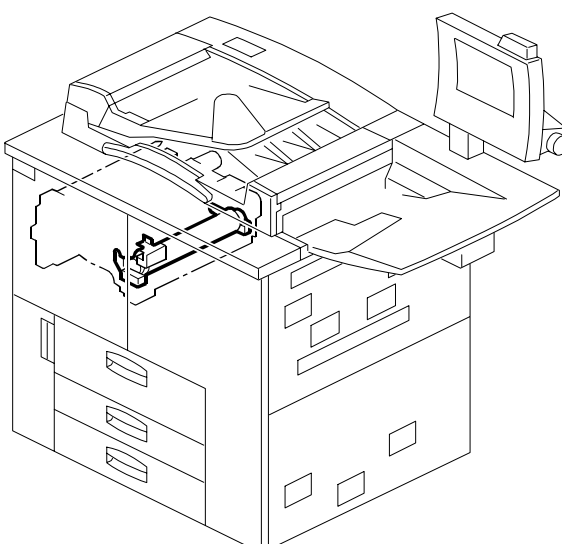
See Page 103

46. FUSING UNIT 3 (A294/A295)



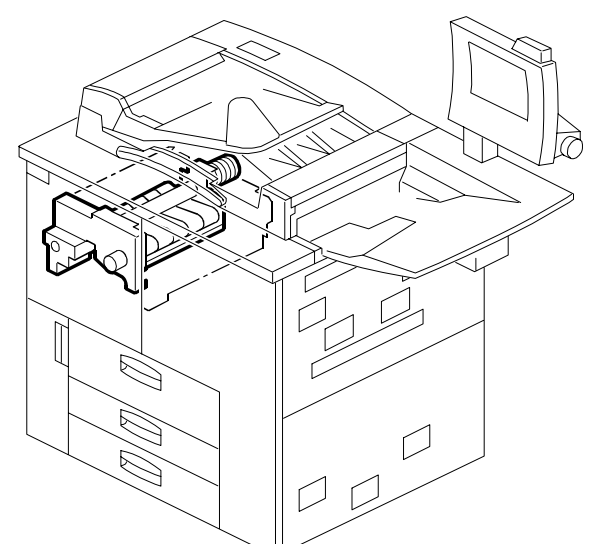
See Page 105

47. FUSING UNIT 4 (A294/A295)



See Page 107

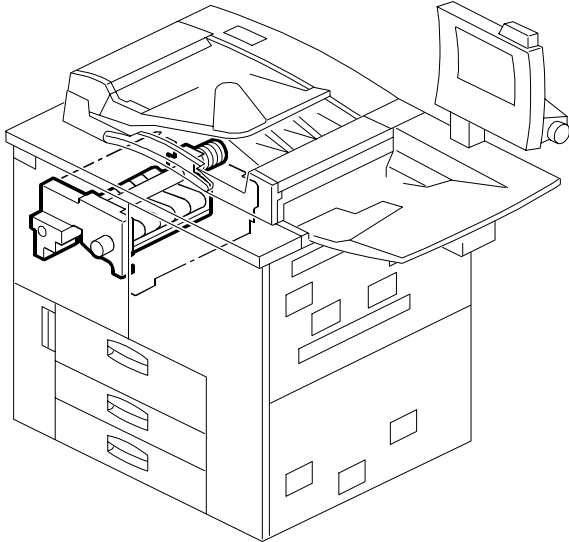
48. PAPER EXIT SECTION 1 (A294/A295)



See Page 109

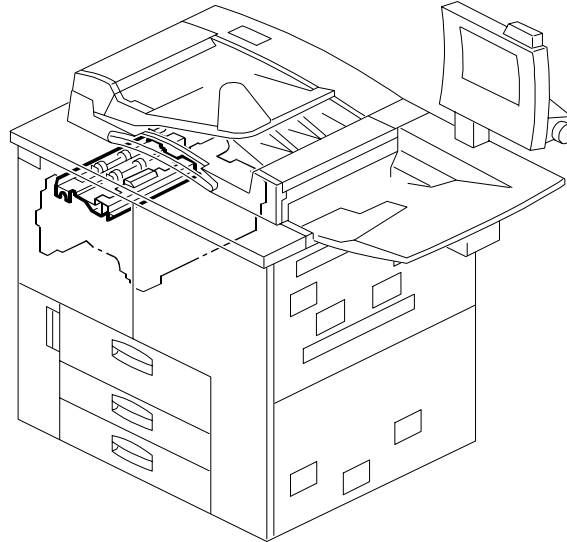
# LOCATION OF UNIT

49.PAPER EXIT SECTION 2 (A294/A295)



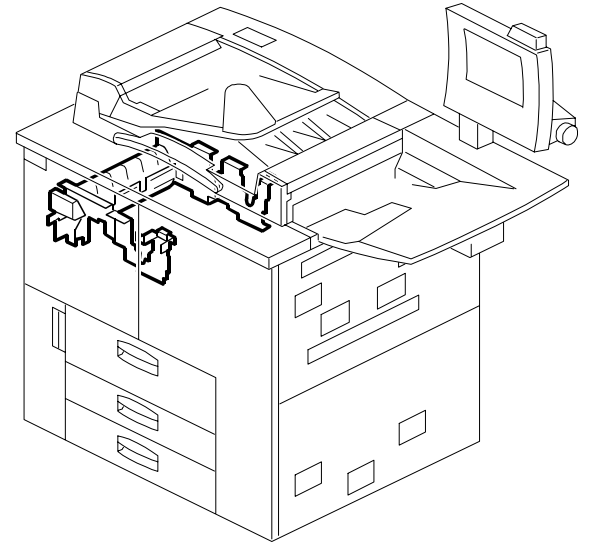
See Page 111

50.PAPER EXIT SECTION 3 (A294/A295)



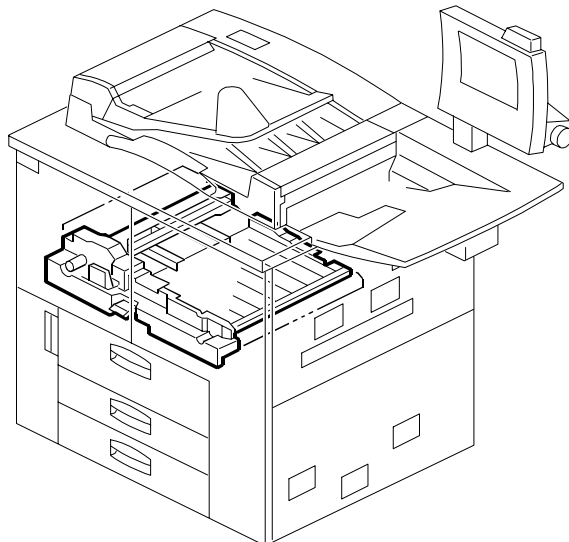
See Page 113

51.PAPER EXIT SECTION 4 (A294/A295)



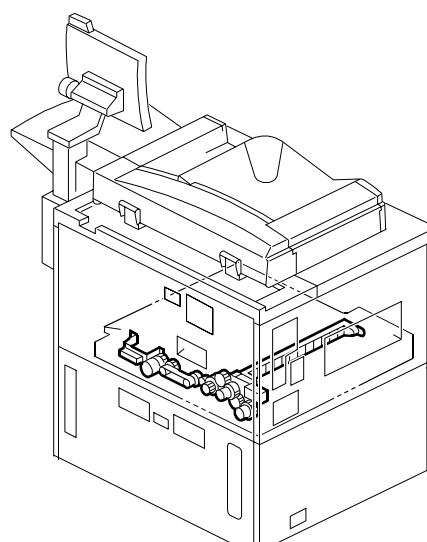
See Page 115

52.DUPLEX UNIT 1 (A294/A295)



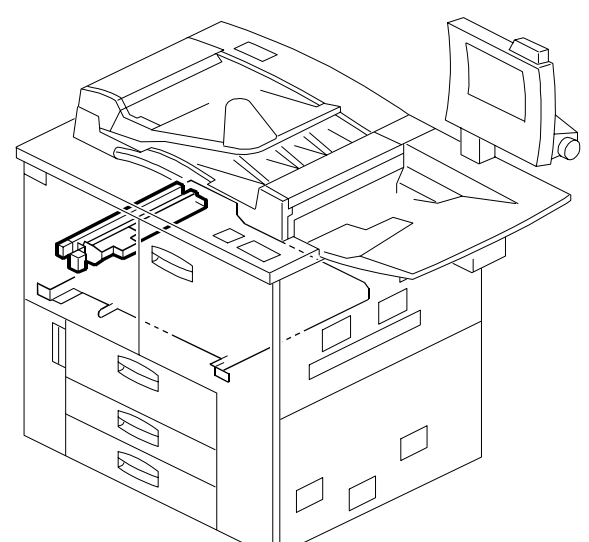
See Page 117

53.DUPLEX UNIT 2 (A294/A295)



See Page 119

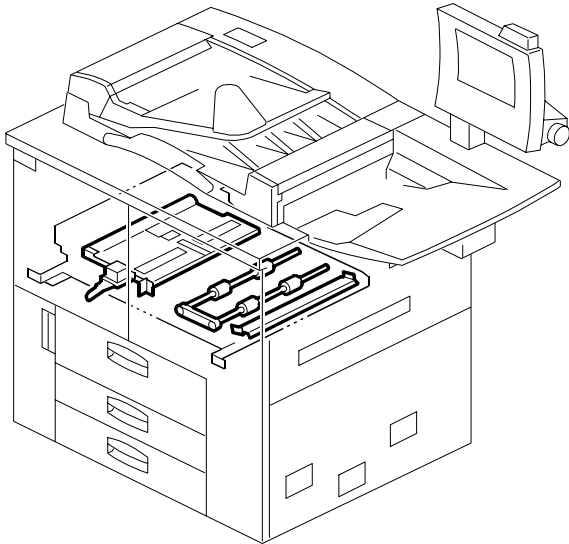
54.DUPLEX UNIT 3 (A294/A295)



See Page 121

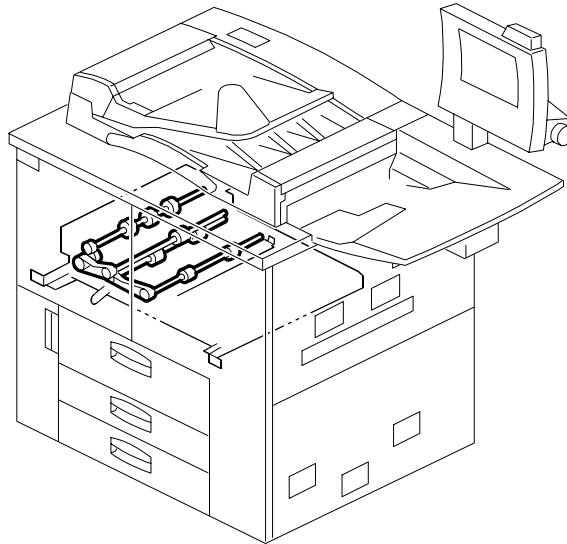
# LOCATION OF UNIT

55.DUPLEX UNIT 4 (A294/A295)



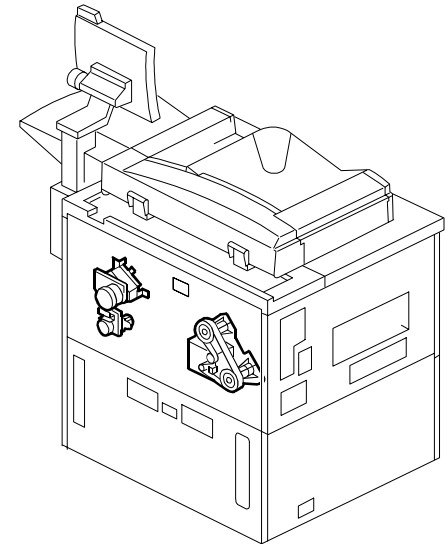
See Page 123

56.DUPLEX UNIT 5 (A294/A295)



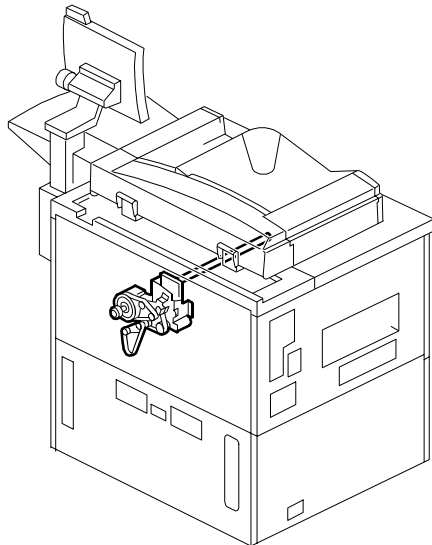
See Page 125

57.DRIVE SECTION 1 (A294/A295)



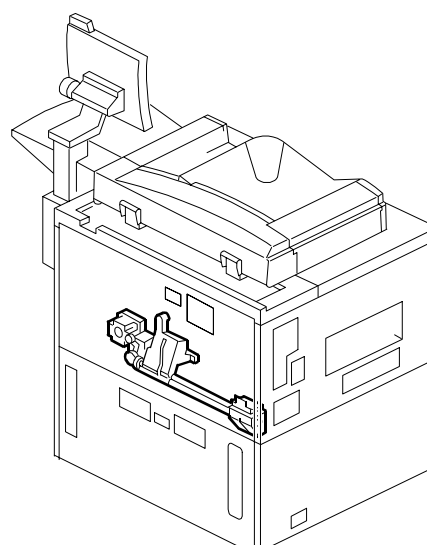
See Page 127

58.DRIVE SECTION 2 (A294/A295)



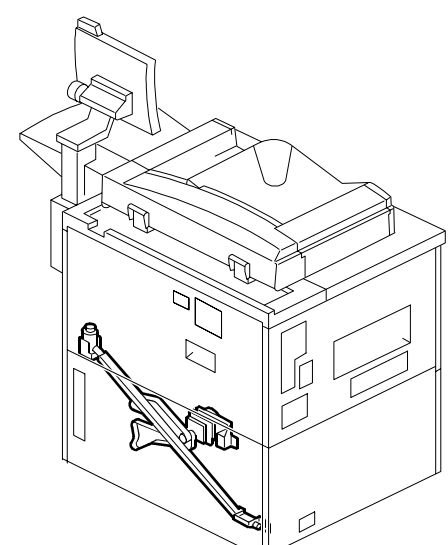
See Page 129

59.DRIVE SECTION 3 (A294/A295)



See Page 131

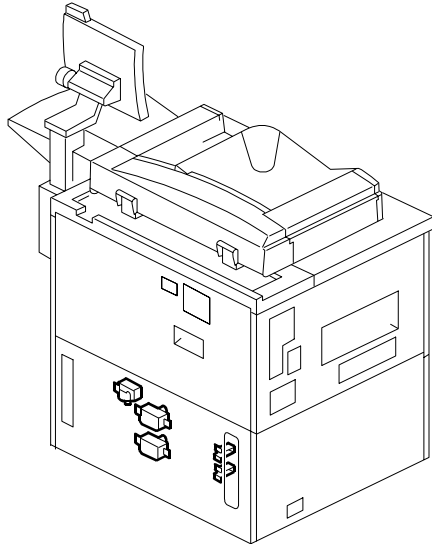
60.DRIVE SECTION 4 (A294/A295)



See Page 133

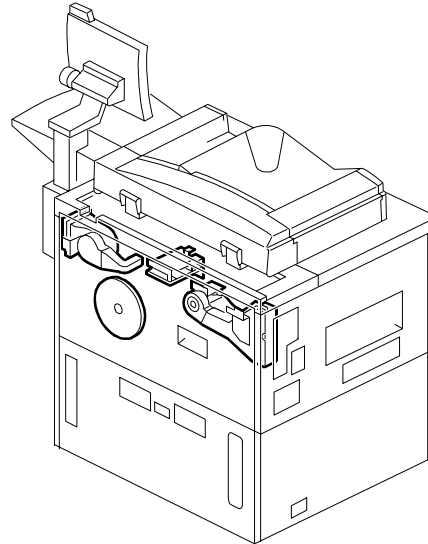
# LOCATION OF UNIT

61.DRIVE SECTION 5 (A294/A295)



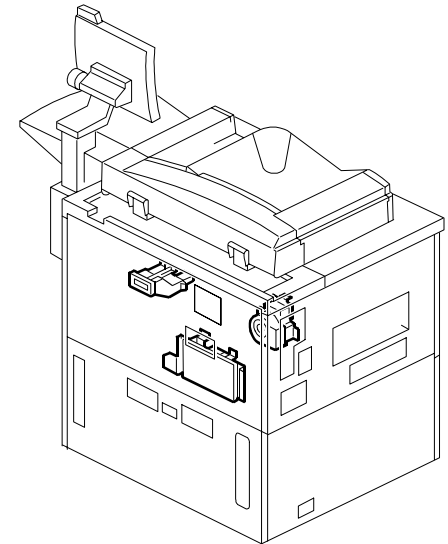
See Page 135

62.ELECTRICAL SECTION 1 (A294/A295)



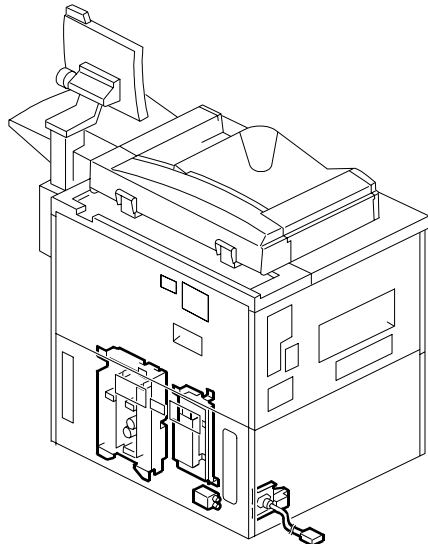
See Page 137

63.ELECTRICAL SECTION 2 (A294/A295)



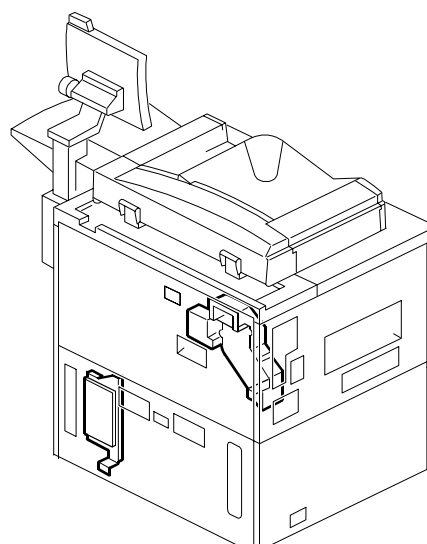
See Page 139

64.ELECTRICAL SECTION 3 (A294/A295)



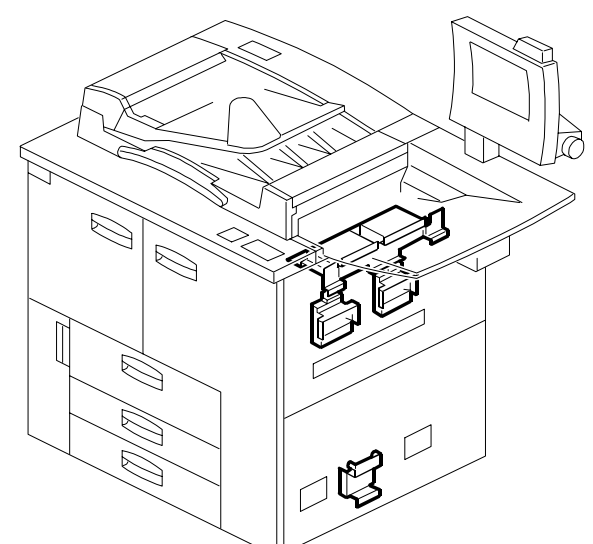
See Page 141

65.ELECTRICAL SECTION 4 (A294/A295)



See Page 143

66.ELECTRICAL SECTION 5 (A294/A295)

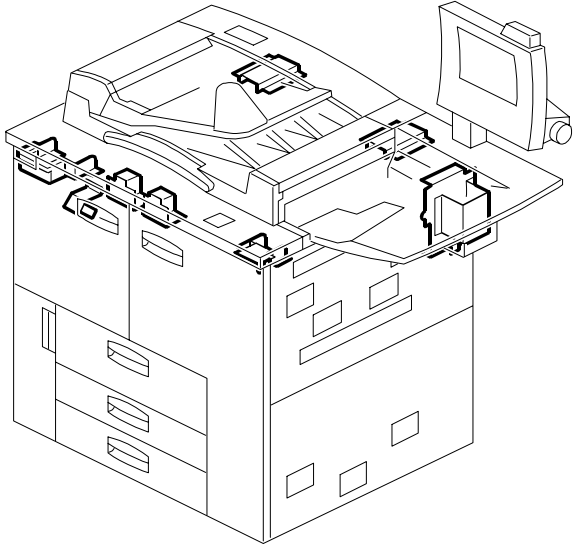


See Page 145



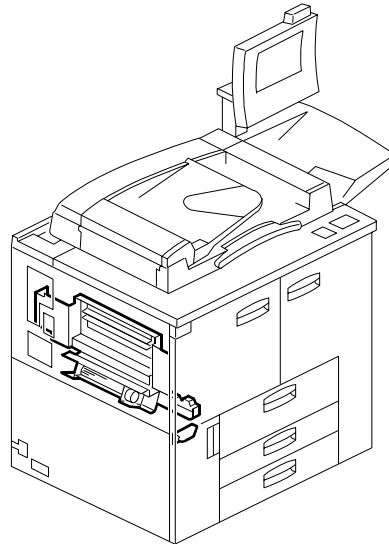
# LOCATION OF UNIT

67.ELECTRICAL SECTION 6 (A294/A295)



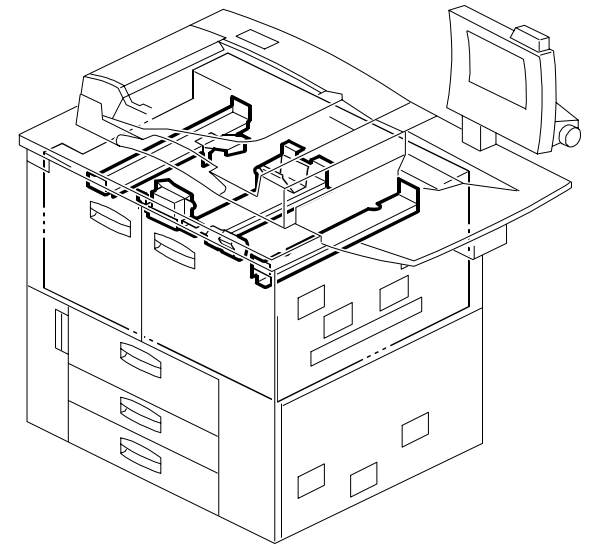
See Page 147

68.FRAME SECTION 1 (A294/A295)



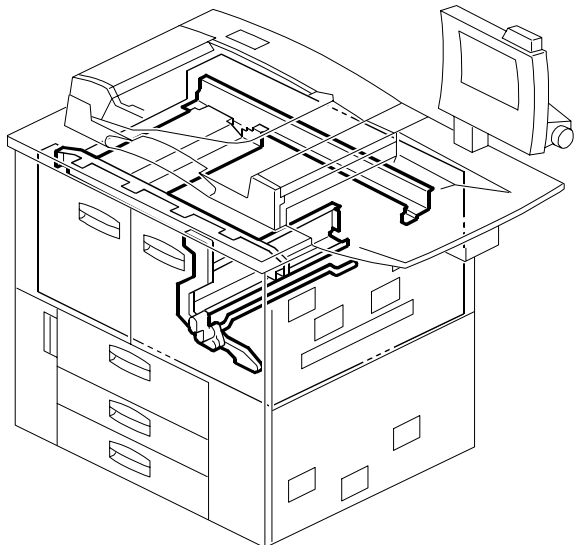
See Page 149

69.FRAME SECTION 2 (A294/A295)



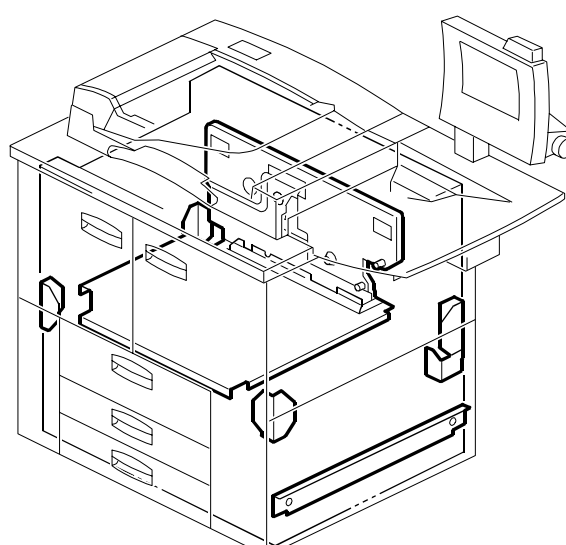
See Page 151

70.FRAME SECTION 3 (A294/A295)



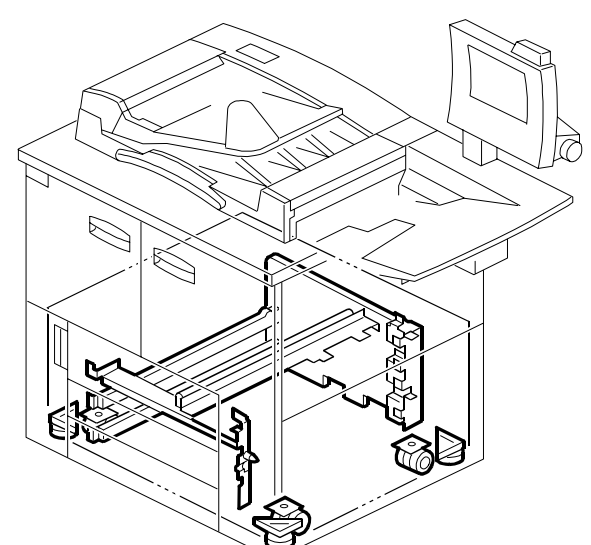
See Page 153

71.FRAME SECTION 4 (A294/A295)



See Page 155

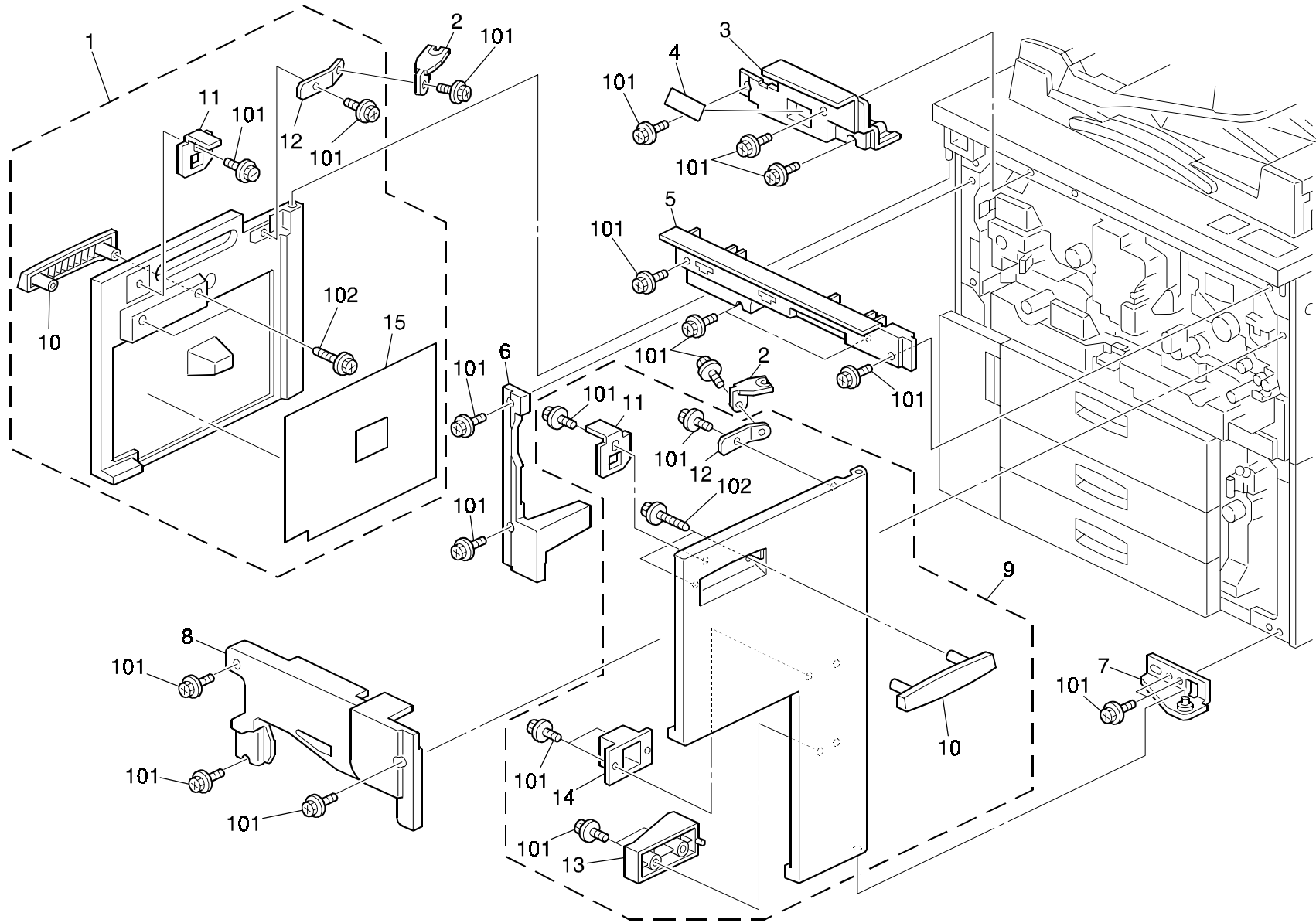
72.FRAME SECTION 5 (A294/A295)



See Page 157

# 1.EXTERIOR 1 (A294)

Rev.9/2001



# 1.EXTERIOR 1 (A294)

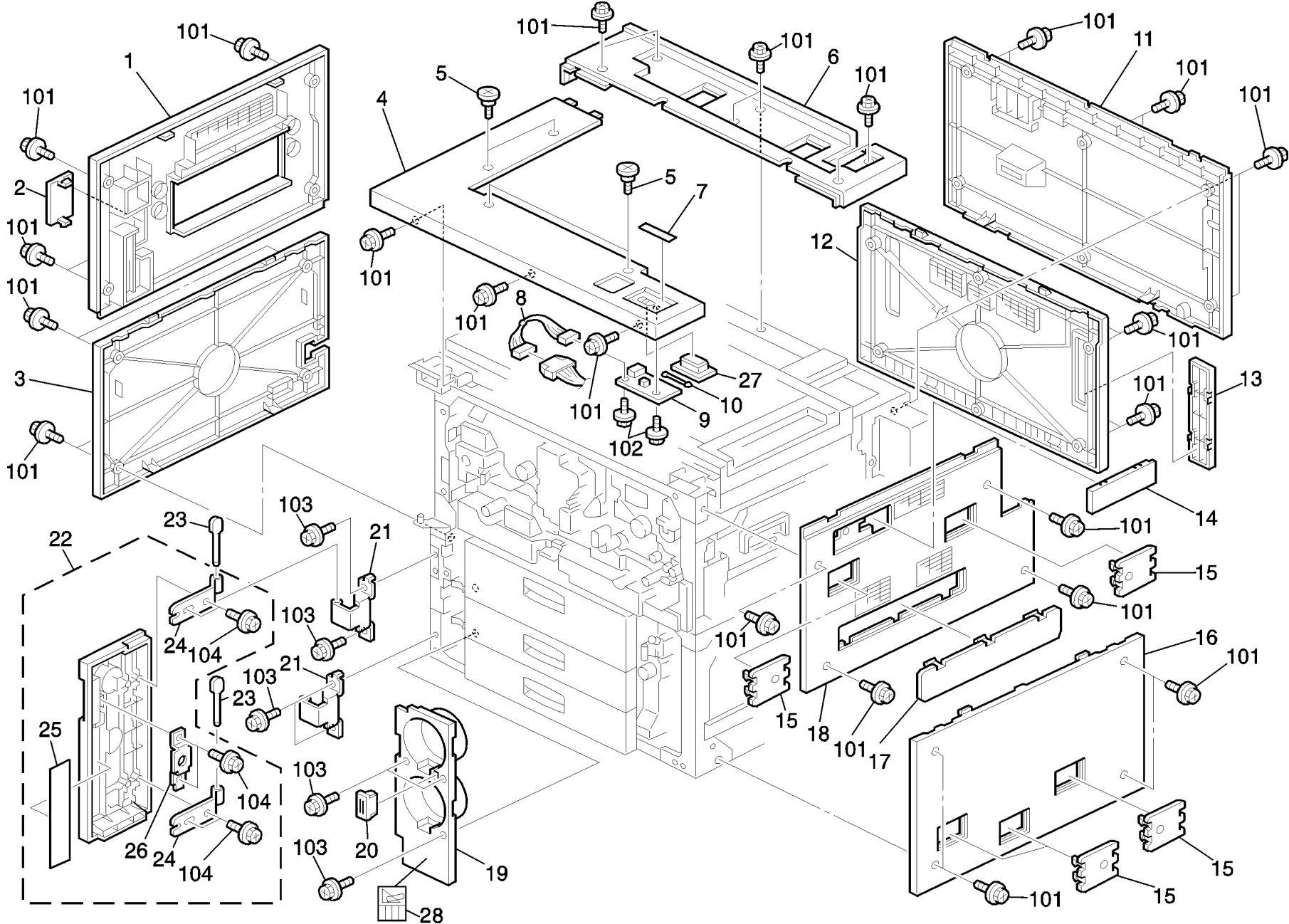
Rev.02/19/2002

Index No.	Part No.	Description	Q'ty Per Assembly
1	A294 1278	Left Front Door (RIC)	1
1	A294 6914	Left Front Door (NRG/SVN/LAN)	1
1	A294 6915	Left Front Door (INF)	1
2	A079 1406	Upper Door Spacer	2
3	A294 1377	Inner Cover - Left Upper	1
4	A294 1378	Decal - Total Counter	1
5	A294 1375	Inner Cover - Right Upper	1
6	A294 1380	Inner Cover - Left	1
7	A294 1356	Lower Right Hinge	1
8	A294 3698	Drum Inner Cover	1
9	A294 1285	Right Front Door (RIC A294I)	1
9	A294 1254	Right Front Door (RIC A294II/UP-KIT)	1
9	A295 1285	Right Front Door (RIC A295I)	1
9	A295 1254	Right Front Door (RIC A295II/UP-KIT)	1
9	A294 6910	Right Front Door (SVN/LAN)	1
9	A294 6911	Right Front Door (NRG)	1
9	A294 6912	Right Front Door (INF A294I)	1
9	A294 6913	Right Front Door (INF A294II/UP-KIT)	1
9	A295 6912	Right Front Door (INF A295I)	1
9	A295 6913	Right Front Door (INF A295II/UP-KIT)	1
10	A294 1281	Front Door Grip	2
11	A294 1292	Door Switch Bracket	2
12	A294 1282	Front Door Spacer Bracket	2
13	A294 1294	Vertical Guide Stopper	1
14	A079 1395	Left Door Stopper	1
15	A294 1300	Decal - Misfeed Removal	1

Index No.	Part No.	Description	Q'ty Per Assembly
101	0451 4008B	Philips Tapping Screw - M4x8	
102	0450 4014B	Tapping Screw - 4x14	

2.EXTERIOR 2 (A294/A295)

Rev. 11/20/2000



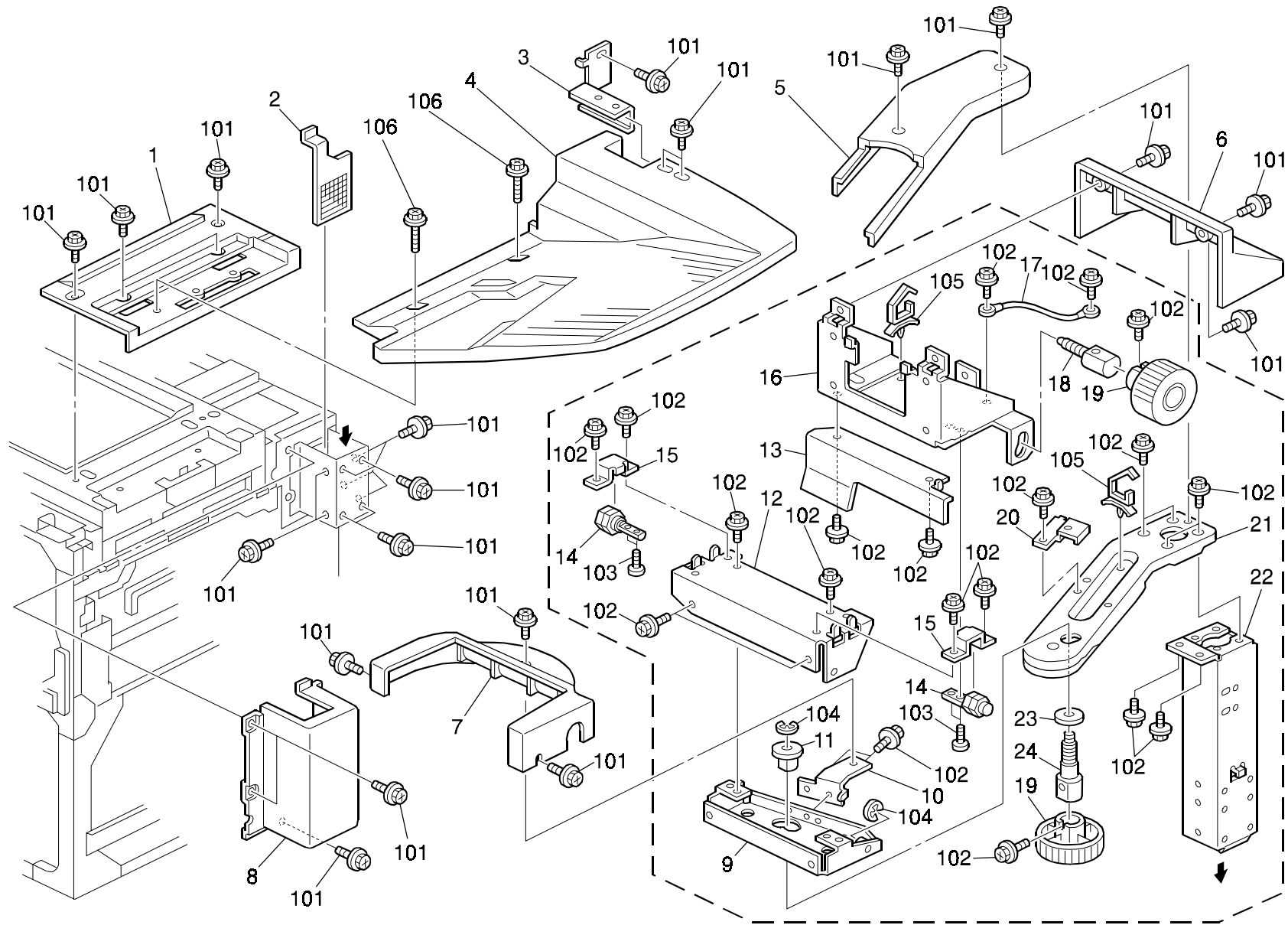
## 2.EXTERIOR 2 (A294/A295)

Rev. 02/05/2003

Index No.	Part No.	Description	Q'ty Per Assembly
1	A294 1320	Cover - Left Upper	1
2	A229 1333	Connector Cap	1
3	A294 1326	Lower Left Cover	1
4	A294 1258	Upper Cover	1
5	5201 1796	Stepped Screw - M4	4
6	A294 1261	Cover - Rear Upper	1
7	A294 1305	Decal - Main Switch - English (USA)	1
7	A294 1306	Decal - Main Switch - Symbol (EU)	1
8	A294 5494	Harness - Main Switch	1
9	B070 5330	Board - Main Switch	1
10	A229 1465	LED Guide	1
11	A294 1330	Cover - Upper Rear	1
12	A294 1336	Cover - Under Rear	1
13	A294 1337	Cap - Control Unit	1
14	A229 1331	Key Counter Cap	1
15	A294 1312	Cap - Joint LCT	5
16	A294 1316	Cover - Right Under	1
17	A294 1313	Cover - LCT	1
18	A294 1310	Cover - Right Upper	1
19	A294 3490	Inner Cover - Toner Bank	1
20	H306 1317	Cover Magnet	1
21	A294 1271	Hinge - Lower Front Door	2
22	A294 1267	Lower Front Door	1
23	A096 1337	Hinge Shaft - Lower Left	2
24	A294 1270	Lower Front Hinge	2
25	A294 1272	Decal - Toner Bank	1
26	A294 1268	Door Catch Plate	1
27	A229 1459	Keytop - Power Source	1
28	A294 1273	Caution Decal - Toner Supply	1

Index No.	Part No.	Description	Q'ty Per Assembly
101	0451 4008H	Tapping Screw - 4x8	
102	0450 3008B	Tapping Screw - M3x8	
103	0451 4008B	Philips Tapping Screw - M4x8	
104	0450 4008B	Tapping Screw - 4x8	

### 3.EXTERIOR 3 (A294/A295)



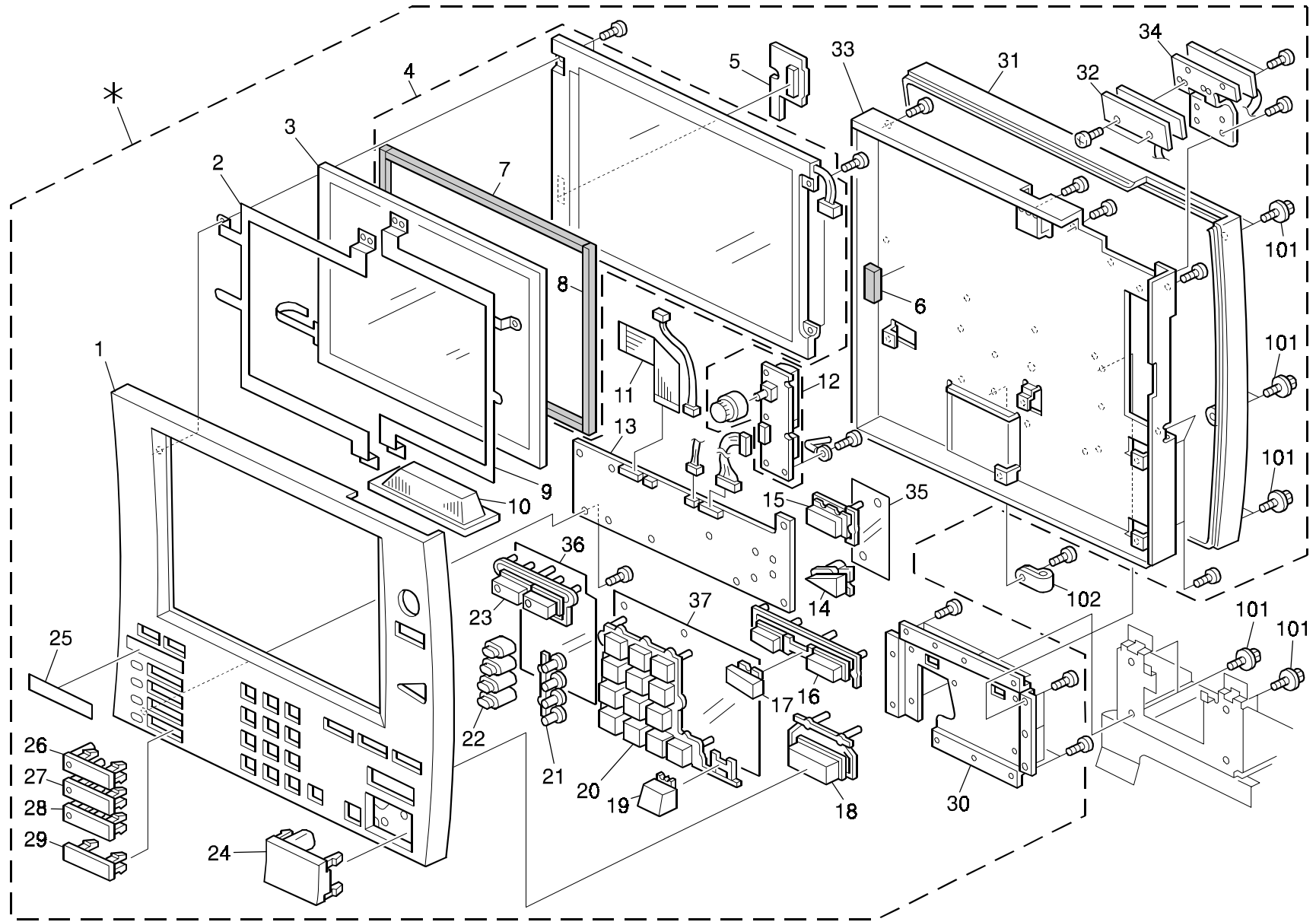
### 3.EXTERIOR 3 (A294/A295)

Rev. 12/26/2000

Index No.	Part No.	Description	Q'ty Per Assembly
1	A294 1262	Cover - Right Upper	1
2	A294 2123	Dust Filter	1
3	A294 1266	Exit Bracket	1
4	A294 1265	ADF Exit Tray	1
5	A294 1424	Cover - Operation Arm	1
6	A294 1422	Cover - Upper Operation Hinge	1
7	A294 1423	Cover - Under Operatin Hinge	1
8	A294 1421	Cover - Operation Hinge	1
9	A294 1434	Lower Support	1
10	A294 1445	Bracket - Cover	1
11	A294 1449	Bushing - Operation Panel	1
12	A294 1437	Supporting Plate - Operation Panel	1
13	A294 1430	Rear Cover - Operation Unit	1
14	A294 1429	Hinge - Operation Unit	2
15	A294 1438	Hinge Fixing Plate	2
16	A294 1439	Operation Unit Fixing Plate	1
17	A258 5523	Grounding Wire	1
18	A294 1447	Shaft - Upper Operation Knob	1
19	A294 1440	Knob - Operation Panel	2
20	A294 1446	Bracket - Arm Cover	1
21	A294 1425	Operation Unit Arm	1
22	A294 1433	Arm Frame	1
23	A294 1441	Spacer - Operation Panel	1
24	A294 1448	Shaft - Under Operation Knob	1

Index No.	Part No.	Description	Q'ty Per Assembly
101	0451 4008H	Tapping Screw - 4x8	
102	0451 4008B	Philips Tapping Screw - M4x8	
103	0313 0080B	Philips Pan Head Screw - M3x8	
104	0720 0060B	Retaining Ring - M6	
105	1105 0229	Clamp	
106	0451 4012H	Tapping Screw M4x12	

# 4. OPERATION PANEL (A294/A295)



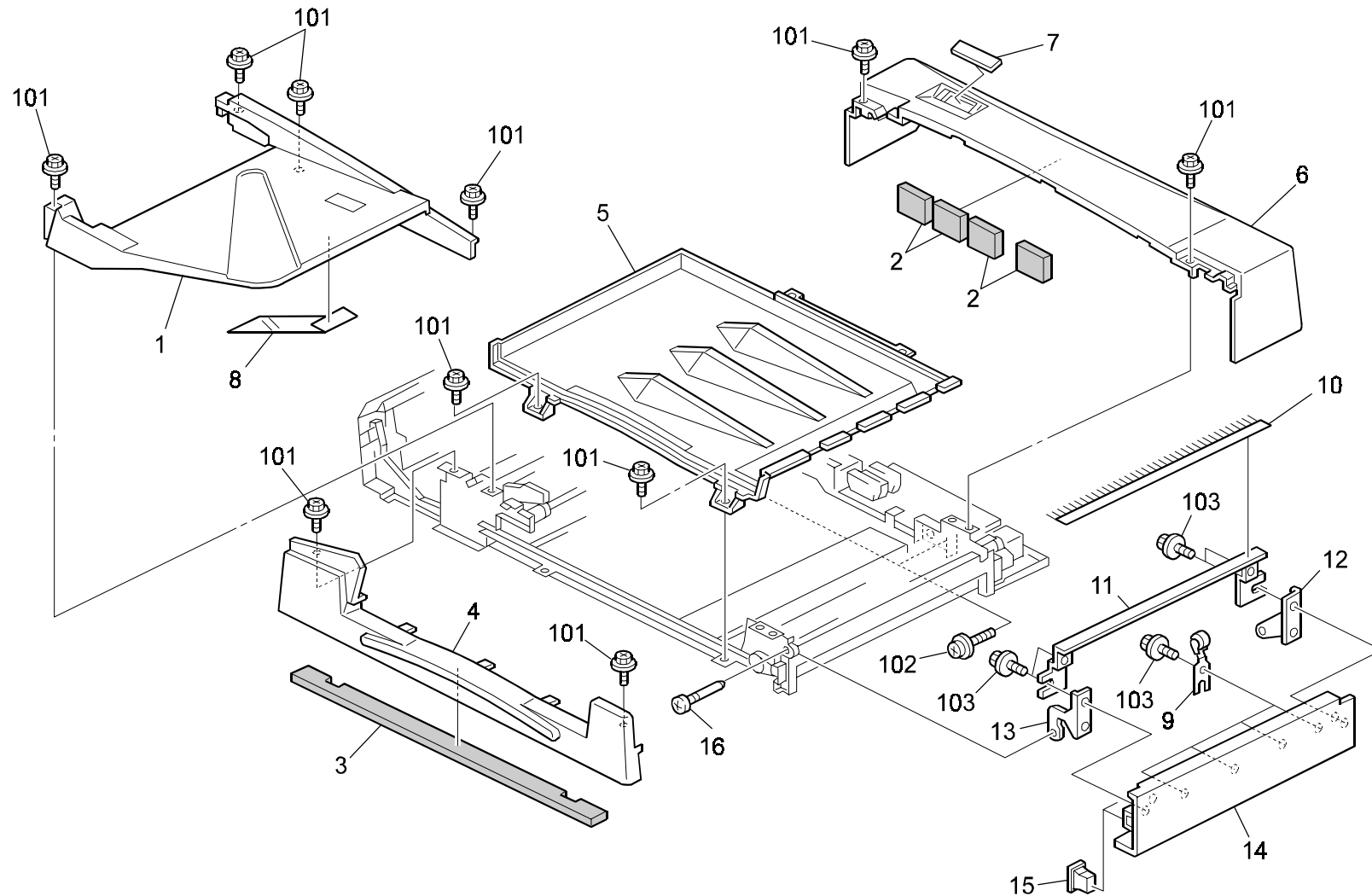


#### 4.OPERATION PANEL (A294/A295)

Index No.	Part No.	Description	Q'ty Per Assembly
*	A294 1451	Operation Unit - LT	1
*	A294 1452	Operation Unit - A4	1
1	A294 1472	Front Cover - Operation Unit - LT	1
1	A294 1473	Front Cover - Operation Unit - A4	1
2	A294 1535	Grounding Plate - Left	1
3	A294 5550	Touch Panel - 10.4inch	1
4	A294 1530	LCD - Display	1
5	A294 1500	LED Board	1
6	A294 1532	Cable Holder	1
7	A259 1482	Side Sponge	2
8	A259 1481	Lengthwise Sponge	2
9	A294 1534	Grounding Plate - Right	1
10	A294 1492	Lens - LED	1
11	A294 1533	Flat Cable	1
12	A294 1491	PCB - Inverter	1
13	A294 1490	PCB - Operation Panel	1
14	A294 1482	Key Top - Language Selection	1
15	A176 1494	Keytop - Interrupt	1
16	A294 1478	Key Top - Standby	1
17	A294 1540	Key Top - Clear	1
18	A294 1476	Key Top - Stop	1
19	A294 1479	Key Top - Proof	1
20	A294 1477	Key Top - 10 Key	1
21	A294 1489	Spacer - Key Top	1
22	A294 1488	Lens - Application	1
23	A294 1487	Key Top - Counter	1
24	A294 1475	Key Top - Start	1
25	A294 1499	Display Film - LED	1
26	A294 1541	Key Top Application 1 - LT	1
26	A294 1545	Key Top - Application 1 - A4	1
27	A294 1542	Key Top Application 2 - LT	1
27	A294 1546	Key Top Application 2 - A4	1
28	A294 1543	Key Top Application 3 - LT	1
28	A294 1547	Key Top - Application 3 - A4	1
29	A294 1486	Cap - Key Top	1

Index No.	Part No.	Description	Q'ty Per Assembly
30	A294 1494	Frame - Operation Panel	1
31	A294 1474	Rear Cover - Operation Unit	1
32	A294 1493	PCB - LED	1
33	A294 1531	Operation Panel Frame	1
34	A294 1495	Fixing Plate - Operation Panel	1
35	A294 1498	Cover Sheet - 3	1
36	A294 1496	Cover Sheet - 1	1
37	A294 1497	Cover Sheet - 2	1
101	0451 3008H	Tapping Screw - 3x8	
102	1105 0310	Harness Clamp - LWS-1S	

# 5.DF EXTERIOR (A294/A295)

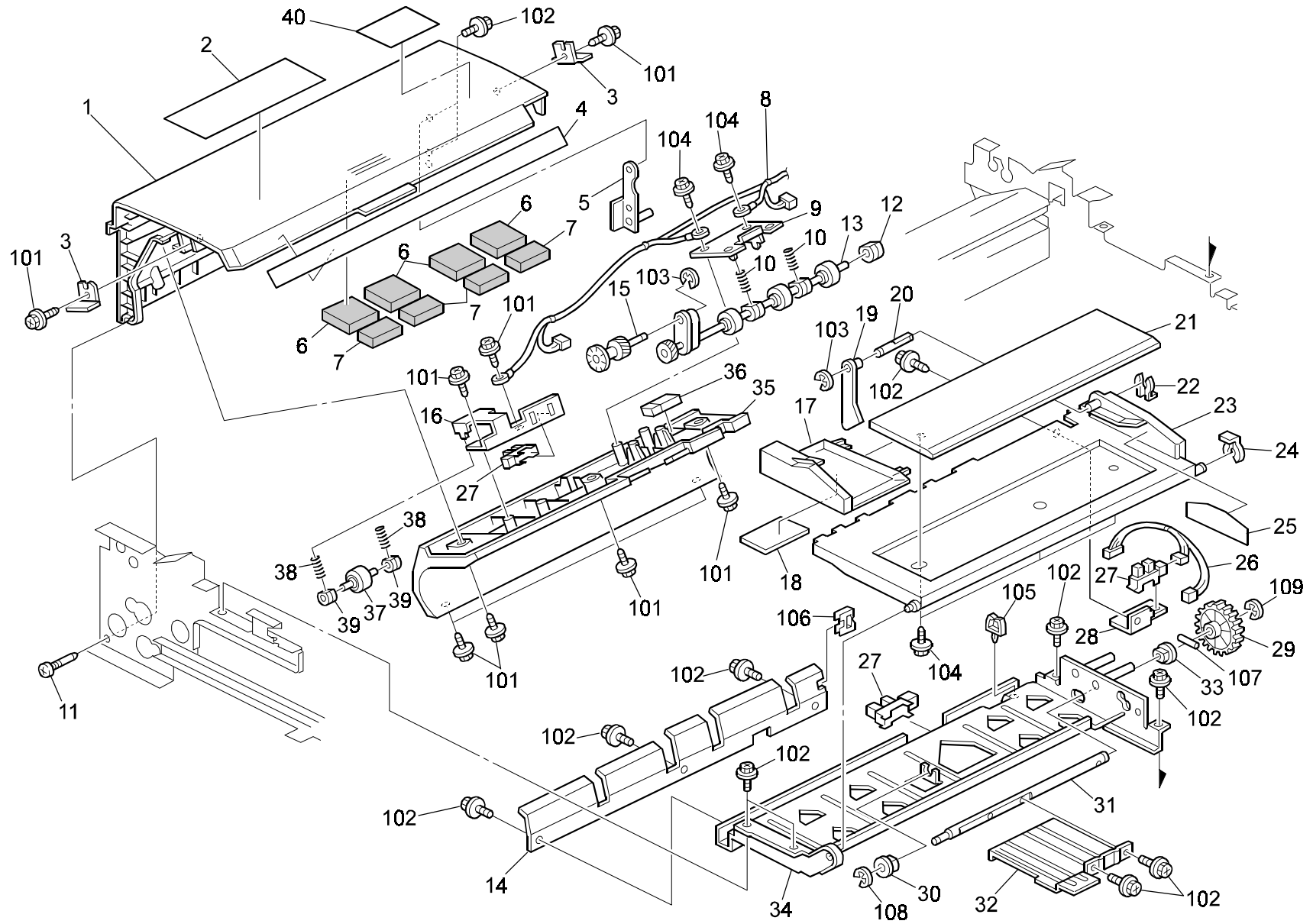


## 5.DF EXTERIOR (A294/A295)

Index No.	Part No.	Description	Q'ty Per Assembly
1	A806 1821	Original Table	1
2	B301 4425	Noise Reduction Pad	4
3	B301 4411	Noise Reduction Pad	1
4	A806 1712	Front Cover	1
5	A806 1792	Original Table Cover	1
6	B301 1731	Rear Cover	1
7	A806 4341	Display Panel	1
8	B301 1835	Original Holder	1
9	A548 1241	Driven Roller Ass'y	4
10	AA12 0032	Antistatic Brush	1
11	A806 3266	Discharge Brush Bracket	1
12	A806 3261	Inner Back Cover Bracket	1
13	A806 3251	Exit Cover Bracket	1
14	A806 1781	Exit Cover	1
15	G012 1531	Magnet	2
16	5446 2824	Screw - Duplex Guide Plate	1

Index No.	Part No.	Description	Q'ty Per Assembly
101	0451 3008B	Tapping Screw - M3x8	
102	0951 5010B	Philips Screw With Washer - M5x10	
103	0450 4012B	Tapping Screw - M4x12	

# 6.ORIGINAL FEED 1 (A294/A295)



## 6.ORIGINAL FEED 1 (A294/A295)

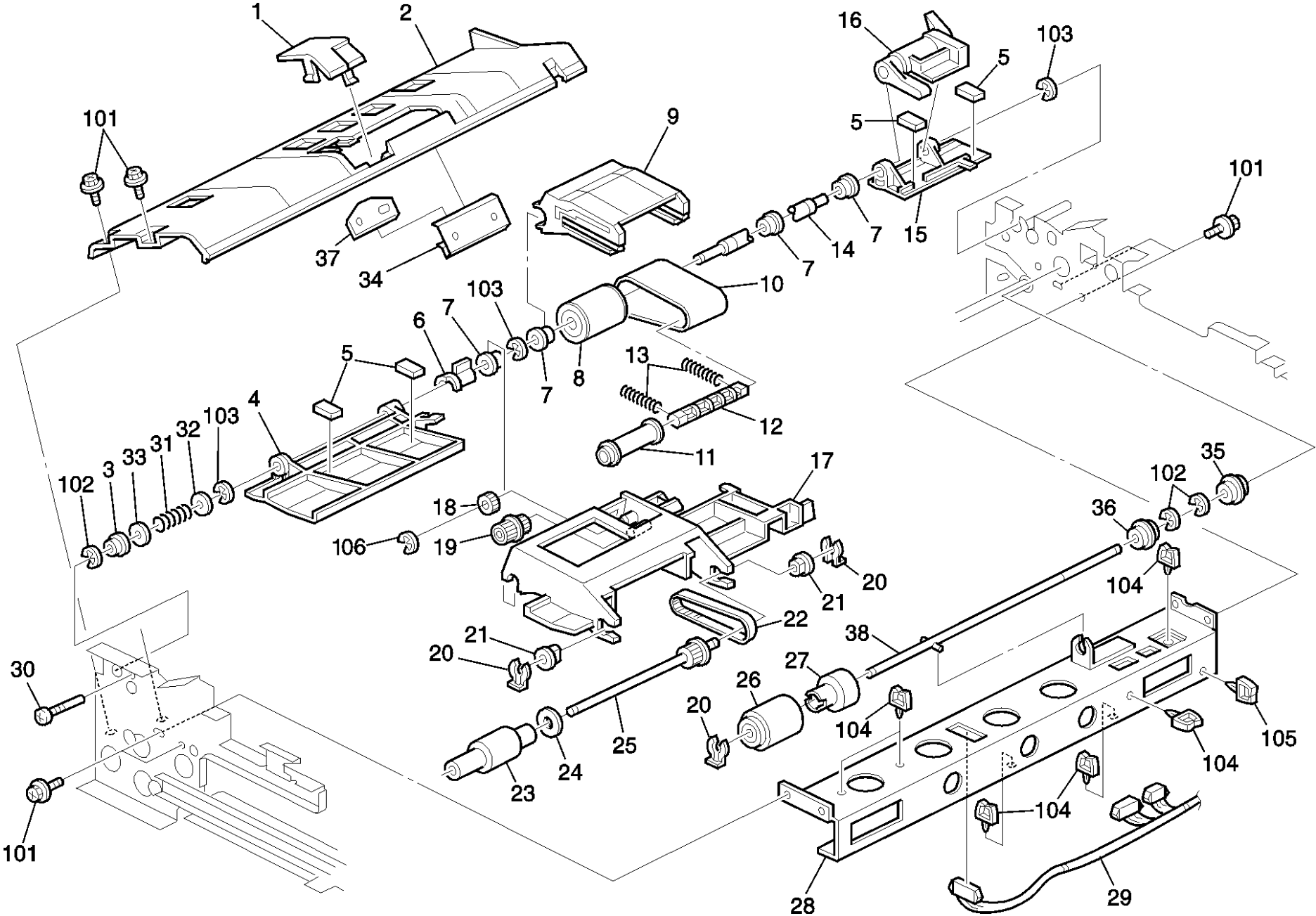
Rev. 02/03/2003

Index No.	Part No.	Description	Q'ty Per Assembly
1	A806 1761	Paper Feed Cover	1
2	A806 4311	Decal - Misfeed Removal	1
3	A806 1371	Magnet Catch - Paper Feed Cover	2
4	A806 4331	Decal - Original Size	1
5	A806 1361	Cover Bracket	1
6	B301 4421	Noise Reduction Pad - Right	4
7	B301 4422	Noise Reduction Pad - Left	4
8	B301 5405	DC Relay Harness	1
9	A806 1181	Pressure Roller Bracket - Pull Out	1
10	B301 4211	Spring	2
11	5446 2824	Screw - Duplex Guide Plate	1
12	A680 1661	Bushing - 4mm	1
13	B301 1191	Pull-out Driven Roller	1
14	A806 1335	Original Table Guide Plate	1
15	B301 1195	Gear - 19Z	1
16	B301 1188	Sensor Bracket	1
17	A806 1881	Side Fence	1
18	A376 4599	Side Fence Pad	1
19	B301 1351	Original Feeler	1
20	A806 1353	Feeler Stud	1
21	A680 4151	Side Fence Guide	1
22	5206 2686	Snap Ring	1
23	A806 1861	Original Table Base	1
24	5215 2621	Snap Ring - M6	1
25	A806 4321	Decal - Original Stack Hight	1
26	A806 5790	Original Sensor Harness	1
27	AW02 0075	Photointerruptor	3
28	A806 1356	Original Sensor Bracket	1
29	A806 2281	Gear - Z47	1
30	5053 0447	Bushing - 6mm	1
31	A806 1346	Base Shaft	1
32	A806 1342	Base Lever	1
33	5053 0223	Bushing - 8mm	1
34	A806 1331	Original Table Stay	1
35	B301 1171	Pulley Cover	1

Index No.	Part No.	Description	Q'ty Per Assembly
36	AW01 0076	Photosensor - PS-117D1	1
37	B301 1198	Pull-out Driven Roller - Front	1
38	B301 4222	Spring	2
39	B301 1192	Bushing - 4x6x6	2
40	B301 4351	Caution Decal	1
101	0450 4008B	Tapping Screw - 4x8	
102	0451 4008B	Philips Tapping Screw - M4x8	
103	0720 0030B	Retaining Ring - M3	
104	0452 4008B	Binding Self Tapping Screw - M4x8	
105	1105 0230	Clamp	
106	1105 0328	Harness Clamp - ES-0505	
107	0632 0140G	Parallel Pin	
108	0720 0040B	Retaining Ring - M4	
109	0720 0060B	Retaining Ring - M6	

7.ORIGINAL FEED 2 (A294/A295)

Rev. 02/19/2002



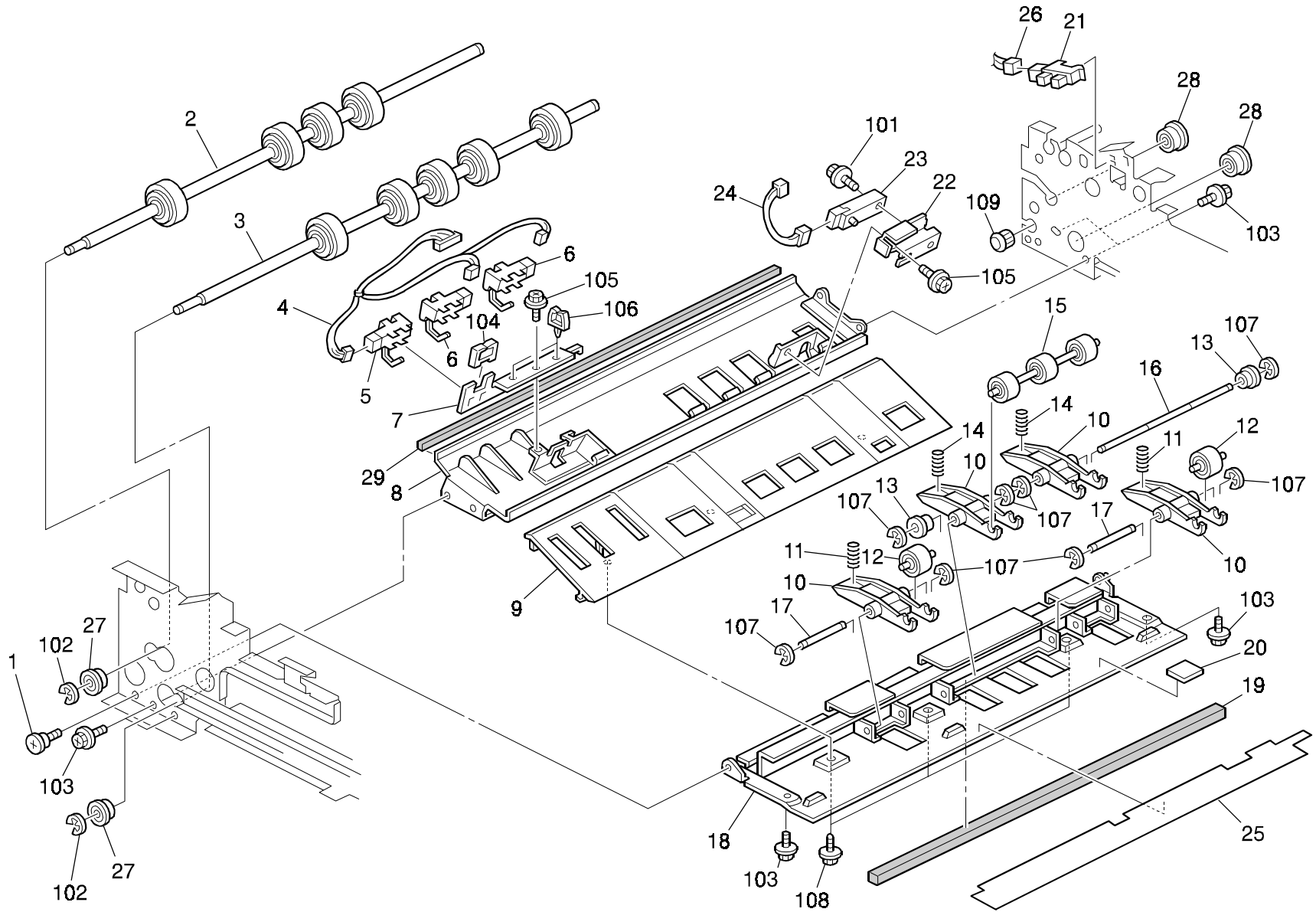
## 7.ORIGINAL FEED 2 (A294/A295)

Rev. 03/12/2003

Index No.	Part No.	Description	Q'ty Per Assembly
1	A806 1152	Upper Guide Plate	1
2	A806 1151	Upper Guide Plate	1
3	B301 1286	Bushing - 6x10x6	1
4	A806 1161	Entrance Guide Plate - Front	1
5	A806 1163	Guide Plate Cushion	4
6	A680 1621	Feed-in Unit Stopper	1
7	B301 1286	Bushing - 6x10x6	4
8	A806 1293	Feed Belt Drive Roller	1
9	A806 1292	Feed Belt Bracket	1
10	A806 1295	Feed Belt	1
11	A806 1294	Feed Belt Driven Roller	1
12	A806 1298	Transport Belt Roller Shaft	1
13	A806 4261	Spring Belt Guide Roller	2
14	A806 1282	Separation Drive Shaft	1
15	A806 1162	Entrance Guide Plate - Inner	1
16	A806 1328	Release Lever	1
17	B301 1314	Pick-up Roller Bracket	1
18	A806 2271	Gear - Z18	1
19	A806 2151	Timing Pulley - T19/Z23 S2M/M0.6	1
20	5447 2681	Snap Ring	3
21	5053 0447	Bushing - 6mm	2
22	A806 4118	Timing Belt - B40S2M148	1
<b>23</b>	<b>A806 1321</b>	<b>Pickup Roller</b>	<b>1</b>
24	AA13 2171	Spacer - 6x20x1	1
25	A806 2153	Timing Pulley - T27 S2M	1
<b>26</b>	<b>A859 2241</b>	<b>Separation Roller</b>	<b>1</b>
27	A294 6700	Torque Limiter - 53mnm	4
28	A806 1141	Reverse Roller Stay	1
29	A806 5745	Paper Siz Sensor Harness	1
30	5415 4145	Stud	1
31	AA06 3315	Spring - Belt Drive Shaft	1
32	AA13 2013	Spacer	1
33	A418 1158	Spacer - M6.5x1	1
34	B301 1156	Separation Pad Holder	1
35	A232 3562	Ball Bearing - 6x12x4mm	1

Index No.	Part No.	Description	Q'ty Per Assembly
36	A232 3565	Ball Bearing - 6x10x3mm	1
37	B301 1155	Separation Support Pad	1
38	B301 2511	Reverse Roller Shaft	1
101	0451 3008B	Tapping Screw - M3x8	
102	0720 0040B	Retaining Ring - M4	
103	0720 0060B	Retaining Ring - M6	
104	1105 0230	Clamp	
105	1105 0199	Clamp	
106	0720 0030B	Retaining ring - M3	

# 8.ORIGINAL FEED 3 (A294/A295)





## 8.ORIGINAL FEED 3 (A294/A295)

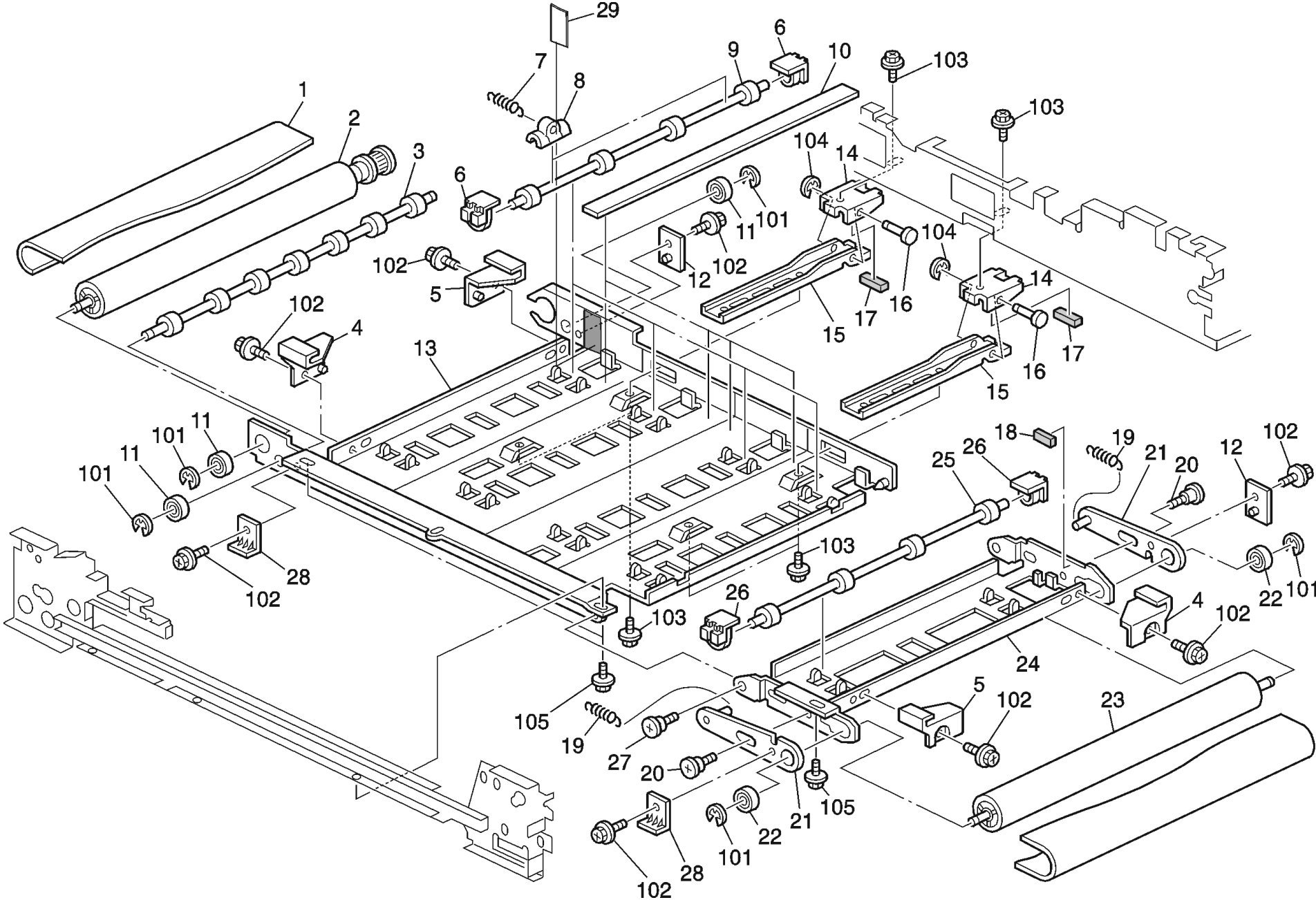
Rev. 02/03/2003

Index No.	Part No.	Description	Q'ty Per Assembly
1	AA14 3074	Stepped Screw - M4x5	1
2	A806 1271	Pull Out Drive Roller	1
3	A806 1276	Transport Drive Roller	1
4	A806 5745	Paper Siz Sensor Harness	1
5	AW02 0104	Photointerruptor	1
6	AW02 0095	Photointerruptor	2
7	A806 1226	Paper Size Sensor Bracket	1
8	A806 1211	Middle Guide Plate	1
9	A806 1241	Lower Guide Plate	1
10	A806 1251	Transport Roller Arm	4
11	B301 4226	Spring	2
12	A806 1266	Driven Roller	2
13	5324 1658	Bushing- 4x8x4.5mm	2
14	A806 4221	Compression Spring	2
15	A806 1261	Middle Driven Roller	1
16	A806 1256	Middle Shaft - Roller Arm	1
17	A806 1257	Roller Arm Shaft	2
18	A806 1231	Paper Feed Base	1
19	B301 4413	Noise Absorbing Pad	1
20	A422 1063	Seal - 0.7x13x20	1
21	AW02 0075	Photointerruptor	1
22	A806 1221	Registration Sensor Bracket	1
23	AW01 0076	Photosensor - PS-117D1	1
24	A806 5740	Registration Sensor Harness	1
25	B301 1247	Entrance Guide	1
26	B301 5455	DC Relay Harness	1
27	A232 3562	Ball Bearing - 6x12x4mm	2
28	A232 3566	Ball Bearing - 8x16x5	2
29	G020 3897	Discharge Brush - Transport	1

Index No.	Part No.	Description	Q'ty Per Assembly
101	0451 3012B	Tapping Screw With Washer - M3x12	
102	0720 0040B	Retaining Ring - M4	
103	0451 3008B	Tapping Screw - M3x8	
104	1105 0328	Harness Clamp - ES-0505	
105	0451 3006B	Tapping Screw - M3x6	
106	1105 0199	Clamp	
107	0720 0030B	Retaining Ring - M3	
108	0450 3008B	Tapping Screw - M3x8	
109	1106 0193	Bushing - 7.9mm	

9.ORIGINAL TRANSPORT (A294/A295)

Rev. 02/08/2001



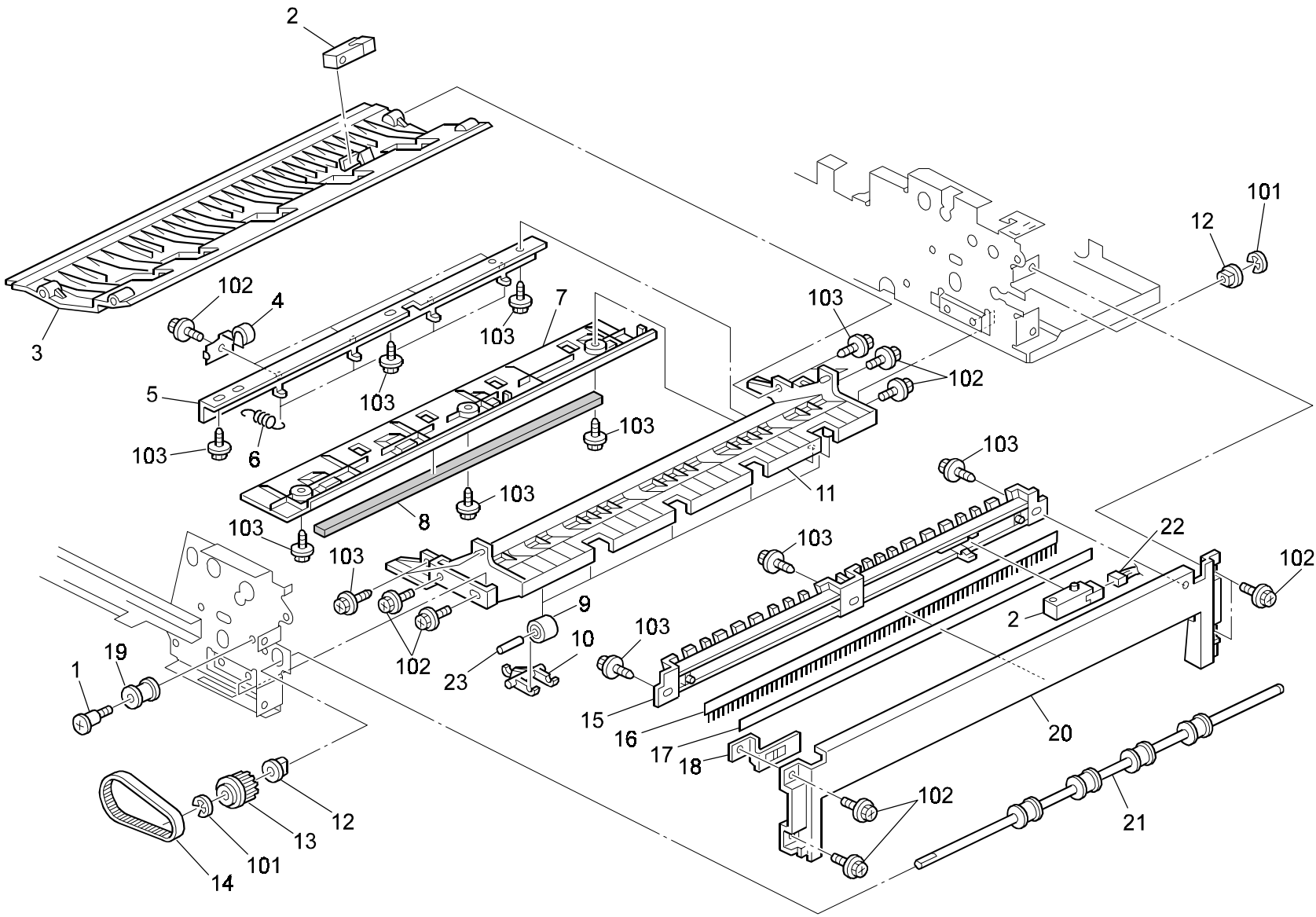
**9.ORIGINAL TRANSPORT (A294/A295)**

Rev. 02/03/2003

Index No.	Part No.	Description	Q'ty Per Assembly
1	B301 1441	Transport Belt	1
2	B301 1432	Belt Drive Roller	1
3	B301 1451	Belt Pressure Roller	1
4	B301 1443	Transport Belt Stopper - Front	2
5	B301 1444	Transport Belt Stopper - Rear	2
6	A610 2136	Bushing	8
7	A610 2133	Tension Spring	8
8	A610 2132	Pressure Bushing	8
9	B301 1481	Belt Pressure Roller	4
10	B301 4431	Vibration Absorbing Pad	4
11	A232 3565	Ball Bearing - 6x10x3mm	3
12	B301 1445	Rear Spacer	2
13	B301 1412	Transport Belt Plate	1
14	A680 1446	Transport Unit Arm	2
15	A548 1442	Transport Arm	2
16	A680 1443	Arm Shaft	2
17	A548 1448	Arm Cushion	2
18	AA16 1138	Cushion - 1.1	1
19	B301 1427	Spring	2
20	B301 1491	Stepped Screw	2
21	B301 1423	Tension Bracket	2
22	A232 3562	Ball Bearing - 6x12x4mm	2
23	B301 1436	Transport Belt Roller	1
24	B301 1422	Transport Stay	1
25	A610 2161	Belt Pressure Roller - 24	1
26	A610 2137	Pressure Roller Bushing	2
27	A498 3118	Stepped Screw - M4	1
28	B301 1449	Front Spacer	2
29	B301 1141	Rubber Cushion	1

Index No.	Part No.	Description	Q'ty Per Assembly
101	0720 0040B	Retaining Ring - M4	
102	0451 3008B	Tapping Screw - M3x8	
103	0451 4006B	Tapping Screw - 4x6	
104	0720 0030B	Retaining Ring - M3	
105	0451 3006B	Tapping Screw - M3x6	

**10.ORIGINAL EXIT 1 (A294/A295)**



# 10.ORIGINAL EXIT 1 (A294/A295)

Rev. 02/03/2003

Index No.	Part No.	Description	Q'ty Per Assembly
1	AA14 3020	Stepped Screw - M4	1
2	AW01 0076	Photosensor - PS-117D1	2
3	B301 3161	Left Exit Guide	1
4	A806 3151	Driven Exit Roller	4
5	A806 3142	Guide Plate Bracket	1
6	B301 3135	Spring	4
7	A806 3171	Lower Exit Cover	1
8	B301 4413	Noise Absorbing Pad	1
9	B301 3184	Reverse Driven Roller	5
10	A548 1234	Driven Roller Arm	5
11	B301 3131	Lower Guide Plate	1
12	5053 0447	Bushing - 6mm	2
13	A806 3281	Timing Pulley - T14 S3M	1
14	AA04 3548	Timing Belt - B40S3M150	1
15	A806 3211	Right Exit Guide Plate	1
16	AA12 0032	Antistatic Brush	1
17	A806 3222	Seal	1
18	A806 3221	Exit Ground Plate	1
19	A351 3459	Idler	1
20	A806 1921	Right Cover	1
21	A806 3111	Drive Exit Roller	1
22	B301 5450	DC Harness	1
23	B301 3185	Driven Roller Shaft	5

Index No.	Part No.	Description	Q'ty Per Assembly
101	0720 0040B	Retaining Ring - M4	
102	0451 3008B	Tapping Screw - M3x8	
103	0450 3008B	Tapping Screw - M3x8	

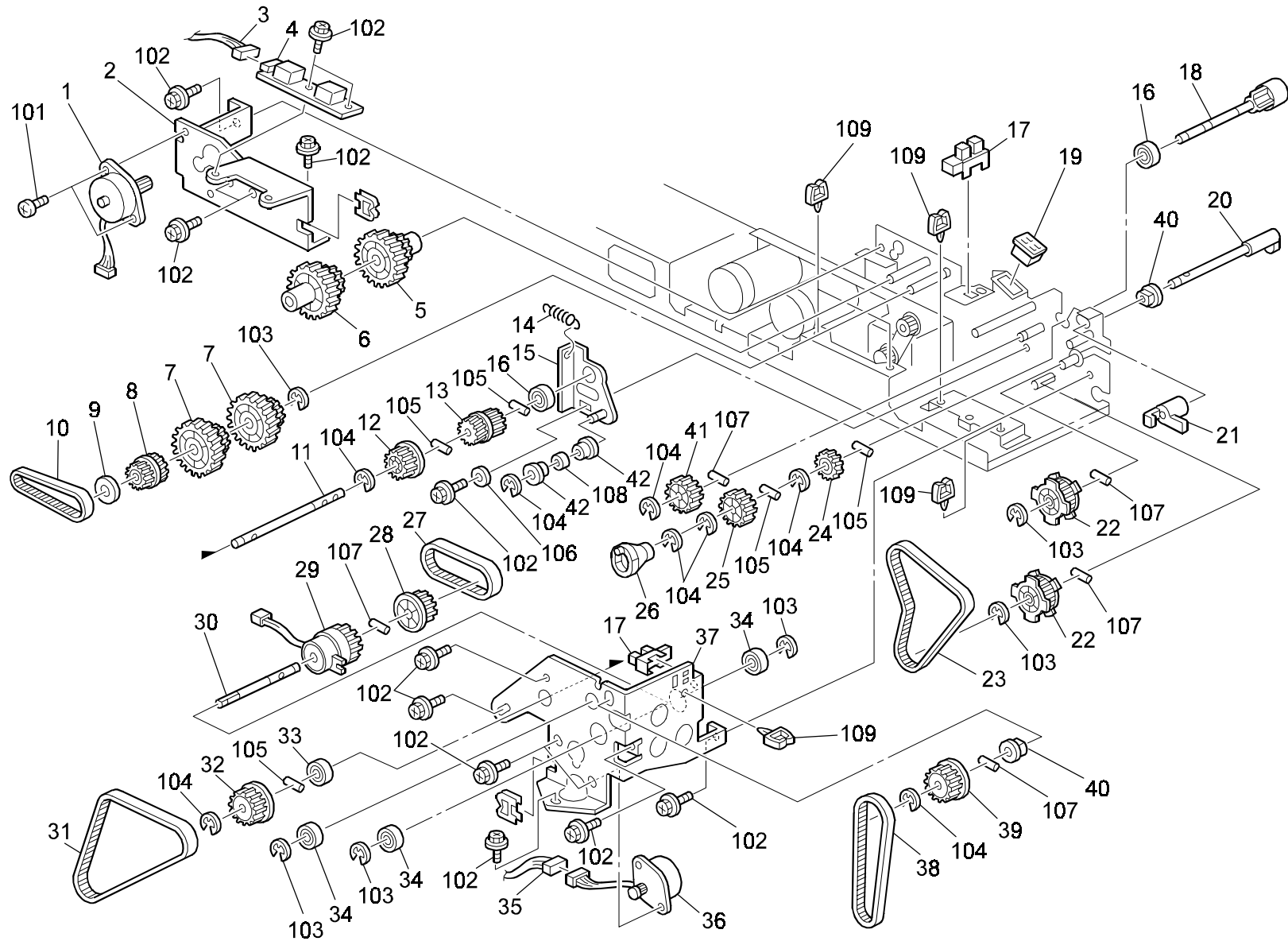


## 11.ORIGINAL EXIT 2 (A294/A295)

Index No.	Part No.	Description	Q'ty Per Assembly
1	A680 2321	Pulley - 30T	1
2	5053 0447	Bushing - 6mm	5
3	A548 1217	Antistatic Brush - Paper Exit	1
4	B301 3186	Spring	4
5	B301 3184	Reverse Driven Roller	4
6	A548 1234	Driven Roller Arm	4
7	B301 3181	Invertor Guide Plate	1
8	A548 1261	Exit Roller	1
9	A548 1321	Exchange Powl	1
10	A548 1317	Lever Cushion	2
11	A806 4232	Tension Spring	1
12	B301 3271	Reverse Drive Roller	1
13	A548 1231	Guide Roller	1
14	5215 2621	Snap Ring - M6	1
15	B301 3191	Exit Junction Gate	1
16	A806 4231	Spring	1
17	AA04 3547	Timing Belt - B40S3M213	1
18	A548 2137	Timing Pulley - 18Z	1
19	A469 3113	Rubber Seal - 1x6x10mm	2
20	A806 3311	Invertor Solenoid Assembly	1
21	A680 1384	Solenoid - Lower Inverter Gate	1
22	B301 3192	Lever - Exit Junction Gate	1
23	B301 3185	Driven Roller Shaft	4
24	A680 1385	Solenoid Bracket	1
25	A806 3312	Solenoid Bracket	1
26	A548 1320	Inverter Gate Plate	1
27	B301 3286	Pulley - 30Z	1
28	5324 1658	Bushing- 4x8x4.5mm	1

Index No.	Part No.	Description	Q'ty Per Assembly
101	0720 0040B	Retaining Ring - M4	
102	0632 0120G	Parallel Pin - 2x12	
103	0353 0060B	Philips Pan Head Screw - M3x6	
104	0451 3008B	Tapping Screw - M3x8	
105	1105 0230	Clamp	

# 12.DF DRIVE SECTION 1 (A294/A295)





## 12.DF DRIVE SECTION 1 (A294/A295)

Rev. 02/03/2003

Index No.	Part No.	Description	Q'ty Per Assembly
1	A806 2911	Stepper Motor Ass'y	1
2	B301 2367	Motor Bracket	1
3	A806 5705	Display Harness	1
4	5936 5231	Indicator Board	1
5	A806 2285	Gear - Z20/Z47	1
6	A806 2287	Gear - Z20/Z47	1
7	A806 2283	Gear - Z20/Z47	2
8	A806 2161	Timing Pulley - T30/Z20 S2M/M0.8	1
9	AA13 2152	Spacer - 8x20x1	1
10	A806 4117	Timing Belt - B40S2M158	1
11	B301 2122	Shaft	1
12	B301 2213	Pulley - 20Z	1
13	B301 2211	Pulley - 20/19Z	1
14	AA06 0590	Pressure Spring	1
15	B301 2281	Tension Bracket	1
16	A232 3562	Ball Bearing - 6x12x4mm	2
17	AW02 0075	Photointerruptor	2
18	B301 2242	Shaft	1
19	A680 1181	Magnetic Catch	1
20	B301 2422	Cam - Pick-up Roller	1
21	A680 2262	Feeler - Pick-up Roller Cam	1
22	B301 2261	Pulley - 36Z	2
23	AA04 3536	Timing Belt - B60S3M279	1
24	B301 2244	Gear - 23Z	1
25	B301 2243	Gear - 29Z	1
26	A806 2244	Separation Shaft Stopper	1
27	AA04 3535	Timing Belt - B60S3M195	1
28	B301 2273	Pulley - 32Z	1
29	AX20 0173	Magnetic Clutch	1
30	B301 2271	Shaft	1
31	AA04 3534	Timing Belt - B60S3M216	1
32	B301 2123	Pulley - 24Z	1
33	A859 2230	Ball Bearing - 6x13x5	1
34	A232 3566	Ball Bearing - 8x16x5	3
35	A806 5715	Pick Up Motor Harness	1

Index No.	Part No.	Description	Q'ty Per Assembly
36	AX04 0096	Stepping Motor - DC 18W	1
37	B301 2336	Side Plate	1
38	AA04 3537	Timing Belt - B40S2M206	1
39	B301 2141	Pulley - 39Z	1
40	5053 0447	Bushing - 6mm	2
41	B301 2221	Gear - 31Z	1
42	A232 3565	Ball Bearing - 6x10x3mm	2
101	0353 0050B	Philips Truss Head Screw - M3x5	
102	0451 3008B	Tapping Screw - M3x8	
103	0720 0060B	Retaining Ring - M6	
104	0720 0040B	Retaining Ring - M4	
105	0632 0120G	Parallel Pin - 2x12	
106	0701 0030B	Flat Washer - M3	
107	0632 0160G	Parallel Pin - M2x16	
108	0805 3507	Bushing - 6mm	
109	1105 0230	Clamp	



### 13.DF DRIVE SECTION 2 (A294/A295)

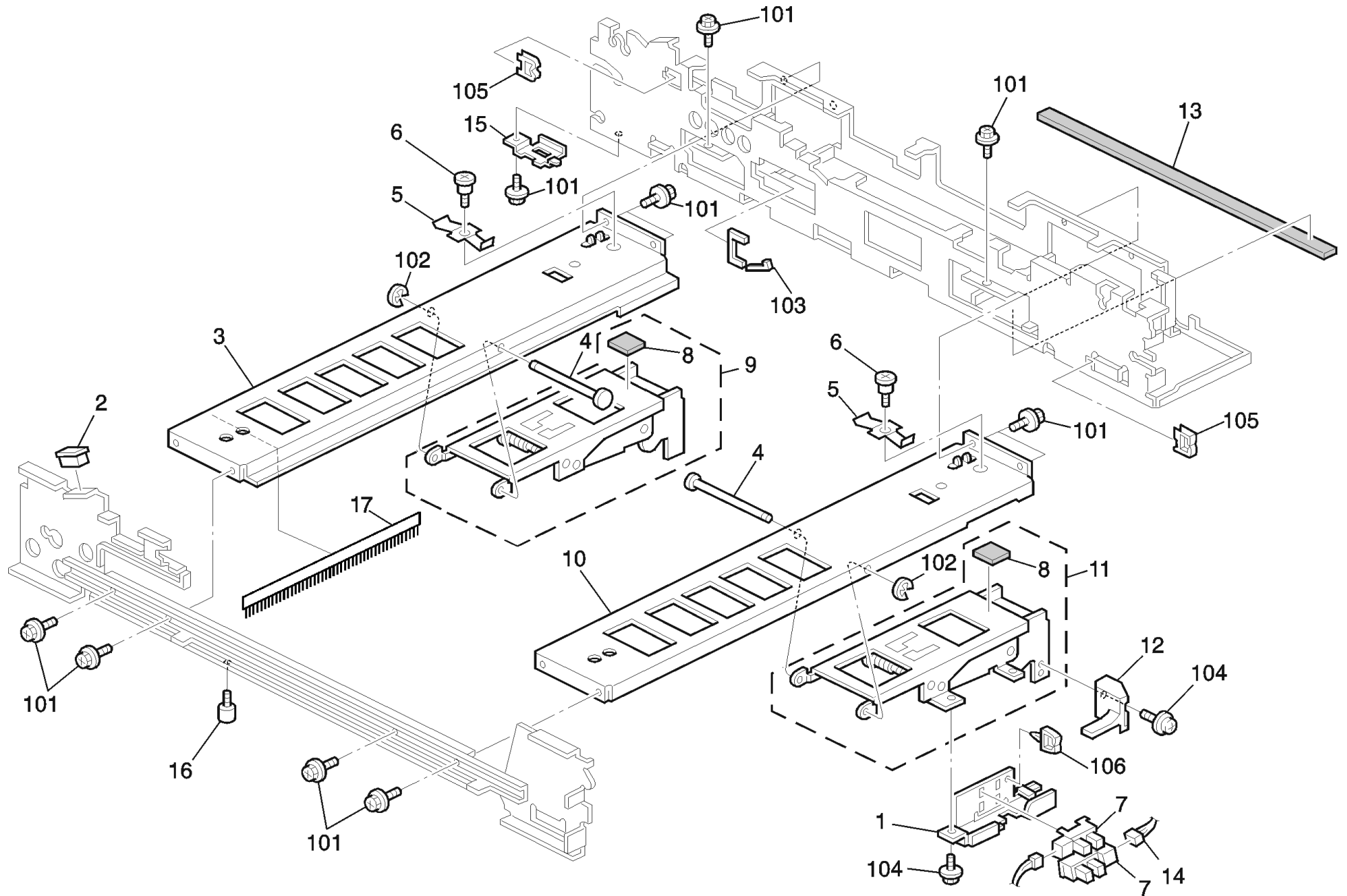
Rev. 02/03/2003

Index No.	Part No.	Description	Q'ty Per Assembly
1	AX06 0121	DC Motor - 27W	1
2	B301 3345	Exit Motor Guide Plate	1
3	B301 3341	Exit Motor Bracket	1
4	A680 2311	Pulley - 18T/32T	1
5	AA04 3539	Timing Belt - B40S2M104	1
6	A610 3532	Timing Pulley - 18Z	1
7	AA04 3547	Timing Belt - B40S3M213	1
8	A300 3812	Spacer - 6x22x1.5	1
9	5936 2321	Rubber Bushing - Vibration Damper	1
10	B301 4414	Rubber Cushion	3
11	5053 0447	Bushing - 6mm	1
12	A548 2137	Timing Pulley - 18Z	1
13	B301 5475	Grounding Wire	1
14	AW02 0075	Photointerruptor	1
15	B301 5460	DC Relay Harness	1
16	B301 1141	Rubber Cushion	2
17	B301 5340	DF Harness	1
18	A680 1171	Harness Holder	1
19	A806 5773	SADF Harness	1
20	B301 5400	DC Harness	1
21	B301 5430	DC Harness	1
22	B301 5520	ADF Main Control Board	1
23	B301 5450	DC Harness	1
24	B301 5370	DC Harness	1
25	B301 5600	DC Motor - 54W	2
26	B301 2172	Cushion	2
27	AB03 0354	Pulley - 20T	1
28	B301 2113	Pulley - 19Z	1
29	AA06 0590	Pressure Spring	2
30	B301 2327	Holder Bracket	1
31	B301 2610	Bearing - 6x15x5	2
32	AA04 3533	Timing Belt - B0S2M256	1
33	AA04 3546	Timing Belt - B60S2M474	1
34	B301 2111	Pulley - 30Z	1
35	5936 2321	Rubber Bushing - Vibration Damper	1

Index No.	Part No.	Description	Q'ty Per Assembly
36	A232 3565	Ball Bearing - 6x10x3mm	2
37	B301 2376	Tension Bracket	1
38	B301 2231	Pulley - 58/20Z	1
39	AA04 3538	Timing Belt - B60S3M174	1
40	B301 2371	Motor Bracket	1
41	B301 2319	Heat Sink - DC Motor	2
42	B301 2320	Heat Sink Holder	4
43	B301 3246	Motor Bushing - 4x9x5.2	4
44	B301 5480	DF Position Sensor Harness	1
101	0720 0040B	Retaining Ring - M4	
102	0574 0050E	Hexagon Headless Set Screw - M4x5	
103	0451 3008B	Tapping Screw - M3x8	
104	0451 4008B	Philips Tapping Screw - M4x8	
105	0701 0030B	Flat Washer - M3	
106	0451 4006B	Tapping Screw - 4x6	
107	0632 0120G	Parallel Pin - 2x12	
108	0805 3507	Bushing - 6mm	
109	1105 0230	Clamp	

# 14.DF FRAME SECTION (A294/A295)

Rev. 10/31/2000



# 14.DF FRAME SECTION (A294/A295)

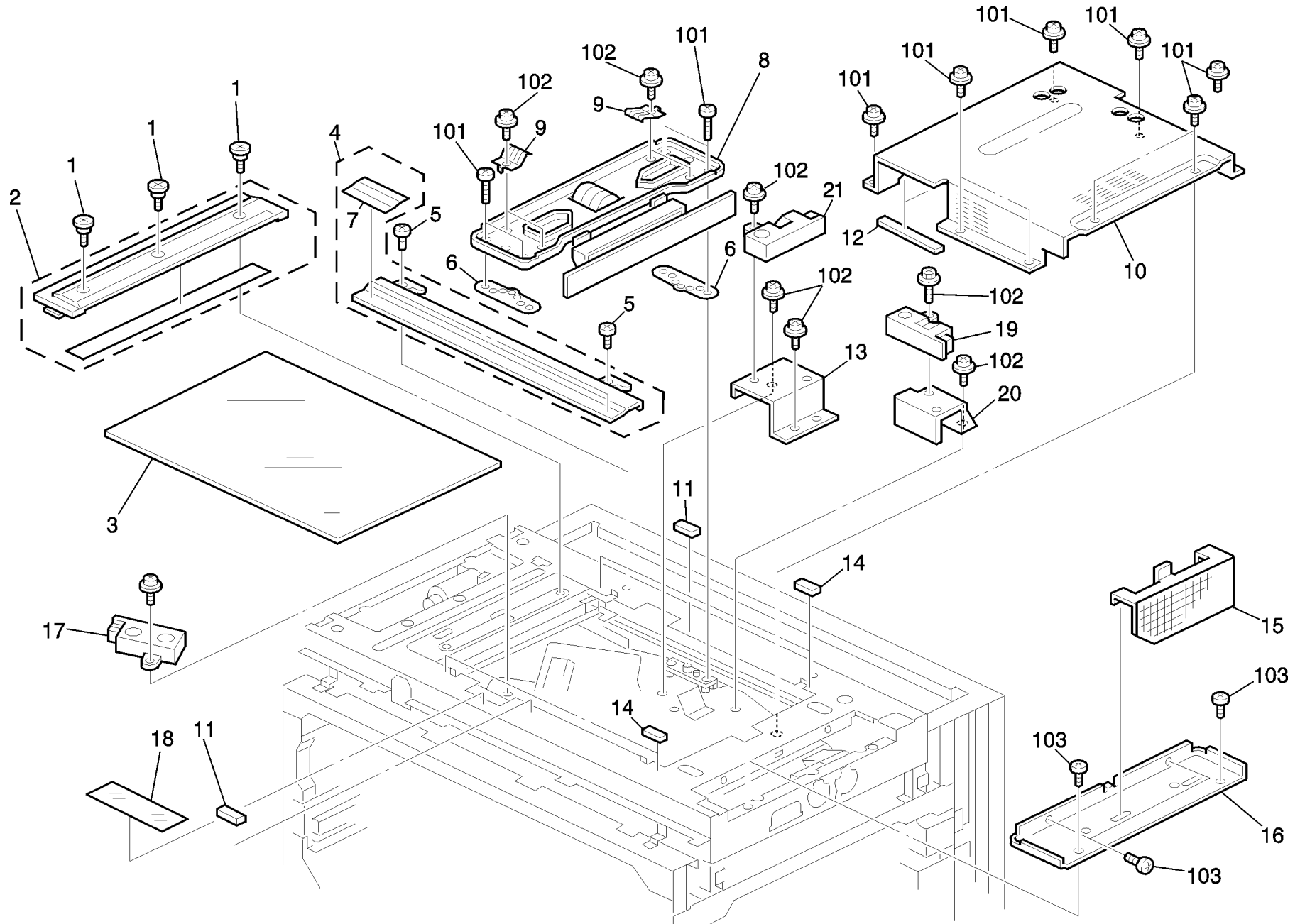
Rev. 02/03/2003

Index No.	Part No.	Description	Q'ty Per Assembly
1	B301 1543	Sensor Bracket	1
2	A680 1181	Magnetic Catch	1
3	B301 1631	Rear Side Plate	1
4	A806 1135	Contact Point Shaft	2
5	A548 1135	Spring Plate	2
6	AA14 3039	Spring Holder	2
7	AW02 0075	Photointerruptor	2
8	A351 4281	Anti-vibration Cushion	2
9	B301 1510	Left Hinge	1
10	B301 1633	Right Stay	1
11	B301 1520	Right Hinge	1
12	A548 1531	Safety Switch Feeler	1
13	B301 4412	Acoustic Material	1
14	B301 5480	DF Position Sensor Harness	1
15	B301 1137	Pulley Cover	1
16	5410 1291	Pin	1
17	B301 1134	Anti-Static Brush	1

Index No.	Part No.	Description	Q'ty Per Assembly
101	0450 3008B	Tapping Screw - M3x8	
102	0720 0030B	Retaining Ring - M3	
103	1105 0334	Edge - 17	
104	0451 4006B	Tapping Screw - 4x6	
105	1105 0328	Harness Clamp - ES-0505	
106	1105 0230	Clamp	

# 15.OPTICS SECTION 1 (A294/A295)

Rev. 10/31/2000



# 15.OPTICS SECTION 1 (A294/A295)

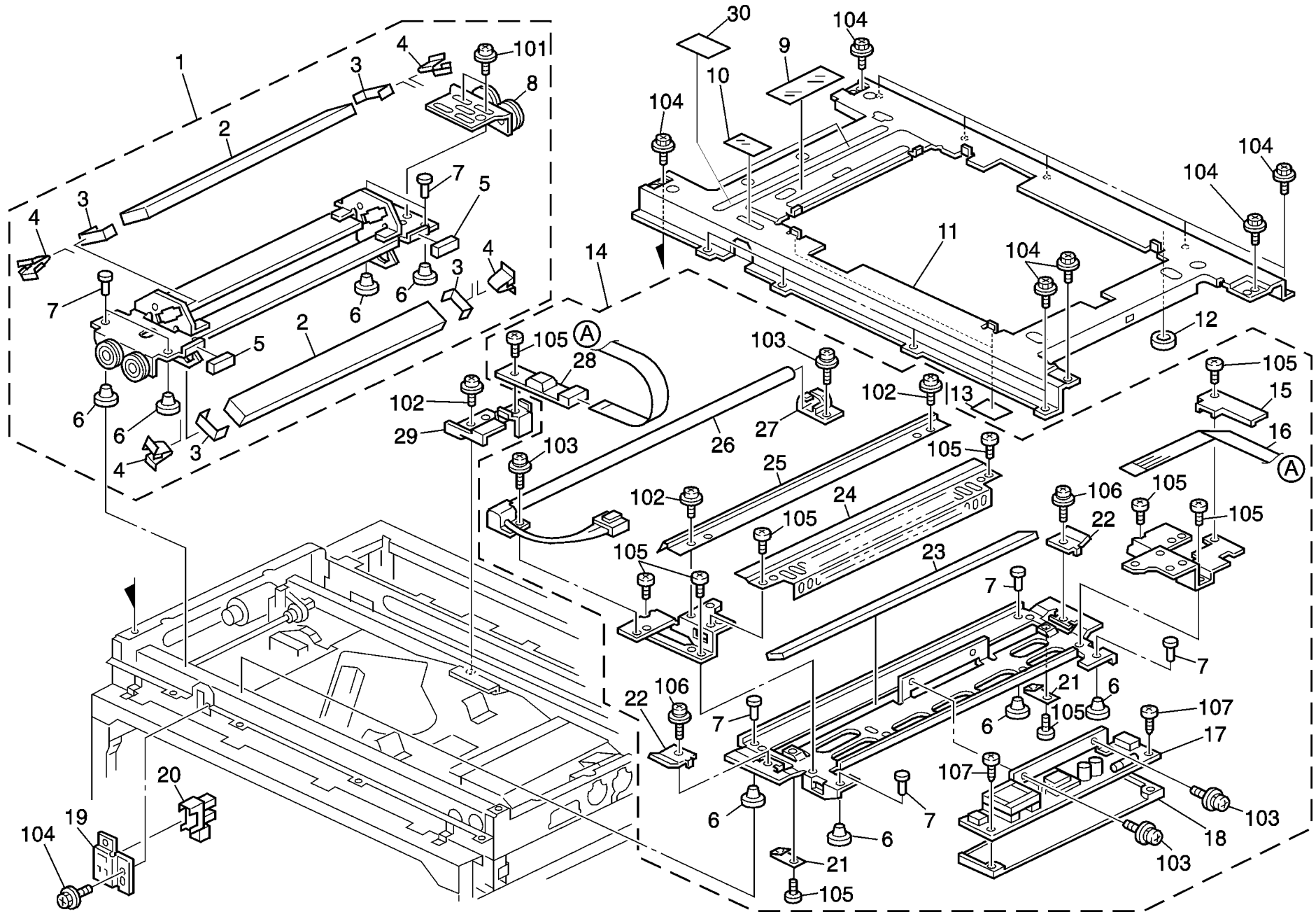
Rev. 03/12/2003

Index No.	Part No.	Description	Q'ty Per Assembly
1	5206 2684	Shoulder Screw - M3	3
2	A294 1794	Left Scale	1
3	AC01 2065	Exposure Glass - A3 T-3.2	1
4	A294 1795	Right Scale	1
5	AA14 3417	Shoulder Screw - M4x4	2
6	A294 1782	Spacer - Lens Stay	2
7	A294 1746	Bracket - Wire Tension	2
8	A295 1771	Scanner Lens Unit	1
9	A294 1838	Ground Plate - Lens Stay	4
10	A294 1775	Cover - Lens Unit	1
11	A176 1737	Exposure Glass Cushion	2
12	A294 1778	Lens Cover Gasket - D06560	2
13	A294 1822	Bracket - Original Sensor	1
14	AA16 1138	Cushion - 1.1	4
15	A294 1845	Dust Filter	1
16	A294 1799	Right Stay - Optical Housing	1
17	AW01 0034	Original Width Sensor	1
18	A294 1788	Sheet - Upper Frame	1
19	AW01 0078	Photosensor H=50	1
20	A294 1825	Holder - Original Sensor	1
21	A294 1843	Photosensor with Filter - H50	1

Index No.	Part No.	Description	Q'ty Per Assembly
101	0314 0080B	Philips Pan Head Screw - M4x8	
102	0951 3006B	Philips Screw With Flat Washer - M3x6	
103	0450 3010B	Tapping Screw - M3x10	

# 16.OPTICS SECTION 2 (A294/A295)

Rev. 12/26/2000





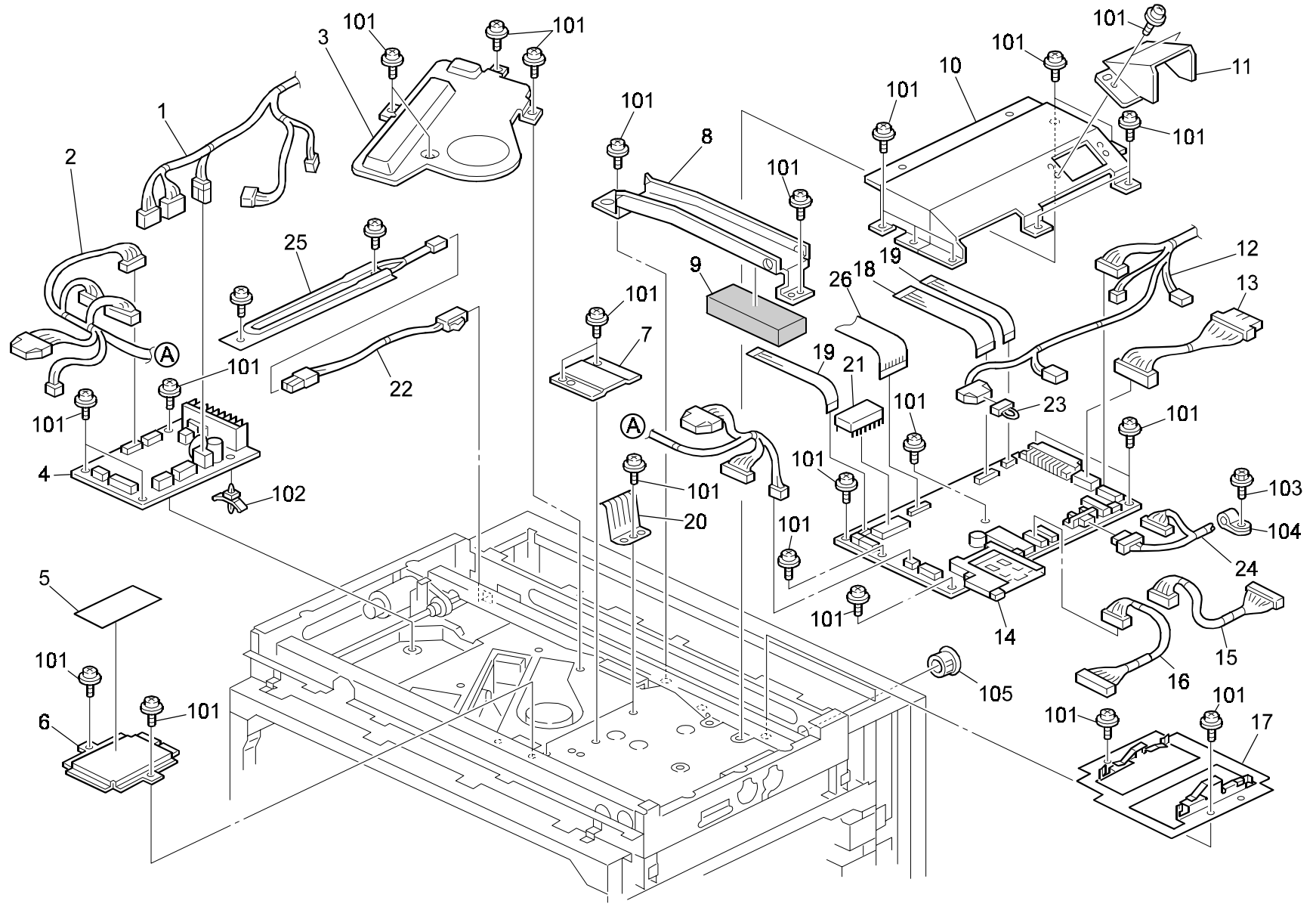
## 16.OPTICS SECTION 2 (A294/A295)

Rev. 12/26/2000

Index No.	Part No.	Description	Q'ty Per Assembly
1	A294 1732	2nd Scanner Ass'y	1
2	A294 1742	2nd Mirror	2
3	A294 1744	Guard - 2nd Mirror	4
4	G404 2810	Spring Plate - Mirror - Second	4
5	A294 1743	Cushion - 5x20x4	2
6	A069 1883	Shoe - Scanner	8
7	A096 1873	Scanner Shoe Pin	8
8	A294 1739	Scanner Drive Bracket	1
9	A294 1789	Sheet - Upper Frame Big	1
10	A294 1788	Sheet - Upper Frame	1
11	A294 1785	Frame - Optical Housing	1
12	A294 1790	Cushion - Scanner	1
13	A110 1193	Seal - 01.x15x24	2
14	A294 1701	1st Scanner Ass'y	1
15	A294 1710	Holder - 1st Scanner Harness	1
16	A294 5500	Harness - 1st Scanner	1
17	AZ50 0054	Inverter - Xenon Lamp	1
18	A294 1708	Invertor Insulator - 1	1
19	A229 1825	Home Position Sensor Bracket	1
20	AW02 0056	Photointerruptor - EE-SX4235A-P1	1
21	AC03 5022	Rear Mirror Clamp - 1st Mirror	2
22	A294 1709	Wire Clamp	2
23	A294 1706	1st Mirror	1
24	A294 1705	Cover - 1st Scanner	1
25	A294 1707	Reflector	1
26	AX50 0071	Xenon Lamp - 7000 OLX	1
27	A294 1712	Rear Holder - Lamp	1
28	A294 5501	Board - 1st Scanner Harness	1
29	A294 1832	Bracket Harness	1
30	A294 1793	Cushion Seal - 20x50x4	2

Index No.	Part No.	Description	Q'ty Per Assembly
101	0951 3004B	Philps Screw With Flat Washer - M3x4	
102	0951 3006B	Philips Screw With Flat Washer - M3x6	
103	0954 3008B	Philips Screw - M3x8	
104	0451 4006B	Tapping Screw - 4x6	
105	0453 3006B	Tapping Screw - M3x6	
106	0954 4008B	Philips Screw - M4x8	
107	0452 3006W	Tapping Screw - 3x6	

# 17.OPTICS SECTION 3 (A294/A295)



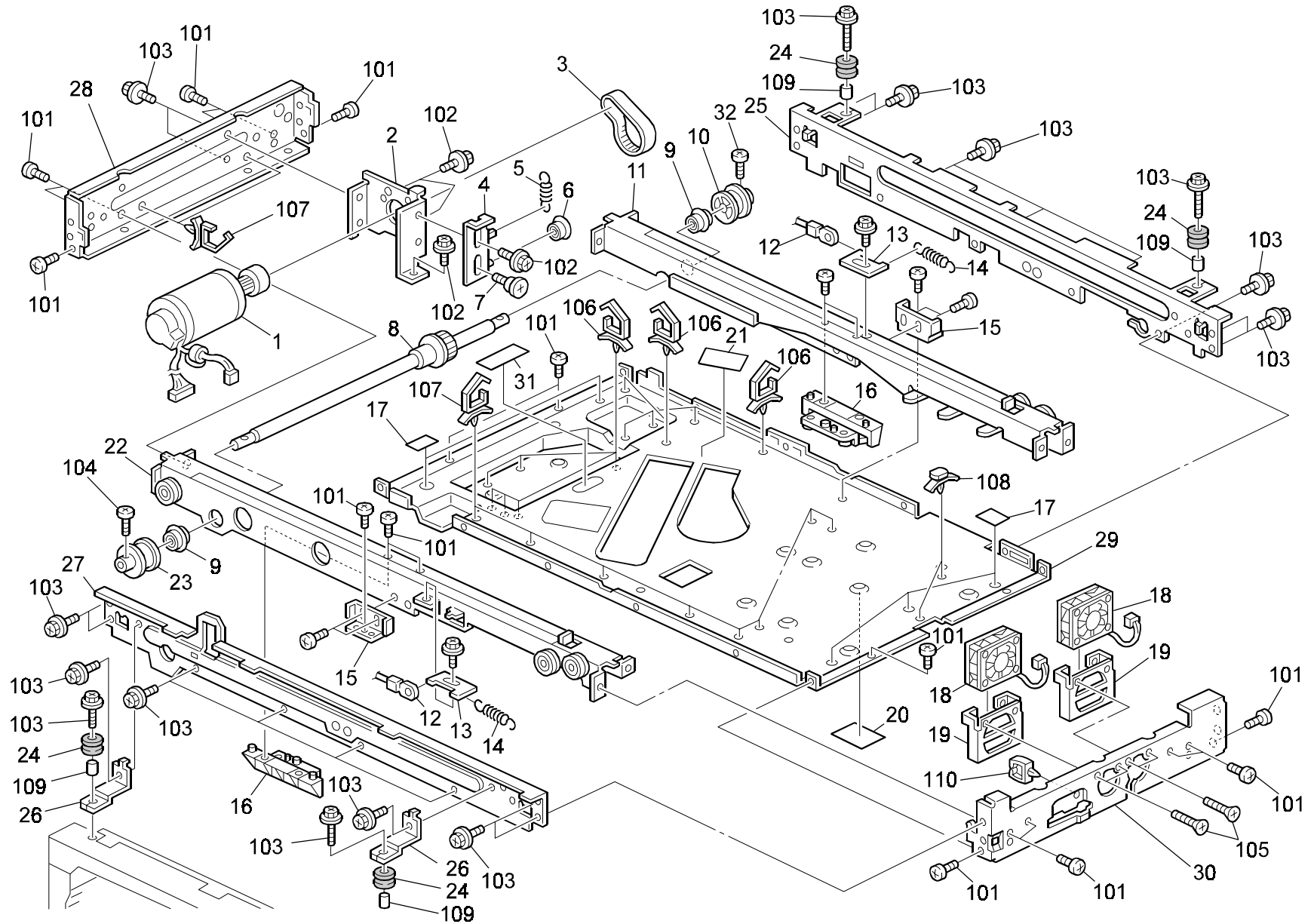
### 17.OPTICS SECTION 3 (A294/A295)

Rev. 03/12/2003

Index No.	Part No.	Description	Q'ty Per Assembly
*	A294 9501	Key Counter Extension Kit	1
1	A294 5093	Harness - MCU LDB	1
2	A294 5094	Harness - MCU Board - <b>A294</b>	1
2	A295 5094	MCU Board Harness - <b>A295</b>	1
3	A294 1846	Cover - LD Unit	1
4	A293 5180	MCU Board	1
5	G029 1982	Decal - LD	1
6	A294 1817	Cover - Sync Detector	1
7	A294 1840	Cable Holder Plate	1
8	A294 1833	Guide Harnes	1
9	A294 1835	Holder - SICU Harness	1
10	A294 1827	Cover - SICU Board	1
11	A294 1828	Duct Fan	1
12	A294 5098	Harness - SICU Connect	1
13	A294 5092	Harness - SICU Board	1
14	A294 5606	SICU Board - 240V USA	1
14	A294 5656	SICU Board - 230V	1
15	A294 5177	2nd HDD Harness	1
16	A294 5176	Harness - Hard Disk Drive	1
17	A294 1834	Guide Board - PCB	1
18	A294 5090	Harness - FFC40	1
19	A294 5091	Harness - FFC15	2
21	A294 9099	NVRAM - Minus Counter	1
22	A294 5096	Harness - Heater Connect	1
23	A096 5464	Key Counter Connector	1
24	A294 5490	Cable - Operation Board SICU	1
25	AX40 0106	Anticondensation Heater - 230V 15W (Option)	1
26	A294 5222	Harness - Optical Unit FFC	1

Index No.	Part No.	Description	Q'ty Per Assembly
101	0951 3006B	Philips Screw With Flat Washer - M3x6	2
102	1105 0192	Locking Support	
103	0451 4008B	Philips Tapping Screw - M4x8	
104	1105 0528	Nylon Clamp - EMT - 2N	
105	1106 0200	Bushing - 19.44mm	

# 18.OPTICS SECTION 4 (A294/A295)



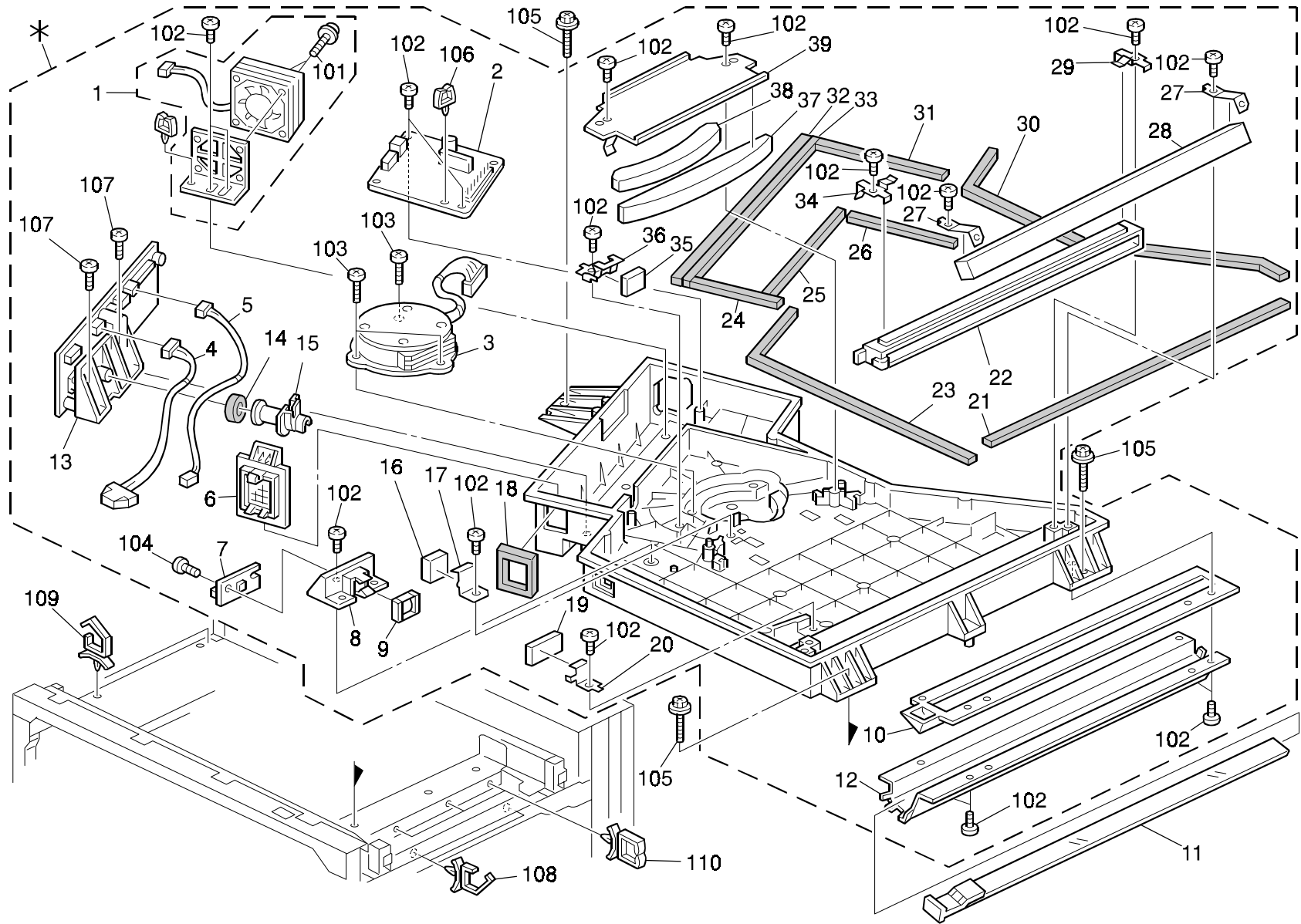
## 18.OPTICS SECTION 4 (A294/A295)

Rev. 03/12/2003

Index No.	Part No.	Description	Q'ty Per Assembly
1	A294 1760	Scanner Motor - DC38V 50W	1
2	A294 1748	Scanner Motor Bracket	1
3	A294 1747	Timing Belt - Scanner	1
4	A294 1753	Bracket - Belt Tension	1
5	A294 1756	Spring - Scanner Motor	1
6	AB03 0529	Belt Tension Pulley	1
7	C201 5125	Stepped Screw - M6	1
8	B070 1749	Shaft - Scanner Drive	1
9	A193 1829	Ball Bearing - M8	2
10	AB03 2070	Pulley - Rear Drive	1
11	B070 1785	Frame - Optics Housing	1
12	A294 1759	Wire - Scanner Drive	2
13	A294 1746	Bracket - Wire Tension	2
14	AA06 0221	Gripper Solenoid Spring	2
15	A294 1687	Bracket - Scanner Rail	2
16	A294 1781	Holder - Lens Unit	2
17	AA15 0332	Seal - 0.19x18x22	7
18	AX64 0083	Cooling Fan	2
19	A229 1831	Fan Bracket	2
20	AA15 0012	Shielding Mylar - 30x30	1
21	G029 1982	Decal - LD	1
22	A294 1694	Front Scanner Rail Ass'y	1
23	AB03 2069	Pulley - Front Drive	1
24	AA16 1104	Cushion - Motor	4
25	B070 1670	Rear Frame	1
26	A294 1673	Front Stay	2
27	B070 1668	Front Frame	1
28	B070 1665	Left Frame	1
29	A294 1697	Base Frame	1
30	A294 1666	Right Frame	1
31	A294 1667	Sheet - Optical Housing	2
32	B070 1718	Screw - M5x8	1

Index No.	Part No.	Description	Q'ty Per Assembly
101	0453 4006B	Tapping Screw - 4x6	
102	0451 4008B	Philips Tapping Screw - M4x8	
103	0451 4006B	Tapping Screw - 4x6	
104	0951 3006B	Philips Screw With Flat Washer - M3x6	
105	0324 0250B	Screw - M4x25	
106	1105 0291	Harness Clamp - LWS-3S	
107	1105 0310	Harness Clamp - LWS-1S	
108	1105 0367	Spacer	
109	0707 4050B	Bushing - 4 X5	
110	1105 0199	Clamp	

# 19.LASER UNIT (A294/A295)



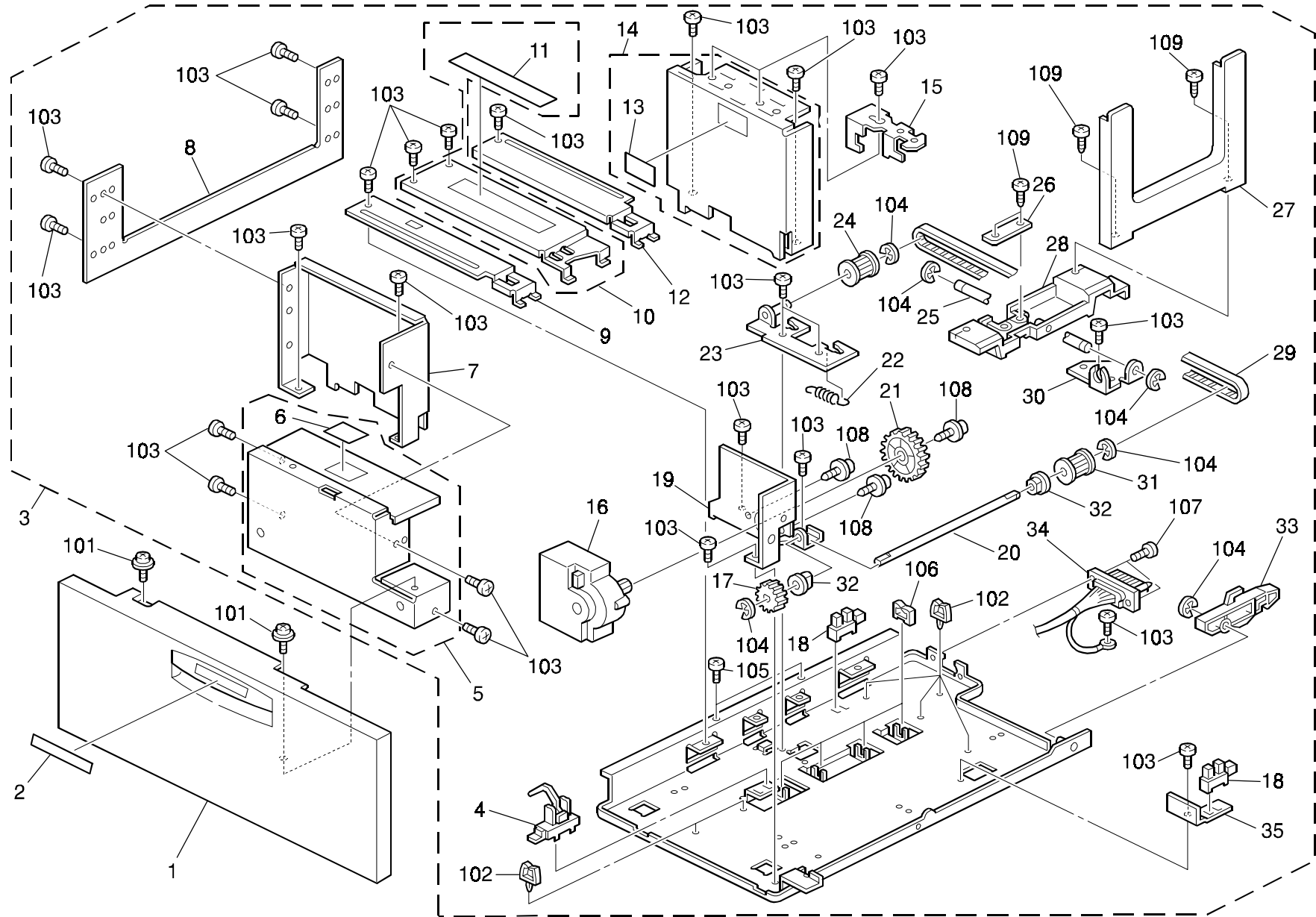
# 19.LASER UNIT (A294/A295)

Rev. 10/08/2001

Index No.	Part No.	Description	Q'ty Per Assembly
*	A294 1851	Optical Housing Ass'y	1
1	A294 1965	Fan Motor - DC12V 2.1W	1
2	A294 5245	Board - Polygon Motor Drive	1
3	AX06 0185	Polygon Mirror Motor Ass'y	1
4	A294 5225	Harness - Interlock Switch	1
5	A294 5223	Harness - Sync Detector	1
6	A294 1979	Filter - Laser Diode Unit	1
7	A232 5310	Laser Sync. Detector	1
8	A294 1942	Holder - Sync Detector Board	1
9	G029 1975	Cylindrical Lens	1
10	A294 1945	Holder - Shield Glass	1
11	AC01 5030	Toner Shield Glass - 366x15	1
12	A294 1949	Bracket - Shield Glass	1
13	A294 1910	LD Unit	1
14	A294 1962	Spacer Seal	1
15	A294 1961	Spacer - Laser Diode Unit	1
16	AC03 0134	2nd Mirror	1
17	AC03 5054	2nd Mirror Plate	1
18	A294 1963	Imaging Unit Shield Duct	1
19	AC03 0078	Sync Detector Mirror	1
20	AC03 5055	Sync Detector Mirror Plate	1
21	A294 1951	Shield 1	1
22	A294 2072	Mirror Duct	1
23	A294 1957	Shield 7	1
24	A294 1956	Shield 6	1
25	A294 1959	Shield 9	1
26	A294 1958	Shield 8	1
27	AC03 5052	1st Mirror Plate	1
28	AC03 0069	1st Mirror	1
29	A257 2077	Rear Lens Plate	1
30	A294 1953	Shield 3	1
31	A294 1954	Shield 4	1
32	A294 1964	Optical Housing Gasket	1
33	A294 1955	Shield 5	1
34	A257 2076	Front Lens Plate	1

Index No.	Part No.	Description	Q'ty Per Assembly
35	AC02 4004	Cylindrical Lens	1
36	A257 2097	Cylindrical Lens Plate	1
37	AC02 2013	F-theta Lens 2	1
38	AC02 2012	F-theta Lens 1	1
39	A257 2102	F-theta Lens Plate	1
40	A294 1930	BTL Lens Assembly	1
101	0951 3020B	Philips Screw With Flat Washer -3x8	
102	0353 0060B	Philips Pan Head Screw - M3x6	
103	0354 0100B	Screw - M4X10	
104	0452 3006B	Tapping Screw - M3x6	
105	0451 4012B	Tapping Screw - 4x12	
106	1105 0359	Clamp	
107	0313 0080B	Philips Pan Head Screw - M3x8	
108	1105 0310	Harness Clamp - LWS-1S	
109	1105 0292	Wire Saddle	
110	1105 0198	Harness Clamp - WS-3 NSV-0	

# 20.TANDEM TRAY 1 (A294/A295)





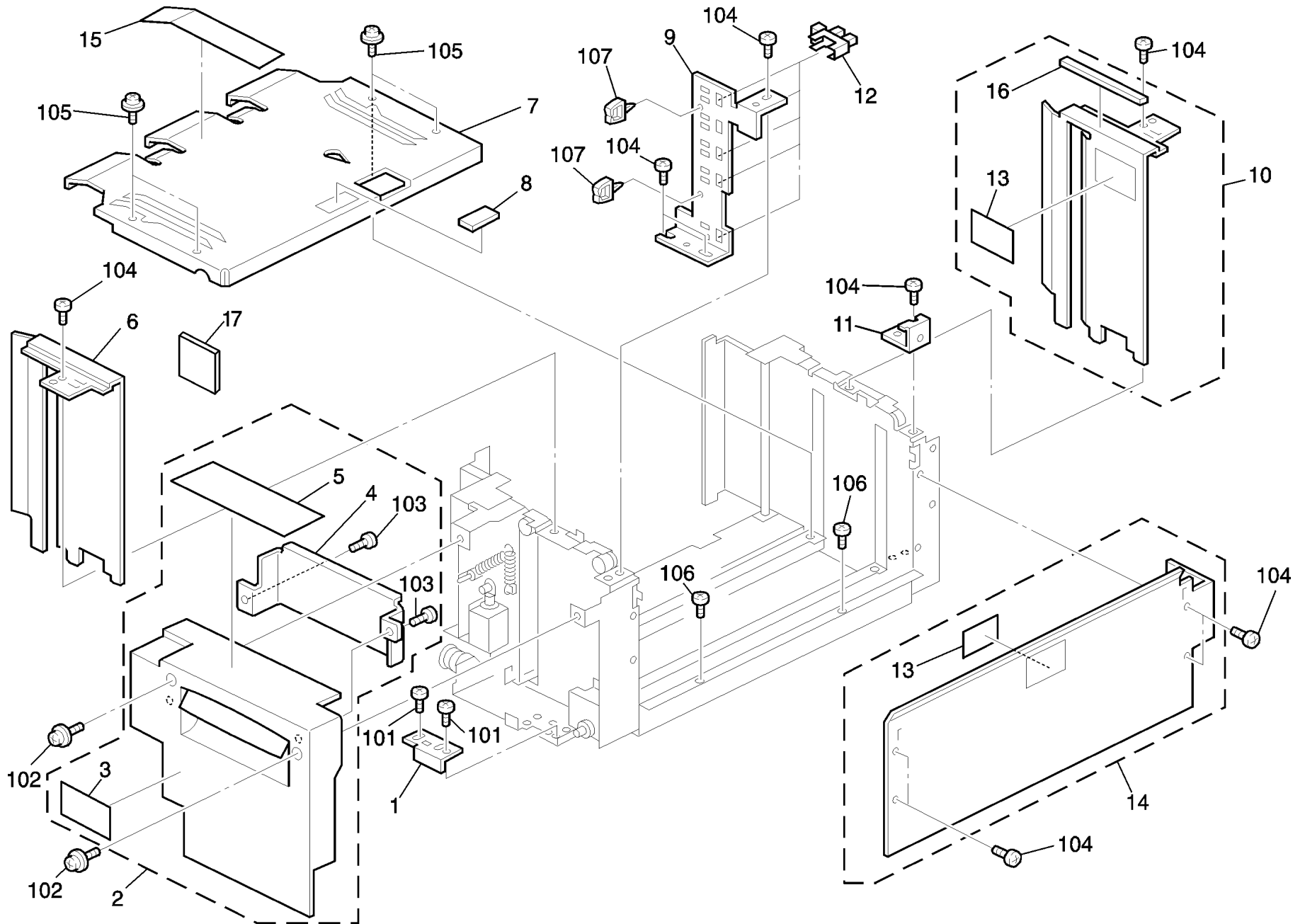
## 20.TANDEM TRAY 1 (A294/A295)

Index No.	Part No.	Description	Q'ty Per Assembly
1	A294 6804	Tandem LCT Cover	1
2	AA00 2237	Decal - Paper Tray No1	1
3	A294 6611	Left Tandem Tray Ass'y - LT	1
3	A294 6609	Left Tandem Tray Ass'y - A4	1
4	AW02 0008	Photointerruptor	1
5	A294 6632	Cover Bracket	1
6	AA00 2244	Decal - Paper Set - Left	1
7	A294 6643	Left Front Fence	1
8	A294 6645	Left Side Plate	1
9	A248 6640	Tray Bottom Plate - Left Front	1
10	A248 6639	Tray Bottom Plate - Left Middle	1
11	A096 6678	Decal - Left Paper Set	1
12	A248 6642	Tray Bottom Plate - Left Rear	1
13	AA00 2010	Decal - Paper Level	1
14	A294 6630	Left Rear Fence	1
15	A294 6650	Stopper - Interlock Switch	1
16	AX04 0107	DC Motor - 19.2W	1
17	AB01 3798	Gear - Z18	1
18	AW02 0056	Photointerruptor - EE-SX4235A-P1	2
19	A248 6636	DC Motor Bracket	1
20	AA14 0686	Shaft - Timing Pulley	1
21	AB01 9475	Gear - 48T	1
22	AA06 0759	Tension Spring	1
23	A248 6616	Bracket - Driven Pulley	1
24	AB03 3085	Timing Pulley - 15T Driven	1
25	AA14 0685	Shaft - Back Fence Slider	1
26	A248 6627	Timing Belt Cover	1
27	A294 6624	Left End Fence	1
28	A248 6623	Slider - Left Back Fence	1
29	AA04 3271	Timing Belt - S3M 196T	1
30	A248 6619	Bracket - Drive Pulley	1
31	AB03 3084	Timing Pulley - 15T - Drive	1
32	5053 0447	Bushing - 6mm	2
33	A248 6615	Coupling Lever - Left	1
34	A247 5428	DC Harness - Left	1

Index No.	Part No.	Description	Q'ty Per Assembly
35	A248 6620	Bracket - Photointerruptor	1
101	0951 4008B	Philips Screw With Washer - M4x8	
102	1105 0230	Clamp	
103	0434 0060B	Pan Head Self-tapping Screw - M4x6	
104	0720 0040B	Retaining Ring - M4	
105	0344 0050F	Philips Truss Head Screw - M4X5	
106	1105 0328	Harness Clamp - ES-0505	
107	0313 0080B	Philips Pan Head Screw - M3x8	
108	0965 3008W	Tapping Screw With Flat Washer - M3x8	
109	0452 4010B	Tapping Bind Screw - M4x10	

# 21.TANDEM TRAY 2 (A294/A295)

Rev. 12/26/2000



## 21.TANDEM TRAY 2 (A294/A295)

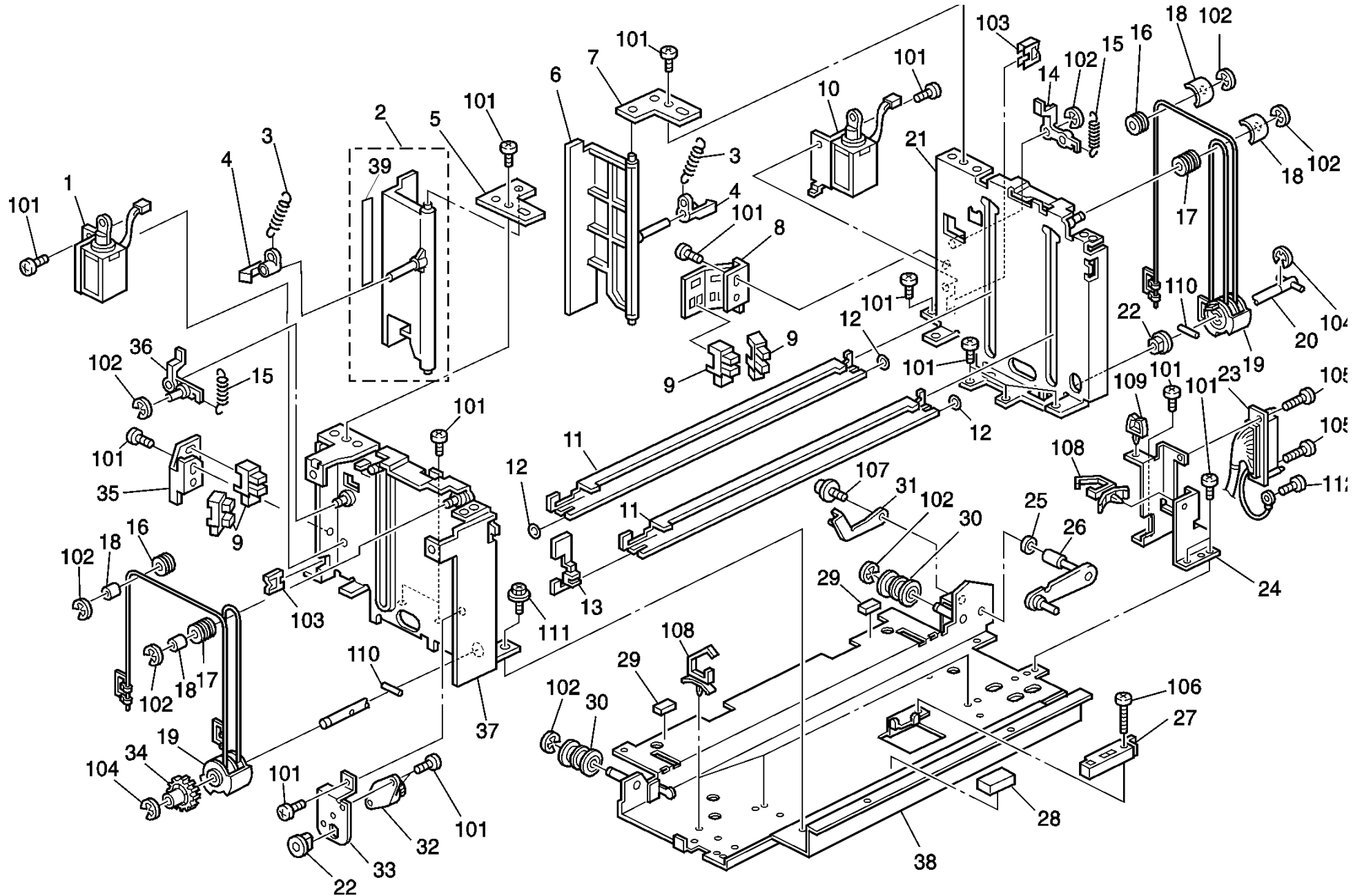
Rev. 12/26/2000

Index No.	Part No.	Description	Q'ty Per Assembly
*	A294 6612	Right Tandem Tray Ass'y - LT	1
*	A294 6610	Right Tandem Tray Ass'y - A4	1
1	A248 6659	Right Stopper	1
2	A294 6744	Inner Cover - Tandem LCT	1
3	AA00 2246	Decal - Caution	1
4	A248 6741	Protection - Inner Cover	1
5	AA00 2245	Decal - Paper Set - Right	1
6	A294 6739	Right Front Fence	1
7	A294 6670	Base - Right Tandem Tray	1
8	5201 2858	Friction Pad	1
9	A294 6706	Sensor Bracket	1
10	A294 6737	Right Fence	1
11	A176 6695	Misfeed Removal Guide	1
12	AW02 0056	Photointerruptor - EE-SX4235A-P1	5
13	AA00 2010	Decal - Paper Level	2
14	A294 6666	Side Plate	1
15	A096 6677	Decal - Right Paper Set	1
16	AA15 3063	Seal - 4x10x70	1
17	A096 6671	Paper Guide Plate	1

Index No.	Part No.	Description	Q'ty Per Assembly
101	0314 0060B	Philips Pan Head Screw - M4x6	
102	0951 4008B	Philips Screw With Washer - M4x8	
103	0452 4008B	Binding Self Tapping Screw - M4x8	
104	0434 0060B	Pan Head Self-tapping Screw - M4x6	
105	0951 4006B	Philips Screw With Washer - M4x6	
106	0344 0050F	Philips Truss Head Screw - M4X5	
107	1105 0328	Harness Clamp - ES-0505	

# 22.TANDEM TRAY 3 (A294/A295)

Rev. 11/30/2001



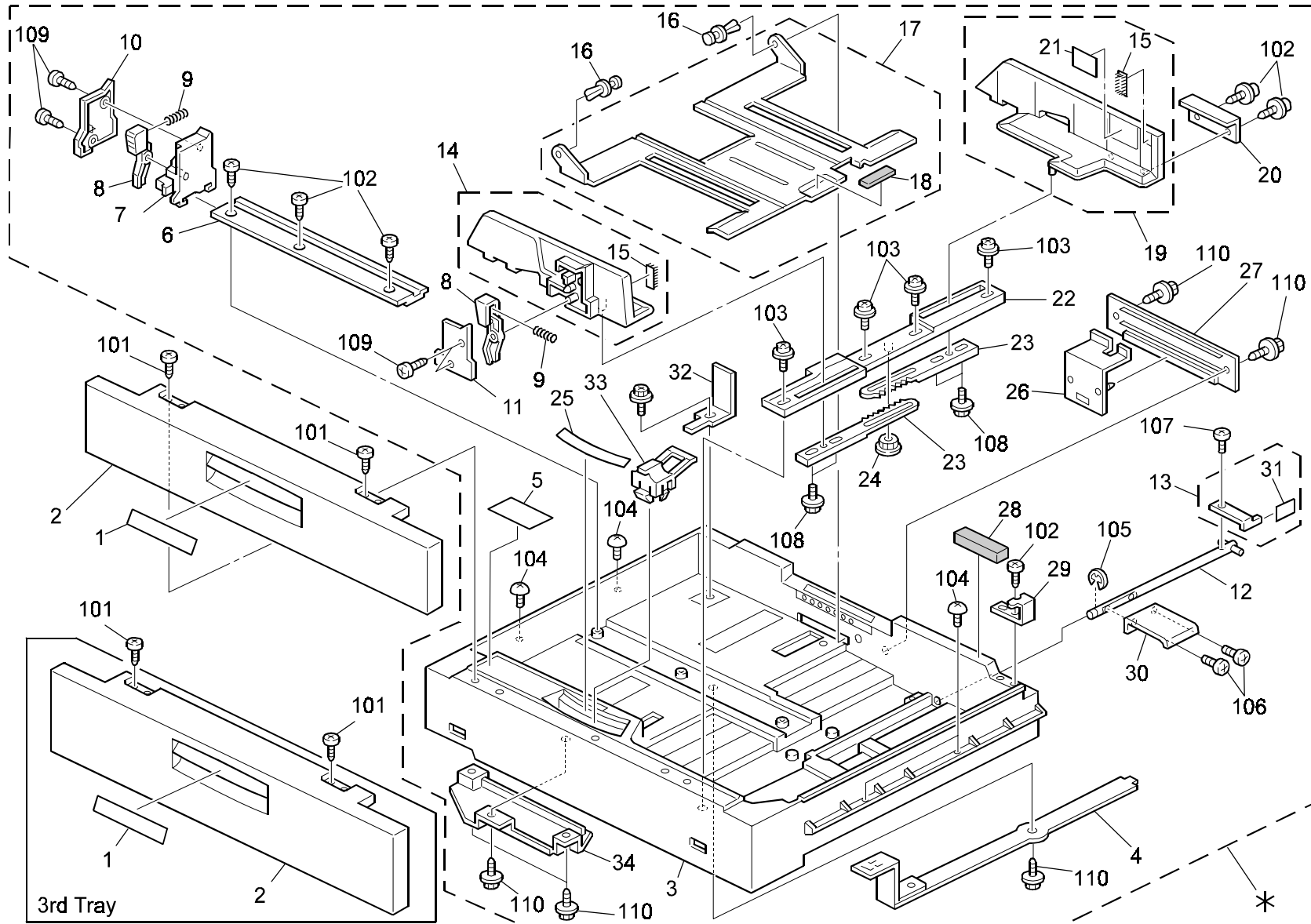
## 22.TANDEM TRAY 3 (A294/A295)

Rev. 11/30/2001

Index No.	Part No.	Description	Q'ty Per Assembly
1	A248 6714	DC Solenoid - Front End Fence	1
2	A294 6712	Front Side Fence	1
3	AA06 0757	Tension Spring - Long	2
4	A248 6713	Hook - Tension Sprong	2
5	A294 6722	Front Support Bracket	1
6	A294 6725	Rear End Fence	1
7	A294 6723	Rear Support Bracket	1
8	A294 6721	Sensor Bracket	1
9	AW02 0056	Photointerruptor - EE-SX4235A-P1	4
10	A248 6727	DC Solenoid - Rear End Fence	1
11	A248 6682	Stay - Right Base	2
12	A248 6694	Wire Ring	3
13	A294 6690	Feeler - Paper Height Sensor	1
14	A248 6730	Rear Release Lever	1
15	AA06 0758	Tension Spring - Short	2
16	AB03 2058	Wire Pulley - M10	2
17	AB03 2719	Pulley - M10	2
18	A248 6695	Guide - Pulley	4
19	A294 6688	Wire Pulley Ass'y	2
20	A248 6687	Right Drive Shaft	1
21	A294 6676	Right Rear Side Plate	1
22	5053 0223	Bushing - 8mm	2
23	A294 5472	DC Harness - Tandem LCT	1
24	A248 6743	Connector Bracket	1
25	AA13 2203	Spacer - 6mm	1
26	A248 6746	Lever - Large	1
27	A010 5700	Sensor	1
28	AA16 1129	Cushion - Large	1
29	AA16 1130	Cushion - Small	2
30	AF02 2105	Roller - Slide Rail	2
31	A248 6753	Lever - Small	1
32	A248 6701	Oil Damper	1
33	A248 6703	Bracket - Oil Damper	1
34	AB01 3781	Gear - 30Z	1
35	A294 6720	Sensor Bracket	1

Index No.	Part No.	Description	Q'ty Per Assembly
36	A248 6717	Front Release Lever	1
37	A294 6668	Right Front Side Plate	1
38	A248 6655	Right Base - Tandem LCT	1
39	A294 6713	Shield - Front Side Fence	1
101	0434 0060B	Pan Head Self-tapping Screw - M4x6	
102	0720 0040B	Retaining Ring - M4	
103	1105 0328	Harness Clamp - ES-0505	
104	0720 0060B	Retaining Ring - M6	
105	0313 0080B	Philips Pan Head Screw - M3x8	
106	0313 0120B	Philips Pan Head Screw - M3x12	
107	0951 3006B	Philips Screw With Flat Washer - M3x6	
108	1105 0291	Harness Clamp - LWS-3S	
109	1105 0199	Clamp	
110	0633 0200G	Pin - M3x20	
111	0951 4008B	Philips Screw With Washer - M4x8	
112	0414 0080B	Binding Self-tapping Screw - M4x8	

# 23.UNIVERSAL TRAY (A294/A295)



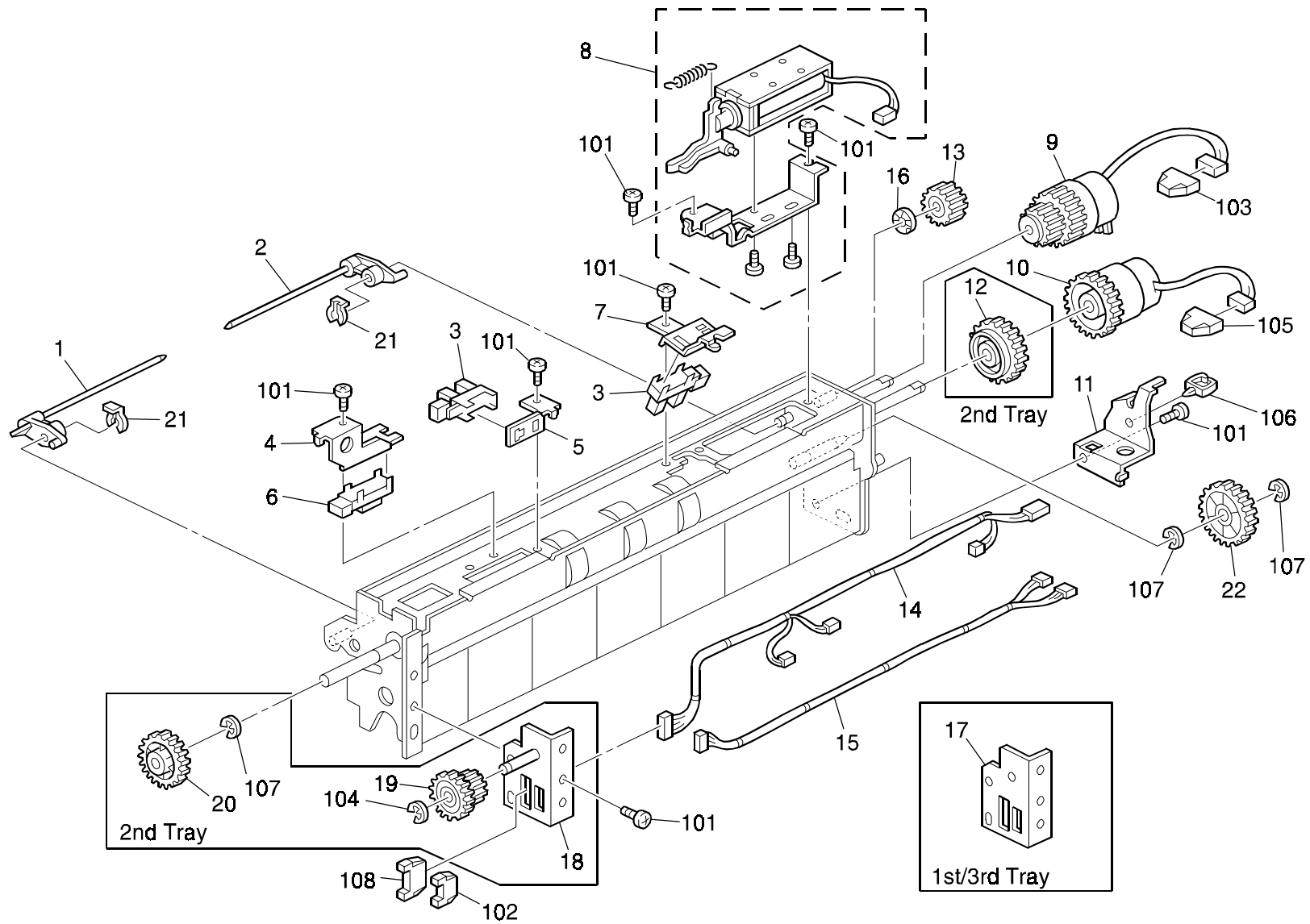
## 23.UNIVERSAL TRAY (A294/A295)

Index No.	Part No.	Description	Q'ty Per Assembly
*	A293 6517	Universal Tray - LT	1
*	A293 6518	Universal Tray - A4	1
1	AA00 2238	Decal - Cover No.2	1
1	AA00 2239	Decal - Cover No.3	1
2	A229 6589	Paper Tray Front Cover (2nd Rtay)	1
2	A229 6620	Tandem Tray Front Cover (3rd Tray)	1
3	AF01 0072	Paper Tray	1
4	A293 6576	Link - Paper Size Lever	1
5	AA00 0213	Decal - Universal Tray	1
6	A096 6564	End Fence Plate	1
7	A096 6562	End Fence	1
8	A096 6537	Stopper Lever	2
9	AA06 6551	Stopper Spring - 24mm	2
10	A096 6563	End Fence Cover	1
11	A096 6536	Side Fence Cover	1
12	A096 6524	Lift Shaft	1
13	A096 6527	Paper Guide Feeler	1
14	A229 6534	Front Side Fence	1
15	A096 6553	Side Fence Pad	2
16	A048 2838	Nylon Rivet	2
17	A229 6556	Tray Bottom Plate	1
18	AF01 3005	Bottom Plate Pad	1
19	A229 6541	Rear Side Fence	1
20	A176 6570	Paper Stopper	1
21	AA00 2010	Decal - Paper Level	1
22	A229 6545	Side Fence Plate - LT	1
22	A229 6544	Side Fence Plate - A4	1
23	AB01 4132	Side Fence Gear	2
24	AB01 4094	Side Fence Gear	1
25	AA00 2251	Paper Size Decal - LT	1
25	AA00 2252	Paper Size Decal - A4	1
26	A293 6571	Actuator - Paper Size Switch	1
27	A293 6574	Actuator Guide	1
28	AA15 3004	Paper Guide Seal - 3	1
29	A176 6695	Misfeed Removal Guide	1

Index No.	Part No.	Description	Q'ty Per Assembly
30	A096 6526	Lift Lever	1
31	AA15 0359	Seal	1
32	AF01 6079	Left Rear Side Fence	1
33	A293 6575	Knob - Paper Size Selection	1
34	A293 6579	Link Guide	1
101	0452 4008B	Binding Self Tapping Screw - M4x8	
102	0414 0082B	Binding Self Tapping Screw - M4x8	
103	0450 3006B	Tapping Screw - M3x6	
104	0344 0050F	Philips Truss Head Screw - M4X5	
105	0720 0060B	Retaining Ring - M6	
106	0314 0080B	Philips Pan Head Screw - M4x8	
107	0313 0060B	Philips Pan Head Screw - M3x6	
108	0452 3008B	Tapping Screw - M3x8	
109	0413 0082B	Tapping Screw - M3x8	
110	0450 4008B	Tapping Screw - 4x8	

# 24.PAPER FEED UNIT 1 (A294)

Rev. 9/2001





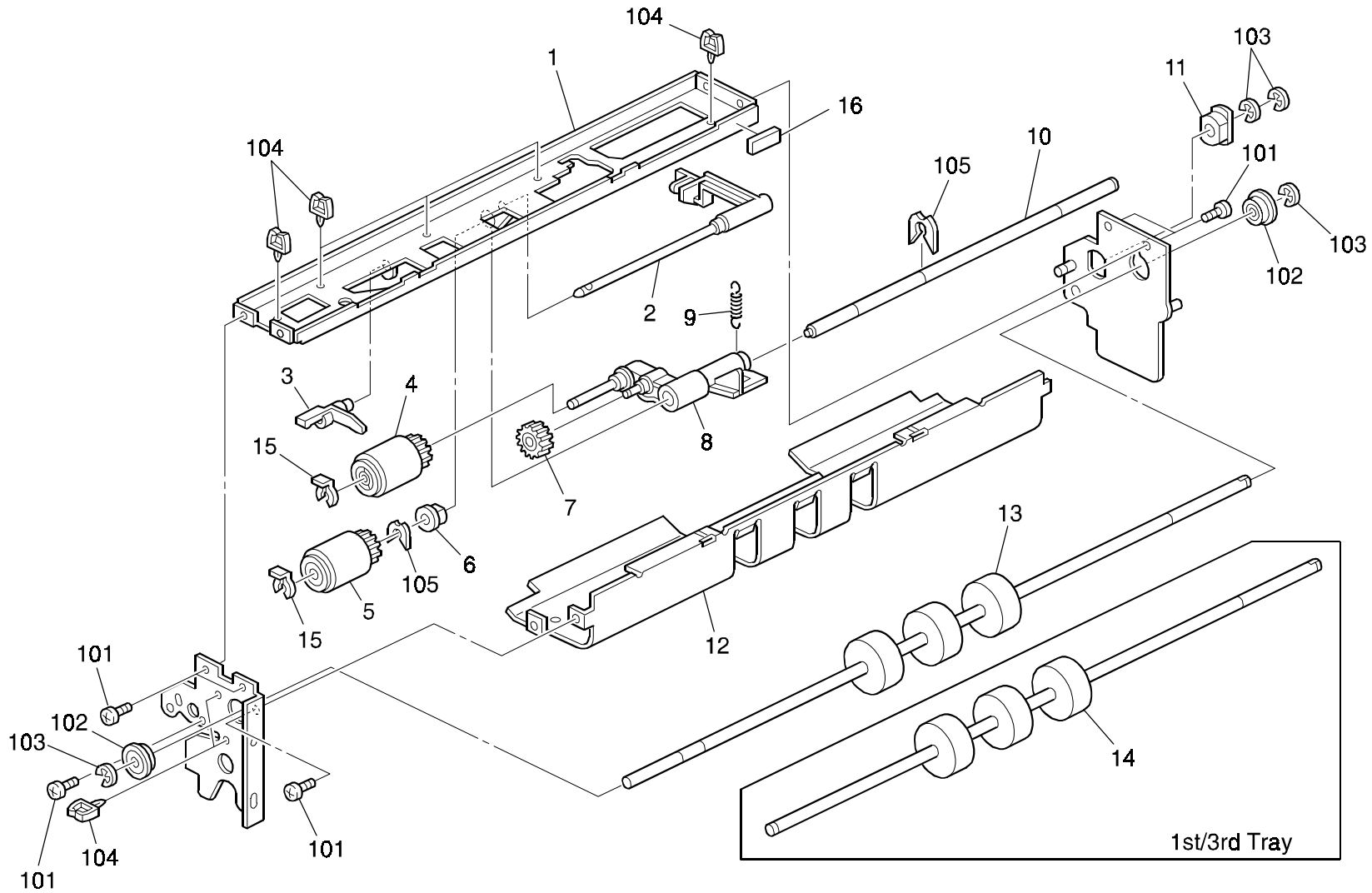
## 24.PAPER FEED UNIT 1 (A294)

Rev. 9/2001

Index No.	Part No.	Description	Q'ty Per Assembly
1	A096 6363	Front Paper Flattener	3
2	A096 6360	Paper Flattener	3
3	AW02 0056	Photointerruptor - EE-SX4235A-P1	6
4	A229 6353	Photo Reflection Sensor Bracket	3
5	A229 6345	Paper End Sensor Bracket	3
6	AW01 0049	Photo Reflection Sensor	3
7	A229 6358	Paper Sensor Bracket	3
8	A229 6355	Pick-up Solenoid Ass'y	3
9	AX20 0176	Magnetic Clutch (A294I/A295I/UP-KIT)	3
9	AX20 0237	Magnetic Clutch (A294II/A295II)	3
10	AX20 0147	Magnetic Clutch	3
11	A294 6366	Magnetic Clutch Arm	3
12	AB01 4069	Drive Gear - Misfeed Removal	1
13	AB01 3000	Idler Gear - 18Z	3
14	A229 5497	Upper Harness	3
15	A229 5496	Lower Harness	3
16	AA16 0020	Felt Wick Spacer - 6x12x2	3
17	A229 6382	Paper Feed Unit Stay - Tandem	2
18	A229 6381	Paper Feed Unit Stay Ass'y	1
19	AB01 3780	Gear	1
20	AB01 3778	Gear - 32Z	1
21	5447 2681	Snap Ring	6
22	AB01 3775	Gear - 33Z	1

Index No.	Part No.	Description	Q'ty Per Assembly
101	0434 0060B	Pan Head Self-tapping Screw - M4x6	
102	1102 6254	Connector - 11P	
103	1102 6259	Connector - 2P	
104	0720 0040B	Retaining Ring - M4	
105	1102 6245	Relay Connector - 2P	
106	1105 0199	Clamp	
107	0720 0060B	Retaining Ring - M6	
108	1102 6249	Relay Connector - 6P	

# 25.PAPER FEED UNIT 2 (A294/A295)

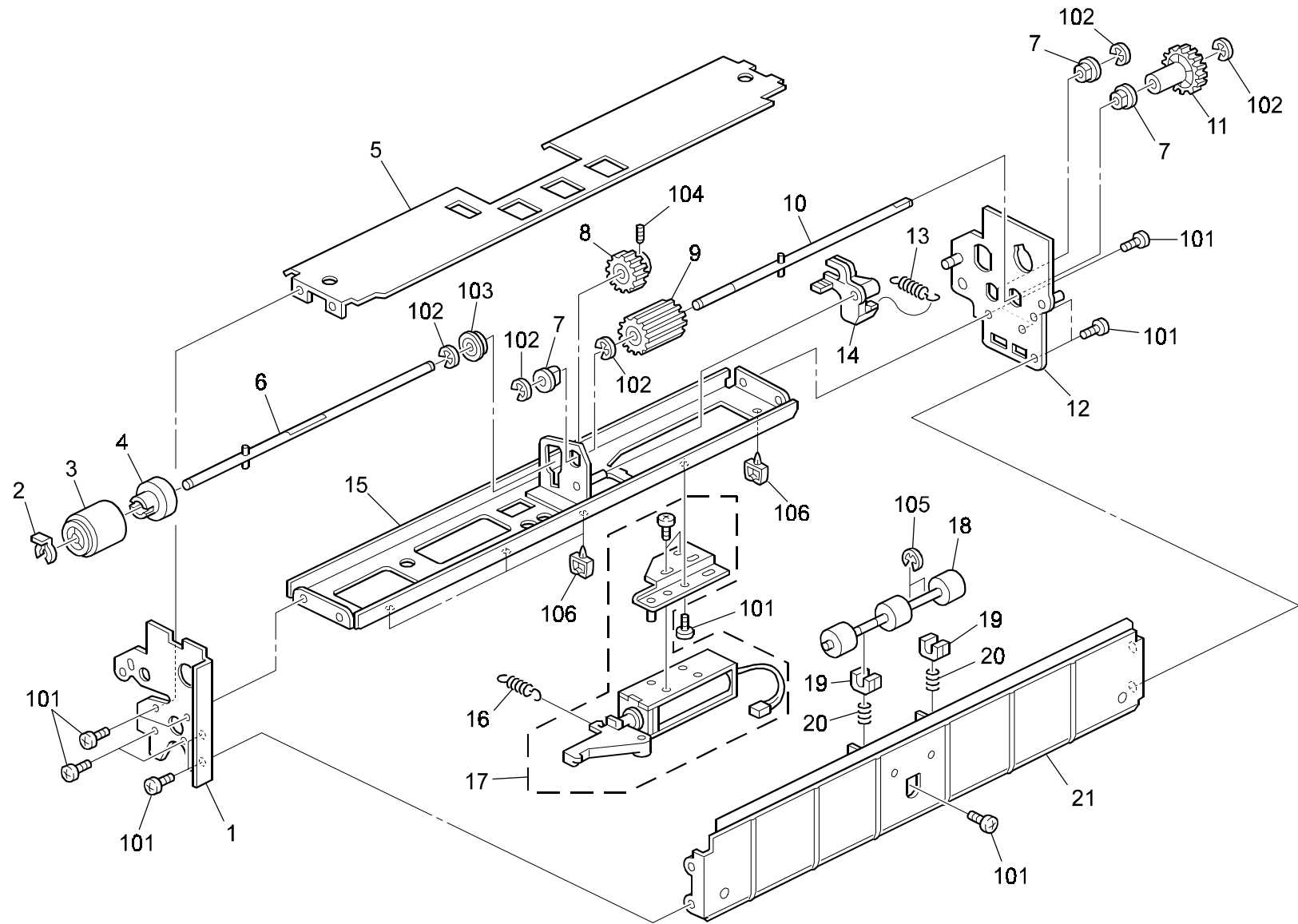


## 25.PAPER FEED UNIT 2 (A294/A295)

Index No.	Part No.	Description	Q'ty Per Assembly
1	A229 6346	Feed Stay	3
2	A229 6362	Paper End Feeler	3
3	A096 6344	Paper End Actuator	3
4	AF03 0040	Pick-up Roller	3
5	AF03 1040	Feed Roller	3
6	AA08 2070	Bushing - 8x16x7	3
7	5447 2706	Gear - 15T	3
8	A134 2860	Pick-up Arm	3
9	AA06 0523	Pick-up Pressure Sping	3
10	AA14 0717	Feed Roller Shaft	3
11	AA08 3009	Clutch Roller - 8x18x11	3
12	A249 6339	Feed Guide Plate	3
13	AF02 0426	Drive Transport Roller - LCT	1
14	AF02 0425	Drive Transport Roller - Grip	2
15	5447 2681	Snap Ring	6
16	5442 1924	Exposure Glass Cushion	3

Index No.	Part No.	Description	Q'ty Per Assembly
101	0434 0060B	Pan Head Self-tapping Screw - M4x6	
102	0742 3808	Ball Bearing - 8x16x5	
103	0720 0060B	Retaining Ring - M6	
104	1105 0199	Clamp	
105	0805 0088	Retaining Ring - M6	

# 26.PAPER FEED UNIT 3 (A294/A295)



## 26.PAPER FEED UNIT 3 (A294/A295)

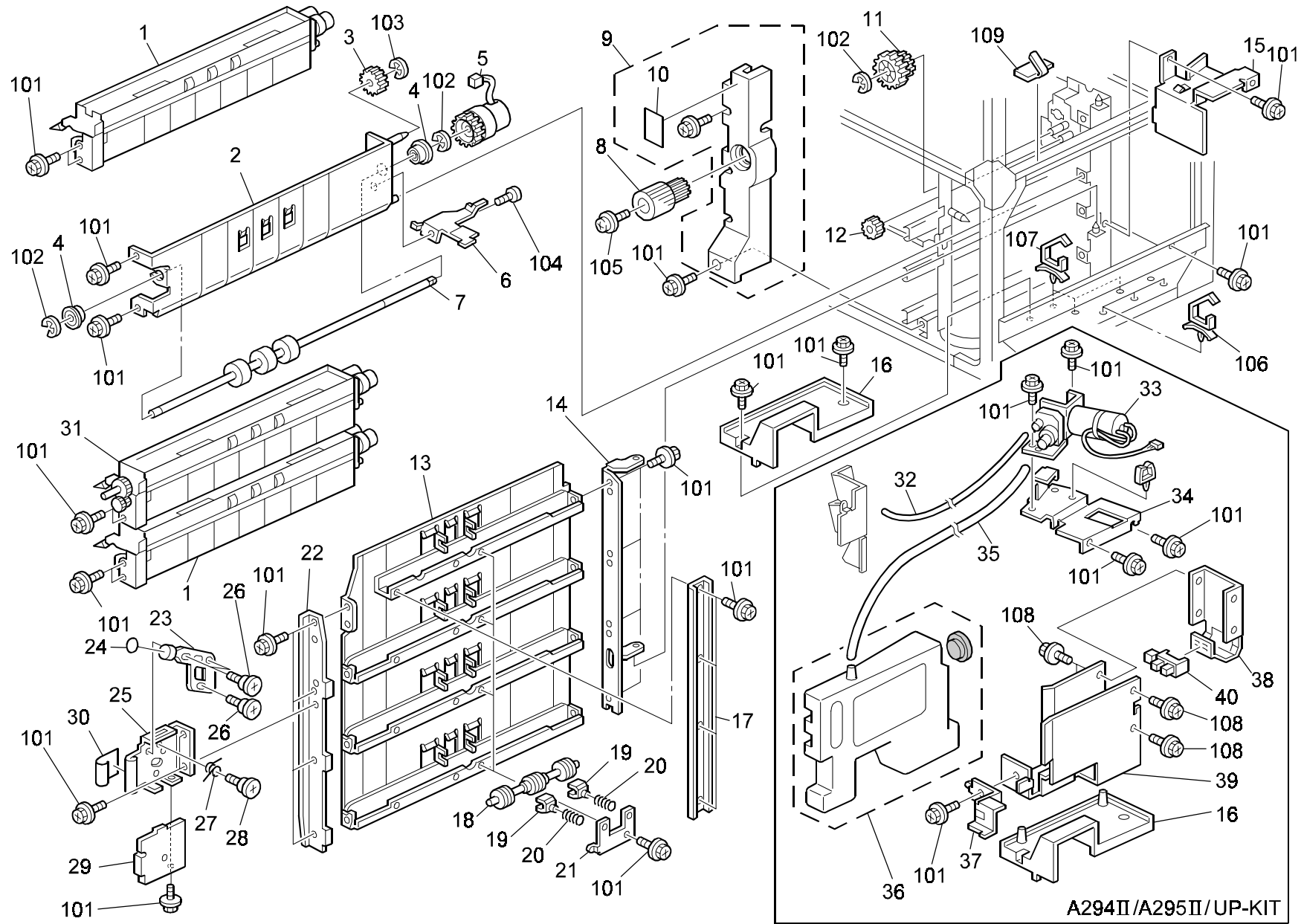
Rev. 03/12/2003

Index No.	Part No.	Description	Q'ty Per Assembly
1	A229 6335	Front Side Plate	3
2	5447 2681	Snap Ring	3
3	AF03 2040	Separation Roller	3
4	A294 6700	Torque Limiter - 53mnm	3
5	A229 6338	Reverse Guide Plate	3
6	A229 6307	Reverse Driven Shaft	3
7	5053 0447	Bushing - 6mm	9
8	AB01 1391	Driven Reverse Gear - 21Z	3
9	AB01 1392	Drive Reverse Gear - 24Z	3
10	A229 6306	Reverse Drive Shaft	3
11	AB01 3776	Gear - 30Z	3
12	A229 6330	Rear Side Plate	3
13	AA06 0636	Pressure Spring	3
14	A229 6309	Reverse Pressure Lever	3
15	A229 6303	Reverse Stay	3
16	AA06 0575	Release Spring	3
17	A229 6315	Reverse DC Solenoid	3
18	A100 2602	Transport Pressure Roller	3
19	AA08 0156	Bushing - M4	6
20	AA06 3487	Spring - 10mm	6
21	A229 6370	Pape Guide Plate	3

Index No.	Part No.	Description	Q'ty Per Assembly
101	0434 0060B	Pan Head Self-tapping Screw - M4x6	
102	0720 0040B	Retaining Ring - M4	
103	0805 3145	Ball Bearing - 6x12x4mm	
104	0573 0030E	Hexagon Headless Set Screw - M3x3	
105	0720 0030B	Retaining Ring - M3	
106	1105 0199	Clamp	

# 27.VERTICAL TRANSPORT (A294)

Rev. 9/2001



## 27.VERTICAL TRANSPORT (A294)

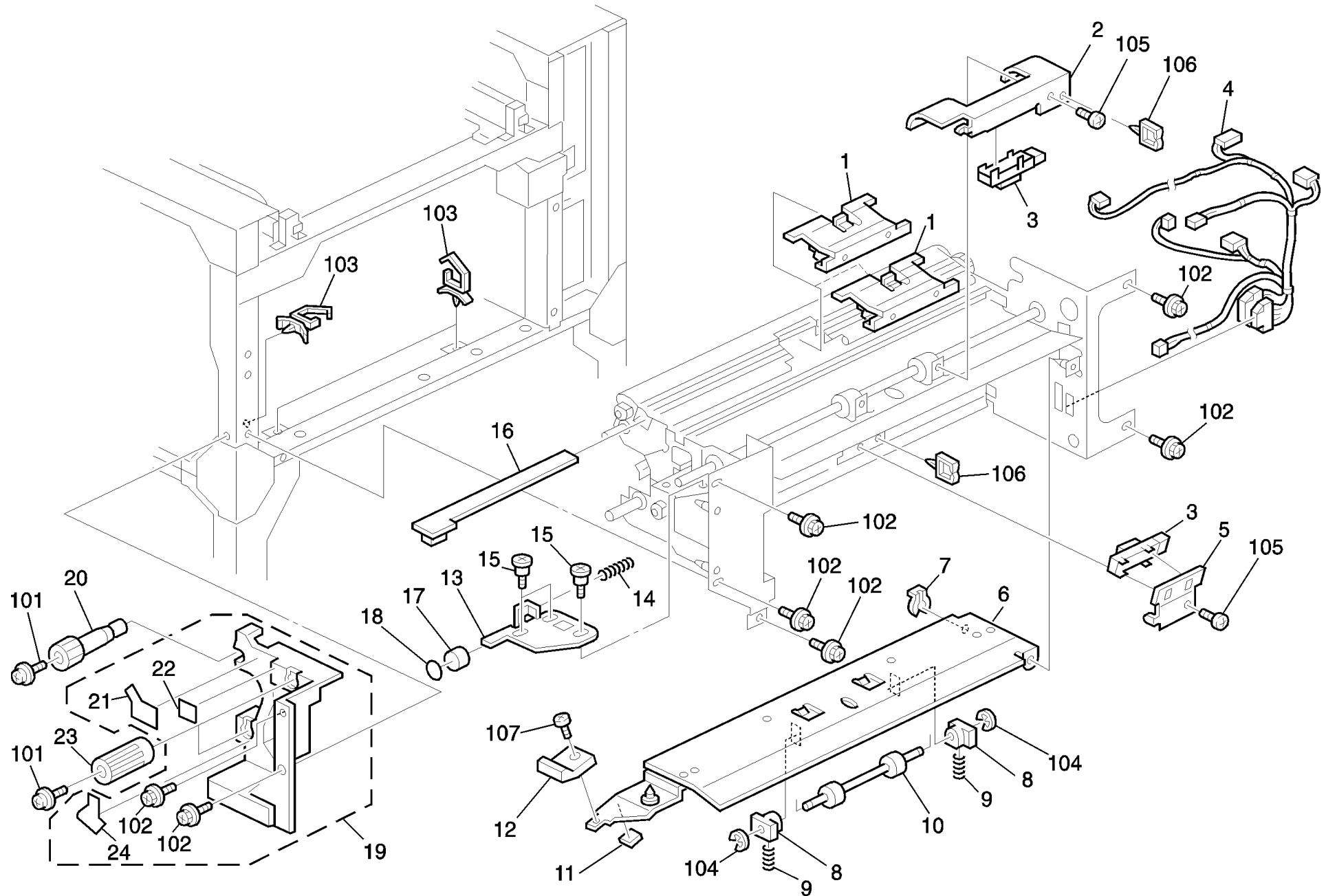
Rev. 03/12/2003

Index No.	Part No.	Description	Q'ty Per Assembly
1	A294 6320	Paper Feed Unit (A294I/A295I/UP-KIT)	2
1	A294 6322	Paper Feed Unit (A294II/A295II)	2
2	A294 6371	Guide Plate	1
3	AB01 3000	Idler Gear - 18Z	1
4	A232 3566	Ball Bearing - 8x16x5	2
5	AX20 0147	Magnetic Clutch	1
6	A294 2752	Magnetic Clutch Holder	1
7	A294 6376	Transport Roller	1
8	AG05 0067	Knob - Transport Roller	1
9	A294 6183	Inner Cover - Paper Tray	1
10	AA00 0540	Decal - Misfeed Removal	1
11	AB01 7516	Gear - 32Z/22Z	1
12	AB01 3000	Idler Gear - 18Z	1
13	A294 6405	Guide Plate - Upper Transport	1
14	A294 6404	Rear Side Plate	1
15	A294 1525	Harness Cover Plate	1
16	A294 1526	Harness Cover	1
17	A294 6409	Stay	1
18	AF02 0295	Vertical Driven Roller	4
19	AA08 0241	Bushing - M4	8
20	AA06 3487	Spring - 10mm	8
21	A096 6402	Pressure Plate Driven Roller	4
22	A294 6403	Front Side Plate	1
23	A029 2858	Release Lever	1
24	AA00 1326	Decal - A1	1
25	A294 6426	Release Lever - Vertical Transport	1
26	5201 1796	Stepped Screw - M4	3
27	5446 2846	Release Spring - Vertical Transport	1
28	5403 6246	Stepped Screw - Cleaning	1
29	A096 6413	Release Lever Cover	1
30	A029 2984	Decal - Grip	1
31	A294 6321	Paper Feed Unit - 2nd (A294I/A295I/UP-KIT)	1

Index No.	Part No.	Description	Q'ty Per Assembly
31	A294 6323	Paper Feed Unit - 2nd (A294II/A295II)	1
32	A294 3731	Joint Tube (A294II/A295II/UP-KIT)	1
<b>33</b>	<b>A294 3725</b>	<b>Air Pump Ass'y</b> (A294II/A295II/UP-KIT)	<b>1</b>
34	A294 3722	Pump Unit Bracket (A294II/A295II/UP-KIT)	1
35	A294 3733	Collection Bottle Tube (A294II/A295II/UP-KIT)	1
<b>36</b>	<b>A294 3700</b>	<b>Collection Bottle Ass'y</b> (A294II/A295II/UP-KIT)	<b>1</b>
37	B070 3713	Stopper - Collection Bottle (A294II/A295II/UP-KIT)	1
38	A294 3712	Supporter Stay (A294II/A295II/UP-KIT)	1
39	A294 3711	Vacuum Supporter (A294II/A295II/UP-KIT)	1
40	AW02 0059	Duplex Paper Sensor (A294II/A295II/UP-KIT)	1
101	0451 4008B	Philips Tapping Screw - M4x8	
102	0720 0060B	Retaining Ring - M6	
103	0720 0040B	Retaining Ring - M4	
104	0951 4008B	Philips Screw With Washer - M4x8	
105	0314 0060B	Philips Pan Head Screw - M4x6	
106	1105 0210	Clamp. Flat Cable	
107	1105 0292	Wire Saddle	
108	0451 3006B	Tapping Screw - M3x6 (A294II/A295II/UP-KIT)	
109	1105 0412	Cord Keep (A294II/A295II/UP-KIT)	

# 28.PAPER REGISTRATION 1 (A294/A295)

Rev. 10/31/2000





## 28.PAPER REGISTRATION 1 (A294/A295)

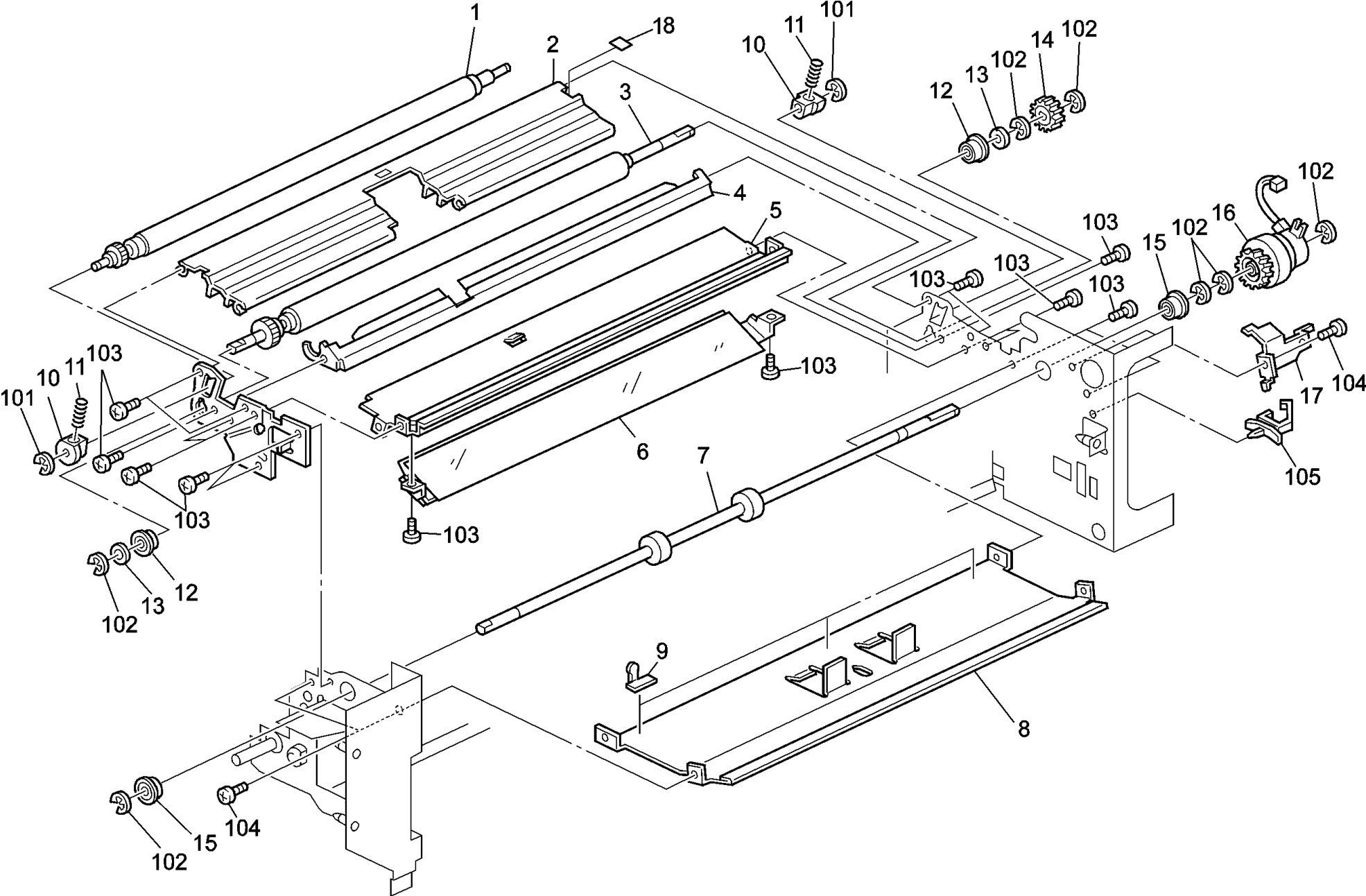
Rev. 12/26/2000

Index No.	Part No.	Description	Q'ty Per Assembly
1	A096 2607	Paper Dust Cleaner	2
2	A294 2701	Bracket - LCT Transport Sensor	1
3	AW01 0049	Photo Reflection Sensor	2
4	A294 5482	Harness - Paper Feed Unit	1
5	A294 2661	Bracket - Transport Sensor	1
6	A294 2684	Guide Plate - LCT Exit	1
7	5447 2681	Snap Ring	1
8	AA08 0034	Bushing - 4x5x7	2
9	AA06 3255	Exit Roller Spring	2
10	AF02 0288	Duplex Exit Roller	1
11	A469 2123	Rubber Cushion - 1x10x10mm	1
12	AG05 1141	Release Lever	1
13	A294 2694	Release Lever	1
14	AA06 3131	Spring	1
15	5201 1796	Stepped Screw - M4	3
16	A096 5200	Registration Sensor Board	1
17	A029 2859	Release Button	1
18	AA00 1410	Decal - Paper Feed B4	1
19	A294 2780	Inner Cover - Paper Feed	1
20	A060 2512	Registration Roller Knob	1
21	AA00 1412	Decal - Paper Feed C2	1
22	AA00 1413	Decal - Paper Feed B3	1
23	A079 2861	Knob - Transport Roller	1
24	AA00 1411	Decal - Paper Feed B1	1

Index No.	Part No.	Description	Q'ty Per Assembly
101	0951 4008B	Philips Screw With Washer - M4x8	
102	0451 4008B	Philips Tapping Screw - M4x8	
103	1105 0291	Harness Clamp - LWS-3S	
104	0720 0030B	Retaining Ring - M3	
105	0434 0060B	Pan Head Self-tapping Screw - M4x6	
106	1105 0199	Clamp	
107	0314 0040B	Philips Pan Head Screw - M4x4	

29.PAPER REGISTRATION 2 (A294/A295)

Rev. 12/26/2000



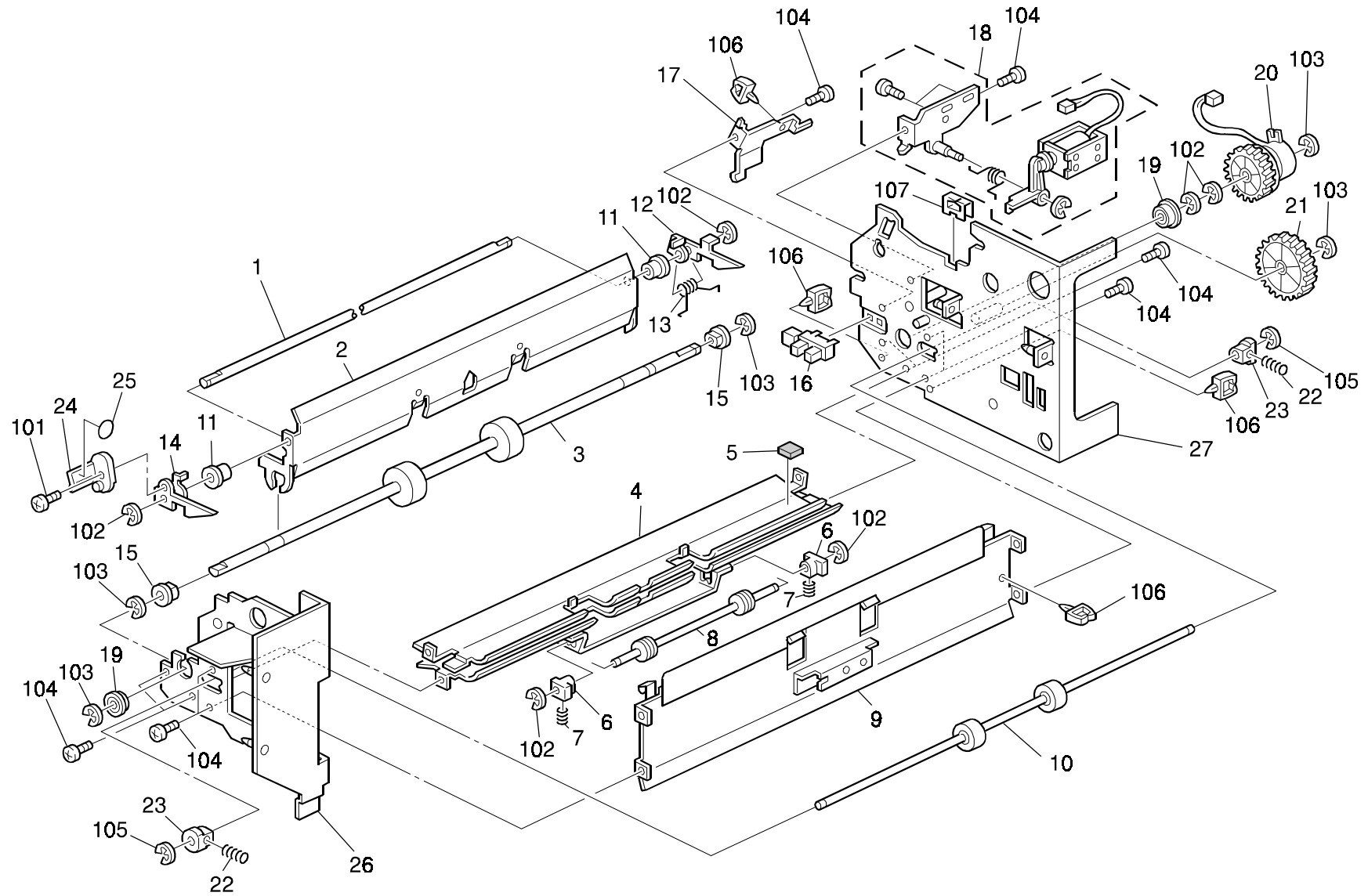
## 29.PAPER REGISTRATION 2 (A294/A295)

Rev. 12/26/2000

Index No.	Part No.	Description	Q'ty Per Assembly
1	A229 2618	Upper Registration Roller	1
2	A294 2619	Sensor Board Guide	1
3	A229 2617	Lower Registration Roller	1
4	A096 2612	Lower Registration Guide	1
5	A096 2626	Front Upper Registration Guide	1
6	A096 2622	Front Lower Registration Guide	1
7	A294 2705	Roller - LCT Exit	1
8	A294 2697	Guide Plate - LCT Exit	1
9	A096 4944	Harness Clamp	3
10	5205 2697	Bushing - Upper Registration Roller	2
11	5442 2754	Spring - Registration Roller	2
12	A247 2800	Ball Bearing - 8x12x5	2
13	AA13 2025	Spacer - 1x8x12	2
14	AB01 4077	Registration Roller Gear	1
15	A232 3566	Ball Bearing - 8x16x5	2
16	AX20 0175	Magnetic Clutch - Z35	1
17	A294 2752	Magnetic Clutch Holder	1
18	AA15 1676	Upper Front Seal - Hopper	1

Index No.	Part No.	Description	Q'ty Per Assembly
101	0720 0040B	Retaining Ring - M4	
102	0720 0060B	Retaining Ring - M6	
103	0314 0060B	Philips Pan Head Screw - M4x6	
104	0434 0060B	Pan Head Self-tapping Screw - M4x6	
105	1105 0310	Harness Clamp - LWS-1S	

# 30.PAPER REGISTRATION 3 (A294/A295)



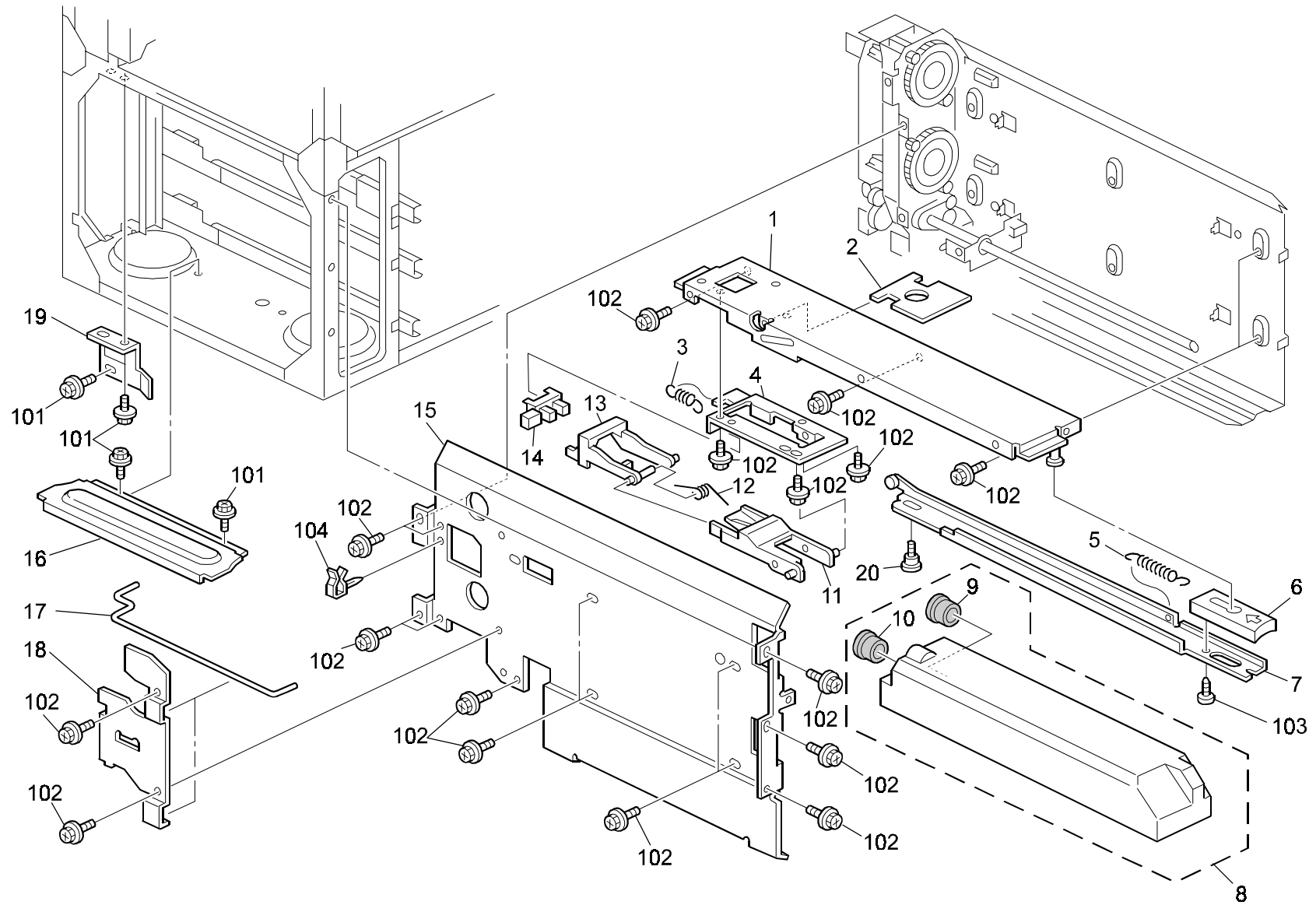
### 30.PAPER REGISTRATION 3 (A294/A295)

Index No.	Part No.	Description	Q'ty Per Assembly
1	AA14 0486	Lock Shaft	1
2	A229 2648	Transport Guide Plate	1
3	A294 2643	Transport Roller	1
4	A294 2672	Guide Plate - Duplex Exit	1
5	A469 2123	Rubber Cushion - 1x10x10mm	1
6	AA08 0034	Bushing - 4x5x7	2
7	AA06 3255	Exit Roller Spring	2
8	A294 2678	Roller - Duplex Exit	1
9	A294 2651	Guide Plate - Vertical Transport	1
10	AF02 2110	Transport Driven Roller	1
11	5443 2668	Bushing - 4x6x7mm	2
12	A096 2634	Rear Lock	1
13	AA06 6211	Rear Lock Spring	1
14	A096 2633	Front Lock	1
15	5053 0223	Bushing - 8mm	2
16	AW02 0056	Photointerruptor - EE-SX4235A-P1	1
17	A294 2752	Magnetic Clutch Holder	1
18	A229 2660	Guide Shutter Solenoid	1
19	A232 3566	Ball Bearing - 8x16x5	2
20	AX20 0174	Magnetic Clutch - Z52	1
21	AB01 1411	Gear - Z56	1
22	AA06 3254	Driven Roller Spring	2
23	5205 2697	Bushing - Upper Registration Roller	2
24	A229 2717	Lock Lever	1
25	AA00 1213	Decal - B2	1
26	A294 2600	Front Side Plate	1
27	A294 2605	Rear Side Plate	1

Index No.	Part No.	Description	Q'ty Per Assembly
101	0313 0050B	Philips Pan Head Screw - M3x5	
102	0720 0030B	Retaining Ring - M3	
103	0720 0060B	Retaining Ring - M6	
104	0434 0060B	Pan Head Self-tapping Screw - M4x6	
105	0720 0040B	Retaining Ring - M4	
106	1105 0199	Clamp	
107	1105 0328	Harness Clamp - ES-0505	

# 31.TONER BANK UNIT 1 (A294)

Rev. 9/2001



### 31.TONER BANK UNIT 1 (A294)

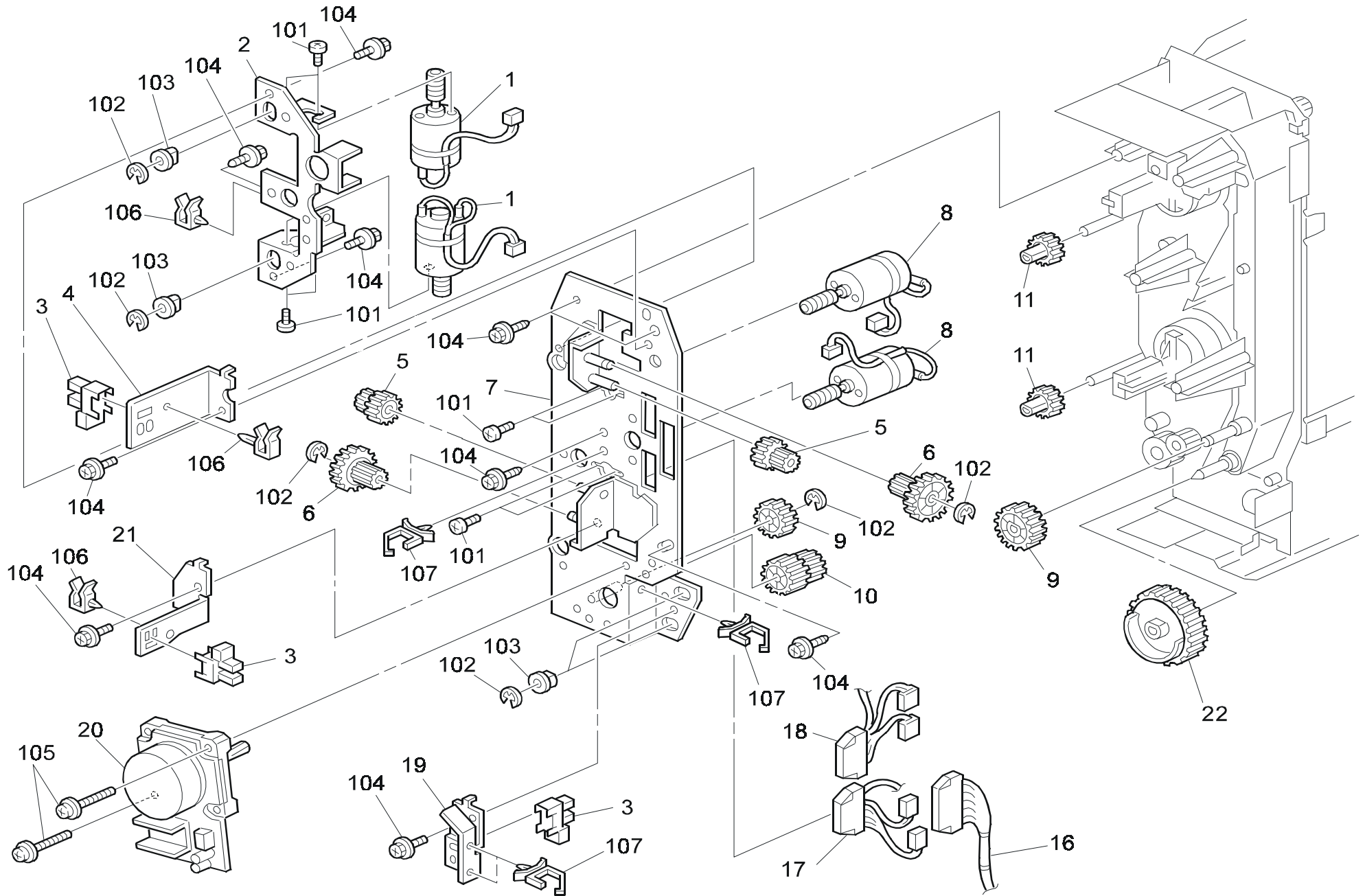
Rev. 08/12/2002

Index No.	Part No.	Description	Q'ty Per Assembly
*	A294 3187	Toner Bank Unit (RIC EU)(A294I/A295I)	1
*	A294 3186	Toner Bank Unit (RIC NA)(A294I/A295I)	1
*	A294 3189	Toner Bank Unit (INF/LAN)(A294I/A295I)	1
*	A294 3188	Toner Bank Unit (NRG/SVN)(A294I/A295I)	1
*	B070 3310	Toner Bank Unit (A294II/A295II/UP-KIT)	1
1	A294 3442	Toner Bottle Guide Plate	2
2	A294 3454	Lever Stopper	2
3	AA06 0812	Lever Tension Spring	2
4	A294 3445	Stopper Support Plate	2
5	AA06 0811	Tension Spring - Stopper	2
6	A294 3453	Toner Bottle Release Lever	2
7	A294 3451	Lever Holder	2
8	A294 3465	Toner Collection Bottle	1
9	A007 3751	Large Cap - Toner Collection Tank	1
10	AA15 2315	Tank Seal	1
11	A294 3446	Toner Bottle Stopper	2
12	AA06 6320	Feeler Torsion Spring	2
13	A294 3447	Toner Bottle Set Feeler	2
14	AW02 0056	Photointerruptor - EE-SX4235A-P1	2
15	B070 3436	Left Side Plate - Toner Bank	1
16	A294 3496	Toner Bank Guide Rail	1
17	A294 3461	Lever Rack Joint	2
18	A294 3462	Joint Holder	1
19	A294 3495	Fixing Plate	1
20	AA14 3062	Shoulder Screw - M4	2

Index No.	Part No.	Description	Q'ty Per Assembly
101	0451 4008B	Philips Tapping Screw - M4x8	
102	0451 4006B	Tapping Screw - 4x6	
103	0452 4008B	Binding Self Tapping Screw - M4x8	
104	1105 0267	Harness Clamp - YMC-10-0	

# 32.TONER BANK UNIT 2 (A294/A295)

Rev. 03/12/2003





### 32.TONER BANK UNIT 2 (A294/A295)

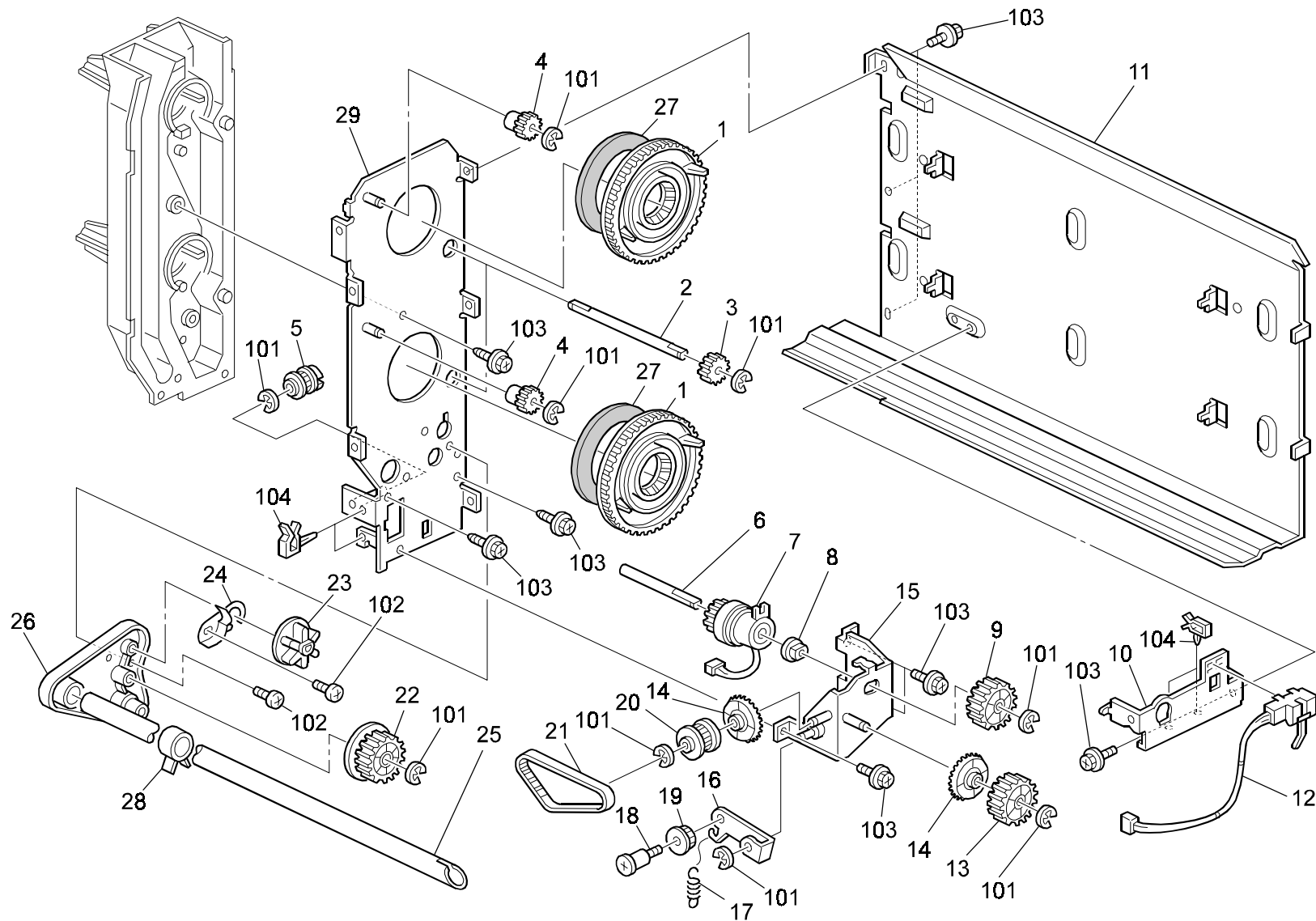
Rev. 03/12/2003

Index No.	Part No.	Description	Q'ty Per Assembly
1	A294 3372	Motor - DC 5.85W	2
2	A294 3371	Motor Bracket	1
3	AW02 0056	Photointerruptor - EE-SX4235A-P1	3
4	A294 3378	Position Sensor Bracket - Upper	1
5	AB01 7513	Double Gear - 16/47Z	2
6	AB01 7514	Double Gear - 12/27Z	2
7	B070 3362	Toner Bottle Bracket	1
8	A294 3375	Motor - DC 5.85W	2
9	AB01 2004	Gear - 27Z	2
10	AB01 7513	Double Gear - 12/23Z	2
11	AB01 2008	Gear - 23Z	2
16	B070 5482	Toner Bank Harness - 15p	1
17	B070 5481	Toner Bank Harness - 10p Red	1
18	B070 5480	Toner Bank Harness - 10p White	1
19	A294 3377	Sensor Bracket	1
20	A294 3426	Motor - DC 5.1W	1
21	A294 3379	Position Sensor Bracket - Lower	1
22	A294 3423	Torque Limiter - Toner Collection	1

Index No.	Part No.	Description	Q'ty Per Assembly
101	0312 5050B	Pan Head Screw - M2.5x5	
102	0720 0040B	Retaining Ring - M4	
103	0805 3480	Bushing - 6mm	
104	0451 4006B	Tapping Screw - 4x6	
105	0451 3012B	Tapping Screw With Washer - M3x12	
106	1105 0267	Harness Clamp - YMC-10-0	
107	1105 0460	Clamp	

# 33.TONER SUPPLY UNIT 1 (A294)

Rev. 9/2001







### 34.TONER SUPPLY UNIT 2 (A294/A295)

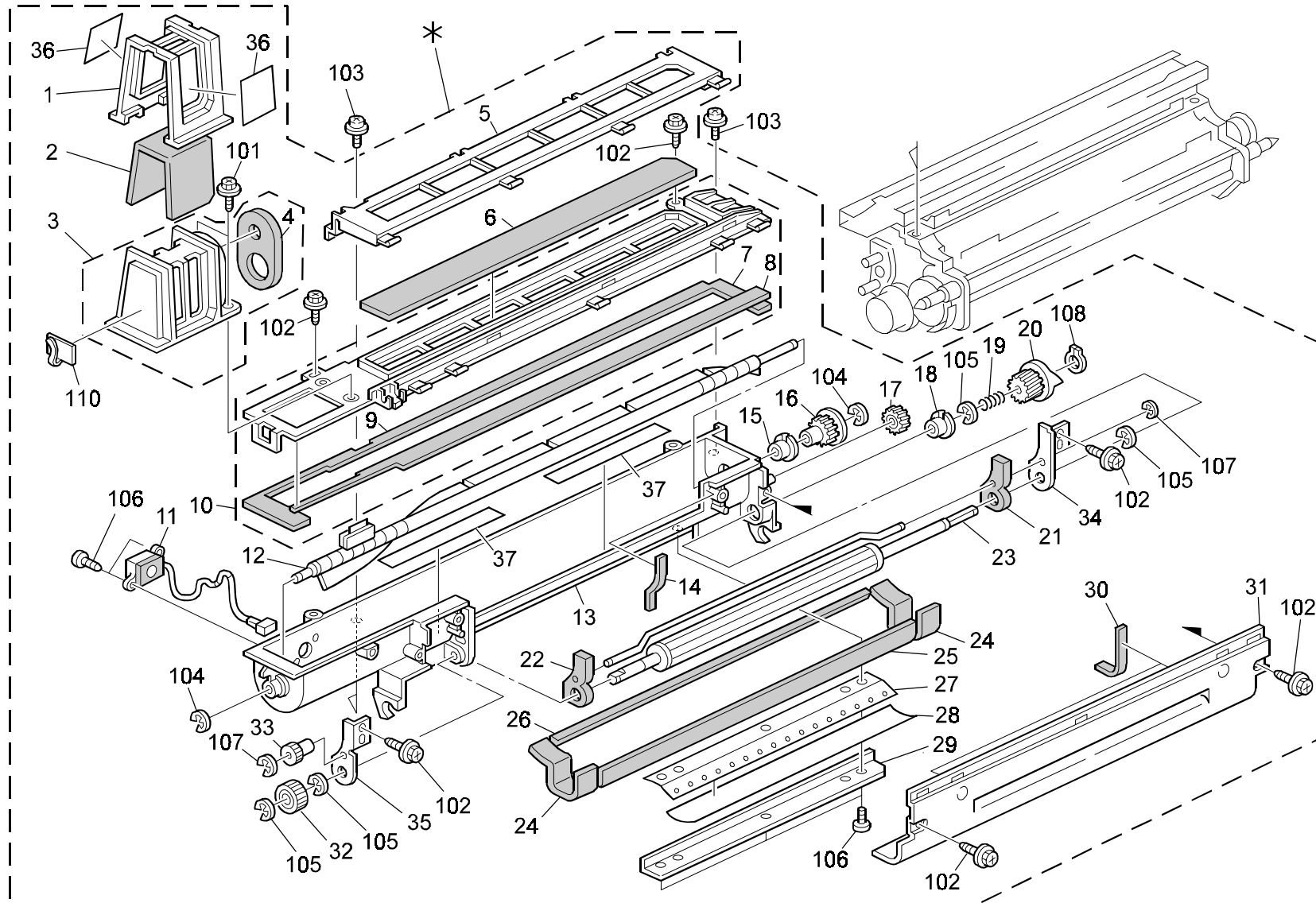
Rev. 08/12/2002

Index No.	Part No.	Description	Q'ty Per Assembly
1	A294 3341	Vibrating Plate Link Bracket	1
2	A294 3354	Rack - 10z	2
3	AA06 3601	Rack Spring	2
4	AA06 3602	Chuck Spring	2
5	B070 3313	Toner Bank Case	1
6	A294 3317	Left Case Seal	1
7	A294 3318	Right Case Seal	1
8	A294 3614	Vibrating Plate Cushion	1
9	AW31 0003	Toner End Sensor	1
10	AA06 3366	Chuck Spring	2
11	A294 3327	Toner Collection Vibration Plate	1
12	A294 3323	Vibration Plate	1
13	A294 3352	Toner Bottle Shaft	2
14	A134 3216	Screw	2
15	A134 3180	Bottle Chuck	2
16	A294 3290	Toner Bank Slider	2
17	AA06 6319	Tortion Spring	1
18	A294 3339	Spring Shaft	1
19	A294 3340	Spring Support Plate	1
20	A294 3334	Toner Bank Agitator	1
21	A294 3333	Agitator Shaft	1
22	A294 3411	Toner Collection Coil	1
23	B070 3321	Long Case Seal	1
25	A294 3337	Vibration Plate Cam	1
26	A294 3336	Cam Shaft	1
27	AB01 2003	Gear - 16Z	1
28	AB01 2004	Gear - 27Z	1
29	A294 3392	Bracket Cover	1
30	AA06 0810	Tension Spring - Vibrating Plate	1

Index No.	Part No.	Description	Q'ty Per Assembly
101	0720 0040B	Retaining Ring - M4	
102	0451 3006B	Tapping Screw - M3x6	
103	0450 4008B	Tapping Screw - 4x8	
104	0452 3008B	Tapping Screw - M3x8	

# 35.TONER HOPPER SECTION (A294)

Rev. 9/2001



### 35.TONER HOPPER SECTION (A294)

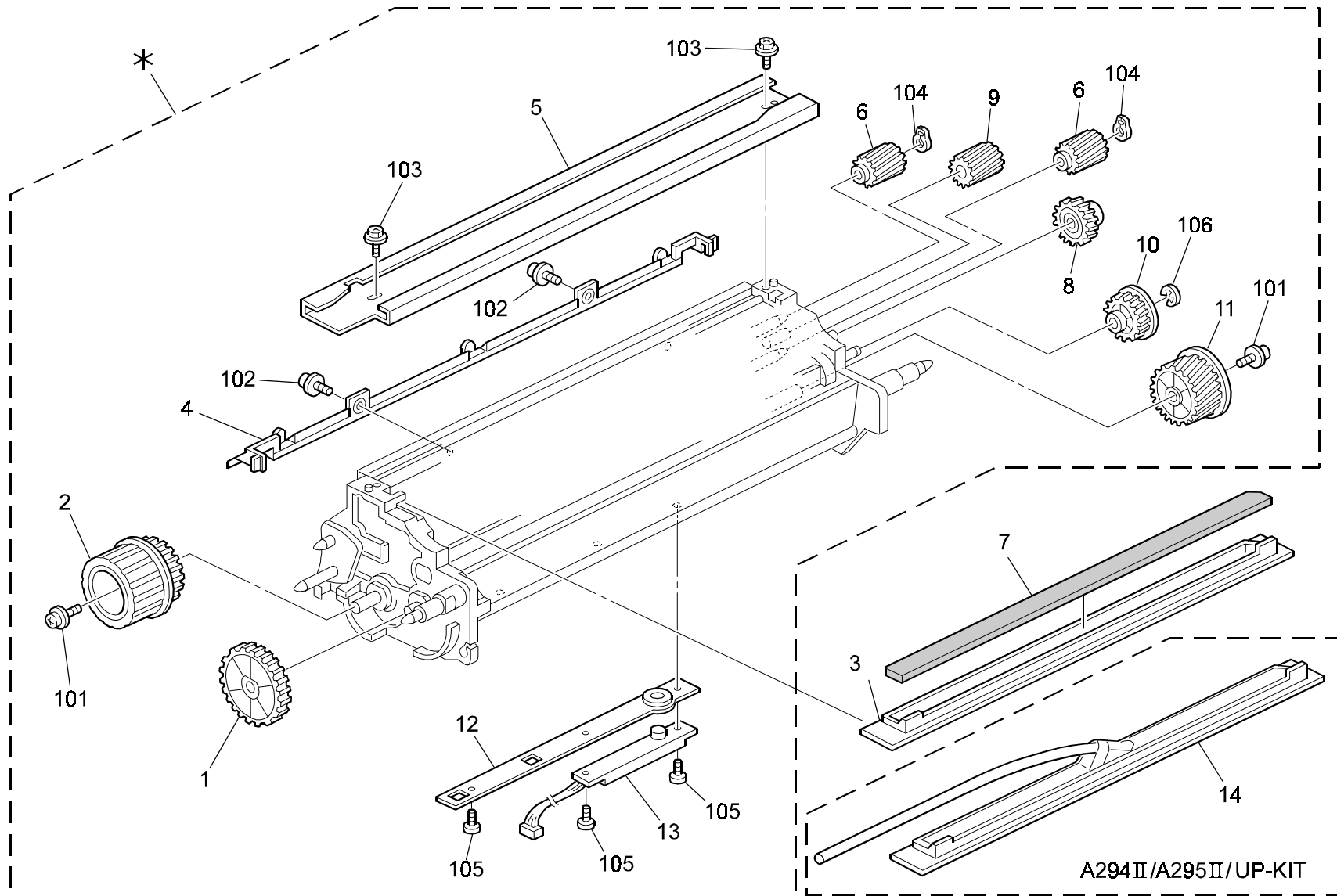
Rev.9/2001

Index No.	Part No.	Description	Q'ty Per Assembly
*	A294 3203	Toner Supply Unit (A294I/A295I)	1
*	A294 3204	Toner Supply Unit (A294II/A295II/UP-KIT)	1
1	A294 3263	Front Filter Holder	1
2	<b>AA01 2114</b>	<b>Pressure Release Filter - Front</b>	<b>1</b>
3	A294 3258	Toner Hopper Joint	1
4	A294 3266	Joint Hopper Seal	1
5	A294 3212	Center Filter Holder	1
6	<b>AA01 2113</b>	<b>Pressure Release Filter - Center</b>	<b>1</b>
7	A294 3223	Seal - 45x12.5x3	1
8	A294 3222	Upper Case Seal - Right	1
9	A294 3221	Upper Case Seal - Left	1
10	A294 3220	Upper Toner Hopper	1
11	AW31 0003	Toner End Sensor	1
12	A294 3240	Agitator	1
13	A294 3231	Lower Toner Hopper Case	1
14	A294 3234	Seal - 52x5x2	1
15	A096 3176	Bushing - 6x12x8.5	1
16	AB01 3749	Gear - 15Z	1
17	AB01 3747	Gear - 16Z	1
18	A096 3175	Bushing 8x14x8	1
19	AA06 0291	Spring	1
20	AB01 3748	Joint Gear - 15Z (WHITE)	1
20	A294 3255	Idler Gear - 15Z (RED)	1
21	AA15 1789	Rear Separate Plate Seal	1
22	AA15 1788	Front Separate Plate Seal	1
23	A294 3242	Toner Supply Roller	1
24	A294 3236	Seal - 3x15x85	2
25	A294 3237	Seal - 33x324x4	1
26	A294 3238	Filter Lower Case Seal	1
27	A096 3181	Slitter	1
28	AA15 0361	Slitter Cover Seal	1
29	A247 3123	Plate Nut - Slitter	1
30	A294 3256	Seal - 8x68x2	2
31	A294 3251	Right Hopper Case	1

Index No.	Part No.	Description	Q'ty Per Assembly
32	AB01 0018	Gear - 34Z	1
33	AB01 0017	Gear - 18Z	1
34	A294 3245	Agitator Rear Holder	1
35	A096 3185	Agitator Front Holder	1
36	A294 3264	Filter Holder Cover - Front	2
37	A294 3235	Seal - 60x25	2
101	0450 3006B	Tapping Screw - M3x6	
102	0450 4008B	Tapping Screw - 4x8	
103	0951 4006B	Philips Screw With Washer - M4x6	
104	0720 0040B	Retaining Ring - M4	
105	0720 0060B	Retaining Ring - M6	
106	0452 3008B	Tapping Screw - M3x8	
107	0720 0020B	Retaining Ring - M2	
108	0727 0060B	Retaining Ring C - 6	
109	0951 3006B	Philips Screw With Flat Washer - M3X6	
110	1105 0412	Cord Keep K-106G (A294II/A295II/UP-KIT)	

# 36.DEVELOPMENT UNIT 1(A294)

Rev. 9/2001



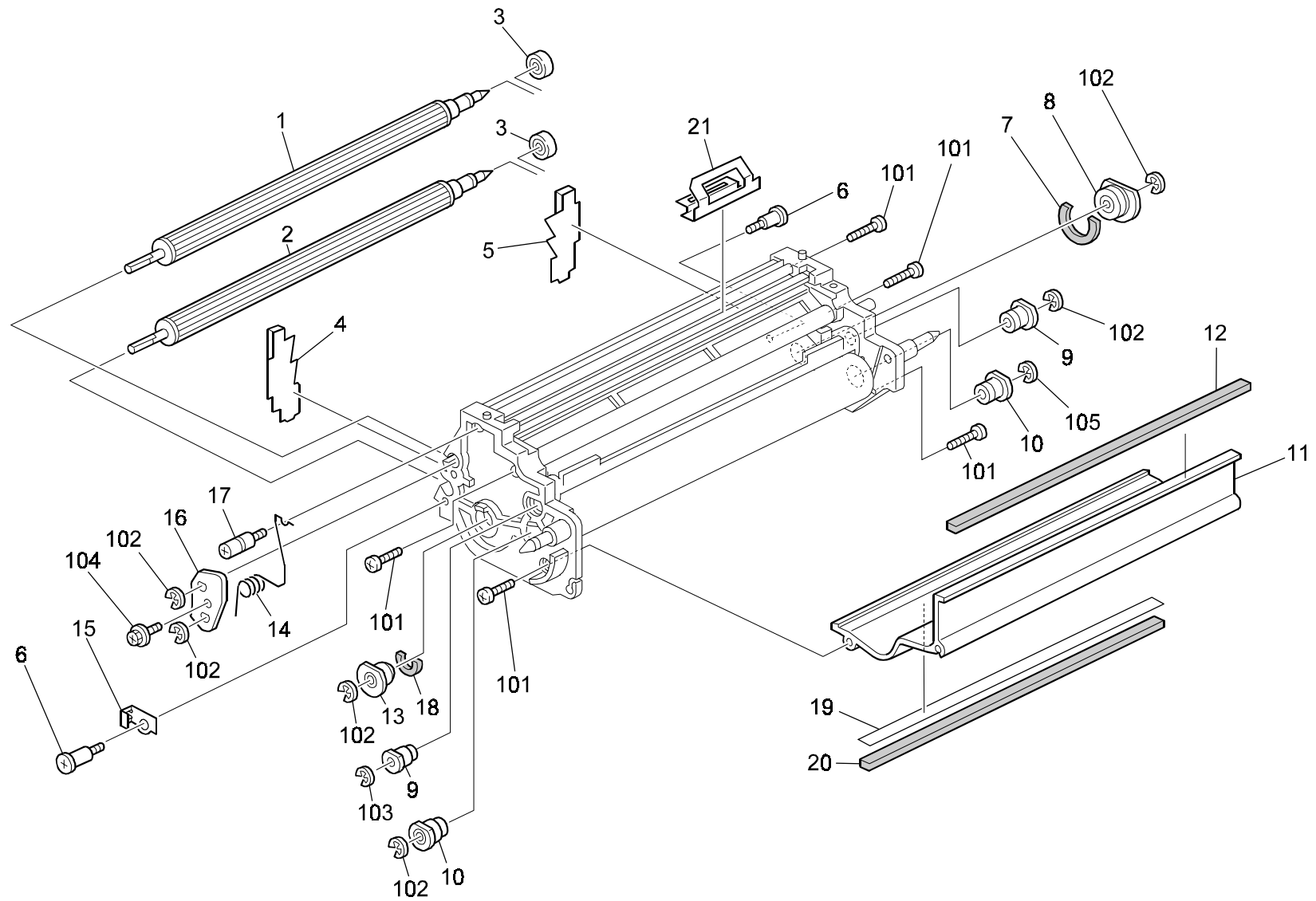


### 36.DEVELOPMENT UNIT 1(A294)

Rev. 9/2001

Index No.	Part No.	Description	Q'ty Per Assembly
*	A294 3102	Development Unit (A294I/A295I)	1
*	A294 3105	Development Unit (A294II/A295II/UP-KIT)	1
1	AB01 3785	Gear - 43Z	1
2	A096 3069	Development Knob	1
3	A096 3141	Development Filter Case (A294I/A295I)	1
4	A229 3091	Entrance Seal (A294I/A295I)	1
4	A294 3180	Entrance Seal (A294II/A295II/UP-KIT)	1
5	A096 3104	Development Guide Rail	1
6	A247 3081	Gear - 17Z	2
7	<b>AA01 2060</b>	<b>Development Filter (A294I/A295I)</b>	<b>1</b>
8	AB01 3788	Gear - 23Z	1
9	AB01 3786	Gear - 18Z	1
10	AB01 3790	Gear - 25Z	1
11	A247 3074	Gear - 34Z	1
12	A096 3059	Toner Sensor Guide	1
13	AW23 0006	Toner Density Sensor	1
14	A294 3190	Development Duct Ass'y (A294II/A295II/UP-KIT)	1

Index No.	Part No.	Description	Q'ty Per Assembly
101	0951 3006B	Philips Screw With Flat Washer - M3x6	
102	0951 4008B	Philips Screw With Washer - M4x8	
103	0450 4008B	Tapping Screw - 4x8	
104	0727 0090E	Retaining Ring C - M9	
105	0313 0050B	Philips Pan Head Screw - M3x5	
106	0720 0030B	Retaining Ring - M3	

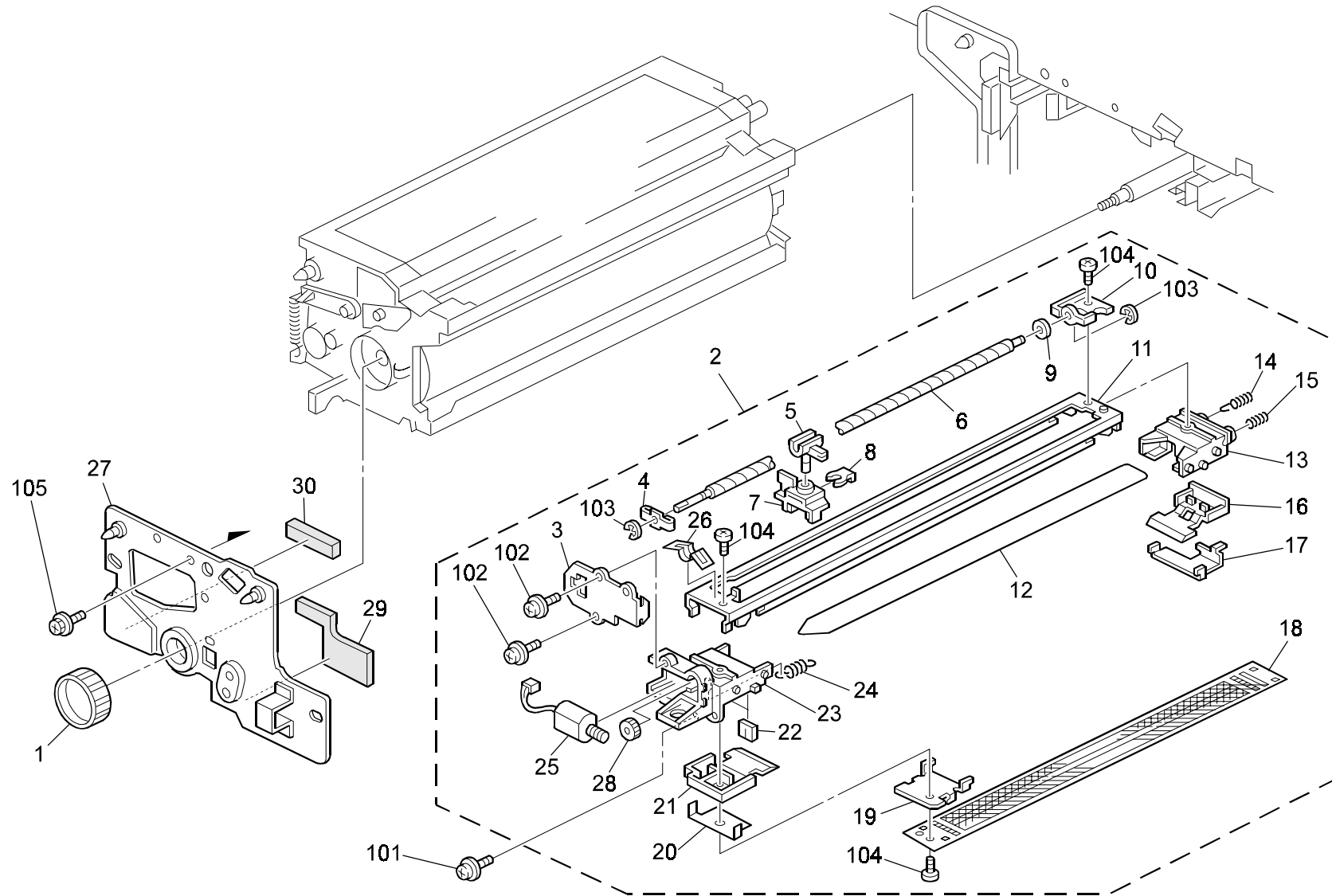


### 37.DEVELOPMENT UNIT 2(A294)

Rev. 9/2001

Index No.	Part No.	Description	Q'ty Per Assembly
*	A294 3102	Development Unit (A294I/A295I)	1
*	A294 3105	Development Unit (A294II/A295II/UP-KIT)	1
1	A294 3131	Upper Development Roller	1
2	A294 3132	Lower Development Roller	1
3	A247 3089	Ball Bearing - 9x17x5	2
4	A294 3166	Front Drum Seal	1
5	A294 3167	Rear Drum Seal	1
6	AA14 3426	Stepped Screw - M4x17	2
7	A294 3147	Seal	1
8	A294 3145	Ball Bearing Case - 8x19x6	1
9	AA08 0152	Bushing - 4x12x13	2
10	A294 3150	Bushing - 6x22x14	2
11	A096 3052	Lower Development Casing	1
12	AA15 1794	Seal - 3x5x322	1
13	A294 3170	Bushing - 6x22x14	1
14	A294 3129	Electrode Torsion Spring (A294I/A295I)	1
14	A294 3125	Electrode Torsion Spring (A294II/A295II/UP-KIT)	1
15	A294 3126	Casing Electrode	1
16	A247 3080	Adjusting Plate	1
17	5403 2819	Spring Anchor - Reverse Roller	1
18	A294 3173	Seal - M8	1
19	A294 3133	Lower Development Sheet	1
20	AA15 3094	Lower Development Seal - 10x330x0.5	1
21	A294 3124	Ground Plate - Doctor Blade (A294II/A295II/UP-KIT)	1

Index No.	Part No.	Description	Q'ty Per Assembly
101	0314 0080B	Philips Pan Head Screw - M4x8	
102	0720 0040B	Retaining Ring - M4	
103	0720 0030B	Retaining Ring - M3	
104	0450 4008B	Tapping Screw - 4x8	
105	0720 0060B	Retaining Ring - M6	



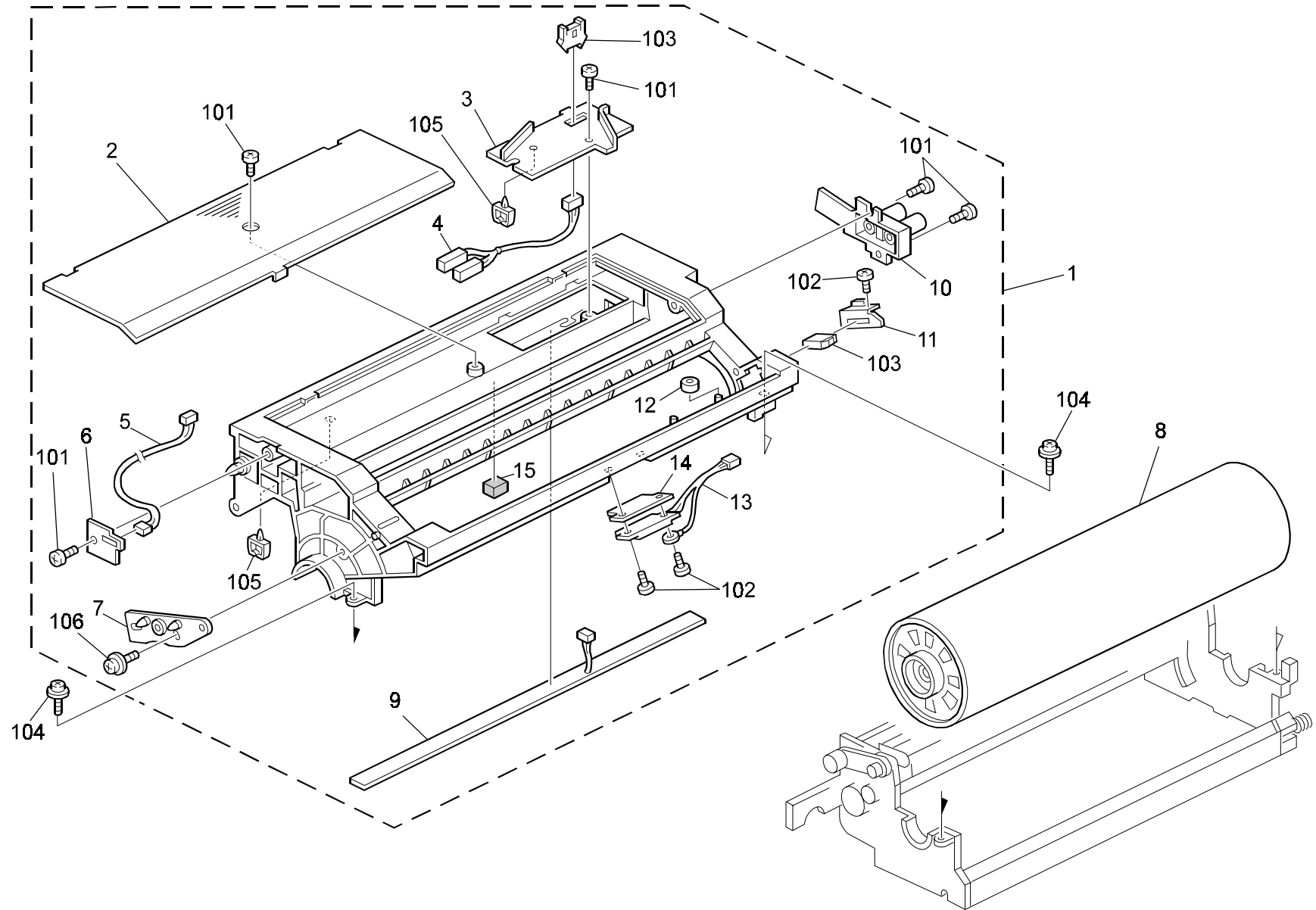
### 38.PCU 1 (A294)

Rev. 02/05/2003

Index No.	Part No.	Description	Q'ty Per Assembly
1	A096 2330	Drum Shaft Knob	1
2	AD00 4091	Charge Corona Unit (A294I/A295I)	1
2	B070 2010	Charge Corona Unit	1
		(A294II/A295II/UP-KIT)	
3	B070 2365	Cleaner Motor Cover	1
4	AA08 0147	Front Bushing	1
5	A096 2062	Wire Cleaner Slider	1
6	A176 2061	Screw Shaft	1
7	<b>A096 2063</b>	<b>Corona Wire Cleaner (A294I/A295I)</b>	<b>1</b>
7	<b>A096 2063</b>	<b>Corona Wire Cleaner</b>	
		(A294II/A295II/UP-KIT)	
8	A096 2065	Slider Ring	1
9	AA16 1105	Cleaner Cushion	1
10	AA08 0148	Rear Bushing	1
11	AD02 3106	Charge Corona Casing	1
12	<b>B070 2364</b>	<b>Charge Corona Wire</b>	<b>1</b>
13	AD02 2285	Rear End Block	1
14	AA06 3248	Charge Terminal Spring	2
15	AA06 3249	Grid Terminal Spring	1
16	AD02 2307	Cover - Rear End Block	1
17	A096 2051	Rear Grid Anchor	1
18	<b>A096 2057</b>	<b>Charge Corona Grid</b>	<b>1</b>
19	A096 2052	Front Grid Anchor	1
20	A134 2363	Terminal Plate	1
21	AD02 2306	Cover - Front End Block	1
22	AA16 1119	Cushion - Wire	2
23	AD02 2283	Front End Block	1
24	AA06 2284	Pressure Spring	1
25	AX04 0061	Cleaner Motor - DC 0.5w	1
26	A176 2054	Grounding Plate	1
27	A294 2407	Drum Stay	1
28	AB01 0087	Gear - 20Z	1
29	AA15 3092	Drum Stay Seal - 2	1
30	AA15 3093	Drum Stay Seal 1 - 7x39x12	1

Index No.	Part No.	Description	Q'ty Per Assembly
101	0451 4006B	Tapping Screw - 4x6	
102	0965 3008B	Tapping Screw With Washer - M3x8	
102	0450 3008H	Tapping Screw - M3x8	
		(A294II/A295II/UP-KIT)	
103	0720 0025B	Retaining Ring - M2.5	
104	0971 4006A	Philips Polycarbonate Screw - M4x6	
105	0951 4008B	Philips Screw with Washer - M4x8	

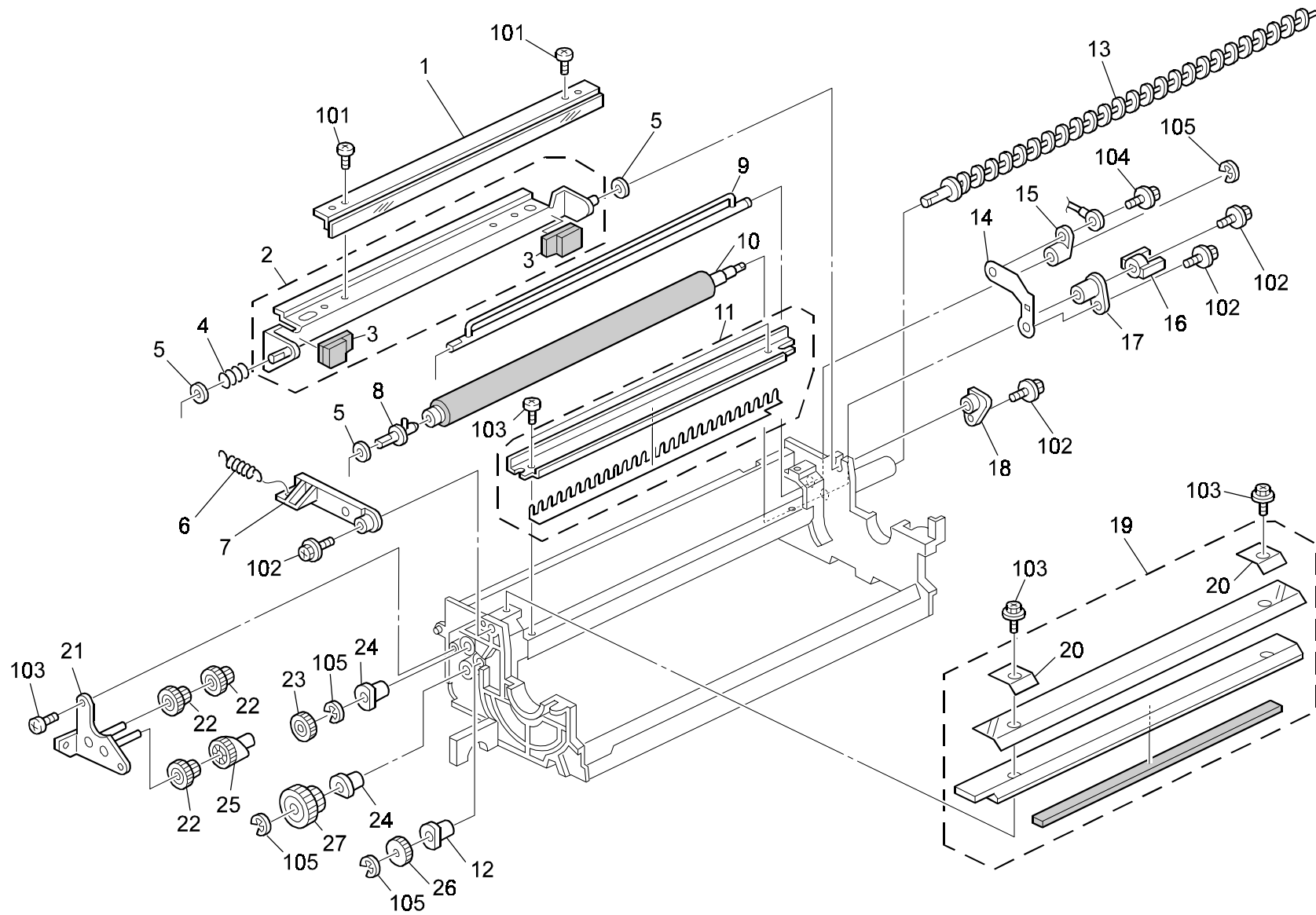
# 39.PCU 2 (A294/A295)



### 39.PCU 2 (A294/A295)

Index No.	Part No.	Description	Q'ty Per Assembly
1	A294 2413	Upper Drum Unit	1
2	A176 2260	Upper Unit Cover	1
3	A294 2426	Relay Harness Plate	1
4	A294 5477	Drum Relay Harness	1
5	A096 5442	Corona Cleaner Harness	1
6	A096 2281	Connector Bracket	1
7	A096 2266	Corona Unit Bracket	1
8	A294 9510	OPC Drum	1
9	A096 5320	Quenching Lamp	1
10	A294 2420	Charge Corona Receptacle	1
11	A229 2401	Connector Bracket	1
12	A153 3571	Collar	1
13	AW33 0003	Drum Potential Sensor	1
14	A096 2301	Grounding Plate	1
15	AA15 3085	Inner Case Seal	

Index No.	Part No.	Description	Q'ty Per Assembly
101	0452 3006B	Tapping Screw - M3x6	
102	0453 3006B	Tapping Screw - M3x6	
103	1102 6247	Connector - 4P	
104	0951 4010W	Philips Screw With Flatwasher - M4x10	
105	1105 0229	Clamp	
106	0452 3008B	Tapping Screw - M3x8	



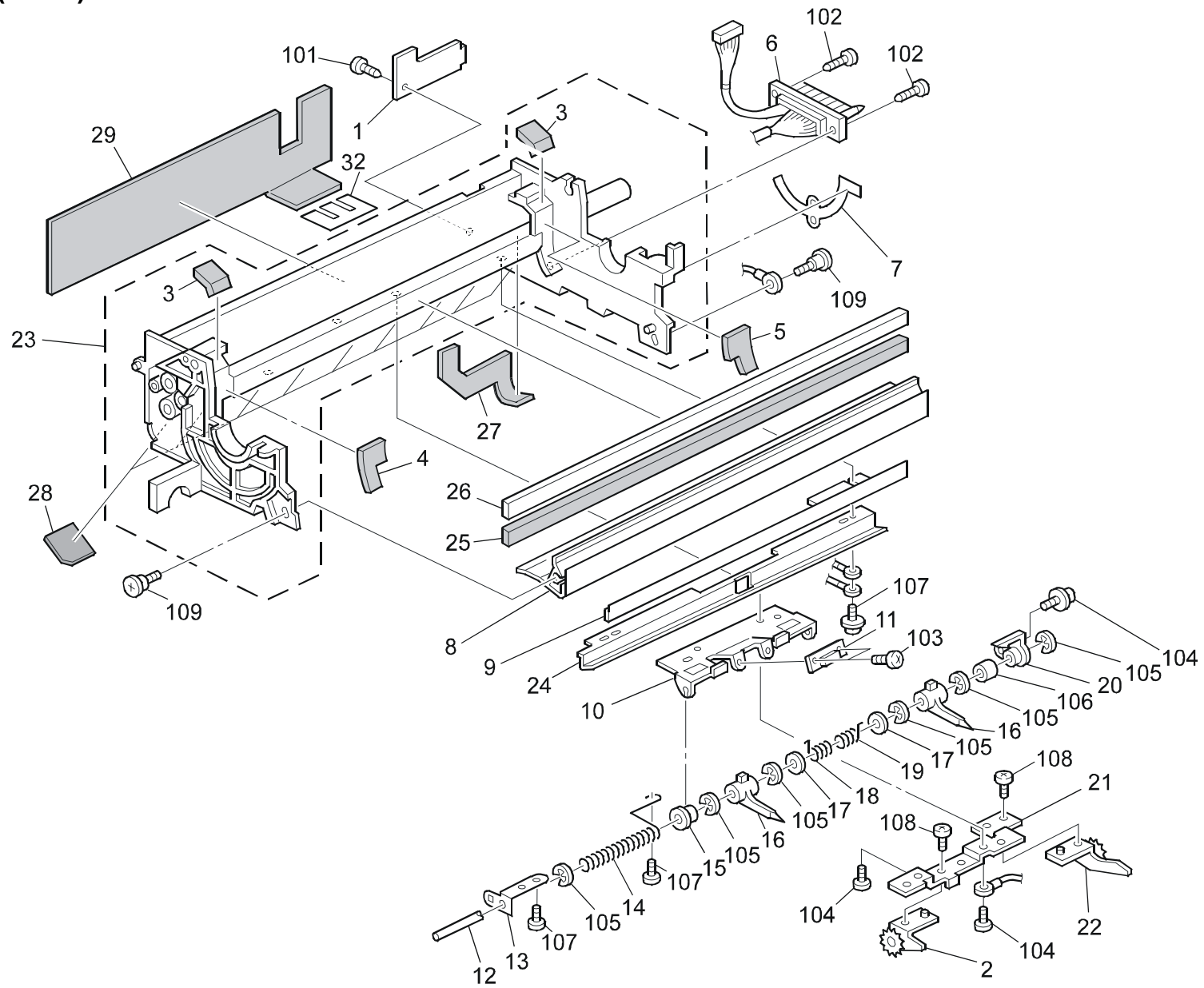


### 40.PCU 3 (A294)

Rev. 03/12/2003

Index No.	Part No.	Description	Q'ty Per Assembly
*	A294 3511	Lower Drum Unit (A294I/A295I)	1
*	A294 3513	Lower Drum Unit (A294II/A295II/UP-KIT)	1
<b>1</b>	<b>AD04 1056</b>	<b>Cleaning Blade</b>	<b>1</b>
2	A247 3573	Bracket - Cleaning Blade	1
3	A247 3571	Cleaning Seal	2
4	AA06 3380	Spring - 16mm	1
5	AA13 2024	Spacer - M6	3
6	AA06 3591	Cleaning Blade Spring	1
7	A247 3575	Blade Release Lever	1
8	A096 3586	Cleaning Brush Drive Shaft	1
9	AD03 9057	Cleaning Agitator	1
<b>10</b>	<b>AD04 2039</b>	<b>Cleaning Brush (A294I/A295I)</b>	<b>1</b>
<b>10</b>	<b>AD04 2038</b>	<b>Cleaning Brush (A294II/A295II/UP-KIT)</b>	<b>1</b>
11	A294 3566	Holder - Toner Collection Coil	1
12	AA08 2094	Bushing - Brush Roller	1
13	AD04 3065	Toner Collection Coil	1
14	A176 3527	Grounding Plate	1
15	AA08 2059	Agitator Bushing	1
16	A294 3591	Joint - Cleaning Drive	1
17	AA08 2045	Cleaning Brush Bushing	1
18	AA08 0154	Rear Bushing	1
19	A294 3606	Cleaning Seal - Ass'y	1
20	A229 2371	Cleaning Seal Sheet	2
21	A247 3656	Bracket - Speed Reduction Gear	1
22	A096 3661	Gear - 15/35Z	3
23	AB01 0340	Gear - 30Z	1
24	AA08 2095	Bushing - Toner Collection Coil	2
25	AB01 7288	Cam Gear - 35Z	1
26	A096 3588	Gear - 19Z	1
27	AB01 7296	Gear - 30/47Z	

Index No.	Part No.	Description	Q'ty Per Assembly
101	0314 0040B	Philips Pan Head Screw - M4x4	
102	0951 3006B	Philips Screw With Flat Washer - M3x6	
103	0452 3008B	Tapping Screw - M3x8	
104	0452 3010B	Tapping Bind Screw - M3x10	
105	0720 0040B	Retaining Ring - M4	



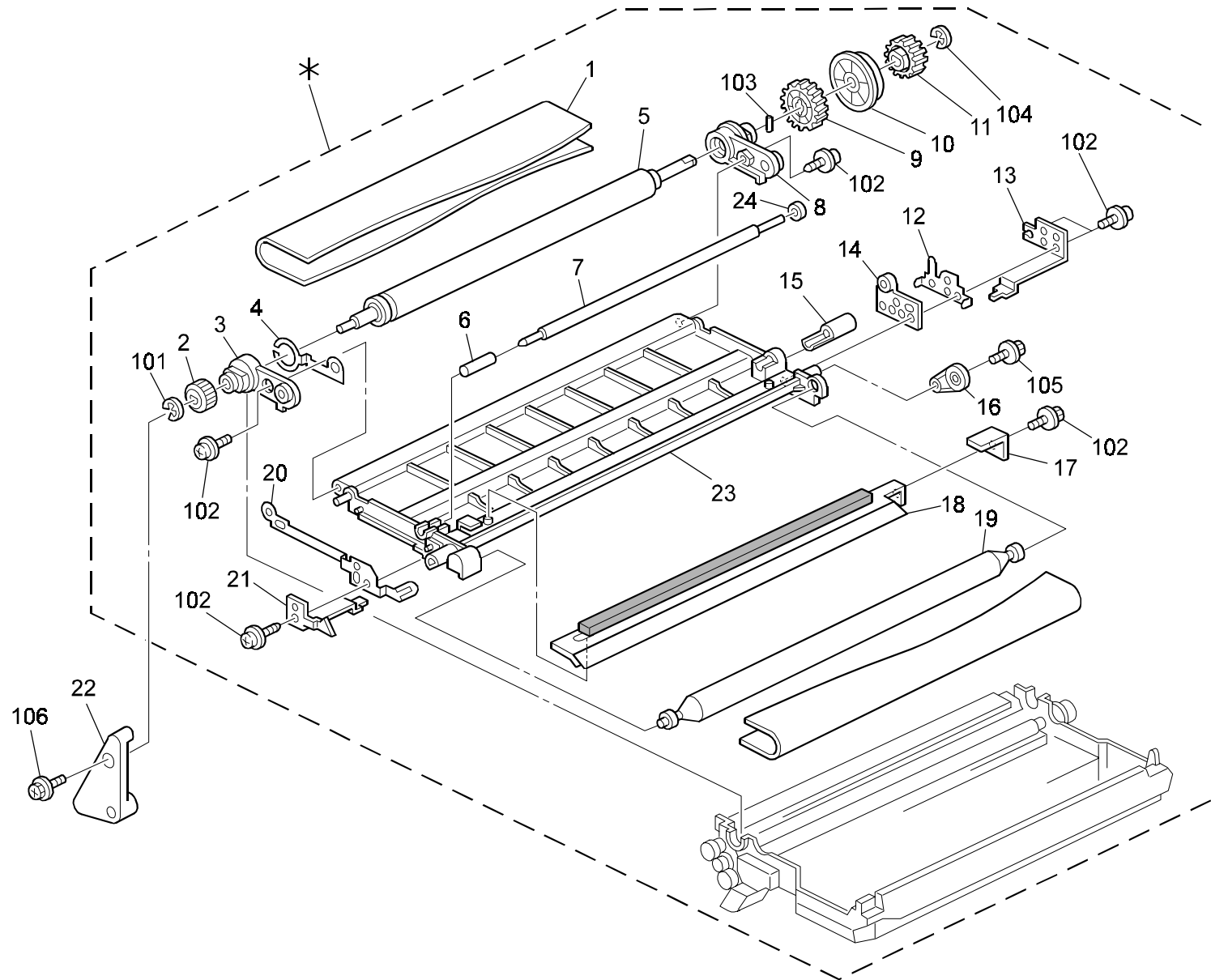
## 41.PCU 4 (A294)

Rev. 03/12/2003

Index No.	Part No.	Description	Q'ty Per Assembly
1	A096 3666	Harness Cover	1
2	A048 2274	Front Transport Guide	1
3	AA15 3085	Inner Case Seal	2
4	AA15 2431	Front Drum Seal	1
5	A134 2392	Rear Drum Seal	1
6	A294 5471	Harness - Drum Unit	1
7	A229 2352	Grounding Plate	1
8	A294 3589	Upper Stay - Transfer Unit	1
9	A096 3621	Entrance Seal	1
10	A096 3642	Pick-off Pawl Bracket	1
11	A134 5251	ID Sensor	1
12	A096 3646	Pick-off Pawl Shaft	1
13	A096 3624	Drum Grounding Plate	1
14	AA06 3384	Pick-off Pawl Shaft Spring	1
15	5324 1658	Bushing- 4x8x4.5mm	1
16	<b>AD02 5022</b>	<b>Pick-off Pawl</b>	<b>2</b>
17	A352 2138	Slide Collar - 0.6x4.5x6	2
18	AA06 6214	Front Pawl Spring	1
19	AA06 6215	Rear Pawl Spring	1
20	AA08 0155	Rear Pawl Bushing	1
21	A097 3644	Transport Guide Bracket	1
22	A048 2277	Rear Transport Guide	1
23	A294 3554	PCU Frame	1
24	A294 3556	Entrance Seal Holder (A294I/A295I)	1
24	A294 3593	Entrance Seal Holder (A294II/A295II/UP-KIT)	1
25	AA15 3088	Cleaning Entrance Seal - 3x345x2	1
26	A294 3594	Cleaning Magnet (A294II/A295II/UP-KIT)	1
27	A294 3603	Medium Insulation Sheet (A294II/A295II/UP-KIT)	1

Index No.	Part No.	Description	Q'ty Per Assembly
28	A294 3602	Small Insulation Sheet (A294II/A295II/UP-KIT)	7
29	A294 3601	Large Insulation Sheet (A294II/A295II/UP-KIT)	1
32	A294 3604	Heat Insulation Sheet	1
101	0452 3008B	Tapping Screw - M3x8	
102	0452 3010B	Tapping Bind Screw - M3x10	
103	0313 0050B	Philips Pan Head Screw - M3x5	
104	0951 3006B	Philips Screw With Flat Washer - M3x6	
105	0720 0030B	Retaining Ring - M3	
106	0807 3092	Spacer - 4x5x3	
107	0453 3008B	Bind Tapping Screw - M3x8	
108	0452 3006B	Tapping Screw - M3x6	
109	0951 3008B	Philips Screw With Flat Washer - M3x8	

# 42.TRANSFER BELT UNIT 1 (A294/A295)



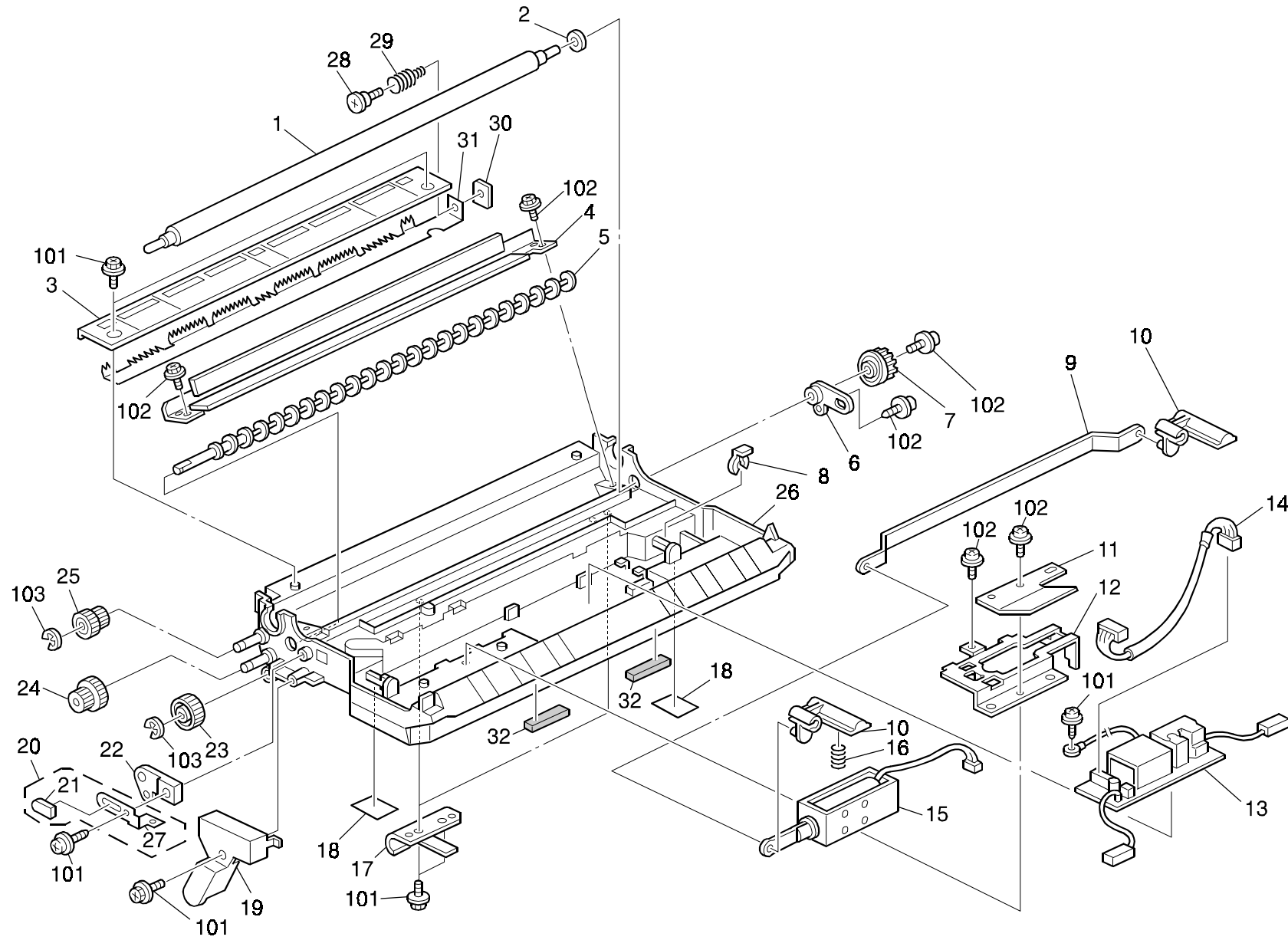
## 42.TRANSFER BELT UNIT 1 (A294/A295)

Rev. 02/21/2001

Index No.	Part No.	Description	Q'ty Per Assembly
*	A294 3810	Transfer Belt Unit - <b>A294</b>	1
*	A295 3810	Transfer Belt Unit - <b>A295</b>	1
1	A294 3962	Transfer Belt (A294/A295)	1
2	AB01 0333	Gear - 26Z	1
3	A229 3861	Front Arm	1
4	A229 3875	Drive Electrode	1
5	A229 3880	Drive Roller	1
6	A096 3867	Front Bushing - 4.5x6x21	1
7	A294 3878	Back Up Roller	1
8	A229 3862	Rear Arm	1
9	AB01 4104	Cleaning Roller Gear	1
10	A294 3869	Rear Positioning Plate	1
11	A294 3871	Gear - 20Z	1
12	A294 3885	Bias Roller Terminal	1
13	A294 3868	Rear Frame Spring Plate	1
14	A294 3863	Electrode Plate	1
15	A294 3876	Bushing - 0.75x6x23	1
16	A294 3866	Driven Cover	1
17	A294 3864	Electrode Cover	1
18	A294 3872	Transfer Bias Brush	1
19	A229 3865	Transport Driven Roller	1
20	A294 3867	Grounding Plate	1
21	A294 3879	Front Spring Plate	1
22	A294 3915	Belt Unit Support Plate	1
23	A294 3861	Transfer Belt Frame	1
24	A176 3863	Spacer - 4x6x2	1
101	0720 0040B	Retaining Ring - M4	

Index No.	Part No.	Description	Q'ty Per Assembly
102	0951 3008B	Philips Screw With Flat Washer - M3x8	
103	0633 0140G	Parallel Pin - 3x14	
104	0720 0060B	Retaining Ring - M6	
105	0450 3008B	Tapping Screw - M3x8	
106	0450 4010B	Tapping Screw - 4x10	

# 43.TRANSFER BELT UNIT 2 (A294/A295)



### 43.TRANSFER BELT UNIT 2 (A294/A295)

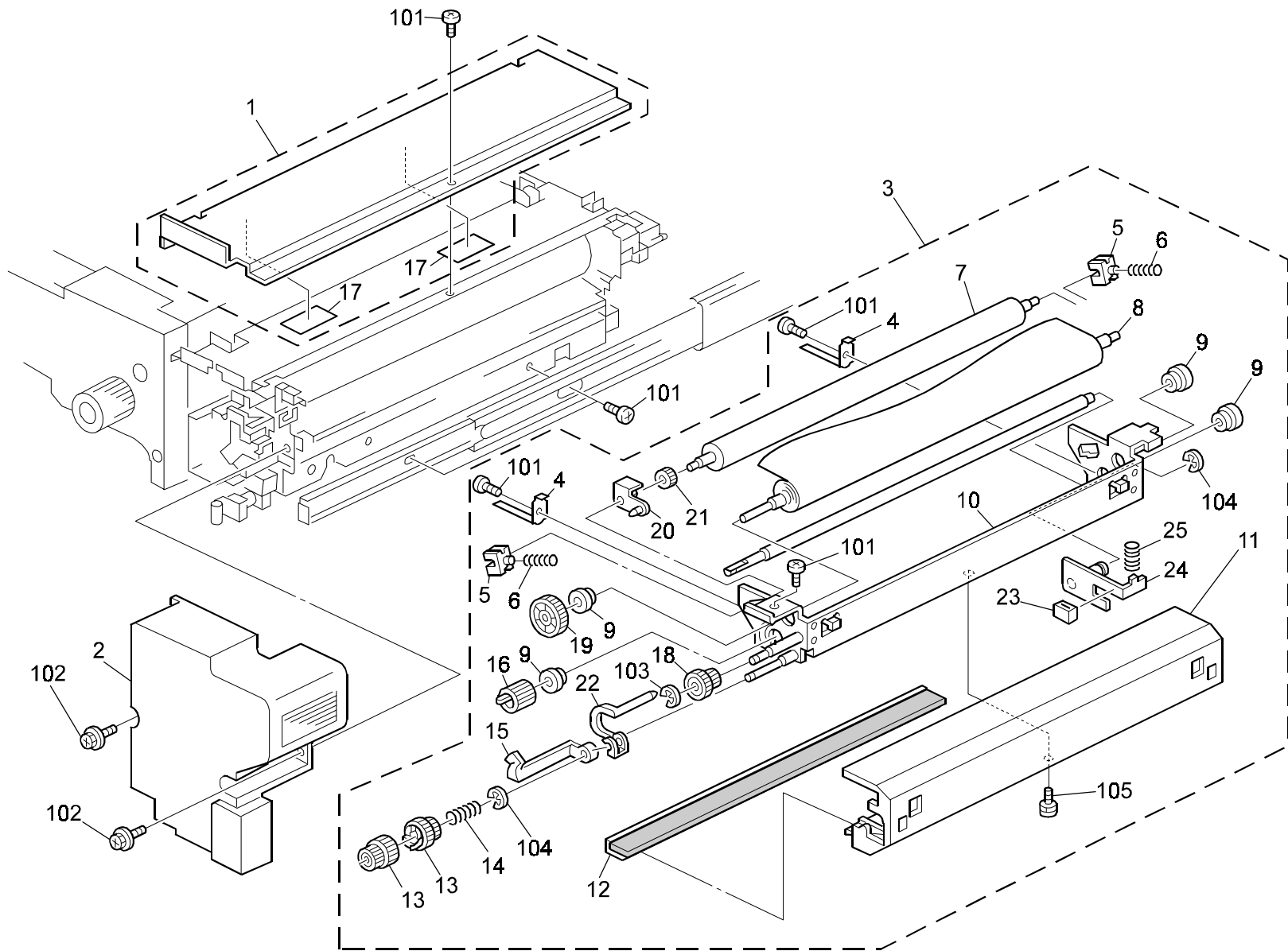
Rev. 01/05/2003

Index No.	Part No.	Description	Q'ty Per Assembly
1	A293 3908	Cleaning Roller - Transfer Belt	1
2	AA13 2024	Spacer - M6	1
3	A294 3951	Rear Casing Guide	1
4	A294 3883	Transfer Belt Cleaning Blade	1
5	A294 3880	Toner Collection Coil	1
6	A229 3911	Rear Bushing	1
7	AB01 4093	Cleaning Roller Gear	1
8	5447 2681	Snap Ring	1
9	A096 3916	Belt Lever Arm	1
10	A096 3915	Transfer Belt Lever	2
11	A294 3893	Solenoid Heat Sink	1
12	A096 3922	Soleniod Bracket	1
13	AZ32 0098	Transfer Power Pack	1
14	B070 5491	Transfer Belt Harness	1
15	A294 3890	Transfer Belt Solenoid	1
16	AA06 3485	Compression Spring	1
17	A294 3887	Casing Spring Plate	2
18	A294 3896	Casing Cover	2
19	A294 3889	Electrode Cover	1
20	A229 3909	Bias Terminal	1
21	A229 3919	Danping Insulation - Terminal	1
22	A229 3910	Front Bushing	1
23	AB01 0334	Gear - 34Z	1
24	AB01 0336	Gear - 22/36Z	1
25	A294 3859	Coupled Gear - 32Z/40Z	1
26	A294 3851	Transfer Belt Casing	1
27	A229 3912	Bias Terminal	1
28	H053 1150	Stepped Screw - Locking	1
29	AA06 3310	Guide Plate Spring	1
30	A294 3897	Relay Electrode Plate	1
31	A294 3956	Exit Electrode Plate - Transfer Belt	1
32	A294 1743	Cushion - 5x20x4	2

Index No.	Part No.	Description	Q'ty Per Assembly
101	0450 3008B	Tapping Screw - M3x8	
102	0951 3006B	Philips Screw With Flat Washer - M3x6	
103	0720 0040B	Retaining Ring - M4	

# 44.FUSING UNIT 1 (A294)

Rev. 9/2001





#### 44.FUSING UNIT 1 (A294)

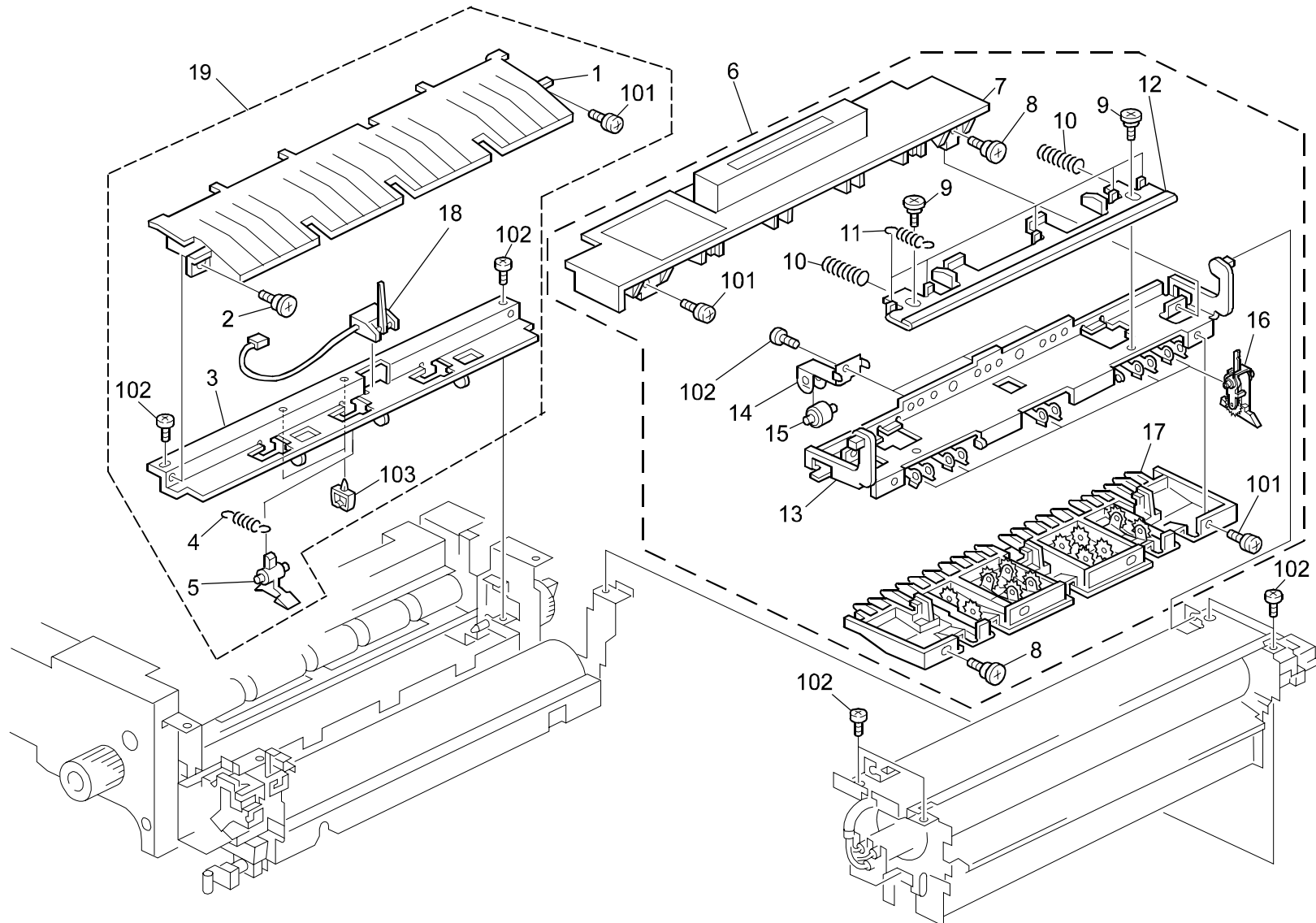
Rev. 04/09/2003

Index No.	Part No.	Description	Q'ty Per Assembly
1	A294 4089	Fusing Upper Cover (A294I/A295I/UP-KIT)	1
1	A294 4451	Fusing Upper Cover (A294II/A295II)	1
2	A294 4198	Fusing Inner Cover	1
3	A294 4480	Oil Supply & Cleaning Web Unit (A294I/A295I)	1
3	B070 4321	Oil Supply & Cleaning Web Unit (A294II/A295II) MB91 ADDED	1
3	A294 4490	Oil Supply & Cleaning Web Unit (UP-KIT)	1
4	A294 4426	Web Spring Plate (A294I/A295I/UP-KIT)	2
4	A294 4433	Web Spring Plate (A294II/A295II)	2
5	AE03 1026	Bushing - Oil Supply Roller	2
6	AA06 3652	Cleaning Pressure Spring	2
7	<b>AE04 0039</b>	<b>Web Cleaning Roller</b>	<b>1</b>
8	<b>AE04 5031</b>	<b>Oil Supply &amp; Cleaning Web (A294I/A295I)</b>	<b>1</b>
8	<b>AE04 5047</b>	<b>Oil Supply &amp; Cleaning Web (A294II/A295II)</b>	<b>1</b>
8	<b>AE04 5045</b>	<b>Oil Supply &amp; Cleaning Web (UP-KIT)</b>	<b>1</b>
9	AE03 1032	Bushing - 6x9x6.5	4
10	A294 4423	Web Bracket (A294I/A295I/UP-KIT)	1
10	A294 4431	Web Bracket (A294II/A295II)	1
11	A294 4428	Web Unit Cover (A294I/A295I/UP-KIT)	1
11	A294 4437	Web Unit Cover (A294II/A295II)	1
12	A294 4147	Oil Collect Bracket	1
13	A294 4158	Coupled Gear - 25Z/32Z	2
14	AA06 3850	Cleaning Pressure Spring	1
15	A294 4425	Web End Feeler (A294I/A295I/UP-KIT)	1
15	A294 4434	Web End Feeler (A294II/A295II)	1
16	A294 4156	Gear - 23Z	1
17	A294 4092	Fusing Cover Film	2
18	A294 4171	Coupled Gear - 17Z/32Z	1
19	A294 4146	Gear - 50Z (A294I/A295I/UP-KIT)	1
19	AB01 4230	Gear - 50Z (A294II/A295II) MB91 ADDED	1
20	A294 4104	Stopper Bracket	1
21	A294 4116	Plate Ratchet	1

Index No.	Part No.	Description	Q'ty Per Assembly
22	A294 4192	Web End Metal Lever (A294I/A295I/UP-KIT)	1
22	A294 4435	Web End Metal Lever (A294II/A295II) DED	1
23	<b>B070 4418</b>	<b>Web Brake Pad (A294II/A295II)</b>	<b>1</b>
24	A294 4412	Web Brake Pad Bracket (A294II/A295II)	1
25	AA06 3652	Spring-Oil Supply Roller (A294II/A295II)	1
101	0354 0060B	Screw - M4X6	
102	0354 0080B	Screw - M4X8	
103	0720 0030B	Retaining Ring - M3	
104	0720 0040B	Retaining Ring - M4	
105	0950 4006B	Screw - M4X6	

# 45.FUSING UNIT 2 (A294)

Rev. 08/12/2002



## 45.FUSING UNIT 2 (A294)

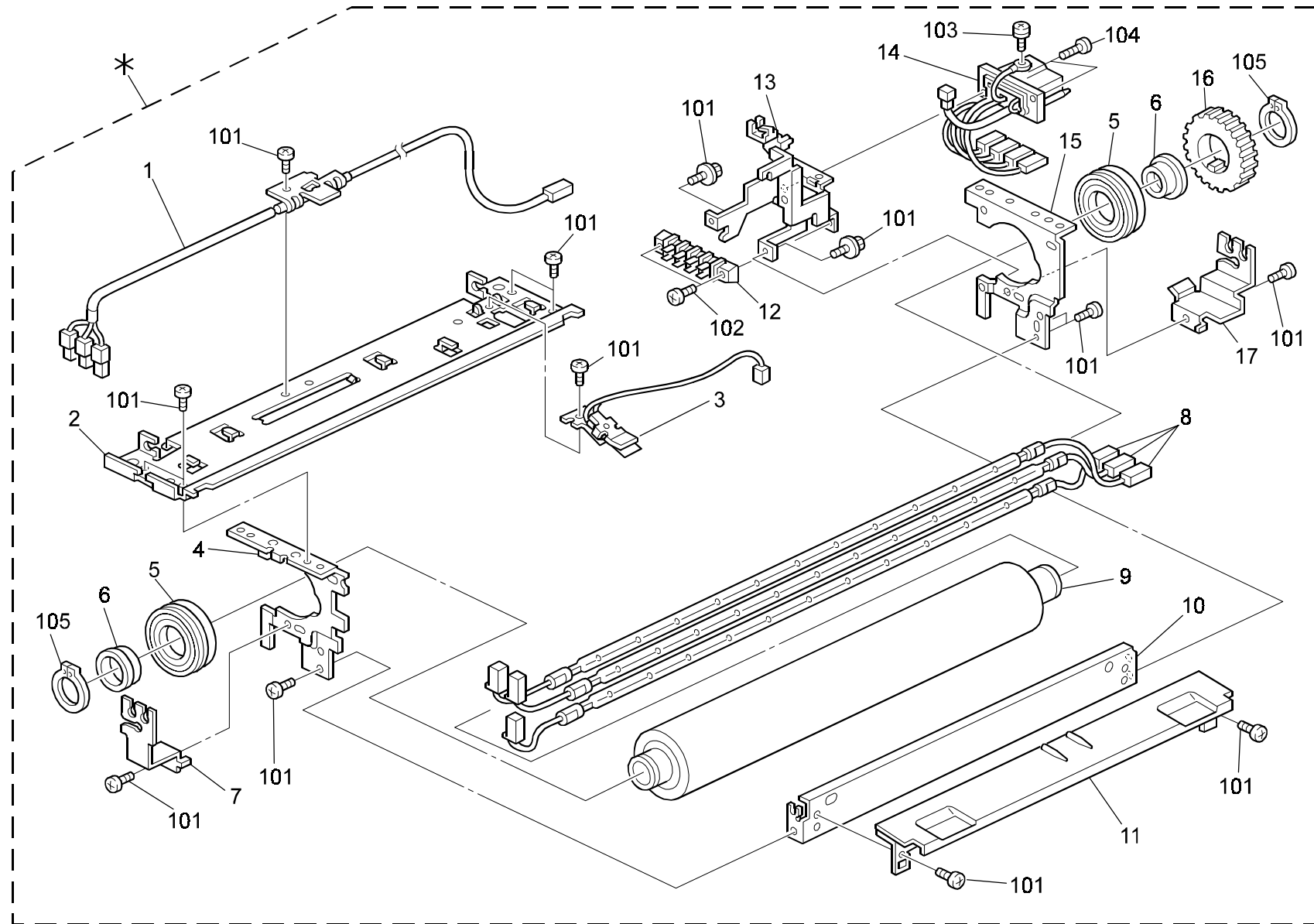
Rev. 04/09/2003

Index No.	Part No.	Description	Q'ty Per Assembly
*	A294 4013	Fusing Paper Exit Unit - US (A294I/UP-KIT)	1
*	A294 4014	Fusing Paper Exit Unit - EU (A294I/UP-KIT)	1
*	A295 4212	Fusing Paper Exit Unit - US (A295I/UP-KIT)	1
*	A295 4213	Fusing Paper Exit Unit - EU (A295I/UP-KIT)	1
*	A294 4026	Fusing Paper Exit Unit - US (A294II)	1
*	A294 4027	Fusing Paper Exit Unit - EU (A294II)	1
*	A295 4026	Fusing Paper Exit Unit - US (A295II)	1
*	A295 4027	Fusing Paper Exit Unit - EU (A295II)	1
1	B070 4075	Lower Exit Guide Plate	1
2	AA14 3037	Development Cover Screw	1
3	B070 4079	Stripper Pawl Bracket	1
4	AA06 0923	Spring - Pressure Roller Stripper	1
5	AE04 4042	Pressure Roller Stripper	1
6	A294 4470	Fusing Guide Plate	1
	A294 4118	Fusing Exit Guide	
7	A294 4160	Left Upper Fusing Cover	1
8	5506 6111	Stepped Screw - M4	2
9	AA14 3037	Development Cover Screw	2
10	AA06 3853	Pressure Spring	2
11	AA06 0539	Stripper Pawl Spring	5
12	A096 4316	Stripper Release Slider	1
13	A294 4178	Exit Guide Bracket	1
14	A294 4164	Roller Spring Plate	3
15	AF04 0561	Fusing Exit Roller - Upper	3
<b>16</b>	<b>B070 9507</b>	<b>Hot Roller Stripper - 5pcs/Set</b>	<b>1</b>
17	B070 4472	Upper Fusing Exit Guide	1
18	AW20 0008	Paper Feed Sensor - Fusing Exit	1

Index No.	Part No.	Description	Q'ty Per Assembly
19	B070 4063	Lower Exit Guide Plate Ass'y	1
101	0950 4006B	Screw - M4X6	
102	0354 0060B	Screw - M4X6	
103	1105 0511	Harness Clamp - LWS - 0303ZC	

# 46.FUSING UNIT 3 (A294)

Rev. 9/2001



## 46.FUSING UNIT 3 (A294)

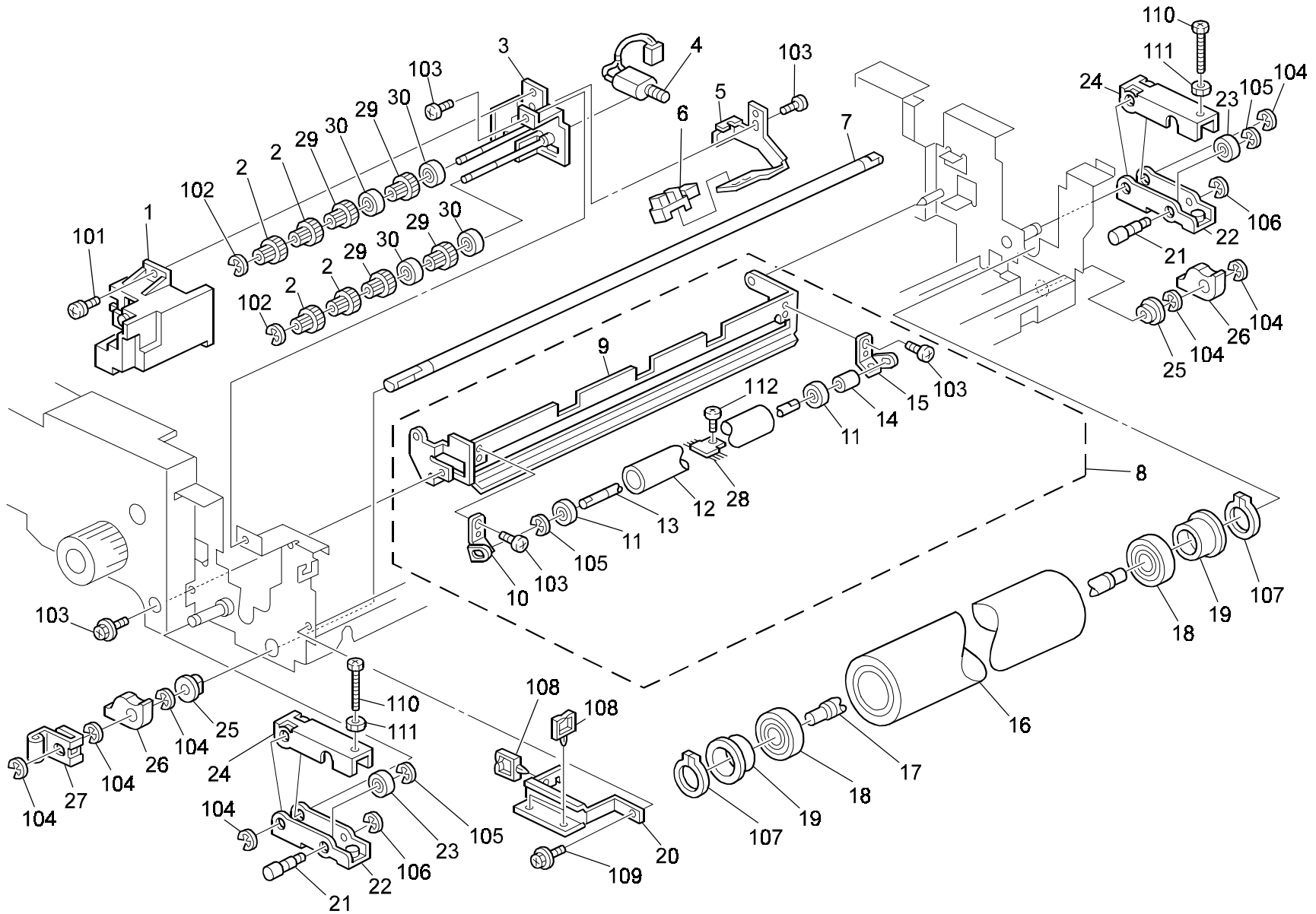
Rev. 9/2001

Index No.	Part No.	Description	Q'ty Per Assembly
*	A294 4066	Hot Roller Unit - US (A294I/UP-KIT)	1
*	A294 4111	Hot Roller Unit - EU (A294I/UP-KIT)	1
*	A295 4066	Hot Roller Unit - US (A295I/UP-KIT)	1
*	A295 4111	Hot Roller Unit - EU (A295I/UP-KIT)	1
*	A294 4036	Hot Roller Unit - US (A294II)	1
*	A294 4037	Hot Roller Unit - EU (A294II)	1
*	A295 4036	Hot Roller Unit - US (A295II)	1
*	A295 4037	Hot Roller Unit - EU (A295II)	1
1	A294 4465	Thermofuse Ass'y	1
2	A294 4055	Upper Fusing Tray (A294I/A295I/UP-KIT)	1
2	A294 4421	Upper Fusing Stay (A294II/A295II)	1
3	A229 4131	Thermistor	1
4	A294 4053	Front Fusing Plate (A294I/A295I/UP-KIT)	1
4	A294 4420	Front Fusing Plate (A294II/A295II)	1
5	AE03 0031	Ball Bearing - 40x62x12	2
6	AE03 2021	Bushing - 34.3x39.9x15.5	2
7	A294 4056	Front Heater Holder	1
8	AX43 0052	Fusing Lamp - 230V/530W (A294)	3
8	AX43 0055	Fusing Lamp - 230V/630W (A295)	3
<b>9</b>	<b>AE01 1056</b>	<b>Hot Roller</b>	<b>1</b>
10	A294 4059	Right Lower Fusing Stay	1
11	A294 4095	Fusing Entrance Guide - A4	1
11	A294 4195	Fusing Entrance Guide - LT	1
12	A257 4105	Terminal - 4p	1
13	A294 4179	Fusing Harness Bracket	1
14	A294 5475	Fusing Harness	1
15	A294 4054	Rear Fusing Plate	1

Index No.	Part No.	Description	Q'ty Per Assembly
16	A294 4061	Gear - 67Z	1
17	A294 4057	Rear Heater Holder	1
101	0354 0060B	Screw - M4X6	
102	0314 0120B	Philips Pan Head Screw - M4x12	
103	0950 4006B	Screw - M4X6	
104	0314 0080B	Philips Pan Head Screw - M4x8	
105	0805 0098	Ring - M35	

# 47.FUSING UNIT 4 (A294)

Rev. 9/2001



## 47.FUSING UNIT 4 (A294)

Rev. 04/09/2003

Index No.	Part No.	Description	Q'ty Per Assembly
1	A294 4176	Right Front Case (A294I/A295I/UP-KIT)	1
1	A294 4448	Right Front Case (A294II/A295II)	1
2	A294 4171	Coupled Gear - 17Z/32Z (A294I/A295I)	6
2	A294 4171	(A294II/A295II)	4
2	A294 4171	(UP-KIT)	8
3	A294 4172	Drive Bracket (A294I/A295I)	1
3	A294 4443	Drive Bracket (A294II/A295II)	1
3	A294 4414	Drive Bracket (UP-KIT)	1
4	AX04 0061	Cleaner Motor - DC 0.5W	1
5	A294 4152	Sensor Bracket (A294I/A295I)	1
5	B070 4447	Sensor Bracket (A294II/A295II)	1
5	A294 4416	Sensor Bracket (UP-KIT)	1
6	AW02 0056	Photointerruptor - EE-SX4235A-P1	1
7	A294 4186	Pressure Shaft	1
8	A294 4070	Cleaning Roller Unit	1
9	A294 4083	Cleaning Roller Bracket	1
10	A294 4077	Left Holder	1
11	AE03 0035	Ball Bearing - 6x16x5	2
<b>12</b>	<b>AE04 2042</b>	<b>Pressure Roller Cleaning Roller</b>	<b>1</b>
13	A294 4075	Cleaning Roller Shaft	1
14	AA13 2209	Spacer - 8x10x13.5	1
15	A294 4078	Right Holder	1
<b>16</b>	<b>AE02 0087</b>	<b>Pressure Roller (A294I/A295I)</b>	<b>1</b>
<b>16</b>	<b>AE02 0117</b>	<b>Pressure Roller (A294II/A295II/UP-KIT)</b>	<b>1</b>
17	A294 4135	Pressure Roller Shaft	1
18	AE03 0032	Ball Bearing - 25x52x15	2
19	AE03 2024	Bushing - 20x25x18	2
20	B070 4190	Front Bracket	1
21	A294 4106	Pressure Shaft	2
22	A294 4107	Lower Pressure Lever	2
23	AE03 0035	Ball Bearing - 6x16x5	2
24	A294 4103	Upper Pressure Lever	2
25	5053 0419	Bushing - 10mm	2
26	A079 4097	Pressure Cam	2
27	A294 4185	Pressure Lever Support Plate	1

Index No.	Part No.	Description	Q'ty Per Assembly
28	AA12 0098	Antistatic Brush - Cleaning Roller	1
29	AB01 4229	Coupled Gear - 17Z/32Z (A294II/A295II)	4
30	AE03 1037	Bushing - M4 (A294II/A295II)	4
101	0950 4006B	Screw - M4X6	
102	0720 0030B	Retaining Ring - M3	
103	0354 0060B	Screw - M4X6	
104	0720 0080B	Retaining Ring - M8	
105	0720 0060B	Retaining Ring - M6	
106	0720 0040B	Retaining Ring - M4	
107	0725 0200E	Retaining Ring C - M20	
108	1105 0199	Clamp	
109	0451 4008B	Philips Tapping Screw - M4x8	
110	0585 0351B	Hexagonal Head Bolt - M5x35	
111	0710 0050B	Hexagon Nut - M5	
112	0353 0060B	Philips Pan Head Screw - M3x6	





## 48.PAPER EXIT SECTION 1 (A294/A295)

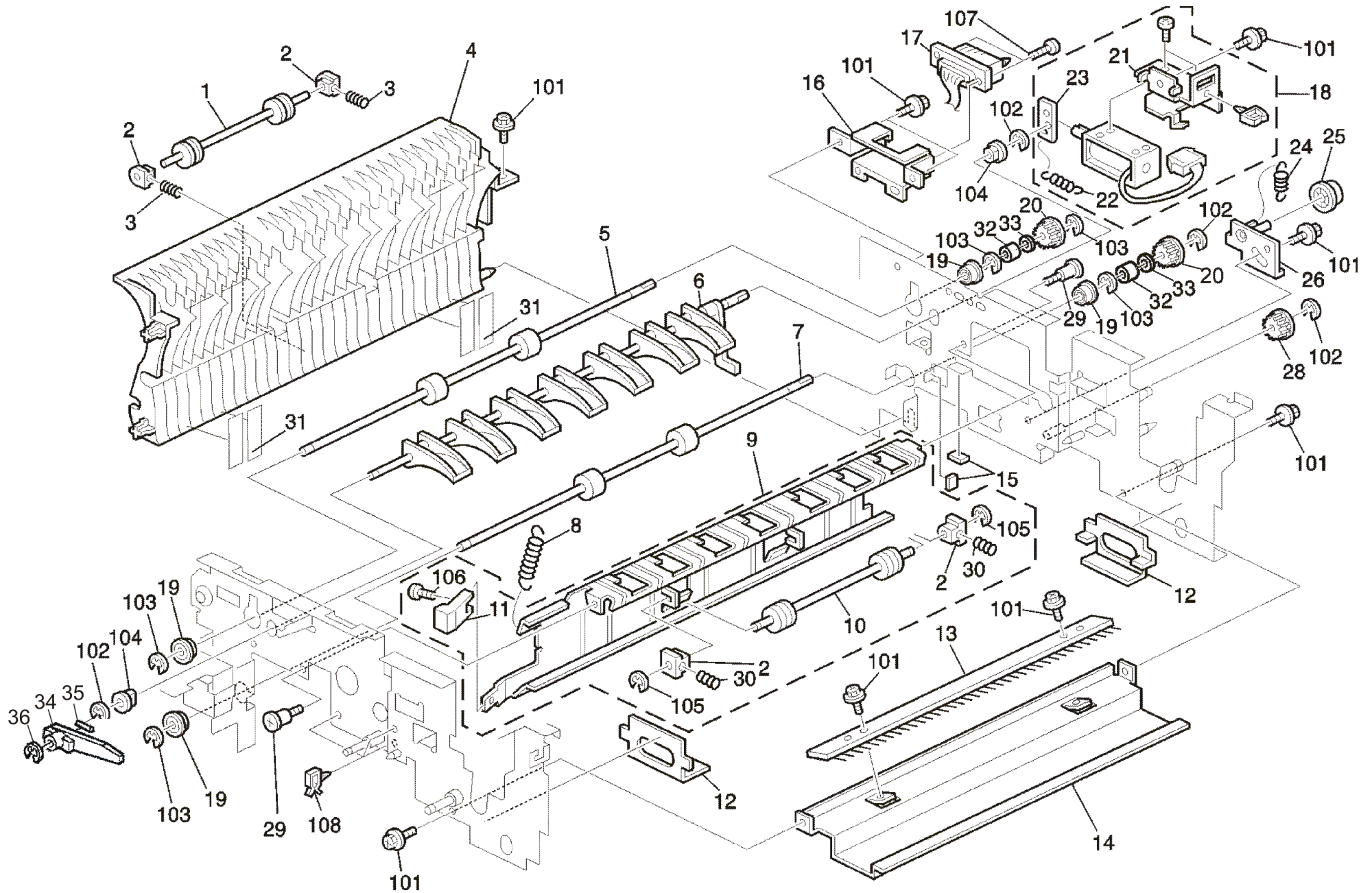
Rev. 04/09/2003

Index No.	Part No.	Description	Q'ty Per Assembly
1	B070 4251	Transport Belt	5
2	AF02 2115	Cooling Exit Roller	1
3	A294 4252	Paper Cooling Roller	1
4	B070 4254	Cooling Roller Shaft	1
5	AF02 2125	Cooling Entrance Roller	5
6	A294 4387	Inner Cover - Paper Exit	1
7	AA00 0208	High Temperature Decal - Large	1
8	AA00 1416	Decal - D5	1
9	AA00 1414	Decal - D1	1
10	AG05 0092	Knob - Transport Roller	1
11	AB01 3780	Gear	1
12	A232 3566	Ball Bearing - 8x16x5	4
13	AB01 4152	Gear - 32Z	1
14	A294 4268	Paper Cooling Stay	1
15	AA02 1031	Magnetic Catch	2
16	AA00 0207	High Temperature Decal - Small	1
17	AA12 0097	Antistatic Brush	1
18	A294 4336	Brush Bracket	1
19	AB03 0081	Pulley - 20Z	1
20	A294 4322	Timing Belt - 561P3M6	1
21	AB01 4146	Gear - 17Z	1
22	AB01 4147	Gear - 43Z	1
23	AB01 3587	Gear - 41Z	1
24	A294 4073	Right Lower Stay	1

Index No.	Part No.	Description	Q'ty Per Assembly
101	0720 0060B	Retaining Ring - M6	
102	0451 4008B	Philips Tapping Screw - M4x8	
103	0951 4008B	Philips Screw With Washer - M4x8	
104	1105 0087	Clamp	
105	0451 3006B	Tapping Screw - M3x6	
106	1105 0199	Clamp	
107	0720 0040B	Retaining Ring - M4	
108	0720 0080E	Retaining Ring - M8	

# 49.PAPER EXIT SECTION 2 (A294/A295)

Rev. 04/09/2003



## 49.PAPER EXIT SECTION 2 (A294/A295)

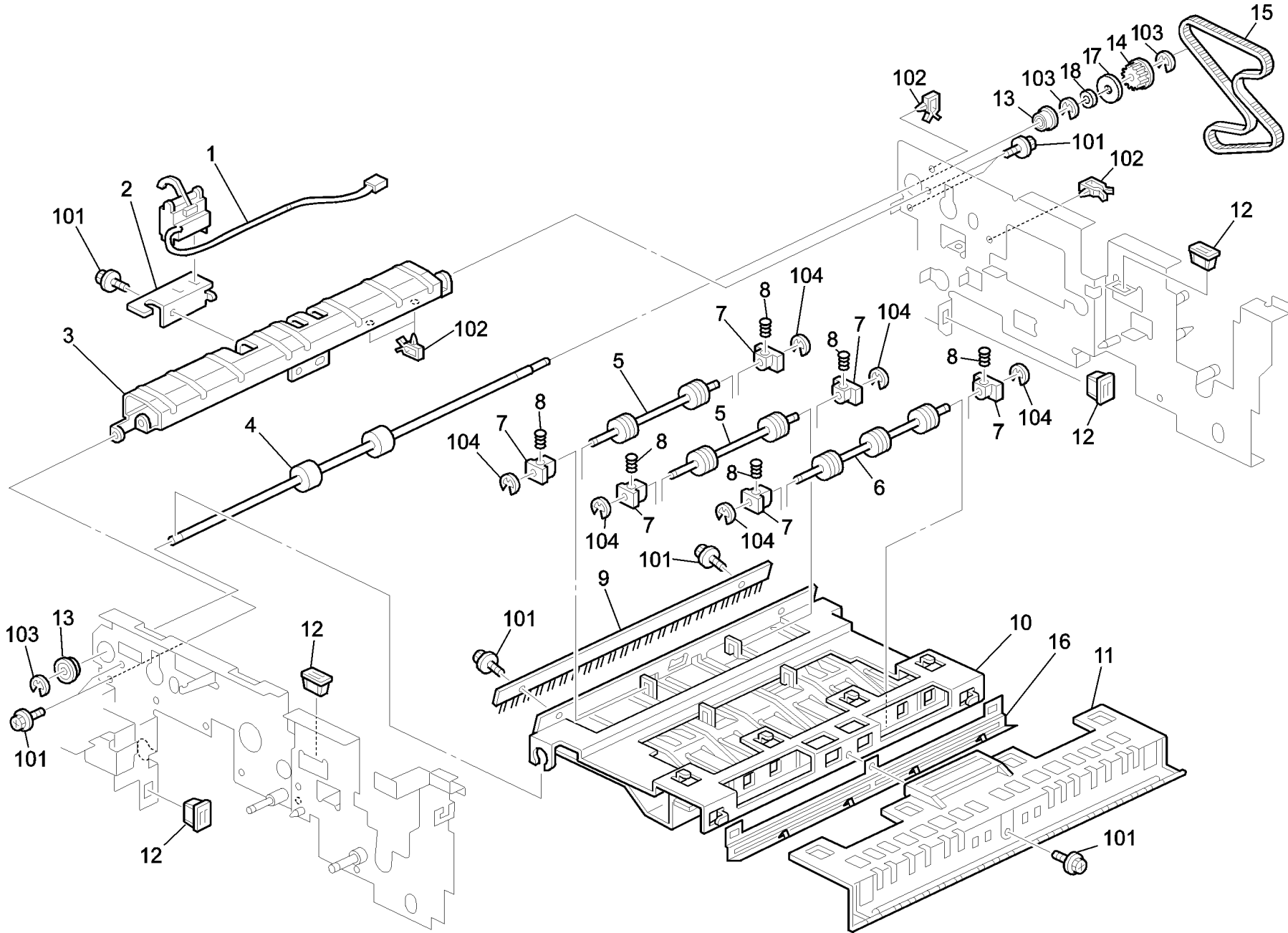
Rev. 04/09/2003

Index No.	Part No.	Description	Q'ty Per Assembly
1	AF02 2104	Exit Roller - Driven	1
2	AA08 2126	Bushing - 4x5x7	4
3	5205 4527	Spring - Exit	2
4	A294 4287	Inverter Middle Guide Plate	1
5	AF02 0576	Inverter Entrance Roller	1
6	B070 4267	Inverter Junction Pawl	1
7	AF02 0574	Exit Drive Roller	1
8	5442 1890	Spring - Wire Tightener	1
9	B070 4271	Inverter Guide Plate	1
10	AF02 2117	Driven Transport Roller	1
11	AG05 1141	Release Lever	1
12	AE04 5033	Felt	2
13	AA12 0091	Antistatic Brush	1
14	A294 4385	Fusing Bottom Cover	1
15	A294 4665	Cushion - 6x6x2	2
16	A294 4381	Connector Bracket	1
17	A294 5476	Exit Unit Harness	1
18	A294 4279	Inverter Junction Solenoid	1
19	A232 3566	Ball Bearing - 8x16x5	4
20	AB03 0081	Pulley - 20Z	2
21	B070 4293	Solenoid Bracket	1
22	AA06 0262	Spring	1
23	B070 4299	Inverter Lever	1
24	A422 1219	Pressure Lever Spring	1
25	AB03 0310	Tightener Pulley	1
26	A294 4326	Right Tightener	1
28	AB03 0674	Pulley - 20Z	1
29	5203 2679	Pinion Tightening Screw - M4x5	2
30	5887 4157	Spring - Exit Roller	2
31	A294 4288	Entrance Inverter Guide Mylar	4
32	5446 2901	Collar - 8mm	2
33	AA13 2152	Spacer - 8x20x1	2
34	B070 4268	Stopper - Inverter Junction Pawl	1
35	0632 0140G	Spring - 2x14	1
36	0720 0040B	Retaining Ring - M4	1

Index No.	Part No.	Description	Q'ty Per Assembly
101	0451 4008B	Philips Tapping Screw - M4x8	
102	0720 0040B	Retaining Ring - M4	
103	0720 0060B	Retaining Ring - M6	
104	0805 3384	Bushing - 5mm	
105	0720 0030B	Retaining Ring - M3	
106	0313 0040B	Philips Pan Head Screw - M3x4	
107	0453 3008B	Bind Tapping Screw - M3x8	
108	1105 0087	Clamp	

50.PAPER EXIT SECTION 3 (A294/A295)

Rev. 10/18/2000



### 50.PAPER EXIT SECTION 3 (A294/A295)

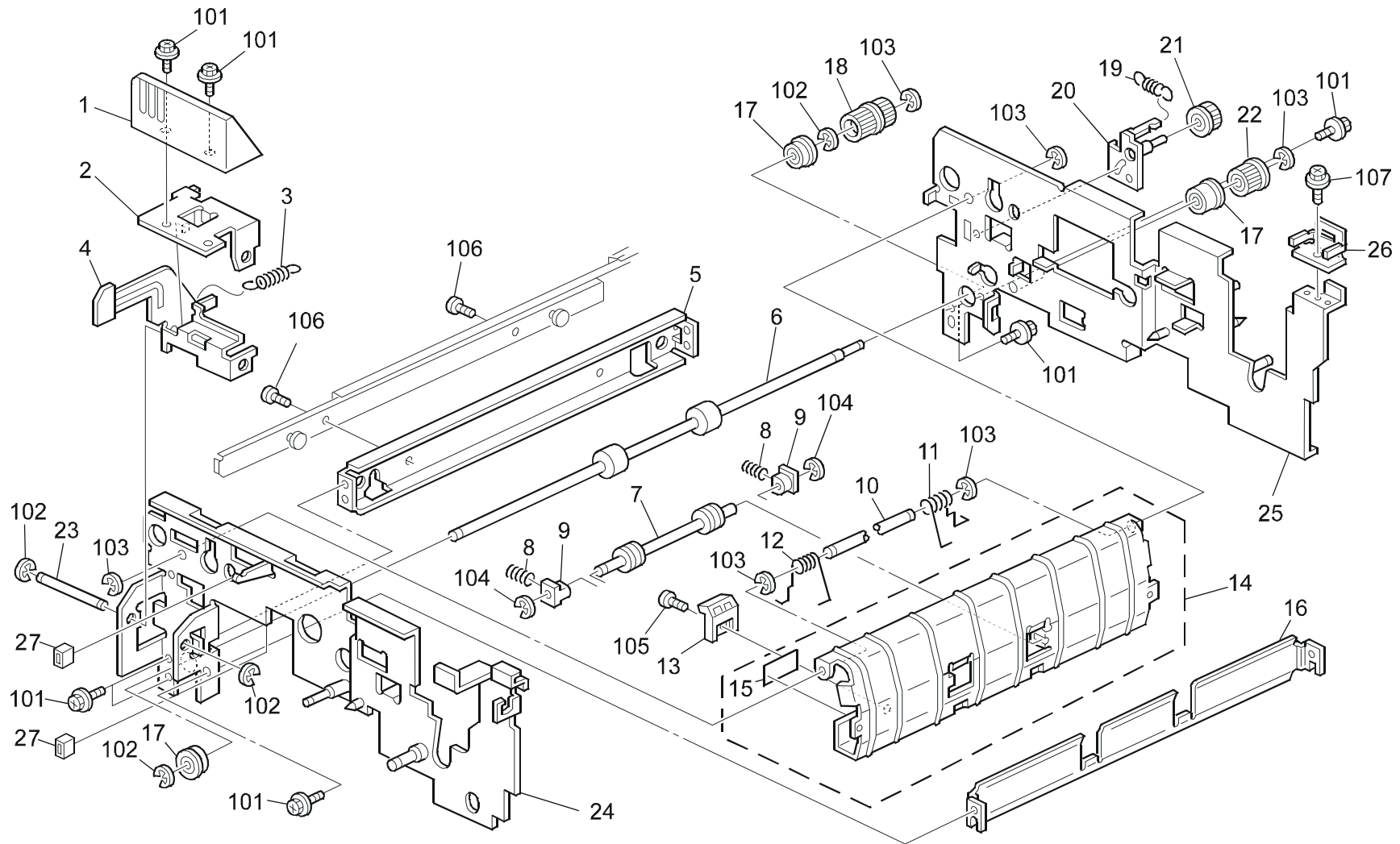
Rev. 04/09/2003

Index No.	Part No.	Description	Q'ty Per Assembly
1	AW02 0057	Paper Exit Sensor	1
2	A294 4308	Exit Sensor Braket	1
3	A294 4407	Lower Exit Guide	1
4	AF02 0577	Inverter Exit Roller	1
5	AF02 2117	Driven Transport Roller	2
6	AF02 2114	Duplex Driven Roller	1
7	AA08 0034	Bushing - 4x5x7	6
8	5205 4527	Spring - Exit	6
9	AA12 0027	Antistatic Brush	1
10	A294 4301	Upper Guide Plate - Exit	1
11	A294 4405	Entrance Guide	1
12	AA02 1031	Magnetic Catch	4
13	A232 3566	Ball Bearing - 8x16x5	2
14	AB03 0650	Pulley - 20Z	1
15	A294 4323	Timing Belt- B60DS3M480	1
16	A294 4406	Support Guide - Entrance Cooling	1
17	AA13 2152	Spacer - 8x20x1	1
18	5446 2901	Collar - 8mm	1

Index No.	Part No.	Description	Q'ty Per Assembly
101	0451 4008B	Philips Tapping Screw - M4x8	
102	1105 0087	Clamp	
103	0720 0060B	Retaining Ring - M6	
104	0720 0030B	Retaining Ring - M3	

# 51.PAPER EXIT SECTION 4 (A294)

Rev. 04/09/2003



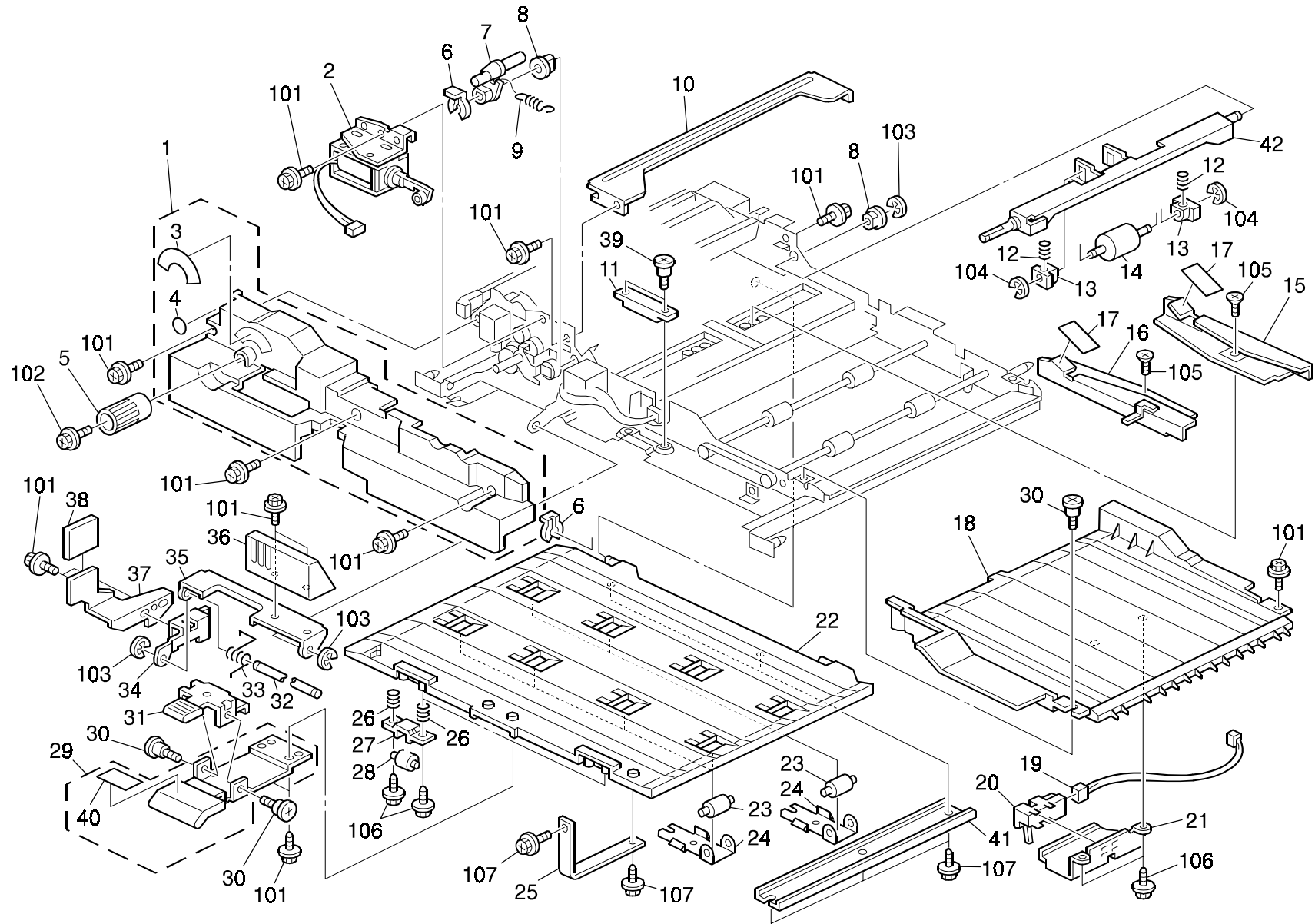
## 51.PAPER EXIT SECTION 4 (A294)

Rev. 04/09/2003

Index No.	Part No.	Description	Q'ty Per Assembly
1	A294 4347	Release Lever	1
2	A294 4346	Lever Bracket	1
3	5215 4121	Spring - Oil Blade	1
4	A294 4349	Lock Lever	1
5	A294 4382	Left Lower Stay	1
6	AF02 0575	Inverter Relay Roller	1
7	AF02 2117	Driven Transport Roller	1
8	5887 4157	Spring - Exit Roller	2
9	AA08 2126	Bushing - 4X5X7	2
10	AA14 0739	Pivot Shaft	1
11	AA06 6321	Rear Guide Plate Spring	1
12	AA06 6322	Front Guide Plate Spring	1
13	AG05 1141	Release Lever	1
14	A294 4294	Exit Guide Plate	1
15	AA00 1417	Decal - D6	1
16	A294 4289	Relay Guide Plate	1
17	A232 3566	Ball Bearing - 8x16x5	3
18	AB03 0651	Pulley - 20Z	1
19	A422 1219	Pressure Lever Spring	1
20	A294 4331	Left Tightener	1
21	AB03 0674	Pulley - 20Z	1
22	AB03 0081	Pulley - 20Z	1
23	AA14 8594	Lever Shaft	1
24	B070 4231	Front Side Plate - Fusing Exit (A294I/A295I/UP-KIT)	1
24	A294 4457	Front Side Plate - Fusing Exit (A294II/A295II)	1
25	B070 4241	Rear Side Plate - Fusing Exit (A294I/A295I/UP-KIT)	1
25	A294 4314	Rear Side Plate - Fusing Exit (A294II/A295II)	1
26	A294 4462	Inner Back Bracket - Cleaning Unit (A294II/A295II)	1
27	B070 4237	Cushion - 6x6x2	2

Index No.	Part No.	Description	Q'ty Per Assembly
101	0451 4008B	Philips Tapping Screw - M4x8	
102	0720 0060B	Retaining Ring - M6	
103	0720 0040B	Retaining Ring - M4	
104	0720 0030B	Retaining Ring - M3	
105	0313 0040B	Philips Pan Head Screw - M3x4	
106	0314 0060B	Philips Pan Head Screw - M4x6	
107	0451 3006B	Tapping Screw - M3x6	

# 52.DUPLEX UNIT 1 (A294/A295)





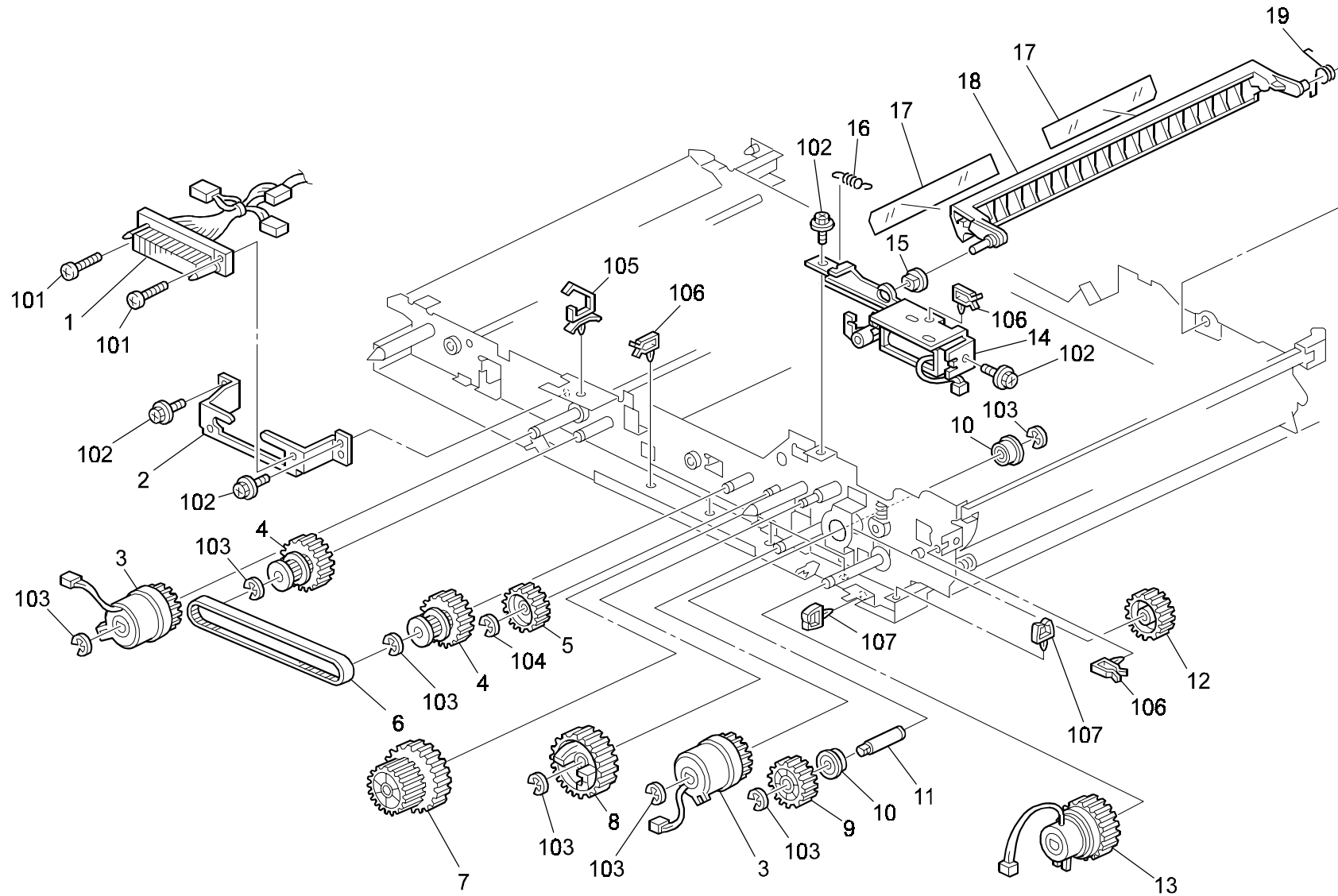
## 52.DUPLEX UNIT 1 (A294/A295)

Rev. 01/05/2003

Index No.	Part No.	Description	Q'ty Per Assembly
*	A294 4501	Duplex Unit	1
1	A294 4892	Duplex Inner Cover	1
2	A294 4761	Reverse Roller Solenoid	1
3	AA00 1408	Duplex Knob Decal	1
4	AA00 1409	Decal - Z4	1
5	A079 2861	Knob - Transport Roller	1
6	5447 2681	Snap Ring	1
7	A294 4754	Roller Lever	1
8	AA08 2046	Bushing - 6x12x6	2
9	AA06 0806	Spring	1
10	A294 4837	Upper Duplex Stay	1
11	AA02 1025	Magnet Catch	1
12	AA06 3580	Compression Spring	2
13	AA08 0034	Bushing - 4x5x7	2
14	AF02 0484	Driven Reverse Roller	1
15	A294 4701	Rear Jogger Fence	1
16	A294 4705	Front Jogger Fence	1
17	A294 4708	Guide Seal - 19x45	2
18	A294 4744	Right Duplex Stay	1
19	B070 5496	Duplex Connecting Harness	1
20	AW02 0102	Photointerruptor	1
21	A294 4745	Right Sensor Bracket	1
22	A294 4851	Guide Plate	1
23	AF02 2130	Driven Roller	8
24	A294 4852	Plate Spring	8
25	A096 4928	Guide Plate Band	1
26	AA06 3581	Compression Spring	4
27	A229 4727	Guide Plate Pressure Holder	2
28	AF02 2067	Guide Stopper Roller	2
29	A294 4854	Guide Plate Lever	1
30	AA14 3307	Stepped Screw - M3	3
31	A096 4933	Guide Plate Lever Hook	1
32	A294 4841	Release Lever Shaft	1
33	AA06 6223	Grip Spring	1
34	A294 4843	Lock Arm	1

Index No.	Part No.	Description	Q'ty Per Assembly
35	A294 4842	Release Bracket	1
36	A294 4844	Release Lever	1
37	A294 4866	Lock Lever	1
38	A229 4813	Arm Pad	1
39	AA14 3183	Stepped Screw	2
40	AA00 1407	Guide Lever Decal	1
41	A294 4855	Lower Transport Guide Stay	2
42	A294 4751	Reverse Roller Bracket	1
101	0451 4008B	Philips Tapping Screw - M4x8	
102	0951 4008B	Philips Screw With Washer - M4x8	
103	0720 0040B	Retaining Ring - M4	
104	0720 0030B	Retaining Ring - M3	
105	0324 0060B	Philips Sunken Head Screw - M4x6	
106	0450 3008B	Tapping Screw - M3x8	
107	0450 4010B	Tapping Screw - 4x10	

# 53.DUPLEX UNIT 2 (A294/A295)



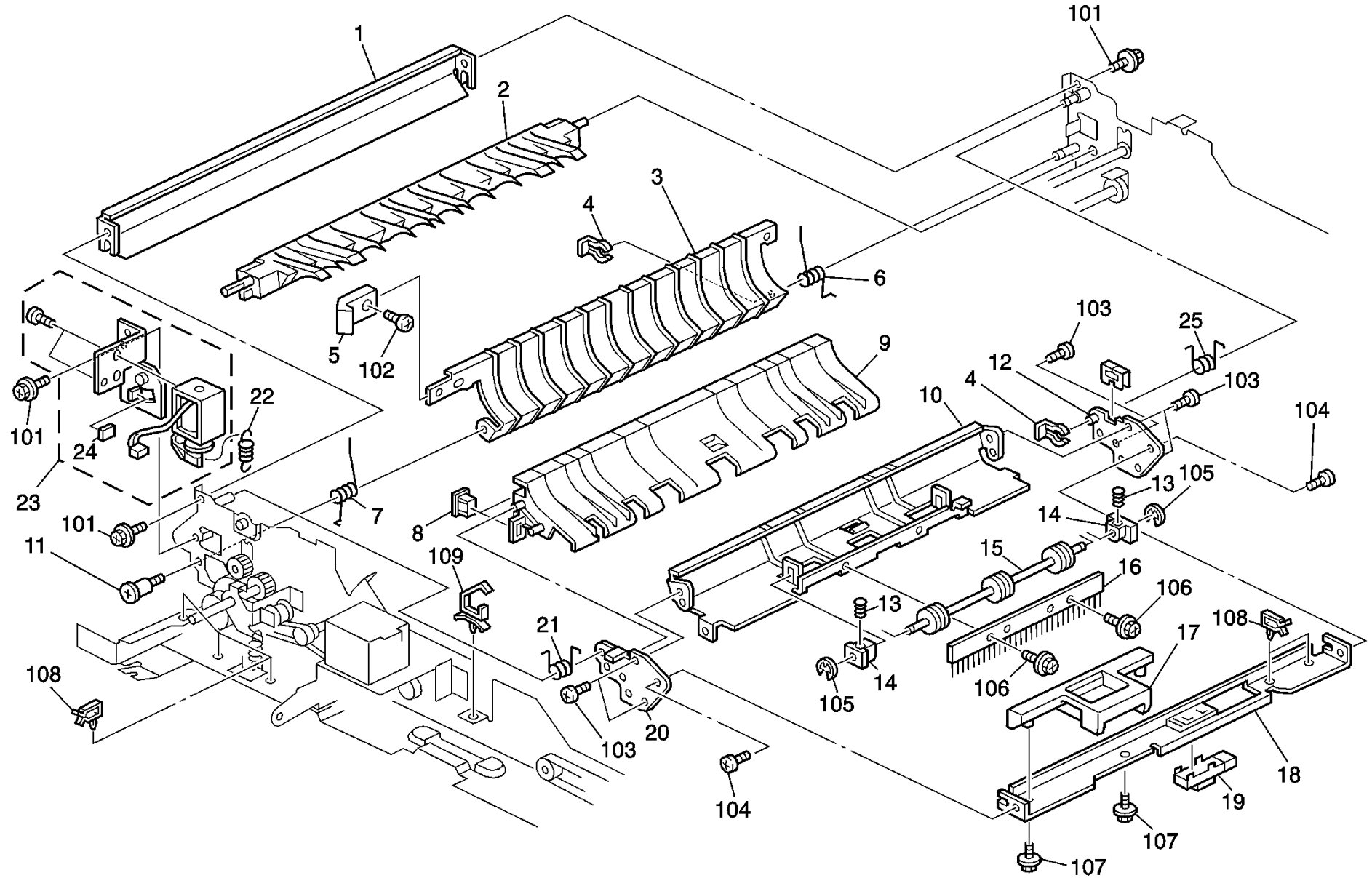
### 53.DUPLEX UNIT 2 (A294/A295)

Index No.	Part No.	Description	Q'ty Per Assembly
1	A294 5474	Duplex Harness	1
2	A294 4861	Duplex Unit Drawer Bracket	1
3	AX20 0172	Electro Clutch	2
4	AB01 7509	Coupled Gear - 15Z/30Z	2
5	GB01 3035	Gear - 28Z	1
6	AA04 3278	Timing Belt - B60S3M339	1
7	AB01 7508	Coupled Gear - 26Z/40Z	1
8	AB01 7510	Gear - 36Z	1
9	AB01 4138	Gear - 23Z	1
10	A232 3566	Ball Bearing - 8x16x5	2
11	A294 4774	Relay Gear Shaft	1
12	AB01 4137	Gear - 26Z	1
13	AX20 0171	Duplex Roller Clutch	1
14	A294 4822	Paper Guide Solenoid	1
15	AA08 2046	Bushing - 6x12x6	1
16	AA06 0807	Paper Guide Spring	1
17	A294 4827	Paper Guide Seal	2
18	A294 4821	Entrance Guide	1
19	AA06 6332	Paper Guide Spring	1

Index No.	Part No.	Description	Q'ty Per Assembly
101	0313 0080B	Philips Pan Head Screw - M3x8	
102	0451 4008B	Philips Tapping Screw - M4x8	
103	0720 0060B	Retaining Ring - M6	
104	0720 0040B	Retaining Ring - M4	
105	1105 0291	Harness Clamp - LWS-3S	
106	1105 0267	Harness Clamp - YMC-10-0	
107	1105 0199	Clamp	

# 54.DUPLEX UNIT 3 (A294/A295)

Rev. 04/06/2001



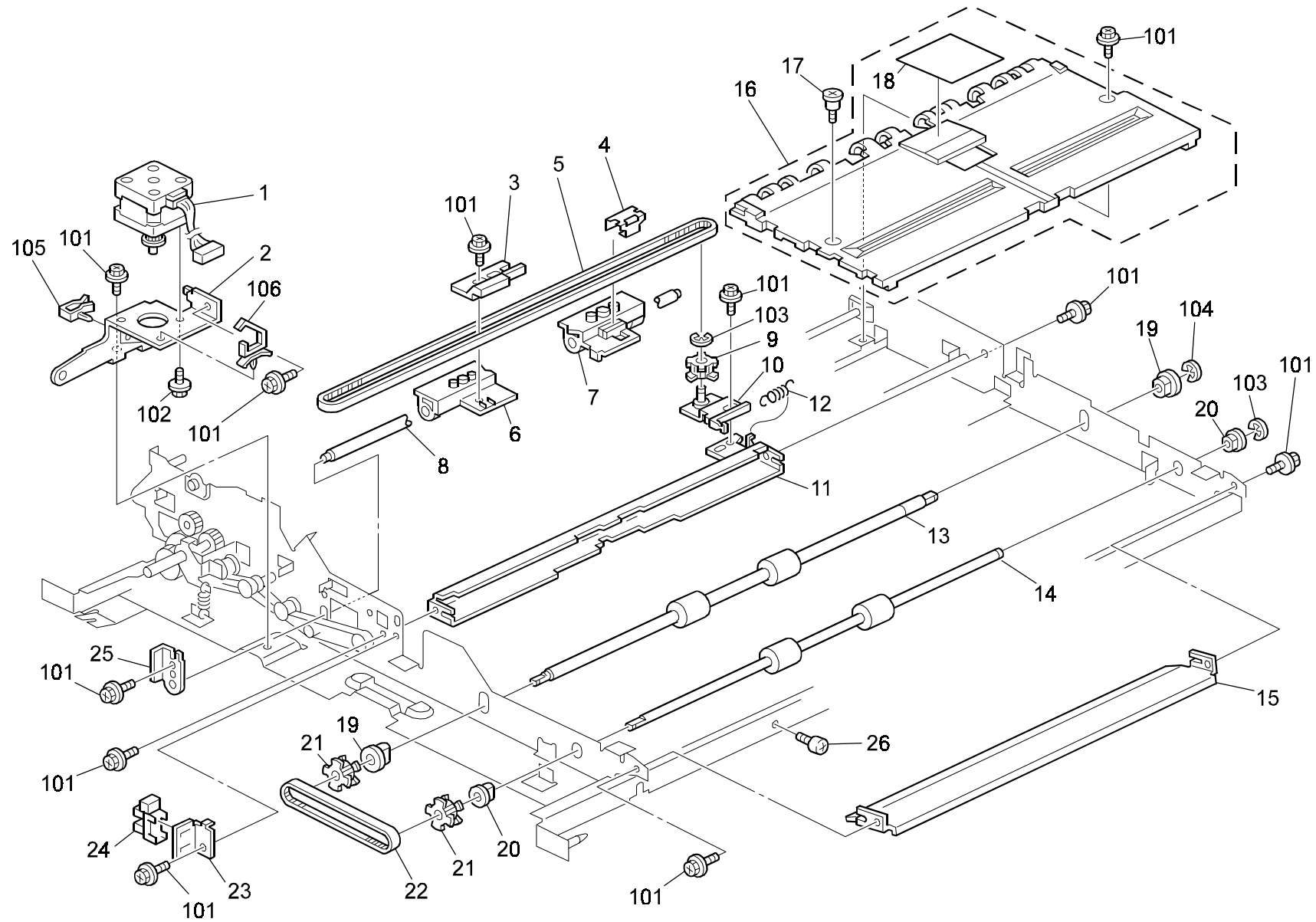
### 54.DUPLEX UNIT 3 (A294/A295)

Rev. 04/06/2001

Index No.	Part No.	Description	Q'ty Per Assembly
1	A294 4674	Inverter Exit Guide - Right	1
2	A294 4661	Duplex Junction Gate	1
3	A294 4673	Inverter Exit Guide - Left	1
4	5447 2681	Snap Ring	2
5	AG05 1141	Release Lever	1
6	AA06 6315	Rear Guide Spring	1
7	AA06 6316	Front Guide Spring	1
8	AA02 1031	Magnetic Catch	1
9	A294 4814	Lower Duplex Guide	1
10	A294 4802	Duplex Entrance Guide	1
11	AA14 3426	Stopped Screw - M4x17	1
12	A294 4807	Rear Side Plate - Duplex	1
13	AA06 3350	Pressure Spring	2
14	AA08 0034	Bushing - 4x5x7	2
15	AF02 2129	Duplex Driven Roller	1
16	AA12 0096	Duplex Antistatic Brush	1
17	A294 4809	Inverter Knob	1
18	A294 4806	Knob Bracket	1
19	AW01 0049	Photo Reflection Sensor	1
20	A294 4808	Front Side Plate - Duplex	1
21	AA06 6331	Duplex Entrance Spring	1
22	AA06 0805	Duplex Junction Spring	1
23	A294 4662	Junction Gate Solenoid	1
24	A294 4668	Cushion Junction Gate Solenoid	1
25	AA06 6336	Torsion Spring - Duplex Entrance	2

Index No.	Part No.	Description	Q'ty Per Assembly
101	0451 4008B	Philips Tapping Screw - M4x8	
102	0313 0040B	Philips Pan Head Screw - M3x4	
103	0453 4006B	Tapping Screw - 4x6	
104	0452 4006B	Tapping Screw - M4x6	
105	0720 0030B	Retaining Ring - M3	
106	0451 3008B	Tapping Screw - M3x8	
107	0450 3008B	Tapping Screw - M3x8	
108	1105 0328	Harness Clamp - ES-0505	
109	1105 0291	Harness Clamp - LWS-3S	

# 55.DUPLEX UNIT 4 (A294/A295)

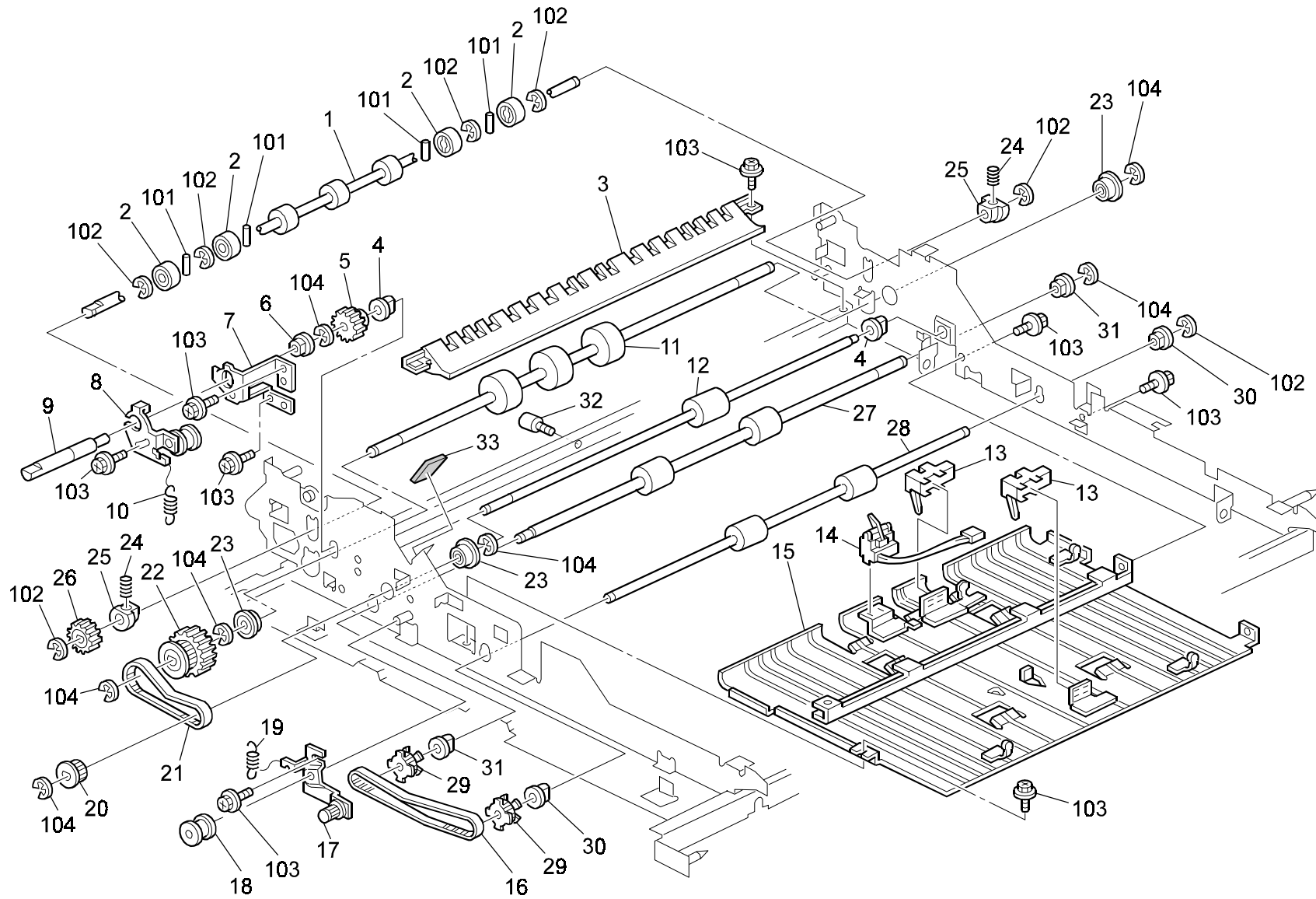


### 55.DUPLEX UNIT 4 (A294/A295)

Index No.	Part No.	Description	Q'ty Per Assembly
1	A294 4712	Motor - DC 17.76W	1
2	A294 4711	Jogger Motor - Bracket	1
3	A294 4723	Belt Holder Fixing Plate	1
4	A294 4718	Belt Holder	1
5	AA04 3282	Timing Belt - 774P2M4	1
6	A294 4721	Front Jogger Slider	1
7	A294 4716	Rear Jogger Slider	1
8	A294 4730	Jogger Guide Rod	1
9	A697 4170	Pulley - 32T	1
10	A294 4726	Idle Bracket	1
11	A294 4733	Jogger Fence Guide	1
12	AA06 0742	Tension Spring	1
13	AF02 0479	Drive Transport Roller	1
14	AF02 0480	Driven Transport Roller	1
15	A096 4891	Lever Exit Guide	1
16	A294 4737	Left Duplex Table	1
17	AA14 3307	Stepped Screw - M3	1
18	A294 4738	Duplex Entrance Seal	1
19	AA08 2047	Bushing - 8x16x7	2
20	AA08 2046	Bushing - 6x12x6	2
21	AB03 0583	Timing Pulley - 24Z	2
22	AA04 3279	Timing Belt - B60S3M225	1
23	A294 4736	Jogger HP Sensor Bracket	1
24	AW02 0056	Photointerruptor - EE-SX4235A-P1	1
25	A294 4732	Guide Rod Plate	1
26	5918 3120	Stud - M4	1

Index No.	Part No.	Description	Q'ty Per Assembly
101	0451 4008B	Philips Tapping Screw - M4x8	
102	0451 3006B	Tapping Screw - M3x6	
103	0720 0040B	Retaining Ring - M4	
104	0720 0060B	Retaining Ring - M6	
105	1105 0267	Harness Clamp - YMC-10-0	
106	1105 0291	Harness Clamp - LWS-3S	

# 56.DUPLEX UNIT 5 (A294/A295)





# 56.DUPLEX UNIT 5 (A294/A295)

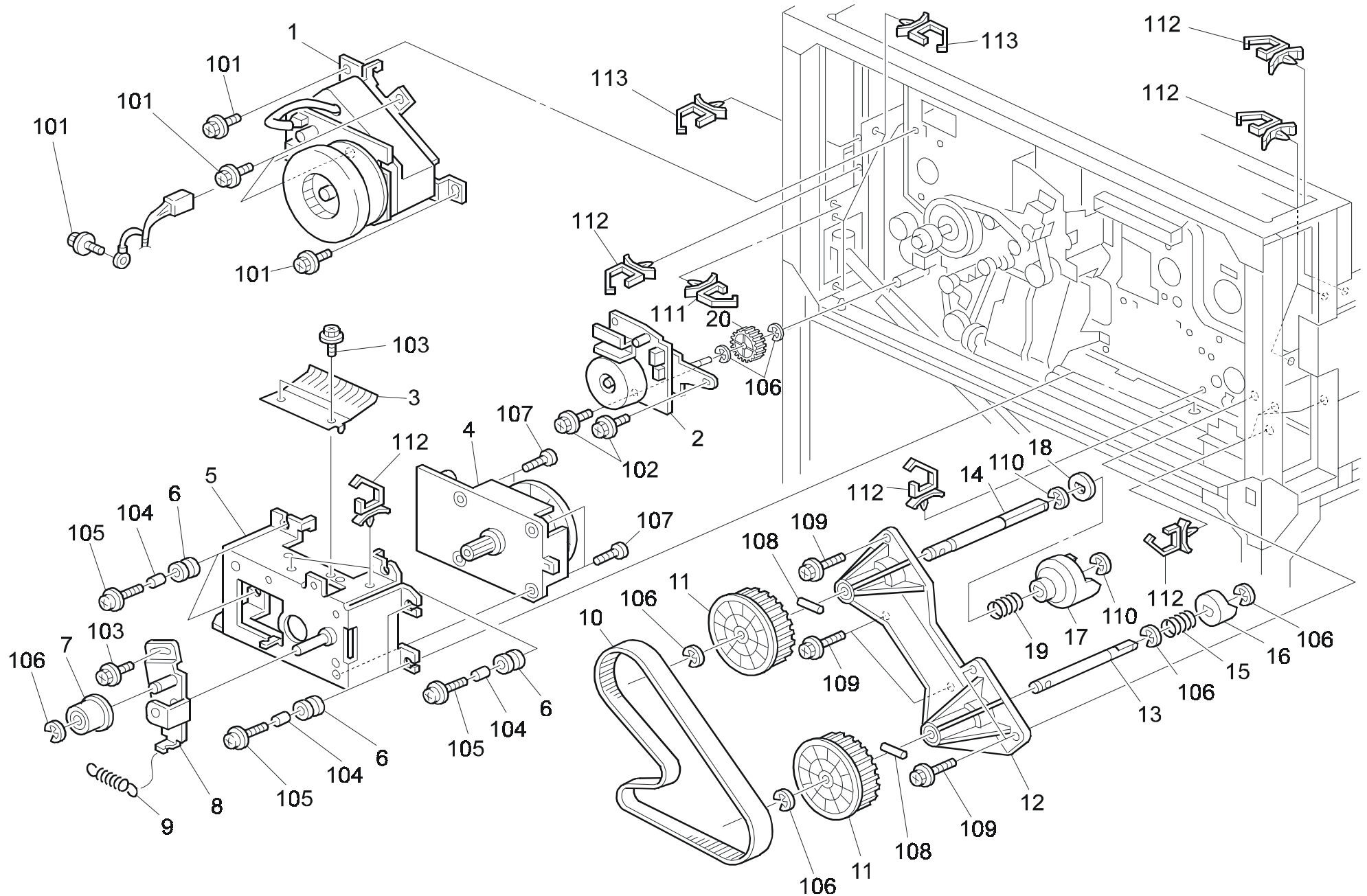
Rev. 04/06/2001

Index No.	Part No.	Description	Q'ty Per Assembly
1	A294 4652	Driven Duplex Roller	1
2	A294 4654	Transport Roller	4
3	A294 4626	Lower Duplex Guide Plate	1
4	AA08 2046	Bushing - 6x12x6	2
5	AB01 3603	Gear - 18Z	1
6	AA08 2047	Bushing - 8x16x7	1
7	A294 4831	Duplex Knob Bracket	1
8	A294 4792	Reverse Roller Tightner	1
9	A294 4832	Knob Shaft	1
10	AA06 0808	Reverse Roller Spring	1
11	AF02 0481	Drive Duplex Roller	1
12	AF02 0483	Drive Reverse Roller	1
13	AW02 0102	Photointerruptor	2
14	AW02 0064	Duplex Entrance Sensor	1
15	A294 4611	Upper Guide Plate	1
16	AA04 3281	Timing Belt - B40S2M300	1
17	A294 4788	Transport Tightener	1
18	AB03 0431	Transport Pulley	1
19	AA06 0742	Tension Spring	1
20	AB03 0308	Pulley - 15Z	1
21	AA04 3280	Timing Belt - B40S2M308	1
22	AB01 7511	Coupled Gear - 27Z/38Z	1
23	A232 3566	Ball Bearing - 8x16x5	3
24	AA06 3255	Exit Roller Spring	2
25	5205 2697	Bushing - Upper Registration Roller	2
26	AB01 4139	Gear - 20Z	1
27	AF02 0479	Drive Transport Roller	1
28	AF02 0480	Driven Transport Roller	1
29	AB03 0583	Timing Pulley - 24Z	2
30	AA08 2046	Bushing - 6x12x6	2
31	AA08 2047	Bushing - 8x16x7	2
32	5918 3120	Stud - M4	1
33	A167 4835	Cushion - 2x10x20	1

Index No.	Part No.	Description	Q'ty Per Assembly
101	0632 0100G	Pin - 2x10mm	
102	0720 0040B	Retaining Ring - M4	
103	0451 4008B	Philips Tapping Screw - M4x8	
104	0720 0060B	Retaining Ring - M6	

# 57.DRIVE SECTION 1 (A294/A295)

Rev. 03/25/2003



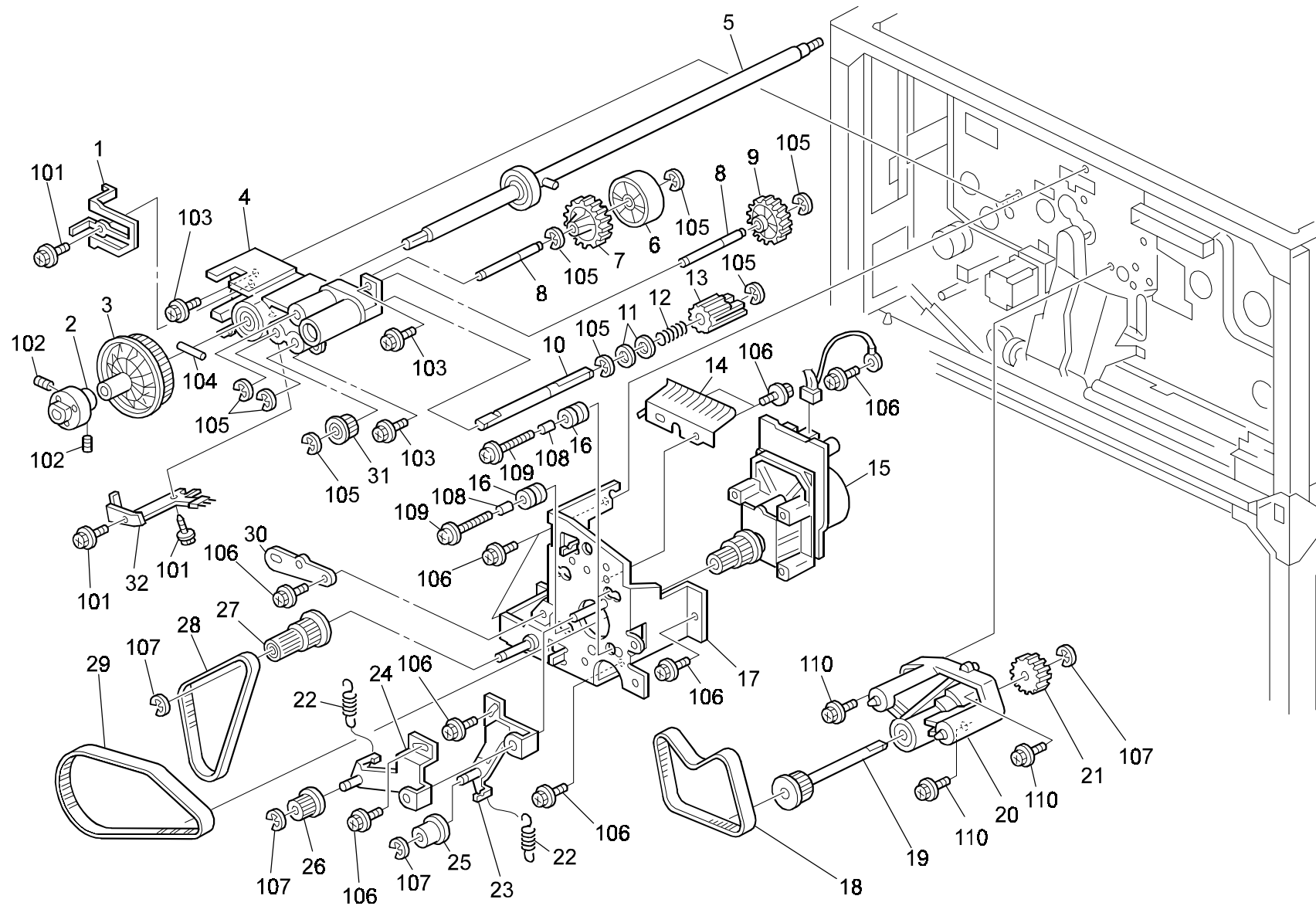
## 57.DRIVE SECTION 1 (A294/A295)

Rev. 03/25/2003

Index No.	Part No.	Description	Q'ty Per Assembly
1	A294 3051	Motor - DC 35W	1
2	A294 2800	Paper Feed Motor - DC24V 23.5W	1
3	A294 1134	Ground Plate - Fusing	1
4	AX07 0024	Fusing Motor - DC53W	1
5	A294 1121	Bracket Ass'y - Fusing Motor	1
6	AA16 1072	Cushion - DC Motor	4
7	A294 1127	Tightener - M28	1
8	A294 1124	Tightener - Fusing Duplex	1
9	A294 1169	Tension Spring - 35N	1
10	AA04 3544	Timing Belt - B150S3M741 - Fusing	1
11	AB03 0754	Pulley - T82	2
12	A294 1130	Fusing Drive Bracket	1
13	A294 1144	Shaft - Duplex Drive	1
14	A294 1132	Shaft - Fusing Drive	1
15	AA06 3490	Spring - 21.6mm	1
16	A294 1137	Joint - Duplex	1
17	A079 1201	Fusing Drive Joint	1
18	A079 1203	Fusing Drive Stopper	1
19	AA06 3182	Joint Spring	1
20	AB01 1131	Gear 48Z	1

Index No.	Part No.	Description	Q'ty Per Assembly
101	0451 4008B	Philips Tapping Screw - M4x8	
102	0951 4008B	Philips Screw With Washer - M4x8	
103	0451 4006B	Tapping Screw - 4x6	
104	0707 4060B	Bushing - 4x6	
105	0951 4010B	Philips Screw With Washer - M4x10	
106	0720 0060B	Retaining Ring - M6	
107	0314 0060B	Philips Pan Head Screw - M4x6	
108	0633 0200G	Pin - M3x20	
109	0451 4012B	Tapping Screw - 4x12	
110	0720 0080B	Retaining Ring - M8	
111	1105 0291	Harness Clamp - LWS-3S	
112	1105 0292	Wire Saddle	
113	1105 0316	Clamp	

# 58.DRIVE SECTION 2 (A294/A295)



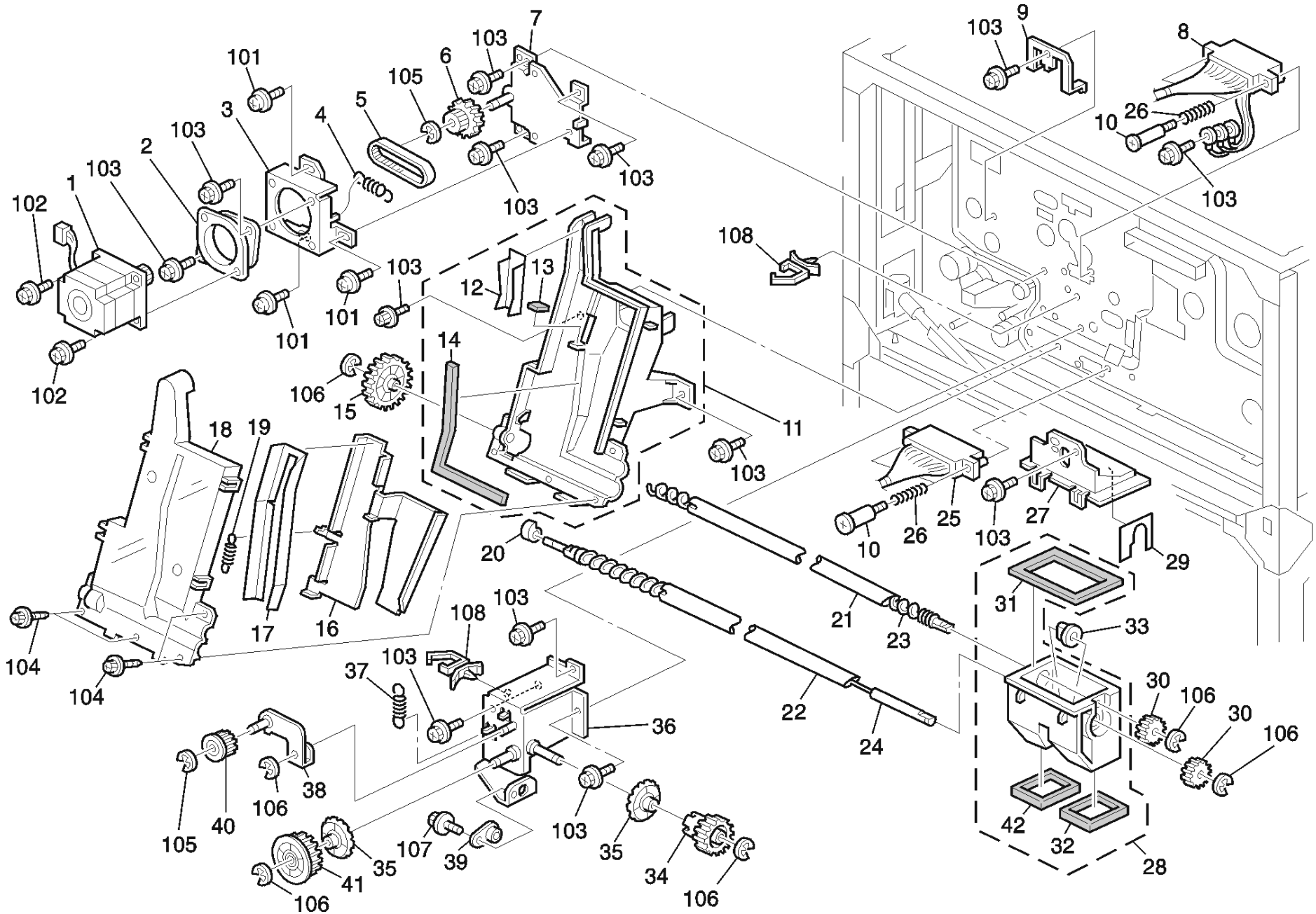
## 58.DRIVE SECTION 2 (A294/A295)

Index No.	Part No.	Description	Q'ty Per Assembly
1	A247 2327	Terminal Development Bias	1
2	A294 1118	Flange - Fly Wheel	1
3	AB03 0641	Pulley Z125 - Drum	1
4	A294 3680	Drum Shaft Stay	1
5	A294 3660	Drum Drive Shaft	1
6	A294 3671	Cam - Blade Slide	1
7	AB01 7473	Gear - 32Z	1
8	AA14 8579	Shaft - Transport Slide	2
9	AB01 2002	Gear - 13Z	1
10	AA14 8578	Shaft - Cleaning Drive	1
11	AA13 2024	Spacer - M6	2
12	AA06 3604	Pressure Spring	1
13	A294 3656	Gear Joint - Z16	1
14	A294 1113	Ground Plate - Drum	1
15	AX06 0189	Drum Motor - DC31W	1
16	AA16 1072	Cushion - DC Motor	4
17	A294 1101	Bracket - Drum Motor	1
18	AA04 3542	Timing Belt - B100S2M426	1
19	A294 1142	Transfer Drive Shaft	1
20	A096 1123	Belt Drive Bracket	1
21	A294 1141	Gear - 24Z	1
22	A294 1167	Tension Spring - 12N	2
23	A294 1109	Tightener - Transfer Cleaning	1
24	A294 1105	Tightener - Drum Unit	1
25	A294 1112	Pulley Tightener - M19	1
26	AB03 0652	Pulley Tightener - T34	1
27	AB03 3093	Idle Pulley - 25T/20T	1
28	AA04 3545	Timing Belt - B60S3M459	1
29	AA04 3543	Timing Belt - B100S3M327	1
30	A247 1183	Supporting Plate - Drum Shaft	1
31	AB03 0644	Pulley - Cleaning Drive	1
32	A247 2341	Electrode Plate - Drum Shaft	1

Index No.	Part No.	Description	Q'ty Per Assembly
101	0450 3008B	Tapping Screw - M3x8	
102	0575 0050E	Hexagon Headless Set Screw - M5x5	
103	0451 4012B	Tapping Screw - 4x12	
104	0633 0220G	Pin - 3x22	
105	0720 0040B	Retaining Ring - M4	
106	0451 4008B	Philips Tapping Screw - M4x8	
107	0720 0060B	Retaining Ring - M6	
108	0707 4060B	Bushing - 4x6	
109	0951 4010B	Philips Screw With Washer - M4x10	
110	0451 4010B	Tapping Screw - 4x10	

# 59.DRIVE SECTION 3 (A294/A295)

Rev. 11/27/2001



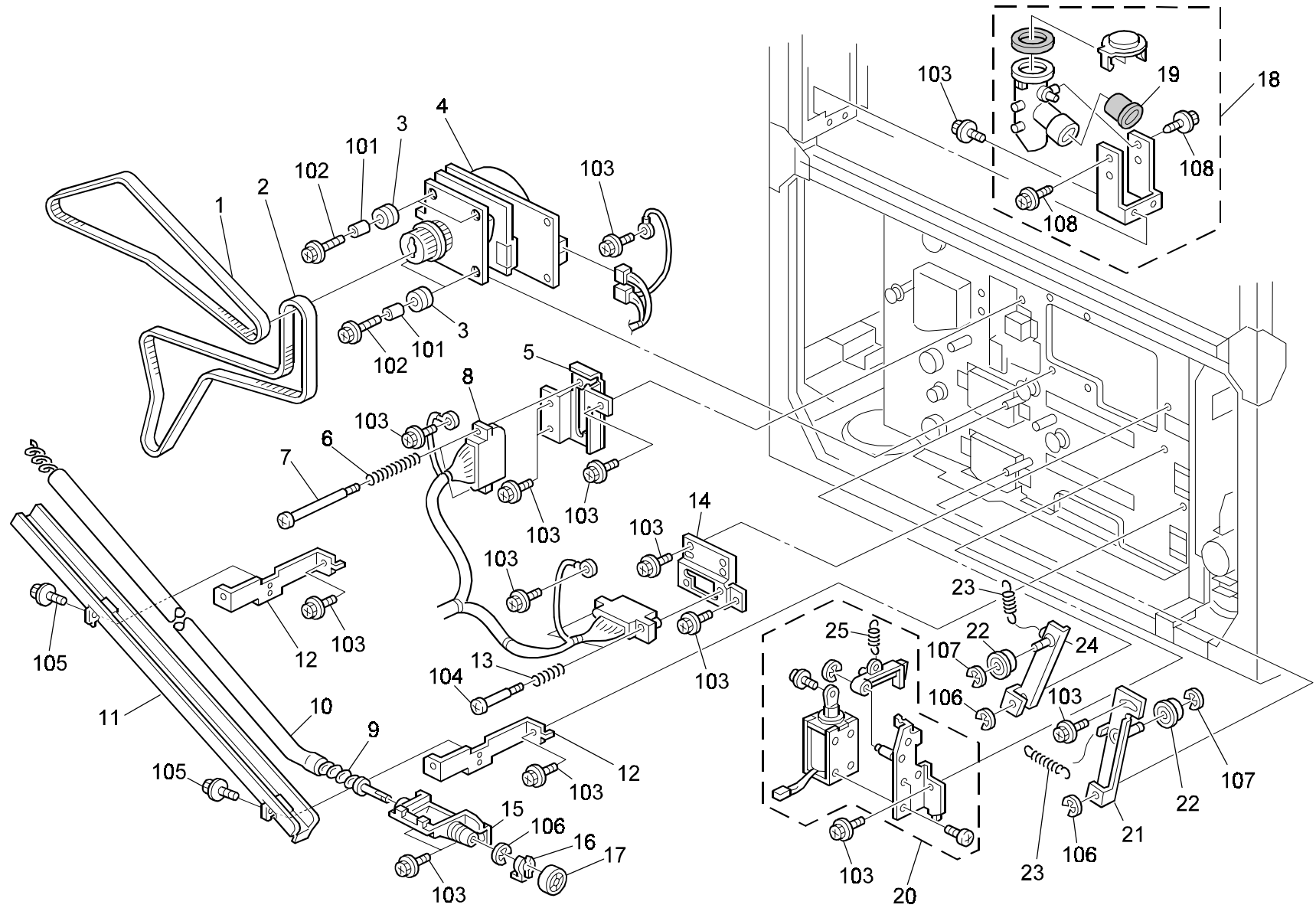
### 59.DRIVE SECTION 3 (A294/A295)

Rev. 11/27/2001

Index No.	Part No.	Description	Q'ty Per Assembly
1	AX05 0142	Registration Motor - DC24V 9.6W	1
2	AA16 1122	Motor Cushion	1
3	A229 1132	Bracket - Registration Motor	1
4	AA06 0720	Tension Spring - 7.75N	1
5	AA04 3269	Timing Belt - S2M114	1
6	AB01 7449	Gear - 21Z/24T	1
7	A229 1133	Stepper Motor Base Ass'y	1
8	A294 5461	DC Harness - Drum	1
9	A294 3078	Development Ground Plate	1
10	5446 5832	Connector Guide Pin	4
11	A294 3613	Toner Recycling Lower Case	1
12	A294 3628	Upper Guide - Vibrating Plate	1
13	A294 3614	Vibrating Plate Cushion	1
14	A294 3627	Seal - Toner Recycling Lower Case	1
15	A294 3621	Gear - 44Z	1
16	A294 3617	Vibrating Plate -toner Recycling	1
17	A294 3629	Lower Guide - Vibrating Plate	1
18	A294 3612	Toner Recycling Upper Case	1
19	AA06 0119	Arm Spring	1
20	A294 3618	Vibrating Plate Cam	1
21	A294 3638	Toner Recycling Pipe - M14mm	1
22	A294 3623	Used Toner Collection Pipe - M14mm	1
23	A294 3624	Transport Screw - Used Toner	1
24	A294 3619	Transport Screw - Toner Recycling	1
25	A294 5464	DC Harness - Duplex	1
26	AA06 3068	Spring Connector	4
27	A294 3636	Upper Case	1
28	A294 3630	Lower Case	1
29	A294 3637	Upper Case Cover	1
30	A294 3626	Gear - 17Z	2
31	A294 3632	Lower Case Seal	1
32	A294 3634	Seal	1
33	AA08 2058	Bushing - 6x10x9mm	1
34	A294 1162	Gear - Z24	1
35	A294 1163	Gear - 30Z	2

Index No.	Part No.	Description	Q'ty Per Assembly
36	A294 1151	Bracket Ass'y - Collection	1
37	A294 1168	Tension Spring - 27N	1
38	A294 1156	Tightener Ass'y - Collection	1
39	A294 1158	Transport Screw Bushing	1
40	AB03 0653	Pulley - 23T	1
41	AB03 0654	Pulley - T40	1
42	A294 3635	Seal	1
101	0951 4008B	Philips Screw With Washer - M4x8	
102	0451 4010B	Tapping Screw - 4x10	
103	0451 4008B	Philips Tapping Screw - M4x8	
104	0450 3008B	Tapping Screw - M3x8	
105	0720 0060B	Retaining Ring - M6	
106	0720 0040B	Retaining Ring - M4	
107	0451 4006B	Tapping Screw - 4x6	
108	1105 0310	Harness Clamp - LWS-1S	

# 60.DRIVE SECTION 4 (A294/A295)





## 60.DRIVE SECTION 4 (A294/A295)

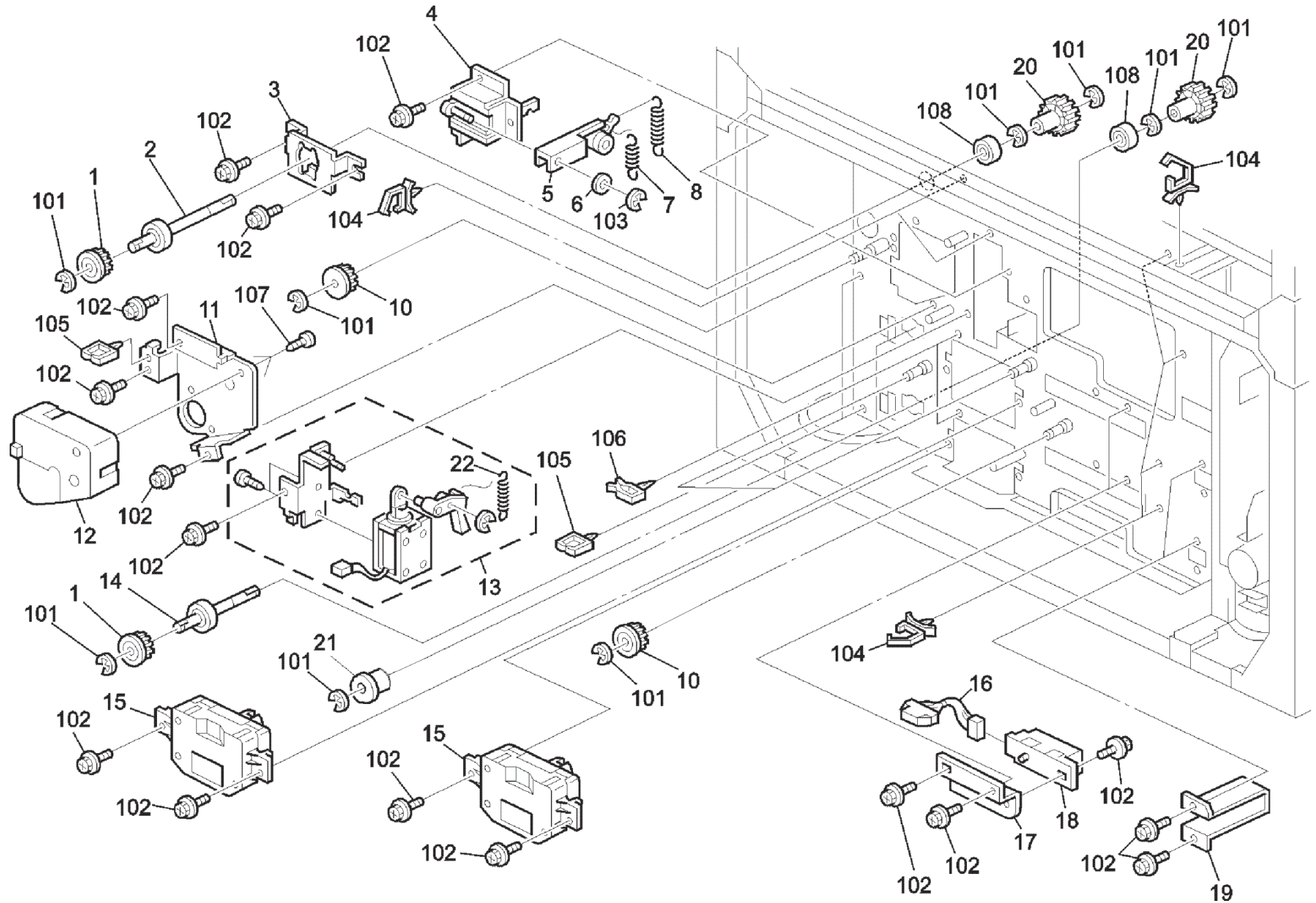
Rev. 08/12/2002

Index No.	Part No.	Description	Q'ty Per Assembly
1	AA04 3540	Timing Belt - 633P3M6	1
2	AA04 3541	Timing Belt - 852P3M6	1
3	AA16 1104	Cushion - Motor	1
4	A294 6171	DC Motor - 27.6W	4
5	A248 6767	Right Connector Bracket	1
6	AA06 3583	Spring	2
7	AA14 3483	Stepped Screw	2
8	A294 5462	DC Harness - Tandem LCT	1
9	A294 3477	Toner Transport Screw	1
10	A294 3475	Tube - 12x14x835	1
11	A294 3482	Tube Guide Rail	1
12	A294 1514	Bracket - Feed Control Board	2
13	AA06 3268	Connector Spring	2
14	A248 6757	Left Connector Bracket	1
15	B070 3471	Toner Transport Screw Case	1
16	5447 2681	Snap Ring	1
17	A294 3480	Driving Joint	1
18	A294 3485	Toner Transport Joint	1
19	A294 3476	Pipe Seal	1
20	A248 6758	DC Lock Solenoid	1
21	A096 6186	Lower Tightner - P/B	1
22	AB03 2721	Idle Pulley - M18	2
23	AA06 2311	Paper Bank Drive Spring	2
24	A096 6188	Upper Tightner - P/B	1
25	AA06 0754	Tension Spring	1

Index No.	Part No.	Description	Q'ty Per Assembly
101	0707 4050B	Bushing - 4x5	
102	0451 4012B	Tapping Screw - 4x12	
103	0451 4008B	Philips Tapping Screw - M4x8	
104	0803 0058	Stepped Screw	
105	0451 4006B	Tapping Screw - 4x6	
106	0720 0040B	Retaining Ring - M4	
107	0720 0060B	Retaining Ring - M6	
108	0450 3008B	Tapping Screw - M3x8	

# 61.DRIVE SECTION 5 (A294/A295)

Rev. 03/12/2003



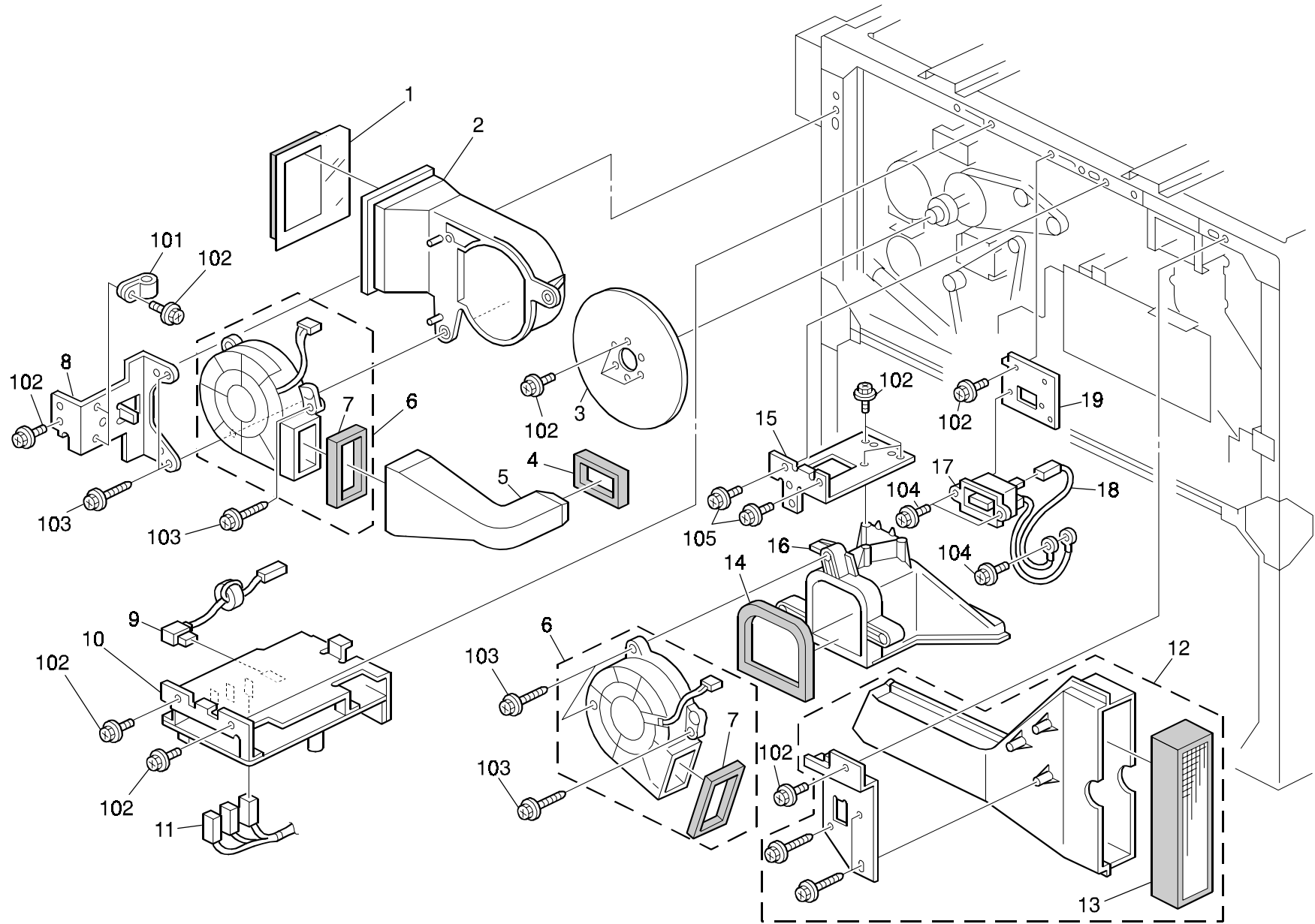
## 61.DRIVE SECTION 5 (A294/A295)

Rev. 03/12/2003

Index No.	Part No.	Description	Q'ty Per Assembly
1	AB03 0751	Timing Pulley - 22Z	3
2	A247 6198	Uper Drive Shaft	1
3	A247 6165	Paper Support Plate	1
4	A293 6766	Arm Bracket	1
5	A248 6792	Lock Arm - Tandem Tray	1
6	AA13 2203	Spacer - 6mm	1
7	AA06 2252	Spring - Small	1
8	AA06 2251	Spring - Large	1
10	AB03 0750	Timing Pulley - 18Z	2
11	A248 6168	Bracket - Lift Motor	1
12	A248 6167	DC Motor - 19.2W	1
13	A248 6750	DC Solenoid - Coupling	1
14	A096 6199	Lower Drive Shaft	1
15	AX04 0117	DC Motor - 1.9W	2
16	A096 5416	Paper Size Harness	2
17	A096 6177	Paper Size Bracket	2
18	AW50 0010	Push Switch	2
19	A096 6158	Paper Tray Stopper	2
20	AB01 3781	Gear - 30Z	2
21	AB03 0752	Idle Pulley - M18	2
22	AA06 0755	Tension Spring	1

Index No.	Part No.	Description	Q'ty Per Assembly
101	0720 0060B	Retaining Ring - M6	
102	0451 4008B	Philips Tapping Screw - M4x8	
103	0720 0040B	Retaining Ring - M4	
104	1105 0291	Harness Clamp - LWS-3S	
105	1105 0199	Clamp	
106	1105 0087	Clamp	
107	0414 0102B	Tapping Screw M4x10	
108	0740 3008	Ball Bearing - 8x22x7	

# 62.ELECTRICAL SECTION 1 (A294/A295)



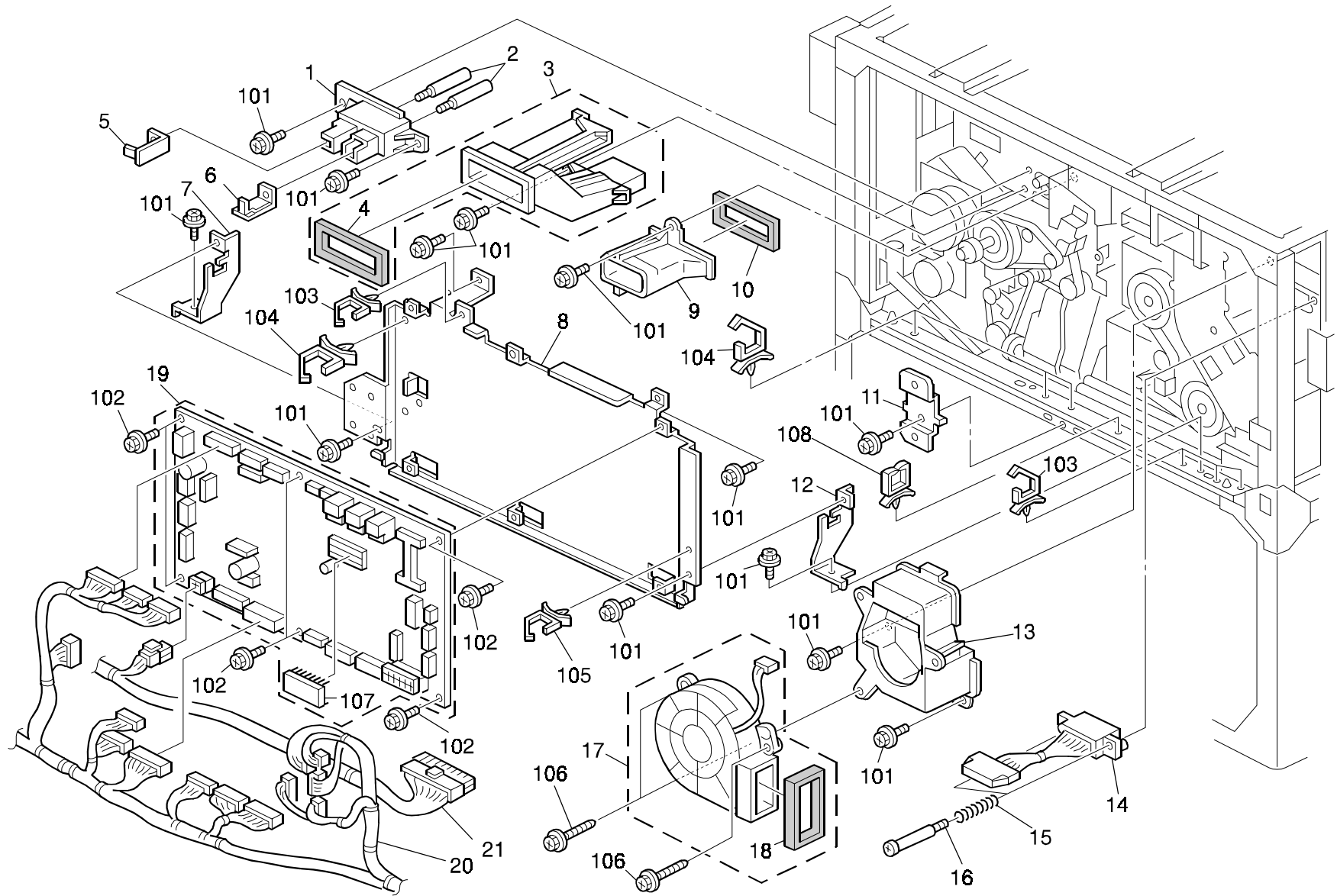
## 62.ELECTRICAL SECTION 1 (A294/A295)

Rev. 02/05/2003

Index No.	Part No.	Description	Q'ty Per Assembly
1	A294 2120	Seal - Fan Duct	1
2	A294 2121	Exhaust Fan Duct	1
3	A294 1119	Fly Wheel	1
4	AA15 1771	Seal - 5x10x138	1
5	A247 2116	Exhaust Duct	1
6	A247 2110	DC Motor - 11W	2
7	AA15 1775	Seal - Fan	2
8	B070 2062	Bracket - Exhaust Duct	1
9	A294 5361	Cable - 10KV 105C	1
10	AZ32 0097	DC Power Board	1
11	A294 5365	High Voltage Cable - G/B/S	1
12	A294 2071	Exhaust Duct Ass'y	1
13	A294 2076	Ozone Filter	1
14	A294 2079	Seal - Rear Duct	1
15	B070 2065	Bracket - Rear Duct	1
16	A294 2067	Rear Duct Ass'y	1
17	B070 5459	Grounding Wire - DF	1
18	B070 5460	Interface Grounding Harness	1
19	B070 1509	ADF Plug Bracket	1

Index No.	Part No.	Description	Q'ty Per Assembly
101	1105 0009	Nylon Clamp - 5n	
102	0451 4008B	Philips Tapping Screw - M4x8	
103	0450 4016B	Tapping Screw - 4x16	
104	0451 3008B	Tapping Screw - M3x8	
105	0450 4008B	Tapping Screw - 4x8	

# 63.ELECTRICAL SECTION 2 (A294/A295)

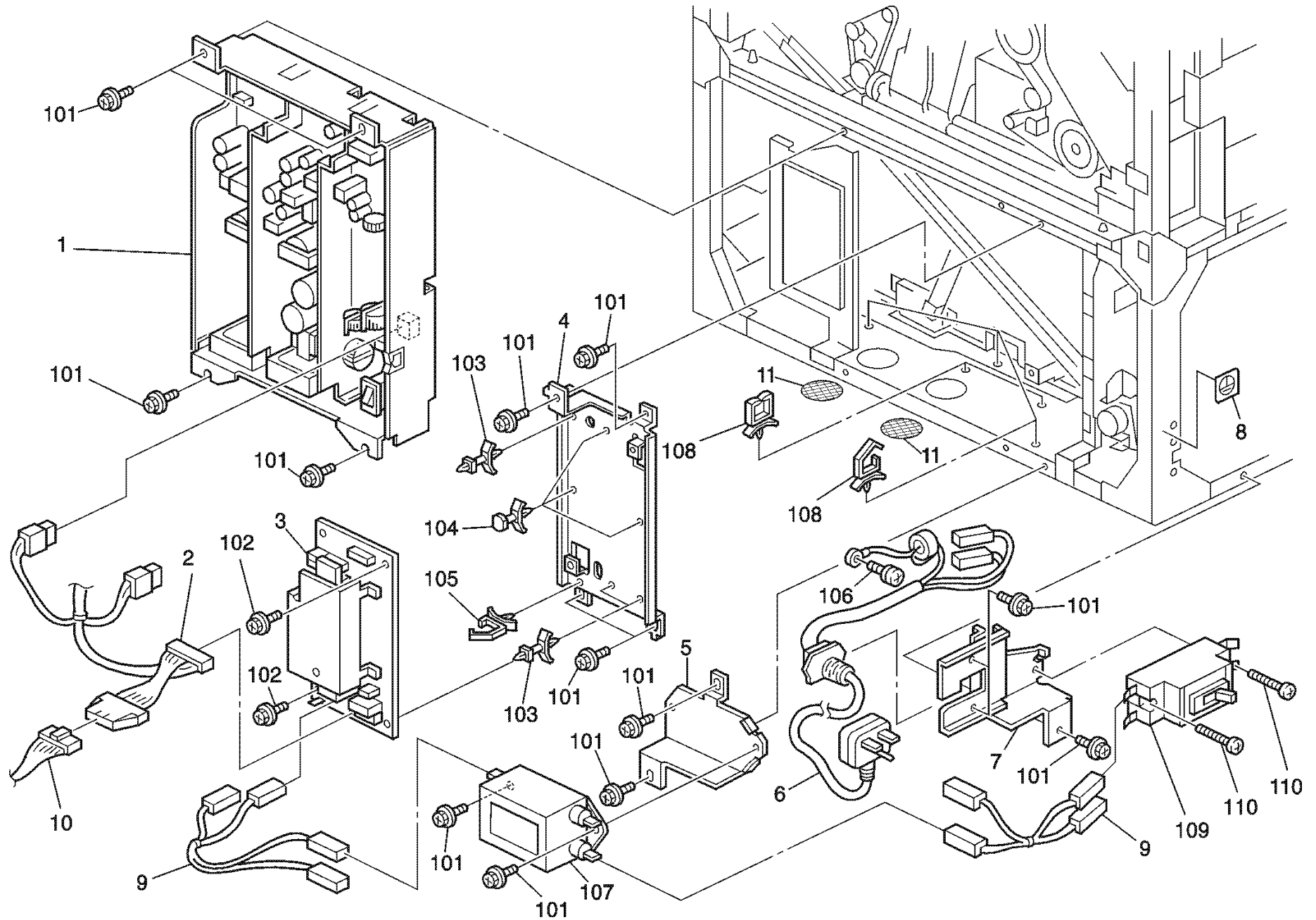


### 63.ELECTRICAL SECTION 2 (A294/A295)

Rev. 01/05/2003

Index No.	Part No.	Description	Q'ty Per Assembly
1	A294 2051	Rear Receptacle	1
2	A294 2052	Receptacle Pin	2
3	A247 2113	Drum Cooling Duct	1
4	AA15 3067	Seal - Cooling Duct	1
5	A294 2053	Receptacle Connector - G	1
6	A294 2122	Receptalce Connector - C	1
7	B070 1502	Right Hinge - BCU	1
8	A294 1501	Bracket BCU	1
9	A294 2057	Inner Duct	1
10	A294 2054	Seal - Inner Duct	1
11	A294 1369	Bracket - Under Cover	1
12	A294 1503	Left Hinge - BCU	1
13	A294 1182	Exhaust Duct - Fusing	1
14	B070 5485	Paper Exit Harness	1
15	AA06 3068	Spring Connector	2
16	5446 5832	Connector Guide Pin	1
17	A247 2110	DC Motor - 11W	1
18	AA15 1775	Seal - Fan	1
19	A294 5261	BCU Board	1
20	A294 5450	DC Main Harness	1
21	A294 5454	DC Harness - Power Supply	1

Index No.	Part No.	Description	Q'ty Per Assembly
101	0451 4008B	Philips Tapping Screw - M4x8	
102	0451 3006B	Tapping Screw - M3x6	
103	1105 0292	Wire Saddle	
104	1105 0316	Clamp	
105	1105 0310	Harness Clamp - LWS-1S	
106	0450 4016B	Tapping Screw - 4x16	
107	1407 4730	Sram Stk12c68-w45	
108	1105 0198	Harness Clamp - WS-3 NSV-0	





### 64.ELECTRICAL SECTION 3 (A294/A295)

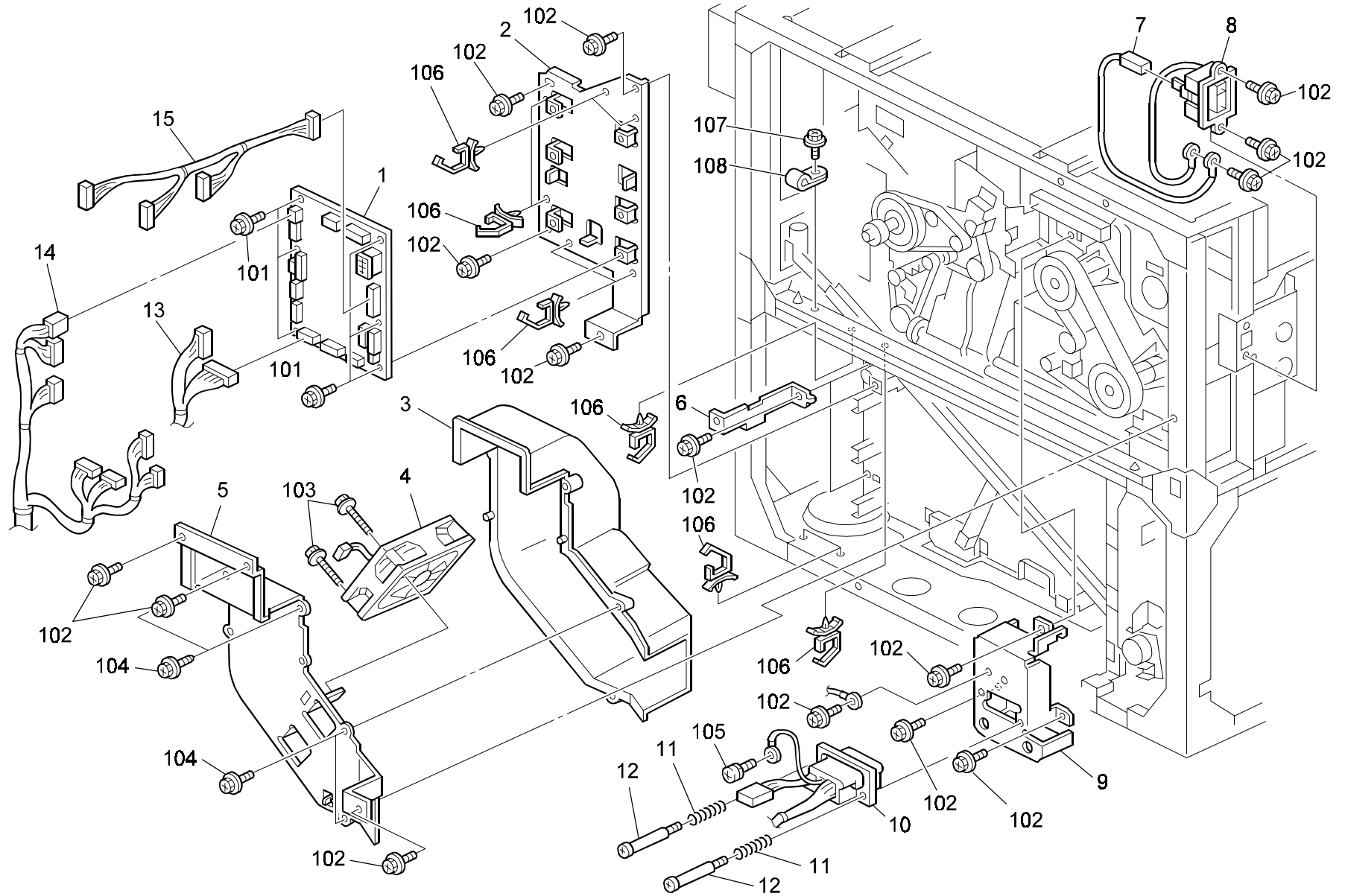
Rev. 01/05/2003

Index No.	Part No.	Description	Q'ty Per Assembly
1	AZ25 0014	Power Supply Unit - 819W 200-240V	1
2	A294 5440	AC Harness	1
3	A294 5410	AC Drive Board	1
4	B070 1523	Bracket - AC Drive Board	1
5	B070 1521	Bracket - Noise Filter	1
6	A294 5620	Power Cord - USA	1
6	A294 5670	Power Cord - 230V	1
7	B070 1522	Bracket - Power Cord	1
8	AA00 1190	Decal - Ground	1
9	A294 5441	DC Harness	2
10	A294 5442	AC Harness - Heater	1
11	A294 9450	Filter	2

Index No.	Part No.	Description	Q'ty Per Assembly
101	0451 4008B	Philips Tapping Screw - M4x8	
102	0451 3006B	Tapping Screw - M3x6	
103	1105 0192	Locking Support	
104	1106 0383	Supportor - P.C.B.	
105	1105 0489	Harness Clamp - LWS - 1316Z	
106	0801 0142	Screw - Spring Washer - M5X8	
107	1607 1143	Noise Filter	
108	1105 0198	Harness Clamp - WS-3 NSV-0	
109	1107 0943	Circuit Brackekr - 1.5KA	
110	0434 0250B	Pan Head Self-tapping Screw - M4x25	

# 65.ELECTRICAL SECTION 4 (A294)

Rev. 9/2001

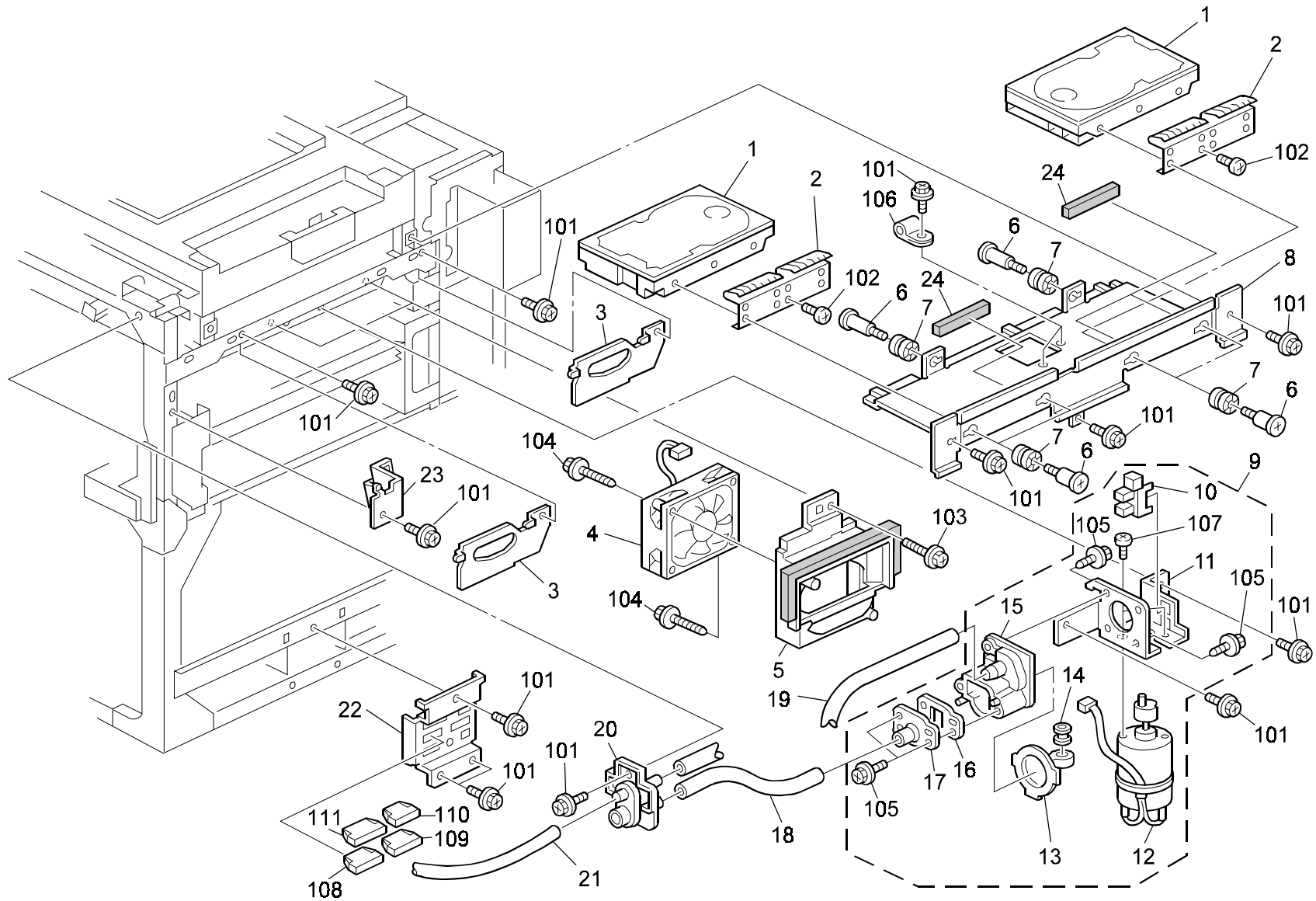


## 65.ELECTRICAL SECTION 4 (A294)

Rev. 9/2001

Index No.	Part No.	Description	Q'ty Per Assembly
1	A294 5310	IO Board (A294I/A295I)	1
1	A294 5340	I/O Board (A294II/A295II/UP-KIT)	1
2	A294 1513	Bracket - Feed Control Board	1
3	A294 4372	Paper Cooling Duct	1
4	AX64 0106	Fan Motor - DC 2.88W	1
5	A294 4373	Paper Cooling Duct Cover	1
6	A294 1514	Bracket - Feed Control Board	2
7	A294 5486	Interface Grounding Harness	1
8	A294 5485	Interface Finisher Grounding Harness	1
9	A294 4183	Cable Connector Bracket	1
10	A294 5465	Fusing Harness	1
11	AA06 3068	Spring Connector	2
12	5446 5832	Connector Guide Pin	2
13	A294 5468	Sub DC Harness - Paper Bank	1
14	A294 5452	Main DC Harness - Paper Bank	1
15	B479 5450	Toner Suction Motor Harness (UP-KIT)	1

Index No.	Part No.	Description	Q'ty Per Assembly
101	0451 3006B	Tapping Screw - M3x6	
102	0451 4008B	Philips Tapping Screw - M4x8	
103	0451 4035B	Tapping Screw - M4x35	
104	0450 4010B	Tapping Screw - 4x10	
105	0950 4006B	Screw - M4X6	
106	1105 0292	Wire Saddle	
107	0451 4010B	Tapping Screw - 4x10	
108	1105 0009	Nylon Clamp - 5N	



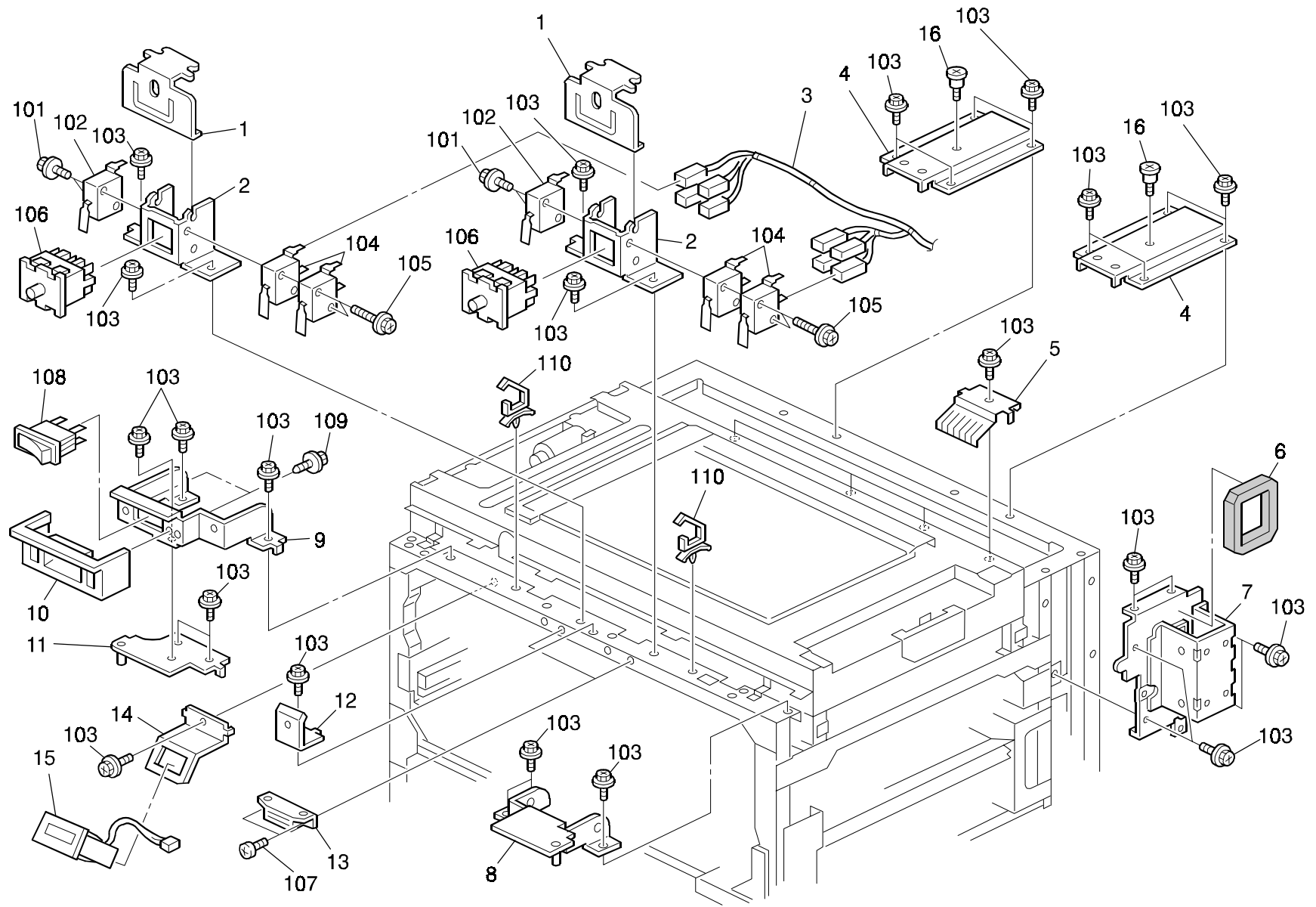
## 66.ELECTRICAL SECTION 5 (A294/A295)

Rev. 03/03/2003

Index No.	Part No.	Description	Q'ty Per Assembly
1	B065 5112	HDD 40G	2
1	A295 5172	Hard Disk Drive - Fireball Plus KX - <b>A295</b>	2
2	A294 1506	HDD Ground Plate	2
3	A294 3093	Air Block Plate	2
4	AX64 0106	Fan Motor - DC 2.88W	1
5	A294 3090	Fan Duct	1
6	AA14 3499	Stepped Screw	6
7	AA16 1125	Rubber Cushon	6
8	A294 1507	Bracket - HDD	1
9	A294 3062	Air Pump Motor - DC 5.85W	1
10	AW02 0056	Photointerruptor - EE-SX4235A-P1	1
11	A294 3064	Air Pump Bracket	1
12	A294 3065	DC Motor - Tonner Supply	1
13	A294 3086	Toner Supply Pump	1
14	A294 3084	Coller - 4x7x8	1
15	A294 3081	Air Pump	1
16	A294 3085	Pump Seal	1
17	A294 3083	Pump Cap	1
18	A294 3072	Tube - 6x9x170	1
19	A294 3071	Tube - 6x9x1000	1
20	A294 3061	Pump Joint	1
21	A294 3073	Tube - 6x9x1150	1
22	A294 1511	Connector Bracket	1
23	A294 3076	Development Connector Bracket	1
24	A294 1505	HDD Gasket	2

Index No.	Part No.	Description	Q'ty Per Assembly
101	0451 4008B	Philips Tapping Screw - M4x8	
102	0801 0153	Bind Screw - M6x32	
103	0451 4014B	Tapping Screw - M4x14	
104	0450 4035B	Philips Tapping Screw - M4x35	
105	0450 4008B	Tapping Screw - 4x8	
106	1105 0306	Metal Clamp - AI-4	
107	0450 4035B	Philips Tapping Screw - M4x35	
108	1102 6265	Connector - RED 8P	
109	1102 6251	Connector - 8P	
110	1102 6245	Relay Connector - 2P	
111	1102 6256	Relay Connector - 13P	

# 67.ELECTRICAL SECTION 6 (A294/A295)

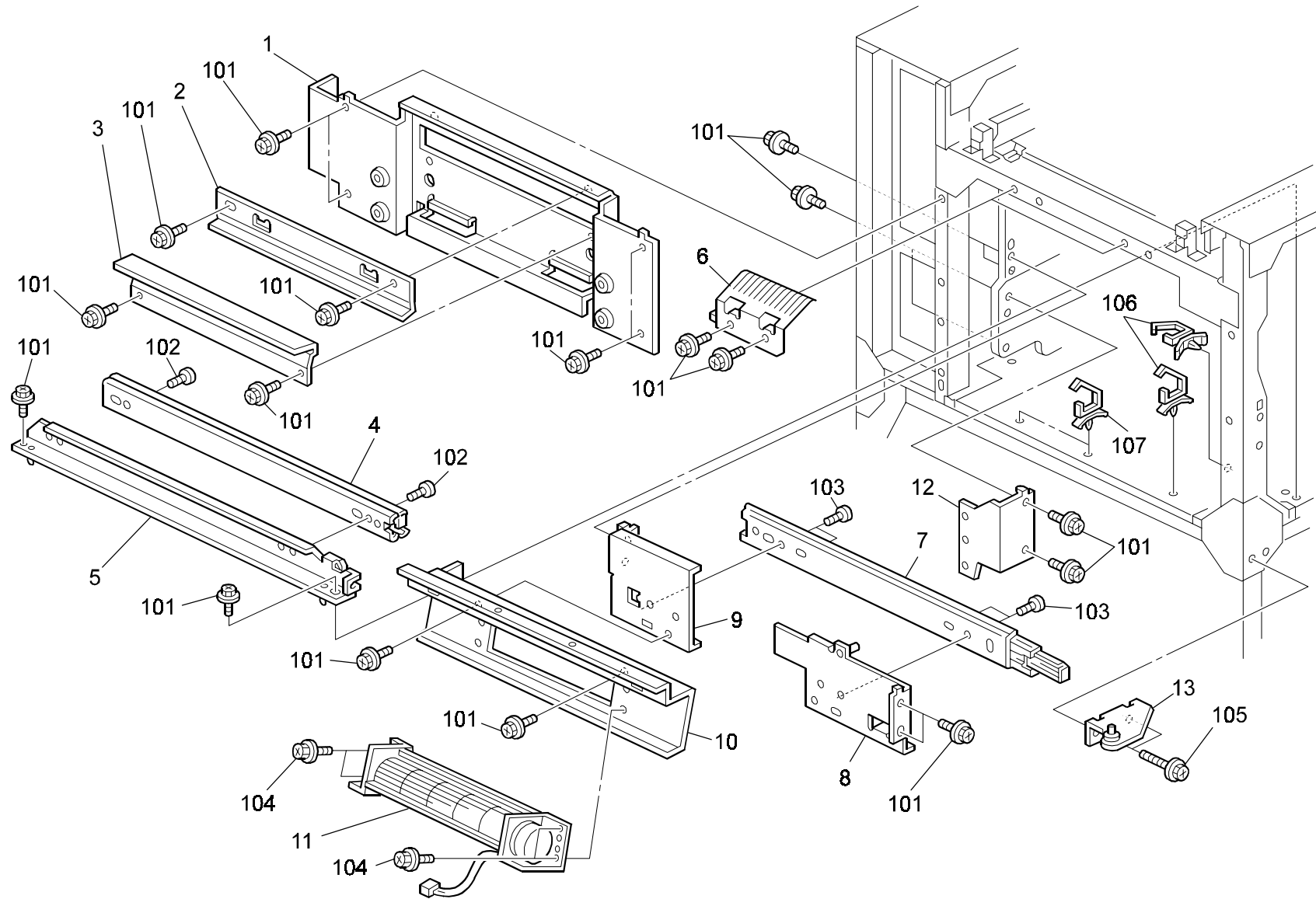


## 67.ELECTRICAL SECTION 6 (A294/A295)

Index No.	Part No.	Description	Q'ty Per Assembly
1	A294 1346	Lever - Interlock Switch	2
2	A294 1345	Bracket - Interlock Switch	2
3	A294 5226	Safety Switch Harness	1
4	A294 1086	ADF Holder	2
5	A294 1837	Ground Plate - Rear Frame	4
6	A294 2124	Seal - Operation Frame	1
7	A294 1442	Frame - Operation Panel	1
8	A294 1352	Right Upper Hinge	1
9	A294 1348	Bracket - Main Switch	1
10	A294 1349	Cover - Main Switch	1
11	A294 1360	Lower Left Hinge	1
12	A294 1259	Bracket - Upper Cover	1
13	AG07 0004	Magnetic Catch	2
14	A294 1347	Bracket - Total Counter	1
15	AX31 0036	Total Counter	1
16	A859 7211	Stepped Screw	2

Index No.	Part No.	Description	Q'ty Per Assembly
101	0451 3014B	Tapping Screw - M3-14	
102	1204 2509	Micro Switch - V16506K-3C205	
103	0451 4008B	Philips Tapping Screw - M4x8	
104	1204 2515	Micro Switch - DE2L-FJ10	
105	0801 0141	Pah Head Screw - M2x16	
106	1204 2508	Interlock Switch - FA7L-AJAB	
107	0314 0080B	Philips Pan Head Screw - M4x8	
108	1204 2468	Switch - AC250/16A	
109	0450 3008B	Tapping Screw - M3x8	
110	1105 0310	Harness Clamp - LWS-1S	

# 68.FRAME SECTION 1 (A294/A295)



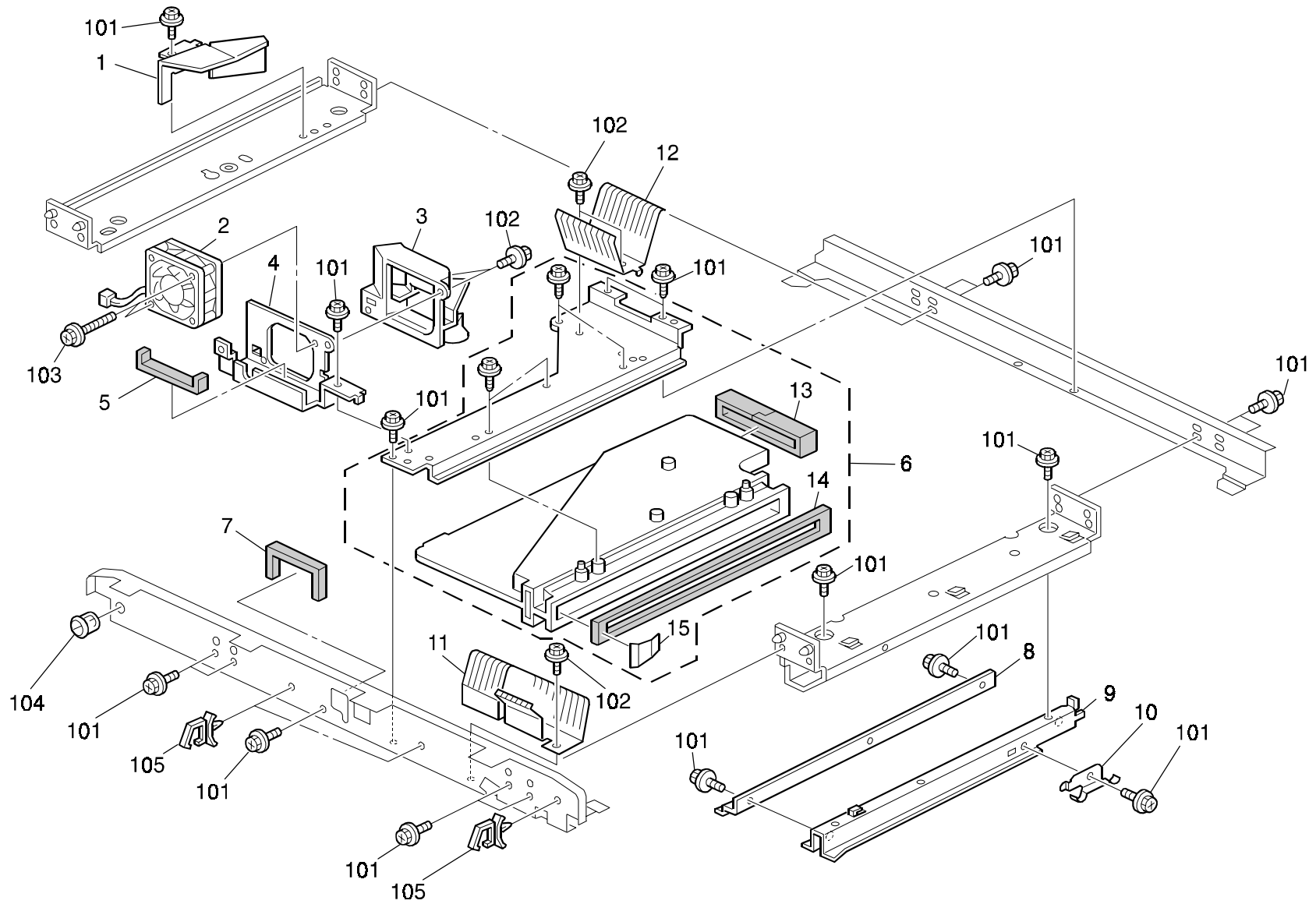


### 68.FRAME SECTION 1 (A294/A295)

Index No.	Part No.	Description	Q'ty Per Assembly
1	A294 4391	Finisher Connecting Bracket	1
2	A294 4392	Upper Guide Plate	1
3	A294 4393	Lower Exit Guide Plate	1
4	AA07 0048	Duplex Slide Rail	1
5	A294 4871	Slide Rail Stay - Left	1
6	A294 1836	Ground Plate - Left Frame	2
7	AA07 0050	Slide Rail	1
8	A294 4356	Slide Rail Bracket - Left Front	1
9	A294 4357	Slide Rail Bracket - Left Rear	1
10	A294 4369	Fan Motor Bracket	1
11	AX65 0021	Fan Motor - DC6.48W	1
12	A294 1196	Left Fixing Plate	1
13	A294 1363	Lower Left Hinge	1

Index No.	Part No.	Description	Q'ty Per Assembly
101	0451 4008B	Philips Tapping Screw - M4x8	
102	0434 0080B	Pan Head Self-tapping Screw - M4x8	
103	0434 0060B	Pan Head Self-tapping Screw - M4x6	
104	0451 3008B	Tapping Screw - M3x8	
105	0451 4012B	Tapping Screw - 4x12	
106	1105 0310	Harness Clamp - LWS-1S	
107	1105 0292	Wire Saddle	

# 69.FRAME SECTION 2 (A294/A295)

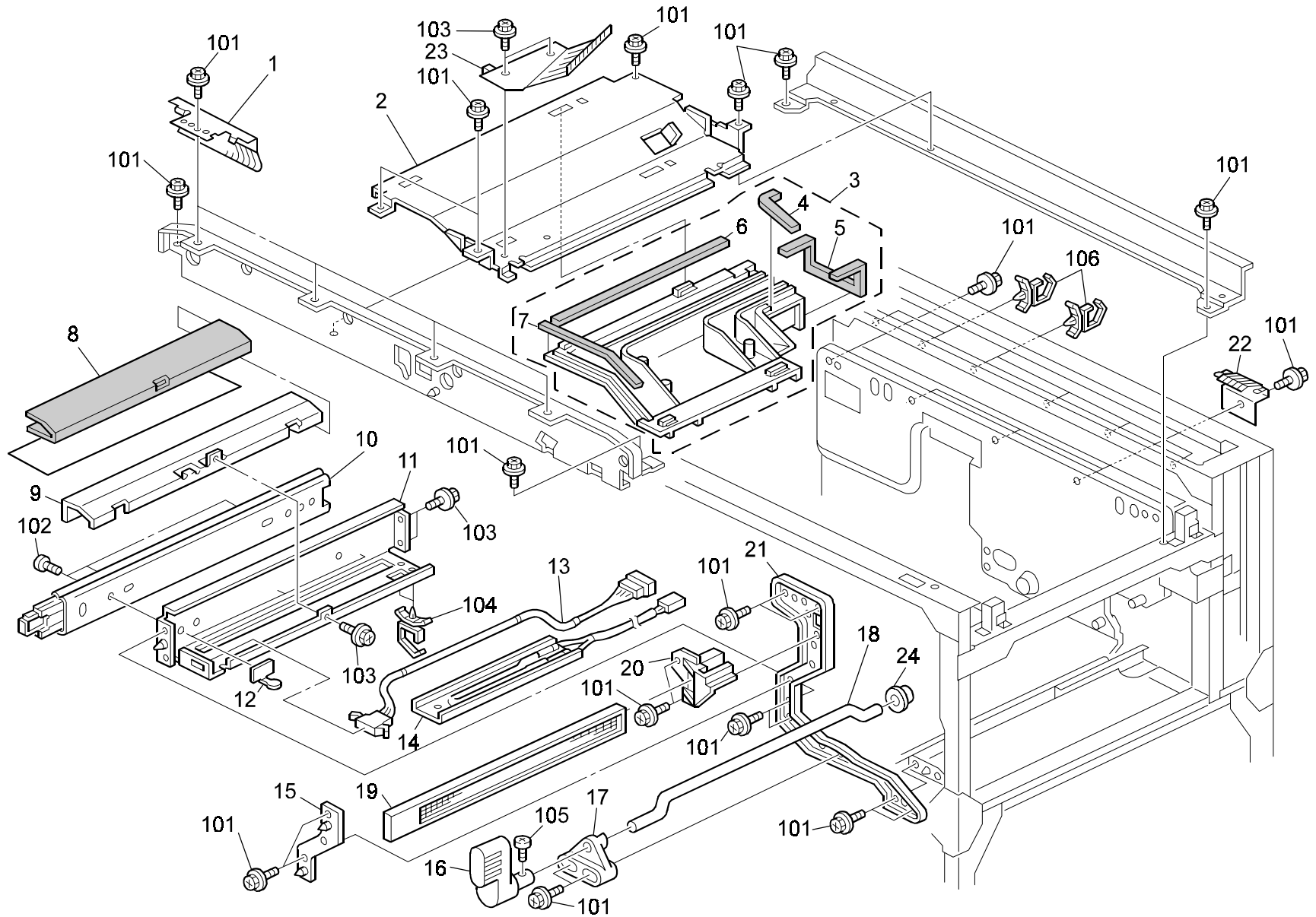


## 69.FRAME SECTION 2 (A294/A295)

Index No.	Part No.	Description	Q'ty Per Assembly
1	A294 1976	Duct - Left Rear Frame	1
2	AX64 0082	Fan Motor - DC24V 1.8W	1
3	A294 1972	Duct - Optical Housing	1
4	A294 1971	Bracket - Optical Housing Fan	1
5	A294 1975	Lower Seal - Fan Motor	1
6	A294 2101	Duct Ass'y	1
7	A294 1977	Upper Seal - Fan Motor	1
8	A096 1677	Right Rail - Drum Unit	1
9	A229 1186	Development Guide Rail	1
10	A096 1679	Development Grounding Plate	1
11	A294 1992	Ground Plate - Front Imaging Unit	1
12	A294 1991	Ground Plate - Rear Imaging Unit	1
13	A294 2106	Exit Duct Seal	1
14	A294 2108	Entrance Duct Seal	1
15	A294 2109	Entrance Duct Slider	1

Index No.	Part No.	Description	Q'ty Per Assembly
101	0451 4008B	Philips Tapping Screw - M4x8	
102	0451 3006B	Tapping Screw - M3x6	
103	0451 3030B	Tapping Screw - 3x30	
104	1106 0200	Bushing - 19.44mm	
105	1105 0310	Harness Clamp - LWS-1S	

# 70.FRAME SECTION 3 (A294/A295)



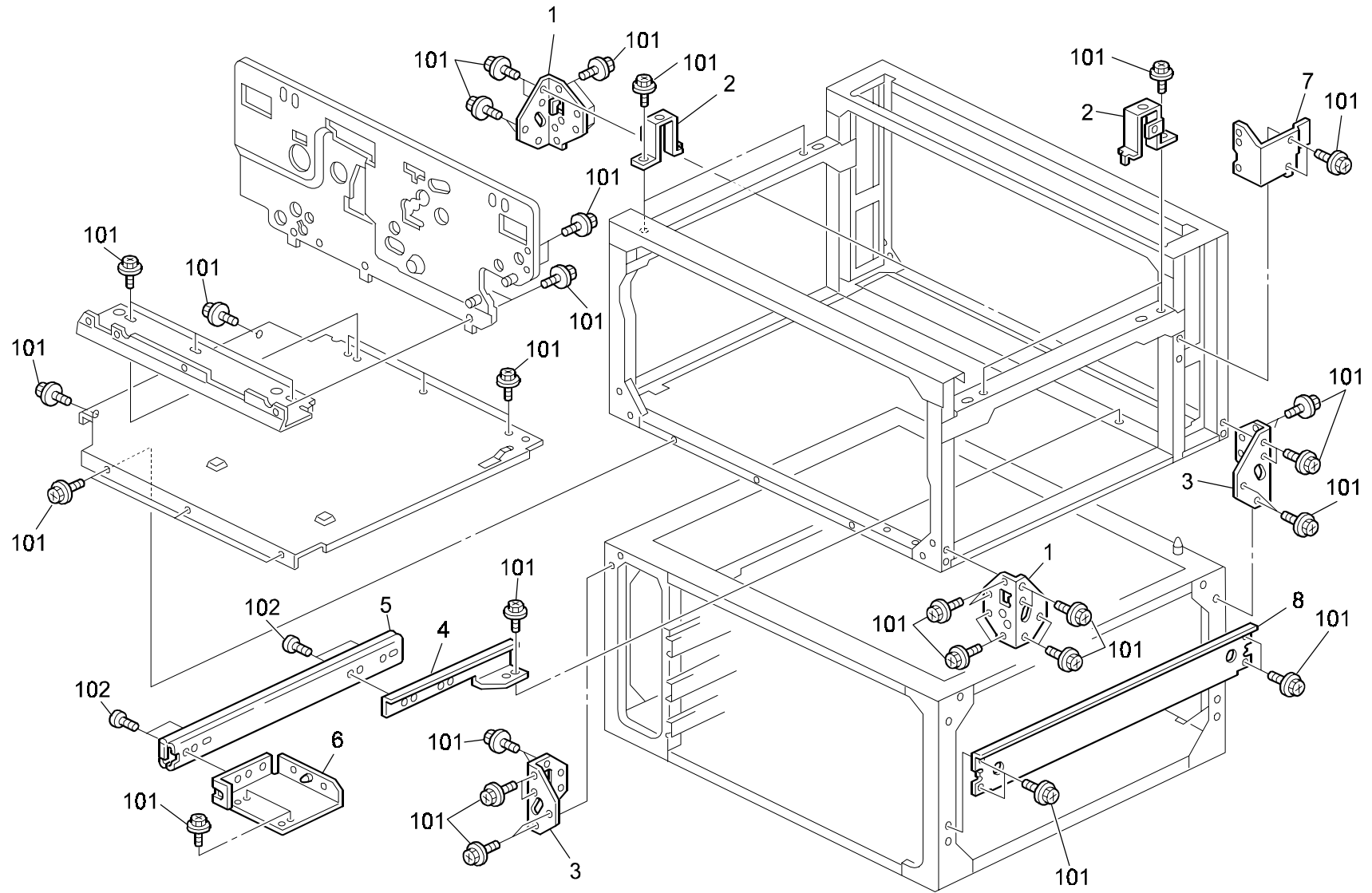
## 70.FRAME SECTION 3 (A294/A295)

Rev. 01/05/2003

Index No.	Part No.	Description	Q'ty Per Assembly
1	A229 1832	Front Grounding Plate	4
2	A294 4379	Duct Stay	1
3	A294 4375	Suction Duct	1
4	AA15 2398	Upper Rear Duct Seal	1
5	AA15 2395	Rear Duct Seal	1
6	AA15 2396	Seal - 6x272x5	1
7	AA15 2397	Seal - 6x185x5	1
8	A294 3913	Heat Resistance Sheet	1
9	A096 3956	Heater Cover	1
10	AA07 0050	Slide Rail	1
11	A294 3911	Support Plate	1
12	A096 4944	Harness Clamp	3
13	B070 5490	Relay Harness - Transfer Belt	1
14	AX40 0048	Anticondensation Heater - 230V 15W	1
15	A294 3918	Positioning Plate	1
16	A293 3960	Belt Unit Knob	1
17	A294 3920	Support Plate	1
18	A096 3959	Release Arm	1
19	A294 2114	Toner Filter	1
20	A294 2112	Guide - Dust Filter	1
21	A294 1082	Frame Chanel	1
22	A294 1842	Rear Grounding Plate	3
23	A294 1993	Ground Plate	1
24	AA08 0158	Arm Bushing	1

Index No.	Part No.	Description	Q'ty Per Assembly
101	0451 4008B	Philips Tapping Screw - M4x8	
102	0434 0060B	Pan Head Self-tapping Screw - M4x6	
103	0451 3006B	Tapping Screw - M3x6	
104	1105 0291	Harness Clamp - LWS-3S	
105	0950 4008B	Philips Screw With Spring Washer - M4x8	
106	1105 0310	Harness Clamp - LWS-1S	

# 71.FRAME SECTION 4 (A294/A295)

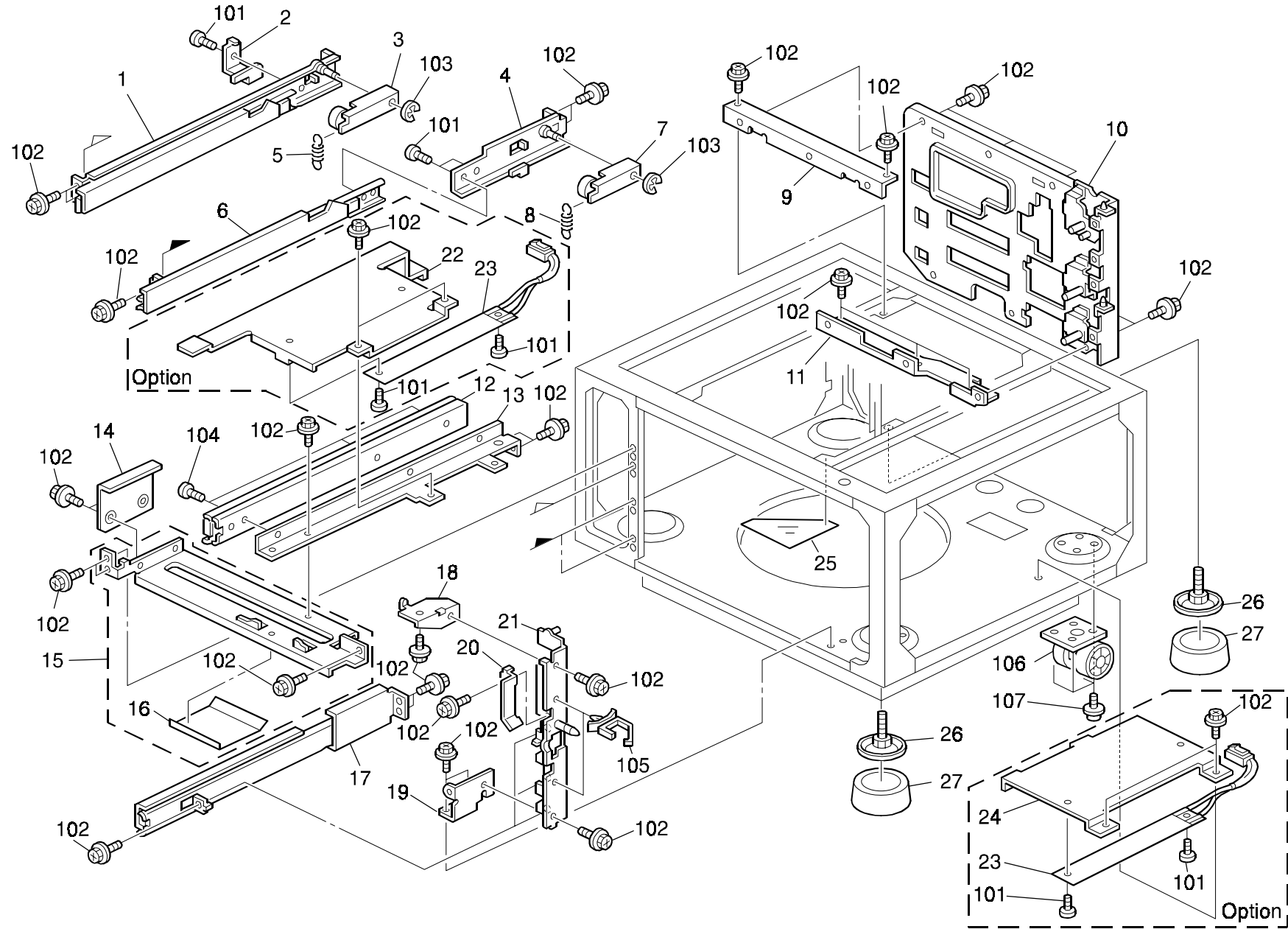


## 71.FRAME SECTION 4 (A294/A295)

Index No.	Part No.	Description	Q'ty Per Assembly
1	A294 1077	Front Right Fixing Plate	2
2	A294 1099	Right Holder	4
3	A294 1076	Front Left Fixing Plate	2
4	A294 4881	Slide Rail Stay - Right Rear	1
5	AA07 0048	Duplex Slide Rail	1
6	A294 1080	Channel Bracket - Center Front	1
7	A294 1195	Right Fixing Plate	1
8	A294 1041	Right Lower Stay	1

Index No.	Part No.	Description	Q'ty Per Assembly
101	0451 4008B	Philips Tapping Screw - M4x8	
102	0434 0080B	Pan Head Self-tapping Screw - M4x8	

# 72.FRAME SECTION 5 (A294/A295)





## 72.FRAME SECTION 5 (A294/A295)

Index No.	Part No.	Description	Q'ty Per Assembly
1	A248 6241	Left Rail - Tandem LCT	1
2	A096 6246	Left Rail Bracket	1
3	A096 6247	Lock Arm - Tandem Tray	1
4	A247 6264	Stay - Left Rail	1
5	AA06 0761	Spring	1
6	A247 6262	Left Slide Rail	1
7	A096 6266	Tray Lock Arm	1
8	AA06 0534	Tray Lock Spring - 19mm	1
9	A294 1039	Rear Upper Fixing Plate	1
10	A294 6155	Rear Side Plate	1
11	A294 1040	Rear Lower Fixing Plate	1
12	AA07 0044	Slide Rail - Tandem LCT	1
13	A248 6774	Slide Rail Bracket	1
14	A248 6775	Supporting Stay	1
15	A248 6776	Stay - Tandem Tray	1
16	AA15 0406	Seal - Misfeed Removal	1
17	A247 6250	Paper Trai Rail	1
18	A294 1037	Front Upper Fixing Plate	1
19	A294 1038	Front Lower Fixing Plate	1
20	A176 6110	Harness Cover	1
21	A294 6181	Front Side Plate	1
22	A248 6102	Upper Heat Sink	1
23	AX40 0111	Anticondenation Heater - 230V 18W	2
24	A096 6100	Lower Heat Sink	1
25	A096 6693	Paper Guide Sheet	1
26	5424 1064	Screw Stand	4
27	AH01 3002	Leveling Shoe	4

Index No.	Part No.	Description	Q'ty Per Assembly
101	0314 0060B	Philips Pan Head Screw - M4x6	
102	0451 4008B	Philips Tapping Screw - M4x8	
103	0720 0040B	Retaining Ring - M4	
104	0314 0040B	Philips Pan Head Screw - M4x4	
105	1105 0310	Harness Clamp - LWS-1S	
106	0805 5011	Caster - 250kgf	
107	0951 5008B	Philips Screw With Washer - M5x8	

## 73.MAINCONTROL BOARD (A294/A295)

### CAPACITOR

SYMBOL NO.	INDEX NO.	SYMBOL NO.	INDEX NO.	SYMBOL NO.	INDEX NO.	SYMBOL NO.	INDEX NO.	SYMBOL NO.	INDEX NO.	SYMBOL NO.	INDEX NO.	SYMBOL NO.	INDEX NO.
C 101	136	C 111	173	C 121	172	C 131	173	C 141	172	C 151	172	C 161	174
C 102	166	C 112	173	C 122	170	C 132	173	C 142	----	C 152	172	C 162	172
C 103	166	C 113	173	C 123	172	C 133	173	C 143	173	C 153	172	C 163	172
C 104	166	C 114	173	C 124	----	C 134	169	C 144	172	C 154	172	C 164	173
C 105	166	C 115	170	C 125	170	C 135	173	C 145	173	C 155	173	C 165	174
C 106	165	C 116	173	C 126	170	C 136	173	C 146	173	C 156	173	C 166	171
C 107	167	C 117	172	C 127	----	C 137	172	C 147	174	C 157	174	C 167	172
C 108	137	C 118	170	C 128	172	C 138	----	C 148	173	C 158	173	C 168	172
C 109	166	C 119	169	C 129	173	C 139	169	C 149	172	C 159	172	C 169	139
C 110	173	C 120	----	C 130	173	C 140	173	C 150	172	C 160	138	C 170	173

### CAPACITOR

SYMBOL NO.	INDEX NO.
C 171	173
C 172	172
C 173	173
C 174	139
C 175	172
C 176	173
C 177	172
C 178	168
C 179	168
C 180	173

SYMBOL NO.	INDEX NO.
C 181	172
C 182	172
C 183	138
C 184	171
C 185	173
C 186	173
C 187	173
C 188	173

### CONNECTOR

SYMBOL NO.	INDEX NO.
CN 551	105
CN 552	104
CN 553	103
CN 554	----
CN 555	108
CN 556	106
CN 559	109
CN 560	107
CN 561	102

### DA

SYMBOL NO.	INDEX NO.
DA101	116
DA102	116
DA103	116

### FUSE

SYMBOL NO.	INDEX NO.
FU101	110

### IC

SYMBOL NO.	INDEX NO.
IC101	123
IC102	125
IC103	119
IC104	121
IC105	126
IC106	126
IC107	120
IC108	123
IC109	122
IC110	119

SYMBOL NO.	INDEX NO.
IC111	130
IC112	118
IC113	128
IC114	124
IC115	1
IC116	131
IC117	130
IC118	129
IC119	127

## 73.MAINCONTROL BOARD (A294/A295)

### OSC

SYMBOL NO.	INDEX NO.
OSC101	132

### Q

SYMBOL NO.	INDEX NO.
Q 101	115
Q 102	112
Q 103	112
Q 104	112
Q 105	112
Q 106	115
Q 107	112
Q 108	113
Q 109	112
Q 110	114

SYMBOL NO.	INDEX NO.
Q 111	112
Q112	113
Q113	112
Q114	112

### JP

SYMBOL NO.	INDEX NO.
JP101	158

### RESISTOR

SYMBOL NO.	INDEX NO.
R 101	141
R 102	141
R 103	133
R 104	140
R 105	133
R 106	140
R 107	155
R 108	145
R 109	163
R 110	153

SYMBOL NO.	INDEX NO.
R 111	155
R 112	---
R 113	145
R 114	143
R 115	144
R 116	155
R 117	145
R 118	142
R 119	154
R 120	142

SYMBOL NO.	INDEX NO.
R 121	142
R 122	149
R 123	149
R 124	144
R 125	145
R 126	155
R 127	143
R 128	---
R 129	145
R 130	---

SYMBOL NO.	INDEX NO.
R 131	154
R 132	145
R 133	145
R 134	148
R 135	142
R 136	145
R 137	142
R 138	155
R 139	143
R 140	149

### RESISTOR

SYMBOL NO.	INDEX NO.
R 141	144
R 142	145
R 143	145
R 144	145
R 145	---
R 146	155
R 147	149
R 148	143
R 149	144
R 150	154

SYMBOL NO.	INDEX NO.
R 151	149
R 152	159
R 153	150
R 154	157
R 155	---
R 156	145
R 157	154
R 158	159
R 159	159
R 160	145

SYMBOL NO.	INDEX NO.
R 161	145
R 162	148
R 163	145
R 164	155
R 165	159
R 166	159
R 167	143
R 168	145
R 169	---
R 170	159

SYMBOL NO.	INDEX NO.
R 171	156
R 172	148
R 173	155
R 174	153
R 175	145
R 176	---
R 177	151
R 178	157
R 179	154
R 180	150

SYMBOL NO.	INDEX NO.
R 181	154
R 182	155
R 183	155
R 184	---
R 185	154
R 186	155
R 187	155
R 188	145
R 189	153
R 190	143

SYMBOL NO.	INDEX NO.
R 191	154
R 192	145
R 193	155
R 194	155
R 195	145
R 196	155
R 197	145
R 198	154
R 199	145
R 200	145

SYMBOL NO.	INDEX NO.
R 201	155
R 202	145
R 203	155
R 204	155
R 205	154
R 206	152
R 207	153
R 208	163
R 209	144
R 210	146

## 73.MAINCONTROL BOARD (A294/A295)

### RESISTOR

SYMBOL NO.	INDEX NO.
R 211	164
R 212	145
R 213	144
R 214	143
R 215	159
R 216	162
R 217	147
R 218	----
R 219	143
R 220	159

SYMBOL NO.	INDEX NO.
R 221	159
R 222	161
R 223	----
R 224	149
R 225	147
R 226	159
R 227	144
R 228	159
R 229	160
R 230	152

SYMBOL NO.	INDEX NO.
R 231	154
R 232	149
R 233	159
R 234	154
R 235	154
R 236	152
R 237	155
R 238	155
R 239	154
R 240	143

SYMBOL NO.	INDEX NO.
R 241	145
R 242	154
R 243	150
R 244	155
R 245	155
R 246	153
R 247	154
R 248	144
R 249	155
R 250	155

SYMBOL NO.	INDEX NO.
R 251	144
R 252	154
R 253	143
R 254	155
R 255	155
R 256	149
R 257	145
R 258	----
R 259	149
R 260	145

### RN

SYMBOL NO.	INDEX NO.
RN 101	134
RN 102	134
RN 103	134
RN 104	134
RN 105	134
RN 106	135
RN 107	134
RN 108	134
RN 109	134

### SWITCH

SYMBOL NO.	INDEX NO.
SW101	111

### TEST POINT

SYMBOL NO.	INDEX NO.
TP 132	101
TP 134	101
TP 136	101

### ZD

SYMBOL NO.	INDEX NO.
ZD 101	117

### 73.MAINCONTROL BOARD (A294/A295)

Rev. 02/03/2003

Index No.	Part No.	Description	Q'ty Per Assembly
*	A293 5180	MCU Board	1
1	A294 5057	PRON - MCU	1

Index No.	Part No.	Description	Q'ty Per Assembly
101	1101 0328	Connector Pin Contact	
102	1102 5301	Connector - 2P	
103	1102 5302	Connector - 3P	
104	1102 5305	Connector - 6P	
105	1102 5325	Connector - 2P	
106	1102 6298	Connector - 5P	
107	1102 6300	Connector - 7P	
108	1102 6307	Connector - 14P	
109	1102 6314	CONNECTOR - 7P	
110	1109 0010	FUSE - 3.75A	
111	1204 2368	Dip Switch - DSS804	
112	1400 0398	Transistor - 2SC2412K	
113	1401 0881	Transistor - 2SJ142	
114	1401 0972	Transistor - 2SB1260	
115	1401 1113	FET 2SK2462	
116	1402 1142	Diode Array - DAN217	
117	1402 1380	Diode - PTZ 6.2A	
118	1403 0954	Sensor - MA12-10V23	
119	1407 1596	TTLIC - SN74LS14NS	
120	1407 1741	TTL - SN74LS32NS	
121	1407 1783	IC - 74LS02	
122	1407 1880	TTLIC - SN74LS04NS	
123	1407 1984	IC - SH74LS123NS	
124	1407 2051	TTL - IC - SN74LS00NS	
125	1407 2052	TTLIC - SN74LS74ANS	
126	1407 2187	TTLIC - SN74LS07NS	
127	1407 4137	IC - MM1035XF	
128	1408 0565	IC - UPC311G	
129	1408 0645	IC - UPC4570G	
130	1408 0942	IC - BA4558F	
131	1408 1065	Comparator Ba10339f	
132	1503 0817	Osicrrator - 15.9744MHZ	
133	1600 1510	Resistor - 1.5K $\Omega$ $\pm$ 5% 1W	
134	1601 7759	Resistor Array - 100K $\Omega$ $\pm$ 5% 0.063W	
135	1601 7791	Resistor Array - 1K $\Omega$ $\pm$ 5%	



Index No.	Part No.	Description	Q'ty Per Assembly
136	1604 4734	Capacitor - 47uF ±20% 25V	
137	1604 4735	Capacitor - 1000uF ±20% 50V	
138	1605 0599	Capacitor - 0.1µF±10%	
139	1605 0643	Capacitor - 0.1MICRO F	
140	1611 9331	Resistor - 330 Ω ±5% 1/2W	
141	1611 9621	Resistor - 620 Ω ±5% 1/2W	
142	1630 4100	Resistor - 10 Ω ±5% 1/16W	
143	1630 4102	Resistor - 1.0KΩ ±5% 1/16W	
144	1630 4103	Resistor - 10KΩ ±5% 1/16W	
145	1630 4104	Resistor - 100 Ω ±5% 1/16W	
146	1630 4124	Resistor - 120K Ω ±5%1/16W	
147	1630 4153	Resistor - 15KΩ ±5% 1/16W	
148	1630 4161	Resistor - 160 Ω ±5% 1/16W	
149	1630 4222	Resistor - 2.2K Ω ±5%	
150	1630 4224	Resistor - 220K Ω ±5% 1/16W	
151	1630 4242	Resistor - 2.4k Ω - ±5% - 1/16W	
152	1630 4332	Resistor - 3.3K Ω ±5% 1/16W	
153	1630 4470	Resistor - 470 Ω ±5% 1/16W	
154	1630 4472	Resistor - 4.7KΩ ±5% 1/16W	
155	1630 4511	Resistor - 510 Ω - ±5% - 1/16W	
156	1630 4512	Resistor - 5.1k Ω - ±5% - 1/16W	
157	1630 4562	Resistor - 5.6k Ω - ±5% - 1/16W	
158	1634 0000	Resistor - 0 Ω 1/16W	
159	1634 1002	Resistor - 10 Ω ±5% 1/16W	
160	1634 2002	Resistor - 20K Ω ±1% 1/16W	
161	1634 2402	Resistor - 24K Ω ±1% 1/16W	
162	1634 2702	Resistor - 27KΩ ±1% 1/16W	
163	1634 3903	Resistor - 390k Ω - ±1% - 1/16W	
164	1634 4302	Resistor - 43k Ω ±1% 1/16W	
165	1640 0101	Capacitor - 100µF10V	
166	1640 2470	Capacitor - 47µF±20% 25V	
167	1640 5101	Capacitor - 100µF±20% 50V	
168	1660 0100	Capacitor - 10PF ±0.5pF 50V	

Index No.	Part No.	Description	Q'ty Per Assembly
169	1660 2101	Capacitor - 100pF - ±10% - 50V	
170	1660 2471	Capacitor - 470pF - ±5% - 50V	
171	1660 3102	Capacitor - 1000pF ±5% 50V	
172	1660 4102	Capacitor - 1000pF ±10% 50V	
173	1660 6103	Capacitor - 10000pF - +80% -20% 50V	
174	1660 8104	Capacitor - 0.1µF+80-20% 25V	

## 74.BCU BOARD (A294/A295)

### CAPACITOR

SYMBOL NO.	INDEX NO.	SYMBOL NO.	INDEX NO.	SYMBOL NO.	INDEX NO.	SYMBOL NO.	INDEX NO.	SYMBOL NO.	INDEX NO.	SYMBOL NO.	INDEX NO.	SYMBOL NO.	INDEX NO.
C 601	237	C 611	249	C 621	249	C 631	245	C 641	248	C 651	236	C 661	248
C 602	183	C 612	249	C 622	248	C 632	247	C 642	249	C 652	238	C 662	248
C 603	182	C 613	248	C 623	249	C 633	249	C 643	249	C 653	237	C 663	248
C 604	239	C 614	249	C 624	249	C 634	249	C 644	249	C 654	248	C 664	248
C 605	248	C 615	248	C 625	247	C 635	249	C 645	248	C 655	238	C 665	248
C 606	182	C 616	248	C 626	249	C 636	185	C 646	248	C 656	184	C 666	248
C 607	184	C 617	248	C 627	249	C 637	237	C 647	238	C 657	248	C 667	245
C 608	240	C 618	248	C 628	248	C 638	249	C 648	238	C 658	245	C 668	248
C 609	241	C 619	248	C 629	249	C 639	249	C 649	249	C 659	248	C 669	248
C 610	241	C 620	248	C 630	249	C 640	249	C 650	236	C 660	248	C 670	248

### CAPACITOR

SYMBOL NO.	INDEX NO.	SYMBOL NO.	INDEX NO.	SYMBOL NO.	INDEX NO.	SYMBOL NO.	INDEX NO.	SYMBOL NO.	INDEX NO.	SYMBOL NO.	INDEX NO.	SYMBOL NO.	INDEX NO.
C 671	248	C 681	248	C 691	249	C 701	249	C 711	249	C 721	249	C 731	248
C 672	248	C 682	247	C 692	249	C 702	248	C 712	248	C 722	249	C 732	248
C 673	248	C 683	248	C 693	249	C 703	241	C 713	249	C 723	249	C 733	248
C 674	248	C 684	248	C 694	249	C 704	245	C 714	248	C 724	249	C 734	249
C 675	248	C 685	249	C 695	247	C 705	248	C 715	248	C 725	247	C 735	249
C 676	248	C 686	248	C 696	247	C 706	241	C 716	248	C 726	249	C 736	248
C 677	247	C 687	249	C 697	249	C 707	249	C 717	248	C 727	249	C 737	248
C 678	245	C 688	249	C 698	249	C 708	248	C 718	249	C 728	245	C 738	248
C 679	249	C 689	245	C 699	249	C 709	241	C 719	248	C 729	248	C 739	248
C 680	248	C 690	248	C 700	245	C 710	248	C 720	249	C 730	247	C 740	249



## 74.BCU BOARD (A294/A295)

### CAPACITOR

SYMBOL NO.	INDEX NO.	SYMBOL NO.	INDEX NO.	SYMBOL NO.	INDEX NO.	SYMBOL NO.	INDEX NO.	SYMBOL NO.	INDEX NO.	SYMBOL NO.	INDEX NO.	SYMBOL NO.	INDEX NO.
C 741	249	C 751	249	C 761	249	C 771	249	C 781	242	C 791	249	C 801	249
C 742	247	C 752	249	C 762	244	C 772	248	C 782	249	C 792	249	C 802	249
C 743	249	C 753	249	C 763	243	C 773	249	C 783	248	C 793	248	C 803	249
C 744	249	C 754	245	C 764	242	C 774	245	C 784	249	C 794	248	C 804	249
C 745	249	C 755	249	C 765	249	C 775	249	C 785	245	C 795	249	C 805	249
C 746	249	C 756	249	C 766	248	C 776	249	C 786	249	C 796	249	C 806	249
C 747	249	C 757	249	C 767	245	C 777	246	C 787	248	C 797	249	C 807	248
C 748	249	C 758	249	C 768	248	C 778	249	C 788	248	C 798	245	C 808	248
C 749	249	C 759	249	C 769	245	C 779	245	C 789	249	C 799	248	C 809	249
C 750	248	C 760	249	C 770	245	C 780	242	C 790	248	C 800	249	C 810	248

### CAPACITOR

SYMBOL NO.	INDEX NO.
C 811	248
C 812	245
C 813	248
C 814	248
C 815	248
C 816	248
C 817	248
C 818	248
C 819	248
C 820	248

### CONNECTOR

SYMBOL NO.	INDEX NO.
C 821	248
C 822	248
C 823	248
C 824	248
C 825	245
C 826	249

SYMBOL NO.	INDEX NO.
CN 601	122
CN 602	119
CN 603	121
CN 604	114
CN 605	121
CN 606	104
CN 607	115
CN 608	107
CN 609	109
CN 610	118

SYMBOL NO.	INDEX NO.
CN 611	121
CN 612	102
CN 613	120
CN 614	106
CN 615	105
CN 616	118
CN 617	113
CN 618	112
CN 619	108
CN 620	108

SYMBOL NO.	INDEX NO.
CN 621	108
CN 622	110
CN 623	118
CN 624	115
CN 625	103
CN 626	117
CN 627	116

### DA

SYMBOL NO.	INDEX NO.
DA 601	137
DA 602	135
DA 603	135
DA 604	135
DA 605	133
DA 606	133
DA 607	135
DA 608	135
DA 609	135
DA 610	133

### DIODE

SYMBOL NO.	INDEX NO.
D 601	136
D 602	134
D 603	138
D 604	138

## 74.BCU BOARD (A294/A295)

### FUSE

SYMBOL NO.	INDEX NO.
FU 601	126
FU 602	126

### IC

SYMBOL NO.	INDEX NO.
IC 601	169
IC 602	163
IC 603	149
IC 604	149
IC 605	166
IC 606	164
IC 607	164
IC 608	149
IC 609	151
IC 610	149

SYMBOL NO.	INDEX NO.
IC 611	156
IC 612	159
IC 613	169
IC 614	1
IC 615	157
IC 616	149
IC 617	163
IC 618	148
IC 619	156
IC 620	149

SYMBOL NO.	INDEX NO.
IC 621	149
IC 622	160
IC 623	156
IC 624	169
IC 625	156
IC 626	161
IC 627	162
IC 628	149
IC 629	146
IC 630	149

SYMBOL NO.	INDEX NO.
IC 631	147
IC 632	149
IC 633	155
IC 634	124
IC 635	152
IC 636	147
IC 637	147
IC 638	168
IC 639	154
IC 640	153

SYMBOL NO.	INDEX NO.
IC 641	149
IC 642	2
IC 643	1
IC 644	165
IC 645	165
IC 646	165
IC 647	165
IC 648	158
IC 649	146
IC 650	146

SYMBOL NO.	INDEX NO.
IC 651	149

### JP

SYMBOL NO.	INDEX NO.
JP 602	221

### LED

SYMBOL NO.	INDEX NO.
LED 601	----
LED 602	----

### OSC

SYMBOL NO.	INDEX NO.
OSC 601	171
OSC 602	172

### Q

SYMBOL NO.	INDEX NO.
Q 601	132
Q 602	127
Q 603	145
Q 604	145
Q 605	150
Q 606	127
Q 607	167
Q 608	150
Q 609	131
Q 610	170

SYMBOL NO.	INDEX NO.
Q 611	150
Q 612	150
Q 613	150
Q 614	130
Q 615	150
Q 616	127
Q 617	128
Q 618	128
Q 619	129
Q 620	129

SYMBOL NO.	INDEX NO.
Q 621	129
Q 622	129
Q 623	129
Q 624	129
Q 625	128
Q 626	129
Q 627	128
Q 628	129
Q 629	127

## 74.BCU BOARD (A294/A295)

### RESISTOR

SYMBOL NO.	INDEX NO.	SYMBOL NO.	INDEX NO.	SYMBOL NO.	INDEX NO.	SYMBOL NO.	INDEX NO.	SYMBOL NO.	INDEX NO.	SYMBOL NO.	INDEX NO.	SYMBOL NO.	INDEX NO.
R 601	211	R 611	199	R 621	199	R 631	201	R 641	228	R 651	229	R 661	199
R 602	190	R 612	199	R 622	200	R 632	190	R 642	225	R 652	206	R 662	199
R 603	190	R 613	210	R 623	234	R 633	190	R 643	206	R 653	226	R 663	199
R 604	190	R 614	200	R 624	218	R 634	191	R 644	199	R 654	200	R 664	199
R 605	190	R 615	215	R 625	199	R 635	215	R 645	201	R 655	195	R 665	199
R 606	173	R 616	208	R 626	198	R 636	188	R 646	215	R 656	201	R 666	194
R 607	173	R 617	217	R 627	208	R 637	190	R 647	205	R 657	200	R 667	215
R 608	174	R 618	207	R 628	233	R 638	190	R 648	198	R 658	222	R 668	199
R 609	173	R 619	198	R 629	129	R 639	200	R 649	200	R 659	200	R 669	200
R 610	173	R 620	216	R 630	199	R 640	199	R 650	199	R 660	227	R 670	215

### RESISTOR

SYMBOL NO.	INDEX NO.	SYMBOL NO.	INDEX NO.	SYMBOL NO.	INDEX NO.	SYMBOL NO.	INDEX NO.	SYMBOL NO.	INDEX NO.	SYMBOL NO.	INDEX NO.	SYMBOL NO.	INDEX NO.
R 671	199	R 681	215	R 691	220	R 701	200	R 711	216	R 721	215	R 731	216
R 672	215	R 682	200	R 692	223	R 702	199	R 712	216	R 722	207	R 732	216
R 673	199	R 683	220	R 693	199	R 703	224	R 713	216	R 723	217	R 733	208
R 674	190	R 684	190	R 694	224	R 704	199	R 714	196	R 724	200	R 734	215
R 675	199	R 685	223	R 695	190	R 705	208	R 715	216	R 725	215	R 735	216
R 676	215	R 686	224	R 696	200	R 706	199	R 716	216	R 726	200	R 736	216
R 677	200	R 687	190	R 697	223	R 707	200	R 717	215	R 727	200	R 737	198
R 678	199	R 688	223	R 698	190	R 708	200	R 718	215	R 728	215	R 738	193
R 679	200	R 689	223	R 699	200	R 709	216	R 719	215	R 729	215	R 739	203
R 680	200	R 690	200	R 700	223	R 710	200	R 720	200	R 730	200	R 740	212

## 74.BCU BOARD (A294/A295)

### RESISTOR

SYMBOL NO.	INDEX NO.	SYMBOL NO.	INDEX NO.	SYMBOL NO.	INDEX NO.	SYMBOL NO.	INDEX NO.	SYMBOL NO.	INDEX NO.	SYMBOL NO.	INDEX NO.	SYMBOL NO.	INDEX NO.
R 741	217	R 751	200	R 761	199	R 771	217	R 781	215	R 791	199	R 801	231
R 742	198	R 752	215	R 762	207	R 772	198	R 782	206	R 792	199	R 802	199
R 743	217	R 753	208	R 763	199	R 773	200	R 783	206	R 793	200	R 803	206
R 744	207	R 754	216	R 764	196	R 774	215	R 784	215	R 794	211	R 804	200
R 745	215	R 755	215	R 765	230	R 775	208	R 785	199	R 795	199	R 805	234
R 746	208	R 756	215	R 766	215	R 776	200	R 786	208	R 796	210	R 806	235
R 747	207	R 757	200	R 767	198	R 777	199	R 787	197	R 797	232	R 807	213
R 748	215	R 758	215	R 768	199	R 778	208	R 788	214	R 798	200	R 808	215
R 749	215	R 759	199	R 769	199	R 779	202	R 789	219	R 799	189	R 809	204
R 750	216	R 760	198	R 770	199	R 780	199	R 790	219	R 800	206	R 810	199

### RESISTOR

SYMBOL NO.	INDEX NO.	SYMBOL NO.	INDEX NO.	SYMBOL NO.	INDEX NO.	SYMBOL NO.	INDEX NO.	SYMBOL NO.	INDEX NO.	SYMBOL NO.	INDEX NO.	SYMBOL NO.	INDEX NO.
R 811	199	R 821	218	R 831	200	R 841	199	R 851	215	R 861	198	R 871	216
R 812	199	R 822	200	R 832	199	R 842	199	R 852	215	R 862	198		
R 813	208	R 823	215	R 833	199	R 843	199	R 853	215	R 863	207		
R 814	199	R 824	200	R 834	200	R 844	200	R 854	215	R 864	205		
R 815	200	R 825	200	R 835	208	R 845	200	R 855	215	R 865	205		
R 816	199	R 826	215	R 836	199	R 846	200	R 856	215	R 866	217		
R 817	209	R 827	200	R 837	200	R 847	199	R 857	217	R 867	215		
R 818	200	R 828	200	R 838	200	R 848	200	R 858	207	R 868	215		
R 819	199	R 829	215	R 839	199	R 849	199	R 859	215	R 869	208		
R 820	199	R 830	200	R 840	200	R 850	200	R 860	198	R 870	215		

**RN**

SYMBOL NO.	INDEX NO.
RN 601	175
RN 602	181
RN 603	178
RN 604	178
RN 605	181
RN 606	175
RN 607	175
RN 608	181
RN 609	178
RN 610	175

SYMBOL NO.	INDEX NO.
RN 611	181
RN 612	178
RN 613	179
RN 614	179
RN 615	178
RN 616	181
RN 617	175
RN 618	176
RN 619	178
RN 620	181

SYMBOL NO.	INDEX NO.
RN 621	175
RN 622	178
RN 623	181
RN 624	175
RN 625	176
RN 626	178
RN 627	181
RN 628	175
RN 629	178
RN 630	181

SYMBOL NO.	INDEX NO.
RN 631	175
RN 632	175
RN 633	177
RN 634	177
RN 635	177
RN 636	177
RN 637	177
RN 638	176
RN 639	177
RN 640	180

SYMBOL NO.	INDEX NO.
RN 641	180
RN 642	180
RN 643	180
RN 644	177
RN 645	178
RN 646	181
RN 647	175
RN 648	176
RN 649	178
RN 650	181

SYMBOL NO.	INDEX NO.
RN 651	175
RN 652	176
RN 653	175
RN 654	181
RN 655	178
RN 656	175
RN 657	181
RN 658	178

**TB**

SYMBOL NO.	INDEX NO.
TB 601	111
TB 602	123
(Socket)	125
TB 603	123

**TEST POINT**

SYMBOL NO.	INDEX NO.
TP 607	101
TP 647	101
TP 679	101

**V**

SYMBOL NO.	INDEX NO.
V 601	144
V 602	144

**ZD**

SYMBOL NO.	INDEX NO.
ZD 601	139
ZD 602	139
ZD 603	140
ZD 604	140
ZD 605	141



## 74.BCU BOARD (A294/A295)

Index No.	Part No.	Description	Q'ty Per Assembly
*	A294 5261	BCU Board	1
1	A232 5355	IC - GATEX	1
2	A232 5371	MPU CSS	1

Index No.	Part No.	Description	Q'ty Per Assembly
101	1101 0429	Test Pin	
102	1102 3822	Connector - 20P	
103	1102 5276	Connector - 4P	
104	1102 5278	Connector - 6P	
105	1102 5280	Connector - 8P	
106	1102 5283	Connector - 11P	
107	1102 5326	Connector - 4P	
108	1102 5476	Modular Cord - 6P/6P	
109	1102 5699	Connector - 12P	
110	1102 5894	Connector - 68P	
111	1102 5943	Connector - 2P	
112	1102 6297	Connector - 4P	
113	1102 6299	Connector - 6P	
114	1102 6302	Connector - 9P	
115	1102 6308	Connector - 15P	
116	1102 6396	Connector - 1P	
117	1102 6397	Box Header	
118	1102 6398	Connector - 2P	
119	1102 6399	Connector - 22P	
120	1102 6400	Connector - 24P	
121	1102 6403	Connector - 30P	
122	1102 6414	Connector - 16P	
123	1102 6760	Connector - 3P	
124	1104 0588	Dip Socket - 28P	
125	1104 0730	Short Pin - 2P	
126	1109 0007	IC - MINISMDC100-02	
127	1400 0398	Transistor - 2SC2412K	
128	1400 0555	Transistor - DTC143EK	
129	1400 0619	Transistor - DTA143EKA	
130	1400 0728	Transistor - 2SD2170	
131	1400 0731	Transistor - 2SD1766	
132	1401 0972	Transistor-2sb1260	
133	1402 0595	Diode-array - DAN202K	
134	1402 1112	Diode - ERA83-004	
135	1402 1142	Diode Array - DAN217	

## 74.BCU BOARD (A294/A295)

Index No.	Part No.	Description	Q'ty Per Assembly
136	1402 1236	Diode - ERA83-006	
137	1402 1326	Diode Array - DA227	
138	1402 1336	Diode - 1SS355	
139	1402 1378	Diode - PTZ12A	
140	1402 1380	Diode - PTZ 6.2A	
141	1402 1505	Diode - UDZS5.6B	
142	1403 0894	LED SML-010LT	
143	1403 0895	LED SML-010MT	
144	1404 0238	Serge Absorber 22V 0.6J	
145	1407 1535	IC - TD62308AP	
146	1407 1596	TTLIC - SN74LS14NS	
147	1407 2052	TTLIC - SN74LS74ANS	
148	1407 2134	TTLIC - 74F32SJ	
149	1407 2187	TTLIC - SN74LS07NS	
150	1407 2231	IC - TD62308AF	
151	1407 3231	FIFO - M66300FP	
152	1407 3257	CMOSIC - TC74HC14AF	
153	1407 3281	IC - TC74HCU04AF	
154	1407 4114	IC - SN751177	
155	1407 4164	IC - MMID75XF	
156	1407 4300	IC - TC74VHC32F	
157	1407 4321	IC - TC74VHC04F	
158	1407 4404	CMOS 74VHC157 SOP	
159	1407 4615	IC - TC74VHC02F	
160	1407 4718	IC - TC74VHC08F	
161	1407 4959	IC - MC68334GCFC20	
162	1407 5032	IC - MBM29F400TC-70pFTN	
163	1407 5085	CMOS TC4066BF(N)	
164	1407 5127	IC SLA7033M	
165	1408 0826	IC - TA8428K	
166	1408 0827	IC - TA8429H	
167	1408 0875	Transistor-array - TD62382AF	
168	1408 1065	Comparator Ba10339f	
169	1408 1095	IC - BA10324AF	
170	1408 1206	Transistor-array - TD62M4700F	

Index No.	Part No.	Description	Q'ty Per Assembly
171	1503 0460	Oscillator - 32.768KHZ	
172	1503 0865	Oscillator - 9.8304MHZ	
173	1600 1774	Resistor - 0.68 $\Omega$ $\pm$ 5%	
174	1601 5277	Resistor - 3.9 $\Omega$ $\pm$ 5% 2W	
175	1601 7751	Resistor - 4.7K $\Omega$ $\pm$ 5%	
176	1601 7752	Resistor Array - 10K $\Omega$ $\pm$ 5%	
177	1601 7769	Resistor Array - 151 $\Omega$ $\pm$ 5%	
178	1601 7781	Resistor - 10 $\Omega$ $\pm$ 5%	
179	1601 7791	Resistor Array - 1K $\Omega$ $\pm$ 5%	
180	1601 7814	Resistor 3.3k $\Omega$ $\pm$ 5%	
181	1601 7870	Resistor - 15 $\Omega$ $\pm$ 5% 1/16W	
182	1604 4506	Capacitor - 1000 $\mu$ F $\pm$ 20% 50V	
183	1604 4708	Capacitor - 10 $\mu$ F $\pm$ 20% 50V	
184	1604 4730	Capacitor - 47 $\mu$ F $\pm$ 20% 50V	
185	1605 0926	Capacitor - 0.33 $\mu$ F16V $\pm$ 10%	
186	1607 0758	Filter - DSS710D223A12-22	
187	1607 1040	Filter - ACB1608M-120	
188	1630 1101	Resistor - 100 $\Omega$ 1/4W $\pm$ 5%	
189	1630 1121	Resistor - 120 $\Omega$ $\pm$ 5% 1/8W	
190	1630 1151	Resistor - 150 $\Omega$ $\pm$ 5% 1/4W	
191	1630 1392	Resistor - 3.9K $\Omega$ $\pm$ 5% 1/4W	
192	1630 1471	Resistor - 470 $\Omega$ $\pm$ 5% 1/4W	
193	1630 2471	Resistor - 470 $\Omega$ 1/8W $\pm$ 5%	
194	1630 3102	Resistor - 1K $\Omega$ 1/10W $\pm$ 5%	
195	1630 3121	Resistor - 120 $\Omega$ $\pm$ 5% 1/10w	
196	1630 3561	Resistor - 560 $\Omega$ $\pm$ 5% 1/10W	
197	1630 3563	Resistor - 56K $\Omega$ $\pm$ 5% 1/10W	
198	1630 4100	Resistor - 10 $\Omega$ $\pm$ 5% 1/16W	
199	1630 4102	Resistor - 1.0K $\Omega$ $\pm$ 5% 1/16W	
200	1630 4103	Resistor - 10K $\Omega$ $\pm$ 5% 1/16W	
201	1630 4104	Resistor - 100 $\Omega$ $\pm$ 5% 1/16W	
202	1630 4105	Resistor - 1.0M $\Omega$ $\pm$ 5% 1/16W	
203	1630 4106	Resistor - 10m $\Omega$ $\pm$ 5% 1/16W	



## 74.BCU BOARD (A294/A295)

Index No.	Part No.	Description	Q'ty Per Assembly
204	1630 4152	Resistor - 1.5K $\Omega$ $\pm$ 5% 1/16W	
205	1630 4153	Resistor - 15K $\Omega$ $\pm$ 5% 1/16W	
206	1630 4154	Resistor - 150k $\Omega$ $\pm$ 5%, 1/16w	
207	1630 4161	Resistor - 160 $\Omega$ $\pm$ 5% 1/16W	
208	1630 4222	Resistor - 2.2K $\Omega$ $\pm$ 5%	
209	1630 4272	Resistor - 2.7k $\Omega$ - $\pm$ 5% - 1/16w	
210	1630 4330	Resistor - 33 $\Omega$ $\pm$ 5% 1/8W	
211	1630 4332	Resistor - 3.3K $\Omega$ $\pm$ 5% 1/16W	
212	1630 4334	Resistor - 330K $\Omega$ $\pm$ 5% 1/16W	
213	1630 4362	Resistor - 3.6K $\Omega$ $\pm$ 5% 1/16W	
214	1630 4393	Resistor - 39k $\Omega$ - $\pm$ 5% - 1/16w	
215	1630 4472	Resistor - 4.7K $\Omega$ $\pm$ 5% 1/16W	
216	1630 4510	Resistor - 51 $\Omega$ $\pm$ 5% 1/16W	
217	1630 4562	Resistor - 5.6k $\Omega$ - $\pm$ 5% - 1/16W	
218	1630 4680	Resistor - 68 $\Omega$ $\pm$ 5% 1/16W	
219	1630 4752	Resistor - 7.5K $\Omega$ $\pm$ 5% 1/16W	
220	1630 4910	Resistor - 91 $\Omega$ $\pm$ 5% 1/16W	
221	1632 0000	Resistor - 0 $\Omega$ 1/8W	
222	1633 1000	Resistor - 100 $\Omega$ $\pm$ 1% 1/10W	
223	1633 1003	Resistor - 100K $\Omega$ $\pm$ 1% 1/10W	
224	1633 1403	Resistor - 140K $\Omega$ $\pm$ 1% 1/10W	
225	1633 2002	Resistor - 20K $\Omega$ $\pm$ 1% 1/10W	
226	1633 2200	Resistor - 220 $\Omega$ $\pm$ 1% 1/10w	
227	1633 5100	Resistor - 510 $\Omega$ $\pm$ 1% 1/10W	
228	1633 5361	Resistor - 5.36K $\Omega$ $\pm$ 1% 1/10W	
229	1633 5600	Resistor - 560 $\Omega$ $\pm$ 1% 1/10W	
230	1634 1693	Resistor - 169 $\Omega$ $\pm$ 1% 1/16W	
231	1634 2201	Resistor - 2.20K $\Omega$ $\pm$ 1% 1/16W	
232	1634 3301	Resistor - 3.3K $\Omega$ $\pm$ 1% 1/16W	
233	1634 4702	Resistor - 47.0k $\Omega$ - $\pm$ 1% - 1/16W	
234	1634 5231	Resistor - 5.23K $\Omega$ $\pm$ 1% 1/16W	
235	1634 6200	Resistor - 620 $\Omega$ $\pm$ 1% 1/16W	
236	1640 5100	Capacitor - 10 $\mu$ F+20% 50	

Index No.	Part No.	Description	Q'ty Per Assembly
237	1640 5101	Capacitor - 100 $\mu$ F $\pm$ 20% 50V	
238	1640 5220	Capacitor - 22 $\mu$ F $\pm$ 20% 50V	
239	1640 5221	Capacitor - 220 $\mu$ F $\pm$ 20% 50V	
240	1640 5470	Capacitor - 47 $\mu$ F $\pm$ 20% 50V	
241	1660 2101	Capacitor - 100pF - $\pm$ 10% - 50V	
242	1660 2180	Capacitor 18pF $\pm$ 5% 50v	
243	1660 2220	Capacitor - 22pF $\pm$ 20% 35V	
244	1660 2470	Capacitor - 47pF $\pm$ 5% 50V	
245	1660 2471	Capacitor - 470pF - $\pm$ 5% - 50V	
246	1660 4102	Capacitor - 1000pF $\pm$ 10% 50V	
247	1660 4472	Capacitor - 4700pF $\pm$ 10% 50v	
248	1660 6103	Capacitor - 10000pF - +80% -20% 50V	
249	1660 8104	Capacitor - 0.1 $\mu$ F+80-20% 25V	
250	1902 0039	IC - SRAM 1M X16 70NS G1	
251	1407 4730	SRAM STK12C68-W45	

## 75.IO BOARD (A294/A295)

### CAPACITOR

SYMBOL NO.	INDEX NO.	SYMBOL NO.	INDEX NO.	SYMBOL NO.	INDEX NO.	SYMBOL NO.	INDEX NO.	SYMBOL NO.	INDEX NO.	SYMBOL NO.	INDEX NO.	SYMBOL NO.	INDEX NO.
C 501	137	C 511	139	C 521	139	C 531	139	C 541	139	C 551	139	C 561	140
C 502	137	C 512	139	C 522	139	C 532	139	C 542	139	C 552	139	C 562	140
C 503	137	C 513	139	C 523	139	C 533	139	C 543	139	C 553	139	C 563	141
C 504	137	C 514	139	C 524	139	C 534	139	C 544	141	C 554	141	C 564	141
C 505	137	C 515	141	C 525	139	C 535	141	C 545	141	C 555	141		
C 506	141	C 516	141	C 526	141	C 536	139	C 546	139	C 556	138		
C 507	139	C 517	141	C 527	139	C 537	139	C 547	139	C 557	141		
C 508	139	C 518	139	C 528	139	C 538	139	C 548	139	C 558	141		
C 509	139	C 519	139	C 529	139	C 539	139	C 549	139	C 559	141		
C 510	139	C 520	139	C 530	139	C 540	139	C 550	139	C 560	141		

### CONNECTOR

SYMBOL NO.	INDEX NO.
CN 501	104
CN 502	115
CN 503	103
CN 504	102
CN 505	108
CN 506	109
CN 507	111
CN 508	114
CN 509	106
CN 510	113

SYMBOL NO.	INDEX NO.
CN 511	112
CN 512	110
CN 513	105
CN 514	107
CN 515	108
CN 516	114

### DA

SYMBOL NO.	INDEX NO.
DA 501	117
DA 502	117
DA 503	117
DA 504	117
DA 505	117
DA 506	117
DA 507	117
DA 508	117
DA 509	117
DA 510	117

SYMBOL NO.	INDEX NO.
DA 511	117
DA 512	117

### IC

SYMBOL NO.	INDEX NO.
IC 501	122
IC 502	122
IC 503	122
IC 504	122
IC 505	122
IC 506	129
IC 507	129
IC 508	127
IC 509	128
IC 510	123

SYMBOL NO.	INDEX NO.
IC 511	125
IC 512	124
IC 513	121
IC 514	126

### LED

SYMBOL NO.	INDEX NO.
LED 1	119

**Q****RESISTOR****RN**

SYMBOL NO.	INDEX NO.
Q 501	120
Q 502	120
Q 503	116
Q 504	116
Q 505	116
Q 506	120
Q 507	120
Q 508	120

SYMBOL NO.	INDEX NO.
R 501	133
R 502	134
R 503	134
R 504	134
R 505	136
R 506	134
R 507	136
R 508	134
R 509	134
R 510	135

SYMBOL NO.	INDEX NO.
R 511	136
R 512	134
R 513	134
R 514	134
R 515	134
R 516	134
R 517	134
R 518	134
R 519	134
R 520	134

SYMBOL NO.	INDEX NO.
R 521	135
R 522	134
R 523	135
R 524	134
R 525	135
R 526	134

SYMBOL NO.	INDEX NO.
RN 501	130
RN 502	131
RN 503	131
RN 504	130
RN 505	130
RN 506	130
RN 507	130
RN 508	131
RN 509	131
RN 510	130

SYMBOL NO.	INDEX NO.
RN 511	130
RN 512	131
RN 513	131
RN 514	130
RN 515	130
RN 516	131
RN 517	131
RN 518	130
RN 519	130
RN 520	131

SYMBOL NO.	INDEX NO.
RN 521	131
RN 522	130
RN 523	132
RN 524	132
RN 525	130
RN 526	130
RN 527	130
RN 528	130
RN 529	130
RN 530	131

**TEST POINT****ZD**

SYMBOL NO.	INDEX NO.
RN 531	131

SYMBOL NO.	INDEX NO.
TP 516	101

SYMBOL NO.	INDEX NO.
ZD 501	118
ZD 502	118

## 75.IO BOARD (A294)

Rev. 02/19/2002

Index No.	Part No.	Description	Q'ty Per Assembly
*	A294 5310	IO Board (A294I/A295I)	1
*	A294 5340	I/O Board (A294II/A295II/UP-KIT)	1

Index No.	Part No.	Description	Q'ty Per Assembly
101	1101 0429	Test Pin	
102	1102 5303	Connector - 4P	
103	1102 5304	Connector - 5P	
104	1102 5327	Connector - 8P	
105	1102 6299	Connector - 6P	
106	1102 6303	Connector - 10P	
107	1102 6304	Connector - 11P	
108	1102 6306	Connector - 13P	
109	1102 6308	Connector - 15P	
110	1102 6394	Connector - 12P	
111	1102 6396	Connector - 1P	
112	1102 6399	Connector - 22P	
113	1102 6400	Connector - 24P	
114	1102 6403	Connector - 30P	
115	1102 6592	Connector - 8P	
116	1400 0555	Transistor - DTC143EK	
117	1402 1142	Diode Array - DAN217	
118	1402 1378	Diode - PTZ12A	
119	1403 0894	LED SML-010LT	
120	1407 1535	IC - TD62308AP	
121	1407 2187	TTLIC - SN74LS07NS	
122	1407 5569	IC - TC74HC251AF	
123	1407 3173	Driver - 16bit - M66311FP	
124	1407 5376	IC - CMOS - TC74HC32AF	
125	1407 5351	CMOSIC - TC74HC14AF	
126	1407 5375	IC - TC74HC157AF	
127	1407 4687	IC - TA8083F	
128	1407 5002	IC - M66310FP	
129	1408 0826	IC - TA8428K	
130	1601 7751	Resistor - 4.7K $\Omega$ $\pm$ 5%	
131	1601 7752	Resistor Array - 10K $\Omega$ $\pm$ 5%	
132	1601 7791	Resistor Array - 1K $\Omega$ $\pm$ 5%	
133	1650 4751	Resistor - 750 $\Omega$ $\pm$ 5% 1/10W	
134	1650 4102	Resistor - 1K $\Omega$ 1/10W $\pm$ 5%	
135	1630 4103	Resistor - 10K $\Omega$ 1/10W $\pm$ 5%	

Index No.	Part No.	Description	Q'ty Per Assembly
136	1650 4472	Resistor - 4.7K $\Omega$ 1/10W $\pm$ 5%	3
137	1640 5470	Capacitor - 47 $\mu$ F $\pm$ 20% 50V	
138	1605 1137	Capacitor - 470pF 50V	1
139	1660 5102	Capacitor - 1000pF $\pm$ 10% 50V	40
140	1660 7103	Capacitor - 10000pF 50V	
141	1660 8104	Capacitor - 0.1 $\mu$ F +80-20% 25V	16
142	1633 0000	Resistor - 0 OHM 1/10W	1
143	1660 4102	Capacitor - 1000PF +-10% 50V	33

Index No.	Part No.	Description	Q'ty Per Assembly

## 76.ADF MAIN CONTROL BOARD (A294/A295)

### CAPACITOR

SYMBOL NO.	INDEX NO.	SYMBOL NO.	INDEX NO.	SYMBOL NO.	INDEX NO.	SYMBOL NO.	INDEX NO.	SYMBOL NO.	INDEX NO.	SYMBOL NO.	INDEX NO.	SYMBOL NO.	INDEX NO.
C 100	188	C 110	177	C 120	188	C 130	188	C 140	188	C 150	190	C 160	188
C 101	188	C 111	188	C 121	188	C 131	177	C 141	154	C 151	188	C 161	190
C 102	188	C 112	188	C 122	188	C 132	188	C 142	184	C 152	190	C 162	188
C 103	177	C 113	182	C 123	188	C 133	177	C 143	184	C 153	183	C 163	188
C 104	156	C 114	188	C 124	188	C 134	181	C 144	188	C 154	188	C 164	188
C 105	188	C 115	190	C 125	188	C 135	180	C 145	188	C 155	184	C 165	155
C 106	188	C 116	188	C 126	190	C 136	180	C 146	188	C 156	188	C 166	188
C 107	188	C 117	181	C 127	188	C 137	177	C 147	188	C 157	188	C 167	155
C 108	188	C 118	188	C 128	188	C 138	179	C 148	188	C 158	188	C 168	186
C 109	188	C 119	188	C 129	181	C 139	178	C 149	188	C 159	185	C 169	188

### CAPACITOR

SYMBOL NO.	INDEX NO.	SYMBOL NO.	INDEX NO.	SYMBOL NO.	INDEX NO.
C 170	188	C 180	190	C 190	188
C 171	188	C 181	188	C 191	188
C 172	189	C 182	188	C 192	188
C 173	188	C 183	188	C 193	190
C 174	186	C 184	188	C 194	188
C 175	186	C 185	188	C 195	188
C 176	184	C 186	189	C 196	188
C 177	190	C 187	187	C 197	184
C 178	190	C 188	187	C 198	188
C 179	188	C 189	189	C 199	188

### CONNECTOR

SYMBOL NO.	INDEX NO.	SYMBOL NO.	INDEX NO.	SYMBOL NO.	INDEX NO.	SYMBOL NO.	INDEX NO.	SYMBOL NO.	INDEX NO.
C 200	188	CN 100	114	CN 110	106	D 100	129		
		CN 101	115	CN 111	105	D 101	129		
		CN 102	113	CN 112	103	D 102	129		
		CN 103	111	CN 113	103	D 103	129		
		CN 104	109	CN 114	104	D 104	127		
		CN 105	110						
		CN 106	112						
		CN 107	108						
		CN 108	102						
		CN 109	107						

## 76.ADF MAIN CONTROL BOARD (A294/A295)

### DIP SWITCH

SYMBOL NO.	INDEX NO.
DPS 100	120

### FUSE

SYMBOL NO.	INDEX NO.
FU 100 (clip)	119 116
FU 101 (clip)	118 116

### IC

SYMBOL NO.	INDEX NO.
IC 100	135
IC 101	136
IC 102	142
IC 103	141
IC 104	148
IC 105	145
IC 106	132
IC 107	138
IC 108	143
IC 109	131

SYMBOL NO.	INDEX NO.
IC 110	135
IC 111	147
IC 112	133
IC 113	135
IC 114	138
IC 115	139
IC 116	140
IC 117	137
IC 118	2

SYMBOL NO.	INDEX NO.
IC 119 (Socket)	1 117
IC 120	134
IC 121 (Fin)	124 191
IC 122	2
IC 123 (Fin)	144 192
IC 124	146
IC 125	136

SYMBOL NO.	INDEX NO.
IC 126	134

### LED

SYMBOL NO.	INDEX NO.
LED 100	130
LED 101	130
LED 102	130

### Q

SYMBOL NO.	INDEX NO.
Q 100	125
Q 101 (Fin)	126 192
Q 102	123
Q 103	123
Q 104	122
Q 105	121
Q 106	121
Q 107	122
Q 108	122

SYMBOL NO.	INDEX NO.
Q 109	122
Q 110	122
Q 111	121
Q 112	122
Q 113	121
Q 114	122
Q 115	121

### RESISTOR

SYMBOL NO.	INDEX NO.
R 100	168
R 101	150
R 102	150
R 103	151
R 104	152
R 105	151
R 106	171
R 107	171
R 108	171
R 109	171

SYMBOL NO.	INDEX NO.
R 110	169
R 111	164
R 112	164
R 113	164
R 114	164
R 115	171
R 116	164
R 117	164
R 118	164
R 119	164

SYMBOL NO.	INDEX NO.
R 120	160
R 121	171
R 122	164
R 123	160
R 124	164
R 125	171
R 126	159
R 127	176
R 128	160
R 129	165

SYMBOL NO.	INDEX NO.
R 130	164
R 131	160
R 132	176
R 133	160
R 134	169
R 135	160
R 136	174
R 137	169
R 138	171
R 139	171

SYMBOL NO.	INDEX NO.
R 140	160
R 141	160
R 142	160
R 143	160
R 144	164
R 145	160
R 146	160
R 147	171
R 148	160
R 149	160

## 76.ADF MAIN CONTROL BOARD (A294/A295)

### RESISTOR

SYMBOL NO.	INDEX NO.	SYMBOL NO.	INDEX NO.	SYMBOL NO.	INDEX NO.	SYMBOL NO.	INDEX NO.	SYMBOL NO.	INDEX NO.	SYMBOL NO.	INDEX NO.	SYMBOL NO.	INDEX NO.
R 150	164	R 160	160	R 170	173	R 180	175	R 190	164	R 200	160	R 210	160
R 151	171	R 161	160	R 171	160	R 181	161	R 191	160	R 201	172	R 211	172
R 152	171	R 162	160	R 172	160	R 182	161	R 192	160	R 202	172	R 212	172
R 153	164	R 163	171	R 173	160	R 183	164	R 193	160	R 203	172	R 213	160
R 154	165	R 164	171	R 174	172	R 184	164	R 194	160	R 204	160	R 214	160
R 155	171	R 165	164	R 175	160	R 185	160	R 195	172	R 205	160	R 215	172
R 156	157	R 166	164	R 176	160	R 186	164	R 196	160	R 206	160	R 216	172
R 157	164	R 167	162	R 177	172	R 187	164	R 197	172	R 207	172	R 217	160
R 158	171	R 168	171	R 178	166	R 188	160	R 198	160	R 208	160	R 218	172
R 159	160	R 169	172	R 179	171	R 189	160	R 199	172	R 209	172	R 219	172

### RESISTOR

SYMBOL NO.	INDEX NO.	SYMBOL NO.	INDEX NO.	SYMBOL NO.	INDEX NO.	SYMBOL NO.	INDEX NO.	SYMBOL NO.	INDEX NO.	SYMBOL NO.	INDEX NO.	SYMBOL NO.	INDEX NO.
R 220	160	R 230	160	R 240	172	R 250	167	R 260	160	R 270	163	R 280	167
R 221	172	R 231	173	R 241	172	R 251	172	R 261	158	R 271	163	R 281	160
R 222	160	R 232	160	R 242	172	R 252	160	R 262	160	R 272	163	R 282	171
R 223	172	R 233	160	R 243	172	R 253	160	R 263	167	R 273	171	R 283	164
R 224	160	R 234	172	R 244	172	R 254	160	R 264	169	R 274	167	R 284	171
R 225	160	R 235	158	R 245	172	R 255	163	R 265	171	R 275	160	R 285	164
R 226	160	R 236	163	R 246	172	R 256	160	R 266	158	R 276	---	R 286	171
R 227	161	R 237	172	R 247	160	R 257	158	R 267	158	R 277	158	R 287	169
R 228	161	R 238	173	R 248	172	R 258	158	R 268	158	R 278	158	R 288	171
R 229	173	R 239	170	R 249	160	R 259	167	R 269	163	R 279	167	R 289	164



**RESISTOR**

SYMBOL NO.	INDEX NO.
R 290	168
R 291	168
R 292	159
R 293	159
R 294	159
R 295	159
R 296	159
R 297	159
R 298	172
R 299	160

**TEST POINT**

SYMBOL NO.	INDEX NO.
TP 100	101
TP 101	101
TP 102	101
TP 103	101
TP 104	101

**VR**

SYMBOL NO.	INDEX NO.
VR 100	153
VR 101	153

**XTAL**

SYMBOL NO.	INDEX NO.
XTAL	149

**ZD**

SYMBOL NO.	INDEX NO.
ZD 100	128

## 76.ADF MAIN CONTROL BOARD (A294/A295)

Rev. 02/03/2003

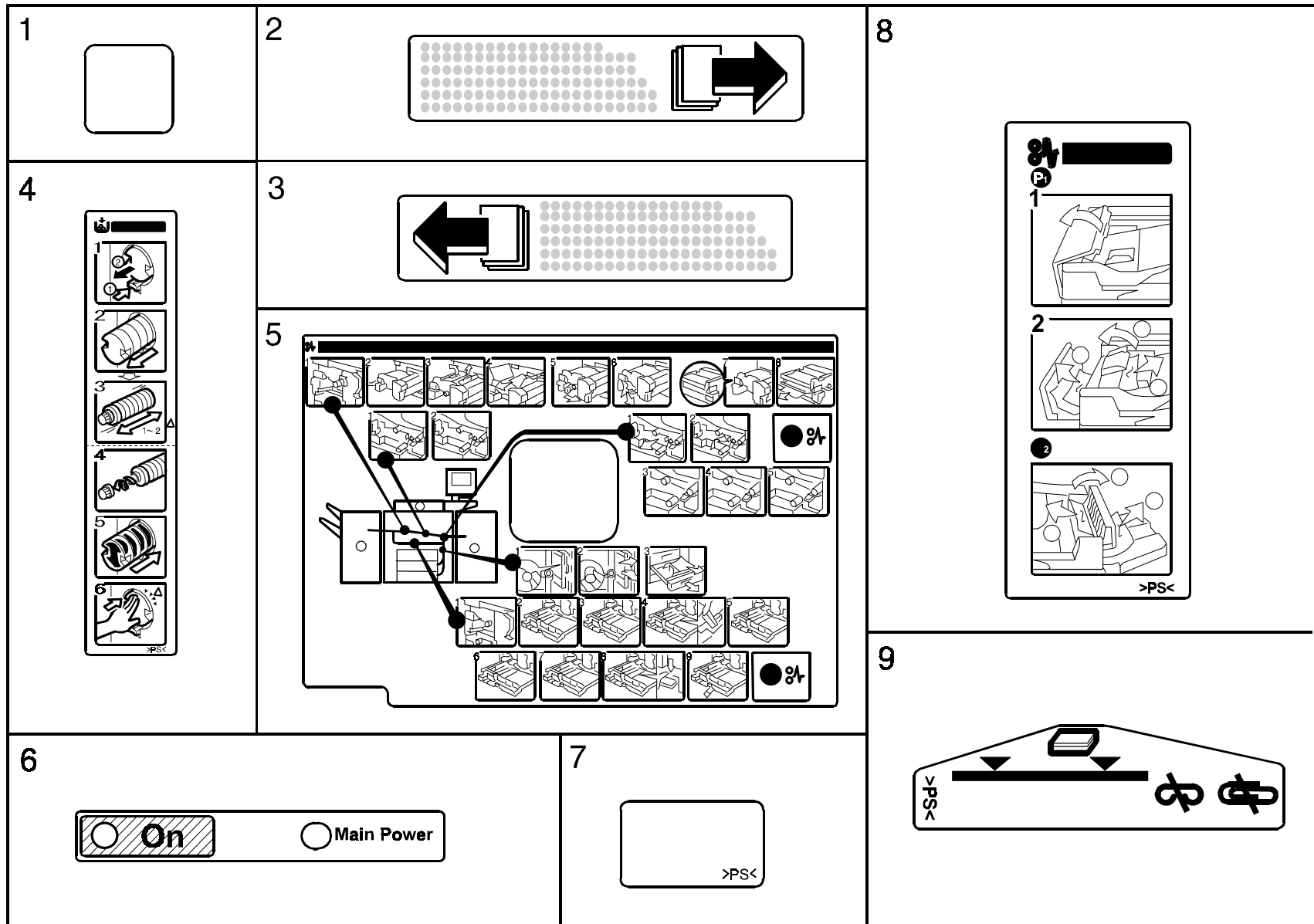
Index No.	Part No.	Description	Q'ty Per Assembly
*	B301 5520	ADF Main Control Board	1
1	B301 5562	IC - UVEPROM 27C 1M X8 120NS	1
2	B301 5700	IC - HTS7420X	1
3	B301 5580	Heat Sink - Main Control	1

Index No.	Part No.	Description	Q'ty Per Assembly
101	1101 0328	Connector Pin Contact	
102	1102 0913	Connector - 9P	
103	1102 4201	Connector - 2P	
104	1102 4202	Connector - 3P	
105	1102 4203	CT Header - 4P	
106	1102 4205	CT Header - 6p	
107	1102 4206	Connector - 7P	
108	1102 4207	Connector - 8P	
109	1102 4208	Connector - 9P	
110	1102 4211	CT Header - 12P	
111	1102 4212	CT Header - 15P	
112	1102 4623	CT Connector - 6p	
113	1102 4629	Connector - 12P	
114	1102 6301	Connector - 8P	
115	1102 6302	Connector - 9P	
116	1104 0351	Fuse Holder	
117	1104 0589	Dip Socket - 32p	
118	1107 0751	Fuse - 4A 250V	
119	1107 0752	Fuse - 5A 250V	
120	1204 2368	Dip Switch - Dss804	
121	1400 0398	Transistor - 2SC2412K	
122	1400 0663	Transistor - 2SA1037AK	
123	1400 0763	Transistor - 2SD2025	
125	1401 0964	FET 2SJ172	
127	1402 0780	Diode - 200V - 1A - 11ES2	
128	1402 1353	Diode - HZ12BP	
129	1402 1492	14021492ERA32-01	
130	1403 0416	LED - Red - TLR123	
131	1407 1596	TTLIC - SN74LS14NS	
132	1407 2187	TTLIC - SN74LS07NS	
133	1407 3257	Cmosic - Tc74hc14af	
134	1407 3283	IC - TC74HC373AF	
135	1407 3287	IC - TC74HC393AF	


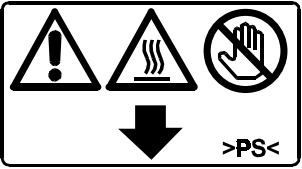
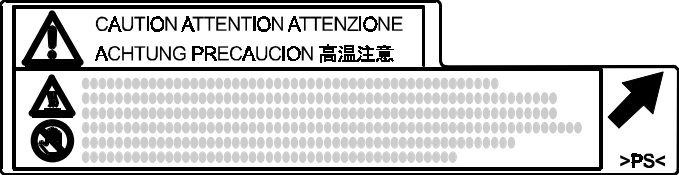
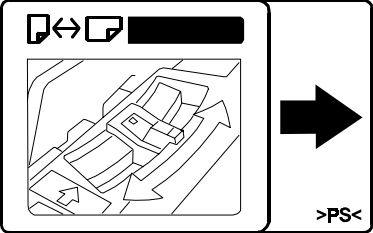
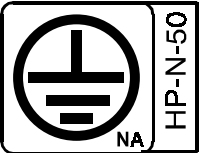


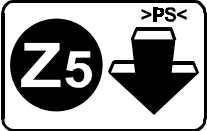
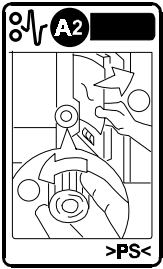
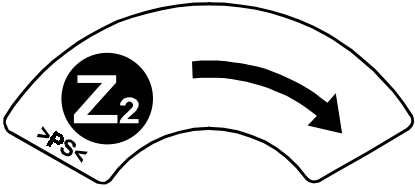


Index No.	Part No.	Description	Q'ty Per Assembly
136	1407 3290	IC - TC74HC02AF	
137	1407 3395	Cmosic - Tc74hc541af	
138	1407 4316	IC - TD52308BF	
139	1407 4724	Cpu Hd6413003tf-16	
140	1407 4980	EEPROM BR93LC56FV	
141	1408 0397	Comparator - NJM2901M	
142	1408 0599	IC - M51971EP	
143	1408 0611	IC - 3771	
144	1408 1007	Regurator - Upc7812ahf	
145	1408 1050	IC - STK6712BMK4	
146	1408 1287	IC - SI-8501L	
147	1408 1294	VR AD8402AR100	
148	1408 1387	VR AD8402AR50	
149	1503 0865	Oscillator - 9.8304MHZ	
150	1600 1209	Resistor - 220 $\Omega$ 1W $\pm$ 5%	
152	1600 1856	Resistor - 12 $\Omega$ $\pm$ 10% 5W	
153	1601 8148	Variable Resistor - 20K $\Omega$ 0.5W	
154	1604 4448	Capacitor - UPJ1A561MPH	
155	1605 0797	Capacitor - 16pF $\pm$ 5% 50V	
156	1606 1178	Capacitor - 0.01 $\mu$ F50V	
157	1630 3100	Resistor - 10 $\Omega$ $\pm$ 5% 1/10W	
158	1630 3101	Resistor - 100 $\Omega$ - 1/10W	
159	1630 3102	Resistor - 1K $\Omega$ 1/10W $\pm$ 5%	
160	1630 3103	Resistor - 10K $\Omega$ 1/10W $\pm$ 5%	
161	1630 3105	Resistor - 1M $\Omega$ $\pm$ 5% 1/10W	
162	1630 3161	Register - 160 $\Omega$ 1/10w $\pm$ 5%	
163	1630 3200	Resistor - 20 $\Omega$ $\pm$ 5% 1/10W	
164	1630 3203	Resistor - 20 $\Omega$ $\pm$ 5% 1/10W	
165	1630 3222	Resistor - 2.2K $\Omega$ 1/10W $\pm$ 5%	
166	1630 3223	Resistor - 22k $\Omega$ - 1/10W	
167	1630 3273	Resistor - 27k $\Omega$ - 1/10W	
168	1630 3302	Resistor - 3k $\Omega$ - 1/10W	
169	1630 3391	Resistor - 390 $\Omega$ 1/10W $\pm$ 5%	
170	1630 3392	Resistor - 3.9k $\Omega$ - 1/10W	

Index No.	Part No.	Description	Q'ty Per Assembly
171	1630 3472	Resistor - 4.7K $\Omega$ 1/10W $\pm$ 5%	
172	1630 3560	Resistor - 56 $\Omega$ $\pm$ 5% 1/10W	
173	1630 3562	Resistor - 5.6K $\Omega$ +5% 1/10W	
174	1630 3682	Resistor - 6.8k $\Omega$ - 1/10W	
175	1630 3753	Resistor - 75k $\Omega$ - 1/10W	
176	1633 1602	Resistor - 16K $\Omega$ $\pm$ 1% 1/4W	
177	1640 5101	Capacitor - 100 $\mu$ F $\pm$ 20% 50V	
178	1640 5102	Capacitor - 1000 $\mu$ F $\pm$ 20% 50V	
179	1640 5220	Capacitor - 22 $\mu$ F $\pm$ 20% 50V	
180	1640 5471	Capacitor - 470 $\mu$ F $\pm$ 20% 50V	
181	1643 5339	Capacitor - 3.3 $\mu$ F $\pm$ 20% 50V	
182	1643 5478	Capacitor - 0.47 $\mu$ F $\pm$ 20% 50V	
183	1660 2101	Capacitor - 100pF - $\pm$ 10% - 50V	
184	1660 2221	Capacitor - 220pF +80-20% 50V	
185	1660 2471	Capacitor - 470pF - $\pm$ 5% - 50V	
186	1660 4102	Capacitor - 1000pF $\pm$ 10% 50V	
187	1660 4222	Capacitor - 2200pF - $\pm$ 10% - 50V	
188	1660 6103	Capacitor - 10000pF - +80%-20%, 50V	
189	1660 6223	Capacitor 22000pF +80 -20% 50V	
190	1660 7104	Capacitor - 100000pF 50V	
192	1005 0843	Heat Sink - OSH2425SP	
193	1401 0886	Transistor - 2SK1286	
194	1600 0830	Nonflammable Resistor - 0.47 $\Omega$ 3W	
195	1401 1104	FET - 2SJ303	

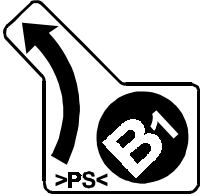
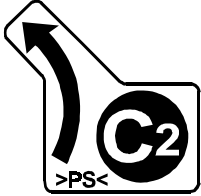

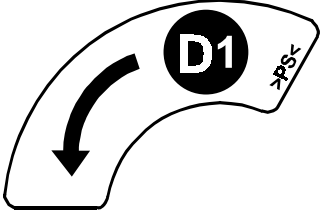
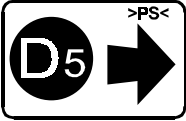

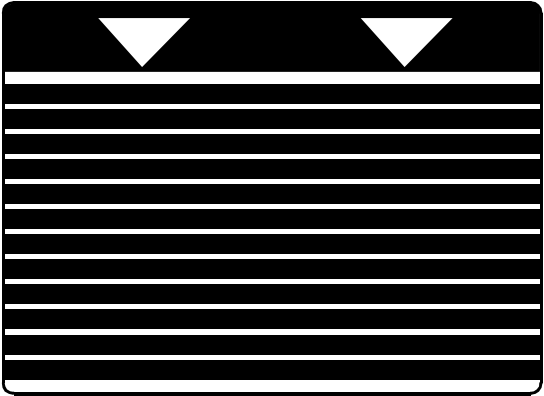



# 77.DECAL AND DOCUMENT (A294/A295)



# 77.DECAL AND DOCUMENT (A294/A295)

<p>10</p> 				
<p>11</p> 	<p>12</p> 			
<p>13</p> 	<p>15</p> 	<p>16</p> 	<p>17</p> 	<p>18</p> 
<p>14</p> 	<p>19</p> 	<p>20</p> 	<p>21</p> 	

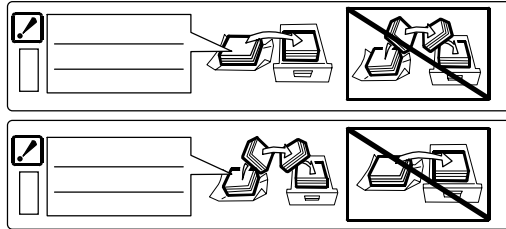
77.DECAL AND DOCUMENT (A294/A295)

<p>22</p> 	<p>23</p> 	<p>24</p> 	<p>25</p> 	<p>26</p> 	<p>27</p> 
<p>28</p> 			<p>29</p> 		
			<p>30</p> 		
			<p>31</p> 		

# 77.DECAL AND DOCUMENT (A294/A295)

<p>32</p>	<p>35</p>
<p>33</p>	<p>36</p>
<p>34</p>	<p>37</p>

43




44

**ENGLISH**

Power Supply

Ozone Safety (if applicable)

Laser Safety (if applicable)



**CAUTION**

For Fax or Telephone

Symbols

**ENGLISH**

Safety During Operation

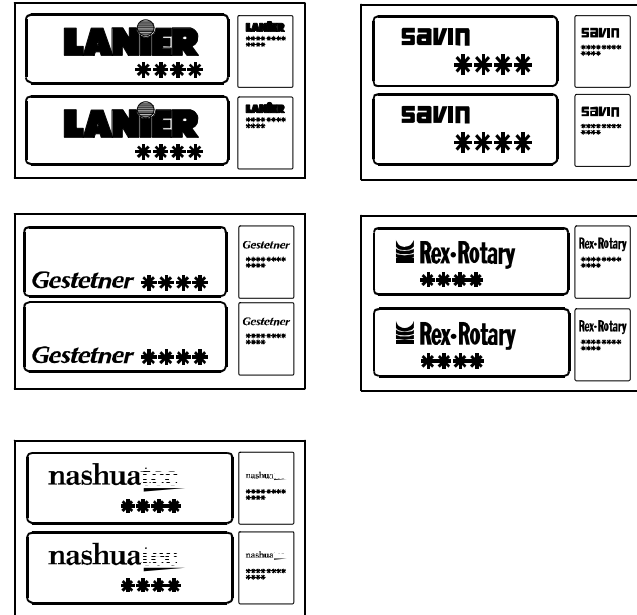
**WARNING:**

**CAUTION:**

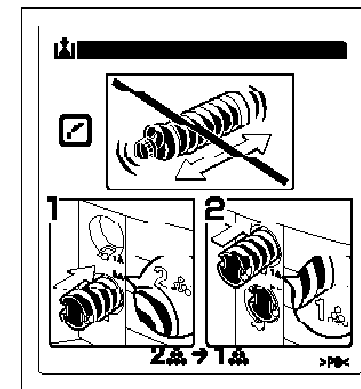
**WARNING:**

**CAUTION**

45



46





## 77.DECAL AND DOCUMENT (A294)

Rev. 9/2001

Index No.	Part No.	Description	Q'ty Per Assembly
1	A029 2984	Decal - Grip	1
2	A096 6677	Decal - Right Paper Set	1
3	A096 6678	Decal - Left Paper Set	1
4	A294 1272	Decal - Toner Bank	1
5	A294 1300	Decal - Misfeed Removal	1
6	A294 1305	Decal - Main Switch - English (USA)	1
6	A294 1306	Decal - Main Switch - Symbol (EU)	1
7	A294 1378	Decal - Total Counter	1
8	A806 4311	Decal - Misfeed Removal	1
9	A806 4321	Decal - Original Stack Height	1
10	A806 4331	Decal - Original Size	1
11	AA00 0207	High Temperature Decal - Small	1
12	AA00 0208	High Temperature Decal - Large	1
13	AA00 0213	Decal - Universal Tray	1
14	AA00 0540	Decal - Misfeed Removal	1
15	AA00 1190	Decal - Ground	1
16	AA00 1213	Decal - B2	1
17	AA00 1326	Decal - A1	1
18	AA00 1407	Guide Lever Decal	1
19	AA00 1408	Duplex Knob Decal	1
20	AA00 1409	Decal - Z4	1
21	AA00 1410	Decal - Paper Feed B4	1
22	AA00 1411	Decal - Paper Feed B1	1
23	AA00 1412	Decal - Paper Feed C2	1
24	AA00 1413	Decal - Paper Feed B3	1
25	AA00 1414	Decal - D1	1
26	AA00 1416	Decal - D5	1
27	AA00 1417	Decal - D6	1
28	AA00 2010	Decal - Paper Level	2
29	AA00 2237	Decal - Paper Tray No1	1
30	AA00 2238	Decal - Cover No.2	1
31	AA00 2239	Decal - Cover No.3	1
32	AA00 2244	Decal - Paper Set - Left	1
33	AA00 2245	Decal - Paper Set - Right	1
34	AA00 2246	Decal - Caution	1

Index No.	Part No.	Description	Q'ty Per Assembly
35	AA00 2251	Paper Size Decal - LT	1
35	AA00 2252	Paper Size Decal - A4	1
36	B301 4351	Caution Decal	1
37	G029 1982	Decal - LD	2
38	A294 6930	Model Name Plate - SVN 2085DP (A294I)	1
38	A294 6931	Model Name Plate - GES 3285 (A294I)	1
38	A294 6932	Model Name Plate - NSA D485 (A294I)	1
38	A294 6933	Model Name Plate - REX 2885 (A294I)	1
38	A294 6934	Model Name Plate - LAN 5485 (A294I)	1
38	A295 6930	Model Name Plate - SVN 2105DP (A295I)	1
38	A295 6931	Model Name Plate - GES 32105 (A295I)	1
38	A295 6932	Model Name Plate - NSA D4105 (A295I)	1
38	A295 6933	Model Name Plate - REX 28105 (A295I)	1
38	A295 6934	Model Name Plate - LAN 5505 (A295I)	1
38	A294 6940	Model Name Plate - SVN 2585 (A294II)	1
38	A294 6941	Model Name Plate - GES 8502 (A294II)	1
38	A294 6942	Model Name Plate - NSA 8505 (A294II)	1
38	A294 6943	Model Name Plate - REX 8508 (A294II)	1
38	A294 6944	Model Name Plate - LAN 5685 (A294II)	1
38	A295 6940	Model Name Plate - SVN 25105 (A295II)	1
38	A295 6941	Model Name Plate - GES 10502 (A295II)	1
38	A295 6942	Model Name Plate - NSA 10505 (A295II)	1
38	A295 6943	Model Name Plate - REX 10508 (A295II)	1
38	A295 6944	Model Name Plate - LAN 5705 (A295II)	1
39	A294 7207	Copier Operating Instructions LT (RIC)(A294I) (OBS)	1
39	A294 7297	Copier Operating Instructions Eng LT (SVN) (A294I) (OBS)	1
39	A294 7260	Copier Operating Instructions Eng A3 (INF) (A294I) (OBS)	1
39	A294 7290	Copier Operating Instructions Eng A3 (NRG) (OBS)	1
39	A294 7237	Copier Operating Instructions Eng LT (LAN) (A294I)	1

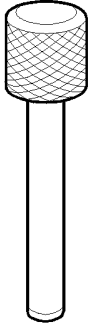
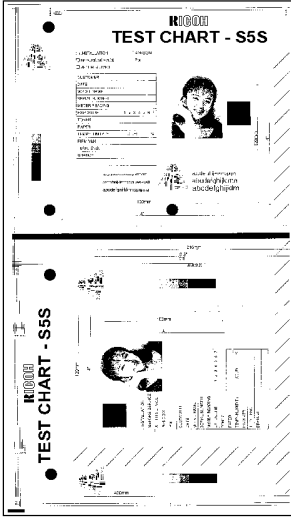
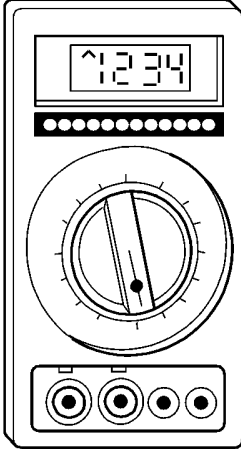
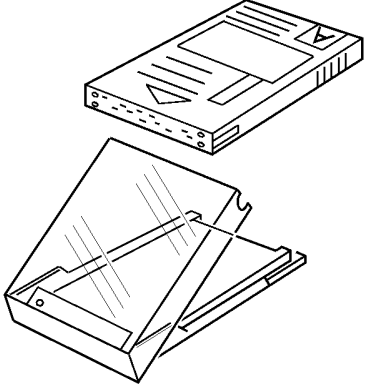
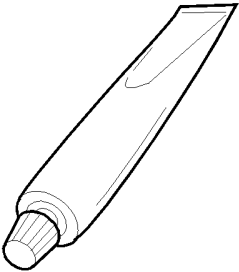
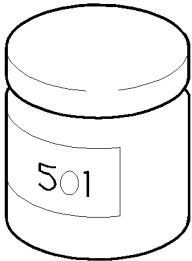
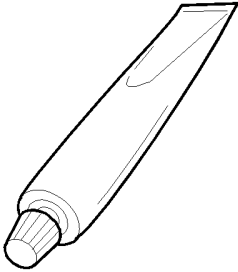
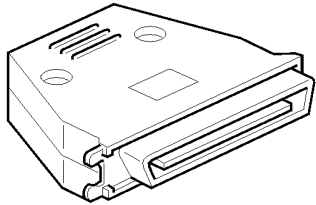


Index No.	Part No.	Description	Q'ty Per Assembly
39	A295 7207	Copier Operating Instructions LT (RIC)(A294I/A295I)	1
39	A295 7297	Copier Operating Instructions Eng LT (SVN)(A294I/A295I)	1
39	A295 7260	Copier Operating Instructions Eng A3 (INF)(A294I/A295I)	1
39	A295 7237	Copier Operating Instructions Eng LT (LAN)(A295I)	1
39	A295 7507	Copier Operating Instructions Eng (RIC)(A294II/A295II)	1
39	A295 7597	Copier Operating Instructions Eng (SVN)(A294II/A295II)	1
39	A295 7560	Copier Operating Instructions Eng (INF)(A294II/A295II)	1
39	A295 7537	Copier Operating Instructions Eng (LAN)(A294II/A295II)	1
40	A294 8607	System Operating Instructions - LT (RIC)(A294I) (OBS)	1
40	A294 8690	System Operating Instructions Eng A3 (NRG) (OBS)	1
40	A294 8697	System Operating Instructions Eng LT (SVN)(A294I) (OBS)	1
40	A294 8660	System Operating Instructions Eng A3 (INF)(A294I) (OBS)	1
40	A294 8637	System Operating Instructions Eng LT	1
45	B479 1271	Model Name Decal Ass'y (LAN)(UP-KIT)	1
45	B479 1272	Model Name Decal Ass'y (SVN)(UP-KIT)	45
45	B479 1273	Model Name Decal Ass'y (GES)(UP-KIT)	1
45	B479 1274	Model Name Decal Ass'y	1

Index No.	Part No.	Description	Q'ty Per Assembly
40	A295 8607	(LAN)(A294I) System Operating Instructions Eng LT (RIC)(A294I/A295I)	1
40	A295 8697	System Operating Instructions Eng A3 (SVN)(A294I/A295I) MB69	1
40	A295 8660	System Operating Instructions Eng A3 (INF)(A294I/A295I)	1
40	A295 8637	System Operating Instructions Eng LT (LAN)(A295I)	1
40	A295 7407	System Operating Instructions Eng (RIC)(A294II/A295II)	1
40	A295 7497	System Operating Instructions Eng (SVN)(A294II/A295II)	1
40	A295 7460	System Operating Instructions Eng (INF)(A294II/A295II)	1
40	A295 7437	System Operating Instructions Eng (LAN)(A294II/A295II)	1
41	A610 6051	Decal - Document Set	1
42	AA00 2096	Decal - Size Indication	1
43	A294 1307	Decal - Paper Set Direction	1
44	A267 8561	Safety Information Sheet	1
45	B479 1256	Model Name Decal Ass'y (RIC)(UP-KIT)	1
45	B479 1257	Model Name Decal Ass'y (INF)(UP-KIT)	1
45	B479 1275	Model Name Decal Ass'y (NSA)(UP-KIT)	1
46	A294 1273	Caution Decal - Toner Supply (REX)(UP-KIT)	1

# 78.SPECIAL TOOLS (A294/A295)

Rev. 10/30/2000

<p>1</p> 	<p>2</p> 	<p>3</p> 	<p>4</p> 
<p>5</p> 	<p>6</p> 	<p>7</p> 	<p>8</p> 

**78.SPECIAL TOOLS (A294/A295)**

Rev. 12/05/2001

Index No.	Part No.	Description	Q'ty Per Assembly
1	A006 9104	Scanner Positioning Pin (4pcs/set)	1
2	A292 9500	Test Chart - S5S (10pcs/set)	1
3	A029 9387	Digital Multimater - FLUKE 87	1
4	N803 6701	Flash Memory Card - 4MB	1
5	A257 9300	Grease Barrierta - S552R	1
6	5203 9502	Silicon Grease G-501	1
7	G004 9668	Grease - KS660 - SHIN-ETSU	1
8	G021 9350	Loopback Connector - Parallel	1

Index No.	Part No.	Description	Q'ty Per Assembly



**A294/A295**  
**PARTS INDEX**





This section instructs you as to the numbers and names of parts on this machine.

## PM Parts Index

Section Name	Part No.	Description in Service Manual	Description in Parts Catalog	Q'ty Per Assembly	Page and Index No
ORIGINAL FEED 2 (A294)	A806 1295	Paper Feed Belt	Feed Belt	1	27- 10
	A806 1321	Pick-up Roller	Pickup Roller	1	27- 23
	A680 1671	Separation Roller	Separation Roller	1	27- 26
ORIGINAL TRANSPORT (A294)	B301 1441	Transport Belt	Transport Belt	1	31- 1
PAPER FEED UNIT 2 (A294)	AF03 0040	Pick-up Roller	Pick-up Roller	3	63- 4
	AF03 1040	Paper Feed Roller	Feed Roller	3	63- 5
PAPER FEED UNIT 3 (A294)	AF03 2040	Separation Roller	Separation Roller	3	65- 3
TONER HOPPER SECTION (A294)	AA01 2114	Toner Filter/Air Dust Filter (Front)	Pressure Release Filter - Front	1	83- 2
	AA01 2113	Toner Filter/Air Dust Filter (Center)	Pressure Release Filter - Center	1	83- 6
DEVELOPMENT UNIT 1(A294)	AA01 2060	Development Filter	Development Filter	1	85- 7
PCU 1 (A294)	A096 2063	Wire Cleaner	Corona Wire Cleaner	1	89- 7
	AD02 0053	Charge Corona Wire	Charge Corona Wire	1	89- 12
	A096 2057	Plate Grid	Charge Corona Grid	1	89- 18
PCU 3 (A294)	AD04 1056	Cleaning Blade	Cleaning Blade	1	93- 1
	AD04 2032	Cleaning Brush	Cleaning Brush	1	93- 10
PCU 4 (A294)	AD02 5022	Pick-off Pawl	Pick-off Pawl	2	95- 16
TRANSFER BELT UNIT 1 (A294)	A229 3852	Transfer Belt	Transfer Belt	1	97- 1
TRANSFER BELT UNIT 2 (A294)	A294 3883	Transfer Belt Cleaning Blade	Transfer Belt Cleaning Blade	1	99- 4
FUSING UNIT 1 (A294)	AE04 0029	Web Cleaning Roller	Web Cleaning Roller	1	101- 7
	AE04 5031	Oil Supply & Cleaning Web	Oil Supply & Cleaning Web	1	101- 8
FUSING UNIT 2 (A294)	A096 9500	Hot Roller Stripper	Hot Roller Stripper - 5pcs/set	1	103- 16
FUSING UNIT 3 (A294)	AE01 1049	Hot Roller	Hot Roller	1	105- 9
FUSING UNIT 4 (A294)	AE04 2042	Pressure Roller Cleaning Roller	Pressure Roller Cleaning Roller	1	107- 12
	AE02 0087	Pressure Roller	Pressure Roller	1	107- 16
FRAME SECTION 3 (A294)	A294 2114	Toner Filter	Toner Filter	1	153- 19

## Parts Index

Rev. 9/2001

Part No.	Description	Page and Index No.
A294 1037	Front Upper Fixing Plate	157- 18
A294 1038	Front Lower Fixing Plate	157- 19
A294 1039	Rear Upper Fixing Plate	157- 9
A294 1040	Rear Lower Fixing Plate	157- 11
A294 1041	Right Lower Stay	155- 8
A294 1076	Front Left Fixing Plate	155- 3
A294 1077	Front Right Fixing Plate	155- 1
A294 1080	Channel Bracket - Center Front	155- 6
A294 1083	Frame Channel	153- 21
A294 1086	ADF Holder	147- 4
A294 1099	Right Holder	155- 2
A294 1101	Bracket - Drum Motor	129- 17
A294 1105	Tightener - Drum Unit	129- 24
A294 1109	Tightener - Transfer Cleaning	129- 23
A294 1112	Pulley Tightener - M19	129- 25
A294 1113	Ground Plate - Drum	129- 14
A294 1118	Flange - Fly Wheel	129- 2
A294 1121	Bracket Ass'y - Fusing Motor	127- 5
A294 1124	Tightener - Fusing Duplex	127- 8
A294 1127	Tightener - M28	127- 7
A294 1130	Fusing Drive Bracket	127- 12
A294 1132	Shaft - Fusing Drive	127- 14
A294 1134	Ground Plate - Fusing	127- 3
A294 1137	Joint - Duplex	127- 16
A294 1141	Gear - 24Z	129- 21
A294 1142	Transfer Drive Shaft	129- 19
A294 1144	Duplex Drive Shaft	127- 13
A294 1151	Bracket Ass'y - Collection	131- 36
A294 1156	Tightener Ass'y - Collection	131- 38
A294 1158	Transport Screw Bushing	131- 39
A294 1162	Gear - Z24	131- 34
A294 1163	Gear - 30Z	131- 35
A294 1163	Gear - 30Z	79- 14
A294 1167	Tension Spring - 12N	129- 22
A294 1168	Tension Spring - 27N	131- 37

Part No.	Description	Page and Index No.
A294 1169	Tension Spring - 35N	127- 9
A294 1182	Exhaust Duct - Fusing	139- 13
A294 1195	Right Fixing Plate	155- 7
A294 1196	Left Fixing Plate	149- 12
A294 1254	Right Front Door (RIC A294II/UP-KIT)	15- 9
A294 1258	Upper Cover	17- 4
A294 1259	Bracket - Upper Cover	147- 12
A294 1261	Cover - Rear Upper	17- 6
A294 1262	Right Upper Cover	19- 1
A294 1265	ADF Exit Tray	19- 4
A294 1266	Exit Bracket	19- 3
A294 1267	Lower Front Door	17- 22
A294 1268	Door Catch Plate	17- 26
A294 1270	Lower Front Hinge	17- 24
A294 1271	Hinge - Lower Front Door	17- 21
A294 1272	Decal - Toner Bank	17- 25
A294 1272	Decal - Toner Bank	181- 4
A294 1273	Caution Decal - Toner Supply	17- 28
A294 1273	Caution Decal - Toner Supply	181- 46
A294 1278	Left Front Door (RIC)	15- 1
A294 1281	Front Door Grip	15- 10
A294 1282	Front Door Spacer Bracket	15- 12
A294 1285	Right Front Door (RIC A294I)	15- 9
A294 1292	Door Switch Bracket	15- 11
A294 1294	Vertical Guide Stopper	15- 13
A294 1300	Decal - Misfeed Removal	15- 15
A294 1300	Decal - Misfeed Removal	181- 5
A294 1305	Decal - Main Switch - English (USA)	181- 6
A294 1305	Decal - Main Switch - English (USA)	17- 7
A294 1306	Decal - Main Switch - Symbol (EU)	181- 6
A294 1306	Decal - Main Switch - Symbol (EU)	17- 7
A294 1307	Decal - Paper Set Direction	181- 43
A294 1310	Cover - Right Upper	17- 18
A294 1312	Cap - Joint LCT	17- 15
A294 1313	Cover - LCT	17- 17

Part No.	Description	Page and Index No.
A294 1316	Cover - Right Under	17- 16
A294 1320	Cover - Left Upper	17- 1
A294 1326	Lower Left Cover	17- 3
A294 1330	Cover - Upper Rear	17- 11
A294 1336	Cover - Under Rear	17- 12
A294 1337	Cap - Control Unit	17- 13
A294 1345	Bracket - Interlock Switch	147- 2
A294 1346	Lever - Interlock Switch	147- 1
A294 1347	Bracket - Total Counter	147- 14
A294 1348	Bracket - Main Switch	147- 9
A294 1349	Cover - Main Switch	147- 10
A294 1352	Right Upper Hinge	147- 8
A294 1356	Lower Right Hinge	15- 7
A294 1360	Lower Left Hinge	147- 11
A294 1363	Lower Left Hinge	149- 13
A294 1369	Bracket - Under Cover	139- 11
A294 1375	Inner Cover - Right Upper	15- 5
A294 1377	Inner Cover - Left Upper	15- 3
A294 1378	Decal - Total Counter	15- 4
A294 1378	Decal - Total Counter	181- 7
A294 1380	Inner Cover - Left	15- 6
A294 1421	Cover - Operation Hinge	19- 8
A294 1422	Cover - Upper Operation Hinge	19- 6
A294 1423	Cover - Under Operation Hinge	19- 7
A294 1424	Cover - Operation Arm	19- 5
A294 1425	Operation Unit Arm	19- 21
A294 1429	Hinge - Operation Unit	19- 14
A294 1430	Rear Cover - Operation Unit	19- 13
A294 1433	Arm Frame	19- 22
A294 1434	Lower Support	19- 9
A294 1437	Supporting Plate - Operation Panel	19- 12
A294 1438	Hinge Fixing Plate	19- 15
A294 1439	Operation Unit Fixing Plate	19- 16
A294 1440	Knob - Operation Panel	19- 19
A294 1441	Spacer - Operation Panel	19- 23

Part No.	Description	Page and Index No.
A294 1442	Frame - Operation Panel	147- 7
A294 1445	Bracket - Cover	19- 10
A294 1446	Bracket - Arm Cover	19- 20
A294 1447	Shaft - Upper Operation Knob	19- 18
A294 1448	Shaft - Under Operation Knob	19- 24
A294 1449	Bushing - Operation Panel	19- 11
A294 1451	Operation Unit - LT	21- *
A294 1452	Operation Unit - A4	21- *
A294 1472	Front Cover - Operation Unit - LT	21- 1
A294 1473	Front Cover - Operation Unit - A4	21- 1
A294 1474	Rear Cover - Operation Unit	21- 31
A294 1475	Key Top - Start	21- 24
A294 1476	Key Top - Stop	21- 18
A294 1477	Key Top - 10 Key	21- 20
A294 1478	Key Top - Standby	21- 16
A294 1479	Key Top - Proof	21- 19
A294 1482	Key Top - Language Selection	21- 14
A294 1486	Cap - Key Top	21- 29
A294 1487	Key Top - Counter	21- 23
A294 1488	Lens - Application	21- 22
A294 1489	Spacer - Key Top	21- 21
A294 1490	PCB - Operation Panel	21- 13
A294 1491	PCB - Inverter	21- 12
A294 1492	Lens - LED	21- 10
A294 1493	PCB - LED	21- 32
A294 1494	Frame - Operation Panel	21- 30
A294 1495	Fixing Plate - Operation Panel	21- 34
A294 1496	Cover Sheet - 1	21- 36
A294 1497	Cover Sheet - 2	21- 37
A294 1498	Cover Sheet - 3	21- 35
A294 1499	Display Film - LED	21- 25
A294 1500	LED Board	21- 5
A294 1501	Bracket BCU	139- 8
A294 1502	Right Hinge - BCU	139- 7
A294 1503	Left Hinge - BCU	139- 12

Part No.	Description	Page and Index No.
A294 1505	HDD Gasket	145- 24
A294 1506	HDD Ground Plate	145- 2
A294 1507	Bracket - HDD	145- 8
A294 1509	ADF Plug Bracket	137- 19
A294 1511	Connector Bracket	145- 22
A294 1513	Bracket - Feed Control Board	143- 2
A294 1514	Bracket - Feed Control Board	143- 6
A294 1514	Bracket - Feed Control Board	133- 12
A294 1521	Bracket - Noise Filter	141- 5
A294 1522	Bracket - Power Cord	141- 7
A294 1523	Bracket - AC Drive Board	141- 4
A294 1525	Harness Cover Plate	67- 15
A294 1526	Harness Cover	67- 16
A294 1530	LCD - Display	21- 4
A294 1531	Operation Panel Frame	21- 33
A294 1532	Cable Holder	21- 6
A294 1533	Flat Cable	21- 11
A294 1534	Grounding Plate - Right	21- 9
A294 1535	Grounding Plate - Left	21- 2
A294 1540	Key Top - Clear	21- 17
A294 1541	Key Top Application 1 - LT	21- 26
A294 1542	Key Top Application 2 - LT	21- 27
A294 1543	Key Top Application 3 - LT	21- 28
A294 1545	Key Top - Application 1 - A4	21- 26
A294 1546	Key Top Application 2 - A4	21- 27
A294 1547	Key Top - Application 3 - A4	21- 28
A294 1661	Base Frame	49- 29
A294 1665	Left Frame	49- 28
A294 1666	Right Frame	49- 30
A294 1667	Sheet - Optical Housing	49- 31
A294 1668	Front Frame	49- 27
A294 1670	Rear Frame	49- 25
A294 1673	Front Stay	49- 26
A294 1687	Bracket - Scanner Rail	49- 15
A294 1694	Front Scanner Rail Ass'y	49- 22

Part No.	Description	Page and Index No.
A294 1695	Rear Scanner Rail Ass'y	49- 11
A294 1701	1st Scanner Ass'y	45- 14
A294 1705	Cover - 1st Scanner	45- 24
A294 1706	1st Mirror	45- 23
A294 1707	Reflector	45- 25
A294 1708	Invertor Insulator - 1	45- 18
A294 1709	Wire Clamp	45- 22
A294 1710	Holder - 1st Scanner Harness	45- 15
A294 1712	Rear Holder - Lamp	45- 27
A294 1732	2nd Scanner Ass'y	45- 1
A294 1739	Scanner Drive Bracket	45- 8
A294 1742	2nd Mirror	45- 2
A294 1743	Cushion - 5x20x4	45- 5
A294 1743	Cushion - 5x20x4	99- 32
A294 1744	Guard - 2nd Mirror	45- 3
A294 1746	Bracket - Wire Tension	43- 7
A294 1746	Bracket - Wire Tension	49- 13
A294 1747	Timing Belt - Scanner	49- 3
A294 1748	Scanner Motor Bracket	49- 2
A294 1749	Shaft - Scanner Drive	49- 8
A294 1753	Bracket - Belt Tension	49- 4
A294 1756	Spring - Scanner Motor	49- 5
A294 1757	Pulley - Front Drive	49- 23
A294 1758	Pulley - Rear Drive	49- 10
A294 1759	Wire - Scanner Drive	49- 12
A294 1760	Scanner Motor - DC38V 50W	49- 1
A294 1765	Sems Screw - M3x8	49- 32
A294 1778	Lens Cover Gasket - D06560	43- 12
A294 1780	Cover - Lens Unit	43- 10
A294 1781	Holder - Lens Unit	49- 16
A294 1782	Spacer - Lens Stay	43- 6
A294 1785	Frame - Optical Housing	45- 11
A294 1788	Sheet - Upper Frame	43- 18
A294 1788	Sheet - Upper Frame	45- 10
A294 1789	Sheet - Upper Frame Big	45- 9

Part No.	Description	Page and Index No.
A294 1790	Cushion - Scanner	45- 12
A294 1793	Cushion Seal - 20x50x4	45- 30
A294 1794	Left Scale	43- 2
A294 1795	Right Scale	43- 4
A294 1799	Right Stay - Optical Housing	43- 16
A294 1811	Cover - LD Unit	47- 3
A294 1817	Cover - Sync Detector	47- 6
A294 1822	Bracket - Original Sensor	43- 13
A294 1825	Holder - Original Sensor	43- 20
A294 1827	Cover - SICU Board	47- 10
A294 1828	Duct Fan	47- 11
A294 1832	Bracket Harness	45- 29
A294 1833	Guide Harness	47- 8
A294 1834	Guide Board - PCB	47- 17
A294 1835	Holder - SICU Harness	47- 9
A294 1836	Ground Plate - Left Frame	149- 6
A294 1837	Ground Plate - Rear Frame	147- 5
A294 1838	Ground Plate - Lens Stay	43- 9
A294 1839	Ground Plate - Under Lens Stay MB66 (OBS)	47- 20
A294 1840	Cable Holder Plate	47- 7
A294 1842	Rear Grounding Plate	153- 22
A294 1845	Dust Filter	43- 15
A294 1851	Optical housing Ass'y	51- *
A294 1910	LD Unit	51- 13
A294 1930	BTL Lens Ass'y	51- 40
A294 1942	Holder - Sync Detector Board	51- 8
A294 1945	Holder - Shield Glass	51- 10
A294 1949	Bracket - Shield Glass	51- 12
A294 1951	Shield 1	51- 21
A294 1953	Shield 3	51- 30
A294 1954	Shield 4	51- 31
A294 1955	Shield 5	51- 33
A294 1956	Shield 6	51- 24
A294 1957	Shield 7	51- 23
A294 1958	Shield 8	51- 26

Part No.	Description	Page and Index No.
A294 1959	Shield 9	51- 25
A294 1961	Spacer - Laser Diode Unit	51- 15
A294 1962	Spacer Seal	51- 14
A294 1963	Imaging Unit Shield Duct	51- 18
A294 1964	Optical Housing Gasket	51- 32
A294 1965	Fan Motor - DC12V 2.1W	51- 1
A294 1971	Bracket - Optical Housing Fan	151- 4
A294 1972	Duct - Optical Housing	151- 3
A294 1975	Lower Seal - Fan Motor	151- 5
A294 1976	Duct - Left Rear Frame	151- 1
A294 1977	Upper Seal - Fan Motor	151- 7
A294 1979	Filter - Laser Diode Unit	51- 6
A294 1991	Ground Plate - Rear Imaging Unit	151- 12
A294 1992	Ground Plate - Front Imaging Unit	151- 11
A294 1993	Ground Plate	153- 23
A294 2010	Charge Corona Unit	89- 2
A294 2011	Corona Wire Cleaner	89- 7
A294 2051	Rear Receptacle	139- 1
A294 2052	Receptacle Pin	139- 2
A294 2053	Receptacle Connector - G	139- 5
A294 2054	Seal - Inner Duct	139- 10
A294 2057	Inner Duct	139- 9
A294 2062	Bracket - Exhaust Duct	137- 8
A294 2065	Bracket - Rear Duct	137- 15
A294 2067	Rear Duct Ass'y	137- 16
A294 2071	Exhaust Duct Ass'y	137- 12
A294 2072	Mirror Duct	51- 22
A294 2076	Ozone Filter	137- 13
A294 2079	Seal - Rear Duct	137- 14
A294 2101	Duct Ass'y	151- 6
A294 2106	Exit Duct Seal	151- 13
A294 2108	Entrance Duct Seal	151- 14
A294 2109	Entrance Duct Slider	151- 15
A294 2112	Guide - Dust Filter	153- 20
A294 2114	Toner Filter	153- 19

Part No.	Description	Page and Index No.
A294 2120	Seal - Fan Duct	137- 1
A294 2121	Exhaust Fan Duct	137- 2
A294 2122	Receptacle Connector - C	139- 6
A294 2123	Dust Filter	19- 2
A294 2124	Seal - Operation Frame	147- 6
A294 2407	Drum Stay	89- 27
A294 2413	Upper Drum Unit	91- 1
A294 2420	Charge Corona Receptacle	91- 10
A294 2424	Transport Screw - Used Toner	131- 23
A294 2426	Relay Harness Plate	91- 3
A294 2600	Front Side Plate	73- 26
A294 2605	Rear Side Plate	73- 27
A294 2619	Sensor Board Guide	71- 2
A294 2645	Transport Guide Plate	73- 2
A294 2647	Transport Roller	73- 3
A294 2651	Guide Plate - Vertical Transport	73- 9
A294 2661	Bracket - Transport Sensor	69- 5
A294 2672	Guide Plate - Duplex Exit	73- 4
A294 2678	Roller - Duplex Exit	73- 8
A294 2684	Guide Plate - LCT Exit	69- 6
A294 2694	Release Lever	69- 13
A294 2697	Guide Plate - LCT Exit	71- 8
A294 2701	Bracket - LCT Transport Sensor	69- 2
A294 2705	Roller - LCT Exit	71- 7
A294 2752	Magnetic Clutch Holder	67- 6
A294 2752	Magnetic Clutch Holder	71- 17
A294 2752	Magnetic Clutch Holder	73- 17
A294 2780	Inner Cover - Paper Feed	69- 19
A294 2800	Paper Feed Motor - DC24V 23.5W	127- 2
A294 3022	Toner Bank Unit	75- *
A294 3051	Motor - DC 35W	127- 1
A294 3061	Pump Joint	145- 20
A294 3062	Air Pump Motor - DC 5.85W	145- 9
A294 3064	Air Pump Bracket	145- 11
A294 3065	DC Motor - Toner Supply	145- 12

Part No.	Description	Page and Index No.
A294 3070	Tube - 6x9x740	145- 21
A294 3071	Tube - 6x9x1000	145- 19
A294 3072	Tube - 6x9x170	145- 18
A294 3076	Development Connector Bracket	145- 23
A294 3078	Development Ground Plate	131- 9
A294 3081	Air Pump	145- 15
A294 3083	Pump Cap	145- 17
A294 3084	Collar - 4x7x8	145- 14
A294 3085	Pump Seal	145- 16
A294 3086	Toner Supply Pump	145- 13
A294 3090	Fan Duct	145- 5
A294 3093	Air Block Plate	145- 3
A294 3094	Development Connector Bracket	145- 23
A294 3102	Development Unit (A294I/A295I)	87- *
A294 3102	Development Unit (A294I/A295I)	85- *
A294 3105	Development Unit (A294II/A295II/UP-KIT)	87- *
A294 3105	Development Unit	85- *
A294 3124	Ground Plate - Doctor Blade	87- 21
A294 3125	Electrode Torsion Spring	87- 14
A294 3126	Casing Electrode	87- 15
A294 3129	Electrode Torsion Spring (A294I/A295I)	87- 14
A294 3131	Upper Development Roller	87- 1
A294 3132	Lower Development Roller	87- 2
A294 3133	Lower Development Sheet	87- 19
A294 3145	Ball Bearing Case - 8x19x6	87- 8
A294 3147	Seal	87- 7
A294 3150	Bushing - 6x22x14	87- 10
A294 3166	Front Drum Seal	87- 4
A294 3167	Rear Drum Seal	87- 5
A294 3170	Bushing - 6x22x14	87- 13
A294 3173	Seal - M8	87- 18
A294 3180	Entrance Seal	85- 4
A294 3186	Toner Bank Unit (RIC NA)(A294I/A295I)	75- *
A294 3187	Toner Bank Unit (RIC EU)(A294I/A295I)	75- *
A294 3188	Toner Bank Unit (NRG/SVN)(A294I/A295I)	75- *

Part No.	Description	Page and Index No.
A294 3189	Toner Bank Unit (INF/LAN)(A294I/A295I)	75- *
A294 3190	Development Duct Ass'y	85- 14
A294 3203	Toner Supply Unit (A294I/A295I)	83- *
A294 3204	Toner Supply Unit	83- *
A294 3212	Center Filter Holder	83- 5
A294 3220	Upper Toner Hopper	83- 10
A294 3221	Upper Case Seal - Left	83- 9
A294 3222	Upper Case Seal - Right	83- 8
A294 3223	Seal - 45x12.5x3	83- 7
A294 3231	Lower Toner Hopper Case	83- 13
A294 3234	Seal - 52x5x2	83- 14
A294 3235	Seal - 60x25	83- 37
A294 3236	Seal - 3x15x85	83- 24
A294 3237	Seal - 33x324x4	83- 25
A294 3238	Filter Lower Case Seal	83- 26
A294 3240	Agitator	83- 12
A294 3242	Toner Supply Roller	83- 23
A294 3245	Agitator Rear Holder	83- 34
A294 3246	Gear - 108Z (A294II/A295II/UP-KIT)	79- 2
A294 3251	Right Hopper Case	83- 31
A294 3255	Idler Gear - 15Z (RED)	83- 20
A294 3256	Seal - 8x68x2	83- 30
A294 3258	Toner Hopper Joint	83- 3
A294 3263	Front Filter Holder	83- 1
A294 3264	Filter Holder Cover - Front MB11 ADDED	83- 36
A294 3266	Joint Hopper Seal	83- 4
A294 3285	Toner Collection Coil	81- 22
A294 3292	Toner Bank Slider	81- 16
A294 3294	Gear - 108Z USA (RIC)(A294I/A295I)	79- 1
A294 3296	Gear - 108Z EU (RIC)(A294I/A295I)	79- 1
A294 3297	Gear - 108Z OEM (NRG/SVN)(A294I/A295I)	79- 1
A294 3298	Gear - 108Z OEM2 (INF/LAN)(A294I/A295I)	79- 1
A294 3313	Toner Bank Case	81- 5
A294 3317	Left Case Seal	81- 6
A294 3318	Right Case Seal	81- 7

Part No.	Description	Page and Index No.
A294 3321	Long Case Seal	81- 23
A294 3322	Short Case Seal	81- 24
A294 3323	Vibration Plate	81- 12
A294 3327	Toner Collection Vibration Plate	81- 11
A294 3333	Agitator Shaft	81- 21
A294 3334	Toner Bank Agitator	81- 20
A294 3336	Cam Shaft	81- 26
A294 3337	Vibration Plate Cam	81- 25
A294 3339	Spring Shaft	81- 18
A294 3340	Spring Support Plate	81- 19
A294 3341	Vibrating Plate Link Bracket	81- 1
A294 3346	Toner Bank Side Plate	79- 29
A294 3352	Toner Bottle Shaft	81- 13
A294 3354	Rack - 10z	81- 2
A294 3362	Toner Bottle Bracket	77- 7
A294 3371	Motor Bracket	77- 2
A294 3372	Motor - DC 5.85W	77- 1
A294 3375	Motor - DC 5.85W	77- 8
A294 3377	Sensor Bracket	77- 19
A294 3378	Position Sensor Bracket - Upper	77- 4
A294 3379	Position Sensor Bracket - Lower	77- 21
A294 3382	Toner Bottle Drive Shaft	79- 2
A294 3386	Driving Case	79- 26
A294 3390	Spring Shaft Cam	79- 23
A294 3391	Gear - 32Z	79- 22
A294 3392	Bracket Cover	81- 29
A294 3393	Cam Stopper	79- 24
A294 3402	Clutch Bracket	79- 15
A294 3406	Clutch Shaft	79- 6
A294 3408	Tightener Bracket	79- 16
A294 3414	Toner Collection Coil Joint	77- 15
A294 3415	Toner Collection Pipe	79- 25
A294 3416	Toner Recycling Magnet	77- 14
A294 3419	Joint Disk	77- 13
A294 3422	Pipe Stopper-toner Collection Coil	79- 28



Part No.	Description	Page and Index No.
A294 3426	Motor - DC 5.1W	77- 20
A294 3432	Right Side Plate - Toner Bank	79- 11
A294 3436	Left Side Plate - Toner Bank	75- 15
A294 3442	Toner Bottle Guide Plate	75- 1
A294 3445	Stopper Support Plate	75- 4
A294 3446	Toner Bottle Stopper	75- 11
A294 3447	Toner Bottle Set Feeler	75- 13
A294 3451	Lever Holder	75- 7
A294 3453	Toner Bottle Release Lever	75- 6
A294 3454	Lever Stopper	75- 2
A294 3456	Sensor Bracket - Toner Bank	79- 10
A294 3461	Lever Rack Joint	75- 17
A294 3462	Joint Holder	75- 18
A294 3465	Toner Collection Bottle	75- 8
A294 3471	Toner Transport Screw Case	133- 15
A294 3475	Tube - 12x14x835	133- 10
A294 3476	Pipe Seal	133- 19
A294 3477	Toner Transport Screw	133- 9
A294 3480	Driving Joint	133- 17
A294 3482	Tube Guide Rail	133- 11
A294 3485	Toner Transport Joint	133- 18
A294 3490	Inner Cover - Toner Bank	17- 19
A294 3495	Fixing Plate	75- 19
A294 3496	Toner Bank Guide Rail	75- 16
A294 3511	Lower Drum Unit (A294I/A295I)	93- *
A294 3512	Lower Drum Unit (A294II/A295II/UP-KIT)	93- *
A294 3554	PCU Frame	95- 23
A294 3556	Entrance Seal Holder (A294I/A295I)	95- 24
A294 3566	Holder - Toner Collection Coil	93- 11
A294 3569	Upper Stay - Transfer Unit	95- 8
A294 3573	Medium Insulation Sheet	95- 27
A294 3574	Small Insulation Sheet	95- 28
A294 3576	Large Insulation Sheet	95- 29
A294 3591	Joint - Cleaning Drive	93- 16
A294 3593	Entrance Seal Holder	95- 24

Part No.	Description	Page and Index No.
A294 3594	Cleaning Magnet	95- 26
A294 3606	Cleaning Seal - Ass'y	93- 19
A294 3612	Toner Recycling Upper Case	131- 18
A294 3613	Toner Recycling Lower Case	131- 11
A294 3614	Vibrating Plate Cushion	81- 8
A294 3614	Vibrating Plate Cushion	131- 13
A294 3617	Vibrating Plate -toner Recycling	131- 16
A294 3618	Vibrating Plate Cam	131- 20
A294 3619	Transport Screw - Toner Recycling	131- 24
A294 3621	Gear - 44Z	131- 15
A294 3623	Used Toner Collection Pipe - M14mm	131- 22
A294 3626	Gear - 17Z	131- 30
A294 3627	Seal - Toner Recycling Lower Case	131- 14
A294 3628	Upper Guide - Vibrating Plate	131- 12
A294 3629	Lower Guide - Vibrating Plate	131- 17
A294 3630	Lower Case	131- 28
A294 3632	Lower Case Seal	131- 31
A294 3634	Seal	131- 32
A294 3635	Seal	131- 42
A294 3637	Upper Case Cover	131- 29
A294 3638	Toner Recycling Pipe - M14mm	131- 21
A294 3639	Cam Gear - 17Z	131- 43
A294 3641	Upper Case - Ass'y	131- 27
A294 3656	Gear Joint - Z16	129- 13
A294 3660	Drum Drive Shaft	129- 5
A294 3671	Cam - Blade Slide	129- 6
A294 3680	Drum Shaft Stay	129- 4
A294 3699	Drum Inner Cover	15- 8
A294 3700	Collection Bottle Ass'y	67- 36
A294 3711	Vacuum Supporter	67- 39
A294 3712	Supporter Stay	67- 38
A294 3713	Stopper - Collection Bottle	67- 37
A294 3722	Pump Unit Bracket	67- 34
A294 3725	Air Pump Ass'y	67- 33
A294 3731	Joint Tube	67- 32

Part No.	Description	Page and Index No.
A294 3732	Collection Bottle Tube	67- 35
A294 3810	Transfer Belt Unit (A294)	97- *
A294 3851	Transfer Belt Casing	99- 26
A294 3859	Coupled Gear - 32Z/40Z	99- 25
A294 3861	Transfer Belt Frame	97- 23
A294 3863	Electrode Plate	97- 14
A294 3864	Electrode Cover	97- 17
A294 3866	Driven Cover	97- 16
A294 3867	Grounding Plate	97- 20
A294 3868	Rear Frame Spring Plate	97- 13
A294 3869	Rear Positioning Plate	97- 10
A294 3871	Gear - 20Z	97- 11
A294 3872	Transfer Bias Brush	97- 18
A294 3876	Bushing - 0.75x6x23	97- 15
A294 3878	Back Up Roller	97- 7
A294 3879	Front Spring Plate	97- 21
A294 3880	Toner Collection Coil	99- 5
A294 3883	Transfer Belt Cleaning Blade	99- 4
A294 3885	Bias Roller Terminal	97- 12
A294 3887	Casing Spring Plate	99- 17
A294 3889	Electrode Cover	99- 19
A294 3890	Transfer Belt Solenoid	99- 15
A294 3893	Solenoid Heat Sink	99- 11
A294 3896	Casing Cover	99- 18
A294 3897	Relay Electrode Plate	99- 30
A294 3911	Support Plate	153- 11
A294 3913	Heat Resistance Sheet	153- 8
A294 3915	Belt Unit Support Plate	97- 22
A294 3918	Positioning Plate	153- 15
A294 3920	Support Plate	153- 17
A294 3951	Rear Casing Guide	99- 3
A294 3956	Exit Electrode Plate - Transfer Belt	99- 31
A294 3962	Transfer Belt	97- 1
A294 4013	Fusing Paper Exit Unit - US	103- *
A294 4014	Fusing Paper Exit Unit - EU	103- *

Part No.	Description	Page and Index No.
A294 4026	Fusing Paper Exit Unit - US	103- *
A294 4027	Fusing Paper Exit Unit - EU	103- *
A294 4036	Hot Roller Unit - US	105- *
A294 4037	Hot Roller Unit - EU	105- *
A294 4053	Front Fusing Plate (A294I/A295I/UP-KIT)	105- 4
A294 4054	Rear Fusing Plate	105- 15
A294 4055	Upper Fusing Tray (A294I/A295I/UP-KIT)	105- 2
A294 4056	Front Heater Holder	105- 7
A294 4057	Rear Heater Holder	105- 17
A294 4059	Right Lower Fusing Stay	105- 10
A294 4061	Gear - 67Z	105- 16
A294 4066	Hot Roller Unit - US	105- *
A294 4070	Cleaning Roller Unit	107- 8
A294 4073	Right Lower Stay	109- 24
A294 4075	Cleaning Roller Shaft	107- 13
A294 4076	Lower Exit Guide Plate	103- 1
A294 4077	Left Holder	107- 10
A294 4078	Right Holder	107- 15
A294 4079	Stripper Pawl Bracket	103- 3
A294 4083	Cleaning Roller Bracket	107- 9
A294 4089	Fusing Upper Cover (A294I/A295I/UP-KIT)	101- 1
A294 4092	Fusing Cover Film	101- 17
A294 4095	Fusing Entrance Guide - A4	105- 11
A294 4103	Upper Pressure Lever	107- 24
A294 4104	Stopper Bracket	101- 20
A294 4106	Pressure Shaft	107- 21
A294 4107	Lower Pressure Lever	107- 22
A294 4111	Hot Roller Unit - EU	105- *
A294 4116	Plate Ratchet	101- 21
A294 4118	Fusing Exit Guide	103- 6
A294 4135	Pressure Roller Shaft	107- 17
A294 4146	Gear - 50Z (A294I/A295I/UP-KIT)	101- 19
A294 4147	Oil Collect Bracket	101- 12
A294 4152	Sensor Bracket (A294I/A295I)	107- 5
A294 4156	Gear - 23Z	101- 16

Part No.	Description	Page and Index No.
A294 4158	Coupled Gear - 25Z/32Z	101- 13
A294 4160	Left Upper Fusing Cover	103- 7
A294 4164	Roller Spring Plate	103- 14
A294 4171	Coupled Gear - 17Z/32Z (A294I/A295I)	107- 2
A294 4171	Coupled Gear - 17Z/32Z	101- 18
A294 4172	Drive Bracket (A294I/A295I)	107- 3
A294 4176	Right Front Case (A294I/A295I/UP-KIT)	107- 1
A294 4178	Exit Guide Bracket	103- 13
A294 4179	Fusing Harness Bracket	105- 13
A294 4183	Cable Connector Bracket	143- 9
A294 4185	Pressure Lever Support Plate	107- 27
A294 4186	Pressure Shaft	107- 7
A294 4190	Front Bracket	107- 20
A294 4192	Web End Metal Lever	101- 22
A294 4195	Fusing Entrance Guide - LT	105- 11
A294 4198	Fusing Inner Cover	101- 2
A294 4252	Paper Cooling Roller	109- 3
A294 4254	Transport Belt - Paper Exit	109- 1
A294 4268	Paper Cooling Stay	109- 14
A294 4272	Inverter Guide Plate	111- 9
A294 4279	Inverter Junction Solenoid	111- 18
A294 4280	Solenoid Bracket	111- 21
A294 4281	Inverter Lever	111- 23
A294 4287	Inverter Middle Guide Plate	111- 4
A294 4288	Entrance Inverter Guide Mylar	111- 31
A294 4289	Relay Guide Plate	115- 16
A294 4294	Exit Guide Plate	115- 14
A294 4301	Upper Guide Plate - Exit	113- 10
A294 4308	Exit Sensor Bracket	113- 2
A294 4311	Rear Side Plate - Fusing Exit	115- 25
A294 4314	Rear Side Plate - Fusing Exit	115- 25
A294 4322	Timing Belt - 561P3M6	109- 20
A294 4323	Timing Belt- B60DS3M480	113- 15
A294 4326	Right Tightener	111- 26
A294 4331	Left Tightener	115- 20

Part No.	Description	Page and Index No.
A294 4336	Brush Bracket	109- 18
A294 4342	Front Side Plate - Fusing Exit	115- 24
A294 4346	Lever Bracket	115- 2
A294 4347	Release Lever	115- 1
A294 4349	Lock Lever	115- 4
A294 4356	Slide Rail Bracket - Left Front	149- 8
A294 4357	Slide Rail Bracket - Left Rear	149- 9
A294 4369	Fan Motor Bracket	149- 10
A294 4372	Paper Cooling Duct	143- 3
A294 4373	Paper Cooling Duct Cover	143- 5
A294 4375	Suction Duct	153- 3
A294 4379	Duct Stay	153- 2
A294 4381	Connector Bracket	111- 16
A294 4382	Left Lower Stay	115- 5
A294 4385	Fusing Bottom Cover	111- 14
A294 4387	Inner Cover - Paper Exit	109- 6
A294 4391	Finisher Connecting Bracket	149- 1
A294 4392	Upper Guide Plate	149- 2
A294 4393	Lower Exit Guide Plate	149- 3
A294 4405	Entrance Guide	113- 11
A294 4406	Support Guide - Entrance Cooling	113- 16
A294 4407	Lower Exit Guide	113- 3
A294 4412	Web Brake Pad Bracket	101- 24
A294 4414	Drive Bracket (UP-KIT)	107- 3
A294 4416	Sensor Bracket (UP-KIT)	107- 5
A294 4420	Front Fusing Plate (A294II/A295II)	105- 4
A294 4421	Upper Fusing Stay (A294II/A295II)	105- 2
A294 4423	Web Bracket (A294I/A295I/UP-KIT)	101- 10
A294 4425	Web End Feeler (A294I/A295I/UP-KIT)	101- 15
A294 4426	Web Spring Plate (A294I/A295I/UP-KIT)	101- 4
A294 4429	Oil Supply & Cleaning Web Unit	101- 3
A294 4431	Web Bracket (A294II/A295II)	101- 10
A294 4433	Web Spring Plate (A294II/A295II)	101- 4
A294 4434	Web End Feeler (A294II/A295II)	101- 15
A294 4435	Web End Metal Lever	101- 22

Part No.	Description	Page and Index No.
A294 4437	Web Unit Cover (A294II/A295II)	101- 11
A294 4443	Drive Bracket (A294II/A295II)	107- 3
A294 4447	Sensor Bracket (A294II/A295II)	107- 5
A294 4448	Right Front Case (A294II/A295II)	107- 1
A294 4449	Web Brake Pad (A294II/A295II)	101- 23
A294 4451	Fusing Upper Cover (A294II/A295II)	101- 1
A294 4457	Front Side Plate - Fusing Exit	115- 24
A294 4462	Inner Back Bracket - Cleaning Unit	115- 26
A294 4465	Thermofuse Ass'y	105- 1
A294 4470	Fusing Guide Plate	103- 6
A294 4472	Upper Fusing Exit Guide	103- 17
A294 4480	Oil Supply & Cleaning Web Unit	101- 3
A294 4482	Web Unit Cover (A294I/A295I/UP-KIT)	101- 11
A294 4490	Oil Supply & Cleaning Web Unit (UP-KIT)	101- 3
A294 4500	Duplex Unit	117- *
A294 4611	Upper Guide Plate	125- 15
A294 4626	Lower Duplex Guide Plate	125- 3
A294 4652	Driven Duplex Roller Ass'y	125- 1
A294 4654	Transport Roller	125- 2
A294 4661	Duplex Junction Gate	121- 2
A294 4662	Junction Gate Solenoid	121- 23
A294 4665	Cushion - 6x6x2	111- 15
A294 4668	Cushion - Junction Gate Solenoid	121- 24
A294 4673	Inverter Exit Guide - Left	121- 3
A294 4674	Inverter Exit Guide - Right	121- 1
A294 4701	Rear Jogger Fence	117- 15
A294 4705	Front Jogger Fence	117- 16
A294 4708	Guide Seal - 19x45	117- 17
A294 4711	Jogger Motor - Bracket	123- 2
A294 4712	Motor - DC 17.76W	123- 1
A294 4716	Rear Jogger Slider	123- 7
A294 4718	Belt Holder	123- 4
A294 4721	Front Jogger Slider	123- 6
A294 4723	Belt Holder Fixing Plate	123- 3
A294 4726	Idle Bracket	123- 10

Part No.	Description	Page and Index No.
A294 4730	Jogger Guide Rod	123- 8
A294 4732	Guide Rod Plate	123- 25
A294 4733	Jogger Fence Guide	123- 11
A294 4736	Jogger HP Sensor Bracket	123- 23
A294 4737	Left Duplex Table	123- 16
A294 4738	Duplex Entrance Seal	123- 18
A294 4744	Right Duplex Table	117- 18
A294 4745	Right Sensor Bracket	117- 21
A294 4751	Reverse Roller Bracket	117- 42
A294 4754	Roller Lever	117- 7
A294 4761	Reverse Roller Solenoid	117- 2
A294 4774	Relay Gear Shaft	119- 11
A294 4788	Transport Tightener	125- 17
A294 4792	Reverse Roller Tightener	125- 8
A294 4802	Duplex Entrance Guide	121- 10
A294 4806	Knob Bracket	121- 18
A294 4807	Rear Side Plate - Duplex	121- 12
A294 4808	Front Side Plate - Duplex	121- 20
A294 4809	Inverter Knob	121- 17
A294 4814	Lower Duplex Guide	121- 9
A294 4821	Entrance Guide	119- 18
A294 4822	Paper Guide Solenoid	119- 14
A294 4827	Paper Guide Seal	119- 17
A294 4831	Duplex Knob Bracket	125- 7
A294 4832	Knob Shaft	125- 9
A294 4837	Upper Duplex Stay	117- 10
A294 4841	Release Lever Shaft	117- 32
A294 4842	Release Bracket	117- 35
A294 4843	Lock Arm	117- 34
A294 4844	Release Lever	117- 36
A294 4851	Guide Plate	117- 22
A294 4852	Plate Spring	117- 24
A294 4854	Guide Plate Lever	117- 29
A294 4855	Lower Transport Guide Stay	117- 41
A294 4861	Duplex Unit Drawer Bracket	119- 2

Part No.	Description	Page and Index No.
A294 4866	Lock Lever	117- 37
A294 4871	Slide Rail Stay - Left	149- 5
A294 4881	Slide Rail Stay - Right Rear	155- 4
A294 4892	Duplex Inner Cover	117- 1
A294 5053	MCU Board	47- 4
A294 5053	MCU Board	161- *
A294 5057	PRON - MCU	161- 1
A294 5090	Harness - FFC40	47- 18
A294 5091	Harness - FFC15	47- 19
A294 5092	Harness - SICU Board	47- 13
A294 5093	Harness - MCU LDB	47- 1
A294 5094	Harness - MCU Board (A294) MB13	47- 2
A294 5096	Harness - Heater Connect	47- 22
A294 5098	Harness - SICU Connect	47- 12
A294 5176	Harness - Hard Disk Drive	47- 16
A294 5177	2nd HDD Harness	47- 15
A294 5222	Harness - Optical Unit FFC	47- 26
A294 5223	Harness - Sync Detector	51- 5
A294 5225	Harness - Interlock Switch	51- 4
A294 5226	Safety Switch Harness	147- 3
A294 5245	Board - Polygon Motor Drive	51- 2
A294 5261	BCU Board	167- *
A294 5261	BCU Board	139- 19
A294 5310	IO Board (A294I/A295I)	171- *
A294 5310	IO Board (A294I/A295I)	143- 1
A294 5330	Board - Main Switch	17- 9
A294 5340	I/O Board (A294II/A295II/UP-KIT)	143- 1
A294 5340	I/O Board (A294II/A295II/UP-KIT)	171- *
A294 5361	Cable - 10KV 105C	137- 9
A294 5365	High Voltage Cable - G/B/S	137- 11
A294 5410	AC Drive Board	141- 3
A294 5440	AC Harness	141- 2
A294 5441	DC Harness	141- 9
A294 5442	AC Harness - Heater	141- 10
A294 5450	DC Main Harness	139- 20

Part No.	Description	Page and Index No.
A294 5452	Main DC Harness - Paper Bank	143- 14
A294 5454	DC Harness - Power Supply	139- 21
A294 5461	DC Harness - Drum	131- 8
A294 5462	DC Harness - Tandem LCT	133- 8
A294 5464	DC Harness - Duplex	131- 25
A294 5465	Fusing Harness	143- 10
A294 5466	Paper Exit Harness	139- 14
A294 5468	Sub DC Harness - Paper Bank	143- 13
A294 5471	Harness - Drum Unit	95- 6
A294 5472	DC Harness - Tandem LCT	57- 23
A294 5474	Duplex Harness	119- 1
A294 5475	Fusing Harness	105- 14
A294 5476	Exit Unit Harness	111- 17
A294 5477	Drum Relay Harness	91- 4
A294 5479	Relay Harness - Transfer Belt	153- 13
A294 5480	Transfer Belt Harness	99- 14
A294 5482	Harness - Paper Feed Unit	69- 4
A294 5485	Interface Finisher Grinding Harness	143- 8
A294 5486	Interface Grounding Harness	137- 18
A294 5486	Interface Grounding Harness	143- 7
A294 5487	Grounding Wire - DF	137- 17
A294 5490	Cable - Operation Board SICU	47- 24
A294 5491	Toner Bank Harness - 10p White	77- 18
A294 5492	Toner Bank Harness - 10p Red	77- 17
A294 5493	Toner Bank Harness - 15p	77- 16
A294 5494	Harness - Main Switch	17- 8
A294 5496	Key Counter Relay Harness - Lanier	47- 27
A294 5497	Key Counter Short Connector - 4P	47- 28
A294 5500	Harness - 1st Scanner	45- 16
A294 5501	Board - 1st Scanner Harness	45- 28
A294 5550	Touch Panel - 10.4inch	21- 3
A294 5600	SICU Board - 240V USA	47- 14
A294 5620	Power Cord - USA	141- 6
A294 5650	SICU Board - 230V	47- 14
A294 5670	Power Cord - 230V	141- 6

Part No.	Description	Page and Index No.
A294 6155	Rear Side Plate	157- 10
A294 6171	DC Motor - 27.6W	133- 4
A294 6181	Front Side Plate	157- 21
A294 6183	Inner Cover - Paper Tray	67- 9
A294 6320	Paper Feed Unit (A294I/A295I/UP-KIT)	67- 1
A294 6321	Paper Feed Unit - 2nd	67- 31
A294 6322	Paper Feed Unit (A294II/A295II)	67- 1
A294 6323	Paper Feed Unit - 2nd	67- 31
A294 6366	Magnetic Clutch Arm	61- 11
A294 6371	Guide Plate	67- 2
A294 6376	Transport Roller	67- 7
A294 6403	Front Side Plate	67- 22
A294 6404	Rear Side Plate	67- 14
A294 6405	Guide Plate - Upper Transport	67- 13
A294 6409	Stay	67- 17
A294 6426	Release Lever - Vertical Transport	67- 25
A294 6609	Left Tandem Tray Ass'y - A4	53- 3
A294 6610	Right Tandem Tray Ass'y - A4	55- *
A294 6611	Left Tandem Tray Ass'y - LT	53- 3
A294 6612	Right Tandem Tray Ass'y - LT	55- *
A294 6624	Left End Fence	53- 27
A294 6630	Left Rear Fence	53- 14
A294 6632	Cover Bracket	53- 5
A294 6643	Left Front Fence	53- 7
A294 6645	Left Side Plate	53- 8
A294 6650	Stopper - Interlock Switch	53- 15
A294 6666	Side Plate	55- 14
A294 6668	Right Front Side Plate	57- 37
A294 6670	Base - Right Tandem Tray	55- 7
A294 6676	Right Rear Side Plate	57- 21
A294 6688	Wire Pulley Ass'y	57- 19
A294 6688	Drive Wire Pulley Cover	57- 19
A294 6690	Feeler - Paper Height Sensor	57- 13
A294 6706	Sensor Bracket	55- 9
A294 6711	Front Side Fence	57- 2

Part No.	Description	Page and Index No.
A294 6720	Sensor Bracket	57- 35
A294 6721	Sensor Bracket	57- 8
A294 6722	Front Support Bracket	57- 5
A294 6723	Rear Support Bracket	57- 7
A294 6725	Rear End Fence	57- 6
A294 6737	Right Fence	55- 10
A294 6739	Right Front Fence	55- 6
A294 6744	Inner Cover - Tandem LCT	55- 2
A294 6804	Tandem LCT Cover	53- 1
A294 6910	Right Front Door (SVN/LAN)	15- 9
A294 6911	Right Front Door (NRG)	15- 9
A294 6912	Right Front Door (INF A294I)	15- 9
A294 6913	Right Front Door (INF A294II/UP-KIT)	15- 9
A294 6914	Left Front Door (NRG/SVN/LAN)	15- 1
A294 6915	Left Front Door (INF)	15- 1
A294 6930	Model Name Plate - SVN 2085DP (A294I)	181- 38
A294 6931	Model Name Plate - GES 3285 (A294I)	181- 38
A294 6932	Model Name Plate - NSA D485 (A294I)	181- 38
A294 6933	Model Name Plate - REX 2885 (A294I)	181- 38
A294 6934	Model Name Plate - LAN 5485 (A294I)	181- 38
A294 6940	Model Name Plate - SVN 2585 (A294II)	181- 38
A294 6941	Model Name Plate - GES 8502 (A294II)	181- 38
A294 6942	Model Name Plate - NSA 8505 (A294II)	181- 38
A294 6943	Model Name Plate - REX 8508 (A294II)	181- 38
A294 6944	Model Name Plate - LAN 5685 (A294II)	181- 38
A294 7207	Copier Operating Instructions LT	181- 39
A294 7237	Copier Operating Instructions Eng LT	181- 39
A294 7260	Copier Operating Instructions Eng A3	181- 39
A294 7290	Copier Operating Instructions Eng A3	181- 39
A294 7297	Copier Operating Instructions Eng LT	181- 39
A294 8607	System Operating Instructions - LT	181- 40
A294 8637	System Operating Instructions Eng LT	181- 40
A294 8660	System Operating Instructions Eng A3	181- 40
A294 8690	System Operating Instructions Eng A3	181- 40
A294 8697	System Operating Instructions Eng LT	181- 40

Part No.	Description	Page and Index No.
A294 9099	NVRAM - Minus Counter	47- 21
A294 9510	OPC Drum	91- 8
AA00 0207	High Temperature Decal - Small	109- 16
AA00 0207	High Temperature Decal - Small	181- 11
AA00 0208	High Temperature Decal - Large	109- 7
AA00 0208	High Temperature Decal - Large	181- 12
AA00 0213	Decal - Universal Tray	59- 5
AA00 0213	Decal - Universal Tray	181- 13
AA00 0540	Decal - Misfeed Removal	181- 14
AA00 0540	Decal - Misfeed Removal	67- 10
AA00 1190	Decal - Ground	141- 8
AA00 1190	Decal - Ground	181- 15
AA00 1213	Decal - B2	181- 16
AA00 1213	Decal - B2	73- 25
AA00 1326	Decal - A1	67- 24
AA00 1326	Decal - A1	181- 17
AA00 1407	Guide Lever Decal	181- 18
AA00 1407	Guide Lever Decal	117- 40
AA00 1408	Duplex Knob Decal	181- 19
AA00 1408	Duplex Knob Decal	117- 3

Part No.	Description	Page and Index No.
AA00 1409	Decal - Z4	181- 20
AA00 1409	Decal - Z4	117- 4
AA00 1410	Decal - Paper Feed B4	69- 18
AA00 1410	Decal - Paper Feed B4	181- 21
AA00 1411	Decal - Paper Feed B1	69- 24
AA00 1411	Decal - Paper Feed B1	181- 22
AA00 1412	Decal - Paper Feed C2	69- 21
AA00 1412	Decal - Paper Feed C2	181- 23
AA00 1413	Decal - Paper Feed B3	181- 24
AA00 1413	Decal - Paper Feed B3	69- 22
AA00 1414	Decal - D1	109- 9
AA00 1414	Decal - D1	181- 25
AA00 1416	Decal - D5	181- 26
AA00 1416	Decal - D5	109- 8
AA00 1417	Decal - D6	181- 27
AA00 1417	Decal - D6	115- 15
AA00 2010	Decal - Paper Level	53- 13
AA00 2010	Decal - Paper Level	59- 21
AA00 2010	Decal - Paper Level	55- 13
AA00 2010	Decal - Paper Level	181- 28
AA00 2096	Decal - Size Indication	181- 42
AA00 2237	Decal - Paper Tray No1	53- 2
AA00 2237	Decal - Paper Tray No1	181- 29
AA00 2238	Decal - Cover No.2	181- 30
AA00 2238	Decal - Cover No.2	59- 1
AA00 2239	Decal - Cover No.3	59- 1
AA00 2239	Decal - Cover No.3	181- 31
AA00 2244	Decal - Paper Set - Left	181- 32
AA00 2244	Decal - Paper Set - Left	53- 6
AA00 2245	Decal - Paper Set - Right	181- 33
AA00 2245	Decal - Paper Set - Right	55- 5
AA00 2246	Decal - Caution	181- 34
AA00 2246	Decal - Caution	55- 3
AA00 2251	Paper Size Decal - LT	59- 25
AA00 2251	Paper Size Decal - LT	181- 35

Part No.	Description	Page and Index No.
AA00 2252	Paper Size Decal - A4	59- 25
AA00 2252	Paper Size Decal - A4	181- 35
AA01 2060	Development Filter (A294/A295I)	85- 7
AA01 2113	Pressure Release Filter - Center	83- 6
AA01 2114	Pressure Release Filter - Front	83- 2
AA02 1025	Magnet Catch	117- 11
AA02 1031	Magnetic Catch	113- 12
AA02 1031	Magnetic Catch	121- 8
AA02 1031	Magnetic Catch	109- 15
AA04 3269	Timing Belt - S2M114	131- 5
AA04 3271	Timing Belt - S3M 196T	53- 29
AA04 3278	Timing Belt - B60S3M339	119- 6
AA04 3279	Timing Belt - B60S3M225	123- 22
AA04 3280	Timing Belt - B40S2M308	125- 21
AA04 3281	Timing Belt - B40S2M300	125- 16
AA04 3282	Timing Belt - 774P2M4	123- 5
AA04 3283	Timing Belt - 50S2M194	79- 21
AA04 3533	Timing Belt - B0S2M256	39- 32
AA04 3534	Timing Belt - B60S3M216	37- 31
AA04 3535	Timing Belt - B60S3M195	37- 27
AA04 3536	Timing Belt - B60S3M279	37- 23
AA04 3537	Timing Belt - B40S2M206	37- 38
AA04 3538	Timing Belt - B60S3M174	39- 39
AA04 3539	Timing Belt - B40S2M104	39- 5
AA04 3540	Timing Belt - 633P3M6	133- 1
AA04 3541	Timing Belt - 852P3M6	133- 2
AA04 3542	Timing Belt - B100S2M426	129- 18
AA04 3543	Timing Belt - B100S3M327	129- 29
AA04 3544	Timing Belt - B150S3M741 - Fusing	127- 10
AA04 3545	Timing Belt - B60S3M459	129- 28
AA04 3546	Timing Belt - B60S2M474	39- 33
AA04 3547	Timing Belt - B40S3M213	35- 17
AA04 3547	Timing Belt - B40S3M213	39- 7
AA04 3548	Timing Belt - B40S3M150	33- 14
AA06 0119	Arm Spring	131- 19

Part No.	Description	Page and Index No.
AA06 0221	Gripper Solenoid Spring	49- 14
AA06 0262	Spring	111- 22
AA06 0291	Spring	83- 19
AA06 0308	Spring	79- 17
AA06 0523	Pick-up Pressure Spring	63- 9
AA06 0534	Tray Lock Spring - 19mm	157- 8
AA06 0539	Stripper Pawl Spring	103- 11
AA06 0575	Release Spring	65- 16
AA06 0590	Pressure Spring	39- 29
AA06 0590	Pressure Spring	37- 14
AA06 0636	Pressure Spring	65- 13
AA06 0720	Tension Spring - 7.75N	131- 4
AA06 0742	Tension Spring	125- 19
AA06 0742	Tension Spring	123- 12
AA06 0754	Tension Spring	133- 25
AA06 0755	Tension Spring	135- 22
AA06 0757	Tension Spring - Long	57- 3
AA06 0758	Tension Spring - Short	57- 15
AA06 0759	Tension Spring	53- 22
AA06 0761	Spring	157- 5
AA06 0805	Duplex Junction Spring	121- 22
AA06 0806	Spring	117- 9
AA06 0807	Paper Guide Spring	119- 16
AA06 0808	Reverse Roller Spring	125- 10
AA06 0810	Tension Spring - Vibrating Plate	81- 30
AA06 0811	Tension Spring - Stopper	75- 5
AA06 0812	Lever Tension Spring	75- 3
AA06 2251	Spring - Large	135- 8
AA06 2252	Spring - Small	135- 7
AA06 2284	Pressure Spring	89- 24
AA06 2311	Paper Bank Drive Spring	133- 23
AA06 3068	Spring Connector	143- 11
AA06 3068	Spring Connector	131- 26
AA06 3068	Spring Connector	139- 15
AA06 3131	Spring	69- 14



Part No.	Description	Page and Index No.
AA06 3182	Joint Spring	127- 19
AA06 3248	Charge Terminal Spring	89- 14
AA06 3249	Grid Terminal Spring	89- 15
AA06 3254	Driven Roller Spring	73- 22
AA06 3255	Exit Roller Spring	69- 9
AA06 3255	Exit Roller Spring	73- 7
AA06 3255	Exit Roller Spring	125- 24
AA06 3268	Connector Spring	133- 13
AA06 3310	Guide Plate Spring	99- 29
AA06 3315	Spring - Belt Drive Shaft	27- 31
AA06 3350	Pressure Spring - Duplex Entrance	121- 13
AA06 3366	Chuck Spring	81- 10
AA06 3380	Spring - 16mm	93- 4
AA06 3384	Pick-off Pawl Shaft Spring	95- 14
AA06 3485	Compression Spring	99- 16
AA06 3487	Spring - 10mm	67- 20
AA06 3487	Spring - 10mm	65- 20
AA06 3490	Spring - 21.6mm	127- 15
AA06 3580	Compression Spring	117- 12
AA06 3581	Compression Spring	117- 26
AA06 3583	Spring	133- 6
AA06 3591	Cleaning Blade Spring	93- 6
AA06 3601	Rack Spring	81- 3
AA06 3602	Chuck Spring	81- 4
AA06 3604	Pressure Spring	129- 12
AA06 3652	Spring-Oil Supply Roller	101- 25
AA06 3850	Cleaning Pressure Spring	101- 14
AA06 3851	Pressure Spring	101- 6
AA06 3853	Pressure Spring	103- 10
AA06 6211	Rear Lock Spring	73- 13
AA06 6214	Front Pawl Spring	95- 18
AA06 6215	Rear Pawl Spring	95- 19
AA06 6223	Grip Spring	117- 33
AA06 6315	Rear Guide Spring	121- 6
AA06 6316	Front Guide Spring	121- 7

Part No.	Description	Page and Index No.
AA06 6319	Torsion Spring	81- 17
AA06 6320	Feeler Torsion Spring	75- 12
AA06 6321	Rear Guide Plate Spring	115- 11
AA06 6322	Front Guide Plate Spring	115- 12
AA06 6331	Duplex Entrance Spring	121- 21
AA06 6332	Paper Guide Spring	119- 19
AA06 6336	Torsion Spring - Duplex Entrance	121- 25
AA06 6551	Stopper Spring - 24mm	59- 9
AA07 0044	Slide Rail - Tandem LCT	157- 12
AA07 0048	Duplex Slide Rail	149- 4
AA07 0048	Duplex Slide Rail	155- 5
AA07 0050	Slide Rail	149- 7
AA07 0050	Slide Rail	153- 10
AA08 0034	Bushing - 4x5x7	73- 6
AA08 0034	Bushing - 4x5x7	111- 2
AA08 0034	Bushing - 4x5x7	117- 13
AA08 0034	Bushing - 4x5x7	121- 14
AA08 0034	Bushing - 4x5x7	69- 8
AA08 0034	Bushing - 4X5X7	115- 9
AA08 0034	Bushing - 4x5x7	113- 7
AA08 0147	Front Bushing	89- 4
AA08 0148	Rear Bushing	89- 10
AA08 0152	Bushing - 4x12x13	87- 9
AA08 0154	Rear Bushing	93- 18
AA08 0155	Rear Pawl Bushing	95- 20
AA08 0156	Bushing - M4	65- 19
AA08 0158	Arm Bushing	153- 24
AA08 0241	Bushing - M4	67- 19
AA08 2045	Cleaning Brush Bushing	93- 17
AA08 2046	Bushing - 6x12x6	117- 8
AA08 2046	Bushing - 6x12x6	119- 15
AA08 2046	Bushing - 6x12x6	125- 4
AA08 2046	Bushing - 6x12x6	125- 30
AA08 2046	Bushing - 6x12x6	123- 20
AA08 2047	Bushing - 8x16x7	123- 19

Part No.	Description	Page and Index No.
AA08 2047	Bushing - 8x16x7	125- 31
AA08 2047	Bushing - 8x16x7	125- 6
AA08 2058	Bushing - 6x10x9mm	79- 8
AA08 2058	Bushing - 6x10x9mm	131- 33
AA08 2059	Agitator Bushing	93- 15
AA08 2070	Bushing - 8x16x7	63- 6
AA08 2094	Bushing - Brush Roller	93- 12
AA08 2095	Bushing - Toner Collection Coil	93- 24
AA08 3009	Clutch Roller - 8x18x11	63- 11
AA12 0027	Antistatic Brush	113- 9
AA12 0032	Antistatic Brush	23- 10
AA12 0032	Antistatic Brush	33- 16
AA12 0091	Antistatic Brush	111- 13
AA12 0096	Duplex Antistatic Brush	121- 16
AA12 0097	Antistatic Brush	109- 17
AA12 0098	Antistatic Brush - Cleaning Roller	107- 28
AA13 2013	Spacer	27- 32
AA13 2024	Spacer - M6	129- 11
AA13 2024	Spacer - M6	99- 2
AA13 2024	Spacer - M6	93- 5
AA13 2025	Spacer - 1x8x12	71- 13
AA13 2152	Spacer - 8x20x1	37- 9
AA13 2152	Spacer - 8x20x1	113- 17
AA13 2152	Spacer - 8x20x1	135- 9
AA13 2171	Spacer - 6x20x1	27- 24
AA13 2203	Spacer - 6mm	135- 6
AA13 2203	Spacer - 6mm	57- 25
AA13 2209	Spacer - 8x10x13.5	107- 14
AA13 2212	Spacer - 8x22x1.5	135- 23
AA14 0486	Lock Shaft	73- 1
AA14 0685	Shaft - Back Fence Slider	53- 25
AA14 0686	Shaft - Timing Pulley	53- 20
AA14 0717	Feed Roller Shaft	63- 10
AA14 0739	Pivot Shaft	115- 10
AA14 0747	Cooling Roller Shaft	109- 4

Part No.	Description	Page and Index No.
AA14 3020	Stepped Screw - M4	33- 1
AA14 3037	Development Cover Screw	103- 9
AA14 3037	Development Cover Screw	103- 2
AA14 3039	Spring Holder	41- 6
AA14 3062	Shoulder Screw - M4	75- 20
AA14 3074	Stepped Screw - M4x5	29- 1
AA14 3183	Stepped Screw	117- 39
AA14 3307	Stepped Screw - M3	123- 17
AA14 3307	Stepped Screw - M3	117- 30
AA14 3417	Shoulder Screw - M4x4	43- 5
AA14 3426	Stepped Screw - M4x17	87- 6
AA14 3426	Stepped Screw - M4x17	121- 11
AA14 3444	Stepped Screw	79- 18
AA14 3483	Stepped Screw	133- 7
AA14 3499	Stepped Screw	145- 6
AA14 8578	Shaft - Cleaning Drive	129- 10
AA14 8579	Shaft - Transport Slide	129- 8
AA14 8594	Lever Shaft	115- 23
AA15 0012	Shielding Mylar - 30x30	49- 20
AA15 0332	Seal - 0.19x18x22	49- 17
AA15 0359	Seal	59- 31
AA15 0361	Slitter Cover Seal	83- 28
AA15 0406	Seal - Misfeed Removal	157- 16
AA15 1676	Upper Front Seal - Hopper	71- 18
AA15 1771	Seal - 5x10x138	137- 4
AA15 1775	Seal - Fan	137- 7
AA15 1775	Seal - Fan	139- 18
AA15 1788	Front Separate Plate Seal	83- 22
AA15 1789	Rear Separate Plate Seal	83- 21
AA15 1794	Seal - 3x5x322	87- 12
AA15 2299	Bottle Hold Seal	79- 27
AA15 2315	Tank Seal	75- 10
AA15 2395	Rear Duct Seal	153- 5
AA15 2396	Seal - 6x272x5	153- 6
AA15 2397	Seal - 6x185x5	153- 7

Part No.	Description	Page and Index No.
AA15 2398	Upper Rear Duct Seal	153- 4
AA15 2431	Front Drum Seal	95- 4
AA15 3004	Paper Guide Seal - 3	59- 28
AA15 3063	Seal - 4x10x70	55- 16
AA15 3067	Seal - Cooling Duct	139- 4
AA15 3085	Inner Case Seal	95- 3
AA15 3085	Inner Case Seal	91- 15
AA15 3088	Cleaning Entrance Seal - 3x345x2	95- 25
AA15 3092	Drum Stay Seal - 2	89- 29
AA15 3093	Drum Stay Seal 1 - 7x39x12	89- 30
AA15 3094	Lower Development Seal - 10x330x0.5	87- 20
AA16 0020	Felt Wick Spacer - 6x12x2	61- 16
AA16 1072	Cushion - DC Motor	129- 16
AA16 1072	Cushion - DC Motor	127- 6
AA16 1104	Cushion - Motor	133- 3
AA16 1104	Cushion - Motor	49- 24
AA16 1105	Cleaner Cushion	89- 9
AA16 1119	Cushion - Wire	89- 22
AA16 1122	Motor Cushion	131- 2
AA16 1125	Rubber Cushion	145- 7
AA16 1129	Cushion - Large	57- 28
AA16 1130	Cushion - Small	57- 29
AA16 1138	Cushion - 1.1	31- 18
AA16 1138	Cushion - 1.1	43- 14
AB01 0017	Gear - 18Z	83- 33
AB01 0018	Gear - 34Z	83- 32
AB01 0087	Gear - 20Z	89- 28
AB01 0333	Gear - 26Z	97- 2
AB01 0334	Gear - 34Z	99- 23
AB01 0336	Gear - 22/36Z	99- 24
AB01 0340	Gear - 30Z	93- 23
AB01 1391	Driven Reverse Gear - 21Z	65- 8
AB01 1392	Drive Reverse Gear - 24Z	65- 9
AB01 1411	Gear - Z56	73- 21
AB01 2002	Gear - 13Z	129- 9

Part No.	Description	Page and Index No.
AB01 2003	Gear - 16Z	81- 27
AB01 2004	Gear - 27Z	81- 28
AB01 2004	Gear - 27Z	77- 9
AB01 2005	Gear - 13Z	79- 4
AB01 2007	Gear - 14Z	79- 3
AB01 2008	Gear - 23Z	77- 11
AB01 2009	Gear - 34Z	79- 9
AB01 2010	Gear - 34Z	79- 13
AB01 2012	Gear - 51Z	77- 12
AB01 3000	Idler Gear - 18Z	67- 12
AB01 3000	Idler Gear - 18Z	67- 3
AB01 3000	Idler Gear - 18Z	61- 13
AB01 3587	Gear - 41Z	109- 23
AB01 3603	Gear - 18Z	125- 5
AB01 3747	Gear - 16Z	83- 17
AB01 3748	Joint Gear - 15Z (WHITE)	83- 20
AB01 3749	Gear - 15Z	83- 16
AB01 3775	Gear - 33Z	61- 22
AB01 3776	Gear - 30Z	65- 11
AB01 3778	Gear - 32Z	61- 20
AB01 3780	Gear	109- 11
AB01 3780	Gear	61- 19
AB01 3781	Gear - 30Z	135- 20
AB01 3781	Gear - 30Z	57- 34
AB01 3785	Gear - 43Z	85- 1
AB01 3786	Gear - 18Z	85- 9
AB01 3788	Gear - 23Z	85- 8
AB01 3790	Gear - 25Z	85- 10
AB01 3798	Gear - Z18	53- 17
AB01 4069	Drive Gear - Misfeed Removal	61- 12
AB01 4077	Registration Roller Gear	71- 14
AB01 4093	Cleaning Roller Gear	99- 7
AB01 4094	Side Fence Gear	59- 24
AB01 4104	Cleaning Roller Gear	97- 9
AB01 4132	Side Fence Gear	59- 23

Part No.	Description	Page and Index No.
AB01 4137	Gear - 26Z	119- 12
AB01 4138	Gear - 23Z	119- 9
AB01 4139	Gear - 20Z	125- 26
AB01 4146	Gear - 17Z	109- 21
AB01 4147	Gear - 43Z	109- 22
AB01 4152	Gear - 32Z	109- 13
AB01 4229	Coupled Gear - 17Z/32Z (A294II/A295II)	107- 29
AB01 4230	Gear - 50Z (A294II/A295II) MB91 ADDED	101- 19
AB01 7288	Cam Gear - 35Z	93- 25
AB01 7296	Gear - 30/47Z	93- 27
AB01 7449	Gear - 21Z/24T	131- 6
AB01 7473	Gear - 32Z	129- 7
AB01 7508	Coupled Gear - 26Z/40Z	119- 7
AB01 7509	Coupled Gear - 15Z/30Z	119- 4
AB01 7510	Gear - 36Z	119- 8
AB01 7511	Coupled Gear - 27Z/38Z	125- 22
AB01 7513	Double Gear - 16/47Z	77- 5
AB01 7514	Double Gear - 12/27Z	77- 6
AB01 7515	Double Gear - 12/23Z	77- 10
AB01 7516	Gear - 32Z/22Z	67- 11
AB01 9475	Gear - 48T	53- 21
AB03 0081	Pulley - 20Z MB22	113- 14
AB03 0081	Pulley - 20Z	109- 19
AB03 0081	Pulley - 20Z	115- 22
AB03 0081	Pulley - 20Z	111- 20
AB03 0308	Pulley - 15Z	125- 20
AB03 0310	Tightener Pulley	111- 25
AB03 0317	Gate Tightener	79- 19
AB03 0354	Pulley - 20T	39- 27
AB03 0364	Timing Pulley - 18Z	135- 10
AB03 0391	Timing Pulley - 22Z	135- 1
AB03 0431	Transport Pulley	125- 18
AB03 0529	Belt Tension Pulley	49- 6
AB03 0542	Pulley - 36Z	79- 20
AB03 0583	Timing Pulley - 24Z	125- 29

Part No.	Description	Page and Index No.
AB03 0583	Timing Pulley - 24Z	123- 21
AB03 0641	Pulley Z125 - Drum	129- 3
AB03 0642	Pulley - T82	127- 11
AB03 0643	Pulley - 23Z	79- 5
AB03 0644	Pulley - Cleaning Drive	129- 31
AB03 0650	Pulley - 20Z	113- 14
AB03 0650	Pulley - 20Z MB22 (OBS)	111- 27
AB03 0651	Pulley - 20Z	115- 18
AB03 0652	Pulley Tightener - T34	129- 26
AB03 0653	Pulley - 23T	131- 40
AB03 0654	Pulley - T40	131- 41
AB03 0674	Pulley - 20Z	115- 21
AB03 0674	Pulley - 20Z	111- 28
AB03 2058	Wire Pulley - M10	57- 16
AB03 2716	Idle Pulley - M18	135- 21
AB03 2719	Pulley - M10	57- 17
AB03 2721	Pulley - M18	133- 22
AB03 3084	Timing Pulley - 15T - Drive	53- 31
AB03 3085	Timing Pulley - 15T Driven	53- 24
AB03 3093	Idle Pulley - 25T/20T	129- 27
AC01 2065	Exposure Glass - A3 T-3.2	43- 3
AC01 5030	Toner Shield Glass - 366x15	51- 11
AC02 2012	F-theta Lens 1	51- 38
AC02 2013	F-theta Lens 2	51- 37
AC02 4004	Cylindrical Lens	51- 35
AC03 0069	1st Mirror	51- 28
AC03 0078	Sync Detector Mirror	51- 19
AC03 0134	2nd Mirror	51- 16
AC03 5022	Rear Mirror Clamp - 1st Mirror	45- 21
AC03 5052	1st Mirror Plate	51- 27
AC03 5054	2nd Mirror Plate	51- 17
AC03 5055	Sync Detector Mirror Plate	51- 20
AD00 4091	Charge Corona Unit (A294I/A295I)	89- 2
AD02 0053	Charge Corona Wire	89- 12
AD02 2283	Front End Block	89- 23

Part No.	Description	Page and Index No.
AD02 2285	Rear End Block	89- 13
AD02 2306	Cover - Front End Block	89- 21
AD02 2307	Cover - Rear End Block	89- 16
AD02 3106	Charge Corona Casing	89- 11
AD02 5022	Pick-off Pawl	95- 16
AD03 9057	Cleaning Agitator	93- 9
AD04 1056	Cleaning Blade	93- 1
AD04 2038	Cleaning Brush (A294II/A295II/UP-KIT)	93- 10
AD04 2039	Cleaning Brush (A294I/A295I)	93- 10
AD04 3065	Toner Collection Coil	93- 13
AE01 1056	Hot Roller	105- 9
AE02 0087	Pressure Roller (A294I/A295I)	107- 16
AE02 0117	Pressure Roller (A294II/A295II/UP-KIT)	107- 16
AE03 0031	Ball Bearing - 40x62x12	105- 5
AE03 0032	Ball Bearing - 25x52x15	107- 18
AE03 0035	Ball Bearing - 6x16x5	107- 23
AE03 0035	Ball Bearing - 6x16x5	107- 11
AE03 1026	Bushing - Oil Supply Roller	101- 5
AE03 1032	Bushing - 6x9x6.5	101- 9
AE03 1037	Bushing - M4 (A294II/A295II)	107- 30
AE03 2021	Bushing - 34.3x39.9x15.5	105- 6
AE03 2024	Bushing - 20x25x18	107- 19
AE04 0029	Web Cleaning Roller	101- 7
AE04 2042	Pressure Roller Cleaning Roller	107- 12
AE04 4010	Pressure Roller Stripper	103- 5
AE04 5031	Oil Supply & Cleaning Web (A294I/A295I)	101- 8
AE04 5033	Felt	111- 12
AE04 5045	Oil Supply & Cleaning Web (UP-KIT)	101- 8
AE04 5047	Oil Supply & Cleaning Web (A294II/A295II)	101- 8
AF01 0072	Paper Tray	59- 3
AF01 3005	Bottom Plate Pad	59- 18
AF01 6079	Left Rear Side Fence	59- 32
AF02 0288	Duplex Exit Roller	69- 10
AF02 0295	Vertical Driven Roller	67- 18
AF02 0425	Drive Transport Roller - Grip	63- 14

Part No.	Description	Page and Index No.
AF02 0426	Drive Transport Roller - LCT	63- 13
AF02 0479	Drive Transport Roller	125- 27
AF02 0479	Drive Transport Roller	123- 13
AF02 0480	Driven Transport Roller	125- 28
AF02 0480	Driven Transport Roller	123- 14
AF02 0481	Drive Duplex Roller	125- 11
AF02 0483	Drive Reverse Roller	125- 12
AF02 0484	Driven Reverse Roller	117- 14
AF02 0490	Inverter Relay Roller	115- 6
AF02 0491	Inverter Entrance Roller	111- 7
AF02 0492	Exit Drive Roller	113- 4
AF02 0493	Inverter Exit Roller	111- 5
AF02 0493	Inverter Exit Roller MB22	113- 4
AF02 2067	Guide Stopper Roller	117- 28
AF02 2104	Exit Roller - Driven	111- 1
AF02 2105	Roller - Slide Rail	57- 30
AF02 2110	Transport Driven Roller	73- 10
AF02 2114	Duplex Driven Roller	113- 6
AF02 2115	Cooling Exit Roller	109- 2
AF02 2117	Driven Transport Roller	111- 10
AF02 2117	Driven Transport Roller	115- 7
AF02 2117	Driven Transport Roller	113- 5
AF02 2125	Cooling Entrance Roller	109- 5
AF02 2129	Duplex Driven Roller	121- 15
AF02 2130	Driven Roller	117- 23
AF02 5039	Inverter Junction Pawl	111- 6
AF03 0040	Pick-up Roller	63- 4
AF03 1040	Feed Roller	63- 5
AF03 2040	Separation Roller	65- 3
AF04 0561	Fusing Exit Roller - Upper	103- 15
AG05 0067	Knob - Transport Roller	109- 10
AG05 0067	Knob - Transport Roller	67- 8
AG05 1141	Release Lever	115- 13
AG05 1141	Release Lever	111- 11
AG05 1141	Release Lever	121- 5

Part No.	Description	Page and Index No.
AG05 1141	Release Lever	69- 12
AG07 0004	Magnetic Catch	147- 13
AH01 3002	Leveling Shoe	157- 27
AW01 0034	Original Width Sensor	43- 17
AW01 0049	Photo Reflection Sensor	121- 19
AW01 0049	Photo Reflection Sensor	69- 3
AW01 0049	Photo Reflection Sensor	61- 6
AW01 0076	Photosensor - PS-117D1	29- 23
AW01 0076	Photosensor - PS-117D1	25- 36
AW01 0076	Photosensor - PS-117D1	33- 2
AW01 0078	Photosensor H=50	43- 19
AW02 0008	Photointerruptor	53- 4
AW02 0056	Photointerruptor - EE-SX4235A-P1	61- 3
AW02 0056	Photointerruptor - EE-SX4235A-P1	57- 9
AW02 0056	Photointerruptor - EE-SX4235A-P1	55- 12
AW02 0056	Photointerruptor - EE-SX4235A-P1	145- 10
AW02 0056	Photointerruptor - EE-SX4235A-P1	107- 6
AW02 0056	Photointerruptor - EE-SX4235A-P1	123- 24
AW02 0056	Photointerruptor - EE-SX4235A-P1	53- 18
AW02 0056	Photointerruptor - EE-SX4235A-P1	73- 16
AW02 0056	Photointerruptor - EE-SX4235A-P1	77- 3
AW02 0056	Photointerruptor - EE-SX4235A-P1	75- 14
AW02 0056	Photointerruptor - EE-SX4235A-P1	45- 20
AW02 0057	Paper Exit Sensor	113- 1
AW02 0059	Duplex Paper Sensor	67- 40
AW02 0059	Duplex Paper Sensor	79- 12
AW02 0064	Duplex Entrance Sensor	125- 14
AW02 0075	Photointerruptor	41- 7
AW02 0075	Photointerruptor	39- 14
AW02 0075	Photointerruptor	37- 17
AW02 0075	Photointerruptor	29- 21
AW02 0075	Photointerruptor	25- 27
AW02 0095	Photointerruptor	29- 6
AW02 0102	Photointerruptor	117- 20
AW02 0102	Photointerruptor	125- 13

Part No.	Description	Page and Index No.
AW02 0104	Photointerruptor	29- 5
AW20 0007	Paper Feed Sensor - Fusing Exit	103- 18
AW23 0006	Toner Density Sensor	85- 13
AW31 0003	Toner End Sensor	83- 11
AW31 0003	Toner End Sensor	81- 9
AW33 0003	Drum Potential Sensor	91- 13
AW50 0010	Push Switch	135- 18
AX04 0061	Cleaner Motor - DC 0.5w	89- 25
AX04 0061	Cleaner Motor - DC 0.5W	107- 4
AX04 0096	Stepping Motor - DC 18W	37- 36
AX04 0107	DC Motor - 19.2W	53- 16
AX04 0117	DC Motor - 1.9W	135- 15
AX05 0142	Registration Motor - DC24V 9.6W	131- 1
AX06 0121	DC Motor - 27W	39- 1
AX06 0185	Polygon Mirror Motor Ass'y	51- 3
AX06 0189	Drum Motor - DC31W	129- 15
AX07 0024	Fusing Motor - DC53W	127- 4
AX20 0147	Magnetic Clutch	67- 5
AX20 0147	Magnetic Clutch	61- 10
AX20 0171	Duplex Roller Clutch	119- 13
AX20 0172	Electro Clutch	119- 3
AX20 0173	Magnetic Clutch	37- 29
AX20 0174	Magnetic Clutch - Z52	73- 20
AX20 0175	Magnetic Clutch - Z35	71- 16
AX20 0176	Magnetic Clutch (A294I/A295I/UP-KIT)	61- 9
AX20 0237	Magnetic Clutch (A294II/A295II)	61- 9
AX31 0036	Total Counter	147- 15
AX40 0048	Anticondensation Heater - 230V 15W	153- 14
AX40 0106	Anticondensation Heater - 230V 15W	47- 25
AX40 0111	Anticondensation Heater - 230V 18W	157- 23
AX43 0052	Fusing Lamp - 230V/530W (A294)	105- 8
AX43 0055	Fusing Lamp - 230V/630W (A295)	105- 8
AX50 0071	Xenon Lamp - 7000 OLX	45- 26
AX64 0082	Fan Motor - DC24V 1.8W	151- 2
AX64 0083	Cooling Fan	49- 18

Part No.	Description	Page and Index No.
AX64 0106	Fan Motor - DC 2.88W	145- 4
AX64 0106	Fan Motor - DC 2.88W	143- 4
AX65 0021	Fan Motor - DC6.48W	149- 11
AZ25 0014	Power Supply Unit - 819W 200-240V	141- 1
AZ32 0097	DC Power Board	137- 10
AZ32 0098	Transfer Power Pack	99- 13
AZ50 0054	Inverter - Xenon Lamp	45- 17
B301 1131	Rear Side Plate	41- 3
B301 1133	Right Stay	41- 10
B301 1134	Anti-Static Brush	41- 17
B301 1137	Pulley Cover	41- 15
B301 1141	Rubber Cushion	39- 16
B301 1141	Rubber Cushion	31- 29
B301 1155	Separation Support Pad	27- 37
B301 1156	Separation Pad Holder	27- 34
B301 1171	Pulley Cover	25- 35
B301 1186	Sensor Bracket	25- 16
B301 1191	Pull-out Driven Roller	25- 13
B301 1192	Bushing - 4x6x6	25- 39
B301 1195	Gear - 19Z	25- 15
B301 1198	Pull-out Driven Roller - Front	25- 37
B301 1247	Entrance Guide	29- 25
B301 1286	Bushing - 6x10x6	27- 3
B301 1286	Bushing - 6x10x6	27- 7
B301 1351	Original Feeler	25- 19
B301 1412	Transport Belt Plate	31- 13
B301 1422	Transport Stay	31- 24
B301 1423	Tension Bracket	31- 21
B301 1427	Spring	31- 19
B301 1432	Belt Drive Roller	31- 2
B301 1436	Transport Belt Roller	31- 23
B301 1441	Transport Belt	31- 1
B301 1443	Transport Belt Stopper - Front	31- 4
B301 1444	Transport Belt Stopper - Rear	31- 5
B301 1445	Rear Spacer	31- 12

Part No.	Description	Page and Index No.
B301 1447	Stepped Screw	31- 20
B301 1449	Front Spacer	31- 28
B301 1451	Belt Pressure Roller	31- 3
B301 1481	Belt Pressure Roller	31- 9
B301 1510	Left Hinge	41- 9
B301 1520	Right Hinge	41- 11
B301 1542	Sensor Bracket	41- 1
B301 1731	Rear Cover	23- 6
B301 1835	Original Holder	23- 8
B301 2111	Pulley - 30Z	39- 34
B301 2113	Pulley - 19Z	39- 28
B301 2122	Shaft	37- 11
B301 2123	Pulley - 24Z	37- 32
B301 2141	Pulley - 39Z	37- 39
B301 2172	Cushion	39- 26
B301 2211	Pulley - 20/19Z	37- 13
B301 2213	Pulley - 20Z	37- 12
B301 2221	Gear - 31Z	37- 41
B301 2231	Pulley - 58/20Z	39- 38
B301 2242	Shaft	37- 18
B301 2243	Gear - 29Z	37- 25
B301 2244	Gear - 23Z	37- 24
B301 2251	Tension Bracket	37- 15
B301 2261	Pulley - 36Z	37- 22
B301 2271	Shaft	37- 30
B301 2273	Pulley - 32Z	37- 28
B301 2311	Motor Bracket	39- 40
B301 2316	Tension Bracket	39- 37
B301 2319	Heat Sink - DC Motor	39- 41
B301 2320	Heat Sink Holder	39- 42
B301 2322	Holder Bracket	39- 30
B301 2333	Side Plate	37- 37
B301 2362	Motor Bracket	37- 2
B301 2422	Cam - Pick-up Roller	37- 20
B301 2511	Reverse Roller Shaft	27- 38

Part No.	Description	Page and Index No.
B301 2610	Bearing - 6x15x5	39- 31
B301 3132	Lower Guide Plate	33- 11
B301 3135	Spring	33- 6
B301 3161	Left Exit Guide	33- 3
B301 3181	Inverter Guide Plate	35- 7
B301 3184	Reverse Driven Roller	35- 5
B301 3184	Reverse Driven Roller	33- 9
B301 3185	Driven Roller Shaft	33- 23
B301 3185	Driven Roller Shaft	35- 23
B301 3186	Spring	35- 4
B301 3191	Exit Junction Gate	35- 15
B301 3192	Lever - Exit Junction Gate	35- 22
B301 3241	Exit Motor Bracket	39- 3
B301 3245	Exit Motor Guide Plate	39- 2
B301 3246	Motor Bushing - 4x9x5.2	39- 43
B301 3271	Reverse Drive Roller	35- 12
B301 3286	Pulley - 30Z	35- 27
B301 4211	Spring	25- 10
B301 4222	Spring	25- 38
B301 4226	Spring	29- 11
B301 4351	Caution Decal	181- 36
B301 4351	Caution Decal	25- 40
B301 4411	Noise Reduction Pad	23- 3
B301 4412	Acoustic Material	41- 13
B301 4413	Noise Absorbing Pad	29- 19
B301 4413	Noise Absorbing Pad	33- 8
B301 4414	Rubber Cushion	39- 10
B301 4421	Noise Reduction Pad - Right	25- 6
B301 4422	Noise Reduction Pad - Left	25- 7
B301 4425	Noise Reduction Pad	23- 2
B301 4431	Vibration Absorbing Pad	31- 10
B301 5300	DC Harness	39- 20
B301 5305	DC Relay Harness	25- 8
B301 5330	DC Harness	39- 21
B301 5340	DF Harness	39- 17

Part No.	Description	Page and Index No.
B301 5350	DC Harness	33- 22
B301 5350	DC Harness	39- 23
B301 5355	DC Relay Harness	29- 26
B301 5360	DC Relay Harness	39- 15
B301 5370	DC Harness	39- 24
B301 5375	Grounding Wire	39- 13
B301 5380	DF Position Sensor Harness	41- 14
B301 5510	ADF Main Control Board	175- *
B301 5510	ADF Main Control Board	39- 22
B301 5562	IC - UVEPROM 27C 1M X8 120NS	175- 1
B301 5580	Heat Sink - Main Control	175- 3
B301 5600	DC Motor - 54W	39- 25
B301 5700	IC - HTS7420X	175- 2
B479 1256	Model Name Decal Ass'y	181- 45
B479 1257	Model Name Decal Ass'y	181- 45
B479 1271	Model Name Decal Ass'y	181- 45
B479 1272	Model Name Decal Ass'y	181- 45
B479 1273	Model Name Decal Ass'y	181- 45
B479 1274	Model Name Decal Ass'y	181- 45
B479 1275	Model Name Decal Ass'y	181- 45
B479 3094	Development Connector Bracket (UP-KIT)	145- 23
B479 5450	Toner Suction Motor Harness (UP-KIT)	143- 15
C201 5125	Stepped Screw - M6	49- 7
G004 9668	Grease - KS660 - SHIN-ETSU	183- 7
G012 1531	Magnet	23- 15
G020 3897	Discharge Brush - Transport	29- 29
G024 5456	Registration Solenoid - 25Ncm	79- 7
G029 1975	Cylindrical Lens	51- 9
G029 1982	Decal - LD	181- 37
G029 1982	Decal - LD	47- 5
G029 1982	Decal - LD	49- 21



Part No.	Description	Page and Index No.
G404 2810	Spring Plate - Mirror - Second	45- 4
GB01 3035	Gear - 28Z	119- 5
H053 1150	Stepped Screw - Locking	99- 28
H306 1317	Cover Magnet	17- 20
A006 9104	Scanner Positioning Pin (4pcs/set)	183- 1
A007 3751	Large Cap - Toner Collection Tank	75- 9
A010 5700	Sensor	57- 27
A028 9300	Grease Barrierta - JFE 5 5/2	183- 5
A029 2858	Release Lever	67- 23
A029 2859	Release Button	69- 17
A029 2984	Decal - Grip	181- 1
A029 2984	Decal - Grip	67- 30

Part No.	Description	Page and Index No.
A029 9387	Digital Multimeter - FLUKE 87	183- 3
A048 2274	Front Transport Guide	95- 2
A048 2277	Rear Transport Guide	95- 22
A048 2838	Nylon Rivet	59- 16
A060 2512	Registration Roller Knob	69- 20
A069 1883	Shoe - Scanner	45- 6
A079 1201	Fusing Drive Joint	127- 17
A079 1203	Fusing Drive Stopper	127- 18
A079 1395	Left Door Stopper	15- 14
A079 1406	Upper Door Spacer	15- 2
A079 2861	Knob - Transport Roller	117- 5
A079 2861	Knob - Transport Roller	69- 23
A079 4097	Pressure Cam	107- 26
A096 1123	Belt Drive Bracket	129- 20
A096 1337	Hinge Shaft - Lower Left	17- 23
A096 1677	Right Rail - Drum Unit	151- 8
A096 1679	Development Grounding Plate	151- 10
A096 1873	Scanner Shoe Pin	45- 7
A096 2051	Rear Grid Anchor	89- 17
A096 2052	Front Grid Anchor	89- 19
A096 2053	Cleaner Motor Cover	89- 3
A096 2057	Charge Corona Grid	89- 18
A096 2062	Wire Cleaner Slider	89- 5
A096 2063	Corona Wire Cleaner (A294I/A295I)	89- 7
A096 2065	Slider Ring	89- 8
A096 2266	Corona Unit Bracket	91- 7
A096 2281	Connector Bracket	91- 6
A096 2301	Grounding Plate	91- 14
A096 2330	Drum Shaft Knob	89- 1
A096 2607	Paper Dust Cleaner	69- 1
A096 2612	Lower Registration Guide	71- 4
A096 2622	Front Lower Registration Guide	71- 6
A096 2626	Front Upper Registration Guide	71- 5
A096 2633	Front Lock	73- 14
A096 2634	Rear Lock	73- 12

Part No.	Description	Page and Index No.
A096 3052	Lower Development Casing	87- 11
A096 3059	Toner Sensor Guide	85- 12
A096 3069	Development Knob	85- 2
A096 3104	Development Guide Rail	85- 5
A096 3141	Development Filter Case (A294I/A295I)	85- 3
A096 3175	Bushing 8x14x8	83- 18
A096 3176	Bushing - 6x12x8.5	83- 15
A096 3181	Slitter	83- 27
A096 3185	Agitator Front Holder	83- 35
A096 3586	Cleaning Brush Drive Shaft	93- 8
A096 3588	Gear - 19Z	93- 26
A096 3621	Entrance Seal	95- 9
A096 3624	Drum Grounding Plate	95- 13
A096 3642	Pick-off Pawl Bracket	95- 10
A096 3646	Pick-off Pawl Shaft	95- 12
A096 3661	Gear - 15/35Z	93- 22
A096 3666	Harness Cover	95- 1
A096 3867	Front Bushing - 4.5x6x21	97- 6
A096 3915	Transfer Belt Lever	99- 10
A096 3916	Belt Lever Arm	99- 9
A096 3922	Solenoid Bracket	99- 12
A096 3956	Heater Cover	153- 9
A096 3959	Release Arm	153- 18
A096 4316	Stripper Release Slider	103- 12
A096 4891	Lever Exit Guide	123- 15
A096 4928	Guide Plate Band	117- 25
A096 4933	Guide Plate Lever Hook	117- 31
A096 4944	Harness Clamp	153- 12
A096 4944	Harness Clamp	71- 9
A096 5200	Registration Sensor Board	69- 16
A096 5320	Quenching Lamp	91- 9
A096 5416	Paper Size Harness	135- 16
A096 5442	Corona Cleaner Harness	91- 5
A096 5464	Key Counter Connector (OTHER)	47- 23
A096 6100	Lower Heat Sink	157- 24

Part No.	Description	Page and Index No.
A096 6158	Paper Tray Stopper	135- 19
A096 6177	Paper Size Bracket	135- 17
A096 6186	Lower Tightener - P/B	133- 21
A096 6188	Upper Tightener - P/B	133- 24
A096 6199	Lower Drive Shaft	135- 14
A096 6246	Left Rail Bracket	157- 2
A096 6247	Lock Arm - Tandem Tray	157- 3
A096 6266	Tray Lock Arm	157- 7
A096 6344	Paper End Actuator	63- 3
A096 6360	Paper Flattener	61- 2
A096 6363	Front Paper Flattener	61- 1
A096 6402	Pressure Plate Driven Roller	67- 21
A096 6413	Release Lever Cover	67- 29
A096 6524	Lift Shaft	59- 12
A096 6526	Lift Lever	59- 30
A096 6527	Paper Guide Feeler	59- 13
A096 6536	Side Fence Cover	59- 11
A096 6537	Stopper Lever	59- 8
A096 6553	Side Fence Pad	59- 15
A096 6562	End Fence	59- 7
A096 6563	End Fence Cover	59- 10
A096 6564	End Fence Plate	59- 6
A096 6671	Paper Guide Plate	55- 17
A096 6677	Decal - Right Paper Set	181- 2
A096 6677	Decal - Right Paper Set	55- 15
A096 6678	Decal - Left Paper Set	181- 3
A096 6678	Decal - Left Paper Set	53- 11
A096 6693	Paper Guide Sheet	157- 25
A096 9507	Hot Roller Stripper - 5pcs/Set	103- 16
A097 3644	Transport Guide Bracket	95- 21
A100 2602	Transport Pressure Roller	65- 18
A110 1193	Seal - 01.x15x24	45- 13
A134 1135	Fly Wheel	137- 3
A134 2363	Terminal Plate	89- 20
A134 2392	Rear Drum Seal	95- 5

Part No.	Description	Page and Index No.
A134 2860	Pick-up Arm	63- 8
A134 3180	Bottle Chuck	81- 15
A134 3216	Screw	81- 14
A134 5251	ID Sensor	95- 11
A153 3571	Collar	91- 12
A167 4835	Cushion - 2x10x20	125- 33
A176 1494	Keytop - Interrupt	21- 15
A176 1737	Exposure Glass Cushion	43- 11
A176 2054	Grounding Plate	89- 26
A176 2061	Screw Shaft	89- 6
A176 2260	Upper Unit Cover	91- 2
A176 3527	Grounding Plate	93- 14
A176 3863	Spacer - 4x6x2	97- 24
A176 6110	Harness Cover	157- 20
A176 6570	Paper Stopper	59- 20
A176 6695	Misfeed Removal Guide	59- 29
A176 6695	Misfeed Removal Guide	55- 11
A193 1829	Ball Bearing - M8	49- 9
A229 1132	Bracket - Registration Motor	131- 3
A229 1133	Stepper Motor Base Ass'y	131- 7
A229 1186	Development Guide Rail	151- 9
A229 1331	Key Counter Cap	17- 14
A229 1333	Connector Cap	17- 2
A229 1459	Keytop - Power Source	17- 27
A229 1465	LED Guide	17- 10
A229 1825	Home Position Sensor Bracket	45- 19
A229 1831	Fan Bracket	49- 19
A229 1832	Front Grounding Plate	153- 1
A229 2352	Grounding Plate	95- 7
A229 2371	Cleaning Seal Sheet	93- 20
A229 2401	Connector Bracket	91- 11
A229 2617	Lower Registration Roller	71- 3
A229 2618	Upper Registration Roller	71- 1
A229 2660	Guide Shutter Solenoid	73- 18
A229 2717	Lock Lever	73- 24

Part No.	Description	Page and Index No.
A229 3091	Entrance Seal (A294/A295I)	85- 4
A229 3852	Transfer Belt (A294)	97- 1
A229 3861	Front Arm	97- 3
A229 3862	Rear Arm	97- 8
A229 3865	Transport Driven Roller	97- 19
A229 3875	Drive Electrode	97- 4
A229 3880	Drive Roller	97- 5
A229 3899	Transfer Belt :SP5:Service (A295)	97- 1
A229 3909	Bias Terminal	99- 20
A229 3910	Front Bushing	99- 22
A229 3911	Rear Bushing	99- 6
A229 3912	Bias Terminal	99- 27
A229 3919	Damping Insulation - Terminal	99- 21
A229 4131	Thermistor	105- 3
A229 4727	Guide Plate Pressure Holder	117- 27
A229 4813	Arm Pad	117- 38
A229 5442	Duplex Connection Harness	117- 19
A229 5496	Lower Harness	61- 15
A229 5497	Upper Harness	61- 14
A229 6303	Reverse Stay	65- 15
A229 6306	Reverse Drive Shaft	65- 10
A229 6307	Reverse Driven Shaft	65- 6
A229 6309	Reverse Pressure Lever	65- 14
A229 6315	Reverse DC Solenoid	65- 17
A229 6330	Rear Side Plate	65- 12
A229 6335	Front Side Plate	65- 1
A229 6338	Reverse Guide Plate	65- 5
A229 6345	Paper End Sensor Bracket	61- 5
A229 6346	Feed Stay	63- 1
A229 6353	Photo Reflection Sensor Bracket	61- 4
A229 6355	Pick-up Solenoid Ass'y	61- 8
A229 6358	Paper Sensor Bracket	61- 7
A229 6362	Paper End Feeler	63- 2
A229 6370	Paper Guide Plate	65- 21
A229 6381	Paper Feed Unit Stay Ass'y	61- 18

Part No.	Description	Page and Index No.
A229 6382	Paper Feed Unit Stay - Tandem	61- 17
A229 6534	Front Side Fence	59- 14
A229 6541	Rear Side Fence	59- 19
A229 6544	Side Fence Plate - A4	59- 22
A229 6545	Side Fence Plate - LT	59- 22
A229 6556	Tray Bottom Plate	59- 17
A229 6589	Paper Tray Front Cover (2nd Tray)	59- 2
A229 6620	Tandem Tray Front Cover (3rd Tray)	59- 2
A230 9352	Flash Memory Card - 4MB	183- 4
A232 3562	Ball Bearing - 6x12x4mm	27- 35
A232 3562	Ball Bearing - 6x12x4mm	31- 22
A232 3562	Ball Bearing - 6x12x4mm	37- 16
A232 3562	Ball Bearing - 6x12x4mm	29- 27
A232 3565	Ball Bearing - 6x10x3mm	31- 11
A232 3565	Ball Bearing - 6x10x3mm	37- 42
A232 3565	Ball Bearing - 6x10x3mm	27- 36
A232 3565	Ball Bearing - 6x10x3mm	39- 36
A232 3566	Ball Bearing - 8x16x5	111- 19
A232 3566	Ball Bearing - 8x16x5	73- 15
A232 3566	Ball Bearing - 8x16x5	71- 15
A232 3566	Ball Bearing - 8x16x5	113- 13
A232 3566	Ball Bearing - 8x16x5	115- 17
A232 3566	Ball Bearing - 8x16x5	109- 12
A232 3566	Ball Bearing - 8x16x5	119- 10
A232 3566	Ball Bearing - 8x16x5	73- 19
A232 3566	Ball Bearing - 8x16x5	125- 23
A232 3566	Ball Bearing - 8x16x5	67- 4
A232 3566	Ball Bearing - 8x16x5	29- 28
A232 3566	Ball Bearing - 8x16x5	37- 34
A232 5310	Laser Sync. Detector	51- 7
A232 5355	IC - GATEX	167- 1
A232 5371	MPU CSS	167- 2
A247 1183	Supporting Plate - Drum Shaft	129- 30
A247 2110	DC Motor - 11W	139- 17
A247 2110	DC Motor - 11W	137- 6

Part No.	Description	Page and Index No.
A247 2113	Drum Cooling Duct	139- 3
A247 2116	Exhaust Duct	137- 5
A247 2327	Terminal Development Bias	129- 1
A247 2341	Electrode Plate - Drum Shaft	129- 32
A247 2800	Ball Bearing - 8x12x5	71- 12
A247 2900	Torque Limiter - 53mnm	27- 27
A247 2900	Torque Limiter - 53mnm	65- 4
A247 3074	Gear - 34Z	85- 11
A247 3080	Adjusting Plate	87- 16
A247 3081	Gear - 17Z	85- 6
A247 3089	Ball Bearing - 9x17x5	87- 3
A247 3123	Plate Nut - Slitter	83- 29
A247 3571	Cleaning Seal	93- 3
A247 3573	Bracket - Cleaning Blade	93- 2
A247 3575	Blade Release Lever	93- 7
A247 3656	Bracket - Speed Reduction Gear	93- 21
A247 5428	DC Harness - Left	53- 34
A247 6165	Paper Support Plate	135- 3
A247 6198	Upper Drive Shaft	135- 2
A247 6250	Paper Trail Rail	157- 17
A247 6262	Left Slide Rail	157- 6
A247 6264	Stay - Left Rail	157- 4
A248 6102	Upper Heat Sink	157- 22
A248 6167	DC Motor - 19.2W	135- 12
A248 6168	Bracket - Lift Motor	135- 11
A248 6241	Left Rail - Tandem LCT	157- 1
A248 6615	Coupling Lever - Left	53- 33
A248 6616	Bracket - Driven Pulley	53- 23
A248 6619	Bracket - Drive Pulley	53- 30
A248 6620	Bracket - Photointerruptor	53- 35
A248 6623	Slider - Left Back Fence	53- 28
A248 6627	Timing Belt Cover	53- 26
A248 6636	DC Motor Bracket	53- 19
A248 6639	Tray Bottom Plate - Left Middle	53- 10
A248 6640	Tray Bottom Plate - Left Front	53- 9

Part No.	Description	Page and Index No.
A248 6642	Tray Bottom Plate - Left Rear	53- 12
A248 6655	Right Base - Tandem LCT	57- 38
A248 6659	Right Stopper	55- 1
A248 6682	Stay - Right Base	57- 11
A248 6687	Right Drive Shaft	57- 20
A248 6694	Wire Ring	57- 12
A248 6695	Guide - Pulley	57- 18
A248 6701	Oil Damper	57- 32
A248 6703	Bracket - Oil Damper	57- 33
A248 6713	Hook - Tension Spring	57- 4
A248 6714	DC Solenoid - Front End Fence	57- 1
A248 6717	Front Release Lever	57- 36
A248 6727	DC Solenoid - Rear End Fence	57- 10
A248 6730	Rear Release Lever	57- 14
A248 6741	Protection - Inner Cover	55- 4
A248 6743	Connector Bracket	57- 24
A248 6746	Lever - Large	57- 26
A248 6750	DC Solenoid - Coupling	135- 13
A248 6753	Lever - Small	57- 31
A248 6757	Left Connector Bracket	133- 14
A248 6758	DC Lock Solenoid	133- 20
A248 6767	Right Connector Bracket	133- 5
A248 6774	Slide Rail Bracket	157- 13
A248 6775	Supporting Stay	157- 14
A248 6776	Stay - Tandem Tray	157- 15
A248 6792	Lock Arm - Tandem Tray	135- 5
A249 6339	Feed Guide Plate	63- 12
A257 2076	Front Lens Plate	51- 34
A257 2077	Rear Lens Plate	51- 29
A257 2097	Cylindrical Lens Plate	51- 36
A257 2102	F-theta Lens Plate	51- 39
A257 4105	Terminal - 4p	105- 12
A258 5523	Grounding Wire	19- 17
A259 1481	Lengthwise Sponge	21- 8
A259 1482	Side Sponge	21- 7

Part No.	Description	Page and Index No.
A267 8561	Safety Information Sheet	181- 44
A293 3908	Cleaning Roller - Transfer Belt	99- 1
A293 3960	Belt Unit Knob	153- 16
A293 5892	HDD ATA SU5 (A294)	145- 1
A293 6517	Universal Tray - LT	59- *
A293 6518	Universal Tray - A4	59- *
A293 6571	Actuator - Paper Size Switch	59- 26
A293 6574	Actuator Guide	59- 27
A293 6575	Knob - Paper Size Selection	59- 33
A293 6576	Link - Paper Size Lever	59- 4
A293 6579	Link Guide	59- 34
A293 6766	Arm Bracket	135- 4
A295 1254	Right Front Door (RIC A295II/UP-KIT)	15- 9
A295 1285	Right Front Door (RIC A295I)	15- 9
A295 1771	Scanner Lens Unit	43- 8
A295 3810	Transfer Belt Unit (A295)	97- *
A295 4026	Fusing Paper Exit Unit - US	103- *
A295 4027	Fusing Paper Exit Unit - EU	103- *
A295 4036	Hot Roller Unit - US	105- *
A295 4037	Hot Roller Unit - EU	105- *
A295 4066	Hot Roller Unit - US	105- *
A295 4111	Hot Roller Unit - EU	105- *
A295 4212	Fusing Paper Exit Unit - US	103- *
A295 4213	Fusing Paper Exit Unit - EU	103- *
A295 5094	MCU Board Harness(A295)	47- 2
A295 5172	HARD DISK - FIREBALL PLUS KX	145- 1
A295 5174	HDD ATA IBM - 15G (A295)	145- 1
A295 6912	Right Front Door (INF A295I)	15- 9
A295 6913	Right Front Door (INF A295II/UP-KIT)	15- 9
A295 6930	Model Name Plate - SVN 2105DP (A295I)	181- 38
A295 6931	Model Name Plate - GES 32105 (A295I)	181- 38
A295 6932	Model Name Plate - NSA D4105 (A295I)	181- 38
A295 6933	Model Name Plate - REX 28105 (A295I)	181- 38
A295 6934	Model Name Plate - LAN 5505 (A295I)	181- 38
A295 6940	Model Name Plate - SVN 25105 (A295II)	181- 38

Part No.	Description	Page and Index No.
A295 6941	Model Name Plate - GES 10502 (A295II)	181- 38
A295 6942	Model Name Plate - NSA 10505 (A295II)	181- 38
A295 6943	Model Name Plate - REX 10508 (A295II)	181- 38
A295 6944	Model Name Plate - LAN 5705 (A295II)	181- 38
A295 7207	Copier Operating Instructions LT	181- 39
A295 7237	Copier Operating Instructions Eng LT	181- 39
A295 7260	Copier Operating Instructions Eng A3	181- 39
A295 7297	Copier Operating Instructions Eng LT	181- 39
A295 7407	System Operating Instructions Eng	181- 40
A295 7437	System Operating Instructions Eng	181- 40
A295 7460	System Operating Instructions Eng	181- 40
A295 7497	System Operating Instructions Eng	181- 40
A295 7507	Copier Operating Instructions Eng	181- 39
A295 7537	Copier Operating Instructions Eng	181- 39
A295 7560	Copier Operating Instructions Eng	181- 39
A295 7597	Copier Operating Instructions Eng	181- 39
A295 8607	System Operating Instructions Eng LT	181- 40
A295 8637	System Operating Instructions Eng LT	181- 40
A295 8660	System Operating Instructions Eng A3	181- 40
A295 8697	System Operating Instructions Eng A3	181- 40
A300 3812	Spacer - 6x22x1.5	39- 8
A351 3459	Idler	33- 19
A351 4281	Anti-vibration Cushion	41- 8
A352 2138	Slide Collar - 0.6x4.5x6	95- 17
A376 4599	Side Fence Pad	25- 18
A418 1158	Spacer - M6.5x1	27- 33
A422 1063	Seal - 0.7x13x20	29- 20
A422 1219	Pressure Lever Spring	111- 24
A422 1219	Pressure Lever Spring	115- 19
A469 2123	Rubber Cushion - 1x10x10mm	73- 5
A469 2123	Rubber Cushion - 1x10x10mm	69- 11
A469 3113	Rubber Seal - 1x6x10mm	35- 19
A498 3118	Stepped Screw - M4	31- 27
A548 1135	Spring Plate	41- 5
A548 1217	Antistatic Brush - Paper Exit	35- 3

Part No.	Description	Page and Index No.
A548 1231	Guide Roller	35- 13
A548 1234	Driven Roller Arm	35- 6
A548 1234	Driven Roller Arm	33- 10
A548 1241	Driven Roller Ass'y	23- 9
A548 1261	Exit Roller	35- 8
A548 1317	Lever Cushion	35- 10
A548 1320	Inverter Gate Plate	35- 26
A548 1321	Exchange Pawl	35- 9
A548 1442	Transport Arm	31- 15
A548 1448	Arm Cushion	31- 17
A548 1531	Safety Switch Feeler	41- 12
A548 2137	Timing Pulley - 18Z	35- 18
A548 2137	Timing Pulley - 18Z	39- 12
A610 2132	Pressure Bushing	31- 8
A610 2133	Tension Spring	31- 7
A610 2136	Bushing	31- 6
A610 2137	Pressure Roller Bushing	31- 26
A610 2161	Belt Pressure Roller - 24	31- 25
A610 3532	Timing Pulley - 18Z	39- 6
A610 6051	Decal - Document Set	181- 41
A680 1171	Harness Holder	39- 18
A680 1181	Magnetic Catch	37- 19
A680 1181	Magnetic Catch	41- 2
A680 1384	Solenoid - Lower Inverter Gate	35- 21
A680 1385	Solenoid Bracket	35- 24
A680 1443	Arm Shaft	31- 16
A680 1446	Transport Unit Arm	31- 14
A680 1621	Feed-in Unit Stopper	27- 6
A680 1661	Bushing - 4mm	25- 12
A680 1671	Separation Roller	27- 26
A680 2262	Feeler - Pick-up Roller Cam	37- 21
A680 2311	Pulley - 18T/32T	39- 4
A680 2321	Pulley - 30T	35- 1
A680 4151	Side Fence Guide	25- 21
A697 4170	Pulley - 32T	123- 9

Part No.	Description	Page and Index No.
A806 1135	Contact Point Shaft	41- 4
A806 1141	Reverse Roller Stay	27- 28
A806 1151	Upper Guide Plate	27- 2
A806 1152	Upper Guide Plate	27- 1
A806 1161	Entrance Guide Plate - Front	27- 4
A806 1162	Entrance Guide Plate - Inner	27- 15
A806 1163	Guide Plate Cushion	27- 5
A806 1181	Pressure Roller Bracket - Pull Out	25- 9
A806 1211	Middle Guide Plate	29- 8
A806 1221	Registration Sensor Bracket	29- 22
A806 1226	Paper Size Sensor Bracket	29- 7
A806 1231	Paper Feed Base	29- 18
A806 1241	Lower Guide Plate	29- 9
A806 1251	Transport Roller Arm	29- 10
A806 1256	Middle Shaft - Roller Arm	29- 16
A806 1257	Roller Arm Shaft	29- 17
A806 1261	Middle Driven Roller	29- 15
A806 1266	Driven Roller	29- 12
A806 1271	Pull Out Drive Roller	29- 2
A806 1276	Transport Drive Roller	29- 3
A806 1282	Separation Drive Shaft	27- 14
A806 1292	Feed Belt Bracket	27- 9
A806 1293	Feed Belt Drive Roller	27- 8
A806 1294	Feed Belt Driven Roller	27- 11
A806 1295	Feed Belt	27- 10
A806 1298	Transport Belt Roller Shaft	27- 12
A806 1314	Pick-up Roller Bracket	27- 17
A806 1321	Pickup Roller	27- 23
A806 1328	Release Lever	27- 16
A806 1331	Original Table Stay	25- 34
A806 1335	Original Table Guide Plate	25- 14
A806 1342	Base Lever	25- 32
A806 1346	Base Shaft	25- 31
A806 1353	Feeler Stud	25- 20
A806 1356	Original Sensor Bracket	25- 28

Part No.	Description	Page and Index No.
A806 1361	Cover Bracket	25- 5
A806 1371	Magnet Catch - Paper Feed Cover	25- 3
A806 1712	Front Cover	23- 4
A806 1761	Paper Feed Cover	25- 1
A806 1781	Exit Cover	23- 14
A806 1792	Original Table Cover	23- 5
A806 1821	Original Table	23- 1
A806 1852	Original Table Base	25- 23
A806 1881	Side Fence	25- 17
A806 1921	Right Cover	33- 20
A806 2151	Timing Pulley - T19/Z23 S2M/M0.6	27- 19
A806 2153	Timing Pulley - T27 S2M	27- 25
A806 2161	Timing Pulley - T30/Z20 S2M/M0.8	37- 8
A806 2244	Separation Shaft Stopper	37- 26
A806 2271	Gear - Z18	27- 18
A806 2281	Gear - Z47	25- 29
A806 2283	Gear - Z20/Z47	37- 7
A806 2285	Gear - Z20/Z47	37- 5
A806 2287	Gear - Z20/Z47	37- 6
A806 2911	Stepper Motor Ass'y	37- 1
A806 3111	Drive Exit Roller	33- 21
A806 3142	Guide Plate Bracket	33- 5
A806 3151	Driven Exit Roller	33- 4
A806 3171	Lower Exit Cover	33- 7
A806 3211	Right Exit Guide Plate	33- 15
A806 3221	Exit Ground Plate	33- 18
A806 3222	Seal	33- 17
A806 3251	Exit Cover Bracket	23- 13
A806 3261	Inner Back Cover Bracket	23- 12
A806 3266	Discharge Brush Bracket	23- 11
A806 3281	Timing Pulley - T14 S3M	33- 13
A806 3311	Inverter Solenoid Assembly	35- 20
A806 3312	Solenoid Bracket	35- 25
A806 4117	Timing Belt - B40S2M158	37- 10
A806 4118	Timing Belt - B40S2M148	27- 22

Part No.	Description	Page and Index No.
A806 4221	Compression Spring	29- 14
A806 4231	Spring	35- 16
A806 4232	Tension Spring	35- 11
A806 4261	Spring Belt Guide Roller	27- 13
A806 4311	Decal - Misfeed Removal	181- 8
A806 4311	Decal - Misfeed Removal	25- 2
A806 4321	Decal - Original Stack Height	181- 9
A806 4321	Decal - Original Stack Height	25- 25
A806 4331	Decal - Original Size	25- 4
A806 4331	Decal - Original Size	181- 10
A806 4341	Display Panel	23- 7
A806 5705	Display Harness	37- 3
A806 5715	Pick Up Motor Harness	37- 35
A806 5740	Registration Sensor Harness	29- 24
A806 5745	Paper Size Sensor Harness	27- 29
A806 5745	Paper Size Sensor Harness	29- 4
A806 5755	On Off Detector Harness	39- 44
A806 5755	On Off Detector Harness	41- 14
A806 5773	SADF Harness	39- 19
A806 5790	Original Sensor Harness	25- 26
A859 2230	Ball Bearing - 6x13x5	37- 33
A859 7211	Stepped Screw	147- 16

Part No.	Description	Page and Index No.
5053 0223	Bushing - 8mm	57- 22
5053 0223	Bushing - 8mm	25- 33
5053 0419	Bushing - 10mm	107- 25
5053 0447	Bushing - 6mm	65- 7
5053 0447	Bushing - 6mm	37- 40
5053 0447	Bushing - 6mm	53- 32
5053 0447	Bushing - 6mm	35- 2
5053 0447	Bushing - 6mm	33- 12
5053 0447	Bushing - 6mm	39- 11
5053 0447	Bushing - 6mm	27- 21
5053 0447	Bushing - 6mm	25- 30
5201 1796	Stepped Screw - M4	67- 26
5201 1796	Stepped Screw - M4	17- 5
5201 1796	Stepped Screw - M4	69- 15
5201 2858	Friction Pad	55- 8
5203 2679	Pinion Tightening Screw - M4x5	111- 29
5203 9502	Silicon Grease G-501	183- 6
5205 2697	Bushing - Upper Registration Roller	125- 25
5205 2697	Bushing - Upper Registration Roller	73- 23
5205 2697	Bushing - Upper Registration Roller	71- 10
5205 4527	Spring - Exit	113- 8
5205 4527	Spring - Exit	111- 3
5206 2684	Shoulder Screw - M3	43- 1
5206 2686	Snap Ring	25- 22
5215 2621	Snap Ring - M6	25- 24
5215 2621	Snap Ring - M6	35- 14
5215 4121	Spring - Oil Blade	115- 3
5324 1658	Bushing- 4x8x4.5mm	35- 28
5324 1658	Bushing- 4x8x4.5mm	95- 15
5324 1658	Bushing- 4x8x4.5mm	29- 13
5403 2819	Spring Anchor - Reverse Roller	87- 17
5403 6246	Stepped Screw - Cleaning	67- 28
5410 1291	Pin	41- 16
5415 4145	Stud	27- 30
5420 9516	Test Chart - OS-A3 (10pcs/set)	183- 2



Part No.	Description	Page and Index No.
5424 1064	Screw Stand	157- 26
5442 1890	Spring - Wire Tightener	111- 8
5442 1924	Exposure Glass Cushion	63- 16
5442 2754	Spring - Registration Roller	71- 11
5443 2668	Bushing - 4x6x7mm	73- 11
5446 2824	Screw - Duplex Guide Plate	25- 11
5446 2824	Screw - Duplex Guide Plate	23- 16
5446 2846	Release Spring - Vertical Transport	67- 27
5446 2901	Collar - 8mm	113- 18
5446 4235	Spring - Hot Roller Stripper	103- 4
5446 5832	Connector Guide Pin	139- 16
5446 5832	Connector Guide Pin	143- 12
5446 5832	Connector Guide Pin	131- 10
5447 2681	Snap Ring	61- 21
5447 2681	Snap Ring	27- 20
5447 2681	Snap Ring	99- 8
5447 2681	Snap Ring	63- 15
5447 2681	Snap Ring	117- 6
5447 2681	Snap Ring	121- 4
5447 2681	Snap Ring	65- 2
5447 2681	Snap Ring	69- 7
5447 2681	Snap Ring	133- 16
5447 2706	Gear - 15T	63- 7
5506 6111	Stepped Screw - M4	103- 8
5887 4157	Spring - Exit Roller	111- 30
5887 4157	Spring - Exit Roller	115- 8
5918 3120	Stud - M4	125- 32
5918 3120	Stud - M4	123- 26
5936 2321	Rubber Bushing - Vibration Damper	39- 35
5936 2321	Rubber Bushing - Vibration Damper	39- 9
5936 5221	Heat Sink	175-191
5936 5231	Indicator Board	37- 4
0312 5050B	Pan Head Screw - M2.5x5	77-101
0313 0040B	Philips Pan Head Screw - M3x4	115-105
0313 0040B	Philips Pan Head Screw - M3x4	121-102

Part No.	Description	Page and Index No.
0313 0040B	Philips Pan Head Screw - M3x4	111-106
0313 0050B	Philips Pan Head Screw - M3x5	85-105
0313 0050B	Philips Pan Head Screw - M3x5	95-103
0313 0050B	Philips Pan Head Screw - M3x5	73-101
0313 0060B	Philips Pan Head Screw - M3x6	59-107
0313 0080B	Philips Pan Head Screw - M3x8	53-107
0313 0080B	Philips Pan Head Screw - M3x8	119-101
0313 0080B	Philips Pan Head Screw - M3x8	19-103
0313 0080B	Philips Pan Head Screw - M3x8	57-105
0313 0080B	Philips Pan Head Screw - M3x8	51-107
0313 0120B	Philips Pan Head Screw - M3x12	57-106
0314 0040B	Philips Pan Head Screw - M4x4	157-104
0314 0040B	Philips Pan Head Screw - M4x4	69-107
0314 0040B	Philips Pan Head Screw - M4x4	93-101
0314 0060B	Philips Pan Head Screw - M4x6	55-101
0314 0060B	Philips Pan Head Screw - M4x6	71-103
0314 0060B	Philips Pan Head Screw - M4x6	127-107
0314 0060B	Philips Pan Head Screw - M4x6	115-106
0314 0060B	Philips Pan Head Screw - M4x6	157-101
0314 0060B	Philips Pan Head Screw - M4x6	67-105
0314 0080B	Philips Pan Head Screw - M4x8	59-106
0314 0080B	Philips Pan Head Screw - M4x8	105-104
0314 0080B	Philips Pan Head Screw - M4x8	43-101
0314 0080B	Philips Pan Head Screw - M4x8	87-101
0314 0080B	Philips Pan Head Screw - M4x8	147-107
0314 0120B	Philips Pan Head Screw - M4x12	105-102
0324 0060B	Philips Sunken Head Screw - M4x6	117-105
0324 0250B	Screw - M4x25	49-105
0344 0050F	Philips Truss Head Screw - M4X5	59-104
0344 0050F	Philips Truss Head Screw - M4X5	55-106
0344 0050F	Philips Truss Head Screw - M4X5	53-105
0353 0050B	Philips Truss Head Screw - M3x5	37-101
0353 0060B	Philips Pan Head Screw - M3x6	107-112
0353 0060B	Philips Pan Head Screw - M3x6	51-102
0353 0060B	Philips Pan Head Screw - M3x6	35-103

Part No.	Description	Page and Index No.
0354 0060B	Screw - M4X6	105-101
0354 0060B	Screw - M4X6	107-103
0354 0060B	Screw - M4X6	103-102
0354 0060B	Screw - M4X6	101-101
0354 0060B	Screw - M4X6	79-102
0354 0080B	Screw - M4X8	101-102
0354 0100B	Screw - M4X10	51-103
0413 0082B	Tapping Screw - M3x8	59-109
0414 0080B	Binding Self-tapping Screw - M4x8	57-112
0414 0082B	Binding Self Tapping Screw - M4x8	59-102
0414 0102B	Tapping Screw M4x10	135-107
0434 0060B	Pan Head Self-tapping Screw - M4x6	69-105
0434 0060B	Pan Head Self-tapping Screw - M4x6	149-103
0434 0060B	Pan Head Self-tapping Screw - M4x6	53-103
0434 0060B	Pan Head Self-tapping Screw - M4x6	55-104
0434 0060B	Pan Head Self-tapping Screw - M4x6	57-101
0434 0060B	Pan Head Self-tapping Screw - M4x6	73-104
0434 0060B	Pan Head Self-tapping Screw - M4x6	61-101
0434 0060B	Pan Head Self-tapping Screw - M4x6	153-102
0434 0060B	Pan Head Self-tapping Screw - M4x6	63-101
0434 0060B	Pan Head Self-tapping Screw - M4x6	71-104
0434 0060B	Pan Head Self-tapping Screw - M4x6	65-101
0434 0080B	Pan Head Self-tapping Screw - M4x8	155-102
0434 0080B	Pan Head Self-tapping Screw - M4x8	149-102
0434 0250B	Tapping Screw - M4x25	141-110
0450 3006B	Tapping Screw - M3x6	83-101
0450 3006B	Tapping Screw - M3x6	59-103
0450 3006B	Tapping Screw - M3x6	17-102
0450 3008B	Tapping Screw - M3x8	121-107
0450 3008B	Tapping Screw - M3x8	33-103
0450 3008B	Tapping Screw - M3x8	129-101
0450 3008B	Tapping Screw - M3x8	117-106
0450 3008B	Tapping Screw - M3x8	131-104
0450 3008B	Tapping Screw - M3x8	99-101
0450 3008B	Tapping Screw - M3x8	41-101

Part No.	Description	Page and Index No.
0450 3008B	Tapping Screw - M3x8	147-109
0450 3008B	Tapping Screw - M3x8	97-105
0450 3008B	Tapping Screw - M3x8	133-108
0450 3008B	Tapping Screw - M3x8	29-108
0450 3008H	Tapping Screw - M3x8	89-102
0450 3010B	Tapping Screw - M3x10	43-103
0450 4008B	Tapping Screw - 4x8	85-103
0450 4008B	Tapping Screw - 4x8	81-103
0450 4008B	Tapping Screw - 4x8	87-104
0450 4008B	Tapping Screw - 4x8	145-105
0450 4008B	Tapping Screw - 4x8	59-110
0450 4008B	Tapping Screw - 4x8	83-102
0450 4008B	Tapping Screw - 4x8	17-104
0450 4008B	Tapping Screw - 4x8	25-101
0450 4008B	Tapping Screw - 4x8	137-105
0450 4010B	Tapping Screw - 4x10	143-104
0450 4010B	Tapping Screw - 4x10	97-106
0450 4010B	Tapping Screw - 4x10	117-107
0450 4012B	Tapping Screw - M4x12	23-103
0450 4014B	Tapping Screw - 4x14	15-102
0450 4016B	Tapping Screw - 4x16	139-106
0450 4016B	Tapping Screw - 4x16	137-103
0450 4035B	Phillips Tapping Screw - M4x35	145-104
0450 4035B	Phillips Tapping Screw - M4x35	145-107
0451 3006B	Tapping Screw - M3x6	115-107
0451 3006B	Tapping Screw - M3x6	109-105
0451 3006B	Tapping Screw - M3x6	67-108
0451 3006B	Tapping Screw - M3x6	153-103
0451 3006B	Tapping Screw - M3x6	151-102
0451 3006B	Tapping Screw - M3x6	141-102
0451 3006B	Tapping Screw - M3x6	29-105
0451 3006B	Tapping Screw - M3x6	81-102
0451 3006B	Tapping Screw - M3x6	31-105
0451 3006B	Tapping Screw - M3x6	123-102
0451 3006B	Tapping Screw - M3x6	139-102

Part No.	Description	Page and Index No.
0451 3006B	Tapping Screw - M3x6	143-101
0451 3008B	Tapping Screw - M3x8	37-102
0451 3008B	Tapping Screw - M3x8	121-106
0451 3008B	Tapping Screw - M3x8	23-101
0451 3008B	Tapping Screw - M3x8	27-101
0451 3008B	Tapping Screw - M3x8	35-104
0451 3008B	Tapping Screw - M3x8	137-104
0451 3008B	Tapping Screw - M3x8	29-103
0451 3008B	Tapping Screw - M3x8	39-103
0451 3008B	Tapping Screw - M3x8	33-102
0451 3008B	Tapping Screw - M3x8	31-102
0451 3008B	Tapping Screw - M3x8	149-104
0451 3008H	Tapping Screw - 3x8	21-101
0451 3012B	Tapping Screw With Washer - M3x12	29-101
0451 3012B	Tapping Screw With Washer - M3x12	77-105
0451 3014B	Tapping Screw - M3-14	147-101
0451 3030B	Tapping Screw - 3x30	151-103
0451 4006B	Tapping Screw - 4x6	75-102
0451 4006B	Tapping Screw - 4x6	31-103
0451 4006B	Tapping Screw - 4x6	131-107
0451 4006B	Tapping Screw - 4x6	41-104
0451 4006B	Tapping Screw - 4x6	133-105
0451 4006B	Tapping Screw - 4x6	45-104
0451 4006B	Tapping Screw - 4x6	49-103
0451 4006B	Tapping Screw - 4x6	39-106
0451 4006B	Tapping Screw - 4x6	79-103
0451 4006B	Tapping Screw - 4x6	127-103
0451 4006B	Tapping Screw - 4x6	77-104
0451 4006B	Tapping Screw - 4x6	89-101
0451 4008B	Philips Tapping Screw - M4x8	119-102
0451 4008B	Philips Tapping Screw - M4x8	143-102
0451 4008B	Philips Tapping Screw - M4x8	141-101
0451 4008B	Philips Tapping Screw - M4x8	69-102
0451 4008B	Philips Tapping Screw - M4x8	157-102
0451 4008B	Philips Tapping Screw - M4x8	19-102

Part No.	Description	Page and Index No.
0451 4008B	Philips Tapping Screw - M4x8	47-103
0451 4008B	Philips Tapping Screw - M4x8	149-101
0451 4008B	Philips Tapping Screw - M4x8	151-101
0451 4008B	Philips Tapping Screw - M4x8	111-101
0451 4008B	Philips Tapping Screw - M4x8	107-109
0451 4008B	Philips Tapping Screw - M4x8	67-101
0451 4008B	Philips Tapping Screw - M4x8	135-102
0451 4008B	Philips Tapping Screw - M4x8	137-102
0451 4008B	Philips Tapping Screw - M4x8	109-102
0451 4008B	Philips Tapping Screw - M4x8	129-106
0451 4008B	Philips Tapping Screw - M4x8	145-101
0451 4008B	Philips Tapping Screw - M4x8	155-101
0451 4008B	Philips Tapping Screw - M4x8	121-101
0451 4008B	Philips Tapping Screw - M4x8	39-104
0451 4008B	Philips Tapping Screw - M4x8	147-103
0451 4008B	Philips Tapping Screw - M4x8	25-102
0451 4008B	Philips Tapping Screw - M4x8	89-105
0451 4008B	Philips Tapping Screw - M4x8	75-101
0451 4008B	Philips Tapping Screw - M4x8	49-102
0451 4008B	Philips Tapping Screw - M4x8	127-101
0451 4008B	Philips Tapping Screw - M4x8	117-101
0451 4008B	Philips Tapping Screw - M4x8	113-101
0451 4008B	Philips Tapping Screw - M4x8	131-103
0451 4008B	Philips Tapping Screw - M4x8	15-101
0451 4008B	Philips Tapping Screw - M4x8	17-103
0451 4008B	Philips Tapping Screw - M4x8	123-101
0451 4008B	Philips Tapping Screw - M4x8	125-103
0451 4008B	Philips Tapping Screw - M4x8	115-101
0451 4008B	Philips Tapping Screw - M4x8	133-103
0451 4008B	Philips Tapping Screw - M4x8	153-101
0451 4008B	Philips Tapping Screw - M4x8	139-101
0451 4008H	Tapping Screw - 4x8	17-101
0451 4008H	Tapping Screw - 4x8	19-101
0451 4010B	Tapping Screw - 4x10	129-110
0451 4010B	Tapping Screw - 4x10	143-107

Part No.	Description	Page and Index No.
0451 4010B	Tapping Screw - 4x10	131-102
0451 4012B	Tapping Screw - 4x12	127-109
0451 4012B	Tapping Screw - 4x12	129-103
0451 4012B	Tapping Screw - 4x12	51-105
0451 4012B	Tapping Screw - 4x12	149-105
0451 4012B	Tapping Screw - 4x12	133-102
0451 4012H	Tapping Screw M4x12	19-106
0451 4014B	Tapping Screw - M4x14	145-103
0451 4035B	Tapping Screw - M4x35	143-103
0452 3006B	Tapping Screw - M3x6	91-101
0452 3006B	Tapping Screw - M3x6	95-108
0452 3006B	Tapping Screw - M3x6	51-104
0452 3006W	Tapping Screw - 3x6	45-107
0452 3008B	Tapping Screw - M3x8	59-108
0452 3008B	Tapping Screw - M3x8	83-106
0452 3008B	Tapping Screw - M3x8	91-106
0452 3008B	Tapping Screw - M3x8	81-104
0452 3008B	Tapping Screw - M3x8	95-101
0452 3008B	Tapping Screw - M3x8	93-103
0452 3010B	Tapping Bind Screw - M3x10	95-102
0452 3010B	Tapping Bind Screw - M3x10	93-104
0452 4006B	Tapping Screw - M4x6	121-104
0452 4008B	Binding Self Tapping Screw - M4x8	55-103
0452 4008B	Binding Self Tapping Screw - M4x8	25-104
0452 4008B	Binding Self Tapping Screw - M4x8	59-101
0452 4008B	Binding Self Tapping Screw - M4x8	75-103
0452 4010B	Tapping Bind Screw - M4x10	53-109
0453 3006B	Tapping Screw - M3x6	91-102
0453 3006B	Tapping Screw - M3x6	45-105
0453 3008B	Bind Tapping Screw - M3x8	111-107
0453 3008B	Bind Tapping Screw - M3x8	95-107
0453 4006B	Tapping Screw - 4x6	121-103
0453 4006B	Tapping Screw - 4x6	49-101
0573 0030E	Hexagon Headless Set Screw - M3x3	65-104
0574 0050E	Hexagon Headless Set Screw - M4x5	39-102

Part No.	Description	Page and Index No.
0575 0050E	Hexagon Headless Set Screw - M5x5	129-102
0585 0351B	Hexagonal Head Bolt - M5x35	107-110
0632 0100G	Pin - 2x10mm	125-101
0632 0120G	Parallel Pin - 2x12	39-107
0632 0120G	Parallel Pin - 2x12	35-102
0632 0120G	Parallel Pin - 2x12	37-105
0632 0140G	Parallel Pin	25-107
0632 0160G	Parallel Pin - M2x16	37-107
0633 0140G	Parallel Pin - 3x14	97-103
0633 0200G	Pin - M3x20	127-108
0633 0200G	Pin - M3x20	57-110
0633 0220G	Pin - 3x22	129-104
0701 0030B	Flat Washer - M3	39-105
0701 0030B	Flat Washer - M3	37-106
0707 4050B	Bushing - 4 X5	49-109
0707 4050B	Bushing - 4x5	133-101
0707 4060B	Bushing - 4x6	127-104
0707 4060B	Bushing - 4x6	129-108
0710 0050B	Hexagon Nut - M5	107-111
0720 0020B	Retaining Ring - M2	83-107
0720 0025B	Retaining Ring - M2.5	89-103
0720 0030B	Retaining Ring - M3	111-105
0720 0030B	Retaining Ring - M3	25-103
0720 0030B	Retaining Ring - M3	31-104
0720 0030B	Retaining Ring - M3	29-107
0720 0030B	Retaining Ring - M3	69-104
0720 0030B	Retaining Ring - M3	65-105
0720 0030B	Retaining Ring - M3	117-104
0720 0030B	Retaining Ring - M3	107-102
0720 0030B	Retaining Ring - M3	95-105
0720 0030B	Retaining Ring - M3	41-102
0720 0030B	Retaining Ring - M3	73-102
0720 0030B	Retaining Ring - M3	121-105
0720 0030B	Retaining Ring - M3	87-103
0720 0030B	Retaining Ring - M3	113-104

Part No.	Description	Page and Index No.
0720 0030B	Retaining Ring - M3	85-106
0720 0030B	Retaining Ring - M3	115-104
0720 0030B	Retaining Ring - M3	101-103
0720 0040B	Retaining Ring - M4	27-102
0720 0040B	Retaining Ring - M4	131-106
0720 0040B	Retaining Ring - M4	61-104
0720 0040B	Retaining Ring - M4	81-101
0720 0040B	Retaining Ring - M4	65-102
0720 0040B	Retaining Ring - M4	101-104
0720 0040B	Retaining Ring - M4	99-103
0720 0040B	Retaining Ring - M4	71-101
0720 0040B	Retaining Ring - M4	29-102
0720 0040B	Retaining Ring - M4	107-106
0720 0040B	Retaining Ring - M4	67-103
0720 0040B	Retaining Ring - M4	129-105
0720 0040B	Retaining Ring - M4	109-107
0720 0040B	Retaining Ring - M4	111-102
0720 0040B	Retaining Ring - M4	119-104
0720 0040B	Retaining Ring - M4	73-105
0720 0040B	Retaining Ring - M4	77-102
0720 0040B	Retaining Ring - M4	115-103
0720 0040B	Retaining Ring - M4	31-101
0720 0040B	Retaining Ring - M4	79-101
0720 0040B	Retaining Ring - M4	25-108
0720 0040B	Retaining Ring - M4	117-103
0720 0040B	Retaining Ring - M4	157-103
0720 0040B	Retaining Ring - M4	33-101
0720 0040B	Retaining Ring - M4	83-104
0720 0040B	Retaining Ring - M4	93-105
0720 0040B	Retaining Ring - M4	125-102
0720 0040B	Retaining Ring - M4	123-103
0720 0040B	Retaining Ring - M4	53-104
0720 0040B	Retaining Ring - M4	133-106
0720 0040B	Retaining Ring - M4	57-102
0720 0040B	Retaining Ring - M4	135-103

Part No.	Description	Page and Index No.
0720 0040B	Retaining Ring - M4	97-101
0720 0040B	Retaining Ring - M4	39-101
0720 0040B	Retaining Ring - M4	87-102
0720 0040B	Retaining Ring - M4	37-104
0720 0040B	Retaining Ring - M4	35-101
0720 0060B	Retaining Ring - M6	73-103
0720 0060B	Retaining Ring - M6	87-105
0720 0060B	Retaining Ring - M6	113-103
0720 0060B	Retaining Ring - M6	133-107
0720 0060B	Retaining Ring - M6	111-103
0720 0060B	Retaining Ring - M6	123-104
0720 0060B	Retaining Ring - M6	71-102
0720 0060B	Retaining Ring - M6	115-102
0720 0060B	Retaining Ring - M6	135-101
0720 0060B	Retaining Ring - M6	37-103
0720 0060B	Retaining Ring - M6	131-105
0720 0060B	Retaining Ring - M6	109-101
0720 0060B	Retaining Ring - M6	61-107
0720 0060B	Retaining Ring - M6	129-107
0720 0060B	Retaining Ring - M6	119-103
0720 0060B	Retaining Ring - M6	83-105
0720 0060B	Retaining Ring - M6	59-105
0720 0060B	Retaining Ring - M6	67-102
0720 0060B	Retaining Ring - M6	19-104
0720 0060B	Retaining Ring - M6	25-109
0720 0060B	Retaining Ring - M6	107-105
0720 0060B	Retaining Ring - M6	97-104
0720 0060B	Retaining Ring - M6	125-104
0720 0060B	Retaining Ring - M6	63-103
0720 0060B	Retaining Ring - M6	57-104
0720 0060B	Retaining Ring - M6	127-106
0720 0060B	Retaining Ring - M6	27-103
0720 0080B	Retaining Ring - M8	127-110
0720 0080B	Retaining Ring - M8	107-104
0720 0080E	Retaining Ring - M8	109-108

Part No.	Description	Page and Index No.
0725 0200E	Retaining Ring C - M20	107-107
0727 0060B	Retaining Ring C - 6	83-108
0727 0090E	Retaining Ring C - M9	85-104
0740 3008	Ball Bearing - 8x22x7	135-108
0742 3808	Ball Bearing - 8x16x5	63-102
0801 0141	Pan Head Screw - M2x16	147-105
0801 0142	Screw - Spring Washer - M5X8	141-106
0801 0153	Bind Screw - M6x32	145-102
0803 0058	Stepped Screw	133-104
0805 0088	Retaining Ring - M6	63-105
0805 0098	Ring - M35	105-105
0805 3145	Ball Bearing - 6x12x4mm	65-103
0805 3384	Bushing - 5mm	111-104
0805 3480	Bushing - 6mm	77-103
0805 3507	Bushing - 6mm	39-108
0805 3507	Bushing - 6mm	37-108
0805 5011	Caster - 250kgf	157-106
0807 3092	Spacer - 4x5x3	95-106
0807 4040	Washer - 6.5mm	131-110
0950 4006B	Screw - M4X6	105-103
0950 4006B	Screw - M4X6	101-105
0950 4006B	Screw - M4X6	103-101
0950 4006B	Screw - M4X6	143-105
0950 4006B	Screw - M4X6	107-101
0950 4008B	Philips Screw With Spring Washer - M4x8	153-105
0951 3004B	Philips Screw With Flat Washer - M3x4	45-101
0951 3006B	Philips Screw With Flat Washer - M3x6	99-102
0951 3006B	Philips Screw With Flat Washer - M3x6	85-101
0951 3006B	Philips Screw With Flat Washer - M3X6	83-109
0951 3006B	Philips Screw With Flat Washer - M3x6	95-104
0951 3006B	Philips Screw With Flat Washer - M3x6	93-102
0951 3006B	Philips Screw With Flat Washer - M3x6	49-104
0951 3006B	Philips Screw With Flat Washer - M3x6	57-107
0951 3006B	Philips Screw With Flat Washer - M3x6	47-101
0951 3006B	Philips Screw With Flat Washer - M3x6	45-102

Part No.	Description	Page and Index No.
0951 3006B	Philips Screw With Flat Washer - M3x6	43-102
0951 3006B	Philips Screw With Flat Washer- M3x6	131-109
0951 3008B	Philips Screw With Flat Washer - M3x8	95-109
0951 3008B	Philips Screw With Flat Washer - M3x8	97-102
0951 3020B	Philips Screw With Flat Washer -3x8	51-101
0951 4006B	Philips Screw With Washer - M4x6	83-103
0951 4006B	Philips Screw With Washer - M4x6	55-105
0951 4008B	Philips Screw With Washer - M4x8	67-104
0951 4008B	Philips Screw With Washer - M4x8	109-103
0951 4008B	Philips Screw With Washer - M4x8	69-101
0951 4008B	Philips Screw With Washer - M4x8	57-111
0951 4008B	Philips Screw With Washer - M4x8	55-102
0951 4008B	Philips Screw With Washer - M4x8	127-102
0951 4008B	Philips Screw With Washer - M4x8	53-101
0951 4008B	Philips Screw With Washer - M4x8	117-102
0951 4008B	Philips Screw With Washer - M4x8	131-101
0951 4008B	Philips Screw With Washer - M4x8	85-102
0951 4010B	Philips Screw With Washer - M4x10	127-105
0951 4010B	Philips Screw With Washer - M4x10	129-109
0951 4010W	Philips Screw With Flat Washer - M4x10	91-104
0951 5008B	Philips Screw With Washer - M5x8	157-107
0951 5010B	Philips Screw With Washer - M5x10	23-102
0954 3008B	Philips Screw - M3x8	45-103
0954 4008B	Philips Screw - M4x8	45-106
0965 3008B	Tapping Screw With Washer - M3x8	89-102
0965 3008W	Tapping Screw With Flat Washer - M3x8	53-108
0971 4006A	Philips Polycarbonate Screw - M4x6	89-104
1005 0843	Heat Sink - OSH2425SP	175-192
1100 1474	Test Pin	171-101
1101 0328	Connector Pin Contact	161-101
1101 0328	Connector Pin Contact	175-101
1101 0429	Test Pin	167-101
1102 0913	Connector - 9P	175-102
1102 3822	Connector - 20P	167-102
1102 4201	Connector - 2P	175-103

Part No.	Description	Page and Index No.
1102 4202	Connector - 3P	175-104
1102 4203	CT Header - 4P	175-105
1102 4205	CT Header - 6p	175-106
1102 4206	Connector - 7P	175-107
1102 4207	Connector - 8P	175-108
1102 4208	Connector - 9P	175-109
1102 4211	CT Header - 12P	175-110
1102 4212	CT Header - 15P	175-111
1102 4623	CT Connector - 6p	175-112
1102 4629	Connector - 12P	175-113
1102 5276	Connector - 4P	167-103
1102 5278	Connector - 6P	167-104
1102 5280	Connector - 8P	167-105
1102 5283	Connector - 11P	167-106
1102 5301	Connector - 2P	161-102
1102 5302	Connector - 3P	161-103
1102 5303	Connector - 4P	171-102
1102 5304	Connector - 5P	171-103
1102 5305	Connector - 6P	161-104
1102 5325	Connector - 2P	161-105
1102 5326	Connector - 4P	167-107
1102 5327	Connector - 8P	171-104
1102 5476	Modular Cord - 6P/6P	167-108
1102 5699	Connector - 12P	167-109
1102 5894	Connector - 68P	167-110
1102 5943	Connector - 2P	167-111
1102 6245	Relay Connector - 2P	145-110
1102 6245	Relay Connector - 2P	61-105
1102 6247	Connector - 4P	91-103
1102 6249	Relay Connector - 6P	61-108
1102 6251	Connector - 8P	145-109
1102 6254	Connector - 11P	61-102
1102 6256	Relay Connector - 13P	145-111
1102 6259	Connector - 2P	61-103
1102 6265	Connector - RED 8P	145-108

Part No.	Description	Page and Index No.
1102 6297	Connector - 4P	167-112
1102 6298	Connector - 5P	161-106
1102 6299	Connector - 6P	167-113
1102 6299	Connector - 6P	171-105
1102 6300	Connector - 7P	161-107
1102 6301	Connector - 8P	175-114
1102 6302	Connector - 9P	167-114
1102 6302	Connector - 9P	175-115
1102 6303	Connector - 10P	171-106
1102 6304	Connector - 11P	171-107
1102 6306	Connector - 13P	171-108
1102 6307	Connector - 14P	161-108
1102 6308	Connector - 15P	171-109
1102 6308	Connector - 15P	167-115
1102 6314	Connector - 7P	161-109
1102 6394	Connector - 12P	171-110
1102 6396	Connector - 1P	167-116
1102 6396	Connector - 1P	171-111
1102 6397	Box Header	167-117
1102 6398	Connector - 2P	167-118
1102 6399	Connector - 22P	167-119
1102 6399	Connector - 22P	171-112
1102 6400	Connector - 24P	171-113
1102 6400	Connector - 24P	167-120
1102 6403	Connector - 30P	171-114
1102 6403	Connector - 30P	167-121
1102 6414	Connector - 16P	167-122
1102 6592	Connector - 8P	171-115
1102 6760	Connector - 3P	167-123
1104 0351	Fuse Holder	175-116
1104 0588	Dip Socket - 28P	167-124
1104 0589	Dip Socket - 32p	175-117
1104 0730	Short Pin - 2P	167-125
1105 0009	Nylon Clamp - 5N	143-108
1105 0009	Nylon Clamp - 5n	137-101

Part No.	Description	Page and Index No.
1105 0087	Clamp	113-102
1105 0087	Clamp	111-108
1105 0087	Clamp	109-104
1105 0087	Clamp	135-106
1105 0192	Locking Support	141-103
1105 0192	Locking Support	47-102
1105 0198	Harness Clamp - WS-3 NSV-0	141-108
1105 0198	Harness Clamp - WS-3 NSV-0	51-110
1105 0198	Harness Clamp - WS-3 NSV-0	139-108
1105 0199	Clamp	29-106
1105 0199	Clamp	57-109
1105 0199	Clamp	119-107
1105 0199	Clamp	61-106
1105 0199	Clamp	73-106
1105 0199	Clamp	63-104
1105 0199	Clamp	65-106
1105 0199	Clamp	49-110
1105 0199	Clamp	135-105
1105 0199	Clamp	109-106
1105 0199	Clamp	69-106
1105 0199	Clamp	27-105
1105 0199	Clamp	107-108
1105 0199	Clamp	103-103
1105 0210	Clamp. Plate Cable	67-106
1105 0229	Clamp	19-105
1105 0229	Clamp	91-105
1105 0230	Clamp	53-102
1105 0230	Clamp	35-105
1105 0230	Clamp	37-109
1105 0230	Clamp	39-109
1105 0230	Clamp	41-106
1105 0230	Clamp	27-104
1105 0230	Clamp	25-105
1105 0267	Harness Clamp - YMC-10-0	123-105
1105 0267	Harness Clamp - YMC-10-0	75-104

Part No.	Description	Page and Index No.
1105 0267	Harness Clamp - YMC-10-0	119-106
1105 0267	Harness Clamp - YMC-10-0	77-106
1105 0267	Harness Clamp - YMC-10-0	79-104
1105 0291	Harness Clamp - LWS-3S	57-108
1105 0291	Harness Clamp - LWS-3S	69-103
1105 0291	Harness Clamp - LWS-3S	135-104
1105 0291	Harness Clamp - LWS-3S	49-106
1105 0291	Harness Clamp - LWS-3S	127-111
1105 0291	Harness Clamp - LWS-3S	123-106
1105 0291	Harness Clamp - LWS-3S	121-109
1105 0291	Harness Clamp - LWS-3S	153-104
1105 0291	Harness Clamp - LWS-3S	119-105
1105 0292	Wire Saddle	127-112
1105 0292	Wire Saddle	141-105
1105 0292	Wire Saddle	139-103
1105 0292	Wire Saddle	51-109
1105 0292	Wire Saddle	143-106
1105 0292	Wire Saddle	149-107
1105 0292	Wire Saddle	67-107
1105 0295	Metal Cable Clamp	47-104
1105 0306	Metal Clamp - Al-4	145-106
1105 0310	Harness Clamp - LWS-1S	151-105
1105 0310	Harness Clamp - LWS-1S	149-106
1105 0310	Harness Clamp - LWS-1S	153-106
1105 0310	Harness Clamp - LWS-1S	147-110
1105 0310	Harness Clamp - LWS-1S	71-105
1105 0310	Harness Clamp - LWS-1S	49-107
1105 0310	Harness Clamp - LWS-1S	139-105
1105 0310	Harness Clamp - LWS-1S	21-102
1105 0310	Harness Clamp - LWS-1S	131-108
1105 0310	Harness Clamp - LWS-1S	157-105
1105 0310	Harness Clamp - LWS-1S	51-108
1105 0316	Clamp	139-104
1105 0316	Clamp	127-113
1105 0328	Harness Clamp - ES-0505	29-104



Part No.	Description	Page and Index No.
1105 0328	Harness Clamp - ES-0505	73-107
1105 0328	Harness Clamp - ES-0505	41-105
1105 0328	Harness Clamp - ES-0505	57-103
1105 0328	Harness Clamp - ES-0505	53-106
1105 0328	Harness Clamp - ES-0505	121-108
1105 0328	Harness Clamp - ES-0505	55-107
1105 0328	Harness Clamp - ES-0505	25-106
1105 0334	Edge - 17	41-103
1105 0359	Clamp	51-106
1105 0367	Spacer	49-108
1105 0412	Cord Keep	67-109
1105 0412	Cord Keep K-106G	83-110
1105 0460	Clamp	77-107
1106 0193	Bushing - 7.9mm	29-109
1106 0200	Bushing - 19.44mm	151-104
1106 0200	Bushing - 19.44mm	47-105
1106 0383	Supporter - P.C.B.	141-104
1107 0751	Fuse - 4A 250V	175-118
1107 0752	Fuse - 5A 250V	175-119
1107 0943	Circuit Bracket - 1.5KA	141-109
1109 0007	IC - MINISMDC100-02	167-126
1109 0010	FUSE - 3.75A	161-110
1204 2368	Dip Switch - DSS804	161-111
1204 2368	Dip Switch - Dss804	175-120
1204 2468	Switch - AC250/16A	147-108
1204 2508	Interlock Switch - FA7L-AJAB	147-106
1204 2509	Micro Switch - V16506K-3C205	147-102
1204 2515	Micro Switch - DE2L-FJ10	147-104
1400 0398	Transistor - 2SC2412K	161-112
1400 0398	Transistor - 2SC2412K	167-127
1400 0398	Transistor - 2SC2412K	175-121
1400 0555	Transistor - DTC143EK	171-116
1400 0555	Transistor - DTC143EK	167-128
1400 0619	Transistor - DTA143EKA	167-129
1400 0663	Transistor - 2SA1037AK	175-122

Part No.	Description	Page and Index No.
1400 0728	Transistor - 2SD2170	167-130
1400 0731	Transistor - 2SD1766	167-131
1400 0763	Transistor - 2SD2025	175-123
1401 0881	Transistor - 2SJ142	161-113
1401 0886	Transistor - 2SK1286 MB23 ADDED	175-193
1401 0919	Mosfet Array - 4am14	175-124
1401 0964	FET 2SJ172	175-125
1401 0972	Transistor - 2SB1260	161-114
1401 0972	Transistor-2sb1260	167-132
1401 1066	FET 2SJ176 MB23 (OBS)	175-126
1401 1104	FET - 2SJ303 MB23 ADDED	175-195
1401 1113	FET 2SK2462	161-115
1402 0595	Diode-array - DAN202K	167-133
1402 0780	Diode - 200V - 1A - 11ES2	175-127
1402 1112	Diode - ERA83-004	167-134
1402 1142	Diode Array - DAN217	167-135
1402 1142	Diode Array - DAN217	171-117
1402 1142	Diode Array - DAN217	161-116
1402 1236	Diode - ERA83-006	167-136
1402 1326	Diode Array - DA227	167-137
1402 1336	Diode - 1SS355	167-138
1402 1353	Diode - HZ12BP	175-128
1402 1378	Diode - PTZ12A	167-139
1402 1378	Diode - PTZ12A	171-118
1402 1380	Diode - PTZ 6.2A	161-117
1402 1380	Diode - PTZ 6.2A	167-140
1402 1492	14021492ERA32-01	175-129
1402 1505	Diode - UDZS5.6B	167-141
1403 0416	LED - Red - TLR123	175-130
1403 0894	LED SML-010LT	167-142
1403 0894	LED SML-010LT	171-119
1403 0895	LED SML-010MT	167-143
1403 0954	Sensor - MA12-10V23	161-118
1404 0238	Serge Absorber 22V 0.6J	167-144
1407 1535	IC - TD62308AP	167-145

Part No.	Description	Page and Index No.
1407 1535	IC - TD62308AP	171-120
1407 1596	TTLIC - SN74LS14NS	161-119
1407 1596	TTLIC - SN74LS14NS	167-146
1407 1596	TTLIC - SN74LS14NS	175-131
1407 1741	TTL - SN74LS32NS	161-120
1407 1783	IC - 74LS02	161-121
1407 1880	TTLIC - SN74LS04NS	161-122
1407 1984	IC - SH74LS123NS	161-123
1407 2051	TTL - IC - SN74LS00NS	161-124
1407 2052	TTLIC - SN74LS74ANS	167-147
1407 2052	TTLIC - SN74LS74ANS	161-125
1407 2134	TTLIC - 74F32SJ	167-148
1407 2187	TTLIC - SN74LS07NS	167-149
1407 2187	TTLIC - SN74LS07NS	175-132
1407 2187	TTLIC - SN74LS07NS	161-126
1407 2187	TTLIC - SN74LS07NS	171-121
1407 2231	IC - TD62308AF	167-150
1407 3168	IC - TC74HC251AF	171-122
1407 3173	Driver - 16bit - M66311FP	171-123
1407 3231	FIFO - M66300FP	167-151
1407 3245	IC - CMOS - TC74HC32AF	171-124
1407 3257	CMOSIC - TC74HC14AF	175-133
1407 3257	CMOSIC - TC74HC14AF	167-152
1407 3257	CMOSIC - TC74HC14AF	171-125
1407 3281	IC - TC74HCU04AF	167-153
1407 3283	IC - TC74HC373AF	175-134
1407 3287	IC - TC74HC393AF	175-135
1407 3290	IC - TC74HC02AF	175-136
1407 3305	IC - TC74HC157AF	171-126
1407 3395	Cmosic - Tc74hc541af	175-137
1407 4114	IC - SN751177	167-154
1407 4137	IC - MM1035XF	161-127
1407 4164	IC - MMID75XF	167-155
1407 4300	IC - TC74VHC32F	167-156
1407 4316	IC - TD52308BF	175-138

Part No.	Description	Page and Index No.
1407 4321	IC - TC74VHC04F	167-157
1407 4404	CMOS 74VHC157 SOP	167-158
1407 4615	IC - TC74VHC02F	167-159
1407 4687	IC - TA8083F	171-127
1407 4718	IC - TC74VHC08F	167-160
1407 4724	Cpu Hd6413003tf-16	175-139
1407 4730	SRAM STK12C68-W45	167-251
1407 4730	Sram Stk12c68-w45	139-107
1407 4959	IC - MC68334GCFC20	167-161
1407 4980	EEPROM BR93LC56FV	175-140
1407 5002	IC - M66310FP	171-128
1407 5032	IC - MBM29F400TC-70PFTN	167-162
1407 5085	CMOS TC4066BF(N)	167-163
1407 5127	IC SLA7033M	167-164
1408 0397	Comparator - NJM2901M	175-141
1408 0565	IC - UPC311G	161-128
1408 0599	IC - M51971EP	175-142
1408 0611	IC - 3771	175-143
1408 0645	IC - UPC4570G	161-129
1408 0826	IC - TA8428K	167-165
1408 0826	IC - TA8428K	171-129
1408 0827	IC - TA8429H	167-166
1408 0875	Transistor-array - TD62382AF	167-167
1408 0942	IC - BA4558F	161-130
1408 1007	Regulator - Upc7812ahf	175-144
1408 1050	IC - STK6712BMK4	175-145
1408 1065	Comparator Ba10339f	167-168
1408 1065	Comparator Ba10339f	161-131
1408 1095	IC - BA10324AF	167-169
1408 1206	Transistor-array - TD62M4700F	167-170
1408 1287	IC - SI-8501L	175-146
1408 1294	VR AD8402AR100	175-147
1408 1387	VR AD8402AR50	175-148
1503 0460	Oscillator - 32.768KHZ	167-171
1503 0817	Oscillator - 15.9744MHZ	161-132

Part No.	Description	Page and Index No.
1503 0865	Oscillator - 9.8304MHZ	167-172
1503 0865	Oscillator - 9.8304MHZ	175-149
1600 0830	Nonflamable Resistor - 0.47 $\Omega$ 3W	175-194
1600 1209	Resistor - 220 $\Omega$ 1W $\pm$ 5%	175-150
1600 1510	Resistor - 1.5K $\Omega$ $\pm$ 5% 1W	161-133
1600 1683	Resistor - 0.22 $\Omega$ $\pm$ 5% 2W MB23 (OBS)	175-151
1600 1774	Resistor - 0.68 $\Omega$ $\pm$ 5%	167-173
1600 1856	Resistor - 12 $\Omega$ $\pm$ 10% 5W	175-152
1601 5277	Resistor - 3.9 $\Omega$ $\pm$ 5% 2W	167-174
1601 7751	Resistor - 4.7K $\Omega$ $\pm$ 5%	167-175
1601 7751	Resistor - 4.7K $\Omega$ $\pm$ 5%	171-130
1601 7752	Resistor Array - 10K $\Omega$ $\pm$ 5%	171-131
1601 7752	Resistor Array - 10K $\Omega$ $\pm$ 5%	167-176
1601 7759	Resistor Array - 100K $\Omega$ $\pm$ 5% 0.063W	161-134
1601 7769	Resistor Array - 151 $\Omega$ $\pm$ 5%	167-177
1601 7781	Resistor - 10 $\Omega$ $\pm$ 5%	167-178
1601 7791	Resistor Array - 1K $\Omega$ $\pm$ 5%	171-132
1601 7791	Resistor Array - 1K $\Omega$ $\pm$ 5%	167-179
1601 7791	Resistor Array - 1K $\Omega$ $\pm$ 5%	161-135
1601 7814	Resistor 3.3k $\Omega$ $\pm$ 5%	167-180
1601 7870	Resistor - 15 $\Omega$ $\pm$ 5% 1/16W	167-181
1601 8148	Variable Resistor - 20K $\Omega$ 0.5W	175-153
1604 4448	Capacitor - UPJ1A561MPH	175-154
1604 4506	Capacitor - 1000 $\mu$ F $\pm$ 20% 50V	167-182
1604 4708	Capacitor - 10 $\mu$ F $\pm$ 20% 50V	167-183
1604 4730	Capacitor - 47 $\mu$ F $\pm$ 20% 50V	167-184
1604 4734	Capacitor - 47uF $\pm$ 20% 25V	161-136
1604 4735	Capacitor - 1000uF $\pm$ 20% 50V	161-137
1605 0599	Capacitor - 0.1 $\mu$ F $\pm$ 10%	161-138
1605 0643	Capacitor - 0.1MICRO F	161-139
1605 0797	Capacitor - 16pF $\pm$ 5% 50V	175-155
1605 0926	Capacitor - 0.33 $\mu$ F 16V $\pm$ 10%	167-185
1606 1178	Capacitor - 0.01 $\mu$ F 50V	175-156
1607 0758	Filter - DSS710D223A12-22	167-186
1607 1040	Filter - ACB1608M-120	167-187

Part No.	Description	Page and Index No.
1607 1143	Noise Filter	141-107
1611 8751	Resistor - 750 $\Omega$ $\pm$ 5% 1/4W	171-133
1611 9331	Resistor - 330 $\Omega$ $\pm$ 5% 1/2W	161-140
1611 9621	Resistor - 620 $\Omega$ $\pm$ 5% 1/2W	161-141
1630 1101	Resistor - 100 $\Omega$ 1/4W $\pm$ 5%	167-188
1630 1121	Resistor - 120 $\Omega$ $\pm$ 5% 1/8W	167-189
1630 1151	Resistor - 150 $\Omega$ $\pm$ 5% 1/4W	167-190
1630 1392	Resistor - 3.9K $\Omega$ $\pm$ 5% 1/4W	167-191
1630 1471	Resistor - 470 $\Omega$ $\pm$ 5% 1/4W	167-192
1630 2471	Resistor - 470 $\Omega$ 1/8W $\pm$ 5%	167-193
1630 3100	Resistor - 10 $\Omega$ $\pm$ 5% 1/10W	175-157
1630 3101	Resistor - 100 $\Omega$ - 1/10W	175-158
1630 3102	Resistor - 1K $\Omega$ 1/10W $\pm$ 5%	171-134
1630 3102	Resistor - 1K $\Omega$ 1/10W $\pm$ 5%	175-159
1630 3102	Resistor - 1K $\Omega$ 1/10W $\pm$ 5%	167-194
1630 3103	Resistor - 10K $\Omega$ 1/10W $\pm$ 5%	171-135
1630 3103	Resistor - 10K $\Omega$ 1/10W $\pm$ 5%	175-160
1630 3105	Resistor - 1M $\Omega$ $\pm$ 5% 1/10W	175-161
1630 3121	Resistor - 120 $\Omega$ $\pm$ 5% 1/10w	167-195
1630 3161	Resistor - 160 $\Omega$ 1/10w $\pm$ 5%	175-162
1630 3200	Resistor - 20 $\Omega$ $\pm$ 5% 1/10W	175-163
1630 3203	Resistor - 20 $\Omega$ $\pm$ 5% 1/10W	175-164
1630 3222	Resistor - 2.2K $\Omega$ 1/10W $\pm$ 5%	175-165
1630 3223	Resistor - 22k $\Omega$ - 1/10W	175-166
1630 3273	Resistor - 27k $\Omega$ - 1/10W	175-167
1630 3302	Resistor - 3k $\Omega$ - 1/10W	175-168
1630 3391	Resistor - 390 $\Omega$ 1/10W $\pm$ 5%	175-169
1630 3392	Resistor - 3.9k $\Omega$ - 1/10W	175-170
1630 3472	Resistor - 4.7K $\Omega$ 1/10W $\pm$ 5%	171-136
1630 3472	Resistor - 4.7K $\Omega$ 1/10W $\pm$ 5%	175-171
1630 3560	Resistor - 56 $\Omega$ $\pm$ 5% 1/10W	175-172
1630 3561	Resistor - 560 $\Omega$ $\pm$ 5% 1/10W	167-196
1630 3562	Resistor - 5.6K $\Omega$ +5% 1/10W	175-173
1630 3563	Resistor - 56K $\Omega$ $\pm$ 5% 1/10W	167-197
1630 3682	Resistor - 6.8k $\Omega$ - 1/10W	175-174

Part No.	Description	Page and Index No.
1630 3753	Resistor - 75k $\Omega$ - 1/10W	175-175
1630 4100	Resistor - 10 $\Omega$ $\pm$ 5% 1/16W	161-142
1630 4100	Resistor - 10 $\Omega$ $\pm$ 5% 1/16W	167-198
1630 4102	Resistor - 1.0K $\Omega$ $\pm$ 5% 1/16W	161-143
1630 4102	Resistor - 1.0K $\Omega$ $\pm$ 5% 1/16W	167-199
1630 4103	Resistor - 10K $\Omega$ $\pm$ 5% 1/16W	161-144
1630 4103	Resistor - 10K $\Omega$ $\pm$ 5% 1/16W	167-200
1630 4104	Resistor - 100 $\Omega$ $\pm$ 5% 1/16W	161-145
1630 4104	Resistor - 100 $\Omega$ $\pm$ 5% 1/16W	167-201
1630 4105	Resistor - 1.0M $\Omega$ $\pm$ 5% 1/16W	167-202
1630 4106	Resistor - 10m $\Omega$ $\pm$ 5% 1/16W	167-203
1630 4124	Resistor - 120K $\Omega$ $\pm$ 5% 1/16W	161-146
1630 4152	Resistor - 1.5K $\Omega$ $\pm$ 5% 1/16W	167-204
1630 4153	Resistor - 15K $\Omega$ $\pm$ 5% 1/16W	161-147
1630 4153	Resistor - 15K $\Omega$ $\pm$ 5% 1/16W	167-205
1630 4154	Resistor - 150k $\Omega$ $\pm$ 5%,1/16w	167-206
1630 4161	Resistor - 160 $\Omega$ $\pm$ 5% 1/16W	167-207
1630 4161	Resistor - 160 $\Omega$ $\pm$ 5% 1/16W	161-148
1630 4222	Resistor - 2.2K $\Omega$ $\pm$ 5%	167-208
1630 4222	Resistor - 2.2K $\Omega$ $\pm$ 5%	161-149
1630 4224	Resistor - 220K $\Omega$ $\pm$ 5% 1/16W	161-150
1630 4242	Resistor - 2.4k $\Omega$ - $\pm$ 5% - 1/16W	161-151
1630 4272	Resistor - 2.7k $\Omega$ - $\pm$ 5% - 1/16w	167-209
1630 4330	Resistor - 33 $\Omega$ $\pm$ 5% 1/8W	167-210
1630 4332	Resistor - 3.3K $\Omega$ $\pm$ 5% 1/16W	167-211
1630 4332	Resistor - 3.3K $\Omega$ $\pm$ 5% 1/16W	161-152
1630 4334	Resistor - 330K $\Omega$ $\pm$ 5% 1/16W	167-212
1630 4362	Resistor - 3.6K $\Omega$ $\pm$ 5% 1/16W	167-213
1630 4393	Resistor - 39k $\Omega$ - $\pm$ 5% - 1/16w	167-214
1630 4470	Resistor - 470 $\Omega$ $\pm$ 5% 1/16W	161-153
1630 4472	Resistor - 4.7K $\Omega$ $\pm$ 5% 1/16W	161-154
1630 4472	Resistor - 4.7K $\Omega$ $\pm$ 5% 1/16W	167-215
1630 4510	Resistor - 51 $\Omega$ $\pm$ 5% 1/16W	167-216
1630 4511	Resistor - 510 $\Omega$ - $\pm$ 5% - 1/16W	161-155
1630 4512	Resistor - 5.1k $\Omega$ - $\pm$ 5% - 1/16W	161-156

Part No.	Description	Page and Index No.
1630 4562	Resistor - 5.6k $\Omega$ - $\pm$ 5% - 1/16W	161-157
1630 4562	Resistor - 5.6k $\Omega$ - $\pm$ 5% - 1/16W	167-217
1630 4680	Resistor - 68 $\Omega$ $\pm$ 5% 1/16W	167-218
1630 4752	Resistor - 7.5K $\Omega$ $\pm$ 5% 1/16W	167-219
1630 4910	Resistor - 91 $\Omega$ $\pm$ 5% 1/16W	167-220
1632 0000	Resistor - 0 $\Omega$ 1/8W	167-221
1633 1000	Resistor - 100 $\Omega$ $\pm$ 1% 1/10W	167-222
1633 1003	Resistor - 100K $\Omega$ $\pm$ 1% 1/10W	167-223
1633 1403	Resistor - 140K $\Omega$ $\pm$ 1% 1/10W	167-224
1633 1602	Resistor - 16K $\Omega$ $\pm$ 1% 1/4W	175-176
1633 2002	Resistor - 20K $\Omega$ $\pm$ 1% 1/10W	167-225
1633 2200	Resistor - 220 $\Omega$ $\pm$ 1% 1/10w	167-226
1633 5100	Resistor - 510 $\Omega$ $\pm$ 1% 1/10W	167-227
1633 5361	Resistor - 5.36K $\Omega$ $\pm$ 1% 1/10W	167-228
1633 5600	Resistor - 560 $\Omega$ $\pm$ 1% 1/10W	167-229
1634 0000	Resistor - 0 $\Omega$ 1/16W	161-158
1634 1002	Resistor - 10 $\Omega$ $\pm$ 5% 1/16W	161-159
1634 1693	Resistor - 169 $\Omega$ $\pm$ 1% 1/16W	167-230
1634 2002	Resistor - 20K $\Omega$ $\pm$ 1% 1/16W	161-160
1634 2201	Resistor - 2.20K $\Omega$ $\pm$ 1% 1/16W	167-231
1634 2402	Resistor - 24K $\Omega$ $\pm$ 1% 1/16W	161-161
1634 2702	Resistor - 27K $\Omega$ $\pm$ 1% 1/16W	161-162
1634 3301	Resistor - 3.3K $\Omega$ $\pm$ 1% 1/16W	167-232
1634 3903	Resistor - 390k $\Omega$ - $\pm$ 1% - 1/16W	161-163
1634 4302	Resistor - 43k $\Omega$ $\pm$ 1% 1/16W	161-164
1634 4702	Resistor - 47.0k $\Omega$ - $\pm$ 1% - 1/16W	167-233
1634 5231	Resistor - 5.23K $\Omega$ $\pm$ 1% 1/16W	167-234
1634 6200	Resistor - 620 $\Omega$ $\pm$ 1% 1/16W	167-235
1640 0101	Capacitor - 100 $\mu$ F 10V	161-165
1640 2470	Capacitor - 47 $\mu$ F $\pm$ 20% 25V	161-166
1640 5100	Capacitor - 10 $\mu$ F +20% 50	167-236
1640 5101	Capacitor - 100 $\mu$ F $\pm$ 20% 50V	161-167
1640 5101	Capacitor - 100 $\mu$ F $\pm$ 20% 50V	175-177
1640 5101	Capacitor - 100 $\mu$ F $\pm$ 20% 50V	167-237
1640 5102	Capacitor - 1000 $\mu$ F $\pm$ 20% 50V	175-178

Part No.	Description	Page and Index No.
1640 5220	Capacitor - 22 $\mu$ F $\pm$ 20% 50V	175-179
1640 5220	Capacitor - 22 $\mu$ F $\pm$ 20% 50V	167-238
1640 5221	Capacitor - 220 $\mu$ F $\pm$ 20% 50V	167-239
1640 5470	Capacitor - 47 $\mu$ F $\pm$ 20% 50V	171-137
1640 5470	Capacitor - 47 $\mu$ F $\pm$ 20% 50V	167-240
1640 5471	Capacitor - 470 $\mu$ F $\pm$ 20% 50V	175-180
1643 5339	Capacitor - 3.3 $\mu$ F $\pm$ 20% 50V	175-181
1643 5478	Capacitor - 0.47 $\mu$ F $\pm$ 20% 50V	175-182
1660 0100	Capacitor - 10PF $\pm$ 0.5pF 50V	161-168
1660 2101	Capacitor - 100pF - $\pm$ 10% - 50V	175-183
1660 2101	Capacitor - 100pF - $\pm$ 10% - 50V	167-241
1660 2101	Capacitor - 100pF - $\pm$ 10% - 50V	161-169
1660 2180	Capacitor 18pF $\pm$ 5% 50v	167-242
1660 2220	Capacitor - 22pF $\pm$ 20% 35V	167-243
1660 2221	Capacitor - 220pF +80-20% 50V	175-184
1660 2470	Capacitor - 47pF $\pm$ 5% 50V	167-244
1660 2471	Capacitor - 470pF - $\pm$ 5% - 50V	175-185
1660 2471	Capacitor - 470pF - $\pm$ 5% - 50V	161-170
1660 2471	Capacitor - 470pF - $\pm$ 5% - 50V	167-245
1660 3102	Capacitor - 1000pF $\pm$ 5% 50V	161-171
1660 3471	Capacitor - 470pF 50V	171-138
1660 4102	Capacitor - 1000pF $\pm$ 10% 50V	167-246
1660 4102	Capacitor - 1000pF $\pm$ 10% 50V	161-172
1660 4102	Capacitor - 1000pF $\pm$ 10% 50V	175-186
1660 4222	Capacitor - 2200pF - $\pm$ 10% - 50V	175-187
1660 4472	Capacitor - 4700pf $\pm$ 10% 50v	167-247
1660 5102	Capacitor - 1000pF $\pm$ 10% 50V	171-139
1660 6103	Capacitor - 10000pF - +80% -20% 50V	161-173
1660 6103	Capacitor - 10000pF - +80% -20% 50V	167-248
1660 6103	Capacitor - 10000pF - +80%-20%, 50V	175-188
1660 6223	Capacitor 22000pF +80 -20% 50V	175-189
1660 7103	Capacitor - 10000pF 50V	171-140
1660 7104	Capacitor - 100000pF 50V	175-190
1660 8104	Capacitor - 0.1 $\mu$ F +80-20% 25V	161-174
1660 8104	Capacitor - 0.1 $\mu$ F +80-20% 25V	167-249

Part No.	Description	Page and Index No.
1660 9104	C - 0.1 $\mu$ F 25V	171-141
1902 0039	IC - SRAM 1M X16 70NS G1	167-250