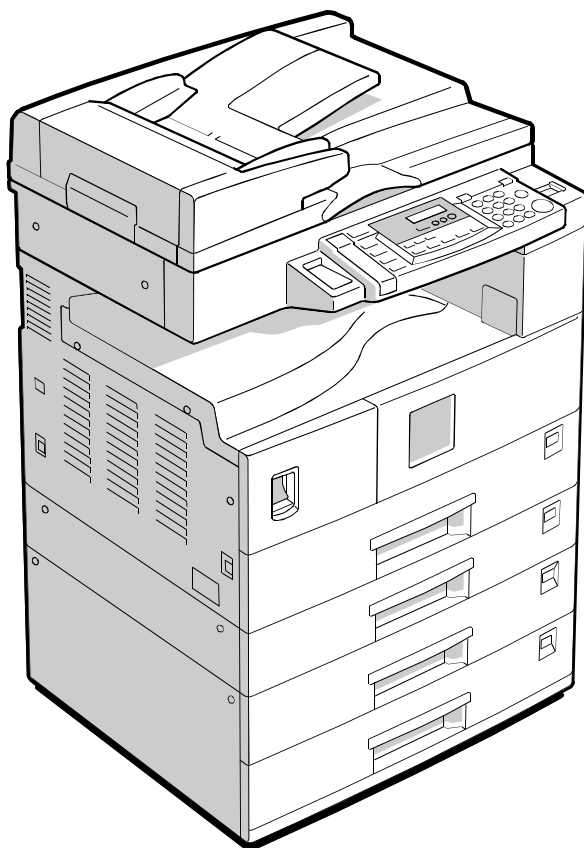


***Gestetner***® **RICOH**® **SAVIN**®



**B039/B040/B043**  
**PARTS CATALOG**

RICOH GROUP COMPANIES

001128MIU



*Gestetner*<sup>®</sup>

**RICOH**<sup>®</sup>

**savin**<sup>®</sup>

**B039/B040/B043  
PARTS CATALOG**

RICOH GROUP COMPANIES



*Gestetner*<sup>®</sup> **RICOH**<sup>®</sup> **savin**<sup>®</sup>

**B039/B040/B043  
PARTS CATALOG**



It is the reader's responsibility when discussing the information contained within this document to maintain a level of confidentiality that is in the best interest of Ricoh Corporation and its member companies.

***NO PART OF THIS DOCUMENT MAY BE REPRODUCED IN ANY  
FASHION AND DISTRIBUTED WITHOUT THE PRIOR  
PERMISSION OF RICOH CORPORATION.***

All product names, domain names or product illustrations, including desktop images, used in this document are trademarks, registered trademarks or the property of their respective companies.

They are used throughout this book in an informational or editorial fashion only and for the benefit of such companies. No such use, or the use of any trade name, or web site is intended to convey endorsement or other affiliation with Ricoh products.





# LEGEND

PRODUCT CODE	COMPANY		
	GESTETNER	RICOH	SAVIN
B039	1502	Aficio 1015	2515
B040	1802	Aficio 1018	2518
B043	1802d	Aficio 1018D	2518d
B379	Document Feeder DF71		
B387	Document Feeder DF72		
B384	Paper Tray PS450		
B385	Paper Tray PS460		
B404	Fax Option Type 1018		
B406	Platen Cover Type 1018		

# DOCUMENTATION HISTORY

REV. NO.	DATE	COMMENTS
*	06/2001	Original Printing



# B039/B040/B043 PARTS CATALOG

## TABLE OF CONTENTS

### B039/B040/B043 PARTS LOCATION AND LIST

<b>LOCATION OF UNIT</b> .....	<b>3</b>
1.EXTERIOR 1 (B039).....	8
2.EXTERIOR 2 (B040/B043) .....	10
3.OPERATION PANEL (B039/B040/B043) .....	12
4.OPTICS SECTION 1 (B039/B040/B043).....	14
5.OPTICS SECTION 2 (B039/B040/B043).....	16
6.OPTICS SECTION 3 (B039/B040/B043).....	18
7.LASER UNIT (B039/B040/B043) .....	20
8.BY-PASS FEED SECTION (B039/B040/B043)..	22
9.PAPER CASSETTE (B039/B040/B043).....	24
10.PAPER REGISTRATION (B039/B040/B043)....	26
11.1ST PAPER FEED SECTION (B039/B040/B043) .....	28
12.2ND PAPER FEED SECTION (B040/B043) .....	30
13.VERTICAL TRANSPORT (B039/B040).....	32
14.PCU 1 (B039/B040/B043).....	34
15.PCU 2 (B039/B040/B043).....	36

16.TONER SUPPLY UNIT (B039/B040/B043) .....	38
17.FUSING UNIT (B039/B040/B043).....	40
18.PAPER EXIT SECTION (B039/B040/B043) .....	42
19.DUPLEX UNIT 1 (B043).....	44
20.DUPLEX UNIT 2 (B043).....	46
21.DUPLEX UNIT 3 (B043).....	48
22.DRIVE SECTION (B039/B040/B043).....	50
23.ELECTRICAL SECTION 1 (B039/B040/B043) ..	52
24.ELECTRICAL SECTION 2 (B039/B040/B043) ..	54
25.FRAME SECTION 1 (B039/B040/B043) .....	56
26.FRAME SECTION 2 (B040/B043).....	58
27.BICU BOARD (B039/B040/B043) .....	60
28.IO BOARD (B039/B040/B043) .....	64
29.DECAL AND DOCUMENT (B039/B040/B043) ..	68
30.SPECIAL TOOLS (B039/B040/B043) .....	70

### B039/B040/B043 PARTS INDEX

<b>PARTS INDEX</b> .....	<b>2</b>
--------------------------	----------

**FAX OPTION B404 PARTS LOCATION AND LIST**

1.FAX OPTION 1 (B404) ..... 2  
2.FAX OPTION 2 (B404) ..... 4  
3.FCU BOARD (B404) ..... 6  
4.NCU BOARD NA (B404)..... 12  
5.NCU BOARD EU (B404)..... 14

**FAX OPTION B404 PARTS INDEX**

**PARTS INDEX..... 2**

**DOCUMENT FEEDER B387 PARTS LOCATION AND LIST**

1.EXTERIOR (B387)..... 2  
2.ORIGINAL FEED SECTION 1 (B387) ..... 4  
3.ORIGINAL FEED SECTION 2 (B387) ..... 6  
4.ORIGINAL TRANSFER AND FRAME (B387) ..... 8  
5.ELECTRICAL SECTION (B387)..... 10  
6.DECALS AND DOCUMENTS (B387)..... 12

**DOCUMENT FEEDER B387 PARTS INDEX**

**PARTS INDEX..... 2**

**ARDF B379 PARTS LOCATION AND LIST**

1.ARDf 1 (B379)..... 2  
2.ARDf 2 (B379)..... 4  
3.ARDf 3 (B379)..... 6  
4.ARDf 4 (B379)..... 8  
5.ARDf 5 (B379)..... 10  
6.ARDf 6 (B379)..... 12  
7.ARDf 7 (B379)..... 14  
8.DECAL AND DOCUMENT (B379)..... 16

**ARDF B379 PARTS INDEX**

**PARTS INDEX..... 2**

**PAPER TRAY B384 PARTS LOCATION AND LIST**

1.EXTERIOR (B384)..... 2  
2.PAPER TRAY (B384) ..... 4  
3.PAPER FEED/TRANSFER (B384)..... 6  
4.ELECTRICAL SECTION 1 (B384)..... 8  
5.ELECTRICAL SECTION 2 (B384)..... 10  
6.ELECTRICAL SECTION 3 (B384)..... 12  
7.DECAL AND DOCUMENT (B384)..... 14

<b>PAPER TRAY B384 PARTS INDEX</b>	
<b>PARTS INDEX.....</b>	<b>2</b>

<b>PLATEN COVER TYPE 1018 B406 PARTS</b>	
<b>LOCATION AND LIST</b>	
1.PLATEN COVER TYPE 1018 (B406) .....	2

<b>PLATEN COVER TYPE 1018 B406 PARTS INDEX</b>	
<b>PARTS INDEX.....</b>	<b>2</b>

<b>PAPER TRAY B385 PARTS LOCATION AND LIST</b>	
1.EXTERIOR (B385) .....	2
2.PAPER TRAY (B385).....	4
3.PAPER FEED SECTION (B385) .....	6
4.ELECTRICAL/DRIVE SECTION (B385) .....	8
5.DECAL AND DOCUMENT (B385) .....	10

<b>PAPER TRAY B385 PARTS INDEX</b>	
<b>PARTS INDEX.....</b>	<b>2</b>



**B039/B040/B043**  
**PARTS LOCATION AND LIST**



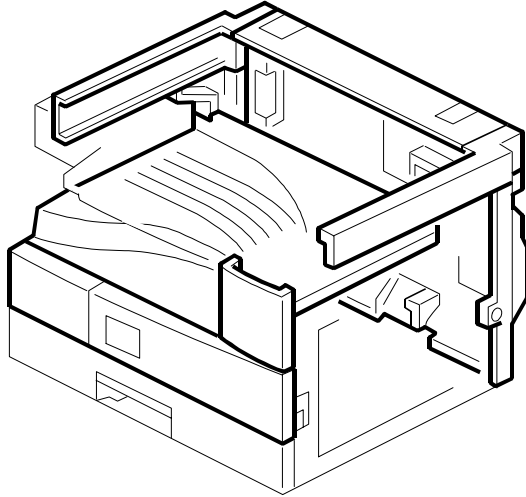


This section instructs you as to the numbers and names of parts on this machine



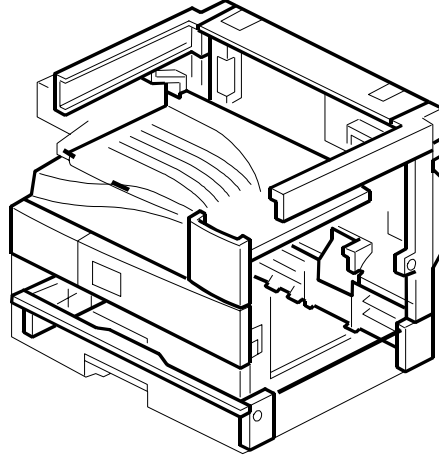
## LOCATIONS OF UNITS

1. EXTERIOR 1 (B039)



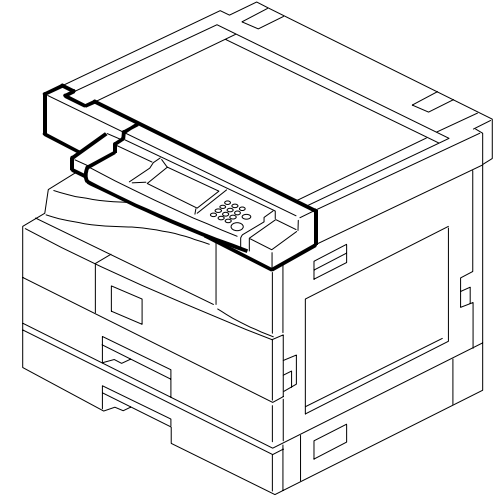
See Page 9

2. EXTERIOR 2 (B040/B043)



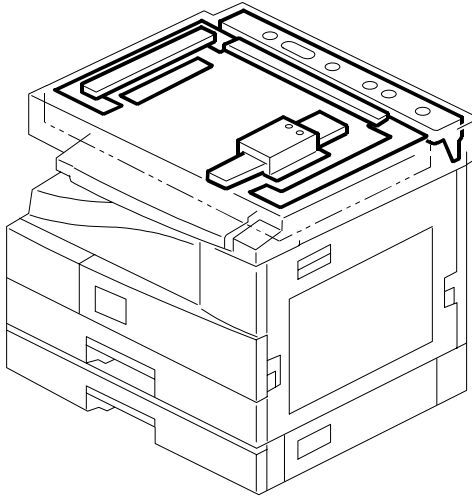
See Page 11

3. OPERATION PANEL (B039/B040/B043)



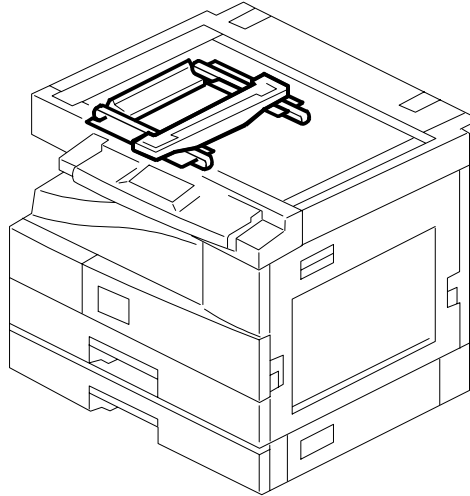
See Page 13

4. OPTICS SECTION 1 (B039/B040/B043)



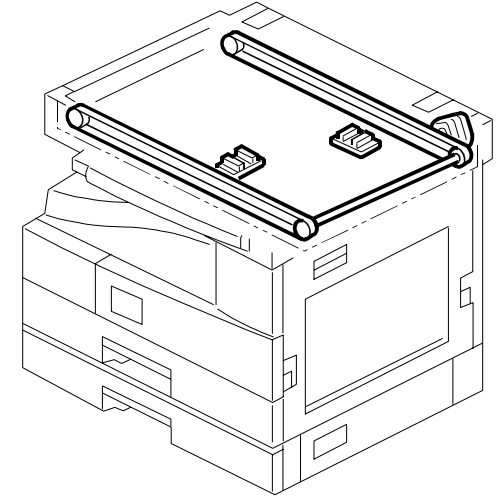
See Page 15

5. OPTICS SECTION 2 (B039/B040/B043)



See Page 17

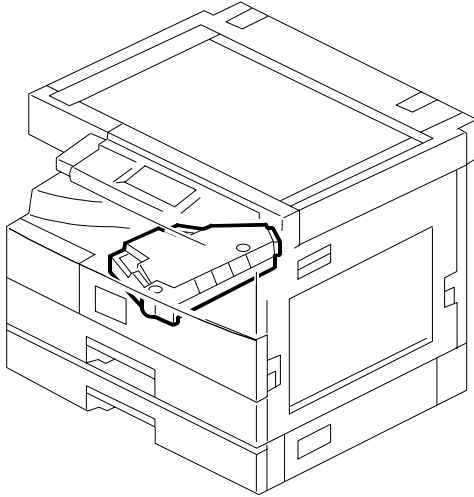
6. OPTICS SECTION 3 (B039/B040/B043)



See Page 19

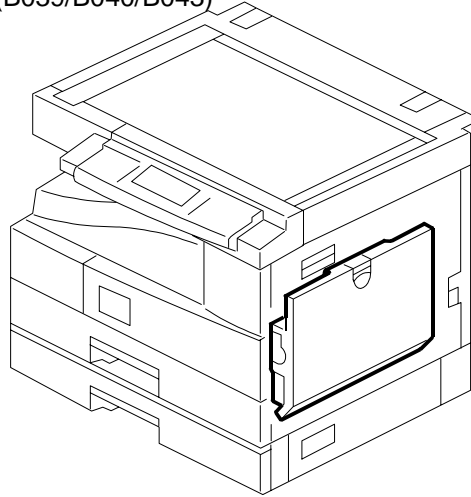
## LOCATIONS OF UNITS

7. LASER UNIT (B039/B040/B043)



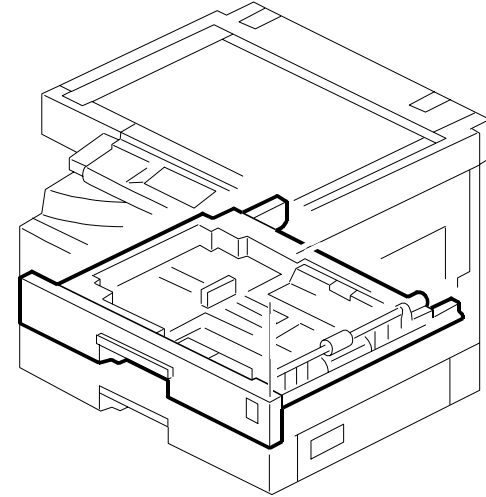
See Page 21

8. BY-PASS FEED SECTION (B039/B040/B043)



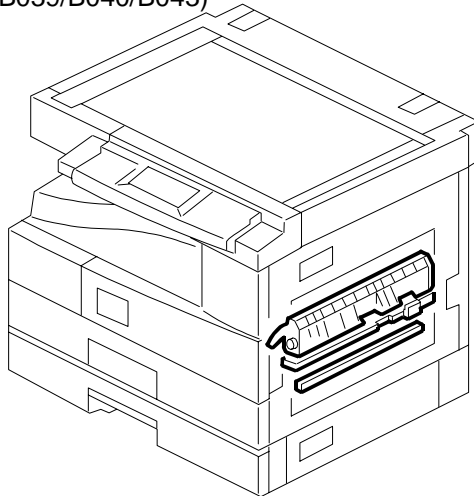
See Page 23

9. PAPER CASSETTE (B039/B040/B043)



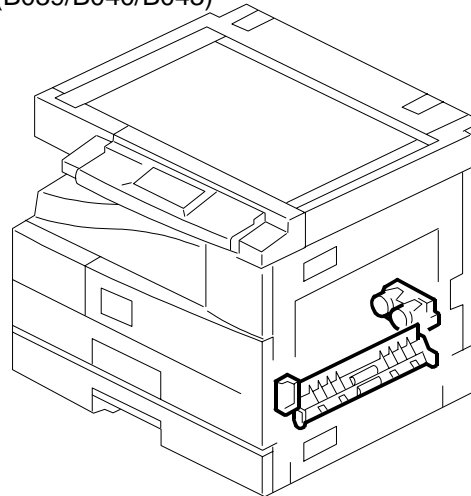
See Page 25

10. PAPER RESISTRATION (B039/B040/B043)



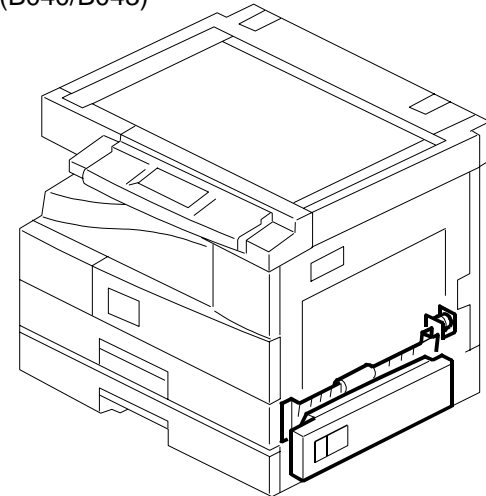
See Page 27

11. 1ST PAPER FEED SECTION (B039/B040/B043)



See Page 29

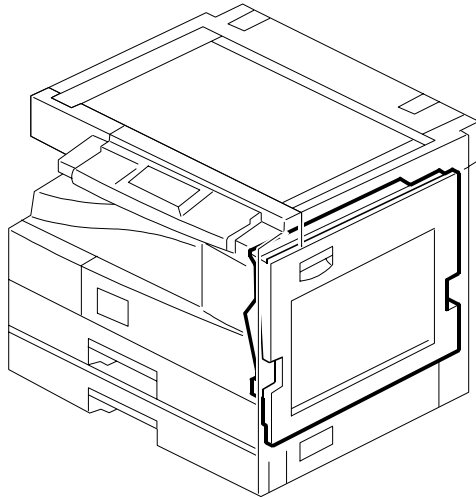
12. 2ND PAPER FEED SECTION (B040/B043)



See Page 31

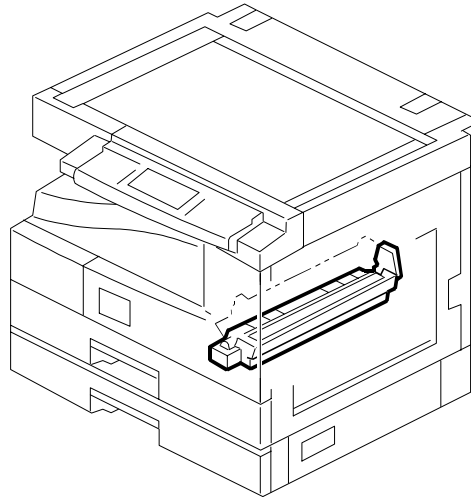
## LOCATIONS OF UNITS

13. VERTICAL TRANSPORT (B039/B040)



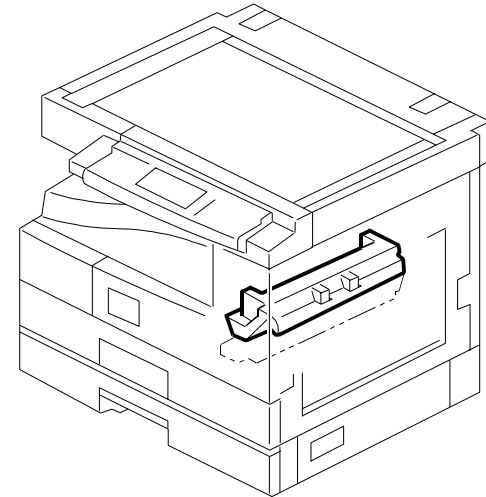
See Page 33

14. PCU 1 (B039/B040/B043)



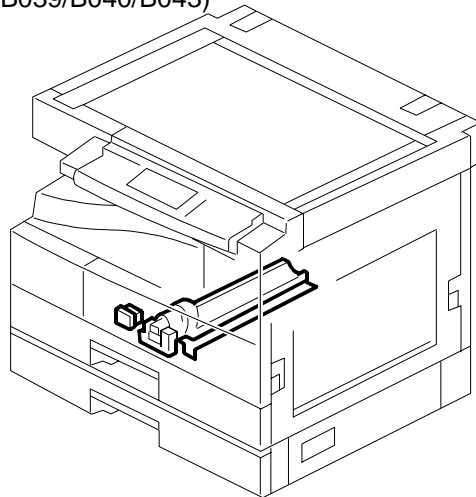
See Page 35

15. PCU 2 (B039/B040/B043)



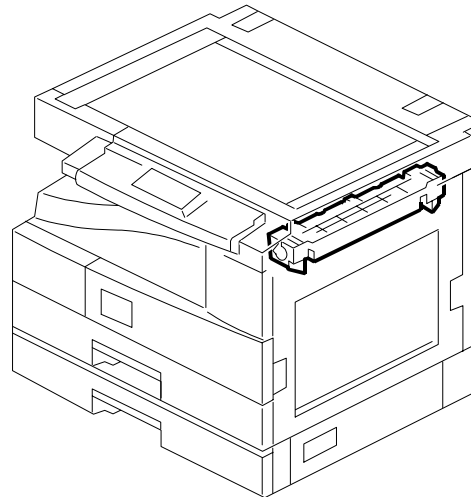
See Page 37

16. TONER SUPPLY UNIT (B039/B040/B043)



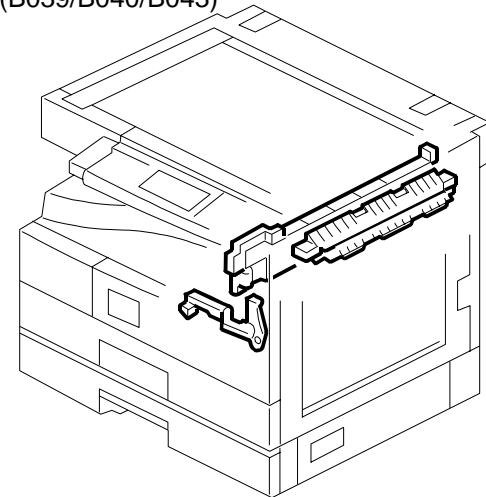
See Page 39

17. FUSING UNIT (B039/B040/B043)



See Page 41

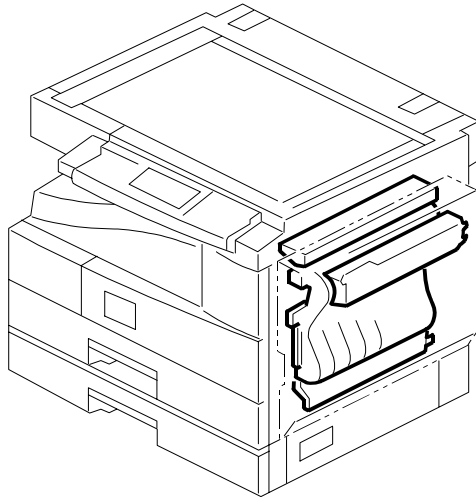
18. PAPER EXIT SECTION (B039/B040/B043)



See Page 43

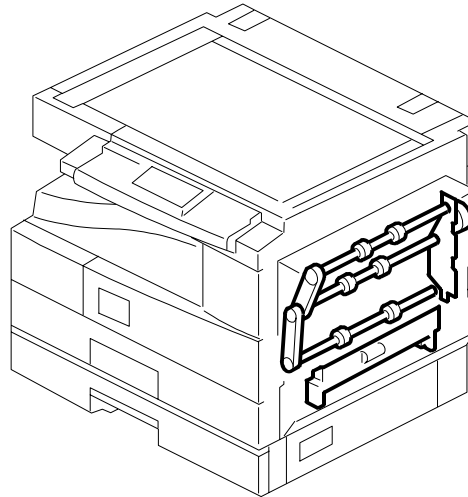
## LOCATIONS OF UNITS

19. DUPLEX UNIT 1 (B043)



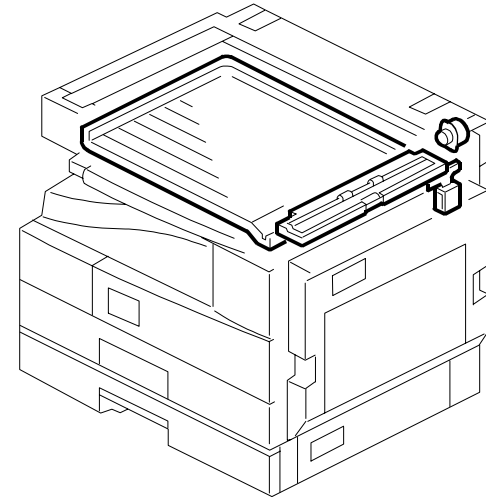
See Page 45

20. DUPLEX UNIT 2 (B043)



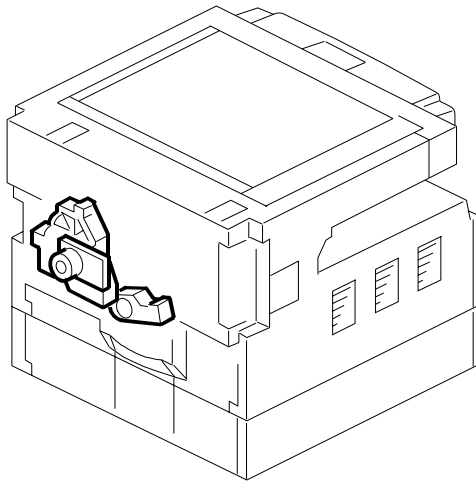
See Page 47

21. DUPLEX UNIT 3 (B043)



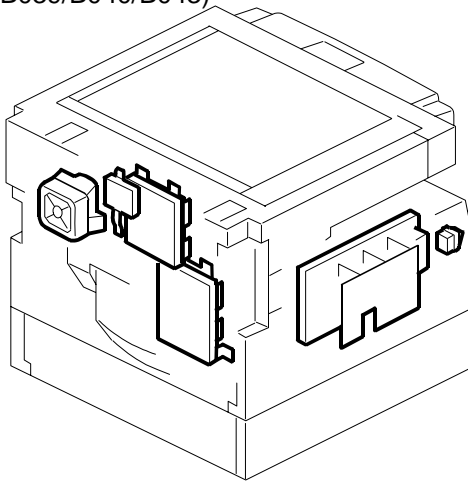
See Page 49

22. DRIVE SECTION (B039/B040/B043)



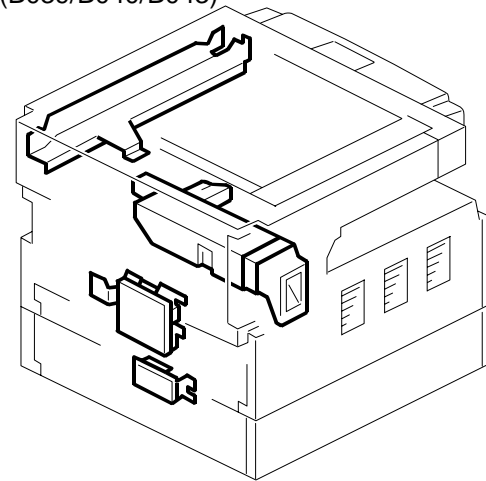
See Page 51

23. ELECTRICAL SECTION 1 (B039/B040/B043)



See Page 53

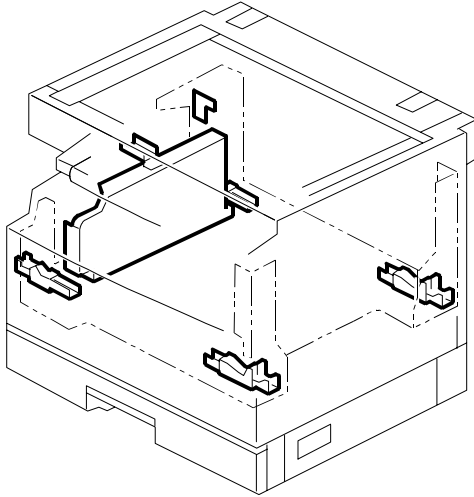
24. ELECTRICAL SECTION 2 (B039/B040/B043)



See Page 55

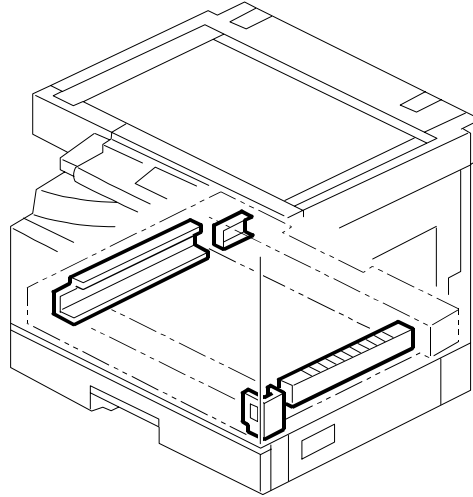
## LOCATIONS OF UNITS

25. FRAME SECTION 1 (B039/B040/B043)



See Page 57

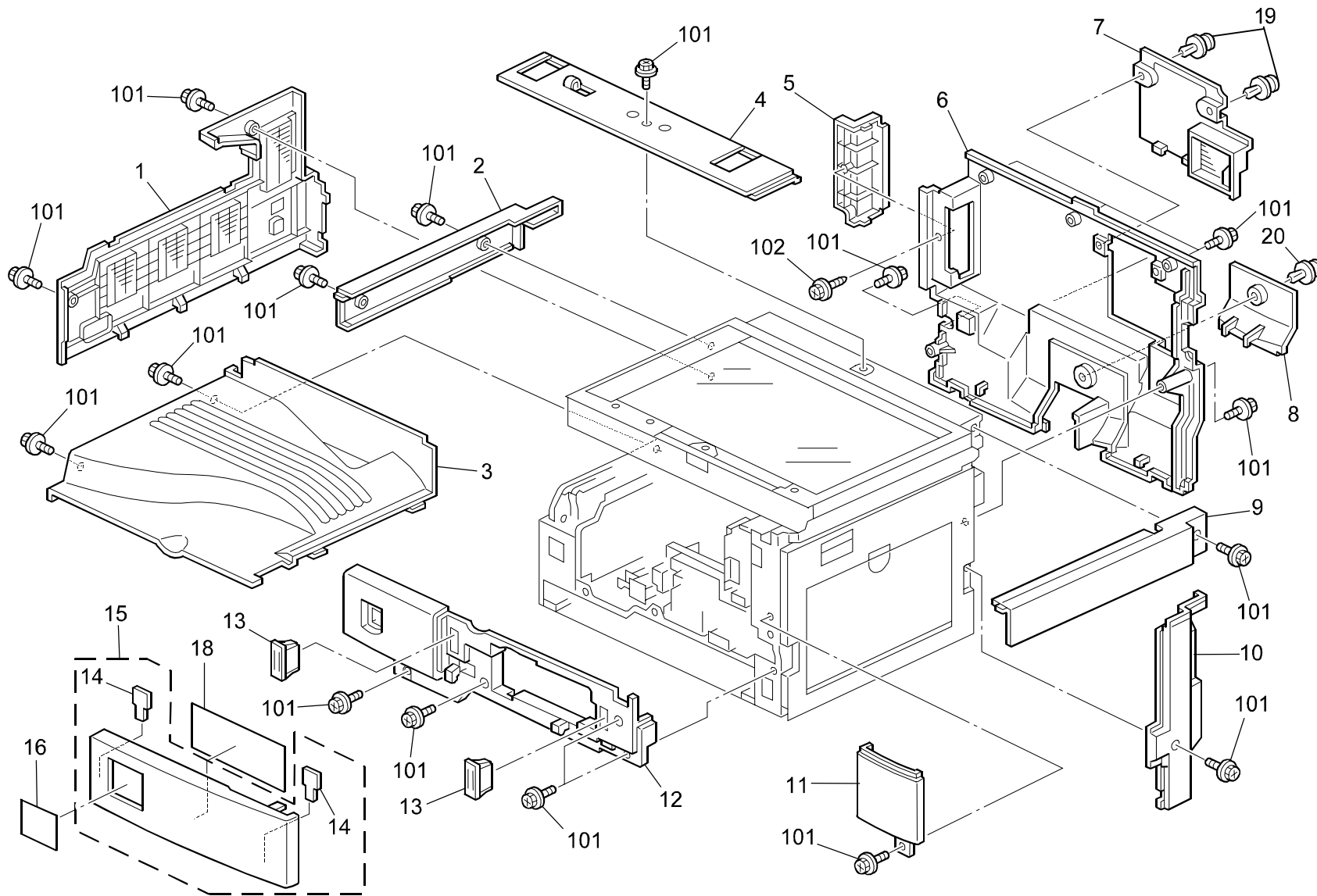
26. FRAME SECTION 2 (B040/B043)



See Page 59

# 1.EXTERIOR 1 (B039)

Rev. 07/25/2002





# 1.EXTERIOR 1 (B039)

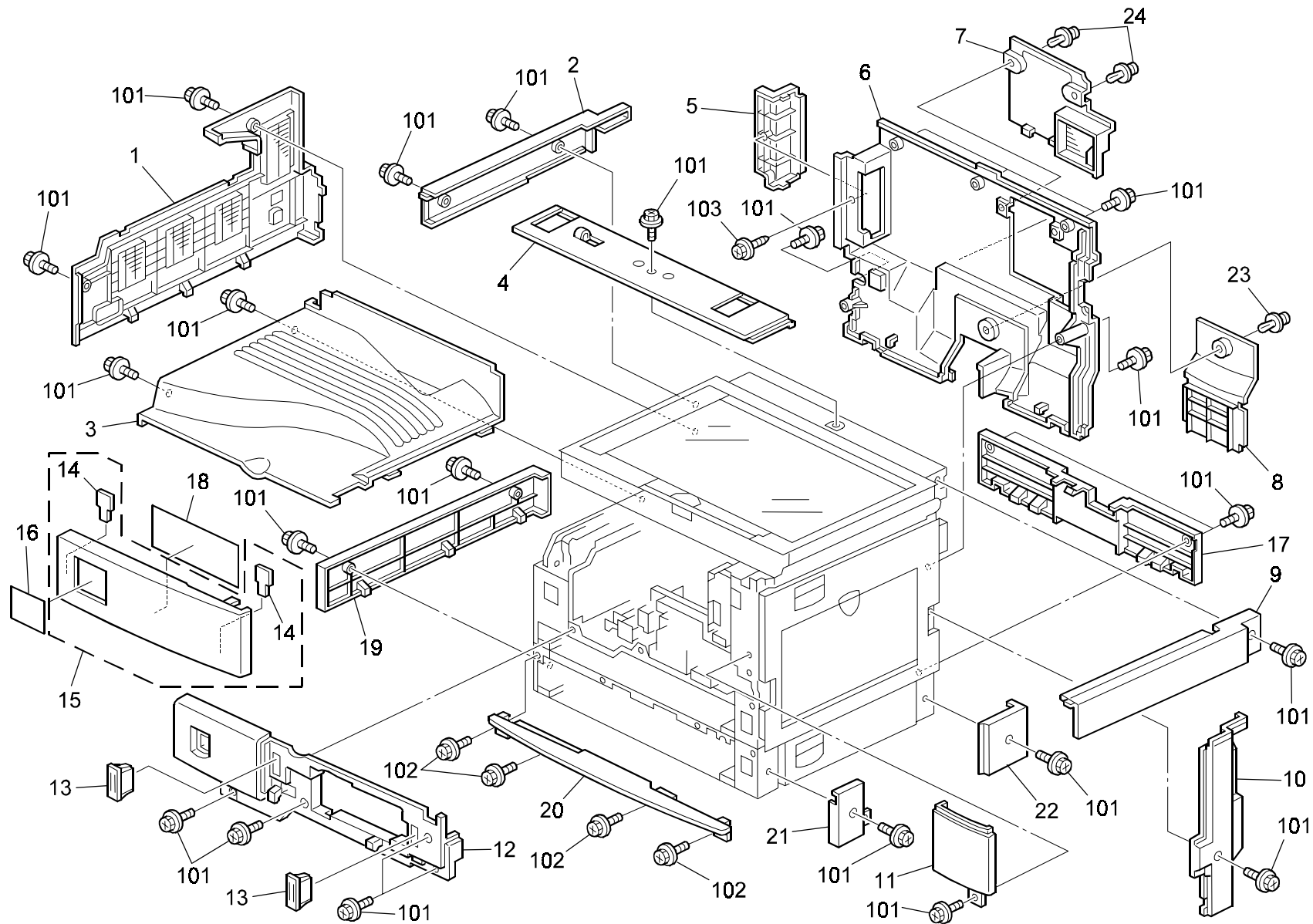
Rev. 12/06/2002

Index No.	Part No.	Description	Q'ty Per Assembly
1	B039 1315	Left Cover	1
2	B039 1332	Left Scanner Cover	1
3	B039 1353	Exit Cover	1
4	B039 1333	Rear Scanner Cover	1
5	B039 1344	Cap - Application	1
6	B039 1336	Rear Cover	1
7	B039 1313	Cap - IC Card	1
8	B039 1348	Cap - Paper Tray Unit	1
9	B039 1335	Right Scanner Cover	1
10	B039 1347	Right Rear Cover	1
11	B039 1339	Cover - Front Right Upper	1
12	B039 1351	Front Cover (NA)	1
12	B039 1350	Front Cover (EU)	1
13	B039 1366	Cover Magnet	2
14	B039 1361	Magnet Catch	2
15	B039 1254	Front Door	1
16	B039 7501	Model Name Plate - Ricoh Aficio1015 (EU/ASIA)	1
16	B039 7506	Model Name Plate - GES 1502	1
16	B039 7507	Model Name Plate - NSA 1505	1
16	B039 7508	Model Name Plate - REX 1508	1
16	B039 7509	Model Name Plate - INF 4151MF	1
16	B039 7510	Model Name Plate - Lanier 5515	1
18	B039 1365	Sheet - Operation Instructions	1
19	B039 1367	Rivet - M6	2
20	B039 1364	Rivet - M7	1

Index No.	Part No.	Description	Q'ty Per Assembly
101	0451 3008H	Tapping Screw - M3x8	
102	0450 4008B	Tapping Screw - 4x8	

# 2.EXTERIOR 2 (B040/B043)

Rev. 12/05/2001



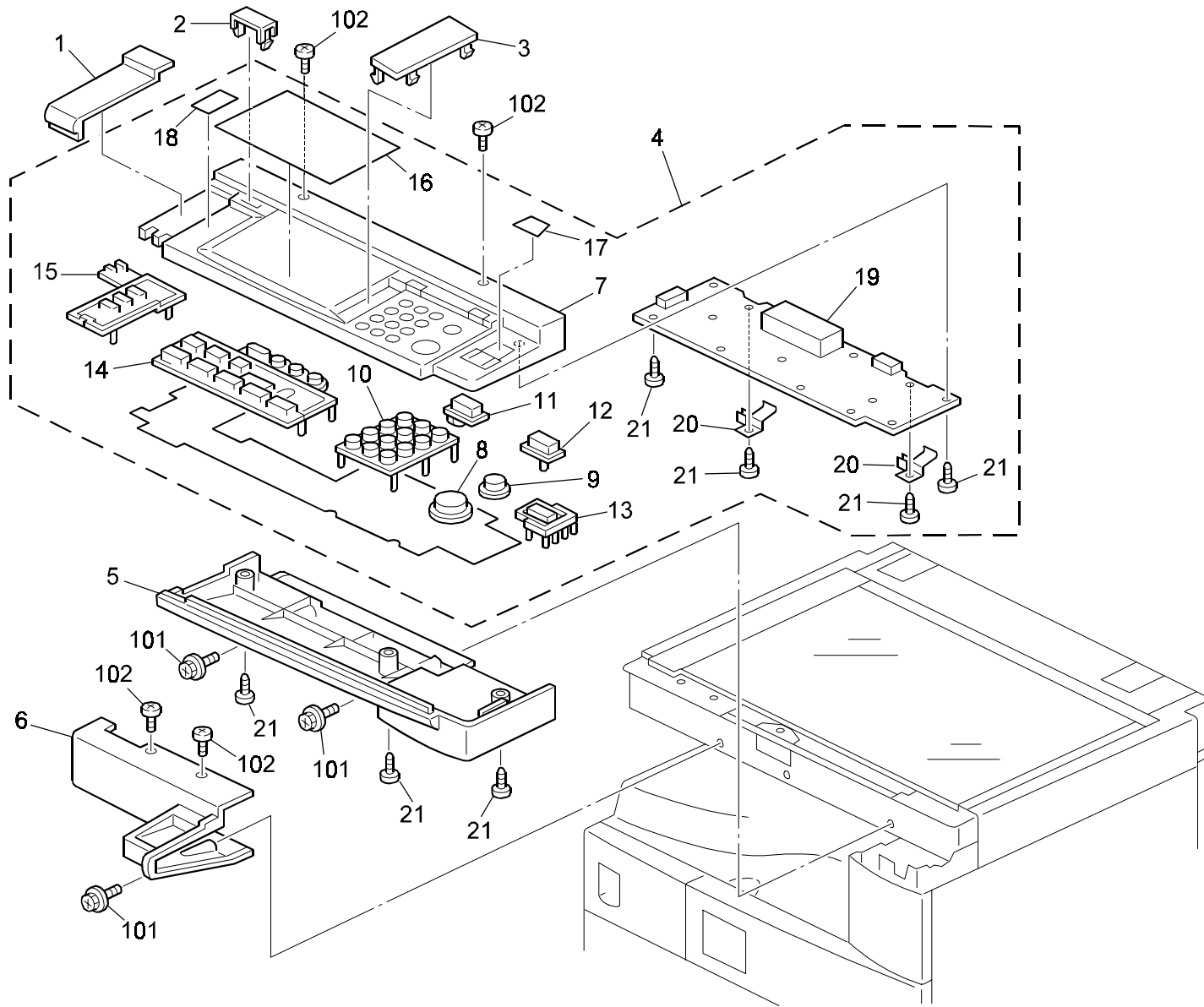
## 2.EXTERIOR 2 (B040/B043)

Rev. 07/25/2002

Index No.	Part No.	Description	Q'ty Per Assembly
1	B039 1315	Left Cover	1
2	B039 1332	Left Scanner Cover	1
3	B039 1349	Exit Cover	1
4	B039 1333	Rear Scanner Cover	1
5	B039 1344	Cap - Application	1
6	B039 1336	Rear Cover	1
7	B039 1313	Cap - IC Card	1
8	B040 1332	Cap - Paper Tray Unit	1
9	B039 1335	Right Scanner Cover	1
10	B039 1347	Right Rear Cover	1
11	B039 1339	Cover - Front Right Upper	1
12	B039 1351	Front Cover (NA)	1
12	B039 1350	Front Cover (EU)	1
13	B039 1366	Cover Magnet	2
14	B039 1361	Magnet Catch	2
15	B039 1254	Front Door	1
16	B040 7501	Model Name Plate - Ricoh Aficio1018	1
16	B040 7506	Model Name Plate - GES 1802	1
16	B040 7507	Model Name Plate - NSA 1805	1
16	B040 7508	Model Name Plate - REX 1808	1
16	B040 7509	Model Name Plate - INF 4181MF	1
16	B040 7510	Model Name Plate - Lanier 5518	1
16	B043 7501	Model Name Plate - Ric Aficio1018D	1
16	B043 7506	Model Name Plate - GES 1802D	1
16	B043 7507	Model Name Plate - NSA 1805D	1
16	B043 7508	Model Name Plate - REX 1808D	1
16	B043 7509	Model Name Plate - INF 4182MF	1
16	B043 7510	Model Name Plate - Lanier 5618	1
17	B040 6139	Rear Lower Cover	1
18	B039 1365	Sheet - Operation Instructions	1
19	B040 6136	Left Lower Cover	1
20	B040 6126	Front Lower Cover	1
21	B040 6131	Cover - Right Lower Front	1
22	B040 6140	Cover - Right Lower Rear	1
23	B039 1364	Rivet - M7	1

Index No.	Part No.	Description	Q'ty Per Assembly
24	B039 1367	Rivet - M6	2
101	0451 3008H	Tapping Screw - M3x8	
102	0451 3006B	Tapping Screw - M3x6	
103	0450 4008B	Tapping Screw - 4x8	

### 3.OPERATION PANEL (B039/B040/B043)

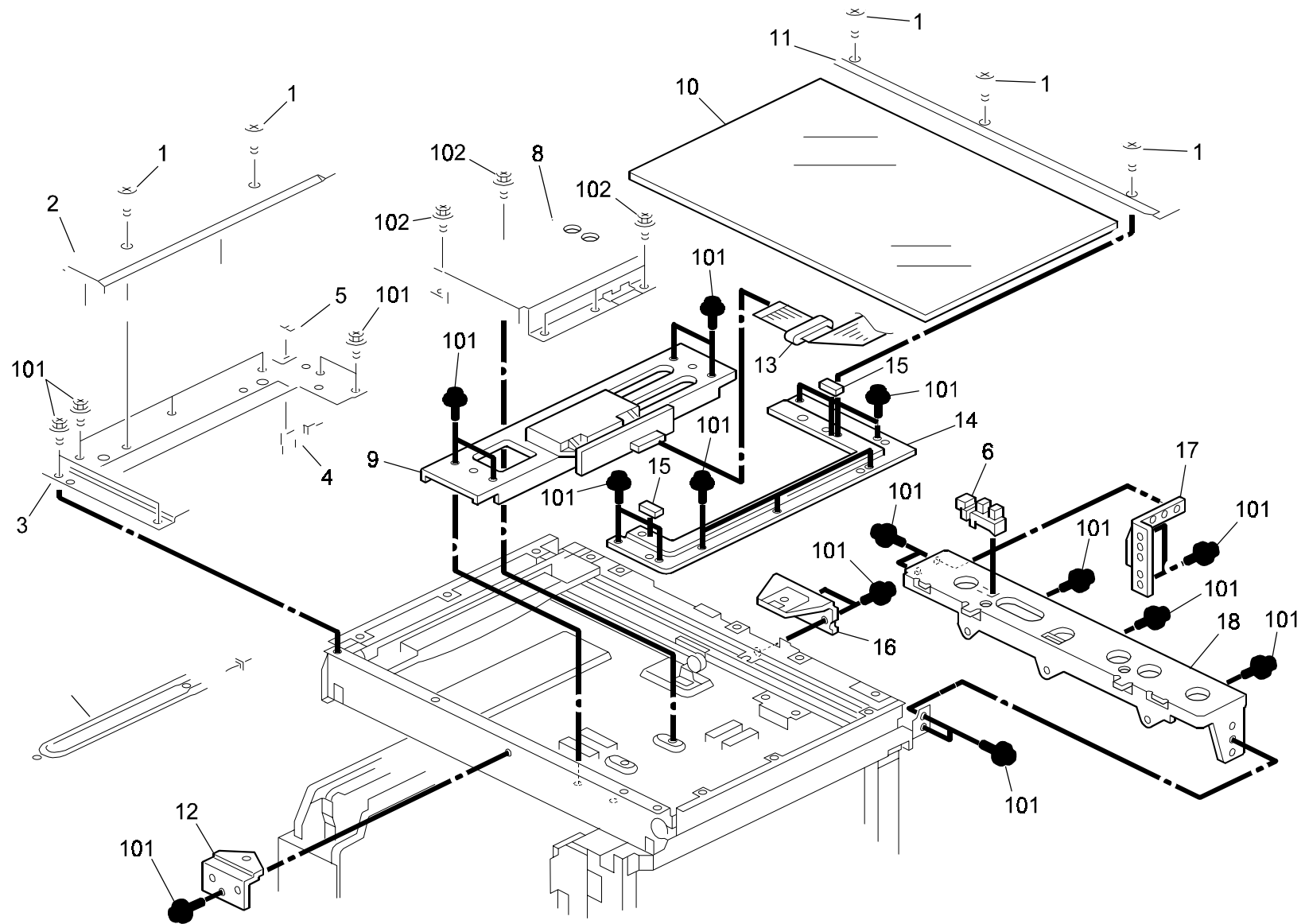


### 3.OPERATION PANEL (B039/B040/B043)

Index No.	Part No.	Description	Q'ty Per Assembly
1	B039 1461	Left LCD Cover	1
2	B039 1463	Application Cover	1
3	B039 1462	Right LCD Cover	1
4	B039 1421	Operation Panel Assembly - LT (B039/B040)	1
4	B039 1422	Operation Panel Assembly - A4 (B039/B040)	1
4	B039 1423	Operation Panel Assembly - A4 (B039/B040) (ASIA)	1
4	B043 1411	Operation Panel Assembly - LT (B043)	1
4	B043 1412	Operation Panel Assembly - A4 (B043)	1
5	B039 1452	Lower Cover - Operation Panel	1
6	B039 1425	Left Case - Operation Panel	1
7	B039 1451	Upper Cover - Operation Panel (NA/ASIA)	1
7	B039 1471	Upper Cover - Operation Panel (EU)	1
8	B039 1453	Keytop - Start	1
9	B039 1454	Keytop - Clear	1
10	B039 1455	Keytop - 10key (NA)	1
10	B039 1476	Keytop - 10key (ASIA)	1
10	B039 1477	Keytop - 10key (EU)	1
11	B039 1456	Keytop - User Tools	1
12	B039 1457	Keytop - Clear Modes	1
13	B039 1458	Keytop - Power Source	1
14	B039 1459	Keytop - Main	1
15	B039 1460	Keytop - Sort (B039/B040)	1
15	B043 1460	Keytop - Duplex (B043)	1
16	B039 1464	Sheet - Operation Panel (NA/ASIA)	1
16	B039 1472	Sheet - Operation Panel (EU)	1
17	B039 1465	Sheet - Power Source (NA/ASIA)	1
17	B039 1473	Sheet - Power Source (EU)	1
18	B039 1466	Sheet - Sort (B039/B040)(NA/ASIA)	1
18	B039 1474	Sheet - Sort (B039/B040)(EU)	1
18	B043 1466	Sheet - Sort (B043)(NA)	1
18	B043 1474	Duplex Sheet - A4 (B043)(EU)	1
19	B039 1487	Operation Panel Board (B039/B040)	1
19	B043 1467	Operation Panel Board - Duplex (B043)	1
20	B039 1469	Ground Plate	2

Index No.	Part No.	Description	Q'ty Per Assembly
21	B039 1499	Pan Head Tapping Screw - M3X8	7
101	0451 3008H	Tapping Screw - M3x8	
102	0353 0050Z	Philips Truss Head Screw - M3x5	

# 4.OPTICS SECTION 1 (B039/B040/B043)



#### 4.OPTICS SECTION 1 (B039/B040/B043)

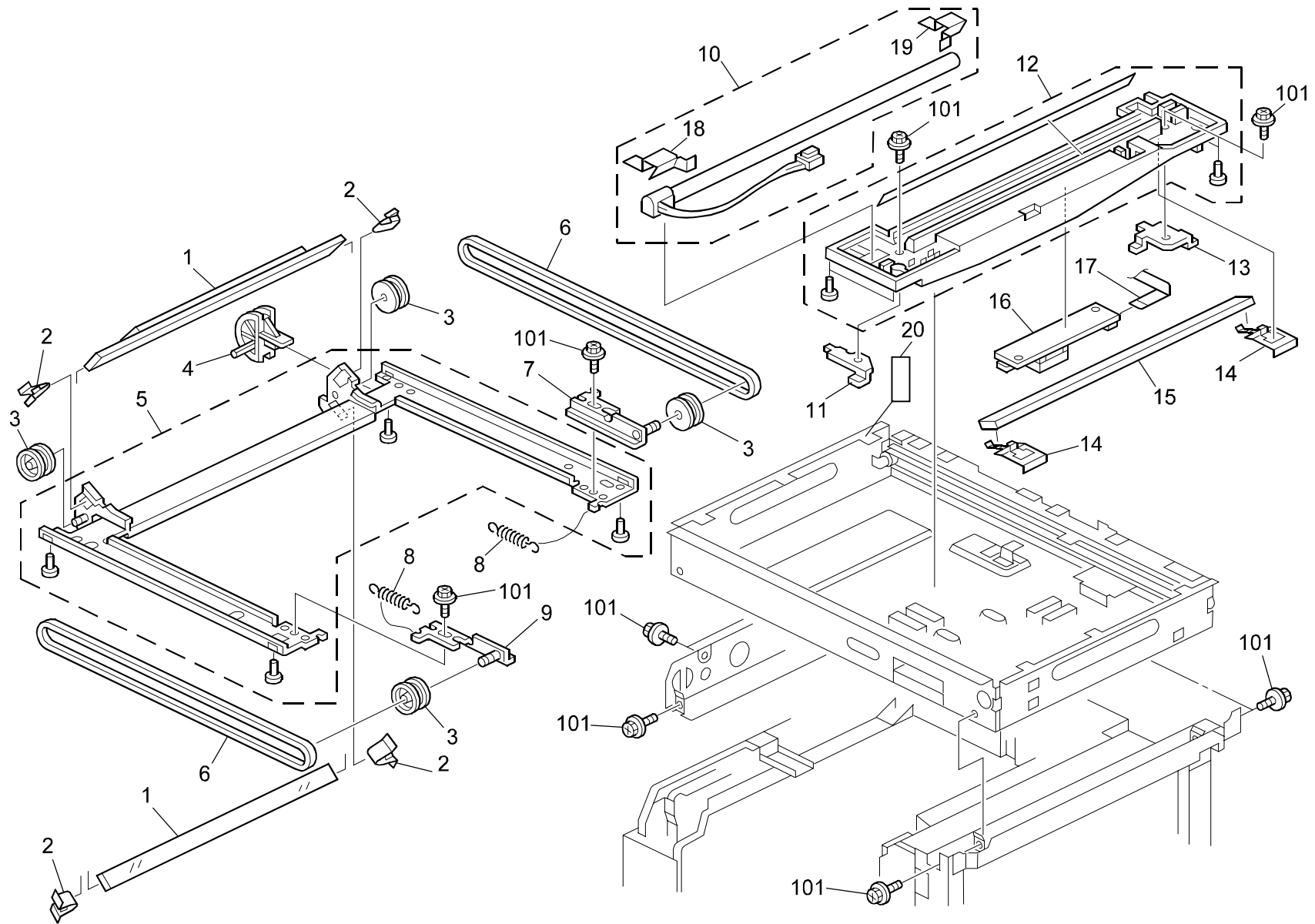
Rev. 06/24/2002

Index No.	Part No.	Description	Q'ty Per Assembly
1	A193 1759	Stepped Screw	5
2	AC04 2166	Left Scale	1
3	B039 1710	Left Scanner Bracket	1
4	AW02 0086	Photointerruptor	1
5	A193 1793	Scanner Home Sensor Stopper	1
6	AW02 0119	Photointerruptor - LG-248L1	2
7	A250 1821	Heater - 9W (OPTION)(NA)	1
7	A250 1822	Heater - 9W (OPTION)(EU)	1
8	B039 1807	Lens Cover	1
9	B039 1812	Lens Unit	1
10	AC01 2068	Exposure Glass	1
11	AC04 2164	Rear Scale	1
12	B039 1666	Bracket - Operation Panel	1
13	B039 1804	SBU Harness	1
14	B039 1712	Right Scanner Bracket	1
15	5442 1924	Exposure Glass Cushion	2
16	B039 1658	Rear Scale Bracket	1
17	B039 1069	Support Bracket	1
18	B039 1068	ADF Bracket	1

Index No.	Part No.	Description	Q'ty Per Assembly
101	0451 3006B	Tapping Screw - M3x6	
102	0802 5276	Tapping Screw With Washer - M3x6	

# 5.OPTICS SECTION 2 (B039/B040/B043)

Rev. 06/07/2002





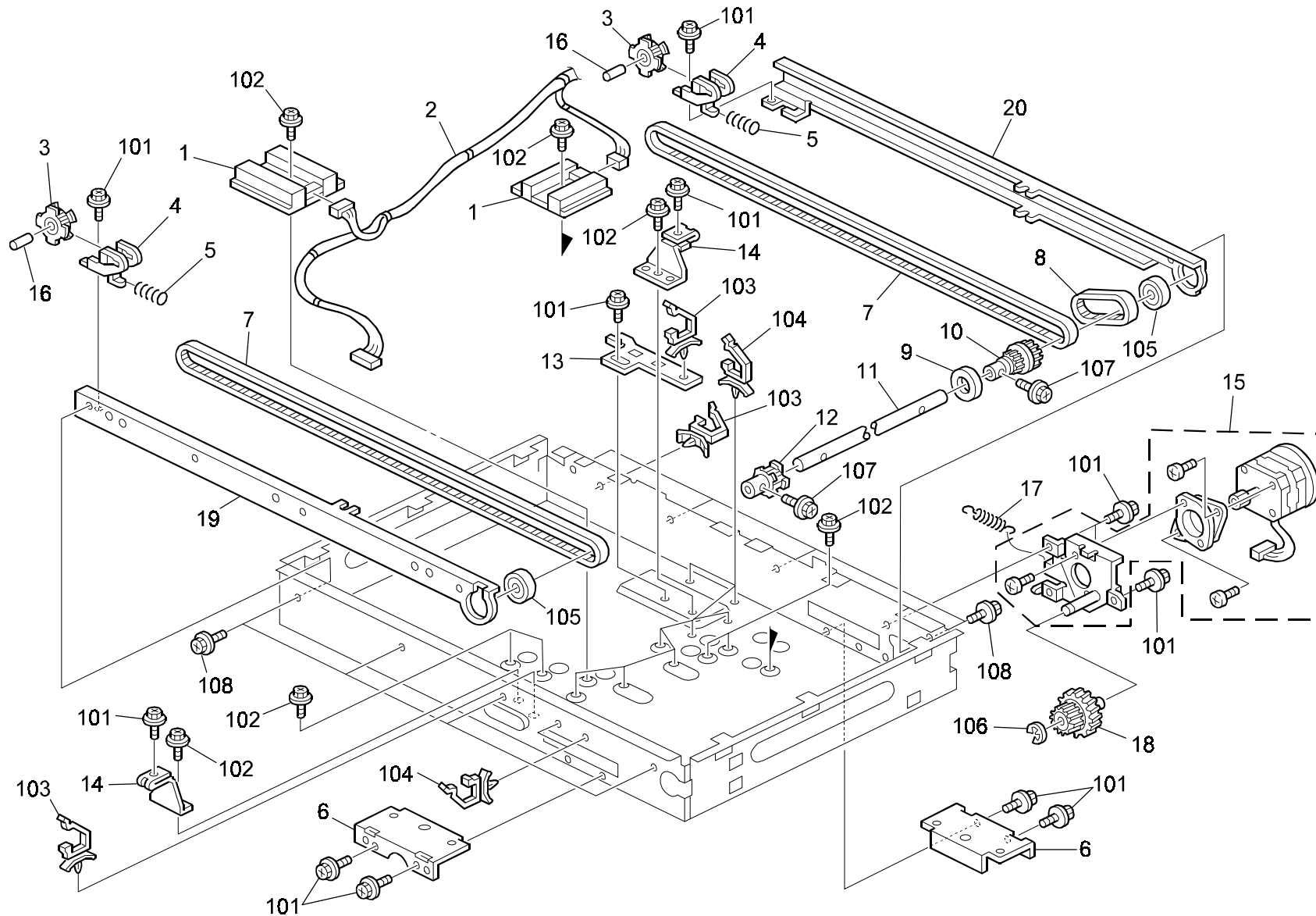
## 5.OPTICS SECTION 2 (B039/B040/B043)

Rev. 06/24/2002

Index No.	Part No.	Description	Q'ty Per Assembly
1	B039 1787	2nd Mirror	2
2	B039 1781	2nd Mirror Holder	4
3	B039 1785	Scanner Drive Pulley	4
4	B039 1782	Flat Cable Guide	1
5	B039 1767	2nd Mirror Carriage	1
6	B039 1784	Scanner Drive Belt	2
7	B039 1778	Rear Pulley Bracket	1
8	B039 1790	Tension Spring	2
9	B039 1776	Front Pulley Bracket	1
10	B039 1740	Xenon Lamp	1
11	B039 1758	Timing Belt Holder - Front	1
12	B039 1752	1st Mirror Carriage	1
13	B039 1759	Timing Belt Holder - Rear	1
14	B039 1757	1st Mirror Holder	2
15	B039 1762	1st Mirror	1
16	B039 1763	Lamp Stabilizer	1
17	B039 5223	Lamp Stabilizer Harness	1
18	B039 1748	Front Reflector	1
19	B039 1741	Rear Reflector	1
20	B039 1371	Mylar - Harness	1

Index No.	Part No.	Description	Q'ty Per Assembly
101	0451 3006B	Tapping Screw - M3x6	

# 6.OPTICS SECTION 3 (B039/B040/B043)



### 6.OPTICS SECTION 3 (B039/B040/B043)

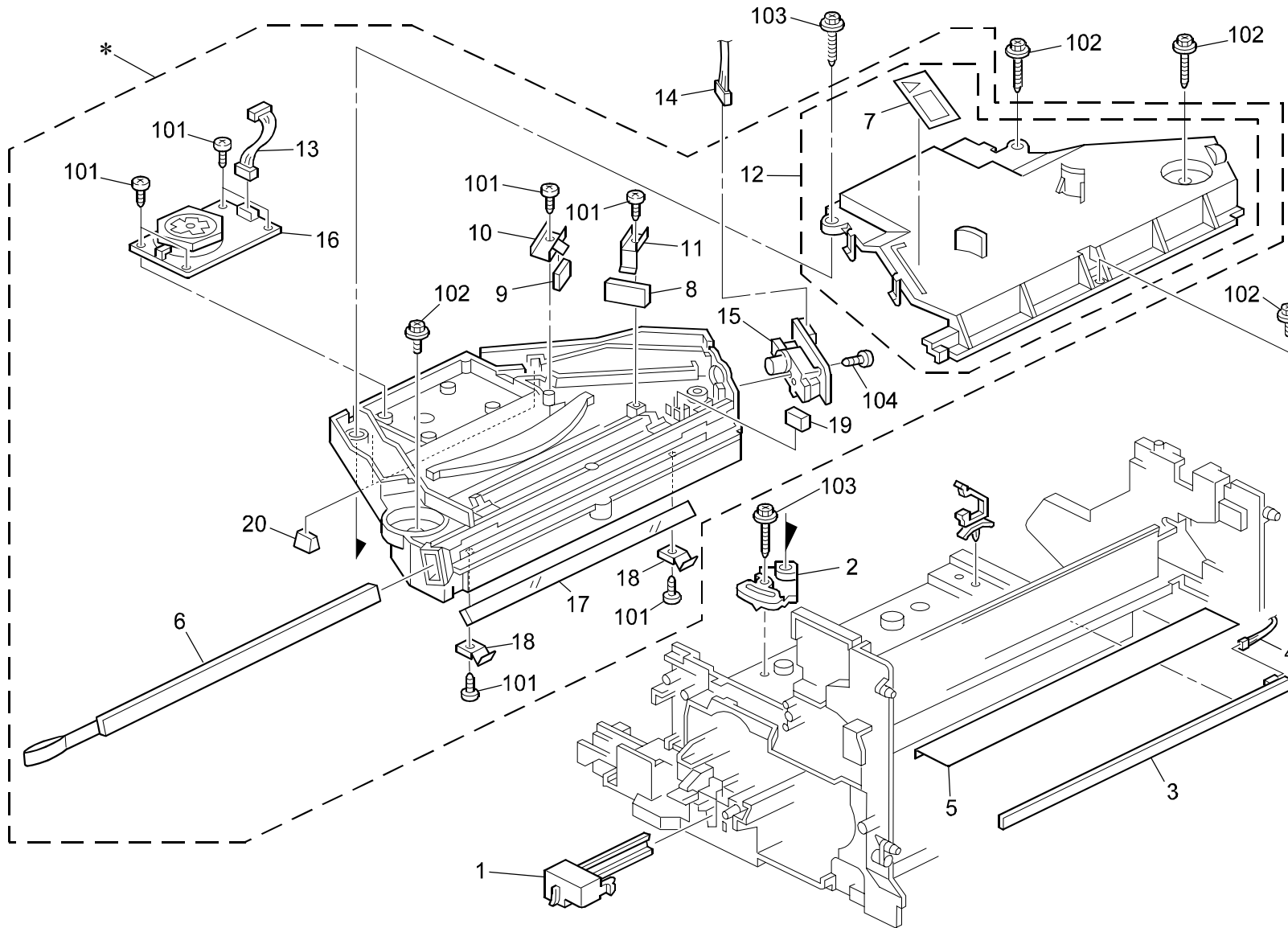
Rev. 10/22/2002

Index No.	Part No.	Description	Q'ty Per Assembly
1	A250 1761	Original Sensor - H=2-66	2
2	B039 5222	Scanner Harness	1
3	B039 1703	Pulley - 37Z	2
4	B039 1701	Bracket - Idler	2
5	B039 1704	Spring - Timing Pulley	2
6	B039 1667	Bracket - Lens Block	2
7	B039 1697	Timing Belt - 1058.25XL	2
8	B039 1696	Timing Belt - 142.5XL	1
9	B039 1695	Flange - Pulley	1
10	B039 1694	Pulley - 37/41Z	1
11	B039 1691	Shaft - Scanner Drive	1
12	B039 1692	Pulley - 37Z	1
13	B039 1668	Bracket - Stabilizer Harness	1
14	B039 1664	Bracket - Timing Belt	1
15	B039 1670	Scanner Drive Motor - DC3.6V 2.88W	1
16	B039 1702	Shaft - Pulley	2
17	B039 1683	Tension Spring - Stepper Motor	1
18	B039 1680	Gear/pulley - 60/47Z	1
19	B039 1662	Front Scanner Frame	1
20	B039 1663	Rear Scanner Frame	1

Index No.	Part No.	Description	Q'ty Per Assembly
101	0451 3006B	Tapping Screw - M3x6	
102	0802 5276	Tapping Screw With Washer - M3x6	
103	1105 0511	Harness Clamp - LWS-0306ZC	
104	1105 0487	Harness Clamp	
105	0740 3008	Ball Bearing - 8x22x7	
106	0720 0060E	Retaining Ring - M6	
107	0360 3006W	Philips Pan Head Screw- M3x6	
108	0453 3006B	Tapping Screw - M3x6	

# 7.LASER UNIT (B039/B040/B043)

Rev. 06/24/2002



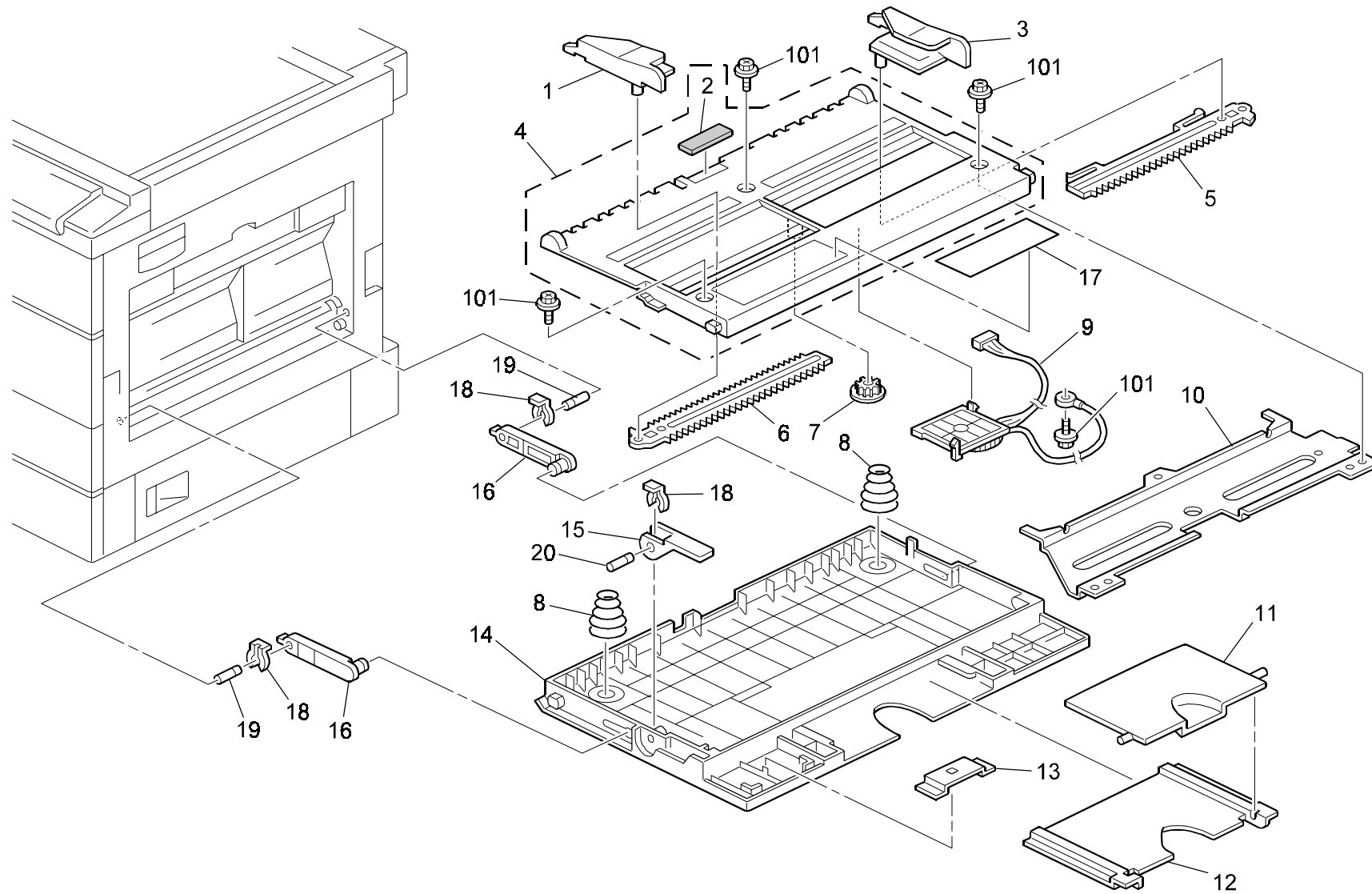
## 7.LASER UNIT (B039/B040/B043)

Rev. 06/24/2002

Index No.	Part No.	Description	Q'ty Per Assembly
*	B039 1876	Laser Unit Assembly	1
1	B039 1251	Shield Glass Cover	1
2	B039 1905	Adjusting Plate	1
3	B039 2380	Quenching Lamp	1
4	B039 5204	Quenching Lamp Harness	1
5	B039 1088	Sheet - Duct	1
6	B039 1961	Shield Glass	1
7	G029 1980	Decal - LD	1
8	AC03 0139	Sync Detector Mirror	1
9	AC02 0094	Cylindrical Lens	1
10	B039 1942	Cylindrical Lens Holder	1
11	B039 1954	Holder - Sync Detector Mirror	1
12	B039 1971	Optical Housing Cover	1
13	G020 5439	Harness - Polygon Mirror Motor	1
14	B039 5250	Laser Diode Harness	1
15	B039 1913	Laser Drive Board	1
16	G029 1961	Polygon Scanner	1
17	AC03 0138	2nd Mirror	1
18	B039 1953	2nd Mirror Holder	2
19	AC02 0095	Sync Detector Lens	1
20	B039 1975	Rubber Supporter	2

Index No.	Part No.	Description	Q'ty Per Assembly
101	0452 3010B	Tapping Bind Screw - M3x10	
102	0450 3012B	Tapping Screw -3x12	
103	0450 3020B	Tapping Screw - M3x20	
104	0452 3014B	Tapping Screw - M3x14	

# 8.BY-PASS FEED SECTION (B039/B040/B043)



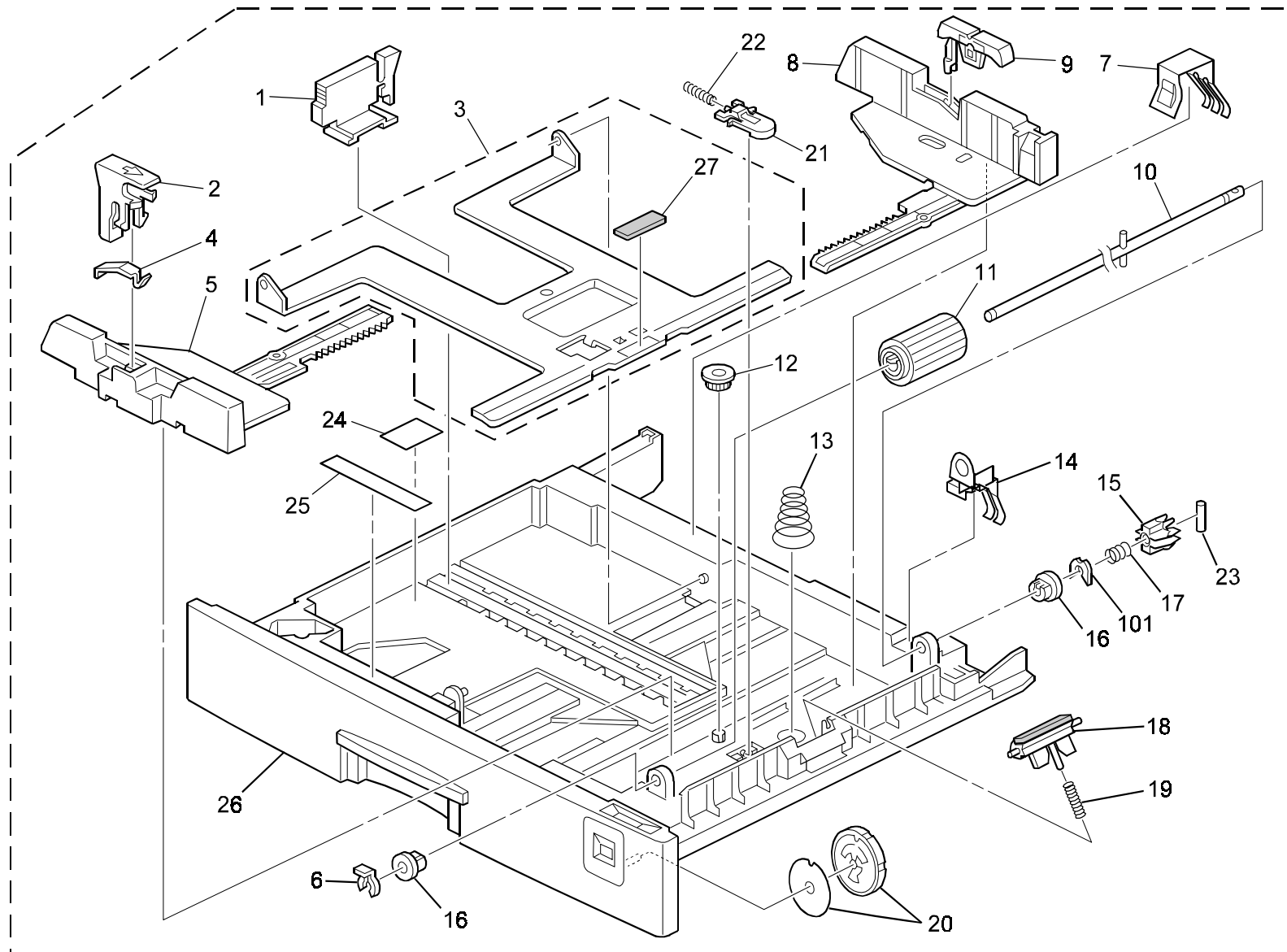
### 8.BY-PASS FEED SECTION (B039/B040/B043)

Rev. 10/29/2002

Index No.	Part No.	Description	Q'ty Per Assembly
1	B039 2631	Front Side Fence	1
2	B039 2628	Bottom Plate Pad	1
3	B039 2632	Rear Side Fence	1
4	B039 2630	Tray Bottom Plate	1
5	B039 2638	Rack - Rear Side Fence	1
6	B039 2637	Rack - Front Side Fence	1
7	G012 3050	Side Fence Gear	1
8	AA06 3643	Spring - By-pass Feed Table	2
9	B039 2645	Rotary Switch	1
10	B039 2629	Stay - Tray Bottom Plate	1
11	B039 2620	Paper Guide - Extension	1
12	B039 2621	Paper Guide	1
13	B039 2617	Magnet Catch - By-pass Feed	1
14	B039 2619	By-pass Feed Table	1
15	G020 2784	Lever - By-pass Feed Table	1
16	B039 2643	Link - By-pass Feed Table	2
17	B039 2633	Decal - By-pass Feed	1
18	5447 2681	Snap Ring	3
19	B039 2642	Pin - Link	2
20	G020 2786	Shaft - By-pass Release Lever	1

Index No.	Part No.	Description	Q'ty Per Assembly
101	0451 3008H	Tapping Screw - M3x8	

## 9.PAPER CASSETTE (B039/B040/B043)





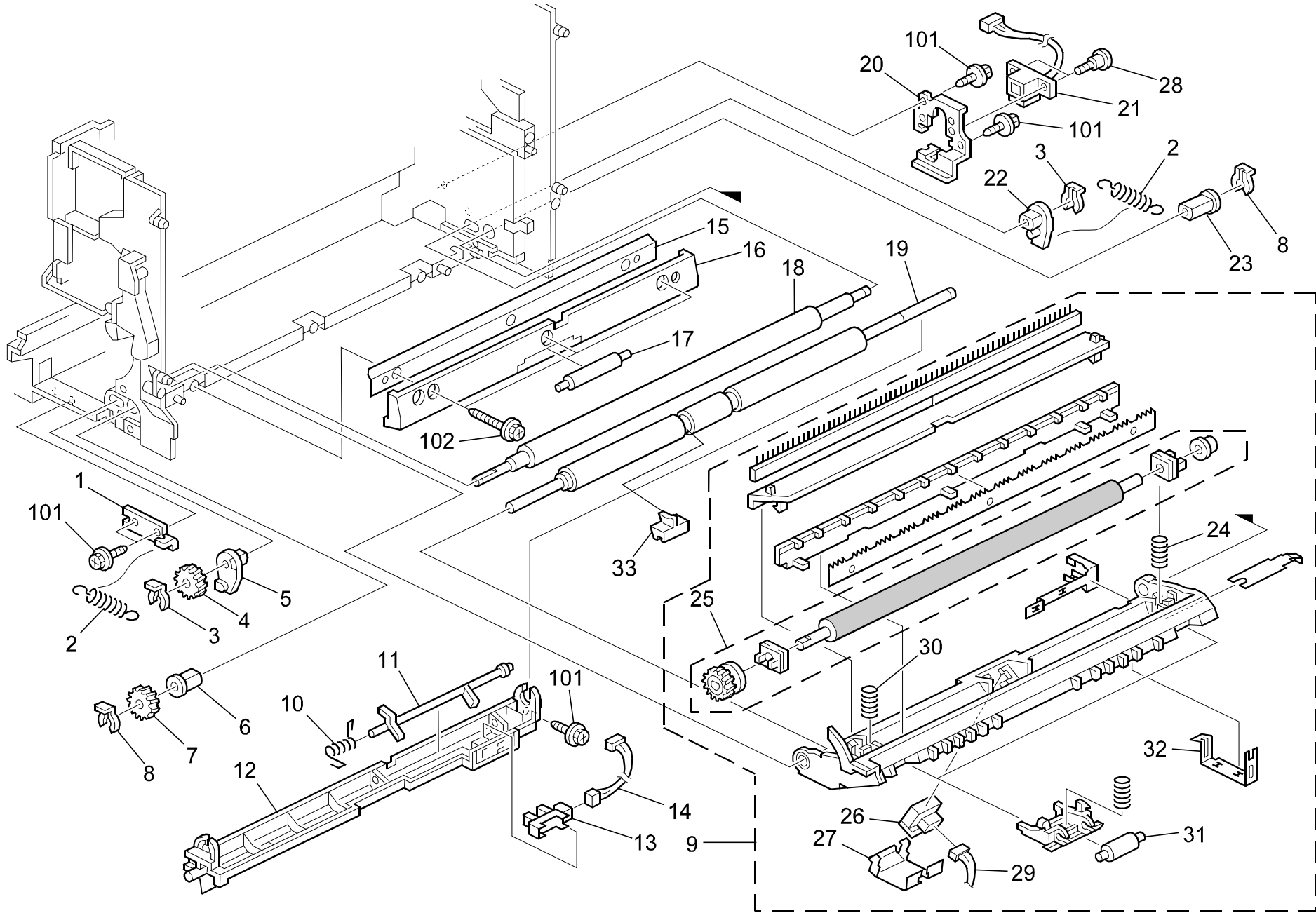
## 9.PAPER CASSETTE (B039/B040/B043)

Index No.	Part No.	Description	Q'ty Per Assembly
*	B039 2840	Paper Tray Assembly - A4	1
*	B039 2841	Paper Tray Assembly - LT	1
1	G020 2644	End Fence	1
2	B039 2704	Front Stopper Lever	1
3	B039 2701	Tray Bottom Plate	1
4	B039 2707	Spring Plate - Side Fence	1
5	B039 2706	Front Side Fence	1
6	5215 2621	Snap Ring - M6	1
7	B039 2712	Ground Plate - Tray Bottom Plate	1
8	B039 2705	Rear Side Fence	1
9	B039 2821	Rear Stopper Lever	1
10	B039 2737	Shaft - Paper Feed Roller	2
11	B039 2740	Paper Feed Roller	2
12	A267 2869	Gear - 16Z	1
13	B039 2719	Spring - Tray Bottom Plate	1
14	B039 2742	Ground Plate - Paper Feed Roller	1
15	B039 2823	Joint - Paper Feed Roller	1
16	B039 2727	Bushing - 8x12x10	2
17	B039 2732	Spring - Paper Feed Roller	1
18	B039 2711	Friction Pad	1
19	B039 2713	Spring - Friction Pad	1
20	B039 2724	Paper Size Detector - A4	1
20	B039 2829	Paper Size Detector - LT	1
21	A250 2808	Stopper Base	1
22	G020 2599	Spring - Release Lever	1
23	B039 2739	Shaft - Joint	1
24	B039 2720	Decal - Cassette Operation DLT	1
25	B039 2721	Decal - Cassette Operation	1
26	B039 2700	Paper Tray	1
27	5215 2713	Bottom Plate Pad	1

Index No.	Part No.	Description	Q'ty Per Assembly
101	0805 0088	Retaining Ring - M6	

# 10.PAPER REGISTRATION (B039/B040/B043)

Rev. 06/24/2002



## 10.PAPER RESISTRATION (B039/B040/B043)

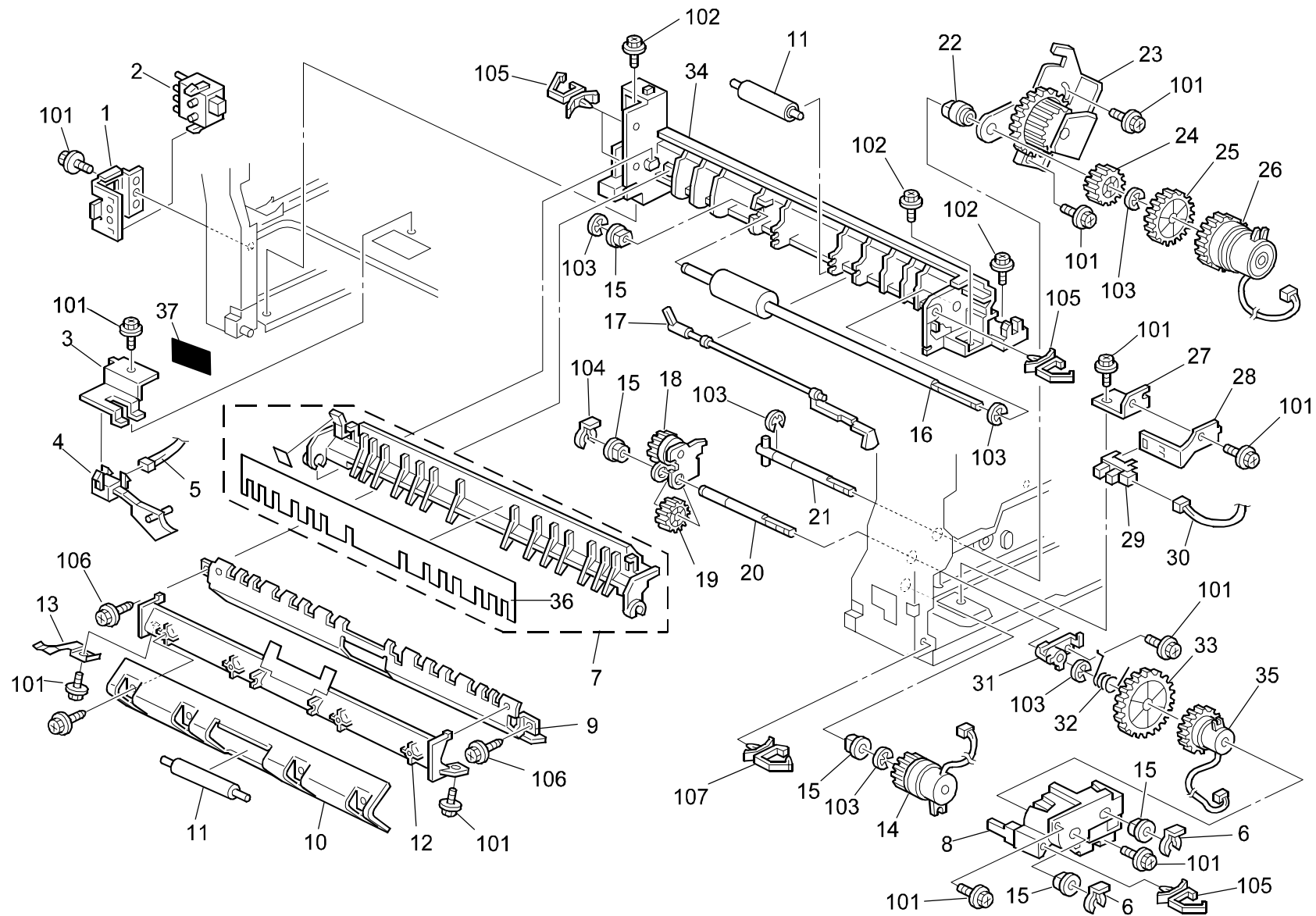
Rev. 11/13/2002

Index No.	Part No.	Description	Q'ty Per Assembly
1	B039 2575	Bracket - Registration Roller	1
2	AA06 2254	Registration Roller Spring	2
3	5447 2681	Snap Ring	2
4	AB01 2312	Gear - 16Z	1
5	AA08 0269	Front Bushing - Registration Roller	1
6	AA08 0267	Bushing - 8x12x18	1
7	AB01 2311	Gear - 18Z	1
8	AA10 0015	Snap Ring - M6	3
9	B039 3803	Transfer Unit	1
10	AA06 6342	Registration Sensor Spring	1
11	B039 2570	Registration Feeler	1
12	B039 2567	Guide - Right Registration Roller	1
13	AW02 0119	Photointerruptor - LG-248L1	1
14	B039 5202	Registration Harness	1
15	B039 2559	Registration Cleaning Mylar	1
16	B039 2572	Guide - Left Registration Roller	1
17	B039 2558	Driven Roller	1
18	AF02 1069	Left Registration Roller	1
19	AF02 0541	Right Registration Roller	1
20	B039 1130	Development Sensor Bracket	1
21	B039 5248	Development Sensor Harness	1
22	AA08 0270	Rear Bushing - Registration Roller	1
23	AA08 2110	Bushing - 8x12x22	1
24	AA06 3607	Pressure Spring	1
25	B039 3820	Transfer Roller	1
26	B039 3890	ID Sensor	1
27	B039 3891	ID Sensor Cover	1
28	G020 5829	Shoulder Screw - M3x2.5	1
29	B039 5206	ID Sensor Harness	1
30	AA06 3607	Pressure Spring	1
31	B039 3867	Roller - Transfer Unit	2
32	B039 3863	Quenching Terminal Plate	1
33	B043 2554	Registration Guide Spacer	1

Index No.	Part No.	Description	Q'ty Per Assembly
101	0450 3008B	Tapping Screw - M3x8	1
102	0450 3012B	Tapping Screw -3x12	1

# 11.1ST PAPER FEED SECTION (B039/B040/B043)

Rev. 11/07/2002



### 11.1ST PAPER FEED SECTION (B039/B040/B043)

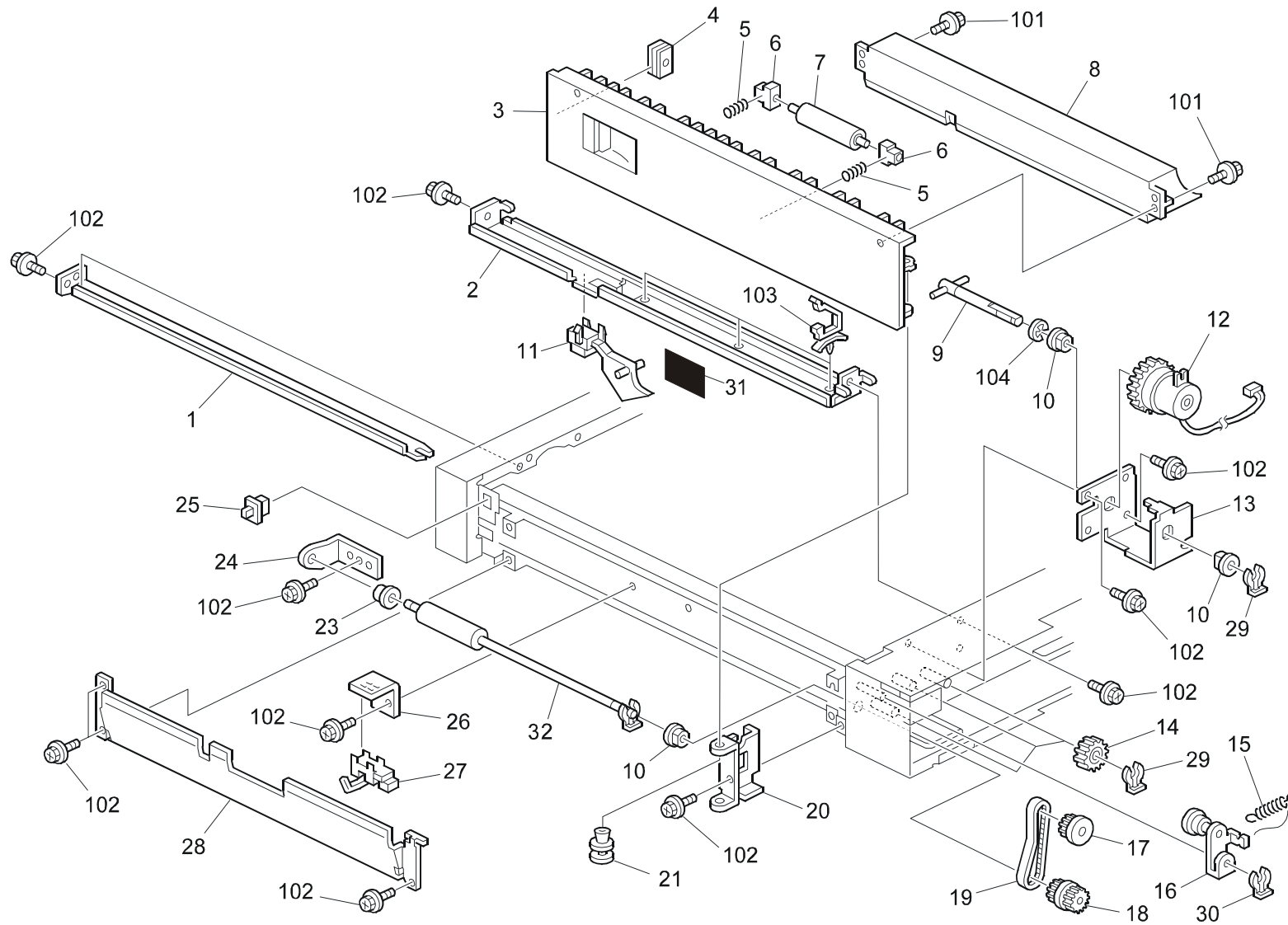
Rev. 11/07/2002

Index No.	Part No.	Description	Q'ty Per Assembly
1	B039 2754	Bracket - Paper Size Sensor	1
2	G800 3035	Push Sw - Paper Size	1
3	B039 2728	Bracket - Paper End Sensor	1
4	B039 2730	Paper End Sensor	1
5	B039 5215	Harness - Paper End Sensor	1
6	5447 2681	Snap Ring	2
7	B039 2585	Exit Guide Plate	1
8	B039 1142	Housing - Paper Feed	1
9	B039 2766	Guide Plate - Transport Roller	1
10	B039 2797	Guide Plate - Transport Roller	1
11	B039 2558	Driven Roller	2
12	B039 2795	Guide Plate - Transport	1
13	B039 2825	Ground Plate - Vertical Transport	1
14	AX20 0226	Relay Clutch	1
15	AA08 2101	Bushing - 6x10x6	5
16	B039 2576	Transport Roller	1
17	B039 2583	Vertical Transport Feeler	1
18	B039 1194	Bracket - By-pass Feed	1
19	B039 1191	Gear - 19Z	1
20	B039 1190	Shaft - By-pass Feed	1
21	B039 1183	Shaft - Paper Feed	1
22	B039 1188	Bushing - 6x10x12	1
23	B039 1178	Bracket - Paper Feed Clutch	1
24	B039 1187	Gear - 30Z	1
25	B039 1186	Gear - 46Z	1
26	AX20 0225	Magnetic Clutch - 46Z	1
27	B039 2813	Lower Bracket - Relay Sensor	1
28	B039 2812	Upper Bracket - Relay Sensor	1
29	AW02 0119	Photointerruptor - LG-248L1	1
30	B039 5201	Registration Sensor Harness	1
31	B039 1193	Bushing - By-pass Feed	1
32	B039 1199	Spring - By-pass Feed	1
33	B039 1192	Gear - 57Z	1
34	B039 2830	Right Rail	1
35	AX20 0228	Magnetic Clutch - 41Z	1

Index No.	Part No.	Description	Q'ty Per Assembly
36	B039 2587	Mylar - Exit Guide Plate	
37	B039 9900	Upper Paper End Sensor Guide	
101	0451 3006B	Tapping Screw - M3x6	
102	0802 5276	Tapping Screw With Washer - M3x6	
103	0720 0040E	Retaining Ring - M4	
104	0805 0097	Ring Separator	
105	1105 0511	Harness Clamp - LWS-0306ZC	
106	0450 3008B	Tapping Screw - M3x8	
107	1105 0487	Harness Clamp	

# 12.2ND PAPER FEED SECTION (B040/B043)

Rev. 03/26/2003



## 12.2ND PAPER FEED SECTION (B040/B043)

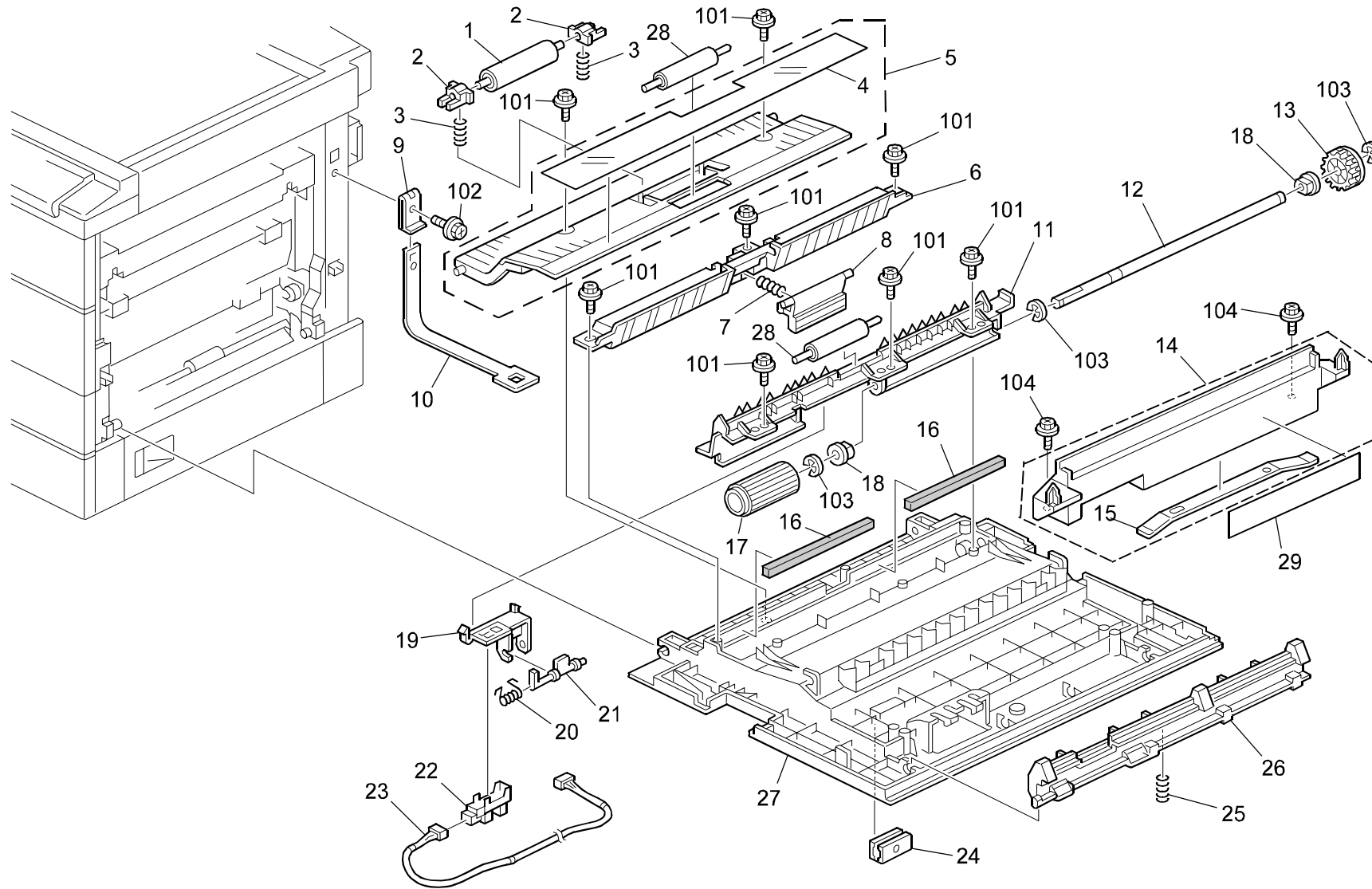
Rev. 03/26/2003

Index No.	Part No.	Description	Q'ty Per Assembly
1	B040 6061	Guide Plate - Upper Paper Feed	1
2	B040 6057	Stay - Paper End Sensor	1
3	B040 6066	Vertical Transport Cover	1
4	AG07 0014	Magnet Catch	1
5	AA06 3334	Spring - Vertical Transport	2
6	AA08 0249	Bushing - Vertical Transport	2
7	B040 6069	Transport Driven Roller	1
8	B040 6067	Vertical Transport Guide	1
9	B040 6093	Shaft - Vertical Transport Roller	1
10	AA08 2101	Bushing - 6x10x6	3
11	B039 2730	Paper End Sensor	1
12	AX20 0225	Magnetic Clutch - 46Z	1
13	B040 6091	Bracket - Vertical Transport Roller	1
14	AB01 2314	Gear - 25Z	3
15	AA06 0228	Spring - Transfer Drum Cleaning SOL	1
16	B040 6096	Tightener Bracket	1
17	AB03 0702	Timing Pulley - 30Z	1
18	AB03 0701	Gear/pulley - 24/30Z	1
19	AA04 3527	Timing Belt - 230XL	1
20	B040 6049	Bracket - Vertical Transport	1
21	A250 2779	Pin - M6	1
23	AA08 0252	Bushing - M4	1
24	B040 6074	Transport Roller Bracket	1
25	G020 5626	Push Switch	1
26	B040 6078	Bracket - Vertical Paper Sensor	1
27	AW02 0124	Paper Sensor	1
28	B040 6071	Guide Plate - Vertical Transport	1
29	5447 2681	Snap Ring	2
30	5206 2686	Snap Ring	1
31	B039 9001	Lower Paper End Sensor Guide	1
32	B040 6038	Transport Roller	1

Index No.	Part No.	Description	Q'ty Per Assembly
101	0450 3008B	Tapping Screw - M3x8	
102	0451 3006B	Tapping Screw - M3x6	
103	1105 0511	Harness Clamp - LWS-0306ZC	

# 13.VERTICAL TRANSPORT (B039/B040)

Rev. 10/29/2002





### 13.VERTICAL TRANSPORT (B039/B040)

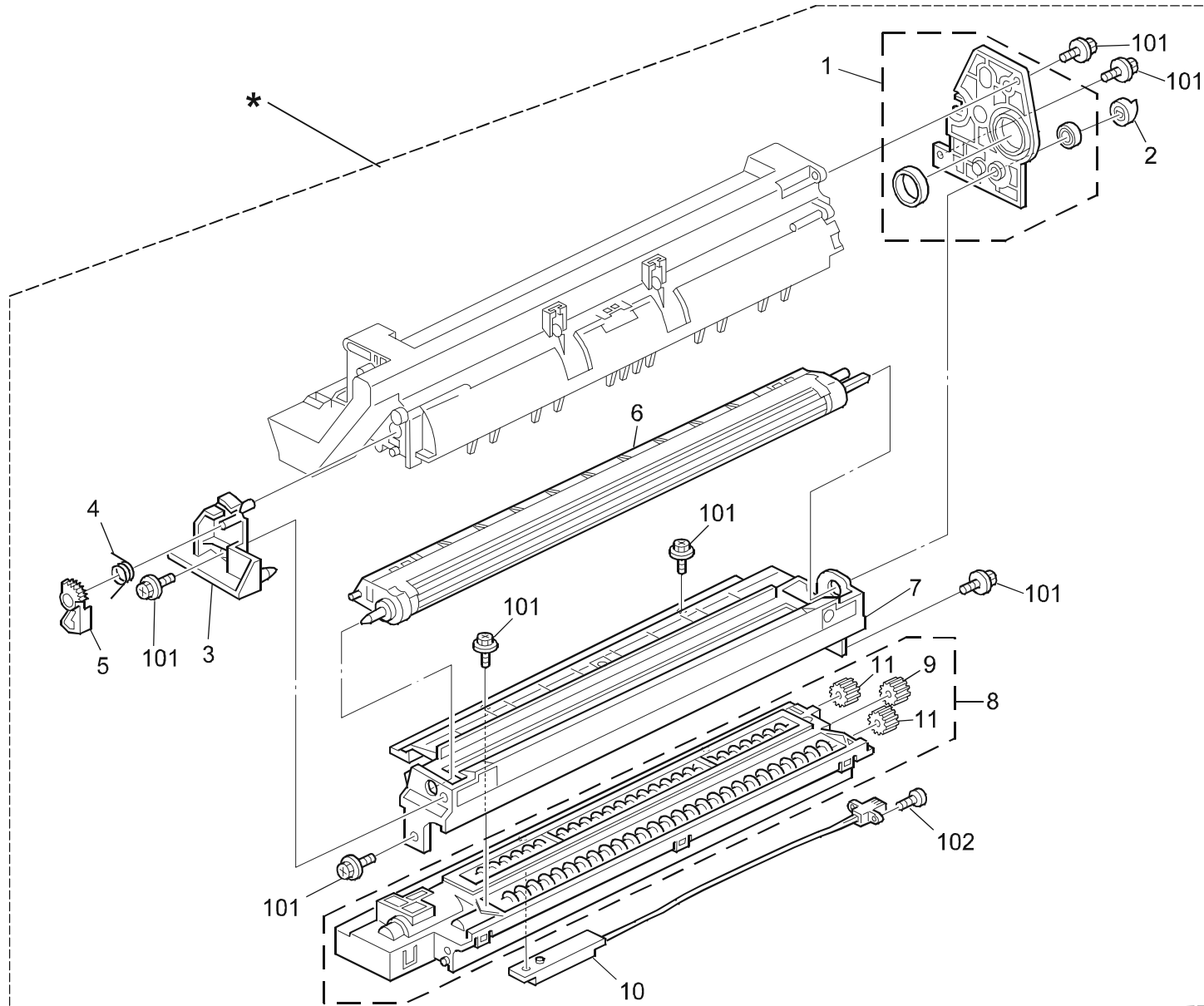
Rev. 11/13/2002

Index No.	Part No.	Description	Q'ty Per Assembly
1	AF02 2138	Vertical Transport Roller	1
2	AA08 0268	Bushing - Vertical Transport	2
3	AA06 3399	Spring - Vertical Transport	2
4	B039 2655	Vertical Transport Guide	1
5	B039 2653	Vertical Transport Guide	1
6	B039 2592	Lower Guide Plate - By-pass Feed	1
7	AA06 3398	Spring - Friction Pad	1
8	B039 2596	Friction Pad	1
9	A232 3962	Spring Plate - Band Stopper	1
10	B039 2660	Band - Right Door	1
11	B039 2594	Upper Guide Plate - By-pass Feed	1
12	AA14 1086	Shaft - By-pass Paper Feed	1
13	AB01 2313	Gear - 25Z	1
14	B039 4470	Exit Guide - Right Lower	1
15	B039 4485	Grounding Plate - Exit Guide	1
16	B039 2658	Sponge - By-pass Feed	2
17	AF03 1060	By-pass Feed Roller	1
18	AA08 2101	Bushing - 6x10x6	2
19	B039 2610	Bracket - Paper End Sensor	1
20	AA06 6343	Spring - Paper End Sensor	1
21	B039 2611	Feeler - Paper End Sensor	1
22	AW02 0119	Photointerruptor - LG-248L1	1
23	B039 5259	Harness - Paper End Sensor	1
24	AG07 0014	Magnet Catch	1
25	B039 2651	Right Door Lever	1
26	A250 1388	Spring	1
27	B039 2670	Right Door	1
28	B039 2558	Driven Roller	2
29	B039 4488	Decal - Jam Removal	1
29	B040 4488	Decal - Jam Removal	1

Index No.	Part No.	Description	Q'ty Per Assembly
101	0450 3008B	Tapping Screw - M3x8	
102	0451 3006B	Tapping Screw - M3x6	
103	0720 0040E	Retaining Ring - M4	
104	B039 4480	Stepped Screw - M5	

# 14.PCU 1 (B039/B040/B043)

Rev. 10/25/2002



### 14.PCU 1 (B039/B040/B043)

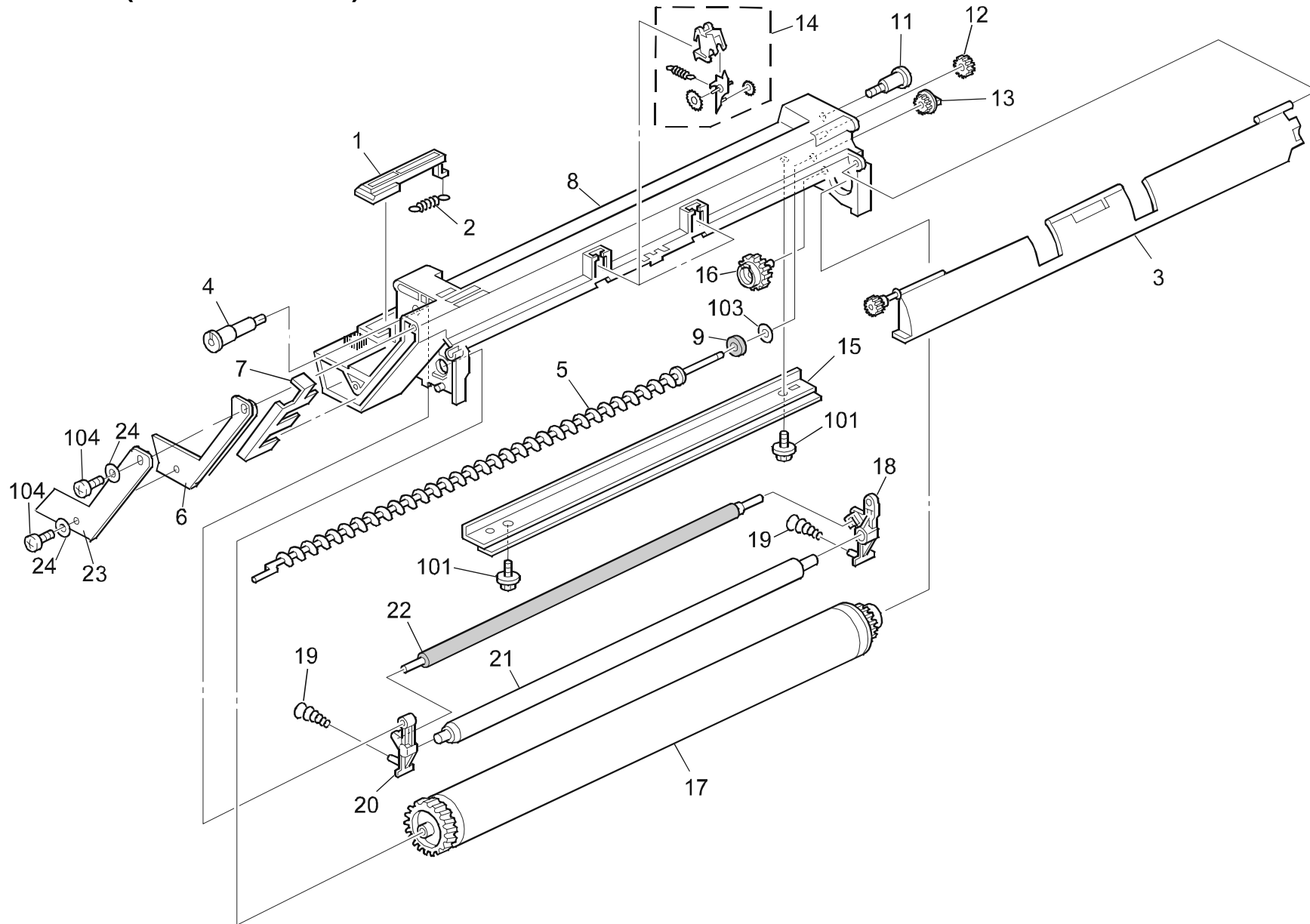
Rev. 10/25/2002

Index No.	Part No.	Description	Q'ty Per Assembly
*	B039 2204	PCU - Assembly	1
1	B039 2371	Rear Side Plate - Drum	1
2	A267 3440	Development Joint	1
3	B039 2361	Front Side Plate - Drum	1
4	B039 2367	Shutter Spring	1
5	B039 2362	Drum Shutter Gear	1
6	B039 3051	Development Roller Assembly	1
7	B039 3150	Upper Development Case	1
8	B039 3170	Lower Development Unit	1
9	B039 3062	Idler Gear	2
10	A267 3390	Toner Density Sensor	1
11	B039 3245	Transport Screw Gear	2
12	B039 3060	Development Roller Gear	1

Index No.	Part No.	Description	Q'ty Per Assembly
101	0360 3006B	Tapping Screw - M3x6	
102	0452 3008B	Tapping Screw - M3x8	

# 15.PCU 2 (B039/B040/B043)

Rev. 10/25/2002



### 15.PCU 2 (B039/B040/B043)

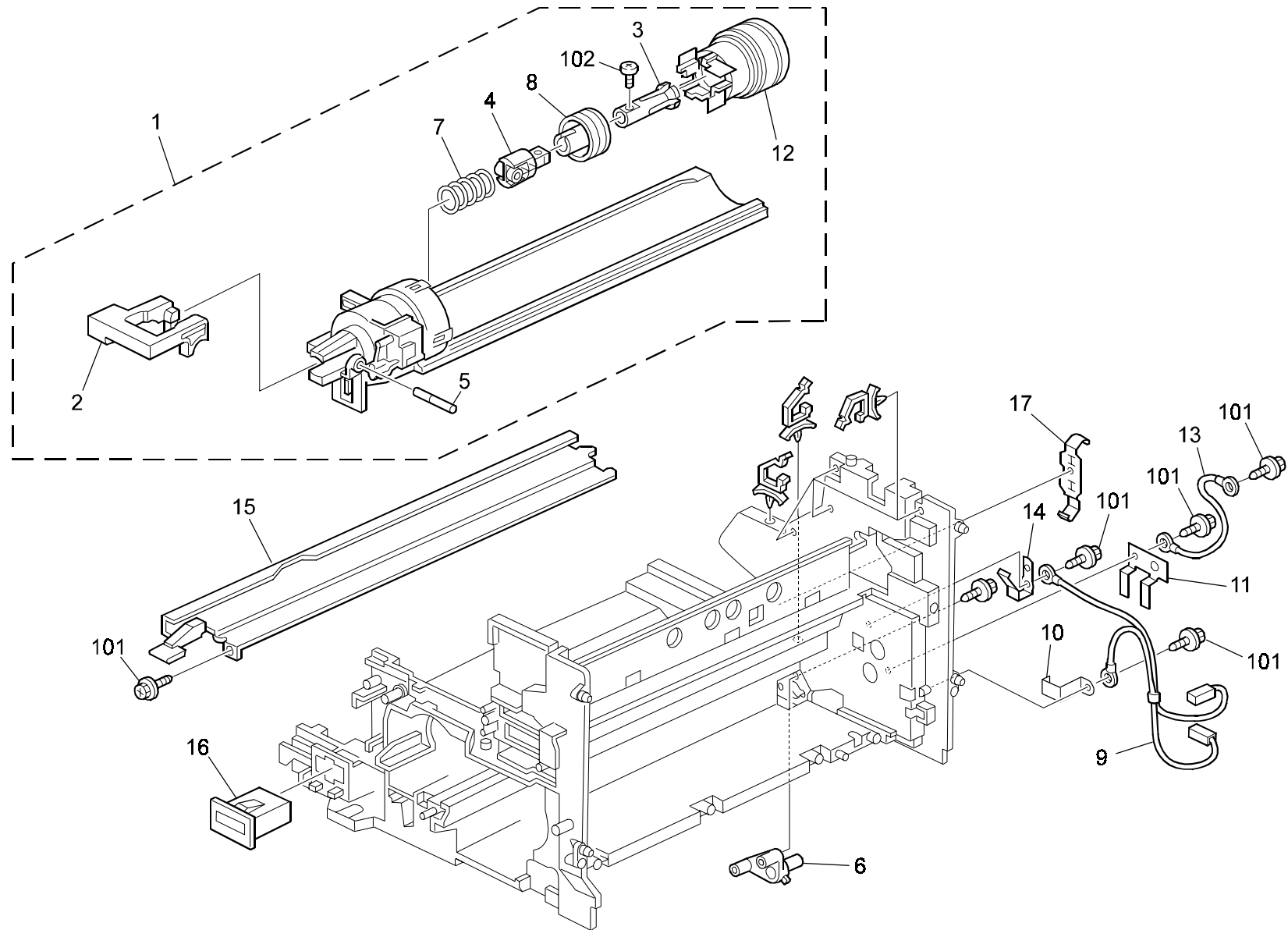
Rev. 10/25/2002

Index No.	Part No.	Description	Q'ty Per Assembly
1	B039 2311	Shutter - Toner Supply	1
2	B039 2312	Shutter Spring	1
3	B039 2343	Drum Shutter	1
4	B039 2293	Pin - Front Pressure Arm	1
5	B039 2272	Recycled Toner Coil	1
6	B039 2321	Front PCU Cover	1
7	B039 2274	Recycled Toner Plate	1
8	B039 2251	Upper PCU Case	1
9	B039 2276	Rear Bushing - Toner Coil	1
10	B039 2350	Drum Holder	1
11	AA14 3444	Stepped Screw	1
12	AB01 1403	Gear - 13Z	1
13	AB01 1402	Gear - 14Z	1
14	B039 2335	Pickoff Pawl	2
15	B039 2289	Cleaning Blade	1
16	B039 2288	Cam - Cleaning Blade	1
17	B039 9510	OPC Drum	1
18	B039 2295	Rear Pressure Arm - Charge Roller	1
19	B039 2287	Charge Roller Spring	2
20	B039 2292	Front Pressure Arm - Charge Roller	1
21	G052 3510	Charge Roller	1
22	G060 2326	Charge Roller Cleaner	1
23	B039 2325	Drum Shutter Stopper	1
24	B039 2329	Spacer - M3	2

Index No.	Part No.	Description	Q'ty Per Assembly
101	0451 3006B	Tapping Screw - M3x6	
103	0736 0610	Bushing - 6x10	
104	0452 3012B	Tapping Screw - M3x12	

# 16.TONER SUPPLY UNIT (B039/B040/B043)

Rev. 12/12/2001



## 16.TONER SUPPLY UNIT (B039/B040/B043)

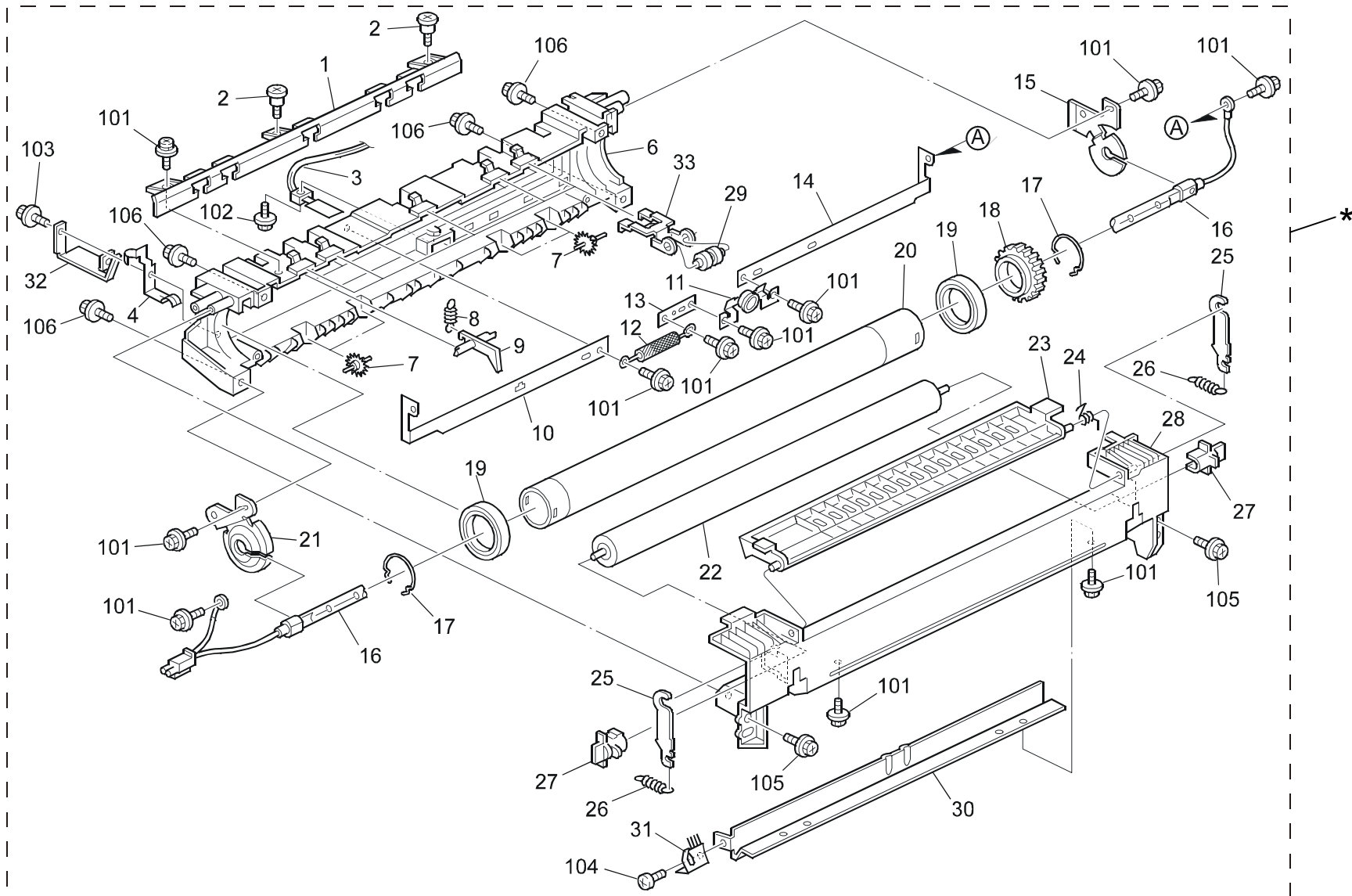
Rev. 10/25/2002

Index No.	Part No.	Description	Q'ty Per Assembly
1	B039 3031	Toner Supply Unit	1
2	B039 3360	Cam - Handle	1
3	A184 3420	Bottle Chuck	1
4	A184 3421	Chuck Shaft	1
5	A184 3422	Toner Slider	1
6	B039 1141	Shaft - Paper Feed Frame	1
7	A267 3556	Chuck Spring - Toner Bottle	1
8	G020 3334	Slider Ass'y	1
9	B039 5233	Harness - High Voltage Supply	1
10	B039 3870	Terminal - Transfer	1
11	B039 2578	Grounding Plate	1
12	B039 3380	Cover - Toner Supply Unit	1
13	B039 5219	Grounding Harness	1
14	B039 2382	Quenching Lamp Terminal	1
15	B039 3392	Guide Plate - Toner Supply Unit	1
16	AX31 0039	Total Counter - 7Fig 24V	1
17	B039 3395	Ground Plate - Toner Supply Unit	1

Index No.	Part No.	Description	Q'ty Per Assembly
101	0450 3008B	Tapping Screw - M3x8	
102	0452 3008B	Tapping Screw - M3x8	

# 17.FUSING UNIT (B039/B040/B043)

Rev. 11/13/2002





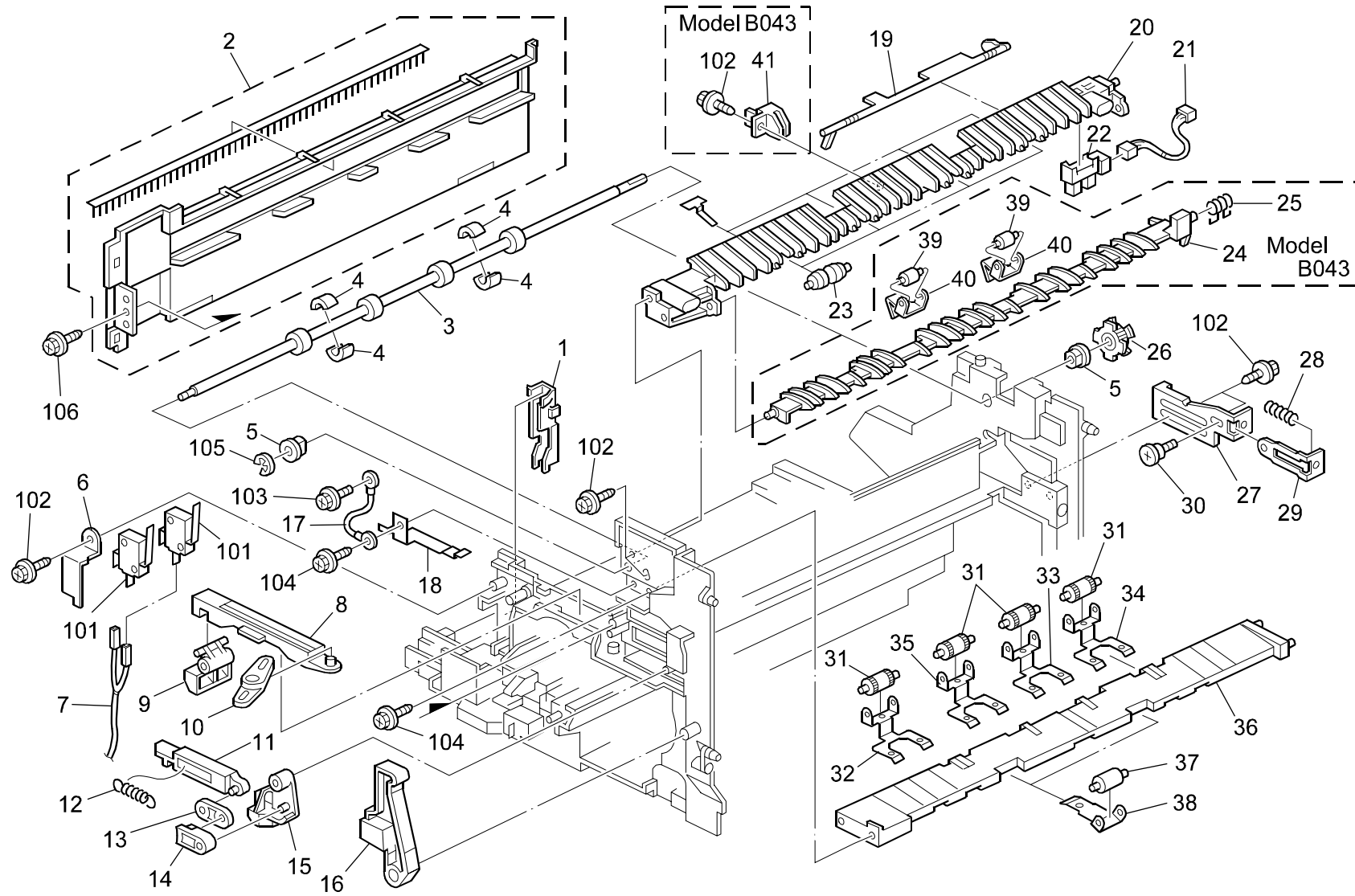
# 17.FUSING UNIT (B039/B040/B043)

Rev. 02/28/2003

Index No.	Part No.	Description	Q'ty Per Assembly
*	B039 4020	Fusing Unit - 120V	1
*	B039 4031	Fusing Unit - 230V	1
1	B039 4102	Fusing Exit Guide	1
2	AA14 3716	Stepped Screw	2
3	AW10 0073	Thermistor	1
4	B039 4118	Front Ground Plate	1
6	B039 4101	Fusing Roller Frame	1
7	A232 2374	Spur	4
8	AA06 6637	Stripper Pawl Spring	5
9	AE04 4040	Stripper Pawl	5
10	B039 4141	Front Terminal	1
11	B039 4120	Thermostat	1
12	B039 5504	Thermofuse	1
13	B039 4142	Center Terminal	1
14	B039 4144	Rear Terminal	1
15	B039 4140	Rear Holder	1
16	B039 4111	Fusing Lamp - 120V 800W	1
16	B039 4112	Fusing Lamp - 230V 700W	1
17	G029 4140	External Circlip	2
18	B039 4171	Gear - 41Z	1
19	G052 4618	Bearing 30x42x7	2
20	AE01 1065	Hot Roller	1
21	B039 4138	Front Holder	1
22	AE02 0100	Pressure Roller	1
23	B039 4107	Fusing Exit Door	1
24	AA06 6635	Spring - Fusing Exit Guide	1
25	B039 4135	Pressure Roller Lever	2
26	AA06 6640	Pressure Spring	2
27	G029 4174	Pressure Roller Bushing	2
28	B039 4104	Pressure Roller Frame	1
29	B039 4170	Stripper Pawls Roller	5
30	B039 4115	Fusing Entrance Guide	1
31	B039 4117	Discharge Brush	1
32	B039 4114	Rear Ground Plate	1
33	B039 4168	Stripper Pawls Stopper	5

Index No.	Part No.	Description	Q'ty Per Assembly
101	0954 3008B	Philips Screw - M3x8	
102	0954 3010B	Philips Screw - M3x10	
103	0452 3008B	Tapping Screw - M3x8	
104	0313 0060B	Philips Pan Head Screw - M3x6	
106	0954 3010B	Philips Screw - M3x10	

# 18.PAPER EXIT SECTION (B039/B040/B043)



## 18.PAPER EXIT SECTION (B039/B040/B043)

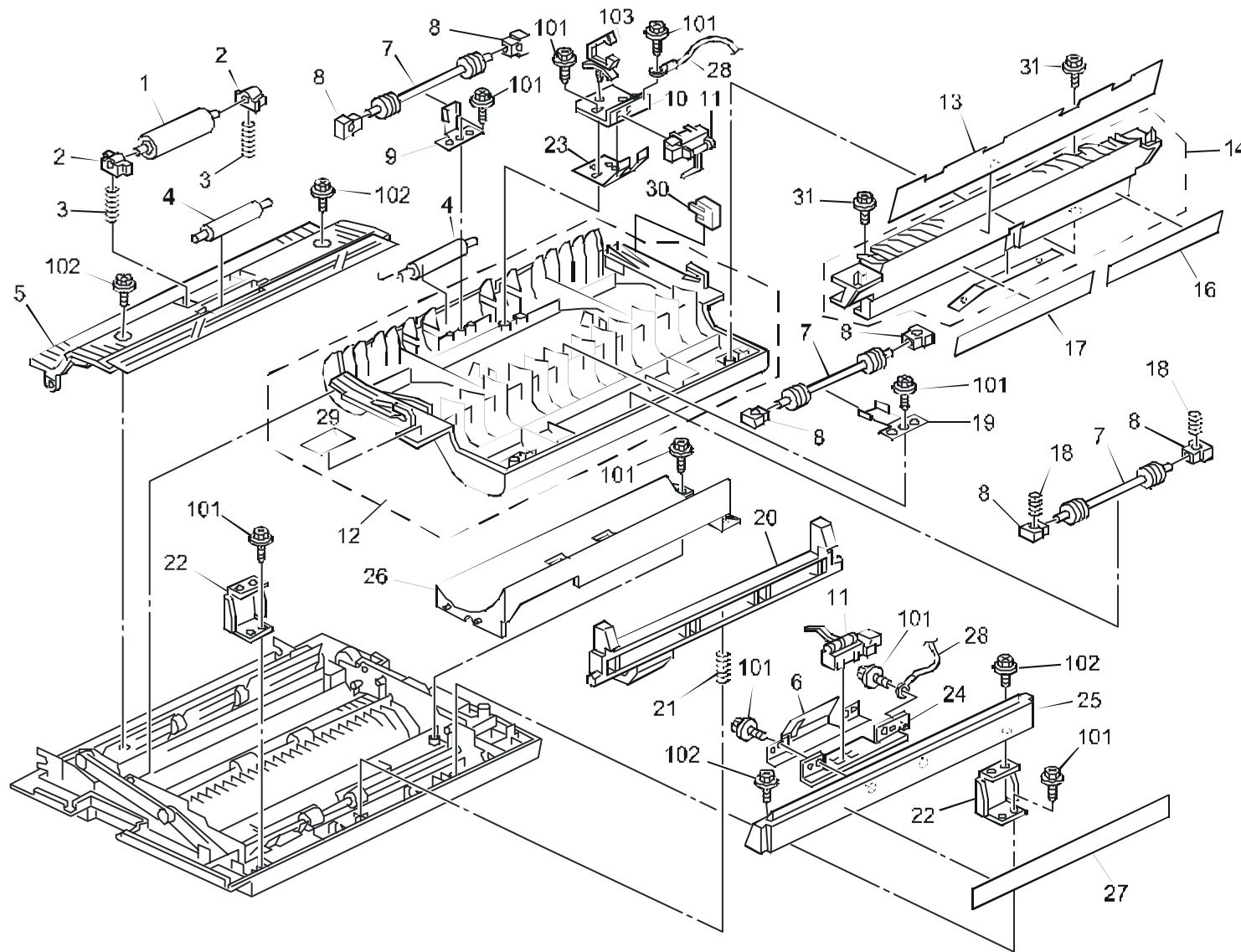
Rev. 12/09/2002

Index No.	Part No.	Description	Q'ty Per Assembly
1	B039 1084	Harness Cover	1
2	B039 1234	Exit Cover (B039/B040)	1
2	B043 1234	Exit Cover (B043)	1
3	B039 4471	Exit Roller	1
4	B039 4473	Exit Roller Ring	4
5	AA08 2063	Bushing - 8x10x5	2
6	B039 1082	Door Switch Bracket	1
7	B039 5205	Harness - Front Door Switch	1
8	B039 1096	Door Switch Lever - 7	1
9	B039 1123	Door Switch Lever - 8	1
10	B039 1095	Door Switch Lever - 6	1
11	B039 1094	Door Switch Lever - 5	1
12	B039 1098	Door Switch Spring	1
13	B039 1093	Door Switch Lever - 4	1
14	B039 1092	Door Switch Lever - 3	1
15	B039 1099	Door Switch Lever - 2	1
16	B039 1090	Door Switch Lever - 1	1
17	B039 4119	Fusing Grounding Harness	1
18	B039 4116	Ground Plate - Fusing Unit	1
19	B039 4456	Exit Sensor Feeler	1
20	B039 4451	Exit Guide Plate - Center	1
21	B039 5238	Exit Sensor Harness	1
22	B039 4457	Exit Sensor Assembly	1
23	B043 4979	Exit Roller (B043 only)	4
24	B043 4983	Gate Pawl	1
25	AA06 6638	Spring - 0.5N	1
26	B039 1163	Pulley - 23Z	1
27	B039 1132	Bracket - Pressure Release	1
28	B039 1131	Pressure Release Spring	1
29	B039 1133	Auxiliary Bracket - Pressure Release	1
30	5442 2624	Shoulder Screw - M3	1
31	G052 4873	Outer Exit Cover Roller	2
32	B039 4465	Exit Roller Holder - 1st	1
33	B039 4469	Exit Roller Holder - 3rd	1
34	B039 4477	Exit Roller Holder - 4th	1

Index No.	Part No.	Description	Q'ty Per Assembly
35	B039 4467	Exit Roller Holder - 2nd	1
36	B039 4461	Exit Guide Plate - Lower	1
37	G029 4176	Turn Roller - Exit Sub-unit	2
38	B039 4459	Exit Roller Holder - Inner	2
39	B043 4956	Exit Roller Holder	2
40	G800 4854	Exit Roller	2
41	B043 4687	Guide Plate Spacer	1
101	1204 2521	Micro Switch	
102	0450 3008B	Tapping Screw - M3x8	
103	0451 3006B	Tapping Screw - M3x6	
104	0450 3010B	Tapping Screw - M3x10	
105	0720 0030E	Retaining Ring - M3	
106	0450 4008B	Tapping Screw - 4x8	

# 19.DUPLEX UNIT 1 (B043)

Rev. 11/13/2002



## 19.DUPLEX UNIT 1 (B043)

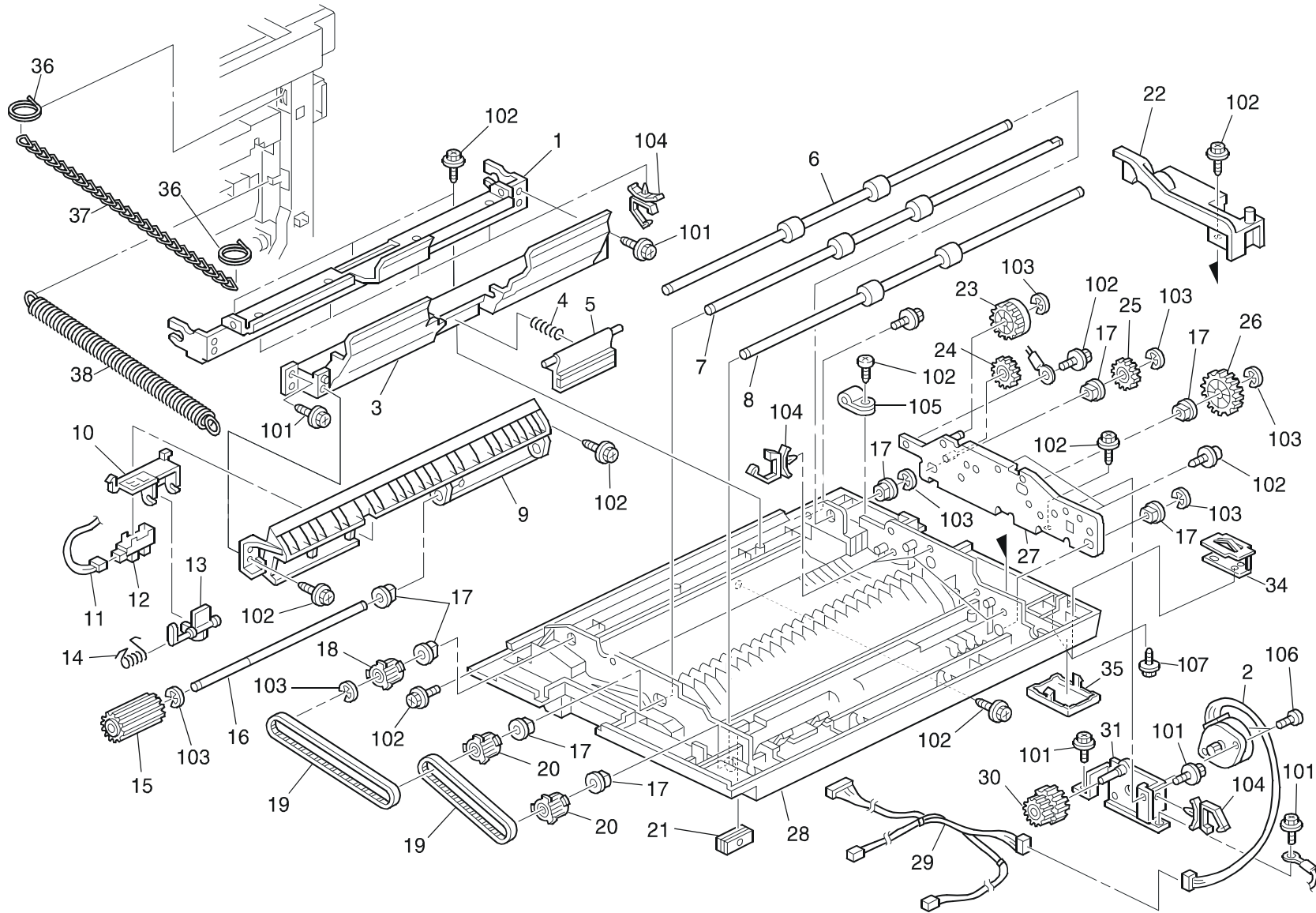
Rev. 11/13/2002

Index No.	Part No.	Description	Q'ty Per Assembly
1	AF02 2138	Vertical Transport Roller	1
2	AA08 0268	Bushing - Vertical Transport	2
3	AA06 3399	Spring - Vertical Transport	2
4	B039 2558	Driven Roller	2
5	B043 4662	Guide Plate - Vertical Transport	1
6	B043 4676	Bracket - Duplex Entrance Sensor	1
7	G060 2641	Transport Driven Roller - Middle	3
8	AA08 0313	Driven Roller Bushing	6
9	B043 4647	Lower Spring Plate - Driven Roller	1
10	B043 4675	Exit Sensor Bracket	1
11	AW02 0124	Paper Sensor	2
12	B043 4640	Duplex Paper Guide	1
14	B043 4670	Exit Guide Plate	1
18	B043 4645	Spring - 2N	2
19	B043 4646	Upper Spring Plate - Driven Roller	1
20	B043 4651	Door Lever	1
21	A250 1388	Spring	1
22	B043 4671	Bracket - Upper Guide Plate	2
23	B043 4679	Exit Sensor Cover	1
24	B043 4674	Cover - Duplex Entrance Sensor	1
25	B043 4978	Exit Guide Plate - Upper	1
26	B043 4617	Entrance Guide Plate	1
27	B043 4691	Jam Removal Decal	1
28	B043 5245	Duplex Grounding Harness	2
29	B043 4692	Grip Decal	1
30	B043 4642	Stopper - Guide Plate	1
31	B039 4480	Stepped Screw - M5	2

Index No.	Part No.	Description	Q'ty Per Assembly
101	0450 3008B	Tapping Screw - M3x8	
102	0451 3006B	Tapping Screw - M3x6	
103	1105 0511	Harness Clamp - LWS-0306ZC	

# 20.DUPLEX UNIT 2 (B043)

Rev. 11/13/2002



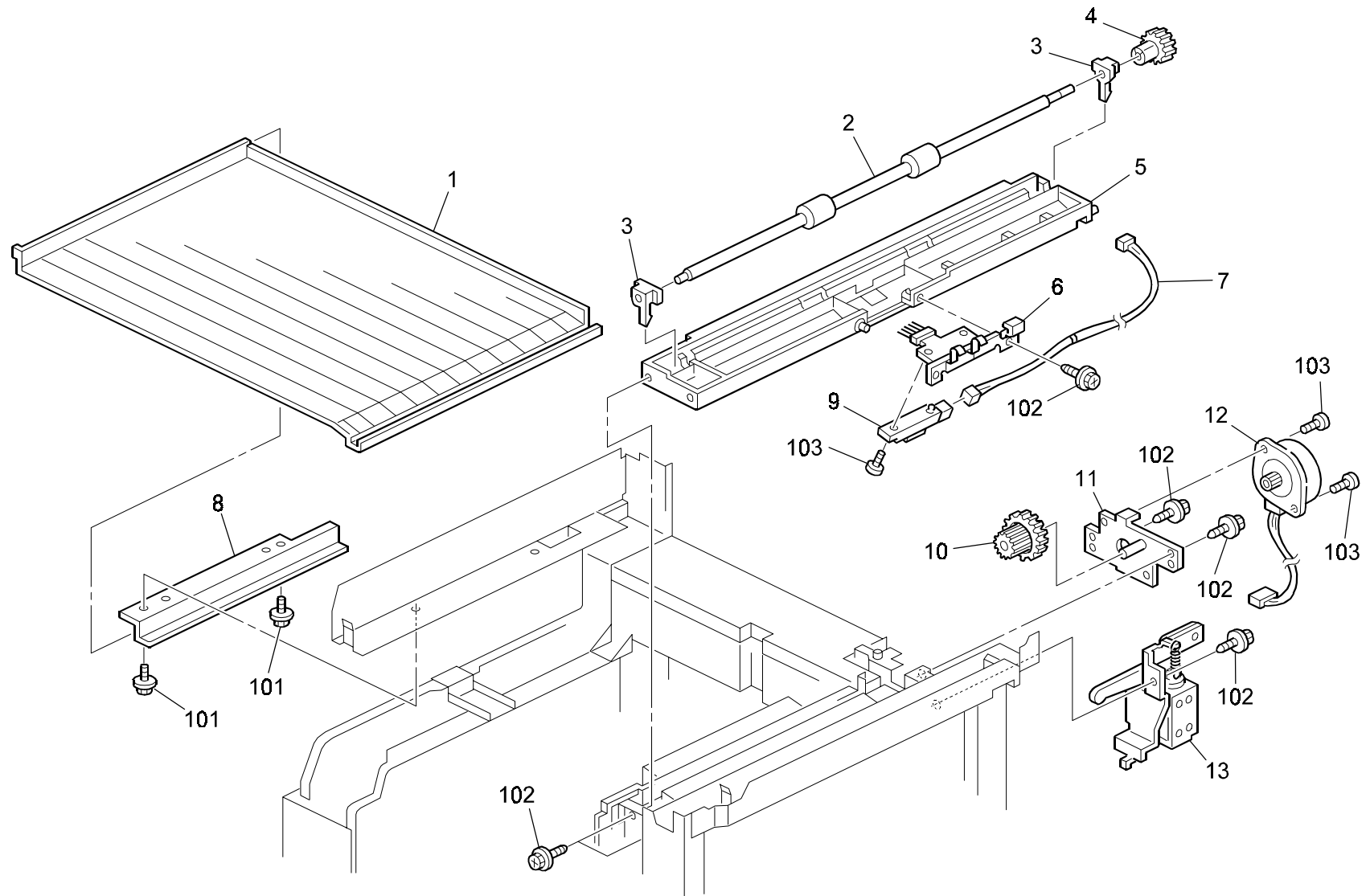
## 20.DUPLEX UNIT 2 (B043)

Rev. 12/09/2002

Index No.	Part No.	Description	Q'ty Per Assembly
1	B043 4609	Duplex Lower Stay	1
2	B043 4710	Duplex Motor - DC 13.2W	1
3	B043 4683	By-pass Feed Guide - Lower	1
4	B043 4685	Spring - 2.8N	1
5	B043 4650	Separation Pad	1
6	B043 4621	Exit Transport Roller	1
7	B043 4623	Middle Transport Roller	1
8	B043 4622	Entrance Transport Roller	1
9	B043 4684	By-pass Feed Guide - Upper	1
10	B039 2610	Bracket - Paper End Sensor	1
11	B043 5252	Harness - Paper End Sensor	1
12	B039 4457	Exit Sensor Assembly	1
13	B039 2611	Feeler - Paper End Sensor	1
14	AA06 6343	Spring - Paper End Sensor	1
15	AF03 1060	By-pass Feed Roller	1
16	B043 4686	By-pass Feed Shaft	1
17	AA08 2101	Bushing - 6x10x6	8
18	B043 4624	Pulley - 30Z	1
19	AA04 3934	Timing Belt - 264XL	2
20	AB03 0569	Pulley - 30T	2
21	AG07 0014	Magnet Catch	1
22	B043 4660	Duplex Inner Cover - Rear	1
23	B043 4714	Gear - 25Z	1
24	B043 4633	Gear - 22Z	1
25	B043 4713	Gear - 25Z	1
26	B043 4631	Gear - 38Z	1
27	B043 4613	Duplex Side Plate	1
28	B043 4627	Duplex Cover	1
29	B043 5241	Duplex Unit Harness	1
30	B043 4632	Coupled Gear 25/59Z	1
31	B043 4705	Transport Motor Bracket	1
32	B039 2660	Band - Right Door	1
33	A232 3962	Spring Plate - Band Stopper	1
34	B043 4694	Chain Bracket	1
35	B043 4698	Cap - 30 x 36	1

Index No.	Part No.	Description	Q'ty Per Assembly
36	B043 4696	Hook - 1.4	2
37	B043 4695	Duplex Unit Stopper	1
38	B043 4697	Tension Spring - 19N	1
101	0451 3006B	Tapping Screw - M3x6	
102	0450 3008B	Tapping Screw - M3x8	
103	0720 0040E	Retaining Ring - M4	
104	1105 0511	Harness Clamp - LWS-0306ZC	
105	1105 0009	Nylon Clamp - 5N	
106	0433 0060B	Philips Tapping Screw - M3x6	
107	0451 3006B	Tapping Screw - M3x6	

# 21.DUPLEX UNIT 3 (B043)





## 21.DUPLEX UNIT 3 (B043)

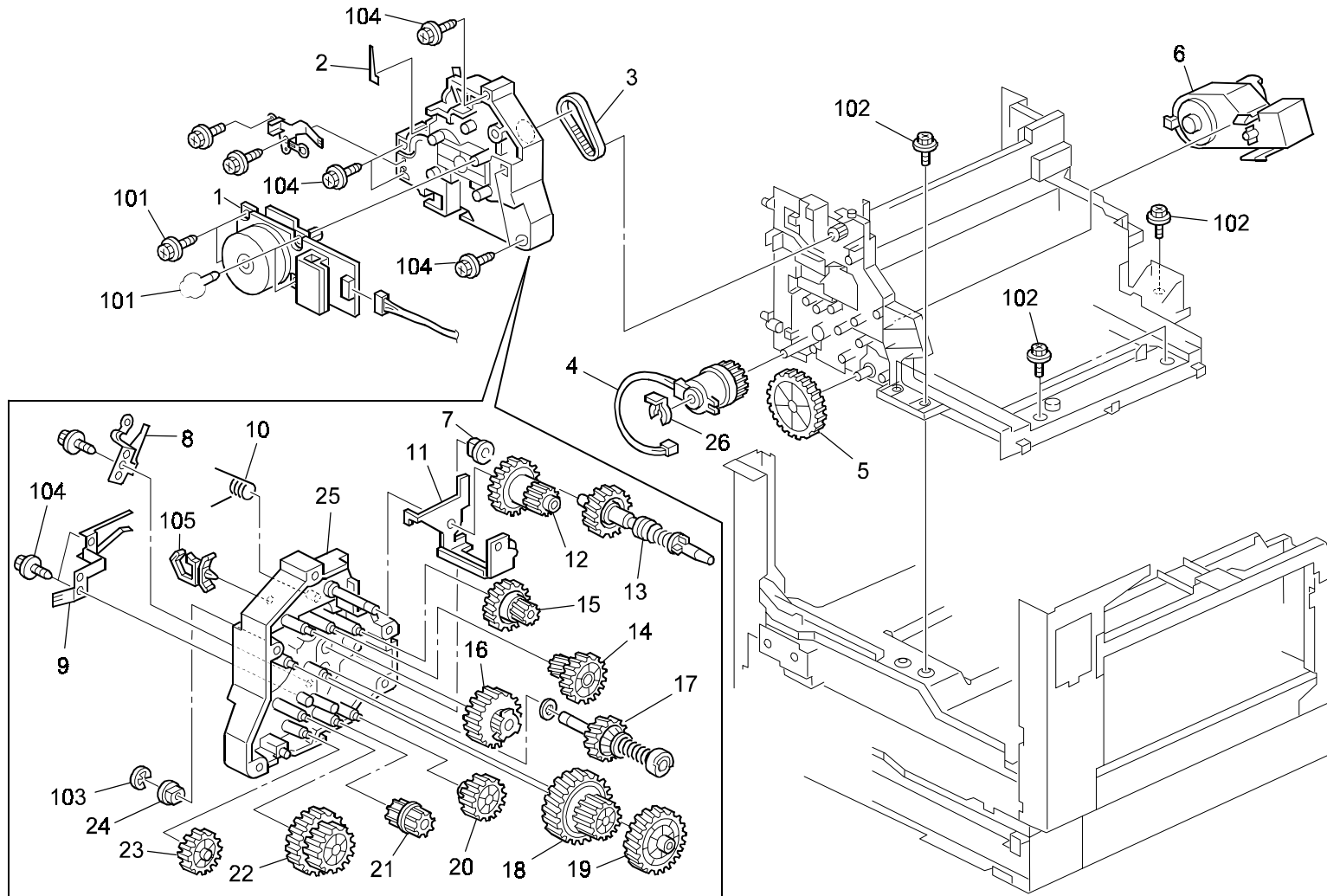
Rev. 07/25/2002

Index No.	Part No.	Description	Q'ty Per Assembly
1	B043 4993	Reverser Shelf	1
2	B043 4988	Reverse Roller	1
3	G800 4851	Bushing	2
4	B043 4975	Gear - 18Z	1
5	B043 4980	Exit Guide Plate - Left Upper	1
6	B043 4972	Bracket - Duplex Inverter Sensor	1
7	B043 5253	Harness - Duplex Inverter Sensor	1
8	B043 4998	Rail - Reverser Shelf	1
9	AW01 0094	Duplex Inverter Sensor	1
10	B043 4991	Coupled Gear - 15/51Z	1
11	B043 4994	Inverter Motor Bracket	1
12	B043 4710	Duplex Motor - DC 13.2W	1
13	B043 4984	Junction Gate Solenoid	1

Index No.	Part No.	Description	Q'ty Per Assembly
101	0451 3008H	Tapping Screw - M3x8	
102	0450 3008B	Tapping Screw - M3x8	
103	0313 0060B	Philips Pan Head Screw - M3x6	

# 22.DRIVE SECTION (B039/B040/B043)

Rev. 12/12/2001



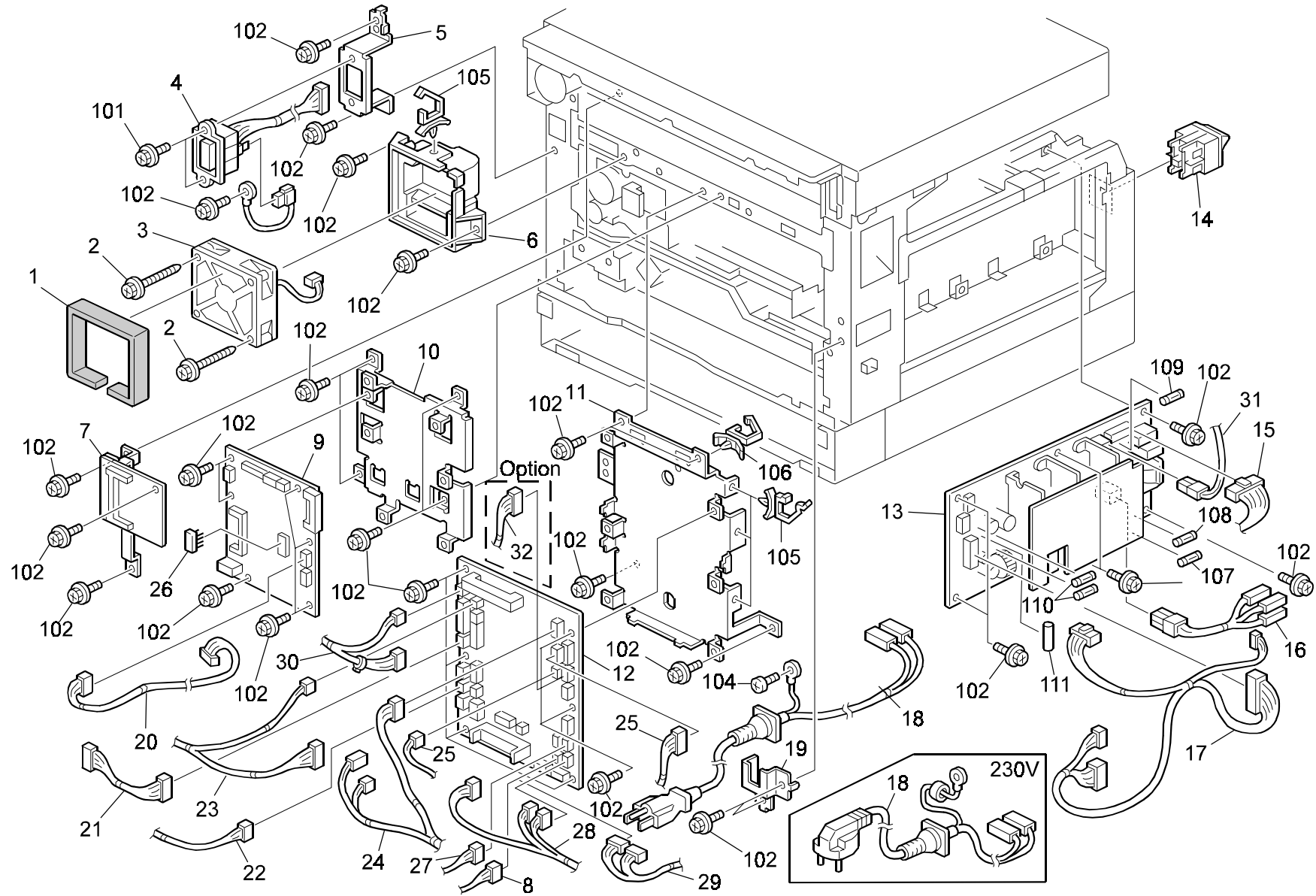
## 22.DRIVE SECTION (B039/B040/B043)

Rev. 06/10/2002

Index No.	Part No.	Description	Q'ty Per Assembly
1	AX06 0232	Main Motor - DC 20W	1
2	B039 1139	Plate - DF Harness	1
3	B039 1162	Timing Belt - 226XL	1
4	AX20 0227	Registration Clutch	1
5	B039 1170	Gear - 63Z	1
6	B039 3310	Toner Bottle Motor - DC 2.52W	1
7	B039 1144	Bushing - 8x16x9	1
8	B039 1135	Development Terminal	1
9	B039 1137	Grounding Plate - Drum	1
10	B039 1161	Spring - Fusing Relay Gear	1
11	B039 1157	Fusing Relay Gear - Assembly	1
12	B039 1156	Coupled Gear - 20/49Z (12)	1
13	B039 1148	Drum Shaft (02)	1
14	B039 1145	Coupled Gear - 34/63Z (01)	1
15	B039 1146	Coupled Gear - 32/71Z (04)	1
16	B039 1155	Gear/pulley - 61/34Z (11)	1
17	B039 1174	Development Drive Shaft (03)	1
18	B039 1154	Coupled Gear - 37/97Z (05)	1
19	B039 1173	Gear - 78Z (06)	1
20	B039 1168	Gear - 32Z (10)	1
21	B039 1167	Gear - 22Z (09)	1
22	B039 1165	Coupled Gear - 49/59/38Z (08)	1
23	B039 1166	Gear - 37Z (07)	1
24	5304 1639	Bushing - 8mm	1
25	B039 1140	Housing - Main Drive	1
26	AA10 0015	Snap Ring - M6	1

Index No.	Part No.	Description	Q'ty Per Assembly
101	0450 4010B	Tapping Screw - 4x10	
102	0802 5277	Tapping Screw	
103	0720 0060E	Retaining Ring - M6	
104	0450 3008B	Tapping Screw - M3x8	
105	1105 0488	Harness Clamp	

# 23.ELECTRICAL SECTION 1 (B039/B040/B043)



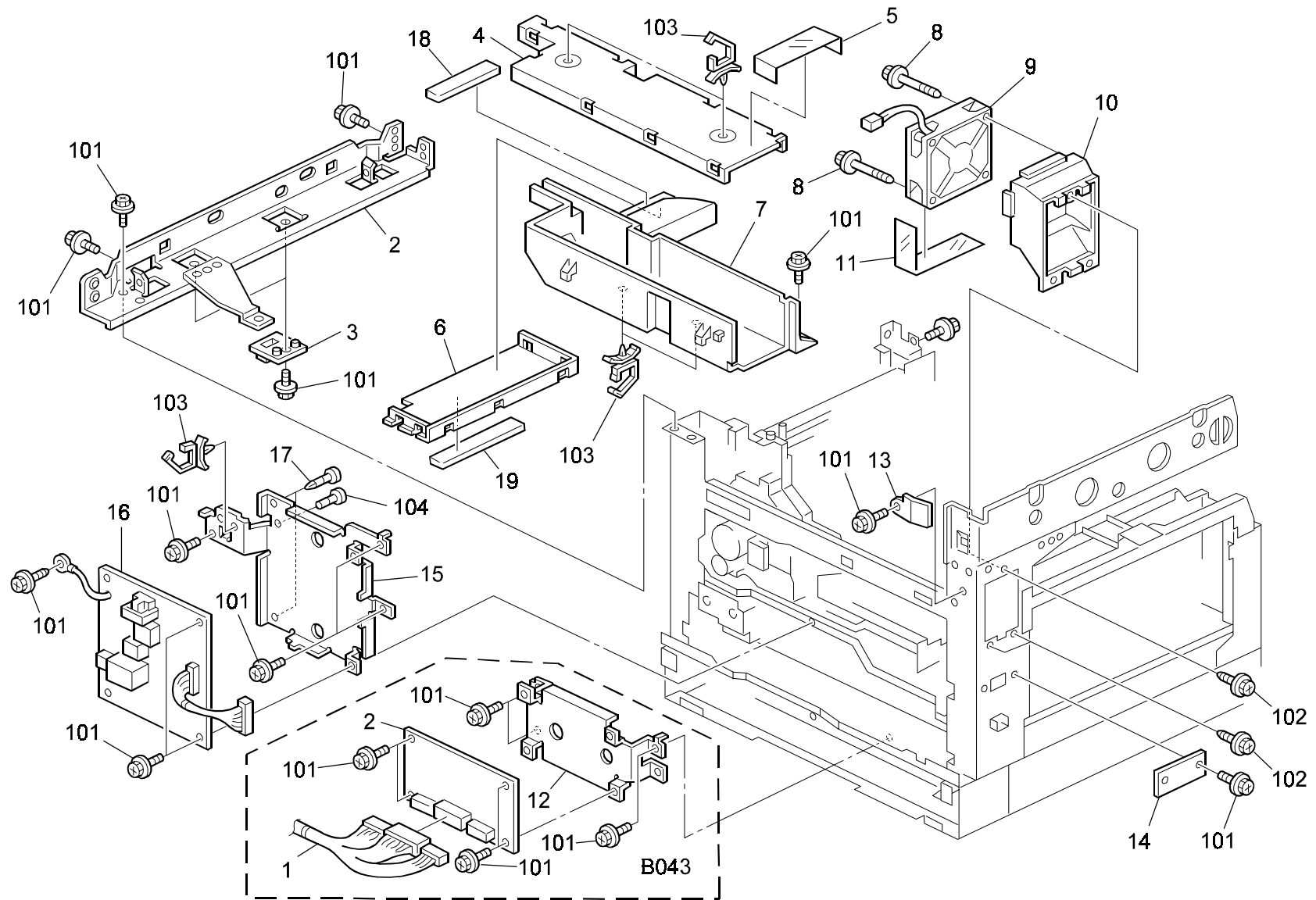
## 23.ELECTRICAL SECTION 1 (B039/B040/B043)

Rev. 12/06/2001

Index No.	Part No.	Description	Q'ty Per Assembly
1	B039 1087	Shield - Fan Motor - Rear	1
2	G027 1235	Tapping Screw - M3x33	2
3	GX64 0018	Cooling Fan - DC 24V/4.3W	1
4	B039 5240	Document Feeder Harness	1
5	B039 5831	ADF Plug Bracket	1
6	B039 1086	Rear Duct	1
7	B407 5801	IMB Board	1
8	B039 5215	Harness - Paper End Sensor	1
9	B039 5101	BICU Board (120V)	1
9	B039 5102	BICU Board (230V)	1
9	B039 5103	BICU Board (ASIA)	1
10	B039 5811	BICU Board Bracket	1
11	B039 5821	I/O Board Bracket	1
12	B039 5120	I/O Board	1
13	AZ23 0081	Power Supply Unit - 120V	1
13	AZ23 0082	Power Supply Unit - 230V	1
14	A250 5725	Rocker Switch	1
15	B039 5228	AC Harness - Option Heater	1
16	B039 5225	AC Harness - Main Switch	1
17	B039 5230	Harness - Power Supply Unit	1
18	B039 5742	Power Supply Cord - 120V	1
18	B039 5743	Power Supply Cord - 230V	1
19	B039 5825	Bracket - Power Supply Cord	1
20	B039 5250	Laser Diode Harness	1
21	B039 5203	Main Motor Harness	1
22	B039 5206	ID Sensor Harness	1
23	B039 5204	Quenching Lamp Harness	1
24	B039 5205	Harness - Front Door Switch	1
25	B039 5220	Harness - Home Position Sensor	1
26	B039 9099	NVRAM - Minus Counter	1
27	B039 5212	By-pass Feed Harness	1
28	B039 5201	Registration Sensor Harness	1
29	B040 5211	Harness - 2nd Paper Feed (B040/B043)	1
30	B039 5200	Scanner Motor Harness	1
31	B039 5216	Fusing AC Harness (120V)	1

Index No.	Part No.	Description	Q'ty Per Assembly
31	B039 5217	Fusing AC Harness (230V)	1
32	B039 5261	Key Counter Harness	1
32	B039 5262	Key Counter Harness (LAN)	1
101	0451 3008H	Tapping Screw - M3x8	
102	0451 3006B	Tapping Screw - M3x6	
104	0801 0149	Philips Pan Head Screw - M4x6	
105	1105 0487	Harness Clamp	
106	1105 0511	Harness Clamp - LWS-0306ZC	
107	1107 0629	Fuse (Ceramic Case) - 15A - 125V (120V)	
108	1107 0880	Fuse - 6.3A 250V (120V)	
108	1107 0877	Fuse - 3.15A 250V (230V)	
109	1107 0910	Fuse - 2A 125V (120V)	
109	1107 0936	Fuse - 2A 250V (230V)	
110	1107 0906	Fuse - 4A 125V (120V)	
110	1107 0921	Fuse - 4A 250V (230V)	
111	1107 0892	Fuse - 3.15A 125VAC (120V)	
111	1107 0622	Fuse - 3.15A 250V (230V)	

## 24.ELECTRICAL SECTION 2 (B039/B040/B043)



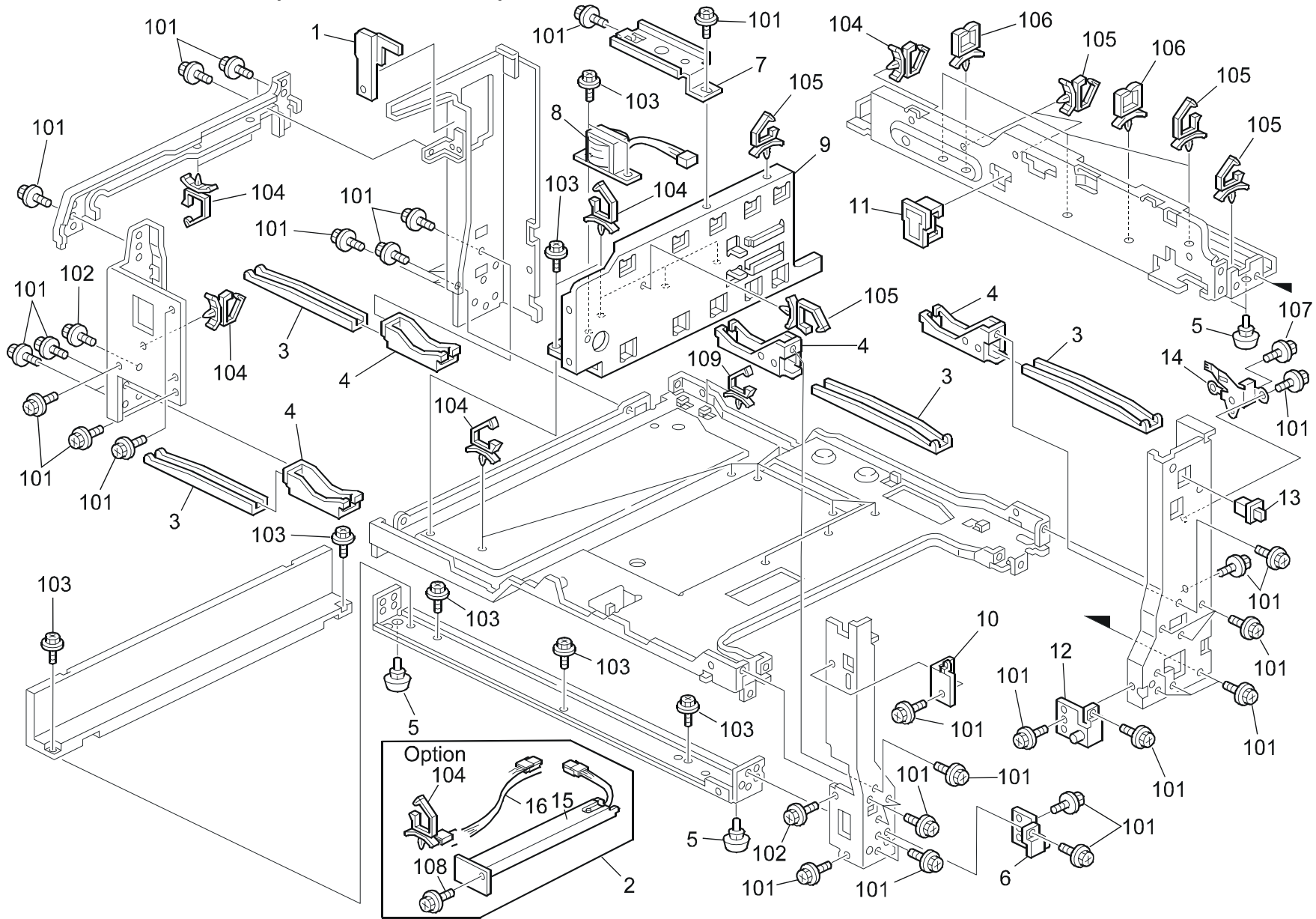
## 24.ELECTRICAL SECTION 2 (B039/B040/B043)

Index No.	Part No.	Description	Q'ty Per Assembly
1	B043 5243	Duplex Harness	1
2	B043 5155	Duplex Control Board	1
3	B039 1073	Right Door Stopper	2
4	B039 1111	Upper Duct	1
5	B039 1114	Shield - Upper Duct	1
6	B039 1112	Lower Duct	1
7	B039 1110	Main Duct	1
8	G027 1235	Tapping Screw - M3x33	2
9	GX64 0018	Cooling Fan - DC 24V/4.3W	1
10	B039 1113	Left Rear Duct	1
11	B039 1115	Shield - Fan Motor - Left Rear	1
12	B043 4719	Bracket - Duplex Control Board	1
13	G025 1197	Thermistor Harness Cover	1
14	B039 5887	Heater Switch Cover	1
15	B039 5841	Bracket - High Voltage Supply	1
16	B039 5730	High Voltage Supply Board	1
17	G020 5871	Spacer - KGLS-12RF	2
18	B039 1116	Shield - Main Duct	1
19	B039 1117	Shield - Lower Duct	1

Index No.	Part No.	Description	Q'ty Per Assembly
101	0451 3006B	Tapping Screw - M3x6	
102	0450 3008B	Tapping Screw - M3x8	
103	1105 0487	Harness Clamp	
104	1105 0499	Support Spacer - M3x29	

# 25.FRAME SECTION 1 (B039/B040/B043)

Rev. 11/13/2002





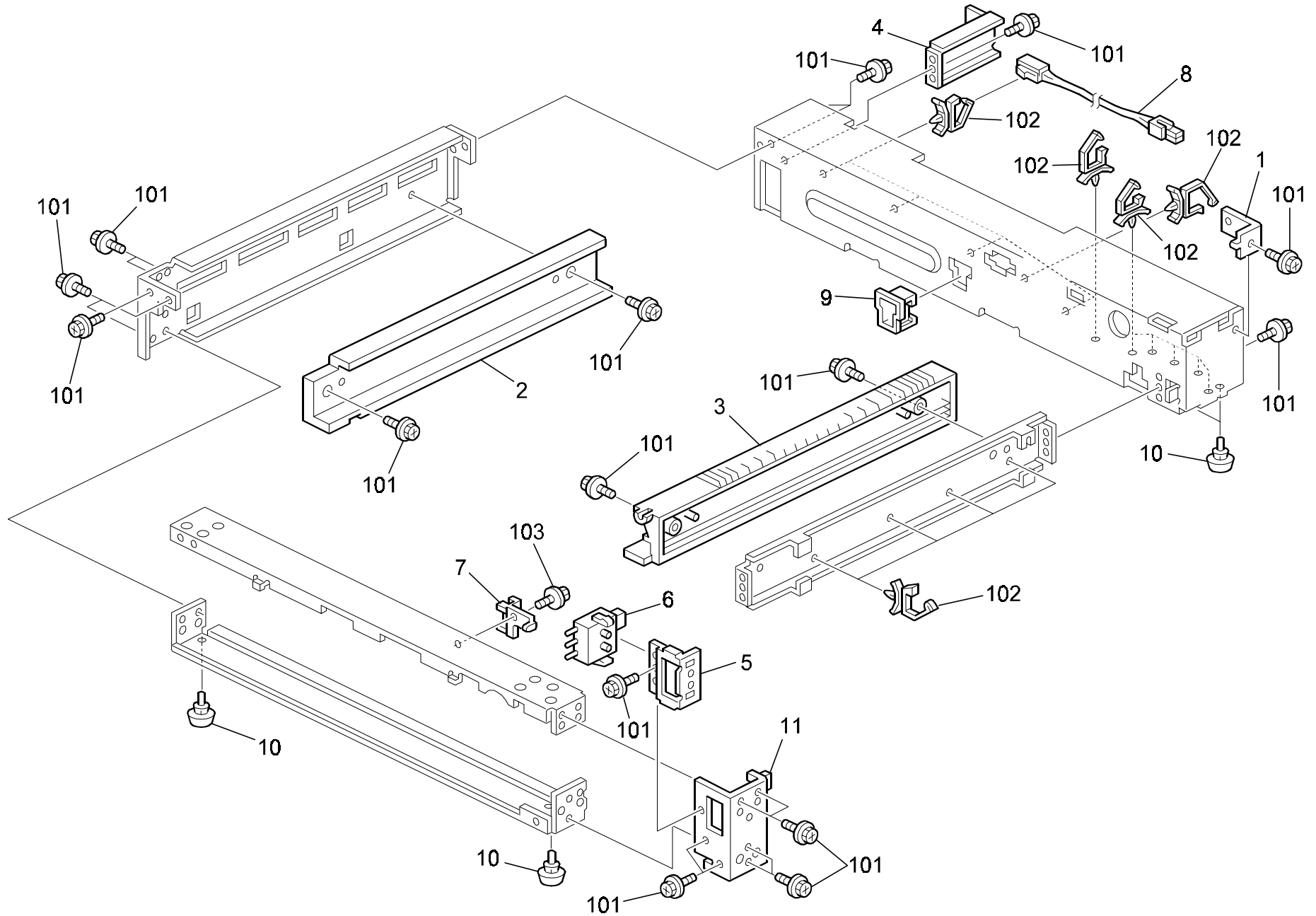
## 25.FRAME SECTION 1 (B039/B040/B043)

Rev. 11/13/2002

Index No.	Part No.	Description	Q'ty Per Assembly
1	B039 1368	Exit Rear Cover	1
2	B039 6057	Heater - 9W (120V OPTION)	1
2	B039 6058	Heater - 9W (230V OPTION)	1
3	B039 1072	Grip	4
4	B039 1070	Grip Bracket	4
5	G027 1180	Rubber Foot - GF (B039)	4
6	B039 1053	Right Door Shaft - Front	1
7	B039 5802	Stand - Power Supply Unit	1
8	N607 4525	Coil - RITL-9704 (230V)	1
9	B039 5801	Bracket - Power Supply Unit	1
10	B039 4185	Fusing Lamp Bracket	1
11	G060 2801	Holder - Paper Tray	1
12	B039 1058	Right Door Shaft - Rear	1
13	G020 5626	Push Switch	1
14	B039 1128	Ground Plate - OPC Drum	1
15	B039 2782	Tray Heater (120V)	1
15	B039 2783	Tray Heater (230V)	1
16	B039 5260	AC Harness - Dehumidifier	1

Index No.	Part No.	Description	Q'ty Per Assembly
101	0451 3006B	Tapping Screw - M3x6	
102	0451 3008H	Tapping Screw - M3x8	
103	0802 5276	Tapping Screw With Washer - M3x6	
104	1105 0511	Harness Clamp - LWS-0306ZC	
105	1105 0487	Harness Clamp	
106	1105 0197	Wire Saddle	
107	0450 3008B	Tapping Screw - M3x8	
108	0950 3006B	Sem,s Screw - M3x6	
109	1105 0488	Harness Clamp	

# 26.FRAME SECTION 2 (B040/B043)



## 26.FRAME SECTION 2 (B040/B043)

Index No.	Part No.	Description	Q'ty Per Assembly
1	B040 6143	Right Bracket - Rear Lower Cover	1
2	B040 6054	Left Rail	1
3	B040 6052	Right Rail	1
4	B040 6144	Left Bracket - Rear Lower Cover	1
5	B039 2754	Bracket - Paper Size Sensor	1
6	G800 3035	Push SW - Paper Size	1
7	B040 6149	Bracket - Heater - NO.2	1
8	B040 5229	AC Harness - 2nd Tray Heater	1
9	G060 2801	Holder - Paper Tray	1
10	G027 1180	Rubber Foot - GF	4
11	B040 6046	Support Bracket - Paper Switch	1

Index No.	Part No.	Description	Q'ty Per Assembly
101	0451 3006B	Tapping Screw - M3x6	
102	1105 0511	Harness Clamp - LWS-0306ZC	
103	0950 3006B	Sem,s Screw - M3 X 6	

## 27.BICU BOARD (B039/B040/B043)

### CAPACITOR

SYMBOL NO.	INDEX NO.	SYMBOL NO.	INDEX NO.	SYMBOL NO.	INDEX NO.	SYMBOL NO.	INDEX NO.	SYMBOL NO.	INDEX NO.	SYMBOL NO.	INDEX NO.	SYMBOL NO.	INDEX NO.
C1	157	C11	160	C21	159	C31	160	----	---	C51	158	C61	160
C2	160	C12	157	C22	154	C32	158	----	---	C52	158	C62	160
C3	158	C13	160	C23	155	C33	137	C43	160	C53	160	C63	157
C4	158	C14	158	C24	155	C34	158	C44	160	C54	155	C64	158
C5	160	C15	136	----	---	C35	160	C45	160	C55	159	C65	155
----	---	C16	160	C26	158	----	---	C46	160	C56	159	C74	157
----	---	C17	160	C27	156	C37	158	C47	159	C57	160	C75	157
C8	157	C18	136	C28	156	C38	160	C48	158	C58	158	C76	157
C9	158	C19	160	C29	154	C39	157	C49	160	C59	157	C77	159
----	---	C20	160	C30	160	C40	157	----	---	C60	157	C78	160

### CAPACITOR

SYMBOL NO.	INDEX NO.	SYMBOL NO.	INDEX NO.	SYMBOL NO.	INDEX NO.	SYMBOL NO.	INDEX NO.	SYMBOL NO.	INDEX NO.	SYMBOL NO.	INDEX NO.	SYMBOL NO.	INDEX NO.
C79	160	C93	158	C106	157	C121	160	C133	158	C145	160	CA1	138
C80	158	C94	157	C107	160	C122	160	C134	158	C146	160	CA2	138
C81	160	C95	160	C108	157	C123	159	C135	160	C147	160	CA3	138
C82	160	C96	155	C109	155	C124	159	C136	158	C148	160	CA4	138
C86	158	C97	155	C110	158	C126	160	C137	160	C149	160	CA5	138
C87	160	C98	158	C111	157	C127	157	C139	136	C150	160	----	---
C88	160	C99	159	C114	157	C128	160	C140	160	C152	157	CA7	138
C89	158	C100	159	C118	160	C129	160	C142	160	----	---	----	---
C91	160	C104	157	C119	159	C131	159	C143	158	----	---	----	---
C92	158	C105	157	C120	160	C132	160	C144	160	CA10	138	CA10	138

### CA

## 27.BICU BOARD (B039/B040/B043)

### CA

SYMBOL NO.	INDEX NO.
CA11	138
CA12	138
CA13	138
CA14	138
CA15	138
CA23	138
CA24	138

### CONNECTOR

SYMBOL NO.	INDEX NO.
CN101	105
CN102	103
CN104	101
CN105	106
CN106	105
CN107	102
CN108	107
CN109	104
CN110	108
CN111	109

### DIODE

SYMBOL NO.	INDEX NO.
D1	112

### FILTER

SYMBOL NO.	INDEX NO.
FIL1	139
FIL2	139
FIL3	141
---	---
FIL5	139
FIL6	139
FIL7	139
FIL8	141
FIL9	139
---	---

SYMBOL NO.	INDEX NO.
---	---
FIL12	140
FIL13	140
FIL14	140
FIL15	140
FIL16	140
FIL17	139
FIL18	141
FIL19	140
FIL20	140

SYMBOL NO.	INDEX NO.
FIL21	140
FIL22	140
FIL23	140
FIL24	140
FIL25	140
FIL26	140
FIL27	140
FIL30	141
FIL31	139
FIL32	142

### IC

SYMBOL NO.	INDEX NO.
IC1	118
---	---
---	---
---	---
IC5	1
IC6	110
(Socket)	110
IC7	163
IC8	118
IC9	118
IC10	118

### IC

SYMBOL NO.	INDEX NO.
IC11	118
IC12	118
---	---
---	---
---	---
IC16	161
IC17	161
IC18	118
---	---
IC20	119

SYMBOL NO.	INDEX NO.
---	---
---	---
IC23	121
IC24	162
IC25	122
IC26	124
IC27	120

### LED

SYMBOL NO.	INDEX NO.
LED1	115
LED2	116

### OSC

SYMBOL NO.	INDEX NO.
OSC2	125
OSC3	126

### Q

SYMBOL NO.	INDEX NO.
Q3	111

### RESISTOR

SYMBOL NO.	INDEX NO.
R2	148
R3	148
R4	148
R8	144
R9	152
R10	144
R11	144
R12	144
R13	150
R14	149

SYMBOL NO.	INDEX NO.
R15	149
R16	146
R17	148
R18	144
R19	153
R20	147
R21	148
R22	148
R24	148
R25	148

## 27.BICU BOARD (B039/B040/B043)

### RESISTOR

SYMBOL NO.	INDEX NO.	SYMBOL NO.	INDEX NO.	SYMBOL NO.	INDEX NO.	SYMBOL NO.	INDEX NO.	SYMBOL NO.	INDEX NO.	SYMBOL NO.	INDEX NO.	SYMBOL NO.	INDEX NO.
R35	152	R47	148	R61	152	R72	149	R86	145	R97	150	R107	150
R36	145	R48	148	R62	145	R73	150	R87	145	R98	148	R108	152
R37	150	R49	148	R63	148	R74	150	R88	148	R99	149	R109	152
R38	150	R50	148	R64	152	R75	145	R89	148	R100	144	R110	152
R39	145	R51	150	R65	152	R76	152	R90	145	R101	145	R111	144
R40	144	R52	144	R66	148	R78	148	R91	148	R102	144	R112	145
R42	143	R53	144	R67	148	R79	144	R92	144	R103	145	R114	148
R43	143	R58	144	R68	152	R80	148	R94	145	R104	145	R117	144
R45	148	R59	144	R69	150	R81	144	R95	152	R105	150	R120	145
R46	148	R60	151	R71	150	R85	145	R96	149	R106	145	R123	144

### RESISTOR

SYMBOL NO.	INDEX NO.	SYMBOL NO.	INDEX NO.	SYMBOL NO.	INDEX NO.
R124	150	R136	145	R148	152
R125	145	R137	148	R149	145
R126	152	R138	145	R150	148
R127	150	R139	145	R151	144
R128	145	R140	145	R152	148
R129	145	R141	148	R153	148
R130	144	R142	145	R154	148
R133	144	R143	152	R155	150
R134	144	R146	148	R156	150
R135	145	R147	145	R157	145

### REG

SYMBOL NO.	INDEX NO.
REG2	123

### RN

SYMBOL NO.	INDEX NO.	SYMBOL NO.	INDEX NO.	SYMBOL NO.	INDEX NO.
RN1	127	RN11	132	RN39	133
RN2	133	RN16	132	RN40	128
RN3	128	RN17	127	RN41	133
RN4	133	RN22	128	RN42	128
RN5	127	RN23	132	RN44	132
RN6	128	RN25	132	RN45	133
RN7	132	RN26	132	RN48	132
RN8	133	RN34	133	RN49	132
RN9	133	RN37	133	RN50	132
RN10	132	RN38	128	RN51	132

## 27.BICU BOARD (B039/B040/B043)

### RN

SYMBOL NO.	INDEX NO.
RN52	132
RN53	129
RN54	132
RN55	128
RN56	128
RN57	128
RN58	130
RN59	130
RN60	130
RN61	130

SYMBOL NO.	INDEX NO.
RN62	128
RN63	132
RN65	128
RN66	127
RN67	132
RN68	128
RN74	128
RN75	130
RN76	128
RN77	132

SYMBOL NO.	INDEX NO.
RN78	131
RN79	131
RN80	135
RN81	135
RN82	135
RN83	135
RN84	134
RN85	135
RN86	135
RN87	135

SYMBOL NO.	INDEX NO.
RN88	135
RN89	135
RN90	135
RN91	134
RN92	135
RN93	135
RN94	135
RN95	135
RN96	135
RN97	135

SYMBOL NO.	INDEX NO.
RN98	135

### ZD

SYMBOL NO.	INDEX NO.
ZD1	113
ZD2	114

## 27.BICU BOARD (B039/B040/B043)

Rev. 10/25/2002

Index No.	Part No.	Description	Q'ty Per Assembly
*	B039 5101	BICU Board (120V)	1
*	B039 5102	BICU Board (230V)	1
*	B039 5103	BICU Board (ASIA)	1
1	B039 5503	IC - KT-ONE - KS5M1U1474CFP	1

Index No.	Part No.	Description	Q'ty Per Assembly
101	1102 4203	CT Header - 4P	
102	1102 4206	Connector - 7P	
103	1102 4208	Connector - 9P	
104	1102 5304	Connector - 5P	
105	1102 7460	Connector - FH12-50S-0.5SH	
106	1102 8057	Connector - 60P	
107	1102 8674	Connector - TX24-60R-6ST-H1	
108	1102 8685	Connector - IC CARD	
109	1102 8714	Connector - WR-L60P-VF-A1	
110	1104 0588	Dip Socket - 28P	
111	1400 0901	Transistor - DTC144VUA	
112	1402 1058	Diode Array - DA114	
113	1402 1380	Diode - PTZ 6.2A	
114	1402 1571	Diode - PTZ3.9A	
115	1403 0996	LED - SML-310VT	
116	1403 0996	LED - SML-310VT	
117	1407 5162	CPU - HD6412350F20	
118	1407 5353	IC - SN74LV244APW	
119	1407 5376	IC - SN74LV32APW	
120	1407 5382	CMOS Logic - SN74LV373APW	
121	1407 5469	IC - SN74LV07APW	
122	1408 1273	IC - RN5VD28A	
123	1408 1470	Series Regulator - TA18M025F	
124	1408 1620	IC - RN5VD44A	
125	1503 0993	Crystal Oscillator- 14.7456MHz	
126	1503 1020	Crystal Oscillator - 33MHz	
127	1601 7751	Resistor - 4.7K $\Omega$ $\pm$ 5%	
128	1601 7752	Resistor Array - 10K $\Omega$ $\pm$ 5%	
129	1601 7791	Resistor Array - 1K $\Omega$ $\pm$ 5%	
130	1601 7814	Resistor - 3.3K $\Omega$ $\pm$ 5%	
131	1601 7833	Resistor Array - 330 $\Omega$ $\pm$ 5% 1/16W	
132	1601 7867	Resistor - 33 $\Omega$ $\pm$ 5% 1/16W	
133	1601 7871	Resistor - 68 $\Omega$ $\pm$ 5% 1/16W	
134	1601 7919	Resistor - 10K $\Omega$ $\pm$ 5% 1/16W 8	
135	1601 7926	Resistor - 68 $\Omega$ $\pm$ 5% 1/16W 8	





## 28.IO BOARD (B039/B040/B043)

### CAPACITOR

SYMBOL NO.	INDEX NO.	SYMBOL NO.	INDEX NO.	SYMBOL NO.	INDEX NO.	SYMBOL NO.	INDEX NO.	SYMBOL NO.	INDEX NO.	SYMBOL NO.	INDEX NO.	SYMBOL NO.	INDEX NO.
C302	176	C315	176	C325	176	C335	147	C345	173	C357	176	C367	176
C303	175	C316	177	C326	172	C336	176	C346	175	C358	176	C368	175
C304	173	C317	176	C327	176	C337	176	C347	173	C359	176	C369	176
C308	147	C318	170	C328	176	C338	176	C348	176	C360	176	C370	176
C309	176	C319	176	C329	171	C339	176	C349	173	C361	175	C371	176
C310	176	C320	171	C330	172	C340	176	C352	176	C362	176	C372	175
C311	176	C321	176	C331	176	C341	176	C353	177	C363	176	C373	176
C312	176	C322	176	C332	176	C342	176	C354	176	C364	176	C374	175
C313	177	C323	176	C333	171	C343	176	C355	175	C365	176	C375	175
C314	176	C324	169	C334	172	C344	176	C356	176	C366	176	C376	176

### CAPACITOR

SYMBOL NO.	INDEX NO.	SYMBOL NO.	INDEX NO.	SYMBOL NO.	INDEX NO.	SYMBOL NO.	INDEX NO.	SYMBOL NO.	INDEX NO.	SYMBOL NO.	INDEX NO.	SYMBOL NO.	INDEX NO.
C377	176	C388	176	C398	176	C408	175	C419	176	C429	176	C439	174
C378	177	C389	176	C399	176	C409	175	C420	176	C430	176	C440	176
C379	176	C390	176	C400	176	C410	176	C421	176	C431	176	C441	176
C381	176	C391	176	C401	176	C411	176	C422	176	C432	176	C442	176
C382	176	C392	176	C402	176	C412	176	C423	176	C433	176	C443	176
C383	175	C393	177	C403	176	C413	176	C424	176	C434	176		
C384	176	C394	176	C404	176	C415	176	C425	176	C435	176		
C385	176	C395	176	C405	176	C416	176	C426	176	C436	176		
C386	176	C396	176	C406	176	C417	176	C427	176	C437	176		
C387	175	C397	176	C407	176	C418	176	C428	176	C438	174		

## 28.IO BOARD (B039/B040/B043)

### CONNECTOR

SYMBOL NO.	INDEX NO.
CN301	123
CN302	124
CN303	103
CN304	112
CN305	108
CN306	118
CN307	104
CN308	101
CN310	115
CN311	106

SYMBOL NO.	INDEX NO.
CN312	112
CN314	117
CN315	118
CN316	105
CN317	121
CN320	122
CN321	101
CN322	119
CN324	116
CN325	102

SYMBOL NO.	INDEX NO.
CN326	113
CN327	111
CN328	114
CN331	107
CN333	106
CN334	109
CN335	120
CN336	104
CN337	101
CN338	110

### DIODE

SYMBOL NO.	INDEX NO.
D301	130
D302	130
D303	130
D304	130

### DA

SYMBOL NO.	INDEX NO.
DA301	129
DA302	129
DA303	129

### FILTER

SYMBOL NO.	INDEX NO.
FIL301	140
FIL302	140
FIL303	140
FIL304	140
FIL305	140

### IC

SYMBOL NO.	INDEX NO.
IC301	133
IC302	135
IC303	1
IC304	138
IC305	133
IC306	133
IC307	133
IC308	136
IC309	133
IC310	133

### JP

SYMBOL NO.	INDEX NO.
JP301	166

### OSC

SYMBOL NO.	INDEX NO.
OSC301	139

### Q

SYMBOL NO.	INDEX NO.
Q301	127
Q302	134
Q303	134
Q304	128
Q305	134
Q306	125
Q307	126

### RESISTOR

SYMBOL NO.	INDEX NO.
R301	157
R303	151
R304	152
R305	158
R306	152
R308	152
R309	152
R310	167
R311	161
R312	151

SYMBOL NO.	INDEX NO.
R313	152
R314	157
R319	141
R320	159
R321	161
R322	157
R323	157
R325	161
R326	152
R327	142

SYMBOL NO.	INDEX NO.
R328	142
R329	148
R330	151
R331	151
R332	158
R333	151
R334	159
R335	158
R336	152
R337	151

SYMBOL NO.	INDEX NO.
R338	160
R339	159
R340	151
R341	158
R342	149
R344	160
R347	153
R349	168
R350	152
R351	157

### LED

SYMBOL NO.	INDEX NO.
LED301	132

## 28.IO BOARD (B039/B040/B043)

### RESISTOR

SYMBOL NO.	INDEX NO.	SYMBOL NO.	INDEX NO.	SYMBOL NO.	INDEX NO.	SYMBOL NO.	INDEX NO.	SYMBOL NO.	INDEX NO.	SYMBOL NO.	INDEX NO.	SYMBOL NO.	INDEX NO.
R352	151	R362	162	R373	152	R384	151	R400	152	R410	152	R421	151
R353	159	R363	151	R374	164	R390	151	R401	152	R411	151	R423	152
R354	168	R364	151	R375	151	R391	151	R402	151	R412	152	R424	151
R355	151	R365	165	R376	152	R392	151	R403	152	R413	151	R425	150
R356	152	R366	156	R377	152	R393	151	R404	152	R414	161	R426	156
R357	158	R367	152	R378	155	R394	160	R405	160	R415	160	R427	152
R358	158	R368	155	R379	160	R396	152	R406	152	R416	157	R428	151
R359	158	R369	163	R380	158	R397	160	R407	152	R418	152	R429	160
R360	152	R370	151	R381	158	R398	152	R408	152	R419	152	R430	153
R361	162	R371	150	R382	151	R399	151	R409	151	R420	161	R431	151

### RESISTOR

SYMBOL NO.	INDEX NO.
R498	154
R499	151
R500	161
R501	157
R502	152
R503	141
R504	152
R505	152
R506	152
R507	152

SYMBOL NO.	INDEX NO.
R508	152
R509	152
R510	152
R511	152

### REG

SYMBOL NO.	INDEX NO.
REG301	137

### RN

SYMBOL NO.	INDEX NO.
RN301	143
RN302	144
RN303	143
RN304	143
RN305	143
RN306	143
RN307	146
RN308	146
RN309	146
RN310	143

SYMBOL NO.	INDEX NO.
RN311	143
RN312	143
RN313	143
RN314	143
RN315	143
RN316	143
RN318	143
RN320	143
RN322	144
RN323	145

SYMBOL NO.	INDEX NO.
RN324	143
RN325	144
RN326	144
RN327	143
RN328	143
RN329	143
RN330	143
RN331	143
RN332	145
RN333	143

SYMBOL NO.	INDEX NO.
RN334	143
RN335	143
RN336	143
RN337	143
RN338	143
RN339	143
RN340	143
RN341	143
RN342	143
RN343	143

### ZD

SYMBOL NO.	INDEX NO.
ZD301	131

## 28.IO BOARD (B039/B040/B043)

Rev. 12/12/2001

Index No.	Part No.	Description	Q'ty Per Assembly
*	B039 5120	I/O Board	1
1	A232 5355	IC-Gatex	1

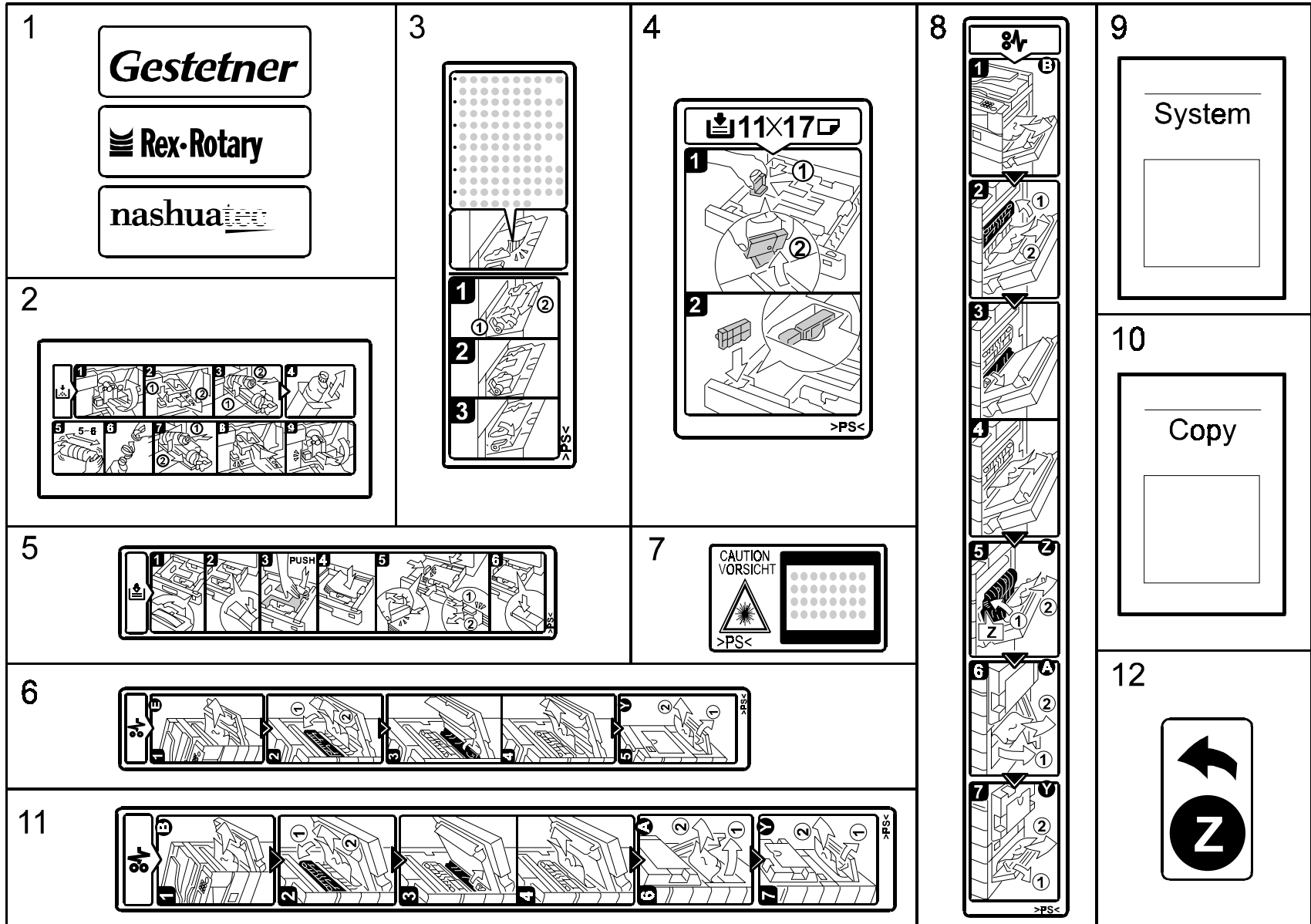
Index No.	Part No.	Description	Q'ty Per Assembly
101	1102 4201	Connector - 2P	
102	1102 4203	CT Header - 4P	
103	1102 4204	CT Header - 5P	
104	1102 4205	CT Header - 6P	
105	1102 4206	Connector - 7P	
106	1102 4207	Connector - 8P	
107	1102 4208	Connector - 9P	
108	1102 4209	CT Header - 10P	
109	1102 4212	CT Header - 15P	
110	1102 4619	Connector - 2P	
111	1102 4621	CT Header - 4P	
112	1102 4623	CT Connector - 6P	
113	1102 4645	CT Connector - 4P	
114	1102 5301	Connector - 2P	
115	1102 5304	Connector - 5P	
116	1102 5552	Connector - 1P	
117	1102 6295	Connector - 2P	
118	1102 6297	Connector - 4P	
119	1102 6299	Connector - 6P	
120	1102 6308	Connector - 15P	
121	1102 6313	Connector - 6P	
122	1102 6893	Connector - 30P	
123	1102 7702	Connector - 60P	
124	1102 8728	Connector - FFC/FPC SLD5R-1	
125	1400 0555	Transistor - DTC143EK	
126	1400 0619	Transistor - DTA143EKA	
127	1400 0700	Transistor - DTD133HK	
128	1400 0702	Transistor - DTD143EK	
129	1402 1142	Diode Array - DAN217	
130	1402 1336	Diode - 1SS355	
131	1402 1380	Diode - PTZ 6.2A	
132	1403 0996	LED - SML-310VT	
133	1407 2187	TTLIC - SN74LS07NS	
134	1407 2219	IC - TD62003AP	
135	1408 0595	IC - NJM2904M	



Index No.	Part No.	Description	Q'ty Per Assembly
136	1408 1204	IC - TA8083P	
137	1408 1290	Regulator - TA7805S	
138	1408 1585	IC - STK672-310	
139	1503 0865	Oscillator - 9.8304MHz	
140	1600 1871	Resistor - 0 $\Omega$ 1/6W	
141	1601 5442	Resistor - 220 $\Omega$ $\pm$ 5% 2W	
142	1601 5492	Resistor - 47 $\Omega$ $\pm$ 5% 2W	
143	1601 7752	Resistor Array - 10K $\Omega$ $\pm$ 5%	
144	1601 7791	Resistor Array - 1K $\Omega$ $\pm$ 5%	
145	1601 7814	Resistor - 3.3K $\Omega$ $\pm$ 5%	
146	1601 7867	Resistor - 33 $\Omega$ $\pm$ 5% 1/16W	
147	1605 1148	Capacitor - 0.1 $\mu$ F+80-20% 50V	
148	1630 1620	Resistor - 62 $\Omega$ $\pm$ 5% 1/4W	
149	1630 3391	Resistor - 390 $\Omega$ 1/10W $\pm$ 5%	
150	1630 4100	Resistor - 10 $\Omega$ $\pm$ 5% 1/16W	
151	1630 4102	Resistor - 1.0K $\Omega$ $\pm$ 5% 1/16W	
152	1630 4103	Resistor - 10K $\Omega$ $\pm$ 5% 1/16W	
153	1630 4104	Resistor - 100 $\Omega$ $\pm$ 5% 1/16W	
154	1630 4105	Resistor - 1.0M $\Omega$ $\pm$ 5% 1/16W	
155	1630 4220	Resistor - 22 $\Omega$ $\pm$ 5% 1/16W	
156	1630 4222	Resistor - 2.2K $\Omega$ $\pm$ 5%	
157	1630 4243	Resistor - 24K $\Omega$ $\pm$ 5% 1/16W	
158	1630 4330	Resistor - 33 $\Omega$ $\pm$ 5% 1/8W	
159	1630 4331	Resistor - 330 $\Omega$ $\pm$ 5% 1/16W	
160	1630 4332	Resistor - 3.3K $\Omega$ $\pm$ 5% 1/16W	
161	1630 4472	Resistor - 4.7K $\Omega$ $\pm$ 5% 1/16W	
162	1633 1000	Resistor - 100 $\Omega$ $\pm$ 1% 1/10W	
163	1633 1600	Resistor - 160 $\Omega$ $\pm$ 1% 1/10W	
164	1633 4220	Resistor - 422 $\Omega$ $\pm$ 1% 1/10W 2125	
165	1633 4700	Resistor - 470 $\Omega$ - $\pm$ 1% - 1/10W	
166	1634 0000	Resistor - 0 $\Omega$ 1/16W	
167	1634 3301	Resistor - 3.3K $\Omega$ $\pm$ 1% 1/16W	
168	1634 6801	Resistor - 6.8K $\Omega$ $\pm$ 1% 1/8W	
169	1640 0101	Capacitor - 100 $\mu$ F10V	
170	1640 2470	Capacitor - 47 $\mu$ F $\pm$ 20% 25V	

Index No.	Part No.	Description	Q'ty Per Assembly
171	1640 5101	Capacitor - 100 $\mu$ F $\pm$ 20% 50V	
172	1642 5100	Capacitor - 10 $\mu$ F $\pm$ 20% 50V	
173	1660 0100	Capacitor - 10PF $\pm$ 0.5pF 50V	
174	1660 2270	Capacitor - 27pF $\pm$ 20% 35V	
175	1660 2471	Capacitor - 470pF - $\pm$ 5% - 50V	
176	1660 6103	Capacitor - 10000pF - +80%-20%50V	
177	1660 8104	Capacitor - 0.1 $\mu$ F+80-20% 25V	
178	A232 5355	IC - Gatex	

# 29.DECAL AND DOCUMENT (B039/B040/B043)





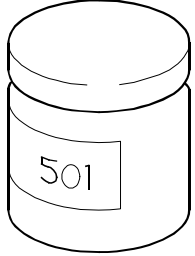
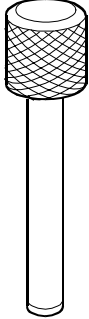
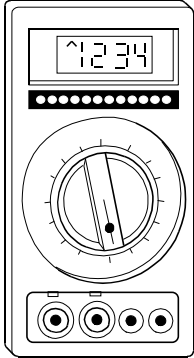
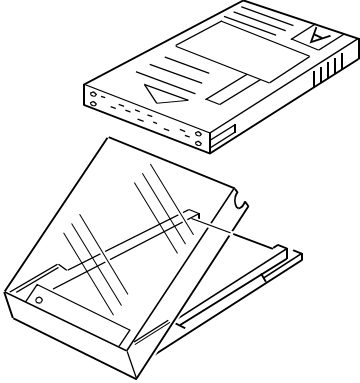
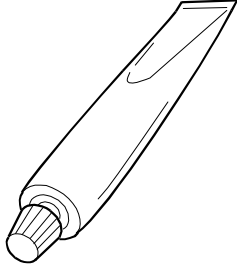

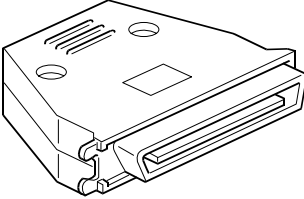
## 29.DECAL AND DOCUMENT (B039/B040/B043)

Rev. 12/06/2002

Index No.	Part No.	Description	Q'ty Per Assembly
1	A153 6409	Decal - Keytop Cover (GES)	1
1	C225 2866	Decal - Keytop Cover (REX)	1
1	C225 2867	Decal - Keytop Cover (NSA)	1
2	B039 1365	Sheet - Operation Instructions	1
3	B039 2633	Decal - By-pass Feed	1
4	B039 2720	Decal - Cassette Operation DLT	1
5	B039 2721	Decal - Cassette Operation	1
6	B039 4488	Jam Removal Decal (B039)	1
7	B040 4488	Jam Removal Decal (B040)	1
8	B043 4691	Jam Removal Decal (B043)	1
9	B039 8610	Operating Instructions - System NA (RIC)	1
9	B039 8608	Operating Instructions - System (ASIA)	1
9	B039 8660	Operating Instructions - System (INF)	1
10	B039 7210	Operating Instructions - Copy NA (RIC)	1
10	B039 7208	Operating Instructions - Copy (ASIA)	1
10	B039 7260	Operating Instructions - Copy (INF)	1
11	G029 1980	Decal - LD	1
12	B043 4692	Grip Decal	1

Index No.	Part No.	Description	Q'ty Per Assembly

### 30.SPECIAL TOOLS (B039/B040/B043)

<p>1</p> 	<p>2</p> 	<p>3</p> 	<p>4</p> 
<p>5</p> 	<p>6</p> 	<p>7</p> 	

### 30.SPECIAL TOOLS (B039/B040/B043)

Rev. 12/05/2001

Index No.	Part No.	Description	Q'ty Per Assembly
1	5203 9502	Grease 501	1
2	A006 9104	Adjusting Scanner Pin (4pcs/set)	1
3	A029 9387	Digital Multimeter - FLUKE87	1
4	N803 6701	Flash Memory Card - 4MB	1
5	A257 9300	Grease - Barrierta S552R	1
6	A292 9500	Test Chart - S5S (10 Pcs/set)	1
7	G021 9350	Loopback Connector - Parallel	1

Index No.	Part No.	Description	Q'ty Per Assembly



**B039/B040/B043**

**PARTS INDEX**



This section instructs you as to the numbers and names of parts on this machine.

## PM Parts Index

Section Name	Part No.	Description in Service Manual	Description in Parts Catalog	Q'ty Per Assembly	Page and Index No.
PAPER CASSETTE (B039/B040/B043)	B039 2740	Paper Feed Roller	Paper Feed Roller	2	25- 11
	B039 2711	Friction Pad	Friction Pad	1	25- 18
	B039 3820	Transfer Roller	Transfer Roller	1	27- 25
1ST PAPER FEED SECTION (B039/B040/B043)					
TONER SUPPLY UNIT (B039/B040/B043)	B039 2335	Separation Pawl	Pickoff Pawl	2	37- 14
	B039 2289	Cleaning Blade	Cleaning Blade	1	37- 15
	B039 9510	Drum	OPC Drum	1	37- 17
	G052 3510	Charge Roller	Charge Roller	1	37- 21
	G060 2326	Cleaning Brush	Charge Roller Cleaner	1	37- 22
PAPER EXIT SECTION (B039/B040/B043)	AE04 4040	Hot Roller Stripper Pawls	Stripper Pawl	5	41- 9
	AE01 1065	Hot Roller	Hot Roller	1	41- 20
	AE02 0100	Pressure Roller	Pressure Roller	1	41- 22
	G029 4174	Pressure-roller Bushing	Pressure Roller Bushing	2	41- 27



## Parts Index

Part No.	Description	Page and Index No.
B039 1053	Right Door Shaft - Front	57- 6
B039 1058	Right Door Shaft - Rear	57- 12
B039 1068	ADF Bracket	15- 18
B039 1069	Support Bracket	15- 17
B039 1070	Grip Bracket	57- 4
B039 1072	Grip	57- 3
B039 1073	Right Door Stopper	55- 3
B039 1082	Door Switch Bracket	43- 6
B039 1084	Harness Cover	43- 1
B039 1086	Rear Duct	53- 6
B039 1087	Shield - Fan Motor - Rear	53- 1
B039 1088	Sheet - Duct	21- 5
B039 1090	Door Switch Lever - 1	43- 16
B039 1091	Door Switch Lever - 2	43- 15
B039 1092	Door Switch Lever - 3	43- 14
B039 1093	Door Switch Lever - 4	43- 13
B039 1094	Door Switch Lever - 5	43- 11
B039 1095	Door Switch Lever - 6	43- 10
B039 1096	Door Switch Lever - 7	43- 8
B039 1097	Door Switch Lever - 8	43- 9
B039 1098	Door Switch Spring	43- 12
B039 1110	Main Duct	55- 7
B039 1111	Upper Duct	55- 4
B039 1112	Lower Duct	55- 6
B039 1113	Left Rear Duct	55- 10
B039 1114	Shield - Upper Duct	55- 5
B039 1115	Shield - Fan Motor - Left Rear	55- 11
B039 1116	Shield - Main Duct	55- 18
B039 1117	Shield - Lower Duct	55- 19
B039 1128	Ground Plate - OPC Drum	57- 14
B039 1130	Development Sensor Bracket	27- 20
B039 1131	Pressure Release Spring	43- 28
B039 1132	Bracket - Pressure Release	43- 27
B039 1133	Auxiliary Bracket - Pressure Release	43- 29
B039 1135	Development Terminal	51- 8

Part No.	Description	Page and Index No.
B039 1137	Grounding Plate - Drum	51- 9
B039 1139	Plate - DF Harness	51- 2
B039 1140	Housing - Main Drive	51- 25
B039 1141	Shaft - Paper Feed Frame	39- 6
B039 1142	Housing - Paper Feed	29- 8
B039 1144	Bushing - 8x16x9	51- 7
B039 1145	Coupled Gear - 34/63Z (01)	51- 14
B039 1146	Coupled Gear - 32/71Z (04)	51- 15
B039 1148	Drum Shaft (02)	51- 13
B039 1154	Coupled Gear - 37/97Z (05)	51- 18
B039 1155	Gear/pulley - 61/34Z (11)	51- 16
B039 1156	Coupled Gear - 20/49Z (12)	51- 12
B039 1157	Fusing Relay Gear - Assembly	51- 11
B039 1161	Spring - Fusing Relay Gear	51- 10
B039 1162	Timing Belt - 226XL	51- 3
B039 1163	Pulley - 23Z	43- 26
B039 1165	Coupled Gear - 49/59/38Z (08)	51- 22
B039 1166	Gear - 37Z (07)	51- 23
B039 1167	Gear - 22Z (09)	51- 21
B039 1168	Gear - 32Z (10)	51- 20
B039 1170	Gear - 63Z	51- 5
B039 1173	Gear - 78Z (06)	51- 19
B039 1174	Development Drive Shaft (03)	51- 17
B039 1178	Bracket - Paper Feed Clutch	29- 23
B039 1183	Shaft - Paper Feed	29- 21
B039 1186	Gear - 46Z	29- 25
B039 1187	Gear - 30Z	29- 24
B039 1188	Bushing - 6x10x12	29- 22
B039 1190	Shaft - By-pass Feed	29- 20
B039 1191	Gear - 19Z	29- 19
B039 1192	Gear - 57Z	29- 33
B039 1193	Bushing - By-pass Feed	29- 31
B039 1194	Bracket - By-pass Feed	29- 18
B039 1199	Spring - By-pass Feed	29- 32
B039 1234	Exit Cover (B039/B040)	43- 2

Part No.	Description	Page and Index No.
B039 1251	Shield Glass Cover	21- 1
B039 1254	Front Door	9- 15
B039 1254	Front Door	11- 15
B039 1313	Cap - IC Card	11- 7
B039 1313	Cap - IC Card	9- 7
B039 1315	Left Cover	9- 1
B039 1315	Left Cover	11- 1
B039 1332	Left Scanner Cover	9- 2
B039 1332	Left Scanner Cover	11- 2
B039 1333	Rear Scanner Cover	9- 4
B039 1333	Rear Scanner Cover	11- 4
B039 1334	Right Scanner Cover	9- 9
B039 1334	Right Scanner Cover	11- 9
B039 1336	Rear Cover	11- 6
B039 1336	Rear Cover	9- 6
B039 1339	Cover - Front Right Upper	9- 11
B039 1339	Cover - Front Right Upper	11- 11
B039 1344	Cap - Application	11- 5
B039 1344	Cap - Application	9- 5
B039 1347	Right Rear Cover	11- 10
B039 1347	Right Rear Cover	9- 10
B039 1348	Cap - Paper Tray Unit	9- 8
B039 1349	Exit Cover	11- 3
B039 1349	Exit Cover	9- 3
B039 1350	Front Cover (EU)	11- 12
B039 1350	Front Cover (EU)	9- 12
B039 1351	Front Cover (NA)	11- 12
B039 1351	Front Cover (NA)	9- 12
B039 1361	Magnet Catch	9- 14
B039 1361	Magnet Catch	11- 14
B039 1364	Rivet - M7	11- 23
B039 1364	Rivet - M7	9- 20
B039 1365	Sheet - Operation Instructions	69- 2
B039 1365	Sheet - Operation Instructions	11- 18
B039 1365	Sheet - Operation Instructions	9- 18

Part No.	Description	Page and Index No.
B039 1366	Cover Magnet	11- 13
B039 1366	Cover Magnet	9- 13
B039 1367	Rivet - M6	11- 24
B039 1367	Rivet - M6	9- 19
B039 1368	Exit Rear Cover	57- 1
B039 1421	Operation Panel Assembly - LT (B039/B040)	13- 4
B039 1422	Operation Panel Assembly - A4 (B039/B040)	13- 4
B039 1423	Operation Panel Assembly - A4 (B039/B040) (ASIA)	13- 4
B039 1425	Left Case - Operation Panel	13- 6
B039 1451	Upper Cover - Operation Panel (NA/ASIA)	13- 7
B039 1452	Lower Cover - Operation Panel	13- 5
B039 1453	Keytop - Start	13- 8
B039 1454	Keytop - Clear	13- 9
B039 1455	Keytop - 10key (NA)	13- 10
B039 1456	Keytop - User Tools	13- 11
B039 1457	Keytop - Clear Modes	13- 12
B039 1458	Keytop - Power Source	13- 13
B039 1459	Keytop - Main	13- 14
B039 1460	Keytop - Sort (B039/B040)	13- 15
B039 1461	Left LCD Cover	13- 1
B039 1462	Right LCD Cover	13- 3
B039 1463	Application Cover	13- 2
B039 1464	Sheet - Operation Panel (NA/ASIA)	13- 16
B039 1465	Sheet - Power Source (NA/ASIA)	13- 17
B039 1466	Sheet - Sort (B039/B040)(NA/ASIA)	13- 18
B039 1469	Ground Plate	13- 20
B039 1471	Upper Cover - Operation Panel (EU)	13- 7
B039 1472	Sheet - Operation Panel (EU)	13- 16
B039 1473	Sheet - Power Source (EU)	13- 17
B039 1474	Sheet - Sort (B039/B040)(EU)	13- 18
B039 1476	Keytop - 10key (ASIA)	13- 10
B039 1477	Keytop - 10key	13- 10
B039 1487	Operation Panel Board (B039/B040)	13- 19
B039 1499	Pan Head Tapping Screw - M3X8	13- 21

Part No.	Description	Page and Index No.
B039 1658	Rear Scale Bracket	15- 16
B039 1662	Front Scanner Frame	19- 19
B039 1663	Rear Scanner Frame	19- 20
B039 1664	Bracket - Timing Belt	19- 14
B039 1666	Bracket - Operation Panel	15- 12
B039 1667	Bracket - Lens Block	19- 6
B039 1668	Bracket - Stabilizer Harness	19- 13
B039 1670	Scanner Drive Motor - DC3.6V 2.88W	19- 15
B039 1680	Gear/pulley - 60/47Z	19- 18
B039 1683	Tension Spring - Stepper Motor	19- 17
B039 1691	Shaft - Scanner Drive	19- 11
B039 1692	Pulley - 37Z	19- 12
B039 1694	Pulley - 37/41Z	19- 10
B039 1695	Flange - Pulley	19- 9
B039 1696	Timing Belt - 142.5XL	19- 8
B039 1697	Timing Belt - 1058.25XL	19- 7
B039 1701	Bracket - Idler	19- 4
B039 1702	Shaft - Pulley	19- 16
B039 1703	Pulley - 37Z	19- 3
B039 1704	Spring - Timing Pulley	19- 5
B039 1710	Left Scanner Bracket	15- 3
B039 1712	Right Scanner Bracket	15- 14
B039 1747	Xenon Lamp	17- 10
B039 1748	Front Reflector	17- 18
B039 1749	Rear Reflector	17- 19
B039 1752	1st Mirror Carriage	17- 12
B039 1757	1st Mirror Holder	17- 14
B039 1758	Timing Belt Holder - Front	17- 11
B039 1759	Timing Belt Holder - Rear	17- 13
B039 1762	1st Mirror	17- 15
B039 1763	Lamp Stabilizer	17- 16
B039 1767	2nd Mirror Carriage	17- 5
B039 1776	Front Pulley Bracket	17- 9
B039 1778	Rear Pulley Bracket	17- 7
B039 1781	2nd Mirror Holder	17- 2

Part No.	Description	Page and Index No.
B039 1782	Flat Cable Guide	17- 4
B039 1784	Scanner Drive Belt	17- 6
B039 1785	Scanner Drive Pulley	17- 3
B039 1787	2nd Mirror	17- 1
B039 1790	Tension Spring	17- 8
B039 1804	SBU Harness	15- 13
B039 1807	Lens Cover	15- 8
B039 1811	Lens Unit	15- 9
B039 1872	Laser Unit Assembly	21- *
B039 1905	Adjusting Plate	21- 2
B039 1913	Laser Drive Board	21- 15
B039 1942	Cylindrical Lens Holder	21- 10
B039 1953	2nd Mirror Holder	21- 18
B039 1954	Holder - Sync Detector Mirror	21- 11
B039 1961	Shield Glass	21- 6
B039 1971	Optical Housing Cover	21- 12
B039 1975	Rubber Supporter	21- 20
B039 2201	PCU - Assembly	35- *
B039 2251	Upper PCU Case	37- 8
B039 2272	Recycled Toner Coil	37- 5
B039 2274	Recycled Toner Plate	37- 7
B039 2276	Rear Bushing - Toner Coil	37- 9
B039 2287	Charge Roller Spring	37- 19
B039 2288	Cam - Cleaning Blade	37- 16
B039 2289	Cleaning Blade	37- 15
B039 2292	Front Pressure Arm - Charge Roller	37- 20
B039 2293	Pin - Front Pressure Arm	37- 4
B039 2295	Rear Pressure Arm - Charge Roller	37- 18
B039 2311	Shutter - Toner Supply	37- 1
B039 2312	Shutter Spring	37- 2
B039 2321	Front PCU Cover	37- 6
B039 2335	Pickoff Pawl	37- 14
B039 2341	Drum Shutter	37- 3
B039 2350	Drum Holder	37- 10
B039 2361	Front Side Plate - Drum	35- 3

Part No.	Description	Page and Index No.
B039 2362	Drum Shutter Gear	35- 5
B039 2366	Shutter Spring	35- 4
B039 2371	Rear Side Plate - Drum	35- 1
B039 2380	Quenching Lamp	21- 3
B039 2382	Quenching Lamp Terminal	39- 14
B039 2552	Guide - Right Registration Roller	27- 12
B039 2557	Guide - Left Registration Roller	27- 16
B039 2558	Driven Roller	45- 4
B039 2558	Driven Roller	27- 17
B039 2558	Driven Roller	33- 28
B039 2558	Driven Roller	29- 11
B039 2559	Registration Cleaning Mylar	27- 15
B039 2570	Registration Feeler	27- 11
B039 2575	Bracket - Registration Roller	27- 1
B039 2576	Transport Roller	29- 16
B039 2578	Grounding Plate	39- 11
B039 2583	Vertical Transport Feeler	29- 17
B039 2585	Exit Guide Plate	29- 7
B039 2597	Friction Pad	33- 8
B039 2605	Upper Guide Plate - By-pass Feed	33- 11
B039 2608	Lower Guide Plate - By-pass Feed	33- 6
B039 2610	Bracket - Paper End Sensor	33- 19
B039 2610	Bracket - Paper End Sensor	47- 10
B039 2611	Feeler - Paper End Sensor	47- 13
B039 2611	Feeler - Paper End Sensor	33- 21
B039 2617	Magnet Catch - By-pass Feed	23- 13
B039 2620	Paper Guide - Extension	23- 11
B039 2621	Paper Guide	23- 12
B039 2622	By-pass Feed Table	23- 14
B039 2624	Tray Bottom Plate	23- 4
B039 2629	Stay - Tray Bottom Plate	23- 10
B039 2633	Decal - By-pass Feed	23- 17
B039 2633	Decal - By-pass Feed	69- 3
B039 2635	Front Side Fence	23- 1
B039 2636	Rear Side Fence	23- 3

Part No.	Description	Page and Index No.
B039 2637	Rack - Front Side Fence	23- 6
B039 2638	Rack - Rear Side Fence	23- 5
B039 2641	Link - By-pass Feed Table	23- 16
B039 2642	Pin - Link	23- 19
B039 2645	Rotary Switch	23- 9
B039 2650	Right Door	33- 27
B039 2651	Right Door Lever	33- 25
B039 2653	Vertical Transport Guide	33- 5
B039 2655	Vertical Transport Guide	33- 4
B039 2658	Sponge - By-pass Feed	33- 16
B039 2660	Band - Right Door	33- 10
B039 2660	Band - Right Door	47- 32
B039 2700	Paper Tray	25- 26
B039 2701	Tray Bottom Plate	25- 3
B039 2704	Front Stopper Lever	25- 2
B039 2705	Rear Side Fence	25- 8
B039 2706	Front Side Fence	25- 5
B039 2707	Spring Plate - Side Fence	25- 4
B039 2711	Friction Pad	25- 18
B039 2712	Ground Plate - Tray Bottom Plate	25- 7
B039 2713	Spring - Friction Pad	25- 19
B039 2719	Spring - Tray Bottom Plate	25- 13
B039 2720	Decal - Cassette Operation DLT	25- 24
B039 2720	Decal - Cassette Operation DLT	69- 4
B039 2721	Decal - Cassette Operation	25- 25
B039 2721	Decal - Cassette Operation	69- 5
B039 2724	Paper Size Detector - A4	25- 20
B039 2727	Bushing - 8x12x10	25- 16
B039 2728	Bracket - Paper End Sensor	29- 3
B039 2730	Paper End Sensor	31- 11
B039 2730	Paper End Sensor	29- 4
B039 2732	Spring - Paper Feed Roller	25- 17
B039 2737	Shaft - Paper Feed Roller	25- 10
B039 2739	Shaft - Joint	25- 23
B039 2740	Paper Feed Roller	25- 11

Part No.	Description	Page and Index No.
B039 2742	Ground Plate - Paper Feed Roller	25- 14
B039 2750	Right Rail	29- 34
B039 2754	Bracket - Paper Size Sensor	29- 1
B039 2754	Bracket - Paper Size Sensor	59- 5
B039 2766	Guide Plate - Transport Roller	29- 9
B039 2782	Tray Heater (120V)	57- 15
B039 2783	Tray Heater (230V)	57- 15
B039 2795	Guide Plate - Transport	29- 12
B039 2797	Guide Plate - Transport Roller	29- 10
B039 2812	Upper Bracket - Relay Sensor	29- 28
B039 2813	Lower Bracket - Relay Sensor	29- 27
B039 2821	Rear Stopper Lever	25- 9
B039 2823	Joint - Paper Feed Roller	25- 15
B039 2825	Ground Plate - Vertical Transport	29- 13
B039 2829	Paper Size Detector - LT	25- 20
B039 2840	Paper Tray Assembly - A4	25- *
B039 2841	Paper Tray Assembly - LT	25- *
B039 3031	Toner Supply Unit	39- 1
B039 3050	Development Roller Assembly	35- 6
B039 3062	Idler Gear	35- 9
B039 3150	Upper Development Case	35- 7
B039 3170	Lower Development Unit	35- 8
B039 3245	Transport Screw Gear	35- 11
B039 3310	Toner Bottle Motor - DC 2.52W	51- 6
B039 3360	Cam - Handle	39- 2
B039 3380	Cover - Toner Supply Unit	39- 12
B039 3392	Guide Plate - Toner Supply Unit	39- 15
B039 3395	Ground Plate - Toner Supply Unit	39- 17
B039 3800	Transfer Unit	27- 9
B039 3820	Transfer Roller	27- 25
B039 3855	Front Spring - Transfer Roller	27- 30
B039 3863	Quenching Terminal Plate	27- 32
B039 3867	Roller - Transfer Unit	27- 31
B039 3870	Terminal - Transfer	39- 10
B039 3890	ID Sensor	27- 26

Part No.	Description	Page and Index No.
B039 3891	ID Sensor Cover	27- 27
B039 4018	Fusing Unit - 120V	41- *
B039 4028	Fusing Unit - 230V	41- *
B039 4101	Fusing Roller Frame	41- 6
B039 4102	Fusing Exit Guide	41- 1
B039 4104	Pressure Roller Frame	41- 28
B039 4106	Fusing Exit Door	41- 23
B039 4114	Rear Ground Plate	41- 32
B039 4115	Fusing Entrance Guide	41- 30
B039 4116	Ground Plate - Fusing Unit	43- 18
B039 4117	Discharge Brush	41- 31
B039 4118	Front Ground Plate	41- 4
B039 4119	Fusing Grounding Harness	43- 17
B039 4120	Thermostat	41- 11
B039 4135	Pressure Roller Lever	41- 25
B039 4138	Front Holder	41- 21
B039 4139	Rear Holder	41- 15
B039 4141	Front Terminal	41- 10
B039 4142	Center Terminal	41- 13
B039 4144	Rear Terminal	41- 14
B039 4167	Stripper Pawls Stopper	41- 33
B039 4170	Stripper Pawls Roller	41- 29
B039 4171	Gear - 41Z	41- 18
B039 4185	Fusing Lamp Bracket	57- 10
B039 4451	Exit Guide Plate - Center	43- 20
B039 4456	Exit Sensor Feeler	43- 19
B039 4459	Exit Roller Holder - Inner	43- 38
B039 4461	Exit Guide Plate - Lower	43- 36
B039 4465	Exit Roller Holder - 1st	43- 32
B039 4467	Exit Roller Holder - 2nd	43- 35
B039 4469	Exit Roller Holder - 3rd	43- 33
B039 4471	Exit Roller	43- 3
B039 4473	Exit Roller Ring	43- 4
B039 4475	Exit Guide - Right Lower	33- 14
B039 4477	Exit Roller Holder - 4th	43- 34

Part No.	Description	Page and Index No.
B039 4485	Grounding Plate - Exit Guide	33- 15
B039 4485	Grounding Plate - Exit Guide	45- 15
B039 4488	Jam Removal Decal (B039)	69- 6
B039 4488	Decal - Jam Removal	33- 29
B039 5101	BICU Board (120V)	63- *
B039 5101	BICU Board (120V)	53- 9
B039 5102	BICU Board (230V)	53- 9
B039 5102	BICU Board (230V)	63- *
B039 5103	BICU Board (ASIA)	63- *
B039 5103	BICU Board (ASIA)	53- 9
B039 5120	I/O Board	67- *
B039 5120	I/O Board	53- 12
B039 5200	Scanner Motor Harness	53- 30
B039 5201	Registration Sensor Harness	53- 28
B039 5201	Registration Sensor Harness	29- 30
B039 5202	Registration Harness	27- 14
B039 5203	Main Motor Harness	53- 21
B039 5204	Quenching Lamp Harness	21- 4
B039 5204	Quenching Lamp Harness	53- 23
B039 5205	Harness - Front Door Switch	43- 7
B039 5205	Harness - Front Door Switch	53- 24
B039 5206	ID Sensor Harness	53- 22
B039 5206	ID Sensor Harness	27- 29
B039 5212	By-pass Feed Harness	53- 27
B039 5215	Harness - Paper End Sensor	53- 8
B039 5215	Harness - Paper End Sensor	29- 5
B039 5216	Fusing AC Harness (120V)	53- 31
B039 5217	Fusing AC Harness (230V)	53- 31
B039 5219	Grounding Harness	39- 13
B039 5220	Harness - Home Position Sensor	53- 25
B039 5221	Scanner Harness	19- 2
B039 5223	Lamp Stabilizer Harness	17- 17
B039 5225	AC Harness - Main Switch	53- 16
B039 5228	AC Harness - Option Heater	53- 15
B039 5230	Harness - Power Supply Unit	53- 17

Part No.	Description	Page and Index No.
B039 5233	Harness - High Voltage Supply	39- 9
B039 5236	AC Harness - Fusing Unit (120V)	41- 5
B039 5237	AC Harness - Fusing Unit (230V)	41- 5
B039 5238	Exit Sensor Harness	43- 21
B039 5240	Document Feeder Harness	53- 4
B039 5248	Development Sensor Harness	27- 21
B039 5250	Laser Diode Harness	21- 14
B039 5250	Laser Diode Harness	53- 20
B039 5259	Harness - Paper End Sensor	33- 23
B039 5260	AC Harness - Dehumidifier	57- 16
B039 5261	Key Counter Harness	53- 32
B039 5262	Key Counter Harness (LAN)	53- 32
B039 5501	IC - KT-ONE - KS5M9U1246CFP	63- 1
B039 5504	Thermofuse	41- 12
B039 5730	High Voltage Supply Board	55- 16
B039 5742	Power Supply Cord - 120V	53- 18
B039 5743	Power Supply Cord - 230V	53- 18
B039 5801	Bracket - Power Supply Unit	57- 9
B039 5802	Stand - Power Supply Unit	57- 7
B039 5811	BICU Board Bracket	53- 10
B039 5821	I/O Board Bracket	53- 11
B039 5825	Bracket - Power Supply Cord	53- 19
B039 5831	ADF Plug Bracket	53- 5
B039 5841	Bracket - High Voltage Supply	55- 15
B039 5887	Heater Switch Cover	55- 14
B039 6057	Heater - 9W (120V OPTION)	57- 2
B039 6058	Heater - 9W (230V OPTION)	57- 2
B039 7207	Operating Instructions - Copy NA (RIC)	69- 10
B039 7208	Operating Instructions - Copy (ASIA)	69- 10
B039 7260	Operating Instructions - Copy (INF)	69- 10
B039 7501	Model Name Plate - Ricoh Aficio1015	9- 16
B039 7506	Model Name Plate - GES 1502	9- 16
B039 7507	Model Name Plate - NSA 1505	9- 16
B039 7508	Model Name Plate - REX 1508	9- 16
B039 7509	Model Name Plate - INF 4151 $\mu$ F	9- 16

Part No.	Description	Page and Index No.
B039 7510	Model Name Plate - Lanier 5515	9- 16
B039 8607	Operating Instructions - System NA (RIC)	69- 9
B039 8608	Operating Instructions - System (ASIA)	69- 9
B039 8660	Operating Instructions - System (NSA)	69- 9
B039 9099	NVRAM - Minus Counter	53- 26
B039 9510	OPC Drum	37- 17
B040 1332	Cap - Paper Tray Unit	11- 8
B040 4488	Jam Removal Decal (B040)	69- 7
B040 5211	Harness - 2nd Paper Feed (B040/B043)	53- 29
B040 5229	AC Harness - 2nd Tray Heater	59- 8
B040 6046	Support Bracket - Paper Switch	59- 11
B040 6049	Bracket - Vertical Transport	31- 20
B040 6052	Right Rail	59- 3
B040 6054	Left Rail	59- 2
B040 6057	Stay - Paper End Sensor	31- 2
B040 6061	Guide Plate - Upper Paper Feed	31- 1
B040 6066	Vertical Transport Cover	31- 3
B040 6067	Vertical Transport Guide	31- 8
B040 6069	Transport Driven Roller	31- 7
B040 6071	Guide Plate - Vertical Transport	31- 28
B040 6074	Transport Roller Bracket	31- 24
B040 6078	Bracket - Vertical Paper Sensor	31- 26
B040 6091	Bracket - Vertical Transport Roller	31- 13
B040 6093	Shaft - Vertical Transport Roller	31- 9
B040 6096	Tightener Bracket	31- 16
B040 6126	Front Lower Cover	11- 20
B040 6131	Cover - Right Lower Front	11- 21
B040 6136	Left Lower Cover	11- 19
B040 6139	Rear Lower Cover	11- 17
B040 6140	Cover - Right Lower Rear	11- 22
B040 6143	Right Bracket - Rear Lower Cover	59- 1
B040 6144	Left Bracket - Rear Lower Cover	59- 4
B040 6149	Bracket - Heater - NO.2	59- 7
B040 7501	Model Name Plate - Ricoh Aficio1018	11- 16
B040 7506	Model Name Plate - GES 1802	11- 16

Part No.	Description	Page and Index No.
B040 7507	Model Name Plate - NSA 1805	11- 16
B040 7508	Model Name Plate - REX 1808	11- 16
B040 7509	Model Name Plate - INF 4181 $\mu$ F	11- 16
B040 7510	Model Name Plate - Lanier 5518	11- 16
B043 1234	Exit Cover (B043)	43- 2
B043 1411	Operation Panel Assembly - LT (B043)	13- 4
B043 1412	Operation Panel Assembly - A4 (B043)	13- 4
B043 1460	Keytop - Duplex (B043)	13- 15
B043 1466	Sheet - Sort (B043)(NA)	13- 18
B043 1467	Operation Panel Board - Duplex (B043)	13- 19
B043 1474	Duplex Sheet - A4 (B043)(EU)	13- 18
B043 4609	Duplex Lower Stay	47- 1
B043 4613	Duplex Side Plate	47- 27
B043 4615	Duplex Cover	47- 28
B043 4617	Entrance Guide Plate	45- 26
B043 4621	Exit Transport Roller	47- 6
B043 4622	Entrance Transport Roller	47- 8
B043 4623	Middle Transport Roller	47- 7
B043 4624	Pulley - 30Z	47- 18
B043 4631	Gear - 38Z	47- 26
B043 4632	Coupled Gear 25/59Z	47- 30
B043 4633	Gear - 22Z	47- 24
B043 4640	Duplex Paper Guide	45- 12
B043 4645	Spring - 2N	45- 18
B043 4646	Upper Spring Plate - Driven Roller	45- 19
B043 4647	Lower Spring Plate - Driven Roller	45- 9
B043 4651	Door Lever	45- 20
B043 4652	Separation Pad	47- 5
B043 4661	Duplex Inner Cover - Rear	47- 22
B043 4671	Bracket - Upper Guide Plate	45- 22
B043 4672	Duplex Entrance Guide - Rear	45- 16
B043 4673	Duplex Entrance Guide - Front	45- 17
B043 4674	Cover - Duplex Entrance Sensor	45- 24
B043 4675	Exit Sensor Bracket	45- 10
B043 4676	Bracket - Duplex Entrance Sensor	45- 6

Part No.	Description	Page and Index No.
B043 4677	Guide Plate - Vertical Transport	45- 5
B043 4679	Exit Sensor Cover	45- 23
B043 4681	By-pass Feed Guide - Lower	47- 3
B043 4682	Reverse Entrance Guide	45- 13
B043 4684	By-pass Feed Guide - Upper	47- 9
B043 4685	Spring - 2.8N	47- 4
B043 4686	By-pass Feed Shaft	47- 16
B043 4687	Guide Plate Spacer	43- 41
B043 4691	Jam Removal Decal	45- 27
B043 4691	Jam Removal Decal (B043)	69- 8
B043 4692	Grip Decal	45- 29
B043 4692	Grip Decal	69- 12
B043 4705	Transport Motor Bracket	47- 31
B043 4710	Duplex Motor - DC 13.2W	49- 12
B043 4710	Duplex Motor - DC 13.2W	47- 2
B043 4713	Gear - 25Z	47- 25
B043 4714	Gear - 25Z	47- 23
B043 4719	Bracket - Duplex Control Board	55- 12
B043 4956	Exit Roller Holder	43- 39
B043 4972	Bracket - Duplex Inverter Sensor	49- 6
B043 4975	Gear - 18Z	49- 4
B043 4976	Exit Guide Plate	45- 14
B043 4978	Exit Guide Plate - Upper	45- 25
B043 4979	Exit Roller	43- 23
B043 4980	Exit Guide Plate - Left Upper	49- 5
B043 4983	Gate Pawl	43- 24
B043 4984	Junction Gate Solenoid	49- 13
B043 4988	Reverse Roller	49- 2
B043 4991	Coupled Gear - 15/51Z	49- 10
B043 4994	Inverter Motor Bracket	49- 11
B043 4997	Reverser Shelf	49- 1
B043 4998	Rail - Reverser Shelf	49- 8
B043 5155	Duplex Control Board	55- 2
B043 5241	Duplex Unit Harness	47- 29
B043 5243	Duplex Harness	55- 1

Part No.	Description	Page and Index No.
B043 5245	Duplex Grounding Harness	45- 28
B043 5252	Harness - Paper End Sensor	47- 11
B043 5253	Harness - Duplex Inverter Sensor	49- 7
B043 7501	Model Name Plate - Ric Aficio1018D	11- 16
B043 7506	Model Name Plate - GES 1802D	11- 16
B043 7507	Model Name Plate - NSA 1805D	11- 16
B043 7508	Model Name Plate - REX 1808D	11- 16
B043 7509	Model Name Plate - INF 4182 $\mu$ F	11- 16
B043 7510	Model Name Plate - Lanier 5618	11- 16



Part No.	Description	Page and Index No.
AA04 3527	Timing Belt - 230XL	31- 19
AA04 3934	Timing Belt - 264XL	47- 19
AA06 0228	Spring - Transfer Drum Cleaning SOL	31- 15
AA06 2254	Registration Roller Spring	27- 2
AA06 3334	Spring - Vertical Transport	31- 5
AA06 3398	Spring - Friction Pad	33- 7
AA06 3399	Spring - Vertical Transport	45- 3
AA06 3399	Spring - Vertical Transport	33- 3
AA06 3607	Pressure Spring	27- 24
AA06 3643	Spring - By-pass Feed Table	23- 8
AA06 6342	Registration Sensor Spring	27- 10
AA06 6343	Spring - Paper End Sensor	47- 14
AA06 6343	Spring - Paper End Sensor	33- 20
AA06 6635	Spring - Fusing Exit Guide	41- 24
AA06 6637	Stripper Pawl Spring	41- 8
AA06 6638	Spring - 0.5N	43- 25
AA06 6640	Pressure Spring	41- 26
AA08 0249	Bushing - Vertical Transport	31- 6
AA08 0252	Bushing - M4	31- 23
AA08 0267	Bushing - 8x12x18	27- 6
AA08 0268	Bushing - Vertical Transport	33- 2
AA08 0268	Bushing - Vertical Transport	45- 2
AA08 0269	Front Bushing - Registration Roller	27- 5
AA08 0270	Rear Bushing - Registration Roller	27- 22
AA08 0313	Driven Roller Bushing	45- 8
AA08 2063	Bushing - 8x10x5	43- 5
AA08 2101	Bushing - 6x10x6	29- 15
AA08 2101	Bushing - 6x10x6	47- 17
AA08 2101	Bushing - 6x10x6	33- 18
AA08 2101	Bushing - 6x10x6	31- 10
AA08 2110	Bushing - 8x12x22	27- 23
AA14 1086	Shaft - By-pass Paper Feed	33- 12
AA14 3444	Stepped Screw	37- 11
AA14 3716	Stepped Screw	41- 2
AB01 1402	Gear - 14Z	37- 13

Part No.	Description	Page and Index No.
AB01 1403	Gear - 13Z	37- 12
AB01 2311	Gear - 18Z	27- 7
AB01 2312	Gear - 16Z	27- 4
AB01 2313	Gear - 25Z	33- 13
AB01 2314	Gear - 25Z	31- 14
AB03 0569	Pulley - 30T	47- 20
AB03 0701	Gear/pulley - 24/30Z	31- 18
AB03 0702	Timing Pulley - 30Z	31- 17
AC01 2068	Exposure Glass	15- 10
AC02 0094	Cylindrical Lens	21- 9
AC02 0095	Sync Detector Lens	21- 19
AC03 0138	2nd Mirror	21- 17
AC03 0139	Sync Detector Mirror	21- 8
AC04 2164	Rear Scale	15- 11
AC04 2166	Left Scale	15- 2
AE01 1065	Hot Roller	41- 20
AE02 0100	Pressure Roller	41- 22
AE04 4040	Stripper Pawl	41- 9
AF02 0541	Right Registration Roller	27- 19
AF02 0542	Transport Roller	31- 22
AF02 1069	Left Registration Roller	27- 18
AF02 2138	Vertical Transport Roller	45- 1
AF02 2138	Vertical Transport Roller	33- 1
AF03 1060	By-pass Feed Roller	47- 15
AF03 1060	By-pass Feed Roller	33- 17
AG07 0014	Magnet Catch	47- 21
AG07 0014	Magnet Catch	31- 4
AG07 0014	Magnet Catch	33- 24
AW01 0094	Duplex Inverter Sensor	49- 9
AW02 0086	Photointerruptor	15- 4
AW02 0119	Photointerruptor - LG-248L1	15- 6
AW02 0119	Photointerruptor - LG-248L1	27- 13
AW02 0119	Photointerruptor - LG-248L1	47- 12
AW02 0119	Photointerruptor - LG-248L1	29- 29
AW02 0119	Photointerruptor - LG-248L1	43- 22

Part No.	Description	Page and Index No.
AW02 0119	Photointerruptor - LG-248L1	33- 22
AW02 0124	Paper Sensor	45- 11
AW02 0124	Paper Sensor	31- 27
AW10 0073	Thermistor	41- 3
AX06 0232	Main Motor - DC 20W	51- 1
AX20 0225	Magnetic Clutch - 46Z	29- 26
AX20 0225	Magnetic Clutch - 46Z	31- 12
AX20 0226	Relay Clutch	29- 14
AX20 0227	Registration Clutch	51- 4
AX20 0228	Magnetic Clutch - 41Z	29- 35
AX31 0039	Total Counter - 7Fig 24V	39- 16
AX44 0145	Fusing Lamp - 120V 800W	41- 16
AX44 0146	Fusing Lamp - 230V 700W	41- 16
AZ23 0081	Power Supply Unit - 120V	53- 13
AZ23 0082	Power Supply Unit - 230V	53- 13
B407 5801	IMB Board	53- 7
C225 2866	Decal - Keytop Cover (REX)	69- 1
C225 2867	Decal - Keytop Cover (NSA)	69- 1
G012 3050	Side Fence Gear	23- 7
G020 2599	Spring - Release Lever	25- 22
G020 2644	End Fence	25- 1
G020 2784	Lever - By-pass Feed Table	23- 15
G020 2786	Shaft - By-pass Release Lever	23- 20
G020 3334	Slider Ass'y	39- 8
G020 5439	Harness - Polygon Mirror Motor	21- 13
G020 5626	Push Switch	31- 25
G020 5626	Push Switch	57- 13
G020 5829	Shoulder Screw - M3x2.5	27- 28
G020 5871	Spacer - KGLS-12RF	55- 17
G021 9350	Loopback Connector - Parallel	71- 7
G025 1197	Thermistor Harness Cover	55- 13
G027 1180	Rubber Foot - GF (B039)	57- 5
G027 1180	Rubber Foot - GF	59- 10
G027 1235	Tapping Screw - M3x33	55- 8
G027 1235	Tapping Screw - M3x33	53- 2

Part No.	Description	Page and Index No.
G029 1961	Polygon Scanner	21- 16
G029 1980	Decal - LD	69- 11
G029 1980	Decal - LD	21- 7
G029 4140	External Circlip	41- 17
G029 4174	Pressure Roller Bushing	41- 27
G029 4176	Turn Roller - Exit Sub-unit	43- 37
G052 3510	Charge Roller	37- 21
G052 4618	Bearing 30x42x7	41- 19
G052 4873	Outer Exit Cover Roller	43- 31
G060 2326	Charge Roller Cleaner	37- 22
G060 2641	Transport Driven Roller - Middle	45- 7
G060 2801	Holder - Paper Tray	59- 9
G060 2801	Holder - Paper Tray	57- 11
G800 3035	Push SW - Paper Size	29- 2
G800 3035	Push SW - Paper Size	59- 6
G800 4851	Bushing	49- 3
G800 4854	Exit Roller	43- 40
GX64 0018	Cooling Fan - DC 24V/4.3W	55- 9
GX64 0018	Cooling Fan - DC 24V/4.3W	53- 3
N607 4525	Coil - RITL-9704 (230V)	57- 8

Part No.	Description	Page and Index No.
A006 9104	Adjusting Scanner Pin (4pcs/set)	71- 2
A029 9387	Digital Multimeter - FLUKE87	71- 3
A153 6409	Decal - Keytop Cover (GES)	69- 1
A184 3411	Chuck Spring	39- 7
A184 3420	Bottle Chuck	39- 3
A184 3421	Chuck Shaft	39- 4
A184 3422	Toner Slider	39- 5
A193 1759	Stepped Screw	15- 1
A193 1793	Scanner Home Sensor Stopper	15- 5
A230 9352	Flash Memory Card - 4MB	71- 4
A232 2374	Spur	41- 7
A232 3962	Spring Plate - Band Stopper	47- 33
A232 3962	Spring Plate - Band Stopper	33- 9
A250 1388	Spring	45- 21
A250 1388	Spring	33- 26
A250 1761	Original Sensor - H=2-66	19- 1
A250 1821	Heater - 9W (OPTION)(NA)	15- 7
A250 1822	Heater - 9W (OPTION)(EU)	15- 7
A250 2779	Pin - M6	31- 21
A250 2808	Stopper Base	25- 21
A250 5725	Rocker Switch	53- 14
A257 9300	Grease - Barrierta S552R	71- 5
A267 2869	Gear - 16Z	25- 12
A267 3390	Toner Density Sensor	35- 10
A267 3440	Development Joint	35- 2
A292 9500	Test Chart - S5S (10 Pcs/set)	71- 6

Part No.	Description	Page and Index No.
5203 9502	Grease 501	71- 1
5206 2686	Snap Ring	31- 30
5215 2621	Snap Ring - M6	51- 26
5215 2621	Snap Ring - M6	27- 8
5215 2621	Snap Ring - M6	25- 6
5215 2713	Bottom Plate Pad	25- 27
5215 2713	Bottom Plate Pad	23- 2
5304 1639	Bushing - 8mm	51- 24
5442 1924	Exposure Glass Cushion	15- 15
5442 2624	Shoulder Screw - M3	43- 30
5447 2681	Snap Ring	27- 3
5447 2681	Snap Ring	29- 6
5447 2681	Snap Ring	31- 29
5447 2681	Snap Ring	23- 18

Part No.	Description	Page and Index No.
0313 0060B	Philips Pan Head Screw - M3x6	49-103
0313 0060B	Philips Pan Head Screw - M3x6	41-104
0353 0050Z	Philips Truss Head Screw - M3x5	13-102
0360 3006W	Philips Pan Head Screw- M3x6	19-107
0433 0060B	Philips Tapping Screw - M3x6	47-106
0450 3008B	Tapping Screw - M3x8	27-101
0450 3008B	Tapping Screw - M3x8	49-102
0450 3008B	Tapping Screw - M3x8	51-104
0450 3008B	Tapping Screw - M3x8	45-101
0450 3008B	Tapping Screw - M3x8	29-106
0450 3008B	Tapping Screw - M3x8	31-101
0450 3008B	Tapping Screw - M3x8	57-107
0450 3008B	Tapping Screw - M3x8	55-102
0450 3008B	Tapping Screw - M3x8	33-101
0450 3008B	Tapping Screw - M3x8	39-101
0450 3008B	Tapping Screw - M3x8	47-102
0450 3008B	Tapping Screw - M3x8	43-102
0450 3010B	Tapping Screw - M3x10	43-104
0450 3012B	Tapping Screw -3x12	27-102
0450 3012B	Tapping Screw -3x12	21-102
0450 3020B	Tapping Screw - M3x20	21-103
0450 4008B	Tapping Screw - 4x8	43-106
0450 4008B	Tapping Screw - 4x8	9-102
0450 4008B	Tapping Screw - 4x8	11-103
0450 4010B	Tapping Screw - 4x10	51-101
0451 3006B	Tapping Screw - M3x6	17-101
0451 3006B	Tapping Screw - M3x6	57-101
0451 3006B	Tapping Screw - M3x6	11-102
0451 3006B	Tapping Screw - M3x6	37-101
0451 3006B	Tapping Screw - M3x6	47-101
0451 3006B	Tapping Screw - M3x6	35-101
0451 3006B	Tapping Screw - M3x6	33-102
0451 3006B	Tapping Screw - M3x6	15-101
0451 3006B	Tapping Screw - M3x6	53-102
0451 3006B	Tapping Screw - M3x6	19-101

Part No.	Description	Page and Index No.
0451 3006B	Tapping Screw - M3x6	31-102
0451 3006B	Tapping Screw - M3x6	43-103
0451 3006B	Tapping Screw - M3x6	59-101
0451 3006B	Tapping Screw - M3x6	47-107
0451 3006B	Tapping Screw - M3x6	55-101
0451 3006B	Tapping Screw - M3x6	29-101
0451 3006B	Tapping Screw - M3x6	45-102
0451 3008H	Tapping Screw - M3x8	11-101
0451 3008H	Tapping Screw - M3x8	57-102
0451 3008H	Tapping Screw - M3x8	49-101
0451 3008H	Tapping Screw - M3x8	23-101
0451 3008H	Tapping Screw - M3x8	13-101
0451 3008H	Tapping Screw - M3x8	53-103
0451 3008H	Tapping Screw - M3x8	53-101
0451 3008H	Tapping Screw - M3x8	9-101
0452 3008B	Tapping Screw - M3x8	39-102
0452 3008B	Tapping Screw - M3x8	41-103
0452 3008B	Tapping Screw - M3x8	37-102
0452 3008B	Tapping Screw - M3x8	35-102
0452 3010B	Tapping Bind Screw - M3x10	21-101
0452 3014B	Tapping Screw - M3x14	21-104
0453 3006B	Tapping Screw - M3x6	19-108
0720 0040E	Retaining Ring - M4	47-103
0720 0040E	Retaining Ring - M4	33-103
0720 0040E	Retaining Ring - M4	31-104
0720 0040E	Retaining Ring - M4	29-103
0720 0060E	Retaining Ring - M6	51-103
0720 0060E	Retaining Ring - M6	19-106
0736 0610	Bushing - 6x10	37-103
0740 3008	Ball Bearing - 8x22x7	19-105
0801 0149	Philips Pan Head Screw - M4x6	53-104
0802 5276	Tapping Screw With Washer - M3x6	29-102
0802 5276	Tapping Screw With Washer - M3x6	57-103
0802 5276	Tapping Screw With Washer - M3x6	19-102
0802 5276	Tapping Screw With Washer - M3x6	15-102

Part No.	Description	Page and Index No.
0802 5277	Tapping Screw	51-102
0805 0088	Retaining Ring - M6	25-101
0805 0097	Ring Separator	29-104
0950 3006B	Sem,s Screw - M3x6	57-108
0950 3006B	Sem,s Screw - M3 X 6	59-103
0954 3008B	Philips Screw - M3x8	41-101
0954 3010B	Philips Screw - M3x10	41-102
0954 3010B	Philips Screw - M3x10	41-106
0954 4008B	Philips Screw - M4x8	43-105
1102 4201	Connector - 2P	67-101
1102 4203	CT Header - 4P	63-101
1102 4203	CT Header - 4P	67-102
1102 4204	CT Header - 5P	67-103
1102 4205	CT Header - 6P	67-104
1102 4206	Connector - 7P	67-105
1102 4206	Connector - 7P	63-102
1102 4207	Connector - 8P	67-106
1102 4208	Connector - 9P	67-107
1102 4208	Connector - 9P	63-103
1102 4209	CT Header - 10P	67-108
1102 4212	CT Header - 15P	67-109
1102 4619	Connector - 2P	67-110
1102 4621	CT Header - 4P	67-111
1102 4623	CT Connector - 6P	67-112
1102 4645	CT Connector - 4P	67-113
1102 5301	Connector - 2P	67-114
1102 5304	Connector - 5P	63-104
1102 5304	Connector - 5P	67-115
1102 5552	Connector - 1P	67-116
1102 6295	Connector - 2P	67-117
1102 6297	Connector - 4P	67-118
1102 6299	Connector - 6P	67-119
1102 6308	Connector - 15P	67-120
1102 6313	Connector - 6P	67-121
1102 6893	Connector - 30P	67-122

Part No.	Description	Page and Index No.
1102 7460	Connector - FH12-50S-0.5SH	63-105
1102 7702	Connector - 60P	67-123
1102 8057	Connector - 60P	63-106
1102 8674	Connector - TX24-60R-6ST-H1	63-107
1102 8685	Connector - IC CARD	63-108
1102 8714	Connector - WR-L60P-VF-A1	63-109
1102 8728	Connector - FFC/FPC SLD5R-1	67-124
1104 0588	Dip Socket - 28P	63-110
1105 0009	Nylon Clamp - 5N	47-105
1105 0197	Wire Saddle	57-106
1105 0487	Harness Clamp	55-103
1105 0487	Harness Clamp	53-105
1105 0487	Harness Clamp	19-104
1105 0487	Harness Clamp	57-105
1105 0487	Harness Clamp	29-107
1105 0488	Harness Clamp	51-105
1105 0499	Support Spacer - M3x29	55-104
1105 0511	Harness Clamp - LWS-0306ZC	45-103
1105 0511	Harness Clamp - LWS-0306ZC	59-102
1105 0511	Harness Clamp - LWS-0306ZC	31-103
1105 0511	Harness Clamp - LWS-0306ZC	57-104
1105 0511	Harness Clamp - LWS-0306ZC	29-105
1105 0511	Harness Clamp - LWS-0306ZC	53-106
1105 0511	Harness Clamp - LWS-0306ZC	19-103
1105 0511	Harness Clamp - LWS-0306ZC	47-104
1107 0622	Fuse - 3.15A 250V (230V)	53-111
1107 0629	Fuse (Ceramic Case) - 15A - 125V (120V)	53-107
1107 0877	Fuse - 3.15A 250V (230V)	53-108
1107 0880	Fuse - 6.3A 250V (120V)	53-108
1107 0892	Fuse - 3.15A 125VAC (120V)	53-111
1107 0906	Fuse - 4A 125V (120V)	53-110
1107 0910	Fuse - 2A 125V (120V)	53-109
1107 0921	Fuse - 4A 250V (230V)	53-110
1107 0936	Fuse - 2A 250V (230V)	53-109
1204 2521	Micro Switch	43-101

Part No.	Description	Page and Index No.
1400 0555	Transistor - DTC143EK	67-125
1400 0619	Transistor - DTA143EKA	67-126
1400 0700	Transistor - DTD133HK	67-127
1400 0702	Transistor - DTD143EK	67-128
1400 0901	Transistor - DTC144VUA	63-111
1402 1058	Diode Array - DA114	63-112
1402 1142	Diode Array - DAN217	67-129
1402 1336	Diode - 1SS355	67-130
1402 1380	Diode - PTZ 6.2A	63-113
1402 1380	Diode - PTZ 6.2A	67-131
1402 1571	Diode - PTZ3.9A	63-114
1403 0978	LED - SML-310DT	63-115
1403 0996	LED - SML-310VT	67-132
1403 0996	LED - SML-310VT	63-116
1407 2187	TTLIC - SN74LS07NS	67-133
1407 2219	IC - TD62003AP	67-134
1407 4730	SRAM STK12C68-W45	63-163
1407 5162	CPU - HD6412350F20	63-117
1407 5353	IC - SN74LV244APW	63-118
1407 5376	IC - SN74LV32APW	63-119
1407 5382	CMOS Logic - SN74LV373APW	63-120
1407 5469	IC - SN74LV07APW	63-121
1408 0595	IC - NJM2904M	67-135
1408 1204	IC - TA8083P	67-136
1408 1273	IC - RN5VD28A	63-122
1408 1290	Regulator - TA7805S	67-137
1408 1470	Series Regulator - TA18M025F	63-123
1408 1585	IC - STK672-310	67-138
1408 1620	IC - RN5VD44A	63-124
1503 0865	Oscillator - 9.8304MHz	67-139
1503 0993	Crystal Oscillator- 14.7456MHz	63-125
1503 1020	Crystal Oscillator - 33MHz	63-126
1600 1871	Resistor - 0 $\Omega$ 1/6W	67-140
1601 5442	Resistor - 220 $\Omega$ $\pm$ 5% 2W	67-141
1601 5492	Resistor - 47 $\Omega$ $\pm$ 5% 2W	67-142

Part No.	Description	Page and Index No.
1601 7751	Resistor - 4.7K $\Omega$ $\pm$ 5%	63-127
1601 7752	Resistor Array - 10K $\Omega$ $\pm$ 5%	67-143
1601 7752	Resistor Array - 10K $\Omega$ $\pm$ 5%	63-128
1601 7791	Resistor Array - 1K $\Omega$ $\pm$ 5%	67-144
1601 7791	Resistor Array - 1K $\Omega$ $\pm$ 5%	63-129
1601 7814	Resistor - 3.3K $\Omega$ $\pm$ 5%	67-145
1601 7814	Resistor - 3.3K $\Omega$ $\pm$ 5%	63-130
1601 7833	Resistor Array - 330 $\Omega$ $\pm$ 5% 1/16W	63-131
1601 7867	Resistor - 33 $\Omega$ $\pm$ 5% 1/16W	67-146
1601 7867	Resistor - 33 $\Omega$ $\pm$ 5% 1/16W	63-132
1601 7871	Resistor - 68 $\Omega$ $\pm$ 5% 1/16W	63-133
1601 7919	Resistor - 10K $\Omega$ $\pm$ 5% 1/16W 8	63-134
1601 7926	Resistor - 68 $\Omega$ $\pm$ 5% 1/16W 8	63-135
1604 4733	Capacitor - 100 $\mu$ F $\pm$ 20% 10V	63-136
1605 0976	Capacitor - 1 $\mu$ F +80% -20% 10V	63-137
1605 1148	Capacitor - 0.1 $\mu$ F +80-20% 50V	67-147
1606 8042	Resistor Array - CKCA43CH1H470K	63-138
1607 1002	IC - NFM60R30T222	63-139
1607 1106	IC - LC0805L473M	63-140
1607 1107	IC - LC0805L104M	63-141
1607 1298	Filter - LCZ0805S224M7	63-142
1630 1620	Resistor - 62 $\Omega$ $\pm$ 5% 1/4W	67-148
1630 3391	Resistor - 390 $\Omega$ 1/10W $\pm$ 5%	63-143
1630 3391	Resistor - 390 $\Omega$ 1/10W $\pm$ 5%	67-149
1630 4100	Resistor - 10 $\Omega$ $\pm$ 5% 1/16W	67-150
1630 4102	Resistor - 1.0K $\Omega$ $\pm$ 5% 1/16W	67-151
1630 4102	Resistor - 1.0K $\Omega$ $\pm$ 5% 1/16W	63-144
1630 4103	Resistor - 10K $\Omega$ $\pm$ 5% 1/16W	67-152
1630 4103	Resistor - 10K $\Omega$ $\pm$ 5% 1/16W	63-145
1630 4104	Resistor - 100 $\Omega$ $\pm$ 5% 1/16W	67-153
1630 4105	Resistor - 1.0M $\Omega$ $\pm$ 5% 1/16W	63-146
1630 4105	Resistor - 1.0M $\Omega$ $\pm$ 5% 1/16W	67-154
1630 4203	Resistor - 20K $\Omega$ $\pm$ 5% 1/16W	63-147
1630 4220	Resistor - 22 $\Omega$ $\pm$ 5% 1/16W	67-155
1630 4222	Resistor - 2.2K $\Omega$ $\pm$ 5%	67-156

Part No.	Description	Page and Index No.
1630 4243	Resistor - 24K $\Omega$ $\pm$ 5% 1/16W	67-157
1630 4330	Resistor - 33 $\Omega$ $\pm$ 5% 1/8W	63-148
1630 4330	Resistor - 33 $\Omega$ $\pm$ 5% 1/8W	67-158
1630 4331	Resistor - 330 $\Omega$ $\pm$ 5% 1/16W	63-149
1630 4331	Resistor - 330 $\Omega$ $\pm$ 5% 1/16W	67-159
1630 4332	Resistor - 3.3K $\Omega$ $\pm$ 5% 1/16W	67-160
1630 4472	Resistor - 4.7K $\Omega$ $\pm$ 5% 1/16W	63-150
1630 4472	Resistor - 4.7K $\Omega$ $\pm$ 5% 1/16W	67-161
1630 4561	Resistor - 560 $\Omega$ $\pm$ 5% 1/16W	63-151
1630 4680	Resistor - 68 $\Omega$ $\pm$ 5% 1/16W	63-152
1630 4750	Resistor - 75 $\Omega$ $\pm$ 5% 1/16W	63-153
1633 1000	Resistor - 100 $\Omega$ $\pm$ 1% 1/10W	67-162
1633 1600	Resistor - 160 $\Omega$ $\pm$ 1% 1/10W	67-163
1633 4220	Resistor - 422 $\Omega$ $\pm$ 1% 1/10W 2125	67-164
1633 4700	Resistor - 470 $\Omega$ - $\pm$ 1% - 1/10W	67-165
1634 0000	Resistor - 0 $\Omega$ 1/16W	67-166
1634 3301	Resistor - 3.3K $\Omega$ $\pm$ 1% 1/16W	67-167
1634 6801	Resistor - 6.8K $\Omega$ $\pm$ 1% 1/8W	67-168
1640 0101	Capacitor - 100 $\mu$ F 10V	67-169
1640 2470	Capacitor - 47 $\mu$ F $\pm$ 20% 25V	67-170
1640 5101	Capacitor - 100 $\mu$ F $\pm$ 20% 50V	67-171
1642 0470	Capacitor - 47 $\mu$ F $\pm$ 20% 10V	63-154
1642 5100	Capacitor - 10 $\mu$ F $\pm$ 20% 50V	67-172
1660 0100	Capacitor - 10PF $\pm$ 0.5pF 50V	67-173
1660 2120	Capacitor - 12 pF $\pm$ 5% 50V	63-155
1660 2270	Capacitor - 27pF $\pm$ 20% 35V	63-156
1660 2270	Capacitor - 27pF $\pm$ 20% 35V	67-174
1660 2470	Capacitor - 47pF $\pm$ 5% 50V	63-157
1660 2471	Capacitor - 470pF - $\pm$ 5% - 50V	63-158
1660 2471	Capacitor - 470pF - $\pm$ 5% - 50V	67-175
1660 6103	Capacitor - 10000pF - +80%-20%50V	63-159
1660 6103	Capacitor - 10000pF - +80%-20%50V	67-176
1660 8104	Capacitor - 0.1 $\mu$ F +80-20% 25V	67-177
1660 8104	Capacitor - 0.1 $\mu$ F +80-20% 25V	63-160
1902 0042	RAM - 1M X8 70NS TSOP G2	63-161

Part No.	Description	Page and Index No.
1906 0027	Flash Memory - LH28F800BVE-BV70	63-162

