



Electronic Accessories

Cable (Interface)

5063-1254	IEEE-1284 Bi-Tronics parallel cable - DB-25 (M) connector (type A) to 36 pin high density IEEE-1284C (M) connector (type C) - 3.0m (9.8ft) long
5063-1255	IEEE-1284 Bi-Tronics parallel cable - DB-25 (M) connector (type A) to 36 pin high density IEEE-1284C (M) connector (type C) - 10m (33ft) long
C2946A	IEEE-1284 Bi-Tronics parallel cable - DB-25 (M) connector (type A) to 36 pin high density IEEE-1284C (M) connector (type C) - 3.0m (9.8ft) long
C2947A	IEEE-1284 Bi-Tronics parallel cable - DB-25 (M) connector (type A) to 36 pin high density IEEE-1284C (M) connector (type C) - 10m (33ft) long
C6680-80003	IEEE-1284 Bi-Tronics parallel cable - DB-25 (M) connector (type A) to 36 pin high density IEEE-1284C (M) connector (type C) - 2.0m (6.6ft) long

Electronics/Power Supply

Cable

C4557-60022	Cable assembly - An 11 pin (F) connector to two 3 pin (F) connectors and a 7 pin (F) connector - 36.8cm (14.5 inches) long
C4557-80075	Carriage assembly flex cable - 40.3cm (15.9 inches) long
C5870-60140	Cable assembly - 12 pin (F) connector, 5 pin (F) connector, and 7 pin (F) connector - 43.9cm (17.3 inches) long
C6680-60002	Scanner motor cable
C6680-60057	Ribbon cable - Has 10 pin (M) connectors - 71.8cm (28.3 inches) long
C6680-80002	Ribbon cable - Has 26 pin (M) edge connectors - 15.5cm (6.1 inches) long
C6680-80010	Cable assembly - 16 pin (F) connector to 34.9cm (13.8 inch) cable with 3 pin (F) connector, 56.6cm (22.3 inch) cable with 3 pin (F) connector, 59.4cm (23.4 inch) cable with 7 pin (F) connector, and 61cm (24 inch) cable with 5 pin (F) connector
C6680-80050	Scanner module trailing cable - Has 20 pin (M) edge connectors - 42.9cm (16.9 inches) long

PC Board

C4557-60062	Banner PCA and cable assembly
C6409-60200	Paper encoder PCA - Controls operation of paper motor
C6409-60237	Ink cartridge carriage PC board
C6680-60202	Interconnect PC board
C7281-68001	Main logic PC board

Power Cord

8120-6260	Power cord (Black) - 18 AWG, 1.0m, 120V (3.3ft) long - Has straight (F) receptacle - (For USA, Canada, Taiwan, Latin America, Saudi Arabia)
8120-6261	Power cord (Black) - 17 AWG, 1.0m (3.3ft) - Has straight (F) receptacle (For 240V in the UK and Ireland)
8120-6262	Power cord (Black) - 18 AWG 3-wire, 1.0m (3.3ft) - Has straight (F) receptacle - 240V Europe (except Denmark, Ireland and Switzerland)
8120-8878	Power cord (Black) - 17 AWG, 1.0m (3.3ft) long - Has straight (F) receptacle (For 220V in Argentina)
8120-8879	Power cord (Black) - 17 AWG, 1.0m (3.3ft) long - Has straight (F) receptacle (For 240V in Australia)
8120-8880	Power cord (Black) - 17 AWG, 1.0m (3.3ft) long - Has straight (F) receptacle (For 220V in Chile)
8120-8881	Power cord (Black) - 17 AWG 3-wire, 1.0m (3.3ft) long - Has straight (F) receptacle (For 220V in Denmark)
8120-8882	Power cord (Black) - 17 AWG 3-wire, 1.0m (3.3ft) long - Has straight (F) receptacle (For 240V in the UK, Hong Kong, Singapore, and Ireland)
8120-8883	Power cord (Black) - 17 AWG, 1.0m (3.3ft) long - Has straight (F) receptacle (For 220V in Israel)
8120-8884	Power cord (Black) - 17 AWG, 1.0m (3.3ft) long - Has straight (F) receptacle (For 220V in Korea)
8120-8885	Power cord (Black) - 17 AWG 3-wire, 1.0m (3.3ft) long - Has straight (F) receptacle (For 220V in Switzerland)
8120-8886	Power cord (Black) - 17 AWG 3-wire, 1.0m (3.3ft) long - Has straight (F) receptacle (For 240V in South Africa, Israel, and India)
8121-0564	Power cord (Black) - 2.0m (6.6ft) long - Has straight (F) receptacle (For 240V in India)



Electronics/Power Supply

Power Module

- 32 0950-2880 Power supply module (Delta ADP-45TB) - 100-240VAC input, 50/60Hz, 1.0A max, 82-111VA, requires separate AC power cord - 18VDC output, 2.23A, 45 watts
- 0950-3807 Power supply module (Delta ADP-40RB) - 100-240VAC input, 50/60Hz, 1.0A, 76VA, requires separate AC power cord - 18VDC output, 2.23A, 40 watts

External Case Parts

Bezel

- 34 C7281-60003 PSC 500 Control panel bezel (English) - Installed over the control panel
- C7281-60036 PSC 500 Control panel bezel (Spanish) - Installed over the control panel
- C7281-60037 PSC 500 Control panel bezel (Portuguese) - Installed over the control panel
- C7281-60038 PSC 500 Control panel bezel (German) - Installed over the control panel
- C7281-60039 PSC 500 Control panel bezel (French) - Installed over the control panel
- C7281-60040 PSC 500 Control panel bezel (Swedish) - Installed over the control panel
- C7281-60041 PSC 500 Control panel bezel (Finnish) - Installed over the control panel
- C7281-60042 PSC 500 Control panel bezel (Danish) - Installed over the control panel
- C7281-60043 PSC 500 Control panel bezel (Norwegian) - Installed over the control panel
- C7281-60044 PSC 500 Control panel bezel (Italian) - Installed over the control panel
- C7281-60045 PSC 500 Control panel bezel (Dutch) - Installed over the control panel

Button

- 45 C7281-40005 Copy button (Green)
- 46 C7281-40006 Scan button (Blue)
- 47 C7281-40007 Cancel button (Red)

Control Panel

- 48 C6680-60082 Control panel (Keypad) assembly - Does NOT include cable

Cover

- 49 C7281-60002 Top cover (Document cover) assembly - Includes cover, foam pad, and hinge

Door

- 50 C6680-60014 Pen access door assembly - Lift up access door for changing print cartridges - Includes door and latch
- 51 C6680-60065 Rear paper jam cleanout door assembly

Door Kit

- 52 C6680-60070 Rear cleanout door assembly kit - Paper jam cleanout door - For CREW program only

Foot

- 53 C4557-40118 Rubber foot

Hinge

- 54 C6680-40101 Hinge - For the top cover (Document lid) on the scanner

Panel

- 55 C6680-40021 Left side panel
- 56 C6680-40022 Right side panel
- 57 C6680-40026 Rear panel

Other Accessories

CD-ROM (Support)

- C6680-10020 Service manual on CD-ROM for printer/scanner/copier 500 series, color copier 160/170/260/270 and OfficeJet R series



Other Accessories

Cartridge

C6615NA	No. 15 black ink print cartridge - 25 ml ink (USA)
C6615NE	No. 15 black InkJet cartridge - 14ml (Europe)
C6615NL	No.15 black ink print cartridge - 25 ml ink (for Latin America)
61 C1823A	Tri-color ink print cartridge - Prints approximately 475 pages based on 13.5% total density (4.5% for each colors) on a 8 inch by 10 inch print area (for USA)
C1823D	<i>New Part for C1823A</i>
62 C1823AA	Tri-color ink print cartridge - Prints approximately 475 pages based on 13.5% total density (4.5% for each colors) on a 8 inch by 10 inch print area (for Asia/Pacific)
63 C1823AC	Tri-color ink print cartridge - Prints approximately 475 pages based on 13.5% total density (4.5% for each colors) on a 8 inch by 10 inch print area (for Canada)
64 C1823AE	Tri-color ink print cartridge - Prints approximately 475 pages based on 13.5% total density (4.5% for each colors) on a 8 inch by 10 inch print area (for Europe)
65 C1823AL	Tri-color ink print cartridge - Prints approximately 475 pages based on 13.5% total density (4.5% for each colors) on a 8 inch by 10 inch print area (for Latin America)
66 C1823D	Tri-color ink print cartridge - Prints approximately 360 pages based on 13.5% total density (4.5% for each color) on a 8 inch by 10 inch print area (for USA)
67 C1823DA	Tri-color ink print cartridge - Prints approximately 360 pages based on 13.5% total density (4.5% for each color) on a 8 inch by 10 inch print area (for Asia/Pacific)
68 C1823DC	Tri-color ink print cartridge - Prints approximately 360 pages based on 13.5% total density (4.5% for each color) on a 8 inch by 10 inch print area (for Canada)
69 C1823DE	Tri-color ink print cartridge - Prints approximately 360 pages based on 13.5% total density (4.5% for each color) on a 8 inch by 10 inch print area (for Europe)
70 C1823DL	Tri-color ink print cartridge - Prints approximately 360 pages based on 13.5% total density (4.5% for each color) on a 8 inch by 10 inch print area (for Latin America)
71 C1823G	Tri-color ink economy print cartridge - Prints approximately 180 pages based on 13.5% total density (4.5% for each color) on a 8 inch by 10 inch print area (for USA)
72 C1823GA	Tri-color ink economy print cartridge - Prints approximately 180 pages based on 13.5% total density (4.5% for each color) on a 8 inch by 10 inch print area (for Asia/Pacific)
73 C1823GE	Tri-color ink economy print cartridge - Prints approximately 180 pages based on 13.5% total density (4.5% for each color) on a 8 inch by 10 inch print area (for Europe)
74 C1823GL	Tri-color ink economy print cartridge - Prints approximately 180 pages based on 13.5% total density (4.5% for each color) on a 8 inch by 10 inch print area (for Latin America)
75 C1823T	Tri-color ink cartridges (2 pack of C1823D) - Each prints approximately 360 pages on 13.5% total density (4.5% for each color) on a 8 inch by 10 inch print area (for USA)
76 C1823TA	Tri-color ink cartridges (2 pack of C1823D) - Each prints approximately 360 pages on 13.5% total density (4.5% for each color) on a 8 inch by 10 inch print area (for Asia/Pacific)
77 C1823TE	Tri-color ink cartridges (2 pack of C1823D) - Each prints approximately 360 pages on 13.5% total density (4.5% for each color) on a 8 inch by 10 inch print area (for Europe)
78 C1823TL	Tri-color ink cartridges (2 pack of C1823D) - Each prints approximately 360 pages on 13.5% total density (4.5% for each color) on a 8 inch by 10 inch print area (for Latin America)
79 C6618AN	Tri-color ink cartridges (2 pack of C1823D) - Each prints approximately 360 pages on 13.5% total density (4.5% for each color) on a 8 inch (20.3cm) by 10 inch (25.4cm) print area (for USA) NO LONGER SUPPLIED
80 C6615AA	No.15 black ink print cartridge - 21 ml ink (for Asia/Pacific)
81 C6615AC	No.15 black ink print cartridge - 21ml ink (for Canada) NO LONGER SUPPLIED
82 C6615AE	No.15 black ink print cartridge - 21 ml ink (for Europe)
83 C6615AL	No.15 black ink print cartridge - 21 ml ink (for Latin America)
84 C6615AN	No.15 black ink print cartridge - 21ml ink (for USA) NO LONGER SUPPLIED
85 C6615DA	No.15 black ink print cartridge - 25 ml ink (Asia Pacific)



Other Accessories

Cartridge

86	C6615DC	No.15 black ink print cartridge - 25 ml ink (Canada)
87	C6615DE	No.15 black ink print cartridge - 25 ml ink (Europe)
88	C6615DL	No.15 black ink print cartridge - 25 ml ink (Latin America)
89	C6615DN	No.15 black ink print cartridge - 25 ml ink (for USA)

Lubricant

6040-0788	Silicon grease in a syringe
-----------	-----------------------------

Return Kit

5183-5268	Return kit with box and instructions - For returning defective Thermal InkJet (TIJ) 2.5 InkJet cartridges covered under the CREW program - For USA
5184-2833	Return kit with box and instructions - For returning defective Thermal InkJet (TIJ) 2.5 InkJet cartridges covered under the CREW program - For use outside of the USA

Other Internal Parts

Brace

94	C4557-40128	Left backBone brace - Provides support for backBone
95	C4557-40130	Left wall brace - Provides support for left wall
96	C5870-40020	Right backbone brace - Installed on right side of printer base to provide support for backbone

Chassis

97	C6680-40020	Middle chassis - Covers printer mechanism and provides the mounting platform for the scanner/control panel assembly
----	-------------	---

Ferrite Assembly

98	9170-1655	Ferrite core
99	9170-1821	Ferrite core - Attaches to the control panel ribbon cable
100	C6680-80042	Ferrite core - Attaches to the scanner ribbon cable

Frame

101	C5870-40039	Wing frame - Chassis for in/out tray components
-----	-------------	---

Latch

102	C6680-40053	Latch (Wavy slot) - Allows the scanner assembly to pivot upward when opening the pen access door
-----	-------------	--

Shield

103	C4557-00038	Paper motor ESD shield
104	C6680-00041	Main PC board shield (Upper)
105	C6680-60058	Main PC board shield (Lower)

Spring

106	C6680-80020	Door spring - Connects to the pen access door and holds the door open when changing the print cartridges
-----	-------------	--

Paper Tray Parts

Cam

171	C4557-40034	Drawer cam - Short, spring loaded lever attached to the base of the wing frame - Used to draw input tray into position
-----	-------------	--

Channel

172	C5870-00006	Width adjust channel
-----	-------------	----------------------

Door

173	C4557-40026	Output door - Separates output media from input media
-----	-------------	---

Drawer Kit

174	C6680-60078	Paper input tray assembly kit (Complete - Purple) - Plugs into front paper output tray assembly - Entire assembly - For CREW program only
-----	-------------	---

Paper Tray Parts**Guide**

- 175 C5870-40037 Length adjuster - Media input length adjuster
NO LONGER SUPPLIED
- 176 C6409-40034 Left wall pusher - Pushes against left side of media to maintain correct edge alignment
- 177 C6410-40005 Width adjust (Purple) - Holds media against right wall of input tray

Lever

- 178 C6411-40006 Banner lever - Used to choose either single sheet paper or continuous feed (Banner) paper
NO LONGER SUPPLIED

Pad

- 179 C4557-80027 Length adjust pad (Poron) - Mounted under the fine length adjuster

Panel

- 180 C4557-40098 Paper tray left inner panel (Left cheek cap)
- 181 C4557-40099 Paper tray right inner panel (Right cheek cap)
NO LONGER SUPPLIED
- 182 C4557-40116 Paper tray left outer panel (Left cheek)
- 183 C5870-40019 Paper tray right outer panel (Right cheek)

Spring

- 184 C4557-00012 Right wing spring - Applies pressure to right wing during paper output
NO LONGER SUPPLIED
- C6409-00017 *New Part for C4557-00012*
- 185 C4557-00029 Left wall spring (Front) - Holds left wall assembly in position
- 186 C4557-00030 Left wall spring (Rear) - Provides pressure against media
- 187 C4557-00031 Paper length adjuster spring - Provides tension for paper input length adjuster
C6455-00011 *New Part for C4557-00031*
- 188 C4557-00035 Paper pusher spring - Maintains alignment in paper tray
- 189 C4557-20020 Envelope spring - Holds envelopes in position for picking
- 190 C6409-00017 Wing torsion spring - Provides pressure on the wing during paper output
NO LONGER SUPPLIED

Stop

- 191 C6410-40006 Fine paper length adjuster (Purple) - Holds paper firmly against the back of the paper input tray
NO LONGER SUPPLIED

Tray

- 192 C4557-60049 Paper input tray pressure plate
- 193 C5870-40028 Paper input tray base - Does not include the pressure plate assembly

Tray Assembly

- 194 C5870-60081 Paper input tray assembly (partial) - Includes only base of tray and pressure plate assembly
- 195 C6410-60005 Paper input tray assembly (complete) - Entire assembly - Purple
- 196 C6411-60004 Paper tray left side assembly (Left cheek assembly) - Includes left cheek, banner PCA and cable assembly, banner switch lever
NO LONGER SUPPLIED

Wing

- 197 C4557-40024 Left wing - Holds printed paper after being ejected
- 198 C4557-40025 Right wing - Holds printed paper after being ejected

Paper and Other Media**Film (Transparency)**

- C3832A Premium InkJet transparency film - A4 size (21.0cm x 29.7cm) - 20 sheets per package
- C3835A Premium InkJet transparency film - A4 size (21.0cm x 29.7cm) - 50 sheets per package

Paper and Other Media**Film (Transparency)**

C6053A	Premium InkJet rapid-dry transparencies - A4 size (21.0cm x 29.7cm) - 50 sheets per package NO LONGER SUPPLIED
C3828A	Premium InkJet transparency film - A size (8.5 x 11-inches) - 20 sheets per package
C3834A	Premium InkJet transparency film - A size (8.5 x 11-inches) - 50 sheets per package
C6051A	Premium InkJet rapid-dry transparencies - A size (8.5 x 11-inches) - 50 sheets per package NO LONGER SUPPLIED

Iron-On Transfers

C6050A	Iron-on T-shirt transfers - A4 size (21.0cm x 29.7cm) - 10 sheets per package
Q1974A	Iron-on Transfers for Color Fabric - A size (8.5 x 11-inches) - Six per sheet
C6049A	Iron-on T-shirt transfers - A size (8.5 x 11-inches) - 10 sheets per package

Paper

C6042A	Greeting card paper pack (White) - A4 size (21.0cm x 29.7cm) - Includes 20 sheets and 20 envelopes
Q1787A	Ivory linen half fold Greeting Card - A size (8.5 x 11-inches) - 20 cards
Q1788A	White linen half fold Greeting Card - A size (8.5 x 11-inches) - 20 cards
C1812A	Greeting card paper pack (White) - A size (8.5 x 11-inches) - Includes 20 sheets and 20 envelopes
C6828A	Greeting card paper pack (White) - A size (8.5 x 11-inches) - Felt textured - Includes 20 sheets and 20 envelopes

Paper (Banner)

C1820A	Banner paper - A size (8.5 x 11-inches) - 24 lb - Perforated for easy separation - 100 sheets per pack
--------	--

Paper (Glossy)

C6818A	Professional glossy InkJet brochure and flyer paper - A4 size (21.0cm x 29.7cm) - Glossy on both sides - 50 sheets per box
Q1987A	Glossy brochure and flyer paper - A size (8.5 x 11-inches) - 150 sheets per package
C6045A	Glossy greeting cards - A4 size (21.0cm x 29.7cm) - 10 scored glossy cards and envelopes
C6044A	Glossy greeting cards - A size (8.5 x 11-inches) - 10 scored glossy cards and envelopes
C6817A	Professional glossy InkJet brochure and flyer paper - Glossy on both sides - A size (8.5 x 11-inches) - 50 sheets per box

Paper (InkJet Photo)

C6983A	Photo quality InkJet paper - With two sided semi-gloss finish - A size (8.5 x 11-inches) - 25 sheets per package
C7006A	Photo quality InkJet paper - A4 size (21.0cm x 29.7cm) - Has two sided semi-gloss finish - 25 sheets per package

Paper (InkJet)

51634Z	InkJet non-glossy LX paper - A4 size (21.0cm x 29.7cm) - 200 sheets per package
C1825A	Bright white InkJet paper - A4 size (21.0cm x 29.7cm) - 500 sheets per package
C1853A	Premium InkJet heavyweight paper - A4 size (21.0cm x 29.7cm) - Coated on both sides - 100 sheets per package
C5977A	Bright white InkJet paper - A4 size (21.0cm x 29.7cm) - 200 sheets per package
C5977B	Bright white InkJet paper - A4 size (21.0cm x 29.7cm) - 250 sheets per package
51634Y	InkJet non-glossy LX paper - A size (8.5 x 11-inches) - 200 sheets per package
C1824A	Bright white InkJet paper - A size (8.5 x 11-inches) - 500 sheets per package
C5976A	Bright white InkJet paper - A size (8.5 x 11-inches) - 200 sheets per package
C5976B	Bright white InkJet paper - A size (8.5 x 11-inches) - 250 sheets per package

Paper (Matte)

C6955A	Professional and flyer paper (Matte) - A size (8.5 x 11-inches) - 50 sheets
--------	---

Paper (Photo)

C1847A	Photo paper - A4 size (21.0cm x 29.7cm) - 20 sheets per package
C6765A	Photo paper - A4 size (21.0cm x 29.7cm) - 20 sheets per package (Asia)
C6831A	Premium plus glossy InkJet photographic paper - A size (8.5 x 11-inches) - 20 sheets per package

Paper and Other Media**Paper (Photo)**

C6944A	Premium plus glossy InkJet photographic paper - 10.2cm (4in) x 15.2cm (6in) - 20 sheets per package
C6950A	Premium Plus matte inkjet photographic paper - A size (8.5 x 11-inches) - 20 sheets per package
C6950AC	Premium Plus matte photographic paper - A size (8.5 x 11-inches) - 20 sheets per package - For Canada only
C7040A	Glossy premium photo paper - A4 size (21.0cm x 29.7cm)
C7896A	Glossy Photo Paper - A size (8.5 x 11-inches) - 50 sheets per box
C7897A	Glossy photo paper - A4 size (21.0cm x 29.7cm) - 50 sheets
C7898A	Glossy photo paper - A4 size (21.0cm x 29.7cm) - 20 sheets per box (Japan)
Q1935A	Premium Plus Glossy Photo paper with tab - 10.0cm (3.9in) x 15.0cm (5.9in) finished size - 10.0cm (3.9in) x 16.3cm (6.4in) with tab - 20 sheets per package
Q1951A	Colorfast Photo Paper - A4 size (21.0cm x 29.7cm) - 20 sheets (Asia/Pacific)
Q1969A	Premium Plus Glossy Photo paper - 10.2cm (4in) x 15.2cm (6in) - 60 sheets
Q1971A	Premium Plus Glossy Photo paper - 10.2cm (4in) x 15.2cm (6in) - 100 sheets
Q1977A	Premium Plus glossy photo paper with tab - 10.2cm (4in) x 15.2cm (6in) finished size - 10.2cm (4in) x 16.5cm (6.5in) with tab - 20 sheets per package
Q1978A	Premium Plus glossy photo paper with tab - 10.2cm (4in) x 15.2cm (6in) finished size - 10.2cm (4in) x 16.5cm (6.5in) with tab - 60 sheets per package
Q1979A	Premium plus glossy photo paper with tab - 10.0cm (3.9in) x 15.0cm (5.9in) finished size - 10.0cm (3.9in) x 16.3cm (6.4in) with tab attached - 20 sheets
Q1980A	Premium plus glossy photo paper with tab - 10.0cm (3.9in) x 15.0cm (5.9in) finished size - 10.0cm (3.9in) x 16.3cm (6.4in) with tab attached - 60 sheets
Q1988A	Premium Glossy Photo Paper - 10.2cm (4in) x 15.2cm (6in) - 20 sheets
Q1989A	Premium Glossy Photo Paper - 10.2cm (4in) x 15.2cm (6in) - 60 sheets
Q1988A	<i>New Part for Q1989A</i>
Q1990A	Premium Glossy Photo Paper - 10.2cm (4in) x 15.2cm (6in) - 100 sheets
Q1991A	Premium Glossy Photo Paper - 10.0cm (3.9in) x 15.0cm (5.9in) - 20 sheets
Q1992A	Premium Glossy Photo Paper - 10.0cm (3.9in) x 15.0cm (5.9in) - 60 sheets
Q1993A	Premium Photo Matte Paper - A size (8.5 x 11-inches) - 15 sheets
Q1994A	Premium Photo Matte Paper - A size (8.5 x 11-inches) - 50 sheets
C6040A	Premium glossy photo paper - A4 size (21.0cm x 29.7cm) - 15 sheets per package (Europe, Brazil, and Argentina)
C1846A	Photo paper - A size (8.5 x 11-inches) - 20 sheets per package
C6039A	Premium glossy photo paper (Fast dry time) - A size (8.5 x 11-inches) - 15 sheets per package

Paper (Semi-Glossy)

Q1976A	Semi-gloss photo paper - A size (8.5 x 11-inches) - 75 sheets
--------	---

Paper (Textured)

C6829A	Felt Textured Greeting card paper pack (White) - A4 size (21.0cm x 29.7cm) - Includes 20 sheets and 20 envelopes per box
--------	--

Stickers

C6822A	Round re-stickable InkJet stickers - HP bright white 6.35cm (2.5in) round stickers with 3M 'Post-it' adhesive - A size (8.5 x 11-inches) - 10 sheets per package with nine stickers per sheet
C6823A	Square re-stickable InkJet stickers - HP bright white 6.35cm (2.5in) square stickers with 3M 'Post-it' adhesive - A size (8.5 x 11-inches) - 10 sheets per package with nine stickers per sheet

Print Mechanism Parts**Adjuster**

199 C6409-40021	Carriage rod adjuster - Used to support and align the carriage rod (2 used) - This item should be replaced only by trained, experienced service personnel NO LONGER SUPPLIED
-----------------	---



Print Mechanism Parts

Backbone

200 C6409-00013 BackBone - Large metal item where the main logic PCA and the carriage drive motor are mounted - This item should be replaced only by trained, experienced service personnel

Belt

201 C4557-40049 Carriage drive belt - Moves printhead side to side
NO LONGER SUPPLIED

Blade

202 C2145-00037 ESD blade - Installed between cartridge and carriage PCA ESD blade - Installed between cartridge and carriage PCA

Bracket

203 C5870-00010 Paper motor mounting bracket

Cam

204 C6409-40040 Pick cam - Controls pressure plate and lever
NO LONGER SUPPLIED

Carriage

205 C6409-40031 Ink cartridge carriage

206 C6409-60003 Ink cartridge carriage assembly - This item should be replaced only by trained, experienced service personnel

Clip

C4557-00043 Paperclip - Holds upper paper guide pinch rollers in place

Encoder

208 C4557-80019 Paper motor encoder disk

Flag

209 C5870-40024 OOPS flag - Media sensor - Mounts on the top right edge of the upper paper guide

210 C6680-40001 A4 flag - Media sensor - Mounts on the top left edge of the upper paper guide

Gear

211 C4557-40007 Pick gear

212 C4557-40021 Feed roller idler gear

213 C4557-40095 Encoder gear

214 C4557-40102 Feed roller cluster gear

Guide

215 C4557-40013 Rear paper guide - Guides media through rear of printer

216 C4557-40020 Lower guide - Platform for separator peg, spring and pad

217 C4557-40121 Paper encoder disk guide

218 C6409-40022 Upper paper guide - Guides media through paper path
NO LONGER SUPPLIED

Latch

219 C4557-40042 Plastic latch (Y-shaped) - Used in conjunction with the knob to hold the rear paper cleanout door assy in place

220 C4557-60045 Cartridge latch (Black) - Holds black ink cartridge in place
NO LONGER SUPPLIED

221 C4557-60046 Cartridge latch (Color) - Holds color ink cartridge in place

Lever

222 C4557-00037 Pressure plate lever - Transfers upward pressure from the separator lifter to the kicker

223 C5870-40022 Paper pusher - Small, spring loaded lever attached to pivot - Pushes against left side of paper to maintain right edge alignment

Lifter

224 C4557-40063 Separator lifter - Used to lift the separator peg



Print Mechanism Parts

Link

- 225 C4557-40084 Pivot link
C6429-60025 *New Part for C4557-40084*

Motor

- 226 C4557-60003 Carriage motor assembly (Includes pulley)
- 227 C6409-60004 Paper advance motor

Paper Stacker

- 228 C4557-40016 Kicker - Restacks paper in stack after top sheet is picked

Pin

- 229 C4557-40085 Link pin - Small plastic piece
C6429-60025 *New Part for C4557-40085*
- 230 C5870-40029 Separator peg

Plate

- 231 C6409-40028 Belt Attachment Plate - Mounted to back of Ink Cartridge Carriage Assembly - Used to attach the Carriage Drive Belt

Retainer

- 232 C4557-00024 Ferrite retainer - Holds head drive flex cable ferrite
- 233 C4557-20026 Felt retainer - Holds the lubricating felt to the side of the carriage

Rod

- 234 C6409-20004 Carriage rod - Shaft that the carriage assembly rides on - This item should be replaced only by trained, experienced service personnel

Roller

- 235 C4557-20002 Pinch roller - Provides downward pressure on media as it passes by upper paper guide
- 236 C4557-40015 Rear roller (Black) - Between paper and rear paper guide
NO LONGER SUPPLIED
- 237 C4557-60025 Pivot feed roller - Shaft with 4 hard rollers - Does not include other items such as gear or encoder
- 238 C5870-40030 Postscan roller - Shaft with 2 rollers - Mounts on underside of the lower ADF chassis
- 239 C5870-60092 Pickup roller assembly - Shaft with large rollers, gear, and 2 bearings - Picks paper from paper input tray - Available for trade sales in Europe and Asia/Pacific - Available for authorized service centers only in USA
- 240 C6409-60037 Pivot feed roller assembly - Shaft with small rollers and paper encoder - This item should be replaced only by trained, experienced service personnel
- 241 C6426-60049 Pickup roller - Shaft with large rollers - Does not include other items such as gear or bearings

Separator

- 242 C4557-60011 Separator pad

Shaft

- 243 C4557-20027 Cartridge latch shaft near top of carriage - Used to hold cartridge latches in place

Shift Plate

- C6455-60057 Shift plate assembly - Five plastic gears held in a two piece plastic frame - Attaches to feedroller assembly

Slide

- 245 C5870-40036 Integrated slider for carriage assembly

Snap

- 246 C4557-40150 Pivot snap - Used to hold pivot to pick feed roller shaft

Spring

- 247 C2145-00033 ESD spring between ESD blade and carriage PCA
- 248 C4557-00009 Separator spring - Provides pressure between separator assembly and the center drive roller
- 249 C4557-00011 Drawer spring - Holds input drawer in place
- 250 C4557-00017 Belt tension spring - Provides tension for carriage belt



Print Mechanism Parts

Spring

251	C4557-00018	Encoder spring - Provides tension for encoder strip
252	C4557-00033	Link spring - Provides tension to shaft of pick cam gear
253	C4557-20003	Rear roller spring - Flexible axle for rear roller
254	C4557-20007	Pinch spring - Provides tension on upper paper guide
255	C4557-20009	Latch spring - Provides friction for rear access door knob
256	C4557-20024	Shifter spring - Provides tension on the pivot
257	C4557-20028	EOR tension spring - Maintains tension on wear strip
258	C5870-20002	Paper stacker (kicker) spring

Strip

259	C4557-80001	Encoder strip - Clear strip with position marks - Used by the sensor in the carriage assembly to determine position
260	C5870-00004	Wear strip - Long, spring loaded strip mounted in top of backbone - Used to ensure smooth ink cartridge carriage motion

Support

261	C6409-00008	Upper paper guide support - Base for upper paper guide NO LONGER SUPPLIED
-----	-------------	--

Turnaround Assembly

262	C4557-60109	Turnaround assembly - Provides carriage belt tension - Does not include spring
-----	-------------	--

Washer

263	C4557-80002	Felt washer - Used to lubricate the carriage rod
-----	-------------	--

Scanner Assembly Parts

Base

264	C6680-60059	Scanner base assembly - Includes base and both ribbon cables
-----	-------------	--

Belt

265	C6680-80070	Scanner belt - Moves the scanner module back and forth under the scanner glass
-----	-------------	--

Bezel

266	C6680-40050	Scanner bezel - Top part of the scanner assembly - The scanner glass mounts in this bezel NO LONGER SUPPLIED
-----	-------------	---

Cable

267	C6680-60002	Scanner motor cable
268	C6680-60057	Ribbon cable - Has 10 pin (M) connectors - 71.8cm (28.3 inches) long
269	C6680-80050	Scanner module trailing cable - Has 20 pin (M) edge connectors - 42.9cm (16.9 inches) long

Glass Assembly

270	C6680-60020	Scanner glass assembly - Glass plate on which the documents are placed to be scanned - Mounts in the scanner bezel
-----	-------------	--

Idler

271	C6680-60026	Scanner belt idler assembly - Maintains scanner belt tension NO LONGER SUPPLIED
-----	-------------	--

Module

272	C6688-60003	Scanner module assembly - Moves along scanner slider rod to scan documents
-----	-------------	--

Motor

273	C6680-60023	Motor and gear assembly - Drives scanner module - Does not include motor cable
-----	-------------	--

Rod

274	C6680-20070	Scanner slider rod - Scanner module moves along this rod
-----	-------------	--

Spring

275	C6680-80074	Idler spring - Provides tension for the scanner belt idler assembly
-----	-------------	---



Scanner Assembly Parts

Support

- 276 C6680-40009 Glass assembly support - Retains the scanner glass inside the scanner bezel
NO LONGER SUPPLIED

Service Station Parts

Absorber

- 277 C5870-80007 Spittoon sponge - Absorbs excess ink from cartridges

Bonnet

- 278 C5870-40016 Service station bonnet - Top cover of the spittoon - Has cutout for pallet/link assembly

Clip

- 279 C5870-00002 Service station ESD grounding clip

Gear

- 280 C4557-40079 Transfer gear (Double gear)
281 C5870-40017 Cluster gear (Large gear)

Motor

- 282 C5870-60004 Service station motor assembly - Includes PC board and gear

Pallet

- 283 C6426-60054 Pallet/link assembly - Installed between spittoon and sled cap assembly - Mounting platform for the wiper and capping systems parts

Shaft

- 284 C4557-40066 Drive shaft with molded gears on each end - Inside the service station spittoon assembly

Sled

- 285 C4557-60013 Sled cap assembly - Top cover of the service station assembly - Includes print cartridge caps (gaskets which keep the cartridges from drying out when not printing)

Snap

- 286 C4557-40069 Cap snap - Installed between pallet/link assembly and sled cap assembly - Used to hold the cap spring

Spittoon

- 287 C5870-40014 Spittoon base - The bottom of the service station assembly

Spring

- 288 C4557-00026 Cap spring - Provides pressure to cap parked print cartridges

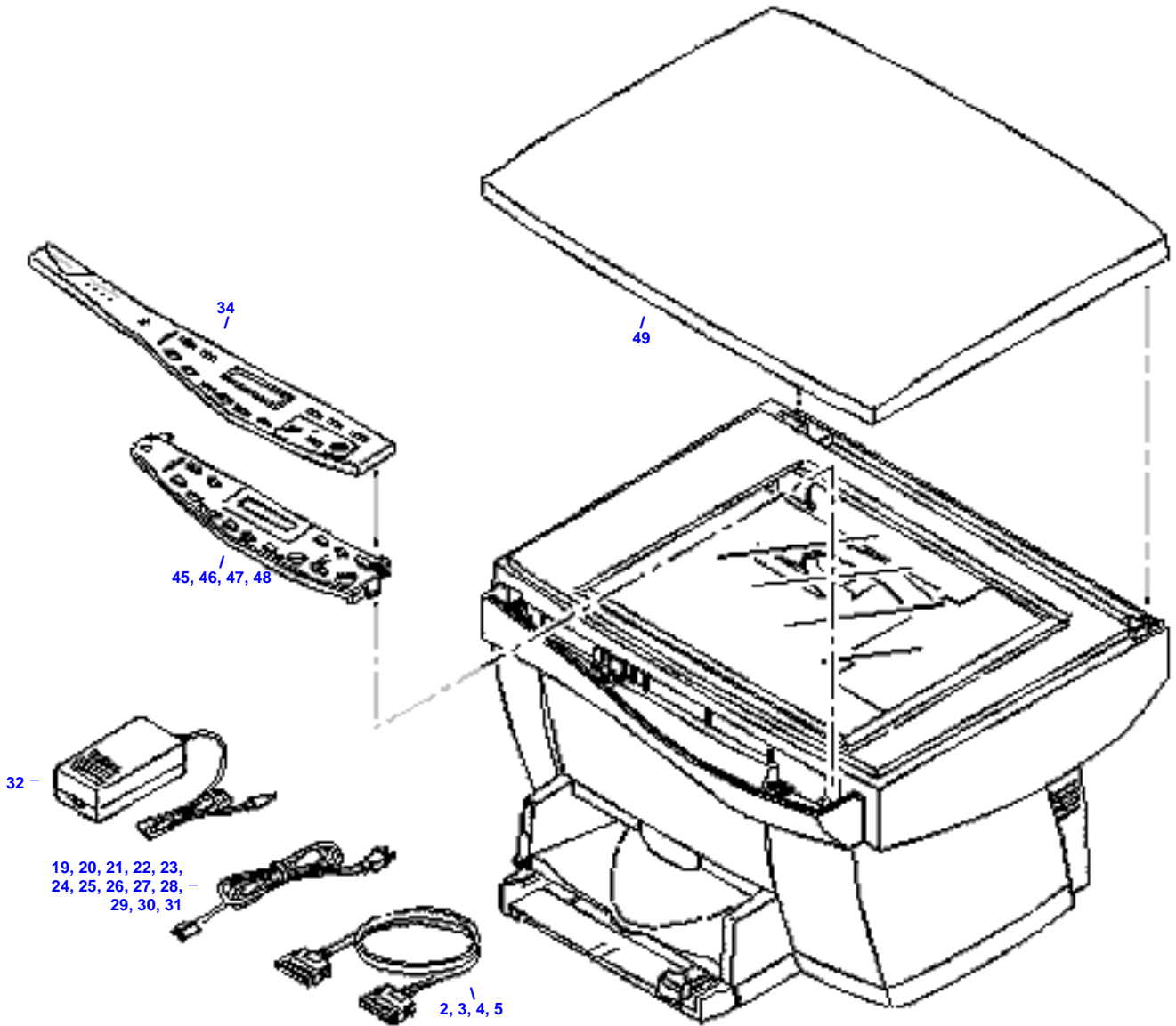
Vent

- 289 C4557-40068 Cap vent - For equalizing the print cartridge capping pressure

Wiper

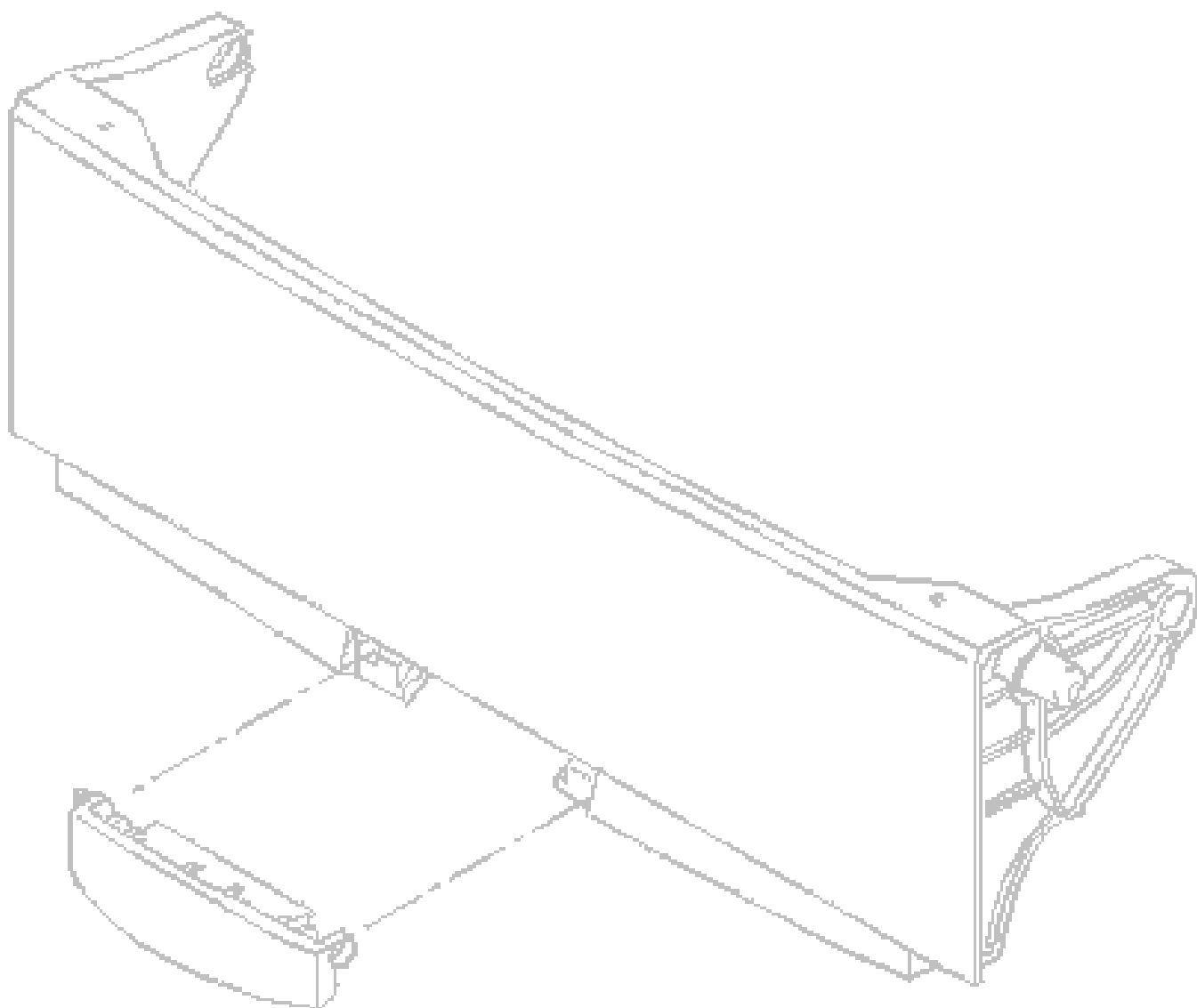
- 290 C4557-60014 Wiper assembly - Metal base with plastic wipers

Main Assembly Locator

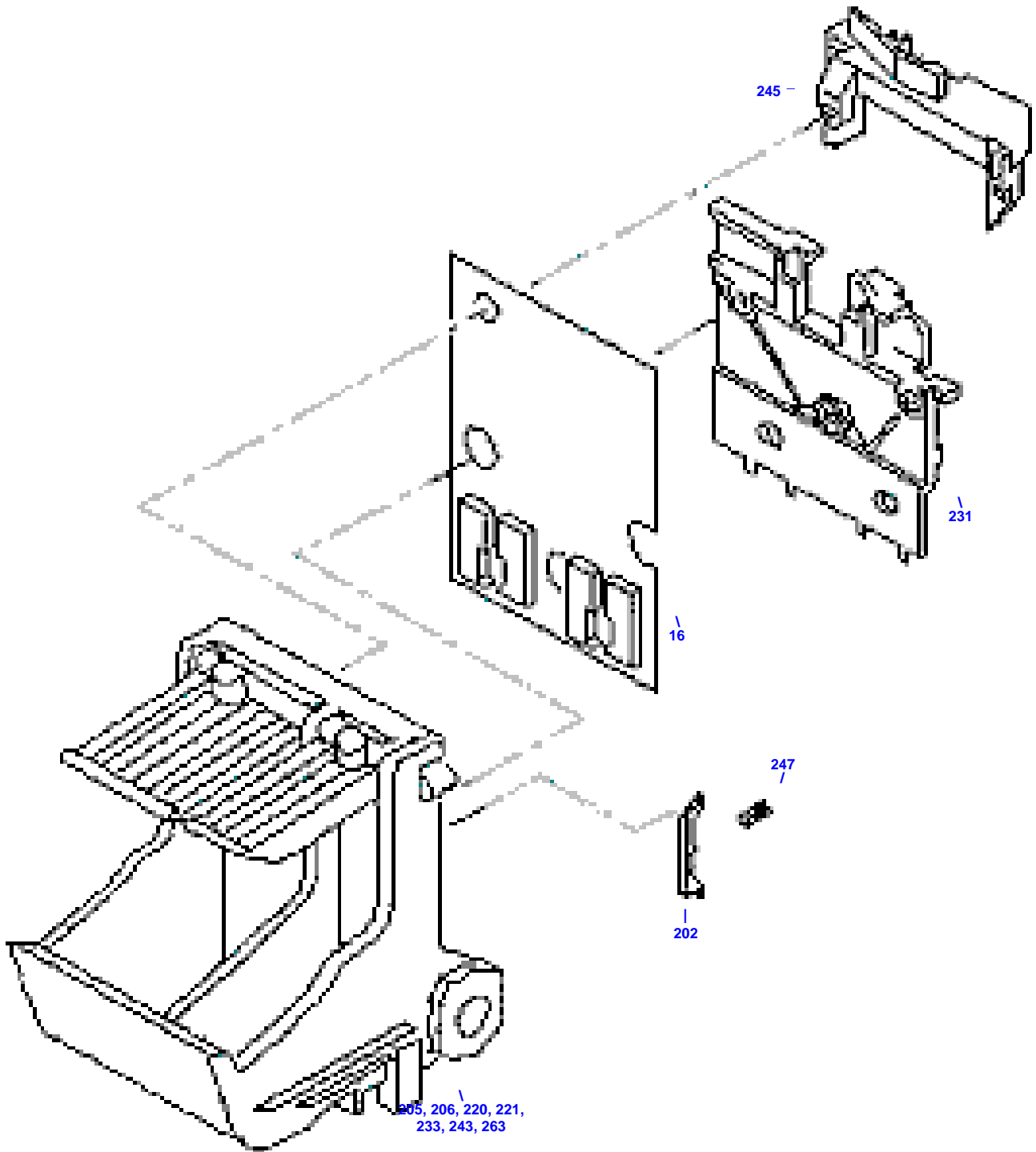


Access Door Assembly

 **Access Door Assembly** - 50

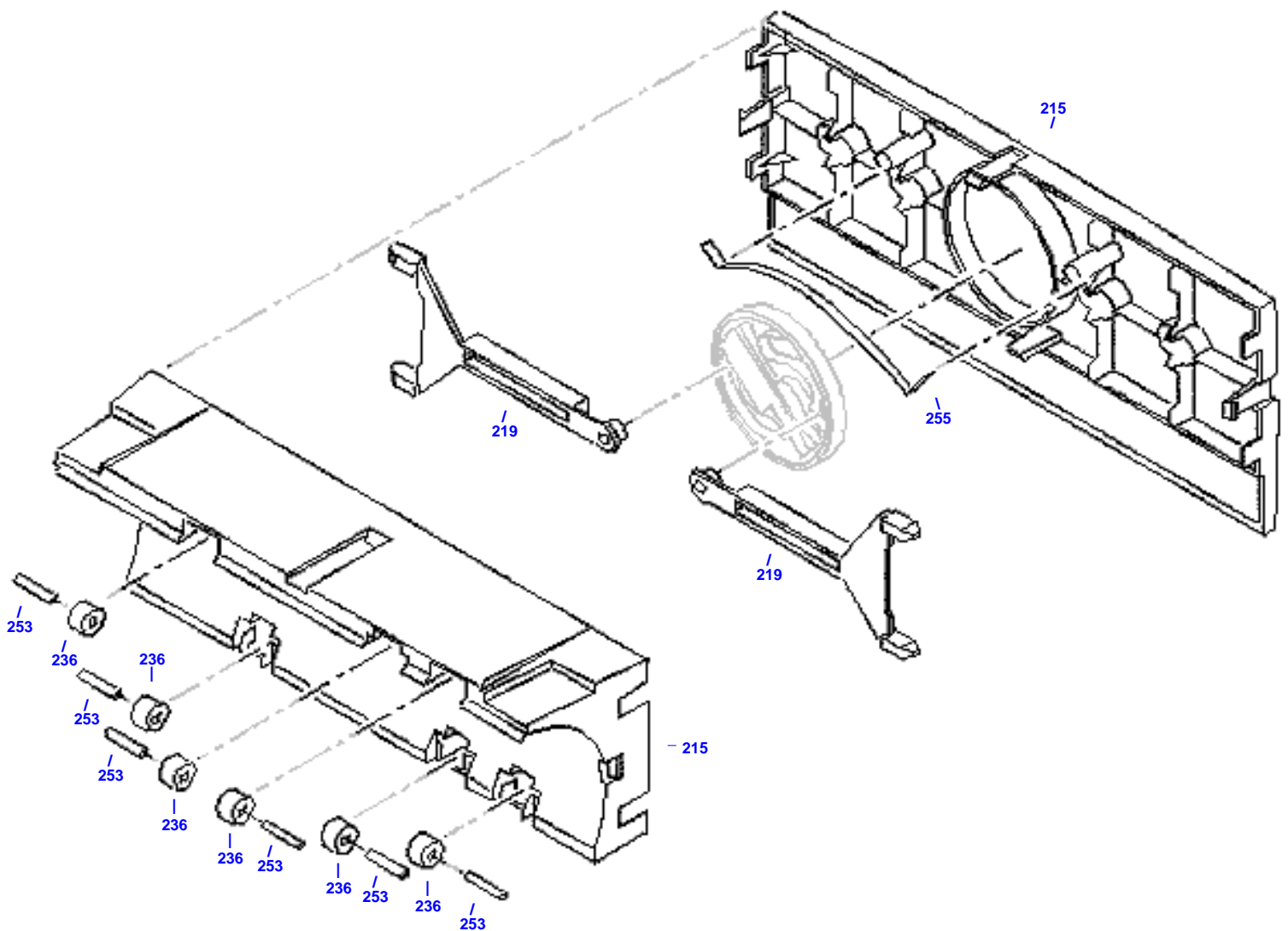


Carriage Assembly

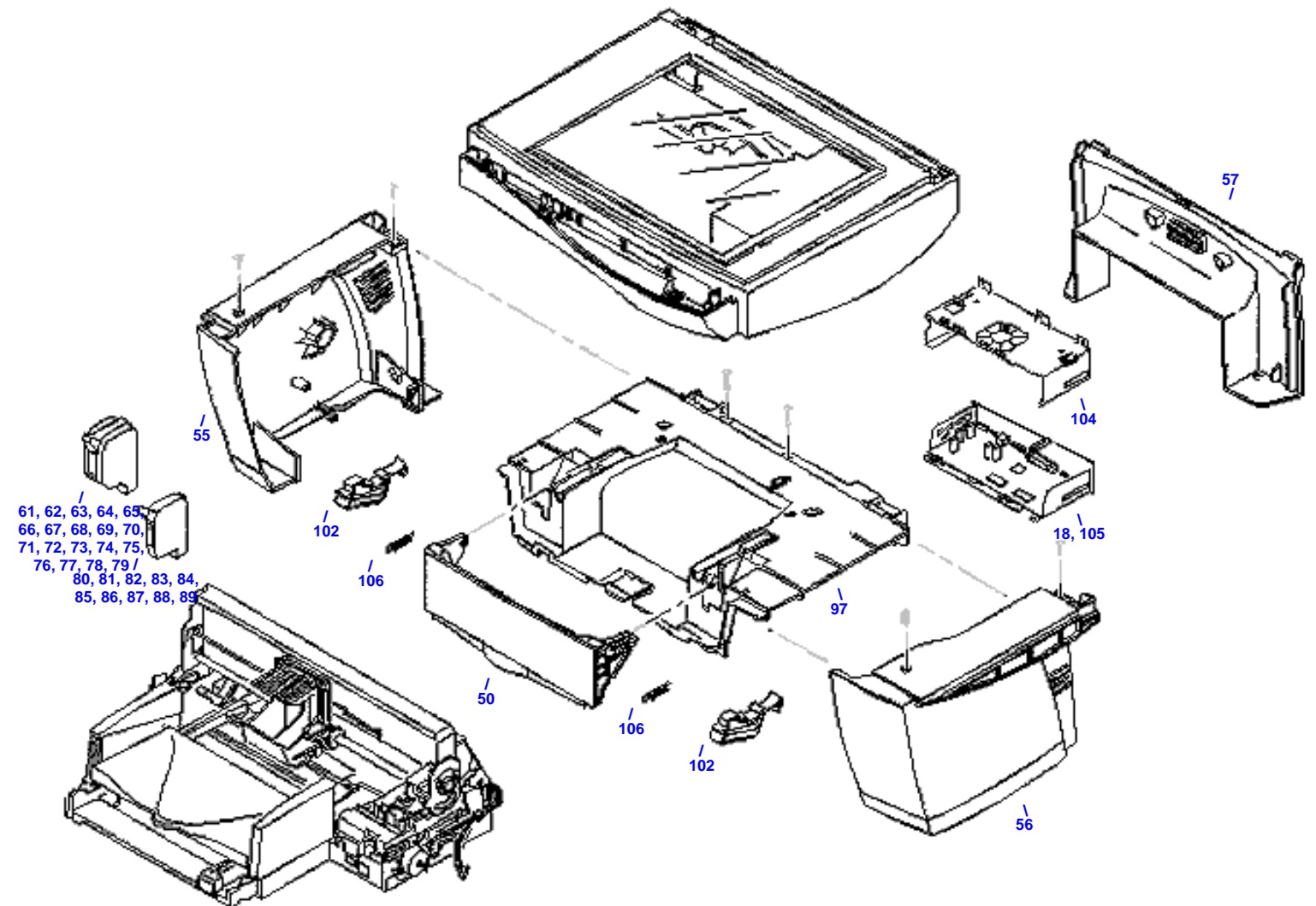


Cleanout Assembly

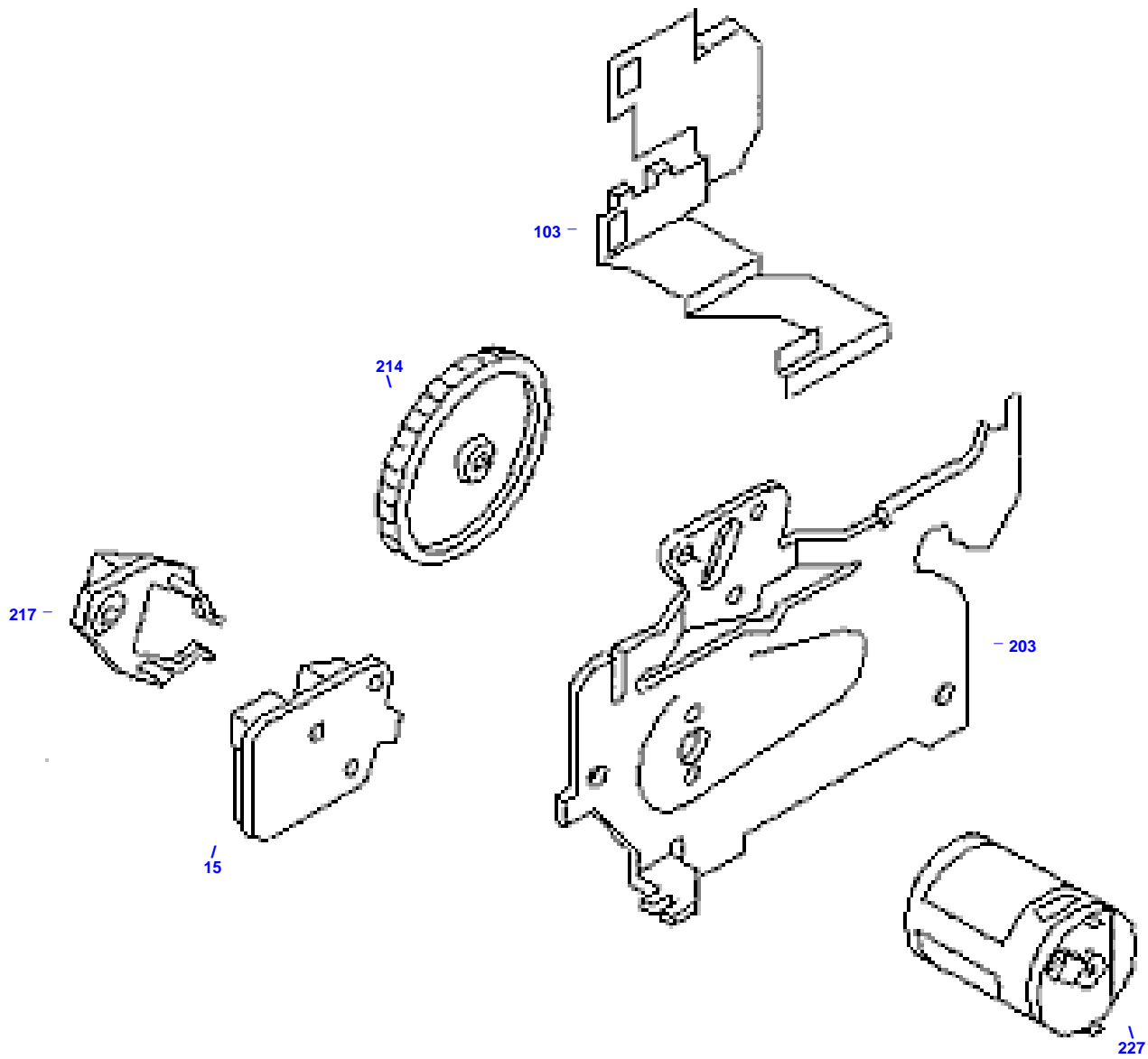
 Cleanout Assembly - 51



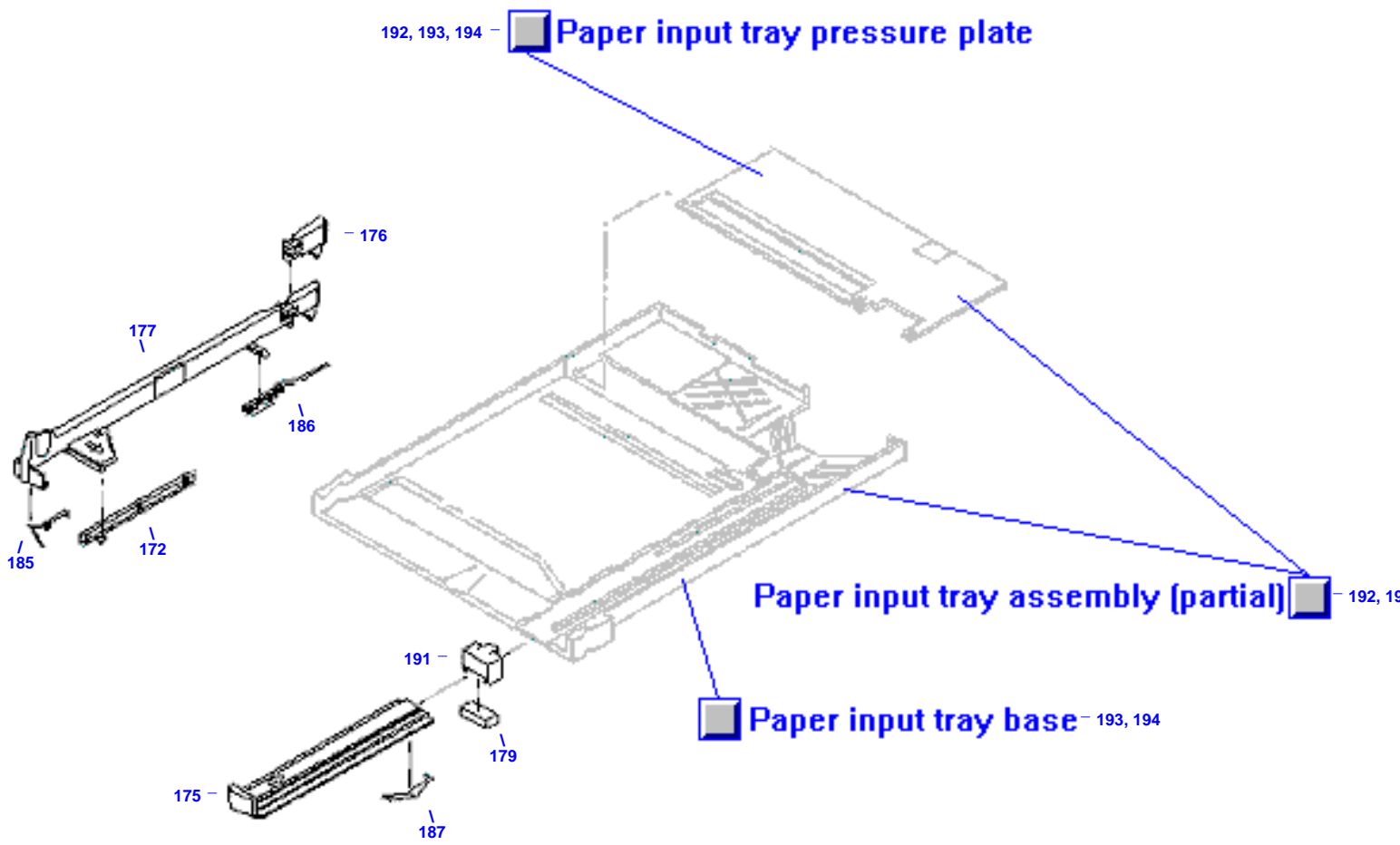
Internal Assemblies



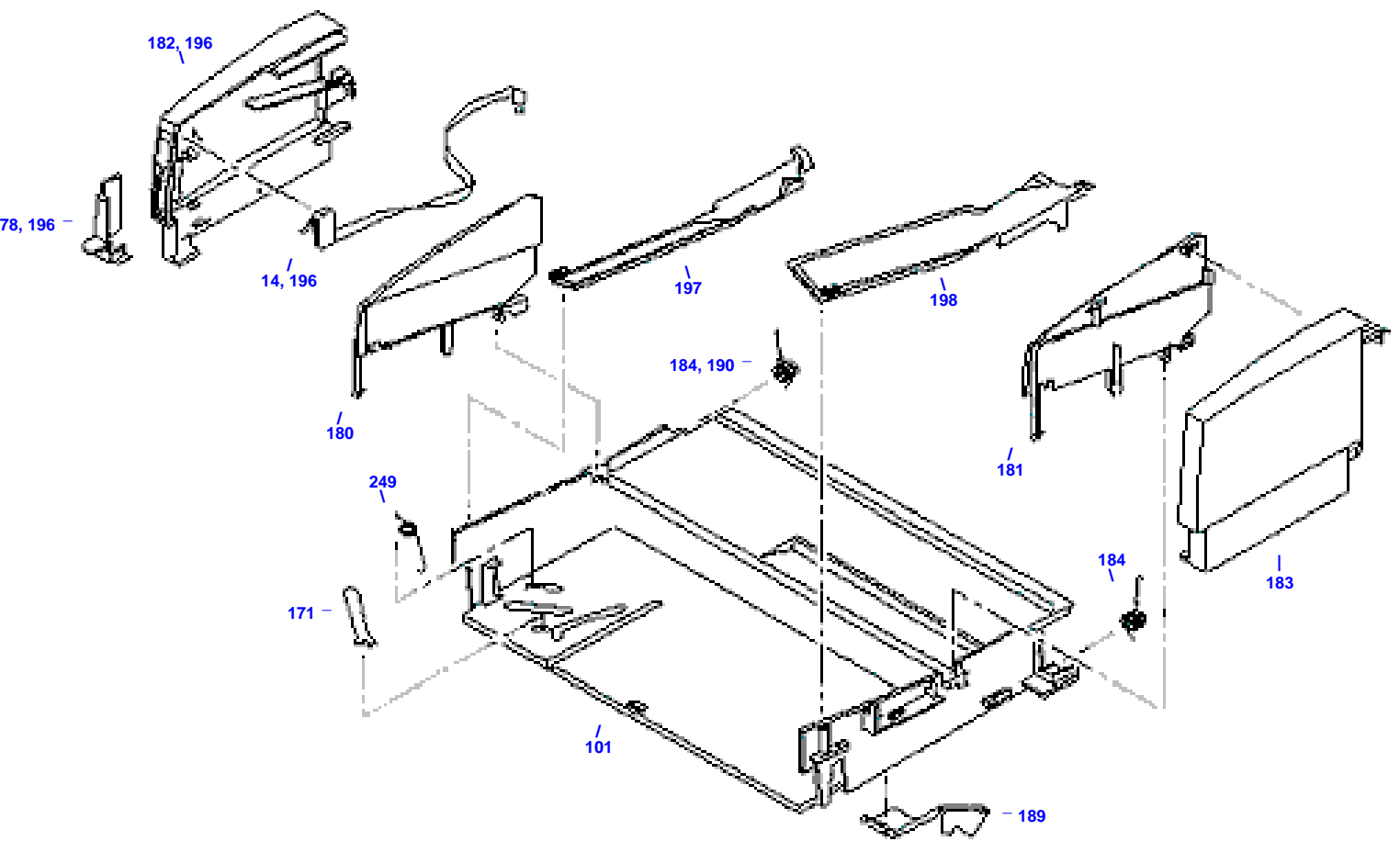
Paper Drive Motor Assembly



Paper Tray Assembly (1 of 2)

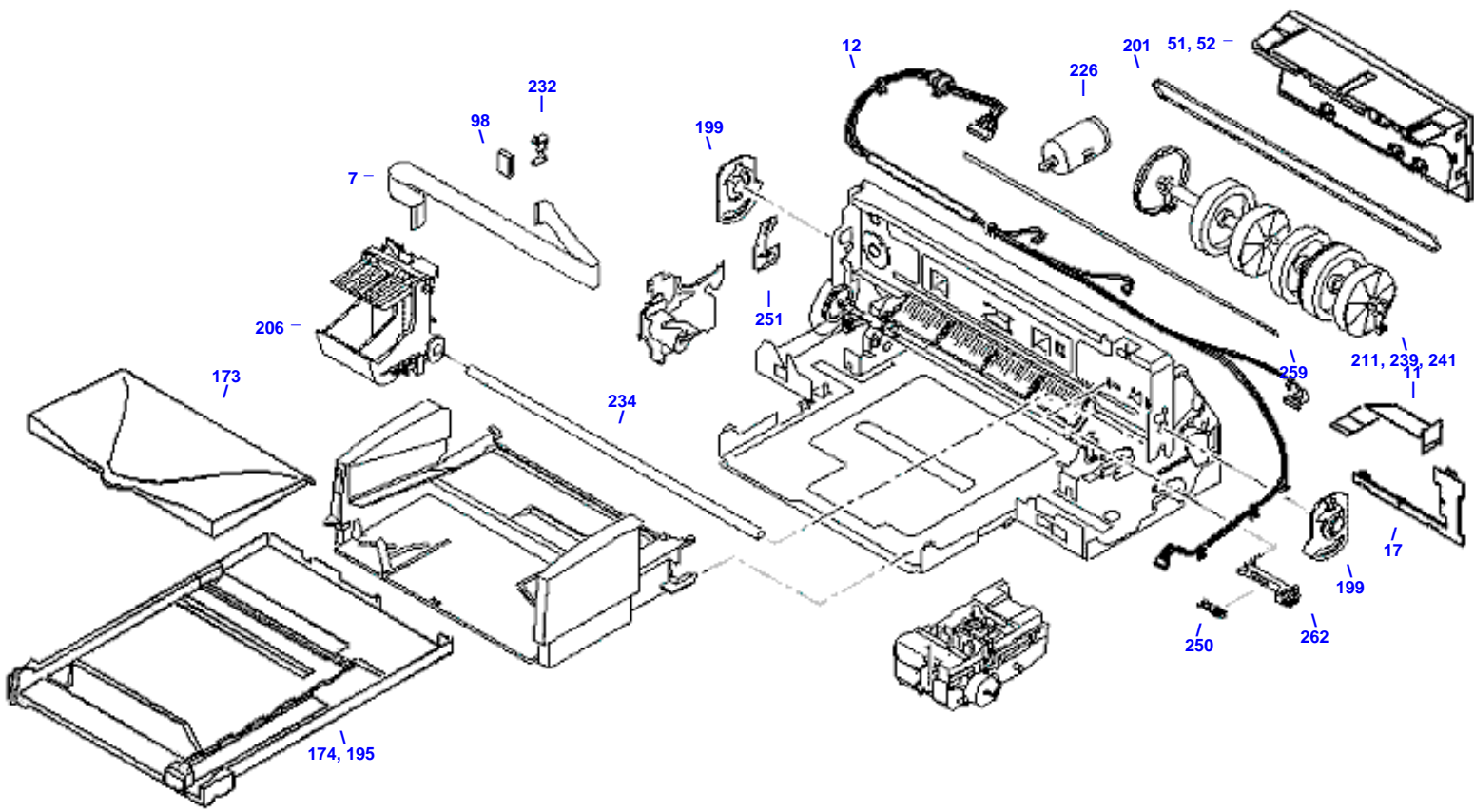


Paper Tray Assembly (2 of 2)



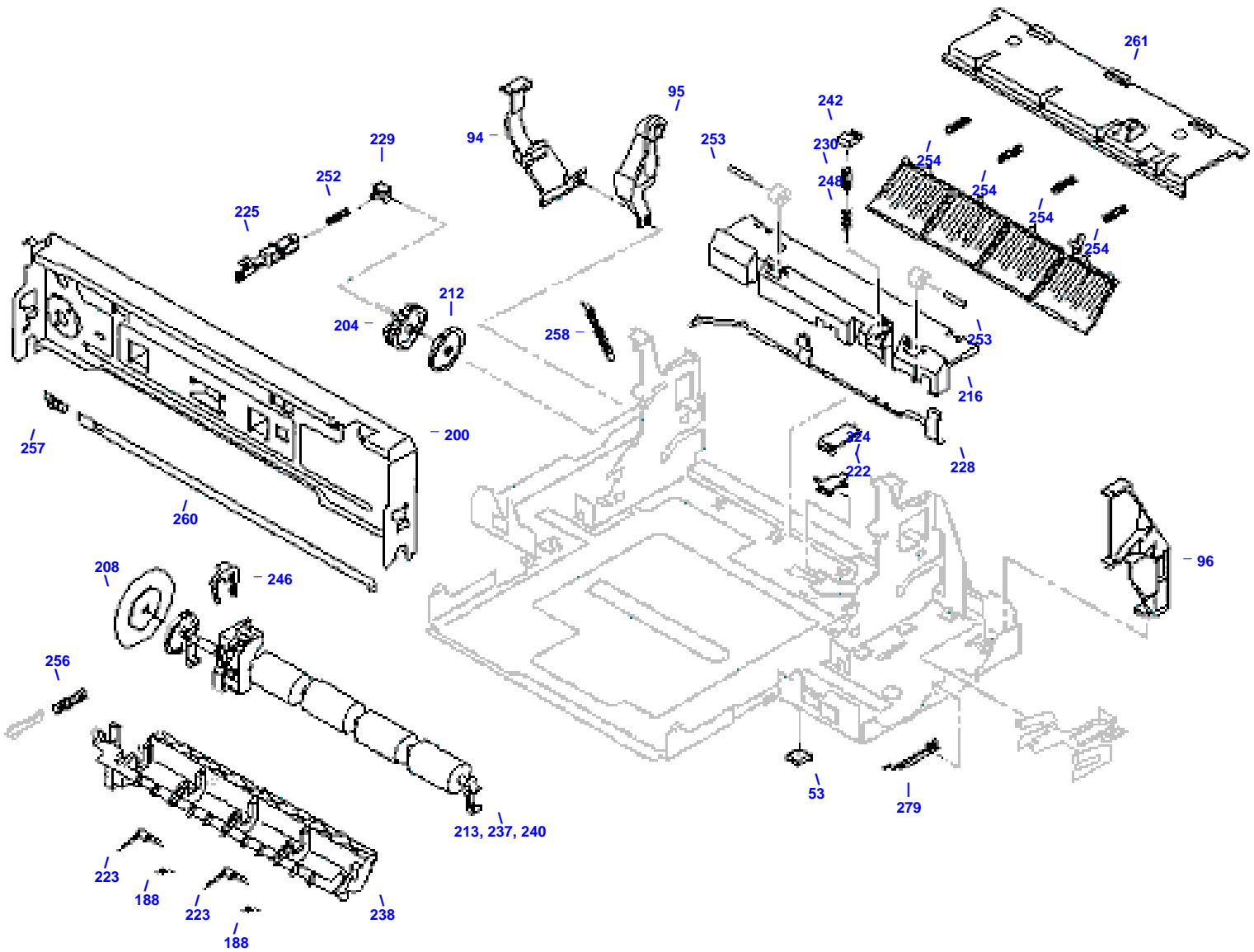
Printer Mechanism (1 of 2)

2 of 2 →

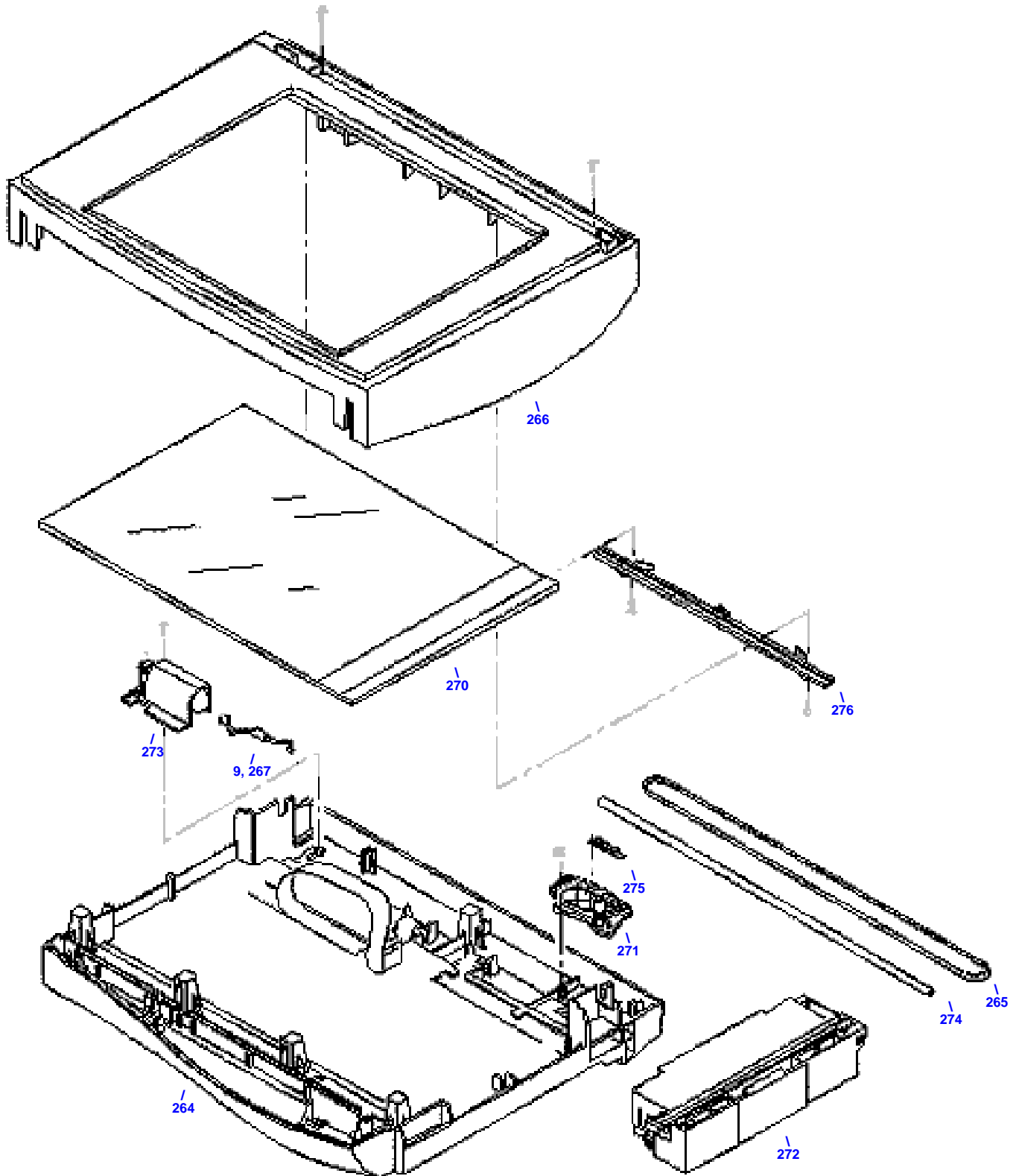


Printer Mechanism (2 of 2)

← 1 of 2

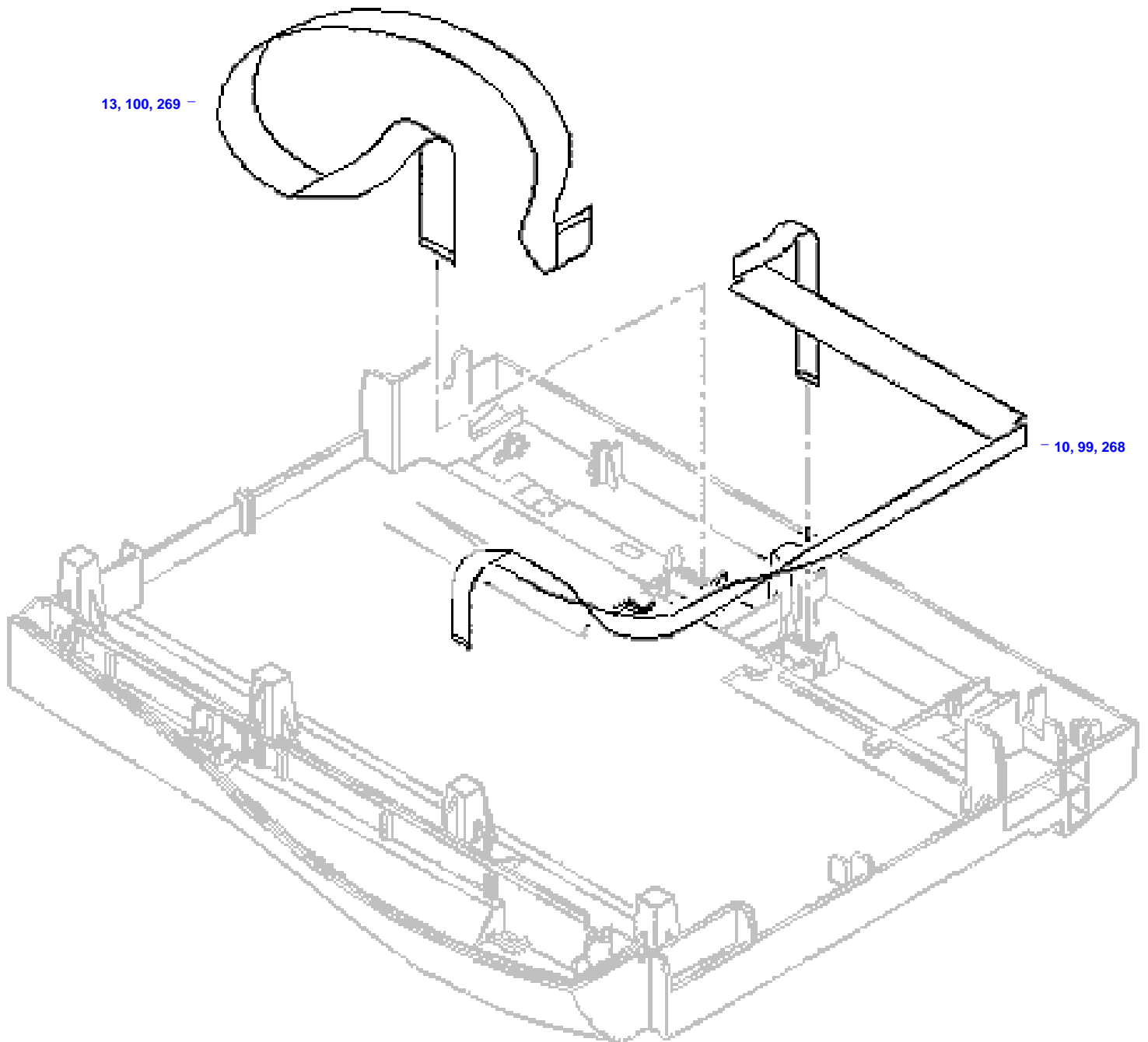


Scanner Assembly

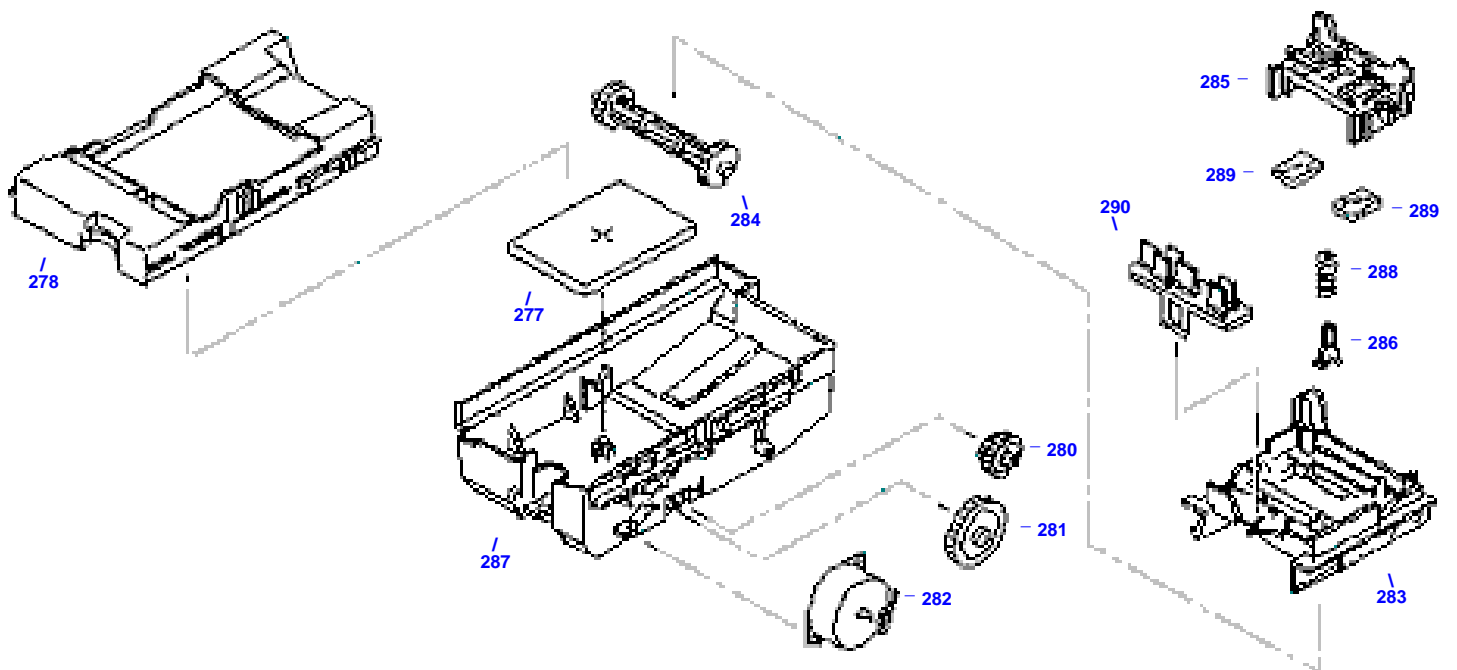


Scanner Base Assembly

 Scanner Base Assembly - 264

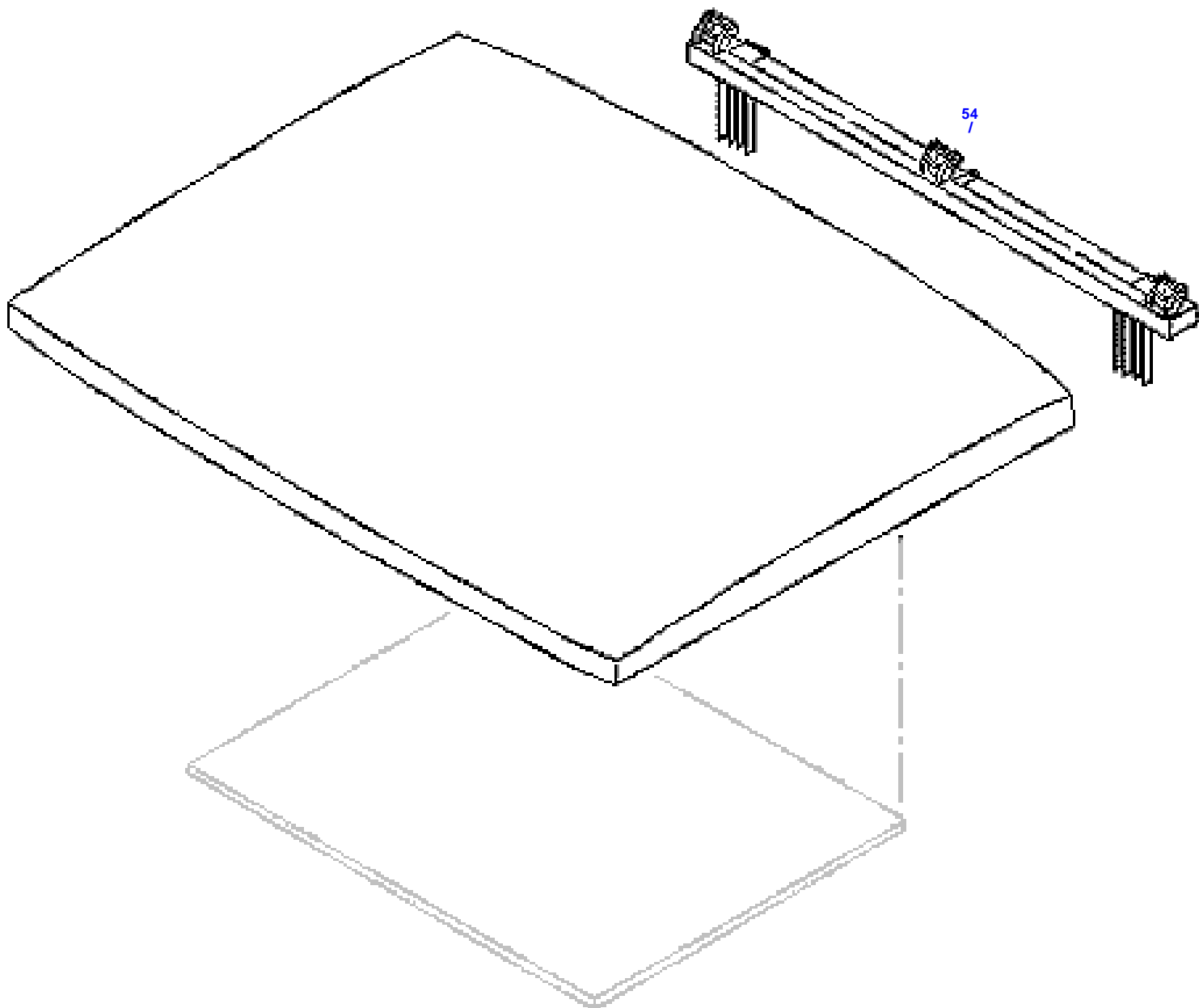


Service Station

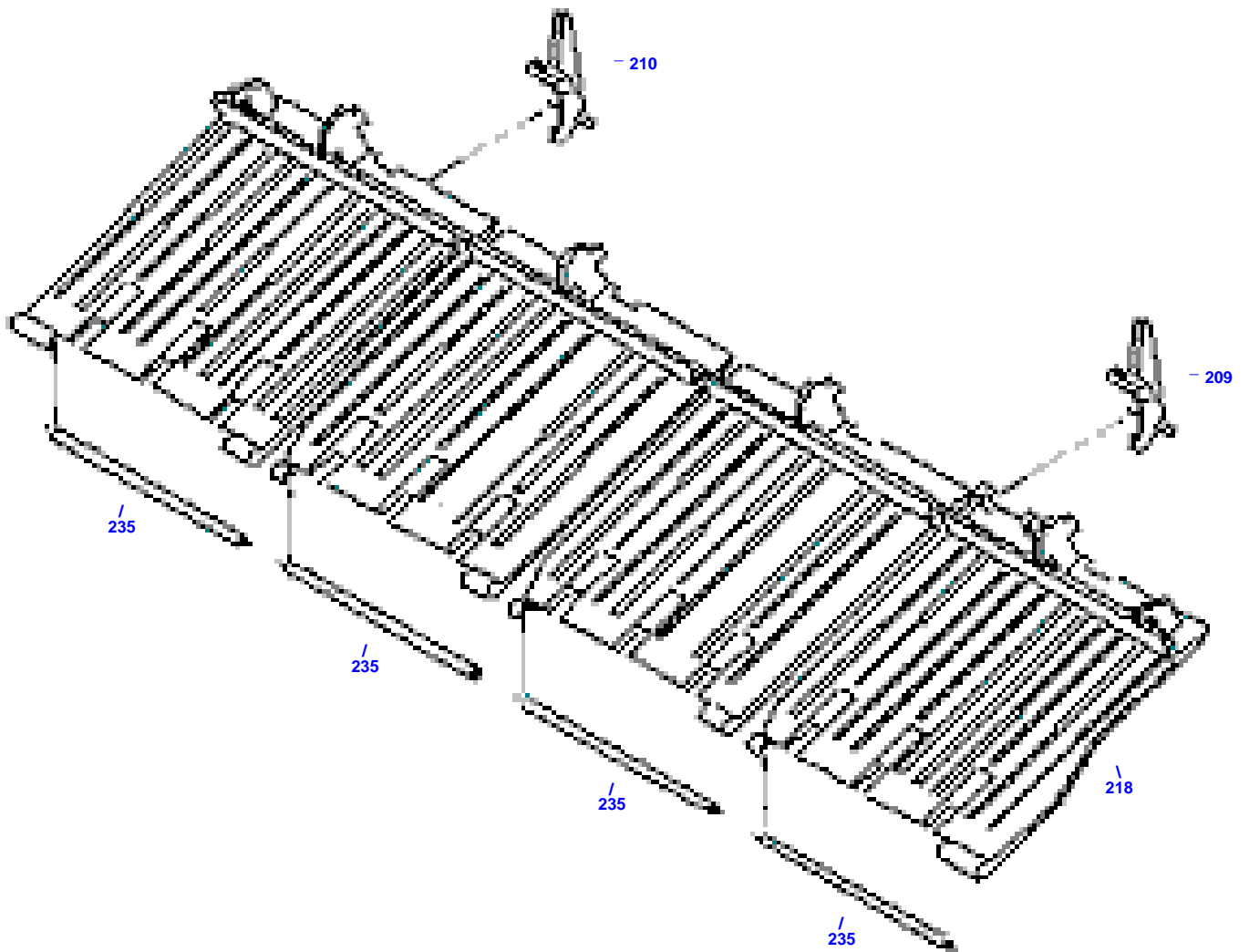


Top Cover Assembly

 **Top Cover Assembly** - 49



Upper Paper Guide Assembly





HP Parts Reference Guide

<http://www.hp.com/go/parts>

HP PartSurfer

<http://partsurfer.hp.com>

HP Parts Ordering Information

<http://www.hp.com/go/hpparts>

HP Parts Questions/Comments

<http://partsurfer.hp.com/contactus.htm>