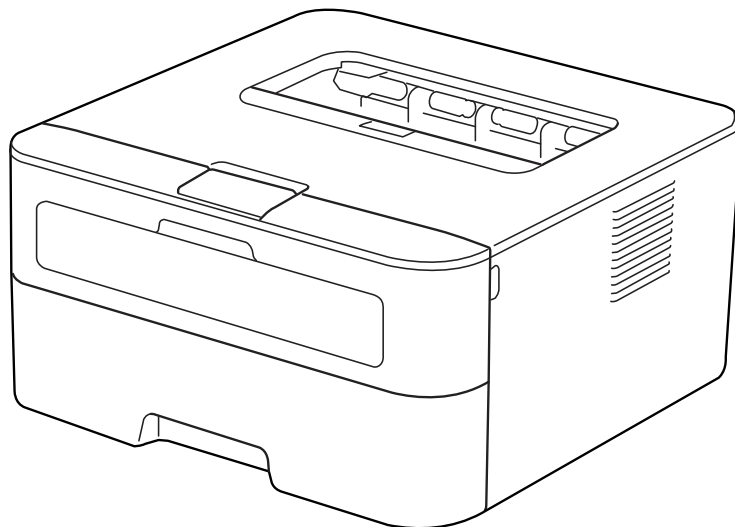




Laser Printer **PARTS REFERENCE LIST**

MODEL:
**HL- L2300D/L2305W/L2315DW/L2320D/
L2340DW/L2360DN/L2360DW/
L2365DW/2260/2260D/2560DN/
L2321D/L2360DN/L2361DN/L2366DW**



Read this list thoroughly before maintenance work.

Keep this list in a convenient place for quick and easy reference at all times.

NOTE FOR USING THIS PARTS REFERENCE LIST

1. In the case of ordering parts, it is necessary to mention the following items:

- (1) Code
- (2) Q'ty
- (3) Description <Example>

	(1)	(2)	(3)			
REFNo.	CODE	Q'TY	DESCRIPTION	MODEL	SPEC	REMARKS

2. Design-changed parts:

If any of the parts code is changed in this Parts List, one of the following symbols is indicated in the REMARKS column.

CHG (chg): The part code is changed for a new one in this Parts List.

ADD (add): The part code is newly added in this Parts List.

DEL (del) : The part code is deleted in this Parts List.

Symbol in capital letters indicates the latest parts change information in the page.

3. Parts change will be informed by the Parts change information.

4. Parts are subject to change in design without prior notice.

COUNTRIES & AREAS

ARG ---- ARGENTINA

ARL ---- AUSTRALIA

BRA ---- BRAZIL

CAN ---- CANADA

CEE ---- CEE GENERAL

CHE ---- SWITZERLAND

CHL ---- CHILE

CHN ---- CHINA

FRA/BEL/NLD ----

FRANCE/BELGIUM/NETHERLANDS

GER ---- GERMANY

IBR ---- IBERIA (SPAIN & PORTUGAL)

IDN ---- INDONESIA

IND ---- INDIA

IRN ---- IRAN

ISR ---- ISRAEL

ITA ---- ITALY

KOR ---- KOREA

MENA ---- MIDDLE EAST AND NORTH AFRICA

MYS ---- MALAYSIA

NZ ---- NEW ZEALAND

PER ---- PERU

PHL ---- PHILIPPINES

PND ---- PAN-NORDIC

(NORWAY/FINLAND/DENMARK/SWEDEN)

RUS ---- RUSSIA

SAF ---- SOUTH AFRICA

THA ---- THAILAND

TWN ---- TAIWAN

UAE ---- UNITED ARAB EMIRATES

UK ---- UNITED KINGDOM

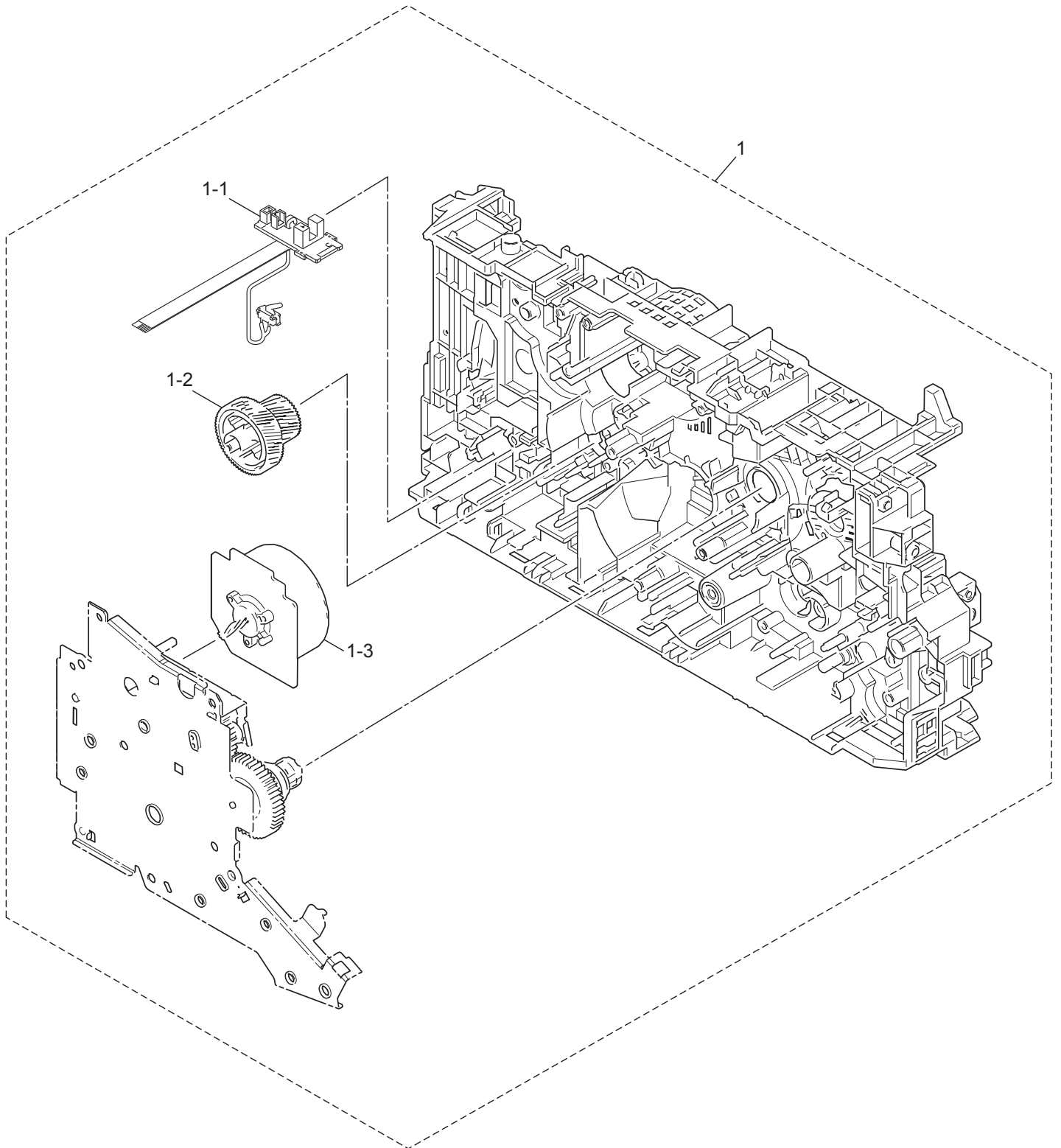
US ---- U.S.A.

VNM ---- VIETNAM

CONTENTS

1.	<u>FRAME L & DRIVE UNIT</u>	1
2.	<u>PAPER FEEDER</u>	3
3.	<u>FRAME</u>	5
4.	<u>LASER UNIT</u>	7
5.	<u>DX</u>	9
6.	<u>PAPER CASSETTE</u>	11
7.	<u>FIXING UNIT</u>	13
8.	<u>COVERS & LABELS</u>	15
9.	<u>PCB</u>	20
10.	<u>ACCESSORIES</u>	24
11.	<u>PRINTED MATERIALS</u>	26
12.	<u>PACKING MATERIALS</u>	29

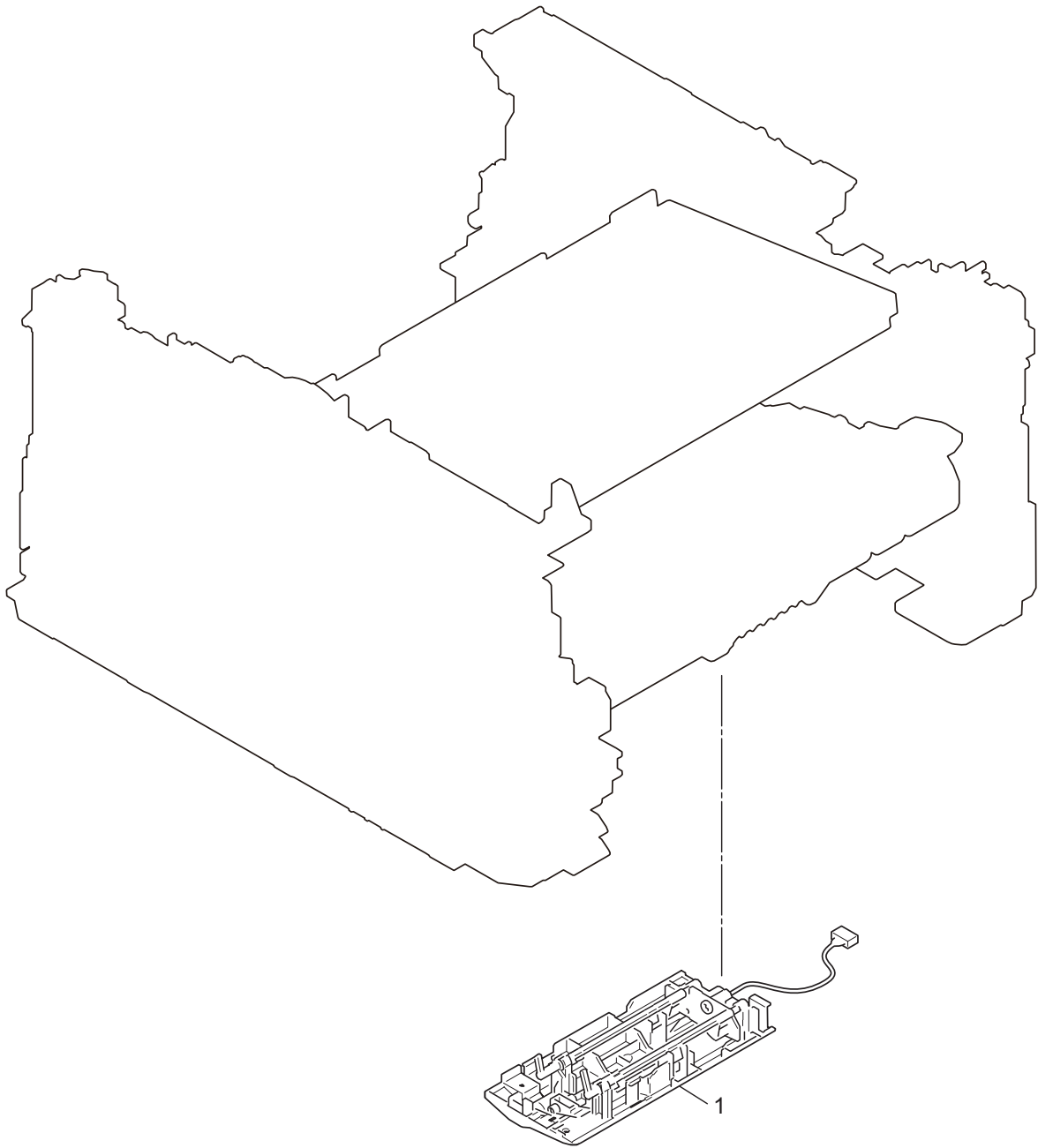
1. FRAME L & DRIVE UNIT



1. FRAME L & DRIVE UNIT

REF No.	CODE	Q'TY	DESCRIPTION	MODEL	SPEC	REMARKS
1	LJB630001	1	MAIN FRAME L ASSY (SP)	HL-2260		CHG
1	LJB631001	1	MAIN FRAME L ASSY (SP)	HL-2260D		CHG
1	LJB629001	1	MAIN FRAME L ASSY (SP)	HL-2560DN		CHG
1	LJB627001	1	MAIN FRAME L ASSY (SP)	HL-L2300D	FOR US/ARL/ITA/ISR/NZ/FRA/BEL/ NLD/CEE/IBR	CHG
1	LJB624001	1	MAIN FRAME L ASSY (SP)	HL-L2300D	FOR GER/UK/CHE/PND	CHG
1	LJB627001	1	MAIN FRAME L ASSY (SP)	HL-L2300DR		CHG
1	LJB620001	1	MAIN FRAME L ASSY (SP)	HL-L2305W		CHG
1	LJB627001	1	MAIN FRAME L ASSY (SP)	HL-L2315DW		
1	LJB627001	1	MAIN FRAME L ASSY (SP)	HL-L2320D		CHG
1	LJB631001	1	MAIN FRAME L ASSY (SP)	HL-L2321D		CHG
1	LJB627001	1	MAIN FRAME L ASSY (SP)	HL-L2340DW	FOR US/ARL/ITA/ISR/NZ/FRA/BEL/ NLD/CEE/IBR	CHG
1	LJB624001	1	MAIN FRAME L ASSY (SP)	HL-L2340DW	FOR GER/UK/CHE/PND	CHG
1	LJB627001	1	MAIN FRAME L ASSY (SP)	HL-L2340DWR		CHG
1	LJB625001	1	MAIN FRAME L ASSY (SP)	HL-L2360DN	FOR GER/UK/CHE/PND	CHG
1	LJB628001	1	MAIN FRAME L ASSY (SP)	HL-L2360DN	FOR ITA/THA/KOR/FRA/BEL/NLD/ CEE/IBR/MYS	CHG
1	LJB629001	1	MAIN FRAME L ASSY (SP)	HL-L2360DN	FOR IDN	CHG
1	LJB628001	1	MAIN FRAME L ASSY (SP)	HL-L2360DNR		CHG
1	LJB628001	1	MAIN FRAME L ASSY (SP)	HL-L2360DW		CHG
1	LJB629001	1	MAIN FRAME L ASSY (SP)	HL-L2361DN		CHG
1	LJB625001	1	MAIN FRAME L ASSY (SP)	HL-L2365DW	FOR GER/UK/CHE/PND	CHG
1	LJB628001	1	MAIN FRAME L ASSY (SP)	HL-L2365DW	FOR ARL/PHL/TWN/SAF/NZ/THA/ KOR/FRA/BEL/NLD/CEE/MYS/UAE/ MENA/ITA/IBR	CHG
1	LJB629001	1	MAIN FRAME L ASSY (SP)	HL-L2365DW	FOR IDN	CHG
1	LJB628001	1	MAIN FRAME L ASSY (SP)	HL-L2365DWR		CHG
1	LJB629001	1	MAIN FRAME L ASSY (SP)	HL-L2366DW		CHG
1-1	LV1288001	1	EJECT SENSOR PCB ASSY	HL-2260		
1-1	LV1288001	1	EJECT SENSOR PCB ASSY	HL-2260D		
1-1	LV1288001	1	EJECT SENSOR PCB ASSY	HL-2560DN		
1-1	LV1288001	1	EJECT SENSOR PCB ASSY	HL-L2300D	FOR US/ARL/ITA/ISR/NZ/FRA/BEL/ NLD/CEE/IBR	
1-1	LV1467001	1	EJECT SENSOR PCB ASSY	HL-L2300D	FOR GER/UK/CHE/PND	
1-1	LV1288001	1	EJECT SENSOR PCB ASSY	HL-L2300DR		
1-1	LV1288001	1	EJECT SENSOR PCB ASSY	HL-L2305W		
1-1	LV1288001	1	EJECT SENSOR PCB ASSY	HL-L2315DW		
1-1	LV1288001	1	EJECT SENSOR PCB ASSY	HL-L2320D		
1-1	LV1288001	1	EJECT SENSOR PCB ASSY	HL-L2321D		
1-1	LV1288001	1	EJECT SENSOR PCB ASSY	HL-L2340DW	FOR US/ARL/ITA/ISR/NZ/FRA/BEL/ NLD/CEE/IBR	
1-1	LV1467001	1	EJECT SENSOR PCB ASSY	HL-L2340DW	FOR GER/UK/CHE/PND	
1-1	LV1288001	1	EJECT SENSOR PCB ASSY	HL-L2340DWR		
1-1	LV1467001	1	EJECT SENSOR PCB ASSY	HL-L2360DN	FOR GER/UK/CHE/PND	
1-1	LV1288001	1	EJECT SENSOR PCB ASSY	HL-L2360DN	FOR ITA/IDN/THA/KOR/ FRA/BEL/NLD/CEE/IBR/MYS	
1-1	LV1288001	1	EJECT SENSOR PCB ASSY	HL-L2360DNR		
1-1	LV1288001	1	EJECT SENSOR PCB ASSY	HL-L2360DW		
1-1	LV1288001	1	EJECT SENSOR PCB ASSY	HL-L2361DN		
1-1	LV1467001	1	EJECT SENSOR PCB ASSY	HL-L2365DW	FOR GER/UK/CHE/PND	
1-1	LV1288001	1	EJECT SENSOR PCB ASSY	HL-L2365DW	FOR ARL/PHL/TWN/SAF/NZ/IDN/ THA/KOR/FRA/BEL/NLD/CEE/ MYS/UAE/MENA/ITA/IBR	
1-1	LV1288001	1	EJECT SENSOR PCB ASSY	HL-L2365DWR		
1-1	LV1288001	1	EJECT SENSOR PCB ASSY	HL-L2366DW		
1-2	LY9029001	1	FUSER GEAR 67R/40R			
1-3	LY9037001	1	MAIN MOTOR			

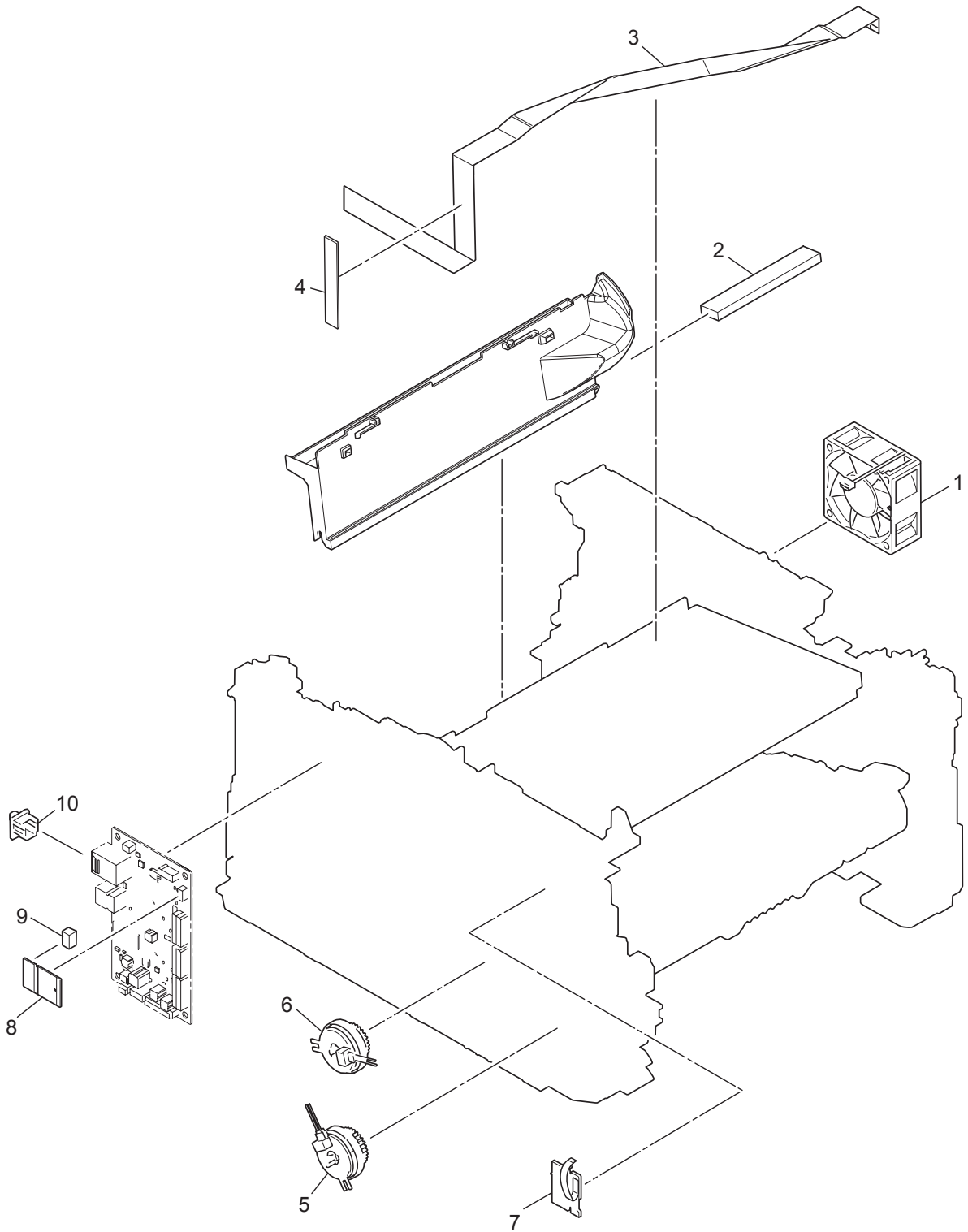
2. PAPER FEEDER



2. PAPER FEEDER

REF No.	CODE	Q'TY	DESCRIPTION	MODEL	SPEC	REMARKS
1	LY9527001	1	REGISTRATION FRONT/REAR ACTUATOR HOLDER ASSY	HL-2260		
1	LY9326001	1	REGISTRATION FRONT/REAR ACTUATOR HOLDER ASSY	HL-2260D		
1	LY9326001	1	REGISTRATION FRONT/REAR ACTUATOR HOLDER ASSY	HL-2560DN		
1	LY9326001	1	REGISTRATION FRONT/REAR ACTUATOR HOLDER ASSY	HL-L2300D		
1	LY9326001	1	REGISTRATION FRONT/REAR ACTUATOR HOLDER ASSY	HL-L2300DR		
1	LY9527001	1	REGISTRATION FRONT/REAR ACTUATOR HOLDER ASSY	HL-L2305W		
1	LY9326001	1	REGISTRATION FRONT/REAR ACTUATOR HOLDER ASSY	HL-L2315DW		
1	LY9326001	1	REGISTRATION FRONT/REAR ACTUATOR HOLDER ASSY	HL-L2320D		
1	LY9326001	1	REGISTRATION FRONT/REAR ACTUATOR HOLDER ASSY	HL-L2321D		
1	LY9326001	1	REGISTRATION FRONT/REAR ACTUATOR HOLDER ASSY	HL-L2340DW		
1	LY9326001	1	REGISTRATION FRONT/REAR ACTUATOR HOLDER ASSY	HL-L2340DWR		
1	LY9326001	1	REGISTRATION FRONT/REAR ACTUATOR HOLDER ASSY	HL-L2360DN		
1	LY9326001	1	REGISTRATION FRONT/REAR ACTUATOR HOLDER ASSY	HL-L2360DNR		
1	LY9326001	1	REGISTRATION FRONT/REAR ACTUATOR HOLDER ASSY	HL-L2360DW		
1	LY9326001	1	REGISTRATION FRONT/REAR ACTUATOR HOLDER ASSY	HL-L2361DN		
1	LY9326001	1	REGISTRATION FRONT/REAR ACTUATOR HOLDER ASSY	HL-L2365DW		
1	LY9326001	1	REGISTRATION FRONT/REAR ACTUATOR HOLDER ASSY	HL-L2365DWR		
1	LY9326001	1	REGISTRATION FRONT/REAR ACTUATOR HOLDER ASSY	HL-L2366DW		

3. FRAME



3. FRAME

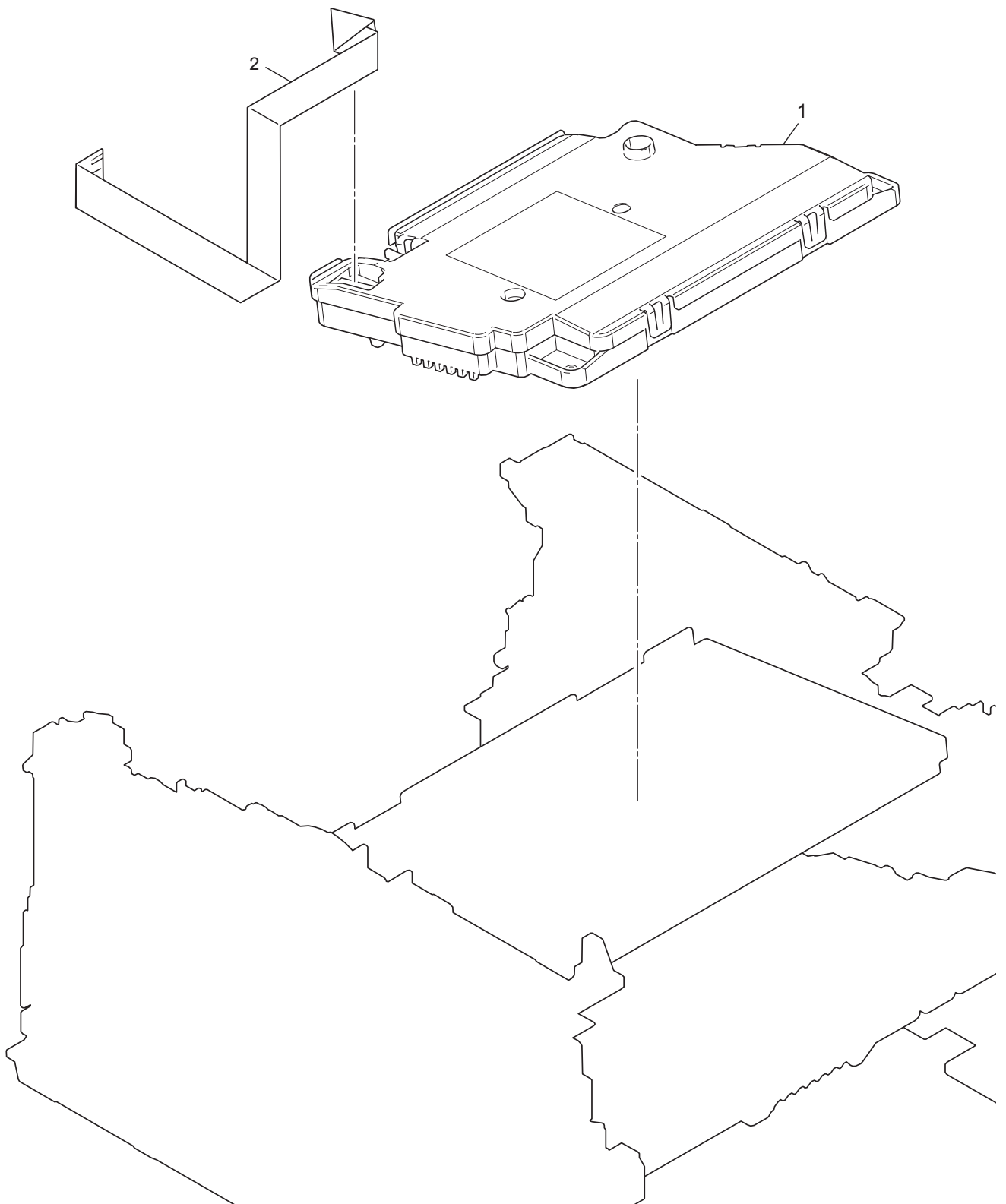
REF No.	CODE	QTY	DESCRIPTION	MODEL	SPEC	REMARKS
1	LY9348001	1	FAN			
2	LY2141001	1	FILTER			
3	LV1226001	1	HVPS FLAT CABLE			
4	LY9721001	1	FLAT CABLE SPONGE			
5	LY2144001	1	T1 CLUTCH			
6	LY2150001	1	REGISTRATION CLUTCH			
7	LV1143001	1	NEW TONER SENSOR PCB ASSY			
8	LT3808001	1	WIRELESS LAN PCB*	HL-L2305W		chg
8	LD1969001	1	WIRELESS LAN PCB*	HL-L2305W		CHG
8	LD1969001	1	WIRELESS LAN PCB	HL-L2315DW		
8	LT3808001	1	WIRELESS LAN PCB*	HL-L2340DW		chg
8	LD1969001	1	WIRELESS LAN PCB*	HL-L2340DW		CHG
8	LT3808001	1	WIRELESS LAN PCB*	HL-L2340DWR		chg
8	LD1969001	1	WIRELESS LAN PCB*	HL-L2340DWR		CHG
8	LT3808001	1	WIRELESS LAN PCB*	HL-L2360DW		chg
8	LD1969001	1	WIRELESS LAN PCB*	HL-L2360DW		CHG
8	LT3808001	1	WIRELESS LAN PCB*	HL-L2365DW		chg
8	LD1969001	1	WIRELESS LAN PCB*	HL-L2365DW		CHG
8	LT3808001	1	WIRELESS LAN PCB*	HL-L2365DWR		chg
8	LD1969001	1	WIRELESS LAN PCB*	HL-L2365DWR		CHG
8	LT3808001	1	WIRELESS LAN PCB*	HL-L2366DW		chg
8	LD1969001	1	WIRELESS LAN PCB*	HL-L2366DW		CHG
9	LV1394001	1	GASKET*	HL-L2305W		
9	LV1394001	1	GASKET*	HL-L2340DW		
9	LV1394001	1	GASKET*	HL-L2340DWR		
9	LV1394001	1	GASKET*	HL-L2360DW		
9	LV1394001	1	GASKET*	HL-L2365DW		
9	LV1394001	1	GASKET*	HL-L2365DWR		
9	LV1394001	1	GASKET*	HL-L2366DW		
10	LY0872001	1	LAN PORT CAP	HL-2560DN		
10	LY0872001	1	LAN PORT CAP	HL-L2360DN		
10	LY0872001	1	LAN PORT CAP	HL-L2360DNR		
10	LY0872001	1	LAN PORT CAP	HL-L2360DW		
10	LY0872001	1	LAN PORT CAP	HL-L2361DN		
10	LY0872001	1	LAN PORT CAP	HL-L2365DW		
10	LY0872001	1	LAN PORT CAP	HL-L2365DWR		
10	LY0872001	1	LAN PORT CAP	HL-L2366DW		

* When replacing the Wireless LAN PCB, please check the compatibility between Old and New and the combination of the Main PCB ASSY and the Wireless LAN PCB.Regarding the how to distinguish between the Old and the New Main PCB ASSY and the Wireless LAN PCB, please refer to the attached file "Distinction_OLD-NEW_PCB-WLAN.pdf" on the Parts List Service Contents (DataBank).

* LT3652001 was changed to LD1969001 by Parts Change Information:1000053286.

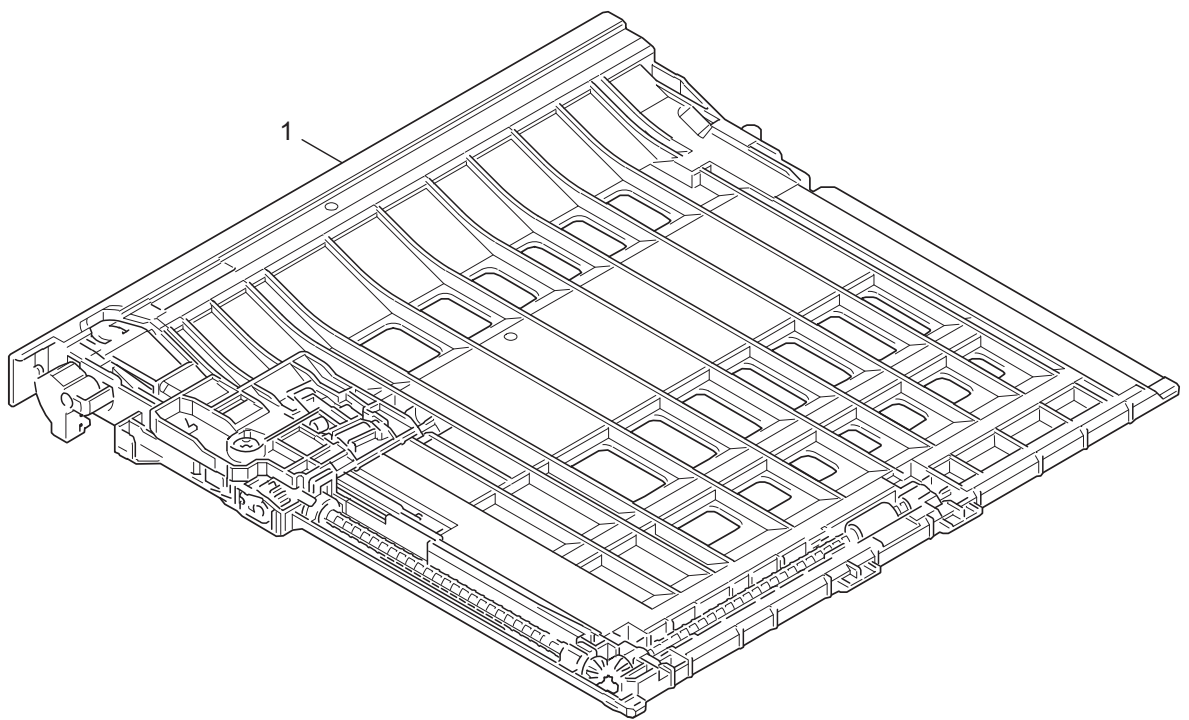
			WIRELESS LAN PCB	
			OLD	NEW
			LT3808001	LT3652001/LD1969001
MAIN PCB ASSY	OLD	LV1437001 LV1327001 LV1288001	OK	NG
	NEW	LV1493001 LV1494001 LV1495001	NG	OK
	GASKET		LV1394001	NEED

4. LASER UNIT



4. LASER UNIT

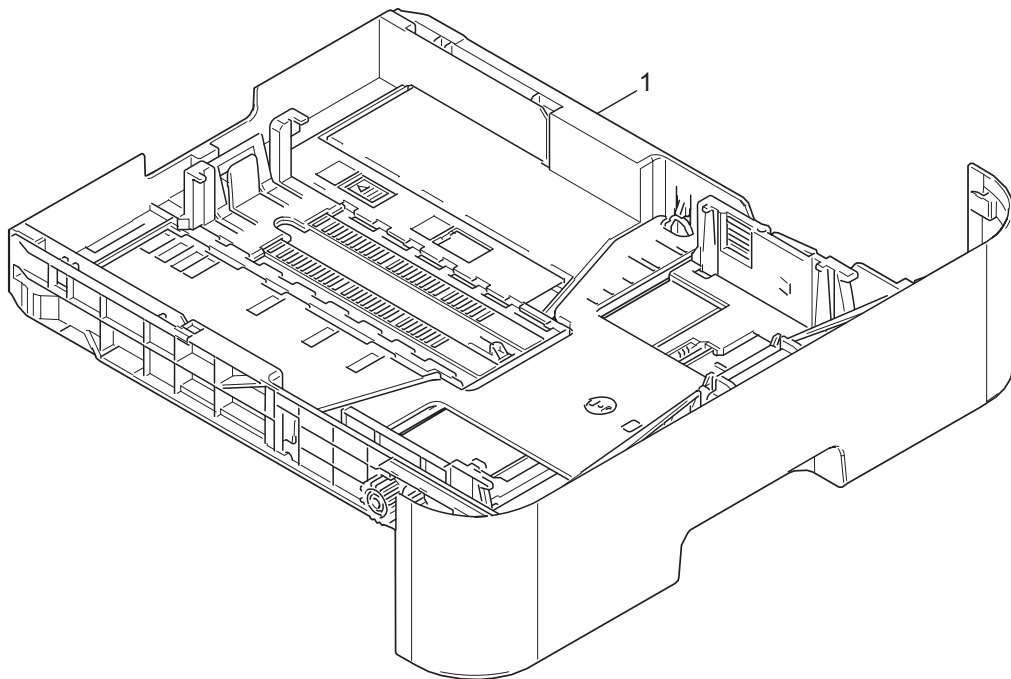
REF No.	CODE	Q'TY	DESCRIPTION	MODEL	SPEC	REMARKS
1	LY9282001	1	LASER UNIT (SP)	HL-2260		
1	LY9282001	1	LASER UNIT (SP)	HL-2260D		
1	LY9282001	1	LASER UNIT (SP)	HL-2560DN		
1	LY9955001	1	LASER UNIT (SP)	HL-L2300D		
1	LY9955001	1	LASER UNIT (SP)	HL-L2300DR		
1	LY9955001	1	LASER UNIT (SP)	HL-L2305W		
1	LY9955001	1	LASER UNIT (SP)	HL-L2315DW		
1	LY9282001	1	LASER UNIT (SP)	HL-L2320D		
1	LY9282001	1	LASER UNIT (SP)	HL-L2321D		
1	LY9955001	1	LASER UNIT (SP)	HL-L2340DW		
1	LY9955001	1	LASER UNIT (SP)	HL-L2340DWR		
1	LY9282001	1	LASER UNIT (SP)	HL-L2360DN		
1	LY9282001	1	LASER UNIT (SP)	HL-L2360DNR		
1	LY9282001	1	LASER UNIT (SP)	HL-L2360DW		
1	LY9282001	1	LASER UNIT (SP)	HL-L2361DN		
1	LY9282001	1	LASER UNIT (SP)	HL-L2365DW		
1	LY9282001	1	LASER UNIT (SP)	HL-L2365DWR		
1	LY9282001	1	LASER UNIT (SP)	HL-L2366DW		
2	LV1232001	1	LASER UNIT FLAT CABLE			



5. DX

REF No.	CODE	Q'TY	DESCRIPTION	MODEL	SPEC	REMARKS
1	LJB536011	1	DUPLEX TRAY	HL-2260D		
1	LJB536012	1	DUPLEX TRAY	HL-2560DN		CHG
1	LY2166011	1	DUPLEX TRAY	HL-L2300D	FOR US	
1	LY2452011	1	DUPLEX TRAY	HL-L2300D	FOR GER/UK/ARL/CHE/ITA/ISR/NZ/ FRA/BEL/NLD/PND/CEE/IBR	
1	LY2452011	1	DUPLEX TRAY	HL-L2300DR		
1	LY2166011	1	DUPLEX TRAY	HL-L2315DW		
1	LY2166011	1	DUPLEX TRAY	HL-L2320D	FOR US/CAN/ARG/CHL/BRZ/US_FS	
1	LY2452011	1	DUPLEX TRAY	HL-L2320D	FOR TWN/THA/IRN/MYS	
1	LY2452012	1	DUPLEX TRAY	HL-L2320D	FOR VNM	
1	LY2452011	1	DUPLEX TRAY	HL-L2321D		
1	LY2166012	1	DUPLEX TRAY	HL-L2340DW	FOR US	
1	LY2452012	1	DUPLEX TRAY	HL-L2340DW	FOR GER/UK/ARL/CHE/ITA/ISR/NZ/ FRA/BEL/NLD/PND/CEE/IBR	
1	LY2452012	1	DUPLEX TRAY	HL-L2340DWR		
1	LY2452012	1	DUPLEX TRAY	HL-L2360DN		
1	LY2452012	1	DUPLEX TRAY	HL-L2360DNR		
1	LY2166012	1	DUPLEX TRAY	HL-L2360DW		
1	LY2452012	1	DUPLEX TRAY	HL-L2361DN		
1	LY2166012	1	DUPLEX TRAY	HL-L2365DW	FOR PHL	
1	LY2452012	1	DUPLEX TRAY	HL-L2365DW	FOR GER/UK/ARL/CHE/TWN/SAF/ NZ/IDN/THA/KOR/FRA/BEL/NLD/ PND/CEE/MYS/UAE/MENA/ITA/IBR	
1	LY2452012	1	DUPLEX TRAY	HL-L2365DWR		
1	LY2452012	1	DUPLEX TRAY	HL-L2366DW		

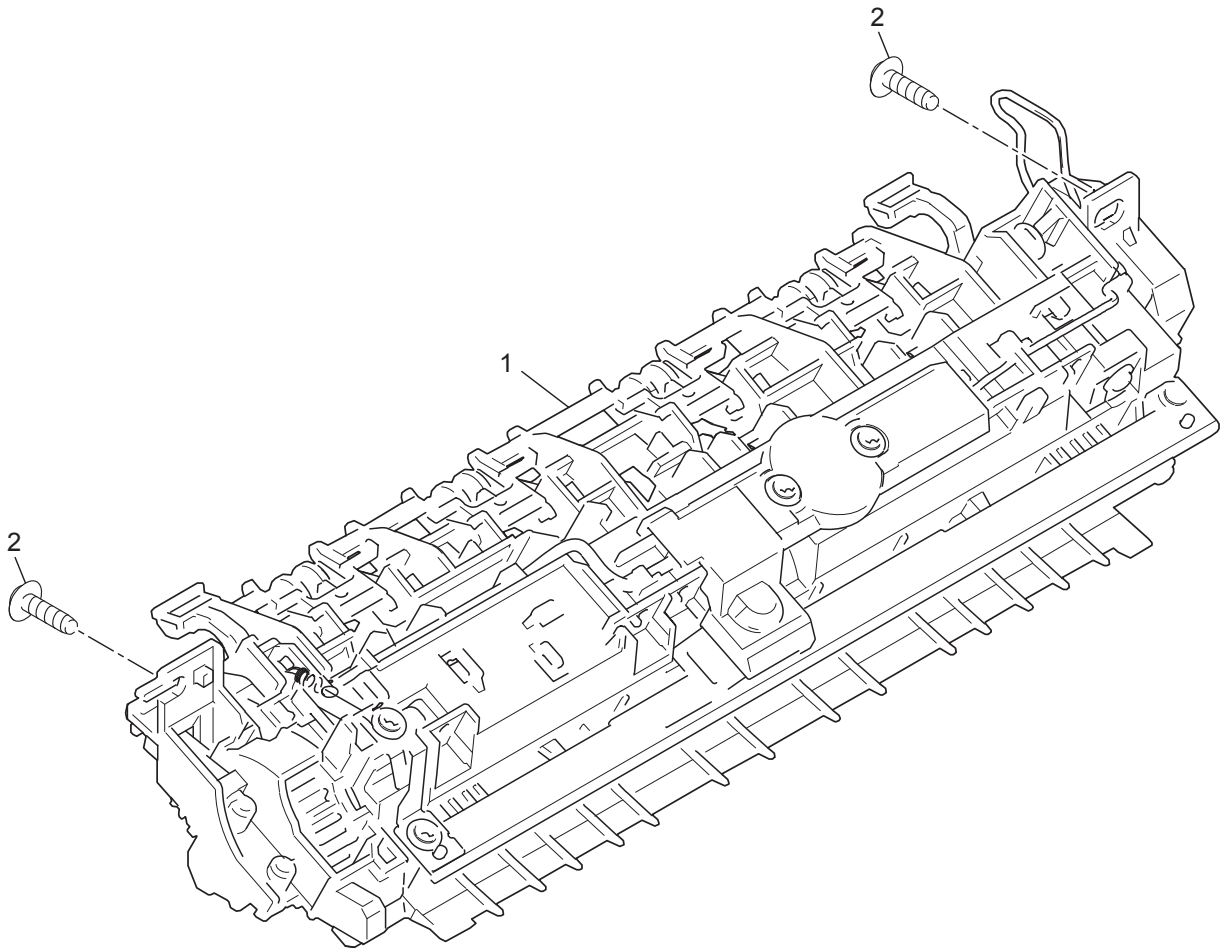
6. PAPER CASSETTE



6. PAPER CASSETTE

REF No.	CODE	Q'TY	DESCRIPTION	MODEL	SPEC	REMARKS
1	LJB538012	1	PAPER TRAY	HL-2260		CHG
1	LJB538011	1	PAPER TRAY	HL-2260D		CHG
1	LJB538012	1	PAPER TRAY	HL-2560DN		CHG
1	LY9090011	1	PAPER TRAY	HL-L2300D	FOR US	
1	LY9379011	1	PAPER TRAY	HL-L2300D	FOR GER/UK/ARL/CHE/ITA/ISR/ NZ/FRA/BEL/NLD/PND/CEE/IBR	
1	LY9379011	1	PAPER TRAY	HL-L2300DR		
1	LY9090011	1	PAPER TRAY	HL-L2305W		
1	LY9090011	1	PAPER TRAY	HL-L2315DW		
1	LY9090011	1	PAPER TRAY	HL-L2320D	FOR US/CAN/TWN/THA/ARG/ CHL/BRZ/US FS/MYS	
1	LY9090012	1	PAPER TRAY	HL-L2320D	FOR VNM	
1	LY9379011	1	PAPER TRAY	HL-L2320D	FOR IRN	
1	LY9090011	1	PAPER TRAY	HL-L2321D		
1	LY9090012	1	PAPER TRAY	HL-L2340DW	FOR US	
1	LY9379012	1	PAPER TRAY	HL-L2340DW	FOR GER/UK/ARL/CHE/ITA/ISR/ NZ/FRA/BEL/NLD/PND/CEE/IBR	
1	LY9379012	1	PAPER TRAY	HL-L2340DWR		
1	LY9379012	1	PAPER TRAY	HL-L2360DN	FOR GER/UK/CHE/ITA/KOR/ FRA/BEL/NLD/PND/CEE/IBR	
1	LY9090012	1	PAPER TRAY	HL-L2360DN	FOR IDN/THA/MYS	
1	LY9379012	1	PAPER TRAY	HL-L2360DNR		
1	LY9090012	1	PAPER TRAY	HL-L2360DW		
1	LY9090012	1	PAPER TRAY	HL-L2361DN		
1	LY9379012	1	PAPER TRAY	HL-L2365DW	FOR GER/UK/ARL/CHE/SAF/NZ/ KOR/FRA/BEL/NLD/PND/CEE/ UAE/MENA/ITA/IBR	
1	LY9090012	1	PAPER TRAY	HL-L2365DW	FOR PHL/TWN/IDN/THA/MYS	
1	LY9379012	1	PAPER TRAY	HL-L2365DWR		
1	LY9090012	1	PAPER TRAY	HL-L2366DW		

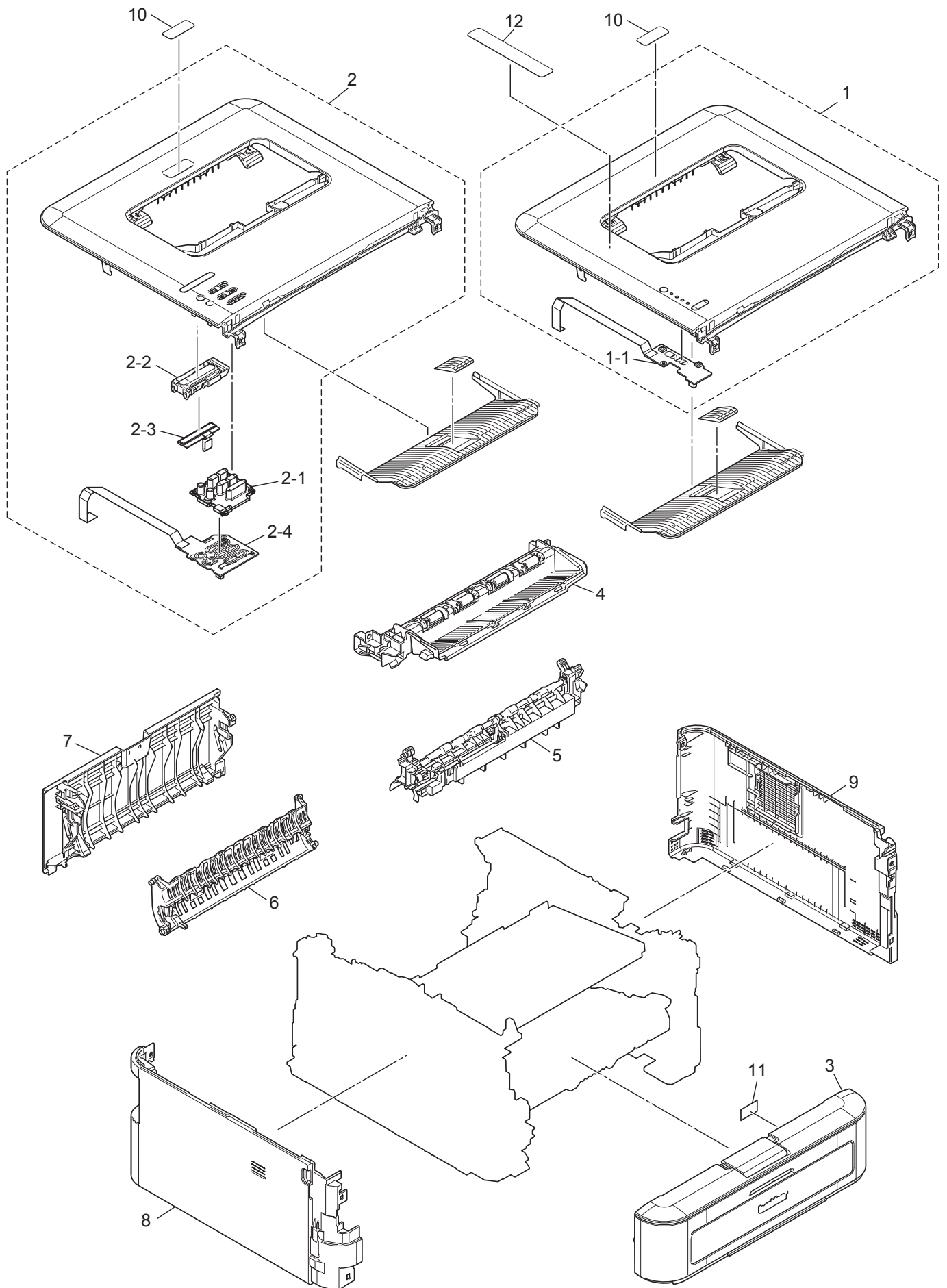
7. FIXING UNIT



7. FIXING UNIT

REF No.	CODE	Q'TY	DESCRIPTION	MODEL	SPEC	REMARKS
1	LJB858001	1	FUSER UNIT (SP)	HL-2260		CHG
1	LJB858001	1	FUSER UNIT (SP)	HL-2260D		CHG
1	LJB858001	1	FUSER UNIT (SP)	HL-2560DN		CHG
1	LJB857001	1	FUSER UNIT (SP)	HL-L2300D	FOR US	CHG
1	LJB343001	1	FUSER UNIT (SP)	HL-L2300D	FOR GER/UK/CHE/PND	add
1	LJB858001	1	FUSER UNIT (SP)	HL-L2300D	FOR ARL/ITA/ISR/NZ/FRA/BEL/ NLD/CEE/IBR	CHG
1	LJB858001	1	FUSER UNIT (SP)	HL-L2300DR		CHG
1	LJB857001	1	FUSER UNIT (SP)	HL-L2305W		CHG
1	LJB857001	1	FUSER UNIT (SP)	HL-L2315DW		
1	LJB857001	1	FUSER UNIT (SP)	HL-L2320D	FOR US/CAN/TWN/US_FS	CHG
1	LJB858001	1	FUSER UNIT (SP)	HL-L2320D	FOR VNM/THA/ARG/IRN/CHL/MYS	CHG
1	LY9467001	1	FUSER UNIT (SP)	HL-L2320D	FOR BRZ	
1	LJB858001	1	FUSER UNIT (SP)	HL-L2321D	FOR VNM	CHG
1	LJB886001	1	FUSER UNIT (SP)	HL-L2321D	FOR IND	CHG
1	LJB857001	1	FUSER UNIT (SP)	HL-L2340DW	FOR US	CHG
1	LJB343001	1	FUSER UNIT (SP)	HL-L2340DW	FOR GER/UK/CHE/PND	add
1	LJB858001	1	FUSER UNIT (SP)	HL-L2340DW	FOR ARL/ITA/ISR/NZ/FRA/BEL/ NLD/CEE/IBR	CHG
1	LJB858001	1	FUSER UNIT (SP)	HL-L2340DWR		CHG
1	LJB343001	1	FUSER UNIT (SP)	HL-L2360DN	FOR GER/UK/CHE/PND	add
1	LJB858001	1	FUSER UNIT (SP)	HL-L2360DN	FOR ITA/IDN/THA/KOR/ FRA/BEL/NLD/CEE/IBR/MYS	CHG
1	LJB858001	1	FUSER UNIT (SP)	HL-L2360DNR		CHG
1	LJB857001	1	FUSER UNIT (SP)	HL-L2360DW	FOR US/CAN	CHG
1	LJB858001	1	FUSER UNIT (SP)	HL-L2360DW	FOR ARG/CHL/PER	CHG
1	LY9467001	1	FUSER UNIT (SP)	HL-L2360DW	FOR BRZ	
1	LJB858001	1	FUSER UNIT (SP)	HL-L2361DN	FOR VNM	CHG
1	LJB886001	1	FUSER UNIT (SP)	HL-L2361DN	FOR IND	CHG
1	LJB343001	1	FUSER UNIT (SP)	HL-L2365DW	FOR GER/UK/CHE/PND	add
1	LJB858001	1	FUSER UNIT (SP)	HL-L2365DW	FOR ARL/PHL/SAF/NZ/IDN/THA/ KOR/FRA/BEL/NLD/CEE/MYS/ UAE/MENA/ITA/IBR	CHG
1	LJB857001	1	FUSER UNIT (SP)	HL-L2365DW	FOR TWN	CHG
1	LJB858001	1	FUSER UNIT (SP)	HL-L2365DWR		CHG
1	LJB886001	1	FUSER UNIT (SP)	HL-L2366DW	FOR IND	
1	LJB858001	1	FUSER UNIT (SP)	HL-L2366DW		CHG
2	LJ0395001	2	TAPTITE PAN B M4X14			

8. COVERS & LABELS



8. COVERS & LABELS

REF No.	CODE	QTY	DESCRIPTION	MODEL	SPEC	REMARKS
1	LY9958001	1	TOP COVER ASSY (SP)	HL-2260		
1	LY9958001	1	TOP COVER ASSY (SP)	HL-2260D		
1	LY9958001	1	TOP COVER ASSY (SP)	HL-L2300D		
1	LY9958001	1	TOP COVER ASSY (SP)	HL-L2300DR		
1	LY9958001	1	TOP COVER ASSY (SP)	HL-L2320D		
1	LY9958001	1	TOP COVER ASSY (SP)	HL-L2321D		
1-1	LV1235001	1	PANEL PCB ASSY	HL-2260		
1-1	LV1235001	1	PANEL PCB ASSY	HL-2260D		
1-1	LV1235001	1	PANEL PCB ASSY	HL-L2300D		
1-1	LV1235001	1	PANEL PCB ASSY	HL-L2300DR		
1-1	LV1235001	1	PANEL PCB ASSY	HL-L2320D		
1-1	LV1235001	1	PANEL PCB ASSY	HL-L2321D		
2	LJB222001	1	TOP COVER ASSY (SP)	HL-2560DN		
2	LJB222001	1	TOP COVER ASSY (SP)	HL-L2360DN		
2	LJB222001	1	TOP COVER ASSY (SP)	HL-L2360DNR		
2	LJB222001	1	TOP COVER ASSY (SP)	HL-L2361DN		
2	LY9960001	1	TOP COVER ASSY (SP)	HL-L2305W		
2	LY9960001	1	TOP COVER ASSY (SP)	HL-L2315DW		
2	LY9960001	1	TOP COVER ASSY (SP)	HL-L2340DW		
2	LY9960001	1	TOP COVER ASSY (SP)	HL-L2340DWR		
2	LY9960001	1	TOP COVER ASSY (SP)	HL-L2360DW		
2	LY9960001	1	TOP COVER ASSY (SP)	HL-L2365DW		
2	LY9960001	1	TOP COVER ASSY (SP)	HL-L2365DWR		
2	LY9960001	1	TOP COVER ASSY (SP)	HL-L2366DW		
2-1	LY9935001	1	RUBBER KEY	HL-2560DN		
2-1	LY9935001	1	RUBBER KEY	HL-L2360DN		
2-1	LY9935001	1	RUBBER KEY	HL-L2360DNR		
2-1	LY9935001	1	RUBBER KEY	HL-L2361DN		
2-1	LY9370001	1	RUBBER KEY	HL-L2305W		
2-1	LY9370001	1	RUBBER KEY	HL-L2315DW		
2-1	LY9370001	1	RUBBER KEY	HL-L2340DW		
2-1	LY9370001	1	RUBBER KEY	HL-L2340DWR		
2-1	LY9370001	1	RUBBER KEY	HL-L2360DW		
2-1	LY9370001	1	RUBBER KEY	HL-L2365DW		
2-1	LY9370001	1	RUBBER KEY	HL-L2365DWR		
2-1	LY9370001	1	RUBBER KEY	HL-L2366DW		
2-2	LY9298001	1	LCD COVER	HL-2560DN		
2-2	LY9298001	1	LCD COVER	HL-L2305W		
2-2	LY9298001	1	LCD COVER	HL-L2315DW		
2-2	LY9298001	1	LCD COVER	HL-L2340DW		
2-2	LY9298001	1	LCD COVER	HL-L2340DWR		
2-2	LY9298001	1	LCD COVER	HL-L2360DN		
2-2	LY9298001	1	LCD COVER	HL-L2360DNR		
2-2	LY9298001	1	LCD COVER	HL-L2360DW		
2-2	LY9298001	1	LCD COVER	HL-L2361DN		
2-2	LY9298001	1	LCD COVER	HL-L2365DW		
2-2	LY9298001	1	LCD COVER	HL-L2365DWR		
2-2	LY9298001	1	LCD COVER	HL-L2366DW		
2-3	A51456001	1	LCD	HL-2560DN		
2-3	A51456001	1	LCD	HL-L2305W		
2-3	A51456001	1	LCD	HL-L2315DW		
2-3	A51456001	1	LCD	HL-L2340DW		
2-3	A51456001	1	LCD	HL-L2340DWR		
2-3	A51456001	1	LCD	HL-L2360DN		
2-3	A51456001	1	LCD	HL-L2360DNR		
2-3	A51456001	1	LCD	HL-L2360DW		
2-3	A51456001	1	LCD	HL-L2361DN		
2-3	A51456001	1	LCD	HL-L2365DW		
2-3	A51456001	1	LCD	HL-L2365DWR		
2-3	A51456001	1	LCD	HL-L2366DW		
2-4	LV1234001	1	PANEL PCB ASSY	HL-2560DN		
2-4	LV1234001	1	PANEL PCB ASSY	HL-L2305W		
2-4	LV1234001	1	PANEL PCB ASSY	HL-L2315DW		
2-4	LV1234001	1	PANEL PCB ASSY	HL-L2340DW		
2-4	LV1234001	1	PANEL PCB ASSY	HL-L2340DWR		
2-4	LV1234001	1	PANEL PCB ASSY	HL-L2360DN		
2-4	LV1234001	1	PANEL PCB ASSY	HL-L2360DNR		
2-4	LV1234001	1	PANEL PCB ASSY	HL-L2360DW		
2-4	LV1234001	1	PANEL PCB ASSY	HL-L2361DN		
2-4	LV1234001	1	PANEL PCB ASSY	HL-L2365DW		
2-4	LV1234001	1	PANEL PCB ASSY	HL-L2365DWR		
2-4	LV1234001	1	PANEL PCB ASSY	HL-L2366DW		

8. COVERS & LABELS

REF No.	CODE	Q'TY	DESCRIPTION	MODEL	SPEC	REMARKS
3	LY9483002	1	FRONT COVER ASSY	HL-2260		
3	LY9483001	1	FRONT COVER ASSY	HL-2260D		
3	LY9483002	1	FRONT COVER ASSY	HL-2560DN		
3	LY9121001	1	FRONT COVER ASSY	HL-L2300D	FOR US/NZ	
3	LY9593001	1	FRONT COVER ASSY	HL-L2300D	FOR GER/UK/CHE/ITA/ISR/FRA/ BEL/NLD/PND/CEE/IBR FOR ARL	
3	LJB184001	1	FRONT COVER ASSY	HL-L2300D		
3	LY9121001	1	FRONT COVER ASSY	HL-L2300DR		
3	LY9121001	1	FRONT COVER ASSY	HL-L2305W		
3	LY9121001	1	FRONT COVER ASSY	HL-L2315DW		
3	LY9121001	1	FRONT COVER ASSY	HL-L2320D	FOR US/CAN/US_FS	
3	LY9483002	1	FRONT COVER ASSY	HL-L2320D	FOR VNM	
3	LY9483001	1	FRONT COVER ASSY	HL-L2320D	FOR TWN/THA/ARG/CHL/BRZ/MYS	
3	LY9121001	1	FRONT COVER ASSY	HL-L2321D	FOR IND	
3	LJB184001	1	FRONT COVER ASSY	HL-L2320D	FOR IRN	
3	LJB184001	1	FRONT COVER ASSY	HL-L2321D	FOR VNM	
3	LY9121002	1	FRONT COVER ASSY	HL-L2340DW	FOR US/NZ	
3	LY9593002	1	FRONT COVER ASSY	HL-L2340DW	FOR GER/UK/CHE/ITA/ISR/FRA/ BEL/NLD/PND/CEE/IBR FOR ARL	
3	LJB184002	1	FRONT COVER ASSY	HL-L2340DW		
3	LY9121002	1	FRONT COVER ASSY	HL-L2340DWR		
3	LY9593002	1	FRONT COVER ASSY	HL-L2360DN	FOR GER/UK/CHE/ITA/IDN/ FRA/BEL/NLD/PND/CEE/IBR FOR THA/KOR/MYS	
3	LY9483002	1	FRONT COVER ASSY	HL-L2360DN		
3	LY9121002	1	FRONT COVER ASSY	HL-L2360DNR		
3	LY9121002	1	FRONT COVER ASSY	HL-L2360DW	FOR US/CAN	
3	LY9483002	1	FRONT COVER ASSY	HL-L2360DW	FOR ARG/CHL/BRZ/PER	
3	LJB184002	1	FRONT COVER ASSY	HL-L2361DN	FOR VNM	
3	LY9121002	1	FRONT COVER ASSY	HL-L2361DN	FOR IND	
3	LY9593002	1	FRONT COVER ASSY	HL-L2365DW	FOR GER/UK/CHE/IDN/FRA/BEL/ NLD/PND/CEE/ITA/IBR FOR ARL/SAF/UAE/MENA FOR PHL/TWN/THA/KOR/MYS FOR NZ	
3	LJB184002	1	FRONT COVER ASSY	HL-L2365DW		
3	LY9483002	1	FRONT COVER ASSY	HL-L2365DW		
3	LY9121002	1	FRONT COVER ASSY	HL-L2365DW		
3	LY9121002	1	FRONT COVER ASSY	HL-L2365DWR		
3	LJB184002	1	FRONT COVER ASSY	HL-L2366DW	FOR VNM	
3	LY9121002	1	FRONT COVER ASSY	HL-L2366DW	FOR IND	
4	LY9130001	1	INNER CHUTE ASSY	HL-2260		
4	LY9130001	1	INNER CHUTE ASSY	HL-2260D		
4	LY9130001	1	INNER CHUTE ASSY	HL-L2320D		
4	LY9130001	1	INNER CHUTE ASSY	HL-L2321D		
4	LY9130001	1	INNER CHUTE ASSY	HL-L2340DW		
4	LY9130001	1	INNER CHUTE ASSY	HL-L2340DWR		
4	LY9130002	1	INNER CHUTE ASSY	HL-2560DN		
4	LY9130002	1	INNER CHUTE ASSY	HL-L2360DN		
4	LY9130002	1	INNER CHUTE ASSY	HL-L2360DNR		
4	LY9130002	1	INNER CHUTE ASSY	HL-L2360DW		
4	LY9130002	1	INNER CHUTE ASSY	HL-L2361DN		
4	LY9130002	1	INNER CHUTE ASSY	HL-L2365DW		
4	LY9130002	1	INNER CHUTE ASSY	HL-L2365DWR		
4	LY9130002	1	INNER CHUTE ASSY	HL-L2366DW		
4	LY9130003	1	INNER CHUTE ASSY	HL-L2300D		
4	LY9130003	1	INNER CHUTE ASSY	HL-L2300DR		
4	LY9130003	1	INNER CHUTE ASSY	HL-L2305W		
4	LY9130003	1	INNER CHUTE ASSY	HL-L2315DW		
5	LY9136001	1	FUSER COVER			
6	LY9146001	1	OUTER CHUTE ASSY			
7	LJB273001	1	BACK COVER	HL-2260D		chg
7	LY9148001	1	BACK COVER	HL-L2300D		
7	LY9148001	1	BACK COVER	HL-L2300DR		
7	LY9148001	1	BACK COVER	HL-L2315DW		
7	LY9148001	1	BACK COVER	HL-L2320D	FOR US/CAN/TWN/THI/ARG/ IRN/CHL/BRZ/US FS/MYS FOR VNM	
7	LY9148002	1	BACK COVER	HL-L2320D		
7	LY9148001	1	BACK COVER	HL-L2321D		
7	LJB273002	1	BACK COVER	HL-2560DN		chg
7	LY9148002	1	BACK COVER	HL-L2340DW		
7	LY9148002	1	BACK COVER	HL-L2340DWR		
7	LY9148002	1	BACK COVER	HL-L2360DN		
7	LY9148002	1	BACK COVER	HL-L2360DNR		
7	LY9148002	1	BACK COVER	HL-L2360DW		
7	LY9148002	1	BACK COVER	HL-L2361DN		

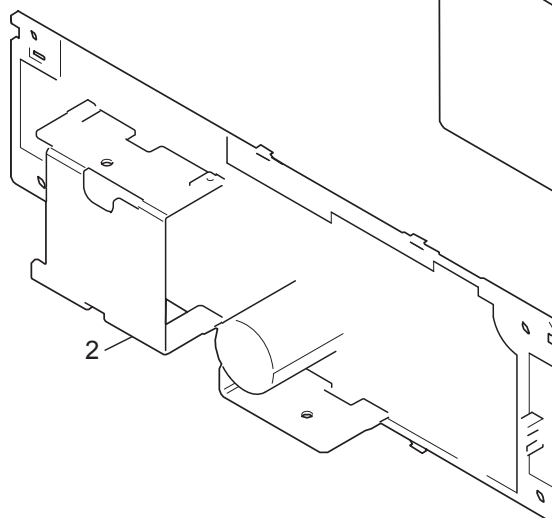
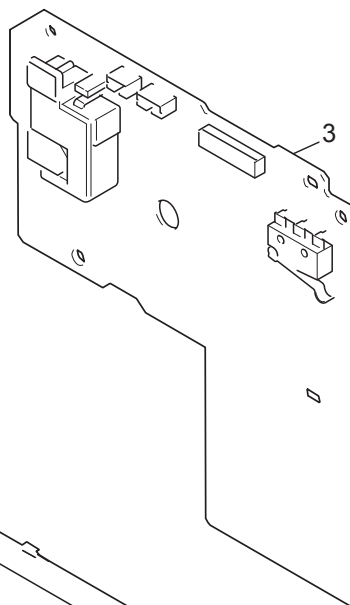
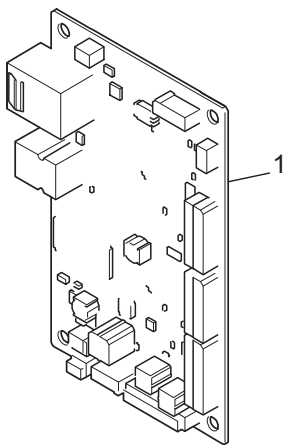
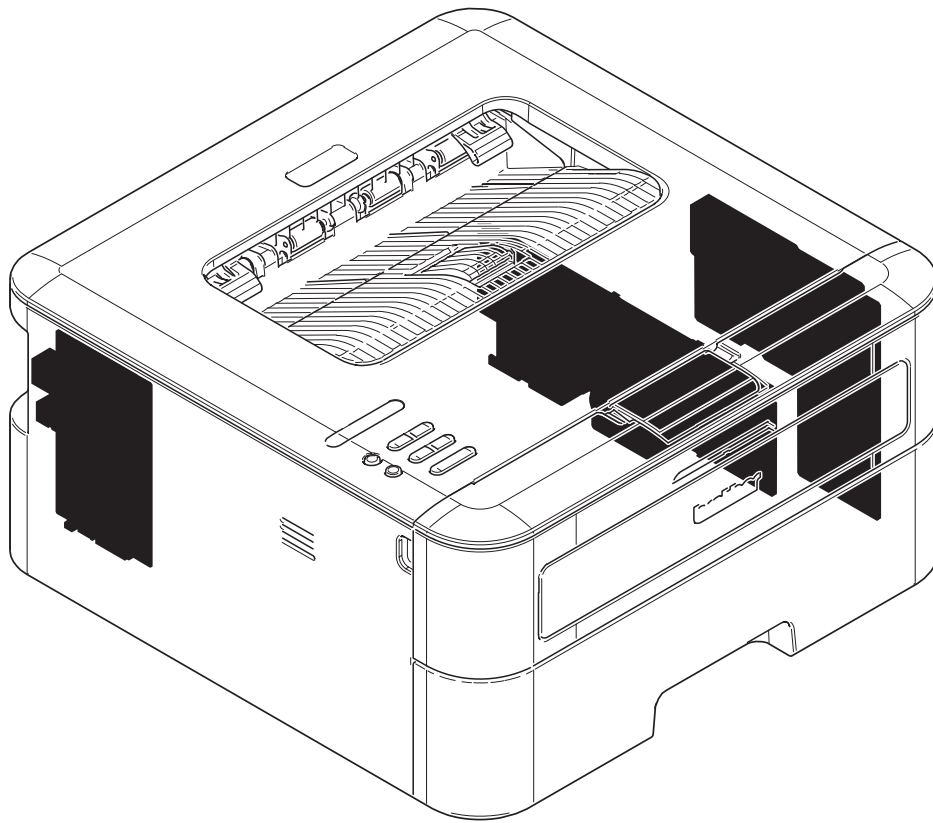
8. COVERS & LABELS

REF No.	CODE	QTY	DESCRIPTION	MODEL	SPEC	REMARKS
7	LY9148002	1	BACK COVER	HL-L2365DW		
7	LY9148002	1	BACK COVER	HL-L2365DWR		
7	LY9148002	1	BACK COVER	HL-L2366DW		
7	LJB498002	1	BACK COVER ASSY	HL-2260		CHG
7	LY9502001	1	BACK COVER ASSY	HL-L2305W		CHG
8	LY9144002	1	SIDE COVER L	HL-2260		
8	LY9144001	1	SIDE COVER L	HL-2260D		
8	LY9287002	1	SIDE COVER L	HL-2560DN		
8	LY9144001	1	SIDE COVER L	HL-L2300D		
8	LY9144001	1	SIDE COVER L	HL-L2300DR		
8	LY9144001	1	SIDE COVER L	HL-L2305W		
8	LY9144001	1	SIDE COVER L	HL-L2315DW		
8	LY9144001	1	SIDE COVER L	HL-L2320D	FOR US/CAN/TWN/THI/ARG/ IRN/CHL/BRZ/US FS/MYS FOR VNM	
8	LY9144002	1	SIDE COVER L	HL-L2320D		
8	LY9144001	1	SIDE COVER L	HL-L2321D		
8	LY9144002	1	SIDE COVER L	HL-L2340DW		
8	LY9144002	1	SIDE COVER L	HL-L2340DWR		
8	LY9287002	1	SIDE COVER L	HL-L2360DN		
8	LY9287002	1	SIDE COVER L	HL-L2360DNR		
8	LY9287002	1	SIDE COVER L	HL-L2360DW		
8	LY9287002	1	SIDE COVER L	HL-L2361DN		
8	LY9287002	1	SIDE COVER L	HL-L2365DW		
8	LY9287002	1	SIDE COVER L	HL-L2365DWR		
8	LY9287002	1	SIDE COVER L	HL-L2366DW		
9	LJB270002	1	SIDE COVER R	HL-2260		chg
9	LJB270001	1	SIDE COVER R	HL-2260D		chg
9	LJB270002	1	SIDE COVER R	HL-2560DN		chg
9	LY9145001	1	SIDE COVER R	HL-L2300D	FOR US/ARL/NZ	
9	LY9288001	1	SIDE COVER R	HL-L2300D	FOR GER/UK/CHE/ITA/ISR/FRA/ BEL/NLD/PND/CEE/IBR	
9	LY9288001	1	SIDE COVER R	HL-L2300DR		
9	LY9145001	1	SIDE COVER R	HL-L2305W		
9	LY9145001	1	SIDE COVER R	HL-L2315DW		
9	LY9145001	1	SIDE COVER R	HL-L2320D	FOR US/CAN/TWN/THA/IRN/ BRZ/US FS/MYS FOR VNM	
9	LY9145002	1	SIDE COVER R	HL-L2320D	FOR ARG/CHL	
9	LY9288001	1	SIDE COVER R	HL-L2321D		
9	LY9145002	1	SIDE COVER R	HL-L2340DW	FOR US/ARL/NZ	
9	LY9288002	1	SIDE COVER R	HL-L2340DW	FOR GER/UK/CHE/ITA/ISR/FRA/ BEL/NLD/PND/CEE/IBR	
9	LY9288002	1	SIDE COVER R	HL-L2340DWR		
9	LY9288002	1	SIDE COVER R	HL-L2360DN	FOR GER/UK/CHE/ITA/FRA/ BEL/NLD/PND/CEE/IBR	
9	LY9145002	1	SIDE COVER R	HL-L2360DN	FOR IDN/THA/KOR/MYS	
9	LY9288002	1	SIDE COVER R	HL-L2360DNR		
9	LY9145002	1	SIDE COVER R	HL-L2360DW	FOR US/CAN/BRZ	
9	LY9288002	1	SIDE COVER R	HL-L2360DW	FOR ARG/CHL/PER	
9	LY9145002	1	SIDE COVER R	HL-L2361DN		
9	LY9288002	1	SIDE COVER R	HL-L2365DW	FOR GER/UK/CHE/FRA/BEL/ NLD/PND/CEE/ITA/IBR	
9	LY9145002	1	SIDE COVER R	HL-L2365DW	FOR ARL/PHL/TWN/SAF/NZ/IDN/ THA/KOR/MYS/UAE/MENA	
9	LY9288002	1	SIDE COVER R	HL-L2365DWR		
9	LY9145002	1	SIDE COVER R	HL-L2366DW		
10	LY9489001	1	MODEL PLATE	HL-2260		
10	LY9482001	1	MODEL PLATE	HL-2260D		
10	LY9490001	1	MODEL PLATE	HL-2560DN		
10	LY9548001	1	MODEL PLATE	HL-L2300D		
10	LJB165001	1	MODEL PLATE	HL-L2300DR		
10	LJB063001	1	MODEL PLATE	HL-L2305W		
10	D00JDD001	1	MODEL PLATE	HL-L2315DW		
10	LY9329001	1	MODEL PLATE	HL-L2320D		
10	LJB160001	1	MODEL PLATE	HL-L2321D		
10	LY9549001	1	MODEL PLATE	HL-L2340DW		
10	LJB169001	1	MODEL PLATE	HL-L2340DWR		
10	LY9550001	1	MODEL PLATE	HL-L2360DN		
10	LJB170001	1	MODEL PLATE	HL-L2360DNR		
10	LY9377001	1	MODEL PLATE	HL-L2360DW		
10	LJB140001	1	MODEL PLATE	HL-L2361DN		
10	LY9374001	1	MODEL PLATE	HL-L2365DW		

8. COVERS & LABELS

REF No.	CODE	Q'TY	DESCRIPTION	MODEL	SPEC	REMARKS
10	LJB171001	1	MODEL PLATE	HL-L2365DWR		
10	LJB142001	1	MODEL PLATE	HL-L2366DW		
11	LY9407001	1	LABEL CAUTION FRONT 20X35	HL-2260		
11	LY9407001	1	LABEL CAUTION FRONT 20X35	HL-2260D		
11	LY9407001	1	LABEL CAUTION FRONT 20X35	HL-2560DN		
11	LY9406001	1	LABEL CAUTION FRONT US 20X100	HL-L2300D	FOR US	
11	LY9407001	1	LABEL CAUTION FRONT 20X35	HL-L2300D	FOR GER/UK/ARL/CHE/ITA/ISR/NZ/ FRA/BEL/NLD/PND/CEE/IBR	
11	LY9407001	1	LABEL CAUTION FRONT 20X35	HL-L2300DR		
11	LY9406001	1	LABEL CAUTION FRONT US 20X100	HL-L2305W		
11	LY9406001	1	LABEL CAUTION FRONT US 20X100	HL-L2315DW		
11	LY9406001	1	LABEL CAUTION FRONT US 20X100	HL-L2320D	FOR US/US_FS	
11	LY9407001	1	LABEL CAUTION FRONT 20X35	HL-L2320D	FOR CAN/VNM/TWN/THA/ ARG/IRN/CHL/BRZ/MYS	
11	LY9407001	1	LABEL CAUTION FRONT 20X35	HL-L2321D		
11	LY9406001	1	LABEL CAUTION FRONT US 20X100	HL-L2340DW	FOR US	
11	LY9407001	1	LABEL CAUTION FRONT 20X35	HL-L2340DW	FOR GER/UK/ARL/CHE/ITA/ISR/NZ/ FRA/BEL/NLD/PND/CEE/IBR	
11	LY9407001	1	LABEL CAUTION FRONT 20X35	HL-L2340DWR		
11	LY9407001	1	LABEL CAUTION FRONT 20X35	HL-L2360DN		
11	LY9407001	1	LABEL CAUTION FRONT 20X35	HL-L2360DNR		
11	LY9406001	1	LABEL CAUTION FRONT US 20X100	HL-L2360DW	FOR US	
11	LY9407001	1	LABEL CAUTION FRONT 20X35	HL-L2360DW	FOR CAN/ARG/CHL/BRZ/PER	
11	LY9407001	1	LABEL CAUTION FRONT 20X35	HL-L2361DN		
11	LY9407001	1	LABEL CAUTION FRONT 20X35	HL-L2365DW		
11	LY9407001	1	LABEL CAUTION FRONT 20X35	HL-L2365DWR		
11	LY9407001	1	LABEL CAUTION FRONT 20X35	HL-L2366DW		
12	LY9560001	1	LED LABEL	HL-2260		
12	LY9560001	1	LED LABEL	HL-2260D		
12	LY9559001	1	LED LABEL	HL-L2300D	FOR ARL/NZ	
12	LY9559001	1	LED LABEL	HL-L2320D	FOR VNM/TWN/THA/IRN/MYS	
12	LY9559001	1	LED LABEL	HL-L2321D		

9. PCB



9. PCB

REF No.	CODE	QTY	DESCRIPTION	MODEL	SPEC	REMARKS
1	LV1420001	1	MAIN PCB ASSY	HL-2260		
1	LV1318001	1	MAIN PCB ASSY	HL-2260D		
1	LV1421001	1	MAIN PCB ASSY	HL-2560DN		
1	LV1362001	1	MAIN PCB ASSY	HL-L2300D		
1	LV1362001	1	MAIN PCB ASSY	HL-L2300DR		
1	LV1437001	1	MAIN PCB ASSY*	HL-L2305W		
1	LV1493001	1	MAIN PCB ASSY*	HL-L2305W		add
1	LV1493001	1	MAIN PCB ASSY	HL-L2315DW		
1	LV1285001	1	MAIN PCB ASSY	HL-L2320D	FOR US_FS	
1	LV1388001	1	MAIN PCB ASSY	HL-L2320D	FOR US/CAN/VNM/TWN/THA/ ARG/IRN/CHL/BRZ/MYS	
1	LV1388001	1	MAIN PCB ASSY	HL-L2321D		
1	LV1327001	1	MAIN PCB ASSY*	HL-L2340DW		
1	LV1494001	1	MAIN PCB ASSY*	HL-L2340DW		add
1	LV1327001	1	MAIN PCB ASSY*	HL-L2340DWR		
1	LV1494001	1	MAIN PCB ASSY*	HL-L2340DWR		add
1	LV1324001	1	MAIN PCB ASSY	HL-L2360DN		
1	LV1324001	1	MAIN PCB ASSY	HL-L2360DNR		
1	LV1324001	1	MAIN PCB ASSY	HL-L2361DN		
1	LV1286001	1	MAIN PCB ASSY*	HL-L2360DW		
1	LV1495001	1	MAIN PCB ASSY*	HL-L2360DW		add
1	LV1286001	1	MAIN PCB ASSY*	HL-L2365DW		
1	LV1495001	1	MAIN PCB ASSY*	HL-L2365DW		add
1	LV1286001	1	MAIN PCB ASSY*	HL-L2365DWR		
1	LV1495001	1	MAIN PCB ASSY*	HL-L2365DWR		add
1	LV1286001	1	MAIN PCB ASSY*	HL-L2366DW		
1	LV1495001	1	MAIN PCB ASSY*	HL-L2366DW		add
2	LV1319001	1	LOW-VOLTAGE POWERSUPPLY PCB ASSY	HL-2260		
2	LV1319001	1	LOW-VOLTAGE POWERSUPPLY PCB ASSY	HL-2260D		
2	LV1319001	1	LOW-VOLTAGE POWERSUPPLY PCB ASSY	HL-2560DN		
2	LV1229001	1	LOW-VOLTAGE POWERSUPPLY PCB ASSY	HL-L2300D	FOR US	
2	LV1444001	1	LOW-VOLTAGE POWERSUPPLY PCB ASSY	HL-L2300D	FOR GER	
2	LV1231001	1	LOW-VOLTAGE POWERSUPPLY PCB ASSY	HL-L2300D	FOR UK/CHE/ITA/ISR/FRA/BEL/ NLD/PND/CEE/IBR	
2	LV1429001	1	LOW-VOLTAGE POWERSUPPLY PCB ASSY	HL-L2300D	FOR ARL/NZ	
2	LV1436001	1	LOW-VOLTAGE POWERSUPPLY PCB ASSY	HL-L2300DR		
2	LV1229001	1	LOW-VOLTAGE POWERSUPPLY PCB ASSY	HL-L2305W		
2	LV1229001	1	LOW-VOLTAGE POWERSUPPLY PCB ASSY	HL-L2315DW		
2	LV1229001	1	LOW-VOLTAGE POWERSUPPLY PCB ASSY	HL-L2320D	FOR US/CAN/US_FS	
2	LV1444001	1	LOW-VOLTAGE POWERSUPPLY PCB ASSY	HL-L2320D	FOR CHL	
2	LV1231001	1	LOW-VOLTAGE POWERSUPPLY PCB ASSY	HL-L2320D	FOR ARG	
2	LV1419001	1	LOW-VOLTAGE POWERSUPPLY PCB ASSY	HL-L2320D	FOR TWN	
2	LV1432001	1	LOW-VOLTAGE POWERSUPPLY PCB ASSY	HL-L2320D	FOR VNM/THA/IRN	
2	LV1474001	1	LOW-VOLTAGE POWERSUPPLY PCB ASSY	HL-L2320D	FOR BRZ	
2	LV1433001	1	LOW-VOLTAGE POWERSUPPLY PCB ASSY	HL-L2320D	FOR MYS	
2	LV1432001	1	LOW-VOLTAGE POWERSUPPLY PCB ASSY	HL-L2321D	FOR VNM	
2	LV1466001	1	LOW-VOLTAGE POWERSUPPLY PCB ASSY	HL-L2321D	FOR IND	
2	LV1229001	1	LOW-VOLTAGE POWERSUPPLY PCB ASSY	HL-L2340DW	FOR US	
2	LV1444001	1	LOW-VOLTAGE POWERSUPPLY PCB ASSY	HL-L2340DW	FOR GER	
2	LV1231001	1	LOW-VOLTAGE POWERSUPPLY PCB ASSY	HL-L2340DW	FOR UK/CHE/ITA/ISR/FRA/BEL/ NLD/PND/CEE/IBR	

9. PCB

REF No.	CODE	QTY	DESCRIPTION	MODEL	SPEC	REMARKS
2	LV1429001	1	LOW-VOLTAGE POWERSUPPLY PCB ASSY	HL-L2340DW	FOR ARL/NZ	
2	LV1436001	1	LOW-VOLTAGE POWERSUPPLY PCB ASSY	HL-L2340DWR		
2	LV1444001	1	LOW-VOLTAGE POWERSUPPLY PCB ASSY	HL-L2360DN	FOR GER	
2	LV1231001	1	LOW-VOLTAGE POWERSUPPLY PCB ASSY	HL-L2360DN	FOR UK/CHE/ITA/FRA/BEL/ NLD/PND/CEE/IBR	
2	LV1432001	1	LOW-VOLTAGE POWERSUPPLY PCB ASSY	HL-L2360DN	FOR IDN/THA	
2	LV1443001	1	LOW-VOLTAGE POWERSUPPLY PCB ASSY	HL-L2360DN	FOR KOR	
2	LV1433001	1	LOW-VOLTAGE POWERSUPPLY PCB ASSY	HL-L2360DN	FOR MYS	
2	LV1436001	1	LOW-VOLTAGE POWERSUPPLY PCB ASSY	HL-L2360DNR		
2	LV1229001	1	LOW-VOLTAGE POWERSUPPLY PCB ASSY	HL-L2360DW	FOR US/CAN	
2	LV1444001	1	LOW-VOLTAGE POWERSUPPLY PCB ASSY	HL-L2360DW	FOR CHL	
2	LV1231001	1	LOW-VOLTAGE POWERSUPPLY PCB ASSY	HL-L2360DW	FOR ARG/PER	
2	LV1474001	1	LOW-VOLTAGE POWERSUPPLY PCB ASSY	HL-L2360DW	FOR BRZ	
2	LV1432001	1	LOW-VOLTAGE POWERSUPPLY PCB ASSY	HL-L2361DN	FOR VNM	
2	LV1466001	1	LOW-VOLTAGE POWERSUPPLY PCB ASSY	HL-L2361DN	FOR IND	
2	LV1444001	1	LOW-VOLTAGE POWERSUPPLY PCB ASSY	HL-L2365DW	FOR GER	
2	LV1231001	1	LOW-VOLTAGE POWERSUPPLY PCB ASSY	HL-L2365DW	FOR UK/CHE/FRA/BEL/NLD/PND/ CEE/ITA/IBR	
2	LV1429001	1	LOW-VOLTAGE POWERSUPPLY PCB ASSY	HL-L2365DW	FOR ARL/NZ	
2	LV1484001	1	LOW-VOLTAGE POWERSUPPLY PCB ASSY	HL-L2365DW	FOR PHL	
2	LV1419001	1	LOW-VOLTAGE POWERSUPPLY PCB ASSY	HL-L2365DW	FOR TWN	
2	LV1435001	1	LOW-VOLTAGE POWERSUPPLY PCB ASSY	HL-L2365DW	FOR SAF	
2	LV1432001	1	LOW-VOLTAGE POWERSUPPLY PCB ASSY	HL-L2365DW	FOR IDN/THA	
2	LV1443001	1	LOW-VOLTAGE POWERSUPPLY PCB ASSY	HL-L2365DW	FOR KOR	
2	LV1433001	1	LOW-VOLTAGE POWERSUPPLY PCB ASSY	HL-L2365DW	FOR MYS	
2	LV1471001	1	LOW-VOLTAGE POWERSUPPLY PCB ASSY	HL-L2365DW	FOR UAE	
2	LV1470001	1	LOW-VOLTAGE POWERSUPPLY PCB ASSY	HL-L2365DW	FOR MENA	ADD
2	LV1436001	1	LOW-VOLTAGE POWERSUPPLY PCB ASSY	HL-L2365DWR		
2	LV1432001	1	LOW-VOLTAGE POWERSUPPLY PCB ASSY	HL-L2366DW	FOR VNM	
2	LV1466001	1	HIGH-VOLTAGE POWERSUPPLY PCB ASSY	HL-L2366DW	FOR IND	
3	LV1243001	1	HIGH-VOLTAGE POWERSUPPLY PCB ASSY	HL-2260		
3	LV1243001	1	HIGH-VOLTAGE POWERSUPPLY PCB ASSY	HL-2260D		
3	LV1243001	1	HIGH-VOLTAGE POWERSUPPLY PCB ASSY	HL-2560DN		
3	LV1243001	1	HIGH-VOLTAGE POWERSUPPLY PCB ASSY	HL-L2300D		
3	LV1243001	1	HIGH-VOLTAGE POWERSUPPLY PCB ASSY	HL-L2300DR		
3	LV1243001	1	HIGH-VOLTAGE POWERSUPPLY PCB ASSY	HL-L2305W		
3	LV1243001	1	HIGH-VOLTAGE POWERSUPPLY PCB ASSY	HL-L2315DW		

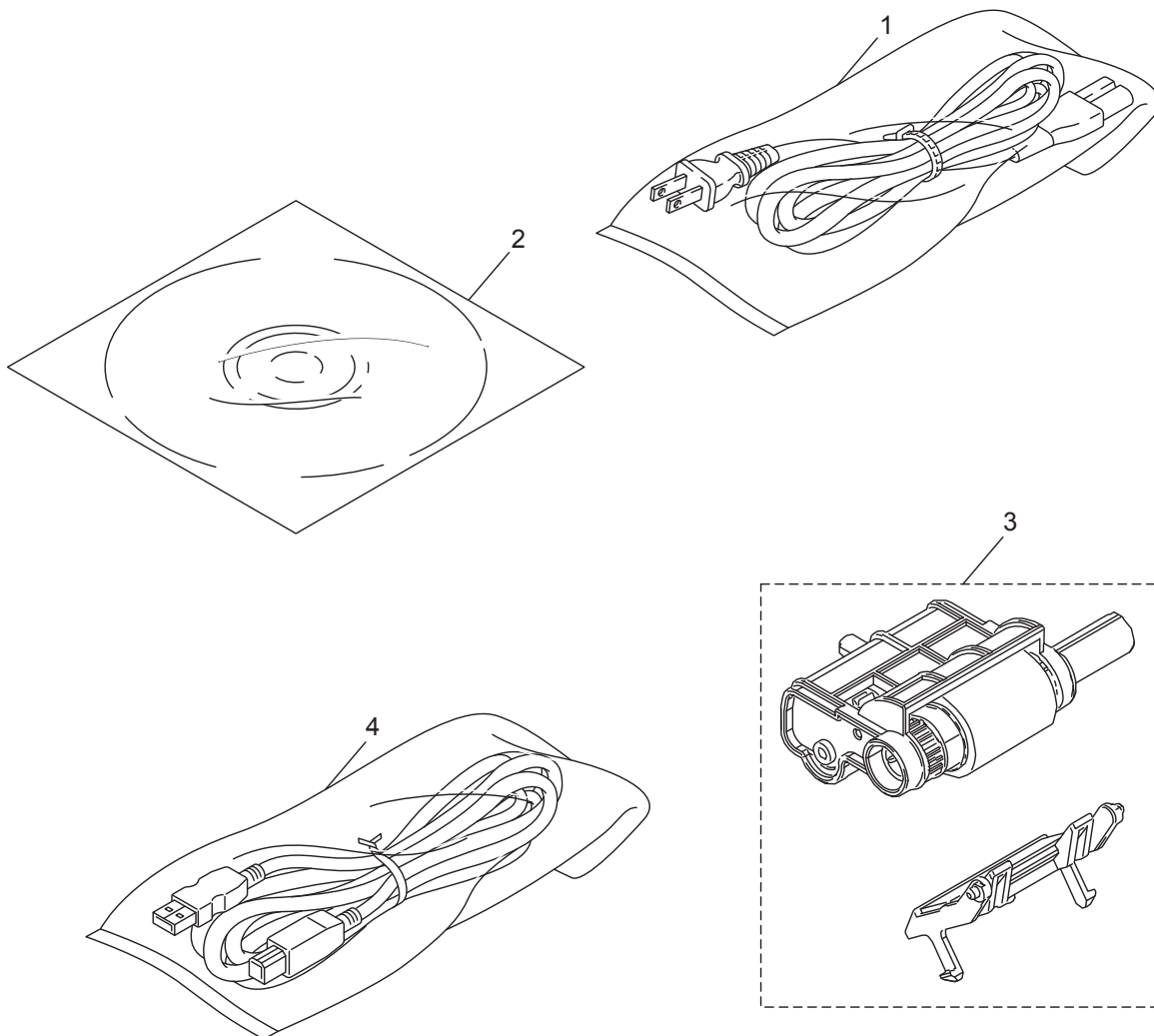
9. PCB

REF No.	CODE	QTY	DESCRIPTION	MODEL	SPEC	REMARKS
3	LV1243001	1	HIGH-VOLTAGE POWERSUPPLY PCB ASSY	HL-L2320D	FOR US/TWN/THA	
3	LV1241001	1	HIGH-VOLTAGE POWERSUPPLY PCB ASSY	HL-L2320D	FOR CAN/VNM/ARG/IRN/CHL/BRZ/US FS/MYS	
3	LV1241001	1	HIGH-VOLTAGE POWERSUPPLY PCB ASSY	HL-L2321D	FOR VNM	
3	LV1243001	1	HIGH-VOLTAGE POWERSUPPLY PCB ASSY	HL-L2321D	FOR IND	
3	LV1241001	1	HIGH-VOLTAGE POWERSUPPLY PCB ASSY	HL-L2340DW	FOR US	
3	LV1243001	1	HIGH-VOLTAGE POWERSUPPLY PCB ASSY	HL-L2340DW	FOR GER/UK/ARL/CHE/ITA/ISR/NZ/FRA/BEL/NLD/PND/CEE/IBR	
3	LV1243001	1	HIGH-VOLTAGE POWERSUPPLY PCB ASSY	HL-L2340DWR		
3	LV1243001	1	HIGH-VOLTAGE POWERSUPPLY PCB ASSY	HL-L2360DN		
3	LV1243001	1	HIGH-VOLTAGE POWERSUPPLY PCB ASSY	HL-L2360DNR		
3	LV1243001	1	HIGH-VOLTAGE POWERSUPPLY PCB ASSY	HL-L2360DW		
3	LV1243001	1	HIGH-VOLTAGE POWERSUPPLY PCB ASSY	HL-L2361DN		
3	LV1243001	1	HIGH-VOLTAGE POWERSUPPLY PCB ASSY	HL-L2365DW		
3	LV1243001	1	HIGH-VOLTAGE POWERSUPPLY PCB ASSY	HL-L2365DWR		
3	LV1243001	1	HIGH-VOLTAGE POWERSUPPLY PCB ASSY	HL-L2366DW		

* When replacing the Main PCB ASSY, please check the compatibility between Old and New and the combination of the Main PCB ASSY and the Wireless LAN PCB. Regarding the how to distinguish between the Old and the New Main PCB ASSY and the Wireless LAN PCB, please refer to the attached file "Distinction_OLD-NEW_PCB-WLAN.pdf" on the Parts List Service Contents (DataBank).
 * LT3652001 was changed to LD1969001 by Parts Change Information:1000053286.

			WIRELESS LAN PCB	
			OLD	NEW
			LT3808001	LT3652001/LD1969001
MAIN PCB ASSY	OLD	LV1437001 LV1327001 LV1288001	OK	NG
	NEW	LV1493001 LV1494001 LV1495001	NG	OK
GASKET		LV1394001	NEED	NOT NEED

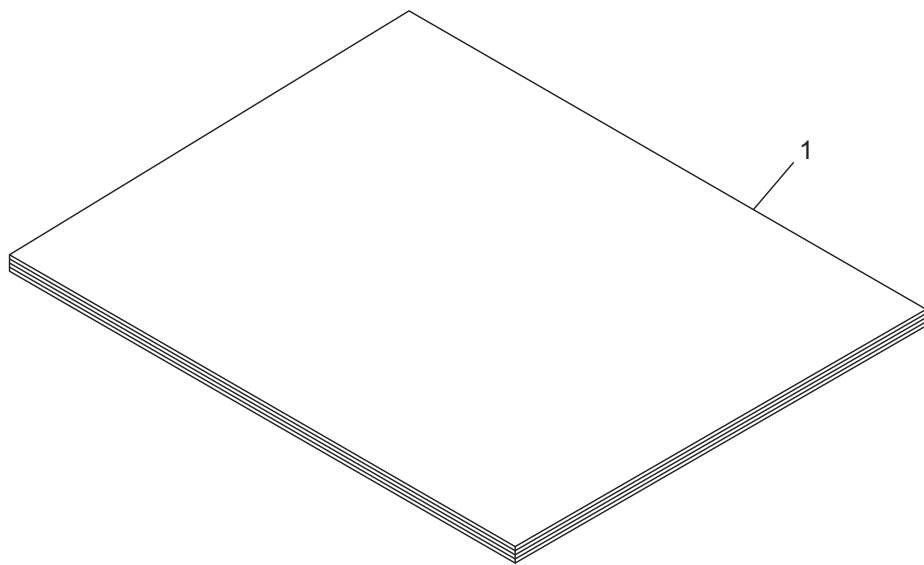
10. ACCESSORIES



10. ACCESSORIES

REF No.	CODE	QTY	DESCRIPTION	MODEL	SPEC	REMARKS
1	LV1378001	1	AC CORD BAG ASSY	HL-L2300D	FOR GER/ITA/FRA/BEL/NLD/CEE/IBR	
1	LV1379001	1	AC CORD BAG ASSY	HL-L2300D	FOR UK	
1	LV1380001	1	AC CORD BAG ASSY	HL-L2300D	FOR CHE	
1	LG7005001	1	AC CORD BAG ASSY	HL-L2300D	FOR ISR	
1	LG5717001	1	AC CORD BAG ASSY	HL-L2300D	FOR PND	
1	LV1378001	1	AC CORD BAG ASSY	HL-L2300DR		
1	LT0921001	1	AC CORD BAG ASSY	HL-L2320D	FOR ARG	
1	LG6426001	1	AC CORD BAG ASSY	HL-L2320D	FOR CHL	
1	LV1378001	1	AC CORD BAG ASSY	HL-L2340DW	FOR GER/ITA/FRA/BEL/NLD/CEE/IBR	
1	LV1379001	1	AC CORD BAG ASSY	HL-L2340DW	FOR UK	
1	LV1380001	1	AC CORD BAG ASSY	HL-L2340DW	FOR CHE	
1	LG7005001	1	AC CORD BAG ASSY	HL-L2340DW	FOR ISR	
1	LG5717001	1	AC CORD BAG ASSY	HL-L2340DW	FOR PND	
1	LV1378001	1	AC CORD BAG ASSY	HL-L2340DWR		
1	LV1378001	1	AC CORD BAG ASSY	HL-L2360DN	FOR GER/ITA/FRA/BEL/NLD/CEE/IBR	
1	LV1379001	1	AC CORD BAG ASSY	HL-L2360DN	FOR UK	
1	LV1380001	1	AC CORD BAG ASSY	HL-L2360DN	FOR CHE	
1	LG5717001	1	AC CORD BAG ASSY	HL-L2360DN	FOR PND	
1	LV1378001	1	AC CORD BAG ASSY	HL-L2360DNR		
1	LT0921001	1	AC CORD BAG ASSY	HL-L2360DW	FOR ARG	
1	LG6426001	1	AC CORD BAG ASSY	HL-L2360DW	FOR CHL	
1	LV1381001	1	AC CORD BAG ASSY	HL-L2360DW	FOR PER	
1	LV1378001	1	AC CORD BAG ASSY	HL-L2365DW	FOR GER/FRA/BEL/NLD/CEE/ITA/IBR	
1	LV1379001	1	AC CORD BAG ASSY	HL-L2365DW	FOR UK	
1	LV1380001	1	AC CORD BAG ASSY	HL-L2365DW	FOR CHE	
1	LG5717001	1	AC CORD BAG ASSY	HL-L2365DW	FOR PND	
1	LV1378001	1	AC CORD BAG ASSY	HL-L2365DWR		
2	D00F1N001	1	CD ASSY	HL-2260		CHG
2	LY9402001	1	CD ASSY	HL-2260D		
2	LY9402001	1	CD ASSY	HL-2560DN		
2	LY9397001	1	CD ASSY	HL-L2300D	FOR US	
2	LY9398001	1	CD ASSY	HL-L2300D	FOR GER/UK/ARL/CHE/ITA/NZ/ FRA/BEL/NLD/PND/IBR	
2	LY9399001	1	CD ASSY	HL-L2300D	FOR ISR/CEE	
2	LY9399001	1	CD ASSY	HL-L2300DR		
2	LY9396001	1	CD ASSY	HL-L2305W		
2	D00HMX001	1	CD ASSY	HL-L2315DW		
2	LY9397001	1	CD ASSY	HL-L2320D	FOR US/US_FS	
2	LY9405001	1	CD ASSY	HL-L2320D	FOR CAN/ARG/CHL/BRZ	
2	LY9403001	1	CD ASSY	HL-L2320D	FOR VNM/TWN/THA/MYS	
2	LY9404001	1	CD ASSY	HL-L2320D	FOR IRN	
2	LY9403001	1	CD ASSY	HL-L2321D		
2	LY9397001	1	CD ASSY	HL-L2340DW	FOR US	
2	LY9398001	1	CD ASSY	HL-L2340DW	FOR GER/UK/ARL/CHE/ITA/NZ/ FRA/BEL/NLD/PND/IBR	
2	LY9399001	1	CD ASSY	HL-L2340DW	FOR ISR/CEE	
2	LY9399001	1	CD ASSY	HL-L2340DWR		
2	LY9398001	1	CD ASSY	HL-L2360DN	FOR GER/UK/CHE/ITA/FRA/ BEL/NLD/PND/IBR	
2	LY9399001	1	CD ASSY	HL-L2360DN	FOR CEE	
2	LY9403001	1	CD ASSY	HL-L2360DN	FOR IDN/THA/KOR/MYS	
2	LY9399001	1	CD ASSY	HL-L2360DNR		
2	LY9397001	1	CD ASSY	HL-L2360DW	FOR US	
2	LY9405001	1	CD ASSY	HL-L2360DW	FOR CAN/ARG/CHL/BRZ/PER	
2	LY9403001	1	CD ASSY	HL-L2361DN		
2	LY9398001	1	CD ASSY	HL-L2365DW	FOR GER/UK/ARL/CHE/NZ/ FRA/BEL/NLD/PND/ITA/IBR	
2	LY9399001	1	CD ASSY	HL-L2365DW	FOR CEE	
2	LY9403001	1	CD ASSY	HL-L2365DW	FOR PHL/TWN/SAF/IDN/THA/ KOR/MYS/UAE/MENA	
2	LY9399001	1	CD ASSY	HL-L2365DWR		
2	LY9403001	1	CD ASSY	HL-L2366DW		
3	LJB319001	1	PAPER FEEDING KIT SP			
4	LJ9803001	1	USB CABLE 2.0		FOR US/CAN/GER/UK/ARL/CHE/ ITA/IBR/ISR/VNM/CHN/PHL/TWN/ SAF/NZ/IDN/THA/ARG/IRN/CHL/ BRA/KOR/IND/RUS/FRA/BEL/NLD/ PND/MYS/PER/UAE/MENA/IBR/CEE	
4	LV1518004	4	USB CABLE 2.0		FOR KOR	del

11. PRINTED MATERIALS



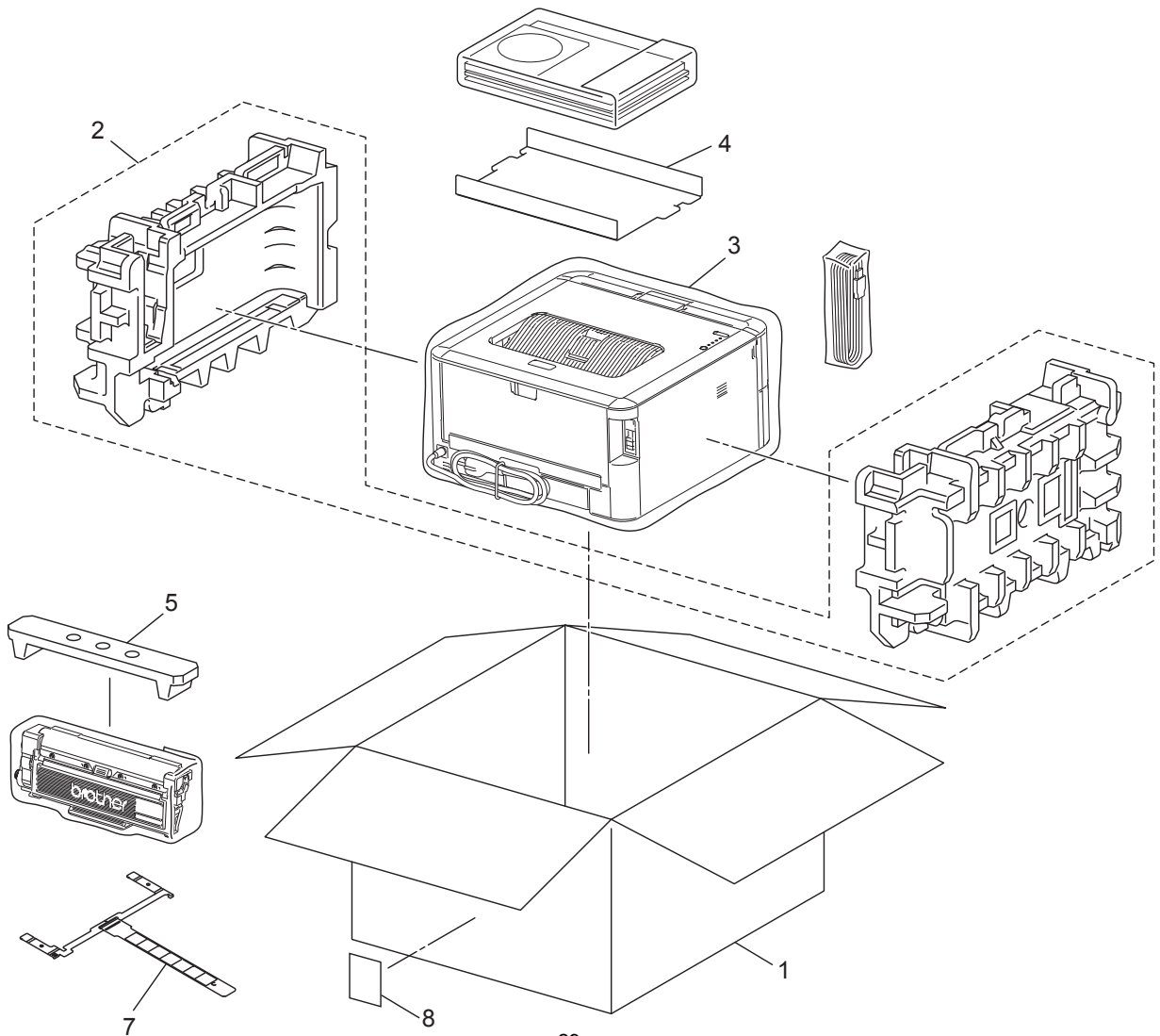
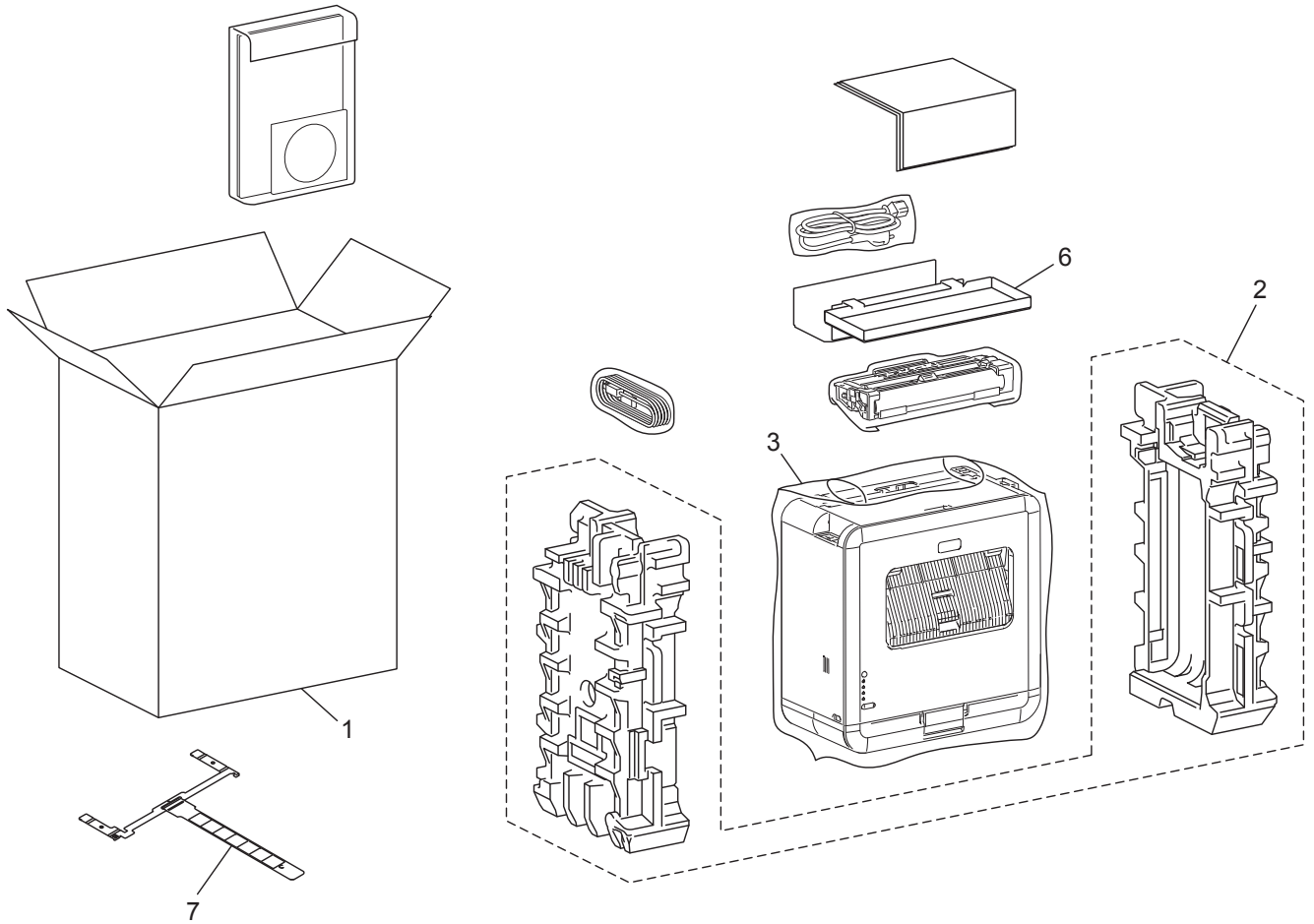
11. PRINTED MATERIALS

REF No.	CODE	QTY	DESCRIPTION	MODEL	SPEC	REMARKS
1	LJB158001	1	SETUP GUIDE (ENGLISH)	HL-L2305W		
1	D00JEZ001	1	SETUP GUIDE (ENGLISH)	HL-L2315DW		
1	LJB158001	1	SETUP GUIDE (ENGLISH)	HL-L2340DW	FOR US/UK/ARL/ISR/NZ/CEE	CHG
1	LJB158001	1	SETUP GUIDE (ENGLISH)	HL-L2360DN	FOR UK/THA/CEE/MYS	CHG
1	LJB158001	1	SETUP GUIDE (ENGLISH)	HL-L2360DW	FOR US/CAN	CHG
1	LJB158001	1	SETUP GUIDE (ENGLISH)	HL-L2361DN	FOR IND	
1	LJB158001	1	SETUP GUIDE (ENGLISH)	HL-L2365DW	FOR UK/ARL/PHL/SAF/NZ/THA/ CEE/MYS/UAE/MENA	CHG
1	LJB158001	1	SETUP GUIDE (ENGLISH)	HL-L2366DW	FOR IND	
1	LY9605001	1	SETUP GUIDE (ENGLISH)	HL-L2300D	FOR US/UK/ARL/ISR/NZ/CEE	
1	LY9605001	1	SETUP GUIDE (ENGLISH)	HL-L2320D	FOR US/CAN/THA/IRN/US_FS/MYS	
1	LY9605001	1	SETUP GUIDE (ENGLISH)	HL-L2321D	FOR IND	
1	LY9636001	1	SETUP GUIDE (GERMAN)	HL-L2300D	FOR GER/CHE	
1	LY9662001	1	SETUP GUIDE (GERMAN)	HL-L2340DW	FOR GER/CHE	
1	LY9662001	1	SETUP GUIDE (GERMAN)	HL-L2360DN	FOR GER/CHE	
1	LY9662001	1	SETUP GUIDE (GERMAN)	HL-L2365DW	FOR GER/CHE	
1	LY9658001	1	SETUP GUIDE (VIETNAMESE)	HL-L2320D	FOR VNM	
1	LY9658001	1	SETUP GUIDE (VIETNAMESE)	HL-L2321D	FOR VNM	
1	LY9687001	1	SETUP GUIDE (VIETNAMESE)	HL-L2361DN	FOR VNM	
1	LY9687001	1	SETUP GUIDE (VIETNAMESE)	HL-L2366DW	FOR VNM	
1	LY9689001	1	SETUP GUIDE (KOREAN)	HL-L2360DN	FOR KOR	
1	LY9689001	1	SETUP GUIDE (KOREAN)	HL-L2365DW	FOR KOR	
1	LJB864001	1	SETUP GUIDE (CHINESE)	HL-L2320D	FOR TWN	
1	LY9692001	1	SETUP GUIDE (CHINESE)	HL-L2365DW	FOR TWN	
1	LY9659001	1	SETUP GUIDE (CHINESE)	HL-2260		
1	LY9659001	1	SETUP GUIDE (CHINESE)	HL-2260D		
1	LY9690001	1	SETUP GUIDE (CHINESE)	HL-2560DN		
1	LY9685001	1	SETUP GUIDE (INDONESIAN)	HL-L2360DN	FOR IDN	
1	LY9685001	1	SETUP GUIDE (INDONESIAN)	HL-L2365DW	FOR IDN	
1	LY9648001	1	SETUP GUIDE (SPANISH/PORTUGUESE)	HL-L2300D	FOR IBR	
1	LY9648001	1	SETUP GUIDE (SPANISH/PORTUGUESE)	HL-L2320D	FOR ARG/CHL	
1	LY9665001	1	SETUP GUIDE (SPANISH)	HL-L2340DW	FOR IBR	
1	LY9665001	1	SETUP GUIDE (SPANISH)	HL-L2360DN	FOR IBR	
1	LY9665001	1	SETUP GUIDE (SPANISH)	HL-L2360DW	FOR ARG/CHL/PER	
1	LY9665001	1	SETUP GUIDE (SPANISH)	HL-L2365DW	FOR ITA/IBR	
1	LY9672001	1	SETUP GUIDE (RUSSIAN)	HL-L2360DNR		
1	LY9672001	1	SETUP GUIDE (RUSSIAN)	HL-L2340DWR		
1	LY9672001	1	SETUP GUIDE (RUSSIAN)	HL-L2365DWR		
1	LY9651001	1	SETUP GUIDE (RUSSIAN/UKRAINIAN)	HL-L2300DR		
1	LY9673001	1	SETUP GUIDE (UKRAINIAN)	HL-L2360DNR		
1	LY9673001	1	SETUP GUIDE (UKRAINIAN)	HL-L2340DWR		
1	LY9673001	1	SETUP GUIDE (UKRAINIAN)	HL-L2365DWR		
1	LY9674001	1	SETUP GUIDE (KAZAKH)	HL-L2360DNR		
1	LY9674001	1	SETUP GUIDE (KAZAKH)	HL-L2340DWR		
1	LY9674001	1	SETUP GUIDE (KAZAKH)	HL-L2365DWR		
1	LY9652001	1	SETUP GUIDE (KAZAKH/BELARUSIAN)	HL-L2300DR		
1	LY9675001	1	SETUP GUIDE (BELARUSIAN)	HL-L2360DNR		
1	LY9675001	1	SETUP GUIDE (BELARUSIAN)	HL-L2340DWR		
1	LY9675001	1	SETUP GUIDE (BELARUSIAN)	HL-L2365DWR		
1	LY9645001	1	SETUP GUIDE (FRENCH)	HL-L2300D	FOR CHE/FRA/BEL/NLD	
1	LY9645001	1	SETUP GUIDE (FRENCH)	HL-L2320D	FOR CAN	
1	LY9663001	1	SETUP GUIDE (FRENCH)	HL-L2340DW	FOR CHE/FRA/BEL/NLD	
1	LY9663001	1	SETUP GUIDE (FRENCH)	HL-L2360DN	FOR CHE/FRA/BEL/NLD	
1	LY9663001	1	SETUP GUIDE (FRENCH)	HL-L2360DW	FOR CAN	
1	LY9663001	1	SETUP GUIDE (FRENCH)	HL-L2365DW	FOR CHE/FRA/BEL/NLD	
1	LJB861001	1	SETUP GUIDE (THAI)	HL-L2320D	FOR THA	
1	LY9686001	1	SETUP GUIDE (THAI)	HL-L2360DN	FOR THA	
1	LY9686001	1	SETUP GUIDE (THAI)	HL-L2365DW	FOR THA	
1	LY9646001	1	SETUP GUIDE (DUTCH)	HL-L2300D	FOR FRA/BEL/NLD	
1	LY9667001	1	SETUP GUIDE (DUTCH)	HL-L2340DW	FOR FRA/BEL/NLD	
1	LY9667001	1	SETUP GUIDE (DUTCH)	HL-L2360DN	FOR FRA/BEL/NLD	
1	LY9667001	1	SETUP GUIDE (DUTCH)	HL-L2365DW	FOR FRA/BEL/NLD	
1	LY9671001	1	SETUP GUIDE (FINNISH)	HL-L2340DW	FOR PND	
1	LY9671001	1	SETUP GUIDE (FINNISH)	HL-L2360DN	FOR PND	
1	LY9671001	1	SETUP GUIDE (FINNISH)	HL-L2365DW	FOR PND	
1	LY9650001	1	SETUP GUIDE (DANISH/FINNISH)	HL-L2300D	FOR PND	
1	LY9670001	1	SETUP GUIDE (DANISH)	HL-L2340DW	FOR PND	
1	LY9670001	1	SETUP GUIDE (DANISH)	HL-L2360DN	FOR PND	

11. PRINTED MATERIALS

REF No.	CODE	QTY	DESCRIPTION	MODEL	SPEC	REMARKS
1	LY9670001	1	SETUP GUIDE (DANISH)	HL-L2365DW	FOR PND	
1	LY9669001	1	SETUP GUIDE (SWEDISH)	HL-L2340DW	FOR PND	
1	LY9669001	1	SETUP GUIDE (SWEDISH)	HL-L2360DN	FOR PND	
1	LY9669001	1	SETUP GUIDE (SWEDISH)	HL-L2365DW	FOR PND	
1	LY9649001	1	SETUP GUIDE (NORWEGIAN/SWEDISH)	HL-L2300D	FOR PND	
1	LY9668001	1	SETUP GUIDE (NORWEGIAN)	HL-L2340DW	FOR PND	
1	LY9668001	1	SETUP GUIDE (NORWEGIAN)	HL-L2360DN	FOR PND	
1	LY9668001	1	SETUP GUIDE (NORWEGIAN)	HL-L2365DW	FOR PND	
1	LY9644001	1	SETUP GUIDE (PORTUGUESE)	HL-L2320D	FOR BRZ	
1	LY9661001	1	SETUP GUIDE (PORTUGUESE)	HL-L2360DW	FOR BRZ	
1	LY9666001	1	SETUP GUIDE (PORTUGUESE)	HL-L2340DW	FOR IBR	
1	LY9666001	1	SETUP GUIDE (PORTUGUESE)	HL-L2360DN	FOR IBR	
1	LY9666001	1	SETUP GUIDE (PORTUGUESE)	HL-L2365DW	FOR ITA/IBR	
1	LY9657001	1	SETUP GUIDE (ARABIC)	HL-L2320D	FOR IRN	
1	LY9684001	1	SETUP GUIDE (ARABIC)	HL-L2365DW	FOR UAE/MENA	
1	LY9688001	1	SETUP GUIDE (TURKISH)	HL-L2365DW	FOR MENA	
1	LY9647001	1	SETUP GUIDE (ITALIAN)	HL-L2300D	FOR CHE/ITA	
1	LY9664001	1	SETUP GUIDE (ITALIAN)	HL-L2340DW	FOR CHE/ITA	
1	LY9664001	1	SETUP GUIDE (ITALIAN)	HL-L2360DN	FOR CHE/ITA	
1	LY9664001	1	SETUP GUIDE (ITALIAN)	HL-L2365DW	FOR CHE/ITA/IBR	
1	LY9676001	1	SETUP GUIDE (CZECH)	HL-L2340DW	FOR CEE	
1	LY9676001	1	SETUP GUIDE (CZECH)	HL-L2360DN	FOR CEE	
1	LY9676001	1	SETUP GUIDE (CZECH)	HL-L2365DW	FOR CEE	
1	LY9653001	1	SETUP GUIDE (CZECH/HUNGARIAN)	HL-L2300D	FOR CEE	
1	LY9677001	1	SETUP GUIDE (HUNGARIAN)	HL-L2340DW	FOR CEE	
1	LY9677001	1	SETUP GUIDE (HUNGARIAN)	HL-L2360DN	FOR CEE	
1	LY9677001	1	SETUP GUIDE (HUNGARIAN)	HL-L2365DW	FOR CEE	
1	LY9654001	1	SETUP GUIDE (POLISH/BULGARIAN)	HL-L2300D	FOR CEE	
1	LY9678001	1	SETUP GUIDE (POLISH)	HL-L2340DW	FOR CEE	
1	LY9678001	1	SETUP GUIDE (POLISH)	HL-L2360DN	FOR CEE	
1	LY9678001	1	SETUP GUIDE (POLISH)	HL-L2365DW	FOR CEE	
1	LY9655001	1	SETUP GUIDE (ROMANIAN/SLOVAK)	HL-L2300D	FOR CEE	
1	LY9679001	1	SETUP GUIDE (BULGARIAN)	HL-L2340DW	FOR CEE	
1	LY9679001	1	SETUP GUIDE (BULGARIAN)	HL-L2360DN	FOR CEE	
1	LY9679001	1	SETUP GUIDE (BULGARIAN)	HL-L2365DW	FOR CEE	
1	LY9656001	1	SETUP GUIDE DLL (SLOVENIAN/CROATIAN)	HL-L2300D	FOR CEE	
1	LY9680001	1	SETUP GUIDE (ROMANIAN)	HL-L2340DW	FOR CEE	
1	LY9680001	1	SETUP GUIDE (ROMANIAN)	HL-L2360DN	FOR CEE	
1	LY9680001	1	SETUP GUIDE (ROMANIAN)	HL-L2365DW	FOR CEE	
1	LY9681001	1	SETUP GUIDE (SLOVAK)	HL-L2340DW	FOR CEE	
1	LY9681001	1	SETUP GUIDE (SLOVAK)	HL-L2360DN	FOR CEE	
1	LY9681001	1	SETUP GUIDE (SLOVAK)	HL-L2365DW	FOR CEE	
1	LY9682001	1	SETUP GUIDE (CROATIAN)	HL-L2340DW	FOR CEE	
1	LY9682001	1	SETUP GUIDE (CROATIAN)	HL-L2360DN	FOR CEE	
1	LY9682001	1	SETUP GUIDE (CROATIAN)	HL-L2365DW	FOR CEE	
1	LY9683001	1	SETUP GUIDE (SLOVENE)	HL-L2340DW	FOR CEE	
1	LY9683001	1	SETUP GUIDE (SLOVENE)	HL-L2360DN	FOR CEE	
1	LY9683001	1	SETUP GUIDE (SLOVENE)	HL-L2365DW	FOR CEE	

12. PACKING MATERIALS



12. PACKING MATERIAL BIVN

REF No.	CODE	QTY	DESCRIPTION	MODEL	SPEC	REMARKS
1	LY9795001	1	CARTON	HL-L2300DR		
1	LJB069001	1	CARTON	HL-L2305W		
1	D00LPA001	1	CARTON	HL-L2315DW		
1	LY9831001	1	CARTON	HL-L2321D		
1	LY9804001	1	CARTON	HL-L2340DWR		
1	LY9807001	1	CARTON	HL-L2360DNR		
1	LY9846001	1	CARTON	HL-L2361DN		
1	LY9810001	1	CARTON	HL-L2365DWR		
1	D00D0S001	1	CARTON	HL-L2320D	FOR VNM	
1	D00CZ6001	1	CARTON	HL-L2366DW	FOR VNM/IND	chg
1	LY9607001	1	CARTON	HL-L2300D	FOR US	
1	LY9618001	1	CARTON	HL-L2320D	FOR US/US_FS	
1	LY9628001	1	CARTON	HL-L2340DW	FOR US	
1	LY9623001	1	CARTON	HL-L2360DW	FOR US	
1	LY9742001	1	CARTON	HL-L2320D	FOR CAN	
1	LY9752001	1	CARTON	HL-L2360DW	FOR CAN	
1	LY9634001	1	CARTON	HL-L2300D	FOR GER/CHE/FRA/BEL/NLD	
1	LY9798001	1	CARTON	HL-L2340DW	FOR GER/CHE/FRA/BEL/NLD	
1	LY9816001	1	CARTON	HL-L2360DN	FOR GER/UK/CHE/ITA/FRA/ BEL/NLD/PND/CEE/IBR	
1	LY9819001	1	CARTON	HL-L2365DW	FOR GER/UK/CHE/FRA/BEL/ NLD/PND/CEE/ITA/IBR	
1	LY9640001	1	CARTON	HL-L2300D	FOR UK/ISR/PND/CEE	
1	LY9813001	1	CARTON	HL-L2340DW	FOR UK/ISR/PND/CEE	
1	LY9822001	1	CARTON	HL-L2300D	FOR ARL	
1	LY9834001	1	CARTON	HL-L2340DW	FOR ARL	
1	LY9849001	1	CARTON	HL-L2365DW	FOR ARL/NZ	
1	LY9722001	1	CARTON	HL-L2300D	FOR ITA/IBR	
1	LY9801001	1	CARTON	HL-L2340DW	FOR ITA/IBR	
1	LY9858001	1	CARTON	HL-L2365DW	FOR PHL/TWN/THA/KOR/MYS	
1	LY9855001	1	CARTON	HL-L2365DW	FOR SAF/UAE/MENA	
1	LY9825001	1	CARTON	HL-L2300D	FOR NZ	
1	LY9837001	1	CARTON	HL-L2340DW	FOR NZ	
1	LY9840001	1	CARTON	HL-L2360DN	FOR IDN	
1	LY9852001	1	CARTON	HL-L2365DW	FOR IDN	
1	LJB862001	1	CARTON	HL-L2320D	FOR TWN/THA	
1	LY9843001	1	CARTON	HL-L2360DN	FOR THA/KOR/MYS	
1	LY9779001	1	CARTON	HL-L2320D	FOR ARG/CHL	
1	LY9777001	1	CARTON	HL-L2360DW	FOR ARG/CHL/PER	
1	LJB862001	1	CARTON	HL-L2320D	FOR IRN/MYS	chg
1	LY9781001	1	CARTON	HL-L2320D	FOR BRZ	
1	LY9776001	1	CARTON	HL-L2360DW	FOR BRZ	
1	LY9767001	1	CARTON (Made in China)	HL-2260		
1	D00F20001	1	CARTON (Made in Vietnam)	HL-2260		ADD
1	LY9770001	1	CARTON	HL-2260D		
1	LY9773001	1	CARTON	HL-2560DN		
2	LY9537001	1	POLYSTYRENE PAD ASSY	HL-2260		
2	LY9537001	1	POLYSTYRENE PAD ASSY	HL-2260D		
2	LY9537001	1	POLYSTYRENE PAD ASSY	HL-2560DN		
2	LY9335001	1	POLYSTYRENE PAD ASSY	HL-L2300D		
2	LY9335001	1	POLYSTYRENE PAD ASSY	HL-L2300DR		
2	LY9335001	1	POLYSTYRENE PAD ASSY	HL-L2305W		
2	LY9335001	1	POLYSTYRENE PAD ASSY	HL-L2315DW		
2	LY9335001	1	POLYSTYRENE PAD ASSY	HL-L2320D		
2	LY9335001	1	POLYSTYRENE PAD ASSY	HL-L2321D		
2	LY9335001	1	POLYSTYRENE PAD ASSY	HL-L2340DW		
2	LY9335001	1	POLYSTYRENE PAD ASSY	HL-L2340DWR		
2	LY9335001	1	POLYSTYRENE PAD ASSY	HL-L2360DN		
2	LY9335001	1	POLYSTYRENE PAD ASSY	HL-L2360DNR		
2	LY9335001	1	POLYSTYRENE PAD ASSY	HL-L2360DW		
2	LY9335001	1	POLYSTYRENE PAD ASSY	HL-L2361DN		
2	LY9335001	1	POLYSTYRENE PAD ASSY	HL-L2365DW		
2	LY9335001	1	POLYSTYRENE PAD ASSY	HL-L2365DWR		
2	LY9335001	1	POLYSTYRENE PAD ASSY	HL-L2366DW		
3	LY9394001	1	BAG 600X750H			
4	LY9540001	1	OPTION CARTON	HL-2260		
4	LY9540001	1	OPTION CARTON	HL-2260D		
4	LY9540001	1	OPTION CARTON	HL-2560DN		
5	LEM147001	1	TONER PAD	HL-2260		
5	LEM147001	1	TONER PAD	HL-2260D		
5	LEM147001	1	TONER PAD	HL-2560DN		
5	LY9338001	1	TONER PAD	HL-L2300D	FOR US/ARL/NZ	

12. PACKING MATERIAL BIVN

REF No.	CODE	QTY	DESCRIPTION	MODEL	SPEC	REMARKS
5	LY9338001	1	TONER PAD	HL-L2305W		
5	LY9338001	1	TONER PAD	HL-L2315DW		
5	LY9338001	1	TONER PAD	HL-L2320D	FOR US/CAN/VNM/TWN/ THA/IRN/BRZ/US FS/MYS	
5	LY9338001	1	TONER PAD	HL-L2321D		
5	LY9338001	1	TONER PAD	HL-L2340DW	FOR US/ARL/NZ	
5	LY9338001	1	TONER PAD	HL-L2360DN	FOR THA/KOR/IDN/MYS	
5	LY9338001	1	TONER PAD	HL-L2360DW	FOR US/CAN/BRZ	
5	LY9338001	1	TONER PAD	HL-L2361DN		
5	LY9338001	1	TONER PAD	HL-L2365DW	FOR ARL/PHL/TWN/SAF/NZ/IDN/ THA/KOR/MYS/UAE/MENA	
5	LY9338001	1	TONER PAD	HL-L2366DW		
6	LY9395001	1	TONER AC CORD PAD	HL-L2300D	FOR GER/UK/CHE/ITA/ISR/FRA/ BEL/NLD/PND/CEE/IBR	
6	LY9395001	1	TONER AC CORD PAD	HL-L2300DR		
6	LY9395001	1	TONER AC CORD PAD	HL-L2320D	FOR ARG/CHL	
6	LY9395001	1	TONER AC CORD PAD	HL-L2340DW	FOR GER/UK/CHE/ITA/ISR/FRA/ BEL/NLD/PND/CEE/IBR	
6	LY9395001	1	TONER AC CORD PAD	HL-L2340DWR		
6	LY9395001	1	TONER AC CORD PAD	HL-L2360DN	FOR GER/UK/CHE/ITA/FRA/ BEL/NLD/PND/CEE/IBR	
6	LY9395001	1	TONER AC CORD PAD	HL-L2360DNR		
6	LY9395001	1	TONER AC CORD PAD	HL-L2360DW	FOR ARG/CHL/PER	
6	LY9395001	1	TONER AC CORD PAD	HL-L2365DW	FOR GER/UK/CHE/FRA/BEL/ NLD/PND/CEE/ITA/IBR	
6	LY9395001	1	TONER AC CORD PAD	HL-L2365DWR		
7	LJB318001	1	PROTECTIVE MATERIAL ASSY SP			
8	D00EBU001	1	CHINA ENERGY LABEL	HL-2260		CHG
8	D00EBV001	1	CHINA ENERGY LABEL	HL-2260D		CHG
8	D00EBW001	1	CHINA ENERGY LABEL	HL-2560DN		CHG
(9)	LJB866001	1	CARTON LABEL	HL-L2320D	FOR TWN	
(9)	LJB885001	1	CARTON LABEL	HL-L2365DW	FOR TWN	add