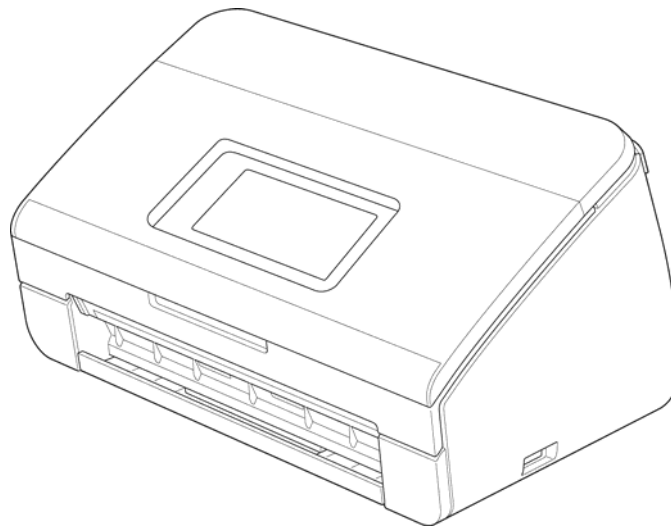




Advanced Document Scanner **PARTS REFERENCE LIST**

**MODEL:
ADS-2500W / ADS-2600W**



Read this list thoroughly before maintenance work.

Keep this list in a convenient place for quick and easy reference at all times.

August 2012
PL-PT062
8WD3*
Ver. 7

NOTE FOR USING THIS PARTS REFERENCE LIST

1. In the case of ordering parts, it is necessary to mention the following items;

- (1) Code
- (2) Q'ty
- (3) Description
- (4) Symbol (PCB No. etc)

Note: Orders without Parts Code or Tool No. can not be accepted.

< Example >

REF.NO.	CODE	Q'TY	DESCRIPTION	SYMBOL	REMARK

2. Design-changed parts :

If any of the parts is changed, one of the following symbols is indicated in the REMARK column.

CHG(chg) : The parts is changed to a new parts.

ADD(add) : The parts is newly added.

DEL(del) : The parts is deleted.

Symbol in capital letters indicates the latest parts change information in the page.

3. Parts change will be informed by the Parts change information.

4. Parts are subject to change in design without prior notice.

COUNTRIES

US: U.S.A.

CAN: Canada

GER: Germany

UK: U.K.

CHE: Switzerland

ZAF: South Africa

ARG: Argentina

ASA: Asia

GUL: Gulf

BRZ: Brazil

KOR: Korea

RUS: Russia

OCE: Oceania

(Australia/New Zealand)

PND: PAN-NOR

(Norway/Finland/Denmark/Sweden)

CEE: CEE-GENERAL

(Bulgaria/Czech/Hungary/Poland/Romania/

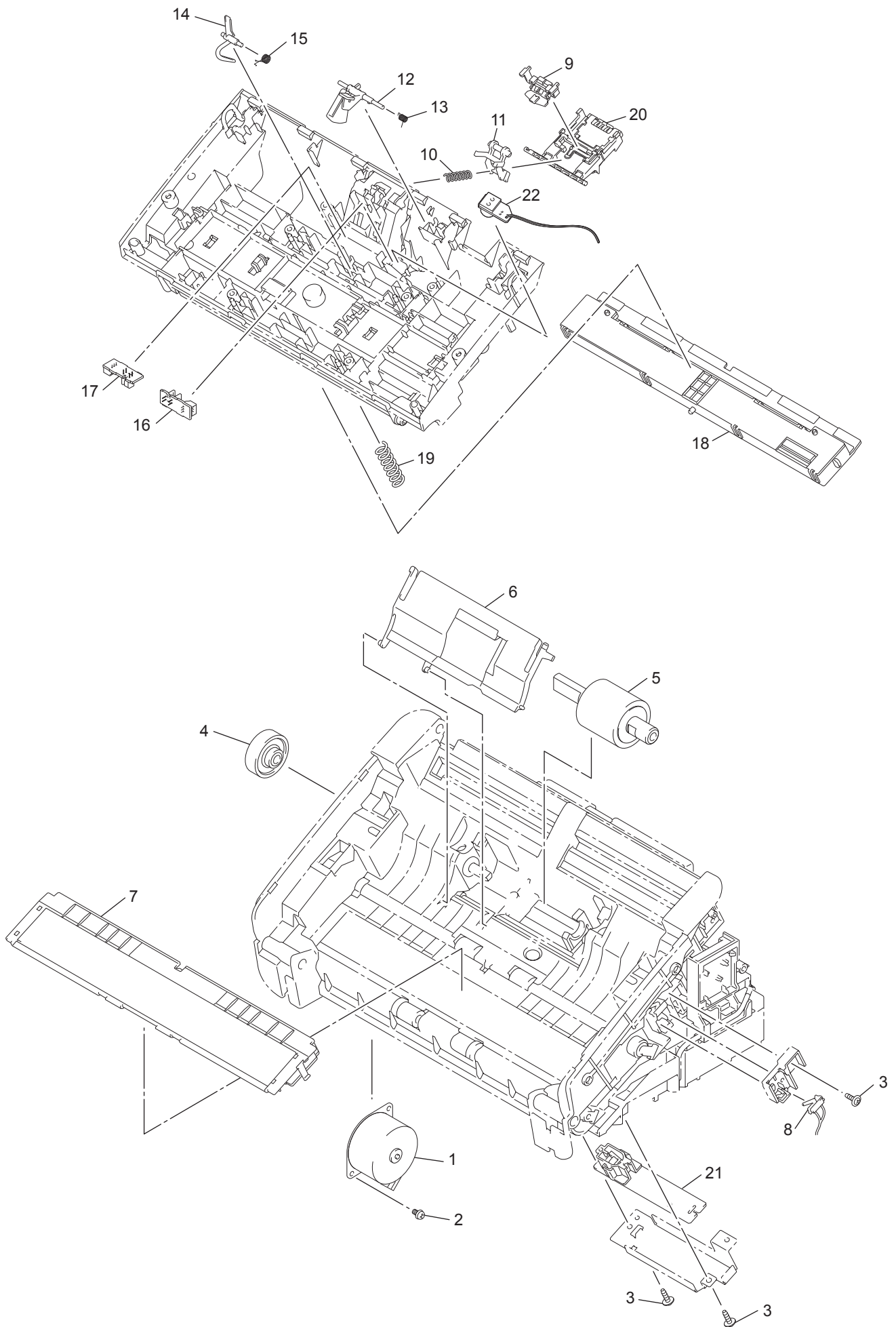
Slovakia)

CHN : China

CONTENTS

1.	<u>SCANNER</u>	1
2.	<u>PAPER TRAY</u>	3
3.	<u>COVER</u>	5
4.	<u>PANEL</u>	7
5.	<u>PCB</u>	9
6.	<u>ACCESSORIES</u>	11
7.	<u>PRINTING MATTER</u>	13
8.	<u>PACKING</u>	15
9.	<u>OTHERS</u>	17

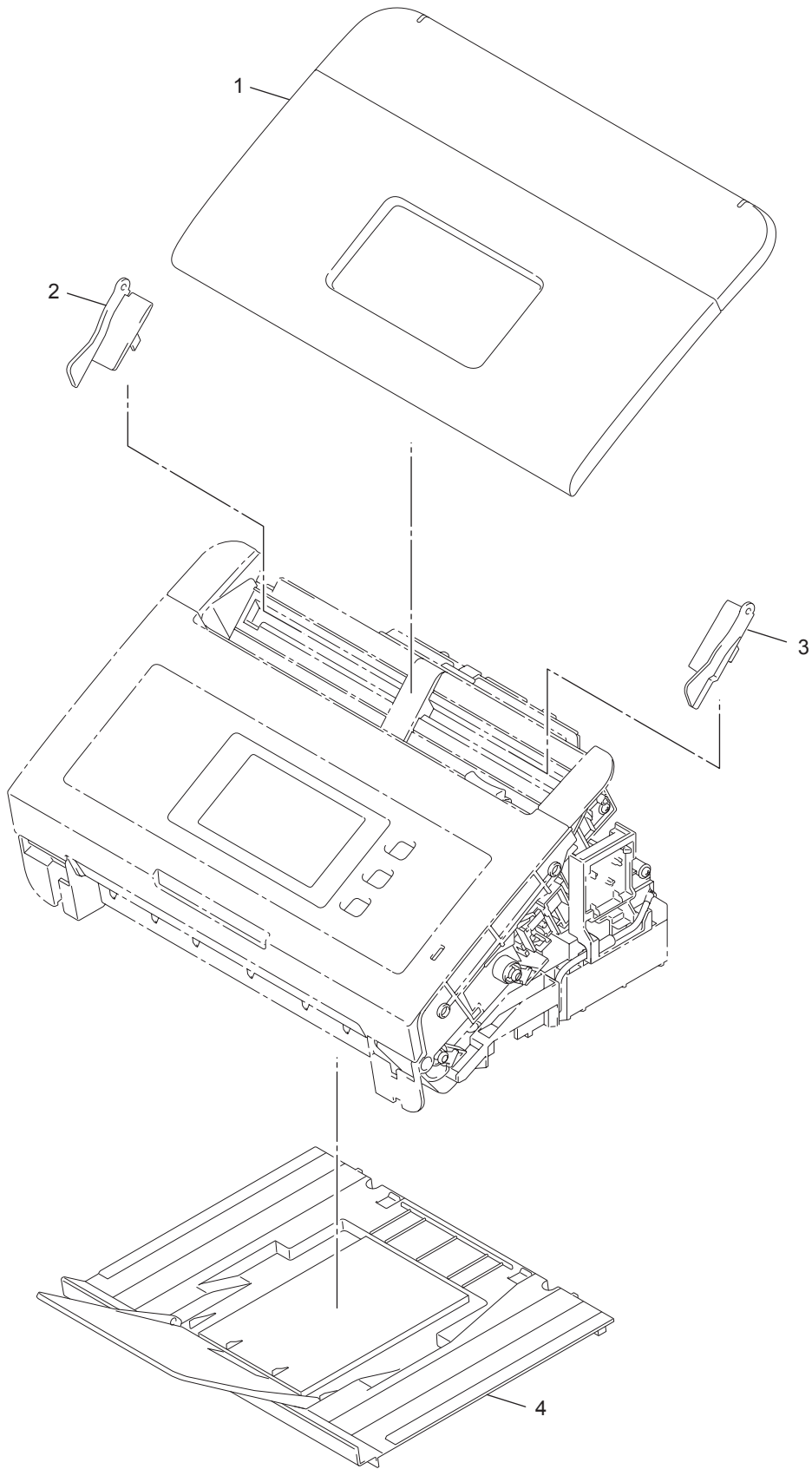
1. SCANNER



1. SCANNER

REF No.	CODE	Q'TY	DESCRIPTION	REMARKS
1	LD6050001	1	MAIN MOTOR	
2	0A4300606	1	SCREW PAN (S/P WASHER) M3X6	
3	LU5694001	3	TAPTITE BIND B M3X10	
4	LD6056001	1	ONE WAY CLUTCH	
5	LD6187001	1	PICK-UP ROLLER ASSY	
6	LD6065001	1	PICK-UP ROLLER COVER ASSY	
7	LD1140001	1	FIRST SIDE CIS UNIT	CHG
8	LD6082001	1	FRONT COVER SENSOR	
9	LD6092001	1	SEPARATION PAD ASSY	
10	LD6098001	1	SEPARATION SPRING	
11	LD6099001	1	SEPARATION ARM	
12	LD6106001	1	DOCUMENT DETECTION ACTUATOR	
13	LD6107001	1	DOCUMENT DETECTION ACTUATOR SPRING	
14	LD6108001	1	DOCUMENT SCANNING POSITION ACTUATOR	
15	LD6109001	1	DOCUMENT SCANNING POSITION ACTUATOR SPRING	
16	LG6753001	1	DOCUMENT DETECTION SENSOR PCB	
17	LG6753001	1	DOCUMENT SCANNING POSITION SENSOR PCB	
18	LD1141001	1	SECOND SIDE CIS UNIT	CHG
19	LD6125001	1	CIS SPRING	
20	LD6284001	1	SEPARATION PAD COVER (SP)	
21	LD6084001	1	DOUBLE FEEDING SENSOR PCB ASSY (RECEIVE)	
22	LD6110001	1	DOUBLE FEEDING SENSOR (SEND)	

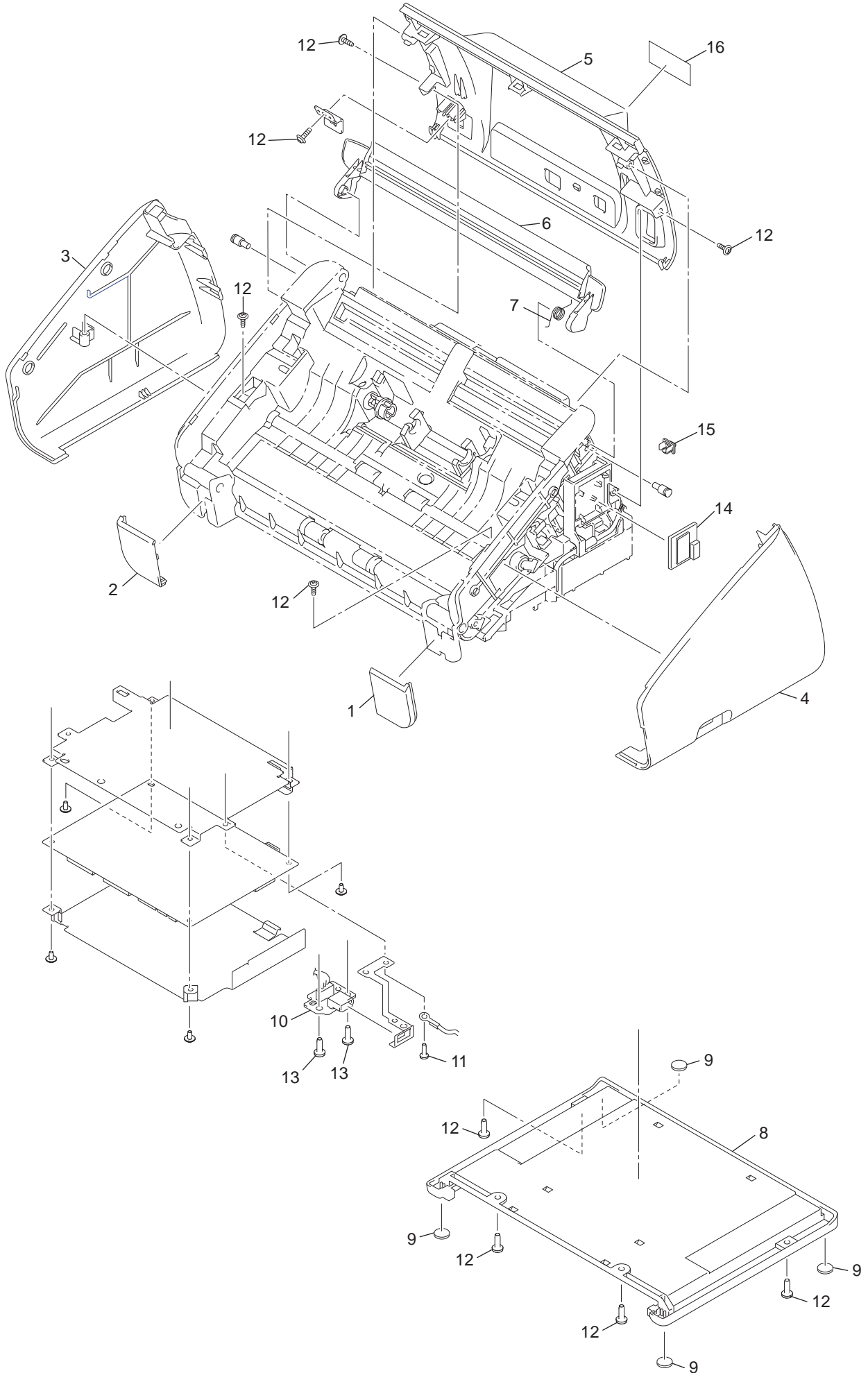
2.PAPER TRAY



2. PAPER TRAY

REF No.	CODE	Q'TY	DESCRIPTION	REMARKS
1	LD6217001	1	TOP COVER ASSY	
2	LD6011001	1	DOCUMENT GUIDE LS	
3	LD6012001	1	DOCUMENT GUIDE RS	
4	LD6014001	1	OUTPUT TRAY ASSY	

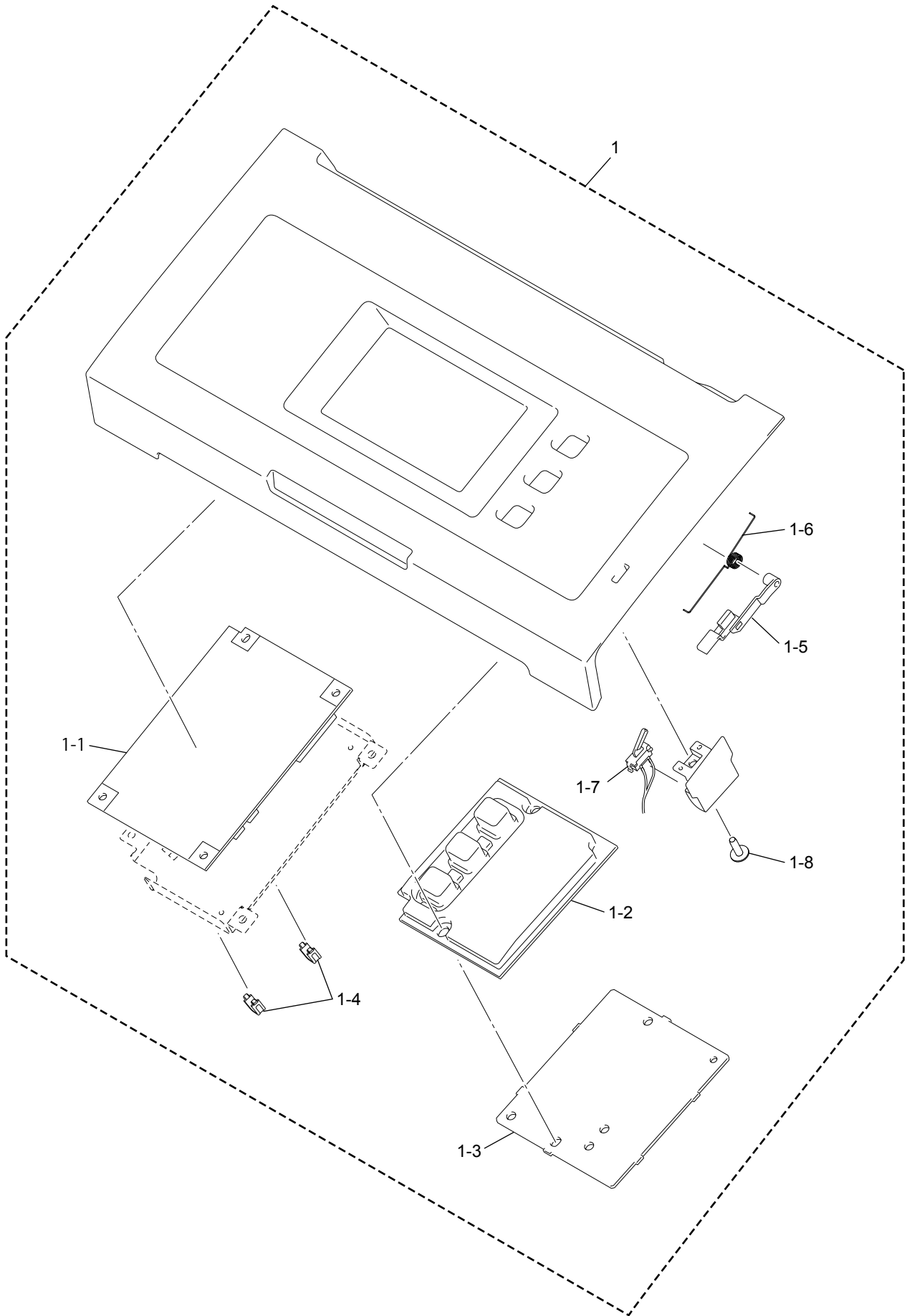
3.COVER



3. COVER

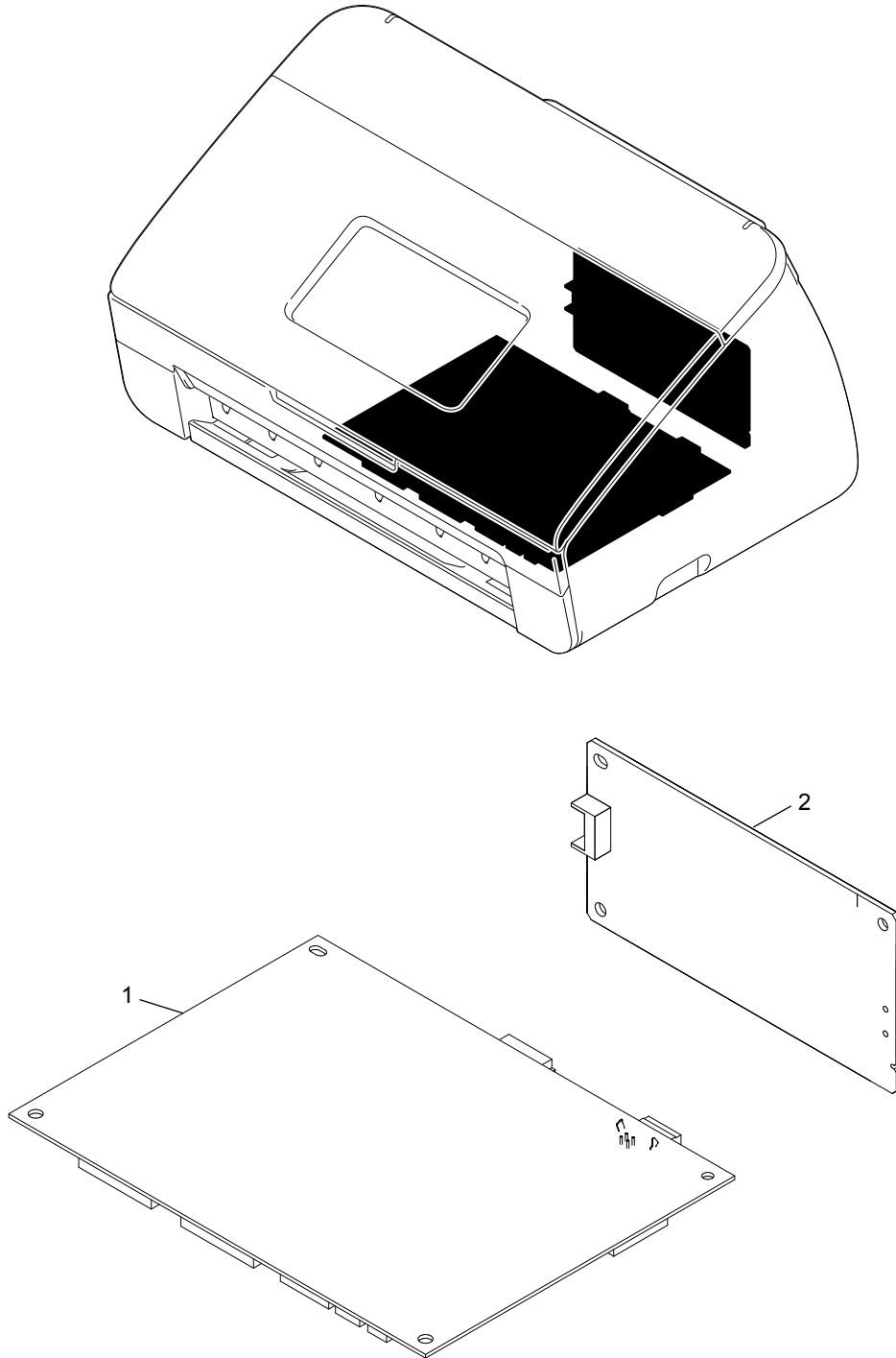
REF No.	CODE	Q'TY	DESCRIPTION	REMARKS
1	LD6017001	1	FRONT COVER R	
2	LD6018001	1	FRONT COVER L	
3	LD6019002	1	SIDE COVER L	
4	LD6171002	1	SIDE COVER R	
5	LD6200002	1	BACK COVER	
6	LD6022002	1	BACK COVER S	
7	LD6023001	1	BACK COVER S SPRING	
8	LD6025002	1	BOTTOM COVER	
9	LP1763001	4	RUBBER FOOT	
10	LV0531001	1	USB HOST PCB ASSY	
11	LU5694001	1	TAPTITE BIND B M3X10	
12	LU5830001	9	TAPTITE CUP B M3X10	
13	085411216	2	TAPTITE BIND B M4X12	
14	LT2155001	1	WIRELESS LAN PCB ASSY	
15	LD6455001	1	LAN PORT CAP	
16	LJ4541001	1	HOT LINE LABEL FOR CHE	
16	LU1364001	1	WARNING LABEL NORDIC 2 FOR PND	
16	LS8694001	1	WARNING LABEL BRZ FOR BRZ	
16	UH3297001	1	C-TICK MARK FOR OCE	

4.PANEL



4. PANEL

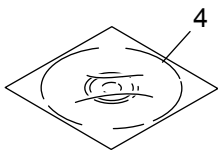
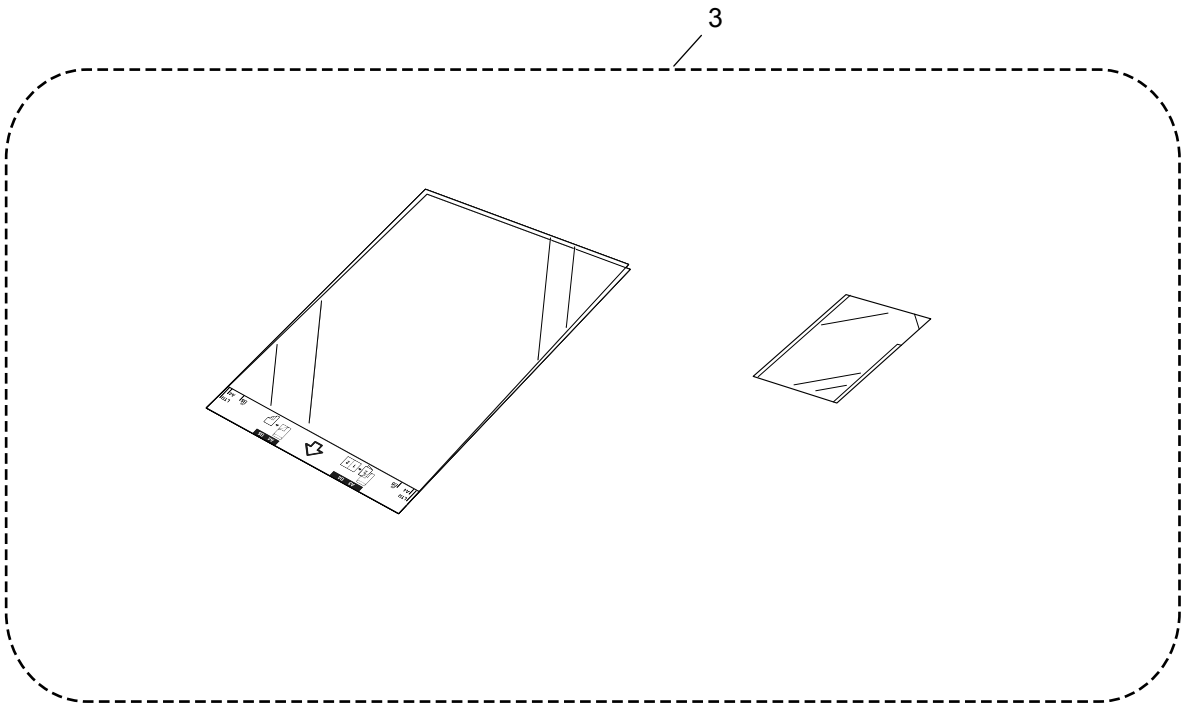
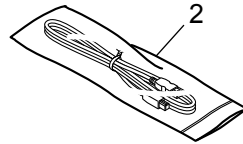
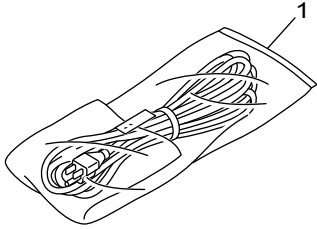
REF No.	CODE	Q'TY	DESCRIPTION	REMARKS
1	LD6490001	1	PANEL ASSY FOR US/CAN/ARG/BRZ	
1	LD6491001	1	PANEL ASSY FOR GER/UK/CHE/CHN/ZAF/ASA/GUL/KOR/RUS/OCE/PND/CEE	
1-1	LD6242001	1	PANEL PCB ASSY EXCEPT FOR CHN	
1-1	LD6242003	1	PANEL PCB ASSY FOR CHN	
1-2	LD6227001	1	RUBBER KEY	
1-3	LD6244001	1	KEY PCB ASSY	
1-4	LD6288001	2	PANEL HARNESS HOLDER	
1-5	LD6037001	1	TOP COVER ACTUATOR	
1-6	LD6038001	1	TOP COVER ACTUATOR SPRING	
1-7	LD6161001	1	TOP COVER SENSOR	
1-8	LU5694001	1	TAPTITE BIND B M3X10	



5. PCB

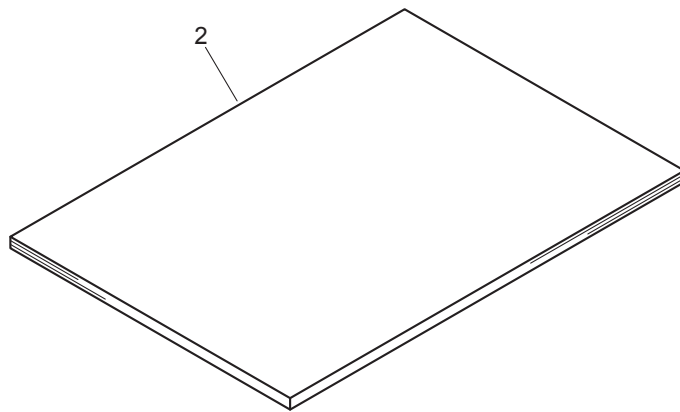
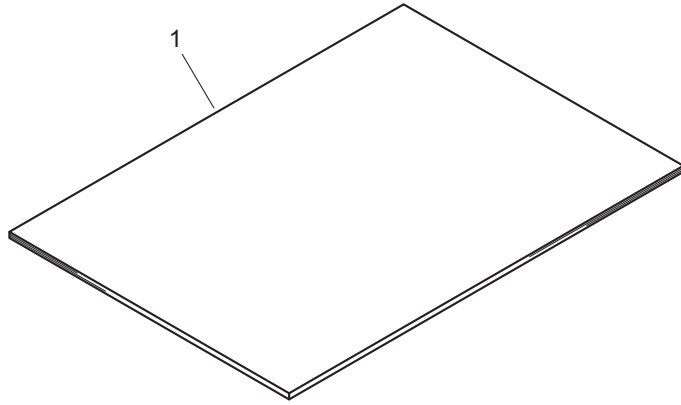
REF No.	CODE	Q'TY	DESCRIPTION	SYMBOL	REMARKS
1	LD6224001	1	MAIN PCB ASSY EXCEPT FOR CHN		
1	LD6224003	1	MAIN PCB ASSY FOR CHN		
2	LD6131001	1	POWER SUPPLY PCB ASSY FOR US/CAN/BRZ		
2	LD6143001	1	POWER SUPPLY PCB ASSY FOR GER/UK/CHE/ZAF/ARG/ASA/GUL/KOR/RUS/OCE/PND/CEE		
2	LD6261001	1	POWER SUPPLY PCB ASSY FOR CHN		

6.ACCESSORIES



6. ACCESSORIES

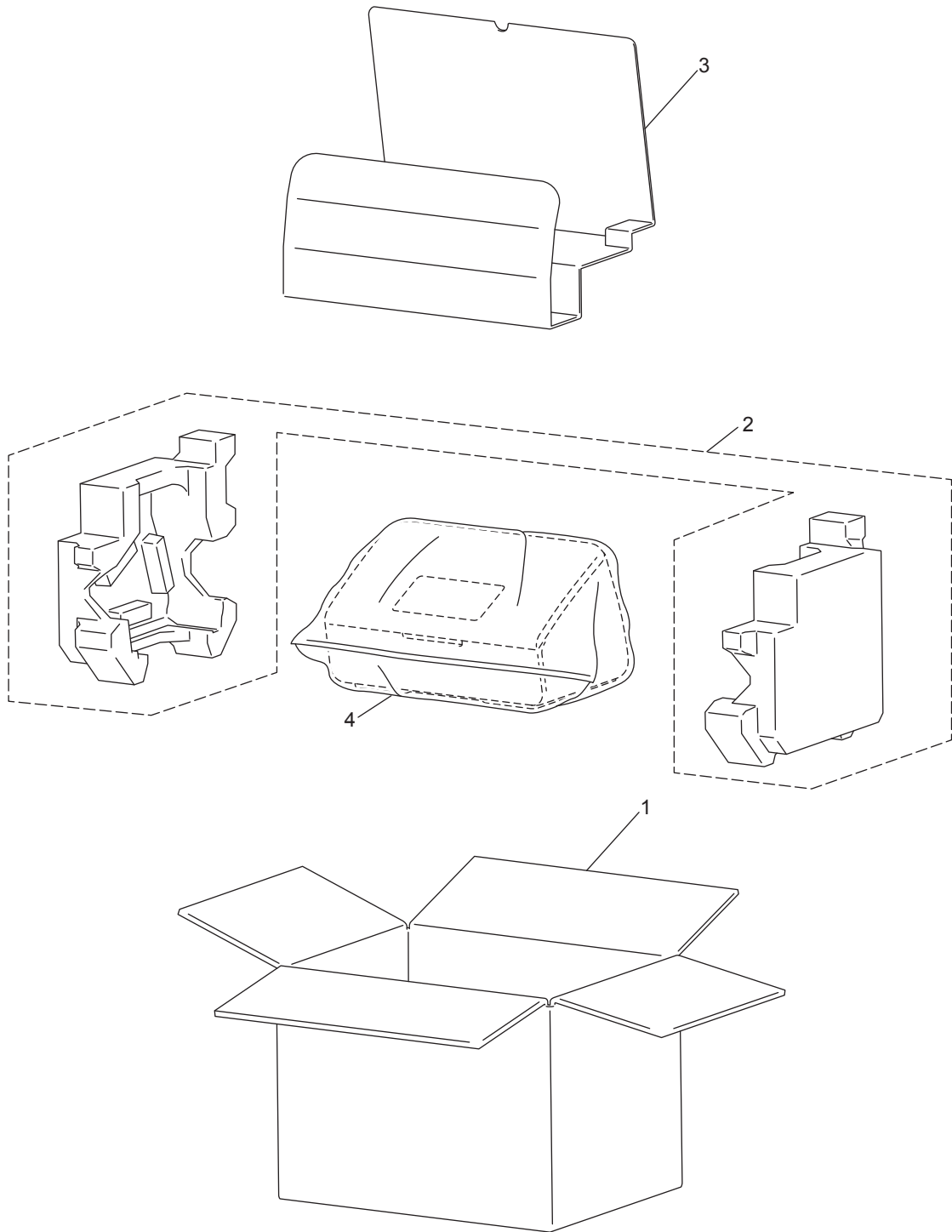
REF No.	CODE	Q'TY	DESCRIPTION	REMARKS
1	LG4400001	1	AC CORD BAG ASSY LF UL/CSA FOR US/CAN	
1	LG5717001	1	AC CORD BAG ASSY LF VDE FOR GER/ASA/GUL/RUS/PND/CEE	
1	LG5692001	1	AC CORD BAG ASSY LF UK FOR UK/ASA/GUL	
1	LT2260001	1	AC CORD BAG ASSY LF SEV FOR CHE	
1	LT1404001	1	AC CORD BAG ASSY LF CCC FOR CHN	
1	LG6404001	1	AC CORD BAG ASSY LF SAF FOR ZAF	
1	LT0921001	1	AC CORD BAG ASSY LF ARG IRAM FOR ARG	
1	LG6426001	1	AC CORD BAG ASSY LF CHILE FOR ARG	
1	LT2346001	1	AC CORD BAG ASSY LF BRZ FOR BRZ	
1	LV1520001	1	AC CORD BAG ASSY LF KOR S ASSY FOR KOR	CHG
1	LG5734001	1	AC CORD BAG ASSY LF SAA FOR OCE	
1	LG5736001	1	AC CORD BAG ASSY LF DEMKO FOR PND	
1	LG7005001	1	AC CORD BAG ASSY LF ISRAEL FOR CEE	
2	LJ9803001	1	USB CABLE 2.0 EXCEPT FOR KOR	
2	LV1518001	1	USB CABLE 2.0 KOR FOR KOR	ADD
3	LD1793001	1	CARRIER SHEET ASSY	CHG
4	LD6480001	1	CDROM ASSY FOR US	del
4	LD6532001	1	DVDROM LABEL ASSY FOR US/CAN/GER/UK/CHE/ZAF /ARG/ASA/GUL/BRZ/RUS/OCE/PND/CEE	chg
4	LD6270001	1	DVDROM LABEL ASSY FOR CHN	
4	LD6953001	1	DVDROM ASSY FOR KOR	
5	LD6943001	1	DVDROM FRENCH SHEET FOR CAN	



7. PRINTING MATTER

REF No.	CODE	Q'TY	DESCRIPTION	REMARKS
1	LD6485001	1	QUICK SETUP GUIDE FOR US/CAN/ARG/BRZ	
1	LD6502003	1	QUICK SETUP GUIDE FOR GER/CHE <GERMANY>	
1	LD6502009	1	QUICK SETUP GUIDE FOR GER <DUTCH>	
1	LD6502004	1	QUICK SETUP GUIDE FOR UK	
1	LD6502020	1	QUICK SETUP GUIDE FOR CHN	
1	LD6502040	1	QUICK SETUP GUIDE FOR ZAF/ASA/GUL/OCE	
1	LD6502044	1	QUICK SETUP GUIDE FOR KOR	
1	LD6502048	1	QUICK SETUP GUIDE FOR RUS	
1	LD6502057	1	QUICK SETUP GUIDE FOR PND	
1	LD6502078	1	QUICK SETUP GUIDE FOR CEE <BULGARIAN/ROMAN/SLOVAK>	
1	LD6502079	1	QUICK SETUP GUIDE FOR CEE <ENGLISH/POLISH/CZECH/HUNGARIAN>	
2	LD1046001	1	USER'S GUIDE ADS CHN FOR CHN	ADD

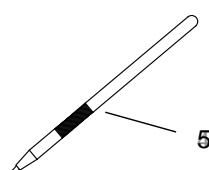
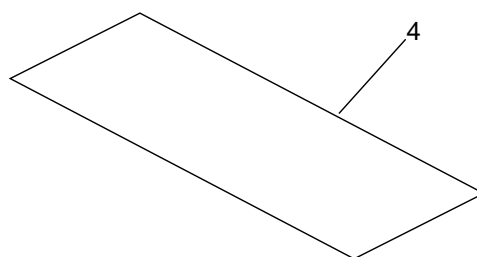
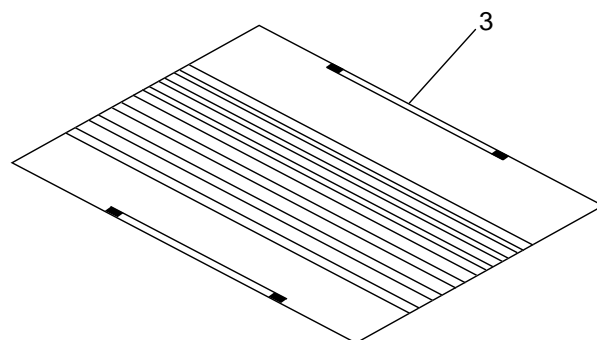
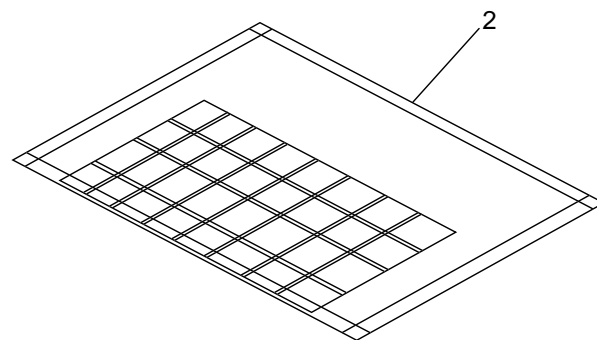
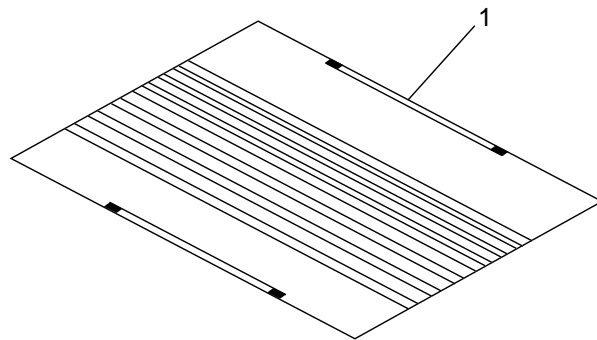
8.PACKING



8. PACKING

REF No.	CODE	Q'TY	DESCRIPTION	REMARKS
1	LD6927001	1	CARTON BROTHER FOR US	chg
1	LD6928001	1	CARTON BROTHER FOR CAN	
1	LD0791001	1	CARTON BROTHER FOR GER/UK/CHE/RUS/PND/CEE	chg
1	LD0974001	1	CARTON BROTHER FOR CHN	
1	LD0798001	1	CARTON BROTHER FOR ZAF/GUL/OCE	chg
1	LD6509001	1	CARTON BROTHER FOR ARG	
1	LD0799001	1	CARTON BROTHER FOR ASA	chg
1	LD6944001	1	CARTON BROTHER FOR BRG	
1	LD0800001	1	CARTON BROTHER FOR KOR	chg
2	LD1648001	1	POLYSTYRENE PAD ASSY	CHG
3	LD6215001	1	ACCESSORY PAD	
4	LD1634001	1	BAG 480X450H	CHG

9.OTHERS



9. OTHERS

REF No.	CODE	Q'TY	DESCRIPTION	REMARKS
1	UF8263001	1	TEST CHART-027	
2	UF9258001	1	COLOR TEST CHART CTC-001	
3	UF4600001	1	CONTRAST CHART TC-023	
4	LD6340001	1	SHEET FOR DOUBLE FEEDING SENSOR THRESHOLD SETTING	
5	XA9940051	1	STYLUS	