

EPSON STYLUS PHOTO 700

Page 1

REF	PART NO	DESCRIPTION	SPEC	QTY	RRP £	RRP \$
100	1038220	HOUSING;B		1	7.47	12.33
101	1033230	FOOT		5	0.77	1.27
102	1038269	COVER ASSY;B		1	6.65	10.97
103	1038233	HOUSING,SUPPORT,RIGHT;B		1	0.77	1.27
104	1038234	HOUSING,SUPPORT,LEFT;B		1	0.77	1.27
105	1038228	HOUSING,PANEL,LEFT;B		1	0.77	1.27
106	1030669	GROUNDING PLATE		2	0.77	1.27
107	1038267	STACKER ASSY;B		1	6.47	10.68
108	1038268	PANEL ASSY;B		1	3.85	6.35
109	1038237	PAPER SUPPORT ASSY.;C		1	4.08	6.73
110	1030604	BUTTON,P/S		1	0.77	1.27
111	1037313	COVER,INLET,UPPER;B		1	0.77	1.27
112	1037314	COVER,INLET,LOWER;B		1	0.77	1.27
113	1030608	COVER,CABLE		2	0.77	1.27
114	1038236	ADAPTOR,PAPER SUPPORT;B		1	1.15	1.90
115	1040034	LOGO,PLATE;B		1	0.77	1.27
116	1032270	SHIELD PLATE,PANEL		1	0.77	1.27
117	1030609	COVER,SHIELD PLATE,M/B,RIGHT		1	0.77	1.27
118	1030610	COVER,SHIELD PLATE,M/B,LEFT		1	0.77	1.27
119	1031165	MINI CLAMP		1	0.77	1.27
120	1038153	SHIELD PLATE,M/B		1	3.08	5.08
121	B010103311	C.P.SCREW	M3X6	3	0.77	1.27
122	B300204211	C.B.S. SCREW	M3X6	23	0.77	1.27
123	1032538	C.B.(O) SCREW,4X5,F/ZG		1	0.77	1.27
124	B300204411	C.B.S. SCREW	M3X10	4	0.77	1.27
125	1005019	C.B.P-TITE SCREW,3X8,F/ZN	M3X8 F/ZN	2	0.77	1.27
126	1012350	C.B.P-TITE,3X10,F/ZN		2	0.77	1.27
127	1037582	COVER,SUPPORT,ASP		1	13.51	22.29
128	1035116	CRAMP,COVER,PRINTER		2	0.77	1.27
180	1040030	LABEL,CAUTION 11;C	EUROPE,LATIN	1	0.77	1.27
185	1040032	LABEL,CAUTION 22;C	EUROPE,LATIN	1	0.77	1.27
186	1037833	LABEL,LEVER CARTRIDGE,BLACK		1	0.77	1.27
187	1037835	LABEL,LEVER CARTRIDGE,COLOUR		1	0.77	1.27
188	1040033	LABEL,CAUTION 33	EUROPE,LATIN	1	0.77	1.27
200	2027976	BOARD ASSY.,MAIN	FOR EUROPE	1	125.48	207.04
BAT1	2024908	BATTERY HOLDER		1	1.15	1.90
BAT1	Y502002001	SPONGE TAPE		1	0.77	1.27
C1	X285122201	CERAMIC CAPACITOR	22PF 50V 5%	1	0.77	1.27
C11-C13	2026449	CHIP CAPACITOR	TP,68PF,50V,+5%,	3	0.77	1.27
C14	2018745	CHIP CAPACITOR		1	0.77	1.27
C15,C65	2004332	ELECTROLYTIC CAPACITOR	TP,10UF,50V,+20%,	2	0.77	1.27
C16,C42	2023447	ALUM. ELYTIC. CAP.	TP,100UF,50V,+20%,	2	0.77	1.27
C17,C43	2016848	CHIP CAPACITOR		2	0.77	1.27
C18,C19	2026449	CHIP CAPACITOR	TP,68PF,50V,+5%,	2	0.77	1.27
C2,C4,C26	2017467	CHIP CAPACITOR		3	0.77	1.27
C20,C34	X285121011	CHIP CAPACITOR	100PF 50V 5%	2	0.77	1.27
C21,C28	2003619	CHIP CAPACITOR		2	0.77	1.27
C22-C25	2018745	CHIP CAPACITOR		4	0.77	1.27
C27	2023050	ALUM. ELYTIC. CAP.	TP,220UF,10V,+20%,	1	0.77	1.27
C29,C30	2017467	CHIP CAPACITOR		2	0.77	1.27
C3	2026450	CHIP CAPACITOR	TP,0.012UF,50V,+10%,	1	0.77	1.27
C31,C84	X275121021	CHIP RESISTOR		2	0.77	1.27
C32	2018745	CHIP CAPACITOR		1	0.77	1.27
C33,C45	2003619	CHIP CAPACITOR		2	0.77	1.27
C36-C39	X285121011	CHIP CAPACITOR	100PF 50V 5%	4	0.77	1.27
C40,C41	2017467	CHIP CAPACITOR		2	0.77	1.27
C44,C46	2017467	CHIP CAPACITOR		2	0.77	1.27

EPSON STYLUS PHOTO 700

Page 2

REF	PART NO	DESCRIPTION	SPEC	QTY	RRP £	RRP \$
C47,C81	X285121011	CHIP CAPACITOR	100PF 50V 5%	2	0.77	1.27
C48,C55	2016428	ELECTROLYTIC CAPACITOR	TP,33UF,16V,+20%,	2	0.77	1.27
C49,C53	2017467	CHIP CAPACITOR		2	0.77	1.27
C50-C52	2018745	CHIP CAPACITOR		3	0.77	1.27
C54	2011982	ELECTRIC ALMI CAPACITOR	22UF 16V	1	0.77	1.27
C56,C57	2017467	CHIP CAPACITOR		2	0.77	1.27
C58,C75	2018745	CHIP CAPACITOR		2	0.77	1.27
C59	2023447	ALMINIUM ELECTROLYTIC CAPACITOR	TP,100UF,50V,+20%,	1	0.77	1.27
C5-C10	2017467	CHIP CAPACITOR		6	0.77	1.27
C60,C67	2017467	CHIP CAPACITOR		2	0.77	1.27
C61,C62	X275124711	CHIP CAPACITOR		2	0.77	1.27
C63,C64	2008686	CHIP CAPACITOR	3300PF 50V	2	0.77	1.27
C66	2004332	ELECTROLYTIC CAPACITOR	TP,10UF,50V,+20%,	1	0.77	1.27
C68	2003619	CHIP CAPACITOR		1	0.77	1.27
C69,C70	2017467	CHIP CAPACITOR		2	0.77	1.27
C71,C72	2008686	CHIP CAPACITOR	3300PF 50V	2	0.77	1.27
C73,C74	X275124711	CHIP CAPACITOR		2	0.77	1.27
C80	2016848	CHIP CAPACITOR		1	0.77	1.27
C82,C93	2017467	CHIP CAPACITOR		2	0.77	1.27
C83	2018745	CHIP CAPACITOR		1	0.77	1.27
C85,C94	X275121021	CHIP RESISTOR		2	0.77	1.27
C92	2026449	CHIP CAPACITOR	TP,68PF,50V,+5%,	1	0.77	1.27
C95	X285121011	CHIP CAPACITOR	100PF 50V 5%	1	0.77	1.27
CN1	2013284	CONNECTOR 57RE-40360-830B(D7B)	36,	1	2.31	3.81
CN11	2007097	CONNECTOR	3,	1	0.77	1.27
CN2	2024322	CONNECTOR	8,	1	0.77	1.27
CN3	2022867	CONNECTOR	12,	1	0.77	1.27
CN4	2022864	CONNECTOR	3,	1	0.77	1.27
CN5	X600440310	CONNECTOR	3 PIN	1	0.77	1.27
CN6,CN7	2017936	CONNECTOR	4,	2	0.77	1.27
CN8,CN9	2026400	CONNECTOR	15,	2	0.77	1.27
CR1	2025625	CHIP CERAMIC OSCILLATOR	25MHZ,	1	0.77	1.27
CR2	2026382	CHIP CERAMIC OSCILLATOR	14MHZ,	1	1.15	1.90
CR3	2023154	QUARTZ OSCILLATOR	0KHZ,	1	0.77	1.27
D1	2002872	DIODE	30V 70MA	1	0.77	1.27
D2,D4	2012708	DIODE	35V,225MA	2	0.77	1.27
D6-D13	2026381	DIODE		8	0.77	1.27
F1	X502036070	FUSE	0.7A,50V	1	0.77	1.27
IC1	2023322	MICRO CONTROLLER,TMP95C061BF	100,	1	18.52	30.56
IC10	2024977	TIMER IC		1	2.69	4.44
IC11	2014681	EEPROM,AT93C46-10SC	SOP,1K BIT,8	1	1.92	3.17
IC13	X422350079	TTL-IC	HEX BUF/DRV OC HI-VOCT	1	1.54	2.54
IC14,IC15	2017973	HIC		2	8.79	14.50
IC16	2021049	I/F IC,SN75LBC775		1	10.33	17.04
IC2	2026380	GATE ARRAY		1	18.52	30.56
IC3	2030306	MASK ROM	DIP,4000000,40,LH5S46	1	27.53	45.42
IC3	X630114030	IC SOCKET	40 PIN	1	0.77	1.27
IC5	2012029	D-RAM		1	50.27	82.95
IC7	2023685	HIC,H8D2813E	25 PIN	1	17.09	28.20
IC9	2023625	RESET IC		1	1.54	2.54
Q1	2019965	TRANSISTOR	-50V,-100MA,200MW,0,0,	1	0.77	1.27
Q7	2024208	TRANSISTOR	60V,5A,2W,0,0,	1	1.54	2.54
Q7-Q9	1032224	HEAT SINK		1	0.77	1.27
Q7-Q9	B010303311	C.B.SCREW	M3X6	2	0.77	1.27
Q9	2024209	TRANSISTOR	-60V,-5A,2W,0,0,	1	1.54	2.54

EPSON STYLUS PHOTO 700

REF	PART NO	DESCRIPTION	SPEC	QTY	RRP £	RRP \$
QM2	2023325	TRANSISTOR	50V,50MA,300MW,	1	0.77	1.27
R1,R4,R5	2025369	CHIP RESISTOR	TP,100OHM,1/10W,+5%,	3	0.77	1.27
R10	2026351	CHIP RESISTOR	TP,120KOHM,1/16W,+1%,	1	0.77	1.27
R11	2026067	CHIP RESISTOR	TP,75KOHM,1/10W,+5%,	1	0.77	1.27
R12,R164	2025372	CHIP RESISTOR	TP,15KOHM,1/10W,+5%,	2	0.77	1.27
R121,R124	2025385	CHIP RESISTOR	TP,56KOHM,1/10W,+5%,	2	0.77	1.27
R122,R125	2024216	CHIP RESISTOR	TP,0.62OHM,+1%,	2	0.77	1.27
R123,R126	2025370	CHIP RESISTOR	TP,1KOHM,1/10W,+5%,	2	0.77	1.27
R129,R131	2024215	CHIP RESISTOR	TP,0.47OHM,+1%,	2	0.77	1.27
R130,R132	2025370	CHIP RESISTOR	TP,1KOHM,1/10W,+5%,	2	0.77	1.27
R133,R134	2025385	CHIP RESISTOR	TP,56KOHM,1/10W,+5%,	2	0.77	1.27
R135	2025718	CHIP RESISTOR	TP,1MOHM,1/16W,+5%,	1	0.77	1.27
R136	2026482	CHIP RESISTOR	TP,22OHM,1/10W,+5%,	1	0.77	1.27
R140	2025369	CHIP RESISTOR	TP,100OHM,1/10W,+5%,	1	0.77	1.27
R142,R143	2025371	CHIP RESISTOR	TP,10KOHM,1/10W,+5%,	2	0.77	1.27
R15,R83	2008955	CHIP RESISTOR	200 OHM 1/4W 5%	2	0.77	1.27
R16,R20	2025371	CHIP RESISTOR	TP,10KOHM,1/10W,+5%,	2	0.77	1.27
R165	2025371	CHIP RESISTOR	TP,10KOHM,1/10W,+5%,	1	0.77	1.27
R17	2026016	CHIP RESISTOR	TP,10OHM,1/10W,+5%,	1	0.77	1.27
R18	2026491	CHIP RESISTOR	TP,698OHM,1/16W,+1%,	1	0.77	1.27
R19	2026492	CHIP RESISTOR	TP,9.09KOHM,1/16W,+1%,	1	0.77	1.27
R2,R13	2008955	CHIP RESISTOR	200 OHM 1/4W 5%	2	0.77	1.27
R21,R25	2025371	CHIP RESISTOR	TP,10KOHM,1/10W,+5%,	2	0.77	1.27
R22,R53	X193211012	CHIP RESISTOR	100 OHM 1/2W 5%	2	0.77	1.27
R23	2026498	CHIP RESISTOR	TP,750OHM,1/16W,+1%,	1	0.77	1.27
R24,R59	2026487	CHIP RESISTOR	TP,2.15KOHM,1/16W,+1%,	2	0.77	1.27
R26,R37	2025371	CHIP RESISTOR	TP,10KOHM,1/10W,+5%,	2	0.77	1.27
R27-R29	2026014	CHIP RESISTOR	TP,300OHM,1/10W,+5%,	3	0.77	1.27
R3	2025642	CHIP RESISTOR	TP,1.5KOHM,1/10W,+5%,	1	0.77	1.27
R31	2026014	CHIP RESISTOR	TP,300OHM,1/10W,+5%,	1	0.77	1.27
R32	2026499	CHIP RESISTOR	TP,1.58KOHM,1/16W,+1%,	1	0.77	1.27
R33	2026501	CHIP RESISTOR	TP,523OHM,1/16W,+1%,	1	0.77	1.27
R35	2026500	CHIP RESISTOR	TP,1000KOHM,1/16W,+1%,	1	0.77	1.27
R36	2026502	CHIP RESISTOR	TP,8.87KOHM,1/16W,+1%,	1	0.77	1.27
R39,R40	2025384	CHIP RESISTOR	TP,5.6KOHM,1/10W,+5%,	2	0.77	1.27
R42	2025651	CHIP RESISTOR	TP,10KOHM,1/10W,+1%,	1	0.77	1.27
R43	2026346	CHIP RESISTOR	TP,30KOHM,1/10W,+5%,	1	0.77	1.27
R50-R52	2025369	CHIP RESISTOR	TP,100OHM,1/10W,+5%,	3	0.77	1.27
R55,R90	2025381	CHIP RESISTOR	TP,47OHM,1/10W,+5%,	2	0.77	1.27
R57	2026489	CHIP RESISTOR	TP,357OHM,1/16W,+1%,	1	0.77	1.27
R58	2025963	CHIP RESISTOR	TP,1.05KOHM,1/16W,+1%,	1	0.77	1.27
R6	2025632	CHIP RESISTOR	TP,4.64KOHM,1/16W,+1%,	1	0.77	1.27
R60	2026490	CHIP RESISTOR	TP,4.75KOHM,1/16W,+1%,	1	0.77	1.27
R65-R67	2025384	CHIP RESISTOR	TP,5.6KOHM,1/10W,+5%,	2	0.77	1.27
R7,R14	2025370	CHIP RESISTOR	TP,1KOHM,1/10W,+5%,	2	0.77	1.27
R77,R137	2025371	CHIP RESISTOR	TP,10KOHM,1/10W,+5%,	2	0.77	1.27
R8	2025380	CHIP RESISTOR	TP,3.9KOHM,1/10W,+5%,	1	0.77	1.27
R82,R88	2025378	CHIP RESISTOR	TP,3.3KOHM,1/10W,+5%,	2	0.77	1.27
R84	2026383	CHIP RESISTOR	TP,2OHM,1W,+5%,	1	0.77	1.27
R85-R87	2025369	CHIP RESISTOR	TP,100OHM,1/10W,+5%,	3	0.77	1.27
R89,R138	2025378	CHIP RESISTOR	TP,3.3KOHM,1/10W,+5%,	2	0.77	1.27
R9	2025547	CHIP RESISTOR	TP,0OHM,1/10W,+5%,	1	0.77	1.27
R91	2025381	CHIP RESISTOR	TP,47OHM,1/10W,+5%,	1	0.77	1.27
R93	2026384	CHIP RESISTOR	TP,4.7OHM,1W,+5%,	1	0.77	1.27
RM1	2021626	CHIP RESISTOR ARRAY	TP,1KOHM,1/16W,+5%,	1	0.77	1.27
RM13	2021627	CHIP RESISTOR ARRAY	TP,3.3KOHM,1/16W,+5%,	1	0.77	1.27

EPSON STYLUS PHOTO 700

Page 4

REF	PART NO	DESCRIPTION	SPEC	QTY	RRP £	RRP \$
RM14,RM15	2021621	CHIP RESISTOR ARRAY	TP,470HM,1/16W,+5%,	2	0.77	1.27
RM16,RM20	2026399	CHIP RESISTOR ARRAY	TP,470HM,1/16W,+5%,	2	0.77	1.27
RM17-RM19	2026493	CHIP RESISTOR ARRAY	TP,560HM,1/16W,+5%,	3	0.77	1.27
RM2-RM6	2021627	CHIP RESISTOR ARRAY	TP,3.3KOHM,1/16W,+5%,	5	0.77	1.27
RM7	2021624	CHIP RESISTOR ARRAY	TP,1000HM,1/16W,+5%,	1	0.77	1.27
RM8-RM12	2021621	CHIP RESISTOR ARRAY	TP,470HM,1/16W,+5%,	5	0.77	1.27
450	2023320	BOARD ASSY.,PANEL		1	6.83	11.27
300	2025849	BOARD ASSY.,POWER SUPPLY	220V/240V	1	40.73	67.20
330	2026385	WIRE HARNESS		1	1.92	3.17
400	2006741	POWER CABLE,BS31303SA-SR-10A	240V	1	15.16	25.01
412	2018028	HARNESS	220V/230V/240V	1	4.50	7.43
500	2026840	PRINTER MECHANISM,M-4G13		1	76.95	126.97
501	1030341	FRAME, TOP		1	2.31	3.81
502	1030343	FRAME, RIGHT		1	1.54	2.54
503	1030344	FRAME, FRONT		1	1.15	1.90
504	1043804	FRAME, BOTTOM; B		1	2.31	3.81
505	1039369	FRAME ASSY., LEFT		1	3.46	5.71
506	1032633	CARRIAGE ASSY.		1	6.15	10.15
507	1030380	LEVER, ADJUST		1	0.77	1.27
508	1030381	GROUNDINGPLATE, HEAD		1	0.77	1.27
509	1030382	OIL PAD		1	0.77	1.27
510	1030387	SLIDER, CR		1	0.77	1.27
511	1041207	HOLDER, PULLEY, DRIVEN; B		1	0.77	1.27
512	1032969	SHEET, PROTECTION, HEAD		1	0.77	1.27
513	1030969	SHAFT, ROLLER, DRIVEN		6	0.77	1.27
514	1038961	ROLLER, DRIVEN; D		12	0.77	1.27
515	F057020	PRINT HEAD, IJ192-0BB		1	67.98	112.17
516	1031313	PULLEY ASSY., DRIVEN		1	1.15	1.90
517	1030390	TIMINGBELT		1	3.46	5.71
518	1030408	PAPER GUIDE, UPPER		5	0.77	1.27
519	1030414	PAPER GUIDE, LEFT		1	0.77	1.27
520	1030417	PAPERGUIDE, REAR		1	2.31	3.81
521	1032287	PAPER GUIDE, FRONT; B		1	2.69	4.44
522	1032646	PAPER GUIDE, RIGHT		1	0.77	1.27
523	1030968	SHAFT, PAPER GUIDE, UPPER		6	0.77	1.27
524	1045223	STARWHEEL ASSY., 8; E		20	0.77	1.27
524	1045223	STARWHEEL ASSY., 8; E		20	0.77	1.27
525	1032242	HOLDER, STAR WHEEL, RIGHT		1	0.77	1.27
526	1032243	HOLDER, STAR WHEEL, LEFT		1	0.77	1.27
527	1032244	ROD SPRING, STAR WHEEL		13	0.77	1.27
528	1030346	FRAME, EJ		1	1.92	3.17
529	1030421	ROLLER, ASSY., EJ		1	3.86	6.37
530	1038152	ROLLER, PF; B		1	14.09	23.25
532	2022329	CIRCUIT ASSY, PE		1	1.92	3.17
533	2022330	HARNESS, PE		1	1.15	1.90
534	1030410	LEVER, PE		1	0.77	1.27
535	1030411	HOLDER, PE		1	0.77	1.27
536	2032842	DETECTOR, HP; E	4V, 50MA, 100MW	1	0.77	1.27
537	2022326	HARNESS, HP		1	0.77	1.27
538	2024054	MOTOR, PF; B	DC42V/0.46A/19.3W SM	1	17.55	28.96
539	1031323	MOTER ASSY, CR	DC42V/0.46A/19.3W SM	1	19.84	32.74
540	1030391	SHAFT, CR, GUIDE		1	5.04	8.32
541	1040464	PUMP ASSY., F		1	10.08	16.63
542	1044902	CAP ASSEMBLY		1	7.97	13.15
544	1030347	GUIDE PLATE, CABLE		1	1.15	1.90
545	1030392	BUSHING, PARALLELISM ADJ., LEFT		1	0.77	1.27

EPSON STYLUS PHOTO 700

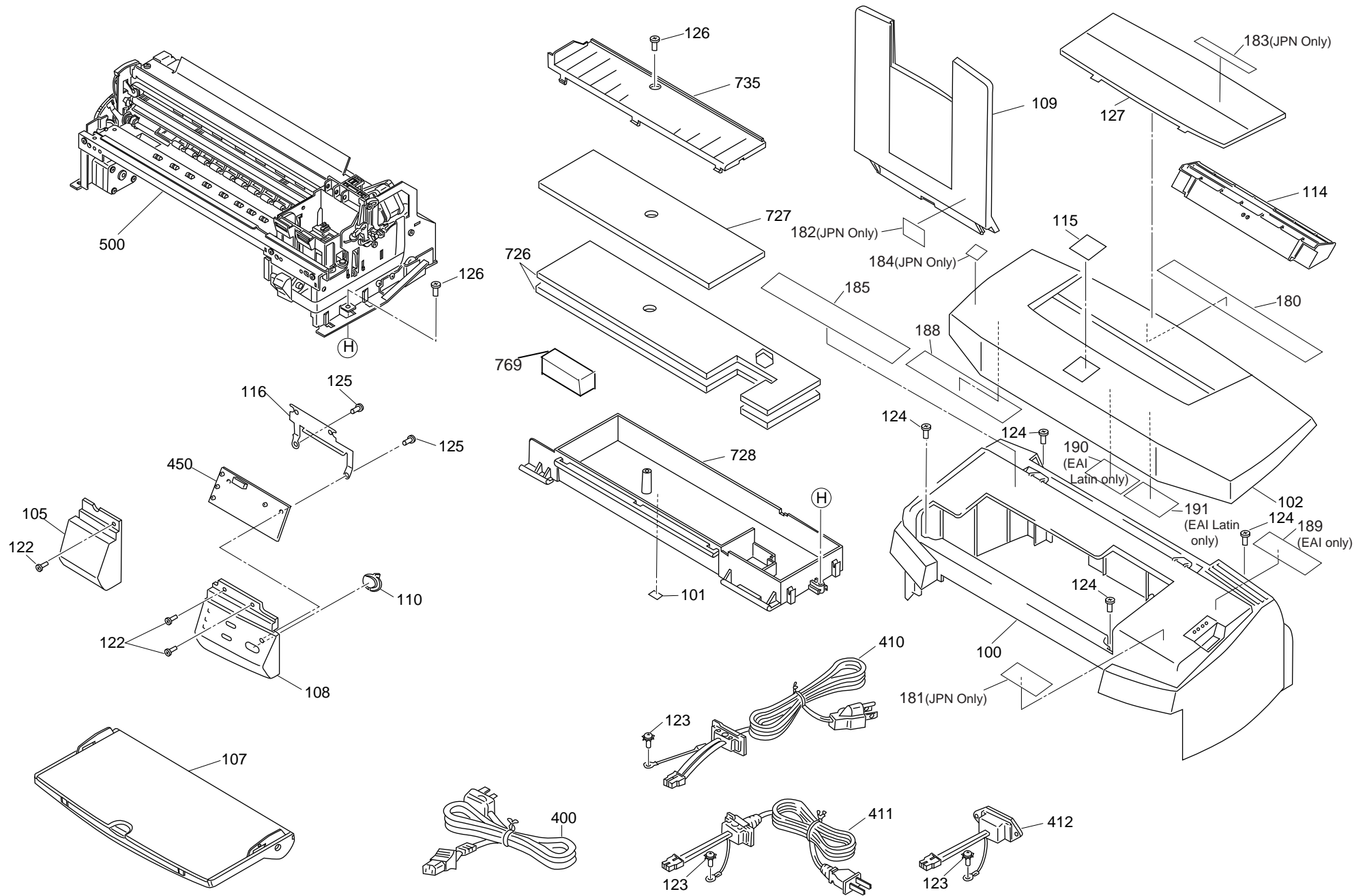
Page 5

REF	PART NO	DESCRIPTION	SPEC	QTY	RRP £	RRP \$
546	1030393	BUSHING,PARALLELISM ADJ.,RIGHT		1	0.77	1.27
547	1030394	LEVER,PG		1	0.77	1.27
548	1030395	LEVER,PG,SUPPORT		1	0.77	1.27
549	1037093	BUSHING,12,LEFT		1	0.77	1.27
550	1030422	BUSHING,6		2	0.77	1.27
551	1030454	LEVER,CHANGE		1	0.77	1.27
552	1032608	STOPPER,STACKER		2	0.77	1.27
553	1030353	SPUR GEAR,11.5		1	0.77	1.27
554	1039368	SPUR GEAR,23.2		1	0.77	1.27
555	1030402	SPUR GEAR,67.2		1	1.54	2.54
556	1030424	SPUR GEAR,36		1	0.77	1.27
557	1030452	SPUR GEAR,26.4		1	0.77	1.27
558	1030453	COMBINATION GEAR,16,40.8		1	0.77	1.27
559	1031001	COMBINATION GEAR,8,14.4		1	0.77	1.27
560	1031055	COMBINATION GEAR,8,8,21.6		1	0.77	1.27
561	1030955	COMPRESSION SPRING,19.6		1	0.77	1.27
562	1030957	COMPRESSION SPRING,5.85		1	0.77	1.27
563	1030965	COMPRESSION SPRING,0.9		1	0.77	1.27
564	1030956	TORSION SPRING,117.6		6	0.77	1.27
565	1030958	TORSION SPRING,0.22		1	0.77	1.27
566	1032240	TORSION SPRING,63.7		1	0.77	1.27
567	1030967	PLAIN WASHER,12.2X0.5X15		2	0.77	1.27
568	1030971	PLAIN WASHER,4.1X0.5X6.5		2	0.77	1.27
569	1030975	SPACER,C-RING		2	0.77	1.27
570	B101254590	LEAF SPRING	6.2X0.15X11	1	0.77	1.27
571	B150300711	RETAINING RING	TYPE-E(4)	1	0.77	1.27
572	B300204211	C.B.S. SCREW	M3X6	19	0.77	1.27
573	1023219	BUSHING NUT,2		1	0.77	1.27
574	1024505	HEXAGON NUT,NORMAL,M3		3	0.77	1.27
575	1031164	C-RING		3	0.77	1.27
576	1032300	C.P.S-TITE(P4),3X6,F/ZN		2	0.77	1.27
577	1032301	SCALLOP SPRING PIN-AW,2X16,F/B		1	0.77	1.27
578	1032723	HOLDER,STARWHEEL,FRONT		1	0.77	1.27
579	1033652	STARHWEEL,8;B		1	0.77	1.27
580	1034669	POROUS PAD,SLIDER,CAP		1	0.77	1.27
771	1045088	HOLDER ASSY,STARWHEEL,RIGHT;		1	0.77	1.27
772	1045090	HOLDER ASSY.,STARWHEEL,LEFT		1	0.77	1.27
700	1031309	PAD ASSY.,LEFT		1	2.31	3.81
701	1031308	PAD ASSY.,RIGHT		1	2.31	3.81
702	1030961	TORSION SPRING,1.22,LEFT		1	0.77	1.27
703	1030442	HOLDER,EDGE GUIDE,LEFT		1	0.77	1.27
704	1030449	LEVER,PAD,RELEASE,LEFT		1	0.77	1.27
705	1030434	LEVER,PAPER RETURN,LEFT		1	0.77	1.27
706	1037579	TORSION SPRING,1.22,RIGHT		1	0.77	1.27
707	1030450	LEVER,PAD,RELEASE,RIGHT		1	0.77	1.27
708	1030455	HOLDER,EDGE GUIDE,RIGHT		1	0.77	1.27
709	1030420	ROD SPRING,HOLDER,PAD		2	0.77	1.27
710	1030435	LEVER,PAPER RETURN,RIGHT		1	0.77	1.27
711	1030436	ROLLER,LD,SUPPORT		2	0.77	1.27
712	1030437	HOLDER,ROLLER,LD,SUPPORT		2	0.77	1.27
713	1030962	EXTENSION SPRING,0.36		2	0.77	1.27
714	1033979	COMPRESSION SPRING,0.88		2	0.77	1.27
715	1038247	HOPPER;B		1	15.87	26.19
716	1038249	EDGE GUIDE;B		1	0.77	1.27
717	1030429	SLIDER,EDGE GUIDE		1	0.77	1.27
718	1030446	CORK		1	0.77	1.27

EPSON STYLUS PHOTO 700

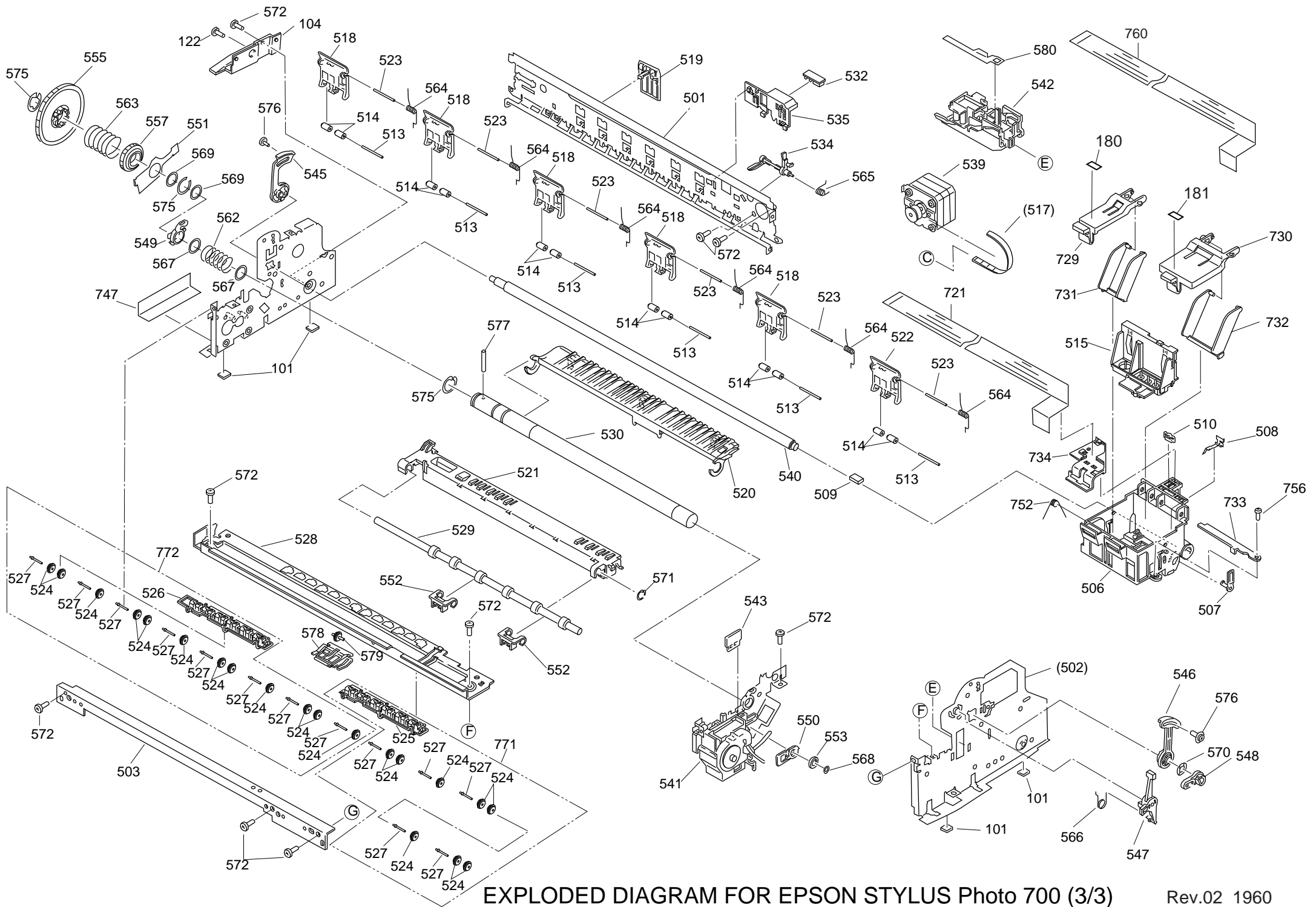
Page 6

REF	PART NO	DESCRIPTION	SPEC	QTY	RRP £	RRP \$
719	1030960	COMPRESSION SPRING,3.23		1	0.77	1.27
720	2032842	DETECTOR,HP;E	4V,50MA,100MW	1	0.77	1.27
721	2026295	CABLE ,HEAD;A		1	3.08	5.08
722	1033220	SPACER,CABLE HEAD		1	0.77	1.27
723	2022331	HARNESS,ASF		1	1.15	1.90
724	1031306	ROLLER ASSY.,LD,LEFT		1	3.08	5.08
725	1031307	ROLLER ASSY.,LD,RIGHT		1	3.08	5.08
726	1030372	POROUS PAD,INKEJECT,LARGE		2	3.08	5.08
727	1030373	POROUS PAD,INKEJCT,SMALL		1	2.31	3.81
728	1030374	TRAY,POROUS PAD		1	3.46	5.71
729	1053479	COVER,CARTRIDGE,BLACK;B		1	0.77	1.27
730	1053464	COVER,CARTRIDGE,COLOUR;C		1	0.77	1.27
731	1030378	SEPARATOR,CARTRIDGE,BLACK		1	0.77	1.27
732	1032254	SEPARATOR,CARTRIDGE,COLOUR		1	0.77	1.27
733	1032255	FASTENER,HEAD		1	0.77	1.27
734	1038154	HOLDER,CABLE		1	0.77	1.27
735	1030419	PAPER GUIDE,LOWER		1	1.54	2.54
736	1038244	FRAME,ASF;B		1	4.47	7.38
737	1038211	LEVER,FASTEN,EDGE GUIDE;B		2	0.77	1.27
738	1030438	COVER,ROLLER,LD,LEFT		1	0.77	1.27
739	1030439	COVER,ROLLER,LD,RIGHT		1	0.77	1.27
740	1030440	SHAFT,ROLLER,LD		1	1.54	2.54
741	1005416	SHAFT,MOUNT,CR		1	0.77	1.27
742	1030441	LEVER,HOPPER,RELEASE		2	0.77	1.27
743	1030447	WHEEL,DETECT		1	0.77	1.27
744	1030456	BUSHING,FASTEN,SHAFT		1	0.77	1.27
745	1030951	LEVER,BRAKE		1	0.77	1.27
746	1030970	PAD,BRAKE		1	0.77	1.27
747	1030973	SPACER,TRAY		1	0.77	1.27
748	1031178	BUSHING,FASTEN,SHAFT,LEFT		1	0.77	1.27
749	1032246	SHEET,PAPER FEED		2	0.77	1.27
750	1032247	HOLDER,SHEET,PAPER FEED		2	0.77	1.27
751	1039367	SPUR GEAR,34		1	0.77	1.27
752	1030954	TORSION SPRING,49		1	0.77	1.27
753	1030966	TORSION SPRING,41.2		1	0.77	1.27
754	1030959	EXTENSION SPRING,0.088		2	0.77	1.27
755	1030964	COMPRESSION SPRING,1.66		2	0.77	1.27
756	1024130	C.B.P-TITE SCREW,3X6,F/ZN		1	0.77	1.27
757	1032300	C.P.S-TITE(P4),3X6,F/ZN		1	0.77	1.27
760	2026296	CABLE,HEAD;B		1	3.46	5.71
761	1032719	SHEET,CABLE		1	0.77	1.27
764	1034888	HOLDING SPRING,SPUR GEAR,34		1	0.77	1.27
769	1044755	SPACER,TRAY,POROUS PAD		1	0.77	1.27
800	1044774	ASF UNIT,ASP		1	21.51	35.49
1	5007338	INDIVIDUAL CARTON		1	8.69	14.34
3	5005743	PAD SET,PRINTER		1	3.86	6.37
4	5006417	PAD,ACCESSORY;B		1	1.15	1.90
5	5005889	PAD,STACKER		1	0.77	1.27
6	X680643010	PLASTIC PROTECTIVE BAG	440X730X0.08T	1	0.77	1.27
13	5004978	SHEET,PAD,PRINTER		2	0.77	1.27
N/A	3002247	UTILITY,CD-ROM		1	3.85	6.35
N/A	3002698	CD-ROM GUIDANCE		1	2.69	4.44
N/A	4007894	SUPPLEMENT EUL		1	0.77	1.27
N/A	4008367	SUPPLEMENT		1	0.77	1.27
N/A	4008582	UNPACKING SHEET		1	0.77	1.27
N/A	4008585	GUIDE BOOK		1	1.15	1.90

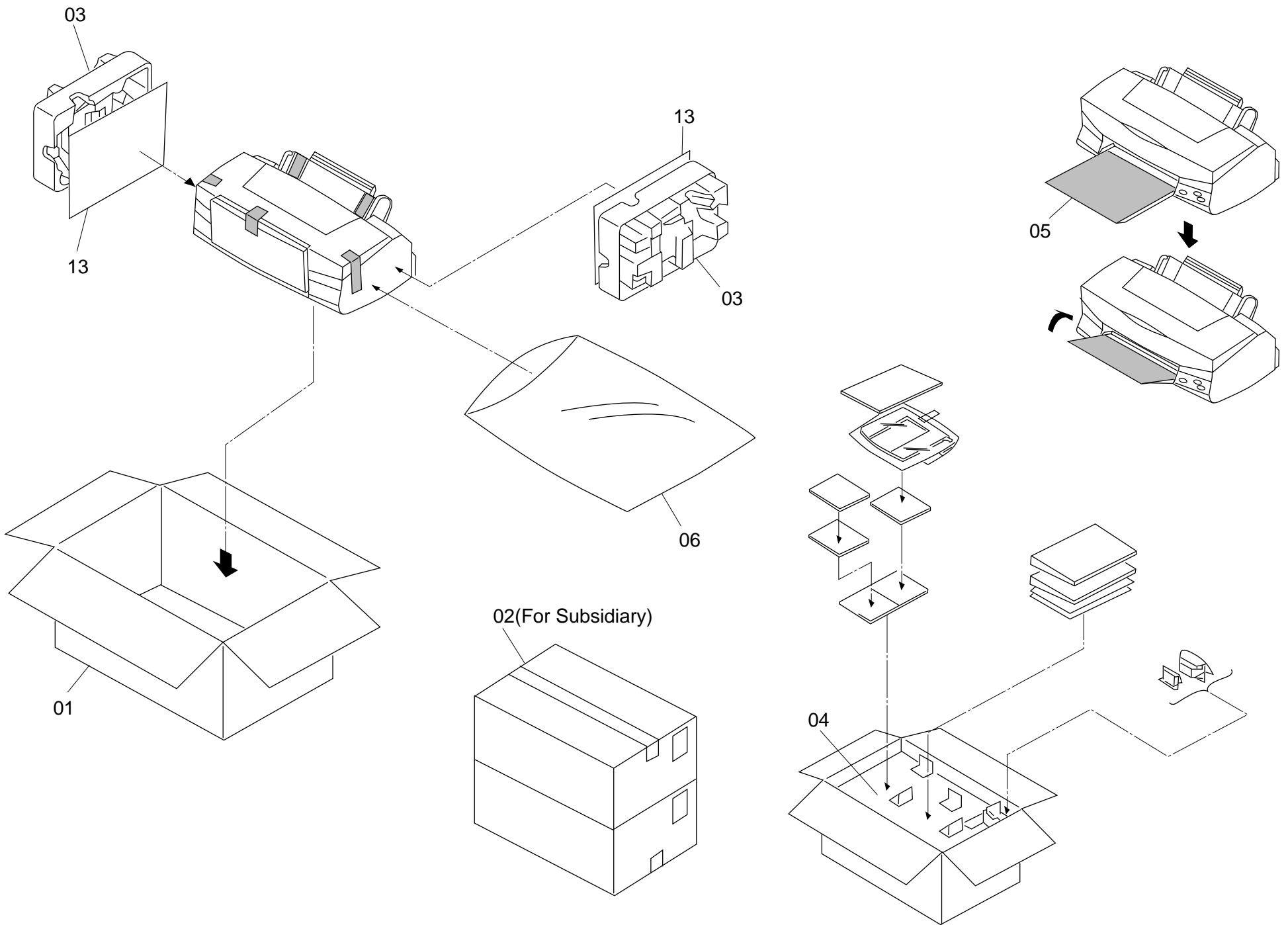


EXPLODED DIAGRAM FOR EPSON STYLUS Photo 700 (1/3)

REV.02



EXPLODED DIAGRAM FOR EPSON STYLUS Photo 700 (3/3)



PACKING MATERIAL FOR EPSON STYLUS Photo 700