

5 Parts List

Overview

Introduction	5-3
Subsystem Information	5-4
Symbology	5-5

Parts Lists

Frame and Covers

PL 1.1 Front and Left Covers	5-7
PL 1.2 Rear, Right and Top Covers	5-8
PL 1.3 Base Frame (1 of 2)	5-9
PL 1.4 Base Frame (2 of 2)	5-10

Paper Tray

PL 2.1 Paper Tray	5-11
-------------------------	------

Tray 1 Paper Feeder

PL 3.1 Tray 1 Paper Feeder (1 of 3)	5-12
PL 3.2 Tray 1 Paper Feeder (2 of 3)	5-13
PL 3.3 Tray 1 Paper Feeder (3 of 3)	5-14

Bypass Tray/ Paper Transport

PL 4.1 Bypass Tray/ Paper Transport (1 of 7)	5-15
PL 4.2 Bypass Tray/ Paper Transport (2 of 7)	5-16
PL 4.3 Bypass Tray/ Paper Transport (3 of 7)	5-17
PL 4.4 Bypass Tray/ Paper Transport (4 of 7)	5-18
PL 4.5 Bypass Tray/ Paper Transport (5 of 7)	5-19
PL 4.6 Bypass Tray/ Paper Transport (6 of 7)	5-20
PL 4.7 Bypass Tray/ Paper Transport (7 of 7)	5-21

Xerographics

PL 5.1 Xerographics	5-22
---------------------------	------

Development

PL 6.1 Development (1 of 2)	5-23
PL 6.2 Development (2 of 2)	5-24

IBT (Intermediate Image Belt)

PL 7.1 IBT (1 of 5)	5-25
PL 7.2 IBT (2 of 5)	5-26
PL 7.3 IBT (3 of 5)	5-27
PL 7.4 IBT (4 of 5)	5-28
PL 7.5 IBT (5 of 5)	5-29

Fusing

PL 8.1 Fusing (1 of 7)	5-30
PL 8.2 Fusing (2 of 7)	5-31
PL 8.3 Fusing (3 of 7)	5-32
PL 8.4 Fusing (4 of 7)	5-33
PL 8.5 Fusing (5 of 7)	5-34

PL 8.6 Fusing (6 of 7)	5-35
PL 8.7 Fusing (7 of 7)	5-36

Paper Exit

PL 9.1 Paper Exit (1 of 2)	5-37
PL 9.2 Paper Exit (2 of 2)	5-38

Drives

PL 10.1 Drives	5-39
----------------------	------

Electrical

PL 11.1 Electrical (1 of 2)	5-40
PL 11.2 Electrical (2 of 2)	5-41

Electronic Sub System (ESS)

PL 12.1 ESS	5-42
-------------------	------

Optional Feeder

PL 13.1 Optional Feeder Assembly (1 of 9)	5-43
PL 13.2 Optional Feeder Assembly (2 of 9)	5-44
PL 13.3 Optional Feeder Assembly (3 of 9)	5-45
PL 13.4 Optional Feeder Assembly (4 of 9)	5-46
PL 13.5 Optional Feeder Assembly (5 of 9)	5-47
PL 13.6 Optional Feeder Assembly (6 of 9)	5-48
PL 13.7 Optional Feeder Assembly (7 of 9)	5-49
PL 13.8 Optional Feeder Assembly (8 of 9)	5-50
PL 13.9 Optional Feeder Assembly (9 of 9)	5-51

Optional Tray Assemblies

PL 14.1 OHP Transparency Tray Assembly (1 of 2)	5-52
PL 14.2 OHP Transparency Tray Assembly (2 of 2)	5-53
PL 14.3 Oversize Tray	5-54

Options

PL 15.1 Duplex Assembly (1 of 7)	5-55
PL 15.2 Duplex Assembly (2 of 7)	5-56
PL 15.3 Duplex Assembly (3 of 7)	5-57
PL 15.4 Duplex Assembly (4 of 7)	5-58
PL 15.5 Duplex Assembly (5 of 7)	5-59
PL 15.6 Duplex Assembly (6 of 7)	5-60
PL 15.7 Duplex Assembly (7 of 7)	5-61

IIT

PL 16.1 Platen Glass and IIT	5-62
PL 16.2 PWB Box	5-63
PL 16.3 CCD	5-64
PL 16.4 Carriage Motor and Carriage Cable	5-65
PL 16.5 Full Rate Carriage and Half Rate Carriage	5-66
PL 16.6 Top Cover and Control Panel	5-67
PL 16.7 Control Panel Assembly	5-68

ADF

PL 17.1 Document Exit Tray, Covers	5-69
PL 17.2 Counterbalance, Drive Motor, PWB.....	5-70
PL 17.3 Registration, Feed, Nudger Roll, Nudger Home Sensor.....	5-71
PL 17.4 Feeder Upper Chute Assembly, Interlock Switch	5-72
PL 17.5 Feeder Lower Chute, Registration Sensor	5-73
PL 17.6 Document Transport, Platen Belt.....	5-74
PL 17.7 Exit Roll, Exit Motor, Exit Sensor	5-75
PL 17.8 Platen Glass, ADF Harness.....	5-76

Stand

PL 18.1 Stand	5-77
---------------------	------

Sorter

PL 19.1 Sorter Cover, Control PWB.....	5-78
PL 19.2 Feed Motor, LVPS (1 of 2)	5-79
PL 19.3 Feed Motor, LVPS (2 of 2).....	5-80
PL 19.4 Bin Drive Motor, Lead Cam/Switch.....	5-81
PL 19.5 Tray Support, Bin Tray.....	5-82
PL 19.6 Sorter Support	5-83

Common Hardware

Common Hardware	5-84
Part Number Index.....	5-85

Introduction

Overview

The Parts List section identifies all part numbers and the corresponding location of all spared subsystem components.

Organization

Parts Lists

Each item number in the part number listing corresponds to an item number in the related illustration. All the parts in a given subsystem of the machine will be located in the same illustration or in a series of associated illustrations.

Electrical Connectors and Fasteners

This section contains the illustrations and descriptions of the plugs, jacks, and fasteners used in the machine. A part number listing of the connectors is included.

Common Hardware

The common hardware is listed in alphabetical order by the letter or letters used to identify each item in the part number listing and in the illustrations. Dimensions are in millimeters unless otherwise identified.

Part Number Index

This index lists all the spared parts in the machine in numerical order. Each number is followed by a reference to the parts list on which the part may be found.

Other Information

Abbreviations

Abbreviations are used in the parts lists and the exploded view illustrations to provide information in a limited amount of space. The following abbreviations are used in this manual:

Table 1

Abbreviation	Meaning
A3	297 x 420 Millimeters
A4	210 x 297 Millimeters
A5	148 x 210 Millimeters
AD	Auto Duplex
AWG	American Wire Gauge
EMI	Electro Magnetic Induction
GB	Giga Byte
KB	Kilo Byte
M	Millimeters
MOD	Magneto Optical Drive
NOHAD	Noise Ozone Heat Air Dirt
PL	Part List
P/O	Part of
R/E	Reduction/Enlargement
REF:	Refer to
SCSI	Small Computer Systems Interface
W/	With
W/O	Without

Table 2

Operating Companies	
Abbreviation	Meaning
NASG	North American Solutions Group
ESG	European Solutions Group

Symbology

Symbology used in the Parts List section is identified in the Symbology section.

Service Procedure Referencing

If a part or assembly has an associated repair or adjustment procedure, the procedure number will be listed at the end of the part description in the parts lists e.g. (REP 5.1, ADJ 5.3)

Subsystem Information

Use of the Term "Assembly"

The term "assembly" will be used for items in the part number listing that include other itemized parts in the part number listing. When the word "assembly" is found in the part number listing, there will be a corresponding item number on the illustrations followed by a bracket and a listing of the contents of the assembly.

Brackets

A bracket is used when an assembly or kit is spared, but is not shown in the illustration. The item number of the assembly or kit precedes the bracket; the item numbers of the piece parts follow the bracket.

Tag

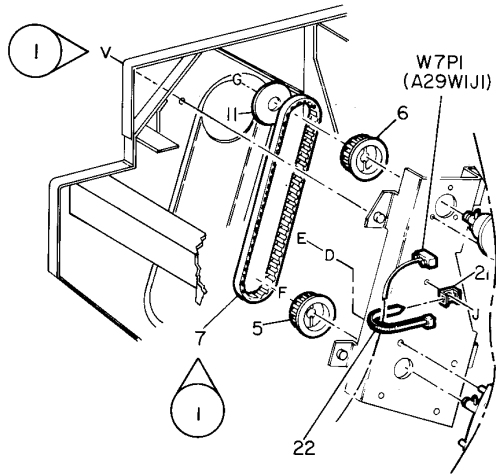
The notation "W/Tag" in the parts description indicates that the part configuration has been updated. Check the change Tag index in the General Information section of the Service Data for the name and purpose of the modification.

In some cases, a part or assembly may be spared in two versions: with the Tag and without the Tag. In those cases, use whichever part is appropriate for the configuration of the machine on which the part is to be installed. If the machine does not have a particular Tag and the only replacement part available is listed as "W/Tag," install the Tag kit or all of the piece parts. The Change Tag Index tells you which kit or piece parts you need.

Whenever you install a Tag kit or all the piece parts that make up a Tag, mark the appropriate number on the Tag matrix.

Symbology

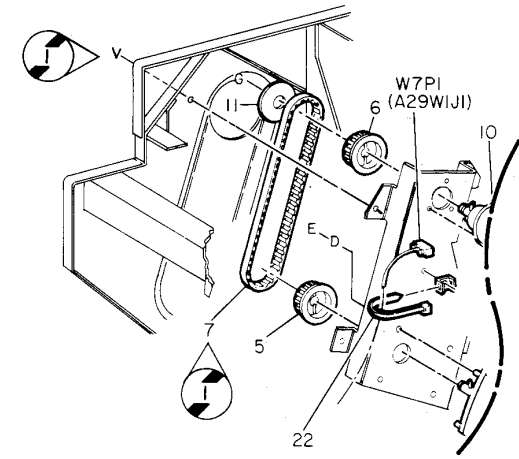
A Tag number within a circle pointing to an item number shows that the part has been changed by the tag number within the circle (Figure 1). Information on the modification is in the Change Tag Index.



0	Z004	A
850	PL M I	

Figure 1 With Tag Symbol

A Tag number within a circle having a shaded bar and pointing to an item number shows that the configuration of the part shown is the configuration before the part was changed by the Tag number within the circle (Figure 2).



0	Z005	A
850	PL M I	

Figure 2 Without Tag Symbol

A tag number within a circle with no apex shows that the entire drawing has been changed by the tag number within the circle (Figure 3). Information on the modification is in the Change Tag Index.

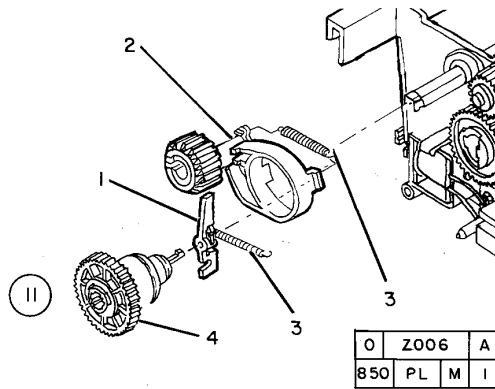


Figure 3 Entire Drawing With Tag Symbol

A tag number within a circle with no apex and having a shaded bar shows that the entire drawing was the configuration before being changed by the tag number within the circle (Figure 4).

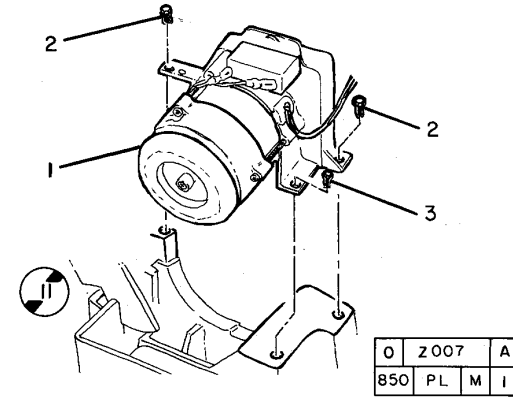
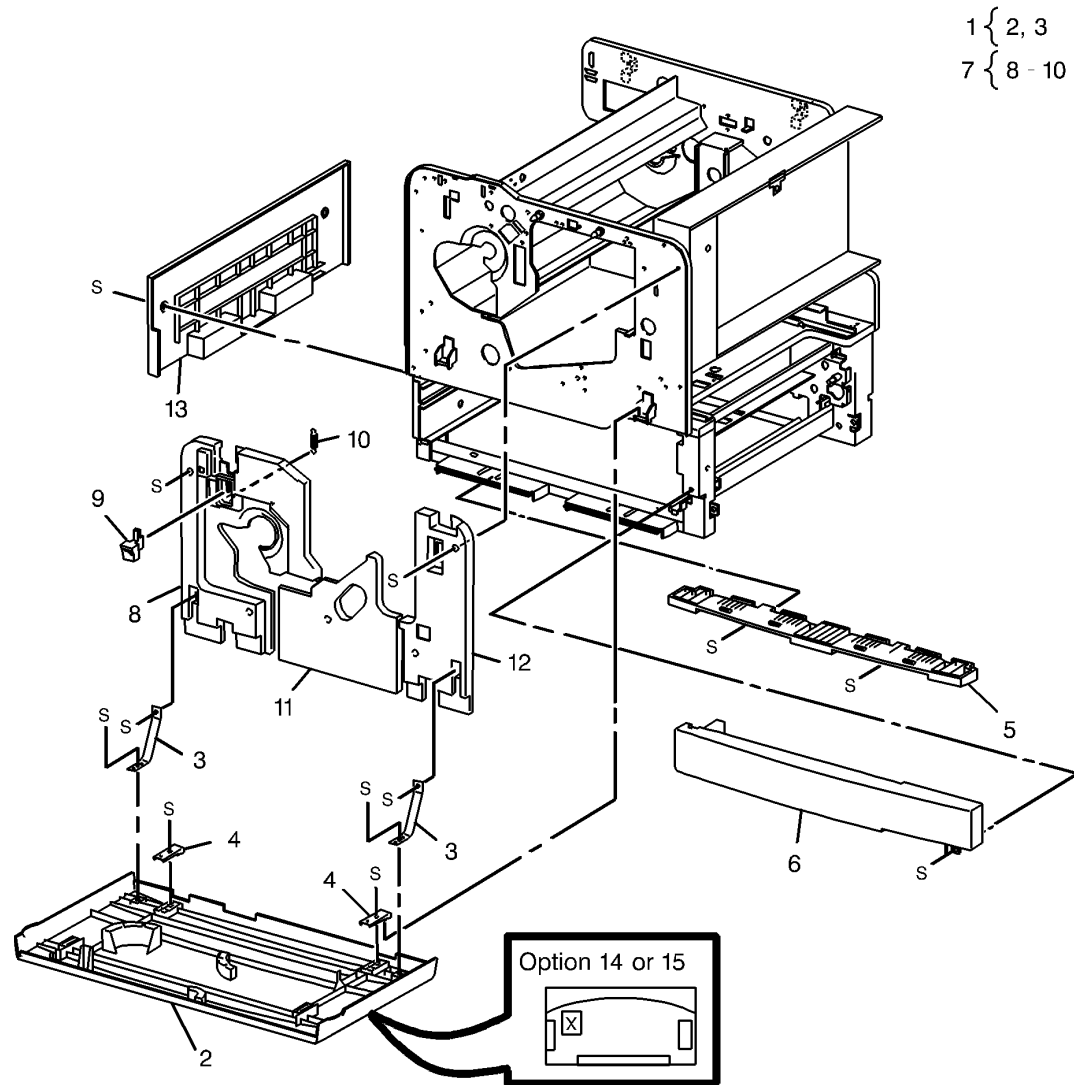


Figure 4 Entire Drawing Without Tag Symbol

PL 1.1 Front and Left Covers

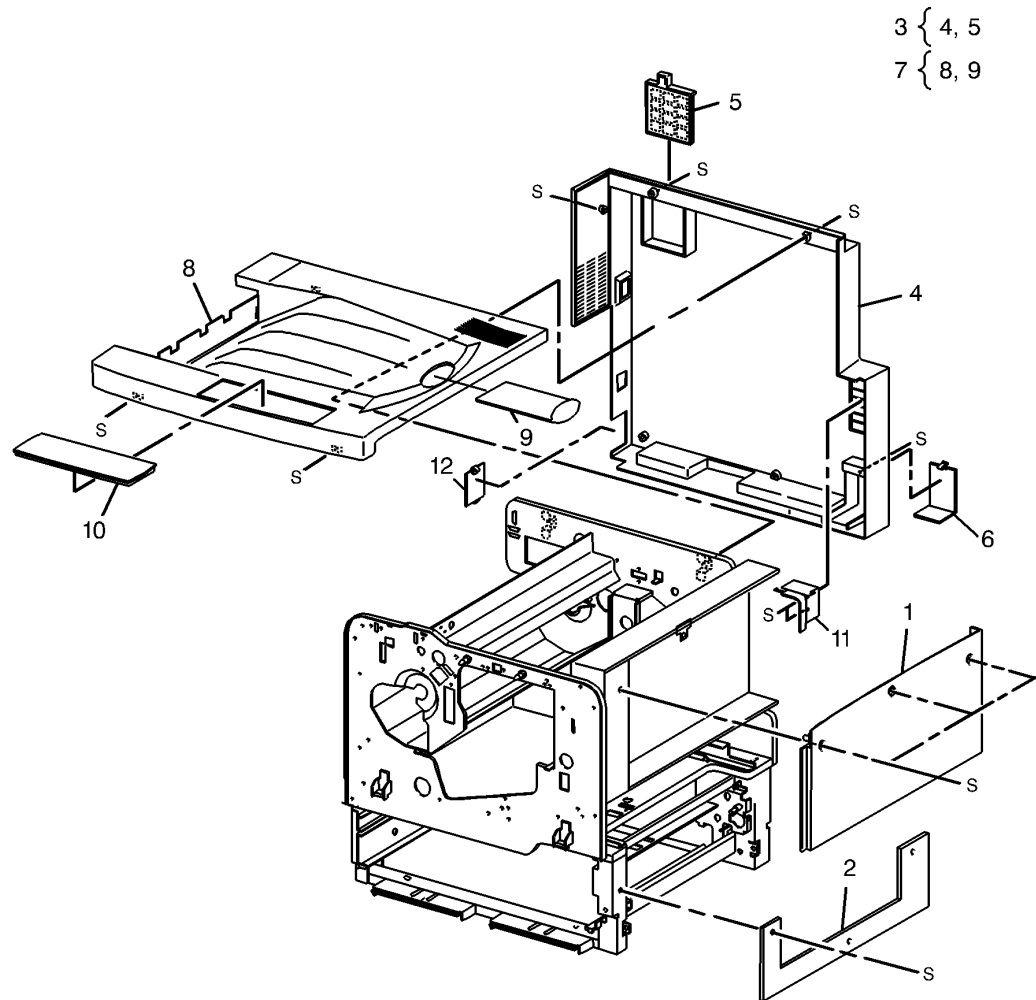
Item	Part	Description
1	802K18401	Front Cover Assembly (REP 14.1)
2	-	Front Cover (P/O PL 1.1 Item 1)
3	-	Cover Support (P/O PL 1.1 Item 1)
4	-	Hinge Plate (Not Spared)
5	048E52291	Front Lower Cover (REP 14.3)
6	802K11970	Front Middle Cover (REP 14.2)
7	802K17141	Left Inner Cover Assembly (REP 14.5)
8	-	Left Inner Cover (P/O PL 1.1 Item 7)
9	-	Rotary Latch Lever (P/O PL 1.1 Item 7)
10	-	Rotary Latch Spring (P/O PL 1.1 Item 7)
11	802K12480	IBT Inner Cover (REP 14.5)
12	802K17151	Right Inner Cover (REP 14.5)
13	802E05350	Left Lower Cover (REP 14.8)
14	600K85500	LP Name Plate
15	600K85510	CP Name Plate



0001001A-WOL

PL 1.2 Rear, Right and Top Covers

Item	Part	Description
1	802K25830	Right Cover (REP 14.9)
2	802E05370	Right Lower Cover (REP 14.11)
3	-	Rear Cover Assembly (Not Spared)
4	802E05291	Rear Cover (REP 14.6)
5	053K91391	Filter (REP 14.7)
6	802E05311	Option Hinge Cover
7	802K17122	Top Cover Assembly (REP 14.4)
8	-	Top Cover (P/O PL 1.2 Item 7)
9	-	Stopper Cover (P/O PL 1.2 Item 7)
10	802K16990	Control Panel (IOT) (REP 14.10)
11	-	Right Hand Cover (Not Spared)
12	802E05331	Left Option Hinge Cover

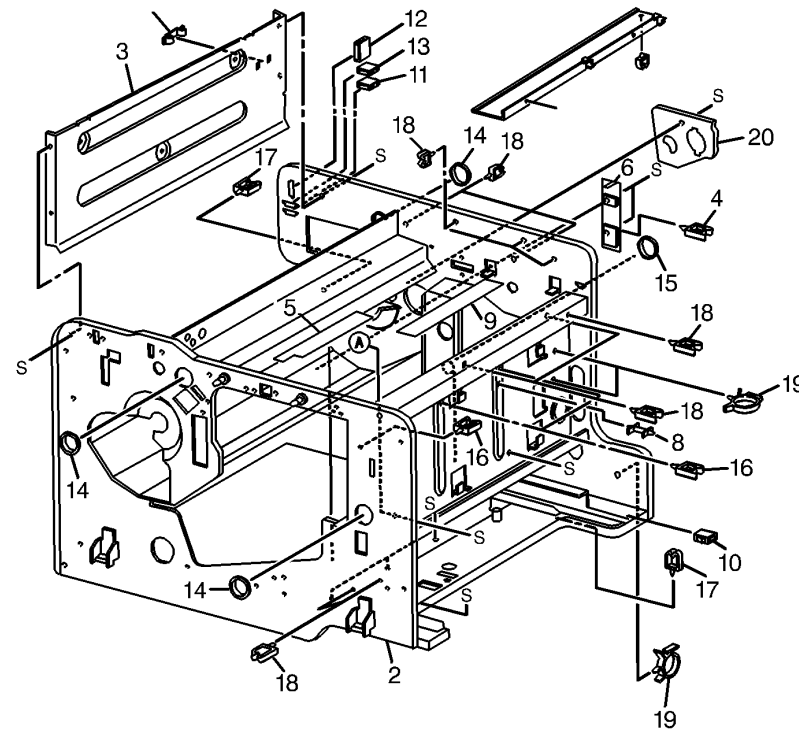


0001002A-WOL

PL 1.3 Base Frame (1 of 2)

Item	Part	Description
1	-	Base Frame Hi Assembly (Not Spared)
2	-	Base Frame Assembly (Not Spared)
3	-	Developer Tie Plate (Not Spared) (REP 9.14)
4	-	Clamp (Not Spared)
5	-	Developer Outer Seal (Not Spared)
6	-	DL Bracket (Not Spared)
7	-	DL Bracket Assembly (Not Spared)
8	-	PWB Support (Not Spared)
9	-	Developer Seal (Not Spared)
10	-	Connector-5P (Not Spared)
11	-	Connector-3P (Not Spared)
12	-	Connector-8P (Not Spared)
13	-	Connector-4P (Not Spared)
14	-	Bushing (Not Spared)
15	-	Bushing (Not Spared)
16	-	Frame Clamp-L (Not Spared)
17	-	Frame Clamp-M (Not Spared)
18	-	Frame Clamp-U (Not Spared)
19	-	Clamp (Not Spared)
20	-	Rear Plate (Not Spared)

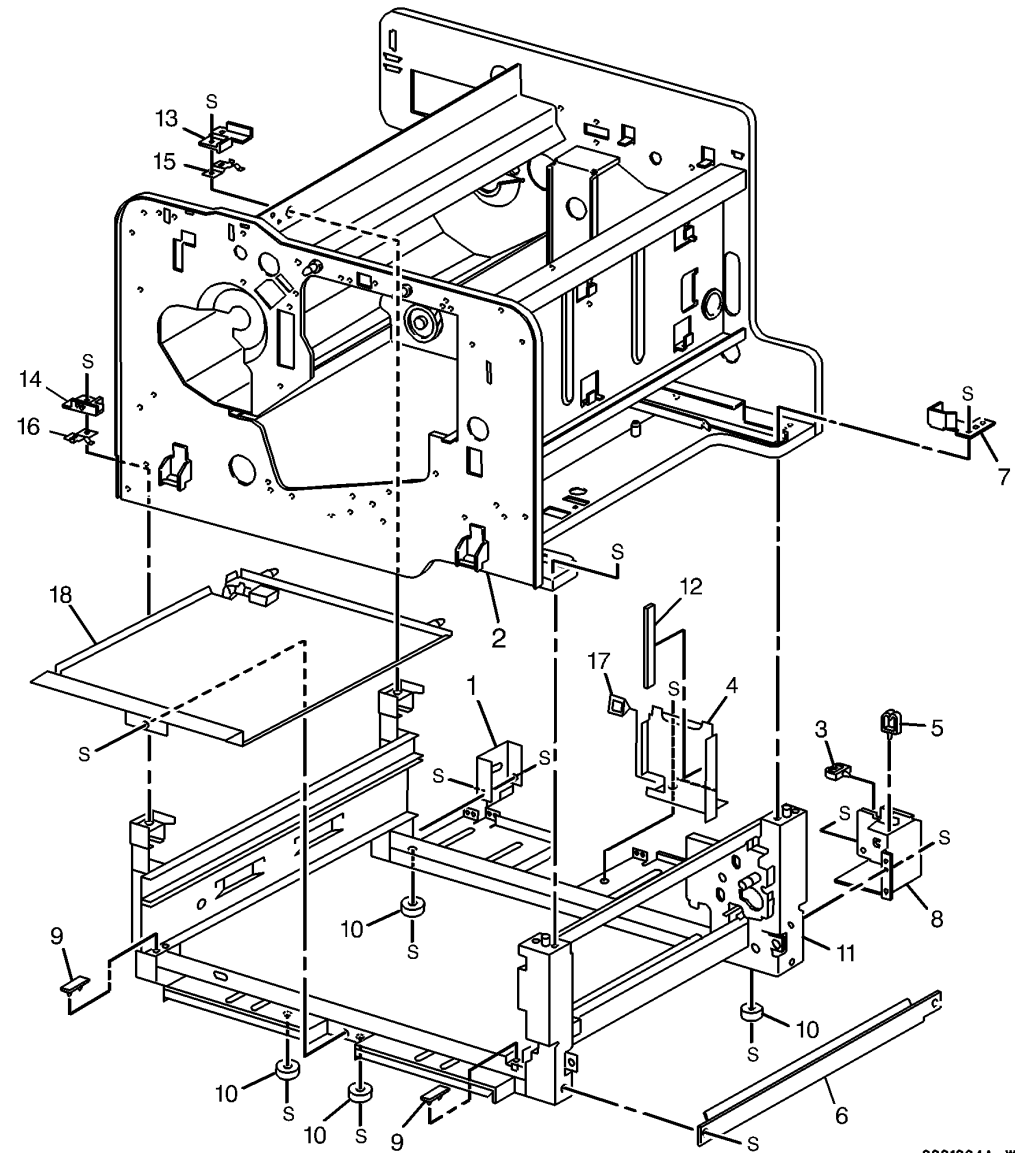
1 { 2-20 and PL1.4
7 { 4, 6



0001003A-W0V

PL 1.4 Base Frame (2 of 2)

Item	Part	Description
1	-	Duplex Connector Bracket (Not Spared)
2	-	Base Frame (Not Spared)
3	-	Saddle (Not Spared)
4	-	Cover Bracket (Not Spared)
5	-	Clamp (Not Spared)
6	-	Right Hand Lower Bracket (Not Spared)
7	-	Paper Handling Guide Bracket (Not Spared)
8	-	Bracket (Not Spared)
9	-	Clamp (Not Spared)
10	-	Frame Foot (Not Spared)
11	-	Feeder Frame (Not Spared)
12	-	Bushing (Not Spared)
13	-	Fuser Rear Guide (Not Spared)
14	-	Fuser Front Guide (Not Spared)
15	-	Fuser Rear Spring (Not Spared)
16	-	Fuser Front Spring (Not Spared)
17	-	Edge Saddle-U (Not Spared)
18	-	Lower Chute (Not Spared)

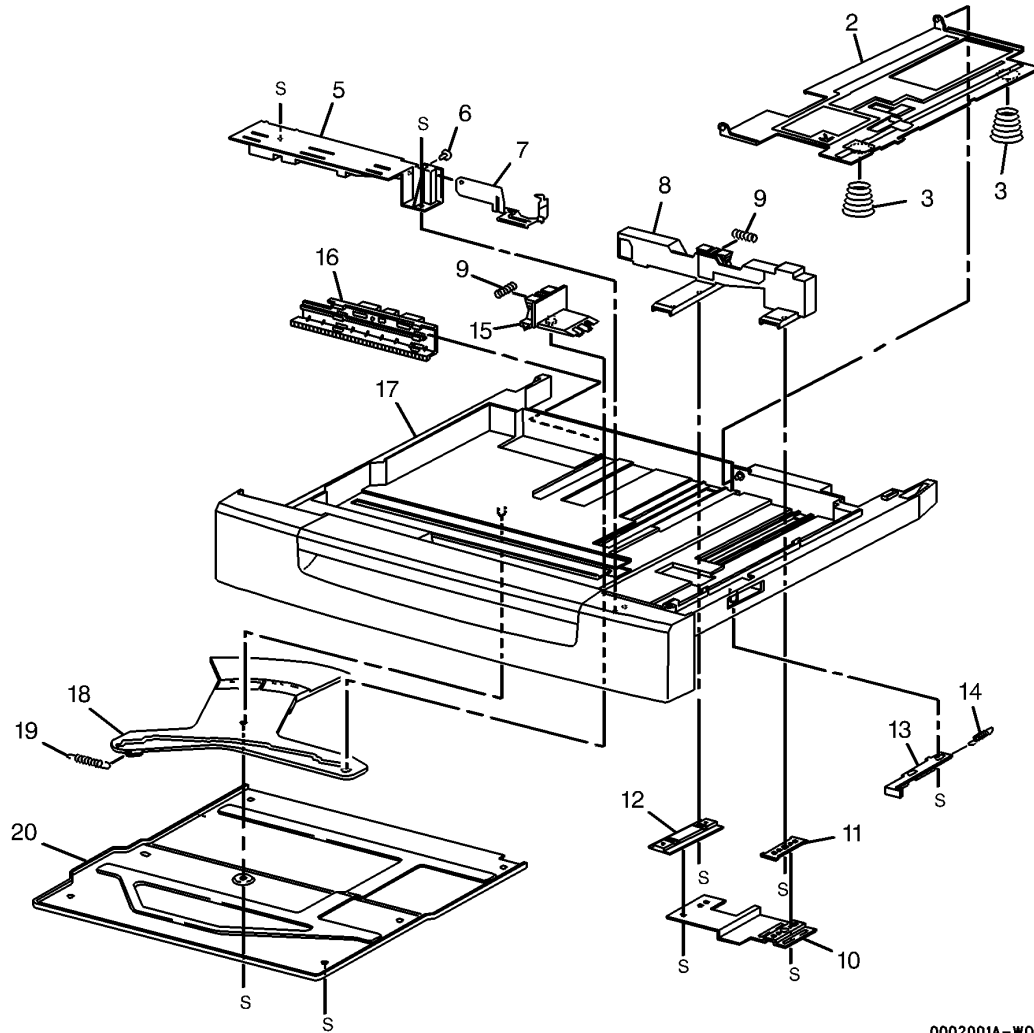


0001004A-WOL

PL 2.1 Paper Tray

Item	Part	Description
1	050K42472	Tray 1 Assembly (REP 7.6)
2	-	Lift Plate (P/O PL 2.1 Item 1)
3	-	Tray Spring (P/O PL 2.1 Item 1)
4	-	Front Guide Assembly (P/O PL 2.1 Item 1)
5	-	Front Guide (P/O PL 2.1 Item 1)
6	-	Snubber Stopper (P/O PL 2.1 Item 1)
7	019K94190	Tray 1 Front Snubber (REP 7.7)
8	-	Rear Guide (P/O PL 2.1 Item 1)
9	-	Guide Spring (P/O PL 2.1 Item 1)
10	-	Lock Plate (P/O PL 2.1 Item 1)
11	-	Right Rear Guide Plate (P/O PL 2.1 Item 1)
12	-	Left Rear Guide Plate (P/O PL 2.1 Item 1)
13	-	Plate Link (P/O PL 2.1 Item 1)
14	-	Plate Link Spring (P/O PL 2.1 Item 1)
15	038K85700	End Guide
16	-	Tray Size Actuator (P/O PL 2.1 Item 1)
17	-	Tray Housing (P/O PL 2.1 Item 1)
18	-	Sector Gear (P/O PL 2.1 Item 1)
19	-	Sector Gear Spring (P/O PL 2.1 Item 1)
20	-	Tray Bottom Cover (P/O PL 2.1 Item 1)

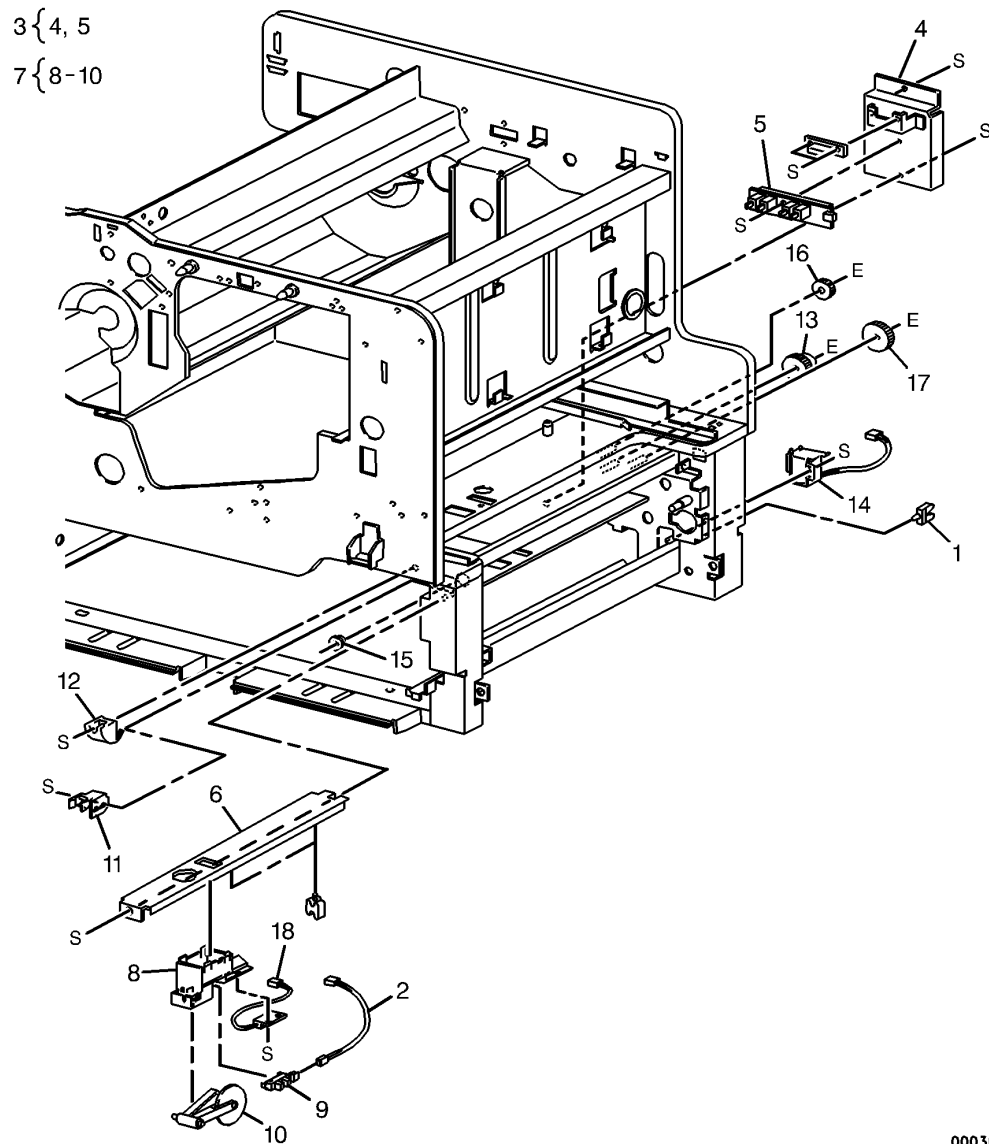
1 { 2 - 20
 4 { 5 - 7



0002001A-WOL

PL 3.1 Tray 1 Paper Feeder (1 of 3)

Item	Part	Description
1	-	Bracket Clamp (Not Spared)
2	-	Harness (Not Spared)
3	-	Size Bracket Assembly (Not Spared)
4	-	Size Switch Bracket (Not Spared)
5	110K07770	Size Switch PWB (REP 7.1)
6	-	Sensor Bracket (Not Spared) (REP 7.2)
7	-	No Paper Sensor Assembly (Not Spared) (REP 7.3)
8	-	No Paper Bracket (Not Spared)
9	130E81970	No Paper Sensor (REP 7.4)
10	-	No Paper Actuator (Not Spared)
11	-	Stopper (Not Spared)
12	-	Feed Shaft Guide (Not Spared)
13	-	Feed Idler Gear (Not Spared)
14	121E84500	Feed Solenoid (REP 8.5)
15	-	Feed Bearing (Not Spared)
16	-	Turn Gear D (Not Spared)
17	-	Turn Gear L (Not Spared)
18	110E97970	Low Paper Sensor (REP 7.5)

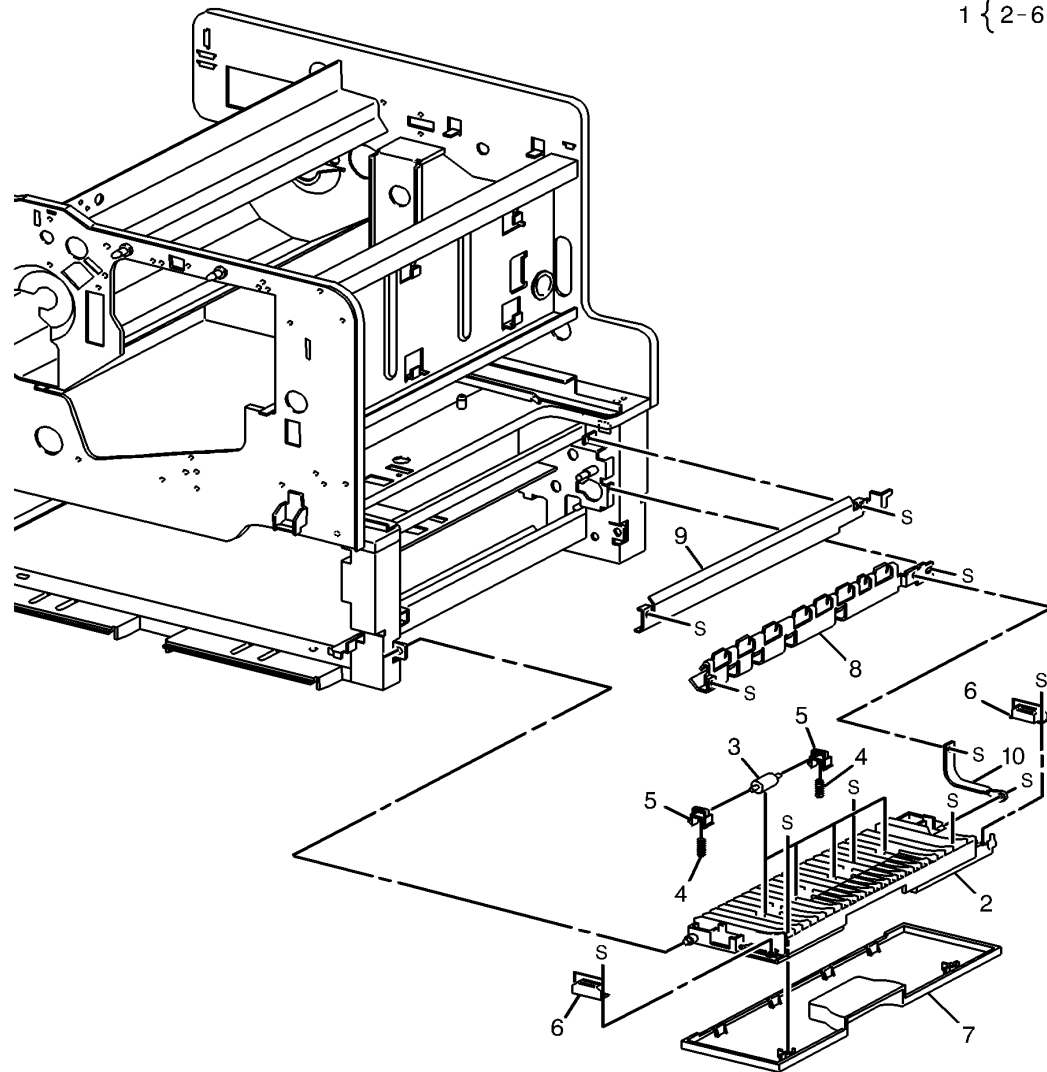


0003001A-WOL

PL 3.2 Tray 1 Paper Feeder (2 of 3)

Item	Part	Description
1	-	Upper Turn Chute Assembly (Not Spared)
2	-	Upper Turn Chute (Not Spared)
3	-	Pinch Roll (Not Spared)
4	-	Pinch Spring (Not Spared)
5	-	Pinch Spring Housing (Not Spared)
6	-	Magnet Catch (Not Spared)
7	802E05560	Turn Chute Cover
8	-	Outer Turn Chute (Not Spared)
9	-	Inner Turn Chute (Not Spared)
10	830E19490	Turn Cover Stopper

1 { 2-6



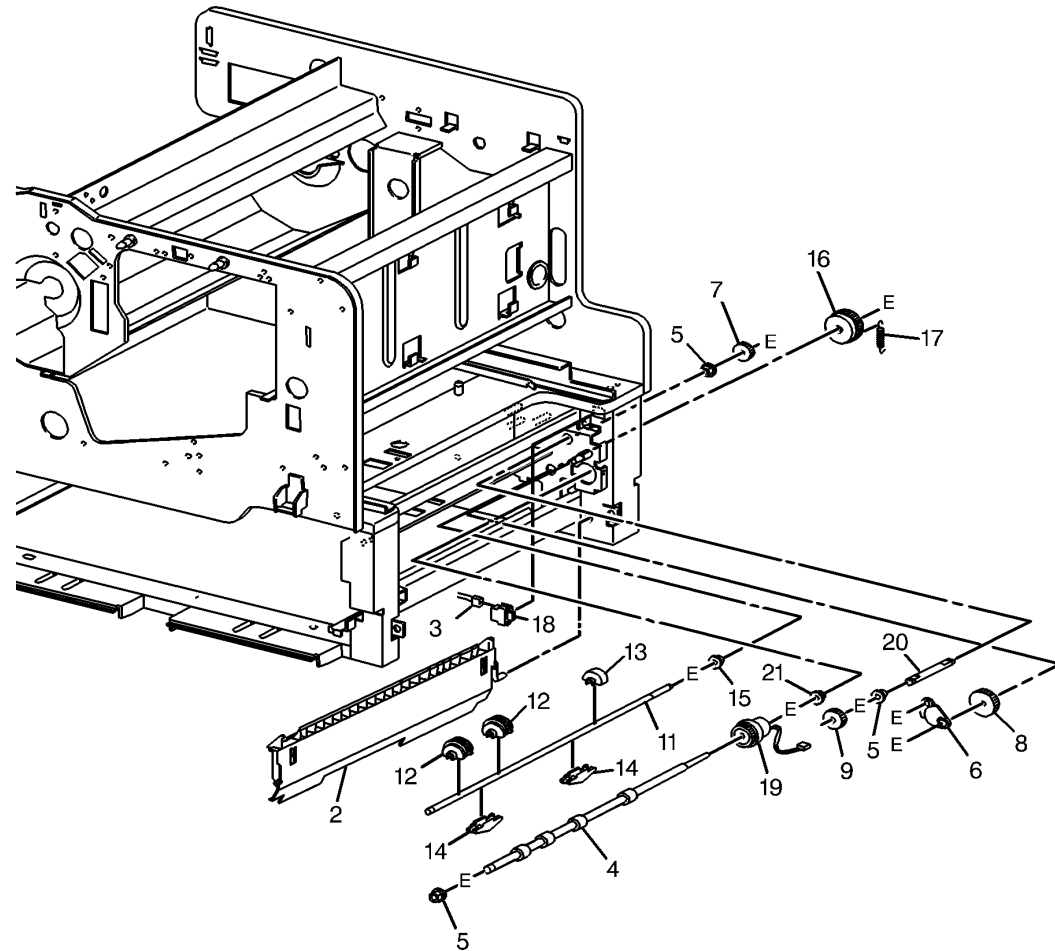
0003002A-WOL

PL 3.3 Tray 1 Paper Feeder (3 of 3)

Item	Part	Description
1	-	Feeder Assembly (Not Spared)
2	-	Turn In Chute (Not Spared)
3	-	Harness (Not Spared)
4	059K14390	Turn Roll (REP 8.1)
5	-	Turn Front Bearing (Not Spared)
6	-	Turn Gear Cover (Not Spared)
7	-	Turn Gear S (Not Spared)
8	-	Turn Gear M (Not Spared)
9	-	Turn Gear D (Not Spared)
10	059K04840	Feed Roll Assembly (REP 8.3)
11	-	Feed Shaft (P/O PL 3.3 Item 10)
12	-	Feed Roll Kit (REP 8.2)
13	-	Feed Core Roll (P/O PL 3.3 Item 10)
14	-	Feed Roll Guide (P/O PL 3.3 Item 10)
15	-	Bearing (Not Spared)
16	-	Feed Gear (Not Spared)
17	009E71750	Feed Spring
18	110E93440	Turn Chute Interlock
19	121K23790	Turn Clutch (REP 8.4)
20	-	Turn Gear Shaft (Not Spared)
21	-	Bearing (Not Spared)

1 { 2 - 21

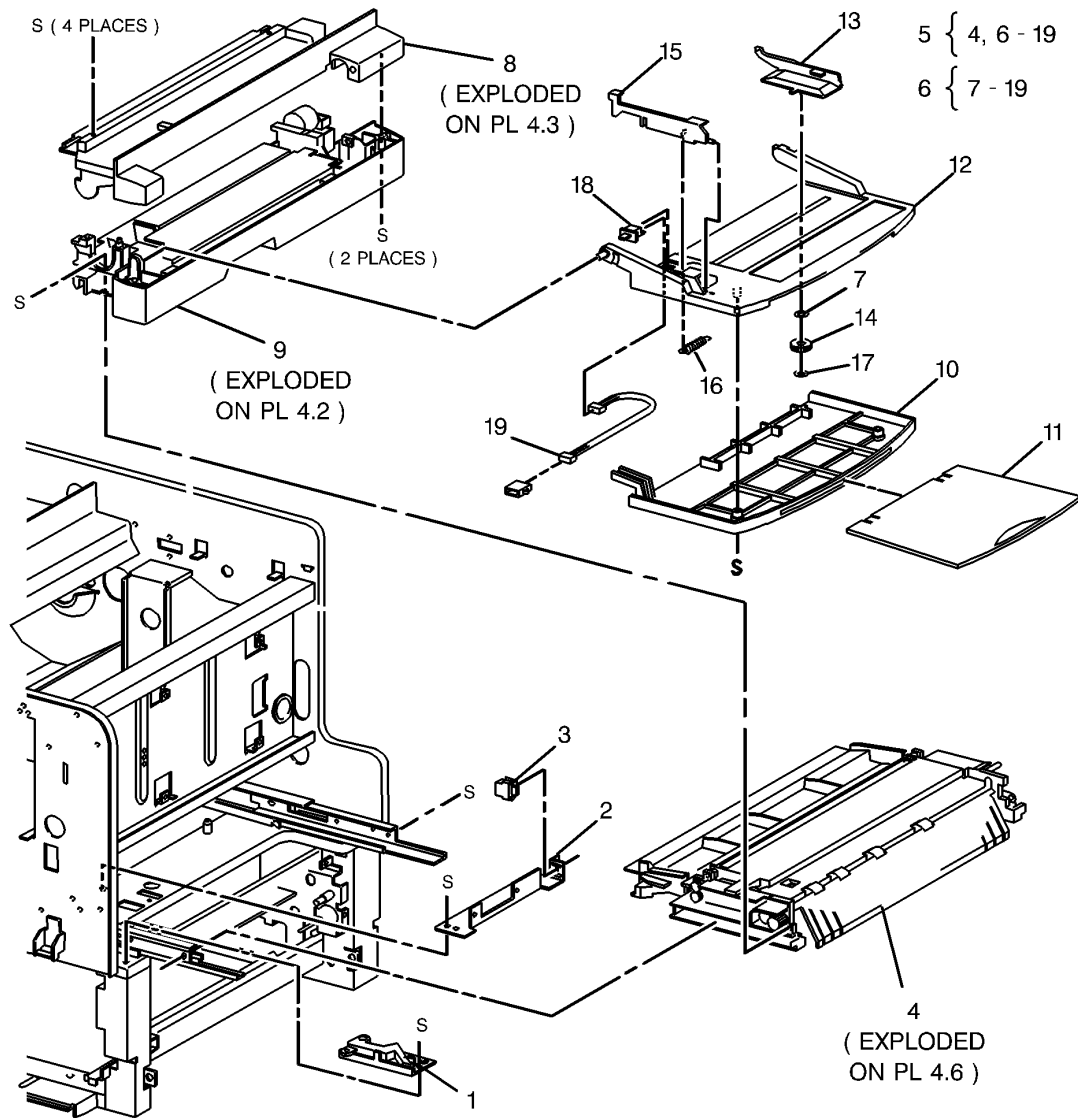
10 { 11 - 14



0003003A-WOL

PL 4.1 Bypass Tray/ Paper Transport (1 of 7)

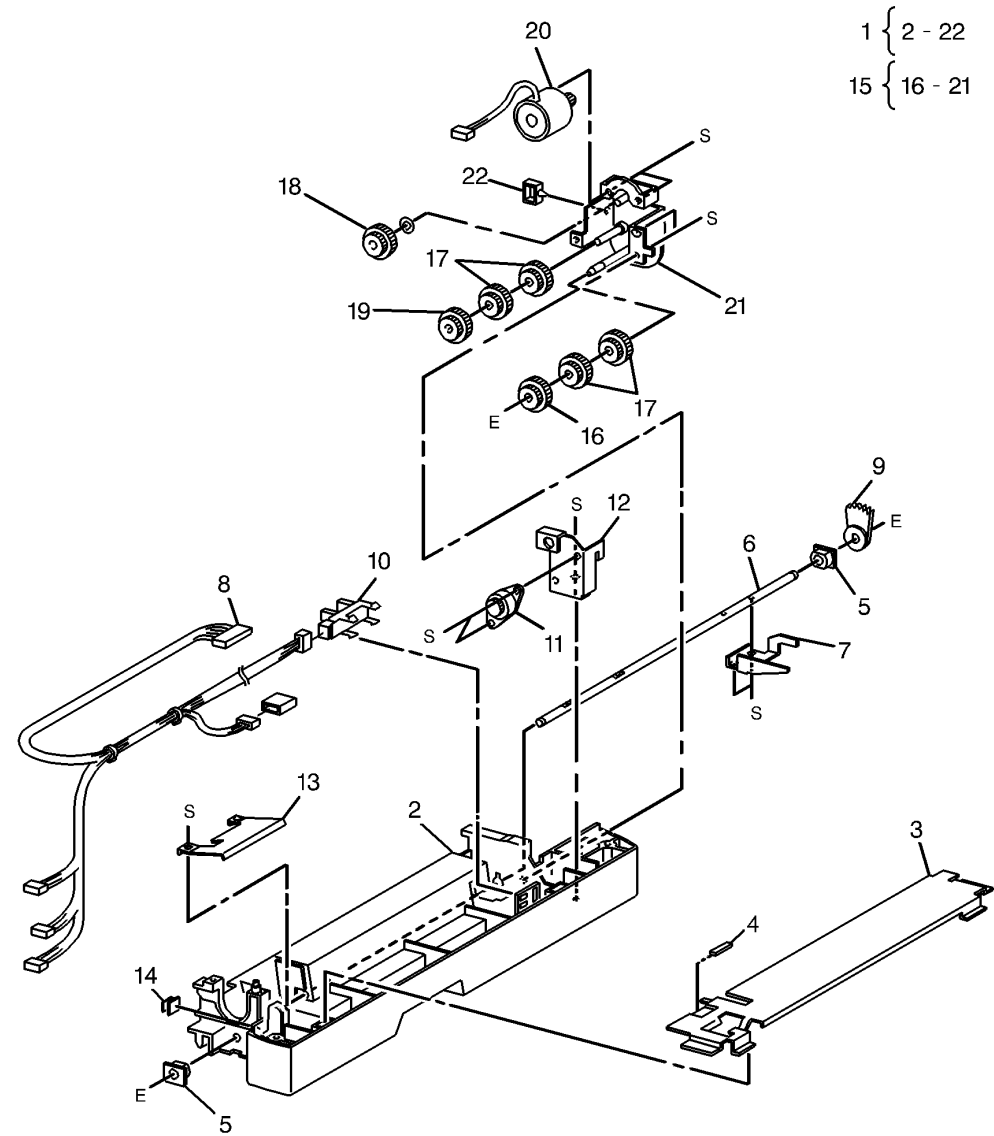
Item	Part	Description
1	-	Latch Arm (Not Spared)
2	-	Paper Handling Bracket (Not Spared)
3	110E93440	Bypass Tray Interlock
4	001K73550	Main Paper Handling Frame Assembly (REP 8.9)
5	-	Bypass Tray/Registration Assembly (REP 8.6)
6	050K42570	Bypass Tray Assembly
7	-	Nylon Washer (P/O PL 4.1 Item 5, PL 4.1 Item 6)
8	-	Bypass Tray Feed Assembly (P/O PL 4.1 Item 5, PL 4.1 Item 6) (REP 8.8)
9	-	Base Assembly (P/O PL 4.1 Item 5, PL 4.1 Item 6) (REP 8.7)
10	-	Tray Bottom (P/O PL 4.1 Item 5, PL 4.1 Item 6)
11	-	Tray Extension (P/O PL 4.1 Item 5, PL 4.1 Item 6)
12	-	Tray Housing (P/O PL 4.1 Item 5, PL 4.1 Item 6)
13	-	Guide Holder (P/O PL 4.1 Item 5, PL 4.1 Item 6)
14	-	Guide Gear (P/O PL 4.1 Item 5, PL 4.1 Item 6)
15	-	Registration Guide (P/O PL 4.1 Item 5, PL 4.1 Item 6)
16	-	Guide Spring (P/O PL 4.1 Item 5, PL 4.1 Item 6)
17	-	Spring Washer (P/O PL 4.1 Item 5, PL 4.1 Item 6)
18	-	Bypass Tray Guide Switch (P/O PL 4.1 Item 5, PL 4.1 Item 6)
19	-	Harness (P/O PL 4.1 Item 5, PL 4.1 Item 6)



0004001A-WOL

PL 4.2 Bypass Tray/ Paper Transport (2 of 7)

Item	Part	Description
1	-	Bypass Tray Base Assembly (Not Spared)
2	-	Bypass Frame (Not Spared)
3	-	Bottom Plate (Not Spared)
4	-	Pad (Not Spared)
5	-	Sleeve Bearing (Not Spared)
6	-	Lift Shaft (Not Spared)
7	-	Lift Down Actuator (Not Spared)
8	162K53330	Bypass Tray Harness
9	-	Gear 28 (Not Spared)
10	130E82190	Lift Plate Sensor (REP 8.10)
11	-	Damper (Not Spared)
12	-	Tray Bracket (Not Spared)
13	-	Lift Plate (Not Spared)
14	-	Clamp (Not Spared)
15	001K69770	Lift Frame Assembly (REP 8.11)
16	-	Gear 12/28-2 (P/O PL 4.2 Item 15)
17	-	Gear 12/28-1 (P/O PL 4.2 Item 15)
18	-	Gear 12/44 (P/O PL 4.2 Item 15)
19	-	Gear 10/20 (P/O PL 4.2 Item 15)
20	-	Lift Motor (P/O PL 4.2 Item 15)
21	-	Motor Frame (P/O PL 4.2 Item 15)
22	-	Clamp (Not Spared)

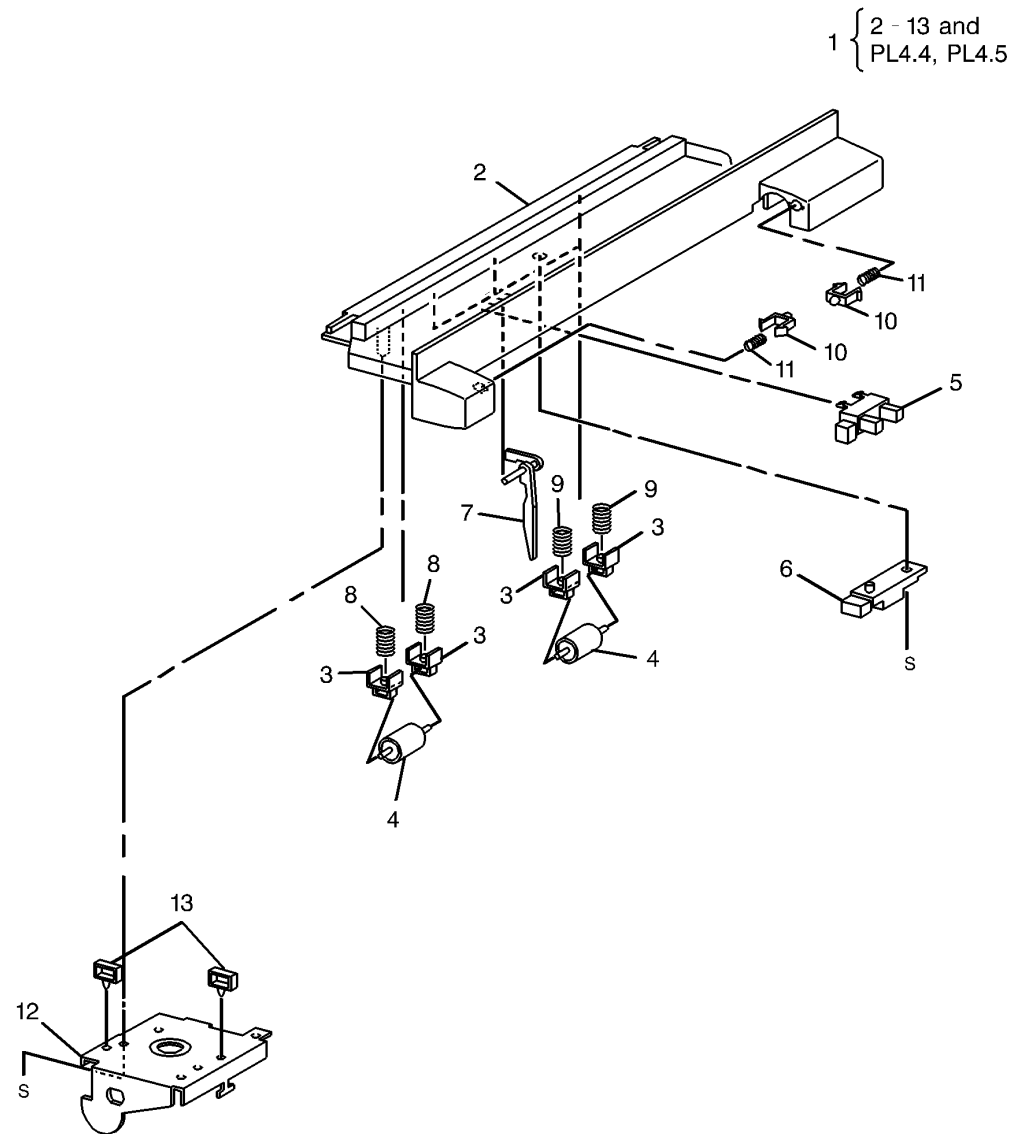


1 { 2 - 22
15 { 16 - 21

0004002A-WOL

PL 4.3 Bypass Tray/ Paper Transport (3 of 7)

Item	Part	Description
1	-	Feed Assembly (Not Spared)
2	-	Preregistration Chute (Not Spared)
3	-	Preregistration Spring Housing (Not Spared)
4	-	Pinch Roll (Not Spared)
5	130E81970	Tray Empty Sensor (REP 8.12)
6	130E82650	Pitch Sensor (REP 8.13)
7	120E17680	Tray Empty Actuator
8	-	Preregistration Spring 2 (Not Spared)
9	-	Preregistration Spring 1 (Not Spared)
10	-	Lock Pin (Not Spared)
11	-	Tray Spring (Not Spared)
12	-	Top Frame (Not Spared)
13	-	Clamp (Not Spared)

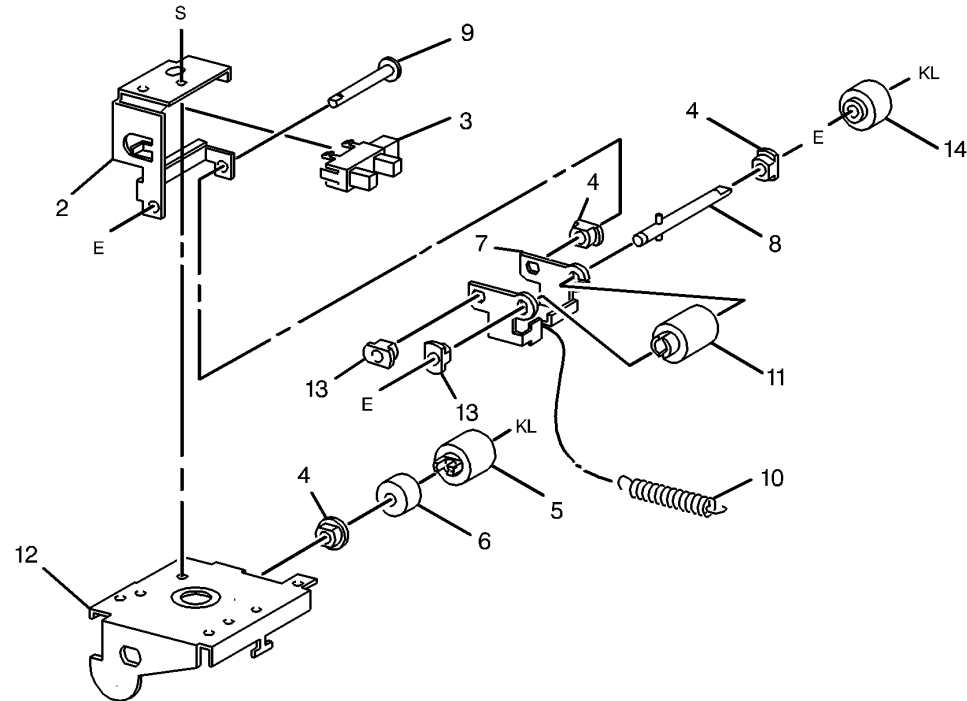


0004003A-WOL

PL 4.4 Bypass Tray/ Paper Transport (4 of 7)

1 { 2 - 14

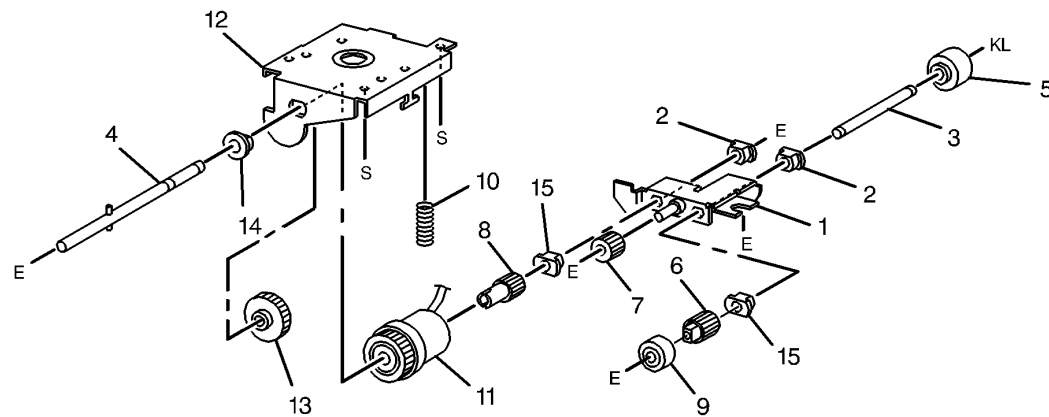
Item	Part	Description
1	001K69743	Feed Frame Assembly
2	-	Stack Height Sensor Bracket (P/O PL 4.4 Item 1)
3	130E82190	Stack Height Sensor (REP 8.14)
4	-	Bearing (P/O PL 4.4 Item 1)
5	-	Friction Clutch (P/O PL 4.4 Item 1)
6	-	Feed Roll (P/O PL 4.4 Item 1)
7	-	Nudger Support (P/O PL 4.4 Item 1)
8	-	Retard Shaft (P/O PL 4.4 Item 1)
9	-	Support Shaft (P/O PL 4.4 Item 1)
10	-	Retard Spring (P/O PL 4.4 Item 1)
11	-	Friction Clutch (P/O PL 4.4 Item 1)
12	-	Top Frame (P/O PL 4.4 Item 1)
13	-	Bearing (P/O PL 4.4 Item 1)
14	-	Retard Roll (P/O PL 4.4 Item 1)



0004004A-WOL

PL 4.5 Bypass Tray/ Paper Transport (5 of 7)

Item	Part	Description
1	-	Nudger Support (P/O PL 4.4 Item 1)
2	-	Bearing (P/O PL 4.4 Item 1)
3	-	Nudger Shaft (P/O PL 4.4 Item 1)
4	-	Feed Shaft (P/O PL 4.4 Item 1)
5	-	Nudger/Retard Roll (P/O PL 4.4 Item 1)
6	-	Nudger Gear-17 (P/O PL 4.4 Item 1)
7	-	Idler Gear-20 (P/O PL 4.4 Item 1)
8	-	Feed Gear-14 (P/O PL 4.4 Item 1)
9	-	Nudger Clutch (P/O PL 4.4 Item 1)
10	-	Nudger Spring (P/O PL 4.4 Item 1)
11	-	Feed Clutch (P/O PL 4.4 Item 1)
12	-	Top Frame (P/O PL 4.4 Item 1)
13	-	Preregistration Idler Gear (P/O PL 4.4 Item 1)
14	-	Bearing (P/O PL 4.4 Item 1)
15	-	Bearing (P/O PL 4.4 Item 1)

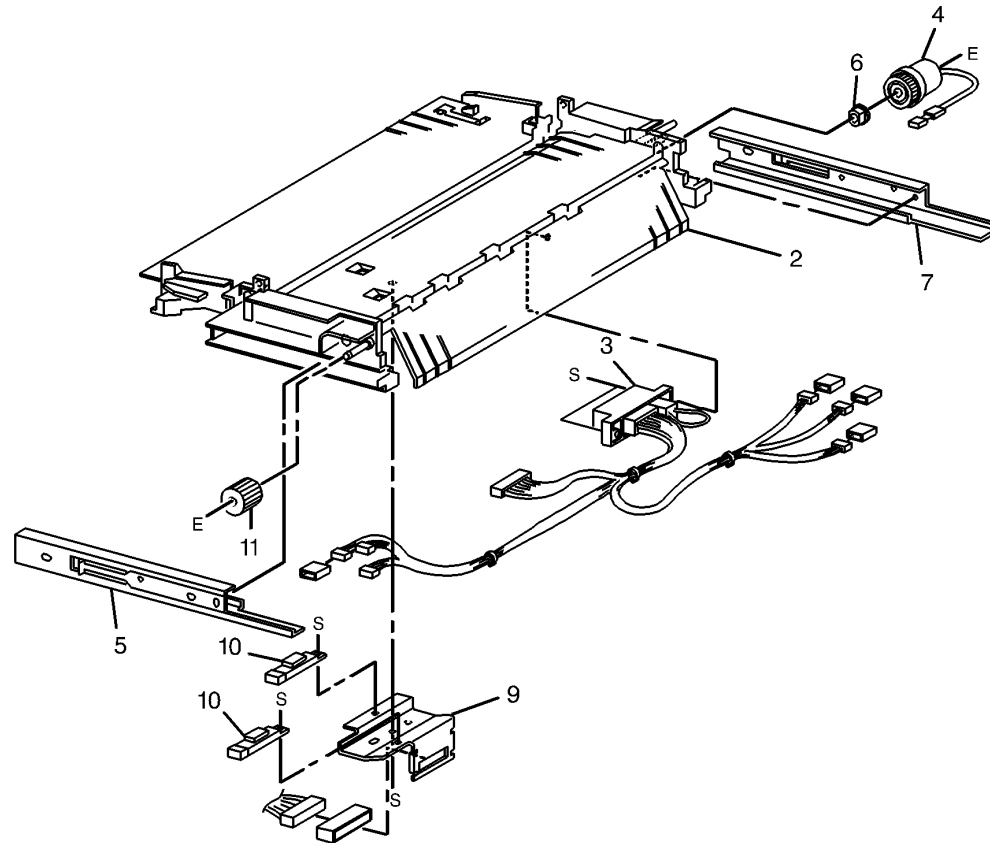


0004005A-WOL

PL 4.6 Bypass Tray/ Paper Transport (6 of 7)

Item	Part	Description
1	001K73550	Main Paper Handling Frame Assembly
2	-	Registration Frame (P/O PL 4.6 Item 1)
3	162K53280	Registration Harness
4	121K23430	Preregistration Clutch (REP 8.15)
5	-	Paper Handler (P/O PL 4.6 Item 1)
6	-	Bearing (P/O PL 4.6 Item 1)
7	-	Rear Rail (P/O PL 4.6 Item 1)
8	-	Paper Handling Sensor Assembly (P/O PL 4.6 Item 1)
9	-	Sensor Bracket (P/O PL 4.6 Item 1, PL 4.6 Item 8)
10	130E82650	Registration Sensor, OHP Sensor
11	-	Gear (P/O PL 4.6 Item 1, PL 4.6 Item 8)

1 { 2 - 11 and PL4.7
8 { 9 - 11

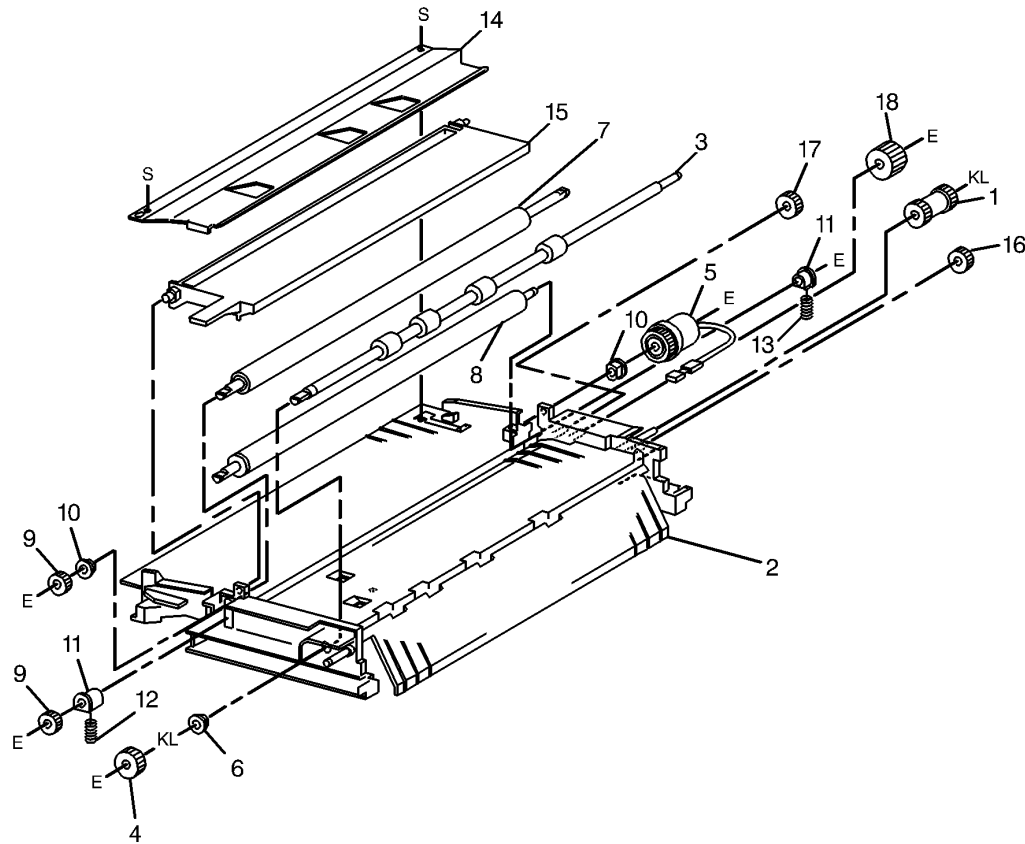


0004006A-WOL

PL 4.7 Bypass Tray/ Paper Transport (7 of 7)

19 { 12, 13

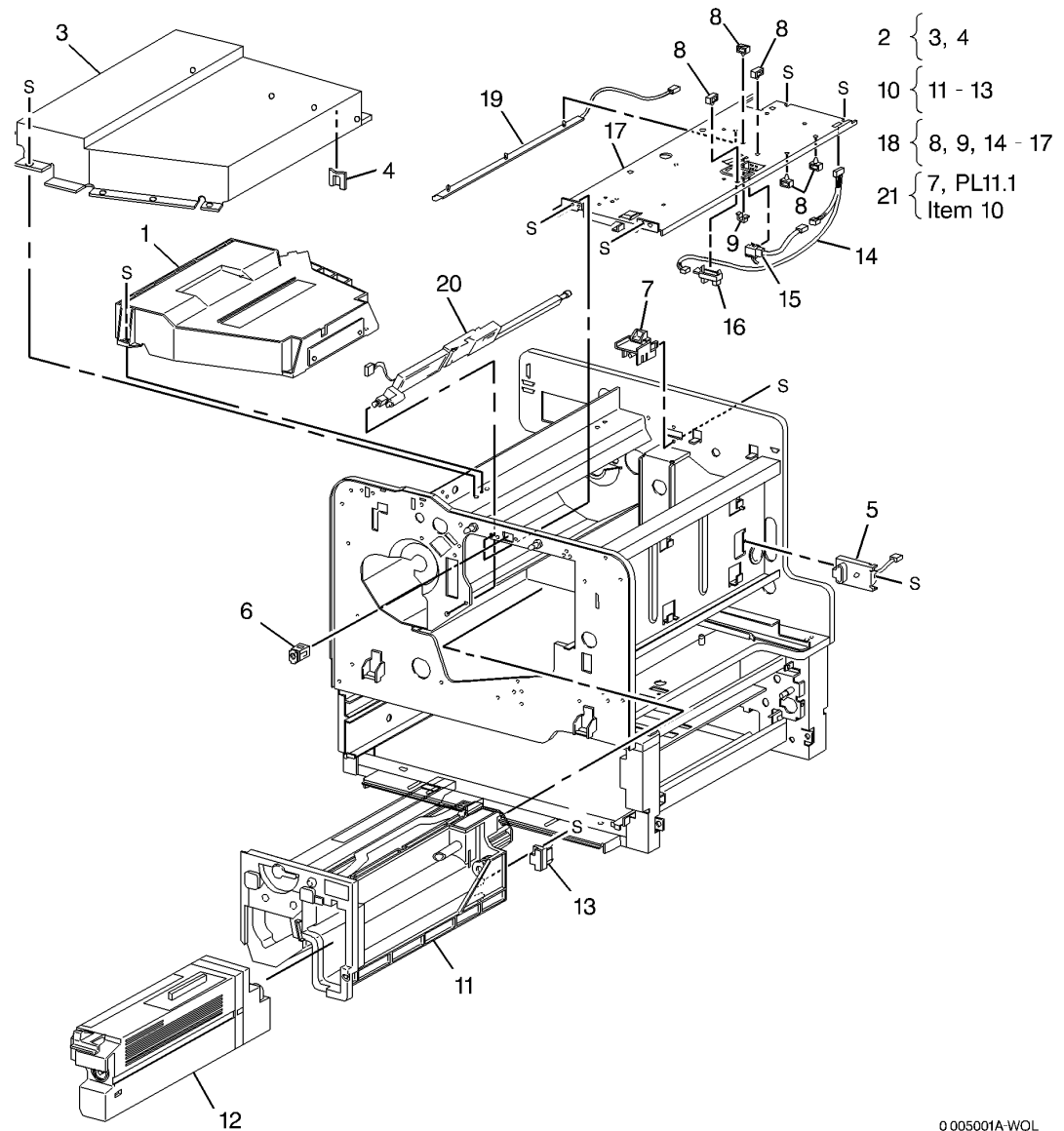
Item	Part	Description
1	-	Gear W-20 (P/O PL 4.6 Item 1)
2	-	Registration Frame (P/O PL 4.6 Item 1)
3	059K14400	Preregistration Roll (REP 8.16)
4	-	Gear (P/O PL 4.6 Item 1)
5	121K23430	Registration Clutch (REP 8.17)
6	-	Bearing (P/O PL 4.6 Item 1)
7	059K14380	Registration Rubber Roll (REP 8.18)
8	-	Registration Metal Roll
9	-	Gear (P/O PL 4.6 Item 1)
10	-	Bearing (P/O PL 4.6 Item 1)
11	-	Bearing (P/O PL 4.6 Item 1)
12	-	Front Spring (P/O PL 4.6 Item 1, PL 4.7 Item 19)
13	-	Rear Spring (P/O PL 4.6 Item 1, PL 4.7 Item 19)
14	054E15200	Upper Registration Chute
15	054E15670	Lower Registration Chute
16	-	Gear 16 (P/O PL 4.6 Item 1)
17	-	Gear 24 (P/O PL 4.6 Item 1)
18	-	Gear 26 (P/O PL 4.6 Item 1)
19	600K68610	Registration Spring Kit



0004007A-WOL

PL 5.1 Xerographics

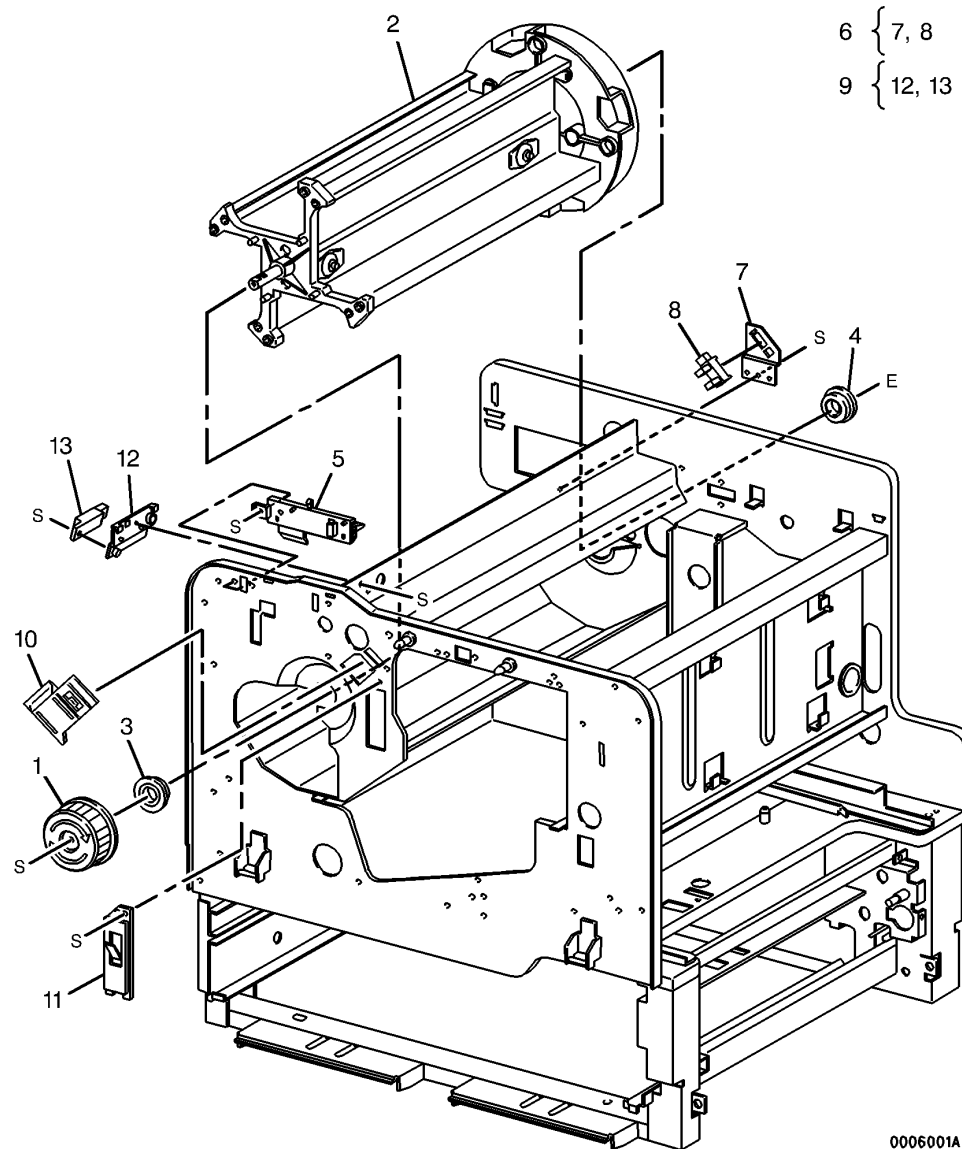
Item	Part	Description
1	062K09722	ROS (REP 9.3)
2	-	ROS Cover Assembly (Not Spared)
3	-	ROS Cover (Not Spared)
4	-	Saddle Bushing (Not Spared)
5	113K81450	Customer Replaceable Unit Module (CRUM) Connector
6	026K80571	Receptacle
7	-	Bias Charge Roll Connector (Not Spared)
8	-	Rail Clamp-2 (Not Spared)
9	-	Rail Clamp-1 (Not Spared)
10	-	Copy/Print Cartridge (REF: Section 6) (REP 9.1)
11	-	Xerographics Cartridge (P/O PL 5.1 Item 10)
12	-	Waste Container (REF: Section 6) (REP 9.2)
13	160K81230	CRUM (P/O PL 5.1 Item 10) (Phaser 790)
14	-	Harness (Not Spared)
15	130E82980	Toner Box Sensor (REP 9.7)
16	130E91010	Waste Toner Sensor (REP 9.6)
17	-	Locating Rail (Not Spared) (REP 9.5)
18	-	Locating Rail Assembly (Not Spared)
19	122K93100	Erase Lamp (REP 9.8)
20	130K60440	ADC Sensor (REP 9.4)
21	600K68620	BCR Connector Kit



0 005001A-WOL

PL 6.1 Development (1 of 2)

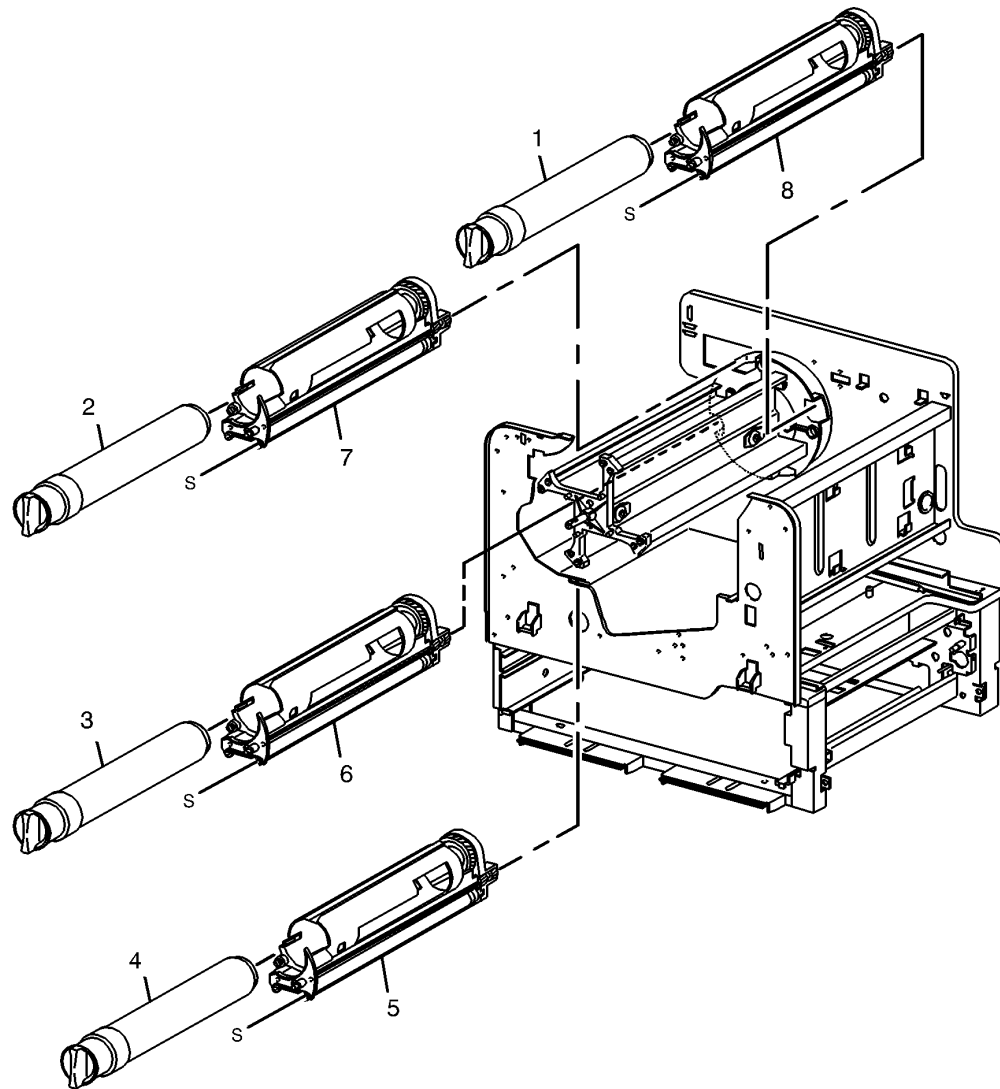
Item	Part	Description
1	003K84303	Rotary Knob
2	-	Rotary Frame (Not Spared) (REP 9.12 ADJ 9.1)
3	-	Rotary Front Bearing (Not Spared)
4	-	Rotary Rear Bearing (Not Spared)
5	600K69091	Rotary Latch
6	-	Rotary Sensor Assembly (Not Spared)
7	-	Rotary Sensor Plate (Not Spared)
8	130E83060	Rotary Sensor (REP 9.11)
9	-	Cartridge Sensor Assembly (Not Spared)
10	-	Developer Discharge Holder (Not Spared)
11	600K85301	Developer Contact Plate
12	-	Cartridge Sensor Plate (Not Spared)
13	130E82830	Cartridge Sensor (REP 9.13)



0006001A-WOL

PL 6.2 Development (2 of 2)

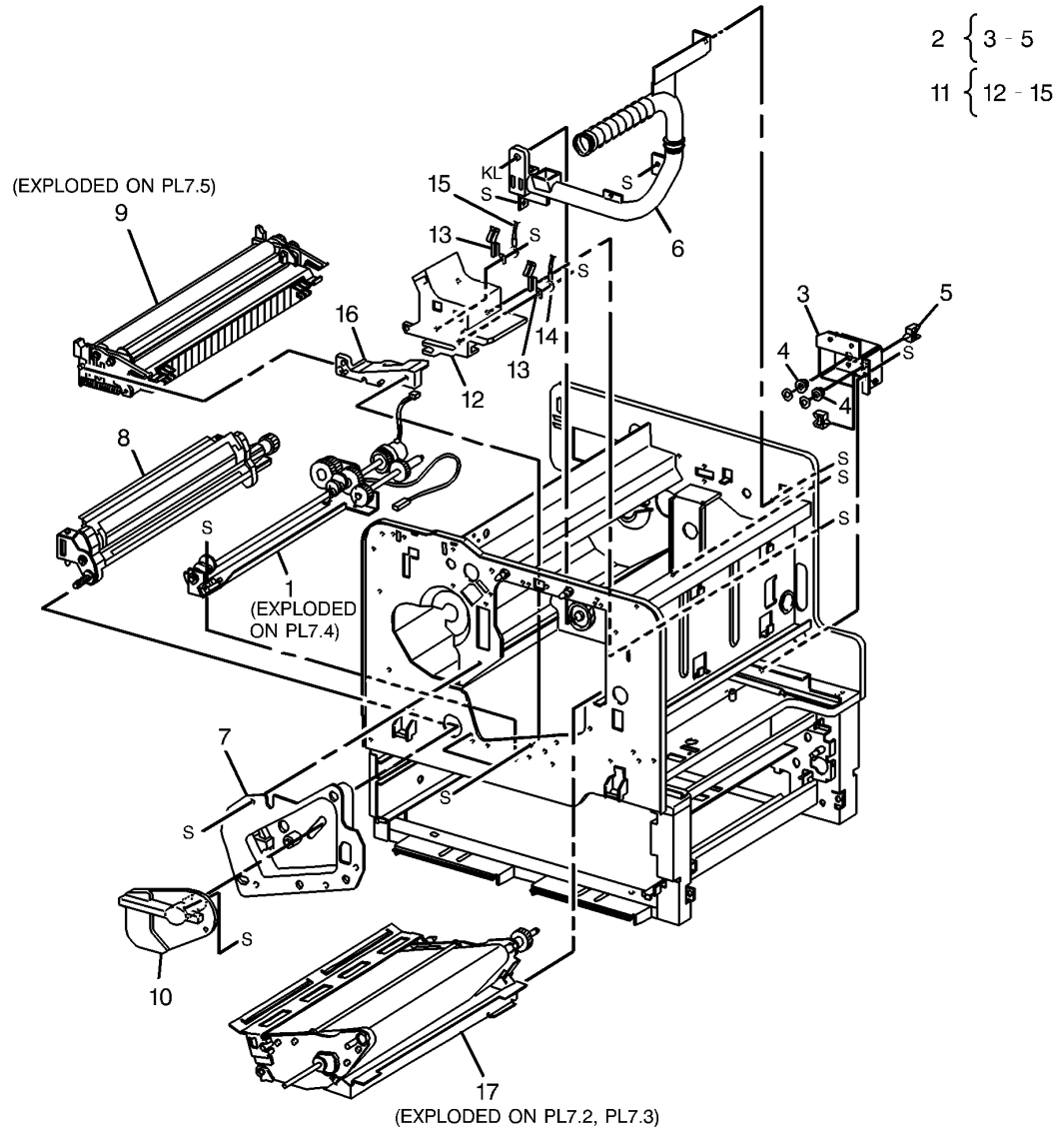
Item	Part	Description
1	-	Dry Ink Cartridge Y (REF: Section 6) (REP 9.9)
2	-	Dry Ink Cartridge M (REF: Section 6) (REP 9.9)
3	-	Dry Ink Cartridge C (REF: Section 6) (REP 9.9)
4	-	Dry Ink Cartridge K (REF: Section 6) (REP 9.9)
5	600K87140	Developer Housing K (REP 9.10 ADJ 9.1) Phaser 790
-	600K87300	Developer Housing K (REP 9.10 ADJ 9.1) DocuColor 2006
6	600K12112	Developer Housing C (REP 9.10 ADJ 9.1) Phaser 790
-	600K87330	Developer Housing C (REP 9.10 ADJ 9.1) DocuColor 2006
7	600K87160	Developer Housing M (REP 9.10 ADJ 9.1) Phaser 790
-	600K87320	Developer Housing M (REP 9.10 ADJ 9.1) DocuColor 2006
8	600K87310	Developer Housing Y (REP 9.10 ADJ 9.1) Phaser 790
-	600K87150	Developer Housing Y (REP 9.10 ADJ 9.1) DocuColor 2006



0006002A-WOL

PL 7.1 IBT (1 of 5)

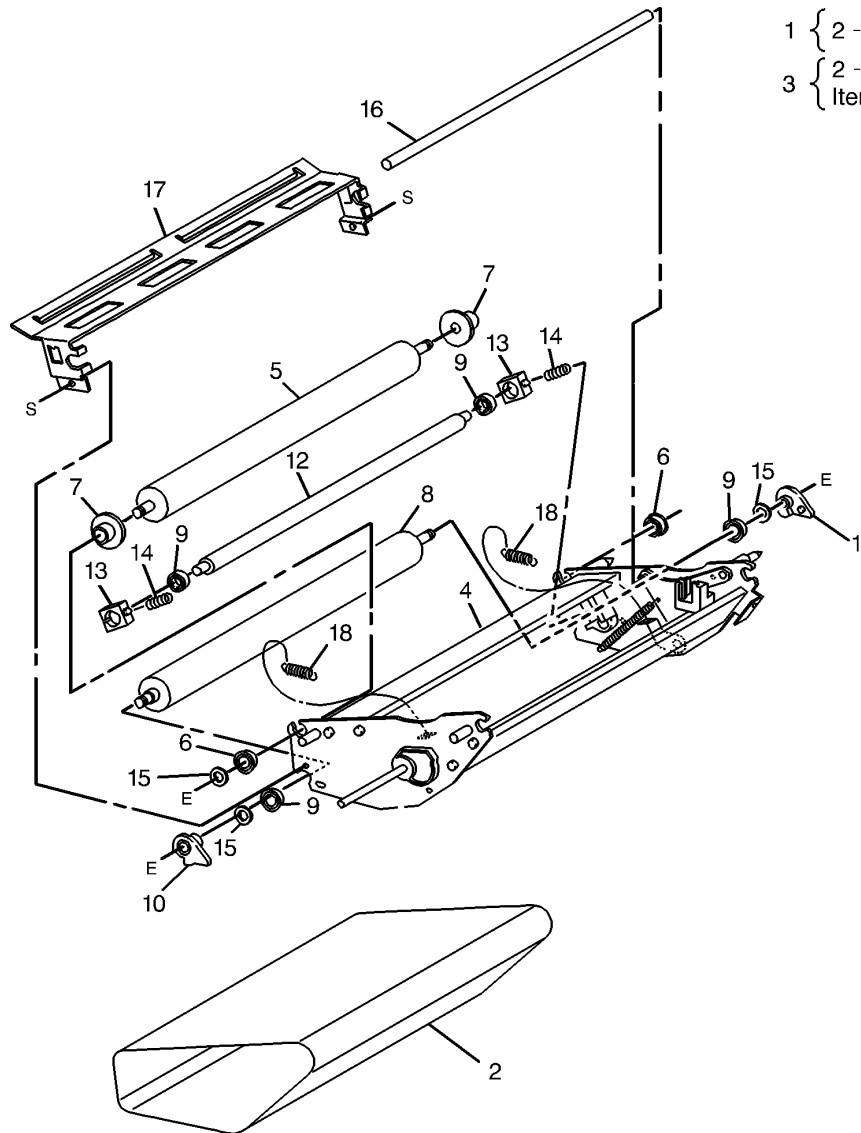
Item	Part	Description
1	008K91550	BTR 2 Cam Assembly (REP 9.19)
2	-	BTR Rear Bracket Assembly (Not Spared)
3	-	Rear Bracket (Not Spared)
4	-	Rear Bearing (Not Spared)
5	-	Clamp (Not Spared)
6	006K85500	Auger (REP 9.20)
7	802K12301	Panel
8	042K92160	Belt Cleaner (REP 9.17)
9	802K14462	BTR 2 Assembly (REP 9.18)
10	011E09640	Tension Lever (REP 9.15)
11	015K43080	IBT Rear Bracket Assembly
12	-	Rear Bracket (P/O PL 7.1 Item 11)
13	-	Contact Spring (P/O PL 7.1 Item 11)
14	-	BTR 1 Contact Wire (P/O PL 7.1 Item 11)
15	-	BTR 2 Contact Wire (P/O PL 7.1 Item 11)
16	015K43090	IBT Front Bracket
17	802K12990	IBT Assembly (REP 9.16)



0007001A-WOL

PL 7.2 IBT (2 of 5)

Item	Part	Description
1	802K25990 600K86970	IBT Assembly (REP 9.16) Color Registration IBT Assembly (REP9.16)
2	064K91350	IBT Belt (REP 9.21)
3	-	Transfer Mechanism Assembly (P/O PL 7.2 Item 1)
4	-	IBT Frame (P/O PL 7.2 Item 1)
5	-	IBT Idler Roll (P/O PL 7.2 Item 1)
6	-	Bearing (P/O PL 7.2 Item 1)
7	-	Idler Roll Flange (P/O PL 7.2 Item 1)
8	-	Backup Roll (P/O PL 7.2 Item 1)
9	-	Contact Roll Bearing (P/O PL 7.2 Item 1)
10	-	Front Bearing Holder (P/O PL 7.2 Item 1)
11	-	Rear Bearing Holder (P/O PL 7.2 Item 1)
12	-	Contact Roll (P/O PL 7.2 Item 1)
13	-	Bearing Holder (P/O PL 7.2 Item 1)
14	-	Contact Roll Spring (P/O PL 7.2 Item 1)
15	-	Spacer (P/O PL 7.2 Item 1)
16	-	Shaft (P/O PL 7.2 Item 1)
17	-	Rail (P/O PL 7.2 Item 1)
18	-	Retard Spring (P/O PL 7.2 Item 1)

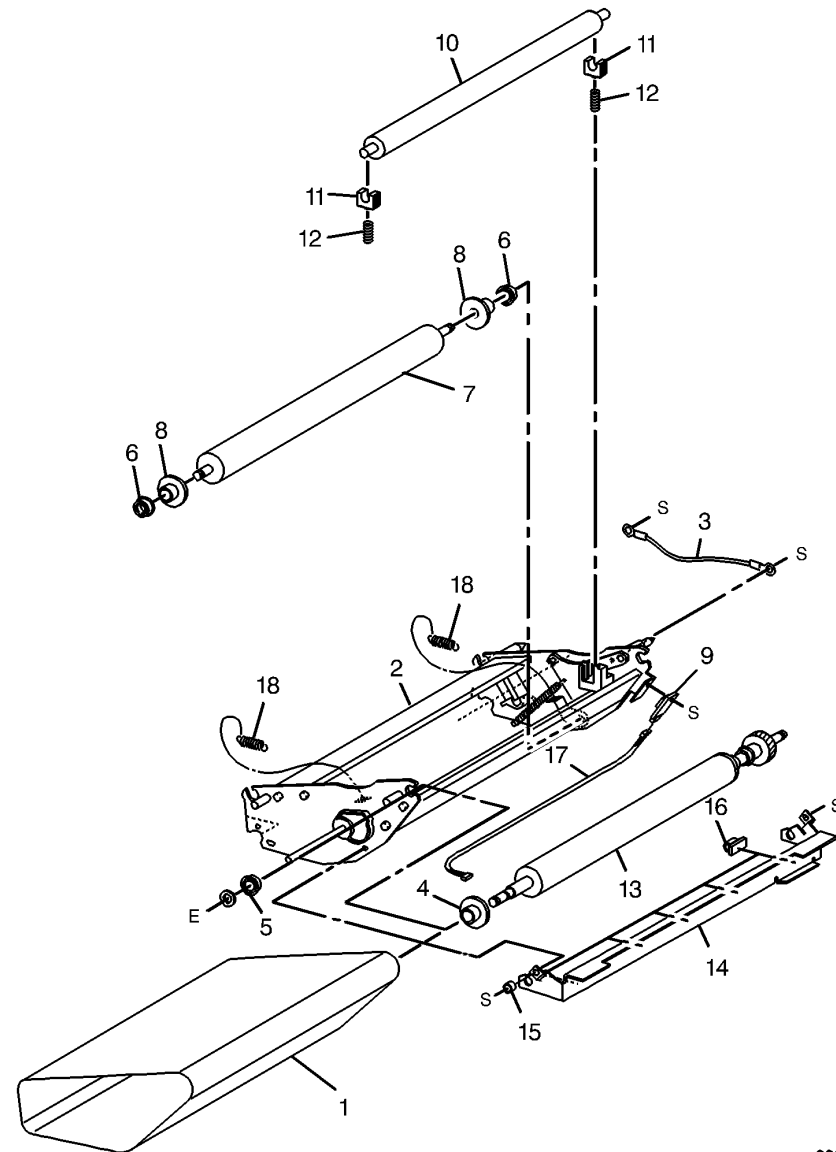


1 { 2 - 18 and PL7.3
 3 { 2 - 18 and PL7.3
 Item 2 - 13

0007002A-WOL

PL 7.3 IBT (3 of 5)

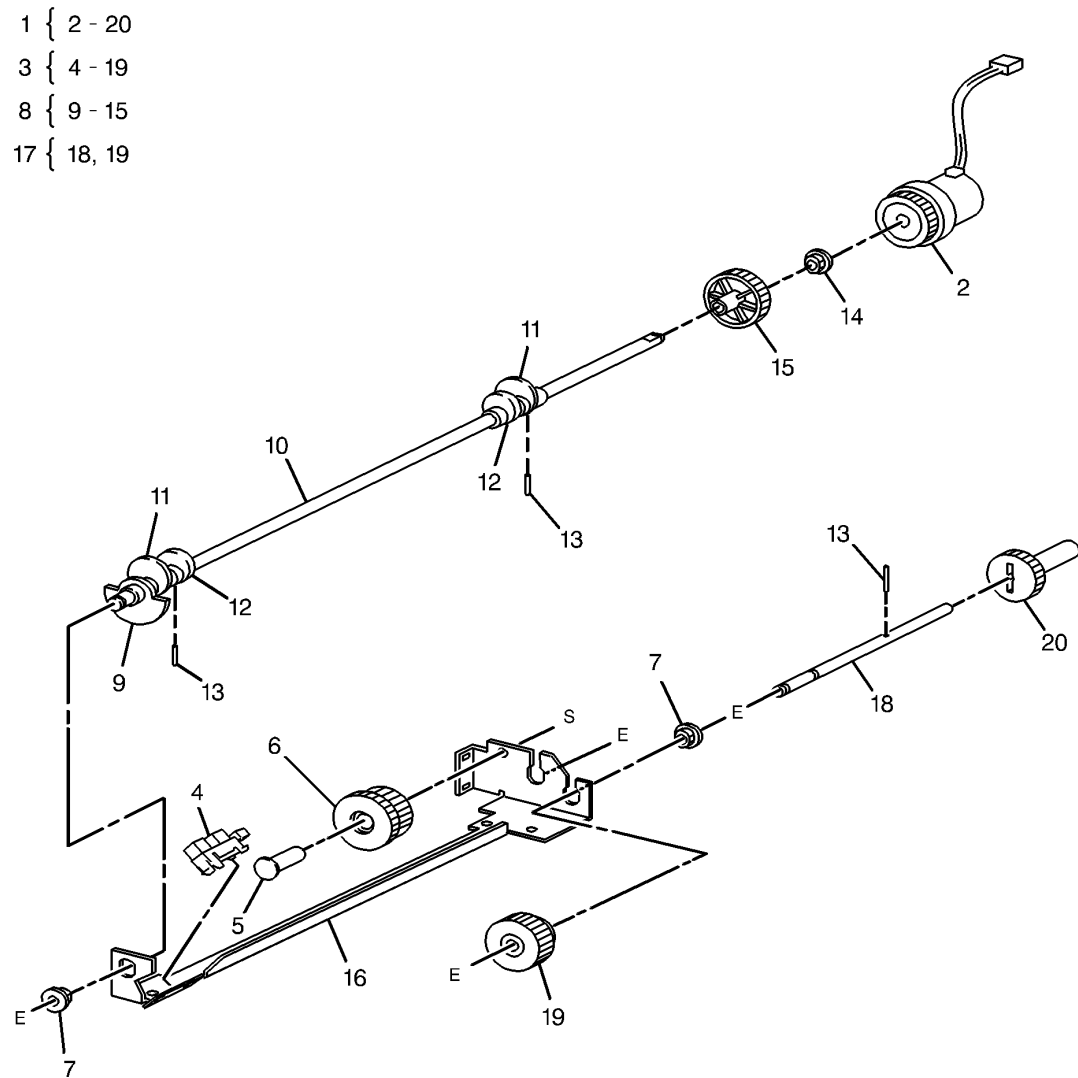
Item	Part	Description
1	064K91350	IBT Belt
2	-	IBT Frame (P/O PL 7.2 Item 1)
3	-	BTR 1 Plate Wire (P/O PL 7.2 Item 1)
4	-	Drive Roll Flange (P/O PL 7.2 Item 1)
5	-	Drive Roll Bearing (P/O PL 7.2 Item 1)
6	-	Tension Roll Bearing (P/O PL 7.2 Item 1)
7	-	IBT Tension Roll (P/O PL 7.2 Item 1)
8	-	Tension Roll Flange (P/O PL 7.2 Item 1)
9	130E84270	TR0 Sensor (REP 9.22)
10	-	BTR 1 (P/O PL 7.2 Item 1)
11	-	BTR 1 Bearings (P/O PL 7.2 Item 1)
12	-	Spring (P/O PL 7.2 Item 1)
13	-	IBT Drive Roll (P/O PL 7.2 Item 1)
14	-	Rail (P/O PL 7.2 Item 1)
15	-	Collar (P/O PL 7.2 Item 1)
16	-	Clamp (P/O PL 7.2 Item 1)
17	-	Harness (P/O PL 7.2 Item 1)
18	-	Retard Spring (Not Spared)



0007003A-WOL

PL 7.4 IBT (4 of 5)

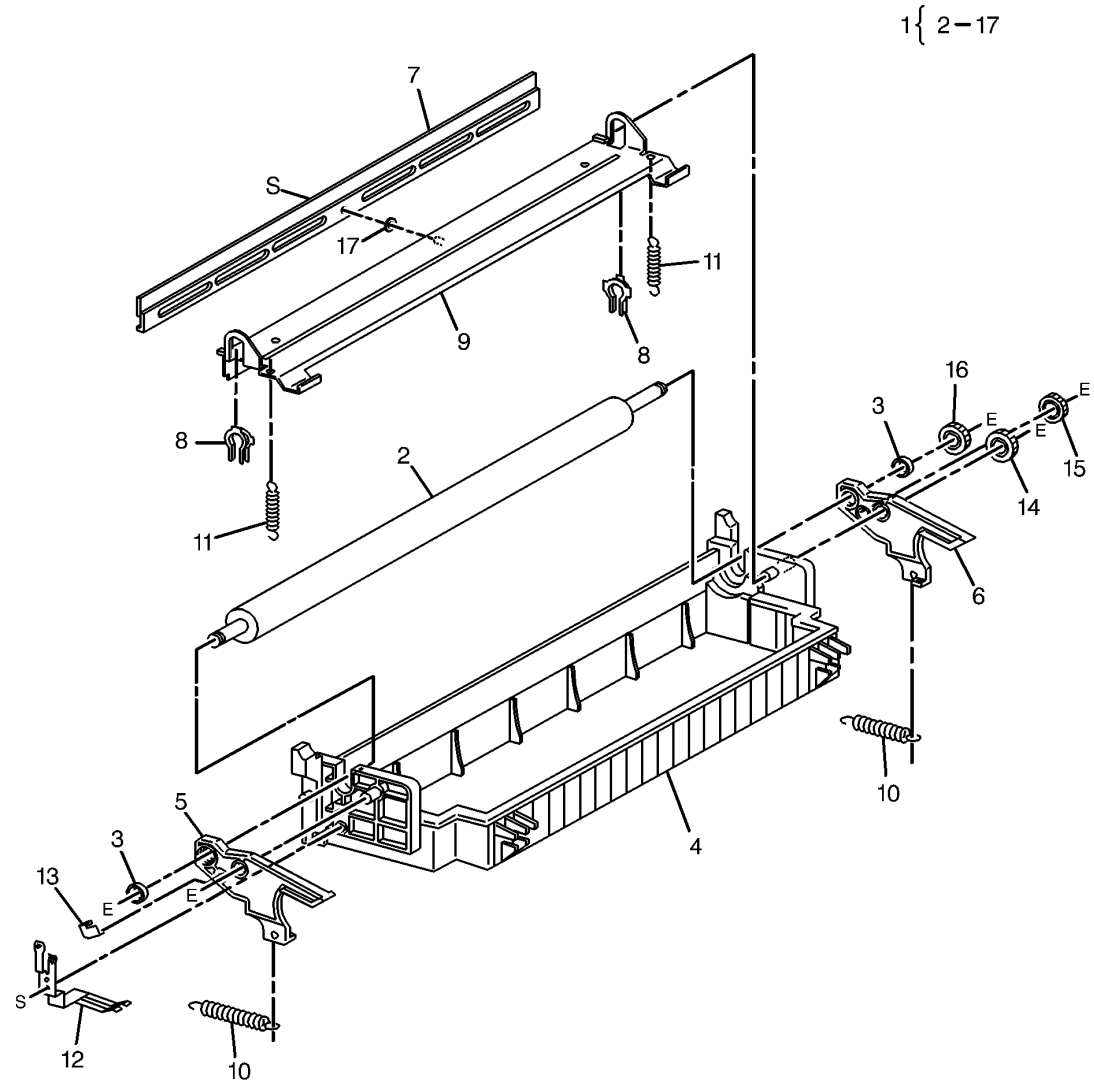
Item	Part	Description
1	008K91550	BTR 2 Cam Assembly
2	121K22730	BTR 2 Cam Clutch (REP 9.23)
3	-	Cam Assembly (P/O PL 7.4 Item 1)
4	-	BTR 2 Cam Sensor (P/O PL 7.4 Item 1)
5	-	Gear Shaft (P/O PL 7.4 Item 1)
6	-	Gear (P/O PL 7.4 Item 1)
7	-	Bearing (P/O PL 7.4 Item 1)
8	-	BTR Cam Assembly (P/O PL 7.4 Item 1)
9	-	BTR Actuator (P/O PL 7.4 Item 1)
10	-	Cam Shaft (P/O PL 7.4 Item 1)
11	-	Outer BTR Cam (P/O PL 7.4 Item 1)
12	-	Inner BTR Cam (P/O PL 7.4 Item 1)
13	-	Pin (P/O PL 7.4 Item 1)
14	-	Bearing (P/O PL 7.4 Item 1)
15	-	Gear (P/O PL 7.4 Item 1)
16	-	Bracket (P/O PL 7.4 Item 1)
17	-	Torque Gear Assembly (P/O PL 7.4 Item 1)
18	-	Gear Shaft (P/O PL 7.4 Item 1)
19	-	Torque Gear (P/O PL 7.4 Item 1)
20	-	Gear (P/O PL 7.4 Item 1)



0007004A-W01

PL 7.5 IBT (5 of 5)

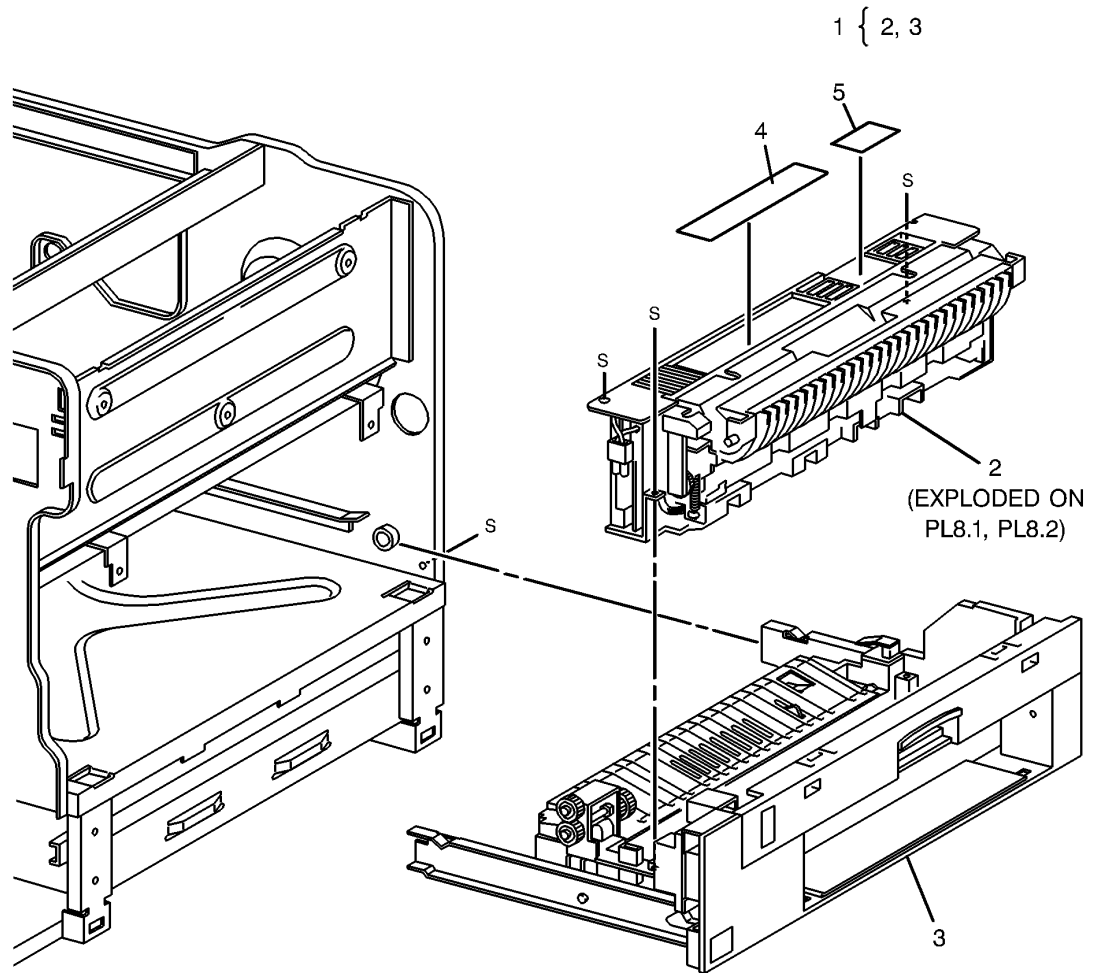
Item	Part	Description
1	802K14462	BTR 2 Assembly
2	-	BTR 2 (P/O PL 7.5 Item 1)
3	-	Bearing (P/O PL 7.5 Item 1)
4	-	BTR Housing (P/O PL 7.5 Item 1)
5	-	Front Arm (P/O PL 7.5 Item 1)
6	-	Rear Arm (P/O PL 7.5 Item 1)
7	-	BTR 2 Cleaner (P/O PL 7.5 Item 1)
8	-	Support Bearing (P/O PL 7.5 Item 1)
9	-	Support Plate (P/O PL 7.5 Item 1)
10	-	BTR Spring (P/O PL 7.5 Item 1)
11	-	Cleaner Spring (P/O PL 7.5 Item 1)
12	-	Ground Contact Spring (P/O PL 7.5 Item 1)
13	-	Ground Contact Plate (P/O PL 7.5 Item 1)
14	-	Gear (P/O PL 7.5 Item 1)
15	-	Gear (P/O PL 7.5 Item 1)
16	-	Gear (P/O PL 7.5 Item 1)
17	-	Insulator (P/O PL 7.5 Item 1)



0007005A-WOL

PL 8.1 Fusing (1 of 7)

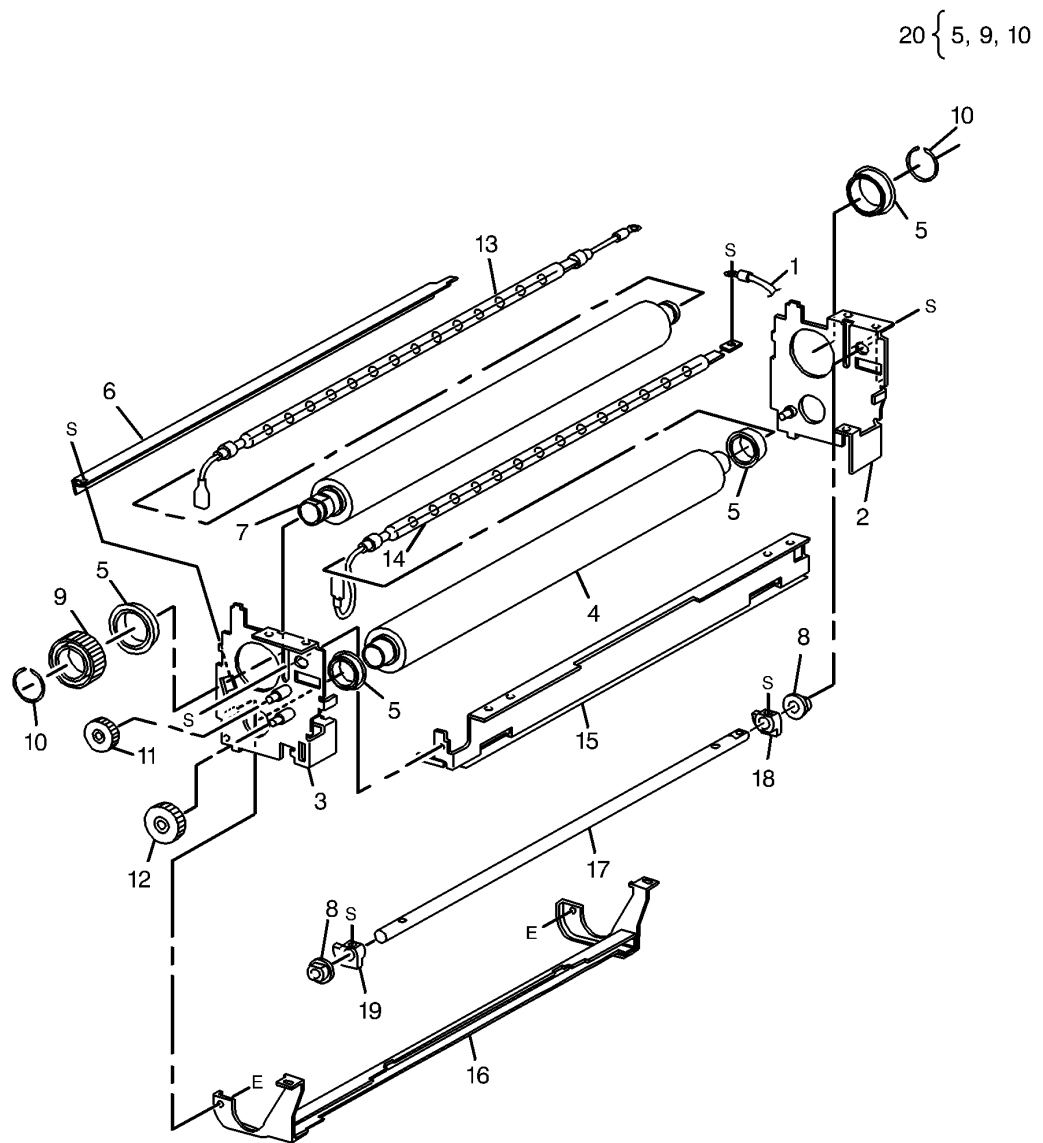
Item	Part	Description
1	-	Fuser Assembly (Not Spared) (REP 10.1)
2	600K85412	Main Fuser 110v
-	600K85422	Main Fuser 220v
3	050K43340	Fuser Tray 220v
-	050K43330	Fuser Tray 110v
4	-	Jam Removal Label (Not Spared)
5	-	Caution Label (Not Spared)
6	695E84762	Shipping Spacer/ Pad (Not Shown)



0008001A-WOL

PL 8.3 Fusing (3 of 7)

Item	Part	Description
1	-	Heater Wire (P/O PL 8.2 Item 1)
2	-	Fuser Front Frame (P/O PL 8.2 Item 1)
3	-	Fuser Rear Frame (P/O PL 8.2 Item 1)
4	059K15010	Pressure Roll (REP 10.11 ADJ 10.1)
5	013E87470	Bearing (2/Kit) (ADJ 10.1)
6	-	Fuser Entry Plate (P/O PL 8.2 Item 1)
7	059K15030	Heat Roll (ADJ 10.1)
8	-	Fuser Nip Bearing (P/O PL 8.2 Item 1)
9	-	Gear (P/O PL 8.2 Item 20)
10	-	Ring (P/O PL 8.2 Item 20) (2/Kit)
11	007E58991	Gear
12	007E60321	Gear
13	126K11330	Heat Roll Heat Lamp 220v (REP 10.5 ADJ 10.1)
-	126K11290	Heat Roll Heat Lamp 110v (REP 10.5 ADJ 10.1)
14	126K11340	Pressure Roll Heat Lamp 220v (REP 10.6 ADJ 10.1)
-	126K11300	Pressure Roll Heat Lamp 110v (REP 10.6 ADJ 10.1)
15	-	Fuser Baffle (P/O PL 8.2 Item 1)
16	-	Tie Bracket (P/O PL 8.2 Item 1)
17	-	Shaft (P/O PL 8.2 Item 1)
18	-	Front Cam (P/O PL 8.2 Item 1)
19	-	Rear Cam (P/O PL 8.2 Item 1)
20	600K85480	Heat Roll Hardware Kit (REP 10.10 ADJ 10.1)

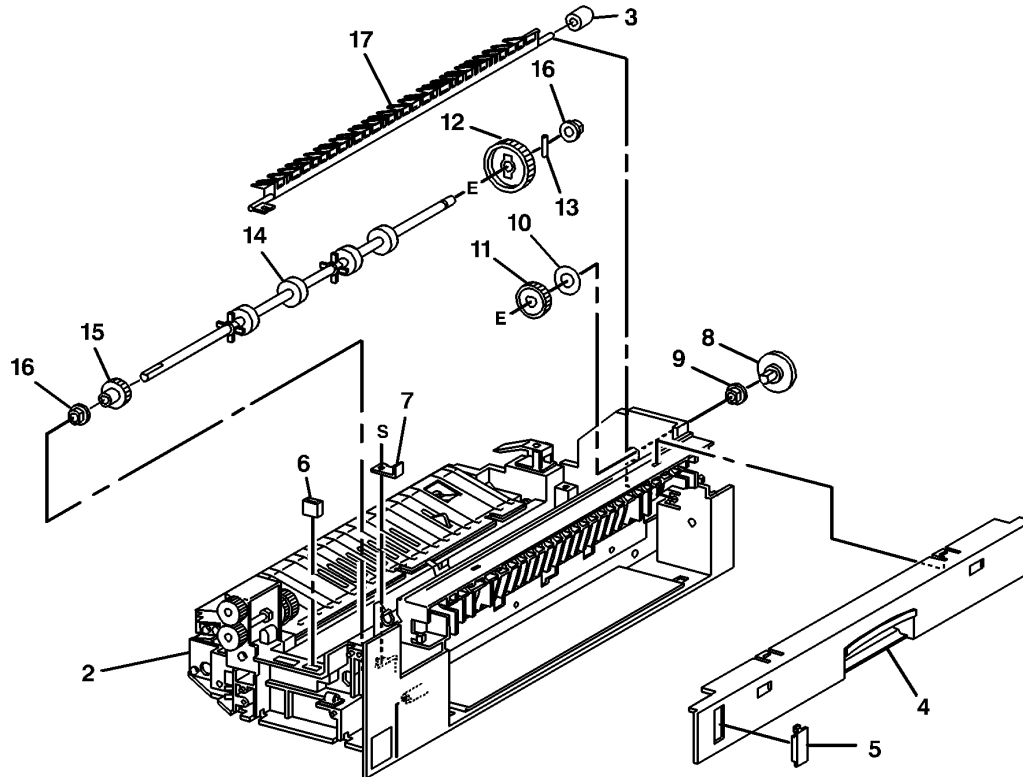


0008003A-WOL

PL 8.4 Fusing (4 of 7)

Item	Part	Description
1	050K43340	Fuser Tray Assembly 220v (ADJ 10.1)
-	050K43330	Fuser Tray Assembly 110v (ADJ 10.1)
2	-	Fuser Tray Subassmebly (P/O PL 8.4 Item 1)
3	004E09760	Damper
4	011E10200	Fuser Tray Handle
5	-	Fuser Tray Cap (P/O PL 8.4 Item 1)
6	-	Connector (P/O PL 8.4 Item 1)
7	-	Rear Exchange Stopper (P/O PL 8.4 Item 1)
8	003E39791	Fuser Knob
9	-	Fuser Knob Bearing (P/O PL 8.4 Item 1)
10	-	Fuser Knob Bearing (P/O PL 8.4 Item 1)
11	007E51650	Fuser Knob Gear
12	007E51660	Exit Knob Gear
13	-	Exit Roll Pin (P/O PL 8.4 Item 1)
14	059K14430	Exit Roll (REP 10.17)
15	007E60300	Exit Gear
16	-	Exit Bearing (P/O PL 8.4 Item 1)
17	054E10561	Exchange Chute (REP 10.13)

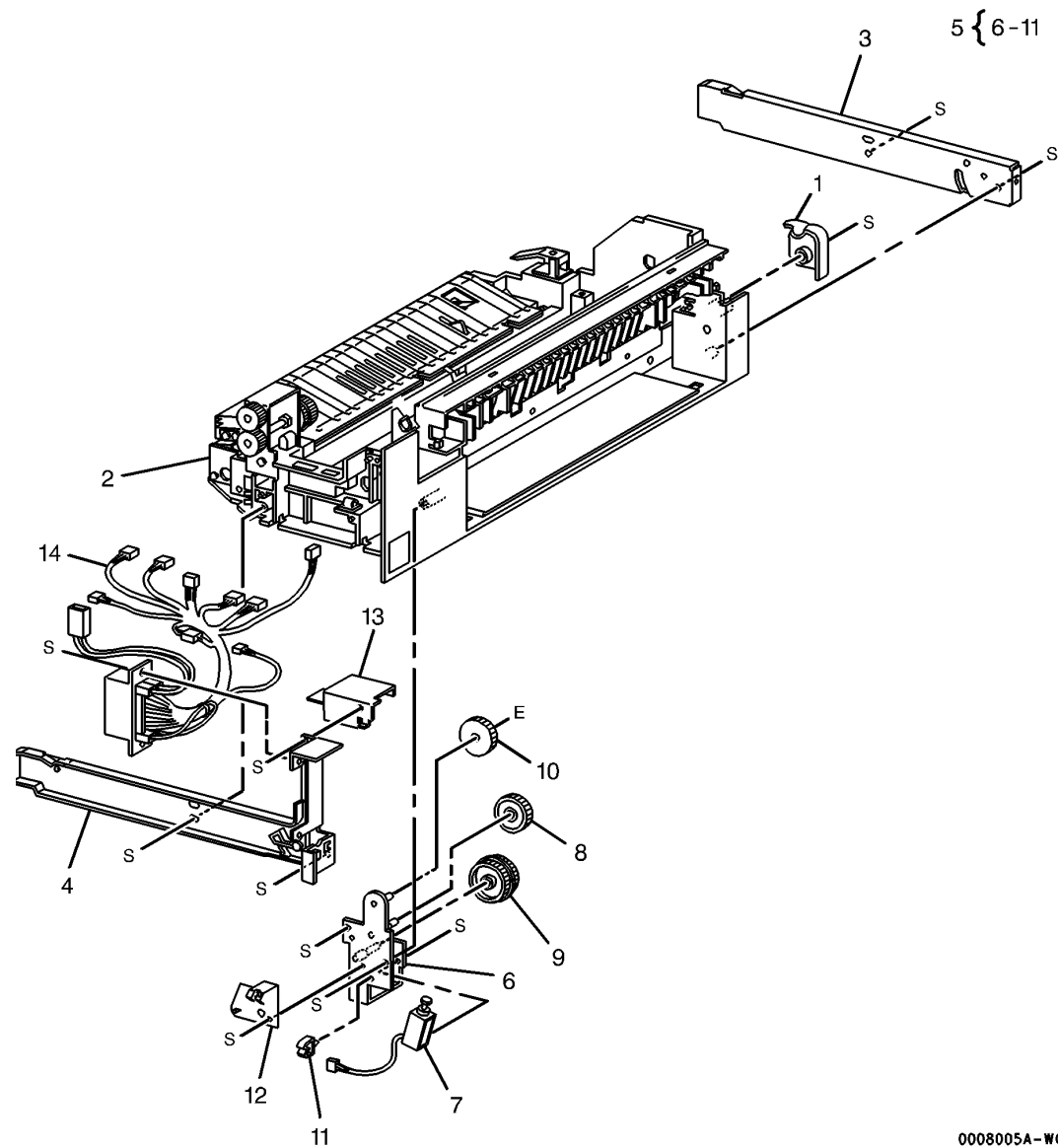
1 { 2 - 17 and PL8.5



0008004A-WOL

PL 8.5 Fusing (5 of 7)

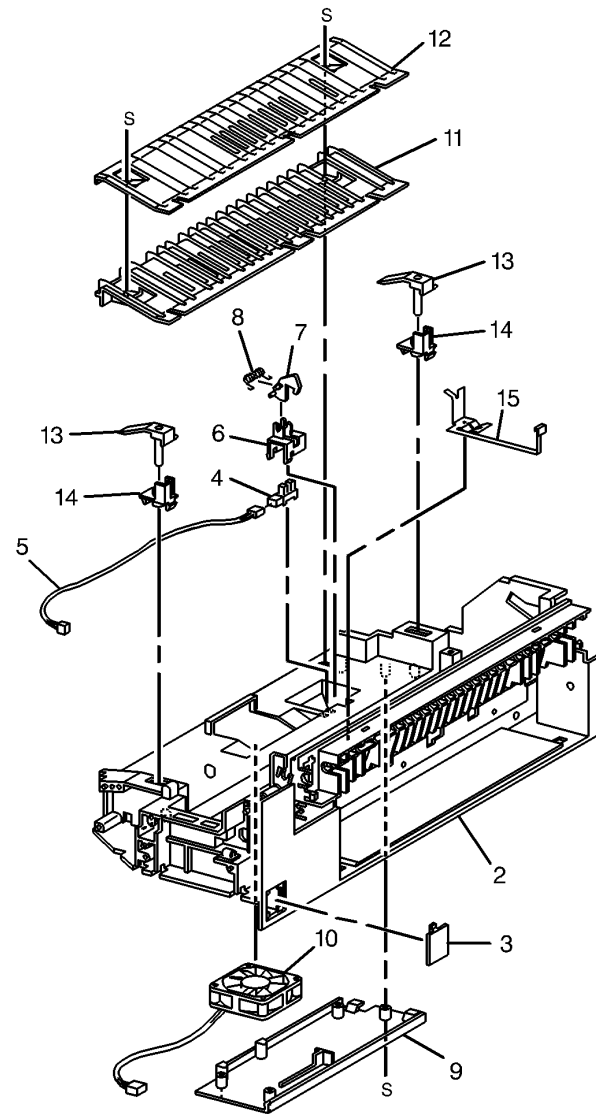
Item	Part	Description
1	-	Front Exchange Stopper (P/O PL 8.4 Item 1)
2	-	Fuser Tray Subassembly (P/O PL 8.4 Item 1)
3	-	Fuser Front Rail (P/O PL 8.4 Item 1)
4	-	Fuser Rear Rail (P/O PL 8.4 Item 1)
5	121K21821	Exchanged Solenoid Assembly
6	-	Exchange Bracket (P/O PL 8.4 Item 1, PL 8.5 Item 5)
7	-	Exchange Solenoid PL 8.5 Item 5) (REP 10.14)
8	-	Idler Gear (P/O PL8.5 Item 5)
9	-	Idler Gear (P/O PL8.5 Item 5)
10	-	Idler Gear (P/O PL8.5 Item 5)
11	-	Clamp (P/O PL 8.5 Item 5)
12	-	Ground Contact Spring (P/O PL 8.4 Item 1)
13	-	Gear Cover (P/O PL 8.4 Item 1)
14	162K53250	Fuser Harness



0008005A-WOL

PL 8.6 Fusing (6 of 7)

Item	Part	Description
1	-	Fuser Tray Subassembly (Not Spared)
2	-	Fuser Tray (Not Spared)
3	-	Fuser Tray Cap (Not Spared)
4	130E81970	Fuser Entrance Sensor (REP 10.18)
5	-	Harness (Not Spared)
6	-	Sensor Bracket (Not Spared)
7	-	Actuator (Not Spared)
8	-	Spring (Not Spared)
9	-	Bottom Cover (Not Spared)
10	127E81620	Fuser Chute Fan (REP 10.19)
11	-	Fuser Paper Guide (Not Spared)
12	-	Horizontal Chute (Not Spared)
13	029E30560	Cleaner Cam Follower
14	019E33881	Holder
15	-	Ground Contact Spring (Not Spared)

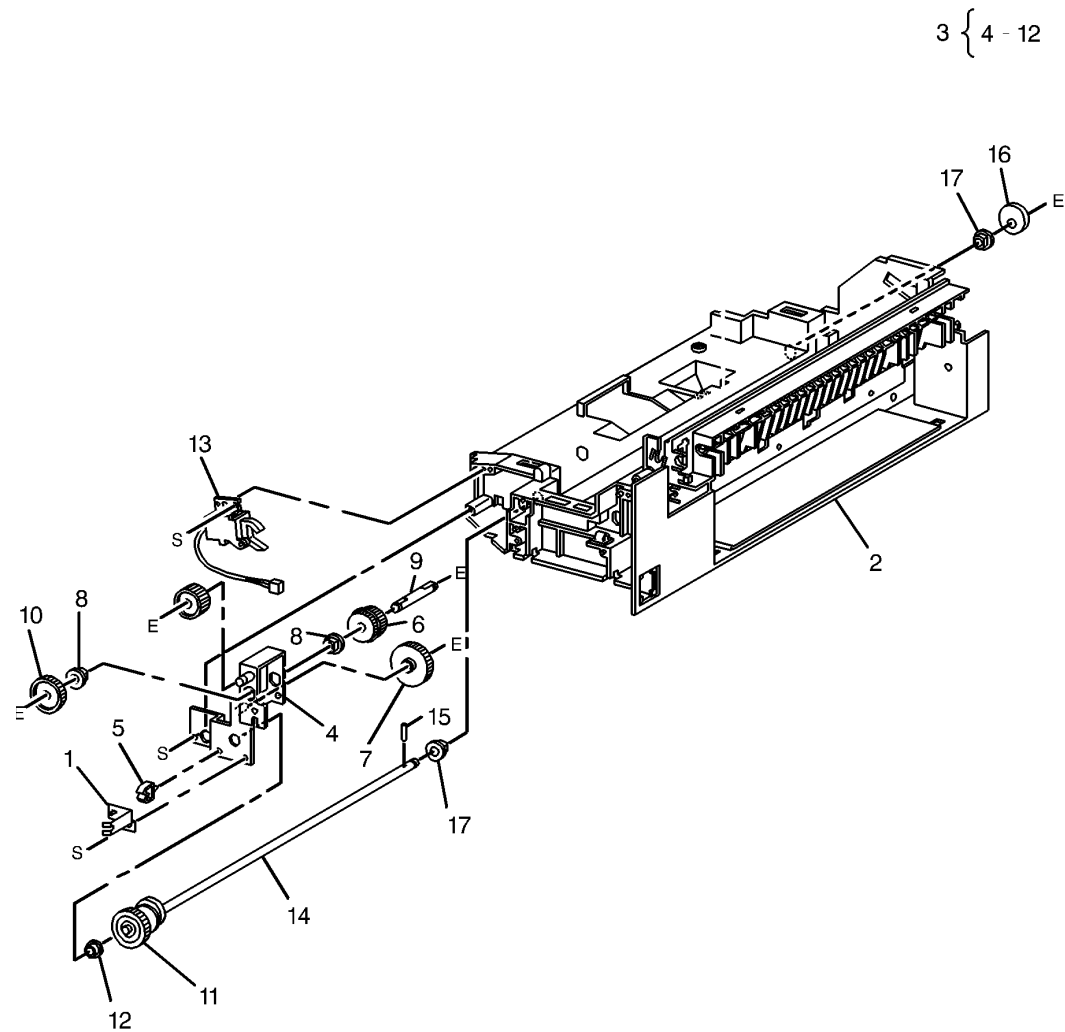


1 { 2 - 15 and PL8.7

0008006A-WOL

PL 8.7 Fusing (7 of 7)

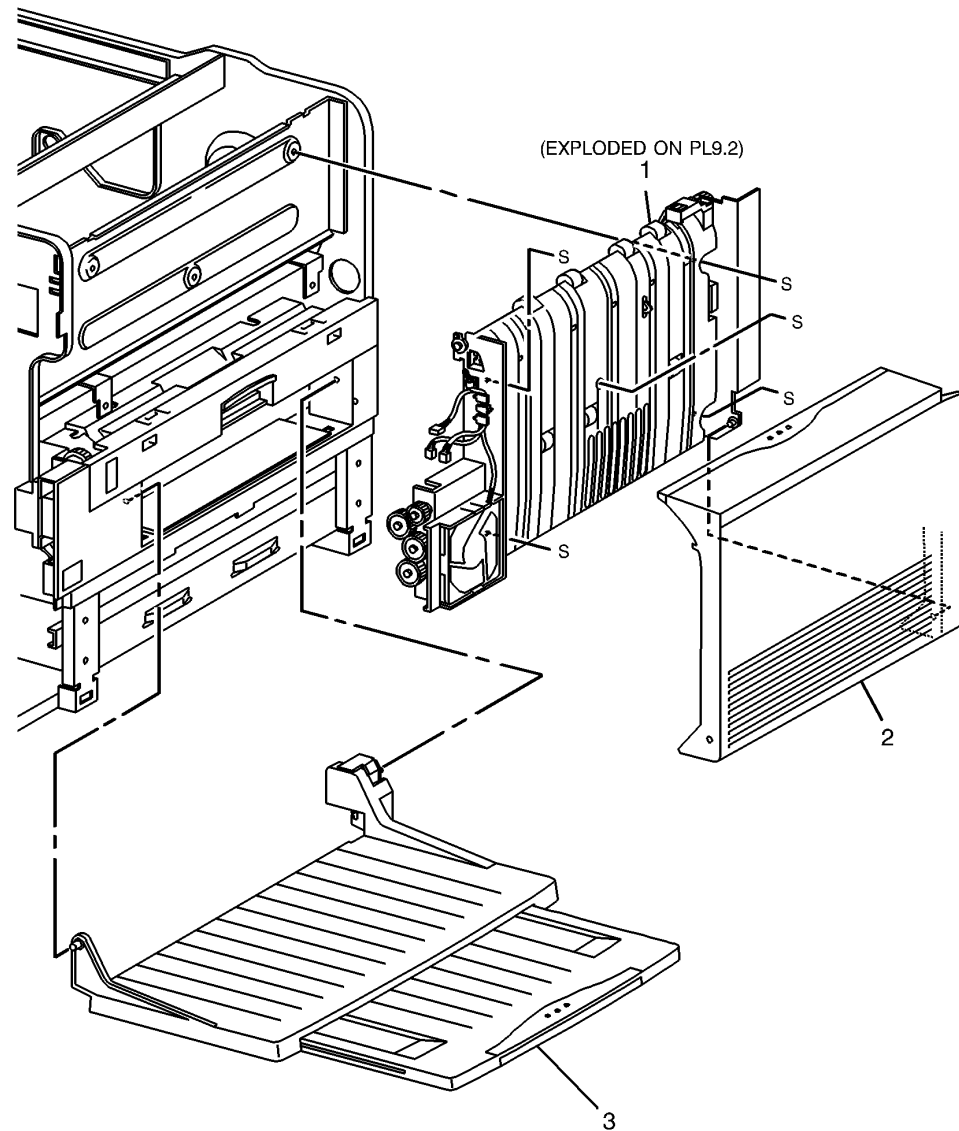
Item	Part	Description
1	-	Ground Contact Spring (Not Spared)
2	-	Fuser Tray (Not Spared)
3	015K49580	Input Bracket Assembly
4	-	Front Bracket (P/O PL 8.7 Item 3)
5	-	Clamp (P/O PL 8.7 Item 3)
6	-	Gear (P/O PL 8.7 Item 3)
7	-	Gear (P/O PL 8.7 Item 3)
8	-	Bearing (P/O PL 8.7 Item 3)
9	-	Shaft (P/O PL 8.7 Item 3)
10	-	Gear (P/O PL 8.7 Item 3)
11	-	Cleaner Cam Gear (P/O PL 8.7 Item 3)
12	-	Rear Bearing (P/O PL 8.7 Item 3)
13	121E87040	Cleaner Cam Solenoid (REP 10.15)
14	-	Cleaner Cam Shaft (Not Spared) (REP 10.16)
15	-	Pin (Not Spared)
16	-	Cleaner Cam (Not Spared)
17	-	Front Bearing (Not Spared)



0008007A-WOL

PL 9.1 Paper Exit (1 of 2)

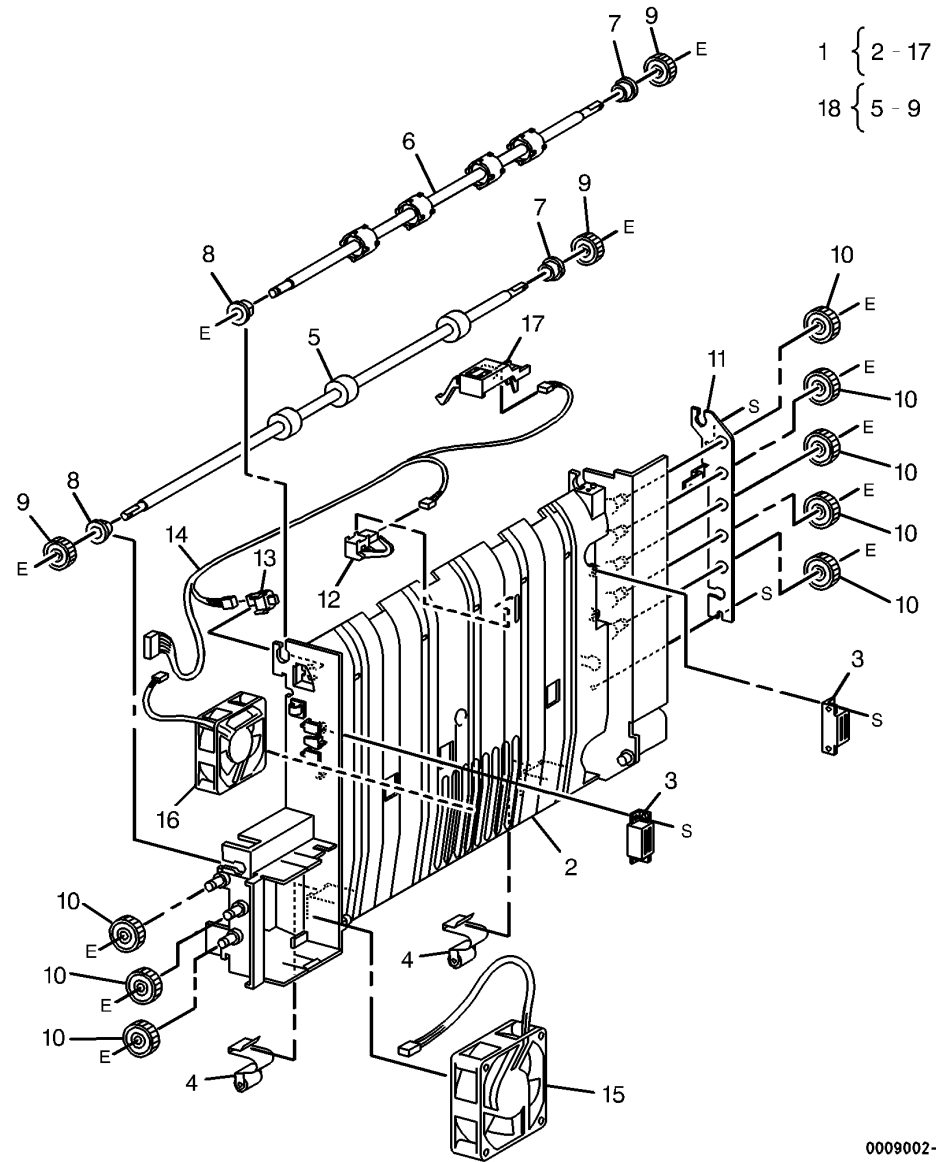
Item	Part	Description
1	-	Exit Transport Assembly (Not Spared) (REP 8.40)
2	054K17770	Exit Transport Cover
3	050K27592	Lower Exit Tray



0009001A-WOL

PL 9.2 Paper Exit (2 of 2)

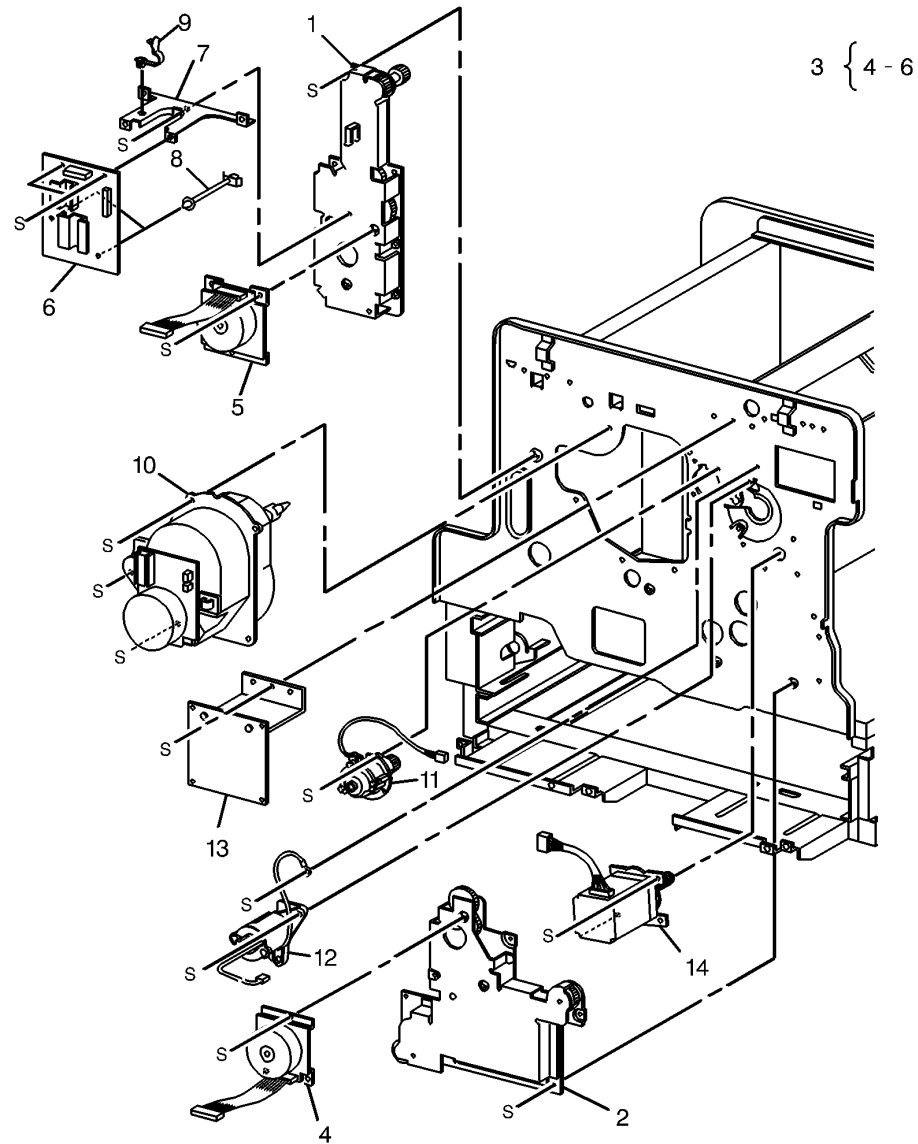
Item	Part	Description
1	-	Exit Transport Assembly (Not Spared)
2	-	Exit Chute (Not Spared)
3	-	Catch Magnet (Not Spared)
4	-	Pinch Roll (Not Spared)
5	-	Lower Exit Roll (P/O PL 9.2 Item 18)
6	-	Upper Exit Roll (P/O PL 9.2 Item 18)
7	-	Bearing (P/O PL 9.2 Item 18) (2/Kit)
8	-	Bearing (P/O PL 9.2 Item 18) (2/Kit)
9	-	Gear (P/O PL 9.2 Item 18) (3/Kit)
10	-	Gear (P/O PL 9.2 Item 18) (8/Kit)
11	-	Front Plate (Not Spared)
12	130E82730	Top Exit Sensor (REP 8.43)
13	110E93440	Exit Chute Interlock (REP 8.42)
14	-	Harness (Not Spared)
15	127E81940	Fuser Fan
16	127E81951	Exit Chute Fan
17	130K61311	Full Stack Sensor (REP 8.41)
18	600K68750	Exit Upper Roller Kit



0009002-WOL

PL 10.1 Drives

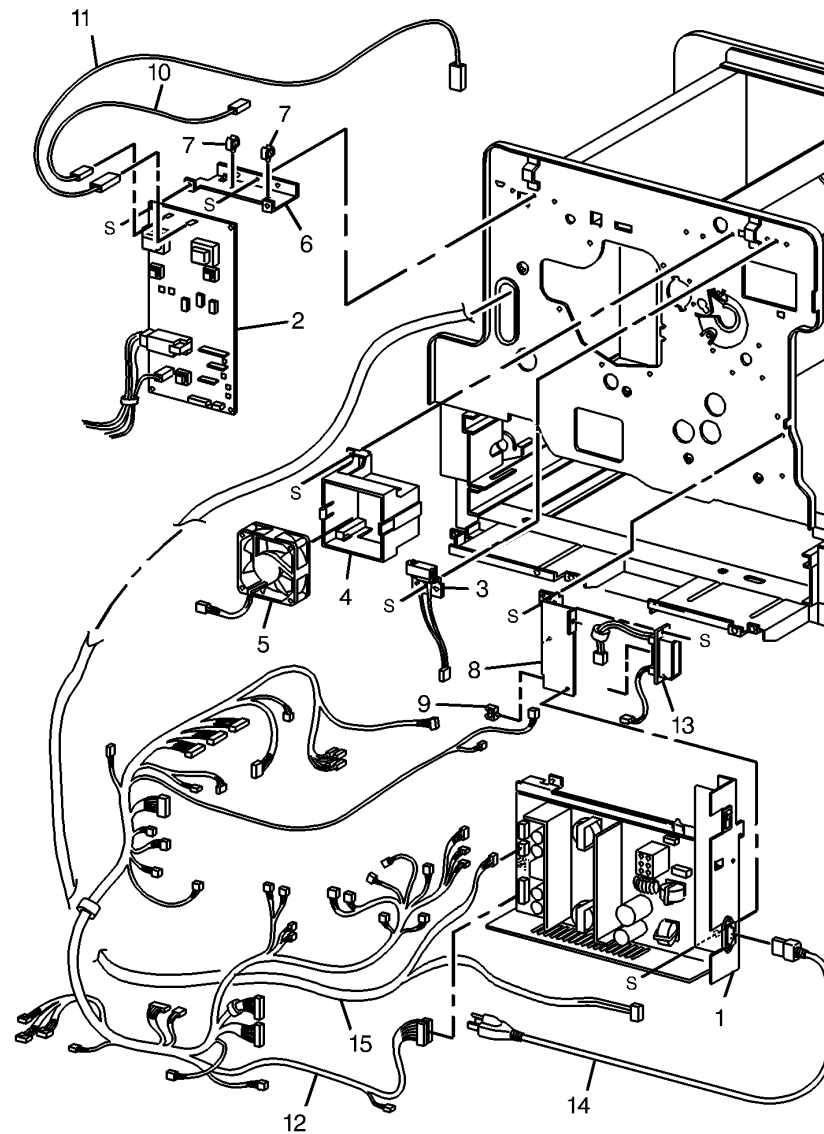
Item	Part	Description
1	007K85070	Paper Handling Drive Unit (REP 4.1)
2	007K85080	Fuser Drive Unit (REP 4.2)
3	-	Drive Motor Assembly (Not Spared)
4	127K25400	Fuser Motor (REP 4.3)
5	127K25410	Paper Handling Motor (REP 4.4)
6	160K56510	Drive Motor PWB (REP 4.5)
7	-	Motor PWB Bracket (Not Spared)
8	-	Motor PWB Support (Not Spared)
9	-	Clamp (Not Spared)
10	127K27450	Process Drive Unit (REP 4.6)
11	121K21141	Developer Clutch (REP 4.10)
12	121K23260	Dispense Clutch (REP 4.9)
13	160K61490	Rotary Motor PWB (REP 4.8)
14	127K28300	Rotary Motor 110V (REP 4.7)
-	127K31700	Rotary Motor 220V



0010001A-WOL

PL 11.1 Electrical (1 of 2)

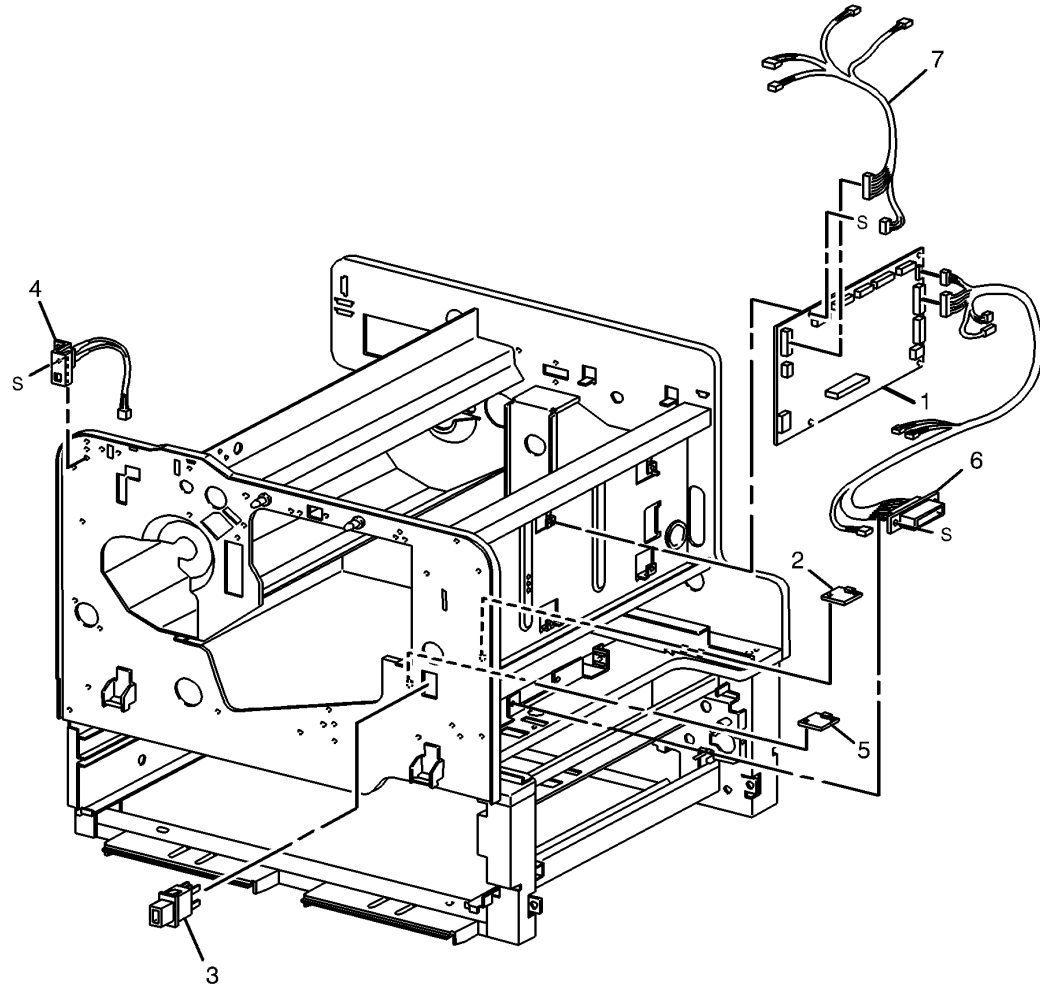
Item	Part	Description
1	105K15680	Low Voltage Power Supply (LVPS) 110v (REP 1.1)
-	105K18600	Low Voltage Power Supply (LVPS) 220V (REP 1.1)
2	105K15690	High Voltage Power Supply (HVPS) (REP 1.2)
3	110K07831	Top Cover Interlock (REP 1.3)
4	-	Duct (Not Spared)
5	-	Developer Fan (Not Spared) (REP 1.4)
6	-	Bracket (Not Spared)
7	-	Clamp (Not Spared)
8	-	Bracket (Not Spared)
9	-	Clamp (Not Spared)
10	-	Bias Charge Roll (BCR) Wire (Not Spared)
11	-	Developer Wire (Not Spared)
12	162K53100	Main Harness
13	162K53130	Fuser Connector Harness
14	117K31400	Power Cord 110v
15	162K55490	Sorter Harness



0011001A-WOL

PL 11.2 Electrical (2 of 2)

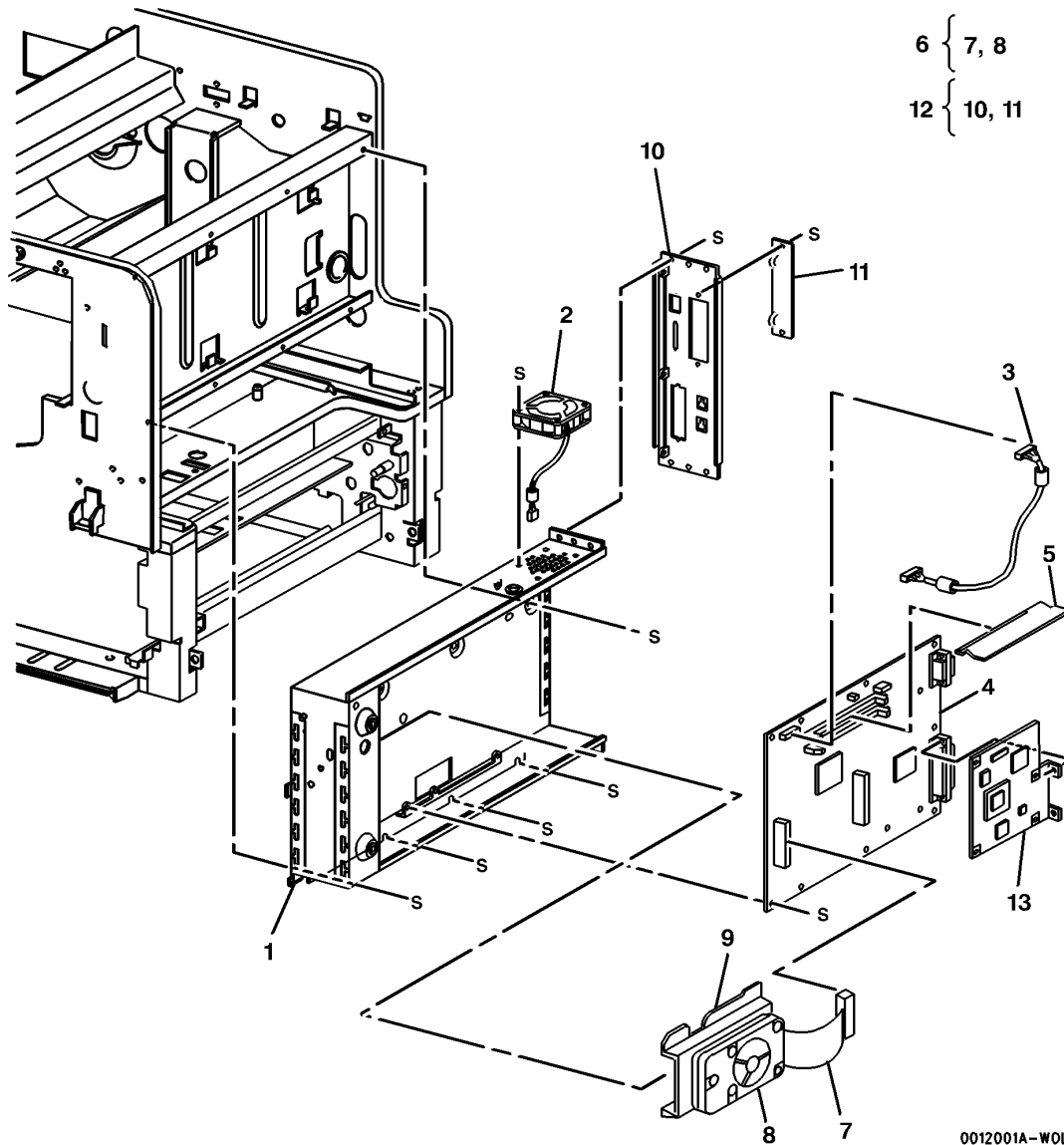
Item	Part	Description
1	160K75041	MCU PWB (REP 1.5)
2	160K61500	Communication PWB (REP 1.12)
3	110K98810	Right Front Cover Interlock (REP 1.6)
4	110E94380	Left Front Cover Interlock (REP 1.7)
5	130K60530	Environment Sensor (REP 1.8)
6	162K53120	Paper Handling Contactor Harness
7	162K61050	ROS Harness



0011002A-WOL

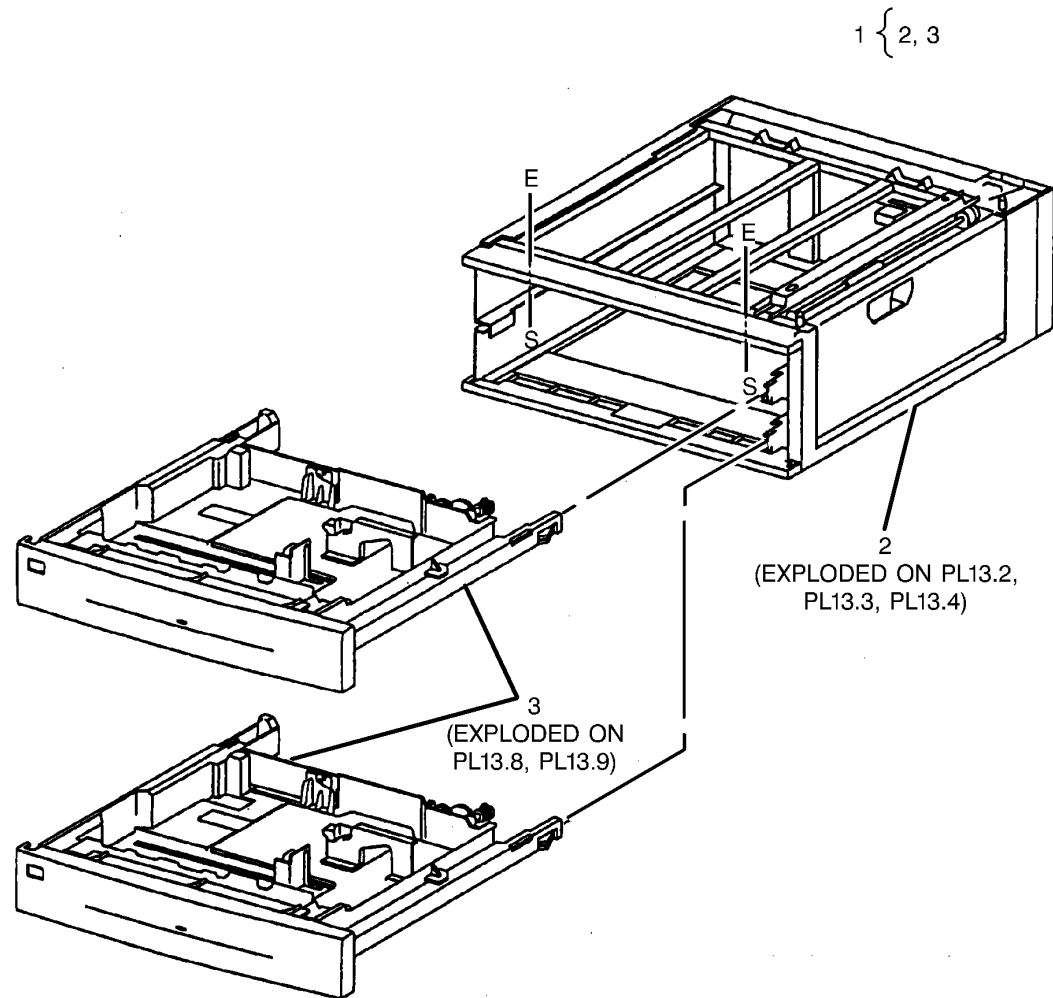
PL 12.1 ESS

Item	Part	Description
1	-	Controller Chassis (Not Spared) (REP 1.11)
2	127E81670	ESS Fan (REP 1.10)
3	162K42090	Panel Harness
4	160K74642	ESS Rev 8 PWB (REP 1.9)
	160K78300	ESS Rev 9 PWB (REP 1.9)
5	144E00440	Memory (256MB)
-	144E00430	Memory (128MB)
-	144E00420	Memory (64MB)
6	121K26500	Hard Disk Drive Assembly (REP 1.13 ADJ 3.1)
7	-	IDE Cable (P/O PL 12.1 Item 6)
8	-	Hard Disk Drive (P/O PL 12.1 Item 6)
9	-	Bracket (Not Spared)
10	-	Plate (P/O PL 12.1 Item 12)
11	-	Cover (P/O PL 12.1 Item 12)
12	015K48720	Plate Assembly
13	160K69652	1394 PWBA



PL 13.1 Optional Feeder Assembly (1 of 9)

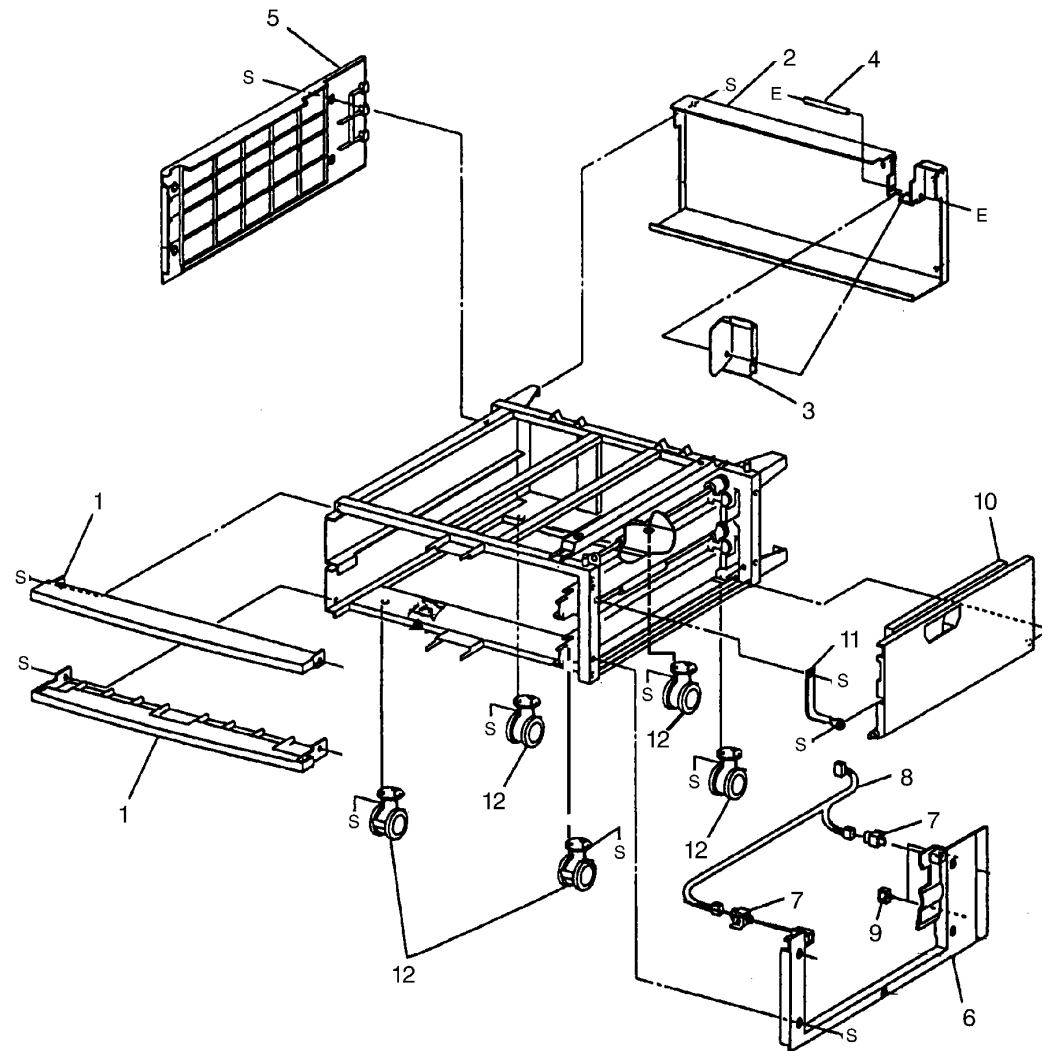
Item	Part	Description
1	-	Optional Feeder Assembly (Not Spared)
2	-	Optional Feeder Chassis Assembly (Not Spared)
3	050K42600	Paper Tray Assembly (REP 7.6)



0013001A-WOL

PL 13.2 Optional Feeder Assembly (2 of 9)

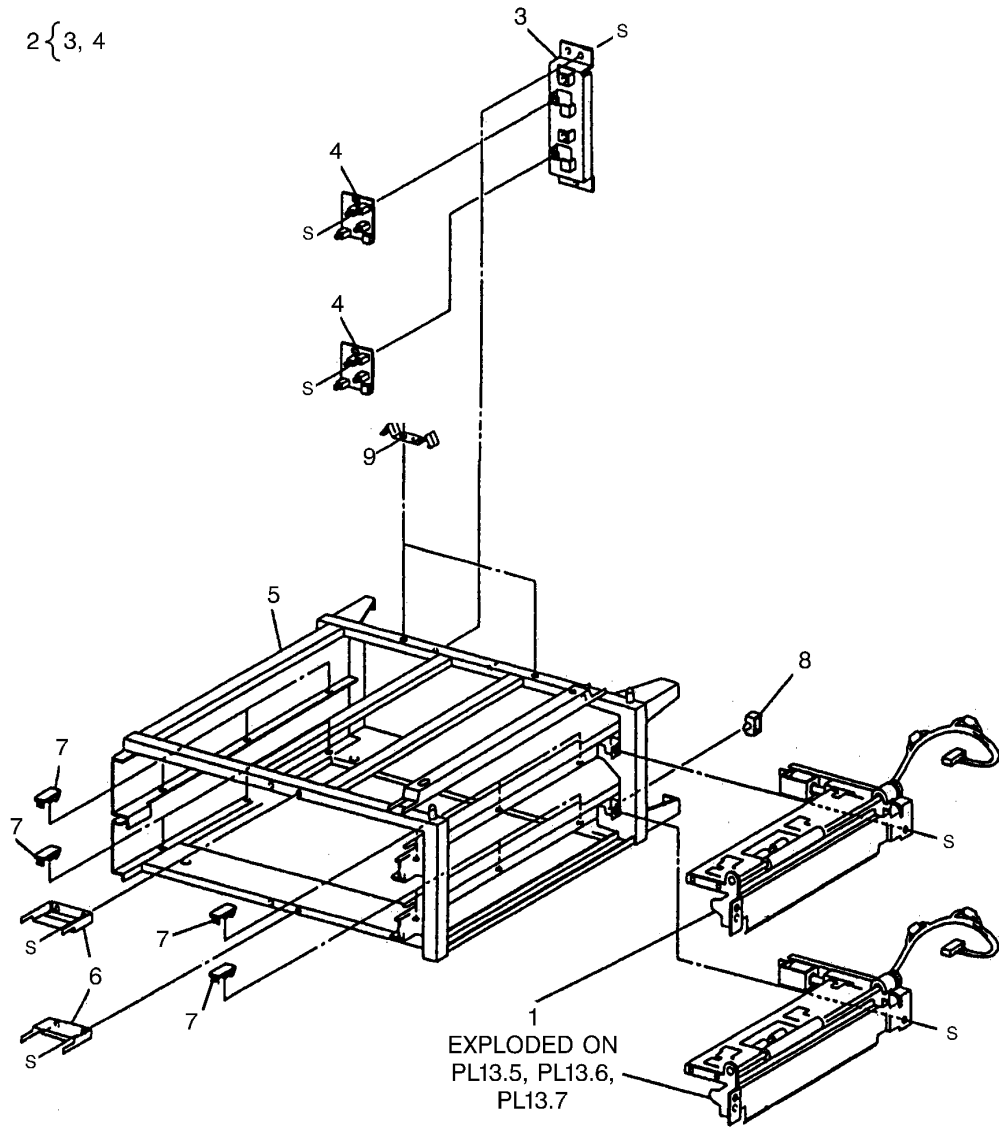
Item	Part	Description
1	802E05130	Feeder Front Cover
2	802E15720	Feeder Rear Cover
3	-	Feeder Rear Harness Cover (Not Spared)
4	-	Shaft (Not Spared)
5	802E05191	Feeder Left Cover
6	802E15530	Feeder Right Cover
7	110E93440	Feeder Right Cover Interlock 1, Feeder Right Cover Interlock 2
8	162K54131	Cover Interlock Harness
9	-	Clamp (Not Spared)
10	-	Feeder Chute (Not Spared)
11	830E19490	Feeder Chute Support
12	017K92350	Caster



0013002A-WOL

PL 13.3 Optional Feeder Assembly (3 of 9)

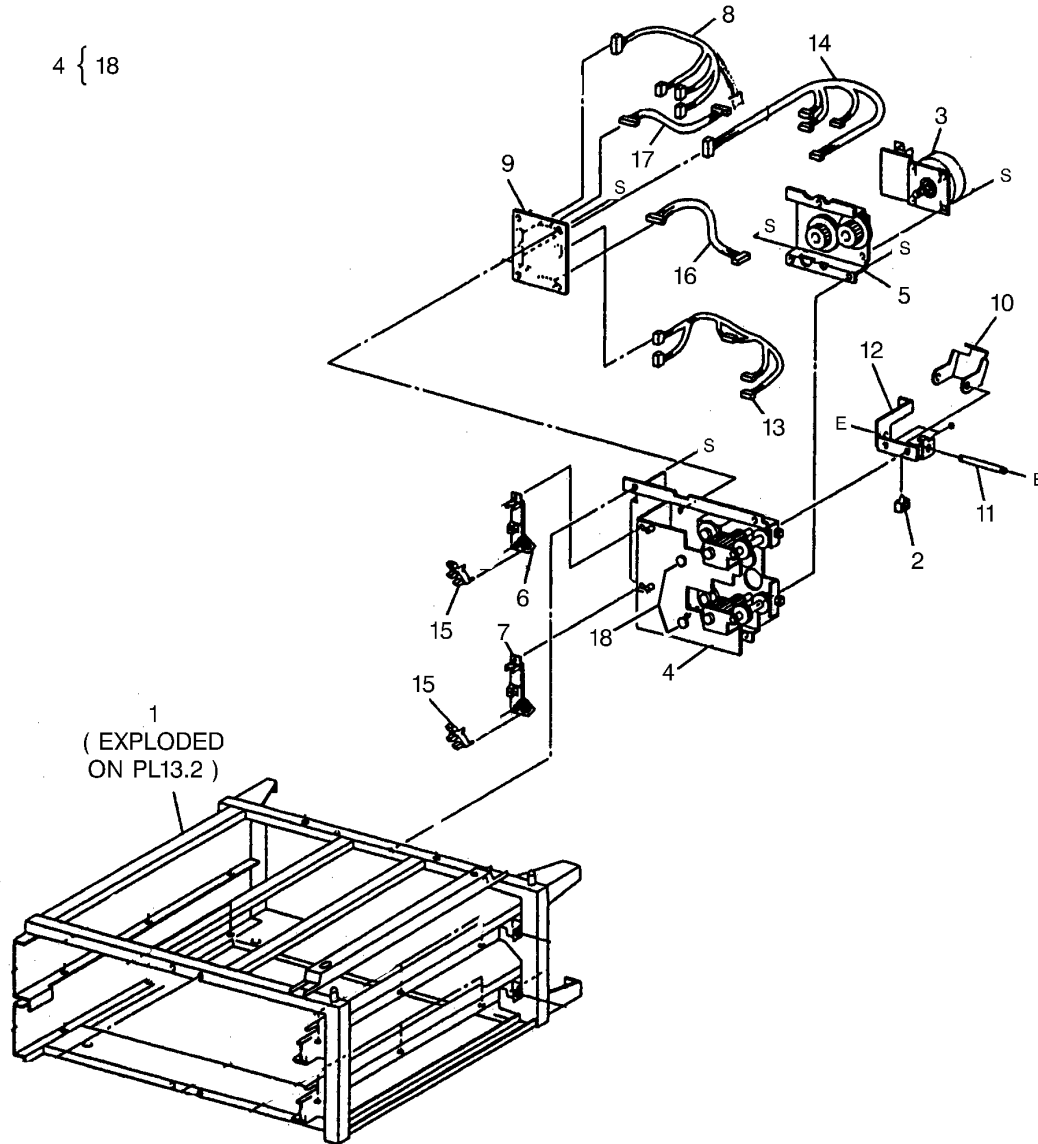
Item	Part	Description
1	059K18770	Paper Feeder Assembly
2	-	Size Switch Assembly (Not Spared)
3	-	Bracket (Not Spared)
4	110K07040	Size Switch PWB (REP 8.19)
5	-	Feeder Frame (Not Spared)
6	-	Bracket (Not Spared)
7	-	Clamp (Not Spared)
8	-	Clamp (Not Spared)
9	-	Ground Contact Spring (Not Spared)



0013003A-WOL

PL 13.4 Optional Feeder Assembly (4 of 9)

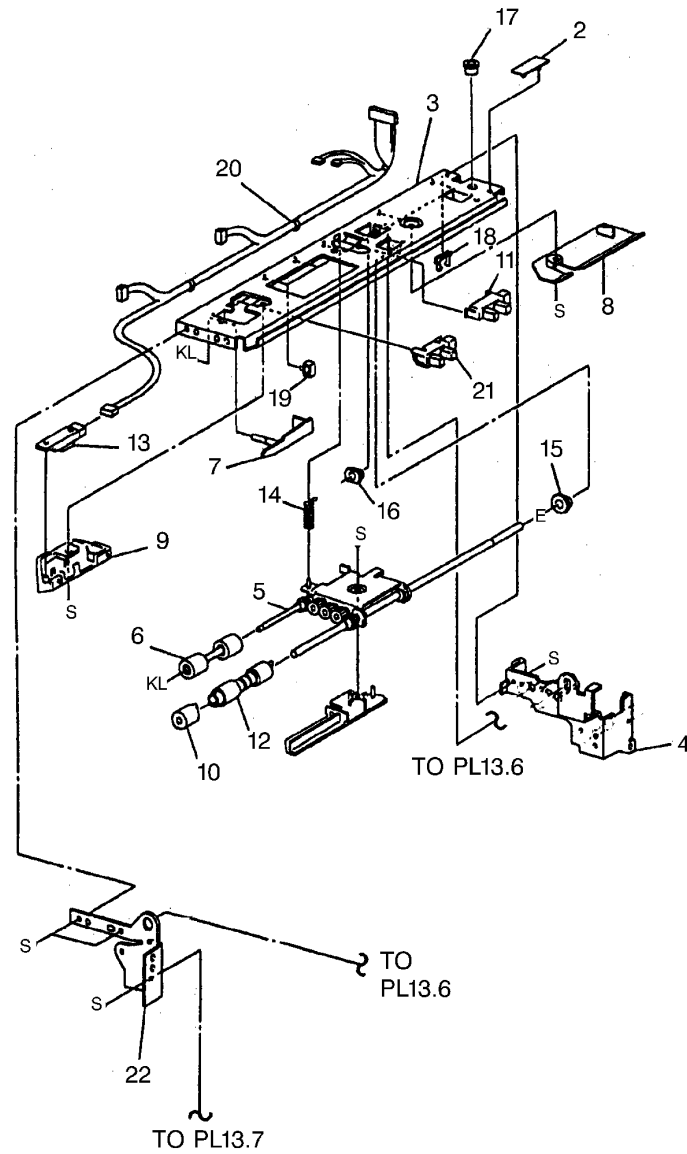
Item	Part	Description
1	-	Feeder Frame (Not Spared)
2	-	Clamp (Not Spared)
3	127K28260	Feeder Motor (REP 8.20)
4	007K85422	Feeder Drive Unit (REP 8.22)
5	-	Bracket (Not Spared)
6	-	Stopper (Not Spared)
7	-	Stopper (Not Spared)
8	-	Harness (Not Spared)
9	160K74520	Feeder PWB (REP 8.21)
10	-	Bracket (Not Spared)
11	-	Shaft (Not Spared)
12	-	Bracket (Not Spared)
13	162K54090	Feeder Harness
14	162K54120	Size Harness
15	130E81970	Low Paper Sensor (REP 8.22)
16	162K54140	Upper Feeder Harness
17	162K54150	Lower Feeder Harness
18	-	Lift Clutch (P/O PL 13.4)



0013004A-WOL

PL 13.5 Optional Feeder Assembly (5 of 9)

Item	Part	Description
1	059K18770	Paper Feeder Assembly (REP 8.23)
2	-	Sheet Clamp (P/O PL 13.5 Item 1)
3	-	Upper Feeder Frame (P/O PL 13.5 Item 1)
4	-	Rear Frame (P/O PL 13.5 Item 1)
5	-	Support (P/O PL 13.5 Item 1)
6	059K14300	Nudger Roll
7	-	No Paper Sensor Actuator (P/O PL 13.5 Item 1)
8	-	Rear Upper Chute (P/O PL 13.5 Item 1)
9	-	Front Upper Chute (P/O PL 13.5 Item 1)
10	-	Spacer (P/O PL 13.5 Item 1)
11	-	Nudger Sensor (P/O PL 13.5 Item 1)
12	059K17250	Feed Roll
13	130E82650	Feed Out Sensor
14	-	Spring (P/O PL 13.5 Item 1)
15	-	Bearing (P/O PL 13.5 Item 1)
16	-	Bearing (P/O PL 13.5 Item 1)
17	-	Bushing (P/O PL 13.5 Item 1)
18	-	Clamp (P/O PL 13.5 Item 1)
19	-	Clamp (P/O PL 13.5 Item 1)
20	-	Harness (P/O PL 13.5 Item 1)
21	130E81600	No Paper Sensor
22	-	Front Frame (P/O PL 13.5 Item 1)

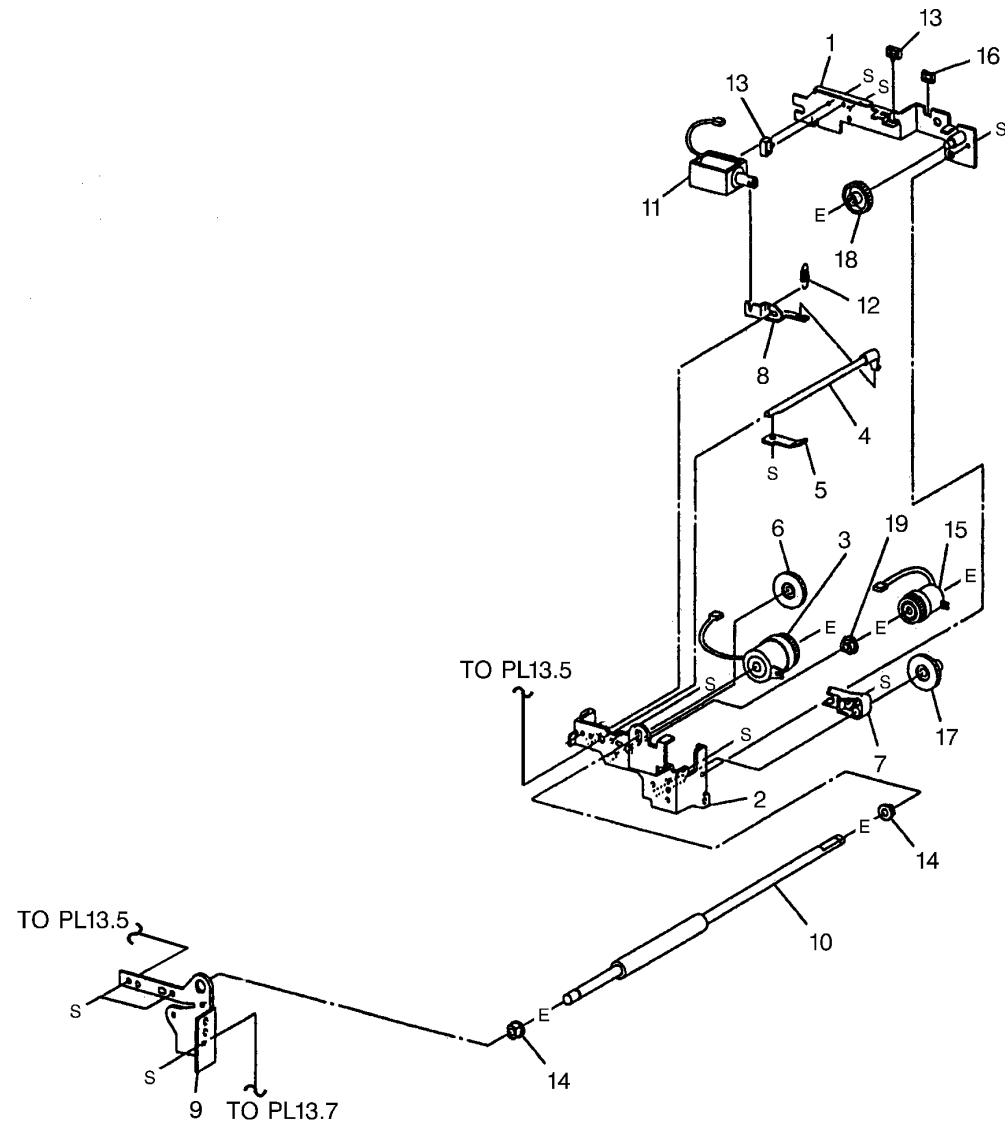


1 { 2-22 and PL13.6, PL13.7

0013005A-WOL

PL 13.6 Optional Feeder Assembly (6 of 9)

Item	Part	Description
1	-	Feed Bracket (P/O PL 13.5 Item 1)
2	-	Rear Frame (P/O PL 13.5 Item 1)
3	121K23790	Takeaway Clutch (REP 8.24)
4	-	Nudger Lever (P/O PL 13.5 Item 1)
5	-	Lever Plate (P/O PL 13.5 Item 1)
6	-	Gear (P/O PL 13.5 Item 1)
7	-	Stopper (P/O PL 13.5 Item 1)
8	-	Link (P/O PL 13.5 Item 1)
9	-	Front Frame (P/O PL 13.5 Item 1)
10	-	Takeaway Roll (P/O PL 13.5 Item 1)
11	121K21560	Nudger Solenoid (REP 8.25)
12	-	Spring (P/O PL 13.5 Item 1)
13	-	Clamp (P/O PL 13.5 Item 1)
14	-	Bearing (P/O PL 13.5 Item 1)
15	-	Turn Clutch (P/O PL 13.5 Item 1) (REP 8.26)
16	-	Clamp (P/O PL 13.5 Item 1)
17	-	Gear (P/O PL 13.5 Item 1)
18	-	Gear (P/O PL 13.5 Item 1)
19	-	Bearing (P/O PL 13.5 Item 1)

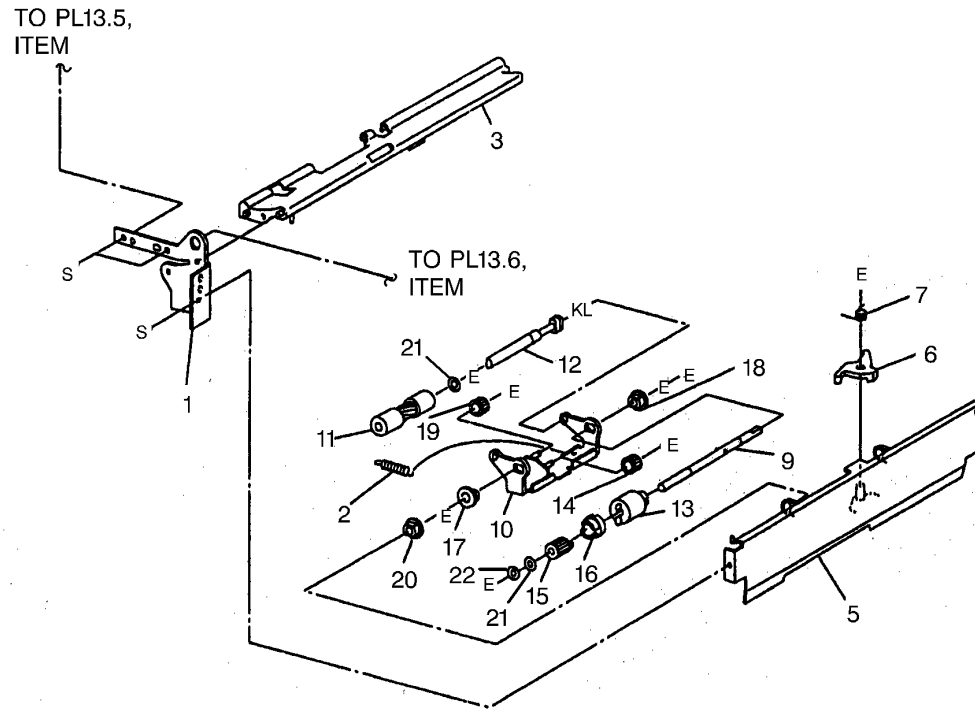


0013006A-WOL

PL 13.7 Optional Feeder Assembly (7 of 9)

Item	Part	Description
1	-	Front Frame (P/O PL 13.5 Item 1)
2	-	Spring (P/O PL 13.5 Item 1)
3	-	Lower Chute (P/O PL 13.5 Item 1)
4	-	Lower Frame Assembly (P/O PL 13.5 Item 1)
5	-	Lower Frame (P/O PL 13.5 Item 1)
6	-	Retard Lever (P/O PL 13.5 Item 1)
7	-	Spring (P/O PL 13.5 Item 1)
8	-	Retard Assembly (P/O PL 13.5 Item 1)
9	-	Retard Shaft (P/O PL 13.5 Item 1)
10	-	Retard Support (P/O PL 13.5 Item 1)
11	059K08840	Retard Roll
12	-	Shaft (P/O PL 13.5 Item 1)
13	-	Friction Clutch (P/O PL 13.5 Item 1)
14	-	Gear (P/O PL 13.5 Item 1)
15	-	Gear (P/O PL 13.5 Item 1)
16	-	Collar (P/O PL 13.5 Item 1)
17	-	Bearing (P/O PL 13.5 Item 1)
18	-	Bearing (P/O PL 13.5 Item 1)
19	-	Gear (P/O PL 13.5 Item 1)
20	-	Bearing (P/O PL 13.5 Item 1)
21	-	Nylon Washer (P/O PL 13.5 Item 1)
22	-	E-Ring (P/O PL 13.5 Item 1)

4 { 5 - 22
8 { 9 - 19

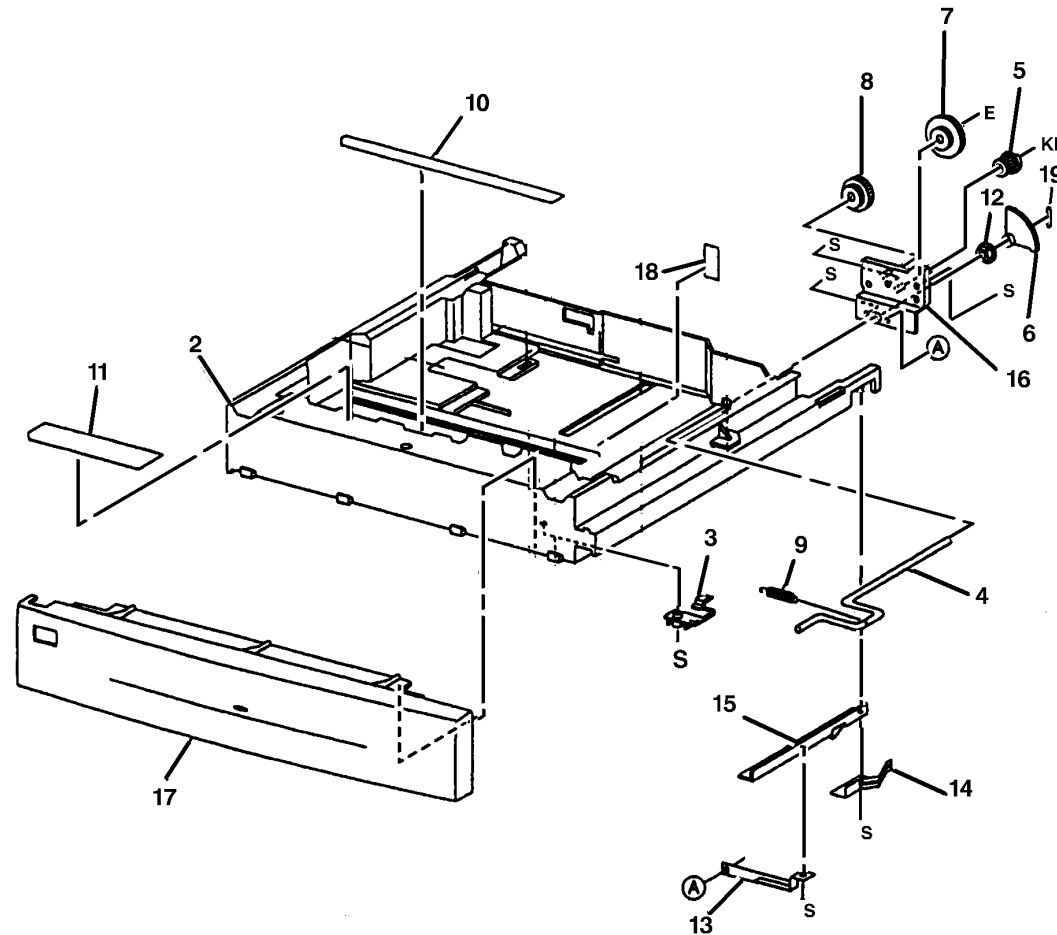


0013007A-WOL

PL 13.8 Optional Feeder Assembly (8 of 9)

Item	Part	Description
1	050K42600	Paper Tray Assembly
2	-	Tray Housing (P/O PL 13.8 Item 1)
3	-	Paper Guide (P/O PL 13.8 Item 1)
4	-	Lift Shaft (P/O PL 13.8 Item 1)
5	-	Gear (P/O PL 13.8 Item 1)
6	-	Gear (P/O PL 13.8 Item 1)
7	-	Gear (P/O PL 13.8 Item 1)
8	-	Gear (P/O PL 13.8 Item 1)
9	-	Extension Spring (P/O PL 13.8 Item 1)
10	-	Side End Label (P/O PL 13.8 Item 1)
11	-	Label (P/O PL 13.8 Item 1)
12	-	Bearing (P/O PL 13.8 Item 1)
13	-	Spring (P/O PL 13.8 Item 1)
14	-	Spring (P/O PL 13.8 Item 1)
15	-	Rail (P/O PL 13.8 Item 1)
16	-	Rear Plate (P/O PL 13.8 Item 1)
17	-	Tray Front Cover (P/O PL 13.8 Item 1)
18	-	Pad (P/O PL 13.8 Item 1)
19	-	Gear Drive Pin (P/O PL 13.8 Item 1)

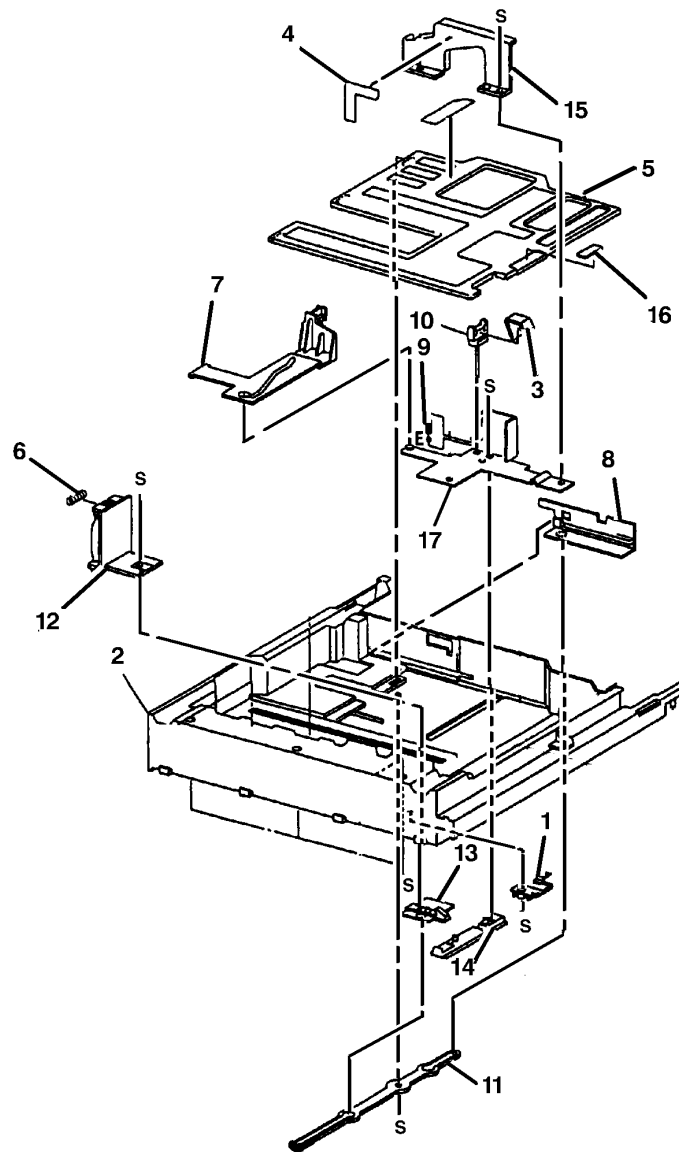
1 { 2 - 19 and PL13.9



0013008A-WOL

PL 13.9 Optional Feeder Assembly (9 of 9)

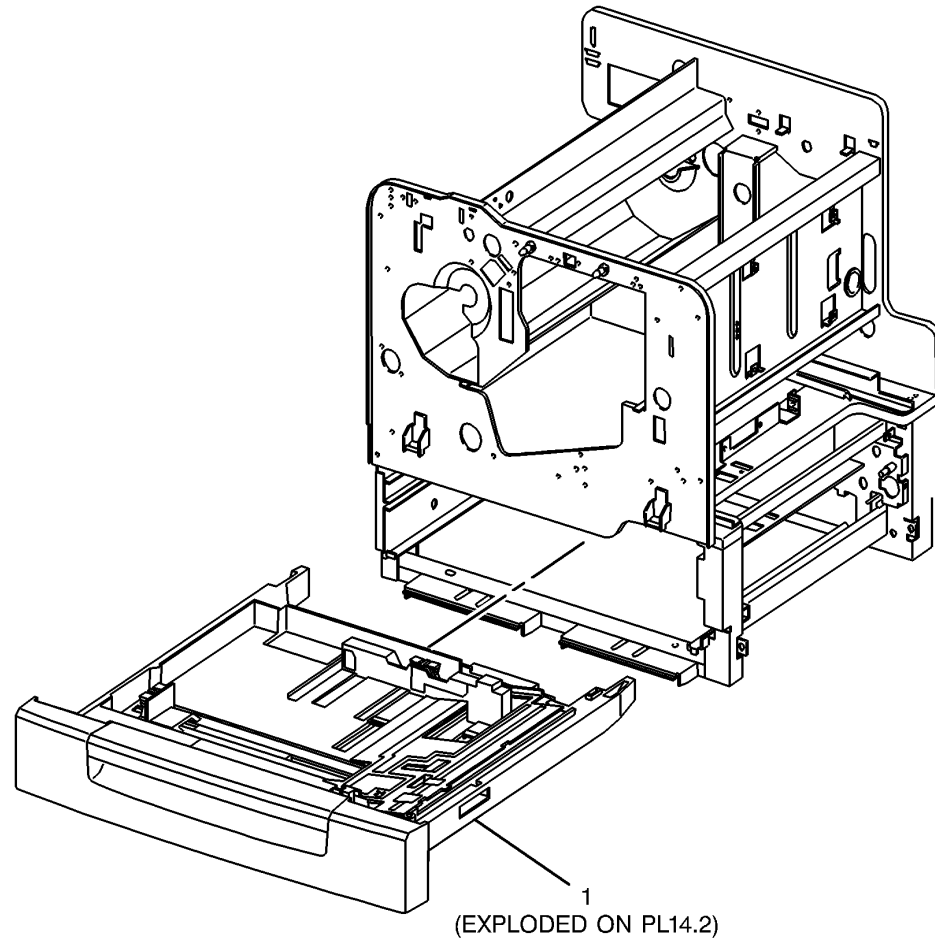
Item	Part	Description
1	-	Paper Guide (P/O PL 13.8 Item 1)
2	-	Tray Housing (P/O PL 13.8 Item 1)
3	-	Side Guide Lock Knob (P/O PL 13.8 Item 1)
4	-	Max Label (P/O PL 13.8 Item 1)
5	-	Lift Plate (P/O PL 13.8 Item 1)
6	-	Guide Spring (P/O PL 13.8 Item 1)
7	-	End Guide Actuator (P/O PL 13.8 Item 1)
8	-	Side Guide Actuator (P/O PL 13.8 Item 1)
9	-	Spring (P/O PL 13.8 Item 1)
10	-	Level (P/O PL 13.8 Item 1)
11	-	End Guide Link (P/O PL 13.8 Item 1)
12	-	End Guide (P/O PL 13.8 Item 1)
13	-	End Guide Plate (P/O PL 13.8 Item 1)
14	-	Side Guide Plate (P/O PL 13.8 Item 1)
15	-	Side Guide (P/O PL 13.8 Item 1)
16	-	Bottom Pad (P/O PL 13.8 Item 1)
17	-	Guide Plate (P/O PL 13.8 Item 1)



0013009A-WOL

PL 14.1 OHP Transparency Tray Assembly (1 of 2)

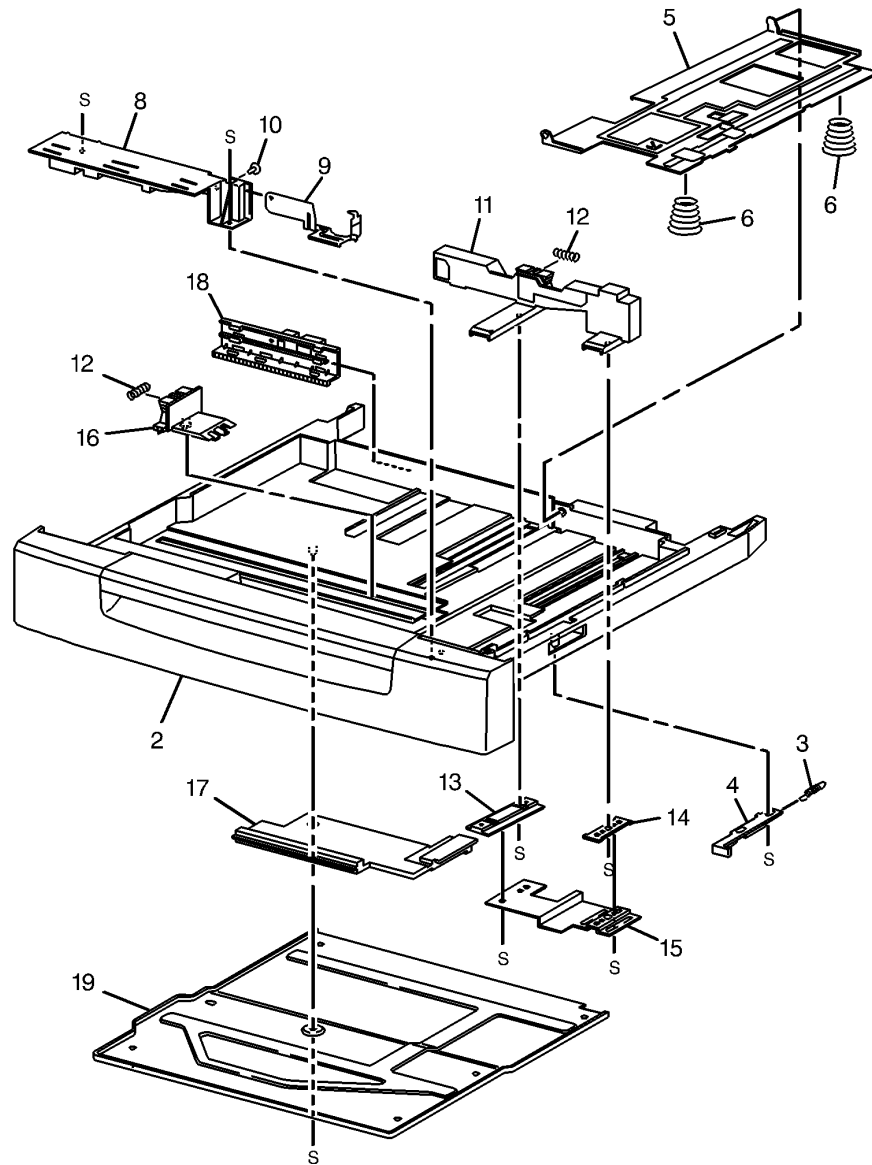
Item	Part	Description
1	050K42460	OHP Transparency Tray Assembly



0014001A-WOL

PL 14.2 OHP Transparency Tray Assembly (2 of 2)

Item	Part	Description
1	050K42460	OHP Transparency Tray Assembly
2	-	Tray Housing (P/O PL 14.2 Item 1)
3	-	Link Spring (P/O PL 14.2 Item 1)
4	-	Plate Link (P/O PL 14.2 Item 1)
5	-	Transparency Lift Plate (P/O PL 14.2 Item 1)
6	-	Tray Lift Spring (P/O PL 14.2 Item 1)
7	-	Front Guide Assembly (P/O PL 14.2 Item 1)
8	038E88420	Front Guide
9	019K97140	Transparency Tray Front Snubber (REP 7.8)
10	-	Snubber Stopper (P/O PL 14.2 Item 1)
11	-	Rear Guide (P/O PL 14.2 Item 1)
12	-	Guide Spring (P/O PL 14.2 Item 1)
13	-	Left Rear Guide Plate (P/O PL 14.2 Item 1)
14	-	Right Rear Guide Plate (P/O PL 14.2 Item 1)
15	-	Lock Plate (P/O PL 14.2 Item 1)
16	038K85700	End Guide
17	-	Guide Stopper (P/O PL 14.2 Item 1)
18	-	Transparency Tray Size Actuator (P/O PL 14.2 Item 1)
19	-	Tray Bottom Cover (P/O PL 14.2 Item 1)

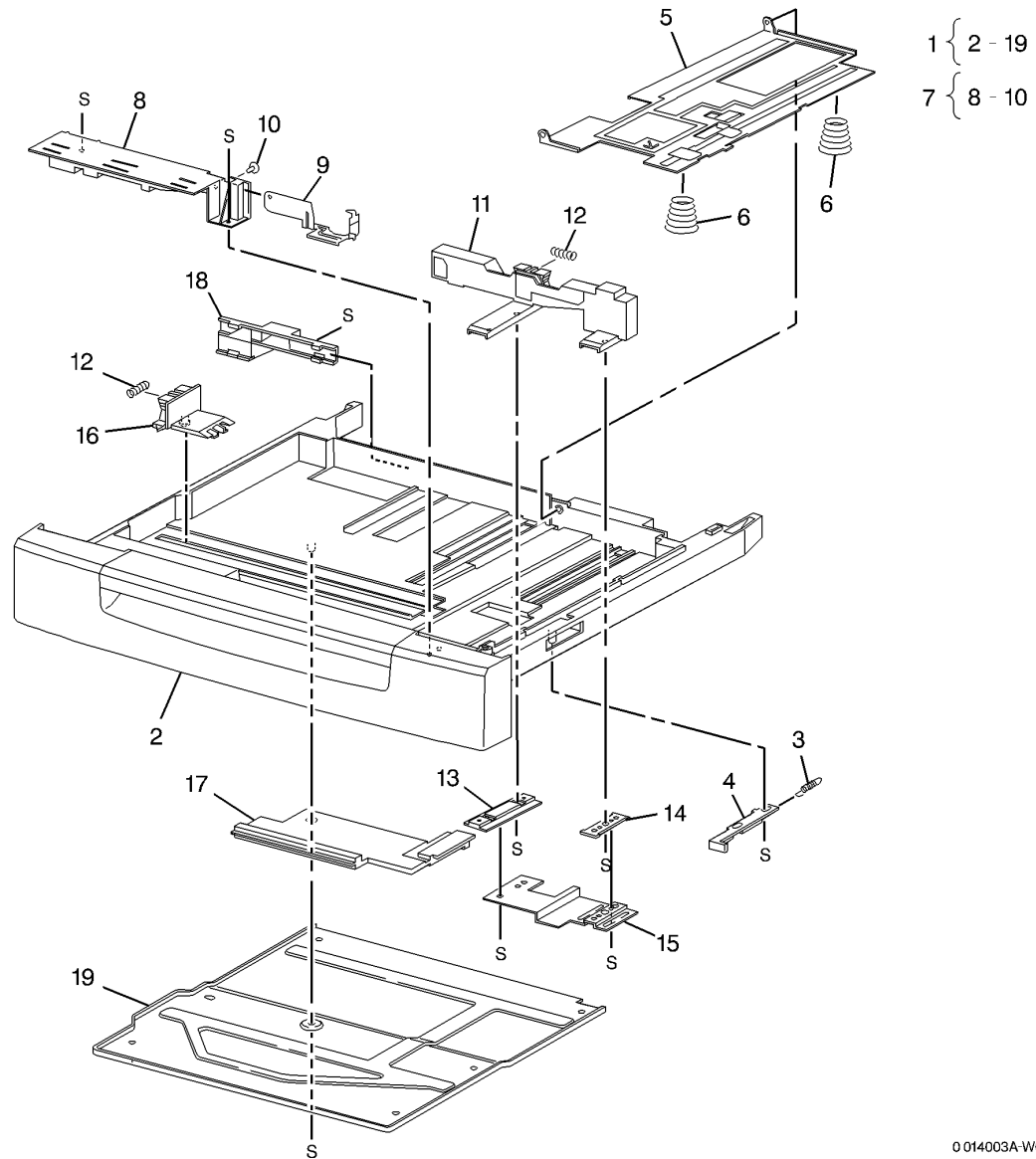


1 { 2 - 19
7 { 8 - 10

0014002A-WOL

PL 14.3 Oversize Tray

Item	Part	Description
1	050K42172	Oversize Tray Assembly (REP 7.6)
2	-	Tray Housing (P/O)PL 14.3 Item 1)
3	-	Lift Spring (P/O PL 14.3 Item 1)
4	-	Plate Link (P/O PL 14.3 Item 1)
5	-	Oversize Lift Plate (P/O PL 14.3 Item 1)
6	-	Tray Lift Spring (P/O PL 14.3 Item 1)
7	-	Front Guide Assembly (P/O PL 14.3 Item 1)
8	038E88420	Front Guide
9	019K97140	Oversize Tray Front Snubber (REP 7.8)
10	-	Snubber Stopper (P/O PL 14.3 Item 1)
11	-	Rear Guide (P/O PL 14.3 Item 1)
12	-	Guide Spring (P/O PL 14.3 Item 1)
13	-	Left Rear Guide Plate (P/O PL 14.3 Item 1)
14	-	Right Rear Guide Plate (P/O PL 14.3 Item 1)
15	-	Lock Plate (P/O PL 14.3 Item 1)
16	038K85490	End Guide
17	-	Guide Stopper (P/O PL 14.3 Item 1)
18	120E12930	Oversize Tray Actuator
19	-	Tray Bottom Cover (P/O PL 14.3 Item 1)

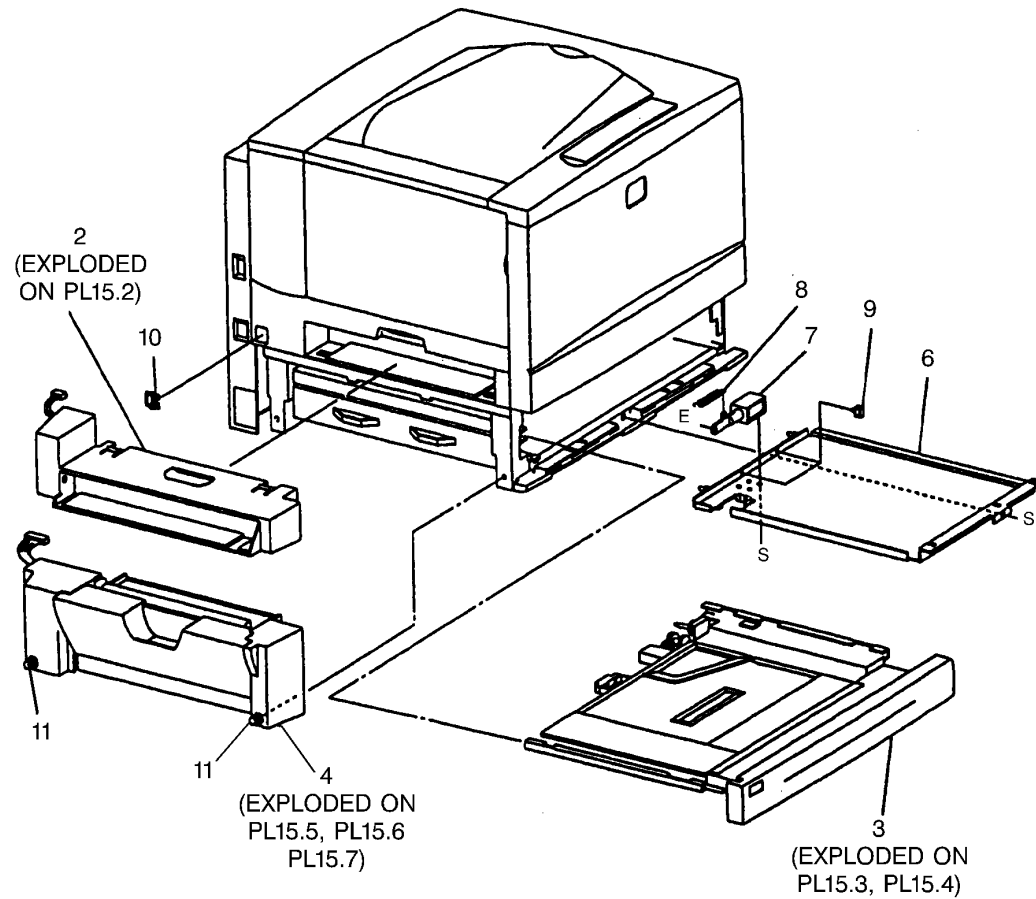


0 014003A-WOL

PL 15.1 Duplex Assembly (1 of 7)

Item	Part	Description
1	-	Duplex Final Assembly (Not Spared)
2	059K18960	Inverter Upper Assembly
3	059K19050	Duplex Tray Assembly
4	059K19120	Inverter Lower Assembly
5	-	Lower Chute Assembly (Not Spared)
6	-	Lower Chute (Not Spared)
7	121K21570	Duplex Nip Solenoid (REP 8.39)
8	-	Spring (Not Spared)
9	-	Clamp (Not Spared)
10	021E97232	Cover
11	026E74100	Mounting Screws

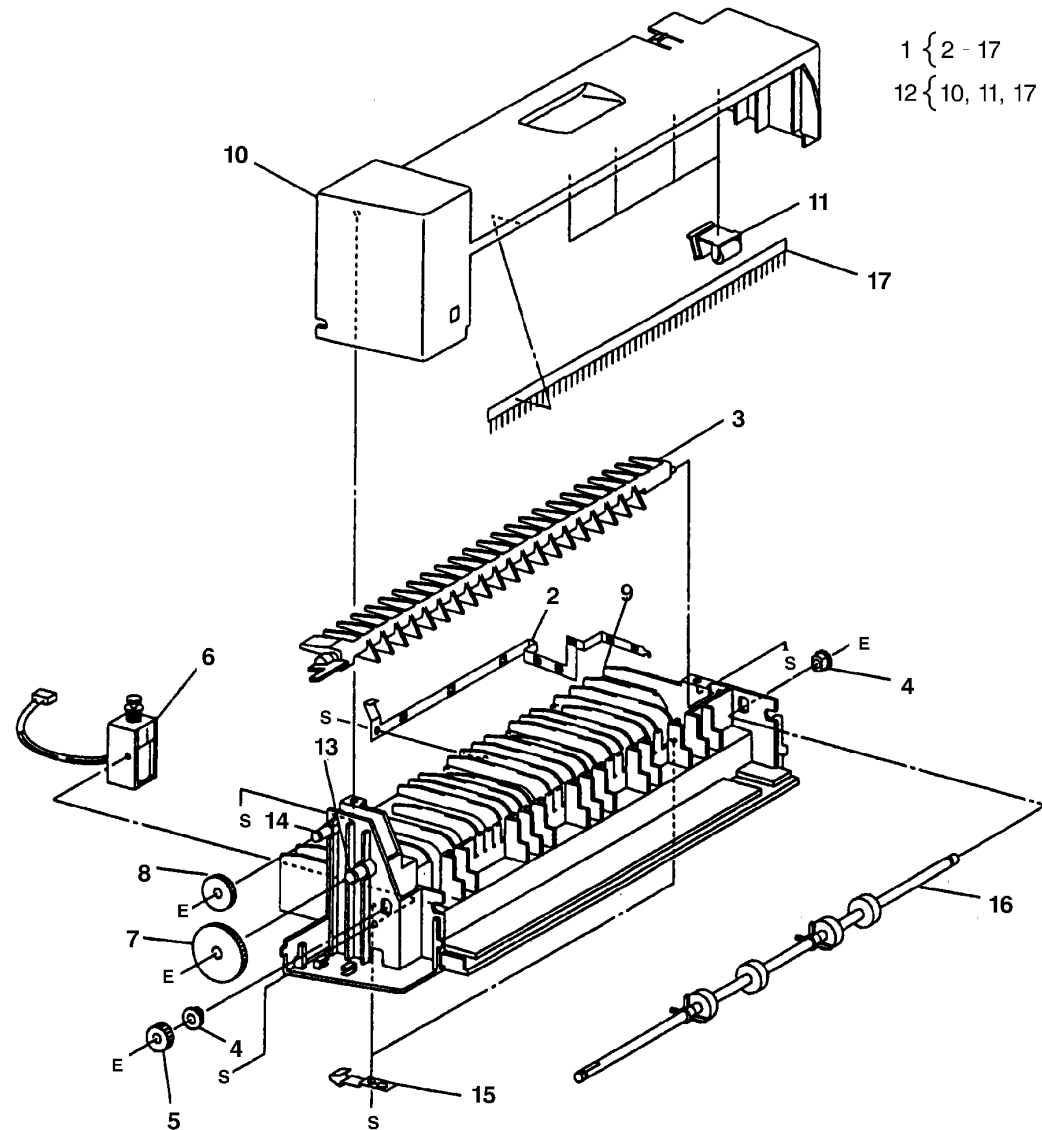
1 { 2-4
5 { 6-9



0015001A-WOL

PL 15.2 Duplex Assembly (2 of 7)

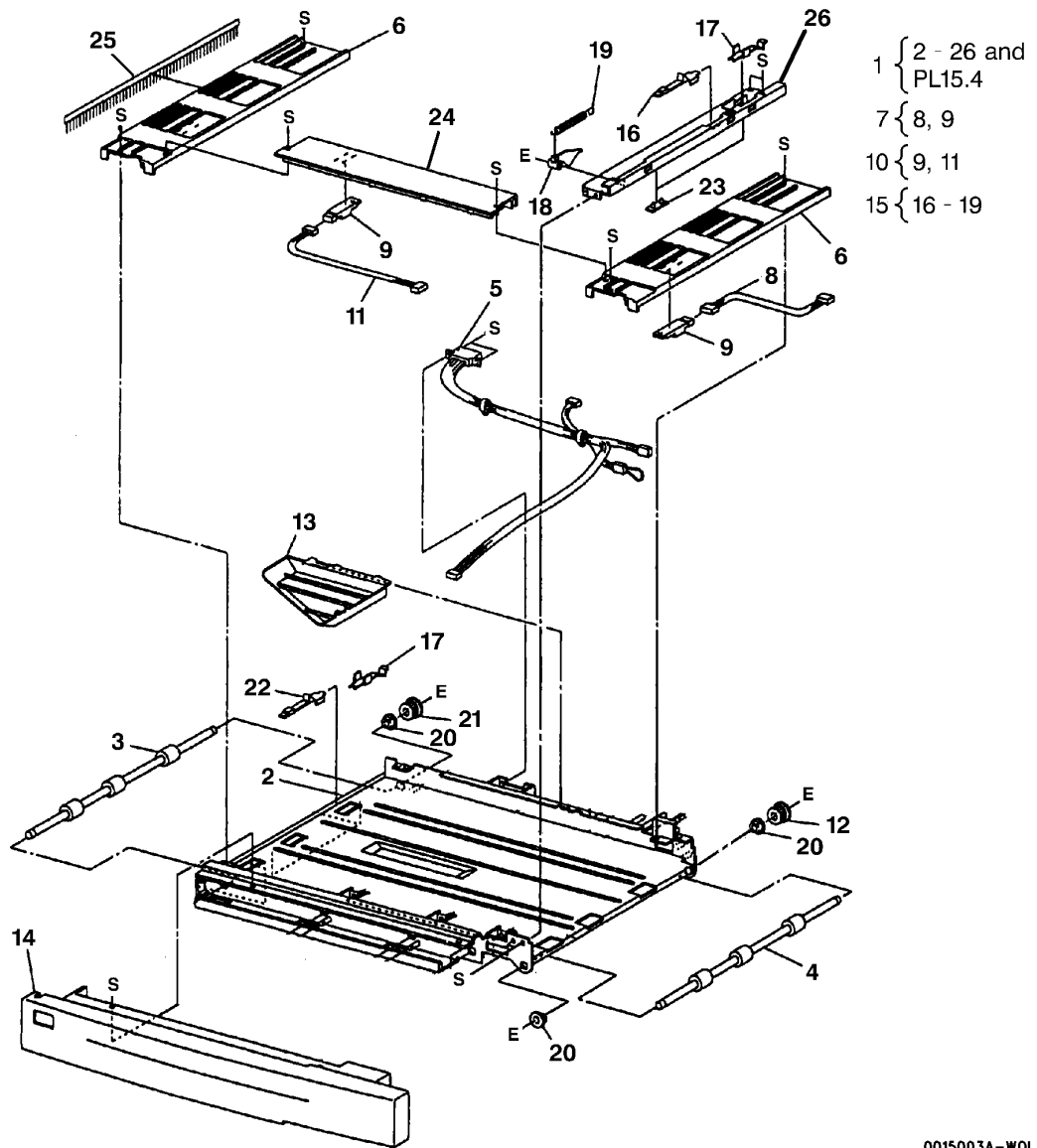
Item	Part	Description
1	059K18960	Inverter Upper Assembly (REP 8.33)
2	-	Ground Contact Spring (P/O PL 15.2 Item 1)
3	-	Duplex Gate (P/O PL 15.2 Item 1)
4	-	Bearing (P/O PL 15.2 Item 1)
5	-	Gear (P/O PL 15.2 Item 1)
6	121K22250	Inverter Solenoid
7	-	Gear (P/O PL 15.2 Item 1)
8	-	Gear (P/O PL 15.2 Item 1)
9	-	Exit Chute (P/O PL 15.2 Item 1)
10	-	Exit Cover (P/O PL 15.2 Item 1, PL 15.2 Item 12)
11	-	Pinch Roll (P/O PL 15.2 Item 1, PL 15.2 Item 12)
12	802K25820	Exit Cover Assembly
13	-	Shaft (P/O PL 15.2 Item 1)
14	-	Shaft (P/O PL 15.2 Item 1)
15	-	Spring Latch (P/O PL 15.2 Item 1)
16	022K57450	Exit Roll (REP 8.34)
17	-	Antistatic Brush (P/O PL 15.2 Item 1, PL 15.2 Item 12)



0015002A-WOL

PL 15.3 Duplex Assembly (3 of 7)

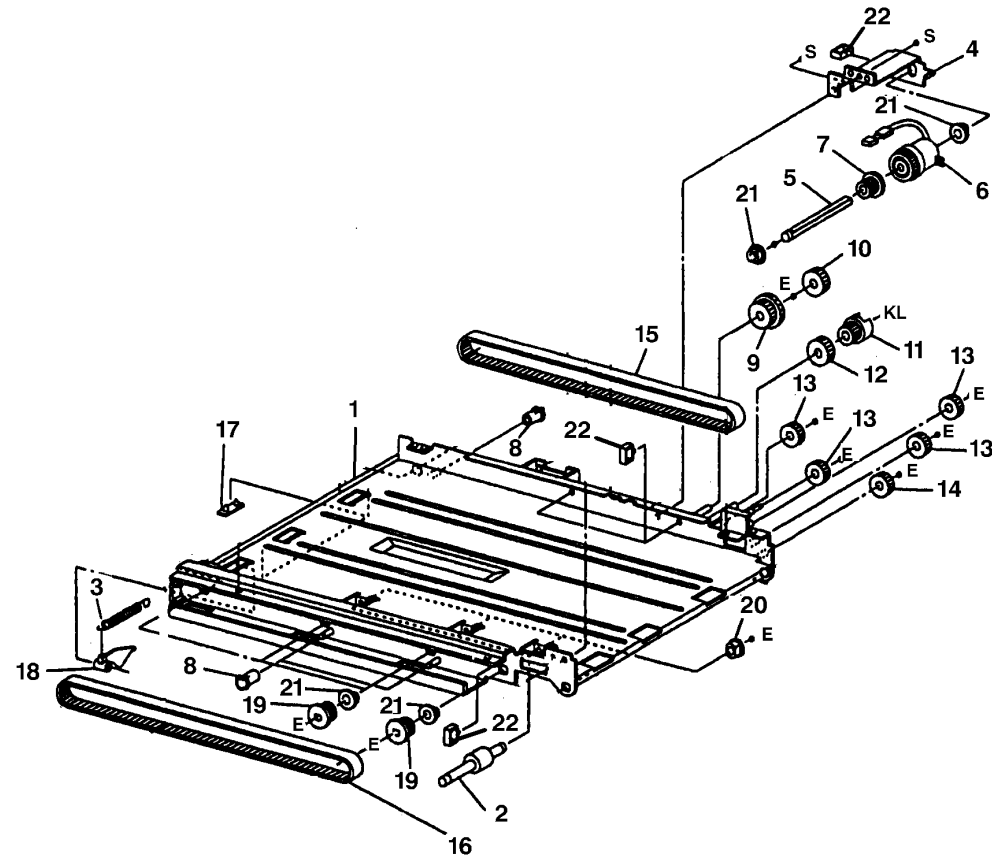
Item	Part	Description
1	059K19050	Duplex Tray Assembly (REP 8.27)
2	-	Chute (P/O PL 15.3 Item 1)
3	022K57460	Entrance Roll
4	022K57470	Exit Roll
5	162K55450	Duplex Tray Harness
6	-	Entrance Chute (P/O PL 15.3 Item 1)
7	-	Exit Chute (P/O PL 15.3 Item 1)
8	-	Harness (P/O PL 15.3 Item 1)
9	130E82650	Duplex Entrance Sensor, Duplex
10	-	Exit Sensor (REP 8.28 REP 8.29)
10	-	Registration Chute Assembly (P/O PL 15.3 Item 1)
11	-	Harness (P/O PL 15.3 Item 1)
12	-	Gear (P/O PL 15.3 Item 1)
13	-	Chute Support (P/O PL 15.3 Item 1)
14	802K25970	Front Cover
15	-	Rail Assembly (P/O PL 15.3 Item 1)
16	-	Stopper (P/O PL 15.3 Item 1)
17	-	Stopper (P/O PL 15.3 Item 1)
18	-	Plate Guide (P/O PL 15.3 Item 1)
19	-	Spring (P/O PL 15.3 Item 1)
20	-	Bearing (P/O PL 15.3 Item 1)
21	-	Pulley (P/O PL 15.3 Item 1)
22	-	Stopper (P/O PL 15.3 Item 1)
23	019E34500	Sheet Clamp
24	-	Alignment Chute (Not Spared)
25	-	Antistatic Brush (Not Spared)
26	-	Bracket (Not Spared)



0015003A-WOL

PL 15.4 Duplex Assembly (4 of 7)

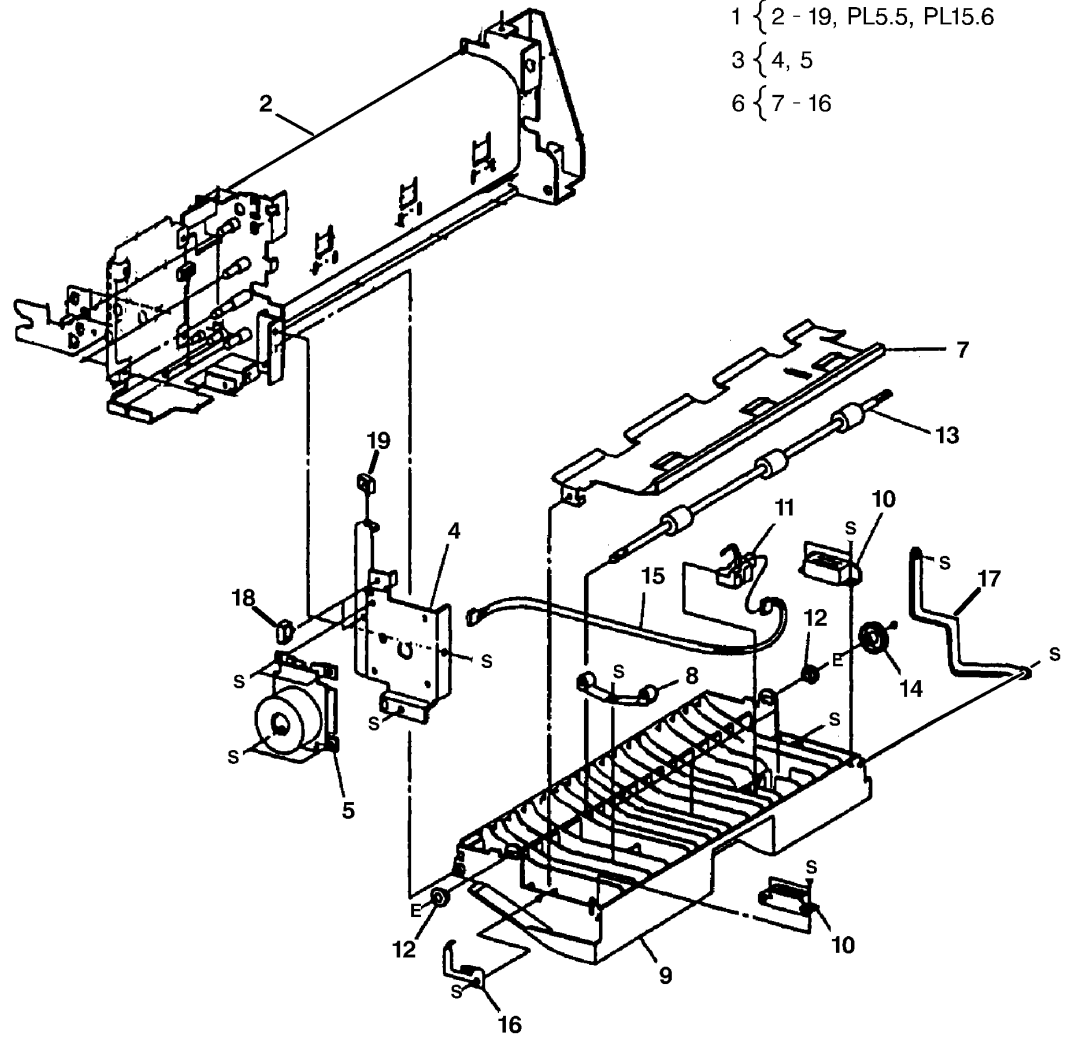
Item	Part	Description
1	-	Chute (P/O PL 15.3 Item 1)
2	022K57481	Registration Roll
3	-	Spring (P/O PL 15.3 Item 1)
4	-	Bracket (P/O PL 15.3 Item 1)
5	-	Shaft (P/O PL 15.3 Item 1)
6	121K22260	Duplex Drive Clutch (REP 8.30)
7	-	Gear (P/O PL 15.3 Item 1)
8	-	Collar (P/O PL 15.3 Item 1)
9	-	Gear (P/O PL 15.3 Item 1)
10	-	Gear (P/O PL 15.3 Item 1)
11	-	Coupling (P/O PL 15.3 Item 1)
12	-	Gear (P/O PL 15.3 Item 1)
13	-	Gear (P/O PL 15.3 Item 1)
14	-	Gear (P/O PL 15.3 Item 1)
15	023E19270	Rear Belt (REP 8.32)
16	023E19280	Front Belt (REP 8.31)
17	019E34500	Clamp-Sheet
18	-	Plate Guide (P/O PL 15.3 Item 1)
19	-	Pulley (P/O PL 15.3 Item 1)
20	-	Bearing (P/O PL 15.3 Item 1)
21	-	Bearing (P/O PL 15.3 Item 1)
22	-	Cable Clamp (Not Spared)



0015004A-WOL

PL 15.5 Duplex Assembly (5 of 7)

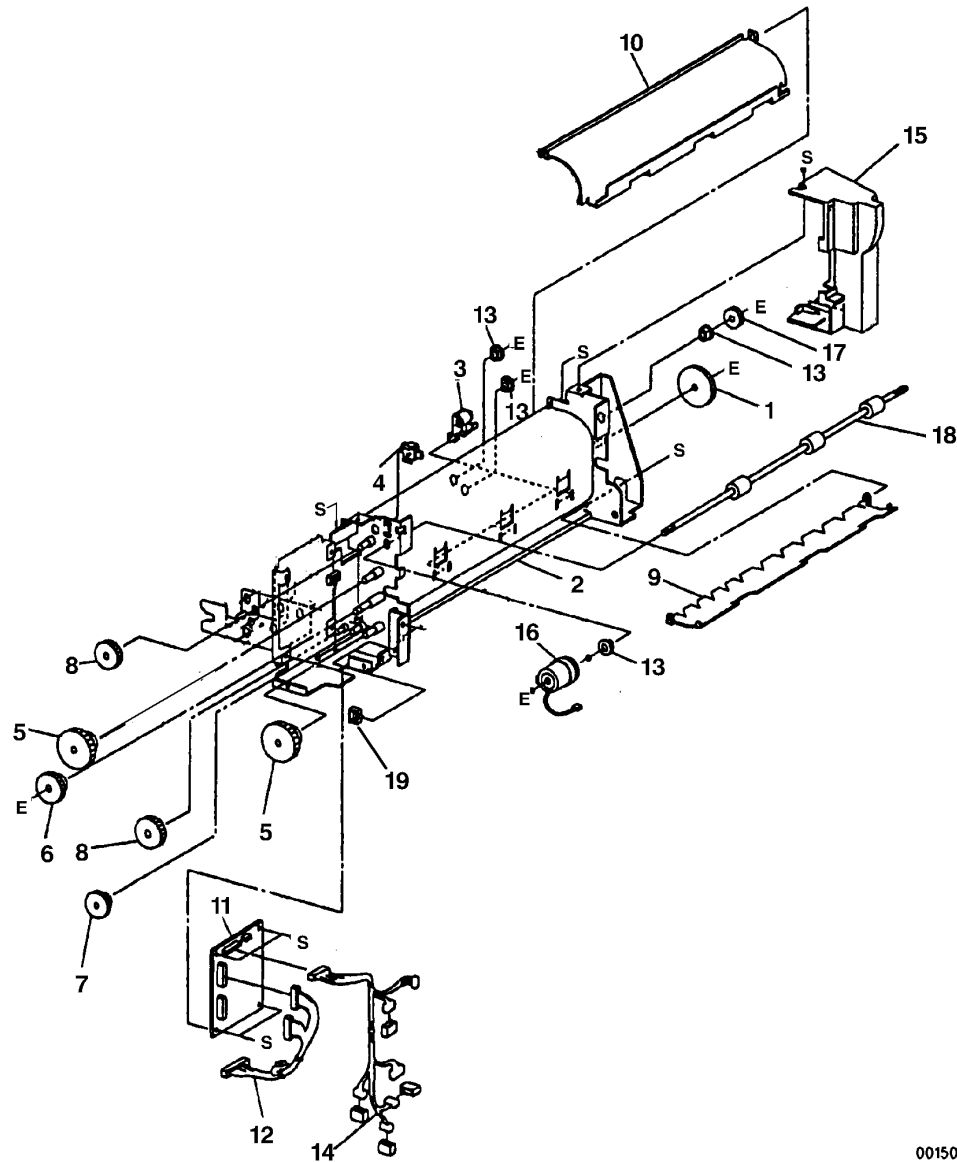
Item	Part	Description
1	059K19120	Inverter Lower Assembly (REP 8.35)
2	-	Turn Baffle (P/O PL 15.5 Item 1)
3	-	Inverter Motor Assembly (P/O PL 15.5 Item 1)
4	-	Bracket (P/O PL 15.5 Item 1)
5	127K29160	Inverter Motor (REP 8.36)
6	-	Invert Chute Assembly (P/O PL 15.5 Item 1)
7	-	Chute (P/O PL 15.5 Item 1)
8	-	Pinch Roll (P/O PL 15.5 Item 1)
9	-	Inverter Chute (P/O PL 15.5 Item 1)
10	-	Catch Magnet (P/O PL 15.5 Item 1)
11	130E82730	Inverter Sensor (REP 8.37)
12	-	Bearing (P/O PL 15.5 Item 1)
13	022K57510	Inverter Roll
14	-	Gear (P/O PL 15.5 Item 1)
15	-	Harness (P/O PL 15.5 Item 1)
16	-	Spring (P/O PL 15.5 Item 1)
17	830E56720	Cover Support
18	-	Clamp (P/O PL 15.5 Item 1)
19	-	Cable Clamp (P/O PL 15.5 Item 1)



0015005A-WOL

PL 15.6 Duplex Assembly (6 of 7)

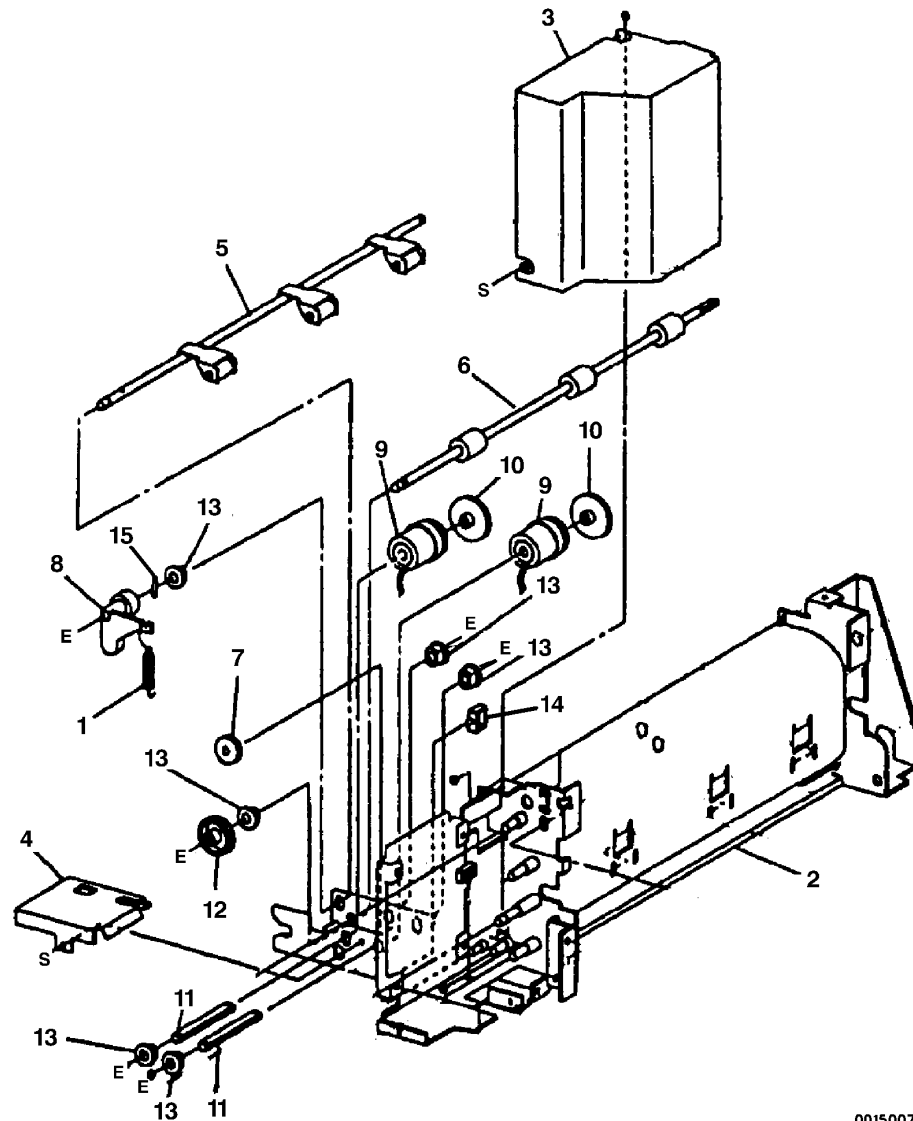
Item	Part	Description
1	-	Gear (P/O PL 15.5 Item 1)
2	-	Turn Baffle (P/O PL 15.5 Item 1)
3	-	Pinch Roll (P/O PL 15.5 Item 1)
4	110E93440	Cab Interlock
5	-	Gear (P/O PL 15.5 Item 1)
6	-	Gear (P/O PL 15.5 Item 1)
7	-	Gear (P/O PL 15.5 Item 1)
8	-	Gear (P/O PL 15.5 Item 1)
9	054K18400	Baffle
10	-	Chute (P/O PL 15.5 Item 1)
11	160K70540	Duplex Controller PWB (REP 8.38)
12	-	Harness (P/O PL 15.5 Item 1)
13	-	Bearing (P/O PL 15.5 Item 1)
14	-	Harness (P/O PL 15.5 Item 1)
15	802E12181	Inverter Front Cover
16	121K23790	Inverter Entrance Clutch
17	-	Gear (P/O PL 15.5 Item 1)
18	022K57520	Inverter Roll
19	-	Clamp (P/O PL 15.5 Item 1)



0015006A-WOL

PL 15.7 Duplex Assembly (7 of 7)

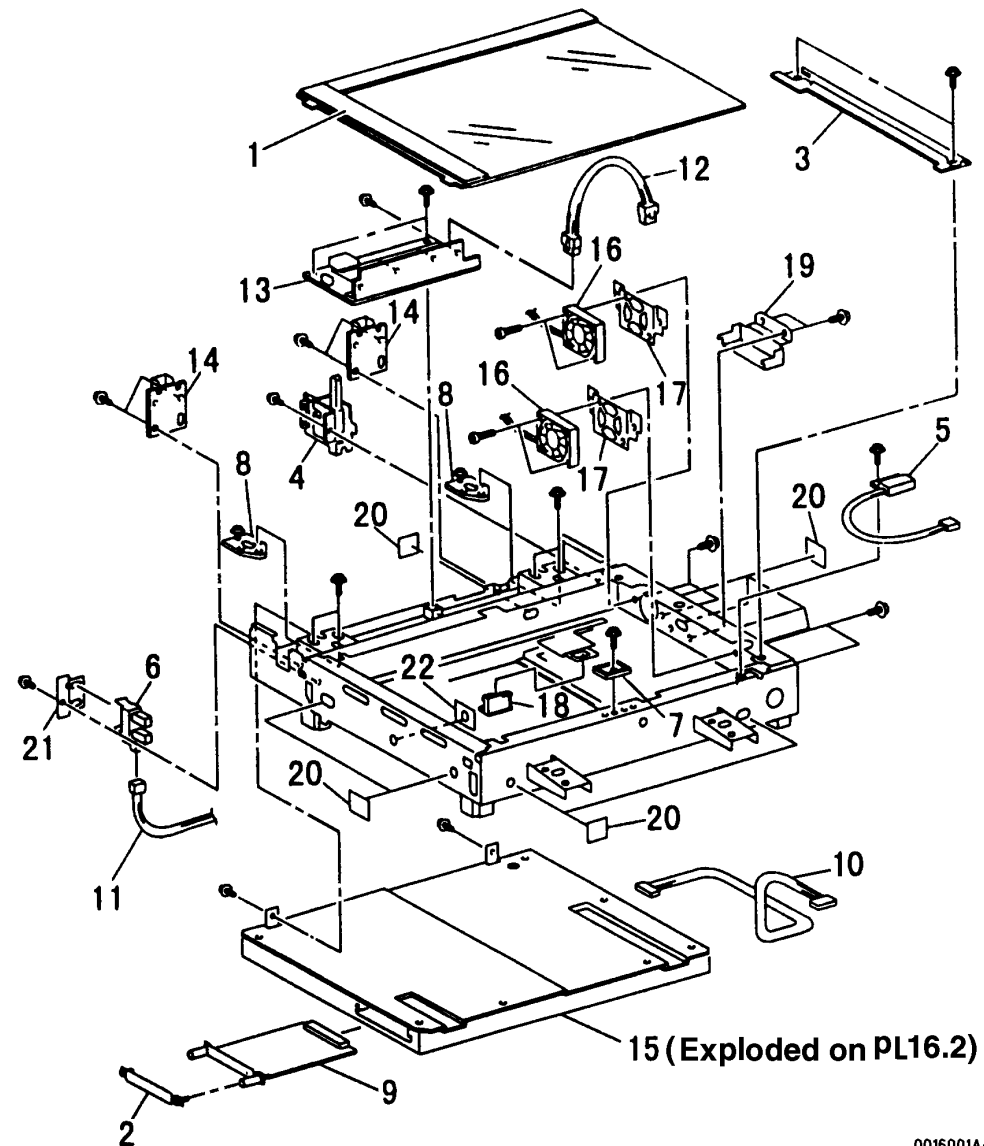
Item	Part	Description
1	-	Spring (P/O PL 15.5 Item 1)
2	-	Turn Baffle (P/O PL 15.5 Item 1)
3	802E12211	Rear Inverter Cover
4	-	Clutch Cover (P/O PL 15.5 Item 1)
5	-	Pinch Roll (P/O PL 15.5 Item 1)
6	022K57500	Inverter Roll
7	-	Gear (P/O PL 15.5 Item 1)
8	-	Link (P/O PL 15.5 Item 1)
9	121K23790	Reverse Clutch, Foward Clutch
10	-	Gear (P/O PL 15.5 Item 1)
11	-	Shaft (P/O PL 15.5 Item 1)
12	-	Gear (P/O PL 15.5 Item 1)
13	-	Bearing (P/O PL 15.5 Item 1)
14	-	Clamp (P/O PL 15.5 Item 1)
15	-	Pinch Roll Shaft Pin (P/O PL 15.5 Item 1)



0015007A-WOL

PL 16.1 Platen Glass and IIT

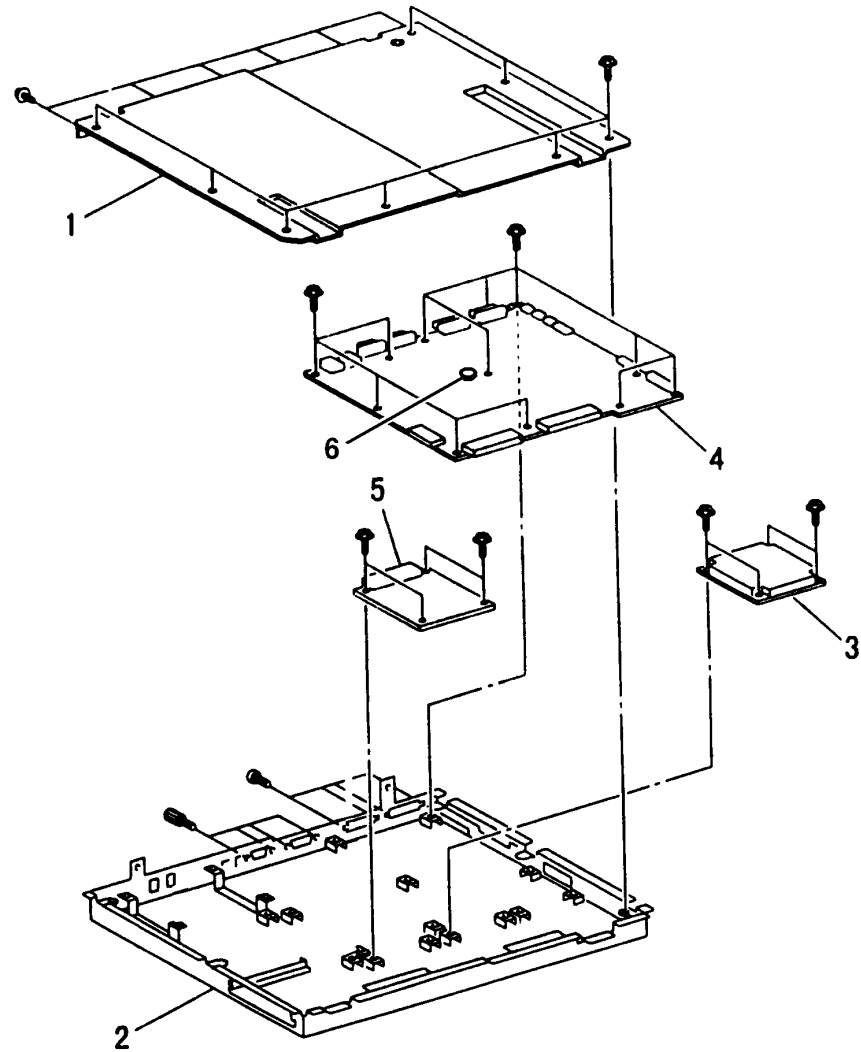
Item	Part	Description
1	090K92740	Platen Glass (REP 6.1)
2	-	Bracket (Not Spared)
3	-	Right Plate (Not Spared)
4	130K61001	Angle Sensor (REP 6.5)
5	110K94900	Platen Switch (REP 6.6)
6	130K61010	IIT Registration Sensor (REP 6.7)
7	068E10210	Support
8	-	Bracket (Not Spared)
9	160K69840	Advanced Features Memory PWB (REP 6.16)
10	162K60970	Harness
11	162K56420	Sensor Harness
12	162K56430	Harness
13	105K18750	IIT LVPS 110v (REP 6.8)
-	105K18760	IIT LVPS 220v (REP 6.8)
14	-	Guide (Not Spared)
15	-	PWB Box (Not Spared) (REP 6.11)
16	127E82280	Fan (REP 6.9)
17	-	Bracket (Not Spared)
18	130K58120	APS Sensor (REP 6.10)
19	-	Cover (Not Spared)
20	-	Guard (Not Spared)
21	-	Bracket (Not Spared)
22	-	Damper (Not Spared)



0016001A-WOL

PL 16.2 PWB Box

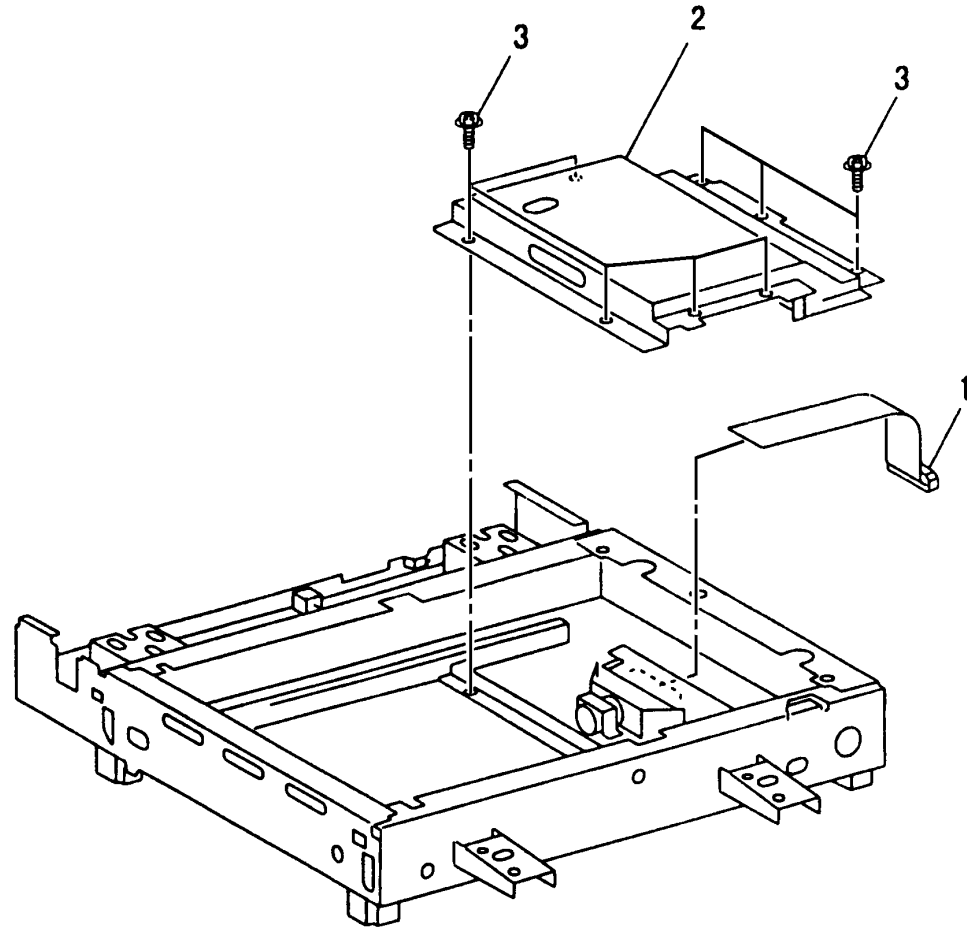
Item	Part	Description
1	-	PWB Box Cover (Not Spared)
2	-	Lower Box (Not Spared)
3	160K67840	IPS PWB (REP 6.13)
4	160K69575	ICM Main PWB (REP 6.14 ADJ 6.5)
5	160K62210	Extension PWB (REP 6.15)
6	-	IIT ICM PWB Lithium Battery (Not Spared)



0016002A-WOL

PL 16.3 CCD

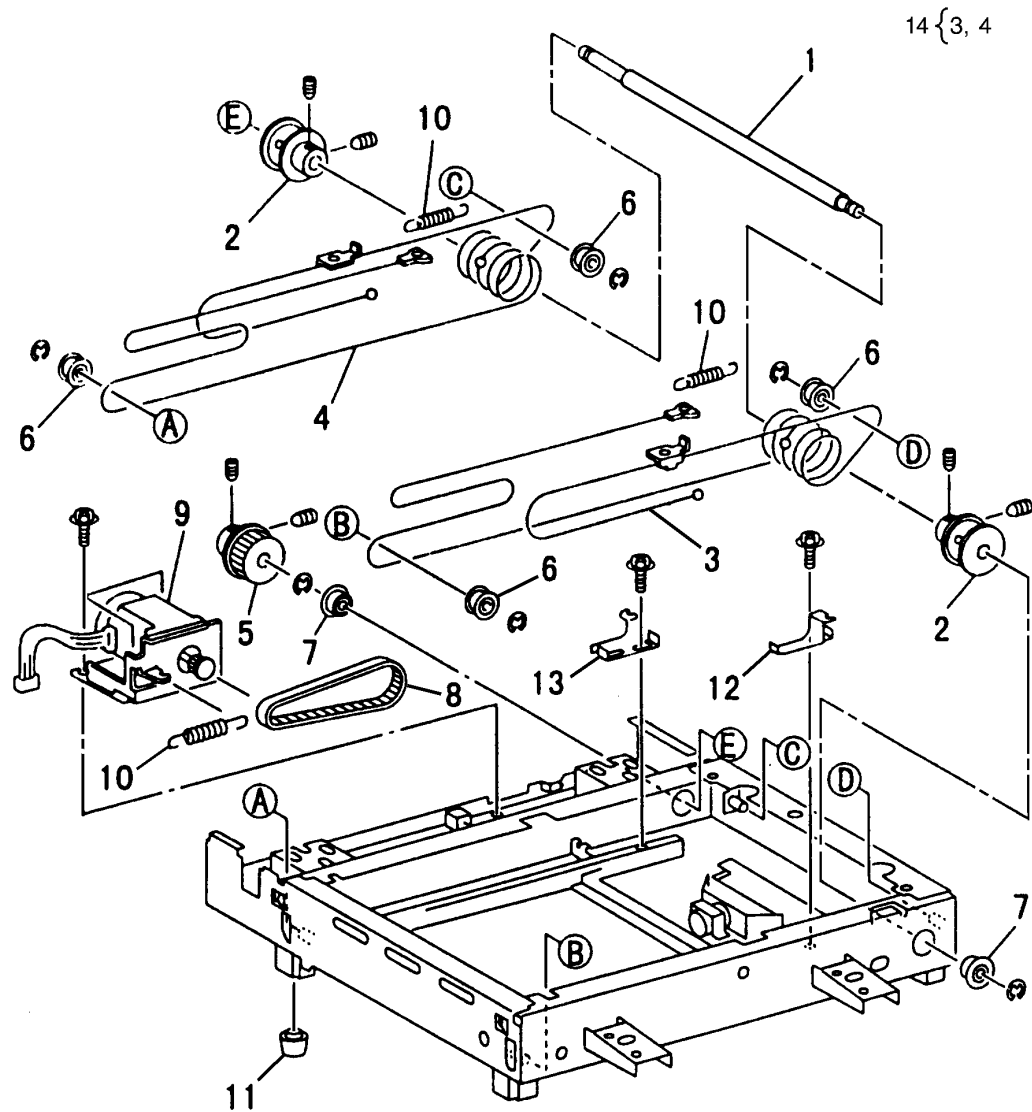
Item	Part	Description
1	160K67350	FPC Cable
2	-	Cover (Not Spared)
3	-	Screw (Not Spared)



0016003A-WOL

PL 16.4 Carriage Motor and Carriage Cable

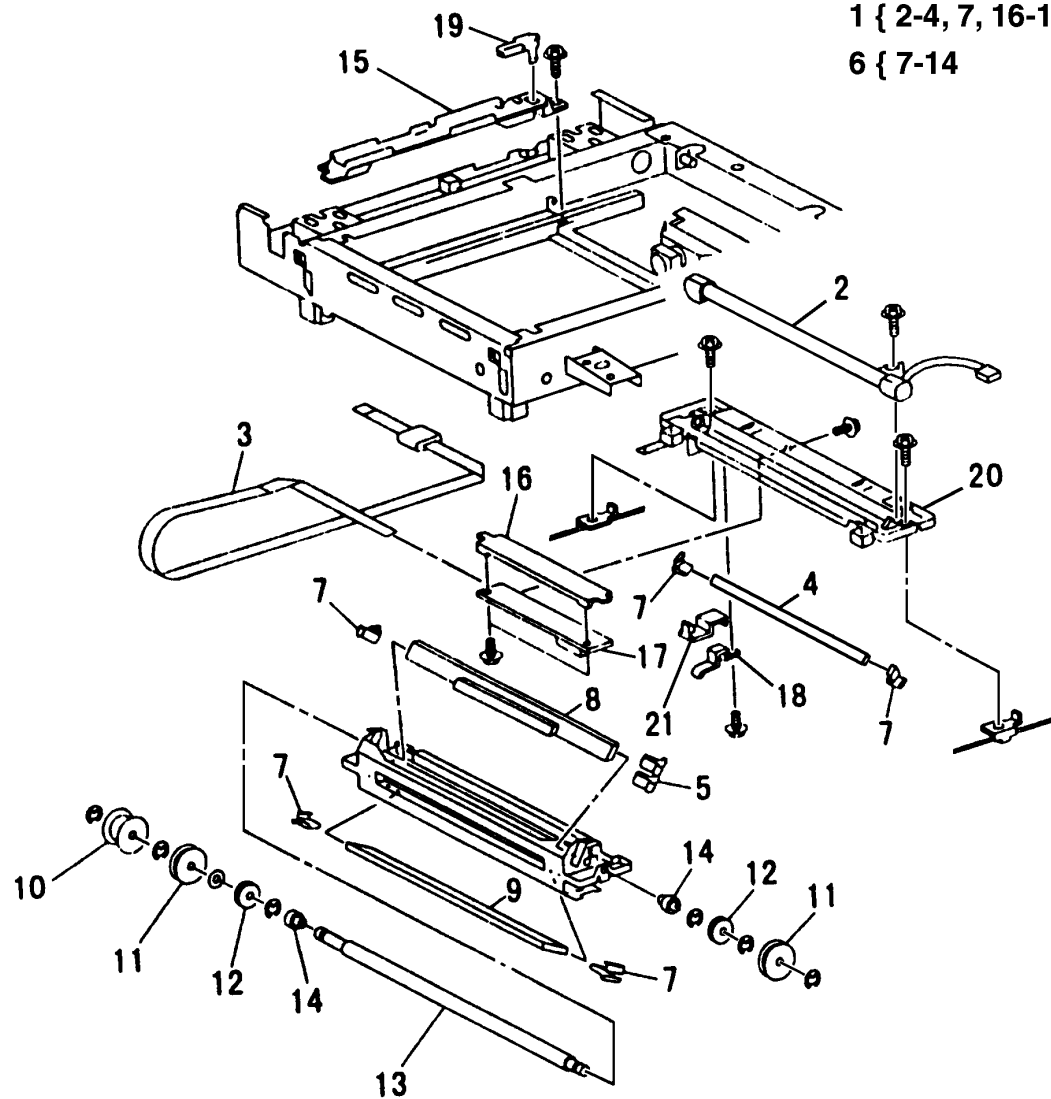
Item	Part	Description
1	-	Drive Shaft (Not Spared)
2	-	Pulley (Not Spared)
3	-	Front Cable (P/O PL 16.4 Item 14) (REP 6.17 ADJ 6.2)
4	-	Rear Cable (P/O PL 16.4 Item 14) (REP 6.17 ADJ 6.2)
5	020E33800	Pulley
6	020K94970	Pulley
7	413W10350	Bearing
8	023E19320	Belt
9	127K29610	Carriage Motor (REP 6.18)
10	009E62830	Spring
11	017E92060	Foot
12	-	Front Bracket (Not Spared)
13	-	Rear Bracket (Not Spared)
14	600K85730	IIT Cable Kit (ADJ 6.2)



0016004A-WOL

PL 16.5 Full Rate Carriage and Half Rate Carriage

Item	Part	Description
1	041K94070	Full Rate Carriage Assembly (REP 6.21 ADJ 6.2)
2	122E91950	Lamp (REP 6.20)
3	117E19831	Ribbon Cable
4	-	No. 1 Mirror (P/O PL 16.5 Item 1)
5	-	Clip (Not Spared)
6	041K94100	Half Rate Carriage Assembly (ADJ 6.2)
7	-	Clip (P/O PL 16.5 Item 1)
8	-	No. 2 Mirror (P/O PL 16.5 Item 6)
9	-	No. 3 Mirror (P/O PL 16.5 Item 6)
10	-	Pulley (P/O PL 16.5 Item 6)
11	-	Pulley (P/O PL 16.5 Item 6)
12	-	Pulley (P/O PL 16.5 Item 6)
13	-	Shaft (P/O PL 16.5 Item 6)
14	004E06560	Bearing
15	-	Guide (Not Spared)
16	-	Insulator (P/O PL 16.5 Item 1)
17	105E10010	FLPS PWB (REP 6.22)
18	-	Guide (P/O PL 16.5 Item 1)
19	-	Clamp (Not Spared)
20	-	Carriage (Not Spared)
21	-	Clamp (Not Spared)

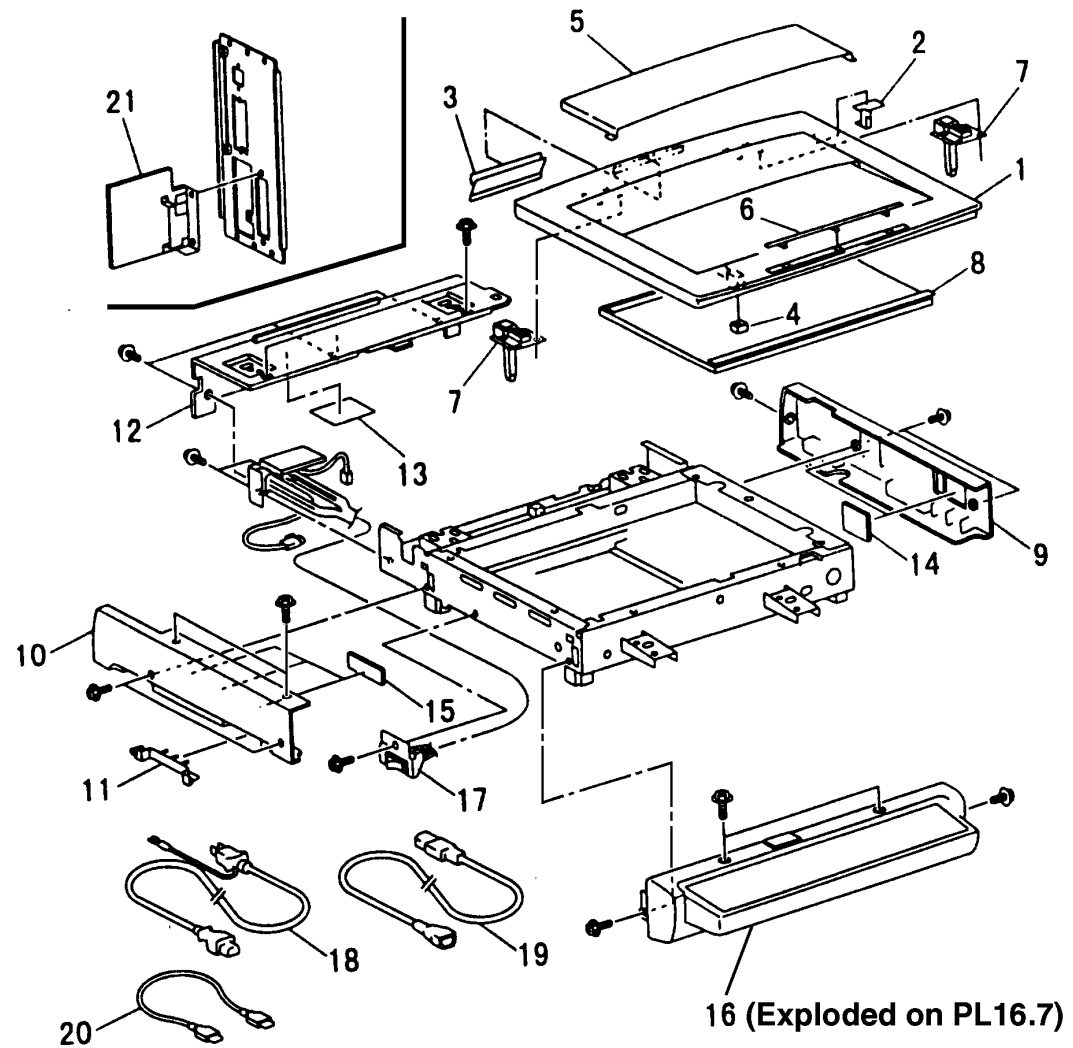


1 { 2-4, 7, 16-18
6 { 7-14

0016005A-WOL

PL 16.6 Top Cover and Control Panel

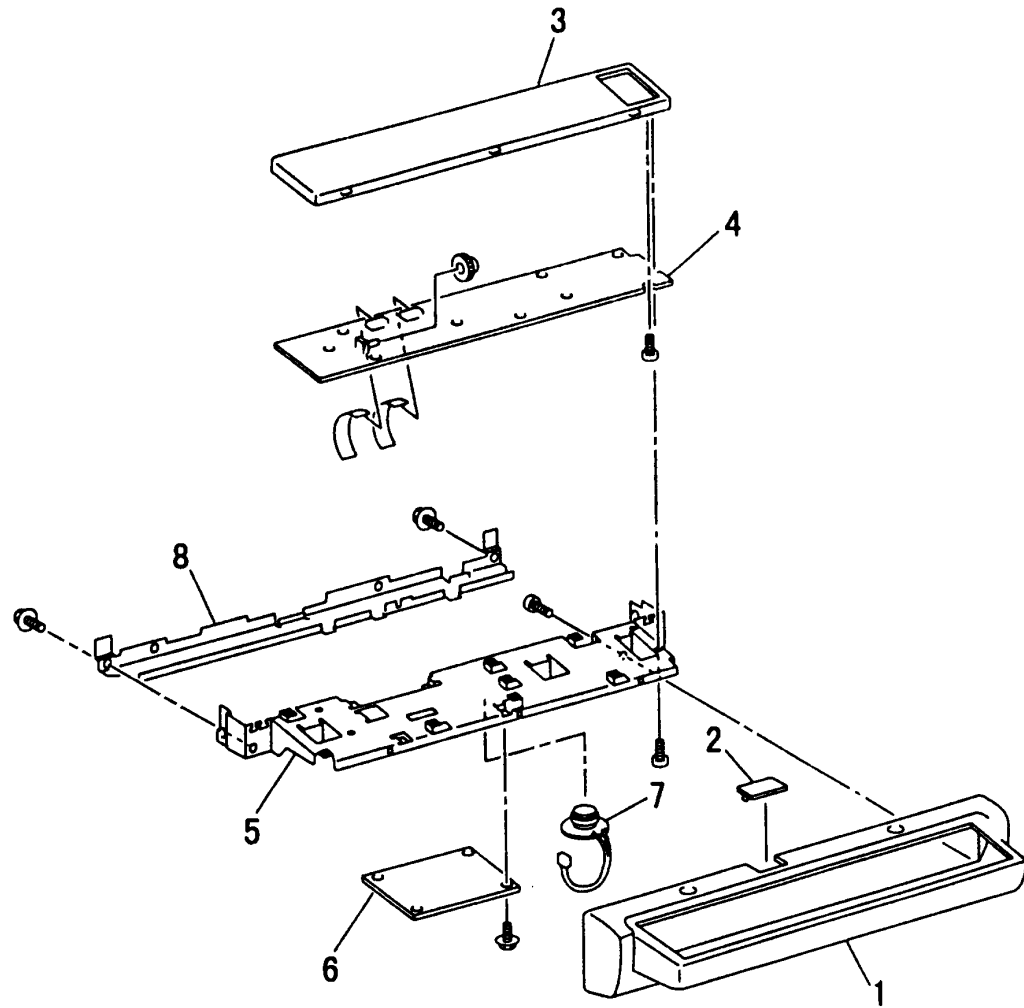
Item	Part	Description
1	802K14870	Platen Cover
2	-	Actuator (Not Spared)
3	-	Stopper (Not Spared)
4	-	Magnet (Not Spared)
5	048E18040	Pocket Cover
6	-	Handle (Not Spared)
7	003E52460	Hinge
8	004K92440	Cushion
9	802K13810	Right Cover (REP 6.2)
10	802K13821	Left Cover (REP 6.3)
11	-	Side Cover (Not Spared)
12	802K13831	Rear Cover (REP 6.4)
13	-	Sheet (Not Spared)
14	-	Filter (Not Spared)
15	-	Filter (Not Spared)
16	802K16902	Control Panel Assembly 110v (REP 6.23)
-	802K16912	Control Panel Assembly 220v (REP 6.23)
17	162K56731	AC Switch/Harness
18	117K31200	Power Cord 220v
19	-	Power Cord 110v (Not Spared)
20	162K60280	Cable 1.0m
21	-	I/F PWB (Not Spared)



0016006A-WOL

PL 16.7 Control Panel Assembly

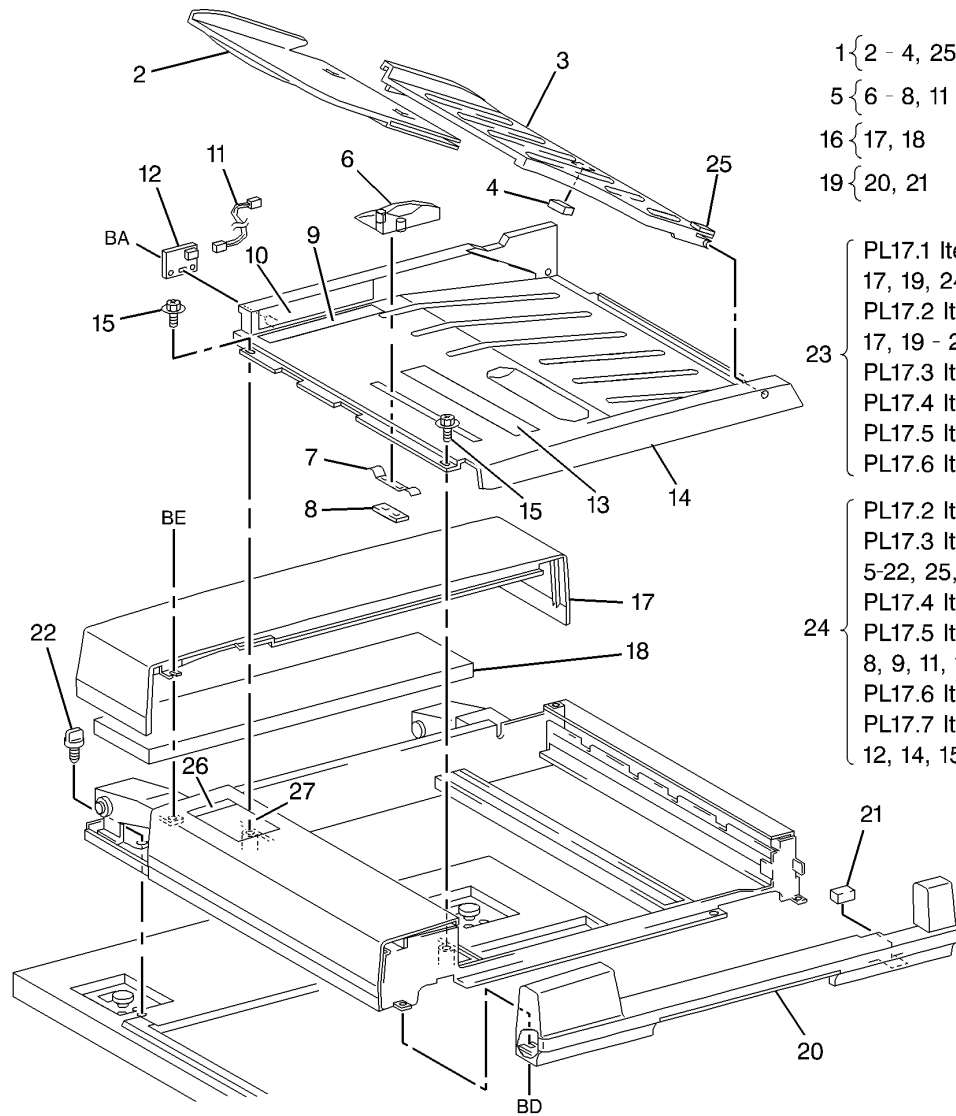
Item	Part	Description
1	-	Front Cover (Not Spared)
2	-	Cover (Not Spared)
3	-	Panel Cover (Not Spared)
4	-	Panel PWB (Not Spared)
5	-	Frame (Not Spared)
6	-	Control Panel PWB (Not Spared)
7	-	Speaker (Not Spared)
8	-	Stopper (Not Spared)



0016007A-WOL

PL 17.1 Document Exit Tray, Covers

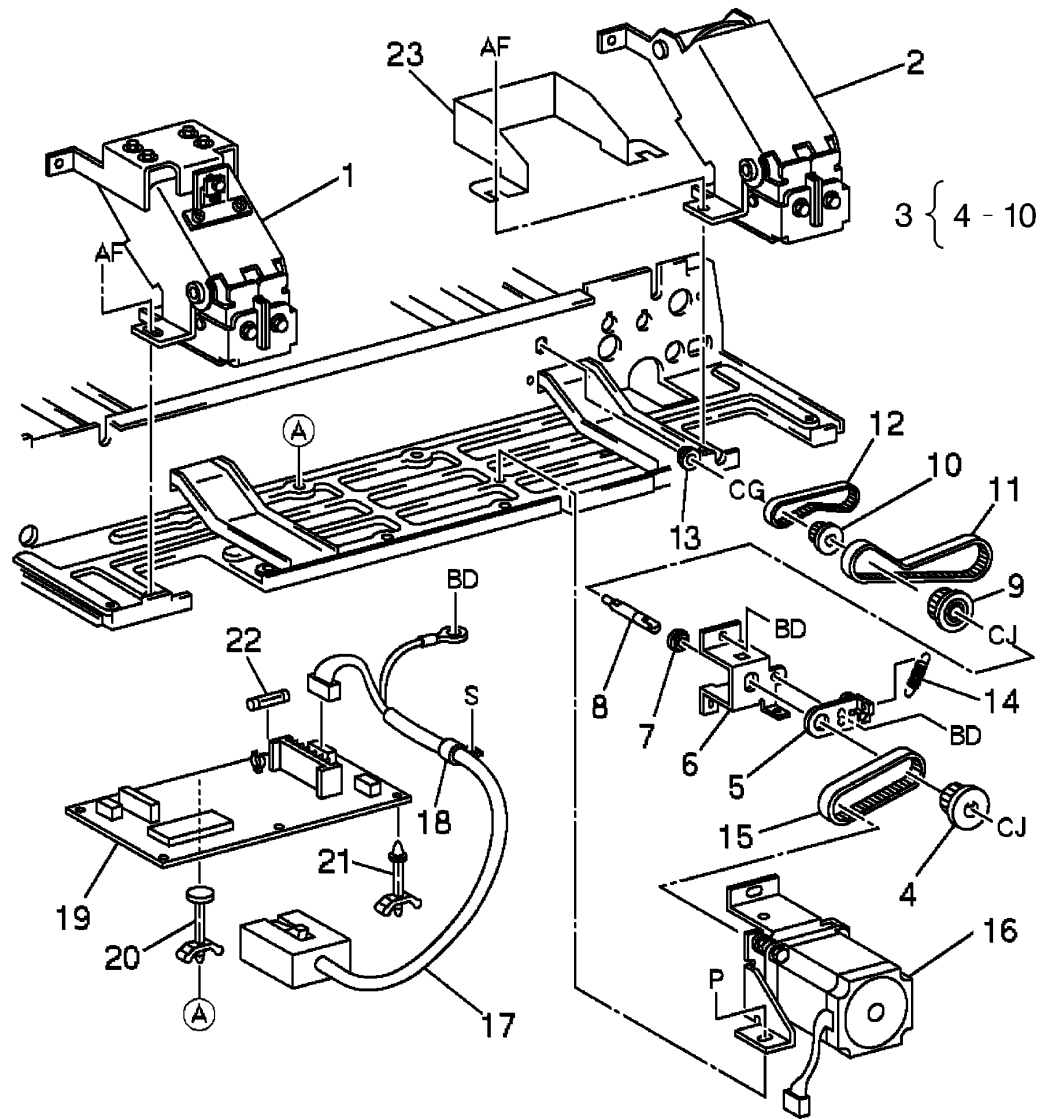
Item	Part	Description
1	050K41980	Document Exit Tray Assembly
2	-	Exit Tray Extension (P/O PL 17.1 Item 1)
3	-	Exit Tray (P/O PL 17.1 Item 1)
4	121E90640	Interlock Magnet
5	050K42110	Entrance Tray Assembly
6	-	Document Guide (P/O PL 17.1 Item 5)
7	-	Spring (P/O PL 17.1 Item 5)
8	-	Plate (P/O PL 17.1 Item 5)
9	892E19630	Label
10	892E19620	Label
11	152K63490	Harness
12	140K60480	Document Set Indicator
13	892E19610	Label (Size)
14	-	Entrance Tray (P/O PL 17.1 Item 5)
15	026P63574	Screw
16	-	Rear Cover Assembly (Not Spared)
17	-	Cover (Not Spared)
18	-	Seal (Not Spared)
19	802K14670	Front Cover Assembly
20	-	Cover (P/O PL 17.1 Item 19)
21	-	Magnet (P/O PL 17.1 Item 19)
22	003K91881	Thumb Screw
23	059K17851	ADF Main Feeder Assembly
24	059K16181	Feeder Assembly
25	-	Magnet (P/O PL 17.1 Item 1)
26	-	Label Fax (Not Spared)
27	-	Label Caution (Not Spared)
28	-	ADF Assembly (REP 5.1 ADJ 5.1 ADJ 5.2 ADJ 5.3 ADJ 5.4)



0 017001A-WOL

PL 17.2 Counterbalance, Drive Motor, PWB

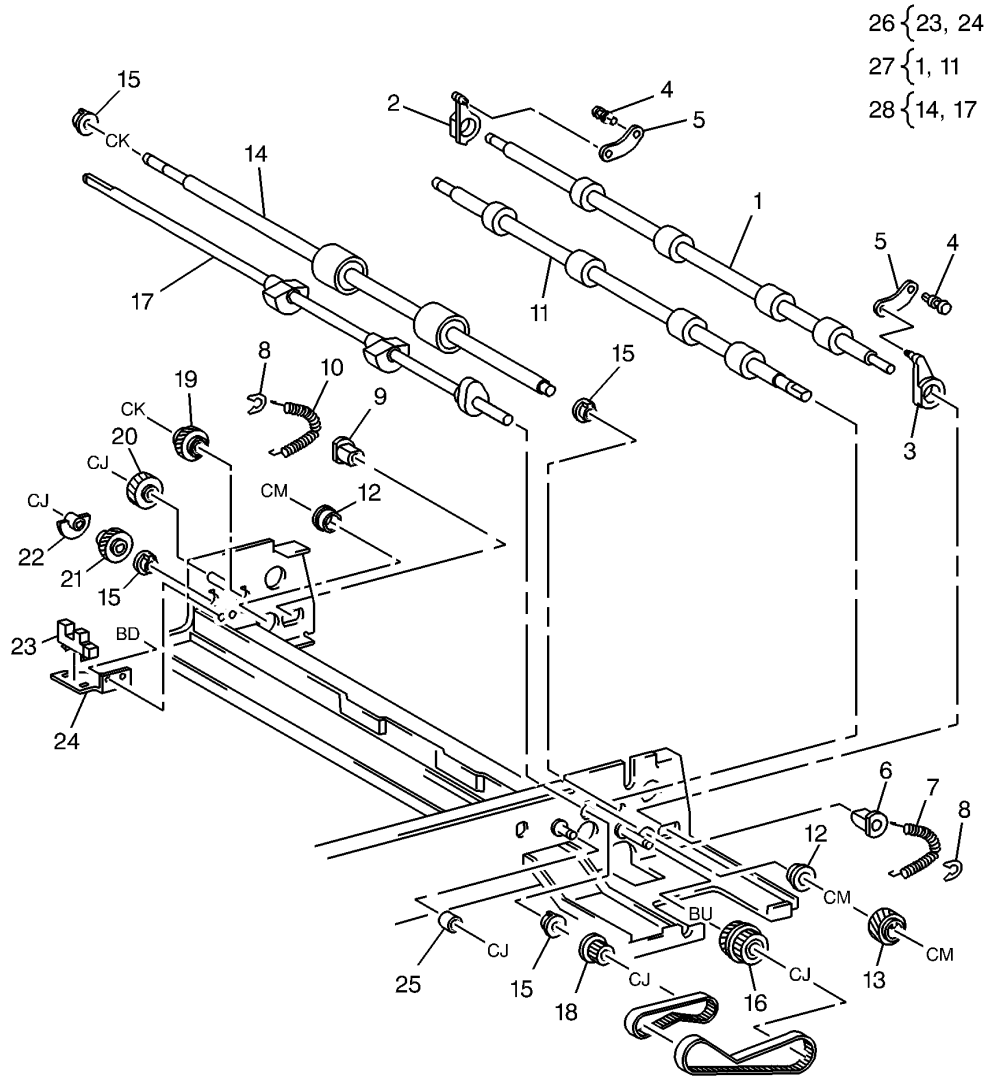
Item	Part	Description
1	036K90900	Right Counterbalance (REP 5.3 ADJ 5.1 ADJ 5.2 ADJ 5.3)
2	036K90890	Left Counterbalance (REP 5.3 ADJ 5.1 ADJ 5.2 ADJ 5.3)
3	020K93320	Pulley Assembly
4	020E16180	Pulley
5	068K78200	Bracket
6	-	Bracket (P/O PL 17.2 Item 3)
7	013E81880	Bearing
8	-	Shaft (P/O PL 17.2 Item 3)
9	020K93300	Pulley
10	020E90660	Pulley
11	023E08520	Belt
12	023E08510	Belt
13	013E81940	Bearing
14	009E48250	Spring
15	023E08500	Belt
16	127K29890	ADF Drive Motor (REP 5.2)
17	162K60410	Drive Harness
18	-	Clamp (Not Spared)
19	160K11571	ADF Control PWB
20	-	Support (Not Spared)
21	-	Support (Not Spared)
22	108E93270	Fuse (4A 125v)
23	-	Safety Cover (Not Spared)



0017002A-WOL

PL 17.3 Registration, Feed, Nudger Roll, Nudger Home Sensor

Item	Part	Description
1	-	Registration Pinch Roll (P/O PL 17.3 Item 27)
2	008E92010	Front Cam
3	008E92020	Rear Cam
4	019E93510	Push Rivet
5	012E93430	Link
6	013E94561	Bearing
7	009E28580	Spring
8	005E80250	C-Ring
9	013E82290	Bearing
10	009E39080	Spring
11	-	ADF Registration Roll (P/O PL 17.3 Item 27) (REP 5.6)
12	013E80970	Bearing
13	007E88100	Gear
14	-	Feed Roll (P/O PL 17.3 Item 28) (REP 5.4)
15	013E81370	Bearing
16	007K91871	Gear
17	-	Nudger Roll (P/O PL 17.3 Item 28) (REP 5.5)
18	020K93310	Pulley
19	007K81110	Gear
20	007K81980	Gear
21	007E83250	Gear
22	015E32720	Actuator
23	107E06650	Nudger Home Sensor
24	-	Bracket (P/O PL 17.3 Item 26)
25	059E90580	Tension Bearing
26	130K82790	Nudger Home Sensor Assembly
27	600K99500	Registration Roll Kit (ADJ 5.1 ADJ 5.2)
28	600K99510	Feed Roll Kit

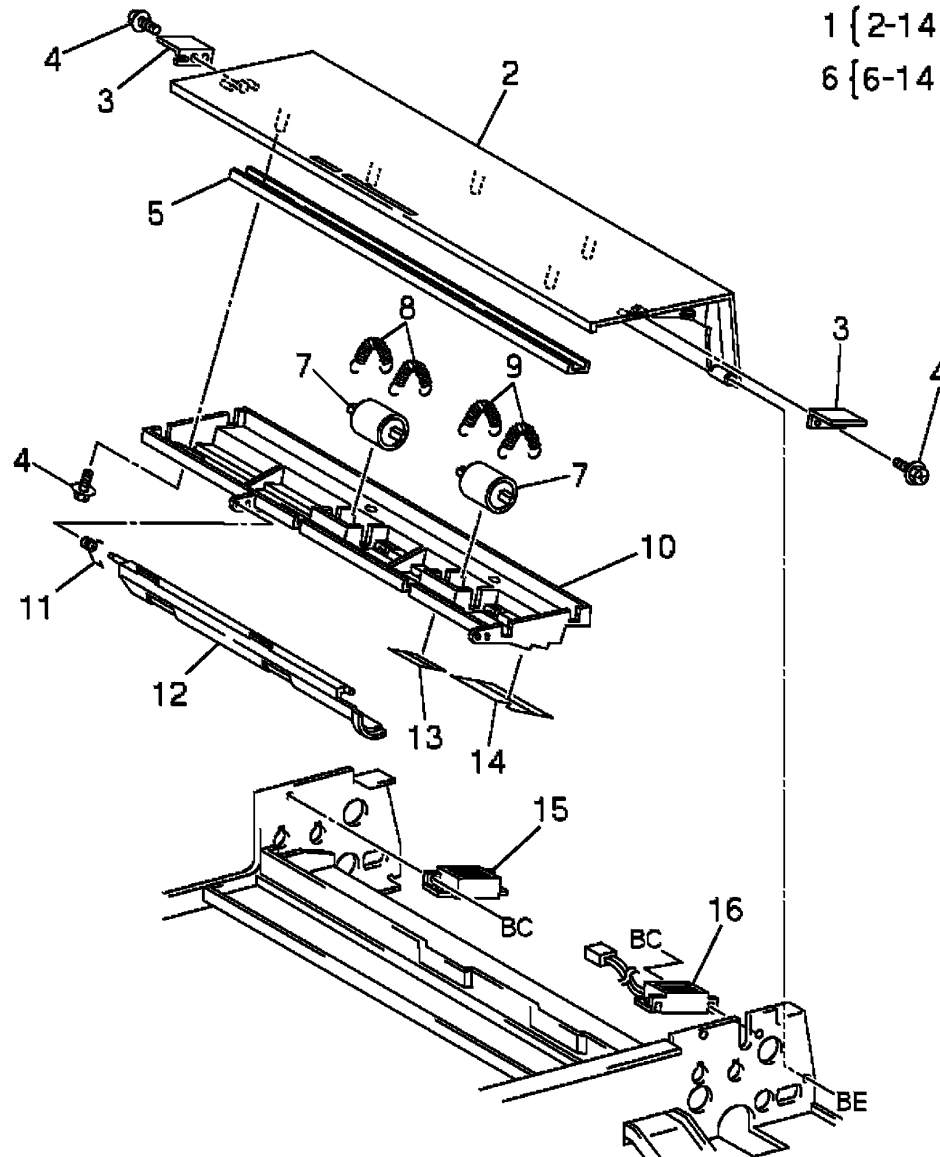


26 { 23, 24
 27 { 1, 11
 28 { 14, 17

0017003A-WOL

PL 17.4 Feeder Upper Chute Assembly, Interlock Switch

Item	Part	Description
1	802K14680	ADF Upper Chute Cover Assembly
2	-	Upper Cover (P/O PL 17.4 Item 1)
3	-	Plate (P/O PL 17.4 Item 1)
4	026E82620	Screw
5	-	Plate (P/O PL 17.4 Item 1)
6	-	Upper Chute Assembly (P/O PL 17.4 Item 1)
7	600K84250	Retard Roll Kit (2/Kit)
8	009E26941	Spring
9	009E31711	Spring
10	054E84730	Upper Chute
11	009E64490	Spring
12	-	Nudger Chute (P/O PL 17.4 Item 1)
13	-	Guard (P/O PL 17.4 Item 1)
14	-	Guard (P/O PL 17.4 Item 1)
15	121E90450	Magnet
16	110K94790	Feeder Cover Interlock



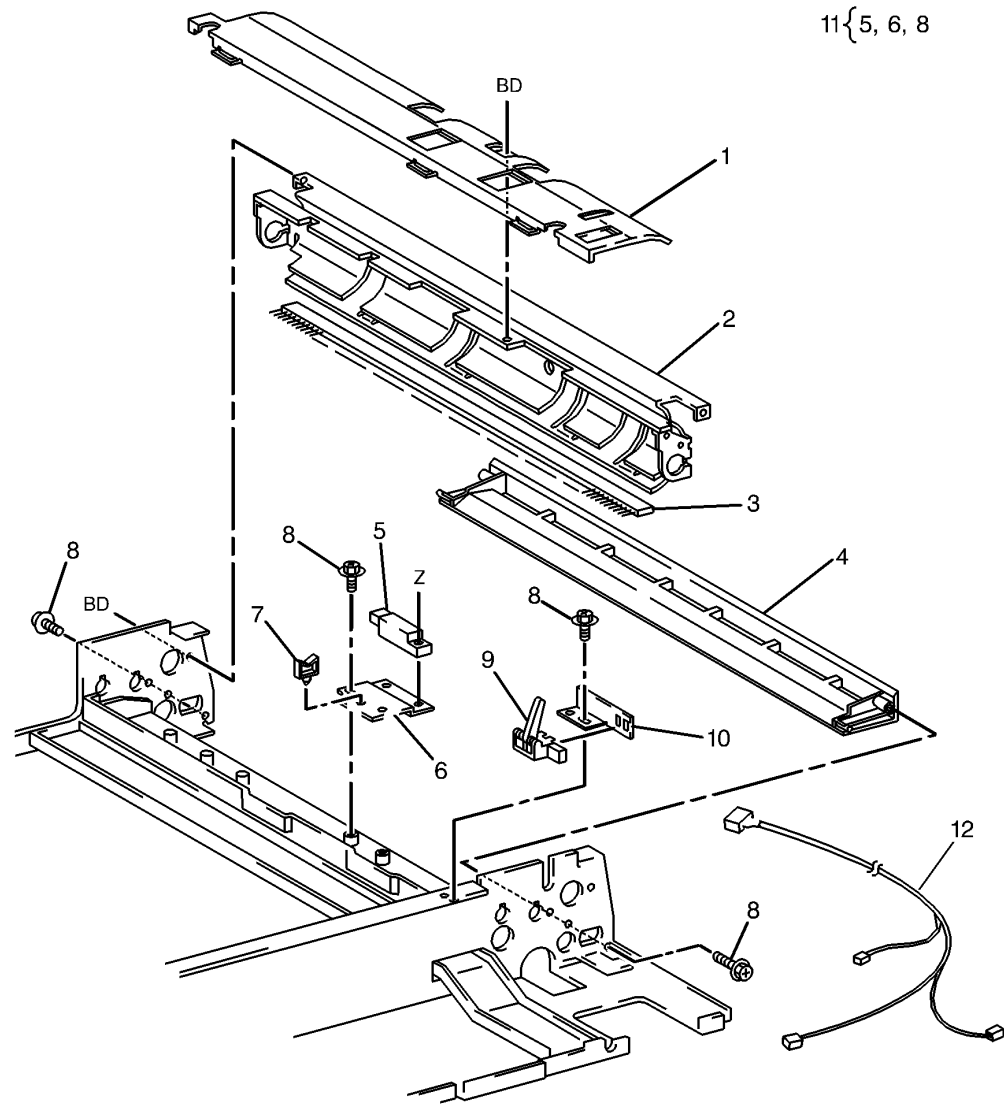
1 { 2-14

6 { 6-14

0017004A-WOL

PL 17.5 Feeder Lower Chute, Registration Sensor

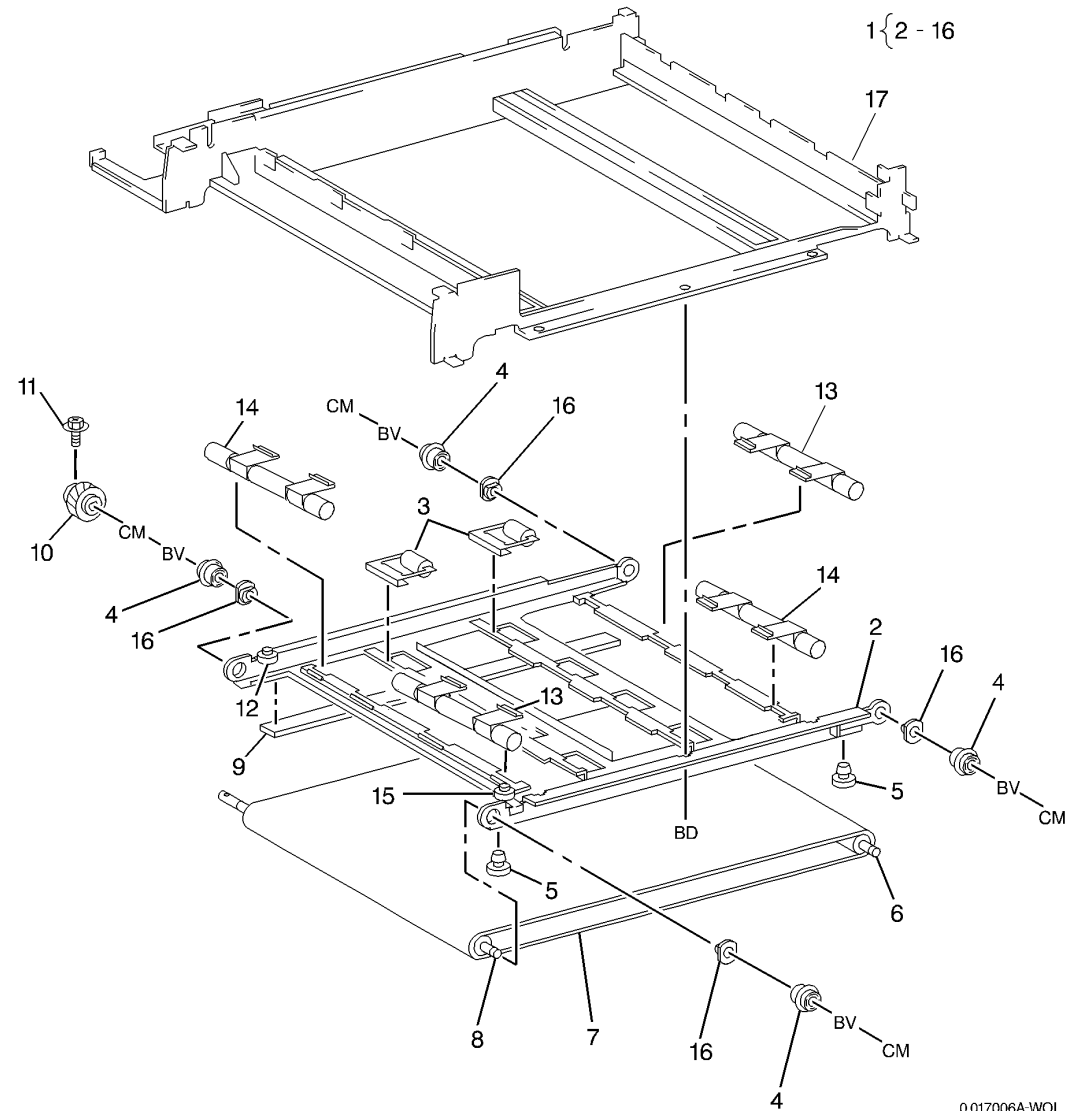
Item	Part	Description
1	-	Lower Chute (Not Spared)
2	-	Registration Chute (Not Spared)
3	105E92310	Antistatic Brush
4	002E61020	Lower Cover
5	130E81150	ADF Registration Sensor (ADJ 5.4)
6	-	Bracket (P/O PL 17.5 Item 11)
7	-	Clamp (Not Spared)
8	026E82620	Screw
9	130K82780	Document Set Sensor (ADJ 5.4)
10	-	Bracket (Not Spared)
11	130K61380	Registration Sensor Assembly (ADJ 5.4)
12	-	Harness (Not Spared)



0017005A-WOL

PL 17.6 Document Transport, Platen Belt

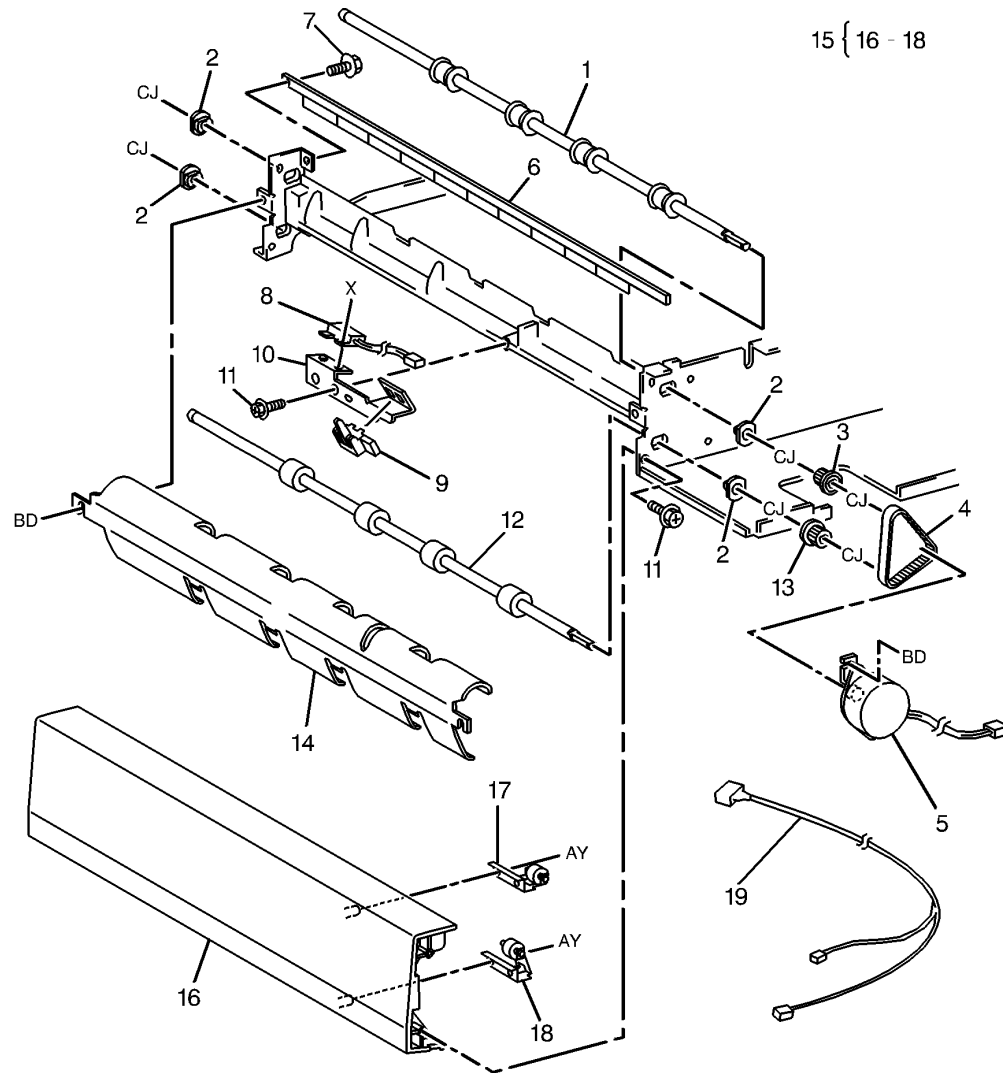
Item	Part	Description
1	-	Document Transport Assembly (Not Spared) (REP 5.7 ADJ 5.4)
2	-	Transport Frame (Not Spared)
3	059K13440	Pinch Roll
4	-	Collar (Not Spared)
5	004E98270	Damper
6	022K39710	Idler Roll
7	023E15690	Platen Belt
8	022K39700	Drive Roll
9	-	Deflector (Not Spared)
10	007E83141	Gear
11	-	Screw (Not Spared)
12	-	Rear Roll (Not Spared)
13	-	Roll No 1 (Not Spared)
14	-	Roll No 2 (Not Spared)
15	-	Front Roll (Not Spared)
16	013E80970	Bearing
17	-	ADF Main Framie (Not Spared)



0 017006A-WOL

PL 17.7 Exit Roll, Exit Motor, Exit Sensor

Item	Part	Description
1	059K91200	Upper Exit Roll
2	013E92760	Bearing
3	020E93230	Pulley
4	023E15810	Belt
5	127K25420	ADF Exit Motor (REP 5.9)
6	105E94661	Antistatic Brush
7	026E17760	Screw
8	110K94420	Exit Tray Interlock (REP 5.10)
9	130K83020	ADF Exit Sensor (REP 5.10)
10	-	Bracket (Not Spared)
11	026E82620	Screw
12	059K13330	Lower Exit Roll
13	-	Pulley (Not Spared)
14	-	Exit Chute (Not Spared)
15	054K87731	Exit Chute Cover Assembly
16	-	Exit Chute Cover (P/O PL 17.7 Item 15)
17	022K30330	Pinch Roll
18	022K30360	Pinch Roll
19	-	Harness (Not Spared)

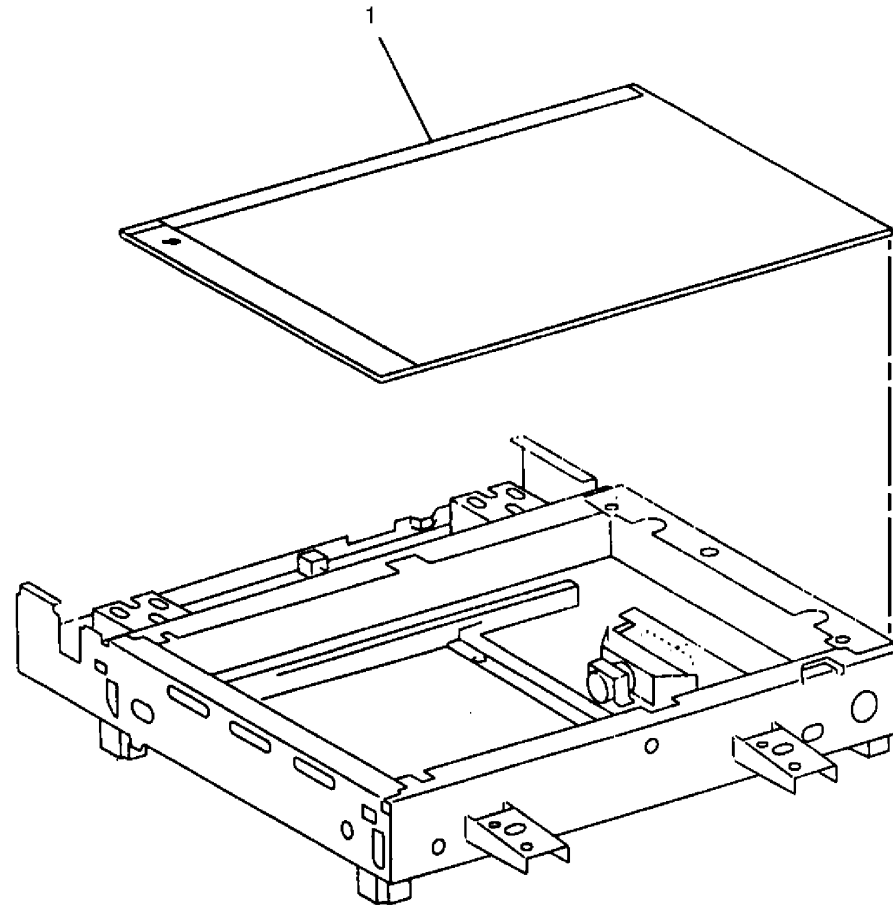


15 { 16 - 18

0017007A-WOL

PL 17.8 Platen Glass, ADF Harness

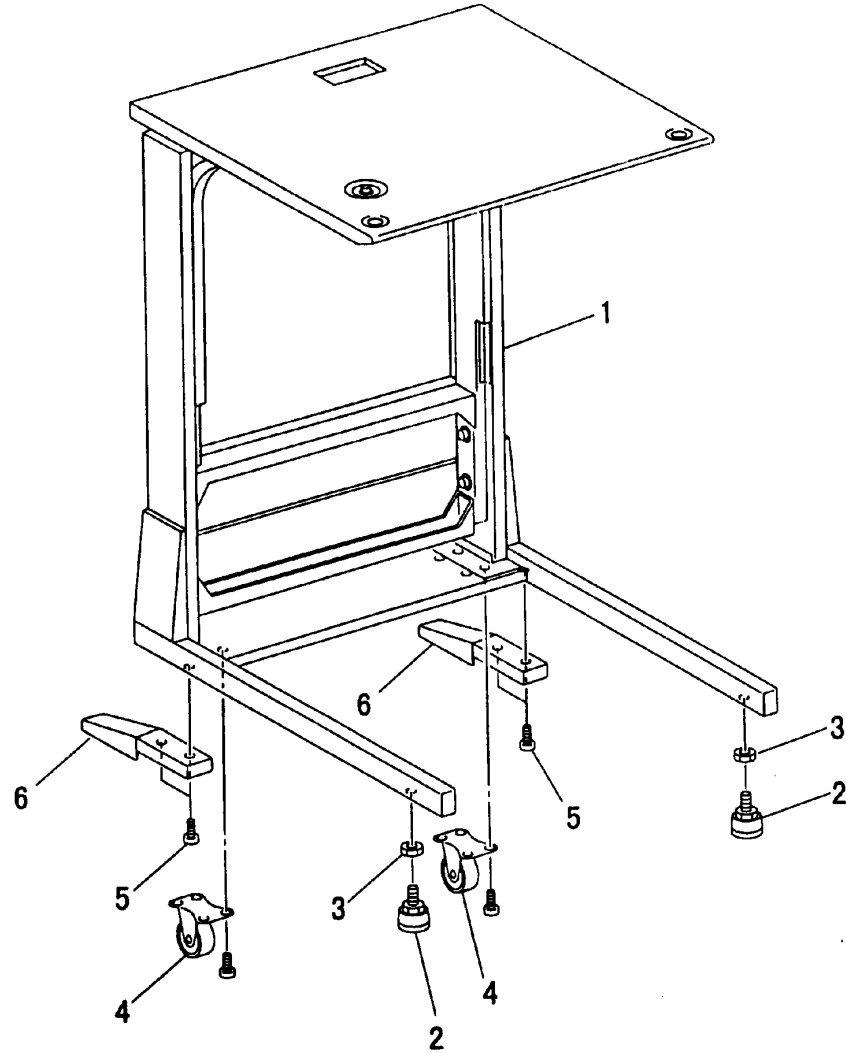
Item	Part	Description
1	090K92740	Platen Glass



0017008A-WOL

PL 18.1 Stand

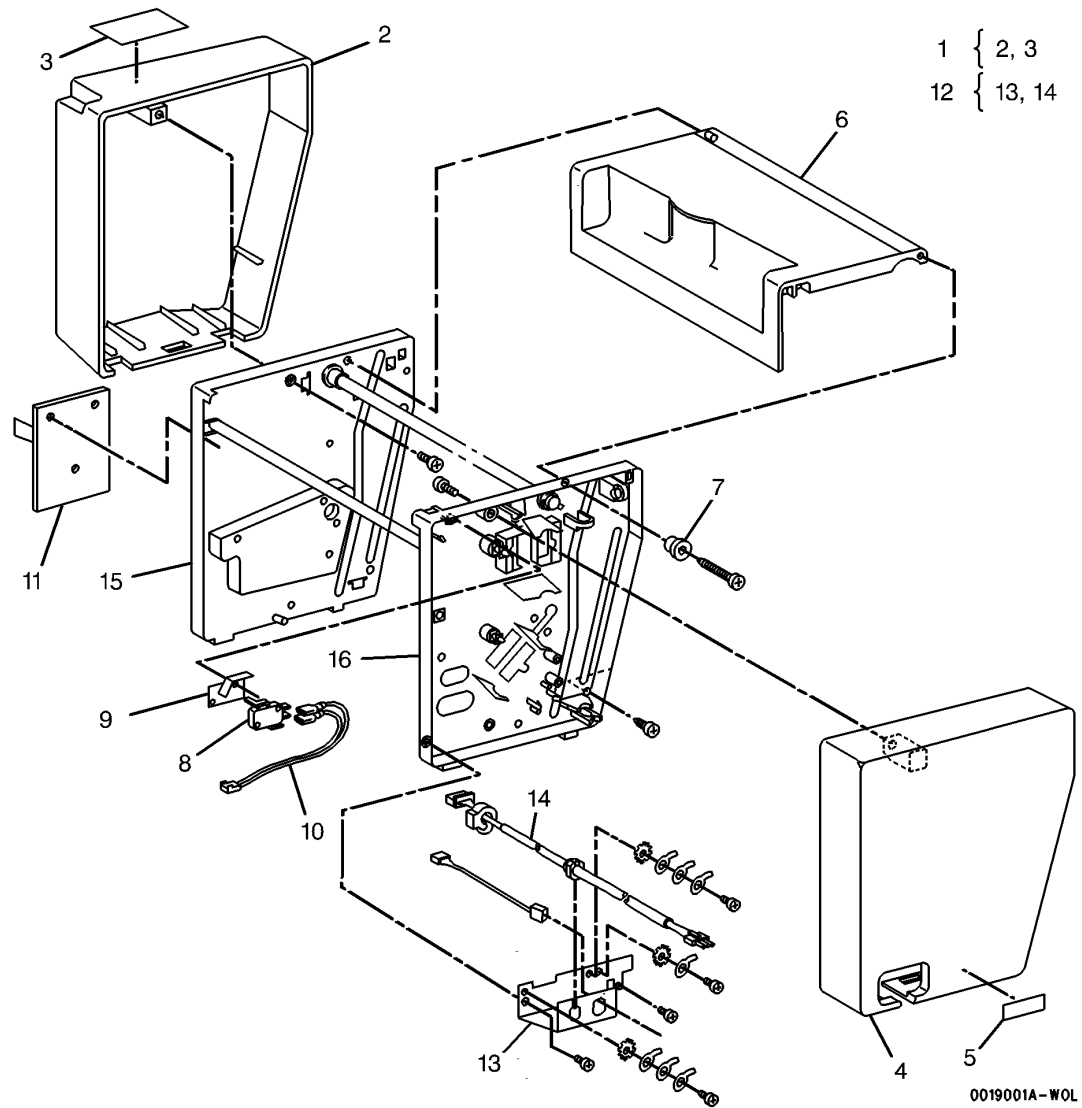
Item	Part	Description
1	802K17230	Stand Assembly
2	-	Adjuster (Not Spared)
3	-	Nut (Not Spared)
4	-	Caster (Not Spared)
5	-	Screw (Not Spared)
6	-	Foot (Not Spared)



0018001A-WOL

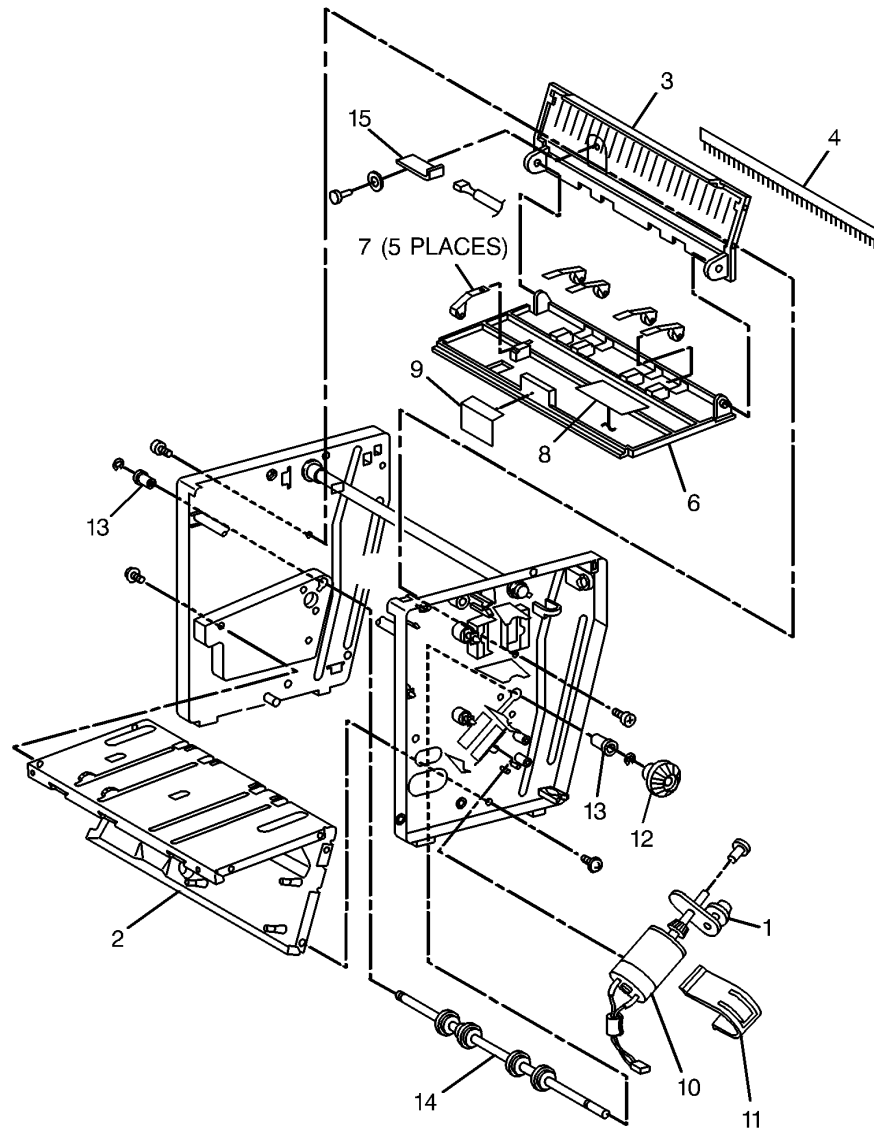
PL 19.1 Sorter Cover, Control PWB

Item	Part	Description
1	802K18200	Front Cover Assembly
2	-	Front Cover (P/O PL 19.1 Item 1)
3	-	Label (P/O PL 19.1 Item 1)
4	802E13310	Rear Cover
5	-	Serial Number Plate (Not Spared)
6	802E13320	Top Cover
7	-	Bearing (Not Spared)
8	110K10740	Sorter Top Cover Interlock
9	-	Plate Spring (Not Spared)
10	-	Harness (Not Spared)
11	160K68052	Sorter Control PWB (REP 11.3)
12	162K63040	Harness Assembly (Not Spared)
13	-	Plate (Not Spared)
14	-	Harness (Not Spared)
15	-	Front Frame (Not Spared)
16	-	Rear Frame (Not Spared)
17	-	Sorter Assembly (Not Spared) (REP 11.1)



PL 19.2 Feed Motor, LVPS (1 of 2)

Item	Part	Description
1	007K86440	Gear
2	-	Lower Guide (Not Spared)
3	-	Upper Brace (Not Spared)
4	105E05930	Antistatic Brush
5	-	Upper Chute Assembly (Not Spared)
6	054K17830	Upper Chute
7	-	Pinch Roll (Not Spared)
8	-	Label (Not Spared)
9	-	Label (Not Spared)
10	127E82330	Sorter Transport Motor (REP 11.4)
11	049E48940	Support
12	007E39240	Gear
13	013E85600	Bearing
14	022K61790	Exit Roll
15	130E84410	Sensor Receiver (REP 11.5)

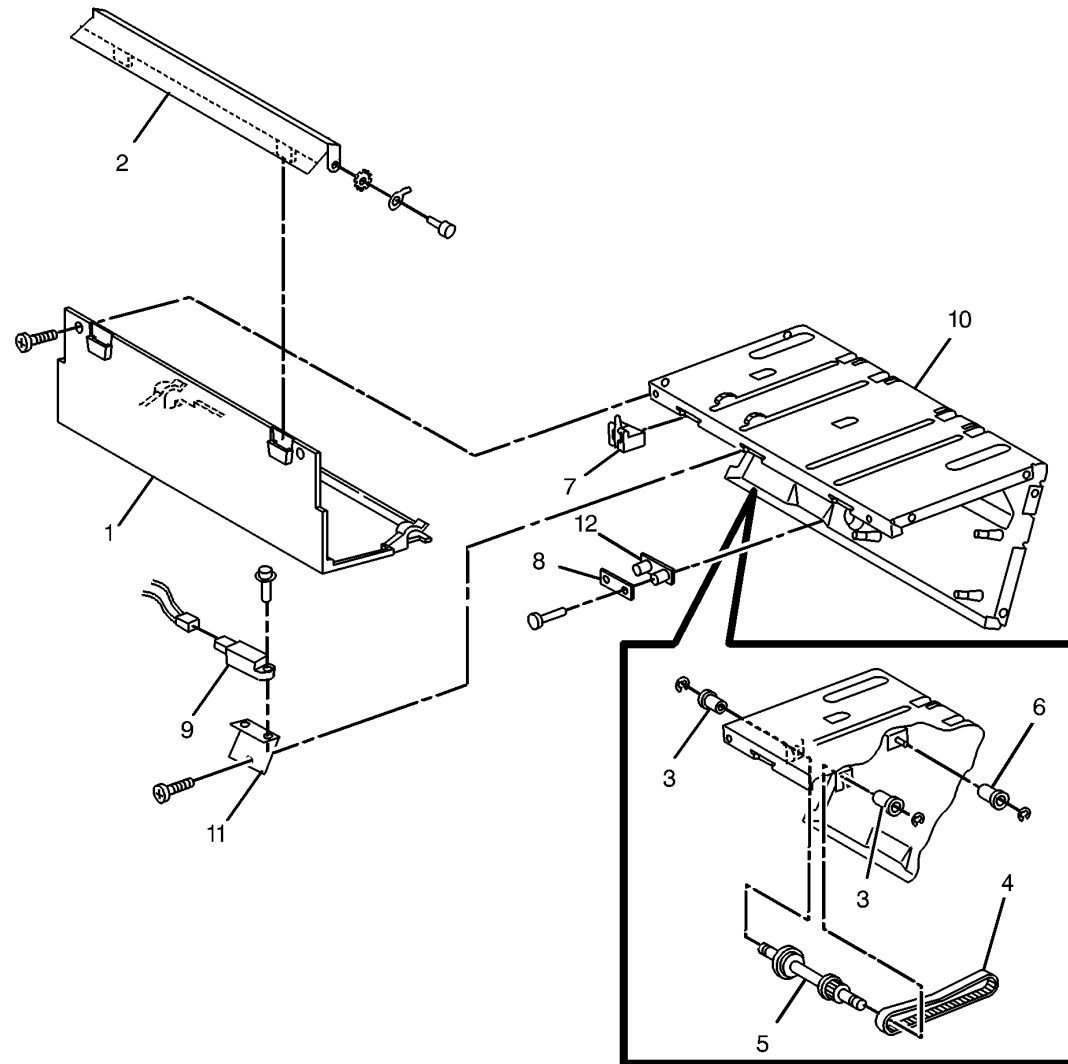


5 { 6, 7

0019002A-WOL

PL 19.3 Feed Motor, LVPS (2 of 2)

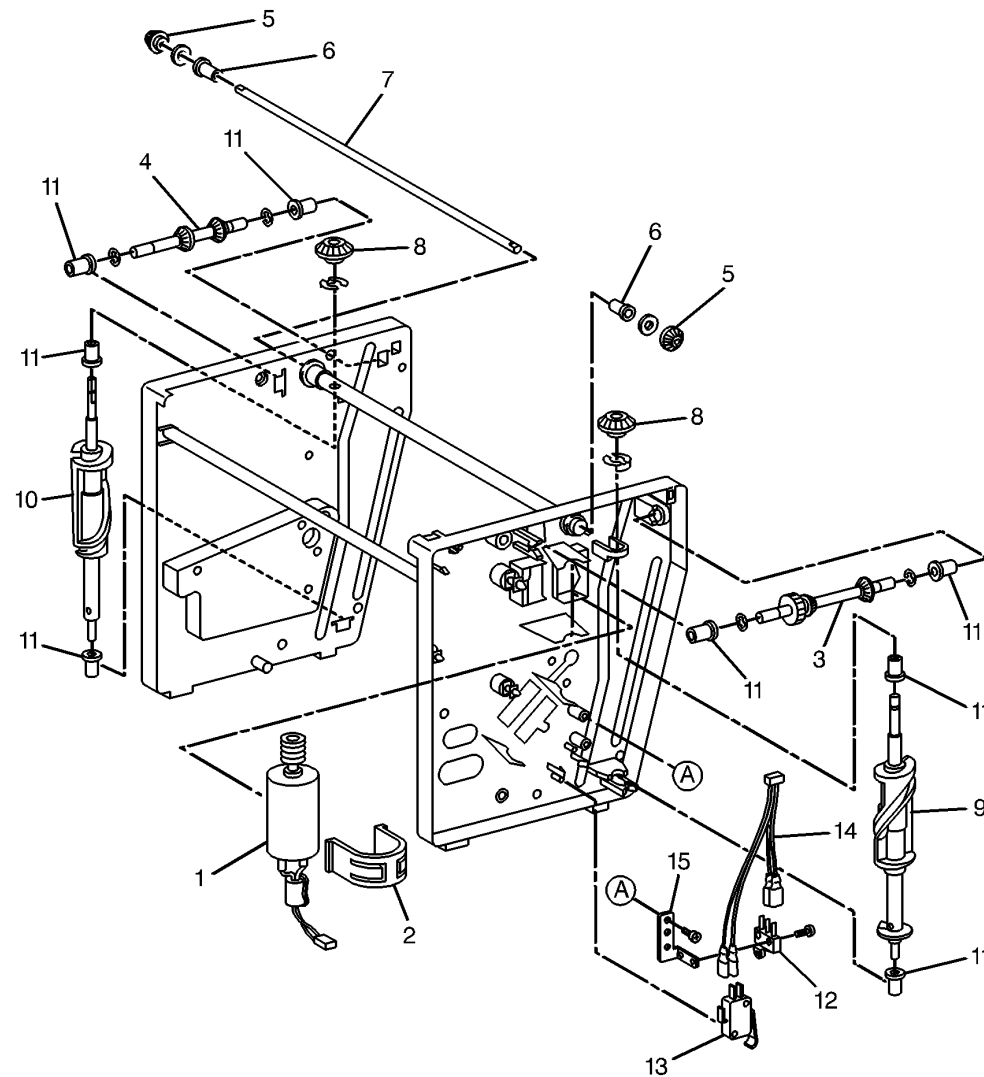
Item	Part	Description
1	048E27040	Bottom Cover (REP 11.2)
2	038K85280	Entrance Guide
3	013E85600	Bearing
4	023E12590	Belt
5	059K04780	Entrance Roll
6	020E22140	Pulley
7	130K86470	Sorter Path Sensor (REP 11.7)
8	130K61390	Sensor Transmitter (REP 11.6)
9	130E84420	Full Sensor (REP 11.8)
10	-	Lower Guide (Not Spared)
11	-	Bracket (Not Spared)
12	-	Bracket (Not Spared)



0019003A-WOL

PL 19.4 Bin Drive Motor, Lead Cam/Switch

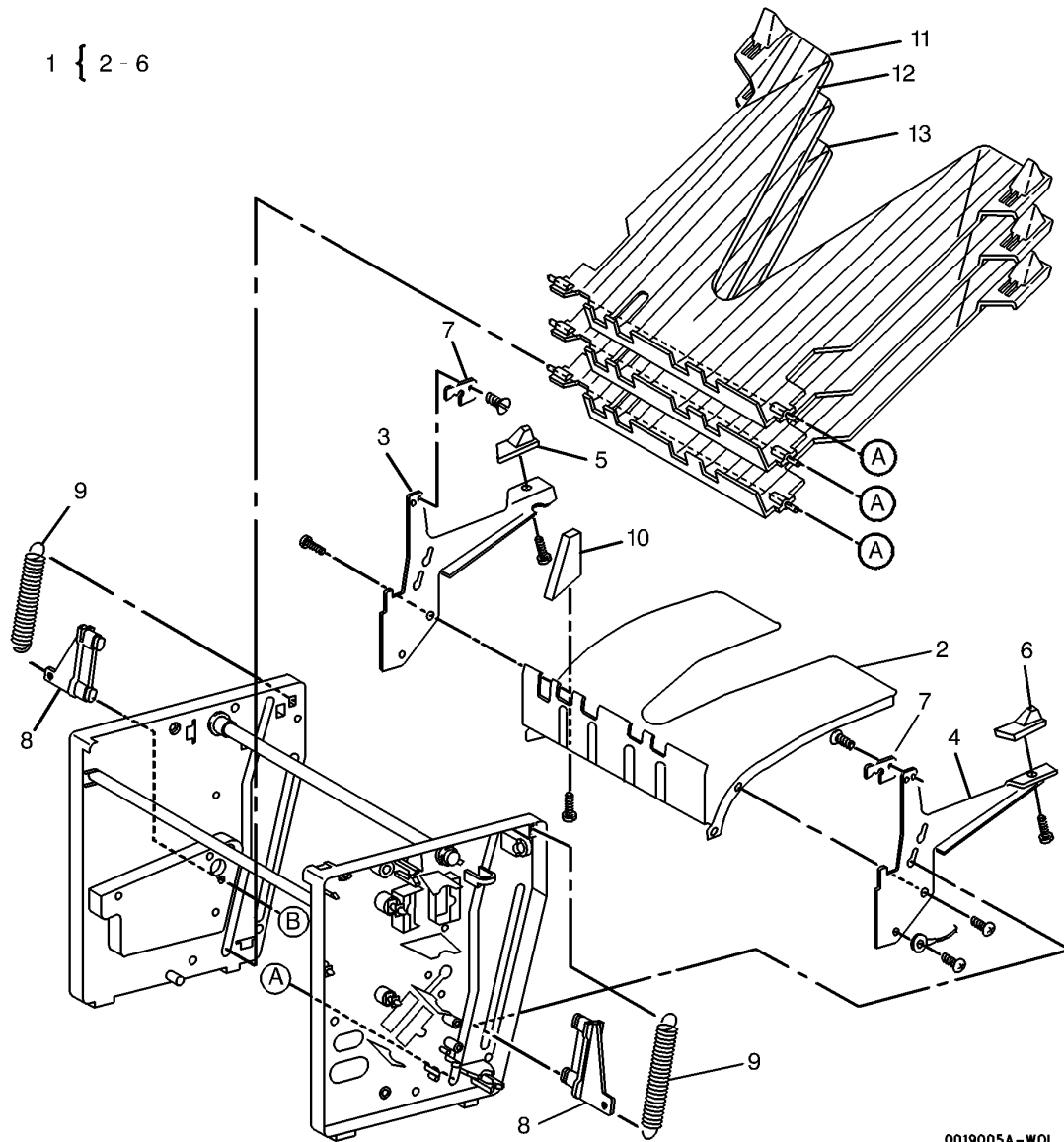
Item	Part	Description
1	127E82340	Bin Drive Motor (REP 11.9)
2	049E48940	Support (Not Spared)
3	006K21260	Rear Gear Shaft (REP 11.10)
4	006K21270	Front Gear Shaft (REP 11.10)
5	-	Bevel Gear (Not Spared)
6	-	Bearing (Not Spared)
7	-	Shaft (Not Spared)
8	007E62620	Gear
9	008K91280	Rear Bin Cam (REP 11.11 ADJ 11.1)
10	008K91270	Front Bin Cam (REP 11.11 ADJ 11.1)
11	013E85600	Bearing
12	110K10730	Bin Cam Switch (REP 11.12)
13	110K10750	Bin Home Switch (REP 11.13)
14	-	Harness (Not Spared)
15	-	Bracket (Not Spared)



00019004A-WOL

PL 19.5 Tray Support, Bin Tray

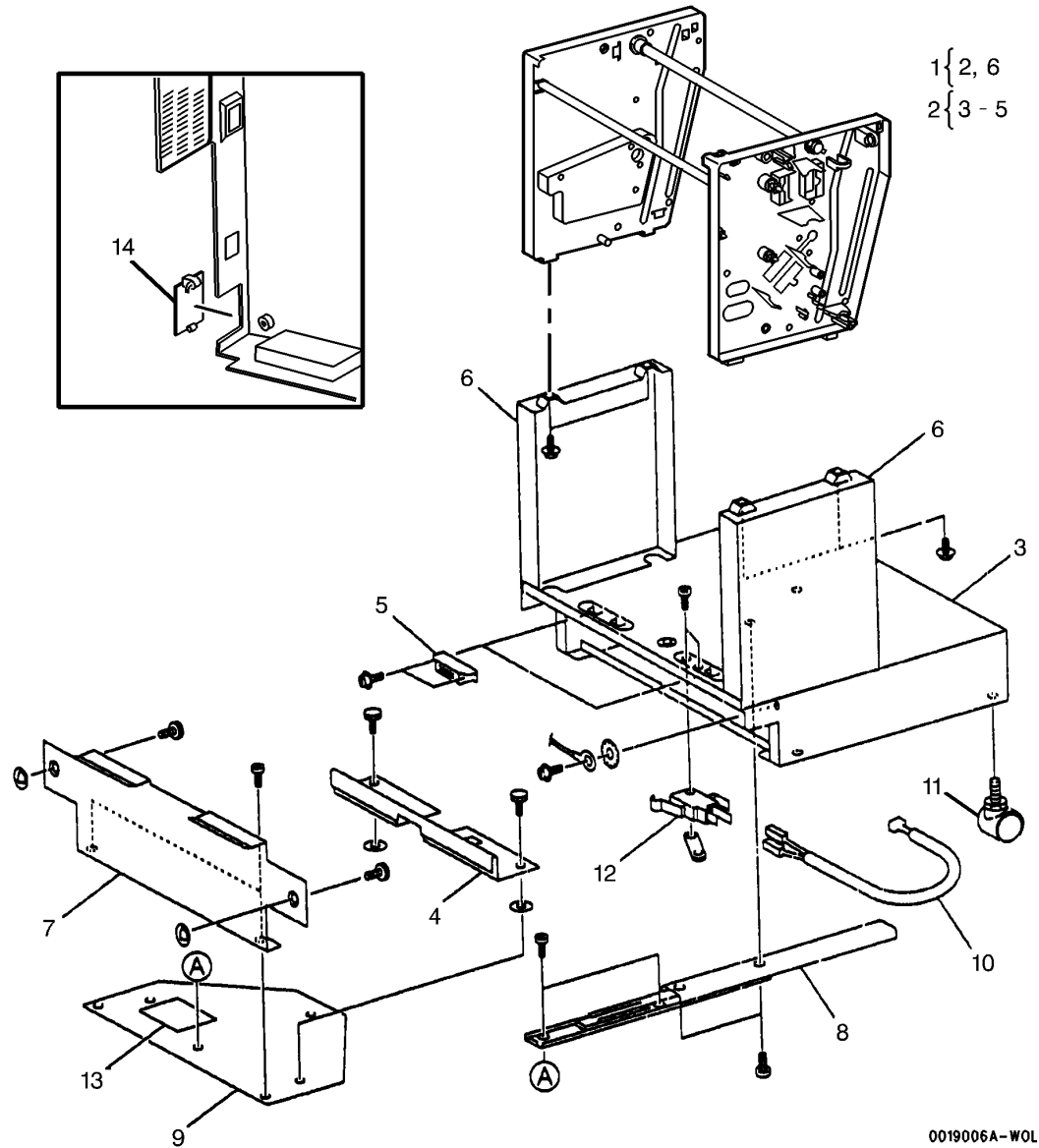
Item	Part	Description
1	050K42680	Stack Tray Assembly (ADJ 11.1)
2	-	Stack Tray (P/O PL 19.5 Item 1)
3	-	Front Frame (P/O PL 19.5 Item 1)
4	-	Rear Frame (P/O PL 19.5 Item 1)
5	-	Front Pad (P/O PL 19.5 Item 1)
6	-	Rear Pad (P/O PL 19.5 Item 1)
7	-	Frame Top (Not Spared)
8	-	Support (Not Spared)
9	809E27480	Spring
10	-	Aligner (Not Spared)
11	050E16780	Bin Tray 1-7 (REP 11.14 ADJ 11.1)
12	050K42580	Bin Tray 8, 9 (REP 11.14 ADJ 11.1)
13	050K42700	Bin Tray 10 (REP 11.14 ADJ 11.1)



0019005A-WOL

PL 19.6 Sorter Support

Item	Part	Description
1	-	Cart Assembly (Not Spared)
2	-	Cart Base Assembly (Not Spared)
3	-	Cart Base (Not Spared)
4	-	Rear Cart Support (Not Spared)
5	-	Lower Cart Support (Not Spared)
6	-	Cart Side (Not Spared)
7	-	Mounting Bracket (Not Spared)
8	001E58350	Sorter Rail
9	-	Rail Plate (Not Spared)
10	-	Harness (Not Spared)
11	017E94420	Caster
12	110K10750	Docking Interlock (REP 11.15)
13	-	Label (Not Spared)
14	802E14341	Cover



Common Hardware

Item	Part	Description
A	102W27651	Screw
B	102W28251	Screw
C	102W28451	Screw
D	112W27651	Screw
E	112W27659	Screw
F	112W27851	Screw
G	112W28059	Screw
H	112W28251	Screw
J	112W28451	Screw
K	112W35853	Screw
L	112L36253	Screw
M	113W15551	Screw
N	113W20457	Screw
P	113W20557	Screw
R	113W20657	Screw
S	113W20857	Screw
T	113W21057	Screw
U	113W21257	Screw
V	113W27451	Screw
W	113W27551	Screw
X	113W27651	Screw
Y	113W27851	Screw
Z	113W28056	Screw
AA	113W28451	Screw
AB	113W28651	Screw
AC	113W28851	Screw
AD	113W29751	Screw
AE	113W35557	Screw
AF	113W35657	Screw
AG	113W35851	Screw
AH	113W35857	Screw
AJ	113W36057	Screw
AK	113W36257	Screw
AL	113W36851	Screw
AM	113W38257	Screw
AN	132W45050	Cap Screw
AP	141W27451	Set Screw
AR	141W27651	Set Screw
AS	141W28051	Set Screw
AT	141W35651	Set Screw
AU	153W16055	Tapping Screw
AV	153W17655	Tapping Screw
AW	153W17855	Tapping Screw
AX	153W18055	Tapping Screw
AY	153W27650	Tapping Screw
AZ	153W27655	Tapping Screw
BA	153W27850	Tapping Screw
BB	153W28050	Tapping Screw
BC	158W27651	Screw

BD	158W27655	Screw
BE	158W27855	Screw
BF	158W28055	Screw
BG	158W28255	Screw
BH	158W28655	Screw
BJ	158W35855	Screw
BK	201W21251	Nut
BL	251W15251	Washer
BM	251W21251	Washer
BN	251W24451	Washer
BP	251W29251	Washer
BR	252W24250	Nylon Washer
BS	252W24350	Nylon Washer
BT	252W26350	Nylon Washer
BU	252W27350	Nylon Washer
BV	252W29450	Nylon Washer
BW	252W31450	Nylon Washer
BX	271W28850	Dowel Pin
BY	285W15851	Spring Pin
BZ	285W16251	Spring Pin
CA	285W16653	Spring Pin
CB	285W28251	Spring Pin
CC	285W29351	Spring Pin
CD	354W13251	E-Clip
CE	354W15251	E-Clip
CF	354W19251	E-Clip
CG	354W21251	E-Clip
CH	354W21254	KL-Clip
CJ	354W24251	E-Clip
CK	354W24254	KL-Clip
CL	354W26251	E-Clip
CM	354W27251	E-Clip
CN	354W28251	E-Clip
CP	354W29251	E-Clip
CR	354W33251	E-Clip
CS	356W29251	C-Clip
CT	351W29250	C-Clip
CU	351W41250	C-Clip
CV	251W26250	Nylon Washer
CW	252W31550	Nylon Washer
CX	112W36053	Screw
CY	271W21250	Dowel Pin
CZ	158W35655	Screw
DA	158W27663	Screw
DB	158W36855	Screw
DC	158W36663	Screw
DD	102W35851	Screw
KL	-	Screw

Part Number Index

Table 1 Part Number Index

Part Number	Part List
001E58350	PL 19.6
001K69743	PL 4.4
001K69770	PL 4.2
001K73550	PL 4.1
	PL 4.6
002E61020	PL 17.5
003E39791	PL 8.4
003E52460	PL 16.6
003E53300	PL 8.2
003K84303	PL 6.1
003K91881	PL 17.1
004E06560	PL 16.5
004E09760	PL 8.4
004K92440	PL 16.6
004E98270	PL 17.6
005E80250	PL 17.3
006K21260	PL 19.4
006K21270	PL 19.4
006K85500	PL 7.1
007E39240	PL 19.2
007E51650	PL 8.4
007E51660	PL 8.4
007E58991	PL 8.3
007E60300	PL 8.4
007E60321	PL 8.3
007E62620	PL 19.4
007K81110	PL 17.3
007K81980	PL 17.3
007E83141	PL 17.6
007E83250	PL 17.3
007K85070	PL 10.1
007K85080	PL 10.1
007K85422	PL 13.4
007K86440	PL 19.2
007E88100	PL 17.3
007K91871	PL 17.3
008K91270	PL 19.4
008K91280	PL 19.4
008K91550	PL 7.1

Table 1 Part Number Index

Part Number	Part List
	PL 7.4
008E92010	PL 17.3
008E92020	PL 17.3
009E26941	PL 17.4
009E28580	PL 17.3
009E31711	PL 17.4
009E39080	PL 17.3
009E48250	PL 17.2
009E62830	PL 16.4
009E64490	PL 17.4
009E71750	PL 3.3
011E09640	PL 7.1
011E10200	PL 8.4
012E93430	PL 17.3
013E80970	PL 17.3
	PL 17.6
013E81370	PL 17.3
013E81880	PL 17.2
013E81940	PL 17.2
013E82290	PL 17.3
013E85600	PL 19.2
	PL 19.4
	PL 19.3
013E87470	PL 8.3
013E92760	PL 17.7
013E94561	PL 17.3
015E32720	PL 17.3
015K43080	PL 7.1
015K43090	PL 7.1
015K48720	PL 12.1
015K49580	PL 8.7
017E92060	PL 16.4
017K92350	PL 13.2
017E94420	PL 19.6
019E33881	PL 8.6
019E34500	PL 15.3
	PL 15.4
019E93510	PL 17.3
019K94190	PL 2.1
019K97140	PL 14.2
	PL 14.3

Table 1 Part Number Index

Part Number	Part List
020E16180	PL 17.2
020E22140	PL 19.3
020E33800	PL 16.4
020E90660	PL 17.2
020E93230	PL 17.7
020K93300	PL 17.2
020K93310	PL 17.3
020K93320	PL 17.2
020K94970	PL 16.4
021E97232	PL 15.1
022K30330	PL 17.7
022K30360	PL 17.7
022K39700	PL 17.6
022K39710	PL 17.6
022K57450	PL 15.2
022K57460	PL 15.3
022K57470	PL 15.3
022K57481	PL 15.4
022K57500	PL 15.7
022K57510	PL 15.5
022K57520	PL 15.6
022K61790	PL 19.2
023E08500	PL 17.2
023E08510	PL 17.2
023E08520	PL 17.2
023E12590	PL 19.3
023E15690	PL 17.6
023E15810	PL 17.7
023E19270	PL 15.4
023E19280	PL 15.4
023E19320	PL 16.4
026E17760	PL 17.7
026P63574	PL 17.1
026E74100	PL 15.1
026K80571	PL 5.1
026E82620	PL 17.4
	PL 17.5
	PL 17.7
029E30560	PL 8.6
036K90890	PL 17.2
036K90900	PL 17.2

Table 1 Part Number Index

Part Number	Part List
038K85073	PL 8.2
038K85081	PL 8.2
038K85280	PL 19.3
038K85700	PL 14.2
	PL 14.3
	PL 2.1
038E88420	PL 14.2
	PL 14.3
041K94070	PL 16.5
041K94100	PL 16.5
042K92160	PL 7.1
048E18040	PL 16.6
048E27040	PL 19.3
048E52291	PL 1.1
049E48940	PL 19.2
	PL 19.4
050E16780	PL 19.5
050K27592	PL 9.1
050K41980	PL 17.1
050K42110	PL 17.1
050K42172	PL 14.3
050K42460	PL 14.1
	PL 14.2
050K42472	PL 2.1
050K42570	PL 4.1
050K42580	PL 19.5
050K42600	PL 13.1
	PL 13.8
050K42680	PL 19.5
050K42700	PL 19.5
050K43330	PL 8.1
	PL 8.4
050K43340	PL 8.1
	PL 8.4
053K91391	PL 1.2
054E10561	PL 8.4
054E15200	PL 4.7
054E15670	PL 4.7
054K17770	PL 9.1
054K17830	PL 19.2
054K18400	PL 15.6

Table 1 Part Number Index

Part Number	Part List
054E84730	PL 17.4
054K87731	PL 17.7
059K04780	PL 19.3
059K04840	PL 3.3
059K08840	PL 13.7
059K13330	PL 17.7
059K13440	PL 17.6
059K14300	PL 13.5
059K14380	PL 4.7
059K14390	PL 3.3
059K14400	PL 4.7
059K14430	PL 8.4
059K15010	PL 8.3
059K15021	PL 8.2
059K15031	PL 8.3
059K18770	PL 13.3
	PL 13.5
059K16181	PL 17.1
059K17250	PL 13.5
059K17851	PL 17.1
059K18960	PL 15.1
	PL 15.2
059K19050	PL 15.1
	PL 15.3
059K19120	PL 15.1
	PL 15.5
059E90580	PL 17.3
059K91200	PL 17.7
062K09722	PL 5.1
064K91350	PL 7.2
	PL 7.3
068E10210	PL 16.1
068K78200	PL 17.2
090K92740	PL 16.1
	PL 17.8
105E05930	PL 19.2
105E10010	PL 16.5
105K15680	PL 11.1
105K15690	PL 11.1
105K18600	PL 11.1
105K18750	PL 16.1

Table 1 Part Number Index

Part Number	Part List
105K18760	PL 16.1
105E92310	PL 17.5
105E94661	PL 17.7
107E06650	PL 17.3
108E93270	PL 17.2
110K07040	PL 13.3
110K07770	PL 3.1
110K07831	PL 11.1
110K10730	PL 19.4
110K10740	PL 19.1
110K10750	PL 19.4
110E93440	PL 13.2
	PL 9.2
	PL 4.1
	PL 3.3
	PL 15.6
110E94380	PL 11.2
110K94420	PL 17.7
110K94790	PL 17.4
110K94900	PL 16.1
110E97970	PL 3.1
110K98810	PL 11.2
113K81450	PL 5.1
117E19831	PL 16.5
117K31200	PL 16.6
117K31400	PL 11.1
120E12930	PL 14.3
120E17680	PL 4.3
121K21141	PL 10.1
121K21560	PL 13.6
121K21570	PL 15.1
121K21821	PL 8.5
121K22250	PL 15.2
121K22260	PL 15.4
121K22730	PL 7.4
121K26500	PL 12.1
121K23260	PL 10.1
121K23430	PL 4.6
	PL 4.7
121K23790	PL 13.6
	PL 15.6

Table 1 Part Number Index

Part Number	Part List
	PL 15.7
	PL 3.3
121E84500	PL 3.1
121E87040	PL 8.7
121E90450	PL 17.4
121E90640	PL 17.1
122E91950	PL 16.5
122K93100	PL 5.1
126K11290	PL 8.3
126K11300	PL 8.3
126K11330	PL 8.3
126K11340	PL 8.3
127K25400	PL 10.1
127K25410	PL 10.1
127K25420	PL 17.7
127K27450	PL 10.1
127K28260	PL 13.4
127K28300	PL 10.1
127K29160	PL 15.5
127E82280	PL 16.1
127K29610	PL 16.4
127K29890	PL 17.2
127K31700	PL 10.1
127E81620	PL 8.6
127E81670	PL 12.1
127E81940	PL 9.2
127E81951	PL 9.2
127E82330	PL 19.2
127E82340	PL 19.4
130K58120	PL 16.1
130K60440	PL 5.1
130K60530	PL 11.2
130K60721	PL 8.2
130K61001	PL 16.1
130K61010	PL 16.1
130K61311	PL 9.2
130K61380	PL 17.5
130K61390	PL 19.3
130E81150	PL 17.5
130E81600	PL 13.5
130E81970	PL 13.4

Table 1 Part Number Index

Part Number	Part List
	PL 3.1
	PL 4.3
	PL 8.2
	PL 8.6
130E82190	PL 4.2
	PL 4.4
130E82650	PL 13.5
	PL 4.6
	PL 4.3
	PL 15.3
130E82730	PL 15.5
	PL 9.2
130K82780	PL 17.5
130K82790	PL 17.3
130E82830	PL 6.1
130E82980	PL 5.1
130K83020	PL 17.7
130E83060	PL 6.1
130E84270	PL 7.3
130E84410	PL 19.2
130E84420	PL 19.3
130K86470	PL 19.3
130E91010	PL 5.1
140K60480	PL 17.1
144E00420	PL 12.1
144E00430	PL 12.1
144E00440	PL 12.1
152K63490	PL 17.1
160K11571	PL 17.2
160K56510	PL 10.1
160K61490	PL 10.1
160K61500	PL 11.2
160K62210	PL 16.2
160K67350	PL 16.3
160K67840	PL 16.2
160K68052	PL 19.1
160K69574	PL 16.2
160K69652	PL 12.1
160K69840	PL 16.1
160K70540	PL 15.6
160K74520	PL 13.4

Table 1 Part Number Index

Part Number	Part List
160K74642	PL 12.1
160K75041	PL 11.2
160K81230	PL 5.1
162K42090	PL 12.1
162K53100	PL 11.1
162K53120	PL 11.2
162K53130	PL 11.1
162K53250	PL 8.5
162K53280	PL 4.6
162K53330	PL 4.2
162K54090	PL 13.4
162K54120	PL 13.4
162K54131	PL 13.2
162K54140	PL 13.4
162K54150	PL 13.4
162K55450	PL 15.3
162K55490	PL 11.1
162K56420	PL 16.1
162K56430	PL 16.1
162K56731	PL 16.6
162K60280	PL 16.6
162K60410	PL 17.2
162K60970	PL 16.1
162K61050	PL 11.2
413W10350	PL 16.4
600K68610	PL 4.7
600K68620	PL 5.1
600K68750	PL 9.2
600K69091	PL 6.1
	PL 3.3
600K84250	PL 17.4
600K85301	PL 6.1
600K85412	PL 8.1
	PL 8.2
600K85422	PL 8.1
	PL 8.2
600K85430	PL 8.2
600K85480	PL 8.3
600K85500	PL 1.1
600K85510	PL 1.1
600K85730	PL 16.4

Table 1 Part Number Index

Part Number	Part List
600K99500	PL 17.3
600K99510	PL 17.3
802E05130	PL 13.2
802E05191	PL 13.2
802E05291	PL 1.2
802E05311	PL 1.2
802E05331	PL 1.2
802E05350	PL 1.1
802E05370	PL 1.2
802E05560	PL 3.2
802K11970	PL 1.1
600K87140	PL 6.2
600K87150	PL 6.2
600K87160	PL 6.2
600K87170	PL 6.2
802E12181	PL 15.6
802E12211	PL 15.7
802K12301	PL 7.1
802K12480	PL 1.1
802E13310	PL 19.1
802E13320	PL 19.1
802K13810	PL 16.6
802K13821	PL 16.6
802K13831	PL 16.6
802E14341	PL 19.6
802K14462	PL 7.1
	PL 7.5
802K14670	PL 17.1
802K14680	PL 17.4
802K14870	PL 16.6
802E15530	PL 13.2
802E15720	PL 13.2
600K87300	PL 6.2
600K87310	PL 6.2
600K87320	PL 6.2
600K87330	PL 6.2
802K16901	PL 16.6
802K16911	PL 16.6
802K16990	PL 1.2
802K17122	PL 1.2
802K17141	PL 1.1

Table 1 Part Number Index

Part Number	Part List
802K17151	PL 1.1
802K17230	PL 18.1
802K25990	PL 7.1
	PL 7.2
802K18200	PL 19.1
802K18401	PL 1.1
802K25820	PL 15.2
802K25830	PL 1.2
802K25970	PL 15.3
809E27480	PL 19.5
830E19490	PL 13.2
	PL 3.2
830E56720	PL 15.5
892E19610	PL 17.1
892E19620	PL 17.1
892E19630	PL 17.1

Late Part Additions

110K10750	PL 19.6
160K78300	PL 12.1
162K63040	PL 19.1
600K86970	PL 7.2
695E84762	PL 8.1