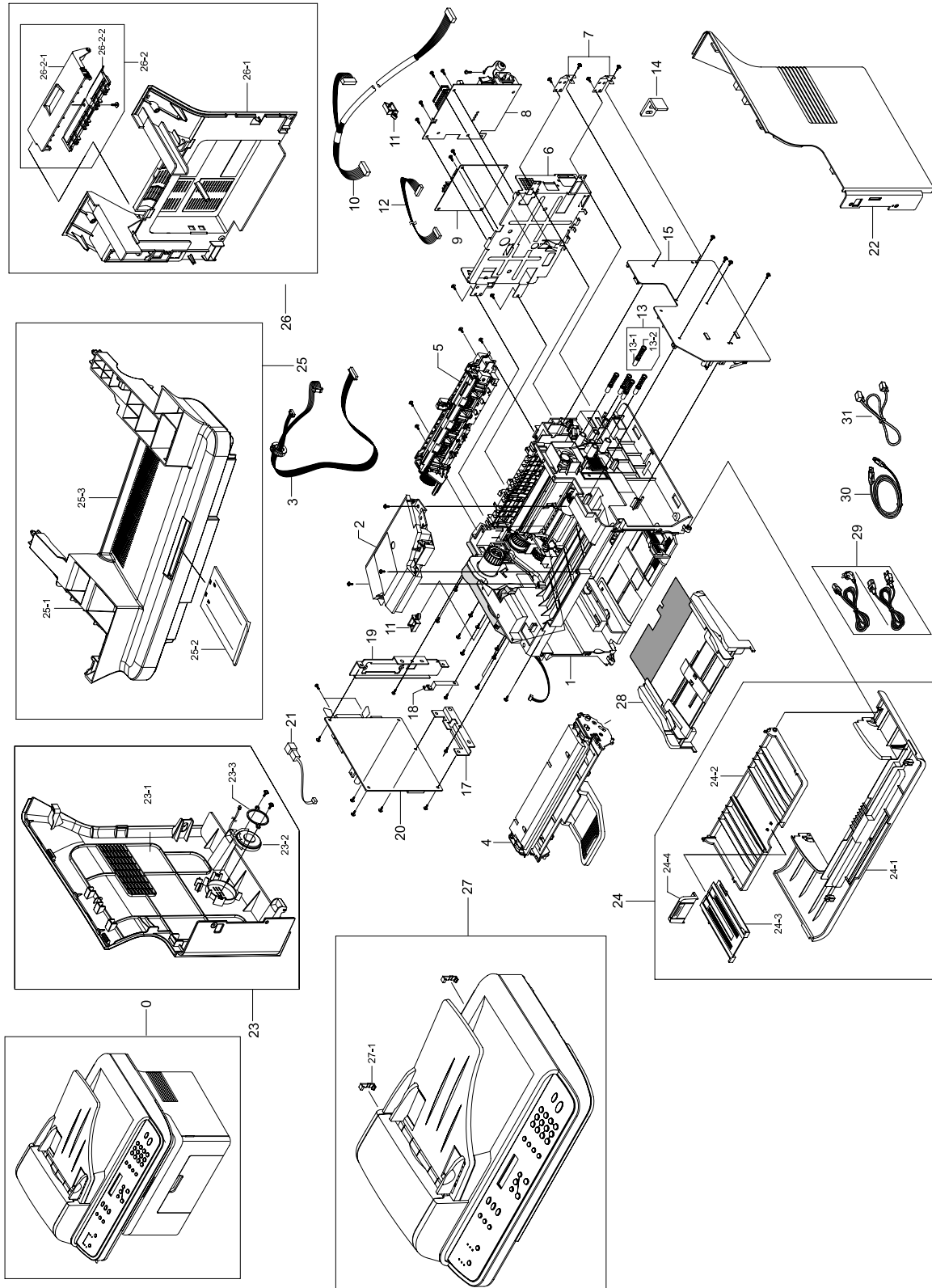


5. Перечень запасных частей

PL 1.0 Главный узел (Workcentre PE220)	5-2
PL 1.1 Главный узел (Phaser 3200)	5-5
PL 1.2 Узел крышки (Phaser 3200)	5-7
PL 1.3 Узел передней крышки (Phaser 3200)	5-9
PL 1.4 Узел задней крышки (Phaser 3200)	5-11
PL 2.0 Узел ADF	5-13
PL 3.0 Узел крышки стекла экспонирования	5-16
PL 4.0 Узел стекла экспонирования	5-18
PL 5.0 Модуль OPE	5-20
PL 6.0 Узел тракта бумаги (Workcentre PE220)	5-22
PL 6.1 Узел тракта бумаги (Phaser 3200)	5-24
PL 6.2 Узел подхвата (Phaser 3200)	5-26
PL 7.0 Модуль фьюзера (Workcentre PE220)	5-28
PL 7.1 Модуль фьюзера (Phaser 3200)	5-31
PL 8.0 Узел главной рамы (Workcentre PE220)	5-34
PL 8.1 Узел главной рамы (Phaser 3200)	5-36
PL 8.2 Узел главного привода (Phaser 3200)	5-38
PL 9.0 Узел многоцелевого лотка	5-40
PL 10.0 Крепежные детали и элементы сервисного обслуживания	5-42

PL 1.0 Главный узел (Workcentre PE220)



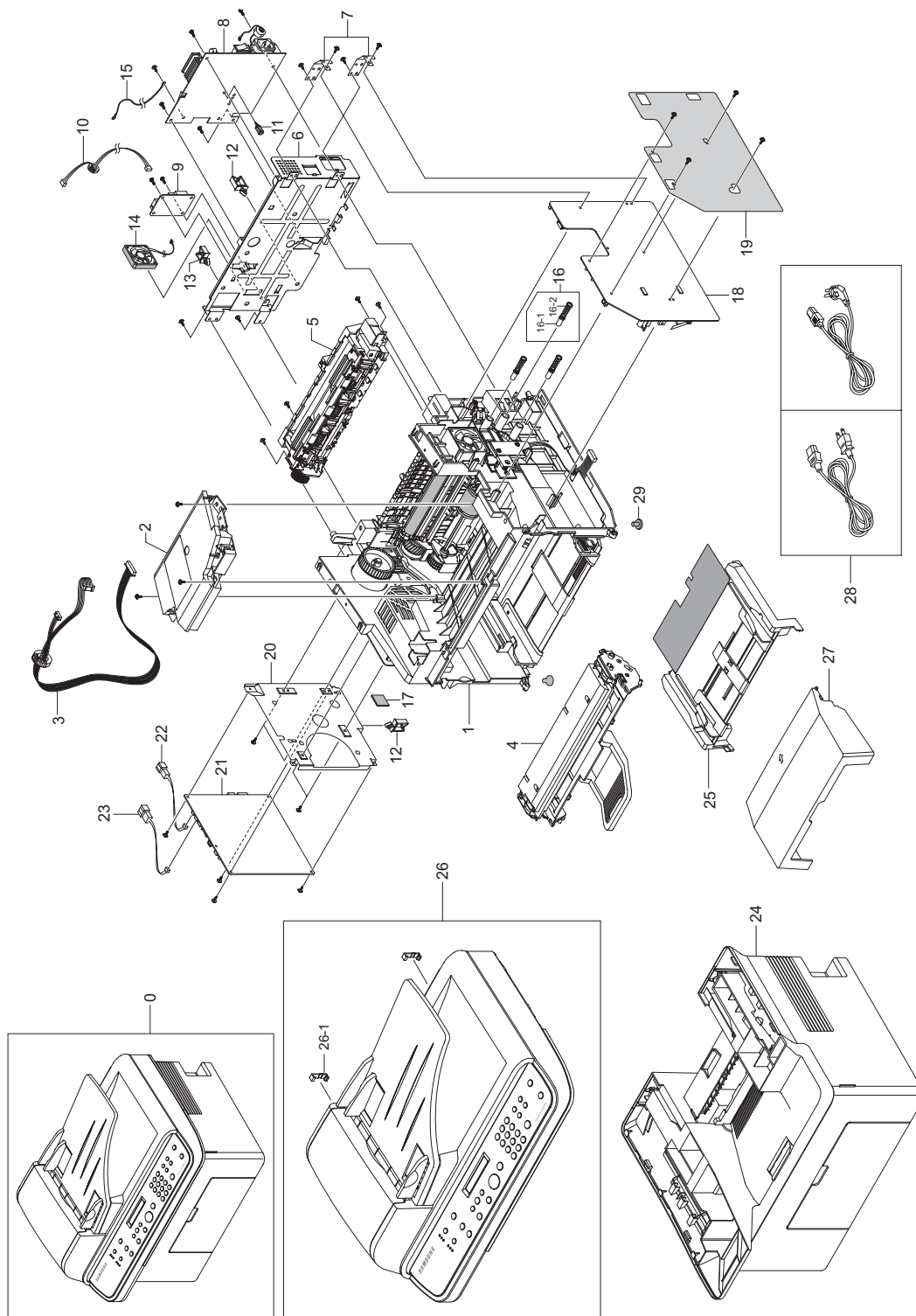
PL 1 Главный узел (Workcentre PE220)

Элемент	Номер по каталогу	Описание	Количество	Примечание
0		SET		
1		ELA HOU-FRAME LOWER (REFER TO PL 8.0)	1	
2	122N00243	UNIT-LSU	1	
3		CBF HARNESS-LSU	1	
4		INITIAL(1K) TONER CARTRIDGE	1	
5	101N01380	FUSER_110V (REFER TO PL 7.0)	1	
5	101N01381	FUSER_220V (REFER TO PL 7.0)	1	
6		SHEILD-P-ENGINE	1	
7		GROUND-P-HVPS	2	
8	105N02066	SMPS 110V	1	
8	105N02067	SMPS 220V	1	
9	140N63039	PBA SUB-LIU WESTERN EUROPE	1	
9	140N63038	PBA SUB-LIU US/CANADA/SAUDI ARABIA/RUSSIA...	1	
10		CBF HARNESS HVPS	1	
11		HARNESS CLAMP	1	
12		CBF HARNESS LIU	1	
13	116N00244	ELA UNIT-TERMINAL TR L	5	
13-1		SPRING ETC-HV LARGE	1	
13-2		ICT-SHAFT HV LARGE	1	
14	015N00557	PLATE-P-CHANNEL	1	
15	105N02068	HVPS	1	
16	NOT USED			
17		BRACKET-P-MAIN BOARD	1	
18	117N01691	GROUND-P-MAIN BOARD	1	
19	030N00711	BRACKET-P-PORT	1	
20	140N63040	PBA MAIN	1	
21		ELA HOU-FULL SENSOR HARNESS	1	
22	002N02429	COVER-M-SIDE R	1	
23	002N02430	ELA HOU-COVER SIDE L	1	
23-1	002N02431	COVER-M-SIDE L	1	
23-2	130N01412	SPEAKER	1	
23-3		IPR-UNIT FIXING BRACKET	1	
24	002N02432	MEA-COVER FRONT	1	
24-1		COVER-M-FRONT	1	
24-2	050N00480	TRAY-M-CASSETTE	1	
24-3		TRAY-M-EXTENSION LARGE	1	
24-4		TRAY-M-EXTENSION SMALL	1	
25	002N02433	ELA HOU-COVER MIDDLE	1	
25-1		COVER-M-MIDDLE	1	
25-2		PMO-M-SACKER	1	
25-3		SHEET-FAN	1	
26	002N02435	MEA UNIT-COVER REAR	1	
26-1		COVER-M-REAR	1	
26-2		MEA UNIT-COVER JAM	1	
26-2-1		COVER-M-JAM	1	
26-2-2		COVER-M-JAM DUMMY	1	
27	002N02435	ELA HOU-SCAN (ALSO REFER TO PL 2.0 , PL 3.0 & PL 4.0)	1	
27-1	021N02251	CAP-M-HINGE	2	
28		MEA UNIT-MP TRAY (REFER TO PL 9.0)	1	

PL 1 Главный узел (Workcentre PE220)

Элемент	Номер по каталогу	Описание	Количество	Примечание
29		AC POWER CORD (US VER.) (REFER TO PL 10.0)	1	
30		USB CABLE (REFER TO PL 10.0)	1	
31		TELEPHONE LINE CORD (US VER.) (REFER TO PL 10.0)	1	

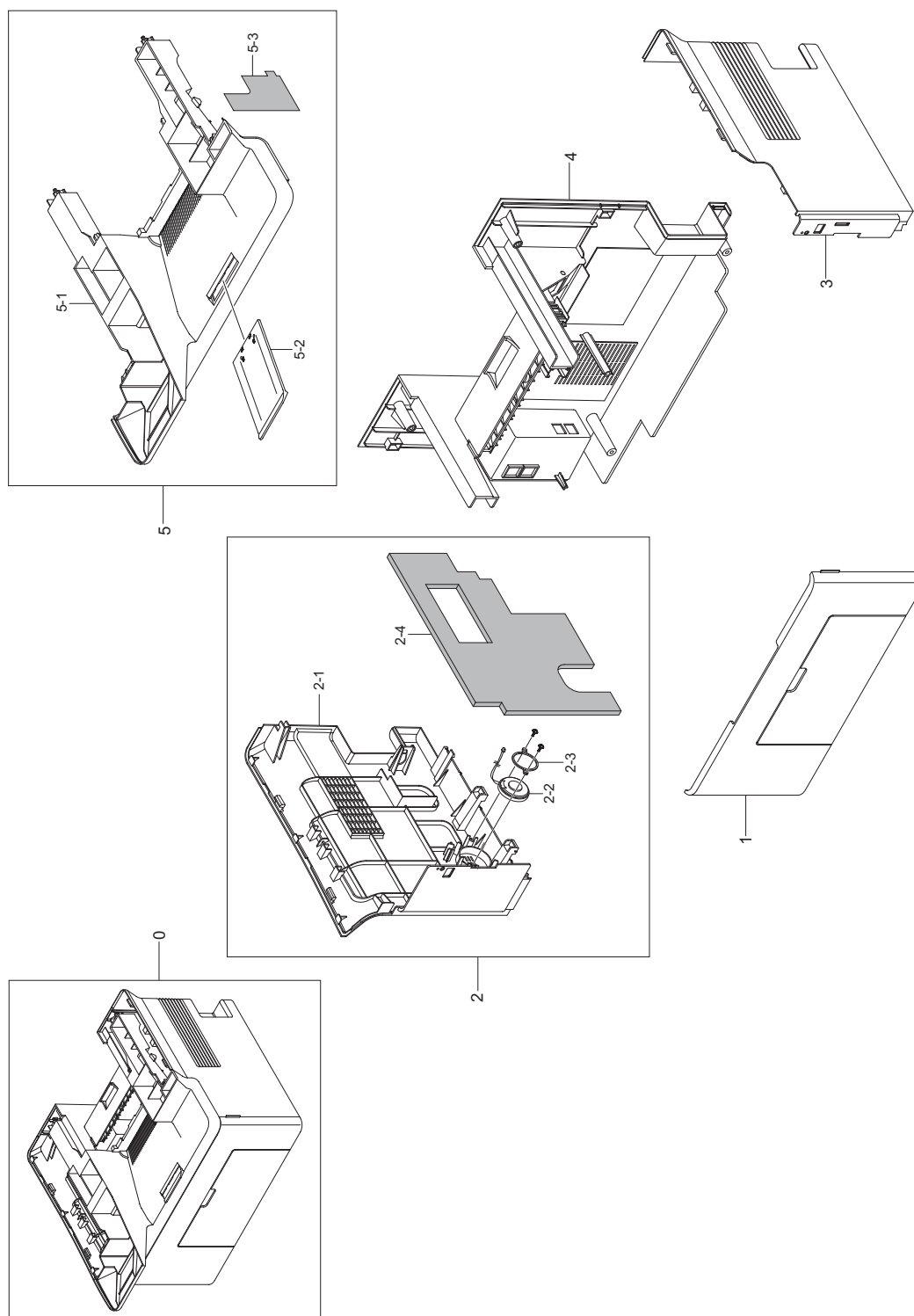
PL 1.1 Главный узел (Phaser 3200)



PL 1.1 Главный узел (Phaser 3200)

Элемент	Номер по каталогу	Описание	Количество	Примечание
0		SET		
1		ELA HOU-FRAME LOWER (REFER TO PL 8.1)	1	
2	122N00272	UNIT-LSU	1	
3		CBF HARNESS-LSU	1	
4		INITIAL(1K) PRINT CARTRIDGE	1	
5	140N63272	FUSER_110V (REFER TO PL 7.1)	1	
5	140N63273	FUSER_220V (REFER TO PL 7.1)	1	
6		SHEILD-P-ENGINE	1	
7		GROUND-P-HVPS	2	
8	140N63278	SMPS 110V	1	
8	140N63273	SMPS 220V	1	
9	140N63189	PBA SUB-LIU WESTERN EUROPE	1	
9	140N63190	PBA SUB-LIU US/CANADA/SAUDI ARABIA/RUSSIA	1	
10		LIU HARNESS	1	
11		BOARD SUPPORT	1	
12		CABLE CLAMP	1	
13		CABLE CLAMP		
14		FAN-DC		
15		CBF HARNESS GROUND		
16	116N00244	ELA UNIT-TERMINAL TR L	5	
16-1		ICT-SHAFT HV LARGE	1	
16-2		SPRING ETC-HV LARGE	1	
17				
18	105N02138	HVPS	1	
19		HVPS SHEET		
20		PBA SHIELD		
21	140N63270	MAIN PBA (PHASER 3200MFP/B)		
21	140N63271	MAIN PBA (PHASER 3200MFP/N)		
22		CBF HARNESS-THERMISTOR		
23		HARNESS SENSOR-JOINT		
24		COVER ASSEMBLY (REFER TO PL 1.2)		
25		MEA UNIT-MP TRAY (REFER TO PL 9.0)		
26	002N02696	ELA HOU-SCAN (REFER TO PL 2.0 , PL 3.0 & PL 4.0)		
26-1		CAP-M-HINGE		
27	002N02697	PAPER COVER		
28		CBF-POWER CORD (REFER TO PL 10.0)		
28		CBF-POWER CORD (REFER TO PL 10.0)		
29		PLASTIC FOOT		

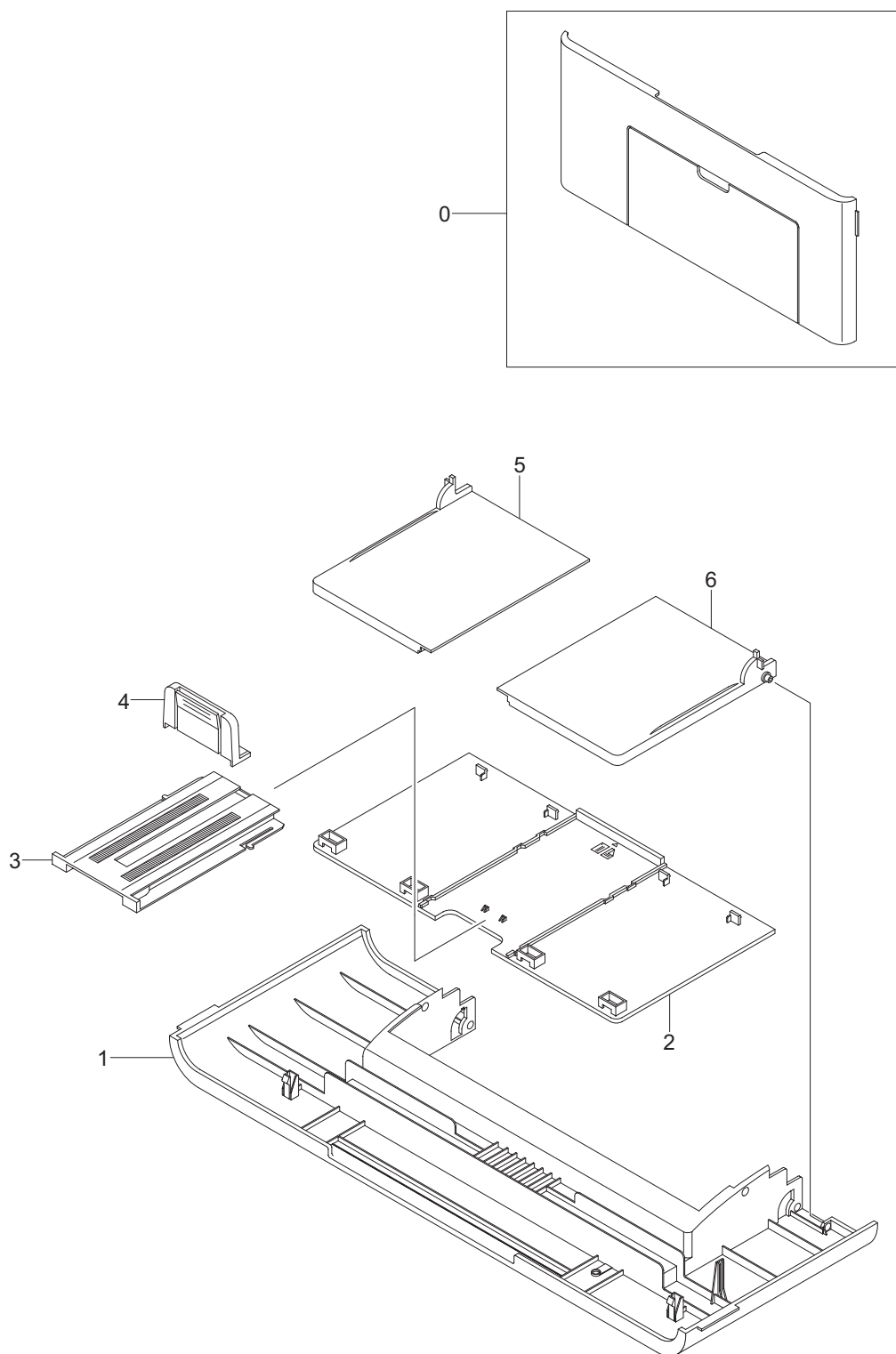
PL 1.2 Узел крышки (Phaser 3200)



PL 1.2 Узел крышки (Phaser 3200)

Элемент	Номер по каталогу	Описание	Количество	Примечание
0		ELA HOU COVER		
1		FRONT COVER ASSEMBLY (REFER TO PL 1.3)		
2		ELA HOU COVER SIDE L		
2-1	002N02689	COVER-SIDE_L		
2-2	130N01412	SPEAKER		
2-3		IPR-UNIT FIXING BRACKET		
2-4		SPONGE		
3	002N02688	COVER-SIDE_R		
4		REAR COVER ASSEMBLY (REFER TO PL 1.4)		
5	002N02691	MEA-COVER_MIDDLE		
5-1		COVER-MIDDLE		
5-2		PMO-STACKER		
5-3		SHEET-FAN		

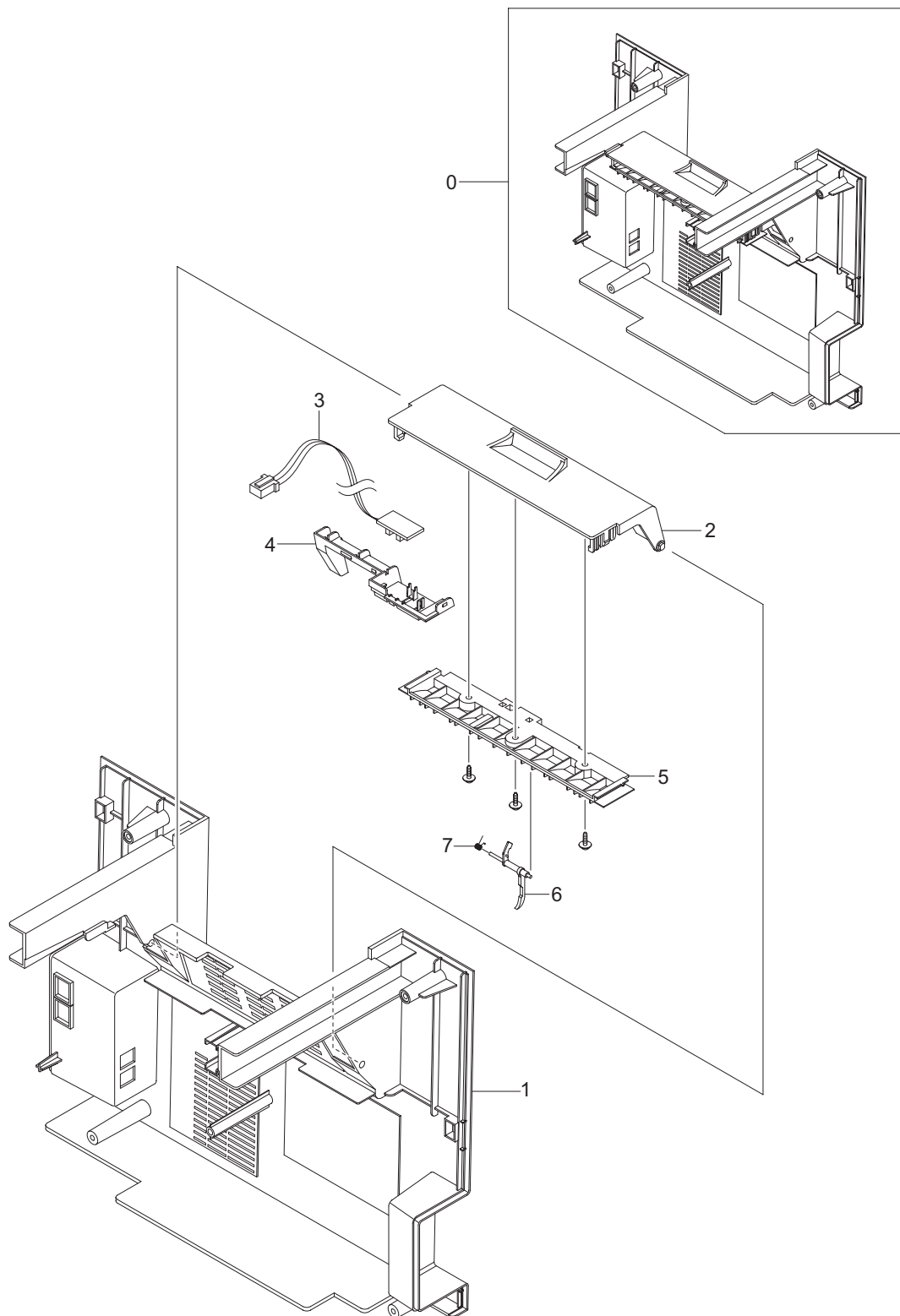
PL 1.3 Узел передней крышки (Phaser 3200)



PL 1.3 Узел передней крышки (Phaser 3200)

Элемент	Номер по каталогу	Описание	Количество	Примечание
0	002N02690	MEA-COVER_FRONT		
1		COVER-FRONT		
2	050N00517	TRAY-CASSETTE_LOWER		
3		TRAY-EXTENSION_L		
4		TRAY-M_EXTENSION S		
5		TRAY-CASSETTE_R		
6		TRAY-CASSETTE_L		

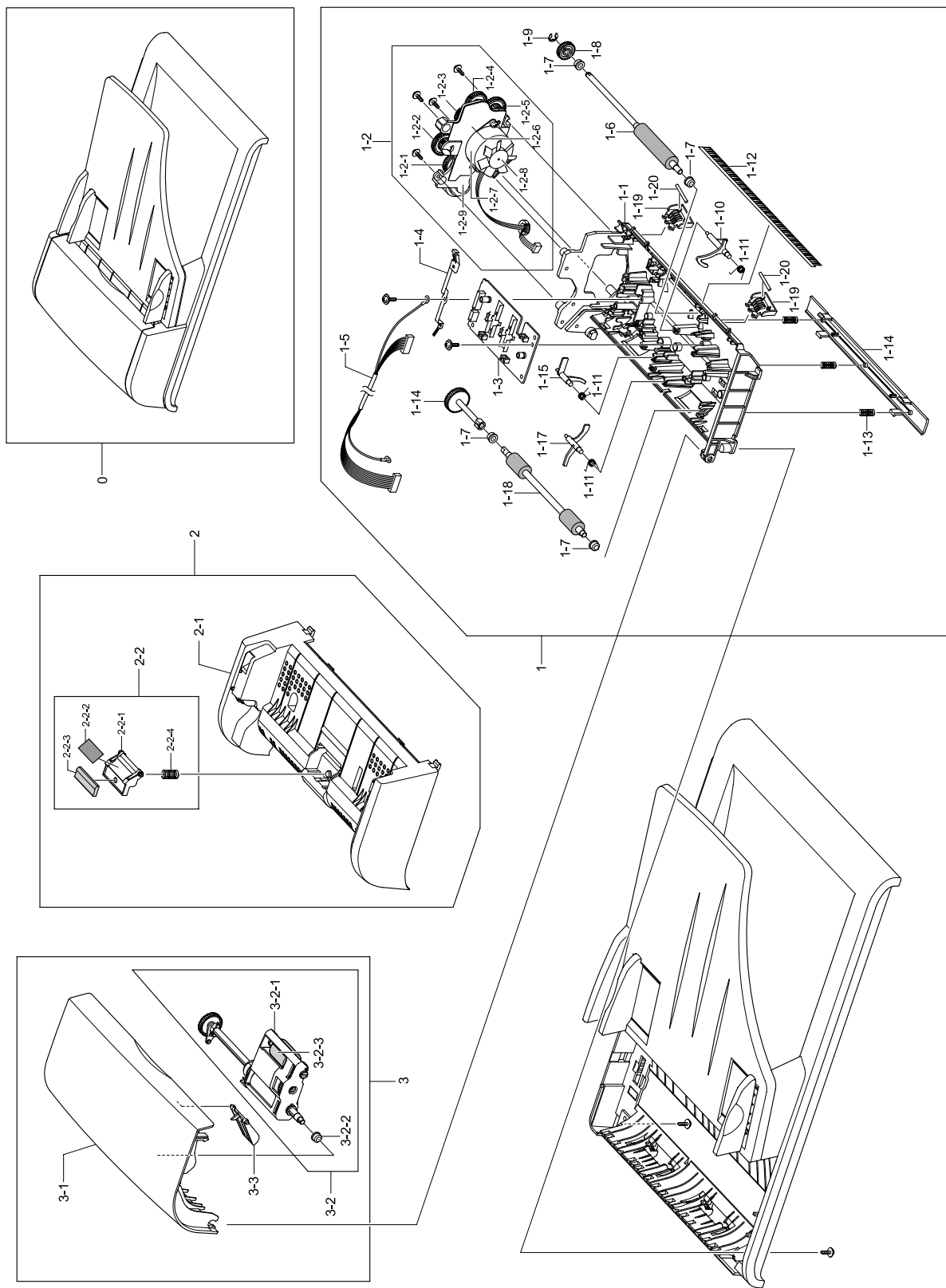
PL 1.4 Узел задней крышки (Phaser 3200)



PL 1.4 Узел задней крышки (Phaser 3200)

Элемент	Номер по каталогу	Описание	Количество	Примечание
0	002N02692	ELA-HOU-COVER REAR		
1		COVER-REAR		
2	002N02693	COVER-JAM		
3		PBA SUB-SENSOR		
4		CAP-JAM		
5	002N02694	COVER-FUSER REAR		
6		EXIT SENSOR ACTUATOR		
7		SPRING ETC-LEVER SENSOR		

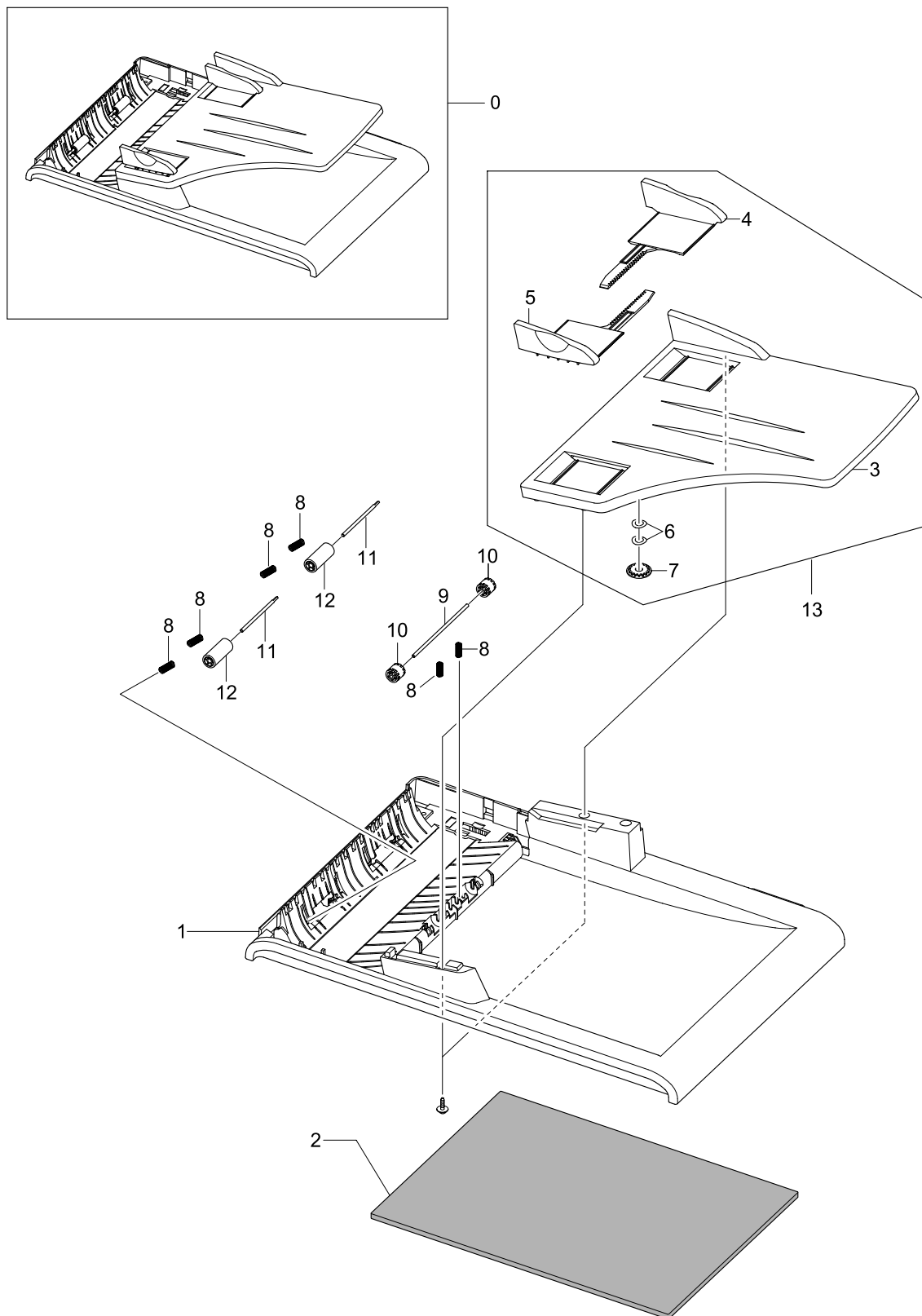
PL 2.0 Узел ADF



PL 2.0 Узел ADF

Элемент	Номер по каталогу	Описание	Количество	Примечание
0	002N02441	ELA HOU-ADF	1	
1	002N02444	ELA HOU-ADF LOWER (WORKCENTRE PE220)	1	
1	002N02695	ELA HOU-ADF LOWER (PHASER 3200)		
1-1		COVER-M-ADF LOWER	1	
1-2	002N02445	ELA HOU-ADF MOTOR	1	
1-2-1		GEAR-IDLE 35 ADF	3	
1-2-2	007N01369	GEAR-CLUTCH 39	1	
1-2-3		GEAR-SWING 31/20 ADF	1	
1-2-4		GEAR-58/25 ADF	1	
1-2-5	007N01370	GEAR-40/21 ADF	2	
1-2-6		BRACKET-P-MOTOR	1	
1-2-7		MOTOR STEP-ADF	1	
1-2-8		IMPELLER-ADF	1	
1-2-9		BRACKET-M-GEAR	1	
1-3	140N63041	PBA SUB-ADF	1	
1-4		GROUND-P-ADF	1	
1-5		CBF HARNESS-ADF	1	
1-6		ROLLER-DRIVE	1	
1-7	013N13842	PMO-BUSH	4	
1-8	007N01368	SHAFT-M-FEED GEAR 38	1	
1-9		RING-C	1	
1-10	130N01413	PMO-ACTUATOR SCAN SENSOR	1	
1-11	009N01512	SPRING-CS	3	
1-12	115N00856	MEC-BRUSH ANTISTATIC	1	
1-13	009N01513	SPRING ETC-TORSION DOC (CC2-F)	3	
1-14	015N00559	PLATE-M_WHITE BAR	1	
1-15		PMO-ACTUATOR DOC SENSOR	1	
1-16		NOT USED	1	
1-17		PMO-ACTUATOR REGI SENSOR	1	
1-18		ROLLER-EXIT	1	
1-19		GUIDE-STACKER SUB	2	
1-20		SHAFT-IDLE FEED	2	
2	002N02446	MEA-ADF UPPER	1	
2-1		COVER-M-ADF UPPER	1	
2-2	500N00107	MEA UNIT-HOLDER ADF	1	
2-2-1		HOLDER-M-ADF	1	
2-2-2	019N00842	SHEET-ADF HOLDER	1	
2-2-3	019N00566	ADF RUBBER	1	
2-2-4	019N00843	SPRING ETC-PAD	1	
3	002N02447	MEA-COVER OPEN	1	
3-1		COVER-M-ADF OPEN	1	
3-2	130N01414	MEA UNIT PICKUP ADF	1	
3-2-1	022N02190	MEC-ADF ROLLER ASSEMBLY	1	
3-2-2	013N13842	PMO-BUSH	1	
3-2-3	022N02191	MEC-PICK UP ROLLER ASSEMBLY	1	
3-3	038N00462	PMO-GUIDE PAPER	1	

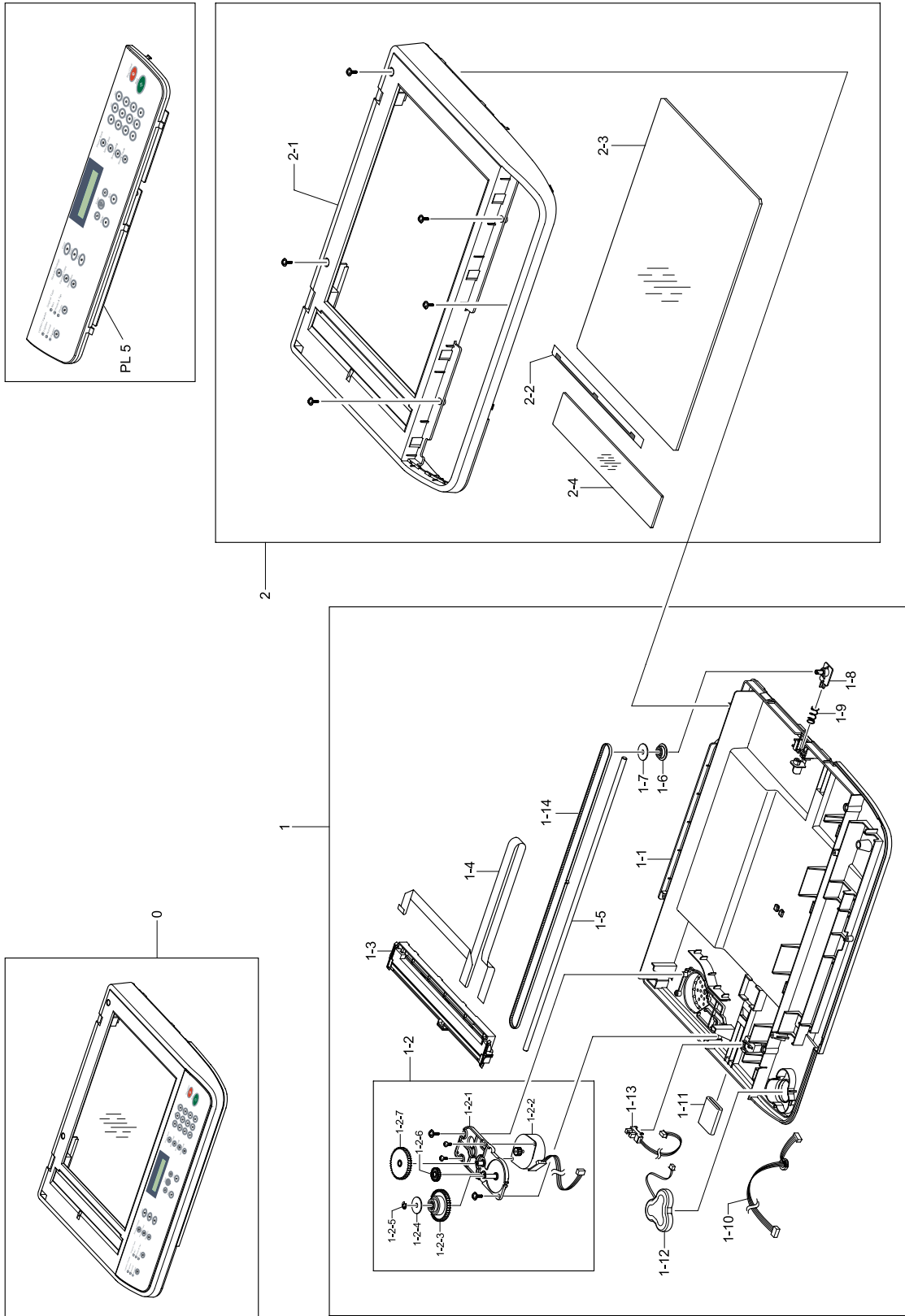
PL 3.0 Узел крышки стекла экспонирования



PL 3.0 Узел крышки стекла экспонирования

Элемент	Номер по каталогу	Описание	Количество	Примечание
0	002N02448	MEA-COVER PLATEN	1	
1	002N02436	COVER-M-PLATEN	1	
2	095N00274	SHEET-WHITE SPONGE	1	
3	038N00405	PMO-TX STACKER	1	
4	038N00410	PMO-DOC GUIDE (R)	1	
5	038N00406	PMO-DOC GUIDE (L)	1	
6	028N00321	IPR-WASHER SPRING CU	2	
7	007N01178	GEAR-PINION	1	
8	009N01514	SPRING ETC-FEED	6	
9		SHAFT PINCH	1	
10	022N02014	PMO-ROLL PINCH	2	
11		SHAFT-IDLE FEED	2	
12	022N02019	RPR-ROLLER EXIT IDLE	2	
13	050N00479	MEA-TX STACKER	1	

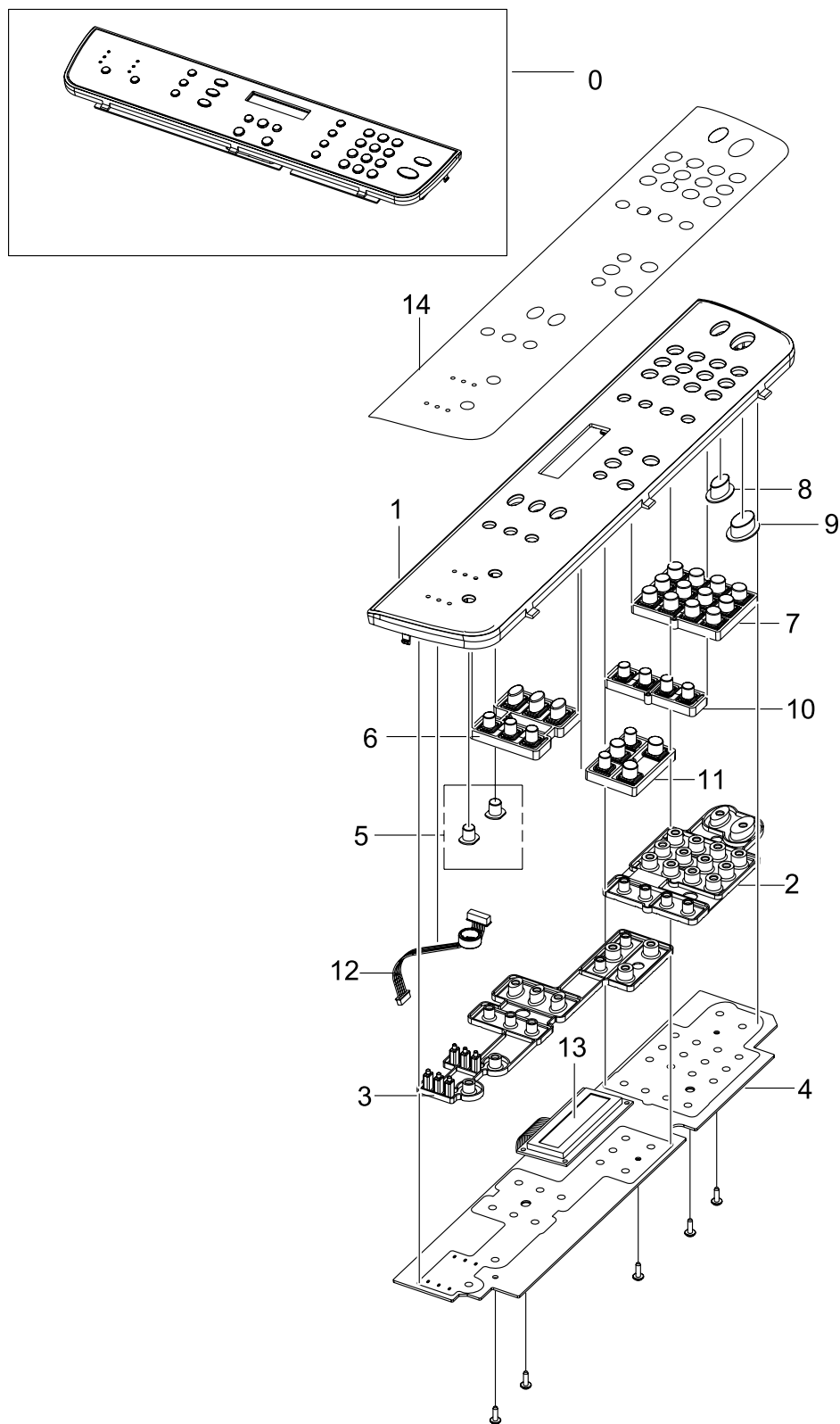
PL 4.0 Узел стекла экспонирования



PL 4.0 Узел ADF/стекла экспонирования

Элемент	Номер по каталогу	Описание	Количество	Примечание
0	002N02443	ELA HOU-PLATEN (WORKCENTRE PE220)	1	
0	090N00165	ELA HOU-PLATEN (PHASER 3200)	1	
1	002N02449	ELA HOU-SCAN LOWER (WORKCENTRE PE220)	1	
1	002N02698	ELA HOU-SCAN LOWER (PHASER 3200)	1	
1-1	002N02450	COVER-M-SCAN LOWER	1	
1-2	101N01345	ELA HOU-SCAN MOTOR	1	
1-2-1		BRACKET-M-SCAN MOTOR	1	
1-2-2	127N07398	MOTOR STEP-SCAN	1	
1-2-3		GEAR-TIMING	1	
1-2-4		PMO-HOLDER BELT	1	
1-2-5		RING-E	1	
1-2-6		GEAR-IDLE	1	
1-2-7		GEAR-REDUCTION	1	
1-3	130N01415	CONTACT IMAGE SENSOR (CIS)	1	
1-4		CBF SIGNAL-CIS FFC	1	
1-5		SHAFT-CIS	1	
1-6	023N01140	PMO-HOLDER BELT_1	1	
1-7		PMO-HOLDER BELT_2	1	
1-8		PMO-PULLEY	1	
1-9	009N01515	SPRING ETC-BELT	1	
1-10		HARNESS	1	
1-11	121N01112	ELA UNIT-CORE	1	
1-12		BATTERY	2	
1-13	152N11632	ELA HOME-FULL SENSOR HARNESS	1	
1-14	109N00542	BELT-TIMING GEAR	1	
2	109N00650	MEA-SCAN UPPER	1	
2-1	002N02438	COVER-M-SCAN UPPER	1	
2-2	091N80223	LABEL (P) SHADING	1	
2-3	090N00161	GLASS-PLATEN	1	
2-4	062N00266	GLASS-ADF	1	

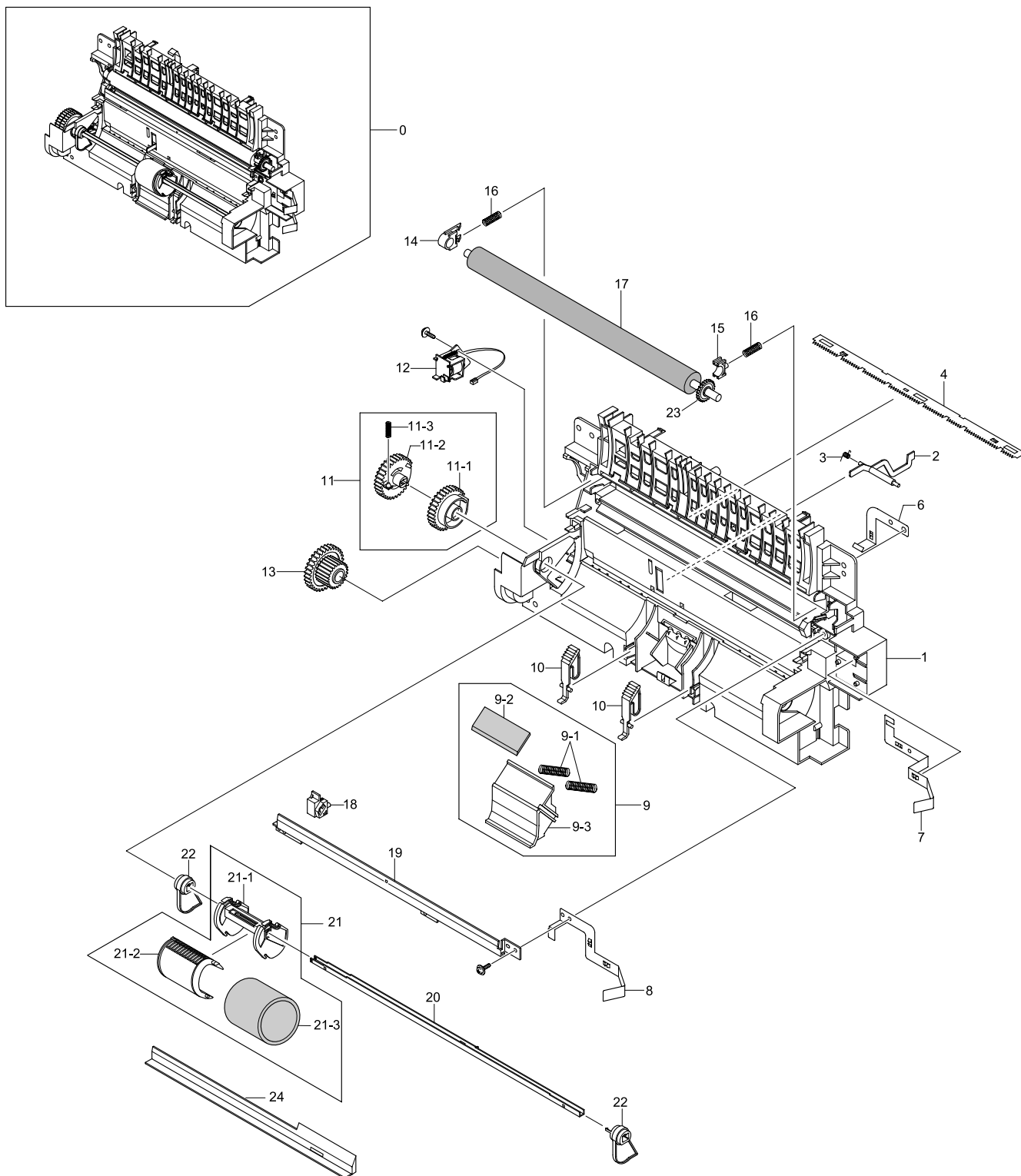
PL 5.0 Модуль OPE



PL 5.0 Модуль OPE

Элемент	Номер по каталогу	Описание	Количество	Примечание
0	002N02442	ELA HOU-OPE (WORKCENTRE PE220)	1	
0	002N02699	ELA HOU-OPE (PHASER 3200)	1	
1	002N02437	COVER-M-OPE	1	
2	110N01390	RUBBER-TEL	1	
3	110N01391	RUBBER-SCROLL	1	
4	140N63042	PBA SUB-OPE	1	
5	003N00972	KEY-M_SHIFT	1	
6	029N00367	KEY-M_STATUS	1	
7	003N00969	KEY-M_TEL_R2_XRX	1	
8	003N00893	KEY-M-STOP	1	
9	003N00970	KEY-M_START_XRX	1	
10	029N00368	KEY-M_FAX	1	
11	029N00380	KEY-M_SCROLL_R2X	1	
12	152N11627	CBF HARNESS-OPE	1	
13		LCD DISPLAY	1	
14	002N02421	SHEET-OVERLAY ENGLISH (WORKCENTRE PE220)	1	
14	002N02422	SHEET-OVERLAY SPANISH (WORKCENTRE PE220)	1	
14	002N02423	SHEET-OVERLAY BRAZILIAN PORTUGUESE (WORKCENTRE PE220)	1	
14	002N02424	SHEET-OVERLAY FRENCH (WORKCENTRE PE220)	1	
14	002N02425	SHEET-OVERLAY RUSSIAN (WORKCENTRE PE220)	1	
14		SHEET-OVERLAY ENGLISH (PHASER 3200)	1	
14		SHEET-OVERLAY SPANISH (PHASER 3200)	1	
14		SHEET-OVERLAY FRENCH (PHASER 3200)	1	

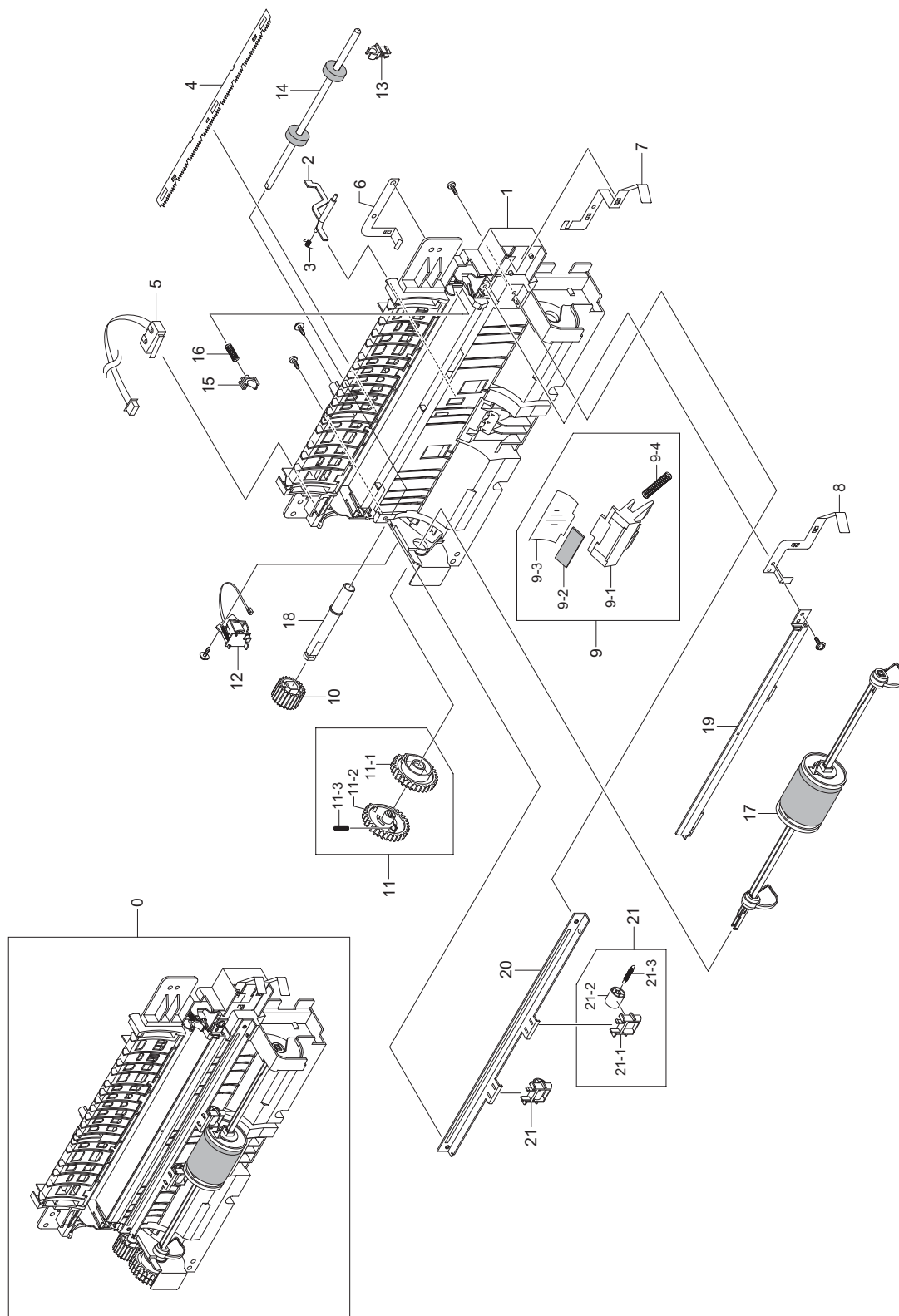
PL 6.0 Узел тракта бумаги (Workcentre PE220)



PL 6.0 Узел тракта бумаги (Workcentre PE220)

Элемент	Номер по каталогу	Описание	Количество	Примечание
0		PAPER-PATH ASSEM	1	
1	038N00463	GUIDE-M-PAPER PATH	1	
2	130N01408	FEED SENSOR ACTUATOR	1	
3	009N01519	SPRING ETC-LEVER SENSOR	1	
4	015N00558	IPR-PLATE SAW	1	
5		NOT USED		
6		GROUND-P-ZENER	1	
7		GROUND-P-THV	1	
8		GROUND-P-SAW	1	
9	019N00841	MEA UNIT-HOLDER_PAD	1	
9-1	009N01520	SPRING ETC-EXIT ROLL FD	2	
9-2	019N00836	PAD-FRICTION	1	
9-3	019N00837	HOLDER-M-PAD	1	
10		LEVER-M-KICKER P/U	2	
11	130N01419	MEA UNIT-PICK UP GEAR	1	
11-1		GEAR-PICK_UP B	1	
11-2		GEAR-PICK_UP A	1	
11-3		SPRING-CS	1	
12	121N01078	SOLENOID	1	
13	007N01375	GEAR-FEED 35/19	1	
14	016N00261	BUSH-M-TR L	1	
15	016N00281	PMO-BUSHING_TR(L)	1	
16	009N01521	SPRING ETC-TR(12)	2	
17	022N02126	TRANSFER ROLLER	1	
18	019N00838	HOLDER-PTL	1	
19		IPR-P-EARTH TRANSFER	1	
20		SHAFT-P-PICK_UP	1	
21	130N01424	MEA UNIT PICK_UP	1	
21-1		HOUSING-M-PICK_UP B	1	
21-2		HOUSING-M-PICK_U	1	
21-3	130N01416	PICK UP RUBBER	1	
22	130N01410	CAM-M-PICK_UP	2	
23	007N01376	GEAR-TRANSFER	1	
24		BRACKET-P-BAR_PICK_UP	1	

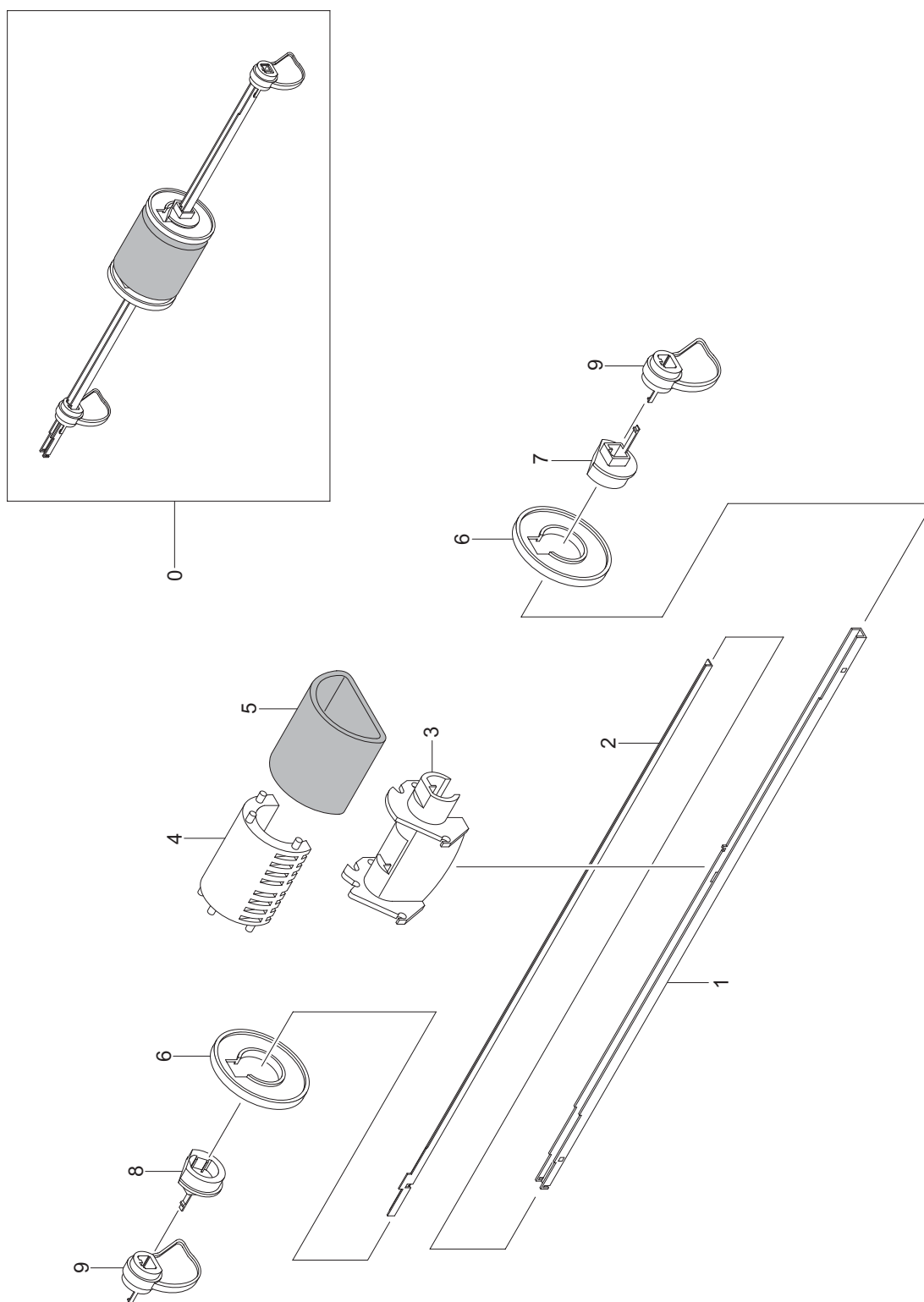
PL 6.1 Узел тракта бумаги (Phaser 3200)



PL 6.1 Узел тракта бумаги (Phaser 3200)

Элемент	Номер по каталогу	Описание	Количество	Примечание
0		PAPER-PATH ASSEMBLY	1	
1	038N00463	GUIDE-M-PAPER PATH	1	
2	130N01497	FEED SENSOR ACTUATOR	1	
3	009N01519	SPRING ETC-LEVER SENSOR	1	
4	015N00558	IPR-PLATE SAW	1	
5		CBF HARNESS-MICRO SWITCH		
6		GROUND-P-SAW	1	
7		GROUND-P-THV	1	
8		GROUND-P-VARISTOR	1	
9	019N00940	MEA UNIT-HOLDER_PAD	1	
9-1	019N00837	HOLDER-M-PAD	1	
9-2	019N00836	PAD-FRICTION	1	
9-3	019N00837	HOLDER-M-PAD	1	
9-4	009N01520	SPRING ETC-EXIT ROLL FD	1	
10	007N01586	GEAR-FEED	1	
11	007N01585	MEA UNIT-PICK UP GEAR	1	
11-1		GEAR-PICK_UP A	1	
11-2		GEAR-PICK_UP B	1	
11-3		SPRING-CS	1	
12	121N01078	SOLENOID	1	
13		PMO-BUSHING FEED		
14		ROLLER FEED		
15	016N00281	PMO-BUSHING_TR(L)		
16	009N01521	SPRING ETC-TR(12)		
17		PICK UP UNIT (REFER TO PL 6.2)		
18		SHAFT FEED		
19		IPR-P-EARTH TRANSFER		
20		PLATE-P_IDLE HOLDER		
21		ROLLER HOLDER ASSEMBLY		
21-1		HOLDER-IDLE ROLLER		
21-2		ROLLER-M-IDLE FEED		
21-3		SPRING-ES		

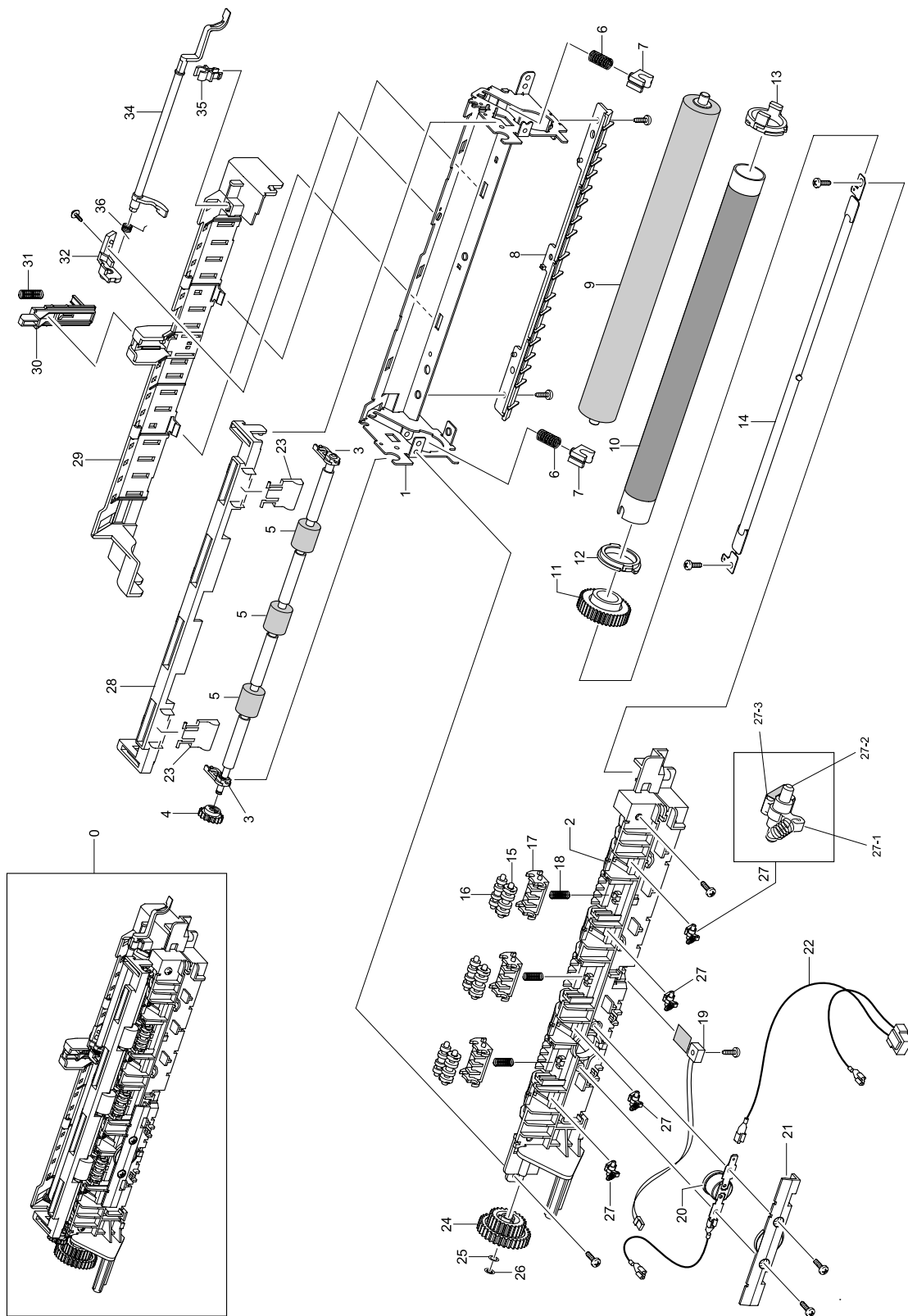
PL 6.2 Узел подхвата (Phaser 3200)



PL 6.2 Узел подхвата (Phaser 3200)

Элемент	Номер по каталогу	Описание	Количество	Примечание
0	022N02191	PICK UP UNIT	1	
1		SHAFT-P-PICK UP	1	
2		BRACKET-P-BAR PICK UP	1	
3		PICK UP HOUSING B	1	
4		PICK UP HOUSING A	1	
5		PICK UP RUBBER	1	
6		IDLE ROLLER PICK UP	2	
7		PICK UP STOPPER RIGHT	1	
8		PICK UP STOPPER LEFT	1	
9	008N01762	PICK UP CAM	2	

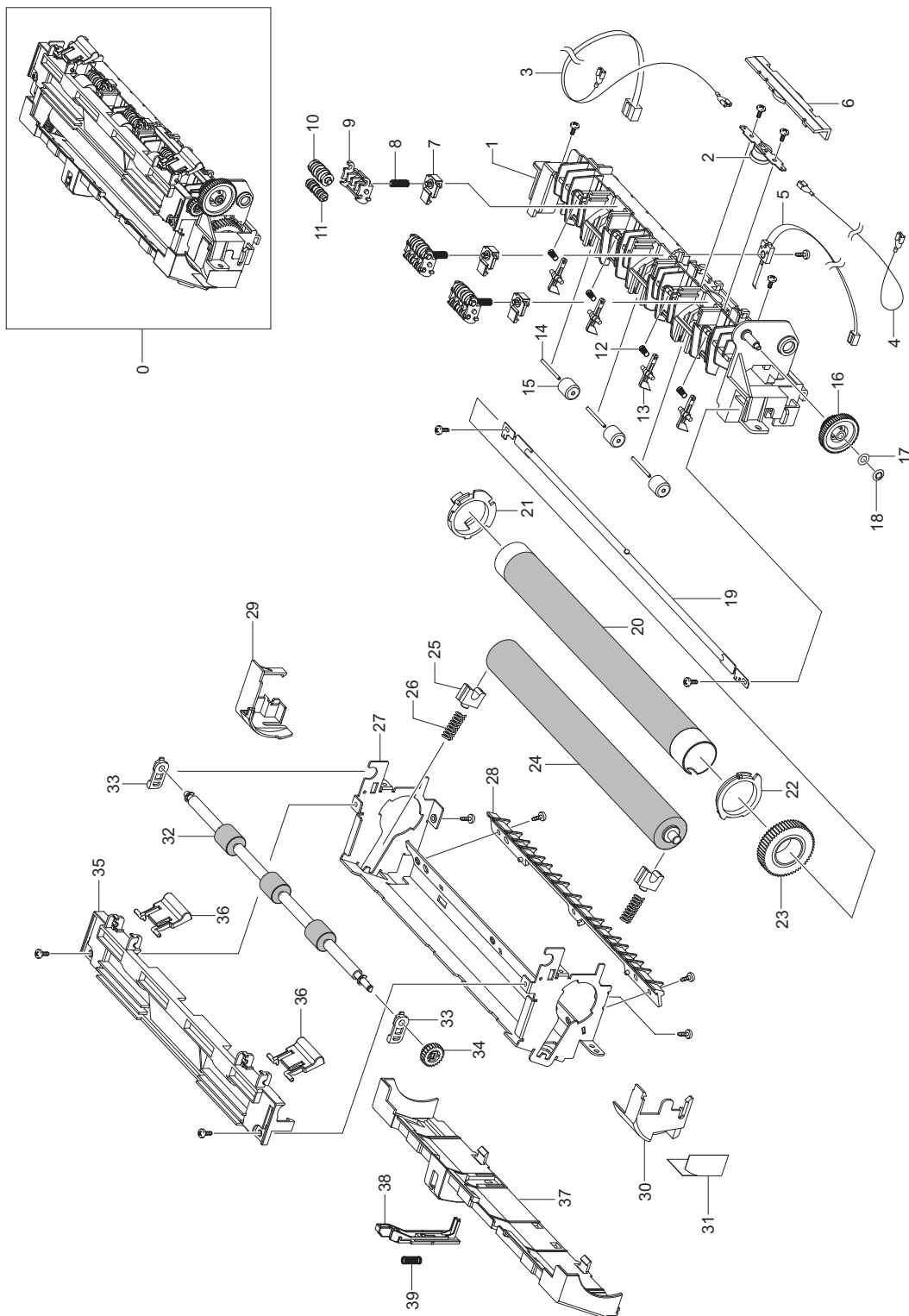
PL 7.0 Модуль фюзера (Workcentre PE220)



PL 7.0 Модуль фьюзера (Workcentre PE220)

Элемент	Номер по каталогу	Описание	Количество	Примечание
0	101N01381	FUSER_220V	1	
0	101N01380	FUSER_110V	1	
1		FRAME-P-FUSER	1	
2		COVER-M_FUSER	1	
3	019N00839	HOLDER-M-EXIT R	2	
4	007N01377	GEAR-EXIT_DRV17	1	
5		HOLDER-M-EXIT F/DOWN	3	
6		SPRING-CS	2	
7	013N13843	BEARING-PRESSURE/R	2	
8		GUIDE-M-INPUT	1	
9	022N01611	ROLLER-PRESSURE	1	
10	022N01610	ROLLER-HEAT	1	
11	007N01205	GEAR-FUSER, Z37	1	
12	016N00282	BUSH-M-HR L	1	
13	016N00262	BUSH-M-HR R	1	
14	122N00245	LAMP-HALOGEN_220V	1	
14	122N00246	LAMP-HALOGEN_110V	1	
15		ROLLER-M-EXIT MAIN	3	
16		ROLLER-M_EXIT FR	3	
18	009N01522	SPRING-CS	3	
19	130N01417	THERMISTOR-NTC	1	
20	130N01411	THERMOSTAT-150	1	
21	152N11628	CBF HARNESS-FUSER JOINT	1	
22	152N11626	CBF HARNESS-FUSER (220V)	1	
22	152N11631	CBF HARNESS-FUSER (110V)	1	
23		PADDLE	2	
24		GEAR EXIT-DR38/25	1	
25		WASHER-PLAIN	1	
26		E-CLIP	1	
27		STRIPPER FINGER	4	
27-1	009N01523	SPRING ETC-STRIPPER FINGER	4	
27-2	019N00840	HOLDER_M_PLATE STRIPPER FINGER	4	
27-3		PLATE-P-STRIPPER FINGER	4	
28		COVER-M-GUIDE EXIT	1	
29		COVER-M-SAFETY FUSER	1	
30		LEVER-M_ACT EXIT	1	
31		SPRING ETC-TR(KOR)	1	
32		HOLDER-M_ACTUATOR	1	
33		NOT USED	1	
34		LEVER-M-ACTUATOR JAM	1	
35		PMO-BUSHING TX(B4)	1	
36		SPRING ETC-TORSION DOC (CC2-F)	1	

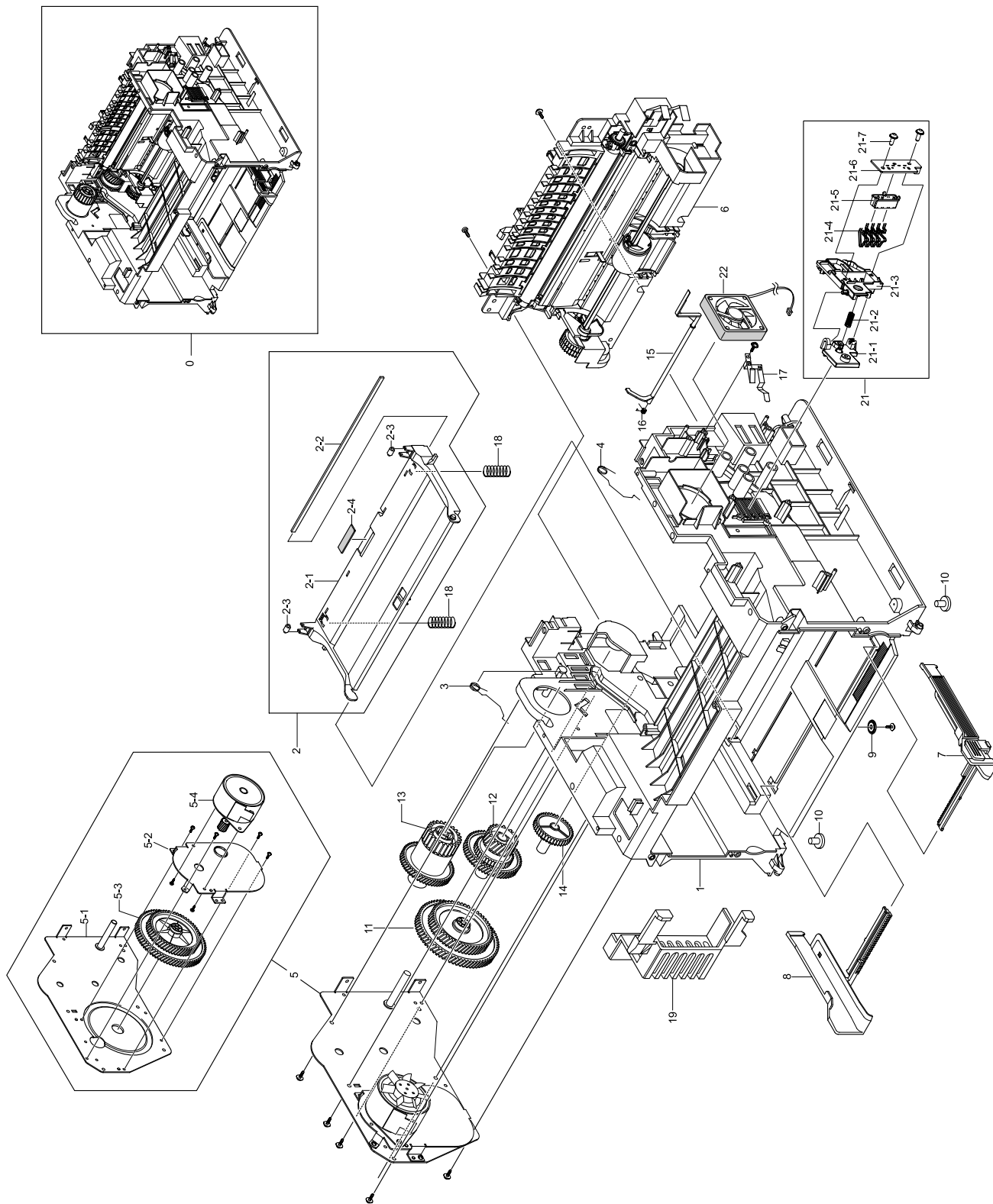
PL 7.1 Модуль фюзера (Phaser 3200)



PL 7.1 Модуль фьюзера (Phaser 3200)

Элемент	Номер по каталогу	Описание	Количество	Примечание
0	126N00275	FUSER_220V	1	
0	126N00274	FUSER_110V	1	
1		FUSER COVER	1	
2	130N01498	THERMOSTAT	1	
3		CBF HARNESS-FUSER 220V	1	
3		CBF HARNESS-FUSER 110V	1	
4		CBF HARNESS-FUSER JOINT	1	
5	130N01499	THERMISTOR NTC ASSY	1	
6		CAP-M-THERMO	1	
7		HOLDER SPRING	3	
8		SPRING CS	3	
9		HOLDER-M-EXIT F/DOWN	3	
10		ROLLER-M_EXIT_MAIN	3	
11		ROLLER-M_EXIT FR	3	
12		SPRING ES	4	
13	002N00941	STRIPPER FINGER	4	
14		IPR-PIN ROLLER EXIT	3	
15		PEX-ROLLER F/UP(2)	3	
16		EXIT GEAR_DR38/25	1	
17		WASHER	1	
18		CS-RING	1	
19	122N00270	HALOGEN LAMP 220V	1	
19	122N00269	HALOGEN LAMP 110V	1	
20	022N02310	HEAT ROLLER	1	
21		RIGHT BUSH	1	
22		LEFT BUSH	1	
23		FUSER GEAR	1	
24	022N01611	PRESSURE ROLLER	1	
25		PRESSURE ROLLER BUSH	2	
26		ETC SPRING-PR	2	
27		FUSER FRAME	1	
28		GUIDE-M-INPUT	1	
29		COVER LAMP RIGHT	1	
30		COVER LAMP LEFT	1	
31		FUSER SHEET	1	
32		ROLLER-EXIT F/DOWN	1	
33		HOLDER-EXIT RIGHT	2	
34		EXIT_DRV17	1	
35		FRONT FUSER COVER	1	
36		PMO-SUB STACKER	2	
37		FUSER SAFETY COVER	1	
38		JAM SENSOR ACTUATOR	1	
39		SPRING ETC-TR	1	

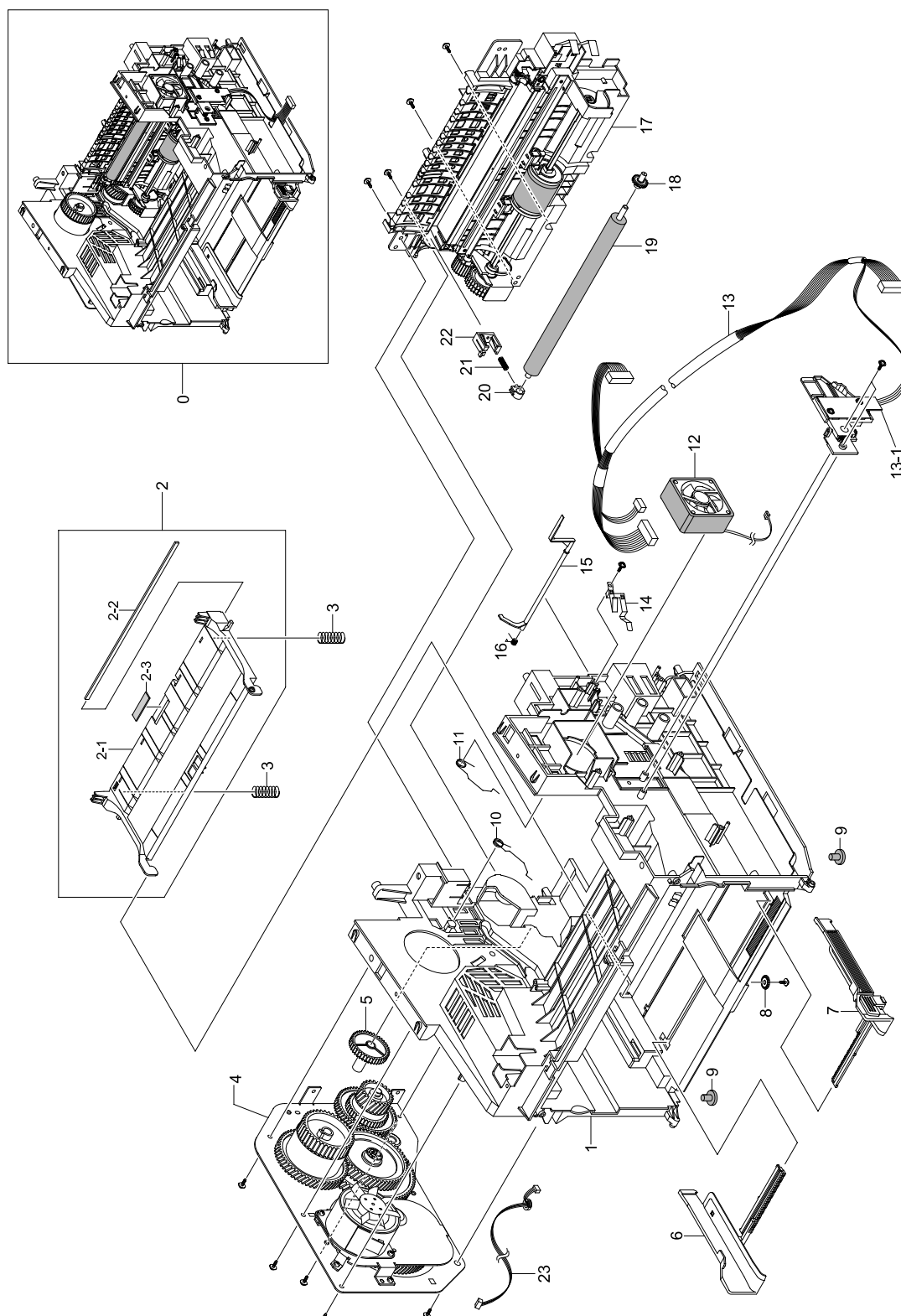
PL 8.0 Узел главной рамы (Workcentre PE220)



PL 8.0 Узел главной рамы (Workcentre PE220)

Элемент	Номер по каталогу	Описание	Количество	Примечание
0		ELA HOU-FRAME LOWER	1	
1		FRAME-M-BASE	1	
2	015N00560	MEA UNIT-PLATE KNOCK_UP	1	
2-1	015N00561	PLATE-M-KNOCK_UP	1	
2-2		SHAFT-P-CORE	1	
2-3		PMO-IDLE KNOCK UP MP	2	
2-4	019N00835	MPR-PAD KNOCK UP MR	1	
3	009N01516	SPRING ETC-TORSION DEVE_L	1	
4	009N01517	SPRING ETC-TORSION DEVE_R	1	
5	126N00247	DRIVE ASSEMBLY	1	
5-1		BRACKET-P-GEAR	1	
5-2		BRACKET-P-MOTOR	1	
5-3		GEAR-RDCN 139/83	1	
5-4	127N07405	MOTOR STEP-MAIN	1	
6		PAPER PATH ASSEMBLY (REFER TO PL6)	1	
7	026N00764	RIGHT PAPER GUIDE	1	
8	026N00765	LEFT PAPER GUIDE	1	
9	007N01178	GEAR-PINION	1	
10	017N00251	FOOT-FRONT	2	
11	007N01371	GEAR-RDCN 113/83	1	
12	007N01372	GEAR-OPC DR 76/38/29	1	
13	007N01373	GEAR-FUSER DR 63/35	1	
14	007N01374	GEAR-FEED DR 41	1	
15	120N00481	PAPER EMPTY SENSOR ACTUATOR	1	
16	009N01513	SPRING ETC-TORSION DOC (CC2-F)	1	
17	115N00857	GROUND-P-OPC	1	
18	009N01518	SPRING CS		
19		CAP-M-MOTOR	1	
20	009N01518	NOT USED	2	
21		CRUM ASSEMBLY	1	
21-1	003N00973	PLATE-M-HINGE	1	
21-2		SPRING ETD-FEED	1	
21-3	015N00564	PLATE-M-CRUM	1	
21-4		TERMINAL-CRUM	8	
21-5		TERMINAL-M_BLOCK	1	
21-6	140N63043	PBA-CRUM_P	1	
22	127N01453	FAN-DC	1	

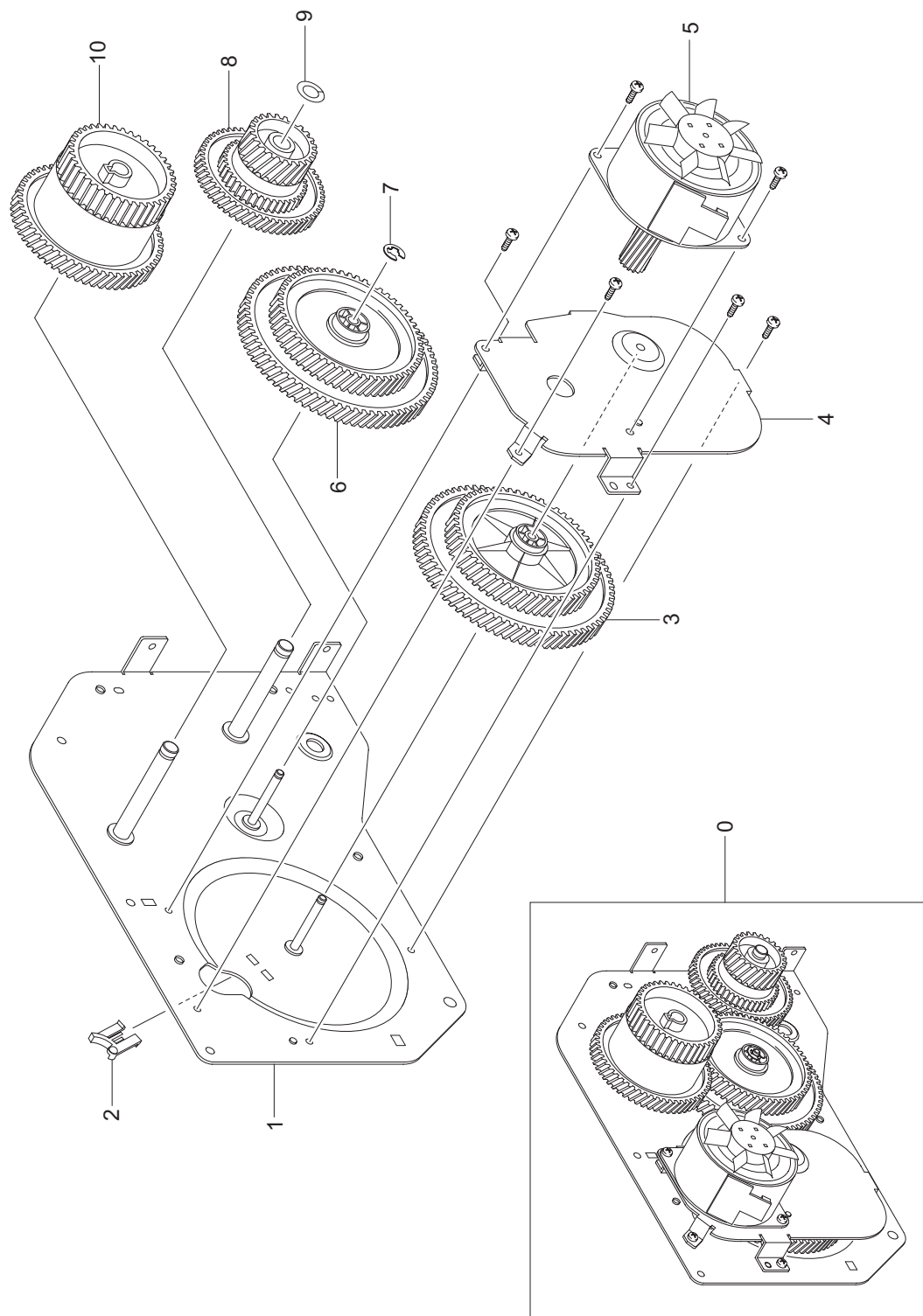
PL 8.1 Узел главной рамы (Phaser 3200)



PL 8.1 Узел главной рамы (Phaser 3200)

Элемент	Номер по каталогу	Описание	Количество	Примечание
0		ELA HOU-FRAME LOWER	1	
1		FRAME-M-BASE	1	
2	015N00560	MEA UNIT-PLATE KNOCK_UP	1	
2-1	015N00561	PLATE-M-KNOCK_UP	1	
2-2		SHAFT-P-CORE	1	
2-3	019N00835	MPR-PAD KNOCK UP MR	1	
3	009N01518	SPRING CS	2	
4		DRIVE ASSEMBLY (REFER TO PL 8.3)	1	
5		GEAR FEED DR 41	1	
6	026N00765	LEFT PAPER GUIDE	1	
7	026N00764	RIGHT PAPER GUIDE	1	
8	007N01178	GEAR PINION	1	
9	017N00251	FRONT FOOT	2	
10		SPRING ETC TORSION DEVE LEFT		
11		SPRING ETC-TORSION DEVE RIGHT		
12	127N01453	DC FAN		
13		ELA HOU-CRUM		
13-1	140N63043	PBA-CRUM_P		
14	115N00857	GROUND-P-OPC		
15	120N00504	PAPER EMPTY SENSOR ACTUATOR	1	
16	009N01513	SPRING ETC-TORSION DOC (CC2-F)		
17		PAPER PATH ASSEMBLY (REFER TO PL 6.1)		
18		TRANSFER GEAR		
19	022N02309	TRANSFER ROLLER		
20		PMO BUSHING_TR		
21		SPRING ETC-TR LEFT		
22		PMO TRANSFER HOLDER LEFT		
23		CBF HARNESS MOTOR		

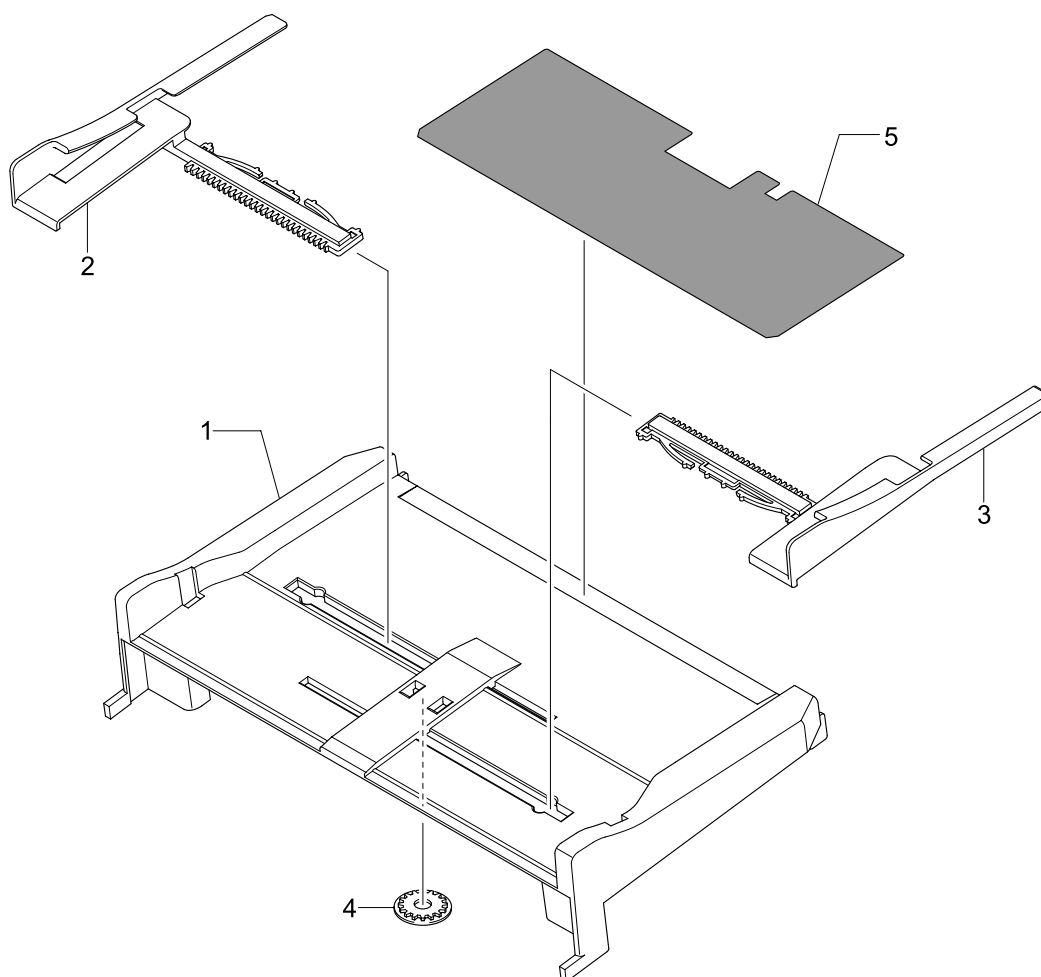
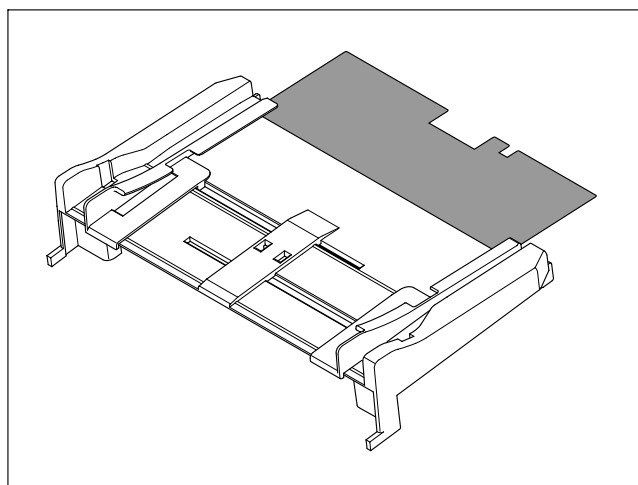
PL 8.2 Узел главного привода (Phaser 3200)



PL 8.2 Узел привода (только Phaser 3200)

Элемент	Номер по каталогу	Описание	Количество	Примечание
0	007N01572	DRIVE ASSEMBLY	1	
1		GEAR BRACKET	1	
2		GEAR SPACER	1	
3		GEAR RDCN 139/83	1	
4		MOTOR BRACKET	1	
5	127N07546	STEP MOTOR	1	
6		GEAR RDCN 113/83	1	
7		RING-C	1	
8		GEAR OPC DR 76/38/29	1	
9		PLAIN WASHER	1	
10		FUSER GEAR	1	

PL 9.0 Узел многоцелевого лотка



PL 9.0 Узел многоцелевого лотка

Элемент	Номер по каталогу	Описание	Количество	Примечание
0	050N00478	MEA UNIT-MP TRAY	1	
1	015N00562	PLATE-M_MP	1	
2	026N00766	ADJUST-M_MP L	1	
3	026N00767	ADJUST-M_MP R	1	
4	007N01178	GEAR-PINION	1	
5	002N02451	SHEET-MP	1	

PL 10.0 Крепежные детали и элементы сервисного обслуживания

PL 10.0 Крепежные детали и элементы сервисного обслуживания

Элемент	Номер по каталогу	Описание	Количество	Примечание
0	026N00768	SCREW TAPTITE	3	
1	026N00769	SCREW TAPTITE	1	
2	105N02072	AC POWER CORD (US VER)	1	
3	117N01620	TELEPHONE LINE CORD (US VER)	1	
4	117N01313	USB CABLE	1	
5	004N00244	CUSHION-MAIN	1	
6	060N00030	BOX(P) MAIN	1	
7	705N00013	CD-ROM DRIVERS	1	
8	705N00012	CD-ROM EUG	1	
9	705N00014	CD-ROM SCANSOFT	1	