

**RICOH**

**RICOH M60 (A715)**

**PARTS CATALOG**

First Edition Sep 1994

**RICOH COMPANY,**

## **PARTS CATALOG**

### **INTRODUCTION**

This chapter instructs you the numbers and names of parts on this machine.

### **INDEX to PARTS CATALOG**

**M60**

**(A715)**

**M60 (A715)**

## PARTS CATALOG

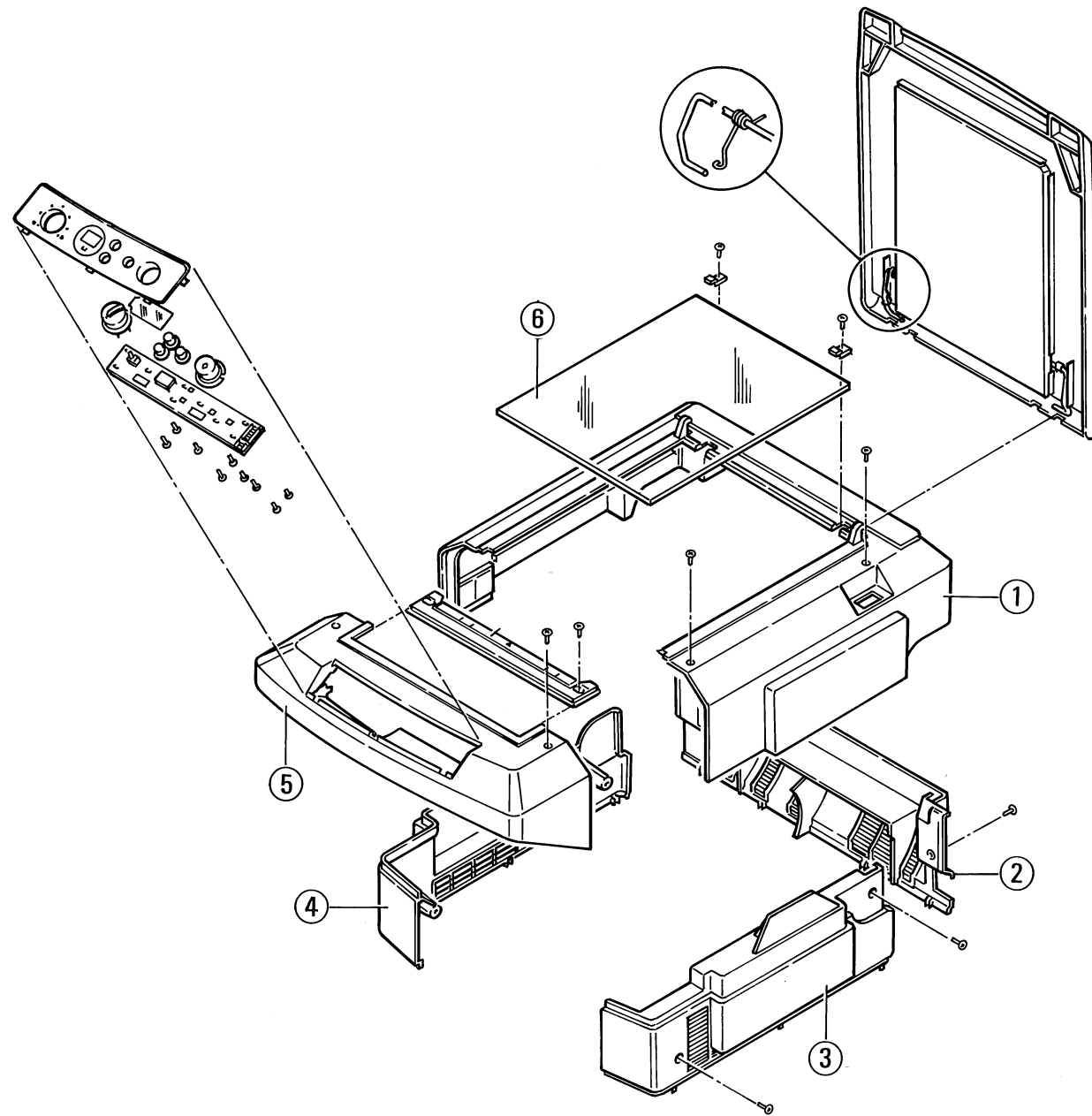
### INTRODUCTION

This chapter instructs you the numbers and names of parts on this machine.

### INDEX to PARTS CATALOG

1.HOUSING (A715) .....	2
2.UPPER HALF(SCANNER) (A715) .....	4
3.OPTICAL SECTION UPPER (A715) .....	6
4.OPTICAL SECTION LOWER (A715) .....	8
5.LOWER HALF 1 (A715).....	10
6.LOWER HALF 2 (A715).....	12
7.FUSING /IMAGING UNIT (A715) .....	14
8.DRIVE SECTION (A715).....	16
9.FEEDING SECTION (A715) .....	18
10.CASSETTE (A715) .....	20
11.ASSEMBLED PARTS (A715).....	22
<b>Parts Index</b> .....	<b>25</b>

# 1. HOUSING (A715)

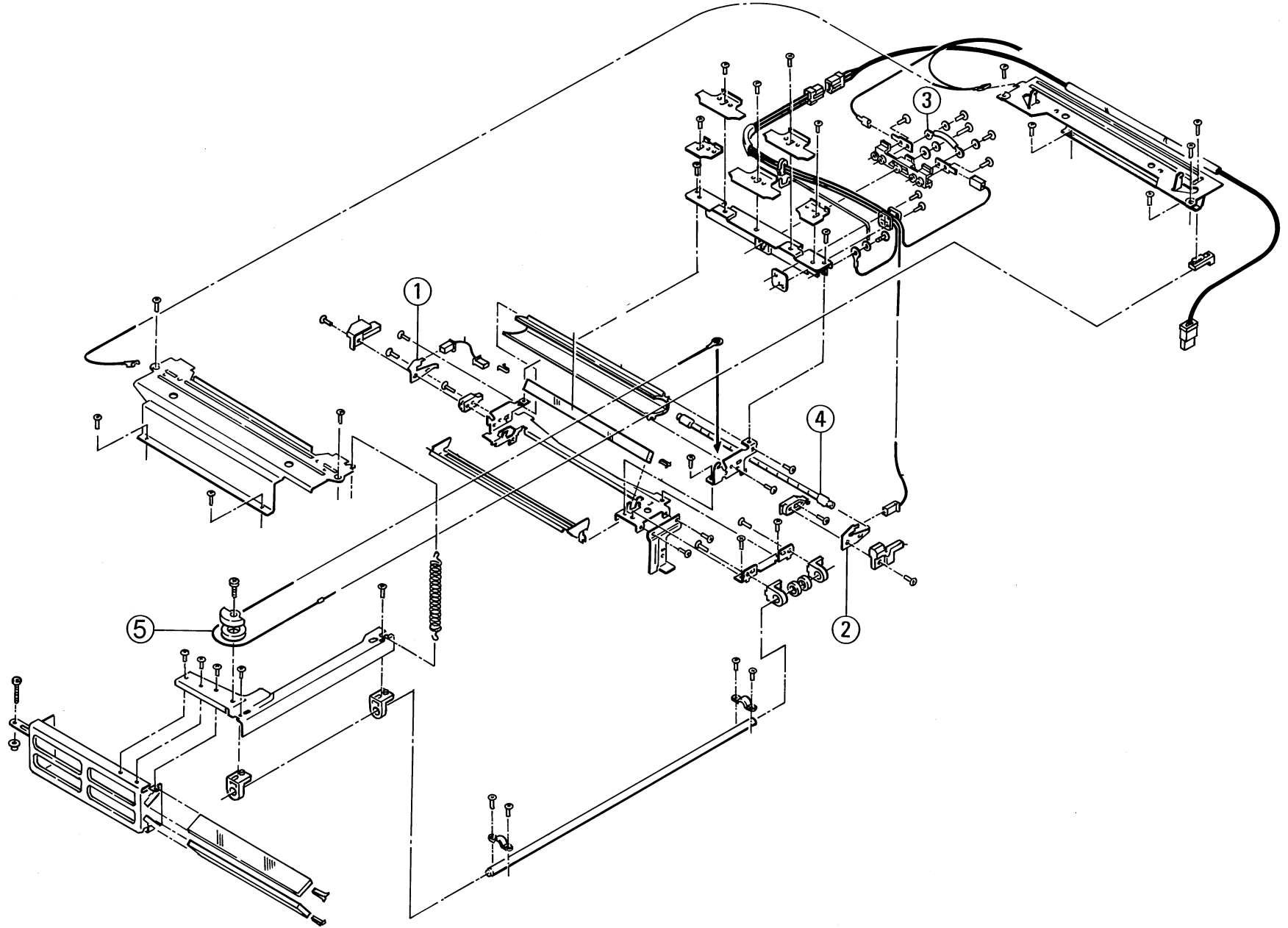


# 1. HOUSING (A715)

Index No.	Part No.	Description	Q'ty Per Assembly
1	A715 0029	Cover Top	1
2	A715 0026	Cover Rear	1
3	A715 0028	Cover Right	1
4	A715 0027	Cover Left	1
5	A715 0030	Front Cover	1
6	A715 0032	Scanner Glass	1

Index No.	Part No.	Description	Q'ty P Assen
-----------	----------	-------------	--------------

## 2. UPPER HALF(SCANNER) (A715)



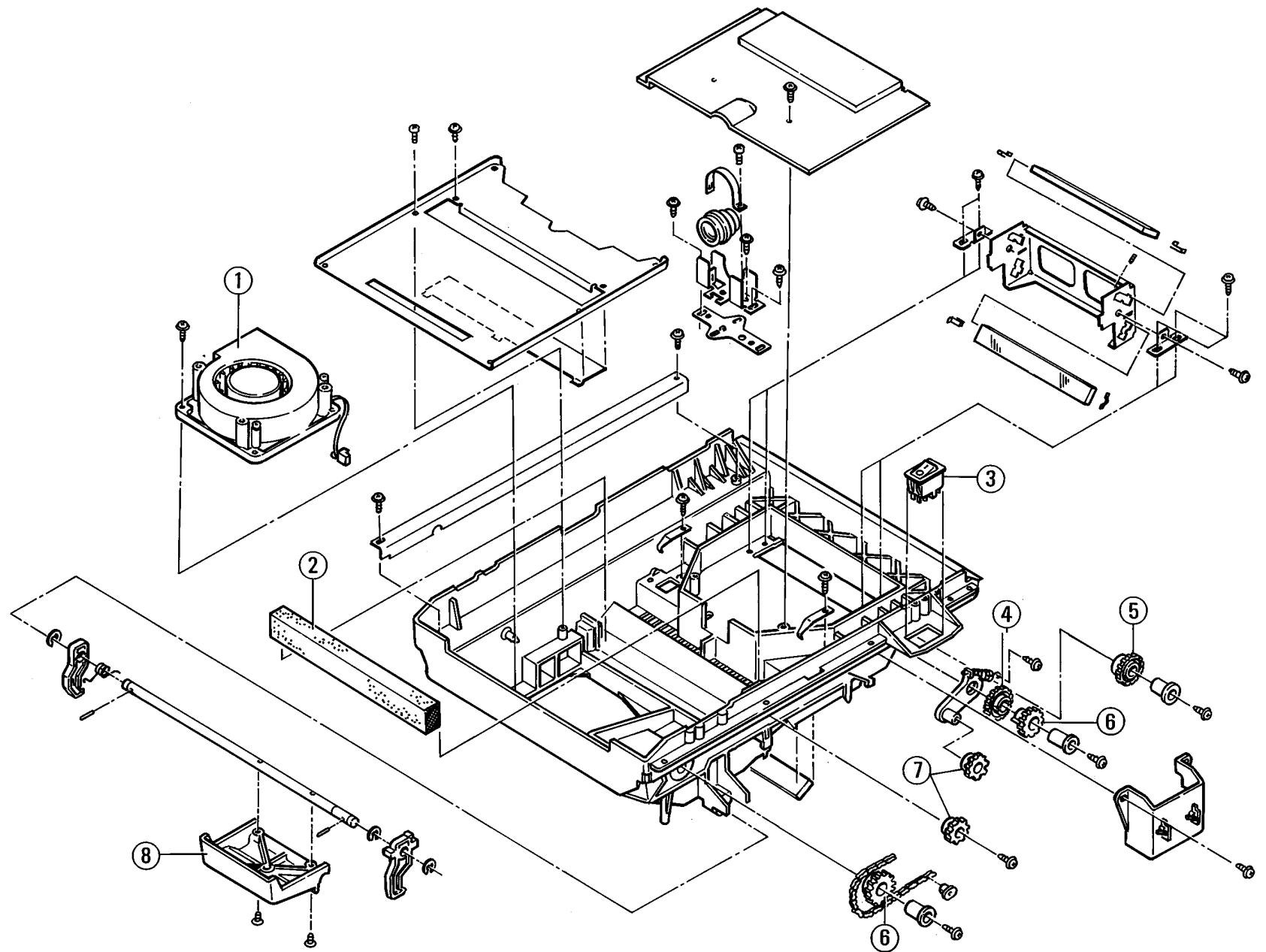
## 2. UPPER HALF(SCANNER) (A715)

Index No.	Part No.	Description	Q'ty Per Assembly
1	A715 0003	Terminal	1
2	A715 0035	Terminal	1
3	A715 0007	Temperature Fuse Assy	1
4	A715 0089	Exposure Lamp	1
5	A715 0056	Wire Rope	1

Index No.	Part No.	Description	Q'ty P Assen
-----------	----------	-------------	--------------



### 3. OPTICAL SECTION UPPER (A715)

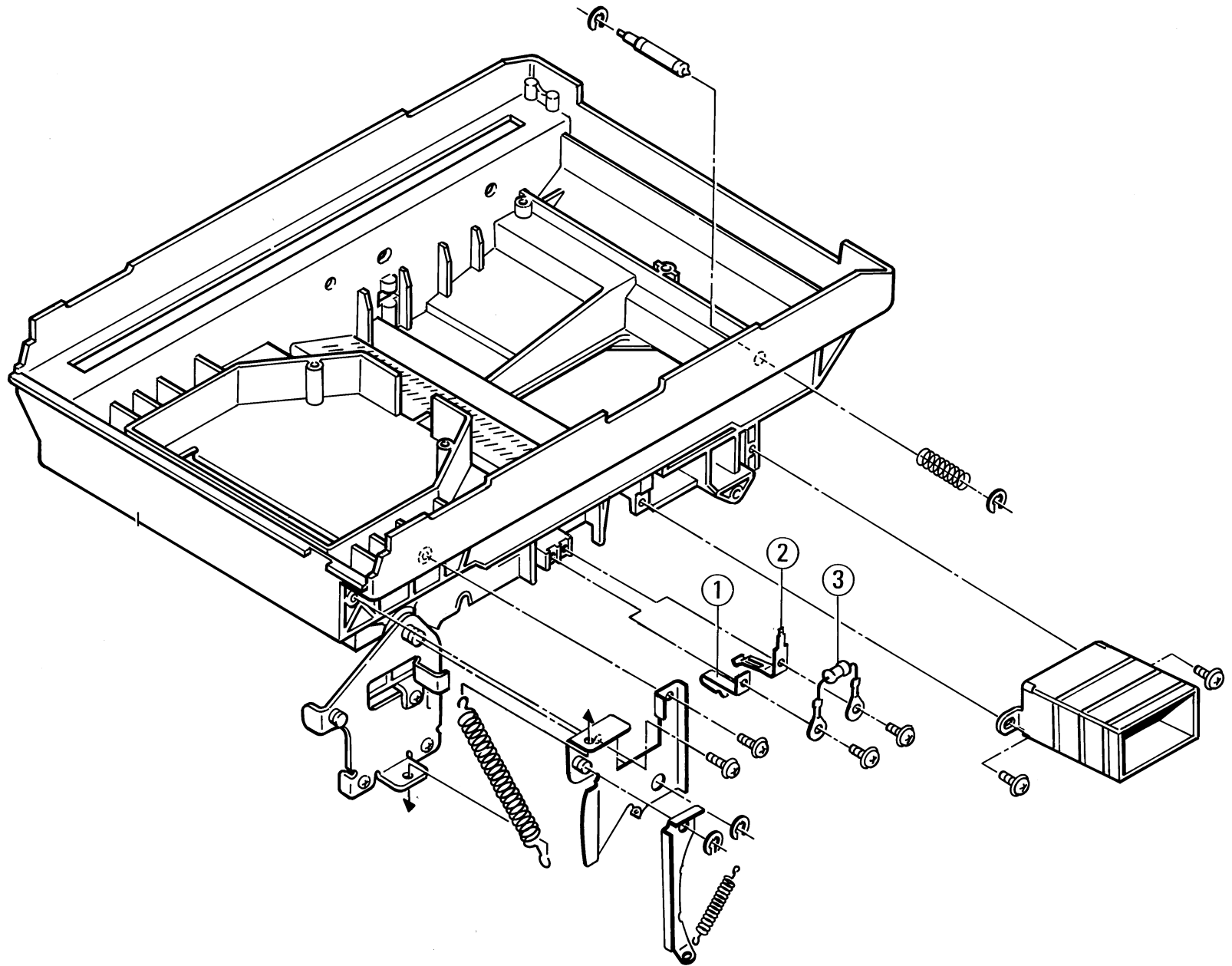


### 3. OPTICAL SECTION UPPER (A715)

Index No.	Part No.	Description	Q'ty Per Assembly
1	A715 0084	DC-Fan	1
2	A715 0008	Ozone Filter	1
3	A715 0091	Main Switch	1
4	A715 0055	Gear T=46	1
5	A715 0061	Idle Gear T=39	1
6	A715 0054	Sprocket T=22	2
7	A715 0057	Sprocket T=15	2
8	A715 0051	Unlocking Handle	1

Index No.	Part No.	Description	Q'ty P Assen

#### 4. OPTICAL SECTION LOWER (A715)

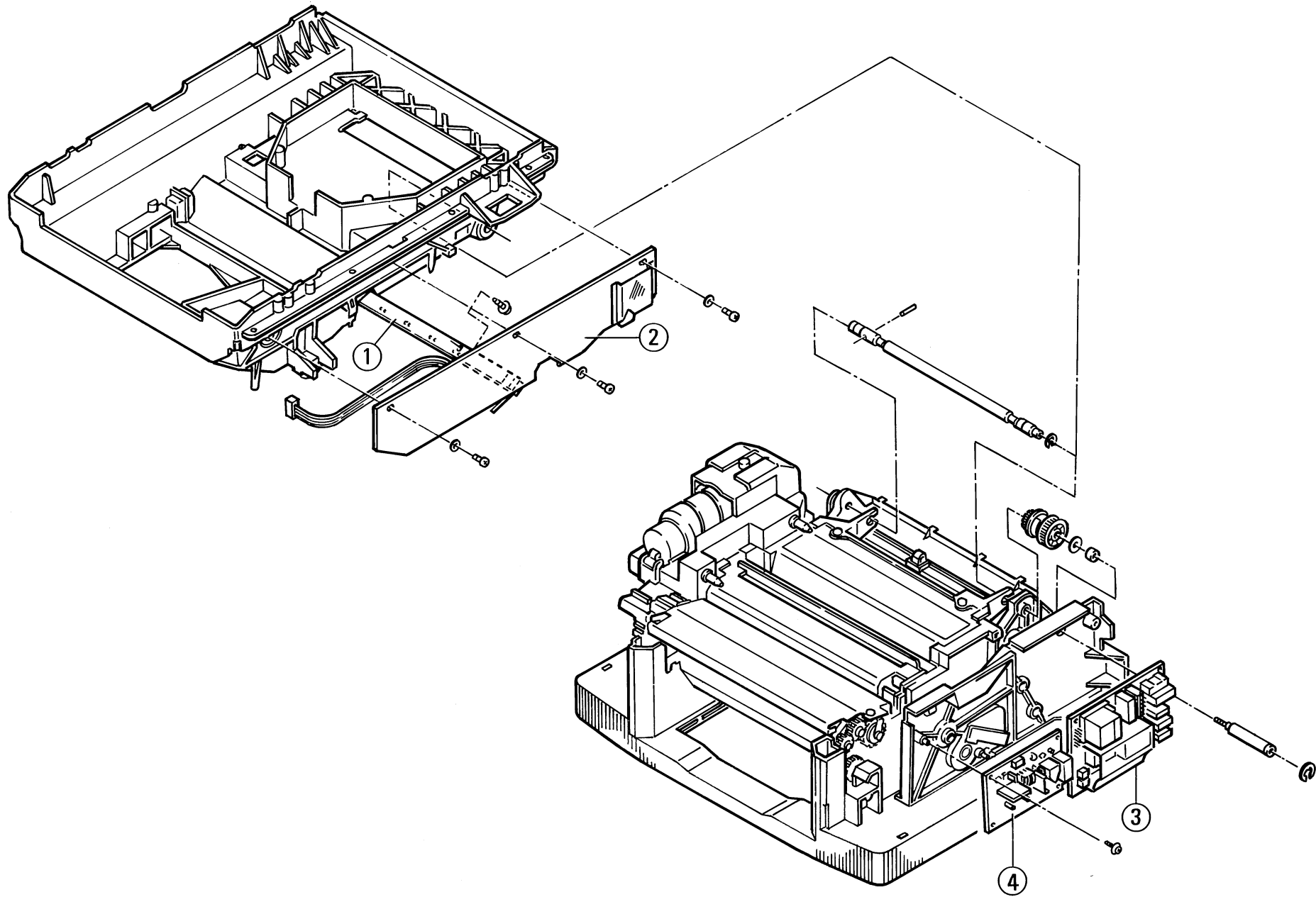


#### 4. OPTICAL SECTION LOWER (A715)

Index No.	Part No.	Description	Q'ty Per Assembly
1	A715 0039	Ground Contact	1
2	A715 0037	Ground Contact	1
3	A715 0021	Corona Resistor	1

Index No.	Part No.	Description	Q'ty P Assen
-----------	----------	-------------	--------------

## 5. LOWER HALF 1 (A715)

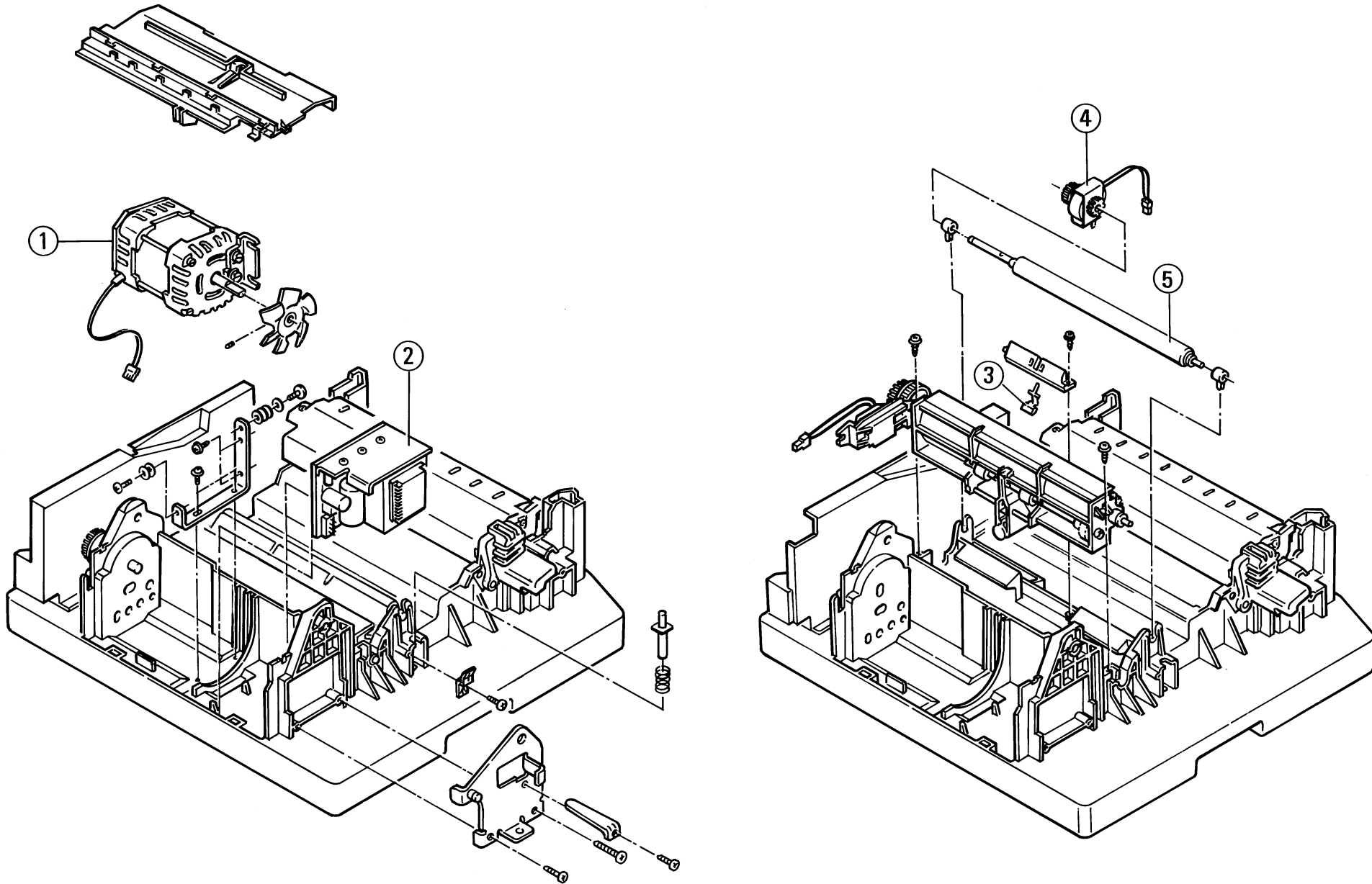


### 5. LOWER HALF 1 (A715)

Index No.	Part No.	Description	Q'ty Per Assembly
1	A715 0087	Eraser Lamp	1
2	A715 0020	PWB - A Logic Assy	1
3	A715 0013	PWB- D	1
4	A715 0015	HV 1	1

Index No.	Part No.	Description	Q'ty P Assen

## 6. LOWER HALF 2 (A715)



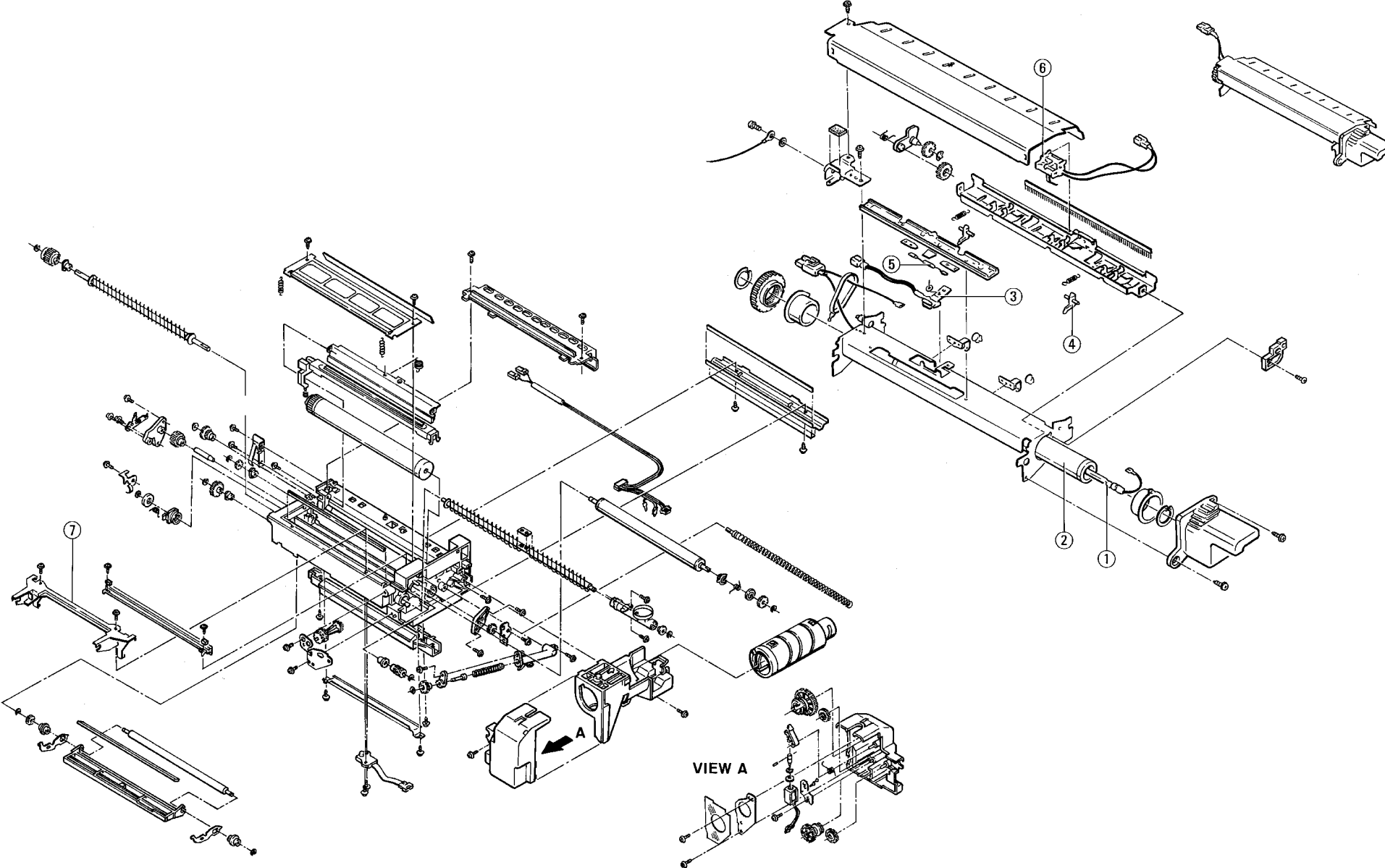
## 6. LOWER HALF 2 (A715)

Index No.	Part No.	Description	Q'ty Per Assembly
1	A715 0083	Main Motor	1
2	A715 0014	PWB - C Switching Power Supply	1
3	A715 0070	Actuator	1
4	A715 0085	Timing Clutch	1
5	A715 0077	S1 - Roller	1


Index No.	Part No.	Description	Q'ty P Assen



# 7. FUSING /IMAGING UNIT (A715)

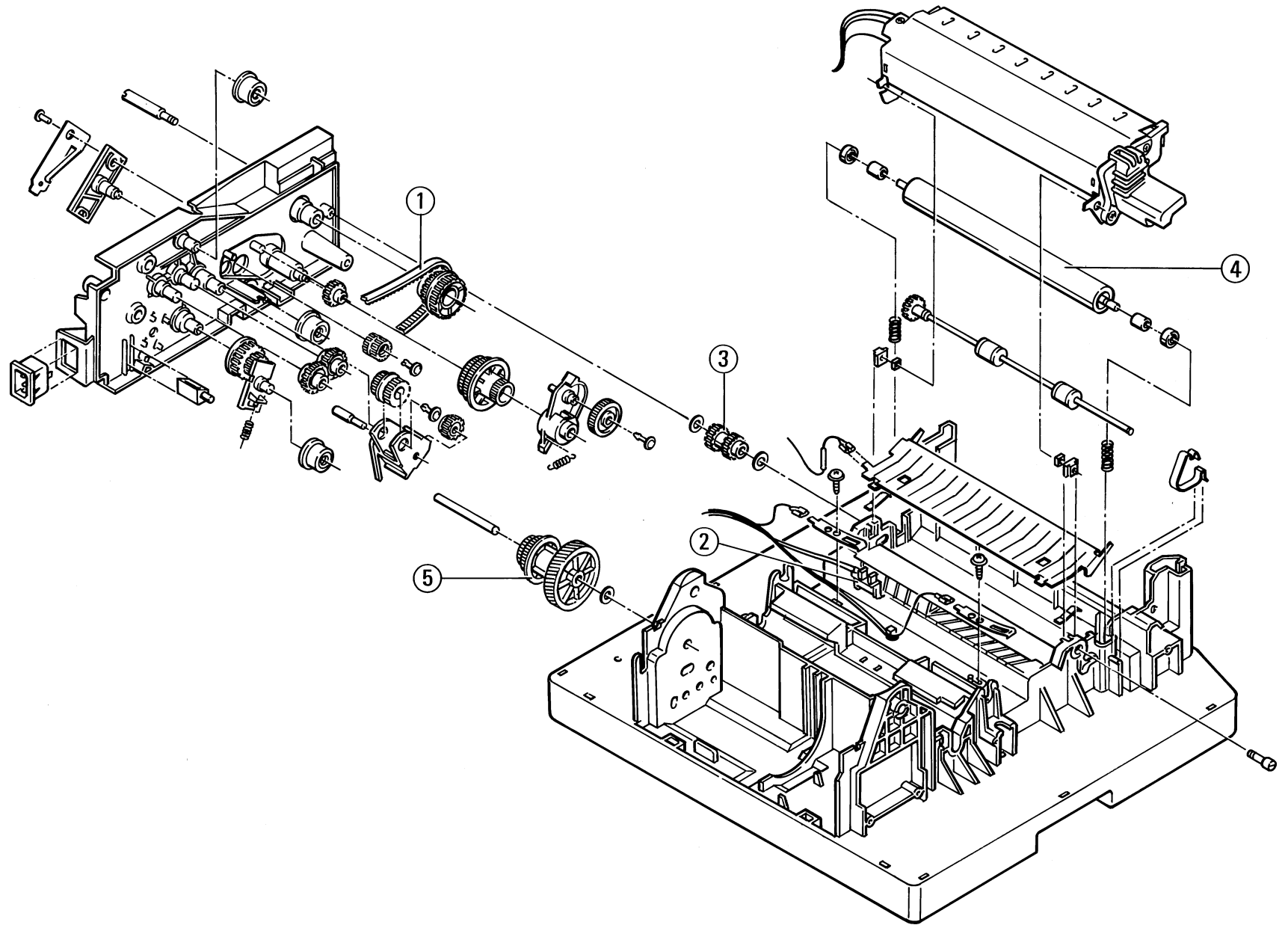


**7. FUSING /IMAGING UNIT (A715)**

Index No.	Part No.	Description	Q'ty Per Assembly
1	A715 0088	Fusing Lamp 230 V	1
2	A715 0081	Fusing Roller	1
3	A715 0095	Thermistor	1
4	A715 0079	Separator	3
5	A715 0002	Temperature Fuse Assy	1
6	A715 0093	Reed Switch	1
7	A715 0078	Suspension Bracket	1
			

Index No.	Part No.	Description	Q'ty P Assen

## 8. DRIVE SECTION (A715)

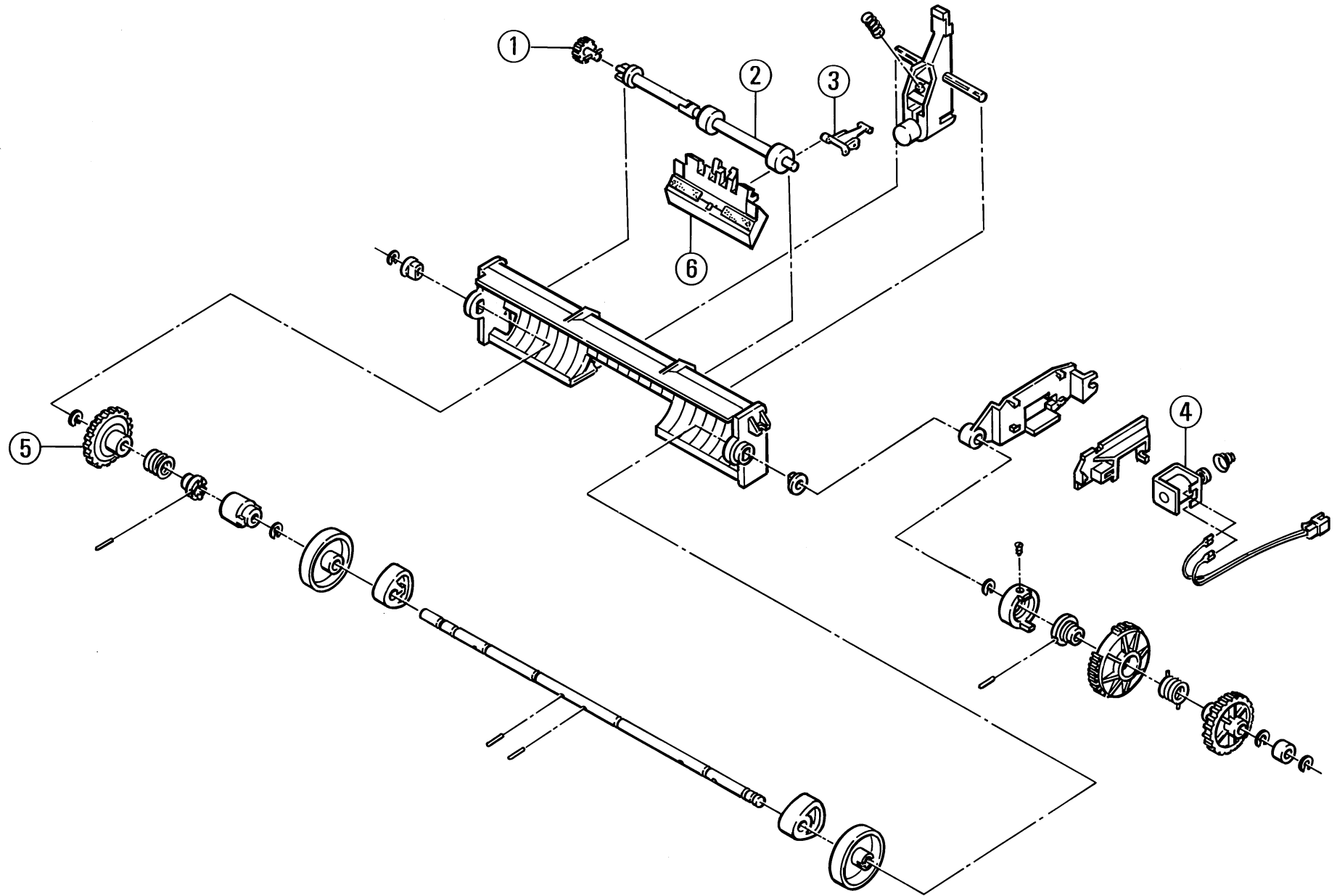


### 8. DRIVE SECTION (A715)

Index No.	Part No.	Description	Q'ty Per Assembly
1	A715 0059	Timing Belt T=286	1
2	A715 0094	Photo Interruptor	1
3	A715 0058	Double Gear T=19/20	1
4	A715 0080	Silicone Roller	1
5	A715 0023	Main Gear Assy	1

Index No.	Part No.	Description	Q'ty P Assen

# 9. FEEDING SECTION (A715)

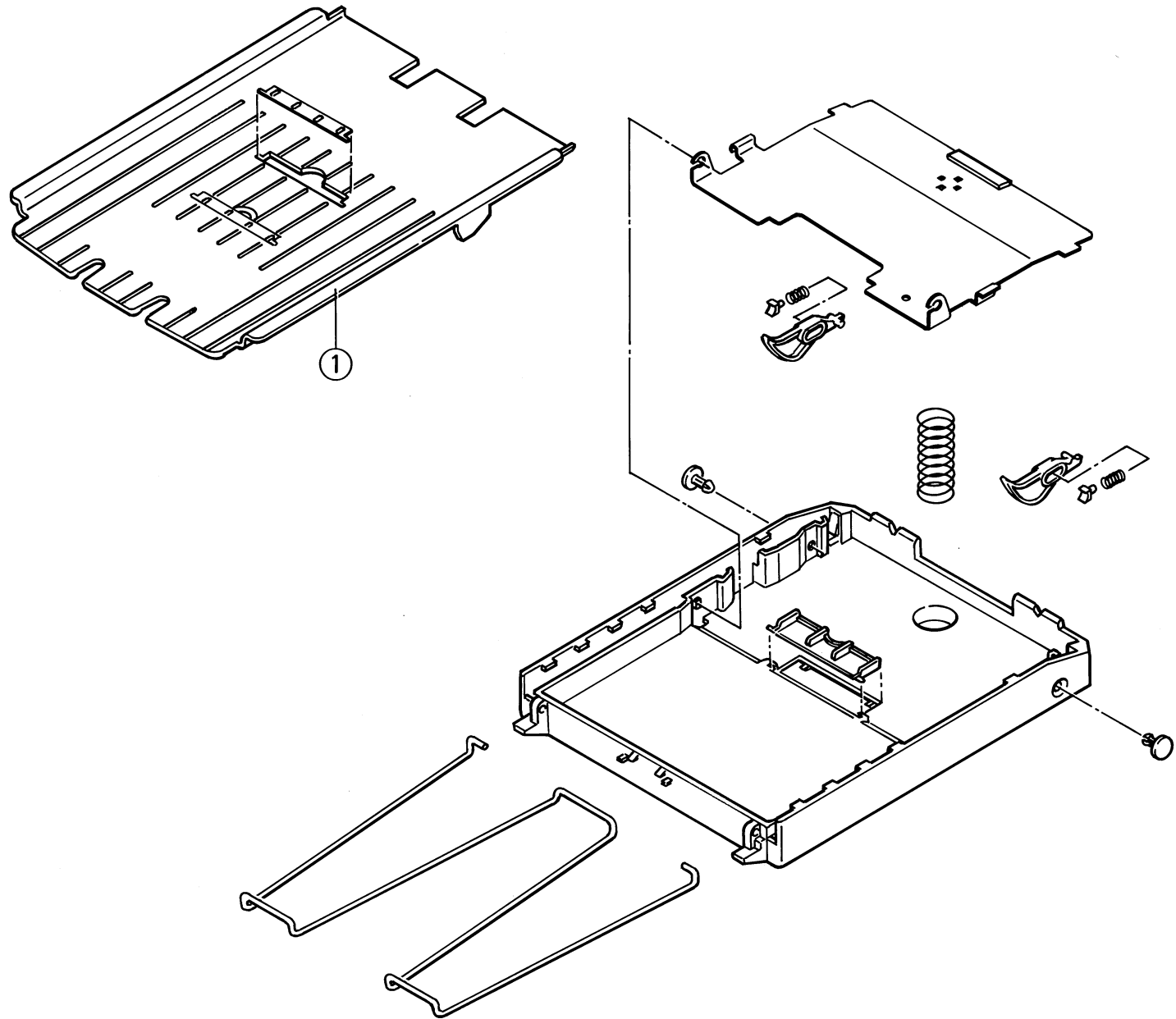


### 9. FEEDING SECTION (A715)

Index No.	Part No.	Description	Q'ty Per Assembly
1	A715 0076	Pinion T=13	1
2	A715 0074	Counter Pressure Axle	1
3	A715 0050	Clutch Fork	1
4	A715 0086	Solenoid	1
5	A715 0072	Gear T=40	1
6	A715 0025	Pressure Bracket Assy	1

Index No.	Part No.	Description	Q'ty P Assen

# 10. CASSETTE (A715)



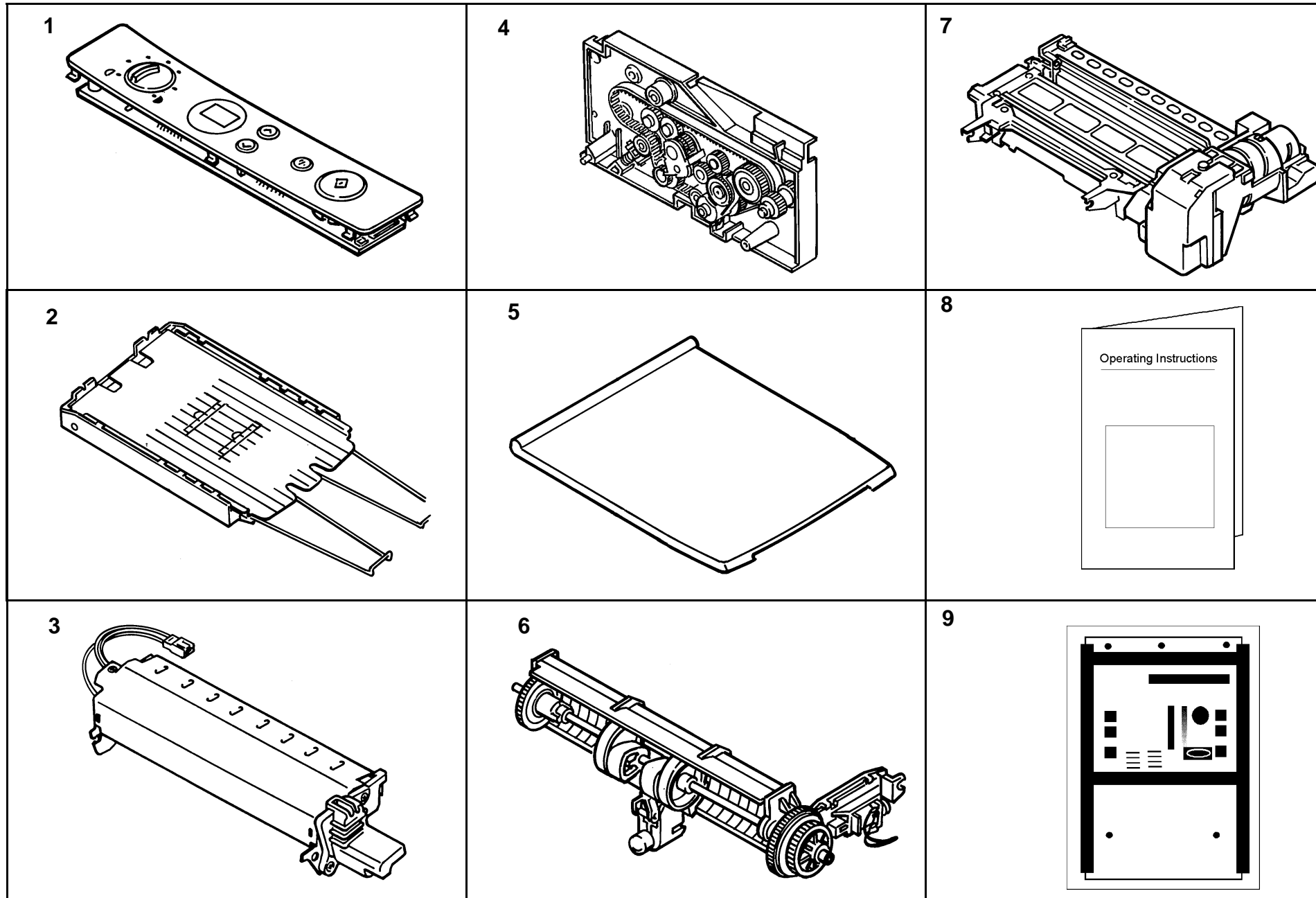
## 10. CASSETTE (A715)

Index No.	Part No.	Description	Q'ty Per Assembly
1	A715 0068	Cassette Cover Assy	1

Index No.	Part No.	Description	Q'ty P Assen
-----------	----------	-------------	--------------



## 11. ASSEMBLED PARTS (A715)



### 11. ASSEMBLED PARTS (A715)

Index No.	Part No.	Description	Q'ty Per Assembly
1	A715 0012	Operation Panel Assy	1
2	A715 0067	Cassette Assy	1
3	A715 0016	Fusing Unit	1
4	A715 0017	Driving Assy	1
5	A715 0018	Original Cover Assy	1
6	A715 0019	Paper Feeding Assy	1
7	A715 0022	Renovating Unit	1
8	A715 8605	Operating Instructions	1
9	5214 9500	Test Chart OS-A4 (10 pcs/set)	1
9	5214 9501	Test Chart OS-A4 (100 pcs/set)	1

Index No.	Part No.	Description	Q'ty P Assen

# **PARTS INDEX**

Part No.	Description	Page and Index No.
A715 0002	Temperature Fuse Assy	15- 5
A715 0003	Terminal	5- 1
A715 0007	Temperature Fuse Assy	5- 3
A715 0008	Ozone Filter	7- 2
A715 0012	Operation Panel Assy	23- 1
A715 0013	PWB- D	11- 5
A715 0014	PWB - C Switching Power Supply	11- 2
A715 0015	HV 1	11- 6
A715 0016	Fusing Unit	23- 3
A715 0017	Driving Assy	23- 4
A715 0018	Original Cover Assy	23- 5
A715 0019	Paper Feeding Assy	23- 6
A715 0020	PWB - A Logic Assy	11- 2
A715 0021	Corona Resistor	9- 3
A715 0022	Renovating Unit	23- 7
A715 0023	Main Gear Assy	17- 5
A715 0025	Pressure Bracket Assy	19- 6
A715 0026	Cover Rear	3- 2
A715 0027	Cover Left	3- 4
A715 0028	Cover Right	3- 3
A715 0029	Cover Top	3- 1
A715 0030	Front Cover	3- 5
A715 0032	Scanner Glass	3- 6
A715 0035	Terminal	5- 2
A715 0037	Ground Contact	9- 2
A715 0039	Ground Contact	9- 1
A715 0050	Clutch Fork	19- 3
A715 0051	Unlocking Handle	7- 8
A715 0054	Sprocket T=22	7- 6
A715 0055	Gear T=46	7- 4
A715 0056	Wire Rope	5- 5
A715 0057	Sprocket T=15	7- 7
A715 0058	Double Gear T=19/20	17- 3
A715 0059	Timing Belt T=286	17- 1
A715 0061	Idle Gear T=39	7- 5

Part No.	Description	Page and Index No
A715 0067	Cassette Assy	23- 2
A715 0068	Cassette Cover Assy	21- 1
A715 0070	Actuator	13- 3
A715 0072	Gear T=40	19- 5
A715 0074	Counter Pressure Axle	19- 2
A715 0076	Pinion T=13	19- 1
A715 0077	S1 - Roller	13- 5
A715 0078	Suspension Bracket	15- 7
A715 0079	Separator	15- 4
A715 0080	Silicone Roller	17- 4
A715 0081	Fusing Roller	15- 2
A715 0083	Main Motor	11- 1
A715 0084	DC-Fan	7- 1
A715 0085	Timing Clutch	13- 4
A715 0086	Solenoid	19- 4
A715 0087	Eraser Lamp	11- 1
A715 0088	Fusing Lamp 230 V	15- 1
A715 0089	Exposure Lamp	5- 4
A715 0091	Main Switch	7- 3
A715 0093	Reed Switch	15- 6
A715 0094	Photo Interruptor	17- 2
A715 0095	Thermistor	15- 3
A715 8605	Operating Instructions	23- 8
5214 9500	Test Chart OS-A4 (10 pcs/set)	23- 9
5214 9501	Test Chart OS-A4 (100 pcs/set)	23- 9