

**RICOH**

**RICOH M50**

**PARTS CATALOG**

First Edition May 1992

**RICOH COMPANY, LTD.**

# PARTS CATALOG

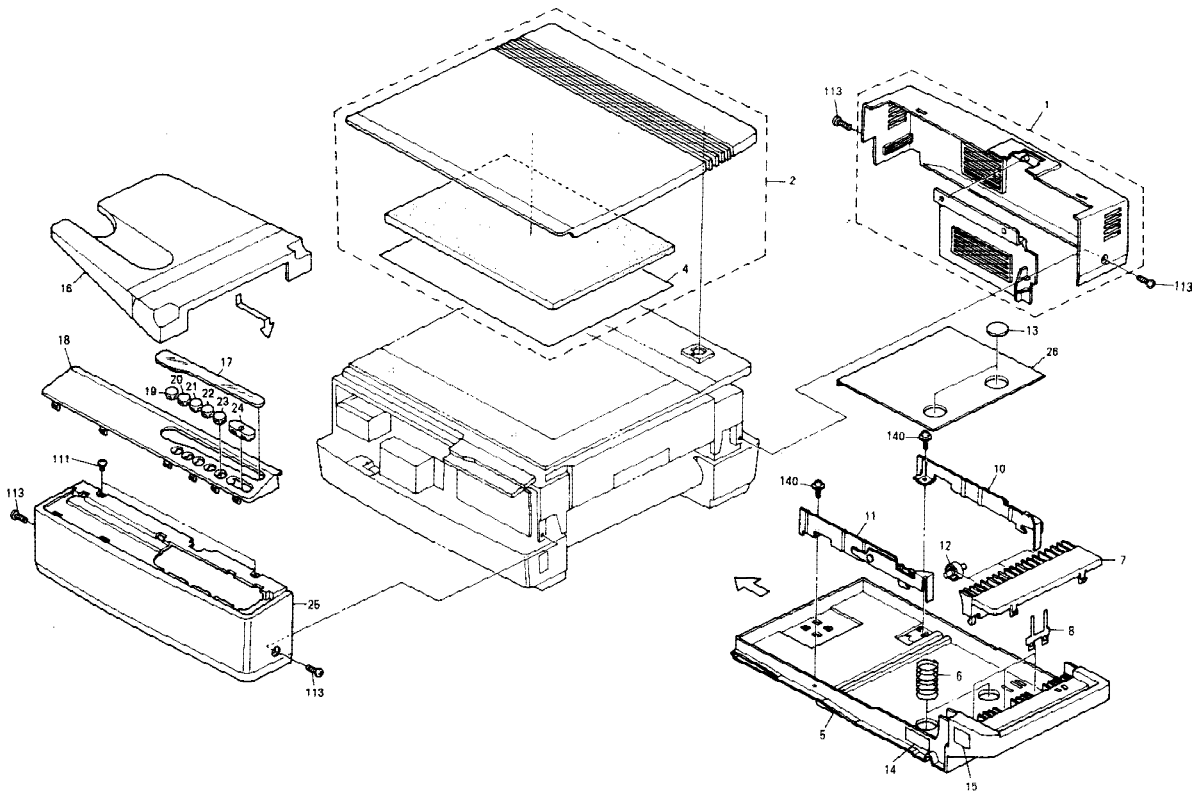
## INTRODUCTION

This chapter instructs you the numbers and names of these parts on this machine.

## INDEX to PARTS CATALOG

1. EXTERIOR (A094) .....	2	10. MAIN BOARD (A094) .....	21
2. OPTICS SECTION (A094) .....	4	11. POWER SUPPLY BOARD (A094) .....	23
3. PAPER FEED SECTION (A094) .....	6	12. AC DRIVE BOARD (A094) .....	25
4. DEVELOPMENT UNIT - BLACK (A094) .....	8	13. INTERFACE BOARD (A094) .....	27
5. DEVELOPMENT UNIT - COLOR (A094) .....	10	14. UPPER UNIT HARNESS - REAR (A094) .....	29
6. FUSING SECTION (A094) .....	12	15. UPPER UNIT HARNESS - FRONT (A094) .....	31
7. DRIVE SECTION (A094) .....	15	16. AC HARNESS (A094) .....	33
8. UPPER UNIT (A094) .....	17	17. SPECIAL TOOL (A094) .....	35
9. LOWER UNIT (A094) .....	19	<b>Parts Index</b> .....	<b>37</b>

# 1. EXTERIOR (A094)

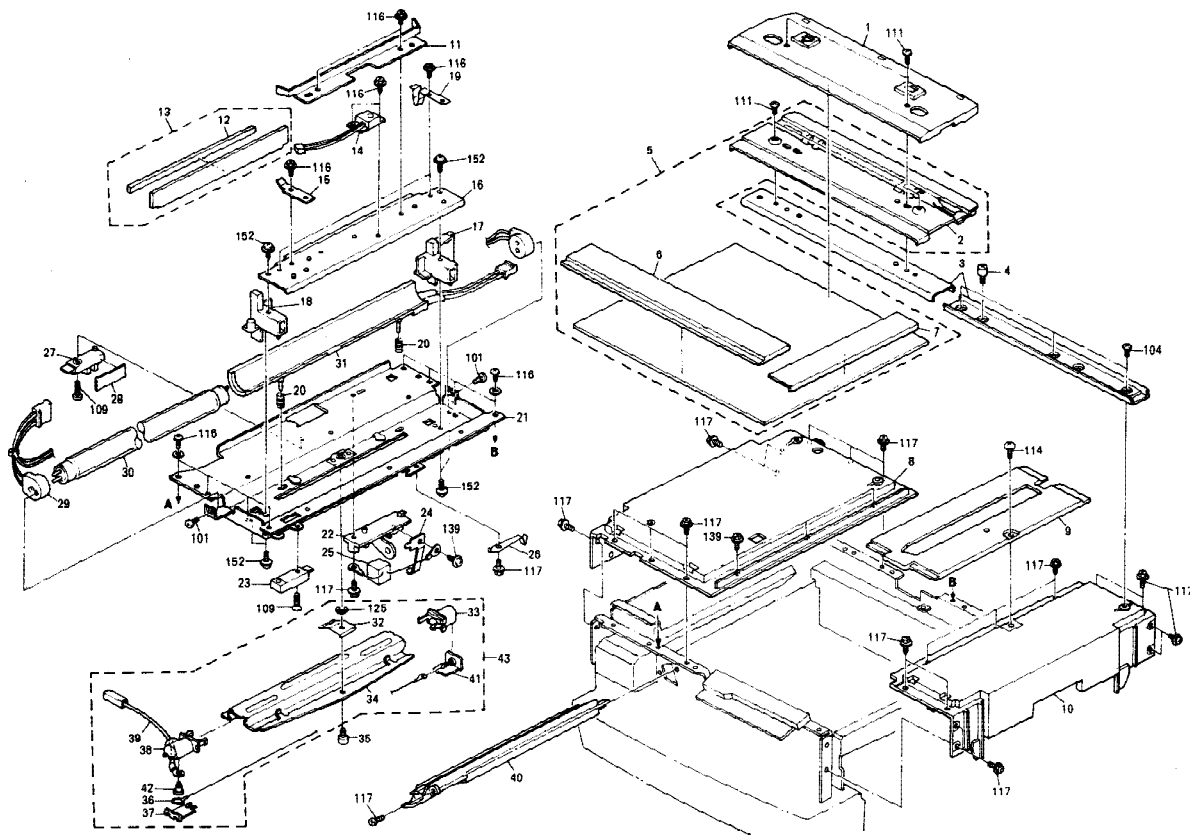


**1. EXTERIOR (A094)**

Index No.	Part No.	Description	Q'ty per Assembly
1	A094 1431	Rear Cover - 220/240V	1
2	5214 7182	Praten Cover	1
3	Not Used		
4	5214 1551	Platen Cover Sheet	1
5	A094 2661	Cassette Body	1
6	A094 2624	Bottom Plate Spring	2
7	A094 2687	By-pass Feed Guide - A4	1
8	5214 2631	Leaf Spring - Cassette	3
9	Not Used		
10	5214 2619	Rear Side Fence	1
11	5214 2613	Front Side Fence	1
12	5214 2630	Paper Guide Roller - Cassette	3
13	5214 2627	Friction Pad	2
14	5214 7202	Copy Paper Set Decal	1
15	5214 7200	Paper Size Decal - A4	1
16	A094 4161	Copy Tray	1
17	A094 6365	Indicator Panel	1
18	A094 1381	Operation Panel Cover - 220/240V	1
19	A094 1416	Image Density - D	1
20	A094 1415	Image Density Key - L	1
21	A094 1414	Decrease Quantity Key	1
22	A094 1413	Increase Quantity Key	1
23	A094 1412	Clear/Stop Key	1
24	A094 1411	Print Key	1
25	A094 1361	Front Cover	1
26	5214 2626	Bottom Plate - A4	1

Index No.	Part No.	Description	Q'ty per Assembly
111	0353 0060F	Philips Truss Head Screw - M3x6	
113	0413 0100F	Philips Truss Head Screw - M3x10	
140	0965 4010W	Tapping Screw with Flat Washer - M4x10	

## 2. OPTICS SECTION (A094)

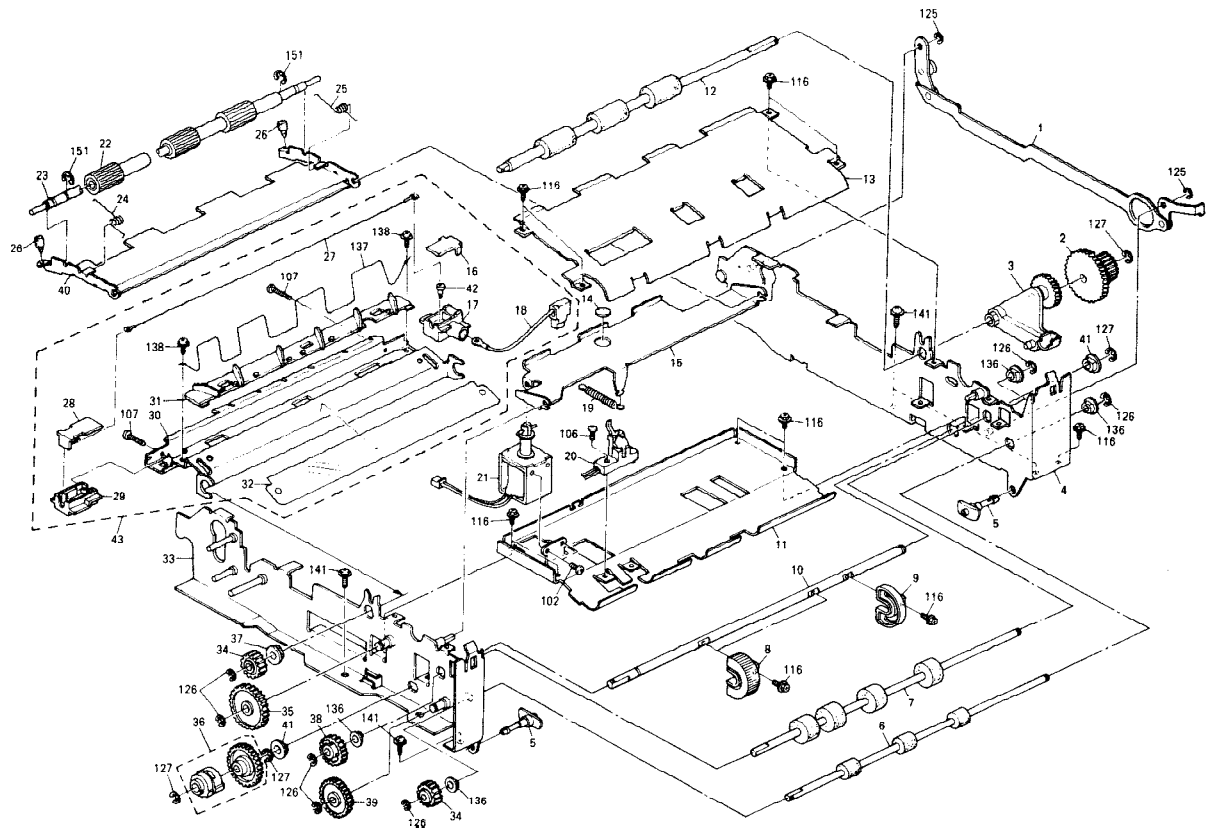


## 2. OPTICS SECTION (A094)

Index No.	Part No.	Description	Q'ty per Assembly
1	A094 1991	Slider Cover	1
2	A094 1921	Slider Rack Angle	1
3	5214 1971	Slid Rail	1
4	5214 1974	Screw - Slider Stopper	1
5	A094 1917	Exposure Glass Ass'y - A4,A5	1
6	A094 1947	Sub Scale - A4,A5	1
7	A094 1937	Main Scale - A4,A5	1
8	A094 1121	Left Cover	1
9	A094 1751	Exposure Cover	1
10	A094 1131	RRight Upper Cover	1
11	5214 1738	Exposure Reflector	1
12	5214 1736	Rins Seal - 236x6x6	1
13	5214 1741	Rins Ass'y	1
14	5214 5226	Exposure Lamp Sensor	1
15	5214 1739	Side Reflector	1
16	5214 1734	Exposure Reflector Bracket	1
17	5214 1717	Front Rins Holder	1
18	5214 1718	Rear Rins Holder	1
19	5214 1744	Leaf Spring - Rins Hold	2
20	5214 1731	Fluorescent Lamp Heater Spring	2
21	A094 1712	Rins Bracket	1
22	5214 2406	Varistor Holder	1
23	5214 5230	Master Sensor	1
24	5214 2407	Leaf Spring - Varistor	1
25	5214 5202	Varistor - 820V	1
26	5214 2401	Leaf Spring - Master Earth	1
27	A094 5231	Photocoupler	1
28	5214 2411	Seal - Toner Overflow Sensor	1
29	A094 5208	Fluorescent Lamp Socket	1
30	5214 5217	Fluorescent Lamp - 14W	1
31	5214 5655	Fluorescent Lamp Heater - 220/240V	1
32	5214 2070	Charge Corona Holder	1
33	5214 2065	Rear End Block - Charge	1
34	5214 2055	Charge Corona Casing	1
35	5214 2080	Thumb Screw - M4x5	1

Index No.	Part No.	Description	Q'ty per Assembly
36	5214 9001	Corona Wire - 10pcs/Set	1
37	5214 2072	Rear End Cover - Charge	1
38	5214 2060	Front End Block - Charge	1
39	5214 5321	High Voltage Supply Cord - Charge	1
40	A094 5211	Quenching Lamp	1
41	5203 2059	Corona Wire Hook	1
42	5203 2060	Corona Wire Screw - M3x4	1
43	5214 2050	Transfer Corona Ass'y	1
101	0312 5060W	Philips Pan Head Screw - M2.5x6	
104	0312 0060W	Philips Pan Head Screw - M3x6	
109	0314 0120W	Philips Pan Head Screw - M4x12	
111	0353 0060F	Philips Truss Head Screw - M3x6	
114	0414 0082F	Philips Truss Head Screw - M4x8	
116	0443 0060W	Hexagon Head Tapping Screw - M3x6	
117	0443 0080W	Hexagon Head Tapping Screw - M3x8	
125	0720 0030E	Retaining Ring - M3	
139	0965 3008W	Tapping Screw With Flat Washer - M3x8	
152	0444 0082W	Tapping Screw - M4 x 8	

### 3. PAPER FEED SECTION (A094)



### 3. PAPER FEED SECTION (A094)

Index No.	Part No.	Description	Q'ty per Assembly
1	5214 4191	Safety Switch Lever - Exit Cover	1
2	5214 2643	Coupled Gear - 24T/50T	1
3	5214 2640	Gear - 32T	1
4	A094 1261	Rear Sie Plate - Paper Feed	1
5	5214 2635	Cassette Guide Pin	2
6	5214 2568	First Guide Roller - Paper Feed	1
7	5214 2569	Second Guide Roller - Paper Feed	1
8	5214 2552	Paper Feed Roller	2
9	5214 2553	Paper Retainer	1
10	5214 2551	Feed Drive Shaft	1
11	5214 2565	Feed Guide Plate	1
12	5214 2590	Lower Registration Roller	1
13	5214 2576	Lower Guide Plate - Registration	1
14	5214 1221	Rubber Foot	1
15	5214 2578	Registration Plate	1
16	5214 7804	Rear End Cover - Transfer	1
17	5214 7802	Rear End Block - Transfer	1
18	5214 5320	High Voltage Supply Cold - Transfer	1
19	5214 2579	Registration Spring	1
20	5214 5235	Paper Feed Sensor	1
21	A094 5219	Registration Solenoid	1
22	5214 7792	Upper Registration Roller	3
23	5214 2583	Registration Roller Shaft	1
24	A094 2585	Front Registration Spring	1
25	A094 2586	Rear Registration Spring	1
26	5214 2582	Rubber Dumper	2
27	5214 9001	Corona Wire - 10pcs/Set	1
28	5214 7803	Front End Cover - Transfer	1
29	5214 7801	Front End Block - Transfer	1
30	5214 2156	Transfer Corna Casing	1
31	5214 2157	Transfer Guide Plate	1
32	5214 2158	Mylar Seal - Transfer Entrance	1
33	A094 1246	Front Side Plate - Paper Feed	1
34	5214 2571	Gear - 16T	1
35	5214 2563	Gear - 38T	1

Index No.	Part No.	Description	Q'ty per Assembly
36	5214 2556	Paper Feed Clutch	1
37	5053 0223	Bushing - 8mm	1
38	5214 2572	Gear - 22T	1
39	5214 2564	Gear - 30T	1
40	5214 2581	Upper Guide Plate - Registration	1
41	5053 0709	Bushing - 6x10x6mm	2
42	5203 2060	Corona Wire Screw - M3x4	1
43	5214 7800	Transfer Corona Ass'y	1
102	0313 0050W	Philips Pan Head Screw - M3x5	
106	0313 0120W	Philips Pan Head Screw - M3x12	
107	0313 0250W	Philips Pan Head Screw - M3x25	
116	0443 0060W	Hexagon Head Tapping Screw - M3x6	
125	0720 0030E	Retaining Ring - M3	
126	0720 0040E	Retaining Ring - M4	
127	0720 0060E	Retaining Ring - M6	
136	0805 3389	Bushing - 8x10x6mm	
137	0809 1013	Nylon Wire (50m/Roll)	
138	0951 3006W	Philips Screw With Flat Washer - M3x6	
141	0965 4012W	Philips Pan Head Screw - M4x12	
151	0720 0050E	Retaining Ring - M5	



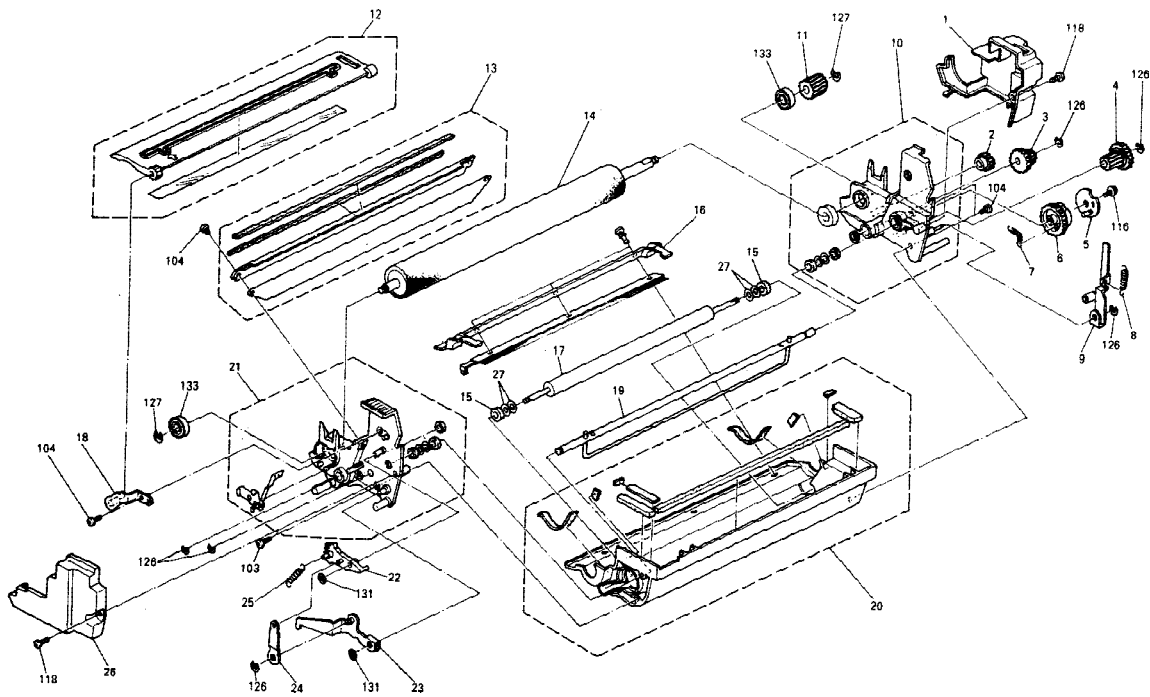


#### 4. DEVELOPMENT UNIT - BLACK (A094)

Index No.	Part No.	Description	Q'ty per Assembly
1	5214 3152	Rear Development Cover	1
2	5214 3103	Gear - 18T	1
3	5214 3101	Gear - 12T	1
4	5214 3102	Gear - 20T	1
5	5214 3100	Gear - 24T	1
6	5214 3105	Spring - Toner End Lever	1
7	5214 3130	Toner End Lever	1
8	5203 3151	Roller Cover Spring	1
9	5214 3060	Rear Side Plate - Development	1
10	5214 3110	Development Roller Cover	1
11	5214 3080	Toner Metering Blade	1
12	AD03 0030	Development Roller	1
13	5214 3140	Discharging Brush Cover	1
14	5214 3145	Development discharging Brush	1
15	5214 3104	Toner Supply Shaft	1
16	5214 3090	Toner Mixing Plate	1
17	5214 3070	Toner Hopper	1
18	5214 2570	Leaf Spring	4
19	5214 2573	Guide Roller	4
20	A094 3211	Development Unit Holder	1
21	5214 3051	Front Side Plate - Development	1
22	5214 3115	Sector Gear - 60T	1
23	5214 3121	Roller Cover Lever	1
24	5214 3123	Roller Cover Link	1
25	5214 3151	Front Development Cover	1
26	5203 3130	Toner End Disk	1
27	5203 3126	Gear - 32T	1
28	5203 3105	Nylon Rivet	2
29	5214 3112	Seal - 0.05x21x257.5mm	1
30	5203 3145	Front Cover Bracket - Development	1
31	5203 3125	Coupled Gear - 14T/32T	1
32	5203 3153	Spring - Toner End Lever	1
33	5214 3050	Development Unit - Black	1
34	Not Used		
35	5921 3114	Seal - 12mm	2

Index No.	Part No.	Description	Q'ty per Assembly
103	0313 0060M	Philips Pan Head Screw - M3x6	
104	0313 0060W	Philips Pan Head Screw - M3x6	
116	0443 0060W	Hexagon Head Tapping Screw - M3x6	
118	0443 0082W	Hexagon Head Tapping Screw - M3x8	
124	0701 0050B	Flat Washer - M5	
126	0720 0040E	Retaining Ring - M4	
127	0720 0060E	Retaining Ring - M6	
131	0805 0077	Retaining Ring - M3	
133	0805 3162	Ball Bearing - 10x19x7mm	

# 5. DEVELOPMENT UNIT - COLOR (A094)

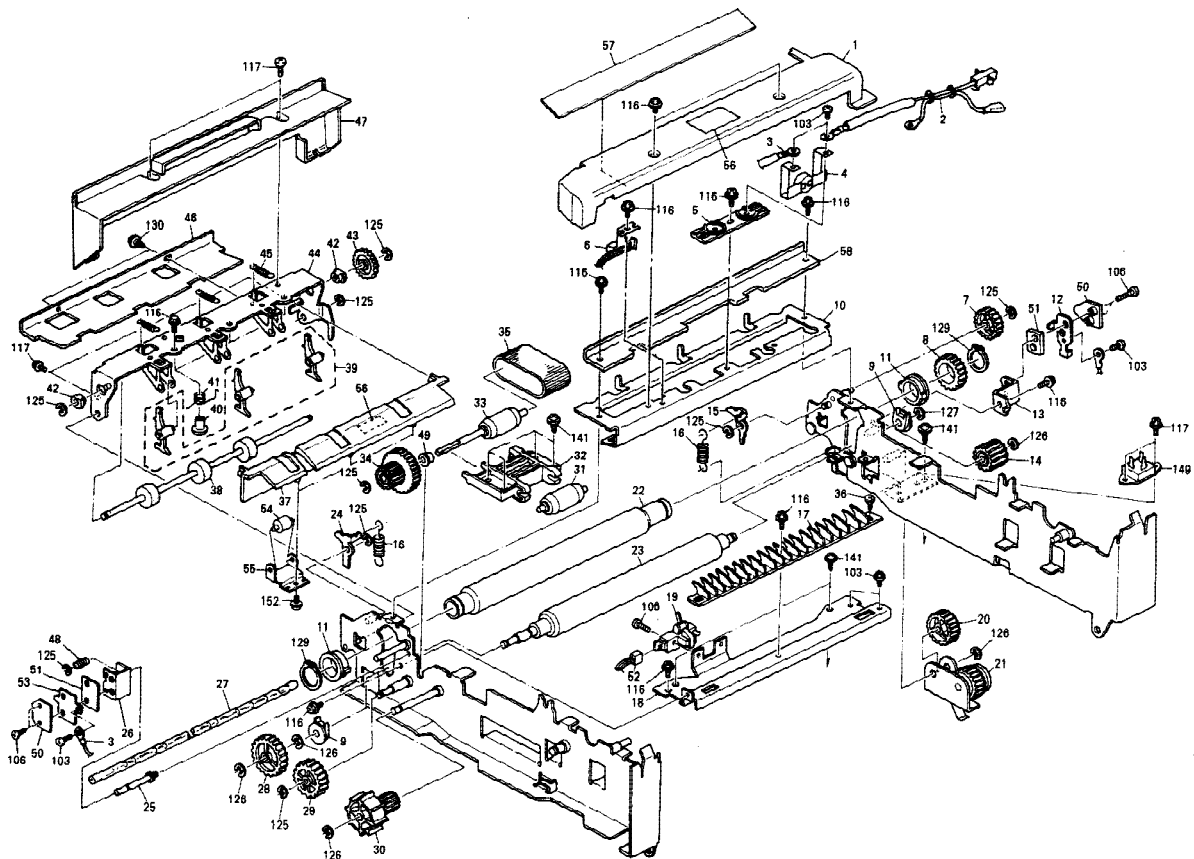


### 5. DEVELOPMENT UNIT - COLOR (A094)

Index No.	Part No.	Description	Q'ty per Assembly
1	5214 3152	Rear Development Cover	1
2	5921 3111	Gear - 16T	1
3	5203 3124	Coupled Gear - 12T/22T	1
4	5203 3125	Coupled Gear - 14T/32T	1
5	5203 3130	Toner End Disk	1
6	5203 3126	Gear - 32T	1
7	5214 3105	Spring - Toner End Lever	1
8	5203 3151	Roller Cover Spring	1
9	5921 3120	Toner End Lever	1
10	5921 3071	Rear Side Plate - Development	1
11	5921 3110	Gear - 20T	1
12	5921 3140	Development Roller Cover	1
13	5921 3091	Toner Metering Blade	1
14	5921 3130	Development Roller	1
15	5921 3114	Seal - 12mm	2
16	5921 3110	Gear - 20T	1
17	5921 3116	Toner Supply Roller	1
18	5203 3145	Front Cover Bracket - Development	1
19	5921 3100	Toner Mixing Bar	1
20	5921 3080	Toner Hopper	1
21	5921 3061	Front Side Plate - Development	1
22	5214 3115	Sector Gear - 60T	1
23	5214 3121	Roller Cover Lever	1
24	5214 3123	Roller Cover Link	1
25	5203 3153	Spring - Toner End Lever	1
26	5214 3151	Front Development Cover	1
27	5921 3112	Toner Supply Shaft - Space Sell	4

Index No.	Part No.	Description	Q'ty per Assembly
1030313	0060M	Philips Pan Head Screw - M3x6	
104	0313 0060W	Philips Pan Head Screw - M3x6	
116	0443 0060W	Hexagon Head Tapping Screw - M3x6	
118	0443 0082W	Hexagon Head Tapping Screw - M3x8	
126	0720 0040E	Retaining Ring - M4	
127	0720 0060E	Retaining Ring - M6	
131	0805 0077	Retaining Ring - M3	
133	0805 3162	Ball Bearing - 10x19x7mm	

# 6. FUSING SECTION (A094)



## 6. FUSING SECTION (A094)

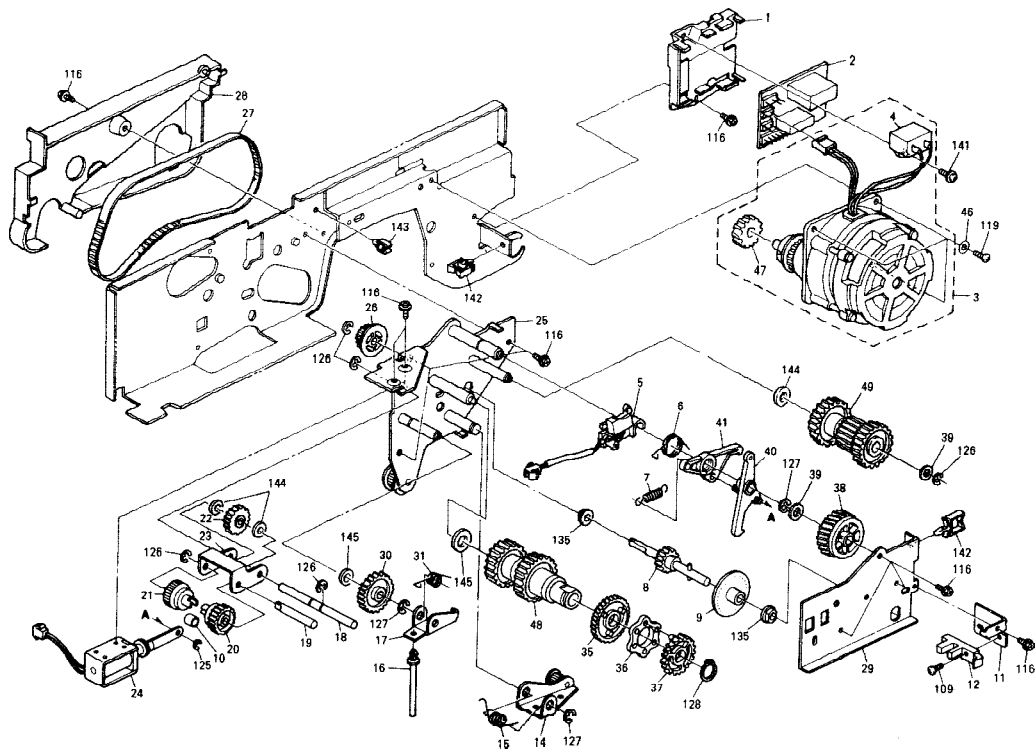
Index No.	Part No.	Description	Q'ty per Assembly
1	A094 4207	Fusing Cover - 220/240V	1
2	A094 5316	Rear Fusing Harness	1
3	A094 5315	Front Fusing Harness	2
4	5214 5422	Thermoswitch	1
5	5214 5803	Thermoswitch Bracket	1
6	5214 5260	Thermistor	1
7	5214 4072	Gear - 21T	1
8	5214 4108	Gear - 30T	1
9	5214 4112	Bushing - 8x18x5mm	2
10	5214 4101	Upper Fusing Stay	1
11	5214 4107	Bushing - 20x28x8mm	2
12	5214 4188	Lamp Terminal	1
13	5214 4187	Rear Heater Bracket	1
14	5214 4073	Gear - 16T	1
15	5214 4066	Rear Stopper - Exit Guide	1
16	5214 4055	Fusing Pressure Spring	2
17	5214 4093	Fusing Guide Plate	1
18	5214 4091	Lower Fusing Stay	1
19	A094 5236	Paper Exit Sensor	1
20	5214 4074	Gear - 28T	1
21	5214 4076	Fusing Arm Bracket	1
22	A094 4106	Hot Roller	1
23	A094 4411	Pressure Roller	1
24	5214 4051	Front Stopper - Exit Guide	1
25	5415 4093	Shaft - Fusing Lamp Terminal	1
26	5214 4184	Lamp Terminal Bracket	1
27	A094 5620	Fusing Lamp - 1050W - 220V/240V	1
28	5214 4113	Gear - 28T	1
29	5214 4058	Gear - 25T	1
30	5214 7795	Paper Reverse Knob	1
31	5214 3855	Inverted Roller - Transport Belt	1
32	5214 3854	Transport Belt Bracket	1
33	5214 3850	Drive Roller - Transport Belt	1
34	5214 3853	Coupled Gear - 16T/32T	1
35	5214 3856	Transport Belt	1

Index No.	Part No.	Description	Q'ty per Assembly
36	5447 2769	Stepped Screw	1
37	A094 4087	Lower Exit Guide	1
38	5214 4127	Exit Roller	1
39	5214 9002	Hot Roller Stripper - 3pcs/Set	1
40	5214 4124	Spring Holder - Stripper Release	3
41	A094 4123	Stripper Release Spring	3
42	5214 4128	Bushing - 14x8x6mm	2
43	5214 4129	Gear - 16T	1
44	5214 4116	Upper Exit Stay	1
45	5214 4122	Stripper Spring	3
46	5214 4131	Upper Exit Guide	1
47	5214 7216	Exit Cover	1
48	A094 4179	Lamp Holder Spring	1
49	5443 2668	Bushing - 4x6x7mm	1
50	AA11 3028	Front Outer Insulator	2
51	5432 4118	Insulator - B	2
52	A094 5305	Harness - Paper Exit Sensor	1
53	5214 4185	Lamp Terminal	1
54	5214 4235	Exit Roller	3
55	5214 4232	Guide Roller	3
56	5214 4970	Caution Decal - High Temperature 220/	2
57	5214 4104	Fusing Unit Mylar	1
58	5214 4110	Plate - Fusing Unit	1

Index No.	Part No.	Description	Q'ty per Assembly
103	0313 0060M	Philips Pan Head Screw - M3x6	
106	0313 0120W	Philips Pan Head Screw - M3x12	
116	0443 0060W	Hexagon Head Tapping Screw - M3x6	
117	0443 0080W	Hexagon Head Tapping Screw - M3x8	
125	0720 0030E	Retaining Ring - M3	
126	0720 0040E	Retaining Ring - M4	
127	0720 0060E	Retaining Ring - M6	
129	0725 0200E	Retaining Ring C - M20	
135	0805 3385	Bushing - 6mm	
141	0965 4012W	Philips Pan Head Screw - M4x12	
149	1405 0153	Triac - TG16C40	
152	0444 0082W	Tapping Screw - M4 x 8	

Index No.	Part No.	Description	Q'ty per Assembly

# 7. DRIVE SECTION (A094)



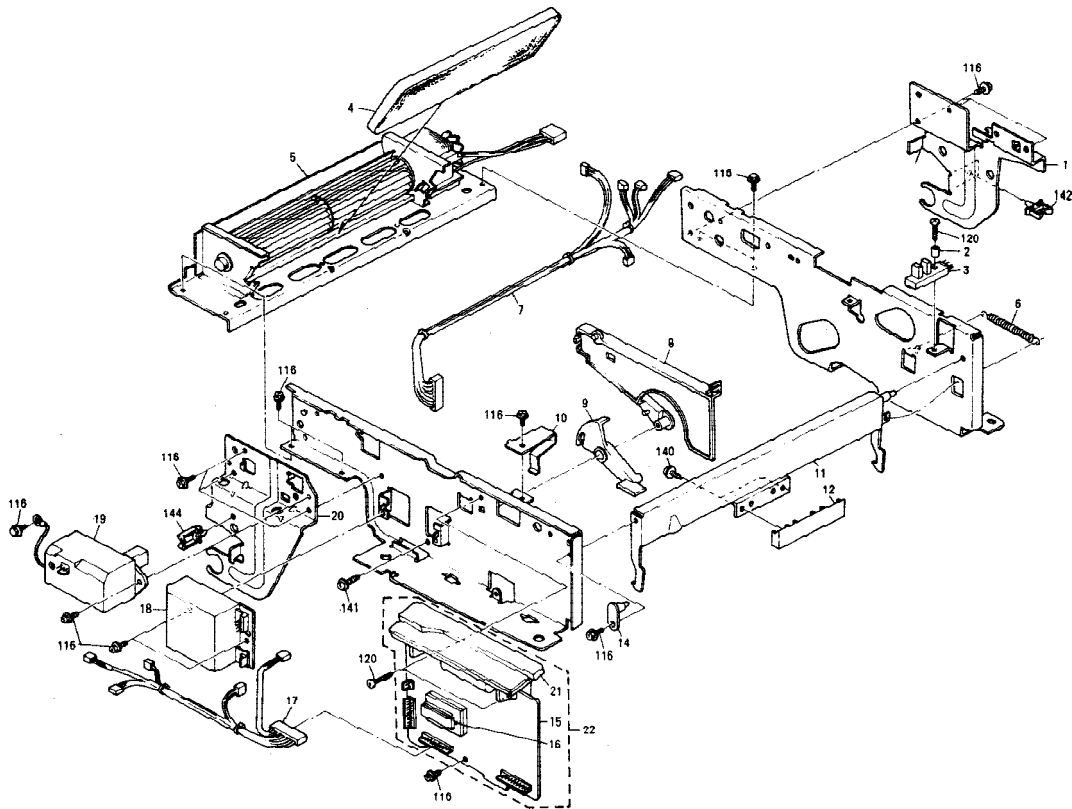


### 7. DRIVE SECTION (A094)

Index No.	Part No.	Description	Q'ty per Assembly
1	5214 5820	Holder - AC Drive Board	1
2	A094 5615	AC Drive Board Ass'y	1
3	A094 5605	Main Motor - AC 220V 11W	1
3	A094 5650	Main Motor - AC 240V 11W	1
4	1606 1475	Capacitor - 5uF 220V (240V/50Hz)	1
4	1606 1504	Capacitor - 6uF 220V (220V)	1
5	5214 5238	Micro Switch - Scan	1
6	5203 1841	Clutch Pawl Spring	1
7	5214 1843	Return Control Spring	1
8	5214 1864	Gear - 16T	1
9	5214 1865	Pulse Disc	1
10	5214 1858	Coupling Cover	1
11	5214 1879	Photointerruptor Bracket	1
12	5214 5232	LED Sensor Type - T	1
13	Not Used		
14	5214 1821	Tightener Arm	1
15	5214 1825	Tightener Spring	1
16	5214 1876	Slider Lock Shaft	1
17	5214 1875	Slider Lock Arm	1
18	5214 1857	Belt Drive Shaft	1
19	5214 1855	Shaft - Belt Drive Arm	1
20	5214 1854	Gear - 22T	1
21	5214 1853	Gear - 44T	1
22	5214 1856	Idle Gear - 22T	1
23	5214 1852	Belt Drive Arm	1
24	5214 1844	Slider Solenoid - 22V	1
25	5214 1808	Clutch Base Plate	1
26	5214 1874	Tension Pulley - 24T	1
27	5214 1184	Timing Belt	1
28	5214 2431	Rear Guide Rail - Master Unit	1
29	5214 1877	Clutch Supporting Plate	1
30	5203 1853	Gear - 30T	1
31	5203 1857	Lock Arm Spring	1
32	Not Used		
33	Not Used		

Index No.	Part No.	Description	Q'ty per Assembly
34	Not Used		
35	5203 1828	Bevel Gear - 36T (Return)	1
36	5203 1831	Rubber Dumper	1
37	5203 1832	Dumper Plate	1
38	5203 1844	Pinion - 36T	1
39	5203 1869	Thrust Washer - 6x12x1.5mm	1
40	5203 1837	Scan Clutch Pawl	1
41	5214 1842	Return Control Pawl	1
42	Not Used		
43	Not Used		
44	Not Used		
45	5214 5822	Fence - AC Drive Board	1
46	5203 1870	Thrust Washer - 8x14x1.5mm	1
47	5214 1181	Gear / Pulley - 24T/30T	1
48	5214 1835	Return Clutch Spring Ass'y	1
49	5214 1834	Scan Clutch Spring Ass'y	1
109	0314 0120W	Philips Pan Head Screw - M4x12	
116	0443 0060W	Hexagon Head Tapping Screw - M3x6	
119	0443 0120W	Hexagon Head Tapping Screw - M3x12	
125	0720 0030E	Retaining Ring - M3	
126	0720 0040E	Retaining Ring - M4	
127	0720 0060E	Retaining Ring - M6	
128	0725 0120E	Retaining Ring C - M12	
135	0805 3385	Bushing - 6mm	
141	0965 4012W	Philips Pan Head Screw - M4x12	
142	1105 0099	Wire Saddle	
143	1105 0153	Clamp	
144	0807 4021	Washer - 6.1x11x0.1mm	
145	0807 5009	Spacer - 8.1 x 11.5 x 0.1 mm	

# 8. UPPER UNIT (A094)

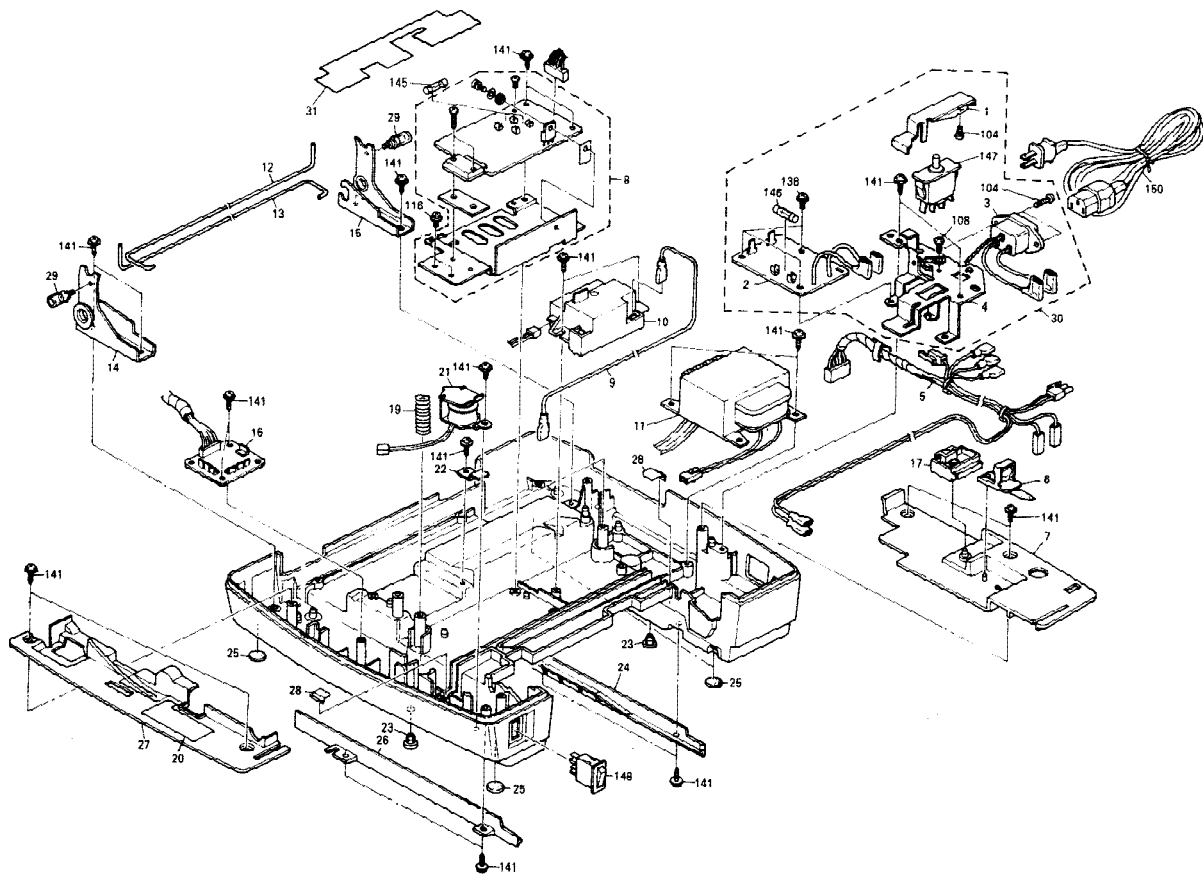


**8. UPPER UNIT (A094)**

Index No.	Part No.	Description	Q'ty per Assembly
1	5214 1120	Rear Hinge - Top Unit	1
2	5214 5810	Spacer - Toner End Sensor	1
3	A094 5231	Photocoupler	1
4	5214 1115	Ozone Filter	1
5	5214 5610	Cooling Fan Motor - 220/240V	1
6	5433 2934	Cutter Unit Spring	1
7	A094 5300	Upper Unit Harness - Rear	1
8	5214 2432	Front Guide Rail - Master Unit	1
9	5214 2433	Master Release Lever	1
10	5214 2413	Plate Spring - Roller Pressure	1
11	5214 1171	Hook Lever	1
12	5214 7161	Release Latch	1
13	Not Used		
14	5214 1175	Hinge Lever	1
15	A094 5161	Main Board	1
16	5214 5153	CPU - Main Board	1
17	A094 5301	Upper Unit Harness - Front	1
18	5214 5215	Fluorescent Lamp Stabilizer	1
19	A094 5200	Power Pack - Charger Corona	1
20	5214 1118	Front Hinge - Top Unit	1
21	A094 6652	Indicator Board Ass'y	1
22	A094 5160	Main Board Ass'y	1

Index No.	Part No.	Description	Q'ty per Assembly
116	0443 0060W	Hexagon Head Tapping Screw - M3x6	
120	0443 0120W	Hexagon Head Tapping Screw - M3x12	
140	0965 4010W	Tapping Screw with Flat Washer - M4x10	
141	0965 4012W	Philips Pan Head Screw - M4x12	
142	1105 0099	Wire Saddle	
144	A094 5584	Cable Clip - 11.1mm	

# 9. LOWER UNIT (A094)



**9. LOWER UNIT (A094)**

Index No.	Part No.	Description	Q'ty per Assembly
1	5214 5842	Safety Switch Lever	1
2	A094 5640	AC Power Supply Board Ass'y - 220/240V	1
3	A094 5637	Receptacle - 220/240V	1
4	5214 5841	Bracket - AC Power Supply Unit	1
5	A094 5310	AC Harness	1
6	5214 4997	Development Roller Cleaner	1
7	A094 1494	Rear Inner Cover - 220/240V	1
8	A094 5100	Power Supply Board Ass'y	1
9	5214 5322	Bias Harness	1
10	A094 5204	Power Pack - Transfer/Bias	1
11	5214 5630	Transformer - 220/240V	1
12	5214 1187	Rear Torsion Spring	1
13	5214 1186	Front Torsion Spring	1
14	5214 1153	Front Hinge Bracket	1
15	5214 1156	Rear Hing Bracket	1
16	A094 5120	Interface Board	1
17	5214 4981	Cleaner - Fiber Optics/Corona Wire	1
18	5214 5855	Interface Harness Clamp	1
19	5214 2161	Pressure Spring - Transfer Corona	2
20	5214 6624	Jam Disposal Decal	1
21	A094 5220	Paper Feed Solenoid - DC 220V	1
22	5214 2163	Transfer Corona Stopper	1
23	5214 1222	Base Plate Snap	2
24	A094 1232	Rear Cassette Guide	1
25	5214 1221	Rubber Foot	4
26	A094 1231	Front Cassette Guide	1
27	A094 1475	Front Inner Cover	1
28	5203 5853	AC Harness Clamp	3
29	5203 1124	Stopper Pin - Top Unit	2
30	A094 5635	AC Power Supply Unit - 220V/240V	1
31	5214 5860	Insulating Mylar	1

Index No.	Part No.	Description	Q'ty per Assembly
104	0313 0600W	Philips Pan Head Screw - M3x6	
108	0314 0060M	Philips Pan Head Screw - M4x6	
138	0951 3006W	Philips Screw With Flat Washer - M3x6	
141	0965 4012W	Philips Pan Head Screw - M4x12	
145	A094 5121	Fuse - 3.15A/250V	
146	A094 5152	Fuse - 220V/240V	
147	1204 1373	Push Switch	
148	1204 2300	Switch	
150	A094 0025	Power Supply Cord - 220V	
150	2801 0037	Power Supply Cord - 240V	

# 10. MAIN BOARD (A094)

## CAPACITOR

SYMBOL NO.	INDEX NO.
C101	13
C102	14
C103	14
C104	14
C105	16
C106	16
C107	14
C108	15
C109	15
C110	14

SYMBOL NO.	INDEX NO.
C111	17
C112	14
C113	18
C114	14
C115	14
C116	14

## CONNECTOR

SYMBOL NO.	INDEX NO.
CN101	35
CN102	36
CN103	37
CN104	38

## DIODE

SYMBOL NO.	INDEX NO.
D101	7
D102	8

## DPS

SYMBOL NO.	INDEX NO.
DPS101	11

## IC

SYMBOL NO.	INDEX NO.
IC101	1
IC102	2
IC103	3
IC104	4
IC105	3

## OSC

SYMBOL NO.	INDEX NO.
OSC101	10

## TRANSISTOR

SYMBOL NO.	INDEX NO.
Q101	6
Q102	6
Q103	6
Q104	6
Q105	6

## RESISTOR

SYMBOL NO.	INDEX NO.
R101	30
R102	19
R103	20
R104	19
R105	28
R106	26
R107	27
R109	21
R110	29
R111	27

SYMBOL NO.	INDEX NO.
R112	25
R113	26
R114	29
R115	27
R116	23
R117	23
R118	23
R119	23
R120	23
R121	23

SYMBOL NO.	INDEX NO.
R122	24
R123	27
R124	27
R125	27
R126	30
R150	27
R151	27

## RAY

SYMBOL NO.	INDEX NO.
RAY101	31
RAY102	32
RAY103	33
RAY104	32

## SO

SYMBOL NO.	INDEX NO.
SO1	34

## ZD

SYMBOL NO.	INDEX NO.
ZD101	9

## 10. MAIN BOARD (A094)

Index No.	Part No.	Description	Q'ty per Assembly
*	5214 5151	Main Board	1
1	5214 5153	CPU - Main Board	1
2	1408 0258	IC - AN6914	
3	1407 1348	IC - TD62304AP	

Index No.	Part No.	Description	Q'ty per Assembly
4	1407 0975	IC - HD7407P	
5	1407 1091	IC - HD74LS02P	
6	1400 0328	Transistor - 2SA720	
7	1401 0631	Diode - 1S2075K	
8	1402 0423	Diode - S5500G	
9	1402 0485	Zener Diode - MA1039-M	
10	1503 0062	Ceramic Oscillator - 6MHz	
11	1204 1374	DIP Switch	
12	1400 0072	Transistor - 2SC372Y	
13	1606 1396	Capacitor - 0.1uF 25V	
14	1606 1336	Capacitor - 10000pF -20% +80% 50V	
15	1606 1184	Capacitor - 27pF 50V	
16	1604 1086	Capacitor - 1uF 50V	
17	1604 0857	Capacitor - 47uF 35V	
18	1604 0989	Capacitor - 47uF 16V	
19	1611 4202	Resistor - 2k $\Omega$ 1/4T $\pm$ 5%	
20	1611 4105	Resistor - 1M $\Omega$ 1/4T $\pm$ 5%	
21	1611 4471	Resistor - 470 $\Omega$ 1/4T $\pm$ 5%	
22	1611 4824	Resistor - 820k $\Omega$ 1/4T $\pm$ 5%	
23	1611 4820	Resistor - 82 $\Omega$ 1/4T $\pm$ 5%	
24	1611 4680	Resistor - 68 $\Omega$ 1/4T $\pm$ 5%	
25	1611 4113	Resistor - 11k $\Omega$ 1/4W $\pm$ 5%	
26	1611 4472	Resistor - 4.7K $\Omega$ 1/4W $\pm$ 5%	
27	1611 4103	Resistor - 10k $\Omega$ 1/4T $\pm$ 5%	
28	1611 4393	Resistor - 39K $\Omega$ 1/4W $\pm$ 5%	
29	1611 4203	Resistor - 20k $\Omega$ 1/4T	
30	1622 1101	Resistor - 1.1k $\Omega$ 1/4W $\pm$ 1%	
31	1601 7461	Resistor Array - 4.7k $\Omega$ /20k $\Omega$	
32	1601 7215	Resistor Array - 4.7k $\Omega$ 1/8W	
33	1601 7462	Resistor Array - 20k $\Omega$ /1.5k $\Omega$	
34	1104 0339	IC Socket - 64P	
35	1103 1777	Connector - 11P	
36	1103 1794	Connector - 14P	
37	1103 1780	Connector - 14P	
38	1103 1769	Connector - 3P	

# 11. POWER SUPPLY BOARD (A094)

## CAPACITOR

SYMBOL NO.	INDEX NO.
C1	8
C2	8
C3	9
C4	10
C5	11
C6	12
C7	13
C8	14
C9	14
C10	15

## CONNECTOR

SYMBOL NO.	INDEX NO.
CN201	23
CN202	1

## COIL

SYMBOL NO.	INDEX NO.
L1	1

## DIODE

SYMBOL NO.	INDEX NO.
D1	5
D2	5
D3	5
D4	5
D5	5

## DB

SYMBOL NO.	INDEX NO.
DB1	4

## FUZE

SYMBOL NO.	INDEX NO.
FU1	24
FU2	24

## IC

SYMBOL NO.	INDEX NO.
IC1	2
IC2	3

## TRANSISTOR

SYMBOL NO.	INDEX NO.
Q1	6
Q2	7
Q3	7
Q4	6

## RESISTOR

SYMBOL NO.	INDEX NO.
R1	16
R2	17
R3	18
R4	19
R5	20
R6	21
R7	22



### 11. POWER SUPPLY BOARD (A094)

Index No.	Part No.	Description	Q'ty per Assembly
*	5214 5100	Power Supply Board Ass'y	1

Index No.	Part No.	Description	Q'ty per Assembly
1	1607 0097	Choke - 300mH, 2A	
2	1408 0402	IC - STR2024	
3	1408 0331	IC - MPC7805H	
4	1405 0150	Rectifier - DBA20B	
5	1402 0467	Diode - S5566G	
6	1400 0346	Transistor - 2SA1317	
7	1400 0345	Transistor - 2SC3330	
8	1604 1093	Capacitor - 1000mF	50V
9	1606 1332	Capacitor - 1000pF	50V
10	1606 1350	Capacitor - 0.047uF	50V
11	1604 1282	Capacitor - 2.2uF	50V
12	1604 1318	Capacitor - 470uF	35V
13	1604 1226	Capacitor - 2200uF	16V
14	1606 0472	Capacitor - 0.1uF	50WV
15	1604 1197	Capacitor - 10uF	50V
16	1622 8252	Resistor - 82.5k $\Omega$ 1/4T $\pm$ 1%	
17	1611 4479	Resistor - 4.7k $\Omega$ 1/4W	$\pm$ 5%
18	1611 4472	Resistor - 4.7K $\Omega$ 1/4W	$\pm$ 5%
19	1611 4103	Resistor - 10k $\Omega$ 1/4T $\pm$ 5%	
20	1611 4101	Resistor - 100 $\Omega$ 1/4T $\pm$ 5%	
21	1611 4102	Resistor - 1K $\Omega$ 1/4T $\pm$ 5%	
22	1600 0669	Resistor - 0.2 $\Omega$ 2W	$\pm$ 5%
23	1103 3008	Wafer - 4P	
24	1107 0354	Fuse - 3.15A/125V	
25	5214 5102	Heat Sink Sheet	

## 12. AC DRIVE BOARD (A094)

### CAPACITOR

SYMBOL NO.	INDEX NO.
C501	6
C502	7

### CONNECTOR

SYMBOL NO.	INDEX NO.
CN501	13
CN502	14
CN503	15
CN504	16
CN505	17

### DIODE

SYMBOL NO.	INDEX NO.
D501	5

### PC

SYMBOL NO.	INDEX NO.
PC501	1

### RA

SYMBOL NO.	INDEX NO.
RA501	4

### RESISTOR

SYMBOL NO.	INDEX NO.
R502	9
R503	10
R504	11

### DB

SYMBOL NO.	INDEX NO.
DB501	3

### TRANSISTOR

SYMBOL NO.	INDEX NO.
Q501	2

## 12. AC DRIVE BOARD (A094)

Index No.	Part No.	Description	Q'ty per Assembly
*	5214 5415	AC Drive Board Ass'y - 115V	1
*	5214 5615	AC Drive Board Ass'y - 220/240V	1

Index No.	Part No.	Description	Q'ty per Assembly
1	1405 0160	Photo Thyristor	
1	1405 0161	Photo Thyristor - 220/240V	
2	1400 0345	Transistor - 2SC3330	
3	1405 0163	Rectifier - 400V 1A DBB10E	
3	1405 0164	Rectifier - 600V 1A DBB10G	
4	1208 1074	Power Relay - DC24V	
4	1208 1004	Power Relay - DC24V	
5	1402 0423	Diode - S5500G	
6	1606 0689	Capacitor - 0.01uF +80% -20% 50V	
7	1606 1472	Capacitor - 0.1uF ±20%	
8	1611 6112	Resistor - 1.1k $\Omega$ 1/2W ±5%	
9	1611 4273	Resistor - 27k $\Omega$ 1/4T ±5%	
10	1611 6224	Resistor - 220k $\Omega$ 1/2W ±5%	
11	1611 4563	Resistor - 56k $\Omega$ 1/4T ±5%	
12	1611 6100	Resistor - 10 $\Omega$ 1/2W	
12	1611 6220	Resistor - 22 $\Omega$ 1/4T ±5%	
13	1102 0770	Wafer - 5P	
14	1102 0766	Wafer - 2P	
15	1103 1770	Connector - 4P	
16	1102 0484	Connector - 3P	
17	1103 1446	Wafer - 2P	

### 13. INTERFACE BOARD (A094)

#### CONNECTOR

SYMBOL NO.	INDEX NO.
CN302	2
CN303	3
CN304	4
CN305	5
CN306	6
CN307	7
CN308	8

#### DIODE

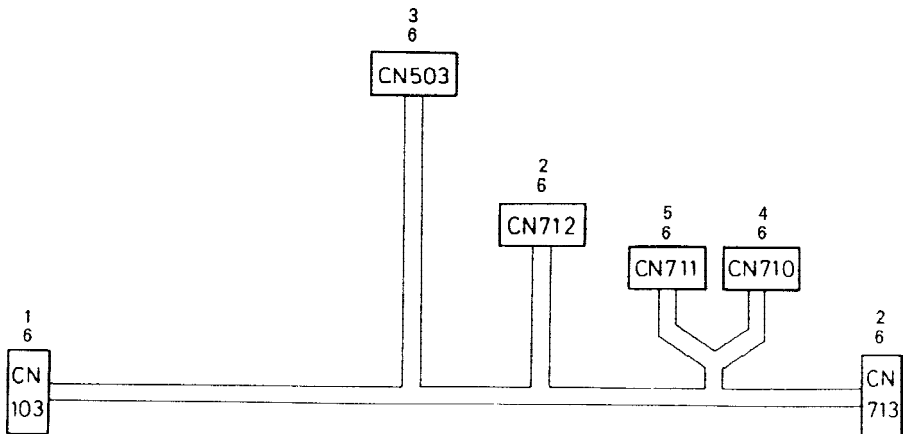
SYMBOL NO.	INDEX NO.
D301	1
D302	1
D303	1

**13. INTERFACE BOARD (A094)**

Index No.	Part No.	Description	Q'ty per Assembly
*	5214 5120	Interface Board	1

Index No.	Part No.	Description	Q'ty per Assembly
1	1402 0467	Diode - S5566G	
2	1103 1771	Connector - 5P	
3	1103 1797	Connector - 3P	
4	1103 1782	Connector - 2P	
5	1103 1796	Connector - 2P	
6	1103 1783	Connector - 3P	
7	1103 1769	Connector - 3P	
8	1103 1768	Connector - 2P	

# 14. UPPER UNIT HARNESS - REAR (A094)

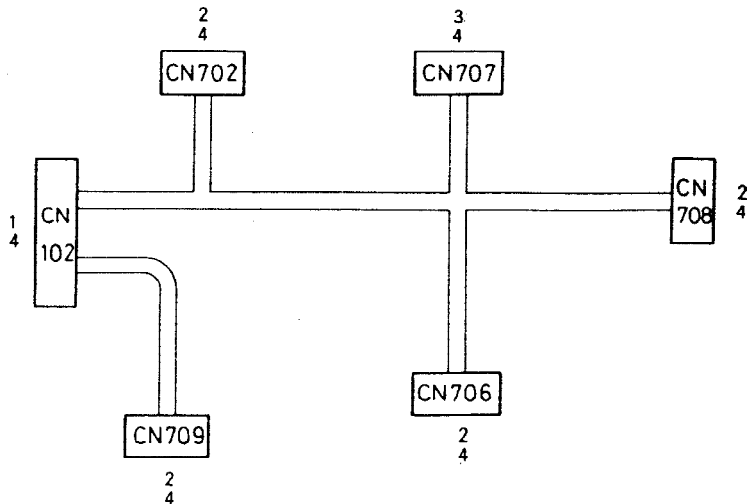


**14. UPPER UNIT HARNESS - REAR (A094)**

Index No.	Part No.	Description	Q'ty per Assembly
*	5214 5399	Upper Unit Harness - Rear	1

Index No.	Part No.	Description	Q'ty per Assembly
1	1102 1994	Socket Housing - 14P	
1	1100 1329	Contact	
2	1102 1983	Connector - 3P	
2	1100 1329	Contact	
3	1102 1984	Connector - 4P	
3	1100 1329	Contact	
4	1102 1982	Socket Housing - 2P	
4	1100 1329	Contact	
5	1102 1996	Socket Housing - 2P	
5	1100 1329	Contact	

# 15. UPPER UNIT HARNESS - FRONT (A094)



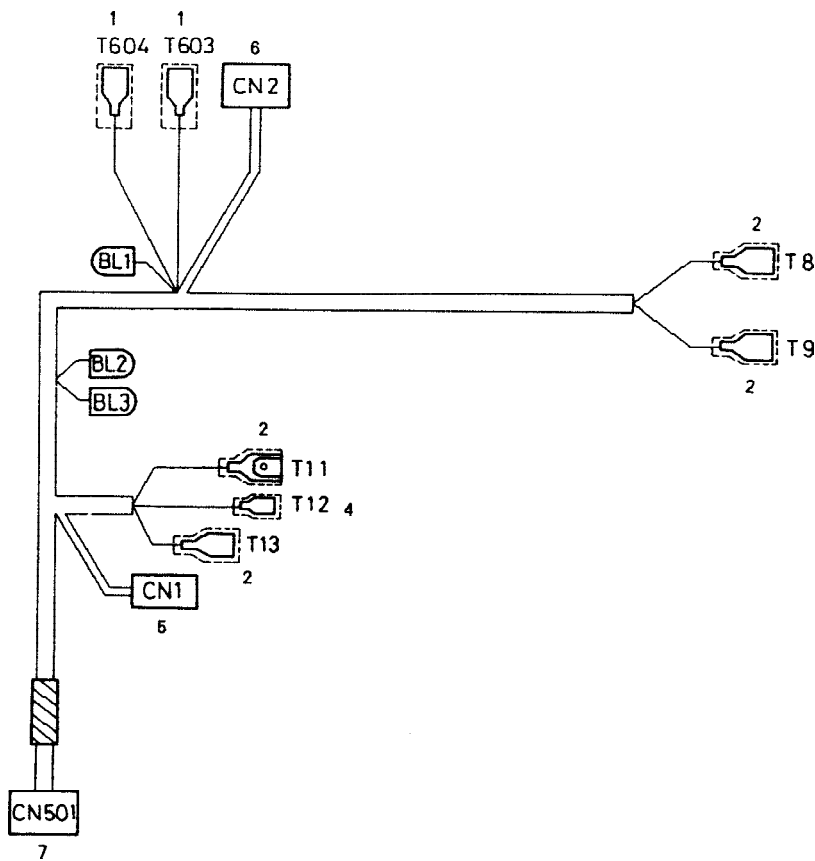


**15. UPPER UNIT HARNESS - FRONT (A094)**

Index No.	Part No.	Description	Q'ty per Assembly
*	5214 5301	Upper Unit Harness - Front	1

Index No.	Part No.	Description	Q'ty per Assembly
1	1102 2008	Socket Housing - 14P	
1	1100 1329	Contact	
2	1102 1983	Connector - 3P	
2	1100 1329	Contact	
3	1102 1982	Socket Housing - 2P	
3	1100 1329	Contact	

# 16. AC HARNESS (A094)

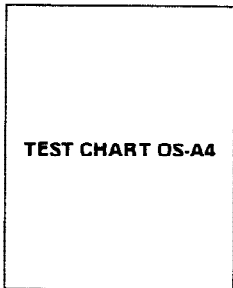


**16. AC HARNESS (A094)**

Index No.	Part No.	Description	Q'ty per Assembly
*	5214 5310	AC Harness	1

Index No.	Part No.	Description	Q'ty per Assembly
1	1102 1404	Connector - 1P	
1	1100 1171	Fastening Receptacle	
2	1102 0717	Terminal Insulator	
2	1100 1117	Fastening Receptacle	
3	1102 0717	Terminal Insulator	
3	1100 0822	Fasten Receptacle With Tab	
4	1102 0796	Insulating Sleeve	
4	1100 0280	Fastening Receptacle	
5	1102 2077	Connector - 1P	
5	1100 0864	Housing - AWG14-20	
6	1102 1515	Connector - 2P	
6	1100 1241	Socket - Mate-N-Lock	
7	1102 2135	Connector - 5P	
7	1100 1247	Terminal	

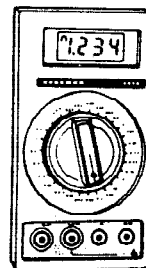
1



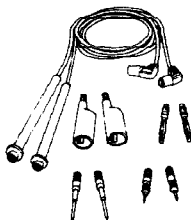
2



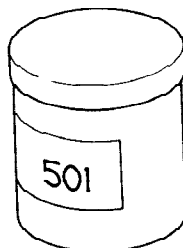
3



4



5



**17. SPECIAL TOOL (A094)**

Index No.	Part No.	Description	Q'ty per Assembly
1	5214 9500	Test Chart OS-A4 (10 Pcs/Set)	1
1	5214 9501	Test Chart OS-A4 (100 Pcs/Set)	1
2	5447 9078	Heat Resisting Grease MT-78	1
3	5420 9507	Digital Multimeter - Beckman	1
4	5420 9508	Test Lead Kit	1
5	5203 9501	Grease 501	1

Index No.	Part No.	Description	Q'ty per Assembly
-----------	----------	-------------	-------------------

# **PARTS INDEX**

Part No.	Description	Paper and Index No.
A094 0025	Power Supply Cord - 220V	19-150
A094 1121	Left Cover	5- 8
A094 1131	RRight Upper Cover	5- 10
A094 1231	Front Cassette Guide	19- 26
A094 1232	Rear Cassette Guide	19- 24
A094 1246	Front Side Plate - Paper Feed	7- 33
A094 1261	Rear Sie Plate - Paper Feed	7- 4
A094 1361	Front Cover	3- 25
A094 1381	Operation Panel Cover - 220/240V	3- 18
A094 1411	Print Key	3- 24
A094 1412	Clear/Stop Key	3- 23
A094 1413	Increase Quantity Key	3- 22
A094 1414	Decrease Quantity Key	3- 21
A094 1415	Image Density Key - L	3- 20
A094 1416	Image Density - D	3- 19
A094 1431	Rear Cover - 220/240V	3- 1
A094 1475	Front Inner Cover	19- 27
A094 1494	Rear Inner Cover - 220/240V	19- 7
A094 1712	Rins Bracket	5- 21
A094 1751	Exposure Cover	5- 9
A094 1917	Exposure Glass Ass'y - A4,A5	5- 5
A094 1921	Slider Rack Angle	5- 2
A094 1937	Main Scale - A4,A5	5- 7
A094 1947	Sub Scale - A4,A5	5- 6
A094 1991	Slider Cover	5- 1
A094 2585	Front Registration Spring	7- 24
A094 2586	Rear Registration Spring	7- 25
A094 2624	Bottom Plate Spring	3- 6
A094 2661	Cassette Body	3- 5
A094 2687	By-pass Feed Guide - A4	3- 7
A094 3211	Development Unit Holder	9- 20
A094 4087	Lower Exit Guide	13- 37
A094 4106	Hot Roller	13- 22
A094 4123	Stripper Release Spring	13- 41
A094 4161	Copy Tray	3- 16

Part No.	Description	Paper and Index No.
A094 4179	Lamp Holder Spring	13- 48
A094 4207	Fusing Cover - 220/240V	13- 1
A094 4411	Pressure Roller	13- 23
A094 5100	Power Supply Board Ass'y	19- 8
A094 5120	Interface Board	19- 16
A094 5121	Fuse - 3.15A/250V	19-145
A094 5152	Fuse - 220V/240V	19-146
A094 5160	Main Board Ass'y	17- 22
A094 5161	Main Board	17- 15
A094 5200	Power Pack - Charger Corona	17- 19
A094 5204	Power Pack - Transfer/Bias	19- 10
A094 5208	Fluorescent Lamp Socket	5- 29
A094 5211	Quenching Lamp	5- 40
A094 5219	Registration Solenoid	7- 21
A094 5220	Paper Feed Solenoid - DC 220V	19- 21
A094 5231	Photocoupler	5- 27
A094 5231	Photocoupler	17- 3
A094 5236	Paper Exit Sensor	13- 19
A094 5300	Upper Unit Harness - Rear	17- 7
A094 5301	Upper Unit Harness - Front	17- 17
A094 5305	Harness - Paper Exit Sensor	13- 52
A094 5310	AC Harness	19- 5
A094 5315	Front Fusing Harness	13- 3
A094 5316	Rear Fusing Harness	13- 2
A094 5584	Cable Clip - 11.1mm	17-144
A094 5605	Main Motor - AC 220V 11W	15- 3
A094 5615	AC Drive Board Ass'y	15- 2
A094 5620	Fusing Lamp - 1050W - 220V/240V	13- 27
A094 5635	AC Power Supply Unit - 220V/240V	19- 30
A094 5637	Receptacle - 220/240V	19- 3
A094 5640	AC Power Supply Board Ass'y - 220/240V	19- 2
A094 5650	Main Motor - AC 240V 11W	15- 3
A094 6365	Indicator Panel	3- 17
A094 6652	Indicator Board Ass'y	17- 21

Part No.	Description	Paper and Index No.
AA11 3028	Front Outer Insulator	13- 50
AD03 0030	Development Roller	9- 12
5053 0223	Bushing - 8mm	7- 37
5053 0709	Bushing - 6x10x6mm	7- 41
5203 1124	Stopper Pin - Top Unit	19- 29
5203 1828	Bevel Gear - 36T (Return)	15- 35
5203 1831	Rubber Dumper	15- 36
5203 1832	Dumper Plate	15- 37
5203 1837	Scan Clutch Pawl	15- 40
5203 1841	Clutch Pawl Spring	15- 6
5203 1844	Pinion - 36T	15- 38
5203 1853	Gear - 30T	15- 30*
5203 1857	Lock Arm Spring	15- 31
5203 1869	Thrust Washer - 6x12x1.5mm	15- 39
5203 1870	Thrust Washer - 8x14x1.5mm	15- 46
5203 2059	Corona Wire Hook	5- 41
5203 2060	Corona Wire Screw - M3x4	5- 42
5203 2060	Corona Wire Screw - M3x4	7- 42
5203 3105	Nylon Rivet	9- 28
5203 3124	Coupled Gear - 12T/22T	11- 3
5203 3125	Coupled Gear - 14T/32T	9- 31
5203 3125	Coupled Gear - 14T/32T	11- 4
5203 3126	Gear - 32T	9- 27
5203 3126	Gear - 32T	11- 6
5203 3130	Toner End Disk	9- 26
5203 3130	Toner End Disk	11- 5
5203 3145	Front Cover Bracket - Development	9- 30
5203 3145	Front Cover Bracket - Development	11- 18
5203 3151	Roller Cover Spring	9- 8
5203 3151	Roller Cover Spring	11- 8
5203 3153	Spring - Toner End Lever	9- 32
5203 3153	Spring - Toner End Lever	11- 25
5203 5853	AC Harness Clamp	19- 28
5203 9501	Grease 501	35- 5
5214 1115	Ozone Filter	17- 4

Part No.	Description	Paper and Index No.
5214 1118	Front Hinge - Top Unit	17- 20
5214 1120	Rear Hinge - Top Unit	17- 1
5214 1153	Front Hinge Bracket	19- 14
5214 1156	Rear Hing Bracket	19- 15
5214 1171	Hook Lever	17- 11
5214 1175	Hinge Lever	17- 14
5214 1181	Gear / Pulley - 24T/30T	15- 47
5214 1184	Timing Belt	15- 27
5214 1186	Front Torsion Spring	19- 13
5214 1187	Rear Torsion Spring	19- 12
5214 1221	Rubber Foot	7- 14
5214 1221	Rubber Foot	19- 25
5214 1222	Base Plate Snap	19- 23
5214 1551	Platen Cover Sheet	3- 4
5214 1717	Front Rins Holder	5- 17
5214 1718	Rear Rins Holder	5- 18
5214 1731	Fluorescent Lamp Heater Spring	5- 20
5214 1734	Exposure Reflector Bracket	5- 16
5214 1736	Rins Seal - 236x6x6	5- 12
5214 1738	Exposure Reflector	5- 11
5214 1739	Side Reflector	5- 15
5214 1741	Rins Ass'y	5- 13
5214 1744	Leaf Spring - Rins Hold	5- 19
5214 1808	Clutch Base Plate	15- 25
5214 1821	Tightener Arm	15- 14
5214 1825	Tightener Spring	15- 15
5214 1834	Scan Clutch Spring Ass'y	15- 49
5214 1835	Return Clutch Spring Ass'y	15- 48
5214 1842	Return Control Pawl	15- 41
5214 1843	Return Control Spring	15- 7
5214 1844	Slider Solenoid - 22V	15- 24
5214 1852	Belt Drive Arm	15- 23
5214 1853	Gear - 44T	15- 21
5214 1854	Gear - 22T	15- 20
5214 1855	Shaft - Belt Drive Arm	15- 19



Part No.	Description	Paper and Index No.
5214 1856	Idle Gear - 22T	15- 22
5214 1857	Belt Drive Shaft	15- 18
5214 1858	Coupling Cover	15- 10
5214 1864	Gear - 16T	15- 8
5214 1865	Pulse Disc	15- 9
5214 1874	Tension Pulley - 24T	15- 26
5214 1875	Slider Lock Arm	15- 17
5214 1876	Slider Lock Shaft	15- 16
5214 1877	Clutch Supporting Plate	15- 29
5214 1879	Photointerruptor Bracket	15- 11
5214 1971	Slid Rail	5- 3
5214 1974	Screw - Slider Stopper	5- 4
5214 2050	Transfer Corona Ass'y	5- 43
5214 2055	Charge Corona Casing	5- 34
5214 2060	Front End Block - Charge	5- 38
5214 2065	Rear End Block - Charge	5- 33
5214 2070	Charge Corona Holder	5- 32
5214 2072	Rear End Cover - Charge	5- 37
5214 2080	Thumb Screw - M4x5	5- 35
5214 2156	Transfer Corna Casing	7- 30
5214 2157	Transfer Guide Plate	7- 31
5214 2158	Mylar Seal - Transfer Entrance	7- 32
5214 2161	Pressure Spring - Transfer Corona	19- 19
5214 2163	Transfer Corona Stopper	19- 22
5214 2401	Leaf Spring - Master Earth	5- 26
5214 2406	Varistor Holder	5- 22
5214 2407	Leaf Spring - Varistor	5- 24
5214 2411	Seal - Toner Overflow Sensor	5- 28
5214 2413	Plate Spring - Roller Pressure	17- 10
5214 2431	Rear Guide Rail - Master Unit	15- 28
5214 2432	Front Guide Rail - Master Unit	17- 8
5214 2433	Master Release Lever	17- 9
5214 2551	Feed Drive Shaft	7- 10
5214 2552	Paper Feed Roller	7- 8
5214 2553	Paper Retainer	7- 9

Part No.	Description	Paper and Index No.
5214 2556	Paper Feed Clutch	7- 36
5214 2563	Gear - 38T	7- 35
5214 2564	Gear - 30T	7- 39
5214 2565	Feed Guide Plate	7- 11
5214 2568	First Guide Roller - Paper Feed	7- 6
5214 2569	Second Guide Roller - Paper Feed	7- 7
5214 2570	Leaf Spring	9- 18
5214 2571	Gear - 16T	7- 34
5214 2572	Gear - 22T	7- 38
5214 2573	Guide Roller	9- 19
5214 2576	Lower Guide Plate - Registration	7- 13
5214 2578	Registration Plate	7- 15
5214 2579	Registration Spring	7- 19
5214 2581	Upper Guide Plate - Registration	7- 40
5214 2582	Rubber Dumper	7- 26
5214 2583	Registration Roller Shaft	7- 23
5214 2590	Lower Registration Roller	7- 12
5214 2613	Front Side Fence	3- 11
5214 2619	Rear Side Fence	3- 10
5214 2626	Bottom Plate - A4	3- 26
5214 2627	Friction Pad	3- 13
5214 2630	Paper Guide Roller - Cassette	3- 12
5214 2631	Leaf Spring - Cassette	3- 8
5214 2635	Cassette Guide Pin	7- 5
5214 2640	Gear - 32T	7- 3
5214 2643	Coupled Gear - 24T/50T	7- 2
5214 3050	Development Unit - Black	9- 33
5214 3051	Front Side Plate - Development	9- 21
5214 3060	Rear Side Plate - Development	9- 9
5214 3070	Toner Hopper	9- 17
5214 3080	Toner Metering Blade	9- 11
5214 3090	Toner Mixing Plate	9- 16
5214 3100	Gear - 24T	9- 5
5214 3101	Gear - 12T	9- 3
5214 3102	Gear - 20T	9- 4

Part No.	Description	Paper and Index No.
5214 3103	Gear - 18T	9- 2
5214 3104	Toner Supply Shaft	9- 15
5214 3105	Spring - Toner End Lever	9- 6
5214 3105	Spring - Toner End Lever	11- 7
5214 3110	Development Roller Cover	9- 10
5214 3112	Seal - 0.05x21x257.5mm	9- 29
5214 3115	Sector Gear - 60T	9- 22
5214 3115	Sector Gear - 60T	11- 22
5214 3121	Roller Cover Lever	9- 23
5214 3121	Roller Cover Lever	11- 23
5214 3123	Roller Cover Link	9- 24
5214 3123	Roller Cover Link	11- 24
5214 3130	Toner End Lever	9- 7
5214 3140	Discharging Brush Cover	9- 13
5214 3145	Development discharging Brush	9- 14
5214 3151	Front Development Cover	9- 25
5214 3151	Front Development Cover	11- 26
5214 3152	Rear Development Cover	9- 1
5214 3152	Rear Development Cover	11- 1
5214 3850	Drive Roller - Transport Belt	13- 33
5214 3853	Coupled Gear - 16T/32T	13- 34
5214 3854	Transport Belt Bracket	13- 32
5214 3855	Inverted Roller - Transport Belt	13- 31
5214 3856	Transport Belt	13- 35
5214 4051	Front Stopper - Exit Guide	13- 24
5214 4055	Fusing Pressure Spring	13- 16
5214 4058	Gear - 25T	13- 29
5214 4066	Rear Stopper - Exit Guide	13- 15
5214 4072	Gear - 21T	13- 7
5214 4073	Gear - 16T	13- 14
5214 4074	Gear - 28T	13- 20
5214 4076	Fusing Arm Bracket	13- 21
5214 4091	Lower Fusing Stay	13- 18
5214 4093	Fusing Guide Plate	13- 17
5214 4101	Upper Fusing Stay	13- 10

Part No.	Description	Paper and Index No.
5214 4104	Fusing Unit Mylar	13- 57
5214 4107	Bushing - 20x28x8mm	13- 11
5214 4108	Gear - 30T	13- 8
5214 4110	Plate - Fusing Unit	13- 58
5214 4112	Bushing - 8x18x5mm	13- 9
5214 4113	Gear - 28T	13- 28
5214 4116	Upper Exit Stay	13- 44
5214 4122	Stripper Spring	13- 45
5214 4124	Spring Holder - Stripper Release	13- 40
5214 4127	Exit Roller	13- 38
5214 4128	Bushing - 14x8x6mm	13- 42
5214 4129	Gear - 16T	13- 43
5214 4131	Upper Exit Guide	13- 46
5214 4184	Lamp Terminal Bracket	13- 26
5214 4185	Lamp Terminal	13- 53
5214 4187	Rear Heater Bracket	13- 13
5214 4188	Lamp Terminal	13- 12
5214 4191	Safety Switch Lever - Exit Cover	7- 1
5214 4232	Guide Roller	13- 55
5214 4235	Exit Roller	13- 54
5214 4970	Caution Decal - High Temperature 220/	13- 56
5214 4981	Cleaner - Fiber Optics/Corona Wire	19- 17
5214 4997	Development Roller Cleaner	19- 6
5214 5100	Power Supply Board Ass'y	23- *
5214 5102	Heat Sink Sheet	23- 25
5214 5120	Interface Board	27- *
5214 5151	Main Board	21- *
5214 5153	CPU - Main Board	17- 16
5214 5153	CPU - Main Board	21- 1
5214 5202	Varistor - 820V	5- 25
5214 5215	Fluorescent Lamp Stabilizer	17- 18
5214 5217	Fluorescent Lamp - 14W	5- 30
5214 5226	Exposure Lamp Sensor	5- 14
5214 5230	Master Sensor	5- 23
5214 5232	LED Sensor Type - T	15- 12

Part No.	Description	Paper and Index No.
5214 5235	Paper Feed Sensor	7- 20
5214 5238	Micro Switch - Scan	15- 5
5214 5260	Thermistor	13- 6
5214 5301	Upper Unit Harness - Front	31- *
5214 5310	AC Harness	33- *
5214 5320	High Voltage Supply Cold - Transfer	7- 18
5214 5321	High Voltage Supply Cord - Charge	5- 39
5214 5322	Bias Harness	19- 9*
5214 5399	Upper Unit Harness - Rear	29- *
5214 5415	AC Drive Board Ass'y - 115V	25- *
5214 5422	Thermoswitch	13- 4
5214 5610	Cooling Fan Motor - 220/240V	17- 5
5214 5615	AC Drive Board Ass'y - 220/240V	25- *
5214 5630	Transformer - 220/240V	19- 11
5214 5655	Fluorescent Lamp Heater - 220/240V	5- 31
5214 5803	Thermoswitch Bracket	13- 5
5214 5810	Spacer - Toner End Sensor	17- 2
5214 5820	Holder - AC Drive Board	15- 1
5214 5822	Fence - AC Drive Board	15- 45
5214 5841	Bracket - AC Power Supply Unit	19- 4
5214 5842	Safety Switch Lever	19- 1
5214 5855	Interface Harness Clamp	19- 18
5214 5860	Insulating Mylar	19- 31
5214 6624	Jam Disposal Decal	19- 20
5214 7161	Release Latch	17- 12
5214 7182	Praten Cover	3- 2
5214 7200	Paper Size Decal - A4	3- 15*
5214 7202	Copy Paper Set Decal	3- 14
5214 7216	Exit Cover	13- 47
5214 7792	Upper Registration Roller	7- 22
5214 7795	Paper Reverse Knob	13- 30
5214 7800	Transfer Corona Ass'y	7- 43
5214 7801	Front End Block - Transfer	7- 29
5214 7802	Rear End Block - Transfer	7- 17
5214 7803	Front End Cover - Transfer	7- 28

Part No.	Description	Paper and Index No.
5214 7804	Rear End Cover - Transfer	7- 16
5214 9001	Corona Wire - 10pcs/Set	5- 36
5214 9001	Corona Wire - 10pcs/Set	7- 27
5214 9002	Hot Roller Stripper - 3pcs/Set	13- 39
5214 9500	Test Chart OS-A4 (10 Pcs/Set)	35- 1
5214 9501	Test Chart OS-A4 (100 Pcs/Set)	35- 1
5415 4093	Shaft - Fusing Lamp Terminal	13- 25
5420 9507	Digital Multimeter - Beckman	35- 3
5420 9508	Test Lead Kit	35- 4
5432 4118	Insulator - B	13- 51
5433 2934	Cutter Unit Spring	17- 6
5443 2668	Bushing - 4x6x7mm	13- 49
5447 2769	Stepped Screw	13- 36
5447 9078	Heat Resisting Grease MT-78	35- 2
5921 3061	Front Side Plate - Development	11- 21
5921 3071	Rear Side Plate - Development	11- 10
5921 3080	Toner Hopper	11- 20
5921 3091	Toner Metering Blade	11- 13
5921 3100	Toner Mixing Bar	11- 19
5921 3110	Gear - 20T	11- 11
5921 3110	Gear - 20T	11- 16
5921 3111	Gear - 16T	11- 2
5921 3112	Toner Supply Shaft - Space Sell	11- 27
5921 3114	Seal - 12mm	9- 35
5921 3114	Seal - 12mm	11- 15
5921 3116	Toner Supply Roller	11- 17
5921 3120	Toner End Lever	11- 9
5921 3130	Development Roller	11- 14
5921 3140	Development Roller Cover	11- 12

Part No.	Description	Paper and Index No.
0312 0060W	Philips Pan Head Screw - M3x6	5-104
0312 5060W	Philips Pan Head Screw - M2.5x6	5-101
0313 0050W	Philips Pan Head Screw - M3x5	7-102
0313 0060M	Philips Pan Head Screw - M3x6	9-103
0313 0060M	Philips Pan Head Screw - M3x6	11-103
0313 0060M	Philips Pan Head Screw - M3x6	13-103
0313 0060W	Philips Pan Head Screw - M3x6	9-104
0313 0060W	Philips Pan Head Screw - M3x6	11-104
0313 0120W	Philips Pan Head Screw - M3x12	7-106
0313 0120W	Philips Pan Head Screw - M3x12	13-106
0313 0250W	Philips Pan Head Screw - M3x25	7-107
0313 0600W	Philips Pan Head Screw - M3x6	19-104
0314 0060M	Philips Pan Head Screw - M4x6	19-108
0314 0120W	Philips Pan Head Screw - M4x12	5-109
0314 0120W	Philips Pan Head Screw - M4x12	15-109
0353 0060F	Philips Truss Head Screw - M3x6	3-111
0353 0060F	Philips Truss Head Screw - M3x6	5-111
0413 0100F	Philips Truss Head Screw - M3x10	3-113
0414 0082F	Philips Truss Head Screw - M4x8	5-114
0443 0060W	Hexagon Head Tapping Screw - M3x6	5-116
0443 0060W	Hexagon Head Tapping Screw - M3x6	7-116
0443 0060W	Hexagon Head Tapping Screw - M3x6	9-116
0443 0060W	Hexagon Head Tapping Screw - M3x6	11-116
0443 0060W	Hexagon Head Tapping Screw - M3x6	13-116
0443 0060W	Hexagon Head Tapping Screw - M3x6	15-116
0443 0060W	Hexagon Head Tapping Screw - M3x6	17-116
0443 0080W	Hexagon Head Tapping Screw - M3x8	5-117
0443 0080W	Hexagon Head Tapping Screw - M3x8	13-117
0443 0082W	Hexagon Head Tapping Screw - M3x8	9-118
0443 0082W	Hexagon Head Tapping Screw - M3x8	11-118
0443 0120W	Hexagon Head Tapping Screw - M3x12	15-119
0443 0120W	Hexagon Head Tapping Screw - M3x12	17-120
0444 0082W	Tapping Screw - M4 x 8	5-152
0444 0082W	Tapping Screw - M4 x 8	13-152
0701 0050B	Flat Washer - M5	9-124

Part No.	Description	Paper and Index No.
0720 0030E	Retaining Ring - M3	5-125
0720 0030E	Retaining Ring - M3	7-125
0720 0030E	Retaining Ring - M3	13-125
0720 0030E	Retaining Ring - M3	15-125
0720 0040E	Retaining Ring - M4	7-126
0720 0040E	Retaining Ring - M4	9-126
0720 0040E	Retaining Ring - M4	11-126
0720 0040E	Retaining Ring - M4	13-126
0720 0040E	Retaining Ring - M4	15-126
0720 0050E	Retaining Ring - M5	7-151
0720 0060E	Retaining Ring - M6	7-127
0720 0060E	Retaining Ring - M6	9-127
0720 0060E	Retaining Ring - M6	11-127
0720 0060E	Retaining Ring - M6	13-127
0720 0060E	Retaining Ring - M6	15-127
0725 0120E	Retaining Ring C - M12	15-128
0725 0200E	Retaining Ring C - M20	13-129
0805 0077	Retaining Ring - M3	9-131
0805 0077	Retaining Ring - M3	11-131
0805 3162	Ball Bearing - 10x19x7mm	9-133
0805 3162	Ball Bearing - 10x19x7mm	11-133
0805 3385	Bushing - 6mm	13-135
0805 3385	Bushing - 6mm	15-135
0805 3389	Bushing - 8x10x6mm	7-136
0807 4021	Washer - 6.1x11x0.1mm	15-144
0807 5009	Spacer - 8.1 x 11.5 x 0.1 mm	15-145
0809 1013	Nylon Wire (50m/Roll)	7-137
0951 3006W	Philips Screw With Flat Washer - M3x6	7-138
0951 3006W	Philips Screw With Flat Washer - M3x6	19-138
0965 3008W	Tapping Screw With Flat Washer - M3x8	5-139
0965 4010W	Tapping Screw with Flat Washer - M4x10	3-140
0965 4010W	Tapping Screw with Flat Washer - M4x10	17-140
0965 4012W	Philips Pan Head Screw - M4x12	7-141
0965 4012W	Philips Pan Head Screw - M4x12	13-141
0965 4012W	Philips Pan Head Screw - M4x12	15-141

Part No.	Description	Paper and Index No.
0965 4012W	Philips Pan Head Screw - M4x12	17-141
0965 4012W	Philips Pan Head Screw - M4x12	19-141
1100 0280	Fastening Receptacle	33- 4
1100 0822	Fasten Receptacle With Tab	33- 3
1100 0864	Housing - AWG14-20	33- 5
1100 1117	Fastening Receptacle	33- 2
1100 1171	Fastening Receptacle	33- 1
1100 1241	Socket - Mate-N-Lock	33- 6
1100 1247	Terminal	33- 7
1100 1329	Contact	29- 1
1100 1329	Contact	29- 2
1100 1329	Contact	29- 3
1100 1329	Contact	29- 4
1100 1329	Contact	29- 5
1100 1329	Contact	31- 1
1100 1329	Contact	31- 2
1100 1329	Contact	31- 3
1102 0484	Connector - 3P	25- 16
1102 0717	Terminal Insulator	33- 2
1102 0717	Terminal Insulator	33- 3
1102 0766	Wafer - 2P	25- 14
1102 0770	Wafer - 5P	25- 13
1102 0796	Insulating Sleeve	33- 4
1102 1404	Connector - 1P	33- 1
1102 1515	Connector - 2P	33- 6
1102 1982	Socket Housing - 2P	29- 4
1102 1982	Socket Housing - 2P	31- 3
1102 1983	Connector - 3P	29- 2
1102 1983	Connector - 3P	31- 2
1102 1984	Connector - 4P	29- 3
1102 1994	Socket Housing - 14P	29- 1
1102 1996	Socket Housing - 2P	29- 5
1102 2008	Socket Housing - 14P	31- 1
1102 2077	Connector - 1P	33- 5
1102 2135	Connector - 5P	33- 7

Part No.	Description	Paper and Index No.
1103 1446	Wafer - 2P	25- 17
1103 1768	Connector - 2P	27- 8
1103 1769	Connector - 3P	21- 38
1103 1769	Connector - 3P	27- 7
1103 1770	Connector - 4P	25- 15
1103 1771	Connector - 5P	27- 2
1103 1777	Connector - 11P	21- 35
1103 1780	Connector - 14P	21- 37
1103 1782	Connector - 2P	27- 4
1103 1783	Connector - 3P	27- 6
1103 1794	Connector - 14P	21- 36
1103 1796	Connector - 2P	27- 5
1103 1797	Connector - 3P	27- 3
1103 3008	Wafer - 4P	23- 23
1104 0339	IC Socket - 64P	21- 34
1105 0099	Wire Saddle	15-142
1105 0099	Wire Saddle	17-142
1105 0153	Clamp	15-143
1107 0354	Fuse - 3.15A/125V	23- 24
1204 1373	Push Switch	19-147
1204 1374	DIP Switch	21- 11
1204 2300	Switch	19-148
1208 1004	Power Relay - DC24V	25- 4
1208 1074	Power Relay - DC24V	25- 4
1400 0072	Transistor - 2SC372Y	21- 12
1400 0328	Transistor - 2SA720	21- 6
1400 0345	Transistor - 2SC3330	23- 7
1400 0345	Transistor - 2SC3330	25- 2
1400 0346	Transistor - 2SA1317	23- 6
1401 0631	Diode - 1S2075K	21- 7
1402 0423	Diode - S5500G	21- 8
1402 0423	Diode - S5500G	25- 5
1402 0467	Diode - S5566G	23- 5
1402 0467	Diode - S5566G	27- 1
1402 0485	Zener Diode - MA1039-M	21- 9

Part No.	Description	Paper and Index No.
1405 0150	Rectifier - DBA20B	23- 4
1405 0153	Triac - TG16C40	13-149
1405 0160	Photo Thyristor	25- 1
1405 0161	Photo Thyristor - 220/240V	25- 1
1405 0163	Rectifier - 400V 1A DBB10E	25- 3
1405 0164	Rectifier - 600V 1A DBB10G	25- 3
1407 0975	IC - HD7407P	21- 4
1407 1091	IC - HD74LS02P	21- 5
1407 1348	IC - TD62304AP	21- 3
1408 0258	IC - AN6914	21- 2
1408 0331	IC - MPC7805H	23- 3
1408 0402	IC - STR2024	23- 2
1503 0062	Ceramic Oscillator - 6MHz	21- 10
1600 0669	Resistor - 0.2 $\Omega$ 2W $\pm$ 5%	23- 22
1601 7215	Resistor Array - 4.7k $\Omega$ 1/8W	21- 32
1601 7461	Resistor Array - 4.7k $\Omega$ /20k $\Omega$	21- 31
1601 7462	Resistor Array - 20k $\Omega$ /1.5k $\Omega$	21- 33
1604 0857	Capacitor - 47uF 35V	21- 17
1604 0989	Capacitor - 47uF 16V	21- 18
1604 1086	Capacitor - 1uF 50V	21- 16
1604 1093	Capacitor - 1000mF 50V	23- 8
1604 1197	Capacitor - 10uF 50V	23- 15
1604 1226	Capacitor - 2200uF 16V	23- 13
1604 1282	Capacitor - 2.2uF 50V	23- 11
1604 1318	Capacitor - 470uF 35V	23- 12
1606 0472	Capacitor - 0.1uF 50WV	23- 14
1606 0689	Capacitor - 0.01uF +80% -20% 50V	25- 6
1606 1184	Capacitor - 27pF 50V	21- 15
1606 1332	Capacitor - 1000pF 50V	23- 9
1606 1336	Capacitor - 10000pF -20% +80% 50V	21- 14
1606 1350	Capacitor - 0.047uF 50V	23- 10
1606 1396	Capacitor - 0.1uF 25V	21- 13
1606 1472	Capacitor - 0.1uF $\pm$ 20%	25- 7
1606 1475	Capacitor - 5uF 220V (240V/50Hz)	15- 4
1606 1504	Capacitor - 6uF 220V (220V)	15- 4

Part No.	Description	Paper and Index No.
1607 0097	Choke - 300mH, 2A	23- 1
1611 4101	Resistor - 100 $\Omega$ 1/4T $\pm$ 5%	23- 20
1611 4102	Resistor - 1K $\Omega$ 1/4T $\pm$ 5%	23- 21
1611 4103	Resistor - 10k $\Omega$ 1/4T $\pm$ 5%	21- 27
1611 4103	Resistor - 10k $\Omega$ 1/4T $\pm$ 5%	23- 19
1611 4105	Resistor - 1M $\Omega$ 1/4T $\pm$ 5%	21- 20
1611 4113	Resistor - 11k $\Omega$ 1/4W $\pm$ 5%	21- 25
1611 4202	Resistor - 2k $\Omega$ 1/4T $\pm$ 5%	21- 19
1611 4203	Resistor - 20k $\Omega$ 1/4T	21- 29
1611 4273	Resistor - 27k $\Omega$ 1/4T $\pm$ 5%	25- 9
1611 4393	Resistor - 39K $\Omega$ 1/4W $\pm$ 5%	21- 28
1611 4471	Resistor - 470 $\Omega$ 1/4T $\pm$ 5%	21- 21
1611 4472	Resistor - 4.7K $\Omega$ 1/4W $\pm$ 5%	21- 26
1611 4472	Resistor - 4.7K $\Omega$ 1/4W $\pm$ 5%	23- 18
1611 4479	Resistor - 4.7k $\Omega$ 1/4W $\pm$ 5%	23- 17
1611 4563	Resistor - 56k $\Omega$ 1/4T $\pm$ 5%	25- 11
1611 4680	Resistor - 68 $\Omega$ 1/4T $\pm$ 5%	21- 24
1611 4820	Resistor - 82 $\Omega$ 1/4T $\pm$ 5%	21- 23
1611 4824	Resistor - 820k $\Omega$ 1/4T $\pm$ 5%	21- 22
1611 6100	Resistor - 10 $\Omega$ 1/2W	25- 12
1611 6112	Resistor - 1.1k $\Omega$ 1/2W $\pm$ 5%	25- 8
1611 6220	Resistor - 22 $\Omega$ 1/4T $\pm$ 5%	25- 12
1611 6224	Resistor - 220k $\Omega$ 1/2W $\pm$ 5%	25- 10
1622 1101	Resistor - 1.1k $\Omega$ 1/4W $\pm$ 1%	21- 30
1622 8252	Resistor - 82.5k $\Omega$ 1/4T $\pm$ 1%	23- 16
2801 0037	Power Supply Cord - 240V	19-150