

REVISION PAGE LIST

R : Replacement,
 S : Supplement,
 D : Destroyed,

Model : NP7161/7160/7164/7163/7210/7214

FIG- URE	PAGE	REVISION						FIG- URE	PAGE	REVISION					
		Aug. 1998	Jan. 1999							Aug. 1998	Jan. 1999				
I	1	0	1R					100	1	0	1R				
	2	0	1R						2	0	1R				
	3	0	1R						3	0	1R				
	4		0S						4		0S				
II	1	0	→					101	1	0	1R				
	2	0	→						2	0	1R				
	3	0	→						3	0	1R				
	4	0	→						4		0S				
	5	0	→												
	6	0	→					102	1	0	1R				
	7	0	→						2	0	1R				
	8	0	→						3	0	1R				
	9	0	→						4	0	1R				
	10	0	→						5		0S				
	11	0	→												
	12	0	→					103	1	0	1R				
	13	0	→						2	0	1R				
	14	0	→						3	0	1R				
	15	0	→												
	16	0	→					104	1	0	1R				
	17	0	→						2	0	1R				
	18	0	→						3	0	1R				
III	1		0S					120	1	0	1R				
	2		0S						2	0	1R				
A	1	0	1R					130	1	0	1R				
	2	0	1R						2	0	1R				
									3	0	1R				

**NP7161/7160/
NP7164/7163/
NP7210/7214
PARTS
CATALOG**

REVISION 1

Canon

JAN. 1999

FY8-31DN-010

PREFACE

This Parts Catalog contains listings of parts used in the Canon NP7161/7160/7164 /7163/7210/7214. Diagrams are provided with the listings to aid the service technician in identifying clearly, the item to be ordered.

Whenever ordering parts, consult this Parts Catalog for all of the information pertaining to each item. Be sure to include, in the Parts Request, the full item description, the item part number, and the quantity.

Canon Inc.

Office Imaging Products Technical Support Dept.1
Office Imaging Products Technical Support Div.
5-1, Hakusan 7-chome,
Toride-shi, Ibaraki 302-8501, Japan

COPYRIGHT © 1999 CANON INC.

Printed in Japan

Imprimé au Japon

Use of this manual should be strictly supervised to avoid disclosure of confidential information.

CONTENTS

-NP7161/7160/7164/7163/7210/7214-

-Cassette Feeding Module-C1-

A. ASSEMBLY LOCATION DIAGRAM

- 100. EXTERNAL COVERS, PANELS, ETC.
- 101. UPPER MAIN BODY 1
- 102. UPPER MAIN BODY 2
- 103. LOWER MAIN BODY
- 104. MACHINE REAR PLATE
- 120. RIGHT DOOR ASSEMBLY
- 130. CONTROL PANEL ASSEMBLY
- 160. COPYBOARD COVER ASSEMBLY
- 190. SCANNER COOLING FAN ASSEMBLY
(NP7161/7160/7164/7163)
- 190A. SCANNER COOLING FAN ASSEMBLY
(NP7210/7214)
- 191. EXHAUST FAN ASSEMBLY

- 250. MAIN DRIVE ASSEMBLY
- 251. UPPER DRIVE ASSEMBLY
- 260. PAPER PICK-UP DRIVE ASSEMBLY

- 300. CASSETTE
- 310. PAPER PICK-UP ASSEMBLY
(NP7161/7160/7164/7163)
- 310A. PAPER PICK-UP ASSEMBLY (NP7210/7214)
- 315. MULTI FEEDER TRAY ASSEMBLY
- 320. TRANSFER/FEEDING ASSEMBLY
- 325. REGISTRATION GUIDE ASSEMBLY
- 350. UPPER DELIVERY ASSEMBLY
- 351. LOWER DELIVERY ASSEMBLY

- 420. MIRROR ASSEMBLY 1
- 430. MIRROR ASSEMBLY 2

- 500. DRUM CARTRIDGE
- 580. TRANSFER CORONA ASSEMBLY

- 640. DEVELOPING ASSEMBLY

- 810. FIXING ASSEMBLY

- 920. CONTROL PANEL PCB ASSEMBLY
- 930. DC CONTROLLER PCB ASSEMBLY

B. LIST OF CONNECTORS

ZA. ASSEMBLY LOCATION DIAGRAM

- Z01. MOUNTING HARDWARE
- Z11. MAIN BODY
- Z12. RIGHT DOOR ASSEMBLY
- Z20. PAPER PICK-UP DRIVE ASSEMBLY
- Z40. PAPER PICK-UP ASSEMBLY

- ZB. LIST OF CONNECTORS

C. LIST OF STANDARD FASTENERS

- D1. NUMERICAL INDEX
(NP7161/7160/7164/7163/7210/7214)
- D2. NUMERICAL INDEX
(Cassette Feeding Module-C1)

NP7161/7160/ NP7164/7163/ NP7210/7214

NP7161

120V	60Hz	F13-7231	NLD00001 -
220/240V	50Hz	F13-7241	PHS00001 -
240V	50Hz	F13-7261	RCU00001 -
			PHU00001 -

NP7160

115V	60Hz	F13-7101	NLB00001 -
220/240V	50Hz	F13-7141	PHQ00001 -

NP7164

220V	50Hz	F13-7260	PHT00001 -
------	------	----------	------------

NP7163

220V	50Hz	F13-7160	PHR00001 -
------	------	----------	------------

NP7210

115V	60Hz	F13-7901	NNL00001 -
120V	60Hz	F13-7931	NNM00001 -
220/240V	50Hz	F13-7941	PKT00001 -
240V	50Hz	F13-7961	PKV00001 -
220/240V	50Hz	F13-7980	PKW00001 -

NP7214

220V	50Hz	F13-7960	PKU00001 -
------	------	----------	------------

CONTENTS

- A. ASSEMBLY LOCATION DIAGRAM
 - 100. EXTERNAL COVERS, PANELS, ETC.
 - 101. UPPER MAIN BODY 1
 - 102. UPPER MAIN BODY 2
 - 103. LOWER MAIN BODY
 - 104. MACHINE REAR PLATE
 - 120. RIGHT DOOR ASSEMBLY
 - 130. CONTROL PANEL ASSEMBLY
 - 160. COPYBOARD COVER ASSEMBLY
 - 190. SCANNER COOLING FAN ASSEMBLY
(NP7161/7160/7164/7163)
 - 190A. SCANNER COOLING FAN ASSEMBLY
(NP7210/7214)
 - 191. EXHAUST FAN ASSEMBLY

 - 250. MAIN DRIVE ASSEMBLY
 - 251. UPPER DRIVE ASSEMBLY
 - 260. PAPER PICK-UP DRIVE ASSEMBLY

 - 300. CASSETTE
 - 310. PAPER PICK-UP ASSEMBLY
(NP7161/7160/7164/7163)
 - 310A. PAPER PICK-UP ASSEMBLY (NP7210/7214)
 - 315. MULTI FEEDER TRAY ASSEMBLY
 - 320. TRANSFER/FEEDING ASSEMBLY
 - 325. REGISTRATION GUIDE ASSEMBLY
 - 350. UPPER DELIVERY ASSEMBLY
 - 351. LOWER DELIVERY ASSEMBLY

 - 420. MIRROR ASSEMBLY 1
 - 430. MIRROR ASSEMBLY 2

 - 500. DRUM CARTRIDGE
 - 580. TRANSFER CORONA ASSEMBLY

 - 640. DEVELOPING ASSEMBLY

 - 810. FIXING ASSEMBLY

 - 920. CONTROL PANEL PCB ASSEMBLY
 - 930. DC CONTROLLER PCB ASSEMBLY

- B. LIST OF CONNECTORS

- D1. NUMERICAL INDEX

FIGURE A ASSEMBLY LOCATION DIAGRAM (1/2)

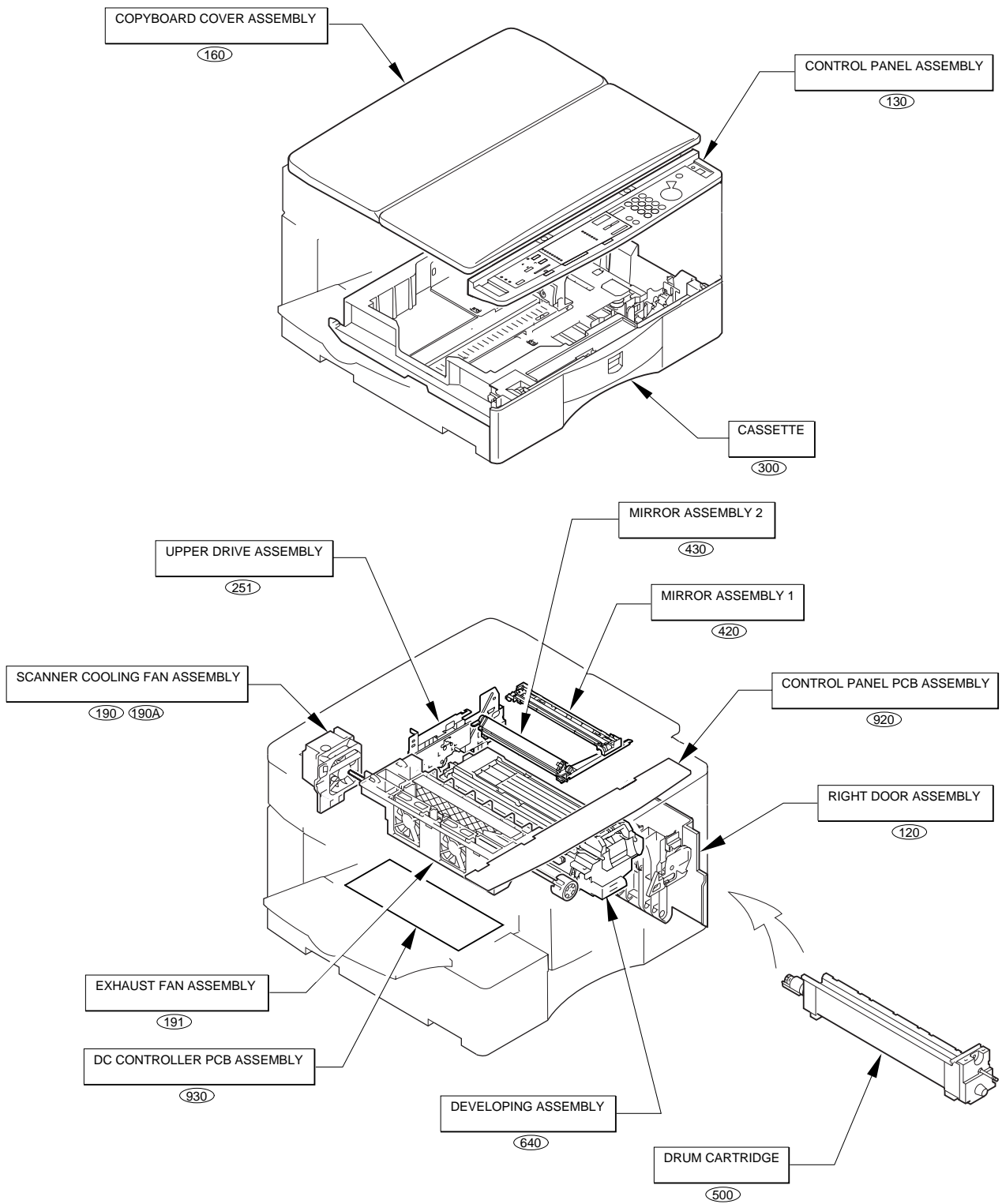


FIGURE A ASSEMBLY LOCATION DIAGRAM (2/2)

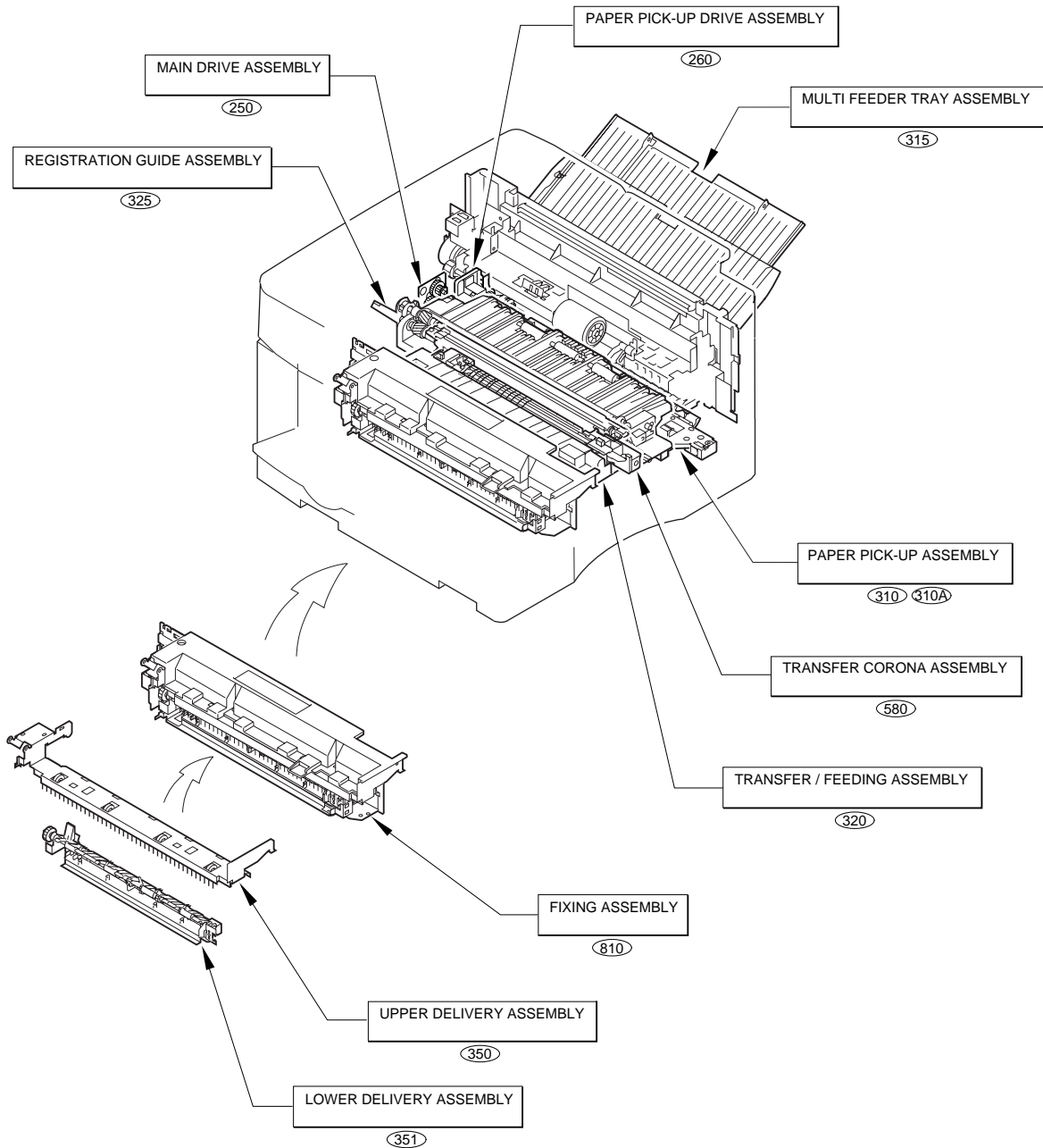


FIGURE 100 EXTERNAL COVERS, PANELS, ETC.

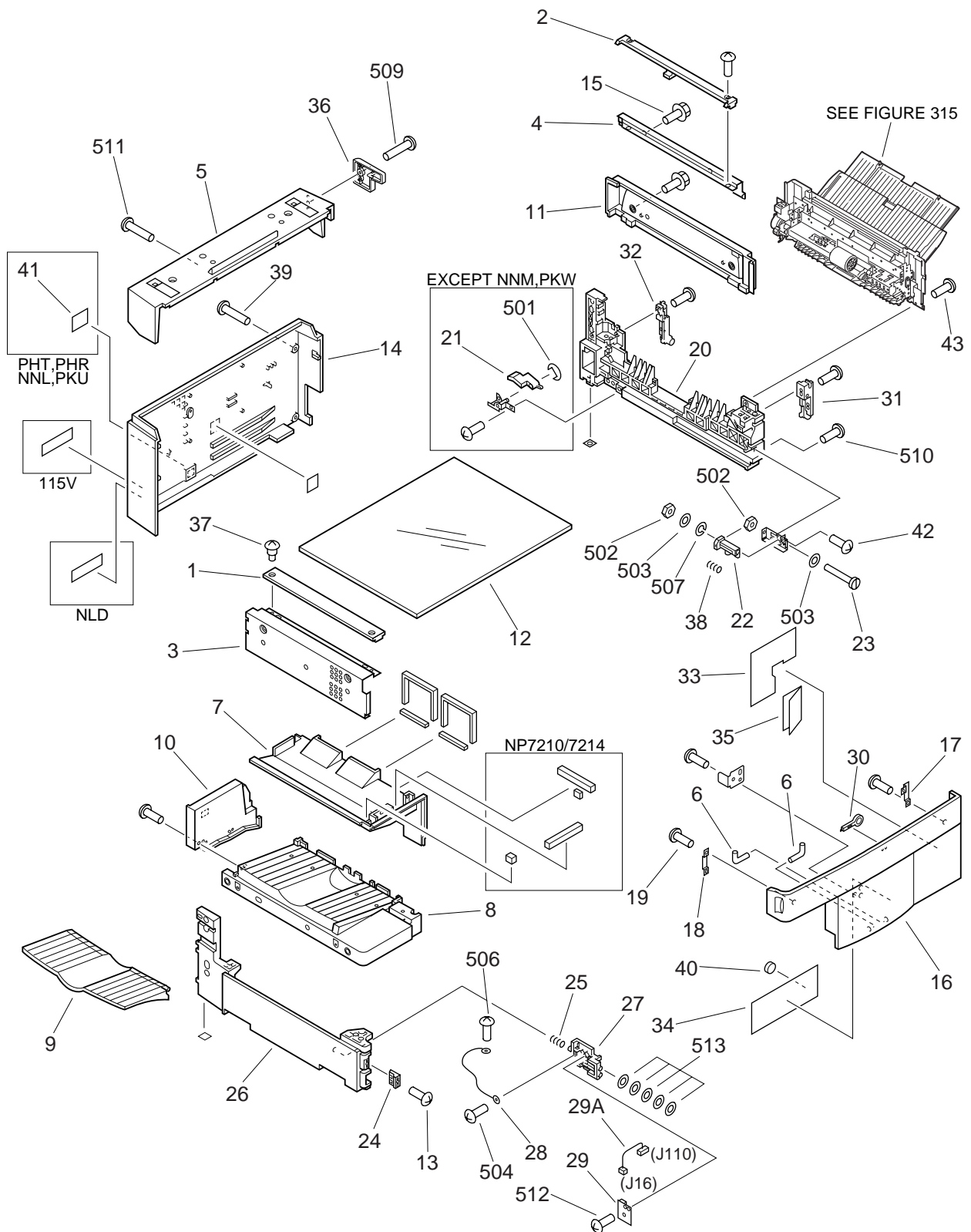


FIGURE & KEY NO.	PART NUMBER	R A N K	Q T Y	DESCRIPTION	SERIAL NUMBER / REMARKS
100 -	NPN		RF	EXTERNAL COVERS, PANELS, ETC.	
1	FE5-3551-000		1	PLATE, DOCUMENT POSITIONING	AB/INCH SIZE
	FE5-3569-000		1	PLATE, DOCUMENT POSITIONING	A/INCH SIZE
2	FE5-3553-000		1	PLATE, GLASS HOLDER	
3	FE5-3555-000		1	COVER, LEFT, UPPER	
4	FE5-3556-000		1	COVER, RIGHT, UPPER	
5	FE5-3559-000		1	COVER, REAR, UPPER	NP7161/7164
	FE5-3557-000		1	COVER, REAR, UPPER	NP7160/7163
	FE5-4200-000		1	COVER, REAR, UPPER	NP7210/7214
6	FE5-3837-000		2	PIN, HINGE	
7	FL5-0592-000		1	COVER, LEFT, CENTER	NP7161/7164/7160 NP7163
	FL5-0697-000		1	COVER, LEFT, CENTER	NP7210/7214
8	FE5-3946-000		1	COVER, LEFT, LOWER, 1	
9	FE5-3947-000		1	TRAY, PAPER DELIVERY	
10	FE5-3948-000		1	COVER, LEFT, LOWER, 2	
11	FE5-4100-000		1	COVER, MULTI, UPPER	
12	FN5-4101-000		1	GLASS, COPYBOARD	NP7161/7164/7210 NP7214
	FN5-4118-000		1	GLASS, COPYBOARD	NP7160/7163
13	XA9-0605-000		2	SCREW,P,M4X8	
14	FL5-0643-000		1	COVER, REAR	
15	XA9-0686-000		AR	SCREW,RS,M3X6	
16	FE5-3839-000		1	COVER, FRONT	NP7161
	FE5-3830-000		1	COVER, FRONT	NP7160
	FE5-3843-000		1	COVER, FRONT	NP7164
	FE5-3844-000		1	COVER, FRONT	NP7163
	FE5-4244-000		1	COVER, FRONT	NP7210
	FE5-4245-000		1	COVER, FRONT	NP7214
17	FE5-3835-000		1	PLATE, MAGNET CATCH, 1	
18	FE5-3836-000		1	PLATE, MAGNET CATCH, 2	
19	XA9-0596-000		5	SCREW,P,M3X6	

FIGURE & KEY NO.	PART NUMBER	R A N K	Q T Y	DESCRIPTION	SERIAL NUMBER / REMARKS
100 - 20	FL5-0600-000		1	RAIL, CASSETTE, RIGHT	
21	FE5-3797-000		1	LEVER, BOX SHIFT UP	EXCEPT NNM,PKW
22	FE5-3977-000		1	HOOK, SIDE REGISTRATION	
23	FE5-7065-000		1	SCREW, ADJUSTMENT	
24	FE5-3984-000		1	PLATE, SIZE LIMIT SENSOR	
25	FE5-6194-000		1	SPRING, COMPRESSION	
26	FL5-0601-000		1	RAIL, CASSETTE, LEFT	
27	FL5-0598-000		1	BLOCK, PAPER SIZE SENSOR	
28	FL5-5109-000		1	CABLE, GROUNDING	
29	FM5-5162-000		1	PAPER SIZE SENSOR PCB ASSEMBLY	
29A	FL5-5068-000		1	CABLE, PAPER SIZE SENSOR PCB	J16,110
30	FE5-4323-000		1	BRUSH, CLEANING	
31	FE5-3979-000		1	SUPPORT, HOOK, FRONT	
32	FE5-3980-000		1	SUPPORT, HOOK, REAR	
33	FE5-8032-000		1	LABEL, "JAM CLEARING"	
34	FE5-8033-000		1	LABEL, "TONER SUPPLY"	
35	FE5-8035-000		1	LABEL, SERVICE	
36	FE5-4139-000		1	COVER, BLANKING	
37	FE5-4172-000		2	SCREW, STEPPED, M3	
38	FE5-6199-000		1	SPRING, COMPRESSION	
39	XA9-0780-000		4	SCREW, P, M4X12	
40	FE5-4324-000		1	SHEET, PUSHING SUPPORT	
41	FE5-3679-000		1	LABEL, HEATER SWITCH	PHT,PHR,NNL,PKU ACCESSORY FOR OTHER
42	XA9-0615-000		1	SCREW, P, M4X8	
43	XA9-0879-000		2	SCREW, RS, M3X10	
501	XD2-1100-502		1	RING, E	EXCEPT NNM,PKW
502	XB7-2100-409		2	NUT, HEX, M4	
503	XD1-1104-129		2	SHIM	
504	XB2-7300-607		1	SCREW, W/WASHER, M3X6	
506	XB2-7300-607		1	SCREW, W/WASHER, M3X6	

FIGURE & KEY NO.	PART NUMBER	R A N K	Q T Y	DESCRIPTION	SERIAL NUMBER / REMARKS
101 -	NPN		RF	UPPER MAIN BODY 1	
1	FA6-5618-000		1	KNOB, CARTRIDGE	
2	FE5-3658-000		1	LEFT GAS DAMPER UNIT	
3	FE5-3659-000		1	RIGHT GAS DAMPER UNIT	
4	FE5-3680-000		1	COVER, INTERNAL, UPPER	
5	FE5-3751-000		1	LEVER, DEVELOPER PRESSURE	
6	FE5-3753-000		1	BLOCK, RAIL STOP	
7	FE5-3754-000		1	BLOCK, PRESSURE SLIDER	
8	FH6-1614-000		1	MOTOR, STEPPING, DC24V	M4 J39
9	FL5-5074-000		1	COUNTER	ACCESSORY CNT2 J32
10	FL5-5088-000		1	CABLE, GROUNDING	
11	FE5-6164-000		1	SPRING, TENSION	
12	FL5-5071-000		2	CABLE, ACCESSORY INTERFACE	NP7161/7164/7210 NP7214 J750-755
12A	VS1-5057-004		1	CONNECTOR, SNAP TIGHT	NP7161/7164/7210 NP7214 J750,751
13	FL5-0543-000		1	HOLDER, DUST PROOF GLASS	
14	FM5-0700-000		1	AE SENSOR UNIT	J531
15	FE5-3656-000		1	HOOK, OPEN/CLOSE, LEFT	
16	FL5-0624-000		1	HOOK, OPEN/CLOSE, RIGHT	
17	FE5-3664-000		1	SUPPORT, HOOK, LEFT	
18	FE5-3665-000		1	SUPPORT, HOOK, RIGHT	
19	FE5-6161-000		1	SPRING, TENSION	
20	FL5-0625-000		1	PLATE, HOOK FIXING, LEFT	
21	FL5-0626-000		1	PLATE, HOOK FIXING, RIGHT	
22	FS1-9004-000		2	SCREW, STEPPED, M4	
23	XA9-0626-000		AR	SCREW, RS, M3X6	
24	FE5-4151-000		1	BLOCK, DAMPER THRUST STOP	
25	FB2-3900-030		2	CAM, PRESSURE APPLICATION	
26	FE5-7058-000		1	BUSHING	
27	FS6-2317-000		2	SPRING, COMPRESSION	
28	FL5-5073-000		1	COUNTER	CNT1 J33

FIGURE & KEY NO.	PART NUMBER	RANK	QTY	DESCRIPTION	SERIAL NUMBER / REMARKS
101 - 28A	VS1-5057-002		1	CONNECTOR, SNAP TIGHT	J33
29	XZ9-0192-000		1	CATCH, MAGNET	
30	FE5-3614-000		1	HOLDER, PRE-CONDITIONING	
31	FH7-3374-000		1	PRE-CONDITIONING LED UNIT	LA2 J501
32	FH7-3375-000		1	BLANK EXPOSURE LED UNIT	J551
33	VS1-5057-002		1	CONNECTOR, SNAP TIGHT	J501
34	VS1-5057-010		1	CONNECTOR, SNAP TIGHT	J551
35	VS1-5057-003		1	CONNECTOR, SNAP TIGHT	J32
36	XZ9-0464-000		1	MAGNET CATCH	
37	FE5-3747-000		1	PLATE, SLIDER, FRONT	
38	FE5-3881-000		1	COVER, AUXILIARY, REAR UPPER	
39	VS1-5057-004		1	CONNECTOR, SNAP TIGHT	J531
40	VS1-5057-005		2	CONNECTOR, SNAP TIGHT	J38,39
41	XA9-0686-000	AR		SCREW,RS,M3X6	
42	FE5-3746-000		2	ROLLER	
43	FE5-4130-000		1	LEVER, LOCK	
44	FH2-5824-000		2	COVER, CONNECTOR, 1	NP7161/7164 NP7210/7214
45	FE5-3651-000		1	PLATE, GROUNDING	
46	FH6-1613-000		1	MOTOR, STEPPING, DC24V	M3 J38
47	FB2-8167-000		1	COVER, SENSOR	NP7210/7214
48	WG8-5426-000		1	PHOTO-INTERRUPTER	NP7210/7214 PS12 J60
49	FE5-6167-000		1	SPRING, COMPRESSION	
50	XA9-0724-000		1	SCREW,RS,M3X8	
51	FE5-4204-000		1	ARM, SENSOR	NP7210/7214
52	FE5-4239-000		1	SHAFT, SENSOR ARM	NP7210/7214
53	FE5-6218-000		1	SPRING, TORSION	NP7210/7214
501	XB1-2400-609		2	SCREW,MACH.,TRUSS HEAD,M4X6	
502	XD2-1100-322		2	RING,E	
503	XD2-1100-502		2	RING,E	
504	XD2-1100-642		2	RING,E	

FIGURE & KEY NO.	PART NUMBER	R A N K	Q T Y	DESCRIPTION	SERIAL NUMBER / REMARKS
101 - 505	XB2-7300-607		2	SCREW,W/WASHER,M3X6	
506	XB2-7300-607		2	SCREW,W/WASHER,M3X6	NP7161/7164 NP7210/7214
507	XD2-1100-322		1	RING,E	NP7210/7214
508	XB1-2300-609		2	SCREW,MACH.,TRUSS HEAD,M3X6	

FIGURE 102 UPPER MAIN BODY 2 (1/2)

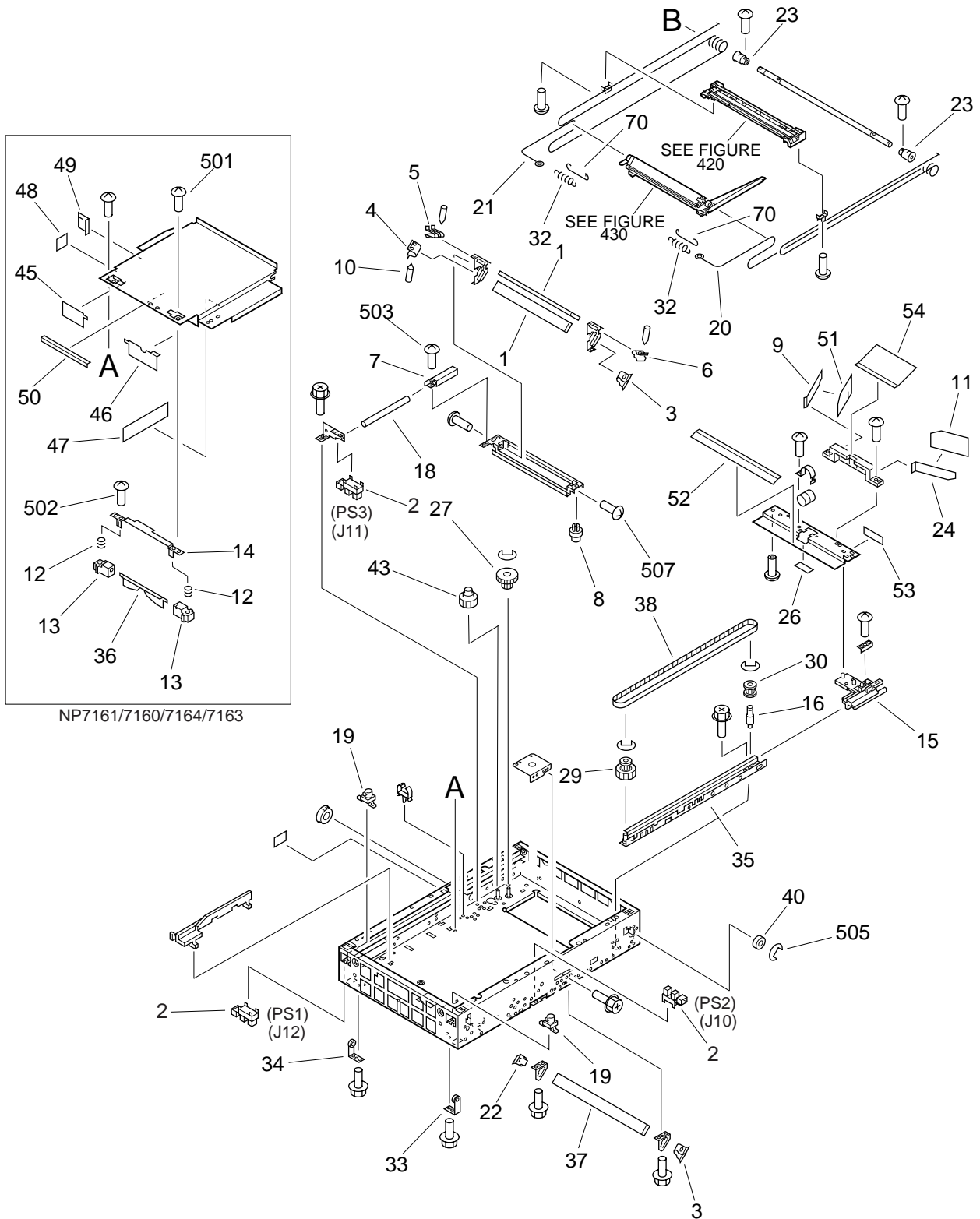


FIGURE 102 UPPER MAIN BODY 2 (2/2)

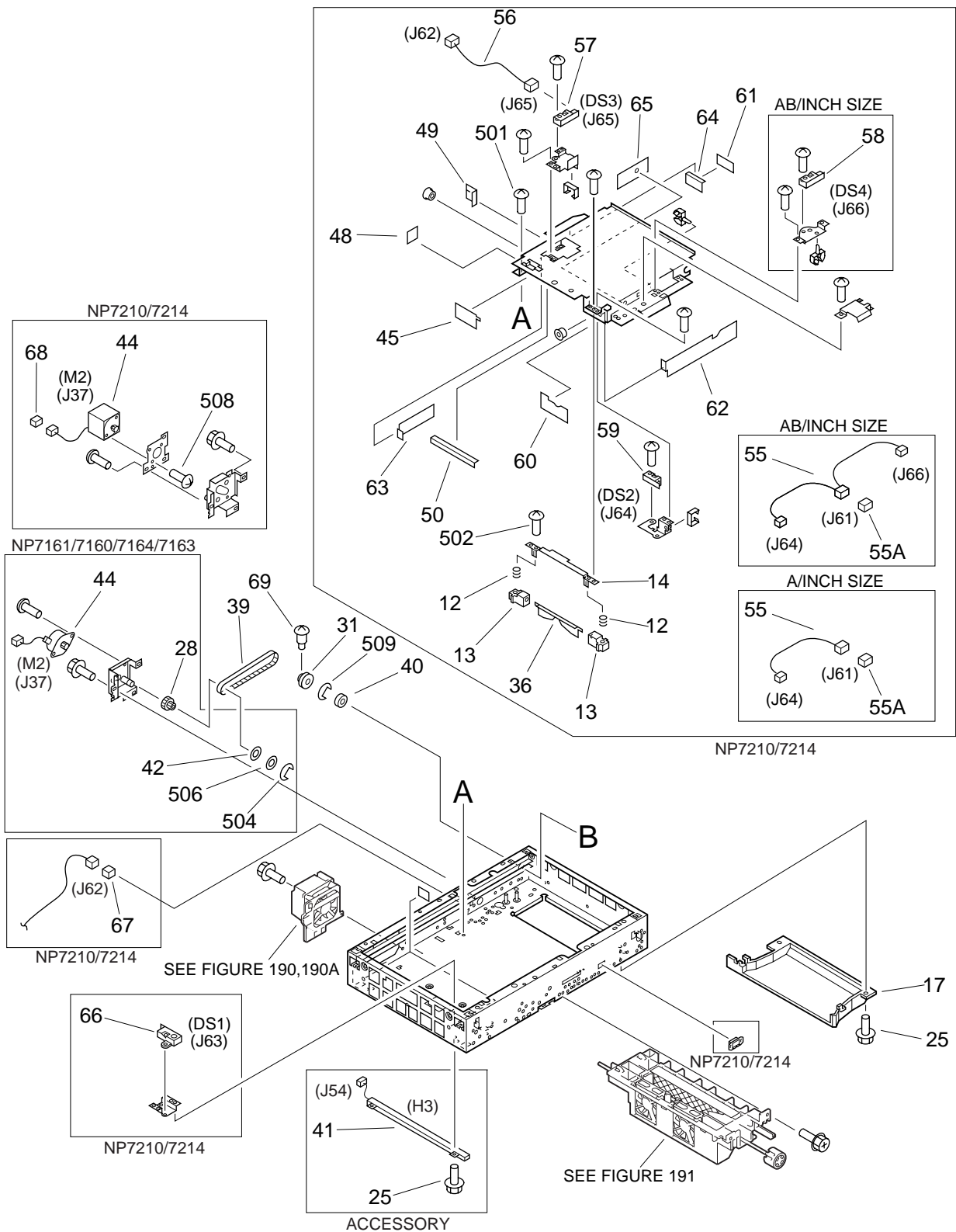


FIGURE & KEY NO.	PART NUMBER	R A N K	Q T Y	DESCRIPTION	SERIAL NUMBER / REMARKS
102 -	NPN		RF	UPPER MAIN BODY 2	
1	FN8-4004-000		2	MIRROR, 4/5	
2	WG8-5426-000		3	PHOTO-INTERRUPTER	PS1,2,3 J12,10,11
3	FE5-3611-000		2	SPRING, LEAF, MIRROR	
4	FE5-3610-000		1	SPRING, LEAF, MIRROR	
5	FE5-3567-000		1	SPRING, LEAF, MIRROR	
6	FE5-3566-000		1	SPRING, LEAF, MIRROR	
7	FE5-3565-000		1	RACK, 4/5 MIRROR	
8	FE5-3564-000		1	PIN, SLIDER	
9	FE5-3517-000		1	SHEET, LIGHT BLOCKING, REAR 1	
10	XA9-0859-000		3	SETSCREW,M3X10	
11	FE5-3518-000		1	SHEET, LIGHT BLOCKING, FRONT 2	
12	FE5-6214-000		2	SPRING, COMPRESSION	
13	FE5-3531-000		2	SUPPORT, LIGHT ADJUST PLATE	
14	FE5-3530-000		1	HOLDER, LIGHT ADJUST PLATE	
15	FE5-3504-000		1	RAIL, LENS DRIVE	
16	FE5-3508-000		1	SHAFT, LENS PULLEY	
17	FE5-3523-000		1	COVER, DUST PROOF	
18	FE5-3524-000		1	SHAFT, MIRROR RAIL	
19	FE5-3537-000		2	HOLDER, SCANNER WIRE	
20	FE5-3570-000		1	WIRE, SCANNER, FRONT	
21	FE5-3571-000		1	WIRE, SCANNER, REAR	
22	FE5-3576-000		1	SPRING, LEAF, MIRROR	
23	FE5-3578-000		2	PULLEY, SCANNER DRIVE	
24	FE5-3516-000		1	SHEET, LIGHT BLOCKING, FRONT 1	
25	XA9-0626-000		AR	SCREW,RS,M3X6	
26	FE5-3515-000		1	SHEET, LIGHT BLOCKING, 3	
27	FE5-5120-000		1	GEAR, 14T/74T	
28	FE5-5121-000		1	GEAR, 26T/58T	NP7161/7160/7164 NP7163
29	FE5-5122-000		1	GEAR, 60T/PULLEY, 16T	

FIGURE & KEY NO.	PART NUMBER	R A N K	Q T Y	DESCRIPTION	SERIAL NUMBER / REMARKS
102 - 30	FE5-5123-000		1	PULLEY, 16T	
31	FE5-5130-000		1	PULLEY, 50T	
32	FE5-6157-000		2	SPRING, TENSION	
33	FL5-0534-000		1	PULLEY, WIRE, FRONT	
34	FL5-0535-000		1	PULLEY, WIRE, REAR	
35	FL5-0540-000		1	RAIL, LENS	
36	FE5-3529-000		1	PLATE, LIGHT ADJUSTMENT	
37	FN8-4005-000		1	MIRROR, 6	
38	XF9-0686-000		1	BELT, TIMING	
39	XF9-0687-000		1	BELT, TIMING	NP7161/7160/7164 NP7163
	XF9-2613-340		1	BELT, TIMING	NP7210/7214
40	XG9-0250-000		2	BEARING, BALL	
41	FH7-3368-000		1	HEATER UNIT	ACCESSORY 115/120V H3 J54
	FH7-3369-000		1	HEATER UNIT	ACCESSORY 220/240V H3 J54
42	FE5-3618-000		1	SHEET, FLANGE, 2	NP7161/7160/7164 NP7163
43	FE5-5131-000		1	GEAR, 32T/PULLEY, 20T	
44	FH6-1609-000		1	MOTOR, STEPPING, DC24V	NP7161/7160/7164/ NP7163 M2 J37
	FH6-1611-000		1	MOTOR, STEPPING, DC24V	NP7210/7214 M2 J37
45	FE5-3544-000		1	SHEET, LIGHT BLOCKING, REAR	
46	FE5-3545-000		1	SHEET, LIFGT BLOCKING, FRONT	NP7161/7160/7164 NP7163
47	FE5-3546-000		1	SHEET, LIGHT BLOCKING, INT.	NP7161/7160/7164 NP7163
48	FE5-3547-000		1	SHEET, LIGHT BLOCKING, TOP	
49	FE5-3548-000		1	SHEET, LIGHT BLOCKING, SIDE	
50	FE5-3550-000		1	SHEET, LIGHT BLOCKING, UPPER	
51	FE5-3519-000		1	SHEET, LIGHT BLOCKING, REAR 2	
52	FE5-3512-000		1	SHEET, LIGHT BLOCKING, 1	
53	FE5-3514-000		1	SHEET, LIGHT BLOCKING, 2	
54	FE5-3513-000		1	SHEET, LIGHT BLOCKING, UPPER	
55	FL5-5115-000		1	CABLE, DOCUMENT SENSOR, FRONT	NP7210/7214 AB/INCH SIZE J61,64,66

FIGURE & KEY NO.	PART NUMBER	R A N K	Q T Y	DESCRIPTION	SERIAL NUMBER / REMARKS
102 - 55	FL5-5116-000		1	CABLE, DOCUMENT SENSOR, FRONT	NP7210 A/INCH SIZE J61,64
55A	VS1-5057-006		1	CONNECTOR, SNAP TIGHT	NP7210/7214 J61
56	FL5-5117-000		1	CABLE, DOCUMENT SENSOR, REAR	NP7210/7214 J62,65
57	FH7-7507-000		1	SENSOR, DOCUMENT SIZE	NP7210/7214 DS3 J65
58	FH7-7507-000		1	SENSOR, DOCUMENT SIZE	NP7210/7214 DS4 J66 AB/INCH SIZE
59	FH7-7508-000		1	SENSOR, DOCUMENT SIZE	NP7210/7214 DS2 J64
60	FE5-4210-000		1	SHEET, LIGHT BLOCKING, FRONT	NP7210/7214
61	FE5-4211-000		1	SHEET, LIGHT BLOCKING, REAR 2	NP7210/7214
62	FE5-4212-000		1	SHEET, LIGHT BLOCKING, INT. 1	NP7210/7214
63	FE5-4213-000		1	SHEET, LIGHT BLOCKING, INT. 2	NP7210/7214
64	FE5-4214-000		1	SHEET, LIGHT BLOCKING, INT. 3	NP7210/7214
65	FE5-4215-000		1	SHEET, LIGHT BLOCKING, INT. 4	NP7210/7214
66	FH7-7509-000		1	SENSOR, DOCUMENT SIZE	NP7210/7214 DS1 J63
67	VS1-5057-003		1	CONNECTOR, SNAP TIGHT	NP7210/7214 J62
68	VS1-5057-005		1	CONNECTOR, SNAP TIGHT	NP7210/7214 J37
69	FS1-9102-000		1	SCREW, STEPPED, M3	
70	FE5-3868-000		2	ROD, WIRE SUPPORT	NP7161/7160/7164 NP7163
501	XB1-2400-609		4	SCREW, MACH., TRUSS HEAD, M4X6	
502	XB1-2301-209		2	SCREW, MACH., TRUSS HEAD, M3X12	
503	XB1-2300-609		AR	SCREW, MACH., TRUSS HEAD, M3X6	
504	XD2-1100-502		1	RING, E	NP7161/7160/7164 NP7163
505	XD2-1100-642		2	RING, E	
506	XD1-1106-235		1	SHIM	NP7161/7160/7164 NP7163
507	XB1-2300-409		2	SCREW, MACH., TRUSS HEAD, M3X4	
508	XB1-2300-609		4	SCREW, MACH., TRUSS HEAD, M3X6	NP7210/7214
509	XD2-1100-502		1	RING, E	

FIGURE 103 LOWER MAIN BODY

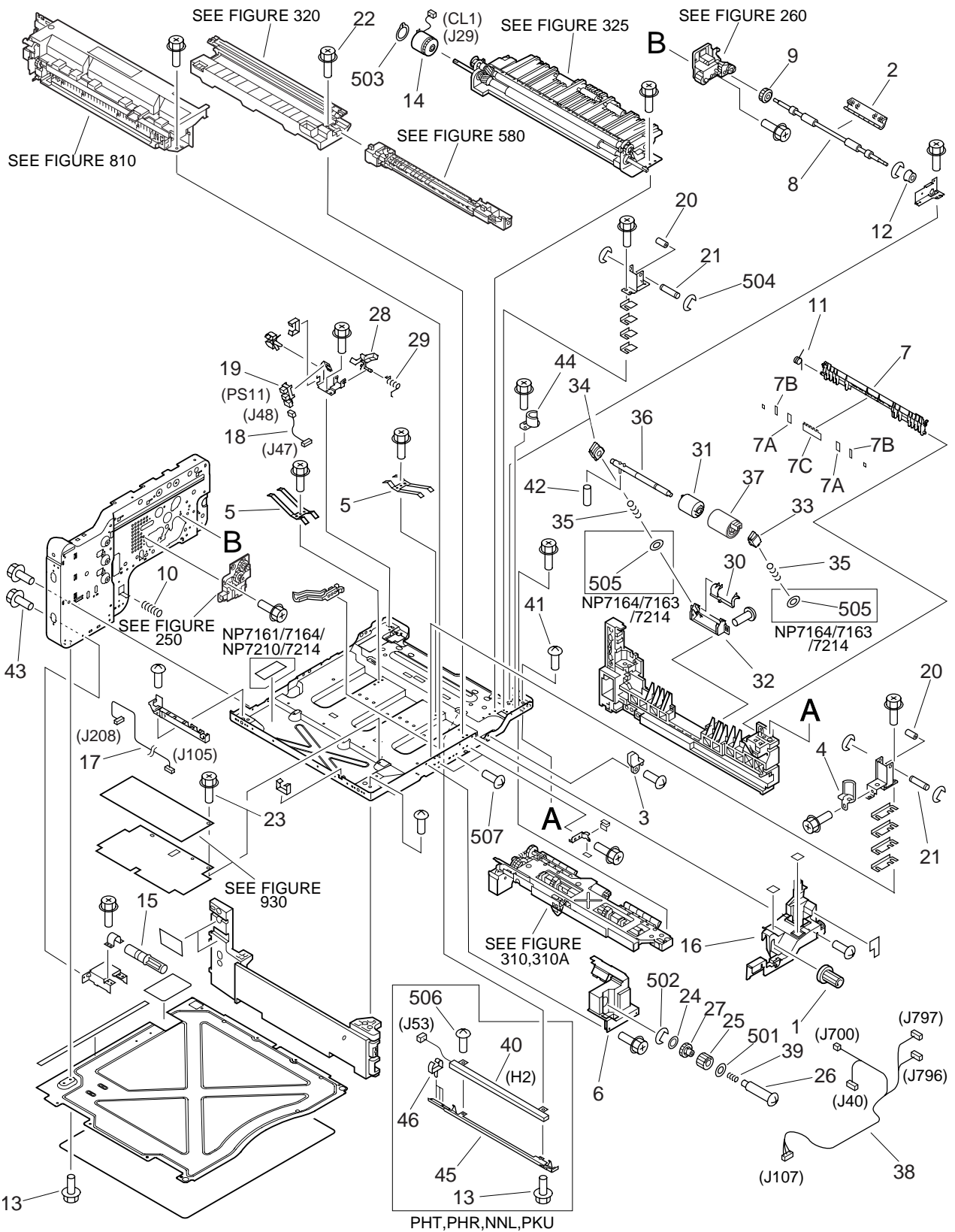


FIGURE & KEY NO.	PART NUMBER	RANK	QTY	DESCRIPTION	SERIAL NUMBER / REMARKS
103 -	NPN		RF	LOWER MAIN BODY	
1	FB1-7214-000		1	KNOB	
2	FE5-4198-000		1	GUIDE, U-TURN LOWER, FRONT	
3	FE5-3876-000		1	BLOCK, PRIMARY CORONA STOP	
4	FE5-3638-000		1	HOLDER, DAMPER	
5	FE5-3889-000		2	SPRING, LEAF	
6	FE5-3935-000		1	COVER, FIXING, FRONT	
7	FL5-0597-000		1	GUIDE, VERTICAL PATH	
7A	FE5-4148-000		2	SHEET, VERTICAL PATH GUIDE, 1	
7B	FE5-4149-000		2	SHEET, VERTICAL PATH GUIDE, 2	
7C	FE5-4150-000		1	SHEET, VERTICAL PATH GUIDE, 3	
8	FE5-4047-000		1	ROLLER, PAPER PICK-UP	
9	FE5-5182-000		1	GEAR, 17T	
10	FE5-6198-000		1	SPRING, COMPRESSION	
11	FE5-6213-000		1	SPRING, TORSION	
12	FE5-7066-000		1	BUSHING	
13	XA9-0626-000		AR	SCREW,RS,M3X6	
14	FH7-5887-000		1	CLUTCH, ELECTROMAGNETIC	CL1 J29
15	FB4-5532-000		1	CASSETTE DAMPER UNIT	
16	FL5-0583-000		1	COVER, INTERNAL, LOWER	
17	FL5-5065-000		1	CABLE, POWER SUPPLY	J105,208
18	FL5-5079-000		1	CABLE, RIGHT DOOR SENSOR	J47,48
19	WG8-5364-000		1	PHOTO-INTERRUPTER	PS11 J48
20	FE5-3643-000		2	COLLAR, HOOK	
21	FE5-3642-000		2	SHAFT, OPEN/CLOSE HOOK	
22	XA9-0724-000		1	SCREW,RS,M3X8	
23	XA9-0686-000		AR	SCREW,RS,M3X6	
24	FB1-8512-000		1	SHIM	
25	FE5-3936-000		1	KNOB, FIXING	
26	FE5-4331-000		1	SCREW,STEPPED,M4	

FIGURE & KEY NO.	PART NUMBER	RANK	QTY	DESCRIPTION	SERIAL NUMBER / REMARKS
103 - 27	FE5-5175-000		1	GEAR, 24T	
28	FE5-4109-000		1	FLAG, RIGHT DOOR SENSOR	
29	FE5-6211-000		1	SPRING, TORSION	
30	FE5-4031-000		1	ARM, SEPARATION ROLLER RELEASE	
31	FE5-4032-000		1	ROLLER, TORQUE LIMITER	
32	FE5-4034-000		1	HOLDER, SEPARATION ROLLER	
33	FE5-4035-000		1	BUSHING, SEP. ROLLER, FRONT	
34	FE5-4036-000		1	BUSHING, SEP. ROLLER, REAR	
35	FE5-6205-000		2	SPRING, COMPRESSION	
36	FL5-0632-000		1	SHAFT, SEPARATION ROLLER	
37	RF5-2490-000		1	ROLLER	
38	FM5-5155-000		1	CABLE, LOWER FRAME	J40,107,700,796,797
39	FE5-6185-000		1	SPRING, COMPRESSION	
40	FH7-4631-000		1	HEATER UNIT	PHT,PHR,PKU H2 J53
	FH7-3368-000		1	HEATER UNIT	NNL H2 J53 NLD,NLB,NNM
					ACCESSORY H2 J53
	FH7-3369-000		1	HEATER UNIT	PHS,PHQ,PKT,PKV,PKW ACCESSORY H2 J53
41	XA9-0615-000		28	SCREW,P,M4X8	
42	FE5-4320-000		1	COVER, SPRING PIN	
43	XA9-0863-000		27	SCREW,RS,M3X6	
44	FE5-3639-000		1	SUPPORT, DAMPER	
45	FE5-3654-000		1	SUPPORT, DRUM HEATER	PHT,PHR,NNL,PKU ACCESSORY FOR OTHER
46	WT2-5026-000		3	CLIP, CABLE	PHT,PHR,NNL,PKU ACCESSORY FOR OTHER
501	XD1-1106-225		1	SHIM	
502	XD2-1100-502		1	RING,E	
503	XD2-2100-802		1	RING,GRIP	
504	XD2-1100-422		4	RING,E	
505	XD1-1105-219		2	SHIM	NP7164/7163/7214
506	XB1-2300-609		2	SCREW,MACH.,TRUSS HEAD,M3X6	PHT,PHR,NNL,PKU ACCESSORY FOR OTHER
507	XB4-7300-809		1	SCREW,TAPPING,TRUSS HEAD,M3X8	

FIGURE 104 MACHINE REAR PLATE

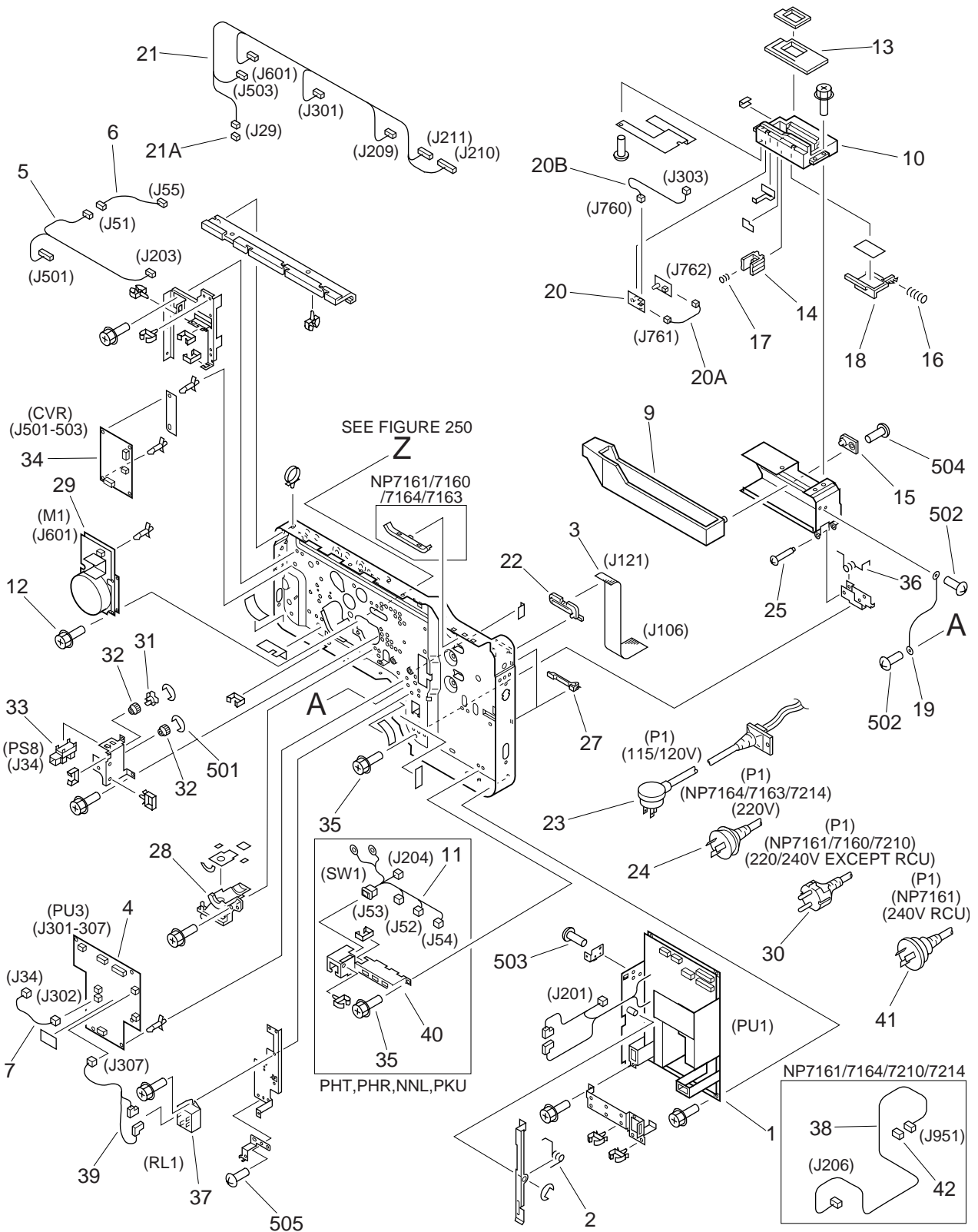


FIGURE & KEY NO.	PART NUMBER	RANK	QTY	DESCRIPTION	SERIAL NUMBER / REMARKS
104 -	NPN		RF	MACHINE REAR PLATE	
1	FH3-2543-000		1	DC POWER SUPPLY PCB ASSEMBLY	115/120V PU1
	FH3-2544-000		1	DC POWER SUPPLY PCB ASSEMBLY	220/240V PU1
2	FE5-6162-000		1	SPRING, TORSION	
3	FH2-6630-000		1	CABLE, FLAT	J106,121
4	FH3-2545-000		1	HIGH VOLTAGE PCB ASSEMBLY	PU3 J301-307
5	FL5-5083-000		1	CABLE, LAMP REG. POWER SUPPLY	J51,203,501
6	FL5-5084-000		1	CABLE, LAMP REGULATOR LAMP	J51,55
7	FL5-5086-000		1	CABLE, TORQUE LIMITER CONNECT	J34,302
9	FE5-3785-000		1	CASE, WASTE TONER BOX	
10	FE5-3790-000		1	MOUNT, BOX SHUTTER	
11	FL5-5107-000		1	CABLE, ENVIRONMENT HEATER	PHT,PHR,NNL,PKU ACCESSORY FOR OTHER SW1 J52-54,204
12	XA9-0724-000		4	SCREW,RS,M3X8	
13	FE5-3801-000		1	COVER, BOX SHUTTER	
14	FE5-3802-000		1	BLOCK, SHUTTER STOPPER	
15	FE5-3808-000		1	BLOCK, STOPPER	
16	FE5-6171-000		1	SPRING, COMPRESSION	
17	FE5-6172-000		1	SPRING, COMPRESSION	
18	FL5-0568-000		1	SHUTTER, WASTE TONER BOX	
19	FL5-5088-000		1	CABLE, GROUNDING	
20	FM5-5153-000		1	WASTE TONER SENSOR PCB ASS'Y	J760-762
20A	FL5-5080-000		1	CABLE, TONER SENSOR PCB, 1	J761,762
20B	FL5-5081-000		1	CABLE, TONER SENSOR PCB, 2	J303,760
21	FM5-5154-000		1	CABLE, REAR	J29,209-211 J301,503,601
21A	VS1-5057-002		1	CONNECTOR, SNAP TIGHT	J29
22	FE5-3646-000		1	CLAMP, FLAT CABLE, 1	
23	RH2-5263-000		1	CORD, POWER SUPPLY	115/120V P1
24	FH2-6488-000		1	CORD, POWER SUPPLY	NP7164/7163/7214 220V P1
25	FE5-3809-000		1	SCREW,STEPPED,M4	

FIGURE & KEY NO.	PART NUMBER	R A N K	Q T Y	DESCRIPTION	SERIAL NUMBER / REMARKS
104 - 27	FE5-3647-000		2	CLAMP, FLAT CABLE, 2	
28	FL5-0567-000		1	WASTE TONER PIPE UNIT	
29	FH6-1607-000		1	MOTOR, DC24V	M1 J601
30	WT3-5020-000		1	CORD, POWER SUPPLY	NP7161/7160/7210 220/240V PHS,PHU,PHQ PKT,PKV,PKW P1
31	FE5-3804-000		1	FLAG, LOCK SENSOR	
32	FE5-5150-000		2	GEAR, 17T	
33	WG8-5364-000		1	PHOTO-INTERRUPTER	PS8 J34
34	FH3-7172-000		1	LAMP REGULATOR PCB ASSEMBLY	115/120V CVR J501-503
	FH3-7206-000		1	LAMP REGULATOR PCB ASSEMBLY	220/240V CVR J501-503
35	XA9-0626-000		AR	SCREW,RS,M3X6	
36	FE5-6175-000		1	SPRING, TORSION	
37	FH7-6278-000		1	RELAY	RL1
38	FL5-5089-000		1	CABLE, APC POWER SUPPLY	NP7161/7164/7210 NP7214 J206,951
39	FL5-5105-000		1	CABLE, RELAY DC	J307
40	FE5-3653-000		1	MOUNT, HEATER SWITCH	PHT,PHR,NNL,PKU ACCESSORY FOR OTHER
41	FH2-5763-000		1	POWER CORD	NP7161 P1 240V RCU
42	VS1-5729-003		1	CONNECTOR, 3P, MALE	NP7161/7164/7210 NP7214 J951
501	XD2-1100-502		2	RING,E	
502	XB2-7300-607		2	SCREW,W/WASHER,M3X6	
503	XB1-2300-609		1	SCREW,MACH.,TRUSS HEAD,M3X6	
504	XB4-7300-609		2	SCREW,TAPPING,TRUSS HEAD,M3X6	
505	XB2-7300-807		1	SCREW,W/WASHER,M3X8	

FIGURE 120 RIGHT DOOR ASSEMBLY

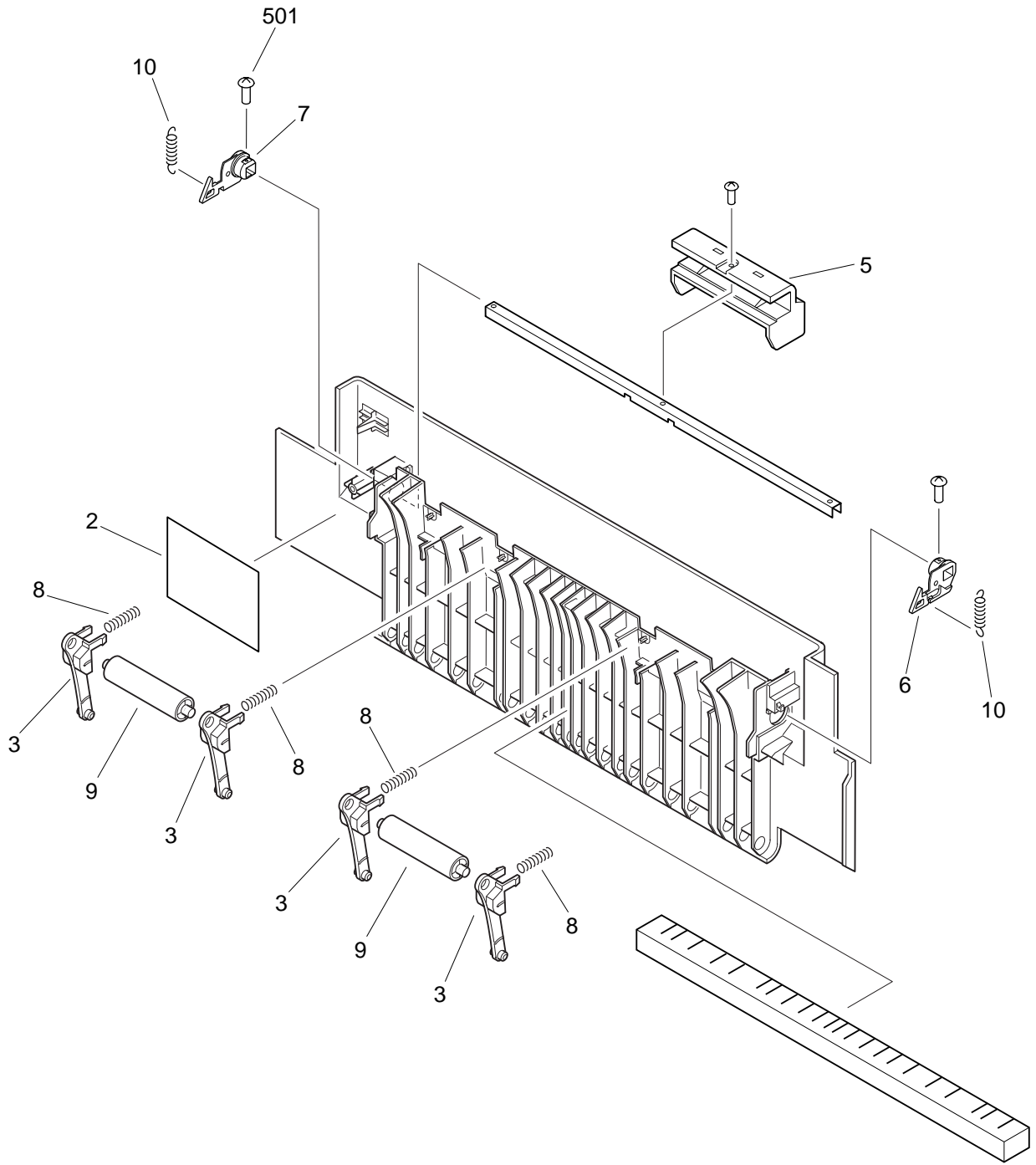
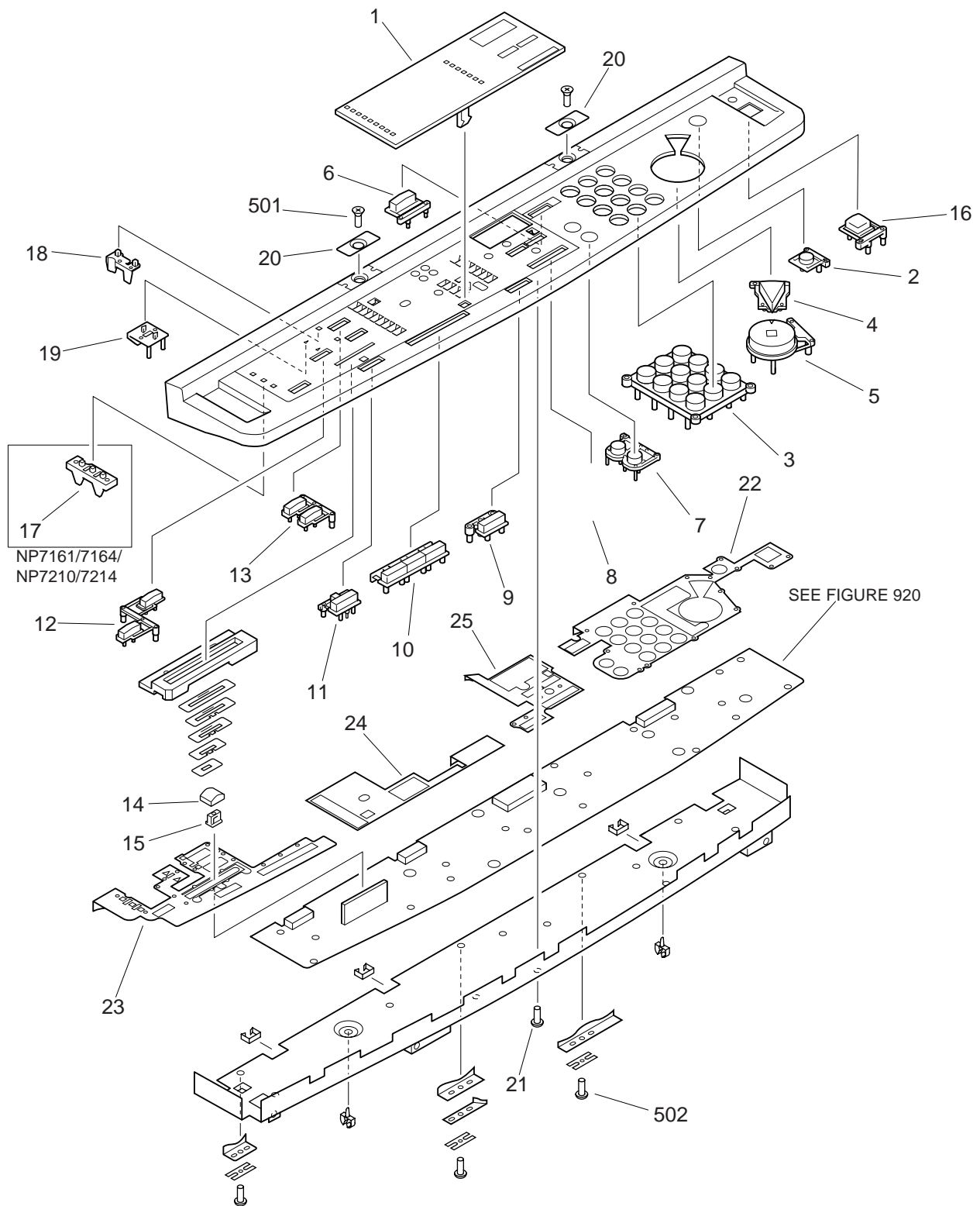


FIGURE 130 CONTROL PANEL ASSEMBLY



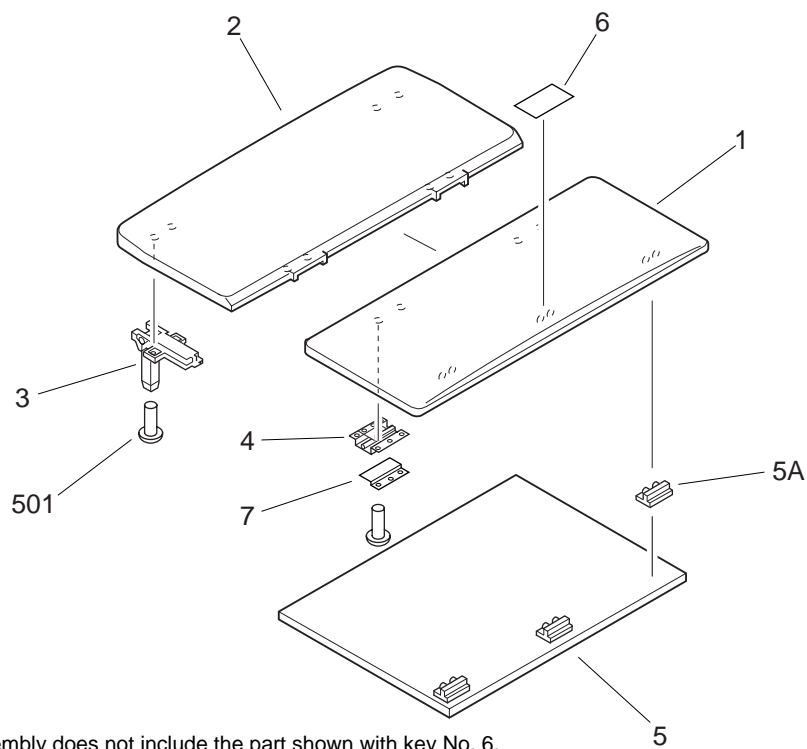
NOTE1: This assembly includes the assembly shown in Figure 920.

NOTE2: This assembly does not include the parts shown with key No. 20 and 501.

FIGURE & KEY NO.	PART NUMBER	R A N K	Q T Y	DESCRIPTION	SERIAL NUMBER / REMARKS
130 -	FM5-0722-000		1	CONTROL PANEL ASSEMBLY	NP7161/7210 AB/INCH SIZE SEE NOTE 1
	FM5-0831-000		1	CONTROL PANEL ASSEMBLY	NP7161/7210 A/INCH SIZE SEE NOTE 1
	FM5-0727-000		1	CONTROL PANEL ASSEMBLY	NP7160 SEE NOTE 1
1	FM5-0829-000		1	CONTROL PANEL ASSEMBLY	NP7164/7214 SEE NOTE 1
	FM5-0828-000		1	CONTROL PANEL ASSEMBLY	NP7163 SEE NOTE 1
	FE5-3716-000		1	PANEL, CONTROL	NP7161/7210 AB/INCH SIZE
	FE5-4136-000		1	PANEL, CONTROL	NP7161/7210 A/INCH SIZE
	FE5-3713-000		1	PANEL, CONTROL	NP7160
2	FE5-4123-000		1	PANEL, CONTROL	NP7164/7214
	FE5-4122-000		1	PANEL, CONTROL	NP7163
	FE5-3718-000		1	KEY TOP, STAND-BY	
	FE5-3719-000		1	KEY TOP, NUMBER	
	FE5-3720-000		1	KEY TOP, STOP	
5	FE5-3721-000		1	KEY TOP, START	
6	FE5-3722-000		1	KEY TOP, RESET	
7	FE5-3723-000		1	KEY TOP, ID	
8	FE5-3724-000		1	KEY TOP, ZOOM	NP7161/7164/7210 NP7214
	FE5-3710-000		1	KEY TOP, ZOOM	NP7160/7163
9	FE5-3725-000		1	KEY TOP, WIDTH SIZE	
10	FE5-3726-000		1	KEY TOP, ZOOM SELECT	
11	FE5-3727-000		1	KEY TOP, AE	
12	FE5-3728-000		1	KEY TOP, TWO-PAGES SEPARATION	NP7161/7164/7210 NP7214
	FE5-3711-000		1	KEY TOP, TWO-PAGES SEPARATION	NP7160/7163
13	FE5-3729-000		1	KEY TOP, PHOTOGRAPH	
14	FE5-3730-000		1	LEVER, DENSITY CONTROL, 1	
15	FE5-3731-000		1	LEVER, DENSITY CONTROL, 2	
16	FE5-3736-000		1	KEY TOP, POWER ON/OFF	
17	FE5-3737-000		1	LENS, SORT LED	NP7161/7164/7210 NP7214

FIGURE & KEY NO.	PART NUMBER	RANK	QTY	DESCRIPTION	SERIAL NUMBER / REMARKS
130 - 18	FE5-3738-000		1	LENS, PHOTO LED	
19	FE5-3739-000		1	LENS, IMAGE COMBINATION LED	NP7161/7164/7210 NP7214
	FE5-3709-000		1	LENS, IMAGE COMBINATION LED	NP7160/7163
20	FE5-3741-000		2	PLATE, HOLE COVER	SEE NOTE 2
21	XA9-0591-000		32	SCREW,M3X8	
22	FE5-4154-000		1	SHEET, GROUNDING, 1	
23	FE5-4155-000		1	SHEET, GROUNDING, 2	
24	FE5-4170-000		1	SHEET, GROUNDING, 3	
25	FE5-4173-000		1	SHEET, GROUNDING, 4	
501	XB1-3300-606		2	SCREW,MACH.,C.S. HEAD,M3X6	SEE NOTE 2
502	XB1-2300-407		3	SCREW,MACH.,TRUSS HEAD,M3X4	

FIGURE 160 COPYBOARD COVER ASSEMBLY

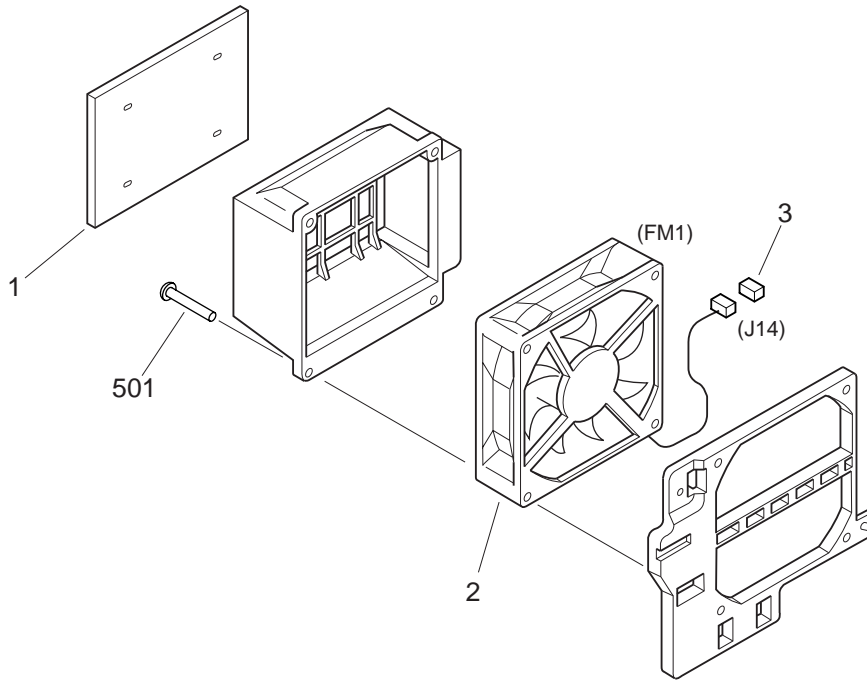


NOTE: This assembly does not include the part shown with key No. 6.

FIGURE & KEY NO.	PART NUMBER	RANK	QTY	DESCRIPTION	SERIAL NUMBER / REMARKS
160 -	FM5-0712-000		1	COPYBOARD COVER ASSEMBLY	EXCEPT PHS,PHT,NNM PKT,PKW
1	FE5-3630-000		1	COVER, COPYBOARD, FRONT	
2	FE5-3631-000		1	COVER, COPYBOARD, REAR	
3	FE5-3632-000		2	HINGE, COPYBOARD COVER	
4	FE5-3634-000		2	PLATE, HINGE	
5	FL5-0550-000		1	COPYBOARD CUSHION UNIT	
5A	FE5-3633-000		3	PLATE, SLIDE	
6	FE5-8021-000		1	LABEL, "CLOSE INSTRUCTION"	SEE NOTE
7	FE5-4380-000		2	PLATE, ANGLE ADJUSTMENT	
501	XB4-7401-009		14	SCREW,TAPPING,TRUSS HEAD,M4X10	

SCANNER COOLING FAN ASSEMBLY
(NP7161/7160/7164/7163)

FIGURE 190

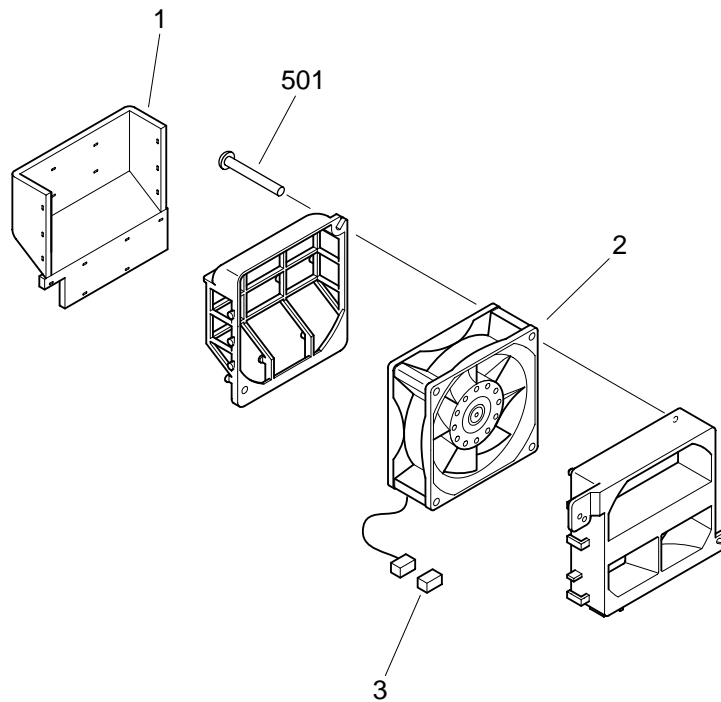


NOTE: This assembly does not include the part shown with key No. 3.

FIGURE & KEY NO.	PART NUMBER	RANK	QTY	DESCRIPTION	SERIAL NUMBER / REMARKS
190 -	FM5-0701-000		1	SCANNER COOLING FAN ASSEMBLY	NP7161/7160/7164 NP7163
1	FE5-3542-000		1	FILTER, AIR	
2	FH6-1620-000		1	FAN, COOLING	FM1 J14
3	VS1-5057-003		1	CONNECTOR, SNAP TIGHT	SEE NOTE J14
501	XB4-7403-509		2	SCREW, TAPPING, TRUSS HEAD, M4X35	

SCANNER COOLING FAN ASSEMBLY
(NP7210/7214)

FIGURE 190A



NOTE: This assembly does not include the part shown with key No. 3.

FIGURE & KEY NO.	PART NUMBER	RANK	QTY	DESCRIPTION	SERIAL NUMBER / REMARKS
190A -	FM5-0858-000		1	SCANNER COOLING FAN ASSEMBLY	NP7210/7214
1	FE5-4237-000		1	FILTER, AIR	
2	FH6-1663-000		1	FAN, COOLING	FM1 J14
3	VS1-5057-003		1	CONNECTOR, SNAP TIGHT	SEE NOTE J14
501	XB4-7404-009		2	SCREW, TAPPING, TRUSS HEAD, M4X40	

FIGURE 191 EXHAUST FAN ASSEMBLY

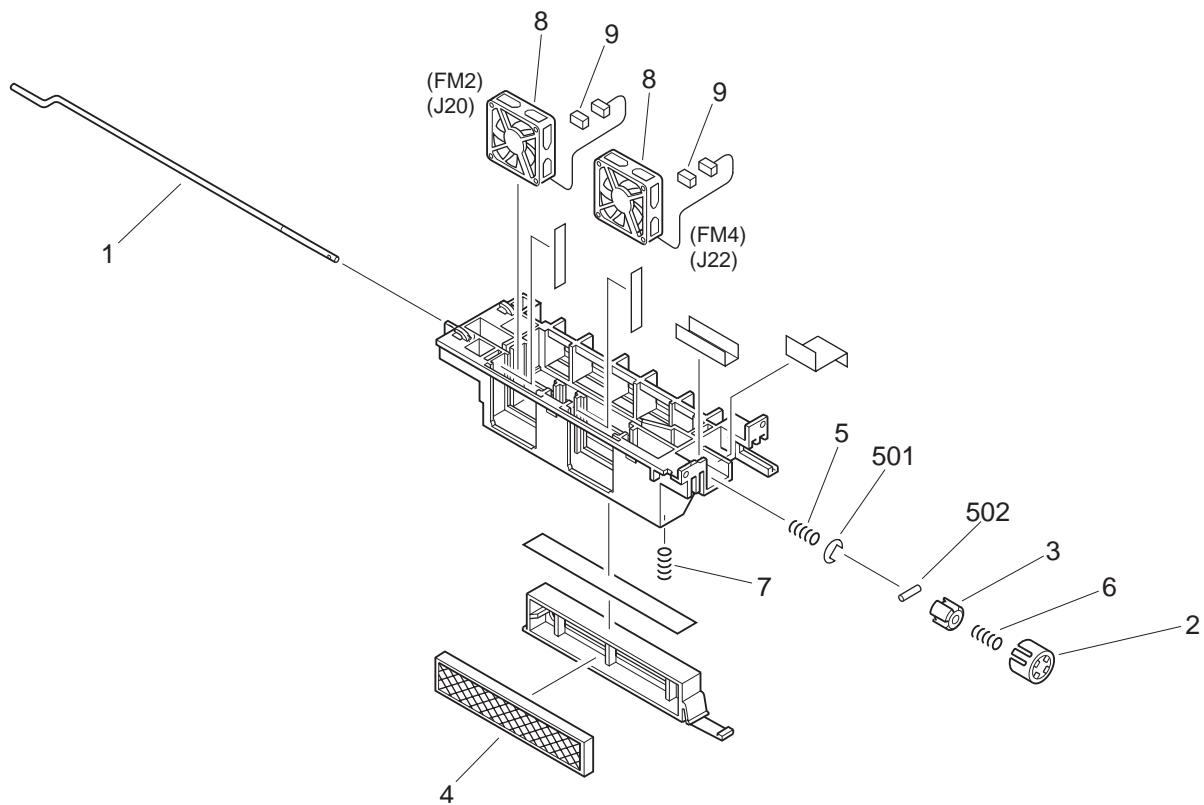
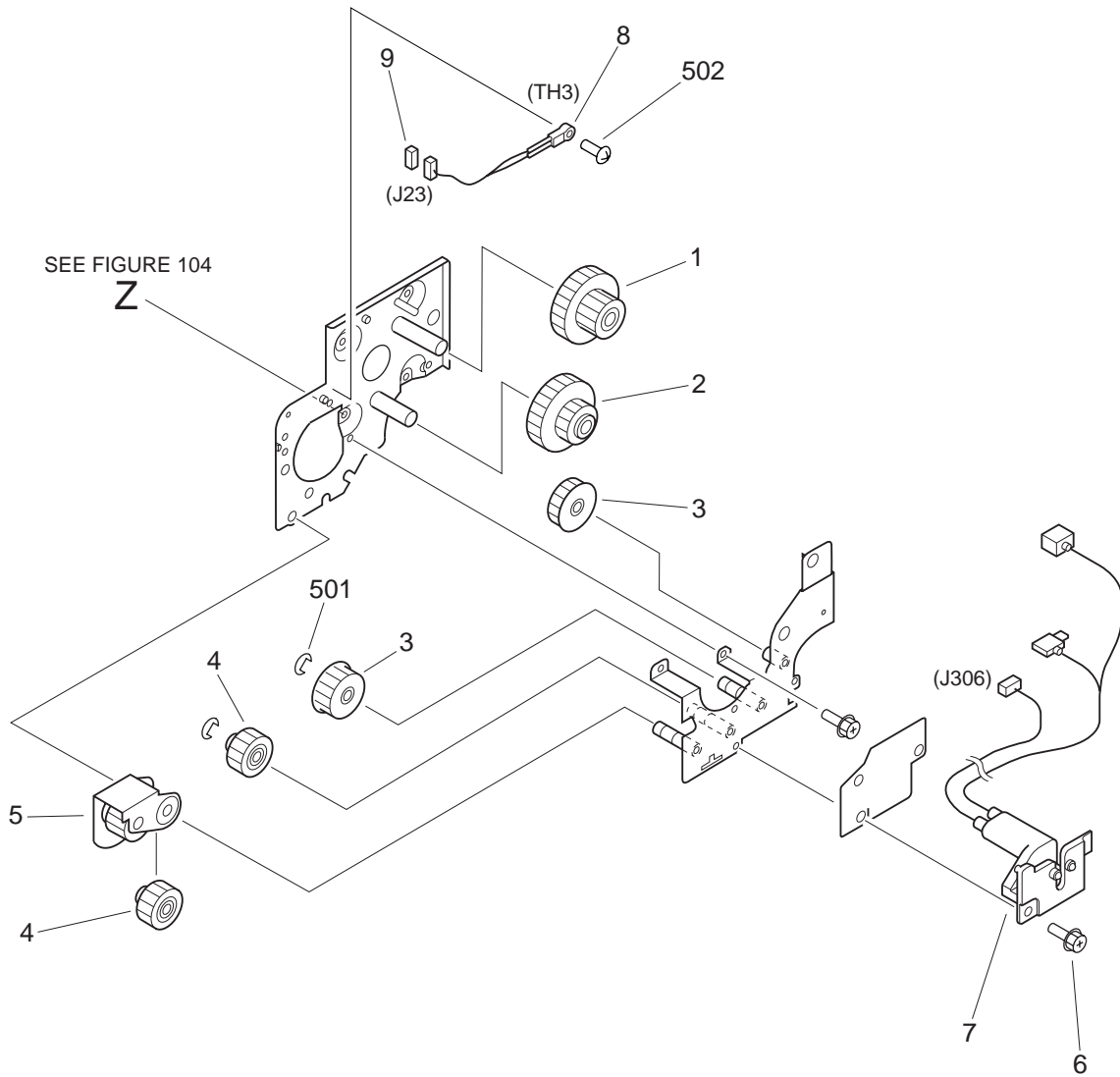


FIGURE & KEY NO.	PART NUMBER	RANK	QTY	DESCRIPTION	SERIAL NUMBER / REMARKS
191 -	FM5-0775-000		1	EXHAUST FAN ASSEMBLY	
1	FE5-3953-000		1	ROD, FRONT COVER SWITCH	
2	FE5-3954-000		1	CAP, 1	
3	FE5-3955-000		1	CAP, 2	
4	FE5-3956-000		1	FILTER, OZONE	
5	FE5-6159-000		1	SPRING, COMPRESSION	
6	FE5-6163-000		1	SPRING, COMPRESSION	
7	FE5-6186-000		1	SPRING, COMPRESSION	
8	FH6-1618-000		2	FAN	FM2,4 J20,22
9	VS1-5057-003		2	CONNECTOR, SNAP TIGHT	J20,22
501	XD2-1100-322		1	RING,E	
502	XD3-2200-102		1	PIN,DOWEL	

FIGURE 250 MAIN DRIVE ASSEMBLY



NOTE: This assembly does not include the part shown with key No. 9.

FIGURE & KEY NO.	PART NUMBER	R A N K	Q T Y	DESCRIPTION	SERIAL NUMBER / REMARKS
250 -	FM5-0760-000		1	MAIN DRIVE ASSEMBLY	
1	FE5-5165-000		1	GEAR, 21T/74T	
2	FE5-5166-000		1	GEAR, 20T/78T	
3	FE5-5157-000		2	GEAR, 26T	
4	FE5-5158-000		2	GEAR, 21T	
5	FL5-0574-000		1	PLATE, SWING	
6	XA9-0626-000		4	SCREW,RS,M3X6	
7	FL5-0575-000		1	CONNECTOR, HIGH VOLTAGE	J306
8	FH7-7501-000		1	THERMISTOR UNIT	TH3 J23
9	VS1-5057-002		1	CONNECTOR, SNAP TIGHT	SEE NOTE J23
501	XD2-1100-502		2	RING,E	
502	XB2-8300-809		1	SCREW,W/WASHER,M3X8	

FIGURE 251 UPPER DRIVE ASSEMBLY

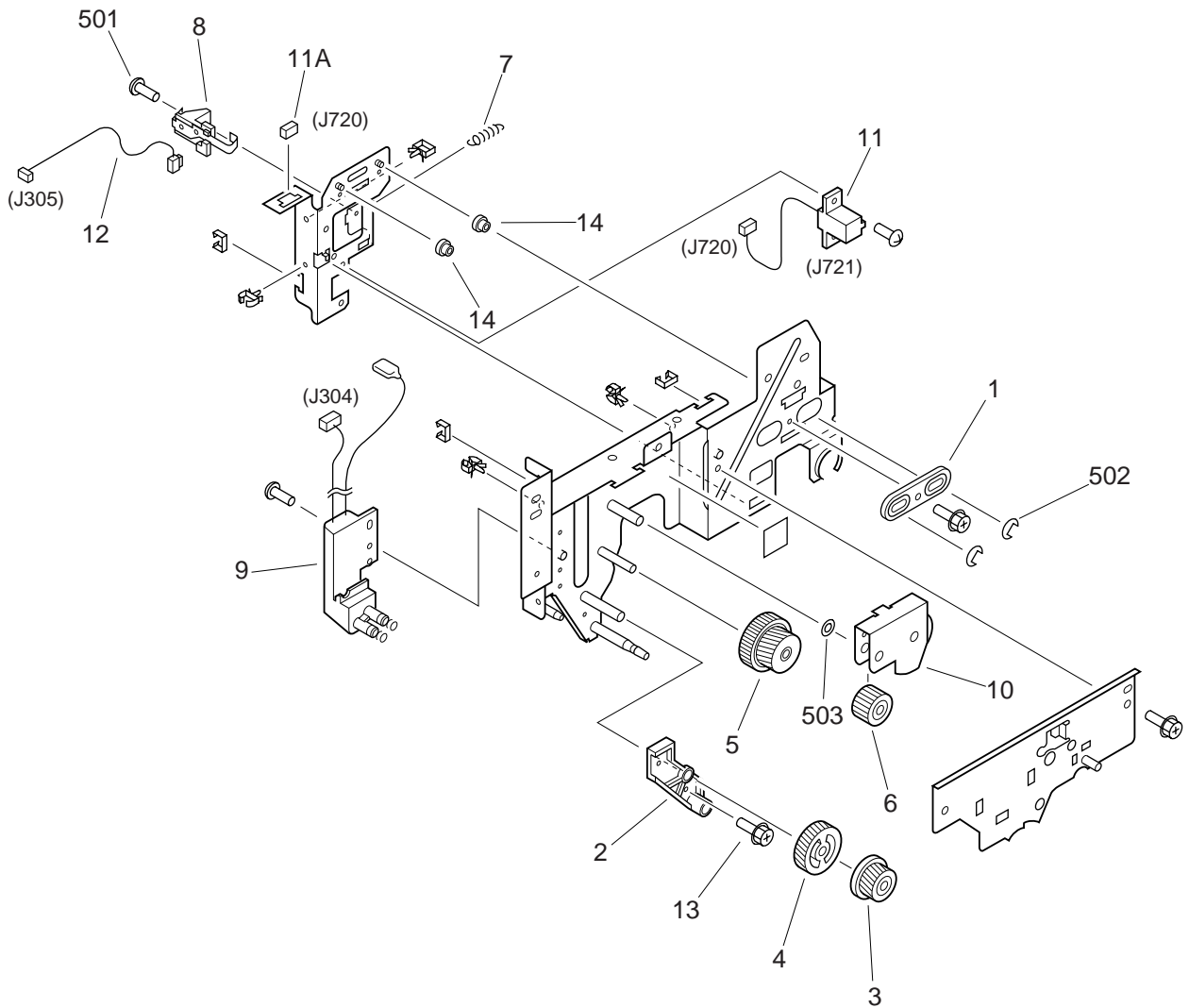


FIGURE & KEY NO.	PART NUMBER	R A N K	Q T Y	DESCRIPTION	SERIAL NUMBER / REMARKS
251 -	FM5-0761-000		1	UPPER DRIVE ASSEMBLY	
1	FE5-3747-000		1	PLATE, SLIDER, FRONT	
2	FE5-3866-000		1	SUPPORT, REINFORCEMENT	
3	FE5-5160-000		1	GEAR, 24T	
4	FE5-5161-000		1	GEAR, 29T	
5	FE5-5162-000		1	GEAR, 21T/33T	
6	FE5-5163-000		1	GEAR, 20T	
7	FE5-6180-000		1	SPRING, TENSION	
8	FF5-1458-020		1	MOUNT, ELECTRODE	
9	FH2-9228-000		1	CONNECTOR, HIGH VOLTAGE	J304
10	FL5-0578-000		1	PLATE, UPPER SWING	
11	FL5-5069-000		1	CABLE, CONNECTING	J720,721
11A	VS1-5057-003		1	CONNECTOR, SNAP TIGHT	J720
12	FL5-5075-000		1	CABLE, DEVELOPING BIAS	J305
13	XA9-0626-000		6	SCREW,RS,M3X6	
14	FE5-3746-000		2	ROLLER	
501	XB1-2300-609		3	SCREW,MACH.,TRUSS HEAD,M3X6	
502	XD2-1100-322		2	RING,E	
503	XD1-1108-227		1	SHIM	

FIGURE 260 PAPER PICK-UP DRIVE ASSEMBLY

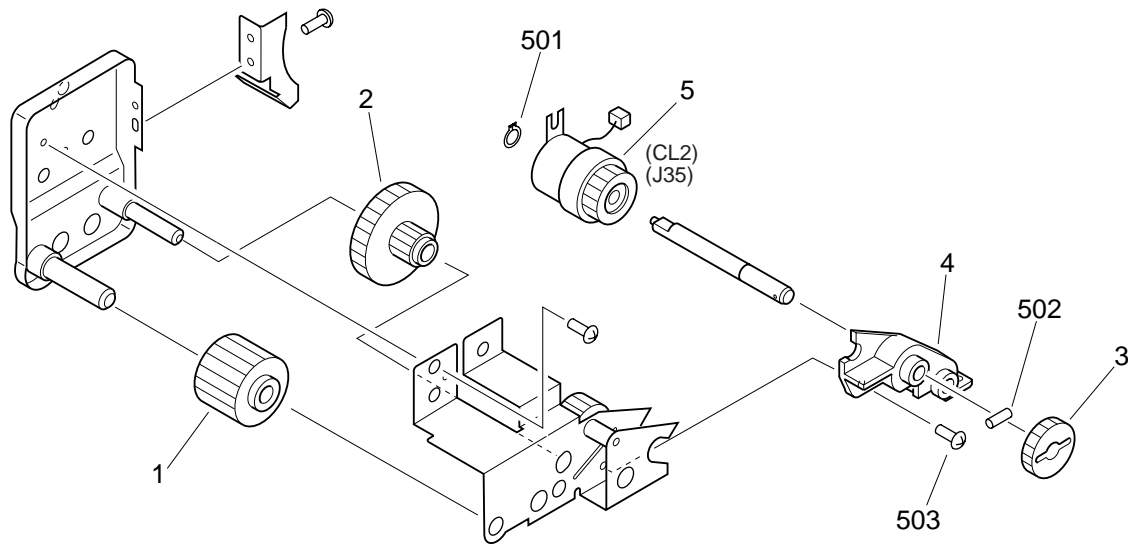


FIGURE & KEY NO.	PART NUMBER	RANK	QTY	DESCRIPTION	SERIAL NUMBER / REMARKS
260 -	FM5-0796-000		1	PAPER PICK-UP DRIVE ASSEMBLY	
1	FE5-3970-000		1	GEAR, 31T	
2	FE5-3971-000		1	GEAR, 15T/38T	
3	FE5-3973-000		1	GEAR, 21T	
4	FE5-3974-000		1	BLOCK, ROLLER BUSHING	
5	FH7-5867-000		1	CLUTCH, ELECTROMAGNETIC	CL2 J35
501	XD2-2100-402		1	RING, GRIP	
502	XD3-2160-142		1	PIN, DOWEL	
503	XB1-2300-609		3	SCREW, MACH., TRUSS HEAD, M3X6	

FIGURE 300 CASSETTE

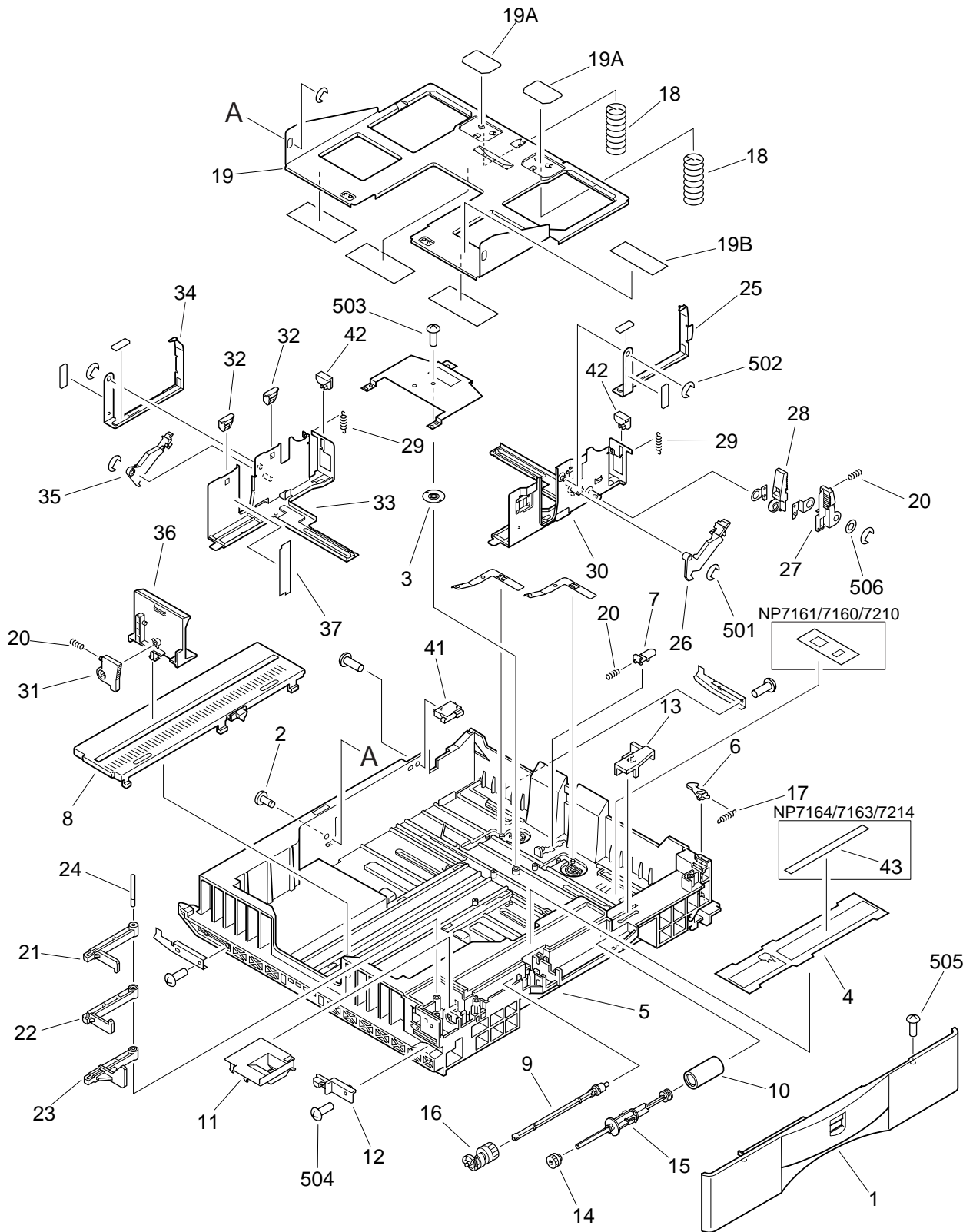


FIGURE & KEY NO.	PART NUMBER	R A N K	Q T Y	DESCRIPTION	SERIAL NUMBER / REMARKS
300 -	NPN		RF	CASSETTE	
1	FL5-0606-000		1	COVER, FRONT	
2	FB2-2558-000		1	PIN, HINGE	
3	FB3-2955-000		1	GEAR, 20T	
4	FE5-4026-000		1	LABEL, "PAPER SET"	
5	FL5-0607-000		1	BODY, CASSETTE	NP7161/7160/7210
	FE5-3991-000		1	BODY, CASSETTE	NP7164/7163/7214
6	FE5-3993-000		1	LEVER, CASSETTE LOCK	
7	FE5-3995-000		1	BLOCK, LIFTING PLATE LOCK	
8	FE5-4003-000		1	PLATE, SLIDER MOUNTING	
9	FE5-4005-000		1	SHAFT, PAPER SIZE, 1	
10	FE5-4006-000		1	ROLLER, PAPER SIZE	
11	FE5-4007-000		1	COVER, UPPER FRONT	
12	FE5-4015-000		1	BLOCK, PAPER SIZE SENSOR	
13	FE5-4016-000		1	LEVER, SIZE CHANGE	
14	FE5-4017-000		1	GEAR, 18T	
15	FE5-4018-000		1	SHAFT, PAPER SIZE, 2	
16	FE5-4024-000		1	CAM, PAPER SIZE	
17	FE5-6195-000		1	SPRING, TENSION	
18	FE5-6196-000		2	SPRING, COMPRESSION	NP7161/7160/7210
	FE5-6200-000		2	SPRING, COMPRESSION	NP7164/7163/7214
19	FL5-0603-000		1	PLATE, PAPER LIFTING	
19A	FE5-4009-000		2	SHEET, PAPER SEPARATION	
19B	FE5-4025-000		1	LABEL, VERTICAL SIZE INDEX	
20	FS5-2650-000		3	SPRING, COMPRESSION	
21	RB1-6286-000		1	ARM, SENSOR, 1	
22	RB1-6287-000		1	ARM, SENSOR, 2	
23	RB1-6288-000		1	ARM, SENSOR, 3	
24	RB1-6292-000		1	PIN, SIZE	
25	FL5-0604-000		1	PLATE, SEPARATION CLAW, FRONT	

FIGURE & KEY NO.	PART NUMBER	RANK	QTY	DESCRIPTION	SERIAL NUMBER / REMARKS
300 - 26	FE5-3998-000		1	ARM, AUXILIARY, FRONT	
27	FE5-4019-000		1	KNOB, SIDE SLIDER, 1	
28	FE5-4020-000		1	KNOB, SIDE SLIDER, 2	
29	FE5-6197-000		2	SPRING, TENSION	
30	FL5-0602-000		1	PLATE, PAPER SIDE END, FRONT	
31	FE5-4023-000		1	KNOB, END SIZE SLIDER	
32	FB3-2934-000		2	CLAW, SIDE	
33	FE5-3999-000		1	PLATE, PAPER SIDE END, REAR	
34	FL5-0605-000		1	PLATE, SEPARATION CLAW, REAR	
35	FE5-4001-000		1	ARM, AUXILIARY, REAR	
36	FE5-4002-000		1	PLATE, END SIZE SLIDER	
37	FE5-4030-000		1	LABEL, "MAXIMUM LOAD"	
41	FE5-4029-000		1	BLOCK, SIZE END PLATE SUPPORT	
42	FE5-4344-000		2	BLOCK, CLAW STOPPER	
43	FE5-4070-000		1	LABEL, "CAUTION CASSETTE"	NP7164/7163/7214
501	XD2-1100-642		2	RING,E	
502	XD2-1100-502		4	RING,E	
503	XB4-7300-609		4	SCREW,TAPPING,TRUSS HEAD,M3X6	
504	XB4-7300-809		1	SCREW,TAPPING,TRUSS HEAD,M3X8	
505	XB4-7400-809		8	SCREW,TAPPING,TRUSS HEAD,M4X8	
506	XD1-1108-237		1	SHIM	

FIGURE 310

PAPER PICK-UP ASSEMBLY (NP7161,7160,7164,7163)

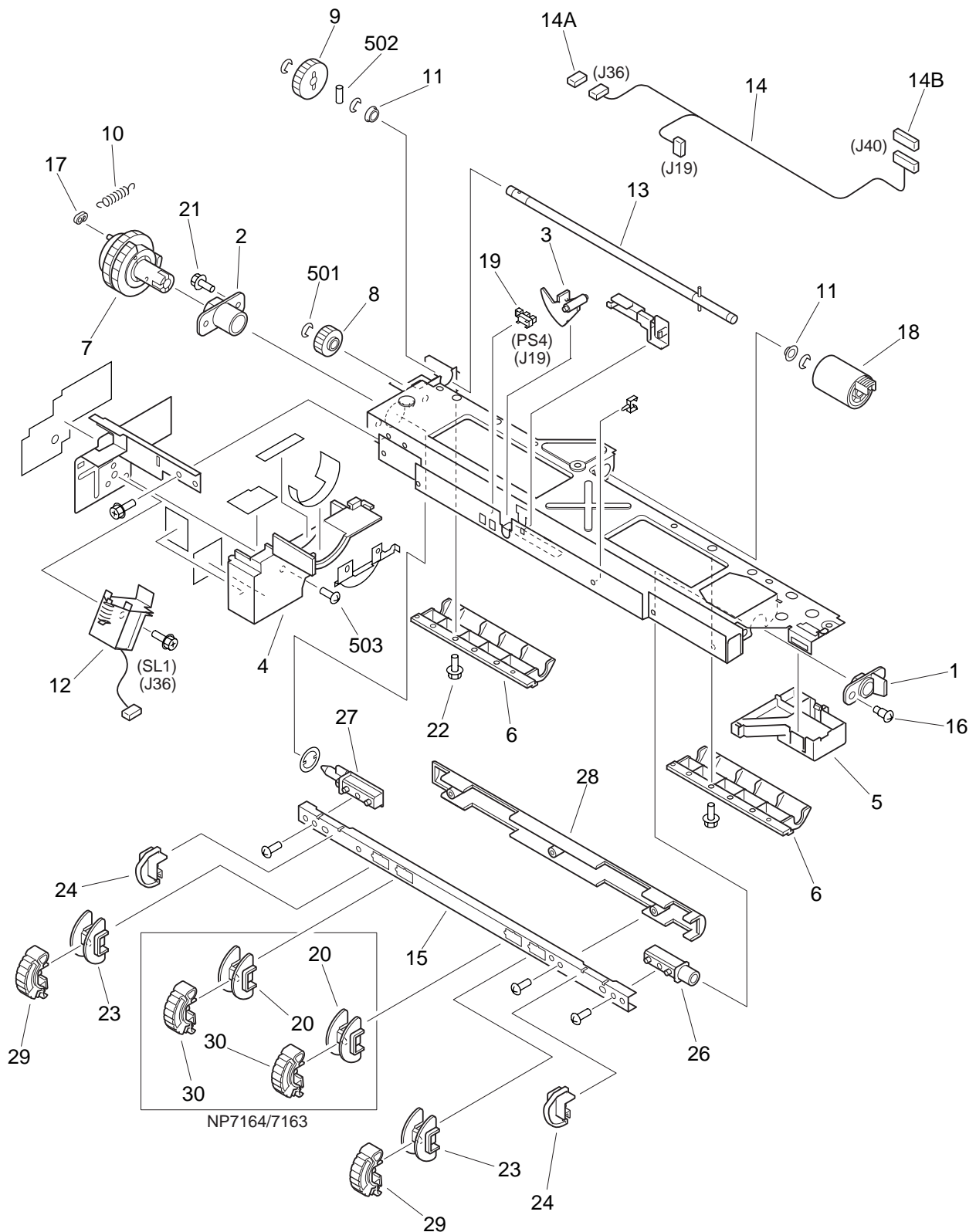


FIGURE & KEY NO.	PART NUMBER	R A N K	Q T Y	DESCRIPTION	SERIAL NUMBER / REMARKS
310 -	FM5-0789-000		1	PAPER PICK-UP ASSEMBLY	NP7161/7160
	FM5-0838-000		1	PAPER PICK-UP ASSEMBLY	NP7164/7163
1	FE5-4051-000		1	BUSHING, PICK-UP ROLLER, FRONT	
2	FE5-4052-000		1	BUSHING, PICK-UP ROLLER, REAR	
3	FE5-4053-000		1	FLAG, PAPER SENSOR	
4	FL5-0616-000		1	COVER, SOLENOID	
5	FE5-4061-000		1	COVER, CONNECTOR	
6	FE5-4064-000		2	GUIDE, PAPER FEED ROLLER	
7	FE5-5183-000		1	GEAR, 38T	
8	FE5-5184-000		1	GEAR, 15T	
9	FE5-5185-000		1	GEAR, 24T	
10	FE5-6208-000		1	SPRING, TENSION	
11	FE5-7066-000		2	BUSHING	
12	FH7-5871-000		1	SOLENOID	SL1 J36
13	FL5-0631-000		1	SHAFT, PAPER FEED ROLLER	
14	FL5-5067-000		1	CABLE, PAPER PICK-UP	J19,36,40
14A	VS1-5057-002		1	CONNECTOR, SNAP TIGHT	J36
14B	VS1-5057-008		1	CONNECTOR, SNAP TIGHT	J40
15	FE5-4050-000		1	SHAFT, PAPER PICK-UP	
16	FS1-9010-000		1	SCREW, STEPPED, M3X2.2	
17	RB1-2190-000		1	COLLAR, SPRING	
18	RF5-2490-000		1	ROLLER	
19	WG8-5364-000		1	PHOTO-INTERRUPTER	PS4 J19
20	FE5-4048-000		2	BLOCK, PICK-UP ROLLER ADAPTER	NP7164/7163
21	XA9-0626-000		5	SCREW, RS, M3X6	
22	XA9-0692-000		4	SCREW, RS, M3X6	
23	FE5-4048-000		2	BLOCK, PICK-UP ROLLER ADAPTER	
24	FE5-4049-000		2	ROLLER, PAPER PICK-UP	
26	FE5-4058-000		1	BLOCK, SHAFT BUSHING, FRONT	
27	FE5-4059-000		1	BLOCK, SHAFT BUSHING, REAR	

FIGURE & KEY NO.	PART NUMBER	RANK	QTY	DESCRIPTION	SERIAL NUMBER / REMARKS
310 - 28	FE5-4114-000		1	COVER, PICK-UP ROLLER SHAFT	NP7164/7163
29	FE5-4199-000		2	ROLLER	
30	FE5-4199-000		2	ROLLER	
501	XD2-1100-502		5	RING,E	
502	XD3-2200-142		1	PIN,DOWEL	
503	XB4-7300-609		4	SCREW,TAPPING,TRUSS HEAD,M3X6	

FIGURE 310A

PAPER PICK-UP ASSEMBLY (NP7210/7214)

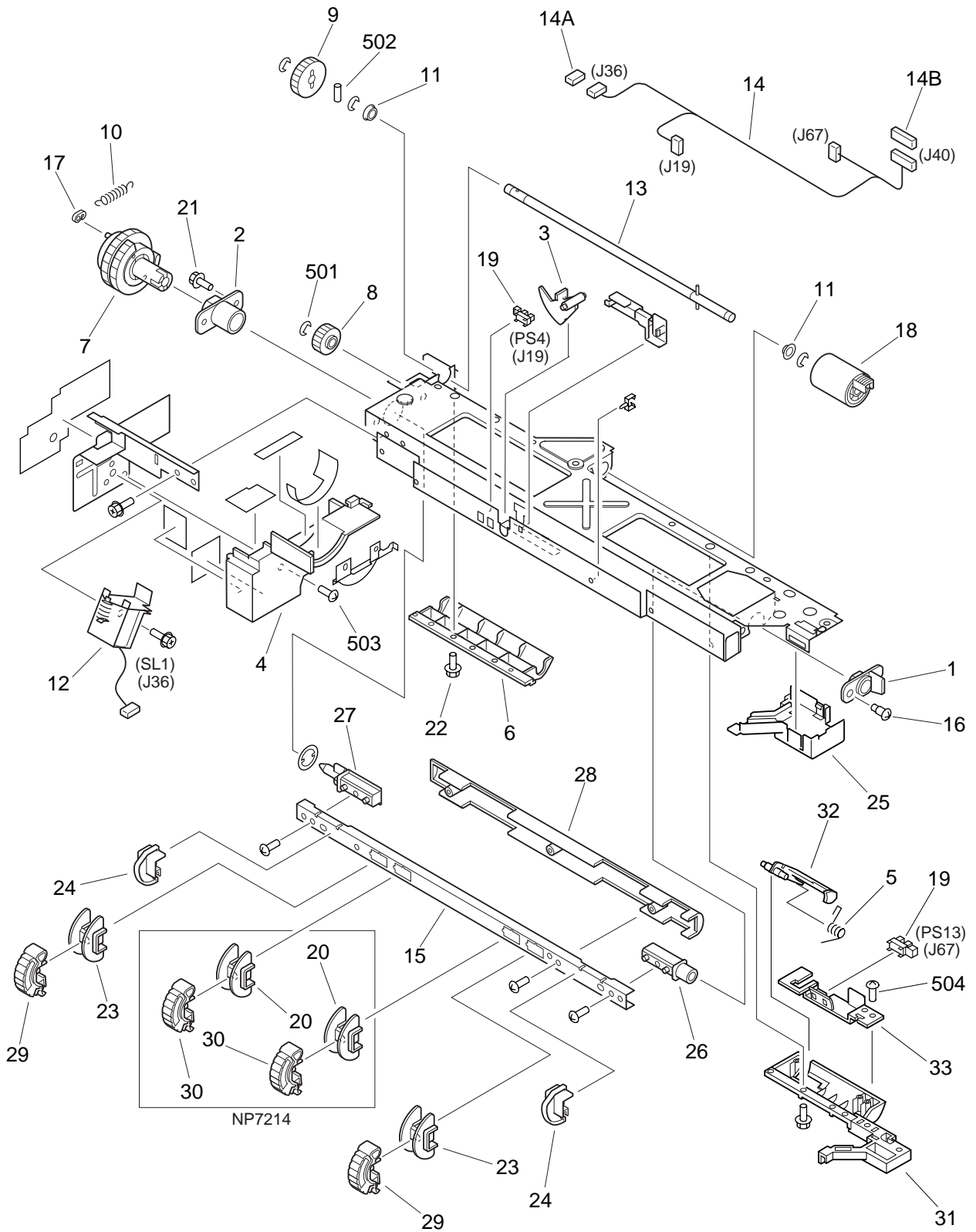
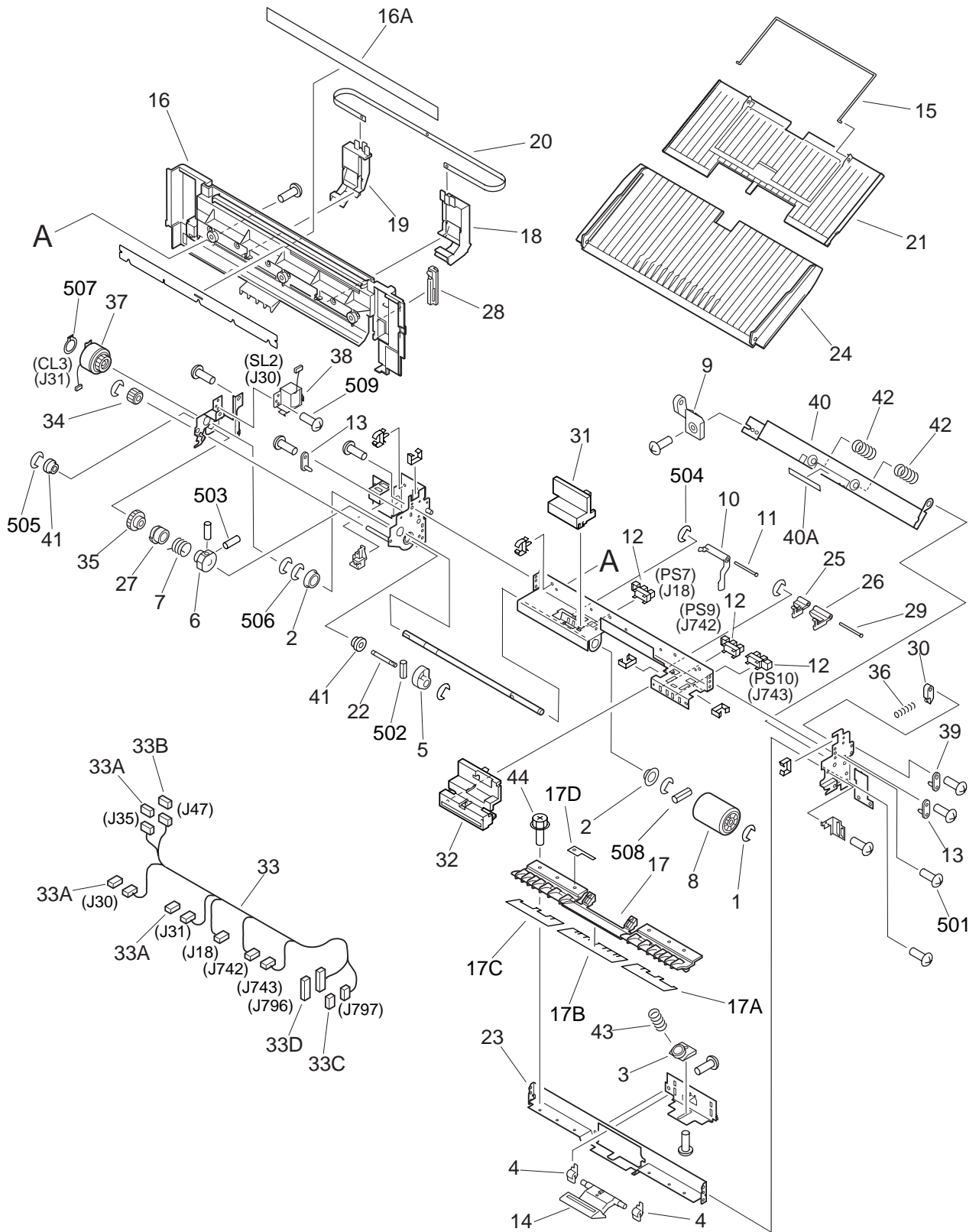


FIGURE & KEY NO.	PART NUMBER	R A N K	Q T Y	DESCRIPTION	SERIAL NUMBER / REMARKS
310A -	FM5-0850-000		1	PAPER PICK-UP ASSEMBLY	NP7210
	FM5-0859-000		1	PAPER PICK-UP ASSEMBLY	NP7214
1	FE5-4051-000		1	BUSHING, PICK-UP ROLLER, FRONT	
2	FE5-4052-000		1	BUSHING, PICK-UP ROLLER, REAR	
3	FE5-4053-000		1	FLAG, PAPER SENSOR	
4	FL5-0616-000		1	COVER, SOLENOID	
5	FE5-6217-000		1	SPRING, TORSION	
6	FE5-4064-000		1	GUIDE, PAPER FEED ROLLER	
7	FE5-5183-000		1	GEAR, 38T	
8	FE5-5184-000		1	GEAR, 15T	
9	FE5-5185-000		1	GEAR, 24T	
10	FE5-6208-000		1	SPRING, TENSION	
11	FE5-7066-000		2	BUSHING	
12	FH7-5871-000		1	SOLENOID	SL1 J36
13	FL5-0631-000		1	SHAFT, PAPER FEED ROLLER	
14	FL5-5118-000		1	CABLE, PAPER PICK-UP	J19,36,40,67
14A	VS1-5057-002		1	CONNECTOR, SNAP TIGHT	J36
14B	VS1-5057-008		1	CONNECTOR, SNAP TIGHT	J40
15	FE5-4050-000		1	SHAFT, PAPER PICK-UP	
16	FS1-9010-000		1	SCREW, STEPPED, M3X2.2	
17	RB1-2190-000		1	COLLAR, SPRING	
18	RF5-2490-000		1	ROLLER	
19	WG8-5364-000		2	PHOTO-INTERRUPTER	PS4,13 J19,67
20	FE5-4048-000		2	BLOCK, PICK-UP ROLLER ADAPTER	NP7214
21	XA9-0626-000		5	SCREW, RS, M3X6	
22	XA9-0692-000		4	SCREW, RS, M3X6	
23	FE5-4048-000		2	BLOCK, PICK-UP ROLLER ADAPTER	
24	FE5-4049-000		2	ROLLER, PAPER PICK-UP	
25	FE5-4233-000		1	COVER, SENSOR	
26	FE5-4058-000		1	BLOCK, SHAFT BUSHING, FRONT	

FIGURE & KEY NO.	PART NUMBER	RANK	QTY	DESCRIPTION	SERIAL NUMBER / REMARKS
310A - 27	FE5-4059-000		1	BLOCK, SHAFT BUSHING, REAR	
28	FE5-4114-000		1	COVER, PICK-UP ROLLER SHAFT	
29	FE5-4199-000		2	ROLLER	
30	FE5-4199-000		2	ROLLER	NP7214
31	FE5-7216-000		1	GUIDE, PAPER FEED ROLLER	
32	FE5-4218-000		1	FLAG, SENSOR	
33	FE5-4217-000		1	HOLDER, SENSOR	
501	XD2-1100-502		5	RING,E	
502	XD3-2200-142		1	PIN,DOWEL	
503	XB4-7300-609		4	SCREW,TAPPING,TRUSS HEAD,M3X6	
504	XB4-7300-607		2	SCREW,TAPPING,TRUSS HEAD,M3X6	

FIGURE 315 MULTI FEEDER TRAY ASSEMBLY



NOTE: This assembly does not include the parts shown with key No. 15, 21, 24, 28 and 39.

FIGURE & KEY NO.	PART NUMBER	RANK	QTY	DESCRIPTION	SERIAL NUMBER / REMARKS
315 -	FM5-0794-000		1	MULTI FEEDER TRAY ASSEMBLY	AB/INCH SIZE
	FM5-0803-000		1	MULTI FEEDER TRAY ASSEMBLY	A/INCH SIZE
1	FA4-1159-000		1	RING, RETAINING	
2	FA9-2112-000		2	BUSHING	
3	FB1-8009-000		1	HOLDER, SPRING	
4	FB1-8011-000		2	PLATE, ARM	
5	FB1-8014-000		1	CAM, PLATE	
6	FB1-8015-000		1	DRUM, CLUTCH	
7	FB1-8018-000		1	SPRING, CLUTCH	
8	FB1-8581-000		1	ROLLER	
9	FB1-8583-000		1	HOLDER, PLATE	
10	FB1-8587-000		1	LEVER, PAPER SENSING	
11	FB1-8588-000		1	SHAFT, PAPER SENSING	
12	WG8-5364-000		3	PHOTO-INTERRUPTER	PS7,9,10 J18,742,743
13	FB2-6032-000		2	PIN, HINGE	
14	FE5-4132-000		1	ARM, MULTI FEED	
15	FE5-4107-000		1	TRAY, MULTI, 3	SEE NOTE
16	FL5-0640-000		1	GUIDE, MULTI FEEDER, UPPER	AB/INCH SIZE
	FL5-0639-000		1	GUIDE, MULTI FEEDER, UPPER	A/INCH SIZE
16A	FE5-8069-000		1	LABEL, SIZE INDEX	AB/INCH SIZE
	FE5-8068-000		1	LABEL, SIZE INDEX	A/INCH SIZE
17	FL5-0642-000		1	GUIDE, MULTI FEEDER, LOWER	
17A	FE5-4145-000		1	SHEET, AUXILIARY, 1	
17B	FE5-4146-000		1	SHEET, AUXILIARY, 2	
17C	FE5-4147-000		1	SHEET, AUXILIARY, 3	
17D	FE5-4381-000		1	PLATE, GROUNDING	
18	FE5-4078-000		1	SIDE PLATE, SIZE, FRONT	
19	FE5-4079-000		1	SIDE PLATE, SIZE, REAR	
20	FE5-4080-000		1	FILM, SLIDE	
21	FE5-4106-000		1	TRAY, MULTI, 2	SEE NOTE

FIGURE & KEY NO.	PART NUMBER	RANK	QTY	DESCRIPTION	SERIAL NUMBER / REMARKS
315 - 22	FE5-4082-000		1	SHAFT, LIFTING PLATE CAM	
23	FE5-4084-000		1	CROSSMEMBER, MULTI FEED, LOWER	
24	FE5-4105-000		1	TRAY, MULTI, 1	SEE NOTE
25	FE5-4086-000		1	FLAG, SIZE SENSOR, 1	
26	FE5-4087-000		1	FLAG, SIZE SENSOR, 2	
27	FE5-4089-000		1	RING, CONTROL	
28	FE5-4091-000		1	BLOCK, TRAY STOP	SEE NOTE
29	FE5-4093-000		1	SHAFT, SIZE SENSOR	
30	FE5-4095-000		1	RETAINER, TRAY	
31	FE5-4098-000		1	COVER, SENSOR, 1	
32	FE5-4099-000		1	COVER, SENSOR, 2	
33	FM5-5156-000		1	CABLE, MULTI TRAY	J18,30,31,35,47 J742,743,796,797
33A	VS1-5057-002		3	CONNECTOR, SNAP TIGHT	J30,31,35
33B	VS1-5057-003		1	CONNECTOR, SNAP TIGHT	J47
33C	VS1-5057-007		1	CONNECTOR, SNAP TIGHT	J797
33D	VS1-5057-011		1	CONNECTOR, SNAP TIGHT	J796
34	FE5-5187-000		1	GEAR, 17T	
35	FE5-5188-000		1	GEAR, 32T	
36	FE5-6210-000		1	SPRING, COMPRESSION	
37	FH7-5870-000		1	CLUTCH, ELECTROMAGNETIC	CL3 J31
38	FH7-5871-000		1	SOLENOID	SL2 J30
39	FL5-0620-000		1	PIN, TRAY POSITIONING	SEE NOTE
40	FL5-0621-000		1	PLATE, PAPER PATH	
40A	FB1-8584-000		1	SHEET, MANUAL FEED PLATE	
41	FS1-1346-000		2	BUSHING	
42	FS5-2320-000		2	SPRING, COMPRESSION	
43	FS5-2321-000		1	SPRING, COMPRESSION	
44	XA9-0863-000		4	SCREW,RS,M3X6	
501	XB1-2300-609		9	SCREW,MACH.,TRUSS HEAD,M3X6	
502	XD3-1160-102		1	PIN,SPRING	

FIGURE 320 TRANSFER/FEEDING ASSEMBLY

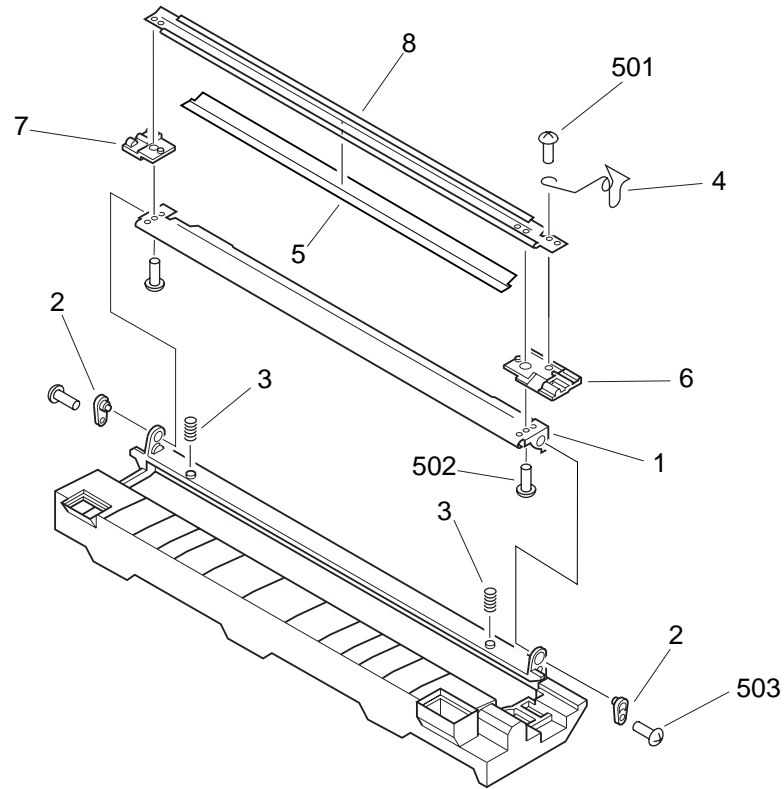


FIGURE & KEY NO.	PART NUMBER	RANK	QTY	DESCRIPTION	SERIAL NUMBER / REMARKS
320 -	FM5-0762-000		1	TRANSFER/FEEDING ASSEMBLY	
1	FE5-3891-000		1	GUIDE, TRANSFER, LOWER	
2	FE5-3890-000		2	PIN, TRANSFER GUIDE	
3	FE5-6181-000		2	SPRING, COMPRESSION	
4	FE5-3896-000		1	SPRING, GROUNDING	
5	FE5-3895-000		1	GUIDE, UPPER TRANSFER	
6	FE5-3893-000		1	SPACER, GUIDE, FRONT	
7	FE5-3894-000		1	SPACER, GUIDE, REAR	
8	FE5-3892-000		1	GUIDE, TRANSFER, UPPER	
501	XB1-2300-407		1	SCREW, MACH., TRUSS HEAD, M3X4	
502	XB2-7300-607		2	SCREW, W/WASHER, M3X6	
503	XB4-7400-809		2	SCREW, TAPPING, TRUSS HEAD, M4X8	

FIGURE 325 REGISTRATION GUIDE ASSEMBLY

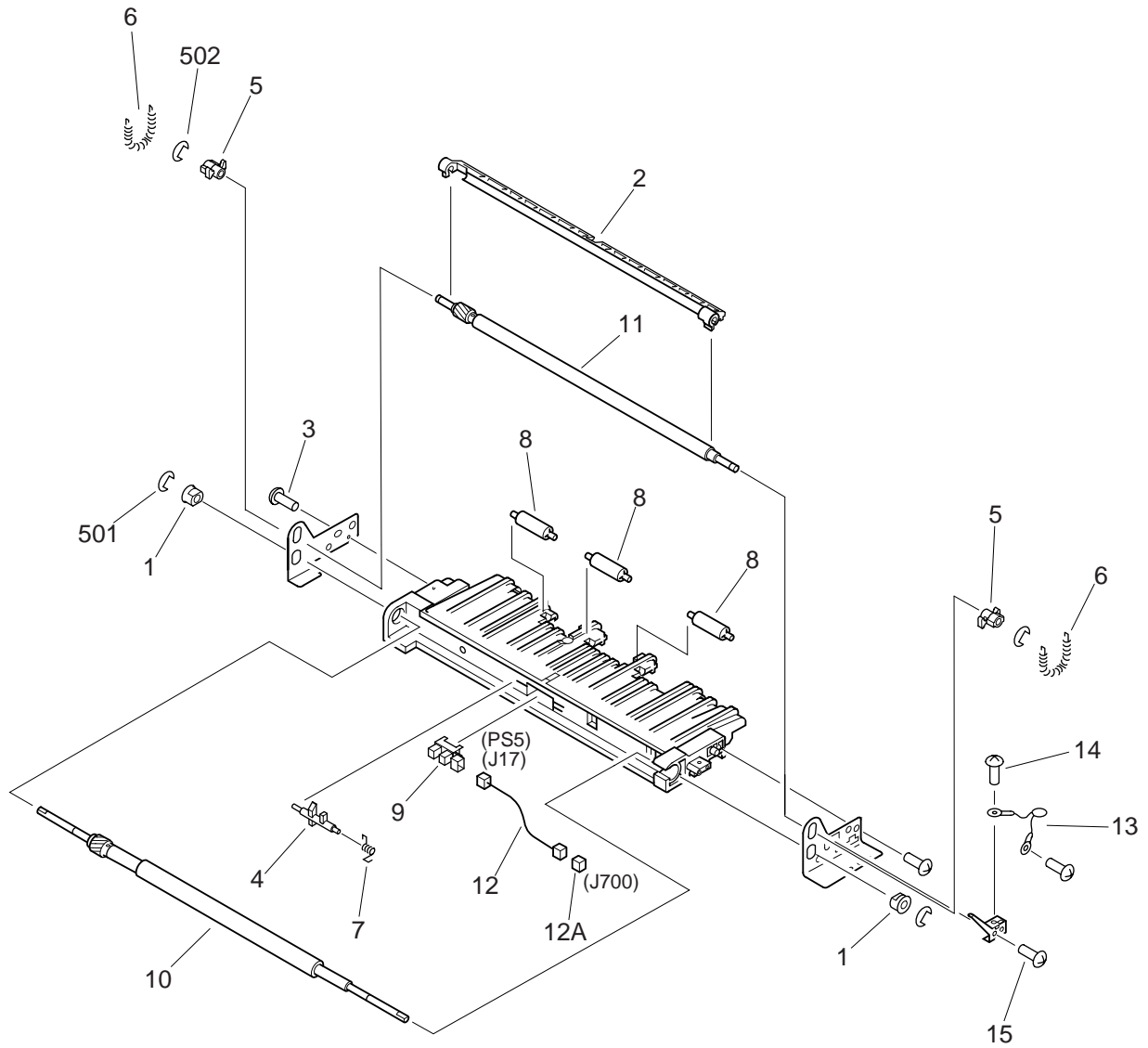
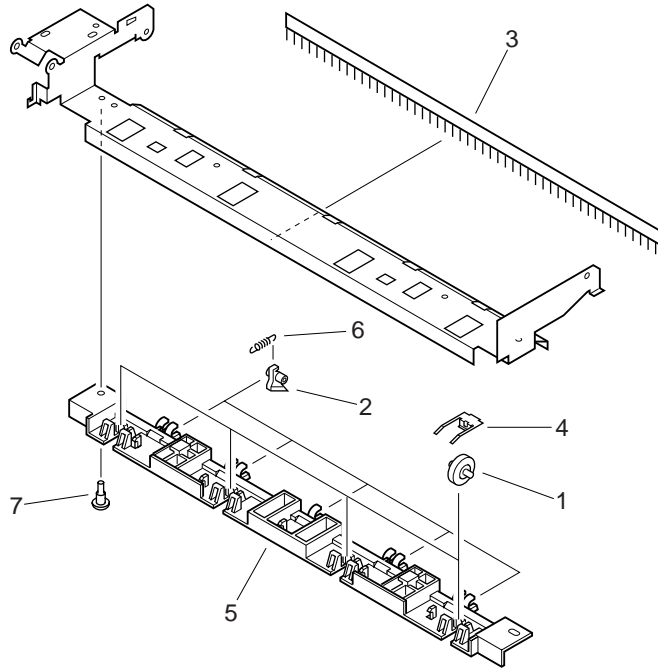


FIGURE & KEY NO.	PART NUMBER	R A N K	Q T Y	DESCRIPTION	SERIAL NUMBER / REMARKS
325 -	FM5-0788-000		1	REGISTRATION GUIDE ASSEMBLY	
1	FE5-7073-000		2	BUSHING	
2	FE5-4041-000		1	GUIDE, REGIST., UPPER	
3	XA9-0591-000		1	SCREW,M3X8	
4	FE5-4043-000		1	FLAG, REGIST. SENSOR	
5	FE5-4046-000		2	BUSHING, REGIST. ROLLER	
6	FE5-6206-000		2	SPRING, TENSION	
7	FE5-6207-000		1	SPRING, TORSION	
8	FE5-7068-000		3	ROLLER, U-TURN	
9	WG8-5426-000		1	PHOTO-INTERRUPTER	PS5 J17
10	FL5-0613-000		1	ROLLER, REGISTRATION, LOWER	
11	FL5-0614-000		1	ROLLER, REGISTRATION, UPPER	
12	FL5-5066-000		1	CABLE, REGISTRATION	J17,700
12A	VS1-5057-003		1	CONNECTOR, SNAP TIGHT	J700
13	FL5-5077-000		1	VARISTOR	
14	XA9-0626-000		1	SCREW,RS,M3X6	
15	XA9-0605-000		4	SCREW,P,M4X8	
501	XD2-1100-502		2	RING,E	
502	XD2-1100-642		2	RING,E	

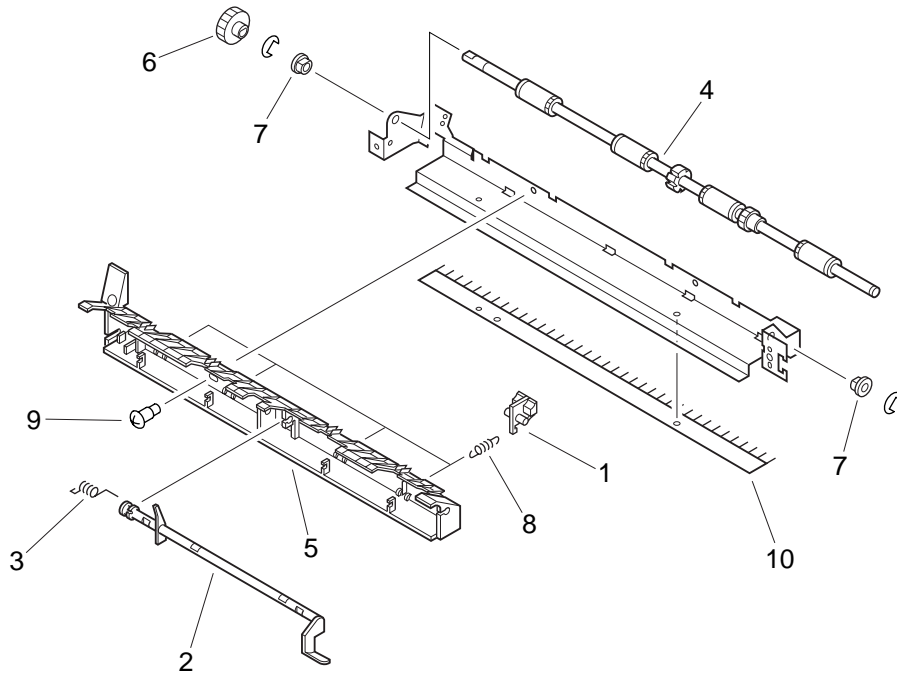
FIGURE 350 UPPER DELIVERY ASSEMBLY



NOTE: This assembly is included in the assembly shown in Figure 810.

FIGURE & KEY NO.	PART NUMBER	RANK	QTY	DESCRIPTION	SERIAL NUMBER / REMARKS
350 -	FM5-0771-000		1	UPPER DELIVERY ASSEMBLY	SEE NOTE
1	FE5-7052-000		4	ROLLER, DELIVERY	
2	FB1-7075-000		5	SEPARATION CLAW, UPPER	
3	FE5-3904-000		1	ELIMINATOR, STATIC CHARGE	
4	FE5-3907-000		4	SPRING, LEAF	
5	FE5-3923-000		1	GUIDE, UPPER DELIVERY	
6	FS1-2833-000		5	SPRING, TENSION	
7	FS1-9010-000		2	SCREW, STEPPED, M3X2.2	

FIGURE 351 LOWER DELIVERY ASSEMBLY



NOTE: This assembly is included in the assembly shown in Figure 810.

FIGURE & KEY NO.	PART NUMBER	RANK	QTY	DESCRIPTION	SERIAL NUMBER / REMARKS
351 -	FM5-0772-000		1	LOWER DELIVERY ASSEMBLY	SEE NOTE
1	FA2-9037-000		4	CLAW, SEPARATION, LOWER	
2	FE5-3925-000		1	FLAG, DELIVERY SENSOR	
3	FE5-3926-000		1	SPRING, TORSION	
4	FE5-3927-000		1	ROLLER, PAPER DELIVERY	
5	FE5-3929-000		1	GUIDE, LOWER PAPER DELIVERY	
6	FE5-5170-000		1	GEAR, 20T	
7	FS1-1205-000		2	BUSHING	
8	FS1-2834-000		4	SPRING, TENSION	
9	FS1-9010-000		2	SCREW, STEPPED, M3X2.2	
10	FE5-3957-000		1	ELIMINATOR, STATIC CHARGE	

FIGURE 420 MIRROR ASSEMBLY 1

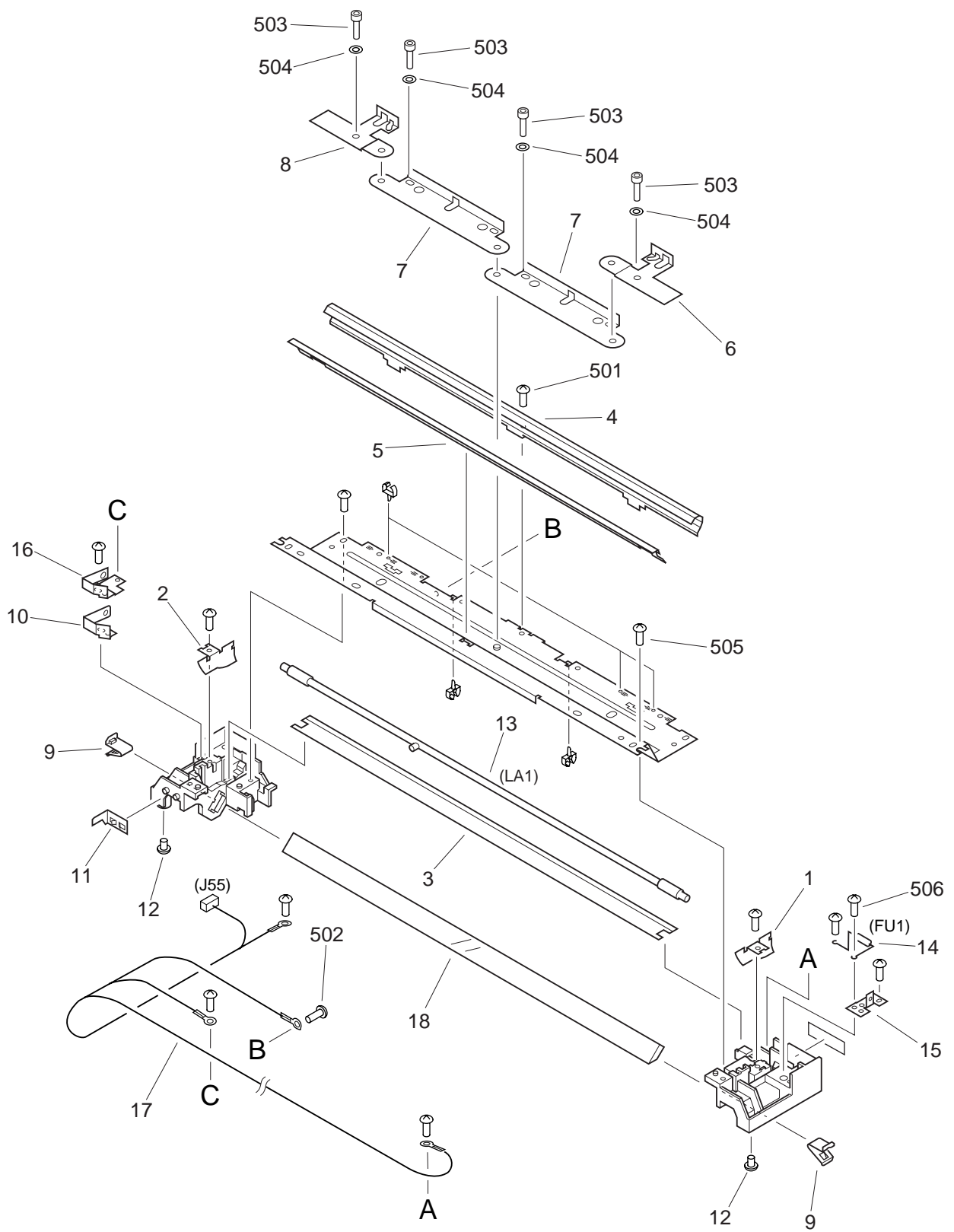


FIGURE & KEY NO.	PART NUMBER	R A N K	Q T Y	DESCRIPTION	SERIAL NUMBER / REMARKS
420 -	FM5-0705-000		1	MIRROR ASSEMBLY 1	115/120V
	FM5-0710-000		1	MIRROR ASSEMBLY 1	220/240V
1	FE5-3584-000		1	REFLECTOR, SIDE, FRONT	
2	FE5-3585-000		1	REFLECTOR, SIDE, REAR	
3	FE5-3586-000		1	REFLECTOR, 1	
4	FE5-3587-000		1	REFLECTOR, 2	
5	FE5-3588-000		1	REFLECTOR, 3	
6	FE5-3592-000		1	PLATE, SLIT ADJUSTMENT, FRONT	
7	FE5-3593-000		2	PLATE, SLIT ADJUSTMENT, CENTER	
8	FE5-3594-000		1	PLATE, SLIT ADJUSTMENT, REAR	
9	FE5-3595-000		2	SPRING, LEAF, MIRROR	
10	FE5-3597-000		1	PLATE, TERMINAL, REAR 1	
11	FE5-3599-000		1	PLATE, H.P. SENSOR FLAG	
12	FE5-3600-000		4	PIN, SLIDER	
13	FH7-3360-000		1	LAMP, HALOGEN	115/120V LA1
	FH7-3361-000		1	LAMP, HALOGEN	220/240V LA1
14	FH7-7489-000		1	FUSE, THERMAL	FU1
15	FL5-0545-000		1	PLATE, TERMINAL, FRONT	
16	FL5-0546-000		1	PLATE, TERMINAL, REAR 2	
17	FL5-5085-000		1	CABLE, HALOGEN LAMP	J55
18	FN8-4001-000		1	MIRROR, 1	
501	XB1-2300-409		1	SCREW, MACH., TRUSS HEAD, M3X4	
502	XB2-7300-607		2	SCREW, W/WASHER, M3X6	
503	XB7-1030-049		4	SCREW, ALLEN HEAD, M3X4	
504	XD1-1104-135		4	SHIM	
505	XB1-7300-609		7	SCREW, TAPPING, TRUSS HEAD, M3X6	
506	XB2-6300-607		2	SCREW, W/WASHER, M3X6	

FIGURE 430 MIRROR ASSEMBLY 2

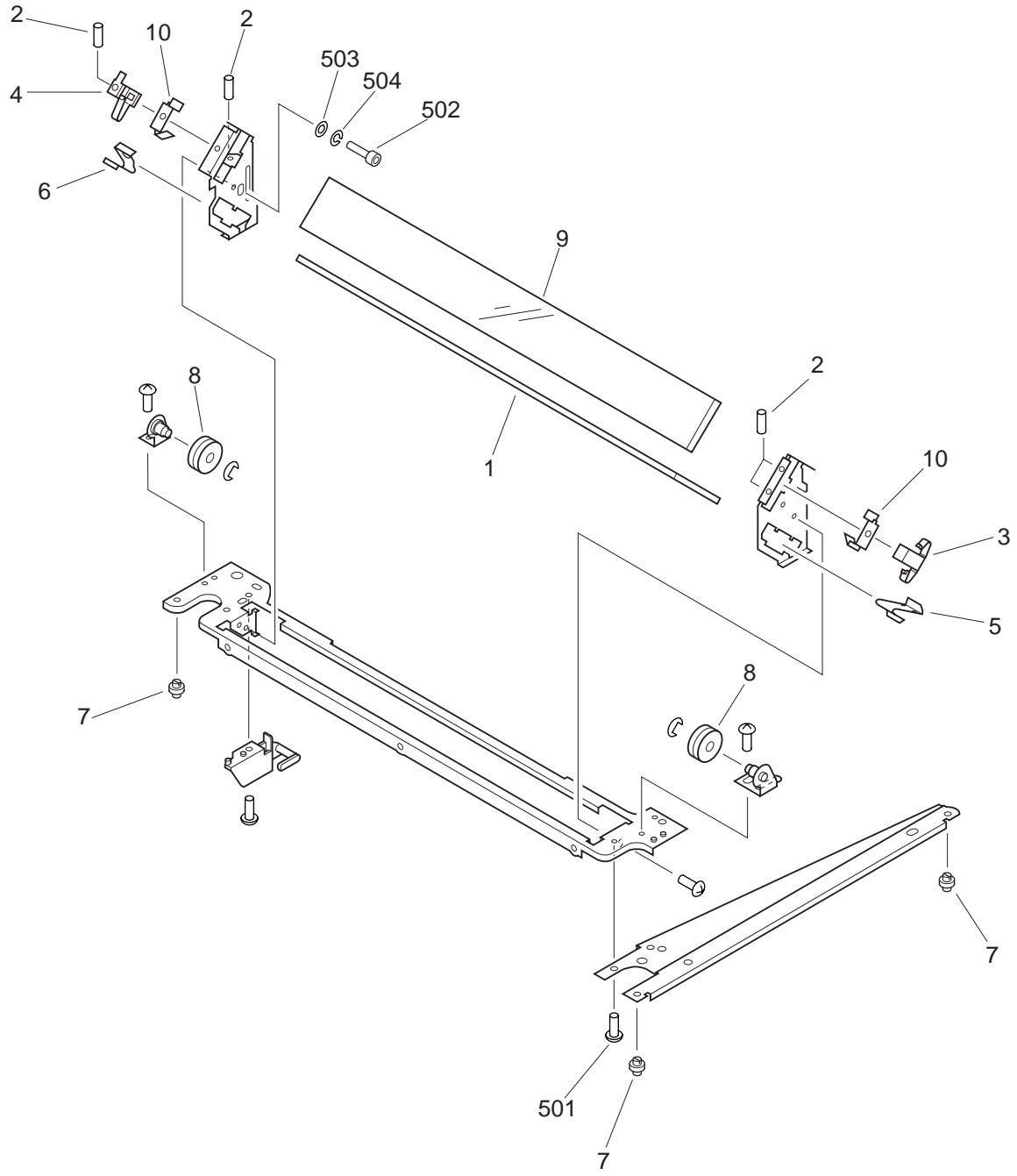


FIGURE & KEY NO.	PART NUMBER	RANK	QTY	DESCRIPTION	SERIAL NUMBER / REMARKS
430 -	FM5-0706-000		1	MIRROR ASSEMBLY 2	
1	FN8-4003-000		1	MIRROR, 3	
2	XA9-0859-000		4	SETSCREW,M3X10	
3	FE5-3608-000		1	SPRING, LEAF, MIRROR	
4	FE5-3609-000		1	SPRING, LEAF, MIRROR	
5	FE5-3610-000		1	SPRING, LEAF, MIRROR	
6	FE5-3611-000		1	SPRING, LEAF, MIRROR	
7	FE5-3612-000		3	PIN, SLIDER	
8	FE5-5132-000		2	PULLEY	
9	FN8-4002-000		1	MIRROR, 2	
10	FE5-3621-000		2	SPRING, LEAF	
501	XB1-2300-409		5	SCREW,MACH.,TRUSS HEAD,M3X4	
502	XB7-1030-069		1	SCREW,ALLEN HEAD,M3X6	
503	XD1-1103-129		1	SHIM	
504	XD1-3100-309		1	WASHER,SPRING	

FIGURE 500 DRUM CARTRIDGE

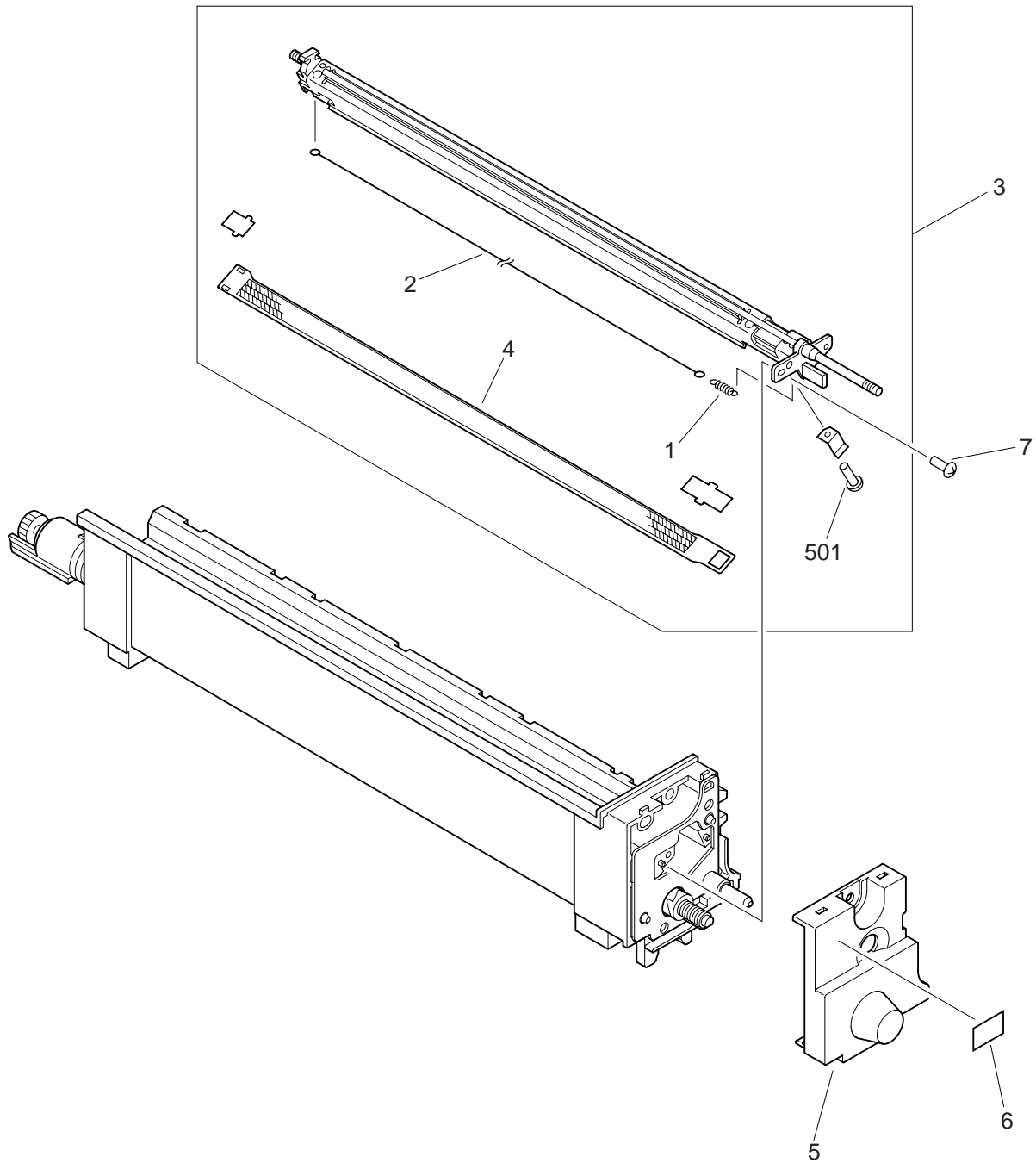


FIGURE 580 TRANSFER CORONA ASSEMBLY

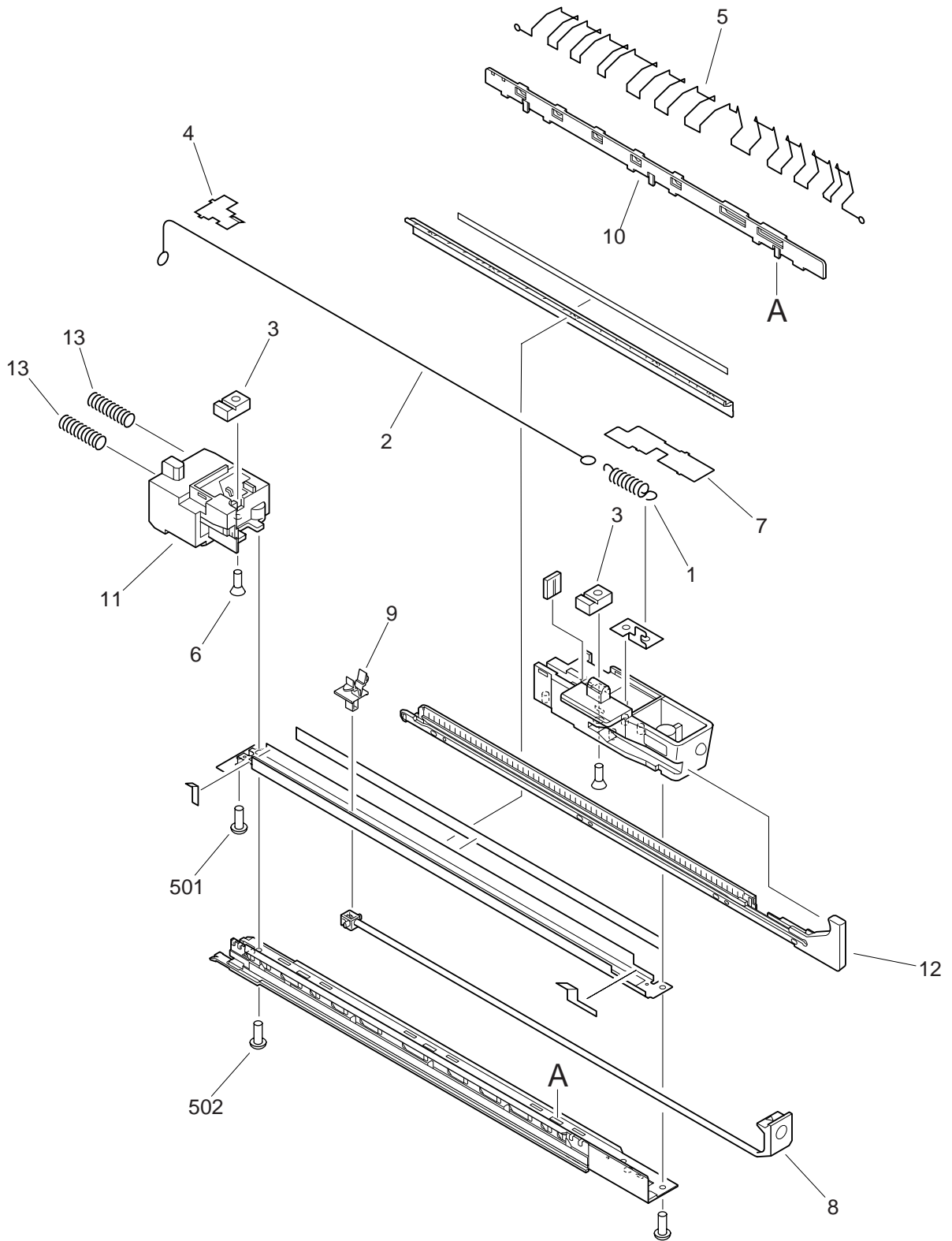
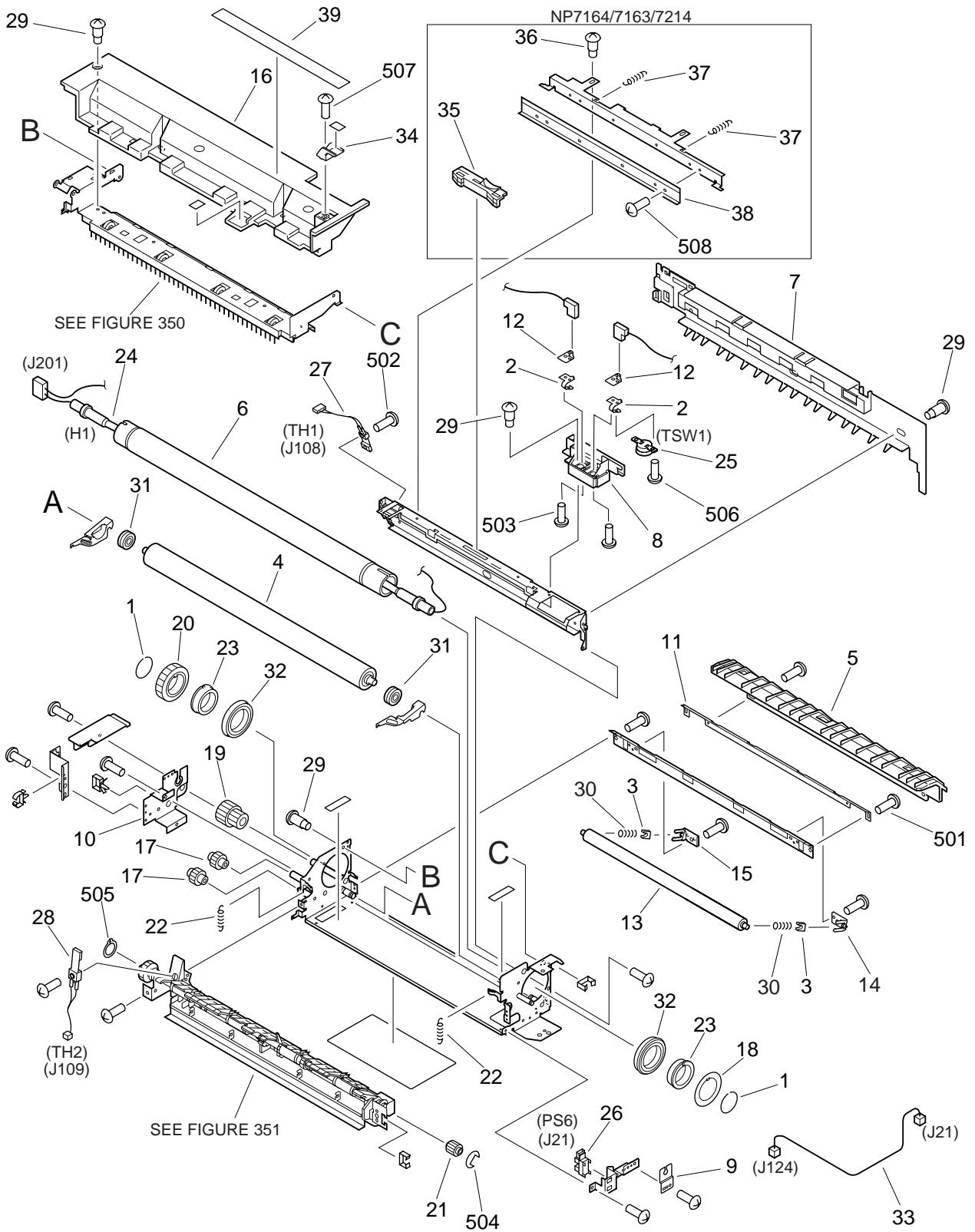


FIGURE & KEY NO.	PART NUMBER	R A N K	Q T Y	DESCRIPTION	SERIAL NUMBER / REMARKS
580 -	FM5-0763-000		1	TRANSFER CORONA ASSEMBLY	
1	97-5527-000		1	SPRING, TENSION	
2	FY3-0040-000		AR	WIRE, CORONA, 0.06MM (20M)	
3	FA5-1873-000		2	GUIDE, CORONA WIRE	
4	FE5-3878-000		1	COVER, TRA. CORONA BLOCK, REAR	
5	RY1-1502-000		AR	WIRE, GUIDE	
6	XA9-0159-000		2	SCREW, FT, C.S, HEAD, M3X12	
7	FA6-5319-000		1	COVER, WIRE TERMINATION, FRONT	
8	FE5-3875-000		1	ROD, TRANSFER CLEANING	
9	FF2-3903-020		1	CLEANING UNIT	
10	FF5-1230-000		1	MOUNT, WIRE	
11	FE5-3870-000		1	BLOCK, TRANSFER CORONA, REAR	
12	FL5-0581-000		1	ELIMINATOR, STATIC CHARGE	
13	FS2-2781-000		2	SPRING, COMPRESSION	
501	XB4-7300-609		1	SCREW, TAPPING, TRUSS HEAD, M3X6	
502	XB4-7300-809		3	SCREW, TAPPING, TRUSS HEAD, M3X8	

FIGURE & KEY NO.	PART NUMBER	R A N K	Q T Y	DESCRIPTION	SERIAL NUMBER / REMARKS
640 -	FM5-0720-000		1	DEVELOPING ASSEMBLY	
1	FB1-5816-000		2	SPRING, LEAF	
2	FB1-6710-000		1	SPRING, COMPRESSION	
4	FE5-6166-000		1	SPRING, COMPRESSION	
5	FB1-7218-000		1	CARTRIDGE LOCK, RIGHT	
6	FB1-7219-000		1	CARTRIDGE LOCK, LEFT	
7	FE5-4134-000		2	SPRING, LEAF	
8	FB1-8130-000		1	PLATE, POSITIONING	
9	FB3-2679-000		1	ROD, STIRRING	
10	FB4-3057-000		1	SUPPORT, STIRRING, FRONT	
11	FB4-3058-000		1	SUPPORT, STIRRING, REAR	
12	FL5-0611-000		1	COVER, SLEEVE	
13	FE5-3706-000		1	COVER, SLIDE	
14	FE5-3707-000		1	COVER, BUFFER	
15	FE5-3708-000		1	COVER, DEVELOPING, FRONT	
16	FE5-5135-000		1	GEAR, 48T	
17	FE5-5136-000		1	GEAR, 14T	
18	FE5-5137-000		1	GEAR, 16T/21T	
19	FE5-5138-000		1	GEAR, 15T/48T	
20	FE5-5139-000		1	GEAR, 17T/43T	
21	FE5-5140-000		1	GEAR, 20T/36T	
22	FE5-5141-000		1	GEAR, 23T	
23	FE5-5142-000		1	GEAR, 19T	
24	FE5-5143-000		1	GEAR, 20T	
25	FF5-4480-000		1	HOLDER, SLEEVE, FRONT	
26	FH7-7495-000		1	SENSOR, TONER	TS1 J15
27	FF5-1205-000		1	ROD, STIRRING, LARGE	
28	FM5-0721-000		1	DEVELOPING SLEEVE ASSEMBLY	
29	FB3-2712-000		2	SHAFT, AUXILIARY	
30	XG9-0218-000		2	BEARING, BALL	

FIGURE & KEY NO.	PART NUMBER	R A N K	Q T Y	DESCRIPTION	SERIAL NUMBER / REMARKS
640 - 31	FS5-2306-000		2	SPRING, COMPRESSION	
32	FL5-0555-000		1	MOUNT, BLADE ATTACHMENT	
33	FL5-0556-000		1	HOLDER, SLEEVE, REAR	
34	FL5-0557-000		1	COVER, HOPPER, LOWER	
35	FL5-0558-000		1	COVER, HOPPER, UPPER	
36	FL5-5070-000		1	CABLE, SENSOR CONNECTING	J15,721
36A	VS1-5057-003		1	CONNECTOR, SNAP TIGHT	J15
37	FS1-1594-000		1	BUSHING	
38	FS2-6019-000		2	ROLLER	
39	FS5-1212-000		1	BUSHING	
40	XA9-0714-000		4	SCREW,M3X4	
41	FE5-3882-000		1	LABEL, "NPG-15"	
501	XD1-1108-211		1	SHIM	
502	XB1-2300-409		4	SCREW,MACH.,TRUSS HEAD,M3X4	
503	XB1-2301-209		2	SCREW,MACH.,TRUSS HEAD,M3X12	
504	XB4-7301-609		3	SCREW,TAPPING,TRUSS HEAD,M3X16	
505	XB4-7302-509		1	SCREW,TAPPING,TRUSS HEAD,M3X25	
506	XD2-1100-642		1	RING,E	
507	XD2-2100-802		2	RING,GRIP	
508	XB4-7300-809		8	SCREW,TAPPING,TRUSS HEAD,M3X8	
509	XB4-7301-009		2	SCREW,TAPPING,TRUSS HEAD,M3X10	

FIGURE 810 FIXING ASSEMBLY

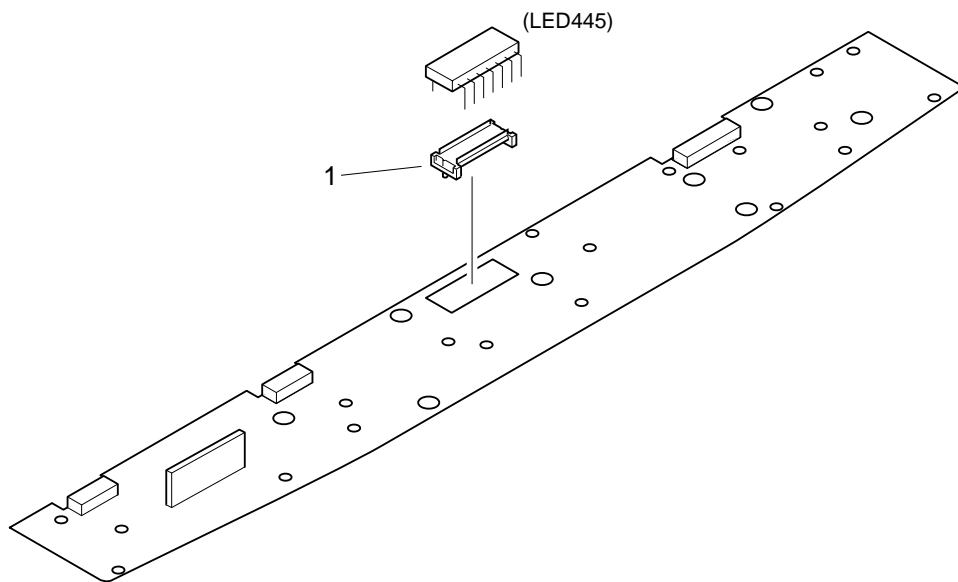


NOTE: This assembly includes the assemblies shown in Figure 350 and 351.

FIGURE & KEY NO.	PART NUMBER	R A N K	Q T Y	DESCRIPTION	SERIAL NUMBER / REMARKS
810 -	FM5-0774-000		1	FIXING ASSEMBLY	NP7161/7160/7210 115/120V SEE NOTE
	FM5-0770-000		1	FIXING ASSEMBLY	NP7161/7160/7210 220/240V SEE NOTE
	FM5-0769-000		1	FIXING ASSEMBLY	NP7164/7163/7214 220V SEE NOTE
	1 FA3-8894-000		2	RING, RETAINING	
	2 FE5-3901-000		2	SPRING, LEAF, THERMOSWITCH	
3	FB2-2324-000		2	SUPPORT, ROLLER	
4	FE5-3905-000		1	ROLLER, PRESSURE	
5	FE5-3906-000		1	GUIDE, PAPER INLET	
6	FE5-3912-000		1	ROLLER, FIXING	
7	FE5-3915-000		1	GUIDE, FIXING, UPPER	
8	FE5-3916-000		1	HOLDER, THERMOSWITCH	
9	FE5-3920-000		1	PLATE, HEATER, FRONT	
10	FE5-3921-000		1	PLATE, HEATER, REAR	
11	FE5-3922-000		1	PLATE, INLET GUIDE	
12	FE5-3931-000		2	PLATE, TERMINAL	
13	FE5-3932-000		1	ROLLER, HEATSINK	
14	FE5-3933-000		1	HOLDER, HEATSINK ROLLER, FRONT	
15	FE5-3934-000		1	HOLDER, HEATSINK ROLLER, REAR	
16	FE5-3940-000		1	COVER, FIXING, UPPER	
17	FE5-5171-000		2	GEAR, 18T	
18	FE5-5172-000		1	GEAR, 45T	
19	FE5-5173-000		1	GEAR, 19T/27T	
20	FE5-5174-000		1	GEAR, 45T	
21	FE5-5176-000		1	GEAR, 14T	
22	FE5-6184-000		2	SPRING, TENSION	
23	FE5-7051-000		2	BUSHING	
24	FH7-3366-000		1	HEATER, HALOGEN	115/120V H1 J201
	FH7-3367-000		1	HEATER, HALOGEN	220/240V H1 J201
25	FH7-7083-000		1	THERMOSWITCH	TSW1
26	WG8-5426-000		1	PHOTO-INTERRUPTER	PS6 J21

FIGURE & KEY NO.	PART NUMBER	RANK	QTY	DESCRIPTION	SERIAL NUMBER / REMARKS
810 - 27	FH7-7487-000		1	MAIN THERMISTOR ASSEMBLY	TH1 J108
28	FH7-7488-000		1	SUB THERMISTOR ASSEMBLY	TH2 J109
29	FS1-9010-000		6	SCREW, STEPPED, M3X2.2	
30	FS5-2661-000		2	SPRING, COMPRESSION	
31	XG9-0388-000		2	BEARING, BALL	
32	XG9-0389-000		2	BEARING, BALL	
33	FL5-5108-000		1	CABLE, DELIVERY SENSOR	J21,124
34	FE5-3962-000		1	KNOB, FRONT	
35	FE5-3902-000		1	LEVER, SLIDE	NP7164/7163/7214
36	FS1-9010-000		2	SCREW, STEPPED, M3X2.2	NP7164/7163/7214
37	FE5-6187-000		2	SPRING, TENSION	NP7164/7163/7214
38	FB2-6305-040		1	BLADE	NP7164/7163/7214
39	FC2-8600-000		1	LABEL, "CAUTION HIGH TEMP."	
501	XB1-2300-609		15	SCREW, MACH., TRUSS HEAD, M3X6	
502	XB1-2300-809		2	SCREW, MACH., TRUSS HEAD, M3X8	
503	XB2-2300-407		2	SCREW, W/WASHER, M3X4	
504	XD2-1100-502		2	RING, E	
505	XD2-2100-602		2	RING, GRIP	
506	XB6-7300-609		4	SCREW, TP, M3X6	
507	XB4-7400-809		1	SCREW, TAPPING, TRUSS HEAD, M4X8	
508	XB1-2300-609		6	SCREW, MACH., TRUSS HEAD, M3X6	NP7164/7163/7214

FIGURE 920 CONTROL PANEL PCB ASSEMBLY



NOTE: This assembly is included in the assembly shown in Figure 130.

FIGURE & KEY NO.	PART NUMBER	RANK	QTY	DESCRIPTION	SERIAL NUMBER / REMARKS
920 -	FM5-5161-000		1	CONTROL PANEL PCB ASSEMBLY	SEE NOTE
1	FB2-2407-000		1	SPACER, CONTROL PANEL	
LED 401	WG1-5614-000		1	LED, SLR342MCTC7	
LED 402	WG1-5614-000		1	LED, SLR342MCTC7	
LED 403	WG1-5614-000		1	LED, SLR342MCTC7	
LED 404	WG1-5614-000		1	LED, SLR342MCTC7	
LED 405	WG1-5614-000		1	LED, SLR342MCTC7	
LED 406	WG1-5614-000		1	LED, SLR342MCTC7	
LED 407	WG1-5614-000		1	LED, SLR342MCTC7	
LED 408	WG1-5615-000		1	LED, SLR342MCTF7	
LED 409	WG1-5615-000		1	LED, SLR342MCTF7	
LED 410	WG1-5615-000		1	LED, SLR342MCTF7	
LED 411	WG1-5615-000		1	LED, SLR342MCTF7	
LED 412	WG1-5615-000		1	LED, SLR342MCTF7	
LED 413	WG1-5615-000		1	LED, SLR342MCTF7	
LED 414	WG1-5615-000		1	LED, SLR342MCTF7	
LED 415	WG1-5615-000		1	LED, SLR342MCTF7	
LED 416	WG1-5615-000		1	LED, SLR342MCTF7	
LED 417	WG1-5615-000		1	LED, SLR342MCTF7	
LED 418	WG1-5613-000		1	LED, SLR342DCTF7	
LED 419	WG1-5613-000		1	LED, SLR342DCTF7	
LED 420	WG1-5613-000		1	LED, SLR342DCTF7	
LED 421	WG1-5613-000		1	LED, SLR342DCTF7	
LED 422	WG1-5613-000		1	LED, SLR342DCTF7	
LED 423	WG1-5613-000		1	LED, SLR342DCTF7	
LED 424	WG1-5613-000		1	LED, SLR342DCTF7	
LED 425	WG1-5615-000		1	LED, SLR342MCTF7	
LED 426	WG1-5615-000		1	LED, SLR342MCTF7	
LED 427	WG1-5615-000		1	LED, SLR342MCTF7	
LED 428	WG1-5615-000		1	LED, SLR342MCTF7	

FIGURE & KEY NO.	PART NUMBER	RANK	QTY	DESCRIPTION	SERIAL NUMBER / REMARKS
920 -LED 429	WG1-5615-000		1	LED, SLR342MCTF7	
LED 430	WG1-5615-000		1	LED, SLR342MCTF7	
LED 431	WG1-5615-000		1	LED, SLR342MCTF7	
LED 432	WG1-5615-000		1	LED, SLR342MCTF7	
LED 433	WG1-5615-000		1	LED, SLR342MCTF7	
LED 434	WG1-5615-000		1	LED, SLR342MCTF7	
LED 435	WG1-5613-000		1	LED, SLR342DCTF7	
LED 436	WG1-5613-000		1	LED, SLR342DCTF7	
LED 437	WG1-5615-000		1	LED, SLR342MCTF7	
LED 438	WG1-5615-000		1	LED, SLR342MCTF7	
LED 439	WG1-5614-000		1	LED, SLR342MCTC7	
LED 440	WG1-5614-000		1	LED, SLR342MCTC7	
LED 441	WG1-5614-000		1	LED, SLR342MCTC7	
LED 442	WG1-5614-000		1	LED, SLR342MCTC7	
LED 443	WG1-5614-000		1	LED, SLR342MCTC7	
LED 444	WG1-5612-000		1	LED, SLR342DCTC7	
LED 445	FH7-3299-000		1	LED, GL7E303C	
VR401	VR7-8520-103		1	RESISTOR, SLIDE VARIABLE	

FIGURE 930

DC CONTROLLER PCB ASSEMBLY

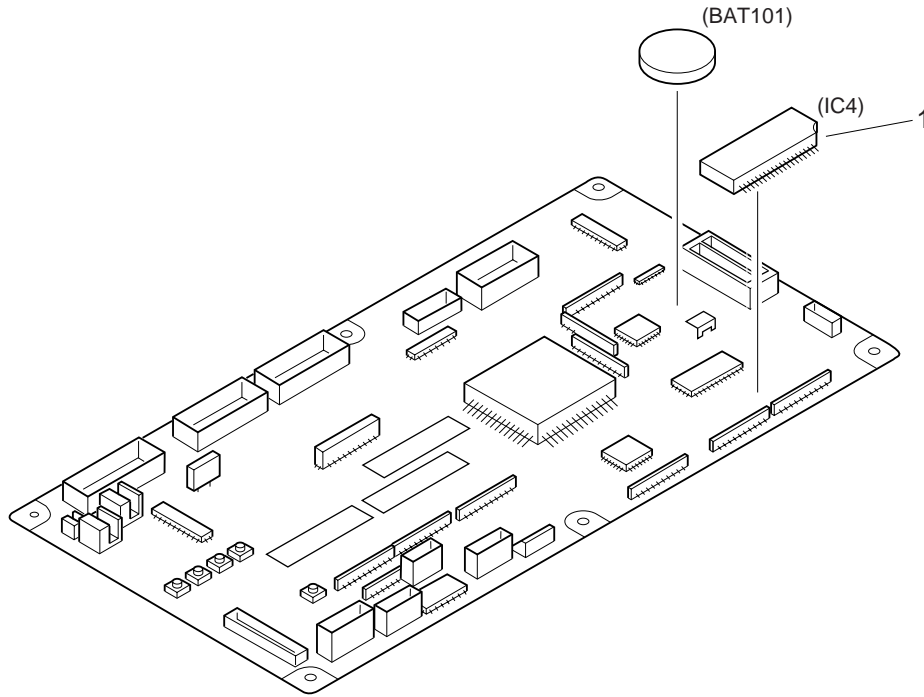


FIGURE & KEY NO.	PART NUMBER	RANK	QTY	DESCRIPTION	SERIAL NUMBER / REMARKS
930 - 1	FM5-5158-000		1	DC CONTROLLER PCB ASSEMBLY	NP7161/7164
	FM5-5157-000		1	DC CONTROLLER PCB ASSEMBLY	NP7160/7163
	FM5-5249-000		1	DC CONTROLLER PCB ASSEMBLY	NP7210/7214
	FL5-5087-000		1	IC, TMS27C020-12, EP-ROM	NP7161/7160 NP7164/7163 IC4
	FL5-5114-000		1	IC, TMS27C020-12, EP-ROM	NP7210/7214 IC4
BAT 101	WK1-0082-000		1	BATTERY, LITHIUM	
FU101	VD7-1561-801		1	CHIP FUSE, 1.8A 50V	
IC113	FH4-6042-000		1	IC, MBCG46323-115, GATE ARRAY	
IC114	FH4-5560-000		1	IC, M38881M2-010GP, IPC	NP7161/7164 NP7210/7214

FIGURE B LIST OF CONNECTORS (1/2)

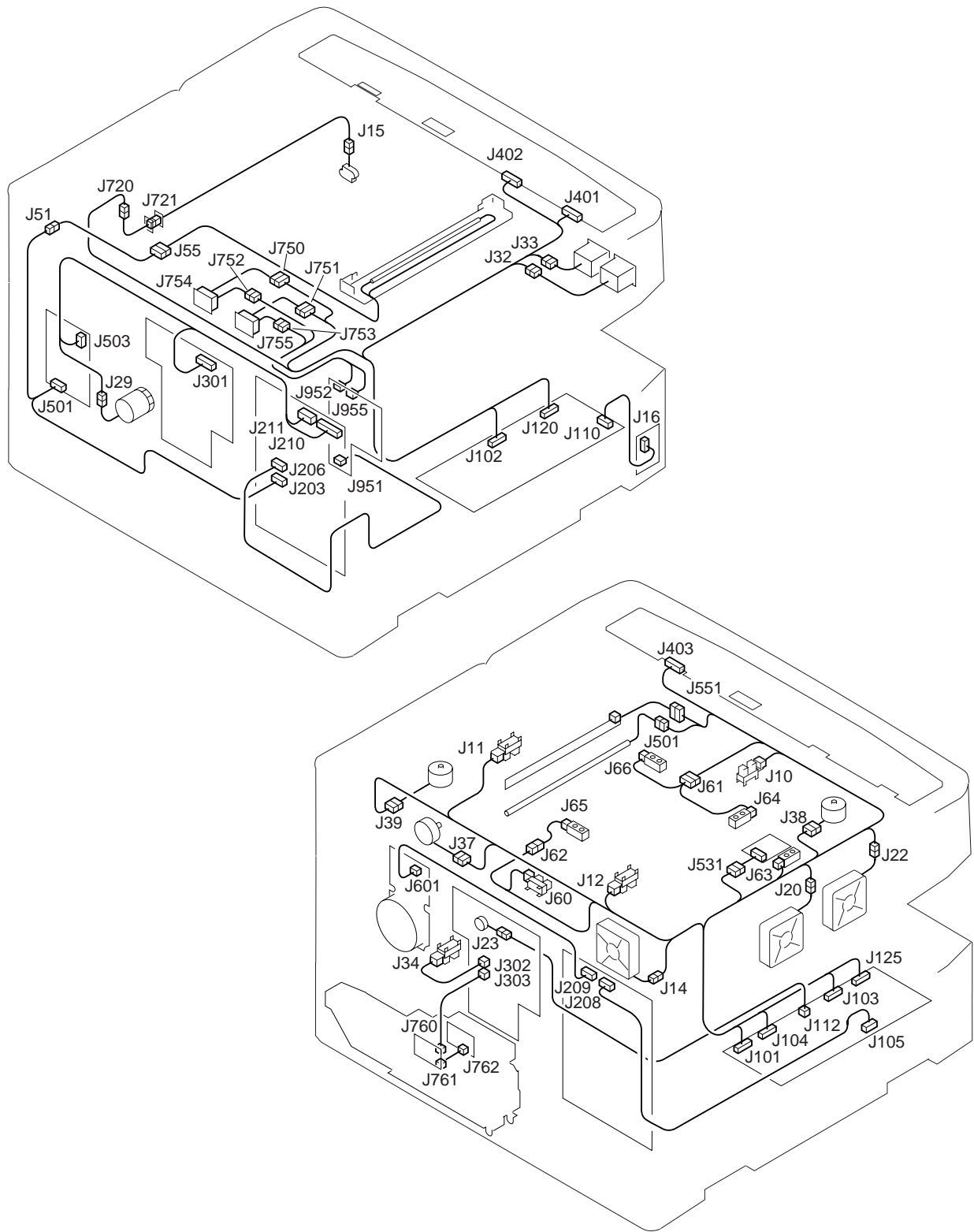


FIGURE B LIST OF CONNECTORS (2/2)

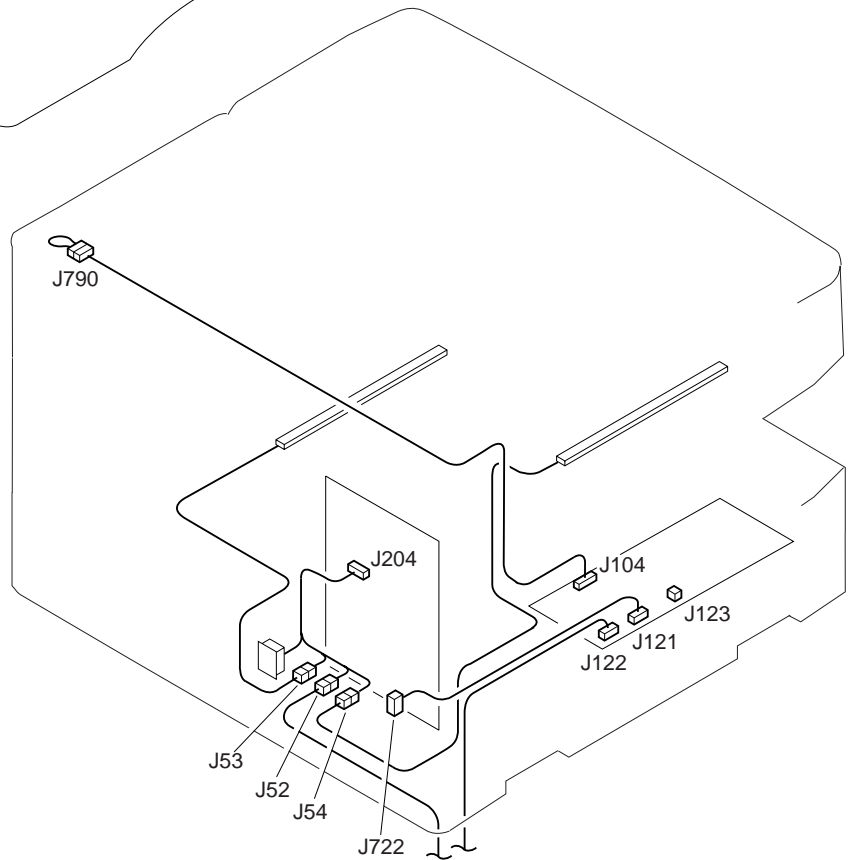
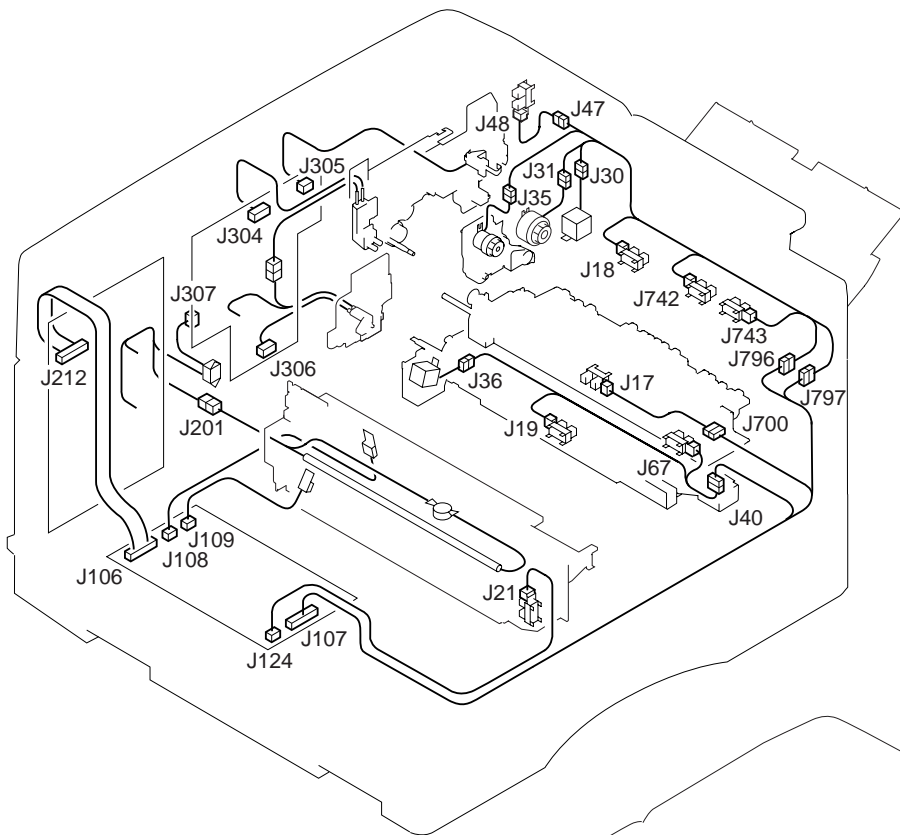


FIGURE & KEY NO.	PART NUMBER	RANK	QTY	DESCRIPTION	SERIAL NUMBER / REMARKS
B -	NPN		RF	LIST OF CONNECTORS	
J 10	NPN			LENS HOME POSITION SENSOR	PS2
	VS1-0842-003		1	CONNECTOR, 3P, FEMALE	
J 11	NPN			MIRROR HOME POSITION SENSOR	PS3
	VS1-0842-003		1	CONNECTOR, 3P, FEMALE	
J 12	NPN			SCANNER HOME POSITION SENSOR	PS1
	VS1-0842-003		1	CONNECTOR, 3P, FEMALE	
J 14	NPN			COOLING FAN	FM1
	VS1-0842-003		1	CONNECTOR, 3P, FEMALE	
	VS1-5057-003		1	CONNECTOR, SNAP TIGHT	
J 15	NPN			TONER SENSOR	TS1
	FL5-5070-000		1	CABLE, SENSOR CONNECTING	
J 16	PCB			CASSETTE SIZE SENSOR	
	VS1-0842-005		1	CONNECTOR, 5P, FEMALE	
J 17	NPN			REGISTRATION PAPER SENSOR	PS5
	VS1-0842-003		1	CONNECTOR, 3P, FEMALE	
J 18	NPN			MULTI PAPER SENSOR	PS7
	VS1-0842-003		1	CONNECTOR, 3P, FEMALE	
J 19	NPN			CASSETTE PAPER SENSOR	PS4
	VS1-0842-003		1	CONNECTOR, 3P, FEMALE	
J 20	NPN			EXHAUST FAN	FM2
	VS1-0842-003		1	CONNECTOR, 3P, FEMALE	
	VS1-5057-003		1	CONNECTOR, SNAP TIGHT	
J 21	NPN			DELIVERY PAPER SENSOR	PS6
	VS1-0842-003		1	CONNECTOR, 3P, FEMALE	
J 22	NPN			EXHAUST FAN	FM4
	VS1-0842-003		1	CONNECTOR, 3P, FEMALE	
	VS1-5057-003		1	CONNECTOR, SNAP TIGHT	
J 23	NPN			CLEANING THERMISTOR	TH3
	VS1-0842-002		1	CONNECTOR, 2P, FEMALE	

FIGURE & KEY NO.	PART NUMBER	RANK	QTY	DESCRIPTION	SERIAL NUMBER / REMARKS
B - J 23	VS1-5057-002		1	CONNECTOR, SNAP TIGHT	
J 29	NPN			REGISTRATION CLUTCH	CL1
	VS1-0842-002		1	CONNECTOR, 2P, FEMALE	
	VS1-5057-002		1	CONNECTOR, SNAP TIGHT	
J 30	NPN			MULTI PAPER FEED SOLENOID	SL2
	VS1-0842-002		1	CONNECTOR, 2P, FEMALE	
	VS1-5057-002		1	CONNECTOR, SNAP TIGHT	
J 31	NPN			MULTI PAPER FEED CLUTCH	CL3
	VS1-0842-002		1	CONNECTOR, 2P, FEMALE	
	VS1-5057-002		1	CONNECTOR, SNAP TIGHT	
J 32	NPN			COUNTER	ACCESSORY CNT2
	VS1-0842-003		1	CONNECTOR, 3P, FEMALE	
	VS1-5057-003		1	CONNECTOR, SNAP TIGHT	
J 33	NPN			COUNTER	CNT1
	VS1-0842-002		1	CONNECTOR, 2P, FEMALE	
J 34	VS1-5057-002		1	CONNECTOR, SNAP TIGHT	
	NPN			WASTE T. TORQUE LIMIT SENSOR	PS8
	VS1-0842-003		1	CONNECTOR, 3P, FEMALE	
J 35	NPN			PAPER FEED CLUTCH	CL2
	VS1-0842-002		1	CONNECTOR, 2P, FEMALE	
J 36	VS1-5057-002		1	CONNECTOR, SNAP TIGHT	
	NPN			PAPER PICK-UP SOLENOID	SL1
	VS1-0842-002		1	CONNECTOR, 2P, FEMALE	
	VS1-5057-002		1	CONNECTOR, SNAP TIGHT	
J 37	NPN			SCANNER MOTOR	M2
J 38	VS1-0842-005		1	CONNECTOR, 5P, FEMALE	
	VS1-5057-005		1	CONNECTOR, SNAP TIGHT	NP7210/7214
	NPN			LENS MOTOR	M3
	VS1-0842-005		1	CONNECTOR, 5P, FEMALE	
	VS1-5057-005		1	CONNECTOR, SNAP TIGHT	

FIGURE & KEY NO.	PART NUMBER	RANK	QTY	DESCRIPTION	SERIAL NUMBER / REMARKS
B - J 39	NPN			MIRROR MOTOR	M4
	VS1-0842-005		1	CONNECTOR, 5P, FEMALE	
	VS1-5057-005		1	CONNECTOR, SNAP TIGHT	
J 40	VS1-0842-008		2	CONNECTOR, 8P, FEMALE	
	VS1-5057-008		1	CONNECTOR, SNAP TIGHT	
J 47	VS1-0842-003		2	CONNECTOR, 3P, FEMALE	
	VS1-5057-003		1	CONNECTOR, SNAP TIGHT	
J 48	NPN			RIGHT DOOR OPEN/CLOSE SENSOR	PS11
	VS1-0842-003		1	CONNECTOR, 3P, FEMALE	
J 51	VS1-5729-003		1	CONNECTOR, 3P, MALE	
J 52	VS3-5083-003		1	CONNECTOR, 3P, FEMALE	
	WS3-5160-000		2	SOCKET CONTACT, 18-24AWG	
	WS3-5301-000		2	PIN CONTACT	
	-----			ACCESSORY CASSETTE HEATER	ACCESSORY H4
	VS1-5729-002		1	CONNECTOR, 2P, MALE	PHT,PHR,NNL,PKU ACCESSORY FOR OTHER
J 53	WS3-5301-000		2	PIN CONTACT	PHT,PHR,NNL,PKU ACCESSORY FOR OTHER
	NPN			CASSETTE/DRUM HEATER	PHT,PHR,NNL,PKU H2 ACCESSORY FOR OTHER
	VS1-5729-002		1	CONNECTOR, 2P, MALE	PHT,PHR,NNL,PKU ACCESSORY FOR OTHER
	WS3-5301-000		2	PIN CONTACT	PHT,PHR,NNL,PKU ACCESSORY FOR OTHER
J 54	NPN			MIRROR HEATER	ACCESSORY H3
J 55	VS1-5729-002		1	CONNECTOR, 2P, MALE	PHT,PHR,NNL,PKU ACCESSORY FOR OTHER
	WS3-5301-000		2	PIN CONTACT	PHT,PHR,NNL,PKU ACCESSORY FOR OTHER
	VS1-5729-003		1	CONNECTOR, 3P, MALE	
	VS3-5083-003		1	CONNECTOR, 3P, FEMALE	
	WS3-5160-000		2	SOCKET CONTACT, 18-24AWG	
J 60	WS3-5301-000		2	PIN CONTACT	
	NPN			C. COVER OPEN/CLOSE SENSOR	NP7210/7214 PS12
	VS1-0842-003		1	CONNECTOR, 3P, FEMALE	NP7210/7214
J 61	VS1-0842-006		2	CONNECTOR, 6P, FEMALE	NP7210/7214
	VS1-5057-006		1	CONNECTOR, SNAP TIGHT	NP7210/7214

FIGURE & KEY NO.	PART NUMBER	RANK	QTY	DESCRIPTION	SERIAL NUMBER / REMARKS
B - J 62	VS1-0842-004		2	CONNECTOR, 4P, FEMALE	NP7210/7214
	VS1-5057-004		1	CONNECTOR, SNAP TIGHT	NP7210/7214
J 63	NPN			DOCUMENT SIZE SENSOR 1	NP7210/7214 DS1
	VS1-0852-003		1	CONNECTOR, 3P, FEMALE	NP7210/7214
J 64	NPN			DOCUMENT SIZE SENSOR 2	NP7210/7214 DS2
	VS1-0842-003		1	CONNECTOR, 3P, FEMALE	NP7210/7214
J 65	NPN			DOCUMENT SIZE SENSOR 3	NP7210/7214 DS3
	VS1-0842-003		1	CONNECTOR, 3P, FEMALE	NP7210/7214
J 66	NPN			DOCUMENT SIZE SENSOR 4	NP7210/7214 DS4 AB/INCH SIZE
	VS1-0842-003		1	CONNECTOR, 3P, FEMALE	NP7210/7214 AB/INCH SIZE
J 67	NPN			VERTICAL PAPER SENSOR	NP7210/7214 PS13
	VS1-0842-003		1	CONNECTOR, 3P, FEMALE	NP7210/7214
J101	PCB			DC CONTROLLER	
	VS1-0842-015		1	CONNECTOR, 15P, FEMALE	
	VS1-0852-015		1	CONNECTOR, 15P, FEMALE	
J102	VS9-5009-030		1	HOLDER, CONNECTOR, 30P	
	PCB			DC CONTROLLER	
	VS1-0842-013		1	CONNECTOR, 13P, FEMALE	
	VS1-0852-013		1	CONNECTOR, 13P, FEMALE	
	VS9-5009-026		1	HOLDER, CONNECTOR, 26P	
J103	PCB			DC CONTROLLER	
	VS1-0842-009		1	CONNECTOR, 9P, FEMALE	
	VS1-0852-009		1	CONNECTOR, 9P, FEMALE	
	VS9-5009-018		1	HOLDER, CONNECTOR, 18P	
J104	PCB		DC CONTROLLER		
J105	VS1-0842-012		1	CONNECTOR, 12P, FEMALE	
	VS1-0852-012		1	CONNECTOR, 12P, FEMALE	
	VS9-5009-024		1	HOLDER, CONNECTOR, 24P	
	PCB			DC CONTROLLER	
	VS1-0279-005		1	CONNECTOR, 5P, FEMALE	

FIGURE & KEY NO.	PART NUMBER	RANK	QTY	DESCRIPTION	SERIAL NUMBER / REMARKS
B - J105	WS3-0437-000		5	SOCKET CONTACT, 20-30AWG	
J106	PCB			DC CONTROLLER	
	FH2-6630-000		1	CABLE, FLAT	
J107	PCB			DC CONTROLLER	
	VS1-0842-015		1	CONNECTOR, 15P, FEMALE	
	VS1-0852-015		1	CONNECTOR, 15P, FEMALE	
	VS9-5009-030		1	HOLDER, CONNECTOR, 30P	
J108	PCB			DC CONTROLLER	
	NPN			MAIN THERMISTOR	TH1
J109	PCB			DC CONTROLLER	
	NPN			SUB THERMISTOR	TH2
J110	PCB			DC CONTROLLER	
	VS1-0978-005		1	CONNECTOR, 5P, FEMALE	
J112	PCB			DC CONTROLLER	
	VS1-0842-002		1	CONNECTOR, 2P, FEMALE	
J120	PCB			DC CONTROLLER	
	VS1-0842-008		1	CONNECTOR, 8P, FEMALE	NP7161/7164 NP7210/7214
J121	-----			ASSIST 3	ACCESSORY EXCEPT NP7160/7163
	PCB			DC CONTROLLER	
J122	-----			CASSETTE FEEDING MODULE-C1	ACCESSORY EXCEPT NP7160/7163
	PCB			DC CONTROLLER	
J123	-----			APC POWER SUPPLY	ACCESSORY PU2 EXCEPT NP7160/7163
	PCB			DC CONTROLLER	
J124	PCB			DC CONTROLLER	
	VS1-0842-003		1	CONNECTOR, 3P, FEMALE	
J125	PCB			DC CONTROLLER	
	VS1-0842-015		1	CONNECTOR, 15P, FEMALE	NP7210/7214
J201	PCB			DC POWER SUPPLY	PU1
	NPN			MAIN HEATER	H1
J203	PCB			DC POWER SUPPLY	PU1

FIGURE & KEY NO.	PART NUMBER	RANK	QTY	DESCRIPTION	SERIAL NUMBER / REMARKS
B - J203	VS3-5083-003		1	CONNECTOR, 3P, FEMALE	
	WS3-5160-000		2	SOCKET CONTACT, 18-24AWG	
	J204 PCB			DC POWER SUPPLY	PU1
	VS3-5083-005		1	CONNECTOR, 5P, FEMALE	PHT,PHR,NNL,PKU ACCESSORY FOR OTHER
	WS3-5160-000		2	SOCKET CONTACT, 18-24AWG	PHT,PHR,NNL,PKU ACCESSORY FOR OTHER
J206	PCB			DC POWER SUPPLY	PU1
	VS3-5083-004		1	CONNECTOR, 4P, FEMALE	NP7161/7164 NP7210/7214
J208	WS3-5160-000		2	SOCKET CONTACT, 18-24AWG	NP7161/7164 NP7210/7214
	PCB			DC POWER SUPPLY	PU1
	VS1-0279-005		1	CONNECTOR, 5P, FEMALE	
J209	WS3-0437-000		5	SOCKET CONTACT, 20-30AWG	
	PCB			DC POWER SUPPLY	PU1
	VS1-0279-004		1	CONNECTOR, 4P, FEMALE	
J210	WS3-0437-000		4	SOCKET CONTACT, 20-30AWG	
	PCB			DC POWER SUPPLY	PU1
J211	VS1-0842-010		1	CONNECTOR, 10P, FEMALE	
	PCB			DC POWER SUPPLY	PU1
J212	VS1-0842-007		1	CONNECTOR, 7P, FEMALE	
	PCB			DC POWER SUPPLY	PU1
J301	FH2-6630-000		1	CABLE, FLAT	
	PCB			HIGH VOLTAGE TRANSFER	PU2
J302	VS1-0842-010		1	CONNECTOR, 10P, FEMALE	
	PCB			HIGH VOLTAGE TRANSFER	PU2
J303	VS1-0842-003		1	CONNECTOR, 3P, FEMALE	
	PCB			HIGH VOLTAGE TRANSFER	PU2
J304	VS1-0842-004		1	CONNECTOR, 4P, FEMALE	
	PCB			HIGH VOLTAGE TRANSFER	PU2
J305	FH2-9228-000		1	CONNECTOR, HIGH VOLTAGE	
	PCB			HIGH VOLTAGE TRANSFER	PU2
	VS3-5083-002		1	CONNECTOR, 2P, FEMALE	

FIGURE & KEY NO.	PART NUMBER	R A N K	Q T Y	DESCRIPTION	SERIAL NUMBER / REMARKS
B - J305	WS3-5160-000		1	SOCKET CONTACT, 18-24AWG	
J306	PCB			HIGH VOLTAGE TRANSFER	PU2
	FL5-0575-000		1	CONNECTOR, HIGH VOLTAGE	
J307	PCB			HIGH VOLTAGE TRANSFER	PU2
	VS3-5083-002		1	CONNECTOR, 2P, FEMALE	

	WS3-5160-000		2	SOCKET CONTACT, 18-24AWG	
J401	PCB			CONTROL PANEL	
	VS1-0842-009		1	CONNECTOR, 9P, FEMALE	
J402	PCB			CONTROL PANEL	
	VS1-0842-010		1	CONNECTOR, 10P, FEMALE	

J403	PCB			CONTROL PANEL	
	VS1-0842-015		1	CONNECTOR, 15P, FEMALE	
J501	PCB			LAMP REGULATOR	CVR
	VS3-5083-006		1	CONNECTOR, 6P, FEMALE	
	WS3-5160-000		4	SOCKET CONTACT, 18-24AWG	

	NPN			PRE-CONDITIONING LAMP	LA2
	VS1-0842-002		1	CONNECTOR, 2P, FEMALE	
	VS1-5057-002		1	CONNECTOR, SNAP TIGHT	
J503	PCB			LAMP REGULATOR	CVR
	VS1-0842-005		1	CONNECTOR, 5P, FEMALE	

J531	PCB			AE SENSOR	
	VS1-0842-004		1	CONNECTOR, 4P, FEMALE	
	VS1-5057-004		1	CONNECTOR, SNAP TIGHT	
J551	PCB			BLANK EXPOSURE	
	VS1-0842-010		1	CONNECTOR, 10P, FEMALE	

	VS1-5057-010		1	CONNECTOR, SNAP TIGHT	
J601	NPN			MAIN MOTOR	M1
	VS1-0279-004		1	CONNECTOR, 4P, FEMALE	
	WS3-0437-000		4	SOCKET CONTACT, 20-30AWG	
J700	VS1-0842-003		2	CONNECTOR, 3P, FEMALE	

FIGURE & KEY NO.	PART NUMBER	RANK	QTY	DESCRIPTION	SERIAL NUMBER / REMARKS
B - J700	VS1-5057-003		1	CONNECTOR, SNAP TIGHT	
J720	FL5-5069-000		1	CABLE, CONNECTING	
	VS1-0842-003		1	CONNECTOR, 3P, FEMALE	
J721	FL5-5069-000		1	CABLE, CONNECTING	
	FL5-5070-000		1	CABLE, SENSOR CONNECTING	
J742	NPN			MULTI PAPER WIDTH SENSOR 1	PS9
	VS1-0842-003		1	CONNECTOR, 3P, FEMALE	
J743	NPN			MULTI PAPER WIDTH SENSOR 2	PS10
	VS1-0842-003		1	CONNECTOR, 3P, FEMALE	
J750	VS1-0842-004		2	CONNECTOR, 4P, FEMALE	NP7161/7164 NP7210/7214
J751	VS1-5057-004		1	CONNECTOR, SNAP TIGHT	NP7161/7164 NP7210/7214
	VS1-0842-004		2	CONNECTOR, 4P, FEMALE	NP7161/7164 NP7210/7214
	VS1-5057-004		1	CONNECTOR, SNAP TIGHT	NP7161/7164 NP7210/7214
J752	VS4-0003-004		1	CONNECTOR, 4P, MALE	NP7161/7164 NP7210/7214
	VS1-0279-004		1	CONNECTOR, 4P, FEMALE	NP7161/7164 NP7210/7214
J753	WS3-0885-000		4	PIN CONTACT, 20-30AWG	NP7161/7164 NP7210/7214
	WS3-0437-000		4	SOCKET CONTACT, 20-30AWG	NP7161/7164 NP7210/7214
	VS4-0003-004		1	CONNECTOR, 4P, MALE	NP7161/7164 NP7210/7214
	VS1-0279-004		1	CONNECTOR, 4P, FEMALE	NP7161/7164 NP7210/7214
	WS3-0885-000		4	PIN CONTACT, 20-30AWG	NP7161/7164 NP7210/7214
J754	WS3-0437-000		4	SOCKET CONTACT, 20-30AWG	NP7161/7164 NP7210/7214
	-----			ADF	ACCESSORY EXCEPT NP7160/7163
	FH2-5819-000		1	CONNECTOR, 12P, FEMALE	NP7161/7164 NP7210/7214
	FH2-5820-000		8	PIN CONTACT, 22-26AWG	NP7161/7164 NP7210/7214
	FH2-5825-000		1	PIN CONTACT, 16-20AWG	NP7161/7164 NP7210/7214
J755	-----			SORTER	ACCESSORY EXCEPT NP7160/7163
	FH2-5819-000		1	CONNECTOR, 12P, FEMALE	NP7161/7164 NP7210/7214
	FH2-5820-000		8	PIN CONTACT, 22-26AWG	NP7161/7164 NP7210/7214
	FH2-5825-000		1	PIN CONTACT, 16-20AWG	NP7161/7164 NP7210/7214
J760	PCB			WASTE TONER SENSOR	

FIGURE & KEY NO.	PART NUMBER	RANK	QTY	DESCRIPTION	SERIAL NUMBER / REMARKS
B - J760	VS1-0978-003		1	CONNECTOR, 3P, MALE	
J761	PCB			WASTE TONER SENSOR	
	VS1-0978-002		1	CONNECTOR, 2P, MALE	
J762	PCB			WASTE TONER SENSOR	
	VS1-0978-002		1	CONNECTOR, 2P, MALE	
J790	VS1-0279-004		1	CONNECTOR, 4P, FEMALE	
	VS4-0003-004		1	CONNECTOR, 4P, MALE	
	WS3-0437-000		2	SOCKET CONTACT, 20-30AWG	
	WS3-0885-000		4	PIN CONTACT, 20-30AWG	
J796	VS1-0842-011		2	CONNECTOR, 11P, FEMALE	
J797	VS1-5057-011		1	CONNECTOR, SNAP TIGHT	
	VS1-0842-007		2	CONNECTOR, 7P, FEMALE	
	VS1-5057-007		1	CONNECTOR, SNAP TIGHT	
J951	-----			APC POWER SUPPLY	ACCESSORY PU2 EXCEPT NP7160/7163
	VS1-5729-003		1	CONNECTOR, 3P, MALE	NP7161/7164 NP7210/7214
J952	VS3-5083-003		1	CONNECTOR, 3P, FEMALE	NP7161/7164 NP7210/7214
	WS3-5160-000		2	SOCKET CONTACT, 18-24AWG	NP7161/7164 NP7210/7214
	-----			APC POWER SUPPLY	ACCESSORY PU2 EXCEPT NP7160/7163
	VS1-0279-004		1	CONNECTOR, 4P, FEMALE	NP7161/7164 NP7210/7214
	WS3-0437-000		4	SOCKET CONTACT, 20-30AWG	NP7161/7164 NP7210/7214
J955	-----			APC POWER SUPPLY	ACCESSORY PU2 EXCEPT NP7160/7163
	VS1-0279-004		1	CONNECTOR, 4P, FEMALE	NP7161/7164 NP7210/7214
	WS3-0437-000		4	SOCKET CONTACT, 20-30AWG	NP7161/7164 NP7210/7214

Cassette Feeding Module-C1

[F25 - 0301 ZSM00001 -]

CONTENTS

ZA. ASSEMBLY LOCATION DIAGRAM

Z01. MOUNTING HARDWARE

Z11. MAIN BODY

Z12. RIGHT DOOR ASSEMBLY

Z20. PAPER PICK-UP DRIVE ASSMEBLY

Z40. PAPER PICK-UP ASSEMBLY

ZB. LIST OF CONNECTORS

D2. NUMERICAL INDEX

FIGURE ZA ASSEMBLY LOCATION DIAGRAM

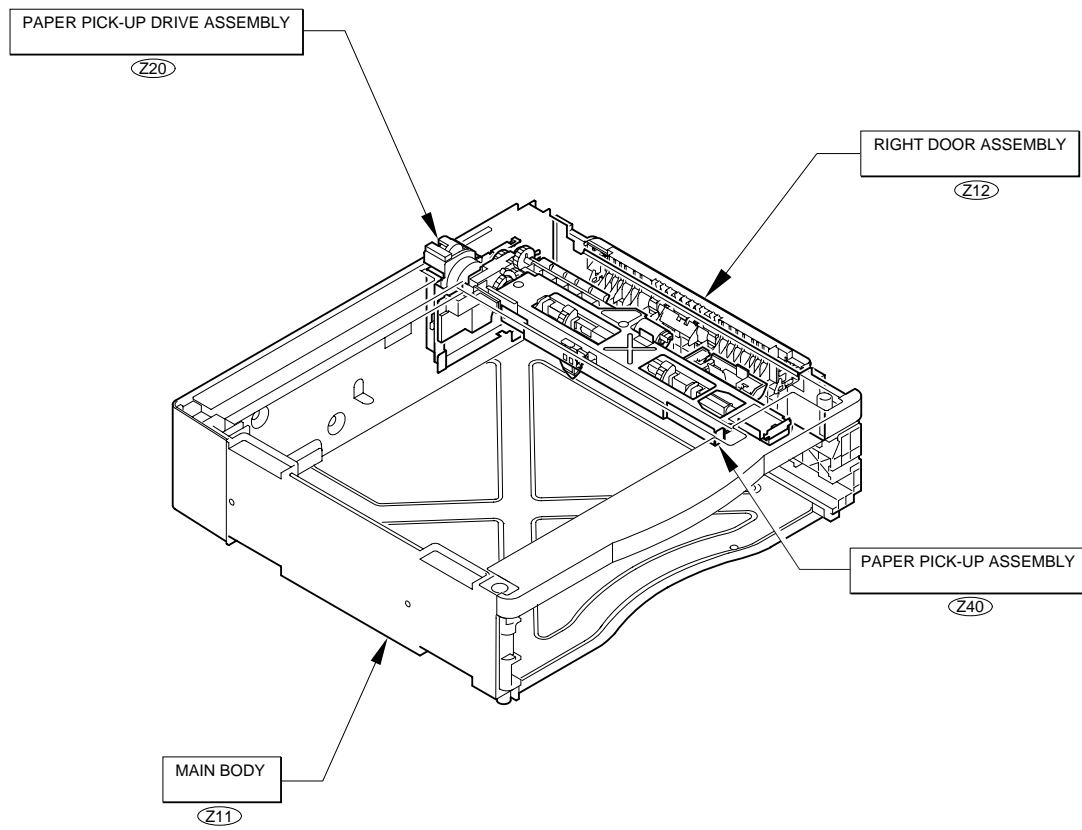


FIGURE Z01 MOUNTING HARDWARE

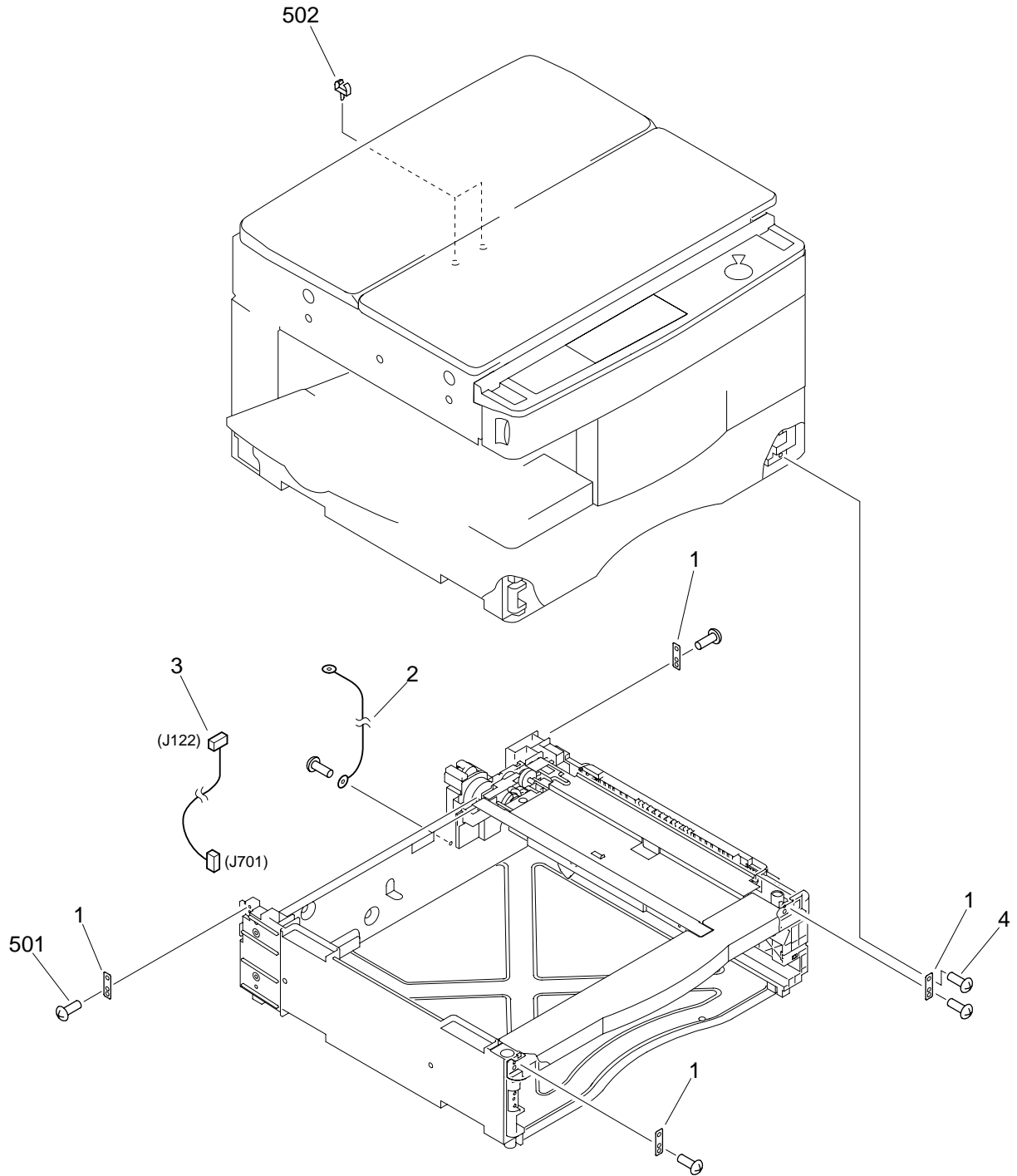


FIGURE & KEY NO.	PART NUMBER	RANK	QTY	DESCRIPTION	SERIAL NUMBER / REMARKS
Z11 -	NPN		RF	MAIN BODY	
1	FA3-8727-000		1	RING, RETAINING	
2	FB4-5532-000		1	CASSETTE DAMPER UNIT	
3	FE5-3980-000		1	SUPPORT, HOOK, REAR	
4	FE5-4254-000		1	COVER, FRONT, UPPER	
5	FE5-4256-000		1	COVER, REAR	
6	FM5-5175-000		1	CABLE, REAR	J702,706-709
7	FM5-5172-000		1	CASSETTE PCB ASSEMBLY	J701-703
8	FE5-5182-000		1	GEAR, 17T	
9	FE5-5221-000		1	ROLLER, PAPER PICK-UP	
10	FE5-6198-000		1	SPRING, COMPRESSION	
11	FL5-5110-000		1	CABLE, CASSETTE SIZE SENSOR, 1	J703,704
11A	VS1-5057-005		1	CONNECTOR, SNAP TIGHT	J704
12	XG9-0192-000		2	BALL BEARING, NMB DDLF-1060ZZH	
13	FM5-5162-000		1	PAPER SIZE SENSOR PCB ASSEMBLY	J16
13A	FL5-5068-000		1	CABLE, PAPER SIZE SENSOR PCB	J16,705
14	FS1-9102-000		1	SCREW, STEPPED, M3	
15	FH7-3368-000		1	HEATER UNIT	ACCESSORY 120V H4 J56
	FH7-3369-000		1	HEATER UNIT	ACCESSORY 220/240V H4 J56
16	FE5-3654-000		1	SUPPORT, HEATER	ACCESSORY
17	FE5-4400-000		1	CROSSMEMBER, HEATER SUPPORT	ACCESSORY
18	XA9-0863-000		4	SCREW, RS, M3X6	ACCESSORY
19	FL5-5131-000		1	CABLE, HEATER CONNECTING	ACCESSORY J52,56
20	FE5-4031-000		1	ARM, SEPARATION ROLLER RELEASE	
21	FE5-4032-000		1	ROLLER, TORQUE LIMITER	
22	FE5-4034-000		1	HOLDER, SEPARATION ROLLER	
23	FE5-4035-000		1	BUSHING, SEP. ROLLER, FRONT	
24	FE5-4036-000		1	BUSHING, SEP. ROLLER, REAR	
25	FE5-4320-000		1	COVER, SPRING PIN	
26	FE5-6205-000		2	SPRING, COMPRESSION	

FIGURE & KEY NO.	PART NUMBER	R A N K	Q T Y	DESCRIPTION	SERIAL NUMBER / REMARKS
Z11 - 27	FL5-0632-000		1	SHAFT, SEPARATION ROLLER	
28	RF5-2490-000		1	ROLLER	
29	FE5-4267-000		1	HOLDER, SENSOR	
30	FE5-4268-000		1	FLAG, OPEN/CLOSE SENSOR	
31	FE5-5234-000		1	SPRING, TORSION	
32	WG8-5364-000		1	PHOTO-INTERRUPTER	PS103 J707
33	FE5-3979-000		1	SUPPORT, HOOK, FRONT	
34	FE5-4298-000		1	MOUNT, BALL BEARING	
35	FL5-0725-000		1	RAIL, CASSETTE, RIGHT	
36	FL5-0598-000		1	BLOCK, PAPER SIZE SENSOR	
37	FE5-3977-000		1	HOOK, SIDE REGISTRATION	
38	FE5-6199-000		1	SPRING, COMPRESSION	
39	FE5-7065-000		1	SCREW, ADJUSTMENT	
40	FE5-3984-000		1	PLATE, SIZE LIMIT SENSOR	
41	FE5-4258-000		1	PLATE, GROUNDING	
42	FE5-4259-000		1	COVER, CABLE	
43	FE5-4260-000		2	PLATE, SORTER SUPPORT	
44	FE5-6194-000		1	SPRING, COMPRESSION	
45	FL5-0726-000		1	RAIL, CASSETTE, LEFT	
46	FL5-5111-000		1	CABLE, CASSETTE SIZE SENSOR, 2	J704,705
46A	VS1-5057-005		1	CONNECTOR, SNAP TIGHT	J705
47	FL5-5109-000		1	CABLE, GROUNDING	
48	XA9-0615-000		5	SCREW,P,M4X8	
49	XA9-0626-000		6	SCREW,RS,M3X6	
50	XA9-0692-000		5	SCREW,RS,M3X8	
51	XA9-0615-000		18	SCREW,P,M4X8	
52	XA9-0863-000		11	SCREW,RS,M3X6	
53	XA9-0780-000		2	SCREW,P,M4X12	
54	WT2-5026-000		3	CLIP, CABLE	ACCESSORY
501	XD1-3100-409		1	WASHER,SPRING	

FIGURE Z12 RIGHT DOOR ASSEMBLY

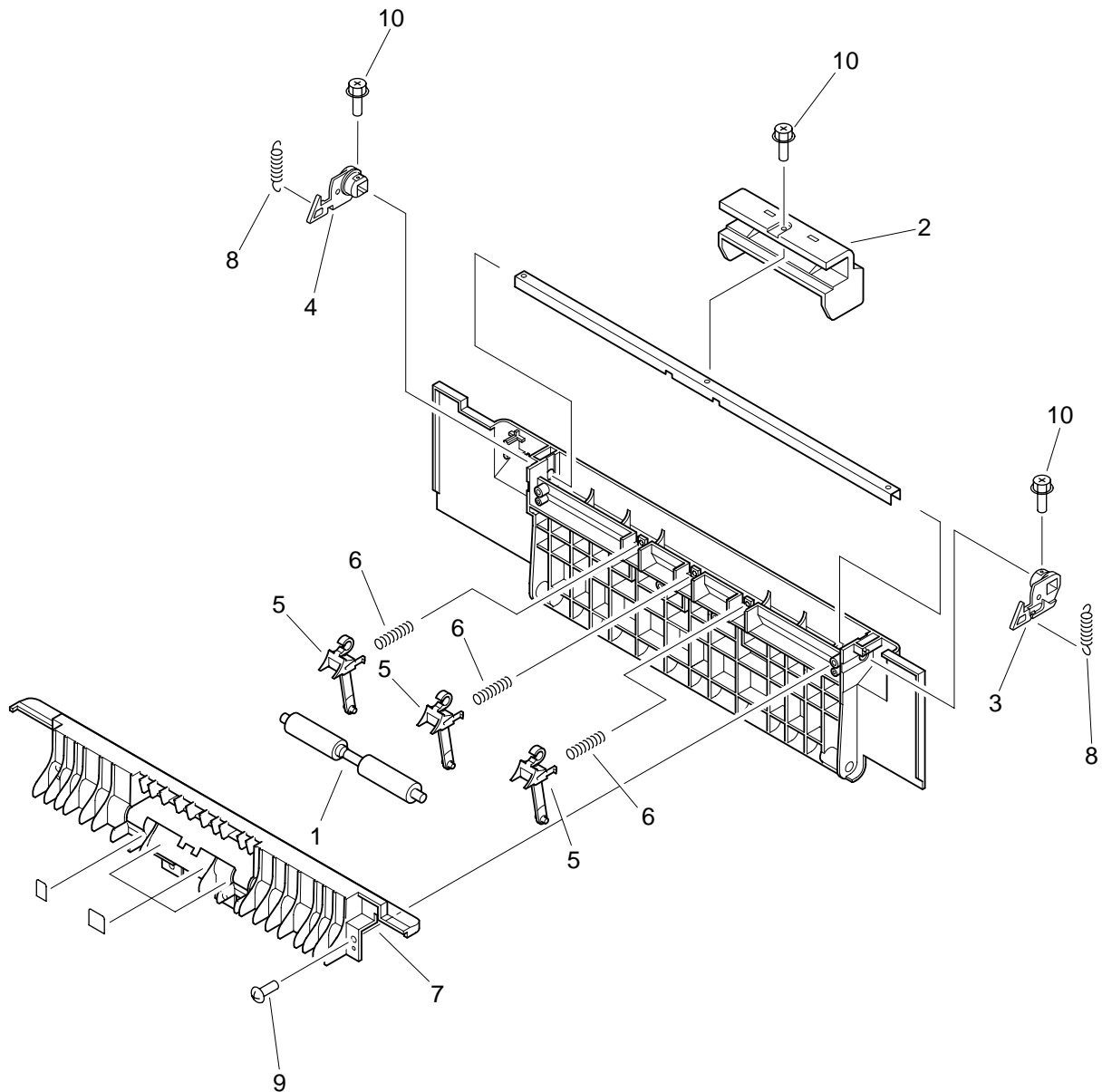


FIGURE & KEY NO.	PART NUMBER	R A N K	Q T Y	DESCRIPTION	SERIAL NUMBER / REMARKS
Z12 -	FM5-0869-000		1	RIGHT DOOR ASSEMBLY	
1	FB3-8101-000		1	ROLLER, BELT IDLER	
2	FE5-4110-000		1	HANDLE, RIGHT DOOR	
3	FE5-4111-000		1	HOOK, FRONT	
4	FE5-4112-000		1	HOOK, REAR	
5	FE5-4271-000		3	HOLDER, ROLLER	
6	FE5-6209-000		3	SPRING, COMPRESSION	
7	FL5-0729-000		1	COVER, RIGHT DOOR, UPPER	
8	FS6-2337-000		2	SPRING, TENSION	
9	XA9-0605-000		4	SCREW,P,M4X8	
10	XA9-0626-000		3	SCREW,RS,M3X6	

FIGURE Z20 PAPER PICK-UP DRIVE ASSEMBLY

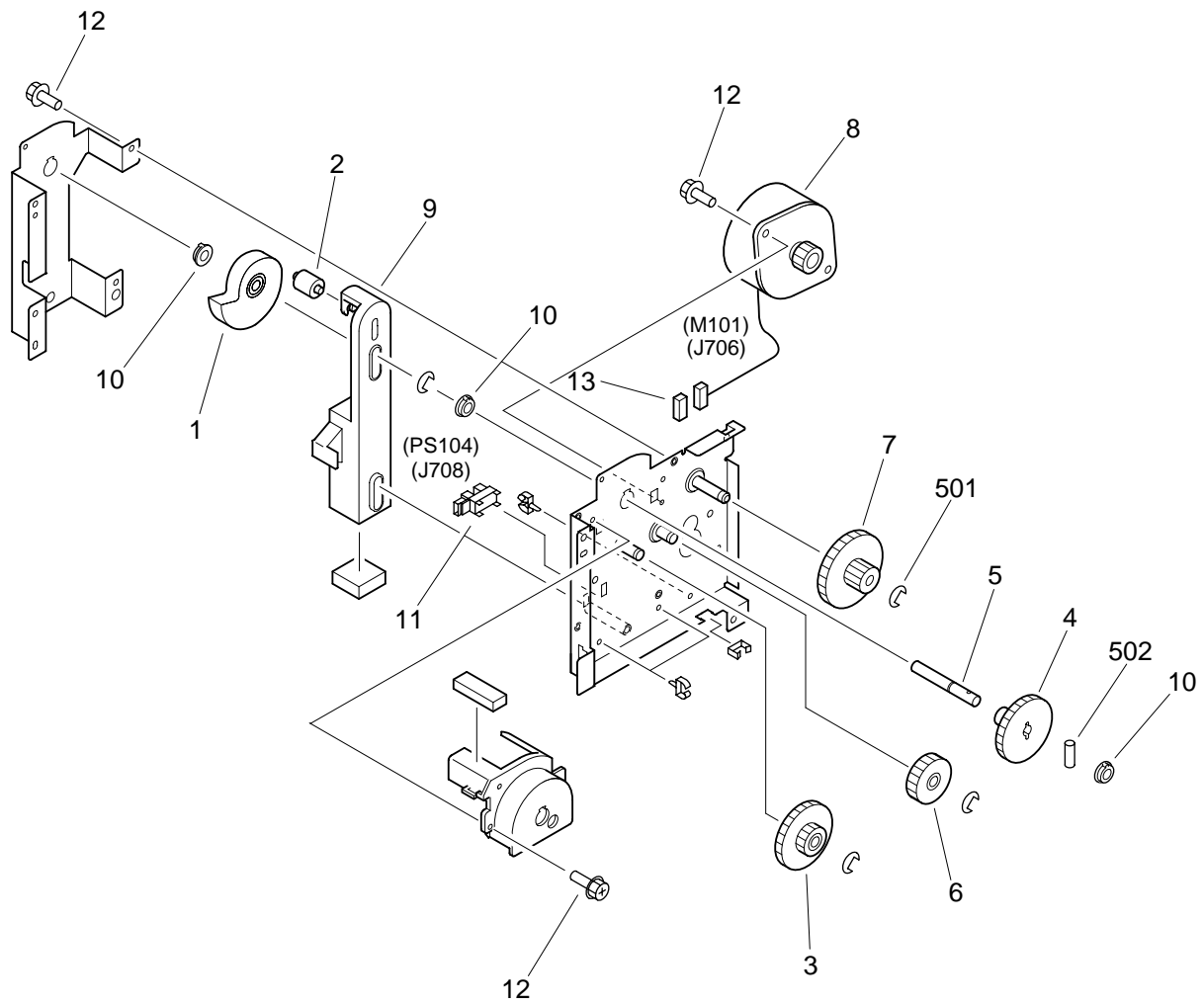


FIGURE & KEY NO.	PART NUMBER	RANK	QTY	DESCRIPTION	SERIAL NUMBER / REMARKS
Z20 -	FM5-0866-000		1	PAPER PICK-UP DRIVE ASSEMBLY	
1	FE5-4273-000		1	CAM, ONE-WAY	
2	FE5-4274-000		1	ROLLER	
3	FE5-4275-000		1	GEAR, 19T/46T	
4	FE5-4276-000		1	GEAR, 45T	
5	FE5-4277-000		1	SHAFT, CAM	
6	FE5-4279-000		1	GEAR, 31T	
7	FE5-5229-000		1	GEAR, 17T/52T	
8	FL5-0734-000		1	MOTOR, STEPPING, DC24V	M101 J706
9	FL5-0731-000		1	BLOCK, SLIDER	
10	FS1-1346-000		3	BUSHING	
11	WG8-5364-000		1	PHOTO-INTERRUPTER	PS104 J708
12	XA9-0626-000		7	SCREW,RS,M3X6	
13	VS1-5057-005		1	CONNECTOR, SNAP TIGHT	J706
501	XD2-1100-502		4	RING,E	
502	XD3-2200-102		1	PIN,DOWEL	

FIGURE Z40

PAPER PICK-UP ASSEMBLY

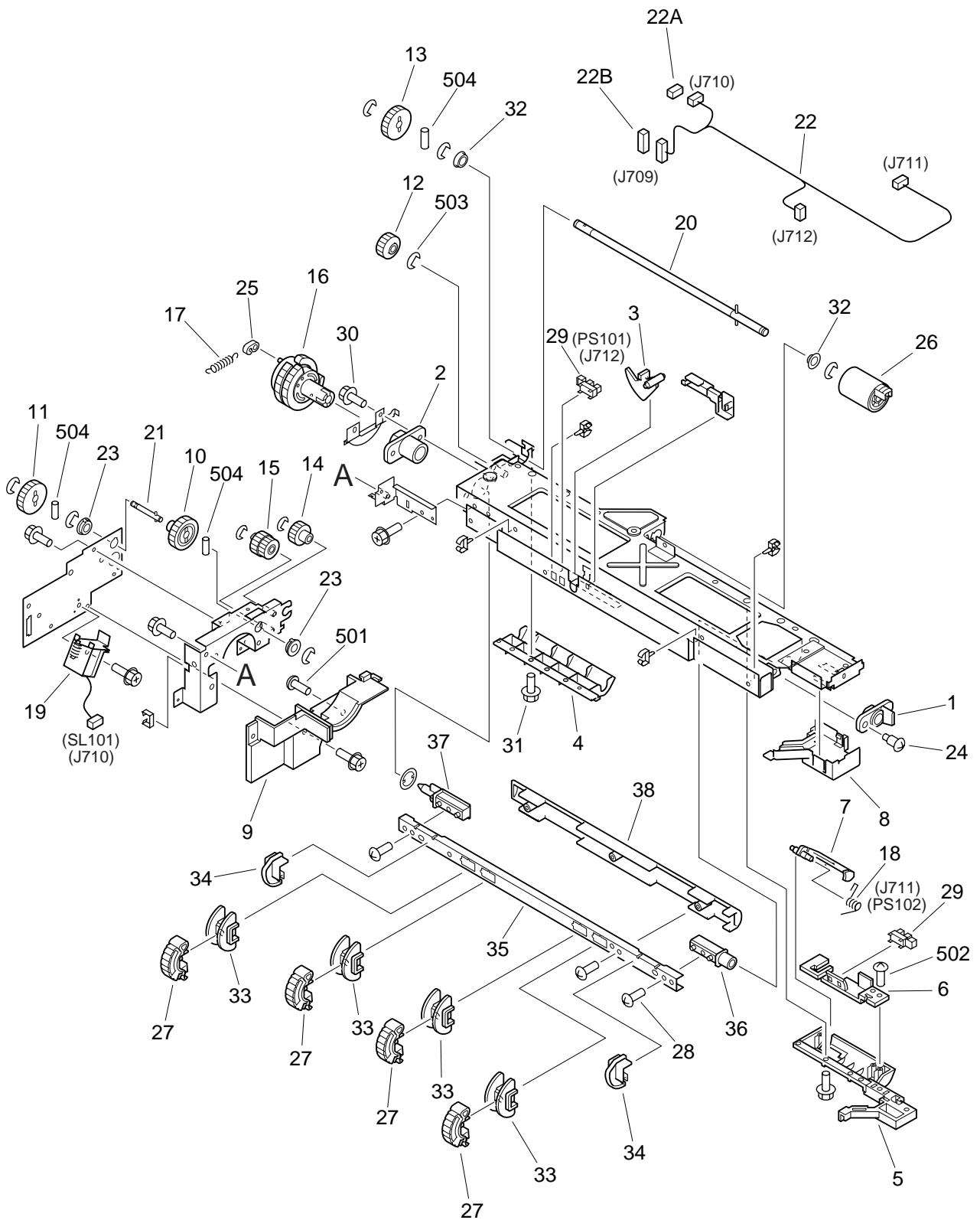


FIGURE & KEY NO.	PART NUMBER	R A N K	Q T Y	DESCRIPTION	SERIAL NUMBER / REMARKS
Z40 -	FM5-0867-000		1	PAPER PICK-UP ASSEMBLY	
1	FE5-4051-000		1	BUSHING, PICK-UP ROLLER, FRONT	
2	FE5-4052-000		1	BUSHING, PICK-UP ROLLER, REAR	
3	FE5-4053-000		1	FLAG, PAPER SENSOR	
4	FE5-4064-000		1	GUIDE, PAPER FEED ROLLER	
5	FE5-4216-000		1	GUIDE, PAPER FEED ROLLER, 2	
6	FE5-4217-000		1	HOLDER, SENSOR	
7	FE5-4218-000		1	FLAG, SENSOR	
8	FE5-4233-000		1	COVER, SENSOR	
9	FE5-4266-000		1	COVER, SOLENOID	
10	FE5-4290-000		1	GEAR, 27T	
11	FE5-4291-000		1	GEAR, 33T	
12	FE5-5184-000		1	GEAR, 15T	
13	FE5-5185-000		1	GEAR, 24T	
14	FE5-5225-000		1	GEAR, 17T	
15	FE5-5226-000		1	GEAR, 20T/21T	
16	FE5-5232-000		1	GEAR, 38T	
17	FE5-6208-000		1	SPRING, TENSION	
18	FE5-6217-000		1	SPRING, TORSION	
19	FH7-5871-000		1	SOLENOID	SL101 J710
20	FL5-0728-000		1	SHAFT, PAPER FEED ROLLER	
21	FL5-0730-000		1	SHAFT, DRIVE	
22	FL5-5112-000		1	CABLE, PAPER PICK-UP	J709-712
22A	VS1-5057-002		1	CONNECTOR, SNAP TIGHT	J710
22B	VS1-5057-008		1	CONNECTOR, SNAP TIGHT	J709
23	FS1-1346-000		2	BUSHING	
24	FS1-9010-000		1	SCREW, STEPPED, M3X2.2	
25	RB1-2190-000		1	COLLAR, SPRING	
26	RF5-2490-000		1	ROLLER	
27	FE5-4199-000		4	ROLLER	

FIGURE & KEY NO.	PART NUMBER	RANK	QTY	DESCRIPTION	SERIAL NUMBER / REMARKS
Z40 - 28	XA9-0596-000		4	SCREW,P,M3X6	
29	WG8-5364-000		2	PHOTO-INTERRUPTER	PS101,102 J711,712
30	XA9-0626-000		12	SCREW,RS,M3X6	
31	XA9-0692-000		4	SCREW,RS,M3X6	
32	XG9-0192-000		2	BALL BEARING, NMB DDLF-1060ZZH	
33	FE5-4048-000		4	BLOCK, PICK-UP ROLLER ADAPTER	
34	FE5-4049-000		2	ROLLER, PAPER PICK-UP	
35	FE5-4050-000		1	SHAFT, PAPER PICK-UP	
36	FE5-4058-000		1	BLOCK, SHAFT BUSHING, FRONT	
37	FE5-4059-000		1	BLOCK, SHAFT BUSHING, REAR	
38	FE5-4114-000		1	COVER, PICK-UP ROLLER SHAFT	
501	XB1-2300-609		1	SCREW,MACH.,TRUSS HEAD,M3X6	
502	XB4-7300-607		2	SCREW,TAPPING,TRUSS HEAD,M3X6	
503	XD2-1100-502		9	RING,E	
504	XD3-2200-142		3	PIN,DOWEL	

FIGURE ZB LIST OF CONNECTORS

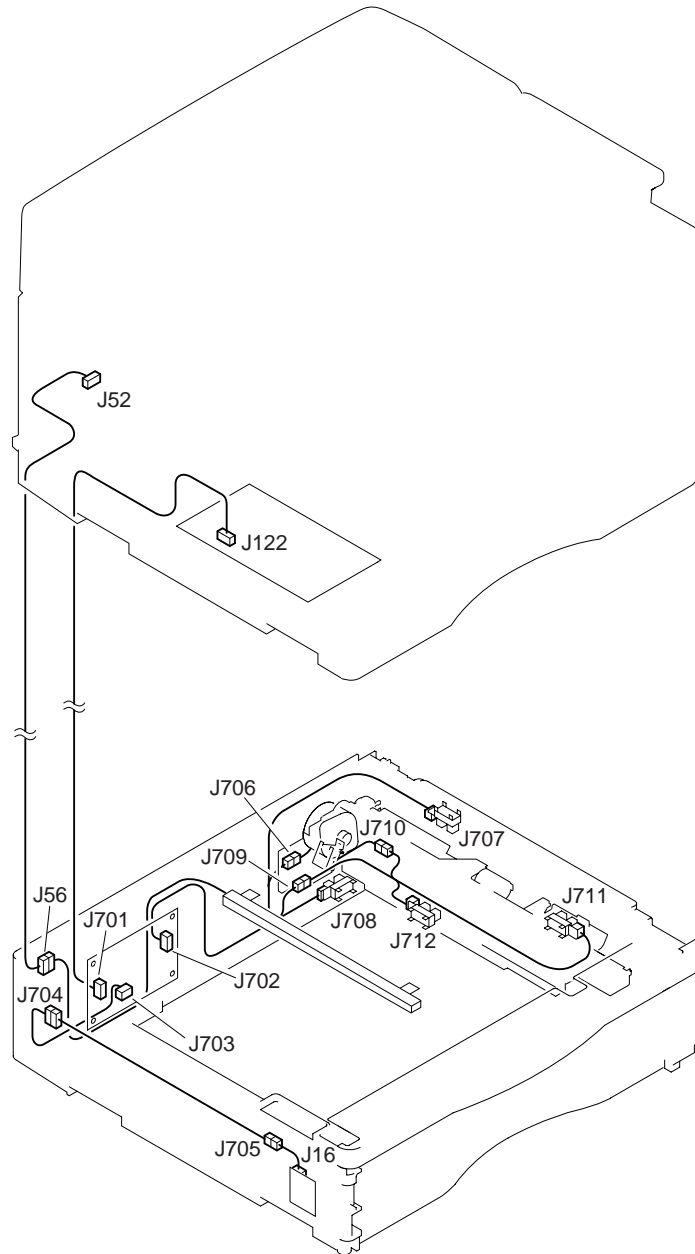


FIGURE & KEY NO.	PART NUMBER	R A N K	Q T Y	DESCRIPTION	SERIAL NUMBER / REMARKS
Z B -	NPN		RF	LIST OF CONNECTORS	
J 16	PCB			CASSETTE SIZE SENSOR	
	VS1-0842-005		1	CONNECTOR, 5P, FEMALE	
J 52	-----			COPIA	
	VS1-5729-002		1	CONNECTOR, 2P, MALE	ACCESSORY
J 56	NPN			CASSETTE HEATER	ACCESSORY H4
	VS3-5083-002		1	CONNECTOR, 2P, FEMALE	ACCESSORY
J122	-----			COPIA	
	VS1-0842-010		1	CONNECTOR, 10P, FEMALE	
	VS1-0852-010		1	CONNECTOR, 10P, FEMALE	
J701	VS9-5009-020		1	HOLDER, CONNECTOR, 20P	
	PCB			CASSETTE SENSOR	
	VS1-0842-010		1	CONNECTOR, 10P, FEMALE	
	VS1-0852-010		1	CONNECTOR, 10P, FEMALE	
	VS9-5009-020		1	HOLDER, CONNECTOR, 20P	
J702	PCB			CASSETTE SENSOR	
	VS1-0842-011		1	CONNECTOR, 11P, FEMALE	
	VS1-0852-011		1	CONNECTOR, 11P, FEMALE	
	VS9-5009-022		1	HOLDER, CONNECTOR, 22P	
J703	PCB			CASSETTE SENSOR	
J704	VS1-0842-005		1	CONNECTOR, 5P, FEMALE	
	VS1-0842-005		2	CONNECTOR, 5P, FEMALE	
	VS1-5057-005		1	CONNECTOR, SNAP TIGHT	
J705	VS1-0842-005		1	CONNECTOR, 5P, FEMALE	
	VS1-0978-005		1	CONNECTOR, 5P, FEMALE	
J706	VS1-5057-005		1	CONNECTOR, SNAP TIGHT	M101
	NPN			STEPPING MOTOR	
	VS1-0842-005		1	CONNECTOR, 5P, FEMALE	
	VS1-5057-005		1	CONNECTOR, SNAP TIGHT	
J707	NPN			OPEN/CLOSE SENSOR	PS103

FIGURE & KEY NO.	PART NUMBER	RANK	QTY	DESCRIPTION	SERIAL NUMBER / REMARKS
Z B - J707	VS1-0842-003		1	CONNECTOR, 3P, FEMALE	
J708	NPN			SLIDER SHIFT-UP SENSOR	PS104
	VS1-0842-003		1	CONNECTOR, 3P, FEMALE	
J709	VS1-0842-008		2	CONNECTOR, 8P, FEMALE	
	VS1-5057-008		1	CONNECTOR, SNAP TIGHT	
J710	NPN			SOLENOID	SL101
	VS1-0842-002		1	CONNECTOR, 2P, FEMALE	
	VS1-5057-002		1	CONNECTOR, SNAP TIGHT	
J711	NPN			CASSETTE PAPER SENSOR 2	PS102
	VS1-0842-003		1	CONNECTOR, 3P, FEMALE	
J712	NPN			CASSETTE PAPER SENSOR 1	PS101
	VS1-0842-003		1	CONNECTOR, 3P, FEMALE	

PART NUMBER	FIGURE & KEY NO.	PART NUMBER	FIGURE & KEY NO.	PART NUMBER	FIGURE & KEY NO.
97 - 5527 - 000	580 - 1	FE5 - 3593 - 000	420 - 7	FE5 - 3839 - 000	100 - 16
FA2 - 9037 - 000	351 - 1	FE5 - 3594 - 000	420 - 8	FE5 - 3843 - 000	100 - 16
FA3 - 8894 - 000	810 - 1	FE5 - 3595 - 000	420 - 9	FE5 - 3844 - 000	100 - 16
FA4 - 1159 - 000	315 - 1	FE5 - 3597 - 000	420 - 10	FE5 - 3866 - 000	251 - 2
FA5 - 1873 - 000	580 - 3	FE5 - 3599 - 000	420 - 11	FE5 - 3868 - 000	102 - 70
FA6 - 5319 - 000	580 - 7	FE5 - 3600 - 000	420 - 12	FE5 - 3870 - 000	580 - 11
FA6 - 5618 - 000	101 - 1	FE5 - 3608 - 000	430 - 3	FE5 - 3875 - 000	580 - 8
FA9 - 2112 - 000	315 - 2	FE5 - 3609 - 000	430 - 4	FE5 - 3876 - 000	103 - 3
FB1 - 5816 - 000	640 - 1	FE5 - 3610 - 000	102 - 4	FE5 - 3878 - 000	580 - 4
FB1 - 6710 - 000	640 - 2		430 - 5	FE5 - 3881 - 000	101 - 38
FB1 - 7075 - 000	350 - 2	FE5 - 3611 - 000	102 - 3	FE5 - 3882 - 000	640 - 41
FB1 - 7214 - 000	103 - 1		430 - 6	FE5 - 3889 - 000	103 - 5
FB1 - 7218 - 000	640 - 5	FE5 - 3612 - 000	430 - 7	FE5 - 3890 - 000	320 - 2
FB1 - 7219 - 000	640 - 6	FE5 - 3614 - 000	101 - 30	FE5 - 3891 - 000	320 - 1
FB1 - 8009 - 000	315 - 3	FE5 - 3618 - 000	102 - 42	FE5 - 3892 - 000	320 - 8
FB1 - 8011 - 000	315 - 4	FE5 - 3621 - 000	430 - 10	FE5 - 3893 - 000	320 - 6
FB1 - 8014 - 000	315 - 5	FE5 - 3630 - 000	160 - 1	FE5 - 3894 - 000	320 - 7
FB1 - 8015 - 000	315 - 6	FE5 - 3631 - 000	160 - 2	FE5 - 3895 - 000	320 - 5
FB1 - 8018 - 000	315 - 7	FE5 - 3632 - 000	160 - 3	FE5 - 3896 - 000	320 - 4
FB1 - 8130 - 000	640 - 8	FE5 - 3633 - 000	160 - 5A	FE5 - 3901 - 000	810 - 2
FB1 - 8512 - 000	103 - 24	FE5 - 3634 - 000	160 - 4	FE5 - 3902 - 000	810 - 35
FB1 - 8581 - 000	315 - 8	FE5 - 3638 - 000	103 - 4	FE5 - 3904 - 000	350 - 3
FB1 - 8583 - 000	315 - 9	FE5 - 3639 - 000	103 - 44	FE5 - 3905 - 000	810 - 4
FB1 - 8584 - 000	315 - 40A	FE5 - 3642 - 000	103 - 21	FE5 - 3906 - 000	810 - 5
FB1 - 8587 - 000	315 - 10	FE5 - 3643 - 000	103 - 20	FE5 - 3907 - 000	350 - 4
FB1 - 8588 - 000	315 - 11	FE5 - 3646 - 000	104 - 22	FE5 - 3912 - 000	810 - 6
FB2 - 2324 - 000	810 - 3	FE5 - 3647 - 000	104 - 27	FE5 - 3915 - 000	810 - 7
FB2 - 2407 - 000	920 - 1	FE5 - 3651 - 000	101 - 45	FE5 - 3916 - 000	810 - 8
FB2 - 2558 - 000	300 - 2	FE5 - 3653 - 000	104 - 40	FE5 - 3920 - 000	810 - 9
FB2 - 3900 - 030	101 - 25	FE5 - 3654 - 000	103 - 45	FE5 - 3921 - 000	810 - 10
FB2 - 6032 - 000	315 - 13	FE5 - 3656 - 000	101 - 15	FE5 - 3922 - 000	810 - 11
FB2 - 6305 - 040	810 - 38	FE5 - 3658 - 000	101 - 2	FE5 - 3923 - 000	350 - 5
FB2 - 8167 - 000	101 - 47	FE5 - 3659 - 000	101 - 3	FE5 - 3925 - 000	351 - 2
FB3 - 2679 - 000	640 - 9	FE5 - 3664 - 000	101 - 17	FE5 - 3926 - 000	351 - 3
FB3 - 2712 - 000	640 - 29	FE5 - 3665 - 000	101 - 18	FE5 - 3927 - 000	351 - 4
FB3 - 2934 - 000	300 - 32	FE5 - 3679 - 000	100 - 41	FE5 - 3929 - 000	351 - 5
FB3 - 2955 - 000	300 - 3	FE5 - 3680 - 000	101 - 4	FE5 - 3931 - 000	810 - 12
FB4 - 3057 - 000	640 - 10	FE5 - 3706 - 000	640 - 13	FE5 - 3932 - 000	810 - 13
FB4 - 3058 - 000	640 - 11	FE5 - 3707 - 000	640 - 14	FE5 - 3933 - 000	810 - 14
FB4 - 5532 - 000	103 - 15	FE5 - 3708 - 000	640 - 15	FE5 - 3934 - 000	810 - 15
FC2 - 8600 - 000	810 - 39	FE5 - 3709 - 000	130 - 19	FE5 - 3935 - 000	103 - 6
FE5 - 3504 - 000	102 - 15	FE5 - 3710 - 000	130 - 8	FE5 - 3936 - 000	103 - 25
FE5 - 3508 - 000	102 - 16	FE5 - 3711 - 000	130 - 12	FE5 - 3940 - 000	810 - 16
FE5 - 3512 - 000	102 - 52	FE5 - 3713 - 000	130 - 1	FE5 - 3946 - 000	100 - 8
FE5 - 3513 - 000	102 - 54	FE5 - 3716 - 000	130 - 1	FE5 - 3947 - 000	100 - 9
FE5 - 3514 - 000	102 - 53	FE5 - 3718 - 000	130 - 2	FE5 - 3948 - 000	100 - 10
FE5 - 3515 - 000	102 - 26	FE5 - 3719 - 000	130 - 3	FE5 - 3953 - 000	191 - 1
FE5 - 3516 - 000	102 - 24	FE5 - 3720 - 000	130 - 4	FE5 - 3954 - 000	191 - 2
FE5 - 3517 - 000	102 - 9	FE5 - 3721 - 000	130 - 5	FE5 - 3955 - 000	191 - 3
FE5 - 3518 - 000	102 - 11	FE5 - 3722 - 000	130 - 6	FE5 - 3956 - 000	191 - 4
FE5 - 3519 - 000	102 - 51	FE5 - 3723 - 000	130 - 7	FE5 - 3957 - 000	351 - 10
FE5 - 3523 - 000	102 - 17	FE5 - 3724 - 000	130 - 8	FE5 - 3962 - 000	810 - 34
FE5 - 3524 - 000	102 - 18	FE5 - 3725 - 000	130 - 9	FE5 - 3970 - 000	260 - 1
FE5 - 3529 - 000	102 - 36	FE5 - 3726 - 000	130 - 10	FE5 - 3971 - 000	260 - 2
FE5 - 3530 - 000	102 - 14	FE5 - 3727 - 000	130 - 11	FE5 - 3973 - 000	260 - 3
FE5 - 3531 - 000	102 - 13	FE5 - 3728 - 000	130 - 12	FE5 - 3974 - 000	260 - 4
FE5 - 3537 - 000	102 - 19	FE5 - 3729 - 000	130 - 13	FE5 - 3977 - 000	100 - 22
FE5 - 3542 - 000	190 - 1	FE5 - 3730 - 000	130 - 14	FE5 - 3979 - 000	100 - 31
FE5 - 3544 - 000	102 - 45	FE5 - 3731 - 000	130 - 15	FE5 - 3980 - 000	100 - 32
FE5 - 3545 - 000	102 - 46	FE5 - 3736 - 000	130 - 16	FE5 - 3984 - 000	100 - 24
FE5 - 3546 - 000	102 - 47	FE5 - 3737 - 000	130 - 17	FE5 - 3991 - 000	300 - 5
FE5 - 3547 - 000	102 - 48	FE5 - 3738 - 000	130 - 18	FE5 - 3993 - 000	300 - 6
FE5 - 3548 - 000	102 - 49	FE5 - 3739 - 000	130 - 19	FE5 - 3995 - 000	300 - 7
FE5 - 3550 - 000	102 - 50	FE5 - 3741 - 000	130 - 20	FE5 - 3998 - 000	300 - 26
FE5 - 3551 - 000	100 - 1	FE5 - 3746 - 000	101 - 42	FE5 - 3999 - 000	300 - 33
FE5 - 3553 - 000	100 - 2		251 - 14	FE5 - 4001 - 000	300 - 35
FE5 - 3555 - 000	100 - 3	FE5 - 3747 - 000	101 - 37	FE5 - 4002 - 000	300 - 36
FE5 - 3556 - 000	100 - 4		251 - 1	FE5 - 4003 - 000	300 - 8
FE5 - 3557 - 000	100 - 5	FE5 - 3751 - 000	101 - 5	FE5 - 4005 - 000	300 - 9
FE5 - 3559 - 000	100 - 5	FE5 - 3753 - 000	101 - 6	FE5 - 4006 - 000	300 - 10
FE5 - 3564 - 000	102 - 8	FE5 - 3754 - 000	101 - 7	FE5 - 4007 - 000	300 - 11
FE5 - 3565 - 000	102 - 7	FE5 - 3757 - 000	500 - 5	FE5 - 4009 - 000	300 - 19A
FE5 - 3566 - 000	102 - 6	FE5 - 3785 - 000	104 - 9	FE5 - 4015 - 000	300 - 12
FE5 - 3567 - 000	102 - 5	FE5 - 3790 - 000	104 - 10	FE5 - 4016 - 000	300 - 13
FE5 - 3569 - 000	100 - 1	FE5 - 3797 - 000	100 - 21	FE5 - 4017 - 000	300 - 14
FE5 - 3570 - 000	102 - 20	FE5 - 3801 - 000	104 - 13	FE5 - 4018 - 000	300 - 15
FE5 - 3571 - 000	102 - 21	FE5 - 3802 - 000	104 - 14	FE5 - 4019 - 000	300 - 27
FE5 - 3576 - 000	102 - 22	FE5 - 3804 - 000	104 - 31	FE5 - 4020 - 000	300 - 28
FE5 - 3578 - 000	102 - 23	FE5 - 3808 - 000	104 - 15	FE5 - 4023 - 000	300 - 31
FE5 - 3584 - 000	420 - 1	FE5 - 3809 - 000	104 - 25	FE5 - 4024 - 000	300 - 16
FE5 - 3585 - 000	420 - 2	FE5 - 3818 - 000	500 - 4	FE5 - 4025 - 000	300 - 19B
FE5 - 3586 - 000	420 - 3	FE5 - 3830 - 000	100 - 16	FE5 - 4026 - 000	300 - 4
FE5 - 3587 - 000	420 - 4	FE5 - 3835 - 000	100 - 17	FE5 - 4029 - 000	300 - 41
FE5 - 3588 - 000	420 - 5	FE5 - 3836 - 000	100 - 18	FE5 - 4030 - 000	300 - 37
FE5 - 3592 - 000	420 - 6	FE5 - 3837 - 000	100 - 6	FE5 - 4031 - 000	103 - 30

PART NUMBER	FIGURE & KEY NO.	PART NUMBER	FIGURE & KEY NO.	PART NUMBER	FIGURE & KEY NO.
FE5 - 4032 - 000	103 - 31	FE5 - 4215 - 000	102 - 65	FE5 - 6208 - 000	310A - 10
FE5 - 4034 - 000	103 - 32	FE5 - 4217 - 000	310A - 33	FE5 - 6209 - 000	120 - 8
FE5 - 4035 - 000	103 - 33	FE5 - 4218 - 000	310A - 32	FE5 - 6210 - 000	315 - 36
FE5 - 4036 - 000	103 - 34	FE5 - 4233 - 000	310A - 25	FE5 - 6211 - 000	103 - 29
FE5 - 4041 - 000	325 - 2	FE5 - 4237 - 000	190A - 1	FE5 - 6213 - 000	103 - 11
FE5 - 4043 - 000	325 - 4	FE5 - 4239 - 000	101 - 52	FE5 - 6214 - 000	102 - 12
FE5 - 4046 - 000	325 - 5	FE5 - 4244 - 000	100 - 16	FE5 - 6217 - 000	310A - 5
FE5 - 4047 - 000	103 - 8	FE5 - 4245 - 000	100 - 16	FE5 - 6218 - 000	101 - 53
FE5 - 4048 - 000	310 - 20	FE5 - 4320 - 000	103 - 42	FE5 - 7051 - 000	810 - 23
	310 - 23	FE5 - 4323 - 000	100 - 30	FE5 - 7052 - 000	350 - 1
	310A - 20	FE5 - 4324 - 000	100 - 40	FE5 - 7058 - 000	101 - 26
	310A - 23	FE5 - 4331 - 000	103 - 26	FE5 - 7065 - 000	100 - 23
FE5 - 4049 - 000	310 - 24	FE5 - 4344 - 000	300 - 42	FE5 - 7066 - 000	103 - 12
	310A - 24	FE5 - 4380 - 000	160 - 7		310 - 11
FE5 - 4050 - 000	310 - 15	FE5 - 4381 - 000	315 - 17D		310A - 11
	310A - 15	FE5 - 5120 - 000	102 - 27	FE5 - 7067 - 000	120 - 9
FE5 - 4051 - 000	310 - 1	FE5 - 5121 - 000	102 - 28	FE5 - 7068 - 000	325 - 8
	310A - 1	FE5 - 5122 - 000	102 - 29	FE5 - 7073 - 000	325 - 1
FE5 - 4052 - 000	310 - 2	FE5 - 5123 - 000	102 - 30	FE5 - 7216 - 000	310A - 31
	310A - 2	FE5 - 5130 - 000	102 - 31	FE5 - 8021 - 000	160 - 6
FE5 - 4053 - 000	310 - 3	FE5 - 5131 - 000	102 - 43	FE5 - 8030 - 000	120 - 2
	310A - 3	FE5 - 5132 - 000	430 - 8	FE5 - 8032 - 000	100 - 33
FE5 - 4058 - 000	310 - 26	FE5 - 5135 - 000	640 - 16	FE5 - 8033 - 000	100 - 34
	310A - 26	FE5 - 5136 - 000	640 - 17	FE5 - 8034 - 000	500 - 6
FE5 - 4059 - 000	310 - 27	FE5 - 5137 - 000	640 - 18	FE5 - 8035 - 000	100 - 35
	310A - 27	FE5 - 5138 - 000	640 - 19	FE5 - 8068 - 000	315 - 16A
FE5 - 4061 - 000	310 - 5	FE5 - 5139 - 000	640 - 20	FE5 - 8069 - 000	315 - 16A
FE5 - 4064 - 000	310 - 6	FE5 - 5140 - 000	640 - 21	FF2 - 3903 - 020	580 - 9
	310A - 6	FE5 - 5141 - 000	640 - 22	FF5 - 1205 - 000	640 - 27
FE5 - 4067 - 000	120 - 3	FE5 - 5142 - 000	640 - 23	FF5 - 1230 - 000	580 - 10
FE5 - 4070 - 000	300 - 43	FE5 - 5143 - 000	640 - 24	FF5 - 1458 - 020	251 - 8
FE5 - 4078 - 000	315 - 18	FE5 - 5150 - 000	104 - 32	FF5 - 4480 - 000	640 - 25
FE5 - 4079 - 000	315 - 19	FE5 - 5157 - 000	250 - 3	FH2 - 5763 - 000	104 - 41
FE5 - 4080 - 000	315 - 20	FE5 - 5158 - 000	250 - 4	FH2 - 5819 - 000	B - J754
FE5 - 4082 - 000	315 - 22	FE5 - 5160 - 000	251 - 3		B - J755
FE5 - 4084 - 000	315 - 23	FE5 - 5161 - 000	251 - 4	FH2 - 5820 - 000	B - J754
FE5 - 4086 - 000	315 - 25	FE5 - 5162 - 000	251 - 5		B - J755
FE5 - 4087 - 000	315 - 26	FE5 - 5163 - 000	251 - 6	FH2 - 5824 - 000	101 - 44
FE5 - 4089 - 000	315 - 27	FE5 - 5165 - 000	250 - 1	FH2 - 5825 - 000	B - J754
FE5 - 4091 - 000	315 - 28	FE5 - 5166 - 000	250 - 2		B - J755
FE5 - 4093 - 000	315 - 29	FE5 - 5170 - 000	351 - 6	FH2 - 6488 - 000	104 - 24
FE5 - 4095 - 000	315 - 30	FE5 - 5171 - 000	810 - 17		B - J106
FE5 - 4098 - 000	315 - 31	FE5 - 5172 - 000	810 - 18	FH2 - 6630 - 000	B - J212
FE5 - 4099 - 000	315 - 32	FE5 - 5173 - 000	810 - 19		104 - 3
FE5 - 4100 - 000	100 - 11	FE5 - 5174 - 000	810 - 20	FH2 - 9228 - 000	B - J304
FE5 - 4105 - 000	315 - 24	FE5 - 5175 - 000	103 - 27		251 - 9
FE5 - 4106 - 000	315 - 21	FE5 - 5176 - 000	810 - 21	FH3 - 2543 - 000	104 - 1
FE5 - 4107 - 000	315 - 15	FE5 - 5182 - 000	103 - 9	FH3 - 2544 - 000	104 - 1
FE5 - 4109 - 000	103 - 28	FE5 - 5183 - 000	310 - 7	FH3 - 2545 - 000	104 - 4
FE5 - 4110 - 000	120 - 5		310A - 7	FH3 - 7172 - 000	104 - 34
FE5 - 4111 - 000	120 - 6	FE5 - 5184 - 000	310 - 8	FH3 - 7206 - 000	104 - 34
FE5 - 4112 - 000	120 - 7		310A - 8	FH4 - 5560 - 000	930 - IC114
FE5 - 4114 - 000	310 - 28	FE5 - 5185 - 000	310 - 9	FH4 - 6042 - 000	930 - IC113
	310A - 28		310A - 9	FH6 - 1607 - 000	104 - 29
FE5 - 4122 - 000	130 - 1	FE5 - 5187 - 000	315 - 34	FH6 - 1609 - 000	102 - 44
FE5 - 4123 - 000	130 - 1	FE5 - 5188 - 000	315 - 35	FH6 - 1611 - 000	102 - 44
FE5 - 4130 - 000	101 - 43	FE5 - 6157 - 000	102 - 32	FH6 - 1613 - 000	101 - 46
FE5 - 4132 - 000	315 - 14	FE5 - 6159 - 000	191 - 5	FH6 - 1614 - 000	101 - 8
FE5 - 4134 - 000	640 - 7	FE5 - 6161 - 000	101 - 19	FH6 - 1618 - 000	191 - 8
FE5 - 4136 - 000	130 - 1	FE5 - 6162 - 000	104 - 2	FH6 - 1620 - 000	190 - 2
FE5 - 4139 - 000	100 - 36	FE5 - 6163 - 000	191 - 6	FH6 - 1663 - 000	190A - 2
FE5 - 4145 - 000	315 - 17A	FE5 - 6164 - 000	101 - 11	FH7 - 3299 - 000	920 - LED445
FE5 - 4146 - 000	315 - 17B	FE5 - 6166 - 000	640 - 4	FH7 - 3360 - 000	420 - 13
FE5 - 4147 - 000	315 - 17C	FE5 - 6167 - 000	101 - 49	FH7 - 3361 - 000	420 - 13
FE5 - 4148 - 000	103 - 7A	FE5 - 6171 - 000	104 - 16	FH7 - 3366 - 000	810 - 24
FE5 - 4149 - 000	103 - 7B	FE5 - 6172 - 000	104 - 17	FH7 - 3367 - 000	810 - 24
FE5 - 4150 - 000	103 - 7C	FE5 - 6174 - 000	500 - 1	FH7 - 3368 - 000	102 - 41
FE5 - 4151 - 000	101 - 24	FE5 - 6175 - 000	104 - 36		103 - 40
FE5 - 4154 - 000	130 - 22	FE5 - 6180 - 000	251 - 7	FH7 - 3369 - 000	102 - 41
FE5 - 4155 - 000	130 - 23	FE5 - 6181 - 000	320 - 3		103 - 40
FE5 - 4170 - 000	130 - 24	FE5 - 6184 - 000	810 - 22	FH7 - 3374 - 000	101 - 31
FE5 - 4172 - 000	100 - 37	FE5 - 6185 - 000	103 - 39	FH7 - 3375 - 000	101 - 32
FE5 - 4173 - 000	130 - 25	FE5 - 6186 - 000	191 - 7	FH7 - 4631 - 000	103 - 40
FE5 - 4198 - 000	103 - 2	FE5 - 6187 - 000	810 - 37	FH7 - 5867 - 000	260 - 5
FE5 - 4199 - 000	310 - 29	FE5 - 6194 - 000	100 - 25	FH7 - 5870 - 000	315 - 37
	310 - 30	FE5 - 6195 - 000	300 - 17	FH7 - 5871 - 000	310 - 12
	310A - 29	FE5 - 6196 - 000	300 - 18		310A - 12
	310A - 30	FE5 - 6197 - 000	300 - 29		315 - 38
FE5 - 4200 - 000	100 - 5	FE5 - 6198 - 000	103 - 10	FH7 - 5887 - 000	103 - 14
FE5 - 4204 - 000	101 - 51	FE5 - 6199 - 000	100 - 38	FH7 - 6278 - 000	104 - 37
FE5 - 4210 - 000	102 - 60	FE5 - 6200 - 000	300 - 18	FH7 - 7083 - 000	810 - 25
FE5 - 4211 - 000	102 - 61	FE5 - 6205 - 000	103 - 35	FH7 - 7487 - 000	810 - 27
FE5 - 4212 - 000	102 - 62	FE5 - 6206 - 000	325 - 6	FH7 - 7488 - 000	810 - 28
FE5 - 4213 - 000	102 - 63	FE5 - 6207 - 000	325 - 7	FH7 - 7489 - 000	420 - 14
FE5 - 4214 - 000	102 - 64	FE5 - 6208 - 000	310 - 10	FH7 - 7495 - 000	640 - 26

PART NUMBER	FIGURE & KEY NO.	PART NUMBER	FIGURE & KEY NO.	PART NUMBER	FIGURE & KEY NO.
FH7 - 7501 - 000	250 - 8	FL5 - 5116 - 000	102 - 55	PCB	B - J107
FH7 - 7507 - 000	102 - 57	FL5 - 5117 - 000	102 - 56		B - J108
	102 - 58	FL5 - 5118 - 000	310A - 14		B - J109
FH7 - 7508 - 000	102 - 59	FM5 - 0700 - 000	101 - 14		B - J110
FH7 - 7509 - 000	102 - 66	FM5 - 0701 - 000	190 -		B - J112
FL5 - 0534 - 000	102 - 33	FM5 - 0705 - 000	420 -		B - J120
FL5 - 0535 - 000	102 - 34	FM5 - 0706 - 000	430 -		B - J121
FL5 - 0540 - 000	102 - 35	FM5 - 0710 - 000	420 -		B - J122
FL5 - 0543 - 000	101 - 13	FM5 - 0712 - 000	160 -		B - J123
FL5 - 0545 - 000	420 - 15	FM5 - 0720 - 000	640 -		B - J124
FL5 - 0546 - 000	420 - 16	FM5 - 0721 - 000	640 - 28		B - J125
FL5 - 0550 - 000	160 - 5	FM5 - 0722 - 000	130 -		B - J201
FL5 - 0555 - 000	640 - 32	FM5 - 0727 - 000	130 -		B - J203
FL5 - 0556 - 000	640 - 33	FM5 - 0736 - 000	500 - 3		B - J204
FL5 - 0557 - 000	640 - 34	FM5 - 0760 - 000	250 -		B - J206
FL5 - 0558 - 000	640 - 35	FM5 - 0761 - 000	251 -		B - J208
FL5 - 0567 - 000	104 - 28	FM5 - 0762 - 000	320 -		B - J209
FL5 - 0568 - 000	104 - 18	FM5 - 0763 - 000	580 -		B - J210
FL5 - 0574 - 000	250 - 5	FM5 - 0769 - 000	810 -		B - J211
FL5 - 0575 - 000	B - J306	FM5 - 0770 - 000	810 -		B - J212
	250 - 7	FM5 - 0771 - 000	350 -		B - J301
FL5 - 0578 - 000	251 - 10	FM5 - 0772 - 000	351 -		B - J302
FL5 - 0581 - 000	580 - 12	FM5 - 0774 - 000	810 -		B - J303
FL5 - 0583 - 000	103 - 16	FM5 - 0775 - 000	191 -		B - J304
FL5 - 0592 - 000	100 - 7	FM5 - 0788 - 000	325 -		B - J305
FL5 - 0597 - 000	103 - 7	FM5 - 0789 - 000	310 -		B - J306
FL5 - 0598 - 000	100 - 27	FM5 - 0790 - 000	120 -		B - J307
FL5 - 0600 - 000	100 - 20	FM5 - 0794 - 000	315 -		B - J401
FL5 - 0601 - 000	100 - 26	FM5 - 0796 - 000	260 -		B - J402
FL5 - 0602 - 000	300 - 30	FM5 - 0803 - 000	315 -		B - J403
FL5 - 0603 - 000	300 - 19	FM5 - 0828 - 000	130 -		B - J501
FL5 - 0604 - 000	300 - 25	FM5 - 0829 - 000	130 -		B - J503
FL5 - 0605 - 000	300 - 34	FM5 - 0831 - 000	130 -		B - J531
FL5 - 0606 - 000	300 - 1	FM5 - 0838 - 000	310 -		B - J551
FL5 - 0607 - 000	300 - 5	FM5 - 0850 - 000	310A -		B - J760
FL5 - 0611 - 000	640 - 12	FM5 - 0858 - 000	190A -		B - J761
FL5 - 0613 - 000	325 - 10	FM5 - 0859 - 000	310A -		B - J762
FL5 - 0614 - 000	325 - 11	FM5 - 5153 - 000	104 - 20	RB1 - 2190 - 000	310 - 17
FL5 - 0616 - 000	310 - 4	FM5 - 5154 - 000	104 - 21		310A - 17
	310A - 4	FM5 - 5155 - 000	103 - 38	RB1 - 6286 - 000	300 - 21
FL5 - 0620 - 000	315 - 39	FM5 - 5156 - 000	315 - 33	RB1 - 6287 - 000	300 - 22
FL5 - 0621 - 000	315 - 40	FM5 - 5157 - 000	930 -	RB1 - 6288 - 000	300 - 23
FL5 - 0624 - 000	101 - 16	FM5 - 5158 - 000	930 -	RB1 - 6292 - 000	300 - 24
FL5 - 0625 - 000	101 - 20	FM5 - 5161 - 000	920 -	RF5 - 2490 - 000	103 - 37
FL5 - 0626 - 000	101 - 21	FM5 - 5162 - 000	100 - 29		310 - 18
FL5 - 0631 - 000	310 - 13	FM5 - 5249 - 000	930 -		310A - 18
	310A - 13	FN5 - 4101 - 000	100 - 12	RH2 - 5263 - 000	104 - 23
FL5 - 0632 - 000	103 - 36	FN5 - 4118 - 000	100 - 12	RY1 - 1502 - 000	580 - 5
FL5 - 0639 - 000	315 - 16	FN8 - 4001 - 000	420 - 18	VD7 - 1561 - 801	930 - FU101
FL5 - 0640 - 000	315 - 16	FN8 - 4002 - 000	430 - 9	VR7 - 8520 - 103	920 - VR401
FL5 - 0642 - 000	315 - 17	FN8 - 4003 - 000	430 - 1	VS1 - 0279 - 004	B - J209
FL5 - 0643 - 000	100 - 14	FN8 - 4004 - 000	102 - 1		B - J601
FL5 - 0697 - 000	100 - 7	FN8 - 4005 - 000	102 - 37		B - J752
FL5 - 5065 - 000	103 - 17	FS1 - 1205 - 000	351 - 7		B - J753
FL5 - 5066 - 000	325 - 12	FS1 - 1346 - 000	315 - 41		B - J790
FL5 - 5067 - 000	310 - 14	FS1 - 1594 - 000	640 - 37		B - J952
FL5 - 5068 - 000	100 - 29A	FS1 - 2833 - 000	350 - 6	VS1 - 0279 - 005	B - J955
FL5 - 5069 - 000	B - J720	FS1 - 2834 - 000	351 - 8		B - J105
	B - J721	FS1 - 9004 - 000	101 - 22	VS1 - 0842 - 002	B - J208
	251 - 11	FS1 - 9010 - 000	310 - 16		B - J 23
FL5 - 5070 - 000	B - J 15		310A - 16		B - J 29
	B - J721		350 - 7		B - J 30
	640 - 36		351 - 9		B - J 31
FL5 - 5071 - 000	101 - 12		810 - 29		B - J 33
FL5 - 5073 - 000	101 - 28		810 - 36		B - J 35
FL5 - 5074 - 000	101 - 9	FS1 - 9102 - 000	102 - 69		B - J 36
FL5 - 5075 - 000	251 - 12	FS2 - 2781 - 000	580 - 13		B - J112
FL5 - 5077 - 000	325 - 13	FS2 - 6019 - 000	640 - 38		B - J501
FL5 - 5079 - 000	103 - 18	FS5 - 1212 - 000	640 - 39	VS1 - 0842 - 003	B - J 10
FL5 - 5080 - 000	104 - 20A	FS5 - 2306 - 000	640 - 31		B - J 11
FL5 - 5081 - 000	104 - 20B	FS5 - 2320 - 000	315 - 42		B - J 12
FL5 - 5083 - 000	104 - 5	FS5 - 2321 - 000	315 - 43		B - J 14
FL5 - 5084 - 000	104 - 6	FS5 - 2650 - 000	300 - 20		B - J 17
FL5 - 5085 - 000	420 - 17	FS5 - 2661 - 000	810 - 30		B - J 18
FL5 - 5086 - 000	104 - 7	FS6 - 2317 - 000	101 - 27		B - J 19
FL5 - 5087 - 000	930 - 1	FS6 - 2337 - 000	120 - 10		B - J 20
FL5 - 5088 - 000	101 - 10	FY3 - 0040 - 000	500 - 2		B - J 21
	104 - 19		580 - 2		B - J 22
FL5 - 5089 - 000	104 - 38	PCB	B - J 16		B - J 32
FL5 - 5105 - 000	104 - 39		B - J101		B - J 34
FL5 - 5107 - 000	104 - 11		B - J102		B - J 47
FL5 - 5108 - 000	810 - 33		B - J103		B - J 48
FL5 - 5109 - 000	100 - 28		B - J104		B - J 60
FL5 - 5114 - 000	930 - 1		B - J105		B - J 64
FL5 - 5115 - 000	102 - 55		B - J106		B - J 65

PART NUMBER	FIGURE & KEY NO.	PART NUMBER	FIGURE & KEY NO.	PART NUMBER	FIGURE & KEY NO.
VS1 - 0842 - 003	B - J 66 B - J 67 B - J124 B - J302 B - J700 B - J720 B - J742 B - J743	VS1 - 5057 - 005	101 - 40 102 - 68	WG8 - 5364 - 000	315 - 12 101 - 48
VS1 - 0842 - 004	B - J 62 B - J303 B - J531 B - J750 B - J751	VS1 - 5057 - 006	B - J 61 102 - 55A B - J797	WG8 - 5426 - 000	102 - 2 325 - 9 810 - 26
VS1 - 0842 - 005	B - J 16 B - J 37 B - J 38 B - J 39 B - J503	VS1 - 5057 - 007	315 - 33C B - J 40 310 - 14B	WK1 - 0082 - 000	930 - BAT101
VS1 - 0842 - 006	B - J 61 B - J211	VS1 - 5057 - 008	310A - 14B B - J551 101 - 34	WS3 - 0437 - 000	B - J105 B - J208 B - J209 B - J601 B - J752 B - J753 B - J790 B - J952 B - J955
VS1 - 0842 - 007	B - J797	VS1 - 5057 - 010	B - J796 315 - 33D B - J 52 B - J 53	WS3 - 0885 - 000	B - J752 B - J790 B - J 51 B - J 55
VS1 - 0842 - 008	B - J 40 B - J120	VS1 - 5057 - 011	B - J 54 B - J 51 B - J 55 B - J951	WS3 - 5160 - 000	B - J501 B - J951 B - J 51 B - J 52 B - J 53 B - J 54 B - J 55
VS1 - 0842 - 009	B - J103 B - J401 B - J210	VS1 - 5729 - 002	B - J951 104 - 42 B - J305 B - J307	WS3 - 5301 - 000	B - J203 B - J204 B - J206 B - J305 B - J307 B - J501 B - J951 B - J 51 B - J 52 B - J 53 B - J 54 B - J 55
VS1 - 0842 - 010	B - J301 B - J402 B - J551 B - J796	VS1 - 5729 - 003	B - J 51 B - J 55 B - J951 104 - 42	WT2 - 5026 - 000	103 - 46
VS1 - 0842 - 011	B - J104	VS3 - 5083 - 002	B - J206 B - J204 B - J501	WT3 - 5020 - 000	104 - 30
VS1 - 0842 - 012	B - J102	VS3 - 5083 - 003	B - J752 B - J753 B - J790	XA9 - 0159 - 000	580 - 6
VS1 - 0842 - 013	B - J101	VS3 - 5083 - 004	B - J103 B - J104	XA9 - 0591 - 000	130 - 21 325 - 3
VS1 - 0842 - 015	B - J107 B - J107 B - J761 B - J762	VS3 - 5083 - 005	B - J102 B - J101 B - J107	XA9 - 0596 - 000	100 - 19
VS1 - 0852 - 003	B - J 63	VS3 - 5083 - 006	B - J101	XA9 - 0605 - 000	100 - 13 325 - 15 500 - 7
VS1 - 0852 - 009	B - J103	VS4 - 0003 - 004	B - J752 B - J753 B - J790	XA9 - 0615 - 000	100 - 42 103 - 41
VS1 - 0852 - 012	B - J104	VS9 - 5009 - 018	B - J753 B - J790	XA9 - 0626 - 000	101 - 23 102 - 25 103 - 13 104 - 35 250 - 6 251 - 13 310 - 21 310A - 21 325 - 14
VS1 - 0852 - 013	B - J102	VS9 - 5009 - 024	B - J104	XA9 - 0686 - 000	100 - 15 101 - 41 103 - 23 310 - 22 310A - 22
VS1 - 0852 - 015	B - J101 B - J107	VS9 - 5009 - 026	B - J102	XA9 - 0714 - 000	640 - 40
VS1 - 0978 - 002	B - J761 B - J762	VS9 - 5009 - 030	B - J101	XA9 - 0724 - 000	101 - 50 103 - 22 104 - 12 100 - 39 102 - 10 430 - 2 103 - 43 315 - 44 100 - 43 130 - 502 320 - 501 102 - 507 420 - 501 430 - 501 500 - 501 640 - 502 315 - 509
VS1 - 0978 - 003	B - J760	WG1 - 5612 - 000	920 - LED444	XA9 - 0879 - 000	101 - 508
VS1 - 0978 - 005	B - J110	WG1 - 5613 - 000	920 - LED418	XB1 - 2300 - 407	102 - 503 102 - 508 103 - 506 104 - 503 120 - 501 251 - 501 260 - 503 315 - 501 810 - 501
VS1 - 5057 - 002	B - J 23 B - J 29 B - J 30 B - J 31 B - J 33 B - J 35 B - J 36 B - J501	WG1 - 5614 - 000	920 - LED419 920 - LED420 920 - LED421 920 - LED422 920 - LED423 920 - LED424 920 - LED435 920 - LED436 920 - LED401 920 - LED402 920 - LED403 920 - LED404 920 - LED405 920 - LED406 920 - LED407 920 - LED439 920 - LED440 920 - LED441 920 - LED442 920 - LED443 920 - LED408 920 - LED409 920 - LED410 920 - LED411 920 - LED412 920 - LED413 920 - LED414 920 - LED415 920 - LED416 920 - LED417 920 - LED425 920 - LED426 920 - LED427 920 - LED428 920 - LED429 920 - LED430 920 - LED431 920 - LED432 920 - LED433 920 - LED434 920 - LED437 920 - LED438	XA9 - 0686 - 000	101 - 41 103 - 23 310 - 22 310A - 22 640 - 40 101 - 50 103 - 22 104 - 12 100 - 39 102 - 10 430 - 2 103 - 43 315 - 44 100 - 43 130 - 502 320 - 501 102 - 507 420 - 501 430 - 501 500 - 501 640 - 502 315 - 509
VS1 - 5057 - 003	101 - 28A 101 - 33 104 - 21A 250 - 9 310 - 14A 310A - 14A 315 - 33A B - J 14 B - J 20 B - J 22 B - J 32 B - J 47 B - J700	WG1 - 5615 - 000	920 - LED408 920 - LED409 920 - LED410 920 - LED411 920 - LED412 920 - LED413 920 - LED414 920 - LED415 920 - LED416 920 - LED417 920 - LED425 920 - LED426 920 - LED427 920 - LED428 920 - LED429 920 - LED430 920 - LED431 920 - LED432 920 - LED433 920 - LED434 920 - LED437 920 - LED438	XA9 - 0780 - 000 XA9 - 0859 - 000 XA9 - 0863 - 000 XA9 - 0879 - 000 XB1 - 2300 - 407 XB1 - 2300 - 409	101 - 41 103 - 23 310 - 22 310A - 22 640 - 40 101 - 50 103 - 22 104 - 12 100 - 39 102 - 10 430 - 2 103 - 43 315 - 44 100 - 43 130 - 502 320 - 501 102 - 507 420 - 501 430 - 501 500 - 501 640 - 502 315 - 509
VS1 - 5057 - 004	B - J 62 B - J531 B - J750 B - J751	WG8 - 5364 - 000	103 - 19 104 - 33 310 - 19 310A - 19	XB1 - 2300 - 606 XB1 - 2300 - 609	101 - 508 102 - 503 102 - 508 103 - 506 104 - 503 120 - 501 251 - 501 260 - 503 315 - 501 810 - 501
VS1 - 5057 - 005	101 - 12A 101 - 39 B - J 37 B - J 38 B - J 39				

PART NUMBER	FIGURE & KEY NO.	PART NUMBER	FIGURE & KEY NO.	PART NUMBER	FIGURE & KEY NO.
XB1 - 2300 - 609	810 - 508	XD2 - 2100 - 602	810 - 505		
XB1 - 2300 - 809	810 - 502	XD2 - 2100 - 802	103 - 503		
XB1 - 2301 - 209	102 - 502		315 - 507		
	640 - 503		640 - 507		
XB1 - 2400 - 609	101 - 501	XD3 - 1160 - 102	315 - 502		
	102 - 501	XD3 - 1160 - 142	315 - 508		
XB1 - 2401 - 206	100 - 509	XD3 - 2160 - 142	260 - 502		
XB1 - 3300 - 606	130 - 501	XD3 - 2200 - 102	191 - 502		
XB1 - 7300 - 609	420 - 505	XD3 - 2200 - 142	310 - 502		
XB2 - 2300 - 407	810 - 503		310A - 502		
XB2 - 6300 - 607	420 - 506	XF9 - 0686 - 000	102 - 38		
XB2 - 7300 - 607	100 - 504	XF9 - 0687 - 000	102 - 39		
	100 - 506	XF9 - 2613 - 340	102 - 39		
	101 - 505	XG9 - 0218 - 000	640 - 30		
	101 - 506	XG9 - 0250 - 000	102 - 40		
	104 - 502	XG9 - 0388 - 000	810 - 31		
	320 - 502	XG9 - 0389 - 000	810 - 32		
	420 - 502	XZ9 - 0192 - 000	101 - 29		
XB2 - 7300 - 807	104 - 505	XZ9 - 0464 - 000	101 - 36		
XB2 - 8300 - 809	250 - 502				
XB4 - 7300 - 607	310A - 504				
XB4 - 7300 - 609	100 - 512				
	104 - 504				
	300 - 503				
	310 - 503				
	310A - 503				
	580 - 501				
XB4 - 7300 - 809	100 - 510				
	103 - 507				
	300 - 504				
	580 - 502				
	640 - 508				
XB4 - 7301 - 009	640 - 509				
XB4 - 7301 - 609	640 - 504				
XB4 - 7302 - 509	640 - 505				
XB4 - 7400 - 809	300 - 505				
	320 - 503				
	810 - 507				
XB4 - 7401 - 007	100 - 511				
XB4 - 7401 - 009	160 - 501				
XB4 - 7403 - 509	190 - 501				
XB4 - 7404 - 009	190A - 501				
XB6 - 2300 - 608	315 - 503				
XB6 - 7300 - 609	810 - 506				
XB7 - 1030 - 049	420 - 503				
XB7 - 1030 - 069	430 - 502				
XB7 - 2100 - 409	100 - 502				
XD1 - 1103 - 129	430 - 503				
XD1 - 1104 - 129	100 - 503				
XD1 - 1104 - 135	420 - 504				
XD1 - 1105 - 219	103 - 505				
XD1 - 1106 - 225	103 - 501				
XD1 - 1106 - 235	102 - 506				
XD1 - 1106 - 239	100 - 513				
XD1 - 1108 - 211	640 - 501				
XD1 - 1108 - 227	251 - 503				
XD1 - 1108 - 237	300 - 506				
XD1 - 3100 - 309	430 - 504				
XD1 - 3100 - 409	100 - 507				
XD2 - 1100 - 242	315 - 504				
XD2 - 1100 - 322	101 - 502				
	101 - 507				
	191 - 501				
	251 - 502				
XD2 - 1100 - 422	103 - 504				
XD2 - 1100 - 502	100 - 501				
	101 - 503				
	102 - 504				
	102 - 509				
	103 - 502				
	104 - 501				
	250 - 501				
	300 - 502				
	310 - 501				
	310A - 501				
	315 - 505				
	325 - 501				
	810 - 504				
XD2 - 1100 - 642	101 - 504				
	102 - 505				
	300 - 501				
	315 - 506				
	325 - 502				
	640 - 506				
XD2 - 2100 - 402	260 - 501				

PART NUMBER	FIGURE & KEY NO.	PART NUMBER	FIGURE & KEY NO.	PART NUMBER	FIGURE & KEY NO.
FA3 - 8727 - 000	Z11 - 1	FL5 - 5112 - 000	Z40 - 22	XD1 - 3100 - 409	Z11 - 501
FB3 - 8101 - 000	Z12 - 1	FL5 - 5113 - 000	Z01 - 2	XD2 - 1100 - 502	Z11 - 509
FB4 - 5532 - 000	Z11 - 2	FL5 - 5131 - 000	Z11 - 19		Z20 - 501
FE5 - 3654 - 000	Z11 - 16	FM5 - 0866 - 000	Z20 -		Z40 - 503
FE5 - 3977 - 000	Z11 - 37	FM5 - 0867 - 000	Z40 -	XD3 - 2200 - 102	Z20 - 502
FE5 - 3979 - 000	Z11 - 33	FM5 - 0869 - 000	Z12 -	XD3 - 2200 - 142	Z40 - 504
FE5 - 3980 - 000	Z11 - 3	FM5 - 5162 - 000	Z11 - 13	XG9 - 0192 - 000	Z11 - 12
FE5 - 3984 - 000	Z11 - 40	FM5 - 5172 - 000	Z11 - 7		Z40 - 32
FE5 - 4031 - 000	Z11 - 20	FM5 - 5174 - 000	Z01 - 3		
FE5 - 4032 - 000	Z11 - 21	FM5 - 5175 - 000	Z11 - 6		
FE5 - 4034 - 000	Z11 - 22	FS1 - 1346 - 000	Z20 - 10		
FE5 - 4035 - 000	Z11 - 23		Z40 - 23		
FE5 - 4036 - 000	Z11 - 24	FS1 - 9010 - 000	Z40 - 24		
FE5 - 4048 - 000	Z40 - 33	FS1 - 9102 - 000	Z11 - 14		
FE5 - 4049 - 000	Z40 - 34	FS6 - 2337 - 000	Z12 - 8		
FE5 - 4050 - 000	Z40 - 35	PCB	Z B - J 16		
FE5 - 4051 - 000	Z40 - 1		Z B - J701		
FE5 - 4052 - 000	Z40 - 2		Z B - J702		
FE5 - 4053 - 000	Z40 - 3		Z B - J703		
FE5 - 4058 - 000	Z40 - 36	RB1 - 2190 - 000	Z40 - 25		
FE5 - 4059 - 000	Z40 - 37	RF5 - 2490 - 000	Z11 - 28		
FE5 - 4064 - 000	Z40 - 4		Z40 - 26		
FE5 - 4110 - 000	Z12 - 2	VS1 - 0842 - 002	Z B - J710		
FE5 - 4111 - 000	Z12 - 3	VS1 - 0842 - 003	Z B - J707		
FE5 - 4112 - 000	Z12 - 4		Z B - J708		
FE5 - 4114 - 000	Z40 - 38		Z B - J711		
FE5 - 4199 - 000	Z40 - 27		Z B - J712		
FE5 - 4216 - 000	Z40 - 5	VS1 - 0842 - 005	Z B - J 16		
FE5 - 4217 - 000	Z40 - 6		Z B - J703		
FE5 - 4218 - 000	Z40 - 7		Z B - J704		
FE5 - 4233 - 000	Z40 - 8		Z B - J705		
FE5 - 4254 - 000	Z11 - 4		Z B - J706		
FE5 - 4256 - 000	Z11 - 5	VS1 - 0842 - 008	Z B - J709		
FE5 - 4257 - 000	Z01 - 1	VS1 - 0842 - 010	Z B - J122		
FE5 - 4258 - 000	Z11 - 41		Z B - J701		
FE5 - 4259 - 000	Z11 - 42	VS1 - 0842 - 011	Z B - J702		
FE5 - 4260 - 000	Z11 - 43	VS1 - 0852 - 010	Z B - J122		
FE5 - 4266 - 000	Z40 - 9		Z B - J701		
FE5 - 4267 - 000	Z11 - 29	VS1 - 0852 - 011	Z B - J702		
FE5 - 4268 - 000	Z11 - 30	VS1 - 0978 - 005	Z B - J705		
FE5 - 4271 - 000	Z12 - 5	VS1 - 5057 - 002	Z B - J710		
FE5 - 4273 - 000	Z20 - 1		Z40 - 22A		
FE5 - 4274 - 000	Z20 - 2	VS1 - 5057 - 005	Z B - J704		
FE5 - 4275 - 000	Z20 - 3		Z B - J705		
FE5 - 4276 - 000	Z20 - 4		Z B - J706		
FE5 - 4277 - 000	Z20 - 5		Z11 - 11A		
FE5 - 4279 - 000	Z20 - 6		Z11 - 46A		
FE5 - 4290 - 000	Z40 - 10		Z20 - 13		
FE5 - 4291 - 000	Z40 - 11	VS1 - 5057 - 008	Z B - J709		
FE5 - 4298 - 000	Z11 - 34		Z40 - 22B		
FE5 - 4320 - 000	Z11 - 25	VS1 - 5729 - 002	Z B - J 52		
FE5 - 4400 - 000	Z11 - 17	VS3 - 5083 - 002	Z B - J 56		
FE5 - 5182 - 000	Z11 - 8	VS9 - 5009 - 020	Z B - J122		
FE5 - 5184 - 000	Z40 - 12		Z B - J701		
FE5 - 5185 - 000	Z40 - 13	VS9 - 5009 - 022	Z B - J702		
FE5 - 5221 - 000	Z11 - 9	WG8 - 5364 - 000	Z11 - 32		
FE5 - 5225 - 000	Z40 - 14		Z20 - 11		
FE5 - 5226 - 000	Z40 - 15		Z40 - 29		
FE5 - 5229 - 000	Z20 - 7	WT2 - 5026 - 000	Z01 - 502		
FE5 - 5232 - 000	Z40 - 16		Z11 - 54		
FE5 - 5234 - 000	Z11 - 31	XA9 - 0596 - 000	Z40 - 28		
FE5 - 6194 - 000	Z11 - 44	XA9 - 0605 - 000	Z12 - 9		
FE5 - 6198 - 000	Z11 - 10	XA9 - 0615 - 000	Z01 - 4		
FE5 - 6199 - 000	Z11 - 38		Z11 - 48		
FE5 - 6205 - 000	Z11 - 26		Z11 - 51		
FE5 - 6208 - 000	Z40 - 17	XA9 - 0626 - 000	Z11 - 49		
FE5 - 6209 - 000	Z12 - 6		Z12 - 10		
FE5 - 6217 - 000	Z40 - 18		Z20 - 12		
FE5 - 7065 - 000	Z11 - 39	XA9 - 0692 - 000	Z40 - 30		
FH7 - 3368 - 000	Z11 - 15		Z11 - 50		
FH7 - 3369 - 000	Z11 - 15		Z40 - 31		
FH7 - 5871 - 000	Z40 - 19	XA9 - 0780 - 000	Z11 - 53		
FL5 - 0598 - 000	Z11 - 36	XA9 - 0863 - 000	Z11 - 18		
FL5 - 0632 - 000	Z11 - 27		Z11 - 52		
FL5 - 0725 - 000	Z11 - 35	XB1 - 2300 - 609	Z11 - 506		
FL5 - 0726 - 000	Z11 - 45		Z40 - 501		
FL5 - 0728 - 000	Z40 - 20	XB2 - 7300 - 607	Z11 - 502		
FL5 - 0729 - 000	Z12 - 7	XB4 - 7300 - 607	Z40 - 502		
FL5 - 0730 - 000	Z40 - 21	XB4 - 7300 - 609	Z11 - 504		
FL5 - 0731 - 000	Z20 - 9	XB4 - 7400 - 607	Z01 - 501		
FL5 - 0734 - 000	Z20 - 8	XB6 - 7300 - 609	Z11 - 507		
FL5 - 5068 - 000	Z11 - 13A	XB7 - 2100 - 409	Z11 - 503		
FL5 - 5109 - 000	Z11 - 47	XD1 - 1104 - 129	Z11 - 505		
FL5 - 5110 - 000	Z11 - 11	XD1 - 1105 - 229	Z11 - 508		
FL5 - 5111 - 000	Z11 - 46	XD1 - 1106 - 239	Z11 - 510		

Prepared by
OFFICE IMAGING PRODUCTS TECHNICAL SUPPORT DEPT.1
OFFICE IMAGING PRODUCTS TECHNICAL SUPPORT DIV.
CANON INC.
Printed in Japan

REVISION 0 [AUG. 1998]
REVISION 1 [JAN. 1999]

5-1, Hakusan 7-chome, Toride-shi, Ibaraki 302-8501, Japan

Canon