

NP6512/6612/7120 /7130/7130F PARTS CATALOG

REVISION 0

| | | | |
|--------------------|----------|------------------------|---|
| NP6512 | | | |
| [220/240V 50Hz | F13-8391 | TWA00001- |] |
| NP6612 (ADF TYPE) | | | |
| [220V 50Hz | F13-8392 | TXA00001- |] |
| NP7120 | | | |
| [220/240 50Hz | F13-8341 | PUB00001- PUC00001- |] |
| NP7130 | | | |
| [120V 60Hz | F13-8331 | NVF00001- |] |
| [220V 50Hz | F13-8343 | PTZ00001- | |
| NP7130F (ADF TYPE) | | | |
| [120V 60Hz | F13-8332 | NVH00001- |] |

Canon

AUG. 1999

FY8-31EC-000

PREFACE

This Parts Catalog contains listings of parts used in the NP6512/6612/7120/7130/7130F. Diagrams are provided with the listings to aid the service technician in identifying clearly, the item to be ordered.

Whenever ordering parts, consult this Parts Catalog for all of the information pertaining to each item. Be sure to include, in the Parts Request, the full item description, the item part number and the quantity.

Canon Inc.

Office Imaging Products Technical Support Div.
5-1, Hakusan 7-chome,
Toride-city, Ibaraki 302-8501, Japan

COPYRIGHT © 1999 CANON INC.

Printed in Japan
Imprimé au Japon

CONTENTS

A. ASSEMBLY LOCATION DIAGRAM

100. EXTERNAL COVERS, PANELS, ETC.

101. UPPER MAIN BODY

102. LOWER MAIN BODY

130. CONTROL PANEL ASSEMBLY

160. COPYBOARD COVER ASSEMBLY (NON ADF TYPE)

161. ADF ASSEMBLY (ADF TYPE)

162. ADF TRAY ASSEMBLY (ADF TYPE)

220. SCANNER DRIVE ASSEMBLY

230. MAIN DRIVE ASSEMBLY

250. PAPER PICK-UP DRIVE ASSEMBLY

290. ADF DRIVE ASSEMBLY (ADF TYPE)

300. CASSETTE (250 UNIVERSAL TYPE)

301. CASSETTE (250 A4 TYPE)

302. CASSETTE (500 TYPE)

355. ADF DELIVERY ASSEMBLY (ADF TYPE)

400. MIRROR ASSEMBLY 1

401. MIRROR ASSEMBLY 2

402. ZOOM MIRROR ASSEMBLY

450. BLANK EXPOSURE LAMP ASSEMBLY

530. TRANSFER ASSEMBLY

640. DEVELOPING ASSEMBLY

810. FIXING ASSEMBLY

910. DC POWER SUPPLY PCB ASSEMBLY

915. CONTROL PANEL PCB ASSEMBLY

930. DC CONTROLLER PCB ASSEMBLY

935. ADF DC CONTROLLER PCB ASSEMBLY
(ADF TYPE)

940. NOISE FILTER PCB ASSEMBLY

B. LIST OF CONNECTORS

C. LIST OF STANDARD FASTENERS

D. NUMERICAL INDEX

FIGURE A ASSEMBLY LOCATION DIAGRAM(1/3)

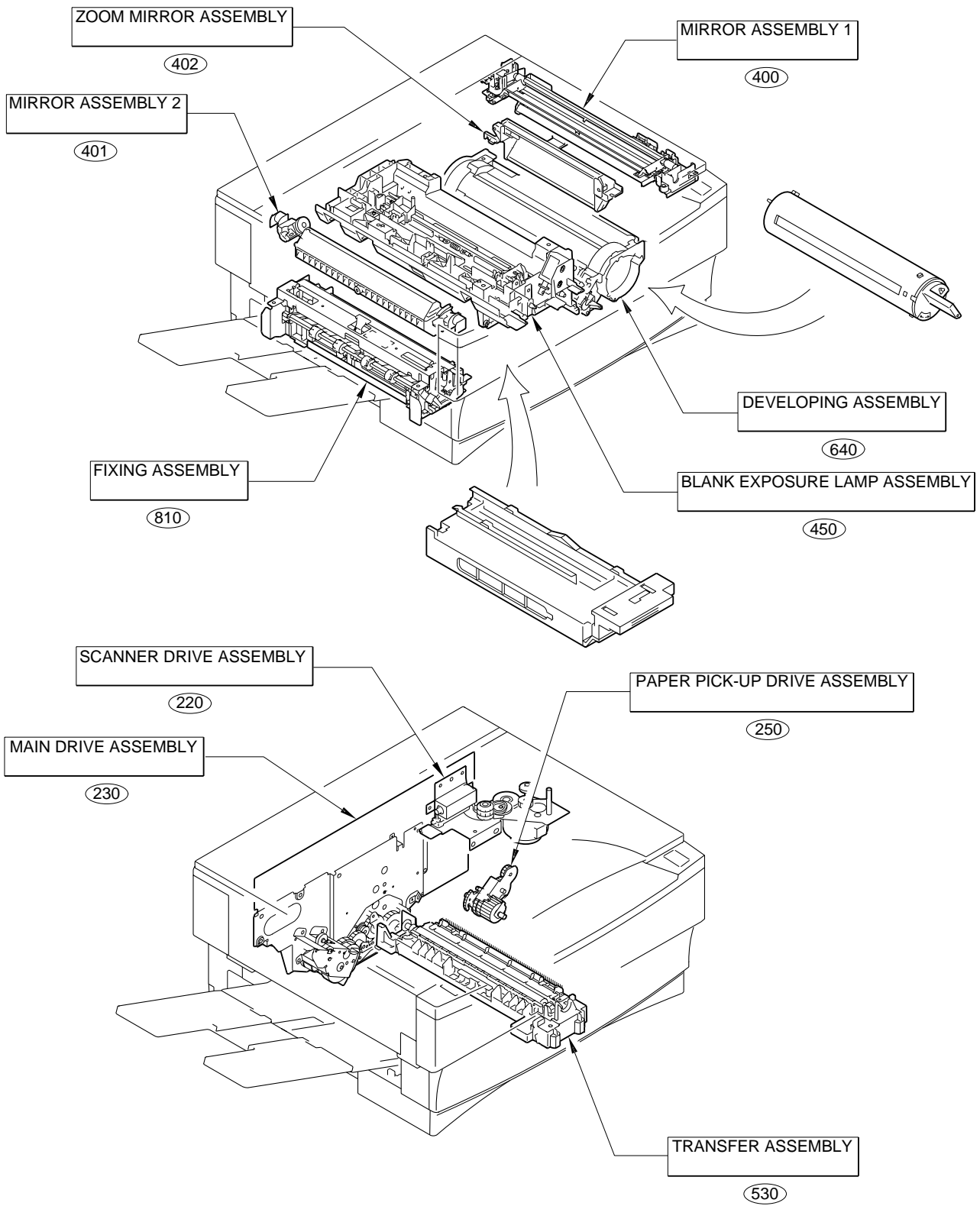


FIGURE A ASSEMBLY LOCATION DIAGRAM(2/3)

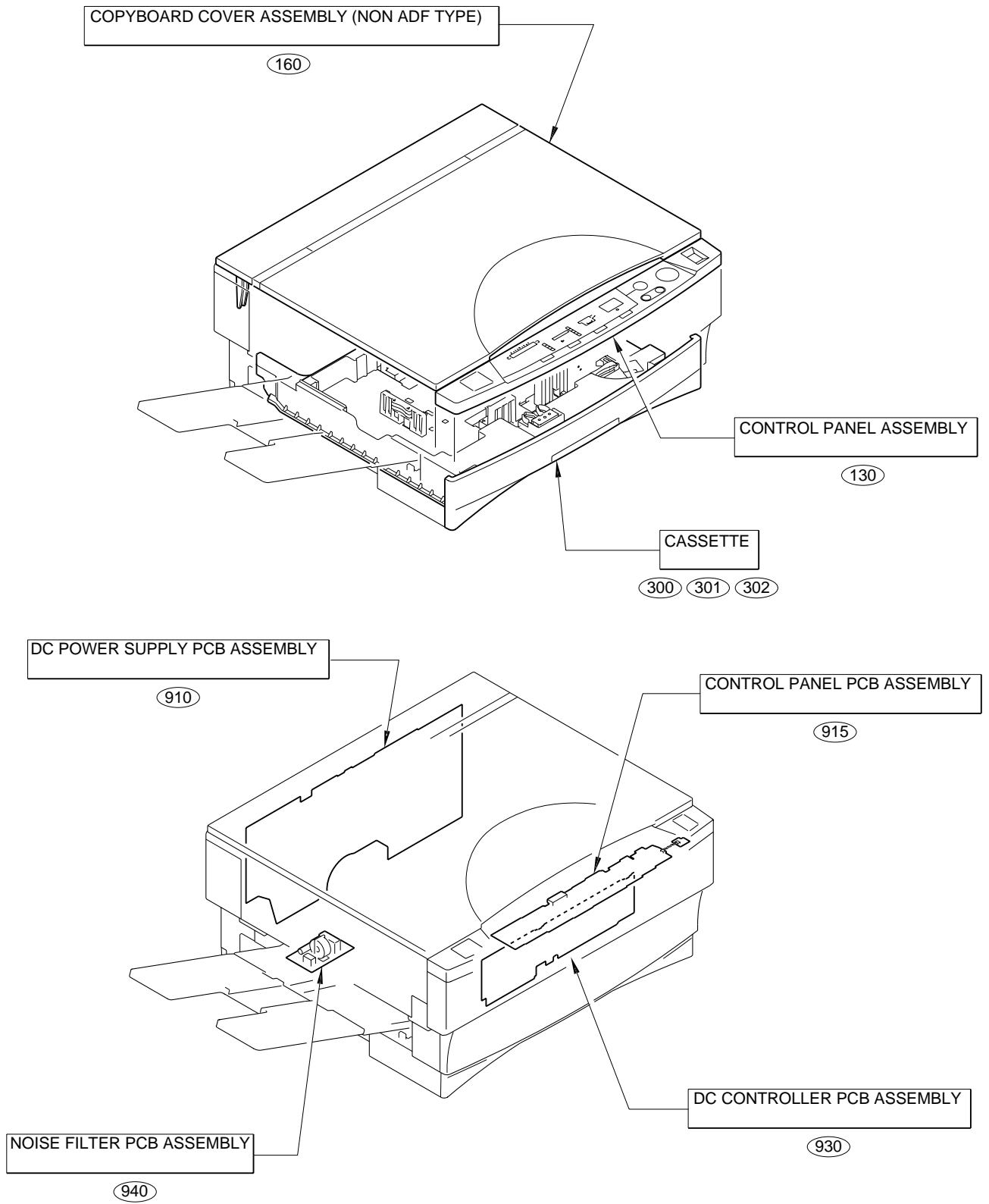


FIGURE A ASSEMBLY LOCATION DIAGRAM(3/3)

ADF TYPE

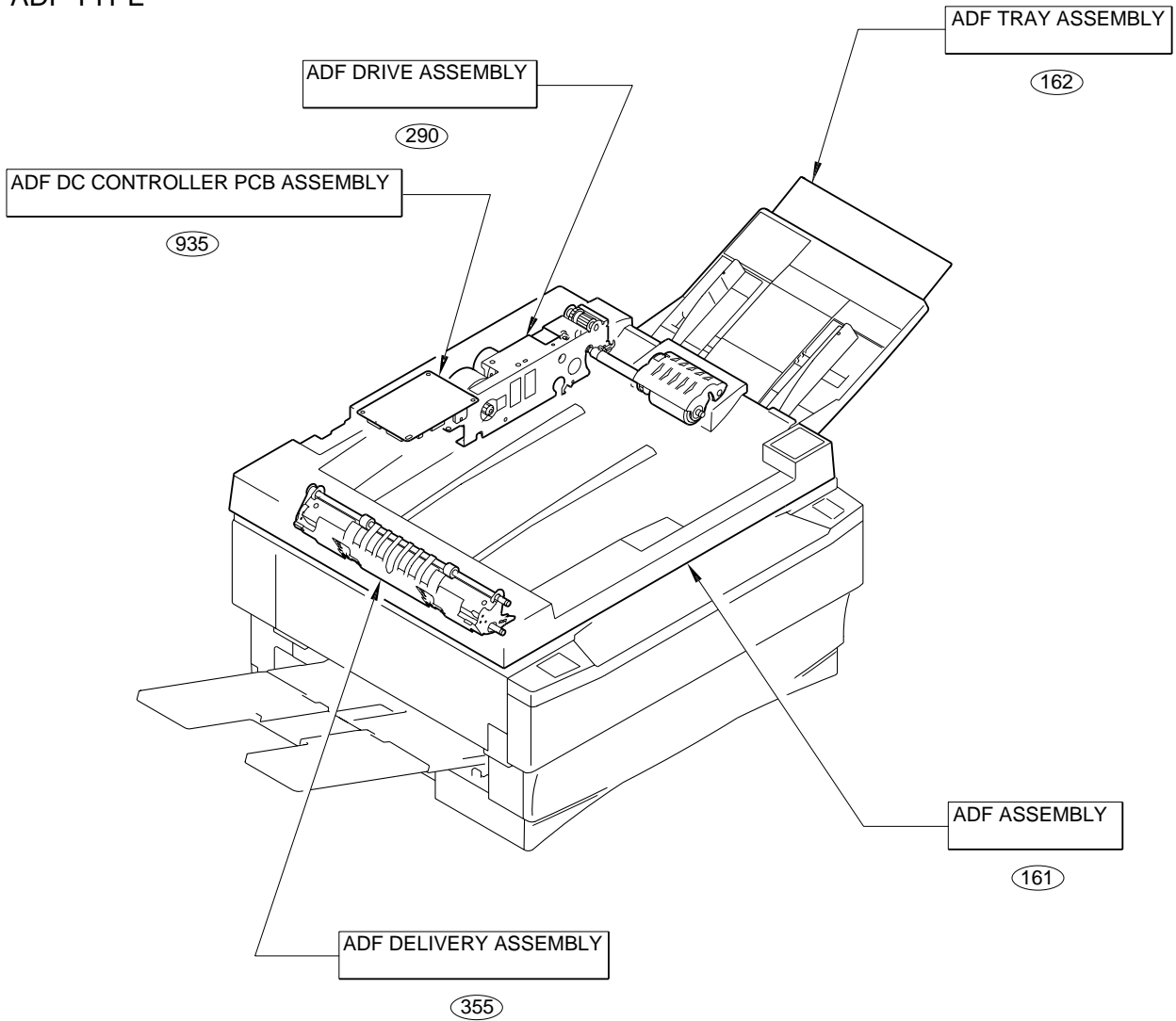
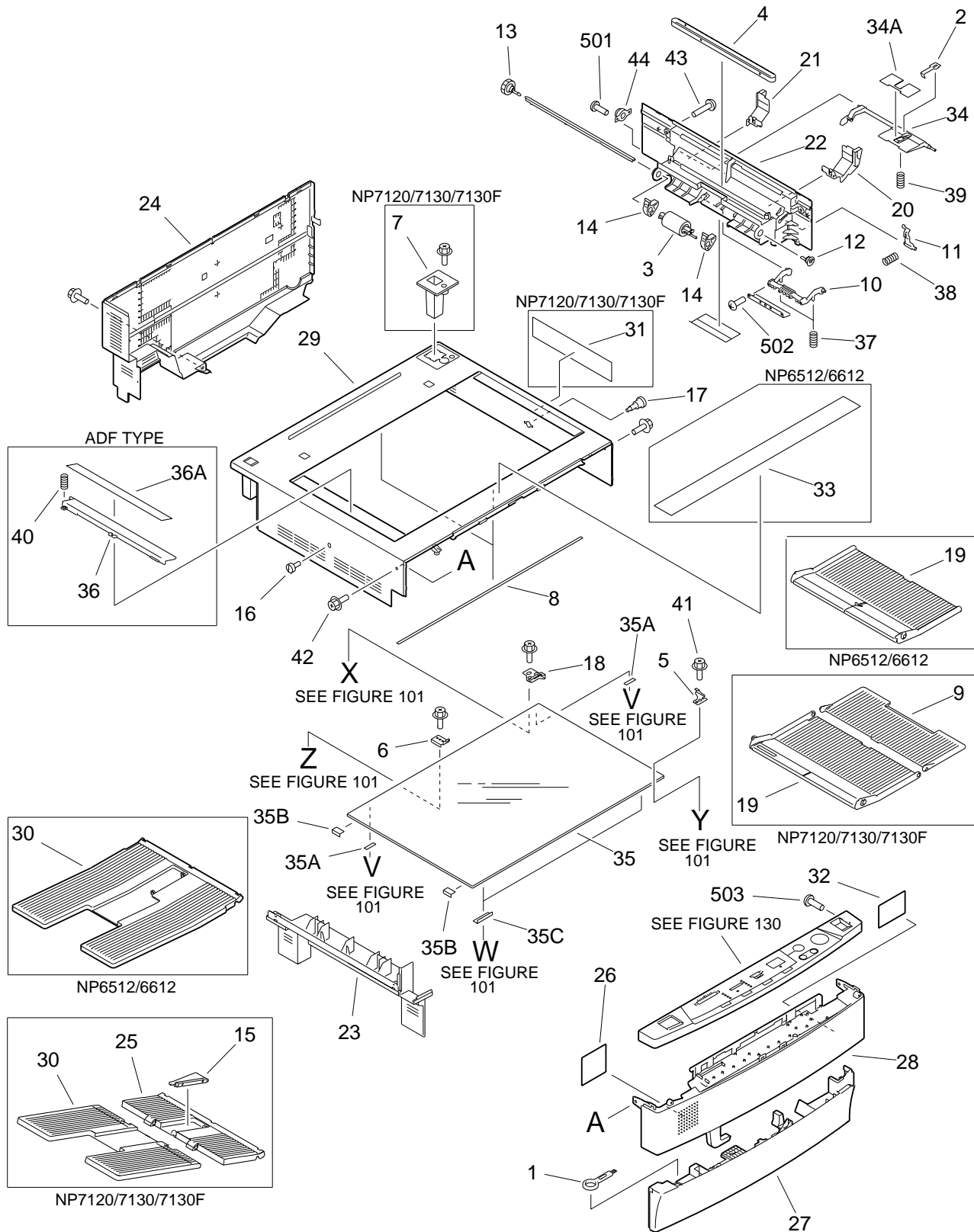


FIGURE 100 EXTERNAL COVERS, PANELS, ETC.



| FIGURE & KEY NO. | PART NUMBER | RANK | QTY | DESCRIPTION | SERIAL NUMBER / REMARKS |
|------------------|------------------|------|-----|-------------------------------|-------------------------|
| 100 - | NPN | | RF | EXTERNAL COVERS, PANELS, ETC. | |
| 1 | FB1 - 0733 - 000 | | 1 | BRUSH, CLEANING | ADF TYPE |
| 2 | FB1 - 7283 - 000 | | 1 | SPRING, LEAF | |
| 3 | FB1 - 7303 - 000 | | 1 | ROLLER, PAPER PICK-UP | |
| 4 | FB1 - 7403 - 000 | | 1 | FILM, SLIDE | |
| 5 | FB2 - 4606 - 000 | | 1 | RETAINER, GLASS, 1 | |
| 6 | FB2 - 4607 - 000 | | 1 | RETAINER, GLASS, 2 | |
| 7 | FB2 - 4785 - 000 | | 1 | SUPPORT, COPYBOARD | NP7120/7130 |
| | FB3 - 0839 - 020 | | 1 | SUPPORT, ADF | NP7130F |
| 8 | FB2 - 4790 - 020 | | 2 | SHEET, GLASS | |
| 9 | FB2 - 5177 - 000 | | 1 | TRAY, SUB | NP7120/7130/7130F |
| 10 | FB2 - 5210 - 000 | | 1 | FLAPPER, SEPARATING | |
| 11 | FB2 - 5213 - 000 | | 1 | LEVER, TRAY | |
| 12 | FB2 - 5214 - 020 | | 1 | HOLDER, PICK-UP SHAFT | |
| 13 | FB2 - 5215 - 020 | | 1 | GEAR, 26T | |
| 14 | FB2 - 5217 - 020 | | 2 | ROLLER | |
| 15 | FB2 - 5428 - 000 | | 1 | TRAY, COPY, SUB | NP7120/7130/7130F |
| 16 | FB2 - 5500 - 000 | | 1 | SCREW, M4X12 | |
| 17 | FB2 - 5502 - 000 | | 1 | SCREW, STEPPED | |
| 18 | FB3 - 0824 - 000 | | 1 | RETAINER, GLASS | NON ADF TYPE |
| | FF9 - 1514 - 000 | | 1 | RETAINER, GLASS | ADF TYPE |
| 19 | FB4 - 1096 - 000 | | 1 | TRAY, PAPER PICK-UP | NP6512/6612 |
| | FB2 - 5175 - 000 | | 1 | TRAY, PICK-UP | NP7120/7130/7130F |
| 20 | FB4 - 1195 - 000 | | 1 | PLATE, PAPER STOP END, FRONT | |
| 21 | FB4 - 1196 - 000 | | 1 | PLATE, PAPER STOP END, REAR | |
| 22 | FB4 - 9827 - 000 | | 1 | PANEL, RIGHT | |
| 23 | FB4 - 9888 - 000 | | 1 | PANEL, LEFT | |
| 24 | FB4 - 9895 - 000 | | 1 | PANEL, REAR | NON ADF TYPE |
| | FB4 - 9897 - 000 | | 1 | PANEL, REAR | ADF TYPE |
| 25 | FB4 - 9898 - 000 | | 1 | TRAY, COPY, 1 | NP7120/7130/7130F |

| FIGURE & KEY NO. | PART NUMBER | RANK | QTY | DESCRIPTION | SERIAL NUMBER / REMARKS |
|------------------|------------------|------|-----|-------------------------------|-------------------------|
| 100 - 26 | FB5 - 0087 - 000 | | 1 | FILTER, AIR | |
| 27 | FB5 - 0199 - 000 | | 1 | PANEL, LOWER, FRONT | |
| 28 | FB5 - 0206 - 00S | | 1 | PANEL, UPPER, FRONT | NP6512 |
| | FB5 - 0204 - 00S | | 1 | PANEL, UPPER, FRONT | NP6612 |
| | FB5 - 0207 - 000 | | 1 | PANEL, UPPER, FRONT | NP7120 |
| | FB5 - 0205 - 000 | | 1 | PANEL, UPPER, FRONT | NP7130 |
| | FB5 - 0187 - 000 | | 1 | PANEL, UPPER, FRONT | NP7130F |
| 29 | FB5 - 1878 - 00S | | 1 | PANEL, TOP | NP6512 |
| | FB5 - 1879 - 00S | | 1 | PANEL, TOP | NP6612 |
| | FB5 - 2781 - 000 | | 1 | PANEL, TOP | NP7120/7130 |
| | FB5 - 2782 - 000 | | 1 | PANEL, TOP | NP7130F |
| 30 | FB5 - 1880 - 00S | | 1 | TRAY, PAPER DELIVERY | NP6512/6612 |
| | FB2 - 5426 - 000 | | 1 | TRAY, COPY, 2 | NP7120/7130/7130F |
| 31 | FB5 - 1884 - 000 | | 1 | LABEL, "WARNING, RIGHT PLATE" | NP7120/7130/7130F |
| 32 | FB5 - 2777 - 000 | | 1 | LABEL, SERVICE | |
| 33 | FB5 - 2780 - 00S | | 1 | LABEL, OPERATION | NP6512/6612 |
| 34 | FF5 - 2875 - 000 | | 1 | PLATE, PICK-UP | |
| 34 A | FB1 - 7295 - 000 | | 1 | SHEET, LIFTER ARM | |
| 35 | FF5 - 3728 - 000 | | 1 | GLASS, COPYBOARD | NON ADF TYPE |
| | FF5 - 3729 - 000 | | 1 | GLASS, COPYBOARD | ADF TYPE |
| 35 A | FB2 - 4791 - 000 | | 2 | SHEET, GLASS PROTECTIVE | |
| 35 B | FB2 - 4793 - 000 | | 2 | SHEET, GLASS PROTECTIVE | |
| 35 C | FB2 - 4794 - 000 | | 2 | SHEET, GLASS PROTECTIVE | |
| 36 | FF5 - 3905 - 000 | | 1 | GUIDE, PAPER JUMP | ADF TYPE |
| 36 A | FB3 - 0817 - 000 | | 1 | LABEL, "PAPER SIZE" | ADF TYPE |
| 37 | FS5 - 2769 - 000 | | 2 | SPRING, COMPRESSION | |
| 38 | FS5 - 2770 - 000 | | 1 | SPRING, COMPRESSION | |
| 39 | FS5 - 2776 - 000 | | 1 | SPRING, COMPRESSION | |
| 40 | FS6 - 2270 - 000 | | 1 | SPRING, COMPRESSION | ADF TYPE |
| 41 | XA9 - 0760 - 000 | | AR | SCREW,RS,M3X6 | |

| FIGURE & KEY NO. | PART NUMBER | R A N K | Q' T Y | DESCRIPTION | SERIAL NUMBER / REMARKS |
|------------------------|------------------|------------------|--------------|-------------------------------|-------------------------|
| 100 - 42 | XA9 - 0762 - 000 | | 2 | SCREW,RS,M3X8 | |
| 43 | XA9 - 0975 - 000 | | 2 | SCREW,P,M4X12 | |
| 44 | XH9 - 0084 - 000 | | 1 | DAMPER UNIT | |
| 501 | XB4 - 7200 - 609 | | 1 | SCREW,TAPPING,TRUSS HEAD,M2X6 | |
| 502 | XB4 - 7300 - 609 | | 2 | SCREW,TAPPING,TRUSS HEAD,M3X6 | |
| 503 | XB4 - 7300 - 805 | | 2 | SCREW,TAPPING,TRUSS HEAD,M3X8 | |
| | | | | | |
| | | | | | |
| | | | | | |
| | | | | | |
| | | | | | |
| | | | | | |
| | | | | | |

FIGURE 101 UPPER MAIN BODY(1/2)

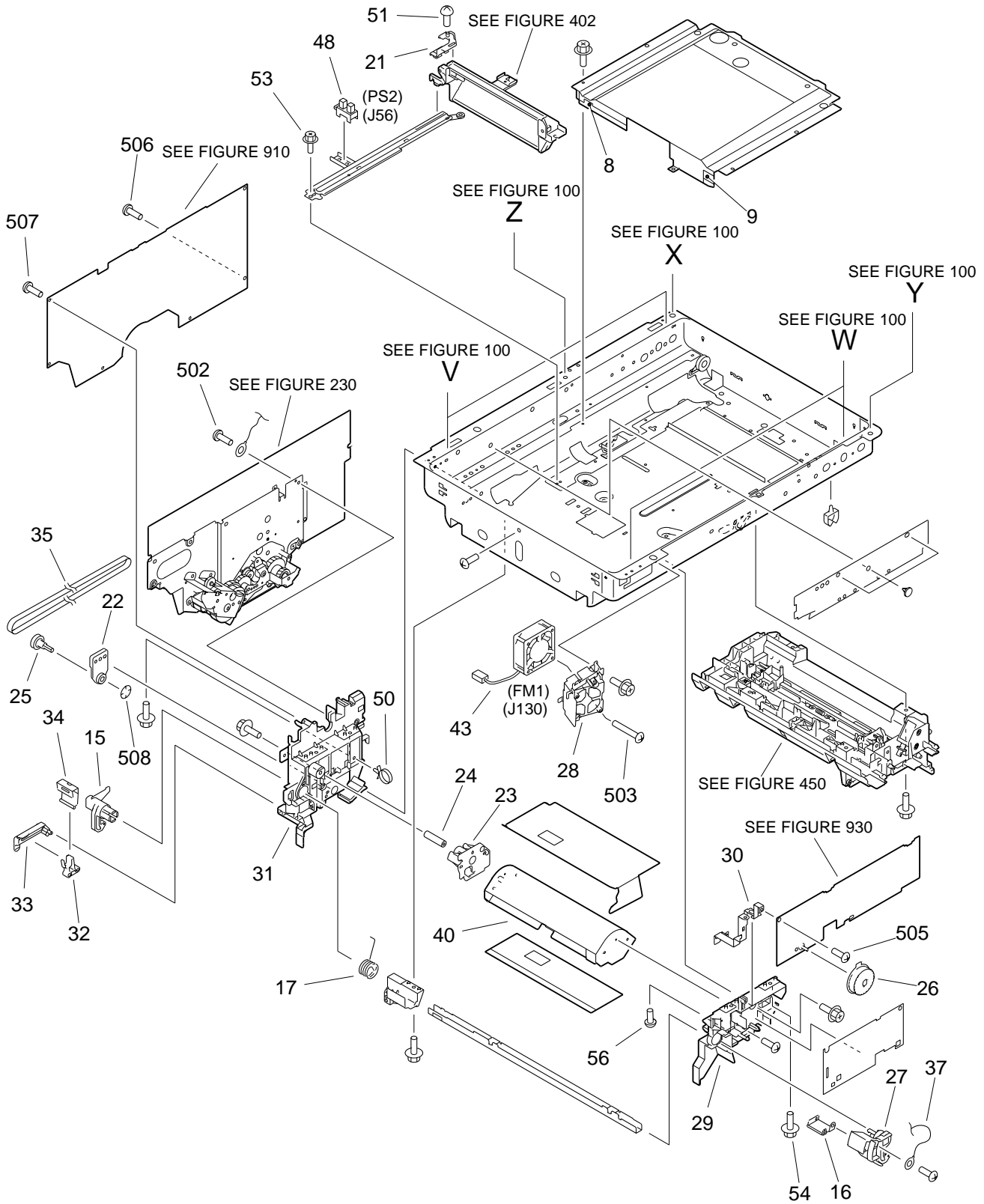
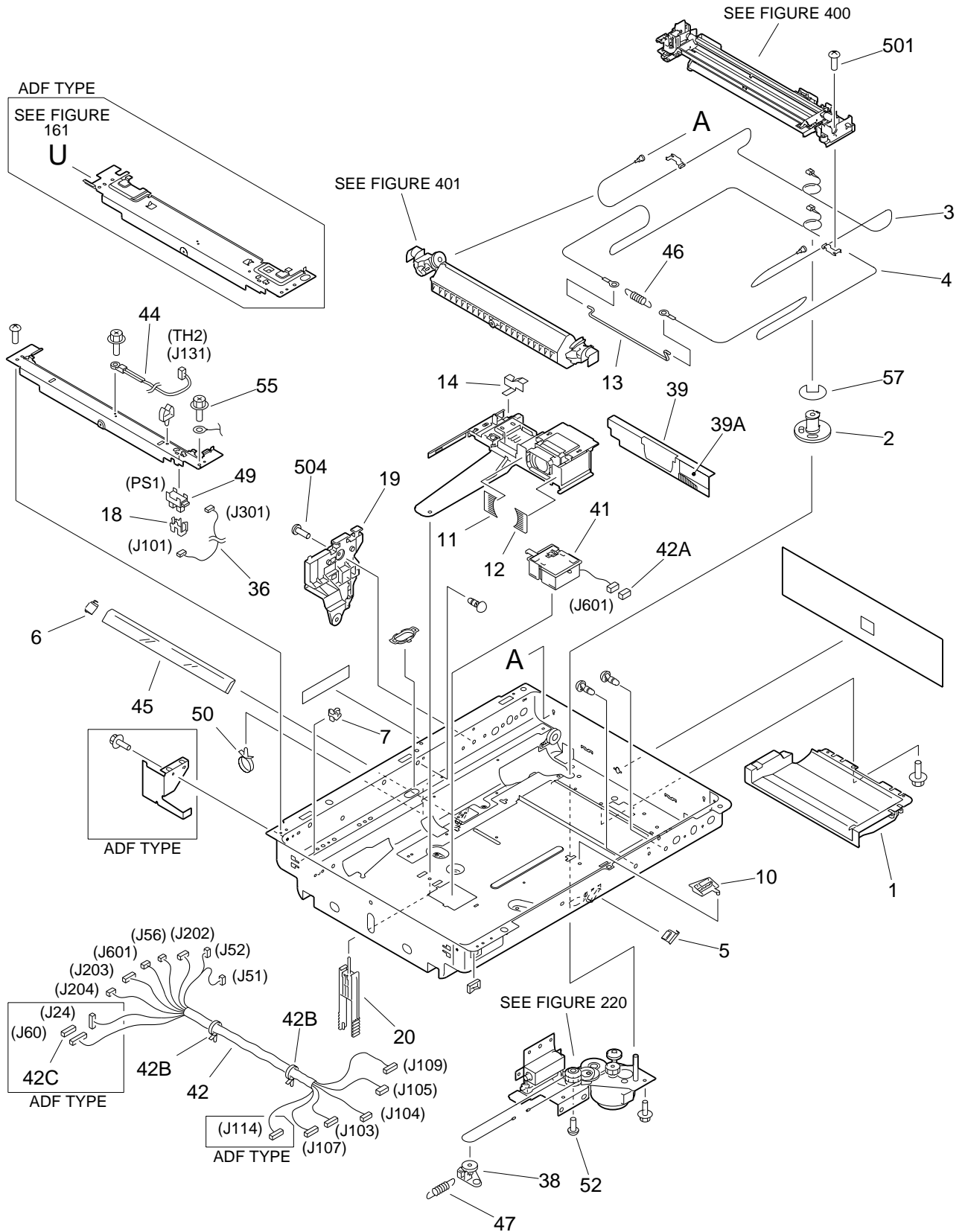


FIGURE 101 UPPER MAIN BODY(2/2)



| FIGURE & KEY NO. | PART NUMBER | RANK | QTY | DESCRIPTION | SERIAL NUMBER / REMARKS |
|------------------|------------------|------|-----|----------------------------|-------------------------|
| 101 - | NPN | | RF | UPPER MAIN BODY | |
| 1 | FB2 - 4603 - 000 | | 1 | PLATE, DUST-PROOF | |
| 2 | FB2 - 4610 - 000 | | 1 | PULLEY, DRIVE | |
| 3 | FB2 - 4611 - 000 | | 1 | WIRE, MIRROR DRIVE, 1 | |
| 4 | FB2 - 4612 - 000 | | 1 | WIRE, MIRROR DRIVE, 2 | |
| 5 | FB2 - 4613 - 000 | | 1 | RETAINER, MIRROR, 6, FRONT | |
| 6 | FB2 - 4614 - 000 | | 1 | RETAINER, MIRROR, 6, REAR | |
| 7 | FB2 - 4622 - 020 | | 2 | HOLDER, WIRE | |
| 8 | FB2 - 4627 - 000 | | 1 | SHEET, LIGHT-BLOCKING, 1 | |
| 9 | FB2 - 4628 - 000 | | 1 | SHEET, LIGHT-BLOCKING, 2 | |
| 10 | FB2 - 4629 - 020 | | 1 | HOLDER, LENS | |
| 11 | FB2 - 4734 - 000 | | 1 | SHEET, 1 | |
| 12 | FB2 - 4736 - 000 | | 1 | SHEET, 2 | |
| 13 | FB2 - 4792 - 000 | | 1 | HOOK, WIRE STOPPING | |
| 14 | FB2 - 4840 - 000 | | 1 | SHEET, 7 | |
| 15 | FB2 - 4870 - 000 | | 1 | HOOK, REAR | |
| 16 | FB2 - 4875 - 000 | | 1 | PLATE, LEVER GROUNDING | |
| 17 | FB2 - 4877 - 000 | | 1 | SPRING, TORSION | |
| 18 | FB2 - 4942 - 000 | | 1 | GUIDE, SENSOR | |
| 19 | FB2 - 5057 - 000 | | 1 | PLATE, BLANK EXPOSURE | |
| 20 | FB2 - 5501 - 030 | | 1 | SCREW,M4X15 | |
| 21 | FB3 - 0570 - 000 | | 1 | PLATE, LINK | |
| 22 | FB3 - 0626 - 020 | | 1 | SUPPORT, PULLEY SHAFT | |
| 23 | FB3 - 0632 - 020 | | 1 | SUPPORT, FAN, REAR | |
| 24 | FB3 - 0633 - 000 | | 1 | JOINT | |
| 25 | FB3 - 0639 - 020 | | 1 | PULLEY, FAN | |
| 26 | FB3 - 0670 - 000 | | 1 | DIAL, DENSITY CONTROL | |
| 27 | FB4 - 1194 - 000 | | 1 | HOOK, FRONT | |
| 28 | FB5 - 0086 - 000 | | 1 | HOLDER, FAN | |
| 29 | FB5 - 0088 - 000 | | 1 | BLOCK, HOOK, FRONT | |

| FIGURE & KEY NO. | PART NUMBER | RANK | QTY | DESCRIPTION | SERIAL NUMBER / REMARKS |
|------------------|------------------|------|-----|-----------------------------|---|
| 101 - 30 | FB5 - 0089 - 000 | | 1 | PLATE, GROUNDING | |
| 31 | FB5 - 0090 - 000 | | 1 | BLOCK, HOOK, REAR | |
| 32 | FB5 - 0091 - 000 | | 1 | LEVER, SWITCH | |
| 33 | FB5 - 0092 - 000 | | 1 | ACTUATOR | |
| 34 | FB5 - 0093 - 000 | | 1 | SPRING, SWITCH | |
| 35 | FB5 - 0097 - 000 | | 1 | BELT, FAN | |
| 36 | FF3 - 3737 - 000 | | 1 | CABLE, HOME POSITION SENSOR | J101,301 |
| 37 | FF3 - 3820 - 000 | | 1 | CABLE, GROUNDING | |
| 38 | FF5 - 2867 - 020 | | 1 | PULLEY, IDLER | |
| 39 | FF5 - 3716 - 000 | | 1 | SHEET, 2 | |
| 39 A | FB2 - 5058 - 000 | | 1 | SHEET, 4 | |
| 40 | FF5 - 9043 - 000 | | 1 | FAN, EXHAUST | |
| 41 | FG6 - 3756 - 000 | | 1 | AE SENSOR PCB ASSEMBLY | J601 |
| 42 | FG6 - 3836 - 000 | | 1 | DC UPPER FRAME CABLE | NON ADF TYPE J51,52,56,103-105 J107,109,202-204,601 |
| | FG6 - 3837 - 000 | | 1 | DC UPPER FRAME CABLE | ADF TYPE J24,51,52,56,60 J103-105,107,109,114 J202-204,601 |
| 42 A | VS1 - 5057 - 004 | | 1 | CONNECTOR, SNAP TIGHT | J601 |
| 42 B | WT2 - 5041 - 000 | | 3 | CLAMP, CABLE | |
| 42 C | VS1 - 5057 - 008 | | 1 | CONNECTOR, SNAP TIGHT | ADF TYPE J60 |
| 43 | FH6 - 1679 - 000 | | 1 | FAN, DC24V | FM1 J130 |
| 44 | FH7 - 7510 - 000 | | 1 | THERMISTOR UNIT | TH2 J131 |
| 45 | FN5 - 4146 - 000 | | 1 | MIRROR, 6 | |
| 46 | FS5 - 2802 - 000 | | 1 | SPRING, TENSION | |
| 47 | FS5 - 2803 - 020 | | 1 | SPRING, TENSION | |
| 48 | WG8 - 5187 - 000 | | 1 | PHOTO-INTERRUPTER | PS2 J56 |
| 49 | WG8 - 5362 - 000 | | 1 | PHOTO-INTERRUPTER | PS1 J301 |
| 50 | WT2 - 5041 - 000 | | 3 | CLAMP, CABLE | |
| 51 | XA9 - 0187 - 000 | | 2 | SCREW,M3X6 | |
| 52 | XA9 - 0650 - 000 | | 1 | SCREW,M3X6 | |

| FIGURE & KEY NO. | PART NUMBER | RANK | QTY | DESCRIPTION | SERIAL NUMBER / REMARKS |
|------------------|------------------|------|-----|-------------------------------|-------------------------|
| 101 - 53 | XA9 - 0760 - 000 | | 15 | SCREW,RS,M3X6 | |
| 54 | XA9 - 0762 - 000 | | 4 | SCREW,RS,M3X8 | |
| 55 | XA9 - 0794 - 000 | | 4 | SCREW,RS,M3X6 | |
| 56 | XA9 - 0813 - 000 | | 1 | SCREW,RS,M3X8 | |
| 57 | XD9 - 0136 - 000 | | 1 | RING,E | |
| 501 | XB1 - 2300 - 609 | | 2 | SCREW,MACH.,TRUSS HEAD,M3X6 | |
| 502 | XB2 - 7300 - 607 | | 4 | SCREW,W/WASHER,M3X6 | |
| 503 | XB4 - 6302 - 509 | | 2 | SCREW,TAPPING,PAN HEAD,M3X25 | |
| 504 | XB4 - 7300 - 809 | | 4 | SCREW,TAPPING,TRUSS HEAD,M3X8 | |
| 505 | XB4 - 7300 - 809 | | 3 | SCREW,TAPPING,TRUSS HEAD,M3X8 | |
| 506 | XB4 - 7400 - 609 | | 1 | SCREW,TAPPING,TRUSS HEAD,M4X6 | |
| 507 | XB4 - 7400 - 809 | | 2 | SCREW,TAPPING,TRUSS HEAD,M4X8 | |
| 508 | XD2 - 2300 - 502 | | 1 | RING,TOOTHED LOCK | |
| | | | | | |
| | | | | | |
| | | | | | |
| | | | | | |

FIGURE 102 LOWER MAIN BODY(1/2)

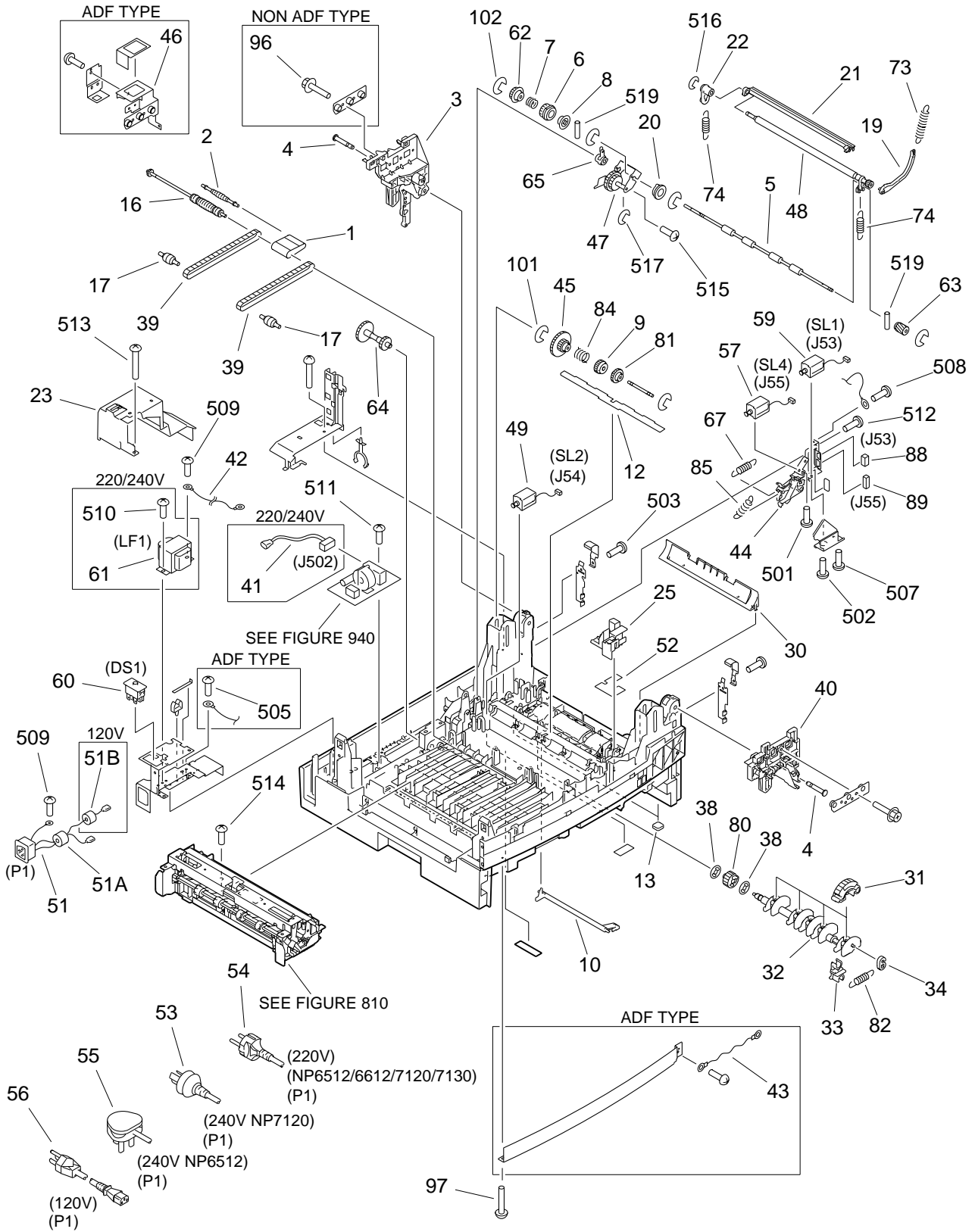
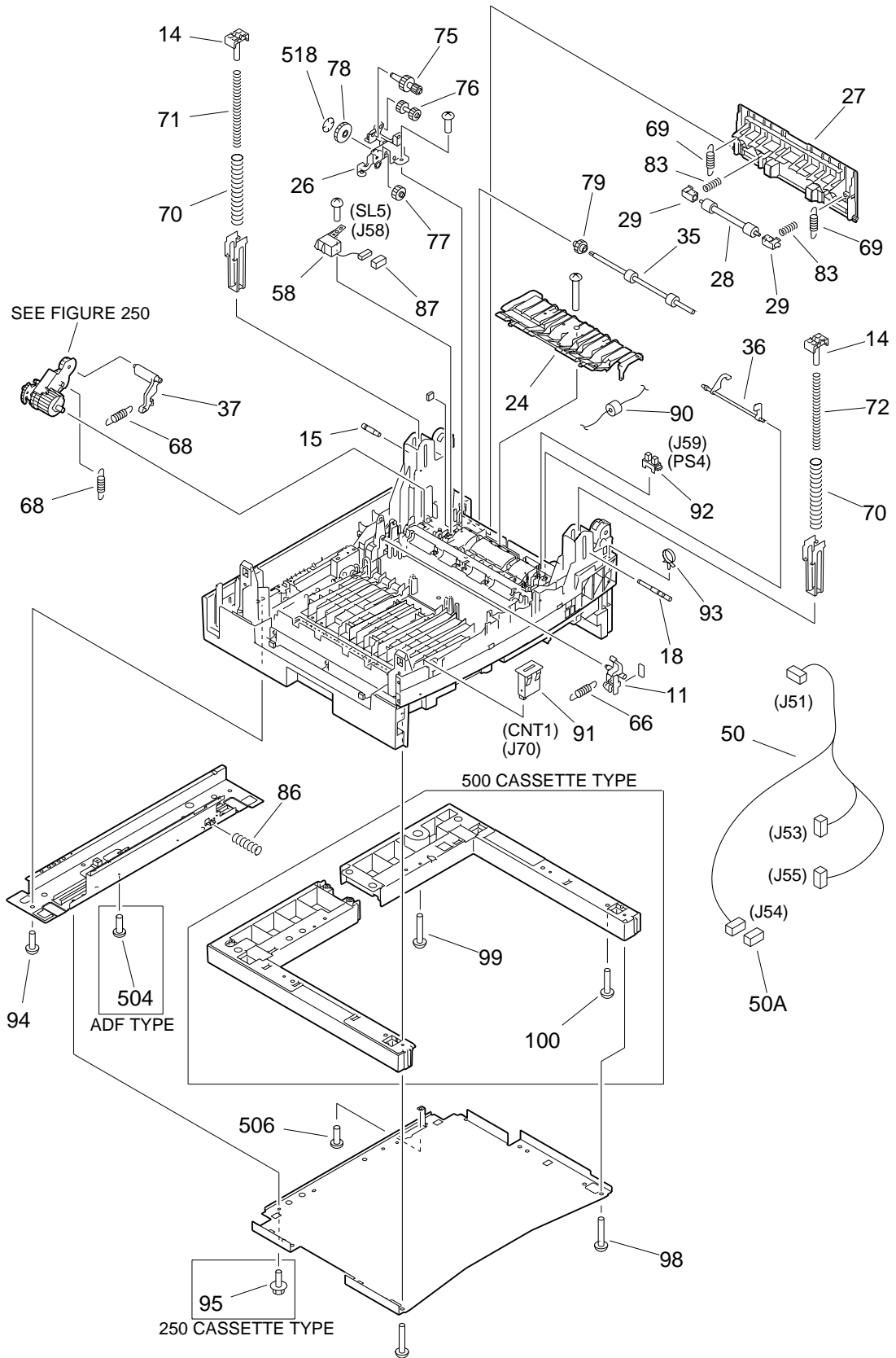


FIGURE 102 LOWER MAIN BODY(2/2)



| FIGURE & KEY NO. | PART NUMBER | R A N K | Q' T Y | DESCRIPTION | SERIAL NUMBER / REMARKS |
|------------------------|------------------|------------------|--------------|-----------------------------|-------------------------|
| 102 - | NPN | | RF | LOWER MAIN BODY | |
| 1 | FB1 - 7267 - 000 | | 1 | BELT, PAPER FEED, 1 | |
| 2 | FB1 - 7270 - 000 | | 1 | PULLEY, BELT, 1 | |
| 3 | FB2 - 4929 - 000 | | 1 | MOUNT, HINGE, REAR | |
| 4 | FB2 - 4930 - 000 | | 2 | PIN, HINGE | |
| 5 | FB2 - 5161 - 030 | | 1 | ROLLER, LOWER | |
| 6 | FB2 - 5162 - 000 | | 1 | RING, RATCHET | |
| 7 | FB2 - 5163 - 000 | | 1 | SPRING, CLUTCH | |
| 8 | FB2 - 5164 - 000 | | 1 | DRUM, CLUTCH | |
| 9 | FB2 - 5183 - 000 | | 1 | RING, RATCHET | |
| 10 | FB2 - 5221 - 020 | | 1 | LEVER, SENSOR | |
| 11 | FB2 - 5222 - 000 | | 1 | LEVER, CLUTCH | |
| 12 | FB2 - 5223 - 000 | | 1 | SHEET, GUIDE | |
| 13 | FB2 - 5303 - 000 | | 2 | FOOT, RUBBER | |
| 14 | FB2 - 5304 - 000 | | 2 | BLOCK, HINGE SLIDING | |
| 15 | FB2 - 5305 - 000 | | 1 | PIN, SLIDE, 1 | |
| 16 | FB2 - 5309 - 000 | | 1 | PULLEY, BELT, 2 | |
| 17 | FB2 - 5310 - 000 | | 2 | PULLEY, BELT, 3 | |
| 18 | FB3 - 0732 - 000 | | 1 | SHAFT, SLIDE, 2 | |
| 19 | FB3 - 0743 - 000 | | 1 | ARM, PRESSURE RELEASE | |
| 20 | FB3 - 0744 - 000 | | 1 | BUSHING, SWING | |
| 21 | FB3 - 0745 - 000 | | 1 | GUIDE, REGISTRATION, UPPER | |
| 22 | FB3 - 0748 - 000 | | 1 | BUSHING, UPPER REGISTRATION | |
| 23 | FB4 - 9802 - 000 | | 1 | COVER, AC POWER SUPPLY | |
| 24 | FB4 - 9808 - 000 | | 1 | COVER, FEEDER | |
| 25 | FB4 - 9810 - 000 | | 1 | COVER, SENSOR PCB | |
| 26 | FB4 - 9811 - 000 | | 1 | HOLDER, GEAR | |
| 27 | FB4 - 9812 - 000 | | 1 | COVER, U-TURN | |
| 28 | FB4 - 9813 - 000 | | 1 | ROLLER | |
| 29 | FB4 - 9814 - 000 | | 2 | HOLDER, ROLLER | |

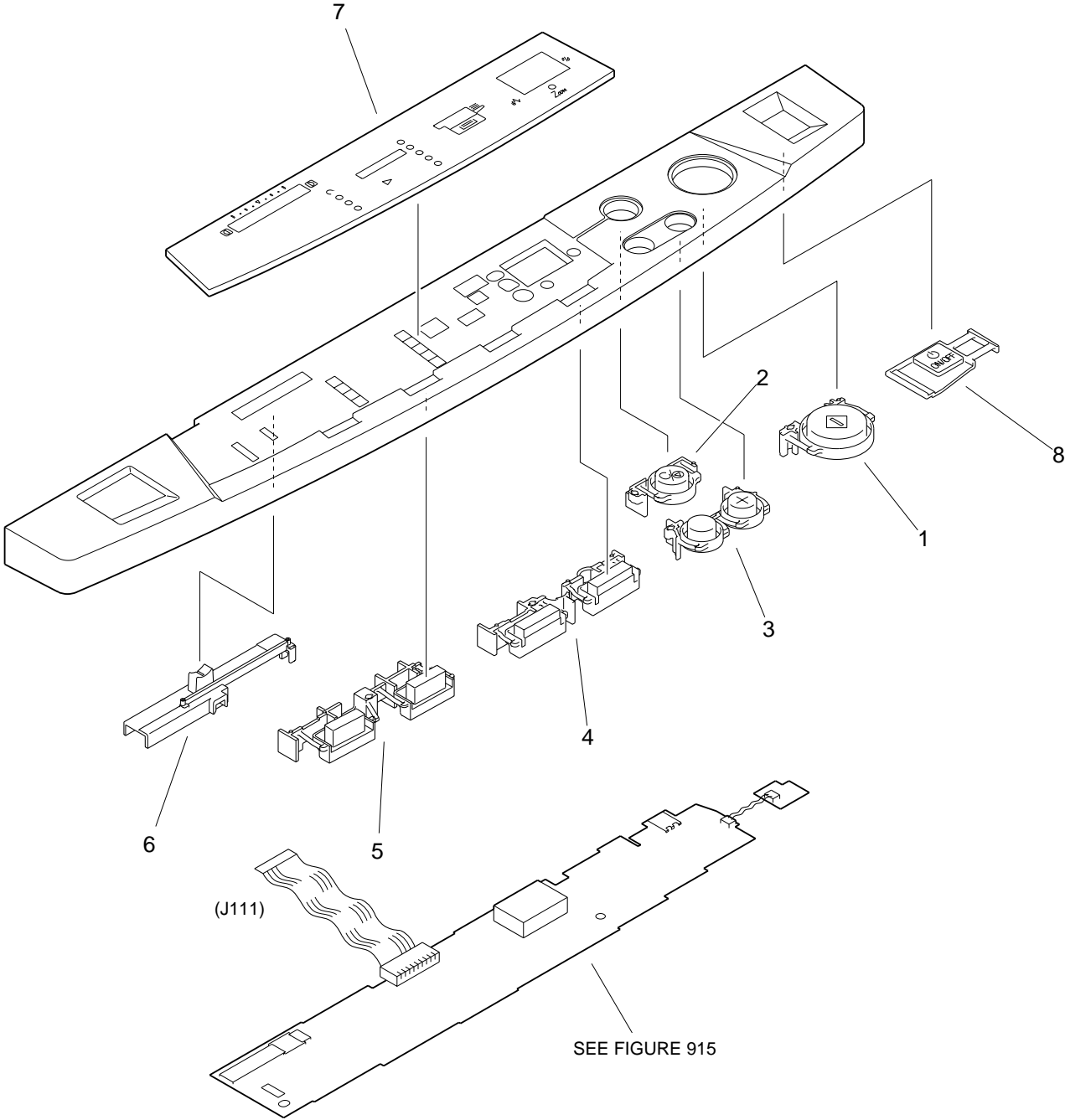
| FIGURE & KEY NO. | PART NUMBER | RANK | QTY | DESCRIPTION | SERIAL NUMBER / REMARKS |
|------------------|------------------|------|-----|-----------------------------|------------------------------------|
| 102 - 30 | FB4 - 9815 - 000 | | 1 | GUIDE, U-TURN | |
| 31 | FB4 - 9817 - 000 | | 1 | ROLLER, PICK-UP | |
| 32 | FB4 - 9818 - 000 | | 1 | SHAFT, PICK-UP ROLLER | |
| 33 | FB4 - 9819 - 000 | | 1 | HOLDER, PICK-UP SHAFT | |
| 34 | FB4 - 9820 - 000 | | 1 | COLLAR, SPRING | |
| 35 | FB4 - 9821 - 000 | | 1 | ROLLER, FEEDER | |
| 36 | FB4 - 9822 - 000 | | 1 | LEVER, RETRY | |
| 37 | FB4 - 9823 - 000 | | 1 | ARM, PAPER PICK-UP | |
| 38 | FB4 - 9824 - 000 | | 2 | FLANGE | |
| 39 | FB4 - 9881 - 000 | | 2 | BELT, PAPER FEED, 2 | |
| 40 | FB4 - 9908 - 000 | | 1 | MOUNT, HINGE, FRONT | |
| 41 | FF3 - 3736 - 000 | | 1 | CABLE, INPUT | 220/240V J502 |
| 42 | FF3 - 3740 - 000 | | 1 | CABLE, GROUNDING | |
| 43 | FF3 - 3845 - 000 | | 1 | CABLE, GROUNDING | ADF TYPE |
| 44 | FF5 - 2873 - 030 | | 1 | MOUNT, SOLENOID | |
| 45 | FF5 - 3714 - 000 | | 1 | GEAR, 17T/80T | |
| 46 | FF5 - 3922 - 000 | | 1 | MOUNT, DF, RIGHT | ADF TYPE |
| 47 | FF5 - 3927 - 000 | | 1 | PLATE, REGIST SWING | |
| 48 | FF5 - 3928 - 020 | | 1 | ROLLER, REGISTRATION, UPPER | |
| 49 | FF9 - 1505 - 000 | | 1 | SOLENOID | SL2 J54 |
| 50 | FG6 - 3757 - 000 | | 1 | CABLE, MULTI DC | J51,53-55 |
| 50 A | VS1 - 5057 - 002 | | 1 | CONNECTOR, SNAP TIGHT | J54 |
| 51 | FG6 - 3764 - 000 | | 1 | CABLE, AC SOCKET | 120V P1 |
| | FG6 - 3763 - 000 | | 1 | CABLE, AC SOCKET | 220/240V P1 |
| 51 A | WE8 - 0054 - 000 | | 1 | FERRITE CORE | |
| 51 B | WE8 - 5705 - 000 | | 1 | FERRITE CORE | 120V |
| 52 | FG6 - 3849 - 000 | | 1 | SENSOR PCB ASSEMBLY | |
| 53 | FH2 - 5276 - 030 | | 1 | CORD, POWER SUPPLY | 240V NP7120 P1 |
| 54 | FH2 - 5761 - 020 | | 1 | CORD, POWER | 220V NP6512/6612 NP7120/7130 P1 |
| 55 | FH2 - 5762 - 000 | | 1 | CORD, POWER | 240V NP6512 P1 |

| FIGURE & KEY NO. | PART NUMBER | RANK | QTY | DESCRIPTION | SERIAL NUMBER / REMARKS |
|------------------|------------------|------|-----|-----------------------------|-------------------------|
| 102 - 56 | FH2 - 6578 - 000 | | 1 | CORD, POWER SUPPLY | 120V P1 |
| 57 | FH7 - 5631 - 000 | | 1 | SOLENOID, DC24V | SL4 J55 |
| 58 | FH7 - 5893 - 000 | | 1 | SOLENOID | SL5 J58 |
| 59 | FH7 - 5967 - 000 | | 1 | SOLENOID, DC24V | SL1 J53 |
| 60 | FH7 - 6216 - 000 | | 1 | SWITCH, INTERLOCK | DS1 |
| 61 | FH7 - 9315 - 000 | | 1 | INDUCTOR | 220/240V LF1 |
| 62 | FS5 - 0883 - 000 | | 1 | GEAR, 34T | |
| 63 | FS5 - 0885 - 000 | | 1 | GEAR, 14T | |
| 64 | FS5 - 0913 - 030 | | 1 | GEAR, 17T/18T | |
| 65 | FS5 - 1440 - 000 | | 1 | BUSHING, REGISTRATION, REAR | |
| 66 | FS5 - 2767 - 000 | | 1 | SPRING, TENSION | |
| 67 | FS5 - 2771 - 000 | | 1 | SPRING, TENSION | |
| 68 | FS5 - 2773 - 000 | | 2 | SPRING, TENSION | |
| 69 | FS5 - 2783 - 000 | | 2 | SPRING, TENSION | |
| 70 | FS6 - 2232 - 000 | | 2 | SPRING, COMPRESSION | |
| 71 | FS6 - 2234 - 000 | | 1 | SPRING, COMPRESSION | ADF TYPE |
| 72 | FS6 - 2234 - 000 | | 1 | SPRING, COMPRESSION | |
| 73 | FS6 - 2239 - 000 | | 1 | SPRING, TENSION | |
| 74 | FS6 - 2240 - 000 | | 2 | SPRING, TENSION | |
| 75 | FS7 - 0431 - 000 | | 1 | GEAR, 14T/19T | |
| 76 | FS7 - 0432 - 000 | | 1 | GEAR, 14T | |
| 77 | FS7 - 0433 - 000 | | 1 | GEAR, 23T | |
| 78 | FS7 - 0434 - 000 | | 1 | GEAR, 26T | |
| 79 | FS7 - 0435 - 000 | | 1 | GEAR, 16T | |
| 80 | FS7 - 0436 - 000 | | 1 | GEAR, 25T | |
| 81 | FS7 - 0438 - 000 | | 1 | GEAR, 25T | |
| 82 | FS7 - 2183 - 000 | | 1 | SPRING, TENSION | |
| 83 | FS7 - 2184 - 000 | | 2 | SPRING, COMPRESSION | |
| 84 | FS7 - 2185 - 000 | | 1 | SPRING, CLUTCH | |
| 85 | FS7 - 2186 - 000 | | 1 | SPRING, TENSION | |

| FIGURE & KEY NO. | PART NUMBER | RANK | QTY | DESCRIPTION | SERIAL NUMBER / REMARKS |
|------------------|------------------|------|-----|-------------------------------|-------------------------|
| 102 - 86 | FS7 - 2190 - 000 | | 1 | SPRING, COMPRESSION | |
| 87 | VS1 - 5057 - 002 | | 1 | CONNECTOR, SNAP TIGHT | J58 |
| 88 | VS1 - 5057 - 002 | | 1 | CONNECTOR, SNAP TIGHT | J53 |
| 89 | VS1 - 5057 - 003 | | 1 | CONNECTOR, SNAP TIGHT | J55 |
| 90 | WE8 - 0027 - 000 | | 1 | FERRITE CORE | 120V |
| | WE8 - 5705 - 000 | | 1 | FERRITE CORE | 220/240V |
| 91 | WG2 - 5190 - 000 | | 1 | COUNTER, ELECTROMAGNETIC | CNT1 J70 |
| 92 | WG8 - 5362 - 000 | | 1 | PHOTO-INTERRUPTER | PS4 J59 |
| 93 | WT2 - 5041 - 000 | | 1 | CLAMP, CABLE | |
| 94 | XA9 - 0591 - 000 | | 6 | SCREW,M3X8 | |
| 95 | XA9 - 0760 - 000 | | 2 | SCREW,RS,M3X6 | 250 CASSETTE TYPE |
| 96 | XA9 - 0763 - 000 | | 6 | SCREW,RS,M3X11 | |
| 97 | XA9 - 0772 - 000 | | 13 | SCREW,P,M3X10 | |
| 98 | XA9 - 0773 - 000 | | 11 | SCREW,P,M4X12 | |
| 99 | XA9 - 0773 - 000 | | 2 | SCREW,P,M4X12 | 500 CASSETTE TYPE |
| 100 | XA9 - 0976 - 000 | | 4 | SCREW,P,M4X16 | 500 CASSETTE TYPE |
| 101 | XD9 - 0134 - 000 | | 2 | RING,E | |
| 102 | XD9 - 0134 - 000 | | 6 | RING,E | |
| 501 | XB1 - 2300 - 409 | | 1 | SCREW,MACH.,TRUSS HEAD,M3X4 | |
| 502 | XB1 - 2300 - 409 | | 1 | SCREW,MACH.,TRUSS HEAD,M3X4 | |
| 503 | XB1 - 2300 - 509 | | 2 | SCREW,MACH.,TRUSS HEAD,M3X5 | |
| 504 | XB1 - 2300 - 809 | | 2 | SCREW,MACH.,TRUSS HEAD,M3X8 | ADF TYPE |
| 505 | XB2 - 7300 - 607 | | 3 | SCREW,W/WASHER,M3X6 | ADF TYPE |
| 506 | XB2 - 7300 - 607 | | 1 | SCREW,W/WASHER,M3X6 | |
| 507 | XB2 - 7300 - 607 | | 1 | SCREW,W/WASHER,M3X6 | |
| 508 | XB2 - 7400 - 607 | | 1 | SCREW,W/WASHER,M4X6 | |
| 509 | XB2 - 7400 - 607 | | 2 | SCREW,W/WASHER,M4X6 | |
| 510 | XB2 - 7400 - 607 | | 1 | SCREW,W/WASHER,M4X6 | 220/240V |
| 511 | XB2 - 8300 - 607 | | 1 | SCREW,W/WASHER,M3X6 | |
| 512 | XB4 - 7300 - 809 | | 3 | SCREW,TAPPING,TRUSS HEAD,M3X8 | |

| FIGURE & KEY NO. | PART NUMBER | R A N K | Q' T Y | DESCRIPTION | SERIAL NUMBER / REMARKS |
|------------------------|------------------|------------------|--------------|--------------------------------|-------------------------|
| 102 - 513 | XB4 - 7301 - 007 | | 2 | SCREW,TAPPING,TRUSS HEAD,M3X10 | |
| 514 | XB4 - 7400 - 809 | | 1 | SCREW,TAPPING,TRUSS HEAD,M4X8 | |
| 515 | XB6 - 7300 - 609 | | 1 | SCREW,TP,M3X6 | |
| 516 | XD2 - 1100 - 322 | | 5 | RING,E | |
| 517 | XD2 - 1100 - 502 | | 1 | RING,E | |
| 518 | XD2 - 2300 - 402 | | 1 | RING,TOOTHED LOCK | |
| 519 | XD3 - 2160 - 062 | | 2 | PIN,DOWEL | |
| | | | | | |
| | | | | | |
| | | | | | |
| | | | | | |
| | | | | | |
| | | | | | |
| | | | | | |

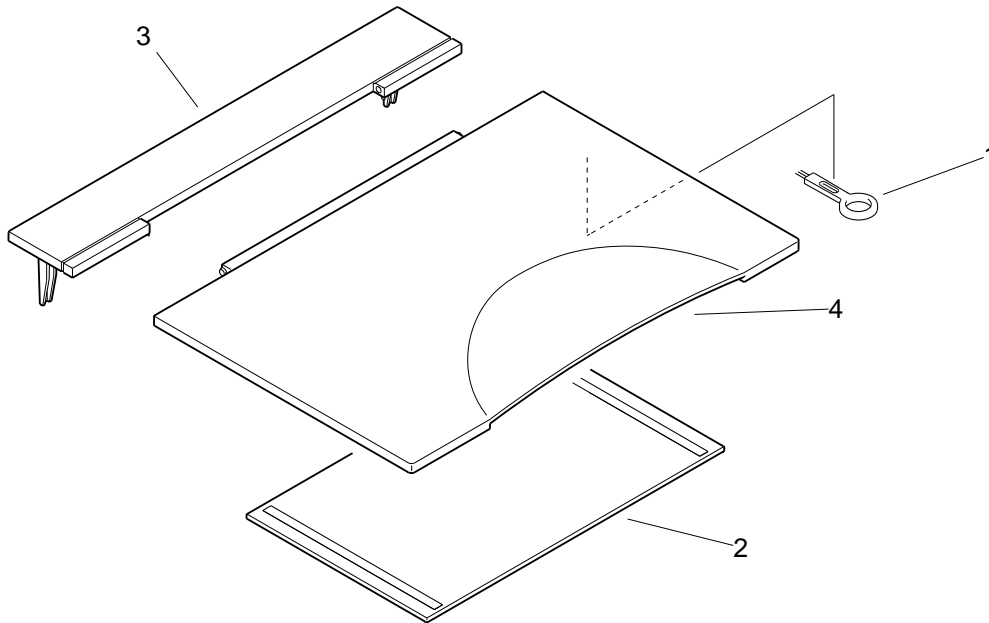
FIGURE 130 CONTROL PANEL ASSEMBLY



NOTE: This assembly includes the assembly shown in Figure 915.

| FIGURE & KEY NO. | PART NUMBER | R A N K | Q' T Y | DESCRIPTION | SERIAL NUMBER / REMARKS |
|------------------------|------------------|------------------|--------------|------------------------|--|
| 130 - | FG6 - 3822 - 000 | | 1 | CONTROL PANEL ASSEMBLY | NP6512/7120 NP7130 220/240V SEE NOTE |
| | FG6 - 3824 - 00S | | 1 | CONTROL PANEL ASSEMBLY | NP6612 SEE NOTE |
| | FG6 - 3820 - 000 | | 1 | CONTROL PANEL ASSEMBLY | NP7130 120V SEE NOTE |
| | FG6 - 3823 - 000 | | 1 | CONTROL PANEL ASSEMBLY | NP7130F SEE NOTE |
| 1 | FB5 - 0123 - 000 | | 1 | KEY TOP, START | |
| 2 | FB5 - 0124 - 000 | | 1 | KEY TOP, CLEAR/STOP | |
| 3 | FB5 - 0190 - 000 | | 1 | KEY TOP, NUMBER | |
| 4 | FB5 - 0191 - 000 | | 1 | KEY TOP, FUNCTION, 1 | |
| 5 | FB5 - 0192 - 000 | | 1 | KEY TOP, FUNCTION, 2 | |
| 6 | FB5 - 0193 - 000 | | 1 | KNOB, DENSITY CONTROL | |
| 7 | FB5 - 0203 - 000 | | 1 | PANEL, CLEAR | NP6512/7120 NP7130 220/240V |
| | FB5 - 0196 - 00S | | 1 | PANEL, CLEAR | NP6612 |
| | FB5 - 0197 - 000 | | 1 | PANEL, CLEAR | NP7130 120V |
| | FB5 - 0189 - 000 | | 1 | PANEL, CLEAR | NP7130F |
| 8 | FB5 - 1877 - 000 | | 1 | KEY TOP, ON/OFF | |

FIGURE 160 COPYBOARD COVER ASSEMBLY (NON ADF TYPE)



| FIGURE & KEY NO. | PART NUMBER | RANK | QTY | DESCRIPTION | SERIAL NUMBER / REMARKS |
|------------------|------------------|------|-----|--------------------------|-------------------------|
| 160 - | FG6 - 3737 - 000 | | 1 | COPYBOARD COVER ASSEMBLY | NON ADF TYPE |
| 1 | FB1 - 0733 - 000 | | 1 | BRUSH, CLEANING | |
| 2 | FB1 - 8870 - 000 | | 1 | SHEET, COPYBOARD | |
| 3 | FB2 - 5424 - 000 | | 1 | COVER, COPYBOARD, SMALL | |
| 4 | FB4 - 9887 - 000 | | 1 | COVER, COPYBOARD, LARGE | |
| ----- | | | | | |
| | | | | | |
| ----- | | | | | |
| | | | | | |

FIGURE 161 ADF ASSEMBLY (ADF TYPE)(1/2)

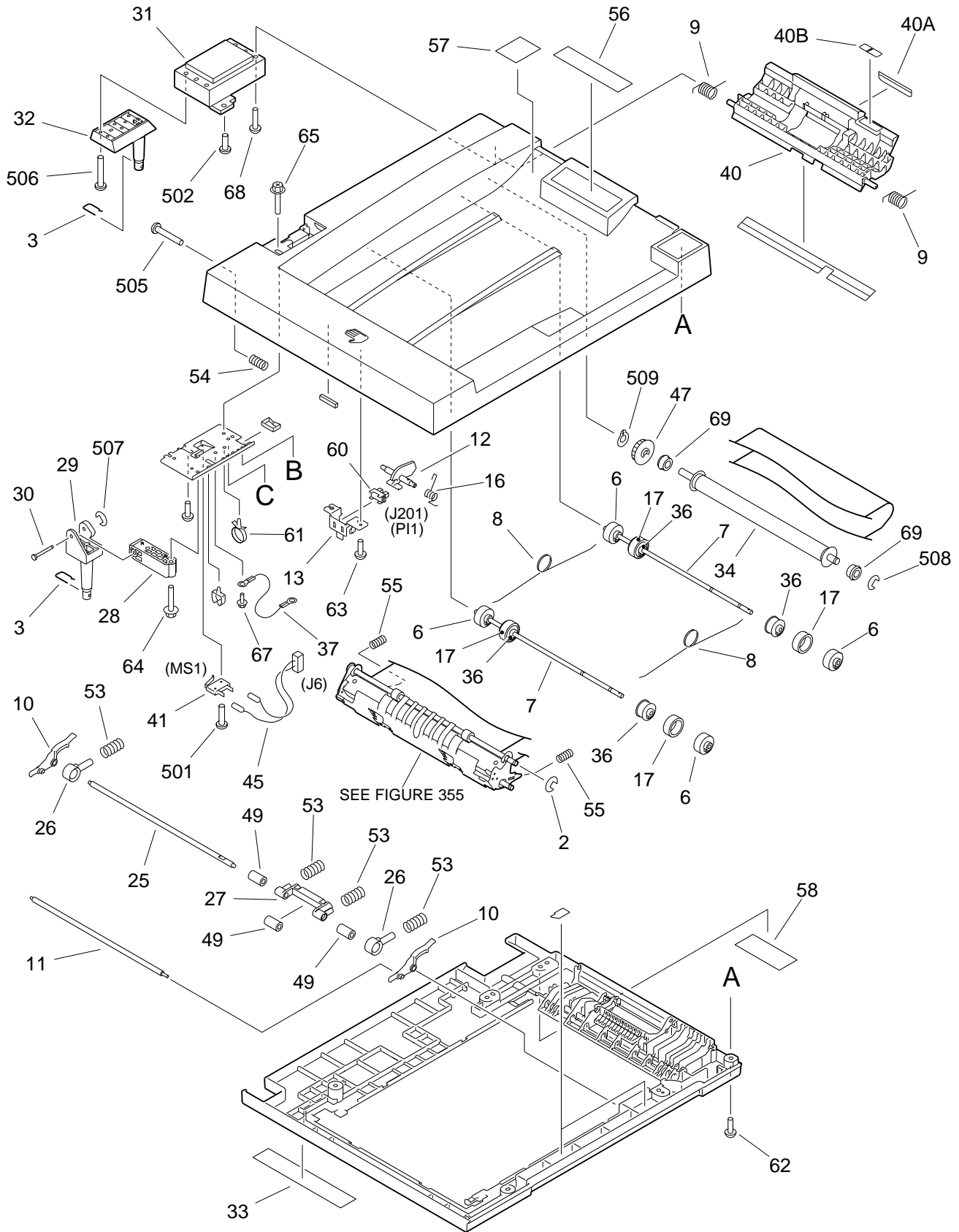
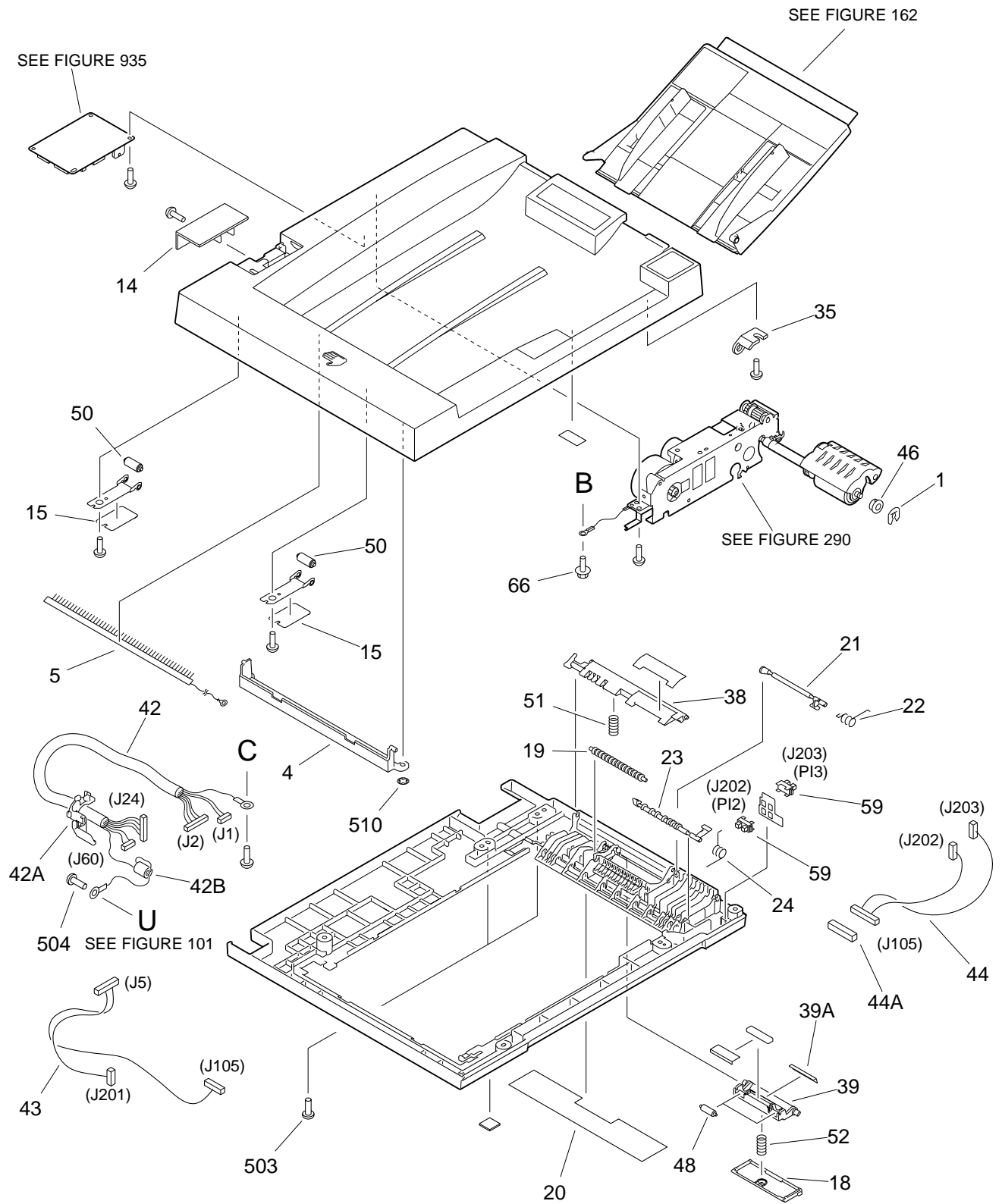


FIGURE 161 ADF ASSEMBLY (ADF TYPE)(2/2)

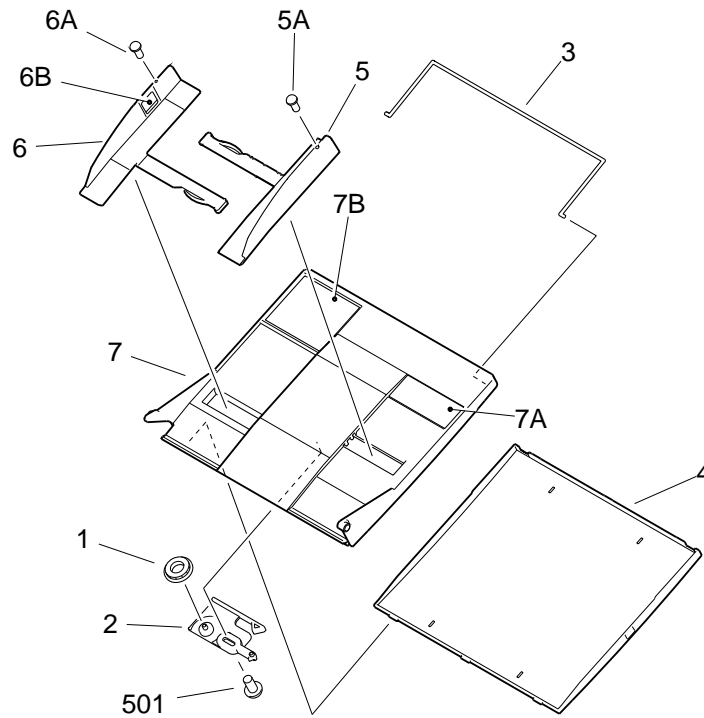


| FIGURE & KEY NO. | PART NUMBER | RANK | QTY | DESCRIPTION | SERIAL NUMBER / REMARKS |
|------------------|------------------|------|-----|---------------------------|-------------------------|
| 161 - | NPN | | RF | ADF ASSEMBLY | ADF TYPE |
| 1 | FA5 - 2864 - 020 | | 1 | RING, RETAINING | |
| 2 | FA9 - 2873 - 000 | | 1 | RING, E | |
| 3 | FB3 - 0829 - 000 | | 2 | PIN, DF SUPPORT | |
| 4 | FB3 - 3311 - 000 | | 1 | CROSSMEMBER, DELIVERY | |
| 5 | FB3 - 3312 - 000 | | 1 | ELIMINATOR, STATIC CHARGE | |
| 6 | FB3 - 3314 - 020 | | 4 | ROLLER, BELT, 1 | |
| 7 | FB3 - 3315 - 020 | | 2 | SHAFT, BELT | |
| 8 | FB3 - 3316 - 000 | | 2 | SPRING, TORSION | |
| 9 | FB3 - 3321 - 000 | | 2 | SPRING, TORSION | |
| 10 | FB3 - 3322 - 000 | | 2 | LINK, RELEASE | |
| 11 | FB3 - 3323 - 000 | | 1 | SHAFT, TENSION | |
| 12 | FB3 - 3324 - 000 | | 1 | FLAG, SENSOR | |
| 13 | FB3 - 3325 - 000 | | 1 | MOUNT, SENSOR | |
| 14 | FB3 - 3326 - 000 | | 1 | COVER, POCKET | |
| 15 | FB3 - 3329 - 000 | | 2 | SHEET, 3 | |
| 16 | FB3 - 3330 - 000 | | 1 | SPRING, TORSION | |
| 17 | FB3 - 3332 - 000 | | 4 | ROLLER, RUBBER | |
| 18 | FB3 - 3335 - 000 | | 1 | COVER, PAD | |
| 19 | FB3 - 3336 - 000 | | 1 | ROLLER, GUIDE | |
| 20 | FB3 - 3338 - 000 | | 1 | SHEET, 2 | |
| 21 | FB3 - 3342 - 000 | | 1 | FLAG, SENSOR, 1 | |
| 22 | FB3 - 3343 - 000 | | 1 | SPRING, TORSION | |
| 23 | FB3 - 3344 - 000 | | 1 | FLAG, SENSOR, 2 | |
| 24 | FB3 - 3345 - 000 | | 1 | SPRING, TORSION | |
| 25 | FB3 - 3346 - 000 | | 1 | SHAFT, REGISTRATION | |
| 26 | FB3 - 3347 - 000 | | 2 | LINK, PRESSURE | |
| 27 | FB3 - 3348 - 000 | | 1 | LEVER, RELEASE | |
| 28 | FB3 - 3356 - 000 | | 1 | HINGE, LEFT, UPPER | |
| 29 | FB3 - 3357 - 020 | | 1 | HINGE, LEFT, LOWER | |

| FIGURE & KEY NO. | PART NUMBER | RANK | QTY | DESCRIPTION | SERIAL NUMBER / REMARKS |
|------------------|------------------|------|-----|-----------------------|-------------------------|
| 161 - 30 | FB3 - 3358 - 000 | | 1 | SHAFT, LEFT HINGE | |
| 31 | FB3 - 3360 - 030 | | 1 | HINGE, FREE STOP | |
| 32 | FB3 - 3361 - 000 | | 1 | FOOT, HINGE, RIGHT | |
| 33 | FB3 - 3364 - 000 | | 1 | LABEL, OPERATION, 4 | |
| 34 | FB3 - 3365 - 000 | | 1 | ROLLER, DRIVE | |
| 35 | FB3 - 3401 - 000 | | 1 | BUSHING, LEVER | |
| 36 | FB3 - 3402 - 020 | | 4 | ROLLER, BELT, 2 | |
| 37 | FF3 - 1070 - 000 | | 1 | CABLE, GROUNDING | |
| 38 | FF5 - 4677 - 000 | | 1 | PLATE, PAPER LIFTER | |
| 39 | FF5 - 4679 - 020 | | 1 | FLAPPER | |
| 39 A | FB3 - 3350 - 000 | | 1 | SHEET, INLET | |
| 40 | FF5 - 6753 - 000 | | 1 | HANDLE, UPPER | |
| 40 A | FB4 - 1154 - 000 | | 1 | SHEET, INLET | |
| 40 B | FS6 - 8091 - 000 | | 1 | LABEL, "PUSH" | |
| 41 | FF5 - 6761 - 000 | | 1 | MICROSWITCH | MS1 |
| 42 | FG2 - 7467 - 000 | | 1 | CABLE, INTERFACE | J1,2,24,60 |
| 42 A | FB3 - 0835 - 000 | | 1 | GUIDE, CABLE | |
| 42 B | WE8 - 0098 - 000 | | 1 | FERRITE CORE | |
| 43 | FG2 - 7469 - 000 | | 1 | CABLE, SENSOR, 1 | J5,105,201 |
| 44 | FG2 - 7470 - 000 | | 1 | CABLE, SENSOR, 2 | J105,202,203 |
| 44 A | VS1 - 5057 - 006 | | 1 | CONNECTOR, SNAP TIGHT | J105 |
| 45 | FG2 - 7471 - 000 | | 1 | CABLE, MICROSWITCH | J6 |
| 46 | FS1 - 1190 - 000 | | 1 | BUSHING | |
| 47 | FS5 - 3458 - 000 | | 1 | PULLEY, 44T | |
| 48 | FS5 - 6453 - 000 | | 2 | ROLLER, DAMPER | |
| 49 | FS5 - 6454 - 000 | | 3 | ROLLER, REGISTRATION | |
| 50 | FS5 - 6455 - 000 | | 2 | ROLLER | |
| 51 | FS6 - 2369 - 000 | | 1 | SPRING, COMPRESSION | |
| 52 | FS6 - 2370 - 000 | | 1 | SPRING, COMPRESSION | |
| 53 | FS6 - 2371 - 000 | | 4 | SPRING, COMPRESSION | |

| FIGURE & KEY NO. | PART NUMBER | RANK | QTY | DESCRIPTION | SERIAL NUMBER / REMARKS |
|------------------|------------------|------|-----|--------------------------------|-------------------------|
| 161 - 54 | FS6 - 2373 - 000 | | 1 | SPRING, COMPRESSION | |
| 55 | FS6 - 2374 - 000 | | 2 | SPRING, COMPRESSION | |
| 56 | FS6 - 8089 - 000 | | 1 | LABEL, OPERATION, 1 | |
| 57 | FS6 - 8948 - 000 | | 1 | LABEL, OPERATION, 2 | |
| 58 | FS6 - 8949 - 000 | | 1 | LABEL, OPERATION, 3 | |
| 59 | WG8 - 5206 - 010 | | 2 | PHOTO-INTERRUPTER | PI2,3 J202,203 |
| 60 | WG8 - 5309 - 000 | | 1 | PHOTO-INTERRUPTER | PI1 J201 |
| 61 | WT2 - 5041 - 000 | | 1 | CLAMP, CABLE | |
| 62 | XA9 - 0605 - 000 | | 12 | SCREW,M4X8 | |
| 63 | XA9 - 0605 - 000 | | 4 | SCREW,M4X8 | |
| 64 | XA9 - 0632 - 000 | | 2 | SCREW,RS,M4X26 | |
| 65 | XA9 - 0632 - 000 | | 1 | SCREW,RS,M4X26 | |
| 66 | XA9 - 0633 - 000 | | 1 | SCREW,RS,M4X8 | |
| 67 | XA9 - 0633 - 000 | | 1 | SCREW,RS,M4X8 | |
| 68 | XA9 - 0976 - 000 | | 4 | SCREW,P,M4X16 | |
| 69 | XG9 - 0237 - 000 | | 2 | BEARING, BALL | |
| 501 | XB1 - 2301 - 209 | | 1 | SCREW,MACH.,TRUSS HEAD,M3X12 | |
| 502 | XB1 - 2400 - 609 | | 2 | SCREW,MACH.,TRUSS HEAD,M4X6 | |
| 503 | XB1 - 2400 - 609 | | 2 | SCREW,MACH.,TRUSS HEAD,M4X6 | |
| 504 | XB2 - 6300 - 607 | | 1 | SCREW,W/WASHER,M3X6 | |
| 505 | XB4 - 7301 - 209 | | 5 | SCREW,TAPPING,TRUSS HEAD,M3X12 | |
| 506 | XB6 - 7301 - 609 | | 1 | SCREW,TP,M3X16 | |
| 507 | XD2 - 1100 - 322 | | 1 | RING,E | |
| 508 | XD2 - 1100 - 642 | | 1 | RING,E | |
| 509 | XD2 - 2100 - 802 | | 1 | RING,GRIP | |
| 510 | XD2 - 2300 - 502 | | 2 | RING,TOOTHED LOCK | |

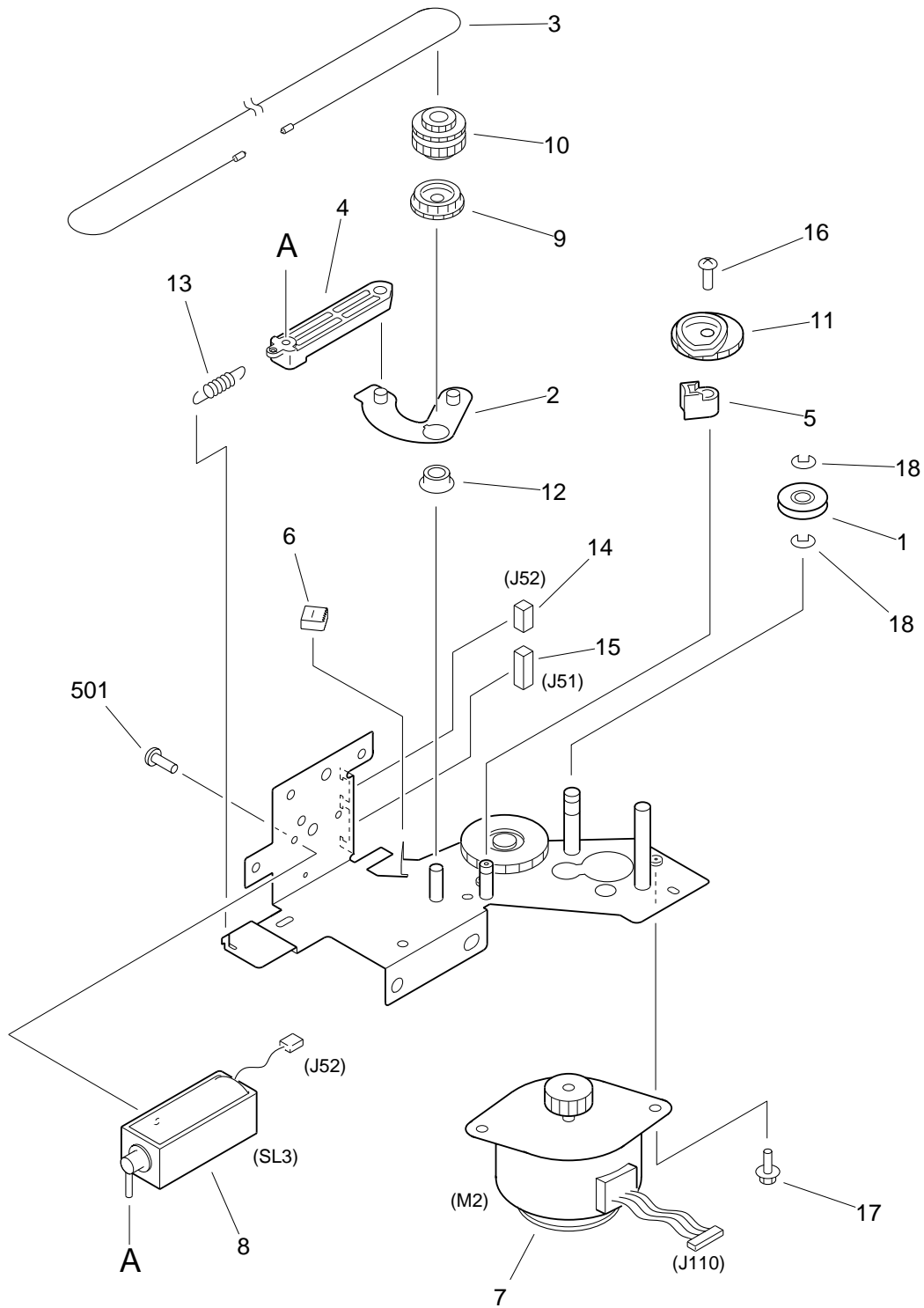
FIGURE 162 ADF TRAY ASSEMBLY (ADF TYPE)



NOTE: This assembly does not include the parts shown with key No.3 and 4.

| FIGURE & KEY NO. | PART NUMBER | RANK | QTY | DESCRIPTION | SERIAL NUMBER / REMARKS |
|------------------|------------------|------|-----|--------------------------------|-------------------------|
| 162 - | FG5 - 6418 - 000 | | 1 | ADF TRAY ASSEMBLY | ADF TYPE |
| 1 | FB3 - 3395 - 000 | | 1 | GEAR, 20T | |
| 2 | FB3 - 3396 - 000 | | 1 | PLATE, SLIDE | |
| 3 | FB3 - 3397 - 000 | | 1 | TRAY, SUB | SEE NOTE |
| 4 | FB4 - 1159 - 000 | | 1 | COVER, LOWER | SEE NOTE |
| 5 | FF5 - 6756 - 000 | | 1 | GUIDE, SLIDE, FRONT | |
| 5 A | FB3 - 3392 - 000 | | 1 | RUBBER, STOP | |
| 6 | FF5 - 6757 - 000 | | 1 | GUIDE, SLIDE, REAR | |
| 6 A | FB3 - 3392 - 000 | | 1 | RUBBER, STOP | |
| 6 B | FS6 - 8196 - 000 | | 1 | LABEL, CARD HEIGHT | |
| 7 | FF5 - 6758 - 000 | | 1 | TRAY, DOCUMENT | |
| 7 A | FS6 - 8197 - 000 | | 1 | LABEL, SIZE | |
| 7 B | FS6 - 8950 - 000 | | 1 | LABEL, "DOCUMENT SET OPERATE" | |
| 501 | XB1 - 2400 - 609 | | 1 | SCREW, MACH., TRUSS HEAD, M4X6 | |

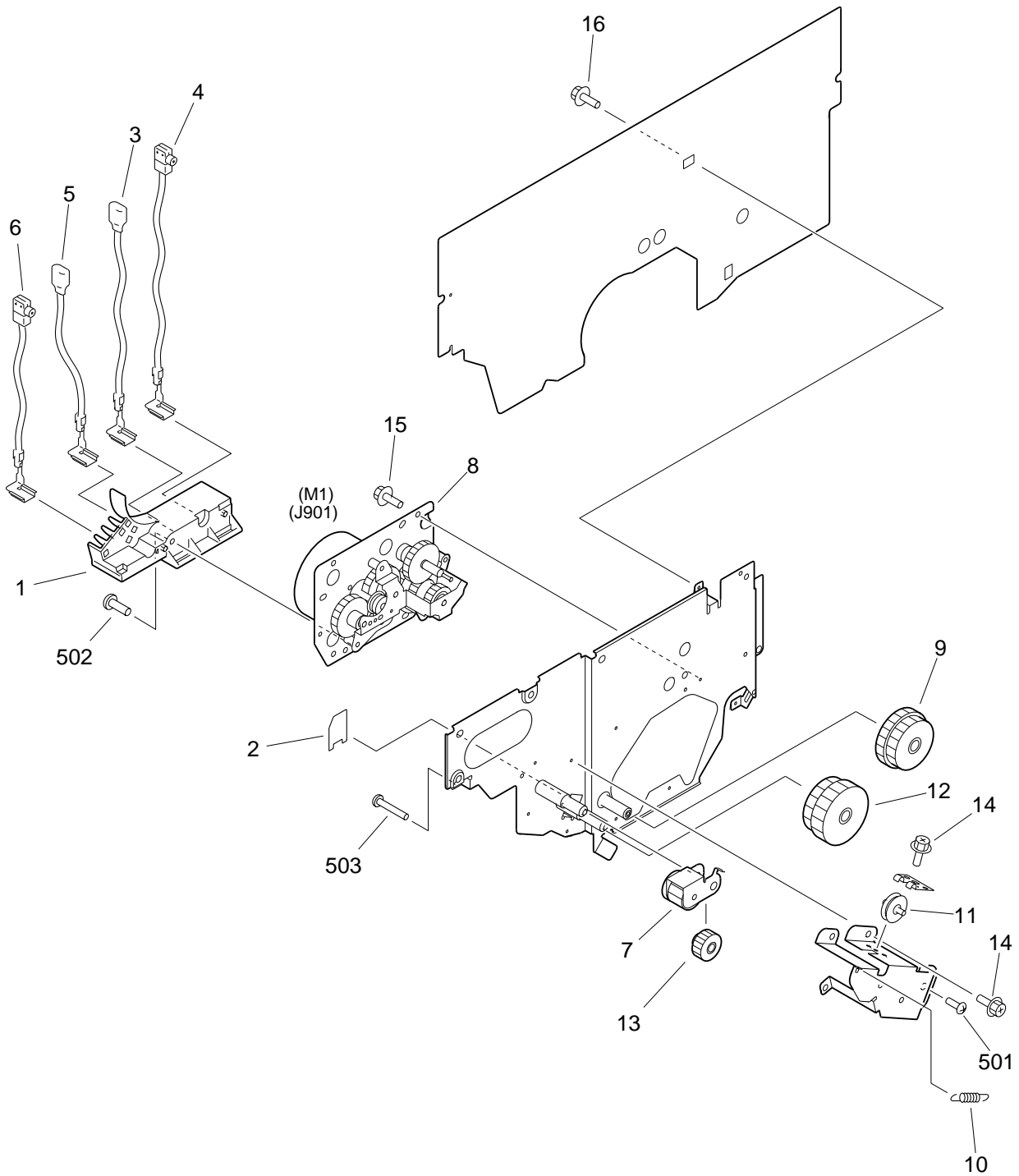
FIGURE 220 SCANNER DRIVE ASSEMBLY



NOTE: This assembly does not include the parts shown with key No. 3, 5, 11 and 16.

| FIGURE & KEY NO. | PART NUMBER | R A N K | Q' T Y | DESCRIPTION | SERIAL NUMBER / REMARKS |
|------------------------|------------------|------------------|--------------|-----------------------------|-------------------------|
| 220 - | FG6 - 3733 - 000 | | 1 | SCANNER DRIVE ASSEMBLY | |
| 1 | FB2 - 4616 - 000 | | 1 | PULLEY | |
| 2 | FB2 - 4701 - 020 | | 1 | ARM, SOLENOID, 1 | |
| 3 | FB2 - 4702 - 000 | | 1 | WIRE, SCANNER DRIVE | SEE NOTE |
| 4 | FB2 - 4703 - 000 | | 1 | ARM, SOLENOID, 2 | |
| 5 | FB2 - 4704 - 000 | | 1 | BLOCK, WIRE STOP | SEE NOTE |
| 6 | FB2 - 4705 - 000 | | 1 | RUBBER, STOP | |
| 7 | FH6 - 1079 - 000 | | 1 | MOTOR, STEPPING | M2 J110 |
| 8 | FH7 - 5565 - 030 | | 1 | SOLENOID | SL3 J52 |
| 9 | FS5 - 0917 - 000 | | 1 | GEAR, 45T | |
| 10 | FS5 - 0918 - 000 | | 1 | GEAR, 24T/39T | |
| 11 | FS5 - 0919 - 000 | | 1 | GEAR, 53T | SEE NOTE |
| 12 | FS5 - 1439 - 000 | | 1 | BUSHING | |
| 13 | FS5 - 2821 - 000 | | 1 | SPRING, TENSION | |
| 14 | VS1 - 5057 - 002 | | 1 | CONNECTOR, SNAP TIGHT | J52 |
| 15 | VS1 - 5057 - 006 | | 1 | CONNECTOR, SNAP TIGHT | J51 |
| 16 | XA9 - 0187 - 000 | | 1 | SCREW,M3X6 | SEE NOTE |
| 17 | XA9 - 0760 - 000 | | 2 | SCREW,RS,M3X6 | |
| 18 | XD9 - 0136 - 000 | | 2 | RING,E | |
| 501 | XB1 - 2300 - 409 | | 2 | SCREW,MACH.,TRUSS HEAD,M3X4 | |

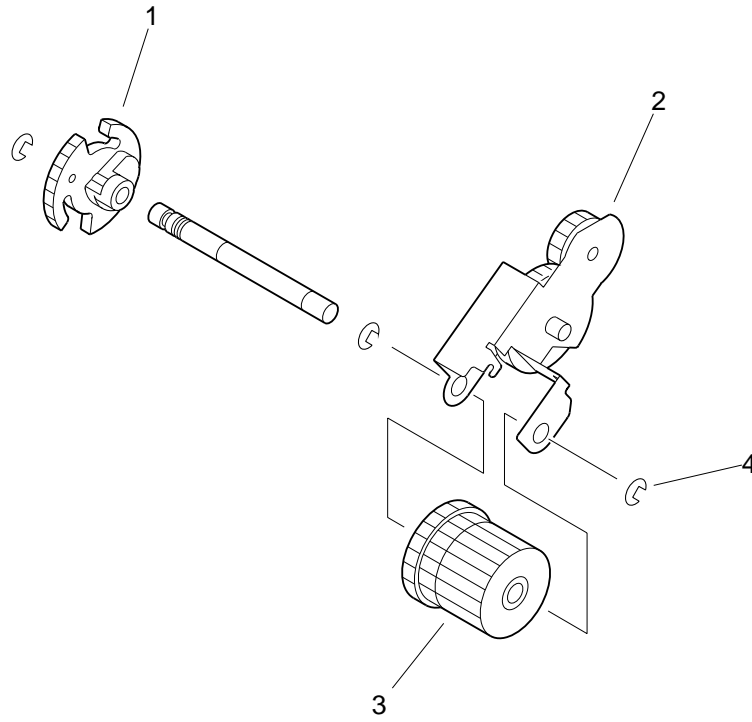
FIGURE 230 MAIN DRIVE ASSEMBLY



NOTE: This assembly does not include the parts shown with key No. 1, 3, 4, 5, 6, 14, 16, 502 and 503.

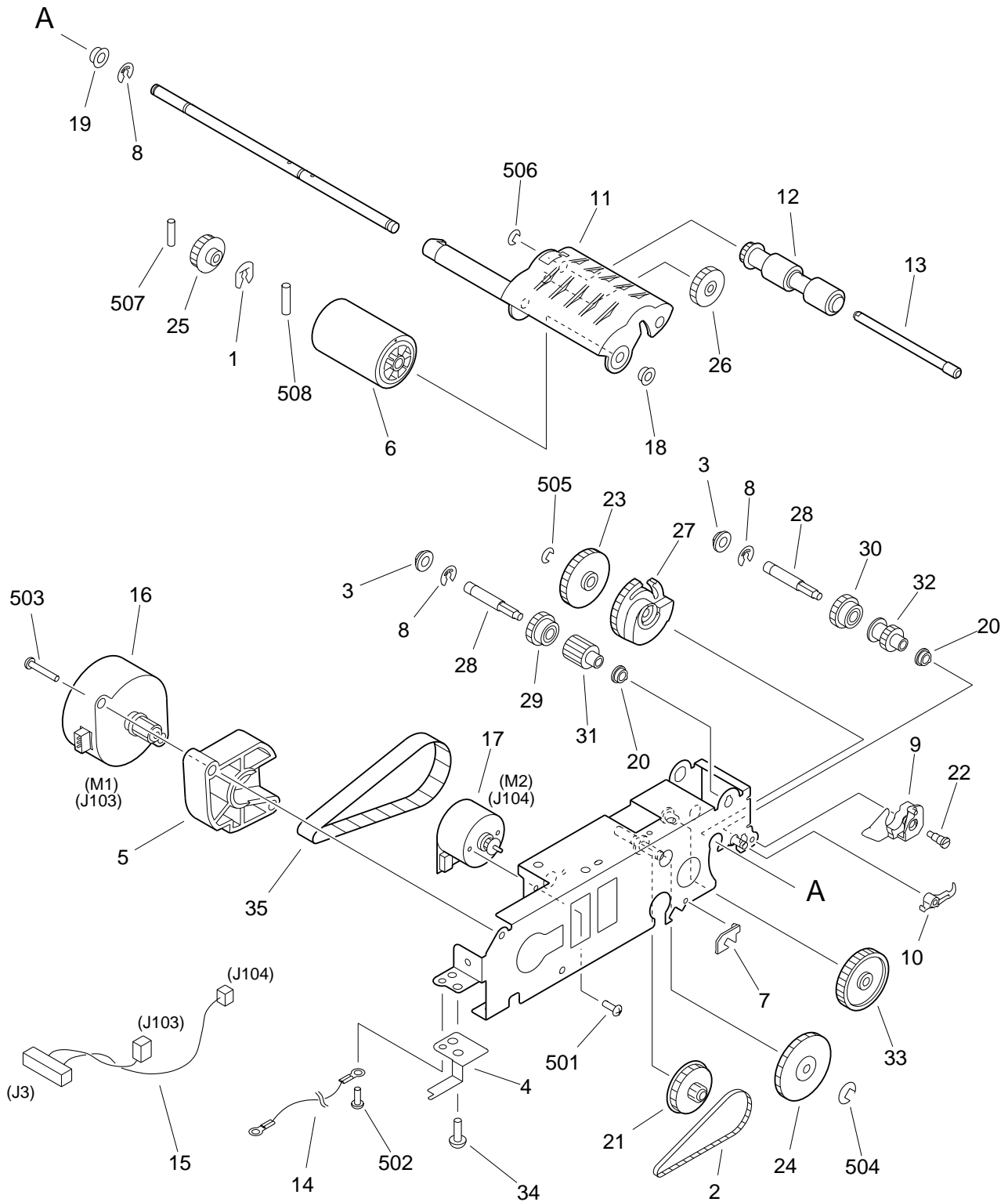
| FIGURE & KEY NO. | PART NUMBER | R A N K | Q' T Y | DESCRIPTION | SERIAL NUMBER / REMARKS |
|------------------------|------------------|------------------|--------------|--------------------------------|--------------------------|
| 230 - | FG6 - 3833 - 000 | | 1 | MAIN DRIVE ASSEMBLY | |
| 1 | FB2 - 4927 - 000 | | 1 | MOUNT, TERMINAL, UPPER | SEE NOTE |
| 2 | FB4 - 9893 - 000 | | 1 | PLATE, BLANKING | |
| 3 | FF2 - 9724 - 000 | | 1 | CABLE, TERMINAL, PRIMARY | SEE NOTE |
| 4 | FF2 - 9725 - 000 | | 1 | CABLE, TERMINAL, TRANSFER | SEE NOTE |
| 5 | FF2 - 9726 - 000 | | 1 | CABLE, TERMINAL | SEE NOTE |
| 6 | FF2 - 9727 - 000 | | 1 | CABLE, TERMINAL, ELIMINATOR | SEE NOTE |
| 7 | FF5 - 8991 - 000 | | 1 | PLATE, SWING | |
| 8 | FG6 - 3832 - 000 | | 1 | MAIN MOTOR UNIT | M1 J901 |
| 9 | FS5 - 0905 - 000 | | 1 | GEAR, 58T/35T | |
| 10 | FS5 - 2785 - 000 | | 1 | SPRING, TENSION | |
| 11 | FS5 - 6393 - 000 | | 1 | ROLLER, IDLER | |
| 12 | FS7 - 0443 - 000 | | 1 | GEAR, 38T/42T | |
| 13 | FS7 - 0444 - 000 | | 1 | GEAR, 18T | |
| 14 | XA9 - 0760 - 000 | | AR | SCREW,RS,M3X6 | SEE NOTE |
| 15 | XA9 - 0760 - 000 | | 8 | SCREW,RS,M3X6 | |
| 16 | XA9 - 0762 - 000 | | 1 | SCREW,RS,M3X8 | NON ADF TYPE SEE NOTE |
| | XA9 - 0760 - 000 | | 1 | SCREW,RS,M3X6 | ADF TYPE SEE NOTE |
| 501 | XB1 - 2300 - 609 | | 1 | SCREW,MACH.,TRUSS HEAD,M3X6 | |
| 502 | XB1 - 2400 - 609 | | 1 | SCREW,MACH.,TRUSS HEAD,M4X6 | SEE NOTE |
| 503 | XB4 - 7401 - 009 | | 3 | SCREW,TAPPING,TRUSS HEAD,M4X10 | SEE NOTE |

FIGURE 250 PAPER PICK-UP DRIVE ASSEMBLY



| FIGURE & KEY NO. | PART NUMBER | RANK | QTY | DESCRIPTION | SERIAL NUMBER / REMARKS |
|------------------|------------------|------|-----|------------------------------|-------------------------|
| 250 - | FG6 - 3712 - 000 | | 1 | PAPER PICK-UP DRIVE ASSEMBLY | |
| 1 | FB2 - 5198 - 000 | | 1 | GEAR, 32T | |
| 2 | FF5 - 8992 - 000 | | 1 | PLATE, SWING | |
| 3 | FS7 - 0430 - 000 | | 1 | GEAR, 35T/32T | |
| 4 | XD9 - 0136 - 000 | | 3 | RING,E | |
| ----- | | | | | |
| ----- | | | | | |

FIGURE 290 ADF DRIVE ASSEMBLY (ADF TYPE)

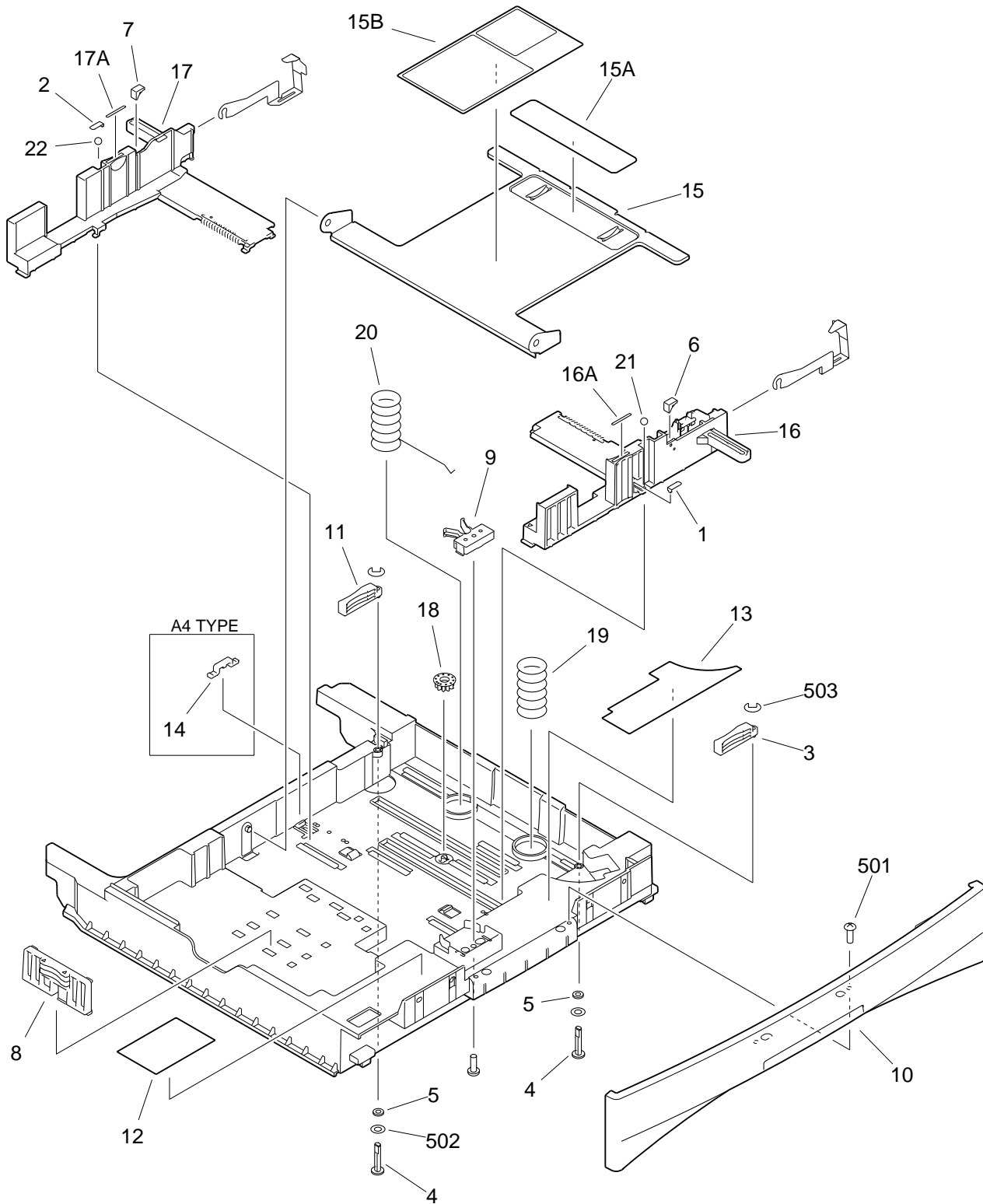


NOTE: This assembly does not include the parts shown with key No. 4, and 34.

| FIGURE & KEY NO. | PART NUMBER | RANK | QTY | DESCRIPTION | SERIAL NUMBER / REMARKS |
|------------------|------------------|------|-----|------------------------------|-------------------------|
| 290 - | FG5 - 6420 - 000 | | 1 | ADF DRIVE ASSEMBLY | ADF TYPE |
| 1 | FA5 - 2864 - 020 | | 1 | RING, RETAINING | |
| 2 | FA9 - 3268 - 000 | | 1 | BELT, TIMING, COGGED | |
| 3 | FA9 - 3668 - 000 | | 2 | BUSHING | |
| 4 | FB3 - 3353 - 000 | | 1 | PLATE, GROUNDING | SEE NOTE |
| 5 | FB3 - 3371 - 000 | | 1 | MOUNT, MOTOR | |
| 6 | FB3 - 3373 - 020 | | 1 | ROLLER, PAPER PICK-UP | |
| 7 | FB3 - 3377 - 000 | | 1 | SUPPORT, REGIST. SHAFT | |
| 8 | FB3 - 3400 - 000 | | 3 | RING, E | |
| 9 | FB4 - 1148 - 000 | | 1 | BLOCK, CAM LINK, 1 | |
| 10 | FB4 - 1149 - 000 | | 1 | BLOCK, CAM LINK, 2 | |
| 11 | FB4 - 1150 - 000 | | 1 | HOLDER, PAPER PICK-UP ROLLER | |
| 12 | FB4 - 1151 - 000 | | 1 | ROLLER, PAPER PICK-UP | |
| 13 | FB4 - 1152 - 000 | | 1 | SHAFT, PAPER PICK-UP ROLLER | |
| 14 | FF3 - 1070 - 000 | | 1 | CABLE, GROUNDING | |
| 15 | FG2 - 7468 - 000 | | 1 | CABLE, MOTOR | J3,103,104 |
| 16 | FH6 - 1237 - 000 | | 1 | STEPPING MOTOR, DC24V | M1 J103 |
| 17 | FH6 - 1238 - 000 | | 1 | MOTOR, DC24W | M2 J104 |
| 18 | FS1 - 1190 - 000 | | 1 | BUSHING | |
| 19 | FS1 - 1213 - 000 | | 1 | BUSHING | |
| 20 | FS5 - 1438 - 000 | | 1 | BUSHING | |
| 21 | FS5 - 3462 - 000 | | 1 | GEAR, 21T/44T | |
| 22 | FS5 - 9362 - 000 | | 1 | SCREW, STEPPED, M4 | |
| 23 | FS6 - 0617 - 000 | | 1 | GEAR, PICK-UP, 44T | |
| 24 | FS6 - 0618 - 000 | | 1 | GEAR, 16T/64T | |
| 25 | FS6 - 0619 - 000 | | 1 | GEAR, 30T | |
| 26 | FS6 - 0620 - 000 | | 1 | GEAR, 35T | |
| 27 | FS6 - 0622 - 000 | | 1 | GEAR, CAM, 44T | |
| 28 | FS6 - 5517 - 000 | | 2 | SHAFT, GEAR | |
| 29 | FS7 - 0340 - 000 | | 1 | GEAR, 21T | |

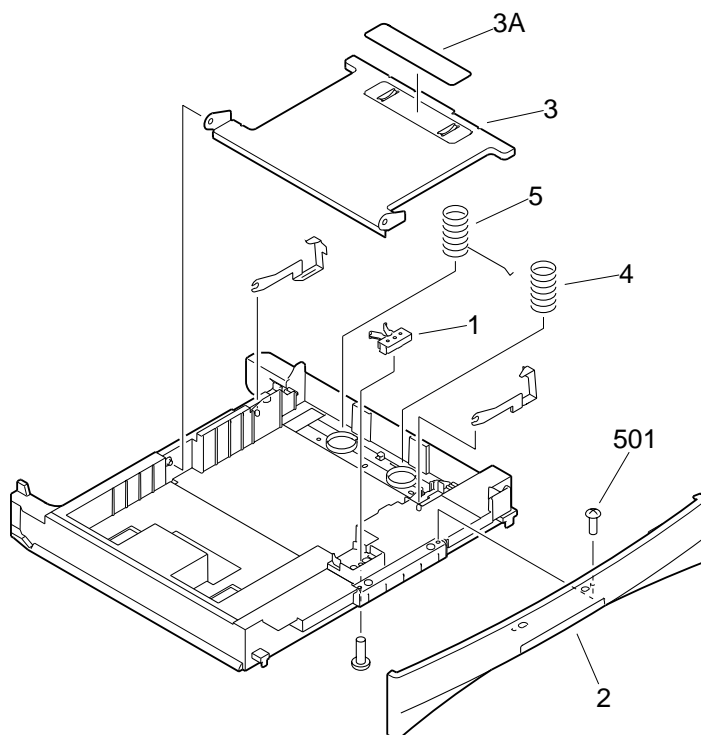
| FIGURE & KEY NO. | PART NUMBER | R A N K | Q' T Y | DESCRIPTION | SERIAL NUMBER / REMARKS |
|------------------------|------------------|------------------|--------------|-------------------------------|-------------------------|
| 290 - 30 | FS7 - 0341 - 000 | | 1 | GEAR, 21T | |
| 31 | FS7 - 0602 - 000 | | 1 | GEAR, 14T | |
| 32 | FS7 - 0603 - 000 | | 1 | GEAR, 14T | |
| 33 | FS7 - 0604 - 000 | | 1 | GEAR, 40T | |
| 34 | XA9 - 0605 - 000 | | 1 | SCREW,M4X8 | SEE NOTE |
| 35 | XF9 - 0350 - 000 | | 1 | BELT, TIMING | |
| 501 | XB1 - 2260 - 309 | | 2 | SCREW,MACH.,TRUSS HEAD,M2.6X3 | |
| 502 | XB1 - 2400 - 609 | | 1 | SCREW,MACH.,TRUSS HEAD,M4X6 | |
| 503 | XB1 - 2402 - 009 | | 2 | SCREW,MACH.,TRUSS HEAD,M4X20 | |
| 504 | XD2 - 1100 - 402 | | 1 | RING,E | |
| 505 | XD2 - 1100 - 502 | | 1 | RING,E | |
| 506 | XD2 - 1200 - 322 | | 2 | RING,E | |
| 507 | XD3 - 2200 - 122 | | 1 | PIN,DOWEL | |
| 508 | XD3 - 2200 - 142 | | 1 | PIN,DOWEL | |
| | | | | | |
| | | | | | |
| | | | | | |
| | | | | | |

FIGURE 300 CASSETTE (250 UNIVERSAL TYPE)



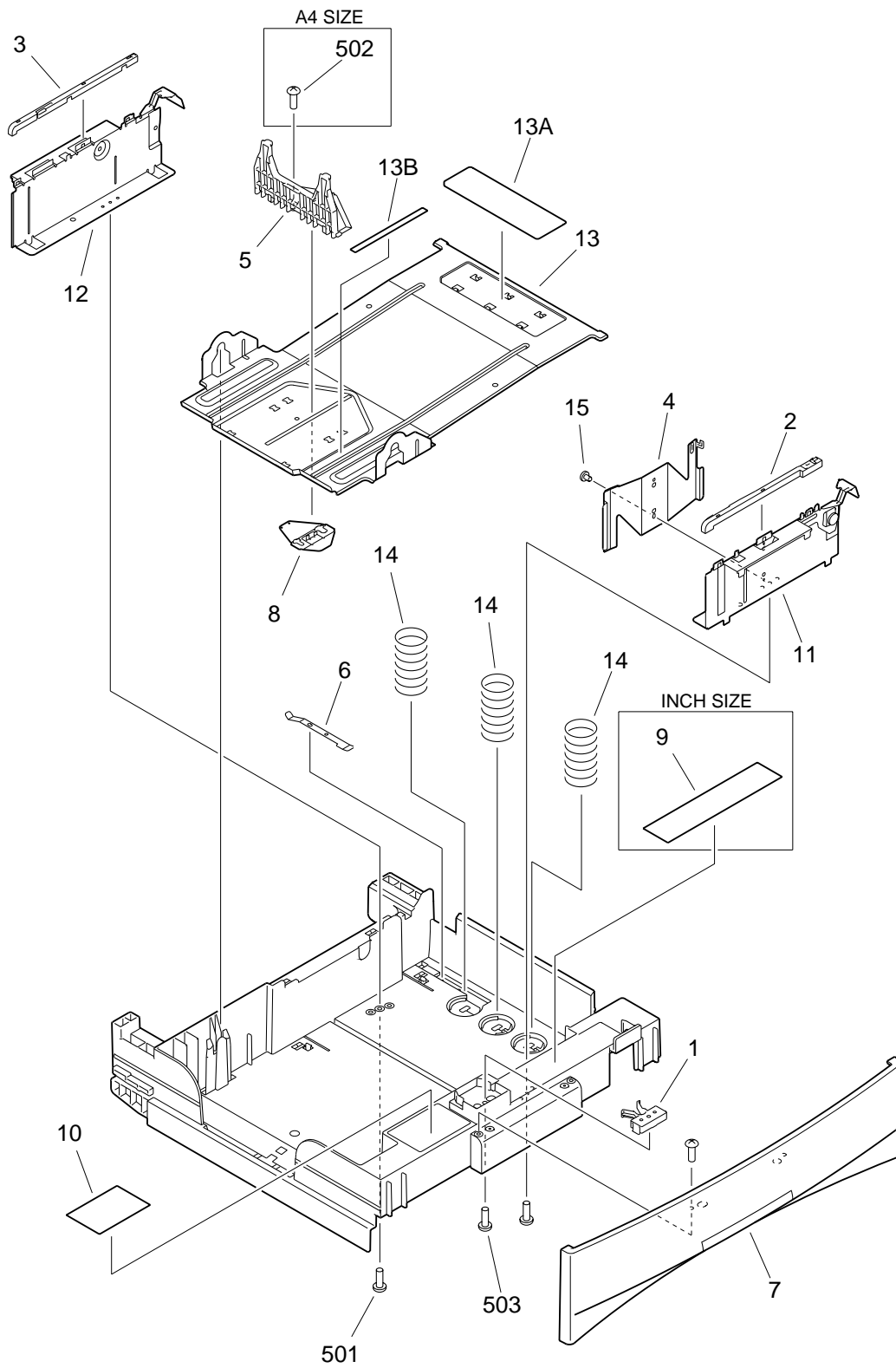
| FIGURE & KEY NO. | PART NUMBER | RANK | QTY | DESCRIPTION | SERIAL NUMBER / REMARKS |
|------------------|------------------|------|-----|----------------------------------|-------------------------|
| 300 - | NPN | | RF | CASSETTE | 250 UNIVERSAL TYPE |
| 1 | FB5 - 0165 - 000 | | 1 | SPRING, LEAF | |
| 2 | FB5 - 0165 - 000 | | 1 | SPRING, LEAF | |
| 3 | FB5 - 0168 - 000 | | 1 | LEVER, SIDE PLATE LOCK, FRONT | |
| 4 | FB5 - 0169 - 000 | | 2 | SHAFT, LOCK LEVER | |
| 5 | FB5 - 0170 - 000 | | 2 | PAD, RUBBER | |
| 6 | FB5 - 0171 - 000 | | 1 | SUPPORT, CLAW | |
| 7 | FB5 - 0171 - 000 | | 1 | SUPPORT, CLAW | |
| 8 | FB5 - 0172 - 000 | | 1 | PLATE, END SIDE LIMIT | |
| 9 | FB5 - 0173 - 000 | | 1 | GUIDE, POSITIONING | |
| 10 | FB5 - 0174 - 000 | | 1 | PANEL, CASSETTE, FRONT | |
| 11 | FB5 - 0175 - 000 | | 1 | LEVER, SIDE PLATE LOCK, REAR | |
| 12 | FB5 - 0176 - 000 | | 1 | LABEL, PAPER INSTRUCTION | |
| 13 | FB5 - 0177 - 000 | | 1 | LABEL, SIZE CHANGE INSTRUCTION | |
| 14 | FB5 - 0180 - 000 | | 1 | SUPPORT, STOP | A4 TYPE |
| 15 | FF5 - 9033 - 000 | | 1 | PLATE, PAPER LIFTING | |
| 15 A | FB5 - 0159 - 000 | | 1 | SHEET, SEPARATION | |
| 15 B | FB5 - 0179 - 000 | | 1 | LABEL, PLATE LIFTING | |
| 16 | FF5 - 9034 - 000 | | 1 | PLATE, SIDE LIMIT, FRONT | |
| 16 A | FB5 - 0178 - 000 | | 1 | LABEL, SIDE PLATE OPERATION | |
| 17 | FF5 - 9035 - 000 | | 1 | PLATE, SIDE LIMIT, REAR | |
| 17 A | FB5 - 0178 - 000 | | 1 | LABEL, SIDE PLATE OPERATION | |
| 18 | FS7 - 0457 - 000 | | 1 | GEAR, 10T | |
| 19 | FS7 - 2201 - 000 | | 1 | SPRING, COMPRESSION | |
| 20 | FS7 - 2202 - 000 | | 1 | SPRING, COMPRESSION | |
| 21 | X71 - 7503 - 000 | | 1 | BALL, SLIDE CLICK FEELING | |
| 22 | X71 - 7503 - 000 | | 1 | BALL, SLIDE CLICK FEELING | |
| 501 | XB4 - 7400 - 809 | | 3 | SCREW, TAPPING, TRUSS HEAD, M4X8 | |
| 502 | XD1 - 1104 - 635 | | 2 | SHIM | |
| 503 | XD2 - 1200 - 202 | | 2 | RING, E | |

FIGURE 301 CASSETTE (250 A4 TYPE)



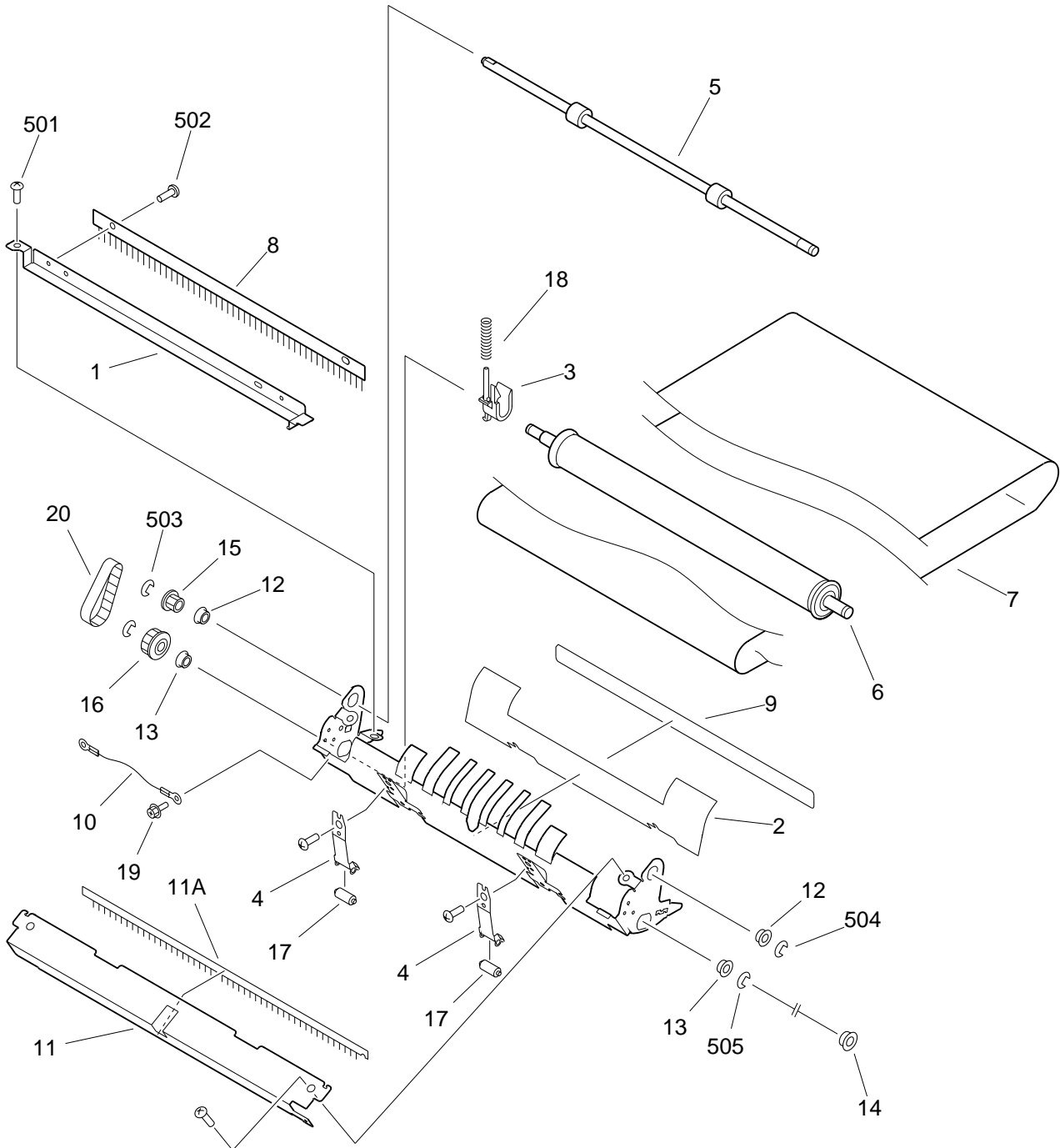
| FIGURE & KEY NO. | PART NUMBER | RANK | QTY | DESCRIPTION | SERIAL NUMBER / REMARKS |
|------------------|------------------|------|-----|----------------------------------|-------------------------|
| 301 - | NPN | | RF | CASSETTE | 250 A4 TYPE |
| 1 | FB5 - 0173 - 000 | | 1 | GUIDE, POSITIONING | |
| 2 | FB5 - 0174 - 000 | | 1 | PANEL, CASSETTE, FRONT | |
| 3 | FF5 - 9609 - 000 | | 1 | PLATE, PAPER LIFTING | |
| 3A | FB5 - 0159 - 000 | | 1 | SHEET, SEPARATION | |
| 4 | FS7 - 2201 - 000 | | 1 | SPRING, COMPRESSION | |
| 5 | FS7 - 2202 - 000 | | 1 | SPRING, COMPRESSION | |
| 501 | XB4 - 7400 - 809 | | 3 | SCREW, TAPPING, TRUSS HEAD, M4X8 | |

FIGURE 302 CASSETTE (500 TYPE)



| FIGURE & KEY NO. | PART NUMBER | R A N K | Q' T Y | DESCRIPTION | SERIAL NUMBER / REMARKS |
|------------------------|------------------|------------------|--------------|-------------------------------|-------------------------|
| 302 - | NPN | | RF | CASSETTE | 500 TYPE |
| 1 | FB5 - 0173 - 000 | | 1 | GUIDE, POSITIONING | |
| 2 | FB5 - 0218 - 000 | | 1 | COVER, LIMIT PLATE, FRONT | |
| 3 | FB5 - 0219 - 000 | | 1 | COVER, LIMIT PLATE, REAR | |
| 4 | FB5 - 0220 - 000 | | 1 | SPRING, LEAF, SIDE LIMIT | |
| 5 | FB5 - 0221 - 000 | | 1 | PLATE, END SIDE LIMIT | |
| 6 | FB5 - 0222 - 000 | | 1 | SPRING, LEAF | |
| 7 | FB5 - 0223 - 000 | | 1 | PANEL, CASSETTE, FRONT | |
| 8 | FB5 - 0230 - 000 | | 1 | SPRING, LEAF, END LIMIT | |
| 9 | FB5 - 0232 - 000 | | 1 | LABEL, END LIMIT | INCH SIZE |
| 10 | FB5 - 0233 - 000 | | 1 | LABEL, PAPER SET | A4 SIZE |
| | FB5 - 0234 - 000 | | 1 | LABEL, PAPER SET | INCH SIZE |
| 11 | FF5 - 9073 - 000 | | 1 | PLATE, SIDE LIMIT, FRONT | |
| 12 | FF5 - 9074 - 000 | | 1 | PLATE, SIDE LIMIT, REAR | |
| 13 | FF5 - 9075 - 000 | | 1 | PLATE, PAPER LIFTING | |
| 13 A | FB5 - 0229 - 000 | | 1 | SHEET, SEPARATION | |
| 13 B | FB5 - 0231 - 000 | | 1 | LABEL, PAPER SIZE | |
| 14 | FS7 - 2211 - 000 | | 3 | SPRING, COMPRESSION | |
| 15 | XA9 - 0903 - 000 | | 2 | SCREW,M3X5 | |
| 501 | XB1 - 2300 - 809 | | 2 | SCREW,MACH.,TRUSS HEAD,M3X8 | |
| 502 | XB4 - 7300 - 505 | | 1 | SCREW,TAPPING,TRUSS HEAD,M3X5 | A4 SIZE |
| 503 | XB4 - 7400 - 809 | | 3 | SCREW,TAPPING,TRUSS HEAD,M4X8 | |

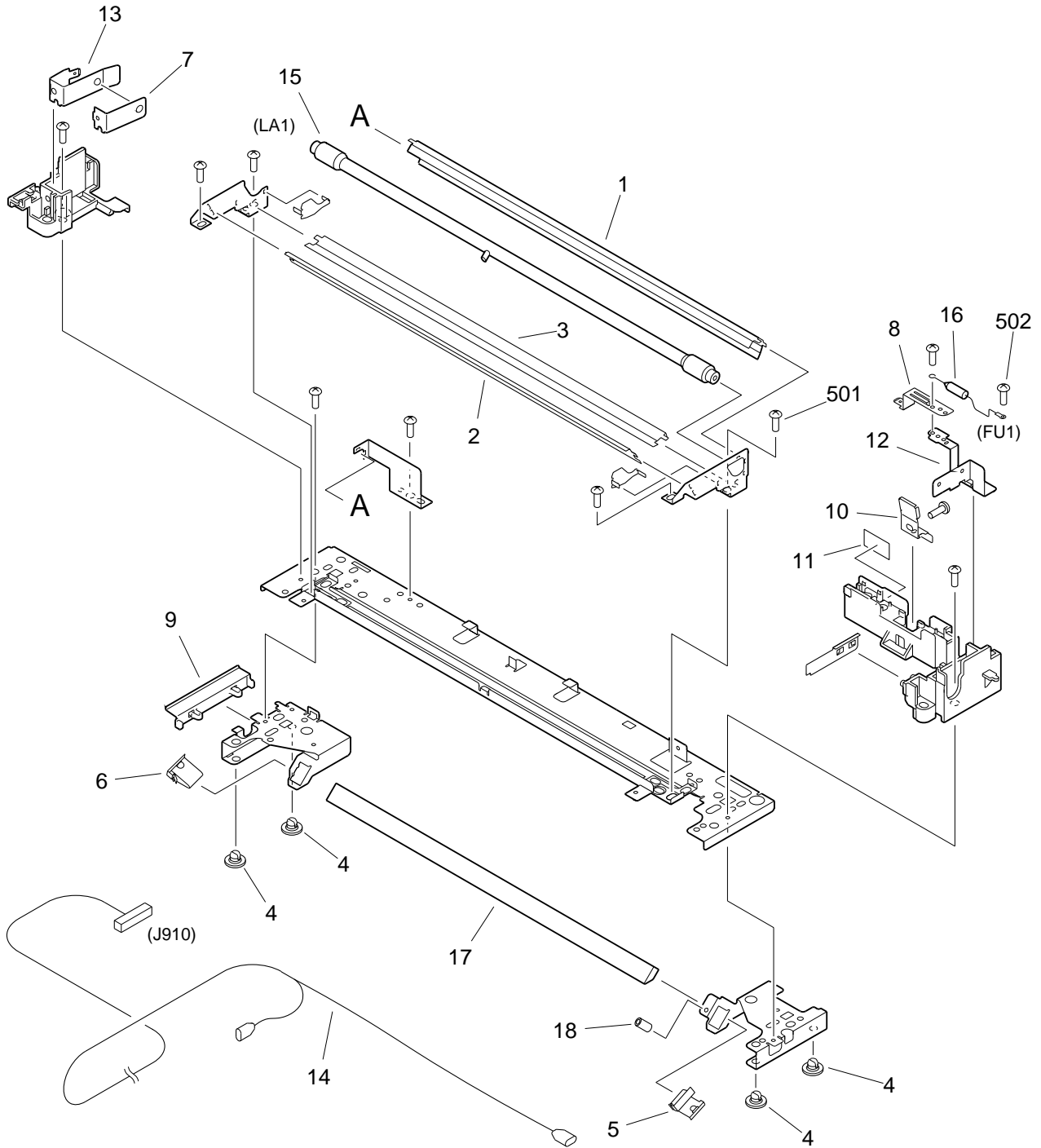
FIGURE 355 ADF DELIVERY ASSEMBLY (ADF TYPE)



NOTE: This assembly does not include the part shown with key No.19.

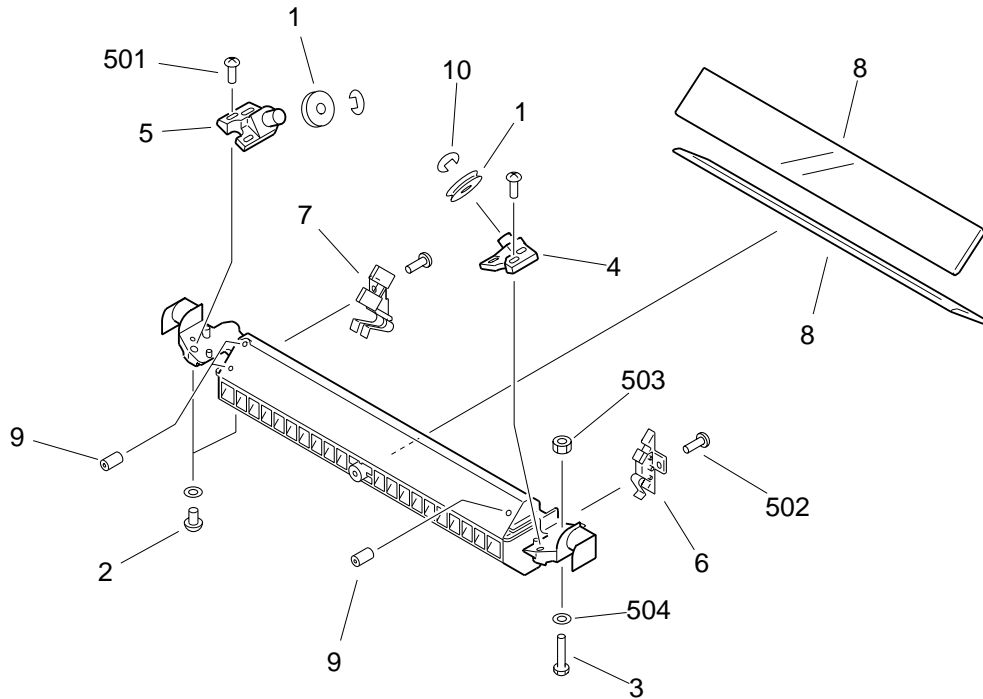
| FIGURE & KEY NO. | PART NUMBER | RANK | QTY | DESCRIPTION | SERIAL NUMBER / REMARKS |
|------------------|------------------|------|-----|------------------------------|-------------------------|
| 355 - | FG5 - 6413 - 000 | | 1 | ADF DELIVERY ASSEMBLY | ADF TYPE |
| 1 | FB3 - 3379 - 000 | | 1 | CROSSMEMBER, ELEMINATOR | |
| 2 | FB3 - 3381 - 000 | | 1 | SHEET, JUMP | |
| 3 | FB3 - 3382 - 000 | | 1 | SUPPORT, PAPER JUMP GUIDE | |
| 4 | FB3 - 3383 - 000 | | 2 | PLATE, ROLLER PRESSURE | |
| 5 | FB3 - 3385 - 020 | | 1 | ROLLER, PAPER DELIVERY | |
| 6 | FB3 - 3386 - 000 | | 1 | ROLLER, PAPER FEED | |
| 7 | FB3 - 3387 - 000 | | 1 | BELT, DOCUMENT FEED | |
| 8 | FB3 - 3388 - 000 | | 1 | ELIMINATOR, STATIC CHARGE, 1 | |
| 9 | FB3 - 3408 - 000 | | 1 | SHEET, EXTENSION | |
| 10 | FF3 - 1071 - 000 | | 1 | CABLE, GROUNDING | |
| 11 | FF5 - 4686 - 000 | | 1 | PLATE, DELIVERY GUIDE | |
| 11 A | FB3 - 3389 - 000 | | 1 | ELIMINATOR, STATIC CHARGE, 2 | |
| 12 | FS1 - 1205 - 000 | | 3 | BUSHING | |
| 13 | FS1 - 1341 - 000 | | 2 | BUSHING | |
| 14 | FS1 - 1422 - 000 | | 1 | BUSHING | |
| 15 | FS5 - 3459 - 000 | | 1 | PULLEY | |
| 16 | FS5 - 3460 - 000 | | 1 | PULLEY, 26T | |
| 17 | FS5 - 6455 - 000 | | 2 | ROLLER | |
| 18 | FS6 - 2375 - 000 | | 1 | SPRING, COMPRESSION | |
| 19 | XA9 - 0633 - 000 | | 1 | SCREW,RS,M4X8 | SEE NOTE |
| 20 | XF9 - 0562 - 000 | | 1 | BELT, TIMING | |
| 501 | XB1 - 2300 - 609 | | 2 | SCREW,MACH.,TRUSS HEAD,M3X6 | |
| 502 | XB1 - 2400 - 609 | | 6 | SCREW,MACH.,TRUSS HEAD,M4X6 | |
| 503 | XD2 - 1100 - 322 | | 1 | RING,E | |
| 504 | XD2 - 1100 - 502 | | 2 | RING,E | |
| 505 | XD2 - 1100 - 642 | | 1 | RING,E | |

FIGURE 400 MIRROR ASSEMBLY 1



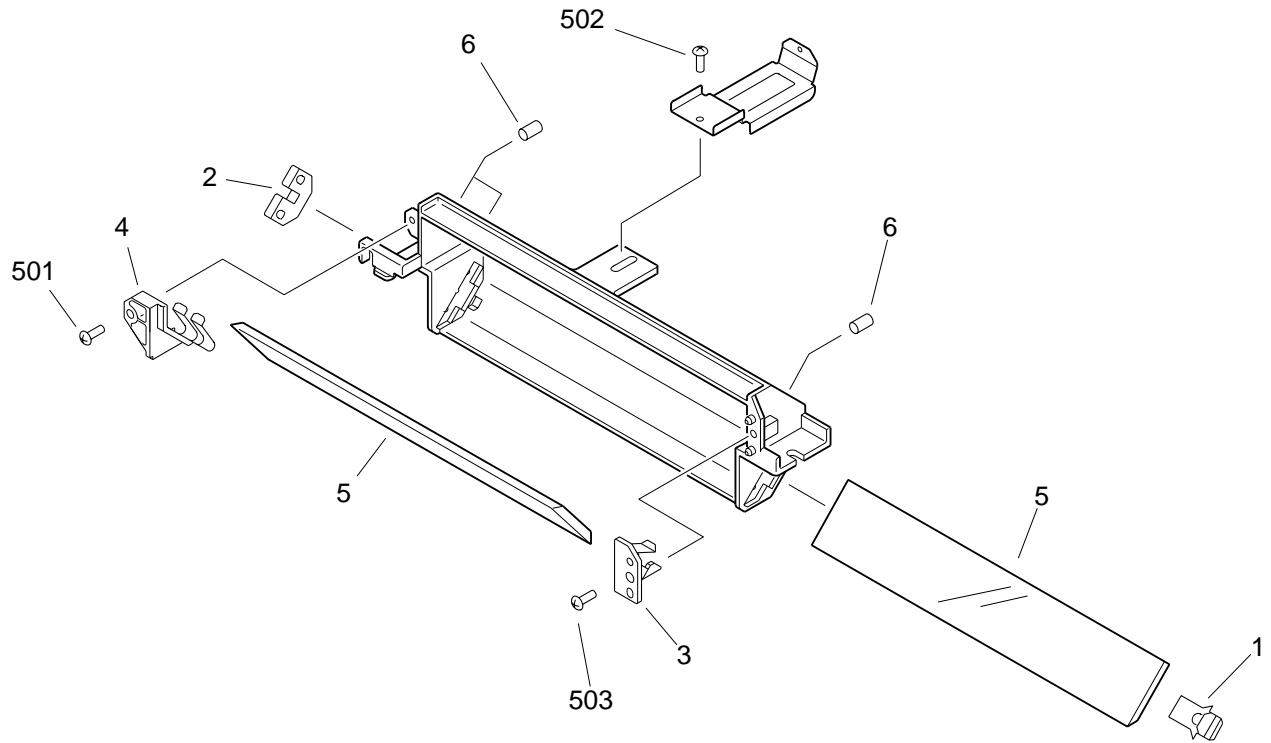
| FIGURE & KEY NO. | PART NUMBER | R A N K | Q' T Y | DESCRIPTION | SERIAL NUMBER / REMARKS |
|------------------------|------------------|------------------|--------------|-----------------------------|-------------------------|
| 400 - | FG6 - 3749 - 000 | | 1 | MIRROR ASSEMBLY 1 | 120V |
| | FG6 - 3750 - 000 | N | 1 | MIRROR ASSEMBLY 1 | 220/240V |
| 1 | FB5 - 0058 - 000 | | 1 | REFLECTOR, UPPER | |
| 2 | FB5 - 0059 - 000 | | 1 | REFLECTOR, MIDDLE | |
| 3 | FB5 - 0060 - 000 | | 1 | REFLECTOR, LOWER | |
| 4 | FB5 - 0069 - 000 | | 4 | BLOCK, RAIL SLIDING | |
| 5 | FB5 - 0070 - 000 | | 1 | SPRING, LEAF, MIRROR | |
| 6 | FB5 - 0071 - 000 | | 1 | SPRING, LEAF, MIRROR | |
| 7 | FB5 - 0074 - 000 | | 1 | SPRING, LEAF | |
| 8 | FB5 - 0075 - 000 | | 1 | TERMINAL, FUSE PLATE | |
| 9 | FB5 - 0080 - 000 | | 1 | COVER, INSULATION | |
| 10 | FB5 - 0095 - 000 | | 1 | SPRING, LEAF, FUSE HOLDING | |
| 11 | FB5 - 0108 - 000 | | 1 | LABEL, THERMAL FUSE | |
| 12 | FF5 - 8986 - 000 | | 1 | PLATE, TERMINAL, FRONT | |
| 13 | FF5 - 8987 - 000 | | 1 | PLATE, TERMINAL, REAR | |
| 14 | FG6 - 3761 - 000 | | 1 | CABLE, MIRROR UNIT 1 LAMP | J910 |
| 15 | FH7 - 3381 - 000 | | 1 | LAMP, HALOGEN 80V 110W | 120V LA1 |
| | FH7 - 3380 - 000 | | 1 | LAMP, HALOGEN 150V 160W | 220/240V LA1 |
| 16 | FH7 - 7511 - 000 | | 1 | FUSE, THERMAL | FU1 |
| 17 | FN5 - 4143 - 000 | | 1 | MIRROR, 1 | |
| 18 | XA9 - 0911 - 000 | | 1 | SETSCREW,M3X8 | |
| 501 | XB1 - 2300 - 609 | | 17 | SCREW,MACH.,TRUSS HEAD,M3X6 | |
| 502 | XB2 - 8300 - 607 | | 2 | SCREW,W/WASHER,M3X6 | |

FIGURE 401 MIRROR ASSEMBLY 2



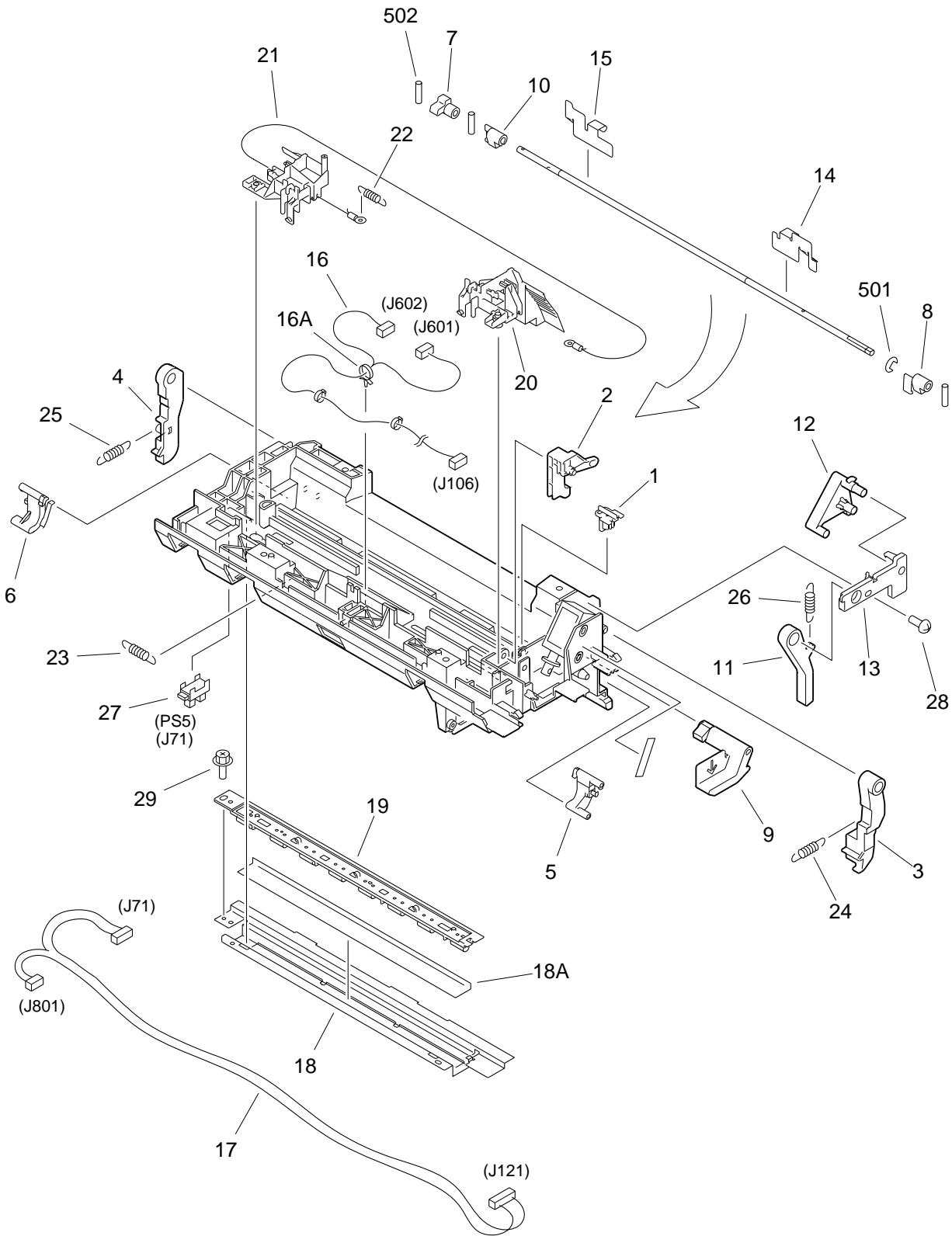
| FIGURE & KEY NO. | PART NUMBER | RANK | QTY | DESCRIPTION | SERIAL NUMBER / REMARKS |
|------------------|------------------|------|-----|-----------------------------------|-------------------------|
| 401 - | FG6 - 3753 - 000 | N | 1 | MIRROR ASSEMBLY 2 | |
| 1 | FB2 - 4616 - 000 | | 2 | PULLEY | |
| 2 | FB2 - 4669 - 020 | | 2 | BLOCK, RAIL SLIDING | |
| 3 | FB2 - 4676 - 000 | | 1 | SCREW, ADJUSTING, M4 | |
| 4 | FB2 - 4677 - 020 | | 1 | PLATE, WIRE POSITIONING, FRONT | |
| 5 | FB2 - 4678 - 020 | | 1 | PLATE, WIRE POSITIONING, REAR | |
| 6 | FF5 - 2899 - 000 | | 1 | HOLDER, MIRROR, FRONT | |
| 7 | FF5 - 2900 - 000 | | 1 | HOLDER, MIRROR, REAR | |
| 8 | FN5 - 4144 - 000 | | 2 | MIRROR, 2/3 | |
| 9 | XA9 - 0911 - 000 | | 3 | SETSCREW, M3X8 | |
| 10 | XD9 - 0136 - 000 | | 2 | RING, E | |
| 501 | XB4 - 7300 - 809 | | 2 | SCREW, TAPPING, TRUSS HEAD, M3X8 | |
| 502 | XB4 - 7301 - 009 | | 2 | SCREW, TAPPING, TRUSS HEAD, M3X10 | |
| 503 | XB7 - 2200 - 409 | | 1 | NUT, HEX, M4 | |
| 504 | XD1 - 1104 - 635 | | 2 | SHIM | |

FIGURE 402 ZOOM MIRROR ASSEMBLY



| FIGURE & KEY NO. | PART NUMBER | RANK | QTY | DESCRIPTION | SERIAL NUMBER / REMARKS |
|------------------|------------------|------|-----|--------------------------------|-------------------------|
| 402 - | FG6 - 3754 - 000 | N | 1 | ZOOM MIRROR ASSEMBLY | |
| 1 | FB2 - 4694 - 020 | | 1 | SPRING, LEAF, MIRROR 5, FRONT | |
| 2 | FB2 - 4695 - 030 | | 1 | SPRING, LEAF, MIRROR 5, REAR | |
| 3 | FF5 - 2901 - 000 | | 1 | SPRING, LEAF, MIRROR 4, FRONT | |
| 4 | FF5 - 2902 - 000 | | 1 | SPRING, LEAF, MIRROR 4, REAR | |
| 5 | FN5 - 4145 - 000 | | 2 | MIRROR, 4/5 | |
| 6 | XA9 - 0911 - 000 | | 3 | SETSCREW,M3X8 | |
| 501 | XB1 - 2300 - 609 | | 1 | SCREW,MACH.,TRUSS HEAD,M3X6 | |
| 502 | XB1 - 2300 - 809 | | 1 | SCREW,MACH.,TRUSS HEAD,M3X8 | |
| 503 | XB4 - 7301 - 009 | | 1 | SCREW,TAPPING,TRUSS HEAD,M3X10 | |

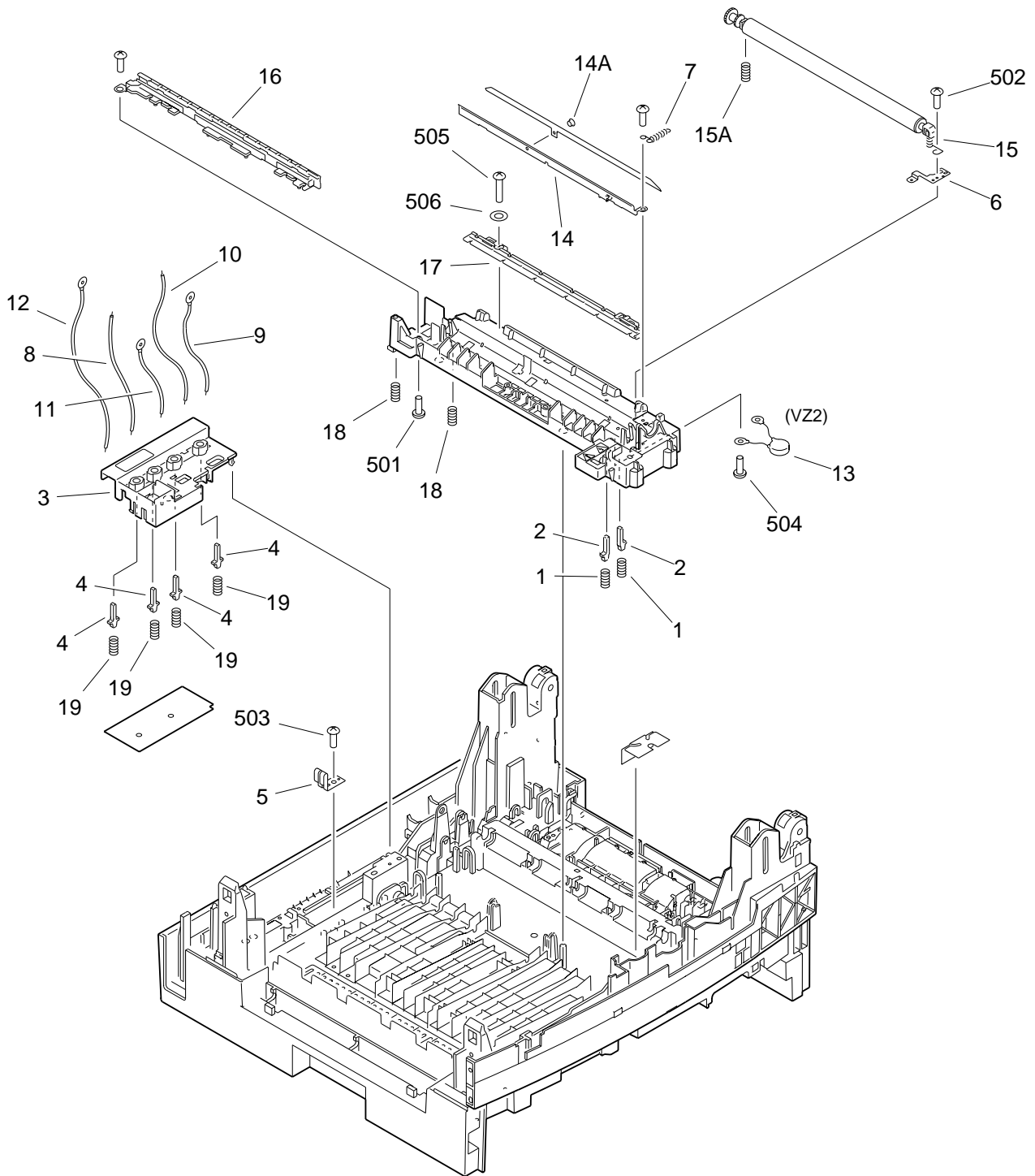
FIGURE 450 BLANK EXPOSURE LAMP ASSEMBLY



| FIGURE & KEY NO. | PART NUMBER | RANK | QTY | DESCRIPTION | SERIAL NUMBER / REMARKS |
|------------------|------------------|------|-----|--------------------------------|-------------------------|
| 450 - | FG6 - 3827 - 000 | | 1 | BLANK EXPOSURE LAMP ASSEMBLY | |
| 1 | FB2 - 4760 - 000 | | 1 | COVER, WIRE | |
| 2 | FB3 - 0774 - 000 | | 1 | LEVER, SOLENOID | |
| 3 | FB3 - 0775 - 000 | | 1 | LEVER, FRONT | |
| 4 | FB3 - 0776 - 000 | | 1 | LEVER, REAR | |
| 5 | FB3 - 0777 - 000 | | 1 | ARM, PRESSURE, FRONT | |
| 6 | FB3 - 0778 - 000 | | 1 | ARM, PRESSURE, REAR | |
| 7 | FB3 - 0780 - 000 | | 1 | CAM, PRESSURE RELEASE, 1 | |
| 8 | FB3 - 0781 - 000 | | 1 | CAM, PRESSURE RELEASE, 2 | |
| 9 | FB3 - 0782 - 000 | | 1 | HANDLE, PRESSURE | |
| 10 | FB3 - 0784 - 000 | | 1 | CAM, PRESSURE ARM RELEASE, R | |
| 11 | FB3 - 0805 - 000 | | 1 | ARM, FOOL-PROOF | |
| 12 | FB3 - 0806 - 000 | | 1 | TRIGGER, FOOL-PROOF | |
| 13 | FB3 - 0807 - 000 | | 1 | SUPPORT, FOOL-PROOF ARM | |
| 14 | FB3 - 0811 - 020 | | 1 | SPRING, LEAF, FRONT | |
| 15 | FB3 - 0815 - 020 | | 1 | SPRING, LEAF, REAR | |
| 16 | FF2 - 9731 - 000 | | 1 | CABLE, BLANK EXPOSURE LAMP | J106,601,602 |
| 16 A | WT2 - 5041 - 000 | | 1 | CLAMP, CABLE | |
| 17 | FF3 - 3848 - 000 | | 1 | CABLE, EXPO. LAMP/LIMIT SENSOR | J71,121,801 |
| 18 | FF5 - 3904 - 000 | | 1 | COVER, PRE-CONDITIONING | |
| 18 A | FB3 - 0791 - 000 | | 1 | FILTER, PRE-CONDITIONING | |
| 19 | FG5 - 5499 - 000 | | 1 | PRE-CONDITIONING LAMP PCB UNIT | |
| 20 | FG5 - 8429 - 000 | | 1 | MOUNT, LAMP, FRONT | |
| 21 | FG5 - 8430 - 000 | | 1 | MOUNT, LAMP, REAR | |
| 22 | FS5 - 2790 - 000 | | 1 | SPRING, TENSION | |
| 23 | FS6 - 2229 - 000 | | 1 | SPRING, TENSION | |
| 24 | FS6 - 2230 - 000 | | 1 | SPRING, TENSION | |
| 25 | FS6 - 2231 - 000 | | 1 | SPRING, TENSION | |
| 26 | FS6 - 2242 - 000 | | 1 | SPRING, TENSION | |
| 27 | WG8 - 5001 - 000 | | 1 | PHOTO-INTERRUPTER, TLP1231 | PS5 J71 |

| FIGURE & KEY NO. | PART NUMBER | R A N K | Q' T Y | DESCRIPTION | SERIAL NUMBER / REMARKS |
|------------------------|------------------|------------------|--------------|---------------|-------------------------|
| 450 - 28 | XA9 - 0650 - 000 | | 2 | SCREW,M3X6 | |
| | XA9 - 0760 - 000 | | 1 | SCREW,RS,M3X6 | |
| 501 | XD2 - 1100 - 372 | | 1 | RING,E | |
| 502 | XD3 - 2200 - 062 | | 3 | PIN,DOWEL | |
| | | | | | |
| | | | | | |
| | | | | | |
| | | | | | |
| | | | | | |
| | | | | | |
| | | | | | |
| | | | | | |
| | | | | | |

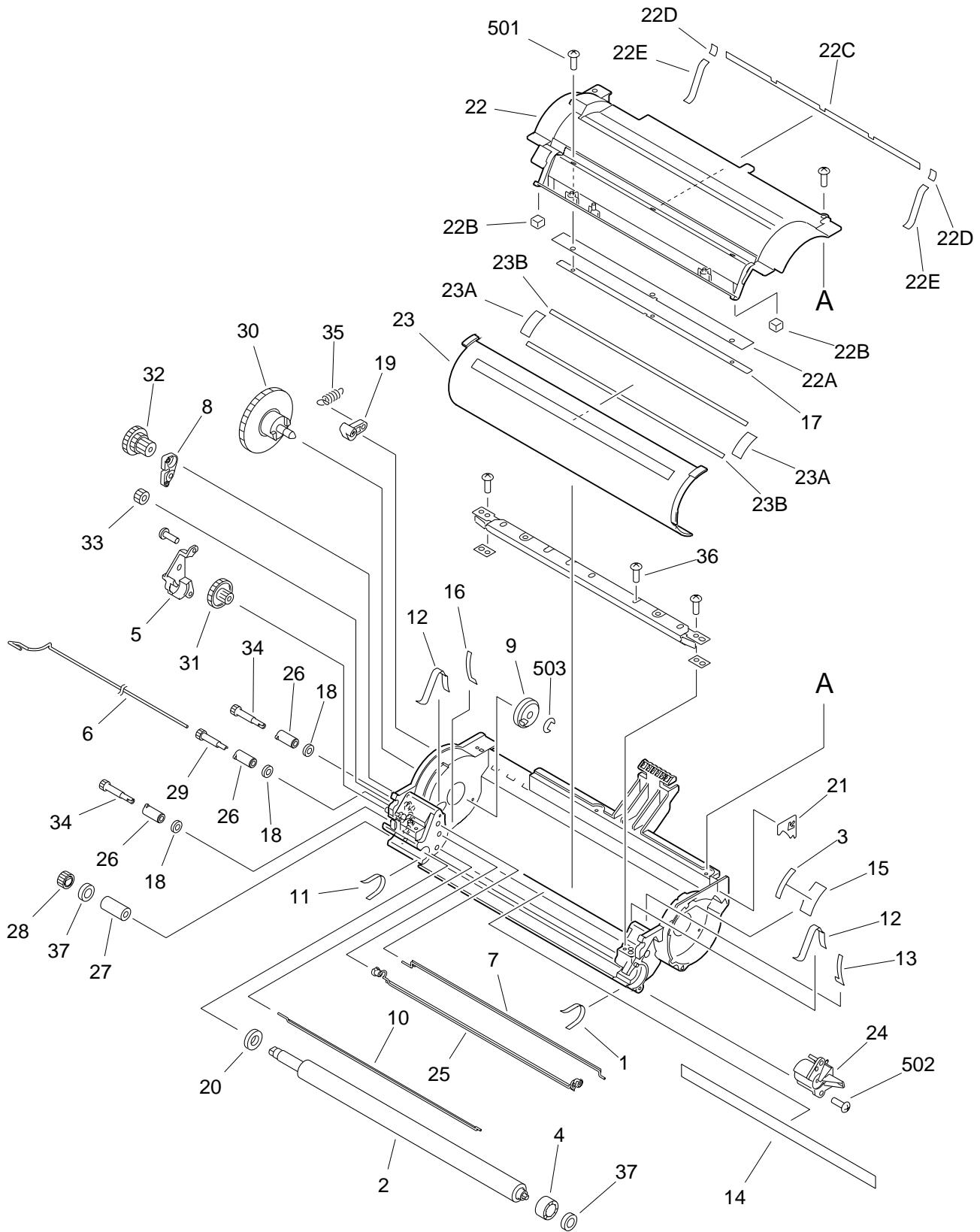
FIGURE 530 TRANSFER ASSEMBLY



NOTE: This assembly does not include the part shown with key No. 503.

| FIGURE & KEY NO. | PART NUMBER | RANK | QTY | DESCRIPTION | SERIAL NUMBER / REMARKS |
|------------------|------------------|------|-----|--------------------------------|-------------------------|
| 530 - | FG6 - 4779 - 000 | | 1 | TRANSFER ASSEMBLY | |
| 1 | FB1 - 7427 - 000 | | 2 | SPRING, COMPRESSION | |
| 2 | FB1 - 7431 - 000 | | 2 | PIN CONTACT | |
| 3 | FB2 - 4861 - 000 | | 1 | HOUSING | |
| 4 | FB2 - 4862 - 000 | | 4 | TERMINAL, LOWER | |
| 5 | FB2 - 4939 - 000 | | 1 | SPRING, LEAF | |
| 6 | FB2 - 5156 - 000 | | 1 | PLATE, TERMINAL | |
| 7 | FB2 - 5169 - 000 | | 1 | SPRING, TENSION | |
| 8 | FF2 - 9762 - 000 | | 1 | CABLE, HV, PRIMARY | |
| 9 | FF2 - 9763 - 000 | | 1 | CABLE, HV, TRANSFER | |
| 10 | FF2 - 9764 - 000 | | 1 | CABLE, HV, DEVELOPING | |
| 11 | FF2 - 9765 - 000 | | 1 | CABLE, HV, ELIMINATOR | |
| 12 | FF2 - 9766 - 000 | | 1 | WIRE, GROUNDING | |
| 13 | FF2 - 9779 - 000 | | 1 | VARISTOR | VZ2 |
| 14 | FF5 - 2870 - 000 | | 1 | ELIMINATOR, STATIC CHARGE | |
| 14 A | FA9 - 3063 - 000 | | 1 | BUSHING | |
| 15 | FF5 - 2871 - 020 | | 1 | ROLLER, TRANSFER | |
| 15 A | FS5 - 2335 - 000 | | 1 | SPRING, COMPRESSION | |
| 16 | FF5 - 3713 - 000 | | 1 | ELIMINATOR, STATIC CHARGE | |
| 17 | FF5 - 3720 - 000 | | 1 | GUIDE, TRANSFER | |
| 18 | FS5 - 2774 - 000 | | 4 | SPRING, COMPRESSION | |
| 19 | FS5 - 2784 - 000 | | 4 | SPRING, COMPRESSION | |
| 501 | XB1 - 2300 - 607 | | 2 | SCREW,MACH.,TRUSS HEAD,M3X6 | |
| 502 | XB1 - 2300 - 609 | | 2 | SCREW,MACH.,TRUSS HEAD,M3X6 | |
| 503 | XB1 - 2300 - 609 | | 1 | SCREW,MACH.,TRUSS HEAD,M3X6 | SEE NOTE |
| 504 | XB4 - 7300 - 809 | | 4 | SCREW,TAPPING,TRUSS HEAD,M3X8 | |
| 505 | XB4 - 7301 - 209 | | 2 | SCREW,TAPPING,TRUSS HEAD,M3X12 | |
| 506 | XD1 - 2100 - 307 | | 2 | WASHER,PLAIN | |

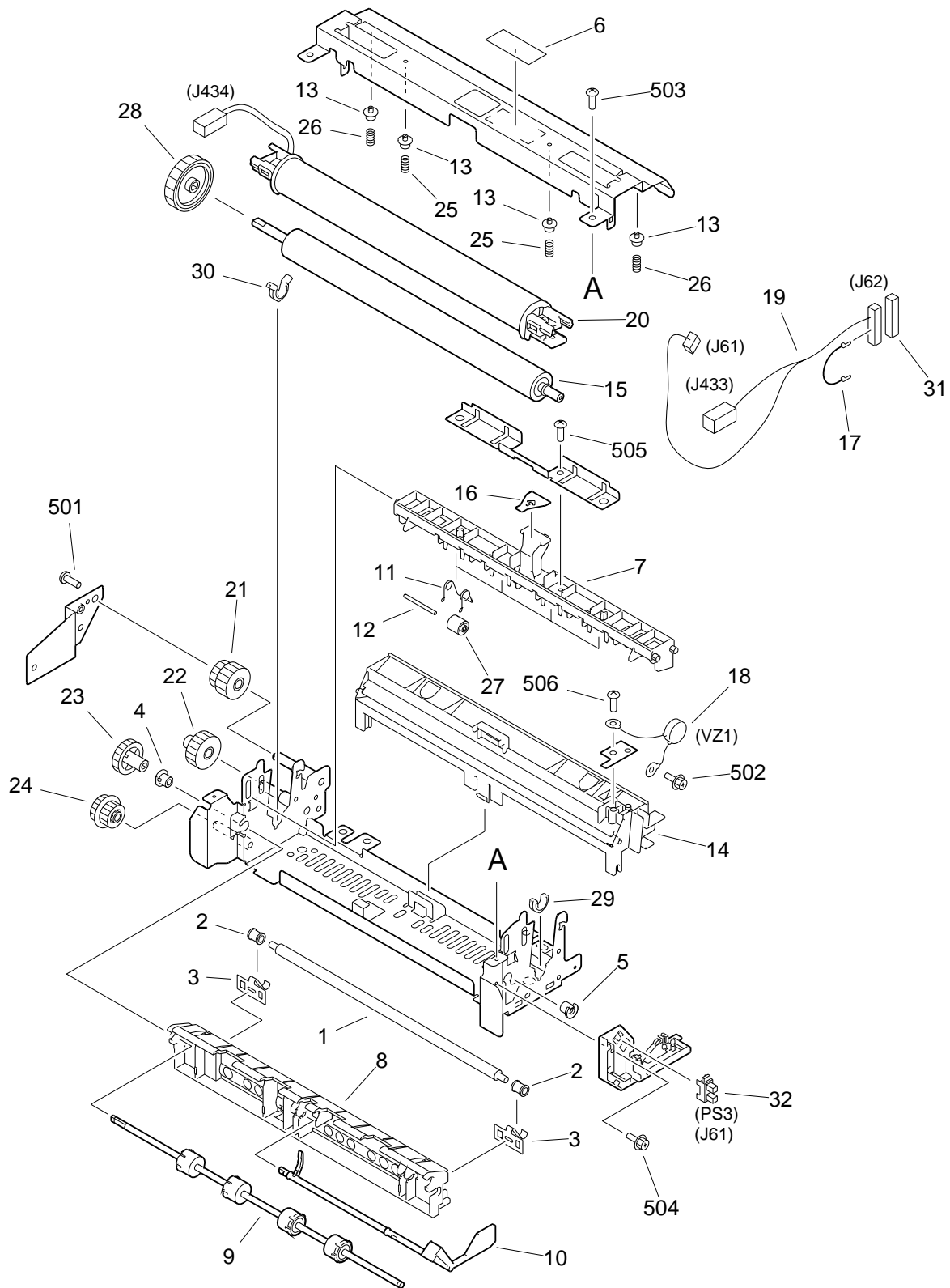
FIGURE 640 DEVELOPING ASSEMBLY



| FIGURE & KEY NO. | PART NUMBER | R A N K | Q' T Y | DESCRIPTION | SERIAL NUMBER / REMARKS |
|------------------------|------------------|------------------|--------------|------------------------------|-------------------------|
| 640 - | FG5 - 5465 - 080 | | 1 | DEVELOPING ASSEMBLY | |
| 1 | FA9 - 3207 - 000 | | 1 | SEAL, SIDE, FRONT | |
| 2 | FB3 - 0686 - 000 | | 1 | SLEEVE, DEVELOPING | |
| 3 | FB3 - 0687 - 000 | | 1 | SEAL, OPEN GUIDE, 1 | |
| 4 | FB3 - 0688 - 000 | | 1 | ROLLER, FRONT | |
| 5 | FB3 - 0691 - 000 | | 1 | SUPPORT, DEV. CYLINDER, REAR | |
| 6 | FB3 - 0693 - 000 | | 1 | ROD, ANTENNA | |
| 7 | FB3 - 0694 - 000 | | 1 | ROD, STIRRING, UPPER | |
| 8 | FB3 - 0695 - 000 | | 1 | PLATE, GEAR SUPPORT | |
| 9 | FB3 - 0696 - 000 | | 1 | JOINT, CARTRIDGE DRIVE | |
| 10 | FB3 - 0697 - 000 | | 1 | ROD, STIRRING, LOWER | |
| 11 | FB3 - 0711 - 000 | | 1 | SEAL, SIDE, REAR | |
| 12 | FB3 - 0713 - 000 | | 2 | SEAL, D-S, VERTICAL | |
| 13 | FB3 - 0714 - 000 | | 1 | SEAL, D-S, FRONT | |
| 14 | FB3 - 0715 - 000 | | 1 | SHEET, SHUTTER CLEANING | |
| 15 | FB3 - 0716 - 000 | | 1 | SEAL, OPEN GUIDE, 2 | |
| 16 | FB3 - 0718 - 000 | | 1 | SEAL, D-S, REAR | |
| 17 | FB3 - 0721 - 000 | | 1 | PLATE, SEAL GUIDE | |
| 18 | FB3 - 0722 - 000 | | 3 | SEAL, GEAR | |
| 19 | FB3 - 0724 - 000 | | 1 | ARM, SHUTTER PRESSURE | |
| 20 | FB3 - 0726 - 000 | | 1 | ROLLER, REAR | |
| 21 | FB3 - 0788 - 000 | | 1 | SEAL, POSITIONING | |
| 22 | FF5 - 3907 - 020 | | 1 | COVER, DEVELOPING | |
| 22 A | FB3 - 0712 - 000 | | 1 | SEAL, L-S | |
| 22 B | FB3 - 0719 - 020 | | 2 | SEAL, BLADE | |
| 22 C | FB3 - 0725 - 000 | | 1 | SEAL, SHUTTER, 1 | |
| 22 D | FB3 - 0727 - 000 | | 2 | SEAL, DEVELOPING COVER | |
| 22 E | FB3 - 0728 - 000 | | 2 | SEAL, SHUTTER, 2 | |
| 23 | FF5 - 3908 - 000 | | 1 | SHUTTER | |
| 23 A | FB3 - 0710 - 000 | | 2 | SEAL, SHUTTER, VERTICAL | |

| FIGURE & KEY NO. | PART NUMBER | RANK | QTY | DESCRIPTION | SERIAL NUMBER / REMARKS |
|------------------|------------------|------|-----|-----------------------------------|-------------------------|
| 640 - 23 B | FB3 - 0720 - 000 | | 2 | SEAL, SHUTTER, HORIZONTAL | |
| 24 | FF5 - 3910 - 020 | | 1 | SUPPORT, DEV. CYLINDER, FRONT | |
| 25 | FF5 - 3913 - 000 | | 1 | ROD, ANTENA STIRRING | |
| 26 | FS5 - 1530 - 000 | | 3 | BUSHING | |
| 27 | FS5 - 6394 - 000 | | 1 | SPACER, SLEEVE | |
| 28 | FS6 - 0437 - 000 | | 1 | GEAR, 18T | |
| 29 | FS6 - 0439 - 000 | | 1 | GEAR, 14T | |
| 30 | FS6 - 0440 - 000 | | 1 | GEAR, 67T | |
| 31 | FS6 - 0442 - 000 | | 1 | GEAR, 14T/38T | |
| 32 | FS6 - 0443 - 000 | | 1 | GEAR, 15T/18T/37T | |
| 33 | FS6 - 0445 - 000 | | 1 | GEAR, 15T | |
| 34 | FS6 - 0446 - 000 | | 2 | GEAR, 14T | |
| 35 | FS6 - 2238 - 000 | | 1 | SPRING, TENSION | |
| 36 | XA9 - 0942 - 000 | | 3 | SCREW, M3X6 | |
| 37 | XG9 - 0177 - 000 | | 2 | BALL BEARING | |
| 501 | XB4 - 7300 - 809 | | 7 | SCREW, TAPPING, TRUSS HEAD, M3X8 | |
| 502 | XB4 - 7301 - 009 | | 4 | SCREW, TAPPING, TRUSS HEAD, M3X10 | |
| 503 | XD2 - 1100 - 502 | | 1 | RING, E | |

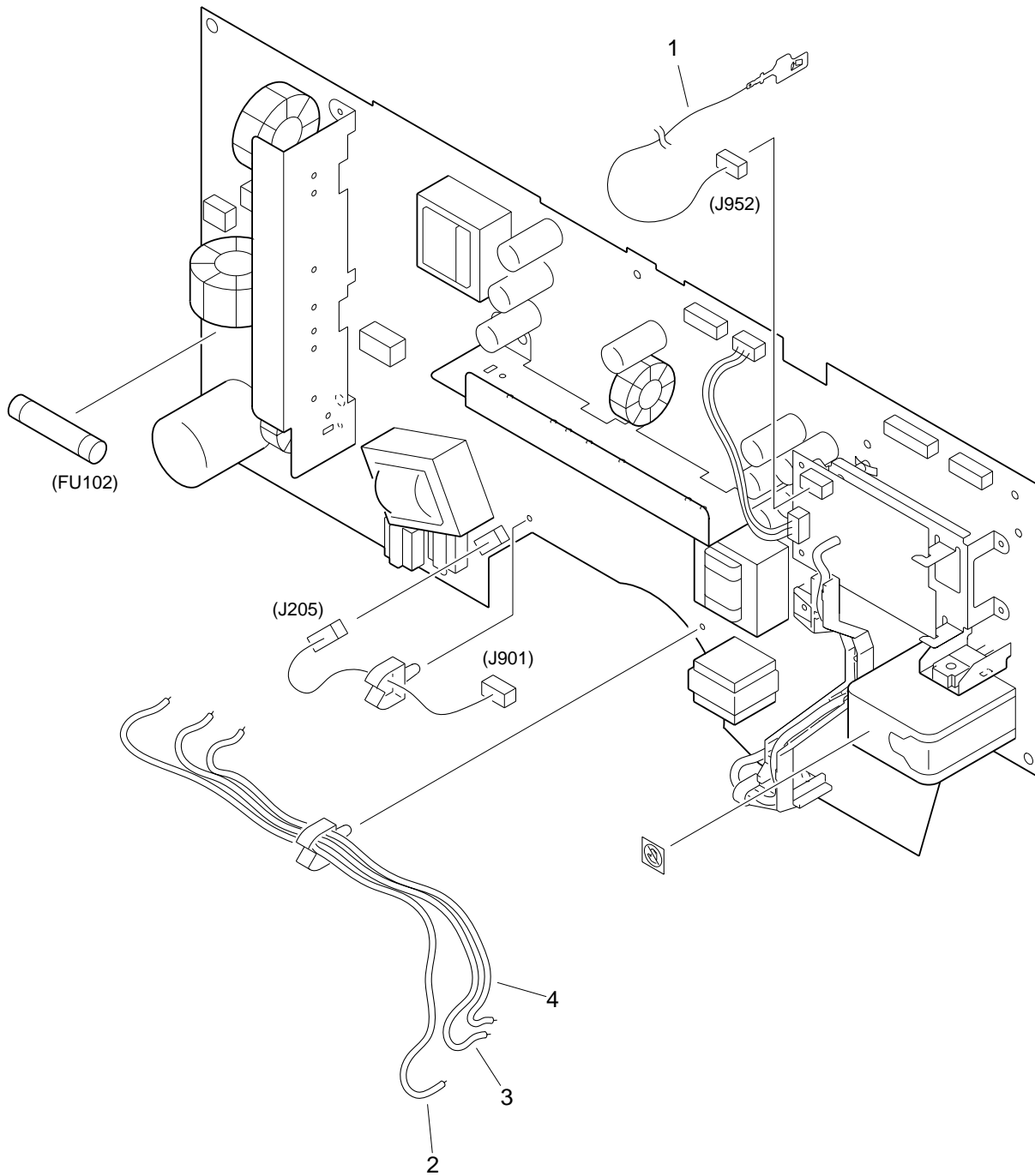
FIGURE 810 FIXING ASSEMBLY



| FIGURE & KEY NO. | PART NUMBER | RANK | QTY | DESCRIPTION | SERIAL NUMBER / REMARKS |
|------------------|--------------------|------|-----|-------------------------------|-------------------------|
| 810 - | FG6 - 3720 - 000 | | 1 | FIXING ASSEMBLY | 120V |
| | FG6 - 3721 - 000 | | 1 | FIXING ASSEMBLY | 220/240V |
| | 1 FB2 - 5040 - 000 | | 1 | ROLLER, CLEANING | |
| 2 | FB2 - 5041 - 000 | | 2 | BUSHING | |
| 3 | FB2 - 5042 - 020 | | 2 | SPRING, LEAF | |
| 4 | FB2 - 9617 - 000 | | 1 | BUSHING | |
| 5 | FB2 - 9651 - 000 | | 1 | BUSHING | |
| 6 | FB2 - 9653 - 000 | | 1 | LABEL, CAUTION | |
| 7 | FB4 - 9863 - 000 | | 1 | GUIDE, FIXING DELIVERY, UPPER | |
| 8 | FB4 - 9864 - 000 | | 1 | GUIDE, LOWER, DELIVERY | |
| 9 | FB4 - 9866 - 000 | | 1 | ROLLER, PAPER DELIVERY | |
| 10 | FB4 - 9867 - 000 | | 1 | ARM, PAPER DELIVERY SENSOR | |
| 11 | FB4 - 9872 - 000 | | 4 | SPRING, TORSION | |
| 12 | FB4 - 9873 - 000 | | 4 | SHAFT, DELIVERY ROLLER | |
| 13 | FB4 - 9875 - 000 | | 4 | SUPPORT, FIXING SPRING | |
| 14 | FB4 - 9877 - 000 | | 1 | GUIDE, ENTRANCE | |
| 15 | FB4 - 9878 - 000 | | 1 | ROLLER, PRESSURE | |
| 16 | FB4 - 9905 - 000 | | 1 | LABEL, DELIVERY OPERATION | |
| 17 | FF3 - 3739 - 000 | | 1 | CABLE, SHORT | |
| 18 | FF3 - 3752 - 000 | | 1 | VARISTOR | VZ1 |
| 19 | FG6 - 3773 - 000 | | 1 | CABLE, FIXING DC | J61,62,433 |
| 20 | FG6 - 4064 - 000 | | 1 | FILM GUIDE UNIT | 120V J434 |
| | FG6 - 3723 - 000 | | 1 | FILM GUIDE UNIT | 220/240V J434 |
| 21 | FS7 - 0427 - 000 | | 1 | GEAR, 20T | |
| 22 | FS7 - 0428 - 000 | | 1 | GEAR, 21T | |
| 23 | FS7 - 0429 - 000 | | 1 | GEAR, 26T | |
| 24 | FS7 - 0446 - 000 | | 1 | GEAR, 16T/18T | |
| 25 | FS7 - 2181 - 000 | | 2 | SPRING, COMPRESSION | |
| 26 | FS7 - 2189 - 000 | | 2 | SPRING, COMPRESSION | |
| 27 | RB1 - 8806 - 000 | | 4 | ROLLER, DELIVERY | |

| FIGURE & KEY NO. | PART NUMBER | RANK | QTY | DESCRIPTION | SERIAL NUMBER / REMARKS |
|------------------|------------------|------|-----|-------------------------------|-------------------------|
| 810 - 28 | RS5 - 0922 - 000 | | 1 | GEAR, 34T | |
| 29 | RS5 - 1297 - 000 | | 1 | BUSHING | |
| 30 | RS5 - 1310 - 000 | | 1 | BUSHING | |
| 31 | VS1 - 5057 - 009 | | 1 | CONNECTOR, SNAP TIGHT | J62 |
| 32 | WG8 - 5382 - 000 | | 1 | PHOTO-INTERRUPTER | PS3 J61 |
| ----- | | | | | |
| 501 | XB1 - 2300 - 409 | | 2 | SCREW,MACH.,TRUSS HEAD,M3X4 | |
| 502 | XB1 - 2300 - 609 | | 1 | SCREW,MACH.,TRUSS HEAD,M3X6 | |
| 503 | XB2 - 7300 - 607 | | 2 | SCREW,W/WASHER,M3X6 | |
| 504 | XB2 - 8300 - 807 | | 1 | SCREW,W/WASHER,M3X8 | |
| 505 | XB4 - 7300 - 609 | | 1 | SCREW,TAPPING,TRUSS HEAD,M3X6 | |
| ----- | | | | | |
| 506 | XB4 - 7300 - 609 | | 1 | SCREW,TAPPING,TRUSS HEAD,M3X6 | |
| ----- | | | | | |
| ----- | | | | | |
| ----- | | | | | |
| ----- | | | | | |

FIGURE 910 DC POWER SUPPLY PCB ASSEMBLY

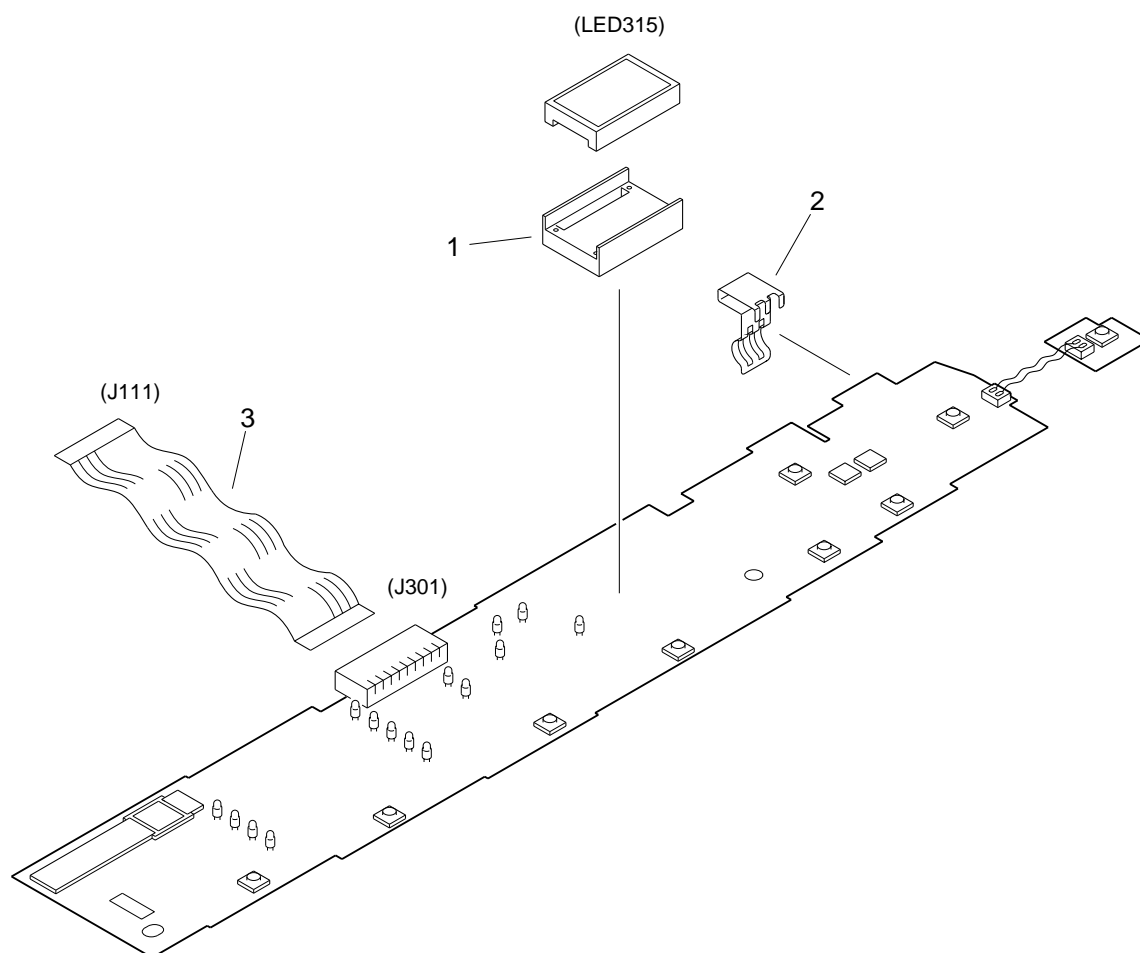


NOTE: This assembly does not include the part shown with key No.1.

| FIGURE & KEY NO. | PART NUMBER | RANK | QTY | DESCRIPTION | SERIAL NUMBER / REMARKS |
|------------------|--------------------|------|-----|------------------------------|-------------------------|
| 910 - | FG6 - 3851 - 000 | | 1 | DC POWER SUPPLY PCB ASSEMBLY | 120V |
| | FG6 - 3852 - 000 | | 1 | DC POWER SUPPLY PCB ASSEMBLY | 220/240V |
| | 1 FF3 - 0476 - 000 | | 1 | CABLE, ANTENNA | SEE NOTE J952 |
| 2 | FF3 - 3624 - 000 | | 1 | CABLE, HIGH VOLTAGE, 1 | |
| 3 | FF3 - 3625 - 000 | | 1 | CABLE, HIGH VOLTAGE, 2 | |
| 4 | FF3 - 3626 - 000 | | 1 | CABLE, HIGH VOLTAGE, 3 | |
| FC1 | WD9 - 5001 - 000 | | 1 | HOLDER, FUSE | |
| FC2 | WD9 - 5001 - 000 | | 1 | HOLDER, FUSE | |
| FU102 | VD7 - 0215 - 001 | | 1 | FUSE, 125V, 5A | 120V |
| | VD7 - 0642 - 501 | | 1 | FUSE | 220/240V |
| HI C001 | FH4 - 6070 - 000 | | 1 | IC, TB5843, HYBRID | |
| J205 | FF3 - 3627 - 000 | | 1 | CABLE, MOTOR | |
| J214 | FF3 - 0475 - 000 | | 1 | CABLE, TONER SENSOR | |
| J215 | FF3 - 0477 - 000 | | 1 | CABLE, BIAS | |
| L001 | FH7 - 9220 - 000 | | 1 | COIL | |
| L101 | FH3 - 7184 - 000 | | 1 | CHORK COIL, HP-053J | |
| L600 | FH3 - 7170 - 000 | | 1 | COIL, CHOKE | 120V |
| | FH3 - 7195 - 000 | | 1 | CHOKE COIL, SN14-8000 | 220/240V |
| R203 | FH4 - 9206 - 000 | | 1 | RESISTOR, 44MOHM, 0.6W | |
| R225 | FH4 - 9183 - 000 | | 1 | RESISTOR, 4MOHM, 1/4W, FILM | |
| R243 | FH4 - 9208 - 000 | | 1 | RESISTOR, 16.9MOHM, 0.6W | |
| R254 | FH9 - 0367 - 000 | | 1 | RESISTOR, 100MOHM, 1W | |
| RL601 | FH7 - 6197 - 000 | | 1 | RELAY | |
| T101 | FH3 - 0911 - 000 | | 1 | TRANSFORMER | 120V |
| | FH3 - 0912 - 00S | | 1 | TRANSFORMER | 220/240V |
| T103 | FH3 - 0667 - 000 | | 1 | TRANSFORMER | |
| T104 | FH3 - 0665 - 000 | | 1 | TRANSFORMER | 120V |
| | FH3 - 0666 - 000 | | 1 | TRANSFORMER | 220/240V |
| T105 | FH3 - 0668 - 000 | | 1 | TRANSFORMER | |
| T201 | FH3 - 0569 - 000 | | 1 | TRANSFORMER, INVERTER | |

| FIGURE & KEY NO. | PART NUMBER | R A N K | Q' T Y | DESCRIPTION | SERIAL NUMBER / REMARKS |
|------------------------|------------------|------------------|--------------|---------------------------|-------------------------|
| 910 - T302 | FH3 - 0734 - 000 | | 1 | TRANSFORMER, TRANSFER | |
| T600 | FH3 - 0635 - 000 | | 1 | TRANSFORMER, POWER SUPPLY | 120V |
| | FH3 - 0636 - 000 | | 1 | TRANSFORMER, POWER SUPPLY | 220/240V |
| | | | | | |
| | | | | | |
| | | | | | |
| | | | | | |
| | | | | | |
| | | | | | |
| | | | | | |

FIGURE 915 CONTROL PANEL PCB ASSEMBLY

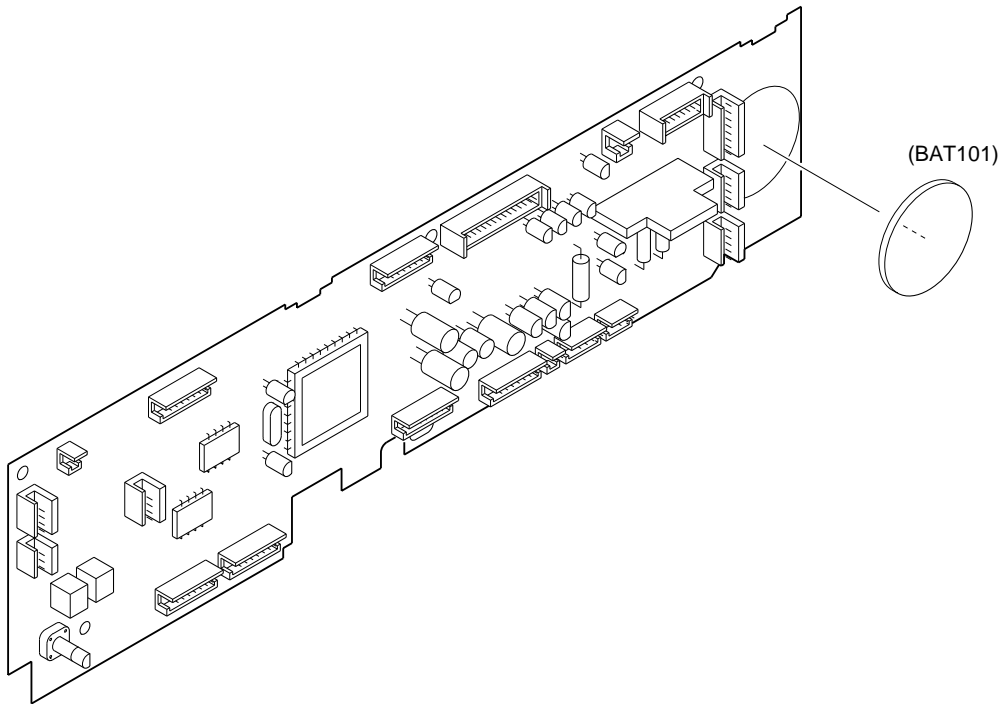


NOTE1: This assembly is included in the assembly shown in Figure 130.

NOTE2: This assembly does not include the part shown with key No.3.

| FIGURE & KEY NO. | PART NUMBER | RANK | QTY | DESCRIPTION | SERIAL NUMBER / REMARKS |
|------------------|------------------|------|-----|----------------------------|--------------------------------|
| 915 - | FG6 - 3845 - 000 | | 1 | CONTROL PANEL PCB ASSEMBLY | NP6512/7120/7130 SEE NOTE 1 |
| | FG6 - 3846 - 000 | | 1 | CONTROL PANEL PCB ASSEMBLY | NP6612/7130F SEE NOTE 1 |
| 1 | FB2 - 4900 - 000 | | 1 | SPACER | |
| 2 | FB5 - 0099 - 000 | | 1 | PLATE, GROUNDING | |
| 3 | FH2 - 6806 - 000 | | 1 | CABLE, FLAT | SEE NOTE 2 J111,301 |
| LED3 0 1 | WG1 - 5610 - 000 | | 1 | LED, EM PG3361X-J374K | |
| LED3 0 2 | WG1 - 5610 - 000 | | 1 | LED, EM PG3361X-J374K | |
| LED3 0 3 | WG1 - 5610 - 000 | | 1 | LED, EM PG3361X-J374K | |
| LED3 0 4 | WG1 - 5610 - 000 | | 1 | LED, EM PG3361X-J374K | |
| LED3 0 5 | WG1 - 5610 - 000 | | 1 | LED, EM PG3361X-J374K | |
| LED3 0 6 | WG1 - 5610 - 000 | | 1 | LED, EM PG3361X-J374K | |
| LED3 0 7 | WG1 - 5611 - 000 | | 1 | LED, EM AA3361X-J374K | |
| LED3 0 8 | WG1 - 5610 - 000 | | 1 | LED, EM PG3361X-J374K | |
| LED3 1 0 | WG1 - 5610 - 000 | | 1 | LED, EM PG3361X-J374K | |
| LED3 1 1 | WG1 - 5610 - 000 | | 1 | LED, EM PG3361X-J374K | |
| LED3 1 2 | WG1 - 5610 - 000 | | 1 | LED, EM PG3361X-J374K | |
| LED3 1 3 | WG1 - 5611 - 000 | | 1 | LED, EM AA3361X-J374K | |
| LED3 1 4 | WG1 - 5611 - 000 | | 1 | LED, EM AA3361X-J374K | |
| LED3 1 5 | WG2 - 5185 - 000 | | 1 | LED, 7 SEGMENT | |
| LED3 1 6 | WG1 - 5611 - 000 | | 1 | LED, EM AA3361X-J374K | NP6612/7130F |
| LED3 1 7 | WG1 - 5611 - 000 | | 1 | LED, EM AA3361X-J374K | NP6612/7130F |
| LED3 1 8 | WG1 - 5610 - 000 | | 1 | LED, EM PG3361X-J374K | |
| LED3 1 9 | WG1 - 5610 - 000 | | 1 | LED, EM PG3361X-J374K | |
| LED3 2 0 | WG1 - 5610 - 000 | | 1 | LED, EM PG3361X-J374K | |
| LED3 2 1 | WG1 - 5611 - 000 | | 1 | LED, EM AA3361X-J374K | NP6612/7130F |

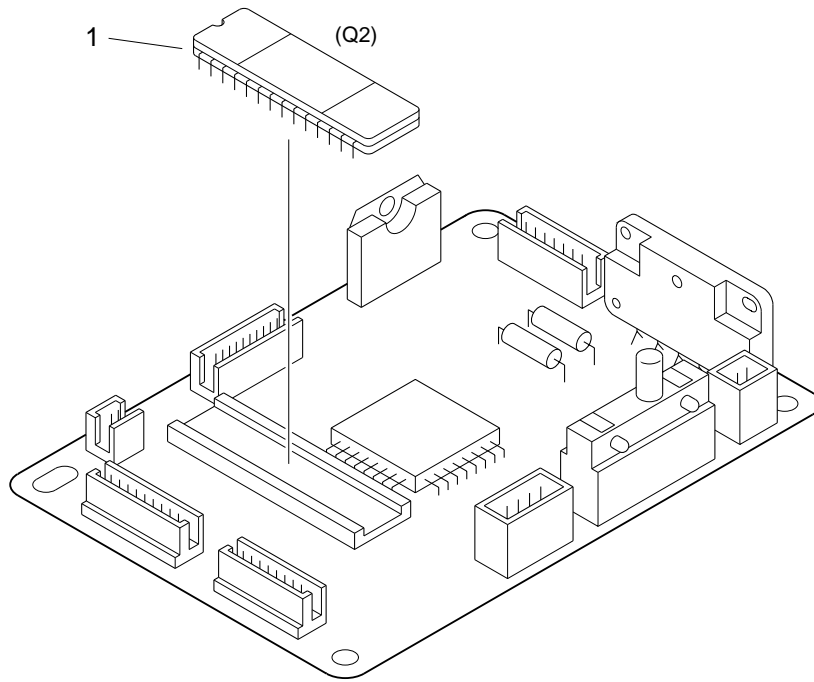
FIGURE 930 DC CONTROLLER PCB ASSEMBLY



| FIGURE & KEY NO. | PART NUMBER | RANK | QTY | DESCRIPTION | SERIAL NUMBER / REMARKS |
|------------------|------------------|------|-----|----------------------------|--------------------------------|
| 930 - | FG6 - 3840 - 000 | | 1 | DC CONTROLLER PCB ASSEMBLY | NP6512/7120 NP7130 220/240V |
| | FG6 - 3843 - 00S | | 1 | DC CONTROLLER PCB ASSEMBLY | NP6612 |
| | FG6 - 3838 - 000 | | 1 | DC CONTROLLER PCB ASSEMBLY | NP7130 120V |
| | FG6 - 3842 - 000 | | 1 | DC CONTROLLER PCB ASSEMBLY | NP7130F |
| BAT101 | WK1 - 0082 - 000 | | 1 | BATTERY, LITHIUM | |
| Q101 | FH4 - 1365 - 000 | | 1 | IC, HD6433042ST49F, MPU | |
| R399 | VD7 - 1624 - 000 | | 1 | FUSE, 4A, 60V | |

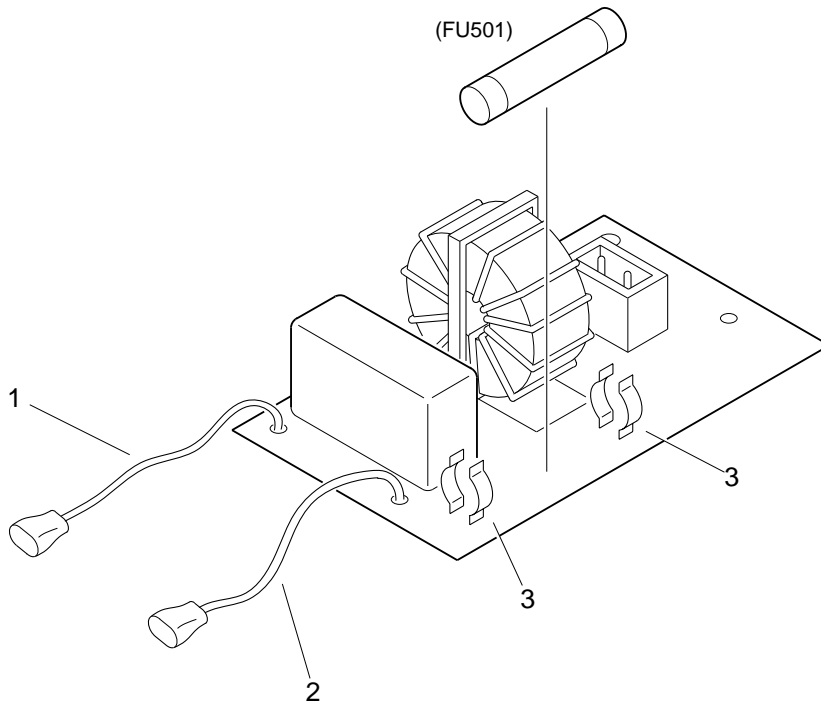
ADF DC CONTROLLER PCB ASSEMBLY (ADF TYPE)

FIGURE 935



| FIGURE & KEY NO. | PART NUMBER | R A N K | Q' T Y | DESCRIPTION | SERIAL NUMBER / REMARKS |
|------------------------|------------------|------------------|--------------|--------------------------------|-------------------------|
| 935 - 1 | FG2 - 9891 - 000 | | 1 | ADF DC CONTROLLER PCB ASSEMBLY | ADF TYPE |
| | FF3 - 3126 - 000 | | 1 | IC, M27C256B-15F1, EP-ROM | Q2 |
| | | | | | |
| | | | | | |

FIGURE 940 NOISE FILTER PCB ASSEMBLY



| FIGURE & KEY NO. | PART NUMBER | RANK | QTY | DESCRIPTION | SERIAL NUMBER / REMARKS |
|------------------|--------------------|------|-----|---------------------------|-------------------------|
| 940 - | FG6 - 3709 - 000 | | 1 | NOISE FILTER PCB ASSEMBLY | 120V |
| | FG6 - 3718 - 000 | | 1 | NOISE FILTER PCB ASSEMBLY | 220/240V |
| | 1 FF3 - 3733 - 000 | | 1 | CABLE, INLET, 1 | 120V |
| | 2 FF3 - 3734 - 000 | | 1 | CABLE, INLET, 2 | 120V |
| | 3 WD9 - 5097 - 000 | | 2 | HOLDER, FUSE | 120V |
| FU501 | WD9 - 5052 - 000 | | 2 | HOLDER, FUSE | 220/240V |
| | VD7 - 1731 - 502 | | 1 | FUSE, 250V, 15A | 120V |
| | VD7 - 0646 - 301 | | 1 | FUSE | 220/240V |

FIGURE B LIST OF CONNECTORS(1/2)

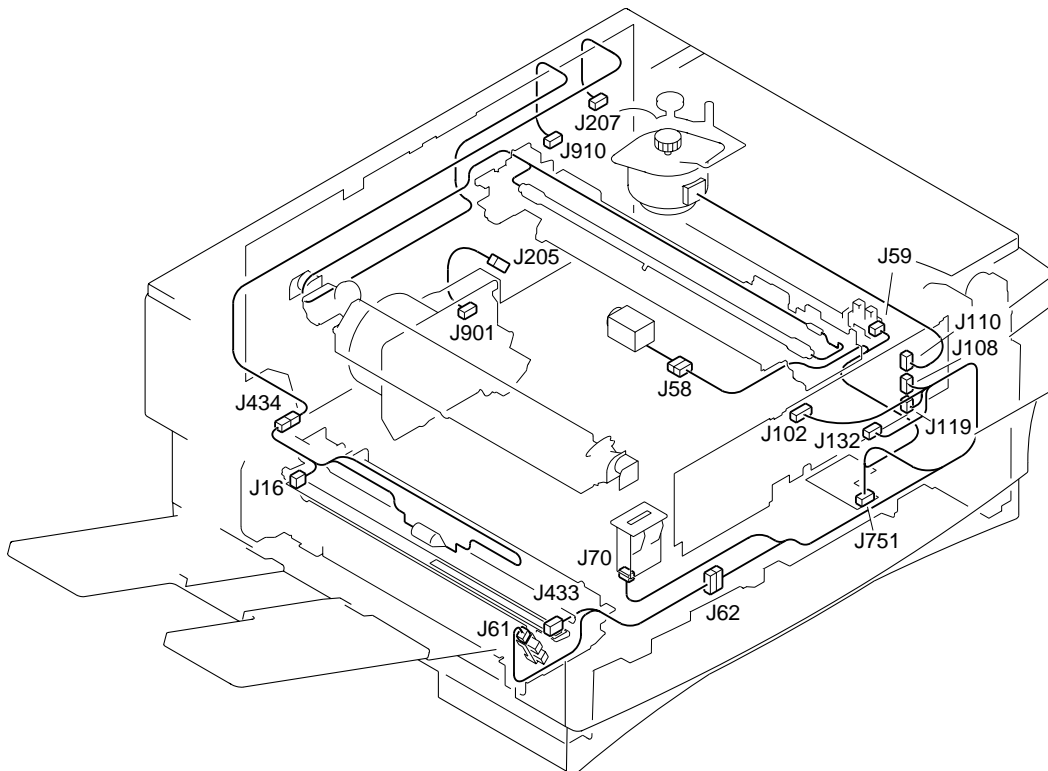
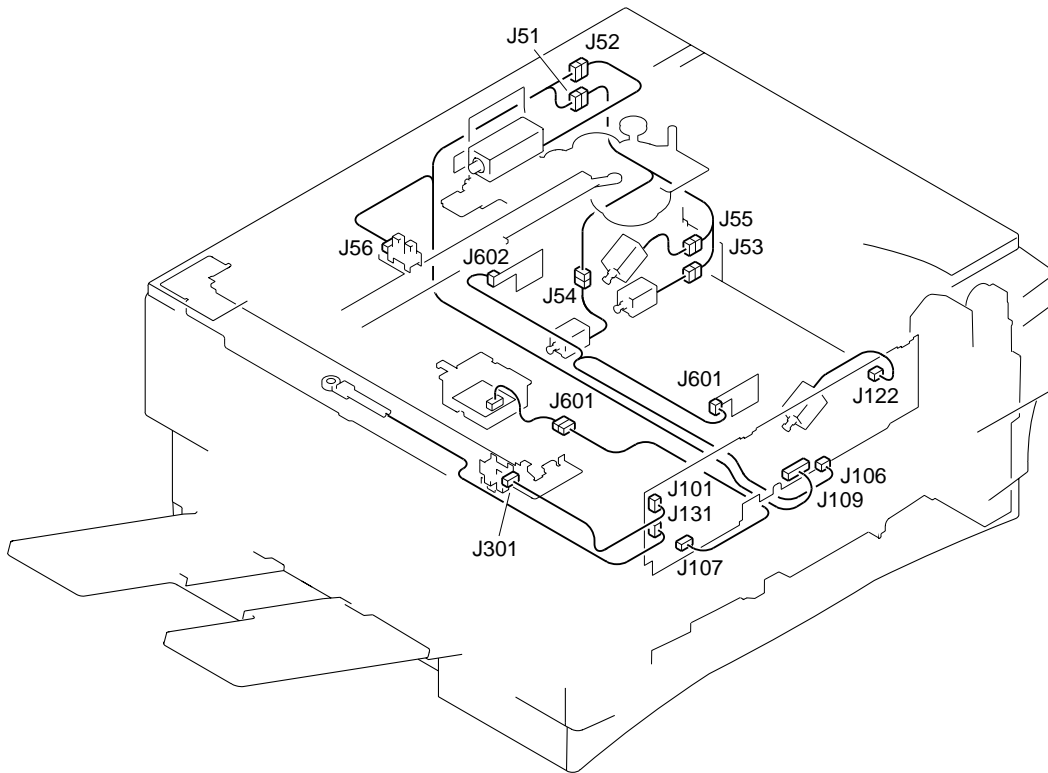
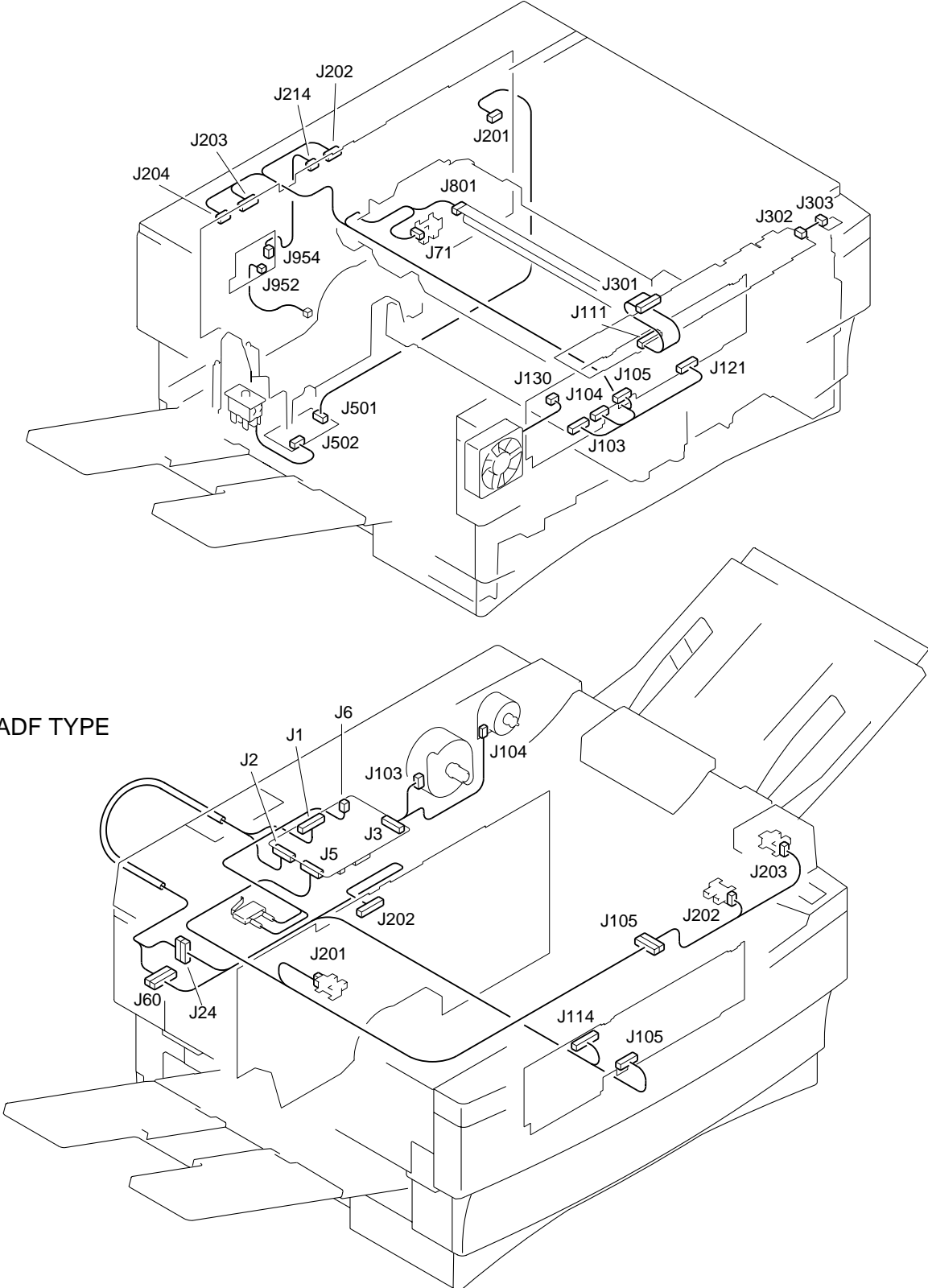


FIGURE B LIST OF CONNECTORS(2/2)



| FIGURE & KEY NO. | PART NUMBER | RANK | QTY | DESCRIPTION | SERIAL NUMBER / REMARKS |
|------------------|------------------|------|-----|--------------------------|-------------------------|
| B - | NPN | | RF | LIST OF CONNECTORS | |
| J 1 | PCB | | | ADF CONTROLLER | ADF TYPE |
| | VS3 - 5083 - 004 | | 1 | CONNECTOR, 4P, FEMALE | ADF TYPE |
| | WS3 - 5160 - 000 | | 4 | SOCKET CONTACT, 18-24AWG | ADF TYPE |
| J 2 | PCB | | | ADF CONTROLLER | ADF TYPE |
| J 3 | VS1 - 0842 - 008 | | 1 | CONNECTOR, 8P, FEMALE | ADF TYPE |
| | PCB | | | ADF CONTROLLER | ADF TYPE |
| | VS1 - 0842 - 007 | | 1 | CONNECTOR, 7P, FEMALE | ADF TYPE |
| J 5 | PCB | | | ADF CONTROLLER | ADF TYPE |
| | VS1 - 0842 - 009 | | 1 | CONNECTOR, 9P, FEMALE | ADF TYPE |
| J 6 | PCB | | | ADF CONTROLLER | ADF TYPE |
| | VS3 - 5083 - 002 | | 1 | CONNECTOR, 2P, FEMALE | ADF TYPE |
| | WS3 - 5160 - 000 | | 2 | SOCKET CONTACT, 18-24AWG | ADF TYPE |
| J 16 | NPN | | | FIXING HEATER | H1 |
| | RH2 - 5316 - 000 | | 1 | CONNECTOR, 2P, MALE | |
| J 24 | RH2 - 5279 - 000 | | 2 | PIN CONTACT, 18AWG | |
| | VS1 - 0279 - 004 | | 1 | CONNECTOR, 4P, FEMALE | ADF TYPE |
| | VS3 - 0108 - 004 | | 1 | CONNECTOR, 4P, MALE | ADF TYPE |
| | WS3 - 0885 - 000 | | 4 | PIN CONTACT, 20-30AWG | ADF TYPE |
| | WS4 - 0181 - 000 | | 4 | SOCKET CONTACT | ADF TYPE |
| J 51 | VS1 - 0842 - 006 | | 2 | CONNECTOR, 6P, FEMALE | |
| | VS1 - 5057 - 006 | | 1 | CONNECTOR, SNAP TIGHT | |
| J 52 | NPN | | | LENS DRIVE SOLENOID | SL3 |
| | VS1 - 0842 - 002 | | 1 | CONNECTOR, 2P, FEMALE | |
| | VS1 - 5057 - 002 | | 1 | CONNECTOR, SNAP TIGHT | |
| J 53 | NPN | | | PICKUP CLUTCH SOLENOID | SL1 |
| | VS1 - 0842 - 002 | | 1 | CONNECTOR, 2P, FEMALE | |
| | VS1 - 5057 - 002 | | 1 | CONNECTOR, SNAP TIGHT | |
| J 54 | NPN | | | REGIST. CLUTCH SOLENOID | SL2 |
| | VS1 - 0842 - 002 | | 1 | CONNECTOR, 2P, FEMALE | |

| FIGURE & KEY NO. | PART NUMBER | RANK | QTY | DESCRIPTION | SERIAL NUMBER / REMARKS |
|------------------|------------------|------|-----|-----------------------------|-------------------------|
| B - J 5 4 | VS1 - 5057 - 002 | | 1 | CONNECTOR, SNAP TIGHT | |
| J 5 5 | NPN | | | MULTIFEEDER PICKUP SOLENOID | SL4 |
| | VS1 - 0842 - 003 | | 1 | CONNECTOR, 3P, FEMALE | |
| | VS1 - 5057 - 003 | | 1 | CONNECTOR, SNAP TIGHT | |
| J 5 6 | NPN | | | LENS HOME POSITION SENSOR | PS2 |
| | VS1 - 0842 - 003 | | 1 | CONNECTOR, 3P, FEMALE | |
| J 5 8 | NPN | | | CASSETTE PICKUP SOLENOID | SL5 |
| | VS1 - 0842 - 002 | | 1 | CONNECTOR, 2P, FEMALE | |
| | VS1 - 5057 - 002 | | 1 | CONNECTOR, SNAP TIGHT | |
| J 5 9 | NPN | | | VERTICAL PATH ROLLER SENSOR | PS4 |
| | VS1 - 0842 - 003 | | 1 | CONNECTOR, 3P, FEMALE | |
| J 6 0 | VS1 - 0842 - 008 | | 2 | CONNECTOR, 8P, FEMALE | ADF TYPE |
| | VS1 - 5057 - 008 | | 1 | CONNECTOR, SNAP TIGHT | ADF TYPE |
| J 6 1 | NPN | | | DELIVERY SENSOR | PS3 |
| | VS1 - 5824 - 003 | | 1 | CONNECTOR, 3P, FEMALE | |
| | WS3 - 5358 - 000 | | 3 | SOCKET CONTACT, 22-26AWG | |
| J 6 2 | VS1 - 0842 - 009 | | 1 | CONNECTOR, 9P, FEMALE | |
| | VS1 - 5824 - 009 | | 1 | CONNECTOR, 9P, FEMALE | |
| | WS3 - 5358 - 000 | | 5 | SOCKET CONTACT, 22-26AWG | |
| | VS1 - 5057 - 009 | | 1 | CONNECTOR, SNAP TIGHT | |
| J 7 0 | NPN | | | TOTAL COUNTER | CNT1 |
| | VS1 - 0842 - 002 | | 1 | CONNECTOR, 2P, FEMALE | |
| J 7 1 | NPN | | | WASTE TONER SENSOR | PS5 |
| | VS1 - 0842 - 003 | | 1 | CONNECTOR, 3P, FEMALE | |
| J 1 0 1 | PCB | | | DC CONTROLLER | |
| | VS1 - 0842 - 003 | | 1 | CONNECTOR, 3P, FEMALE | |
| J 1 0 2 | PCB | | | DC CONTROLLER | |
| | VS1 - 0842 - 009 | | 1 | CONNECTOR, 9P, FEMALE | |
| J 1 0 3 | PCB | | | DC CONTROLLER | |
| | VS1 - 0842 - 009 | | 1 | CONNECTOR, 9P, FEMALE | |

| FIGURE & KEY NO. | PART NUMBER | RANK | QTY | DESCRIPTION | SERIAL NUMBER / REMARKS |
|------------------|------------------|------|---------------|--------------------------|-------------------------|
| B - J 1 0 3 | NPN | | | BELT DRIVE MOTOR | ADF TYPE M1 |
| | VS1 - 0842 - 005 | | 1 | CONNECTOR, 5P, FEMALE | ADF TYPE |
| | J 1 0 4 | PCB | | DC CONTROLLER | |
| | VS1 - 0842 - 007 | | 1 | CONNECTOR, 7P, FEMALE | |
| | NPN | | | PICK-UP DRIVE MOTOR | ADF TYPE M2 |
| J 1 0 5 | VS1 - 0842 - 002 | | 1 | CONNECTOR, 2P, FEMALE | ADF TYPE |
| | PCB | | | DC CONTROLLER | |
| | VS1 - 0279 - 006 | | 1 | CONNECTOR, 6P, FEMALE | |
| | WS3 - 0437 - 000 | | 6 | SOCKET CONTACT, 20-30AWG | |
| | VS1 - 0842 - 006 | | 2 | CONNECTOR, 6P, FEMALE | ADF TYPE |
| J 1 0 6 | VS1 - 5057 - 006 | | 1 | CONNECTOR, SNAP TIGHT | ADF TYPE |
| | PCB | | | DC CONTROLLER | |
| | VS1 - 5824 - 002 | | 1 | CONNECTOR, 2P, FEMALE | |
| | WS3 - 5358 - 000 | | 2 | SOCKET CONTACT, 22-26AWG | |
| J 1 0 7 | PCB | | DC CONTROLLER | | |
| J 1 0 8 | VS1 - 0842 - 004 | | 1 | CONNECTOR, 4P, FEMALE | |
| | PCB | | | DC CONTROLLER | |
| | VS1 - 0842 - 003 | | 1 | CONNECTOR, 3P, FEMALE | |
| J 1 0 9 | PCB | | | DC CONTROLLER | |
| | VS1 - 0842 - 011 | | 1 | CONNECTOR, 11P, FEMALE | |
| J 1 1 0 | PCB | | | DC CONTROLLER | |
| | NPN | | | SCANNER/LENS DRIVE MOTOR | M2 |
| J 1 1 1 | PCB | | | DC CONTROLLER | |
| | FH2 - 6806 - 000 | | 1 | CABLE, FLAT | |
| J 1 1 4 | PCB | | DC CONTROLLER | ADF TYPE | |
| J 1 1 9 | VS1 - 0842 - 008 | | 1 | CONNECTOR, 8P, FEMALE | ADF TYPE |
| | PCB | | | DC CONTROLLER | |
| | VS1 - 0842 - 002 | | 1 | CONNECTOR, 2P, FEMALE | |
| J 1 2 1 | PCB | | | DC CONTROLLER | |
| | VS1 - 0842 - 006 | | 1 | CONNECTOR, 6P, FEMALE | |

| FIGURE & KEY NO. | PART NUMBER | RANK | QTY | DESCRIPTION | SERIAL NUMBER / REMARKS |
|------------------|------------------|------|-----|---------------------------|-----------------------------|
| B - J 1 2 2 | PCB | | | DC CONTROLLER | SL6 |
| | NPN | | | PRIMARY CLEANING SOLENOID | |
| | J 1 3 0 | PCB | | DC CONTROLLER | |
| J 1 3 1 | NPN | | | SCANNER COOLING FAN | FM1 |
| | PCB | | | DC CONTROLLER | |
| J 1 3 2 | NPN | | | SCANNER THERMISTOR | TH2 |
| | PCB | | | DC CONTROLLER | |
| | VS1 - 0842 - 005 | | 1 | CONNECTOR, 5P, FEMALE | |
| J 2 0 1 | PCB | | | DC POWER SUPPLY | |
| | WS3 - 5175 - 000 | | 1 | CONNECTOR, 2P, FEMALE | |
| J 2 0 2 | WS3 - 5174 - 000 | | 2 | SOCKET CONTACT, 16-20AWG | ADF TYPE P11 ADF TYPE |
| | NPN | | | PAPER DELIVERY SENSOR | |
| | VS1 - 0842 - 003 | | 1 | CONNECTOR, 3P, FEMALE | |
| | PCB | | | DC POWER SUPPLY | |
| | VS3 - 5083 - 006 | | 1 | CONNECTOR, 6P, FEMALE | |
| J 2 0 3 | WS3 - 5160 - 000 | | 6 | SOCKET CONTACT, 18-24AWG | ADF TYPE P12 ADF TYPE |
| | NPN | | | REGISTRATION SENSOR | |
| | VS1 - 0842 - 003 | | 1 | CONNECTOR, 3P, FEMALE | |
| | PCB | | | DC POWER SUPPLY | |
| | VS1 - 0842 - 009 | | 1 | CONNECTOR, 9P, FEMALE | |
| J 2 0 4 | NPN | | | PAPER PICK-UP SENSOR | ADF TYPE P13 ADF TYPE |
| | VS1 - 0852 - 003 | | 1 | CONNECTOR, 3P, FEMALE | |
| | PCB | | | DC POWER SUPPLY | |
| J 2 0 5 | VS1 - 0842 - 007 | | 1 | CONNECTOR, 7P, FEMALE | |
| | PCB | | | DC POWER SUPPLY | |
| J 2 0 7 | VS1 - 5976 - 004 | | 1 | CONNECTOR, 4P, MALE | |
| | PCB | | | DC POWER SUPPLY | |
| | WS3 - 5175 - 000 | | 1 | CONNECTOR, 2P, FEMALE | |
| J 2 1 4 | WS3 - 5174 - 000 | | 2 | SOCKET CONTACT, 16-20AWG | |
| | PCB | | | DC POWER SUPPLY | |

| FIGURE & KEY NO. | PART NUMBER | RANK | QTY | DESCRIPTION | SERIAL NUMBER / REMARKS |
|------------------|------------------|------|-----|------------------------------|-------------------------|
| B - J 2 1 4 | VS1 - 0861 - 003 | | 1 | CONNECTOR, 3P, FEMALE | |
| J 3 0 1 | PCB | | | CONTROL PANEL | |
| | VS1 - 0842 - 003 | | 1 | CONNECTOR, 3P, FEMALE | |
| | NPN | | | SCANNER HOME POSITION SENSOR | PS1 |
| | FH2 - 6806 - 000 | | 1 | CABLE, FLAT | |
| J 3 0 2 | PCB | | | CONTROL PANEL | |
| | VS1 - 6023 - 002 | | 1 | CONNECTOR, 2P, MALE | |
| J 3 0 3 | PCB | | | CONTROL PANEL | |
| | VS1 - 6023 - 002 | | 1 | CONNECTOR, 2P, MALE | |
| J 4 3 3 | NPN | | | FIXING THERMISTOR | TH1 |
| | RH2 - 5317 - 000 | | 1 | CONNECTOR, 2P, MALE | |
| | RH2 - 5281 - 000 | | 2 | PIN CONTACT, 26AWG | |
| J 4 3 4 | VS3 - 5116 - 002 | | 1 | CONNECTOR, 2P, MALE | |
| | VS3 - 5117 - 002 | | 1 | CONNECTOR, 2P, FEMALE | |
| | WS3 - 5174 - 000 | | 2 | SOCKET CONTACT, 16-20AWG | |
| J 5 0 1 | WS3 - 5354 - 000 | | 2 | PIN CONTACT, 16-20AWG | |
| | PCB | | | NOISE FILTER | |
| | WS3 - 5175 - 000 | | 1 | CONNECTOR, 2P, FEMALE | |
| | WS3 - 5174 - 000 | | 2 | SOCKET CONTACT, 16-20AWG | |
| J 5 0 2 | PCB | | | NOISE FILTER | 220/240V |
| | WS3 - 5175 - 000 | | 1 | CONNECTOR, 2P, FEMALE | 220/240V |
| | WS3 - 5174 - 000 | | 1 | SOCKET CONTACT, 16-20AWG | 220/240V |
| J 6 0 1 | PCB | | | AE SENSOR | |
| | VS1 - 0842 - 004 | | 1 | CONNECTOR, 4P, FEMALE | |
| | VS1 - 5057 - 004 | | 1 | CONNECTOR, SNAP TIGHT | |
| J 6 0 2 | PCB | | | SIDE BLANK | |
| | VS1 - 5824 - 002 | | 1 | CONNECTOR, 2P, FEMALE | |
| | WS3 - 5358 - 000 | | 2 | SOCKET CONTACT, 22-26AWG | |
| | PCB | | | SIDE BLANK | |
| | VS1 - 5824 - 002 | | 1 | CONNECTOR, 2P, FEMALE | |

| FIGURE & KEY NO. | PART NUMBER | RANK | QTY | DESCRIPTION | SERIAL NUMBER / REMARKS |
|------------------|------------------|------|-----|--------------------------|-------------------------|
| B - J 6 0 2 | WS3 - 5358 - 000 | | 2 | SOCKET CONTACT, 22-26AWG | |
| J 7 5 1 | PCB | | | SENSOR PCB | |
| | VS1 - 0842 - 003 | | 1 | CONNECTOR, 3P, FEMALE | |
| J 8 0 1 | PCB | | | BLANK EXPOSURE LAMP | |
| | VS1 - 0842 - 002 | | 1 | CONNECTOR, 2P, FEMALE | |
| J 9 0 1 | NPN | | | MAIN MOTOR | M1 |
| | VS1 - 0842 - 004 | | 1 | CONNECTOR, 4P, FEMALE | |
| J 9 1 0 | PCB | | | DC POWER SUPPLY | |
| | VS3 - 5083 - 003 | | 1 | CONNECTOR, 3P, FEMALE | |
| | WS3 - 5160 - 000 | | 2 | SOCKET CONTACT, 18-24AWG | |
| J 9 5 2 | PCB | | | TONER SENSING | |
| | VS1 - 5824 - 002 | | 1 | CONNECTOR, 2P, FEMALE | |
| | WS3 - 5358 - 000 | | 2 | SOCKET CONTACT, 22-26AWG | |
| J 9 5 4 | PCB | | | TONER SENSING | |
| | VS1 - 0842 - 003 | | 1 | CONNECTOR, 3P, FEMALE | |

D NUMERICAL INDEX

| PART NUMBER | FIGURE & KEY NO. | PART NUMBER | FIGURE & KEY NO. | PART NUMBER | FIGURE & KEY NO. |
|------------------|------------------|------------------|------------------|------------------|------------------|
| FA5 - 2864 - 020 | 161 - 1 | FB2 - 5222 - 000 | 102 - 11 | FB3 - 3329 - 000 | 161 - 15 |
| | 290 - 1 | FB2 - 5223 - 000 | 102 - 12 | FB3 - 3330 - 000 | 161 - 16 |
| FA9 - 2873 - 000 | 161 - 2 | FB2 - 5303 - 000 | 102 - 13 | FB3 - 3332 - 000 | 161 - 17 |
| FA9 - 3063 - 000 | 530 - 14 A | FB2 - 5304 - 000 | 102 - 14 | FB3 - 3335 - 000 | 161 - 18 |
| FA9 - 3207 - 000 | 640 - 1 | FB2 - 5305 - 000 | 102 - 15 | FB3 - 3336 - 000 | 161 - 19 |
| FA9 - 3268 - 000 | 290 - 2 | FB2 - 5309 - 000 | 102 - 16 | FB3 - 3338 - 000 | 161 - 20 |
| FA9 - 3668 - 000 | 290 - 3 | FB2 - 5310 - 000 | 102 - 17 | FB3 - 3342 - 000 | 161 - 21 |
| FB1 - 0733 - 000 | 100 - 1 | FB2 - 5424 - 000 | 160 - 3 | FB3 - 3343 - 000 | 161 - 22 |
| | 160 - 1 | FB2 - 5426 - 000 | 100 - 30 | FB3 - 3344 - 000 | 161 - 23 |
| FB1 - 7267 - 000 | 102 - 1 | FB2 - 5428 - 000 | 100 - 15 | FB3 - 3345 - 000 | 161 - 24 |
| FB1 - 7270 - 000 | 102 - 2 | FB2 - 5500 - 000 | 100 - 16 | FB3 - 3346 - 000 | 161 - 25 |
| FB1 - 7283 - 000 | 100 - 2 | FB2 - 5501 - 030 | 101 - 20 | FB3 - 3347 - 000 | 161 - 26 |
| FB1 - 7295 - 000 | 100 - 34 A | FB2 - 5502 - 000 | 100 - 17 | FB3 - 3348 - 000 | 161 - 27 |
| FB1 - 7303 - 000 | 100 - 3 | FB2 - 9617 - 000 | 810 - 4 | FB3 - 3350 - 000 | 161 - 39 A |
| FB1 - 7403 - 000 | 100 - 4 | FB2 - 9651 - 000 | 810 - 5 | FB3 - 3353 - 000 | 290 - 4 |
| FB1 - 7427 - 000 | 530 - 1 | FB2 - 9653 - 000 | 810 - 6 | FB3 - 3356 - 000 | 161 - 28 |
| FB1 - 7431 - 000 | 530 - 2 | FB3 - 0570 - 000 | 101 - 21 | FB3 - 3357 - 020 | 161 - 29 |
| FB1 - 8870 - 000 | 160 - 2 | FB3 - 0626 - 020 | 101 - 22 | FB3 - 3358 - 000 | 161 - 30 |
| FB2 - 4603 - 000 | 101 - 1 | FB3 - 0632 - 020 | 101 - 23 | FB3 - 3360 - 030 | 161 - 31 |
| FB2 - 4606 - 000 | 100 - 5 | FB3 - 0633 - 000 | 101 - 24 | FB3 - 3361 - 000 | 161 - 32 |
| FB2 - 4607 - 000 | 100 - 6 | FB3 - 0639 - 020 | 101 - 25 | FB3 - 3364 - 000 | 161 - 33 |
| FB2 - 4610 - 000 | 101 - 2 | FB3 - 0670 - 000 | 101 - 26 | FB3 - 3365 - 000 | 161 - 34 |
| FB2 - 4611 - 000 | 101 - 3 | FB3 - 0686 - 000 | 640 - 2 | FB3 - 3371 - 000 | 290 - 5 |
| FB2 - 4612 - 000 | 101 - 4 | FB3 - 0687 - 000 | 640 - 3 | FB3 - 3373 - 020 | 290 - 6 |
| FB2 - 4613 - 000 | 101 - 5 | FB3 - 0688 - 000 | 640 - 4 | FB3 - 3377 - 000 | 290 - 7 |
| FB2 - 4614 - 000 | 101 - 6 | FB3 - 0691 - 000 | 640 - 5 | FB3 - 3379 - 000 | 355 - 1 |
| FB2 - 4616 - 000 | 220 - 1 | FB3 - 0693 - 000 | 640 - 6 | FB3 - 3381 - 000 | 355 - 2 |
| | 401 - 1 | FB3 - 0694 - 000 | 640 - 7 | FB3 - 3382 - 000 | 355 - 3 |
| FB2 - 4622 - 020 | 101 - 7 | FB3 - 0695 - 000 | 640 - 8 | FB3 - 3383 - 000 | 355 - 4 |
| FB2 - 4627 - 000 | 101 - 8 | FB3 - 0696 - 000 | 640 - 9 | FB3 - 3385 - 020 | 355 - 5 |
| FB2 - 4628 - 000 | 101 - 9 | FB3 - 0697 - 000 | 640 - 10 | FB3 - 3386 - 000 | 355 - 6 |
| FB2 - 4629 - 020 | 101 - 10 | FB3 - 0710 - 000 | 640 - 23 A | FB3 - 3387 - 000 | 355 - 7 |
| FB2 - 4669 - 020 | 401 - 2 | FB3 - 0711 - 000 | 640 - 11 | FB3 - 3388 - 000 | 355 - 8 |
| FB2 - 4676 - 000 | 401 - 3 | FB3 - 0712 - 000 | 640 - 22 A | FB3 - 3389 - 000 | 355 - 11 A |
| FB2 - 4677 - 020 | 401 - 4 | FB3 - 0713 - 000 | 640 - 12 | FB3 - 3392 - 000 | 162 - 5 A |
| FB2 - 4678 - 020 | 401 - 5 | FB3 - 0714 - 000 | 640 - 13 | | 162 - 6 A |
| FB2 - 4694 - 020 | 402 - 1 | FB3 - 0715 - 000 | 640 - 14 | FB3 - 3395 - 000 | 162 - 1 |
| FB2 - 4695 - 030 | 402 - 2 | FB3 - 0716 - 000 | 640 - 15 | FB3 - 3396 - 000 | 162 - 2 |
| FB2 - 4701 - 020 | 220 - 2 | FB3 - 0718 - 000 | 640 - 16 | FB3 - 3397 - 000 | 162 - 3 |
| FB2 - 4702 - 000 | 220 - 3 | FB3 - 0719 - 020 | 640 - 22 B | FB3 - 3400 - 000 | 290 - 8 |
| FB2 - 4703 - 000 | 220 - 4 | FB3 - 0720 - 000 | 640 - 23 B | FB3 - 3401 - 000 | 161 - 35 |
| FB2 - 4704 - 000 | 220 - 5 | FB3 - 0721 - 000 | 640 - 17 | FB3 - 3402 - 020 | 161 - 36 |
| FB2 - 4705 - 000 | 220 - 6 | FB3 - 0722 - 000 | 640 - 18 | FB3 - 3408 - 000 | 355 - 9 |
| FB2 - 4734 - 000 | 101 - 11 | FB3 - 0724 - 000 | 640 - 19 | FB4 - 1096 - 000 | 100 - 19 |
| FB2 - 4736 - 000 | 101 - 12 | FB3 - 0725 - 000 | 640 - 22 C | FB4 - 1148 - 000 | 290 - 9 |
| FB2 - 4760 - 000 | 450 - 1 | FB3 - 0726 - 000 | 640 - 20 | FB4 - 1149 - 000 | 290 - 10 |
| FB2 - 4785 - 000 | 100 - 7 | FB3 - 0727 - 000 | 640 - 22 D | FB4 - 1150 - 000 | 290 - 11 |
| FB2 - 4790 - 020 | 100 - 8 | FB3 - 0728 - 000 | 640 - 22 E | FB4 - 1151 - 000 | 290 - 12 |
| FB2 - 4791 - 000 | 100 - 35 A | FB3 - 0732 - 000 | 102 - 18 | FB4 - 1152 - 000 | 290 - 13 |
| FB2 - 4792 - 000 | 101 - 13 | FB3 - 0743 - 000 | 102 - 19 | FB4 - 1154 - 000 | 161 - 40 A |
| FB2 - 4793 - 000 | 100 - 35 B | FB3 - 0744 - 000 | 102 - 20 | FB4 - 1159 - 000 | 162 - 4 |
| FB2 - 4794 - 000 | 100 - 35 C | FB3 - 0745 - 000 | 102 - 21 | FB4 - 1194 - 000 | 101 - 27 |
| FB2 - 4840 - 000 | 101 - 14 | FB3 - 0748 - 000 | 102 - 22 | FB4 - 1195 - 000 | 100 - 20 |
| FB2 - 4861 - 000 | 530 - 3 | FB3 - 0774 - 000 | 450 - 2 | FB4 - 1196 - 000 | 100 - 21 |
| FB2 - 4862 - 000 | 530 - 4 | FB3 - 0775 - 000 | 450 - 3 | FB4 - 9802 - 000 | 102 - 23 |
| FB2 - 4870 - 000 | 101 - 15 | FB3 - 0776 - 000 | 450 - 4 | FB4 - 9808 - 000 | 102 - 24 |
| FB2 - 4875 - 000 | 101 - 16 | FB3 - 0777 - 000 | 450 - 5 | FB4 - 9810 - 000 | 102 - 25 |
| FB2 - 4877 - 000 | 101 - 17 | FB3 - 0778 - 000 | 450 - 6 | FB4 - 9811 - 000 | 102 - 26 |
| FB2 - 4900 - 000 | 915 - 1 | FB3 - 0780 - 000 | 450 - 7 | FB4 - 9812 - 000 | 102 - 27 |
| FB2 - 4927 - 000 | 230 - 1 | FB3 - 0781 - 000 | 450 - 8 | FB4 - 9813 - 000 | 102 - 28 |
| FB2 - 4929 - 000 | 102 - 3 | FB3 - 0782 - 000 | 450 - 9 | FB4 - 9814 - 000 | 102 - 29 |
| FB2 - 4930 - 000 | 102 - 4 | FB3 - 0784 - 000 | 450 - 10 | FB4 - 9815 - 000 | 102 - 30 |
| FB2 - 4939 - 000 | 530 - 5 | FB3 - 0788 - 000 | 640 - 21 | FB4 - 9817 - 000 | 102 - 31 |
| FB2 - 4942 - 000 | 101 - 18 | FB3 - 0791 - 000 | 450 - 18 A | FB4 - 9818 - 000 | 102 - 32 |
| FB2 - 5040 - 000 | 810 - 1 | FB3 - 0805 - 000 | 450 - 11 | FB4 - 9819 - 000 | 102 - 33 |
| FB2 - 5041 - 000 | 810 - 2 | FB3 - 0806 - 000 | 450 - 12 | FB4 - 9820 - 000 | 102 - 34 |
| FB2 - 5042 - 020 | 810 - 3 | FB3 - 0807 - 000 | 450 - 13 | FB4 - 9821 - 000 | 102 - 35 |
| FB2 - 5057 - 000 | 101 - 19 | FB3 - 0811 - 020 | 450 - 14 | FB4 - 9822 - 000 | 102 - 36 |
| FB2 - 5058 - 000 | 101 - 39 A | FB3 - 0815 - 020 | 450 - 15 | FB4 - 9823 - 000 | 102 - 37 |
| FB2 - 5156 - 000 | 530 - 6 | FB3 - 0817 - 000 | 100 - 36 A | FB4 - 9824 - 000 | 102 - 38 |
| FB2 - 5161 - 030 | 102 - 5 | FB3 - 0824 - 000 | 100 - 18 | FB4 - 9827 - 000 | 100 - 22 |
| FB2 - 5162 - 000 | 102 - 6 | FB3 - 0829 - 000 | 161 - 3 | FB4 - 9863 - 000 | 810 - 7 |
| FB2 - 5163 - 000 | 102 - 7 | FB3 - 0835 - 000 | 161 - 42 A | FB4 - 9864 - 000 | 810 - 8 |
| FB2 - 5164 - 000 | 102 - 8 | FB3 - 0839 - 020 | 100 - 7 | FB4 - 9866 - 000 | 810 - 9 |
| FB2 - 5169 - 000 | 530 - 7 | FB3 - 3311 - 000 | 161 - 4 | FB4 - 9867 - 000 | 810 - 10 |
| FB2 - 5175 - 000 | 100 - 19 | FB3 - 3312 - 000 | 161 - 5 | FB4 - 9872 - 000 | 810 - 11 |
| FB2 - 5177 - 000 | 100 - 9 | FB3 - 3314 - 020 | 161 - 6 | FB4 - 9873 - 000 | 810 - 12 |
| FB2 - 5183 - 000 | 102 - 9 | FB3 - 3315 - 020 | 161 - 7 | FB4 - 9875 - 000 | 810 - 13 |
| FB2 - 5198 - 000 | 250 - 1 | FB3 - 3316 - 000 | 161 - 8 | FB4 - 9877 - 000 | 810 - 14 |
| FB2 - 5210 - 000 | 100 - 10 | FB3 - 3321 - 000 | 161 - 9 | FB4 - 9878 - 000 | 810 - 15 |
| FB2 - 5213 - 000 | 100 - 11 | FB3 - 3322 - 000 | 161 - 10 | FB4 - 9881 - 000 | 102 - 39 |
| FB2 - 5214 - 020 | 100 - 12 | FB3 - 3323 - 000 | 161 - 11 | FB4 - 9887 - 000 | 160 - 4 |
| FB2 - 5215 - 020 | 100 - 13 | FB3 - 3324 - 000 | 161 - 12 | FB4 - 9888 - 000 | 100 - 23 |
| FB2 - 5217 - 020 | 100 - 14 | FB3 - 3325 - 000 | 161 - 13 | FB4 - 9893 - 000 | 230 - 2 |
| FB2 - 5221 - 020 | 102 - 10 | FB3 - 3326 - 000 | 161 - 14 | FB4 - 9895 - 000 | 100 - 24 |

D NUMERICAL INDEX

| PART NUMBER | FIGURE & KEY NO. | PART NUMBER | FIGURE & KEY NO. | PART NUMBER | FIGURE & KEY NO. |
|------------------|------------------|------------------|------------------|------------------|-------------------|
| FB4 - 9897 - 000 | 100 - 2 4 | FF2 - 9725 - 000 | 230 - 4 | FG5 - 6413 - 000 | 355 - |
| FB4 - 9898 - 000 | 100 - 2 5 | FF2 - 9726 - 000 | 230 - 5 | FG5 - 6418 - 000 | 162 - |
| FB4 - 9905 - 000 | 810 - 1 6 | FF2 - 9727 - 000 | 230 - 6 | FG5 - 6420 - 000 | 290 - |
| FB4 - 9908 - 000 | 102 - 4 0 | FF2 - 9731 - 000 | 450 - 1 6 | FG5 - 8429 - 000 | 450 - 2 0 |
| FB5 - 0058 - 000 | 400 - 1 | FF2 - 9762 - 000 | 530 - 8 | FG5 - 8430 - 000 | 450 - 2 1 |
| FB5 - 0059 - 000 | 400 - 2 | FF2 - 9763 - 000 | 530 - 9 | FG6 - 3709 - 000 | 940 - |
| FB5 - 0060 - 000 | 400 - 3 | FF2 - 9764 - 000 | 530 - 1 0 | FG6 - 3712 - 000 | 250 - |
| FB5 - 0069 - 000 | 400 - 4 | FF2 - 9765 - 000 | 530 - 1 1 | FG6 - 3718 - 000 | 940 - |
| FB5 - 0070 - 000 | 400 - 5 | FF2 - 9766 - 000 | 530 - 1 2 | FG6 - 3720 - 000 | 810 - |
| FB5 - 0071 - 000 | 400 - 6 | FF2 - 9779 - 000 | 530 - 1 3 | FG6 - 3721 - 000 | 810 - |
| FB5 - 0074 - 000 | 400 - 7 | FF3 - 0475 - 000 | 910 - J 2 1 4 | FG6 - 3723 - 000 | 810 - 2 0 |
| FB5 - 0075 - 000 | 400 - 8 | FF3 - 0476 - 000 | 910 - 1 | FG6 - 3733 - 000 | 220 - |
| FB5 - 0080 - 000 | 400 - 9 | FF3 - 0477 - 000 | 910 - J 2 1 5 | FG6 - 3737 - 000 | 160 - |
| FB5 - 0086 - 000 | 101 - 2 8 | FF3 - 1070 - 000 | 161 - 3 7 | FG6 - 3749 - 000 | 400 - |
| FB5 - 0087 - 000 | 100 - 2 6 | | 290 - 1 4 | FG6 - 3750 - 000 | 400 - |
| FB5 - 0088 - 000 | 101 - 2 9 | FF3 - 1071 - 000 | 355 - 1 0 | FG6 - 3753 - 000 | 401 - |
| FB5 - 0089 - 000 | 101 - 3 0 | FF3 - 3126 - 000 | 935 - 1 | FG6 - 3754 - 000 | 402 - |
| FB5 - 0090 - 000 | 101 - 3 1 | FF3 - 3624 - 000 | 910 - 2 | FG6 - 3756 - 000 | 101 - 4 1 |
| FB5 - 0091 - 000 | 101 - 3 2 | FF3 - 3625 - 000 | 910 - 3 | FG6 - 3757 - 000 | 102 - 5 0 |
| FB5 - 0092 - 000 | 101 - 3 3 | FF3 - 3626 - 000 | 910 - 4 | FG6 - 3761 - 000 | 400 - 1 4 |
| FB5 - 0093 - 000 | 101 - 3 4 | FF3 - 3627 - 000 | 910 - J 2 0 5 | FG6 - 3763 - 000 | 102 - 5 1 |
| FB5 - 0095 - 000 | 400 - 1 0 | FF3 - 3733 - 000 | 940 - 1 | FG6 - 3764 - 000 | 102 - 5 1 |
| FB5 - 0097 - 000 | 101 - 3 5 | FF3 - 3734 - 000 | 940 - 2 | FG6 - 3773 - 000 | 810 - 1 9 |
| FB5 - 0099 - 000 | 915 - 2 | FF3 - 3736 - 000 | 102 - 4 1 | FG6 - 3820 - 000 | 130 - |
| FB5 - 0108 - 000 | 400 - 1 1 | FF3 - 3737 - 000 | 101 - 3 6 | FG6 - 3822 - 000 | 130 - |
| FB5 - 0123 - 000 | 130 - 1 | FF3 - 3739 - 000 | 810 - 1 7 | FG6 - 3823 - 000 | 130 - |
| FB5 - 0124 - 000 | 130 - 2 | FF3 - 3740 - 000 | 102 - 4 2 | FG6 - 3824 - 00S | 130 - |
| FB5 - 0159 - 000 | 300 - 1 5 A | FF3 - 3752 - 000 | 810 - 1 8 | FG6 - 3827 - 000 | 450 - |
| | 301 - 3 A | FF3 - 3820 - 000 | 101 - 3 7 | FG6 - 3832 - 000 | 230 - 8 |
| FB5 - 0165 - 000 | 300 - 1 | FF3 - 3845 - 000 | 102 - 4 3 | FG6 - 3833 - 000 | 230 - |
| | 300 - 2 | FF3 - 3848 - 000 | 450 - 1 7 | FG6 - 3836 - 000 | 101 - 4 2 |
| FB5 - 0168 - 000 | 300 - 3 | FF5 - 2867 - 020 | 101 - 3 8 | FG6 - 3837 - 000 | 101 - 4 2 |
| FB5 - 0169 - 000 | 300 - 4 | FF5 - 2870 - 000 | 530 - 1 4 | FG6 - 3838 - 000 | 930 - |
| FB5 - 0170 - 000 | 300 - 5 | FF5 - 2871 - 020 | 530 - 1 5 | FG6 - 3840 - 000 | 930 - |
| FB5 - 0171 - 000 | 300 - 6 | FF5 - 2873 - 030 | 102 - 4 4 | FG6 - 3842 - 000 | 930 - |
| | 300 - 7 | FF5 - 2875 - 000 | 100 - 3 4 | FG6 - 3843 - 00S | 930 - |
| FB5 - 0172 - 000 | 300 - 8 | FF5 - 2899 - 000 | 401 - 6 | FG6 - 3845 - 000 | 915 - |
| FB5 - 0173 - 000 | 300 - 9 | FF5 - 2900 - 000 | 401 - 7 | FG6 - 3846 - 000 | 915 - |
| | 301 - 1 | FF5 - 2901 - 000 | 402 - 3 | FG6 - 3849 - 000 | 102 - 5 2 |
| | 302 - 1 | FF5 - 2902 - 000 | 402 - 4 | FG6 - 3851 - 000 | 910 - |
| FB5 - 0174 - 000 | 300 - 1 0 | FF5 - 3713 - 000 | 530 - 1 6 | FG6 - 3852 - 000 | 910 - |
| | 301 - 2 | FF5 - 3714 - 000 | 102 - 4 5 | FG6 - 4064 - 000 | 810 - 2 0 |
| FB5 - 0175 - 000 | 300 - 1 1 | FF5 - 3716 - 000 | 101 - 3 9 | FG6 - 4779 - 000 | 530 - |
| FB5 - 0176 - 000 | 300 - 1 2 | FF5 - 3720 - 000 | 530 - 1 7 | FH2 - 5276 - 030 | 102 - 5 3 |
| FB5 - 0177 - 000 | 300 - 1 3 | FF5 - 3728 - 000 | 100 - 3 5 | FH2 - 5761 - 020 | 102 - 5 4 |
| FB5 - 0178 - 000 | 300 - 1 6 A | FF5 - 3729 - 000 | 100 - 3 5 | FH2 - 5762 - 000 | 102 - 5 5 |
| | 300 - 1 7 A | FF5 - 3904 - 000 | 450 - 1 8 | FH2 - 6578 - 000 | 102 - 5 6 |
| FB5 - 0179 - 000 | 300 - 1 5 B | FF5 - 3905 - 000 | 100 - 3 6 | FH2 - 6806 - 000 | 915 - 3 |
| FB5 - 0180 - 000 | 300 - 1 4 | FF5 - 3907 - 020 | 640 - 2 2 | | B - J 1 1 1 |
| FB5 - 0187 - 000 | 100 - 2 8 | FF5 - 3908 - 000 | 640 - 2 3 | | B - J 3 0 1 |
| FB5 - 0189 - 000 | 130 - 7 | FF5 - 3910 - 020 | 640 - 2 4 | FH3 - 0569 - 000 | 910 - T 2 0 1 |
| FB5 - 0190 - 000 | 130 - 3 | FF5 - 3913 - 000 | 640 - 2 5 | FH3 - 0635 - 000 | 910 - T 6 0 0 |
| FB5 - 0191 - 000 | 130 - 4 | FF5 - 3922 - 000 | 102 - 4 6 | FH3 - 0636 - 000 | 910 - T 6 0 0 |
| FB5 - 0192 - 000 | 130 - 5 | FF5 - 3927 - 000 | 102 - 4 7 | FH3 - 0665 - 000 | 910 - T 1 0 4 |
| FB5 - 0193 - 000 | 130 - 6 | FF5 - 3928 - 020 | 102 - 4 8 | FH3 - 0666 - 000 | 910 - T 1 0 4 |
| FB5 - 0196 - 00S | 130 - 7 | FF5 - 4677 - 000 | 161 - 3 8 | FH3 - 0667 - 000 | 910 - T 1 0 3 |
| FB5 - 0197 - 000 | 130 - 7 | FF5 - 4679 - 020 | 161 - 3 9 | FH3 - 0668 - 000 | 910 - T 1 0 5 |
| FB5 - 0199 - 000 | 100 - 2 7 | FF5 - 4686 - 000 | 355 - 1 1 | FH3 - 0734 - 000 | 910 - T 3 0 2 |
| FB5 - 0203 - 000 | 130 - 7 | FF5 - 6753 - 000 | 161 - 4 0 | FH3 - 0911 - 000 | 910 - T 1 0 1 |
| FB5 - 0204 - 00S | 100 - 2 8 | FF5 - 6756 - 000 | 162 - 5 | FH3 - 0912 - 00S | 910 - T 1 0 1 |
| FB5 - 0205 - 000 | 100 - 2 8 | FF5 - 6757 - 000 | 162 - 6 | FH3 - 7170 - 000 | 910 - L 6 0 0 |
| FB5 - 0206 - 00S | 100 - 2 8 | FF5 - 6758 - 000 | 162 - 7 | FH3 - 7184 - 000 | 910 - L 1 0 1 |
| FB5 - 0207 - 000 | 100 - 2 8 | FF5 - 6761 - 000 | 161 - 4 1 | FH3 - 7195 - 000 | 910 - L 6 0 0 |
| FB5 - 0218 - 000 | 302 - 2 | FF5 - 8986 - 000 | 400 - 1 2 | FH4 - 1365 - 000 | 930 - Q 1 0 1 |
| FB5 - 0219 - 000 | 302 - 3 | FF5 - 8987 - 000 | 400 - 1 3 | FH4 - 6070 - 000 | 910 - H I C 0 0 1 |
| FB5 - 0220 - 000 | 302 - 4 | FF5 - 8991 - 000 | 230 - 7 | FH4 - 9183 - 000 | 910 - R 2 2 5 |
| FB5 - 0221 - 000 | 302 - 5 | FF5 - 8992 - 000 | 250 - 2 | FH4 - 9206 - 000 | 910 - R 2 0 3 |
| FB5 - 0222 - 000 | 302 - 6 | FF5 - 9033 - 000 | 300 - 1 5 | FH4 - 9208 - 000 | 910 - R 2 4 3 |
| FB5 - 0223 - 000 | 302 - 7 | FF5 - 9034 - 000 | 300 - 1 6 | FH6 - 1079 - 000 | 220 - 7 |
| FB5 - 0229 - 000 | 302 - 1 3 A | FF5 - 9035 - 000 | 300 - 1 7 | FH6 - 1237 - 000 | 290 - 1 6 |
| FB5 - 0230 - 000 | 302 - 8 | FF5 - 9043 - 000 | 101 - 4 0 | FH6 - 1238 - 000 | 290 - 1 7 |
| FB5 - 0231 - 000 | 302 - 1 3 B | FF5 - 9073 - 000 | 302 - 1 1 | FH6 - 1679 - 000 | 101 - 4 3 |
| FB5 - 0232 - 000 | 302 - 9 | FF5 - 9074 - 000 | 302 - 1 2 | FH7 - 3380 - 000 | 400 - 1 5 |
| FB5 - 0233 - 000 | 302 - 1 0 | FF5 - 9075 - 000 | 302 - 1 3 | FH7 - 3381 - 000 | 400 - 1 5 |
| FB5 - 0234 - 000 | 302 - 1 0 | FF5 - 9609 - 000 | 301 - 3 | FH7 - 5565 - 030 | 220 - 8 |
| FB5 - 1877 - 000 | 130 - 8 | FF9 - 1505 - 000 | 102 - 4 9 | FH7 - 5631 - 000 | 102 - 5 7 |
| FB5 - 1878 - 00S | 100 - 2 9 | FF9 - 1514 - 000 | 100 - 1 8 | FH7 - 5893 - 000 | 102 - 5 8 |
| FB5 - 1879 - 00S | 100 - 2 9 | FG2 - 7467 - 000 | 161 - 4 2 | FH7 - 5967 - 000 | 102 - 5 9 |
| FB5 - 1880 - 00S | 100 - 3 0 | FG2 - 7468 - 000 | 290 - 1 5 | FH7 - 6197 - 000 | 910 - R L 6 0 1 |
| FB5 - 1884 - 000 | 100 - 3 1 | FG2 - 7469 - 000 | 161 - 4 3 | FH7 - 6216 - 000 | 102 - 6 0 |
| FB5 - 2777 - 000 | 100 - 3 2 | FG2 - 7470 - 000 | 161 - 4 4 | FH7 - 7510 - 000 | 101 - 4 4 |
| FB5 - 2780 - 00S | 100 - 3 3 | FG2 - 7471 - 000 | 161 - 4 5 | FH7 - 7511 - 000 | 400 - 1 6 |
| FB5 - 2781 - 000 | 100 - 2 9 | FG2 - 9891 - 000 | 935 - | FH7 - 9220 - 000 | 910 - L 0 0 1 |
| FB5 - 2782 - 000 | 100 - 2 9 | FG5 - 5465 - 080 | 640 - | FH7 - 9315 - 000 | 102 - 6 1 |
| FF2 - 9724 - 000 | 230 - 3 | FG5 - 5499 - 000 | 450 - 1 9 | FH9 - 0367 - 000 | 910 - R 2 5 4 |

D NUMERICAL INDEX

| PART NUMBER | FIGURE & KEY NO. | PART NUMBER | FIGURE & KEY NO. | PART NUMBER | FIGURE & KEY NO. |
|------------------|------------------|------------------|------------------|------------------|------------------|
| FN5 - 4143 - 000 | 400 - 17 | FS7 - 0341 - 000 | 290 - 30 | VS1 - 0852 - 003 | B - J 203 |
| FN5 - 4144 - 000 | 401 - 8 | FS7 - 0427 - 000 | 810 - 21 | VS1 - 0861 - 003 | B - J 214 |
| FN5 - 4145 - 000 | 402 - 5 | FS7 - 0428 - 000 | 810 - 22 | VS1 - 5057 - 002 | 102 - 50A |
| FN5 - 4146 - 000 | 101 - 45 | FS7 - 0429 - 000 | 810 - 23 | | 102 - 87 |
| FS1 - 1190 - 000 | 161 - 46 | FS7 - 0430 - 000 | 250 - 3 | | 102 - 88 |
| | 290 - 18 | FS7 - 0431 - 000 | 102 - 75 | | 220 - 14 |
| FS1 - 1205 - 000 | 355 - 12 | FS7 - 0432 - 000 | 102 - 76 | | B - J 52 |
| FS1 - 1213 - 000 | 290 - 19 | FS7 - 0433 - 000 | 102 - 77 | | B - J 53 |
| FS1 - 1341 - 000 | 355 - 13 | FS7 - 0434 - 000 | 102 - 78 | | B - J 54 |
| FS1 - 1422 - 000 | 355 - 14 | FS7 - 0435 - 000 | 102 - 79 | | B - J 58 |
| FS5 - 0883 - 000 | 102 - 62 | FS7 - 0436 - 000 | 102 - 80 | VS1 - 5057 - 003 | 102 - 89 |
| FS5 - 0885 - 000 | 102 - 63 | FS7 - 0438 - 000 | 102 - 81 | | B - J 55 |
| FS5 - 0905 - 000 | 230 - 9 | FS7 - 0443 - 000 | 230 - 12 | VS1 - 5057 - 004 | 101 - 42A |
| FS5 - 0913 - 030 | 102 - 64 | FS7 - 0444 - 000 | 230 - 13 | | B - J 601 |
| FS5 - 0917 - 000 | 220 - 9 | FS7 - 0446 - 000 | 810 - 24 | VS1 - 5057 - 006 | 161 - 44A |
| FS5 - 0918 - 000 | 220 - 10 | FS7 - 0457 - 000 | 300 - 18 | | 220 - 15 |
| FS5 - 0919 - 000 | 220 - 11 | FS7 - 0602 - 000 | 290 - 31 | | B - J 51 |
| FS5 - 1438 - 000 | 290 - 20 | FS7 - 0603 - 000 | 290 - 32 | | B - J 105 |
| FS5 - 1439 - 000 | 220 - 12 | FS7 - 0604 - 000 | 290 - 33 | VS1 - 5057 - 008 | 101 - 42C |
| FS5 - 1440 - 000 | 102 - 65 | FS7 - 2181 - 000 | 810 - 25 | | B - J 60 |
| FS5 - 1530 - 000 | 640 - 26 | FS7 - 2183 - 000 | 102 - 82 | VS1 - 5057 - 009 | 810 - 31 |
| FS5 - 2335 - 000 | 530 - 15A | FS7 - 2184 - 000 | 102 - 83 | | B - J 62 |
| FS5 - 2767 - 000 | 102 - 66 | FS7 - 2185 - 000 | 102 - 84 | VS1 - 5824 - 002 | B - J 106 |
| FS5 - 2769 - 000 | 100 - 37 | FS7 - 2186 - 000 | 102 - 85 | | B - J 601 |
| FS5 - 2770 - 000 | 100 - 38 | FS7 - 2189 - 000 | 810 - 26 | | B - J 602 |
| FS5 - 2771 - 000 | 102 - 67 | FS7 - 2190 - 000 | 102 - 86 | | B - J 952 |
| FS5 - 2773 - 000 | 102 - 68 | FS7 - 2201 - 000 | 300 - 19 | VS1 - 5824 - 003 | B - J 61 |
| FS5 - 2774 - 000 | 530 - 18 | | 301 - 4 | VS1 - 5824 - 009 | B - J 62 |
| FS5 - 2776 - 000 | 100 - 39 | FS7 - 2202 - 000 | 300 - 20 | VS1 - 5976 - 004 | B - J 205 |
| FS5 - 2783 - 000 | 102 - 69 | | 301 - 5 | VS1 - 6023 - 002 | B - J 302 |
| FS5 - 2784 - 000 | 530 - 19 | FS7 - 2211 - 000 | 302 - 14 | | B - J 303 |
| FS5 - 2785 - 000 | 230 - 10 | RB1 - 8806 - 000 | 810 - 27 | VS3 - 0108 - 004 | B - J 24 |
| FS5 - 2790 - 000 | 450 - 22 | RH2 - 5279 - 000 | B - J 16 | VS3 - 5083 - 002 | B - J 6 |
| FS5 - 2802 - 000 | 101 - 46 | RH2 - 5281 - 000 | B - J 433 | VS3 - 5083 - 003 | B - J 910 |
| FS5 - 2803 - 020 | 101 - 47 | RH2 - 5316 - 000 | B - J 16 | VS3 - 5083 - 004 | B - J 1 |
| FS5 - 2821 - 000 | 220 - 13 | RH2 - 5317 - 000 | B - J 433 | VS3 - 5083 - 006 | B - J 202 |
| FS5 - 3458 - 000 | 161 - 47 | RS5 - 0922 - 000 | 810 - 28 | VS3 - 5116 - 002 | B - J 434 |
| FS5 - 3459 - 000 | 355 - 15 | RS5 - 1297 - 000 | 810 - 29 | VS3 - 5117 - 002 | B - J 434 |
| FS5 - 3460 - 000 | 355 - 16 | RS5 - 1310 - 000 | 810 - 30 | WD9 - 5001 - 000 | 910 - FC1 |
| FS5 - 3462 - 000 | 290 - 21 | VD7 - 0215 - 001 | 910 - FU102 | | 910 - FC2 |
| FS5 - 6393 - 000 | 230 - 11 | VD7 - 0642 - 501 | 910 - FU102 | WD9 - 5052 - 000 | 940 - 3 |
| FS5 - 6394 - 000 | 640 - 27 | VD7 - 0646 - 301 | 940 - FU501 | WD9 - 5097 - 000 | 940 - 3 |
| FS5 - 6453 - 000 | 161 - 48 | VD7 - 1624 - 000 | 930 - R399 | WE8 - 0027 - 000 | 102 - 90 |
| FS5 - 6454 - 000 | 161 - 49 | VD7 - 1731 - 502 | 940 - FU501 | WE8 - 0054 - 000 | 102 - 51A |
| FS5 - 6455 - 000 | 161 - 50 | VS1 - 0279 - 004 | B - J 24 | WE8 - 0098 - 000 | 161 - 42B |
| | 355 - 17 | VS1 - 0279 - 006 | B - J 105 | WE8 - 5705 - 000 | 102 - 51B |
| FS5 - 9362 - 000 | 290 - 22 | VS1 - 0842 - 002 | B - J 52 | | 102 - 90 |
| FS6 - 0437 - 000 | 640 - 28 | | B - J 53 | WG1 - 5610 - 000 | 915 - LED301 |
| FS6 - 0439 - 000 | 640 - 29 | | B - J 54 | | 915 - LED302 |
| FS6 - 0440 - 000 | 640 - 30 | | B - J 58 | | 915 - LED303 |
| FS6 - 0442 - 000 | 640 - 31 | | B - J 70 | | 915 - LED304 |
| FS6 - 0443 - 000 | 640 - 32 | | B - J 104 | | 915 - LED305 |
| FS6 - 0445 - 000 | 640 - 33 | | B - J 119 | | 915 - LED306 |
| FS6 - 0446 - 000 | 640 - 34 | | B - J 801 | | 915 - LED308 |
| FS6 - 0617 - 000 | 290 - 23 | VS1 - 0842 - 003 | B - J 55 | | 915 - LED310 |
| FS6 - 0618 - 000 | 290 - 24 | | B - J 56 | | 915 - LED311 |
| FS6 - 0619 - 000 | 290 - 25 | | B - J 59 | | 915 - LED312 |
| FS6 - 0620 - 000 | 290 - 26 | | B - J 71 | | 915 - LED318 |
| FS6 - 0622 - 000 | 290 - 27 | | B - J 101 | | 915 - LED319 |
| FS6 - 2229 - 000 | 450 - 23 | | B - J 108 | | 915 - LED320 |
| FS6 - 2230 - 000 | 450 - 24 | | B - J 201 | WG1 - 5611 - 000 | 915 - LED307 |
| FS6 - 2231 - 000 | 450 - 25 | | B - J 202 | | 915 - LED313 |
| FS6 - 2232 - 000 | 102 - 70 | | B - J 301 | | 915 - LED314 |
| FS6 - 2234 - 000 | 102 - 71 | | B - J 751 | | 915 - LED316 |
| | 102 - 72 | | B - J 954 | | 915 - LED317 |
| FS6 - 2238 - 000 | 640 - 35 | VS1 - 0842 - 004 | B - J 107 | | 915 - LED321 |
| FS6 - 2239 - 000 | 102 - 73 | | B - J 601 | WG2 - 5185 - 000 | 915 - LED315 |
| FS6 - 2240 - 000 | 102 - 74 | | B - J 901 | WG2 - 5190 - 000 | 102 - 91 |
| FS6 - 2242 - 000 | 450 - 26 | VS1 - 0842 - 005 | B - J 103 | WG8 - 5001 - 000 | 450 - 27 |
| FS6 - 2270 - 000 | 100 - 40 | | B - J 132 | WG8 - 5187 - 000 | 101 - 48 |
| FS6 - 2369 - 000 | 161 - 51 | VS1 - 0842 - 006 | B - J 51 | WG8 - 5206 - 010 | 161 - 59 |
| FS6 - 2370 - 000 | 161 - 52 | | B - J 105 | WG8 - 5309 - 000 | 161 - 60 |
| FS6 - 2371 - 000 | 161 - 53 | | B - J 121 | WG8 - 5362 - 000 | 101 - 49 |
| FS6 - 2373 - 000 | 161 - 54 | VS1 - 0842 - 007 | B - J 3 | | 102 - 92 |
| FS6 - 2374 - 000 | 161 - 55 | | B - J 104 | | 810 - 32 |
| FS6 - 2375 - 000 | 355 - 18 | | B - J 204 | WG8 - 5382 - 000 | 930 - BAT101 |
| FS6 - 5517 - 000 | 290 - 28 | VS1 - 0842 - 008 | B - J 2 | WS3 - 0437 - 000 | B - J 105 |
| FS6 - 8089 - 000 | 161 - 56 | | B - J 60 | WS3 - 0885 - 000 | B - J 24 |
| FS6 - 8091 - 000 | 161 - 40B | | B - J 114 | WS3 - 5160 - 000 | B - J 1 |
| FS6 - 8196 - 000 | 162 - 6B | VS1 - 0842 - 009 | B - J 5 | | B - J 6 |
| FS6 - 8197 - 000 | 162 - 7A | | B - J 62 | | B - J 202 |
| FS6 - 8948 - 000 | 161 - 57 | | B - J 102 | | B - J 910 |
| FS6 - 8949 - 000 | 161 - 58 | | B - J 103 | WS3 - 5174 - 000 | B - J 201 |
| FS6 - 8950 - 000 | 162 - 7B | | B - J 203 | | B - J 207 |
| FS7 - 0340 - 000 | 290 - 29 | VS1 - 0842 - 011 | B - J 109 | | B - J 434 |

D NUMERICAL INDEX

| PART NUMBER | FIGURE & KEY NO. | PART NUMBER | FIGURE & KEY NO. | PART NUMBER | FIGURE & KEY NO. |
|------------------|------------------|------------------|------------------|-------------|------------------|
| WS3 - 5174 - 000 | B - J 5 0 1 | XB2 - 6300 - 607 | 161 - 5 0 4 | | |
| | B - J 5 0 2 | | 101 - 5 0 2 | | |
| WS3 - 5175 - 000 | B - J 2 0 1 | XB2 - 7300 - 607 | 102 - 5 0 5 | | |
| | B - J 2 0 7 | | 102 - 5 0 6 | | |
| | B - J 5 0 1 | | 102 - 5 0 7 | | |
| | B - J 5 0 2 | | 810 - 5 0 3 | | |
| WS3 - 5354 - 000 | B - J 4 3 4 | XB2 - 7400 - 607 | 102 - 5 0 8 | | |
| WS3 - 5358 - 000 | B - J 6 1 | | 102 - 5 0 9 | | |
| | B - J 6 2 | XB2 - 8300 - 607 | 102 - 5 1 0 | | |
| | B - J 1 0 6 | | 102 - 5 1 1 | | |
| | B - J 6 0 1 | | 400 - 5 0 2 | | |
| | B - J 6 0 2 | | 810 - 5 0 4 | | |
| | B - J 9 5 2 | XB2 - 8300 - 807 | 101 - 5 0 3 | | |
| | B - J 2 4 | | 101 - 5 0 3 | | |
| WS4 - 0181 - 000 | | XB4 - 6302 - 509 | 100 - 5 0 1 | | |
| WT2 - 5041 - 000 | 101 - 4 2 B | XB4 - 7200 - 609 | 302 - 5 0 2 | | |
| | 101 - 5 0 | XB4 - 7300 - 505 | 100 - 5 0 2 | | |
| | 102 - 9 3 | XB4 - 7300 - 609 | 810 - 5 0 5 | | |
| | 161 - 6 1 | | 810 - 5 0 6 | | |
| | 450 - 1 6 A | XB4 - 7300 - 805 | 100 - 5 0 3 | | |
| X71 - 7503 - 000 | 300 - 2 1 | XB4 - 7300 - 809 | 101 - 5 0 4 | | |
| | 300 - 2 2 | | 101 - 5 0 5 | | |
| XA9 - 0187 - 000 | 101 - 5 1 | | 102 - 5 1 2 | | |
| | 220 - 1 6 | | 401 - 5 0 1 | | |
| XA9 - 0591 - 000 | 102 - 9 4 | | 530 - 5 0 4 | | |
| XA9 - 0605 - 000 | 161 - 6 2 | | 640 - 5 0 1 | | |
| | 161 - 6 3 | XB4 - 7301 - 007 | 102 - 5 1 3 | | |
| | 290 - 3 4 | XB4 - 7301 - 009 | 401 - 5 0 2 | | |
| XA9 - 0632 - 000 | 161 - 6 4 | | 402 - 5 0 3 | | |
| | 161 - 6 5 | | 640 - 5 0 2 | | |
| XA9 - 0633 - 000 | 161 - 6 6 | XB4 - 7301 - 209 | 161 - 5 0 5 | | |
| | 161 - 6 7 | | 530 - 5 0 5 | | |
| | 355 - 1 9 | XB4 - 7400 - 609 | 101 - 5 0 6 | | |
| XA9 - 0650 - 000 | 101 - 5 2 | XB4 - 7400 - 809 | 101 - 5 0 7 | | |
| | 450 - 2 8 | | 102 - 5 1 4 | | |
| XA9 - 0760 - 000 | 100 - 4 1 | | 300 - 5 0 1 | | |
| | 101 - 5 3 | | 301 - 5 0 1 | | |
| | 102 - 9 5 | | 302 - 5 0 3 | | |
| | 220 - 1 7 | XB4 - 7401 - 009 | 230 - 5 0 3 | | |
| | 230 - 1 4 | XB6 - 7300 - 609 | 102 - 5 1 5 | | |
| | 230 - 1 5 | XB6 - 7301 - 609 | 161 - 5 0 6 | | |
| | 230 - 1 6 | XB7 - 2200 - 409 | 401 - 5 0 3 | | |
| | 450 - 2 9 | XD1 - 1104 - 635 | 300 - 5 0 2 | | |
| | 100 - 4 2 | | 401 - 5 0 4 | | |
| | 101 - 5 4 | XD1 - 2100 - 307 | 530 - 5 0 6 | | |
| 230 - 1 6 | XD2 - 1100 - 322 | 102 - 5 1 6 | | | |
| XA9 - 0763 - 000 | 102 - 9 6 | | 161 - 5 0 7 | | |
| XA9 - 0772 - 000 | 102 - 9 7 | | 355 - 5 0 3 | | |
| XA9 - 0773 - 000 | 102 - 9 8 | XD2 - 1100 - 372 | 450 - 5 0 1 | | |
| | 102 - 9 9 | XD2 - 1100 - 402 | 290 - 5 0 4 | | |
| XA9 - 0794 - 000 | 101 - 5 5 | XD2 - 1100 - 502 | 102 - 5 1 7 | | |
| XA9 - 0813 - 000 | 101 - 5 6 | | 290 - 5 0 5 | | |
| XA9 - 0903 - 000 | 302 - 1 5 | | 355 - 5 0 4 | | |
| XA9 - 0911 - 000 | 400 - 1 8 | | 640 - 5 0 3 | | |
| | 401 - 9 | XD2 - 1100 - 642 | 161 - 5 0 8 | | |
| | 402 - 6 | | 355 - 5 0 5 | | |
| | 640 - 3 6 | XD2 - 1200 - 202 | 300 - 5 0 3 | | |
| XA9 - 0942 - 000 | 100 - 4 3 | XD2 - 1200 - 322 | 290 - 5 0 6 | | |
| XA9 - 0975 - 000 | 102 - 1 0 0 | XD2 - 2100 - 802 | 161 - 5 0 9 | | |
| XA9 - 0976 - 000 | 161 - 6 8 | XD2 - 2300 - 402 | 102 - 5 1 8 | | |
| | 290 - 5 0 1 | XD2 - 2300 - 502 | 101 - 5 0 8 | | |
| XB1 - 2260 - 309 | 102 - 5 0 1 | | 161 - 5 1 0 | | |
| XB1 - 2300 - 409 | 102 - 5 0 2 | XD3 - 2160 - 062 | 102 - 5 1 9 | | |
| | 220 - 5 0 1 | XD3 - 2200 - 062 | 450 - 5 0 2 | | |
| | 810 - 5 0 1 | XD3 - 2200 - 122 | 290 - 5 0 7 | | |
| | 102 - 5 0 3 | XD3 - 2200 - 142 | 290 - 5 0 8 | | |
| XB1 - 2300 - 509 | 530 - 5 0 1 | XD9 - 0134 - 000 | 102 - 1 0 1 | | |
| XB1 - 2300 - 607 | 101 - 5 0 1 | | 102 - 1 0 2 | | |
| | 230 - 5 0 1 | XD9 - 0136 - 000 | 101 - 5 7 | | |
| XB1 - 2300 - 609 | 355 - 5 0 1 | | 220 - 1 8 | | |
| | 400 - 5 0 1 | | 250 - 4 | | |
| | 402 - 5 0 1 | | 401 - 1 0 | | |
| | 530 - 5 0 2 | XF9 - 0350 - 000 | 290 - 3 5 | | |
| | 530 - 5 0 3 | XF9 - 0562 - 000 | 355 - 2 0 | | |
| | 810 - 5 0 2 | XG9 - 0177 - 000 | 640 - 3 7 | | |
| | 102 - 5 0 4 | XG9 - 0237 - 000 | 161 - 6 9 | | |
| | 302 - 5 0 1 | XH9 - 0084 - 000 | 100 - 4 4 | | |
| | 402 - 5 0 2 | | | | |
| | 161 - 5 0 1 | | | | |
| XB1 - 2301 - 209 | 161 - 5 0 2 | | | | |
| XB1 - 2400 - 609 | 161 - 5 0 3 | | | | |
| | 162 - 5 0 1 | | | | |
| | 230 - 5 0 2 | | | | |
| | 290 - 5 0 2 | | | | |
| | 355 - 5 0 2 | | | | |
| | 290 - 5 0 3 | | | | |
| XB1 - 2402 - 009 | | | | | |

Prepared by
OFFICE IMAGING PRODUCTS TECHNICAL SUPPORT DIV.

CANON INC.
Printed in Japan

REVISION 0 [AUG. 1999]

5-1, Hakusan 7-chome, Toride-city, Ibaraki 302-8501, Japan

Canon



The publication is printed on
70% reprocessed paper.