

NP6412/6412F

PARTS CATALOG

REVISION 0

NP6412

120V 60Hz	F13-6131	NUM00001-	PGP TYPE
120V 60Hz	F13-6132	NUN00001-	
120V 60Hz	F13-6140	NVE00001-	
220V 50Hz	F13-6141	PTL00001-	

NP6412F

120V 60Hz	F13-6134	NUP00001-	PGP TYPE
-----------	----------	-----------	----------

Canon

DEC. 1997

FY8-31DH-000

PREFACE

This Parts Catalog contains listings of parts used in the NP6412/6412F. Diagrams are provided with the listings to aid the service technician in identifying clearly, the item to be ordered.

Whenever ordering parts, consult this Parts Catalog for all of the information pertaining to each item. Be sure to include, in the Parts Request, the full item description, the item part number and the quantity.

Canon Inc.

Office Imaging Products Technical Support Dept.1
Office Imaging Products Technical Support Div.
5-1, Hakusan 7-chome,
Toride-shi, Ibaraki 302, Japan

COPYRIGHT © 1997 CANON INC.

*Printed in Japan
Imprimé au Japon*

CONTENTS

- A. ASSEMBLY LOCATION DIAGRAM
 - 100. EXTERNAL COVERS, PANELS, ETC.
 - 101. UPPER MAIN BODY
 - 102. LOWER MAIN BODY
 - 130. CONTROL PANEL ASSEMBLY
 - 160. COPYBOARD COVER ASSEMBLY (NP6412)
 - 161. ADF ASSEMBLY (NP6412F)
 - 162. ADF TRAY ASSEMBLY (NP6412F)

 - 220. SCANNER DRIVE ASSEMBLY
 - 230. MAIN DRIVE ASSEMBLY
 - 240. DELIVERY DRIVE ASSEMBLY
 - 250. PAPER PICK-UP DRIVE ASSEMBLY
 - 290. ADF DRIVE ASSEMBLY (NP6412F)

 - 300. CASSETTE
 - 340. PAPER PICK-UP ROLLER ASSEMBLY (CASSETTE)
 - 355. ADF DELIVERY ASSEMBLY (NP6412F)

 - 400. MIRROR ASSEMBLY 1
 - 401. MIRROR ASSEMBLY 2
 - 402. ZOOM MIRROR ASSEMBLY
 - 450. BLANK EXPOSURE LAMP ASSEMBLY

 - 530. TRANSFER ASSEMBLY

 - 640. DEVELOPING ASSEMBLY

 - 810. FIXING ASSEMBLY
 - 811. FIXING FILM REPLACEMENT KIT

 - 910. DC POWER SUPPLY PCB ASSEMBLY
 - 915. CONTROL PANEL PCB ASSEMBLY
 - 930. DC CONTROLER PCB ASSEMBLY
 - 935. ADF CONTROLLER PCB ASSEMBLY (NP6412F)
 - 940. NOISE FILTER PCB ASSEMBLY
- B. LIST OF CONNECTORS
- C. LIST OF STANDARD FASTENERS
- D. NUMERICAL INDEX

FIGURE A ASSEMBLY LOCATION DIAGRAM(1/3)

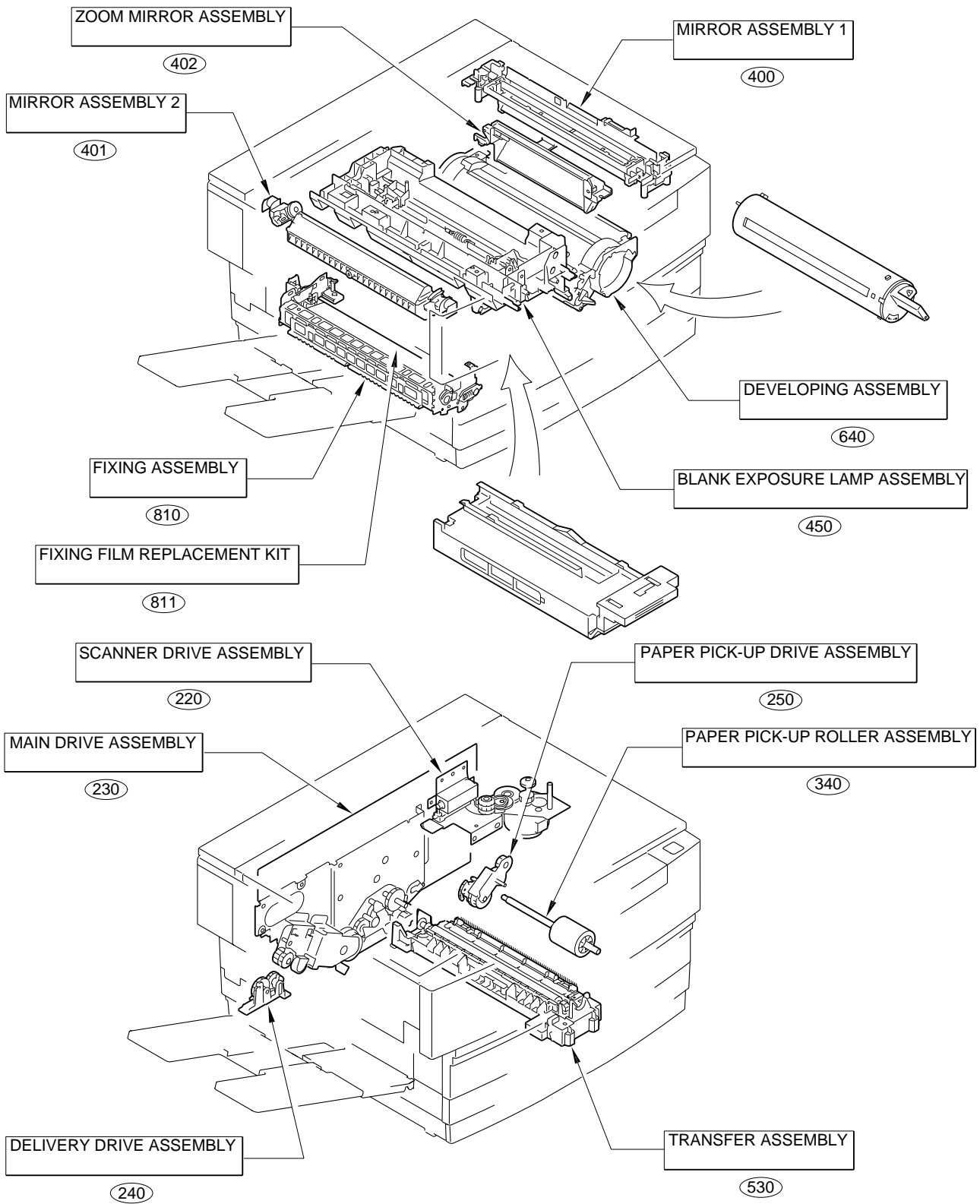


FIGURE A ASSEMBLY LOCATION DIAGRAM(2/3)

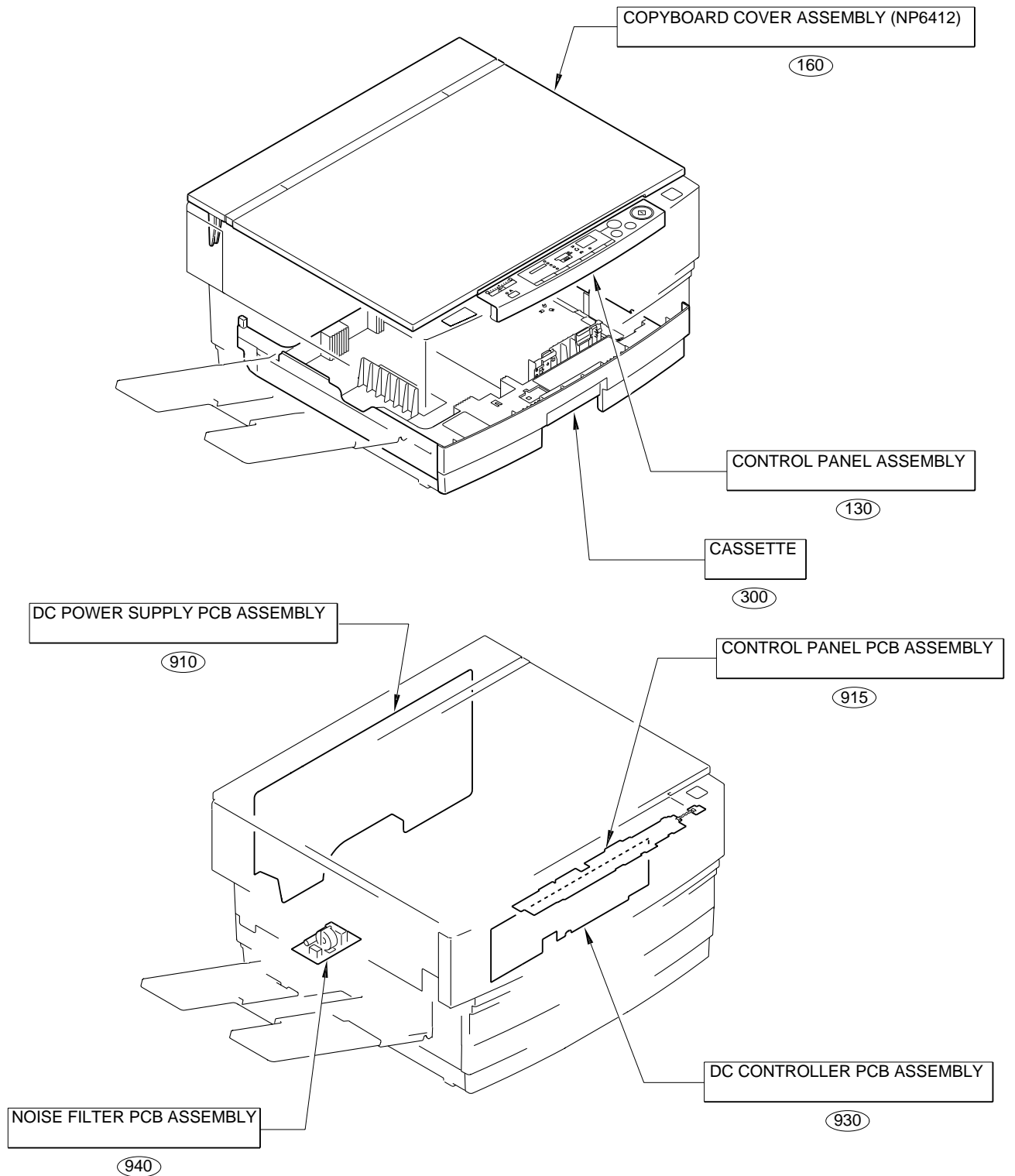


FIGURE A ASSEMBLY LOCATION DIAGRAM(3/3)

NP6412F

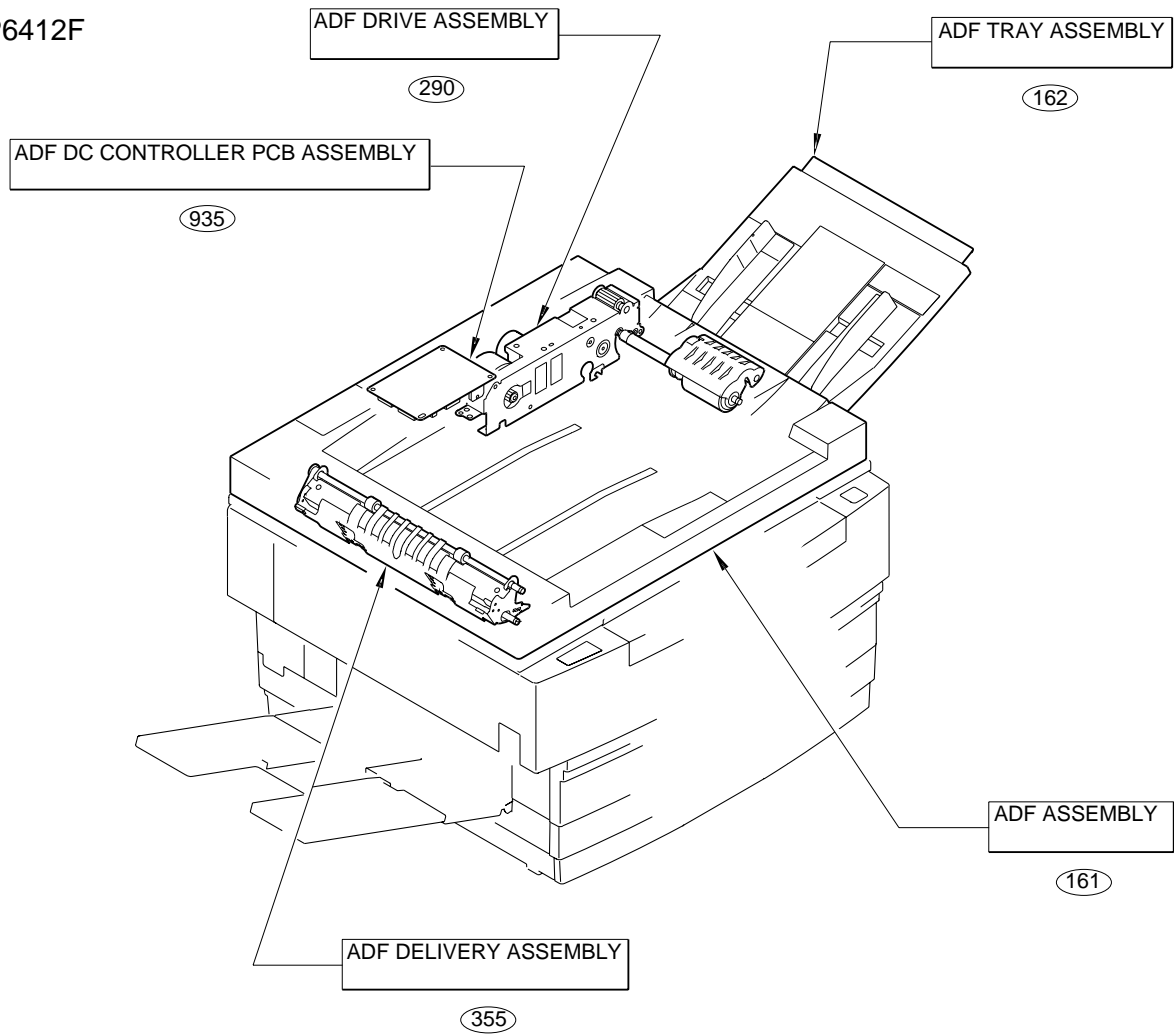


FIGURE 100 EXTERNAL COVERS, PANELS, ETC.

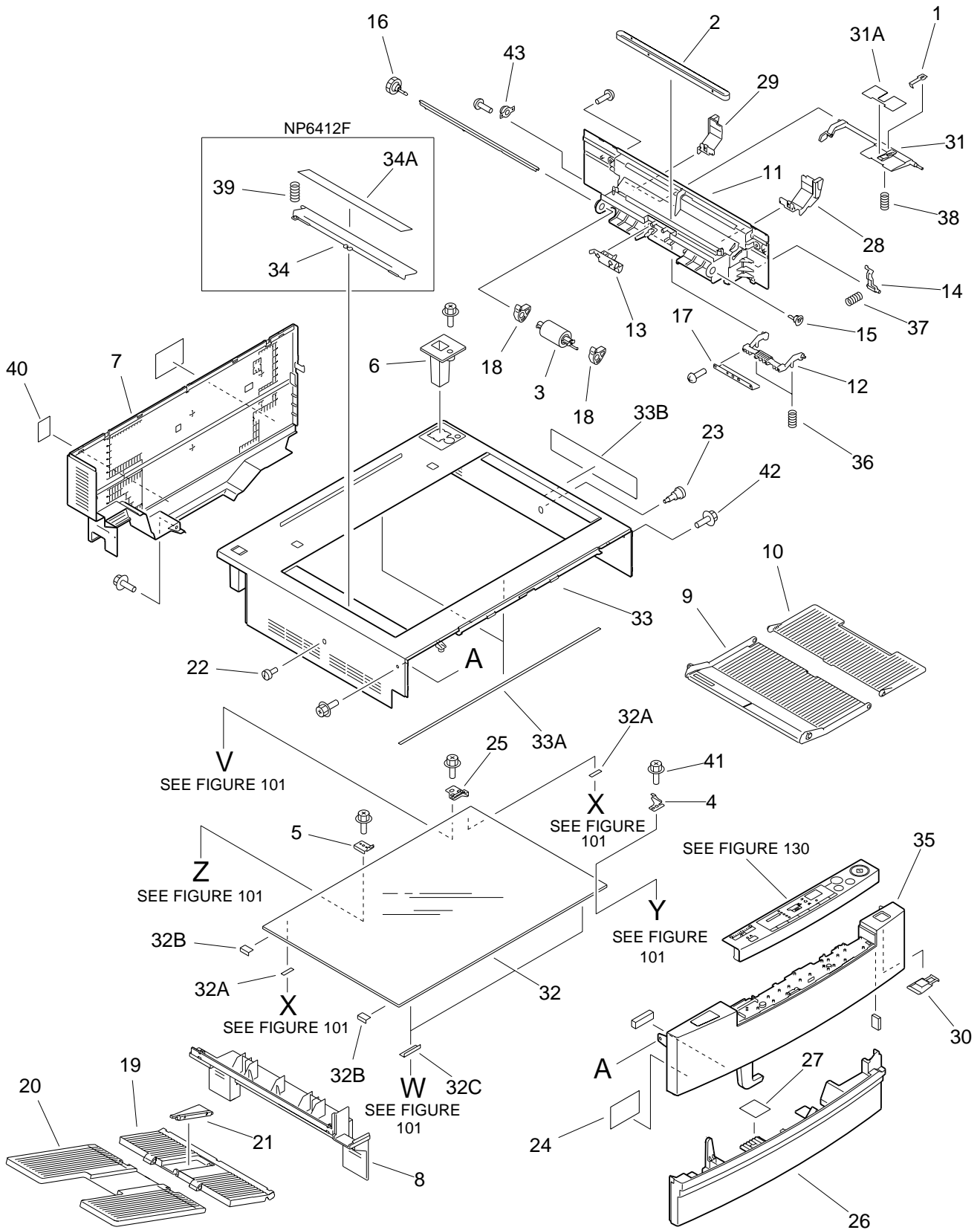


FIGURE & KEY NO.	PART NUMBER	R A N K	Q' T Y	DESCRIPTION	SERIAL NUMBER / REMARKS
100 -	NPN		RF	EXTERNAL COVERS, PANELS, ETC.	
1	FB1 - 7283 - 000		1	SPRING, LEAF	
2	FB1 - 7403 - 000		1	FILM, SLIDE	
3	FB1 - 9766 - 000		1	ROLLER, PICK-UP	
4	FB2 - 4606 - 000		1	RETAINER, GLASS, 1	
5	FB2 - 4607 - 000		1	RETAINER, GLASS, 2	
6	FB2 - 4785 - 000		1	SUPPORT, COPYBOARD	NP6412
	FB3 - 0839 - 020		1	SUPPORT, ADF	NP6412F
7	FB2 - 5054 - 000		1	PANEL, REAR	NP6412
	FB2 - 5487 - 000		1	PANEL, REAR	NP6412F
8	FB2 - 5055 - 000		1	PANEL, LEFT	
9	FB2 - 5175 - 000		1	TRAY, PICK-UP	
10	FB2 - 5177 - 000		1	TRAY, SUB	
11	FB2 - 5206 - 000		1	PANEL, RIGHT	
12	FB2 - 5210 - 000		1	FLAPPER, SEPARATING	
13	FB2 - 5212 - 000		1	GUIDE, AUXILIARY	
14	FB2 - 5213 - 000		1	LEVER, TRAY	
15	FB2 - 5214 - 020		1	HOLDER, PICK-UP SHAFT	
16	FB2 - 5215 - 020		1	GEAR, 26T	
17	FB2 - 5216 - 000		1	PLATE	
18	FB2 - 5217 - 000		2	ROLLER	
19	FB2 - 5425 - 000		1	TRAY, COPY, 1	
20	FB2 - 5426 - 000		1	TRAY, COPY, 2	
21	FB2 - 5428 - 000		1	TRAY, COPY, SUB	
22	FB2 - 5500 - 000		1	SCREW, M4X12	
23	FB2 - 5502 - 000		1	SCREW, STEPPED	
24	FB3 - 0809 - 000		1	LABEL, SERVICE	
25	FB3 - 0824 - 000		1	RETAINER, GLASS	NP6412
	FF9 - 1514 - 000		1	RETAINER, GLASS	NP6412F
26	FB3 - 0850 - 000		1	PANEL, LOWER, FRONT	

FIGURE & KEY NO.	PART NUMBER	RANK	QTY	DESCRIPTION	SERIAL NUMBER / REMARKS
100 - 27	FB3 - 0867 - 000		1	LABEL, "WARNING"	ENGLISH
	FB3 - 0868 - 000		1	LABEL, "WARNING"	EUROPEAN
	28	FB4 - 1195 - 00S	1	PLATE, PAPER STOP END, FRONT	
	29	FB4 - 1196 - 00S	1	PLATE, PAPER STOP END, REAR	
	30	FB4 - 1197 - 00S	1	KEY TOP, MAIN SWITCH	
31	FF5 - 2875 - 000		1	PLATE, PICK-UP	
31 A	FB1 - 7295 - 000		1	SHEET, LIFTER ARM	
32	FF5 - 3728 - 000		1	GLASS, COPYBOARD	NP6412
	FF5 - 3729 - 000		1	GLASS, COPYBOARD	NP6412F
32 A	FB2 - 4791 - 000		2	SHEET, GLASS PROTECTIVE	
32 B	FB2 - 4793 - 000		2	SHEET, GLASS PROTECTIVE	
32 C	FB2 - 4794 - 000		2	SHEET, GLASS PROTECTIVE	
33	FF5 - 3903 - 030		1	COVER, TOP	NP6412
	FF5 - 3920 - 040		1	COVER, TOP	NP6412F
33 A	FB2 - 4790 - 020		2	SHEET, GLASS	
33 B	FB2 - 5507 - 000		1	LABEL, "WARNING, RIGHT PLATE"	NP6412
34	FF5 - 3905 - 000		1	GUIDE, PAPER JUMP	NP6412F
34 A	FB3 - 0817 - 000		1	LABEL, "PAPER SIZE"	NP6412F
35	FF5 - 6741 - 000		1	PANEL, UPPER, FRONT	NP6412
	FF5 - 6742 - 000		1	PANEL, UPPER, FRONT	NP6412F
36	FS5 - 2769 - 000		2	SPRING, COMPRESSION	
37	FS5 - 2770 - 000		1	SPRING, COMPRESSION	
38	FS5 - 2776 - 000		1	SPRING, COMPRESSION	
39	FS6 - 2270 - 000		1	SPRING, COMPRESSION	NP6412F
40	ME1 - 0059 - 000		1	LABEL, NOISE	PGP TYPE
41	XA9 - 0760 - 000		AR	SCREW,RS,M3X6	
42	XA9 - 0762 - 000		3	SCREW,RS,M3X8	
43	XH9 - 0084 - 000		1	DAMPER UNIT	

FIGURE 101 UPPER MAIN BODY(1/2)

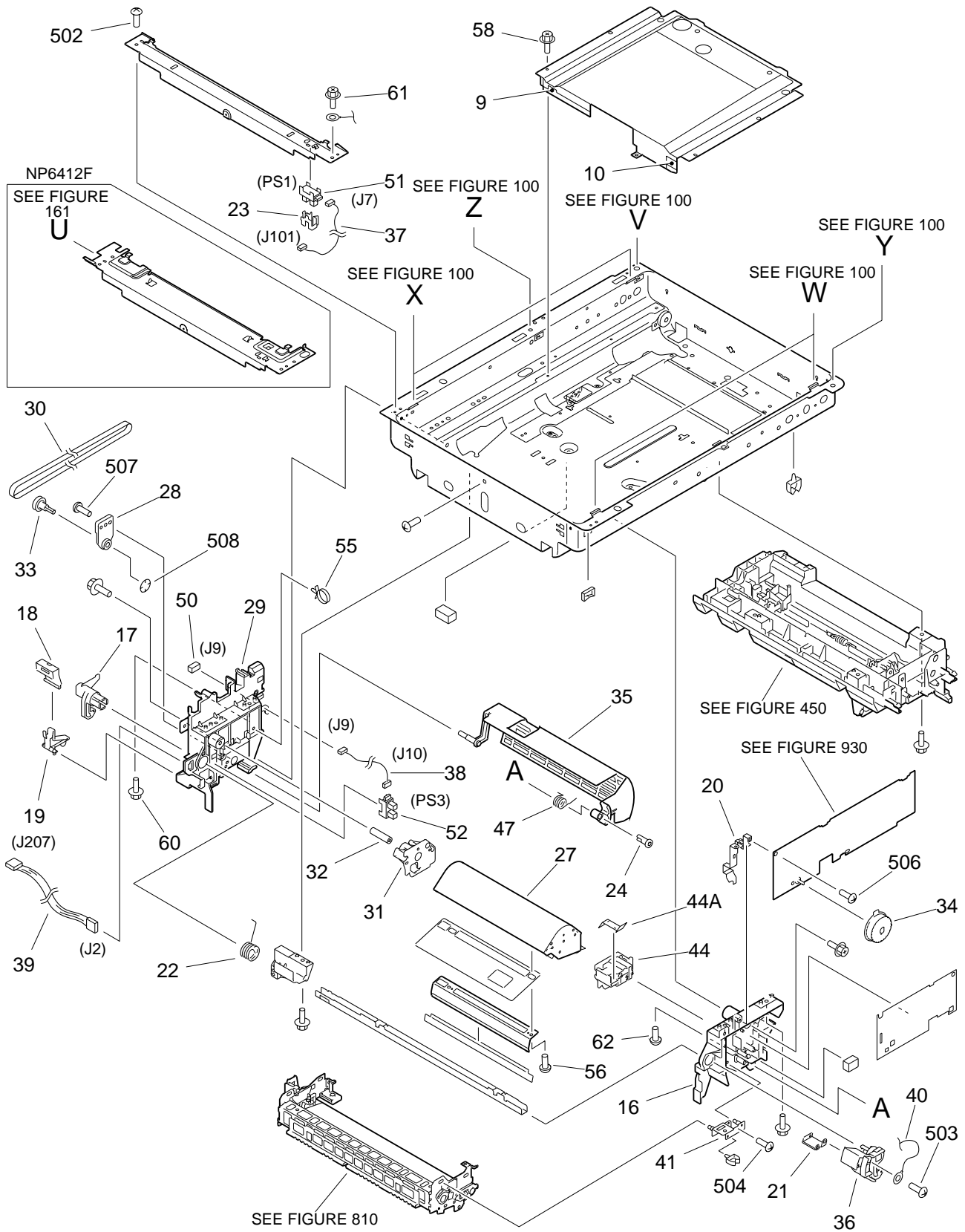


FIGURE 101 UPPER MAIN BODY(2/2)

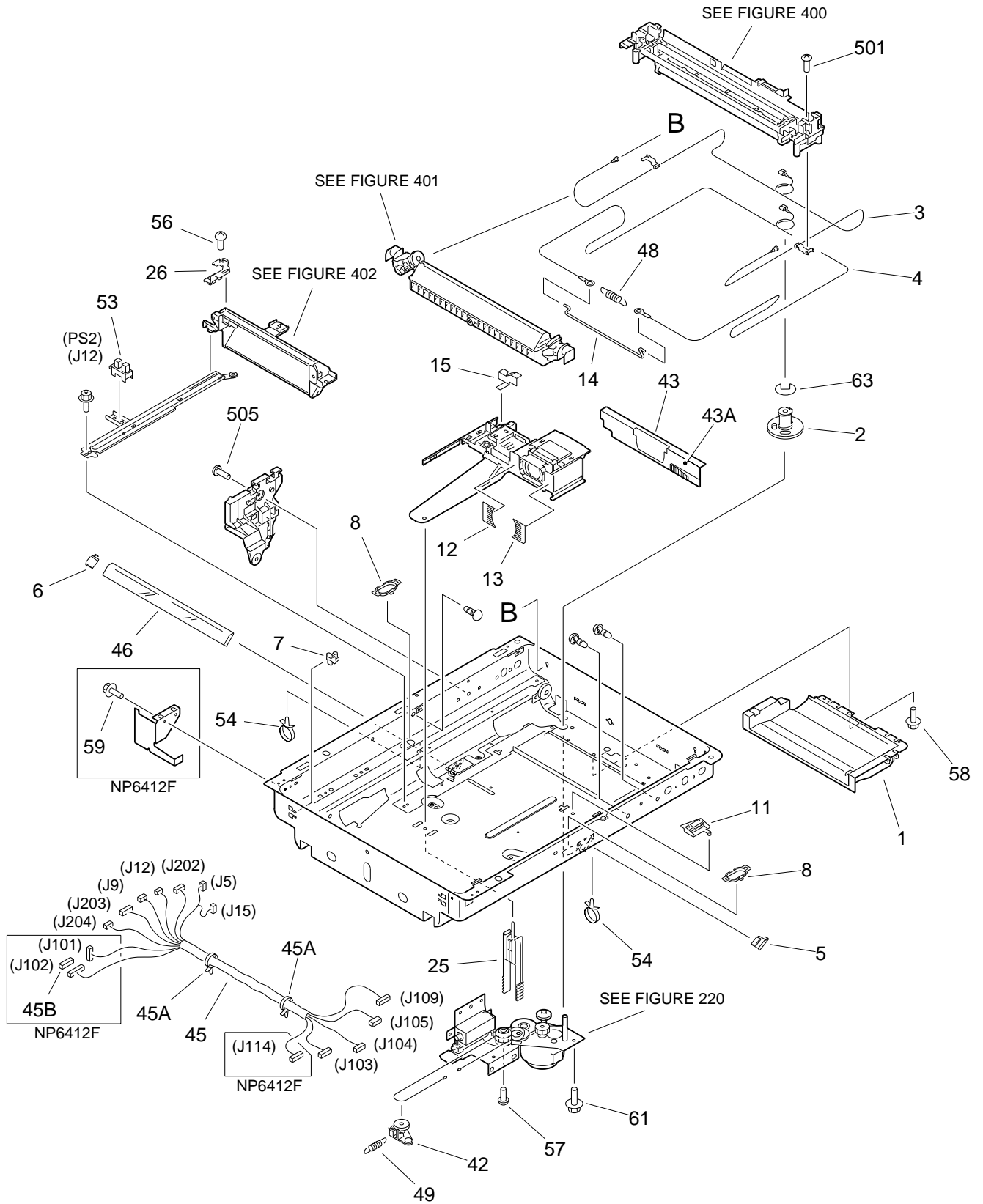


FIGURE & KEY NO.	PART NUMBER	RANK	QTY	DESCRIPTION	SERIAL NUMBER / REMARKS
101 -	NPN		RF	UPPER MAIN BODY	
1	FB2 - 4603 - 000		1	PLATE, DUST-PROOF	
2	FB2 - 4610 - 000		1	PULLEY, DRIVE	
3	FB2 - 4611 - 000		1	WIRE, MIRROR DRIVE, 1	
4	FB2 - 4612 - 000		1	WIRE, MIRROR DRIVE, 2	
5	FB2 - 4613 - 000		1	RETAINER, MIRROR, 6, FRONT	
6	FB2 - 4614 - 000		1	RETAINER, MIRROR, 6, REAR	
7	FB2 - 4622 - 020		2	HOLDER, WIRE	
8	FB2 - 4626 - 000		2	CAP, EDGE	
9	FB2 - 4627 - 000		1	SHEET, LIGHT-BLOCKING, 1	
10	FB2 - 4628 - 000		1	SHEET, LIGHT-BLOCKING, 2	
11	FB2 - 4629 - 020		1	HOLDER, LENS	
12	FB2 - 4734 - 000		1	SHEET, 1	
13	FB2 - 4736 - 000		1	SHEET, 2	
14	FB2 - 4792 - 000		1	HOOK, WIRE STOPPING	
15	FB2 - 4840 - 000		1	SHEET, 7	
16	FB2 - 4866 - 020		1	BLOCK, HOOK, FRONT	
17	FB2 - 4870 - 000		1	HOOK, REAR	
18	FB2 - 4871 - 000		1	LEVER, SWITCH	
19	FB2 - 4872 - 000		1	ACTUATOR	
20	FB2 - 4873 - 000		1	PLATE, GROUNDING	
21	FB2 - 4875 - 000		1	PLATE, LEVER GROUNDING	
22	FB2 - 4877 - 000		1	SPRING, TORSION	
23	FB2 - 4942 - 000		1	GUIDE, SENSOR	
24	FB2 - 4943 - 000		1	PIN, HOOK	
25	FB2 - 5501 - 030		1	SCREW, M4X15	
26	FB3 - 0570 - 000		1	PLATE, LINK	
27	FB3 - 0623 - 000		1	FAN, EXHAUST	
28	FB3 - 0626 - 000		1	SUPPORT, PULLEY SHAFT	
29	FB3 - 0627 - 000		1	BLOCK, HOOK, REAR	

FIGURE & KEY NO.	PART NUMBER	RANK	QTY	DESCRIPTION	SERIAL NUMBER / REMARKS
101 - 30	FB3 - 0630 - 000		1	BELT, FAN	
31	FB3 - 0632 - 000		1	SUPPORT, FAN, REAR	
32	FB3 - 0633 - 000		1	JOINT	
33	FB3 - 0639 - 000		1	PULLEY, FAN	
34	FB3 - 0670 - 000		1	DIAL, DENSITY CONTROL	
35	FB3 - 0736 - 030		1	SHUTTER, FIXING	
36	FB4 - 1194 - 00S		1	HOOK, FRONT	
37	FF2 - 9730 - 000		1	CABLE, HOME POSITION SENSOR	J7,101
38	FF2 - 9732 - 000		1	CABLE, DELIVERY SENSOR	J9,10
39	FF2 - 9760 - 000		1	CABLE, FIXING HEATER	J2,207
40	FF2 - 9799 - 000		1	CABLE, GROUNDING	
41	FF5 - 2859 - 000		1	HOLDING PLATE, FIXING ASSEMBLY	
42	FF5 - 2867 - 020		1	PULLEY, IDLER	
43	FF5 - 3716 - 000		1	SHEET, 2	
43 A	FB2 - 5058 - 000		1	SHEET, 4	
44	FF5 - 3912 - 000		1	SUPPORT, FAN, FRONT	
44 A	FB3 - 0625 - 000		1	PLATE, FAN GROUNDING	
45	FG5 - 3550 - 000		1	DC CONTROLLER CABLE	NP6412
	FG5 - 5509 - 000		1	DC CONTROLLER CABLE	NP6412F
45 A	WT2 - 5041 - 000		2	CLAMP, CABLE	
45 B	VS1 - 5057 - 008		1	CONNECTOR, SNAP TIGHT	NP6412F J102
46	FN5 - 4021 - 000		1	MIRROR, 6	
47	FS5 - 2797 - 000		1	SPRING, TORSION	
48	FS5 - 2802 - 000		1	SPRING, TENSION	
49	FS5 - 2803 - 020		1	SPRING, TENSION	
50	VS1 - 5057 - 003		1	CONNECTOR, SNAP TIGHT	J9
51	WG8 - 5001 - 000		1	PHOTO-INTERRUPTER, TLP1231	PS1 J7
52	WG8 - 5001 - 000		1	PHOTO-INTERRUPTER, TLP1231	PS3 J10

FIGURE & KEY NO.	PART NUMBER	R A N K	Q' T Y	DESCRIPTION	SERIAL NUMBER / REMARKS
101 - 53	WG8 - 5187 - 000		1	PHOTO-INTERRUPTER	PS2 J12
54	WT2 - 5041 - 000		3	CLAMP, CABLE	
55	WT2 - 5041 - 000		2	CLAMP, CABLE	
56	XA9 - 0187 - 000		2	SCREW,M3X6	
57	XA9 - 0650 - 000		1	SCREW,M3X6	
58	XA9 - 0760 - 000		16	SCREW,RS,M3X6	
59	XA9 - 0760 - 000		1	SCREW,RS,M3X6	NP6412F
60	XA9 - 0762 - 000		2	SCREW,RS,M3X8	
61	XA9 - 0794 - 000		4	SCREW,RS,M3X6	
62	XA9 - 0813 - 000		1	SCREW,RS,M3X8	
63	XD9 - 0136 - 000		1	RING,E	
501	XB1 - 2300 - 609		3	SCREW,MACH.,TRUSS HEAD,M3X6	
502	XB2 - 7300 - 607		6	SCREW,W/WASHER,M3X6	
503	XB4 - 7300 - 609		1	SCREW,TAPPING,TRUSS HEAD,M3X6	
504	XB4 - 7300 - 609		1	SCREW,TAPPING,TRUSS HEAD,M3X6	
505	XB4 - 7300 - 809		3	SCREW,TAPPING,TRUSS HEAD,M3X8	
506	XB4 - 7300 - 809		1	SCREW,TAPPING,TRUSS HEAD,M3X8	
507	XB4 - 7300 - 809		2	SCREW,TAPPING,TRUSS HEAD,M3X8	
508	XD2 - 2300 - 502		1	RING,TOOTHED LOCK	

FIGURE 102 LOWER MAIN BODY(1/2)

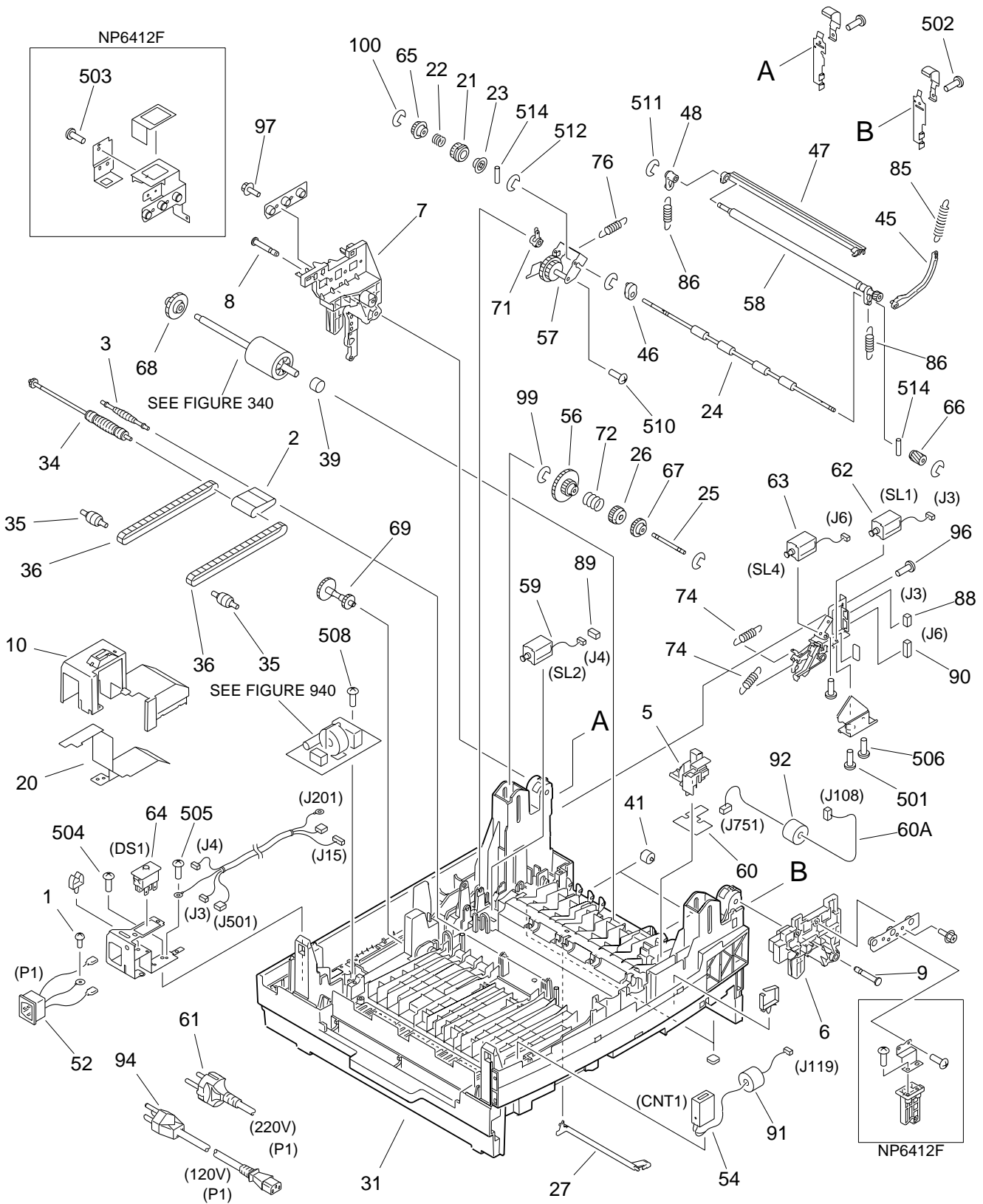


FIGURE 102 LOWER MAIN BODY(2/2)

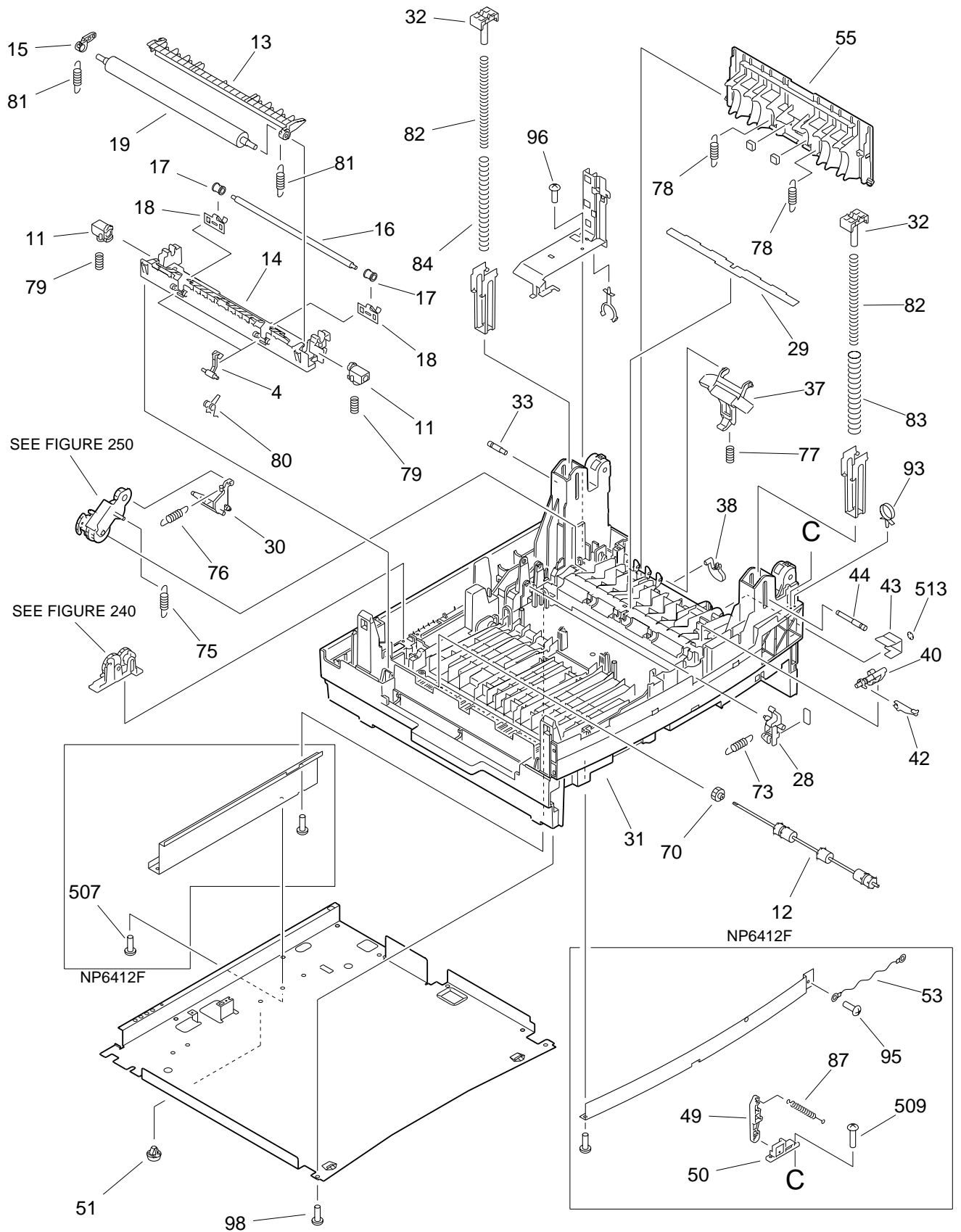


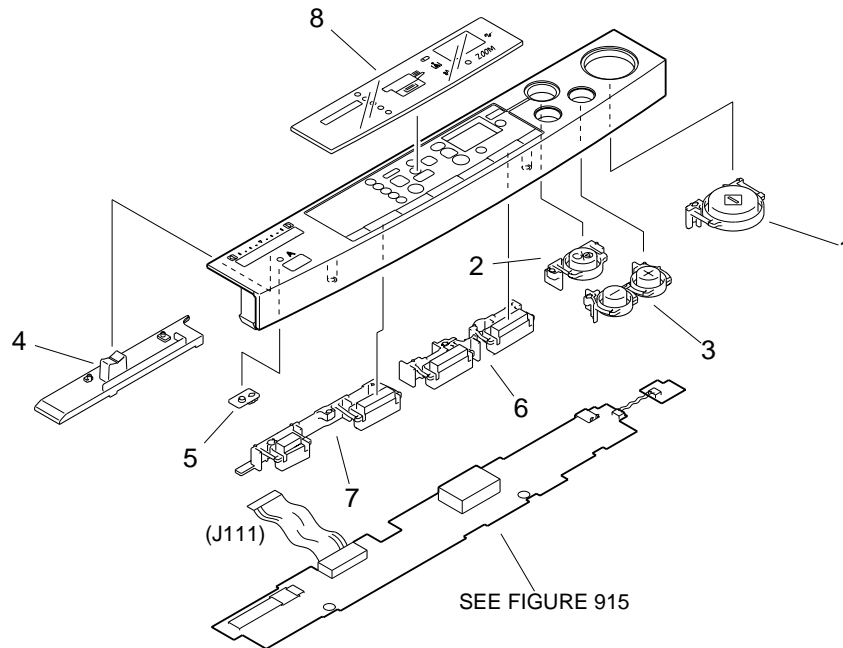
FIGURE & KEY NO.	PART NUMBER	RANK	QTY	DESCRIPTION	SERIAL NUMBER / REMARKS
102 -	NPN		RF	LOWER MAIN BODY	
1	FA9 - 2568 - 000		1	SCREW,MACH.,TRUSS HEAD	
2	FB1 - 7267 - 000		1	BELT, PAPER FEED, 1	
3	FB1 - 7270 - 000		1	PULLEY, BELT, 1	
4	FB1 - 7275 - 000		2	CLAW, SEPARATION	
5	FB2 - 4780 - 000		1	COVER, SENSOR PCB	
6	FB2 - 4928 - 020		1	MOUNT, HINGE, FRONT	
7	FB2 - 4929 - 000		1	MOUNT, HINGE, REAR	
8	FB2 - 4930 - 000		1	PIN, HINGE	
9	FB2 - 4930 - 000		1	PIN, HINGE	NP6412
	FB3 - 0833 - 000		1	PIN, HINGE	NP6412F
10	FB2 - 4933 - 000		1	COVER, AC POWER SUPPLY	
11	FB2 - 5030 - 000		2	HOLDER, ROLLER	
12	FB2 - 5031 - 000		1	ROLLER, DELIVERY	
13	FB2 - 5032 - 000		1	GUIDE, ENTRANCE	
14	FB2 - 5033 - 020		1	GUIDE, LOWER, DELIVERY	
15	FB2 - 5034 - 000		1	HOLDER, ENTRANCE GUIDE	
16	FB2 - 5040 - 000		1	ROLLER, CLEANING	
17	FB2 - 5041 - 000		2	BUSHING	
18	FB2 - 5042 - 000		2	SPRING, LEAF	
19	FB2 - 5043 - 000		1	ROLLER, PRESSURE	
20	FB2 - 5060 - 000		1	SHIELD, NOISE	
21	FB2 - 5162 - 000		1	RING, RATCHET	
22	FB2 - 5163 - 000		1	SPRING, CLUTCH	
23	FB2 - 5164 - 000		1	DRUM, CLUTCH	
24	FB2 - 5165 - 000		1	ROLLER, REGISTRATION, LOWER	
25	FB2 - 5182 - 000		1	SHAFT, CLUTCH	
26	FB2 - 5183 - 000		1	RING, RATCHET	
27	FB2 - 5221 - 020		1	LEVER, SENSOR	
28	FB2 - 5222 - 000		1	LEVER, CLUTCH	

FIGURE & KEY NO.	PART NUMBER	RANK	QTY	DESCRIPTION	SERIAL NUMBER / REMARKS
102 - 29	FB2 - 5223 - 000		1	SHEET, GUIDE	
30	FB2 - 5224 - 000		1	ARM, PAPER PICK-UP	
31	FB2 - 5301 - 000	N	1	FRAME, BASE	
32	FB2 - 5304 - 000		2	BLOCK, HINGE SLIDING	
33	FB2 - 5305 - 000		1	PIN, SLIDE, 1	
34	FB2 - 5309 - 000		1	PULLEY, BELT, 2	
35	FB2 - 5310 - 000		2	PULLEY, BELT, 3	
36	FB2 - 5311 - 000		2	BELT, PAPER FEED, 2	
37	FB2 - 5380 - 030		1	PAD, SEPARATION	
38	FB2 - 5381 - 000		1	BLOCK, PAD	
39	FB2 - 5382 - 000		1	HOLDER, ROLLER	
40	FB2 - 5383 - 020		1	FLAG, SENSING, 1	
41	FB2 - 5385 - 000		2	ROLLER	
42	FB2 - 5388 - 000		1	FLAG, SENSING, 2	
43	FB2 - 5392 - 020		1	PLATE, FLAG HOLDING	
44	FB3 - 0732 - 000		1	SHAFT, SLIDE, 2	NP6412
	FB3 - 0837 - 000		1	SHAFT, SLIDE, 2	NP6412F
45	FB3 - 0743 - 000		1	ARM, PRESSURE RELEASE	
46	FB3 - 0744 - 000		1	BUSHING, SWING	
47	FB3 - 0745 - 000		1	GUIDE, REGISTRATION, UPPER	
48	FB3 - 0748 - 000		1	BUSHING, UPPER REGISTRATION	
49	FB3 - 0831 - 000		1	LEVER, SUPPORT	NP6412F
50	FB3 - 0832 - 000		1	HOLDER, LEVER	NP6412F
51	FB3 - 0840 - 000		1	FOOT, AUXILIARY	
52	FF2 - 9789 - 000		1	CABLE, AC INLET	
53	FF2 - 9800 - 000		1	CABLE, GROUNDING	NP6412F
54	FF3 - 1215 - 000		1	COUNTER	CNT1 J119
55	FF5 - 2858 - 000		1	COVER	
56	FF5 - 3714 - 000		1	GEAR, 17T/80T	
57	FF5 - 3927 - 000		1	PLATE, REGIST SWING	

FIGURE & KEY NO.	PART NUMBER	RANK	QTY	DESCRIPTION	SERIAL NUMBER / REMARKS
102 - 58	FF5 - 3928 - 020		1	ROLLER, REGISTRATION, UPPER	
59	FF9 - 1504 - 000		1	SOLENOID	SL2 J4
60	FG5 - 5496 - 000		1	SENSOR PCB UNIT	
60A	FF3 - 0479 - 000		1	CABLE, SENSOR PCB UNIT	J108,751
61	FH2 - 5761 - 000		1	CORD, POWER SUPPLY	220V P1
62	FH7 - 5627 - 000		1	SOLENOID, DC24V	SL1 J3
63	FH7 - 5628 - 000		1	SOLENOID, DC24V	SL4 J6
64	FH7 - 6216 - 000		1	SWITCH, INTERLOCK	DS1
65	FS5 - 0883 - 000		1	GEAR, 34T	
66	FS5 - 0885 - 000		1	GEAR, 14T	
67	FS5 - 0887 - 000		1	GEAR, 25T	
68	FS5 - 0903 - 000		1	GEAR, 36T	
69	FS5 - 0913 - 020		1	GEAR, 17T/18T	
70	FS5 - 0915 - 000		1	GEAR, 14T	
71	FS5 - 1440 - 000		1	BUSHING, REGISTRATION, REAR	
72	FS5 - 2351 - 000		1	SPRING, CLUTCH	
73	FS5 - 2767 - 000		1	SPRING, TENSION	
74	FS5 - 2771 - 000		2	SPRING, TENSION	
75	FS5 - 2772 - 000		1	SPRING, TENSION	
76	FS5 - 2773 - 000		2	SPRING, TENSION	
77	FS5 - 2778 - 000		1	SPRING, COMPRESSION	
78	FS5 - 2783 - 000		2	SPRING, TENSION	
79	FS5 - 2798 - 000		2	SPRING, COMPRESSION	
80	FS5 - 2799 - 000		2	SPRING, TORSION	
81	FS5 - 2800 - 000		2	SPRING, TENSION	
82	FS5 - 2806 - 000		2	SPRING, COMPRESSION	NP6412
	FS6 - 2234 - 000		2	SPRING, COMPRESSION	NP6412F
83	FS6 - 2232 - 000		1	SPRING, COMPRESSION	
84	FS6 - 2233 - 000		1	SPRING, COMPRESSION	NP6412
	FS6 - 2232 - 000		1	SPRING, COMPRESSION	NP6412F

FIGURE & KEY NO.	PART NUMBER	RANK	QTY	DESCRIPTION	SERIAL NUMBER / REMARKS
102 - 85	FS6 - 2239 - 000		1	SPRING, TENSION	
86	FS6 - 2240 - 000		2	SPRING, TENSION	
87	FS6 - 2241 - 000		1	SPRING, TENSION	NP6412F
88	VS1 - 5057 - 002		1	CONNECTOR, SNAP TIGHT	J3
89	VS1 - 5057 - 002		1	CONNECTOR, SNAP TIGHT	J4
90	VS1 - 5057 - 003		1	CONNECTOR, SNAP TIGHT	J6
91	WE8 - 0087 - 000		1	FERRITE CORE	
92	WE8 - 5093 - 000		1	FERRITE CORE	120V
93	WT2 - 5041 - 000		1	CLAMP, CABLE	
94	WT3 - 5021 - 000		1	CORD, POWER SUPPLY	120V P1
95	XA9 - 0591 - 000		13	SCREW,M3X8	NP6412F
96	XA9 - 0591 - 000		4	SCREW,M3X8	
97	XA9 - 0763 - 000		6	SCREW,RS,M3X11	
98	XA9 - 0773 - 000		9	SCREW,P,M4X12	
99	XD9 - 0134 - 000		6	RING,E	
100	XD9 - 0134 - 000		2	RING,E	
501	XB1 - 2300 - 409		2	SCREW,MACH.,TRUSS HEAD,M3X4	
502	XB1 - 2300 - 509		2	SCREW,MACH.,TRUSS HEAD,M3X5	
503	XB1 - 2300 - 609		5	SCREW,MACH.,TRUSS HEAD,M3X6	NP6412F
504	XB1 - 2300 - 809		2	SCREW,MACH.,TRUSS HEAD,M3X8	
505	XB2 - 7300 - 607		3	SCREW,W/WASHER,M3X6	
506	XB2 - 7300 - 607		1	SCREW,W/WASHER,M3X6	
507	XB2 - 7300 - 607		1	SCREW,W/WASHER,M3X6	NP6412F
508	XB2 - 8300 - 607		1	SCREW,W/WASHER,M3X6	
509	XB4 - 7301 - 009		2	SCREW,TAPPING,TRUSS HEAD,M3X10	NP6412F
510	XB6 - 7300 - 609		1	SCREW,TP,M3X6	
511	XD2 - 1100 - 322		5	RING,E	
512	XD2 - 1100 - 502		1	RING,E	
513	XD2 - 2300 - 502		1	RING,TOOTHED LOCK	
514	XD3 - 2160 - 062		2	PIN,DOWEL	

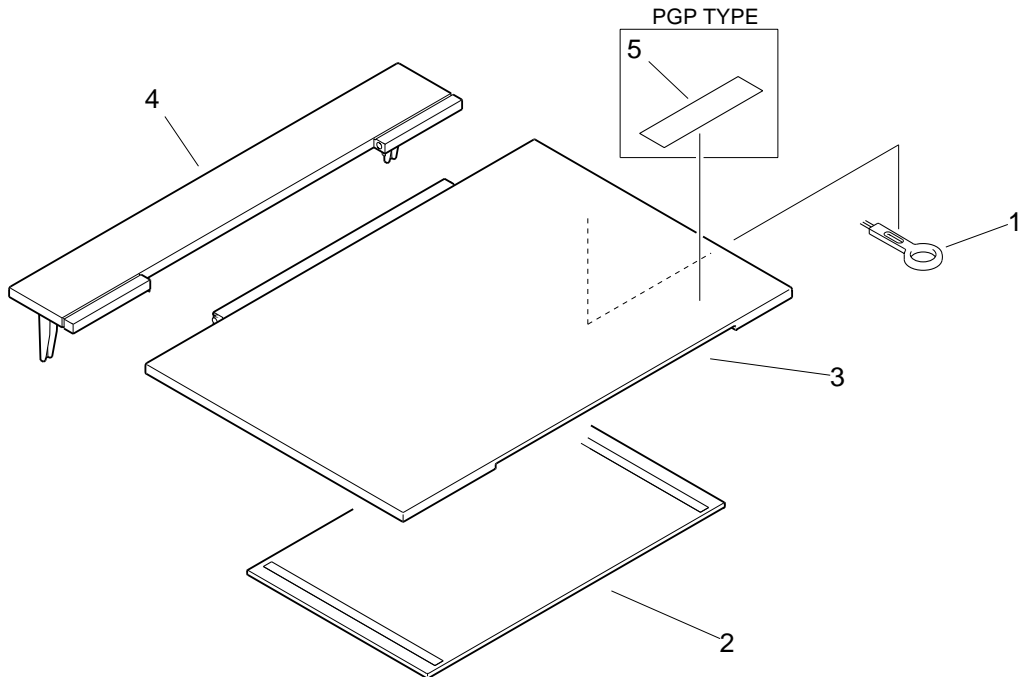
FIGURE 130 CONTROL PANEL ASSEMBLY



NOTE1: This assembly includes the assembly shown in Figure 915.
 NOTE2: This assembly does not include the part shown with key No.8.

FIGURE & KEY NO.	PART NUMBER	RANK	QTY	DESCRIPTION	SERIAL NUMBER / REMARKS
130 -	FG5 - 5450 - 000		1	CONTROL PANEL ASSEMBLY	NP6412 SEE NOTE 1
	FG5 - 5452 - 000		1	CONTROL PANEL ASSEMBLY	NP6412F SEE NOTE 1
1	FB3 - 0661 - 000		1	KEY TOP, START	
2	FB3 - 0662 - 000		1	KEY TOP, CLEAR/STOP	
3	FB3 - 0663 - 000		1	KEY TOP, NUMBER	
4	FB3 - 0664 - 000		1	KNOB, DENSITY CONTROL	
5	FB3 - 0665 - 000		1	COVER, LED	
6	FB3 - 0666 - 020		1	KEY TOP, FUNCTION, 1	
7	FB3 - 0667 - 020		1	KEY TOP, FUNCTION, 2	
8	FB4 - 1142 - 000		1	PANEL, CLEAR	SEE NOTE 2 NP6412 NUM,NUN
	FB4 - 2419 - 000		1	PANEL, CLEAR	SEE NOTE 2 NP6412 NVE
	FB4 - 1143 - 000		1	PANEL, CLEAR	SEE NOTE 2 NP6412 PTL
	FB4 - 1144 - 000		1	PANEL, CLEAR	SEE NOTE 2 NP6412F NUP

FIGURE 160 COPYBOARD COVER ASSEMBLY (NP6412)



NOTE: This assembly does not include the part shown with key No.5.

FIGURE & KEY NO.	PART NUMBER	RANK	QTY	DESCRIPTION	SERIAL NUMBER / REMARKS
160 -	FG5 - 3532 - 000		1	COPYBOARD COVER ASSEMBLY	NP6412
1	FA9 - 3102 - 000		1	BRUSH, CLEANING	
2	FB1 - 8870 - 000		1	SHEET, COPYBOARD	
3	FB2 - 5423 - 000		1	COVER, COPYBOARD, LARGE	
4	FB2 - 5424 - 000		1	COVER, COPYBOARD, SMALL	
5	FB3 - 3406 - 000		1	LABEL, "CAUTION, DRUM CHANGE"	NP6412 PGP TYPE ENGLISH SEE NOTE
	FB3 - 3407 - 000		1	LABEL, "CAUTION, DRUM CHANGE"	NP6412 PGP TYPE FRENCH/SPANISH SEE NOTE

FIGURE 161 ADF ASSEMBLY (NP6412F)(2/2)

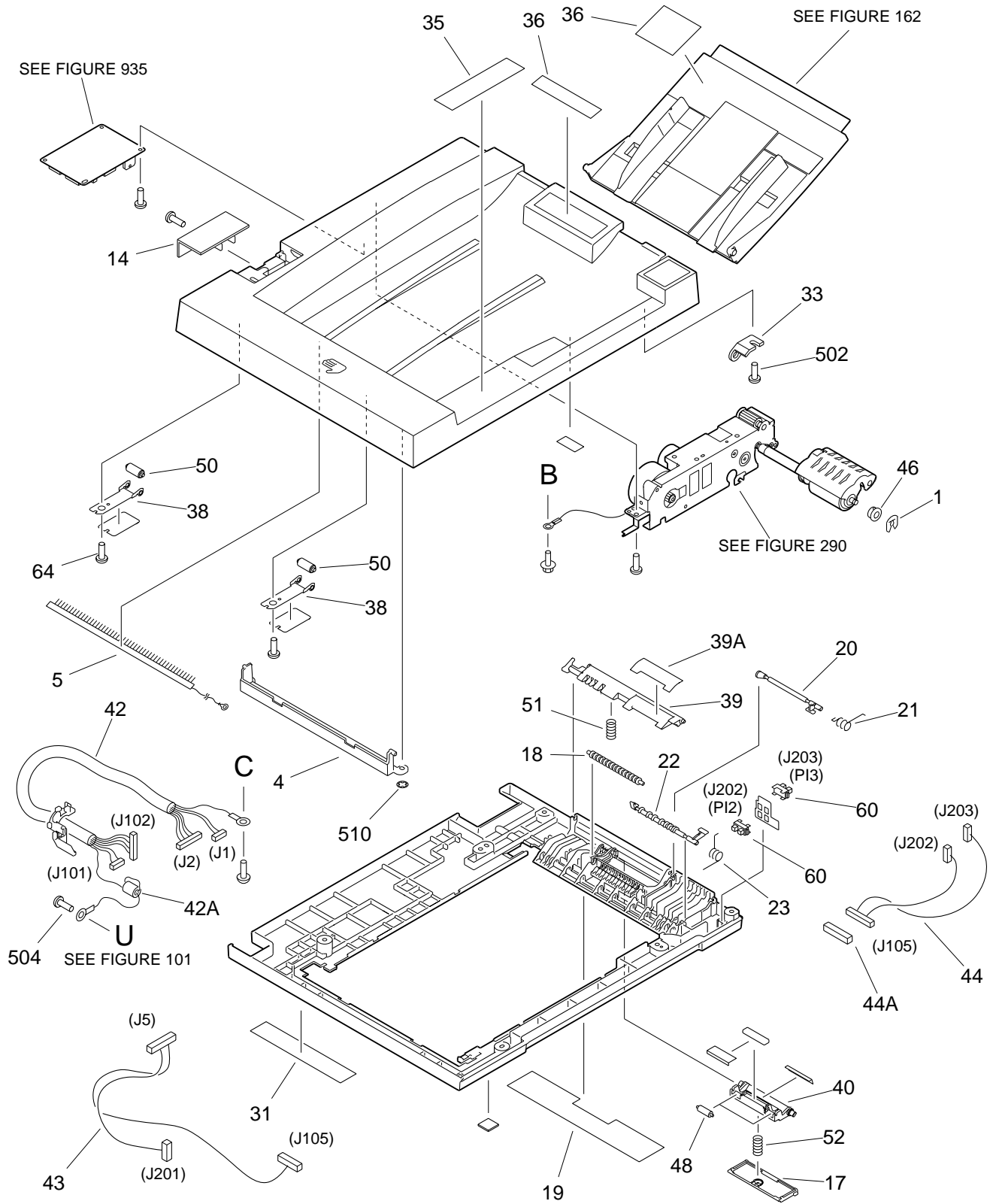
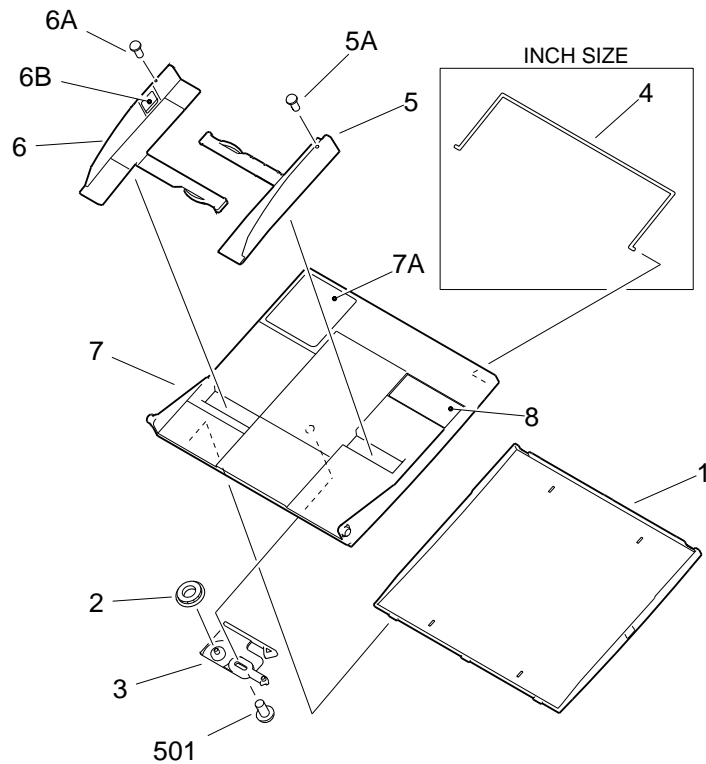


FIGURE & KEY NO.	PART NUMBER	R A N K	Q' T Y	DESCRIPTION	SERIAL NUMBER / REMARKS
161 -	NPN		RF	ADF ASSEMBLY	NP6412F
1	FA5 - 2864 - 020		1	RING, RETAINING	
2	FA9 - 2873 - 000		1	RING, E	
3	FB3 - 0829 - 000		2	PIN, DF SUPPORT	
4	FB3 - 3311 - 000		1	CROSSMEMBER, DELIVERY	
5	FB3 - 3312 - 000		1	ELIMINATOR, STATIC CHARGE	
6	FB3 - 3314 - 020		4	ROLLER, BELT, 1	
7	FB3 - 3315 - 020		2	SHAFT, BELT	
8	FB3 - 3316 - 000		2	SPRING, TORSION	
9	FB3 - 3321 - 000		2	SPRING, TORSION	
10	FB3 - 3322 - 000		2	LINK, RELEASE	
11	FB3 - 3323 - 000		1	SHAFT, TENSION	
12	FB3 - 3324 - 000		1	FLAG, SENSOR	
13	FB3 - 3325 - 000		1	MOUNT, SENSOR	
14	FB3 - 3326 - 000		1	COVER, POCKET	
15	FB3 - 3330 - 000		1	SPRING, TORSION	
16	FB3 - 3332 - 000		4	ROLLER, RUBBER	
17	FB3 - 3335 - 000		1	COVER, PAD	
18	FB3 - 3336 - 000		1	ROLLER, GUIDE	
19	FB3 - 3338 - 000		1	SHEET, 2	
20	FB3 - 3342 - 000		1	FLAG, SENSOR, 1	
21	FB3 - 3343 - 000		1	SPRING, TORSION	
22	FB3 - 3344 - 000		1	FLAG, SENSOR, 2	
23	FB3 - 3345 - 000		1	SPRING, TORSION	
24	FB3 - 3346 - 000		1	SHAFT, REGISTRATION	
25	FB3 - 3347 - 000		2	LINK, PRESSURE	
26	FB3 - 3348 - 000		1	LEVER, RELEASE	
27	FB3 - 3356 - 000		1	HINGE, LEFT, UPPER	
28	FB3 - 3357 - 020		1	HINGE, LEFT, LOWER	
29	FB3 - 3358 - 000		1	SHAFT, LEFT HINGE	

FIGURE & KEY NO.	PART NUMBER	RANK	QTY	DESCRIPTION	SERIAL NUMBER / REMARKS
161 - 30	FB3 - 3361 - 000		1	FOOT, HINGE, RIGHT	
31	FB3 - 3364 - 000		1	LABEL, OPERATION, 4	
32	FB3 - 3365 - 000		1	ROLLER, DRIVE	
33	FB3 - 3401 - 000		1	BUSHING, LEVER	
34	FB3 - 3402 - 020		4	ROLLER, BELT, 2	
35	FB3 - 3406 - 000		1	LABEL, "CAUTION, DRUM CHANGE"	ENGLISH
	FB3 - 3407 - 000		1	LABEL, "CAUTION, DRUM CHANGE"	FRENCH/SPANISH
36	FB4 - 1163 - 000		1	LABEL	
37	FF3 - 1070 - 000		1	CABLE, GROUNDING	
38	FF5 - 4674 - 000		2	HOLDER, ROLLER	
39	FF5 - 4677 - 000		1	PLATE, PAPER LIFTER	
39 A	FB3 - 3340 - 000		1	SHEET, PAPER LIFTER	
40	FF5 - 4679 - 000		1	FLAPPER	
41	FF5 - 6753 - 000		1	HANDLE, UPPER	
41 A	FB3 - 3318 - 000		1	SHEET, FRONT REGISTRATION	
41 B	FB4 - 1154 - 000		1	SHEET, INLET	
41 C	FS6 - 8091 - 000		1	LABEL, "PUSH"	
42	FG2 - 7467 - 000		1	CABLE, INTERFACE	J1,2,101,102
42 A	WE8 - 0098 - 000		1	FERRITE CORE	
43	FG2 - 7469 - 000		1	CABLE, SENSOR, 1	J5,105,201
44	FG2 - 7470 - 000		1	CABLE, SENSOR, 2	J105,202,203
44 A	VS1 - 5057 - 006		1	CONNECTOR, SNAP TIGHT	J105
45	FG2 - 7471 - 000		1	CABLE, MICROSWITCH	J6
46	FS1 - 1190 - 000		1	BUSHING	
47	FS5 - 3458 - 000		1	PULLEY, 44T	
48	FS5 - 6453 - 000		2	ROLLER, 1	
49	FS5 - 6454 - 000		3	ROLLER, REGISTRATION	
50	FS5 - 6455 - 000		2	ROLLER, 2	
51	FS6 - 2369 - 000		1	SPRING, COMPRESSION	
52	FS6 - 2370 - 000		1	SPRING, COMPRESSION	

FIGURE & KEY NO.	PART NUMBER	RANK	QTY	DESCRIPTION	SERIAL NUMBER / REMARKS
161 - 53	FS6 - 2371 - 000		4	SPRING, COMPRESSION	
54	FS6 - 2373 - 000		1	SPRING, COMPRESSION	
55	FS6 - 2374 - 000		2	SPRING, COMPRESSION	
56	FS6 - 8089 - 000		1	LABEL, OPERATION, 1	
57	FS6 - 8090 - 000		1	LABEL, OPERATION, 2	
58	FS6 - 8195 - 000		1	LABEL, OPERATION, 3	
59	WC4 - 5030 - 000		1	MICROSWITCH	MS1
60	WG8 - 5206 - 010		2	PHOTO-INTERRUPTER	PI2,3 J202,203
61	WG8 - 5309 - 000		1	PHOTO-INTERRUPTER	PI1 J201
62	WT2 - 5041 - 000		1	CLAMP, CABLE	
63	XA9 - 0605 - 000		4	SCREW,M4X8	
64	XA9 - 0605 - 000		13	SCREW,M4X8	
65	XA9 - 0632 - 000		1	SCREW,RS,M4X26	
66	XA9 - 0632 - 000		2	SCREW,RS,M4X26	
67	XA9 - 0633 - 000		1	SCREW,RS,M4X8	
68	XA9 - 0976 - 000		4	SCREW,P,M4X16	
69	XG9 - 0237 - 000		2	BEARING, BALL	
501	XB1 - 2301 - 209		1	SCREW,MACH.,TRUSS HEAD,M3X12	
502	XB1 - 2400 - 609		2	SCREW,MACH.,TRUSS HEAD,M4X6	
503	XB1 - 2400 - 609		2	SCREW,MACH.,TRUSS HEAD,M4X6	
504	XB2 - 6300 - 607		1	SCREW,W/WASHER,M3X6	
505	XB4 - 7301 - 209		5	SCREW,TAPPING,TRUSS HEAD,M3X12	
506	XB6 - 7301 - 609		1	SCREW,TP,M3X16	
507	XD2 - 1100 - 322		1	RING,E	
508	XD2 - 1100 - 642		1	RING,E	
509	XD2 - 2100 - 802		1	RING,GRIP	
510	XD2 - 2300 - 502		2	RING,TOOTHED LOCK	

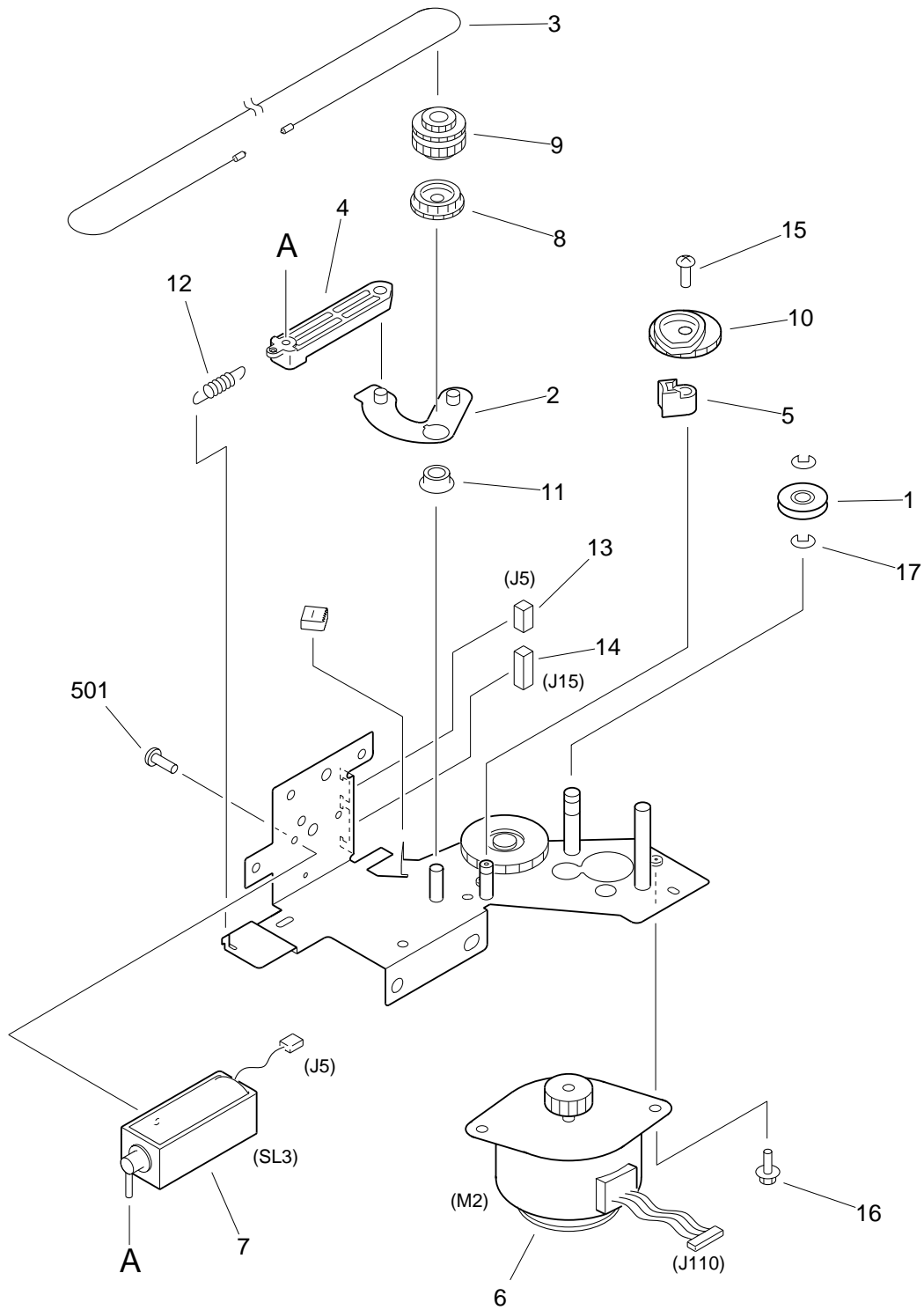
FIGURE 162 ADF TRAY ASSEMBLY (NP6412F)



NOTE: This assembly does not include the parts shown with key No. 1, 4 and 8.

FIGURE & KEY NO.	PART NUMBER	RANK	Q'TY	DESCRIPTION	SERIAL NUMBER / REMARKS
162 -	FG5 - 6418 - 000		1	ADF TRAY ASSEMBLY	NP6412F
1	FB3 - 3391 - 000		1	COVER, LOWER	NP6412F SEE NOTE
2	FB3 - 3395 - 000		1	GEAR, 20T	
3	FB3 - 3396 - 000		1	PLATE, SLIDE	
4	FB3 - 3397 - 000		1	TRAY, SUB	NP6412F INCH SIZE SEE NOTE
5	FF5 - 6756 - 000		1	GUIDE, SLIDE, FRONT	
5 A	FB3 - 3392 - 000		1	RUBBER, STOP	
6	FF5 - 6757 - 000		1	GUIDE, SLIDE, REAR	
6 A	FB3 - 3392 - 000		1	RUBBER, STOP	
6 B	FS6 - 8196 - 000		1	LABEL, "PAPER HEIGHT"	
7	FF5 - 6758 - 000		1	TRAY, DOCUMENT	
7 A	FS6 - 8092 - 000		1	LABEL, "DOCUMENT SET OPERATE"	
8	FS6 - 8197 - 000		1	LABEL, "PAPER SIZE"	NP6412F SEE NOTE
501	XB1 - 2400 - 609		1	SCREW, MACH., TRUSS HEAD, M4X6	

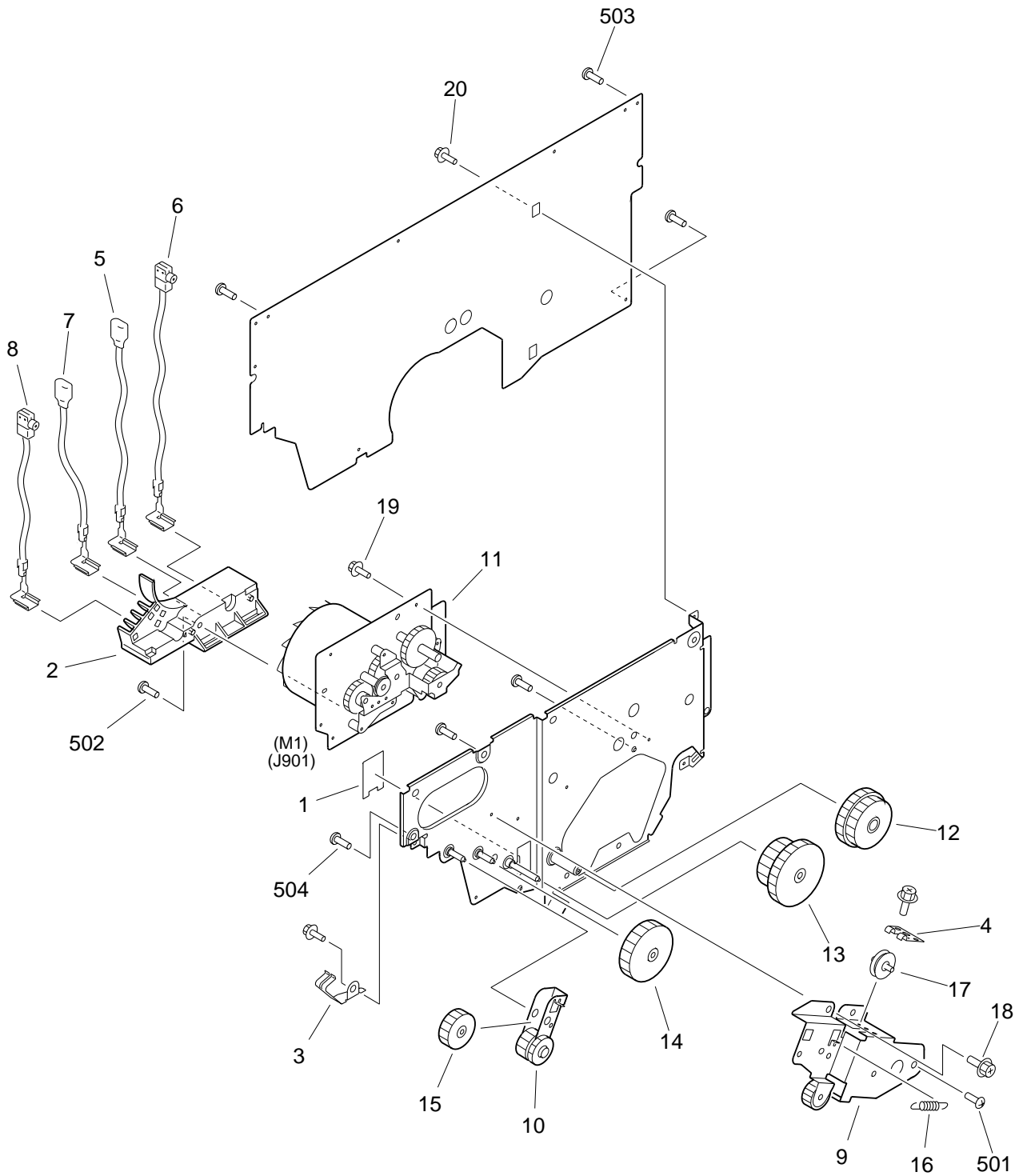
FIGURE 220 SCANNER DRIVE ASSEMBLY



NOTE: This assembly does not include the parts shown with key No. 3, 5, 10 and 15.

FIGURE & KEY NO.	PART NUMBER	R A N K	Q' T Y	DESCRIPTION	SERIAL NUMBER / REMARKS
220 -	FG5 - 3465 - 040		1	SCANNER DRIVE ASSEMBLY	
1	FB2 - 4616 - 000		1	PULLEY	
2	FB2 - 4701 - 020		1	ARM, SOLENOID, 1	
3	FB2 - 4702 - 000		1	WIRE, SCANNER DRIVE	SEE NOTE
4	FB2 - 4703 - 000		1	ARM, SOLENOID, 2	
5	FB2 - 4704 - 000		1	BLOCK, WIRE STOP	SEE NOTE
6	FH6 - 1079 - 000		1	MOTOR, STEPPING	M2 J110
7	FH7 - 5564 - 000		1	SOLENOID, DC24V	SL3 J5
8	FS5 - 0917 - 000		1	GEAR, 40T	
9	FS5 - 0918 - 000		1	GEAR, 24T/39T	
10	FS5 - 0919 - 000		1	GEAR, 53T	SEE NOTE
11	FS5 - 1439 - 000		1	BUSHING	
12	FS5 - 2821 - 000		1	SPRING, TENSION	
13	VS1 - 5057 - 002		1	CONNECTOR, SNAP TIGHT	J5
14	VS1 - 5057 - 006		1	CONNECTOR, SNAP TIGHT	J15
15	XA9 - 0187 - 000		1	SCREW,M3X6	SEE NOTE
16	XA9 - 0760 - 000		2	SCREW,RS,M3X6	
17	XD9 - 0136 - 000		2	RING,E	
501	XB1 - 2300 - 409		2	SCREW,MACH.,TRUSS HEAD,M3X4	

FIGURE 230 MAIN DRIVE ASSEMBLY



NOTE: This assembly does not include the parts shown with key No. 2, 3, 5, 6, 7, 8, 11, 19, 20, 502, 503 and 504.

FIGURE & KEY NO.	PART NUMBER	RANK	QTY	DESCRIPTION	SERIAL NUMBER / REMARKS
230 -	FG5 - 5476 - 000		1	MAIN DRIVE ASSEMBLY	
1	FB2 - 4854 - 000		1	PLATE, BLANKING	
2	FB2 - 4927 - 000		1	MOUNT, TERMINAL, UPPER	SEE NOTE
3	FB3 - 0583 - 000		1	SPRING, LEAF	SEE NOTE
4	FB3 - 0629 - 000		1	PLATE, IDLER HOLDER	
5	FF2 - 9724 - 000		1	CABLE, TERMINAL, PRIMARY	SEE NOTE
6	FF2 - 9725 - 000		1	CABLE, TERMINAL, TRANSFER	SEE NOTE
7	FF2 - 9726 - 000		1	CABLE, TERMINAL	SEE NOTE
8	FF2 - 9727 - 000		1	CABLE, TERMINAL, ELIMINATOR	SEE NOTE
9	FF5 - 2887 - 000	N	1	FRONT PANEL, AUXILIARY	
10	FF5 - 2888 - 000		1	PLATE, SWING	
11	FH6 - 1209 - 000		1	MOTOR, DC24V	SEE NOTE M1 J901
12	FS5 - 0905 - 000		1	GEAR, 58T/35T	
13	FS5 - 0906 - 000		1	GEAR, 48T/34T	
14	FS5 - 0907 - 000		1	GEAR, 41T	
15	FS5 - 0908 - 000		1	GEAR, 25T	
16	FS5 - 2785 - 000		1	SPRING, TENSION	
17	FS5 - 6393 - 000		1	ROLLER, IDLER	
18	XA9 - 0760 - 000		4	SCREW,RS,M3X6	
19	XA9 - 0760 - 000		AR	SCREW,RS,M3X6	SEE NOTE
20	XA9 - 0762 - 000		1	SCREW,RS,M3X8	SEE NOTE
501	XB1 - 2300 - 609		1	SCREW,MACH.,TRUSS HEAD,M3X6	
502	XB1 - 2400 - 609		1	SCREW,MACH.,TRUSS HEAD,M4X6	SEE NOTE
503	XB4 - 7400 - 809		3	SCREW,TAPPING,TRUSS HEAD,M4X8	SEE NOTE
504	XB4 - 7401 - 009		3	SCREW,TAPPING,TRUSS HEAD,M4X10	SEE NOTE

FIGURE 240 DELIVERY DRIVE ASSEMBLY

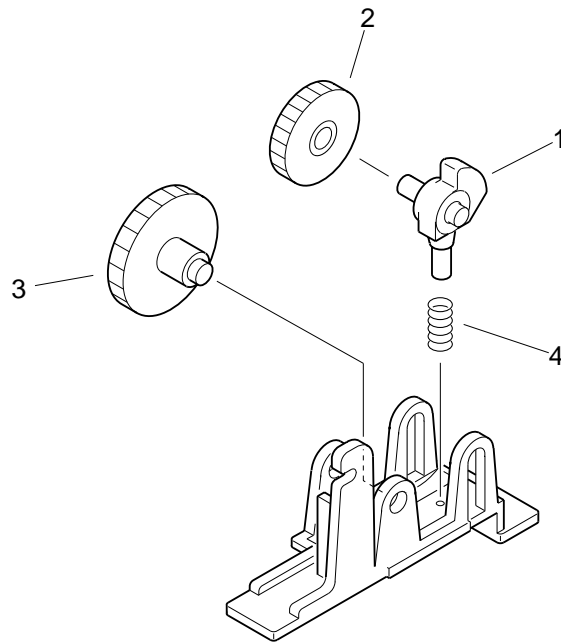


FIGURE & KEY NO.	PART NUMBER	RANK	QTY	DESCRIPTION	SERIAL NUMBER / REMARKS
240 -	FG5 - 3501 - 000		1	DELIVERY DRIVE ASSEMBLY	
1	FB2 - 5052 - 000		1	SHAFT, GEAR	
2	FS5 - 0911 - 000		1	GEAR, 20T	
3	FS5 - 0912 - 000		1	GEAR, 40T/39T	
4	FS5 - 2786 - 000		1	SPRING, COMPRESSION	

FIGURE 250 PAPER PICK-UP DRIVE ASSEMBLY

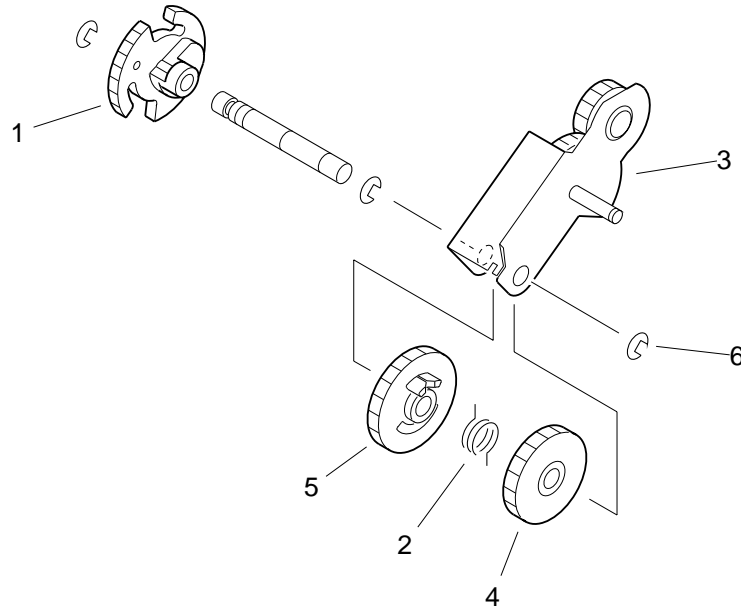


FIGURE & KEY NO.	PART NUMBER	RANK	QTY	DESCRIPTION	SERIAL NUMBER / REMARKS
250 -	FG5 - 3511 - 000		1	PICK-UP DRIVE ASSEMBLY	
1	FB2 - 5198 - 000		1	GEAR, 32T	
2	FB2 - 5199 - 000		1	SPRING, TORSION	
3	FF5 - 2874 - 000		1	PLATE, SWING	
4	FS5 - 0890 - 000		1	GEAR, 32T	
5	FS5 - 0900 - 000		1	GEAR, 18T	
6	XD9 - 0136 - 000		3	RING,E	

FIGURE & KEY NO.	PART NUMBER	R A N K	Q' T Y	DESCRIPTION	SERIAL NUMBER / REMARKS
290 -	FG5 - 6416 - 000		1	ADF DRIVE ASSEMBLY	NP6412F
1	FA5 - 2864 - 020		2	RING, RETAINING	
2	FA9 - 3268 - 000		1	BELT, TIMING, COGGED	
3	FB3 - 3353 - 000		1	PLATE, GROUNDING	SEE NOTE
4	FB3 - 3371 - 000		1	MOUNT, MOTOR	
5	FB3 - 3373 - 020		1	ROLLER, PAPER PICK-UP	
6	FB3 - 3375 - 000		1	PAD, TORQUE	
7	FB3 - 3377 - 000		1	SUPPORT, REGIST. SHAFT	
8	FB3 - 3400 - 000		1	RING, E	
9	FB4 - 1148 - 000		1	BLOCK, CAM LINK, 1	
10	FB4 - 1149 - 000		1	BLOCK, CAM LINK, 2	
11	FB4 - 1150 - 000		1	HOLDER, PAPER PICK-UP ROLLER	
12	FB4 - 1151 - 000		1	ROLLER, PAPER PICK-UP	
13	FF3 - 1070 - 000		1	CABLE, GROUNDING	
14	FF5 - 4681 - 000		1	PLATE, CHANGE	
15	FF5 - 6754 - 000		1	MOUNT, DRIVER	
16	FG2 - 7468 - 000		1	CABLE, MOTOR	
17	FH6 - 1237 - 000		1	STEPPING MOTOR, DC24V	
18	FH6 - 1238 - 000		1	MOTOR, DC24V	
19	FS1 - 1190 - 000		1	BUSHING	
20	FS1 - 1213 - 000		1	BUSHING	
21	FS5 - 3457 - 000		1	GEAR, 14T/44T	
22	FS5 - 9362 - 000		1	SCREW, STEPPED, M4	
23	FS6 - 0613 - 000		1	GEAR, 40T	
24	FS6 - 0617 - 000		1	GEAR, PICK-UP, 44T	
25	FS6 - 0618 - 000		1	GEAR, 16T/64T	
26	FS6 - 0619 - 000		1	GEAR, 30T	
27	FS6 - 0620 - 000		1	GEAR, 35T	
28	FS6 - 0622 - 000		1	GEAR, CAM, 44T	
29	XA9 - 0605 - 000		1	SCREW, M4X8	SEE NOTE

FIGURE 300 CASSETTE

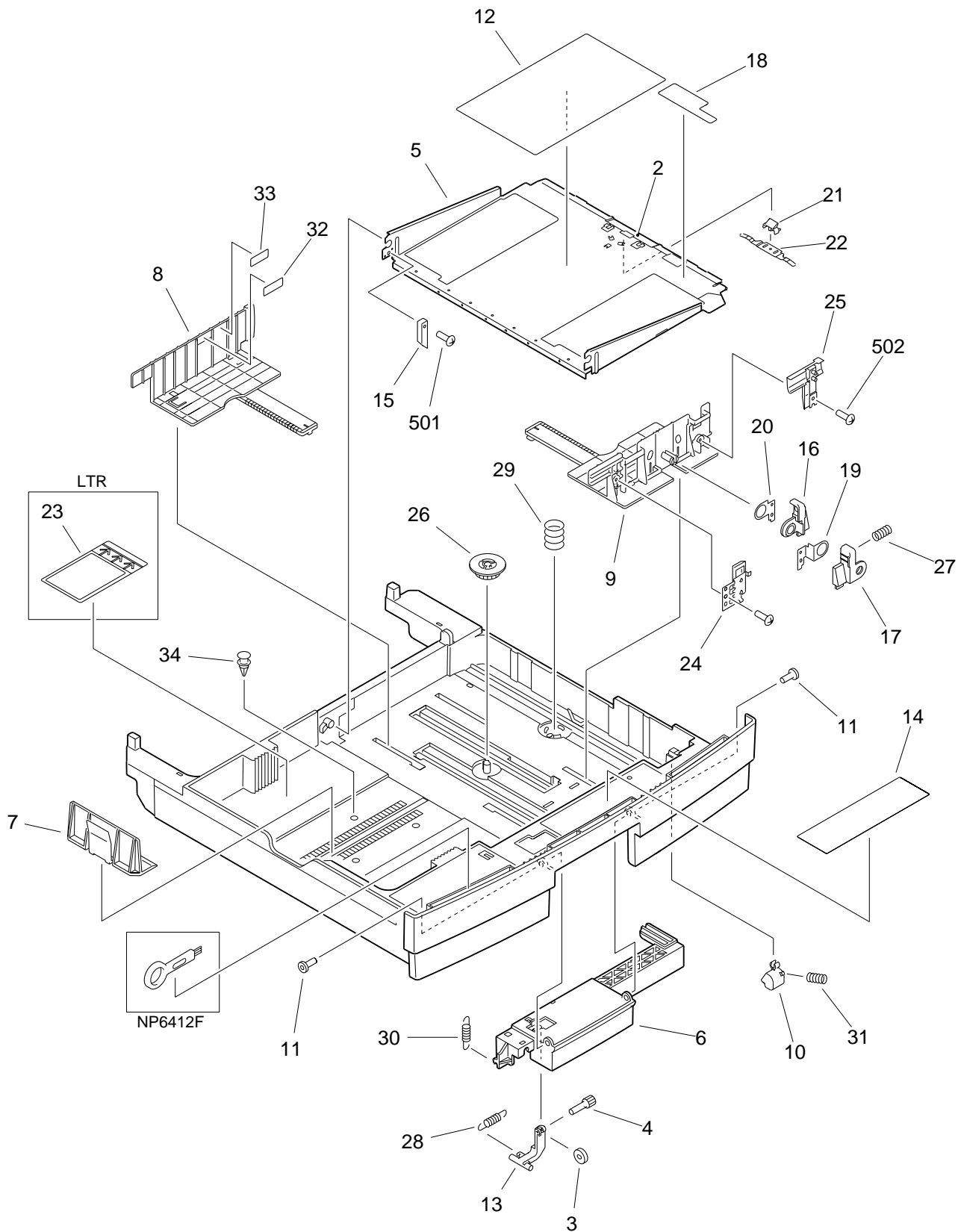


FIGURE & KEY NO.	PART NUMBER	R A N K	Q' T Y	DESCRIPTION	SERIAL NUMBER / REMARKS
300 -	NPN		RF	CASSETTE	
1	FA9 - 3102 - 000		1	BRUSH, CLEANING	NP6412F
2	FB2 - 2559 - 000		1	SHEET, LIFTING PLATE	
3	FB2 - 4863 - 000		1	ROLLER, HOOK	
4	FB2 - 4864 - 000		1	SHAFT, ROLLER	
5	FB2 - 5402 - 020		1	PLATE, PAPER LIFTING	
6	FB2 - 5403 - 020		1	LATCH, HANDLE	
7	FB2 - 5404 - 020		1	PLATE, SIZE, END	EXCEPT LTR
	FB2 - 5434 - 000		1	PLATE, SIZE, END	LTR
8	FB2 - 5405 - 000		1	PLATE, SIZE, SIDE, REAR	
9	FB2 - 5406 - 020		1	PLATE, SIZE, SIDE, FRONT	
10	FB2 - 5407 - 020		1	CATCH, PAPER, LIFTING	
11	FB2 - 5408 - 000		2	PIN, LEVER	
12	FB2 - 5409 - 000		1	LABEL, PLATE, LIFTING	EXCEPT LTR
	FB2 - 5445 - 000		1	LABEL "INSTRUCTION"	LTR
13	FB2 - 5410 - 000		1	HOOK, LATCH	
14	FB2 - 5412 - 000		1	LABEL, "PAPER WARNING"	
15	FB2 - 5413 - 000		1	BRUSH, GROUNDING	
16	FB2 - 5414 - 020		1	BLOCK, SIDE STOP, RIGHT	
17	FB2 - 5415 - 020		1	BLOCK, SIDE STOP, LEFT	
18	FB2 - 5420 - 000		1	LABEL, "PAPER SIZE"	
19	FB2 - 6043 - 000		1	PLATE, CATCH, 1	
20	FB2 - 6044 - 000		1	PLATE, CATCH, 2	
21	FB3 - 3531 - 000		1	GUIDE, LEAF SPRING	
22	FB3 - 3547 - 000		1	SPRING, LEAF	
23	FB3 - 3548 - 000		1	LABEL, "PAPER END"	LTR
24	FF5 - 2903 - 000		1	SPRING, LEAF, LARGE	
25	FF5 - 2904 - 000		1	SPRING, LEAF, SMALL	
26	FS5 - 0904 - 020		1	GEAR, 20T	
27	FS5 - 2650 - 000		1	SPRING, COMPRESSION	

FIGURE 340 PAPER PICK-UP ROLLER ASSEMBLY (CASSETTE)

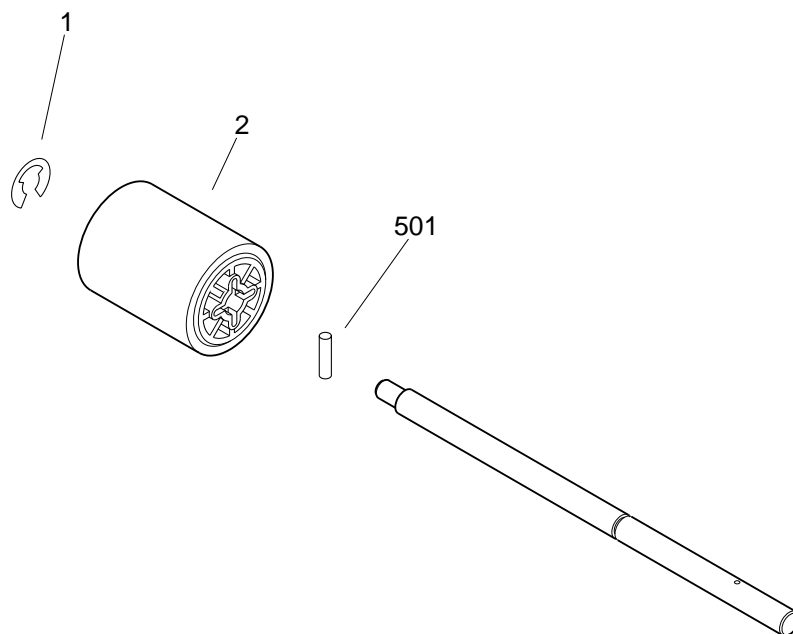
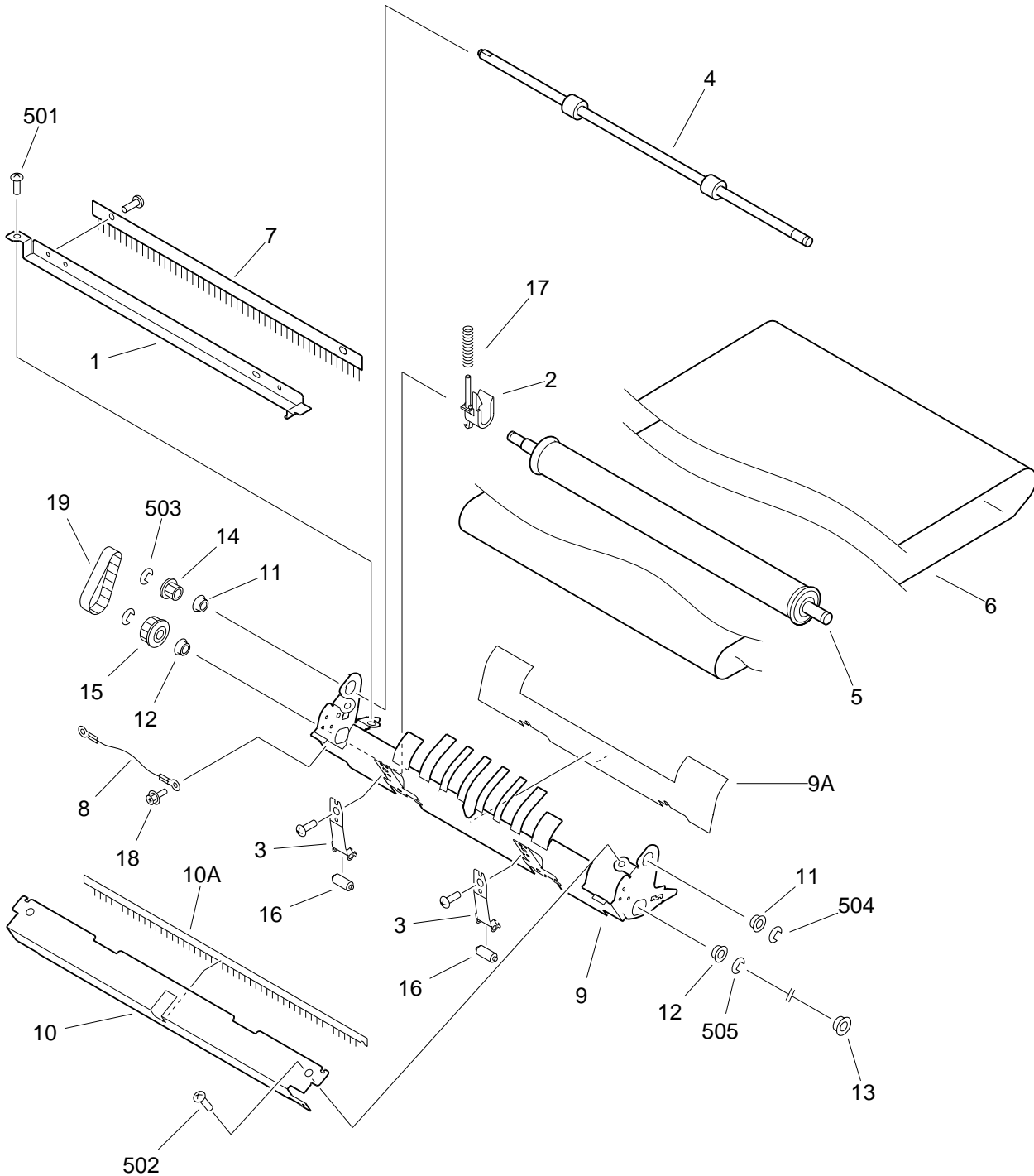


FIGURE & KEY NO.	PART NUMBER	RANK	QTY	DESCRIPTION	SERIAL NUMBER / REMARKS
340 -	FG5 - 3531 - 000		1	PICK-UP ROLLER ASSEMBLY	CASSETTE
1	FA4 - 1159 - 000		1	RING, RETAINING	
2	FB1 - 8581 - 000		1	ROLLER, MULTI FEED	
501	XD3 - 2160 - 142		1	PIN,DOWEL	

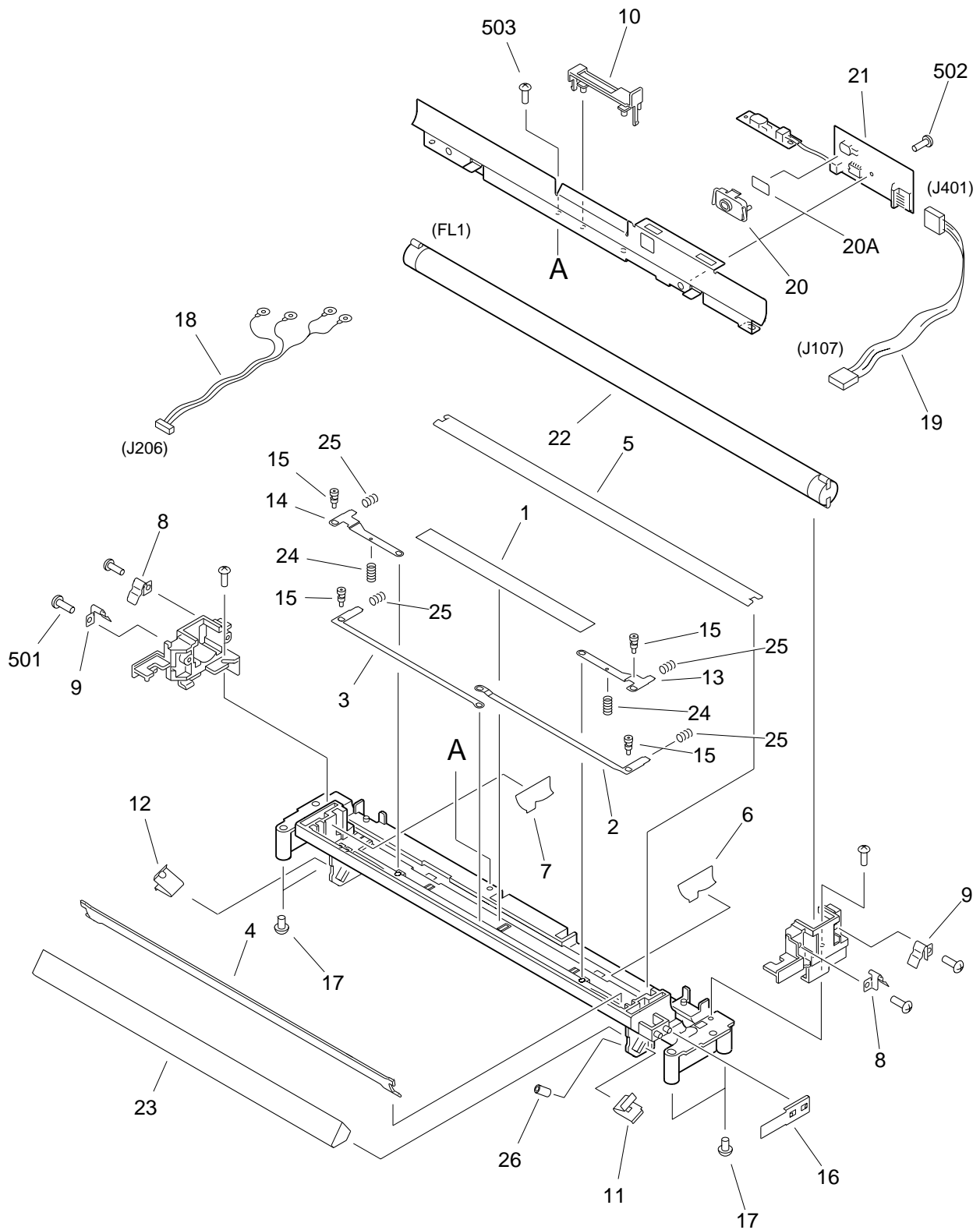
FIGURE 355 ADF DELIVERY ASSEMBLY (NP6412F)



NOTE: This assembly does not include the part shown with key No.18.

FIGURE & KEY NO.	PART NUMBER	RANK	QTY	DESCRIPTION	SERIAL NUMBER / REMARKS
355 -	FG5 - 6413 - 000		1	ADF DELIVERY ASSEMBLY	NP6412F
1	FB3 - 3379 - 000		1	CROSSMEMBER, ELIMINATOR	
2	FB3 - 3382 - 000		1	SUPPORT, PAPER JUMP GUIDE	
3	FB3 - 3383 - 000		2	PLATE, ROLLER PRESSURE	
4	FB3 - 3385 - 020		1	ROLLER, PAPER DELIVERY	
5	FB3 - 3386 - 000		1	ROLLER, PAPER FEED	
6	FB3 - 3387 - 000		1	BELT, DOCUMENT FEED	
7	FB3 - 3388 - 000		1	ELIMINATOR, STATIC CHARGE, 1	
8	FF3 - 1071 - 000		1	CABLE, GROUNDING	
9	FF5 - 4685 - 020		1	FRAME, PAPER DELIVERY	
9 A	FB3 - 3381 - 000		1	SHEET, JUMP	
10	FF5 - 4686 - 000		1	PLATE, DELIVERY GUIDE	
10 A	FB3 - 3389 - 000		1	ELIMINATOR, STATIC CHARGE, 2	
11	FS1 - 1205 - 000		2	BUSHING	
12	FS1 - 1341 - 000		2	BUSHING	
13	FS1 - 1422 - 000		1	BUSHING	
14	FS5 - 3459 - 000		1	PULLEY, 14T	
15	FS5 - 3460 - 000		1	PULLEY, 26T	
16	FS5 - 6455 - 000		2	ROLLER, 2	
17	FS6 - 2375 - 000		1	SPRING, COMPRESSION	
18	XA9 - 0633 - 000		1	SCREW,RS,M4X8	SEE NOTE NP6412F
19	XF9 - 0562 - 000		1	BELT, TIMING	
501	XB1 - 2300 - 609		2	SCREW,MACH.,TRUSS HEAD,M3X6	
502	XB1 - 2400 - 609		6	SCREW,MACH.,TRUSS HEAD,M4X6	
503	XD2 - 1100 - 322		1	RING,E	
504	XD2 - 1100 - 502		2	RING,E	
505	XD2 - 1100 - 642		1	RING,E	

FIGURE 400 MIRROR ASSEMBLY 1



NOTE: This assembly does not include the part shown with key No.22.

FIGURE & KEY NO.	PART NUMBER	RANK	QTY	DESCRIPTION	SERIAL NUMBER / REMARKS
400 -	FG6 - 0074 - 000	N	1	MIRROR ASSEMBLY 1	
1	FA9 - 3065 - 000		1	SHEET, 5	
2	FB2 - 4650 - 000		1	SHUTTER, FRONT	
3	FB2 - 4651 - 000		1	SHUTTER, REAR	
4	FB2 - 4652 - 000		1	REFLECTOR, 1	
5	FB2 - 4653 - 000		1	REFLECTOR, 2	
6	FB2 - 4654 - 000		1	PLATE, SIDE REFLECTOR, FRONT	
7	FB2 - 4655 - 000		1	PLATE, SIDE REFLECTOR, REAR	
8	FB2 - 4658 - 020		2	SPRING, LEAF, 1	
9	FB2 - 4659 - 020		2	SPRING, LEAF, 2	
10	FB2 - 4660 - 000		1	COVER, SENSOR	
11	FB2 - 4662 - 020		1	SPRING, LEAF, FRONT	
12	FB2 - 4663 - 020		1	SPRING, LEAF, REAR	
13	FB2 - 4664 - 000		1	SHUTTER, SUB, FRONT	
14	FB2 - 4665 - 000		1	SHUTTER, SUB, REAR	
15	FB2 - 4666 - 030		4	SCREW, ADJUSTING	
16	FB2 - 4667 - 020		1	FLAG	
17	FB2 - 4669 - 020		4	BLOCK, RAIL SLIDING	
18	FF2 - 9728 - 000		1	CABLE, MIRROR ASSEMBLY 1	J206
19	FF2 - 9729 - 000		1	CABLE, MIRROR UNIT 1 SENSOR	J107,401
20	FF5 - 2889 - 000		1	COVER, SENSOR	
20 A	FB1 - 0715 - 000		1	FILTER, LIGHT DENSITY	
21	FG5 - 3541 - 000		1	INTENSITY/AE SENSOR PCB ASS'Y	
22	FH7 - 3272 - 000		1	LAMP, FLUORESCENT	SEE NOTE FL1
23	FN5 - 4018 - 000		1	MIRROR, 1	
24	FS5 - 2032 - 000		4	SPRING, COMPRESSION	
25	FS5 - 2815 - 000		4	SPRING, COMPRESSION	
26	XA9 - 0911 - 000		1	SETSCREW,M3X8	
501	XB1 - 2300 - 609		4	SCREW,MACH.,TRUSS HEAD,M3X6	
502	XB2 - 8300 - 607		1	SCREW,W/WASHER,M3X6	

FIGURE & KEY NO.	PART NUMBER	R A N K	Q' T Y	DESCRIPTION	SERIAL NUMBER / REMARKS
400 - 503	XB4 - 7300 - 809		3	SCREW,TAPPING,TRUSS HEAD,M3X8	

FIGURE 401 MIRROR ASSEMBLY 2

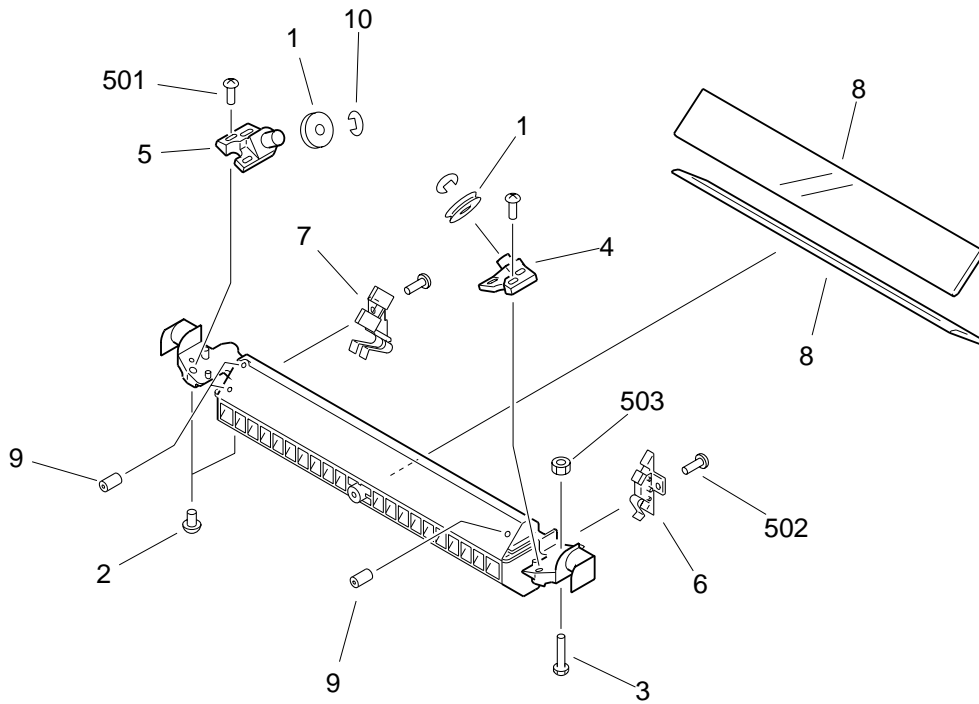


FIGURE & KEY NO.	PART NUMBER	RANK	QTY	DESCRIPTION	SERIAL NUMBER / REMARKS
401 -	FG5 - 3463 - 000	N	1	MIRROR ASSEMBLY 2	
1	FB2 - 4616 - 000		2	PULLEY	
2	FB2 - 4669 - 020		2	BLOCK, RAIL SLIDING	
3	FB2 - 4676 - 000		1	SCREW, ADJUSTING, M4	
4	FB2 - 4677 - 020		1	PLATE, WIRE POSITIONING, FRONT	
5	FB2 - 4678 - 020		1	PLATE, WIRE POSITIONING, REAR	
6	FF5 - 2899 - 000		1	HOLDER, MIRROR, FRONT	
7	FF5 - 2900 - 000		1	HOLDER, MIRROR, REAR	
8	FN5 - 4019 - 000		2	MIRROR, 2/3	
9	XA9 - 0911 - 000		3	SETSCREW, M3X8	
10	XD9 - 0136 - 000		2	RING, E	
501	XB4 - 7300 - 809		2	SCREW, TAPPING, TRUSS HEAD, M3X8	
502	XB4 - 7301 - 009		2	SCREW, TAPPING, TRUSS HEAD, M3X10	
503	XB7 - 2200 - 409		1	NUT, HEX, M4	

FIGURE 402 ZOOM MIRROR ASSEMBLY

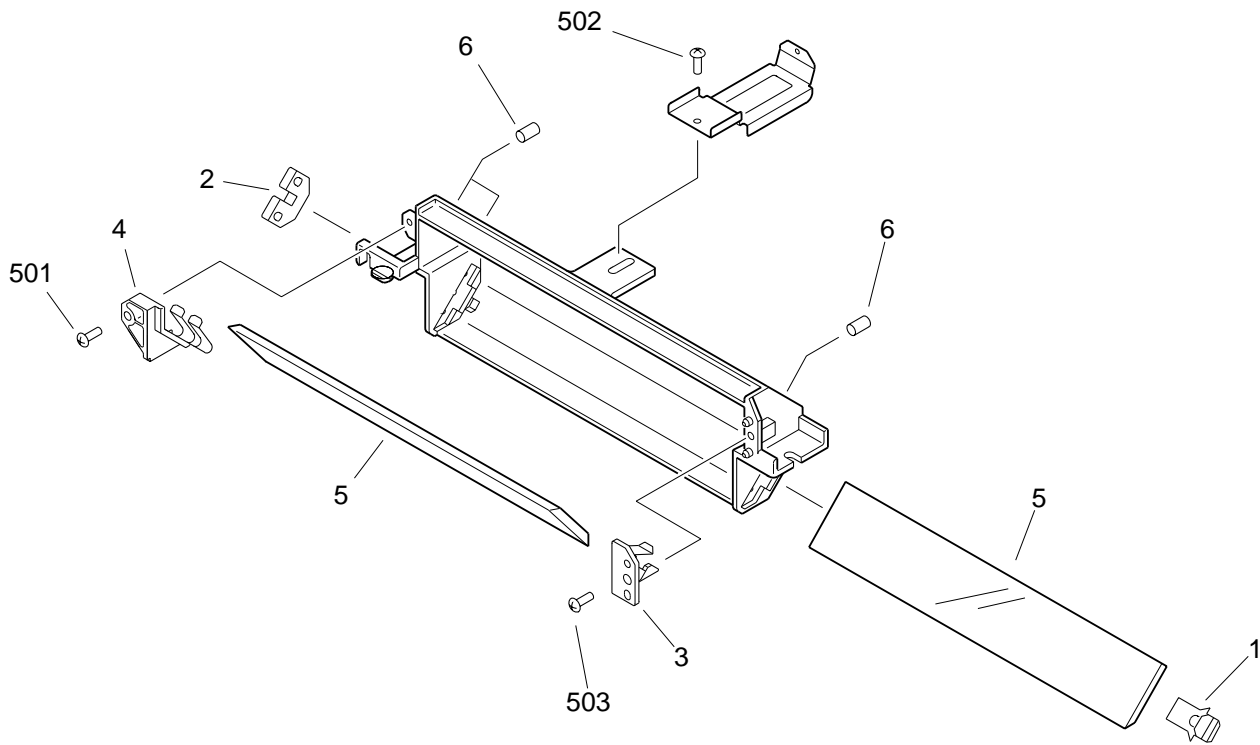


FIGURE & KEY NO.	PART NUMBER	RANK	QTY	DESCRIPTION	SERIAL NUMBER / REMARKS
402 -	FG5 - 3464 - 000	N	1	ZOOM MIRROR ASSEMBLY	
1	FB2 - 4694 - 020		1	SPRING, LEAF, MIRROR 5, FRONT	
2	FB2 - 4695 - 030		1	SPRING, LEAF, MIRROR 5, REAR	
3	FF5 - 2901 - 000		1	SPRING, LEAF, MIRROR 4, FRONT	
4	FF5 - 2902 - 000		1	SPRING, LEAF, MIRROR 4, REAR	
5	FN5 - 4020 - 000		2	MIRROR, 4/5	
6	XA9 - 0911 - 000		3	SETSCREW, M3X8	
501	XB1 - 2300 - 609		1	SCREW, MACH., TRUSS HEAD, M3X6	
502	XB1 - 2300 - 809		1	SCREW, MACH., TRUSS HEAD, M3X8	
503	XB4 - 7300 - 809		1	SCREW, TAPPING, TRUSS HEAD, M3X8	

FIGURE 450 BLANK EXPOSURE LAMP ASSEMBLY

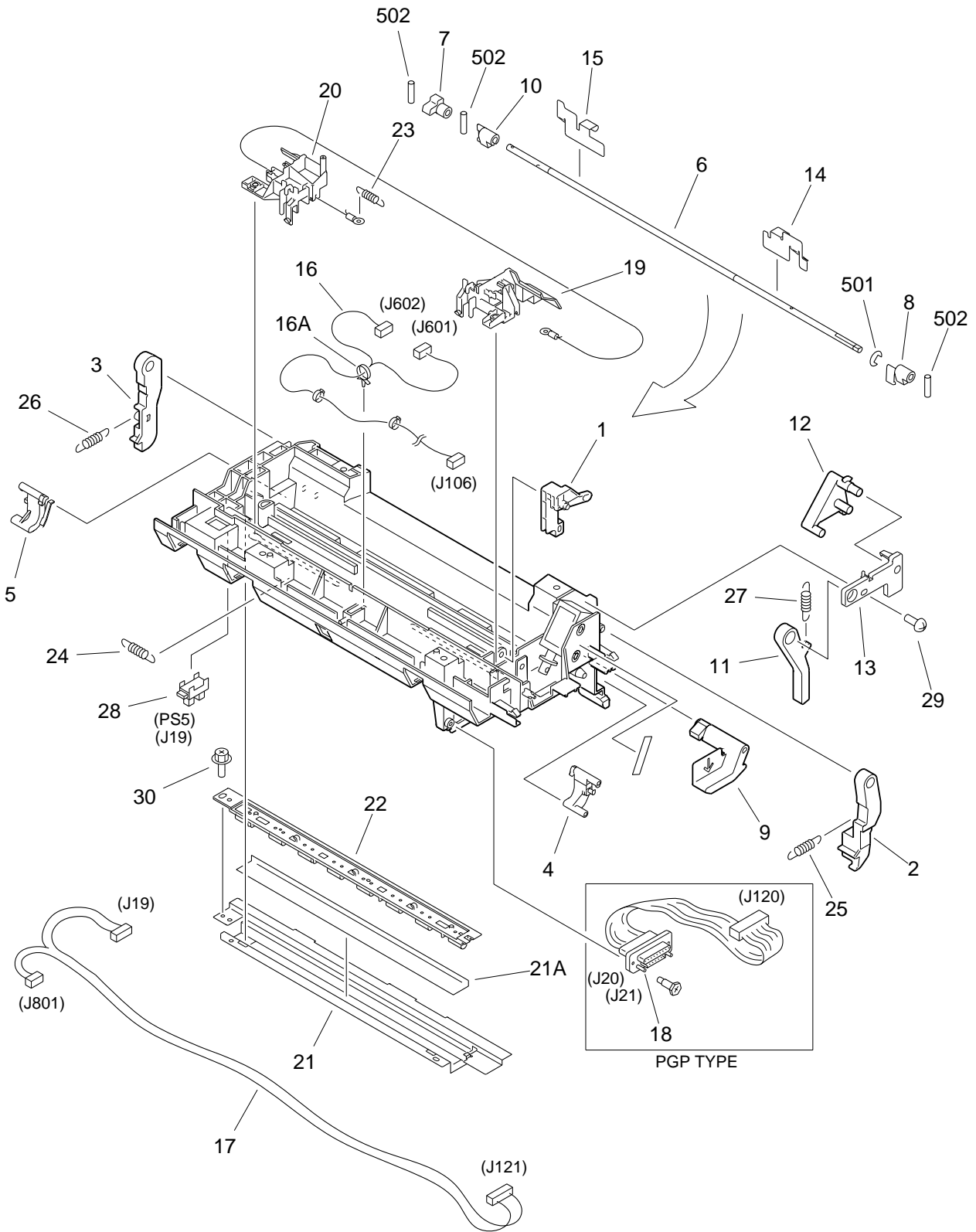


FIGURE & KEY NO.	PART NUMBER	RANK	QTY	DESCRIPTION	SERIAL NUMBER / REMARKS
450 -	NPN		RF	BLANK EXPOSURE LAMP ASSEMBLY	
1	FB3 - 0774 - 000		1	ARM, SOLENOID	
2	FB3 - 0775 - 000		1	LEVER, PRESSURE, FRONT	
3	FB3 - 0776 - 000		1	LEVER, PRESSURE, REAR	
4	FB3 - 0777 - 000		1	ARM, PRESSURE, FRONT	
5	FB3 - 0778 - 000		1	ARM, PRESSURE, REAR	
6	FB3 - 0779 - 020		1	SHAFT, PRESSURE	
7	FB3 - 0780 - 000		1	CAM, PRESSURE RELEASE, 1	
8	FB3 - 0781 - 000		1	CAM, PRESSURE RELEASE, 2	
9	FB3 - 0782 - 000		1	HANDLE, PRESSURE	
10	FB3 - 0784 - 000		1	CAM, ARM RELEASE	
11	FB3 - 0805 - 000		1	ARM, FOOL-PROOF	
12	FB3 - 0806 - 000		1	TRIGGER, FOOL-PROOF	
13	FB3 - 0807 - 000		1	SUPPORT, FOOL-PROOF ARM	
14	FB3 - 0811 - 020		1	SPRING, LEAF, FRONT	
15	FB3 - 0815 - 020		1	SPRING, LEAF, REAR	
16	FF2 - 9731 - 000		1	CABLE, BLANK EXPOSURE LAMP	J106,601,602
16 A	WT2 - 5041 - 000		1	CLAMP, CABLE	
17	FF3 - 0471 - 000		1	CABLE, EXPO. LAMP/LIMIT SENSOR	J19,121,801
18	FF3 - 0473 - 000		1	CABLE, PGP PCB UNIT	PGP TYPE J20,21,120
19	FF5 - 3901 - 000		1	MOUNT, LAMP, FRONT	
20	FF5 - 3902 - 000		1	MOUNT, LAMP, REAR	
21	FF5 - 3904 - 000		1	COVER, PRE-CONDITIONING	
21 A	FB3 - 0791 - 000		1	FILTER, PRE-CONDITIONING	
22	FG5 - 5499 - 000		1	PRE-CONDITIONING LAMP PCB UNIT	
23	FS5 - 2790 - 000		1	SPRING, TENSION	
24	FS6 - 2229 - 000		1	SPRING, TENSION	
25	FS6 - 2230 - 000		1	SPRING, TENSION	
26	FS6 - 2231 - 000		1	SPRING, TENSION	
27	FS6 - 2242 - 000		1	SPRING, TENSION	

FIGURE 530 TRANSFER ASSEMBLY

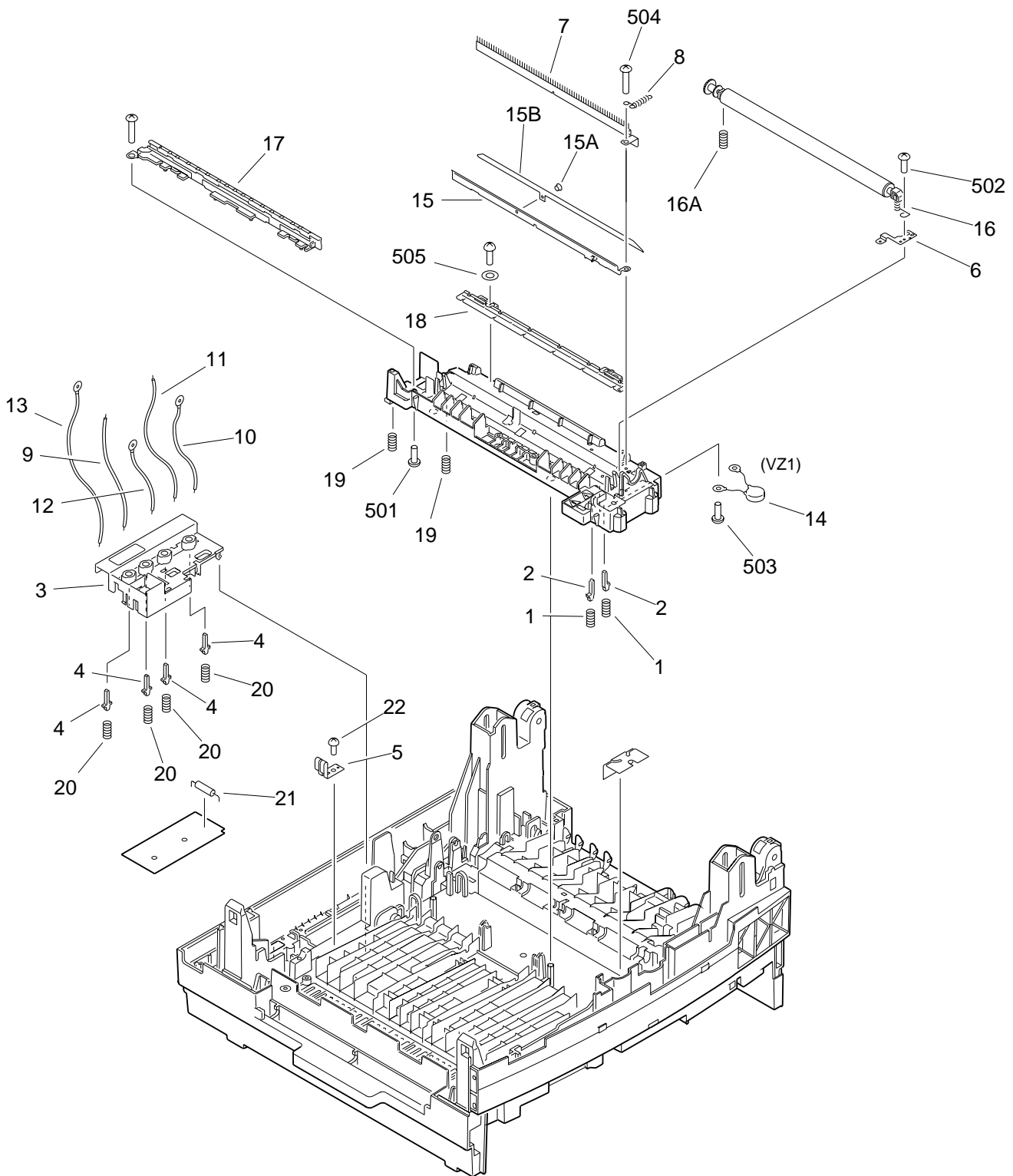


FIGURE & KEY NO.	PART NUMBER	RANK	QTY	DESCRIPTION	SERIAL NUMBER / REMARKS
530 -	FG5 - 5460 - 040		1	TRANSFER ASSEMBLY	
1	FB1 - 7427 - 000		2	SPRING, COMPRESSION	
2	FB1 - 7431 - 000		2	PIN	
3	FB2 - 4861 - 000		1	HOUSING	
4	FB2 - 4862 - 000		4	TERMINAL, LOWER	
5	FB2 - 4939 - 000		1	SPRING, LEAF	
6	FB2 - 5156 - 000		1	PLATE, TERMINAL	
7	FB2 - 5159 - 000		1	ELIMINATOR, STATIC CHARGE	
8	FB2 - 5169 - 000		1	SPRING, TENSION	
9	FF2 - 9762 - 000		1	CABLE, HV, PRIMARY	
10	FF2 - 9763 - 000		1	CABLE, HV, TRANSFER	
11	FF2 - 9764 - 000		1	CABLE, HV, DEVELOPING	
12	FF2 - 9765 - 000		1	CABLE, HV, ELIMINATOR	
13	FF2 - 9766 - 000		1	WIRE, GROUNDING	
14	FF2 - 9779 - 000		1	VARISTOR	VZ1
15	FF5 - 2870 - 000		1	ELIMINATOR, STATIC CHARGE	
15 A	FA9 - 3063 - 000		1	BUSHING	
15 B	FB2 - 5153 - 000		1	FILM, STATIC ELIMINATOR	
16	FF5 - 2871 - 020		1	ROLLER, TRANSFER	
16 A	FS5 - 2335 - 000		1	SPRING, COMPRESSION	
17	FF5 - 3713 - 000		1	ELIMINATOR, STATIC CHARGE	
18	FF5 - 3720 - 000		1	GUIDE, TRANSFORMER	
19	FS5 - 2774 - 000		4	SPRING, COMPRESSION	
20	FS5 - 2784 - 000		4	SPRING, COMPRESSION	
21	VR5 - 2650 - 103		4	RESISTOR, 10KOHM, 1/2W	
22	XA9 - 0187 - 000		1	SCREW,M3X6	
501	XB1 - 2300 - 607		2	SCREW,MACH.,TRUSS HEAD,M3X6	
502	XB1 - 2300 - 609		2	SCREW,MACH.,TRUSS HEAD,M3X6	
503	XB4 - 7300 - 809		4	SCREW,TAPPING,TRUSS HEAD,M3X8	
504	XB4 - 7301 - 209		2	SCREW,TAPPING,TRUSS HEAD,M3X12	

FIGURE & KEY NO.	PART NUMBER	R A N K	Q' T Y	DESCRIPTION	SERIAL NUMBER / REMARKS
530 - 505	XD1 - 2100 - 307		2	WASHER,PLAIN	

FIGURE 640 DEVELOPING ASSEMBLY

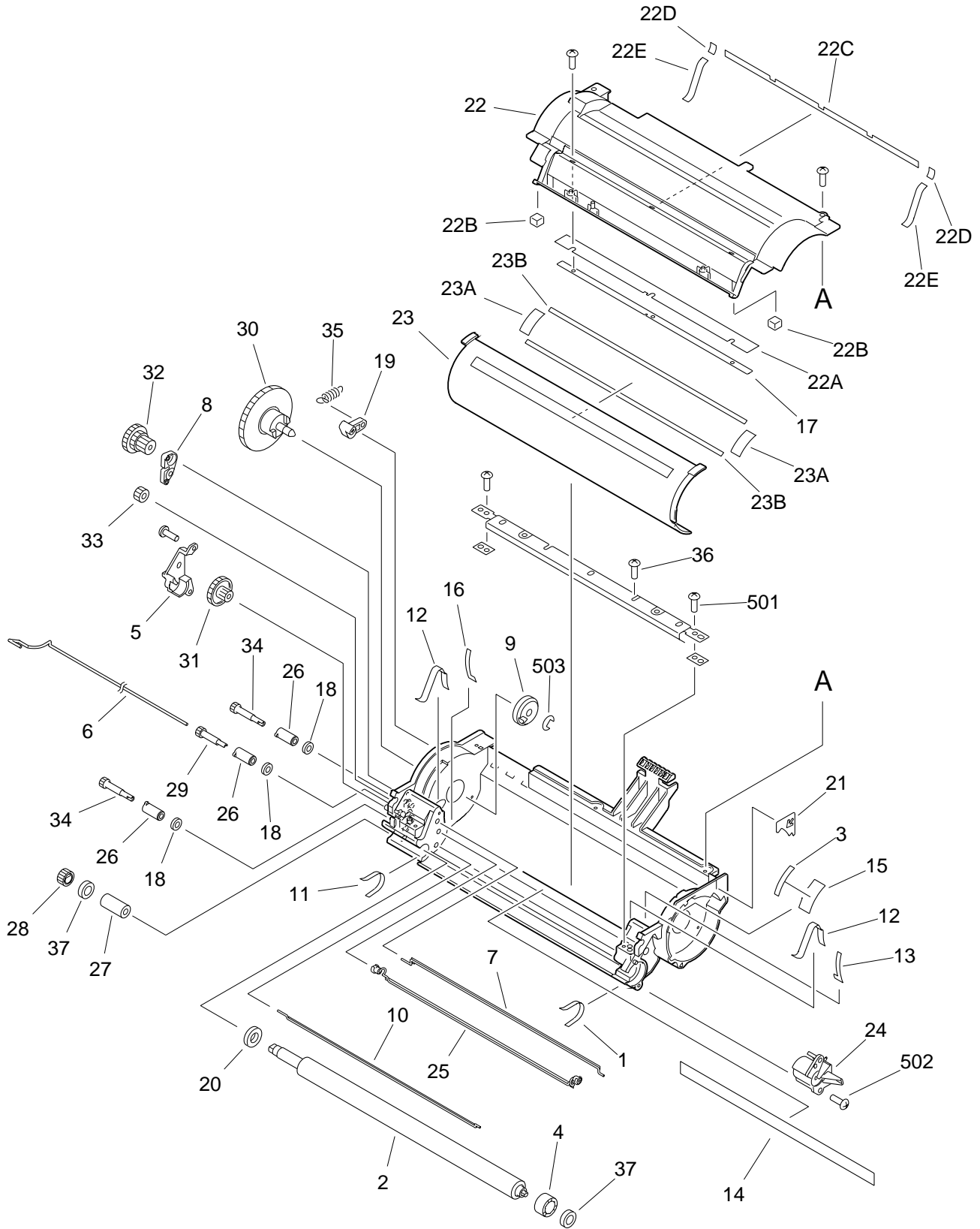


FIGURE & KEY NO.	PART NUMBER	RANK	QTY	DESCRIPTION	SERIAL NUMBER / REMARKS
640 -	FG5 - 5465 - 080		1	DEVELOPING ASSEMBLY	
1	FA9 - 3207 - 000		1	SEAL, SIDE, FRONT	
2	FB3 - 0686 - 000		1	SLEEVE, DEVELOPING	
3	FB3 - 0687 - 000		1	SEAL, OPEN GUIDE, 1	
4	FB3 - 0688 - 000		1	ROLLER, FRONT	
5	FB3 - 0691 - 000		1	SUPPORT, DEV. CYLINDER, REAR	
6	FB3 - 0693 - 000		1	ROD, ANTENNA	
7	FB3 - 0694 - 000		1	ROD, STIRRING, UPPER	
8	FB3 - 0695 - 000		1	PLATE, GEAR SUPPORT	
9	FB3 - 0696 - 000		1	JOINT, CARTRIDGE DRIVE	
10	FB3 - 0697 - 000		1	ROD, STIRRING, LOWER	
11	FB3 - 0711 - 000		1	SEAL, SIDE, REAR	
12	FB3 - 0713 - 000		2	SEAL, D-S, VERTICAL	
13	FB3 - 0714 - 000		1	SEAL, D-S, FRONT	
14	FB3 - 0715 - 000		1	SHEET, SHUTTER CLEANING	
15	FB3 - 0716 - 000		1	SEAL, OPEN GUIDE, 2	
16	FB3 - 0718 - 000		1	SEAL, D-S, REAR	
17	FB3 - 0721 - 000		1	PLATE, SEAL GUIDE	
18	FB3 - 0722 - 000		3	SEAL, GEAR	
19	FB3 - 0724 - 000		1	ARM, SHUTTER PRESSURE	
20	FB3 - 0726 - 000		1	ROLLER, REAR	
21	FB3 - 0788 - 000		1	SEAL, POSITIONING	
22	FF5 - 3907 - 020		1	COVER, DEVELOPING	
22 A	FB3 - 0712 - 000		1	SEAL, L-S	
22 B	FB3 - 0719 - 020		2	SEAL, BLADE	
22 C	FB3 - 0725 - 000		1	SEAL, SHUTTER, 1	
22 D	FB3 - 0727 - 000		2	SEAL, DEVELOPING COVER	
22 E	FB3 - 0728 - 000		2	SEAL, SHUTTER, 2	
23	FF5 - 3908 - 000		1	SHUTTER	
23 A	FB3 - 0710 - 000		2	SEAL, SHUTTER, VERTICAL	

FIGURE & KEY NO.	PART NUMBER	R A N K	Q' T Y	DESCRIPTION	SERIAL NUMBER / REMARKS
640 - 23 B	FB3 - 0720 - 000		2	SEAL, SHUTTER, HORIZONTAL	
24	FF5 - 3910 - 020		1	SUPPORT, DEV. CYLINDER, FRONT	
25	FF5 - 3913 - 000		1	ROD, ANTENA STIRRING	
26	FS5 - 1530 - 000		3	BUSHING	
27	FS5 - 6394 - 000		1	SPACER, SLEEVE	
28	FS6 - 0437 - 000		1	GEAR, 18T	
29	FS6 - 0439 - 000		1	GEAR, 14T	
30	FS6 - 0440 - 000		1	GEAR, 67T	
31	FS6 - 0442 - 000		1	GEAR, 14T/38T	
32	FS6 - 0443 - 000		1	GEAR, 15T/18T/37T	
33	FS6 - 0445 - 000		1	GEAR, 15T	
34	FS6 - 0446 - 000		2	GEAR, 14T	
35	FS6 - 2238 - 000		1	SPRING, TENSION	
36	XA9 - 0942 - 000		3	SCREW, M3X6	
37	XG9 - 0177 - 000		2	BALL BEARING	
501	XB4 - 7300 - 809		7	SCREW, TAPPING, TRUSS HEAD, M3X8	
502	XB4 - 7301 - 009		4	SCREW, TAPPING, TRUSS HEAD, M3X10	
503	XD2 - 1100 - 502		1	RING, E	

FIGURE 810 FIXING ASSEMBLY

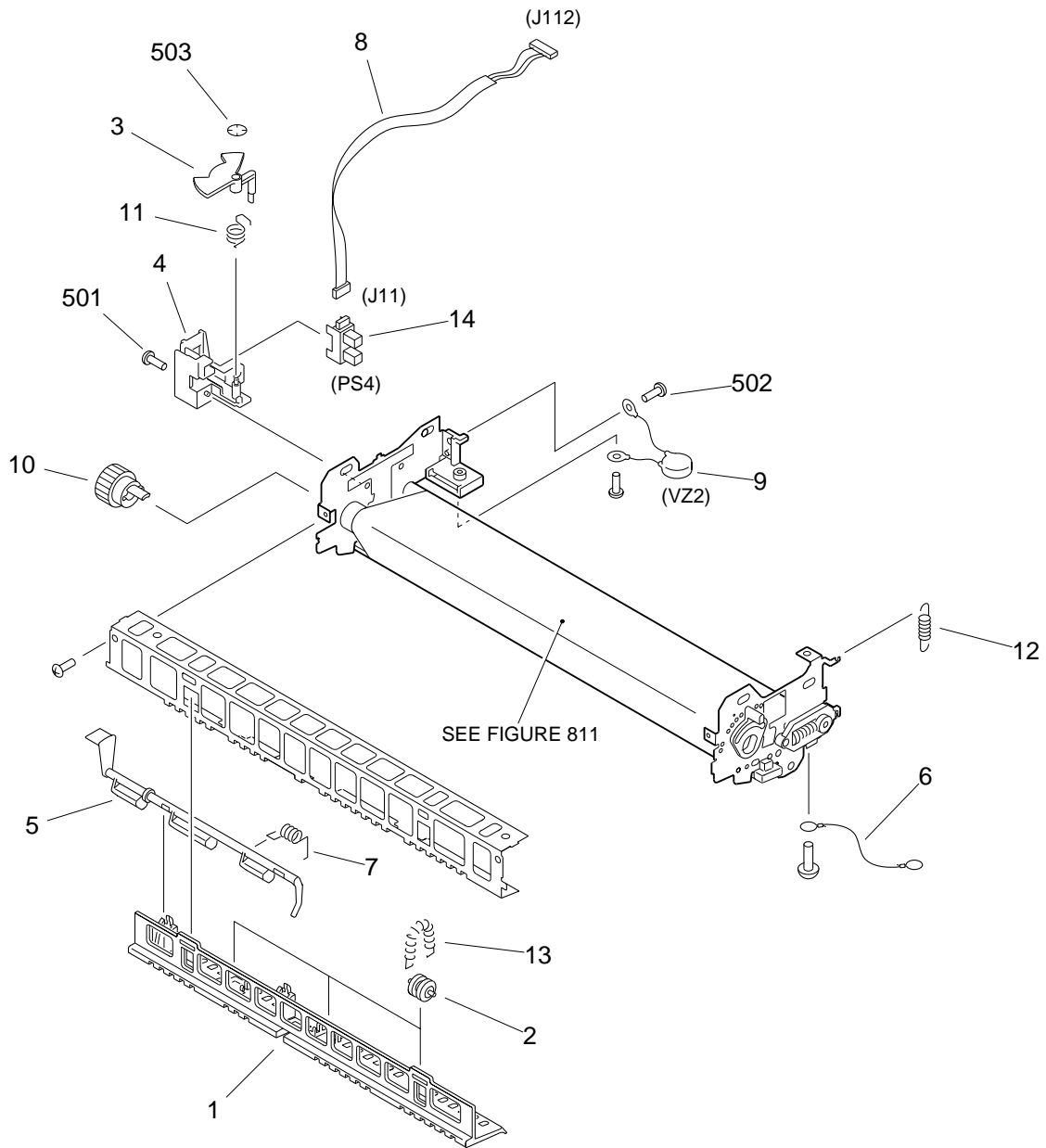


FIGURE & KEY NO.	PART NUMBER	RANK	QTY	DESCRIPTION	SERIAL NUMBER / REMARKS
810 -	FG5 - 3492 - 090		1	FIXING ASSEMBLY	120V
	FG5 - 3493 - 090		1	FIXING ASSEMBLY	220V
	1 FB2 - 5015 - 000		1	GUIDE, UPPER, DELIVERY	
2	FB2 - 5016 - 000		3	ROLLER	
3	FB2 - 5019 - 020		1	FLAG, POSITIONING SENSOR	
4	FB2 - 5020 - 000		1	HOLDER, SENSOR	
5	FB2 - 5021 - 000		1	FLAG, PAPER SENSING	
6	FB2 - 5022 - 000		1	WIRE	
7	FB2 - 5070 - 000		1	SPRING, TORSION	
8	FF2 - 9733 - 000		1	CABLE, SENSOR	J11,112
9	FF2 - 9779 - 000		1	VARISTOR	VZ2
10	FS5 - 0914 - 000		1	GEAR, 17T	
11	FS5 - 2794 - 000		1	SPRING, TORSION	
12	FS5 - 2795 - 000		1	SPRING, TENSION	
13	FS5 - 2796 - 000		3	SPRING, TENSION	
14	WG8 - 5001 - 000		1	PHOTO-INTERRUPTER, TLP1231	PS4 J11
501	XB1 - 2300 - 409		6	SCREW,MACH.,TRUSS HEAD,M3X4	
502	XB2 - 6300 - 607		2	SCREW,W/WASHER,M3X6	
503	XD2 - 2300 - 202		1	RING,TOOTHED LOCK	

FIGURE 811 FIXING FILM REPLACEMENT KIT

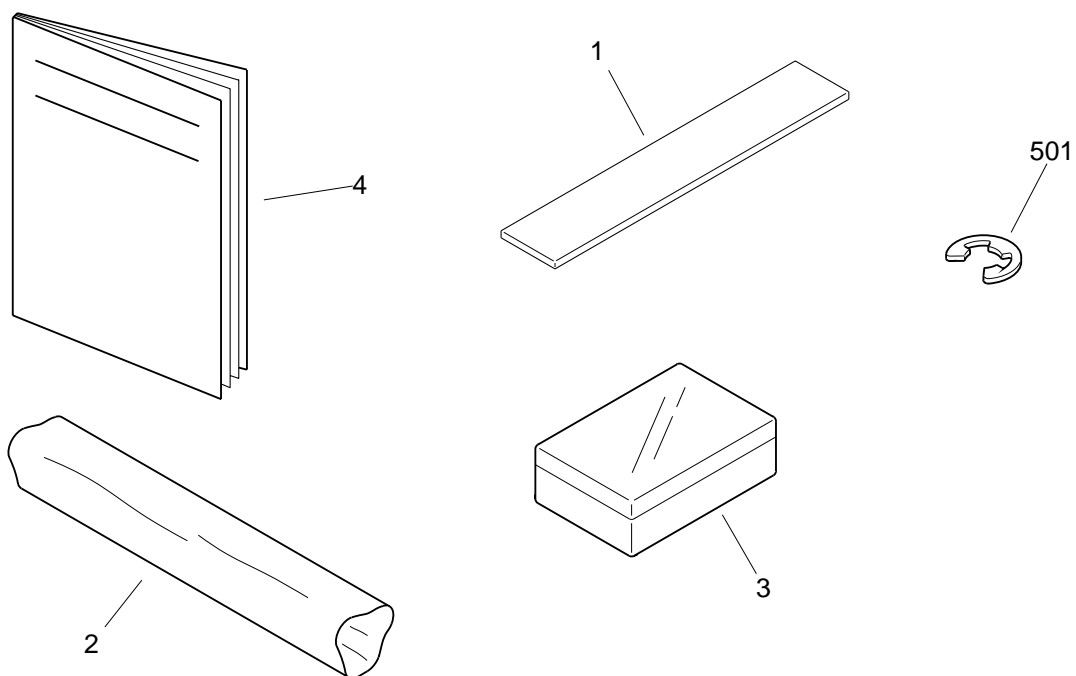
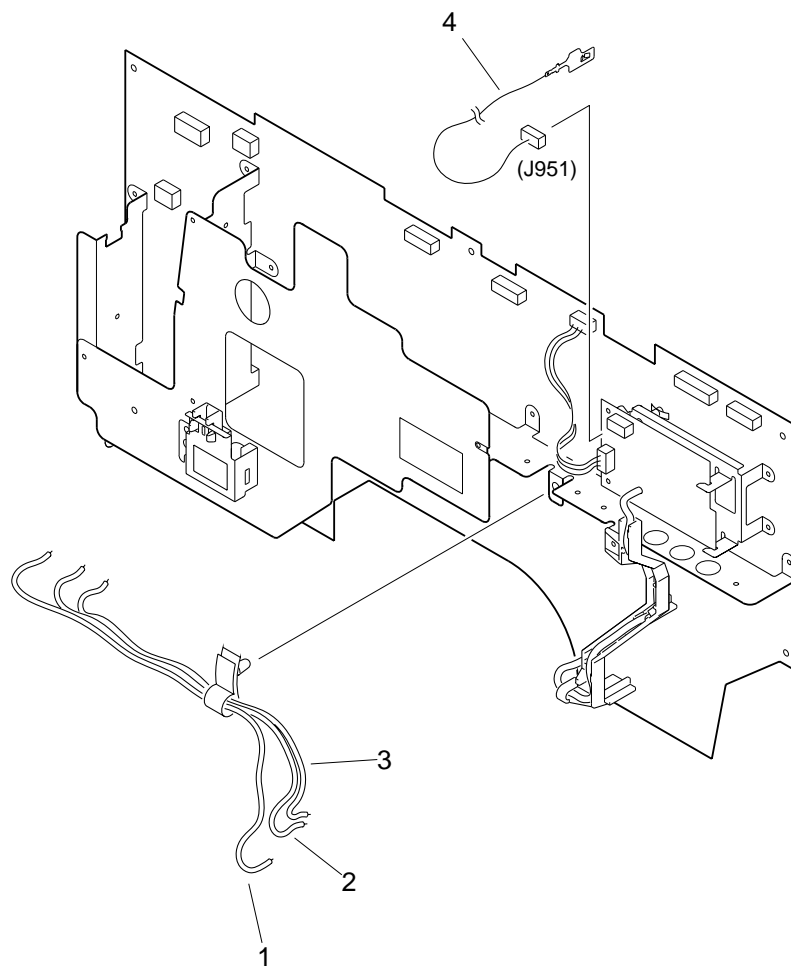


FIGURE & KEY NO.	PART NUMBER	RANK	QTY	DESCRIPTION	SERIAL NUMBER / REMARKS
811 -	FG5 - 3516 - 000		1	FIXING FILM REPLACEMENT KIT	10 SET / KIT
1	NPN		1	SPATULA	
2	NPN		1	FIXING FILM	
3	NPN		1	COATING GREASE	
4	NPN		1	FILM REPLACEMENT PROCEDURE	
501	XD2 - 1100 - 502		1	RING,E	

FIGURE 910 DC POWER SUPPLY PCB ASSEMBLY

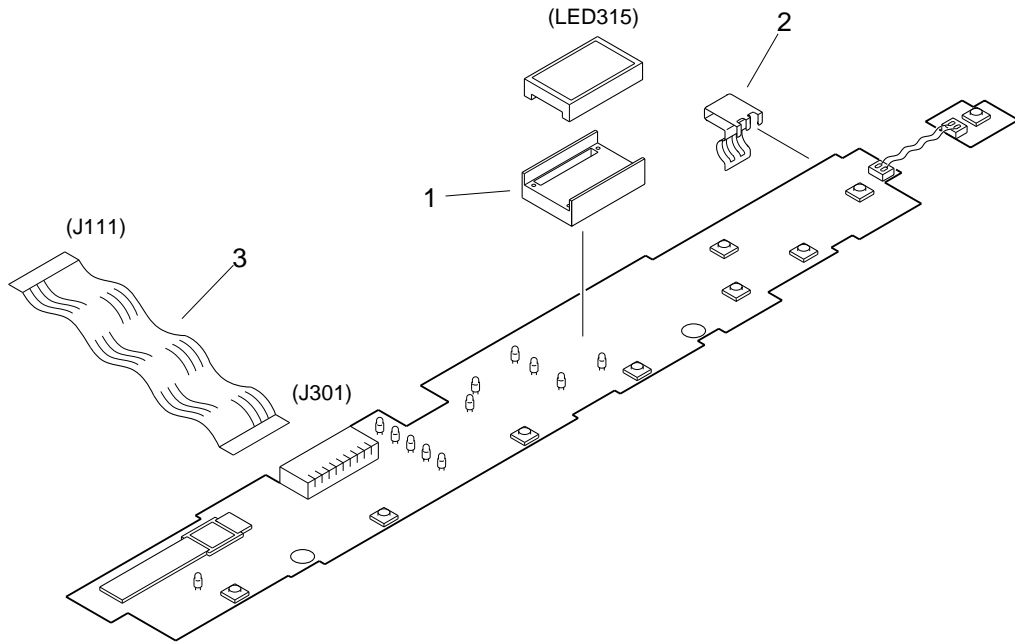


NOTE: This assembly does not include the part shown with key No.4.

FIGURE & KEY NO.	PART NUMBER	RANK	QTY	DESCRIPTION	SERIAL NUMBER / REMARKS
910 -	FG6 - 0076 - 000		1	DC POWER SUPPLY PCB ASSEMBLY	120V
	FG6 - 0077 - 000		1	DC POWER SUPPLY PCB ASSEMBLY	220V
	1 FF2 - 9772 - 000		1	CABLE, HIGH VOLTAGE, 1	
2	FF2 - 9773 - 000		1	CABLE, HIGH VOLTAGE, 2	
3	FF2 - 9774 - 000		1	CABLE, HIGH VOLTAGE, 3	
4	FF3 - 0476 - 000		1	CABLE, ANTENNA	SEE NOTE J951
FU102	VD7 - 0215 - 001		1	FUSE, 125V, 5A	120V
	VD7 - 0642 - 501		1	FUSE	220V
	WD9 - 5037 - 000		2	HOLDER, FUSE, H-0060	
J205	FF2 - 9775 - 000		1	CABLE, MOTOR	
J214	FF3 - 0475 - 000		1	CABLE, TONER SENSOR	
J952	FF3 - 0477 - 000		1	CABLE, BIAS	
L101	FH3 - 7170 - 000		1	COIL, CHOKE	120V
	FH3 - 7195 - 000		1	CHOKE COIL, SN14-8000	220V
L401	FH3 - 7169 - 000		1	COIL, CHOKE	
Q501	FF3 - 0416 - 000		1	IC, UPD18001GC-120-3BH, HYBRID	
R303	FH4 - 9169 - 000		1	RESISTOR, 44MOHM, 0.091W	
R306	RH6 - 3069 - 000		1	RESISTOR, 40MOHM, 0.625W	
R313	FH9 - 0367 - 000		1	RESISTOR, 100 OHM, 1W	
R316	FH9 - 0367 - 000		1	RESISTOR, 100 OHM, 1W	
R322	FH4 - 9163 - 000		1	RESISTOR, 2MOHM, 0.85W	
R328	FH4 - 9186 - 000		1	RESISTOR, 16.9MOHM, 1/10W	
R413	RH6 - 3069 - 000		1	RESISTOR, 40MOHM, 0.625W	
R414	RH6 - 3069 - 000		1	RESISTOR, 40MOHM, 0.625W	
RL101	FH7 - 6197 - 000		1	RELAY	
T101	FH3 - 0732 - 000		1	TRANSFORMER, AC	120V
	FH3 - 0733 - 000		1	TRANSFORMER, AC	220V
T102	FH3 - 0779 - 000		1	TRANSFORMER, CONVERTER	120V
	FH3 - 0780 - 000		1	TRANSFORMER, CONVERTER	220V
T103	FH3 - 0667 - 000		1	TRANSFORMER	

FIGURE & KEY NO.	PART NUMBER	R A N K	Q' T Y	DESCRIPTION	SERIAL NUMBER / REMARKS
910 - T104	FH3 - 0665 - 000		1	TRANSFORMER	120V
	FH3 - 0666 - 000		1	TRANSFORMER	220V
T201	FH3 - 0668 - 000		1	TRANSFORMER	
T301	FH3 - 0569 - 000		1	TRANSFORMER, INVERTER	
T302	FH3 - 0660 - 000		1	TRANSFORMER	
T401	FH3 - 0734 - 000		1	TRANSFORMER, TRANSFER	
T402	FH3 - 0735 - 000		1	TRANSFORMER	

FIGURE 915 CONTROL PANEL PCB ASSEMBLY



NOTE1: This assembly is included in the assembly shown in Figure 130.
 NOTE2: This assembly does not include the part shown with key No.3.

FIGURE & KEY NO.	PART NUMBER	RANK	QTY	DESCRIPTION	SERIAL NUMBER / REMARKS
915 - 1 2 3	FG5 - 5497 - 000		1	CONTROL PANEL PCB ASSEMBLY	NP6412 SEE NOTE 1
	FG5 - 5469 - 000		1	CONTROL PANEL PCB ASSEMBLY	
	FB2 - 4900 - 000		1	SPACER	
	FB2 - 4901 - 000		1	PLATE, GROUNDING	
	FH2 - 6231 - 000		1	CABLE, FLAT	SEE NOTE 2
LED315	FH7 - 3277 - 000		1	LED, 7 SEGMENT	

FIGURE 930 DC CONTROLLER PCB ASSEMBLY

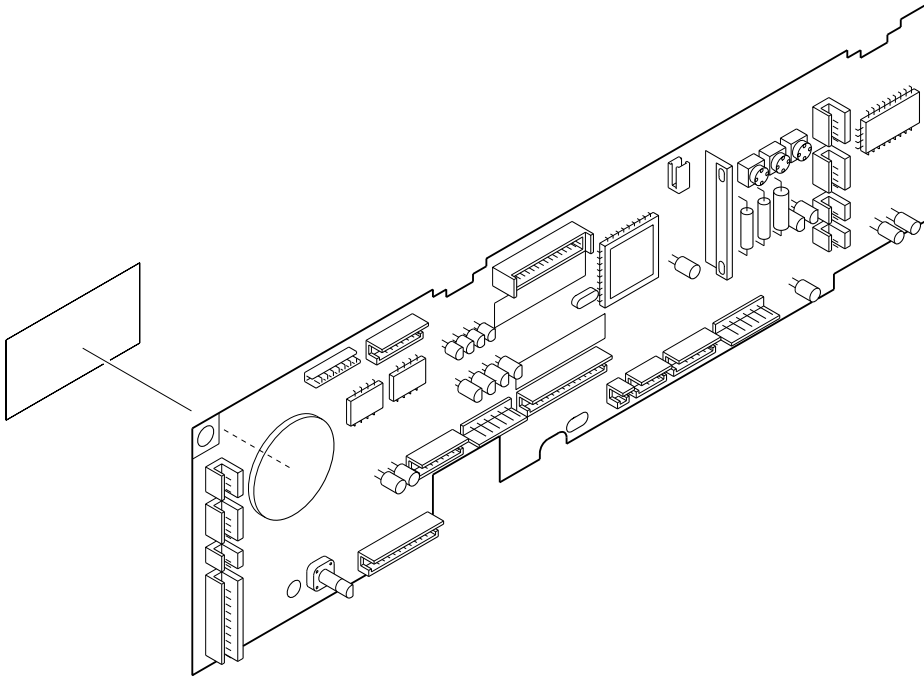


FIGURE & KEY NO.	PART NUMBER	RANK	QTY	DESCRIPTION	SERIAL NUMBER / REMARKS
930 -	FG5 - 5505 - 020		1	DC CONTROLLER PCB ASSEMBLY	NP6412 120V
	FG5 - 5490 - 020		1	DC CONTROLLER PCB ASSEMBLY	NP6412 120V PGP TYPE
	FG5 - 5489 - 020		1	DC CONTROLLER PCB ASSEMBLY	NP6412 220V
	FG5 - 5507 - 020		1	DC CONTROLLER PCB ASSEMBLY	NP6412F 120V PGP TYPE
BAT 1	WK1 - 0082 - 000		1	BATTERY, LITIUM	
Q1 01	FH4 - 1251 - 090		1	IC, HD6433042T12F, CPU	
Q1 42	FH9 - 0483 - 000		1	TRANSISTOR, 2SD1929	
Q1 43	FH9 - 0483 - 000		1	TRANSISTOR, 2SD1929	
Q1 44	FH9 - 0483 - 000		1	TRANSISTOR, 2SD1929	
Q1 45	FH9 - 0483 - 000		1	TRANSISTOR, 2SD1929	
Q1 63	FH9 - 0483 - 000		1	TRANSISTOR, 2SD1929	
Q1 64	FH9 - 0483 - 000		1	TRANSISTOR, 2SD1929	
Q1 80	FH9 - 0483 - 000		1	TRANSISTOR, 2SD1929	
Q1 85	FH9 - 0483 - 000		1	TRANSISTOR, 2SD1929	
X1 01	FH6 - 3494 - 000		1	OSCILLATOR, CRYSTAL	

FIGURE 935 ADF CONTROLLER PCB ASSEMBLY (NP6412F)

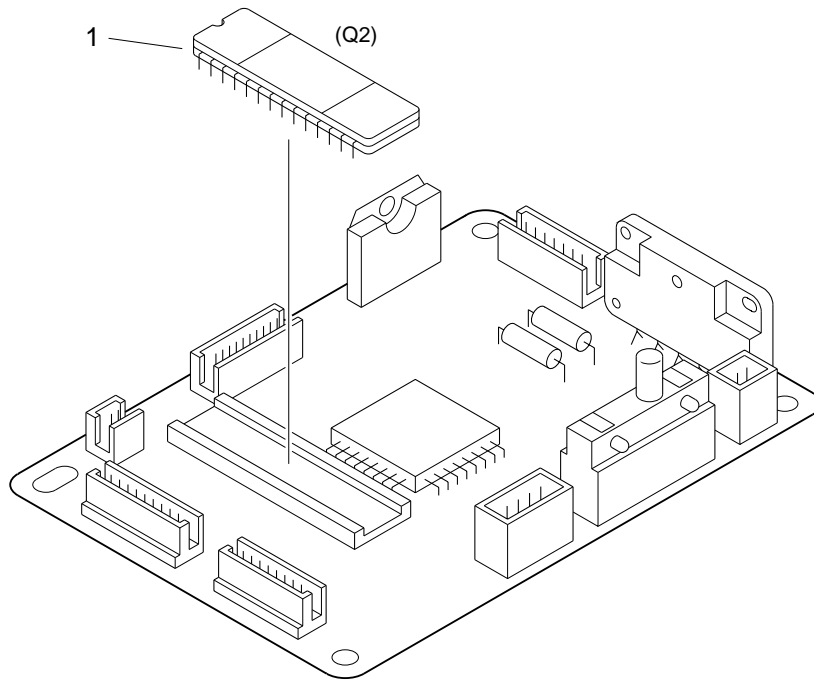


FIGURE & KEY NO.	PART NUMBER	RANK	QTY	DESCRIPTION	SERIAL NUMBER / REMARKS
935 -	FG2 - 9891 - 000		1	ADF DC CONTROLLER PCB ASSEMBLY	NP6412F
1	FF3 - 3126 - 000		1	IC, M27C256B-15F1, EP-ROM	Q2

FIGURE 940 NOISE FILTER PCB ASSEMBLY

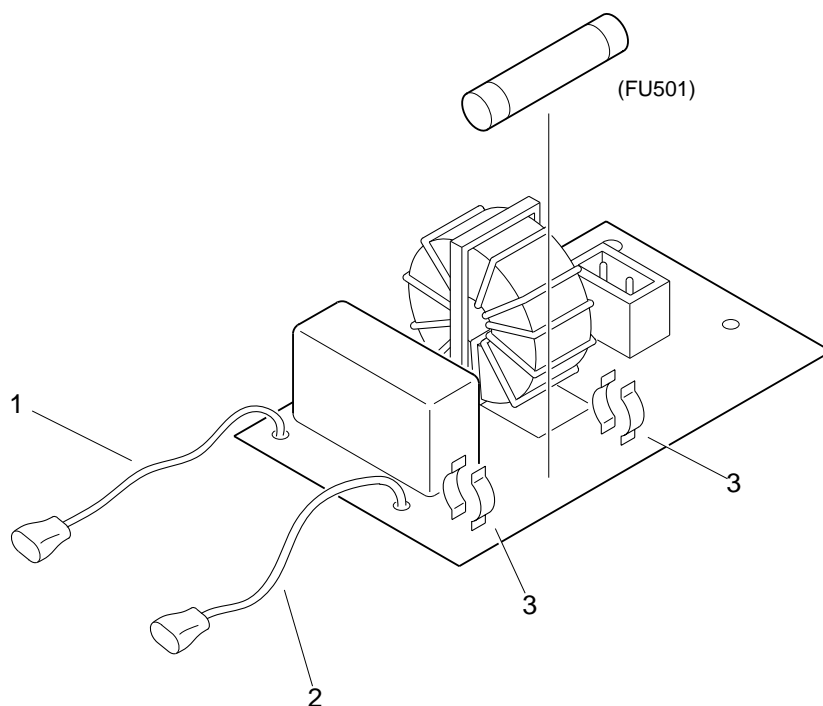


FIGURE & KEY NO.	PART NUMBER	RANK	QTY	DESCRIPTION	SERIAL NUMBER / REMARKS	
940 -	FG5 - 3543 - 000		1	NOISE FILTER PCB ASSEMBLY	120V	
	FG5 - 3544 - 000		1	NOISE FILTER PCB ASSEMBLY	220V	
	1	FF2 - 9769 - 000		1	CABLE, INLET, 1	
	2	FF2 - 9770 - 000		1	CABLE, INLET, 2	
	3	WD9 - 5028 - 000		2	HOLDER, FUSE	
FU501	VD7 - 0461 - 202		1	FUSE, 125V, 12A	120V	
	VD7 - 1506 - 301		1	FUSE, 250V, 6.3A	220V	
L501	FH9 - 0484 - 000		1	NOISE FILTER, NCN012	120V	
	VL5 - 0390 - 086		1	NOISE FILTER, SC-05-80J	220V	

FIGURE B LIST OF CONNECTORS(1/2)

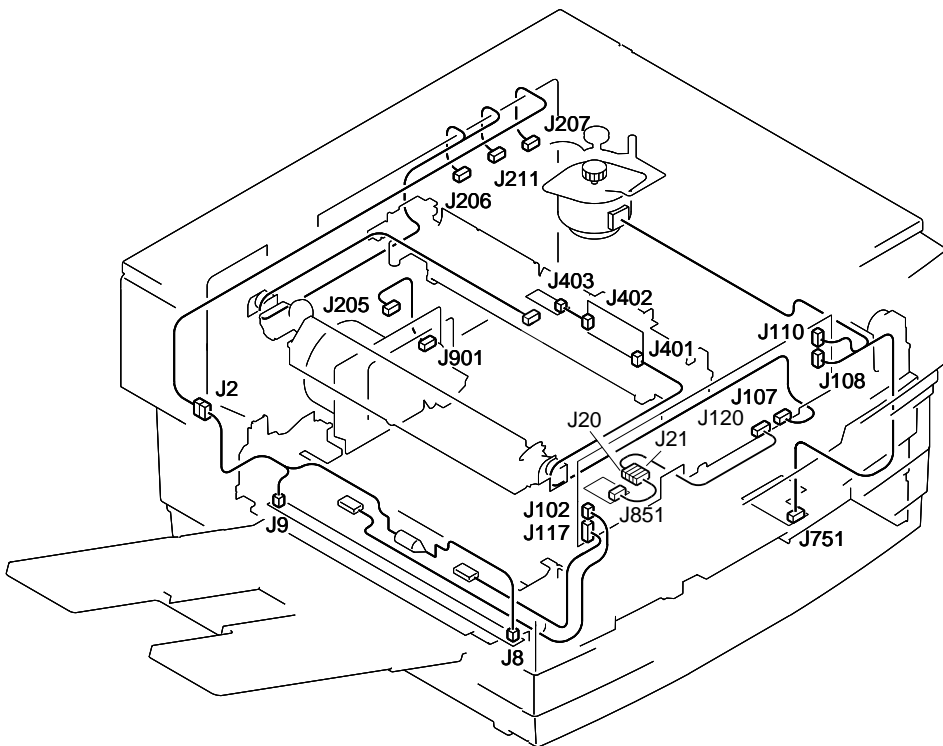
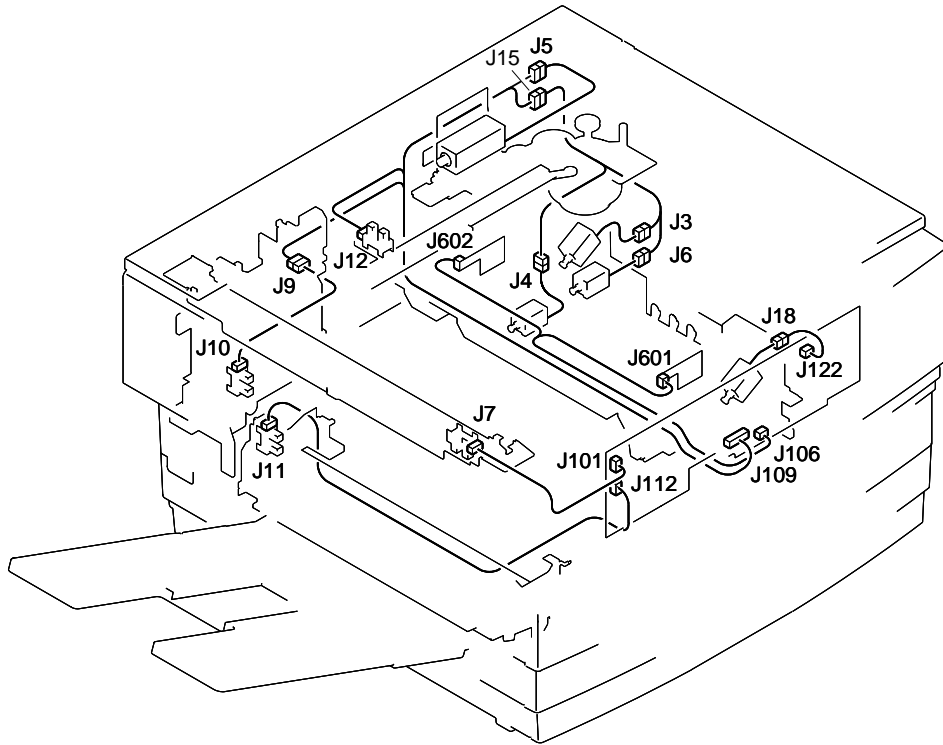
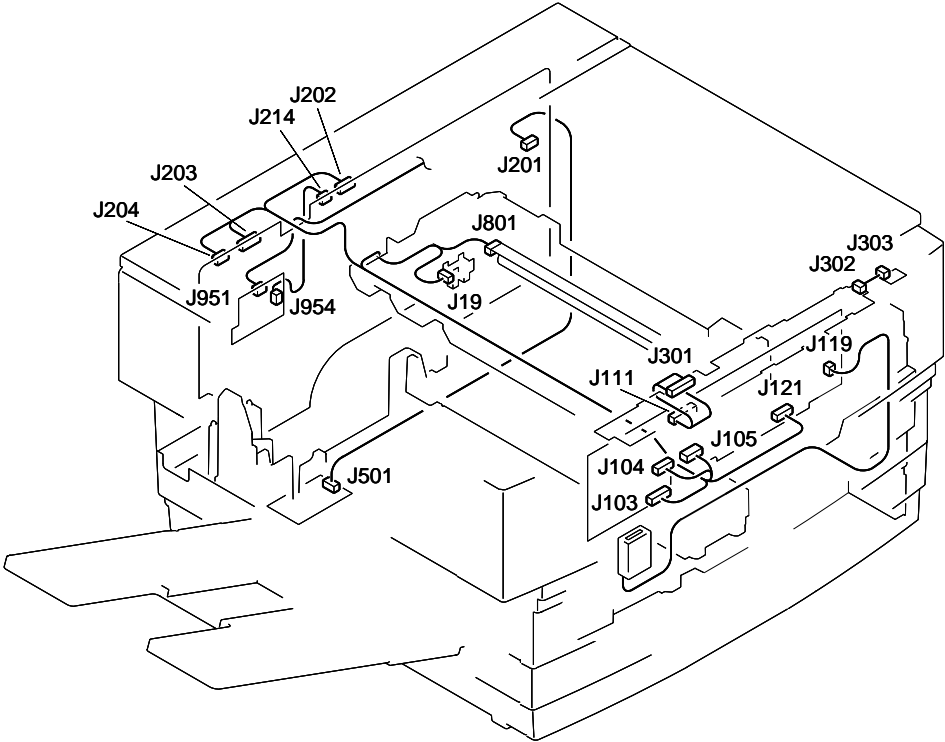


FIGURE B LIST OF CONNECTORS(2/2)



NP6412F

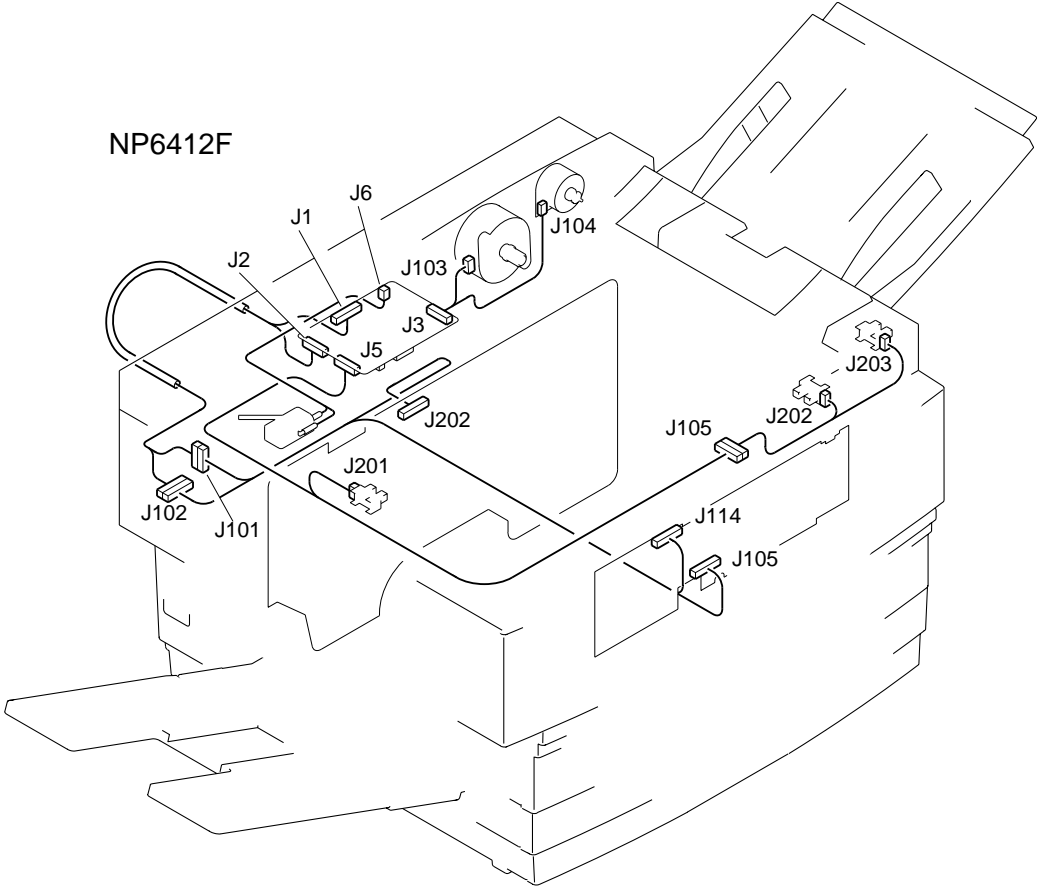


FIGURE & KEY NO.	PART NUMBER	RANK	QTY	DESCRIPTION	SERIAL NUMBER / REMARKS
B -	NPN		RF	LIST OF CONNECTORS	
J 1	PCB			ADF CONTROLLER	NP6412F
	VS3 - 5083 - 004		1	CONNECTOR, 4P, FEMALE	NP6412F
	WS3 - 5160 - 000		4	SOCKET CONTACT, 18-24AWG	NP6412F
J 2	WS3 - 5174 - 000		2	SOCKET CONTACT, 16-20AWG	
	WS3 - 5352 - 000		1	CONNECTOR, 2P, FEMALE	
	WS3 - 5353 - 000		1	CONNECTOR, 2P, MALE	
	WS3 - 5354 - 000		2	PIN CONTACT, 16-20AWG	
	PCB			ADF CONTROLLER	NP6412F
	VS1 - 0842 - 008		1	CONNECTOR, 8P, FEMALE	NP6412F
J 3	NPN			PAPER PICK-UP CLUTCH SOLENOID	SL1
	VS1 - 0842 - 002		1	CONNECTOR, 2P, FEMALE	
	VS1 - 5057 - 002		1	CONNECTOR, SNAP TIGHT	
	PCB			ADF CONTROLLER	NP6412F
	VS1 - 0842 - 007		1	CONNECTOR, 7P, FEMALE	NP6412F
J 4	NPN			REGIST. CLUTCH SOLENOID	SL2
	VS1 - 0842 - 002		1	CONNECTOR, 2P, FEMALE	
	VS1 - 5057 - 002		1	CONNECTOR, SNAP TIGHT	
J 5	NPN			LENS DRIVE SOLENOID	SL3
	VS1 - 0842 - 002		1	CONNECTOR, 2P, FEMALE	
	VS1 - 5057 - 002		1	CONNECTOR, SNAP TIGHT	
	PCB			ADF CONTROLLER	NP6412F
	VS1 - 0842 - 009		1	CONNECTOR, 9P, FEMALE	NP6412F
J 6	NPN			MULTI FEED P. PICK-UP SOLENOID	SL4
	VS1 - 0842 - 003		1	CONNECTOR, 3P, FEMALE	
	VS1 - 5057 - 003		1	CONNECTOR, SNAP TIGHT	
	PCB			ADF CONTROLLER	NP6412F
	VS3 - 5083 - 002		1	CONNECTOR, 2P, FEMALE	NP6412F
	WS3 - 5160 - 000		2	SOCKET CONTACT, 18-24AWG	NP6412F
J 7	NPN			SCANNER HOME POSITION SENSOR	PS1

FIGURE & KEY NO.	PART NUMBER	R A N K	Q' T Y	DESCRIPTION	SERIAL NUMBER / REMARKS
B - J 7	VS1 - 0842 - 003		1	CONNECTOR, 3P, FEMALE	H1
J 8	NPN			FIXING HEATER	
	FH2 - 5795 - 000		1	SOCKET CONTACT, 18-22AWG	
	FH2 - 5796 - 000		1	SLEEVE, CONTACT	
J 9	VS1 - 0842 - 003		2	CONNECTOR, 3P, FEMALE	
	VS1 - 5057 - 003		1	CONNECTOR, SNAP TIGHT	H1
	NPN			FIXING HEATER	
	FH2 - 5795 - 000		1	SOCKET CONTACT, 18-22AWG	
	FH2 - 5796 - 000		1	SLEEVE, CONTACT	
J 10	NPN			PAPER DELIVERY SENSOR	PS3
J 11	VS1 - 0842 - 003		1	CONNECTOR, 3P, FEMALE	PS4
	NPN			FIXING FILM SENSOR	
	VS1 - 0842 - 003		1	CONNECTOR, 3P, FEMALE	PS2
J 12	NPN			LENS HOME POSITION SENSOR	
	VS1 - 0842 - 003		1	CONNECTOR, 3P, FEMALE	
J 15	VS1 - 0842 - 006		2	CONNECTOR, 6P, FEMALE	PS5
	VS1 - 5057 - 006		1	CONNECTOR, SNAP TIGHT	
J 19	NPN			WASTE TONER SENSOR	
	VS1 - 0842 - 003		1	CONNECTOR, 3P, FEMALE	
J 20	VS1 - 0842 - 007		1	CONNECTOR, 7P, FEMALE	PGP TYPE
J 21	WS6 - 5092 - 000		1	CONNECTOR, 14P, MALE	PGP TYPE
	VS1 - 0842 - 011		1	CONNECTOR, 7P, FEMALE	PGP TYPE
	WS6 - 5092 - 000		1	CONNECTOR, 14P, MALE	PGP TYPE
J 101	PCB			DC CONTROLLER	
	VS1 - 0842 - 003		1	CONNECTOR, 3P, FEMALE	
J 102	VS1 - 0279 - 004		1	CONNECTOR, 4P, FEMALE	NP6412F
	VS3 - 0108 - 004		1	CONNECTOR, 4P, MALE	NP6412F
	WS3 - 0885 - 000		4	PIN CONTACT, 20-30AWG	NP6412F
	WS4 - 0181 - 000		4	PIN CONTACT	NP6412F
J 102	PCB			DC CONTROLLER	

FIGURE & KEY NO.	PART NUMBER	RANK	QTY	DESCRIPTION	SERIAL NUMBER / REMARKS
B - J 1 0 2	NPN			CENTER FIXING THERMISTOR	TH1
	VS1 - 0842 - 008		2	CONNECTOR, 8P, FEMALE	NP6412F
	VS1 - 5057 - 008		1	CONNECTOR, SNAP TIGHT	NP6412F
J 1 0 3	PCB			DC CONTROLLER	
	VS1 - 0842 - 012		1	CONNECTOR, 12P, FEMALE	
J 1 0 4	NPN			BELT DRIVE MOTOR	NP6412F M1
	VS1 - 0842 - 005		1	CONNECTOR, 5P, FEMALE	NP6412F
	PCB			DC CONTROLLER	
	VS1 - 0842 - 007		1	CONNECTOR, 7P, FEMALE	
	NPN			PICK-UP DRIVE MOTOR	NP6412F M2
J 1 0 5	VS1 - 0842 - 002		1	CONNECTOR, 2P, FEMALE	NP6412F
	PCB			DC CONTROLLER	
	VS1 - 0279 - 006		1	CONNECTOR, 6P, FEMALE	
	WS3 - 0437 - 000		6	SOCKET CONTACT, 20-30AWG	
	VS1 - 0842 - 006		2	CONNECTOR, 6P, FEMALE	NP6412F
J 1 0 6	VS1 - 5057 - 006		1	CONNECTOR, SNAP TIGHT	NP6412F
	PCB			DC CONTROLLER	
	VS1 - 5824 - 002		1	CONNECTOR, 2P, FEMALE	
	WS3 - 5358 - 000		2	SOCKET CONTACT, 22-26AWG	
J 1 0 7	PCB		DC CONTROLLER		
J 1 0 8	VS1 - 0279 - 005		1	CONNECTOR, 5P, FEMALE	
	WS3 - 0437 - 000		5	SOCKET CONTACT, 20-30AWG	
	PCB			DC CONTROLLER	
J 1 0 9	VS1 - 0842 - 005		1	CONNECTOR, 5P, FEMALE	
J 1 0 9	PCB			DC CONTROLLER	
J 1 1 0	VS1 - 0842 - 014		1	CONNECTOR, 14P, FEMALE	
	PCB			DC CONTROLLER	
J 1 1 1	NPN			SCANNER MOTOR	M2
	PCB			DC CONTROLLER	
	FH2 - 6231 - 000		1	CABLE, FLAT	

FIGURE & KEY NO.	PART NUMBER	RANK	QTY	DESCRIPTION	SERIAL NUMBER / REMARKS
B - J 1 1 2	PCB			DC CONTROLLER	
	VS1 - 0842 - 004		1	CONNECTOR, 4P, FEMALE	
J 1 1 4	PCB			DC CONTROLLER	NP6412F
	VS1 - 0842 - 008		1	CONNECTOR, 8P, FEMALE	NP6412F
J 1 1 7	PCB			DC CONTROLLER	

	NPN			FIXING SIDE THERMISTOR	TH2
J 1 1 9	PCB			DC CONTROLLER	
	NPN			TOTAL COUNTER	CNT1
J 1 2 0	PCB			DC CONTROLLER	
	VS1 - 0842 - 006		1	CONNECTOR, 6P, FEMALE	

J 1 2 1	PCB			DC CONTROLLER	
	VS1 - 0842 - 005		1	CONNECTOR, 5P, FEMALE	
J 1 2 2	PCB			DC CONTROLLER	
	NPN			BLANK EXPOSURE SOLENOID	SL5
J 2 0 1	PCB			DC POWER SUPPLY	

	WS3 - 5174 - 000		2	SOCKET CONTACT, 16-20AWG	
	WS3 - 5175 - 000		1	CONNECTOR, 2P, FEMALE	
	NPN			PAPER DELIVERY SENSOR	NP6412F PI1
	VS1 - 0842 - 003		1	CONNECTOR, 3P, FEMALE	NP6412F
J 2 0 2	PCB			DC POWER SUPPLY	

	VS3 - 5083 - 006		1	CONNECTOR, 6P, FEMALE	
	WS3 - 5160 - 000		6	SOCKET CONTACT, 18-24AWG	
	NPN			REGISTRATION SENSOR	NP6412F PI2
	VS1 - 0842 - 003		1	CONNECTOR, 3P, FEMALE	NP6412F
J 2 0 3	PCB			DC POWER SUPPLY	

	VS1 - 0842 - 012		1	CONNECTOR, 12P, FEMALE	
	NPN			PAPER PICK-UP SENSOR	NP6412F PI3
	VS1 - 0852 - 003		1	CONNECTOR, 3P, FEMALE	NP6412F
J 2 0 4	PCB			DC POWER SUPPLY	
	VS1 - 0842 - 007		1	CONNECTOR, 7P, FEMALE	

FIGURE & KEY NO.	PART NUMBER	RANK	QTY	DESCRIPTION	SERIAL NUMBER / REMARKS
B - J 2 0 5	PCB			DC POWER SUPPLY	
	VS1 - 0861 - 006		1	CONNECTOR, 6P, MALE	
J 2 0 6	PCB			DC POWER SUPPLY	
	VS1 - 0279 - 006		1	CONNECTOR, 6P, FEMALE	
	WS3 - 0437 - 000		4	SOCKET CONTACT, 20-30AWG	
J 2 0 7	PCB			DC POWER SUPPLY	
	WS3 - 5174 - 000		2	SOCKET CONTACT, 16-20AWG	
	WS3 - 5175 - 000		1	CONNECTOR, 2P, FEMALE	
J 2 1 1	PCB			DC POWER SUPPLY	
	VS3 - 5083 - 003		1	CONNECTOR, 3P, FEMALE	
J 2 1 4	WS3 - 5160 - 000		2	SOCKET CONTACT, 18-24AWG	
	PCB			DC POWER SUPPLY	
	VS1 - 0861 - 003		1	CONNECTOR, 3P, FEMALE	
J 3 0 1	PCB			CONTROL PANEL	
	FH2 - 6231 - 000		1	CABLE, FLAT	
J 3 0 2	PCB			CONTROL PANEL	
	VS1 - 0978 - 002		1	CONNECTOR, 2P, MALE	
J 3 0 3	PCB			CONTROL PANEL	
	VS1 - 0978 - 002		1	CONNECTOR, 2P, MALE	
J 4 0 1	PCB			INTENSITY / AE SENSOR	
J 4 0 2	VS1 - 0279 - 005		1	CONNECTOR, 5P, FEMALE	
	WS3 - 0437 - 000		5	SOCKET CONTACT, 20-30AWG	
	PCB			INTENSITY / AE SENSOR	
J 4 0 3	VS1 - 0978 - 002		1	CONNECTOR, 2P, MALE	
	PCB			INTENSITY / AE SENSOR	
J 5 0 1	VS1 - 0978 - 002		1	CONNECTOR, 2P, MALE	
	PCB			NOISE FILTER	
	WS3 - 5174 - 000		2	SOCKET CONTACT, 16-20AWG	
J 6 0 1	WS3 - 5175 - 000		1	CONNECTOR, 2P, FEMALE	
	PCB			SIDE BLANK	

FIGURE & KEY NO.	PART NUMBER	RANK	QTY	DESCRIPTION	SERIAL NUMBER / REMARKS	
B - J 6 0 1	VS1 - 5824 - 002		1	CONNECTOR, 2P, FEMALE		
	WS3 - 5358 - 000		2	SOCKET CONTACT, 22-26AWG		
	J 6 0 2	PCB			SIDE BLANK	
		VS1 - 5824 - 002		1	CONNECTOR, 2P, FEMALE	
	WS3 - 5358 - 000		2	SOCKET CONTACT, 22-26AWG		
J 7 5 1	PCB			SENSOR BOARD		
	VS1 - 0842 - 005		1	CONNECTOR, 5P, FEMALE		
J 8 0 1	PCB			BLANK EXPOSURE LAMP		
	VS1 - 0842 - 002		1	CONNECTOR, 2P, FEMALE		
J 8 5 1	PCB			PGP BOARD	PGP TYPE	
J 9 0 1	VS1 - 0861 - 006		1	CONNECTOR, 6P, MALE	PGP TYPE	
	NPN			MAIN MOTOR	M1	
	VS1 - 0842 - 006		1	CONNECTOR, 6P, FEMALE		
J 9 5 1	PCB			TONER SENSING		
	VS1 - 5824 - 002		1	CONNECTOR, 2P, FEMALE		
J 9 5 4	WS3 - 5358 - 000		2	SOCKET CONTACT, 22-26AWG		
	PCB			TONER SENSING		
	VS1 - 0842 - 003		1	CONNECTOR, 3P, FEMALE		

D NUMERICAL INDEX

PART NUMBER	FIGURE & KEY NO.	PART NUMBER	FIGURE & KEY NO.	PART NUMBER	FIGURE & KEY NO.
FA4 - 1159 - 000	340 - 1	FB2 - 4875 - 000	101 - 2 1	FB2 - 5415 - 020	300 - 1 7
FA5 - 2864 - 020	161 - 1	FB2 - 4877 - 000	101 - 2 2	FB2 - 5420 - 000	300 - 1 8
	290 - 1	FB2 - 4900 - 000	915 - 1	FB2 - 5423 - 000	160 - 3
FA9 - 2568 - 000	102 - 1	FB2 - 4901 - 000	915 - 2	FB2 - 5424 - 000	160 - 4
FA9 - 2873 - 000	161 - 2	FB2 - 4927 - 000	230 - 2	FB2 - 5425 - 000	100 - 1 9
FA9 - 3063 - 000	530 - 1 5 A	FB2 - 4928 - 020	102 - 6	FB2 - 5426 - 000	100 - 2 0
FA9 - 3065 - 000	400 - 1	FB2 - 4929 - 000	102 - 7	FB2 - 5428 - 000	100 - 2 1
FA9 - 3102 - 000	160 - 1	FB2 - 4930 - 000	102 - 8	FB2 - 5434 - 000	300 - 7
	300 - 1		102 - 9	FB2 - 5445 - 000	300 - 1 2
FA9 - 3207 - 000	640 - 1	FB2 - 4933 - 000	102 - 1 0	FB2 - 5487 - 000	100 - 7
FA9 - 3268 - 000	290 - 2	FB2 - 4939 - 000	530 - 5	FB2 - 5500 - 000	100 - 2 2
FB1 - 0715 - 000	400 - 2 0 A	FB2 - 4942 - 000	101 - 2 3	FB2 - 5501 - 030	101 - 2 5
FB1 - 7267 - 000	102 - 2	FB2 - 4943 - 000	101 - 2 4	FB2 - 5502 - 000	100 - 2 3
FB1 - 7270 - 000	102 - 3	FB2 - 5015 - 000	810 - 1	FB2 - 5507 - 000	100 - 3 3 B
FB1 - 7275 - 000	102 - 4	FB2 - 5016 - 000	810 - 2	FB2 - 6043 - 000	300 - 1 9
FB1 - 7283 - 000	100 - 1	FB2 - 5019 - 020	810 - 3	FB2 - 6044 - 000	300 - 2 0
FB1 - 7295 - 000	100 - 3 1 A	FB2 - 5020 - 000	810 - 4	FB3 - 0570 - 000	101 - 2 6
FB1 - 7403 - 000	100 - 2	FB2 - 5021 - 000	810 - 5	FB3 - 0583 - 000	230 - 3
FB1 - 7427 - 000	530 - 1	FB2 - 5022 - 000	810 - 6	FB3 - 0623 - 000	101 - 2 7
FB1 - 7431 - 000	530 - 2	FB2 - 5030 - 000	102 - 1 1	FB3 - 0625 - 000	101 - 4 4 A
FB1 - 8581 - 000	340 - 2	FB2 - 5031 - 000	102 - 1 2	FB3 - 0626 - 000	101 - 2 8
FB1 - 8870 - 000	160 - 2	FB2 - 5032 - 000	102 - 1 3	FB3 - 0627 - 000	101 - 2 9
FB1 - 9766 - 000	100 - 3	FB2 - 5033 - 020	102 - 1 4	FB3 - 0629 - 000	230 - 4
FB2 - 2559 - 000	300 - 2	FB2 - 5034 - 000	102 - 1 5	FB3 - 0630 - 000	101 - 3 0
FB2 - 4603 - 000	101 - 1	FB2 - 5040 - 000	102 - 1 6	FB3 - 0632 - 000	101 - 3 1
FB2 - 4606 - 000	100 - 4	FB2 - 5041 - 000	102 - 1 7	FB3 - 0633 - 000	101 - 3 2
FB2 - 4607 - 000	100 - 5	FB2 - 5042 - 000	102 - 1 8	FB3 - 0639 - 000	101 - 3 3
FB2 - 4610 - 000	101 - 2	FB2 - 5043 - 000	102 - 1 9	FB3 - 0661 - 000	130 - 1
FB2 - 4611 - 000	101 - 3	FB2 - 5052 - 000	240 - 1	FB3 - 0662 - 000	130 - 2
FB2 - 4612 - 000	101 - 4	FB2 - 5054 - 000	100 - 7	FB3 - 0663 - 000	130 - 3
FB2 - 4613 - 000	101 - 5	FB2 - 5055 - 000	100 - 8	FB3 - 0664 - 000	130 - 4
FB2 - 4614 - 000	101 - 6	FB2 - 5058 - 000	101 - 4 3 A	FB3 - 0665 - 000	130 - 5
FB2 - 4616 - 000	220 - 1	FB2 - 5060 - 000	102 - 2 0	FB3 - 0666 - 020	130 - 6
	401 - 1	FB2 - 5070 - 000	810 - 7	FB3 - 0667 - 020	130 - 7
FB2 - 4622 - 020	101 - 7	FB2 - 5153 - 000	530 - 1 5 B	FB3 - 0670 - 000	101 - 3 4
FB2 - 4626 - 000	101 - 8	FB2 - 5156 - 000	530 - 6	FB3 - 0686 - 000	640 - 2
FB2 - 4627 - 000	101 - 9	FB2 - 5159 - 000	530 - 7	FB3 - 0687 - 000	640 - 3
FB2 - 4628 - 000	101 - 1 0	FB2 - 5162 - 000	102 - 2 1	FB3 - 0688 - 000	640 - 4
FB2 - 4629 - 020	101 - 1 1	FB2 - 5163 - 000	102 - 2 2	FB3 - 0691 - 000	640 - 5
FB2 - 4650 - 000	400 - 2	FB2 - 5164 - 000	102 - 2 3	FB3 - 0693 - 000	640 - 6
FB2 - 4651 - 000	400 - 3	FB2 - 5165 - 000	102 - 2 4	FB3 - 0694 - 000	640 - 7
FB2 - 4652 - 000	400 - 4	FB2 - 5169 - 000	530 - 8	FB3 - 0695 - 000	640 - 8
FB2 - 4653 - 000	400 - 5	FB2 - 5175 - 000	100 - 9	FB3 - 0696 - 000	640 - 9
FB2 - 4654 - 000	400 - 6	FB2 - 5177 - 000	100 - 1 0	FB3 - 0697 - 000	640 - 1 0
FB2 - 4655 - 000	400 - 7	FB2 - 5182 - 000	102 - 2 5	FB3 - 0710 - 000	640 - 2 3 A
FB2 - 4658 - 020	400 - 8	FB2 - 5183 - 000	102 - 2 6	FB3 - 0711 - 000	640 - 1 1
FB2 - 4659 - 020	400 - 9	FB2 - 5198 - 000	250 - 1	FB3 - 0712 - 000	640 - 2 2 A
FB2 - 4660 - 000	400 - 1 0	FB2 - 5199 - 000	250 - 2	FB3 - 0713 - 000	640 - 1 2
FB2 - 4662 - 020	400 - 1 1	FB2 - 5206 - 000	100 - 1 1	FB3 - 0714 - 000	640 - 1 3
FB2 - 4663 - 020	400 - 1 2	FB2 - 5210 - 000	100 - 1 2	FB3 - 0715 - 000	640 - 1 4
FB2 - 4664 - 000	400 - 1 3	FB2 - 5212 - 000	100 - 1 3	FB3 - 0716 - 000	640 - 1 5
FB2 - 4665 - 000	400 - 1 4	FB2 - 5213 - 000	100 - 1 4	FB3 - 0718 - 000	640 - 1 6
FB2 - 4666 - 030	400 - 1 5	FB2 - 5214 - 020	100 - 1 5	FB3 - 0719 - 020	640 - 2 2 B
FB2 - 4667 - 020	400 - 1 6	FB2 - 5215 - 020	100 - 1 6	FB3 - 0720 - 000	640 - 2 3 B
FB2 - 4669 - 020	400 - 1 7	FB2 - 5216 - 000	100 - 1 7	FB3 - 0721 - 000	640 - 1 7
	401 - 2	FB2 - 5217 - 000	100 - 1 8	FB3 - 0722 - 000	640 - 1 8
FB2 - 4676 - 000	401 - 3	FB2 - 5221 - 020	102 - 2 7	FB3 - 0724 - 000	640 - 1 9
FB2 - 4677 - 020	401 - 4	FB2 - 5222 - 000	102 - 2 8	FB3 - 0725 - 000	640 - 2 2 C
FB2 - 4678 - 020	401 - 5	FB2 - 5223 - 000	102 - 2 9	FB3 - 0726 - 000	640 - 2 0
FB2 - 4694 - 020	402 - 1	FB2 - 5224 - 000	102 - 3 0	FB3 - 0727 - 000	640 - 2 2 D
FB2 - 4695 - 030	402 - 2	FB2 - 5301 - 000	102 - 3 1	FB3 - 0728 - 000	640 - 2 2 E
FB2 - 4701 - 020	220 - 2	FB2 - 5304 - 000	102 - 3 2	FB3 - 0732 - 000	102 - 4 4
FB2 - 4702 - 000	220 - 3	FB2 - 5305 - 000	102 - 3 3	FB3 - 0736 - 030	101 - 3 5
FB2 - 4703 - 000	220 - 4	FB2 - 5309 - 000	102 - 3 4	FB3 - 0743 - 000	102 - 4 5
FB2 - 4704 - 000	220 - 5	FB2 - 5310 - 000	102 - 3 5	FB3 - 0744 - 000	102 - 4 6
FB2 - 4734 - 000	101 - 1 2	FB2 - 5311 - 000	102 - 3 6	FB3 - 0745 - 000	102 - 4 7
FB2 - 4736 - 000	101 - 1 3	FB2 - 5380 - 030	102 - 3 7	FB3 - 0748 - 000	102 - 4 8
FB2 - 4780 - 000	102 - 5	FB2 - 5381 - 000	102 - 3 8	FB3 - 0774 - 000	450 - 1
FB2 - 4785 - 000	100 - 6	FB2 - 5382 - 000	102 - 3 9	FB3 - 0775 - 000	450 - 2
FB2 - 4790 - 020	100 - 3 3 A	FB2 - 5383 - 020	102 - 4 0	FB3 - 0776 - 000	450 - 3
FB2 - 4791 - 000	100 - 3 2 A	FB2 - 5385 - 000	102 - 4 1	FB3 - 0777 - 000	450 - 4
FB2 - 4792 - 000	101 - 1 4	FB2 - 5388 - 000	102 - 4 2	FB3 - 0778 - 000	450 - 5
FB2 - 4793 - 000	100 - 3 2 B	FB2 - 5392 - 020	102 - 4 3	FB3 - 0779 - 020	450 - 6
FB2 - 4794 - 000	100 - 3 2 C	FB2 - 5402 - 020	300 - 5	FB3 - 0780 - 000	450 - 7
FB2 - 4840 - 000	101 - 1 5	FB2 - 5403 - 020	300 - 6	FB3 - 0781 - 000	450 - 8
FB2 - 4854 - 000	230 - 1	FB2 - 5404 - 020	300 - 7	FB3 - 0782 - 000	450 - 9
FB2 - 4861 - 000	530 - 3	FB2 - 5405 - 000	300 - 8	FB3 - 0784 - 000	450 - 1 0
FB2 - 4862 - 000	530 - 4	FB2 - 5406 - 020	300 - 9	FB3 - 0788 - 000	640 - 2 1
FB2 - 4863 - 000	300 - 3	FB2 - 5407 - 020	300 - 1 0	FB3 - 0791 - 000	450 - 2 1 A
FB2 - 4864 - 000	300 - 4	FB2 - 5408 - 000	300 - 1 1	FB3 - 0805 - 000	450 - 1 1
FB2 - 4866 - 020	101 - 1 6	FB2 - 5409 - 000	300 - 1 2	FB3 - 0806 - 000	450 - 1 2
FB2 - 4870 - 000	101 - 1 7	FB2 - 5410 - 000	300 - 1 3	FB3 - 0807 - 000	450 - 1 3
FB2 - 4871 - 000	101 - 1 8	FB2 - 5412 - 000	300 - 1 4	FB3 - 0809 - 000	100 - 2 4
FB2 - 4872 - 000	101 - 1 9	FB2 - 5413 - 000	300 - 1 5	FB3 - 0811 - 020	450 - 1 4
FB2 - 4873 - 000	101 - 2 0	FB2 - 5414 - 020	300 - 1 6	FB3 - 0815 - 020	450 - 1 5

D NUMERICAL INDEX

PART NUMBER	FIGURE & KEY NO.	PART NUMBER	FIGURE & KEY NO.	PART NUMBER	FIGURE & KEY NO.
FB3 - 0817 - 000	100 - 3 4 A	FB4 - 1197 - 00S	100 - 3 0	FF5 - 6754 - 000	290 - 1 5
FB3 - 0824 - 000	100 - 2 5	FB4 - 2419 - 000	130 - 8	FF5 - 6756 - 000	162 - 5
FB3 - 0829 - 000	161 - 3	FF2 - 9724 - 000	230 - 5	FF5 - 6757 - 000	162 - 6
FB3 - 0831 - 000	102 - 4 9	FF2 - 9725 - 000	230 - 6	FF5 - 6758 - 000	162 - 7
FB3 - 0832 - 000	102 - 5 0	FF2 - 9726 - 000	230 - 7	FF9 - 1504 - 000	102 - 5 9
FB3 - 0833 - 000	102 - 9	FF2 - 9727 - 000	230 - 8	FF9 - 1514 - 000	100 - 2 5
FB3 - 0837 - 000	102 - 4 4	FF2 - 9728 - 000	400 - 1 8	FG2 - 7467 - 000	161 - 4 2
FB3 - 0839 - 020	100 - 6	FF2 - 9729 - 000	400 - 1 9	FG2 - 7468 - 000	290 - 1 6
FB3 - 0840 - 000	102 - 5 1	FF2 - 9730 - 000	101 - 3 7	FG2 - 7469 - 000	161 - 4 3
FB3 - 0850 - 000	100 - 2 6	FF2 - 9731 - 000	450 - 1 6	FG2 - 7470 - 000	161 - 4 4
FB3 - 0867 - 000	100 - 2 7	FF2 - 9732 - 000	101 - 3 8	FG2 - 7471 - 000	161 - 4 5
FB3 - 0868 - 000	100 - 2 7	FF2 - 9733 - 000	810 - 8	FG2 - 9891 - 000	935 -
FB3 - 3311 - 000	161 - 4	FF2 - 9760 - 000	101 - 3 9	FG5 - 3463 - 000	401 -
FB3 - 3312 - 000	161 - 5	FF2 - 9762 - 000	530 - 9	FG5 - 3464 - 000	402 -
FB3 - 3314 - 020	161 - 6	FF2 - 9763 - 000	530 - 1 0	FG5 - 3465 - 040	220 -
FB3 - 3315 - 020	161 - 7	FF2 - 9764 - 000	530 - 1 1	FG5 - 3492 - 090	810 -
FB3 - 3316 - 000	161 - 8	FF2 - 9765 - 000	530 - 1 2	FG5 - 3493 - 090	810 -
FB3 - 3318 - 000	161 - 4 1 A	FF2 - 9766 - 000	530 - 1 3	FG5 - 3501 - 000	240 -
FB3 - 3321 - 000	161 - 9	FF2 - 9769 - 000	940 - 1	FG5 - 3511 - 000	250 -
FB3 - 3322 - 000	161 - 1 0	FF2 - 9770 - 000	940 - 2	FG5 - 3516 - 000	811 -
FB3 - 3323 - 000	161 - 1 1	FF2 - 9772 - 000	910 - 1	FG5 - 3531 - 000	340 -
FB3 - 3324 - 000	161 - 1 2	FF2 - 9773 - 000	910 - 2	FG5 - 3532 - 000	160 -
FB3 - 3325 - 000	161 - 1 3	FF2 - 9774 - 000	910 - 3	FG5 - 3541 - 000	400 - 2 1
FB3 - 3326 - 000	161 - 1 4	FF2 - 9775 - 000	910 - J 2 0 5	FG5 - 3543 - 000	940 -
FB3 - 3330 - 000	161 - 1 5	FF2 - 9779 - 000	530 - 1 4	FG5 - 3544 - 000	940 -
FB3 - 3332 - 000	161 - 1 6		810 - 9	FG5 - 3550 - 000	101 - 4 5
FB3 - 3335 - 000	161 - 1 7	FF2 - 9789 - 000	102 - 5 2	FG5 - 5450 - 000	130 -
FB3 - 3336 - 000	161 - 1 8	FF2 - 9799 - 000	101 - 4 0	FG5 - 5452 - 000	130 -
FB3 - 3338 - 000	161 - 1 9	FF2 - 9800 - 000	102 - 5 3	FG5 - 5460 - 040	530 -
FB3 - 3340 - 000	161 - 3 9 A	FF3 - 0416 - 000	910 - Q 5 0 1	FG5 - 5465 - 080	640 -
FB3 - 3342 - 000	161 - 2 0	FF3 - 0471 - 000	450 - 1 7	FG5 - 5469 - 000	915 -
FB3 - 3343 - 000	161 - 2 1	FF3 - 0473 - 000	450 - 1 8	FG5 - 5476 - 000	230 -
FB3 - 3344 - 000	161 - 2 2	FF3 - 0475 - 000	910 - J 2 1 4	FG5 - 5489 - 020	930 -
FB3 - 3345 - 000	161 - 2 3	FF3 - 0476 - 000	910 - 4	FG5 - 5490 - 020	930 -
FB3 - 3346 - 000	161 - 2 4	FF3 - 0477 - 000	910 - J 9 5 2	FG5 - 5496 - 000	102 - 6 0
FB3 - 3347 - 000	161 - 2 5	FF3 - 0479 - 000	102 - 6 0 A	FG5 - 5497 - 000	915 -
FB3 - 3348 - 000	161 - 2 6	FF3 - 1070 - 000	161 - 3 7	FG5 - 5499 - 000	450 - 2 2
FB3 - 3353 - 000	290 - 3		290 - 1 3	FG5 - 5505 - 020	930 -
FB3 - 3356 - 000	161 - 2 7	FF3 - 1071 - 000	355 - 8	FG5 - 5507 - 020	930 -
FB3 - 3357 - 020	161 - 2 8	FF3 - 1215 - 000	102 - 5 4	FG5 - 5509 - 000	101 - 4 5
FB3 - 3358 - 000	161 - 2 9	FF3 - 3126 - 000	935 - 1	FG5 - 6413 - 000	355 -
FB3 - 3361 - 000	161 - 3 0	FF5 - 2858 - 000	102 - 5 5	FG5 - 6416 - 000	290 -
FB3 - 3364 - 000	161 - 3 1	FF5 - 2859 - 000	101 - 4 1	FG5 - 6418 - 000	162 -
FB3 - 3365 - 000	161 - 3 2	FF5 - 2867 - 020	101 - 4 2	FG6 - 0074 - 000	400 -
FB3 - 3371 - 000	290 - 4	FF5 - 2870 - 000	530 - 1 5	FG6 - 0076 - 000	910 -
FB3 - 3373 - 020	290 - 5	FF5 - 2871 - 020	530 - 1 6	FG6 - 0077 - 000	910 -
FB3 - 3375 - 000	290 - 6	FF5 - 2874 - 000	250 - 3	FH2 - 5761 - 000	102 - 6 1
FB3 - 3377 - 000	290 - 7	FF5 - 2875 - 000	100 - 3 1	FH2 - 5795 - 000	B - J 8
FB3 - 3379 - 000	355 - 1	FF5 - 2887 - 000	230 - 9		B - J 9
FB3 - 3381 - 000	355 - 9 A	FF5 - 2888 - 000	230 - 1 0	FH2 - 5796 - 000	B - J 8
FB3 - 3382 - 000	355 - 2	FF5 - 2889 - 000	400 - 2 0		B - J 9
FB3 - 3383 - 000	355 - 3	FF5 - 2899 - 000	401 - 6	FH2 - 6231 - 000	915 - 3
FB3 - 3385 - 020	355 - 4	FF5 - 2900 - 000	401 - 7		B - J 1 1 1
FB3 - 3386 - 000	355 - 5	FF5 - 2901 - 000	402 - 3		B - J 3 0 1
FB3 - 3387 - 000	355 - 6	FF5 - 2902 - 000	402 - 4	FH3 - 0569 - 000	910 - T 3 0 1
FB3 - 3388 - 000	355 - 7	FF5 - 2903 - 000	300 - 2 4	FH3 - 0660 - 000	910 - T 3 0 2
FB3 - 3389 - 000	355 - 1 0 A	FF5 - 2904 - 000	300 - 2 5	FH3 - 0665 - 000	910 - T 1 0 4
FB3 - 3391 - 000	162 - 1	FF5 - 3713 - 000	530 - 1 7	FH3 - 0666 - 000	910 - T 1 0 4
FB3 - 3392 - 000	162 - 5 A	FF5 - 3714 - 000	102 - 5 6	FH3 - 0667 - 000	910 - T 1 0 3
	162 - 6 A	FF5 - 3716 - 000	101 - 4 3	FH3 - 0668 - 000	910 - T 2 0 1
FB3 - 3395 - 000	162 - 2	FF5 - 3720 - 000	530 - 1 8	FH3 - 0732 - 000	910 - T 1 0 1
FB3 - 3396 - 000	162 - 3	FF5 - 3728 - 000	100 - 3 2	FH3 - 0733 - 000	910 - T 1 0 1
FB3 - 3397 - 000	162 - 4	FF5 - 3729 - 000	100 - 3 2	FH3 - 0734 - 000	910 - T 4 0 1
FB3 - 3400 - 000	290 - 8	FF5 - 3901 - 000	450 - 1 9	FH3 - 0735 - 000	910 - T 4 0 2
FB3 - 3401 - 000	161 - 3 3	FF5 - 3902 - 000	450 - 2 0	FH3 - 0779 - 000	910 - T 1 0 2
FB3 - 3402 - 020	161 - 3 4	FF5 - 3903 - 030	100 - 3 3	FH3 - 0780 - 000	910 - T 1 0 2
FB3 - 3406 - 000	160 - 5	FF5 - 3904 - 000	450 - 2 1	FH3 - 7169 - 000	910 - L 4 0 1
	161 - 3 5	FF5 - 3905 - 000	100 - 3 4	FH3 - 7170 - 000	910 - L 1 0 1
FB3 - 3407 - 000	160 - 5	FF5 - 3907 - 020	640 - 2 2	FH3 - 7195 - 000	910 - L 1 0 1
	161 - 3 5	FF5 - 3908 - 000	640 - 2 3	FH4 - 1251 - 090	930 - Q 1 0 1
FB3 - 3531 - 000	300 - 2 1	FF5 - 3910 - 020	640 - 2 4	FH4 - 9163 - 000	910 - R 3 2 2
FB3 - 3547 - 000	300 - 2 2	FF5 - 3912 - 000	101 - 4 4	FH4 - 9169 - 000	910 - R 3 0 3
FB3 - 3548 - 000	300 - 2 3	FF5 - 3913 - 000	640 - 2 5	FH4 - 9186 - 000	910 - R 3 2 8
FB4 - 1142 - 000	130 - 8	FF5 - 3920 - 040	100 - 3 3	FH6 - 1079 - 000	220 - 6
FB4 - 1143 - 000	130 - 8	FF5 - 3927 - 000	102 - 5 7	FH6 - 1209 - 000	230 - 1 1
FB4 - 1144 - 000	130 - 8	FF5 - 3928 - 020	102 - 5 8	FH6 - 1237 - 000	290 - 1 7
FB4 - 1148 - 000	290 - 9	FF5 - 4674 - 000	161 - 3 8	FH6 - 1238 - 000	290 - 1 8
FB4 - 1149 - 000	290 - 1 0	FF5 - 4677 - 000	161 - 3 9	FH6 - 3494 - 000	930 - X 1 0 1
FB4 - 1150 - 000	290 - 1 1	FF5 - 4679 - 000	161 - 4 0	FH7 - 3272 - 000	400 - 2 2
FB4 - 1151 - 000	290 - 1 2	FF5 - 4681 - 000	290 - 1 4	FH7 - 3277 - 000	915 - L E D 3 1 5
FB4 - 1154 - 000	161 - 4 1 B	FF5 - 4685 - 020	355 - 9	FH7 - 5564 - 000	220 - 7
FB4 - 1163 - 000	161 - 3 6	FF5 - 4686 - 000	355 - 1 0	FH7 - 5627 - 000	102 - 6 2
FB4 - 1194 - 00S	101 - 3 6	FF5 - 6741 - 000	100 - 3 5	FH7 - 5628 - 000	102 - 6 3
FB4 - 1195 - 00S	100 - 2 8	FF5 - 6742 - 000	100 - 3 5	FH7 - 6197 - 000	910 - R L 1 0 1
FB4 - 1196 - 00S	100 - 2 9	FF5 - 6753 - 000	161 - 4 1	FH7 - 6216 - 000	102 - 6 4

D NUMERICAL INDEX

PART NUMBER	FIGURE & KEY NO.	PART NUMBER	FIGURE & KEY NO.	PART NUMBER	FIGURE & KEY NO.
FH9 - 0367 - 000	910 - R3 1 3	FS5 - 6455 - 000	161 - 5 0	VS1 - 0842 - 007	B - J 2 0
	910 - R3 1 6		355 - 1 6		B - J 1 0 4
FH9 - 0483 - 000	930 - Q1 4 2	FS5 - 9362 - 000	290 - 2 2		B - J 2 0 4
	930 - Q1 4 3	FS6 - 0437 - 000	640 - 2 8	VS1 - 0842 - 008	B - J 2
	930 - Q1 4 4	FS6 - 0439 - 000	640 - 2 9		B - J 1 0 2
	930 - Q1 4 5	FS6 - 0440 - 000	640 - 3 0		B - J 1 1 4
	930 - Q1 6 3	FS6 - 0442 - 000	640 - 3 1	VS1 - 0842 - 009	B - J 5
	930 - Q1 6 4	FS6 - 0443 - 000	640 - 3 2	VS1 - 0842 - 011	B - J 2 1
	930 - Q1 8 0	FS6 - 0445 - 000	640 - 3 3	VS1 - 0842 - 012	B - J 1 0 3
	930 - Q1 8 5	FS6 - 0446 - 000	640 - 3 4		B - J 2 0 3
FH9 - 0484 - 000	940 - L 5 0 1	FS6 - 0613 - 000	290 - 2 3	VS1 - 0842 - 014	B - J 1 0 9
FN5 - 4018 - 000	400 - 2 3	FS6 - 0617 - 000	290 - 2 4	VS1 - 0852 - 003	B - J 2 0 3
FN5 - 4019 - 000	401 - 8	FS6 - 0618 - 000	290 - 2 5	VS1 - 0861 - 003	B - J 2 1 4
FN5 - 4020 - 000	402 - 5	FS6 - 0619 - 000	290 - 2 6	VS1 - 0861 - 006	B - J 2 0 5
FN5 - 4021 - 000	101 - 4 6	FS6 - 0620 - 000	290 - 2 7		B - J 8 5 1
FS1 - 1190 - 000	161 - 4 6	FS6 - 0622 - 000	290 - 2 8	VS1 - 0978 - 002	B - J 3 0 2
	290 - 1 9	FS6 - 2229 - 000	450 - 2 4		B - J 3 0 3
FS1 - 1205 - 000	355 - 1 1	FS6 - 2230 - 000	450 - 2 5		B - J 4 0 2
FS1 - 1213 - 000	290 - 2 0	FS6 - 2231 - 000	450 - 2 6		B - J 4 0 3
FS1 - 1341 - 000	355 - 1 2	FS6 - 2232 - 000	102 - 8 3	VS1 - 5057 - 002	102 - 8 8
FS1 - 1422 - 000	355 - 1 3		102 - 8 4		102 - 8 9
FS5 - 0883 - 000	102 - 6 5	FS6 - 2233 - 000	102 - 8 4		220 - 1 3
FS5 - 0885 - 000	102 - 6 6	FS6 - 2234 - 000	102 - 8 2		B - J 3
FS5 - 0887 - 000	102 - 6 7	FS6 - 2238 - 000	640 - 3 5		B - J 4
FS5 - 0890 - 000	250 - 4	FS6 - 2239 - 000	102 - 8 5		B - J 5
FS5 - 0900 - 000	250 - 5	FS6 - 2240 - 000	102 - 8 6	VS1 - 5057 - 003	101 - 5 0
FS5 - 0903 - 000	102 - 6 8	FS6 - 2241 - 000	102 - 8 7		102 - 9 0
FS5 - 0904 - 020	300 - 2 6	FS6 - 2242 - 000	450 - 2 7		B - J 6
FS5 - 0905 - 000	230 - 1 2	FS6 - 2270 - 000	100 - 3 9		B - J 9
FS5 - 0906 - 000	230 - 1 3	FS6 - 2369 - 000	161 - 5 1	VS1 - 5057 - 006	161 - 4 4 A
FS5 - 0907 - 000	230 - 1 4	FS6 - 2370 - 000	161 - 5 2		220 - 1 4
FS5 - 0908 - 000	230 - 1 5	FS6 - 2371 - 000	161 - 5 3		B - J 1 5
FS5 - 0911 - 000	240 - 2	FS6 - 2373 - 000	161 - 5 4		B - J 1 0 5
FS5 - 0912 - 000	240 - 3	FS6 - 2374 - 000	161 - 5 5	VS1 - 5057 - 008	101 - 4 5 B
FS5 - 0913 - 020	102 - 6 9	FS6 - 2375 - 000	355 - 1 7		B - J 1 0 2
FS5 - 0914 - 000	810 - 1 0	FS6 - 8089 - 000	161 - 5 6	VS1 - 5824 - 002	B - J 1 0 6
FS5 - 0915 - 000	102 - 7 0	FS6 - 8090 - 000	161 - 5 7		B - J 6 0 1
FS5 - 0917 - 000	220 - 8	FS6 - 8091 - 000	161 - 4 1 C		B - J 6 0 2
FS5 - 0918 - 000	220 - 9	FS6 - 8092 - 000	162 - 7 A		B - J 9 5 1
FS5 - 0919 - 000	220 - 1 0	FS6 - 8195 - 000	161 - 5 8	VS3 - 0108 - 004	B - J 1 0 1
FS5 - 1439 - 000	220 - 1 1	FS6 - 8196 - 000	162 - 6 B	VS3 - 5083 - 002	B - J 6
FS5 - 1440 - 000	102 - 7 1	FS6 - 8197 - 000	162 - 8	VS3 - 5083 - 003	B - J 2 1 1
FS5 - 1530 - 000	640 - 2 6	FS6 - 8347 - 000	300 - 3 2	VS3 - 5083 - 004	B - J 1
FS5 - 2032 - 000	400 - 2 4	FS6 - 8401 - 000	300 - 3 3	VS3 - 5083 - 006	B - J 2 0 2
FS5 - 2335 - 000	530 - 1 6 A	ME1 - 0059 - 000	100 - 4 0	WC4 - 5030 - 000	161 - 5 9
FS5 - 2351 - 000	102 - 7 2	RH6 - 3069 - 000	910 - R3 0 6	WD9 - 5028 - 000	940 - 3
FS5 - 2650 - 000	300 - 2 7		910 - R4 1 3	WD9 - 5037 - 000	910 - FU 1 0 2
FS5 - 2767 - 000	102 - 7 3		910 - R4 1 4	WE8 - 0087 - 000	102 - 9 1
FS5 - 2769 - 000	100 - 3 6	VD7 - 0215 - 001	910 - FU 1 0 2	WE8 - 0098 - 000	161 - 4 2 A
FS5 - 2770 - 000	100 - 3 7	VD7 - 0461 - 202	940 - FU 5 0 1	WE8 - 5093 - 000	102 - 9 2
FS5 - 2771 - 000	102 - 7 4	VD7 - 0642 - 501	910 - FU 1 0 2	WG8 - 5001 - 000	101 - 5 1
FS5 - 2772 - 000	102 - 7 5	VD7 - 1506 - 301	940 - FU 5 0 1		101 - 5 2
FS5 - 2773 - 000	102 - 7 6	VL5 - 0390 - 086	940 - L 5 0 1		450 - 2 8
FS5 - 2774 - 000	530 - 1 9	VR5 - 2650 - 103	530 - 2 1		810 - 1 4
FS5 - 2776 - 000	100 - 3 8	VS1 - 0279 - 004	B - J 1 0 1	WG8 - 5187 - 000	101 - 5 3
FS5 - 2778 - 000	102 - 7 7	VS1 - 0279 - 005	B - J 1 0 7	WG8 - 5206 - 010	161 - 6 0
FS5 - 2780 - 000	300 - 2 8		B - J 4 0 1	WG8 - 5309 - 000	161 - 6 1
FS5 - 2781 - 020	300 - 2 9	VS1 - 0279 - 006	B - J 1 0 5	WK1 - 0082 - 000	930 - BAT 1
FS5 - 2782 - 000	300 - 3 0		B - J 2 0 6	WS3 - 0437 - 000	B - J 1 0 5
FS5 - 2783 - 000	102 - 7 8		B - J 4 0 1		B - J 1 0 7
FS5 - 2784 - 000	530 - 2 0	VS1 - 0842 - 002	B - J 3		B - J 2 0 6
FS5 - 2785 - 000	230 - 1 6		B - J 4		B - J 4 0 1
FS5 - 2786 - 000	240 - 4		B - J 5		B - J 1 0 1
FS5 - 2790 - 000	450 - 2 3		B - J 1 0 4	WS3 - 0885 - 000	B - J 1 0 1
FS5 - 2794 - 000	810 - 1 1	VS1 - 0842 - 003	B - J 8 0 1	WS3 - 5160 - 000	B - J 1
FS5 - 2795 - 000	810 - 1 2		B - J 6		B - J 6
FS5 - 2796 - 000	810 - 1 3		B - J 7		B - J 2 0 2
FS5 - 2797 - 000	101 - 4 7		B - J 9		B - J 2 1 1
FS5 - 2798 - 000	102 - 7 9		B - J 1 0	WS3 - 5174 - 000	B - J 2
FS5 - 2799 - 000	102 - 8 0		B - J 1 1		B - J 2 0 1
FS5 - 2800 - 000	102 - 8 1		B - J 1 2		B - J 2 0 7
FS5 - 2802 - 000	101 - 4 8		B - J 1 9		B - J 5 0 1
FS5 - 2803 - 020	101 - 4 9		B - J 1 0 1	WS3 - 5175 - 000	B - J 2 0 1
FS5 - 2806 - 000	102 - 8 2		B - J 2 0 1		B - J 2 0 7
FS5 - 2810 - 000	300 - 3 1		B - J 2 0 2		B - J 5 0 1
FS5 - 2815 - 000	400 - 2 5	VS1 - 0842 - 004	B - J 9 5 4	WS3 - 5352 - 000	B - J 2
FS5 - 2821 - 000	220 - 1 2	VS1 - 0842 - 005	B - J 1 1 2	WS3 - 5353 - 000	B - J 2
FS5 - 3457 - 000	290 - 2 1		B - J 1 0 3	WS3 - 5354 - 000	B - J 2
FS5 - 3458 - 000	161 - 4 7		B - J 1 0 8	WS3 - 5358 - 000	B - J 1 0 6
FS5 - 3459 - 000	355 - 1 4		B - J 1 2 1		B - J 6 0 1
FS5 - 3460 - 000	355 - 1 5		B - J 7 5 1		B - J 6 0 2
FS5 - 6393 - 000	230 - 1 7	VS1 - 0842 - 006	B - J 1 5		B - J 9 5 1
FS5 - 6394 - 000	640 - 2 7		B - J 1 0 5	WS4 - 0181 - 000	B - J 1 0 1
FS5 - 6453 - 000	161 - 4 8		B - J 1 2 0	WS6 - 5092 - 000	B - J 2 0
FS5 - 6454 - 000	161 - 4 9	VS1 - 0842 - 007	B - J 9 0 1		B - J 2 1
			B - J 3	WT2 - 5041 - 000	101 - 4 5 A

D NUMERICAL INDEX

PART NUMBER	FIGURE & KEY NO.	PART NUMBER	FIGURE & KEY NO.	PART NUMBER	FIGURE & KEY NO.
WT2 - 5041 - 000	101 - 5 4 101 - 5 5 102 - 9 3 161 - 6 2 450 - 1 6 A	XB4 - 7301 - 209	161 - 5 0 5 530 - 5 0 4 230 - 5 0 3		
WT3 - 5021 - 000	102 - 9 4	XB4 - 7400 - 809	230 - 5 0 4		
XA1 - 7260 - 309	290 - 5 0 1	XB4 - 7401 - 009	230 - 5 0 4		
XA9 - 0187 - 000	101 - 5 6 220 - 1 5 530 - 2 2	XB6 - 7300 - 609	102 - 5 1 0		
XA9 - 0591 - 000	102 - 9 5	XB6 - 7301 - 609	161 - 5 0 6		
XA9 - 0605 - 000	102 - 9 6 161 - 6 3 161 - 6 4 290 - 2 9	XB7 - 2200 - 409	401 - 5 0 3		
XA9 - 0632 - 000	161 - 6 5 161 - 6 6	XD1 - 2100 - 307	530 - 5 0 5		
XA9 - 0633 - 000	161 - 6 7 355 - 1 8	XD2 - 1100 - 322	102 - 5 1 1 161 - 5 0 7 355 - 5 0 3		
XA9 - 0650 - 000	101 - 5 7 450 - 2 9	XD2 - 1100 - 372	450 - 5 0 1		
XA9 - 0760 - 000	100 - 4 1 101 - 5 8 101 - 5 9 220 - 1 6	XD2 - 1100 - 502	102 - 5 1 2 290 - 5 0 4 355 - 5 0 4 640 - 5 0 3 811 - 5 0 1		
XA9 - 0762 - 000	230 - 1 8 230 - 1 9 450 - 3 0	XD2 - 1100 - 642	161 - 5 0 8 355 - 5 0 5		
XA9 - 0763 - 000	100 - 4 2 101 - 6 0 230 - 2 0	XD2 - 1200 - 322	290 - 5 0 5		
XA9 - 0773 - 000	102 - 9 7	XD2 - 2100 - 802	161 - 5 0 9		
XA9 - 0794 - 000	102 - 9 8	XD2 - 2300 - 202	810 - 5 0 3		
XA9 - 0813 - 000	101 - 6 1 101 - 6 2	XD2 - 2300 - 502	101 - 5 0 8 102 - 5 1 3 161 - 5 1 0		
XA9 - 0911 - 000	400 - 2 6 401 - 9 402 - 6	XD3 - 2160 - 062	102 - 5 1 4		
XA9 - 0942 - 000	640 - 3 6	XD3 - 2160 - 142	340 - 5 0 1		
XA9 - 0976 - 000	161 - 6 8	XD3 - 2200 - 062	450 - 5 0 2		
XB1 - 2300 - 407	300 - 5 0 1	XD3 - 2200 - 122	290 - 5 0 6		
XB1 - 2300 - 409	102 - 5 0 1 220 - 5 0 1 810 - 5 0 1	XD3 - 2200 - 142	290 - 5 0 7		
XB1 - 2300 - 509	102 - 5 0 2	XD9 - 0134 - 000	102 - 9 9 102 - 1 0 0		
XB1 - 2300 - 607	530 - 5 0 1	XD9 - 0136 - 000	101 - 6 3 220 - 1 7 250 - 6 401 - 1 0		
XB1 - 2300 - 609	101 - 5 0 1 102 - 5 0 3 230 - 5 0 1 355 - 5 0 1 400 - 5 0 1 402 - 5 0 1	XF9 - 0350 - 000	290 - 3 0		
XB1 - 2300 - 809	530 - 5 0 2 102 - 5 0 4 402 - 5 0 2	XF9 - 0562 - 000	355 - 1 9		
XB1 - 2301 - 209	161 - 5 0 1	XG9 - 0177 - 000	640 - 3 7		
XB1 - 2400 - 609	161 - 5 0 2 161 - 5 0 3 162 - 5 0 1 230 - 5 0 2 290 - 5 0 2 355 - 5 0 2	XG9 - 0237 - 000	161 - 6 9		
XB1 - 2402 - 009	290 - 5 0 3	XH9 - 0084 - 000	100 - 4 3		
XB2 - 6300 - 607	161 - 5 0 4 810 - 5 0 2	XZ9 - 0422 - 000	300 - 3 4		
XB2 - 7300 - 607	101 - 5 0 2 102 - 5 0 5 102 - 5 0 6 102 - 5 0 7				
XB2 - 8300 - 607	102 - 5 0 8 400 - 5 0 2				
XB4 - 7300 - 509	300 - 5 0 2				
XB4 - 7300 - 609	101 - 5 0 3 101 - 5 0 4				
XB4 - 7300 - 809	101 - 5 0 5 101 - 5 0 6 101 - 5 0 7 400 - 5 0 3 401 - 5 0 1 402 - 5 0 3 530 - 5 0 3 640 - 5 0 1				
	102 - 5 0 9 401 - 5 0 2 640 - 5 0 2				

Prepared by
OFFICE IMAGING PRODUCTS TECHNICAL SUPPORT DEPT.1
OFFICE IMAGING PRODUCTS TECHNICAL SUPPORT DIV.
CANON INC.
Printed in Japan

REVISION 0 [DEC. 1997]

5-1, Hakusan 7-chome, Toride-shi, Ibaraki 302, Japan

Canon