

Canon SERVICE INFORMATION

Issued by Office Imaging Products Quality Assurance Center, Canon Inc.

MODEL:

NP6012/6012F/6212

No. : F-04-E97015

DATE : NOV.,1997

LOCATION

SUBJECT : Revised Parts Catalog

We are issuing revised Parts Catalog. Please go over the descriptions that follow for the catalog. The Parts Catalog being issued covers the modifications to the machine that have been made after the previous catalog was issued and corrections made since then.

Particulars

Name of Parts Catalog: NP6012/6012F/6212

Type of Revision : Full revision

Kindly replace the previous with the one being issued.

FY8-31C9-02Y

R E V I S I O N P A G E L I S T

Model : NP6012/6012F/6212

Page 2

OLD		REVI- SION	NEW	
FIGURE	PAGE		FIGURE	PAGE
A	1	R	A	1
	2	R		2
	3	R		3
100	1	R	100	1
	2	R		2
	3	R		3
	4	R		4
101	1	R	101	1
	2	R		2
	3	R		3
	4	R		4
	5	R		5
		S		6
102	1	R	102	1
	2	R		2
	3	R		3
	4	R		4
	5	R		5
	6	R		6
	7	R		7
130	1	R	130	1
160	1	R	160	1
161	1	R	161	1
	2	R		2

OLD		REVI- SION	NEW	
FIGURE	PAGE		FIGURE	PAGE
161	3	R	161	3
	4	R		4
	5	R		5
		S		6
162	1	R	162	1
220	1	R	220	1
	2	R		2
230	1	R	230	1
	2	R		2
240	1		240	1
250	1		250	1
290	1	R	290	1
	2	R		2
	3	D		
300	1	R	300	1
	2	R		2
	3	R		3
340	1	R	340	1
355	1	R	355	1
	2	R		2

R E V I S I O N P A G E L I S T

Model : NP6012/6012F/6212

Page 3

OLD		REVI-SION	NEW	
FIGURE	PAGE		FIGURE	PAGE
400	1	R	400	1
	2	R		2
	3	R		3
401	1	R	401	1
402	1	R	402	1
450	1	R	450	1
	2	R		2
		S		3
530	1	R	530	1
	2	R		2
	3	R		3
640	1	R	640	1
	2	R		2
	3	R		3
810	1	R	810	1
	2	R		2
811	1		811	1
910	1	R	910	1
	2	R		2
	3	R		3
	4	R		4
	5	R		5

OLD		REVI-SION	NEW	
FIGURE	PAGE		FIGURE	PAGE
910	6	R	910	6
	7	R		7
	8	R		8
	9	R		9
	10	R		10
	11	R		11
	12	R		12
	13	R		13
	14	R		14
	15	R		15
	16	R		16
	17	R		17
	18	R		18
		S		19
915	1	R	915	1
	2	R		2
	3	R		3
930	1	R	930	1
	2	R		2
	3	R		3
	4	R		4
	5	R		5
	6	R		6
	7	R		7
	8	R		8
	9	R		9
	10	R		10
	11	R		11

NP6012/6012F/6212

PARTS CATALOG

REVISION 2

NP6012

120V 60Hz	F13-2531	NUB00001-
120V 60Hz	F13-2532	NUC00001-
220/240V 50Hz	F13-2541	PTF00001-
		UTG00001-
		RTG00001-
		TFA00001-

NP6012F

120V 60Hz	F13-2534	NUE00001-
-----------	----------	-----------

NP6212

220/240V 50Hz	F13-2543	PTH00001-
---------------	----------	-----------

Canon

NOV. 1997

FY8-31C9-020

PREFACE

This Parts Catalog contains listings of parts used in the NP6012/6012F/6212. Diagrams are provided with the listings to aid the service technician in identifying clearly, the item to be ordered.

Whenever ordering parts, consult this Parts Catalog for all of the information pertaining to each item. Be sure to include, in the Parts Request, the full item description, the item part number and the quantity.

Canon Inc.

Office Imaging Products Technical Support Dept.1
Office Imaging Products Technical Support Div.
5-1, Hakusan 7-chome,
Toride-shi, Ibaraki 302, Japan

COPYRIGHT © 1997 CANON INC.

Printed in Japan
Imprimé au Japon

CONTENTS

- A. ASSEMBLY LOCATION DIAGRAM

- 100. EXTERNAL COVERS, PANELS, ETC.
- 101. UPPER MAIN BODY
- 102. LOWER MAIN BODY
- 130. CONTROL PANEL ASSEMBLY
- 160. COPYBOARD COVER ASSEMBLY (NP6012)
- 161. ADF ASSEMBLY (NP6012F/6212)
- 162. ADF TRAY ASSEMBLY (NP6012F/6212)

- 220. SCANNER DRIVE ASSEMBLY
- 230. MAIN DRIVE ASSEMBLY
- 240. DELIVERY DRIVE ASSEMBLY
- 250. PAPER PICK-UP DRIVE ASSEMBLY
- 290. ADF DRIVE ASSEMBLY (NP6012F/6212)

- 300. CASSETTE
- 340. PAPER PICK-UP ROLLER ASSEMBLY (CASSETTE)
- 355. ADF DELIVERY ASSEMBLY (NP6012F/6212)

- 400. MIRROR ASSEMBLY 1
- 401. MIRROR ASSEMBLY 2
- 402. ZOOM MIRROR ASSEMBLY
- 450. BLANK EXPOSURE LAMP ASSEMBLY

- 530. TRANSFER ASSEMBLY

- 640. DEVELOPING ASSEMBLY

- 810. FIXING ASSEMBLY
- 811. FIXING FILM REPLACEMENT KIT

- 910. DC POWER SUPPLY ASSEMBLY
- 915. CONTROL PANEL PCB ASSEMBLY
- 930. DC CONTROLLER PCB ASSEMBLY
- 935. ADF DC CONTROLLER PCB ASSEMBLY
(NP6012F/6212)
- 940. NOISE FILTER PCB ASSEMBLY
- 970. INTENSITY / AE SENSOR PCB ASSEMBLY

- B. LIST OF CONNECTORS

- C. LIST OF STANDARD FASTENERS

- D. NUMERICAL INDEX

FIGURE A ASSEMBLY LOCATION DIAGRAM(1/3)

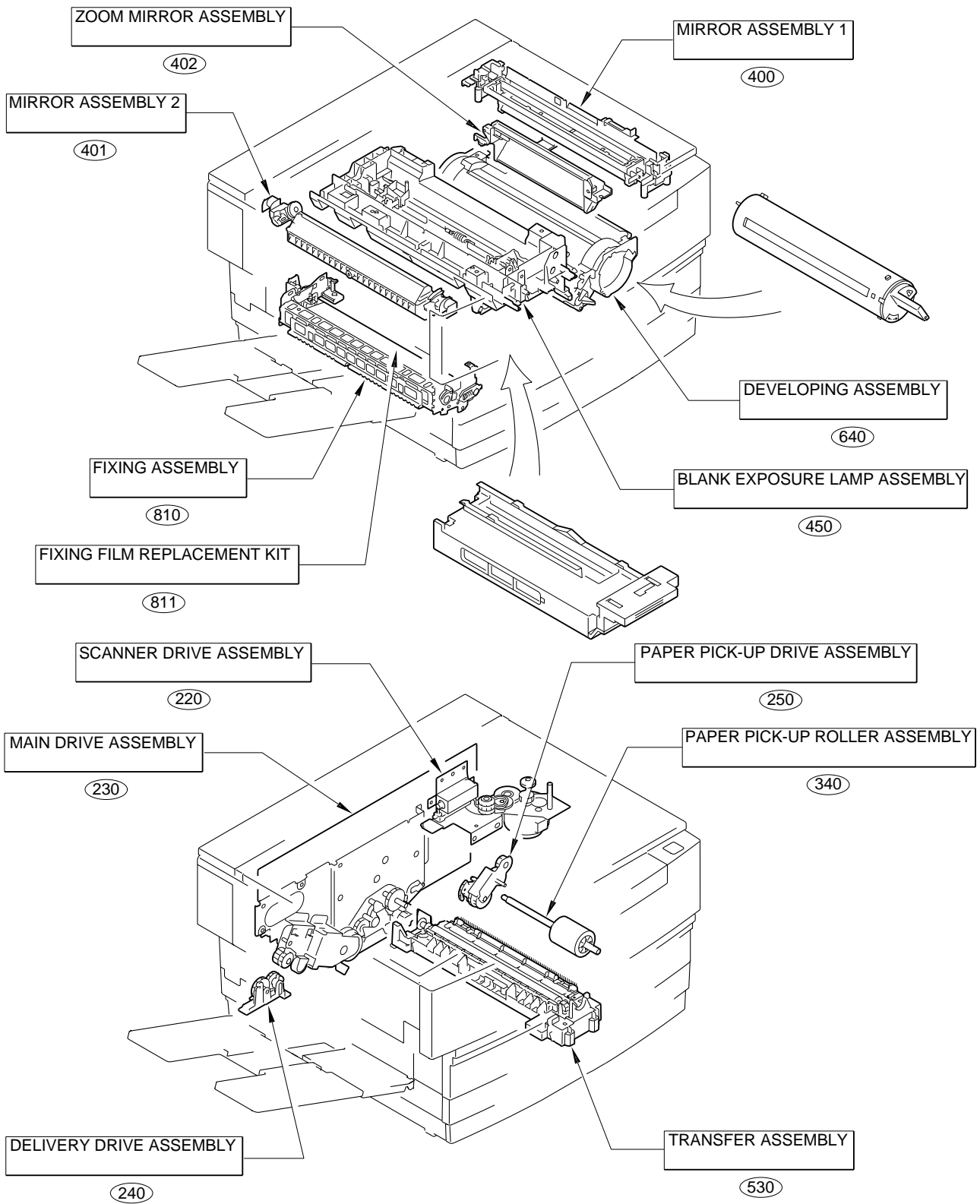


FIGURE A ASSEMBLY LOCATION DIAGRAM(2/3)

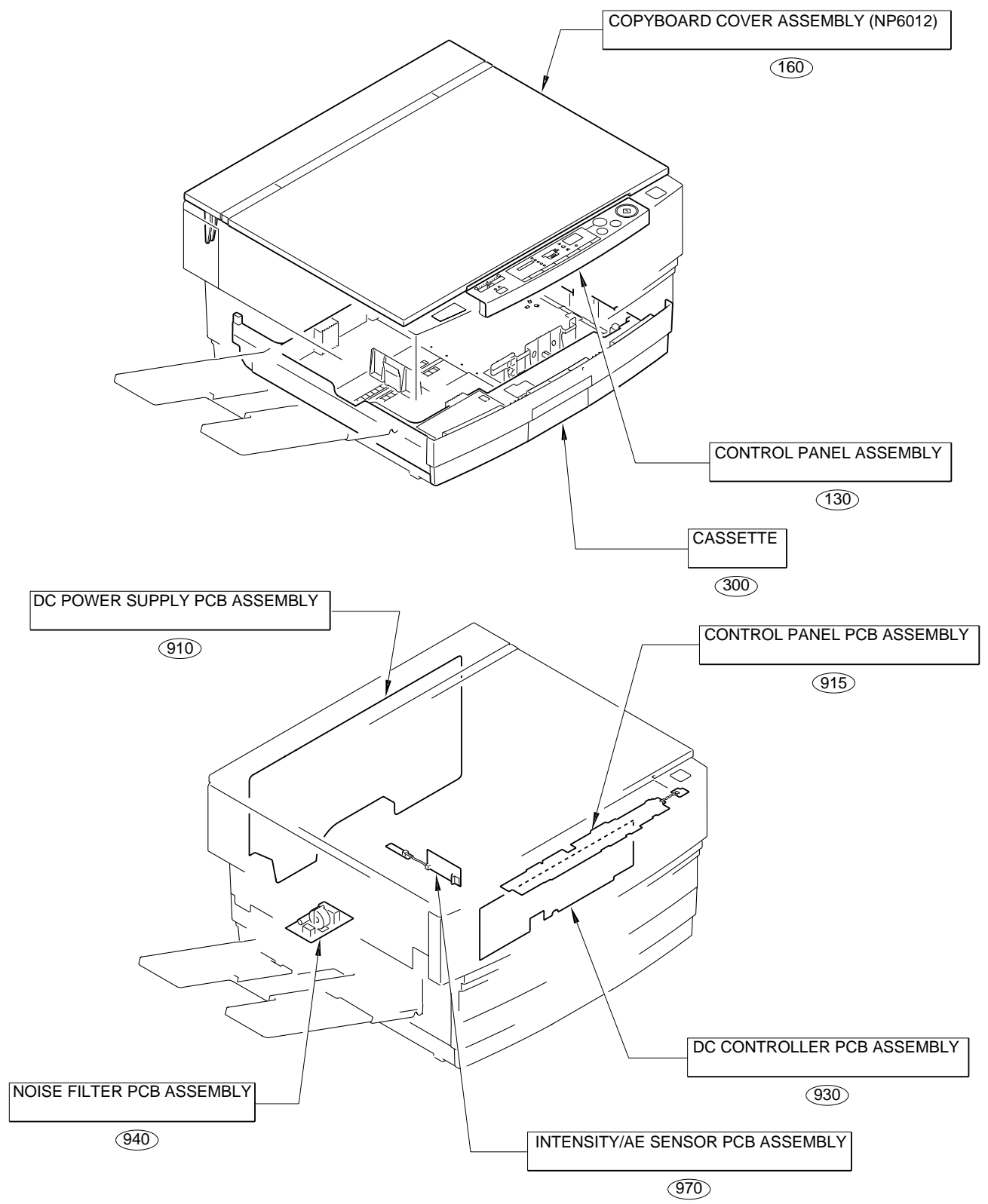


FIGURE A ASSEMBLY LOCATION DIAGRAM(3/3) (NP6012F/6212)
(NP6012F/6212)

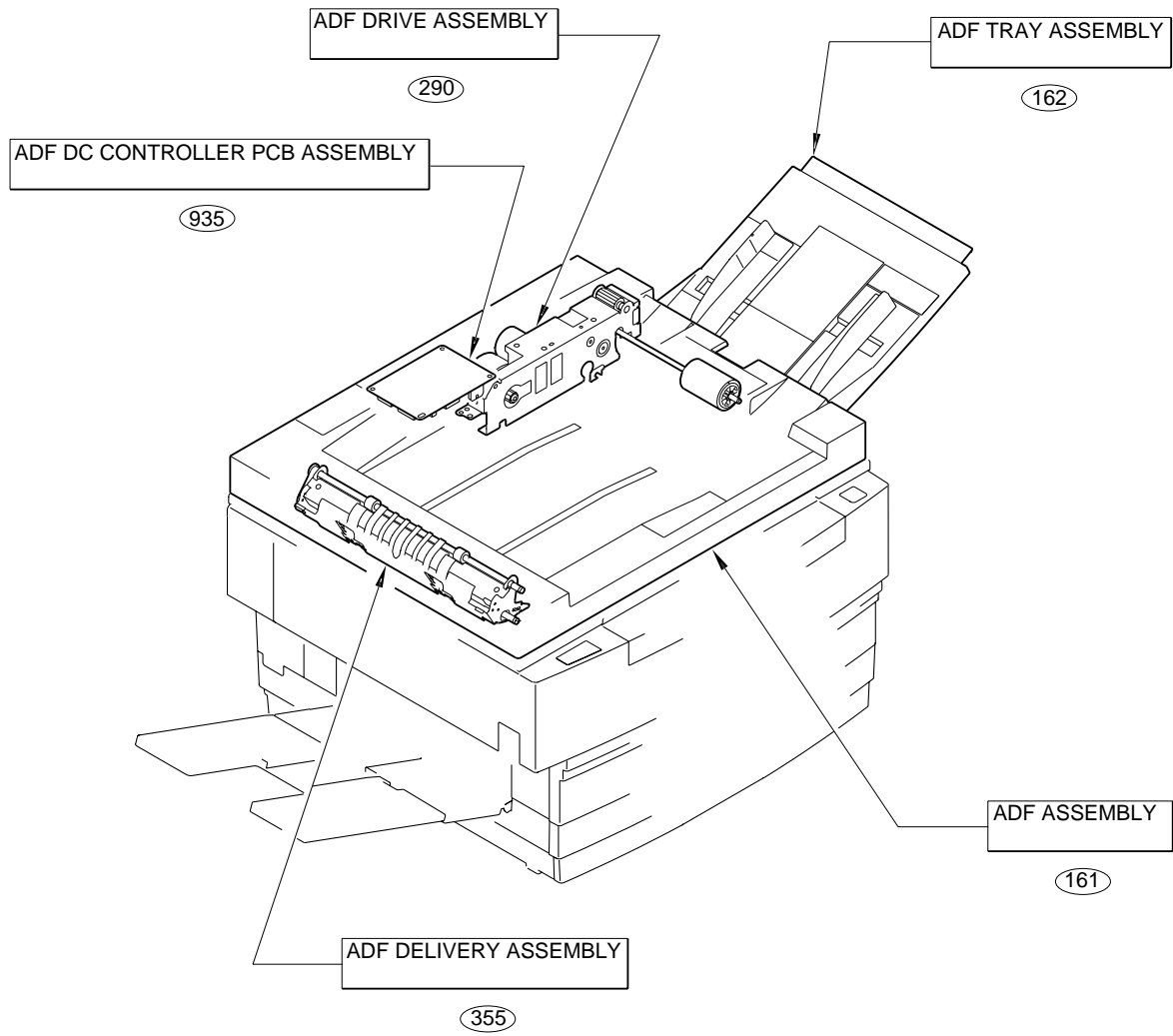


FIGURE 100 EXTERNAL COVERS, PANELS, ETC.

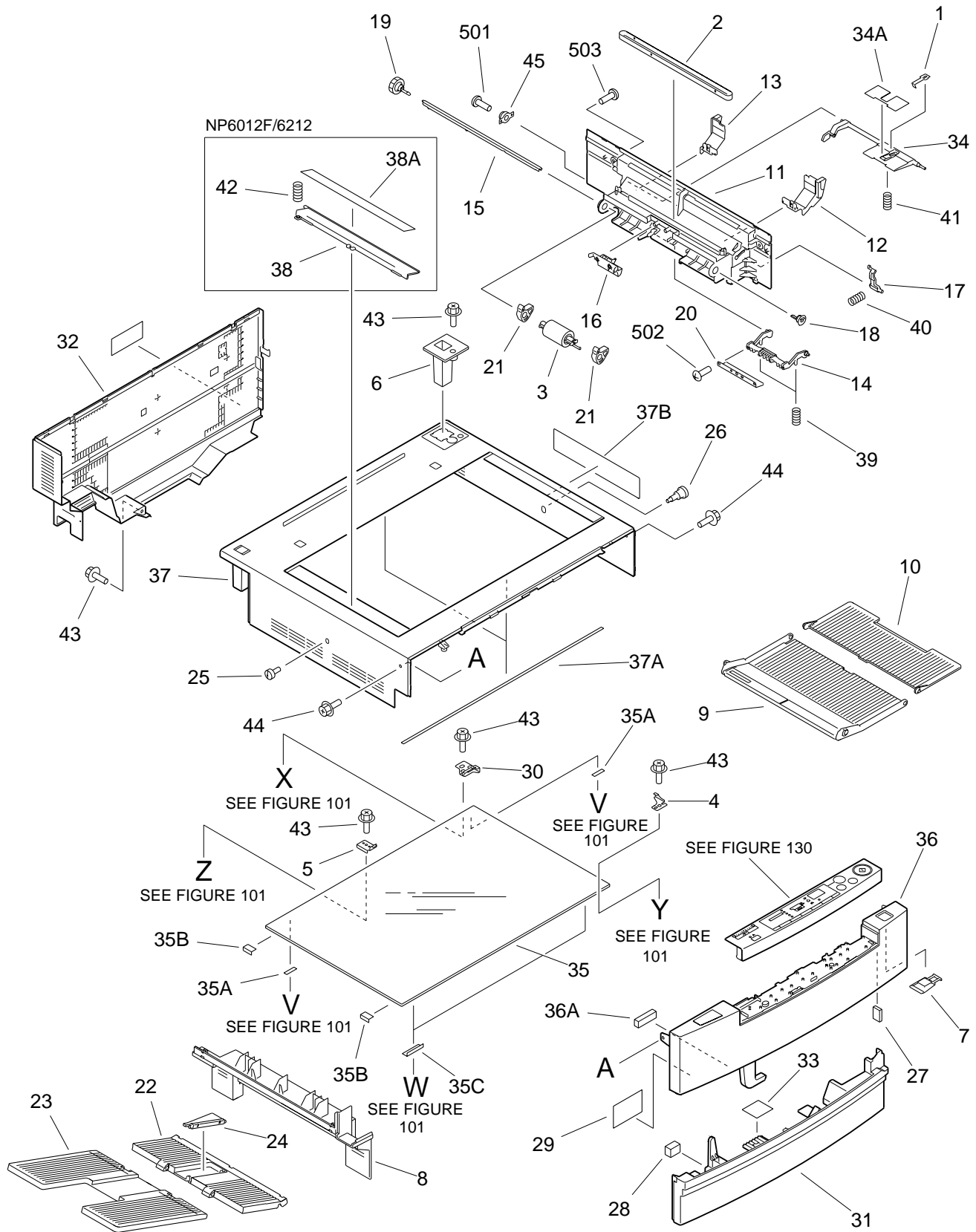


FIGURE & KEY NO.	PART NUMBER	R A N K	Q' T Y	DESCRIPTION	SERIAL NUMBER / REMARKS
100 -	NPN		RF	EXTERNAL COVERS, PANELS, ETC.	
1	FB1 - 7283 - 000		1	SPRING, LEAF	
2	FB1 - 7403 - 000		1	FILM, SLIDE	
3	FB1 - 9766 - 000		1	ROLLER, PICK-UP	
4	FB2 - 4606 - 000		1	RETAINER, GLASS, 1	
5	FB2 - 4607 - 000		1	RETAINER, GLASS, 2	
6	FB2 - 4785 - 000		1	SUPPORT, COPYBOARD	NP6012
	FB3 - 0839 - 020		1	SUPPORT, ADF	NP6012F/6212
7	FB2 - 4882 - 020		1	KEY TOP, ON/OFF	
8	FB2 - 5055 - 000		1	PANEL, LEFT	
9	FB2 - 5175 - 000		1	TRAY, PICK-UP	
10	FB2 - 5177 - 000		1	TRAY, SUB	
11	FB2 - 5206 - 000		1	PANEL, RIGHT	
12	FB2 - 5207 - 000		1	PLATE, PAPER STOP END, FRONT	
13	FB2 - 5208 - 000		1	PLATE, PAPER STOP END, REAR	
14	FB2 - 5210 - 000		1	FLAPPER, SEPARATING	
15	FB2 - 5211 - 000		1	SHAFT, PICK-UP	
16	FB2 - 5212 - 000		1	GUIDE, AUXILIARY	
17	FB2 - 5213 - 000		1	LEVER, TRAY	
18	FB2 - 5214 - 020		1	HOLDER, PICK-UP SHAFT	
19	FB2 - 5215 - 020		1	GEAR, 26T	
20	FB2 - 5216 - 000		1	PLATE	
21	FB2 - 5217 - 000		2	ROLLER	
22	FB2 - 5425 - 000		1	TRAY, COPY, 1	
23	FB2 - 5426 - 000		1	TRAY, COPY, 2	
24	FB2 - 5428 - 000		1	TRAY, COPY, SUB	
25	FB2 - 5500 - 000		1	SCREW, M4X12	
26	FB2 - 5502 - 000		1	SCREW, STEPPED	
27	FB3 - 0669 - 000		2	DAMPER, RUBBER	
28	FB3 - 0738 - 000		1	RUBBER, SHUTTER	

FIGURE & KEY NO.	PART NUMBER	R A N K	Q' T Y	DESCRIPTION	SERIAL NUMBER / REMARKS
100 - 29	FB3 - 0809 - 000		1	LABEL, SERVICE	
30	FB3 - 0824 - 000		1	RETAINER, GLASS	NP6012
	FF9 - 1514 - 000		1	RETAINER, GLASS	NP6012F/6212
31	FB3 - 0850 - 000		1	PANEL, LOWER, FRONT	
32	FB3 - 0851 - 000		1	PANEL, REAR	NP6012
	FB3 - 0827 - 000		1	PANEL, REAR	NP6012F/6212
33	FB3 - 0867 - 000		1	LABEL, "WARNING"	NP6012 except USA /NP6212
	FB3 - 0868 - 000		1	LABEL, "WARNING"	NP6012 except USA /NP6212
	FS6 - 8084 - 000		1	LABEL, "WARNING"	NP6012 USA only /NP6012F
	FS6 - 8085 - 000		1	LABEL, "WARNING"	NP6012 USA only /NP6012F
34	FF5 - 2875 - 000		1	PLATE, PICK-UP	
34 A	FB1 - 7295 - 000		1	SHEET, LIFTER ARM	
35	FF5 - 3728 - 000		1	GLASS, COPYBOARD	NP6012
	FF5 - 3729 - 000		1	GLASS, COPYBOARD	NP6012F/6212
35 A	FB2 - 4791 - 000		2	SHEET, GLASS PROTECTIVE	
35 B	FB2 - 4793 - 000		2	SHEET, GLASS PROTECTIVE	
35 C	FB2 - 4794 - 000		2	SHEET, GLASS PROTECTIVE	
36	FF5 - 3890 - 000		1	PANEL, UPPER, FRONT	NP6012
	FF5 - 3891 - 000		1	PANEL, UPPER, FRONT	NP6012F
	FF5 - 3892 - 000		1	PANEL, UPPER, FRONT	NP6212
36 A	FB3 - 0646 - 000		1	SHEET, DAMPER	
37	FF5 - 3903 - 030		1	COVER, TOP	NP6012
	FF5 - 3920 - 040		1	COVER, TOP	NP6012F/6212
37 A	FB2 - 4790 - 020		2	SHEET, GLASS	
37 B	FB2 - 5507 - 000		1	LABEL, "WARNING, RIGHT PLATE"	
38	FF5 - 3905 - 000		1	GUIDE, PAPER JUMP	NP6012F/6212
38 A	FB3 - 0817 - 000		1	LABEL, "PAPER SIZE"	NP6012F/6212
39	FS5 - 2769 - 000		2	SPRING, COMPRESSION	
40	FS5 - 2770 - 000		1	SPRING, COMPRESSION	
41	FS5 - 2776 - 000		1	SPRING, COMPRESSION	

FIGURE & KEY NO.	PART NUMBER	R A N K	Q' T Y	DESCRIPTION	SERIAL NUMBER / REMARKS
100 - 42	FS6 - 2270 - 000		1	SPRING, COMPRESSION	NP6012F/6212
43	XA9 - 0760 - 000		AR	SCREW,RS,M3X6	
44	XA9 - 0762 - 000		3	SCREW,RS,M3X8	
45	XH9 - 0084 - 000		1	DAMPER UNIT	
501	XB4 - 7200 - 609		1	SCREW,TAPPING,TRUSS HEAD,M2X6	
502	XB4 - 7300 - 609		2	SCREW,TAPPING,TRUSS HEAD,M3X6	
503	XB4 - 7401 - 009		3	SCREW,TAPPING,TRUSS HEAD,M4X10	

FIGURE 101 UPPER MAIN BODY(1/2)

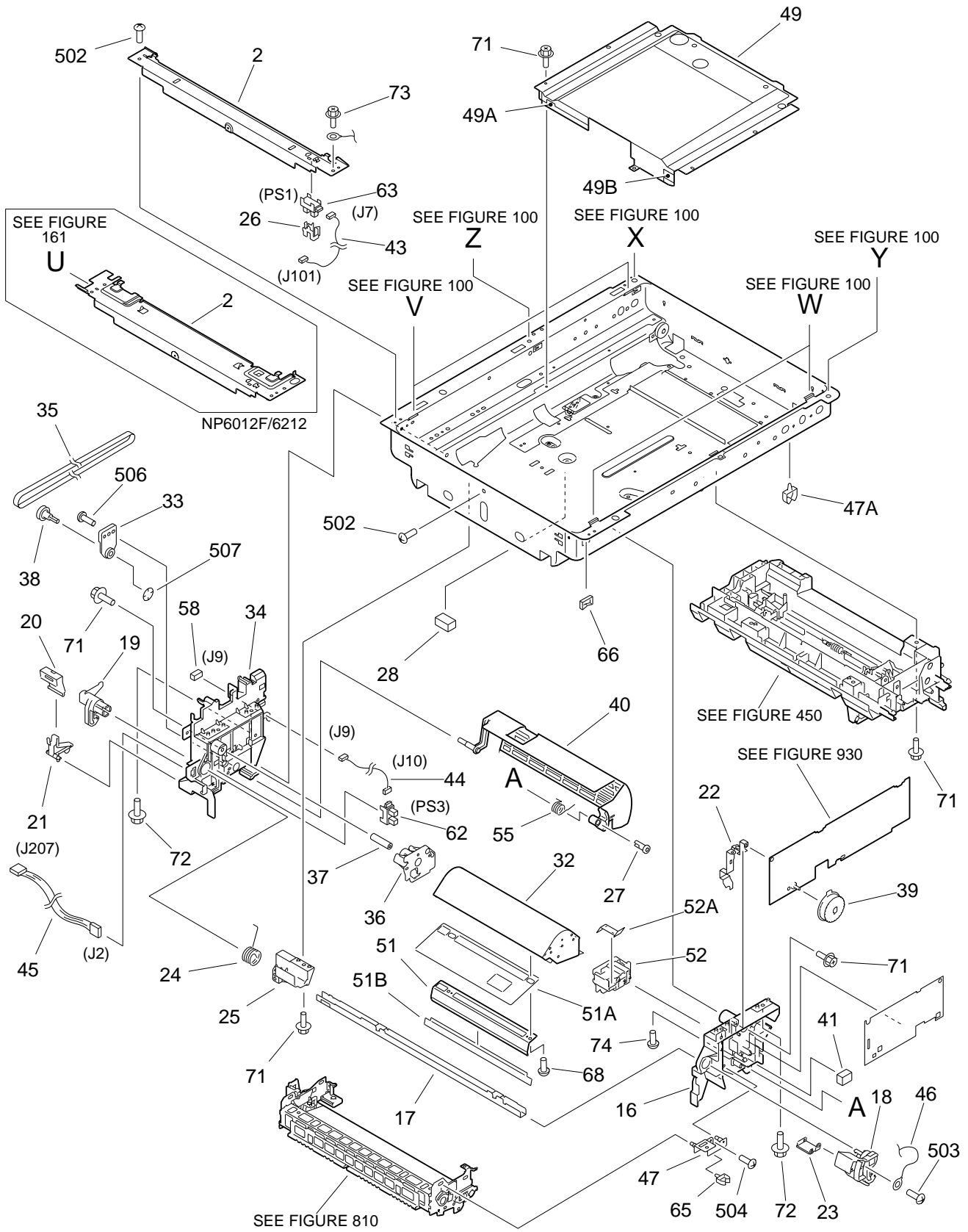


FIGURE & KEY NO.	PART NUMBER	RANK	QTY	DESCRIPTION	SERIAL NUMBER / REMARKS
101 -	NPN		RF	UPPER MAIN BODY	
1	FB2 - 4603 - 000		1	PLATE, DUST-PROOF	
2	FB2 - 4604 - 030		1	MOUNT, HOME POSITION SENSOR	NP6012
	FB3 - 0820 - 000		1	MOUNT, HOME POSITION SENSOR	NP6012F/6212
3	FB2 - 4605 - 000		1	RAIL, ZOOM LENS	
4	FB2 - 4610 - 000		1	PULLEY, DRIVE	
5	FB2 - 4611 - 000		1	WIRE, MIRROR DRIVE, 1	
6	FB2 - 4612 - 000		1	WIRE, MIRROR DRIVE, 2	
7	FB2 - 4613 - 000		1	RETAINER, MIRROR, 6, FRONT	
8	FB2 - 4614 - 000		1	RETAINER, MIRROR, 6, REAR	
9	FB2 - 4622 - 020		2	HOLDER, WIRE	
10	FB2 - 4626 - 000		2	CAP, EDGE	
11	FB2 - 4629 - 020		1	HOLDER, LENS	
12	FB2 - 4734 - 000		1	SHEET, 1	
13	FB2 - 4736 - 000		1	SHEET, 2	
14	FB2 - 4792 - 000		1	HOOK, WIRE STOPPING	
15	FB2 - 4840 - 000		1	SHEET, 7	
16	FB2 - 4866 - 020		1	BLOCK, HOOK, FRONT	
17	FB2 - 4868 - 000		1	SHAFT, HOOK	
18	FB2 - 4869 - 000		1	HOOK, FRONT	
19	FB2 - 4870 - 000		1	HOOK, REAR	
20	FB2 - 4871 - 000		1	LEVER, SWITCH	
21	FB2 - 4872 - 000		1	ACTUATOR	
22	FB2 - 4873 - 000		1	PLATE, GROUNDING	
23	FB2 - 4875 - 000		1	PLATE, LEVER GROUNDING	
24	FB2 - 4877 - 000		1	SPRING, TORSION	
25	FB2 - 4940 - 000		1	PLATE, REINFORCEMENT	
26	FB2 - 4942 - 000		1	GUIDE, SENSOR	
27	FB2 - 4943 - 000		1	PIN, HOOK	
28	FB2 - 5036 - 000		1	BLOCK, SILENCER	

FIGURE & KEY NO.	PART NUMBER	RANK	QTY	DESCRIPTION	SERIAL NUMBER / REMARKS
101 - 29	FB2 - 5057 - 000		1	PLATE, BLANK EXPOSURE	
30	FB2 - 5501 - 030		1	SCREW, M4X15	
31	FB3 - 0570 - 000		1	PLATE, LINK	
32	FB3 - 0623 - 000		1	FAN, EXHAUST	
33	FB3 - 0626 - 000		1	SUPPORT, PULLEY SHAFT	
34	FB3 - 0627 - 000		1	BLOCK, HOOK, REAR	
35	FB3 - 0630 - 000		1	BELT, FAN	
36	FB3 - 0632 - 000		1	SUPPORT, FAN, REAR	
37	FB3 - 0633 - 000		1	JOINT	
38	FB3 - 0639 - 000		1	PULLEY, FAN	
39	FB3 - 0670 - 000		1	DIAL, DENSITY CONTROL	
40	FB3 - 0736 - 030		1	SHUTTER, FIXING	
41	FB3 - 0738 - 000		1	RUBBER, SHUTTER	
42	FB3 - 0821 - 000		1	MOUNT, ADF, LEFT	NP6012F/6212
43	FF2 - 9730 - 000		1	CABLE, HOME POSITION SENSOR	J7,101
44	FF2 - 9732 - 000		1	CABLE, DELIVERY SENSOR	J9,10
45	FF2 - 9760 - 000		1	CABLE, FIXING HEATER	J2,207
46	FF2 - 9799 - 000		1	CABLE, GROUNDING	
47	FF5 - 2859 - 000		1	HOLDING PLATE, FIXING ASSEMBLY	
47 A	WT2 - 5026 - 000		1	CLIP, CABLE	
48	FF5 - 2867 - 020		1	PULLEY, IDLER	
49	FF5 - 2890 - 000		1	HOOD, LENS	
49 A	FB2 - 4627 - 000		1	SHEET, LIGHT-BLOCKING, 1	
49 B	FB2 - 4628 - 000		1	SHEET, LIGHT-BLOCKING, 2	
50	FF5 - 3716 - 000		1	SHEET, 2	
50 A	FB2 - 5058 - 000		1	SHEET, 4	
51	FF5 - 3889 - 000		1	PLATE, AIR GUIDE	
51 A	FB3 - 0587 - 000		1	SHEET, AIR GUIDE, 1	
51 B	FB3 - 0588 - 000		1	SHEET, AIR GUIDE, 2	
52	FF5 - 3912 - 000		1	SUPPORT, FAN, FRONT	

FIGURE & KEY NO.	PART NUMBER	RANK	QTY	DESCRIPTION	SERIAL NUMBER / REMARKS
101 - 52 A	FB3 - 0625 - 000		1	PLATE, FAN GROUNDING	
53	FG5 - 3550 - 000		1	DC CONTROLLER CABLE	NP6012
	FG5 - 5509 - 000		1	DC CONTROLLER CABLE	NP6012F/6212
53 A	WT2 - 5041 - 000		2	CLAMP, CABLE	
53 B	VS1 - 5057 - 008		1	CONNECTOR, SNAP TIGHT	NP6012F/6212 J102
54	FN5 - 4021 - 000		1	MIRROR, 6	
55	FS5 - 2797 - 000		1	SPRING, TORSION	
56	FS5 - 2802 - 000		1	SPRING, TENSION	
57	FS5 - 2803 - 020		1	SPRING, TENSION	
58	VS1 - 5057 - 003		1	CONNECTOR, SNAP TIGHT	J9
59	VT2 - 5020 - 010		2	SPACER	
60	VT2 - 5020 - 016		1	SPACER	
61	WE8 - 5086 - 000		1	FERRITE CORE	NP6212
62	WG8 - 5001 - 000		1	PHOTO-INTERRUPTER, TLP1231	PS3 J10
63	WG8 - 5001 - 000		1	PHOTO-INTERRUPTER, TLP1231	PS1 J7
64	WG8 - 5187 - 000		1	PHOTO-INTERRUPTER	PS2 J12
65	WT2 - 5026 - 000		1	CLIP, CABLE	
66	WT2 - 5035 - 000		1	CLIP, CABLE	
67	WT2 - 5041 - 000		3	CLAMP, CABLE	
68	XA9 - 0187 - 000		2	SCREW,M3X6	
69	XA9 - 0187 - 000		1	SCREW,M3X6	NP6012F/6212
70	XA9 - 0650 - 000		1	SCREW,M3X6	
71	XA9 - 0760 - 000		16	SCREW,RS,M3X6	
72	XA9 - 0762 - 000		3	SCREW,RS,M3X8	
73	XA9 - 0794 - 000		4	SCREW,RS,M3X6	
74	XA9 - 0813 - 000		1	SCREW,RS,M3X8	
75	XD9 - 0136 - 000		1	RING,E	
501	XB1 - 2300 - 609		3	SCREW,MACH.,TRUSS HEAD,M3X6	

FIGURE & KEY NO.	PART NUMBER	R A N K	Q' T Y	DESCRIPTION	SERIAL NUMBER / REMARKS
101 - 502	XB2 - 7300 - 607		6	SCREW,W/WASHER,M3X6	
503	XB4 - 7300 - 609		1	SCREW,TAPPING,TRUSS HEAD,M3X6	
504	XB4 - 7300 - 609		1	SCREW,TAPPING,TRUSS HEAD,M3X6	
505	XB4 - 7300 - 809		1	SCREW,TAPPING,TRUSS HEAD,M3X8	
506	XB4 - 7300 - 809		3	SCREW,TAPPING,TRUSS HEAD,M3X8	
507	XD2 - 2300 - 502		1	RING,TOOTHED LOCK	

FIGURE 102 LOWER MAIN BODY(1/2)

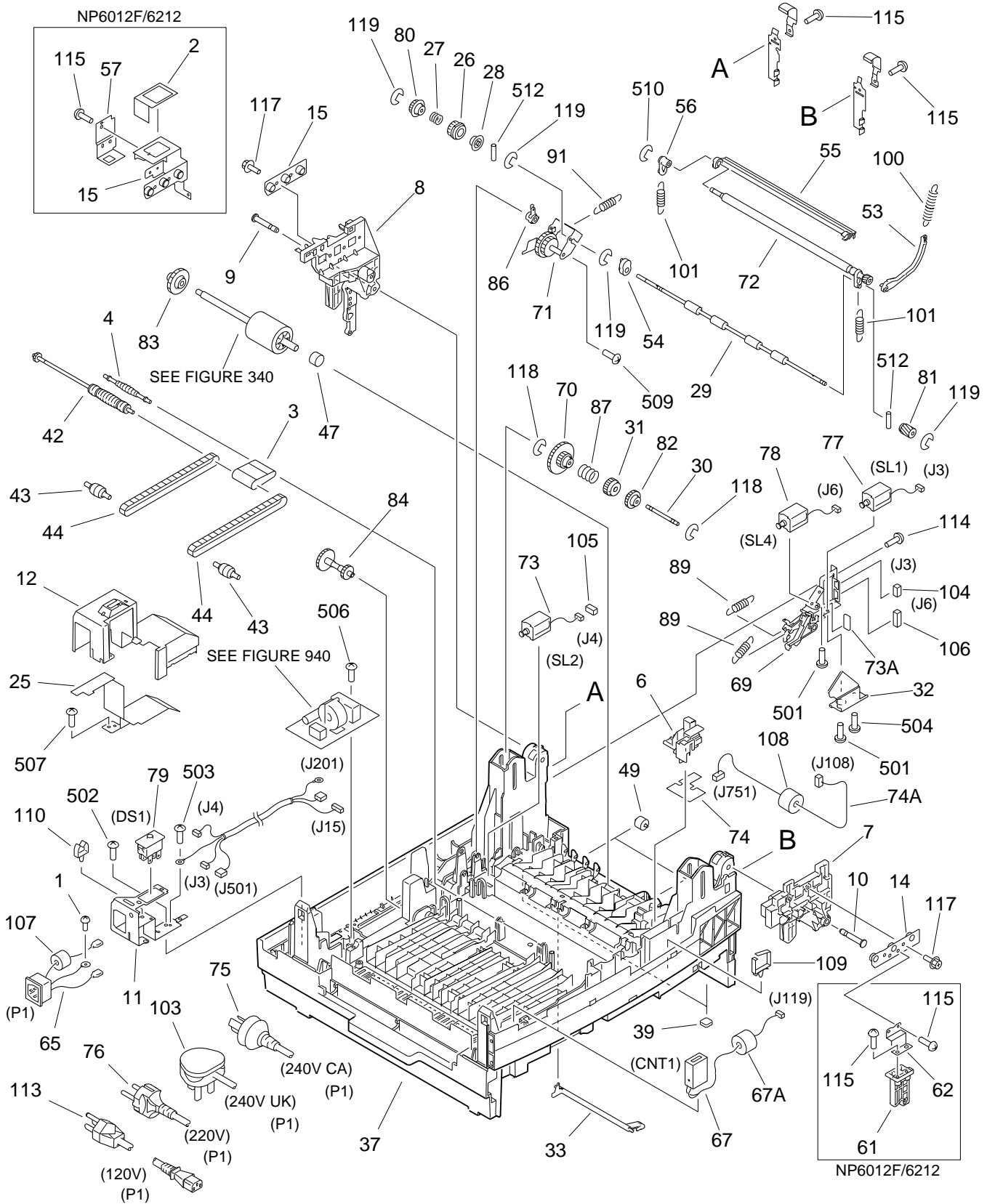


FIGURE 102 LOWER MAIN BODY(2/2)

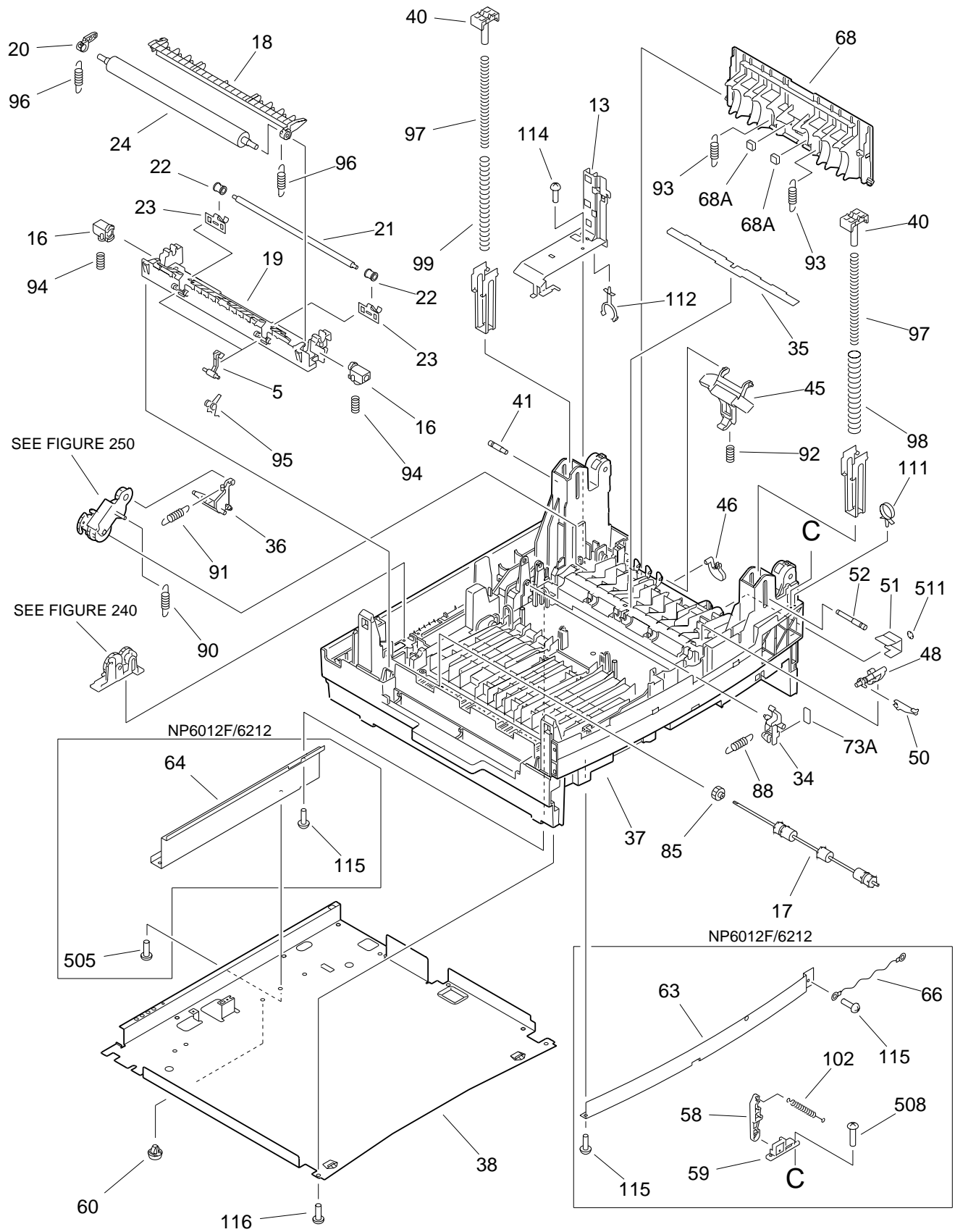


FIGURE & KEY NO.	PART NUMBER	R A N K	Q' T Y	DESCRIPTION	SERIAL NUMBER / REMARKS
102 -	NPN		RF	LOWER MAIN BODY	
1	FA9 - 2568 - 000		1	SCREW,MACH.,TRUSS HEAD	
2	FA9 - 3205 - 000		1	SHEET, AC CABLE	NP6012F/6212
3	FB1 - 7267 - 000		1	BELT, PAPER FEED, 1	
4	FB1 - 7270 - 000		1	PULLEY, BELT, 1	
5	FB1 - 7275 - 000		2	CLAW, SEPARATION	
6	FB2 - 4780 - 000		1	COVER, SENSOR PCB	
7	FB2 - 4928 - 020		1	MOUNT, HINGE, FRONT	
8	FB2 - 4929 - 000		1	MOUNT, HINGE, REAR	
9	FB2 - 4930 - 000		1	PIN, HINGE	
10	FB2 - 4930 - 000		1	PIN, HINGE	NP6012
	FB3 - 0833 - 000		1	PIN, HINGE	NP6012F/6212
11	FB2 - 4932 - 020		1	MOUNT, POWER CORD	
12	FB2 - 4933 - 000		1	COVER, AC POWER SUPPLY	
13	FB2 - 4935 - 000		1	GUIDE, CABLE	
14	FB2 - 4936 - 000		1	PLATE, HINGE STOP, FRONT	NP6012
	FB3 - 0843 - 000		1	PLATE, HINGE STOP, FRONT	NP6012F/6212
15	FB2 - 4937 - 000		1	PLATE, HINGE STOP, REAR	NP6012
	FF5 - 3922 - 000		1	PLATE, HINGE STOP, REAR	NP6012F/6212
16	FB2 - 5030 - 000		2	HOLDER, ROLLER	
17	FB2 - 5031 - 000		1	ROLLER, DELIVERY	
18	FB2 - 5032 - 000		1	GUIDE, ENTRANCE	
19	FB2 - 5033 - 000		1	GUIDE, LOWER, DELIVERY	
20	FB2 - 5034 - 000		1	HOLDER, ENTRANCE GUIDE	
21	FB2 - 5040 - 000		1	ROLLER, CLEANING	
22	FB2 - 5041 - 000		2	BUSHING	
23	FB2 - 5042 - 000		2	SPRING, LEAF	
24	FB2 - 5043 - 000		1	ROLLER, PRESSURE	
25	FB2 - 5060 - 000		1	SHIELD, NOISE	
26	FB2 - 5162 - 000		1	RING, RATCHET	

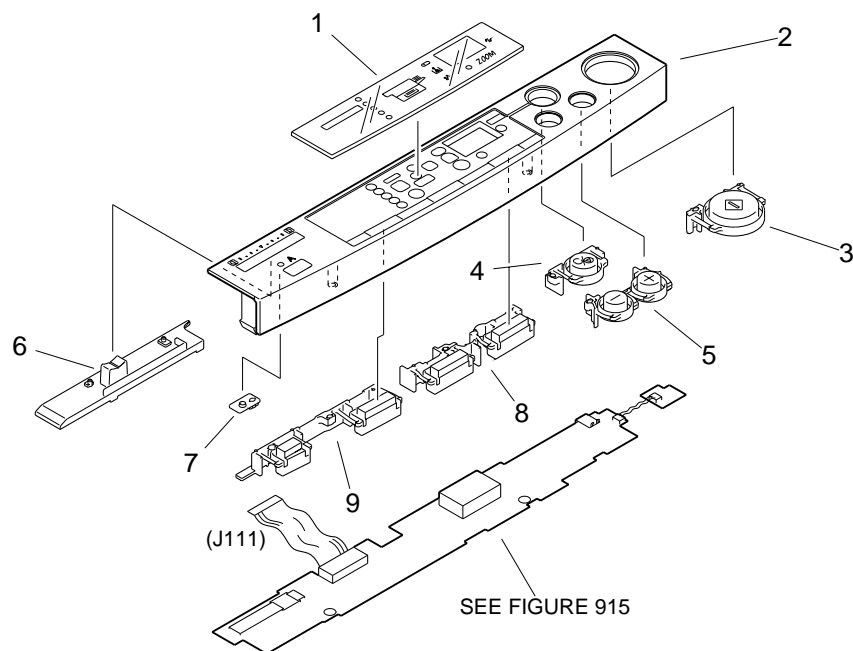
FIGURE & KEY NO.	PART NUMBER	R A N K	Q' T Y	DESCRIPTION	SERIAL NUMBER / REMARKS
102 - 27	FB2 - 5163 - 000		1	SPRING, CLUTCH	
28	FB2 - 5164 - 000		1	DRUM, CLUTCH	
29	FB2 - 5165 - 000		1	ROLLER, REGISTRATION, LOWER	
30	FB2 - 5182 - 000		1	SHAFT, CLUTCH	
31	FB2 - 5183 - 000		1	RING, RATCHET	
32	FB2 - 5192 - 000		1	COVER, SOLENOID	
33	FB2 - 5221 - 020		1	LEVER, SENSOR	
34	FB2 - 5222 - 020		1	LEVER, CLUTCH	
35	FB2 - 5223 - 000		1	SHEET, GUIDE	
36	FB2 - 5224 - 000		1	ARM, PAPER PICK-UP	
37	FB2 - 5301 - 000	N	1	FRAME, BASE	
38	FB2 - 5302 - 000		1	PLATE, CASSETTE MOUNTING	
39	FB2 - 5303 - 000		2	FOOT, RUBBER	
40	FB2 - 5304 - 000		2	BLOCK, HINGE SLIDING	
41	FB2 - 5305 - 000		1	PIN, SLIDE, 1	
42	FB2 - 5309 - 000		1	PULLEY, BELT, 2	
43	FB2 - 5310 - 000		2	PULLEY, BELT, 3	
44	FB2 - 5311 - 000		2	BELT, PAPER FEED, 2	
45	FB2 - 5380 - 030		1	PAD, SEPARATION	
46	FB2 - 5381 - 000		1	BLOCK, PAD	
47	FB2 - 5382 - 000		1	HOLDER, ROLLER	
48	FB2 - 5383 - 020		1	FLAG, SENSING, 1	
49	FB2 - 5385 - 000		2	ROLLER	
50	FB2 - 5388 - 000		1	FLAG, SENSING, 2	
51	FB2 - 5392 - 020		1	PLATE, FLAG HOLDING	
52	FB3 - 0732 - 000		1	SHAFT, SLIDE, 2	NP6012
	FB3 - 0837 - 000		1	SHAFT, SLIDE, 2	NP6012F/6212
53	FB3 - 0743 - 000		1	ARM, PRESSURE RELEASE	
54	FB3 - 0744 - 000		1	BUSHING, SWING	
55	FB3 - 0745 - 000		1	GUIDE, REGISTRATION, UPPER	

FIGURE & KEY NO.	PART NUMBER	RANK	QTY	DESCRIPTION	SERIAL NUMBER / REMARKS
102 - 56	FB3 - 0748 - 000		1	BUSHING, UPPER REGISTRATION	
57	FB3 - 0826 - 000		1	SUPPORT, DF MOUNTING	NP6012F/6212
58	FB3 - 0831 - 000		1	LEVER, SUPPORT	NP6012F/6212
59	FB3 - 0832 - 000		1	HOLDER, LEVER	NP6012F/6212
60	FB3 - 0840 - 000		1	FOOT, AUXILIARY	
61	FB3 - 0841 - 020		1	MOUNT, AUXILIARY HINGE	NP6012F/6212
62	FB3 - 0842 - 000		1	PLATE, HINGE MOUNTING	NP6012F/6212
63	FB3 - 0844 - 020		1	PLATE, REINFORCEMENT, FRONT	NP6012F/6212
64	FB3 - 0845 - 000		1	PLATE, REINFORCEMENT, REAR	NP6012F/6212
65	FF2 - 9789 - 000		1	CABLE, AC INLET	P1
66	FF2 - 9800 - 000		1	CABLE, GROUNDING	NP6012F/6212
67	FF3 - 1215 - 000		1	COUNTER	CNT1 J119
67 A	WE8 - 0087 - 000		1	FERRITE CORE	
68	FF5 - 2858 - 000		1	COVER	
68 A	FB2 - 5422 - 000		2	DAMPER, RUBBER	
69	FF5 - 2873 - 030		1	MOUNT, SOLENOID	
70	FF5 - 3714 - 000		1	GEAR, 17T/80T	
71	FF5 - 3927 - 000		1	PLATE, REGIST SWING	
72	FF5 - 3928 - 020		1	ROLLER, REGISTRATION, UPPER	
73	FF9 - 1504 - 000		1	SOLENOID	SL2 J4
73 A	FB2 - 5191 - 000		2	PAD, SILENCER	
74	FG5 - 5496 - 000		1	SENSOR PCB UNIT	
74 A	FF3 - 0479 - 000		1	CABLE, SENSOR PCB UNIT	J108,751
75	FH2 - 5276 - 030		1	CORD, POWER SUPPLY	240V CA P1
76	FH2 - 5761 - 000		1	CORD, POWER SUPPLY	220V P1
77	FH7 - 5627 - 000		1	SOLENOID, DC24V	SL1 J3
78	FH7 - 5628 - 000		1	SOLENOID, DC24V	SL4 J6
79	FH7 - 6216 - 000		1	SWITCH, INTERLOCK	DS1
80	FS5 - 0883 - 000		1	GEAR, 34T	
81	FS5 - 0885 - 000		1	GEAR, 14T	

FIGURE & KEY NO.	PART NUMBER	R A N K	Q' T Y	DESCRIPTION	SERIAL NUMBER / REMARKS
102 - 82	FS5 - 0887 - 000		1	GEAR, 25T	
83	FS5 - 0903 - 000		1	GEAR, 36T	
84	FS5 - 0913 - 020		1	GEAR, 17T/18T	
85	FS5 - 0915 - 000		1	GEAR, 14T	
86	FS5 - 1440 - 000		1	BUSHING, REGISTRATION, REAR	
87	FS5 - 2351 - 000		1	SPRING, CLUTCH	
88	FS5 - 2767 - 000		1	SPRING, TENSION	
89	FS5 - 2771 - 000		2	SPRING, TENSION	
90	FS5 - 2772 - 000		1	SPRING, TENSION	
91	FS5 - 2773 - 000		2	SPRING, TENSION	
92	FS5 - 2778 - 000		1	SPRING, COMPRESSION	
93	FS5 - 2783 - 000		2	SPRING, TENSION	
94	FS5 - 2798 - 000		2	SPRING, COMPRESSION	
95	FS5 - 2799 - 000		2	SPRING, TORSION	
96	FS5 - 2800 - 000		2	SPRING, TENSION	
97	FS5 - 2806 - 000		2	SPRING, COMPRESSION	NP6012
	FS6 - 2234 - 000		2	SPRING, COMPRESSION	NP6012F/6212
98	FS6 - 2232 - 000		1	SPRING, COMPRESSION	
99	FS6 - 2233 - 000		1	SPRING, COMPRESSION	NP6012
	FS6 - 2232 - 000		1	SPRING, COMPRESSION	NP6012F/6212
100	FS6 - 2239 - 000		1	SPRING, TENSION	
101	FS6 - 2240 - 000		2	SPRING, TENSION	
102	FS6 - 2241 - 000		1	SPRING, TENSION	NP6012F/6212
103	RH2 - 5015 - 050		1	CORD, POWER SUPPLY	240V UK P1
104	VS1 - 5057 - 002		1	CONNECTOR, SNAP TIGHT	J3
105	VS1 - 5057 - 002		1	CONNECTOR, SNAP TIGHT	J4
106	VS1 - 5057 - 003		1	CONNECTOR, SNAP TIGHT	J6
107	WE8 - 0087 - 000		1	FERRITE CORE	NP6212
108	WE8 - 5093 - 000		1	FERRITE CORE	120V
109	WT2 - 0494 - 000		1	CLAMP, CABLE	

FIGURE & KEY NO.	PART NUMBER	RANK	QTY	DESCRIPTION	SERIAL NUMBER / REMARKS
102 - 110	WT2 - 5026 - 000		1	CLIP, CABLE	120V P1
111	WT2 - 5041 - 000		1	CLAMP, CABLE	
112	WT2 - 5335 - 000		1	SPACER, HARNESS LOCK	
113	WT3 - 5021 - 000		1	CORD, POWER SUPPLY	
114	XA9 - 0591 - 000		4	SCREW,M3X8	
115	XA9 - 0591 - 000		12	SCREW,M3X8	NP6012F/6212
116	XA9 - 0605 - 000		9	SCREW,M4X8	
117	XA9 - 0763 - 000		6	SCREW,RS,M3X11	
118	XD9 - 0134 - 000		2	RING,E	
119	XD9 - 0134 - 000		6	RING,E	
501	XB1 - 2300 - 409		2	SCREW,MACH.,TRUSS HEAD,M3X4	NP6012F/6212
502	XB1 - 2300 - 809		2	SCREW,MACH.,TRUSS HEAD,M3X8	
503	XB2 - 7300 - 607		3	SCREW,W/WASHER,M3X6	
504	XB2 - 7300 - 607		1	SCREW,W/WASHER,M3X6	
505	XB2 - 7300 - 607		1	SCREW,W/WASHER,M3X6	
506	XB2 - 8300 - 607		1	SCREW,W/WASHER,M3X6	NP6012F/6212
507	XB4 - 7300 - 809		2	SCREW,TAPPING,TRUSS HEAD,M3X8	
508	XB4 - 7301 - 009		2	SCREW,TAPPING,TRUSS HEAD,M3X10	
509	XB6 - 7300 - 609		1	SCREW,TP,M3X6	
510	XD2 - 1100 - 322		5	RING,E	
511	XD2 - 2300 - 502		1	RING,TOOTHED LOCK	
512	XD3 - 2160 - 062		2	PIN,DOWEL	

FIGURE 130 CONTROL PANEL ASSEMBLY

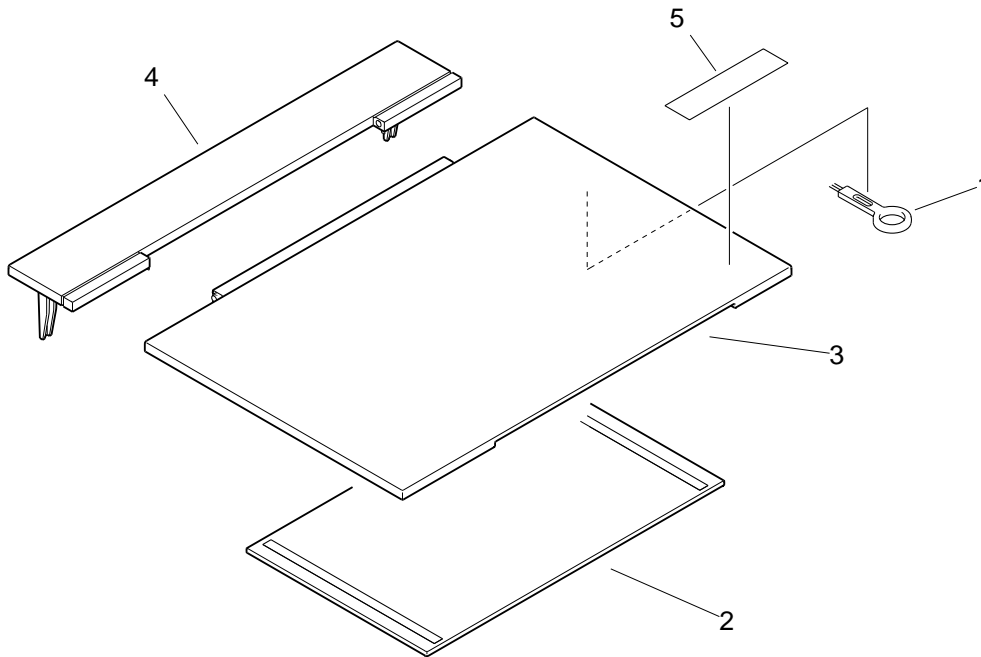


NOTE1: This assembly includes the assembly shown in Figure 915.

NOTE2: This assembly does not include the part shown with key No. 1.

FIGURE & KEY NO.	PART NUMBER	RANK	QTY	DESCRIPTION	SERIAL NUMBER / REMARKS
130 -	FG5 - 5450 - 000		1	CONTROL PANEL ASSEMBLY	NP6012 SEE NOTE 1
	FG5 - 5452 - 000		1	CONTROL PANEL ASSEMBLY	NP6012F/6212 SEE NOTE 1
	1	FB3 - 0650 - 000	1	PANEL, CLEAR	NP6012 120V SEE NOTE 2
	FB3 - 0651 - 000	1	PANEL, CLEAR	NP6012 220/240V SEE NOTE 2	
	FB3 - 0655 - 020	1	PANEL, CLEAR	NP6012F SEE NOTE 2	
	FB3 - 0656 - 000		1	PANEL, CLEAR	NP6212 SEE NOTE 2
2	FB3 - 0660 - 000		1	COVER, CONTROL PANEL	
3	FB3 - 0661 - 000		1	KEY TOP, START	
4	FB3 - 0662 - 000		1	KEY TOP, CLEAR/STOP	
5	FB3 - 0663 - 000		1	KEY TOP, NUMBER	
6	FB3 - 0664 - 000		1	KNOB, DENSITY CONTROL	
7	FB3 - 0665 - 000		1	COVER, LED	
8	FB3 - 0666 - 020		1	KEY TOP, FUNCTION, 1	
9	FB3 - 0667 - 020		1	KEY TOP, FUNCTION, 2	

FIGURE 160 COPYBOARD COVER ASSEMBLY (NP6012)



NOTE: This assembly does not include the part shown with key No.5.

FIGURE & KEY NO.	PART NUMBER	RANK	QTY	DESCRIPTION	SERIAL NUMBER / REMARKS
160 -	FG5 - 3532 - 000		1	COPYBOARD COVER ASSEMBLY	NP6012
1	FA9 - 3102 - 000		1	BRUSH, CLEANING	
2	FB1 - 8870 - 000		1	SHEET, COPYBOARD	
3	FB2 - 5423 - 000		1	COVER, COPYBOARD, LARGE	
4	FB2 - 5424 - 000		1	COVER, COPYBOARD, SMALL	
5	FB3 - 3406 - 000		1	LABEL, "CAUTION, DRUM CHANGE"	NP6012 PGP TYPE ENGLISH SEE NOTE
	FB3 - 3407 - 000		1	LABEL, "CAUTION, DRUM CHANGE"	NP6012 PGP TYPE FRENCH/GERMAN SEE NOTE

FIGURE 161 ADF ASSEMBLY (NP6012F/6212)(1/2)

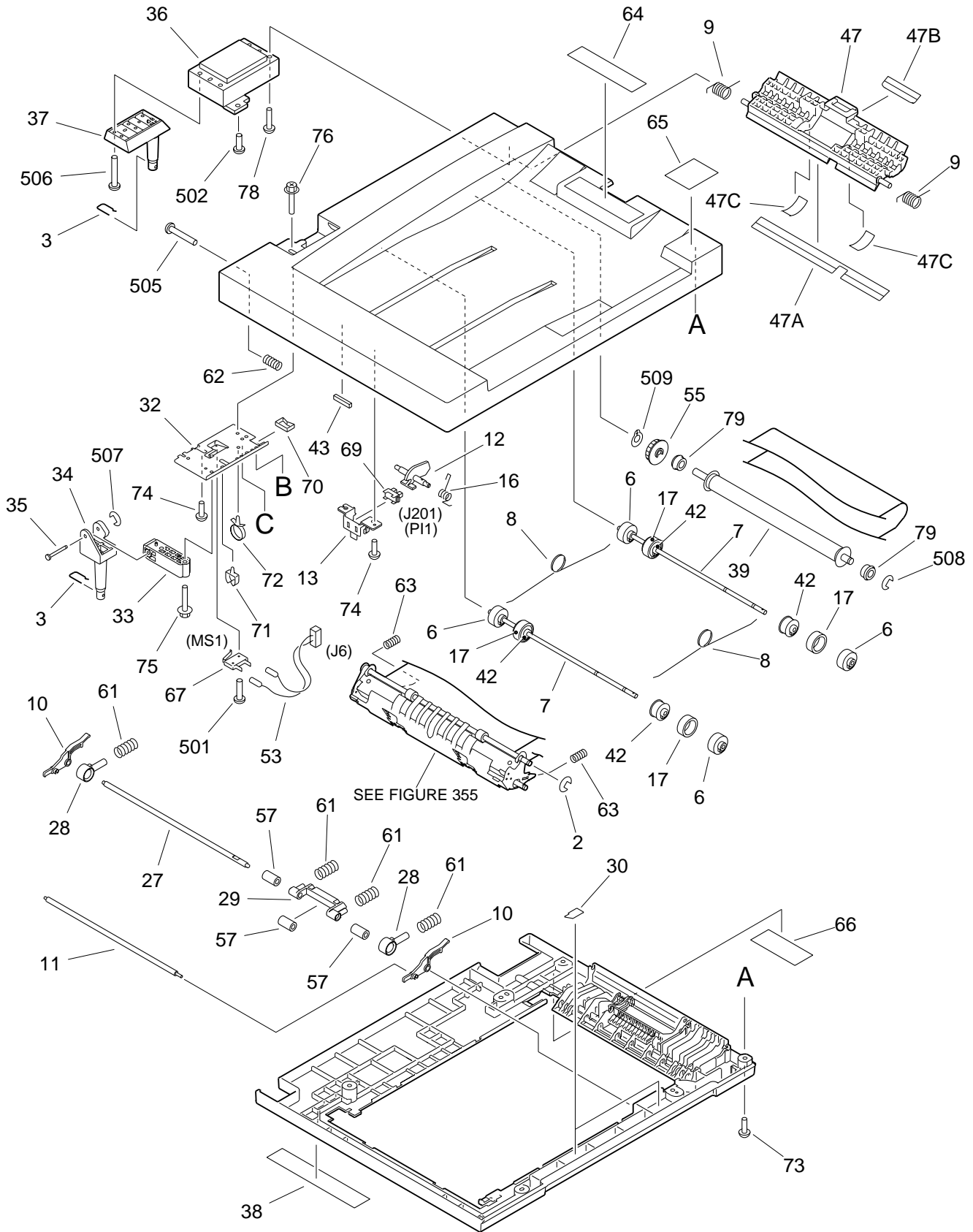


FIGURE 161 ADF ASSEMBLY (NP6012F/6212)(2/2)

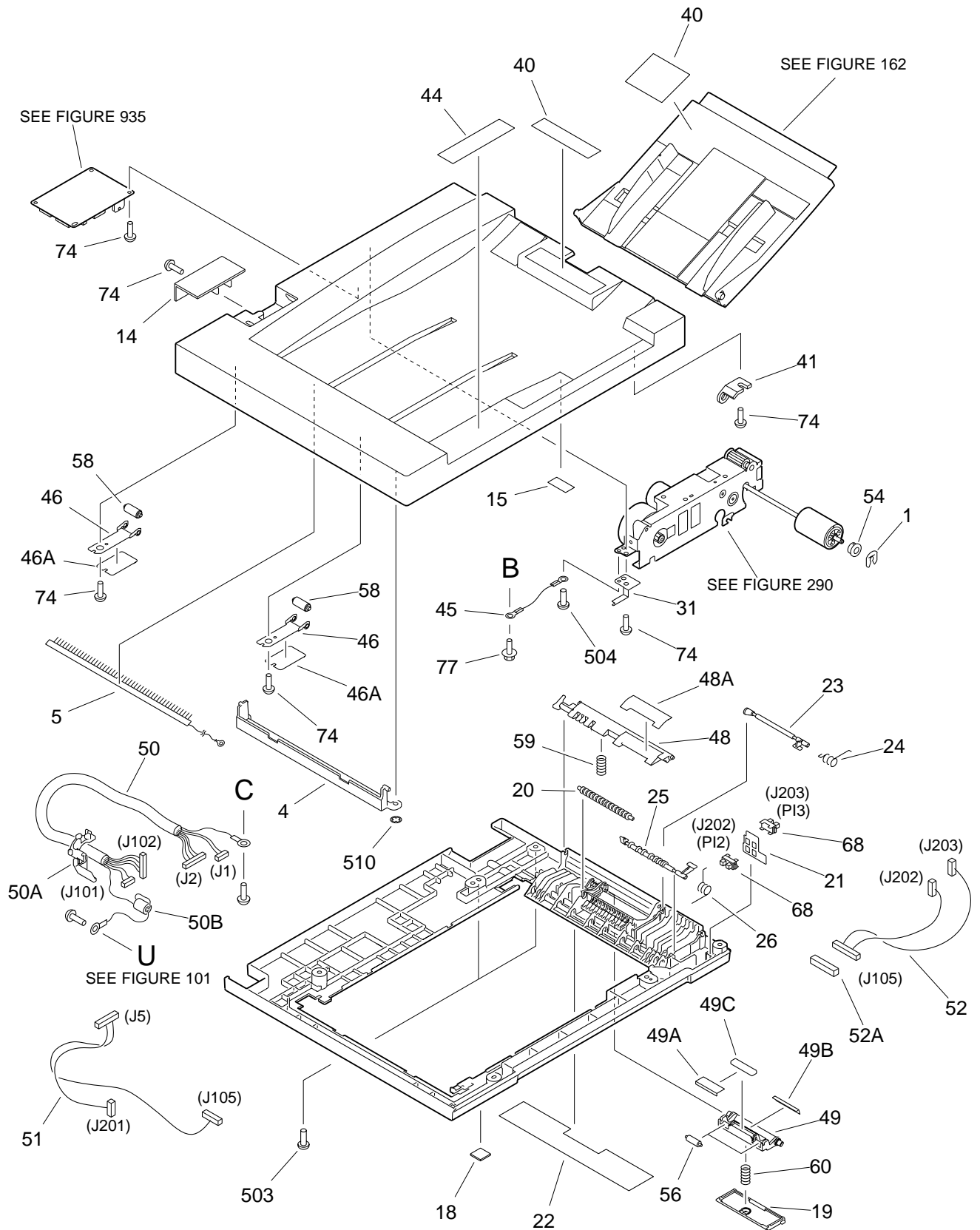


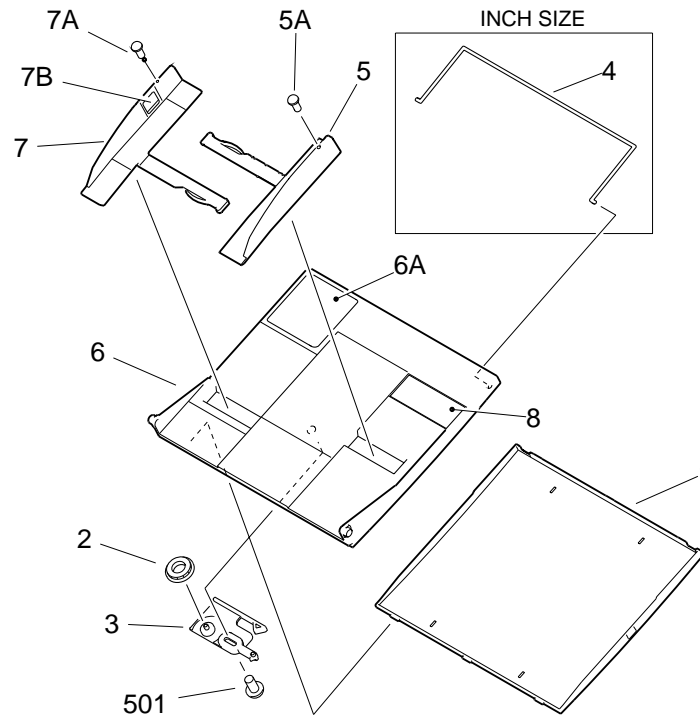
FIGURE & KEY NO.	PART NUMBER	RANK	QTY	DESCRIPTION	SERIAL NUMBER / REMARKS
161 -	NPN		RF	ADF ASSEMBLY	NP6012F/6212
1	FA5 - 2864 - 020		1	RING, RETAINING	
2	FA9 - 2873 - 000		1	RING,E	
3	FB3 - 0829 - 000		2	PIN, DF SUPPORT	
4	FB3 - 3311 - 000		1	CROSSMEMBER, DELIVERY	
5	FB3 - 3312 - 000		1	ELIMINATOR, STATIC CHARGE	
6	FB3 - 3314 - 020		4	ROLLER, BELT, 1	
7	FB3 - 3315 - 020		2	SHAFT, BELT	
8	FB3 - 3316 - 000		2	SPRING, TORSION	
9	FB3 - 3321 - 000		2	SPRING, TORSION	
10	FB3 - 3322 - 000		2	LINK, RELEASE	
11	FB3 - 3323 - 000		1	SHAFT, TENSION	
12	FB3 - 3324 - 000		1	FLAG, SENSOR	
13	FB3 - 3325 - 000		1	MOUNT, SENSOR	
14	FB3 - 3326 - 000		1	COVER, POCKET	
15	FB3 - 3328 - 000		6	SHEET, CABLE	
16	FB3 - 3330 - 000		1	SPRING, TORSION	
17	FB3 - 3332 - 000		4	ROLLER, RUBBER	
18	FB3 - 3334 - 000		4	SHEET, 1	
19	FB3 - 3335 - 000		1	COVER, PAD	
20	FB3 - 3336 - 000		1	ROLLER, GUIDE	
21	FB3 - 3337 - 000		1	PLATE, SENSOR MOUNTING	
22	FB3 - 3338 - 000		1	SHEET, 2	
23	FB3 - 3342 - 000		1	FLAG, SENSOR, 1	
24	FB3 - 3343 - 000		1	SPRING, TORSION	
25	FB3 - 3344 - 000		1	FLAG, SENSOR, 2	
26	FB3 - 3345 - 000		1	SPRING, TORSION	
27	FB3 - 3346 - 000		1	SHAFT, REGISTRATION	
28	FB3 - 3347 - 000		1	LINK, PRESSURE	
29	FB3 - 3348 - 000		1	LEVER, RELEASE	

FIGURE & KEY NO.	PART NUMBER	RANK	QTY	DESCRIPTION	SERIAL NUMBER / REMARKS
161 - 30	FB3 - 3352 - 000		2	SHEET, SAFETY	
31	FB3 - 3353 - 000		1	PLATE, GROUNDING	
32	FB3 - 3355 - 000		1	CROSSMEMBER, HINGE, LEFT	
33	FB3 - 3356 - 000		1	HINGE, LEFT, UPPER	
34	FB3 - 3357 - 020		1	HINGE, LEFT, LOWER	
35	FB3 - 3358 - 000		1	SHAFT, LEFT HINGE	
36	FB3 - 3360 - 000		1	HINGE, FREE STOP	
37	FB3 - 3361 - 000		1	FOOT, HINGE, RIGHT	
38	FB3 - 3364 - 000		1	LABEL, OPERATION, 4	
39	FB3 - 3365 - 000		1	ROLLER, DRIVE	
40	FB3 - 3398 - 000		1	LABEL	NP6012F
	FB3 - 3399 - 000		1	LABEL	NP6212
41	FB3 - 3401 - 000		1	BUSHING, LEVER	
42	FB3 - 3402 - 020		4	ROLLER, BELT, 2	
43	FB3 - 3404 - 000		1	CUSHION	
44	FB3 - 3406 - 000		1	LABEL, "CAUTION, DRUM CHANGE"	NP6012F PGP TYPE ENGLISH
	FB3 - 3407 - 000		1	LABEL, "CAUTION, DRUM CHANGE"	NP6012F PGP TYPE FRENCH/GERMAN
45	FF3 - 1070 - 000		1	CABLE, GROUNDING	
46	FF5 - 4674 - 000		1	HOLDER, ROLLER	
46 A	FB3 - 3329 - 000		2	SHEET, 3	
47	FF5 - 4675 - 000		1	HANDLE, UPPER	
47 A	FB3 - 3318 - 000		1	SHEET, FRONT REGISTRATION	
47 B	FB3 - 3319 - 000		1	SHEET, INLET	
47 C	FB3 - 3320 - 000		2	SHEET, HANDLE	
48	FF5 - 4677 - 000		1	PLATE, PAPER LIFTER	
48 A	FB3 - 3340 - 000		1	SHEET, PAPER LIFTER	
49	FF5 - 4679 - 000		1	FLAPPER	
49 A	FB3 - 3349 - 000		1	PAD, RUBBER	
49 B	FB3 - 3350 - 000		1	SHEET, INLET	
49 C	FB3 - 3351 - 000		1	PAD, SPONGE	

FIGURE & KEY NO.	PART NUMBER	RANK	QTY	DESCRIPTION	SERIAL NUMBER / REMARKS
161 - 50	FG2 - 7467 - 000		1	CABLE, INTERFACE	J1,2,101,102
50 A	FB3 - 0835 - 000		1	GUIDE, CABLE	
50 B	WE8 - 0098 - 000		1	FERRITE CORE	
51	FG2 - 7469 - 000		1	CABLE, SENSOR, 1	J5,105,201
52	FG2 - 7470 - 000		1	CABLE, SENSOR, 2	J105,202,203
52 A	VS1 - 5057 - 006		1	CONNECTOR, SNAP TIGHT	J105
53	FG2 - 7471 - 000		1	CABLE, MICROSWITCH	J6
54	FS1 - 1190 - 000		1	BUSHING	
55	FS5 - 3458 - 000		1	PULLEY, 44T	
56	FS5 - 6453 - 000		2	ROLLER, 1	
57	FS5 - 6454 - 000		3	ROLLER, REGISTRATION	
58	FS5 - 6455 - 000		2	ROLLER, 2	
59	FS6 - 2369 - 000		1	SPRING, COMPRESSION	
60	FS6 - 2370 - 000		1	SPRING, COMPRESSION	
61	FS6 - 2371 - 000		4	SPRING, COMPRESSION	
62	FS6 - 2373 - 000		1	SPRING, COMPRESSION	
63	FS6 - 2374 - 000		2	SPRING, COMPRESSION	
64	FS6 - 8193 - 000		1	LABEL, OPERATION, 1	
65	FS6 - 8194 - 000		1	LABEL, OPERATION, 2	
66	FS6 - 8195 - 000		1	LABEL, OPERATION, 3	
67	WC4 - 5030 - 000		1	MICROSWITCH	MS1
68	WG8 - 5206 - 010		2	PHOTO-INTERRUPTER	PI2,3 J202,203
69	WG8 - 5309 - 000		1	PHOTO-INTERRUPTER	
70	WT2 - 0204 - 010		1	CLIP, CABLE	
71	WT2 - 0387 - 010		1	CLAMP, CABLE	
72	WT2 - 5041 - 000		1	CLAMP, CABLE	
73	XA9 - 0605 - 000		4	SCREW,M4X8	
74	XA9 - 0605 - 000		13	SCREW,M4X8	
75	XA9 - 0632 - 000		2	SCREW,RS,M4X26	
76	XA9 - 0632 - 000		1	SCREW,RS,M4X26	

FIGURE & KEY NO.	PART NUMBER	R A N K	Q' T Y	DESCRIPTION	SERIAL NUMBER / REMARKS
161 - 77	XA9 - 0633 - 000		1	SCREW,RS,M4X8	
78	XA9 - 0976 - 000		4	SCREW,P,M4X16	
79	XG9 - 0237 - 000		2	BEARING, BALL	
501	XB1 - 2301 - 209		1	SCREW,MACH.,TRUSS HEAD,M3X12	
502	XB1 - 2400 - 609		2	SCREW,MACH.,TRUSS HEAD,M4X6	
503	XB1 - 2400 - 609		2	SCREW,MACH.,TRUSS HEAD,M4X6	
504	XB2 - 6300 - 607		1	SCREW,W/WASHER,M3X6	
505	XB4 - 7301 - 209		5	SCREW,TAPPING,TRUSS HEAD,M3X12	
506	XB6 - 7301 - 609		1	SCREW,TP,M3X16	
507	XD2 - 1100 - 322		1	RING,E	
508	XD2 - 1100 - 642		1	RING,E	
509	XD2 - 2100 - 802		1	RING,GRIP	
510	XD2 - 2300 - 502		2	RING,TOOTHED LOCK	

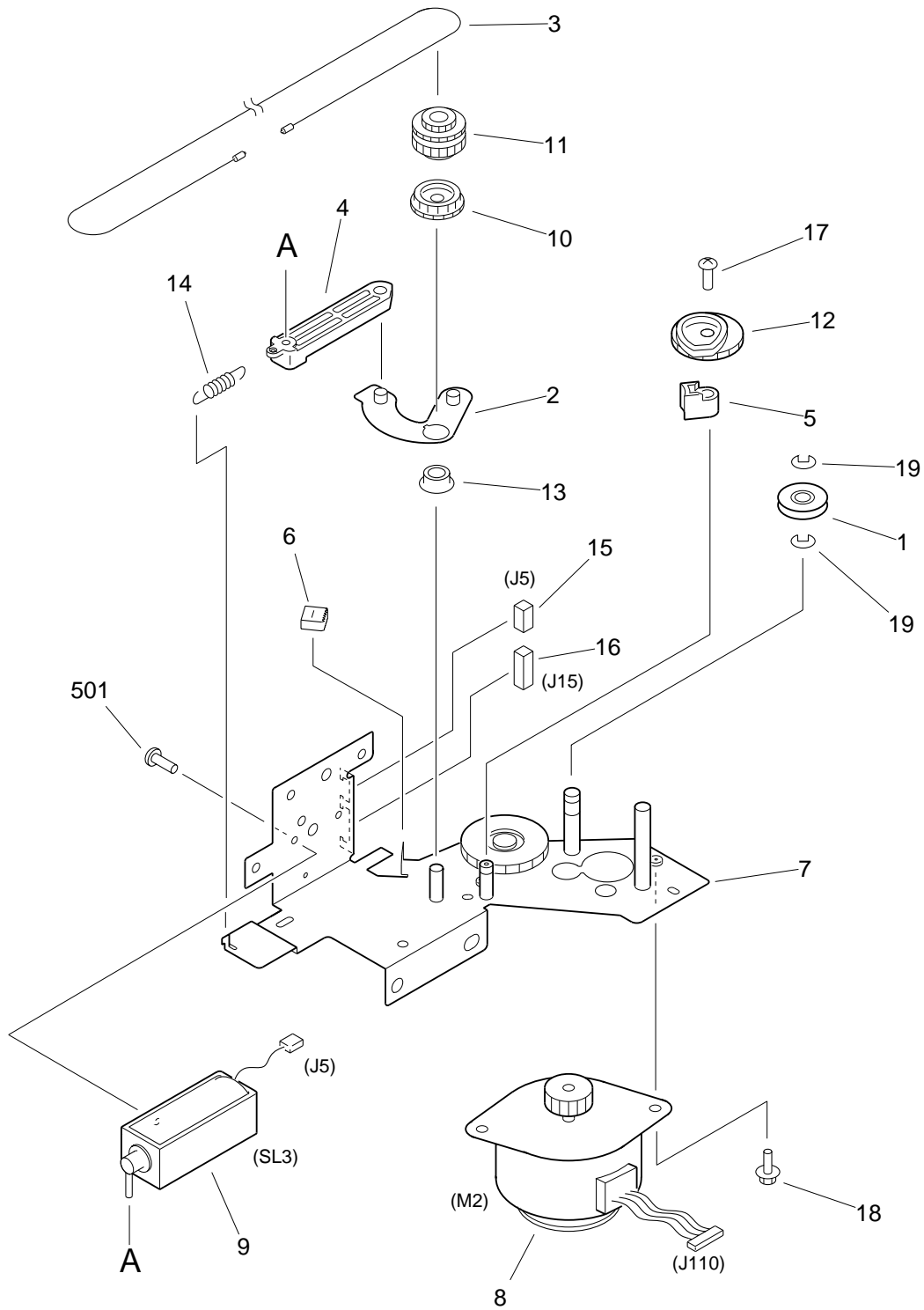
FIGURE 162 ADF TRAY ASSEMBLY (NP6012F/6212)



NOTE: This assembly does not include the parts shown with key No. 1, 4 and 8.

FIGURE & KEY NO.	PART NUMBER	RANK	QTY	DESCRIPTION	SERIAL NUMBER / REMARKS
162 -	FG5 - 6412 - 000		1	ADF TRAY ASSEMBLY	NP6012F/6212
1	FB3 - 3391 - 000		1	COVER, LOWER	SEE NOTE
2	FB3 - 3395 - 000		1	GEAR, 20T	
3	FB3 - 3396 - 000		1	PLATE, SLIDE	
4	FB3 - 3397 - 000		1	TRAY, SUB	SEE NOTE INCH SIZE
5	FF5 - 4678 - 000		1	GUIDE, SLIDE, FRONT	
5A	FB3 - 3392 - 000		1	RUBBER, STOP	
6	FF5 - 4683 - 000		1	TRAY, DOCUMENT	
6A	FB3 - 3367 - 000		1	LABEL, "PAPER SET"	
7	FF5 - 4684 - 000		1	GUIDE, SLIDE, REAR	
7A	FB3 - 3392 - 000		1	RUBBER, STOP	
7B	FS6 - 8196 - 000		1	LABEL, "PAPER HEIGHT"	
8	FS6 - 8197 - 000		1	LABEL, "PAPER SIZE"	SEE NOTE
501	XB1 - 2400 - 609		1	SCREW, MACH., TRUSS HEAD, M4X6	

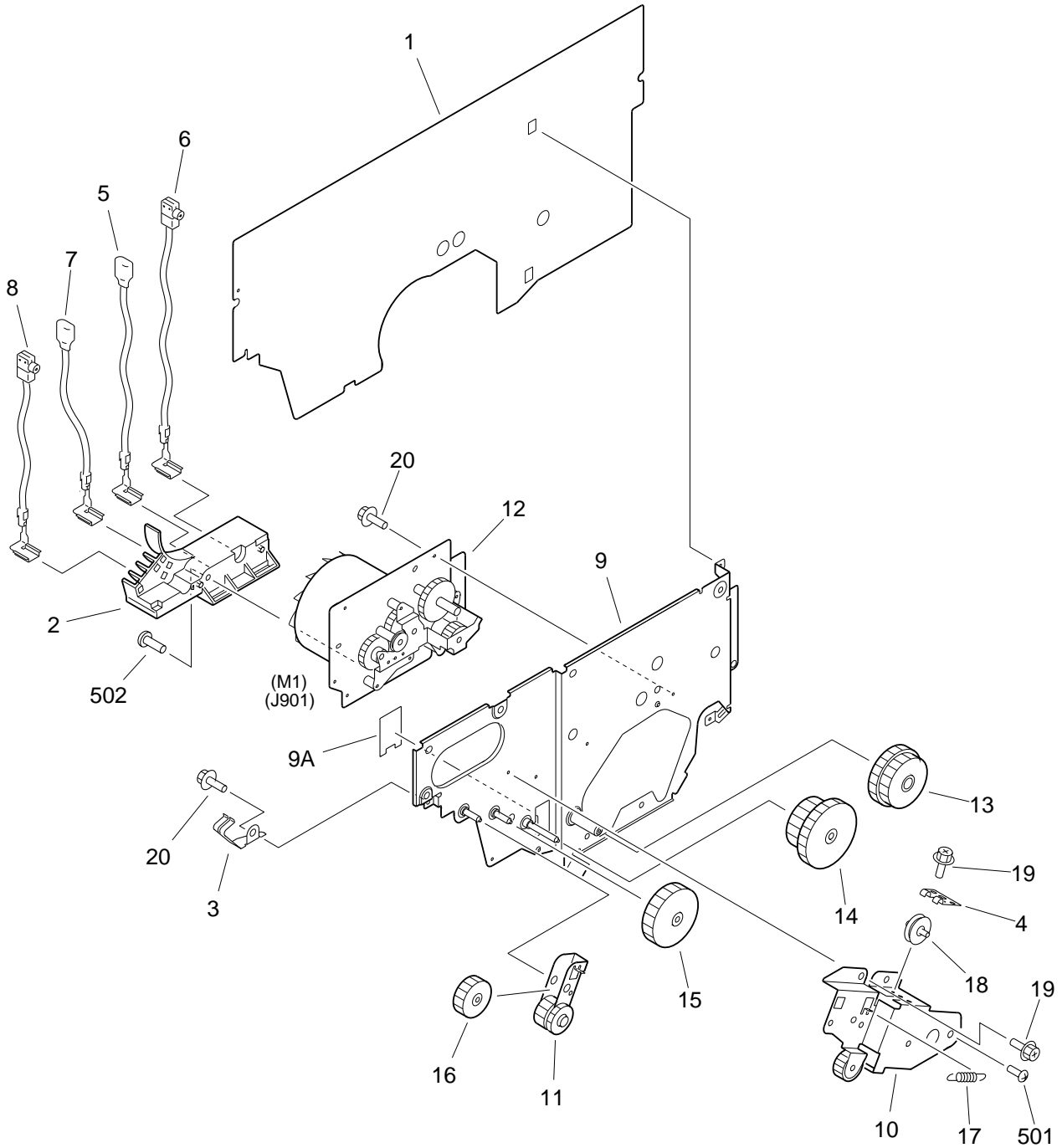
FIGURE 220 SCANNER DRIVE ASSEMBLY



NOTE: This assembly does not include the parts shown with key No. 3, 5, 12 and 17.

FIGURE & KEY NO.	PART NUMBER	R A N K	Q' T Y	DESCRIPTION	SERIAL NUMBER / REMARKS
220 -	FG5 - 3465 - 040		1	SCANNER DRIVE ASSEMBLY	
1	FB2 - 4616 - 000		1	PULLEY	
2	FB2 - 4701 - 020		1	ARM, SOLENOID, 1	
3	FB2 - 4702 - 000		1	WIRE, SCANNER DRIVE	SEE NOTE
4	FB2 - 4703 - 000		1	ARM, SOLENOID, 2	
5	FB2 - 4704 - 000		1	BLOCK, WIRE STOP	SEE NOTE
6	FB2 - 4705 - 000		1	RUBBER, STOP	
7	FF5 - 2868 - 030		1	MOUNT, MOTOR	
8	FH6 - 1079 - 000		1	MOTOR, STEPPING	M2 J110
9	FH7 - 5564 - 000		1	SOLENOID, DC24V	SL3 J5
10	FS5 - 0917 - 000		1	GEAR, 40T	
11	FS5 - 0918 - 000		1	GEAR, 24T/39T	
12	FS5 - 0919 - 000		1	GEAR, 53T	SEE NOTE
13	FS5 - 1439 - 000		1	BUSHING	
14	FS5 - 2821 - 000		1	SPRING, TENSION	
15	VS1 - 5057 - 002		1	CONNECTOR, SNAP TIGHT	J5
16	VS1 - 5057 - 006		1	CONNECTOR, SNAP TIGHT	J15
17	XA9 - 0187 - 000		1	SCREW,M3X6	SEE NOTE
18	XA9 - 0760 - 000		2	SCREW,RS,M3X6	
19	XD9 - 0136 - 000		2	RING,E	
501	XB1 - 2300 - 409		2	SCREW,MACH.,TRUSS HEAD,M3X4	

FIGURE 230 MAIN DRIVE ASSEMBLY



NOTE: This assembly does not include the parts shown with key No. 1, 2, 3, 5, 6, 7, 8, 12, 20 and 502.

FIGURE & KEY NO.	PART NUMBER	RANK	QTY	DESCRIPTION	SERIAL NUMBER / REMARKS
230 -	FG5 - 5476 - 000		1	MAIN DRIVE ASSEMBLY	
1	FB2 - 4918 - 000		1	SHEET, INSULATION	SEE NOTE
2	FB2 - 4927 - 000		1	MOUNT, TERMINAL, UPPER	SEE NOTE
3	FB3 - 0583 - 000		1	SPRING, LEAF	SEE NOTE
4	FB3 - 0629 - 000		1	PLATE, IDLER HOLDER	
5	FF2 - 9724 - 000		1	CABLE, TERMINAL, PRIMARY	SEE NOTE
6	FF2 - 9725 - 000		1	CABLE, TERMINAL, TRANSFER	SEE NOTE
7	FF2 - 9726 - 000		1	CABLE, TERMINAL	SEE NOTE
8	FF2 - 9727 - 000		1	CABLE, TERMINAL, ELIMINATOR	SEE NOTE
9	FF5 - 2886 - 000	N	1	SIDE PLATE	
9 A	FB2 - 4854 - 000		1	PLATE, BLANKING	
10	FF5 - 2887 - 000	N	1	FRONT PANEL, AUXILIARY	
11	FF5 - 2888 - 000		1	PLATE, SWING	
12	FH6 - 1209 - 000		1	MOTOR, DC24V	SEE NOTE M1 J901
13	FS5 - 0905 - 000		1	GEAR, 58T/35T	
14	FS5 - 0906 - 000		1	GEAR, 48T/34T	
15	FS5 - 0907 - 000		1	GEAR, 41T	
16	FS5 - 0908 - 000		1	GEAR, 25T	
17	FS5 - 2785 - 000		1	SPRING, TENSION	
18	FS5 - 6393 - 000		1	ROLLER, IDLER	
19	XA9 - 0760 - 000		4	SCREW,RS,M3X6	
20	XA9 - 0760 - 000		AR	SCREW,RS,M3X6	SEE NOTE
501	XB1 - 2300 - 609		1	SCREW,MACH.,TRUSS HEAD,M3X6	
502	XB1 - 2400 - 609		1	SCREW,MACH.,TRUSS HEAD,M4X6	SEE NOTE

FIGURE 240 DELIVERY DRIVE ASSEMBLY

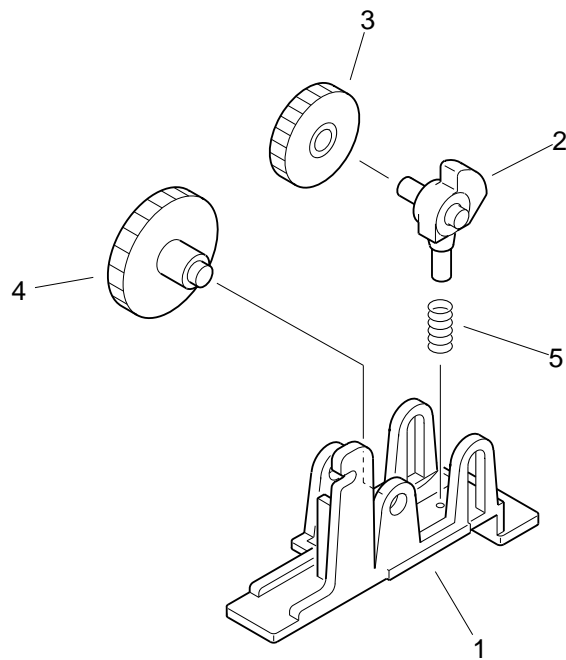


FIGURE & KEY NO.	PART NUMBER	RANK	QTY	DESCRIPTION	SERIAL NUMBER / REMARKS
240 -	FG5 - 3501 - 000		1	DELIVERY DRIVE ASSEMBLY	
1	FB2 - 5051 - 000		1	BOX, GEAR	
2	FB2 - 5052 - 000		1	SHAFT, GEAR	
3	FS5 - 0911 - 000		1	GEAR, 20T	
4	FS5 - 0912 - 000		1	GEAR, 40T/39T	
5	FS5 - 2786 - 000		1	SPRING, COMPRESSION	

FIGURE 250 PAPER PICK-UP DRIVE ASSEMBLY

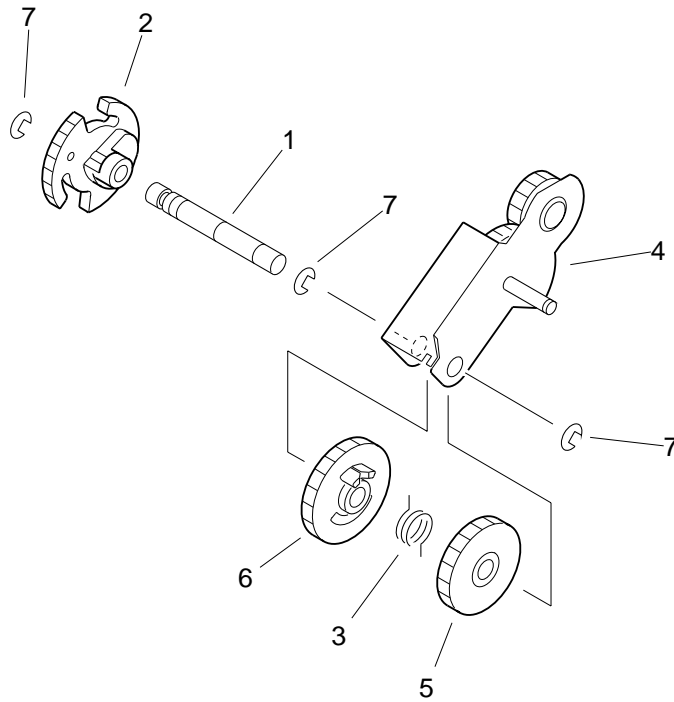


FIGURE & KEY NO.	PART NUMBER	RANK	QTY	DESCRIPTION	SERIAL NUMBER / REMARKS
250 -	FG5 - 3511 - 000		1	PICK-UP DRIVE ASSEMBLY	
1	FB2 - 5197 - 000		1	SHAFT, SWING PLATE	
2	FB2 - 5198 - 000		1	GEAR, 32T	
3	FB2 - 5199 - 000		1	SPRING, TORSION	
4	FF5 - 2874 - 000		1	PLATE, SWING	
5	FS5 - 0890 - 000		1	GEAR, 32T	
6	FS5 - 0900 - 000		1	GEAR, 18T	
7	XD9 - 0136 - 000		3	RING, E	

FIGURE 290 ADF DRIVE ASSEMBLY (NP6012F/6212)

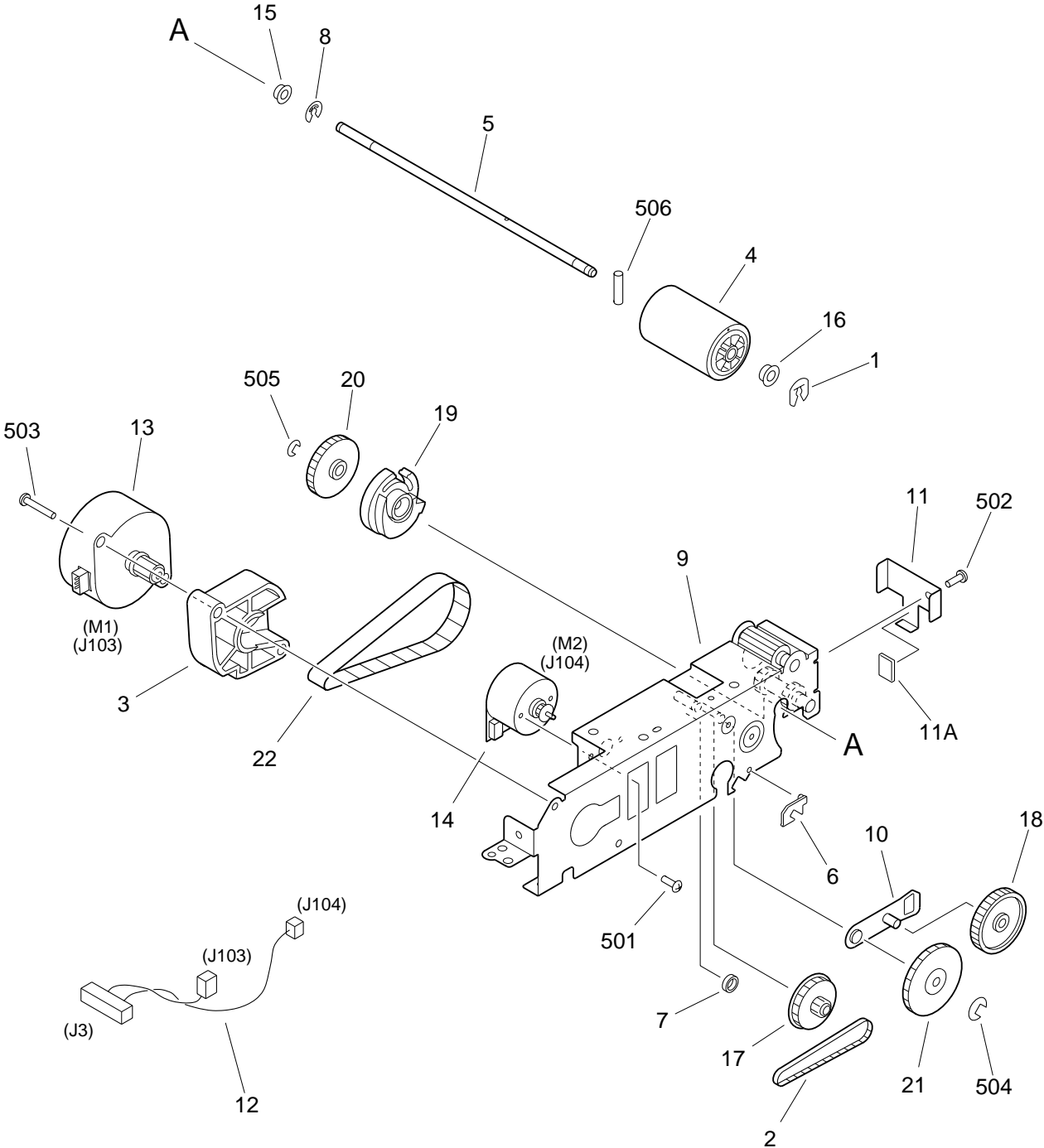


FIGURE & KEY NO.	PART NUMBER	R A N K	Q' T Y	DESCRIPTION	SERIAL NUMBER / REMARKS
290 -	FG5 - 6411 - 000		1	ADF DRIVE ASSEMBLY	NP6012F/6212
1	FA5 - 2864 - 020		1	RING, RETAINING	
2	FA9 - 3268 - 000		1	BELT, TIMING, COGGED	
3	FB3 - 3371 - 000		1	MOUNT, MOTOR	
4	FB3 - 3373 - 020		1	ROLLER, PAPER PICK-UP	
5	FB3 - 3374 - 000		1	SHAFT, PICK-UP ROLLER	
6	FB3 - 3377 - 000		1	SUPPORT, REGIST. SHAFT	
7	FB3 - 3378 - 000		1	RING, CHANGE	
8	FB3 - 3400 - 000		1	RING, E	
9	FF5 - 4680 - 000		1	PLATE, DRIVE	
10	FF5 - 4681 - 000		1	PLATE, CHANGE	
11	FF5 - 4682 - 000		1	PLATE, TORQUE PAD	
11 A	FB3 - 3375 - 000		1	PAD, TORQUE	
12	FG2 - 7468 - 000		1	CABLE, MOTOR	J3,103,104
13	FH6 - 1237 - 000		1	STEPPING MOTOR, DC24V	M1 J103
14	FH6 - 1238 - 000		1	MOTOR, DC24V	M2 J104
15	FS1 - 1190 - 000		1	BUSHING	
16	FS1 - 1213 - 000		1	BUSHING	
17	FS5 - 3457 - 000		1	GEAR, 14T/44T	
18	FS6 - 0613 - 000		1	GEAR, 40T	
19	FS6 - 0616 - 000		1	GEAR, CAM, 44T	
20	FS6 - 0617 - 000		1	GEAR, PICK-UP, 44T	
21	FS6 - 0618 - 000		1	GEAR, 16T/64T	
22	XF9 - 0350 - 000		1	BELT, TIMING	
501	XA1 - 7260 - 309		2	SCREW,MACH.,PAN HEAD,M2.6X3	
502	XB1 - 2400 - 609		1	SCREW,MACH.,TRUSS HEAD,M4X6	
503	XB1 - 2402 - 009		2	SCREW,MACH.,TRUSS HEAD,M4X20	
504	XD2 - 1100 - 402		1	RING,E	
505	XD2 - 1100 - 502		1	RING,E	
506	XD3 - 2200 - 142		1	PIN,DOWEL	

FIGURE 300 CASSETTE

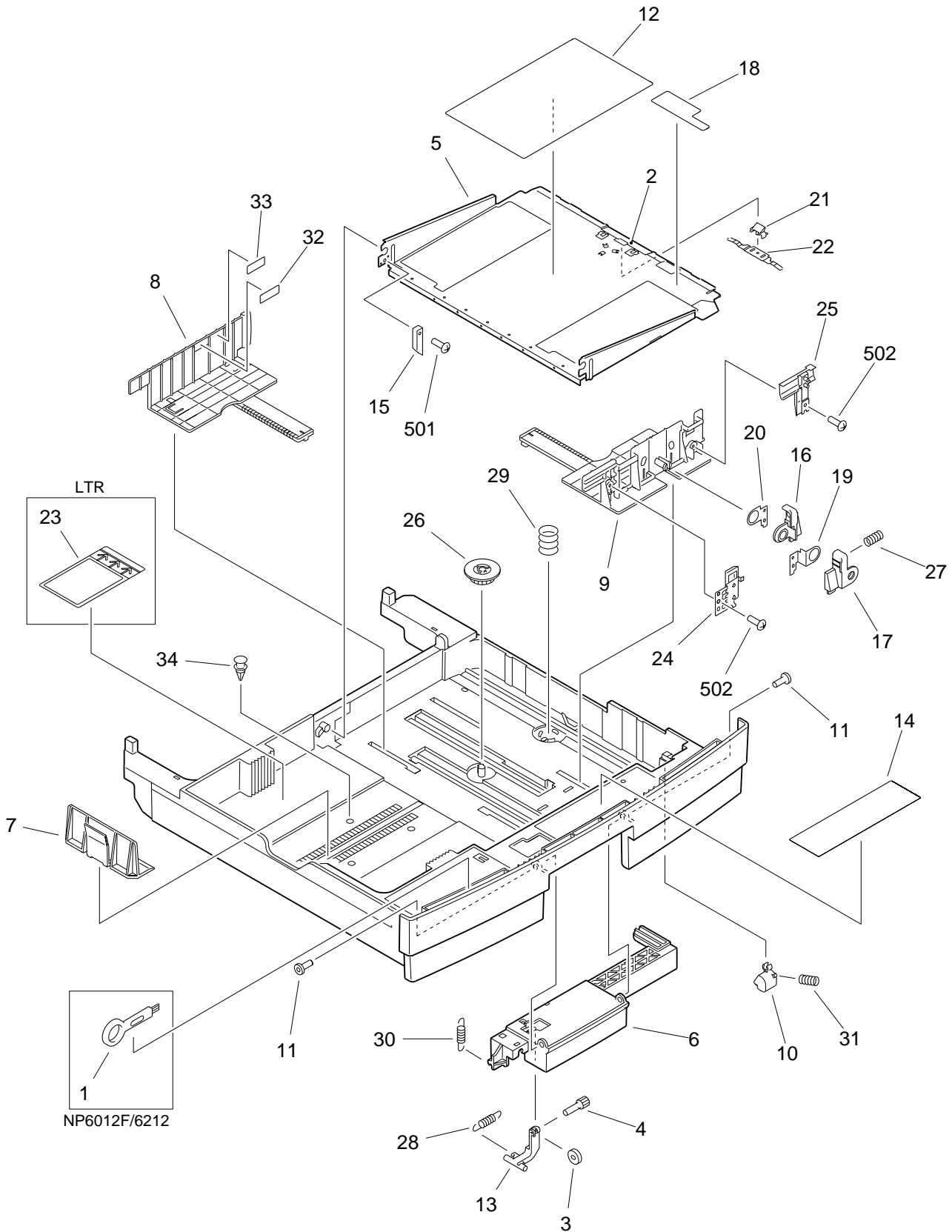


FIGURE & KEY NO.	PART NUMBER	RANK	QTY	DESCRIPTION	SERIAL NUMBER / REMARKS
300 -	NPN		RF	CASSETTE	
1	FA9 - 3102 - 000		1	BRUSH, CLEANING	NP6012F/6212
2	FB2 - 2559 - 000		1	SHEET, LIFTING PLATE	
3	FB2 - 4863 - 000		1	ROLLER, HOOK	
4	FB2 - 4864 - 000		1	SHAFT, ROLLER	
5	FB2 - 5402 - 020		1	PLATE, PAPER LIFTING	
6	FB2 - 5403 - 020		1	LATCH, HANDLE	
7	FB2 - 5404 - 020		1	PLATE, SIZE, END	except LTR
	FB2 - 5434 - 000		1	PLATE, SIZE, END	LTR
8	FB2 - 5405 - 000		1	PLATE, SIZE, SIDE, REAR	
9	FB2 - 5406 - 020		1	PLATE, SIZE, SIDE, FRONT	
10	FB2 - 5407 - 020		1	CATCH, PAPER, LIFTING	
11	FB2 - 5408 - 000		2	PIN, LEVER	
12	FB2 - 5409 - 000		1	LABEL, PLATE, LIFTING	except LTR
	FB2 - 5445 - 000		1	LABEL "INSTRUCTION"	LTR
13	FB2 - 5410 - 000		1	HOOK, LATCH	
14	FB2 - 5412 - 000		1	LABEL, "PAPER WARNING"	
15	FB2 - 5413 - 000		1	BRUSH, GROUNDING	
16	FB2 - 5414 - 020		1	BLOCK, SIDE STOP, RIGHT	
17	FB2 - 5415 - 020		1	BLOCK, SIDE STOP, LEFT	
18	FB2 - 5420 - 000		1	LABEL, "PAPER SIZE"	
19	FB2 - 6043 - 000		1	PLATE, CATCH, 1	
20	FB2 - 6044 - 000		1	PLATE, CATCH, 2	
21	FB3 - 3531 - 000		1	GUIDE, LEAF SPRING	
22	FB3 - 3547 - 000		1	SPRING, LEAF	
23	FB3 - 3548 - 000		1	LABEL, "PAPER END"	LTR
24	FF5 - 2903 - 000		1	SPRING, LEAF, LARGE	
25	FF5 - 2904 - 000		1	SPRING, LEAF, SMALL	
26	FS5 - 0904 - 020		1	GEAR, 20T	
27	FS5 - 2650 - 000		1	SPRING, COMPRESSION	

FIGURE & KEY NO.	PART NUMBER	R A N K	Q' T Y	DESCRIPTION	SERIAL NUMBER / REMARKS
300 - 28	FS5 - 2780 - 000		1	SPRING, TENSION	
29	FS5 - 2781 - 020		1	SPRING, COMPRESSION	
30	FS5 - 2782 - 000		1	SPRING, TENSION	
31	FS5 - 2810 - 000		1	SPRING, COMPRESSION	
32	FS6 - 8347 - 000		1	LABEL, "WARNING, PAPER HEIGHT"	
33	FS6 - 8401 - 000		1	LABEL, "WARNING, PAPER HEIGHT"	
34	XZ9 - 0422 - 000		1	SUPPORT, STOP	
501	XB1 - 2300 - 407		1	SCREW,MACH.,TRUSS HEAD,M3X4	
502	XB4 - 7300 - 509		2	SCREW,TAPPING,TRUSS HEAD,M3X5	

FIGURE 340 PAPER PICK-UP ROLLER ASSEMBLY (CASSETTE)

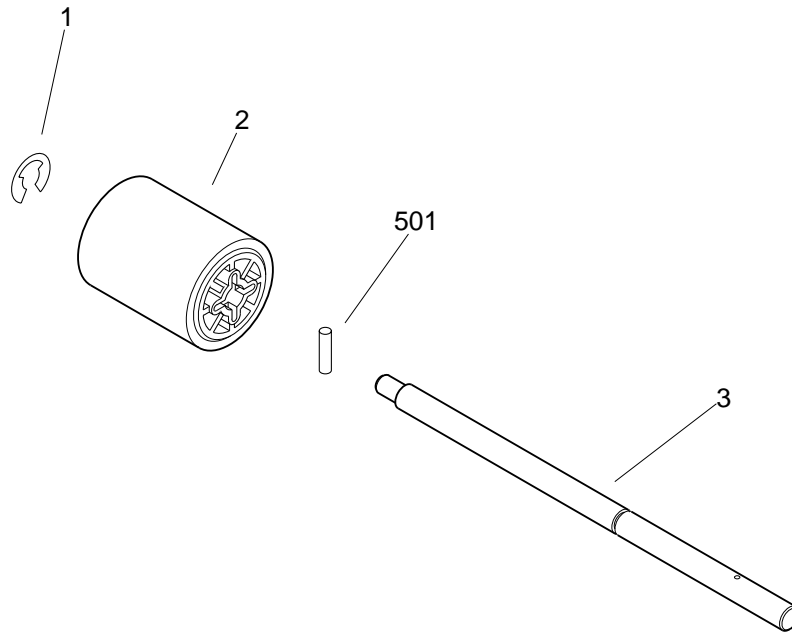
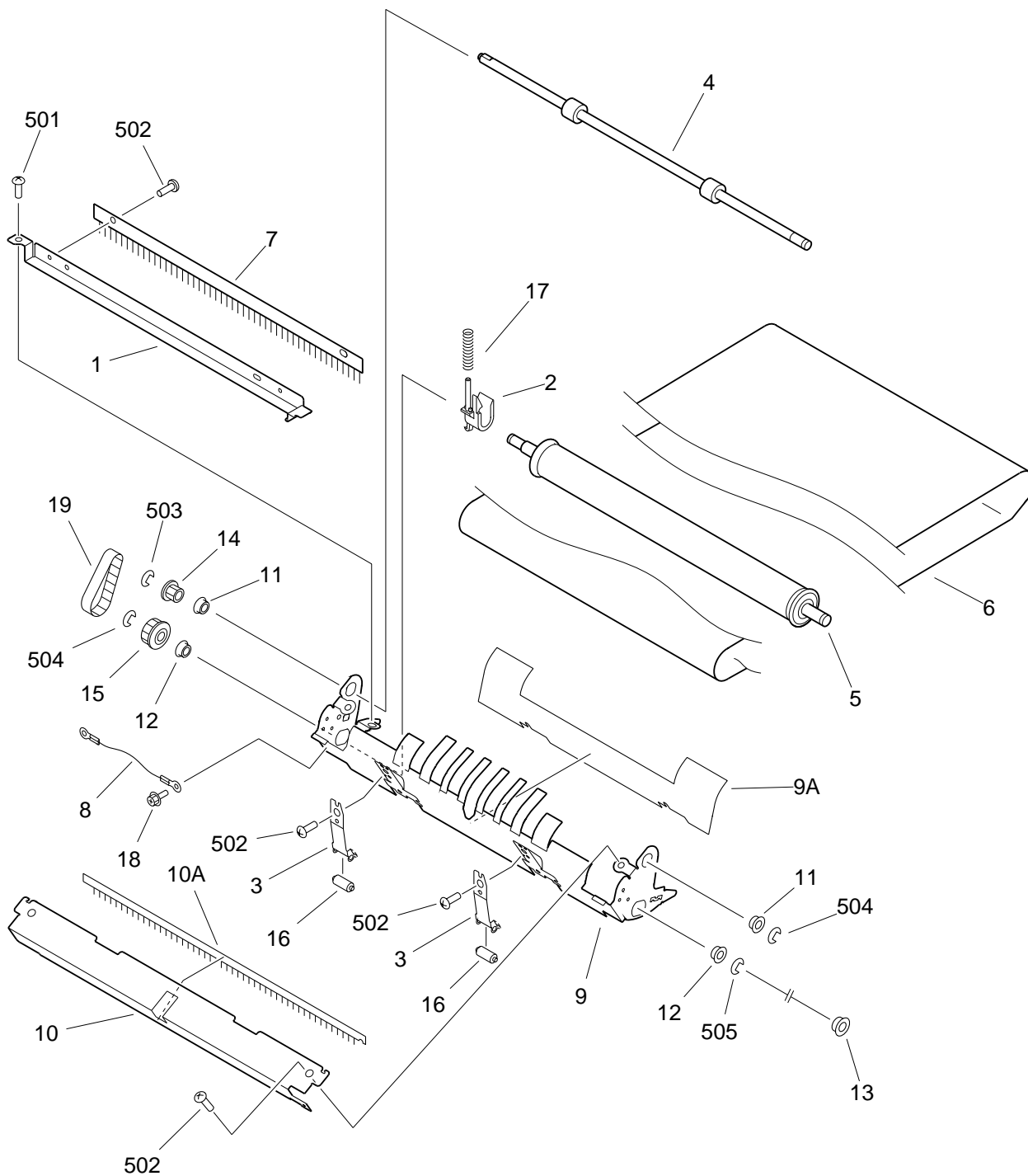


FIGURE & KEY NO.	PART NUMBER	RANK	QTY	DESCRIPTION	SERIAL NUMBER / REMARKS
340 -	FG5 - 3531 - 000		1	PICK-UP ROLLER ASSEMBLY	CASSETTE
1	FA4 - 1159 - 000		1	RING, RETAINING	
2	FB1 - 8581 - 000		1	ROLLER, MULTI FEED	
3	FB2 - 5387 - 000		1	SHAFT, CASSETTE ROLLER	
501	XD3 - 2160 - 142		1	PIN,DOWEL	

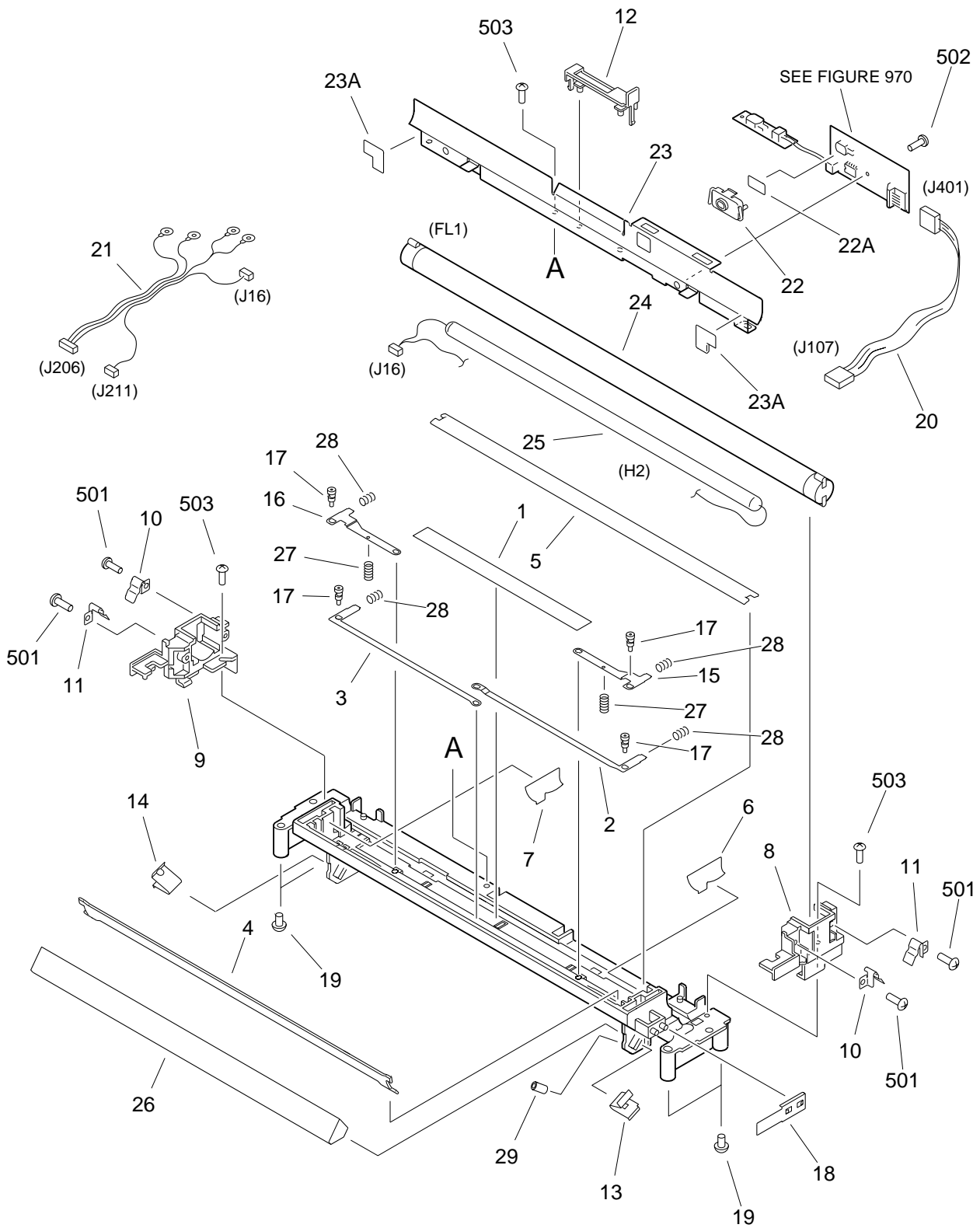
FIGURE 355 ADF DELIVERY ASSEMBLY (NP6012F/6212)



NOTE: This assembly does not include the part shown with key No.18.

FIGURE & KEY NO.	PART NUMBER	RANK	QTY	DESCRIPTION	SERIAL NUMBER / REMARKS
355 -	FG5 - 6413 - 000		1	ADF DELIVERY ASSEMBLY	NP6012F/6212
1	FB3 - 3379 - 000		1	CROSSMEMBER, ELIMINATOR	
2	FB3 - 3382 - 000		1	SUPPORT, PAPER JUMP GUIDE	
3	FB3 - 3383 - 000		2	PLATE, ROLLER PRESSURE	
4	FB3 - 3385 - 020		1	ROLLER, PAPER DELIVERY	
5	FB3 - 3386 - 000		1	ROLLER, PAPER FEED	
6	FB3 - 3387 - 000		1	BELT, DOCUMENT FEED	
7	FB3 - 3388 - 000		1	ELIMINATOR, STATIC CHARGE, 1	
8	FF3 - 1071 - 000		1	CABLE, GROUNDING	
9	FF5 - 4685 - 020		1	FRAME, PAPER DELIVERY	
9 A	FB3 - 3381 - 000		1	SHEET, JUMP	
10	FF5 - 4686 - 000		1	PLATE, DELIVERY GUIDE	
10 A	FB3 - 3389 - 000		1	ELIMINATOR, STATIC CHARGE, 2	
11	FS1 - 1205 - 000		3	BUSHING	
12	FS1 - 1341 - 000		2	BUSHING	
13	FS1 - 1422 - 000		1	BUSHING	
14	FS5 - 3459 - 000		1	PULLEY, 14T	
15	FS5 - 3460 - 000		1	PULLEY, 26T	
16	FS5 - 6455 - 000		2	ROLLER, 2	
17	FS6 - 2375 - 000		1	SPRING, COMPRESSION	
18	XA9 - 0633 - 000		1	SCREW,RS,M4X8	SEE NOTE
19	XF9 - 0562 - 000		1	BELT, TIMING	
501	XB1 - 2300 - 609		2	SCREW,MACH.,TRUSS HEAD,M3X6	
502	XB1 - 2400 - 609		6	SCREW,MACH.,TRUSS HEAD,M4X6	
503	XD2 - 1100 - 322		1	RING,E	
504	XD2 - 1100 - 502		2	RING,E	
505	XD2 - 1100 - 642		1	RING,E	

FIGURE 400 MIRROR ASSEMBLY 1



NOTE: This assembly includes the assembly shown in Figure 970.

FIGURE & KEY NO.	PART NUMBER	RANK	QTY	DESCRIPTION	SERIAL NUMBER / REMARKS
400 -	FG5 - 5431 - 000	N	1	MIRROR ASSEMBLY 1	120V SEE NOTE 220/240V SEE NOTE
	FG5 - 5433 - 000	N	1	MIRROR ASSEMBLY 1	
	1 FA9 - 3065 - 000		1	SHEET, 5	
2	FB2 - 4650 - 000		1	SHUTTER, FRONT	
3	FB2 - 4651 - 000		1	SHUTTER, REAR	
4	FB2 - 4652 - 000		1	REFLECTOR, 1	
5	FB2 - 4653 - 000		1	REFLECTOR, 2	
6	FB2 - 4654 - 000		1	PLATE, SIDE REFLECTOR, FRONT	
7	FB2 - 4655 - 000		1	PLATE, SIDE REFLECTOR, REAR	
8	FB2 - 4656 - 040		1	MOUNT, LAMP, FRONT	
9	FB2 - 4657 - 040		1	MOUNT, LAMP, REAR	
10	FB2 - 4658 - 020		2	SPRING, LEAF, 1	
11	FB2 - 4659 - 020		2	SPRING, LEAF, 2	
12	FB2 - 4660 - 000		1	COVER, SENSOR	
13	FB2 - 4662 - 020		1	SPRING, LEAF, FRONT	
14	FB2 - 4663 - 020		1	SPRING, LEAF, REAR	
15	FB2 - 4664 - 000		1	SHUTTER, SUB, FRONT	
16	FB2 - 4665 - 000		1	SHUTTER, SUB, REAR	
17	FB2 - 4666 - 030		4	SCREW, ADJUSTING	
18	FB2 - 4667 - 020		1	FLAG	
19	FB2 - 4669 - 020		4	BLOCK, RAIL SLIDING	
20	FF2 - 9729 - 000		1	CABLE, MIRROR UNIT 1 SENSOR	J107,401
21	FF3 - 0480 - 020		1	CABLE, MIRROR UNIT 1 FC	J16,206,211
22	FF5 - 2889 - 000		1	COVER, SENSOR	
22 A	FB1 - 0715 - 000		1	FILTER, LIGHT DENSITY	
23	FF5 - 3924 - 000		1	PLATE, HEATER	
23 A	FB3 - 0860 - 000		2	TAPE, EDGE	
24	FH7 - 3272 - 000		1	LAMP, FLUORESCENT	FL1
25	FH7 - 4474 - 000		1	HEATER	120V H2 J16
	FH7 - 4475 - 000		1	HEATER	220/240V H2 J16

FIGURE 401 MIRROR ASSEMBLY 2

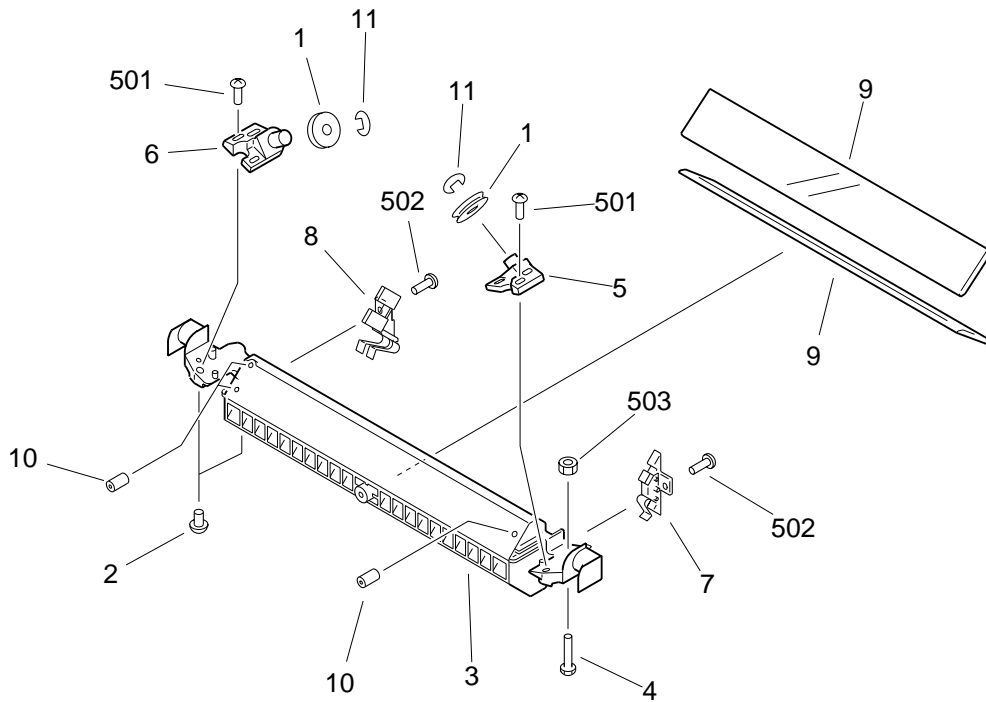


FIGURE & KEY NO.	PART NUMBER	RANK	QTY	DESCRIPTION	SERIAL NUMBER / REMARKS
401 -	FG5 - 3463 - 000	N	1	MIRROR ASSEMBLY 2	
1	FB2 - 4616 - 000		2	PULLEY	
2	FB2 - 4669 - 020		2	BLOCK, RAIL SLIDING	
3	FB2 - 4675 - 020	N	1	MOUNT, MIRROR, 2	
4	FB2 - 4676 - 000		1	SCREW, ADJUSTING, M4	
5	FB2 - 4677 - 020		1	PLATE, WIRE POSITIONING, FRONT	
6	FB2 - 4678 - 020		1	PLATE, WIRE POSITIONING, REAR	
7	FF5 - 2899 - 000		1	HOLDER, MIRROR, FRONT	
8	FF5 - 2900 - 000		1	HOLDER, MIRROR, REAR	
9	FN5 - 4019 - 000		2	MIRROR, 2/3	
10	XA9 - 0911 - 000		3	SETSCREW, M3X8	
11	XD9 - 0136 - 000		2	RING, E	
501	XB4 - 7300 - 809		2	SCREW, TAPPING, TRUSS HEAD, M3X8	
502	XB4 - 7301 - 009		2	SCREW, TAPPING, TRUSS HEAD, M3X10	
503	XB7 - 2200 - 409		1	NUT, HEX, M4	

FIGURE 402 ZOOM MIRROR ASSEMBLY

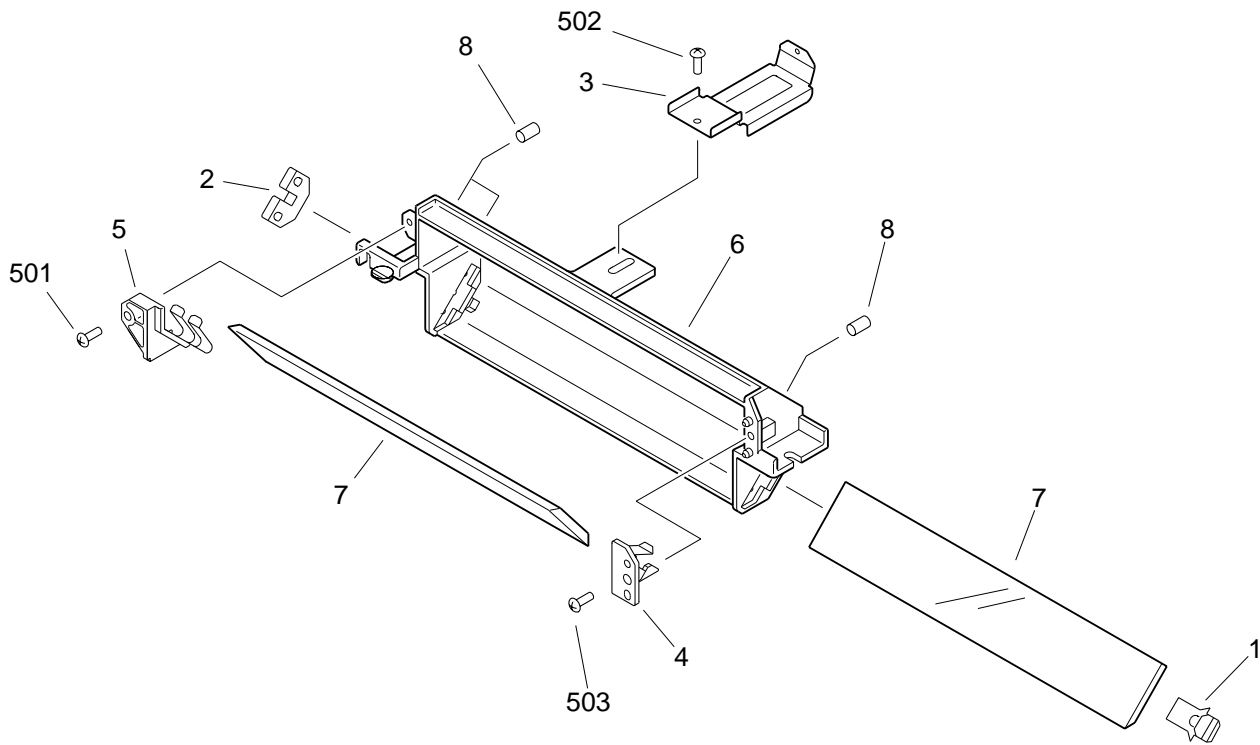


FIGURE & KEY NO.	PART NUMBER	RANK	QTY	DESCRIPTION	SERIAL NUMBER / REMARKS
402 -	FG5 - 3464 - 000	N	1	ZOOM MIRROR ASSEMBLY	
1	FB2 - 4694 - 020		1	SPRING, LEAF, MIRROR 5, FRONT	
2	FB2 - 4695 - 030		1	SPRING, LEAF, MIRROR 5, REAR	
3	FB2 - 4696 - 020		1	PLATE, ADJUSTING	
4	FF5 - 2901 - 000		1	SPRING, LEAF, MIRROR 4, FRONT	
5	FF5 - 2902 - 000		1	SPRING, LEAF, MIRROR 4, REAR	
6	FF5 - 2905 - 020		1	MOUNT, ZOOM MIRROR	
7	FN5 - 4020 - 000		2	MIRROR, 4/5	
8	XA9 - 0911 - 000		3	SETSCREW, M3X8	
501	XB1 - 2300 - 609		1	SCREW, MACH., TRUSS HEAD, M3X6	
502	XB1 - 2300 - 809		1	SCREW, MACH., TRUSS HEAD, M3X8	
503	XB4 - 7300 - 809		1	SCREW, TAPPING, TRUSS HEAD, M3X8	

FIGURE 450 BLANK EXPOSURE LAMP ASSEMBLY

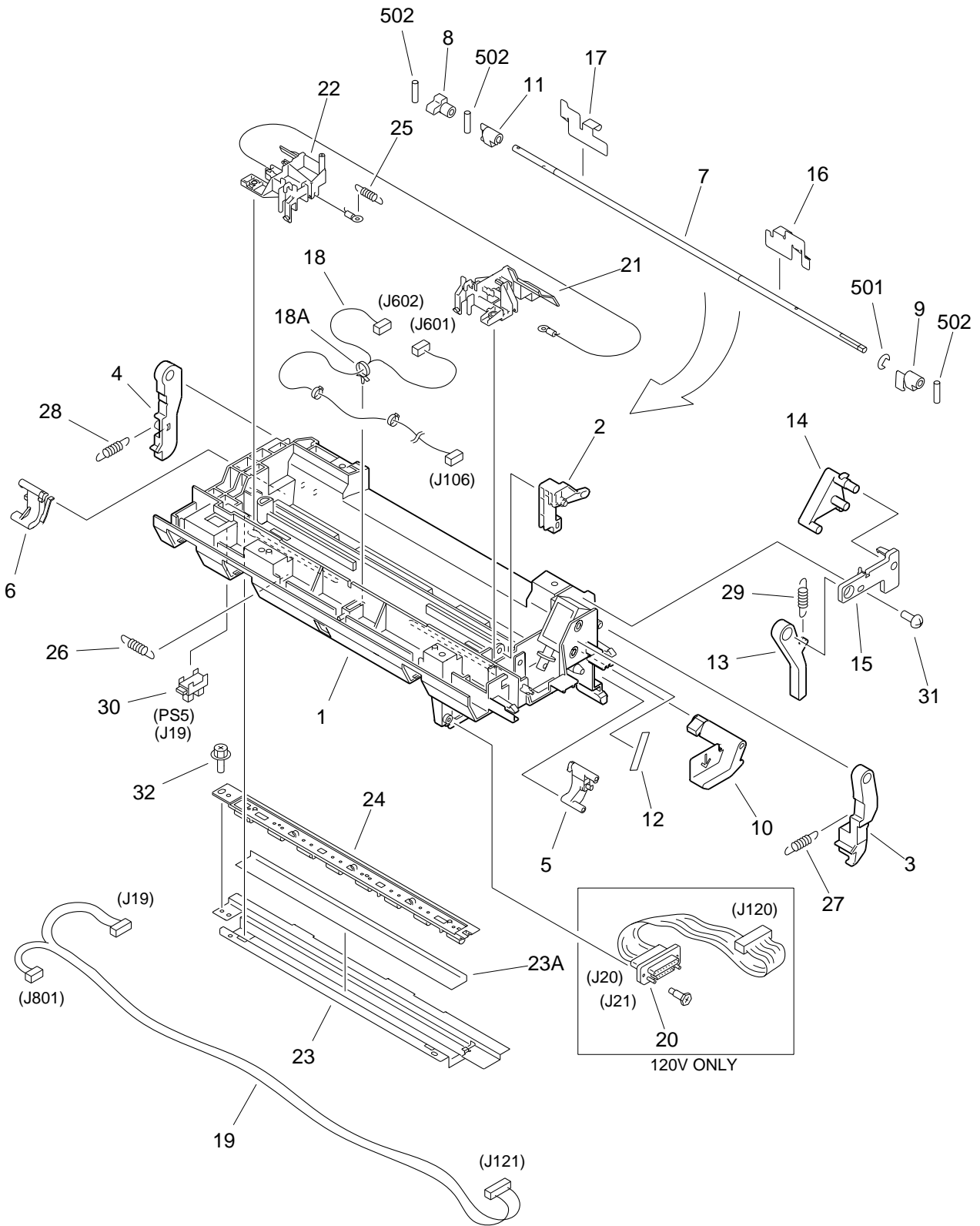
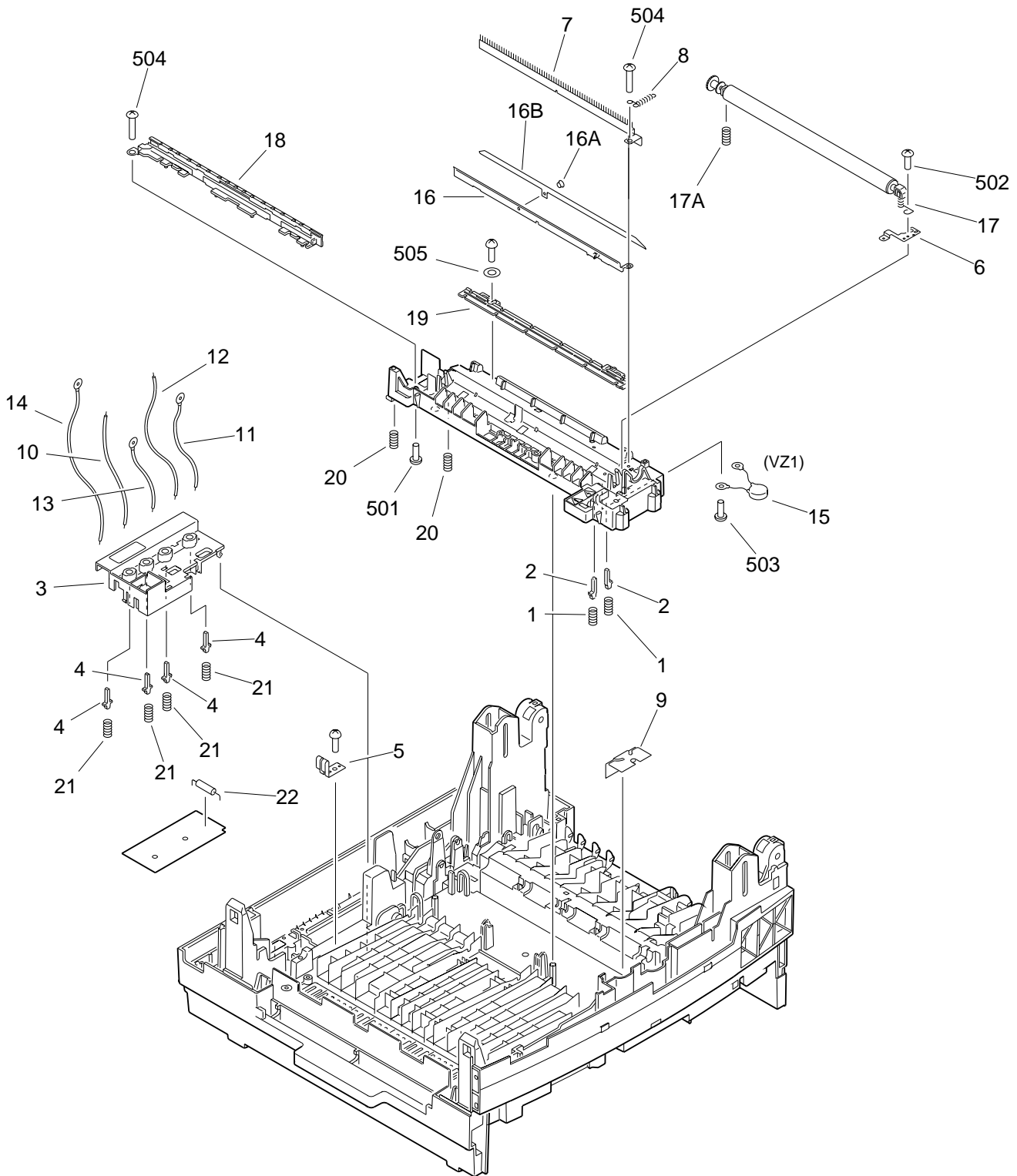


FIGURE & KEY NO.	PART NUMBER	R A N K	Q' T Y	DESCRIPTION	SERIAL NUMBER / REMARKS
450 -	NPN		RF	BLANK EXPOSURE LAMP ASSEMBLY	
1	FB3 - 0770 - 000		1	HOUSING, BLANK EXPOSURE LAMP	
2	FB3 - 0774 - 000		1	ARM, SOLENOID	
3	FB3 - 0775 - 000		1	LEVER, PRESSURE, FRONT	
4	FB3 - 0776 - 000		1	LEVER, PRESSURE, REAR	
5	FB3 - 0777 - 000		1	ARM, PRESSURE, FRONT	
6	FB3 - 0778 - 000		1	ARM, PRESSURE, REAR	
7	FB3 - 0779 - 020		1	SHAFT, PRESSURE	
8	FB3 - 0780 - 000		1	CAM, PRESSURE LEVER RELEASE	
9	FB3 - 0781 - 000		1	CAM, PRESSURE ARM RELEASE, F	
10	FB3 - 0782 - 000		1	HANDLE, PRESSURE	
11	FB3 - 0784 - 000		1	CAM, PRESSURE ARM RELEASE, R	
12	FB3 - 0785 - 000		1	SHEET, INSULATING	
13	FB3 - 0805 - 000		1	ARM, FOOL-PROOF	
14	FB3 - 0806 - 000		1	TRIGGER, FOOL-PROOF	
15	FB3 - 0807 - 000		1	SUPPORT, FOOL-PROOF ARM	
16	FB3 - 0811 - 020		1	SPRING, LEAF, FRONT	
17	FB3 - 0815 - 020		1	SPRING, LEAF, REAR	
18	FF2 - 9731 - 000		1	CABLE, BLANK EXPOSURE LAMP	J106,601,602
18 A	WT2 - 5041 - 000		1	CLAMP, CABLE	
19	FF3 - 0471 - 000		1	CABLE, EXPO. LAMP/LIMIT SENSOR	J19,121,801
20	FF3 - 0473 - 000		1	CABLE, PGP PCB UNIT	120V ONLY J20,21,120
21	FF5 - 3901 - 000		1	MOUNT, LAMP, FRONT	
22	FF5 - 3902 - 000		1	MOUNT, LAMP, REAR	
23	FF5 - 3904 - 000		1	COVER, PRE-CONDITIONING	
23 A	FB3 - 0791 - 000		1	FILTER, PRE-CONDITIONING	
24	FG5 - 5499 - 000		1	PRE-CONDITIONING LAMP PCB UNIT	
25	FS5 - 2790 - 000		1	SPRING, TENSION	
26	FS6 - 2229 - 000		1	SPRING, TENSION	
27	FS6 - 2230 - 000		1	SPRING, TENSION	

FIGURE & KEY NO.	PART NUMBER	RANK	QTY	DESCRIPTION	SERIAL NUMBER / REMARKS
450 - 28	FS6 - 2231 - 000		1	SPRING, TENSION	PS5 J19
29	FS6 - 2242 - 000		1	SPRING, TENSION	
30	WG8 - 5001 - 000		1	PHOTO-INTERRUPTER, TLP1231	
31	XA9 - 0650 - 000		2	SCREW,M3X6	
32	XA9 - 0760 - 000		1	SCREW,RS,M3X6	
501	XD2 - 1100 - 372		1	RING,E	
502	XD3 - 2200 - 062		3	PIN,DOWEL	

FIGURE 530 TRANSFER ASSEMBLY



NOTE: This assembly does not include the part shown with key No.9.

FIGURE & KEY NO.	PART NUMBER	RANK	QTY	DESCRIPTION	SERIAL NUMBER / REMARKS
530 -	FG5 - 5460 - 040		1	TRANSFER ASSEMBLY	
1	FB1 - 7427 - 000		3	SPRING, COMPRESSION	
2	FB1 - 7431 - 000		2	PIN CONTACT	
3	FB2 - 4861 - 000		1	HOUSING	
4	FB2 - 4862 - 000		4	TERMINAL, LOWER	
5	FB2 - 4939 - 000		1	SPRING, LEAF	
6	FB2 - 5156 - 000		1	PLATE, TERMINAL	
7	FB2 - 5159 - 000		1	ELIMINATOR, STATIC CHARGE	
8	FB2 - 5169 - 000		1	SPRING, TENSION	
9	FB3 - 0582 - 000		1	SHEET, CABLE SUPPORT	SEE NOTE
10	FF2 - 9762 - 000		1	CABLE, HV, PRIMARY	
11	FF2 - 9763 - 000		1	CABLE, HV, TRANSFER	
12	FF2 - 9764 - 000		1	CABLE, HV, DEVELOPING	
13	FF2 - 9765 - 000		1	CABLE, HV, ELIMINATOR	
14	FF2 - 9766 - 000		1	WIRE, GROUNDING	
15	FF2 - 9779 - 000		1	VARISTOR	VZ1
16	FF5 - 2870 - 000		1	ELIMINATOR, STATIC CHARGE	
16 A	FA9 - 3063 - 000		1	BUSHING	
16 B	FB2 - 5153 - 000		1	FILM, STATIC ELIMINATOR	
17	FF5 - 2871 - 020		1	ROLLER, TRANSFER	
17 A	FS5 - 2335 - 000		1	SPRING, COMPRESSION	
18	FF5 - 3713 - 000		1	ELIMINATOR, STATIC CHARGE	
19	FF5 - 3720 - 000		1	GUIDE, TRANSFORMER	
20	FS5 - 2774 - 000		4	SPRING, COMPRESSION	
21	FS5 - 2784 - 000		4	SPRING, COMPRESSION	
22	VR5 - 2650 - 103		4	RESISTOR, 10KOHM, 1/2W	
501	XB1 - 2300 - 607		2	SCREW, MACH., TRUSS HEAD, M3X6	
502	XB1 - 2300 - 609		2	SCREW, MACH., TRUSS HEAD, M3X6	
503	XB4 - 7300 - 809		4	SCREW, TAPPING, TRUSS HEAD, M3X8	
504	XB4 - 7301 - 209		2	SCREW, TAPPING, TRUSS HEAD, M3X12	

FIGURE & KEY NO.	PART NUMBER	R A N K	Q' T Y	DESCRIPTION	SERIAL NUMBER / REMARKS
530 - 505	XD1 - 2100 - 307		2	WASHER,PLAIN	

FIGURE 640 DEVELOPING ASSEMBLY

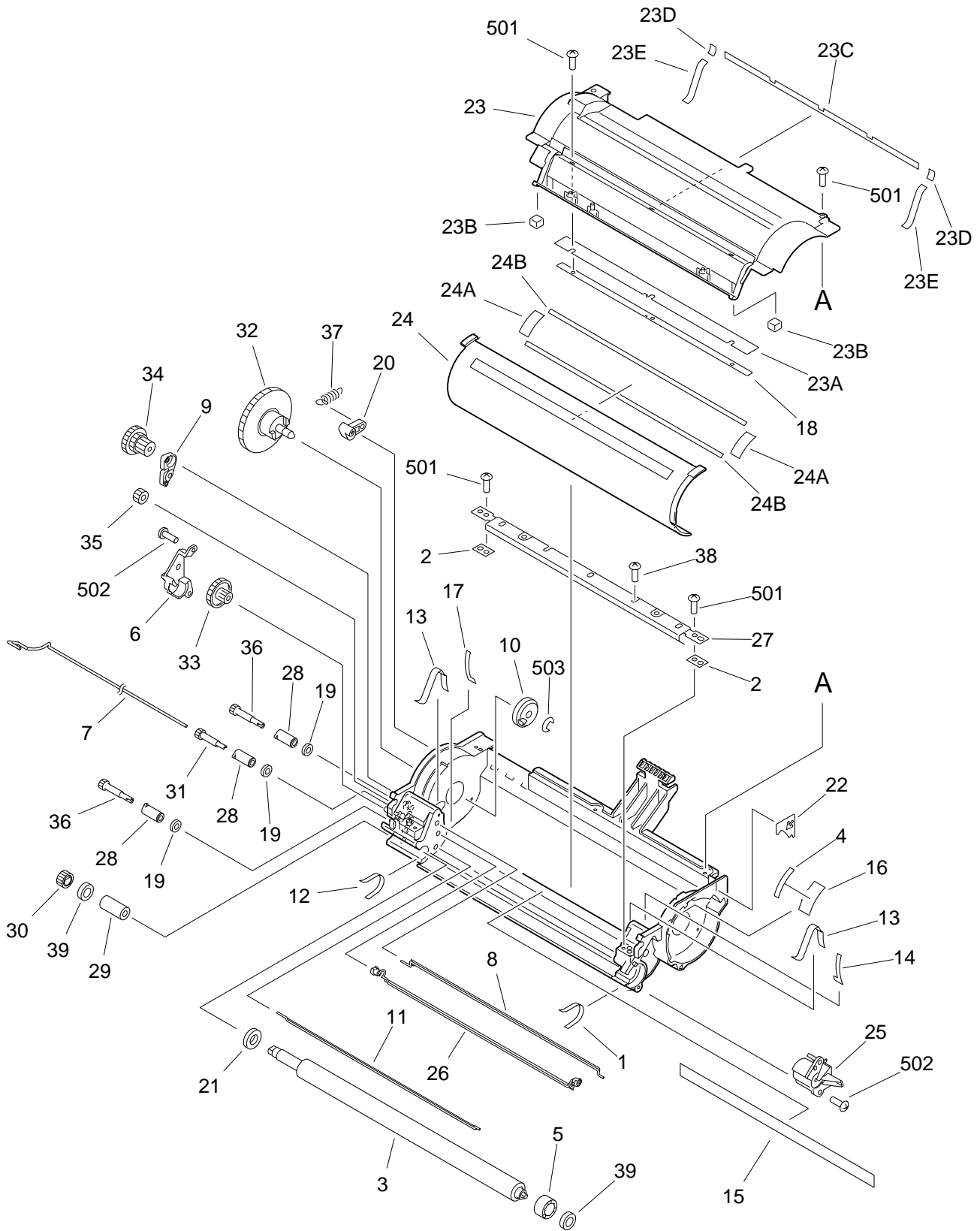


FIGURE & KEY NO.	PART NUMBER	R A N K	Q' T Y	DESCRIPTION	SERIAL NUMBER / REMARKS
640 -	FG5 - 5465 - 080		1	DEVELOPING ASSEMBLY	
1	FA9 - 3207 - 000		1	SEAL, SIDE, FRONT	
2	FA9 - 3467 - 000		2	SHEET, PRESSURE ADJUST	
3	FB3 - 0686 - 000		1	SLEEVE, DEVELOPING	
4	FB3 - 0687 - 000		1	SEAL, OPEN GUIDE, 1	
5	FB3 - 0688 - 000		1	ROLLER, FRONT	
6	FB3 - 0691 - 000		1	SUPPORT, DEV. CYLINDER, REAR	
7	FB3 - 0693 - 000		1	ROD, ANTENNA	
8	FB3 - 0694 - 000		1	ROD, STIRRING, UPPER	
9	FB3 - 0695 - 000		1	PLATE, GEAR SUPPORT	
10	FB3 - 0696 - 000		1	JOINT, CARTRIDGE DRIVE	
11	FB3 - 0697 - 000		1	ROD, STIRRING, LOWER	
12	FB3 - 0711 - 000		1	SEAL, SIDE, REAR	
13	FB3 - 0713 - 000		2	SEAL, D-S, VERTICAL	
14	FB3 - 0714 - 000		1	SEAL, D-S, FRONT	
15	FB3 - 0715 - 000		1	SHEET, SHUTTER CLEANING	
16	FB3 - 0716 - 000		1	SEAL, OPEN GUIDE, 2	
17	FB3 - 0718 - 000		1	SEAL, D-S, REAR	
18	FB3 - 0721 - 000		1	PLATE, SEAL GUIDE	
19	FB3 - 0722 - 000		3	SEAL, GEAR	
20	FB3 - 0724 - 000		1	ARM, SHUTTER PRESSURE	
21	FB3 - 0726 - 000		1	ROLLER, REAR	
22	FB3 - 0788 - 000		1	SEAL, POSITIONING	
23	FF5 - 3907 - 020		1	COVER, DEVELOPING	
23 A	FB3 - 0712 - 000		1	SEAL, L-S	
23 B	FB3 - 0719 - 020		2	SEAL, BLADE	
23 C	FB3 - 0725 - 000		1	SEAL, SHUTTER, 1	
23 D	FB3 - 0727 - 000		2	SEAL, DEVELOPING COVER	
23 E	FB3 - 0728 - 000		2	SEAL, SHUTTER, 2	
24	FF5 - 3908 - 000		1	SHUTTER	

FIGURE & KEY NO.	PART NUMBER	R A N K	Q' T Y	DESCRIPTION	SERIAL NUMBER / REMARKS
640 - 24 A	FB3 - 0710 - 000		2	SEAL, SHUTTER, VERTICAL	
24 B	FB3 - 0720 - 000		2	SEAL, SHUTTER, HORIZONTAL	
25	FF5 - 3910 - 020		1	SUPPORT, DEV. CYLINDER, FRONT	
26	FF5 - 3913 - 000		1	ROD, ANTENA STIRRING	
27	FG5 - 5466 - 030		1	BLADE UNIT	
28	FS5 - 1530 - 000		3	BUSHING	
29	FS5 - 6394 - 000		1	SPACER, SLEEVE	
30	FS6 - 0437 - 000		1	GEAR, 18T	
31	FS6 - 0439 - 000		1	GEAR, 14T	
32	FS6 - 0440 - 000		1	GEAR, 67T	
33	FS6 - 0442 - 000		1	GEAR, 14T/38T	
34	FS6 - 0443 - 000		1	GEAR, 15T/18T/37T	
35	FS6 - 0445 - 000		1	GEAR, 15T	
36	FS6 - 0446 - 000		2	GEAR, 14T	
37	FS6 - 2238 - 000		1	SPRING, TENSION	
38	XA9 - 0942 - 000		3	SCREW,M3X6	
39	XG9 - 0177 - 000		2	BALL BEARING	
501	XB4 - 7300 - 809		7	SCREW,TAPPING,TRUSS HEAD,M3X8	
502	XB4 - 7301 - 009		4	SCREW,TAPPING,TRUSS HEAD,M3X10	
503	XD2 - 1100 - 502		1	RING,E	

FIGURE 810 FIXING ASSEMBLY

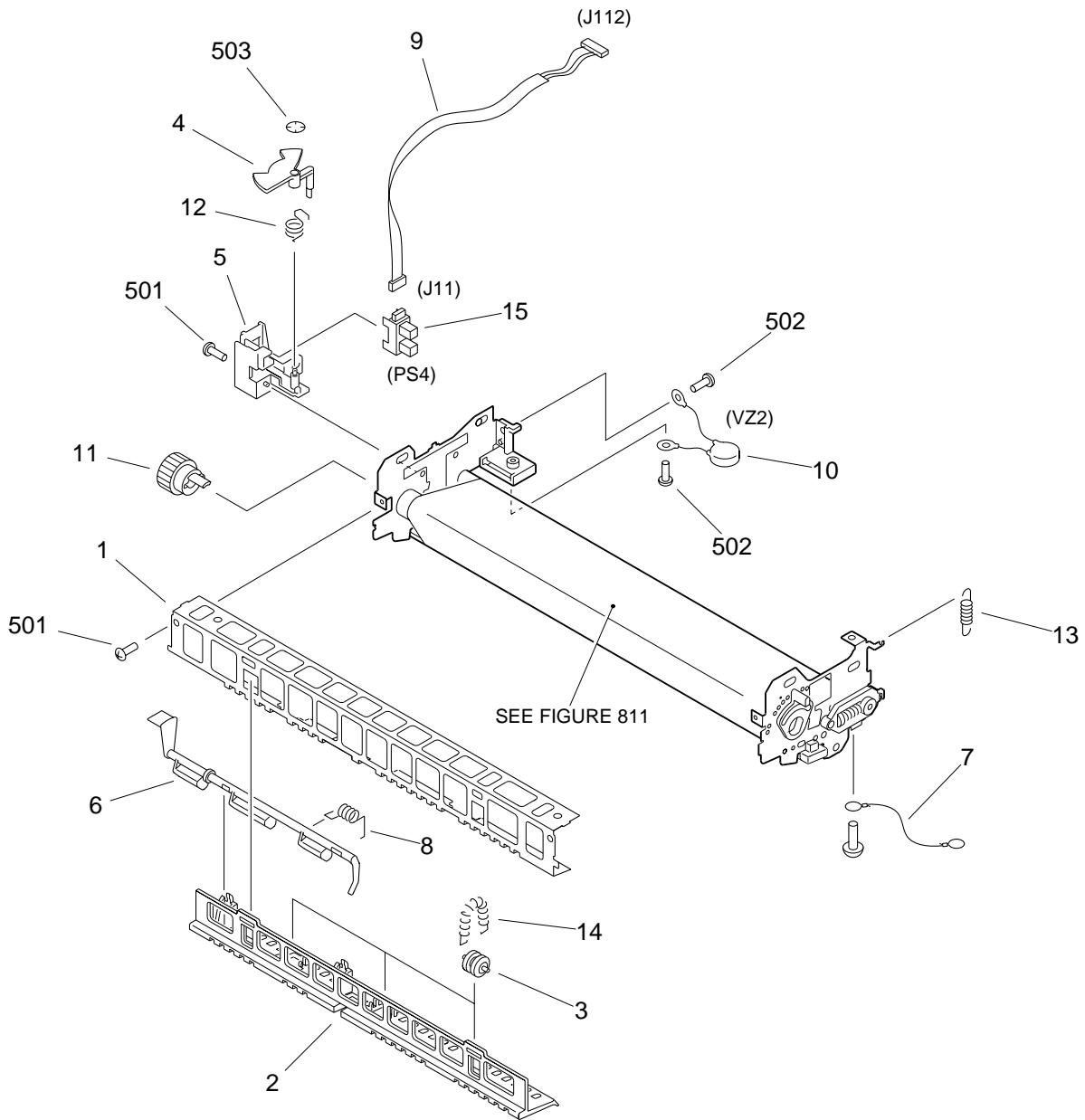


FIGURE & KEY NO.	PART NUMBER	RANK	QTY	DESCRIPTION	SERIAL NUMBER / REMARKS
810 -	FG5 - 3492 - 090	N	1	FIXING ASSEMBLY	120V
	FG5 - 3493 - 090		1	FIXING ASSEMBLY	220/240V
	1		FB2 - 5014 - 000	1	CROSSMEMBER, UPPER
2	FB2 - 5015 - 000	1	GUIDE, UPPER, DELIVERY		
3	FB2 - 5016 - 000	3	ROLLER		
4	FB2 - 5019 - 020		1	FLAG, POSITIONING SENSOR	
5	FB2 - 5020 - 000		1	HOLDER, SENSOR	
6	FB2 - 5021 - 000		1	FLAG, PAPER SENSING	
7	FB2 - 5022 - 000		1	WIRE	
8	FB2 - 5070 - 000		1	SPRING, TORSION	
9	FF2 - 9733 - 000		1	CABLE, SENSOR	J11,112
10	FF2 - 9779 - 000		1	VARISTOR	VZ2
11	FS5 - 0914 - 000		1	GEAR, 17T	
12	FS5 - 2794 - 000		1	SPRING, TORSION	
13	FS5 - 2795 - 000		1	SPRING, TENSION	
14	FS5 - 2796 - 000		3	SPRING, TENSION	
15	WG8 - 5001 - 000		1	PHOTO-INTERRUPTER, TLP1231	PS4 J11
501	XB1 - 2300 - 409		6	SCREW,MACH.,TRUSS HEAD,M3X4	
502	XB2 - 6300 - 607		2	SCREW,W/WASHER,M3X6	
503	XD2 - 2300 - 202		1	RING,TOOTHED LOCK	

FIGURE 811 FIXING FILM REPLACEMENT KIT

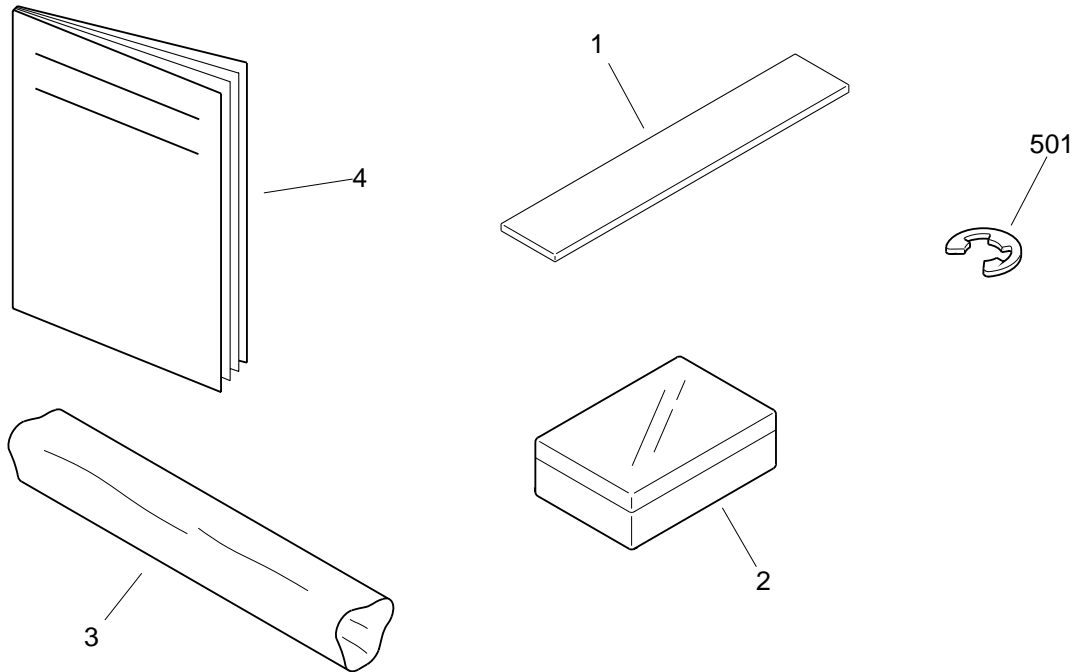
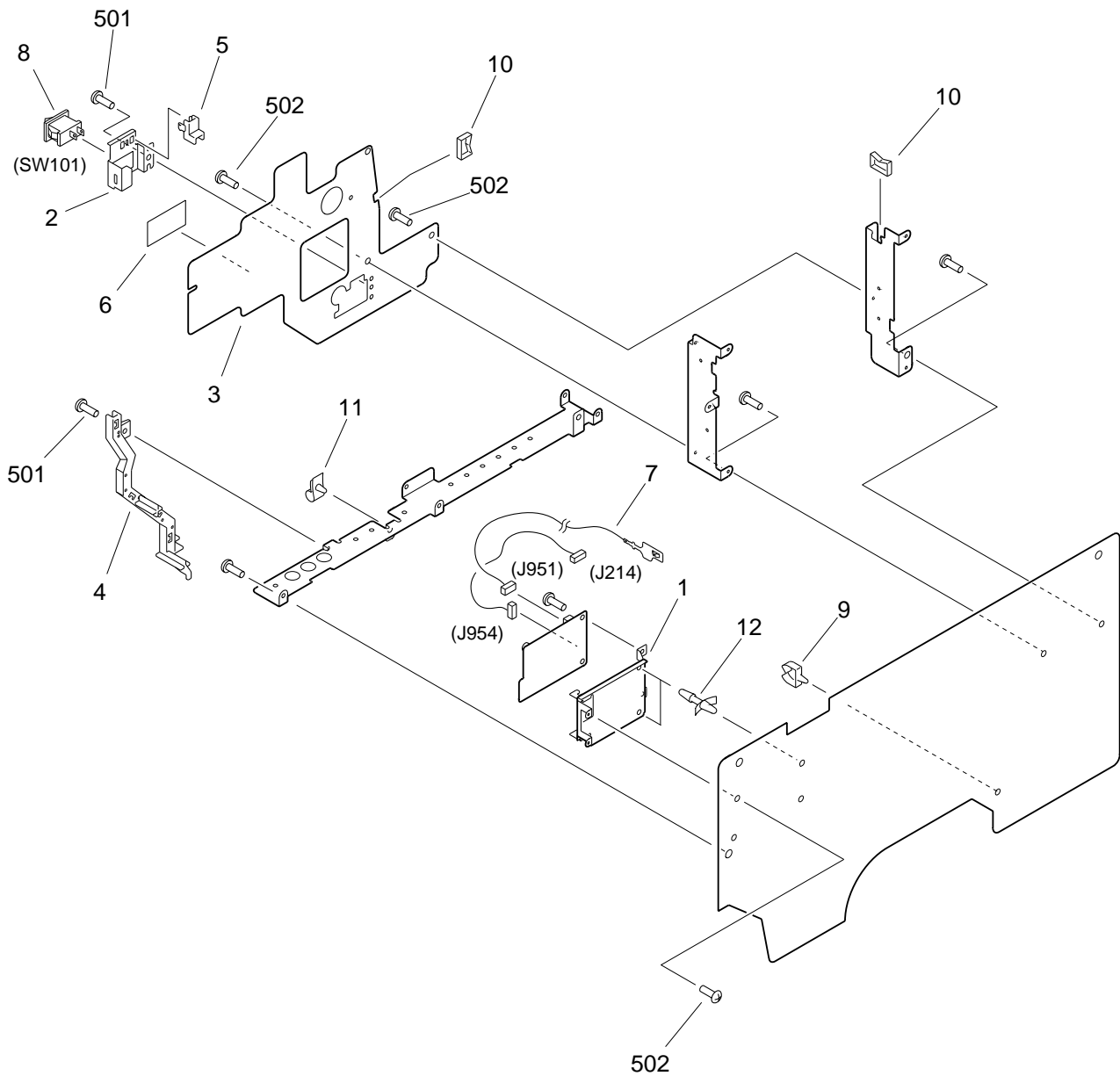


FIGURE & KEY NO.	PART NUMBER	RANK	QTY	DESCRIPTION	SERIAL NUMBER / REMARKS
811 -	FG5 - 3516 - 000		1	FIXING FILM REPLACEMENT KIT	10 SET/KIT
1	FB1 - 9097 - 000		10	SPATULA	
2	FB2 - 5508 - 000		10	COATING GREASE	
3	NPN		10	FIXING FILM	
4	NPN		1	FILM REPLACEMENT PROCEDURE	
501	XD2 - 1100 - 502		10	RING,E	

FIGURE 910 DC POWER SUPPLY ASSEMBLY



NOTE: This assembly does not include the part shown with key No.7.

FIGURE & KEY NO.	PART NUMBER	RANK	QTY	DESCRIPTION	SERIAL NUMBER / REMARKS
910 -	FG5 - 5492 - 000		1	DC POWER SUPPLY PCB ASSEMBLY	120V
	FG5 - 5493 - 000		1	DC POWER SUPPLY PCB ASSEMBLY	220/240V
1	FB3 - 0576 - 000		1	PLATE, PCB MOUNTING	
2	FB3 - 0577 - 000		1	MOUNT, SWITCH	
3	FB3 - 0578 - 000		1	PLATE, HEATSINK	
4	FB3 - 0579 - 000		1	GUIDE, BIAS CABLE	
5	FB3 - 0580 - 000		1	GUIDE, EDGE	
6	FB3 - 0810 - 000		1	LABEL, SERVICE	
7	FF3 - 0476 - 000		1	CABLE, ANTENNA	SEE NOTE J951
8	WC1 - 5037 - 000		1	SWITCH, ROCKER	SW101
9	WT2 - 0495 - 000		1	CLAMP, CABLE	
10	WT2 - 5056 - 000		2	CLIP, WIRE	
11	WT2 - 5306 - 000		1	CLAMP, CORD	
12	WT2 - 5389 - 000		2	SPACER, PCB	
501	XB1 - 2300 - 607		5	SCREW,MACH.,TRUSS HEAD,M3X6	
502	XB2 - 8300 - 807		14	SCREW,W/WASHER,M3X8	
BP101	FF3 - 1090 - 000		1	CABLE, SWITCH, 2	
BP102	FF3 - 1089 - 000		1	CABLE, SWITCH, 1	
C101	VC7 - 0590 - 108		1	CAPACITOR, 1000UF, 35V	
C102	VC7 - 0590 - 477		1	CAPACITOR, 470UF, 35V	
C104	VC5 - 3740 - 104		1	CAPACITOR, 0.1UF, 25V	
C105	VC5 - 3740 - 104		1	CAPACITOR, 0.1UF, 25V	
C106	VC6 - 0950 - 476		1	CAPACITOR, 47UF, 25V	
C107	VC7 - 5290 - 473		1	CAPACITOR, 0.047UF, 50V	
C108	VC7 - 1770 - 104		1	CAPACITOR, 0.1UF, 250V	
C109	VC3 - 2501 - 103		1	CAPACITOR, 0.01UF, 50V	
C110	VC1 - 2351 - 107		1	CAPACITOR, 100UF, 35V	
C112	VC3 - 2501 - 103		1	CAPACITOR, 0.01UF, 50V	
C113	VC8 - 0650 - 687		1	CAPACITOR, 680UF, 200V	120V
	VC8 - 0660 - 187		1	CAPACITOR, 180UF, 400V	220/240V

FIGURE & KEY NO.	PART NUMBER	RANK	QTY	DESCRIPTION	SERIAL NUMBER / REMARKS
910 - C114	VC6 - 3760 - 336		1	CAPACITOR, 33UF, 50V	
C115	VC6 - 2560 - 332		1	CAPACITOR, 3300PF, 250V	
C116	VC5 - 3740 - 104		1	CAPACITOR, 0.1UF, 25V	
C117	VC6 - 3760 - 335		1	CAPACITOR, 3UF, 50V	
C118	VC6 - 3760 - 336		1	CAPACITOR, 33UF, 50V	
C119	VC5 - 6110 - 222		1	CAPACITOR, 2200PF, 2KV	120V
	VC5 - 6110 - 821		1	CAPACITOR, 820PF, 2KV	220/240V
C120	VC1 - 2061 - 336		1	CAPACITOR, 3.3UF, 6.3V	
C121	VC5 - 6110 - 472		1	CAPACITOR, 4700PF, 2KV	120V
	VC5 - 6110 - 821		1	CAPACITOR, 820PF, 2KV	220/240V
C122	VC5 - 3740 - 104		1	CAPACITOR, 0.1UF, 25V	
C123	VC7 - 5130 - 334		1	CAPACITOR, 0.33UF, 50V	
C124	VC4 - 3503 - 102		1	CAPACITOR, 1000PF, 50V	
C201	VC5 - 3740 - 104		1	CAPACITOR, 0.1UF, 25V	
C202	VC7 - 3960 - 337		1	CAPACITOR, 330UF, 35V	
C203	VC5 - 3740 - 104		1	CAPACITOR, 0.1UF, 25V	
C204	VC7 - 3960 - 337		1	CAPACITOR, 330UF, 35V	
C205	VC4 - 3503 - 101		1	CAPACITOR, 100PF, 50V	
C206	VC7 - 5250 - 104		1	CAPACITOR, 0.1UF, 25V	
C207	VC4 - 3503 - 102		1	CAPACITOR, 1000PF, 50V	
C208	VC4 - 3503 - 332		1	CAPACITOR, 3300PF, 50V	
C209	VC7 - 5250 - 104		1	CAPACITOR, 0.1UF, 25V	
C210	VC7 - 1960 - 105		1	CAPACITOR, 1UF, 50V	
C211	VC7 - 3630 - 227		1	CAPACITOR, 220UF, 50V	
C213	VC7 - 5250 - 104		1	CAPACITOR, 0.1UF, 25V	
C215	VC5 - 3740 - 104		1	CAPACITOR, 0.1UF, 25V	
C216	VC7 - 5250 - 104		1	CAPACITOR, 0.1UF, 25V	
C217	VC7 - 2090 - 102		1	CAPACITOR, 1000PF, 250V	
C218	VC6 - 1150 - 103		1	CAPACITOR, 0.01UF, 25V	
C219	VC7 - 2090 - 102		1	CAPACITOR, 1000PF, 250V	

FIGURE & KEY NO.	PART NUMBER	R A N K	Q' T Y	DESCRIPTION	SERIAL NUMBER / REMARKS
910 - C220	VC5 - 3740 - 104		1	CAPACITOR, 0.1UF, 25V	
C221	VC7 - 5250 - 104		1	CAPACITOR, 0.1UF, 25V	
C222	VC8 - 1520 - 108		1	CAPACITOR, 1000UF, 35V	
C223	VC7 - 5250 - 104		1	CAPACITOR, 0.1UF, 25V	
C224	VC7 - 5250 - 104		1	CAPACITOR, 0.1UF, 25V	
C225	VC7 - 5250 - 104		1	CAPACITOR, 0.1UF, 25V	
C227	VC5 - 3740 - 104		1	CAPACITOR, 0.1UF, 25V	
C228	VC4 - 3503 - 102		1	CAPACITOR, 1000PF, 50V	
C229	VC7 - 5250 - 104		1	CAPACITOR, 0.1UF, 25V	
C230	VC7 - 5250 - 104		1	CAPACITOR, 0.1UF, 25V	
C231	VC4 - 3503 - 101		1	CAPACITOR, 100PF, 50V	
C232	VC4 - 3503 - 102		1	CAPACITOR, 1000PF, 50V	
C233	VC6 - 1150 - 103		1	CAPACITOR, 0.01UF, 25V	
C301	VC7 - 1150 - 331		1	CAPACITOR, 330PF, 2KV	
C302	VC7 - 1150 - 222		1	CAPACITOR, 2200PF, 2KV	
C303	VC7 - 5250 - 104		1	CAPACITOR, 0.1UF, 25V	
C304	VC7 - 4830 - 471		1	CAPACITOR, 470PF, 3.15KV	
C305	VC7 - 4830 - 471		1	CAPACITOR, 470PF, 3.15KV	
C307	VC7 - 8400 - 101		1	CAPACITOR, 100PF, 3.15KV	
C308	VC7 - 5130 - 684		1	CAPACITOR, 0.68UF, 50V	
C309	VC7 - 5250 - 104		1	CAPACITOR, 0.1UF, 25V	
C311	VC7 - 1150 - 102		1	CAPACITOR, 1000PF, 2KV	
C312	VC7 - 1150 - 102		1	CAPACITOR, 1000PF, 2KV	
C313	VC6 - 0160 - 222		1	CAPACITOR, 2200PF, 500V	
C314	VC6 - 3310 - 336		1	CAPACITOR, 33UF, 35V	
C315	VC7 - 1150 - 102		1	CAPACITOR, 1000PF, 2KV	
C316	VC7 - 5250 - 104		1	CAPACITOR, 0.1UF, 25V	
C317	VC9 - 5391 - 000		1	CAPACITOR, 3300PF, 2KV	
C318	VC7 - 2730 - 472		1	CAPACITOR, 4700PF, 2KV	
C319	VC7 - 5250 - 104		1	CAPACITOR, 0.1UF, 25V	

FIGURE & KEY NO.	PART NUMBER	RANK	QTY	DESCRIPTION	SERIAL NUMBER / REMARKS
910 - C320	VC7 - 1160 - 150		1	CAPACITOR, 15PF, 2KV	
C401	VC7 - 5990 - 560		1	CAPACITOR, 56PF, 2KV	
C402	VC7 - 5980 - 681		1	CAPACITOR, 680PF, 1KV	
C403	VC7 - 5980 - 681		1	CAPACITOR, 680PF, 1KV	
C404	VC7 - 5980 - 681		1	CAPACITOR, 680PF, 1KV	
C405	VC7 - 5980 - 681		1	CAPACITOR, 680PF, 1KV	
C406	VC6 - 0730 - 476		1	CAPACITOR, 47UF, 35V	
C407	VC7 - 5980 - 102		1	CAPACITOR, 1000PF, 1KV	
C408	VC7 - 5980 - 681		1	CAPACITOR, 680PF, 1KV	
C409	VC7 - 5980 - 681		1	CAPACITOR, 680PF, 1KV	
C410	VC7 - 5980 - 681		1	CAPACITOR, 680PF, 1KV	
C411	VC7 - 5980 - 681		1	CAPACITOR, 680PF, 1KV	
C412	VC7 - 5980 - 681		1	CAPACITOR, 680PF, 1KV	
C413	VC5 - 2810 - 682		1	CAPACITOR, 6800PF, 200V	
C414	VC9 - 5047 - 000		1	CAPACITOR, 0.1UF, 50V	
C415	VC5 - 6000 - 101		1	CAPACITOR, 100PF, 50V	
C416	VC7 - 5400 - 103		1	CAPACITOR, 0.01UF, 25V	
C418	VC7 - 5290 - 473		1	CAPACITOR, 0.047UF, 50V	
C419	VC6 - 0730 - 476		1	CAPACITOR, 47UF, 35V	
C420	VC7 - 1410 - 102		1	CAPACITOR, 1000PF, 100V	
C421	VC6 - 0730 - 476		1	CAPACITOR, 47UF, 35V	
C422	VC7 - 1150 - 101		1	CAPACITOR, 100PF, 2KV	
C423	VC8 - 2810 - 104		1	CAPACITOR, 0.1UF, 200V	
C424	VC7 - 5980 - 102		1	CAPACITOR, 1000PF, 1KV	
C425	VC7 - 1150 - 101		1	CAPACITOR, 100PF, 2KV	
C426	VC9 - 5047 - 000		1	CAPACITOR, 0.1UF, 50V	
C427	VC7 - 5250 - 104		1	CAPACITOR, 0.1UF, 25V	
C428	VC7 - 1410 - 101		1	CAPACITOR, 100PF, 100V	
C501	VC5 - 3740 - 104		1	CAPACITOR, 0.1UF, 25V	
C951	VC7 - 2900 - 100		1	CAPACITOR, 10PF, 2KV	

FIGURE & KEY NO.	PART NUMBER	RANK	QTY	DESCRIPTION	SERIAL NUMBER / REMARKS
910 - C952	VC5 - 8660 - 331		1	CAPACITOR, 330PF, 50V	
C953	VC6 - 3840 - 105		1	CAPACITOR, 1UF, 50V	
C955	VC9 - 5047 - 000		1	CAPACITOR, 0.1UF, 50V	
C956	VC6 - 3840 - 226		1	CAPACITOR, 22UF, 50V	
C957	VC9 - 5047 - 000		1	CAPACITOR, 0.1UF, 50V	
C963	VC6 - 3840 - 105		1	CAPACITOR, 1UF, 50V	
C964	VC5 - 8660 - 270		1	CAPACITOR, 27PF, 50V	
D101	WA1 - 5222 - 000		1	DIODE, 1SR139-100	
D102	WA1 - 0777 - 000		1	DIODE, AK04	
D103	WA1 - 5222 - 000		1	DIODE, 1SR139-100	
D104	WA1 - 5238 - 000		1	DIODE, AK09	
D105	WA1 - 0887 - 000		1	DIODE, 1SS270A	
D106	WA1 - 0887 - 000		1	DIODE, 1SS270A	
D107	WA1 - 0887 - 000		1	DIODE, 1SS270A	
D108	WA1 - 5069 - 000		1	DIODE, EG01Z	
D109	WA1 - 5069 - 000		1	DIODE, EG01Z	
D110	WA1 - 5069 - 000		1	DIODE, EG01Z	
D111	WA1 - 0887 - 000		1	DIODE, 1SS270A	
D112	WA1 - 0887 - 000		1	DIODE, 1SS270A	
D113	WA1 - 0887 - 000		1	DIODE, 1SS270A	
D114	WA1 - 0887 - 000		1	DIODE, 1SS270A	
D115	WA1 - 0887 - 000		1	DIODE, 1SS270A	
D116	WA1 - 0887 - 000		1	DIODE, 1SS270A	
D117	WA1 - 0887 - 000		1	DIODE, 1SS270A	
D118	WA1 - 0887 - 000		1	DIODE, 1SS270A	
D119	WA1 - 0777 - 000		1	DIODE, AK04	
D201	WA1 - 0887 - 000		1	DIODE, 1SS270A	
D202	WA1 - 0972 - 000		1	DIODE, S5688B	
D203	WA1 - 5548 - 000		1	DIODE, FMX-12S	
D204	WA1 - 5565 - 000		1	DIODE, HSS81	

FIGURE & KEY NO.	PART NUMBER	RANK	QTY	DESCRIPTION	SERIAL NUMBER / REMARKS
910 - D2 05	WA1 - 0887 - 000		1	DIODE, 1SS270A	
D2 06	WA1 - 0887 - 000		1	DIODE, 1SS270A	
D2 07	WA1 - 0887 - 000		1	DIODE, 1SS270A	
D2 08	WA1 - 0887 - 000		1	DIODE, 1SS270A	
D2 09	WA1 - 5473 - 000		1	DIODE, FMX-G12S	
D2 10	WA1 - 5473 - 000		1	DIODE, FMX-G12S	
D2 11	WA1 - 5557 - 000		1	DIODE, FMX-23S	
D2 12	WA1 - 0887 - 000		1	DIODE, 1SS270A	
D2 13	WA1 - 0887 - 000		1	DIODE, 1SS270A	
D2 14	WA1 - 0887 - 000		1	DIODE, 1SS270A	
D2 15	WA1 - 0887 - 000		1	DIODE, 1SS270A	
D2 16	WA1 - 0887 - 000		1	DIODE, 1SS270A	
D3 01	WA1 - 0396 - 000		1	DIODE, SHV-03	
D3 03	WA1 - 0396 - 000		1	DIODE, SHV-03	
D3 05	WA1 - 0396 - 000		1	DIODE, SHV-03	
D3 06	WA1 - 0396 - 000		1	DIODE, SHV-03	
D3 07	WA1 - 0396 - 000		1	DIODE, SHV-03	
D3 08	WA1 - 0396 - 000		1	DIODE, SHV-03	
D3 09	WA1 - 0887 - 000		1	DIODE, 1SS270A	
D3 10	WA1 - 0887 - 000		1	DIODE, 1SS270A	
D3 11	WA1 - 0887 - 000		1	DIODE, 1SS270A	
D4 01	WA1 - 1124 - 000		1	DIODE, SHV-02	
D4 02	WA1 - 1124 - 000		1	DIODE, SHV-02	
D4 03	WA1 - 0887 - 000		1	DIODE, 1SS270A	
D4 04	WA1 - 1124 - 000		1	DIODE, SHV-02	
D4 05	WA1 - 1124 - 000		1	DIODE, SHV-02	
D4 06	WA1 - 1124 - 000		1	DIODE, SHV-02	
D4 07	WA1 - 1124 - 000		1	DIODE, SHV-02	
D4 08	WA1 - 1124 - 000		1	DIODE, SHV-02	
D4 09	WA1 - 1124 - 000		1	DIODE, SHV-02	

FIGURE & KEY NO.	PART NUMBER	RANK	QTY	DESCRIPTION	SERIAL NUMBER / REMARKS
910 - D4 1 0	WA1 - 1124 - 000		1	DIODE, SHV-02	
D4 1 1	WA1 - 0302 - 000		1	DIODE, ES01F	
D4 1 2	WA1 - 0630 - 000		1	DIODE, EM01Z	
D4 1 3	WA1 - 1124 - 000		1	DIODE, SHV-02	
D4 1 4	WA1 - 0887 - 000		1	DIODE, 1SS270A	
D4 1 5	WA1 - 0887 - 000		1	DIODE, 1SS270A	
D4 1 6	WA1 - 0887 - 000		1	DIODE, 1SS270A	
D4 1 7	WA1 - 0777 - 000		1	DIODE, AK04	
D4 1 8	WA1 - 5662 - 000		1	DIODE, RH2F	
D4 1 9	WA1 - 5662 - 000		1	DIODE, RH2F	
D4 2 0	WA1 - 5662 - 000		1	DIODE, RH2F	
D4 2 1	WA1 - 5662 - 000		1	DIODE, RH2F	
D9 5 1	WA1 - 0396 - 000		1	DIODE, SHV-03	
D9 5 2	WA1 - 0887 - 000		1	DIODE, 1SS270A	
D9 5 3	WA1 - 0887 - 000		1	DIODE, 1SS270A	
D9 6 1	WA1 - 0396 - 000		1	DIODE, SHV-03	
D9 6 2	WA1 - 0887 - 000		1	DIODE, 1SS270A	
D9 6 3	WA1 - 0887 - 000		1	DIODE, 1SS270A	
FU1 0 2	VD7 - 0215 - 001		1	FUSE, 125V, 5A	120V
	VD7 - 0642 - 501		1	FUSE	220/240V
	WD9 - 5037 - 000		2	HOLDER, FUSE, H-0060	
J 2 0 1	WS3 - 5355 - 000		1	HOUSING, 2P, FEMALE	
J 2 0 2	VS1 - 5474 - 006		1	CONNECTOR, 6P, MALE	
J 2 0 3	VS1 - 5517 - 012		1	CONNECTOR, 12P, MALE	
J 2 0 4	VS1 - 5517 - 007		1	CONNECTOR, 7P, MALE	
J 2 0 5	FF2 - 9775 - 000		1	CABLE, MOTOR	
J 2 0 6	VS1 - 0571 - 006		1	CONNECTOR, 6P	
J 2 0 7	WS3 - 5355 - 000		1	HOUSING, 2P, FEMALE	
J 2 0 9	WT1 - 0433 - 000		1	FASTON-TAB, 110391	
J 2 1 1	VS1 - 5484 - 002		1	CONNECTOR, 2P, MALE	

FIGURE & KEY NO.	PART NUMBER	RANK	QTY	DESCRIPTION	SERIAL NUMBER / REMARKS
910 - J 2 1 2	WT1 - 5211 - 000		1	FASTON-TAB, 42027	
J 2 1 3	WT1 - 5211 - 000		1	FASTON-TAB, 42027	
J 2 1 4	FF3 - 0475 - 000		1	CABLE, TONER SENSOR	J214,954
J 2 1 5	WT1 - 0433 - 000		1	FASTON-TAB, 110391	
J 9 5 1	VS1 - 5517 - 002		1	CONNECTOR, 2P, MALE	
J 9 5 2	FF3 - 0477 - 000		1	CABLE, BIAS	
J 9 5 3	VS1 - 5600 - 003		1	CONNECTOR, 3P, FEMALE	
J 9 5 4	VS1 - 5517 - 003		1	CONNECTOR, 3P, MALE	
L 1 0 1	FH3 - 7170 - 000		1	COIL, CHOKE	120V
	FH3 - 7195 - 000		1	CHOKE COIL, SN14-8000	220/240V
L 1 0 3	VL5 - 0390 - 086		1	NOISE FILTER, SC-05-80J	120V
L 2 0 1	WE2 - 5153 - 000		1	INDUCTOR, HP-053Z	
L 2 0 2	VL7 - 0310 - 473		1	COIL CHOKE, SBC4-470-162	
L 4 0 1	FH3 - 7169 - 000		1	COIL, CHOKE	
Q 1 0 1	WA2 - 1348 - 000		1	TRANSISTOR, 2SD2088	
Q 1 0 2	WA4 - 5094 - 000		1	IC, UPC78L05J-2, REGULATOR	
Q 1 0 3	WA2 - 0362 - 000		1	TRANSISTOR, 2SA1020Y	
Q 1 0 4	WA2 - 0775 - 000		1	TRANSISTOR, RN2202	
Q 1 0 5	WA2 - 0772 - 000		1	TRANSISTOR, RN1202	
Q 1 0 6	WA2 - 0772 - 000		1	TRANSISTOR, RN1202	
Q 1 0 7	WA2 - 0124 - 000		1	TRANSISTOR, 2SC1815Y	
Q 1 0 8	WA5 - 5101 - 000		1	TRIAC, BCR16PM-8L-A8	120V
	WA5 - 5009 - 000		1	TRIAC, BCR8PM-12L-A8	220/240V
Q 1 0 9	WG8 - 5180 - 000		1	IC, S21MD3YY, PHOTO-TRIAC	
Q 1 1 0	WA2 - 0772 - 000		1	TRANSISTOR, RN1202	
Q 1 1 1	WA5 - 0093 - 000		1	TRIAC, BCR5AM-8L-A8	120V
	WA5 - 0094 - 000		1	TRIAC, BCR5AM-12L-A8	220/240V
Q 1 1 2	WG8 - 5199 - 000		1	IC, S21MD4YY, PHOTO-TRIAC	
Q 1 1 3	WA1 - 0977 - 000		1	DIODE, RBV-606	
Q 1 1 4	WA5 - 5100 - 000		1	TRIAC, TM1262	

FIGURE & KEY NO.	PART NUMBER	RANK	QTY	DESCRIPTION	SERIAL NUMBER / REMARKS
910 - Q115	WA2 - 0237 - 000		1	TRANSISTOR, 2SC2655Y	
Q116	WA2 - 5863 - 000		1	FET, IRFPF50	120V
	WA2 - 5457 - 000		1	TRANSISTOR, 2SK1271	220/240V
Q117	WA2 - 5863 - 000		1	FET, IRFPF50	120V
	WA2 - 5457 - 000		1	TRANSISTOR, 2SK1271	220/240V
Q118	WA2 - 0135 - 000		1	TRANSISTOR, 2SA1015Y	
Q119	WA2 - 0362 - 000		1	TRANSISTOR, 2SA1020Y	
Q120	WA2 - 5633 - 000		1	TRANSISTOR, 2SJ103GR	
Q121	WA4 - 0324 - 000		1	IC, TA78L005AP, REGULATOR	
Q122	WA2 - 0058 - 000		1	TRANSISTOR, 2SC1815GR	
Q201	WA4 - 5591 - 000		1	IC, UPC24A05HF, REGULATOR	
Q202	WA2 - 0124 - 000		1	TRANSISTOR, 2SC1815Y	
Q203	WA4 - 0233 - 000		1	IC, NJM2903D, COMPARATOR	
Q205	WA2 - 5505 - 000		1	TRANSISTOR, 2SK1349	
Q206	WA4 - 0233 - 000		1	IC, NJM2903D, COMPARATOR	
Q207	WA2 - 0237 - 000		1	TRANSISTOR, 2SC2655Y	
Q208	WA4 - 0539 - 000		1	IC, NJM2904D, OPE AMP	
Q209	WA2 - 0362 - 000		1	TRANSISTOR, 2SA1020Y	
Q212	WA2 - 0124 - 000		1	TRANSISTOR, 2SC1815Y	
Q301	WA2 - 5503 - 000		1	TRANSISTOR, 2SC4913-03	
Q303	WA2 - 0124 - 000		1	TRANSISTOR, 2SC1815Y	
Q304	WA2 - 0135 - 000		1	TRANSISTOR, 2SA1015Y	
Q305	WA2 - 5511 - 000		1	TRANSISTOR, 2SC4686A	
Q306	WA2 - 0796 - 000		1	TRANSISTOR, RN1201	
Q307	WA2 - 0124 - 000		1	TRANSISTOR, 2SC1815Y	
Q401	WA2 - 5880 - 000		1	TRANSISTOR, 2SD1762	
Q402	WA2 - 1506 - 000		1	TRANSISTOR, 2SC4153	
Q403	WA2 - 0124 - 000		1	TRANSISTOR, 2SC1815Y	
Q404	WA2 - 5511 - 000		1	TRANSISTOR, 2SC4686A	
Q405	WA2 - 0036 - 000		1	TRANSISTOR, 2SC2120Y	

FIGURE & KEY NO.	PART NUMBER	RANK	QTY	DESCRIPTION	SERIAL NUMBER / REMARKS
910 - Q4 06	WA2 - 0124 - 000		1	TRANSISTOR, 2SC1815Y	
Q4 07	WA2 - 5016 - 000		1	TRANSISTOR, 2SA1441LK	
Q4 08	WA2 - 0124 - 000		1	TRANSISTOR, 2SC1815Y	
Q4 09	WA2 - 0772 - 000		1	TRANSISTOR, RN1202	
Q4 10	WA2 - 1414 - 000		1	TRANSISTOR, 2SC3691K	
Q4 11	WA2 - 0124 - 000		1	TRANSISTOR, 2SC1815Y	
Q4 12	WA2 - 0772 - 000		1	TRANSISTOR, RN1202	
Q4 13	WA2 - 0772 - 000		1	TRANSISTOR, RN1202	
Q4 14	WA2 - 0772 - 000		1	TRANSISTOR, RN1202	
Q4 15	WA2 - 5682 - 000		1	TRANSISTOR, 2SC5002	
Q4 16	WA2 - 0124 - 000		1	TRANSISTOR, 2SC1815Y	
Q4 17	WA2 - 0237 - 000		1	TRANSISTOR, 2SC2655Y	
Q4 18	WA3 - 2028 - 000		1	IC, TC74HC74AP, DUAL FLIP-FLOP	
Q4 19	WA2 - 0237 - 000		1	TRANSISTOR, 2SC2655Y	
Q5 01	FF3 - 0416 - 000		1	IC, UPD18001GC-120-3BH, HYBRID	
Q5 02	WA4 - 5171 - 000		1	IC, PST523F, RESET	
Q9 51	WA2 - 0124 - 000		1	TRANSISTOR, 2SC1815Y	
Q9 52	WA2 - 0124 - 000		1	TRANSISTOR, 2SC1815Y	
Q9 53	WA4 - 0233 - 000		1	IC, NJM2903D, COMPARATOR	
Q9 54	WA2 - 0124 - 000		1	TRANSISTOR, 2SC1815Y	
Q9 55	WA2 - 0124 - 000		1	TRANSISTOR, 2SC1815Y	
R1 01	VR7 - 3100 - 103		1	RESISTOR, 10KOHM, 1/4W	
R1 02	VR7 - 3100 - 309		1	RESISTOR, 3 OHM, 1/4W	
R1 03	VR7 - 3100 - 103		1	RESISTOR, 10KOHM, 1/4W	
R1 04	VR7 - 3100 - 182		1	RESISTOR, 1.8KOHM, 1/4W	
R1 08	VR7 - 3100 - 562		1	RESISTOR, 5.6KOHM, 1/4W	
R1 11	VR7 - 3100 - 153		1	RESISTOR, 15KOHM, 1/4W	
R1 12	VR7 - 3100 - 332		1	RESISTOR, 3.3KOHM, 1/4W	
R1 13	VR7 - 4110 - 151		1	RESISTOR, 150 OHM, 1/2W	120V
	VR7 - 4110 - 301		1	RESISTOR, 300 OHM, 1/2W	220/240V

FIGURE & KEY NO.	PART NUMBER	RANK	QTY	DESCRIPTION	SERIAL NUMBER / REMARKS
910 - R114	VR7 - 3100 - 472		1	RESISTOR, 4.7KOHM, 1/4W	
R115	VR7 - 0560 - 181		1	RESISTOR, 180 OHM, 1/2W	
R116	VR7 - 3100 - 222		1	RESISTOR, 2.2KOHM, 1/4W	
R117	VR7 - 3100 - 471		1	RESISTOR, 470 OHM, 1/4W	
R118	VR7 - 3100 - 100		1	RESISTOR, 10 OHM, 1/4W	
R119	VR7 - 3100 - 100		1	RESISTOR, 10 OHM, 1/4W	
R120	VR7 - 3100 - 103		1	RESISTOR, 10KOHM, 1/4W	
R121	VR7 - 3100 - 181		1	RESISTOR, 180 OHM, 1/4W	
R122	VR7 - 0560 - 391		1	RESISTOR, 0.39KOHM, 1/2W	
R124	VR7 - 4110 - 151		1	RESISTOR, 150 OHM, 1/2W	
R126	VR7 - 3100 - 181		1	RESISTOR, 180 OHM, 1/4W	
R127	VR5 - 6640 - 471		1	RESISTOR, 470 OHM, 2W	
R128	VR9 - 5329 - 000		1	RESISTOR, 0.3 OHM, 1/2W	
R129	VR5 - 6040 - 150		1	RESISTOR, 15 OHM, 5W	120V
	VR5 - 6040 - 220		1	RESISTOR, 22 OHM, 5W	220/240V
R130	VR5 - 1010 - 471		1	RESISTOR, 470 OHM, 1/2W	
R131	VR5 - 6630 - 243		1	RESISTOR, 24KOHM, 1W	120V
	VR5 - 6630 - 563		1	RESISTOR, 56KOHM, 1W	220/240V
R132	VR9 - 5328 - 000		1	RESISTOR, 0.2 OHM, 1/2W	
R133	VR5 - 6630 - 243		1	RESISTOR, 24KOHM, 1W	120V
R134	VR5 - 6630 - 563		1	RESISTOR, 56KOHM, 1W	220/240V
R134	VR5 - 6630 - 243		1	RESISTOR, 24KOHM, 1W	120V
	VR5 - 6630 - 563		1	RESISTOR, 56KOHM, 1W	220/240V
R135	VR7 - 2930 - 470		1	RESISTOR, 47 OHM, 3W	
R136	VR7 - 3100 - 470		1	RESISTOR, 47 OHM, 1/4W	
R137	VR7 - 3100 - 822		1	RESISTOR, 8.2KOHM, 1/4W	
R138	VR7 - 3100 - 472		1	RESISTOR, 4.7KOHM, 1/4W	
R139	VR7 - 3100 - 102		1	RESISTOR, 1KOHM, 1/4W	
R141	VR7 - 4110 - 100		1	RESISTOR, 10 OHM, 1/2W	
R142	VR7 - 4110 - 100		1	RESISTOR, 10 OHM, 1/2W	

FIGURE & KEY NO.	PART NUMBER	RANK	QTY	DESCRIPTION	SERIAL NUMBER / REMARKS
910 - R143	VR7 - 3100 - 102		1	RESISTOR, 1KOHM, 1/4W	120V
	VR7 - 3100 - 471		1	RESISTOR, 470 OHM, 1/4W	220/240V
	R144	VR7 - 3100 - 104	1	RESISTOR, 100KOHM, 1/4W	
	R145	VR7 - 3100 - 104	1	RESISTOR, 100KOHM, 1/4W	
	R147	VR7 - 3100 - 100	1	RESISTOR, 10 OHM, 1/4W	
R148	VR7 - 3100 - 101		1	RESISTOR, 100 OHM, 1/4W	
R149	VR7 - 3100 - 101		1	RESISTOR, 100 OHM, 1/4W	
R150	VR7 - 3100 - 101		1	RESISTOR, 100 OHM, 1/4W	
R151	VR7 - 3100 - 472		1	RESISTOR, 4.7KOHM, 1/4W	
R152	VR7 - 3100 - 622		1	RESISTOR, 6.2KOHM, 1/4W	
R153	VR7 - 3100 - 101		1	RESISTOR, 100 OHM, 1/4W	
R154	VR7 - 3100 - 473		1	RESISTOR, 47KOHM, 1/4W	
R201	VR9 - 5148 - 000		1	RESISTOR, 0.22 OHM, 1W	
R202	VR7 - 3100 - 471		1	RESISTOR, 470 OHM, 1/4W	
R203	VR7 - 3100 - 103		1	RESISTOR, 10KOHM, 1/4W	
R204	VR7 - 3100 - 472		1	RESISTOR, 4.7KOHM, 1/4W	
R205	VR7 - 3100 - 103		1	RESISTOR, 10KOHM, 1/4W	
R206	VR7 - 3100 - 103		1	RESISTOR, 10KOHM, 1/4W	
R207	VR7 - 3100 - 103		1	RESISTOR, 10KOHM, 1/4W	
R208	VR5 - 6640 - 201		1	RESISTOR, 200 OHM, 2W	
R209	VR5 - 6415 - 112		1	RESISTOR, 51.1KOHM, 1/4W	
R210	VR7 - 3100 - 103		1	RESISTOR, 10KOHM, 1/4W	
R211	VR5 - 3680 - 000		1	RESISTOR, 0 OHM, 1/4W	
R212	VR7 - 3100 - 103		1	RESISTOR, 10KOHM, 1/4W	
R213	VR7 - 3100 - 103		1	RESISTOR, 10KOHM, 1/4W	
R214	VR5 - 6412 - 151		1	RESISTOR, 2.15KOHM, 1/4W	
R215	VR5 - 6640 - 201		1	RESISTOR, 200 OHM, 2W	
R216	VR9 - 5338 - 000		1	RESISTOR, 0.1 OHM, 2W	
R217	VR7 - 0560 - 200		1	RESISTOR, 20 OHM, 1/2W	
R218	VR7 - 3100 - 102		1	RESISTOR, 1KOHM, 1/4W	

FIGURE & KEY NO.	PART NUMBER	RANK	QTY	DESCRIPTION	SERIAL NUMBER / REMARKS
910 - R219	VR7 - 3100 - 104		1	RESISTOR, 100KOHM, 1/4W	
R220	VR7 - 0560 - 390		1	RESISTOR, 39 OHM 1/2W	
R221	VR7 - 3100 - 242		1	RESISTOR, 2.4KOHM, 1/4W	
R222	VR5 - 6418 - 251		1	RESISTOR, 8.25KOHM, 1/4W	
R223	VR7 - 3100 - 100		1	RESISTOR, 10 OHM, 1/4W	
R224	VR5 - 6411 - 002		1	RESISTOR, 10KOHM, 1/4W	
R225	VR5 - 6415 - 112		1	RESISTOR, 51.1KOHM, 1/4W	
R226	VR7 - 3100 - 223		1	RESISTOR, 22KOHM, 1/4W	
R227	VR7 - 0560 - 200		1	RESISTOR, 20 OHM, 1/2W	
R228	VR7 - 3100 - 103		1	RESISTOR, 10KOHM, 1/4W	
R230	VR7 - 3100 - 222		1	RESISTOR, 2.2KOHM, 1/4W	
R231	VR7 - 3100 - 560		1	RESISTOR, 56 OHM, 1/4W	
R232	VR5 - 6411 - 002		1	RESISTOR, 10KOHM, 1/4W	
R233	VR7 - 3100 - 101		1	RESISTOR, 100 OHM, 1/4W	
R234	VR5 - 6411 - 001		1	RESISTOR, 1KOHM, 1/4W	
R235	VR5 - 6412 - 151		1	RESISTOR, 2.15KOHM, 1/4W	
R236	VR5 - 3680 - 000		1	RESISTOR, 0 OHM, 1/4W	
R237	VR9 - 5339 - 000		1	RESISTOR, 0.033 OHM, 3W	
R238	VR7 - 3100 - 103		1	RESISTOR, 10KOHM, 1/4W	
R239	VR7 - 3100 - 821		1	RESISTOR, 820 OHM, 1/4W	
R240	VR7 - 3100 - 473		1	RESISTOR, 47KOHM, 1/4W	
R241	VR7 - 3100 - 682		1	RESISTOR, 6.8KOHM, 1/4W	
R242	VR7 - 3100 - 392		1	RESISTOR, 3.9KOHM, 1/4W	
R243	VR7 - 3100 - 104		1	RESISTOR, 100KOHM, 1/4W	
R244	VR7 - 3100 - 102		1	RESISTOR, 1KOHM, 1/4W	
R245	VR7 - 3100 - 102		1	RESISTOR, 1KOHM, 1/4W	
R246	VR5 - 6640 - 201		1	RESISTOR, 200 OHM, 2W	
R301	VR7 - 3210 - 474		1	RESISTOR, 470KOHM, 1/4W	
R302	VR7 - 3210 - 103		1	RESISTOR, 10KOHM, 1/4W	
R303	FH4 - 9169 - 000		1	RESISTOR, 44MOHM, 0.091W	

FIGURE & KEY NO.	PART NUMBER	RANK	QTY	DESCRIPTION	SERIAL NUMBER / REMARKS
910 - R305	VR7 - 3100 - 203		1	RESISTOR, 20KOHM, 1/4W	
R306	RH6 - 3069 - 000		1	RESISTOR, 40MOHM, 0.625W	
R307	VR7 - 3100 - 103		1	RESISTOR, 10KOHM, 1/4W	
R309	VR7 - 3100 - 104		1	RESISTOR, 100KOHM, 1/4W	
R310	VR5 - 6412 - 262		1	RESISTOR, 22.6KOHM, 1/4W	
R313	FH9 - 0367 - 000		1	RESISTOR, 100 OHM, 1W	
R314	VR5 - 1010 - 104		1	RESISTOR, 100KOHM, 1/2W	
R315	VR7 - 0560 - 220		1	RESISTOR, 22 OHM, 1/2W	
R316	FH9 - 0367 - 000		1	RESISTOR, 100 OHM, 1W	
R317	VR5 - 1010 - 104		1	RESISTOR, 100KOHM, 1/2W	
R318	VR1 - 1141 - 515		1	RESISTOR, 5.1MOHM, 1/4W	
R319	VR7 - 3100 - 222		1	RESISTOR, 2.2KOHM, 1/4W	
R321	VR7 - 3100 - 222		1	RESISTOR, 2.2KOHM, 1/4W	
R322	FH4 - 9163 - 000		1	RESISTOR, 2MOHM, 0.85W	
R323	VR7 - 3100 - 223		1	RESISTOR, 22KOHM, 1/4W	
R324	VR7 - 3100 - 472		1	RESISTOR, 4.7KOHM, 1/4W	
R325	VR7 - 3100 - 103		1	RESISTOR, 10KOHM, 1/4W	
R326	VR7 - 3100 - 222		1	RESISTOR, 2.2KOHM, 1/4W	
R327	VR7 - 3100 - 470		1	RESISTOR, 47 OHM, 1/4W	
R328	FH4 - 9186 - 000		1	RESISTOR, 16.9MOHM, 1/10W	
R329	VR7 - 3100 - 103		1	RESISTOR, 10KOHM, 1/4W	
R330	VR7 - 3100 - 103		1	RESISTOR, 10KOHM, 1/4W	
R331	VR7 - 3100 - 103		1	RESISTOR, 10KOHM, 1/4W	
R332	VR7 - 3100 - 103		1	RESISTOR, 10KOHM, 1/4W	
R401	VR5 - 6630 - 132		1	RESISTOR, 1.3KOHM, 1W	
R402	VR5 - 6630 - 132		1	RESISTOR, 1.3KOHM, 1W	
R403	VR5 - 6630 - 132		1	RESISTOR, 1.3KOHM, 1W	
R404	VR7 - 0560 - 479		1	RESISTOR, 4.7 OHM, 1/2W	
R405	VR5 - 6630 - 132		1	RESISTOR, 1.3KOHM, 1W	
R406	VR5 - 6630 - 132		1	RESISTOR, 1.3KOHM, 1W	

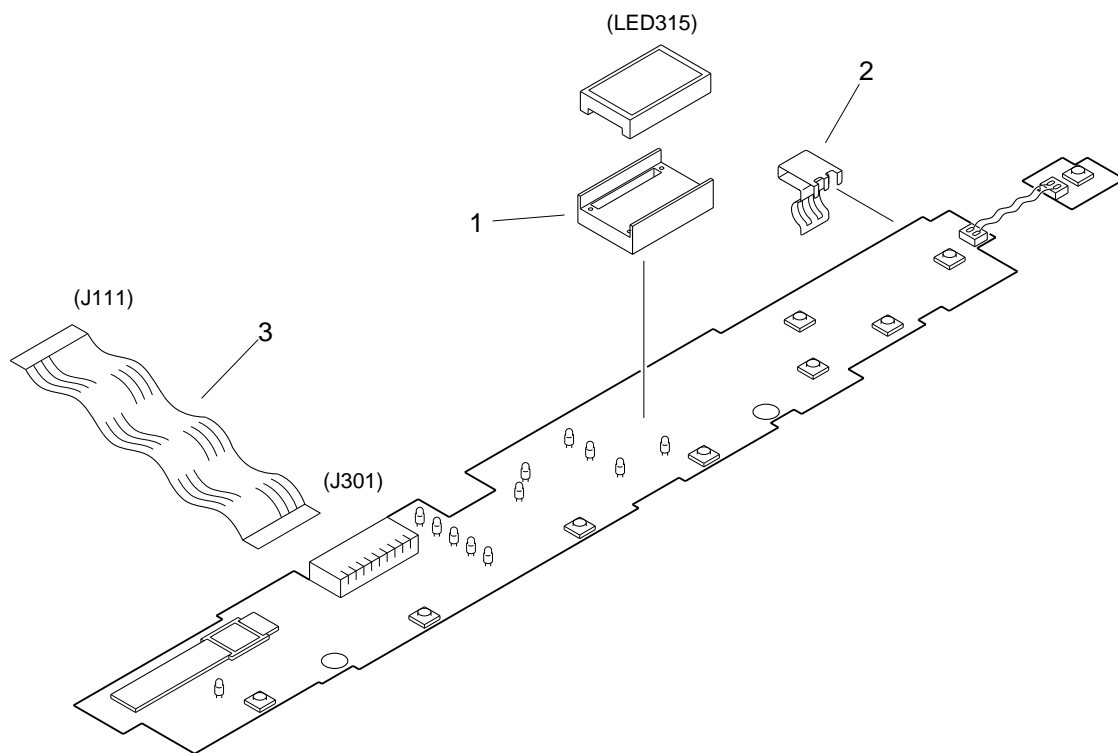
FIGURE & KEY NO.	PART NUMBER	RANK	QTY	DESCRIPTION	SERIAL NUMBER / REMARKS
910 - R407	VR5 - 6630 - 132		1	RESISTOR, 1.3KOHM, 1W	
R408	VR7 - 3100 - 103		1	RESISTOR, 10KOHM, 1/4W	
R409	VR7 - 0560 - 362		1	RESISTOR, 3.6KOHM, 1/2W	
R410	VR7 - 0560 - 362		1	RESISTOR, 3.6KOHM, 1/2W	
R411	VR7 - 0560 - 362		1	RESISTOR, 3.6KOHM, 1/2W	
R412	VR7 - 3100 - 102		1	RESISTOR, 1KOHM, 1/4W	
R413	RH6 - 3069 - 000		1	RESISTOR, 40MOHM, 0.625W	
R414	RH6 - 3069 - 000		1	RESISTOR, 40MOHM, 0.625W	
R415	VR7 - 3100 - 182		1	RESISTOR, 1.8KOHM, 1/4W	
R416	VR5 - 6411 - 002		1	RESISTOR, 10KOHM, 1/4W	
R417	VR7 - 3100 - 472		1	RESISTOR, 4.7KOHM, 1/4W	
R418	VR7 - 3100 - 100		1	RESISTOR, 10 OHM, 1/4W	
R419	VR7 - 3100 - 272		1	RESISTOR, 2.7KOHM, 1/4W	
R420	VR7 - 3100 - 472		1	RESISTOR, 4.7KOHM, 1/4W	
R421	VR9 - 5231 - 000		1	RESISTOR, 0.2 OHM, 1/2W	
R422	VR7 - 3100 - 122		1	RESISTOR, 1.2KOHM, 1/4W	
R423	VR7 - 3100 - 301		1	RESISTOR, 300 OHM, 1/4W	
R424	VR7 - 3100 - 102		1	RESISTOR, 1KOHM, 1/4W	
R425	VR7 - 3100 - 103		1	RESISTOR, 10KOHM, 1/4W	
R426	VR7 - 3100 - 202		1	RESISTOR, 2KOHM, 1/4W	
R427	VR7 - 3100 - 104		1	RESISTOR, 100KOHM, 1/4W	
R428	VR7 - 3100 - 472		1	RESISTOR, 4.7KOHM, 1/4W	
R429	VR7 - 3100 - 472		1	RESISTOR, 4.7KOHM, 1/4W	
R430	VR7 - 3100 - 472		1	RESISTOR, 4.7KOHM, 1/4W	
R431	VR7 - 3100 - 472		1	RESISTOR, 4.7KOHM, 1/4W	
R432	VR7 - 3100 - 153		1	RESISTOR, 15KOHM, 1/4W	
R433	VR7 - 3100 - 202		1	RESISTOR, 2KOHM, 1/4W	
R434	VR7 - 3100 - 203		1	RESISTOR, 20KOHM, 1/4W	
R435	VR7 - 3100 - 103		1	RESISTOR, 10KOHM, 1/4W	
R436	VR7 - 3100 - 472		1	RESISTOR, 4.7KOHM, 1/4W	

FIGURE & KEY NO.	PART NUMBER	RANK	QTY	DESCRIPTION	SERIAL NUMBER / REMARKS
910 - R437	VR7 - 3100 - 472		1	RESISTOR, 4.7KOHM, 1/4W	
R438	VR7 - 3100 - 103		1	RESISTOR, 10KOHM, 1/4W	
R440	VR5 - 6630 - 120		1	RESISTOR, 12 OHM, 1W	
R441	VR7 - 3100 - 471		1	RESISTOR, 470 OHM, 1/4W	
R442	VR7 - 3100 - 103		1	RESISTOR, 10KOHM, 1/4W	
R443	VR7 - 3100 - 472		1	RESISTOR, 4.7KOHM, 1/4W	
R444	VR5 - 6630 - 120		1	RESISTOR, 12 OHM, 1W	
R445	VR7 - 3100 - 202		1	RESISTOR, 2KOHM, 1/4W	
R446	VR5 - 1010 - 561		1	RESISTOR, 560 OHM, 1/2W	
R447	VR7 - 3100 - 202		1	RESISTOR, 2KOHM, 1/4W	
R448	VR7 - 3100 - 202		1	RESISTOR, 2KOHM, 1/4W	
R449	VR7 - 3100 - 101		1	RESISTOR, 100 OHM, 1/4W	
R450	VR5 - 1010 - 561		1	RESISTOR, 560 OHM, 1/2W	
R451	VR7 - 3100 - 103		1	RESISTOR, 10KOHM, 1/4W	
R452	VR5 - 6630 - 120		1	RESISTOR, 12 OHM, 1W	
R453	VR7 - 3100 - 473		1	RESISTOR, 47KOHM, 1/4W	
R454	VR7 - 0560 - 362		1	RESISTOR, 3.6KOHM, 1/2W	
R455	VR7 - 3100 - 101		1	RESISTOR, 100 OHM, 1/4W	
R951	VR5 - 3680 - 243		1	RESISTOR, 24KOHM, 1/4W	
R952	VR5 - 3680 - 683		1	RESISTOR, 68KOHM, 1/4W	
R954	VR5 - 3680 - 105		1	RESISTOR, 1MOHM, 1/4W	
R955	VR5 - 3680 - 105		1	RESISTOR, 1MOHM, 1/4W	
R956	VR5 - 3680 - 221		1	RESISTOR, 220 OHM, 1/4W	
R957	VR5 - 3680 - 103		1	RESISTOR, 10KOHM, 1/4W	
R959	VR5 - 3680 - 103		1	RESISTOR, 10KOHM, 1/4W	
R960	VR5 - 3680 - 103		1	RESISTOR, 10KOHM, 1/4W	
R961	VR5 - 3680 - 103		1	RESISTOR, 10KOHM, 1/4W	
R962	VR5 - 3680 - 273		1	RESISTOR, 27KOHM, 1/4W	
R964	VR5 - 3680 - 105		1	RESISTOR, 1MOHM, 1/4W	
R965	VR5 - 3680 - 105		1	RESISTOR, 1MOHM, 1/4W	

FIGURE & KEY NO.	PART NUMBER	RANK	QTY	DESCRIPTION	SERIAL NUMBER / REMARKS
910 - R966	VR5 - 3680 - 221		1	RESISTOR, 220 OHM, 1/4W	
R967	VR5 - 3680 - 103		1	RESISTOR, 10KOHM, 1/4W	
R969	VR5 - 3680 - 104		1	RESISTOR, 100KOHM, 1/4W	
R970	VR5 - 3680 - 273		1	RESISTOR, 27KOHM, 1/4W	
RL101	FH7 - 6197 - 000		1	RELAY	
SQ101	X62 - 8249 - 000		1	SPARK KILLER, AU1201	
SQ102	X62 - 8249 - 000		1	SPARK KILLER, AU1201	
T101	FH3 - 0732 - 000		1	TRANSFORMER, AC	120V
	FH3 - 0733 - 000		1	TRANSFORMER, AC	220/240V
T102	FH3 - 0779 - 000		1	TRANSFORMER, CONVERTER	120V
	FH3 - 0780 - 000		1	TRANSFORMER, CONVERTER	220/240V
T103	FH3 - 0667 - 000		1	TRANSFORMER	
T104	FH3 - 0665 - 000		1	TRANSFORMER	120V
	FH3 - 0666 - 000		1	TRANSFORMER	220/240V
T201	FH3 - 0668 - 000		1	TRANSFORMER	
T301	FH3 - 0569 - 000		1	TRANSFORMER, INVERTER	
T302	FH3 - 0660 - 000		1	TRANSFORMER	
T401	FH3 - 0734 - 000		1	TRANSFORMER, TRANSFER	
T402	FH3 - 0735 - 000		1	TRANSFORMER	
VR101	VR5 - 3520 - 102		1	VARIABLE RESISTOR, 1KOHM, 1/2W	
VR401	VR5 - 3520 - 102		1	VARIABLE RESISTOR, 1KOHM, 1/2W	
VR951	VR5 - 3520 - 503		1	VARIABLE RESISTOR, 50KOHM, 1/2W	
VR952	VR5 - 3520 - 503		1	VARIABLE RESISTOR, 50KOHM, 1/2W	
VR953	VR5 - 3520 - 203		1	VARIABLE RESISTOR, 20KOHM, 1/2W	
X501	WK2 - 5429 - 000		1	OSCILLATOR, CERAMIC	
ZD201	WA1 - 5027 - 000		1	DIODE, ZENER, HZS30-Z	
ZD202	WA1 - 5163 - 000		1	DIODE, ZENER, HZS7A-2	
ZD203	WA1 - 0818 - 000		1	DIODE, ZENER, HZS3B2	
ZD401	WA1 - 0948 - 000		1	DIODE, ZENER, HZS22-2	
ZD402	WA1 - 1001 - 000		1	DIODE, ZENER, HZS15-2	

FIGURE & KEY NO.	PART NUMBER	R A N K	Q' T Y	DESCRIPTION	SERIAL NUMBER / REMARKS
910 - ZD403	WA1 - 1027 - 000		1	DIODE, ZENER, HZS2B2	

FIGURE 915 CONTROL PANEL PCB ASSEMBLY



NOTE1: This assembly is included in the assembly shown in Figure 130.

NOTE2: This assembly does not include the part shown with key No.3.

FIGURE & KEY NO.	PART NUMBER	RANK	QTY	DESCRIPTION	SERIAL NUMBER / REMARKS
915 -	FG5 - 5497 - 000		1	CONTROL PANEL PCB ASSEMBLY	NP6012 SEE NOTE 1
	FG5 - 5469 - 000		1	CONTROL PANEL PCB ASSEMBLY	NP6012F/6212 SEE NOTE 1
1	FB2 - 4900 - 000		1	SPACER	
2	FB2 - 4901 - 000		1	PLATE, GROUNDING	
3	FH2 - 6231 - 000		1	CABLE, FLAT	SEE NOTE 2 J111,301
D3 0 1	X65 - 5032 - 000		1	DIODE, 1S1588	
D3 0 2	X65 - 5032 - 000		1	DIODE, 1S1588	
D3 0 3	X65 - 5032 - 000		1	DIODE, 1S1588	
D3 0 4	X65 - 5032 - 000		1	DIODE, 1S1588	
J 3 0 1	VS1 - 5711 - 019		1	CANNECTOR, 19P, FEMALE	
J 3 0 4	VS1 - 5600 - 002		1	CONNECTOR, 2P, FEMALE	
LED3 0 1	WG1 - 5280 - 000		1	LED, EM302F2	
LED3 0 2	WG1 - 5280 - 000		1	LED, EM302F2	
LED3 0 3	WG1 - 5280 - 000		1	LED, EM302F2	
LED3 0 4	WG1 - 5280 - 000		1	LED, EM302F2	
LED3 0 5	WG1 - 5280 - 000		1	LED, EM302F2	
LED3 0 6	WG1 - 5280 - 000		1	LED, EM302F2	
LED3 0 7	WG1 - 5281 - 000		1	LED, EA302F2	
LED3 0 8	WG1 - 5280 - 000		1	LED, EM302F2	
LED3 1 0	WG1 - 5280 - 000		1	LED, EM302F2	
LED3 1 1	WG1 - 5280 - 000		1	LED, EM302F2	
LED3 1 2	WG1 - 5280 - 000		1	LED, EM302F2	
LED3 1 3	WG1 - 5281 - 000		1	LED, EA302F2	
LED3 1 4	WG1 - 5281 - 000		1	LED, EA302F2	
LED3 1 5	FH7 - 3277 - 000		1	LED, 7 SEGMENT	
LED3 1 6	WG1 - 5281 - 000		1	LED, EA302F2	NP6012F/6212
LED3 1 7	WG1 - 5281 - 000		1	LED, EA302F2	NP6012F/6212
R3 0 1	VR1 - 1141 - 820		1	RESISTOR, 82 OHM, 1/4W	
R3 0 2	VR1 - 1141 - 820		1	RESISTOR, 82 OHM, 1/4W	
R3 0 3	VR1 - 1141 - 820		1	RESISTOR, 82 OHM, 1/4W	

FIGURE & KEY NO.	PART NUMBER	RANK	QTY	DESCRIPTION	SERIAL NUMBER / REMARKS
915 - R304	VR1 - 1141 - 820		1	RESISTOR, 82 OHM, 1/4W	
R305	VR1 - 1141 - 820		1	RESISTOR, 82 OHM, 1/4W	
R306	VR1 - 1141 - 820		1	RESISTOR, 82 OHM, 1/4W	
R307	VR1 - 1141 - 820		1	RESISTOR, 82 OHM, 1/4W	
R308	VR1 - 1141 - 820		1	RESISTOR, 82 OHM, 1/4W	
SW301	WC2 - 5102 - 000		1	SWITCH, BUTTON	
SW302	WC2 - 5102 - 000		1	SWITCH, BUTTON	
SW303	WC2 - 5102 - 000		1	SWITCH, BUTTON	
SW304	WC2 - 5102 - 000		1	SWITCH, BUTTON	
SW305	WC2 - 5102 - 000		1	SWITCH, BUTTON	
SW306	WC2 - 5102 - 000		1	SWITCH, BUTTON	
SW307	WC2 - 5102 - 000		1	SWITCH, BUTTON	
SW308	WC2 - 5102 - 000		1	SWITCH, BUTTON	
SW309	WC2 - 5102 - 000		1	SWITCH, BUTTON	
VR301	VR5 - 6660 - 103		1	RESISTOR, VARIABLE, 10KOHM	

FIGURE 930 DC CONTROLLER PCB ASSEMBLY

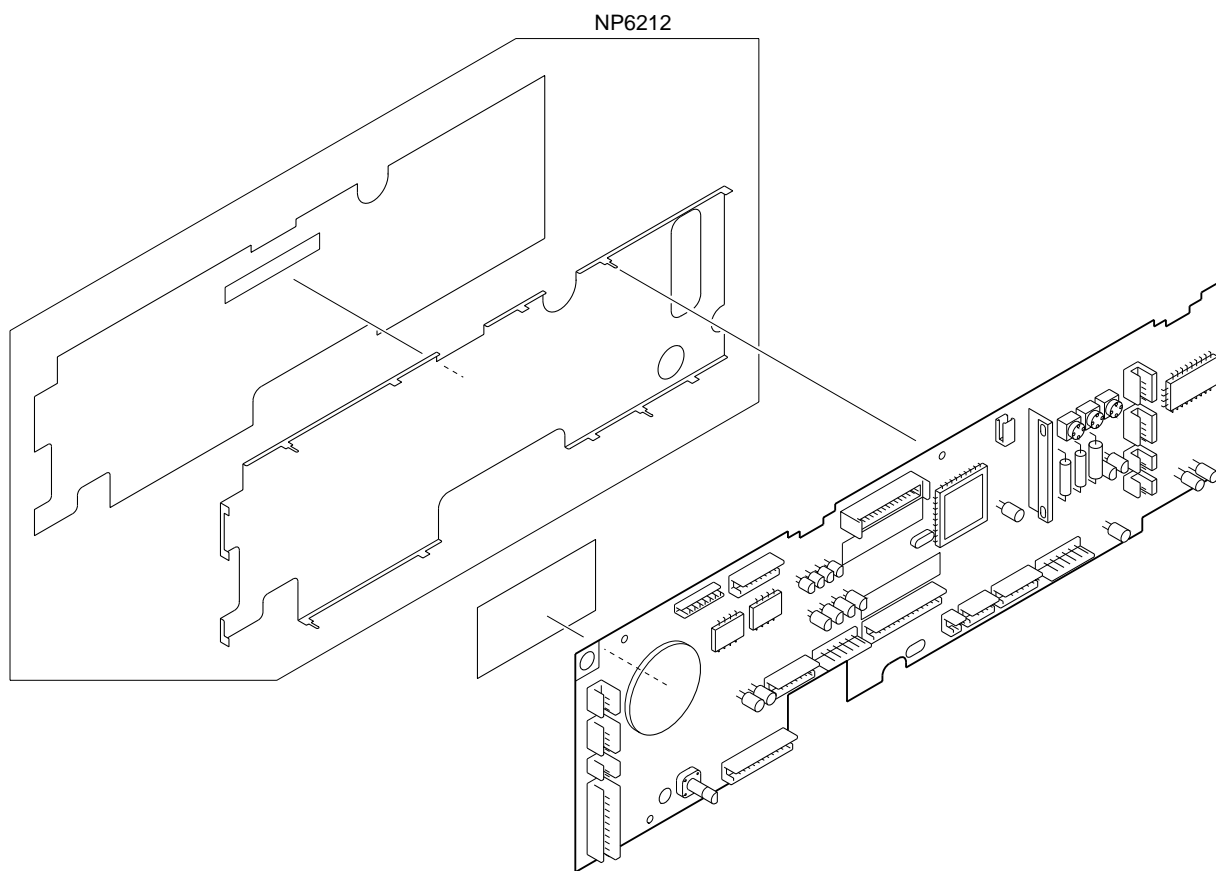


FIGURE & KEY NO.	PART NUMBER	RANK	QTY	DESCRIPTION	SERIAL NUMBER / REMARKS
930 -	FG5 - 5505 - 020		1	DC CONTROLLER PCB ASSEMBLY	NP6012 12CPM INCH SIZE
	FG5 - 5490 - 020		1	DC CONTROLLER PCB ASSEMBLY	NP6012 PGP INCH SIZE
	FG5 - 5489 - 020		1	DC CONTROLLER PCB ASSEMBLY	NP6012 12CPM AB SIZE
	FG5 - 5507 - 020		1	DC CONTROLLER PCB ASSEMBLY	NP6012F PGP INCH SIZE
	FG5 - 5506 - 02S		1	DC CONTROLLER PCB ASSEMBLY	NP6212 12CPM AB SIZE
BAT 1	WK1 - 0082 - 000		1	BATTERY, LITIUM	
C101	VW4 - 2037 - 102		1	CAPACITOR, 1000PF, 50V	
C102	VW4 - 2234 - 150		1	CAPACITOR, 15PF, 50V	
C103	VW4 - 2234 - 150		1	CAPACITOR, 15PF, 50V	
C104	VW4 - 2037 - 104		1	CAPACITOR, 0.1UF, 50V	
C105	VW4 - 2037 - 104		1	CAPACITOR, 0.1UF, 50V	
C106	VW4 - 2835 - 222		1	CAPACITOR, 2200PF, 50V	
C107	VW4 - 2835 - 222		1	CAPACITOR, 2200PF, 50V	
C108	VW4 - 2835 - 821		1	CAPACITOR, 820PF, 50V	
C109	VW4 - 2835 - 821		1	CAPACITOR, 820PF, 50V	
C111	VC6 - 3000 - 104		1	CAPACITOR, 0.1UF, 50V	
C112	VC6 - 3000 - 104		1	CAPACITOR, 0.1UF, 50V	
C114	VC6 - 3000 - 104		1	CAPACITOR, 0.1UF, 50V	
C126	VW4 - 2037 - 332		1	CAPACITOR, 3300PF, 50V	
C127	VW4 - 2037 - 102		1	CAPACITOR, 1000PF, 50V	
C128	VW4 - 2037 - 102		1	CAPACITOR, 1000PF, 50V	
C129	VW4 - 2037 - 102		1	CAPACITOR, 1000PF, 50V	
C131	VW4 - 2037 - 102		1	CAPACITOR, 1000PF, 50V	
C132	VW4 - 2037 - 102		1	CAPACITOR, 1000PF, 50V	
C133	VW4 - 2037 - 102		1	CAPACITOR, 1000PF, 50V	
C136	VW4 - 2037 - 102		1	CAPACITOR, 1000PF, 50V	
C137	VW4 - 2037 - 102		1	CAPACITOR, 1000PF, 50V	
C138	VW4 - 2037 - 102		1	CAPACITOR, 1000PF, 50V	
C139	VW4 - 2037 - 102		1	CAPACITOR, 1000PF, 50V	
C140	VW4 - 2037 - 102		1	CAPACITOR, 1000PF, 50V	

FIGURE & KEY NO.	PART NUMBER	RANK	QTY	DESCRIPTION	SERIAL NUMBER / REMARKS
930 - C141	VW4 - 2037 - 102		1	CAPACITOR, 1000PF, 50V	
C142	VC7 - 4260 - 476		1	CAPACITOR, 47UF, 10V	
C143	VW4 - 2037 - 104		1	CAPACITOR, 0.1UF, 50V	
C144	VW4 - 2037 - 104		1	CAPACITOR, 0.1UF, 50V	
C145	VC4 - 3503 - 102		1	CAPACITOR, 1000PF, 50V	
C146	VC8 - 0790 - 107		1	CAPACITOR, 100UF, 50V	
C147	VW4 - 2037 - 102		1	CAPACITOR, 1000PF, 50V	
C148	VC4 - 3503 - 102		1	CAPACITOR, 1000PF, 50V	
C149	VC8 - 0780 - 107		1	CAPACITOR, 100UF, 10V	
C150	VC8 - 0790 - 107		1	CAPACITOR, 100UF, 50V	
C151	VC8 - 0780 - 107		1	CAPACITOR, 100UF, 10V	
C152	VW4 - 2037 - 102		1	CAPACITOR, 1000PF, 50V	
C153	VW4 - 2037 - 102		1	CAPACITOR, 1000PF, 50V	
C155	VC6 - 3000 - 104		1	CAPACITOR, 0.1UF, 50V	
C157	VW4 - 2037 - 102		1	CAPACITOR, 1000PF, 50V	NP6012F/6212
C158	VW4 - 2037 - 104		1	CAPACITOR, 0.1UF, 50V	
C159	VW4 - 2037 - 104		1	CAPACITOR, 0.1UF, 50V	
C160	VW4 - 2037 - 104		1	CAPACITOR, 0.1UF, 50V	
C161	VW4 - 2037 - 104		1	CAPACITOR, 0.1UF, 50V	
C162	VW4 - 2037 - 102		1	CAPACITOR, 1000PF, 50V	NP6012F/6212
C163	VC8 - 2340 - 822		1	CAPACITOR, 8200PF, 200V	
C164	VC8 - 2340 - 822		1	CAPACITOR, 8200PF, 200V	
C165	VC8 - 2340 - 822		1	CAPACITOR, 8200PF, 200V	
C166	VC8 - 2340 - 822		1	CAPACITOR, 8200PF, 200V	
C167	VW4 - 2037 - 104		1	CAPACITOR, 0.1UF, 50V	
C168	VW4 - 2037 - 102		1	CAPACITOR, 1000PF, 50V	
C169	VW4 - 2037 - 102		1	CAPACITOR, 1000PF, 50V	
C170	VW4 - 2037 - 102		1	CAPACITOR, 1000PF, 50V	
C171	VW4 - 2037 - 102		1	CAPACITOR, 1000PF, 50V	
C172	VW4 - 2037 - 102		1	CAPACITOR, 1000PF, 50V	

FIGURE & KEY NO.	PART NUMBER	RANK	QTY	DESCRIPTION	SERIAL NUMBER / REMARKS
930 - C173	VW4 - 2037 - 102		1	CAPACITOR, 1000PF, 50V	
C174	VW4 - 2037 - 102		1	CAPACITOR, 1000PF, 50V	
C175	VW4 - 2037 - 102		1	CAPACITOR, 1000PF, 50V	
C178	VW4 - 2037 - 102		1	CAPACITOR, 1000PF, 50V	
C179	VW4 - 2037 - 101		1	CAPACITOR, 100PF, 50V	
C181	VW4 - 2037 - 102		1	CAPACITOR, 1000PF, 50V	
C182	VC6 - 3000 - 104		1	CAPACITOR, 0.1UF, 50V	
C183	VW4 - 2037 - 102		1	CAPACITOR, 1000PF, 50V	
C184	VC6 - 3000 - 104		1	CAPACITOR, 0.1UF, 50V	
C185	VC6 - 3000 - 104		1	CAPACITOR, 0.1UF, 50V	
C186	VC6 - 3000 - 104		1	CAPACITOR, 0.1UF, 50V	
C187	VC8 - 4320 - 476		1	CAPACITOR, 47UF, 16V	
C191	VW4 - 2037 - 223		1	CAPACITOR, 0.022UF, 50V	
C192	VW4 - 2037 - 332		1	CAPACITOR, 3300PF, 50V	
C193	VW4 - 2037 - 332		1	CAPACITOR, 3300PF, 50V	
C194	VW4 - 2037 - 223		1	CAPACITOR, 0.022UF, 50V	
C200	VW4 - 2037 - 102		1	CAPACITOR, 1000PF, 50V	
C201	VW4 - 2037 - 223		1	CAPACITOR, 0.022UF, 50V	
C202	VW4 - 2037 - 104		1	CAPACITOR, 0.1UF, 50V	
C203	VW4 - 2037 - 104		1	CAPACITOR, 0.1UF, 50V	
C204	VW4 - 2835 - 682		1	CAPACITOR, 6800PF, 50V	
C205	VW4 - 2037 - 102		1	CAPACITOR, 1000PF, 50V	
C206	VC6 - 3000 - 104		1	CAPACITOR, 0.1UF, 50V	
C207	VC5 - 4790 - 336		1	CAPACITOR, 33UF, 10V	
C208	VW4 - 2037 - 104		1	CAPACITOR, 0.1UF, 50V	NP6012F/6212
C209	VW4 - 2037 - 104		1	CAPACITOR, 0.1UF, 50V	NP6012F/6212
C210	VW4 - 2037 - 102		1	CAPACITOR, 1000PF, 50V	NP6012F/6212
C211	VW4 - 2037 - 102		1	CAPACITOR, 1000PF, 50V	NP6012F/6212
C212	VW4 - 2037 - 102		1	CAPACITOR, 1000PF, 50V	NP6012F/6212
C213	VW4 - 2037 - 102		1	CAPACITOR, 1000PF, 50V	NP6012F/6212

FIGURE & KEY NO.	PART NUMBER	RANK	QTY	DESCRIPTION	SERIAL NUMBER / REMARKS
930 - C2 14	VW4 - 2037 - 102		1	CAPACITOR, 1000PF, 50V	NP6012F/6212
C2 15	VW4 - 2037 - 102		1	CAPACITOR, 1000PF, 50V	NP6012F/6212
C2 16	VW4 - 2037 - 102		1	CAPACITOR, 1000PF, 50V	NP6012F/6212
C2 17	VW4 - 2037 - 102		1	CAPACITOR, 1000PF, 50V	NP6012F/6212
D1 02	WA1 - 5667 - 000		1	DIODE, 1SS133	
D1 03	WA1 - 5667 - 000		1	DIODE, 1SS133	AB SIZE
D1 08	WA1 - 5667 - 000		1	DIODE, 1SS133	
D1 12	WA1 - 5667 - 000		1	DIODE, 1SS133	
D1 13	WA1 - 5667 - 000		1	DIODE, 1SS133	
D1 14	WA1 - 5667 - 000		1	DIODE, 1SS133	
D1 15	WA1 - 5667 - 000		1	DIODE, 1SS133	
D1 17	WA1 - 5667 - 000		1	DIODE, 1SS133	
D1 24	WA1 - 0972 - 000		1	DIODE, S5688B	
D1 25	WA1 - 0972 - 000		1	DIODE, S5688B	
D1 26	WA1 - 0972 - 000		1	DIODE, S5688B	
D1 27	WA1 - 0972 - 000		1	DIODE, S5688B	
D1 28	WA1 - 5667 - 000		1	DIODE, 1SS133	
D1 32	WA1 - 5667 - 000		1	DIODE, 1SS133	
D1 33	WA1 - 5667 - 000		1	DIODE, 1SS133	
D1 83	WA1 - 0777 - 000		1	DIODE, AK04	
D1 84	WA1 - 5667 - 000		1	DIODE, 1SS133	
D1 85	WA1 - 5667 - 000		1	DIODE, 1SS133	
D1 86	WA1 - 5667 - 000		1	DIODE, 1SS133	
D1 88	WA1 - 5667 - 000		1	DIODE, 1SS133	
D1 89	WA1 - 0972 - 000		1	DIODE, S5688B	
D1 90	WA1 - 5667 - 000		1	DIODE, 1SS133	
D1 91	WA1 - 0972 - 000		1	DIODE, S5688B	
D1 93	WA1 - 5667 - 000		1	DIODE, 1SS133	
D1 95	WA1 - 5667 - 000		1	DIODE, 1SS133	
D1 96	WA1 - 0960 - 000		1	DIODE, AK03	

FIGURE & KEY NO.	PART NUMBER	RANK	QTY	DESCRIPTION	SERIAL NUMBER / REMARKS
930 - D197	WA1 - 1135 - 000		1	DIODE, 1SS286	
D198	WA1 - 0972 - 000		1	DIODE, S5688B	
D199	WA1 - 5667 - 000		1	DIODE, 1SS133	INCH SIZE
D200	WA1 - 5667 - 000		1	DIODE, 1SS133	NP6012F/6212
D201	WA1 - 5667 - 000		1	DIODE, 1SS133	NP6012F/6212
D202	WA1 - 5667 - 000		1	DIODE, 1SS133	NP6012F/6212
D203	WA1 - 5667 - 000		1	DIODE, 1SS133	NP6012F/6212
D204	WA1 - 0960 - 000		1	DIODE, AK03	
D205	WA1 - 0960 - 000		1	DIODE, AK03	
D206	WA1 - 0960 - 000		1	DIODE, AK03	
D207	WA1 - 5667 - 000		1	DIODE, 1SS133	
D208	WA1 - 5667 - 000		1	DIODE, 1SS133	
J001	VS1 - 5600 - 006		1	CONNECTOR, 6P, FEMALE	
J101	VS1 - 1028 - 003		1	CONNECTOR, 3P, MALE	
J102	VS1 - 1028 - 010		1	PIN ASSEMBLY, 10P	
J103	VS1 - 1028 - 012		1	PIN ASSEMBLY, 12P	
J104	VS1 - 1028 - 007		1	PIN ASSEMBLY, 7P	
J105	VS1 - 0571 - 006		1	CONNECTOR, 6P	
J106	VS1 - 1028 - 002		1	PIN ASSEMBLY, 2P	
J107	VS1 - 0571 - 005		1	CONNECTOR, 5P, MALE	
J108	VS1 - 1028 - 005		1	CONNECTOR, 5P, MALE	
J109	VS1 - 1028 - 014		1	CONNECTOR, 14P, MALE	
J110	VS1 - 1028 - 006		1	CONNECTOR, 6P, MALE	
J111	VS1 - 5826 - 019		1	CONNECTOR, 19P, FEMALE	
J112	VS1 - 1028 - 004		1	PIN ASSEMBLY, 4P	
J114	VS1 - 1028 - 008		1	PIN ASSEMBLY, 8P	NP6012F/6212
J117	VS1 - 1028 - 002		1	PIN ASSEMBLY, 2P	
J119	VS1 - 1028 - 002		1	PIN ASSEMBLY, 2P	
J120	VS1 - 1028 - 006		1	CONNECTOR, 6P, MALE	
J121	VS1 - 1028 - 005		1	CONNECTOR, 5P, MALE	

FIGURE & KEY NO.	PART NUMBER	RANK	QTY	DESCRIPTION	SERIAL NUMBER / REMARKS
930 - J 1 2 2	VS1 - 1029 - 002		1	CONNECTOR, 2P, MALE	
J 1 2 3	VS1 - 1028 - 003		1	CONNECTOR, 3P, MALE	
NF 0 0 1	WK3 - 5040 - 000		1	FILTER, NOISE	
NF 0 0 2	WK3 - 5040 - 000		1	FILTER, NOISE	
Q1 0 1	FH4 - 1251 - 090		1	IC, HD6433042T12F, CPU	
Q1 0 2	WA2 - 5874 - 000		1	TRANSISTOR, DTC114EK	
Q1 0 3	WA2 - 5873 - 000		1	TRANSISTOR, DTA114EK	
Q1 0 4	WA2 - 5874 - 000		1	TRANSISTOR, DTC114EK	
Q1 0 5	WA4 - 5980 - 000		1	IC, PST591EMT, RESET	
Q1 0 6	WA4 - 5228 - 000		1	IC, AN1324, OP AMP	
Q1 0 7	WA4 - 0590 - 000		1	IC, AN1358, OP AMP	
Q1 0 8	WA4 - 5939 - 000		1	IC, AN1393, COMPARATOR	
Q1 0 9	WA4 - 5214 - 000		1	IC, SLA7024M, MOTOR DRIVER	
Q1 1 0	WA2 - 0863 - 000		1	TRANSISTOR, 2SB1098L	
Q1 1 1	WA2 - 5874 - 000		1	TRANSISTOR, DTC114EK	
Q1 1 2	WA2 - 5874 - 000		1	TRANSISTOR, DTC114EK	
Q1 1 3	WA2 - 5874 - 000		1	TRANSISTOR, DTC114EK	
Q1 1 4	WA2 - 5874 - 000		1	TRANSISTOR, DTC114EK	
Q1 1 5	WA2 - 5874 - 000		1	TRANSISTOR, DTC114EK	
Q1 1 6	WA2 - 5874 - 000		1	TRANSISTOR, DTC114EK	
Q1 1 7	WA2 - 5874 - 000		1	TRANSISTOR, DTC114EK	
Q1 1 8	WA2 - 5874 - 000		1	TRANSISTOR, DTC114EK	
Q1 1 9	WA2 - 5874 - 000		1	TRANSISTOR, DTC114EK	
Q1 2 0	WA2 - 5874 - 000		1	TRANSISTOR, DTC114EK	
Q1 2 1	WA2 - 5884 - 000		1	TRANSISTOR, 2SA950-Y	
Q1 2 2	WA2 - 5884 - 000		1	TRANSISTOR, 2SA950-Y	
Q1 2 3	WA2 - 5884 - 000		1	TRANSISTOR, 2SA950-Y	
Q1 2 4	WA2 - 5884 - 000		1	TRANSISTOR, 2SA950-Y	
Q1 3 1	WA2 - 5874 - 000		1	TRANSISTOR, DTC114EK	
Q1 3 2	WA2 - 5873 - 000		1	TRANSISTOR, DTA114EK	

FIGURE & KEY NO.	PART NUMBER	RANK	QTY	DESCRIPTION	SERIAL NUMBER / REMARKS
930 - Q133	WA2 - 0383 - 000		1	TRANSISTOR, 2SD1308	
Q134	WA2 - 5874 - 000		1	TRANSISTOR, DTC114EK	
Q135	WA2 - 5874 - 000		1	TRANSISTOR, DTC114EK	
Q136	WA2 - 5874 - 000		1	TRANSISTOR, DTC114EK	
Q137	WA2 - 5873 - 000		1	TRANSISTOR, DTA114EK	
Q138	WA2 - 5874 - 000		1	TRANSISTOR, DTC114EK	
Q139	WA2 - 5874 - 000		1	TRANSISTOR, DTC114EK	
Q140	WA2 - 5874 - 000		1	TRANSISTOR, DTC114EK	
Q142	FH9 - 0483 - 000		1	TRANSISTOR, 2SD1929	
Q143	FH9 - 0483 - 000		1	TRANSISTOR, 2SD1929	
Q144	FH9 - 0483 - 000		1	TRANSISTOR, 2SD1929	
Q145	FH9 - 0483 - 000		1	TRANSISTOR, 2SD1929	
Q146	WA2 - 5874 - 000		1	TRANSISTOR, DTC114EK	
Q147	WA2 - 5873 - 000		1	TRANSISTOR, DTA114EK	
Q148	WA2 - 5874 - 000		1	TRANSISTOR, DTC114EK	
Q149	WA2 - 5874 - 000		1	TRANSISTOR, DTC114EK	NP6012F/6212
Q150	WA2 - 5873 - 000		1	TRANSISTOR, DTA114EK	
Q151	WA2 - 5873 - 000		1	TRANSISTOR, DTA114EK	
Q152	WA2 - 5874 - 000		1	TRANSISTOR, DTC114EK	NP6012F/6212
Q153	WA3 - 4209 - 000		1	IC, TC4S30F, LOGIC	
Q155	WA2 - 5874 - 000		1	TRANSISTOR, DTC114EK	
Q157	WA2 - 5874 - 000		1	TRANSISTOR, DTC114EK	
Q158	WA2 - 5874 - 000		1	TRANSISTOR, DTC114EK	
Q160	WA2 - 5874 - 000		1	TRANSISTOR, DTC114EK	
Q161	WA2 - 5874 - 000		1	TRANSISTOR, DTC114EK	
Q162	WA2 - 5874 - 000		1	TRANSISTOR, DTC114EK	
Q163	FH9 - 0483 - 000		1	TRANSISTOR, 2SD1929	
Q164	FH9 - 0483 - 000		1	TRANSISTOR, 2SD1929	
Q165	WA2 - 5873 - 000		1	TRANSISTOR, DTA114EK	
Q167	WA2 - 5873 - 000		1	TRANSISTOR, DTA114EK	

FIGURE & KEY NO.	PART NUMBER	RANK	QTY	DESCRIPTION	SERIAL NUMBER / REMARKS
930 - Q173	WA2 - 5873 - 000		1	TRANSISTOR, DTA114EK	
Q174	WA2 - 5873 - 000		1	TRANSISTOR, DTA114EK	
Q176	WA2 - 5873 - 000		1	TRANSISTOR, DTA114EK	
Q179	WA4 - 6294 - 000		1	IC, PST600GMT, RESET	
Q180	FH9 - 0483 - 000		1	TRANSISTOR, 2SD1929	
Q182	WA2 - 5874 - 000		1	TRANSISTOR, DTC114EK	NP6012F/6212
Q183	WA2 - 5874 - 000		1	TRANSISTOR, DTC114EK	NP6012F/6212
Q184	WA2 - 5873 - 000		1	TRANSISTOR, DTA114EK	
Q185	FH9 - 0483 - 000		1	TRANSISTOR, 2SD1929	
R101	VR7 - 5130 - 102		1	RESISTOR, 1KOHM, 1/10W	
R102	VR7 - 5130 - 102		1	RESISTOR, 1KOHM, 1/10W	
R104	VR7 - 5130 - 102		1	RESISTOR, 1KOHM, 1/10W	
R105	VR7 - 5130 - 103		1	RESISTOR, 10KOHM, 1/10W	
R106	VR7 - 5130 - 103		1	RESISTOR, 10KOHM, 1/10W	
R107	VR5 - 0790 - 109		1	RESISTOR, 1 OHM, 2W	
R108	VR5 - 0790 - 109		1	RESISTOR, 1 OHM, 2W	
R109	VR7 - 5130 - 473		1	RESISTOR, 47KOHM, 1/10W	
R110	VR7 - 5130 - 103		1	RESISTOR, 10KOHM, 1/10W	
R111	VR7 - 5130 - 473		1	RESISTOR, 47KOHM, 1/10W	
R112	VR7 - 5130 - 242		1	RESISTOR, 2.4KOHM, 1/10W	
R113	VR7 - 5130 - 242		1	RESISTOR, 2.4KOHM, 1/10W	
R114	VR7 - 0612 - 000		1	RESISTOR, 200 OHM, 1/10W	
R115	VR7 - 0618 - 200		1	RESISTOR, 820 OHM, 1/10W	
R116	VR7 - 5130 - 332		1	RESISTOR, 3.3KOHM, 1/10W	
R117	VR7 - 0612 - 550		1	RESISTOR, 255 OHM, 1/10W	
R118	VR7 - 0615 - 601		1	RESISTOR, 5.6KOHM, 1/10W	
R119	VR5 - 6415 - 601		1	RESISTOR, 5.6KOHM, 1/4W	
R120	VR5 - 6411 - 002		1	RESISTOR, 10KOHM, 1/4W	
R121	VR7 - 0611 - 002		1	RESISTOR, 10KOHM, 1/10W	
R122	VR5 - 6411 - 102		1	RESISTOR, 11KOHM, 1/4W	

FIGURE & KEY NO.	PART NUMBER	RANK	QTY	DESCRIPTION	SERIAL NUMBER / REMARKS
930 - R123	VR5 - 6411 - 431		1	RESISTOR, 1.43KOHM, 1/4W	
R124	VR5 - 6418 - 201		1	RESISTOR, 8.2KOHM, 1/4W	
R125	VR5 - 6411 - 001		1	RESISTOR, 1KOHM, 1/4W	
R126	VR7 - 5130 - 432		1	RESISTOR, 4.3KOHM, 1/10W	
R127	VR7 - 5130 - 103		1	RESISTOR, 10KOHM, 1/10W	
R128	VR7 - 5130 - 103		1	RESISTOR, 10KOHM, 1/10W	
R129	VR7 - 5130 - 103		1	RESISTOR, 10KOHM, 1/10W	
R130	VR7 - 5130 - 103		1	RESISTOR, 10KOHM, 1/10W	
R131	VR7 - 5130 - 103		1	RESISTOR, 10KOHM, 1/10W	
R132	VR7 - 5130 - 103		1	RESISTOR, 10KOHM, 1/10W	
R133	VR7 - 5130 - 103		1	RESISTOR, 10KOHM, 1/10W	
R134	VR7 - 5130 - 103		1	RESISTOR, 10KOHM, 1/10W	
R135	VR7 - 5130 - 102		1	RESISTOR, 1KOHM, 1/10W	
R136	VR7 - 5130 - 102		1	RESISTOR, 1KOHM, 1/10W	
R137	VR7 - 5130 - 102		1	RESISTOR, 1KOHM, 1/10W	
R138	VR7 - 5130 - 102		1	RESISTOR, 1KOHM, 1/10W	
R148	VR7 - 5130 - 101		1	RESISTOR, 100 OHM, 1/10W	
R149	VR7 - 5130 - 472		1	RESISTOR, 4.7KOHM, 1/10W	
R150	VR7 - 0611 - 872		1	RESISTOR, 18.7KOHM, 1/10W	
R154	VR7 - 5130 - 333		1	RESISTOR, 33KOHM, 1/10W	
R158	VR7 - 5130 - 472		1	RESISTOR, 4.7KOHM, 1/10W	
R160	VR7 - 5130 - 102		1	RESISTOR, 1KOHM, 1/10W	
R161	VR7 - 5130 - 332		1	RESISTOR, 3.3KOHM, 1/10W	
R162	VR7 - 5130 - 332		1	RESISTOR, 3.3KOHM, 1/10W	
R163	VR5 - 0830 - 101		1	RESISTOR, 100 OHM, 3W	
R164	VR7 - 5130 - 221		1	RESISTOR, 220 OHM, 1/10W	
R165	VR7 - 5130 - 332		1	RESISTOR, 3.3KOHM, 1/10W	
R166	VR7 - 5130 - 332		1	RESISTOR, 3.3KOHM, 1/10W	
R167	VR7 - 5130 - 103		1	RESISTOR, 10KOHM, 1/10W	
R169	VR7 - 5130 - 103		1	RESISTOR, 10KOHM, 1/10W	

FIGURE & KEY NO.	PART NUMBER	RANK	QTY	DESCRIPTION	SERIAL NUMBER / REMARKS
930 - R170	VR7 - 5130 - 103		1	RESISTOR, 10KOHM, 1/10W	
R171	VR7 - 5130 - 103		1	RESISTOR, 10KOHM, 1/10W	
R172	VR7 - 5130 - 103		1	RESISTOR, 10KOHM, 1/10W	
R173	VR7 - 5130 - 103		1	RESISTOR, 10KOHM, 1/10W	
R174	VR7 - 5130 - 103		1	RESISTOR, 10KOHM, 1/10W	
R175	VR7 - 5130 - 103		1	RESISTOR, 10KOHM, 1/10W	
R176	VR7 - 5130 - 103		1	RESISTOR, 10KOHM, 1/10W	
R177	VR7 - 5130 - 103		1	RESISTOR, 10KOHM, 1/10W	
R180	VR7 - 0616 - 801		1	RESISTOR, 6.8KOHM, 1/10W	
R181	VR7 - 0611 - 002		1	RESISTOR, 10KOHM, 1/10W	
R182	VR7 - 5130 - 103		1	RESISTOR, 10KOHM, 1/10W	
R183	VR7 - 5130 - 103		1	RESISTOR, 10KOHM, 1/10W	
R184	VR7 - 0611 - 002		1	RESISTOR, 10KOHM, 1/10W	
R185	VR7 - 0611 - 431		1	RESISTOR, 1.43KOHM, 1/10W	
R186	VR7 - 0611 - 002		1	RESISTOR, 10KOHM, 1/10W	
R187	VR7 - 0611 - 431		1	RESISTOR, 1.43KOHM, 1/10W	
R188	VR7 - 5130 - 102		1	RESISTOR, 1KOHM, 1/10W	
R189	VR7 - 0614 - 022		1	RESISTOR, 40.2KOHM, 1/10W	
R190	VR7 - 5130 - 472		1	RESISTOR, 4.7KOHM, 1/10W	
R191	VR7 - 5130 - 103		1	RESISTOR, 10KOHM, 1/10W	
R192	VR7 - 5130 - 103		1	RESISTOR, 10KOHM, 1/10W	
R193	VR7 - 5130 - 103		1	RESISTOR, 10KOHM, 1/10W	
R196	VR7 - 5130 - 472		1	RESISTOR, 4.7KOHM, 1/10W	
R197	VR7 - 5130 - 181		1	RESISTOR, 180 OHM, 1/10W	
R200	VR7 - 5130 - 181		1	RESISTOR, 180 OHM, 1/10W	
R205	VR7 - 5130 - 103		1	RESISTOR, 10KOHM, 1/10W	
R206	VR5 - 6413 - 651		1	RESISTOR, 3.65KOHM, 1/4W	
R210	VR7 - 5130 - 102		1	RESISTOR, 1KOHM, 1/10W	NP6012F/6212
R211	VR7 - 5130 - 102		1	RESISTOR, 1KOHM, 1/10W	NP6012F/6212
R212	VR7 - 5130 - 103		1	RESISTOR, 10KOHM, 1/10W	

FIGURE & KEY NO.	PART NUMBER	RANK	QTY	DESCRIPTION	SERIAL NUMBER / REMARKS
930 - R213	VR7 - 5130 - 103		1	RESISTOR, 10KOHM, 1/10W	
R214	VR7 - 5130 - 103		1	RESISTOR, 10KOHM, 1/10W	
R215	VR7 - 5130 - 103		1	RESISTOR, 10KOHM, 1/10W	
R217	VR7 - 5130 - 181		1	RESISTOR, 180 OHM, 1/10W	
R218	VR7 - 5130 - 102		1	RESISTOR, 1KOHM, 1/10W	NP6012F/6212
R219	VR7 - 5130 - 102		1	RESISTOR, 1KOHM, 1/10W	NP6012F/6212
R220	VR7 - 0611 - 431		1	RESISTOR, 1.43KOHM, 1/10W	
R224	VR7 - 5130 - 472		1	RESISTOR, 4.7KOHM, 1/10W	
R225	VR7 - 5130 - 472		1	RESISTOR, 4.7KOHM, 1/10W	
R226	VR7 - 5130 - 472		1	RESISTOR, 4.7KOHM, 1/10W	
R227	VR7 - 5130 - 472		1	RESISTOR, 4.7KOHM, 1/10W	
R228	VR7 - 5130 - 103		1	RESISTOR, 10KOHM, 1/10W	
R229	VR7 - 5130 - 103		1	RESISTOR, 10KOHM, 1/10W	
R230	VR7 - 5130 - 103		1	RESISTOR, 10KOHM, 1/10W	
R231	VR7 - 5130 - 473		1	RESISTOR, 47KOHM, 1/10W	
R232	VR7 - 5130 - 103		1	RESISTOR, 10KOHM, 1/10W	
R233	VR7 - 5130 - 103		1	RESISTOR, 10KOHM, 1/10W	
R234	VR7 - 5130 - 103		1	RESISTOR, 10KOHM, 1/10W	
R235	VR7 - 5130 - 103		1	RESISTOR, 10KOHM, 1/10W	
R236	VR7 - 5130 - 103		1	RESISTOR, 10KOHM, 1/10W	
R237	VR7 - 5130 - 103		1	RESISTOR, 10KOHM, 1/10W	
R238	VR7 - 5130 - 103		1	RESISTOR, 10KOHM, 1/10W	
R239	VR7 - 5130 - 103		1	RESISTOR, 10KOHM, 1/10W	
R240	VR7 - 5130 - 103		1	RESISTOR, 10KOHM, 1/10W	
R241	VR7 - 5130 - 103		1	RESISTOR, 10KOHM, 1/10W	
R242	VR7 - 5130 - 103		1	RESISTOR, 10KOHM, 1/10W	
R243	VR7 - 5130 - 103		1	RESISTOR, 10KOHM, 1/10W	
R244	VR7 - 5130 - 472		1	RESISTOR, 4.7KOHM, 1/10W	
R245	VR7 - 5130 - 472		1	RESISTOR, 4.7KOHM, 1/10W	
R246	VR7 - 5130 - 472		1	RESISTOR, 4.7KOHM, 1/10W	

FIGURE & KEY NO.	PART NUMBER	RANK	QTY	DESCRIPTION	SERIAL NUMBER / REMARKS
930 - R248	VR7 - 5130 - 103		1	RESISTOR, 10KOHM, 1/10W	
R249	VR7 - 5130 - 103		1	RESISTOR, 10KOHM, 1/10W	
R250	VR7 - 5130 - 472		1	RESISTOR, 4.7KOHM, 1/10W	
R263	VR5 - 6411 - 002		1	RESISTOR, 10KOHM, 1/4W	
R264	VR5 - 6413 - 901		1	RESISTOR, 3.9KOHM, 1/4W	
R265	VR5 - 3680 - 102		1	RESISTOR, 1KOHM, 1/4W	
R266	VR5 - 3680 - 101		1	RESISTOR, 100 OHM, 1/4W	
R267	VR7 - 0616 - 980		1	RESISTOR, 698 OHM, 1/10W	
R269	VR7 - 5130 - 102		1	RESISTOR, 1KOHM, 1/10W	
R270	VR7 - 5130 - 562		1	RESISTOR, 5.6KOHM, 1/10W	
R271	VR7 - 5130 - 103		1	RESISTOR, 10KOHM, 1/10W	
R272	VR7 - 5130 - 472		1	RESISTOR, 4.7KOHM, 1/10W	
R273	VR7 - 5130 - 103		1	RESISTOR, 10KOHM, 1/10W	
R275	VR7 - 5130 - 333		1	RESISTOR, 33KOHM, 1/10W	
R276	VR7 - 5130 - 332		1	RESISTOR, 3.3KOHM, 1/10W	
R277	VR7 - 0612 - 701		1	RESISTOR, 2.7KOHM, 1/10W	
R278	VR7 - 5130 - 102		1	RESISTOR, 1KOHM, 1/10W	
R279	VR7 - 5130 - 102		1	RESISTOR, 1KOHM, 1/10W	
R280	VR7 - 5130 - 102		1	RESISTOR, 1KOHM, 1/10W	
R281	VR7 - 5130 - 103		1	RESISTOR, 10KOHM, 1/10W	
R282	VR7 - 5130 - 103		1	RESISTOR, 10KOHM, 1/10W	
R286	VR7 - 5130 - 151		1	RESISTOR, 150 OHM, 1/10W	
R288	VR7 - 0611 - 272		1	RESISTOR, 12.7KOHM, 1/10W	
R292	VR7 - 5130 - 474		1	RESISTOR, 470KOHM, 1/10W	
R293	VR7 - 5130 - 472		1	RESISTOR, 4.7KOHM, 1/10W	
R294	VR7 - 5130 - 474		1	RESISTOR, 470KOHM, 1/10W	
R295	VR7 - 5130 - 332		1	RESISTOR, 3.3KOHM, 1/10W	
R296	VR7 - 5130 - 222		1	RESISTOR, 2.2KOHM, 1/10W	
R297	VR7 - 5130 - 474		1	RESISTOR, 470KOHM, 1/10W	
R298	VR7 - 5130 - 474		1	RESISTOR, 470KOHM, 1/10W	

FIGURE & KEY NO.	PART NUMBER	RANK	QTY	DESCRIPTION	SERIAL NUMBER / REMARKS
930 - R299	VR7 - 5130 - 472		1	RESISTOR, 4.7KOHM, 1/10W	
R300	VR7 - 5130 - 472		1	RESISTOR, 4.7KOHM, 1/10W	
R301	VR7 - 5130 - 474		1	RESISTOR, 470KOHM, 1/10W	
R302	VR7 - 5130 - 474		1	RESISTOR, 470KOHM, 1/10W	
R303	VR7 - 5130 - 222		1	RESISTOR, 2.2KOHM, 1/10W	
R304	VR7 - 5130 - 103		1	RESISTOR, 10KOHM, 1/10W	
R305	VR7 - 0614 - 991		1	RESISTOR, 4.99KOHM, 1/10W	
R306	VR7 - 0612 - 742		1	RESISTOR, 27.4KOHM, 1/10W	
R307	VR7 - 5130 - 103		1	RESISTOR, 10KOHM, 1/10W	
R308	VR7 - 5130 - 331		1	RESISTOR, 330 OHM, 1/10W	
R309	VR5 - 6411 - 001		1	RESISTOR, 1KOHM, 1/4W	
R310	VR5 - 6411 - 000		1	RESISTOR, 100 OHM, 1/4W	
R311	VR7 - 5130 - 474		1	RESISTOR, 470KOHM, 1/10W	
R312	VR7 - 5130 - 474		1	RESISTOR, 470KOHM, 1/10W	
R313	VR7 - 0430 - 271		1	RESISTOR, 270 OHM, 1/8W	
R314	VR7 - 0430 - 271		1	RESISTOR, 270 OHM, 1/8W	
R315	VR7 - 0430 - 271		1	RESISTOR, 270 OHM, 1/8W	
R316	VR7 - 5130 - 562		1	RESISTOR, 5.6KOHM, 1/10W	
VR101	VR7 - 2770 - 103		1	RESISTOR, VARIABLE, 10KOHM	
VR102	VR7 - 2770 - 103		1	RESISTOR, VARIABLE, 10KOHM	
VR103	VR7 - 2770 - 473		1	RESISTOR, VARIABLE, 47KOHM	
VR107	VR9 - 3619 - 000		1	RESISTOR, VARIABLE, 10KOHM	
X101	FH6 - 3494 - 000		1	OSCILLATOR, CRYSTAL	
ZD101	WA1 - 5423 - 000		1	DIODE, ZENER, HZS9C2	
ZD102	WA1 - 5071 - 000		1	DIODE, ZENER, HZS5B2	
ZD103	WA1 - 5071 - 000		1	DIODE, ZENER, HZS5B2	
ZD104	WA1 - 5071 - 000		1	DIODE, ZENER, HZS5B2	

ADF DC CONTROLLER PCB ASSEMBLY (NP6012F/6212)

FIGURE 935

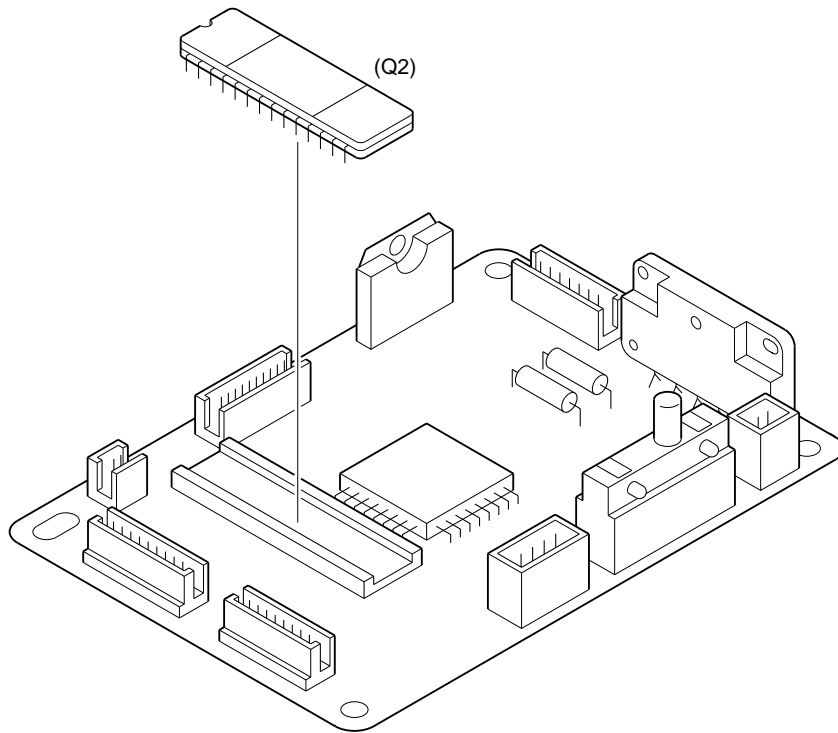


FIGURE & KEY NO.	PART NUMBER	R A N K	Q' T Y	DESCRIPTION	SERIAL NUMBER / REMARKS
935 -	FG2 - 7466 - 000		1	ADF CONTROLLER PCB ASSEMBLY	NP6012F/6212
C 1	VC1 - 2101 - 477		1	CAPACITOR, 470UF, 10V	
C 2	VC1 - 2351 - 477		1	CAPACITOR, 470UF, 35V	
C 3	VC1 - 2501 - 475		1	CAPACITOR, 4.7UF, 50V	
C 4	VW4 - 2027 - 104		1	CAPACITOR, 0.1UF, 25V	
C 5	VW4 - 2835 - 102		1	CAPACITOR, 1000PF, 50V	
C 6	VW4 - 2231 - 509		1	CAPACITOR, 5PF, 50V	
C 7	VW4 - 2231 - 509		1	CAPACITOR, 5PF, 50V	
C 8	VC5 - 9610 - 105		1	CAPACITOR, 1UF, 50V	
C 9	VW4 - 2027 - 104		1	CAPACITOR, 0.1UF, 25V	
C10	VW4 - 2027 - 104		1	CAPACITOR, 0.1UF, 25V	
C11	VW4 - 2235 - 471		1	CAPACITOR, 470PF, 50V	
C12	VW4 - 2235 - 471		1	CAPACITOR, 470PF, 50V	
C13	VW4 - 2835 - 222		1	CAPACITOR, 2200PF, 50V	
C14	VW4 - 2835 - 222		1	CAPACITOR, 2200PF, 50V	
C16	VW4 - 2835 - 102		1	CAPACITOR, 1000PF, 50V	
C17	VW4 - 2835 - 102		1	CAPACITOR, 1000PF, 50V	
C18	VW4 - 2835 - 102		1	CAPACITOR, 1000PF, 50V	
C19	VW4 - 2234 - 101		1	CAPACITOR, 100PF, 50V	
C20	VW4 - 2234 - 101		1	CAPACITOR, 100PF, 50V	
C21	VW4 - 2835 - 102		1	CAPACITOR, 1000PF, 50V	
C22	VW4 - 2027 - 104		1	CAPACITOR, 0.1UF, 25V	
CB1	WD3 - 0040 - 000		1	BREAKER, CIRCUIT	
D1	WA1 - 0887 - 000		1	DIODE, 1SS270A	
D2	WA1 - 0887 - 000		1	DIODE, 1SS270A	
D3	WA1 - 0887 - 000		1	DIODE, 1SS270A	
J 1	VS1 - 5474 - 004		1	PIN ASSEMBLY, 4P	
J 2	VS1 - 1028 - 008		1	PIN ASSEMBLY, 8P	
J 3	VS1 - 1028 - 007		1	PIN ASSEMBLY, 7P	
J 5	VS1 - 1028 - 009		1	PIN ASSEMBLY, 9P	

FIGURE & KEY NO.	PART NUMBER	RANK	QTY	DESCRIPTION	SERIAL NUMBER / REMARKS
935 - J 6	VS1 - 5474 - 002		1	CONNECTOR, 2P, MALE	
JP1	VV1 - 7000 - 000		1	JUMPER, CHIP	
L 1	WE2 - 5032 - 000		1	COIL, CHOKE	
PSW	WC2 - 5057 - 000		1	SWITCH, TACT	
Q 1	WA3 - 8310 - 000		1	IC, HD6413238F10, MCU	
Q 2	FF3 - 1069 - 000		1	IC, M27C256B-15F1, MASK-ROM	
	WA9 - 0058 - 000		1	SOCKET, IC, DILB28P-8J	
Q 3	WA4 - 0928 - 000		1	IC, MB3773PF, RESET	
Q 4	WA4 - 5214 - 000		1	IC, SLA7024M, MOTOR DRIVER	
Q 5	WA4 - 1269 - 000		1	IC, TA8428K, MOTOR DRIVER	
Q 6	WA3 - 4465 - 000		1	IC, TC74HC14AF, TRIG. INVERTER	
Q 9	WA2 - 0834 - 000		1	TRANSISTOR, RN1402	
Q10	WA2 - 0834 - 000		1	TRANSISTOR, RN1402	
Q11	WA2 - 0834 - 000		1	TRANSISTOR, RN1402	
R 1	VR7 - 3680 - 029		1	RESISTOR, 0.2 OHM, 1/10W	
R 2	VV1 - 7118 - 182		1	RESISTOR, 1.8KOHM, 1/10W	
R 3	VV1 - 7118 - 103		1	RESISTOR, 10KOHM, 1/10W	
R 4	VV1 - 7118 - 103		1	RESISTOR, 10KOHM, 1/10W	
R 5	VV1 - 7118 - 103		1	RESISTOR, 10KOHM, 1/10W	
R 6	VV1 - 7118 - 103		1	RESISTOR, 10KOHM, 1/10W	
R 8	VV1 - 7118 - 391		1	RESISTOR, 390 OHM, 1/10W	
R 9	VV1 - 7118 - 101		1	RESISTOR, 100 OHM, 1/10W	
R10	VV1 - 7118 - 473		1	RESISTOR, 47KOHM, 1/10W	
R11	VV1 - 7118 - 473		1	RESISTOR, 47KOHM, 1/10W	
R12	VV1 - 7118 - 222		1	RESISTOR, 2.2KOHM, 1/10W	
R13	VV1 - 7118 - 222		1	RESISTOR, 2.2KOHM, 1/10W	
R14	VR5 - 0790 - 109		1	RESISTOR, 1 OHM, 2W	
R15	VR5 - 0790 - 109		1	RESISTOR, 1 OHM, 2W	
R19	VV1 - 7118 - 223		1	RESISTOR, 22KOHM, 1/10W	
R20	VV1 - 7118 - 271		1	RESISTOR, 270 OHM, 1/10W	

FIGURE & KEY NO.	PART NUMBER	RANK	QTY	DESCRIPTION	SERIAL NUMBER / REMARKS
935 - R21	VV1 - 7118 - 223		1	RESISTOR, 22KOHM, 1/10W	
R22	VV1 - 7118 - 271		1	RESISTOR, 270 OHM, 1/10W	
R23	VV1 - 7118 - 223		1	RESISTOR, 22KOHM, 1/10W	
R24	VV1 - 7118 - 271		1	RESISTOR, 270 OHM, 1/10W	
R25	VV1 - 7118 - 103		1	RESISTOR, 10KOHM, 1/10W	
R26	VV1 - 7118 - 103		1	RESISTOR, 10KOHM, 1/10W	
R27	VV1 - 7118 - 103		1	RESISTOR, 10KOHM, 1/10W	
R28	VV1 - 7118 - 103		1	RESISTOR, 10KOHM, 1/10W	
R29	VV1 - 7118 - 471		1	RESISTOR, 470 OHM, 1/10W	
R30	VV1 - 7118 - 102		1	RESISTOR, 1KOHM, 1/10W	
R31	VV1 - 7118 - 222		1	RESISTOR, 2.2KOHM, 1/10W	
R32	VV1 - 7118 - 103		1	RESISTOR, 10KOHM, 1/10W	
R33	VV1 - 7118 - 471		1	RESISTOR, 470 OHM, 1/10W	
R34	VV1 - 7118 - 102		1	RESISTOR, 1KOHM, 1/10W	
R35	VV1 - 7118 - 222		1	RESISTOR, 2.2KOHM, 1/10W	
R36	VV1 - 7118 - 103		1	RESISTOR, 10KOHM, 1/10W	
R37	VV1 - 7118 - 103		1	RESISTOR, 10KOHM, 1/10W	
R38	VV1 - 7118 - 103		1	RESISTOR, 10KOHM, 1/10W	
R39	VV1 - 7118 - 103		1	RESISTOR, 10KOHM, 1/10W	
R41	VV1 - 7118 - 102		1	RESISTOR, 1KOHM, 1/10W	
R42	VV1 - 7118 - 102		1	RESISTOR, 1KOHM, 1/10W	
R43	VV1 - 7118 - 102		1	RESISTOR, 1KOHM, 1/10W	
R44	VV1 - 7118 - 103		1	RESISTOR, 10KOHM, 1/10W	
R45	VV1 - 7118 - 103		1	RESISTOR, 10KOHM, 1/10W	
SW1	WC8 - 0222 - 000		1	SWITCH, DIP	
SW2	WC5 - 5115 - 000		1	SWITCH, ROTARY	
X1	WK2 - 5429 - 000		1	OSCILLATOR, CERAMIC	
ZD1	WA1 - 1047 - 000		1	DIODE, ZENER, HZS16-2	

FIGURE 940 NOISE FILTER PCB ASSEMBLY

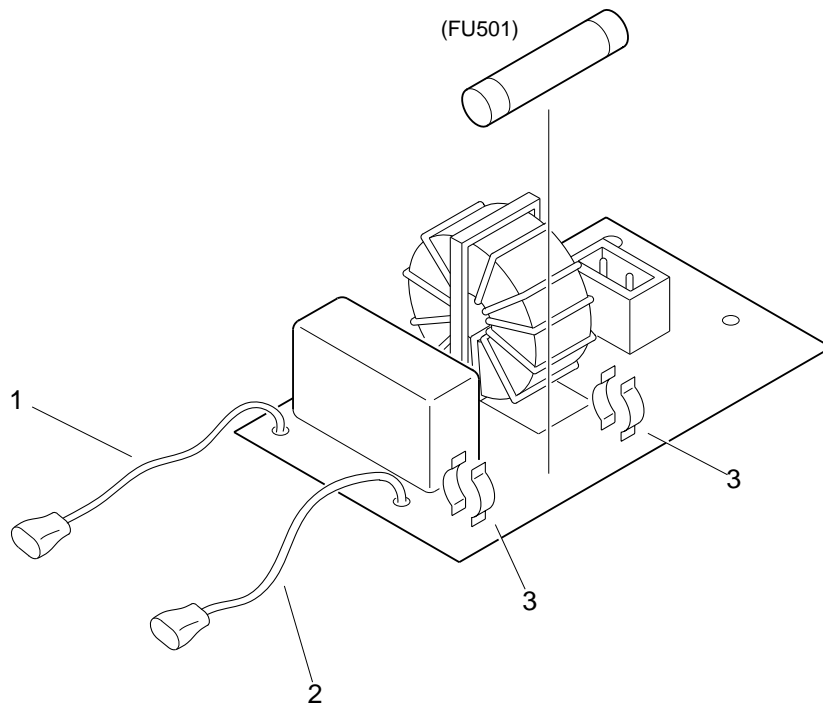
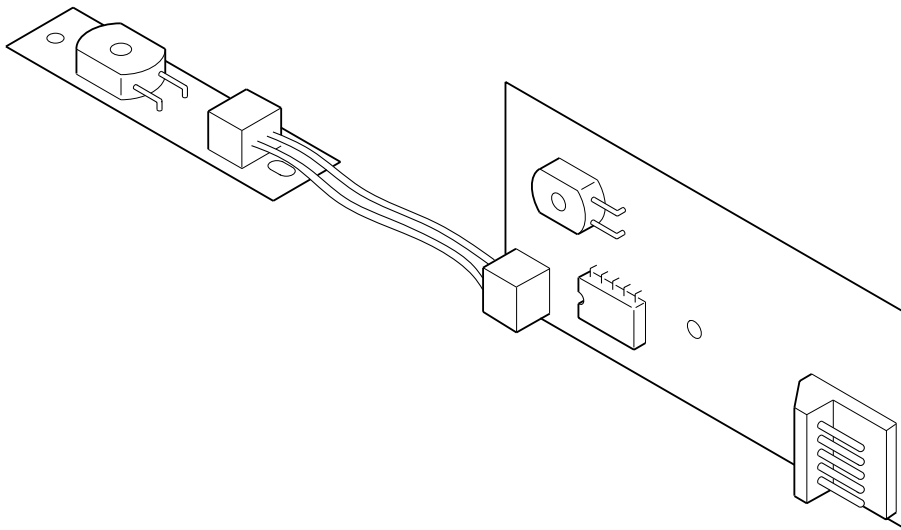


FIGURE & KEY NO.	PART NUMBER	RANK	QTY	DESCRIPTION	SERIAL NUMBER / REMARKS	
940 -	FG5 - 3543 - 000		1	NOISE FILTER PCB ASSEMBLY	120V	
	FG5 - 3544 - 000		1	NOISE FILTER PCB ASSEMBLY	220/240V	
	1	FF2 - 9769 - 000		1	CABLE, INLET, 1	
	2	FF2 - 9770 - 000		1	CABLE, INLET, 2	
	3	WD9 - 5028 - 000		2	HOLDER, FUSE	
C5 01	VC7 - 1770 - 474		1	CAPACITOR, 0.47UF, 250V		
C5 02	VC7 - 1770 - 224		1	CAPACITOR, 0.22UF, 250V		
C5 03	VC9 - 1595 - 000		1	CAPACITOR, 3300PF, 400V		
C5 04	VC9 - 1595 - 000		1	CAPACITOR, 3300PF, 400V		
FU5 01	VD7 - 0461 - 202		1	FUSE, 125V, 12A	120V	
	VD7 - 1506 - 301		1	FUSE, 250V, 6.3A	220/240V	
J 5 01	WS3 - 5355 - 000		1	HOUSING, 2P, FEMALE		
L 5 01	FH9 - 0484 - 000		1	NOISE FILTER, NCN012	120V	
	VL5 - 0390 - 086		1	NOISE FILTER, SC-05-80J	220/240V	
R 5 01	VR5 - 2650 - 105		1	RESISTOR, 1MOHM, 1/2W		

FIGURE 970 INTENSITY / AE SENSOR PCB ASSEMBLY



NOTE: This assembly is included in the assembly shown in Figure 400.

FIGURE & KEY NO.	PART NUMBER	RANK	QTY	DESCRIPTION	SERIAL NUMBER / REMARKS
970 -	FG5 - 3541 - 000		1	INTENSITY/AE SENSOR PCB ASS'Y	SEE NOTE
C401	VC5 - 3340 - 106		1	CAPACITOR, 10UF, 35V	
C402	VC9 - 5344 - 000		1	CAPACITOR, 0.02UF, 50V	
C403	VC6 - 3000 - 104		1	CAPACITOR, 0.1UF, 50V	
C404	VC6 - 3000 - 104		1	CAPACITOR, 0.1UF, 50V	
C405	VC6 - 3000 - 104		1	CAPACITOR, 0.1UF, 50V	
C406	VC6 - 3000 - 473		1	CAPACITOR, 0.047UF, 50V	
J401	VS1 - 0715 - 005		1	CONNECTOR, 5P, MALE	
PD401	WG3 - 0055 - 000		1	PHOTO-DIODE, BS520	
PD402	WG3 - 0055 - 000		1	PHOTO-DIODE, BS520	
Q401	WA4 - 5180 - 000		1	IC, NJM2082D, OP AMP	
R401	VR5 - 6413 - 901		1	RESISTOR, 3.9KOHM, 1/4W	
R402	VR5 - 6411 - 692		1	RESISTOR, 16.9KOHM, 1/4W	
R403	VR5 - 6411 - 623		1	RESISTOR, 162KOHM, 1/4W	
R404	VR5 - 6411 - 000		1	RESISTOR, 100 OHM, 1/4W	
R406	VR5 - 6414 - 991		1	RESISTOR, 4.99KOHM, 1/4W	
R407	VR5 - 6413 - 481		1	RESISTOR, 3.48KOHM, 1/4W	
R408	VR5 - 6411 - 004		1	RESISTOR, 1MOHM, 1/4W	
R409	VR5 - 6411 - 000		1	RESISTOR, 100 OHM, 1/4W	

FIGURE B LIST OF CONNECTORS(1/2)

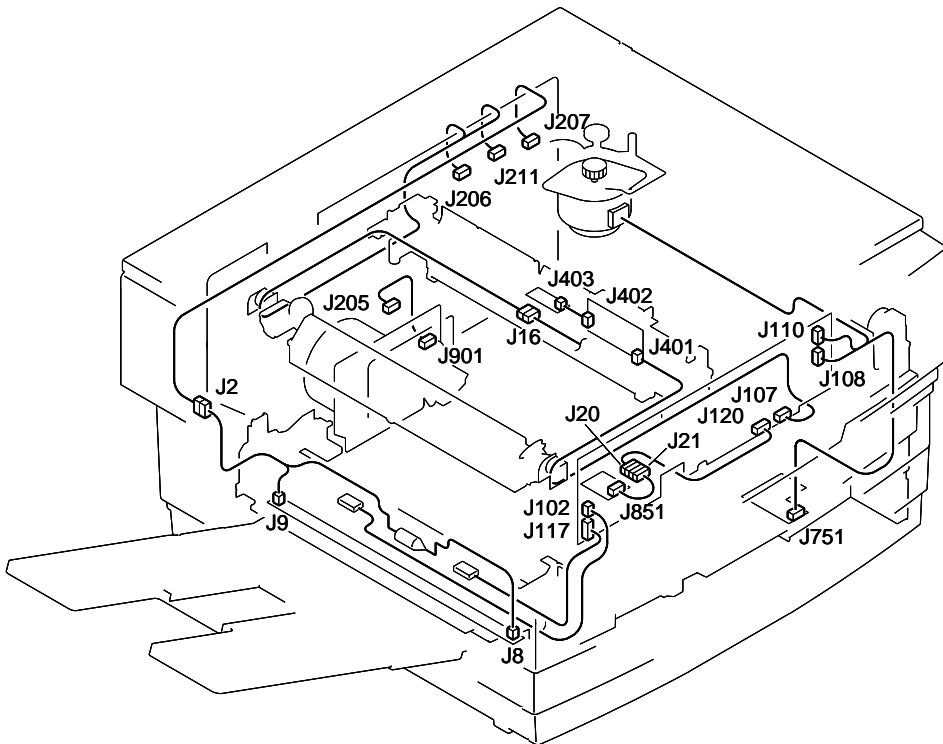
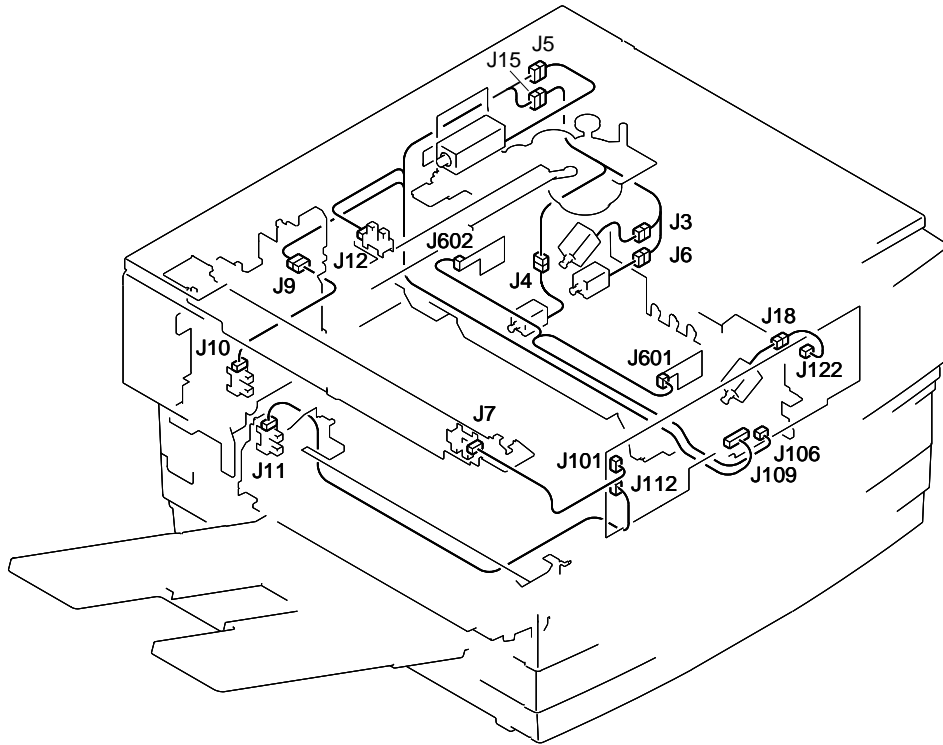


FIGURE B LIST OF CONNECTORS(2/2)

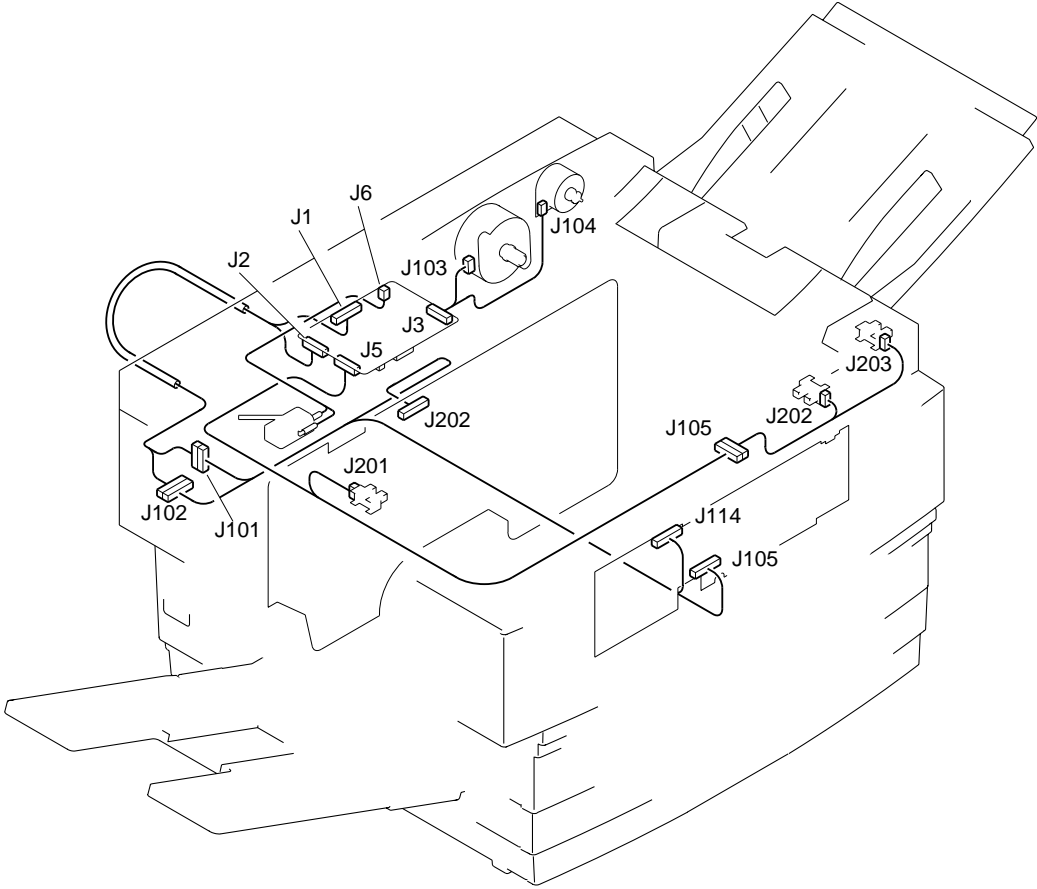
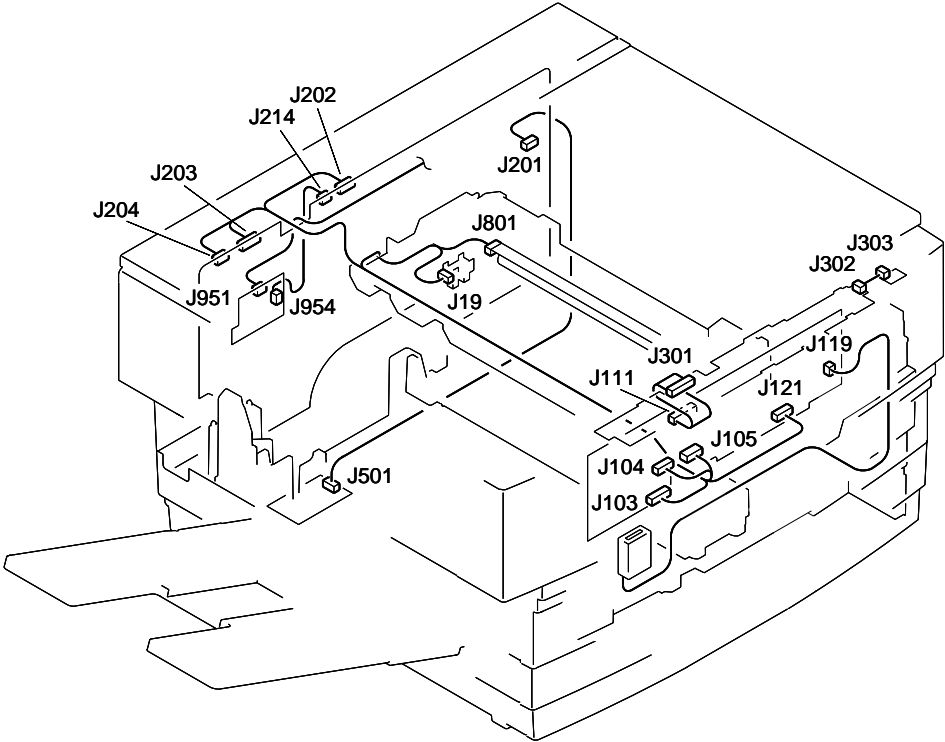


FIGURE & KEY NO.	PART NUMBER	RANK	QTY	DESCRIPTION	SERIAL NUMBER / REMARKS
B -	NPN		RF	LIST OF CONNECTORS	
J 1	PCB			ADF CONTROLLER	NP6012F/6212
	VS3 - 5083 - 004		1	CONNECTOR, 4P, FEMALE	NP6012F/6212
	WS3 - 5160 - 000		4	SOCKET CONTACT, 18-24AWG	NP6012F/6212
J 2	WS3 - 5174 - 000		2	SOCKET CONTACT, 16-20AWG	
	WS3 - 5352 - 000		1	CONNECTOR, 2P, FEMALE	
	WS3 - 5353 - 000		1	CONNECTOR, 2P, MALE	
	WS3 - 5354 - 000		2	PIN CONTACT, 16-20AWG	
	PCB			ADF CONTROLLER	NP6012F/6212
	VS1 - 0842 - 008		1	CONNECTOR, 8P, FEMALE	NP6012F/6212
J 3	NPN			PAPER PICK-UP CLUTCH SOLENOID	SL1
	VS1 - 0842 - 002		1	CONNECTOR, 2P, FEMALE	
	VS1 - 5057 - 002		1	CONNECTOR, SNAP TIGHT	
	PCB			ADF CONTROLLER	NP6012F/6212
	VS1 - 0842 - 007		1	CONNECTOR, 7P, FEMALE	NP6012F/6212
J 4	NPN			REGIST. CLUTCH SOLENOID	SL2
	VS1 - 0842 - 002		1	CONNECTOR, 2P, FEMALE	
	VS1 - 5057 - 002		1	CONNECTOR, SNAP TIGHT	
J 5	NPN			LENS DRIVE SOLENOID	SL3
	VS1 - 0842 - 002		1	CONNECTOR, 2P, FEMALE	
	VS1 - 5057 - 002		1	CONNECTOR, SNAP TIGHT	
	PCB			ADF CONTROLLER	NP6012F/6212
	VS1 - 0842 - 009		1	CONNECTOR, 9P, FEMALE	NP6012F/6212
J 6	NPN			MULTI FEED P. PICK-UP SOLENOID	SL4
	VS1 - 0842 - 003		1	CONNECTOR, 3P, FEMALE	
	VS1 - 5057 - 003		1	CONNECTOR, SNAP TIGHT	
	PCB			ADF CONTROLLER	NP6012F/6212
	VS3 - 5083 - 002		1	CONNECTOR, 2P, FEMALE	NP6012F/6212
J 7	NPN			SCANNER HOME POSITION SENSOR	PS1
	VS1 - 0842 - 003		1	CONNECTOR, 3P, FEMALE	

FIGURE & KEY NO.	PART NUMBER	RANK	QTY	DESCRIPTION	SERIAL NUMBER / REMARKS
B - J 8	NPN			FIXING HEATER	H1
	FH2 - 5795 - 000		1	SOCKET CONTACT, 18-22AWG	
	FH2 - 5796 - 000		1	SLEEVE, CONTACT	
J 9	VS1 - 0842 - 003		2	CONNECTOR, 3P, FEMALE	
	VS1 - 5057 - 003		1	CONNECTOR, SNAP TIGHT	

J 10	NPN			FIXING HEATER	H1
	FH2 - 5795 - 000		1	SOCKET CONTACT, 18-22AWG	
	FH2 - 5796 - 000		1	SLEEVE, CONTACT	
J 10	NPN			PAPER DELIVERY SENSOR	PS3
	VS1 - 0842 - 003		1	CONNECTOR, 3P, FEMALE	

J 11	NPN			FIXING FILM SENSOR	PS4
	VS1 - 0842 - 003		1	CONNECTOR, 3P, FEMALE	
J 12	NPN			LENS HOME POSITION SENSOR	PS2
	VS1 - 0842 - 003		1	CONNECTOR, 3P, FEMALE	
J 15	VS1 - 0842 - 006		2	CONNECTOR, 6P, FEMALE	

J 16	VS1 - 5057 - 006		1	CONNECTOR, SNAP TIGHT	H2
	NPN			DOCUMENT LAMP HEATER	
	VS3 - 0053 - 002		1	CONNECTOR, 2P, FEMALE	
	WS4 - 0218 - 000		2	SOCKET, CONTACT, 22-26AWG	
J 19	NPN			WASTE TONER SENSOR	PS5

J 20	VS1 - 0842 - 003		1	CONNECTOR, 3P, FEMALE	
	VS1 - 0842 - 007		1	CONNECTOR, 7P, FEMALE	
	WS6 - 5092 - 000		1	CONNECTOR, 14P, MALE	
J 21	VS1 - 0842 - 011		1	CONNECTOR, 7P, FEMALE	
	WS6 - 5092 - 000		1	CONNECTOR, 14P, MALE	

J 101	PCB			DC CONTROLLER	
	VS1 - 0842 - 003		1	CONNECTOR, 3P, FEMALE	
	VS1 - 0279 - 004		1	CONNECTOR, 4P, FEMALE	
	VS3 - 0108 - 004		1	CONNECTOR, 4P, MALE	
	WS3 - 0885 - 000		4	PIN CONTACT, 20-30AWG	

FIGURE & KEY NO.	PART NUMBER	R A N K	Q' T Y	DESCRIPTION	SERIAL NUMBER / REMARKS
B - J 1 0 1	WS4 - 0181 - 000		4	PIN CONTACT	NP6012F/6212
J 1 0 2	PCB			DC CONTROLLER	
	NPN			CENTER FIXING THERMISTOR	TH1
	VS1 - 0842 - 008		2	CONNECTOR, 8P, FEMALE	NP6012F/6212
	VS1 - 5057 - 008		1	CONNECTOR, SNAP TIGHT	NP6012F/6212
J 1 0 3	PCB			DC CONTROLLER	
	VS1 - 0842 - 012		1	CONNECTOR, 12P, FEMALE	
	NPN			BELT DRIVE MOTOR	NP6012F/6212 M1
	VS1 - 0842 - 005		1	CONNECTOR, 5P, FEMALE	NP6012F/6212
J 1 0 4	PCB			DC CONTROLLER	
	VS1 - 0842 - 007		1	CONNECTOR, 7P, FEMALE	
	NPN			PICK-UP DRIVE MOTOR	NP6012F/6212 M2
	VS1 - 0842 - 002		1	CONNECTOR, 2P, FEMALE	NP6012F/6212
J 1 0 5	PCB			DC CONTROLLER	
	VS1 - 0279 - 006		1	CONNECTOR, 6P, FEMALE	
J 1 0 6	WS3 - 0437 - 000		6	SOCKET CONTACT, 20-30AWG	
	VS1 - 0842 - 006		2	CONNECTOR, 6P, FEMALE	NP6012F/6212
	VS1 - 5057 - 006		1	CONNECTOR, SNAP TIGHT	NP6012F/6212
J 1 0 6	PCB			DC CONTROLLER	
	VS1 - 5824 - 002		1	CONNECTOR, 2P, FEMALE	
J 1 0 7	WS3 - 5358 - 000		2	SOCKET CONTACT, 22-26AWG	
	PCB			DC CONTROLLER	
	VS1 - 0279 - 005		1	CONNECTOR, 5P, FEMALE	
	WS3 - 0437 - 000		5	SOCKET CONTACT, 20-30AWG	
J 1 0 8	PCB			DC CONTROLLER	
J 1 0 9	VS1 - 0842 - 005		1	CONNECTOR, 5P, FEMALE	
	PCB			DC CONTROLLER	
	VS1 - 0842 - 014		1	CONNECTOR, 14P, FEMALE	
J 1 1 0	PCB			DC CONTROLLER	
	NPN			SCANNER MOTOR	M2

FIGURE & KEY NO.	PART NUMBER	RANK	QTY	DESCRIPTION	SERIAL NUMBER / REMARKS
B - J 1 1 1	PCB			DC CONTROLLER	
	FH2 - 6231 - 000		1	CABLE, FLAT	
J 1 1 2	PCB			DC CONTROLLER	
	VS1 - 0842 - 004		1	CONNECTOR, 4P, FEMALE	
J 1 1 4	PCB			DC CONTROLLER	NP6012F/6212

J 1 1 7	VS1 - 0842 - 008		1	CONNECTOR, 8P, FEMALE	NP6012F/6212
	PCB			DC CONTROLLER	
J 1 1 9	NPN			FIXING SIDE THERMISTOR	TH2
	PCB			DC CONTROLLER	
J 1 1 9	NPN			TOTAL COUNTER	CNT1
	PCB			DC CONTROLLER	

J 1 2 0	PCB			DC CONTROLLER	
	VS1 - 0842 - 006		1	CONNECTOR, 6P, FEMALE	
J 1 2 1	PCB			DC CONTROLLER	
	VS1 - 0842 - 005		1	CONNECTOR, 5P, FEMALE	
J 1 2 2	PCB			DC CONTROLLER	

J 2 0 1	NPN			BLANK EXPOSURE SOLENOID	SL5
	PCB			DC POWER SUPPLY	
	WS3 - 5174 - 000		2	SOCKET CONTACT, 16-20AWG	
	WS3 - 5175 - 000		1	CONNECTOR, 2P, FEMALE	
	NPN			PAPER DELIVERY SENSOR	NP6012F/6212 PI1

J 2 0 2	VS1 - 0842 - 003		1	CONNECTOR, 3P, FEMALE	NP6012F/6212
	PCB			DC POWER SUPPLY	
	VS3 - 5083 - 006		1	CONNECTOR, 6P, FEMALE	
	WS3 - 5160 - 000		6	SOCKET CONTACT, 18-24AWG	
	NPN			REGISTRATION SENSOR	NP6012F/6212 PI2

J 2 0 3	VS1 - 0842 - 003		1	CONNECTOR, 3P, FEMALE	NP6012F/6212
	PCB			DC POWER SUPPLY	
	VS1 - 0842 - 012		1	CONNECTOR, 12P, FEMALE	
	NPN			PAPER PICK-UP SENSOR	NP6012F/6212 PI3
	VS1 - 0852 - 003		1	CONNECTOR, 3P, FEMALE	NP6012F/6212

FIGURE & KEY NO.	PART NUMBER	RANK	QTY	DESCRIPTION	SERIAL NUMBER / REMARKS
B - J 2 0 4	PCB			DC POWER SUPPLY	
	VS1 - 0842 - 007		1	CONNECTOR, 7P, FEMALE	
J 2 0 5	PCB			DC POWER SUPPLY	
	VS1 - 0861 - 006		1	CONNECTOR, 6P, MALE	
J 2 0 6	PCB			DC POWER SUPPLY	
J 2 0 7	VS1 - 0279 - 006		1	CONNECTOR, 6P, FEMALE	
	WS3 - 0437 - 000		4	SOCKET CONTACT, 20-30AWG	
	PCB			DC POWER SUPPLY	
	WS3 - 5174 - 000		2	SOCKET CONTACT, 16-20AWG	
	WS3 - 5175 - 000		1	CONNECTOR, 2P, FEMALE	
J 2 1 1	PCB			DC POWER SUPPLY	
	VS3 - 5083 - 003		1	CONNECTOR, 3P, FEMALE	
	WS3 - 5160 - 000		2	SOCKET CONTACT, 18-24AWG	
J 2 1 4	PCB			DC POWER SUPPLY	
	VS1 - 0861 - 003		1	CONNECTOR, 3P, FEMALE	
J 3 0 1	PCB			CONTROL PANEL	
	FH2 - 6231 - 000		1	CABLE, FLAT	
J 3 0 2	PCB			CONTROL PANEL	
	VS1 - 0978 - 002		1	CONNECTOR, 2P, MALE	
J 3 0 3	PCB			CONTROL PANEL	
J 4 0 1	VS1 - 0978 - 002		1	CONNECTOR, 2P, MALE	
	PCB			INTENSITY / AE SENSOR	
	VS1 - 0279 - 005		1	CONNECTOR, 5P, FEMALE	
J 4 0 2	WS3 - 0437 - 000		5	SOCKET CONTACT, 20-30AWG	
	PCB			INTENSITY / AE SENSOR	
J 4 0 3	VS1 - 0978 - 002		1	CONNECTOR, 2P, MALE	
	PCB			INTENSITY / AE SENSOR	
	VS1 - 0978 - 002		1	CONNECTOR, 2P, MALE	
J 5 0 1	PCB			NOISE FILTER	
	WS3 - 5174 - 000		2	SOCKET CONTACT, 16-20AWG	

FIGURE & KEY NO.	PART NUMBER	RANK	QTY	DESCRIPTION	SERIAL NUMBER / REMARKS
B - J 5 0 1	WS3 - 5175 - 000		1	CONNECTOR, 2P, FEMALE	
J 6 0 1	PCB			SIDE BLANK	
	VS1 - 5824 - 002		1	CONNECTOR, 2P, FEMALE	
	WS3 - 5358 - 000		2	SOCKET CONTACT, 22-26AWG	
J 6 0 2	PCB			SIDE BLANK	
	VS1 - 5824 - 002		1	CONNECTOR, 2P, FEMALE	
	WS3 - 5358 - 000		2	SOCKET CONTACT, 22-26AWG	
J 7 5 1	PCB			SENSOR BOARD	
	VS1 - 0842 - 005		1	CONNECTOR, 5P, FEMALE	
J 8 0 1	PCB			BLANK EXPOSURE LAMP	
	VS1 - 0842 - 002		1	CONNECTOR, 2P, FEMALE	
J 8 5 1	PCB			PGP BOARD	120V ONLY
	VS1 - 0861 - 006		1	CONNECTOR, 6P, MALE	120V ONLY
J 9 0 1	NPN			MAIN MOTOR	M1
	VS1 - 0842 - 006		1	CONNECTOR, 6P, FEMALE	
J 9 5 1	PCB			TONER SENSING	
	VS1 - 5824 - 002		1	CONNECTOR, 2P, FEMALE	
	WS3 - 5358 - 000		2	SOCKET CONTACT, 22-26AWG	
J 9 5 4	PCB			TONER SENSING	
	VS1 - 0842 - 003		1	CONNECTOR, 3P, FEMALE	

D NUMERICAL INDEX

PART NUMBER	FIGURE & KEY NO.	PART NUMBER	FIGURE & KEY NO.	PART NUMBER	FIGURE & KEY NO.
FA4 - 1159 - 000	340 - 1	FB2 - 4861 - 000	530 - 3	FB2 - 5223 - 000	102 - 3 5
FA5 - 2864 - 020	161 - 1	FB2 - 4862 - 000	530 - 4	FB2 - 5224 - 000	102 - 3 6
	290 - 1	FB2 - 4863 - 000	300 - 3	FB2 - 5301 - 000	102 - 3 7
FA9 - 2568 - 000	102 - 1	FB2 - 4864 - 000	300 - 4	FB2 - 5302 - 000	102 - 3 8
FA9 - 2873 - 000	161 - 2	FB2 - 4866 - 020	101 - 1 6	FB2 - 5303 - 000	102 - 3 9
FA9 - 3063 - 000	530 - 1 6 A	FB2 - 4868 - 000	101 - 1 7	FB2 - 5304 - 000	102 - 4 0
FA9 - 3065 - 000	400 - 1	FB2 - 4869 - 000	101 - 1 8	FB2 - 5305 - 000	102 - 4 1
FA9 - 3102 - 000	160 - 1	FB2 - 4870 - 000	101 - 1 9	FB2 - 5309 - 000	102 - 4 2
	300 - 1	FB2 - 4871 - 000	101 - 2 0	FB2 - 5310 - 000	102 - 4 3
FA9 - 3205 - 000	102 - 2	FB2 - 4872 - 000	101 - 2 1	FB2 - 5311 - 000	102 - 4 4
FA9 - 3207 - 000	640 - 1	FB2 - 4873 - 000	101 - 2 2	FB2 - 5380 - 030	102 - 4 5
FA9 - 3268 - 000	290 - 2	FB2 - 4875 - 000	101 - 2 3	FB2 - 5381 - 000	102 - 4 6
FA9 - 3467 - 000	640 - 2	FB2 - 4877 - 000	101 - 2 4	FB2 - 5382 - 000	102 - 4 7
FB1 - 0715 - 000	400 - 2 2 A	FB2 - 4882 - 020	100 - 7	FB2 - 5383 - 020	102 - 4 8
FB1 - 7267 - 000	102 - 3	FB2 - 4900 - 000	915 - 1	FB2 - 5385 - 000	102 - 4 9
FB1 - 7270 - 000	102 - 4	FB2 - 4901 - 000	915 - 2	FB2 - 5387 - 000	340 - 3
FB1 - 7275 - 000	102 - 5	FB2 - 4918 - 000	230 - 1	FB2 - 5388 - 000	102 - 5 0
FB1 - 7283 - 000	100 - 1	FB2 - 4927 - 000	230 - 2	FB2 - 5392 - 020	102 - 5 1
FB1 - 7295 - 000	100 - 3 4 A	FB2 - 4928 - 020	102 - 7	FB2 - 5402 - 020	300 - 5
FB1 - 7403 - 000	100 - 2	FB2 - 4929 - 000	102 - 8	FB2 - 5403 - 020	300 - 6
FB1 - 7427 - 000	530 - 1	FB2 - 4930 - 000	102 - 9	FB2 - 5404 - 020	300 - 7
FB1 - 7431 - 000	530 - 2		102 - 1 0	FB2 - 5405 - 000	300 - 8
FB1 - 8581 - 000	340 - 2	FB2 - 4932 - 020	102 - 1 1	FB2 - 5406 - 020	300 - 9
FB1 - 8870 - 000	160 - 2	FB2 - 4933 - 000	102 - 1 2	FB2 - 5407 - 020	300 - 1 0
FB1 - 9766 - 000	100 - 3	FB2 - 4935 - 000	102 - 1 3	FB2 - 5408 - 000	300 - 1 1
FB2 - 2559 - 000	300 - 2	FB2 - 4936 - 000	102 - 1 4	FB2 - 5409 - 000	300 - 1 2
FB2 - 4603 - 000	101 - 1	FB2 - 4937 - 000	102 - 1 5	FB2 - 5410 - 000	300 - 1 3
FB2 - 4604 - 030	101 - 2	FB2 - 4939 - 000	530 - 5	FB2 - 5412 - 000	300 - 1 4
FB2 - 4605 - 000	101 - 3	FB2 - 4940 - 000	101 - 2 5	FB2 - 5413 - 000	300 - 1 5
FB2 - 4606 - 000	100 - 4	FB2 - 4942 - 000	101 - 2 6	FB2 - 5414 - 020	300 - 1 6
FB2 - 4607 - 000	100 - 5	FB2 - 4943 - 000	101 - 2 7	FB2 - 5415 - 020	300 - 1 7
FB2 - 4610 - 000	101 - 4	FB2 - 5014 - 000	810 - 1	FB2 - 5420 - 000	300 - 1 8
FB2 - 4611 - 000	101 - 5	FB2 - 5015 - 000	810 - 2	FB2 - 5422 - 000	102 - 6 8 A
FB2 - 4612 - 000	101 - 6	FB2 - 5016 - 000	810 - 3	FB2 - 5423 - 000	160 - 3
FB2 - 4613 - 000	101 - 7	FB2 - 5019 - 020	810 - 4	FB2 - 5424 - 000	160 - 4
FB2 - 4614 - 000	101 - 8	FB2 - 5020 - 000	810 - 5	FB2 - 5425 - 000	100 - 2 2
FB2 - 4616 - 000	220 - 1	FB2 - 5021 - 000	810 - 6	FB2 - 5426 - 000	100 - 2 3
	401 - 1	FB2 - 5022 - 000	810 - 7	FB2 - 5428 - 000	100 - 2 4
FB2 - 4622 - 020	101 - 9	FB2 - 5030 - 000	102 - 1 6	FB2 - 5434 - 000	300 - 7
FB2 - 4626 - 000	101 - 1 0	FB2 - 5031 - 000	102 - 1 7	FB2 - 5445 - 000	300 - 1 2
FB2 - 4627 - 000	101 - 4 9 A	FB2 - 5032 - 000	102 - 1 8	FB2 - 5500 - 000	100 - 2 5
FB2 - 4628 - 000	101 - 4 9 B	FB2 - 5033 - 000	102 - 1 9	FB2 - 5501 - 030	101 - 3 0
FB2 - 4629 - 020	101 - 1 1	FB2 - 5034 - 000	102 - 2 0	FB2 - 5502 - 000	100 - 2 6
FB2 - 4650 - 000	400 - 2	FB2 - 5036 - 000	101 - 2 8	FB2 - 5507 - 000	100 - 3 7 B
FB2 - 4651 - 000	400 - 3	FB2 - 5040 - 000	102 - 2 1	FB2 - 6043 - 000	300 - 1 9
FB2 - 4652 - 000	400 - 4	FB2 - 5041 - 000	102 - 2 2	FB2 - 6044 - 000	300 - 2 0
FB2 - 4653 - 000	400 - 5	FB2 - 5042 - 000	102 - 2 3	FB3 - 0570 - 000	101 - 3 1
FB2 - 4654 - 000	400 - 6	FB2 - 5043 - 000	102 - 2 4	FB3 - 0576 - 000	910 - 1
FB2 - 4655 - 000	400 - 7	FB2 - 5051 - 000	240 - 1	FB3 - 0577 - 000	910 - 2
FB2 - 4656 - 040	400 - 8	FB2 - 5052 - 000	240 - 2	FB3 - 0578 - 000	910 - 3
FB2 - 4657 - 040	400 - 9	FB2 - 5055 - 000	100 - 8	FB3 - 0579 - 000	910 - 4
FB2 - 4658 - 020	400 - 1 0	FB2 - 5057 - 000	101 - 2 9	FB3 - 0580 - 000	910 - 5
FB2 - 4659 - 020	400 - 1 1	FB2 - 5058 - 000	101 - 5 0 A	FB3 - 0582 - 000	530 - 9
FB2 - 4660 - 000	400 - 1 2	FB2 - 5060 - 000	102 - 2 5	FB3 - 0583 - 000	230 - 3
FB2 - 4662 - 020	400 - 1 3	FB2 - 5070 - 000	810 - 8	FB3 - 0587 - 000	101 - 5 1 A
FB2 - 4663 - 020	400 - 1 4	FB2 - 5153 - 000	530 - 1 6 B	FB3 - 0588 - 000	101 - 5 1 B
FB2 - 4664 - 000	400 - 1 5	FB2 - 5156 - 000	530 - 6	FB3 - 0623 - 000	101 - 3 2
FB2 - 4665 - 000	400 - 1 6	FB2 - 5159 - 000	530 - 7	FB3 - 0625 - 000	101 - 5 2 A
FB2 - 4666 - 030	400 - 1 7	FB2 - 5162 - 000	102 - 2 6	FB3 - 0626 - 000	101 - 3 3
FB2 - 4667 - 020	400 - 1 8	FB2 - 5163 - 000	102 - 2 7	FB3 - 0627 - 000	101 - 3 4
FB2 - 4669 - 020	400 - 1 9	FB2 - 5164 - 000	102 - 2 8	FB3 - 0629 - 000	230 - 4
	401 - 2	FB2 - 5165 - 000	102 - 2 9	FB3 - 0630 - 000	101 - 3 5
FB2 - 4675 - 020	401 - 3	FB2 - 5169 - 000	530 - 8	FB3 - 0632 - 000	101 - 3 6
FB2 - 4676 - 000	401 - 4	FB2 - 5175 - 000	100 - 9	FB3 - 0633 - 000	101 - 3 7
FB2 - 4677 - 020	401 - 5	FB2 - 5177 - 000	100 - 1 0	FB3 - 0639 - 000	101 - 3 8
FB2 - 4678 - 020	401 - 6	FB2 - 5182 - 000	102 - 3 0	FB3 - 0646 - 000	100 - 3 6 A
FB2 - 4694 - 020	402 - 1	FB2 - 5183 - 000	102 - 3 1	FB3 - 0650 - 000	130 - 1
FB2 - 4695 - 030	402 - 2	FB2 - 5191 - 000	102 - 7 3 A	FB3 - 0651 - 000	130 - 1
FB2 - 4696 - 020	402 - 3	FB2 - 5192 - 000	102 - 3 2	FB3 - 0655 - 020	130 - 1
FB2 - 4701 - 020	220 - 2	FB2 - 5197 - 000	250 - 1	FB3 - 0656 - 000	130 - 1
FB2 - 4702 - 000	220 - 3	FB2 - 5198 - 000	250 - 2	FB3 - 0660 - 000	130 - 2
FB2 - 4703 - 000	220 - 4	FB2 - 5199 - 000	250 - 3	FB3 - 0661 - 000	130 - 3
FB2 - 4704 - 000	220 - 5	FB2 - 5206 - 000	100 - 1 1	FB3 - 0662 - 000	130 - 4
FB2 - 4705 - 000	220 - 6	FB2 - 5207 - 000	100 - 1 2	FB3 - 0663 - 000	130 - 5
FB2 - 4734 - 000	101 - 1 2	FB2 - 5208 - 000	100 - 1 3	FB3 - 0664 - 000	130 - 6
FB2 - 4736 - 000	101 - 1 3	FB2 - 5210 - 000	100 - 1 4	FB3 - 0665 - 000	130 - 7
FB2 - 4780 - 000	102 - 6	FB2 - 5211 - 000	100 - 1 5	FB3 - 0666 - 020	130 - 8
FB2 - 4785 - 000	100 - 6	FB2 - 5212 - 000	100 - 1 6	FB3 - 0667 - 020	130 - 9
FB2 - 4790 - 020	100 - 3 7 A	FB2 - 5213 - 000	100 - 1 7	FB3 - 0669 - 000	100 - 2 7
FB2 - 4791 - 000	100 - 3 5 A	FB2 - 5214 - 020	100 - 1 8	FB3 - 0670 - 000	101 - 3 9
FB2 - 4792 - 000	101 - 1 4	FB2 - 5215 - 020	100 - 1 9	FB3 - 0686 - 000	640 - 3
FB2 - 4793 - 000	100 - 3 5 B	FB2 - 5216 - 000	100 - 2 0	FB3 - 0687 - 000	640 - 4
FB2 - 4794 - 000	100 - 3 5 C	FB2 - 5217 - 000	100 - 2 1	FB3 - 0688 - 000	640 - 5
FB2 - 4840 - 000	101 - 1 5	FB2 - 5221 - 020	102 - 3 3	FB3 - 0691 - 000	640 - 6
FB2 - 4854 - 000	230 - 9 A	FB2 - 5222 - 020	102 - 3 4	FB3 - 0693 - 000	640 - 7

D NUMERICAL INDEX

PART NUMBER	FIGURE & KEY NO.	PART NUMBER	FIGURE & KEY NO.	PART NUMBER	FIGURE & KEY NO.
FB3 - 0694 - 000	640 - 8	FB3 - 3324 - 000	161 - 12	FF2 - 9775 - 000	910 - J 2 0 5
FB3 - 0695 - 000	640 - 9	FB3 - 3325 - 000	161 - 13	FF2 - 9779 - 000	530 - 15
FB3 - 0696 - 000	640 - 10	FB3 - 3326 - 000	161 - 14		810 - 10
FB3 - 0697 - 000	640 - 11	FB3 - 3328 - 000	161 - 15	FF2 - 9789 - 000	102 - 65
FB3 - 0710 - 000	640 - 2 4 A	FB3 - 3329 - 000	161 - 4 6 A	FF2 - 9799 - 000	101 - 46
FB3 - 0711 - 000	640 - 12	FB3 - 3330 - 000	161 - 16	FF2 - 9800 - 000	102 - 66
FB3 - 0712 - 000	640 - 2 3 A	FB3 - 3332 - 000	161 - 17	FF3 - 0416 - 000	910 - Q 5 0 1
FB3 - 0713 - 000	640 - 13	FB3 - 3334 - 000	161 - 18	FF3 - 0471 - 000	450 - 19
FB3 - 0714 - 000	640 - 14	FB3 - 3335 - 000	161 - 19	FF3 - 0473 - 000	450 - 20
FB3 - 0715 - 000	640 - 15	FB3 - 3336 - 000	161 - 20	FF3 - 0475 - 000	910 - J 2 1 4
FB3 - 0716 - 000	640 - 16	FB3 - 3337 - 000	161 - 21	FF3 - 0476 - 000	910 - 7
FB3 - 0718 - 000	640 - 17	FB3 - 3338 - 000	161 - 22	FF3 - 0477 - 000	910 - J 9 5 2
FB3 - 0719 - 020	640 - 2 3 B	FB3 - 3340 - 000	161 - 4 8 A	FF3 - 0479 - 000	102 - 7 4 A
FB3 - 0720 - 000	640 - 2 4 B	FB3 - 3342 - 000	161 - 23	FF3 - 0480 - 020	400 - 21
FB3 - 0721 - 000	640 - 18	FB3 - 3343 - 000	161 - 24	FF3 - 1069 - 000	935 - Q 2
FB3 - 0722 - 000	640 - 19	FB3 - 3344 - 000	161 - 25	FF3 - 1070 - 000	161 - 45
FB3 - 0724 - 000	640 - 20	FB3 - 3345 - 000	161 - 26	FF3 - 1071 - 000	355 - 8
FB3 - 0725 - 000	640 - 2 3 C	FB3 - 3346 - 000	161 - 27	FF3 - 1089 - 000	910 - B P 1 0 2
FB3 - 0726 - 000	640 - 21	FB3 - 3347 - 000	161 - 28	FF3 - 1090 - 000	910 - B P 1 0 1
FB3 - 0727 - 000	640 - 2 3 D	FB3 - 3348 - 000	161 - 29	FF3 - 1215 - 000	102 - 67
FB3 - 0728 - 000	640 - 2 3 E	FB3 - 3349 - 000	161 - 4 9 A	FF5 - 2858 - 000	102 - 68
FB3 - 0732 - 000	102 - 52	FB3 - 3350 - 000	161 - 4 9 B	FF5 - 2859 - 000	101 - 47
FB3 - 0736 - 030	101 - 40	FB3 - 3351 - 000	161 - 4 9 C	FF5 - 2867 - 020	101 - 48
FB3 - 0738 - 000	100 - 28	FB3 - 3352 - 000	161 - 30	FF5 - 2868 - 030	220 - 7
	101 - 41	FB3 - 3353 - 000	161 - 31	FF5 - 2870 - 000	530 - 16
FB3 - 0743 - 000	102 - 53	FB3 - 3355 - 000	161 - 32	FF5 - 2871 - 020	530 - 17
FB3 - 0744 - 000	102 - 54	FB3 - 3356 - 000	161 - 33	FF5 - 2873 - 030	102 - 69
FB3 - 0745 - 000	102 - 55	FB3 - 3357 - 020	161 - 34	FF5 - 2874 - 000	250 - 4
FB3 - 0748 - 000	102 - 56	FB3 - 3358 - 000	161 - 35	FF5 - 2875 - 000	100 - 34
FB3 - 0770 - 000	450 - 1	FB3 - 3360 - 000	161 - 36	FF5 - 2886 - 000	230 - 9
FB3 - 0774 - 000	450 - 2	FB3 - 3361 - 000	161 - 37	FF5 - 2887 - 000	230 - 10
FB3 - 0775 - 000	450 - 3	FB3 - 3364 - 000	161 - 38	FF5 - 2888 - 000	230 - 11
FB3 - 0776 - 000	450 - 4	FB3 - 3365 - 000	161 - 39	FF5 - 2889 - 000	400 - 22
FB3 - 0777 - 000	450 - 5	FB3 - 3367 - 000	162 - 6 A	FF5 - 2890 - 000	101 - 49
FB3 - 0778 - 000	450 - 6	FB3 - 3371 - 000	290 - 3	FF5 - 2899 - 000	401 - 7
FB3 - 0779 - 020	450 - 7	FB3 - 3373 - 020	290 - 4	FF5 - 2900 - 000	401 - 8
FB3 - 0780 - 000	450 - 8	FB3 - 3374 - 000	290 - 5	FF5 - 2901 - 000	402 - 4
FB3 - 0781 - 000	450 - 9	FB3 - 3375 - 000	290 - 1 1 A	FF5 - 2902 - 000	402 - 5
FB3 - 0782 - 000	450 - 10	FB3 - 3377 - 000	290 - 6	FF5 - 2903 - 000	300 - 24
FB3 - 0784 - 000	450 - 11	FB3 - 3378 - 000	290 - 7	FF5 - 2904 - 000	300 - 25
FB3 - 0785 - 000	450 - 12	FB3 - 3379 - 000	355 - 1	FF5 - 2905 - 020	402 - 6
FB3 - 0788 - 000	640 - 22	FB3 - 3381 - 000	355 - 9 A	FF5 - 3713 - 000	530 - 18
FB3 - 0791 - 000	450 - 2 3 A	FB3 - 3382 - 000	355 - 2	FF5 - 3714 - 000	102 - 70
FB3 - 0805 - 000	450 - 13	FB3 - 3383 - 000	355 - 3	FF5 - 3716 - 000	101 - 50
FB3 - 0806 - 000	450 - 14	FB3 - 3385 - 020	355 - 4	FF5 - 3720 - 000	530 - 19
FB3 - 0807 - 000	450 - 15	FB3 - 3386 - 000	355 - 5	FF5 - 3728 - 000	100 - 35
FB3 - 0809 - 000	100 - 29	FB3 - 3387 - 000	355 - 6	FF5 - 3729 - 000	100 - 35
FB3 - 0810 - 000	910 - 6	FB3 - 3388 - 000	355 - 7	FF5 - 3889 - 000	101 - 51
FB3 - 0811 - 020	450 - 16	FB3 - 3389 - 000	355 - 10 A	FF5 - 3890 - 000	100 - 36
FB3 - 0815 - 020	450 - 17	FB3 - 3391 - 000	162 - 1	FF5 - 3891 - 000	100 - 36
FB3 - 0817 - 000	100 - 3 8 A	FB3 - 3392 - 000	162 - 5 A	FF5 - 3892 - 000	100 - 36
FB3 - 0820 - 000	101 - 2		162 - 7 A	FF5 - 3901 - 000	450 - 21
FB3 - 0821 - 000	101 - 42	FB3 - 3395 - 000	162 - 2	FF5 - 3902 - 000	450 - 22
FB3 - 0824 - 000	100 - 30	FB3 - 3396 - 000	162 - 3	FF5 - 3903 - 030	100 - 37
FB3 - 0826 - 000	102 - 57	FB3 - 3397 - 000	162 - 4	FF5 - 3904 - 000	450 - 23
FB3 - 0827 - 000	100 - 32	FB3 - 3398 - 000	161 - 40	FF5 - 3905 - 000	100 - 38
FB3 - 0829 - 000	161 - 3	FB3 - 3399 - 000	161 - 40	FF5 - 3907 - 020	640 - 23
FB3 - 0831 - 000	102 - 58	FB3 - 3400 - 000	290 - 8	FF5 - 3908 - 000	640 - 24
FB3 - 0832 - 000	102 - 59	FB3 - 3401 - 000	161 - 41	FF5 - 3910 - 020	640 - 25
FB3 - 0833 - 000	102 - 10	FB3 - 3402 - 020	161 - 42	FF5 - 3912 - 000	101 - 52
FB3 - 0835 - 000	161 - 50 A	FB3 - 3404 - 000	161 - 43	FF5 - 3913 - 000	640 - 26
FB3 - 0837 - 000	102 - 52	FB3 - 3406 - 000	160 - 5	FF5 - 3920 - 040	100 - 37
FB3 - 0839 - 020	100 - 6		161 - 44	FF5 - 3922 - 000	102 - 15
FB3 - 0840 - 000	102 - 60	FB3 - 3407 - 000	160 - 5	FF5 - 3924 - 000	400 - 23
FB3 - 0841 - 020	102 - 61		161 - 44	FF5 - 3927 - 000	102 - 71
FB3 - 0842 - 000	102 - 62	FB3 - 3531 - 000	300 - 21	FF5 - 3928 - 020	102 - 72
FB3 - 0843 - 000	102 - 14	FB3 - 3547 - 000	300 - 22	FF5 - 4674 - 000	161 - 46
FB3 - 0844 - 020	102 - 63	FB3 - 3548 - 000	300 - 23	FF5 - 4675 - 000	161 - 47
FB3 - 0845 - 000	102 - 64	FF2 - 9724 - 000	230 - 5	FF5 - 4677 - 000	161 - 48
FB3 - 0850 - 000	100 - 31	FF2 - 9725 - 000	230 - 6	FF5 - 4678 - 000	162 - 5
FB3 - 0851 - 000	100 - 32	FF2 - 9726 - 000	230 - 7	FF5 - 4679 - 000	161 - 49
FB3 - 0860 - 000	400 - 2 3 A	FF2 - 9727 - 000	230 - 8	FF5 - 4680 - 000	290 - 9
FB3 - 0867 - 000	100 - 33	FF2 - 9729 - 000	400 - 20	FF5 - 4681 - 000	290 - 10
FB3 - 0868 - 000	100 - 33	FF2 - 9730 - 000	101 - 43	FF5 - 4682 - 000	290 - 11
FB3 - 3311 - 000	161 - 4	FF2 - 9731 - 000	450 - 18	FF5 - 4683 - 000	162 - 6
FB3 - 3312 - 000	161 - 5	FF2 - 9732 - 000	101 - 44	FF5 - 4684 - 000	162 - 7
FB3 - 3314 - 020	161 - 6	FF2 - 9733 - 000	810 - 9	FF5 - 4685 - 020	355 - 9
FB3 - 3315 - 020	161 - 7	FF2 - 9760 - 000	101 - 45	FF5 - 4686 - 000	355 - 10
FB3 - 3316 - 000	161 - 8	FF2 - 9762 - 000	530 - 10	FF9 - 1504 - 000	102 - 73
FB3 - 3318 - 000	161 - 4 7 A	FF2 - 9763 - 000	530 - 11	FF9 - 1514 - 000	100 - 30
FB3 - 3319 - 000	161 - 4 7 B	FF2 - 9764 - 000	530 - 12	FG2 - 7466 - 000	935 -
FB3 - 3320 - 000	161 - 4 7 C	FF2 - 9765 - 000	530 - 13	FG2 - 7467 - 000	161 - 50
FB3 - 3321 - 000	161 - 9	FF2 - 9766 - 000	530 - 14	FG2 - 7468 - 000	290 - 12
FB3 - 3322 - 000	161 - 10	FF2 - 9769 - 000	940 - 1	FG2 - 7469 - 000	161 - 51
FB3 - 3323 - 000	161 - 11	FF2 - 9770 - 000	940 - 2	FG2 - 7470 - 000	161 - 52

D NUMERICAL INDEX

PART NUMBER	FIGURE & KEY NO.	PART NUMBER	FIGURE & KEY NO.	PART NUMBER	FIGURE & KEY NO.
FG2 - 7471 - 000	161 - 5 3	FH9 - 0483 - 000	930 - Q1 4 5	FS6 - 0442 - 000	640 - 3 3
FG5 - 3463 - 000	401 -		930 - Q1 6 3	FS6 - 0443 - 000	640 - 3 4
FG5 - 3464 - 000	402 -		930 - Q1 6 4	FS6 - 0445 - 000	640 - 3 5
FG5 - 3465 - 040	220 -		930 - Q1 8 0	FS6 - 0446 - 000	640 - 3 6
FG5 - 3492 - 090	810 -		930 - Q1 8 5	FS6 - 0613 - 000	290 - 1 8
FG5 - 3493 - 090	810 -	FH9 - 0484 - 000	940 - L 5 0 1	FS6 - 0616 - 000	290 - 1 9
FG5 - 3501 - 000	240 -	FN5 - 4018 - 000	400 - 2 6	FS6 - 0617 - 000	290 - 2 0
FG5 - 3511 - 000	250 -	FN5 - 4019 - 000	401 - 9	FS6 - 0618 - 000	290 - 2 1
FG5 - 3516 - 000	811 -	FN5 - 4020 - 000	402 - 7	FS6 - 2229 - 000	450 - 2 6
FG5 - 3531 - 000	340 -	FN5 - 4021 - 000	101 - 5 4	FS6 - 2230 - 000	450 - 2 7
FG5 - 3532 - 000	160 -	FS1 - 1190 - 000	161 - 5 4	FS6 - 2231 - 000	450 - 2 8
FG5 - 3541 - 000	970 -		290 - 1 5	FS6 - 2232 - 000	102 - 9 8
FG5 - 3543 - 000	940 -	FS1 - 1205 - 000	355 - 1 1		102 - 9 9
FG5 - 3544 - 000	940 -	FS1 - 1213 - 000	290 - 1 6	FS6 - 2233 - 000	102 - 9 9
FG5 - 3550 - 000	101 - 5 3	FS1 - 1341 - 000	355 - 1 2	FS6 - 2234 - 000	102 - 9 7
FG5 - 5431 - 000	400 -	FS1 - 1422 - 000	355 - 1 3	FS6 - 2238 - 000	640 - 3 7
FG5 - 5433 - 000	400 -	FS5 - 0883 - 000	102 - 8 0	FS6 - 2239 - 000	102 - 1 0 0
FG5 - 5450 - 000	130 -	FS5 - 0885 - 000	102 - 8 1	FS6 - 2240 - 000	102 - 1 0 1
FG5 - 5452 - 000	130 -	FS5 - 0887 - 000	102 - 8 2	FS6 - 2241 - 000	102 - 1 0 2
FG5 - 5460 - 040	530 -	FS5 - 0890 - 000	250 - 5	FS6 - 2242 - 000	450 - 2 9
FG5 - 5465 - 080	640 -	FS5 - 0900 - 000	250 - 6	FS6 - 2270 - 000	100 - 4 2
FG5 - 5466 - 030	640 - 2 7	FS5 - 0903 - 000	102 - 8 3	FS6 - 2369 - 000	161 - 5 9
FG5 - 5469 - 000	915 -	FS5 - 0904 - 020	300 - 2 6	FS6 - 2370 - 000	161 - 6 0
FG5 - 5476 - 000	230 -	FS5 - 0905 - 000	230 - 1 3	FS6 - 2371 - 000	161 - 6 1
FG5 - 5489 - 020	930 -	FS5 - 0906 - 000	230 - 1 4	FS6 - 2373 - 000	161 - 6 2
FG5 - 5490 - 020	930 -	FS5 - 0907 - 000	230 - 1 5	FS6 - 2374 - 000	161 - 6 3
FG5 - 5492 - 000	910 -	FS5 - 0908 - 000	230 - 1 6	FS6 - 2375 - 000	355 - 1 7
FG5 - 5493 - 000	910 -	FS5 - 0911 - 000	240 - 3	FS6 - 8084 - 000	100 - 3 3
FG5 - 5496 - 000	102 - 7 4	FS5 - 0912 - 000	240 - 4	FS6 - 8085 - 000	100 - 3 3
FG5 - 5497 - 000	915 -	FS5 - 0913 - 020	102 - 8 4	FS6 - 8193 - 000	161 - 6 4
FG5 - 5499 - 000	450 - 2 4	FS5 - 0914 - 000	810 - 1 1	FS6 - 8194 - 000	161 - 6 5
FG5 - 5505 - 020	930 -	FS5 - 0915 - 000	102 - 8 5	FS6 - 8195 - 000	161 - 6 6
FG5 - 5506 - 02S	930 -	FS5 - 0917 - 000	220 - 1 0	FS6 - 8196 - 000	162 - 7 B
FG5 - 5507 - 020	930 -	FS5 - 0918 - 000	220 - 1 1	FS6 - 8197 - 000	162 - 8
FG5 - 5509 - 000	101 - 5 3	FS5 - 0919 - 000	220 - 1 2	FS6 - 8347 - 000	300 - 3 2
FG5 - 6411 - 000	290 -	FS5 - 1439 - 000	220 - 1 3	FS6 - 8401 - 000	300 - 3 3
FG5 - 6412 - 000	162 -	FS5 - 1440 - 000	102 - 8 6	RH2 - 5015 - 050	102 - 1 0 3
FG5 - 6413 - 000	355 -	FS5 - 1530 - 000	640 - 2 8	RH6 - 3069 - 000	910 - R 3 0 6
FH2 - 5276 - 030	102 - 7 5	FS5 - 2032 - 000	400 - 2 7		910 - R 4 1 3
FH2 - 5761 - 000	102 - 7 6	FS5 - 2335 - 000	530 - 1 7 A		910 - R 4 1 4
FH2 - 5795 - 000	B - J 8	FS5 - 2351 - 000	102 - 8 7	VC1 - 2061 - 336	910 - C 1 2 0
	B - J 9	FS5 - 2650 - 000	300 - 2 7	VC1 - 2101 - 477	935 - C 1
FH2 - 5796 - 000	B - J 8	FS5 - 2767 - 000	102 - 8 8	VC1 - 2351 - 107	910 - C 1 1 0
	B - J 9	FS5 - 2769 - 000	100 - 3 9	VC1 - 2351 - 477	935 - C 2
FH2 - 6231 - 000	915 - 3	FS5 - 2770 - 000	100 - 4 0	VC1 - 2501 - 475	935 - C 3
	B - J 1 1 1	FS5 - 2771 - 000	102 - 8 9	VC3 - 2501 - 103	910 - C 1 0 9
	B - J 3 0 1	FS5 - 2772 - 000	102 - 9 0		910 - C 1 1 2
FH3 - 0569 - 000	910 - T 3 0 1	FS5 - 2773 - 000	102 - 9 1	VC4 - 3503 - 101	910 - C 2 0 5
FH3 - 0660 - 000	910 - T 3 0 2	FS5 - 2774 - 000	530 - 2 0		910 - C 2 3 1
FH3 - 0665 - 000	910 - T 1 0 4	FS5 - 2776 - 000	100 - 4 1	VC4 - 3503 - 102	910 - C 1 2 4
FH3 - 0666 - 000	910 - T 1 0 4	FS5 - 2778 - 000	102 - 9 2		910 - C 2 0 7
FH3 - 0667 - 000	910 - T 1 0 3	FS5 - 2780 - 000	300 - 2 8		910 - C 2 2 8
FH3 - 0668 - 000	910 - T 2 0 1	FS5 - 2781 - 020	300 - 2 9		910 - C 2 3 2
FH3 - 0732 - 000	910 - T 1 0 1	FS5 - 2782 - 000	300 - 3 0		930 - C 1 4 5
FH3 - 0733 - 000	910 - T 1 0 1	FS5 - 2783 - 000	102 - 9 3		930 - C 1 4 8
FH3 - 0734 - 000	910 - T 4 0 1	FS5 - 2784 - 000	530 - 2 1	VC4 - 3503 - 332	910 - C 2 0 8
FH3 - 0735 - 000	910 - T 4 0 2	FS5 - 2785 - 000	230 - 1 7	VC5 - 2810 - 682	910 - C 4 1 3
FH3 - 0779 - 000	910 - T 1 0 2	FS5 - 2786 - 000	240 - 5	VC5 - 3340 - 106	970 - C 4 0 1
FH3 - 0780 - 000	910 - T 1 0 2	FS5 - 2790 - 000	450 - 2 5	VC5 - 3740 - 104	910 - C 1 0 4
FH3 - 7169 - 000	910 - L 4 0 1	FS5 - 2794 - 000	810 - 1 2		910 - C 1 0 5
FH3 - 7170 - 000	910 - L 1 0 1	FS5 - 2795 - 000	810 - 1 3		910 - C 1 1 6
FH3 - 7195 - 000	910 - L 1 0 1	FS5 - 2796 - 000	810 - 1 4		910 - C 1 2 2
FH4 - 1251 - 090	930 - Q1 0 1	FS5 - 2797 - 000	101 - 5 5		910 - C 2 0 1
FH4 - 9163 - 000	910 - R3 2 2	FS5 - 2798 - 000	102 - 9 4		910 - C 2 0 3
FH4 - 9169 - 000	910 - R3 0 3	FS5 - 2799 - 000	102 - 9 5		910 - C 2 1 5
FH4 - 9186 - 000	910 - R3 2 8	FS5 - 2800 - 000	102 - 9 6		910 - C 2 2 0
FH6 - 1079 - 000	220 - 8	FS5 - 2802 - 000	101 - 5 6		910 - C 2 2 7
FH6 - 1209 - 000	230 - 1 2	FS5 - 2803 - 020	101 - 5 7		910 - C 5 0 1
FH6 - 1237 - 000	290 - 1 3	FS5 - 2806 - 000	102 - 9 7	VC5 - 4790 - 336	930 - C 2 0 7
FH6 - 1238 - 000	290 - 1 4	FS5 - 2810 - 000	300 - 3 1	VC5 - 6000 - 101	910 - C 4 1 5
FH6 - 3494 - 000	930 - X1 0 1	FS5 - 2815 - 000	400 - 2 8	VC5 - 6110 - 222	910 - C 1 1 9
FH7 - 3272 - 000	400 - 2 4	FS5 - 2821 - 000	220 - 1 4	VC5 - 6110 - 472	910 - C 1 2 1
FH7 - 3277 - 000	915 - LED 3 1 5	FS5 - 3457 - 000	290 - 1 7	VC5 - 6110 - 821	910 - C 1 1 9
FH7 - 4474 - 000	400 - 2 5	FS5 - 3458 - 000	161 - 5 5		910 - C 1 2 1
FH7 - 4475 - 000	400 - 2 5	FS5 - 3459 - 000	355 - 1 4	VC5 - 8660 - 270	910 - C 9 6 4
FH7 - 5564 - 000	220 - 9	FS5 - 3460 - 000	355 - 1 5	VC5 - 8660 - 331	910 - C 9 5 2
FH7 - 5627 - 000	102 - 7 7	FS5 - 6393 - 000	230 - 1 8	VC5 - 9610 - 105	935 - C 8
FH7 - 5628 - 000	102 - 7 8	FS5 - 6394 - 000	640 - 2 9	VC6 - 0160 - 222	910 - C 3 1 3
FH7 - 6197 - 000	910 - RL 1 0 1	FS5 - 6453 - 000	161 - 5 6	VC6 - 0730 - 476	910 - C 4 0 6
FH7 - 6216 - 000	102 - 7 9	FS5 - 6454 - 000	161 - 5 7		910 - C 4 1 9
FH9 - 0367 - 000	910 - R3 1 3	FS5 - 6455 - 000	161 - 5 8		910 - C 4 2 1
	910 - R3 1 6		355 - 1 6	VC6 - 0950 - 476	910 - C 1 0 6
FH9 - 0483 - 000	930 - Q1 4 2	FS6 - 0437 - 000	640 - 3 0	VC6 - 1150 - 103	910 - C 2 1 8
	930 - Q1 4 3	FS6 - 0439 - 000	640 - 3 1		910 - C 2 3 3
	930 - Q1 4 4	FS6 - 0440 - 000	640 - 3 2	VC6 - 2560 - 332	910 - C 1 1 5

D NUMERICAL INDEX

PART NUMBER	FIGURE & KEY NO.	PART NUMBER	FIGURE & KEY NO.	PART NUMBER	FIGURE & KEY NO.
VC6 - 3000 - 104	930 - C111 930 - C112 930 - C114 930 - C155 930 - C182 930 - C184 930 - C185 930 - C186 930 - C206 970 - C403 970 - C404 970 - C405 970 - C406	VC8 - 1520 - 108 VC8 - 2340 - 822	910 - C222 930 - C163 930 - C164 930 - C165 930 - C166 910 - C423 930 - C187 940 - C503 940 - C504 910 - C414 910 - C426 910 - C955 910 - C957 970 - C402 910 - C317 910 - FU102 940 - FU501 910 - FU102 940 - FU501	VR5 - 6411 - 692 VR5 - 6412 - 151 VR5 - 6412 - 262 VR5 - 6413 - 481 VR5 - 6413 - 651 VR5 - 6413 - 901 VR5 - 6414 - 991 VR5 - 6415 - 112 VR5 - 6415 - 601 VR5 - 6418 - 201 VR5 - 6418 - 251 VR5 - 6630 - 120	970 - R402 910 - R214 910 - R235 910 - R310 970 - R407 930 - R206 930 - R264 970 - R401 970 - R406 910 - R209 910 - R225 930 - R119 930 - R124 910 - R222 910 - R440 910 - R444 910 - R452 910 - R401 910 - R402 910 - R403 910 - R405 910 - R406 910 - R407 910 - R131 910 - R133 910 - R134 910 - R131 910 - R133 910 - R134 910 - R208 910 - R215 910 - R246 910 - R127 915 - VR301 930 - R313 930 - R314 930 - R315 910 - R115 910 - R217 910 - R227 910 - R315 910 - R409 910 - R410 910 - R411 910 - R454 910 - R220 910 - R122 910 - R404 930 - R121 930 - R181 930 - R184 930 - R186 930 - R288 930 - R185 930 - R187 930 - R220 930 - R150 930 - R114 930 - R117 930 - R277 930 - R306 930 - R189 930 - R305 930 - R118 930 - R180 930 - R267 930 - R115 930 - VR101 930 - VR102 930 - VR103 910 - R135 910 - R118 910 - R119 910 - R147 910 - R223 910 - R418 910 - R148 910 - R149 910 - R150 910 - R153 910 - R233 910 - R449 910 - R455 910 - R139 910 - R143
VC6 - 3000 - 473 VC6 - 3310 - 336 VC6 - 3760 - 335 VC6 - 3760 - 336	910 - C314 910 - C117 910 - C114 910 - C118	VC9 - 5344 - 000 VC9 - 5391 - 000 VD7 - 0215 - 001 VD7 - 0461 - 202 VD7 - 0642 - 501 VD7 - 1506 - 301 VL5 - 0390 - 086	970 - C402 910 - C317 910 - FU102 940 - FU501 910 - FU102 940 - FU501 910 - L103 940 - L501 910 - L202 910 - R318 915 - R301 915 - R302 915 - R303 915 - R304 915 - R305 915 - R306 915 - R307 915 - R308 930 - R107 930 - R108 935 - R14 935 - R15 930 - R163 910 - R314 910 - R317 910 - R130 910 - R446 910 - R450 530 - 22 940 - R501 910 - VR101 910 - VR401 910 - VR953 910 - VR951 910 - VR952 910 - R211 910 - R236 930 - R266 930 - R265 910 - R957 910 - R959 910 - R960 910 - R961 910 - R967 910 - R969 910 - R954 910 - R955 910 - R964 910 - R965 910 - R956 910 - R966 910 - R951 910 - R962 910 - R970 910 - R952 910 - R129 910 - R129 930 - R310 970 - R404 970 - R409 910 - R234 930 - R125 930 - R309 910 - R224 910 - R232 910 - R416 930 - R120 930 - R263 970 - R408 930 - R122 930 - R123 970 - R403	VR5 - 6630 - 132 VR5 - 6630 - 243 VR5 - 6630 - 563 VR5 - 6640 - 201 VR5 - 6640 - 471 VR5 - 6660 - 103 VR7 - 0430 - 271 VR7 - 0560 - 181 VR7 - 0560 - 200 VR7 - 0560 - 220 VR7 - 0560 - 362 VR7 - 0560 - 390 VR7 - 0560 - 391 VR7 - 0560 - 479 VR7 - 0611 - 002 VR7 - 0611 - 272 VR7 - 0611 - 431 VR7 - 0611 - 872 VR7 - 0612 - 000 VR7 - 0612 - 550 VR7 - 0612 - 701 VR7 - 0612 - 742 VR7 - 0614 - 022 VR7 - 0614 - 991 VR7 - 0615 - 601 VR7 - 0616 - 801 VR7 - 0616 - 980 VR7 - 0618 - 200 VR7 - 2770 - 103 VR7 - 2770 - 473 VR7 - 2930 - 470 VR7 - 3100 - 100 VR7 - 3100 - 101	
VC6 - 3840 - 105 VC6 - 3840 - 226 VC7 - 0590 - 108 VC7 - 0590 - 477 VC7 - 1150 - 101 VC7 - 1150 - 102 VC7 - 1150 - 222 VC7 - 1150 - 331 VC7 - 1160 - 150 VC7 - 1410 - 101 VC7 - 1410 - 102 VC7 - 1770 - 104 VC7 - 1770 - 224 VC7 - 1770 - 474 VC7 - 1960 - 105 VC7 - 2090 - 102 VC7 - 2730 - 472 VC7 - 2900 - 100 VC7 - 3630 - 227 VC7 - 3960 - 337 VC7 - 4260 - 476 VC7 - 4830 - 471 VC7 - 5130 - 334 VC7 - 5130 - 684 VC7 - 5250 - 104	910 - C953 910 - C963 910 - C956 910 - C101 910 - C102 910 - C422 910 - C425 910 - C311 910 - C312 910 - C315 910 - C302 910 - C301 910 - C320 910 - C428 910 - C420 910 - C108 940 - C502 940 - C501 910 - C210 910 - C217 910 - C219 910 - C318 910 - C951 910 - C211 910 - C202 910 - C204 930 - C142 910 - C304 910 - C305 910 - C123 910 - C308 910 - C206 910 - C209 910 - C213 910 - C216 910 - C221 910 - C223 910 - C224 910 - C225 910 - C229 910 - C230 910 - C303 910 - C309 910 - C316 910 - C319 910 - C427	VR5 - 0790 - 109 VR5 - 0830 - 101 VR5 - 1010 - 104 VR5 - 1010 - 471 VR5 - 1010 - 561 VR5 - 2650 - 103 VR5 - 2650 - 105 VR5 - 3520 - 102 VR5 - 3520 - 203 VR5 - 3520 - 503 VR5 - 3680 - 000 VR5 - 3680 - 101 VR5 - 3680 - 102 VR5 - 3680 - 103 VR5 - 3680 - 104 VR5 - 3680 - 105 VR5 - 3680 - 221 VR5 - 3680 - 243 VR5 - 3680 - 273 VR5 - 3680 - 683 VR5 - 6040 - 150 VR5 - 6040 - 220 VR5 - 6411 - 000 VR5 - 6411 - 001 VR5 - 6411 - 002 VR5 - 6411 - 004 VR5 - 6411 - 102 VR5 - 6411 - 431 VR5 - 6411 - 623	VR5 - 6630 - 132 VR5 - 6630 - 243 VR5 - 6630 - 563 VR5 - 6640 - 201 VR5 - 6640 - 471 VR5 - 6660 - 103 VR7 - 0430 - 271 VR7 - 0560 - 181 VR7 - 0560 - 200 VR7 - 0560 - 220 VR7 - 0560 - 362 VR7 - 0560 - 390 VR7 - 0560 - 391 VR7 - 0560 - 479 VR7 - 0611 - 002 VR7 - 0611 - 272 VR7 - 0611 - 431 VR7 - 0611 - 872 VR7 - 0612 - 000 VR7 - 0612 - 550 VR7 - 0612 - 701 VR7 - 0612 - 742 VR7 - 0614 - 022 VR7 - 0614 - 991 VR7 - 0615 - 601 VR7 - 0616 - 801 VR7 - 0616 - 980 VR7 - 0618 - 200 VR7 - 2770 - 103 VR7 - 2770 - 473 VR7 - 2930 - 470 VR7 - 3100 - 100 VR7 - 3100 - 101		
VC7 - 5290 - 473 VC7 - 5400 - 103 VC7 - 5980 - 102 VC7 - 5980 - 681 VC7 - 5990 - 560 VC7 - 8400 - 101 VC8 - 0650 - 687 VC8 - 0660 - 187 VC8 - 0780 - 107 VC8 - 0790 - 107	910 - C107 910 - C418 910 - C416 910 - C407 910 - C424 910 - C402 910 - C403 910 - C404 910 - C405 910 - C408 910 - C409 910 - C410 910 - C411 910 - C412 910 - C401 910 - C307 910 - C113 910 - C113 930 - C149 930 - C151 930 - C146 930 - C150	VR5 - 6411 - 000 VR5 - 6411 - 001 VR5 - 6411 - 002 VR5 - 6411 - 004 VR5 - 6411 - 102 VR5 - 6411 - 431 VR5 - 6411 - 623	970 - R402 910 - R214 910 - R235 910 - R310 970 - R407 930 - R206 930 - R264 970 - R401 970 - R406 910 - R209 910 - R225 930 - R119 930 - R124 910 - R222 910 - R440 910 - R444 910 - R452 910 - R401 910 - R402 910 - R403 910 - R405 910 - R406 910 - R407 910 - R131 910 - R133 910 - R134 910 - R131 910 - R133 910 - R134 910 - R208 910 - R215 910 - R246 910 - R127 915 - VR301 930 - R313 930 - R314 930 - R315 910 - R115 910 - R217 910 - R227 910 - R315 910 - R409 910 - R410 910 - R411 910 - R454 910 - R220 910 - R122 910 - R404 930 - R121 930 - R181 930 - R184 930 - R186 930 - R288 930 - R185 930 - R187 930 - R220 930 - R150 930 - R114 930 - R117 930 - R277 930 - R306 930 - R189 930 - R305 930 - R118 930 - R180 930 - R267 930 - R115 930 - VR101 930 - VR102 930 - VR103 910 - R135 910 - R118 910 - R119 910 - R147 910 - R223 910 - R418 910 - R148 910 - R149 910 - R150 910 - R153 910 - R233 910 - R449 910 - R455 910 - R139 910 - R143		

D NUMERICAL INDEX

PART NUMBER	FIGURE & KEY NO.	PART NUMBER	FIGURE & KEY NO.	PART NUMBER	FIGURE & KEY NO.
VS1 - 0842 - 005	B - J 12 1	VT2 - 5020 - 016	101 - 60	VW4 - 2037 - 104	930 - C143
	B - J 75 1	VV1 - 7000 - 000	935 - J P 1		930 - C144
VS1 - 0842 - 006	B - J 15	VV1 - 7118 - 101	935 - R 9		930 - C158
	B - J 105	VV1 - 7118 - 102	935 - R30		930 - C159
	B - J 120		935 - R34		930 - C160
	B - J 90 1		935 - R41		930 - C161
VS1 - 0842 - 007	B - J 3		935 - R42		930 - C167
	B - J 20		935 - R43		930 - C202
	B - J 104	VV1 - 7118 - 103	935 - R 3		930 - C203
	B - J 204		935 - R 4		930 - C208
VS1 - 0842 - 008	B - J 2		935 - R 5		930 - C209
	B - J 102		935 - R 6	VW4 - 2037 - 223	930 - C191
	B - J 114		935 - R25		930 - C194
VS1 - 0842 - 009	B - J 5		935 - R26		930 - C201
VS1 - 0842 - 011	B - J 21		935 - R27	VW4 - 2037 - 332	930 - C126
VS1 - 0842 - 012	B - J 103		935 - R28		930 - C192
	B - J 203		935 - R32		930 - C193
VS1 - 0842 - 014	B - J 109		935 - R36	VW4 - 2231 - 509	935 - C 6
VS1 - 0852 - 003	B - J 203		935 - R37		935 - C 7
VS1 - 0861 - 003	B - J 214		935 - R38	VW4 - 2234 - 101	935 - C19
VS1 - 0861 - 006	B - J 205		935 - R39		935 - C20
	B - J 85 1		935 - R44	VW4 - 2234 - 150	930 - C102
VS1 - 0978 - 002	B - J 302		935 - R45		930 - C103
	B - J 303	VV1 - 7118 - 182	935 - R 2	VW4 - 2235 - 471	935 - C11
	B - J 402	VV1 - 7118 - 222	935 - R12		935 - C12
	B - J 403		935 - R13	VW4 - 2835 - 102	935 - C 5
VS1 - 1028 - 002	930 - J 106		935 - R31		935 - C16
	930 - J 117		935 - R35		935 - C17
	930 - J 119	VV1 - 7118 - 223	935 - R19		935 - C18
VS1 - 1028 - 003	930 - J 101		935 - R21		935 - C21
	930 - J 123		935 - R23	VW4 - 2835 - 222	930 - C106
VS1 - 1028 - 004	930 - J 112	VV1 - 7118 - 271	935 - R20		930 - C107
VS1 - 1028 - 005	930 - J 108		935 - R22		935 - C13
	930 - J 121		935 - R24		935 - C14
VS1 - 1028 - 006	930 - J 110	VV1 - 7118 - 391	935 - R 8	VW4 - 2835 - 682	930 - C204
	930 - J 120	VV1 - 7118 - 471	935 - R29	VW4 - 2835 - 821	930 - C108
VS1 - 1028 - 007	930 - J 104		935 - R33		930 - C109
	935 - J 3	VV1 - 7118 - 473	935 - R10	WA1 - 0302 - 000	910 - D411
VS1 - 1028 - 008	930 - J 114		935 - R11	WA1 - 0396 - 000	910 - D301
	935 - J 2	VW4 - 2027 - 104	935 - C 4		910 - D303
	935 - J 5		935 - C 9		910 - D305
VS1 - 1028 - 009	930 - J 102		935 - C10		910 - D306
VS1 - 1028 - 010	930 - J 103		935 - C22		910 - D307
VS1 - 1028 - 012	930 - J 109	VW4 - 2037 - 101	930 - C179		910 - D308
VS1 - 1028 - 014	930 - J 122	VW4 - 2037 - 102	930 - C101		910 - D951
VS1 - 1029 - 002	102 - 104		930 - C127		910 - D961
VS1 - 5057 - 002	102 - 105		930 - C128	WA1 - 0630 - 000	910 - D412
	220 - 15		930 - C129	WA1 - 0777 - 000	910 - D102
	B - J 3		930 - C131		910 - D119
	B - J 4		930 - C132		910 - D417
	B - J 5		930 - C133		930 - D183
VS1 - 5057 - 003	101 - 58		930 - C136	WA1 - 0818 - 000	910 - ZD203
	102 - 106		930 - C137	WA1 - 0887 - 000	910 - D105
	B - J 6		930 - C138		910 - D106
	B - J 9		930 - C139		910 - D107
VS1 - 5057 - 006	161 - 52A		930 - C140		910 - D111
	220 - 16		930 - C141		910 - D112
	B - J 15		930 - C147		910 - D113
	B - J 105		930 - C152		910 - D114
VS1 - 5057 - 008	101 - 53B		930 - C153		910 - D115
	B - J 102		930 - C157		910 - D116
VS1 - 5474 - 002	935 - J 6		930 - C162		910 - D117
VS1 - 5474 - 004	935 - J 1		930 - C168		910 - D118
VS1 - 5474 - 006	910 - J 202		930 - C169		910 - D201
VS1 - 5484 - 002	910 - J 211		930 - C170		910 - D205
VS1 - 5517 - 002	910 - J 951		930 - C171		910 - D206
VS1 - 5517 - 003	910 - J 954		930 - C172		910 - D207
VS1 - 5517 - 007	910 - J 204		930 - C173		910 - D208
VS1 - 5517 - 012	910 - J 203		930 - C174		910 - D212
VS1 - 5600 - 002	915 - J 304		930 - C175		910 - D213
VS1 - 5600 - 003	910 - J 953		930 - C178		910 - D214
VS1 - 5600 - 006	930 - J 001		930 - C181		910 - D215
VS1 - 5711 - 019	915 - J 301		930 - C183		910 - D216
VS1 - 5824 - 002	B - J 106		930 - C200		910 - D309
	B - J 601		930 - C205		910 - D310
	B - J 602		930 - C210		910 - D311
	B - J 951		930 - C211		910 - D403
VS1 - 5826 - 019	930 - J 111		930 - C212		910 - D414
VS3 - 0053 - 002	B - J 16		930 - C213		910 - D415
VS3 - 0108 - 004	B - J 101		930 - C214		910 - D416
VS3 - 5083 - 002	B - J 6		930 - C215		910 - D952
VS3 - 5083 - 003	B - J 211		930 - C216		910 - D953
VS3 - 5083 - 004	B - J 1		930 - C217		910 - D962
VS3 - 5083 - 006	B - J 202	VW4 - 2037 - 104	930 - C104		910 - D963
VT2 - 5020 - 010	101 - 59		930 - C105		935 - D1

D NUMERICAL INDEX

PART NUMBER	FIGURE & KEY NO.	PART NUMBER	FIGURE & KEY NO.	PART NUMBER	FIGURE & KEY NO.
WA1 - 0887 - 000	935 - D2	WA2 - 0124 - 000	910 - Q4 0 8	WA2 - 5874 - 000	930 - Q1 8 2
	935 - D3		910 - Q4 1 1		930 - Q1 8 3
WA1 - 0948 - 000	910 - ZD4 0 1		910 - Q4 1 6	WA2 - 5880 - 000	910 - Q4 0 1
WA1 - 0960 - 000	930 - D1 9 6		910 - Q9 5 1	WA2 - 5884 - 000	930 - Q1 2 1
	930 - D2 0 4		910 - Q9 5 2		930 - Q1 2 2
	930 - D2 0 5		910 - Q9 5 4		930 - Q1 2 3
	930 - D2 0 6		910 - Q9 5 5		930 - Q1 2 4
WA1 - 0972 - 000	910 - D2 0 2	WA2 - 0135 - 000	910 - Q1 1 8	WA3 - 2028 - 000	910 - Q4 1 8
	930 - D1 2 4		910 - Q3 0 4	WA3 - 4209 - 000	930 - Q1 5 3
	930 - D1 2 5	WA2 - 0237 - 000	910 - Q1 1 5	WA3 - 4465 - 000	935 - Q 6
	930 - D1 2 6		910 - Q2 0 7	WA3 - 8310 - 000	935 - Q 1
	930 - D1 2 7		910 - Q4 1 7	WA4 - 0233 - 000	910 - Q2 0 3
	930 - D1 8 9		910 - Q4 1 9		910 - Q2 0 6
	930 - D1 9 1	WA2 - 0362 - 000	910 - Q1 0 3		910 - Q9 5 3
	930 - D1 9 8		910 - Q1 1 9	WA4 - 0324 - 000	910 - Q1 2 1
WA1 - 0977 - 000	910 - Q1 1 3		910 - Q2 0 9	WA4 - 0539 - 000	910 - Q2 0 8
WA1 - 1001 - 000	910 - ZD4 0 2	WA2 - 0383 - 000	930 - Q1 3 3	WA4 - 0590 - 000	930 - Q1 0 7
WA1 - 1027 - 000	910 - ZD4 0 3	WA2 - 0772 - 000	910 - Q1 0 5	WA4 - 0928 - 000	935 - Q 3
WA1 - 1047 - 000	935 - ZD1		910 - Q1 0 6	WA4 - 1269 - 000	935 - Q 5
WA1 - 1124 - 000	910 - D4 0 1		910 - Q1 1 0	WA4 - 5094 - 000	910 - Q1 0 2
	910 - D4 0 2		910 - Q4 0 9	WA4 - 5171 - 000	910 - Q5 0 2
	910 - D4 0 4		910 - Q4 1 2	WA4 - 5180 - 000	970 - Q4 0 1
	910 - D4 0 5		910 - Q4 1 3	WA4 - 5214 - 000	930 - Q1 0 9
	910 - D4 0 6		910 - Q4 1 4		935 - Q 4
	910 - D4 0 7	WA2 - 0775 - 000	910 - Q1 0 4	WA4 - 5228 - 000	930 - Q1 0 6
	910 - D4 0 8	WA2 - 0796 - 000	910 - Q3 0 6	WA4 - 5591 - 000	910 - Q2 0 1
	910 - D4 0 9	WA2 - 0834 - 000	935 - Q 9	WA4 - 5939 - 000	930 - Q1 0 8
	910 - D4 1 0		935 - Q1 0	WA4 - 5980 - 000	930 - Q1 0 5
	910 - D4 1 3		935 - Q1 1	WA4 - 6294 - 000	930 - Q1 7 9
WA1 - 1135 - 000	930 - D1 9 7	WA2 - 0863 - 000	930 - Q1 1 0	WA5 - 0093 - 000	910 - Q1 1 1
WA1 - 5027 - 000	910 - ZD2 0 1	WA2 - 1348 - 000	910 - Q1 0 1	WA5 - 0094 - 000	910 - Q1 1 1
WA1 - 5069 - 000	910 - D1 0 8	WA2 - 1414 - 000	910 - Q4 1 0	WA5 - 5009 - 000	910 - Q1 0 8
	910 - D1 0 9	WA2 - 1506 - 000	910 - Q4 0 2	WA5 - 5100 - 000	910 - Q1 1 4
	910 - D1 1 0	WA2 - 5016 - 000	910 - Q4 0 7	WA5 - 5101 - 000	910 - Q1 0 8
WA1 - 5071 - 000	930 - ZD1 0 2	WA2 - 5457 - 000	910 - Q1 1 6	WA9 - 0058 - 000	935 - Q 2
	930 - ZD1 0 3		910 - Q1 1 7	WC1 - 5037 - 000	910 - 8
	930 - ZD1 0 4	WA2 - 5503 - 000	910 - Q3 0 1	WC2 - 5057 - 000	935 - P S W
WA1 - 5163 - 000	910 - ZD2 0 2	WA2 - 5505 - 000	910 - Q2 0 5	WC2 - 5102 - 000	915 - S W3 0 1
WA1 - 5222 - 000	910 - D1 0 1	WA2 - 5511 - 000	910 - Q3 0 5		915 - S W3 0 2
	910 - D1 0 3		910 - Q4 0 4		915 - S W3 0 3
WA1 - 5238 - 000	910 - D1 0 4	WA2 - 5633 - 000	910 - Q1 2 0		915 - S W3 0 4
WA1 - 5423 - 000	930 - ZD1 0 1	WA2 - 5682 - 000	910 - Q4 1 5		915 - S W3 0 5
WA1 - 5473 - 000	910 - D2 0 9	WA2 - 5863 - 000	910 - Q1 1 6		915 - S W3 0 6
	910 - D2 1 0		910 - Q1 1 7		915 - S W3 0 7
WA1 - 5548 - 000	910 - D2 0 3	WA2 - 5873 - 000	930 - Q1 0 3		915 - S W3 0 8
WA1 - 5557 - 000	910 - D2 1 1		930 - Q1 3 2		915 - S W3 0 9
WA1 - 5565 - 000	910 - D2 0 4		930 - Q1 3 7	WC4 - 5030 - 000	161 - 6 7
WA1 - 5662 - 000	910 - D4 1 8		930 - Q1 4 7	WC5 - 5115 - 000	935 - S W2
	910 - D4 1 9		930 - Q1 5 0	WC8 - 0222 - 000	935 - S W1
	910 - D4 2 0		930 - Q1 5 1	WD3 - 0040 - 000	935 - C B1
	910 - D4 2 1		930 - Q1 6 5	WD9 - 5028 - 000	940 - 3
WA1 - 5667 - 000	930 - D1 0 2		930 - Q1 6 7	WD9 - 5037 - 000	910 - F U1 0 2
	930 - D1 0 3		930 - Q1 7 3	WE2 - 5032 - 000	935 - L 1
	930 - D1 0 8		930 - Q1 7 4	WE2 - 5153 - 000	910 - L 2 0 1
	930 - D1 1 2		930 - Q1 7 6	WE8 - 0087 - 000	102 - 6 7 A
	930 - D1 1 3		930 - Q1 8 4		102 - 1 0 7
	930 - D1 1 4	WA2 - 5874 - 000	930 - Q1 0 2	WE8 - 0098 - 000	161 - 5 0 B
	930 - D1 1 5		930 - Q1 0 4	WE8 - 5086 - 000	101 - 6 1
	930 - D1 1 7		930 - Q1 1 1	WE8 - 5093 - 000	102 - 1 0 8
	930 - D1 2 8		930 - Q1 1 2	WG1 - 5280 - 000	915 - L E D3 0 1
	930 - D1 3 2		930 - Q1 1 3		915 - L E D3 0 2
	930 - D1 3 3		930 - Q1 1 4		915 - L E D3 0 3
	930 - D1 8 4		930 - Q1 1 5		915 - L E D3 0 4
	930 - D1 8 5		930 - Q1 1 6		915 - L E D3 0 5
	930 - D1 8 6		930 - Q1 1 7		915 - L E D3 0 6
	930 - D1 8 8		930 - Q1 1 8		915 - L E D3 0 8
	930 - D1 9 0		930 - Q1 1 9		915 - L E D3 1 0
	930 - D1 9 3		930 - Q1 2 0		915 - L E D3 1 1
	930 - D1 9 5		930 - Q1 3 1		915 - L E D3 1 2
	930 - D1 9 9		930 - Q1 3 4	WG1 - 5281 - 000	915 - L E D3 0 7
	930 - D2 0 0		930 - Q1 3 5		915 - L E D3 1 3
	930 - D2 0 1		930 - Q1 3 6		915 - L E D3 1 4
	930 - D2 0 2		930 - Q1 3 8		915 - L E D3 1 6
	930 - D2 0 3		930 - Q1 3 9		915 - L E D3 1 7
	930 - D2 0 7		930 - Q1 4 0	WG3 - 0055 - 000	970 - P D4 0 1
	930 - D2 0 8		930 - Q1 4 6		970 - P D4 0 2
WA2 - 0036 - 000	910 - Q4 0 5		930 - Q1 4 8	WG8 - 5001 - 000	101 - 6 2
WA2 - 0058 - 000	910 - Q1 2 2		930 - Q1 4 9		101 - 6 3
WA2 - 0124 - 000	910 - Q1 0 7		930 - Q1 5 2		450 - 3 0
	910 - Q2 0 2		930 - Q1 5 5		810 - 1 5
	910 - Q2 1 2		930 - Q1 5 7	WG8 - 5180 - 000	910 - Q1 0 9
	910 - Q3 0 3		930 - Q1 5 8	WG8 - 5187 - 000	101 - 6 4
	910 - Q3 0 7		930 - Q1 6 0	WG8 - 5199 - 000	910 - Q1 1 2
	910 - Q4 0 3		930 - Q1 6 1	WG8 - 5206 - 010	161 - 6 8
	910 - Q4 0 6		930 - Q1 6 2	WG8 - 5309 - 000	161 - 6 9

D NUMERICAL INDEX

PART NUMBER	FIGURE & KEY NO.	PART NUMBER	FIGURE & KEY NO.	PART NUMBER	FIGURE & KEY NO.
WK1 - 0082 - 000	930 - BAT 1	XA9 - 0763 - 000	102 - 117	XD9 - 0136 - 000	220 - 19
WK2 - 5429 - 000	910 - X501	XA9 - 0794 - 000	101 - 73		250 - 7
	935 - X1	XA9 - 0813 - 000	101 - 74		401 - 11
WK3 - 5040 - 000	930 - NF001	XA9 - 0911 - 000	400 - 29	XF9 - 0350 - 000	290 - 22
	930 - NF002		401 - 10	XF9 - 0562 - 000	355 - 19
WS3 - 0437 - 000	B - J105		402 - 8	XG9 - 0177 - 000	640 - 39
	B - J107	XA9 - 0942 - 000	640 - 38	XG9 - 0237 - 000	161 - 79
	B - J206	XA9 - 0976 - 000	161 - 78	XH9 - 0084 - 000	100 - 45
	B - J401	XB1 - 2300 - 407	300 - 501	XZ9 - 0422 - 000	300 - 34
WS3 - 0885 - 000	B - J101	XB1 - 2300 - 409	102 - 501		
WS3 - 5160 - 000	B - J1		220 - 501		
	B - J202		810 - 501		
	B - J211	XB1 - 2300 - 607	530 - 501		
WS3 - 5174 - 000	B - J2		910 - 501		
	B - J201	XB1 - 2300 - 609	101 - 501		
	B - J207		230 - 501		
	B - J501		355 - 501		
WS3 - 5175 - 000	B - J201		400 - 501		
	B - J207		402 - 501		
	B - J501		530 - 502		
WS3 - 5352 - 000	B - J2	XB1 - 2300 - 809	102 - 502		
WS3 - 5353 - 000	B - J2		402 - 502		
WS3 - 5354 - 000	B - J2	XB1 - 2301 - 209	161 - 501		
WS3 - 5355 - 000	910 - J201	XB1 - 2400 - 609	161 - 502		
	910 - J207		161 - 503		
	940 - J501		162 - 501		
WS3 - 5358 - 000	B - J106		230 - 502		
	B - J601		290 - 502		
	B - J602		355 - 502		
	B - J951	XB1 - 2402 - 009	290 - 503		
WS4 - 0181 - 000	B - J101	XB2 - 6300 - 607	161 - 504		
WS4 - 0218 - 000	B - J16		810 - 502		
WS6 - 5092 - 000	B - J20	XB2 - 7300 - 607	101 - 502		
	B - J21		102 - 503		
WT1 - 0433 - 000	910 - J209		102 - 504		
	910 - J215		102 - 505		
WT1 - 5211 - 000	910 - J212	XB2 - 8300 - 607	102 - 506		
	910 - J213		400 - 502		
WT2 - 0204 - 010	161 - 70	XB2 - 8300 - 807	910 - 502		
WT2 - 0387 - 010	161 - 71	XB4 - 7200 - 609	100 - 501		
WT2 - 0494 - 000	102 - 109	XB4 - 7300 - 509	300 - 502		
WT2 - 0495 - 000	910 - 9	XB4 - 7300 - 609	100 - 502		
WT2 - 5026 - 000	101 - 47A		101 - 503		
	101 - 65		101 - 504		
	102 - 110	XB4 - 7300 - 809	101 - 505		
WT2 - 5035 - 000	101 - 66		101 - 506		
WT2 - 5041 - 000	101 - 53A		102 - 507		
	101 - 67		400 - 503		
	102 - 111		401 - 501		
	161 - 72		402 - 503		
	450 - 18A		530 - 503		
WT2 - 5056 - 000	910 - 10		640 - 501		
WT2 - 5306 - 000	910 - 11	XB4 - 7301 - 009	102 - 508		
WT2 - 5335 - 000	102 - 112		401 - 502		
WT2 - 5389 - 000	910 - 12		640 - 502		
WT3 - 5021 - 000	102 - 113	XB4 - 7301 - 209	161 - 505		
X62 - 8249 - 000	910 - SQ101		530 - 504		
	910 - SQ102	XB4 - 7401 - 009	100 - 503		
X65 - 5032 - 000	915 - D301	XB6 - 7300 - 609	102 - 509		
	915 - D302	XB6 - 7301 - 609	161 - 506		
	915 - D303	XB7 - 2200 - 409	401 - 503		
	915 - D304	XD1 - 2100 - 307	530 - 505		
XA1 - 7260 - 309	290 - 501	XD2 - 1100 - 322	102 - 510		
XA9 - 0187 - 000	101 - 68		161 - 507		
	101 - 69		355 - 503		
	220 - 17	XD2 - 1100 - 372	450 - 501		
XA9 - 0591 - 000	102 - 114	XD2 - 1100 - 402	290 - 504		
	102 - 115	XD2 - 1100 - 502	290 - 505		
XA9 - 0605 - 000	102 - 116		355 - 504		
	161 - 73		640 - 503		
	161 - 74		811 - 501		
XA9 - 0632 - 000	161 - 75	XD2 - 1100 - 642	161 - 508		
	161 - 76		355 - 505		
XA9 - 0633 - 000	161 - 77		161 - 509		
	355 - 18	XD2 - 2100 - 802	810 - 503		
XA9 - 0650 - 000	101 - 70	XD2 - 2300 - 202	101 - 507		
	450 - 31	XD2 - 2300 - 502	102 - 511		
XA9 - 0760 - 000	100 - 43		161 - 510		
	101 - 71		102 - 512		
	220 - 18	XD3 - 2160 - 062	340 - 501		
	230 - 19	XD3 - 2160 - 142	450 - 502		
	230 - 20	XD3 - 2200 - 062	290 - 506		
	450 - 32	XD3 - 2200 - 142	102 - 118		
XA9 - 0762 - 000	100 - 44	XD9 - 0134 - 000	102 - 119		
	101 - 72	XD9 - 0136 - 000	101 - 75		

Prepared by
OFFICE IMAGING PRODUCTS TECHNICAL SUPPORT DEPT.1
OFFICE IMAGING PRODUCTS TECHNICAL SUPPORT DIV.
CANON INC.
Printed in Japan

REVISION 0 [JUNE 1995]
REVISION 1 [OCT. 1995]
REVISION 2 [NOV. 1997]

5-1, Hakusan 7-chome, Toride-shi, Ibaraki 302, Japan

Canon