

NP6112/6312

PARTS CATALOG

REVISION 0

NP6112
〔 220V 50Hz F13-2545 TSA00001- 〕

NP6312
〔 240V 50Hz F13-2558 TTA00001- 〕

Canon

JULY 1997

FY8-31DA-000

PREFACE

This Parts Catalog contains listings of parts used in the NP6112/6312. Diagrams are provided with the listings to aid the service technician in identifying clearly, the item to be ordered.

Whenever ordering parts, consult this Parts Catalog for all of the information pertaining to each item. Be sure to include, in the Parts Request, the full item description, the item part number and the quantity.

Canon Inc.

Office Imaging Products Technical Support Dept.1
Office Imaging Products Technical Support Div.
5-1, Hakusan 7-chome,
Toride-shi, Ibaraki 302, Japan

COPYRIGHT © 1997 CANON INC.

Printed in Japan
Imprimé au Japon

CONTENTS

- A. ASSEMBLY LOCATION DIAGRAM
 - 100. EXTERNAL COVERS, PANELS, ETC.
 - 101. UPPER MAIN BODY
 - 102. LOWER MAIN BODY
 - 130. CONTROL PANEL ASSEMBLY
 - 160. COPYBOARD COVER ASSEMBLY (NP6112)
 - 161. ADF ASSEMBLY (NP6312)
 - 162. ADF TRAY ASSEMBLY (NP6312)

 - 220. SCANNER DRIVE ASSEMBLY
 - 230. MAIN DRIVE ASSEMBLY
 - 240. DELIVERY DRIVE ASSEMBLY
 - 250. PAPER PICK-UP DRIVE ASSEMBLY
 - 290. ADF DRIVE ASSEMBLY (NP6312)

 - 300. CASSETTE
 - 340. PAPER PICK-UP ROLLER ASSEMBLY (CASSETTE)
 - 355. ADF DELIVERY ASSEMBLY (NP6312)

 - 400. MIRROR ASSEMBLY 1
 - 401. MIRROR ASSEMBLY 2
 - 402. ZOOM MIRROR ASSEMBLY
 - 450. BLANK EXPOSURE LAMP ASSEMBLY

 - 530. TRANSFER ASSEMBLY

 - 640. DEVELOPING ASSEMBLY

 - 810. FIXING ASSEMBLY
 - 811. FIXING FILM REPLACEMENT KIT

 - 910. DC POWER SUPPLY PCB ASSEMBLY
 - 915. CONTROL PANEL PCB ASSEMBLY
 - 930. DC CONTROLER PCB ASSEMBLY
 - 935. ADF CONTROLLER PCB ASSEMBLY (NP6312)
 - 940. NOISE FILTER PCB ASSEMBLY
- B. LIST OF CONNECTORS
- C. LIST OF STANDARD FASTENERS
- D. NUMERICAL INDEX

FIGURE A ASSEMBLY LOCATION DIAGRAM(1/3)

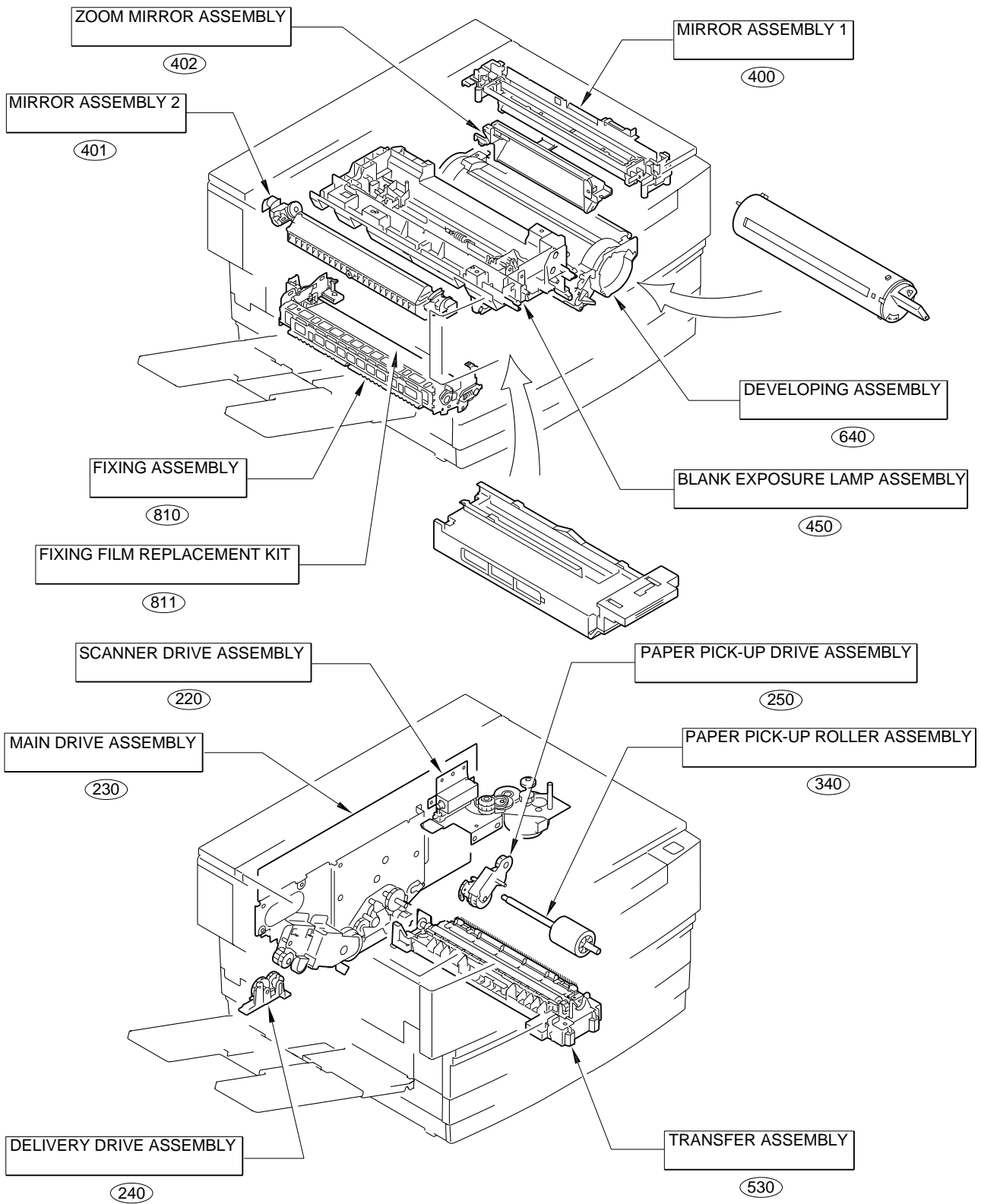


FIGURE A ASSEMBLY LOCATION DIAGRAM(2/3)

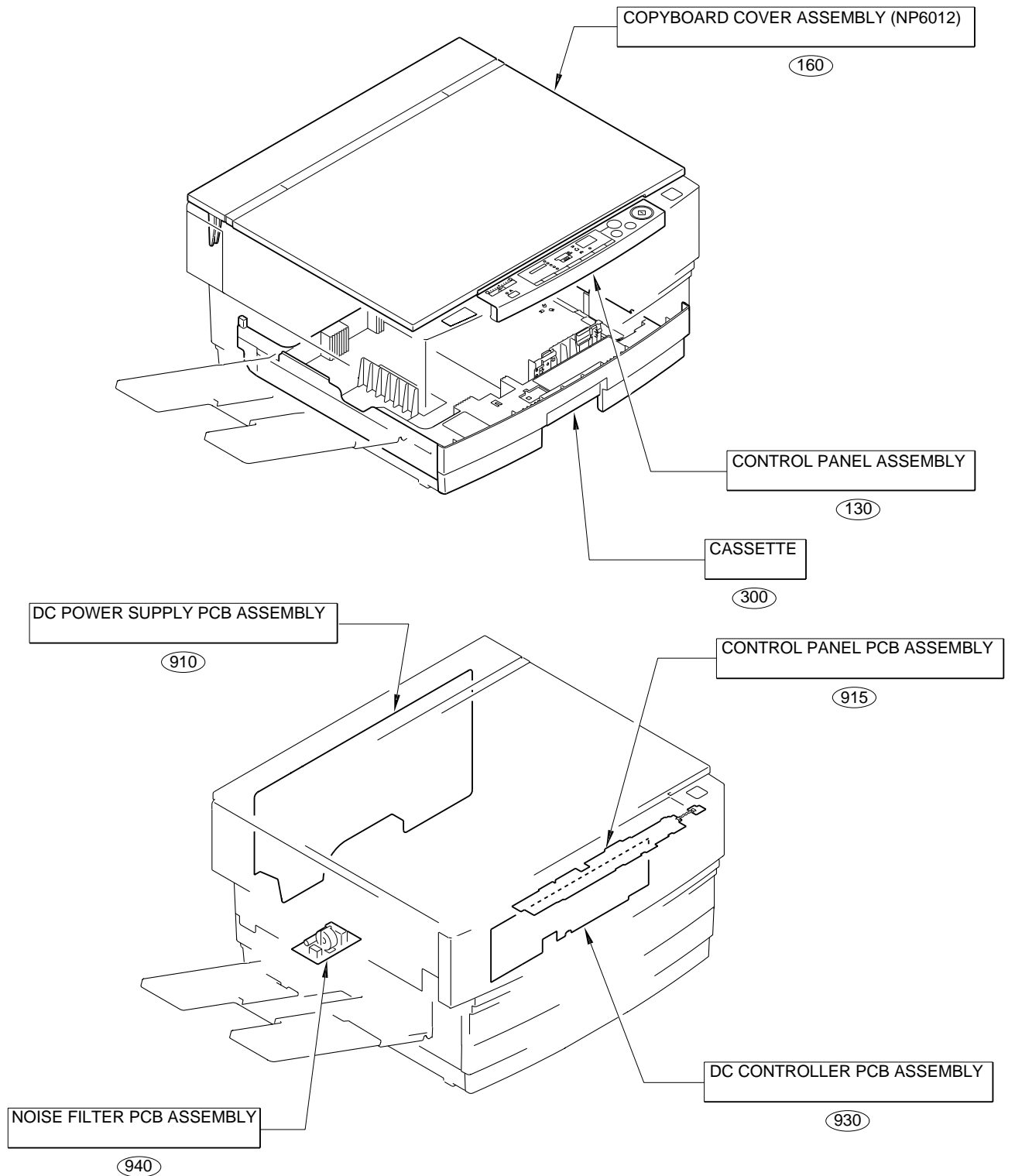


FIGURE A ASSEMBLY LOCATION DIAGRAM(3/3)

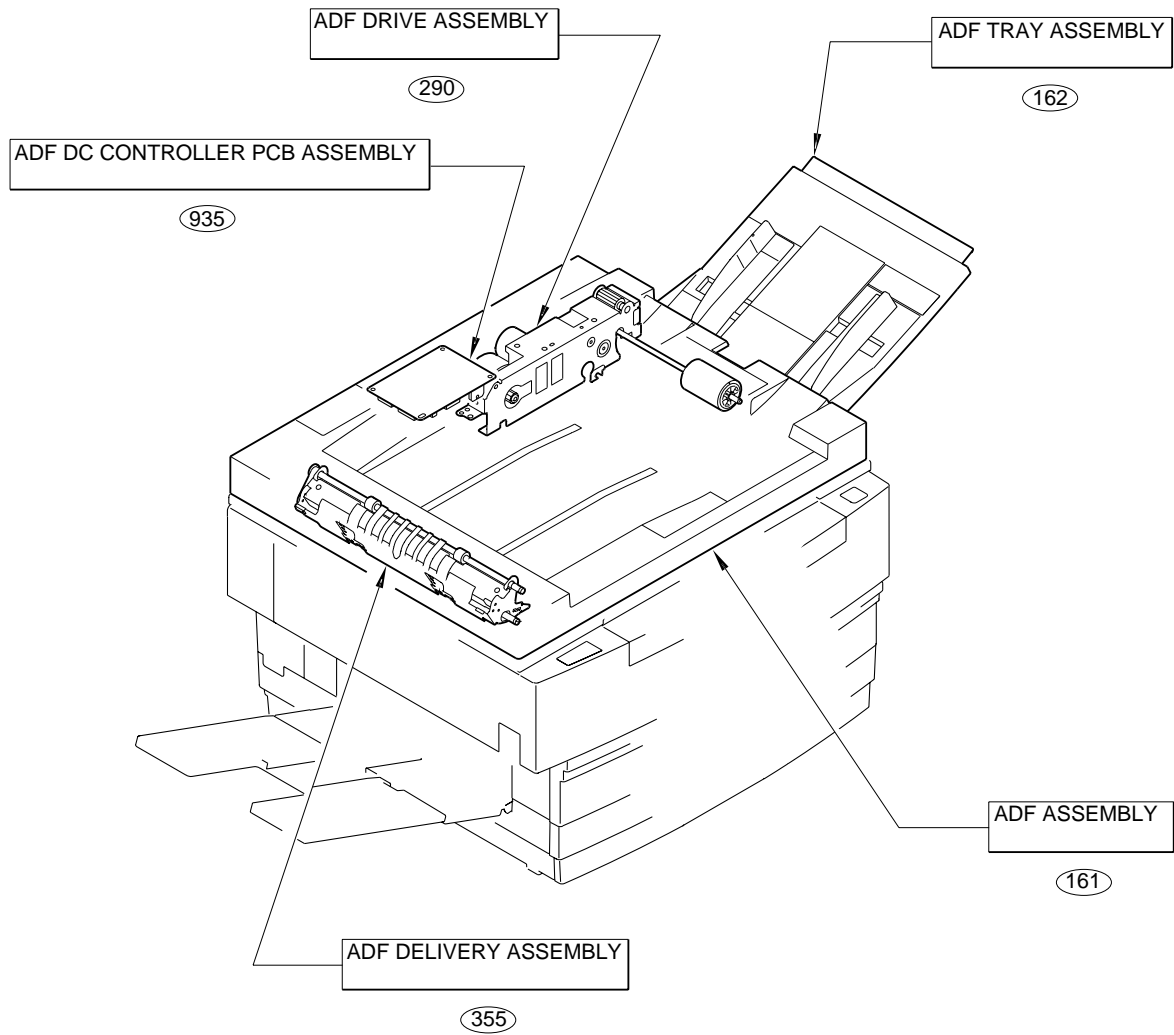


FIGURE 100 EXTERNAL COVERS, PANELS, ETC.

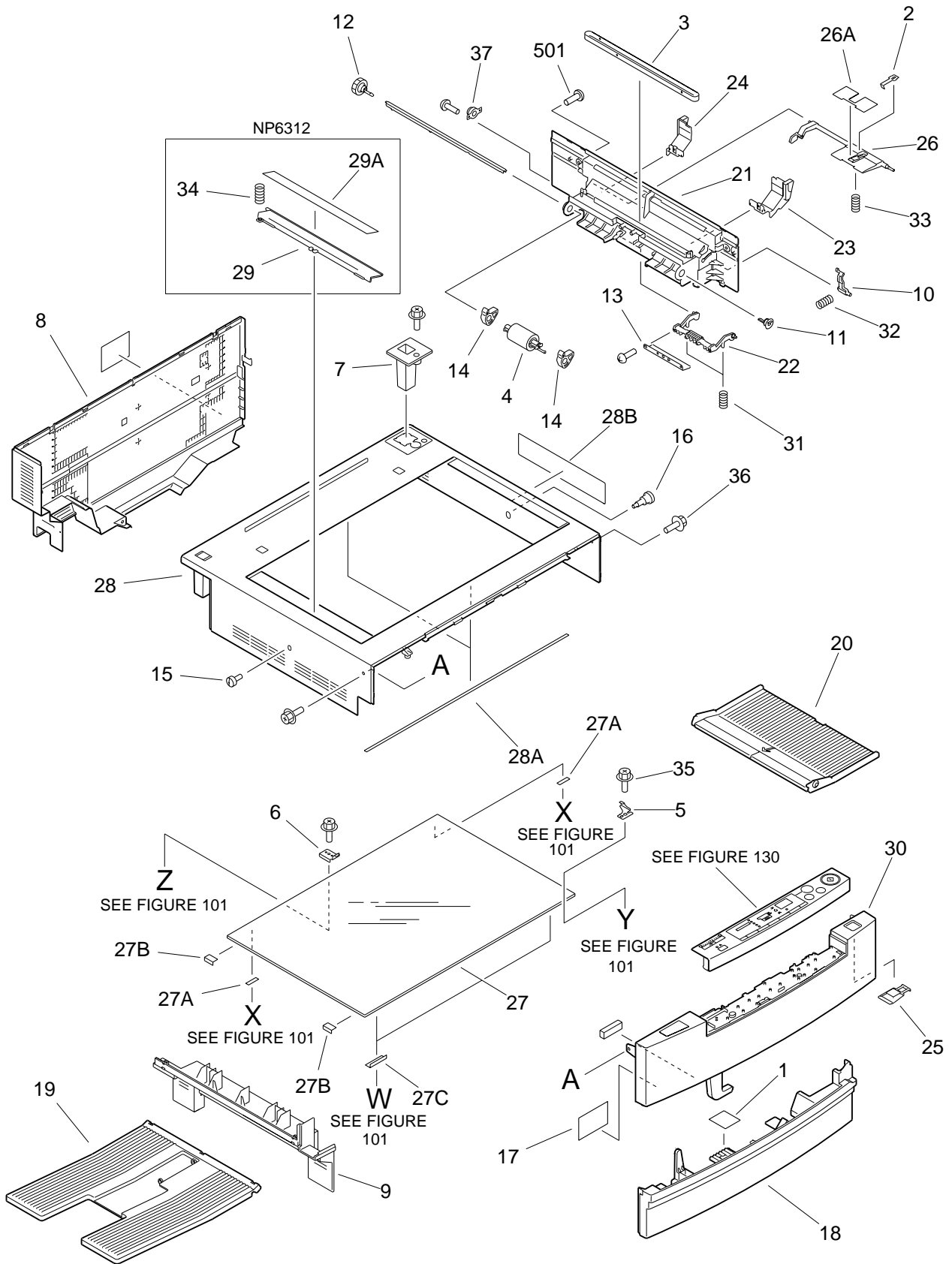


FIGURE & KEY NO.	PART NUMBER	RANK	QTY	DESCRIPTION	SERIAL NUMBER / REMARKS
100 -	NPN		RF	EXTERNAL COVERS, PANELS, ETC.	
1	FA9 - 3416 - 000		1	LABEL, "WARNING, OPEN/CLOSE"	
2	FB1 - 7283 - 000		1	SPRING, LEAF	
3	FB1 - 7403 - 000		1	FILM, SLIDE	
4	FB1 - 9766 - 000		1	ROLLER, PICK-UP	
5	FB2 - 4606 - 000		1	RETAINER, GLASS, 1	
6	FB2 - 4607 - 000		1	RETAINER, GLASS, 2	
7	FB2 - 4785 - 000		1	SUPPORT, COPYBOARD	NP6112
	FB3 - 0839 - 020		1	SUPPORT, ADF	NP6312
8	FB2 - 5054 - 000		1	PANEL, REAR	NP6112
	FB2 - 5487 - 000		1	PANEL, REAR	NP6312
9	FB2 - 5055 - 000		1	PANEL, LEFT	
10	FB2 - 5213 - 000		1	LEVER, TRAY	
11	FB2 - 5214 - 020		1	HOLDER, PICK-UP SHAFT	
12	FB2 - 5215 - 020		1	GEAR, 26T	
13	FB2 - 5216 - 000		1	PLATE	
14	FB2 - 5217 - 000		2	ROLLER	
15	FB2 - 5500 - 000		1	SCREW, M4X12	
16	FB2 - 5502 - 000		1	SCREW, STEPPED	
17	FB3 - 0809 - 000		1	LABEL, SERVICE	
18	FB3 - 0850 - 000		1	PANEL, LOWER, FRONT	
19	FB4 - 1088 - 00S		1	TRAY, PAPER DELIVERY	
20	FB4 - 1096 - 00S		1	TRAY, PAPER PICK-UP	
21	FB4 - 1097 - 00S		1	PANEL, RIGHT	
22	FB4 - 1109 - 00S		1	FLAPPER, SEPARATING	
23	FB4 - 1195 - 00S		1	PLATE, PAPER STOP END, FRONT	
24	FB4 - 1196 - 00S		1	PLATE, PAPER STOP END, REAR	
25	FB4 - 1197 - 00S		1	KEY TOP, MAIN SWITCH	
26	FF5 - 2875 - 000		1	PLATE, PICK-UP	
26 A	FB1 - 7295 - 000		1	SHEET, LIFTER ARM	

FIGURE & KEY NO.	PART NUMBER	RANK	QTY	DESCRIPTION	SERIAL NUMBER / REMARKS
100 - 27	FF5 - 3728 - 000		1	GLASS, COPYBOARD	NP6112
	FF5 - 3729 - 000		1	GLASS, COPYBOARD	NP6312
	27 A	FB2 - 4791 - 000	2	SHEET, GLASS PROTECTIVE	
	27 B	FB2 - 4793 - 000	2	SHEET, GLASS PROTECTIVE	
	27 C	FB2 - 4794 - 000	2	SHEET, GLASS PROTECTIVE	
28	FF5 - 3903 - 030		1	COVER, TOP	NP6112
	FF5 - 3920 - 040		1	COVER, TOP	NP6312
	28 A	FB2 - 4790 - 020	2	SHEET, GLASS	
	28 B	FB2 - 5507 - 000	1	LABEL, "WARNING, RIGHT PLATE"	NP6112
	29	FF5 - 3905 - 000	1	GUIDE, PAPER JUMP	NP6312
29 A	FB3 - 0817 - 000		1	LABEL, "PAPER SIZE"	NP6312
30	FF5 - 6734 - 00S		1	PANEL, UPPER, FRONT	NP6112
	FF5 - 6735 - 00S		1	PANEL, UPPER, FRONT	NP6312
31	FS5 - 2769 - 000		2	SPRING, COMPRESSION	
32	FS5 - 2770 - 000		1	SPRING, COMPRESSION	
33	FS5 - 2776 - 000		1	SPRING, COMPRESSION	
34	FS6 - 2270 - 000		1	SPRING, COMPRESSION	NP6312
35	XA9 - 0760 - 000		AR	SCREW,RS,M3X6	
36	XA9 - 0762 - 000		3	SCREW,RS,M3X8	
37	XH9 - 0084 - 000		1	DAMPER UNIT	
501	XB4 - 7401 - 009		3	SCREW,TAPPING,TRUSS HEAD,M4X10	

FIGURE & KEY NO.	PART NUMBER	RANK	QTY	DESCRIPTION	SERIAL NUMBER / REMARKS
101 -	NPN		RF	UPPER MAIN BODY	
1	FB2 - 4603 - 000		1	PLATE, DUST-PROOF	
2	FB2 - 4610 - 000		1	PULLEY, DRIVE	
3	FB2 - 4611 - 000		1	WIRE, MIRROR DRIVE, 1	
4	FB2 - 4612 - 000		1	WIRE, MIRROR DRIVE, 2	
5	FB2 - 4613 - 000		1	RETAINER, MIRROR, 6, FRONT	
6	FB2 - 4614 - 000		1	RETAINER, MIRROR, 6, REAR	
7	FB2 - 4622 - 020		2	HOLDER, WIRE	
8	FB2 - 4626 - 000		2	CAP, EDGE	
9	FB2 - 4627 - 000		1	SHEET, LIGHT-BLOCKING, 1	
10	FB2 - 4628 - 000		1	SHEET, LIGHT-BLOCKING, 2	
11	FB2 - 4629 - 000		1	HOLDER, LENS	
12	FB2 - 4734 - 000		1	SHEET, 1	
13	FB2 - 4736 - 000		1	SHEET, 2	
14	FB2 - 4792 - 000		1	HOOK, WIRE STOPPING	
15	FB2 - 4840 - 000		1	SHEET, 7	
16	FB2 - 4866 - 020		1	BLOCK, HOOK, FRONT	
17	FB2 - 4870 - 000		1	HOOK, REAR	
18	FB2 - 4871 - 000		1	LEVER, SWITCH	
19	FB2 - 4872 - 000		1	ACTUATOR	
20	FB2 - 4873 - 000		1	PLATE, GROUNDING	
21	FB2 - 4875 - 000		1	PLATE, LEVER GROUNDING	
22	FB2 - 4877 - 000		1	SPRING, TORSION	
23	FB2 - 4942 - 000		1	GUIDE, SENSOR	
24	FB2 - 4943 - 000		1	PIN, HOOK	
25	FB2 - 5501 - 030		1	SCREW, M4X15	
26	FB3 - 0570 - 000		1	PLATE, LINK	
27	FB3 - 0623 - 000		1	FAN, EXHAUST	
28	FB3 - 0626 - 000		1	SUPPORT, PULLEY SHAFT	
29	FB3 - 0627 - 000		1	BLOCK, HOOK, REAR	

FIGURE & KEY NO.	PART NUMBER	R A N K	Q' T Y	DESCRIPTION	SERIAL NUMBER / REMARKS
101 - 30	FB3 - 0630 - 000		1	BELT, FAN	
31	FB3 - 0632 - 000		1	SUPPORT, FAN, REAR	
32	FB3 - 0633 - 000		1	JOINT	
33	FB3 - 0639 - 000		1	PULLEY, FAN	
34	FB3 - 0670 - 000		1	DIAL, DENSITY CONTROL	
35	FB3 - 0736 - 030		1	SHUTTER, FIXING	
36	FB4 - 1194 - 00S		1	HOOK, FRONT	
37	FF2 - 9730 - 000		1	CABLE, HOME POSITION SENSOR	J7,101
38	FF2 - 9732 - 000		1	CABLE, DELIVERY SENSOR	J9,10
39	FF2 - 9760 - 000		1	CABLE, FIXING HEATER	J2,207
40	FF2 - 9799 - 000		1	CABLE, GROUNDING	
41	FF5 - 2859 - 000		1	HOLDING PLATE, FIXING ASSEMBLY	
42	FF5 - 2867 - 020		1	PULLEY, IDLER	
43	FF5 - 3716 - 000		1	SHEET, 2	
43 A	FB2 - 5058 - 000		1	SHEET, 4	
44	FF5 - 3912 - 000		1	SUPPORT, FAN, FRONT	
44 A	FB3 - 0625 - 000		1	PLATE, FAN GROUNDING	
45	FG5 - 3550 - 000		1	DC CONTROLLER CABLE	NP6112
	FG5 - 5509 - 000		1	DC CONTROLLER CABLE	NP6312
45 A	WT2 - 5041 - 000		2	CLAMP, CABLE	
45 B	VS1 - 5057 - 008		1	CONNECTOR, SNAP TIGHT	NP6312 J102
46	FN5 - 4021 - 000		1	MIRROR, 6	
47	FS5 - 2797 - 000		1	SPRING, TORSION	
48	FS5 - 2802 - 000		1	SPRING, TENSION	
49	FS5 - 2803 - 020		1	SPRING, TENSION	
50	VS1 - 5057 - 003		1	CONNECTOR, SNAP TIGHT	J9
51	WE8 - 5086 - 000		1	FERRITE CORE	NP6312
52	WG8 - 5001 - 000		1	PHOTO-INTERRUPTER, TLP1231	PS1 J7

FIGURE & KEY NO.	PART NUMBER	RANK	QTY	DESCRIPTION	SERIAL NUMBER / REMARKS
101 - 53	WG8 - 5001 - 000		1	PHOTO-INTERRUPTER, TLP1231	PS3 J10
54	WG8 - 5187 - 000		1	PHOTO-INTERRUPTER	PS2 J12
55	WT2 - 5041 - 000		3	CLAMP, CABLE	
56	WT2 - 5041 - 000		2	CLAMP, CABLE	
57	XA9 - 0187 - 000		2	SCREW,M3X6	
58	XA9 - 0650 - 000		1	SCREW,M3X6	
59	XA9 - 0760 - 000		15	SCREW,RS,M3X6	
60	XA9 - 0760 - 000		1	SCREW,RS,M3X6	NP6312
61	XA9 - 0762 - 000		3	SCREW,RS,M3X8	
62	XA9 - 0794 - 000		4	SCREW,RS,M3X6	
63	XA9 - 0813 - 000		1	SCREW,RS,M3X8	
64	XD9 - 0136 - 000		1	RING,E	
501	XB1 - 2300 - 609		3	SCREW,MACH.,TRUSS HEAD,M3X6	
502	XB2 - 7300 - 607		6	SCREW,W/WASHER,M3X6	
503	XB4 - 7300 - 609		1	SCREW,TAPPING,TRUSS HEAD,M3X6	
504	XB4 - 7300 - 609		1	SCREW,TAPPING,TRUSS HEAD,M3X6	
505	XB4 - 7300 - 809		3	SCREW,TAPPING,TRUSS HEAD,M3X8	
506	XB4 - 7300 - 809		1	SCREW,TAPPING,TRUSS HEAD,M3X8	
507	XB4 - 7300 - 809		2	SCREW,TAPPING,TRUSS HEAD,M3X8	
508	XD2 - 2300 - 502		1	RING,TOOTHED LOCK	

FIGURE 102 LOWER MAIN BODY(1/2)

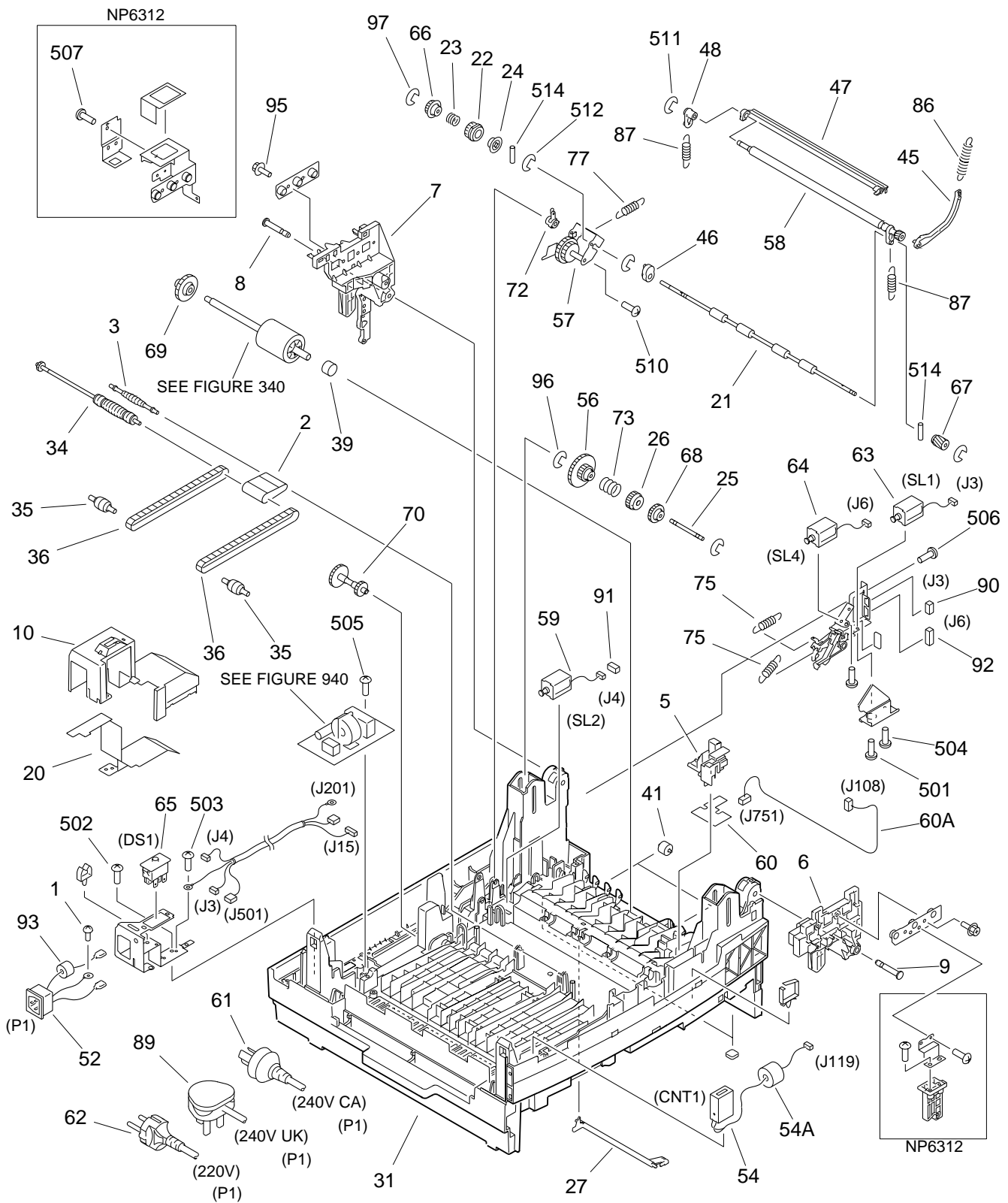


FIGURE 102 LOWER MAIN BODY(2/2)

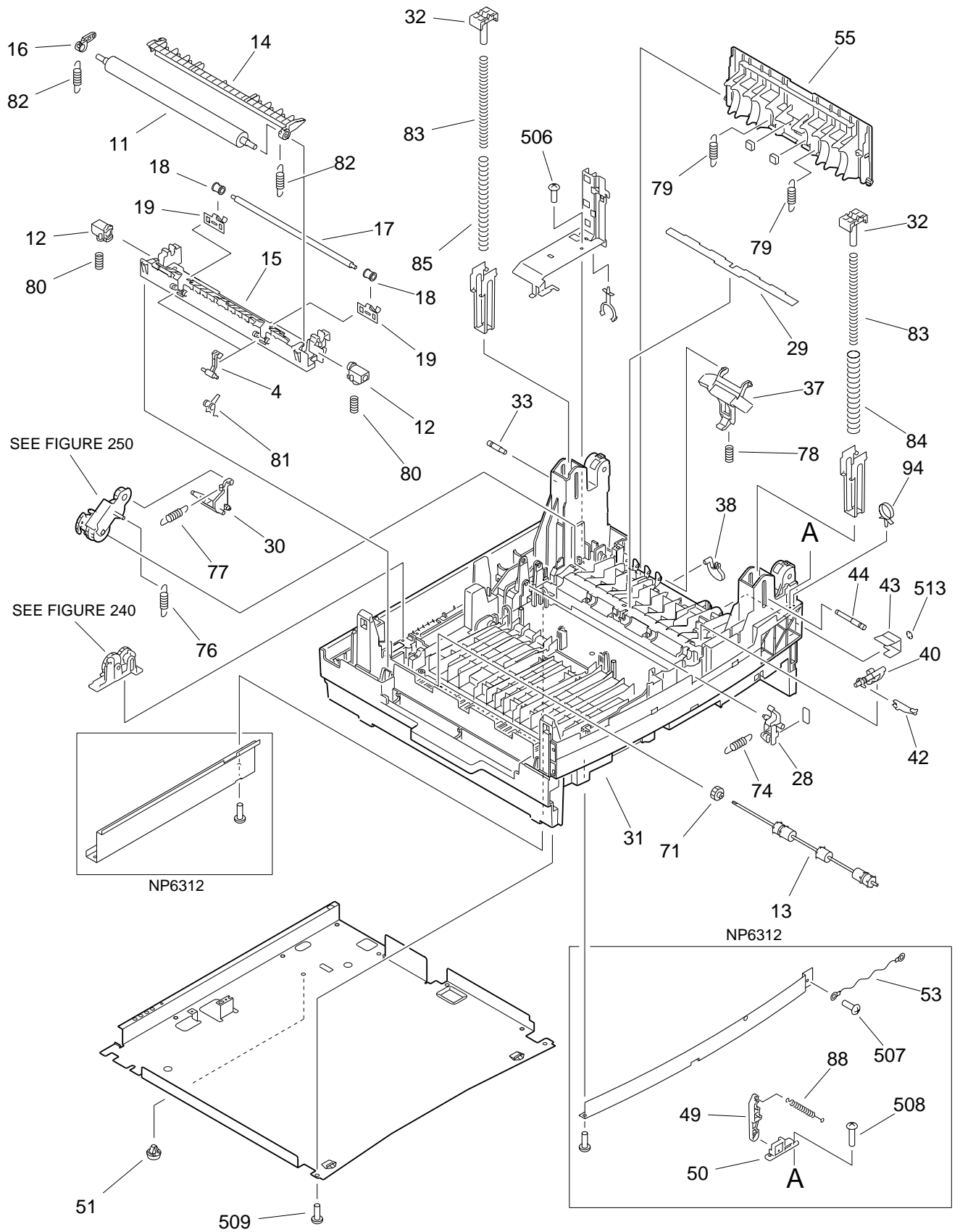


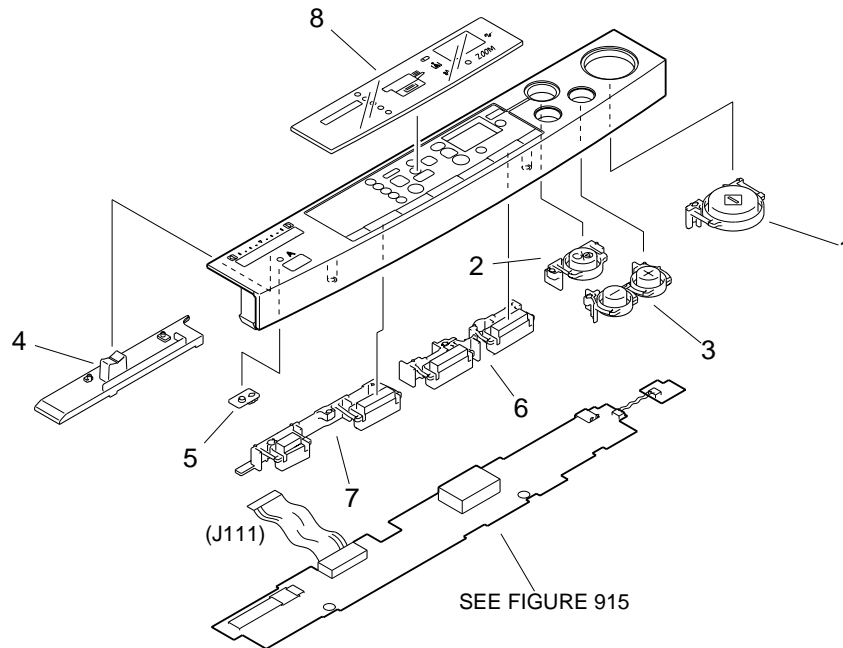
FIGURE & KEY NO.	PART NUMBER	RANK	QTY	DESCRIPTION	SERIAL NUMBER / REMARKS
102 -	NPN		RF	LOWER MAIN BODY	
1	FA9 - 2568 - 000		1	SCREW,MACH.,TRUSS HEAD	
2	FB1 - 7267 - 000		1	BELT, PAPER FEED, 1	
3	FB1 - 7270 - 000		1	PULLEY, BELT, 1	
4	FB1 - 7275 - 000		2	CLAW, SEPARATION	
5	FB2 - 4780 - 000		1	COVER, SENSOR PCB	
6	FB2 - 4928 - 020		1	MOUNT, HINGE, FRONT	
7	FB2 - 4929 - 000		1	MOUNT, HINGE, REAR	
8	FB2 - 4930 - 000		1	PIN, HINGE	
9	FB2 - 4930 - 000		1	PIN, HINGE	NP6112
	FB3 - 0833 - 000		1	PIN, HINGE	NP6312
10	FB2 - 4933 - 000		1	COVER, AC POWER SUPPLY	
11	FB2 - 5029 - 020		1	ROLLER, PRESSURE	
12	FB2 - 5030 - 000		2	HOLDER, ROLLER	
13	FB2 - 5031 - 000		1	ROLLER, DELIVERY	
14	FB2 - 5032 - 000		1	GUIDE, ENTRANCE	
15	FB2 - 5033 - 000		1	GUIDE, LOWER, DELIVERY	
16	FB2 - 5034 - 000		1	HOLDER, ENTRANCE GUIDE	
17	FB2 - 5040 - 000		1	ROLLER, CLEANING	
18	FB2 - 5041 - 000		2	BUSHING	
19	FB2 - 5042 - 000		2	SPRING, LEAF	
20	FB2 - 5060 - 000		1	SHIELD, NOISE	
21	FB2 - 5161 - 030		1	ROLLER, LOWER	
22	FB2 - 5162 - 000		1	RING, RATCHET	
23	FB2 - 5163 - 000		1	SPRING, CLUTCH	
24	FB2 - 5164 - 000		1	DRUM, CLUTCH	
25	FB2 - 5182 - 000		1	SHAFT, CLUTCH	
26	FB2 - 5183 - 000		1	RING, RATCHET	
27	FB2 - 5221 - 000		1	LEVER, SENSOR	
28	FB2 - 5222 - 020		1	LEVER, CLUTCH	

FIGURE & KEY NO.	PART NUMBER	RANK	QTY	DESCRIPTION	SERIAL NUMBER / REMARKS
102 - 29	FB2 - 5223 - 000		1	SHEET, GUIDE	
30	FB2 - 5224 - 000		1	ARM, PAPER PICK-UP	
31	FB2 - 5301 - 000	N	1	FRAME, BASE	
32	FB2 - 5304 - 000		2	BLOCK, HINGE SLIDING	
33	FB2 - 5305 - 000		1	PIN, SLIDE, 1	
34	FB2 - 5309 - 000		1	PULLEY, BELT, 2	
35	FB2 - 5310 - 000		2	PULLEY, BELT, 3	
36	FB2 - 5311 - 000		2	BELT, PAPER FEED, 2	
37	FB2 - 5380 - 030		1	PAD, SEPARATION	
38	FB2 - 5381 - 000		1	BLOCK, PAD	
39	FB2 - 5382 - 000		1	HOLDER, ROLLER	
40	FB2 - 5383 - 020		1	FLAG, SENSING, 1	
41	FB2 - 5385 - 000		2	ROLLER	
42	FB2 - 5388 - 000		1	FLAG, SENSING, 2	
43	FB2 - 5392 - 020		1	PLATE, FLAG HOLDING	
44	FB3 - 0732 - 000		1	SHAFT, SLIDE, 2	NP6112
	FB3 - 0837 - 000		1	SHAFT, SLIDE, 2	NP6312
45	FB3 - 0743 - 000		1	ARM, PRESSURE RELEASE	
46	FB3 - 0744 - 000		1	BUSHING, SWING	
47	FB3 - 0745 - 000		1	GUIDE, REGISTRATION, UPPER	
48	FB3 - 0748 - 000		1	BUSHING, UPPER REGISTRATION	
49	FB3 - 0831 - 000		1	LEVER, SUPPORT	NP6312
50	FB3 - 0832 - 000		1	HOLDER, LEVER	NP6312
51	FB3 - 0840 - 000		1	FOOT, AUXILIARY	
52	FF2 - 9789 - 000		1	CABLE, AC INLET	P1
53	FF2 - 9800 - 000		1	CABLE, GROUNDING	NP6312
54	FF3 - 1215 - 000		1	COUNTER	CNT1 J119
54 A	WE8 - 0087 - 000		1	FERRITE CORE	
55	FF5 - 2858 - 000		1	COVER	
56	FF5 - 3714 - 000		1	GEAR, 17T/80T	

FIGURE & KEY NO.	PART NUMBER	RANK	QTY	DESCRIPTION	SERIAL NUMBER / REMARKS
102 - 57	FF5 - 3927 - 000		1	PLATE, REGIST SWING	
58	FF5 - 3928 - 020		1	ROLLER, REGISTRATION, UPPER	
59	FF9 - 1504 - 000		1	SOLENOID	SL2 J4
60	FG5 - 5496 - 000		1	SENSOR PCB UNIT	
60 A	FF3 - 0479 - 000		1	CABLE, SENSOR PCB UNIT	J108,751
61	FH2 - 5276 - 030		1	CORD, POWER SUPPLY	240V CA P1
62	FH2 - 5761 - 000		1	CORD, POWER SUPPLY	220V P1
63	FH7 - 5627 - 000		1	SOLENOID, DC24V	SL1 J3
64	FH7 - 5628 - 000		1	SOLENOID, DC24V	SL4 J6
65	FH7 - 6216 - 000		1	SWITCH, INTERLOCK	DS1
66	FS5 - 0883 - 000		1	GEAR, 34T	
67	FS5 - 0885 - 000		1	GEAR, 14T	
68	FS5 - 0887 - 000		1	GEAR, 25T	
69	FS5 - 0903 - 000		1	GEAR, 36T	
70	FS5 - 0913 - 020		1	GEAR, 17T/18T	
71	FS5 - 0915 - 000		1	GEAR, 14T	
72	FS5 - 1440 - 000		1	BUSHING, REGISTRATION, REAR	
73	FS5 - 2351 - 000		1	SPRING, CLUTCH	
74	FS5 - 2767 - 000		1	SPRING, TENSION	
75	FS5 - 2771 - 000		2	SPRING, TENSION	
76	FS5 - 2772 - 000		1	SPRING, TENSION	
77	FS5 - 2773 - 000		2	SPRING, TENSION	
78	FS5 - 2778 - 000		1	SPRING, COMPRESSION	
79	FS5 - 2783 - 000		2	SPRING, TENSION	
80	FS5 - 2798 - 000		2	SPRING, COMPRESSION	
81	FS5 - 2799 - 000		2	SPRING, TORSION	
82	FS5 - 2800 - 000		2	SPRING, TENSION	
83	FS5 - 2806 - 000		2	SPRING, COMPRESSION	NP6112
	FS6 - 2234 - 000		2	SPRING, COMPRESSION	NP6312
84	FS6 - 2232 - 000		1	SPRING, COMPRESSION	

FIGURE & KEY NO.	PART NUMBER	R A N K	Q' T Y	DESCRIPTION	SERIAL NUMBER / REMARKS
102 - 85	FS6 - 2233 - 000		1	SPRING, COMPRESSION	NP6112
	FS6 - 2232 - 000		1	SPRING, COMPRESSION	NP6312
86	FS6 - 2239 - 000		1	SPRING, TENSION	
87	FS6 - 2240 - 000		2	SPRING, TENSION	
88	FS6 - 2241 - 000		1	SPRING, TENSION	NP6312
89	RH2 - 5015 - 050		1	CORD, POWER SUPPLY	240V UK P1
90	VS1 - 5057 - 002		1	CONNECTOR, SNAP TIGHT	J3
91	VS1 - 5057 - 002		1	CONNECTOR, SNAP TIGHT	J4
92	VS1 - 5057 - 003		1	CONNECTOR, SNAP TIGHT	J6
93	WE8 - 0087 - 000		1	FERRITE CORE	NP6312
94	WT2 - 5041 - 000		1	CLAMP, CABLE	
95	XA9 - 0763 - 000		6	SCREW,RS,M3X11	
96	XD9 - 0134 - 000		2	RING,E	
97	XD9 - 0134 - 000		6	RING,E	
501	XB1 - 2300 - 409		2	SCREW,MACH.,TRUSS HEAD,M3X4	
502	XB1 - 2300 - 809		2	SCREW,MACH.,TRUSS HEAD,M3X8	
503	XB2 - 7300 - 607		3	SCREW,W/WASHER,M3X6	
504	XB2 - 7300 - 607		1	SCREW,W/WASHER,M3X6	
505	XB2 - 8300 - 607		1	SCREW,W/WASHER,M3X6	
506	XB4 - 7300 - 809		4	SCREW,TAPPING,TRUSS HEAD,M3X8	
507	XB4 - 7300 - 809		11	SCREW,TAPPING,TRUSS HEAD,M3X8	NP6312
508	XB4 - 7301 - 009		2	SCREW,TAPPING,TRUSS HEAD,M3X10	NP6312
509	XB4 - 7400 - 609		9	SCREW,TAPPING,TRUSS HEAD,M4X6	
510	XB6 - 7300 - 609		1	SCREW,TP,M3X6	
511	XD2 - 1100 - 322		5	RING,E	
512	XD2 - 1100 - 502		1	RING,E	
513	XD2 - 2300 - 502		1	RING,TOOTHED LOCK	
514	XD3 - 2160 - 062		2	PIN,DOWEL	

FIGURE 130 CONTROL PANEL ASSEMBLY



NOTE1: This assembly includes the assembly shown in Figure 915.
 NOTE2: This assembly does not include the part shown with key No.8.

FIGURE & KEY NO.	PART NUMBER	RANK	QTY	DESCRIPTION	SERIAL NUMBER / REMARKS
130 -	FG5 - 5450 - 000		1	CONTROL PANEL ASSEMBLY	NP6112 SEE NOTE 1
	FG5 - 5452 - 000		1	CONTROL PANEL ASSEMBLY	NP6312 SEE NOTE 1
1	FB3 - 0661 - 000		1	KEY TOP, START	
2	FB3 - 0662 - 000		1	KEY TOP, CLEAR/STOP	
3	FB3 - 0663 - 000		1	KEY TOP, NUMBER	
4	FB3 - 0664 - 000		1	KNOB, DENSITY CONTROL	
5	FB3 - 0665 - 000		1	COVER, LED	
6	FB3 - 0666 - 020		1	KEY TOP, FUNCTION, 1	
7	FB3 - 0667 - 020		1	KEY TOP, FUNCTION, 2	
8	FB4 - 1143 - 000		1	PANEL, CLEAR	SEE NOTE 2 NP6112
	FB4 - 1145 - 000		1	PANEL, CLEAR	SEE NOTE 2 NP6312

FIGURE 160 COPYBOARD COVER ASSEMBLY (NP6112)

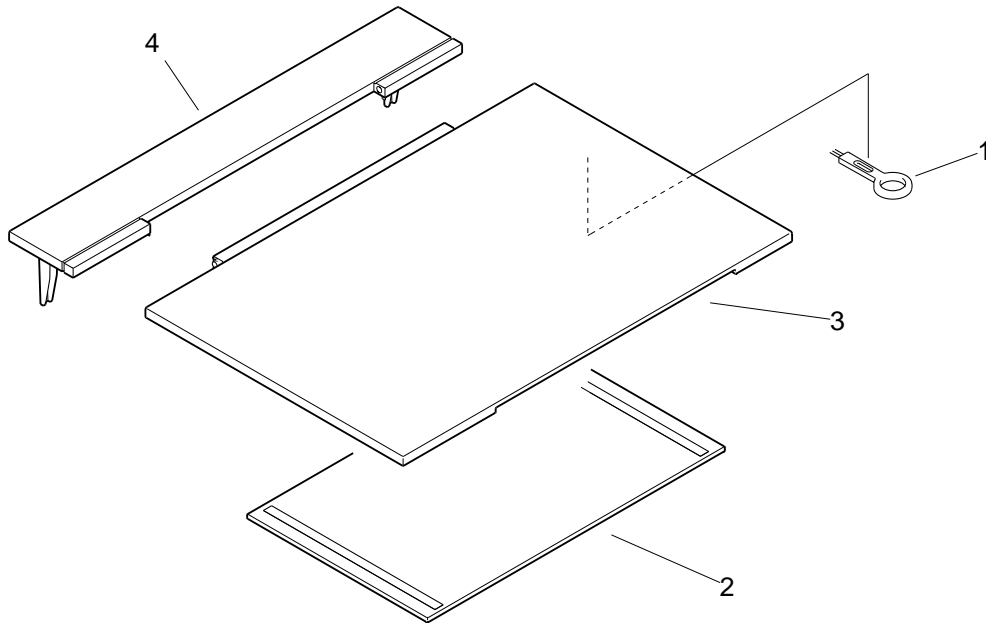


FIGURE & KEY NO.	PART NUMBER	RANK	QTY	DESCRIPTION	SERIAL NUMBER / REMARKS
160 -	FG5 - 3532 - 000		1	COPYBOARD COVER ASSEMBLY	NP6112
1	FA9 - 3102 - 000		1	BRUSH, CLEANING	
2	FB1 - 8870 - 000		1	SHEET, COPYBOARD	
3	FB2 - 5423 - 000		1	COVER, COPYBOARD, LARGE	
4	FB2 - 5424 - 000		1	COVER, COPYBOARD, SMALL	

FIGURE 161 ADF ASSEMBLY (NP6312)(1/2)

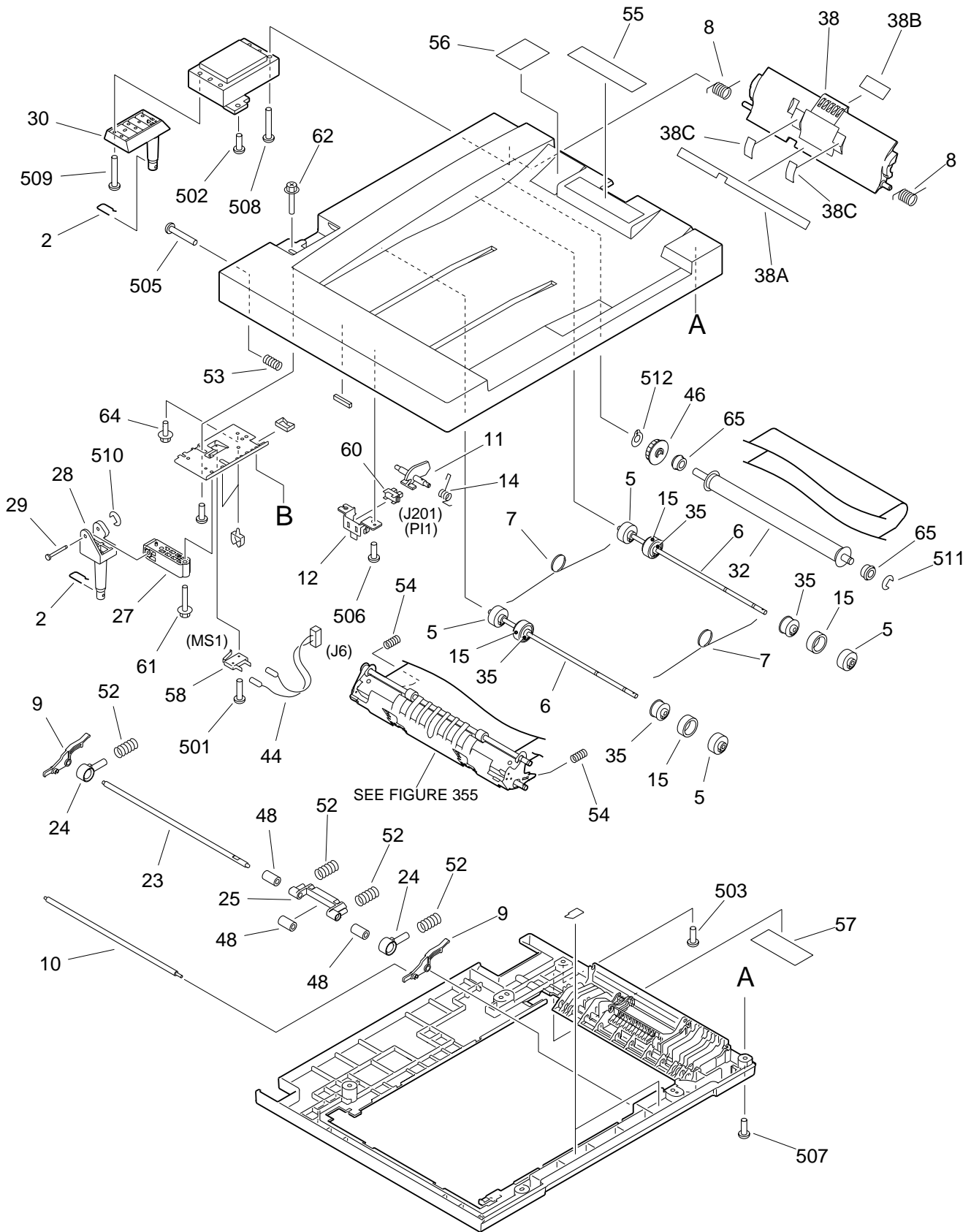


FIGURE 161 ADF ASSEMBLY (NP6312)(2/2)

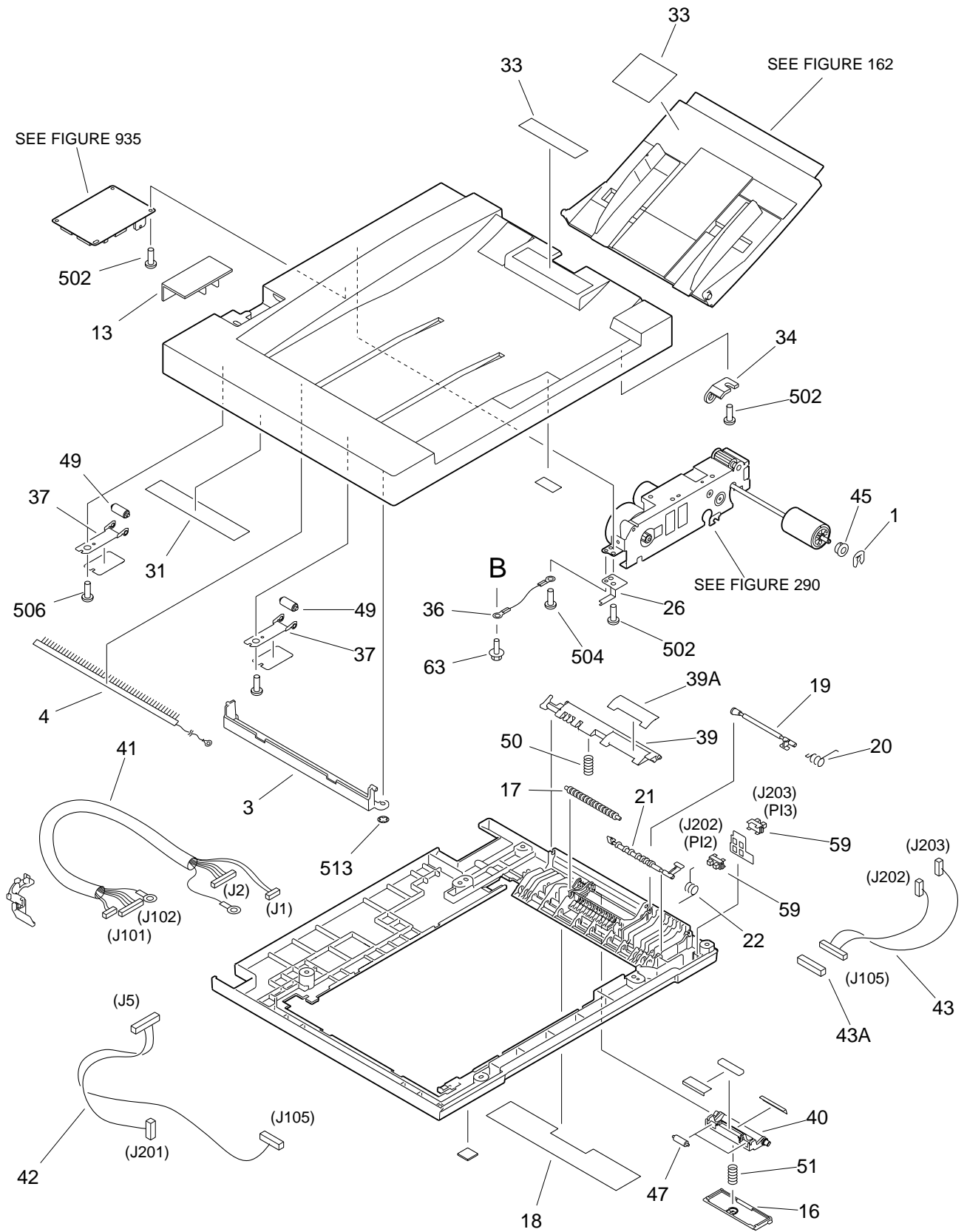
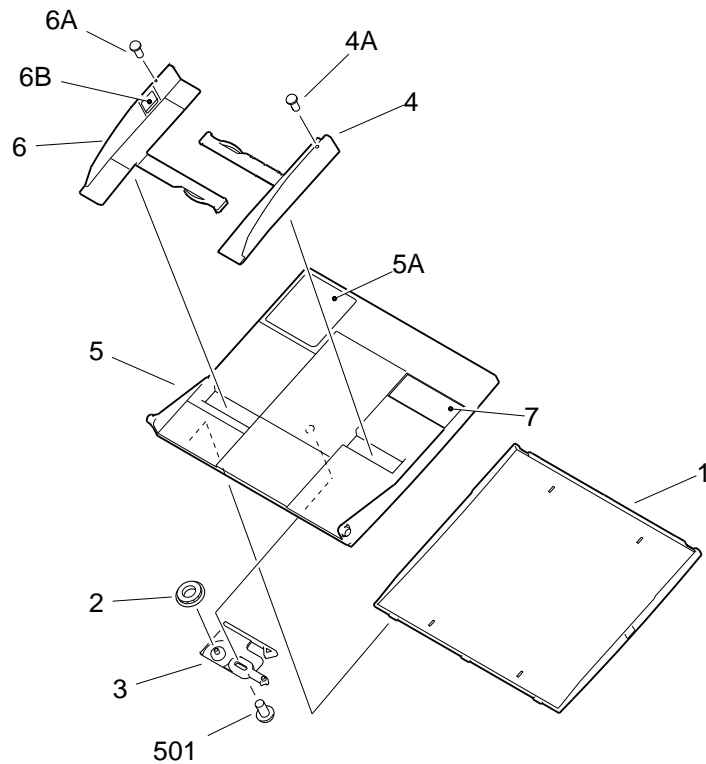


FIGURE & KEY NO.	PART NUMBER	RANK	QTY	DESCRIPTION	SERIAL NUMBER / REMARKS
161 -	NPN		RF	ADF ASSEMBLY	NP6312
1	FA5 - 2864 - 020		1	RING, RETAINING	
2	FB3 - 0829 - 000		2	PIN, DF SUPPORT	
3	FB3 - 3311 - 000		1	CROSSMEMBER, DELIVERY	
4	FB3 - 3312 - 000		1	ELIMINATOR, STATIC CHARGE	
5	FB3 - 3314 - 020		4	ROLLER, BELT, 1	
6	FB3 - 3315 - 020		2	SHAFT, BELT	
7	FB3 - 3316 - 000		2	SPRING, TORSION	
8	FB3 - 3321 - 000		2	SPRING, TORSION	
9	FB3 - 3322 - 000		2	LINK, RELEASE	
10	FB3 - 3323 - 000		1	SHAFT, TENSION	
11	FB3 - 3324 - 000		1	FLAG, SENSOR	
12	FB3 - 3325 - 000		1	MOUNT, SENSOR	
13	FB3 - 3326 - 000		1	COVER, POCKET	
14	FB3 - 3330 - 000		1	SPRING, TORSION	
15	FB3 - 3332 - 000		4	ROLLER, RUBBER	
16	FB3 - 3335 - 000		1	COVER, PAD	
17	FB3 - 3336 - 000		1	ROLLER, GUIDE	
18	FB3 - 3338 - 000		1	SHEET, 2	
19	FB3 - 3342 - 000		1	FLAG, SENSOR, 1	
20	FB3 - 3343 - 000		1	SPRING, TORSION	
21	FB3 - 3344 - 000		1	FLAG, SENSOR, 2	
22	FB3 - 3345 - 000		1	SPRING, TORSION	
23	FB3 - 3346 - 000		1	SHAFT, REGISTRATION	
24	FB3 - 3347 - 000		2	LINK, PRESSURE	
25	FB3 - 3348 - 000		1	LEVER, RELEASE	
26	FB3 - 3353 - 000		1	PLATE, GROUNDING	
27	FB3 - 3356 - 000		1	HINGE, LEFT, UPPER	
28	FB3 - 3357 - 020		1	HINGE, LEFT, LOWER	
29	FB3 - 3358 - 000		1	SHAFT, LEFT HINGE	

FIGURE & KEY NO.	PART NUMBER	R A N K	Q' T Y	DESCRIPTION	SERIAL NUMBER / REMARKS
161 - 30	FB3 - 3361 - 000		1	FOOT, HINGE, RIGHT	
31	FB3 - 3364 - 000		1	LABEL, OPERATION, 4	
32	FB3 - 3365 - 000		1	ROLLER, DRIVE	
33	FB3 - 3399 - 000		1	LABEL	
34	FB3 - 3401 - 000		1	BUSHING, LEVER	
35	FB3 - 3402 - 020		4	ROLLER, BELT, 2	
36	FF3 - 1070 - 000		1	CABLE, GROUNDING	
37	FF5 - 4674 - 000		2	HOLDER, ROLLER	
38	FF5 - 4675 - 000		1	HANDLE, UPPER	
38 A	FB3 - 3318 - 000		1	SHEET, FRONT REGISTRATION	
38 B	FB3 - 3319 - 000		1	SHEET, INLET	
38 C	FB3 - 3320 - 000		2	SHEET, HANDLE	
39	FF5 - 4677 - 000		1	PLATE, PAPER LIFTER	
39 A	FB3 - 3340 - 000		1	SHEET, PAPER LIFTER	
40	FF5 - 4679 - 000		1	FLAPPER	
41	FG2 - 7467 - 000		1	CABLE, INTERFACE	J1,2,101,102
42	FG2 - 7469 - 000		1	CABLE, SENSOR, 1	J5,105,201
43	FG2 - 7470 - 000		1	CABLE, SENSOR, 2	J105,202,203
43 A	VS1 - 5057 - 006		1	CONNECTOR, SNAP TIGHT	J105
44	FG2 - 7471 - 000		1	CABLE, MICROSWITCH	J6
45	FS1 - 1190 - 000		1	BUSHING	
46	FS5 - 3458 - 000		1	PULLEY, 44T	
47	FS5 - 6453 - 000		2	ROLLER, 1	
48	FS5 - 6454 - 000		3	ROLLER, REGISTRATION	
49	FS5 - 6455 - 000		2	ROLLER, 2	
50	FS6 - 2369 - 000		1	SPRING, COMPRESSION	
51	FS6 - 2370 - 000		1	SPRING, COMPRESSION	
52	FS6 - 2371 - 000		4	SPRING, COMPRESSION	
53	FS6 - 2373 - 000		1	SPRING, COMPRESSION	
54	FS6 - 2374 - 000		2	SPRING, COMPRESSION	

FIGURE & KEY NO.	PART NUMBER	RANK	QTY	DESCRIPTION	SERIAL NUMBER / REMARKS
161 - 55	FS6 - 8193 - 000		1	LABEL, OPERATION, 1	
56	FS6 - 8194 - 000		1	LABEL, OPERATION, 2	
57	FS6 - 8195 - 000		1	LABEL, OPERATION, 3	
58	WC4 - 5030 - 000		1	MICROSWITCH	MS1
59	WG8 - 5206 - 010		2	PHOTO-INTERRUPTER	PI1,2, J202,203
60	WG8 - 5309 - 000		1	PHOTO-INTERRUPTER	PI1 J201
61	XA9 - 0632 - 000		1	SCREW,RS,M4X26	
62	XA9 - 0632 - 000		2	SCREW,RS,M4X26	
63	XA9 - 0633 - 000		1	SCREW,RS,M4X8	
64	XA9 - 0633 - 000		1	SCREW,RS,M4X8	
65	XG9 - 0237 - 000		2	BEARING, BALL	
501	XB1 - 2301 - 209		1	SCREW,MACH.,TRUSS HEAD,M3X12	
502	XB1 - 2400 - 609		2	SCREW,MACH.,TRUSS HEAD,M4X6	
503	XB1 - 2400 - 609		2	SCREW,MACH.,TRUSS HEAD,M4X6	
504	XB2 - 6300 - 607		1	SCREW,W/WASHER,M3X6	
505	XB4 - 7301 - 209		5	SCREW,TAPPING,TRUSS HEAD,M3X12	
506	XB4 - 7400 - 809		13	SCREW,TAPPING,TRUSS HEAD,M4X8	
507	XB4 - 7400 - 809		4	SCREW,TAPPING,TRUSS HEAD,M4X8	
508	XB4 - 7401 - 609		4	SCREW,TAPPING,TRUSS HEAD,M4X16	
509	XB6 - 7301 - 609		1	SCREW,TP,M3X16	
510	XD2 - 1100 - 322		1	RING,E	
511	XD2 - 1100 - 642		1	RING,E	
512	XD2 - 2100 - 802		1	RING,GRIP	
513	XD2 - 2300 - 502		2	RING,TOOTHED LOCK	

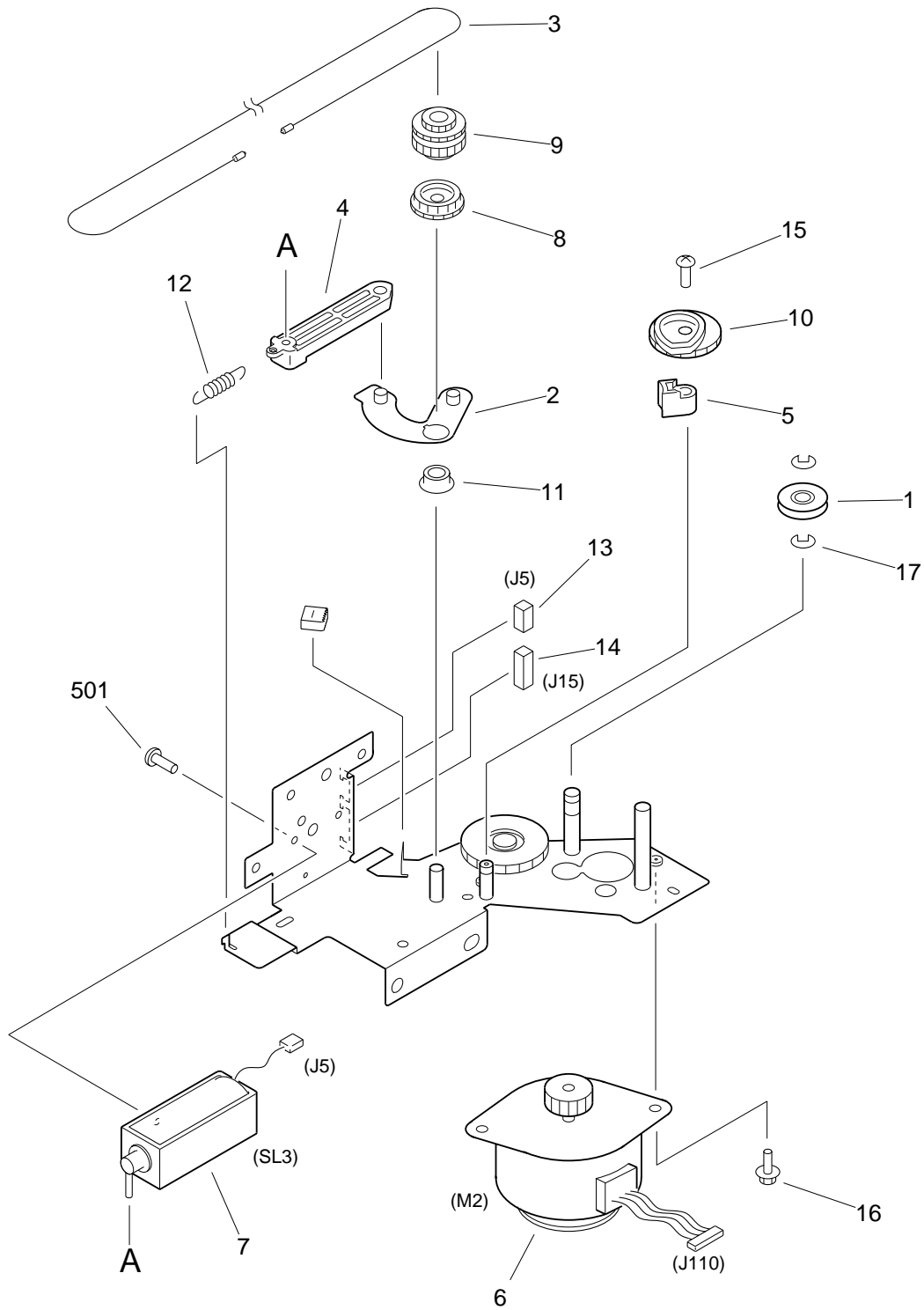
FIGURE 162 ADF TRAY ASSEMBLY (NP6312)



NOTE: This assembly does not include the parts shown with key No. 1 and 7.

FIGURE & KEY NO.	PART NUMBER	RANK	QTY	DESCRIPTION	SERIAL NUMBER / REMARKS
162 -	FG5 - 6412 - 000		1	ADF TRAY ASSEMBLY	NP6312
1	FB3 - 3391 - 000		1	COVER, LOWER	SEE NOTE NP6312
2	FB3 - 3395 - 000		1	GEAR, 20T	
3	FB3 - 3396 - 000		1	PLATE, SLIDE	
4	FF5 - 4678 - 000		1	GUIDE, SLIDE, FRONT	
4 A	FB3 - 3392 - 000		1	RUBBER, STOP	
5	FF5 - 4683 - 000		1	TRAY, DOCUMENT	
5 A	FB3 - 3367 - 000		1	LABEL, "PAPER SET"	
6	FF5 - 4684 - 000		1	GUIDE, SLIDE, REAR	
6 A	FB3 - 3392 - 000		1	RUBBER, STOP	
6 B	FS6 - 8196 - 000		1	LABEL, "PAPER HEIGHT"	
7	FS6 - 8197 - 000		1	LABEL, "PAPER SIZE"	SEE NOTE
501	XB1 - 2400 - 609		1	SCREW, MACH., TRUSS HEAD, M4X6	

FIGURE 220 SCANNER DRIVE ASSEMBLY



NOTE: This assembly does not include the parts shown with key No. 3, 5, 10 and 15.

FIGURE & KEY NO.	PART NUMBER	RANK	QTY	DESCRIPTION	SERIAL NUMBER / REMARKS
220 -	FG5 - 3465 - 040		1	SCANNER DRIVE ASSEMBLY	
1	FB2 - 4616 - 000		1	PULLEY	
2	FB2 - 4701 - 020		1	ARM, SOLENOID, 1	
3	FB2 - 4702 - 000		1	WIRE, SCANNER DRIVE	SEE NOTE
4	FB2 - 4703 - 000		1	ARM, SOLENOID, 2	
5	FB2 - 4704 - 000		1	BLOCK, WIRE STOP	SEE NOTE
6	FH6 - 1079 - 000		1	MOTOR, STEPPING	M2 J110
7	FH7 - 5564 - 000		1	SOLENOID, DC24V	SL3 J5
8	FS5 - 0917 - 000		1	GEAR, 40T	
9	FS5 - 0918 - 000		1	GEAR, 24T/39T	
10	FS5 - 0919 - 000		1	GEAR, 53T	SEE NOTE
11	FS5 - 1439 - 000		1	BUSHING	
12	FS5 - 2821 - 000		1	SPRING, TENSION	
13	VS1 - 5057 - 002		1	CONNECTOR, SNAP TIGHT	J5
14	VS1 - 5057 - 006		1	CONNECTOR, SNAP TIGHT	J15
15	XA9 - 0187 - 000		1	SCREW,M3X6	SEE NOTE
16	XA9 - 0760 - 000		2	SCREW,RS,M3X6	
17	XD9 - 0136 - 000		2	RING,E	
501	XB1 - 2300 - 409		2	SCREW,MACH.,TRUSS HEAD,M3X4	

FIGURE & KEY NO.	PART NUMBER	RANK	QTY	DESCRIPTION	SERIAL NUMBER / REMARKS
230 -	FG5 - 5476 - 000		1	MAIN DRIVE ASSEMBLY	
1	FB2 - 4854 - 000		1	PLATE, BLANKING	
2	FB2 - 4927 - 000		1	MOUNT, TERMINAL, UPPER	SEE NOTE
3	FB3 - 0583 - 000		1	SPRING, LEAF	SEE NOTE
4	FB3 - 0629 - 000		1	PLATE, IDLER HOLDER	
5	FF2 - 9724 - 000		1	CABLE, TERMINAL, PRIMARY	SEE NOTE
6	FF2 - 9725 - 000		1	CABLE, TERMINAL, TRANSFER	SEE NOTE
7	FF2 - 9726 - 000		1	CABLE, TERMINAL	SEE NOTE
8	FF2 - 9727 - 000		1	CABLE, TERMINAL, ELIMINATOR	SEE NOTE
9	FF5 - 2887 - 000	N	1	FRONT PANEL, AUXILIARY	
10	FF5 - 2888 - 000		1	PLATE, SWING	
11	FH6 - 1209 - 000		1	MOTOR, DC24V	SEE NOTE M1 J901
12	FS5 - 0905 - 000		1	GEAR, 58T/35T	
13	FS5 - 0906 - 000		1	GEAR, 48T/34T	
14	FS5 - 0907 - 000		1	GEAR, 41T	
15	FS5 - 0908 - 000		1	GEAR, 25T	
16	FS5 - 2785 - 000		1	SPRING, TENSION	
17	FS5 - 6393 - 000		1	ROLLER, IDLER	
18	XA9 - 0760 - 000		4	SCREW,RS,M3X6	
19	XA9 - 0760 - 000		AR	SCREW,RS,M3X6	SEE NOTE
501	XB1 - 2300 - 609		1	SCREW,MACH.,TRUSS HEAD,M3X6	
502	XB1 - 2400 - 609		1	SCREW,MACH.,TRUSS HEAD,M4X6	SEE NOTE

FIGURE 240 DELIVERY DRIVE ASSEMBLY

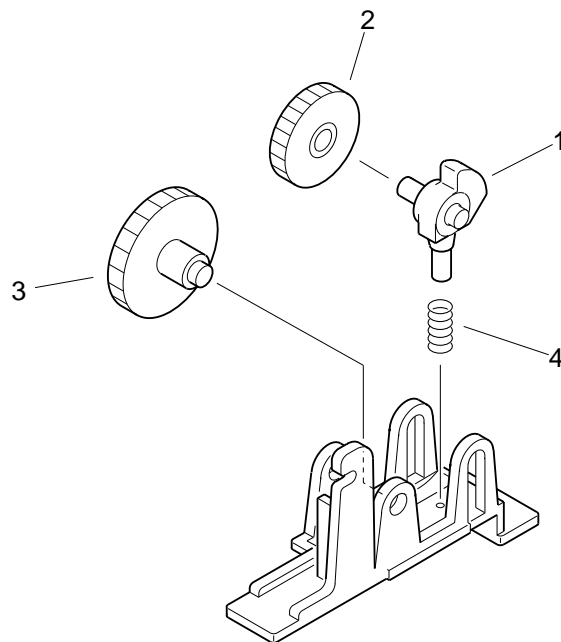


FIGURE & KEY NO.	PART NUMBER	RANK	QTY	DESCRIPTION	SERIAL NUMBER / REMARKS
240 -	FG5 - 3501 - 000		1	DELIVERY DRIVE ASSEMBLY	
1	FB2 - 5052 - 000		1	SHAFT, GEAR	
2	FS5 - 0911 - 000		1	GEAR, 20T	
3	FS5 - 0912 - 000		1	GEAR, 40T/39T	
4	FS5 - 2786 - 000		1	SPRING, COMPRESSION	

FIGURE 250 PAPER PICK-UP DRIVE ASSEMBLY

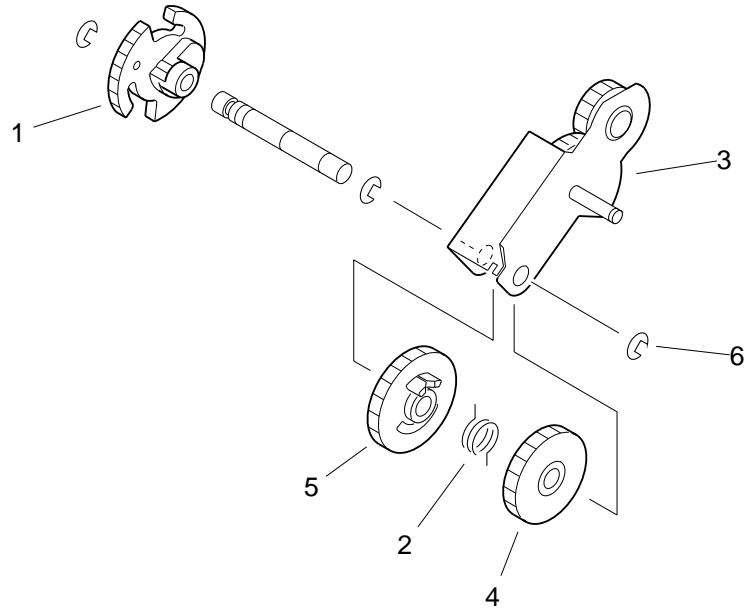


FIGURE & KEY NO.	PART NUMBER	RANK	QTY	DESCRIPTION	SERIAL NUMBER / REMARKS
250 -	FG5 - 3511 - 000		1	PICK-UP DRIVE ASSEMBLY	
1	FB2 - 5198 - 000		1	GEAR, 32T	
2	FB2 - 5199 - 000		1	SPRING, TORSION	
3	FF5 - 2874 - 000		1	PLATE, SWING	
4	FS5 - 0890 - 000		1	GEAR, 32T	
5	FS5 - 0900 - 000		1	GEAR, 18T	
6	XD9 - 0136 - 000		3	RING,E	

FIGURE 290 ADF DRIVE ASSEMBLY (NP6312)

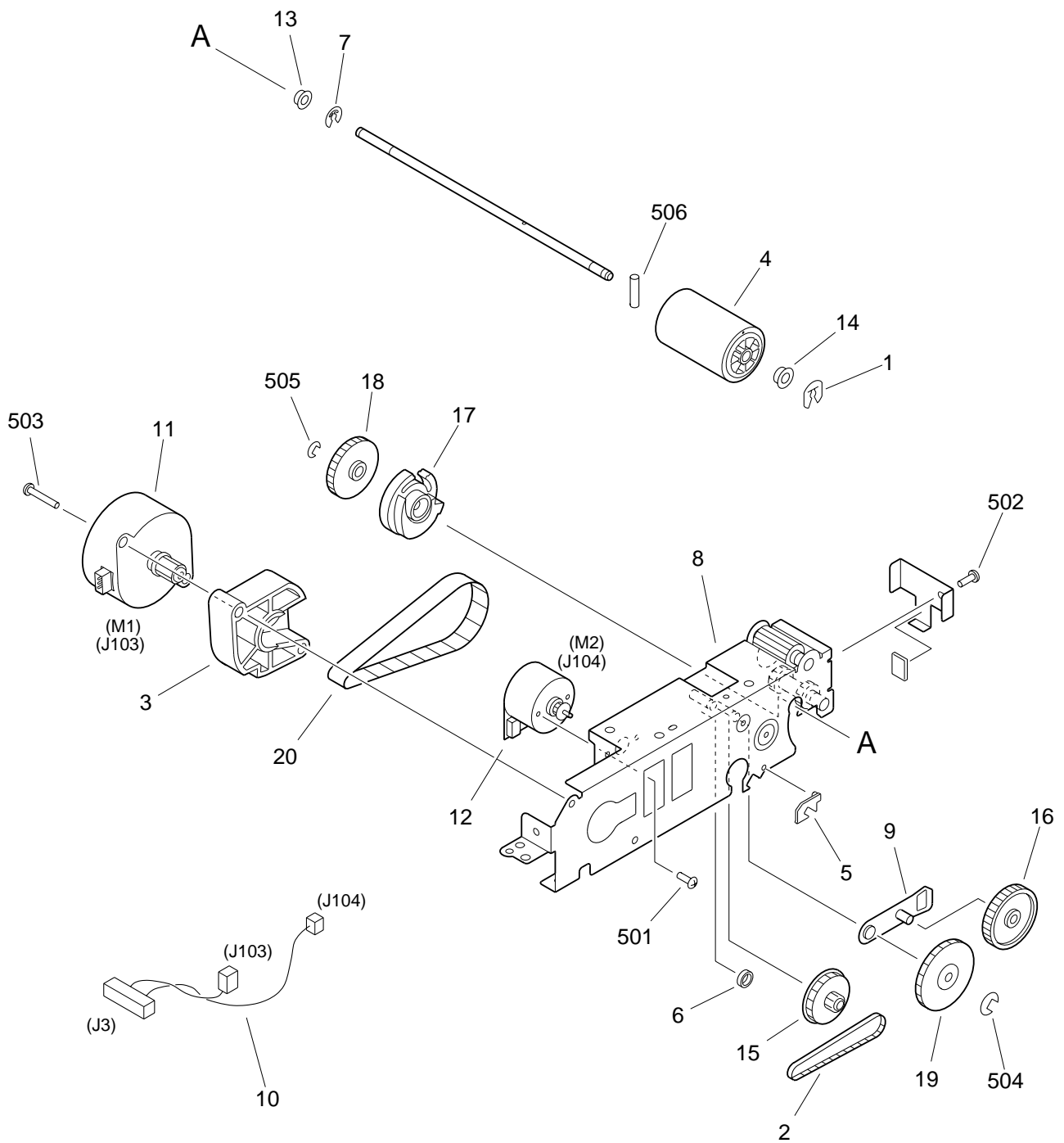


FIGURE & KEY NO.	PART NUMBER	RANK	QTY	DESCRIPTION	SERIAL NUMBER / REMARKS
290 -	FG5 - 6411 - 000		1	ADF DRIVE ASSEMBLY	NP6312
1	FA5 - 2864 - 020		1	RING, RETAINING	
2	FA9 - 3268 - 000		1	BELT, TIMING, COGGED	
3	FB3 - 3371 - 000		1	MOUNT, MOTOR	
4	FB3 - 3373 - 020		1	ROLLER, PAPER PICK-UP	
5	FB3 - 3377 - 000		1	SUPPORT, REGIST. SHAFT	
6	FB3 - 3378 - 000		1	RING, CHANGE	
7	FB3 - 3400 - 000		1	RING, E	
8	FF5 - 4680 - 000		1	PLATE, DRIVE	
9	FF5 - 4681 - 000		1	PLATE, CHANGE	
10	FG2 - 7468 - 000		1	CABLE, MOTOR	J3,103,104
11	FH6 - 1237 - 000		1	STEPPING MOTOR, DC24V	M1 J103
12	FH6 - 1238 - 000		1	MOTOR, DC24V	M2 J104
13	FS1 - 1190 - 000		1	BUSHING	
14	FS1 - 1213 - 000		1	BUSHING	
15	FS5 - 3457 - 000		1	GEAR, 14T/44T	
16	FS6 - 0613 - 000		1	GEAR, 40T	
17	FS6 - 0616 - 000		1	GEAR, CAM, 44T	
18	FS6 - 0617 - 000		1	GEAR, PICK-UP, 44T	
19	FS6 - 0618 - 000		1	GEAR, 16T/64T	
20	XF9 - 0350 - 000		1	BELT, TIMING	
501	XA1 - 7260 - 309		2	SCREW,MACH.,PAN HEAD,M2.6X3	
502	XB1 - 2400 - 609		1	SCREW,MACH.,TRUSS HEAD,M4X6	
503	XB1 - 2402 - 009		2	SCREW,MACH.,TRUSS HEAD,M4X20	
504	XD2 - 1100 - 402		1	RING,E	
505	XD2 - 1100 - 502		1	RING,E	
506	XD3 - 2200 - 142		1	PIN,DOWEL	

FIGURE 300 CASSETTE

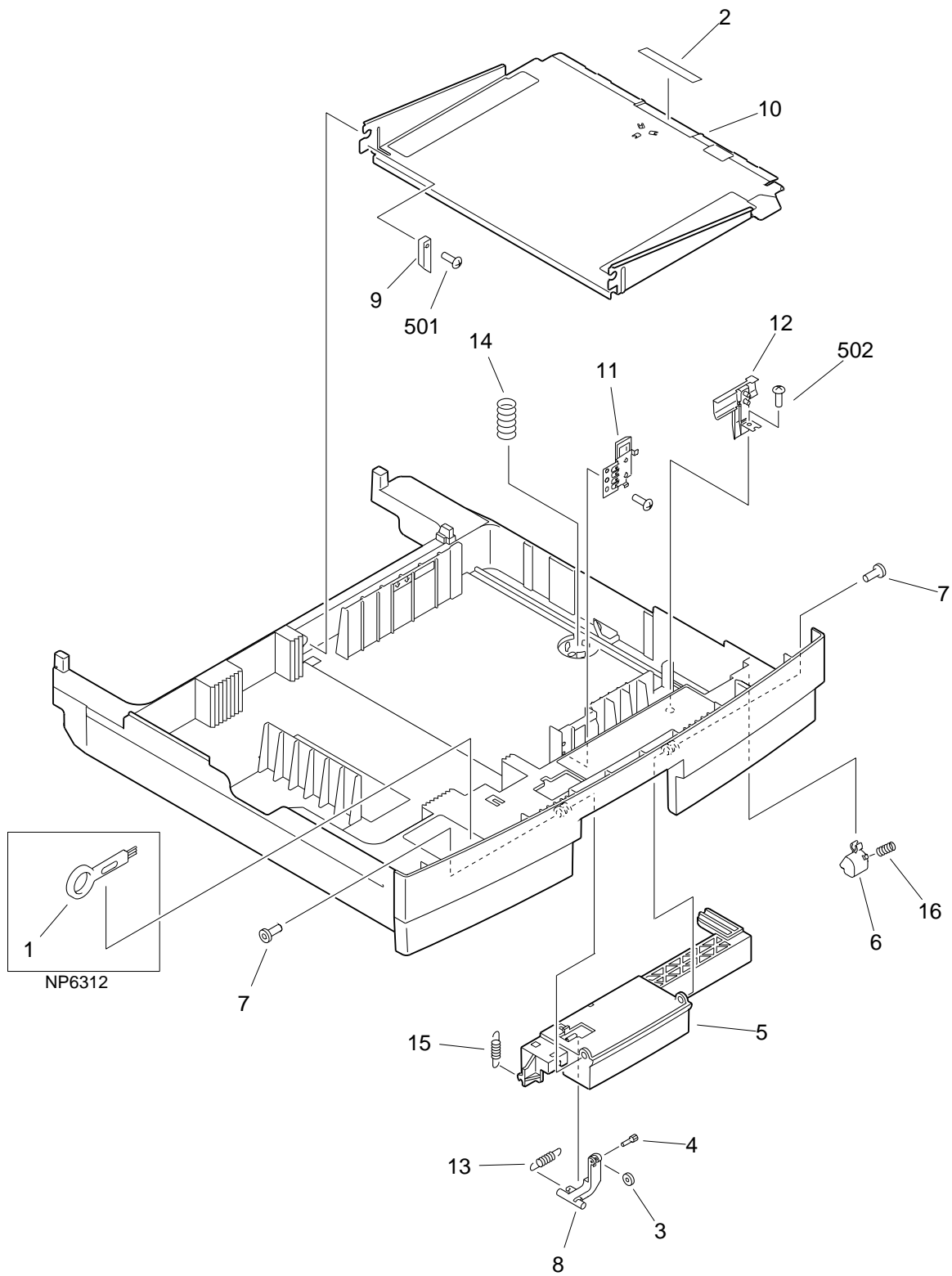


FIGURE & KEY NO.	PART NUMBER	R A N K	Q' T Y	DESCRIPTION	SERIAL NUMBER / REMARKS
300 -	NPN		RF	CASSETTE	
1	FA9 - 3102 - 000		1	BRUSH, CLEANING	NP6312
2	FB2 - 2559 - 000		1	SHEET, LIFTING PLATE	
3	FB2 - 4863 - 000		1	ROLLER, HOOK	
4	FB2 - 4864 - 000		1	SHAFT, ROLLER	
5	FB2 - 5403 - 020		1	LATCH, HANDLE	
6	FB2 - 5407 - 020		1	CATCH, PAPER, LIFTING	
7	FB2 - 5408 - 000		2	PIN, LEVER	
8	FB2 - 5410 - 000		1	HOOK, LATCH	
9	FB2 - 5413 - 000		1	BRUSH, GROUNDING	
10	FB4 - 1091 - 00S		1	PLATE, PAPER LIFTING	
11	FF5 - 2903 - 000		1	SPRING, LEAF, LARGE	
12	FF5 - 6740 - 00S		1	SPRING, LEAF, SMALL	
13	FS5 - 2780 - 000		1	SPRING, TENSION	
14	FS5 - 2781 - 020		1	SPRING, COMPRESSION	
15	FS5 - 2782 - 000		1	SPRING, TENSION	
16	FS5 - 2810 - 000		1	SPRING, COMPRESSION	
501	XB1 - 2300 - 409		1	SCREW,MACH.,TRUSS HEAD,M3X4	
502	XB4 - 7300 - 509		2	SCREW,TAPPING,TRUSS HEAD,M3X5	

FIGURE 340 PAPER PICK-UP ROLLER ASSEMBLY (CASSETTE)

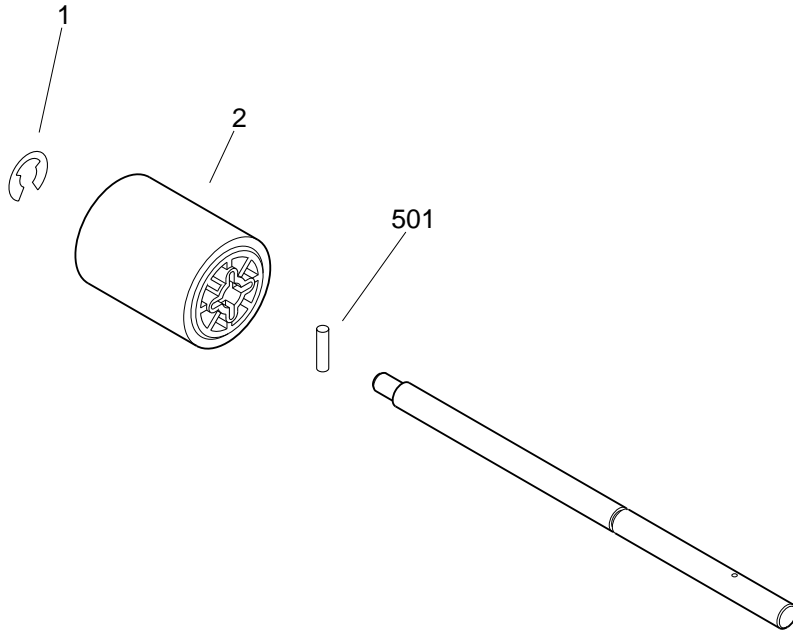
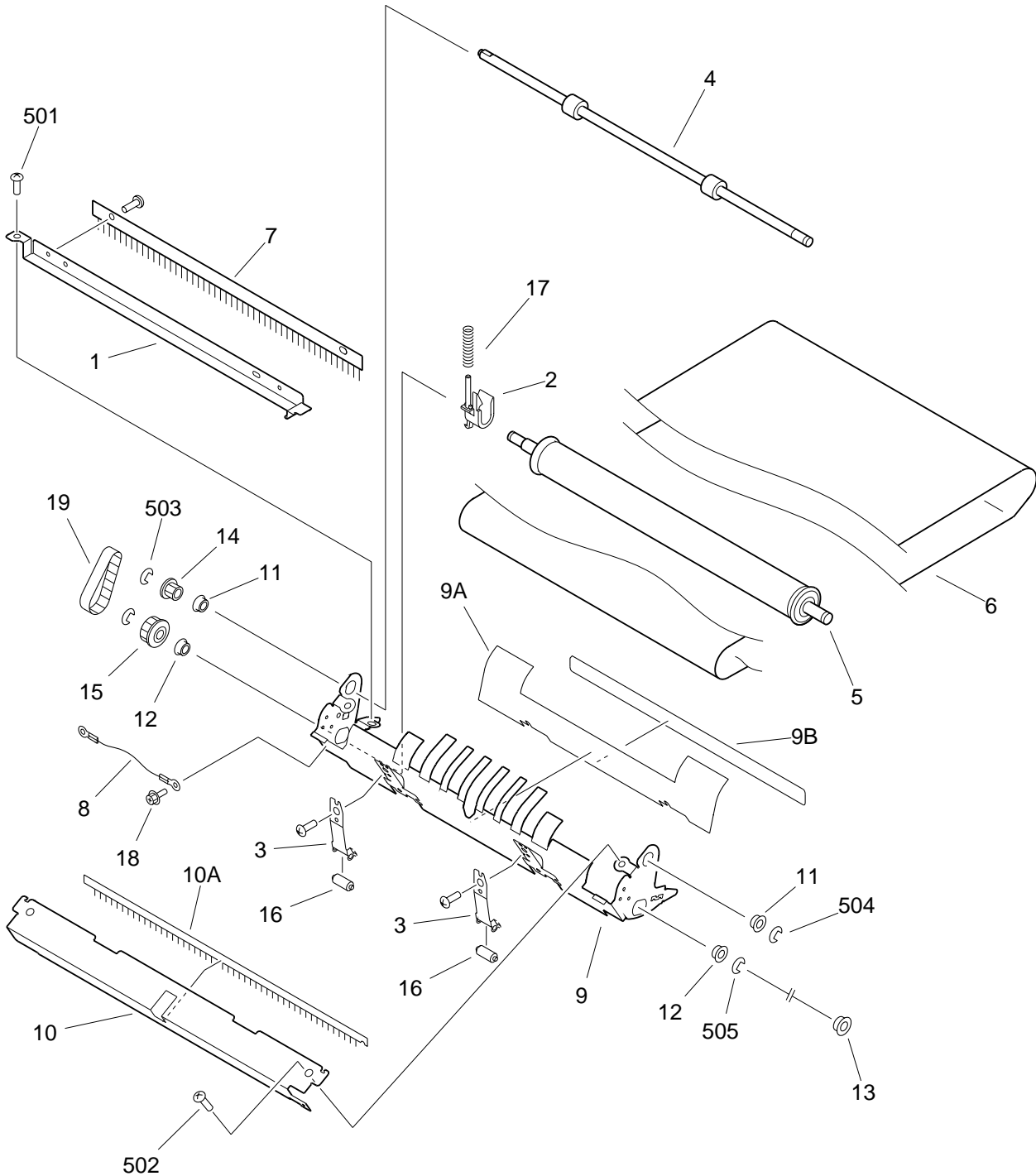


FIGURE & KEY NO.	PART NUMBER	RANK	QTY	DESCRIPTION	SERIAL NUMBER / REMARKS
340 -	FG5 - 3531 - 000		1	PICK-UP ROLLER ASSEMBLY	CASSETTE
1	FA4 - 1159 - 000		1	RING, RETAINING	
2	FB1 - 8581 - 000		1	ROLLER, MULTI FEED	
501	XD3 - 2160 - 142		1	PIN,DOWEL	

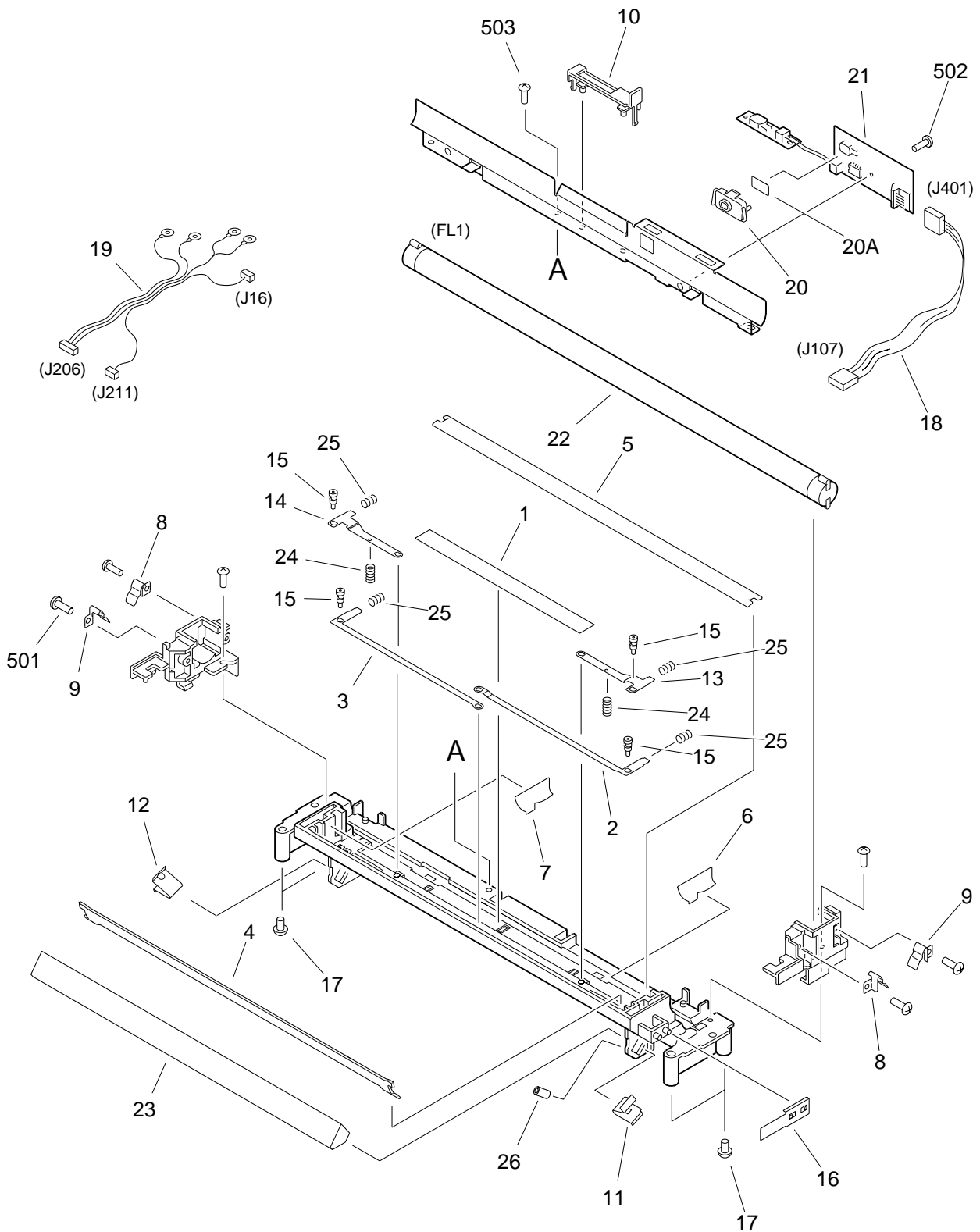
FIGURE 355 ADF DELIVERY ASSEMBLY (NP6312)



NOTE: This assembly does not include the part shown with key No.18.

FIGURE & KEY NO.	PART NUMBER	RANK	QTY	DESCRIPTION	SERIAL NUMBER / REMARKS
355 -	FG5 - 6413 - 000		1	ADF DELIVERY ASSEMBLY	MP6312
1	FB3 - 3379 - 000		1	CROSSMEMBER, ELIMINATOR	
2	FB3 - 3382 - 000		1	SUPPORT, PAPER JUMP GUIDE	
3	FB3 - 3383 - 000		2	PLATE, ROLLER PRESSURE	
4	FB3 - 3385 - 020		1	ROLLER, PAPER DELIVERY	
5	FB3 - 3386 - 000		1	ROLLER, PAPER FEED	
6	FB3 - 3387 - 000		1	BELT, DOCUMENT FEED	
7	FB3 - 3388 - 000		1	ELIMINATOR, STATIC CHARGE, 1	
8	FF3 - 1071 - 000		1	CABLE, GROUNDING	
9	FF5 - 4685 - 020		1	FRAME, PAPER DELIVERY	
9A	FB3 - 3381 - 000		1	SHEET, JUMP	
9B	FB3 - 3408 - 000		1	SHEET, EXTENSION	
10	FF5 - 4686 - 000		1	PLATE, DELIVERY GUIDE	
10A	FB3 - 3389 - 000		1	ELIMINATOR, STATIC CHARGE, 2	
11	FS1 - 1205 - 000		2	BUSHING	
12	FS1 - 1341 - 000		2	BUSHING	
13	FS1 - 1422 - 000		1	BUSHING	
14	FS5 - 3459 - 000		1	PULLEY, 14T	
15	FS5 - 3460 - 000		1	PULLEY, 26T	
16	FS5 - 6455 - 000		2	ROLLER, 2	
17	FS6 - 2375 - 000		1	SPRING, COMPRESSION	
18	XA9 - 0633 - 000		1	SCREW,RS,M4X8	SEE NOTE
19	XF9 - 0562 - 000		1	BELT, TIMING	
501	XB1 - 2300 - 609		2	SCREW,MACH.,TRUSS HEAD,M3X6	
502	XB1 - 2400 - 609		6	SCREW,MACH.,TRUSS HEAD,M4X6	
503	XD2 - 1100 - 322		1	RING,E	
504	XD2 - 1100 - 502		2	RING,E	
505	XD2 - 1100 - 642		1	RING,E	

FIGURE 400 MIRROR ASSEMBLY 1



NOTE: This assembly does not include the part shown with key No.22.

FIGURE & KEY NO.	PART NUMBER	RANK	QTY	DESCRIPTION	SERIAL NUMBER / REMARKS
400 -	FG5 - 9977 - 00S		1	MIRROR ASSEMBLY 1	
1	FA9 - 3065 - 000		1	SHEET, 5	
2	FB2 - 4650 - 000		1	SHUTTER, FRONT	
3	FB2 - 4651 - 000		1	SHUTTER, REAR	
4	FB2 - 4652 - 000		1	REFLECTOR, 1	
5	FB2 - 4653 - 000		1	REFLECTOR, 2	
6	FB2 - 4654 - 000		1	PLATE, SIDE REFLECTOR, FRONT	
7	FB2 - 4655 - 000		1	PLATE, SIDE REFLECTOR, REAR	
8	FB2 - 4658 - 020		2	SPRING, LEAF, 1	
9	FB2 - 4659 - 020		2	SPRING, LEAF, 2	
10	FB2 - 4660 - 000		1	COVER, SENSOR	
11	FB2 - 4662 - 020		1	SPRING, LEAF, FRONT	
12	FB2 - 4663 - 020		1	SPRING, LEAF, REAR	
13	FB2 - 4664 - 000		1	SHUTTER, SUB, FRONT	
14	FB2 - 4665 - 000		1	SHUTTER, SUB, REAR	
15	FB2 - 4666 - 030		4	SCREW, ADJUSTING	
16	FB2 - 4667 - 020		1	FLAG	
17	FB2 - 4669 - 000		4	BLOCK, RAIL SLIDING	
18	FF2 - 9729 - 000		1	CABLE, MIRROR UNIT 1 SENSOR	J107,401
19	FF3 - 0480 - 020		1	CABLE, MIRROR UNIT 1 FC	J16,206,211
20	FF5 - 2889 - 000		1	COVER, SENSOR	
20 A	FB1 - 0715 - 000		1	FILTER, LIGHT DENSITY	
21	FG5 - 3541 - 000		1	INTENSITY/AE SENSOR PCB ASS'Y	
22	FH7 - 3272 - 000		1	LAMP, FLUORESCENT	SEE NOTE FL1
23	FN5 - 4018 - 000		1	MIRROR, 1	
24	FS5 - 2032 - 000		4	SPRING, COMPRESSION	
25	FS5 - 2815 - 000		4	SPRING, COMPRESSION	
26	XA9 - 0911 - 000		1	SETSCREW,M3X8	
501	XB1 - 2300 - 609		4	SCREW,MACH.,TRUSS HEAD,M3X6	
502	XB2 - 8300 - 607		1	SCREW,W/WASHER,M3X6	

FIGURE & KEY NO.	PART NUMBER	R A N K	Q' T Y	DESCRIPTION	SERIAL NUMBER / REMARKS
400 - 503	XB4 - 7300 - 809		3	SCREW,TAPPING,TRUSS HEAD,M3X8	

FIGURE 401 MIRROR ASSEMBLY 2

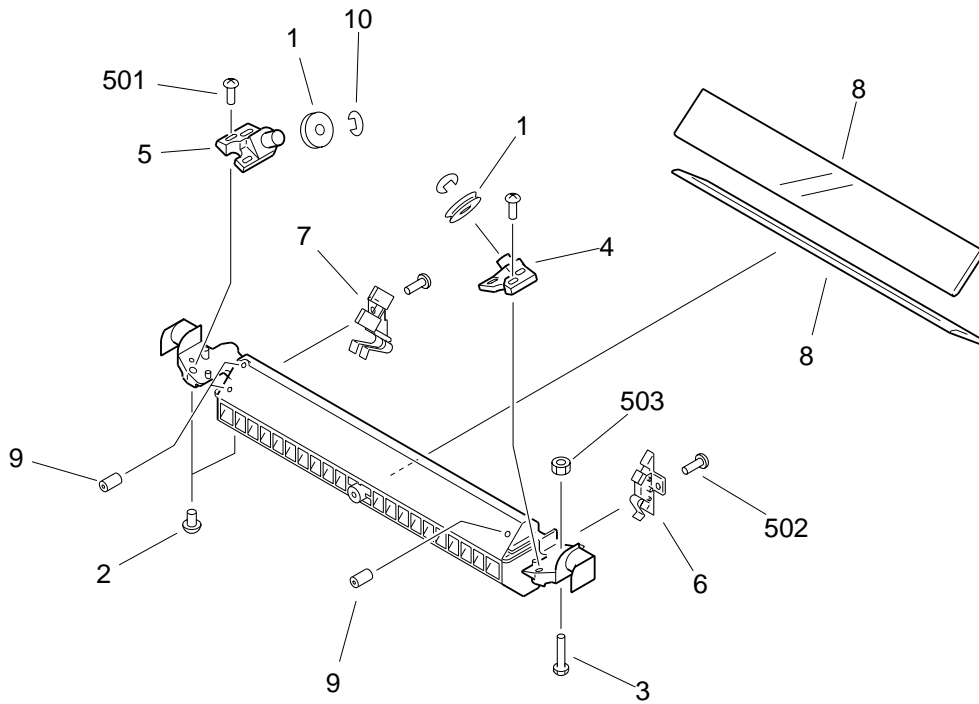


FIGURE & KEY NO.	PART NUMBER	RANK	QTY	DESCRIPTION	SERIAL NUMBER / REMARKS
401 -	FG5 - 3463 - 000		1	MIRROR ASSEMBLY 2	
1	FB2 - 4616 - 000		2	PULLEY	
2	FB2 - 4669 - 000		2	BLOCK, RAIL SLIDING	
3	FB2 - 4676 - 000		1	SCREW, ADJUSTING, M4	
4	FB2 - 4677 - 020		1	PLATE, WIRE POSITIONING, FRONT	
5	FB2 - 4678 - 020		1	PLATE, WIRE POSITIONING, REAR	
6	FF5 - 2899 - 000		1	HOLDER, MIRROR, FRONT	
7	FF5 - 2900 - 000		1	HOLDER, MIRROR, REAR	
8	FN5 - 4019 - 000		2	MIRROR, 2/3	
9	XA9 - 0911 - 000		3	SETSCREW, M3X8	
10	XD9 - 0136 - 000		2	RING, E	
501	XB4 - 7300 - 809		2	SCREW, TAPPING, TRUSS HEAD, M3X8	
502	XB4 - 7301 - 009		2	SCREW, TAPPING, TRUSS HEAD, M3X10	
503	XB7 - 2200 - 409		1	NUT, HEX, M4	

FIGURE 402 ZOOM MIRROR ASSEMBLY

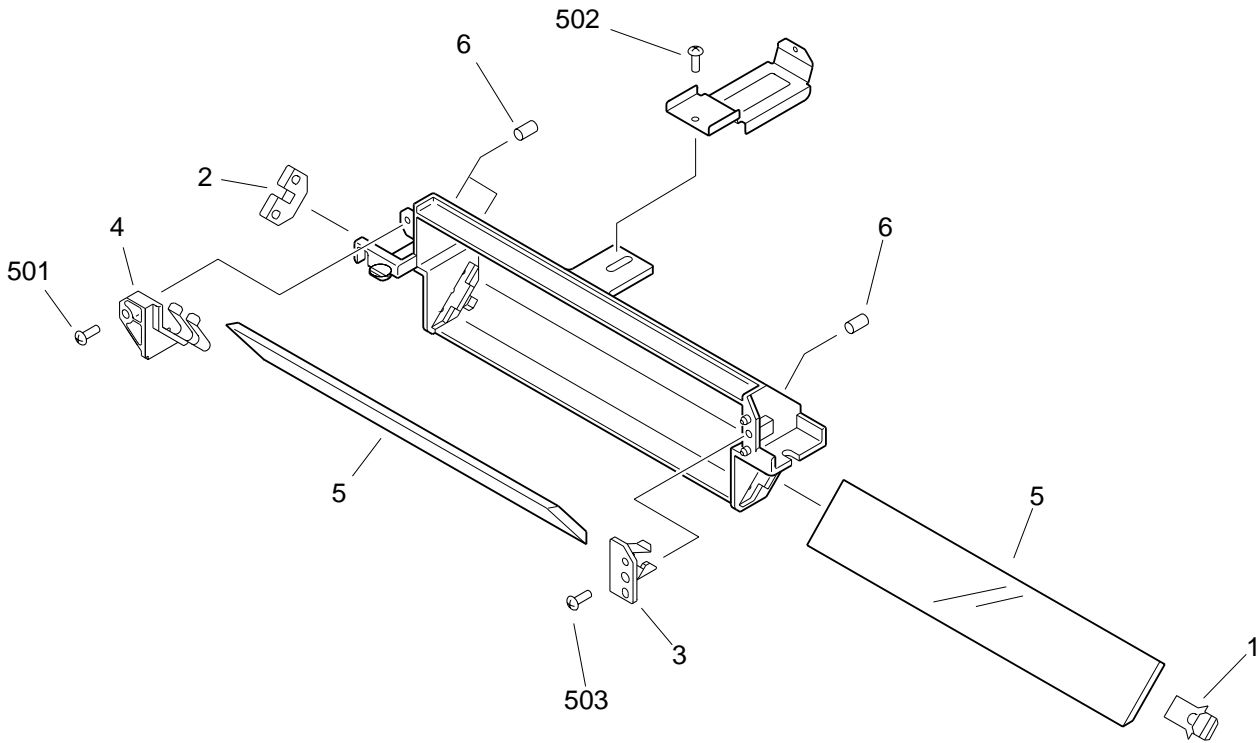


FIGURE & KEY NO.	PART NUMBER	RANK	QTY	DESCRIPTION	SERIAL NUMBER / REMARKS
402 -	FG5 - 3464 - 000		1	ZOOM MIRROR ASSEMBLY	
1	FB2 - 4694 - 020		1	SPRING, LEAF, MIRROR 5, FRONT	
2	FB2 - 4695 - 030		1	SPRING, LEAF, MIRROR 5, REAR	
3	FF5 - 2901 - 000		1	SPRING, LEAF, MIRROR 4, FRONT	
4	FF5 - 2902 - 000		1	SPRING, LEAF, MIRROR 4, REAR	
5	FN5 - 4020 - 000		2	MIRROR, 4/5	
6	XA9 - 0911 - 000		3	SETSCREW, M3X8	
501	XB1 - 2300 - 609		1	SCREW, MACH., TRUSS HEAD, M3X6	
502	XB1 - 2300 - 809		1	SCREW, MACH., TRUSS HEAD, M3X8	
503	XB4 - 7300 - 809		1	SCREW, TAPPING, TRUSS HEAD, M3X8	

FIGURE 450 BLANK EXPOSURE LAMP ASSEMBLY

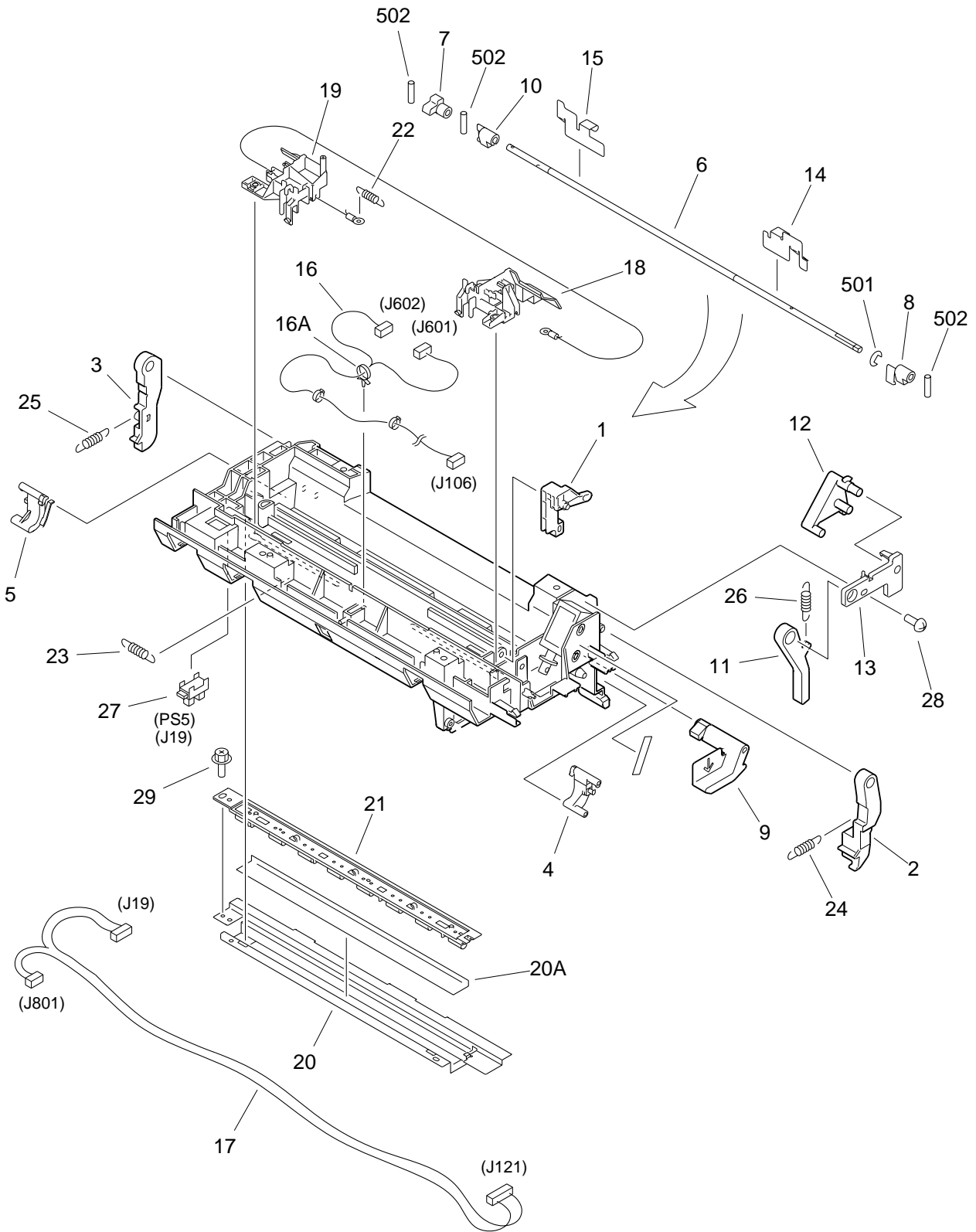


FIGURE & KEY NO.	PART NUMBER	RANK	QTY	DESCRIPTION	SERIAL NUMBER / REMARKS
450 -	NPN		RF	BLANK EXPOSURE LAMP ASSEMBLY	
1	FB3 - 0774 - 000		1	ARM, SOLENOID	
2	FB3 - 0775 - 000		1	LEVER, PRESSURE, FRONT	
3	FB3 - 0776 - 000		1	LEVER, PRESSURE, REAR	
4	FB3 - 0777 - 000		1	ARM, PRESSURE, FRONT	
5	FB3 - 0778 - 000		1	ARM, PRESSURE, REAR	
6	FB3 - 0779 - 020		1	SHAFT, PRESSURE	
7	FB3 - 0780 - 000		1	CAM, PRESSURE RELEASE, 1	
8	FB3 - 0781 - 000		1	CAM, PRESSURE RELEASE, 2	
9	FB3 - 0782 - 000		1	HANDLE, PRESSURE	
10	FB3 - 0784 - 000		1	CAM, ARM RELEASE	
11	FB3 - 0805 - 000		1	ARM, FOOL-PROOF	
12	FB3 - 0806 - 000		1	TRIGGER, FOOL-PROOF	
13	FB3 - 0807 - 000		1	SUPPORT, FOOL-PROOF ARM	
14	FB3 - 0811 - 020		1	SPRING, LEAF, FRONT	
15	FB3 - 0815 - 020		1	SPRING, LEAF, REAR	
16	FF2 - 9731 - 000		1	CABLE, BLANK EXPOSURE LAMP	J106,601,602
16 A	WT2 - 5041 - 000		1	CLAMP, CABLE	
17	FF3 - 0471 - 000		1	CABLE, EXPO. LAMP/LIMIT SENSOR	J19,121,801
18	FF5 - 3901 - 000		1	MOUNT, LAMP, FRONT	
19	FF5 - 3902 - 000		1	MOUNT, LAMP, REAR	
20	FF5 - 3904 - 000		1	COVER, PRE-CONDITIONING	
20 A	FB3 - 0791 - 000		1	FILTER, PRE-CONDITIONING	
21	FG5 - 5499 - 000		1	PRE-CONDITIONING LAMP PCB UNIT	
22	FS5 - 2790 - 000		1	SPRING, TENSION	
23	FS6 - 2229 - 000		1	SPRING, TENSION	
24	FS6 - 2230 - 000		1	SPRING, TENSION	
25	FS6 - 2231 - 000		1	SPRING, TENSION	
26	FS6 - 2242 - 000		1	SPRING, TENSION	
27	WG8 - 5001 - 000		1	PHOTO-INTERRUPTER, TLP1231	PS5 J19

FIGURE & KEY NO.	PART NUMBER	R A N K	Q' T Y	DESCRIPTION	SERIAL NUMBER / REMARKS
450 - 28	XA9 - 0650 - 000		2	SCREW,M3X6	
	XA9 - 0760 - 000		1	SCREW,RS,M3X6	
501	XD2 - 1100 - 372		1	RING,E	
502	XD3 - 2200 - 062		3	PIN,DOWEL	

FIGURE 530 TRANSFER ASSEMBLY

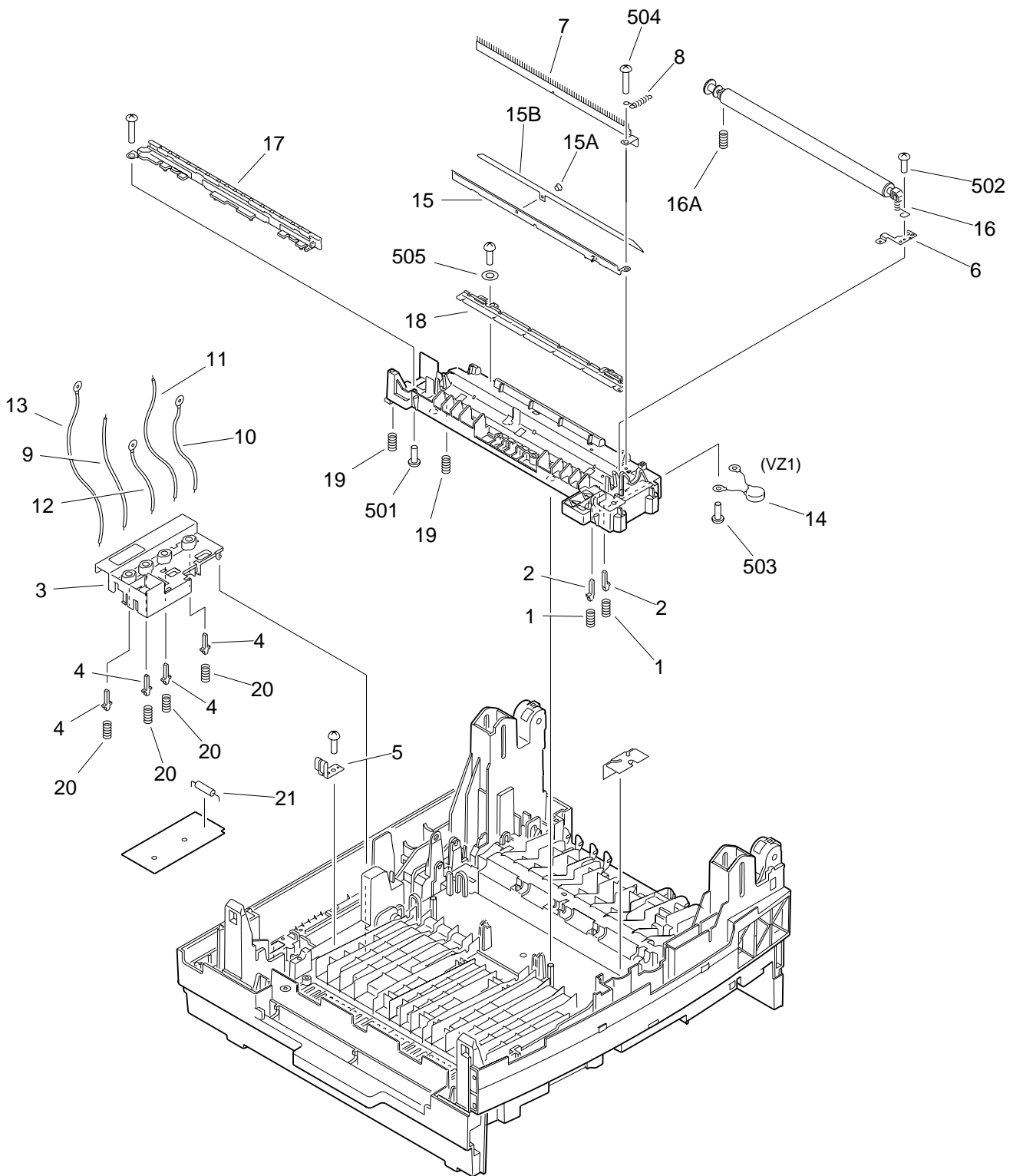


FIGURE & KEY NO.	PART NUMBER	RANK	QTY	DESCRIPTION	SERIAL NUMBER / REMARKS
530 -	FG5 - 5460 - 040		1	TRANSFER ASSEMBLY	
1	FB1 - 7427 - 000		2	SPRING, COMPRESSION	
2	FB1 - 7431 - 000		2	PIN	
3	FB2 - 4861 - 000		1	HOUSING	
4	FB2 - 4862 - 000		4	TERMINAL, LOWER	
5	FB2 - 4939 - 000		1	SPRING, LEAF	
6	FB2 - 5156 - 000		1	PLATE, TERMINAL	
7	FB2 - 5159 - 000		1	ELIMINATOR, STATIC CHARGE	
8	FB2 - 5169 - 000		1	SPRING, TENSION	
9	FF2 - 9762 - 000		1	CABLE, HV, PRIMARY	
10	FF2 - 9763 - 000		1	CABLE, HV, TRANSFER	
11	FF2 - 9764 - 000		1	CABLE, HV, DEVELOPING	
12	FF2 - 9765 - 000		1	CABLE, HV, ELIMINATOR	
13	FF2 - 9766 - 000		1	WIRE, GROUNDING	
14	FF2 - 9779 - 000		1	VARISTOR	VZ1
15	FF5 - 2870 - 000		1	ELIMINATOR, STATIC CHARGE	
15 A	FA9 - 3063 - 000		1	BUSHING	
15 B	FB2 - 5153 - 000		1	FILM, STATIC ELIMINATOR	
16	FF5 - 2871 - 020		1	ROLLER, TRANSFER	
16 A	FS5 - 2335 - 000		1	SPRING, COMPRESSION	
17	FF5 - 3713 - 000		1	ELIMINATOR, STATIC CHARGE	
18	FF5 - 3720 - 000		1	GUIDE, TRANSFORMER	
19	FS5 - 2774 - 000		4	SPRING, COMPRESSION	
20	FS5 - 2784 - 000		4	SPRING, COMPRESSION	
21	VR5 - 2650 - 103		4	RESISTOR, 10KOHM, 1/2W	
501	XB1 - 2300 - 607		2	SCREW,MACH.,TRUSS HEAD,M3X6	
502	XB1 - 2300 - 609		2	SCREW,MACH.,TRUSS HEAD,M3X6	
503	XB4 - 7300 - 809		4	SCREW,TAPPING,TRUSS HEAD,M3X8	
504	XB4 - 7301 - 209		2	SCREW,TAPPING,TRUSS HEAD,M3X12	
505	XD1 - 2100 - 307		2	WASHER,PLAIN	

FIGURE 640 DEVELOPING ASSEMBLY

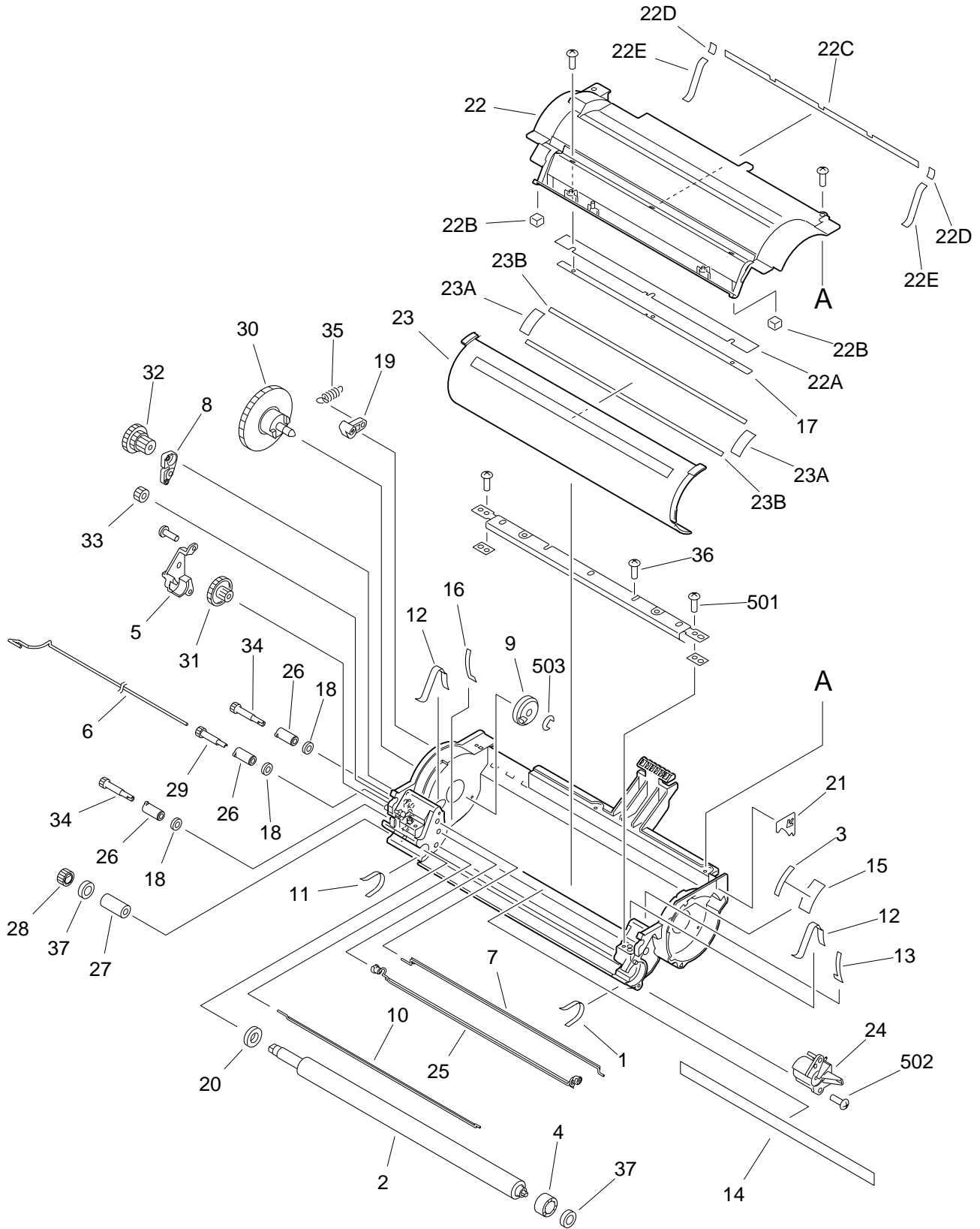


FIGURE & KEY NO.	PART NUMBER	R A N K	Q' T Y	DESCRIPTION	SERIAL NUMBER / REMARKS
640 -	FG5 - 5465 - 080		1	DEVELOPING ASSEMBLY	
1	FA9 - 3207 - 000		1	SEAL, SIDE, FRONT	
2	FB3 - 0686 - 000		1	SLEEVE, DEVELOPING	
3	FB3 - 0687 - 000		1	SEAL, OPEN GUIDE, 1	
4	FB3 - 0688 - 000		1	ROLLER, FRONT	
5	FB3 - 0691 - 000		1	SUPPORT, DEV. CYLINDER, REAR	
6	FB3 - 0693 - 000		1	ROD, ANTENNA	
7	FB3 - 0694 - 000		1	ROD, STIRRING, UPPER	
8	FB3 - 0695 - 000		1	PLATE, GEAR SUPPORT	
9	FB3 - 0696 - 000		1	JOINT, CARTRIDGE DRIVE	
10	FB3 - 0697 - 000		1	ROD, STIRRING, LOWER	
11	FB3 - 0711 - 000		1	SEAL, SIDE, REAR	
12	FB3 - 0713 - 000		2	SEAL, D-S, VERTICAL	
13	FB3 - 0714 - 000		1	SEAL, D-S, FRONT	
14	FB3 - 0715 - 000		1	SHEET, SHUTTER CLEANING	
15	FB3 - 0716 - 000		1	SEAL, OPEN GUIDE, 2	
16	FB3 - 0718 - 000		1	SEAL, D-S, REAR	
17	FB3 - 0721 - 000		1	PLATE, SEAL GUIDE	
18	FB3 - 0722 - 000		3	SEAL, GEAR	
19	FB3 - 0724 - 000		1	ARM, SHUTTER PRESSURE	
20	FB3 - 0726 - 000		1	ROLLER, REAR	
21	FB3 - 0788 - 000		1	SEAL, POSITIONING	
22	FF5 - 3907 - 020		1	COVER, DEVELOPING	
22 A	FB3 - 0712 - 000		1	SEAL, L-S	
22 B	FB3 - 0719 - 020		2	SEAL, BLADE	
22 C	FB3 - 0725 - 000		1	SEAL, SHUTTER, 1	
22 D	FB3 - 0727 - 000		2	SEAL, DEVELOPING COVER	
22 E	FB3 - 0728 - 000		2	SEAL, SHUTTER, 2	
23	FF5 - 3908 - 000		1	SHUTTER	
23 A	FB3 - 0710 - 000		2	SEAL, SHUTTER, VERTICAL	

FIGURE & KEY NO.	PART NUMBER	R A N K	Q' T Y	DESCRIPTION	SERIAL NUMBER / REMARKS
640 - 23 B	FB3 - 0720 - 000		2	SEAL, SHUTTER, HORIZONTAL	
24	FF5 - 3910 - 020		1	SUPPORT, DEV. CYLINDER, FRONT	
25	FF5 - 3913 - 000		1	ROD, ANTENA STIRRING	
26	FS5 - 1530 - 000		3	BUSHING	
27	FS5 - 6394 - 000		1	SPACER, SLEEVE	
28	FS6 - 0437 - 000		1	GEAR, 18T	
29	FS6 - 0439 - 000		1	GEAR, 14T	
30	FS6 - 0440 - 000		1	GEAR, 67T	
31	FS6 - 0442 - 000		1	GEAR, 14T/38T	
32	FS6 - 0443 - 000		1	GEAR, 15T/18T/37T	
33	FS6 - 0445 - 000		1	GEAR, 15T	
34	FS6 - 0446 - 000		2	GEAR, 14T	
35	FS6 - 2238 - 000		1	SPRING, TENSION	
36	XA9 - 0942 - 000		3	SCREW, M3X6	
37	XG9 - 0177 - 000		2	BALL BEARING	
501	XB4 - 7300 - 809		7	SCREW, TAPPING, TRUSS HEAD, M3X8	
502	XB4 - 7301 - 009		4	SCREW, TAPPING, TRUSS HEAD, M3X10	
503	XD2 - 1100 - 502		1	RING, E	

FIGURE 810 FIXING ASSEMBLY

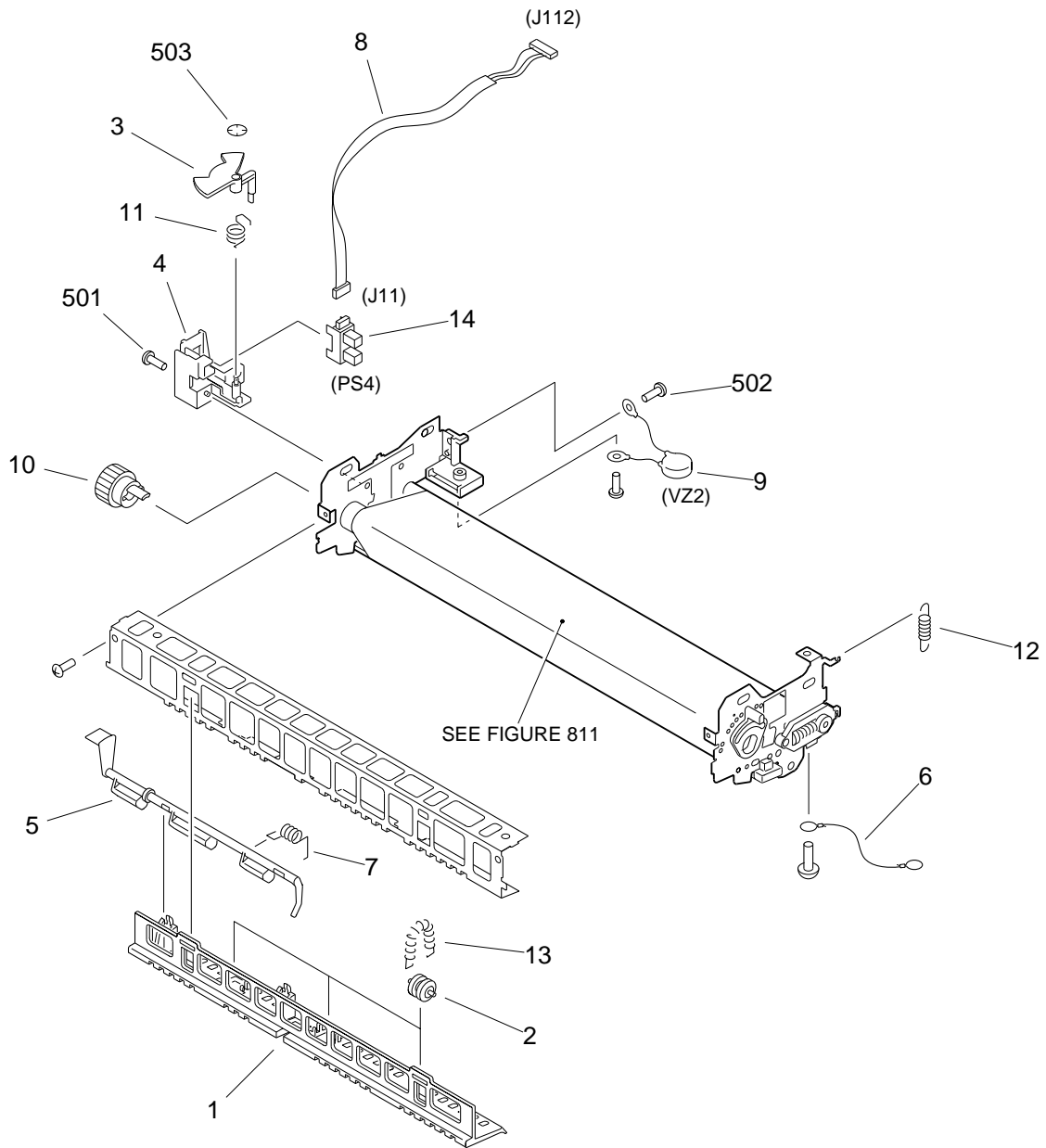


FIGURE & KEY NO.	PART NUMBER	RANK	QTY	DESCRIPTION	SERIAL NUMBER / REMARKS
810 -	FG5 - 3493 - 080		1	FIXING ASSEMBLY	
1	FB2 - 5015 - 000		1	GUIDE, UPPER, DELIVERY	
2	FB2 - 5016 - 000		3	ROLLER	
3	FB2 - 5019 - 020		1	FLAG, POSITIONING SENSOR	
4	FB2 - 5020 - 000		1	HOLDER, SENSOR	
5	FB2 - 5021 - 000		1	FLAG, PAPER SENSING	
6	FB2 - 5022 - 000		1	WIRE	
7	FB2 - 5070 - 000		1	SPRING, TORSION	
8	FF2 - 9733 - 000		1	CABLE, SENSOR	J11,112
9	FF2 - 9779 - 000		1	VARISTOR	VZ2
10	FS5 - 0914 - 000		1	GEAR, 17T	
11	FS5 - 2794 - 000		1	SPRING, TORSION	
12	FS5 - 2795 - 000		1	SPRING, TENSION	
13	FS5 - 2796 - 000		3	SPRING, TENSION	
14	WG8 - 5001 - 000		1	PHOTO-INTERRUPTER, TLP1231	PS4 J11
501	XB1 - 2300 - 409		6	SCREW,MACH.,TRUSS HEAD,M3X4	
502	XB2 - 6300 - 607		2	SCREW,W/WASHER,M3X6	
503	XD2 - 2300 - 202		1	RING,TOOTHED LOCK	

FIGURE 811 FIXING FILM REPLACEMENT KIT

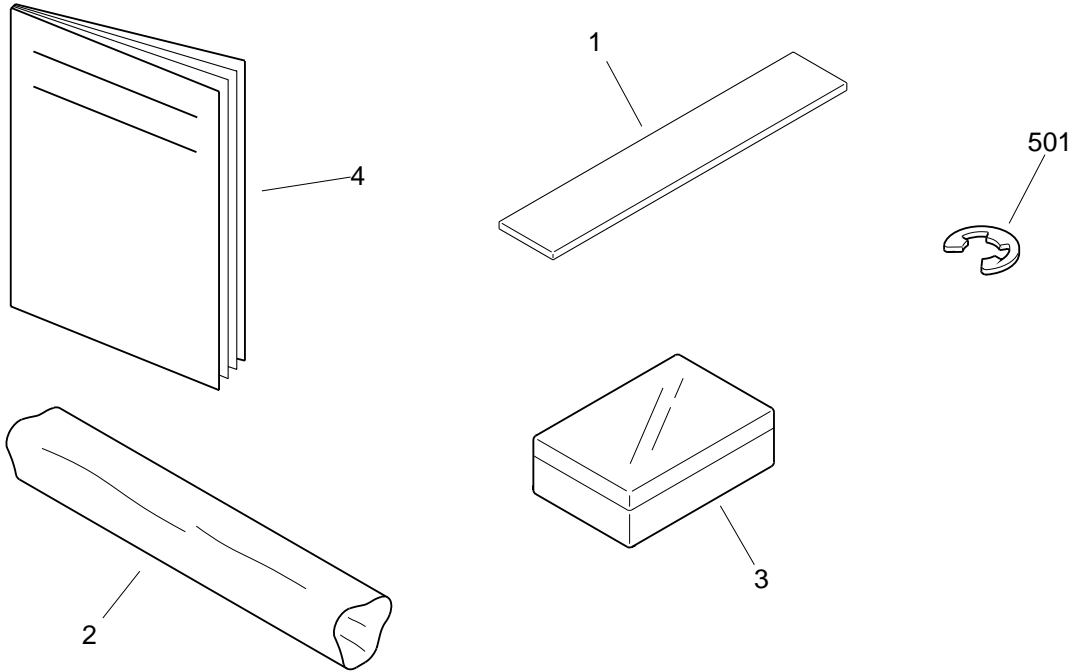
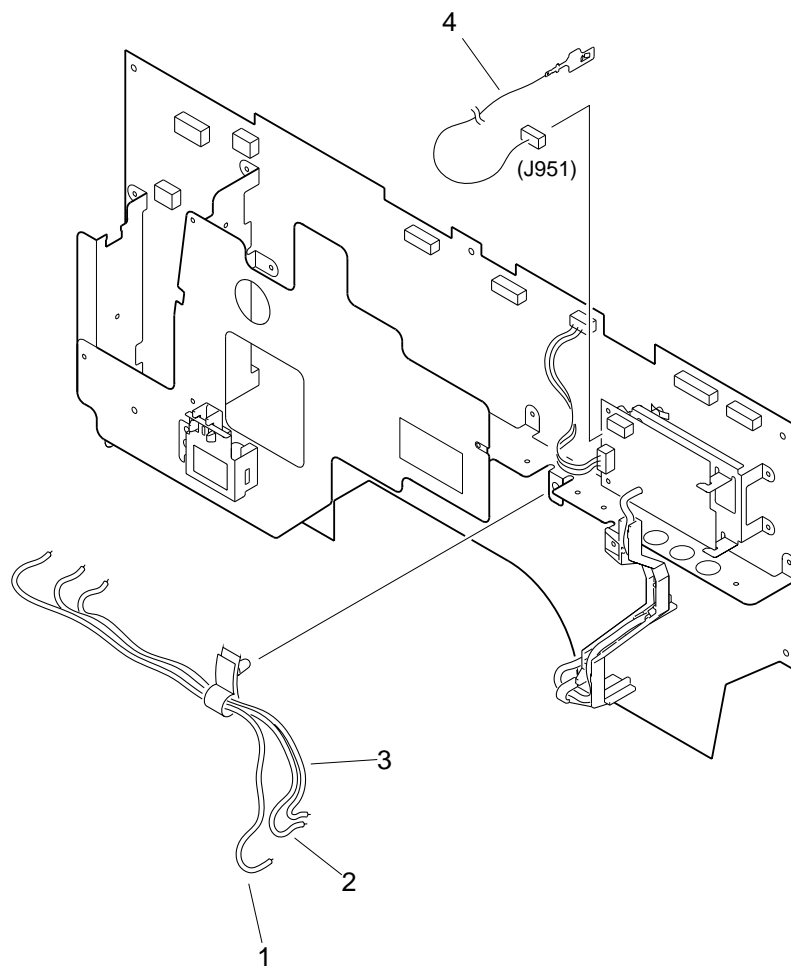


FIGURE & KEY NO.	PART NUMBER	RANK	QTY	DESCRIPTION	SERIAL NUMBER / REMARKS
811 -	FG5 - 3516 - 000		1	FIXING FILM REPLACEMENT KIT	10 SET/KIT
1	NPN		10	SPATULA	
2	NPN		10	FIXING FILM	
3	NPN		10	COATING GREASE	
4	NPN		1	FILM REPLACEMENT PROCEDURE	
501	XD2 - 1100 - 502		10	RING,E	

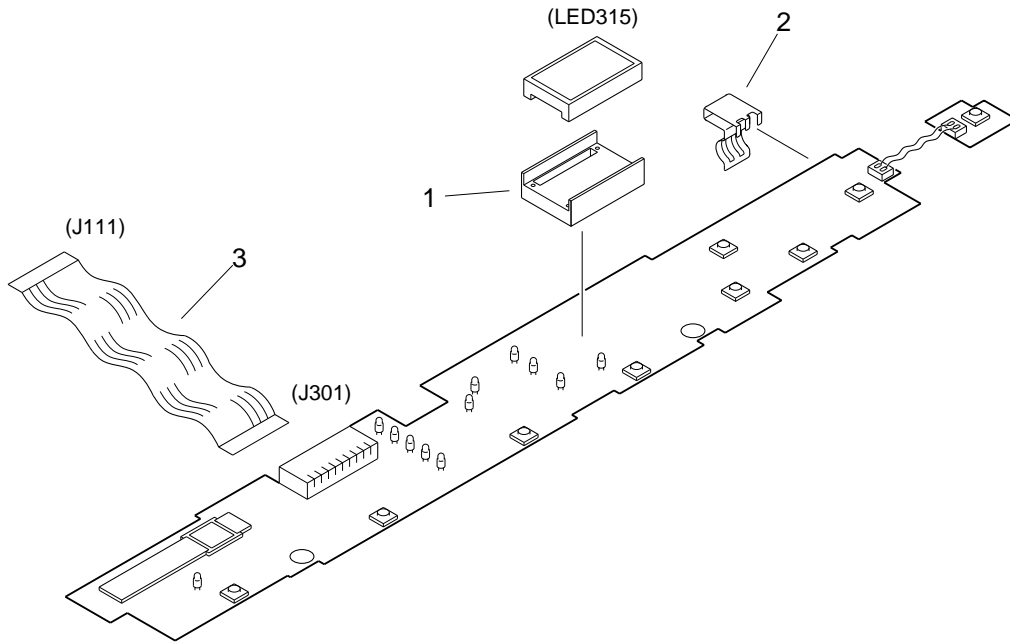
FIGURE 910 DC POWER SUPPLY PCB ASSEMBLY



NOTE: This assembly does not include the part shown with key No.4.

FIGURE & KEY NO.	PART NUMBER	RANK	QTY	DESCRIPTION	SERIAL NUMBER / REMARKS
910 -	FG6 - 0085 - 00S		1	POWER SUPPLY PCB ASSEMBLY	
1	FF2 - 9772 - 000		1	CABLE, HIGH VOLTAGE, 1	
2	FF2 - 9773 - 000		1	CABLE, HIGH VOLTAGE, 2	
3	FF2 - 9774 - 000		1	CABLE, HIGH VOLTAGE, 3	
4	FF3 - 0476 - 000		1	CABLE, ANTENNA	SEE NOTE J951
J205	FF2 - 9775 - 000		1	CABLE, MOTOR	
J214	FF3 - 0475 - 000		1	CABLE, TONER SENSOR	J214,954
J952	FF3 - 0477 - 000		1	CABLE, BIAS	
L101	FH3 - 7195 - 000		1	CHOKE COIL, SN14-8000	
L401	FH3 - 7169 - 000		1	COIL, CHOKE	
Q501	FF3 - 0416 - 000		1	IC, UPD18001GC-120-3BH, HYBRID	
R303	FH4 - 9169 - 000		1	RESISTOR, 44MOHM, 0.091W	
R306	RH6 - 3069 - 000		1	RESISTOR, 40MOHM, 0.625W	
R313	FH9 - 0367 - 000		1	RESISTOR, 100 OHM, 1W	
R316	FH9 - 0367 - 000		1	RESISTOR, 100 OHM, 1W	
R322	FH4 - 9163 - 000		1	RESISTOR, 2MOHM, 0.85W	
R328	FH4 - 9186 - 000		1	RESISTOR, 16.9MOHM, 1/10W	
R413	RH6 - 3069 - 000		1	RESISTOR, 40MOHM, 0.625W	
R414	RH6 - 3069 - 000		1	RESISTOR, 40MOHM, 0.625W	
RL101	FH7 - 6197 - 000		1	RELAY	
T101	FH3 - 0733 - 000		1	TRANSFORMER, AC	
T102	FH3 - 0780 - 000		1	TRANSFORMER, CONVERTER	
T103	FH3 - 0667 - 000		1	TRANSFORMER	
T104	FH3 - 0666 - 000		1	TRANSFORMER	
T201	FH3 - 0668 - 000		1	TRANSFORMER	
T301	FH3 - 0569 - 000		1	TRANSFORMER, INVERTER	
T302	FH3 - 0660 - 000		1	TRANSFORMER	
T401	FH3 - 0734 - 000		1	TRANSFORMER, TRANSFER	
T402	FH3 - 0735 - 000		1	TRANSFORMER	

FIGURE 915 CONTROL PANEL PCB ASSEMBLY



NOTE1: This assembly is included in the assembly shown in Figure 130.
 NOTE2: This assembly does not include the part shown with key No.3.

FIGURE & KEY NO.	PART NUMBER	RANK	QTY	DESCRIPTION	SERIAL NUMBER / REMARKS
915 -	FG5 - 5497 - 000		1	CONTROL PANEL PCB ASSEMBLY	NP6112 SEE NOTE 1
	FG5 - 5469 - 000		1	CONTROL PANEL PCB ASSEMBLY	NP6312 SEE NOTE 1
	1 FB2 - 4900 - 000		1	SPACER	
	2 FB2 - 4901 - 000		1	PLATE, GROUNDING	
	3 FH2 - 6231 - 000		1	CABLE, FLAT	SEE NOTE 2 J111,301
LED315	FH7 - 3277 - 000		1	LED, 7 SEGMENT	

FIGURE 930 DC CONTROLLER PCB ASSEMBLY

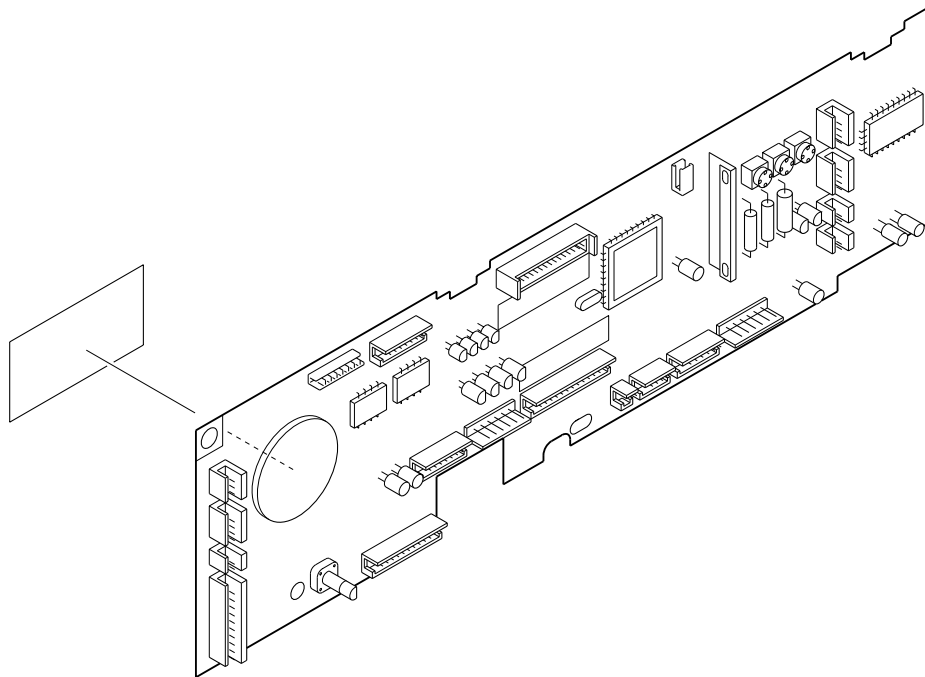


FIGURE & KEY NO.	PART NUMBER	RANK	QTY	DESCRIPTION	SERIAL NUMBER / REMARKS
930 -	FG6 - 0086 - 00S		1	DC CONTROLLER PCB ASSEMBLY	NP6112
	FG6 - 0087 - 00S		1	DC CONTROLLER PCB ASSEMBLY	NP6312
BAT 1	WK1 - 0082 - 000		1	BATTERY, LITIUM	
Q1 0 1	FH4 - 1251 - 000		1	IC, HD6433042T12F, CPU	
Q1 4 2	FH9 - 0483 - 000		1	TRANSISTOR, 2SD1929	
Q1 4 3	FH9 - 0483 - 000		1	TRANSISTOR, 2SD1929	
Q1 4 4	FH9 - 0483 - 000		1	TRANSISTOR, 2SD1929	
Q1 4 5	FH9 - 0483 - 000		1	TRANSISTOR, 2SD1929	
Q1 6 3	FH9 - 0483 - 000		1	TRANSISTOR, 2SD1929	
Q1 8 0	FH9 - 0483 - 000		1	TRANSISTOR, 2SD1929	
Q1 8 5	FH9 - 0483 - 000		1	TRANSISTOR, 2SD1929	
X1 0 1	FH6 - 3494 - 000		1	OSCILLATOR, CRYSTAL	

FIGURE 935 ADF CONTROLLER PCB ASSEMBLY (NP6312)

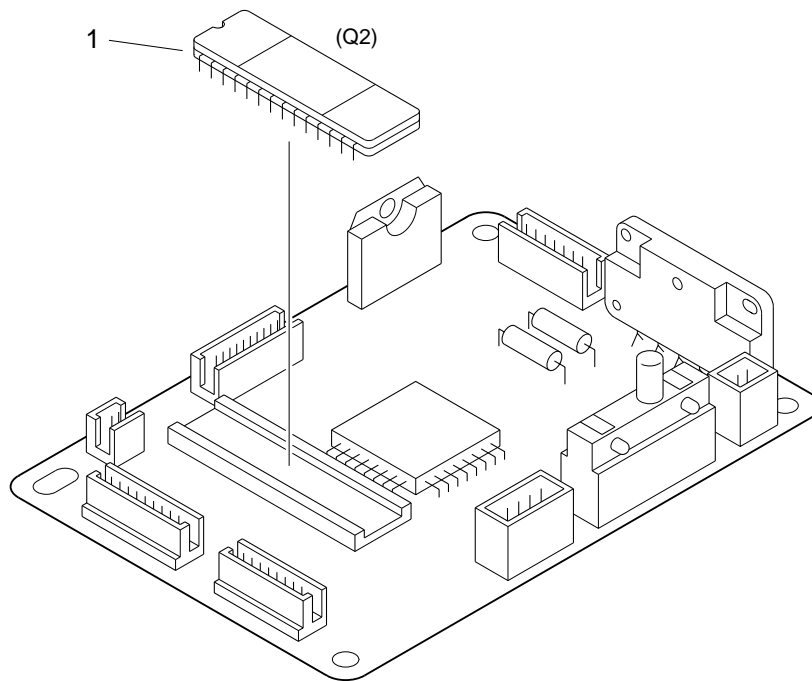


FIGURE & KEY NO.	PART NUMBER	RANK	QTY	DESCRIPTION	SERIAL NUMBER / REMARKS
935 -	FG2 - 7466 - 000		1	ADF CONTROLLER PCB ASSEMBLY	NP6312
1	FF3 - 1069 - 000		1	IC, M27C256B-15F1, MASK-ROM	Q2

FIGURE 940 NOISE FILTER PCB ASSEMBLY

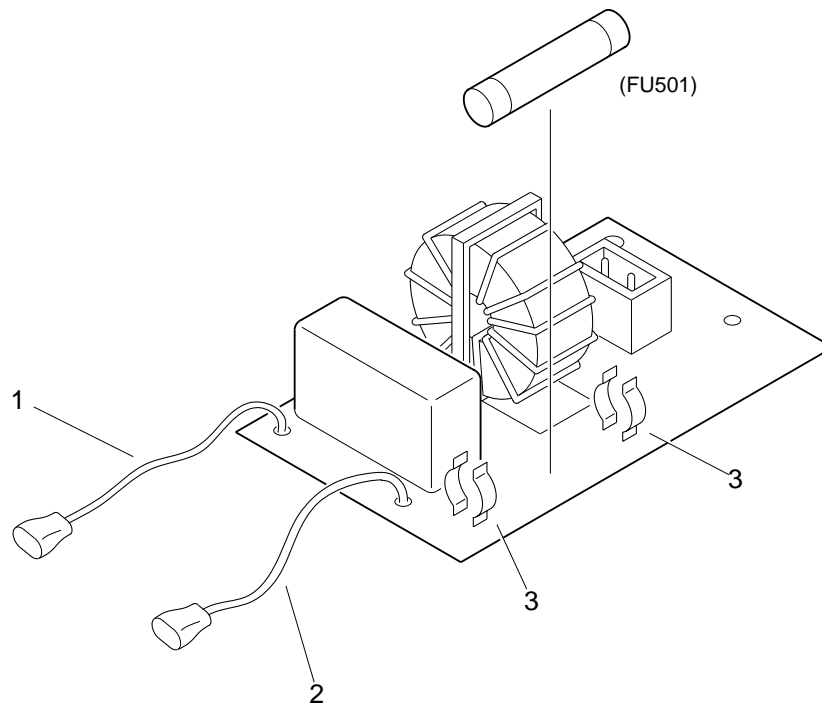


FIGURE & KEY NO.	PART NUMBER	RANK	QTY	DESCRIPTION	SERIAL NUMBER / REMARKS
940 -	FG5 - 3544 - 000		1	NOISE FILTER PCB ASSEMBLY	
1	FF2 - 9769 - 000		1	CABLE, INLET, 1	
2	FF2 - 9770 - 000		1	CABLE, INLET, 2	
3	WD9 - 5028 - 000		2	HOLDER, FUSE	
FU501	VD7 - 1506 - 301		1	FUSE, 250V	
L501	VL5 - 0390 - 086		1	NOISE FILTER	

FIGURE B LIST OF CONNECTORS(1/2)

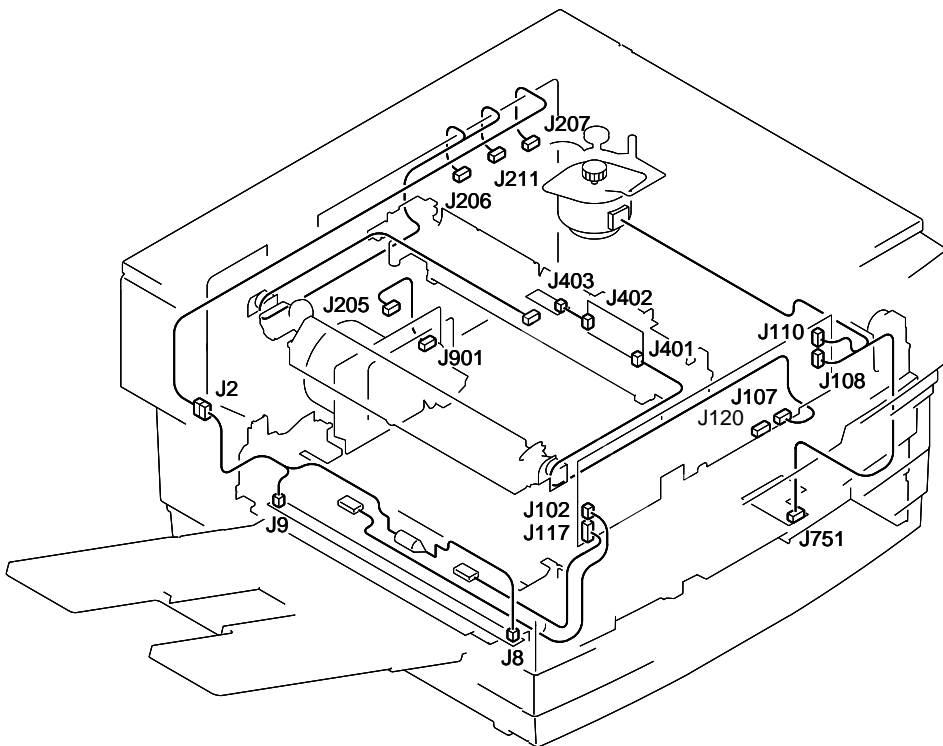
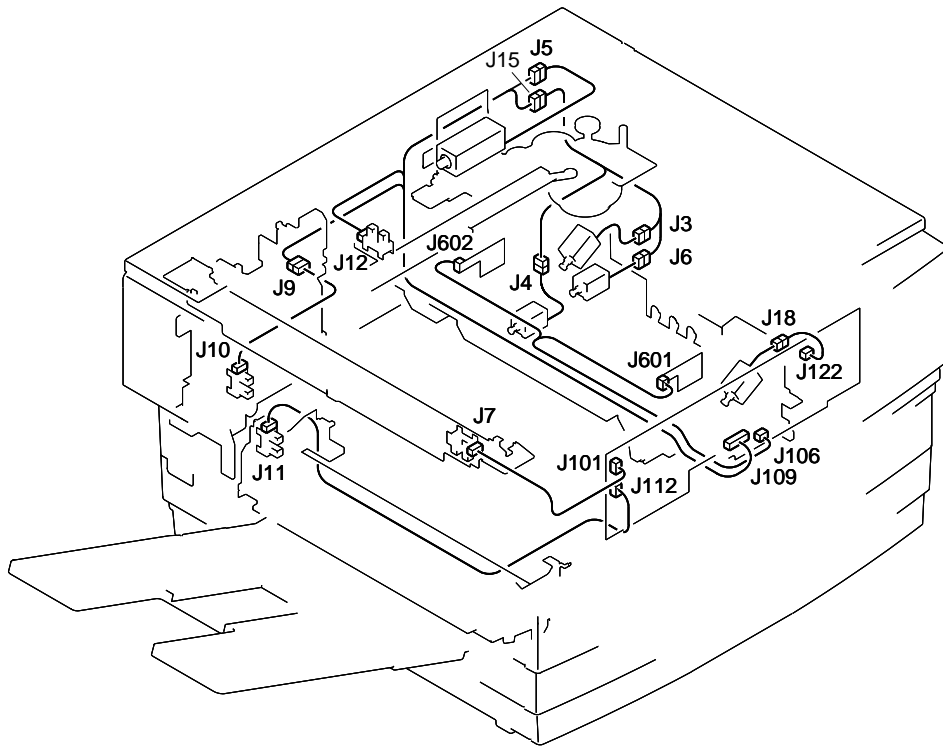


FIGURE B LIST OF CONNECTORS(2/2)

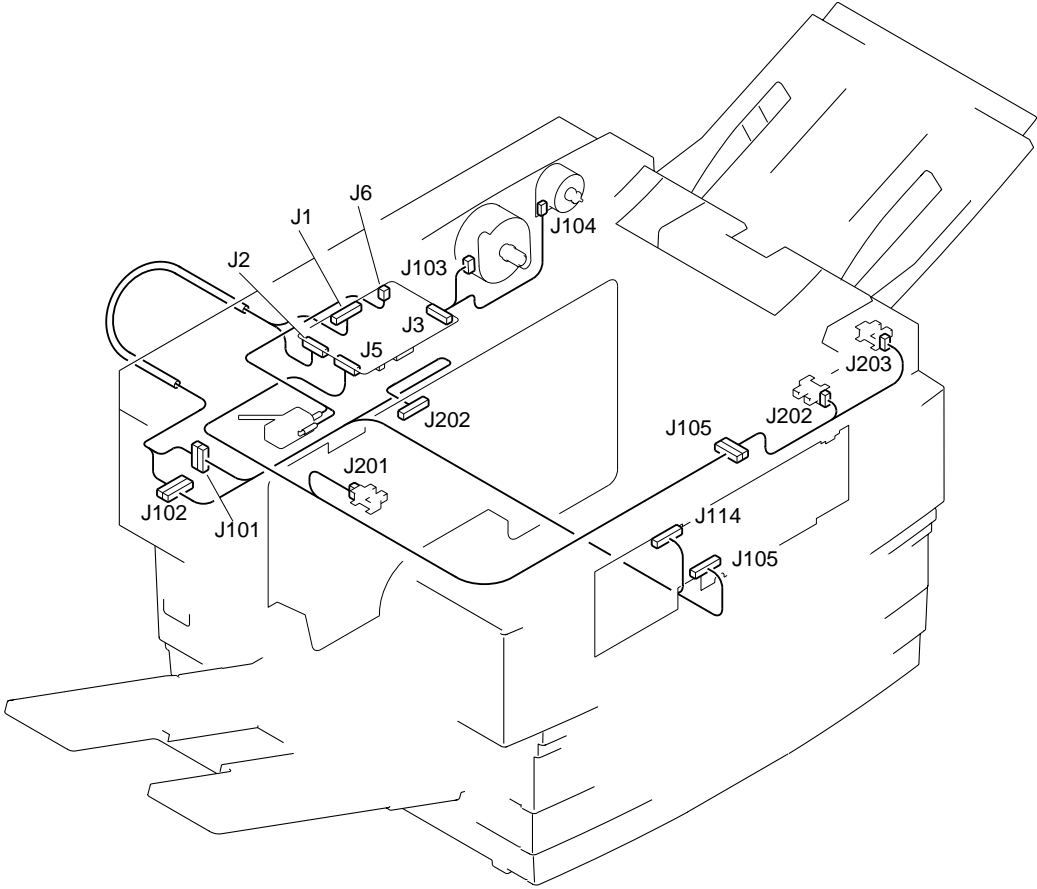
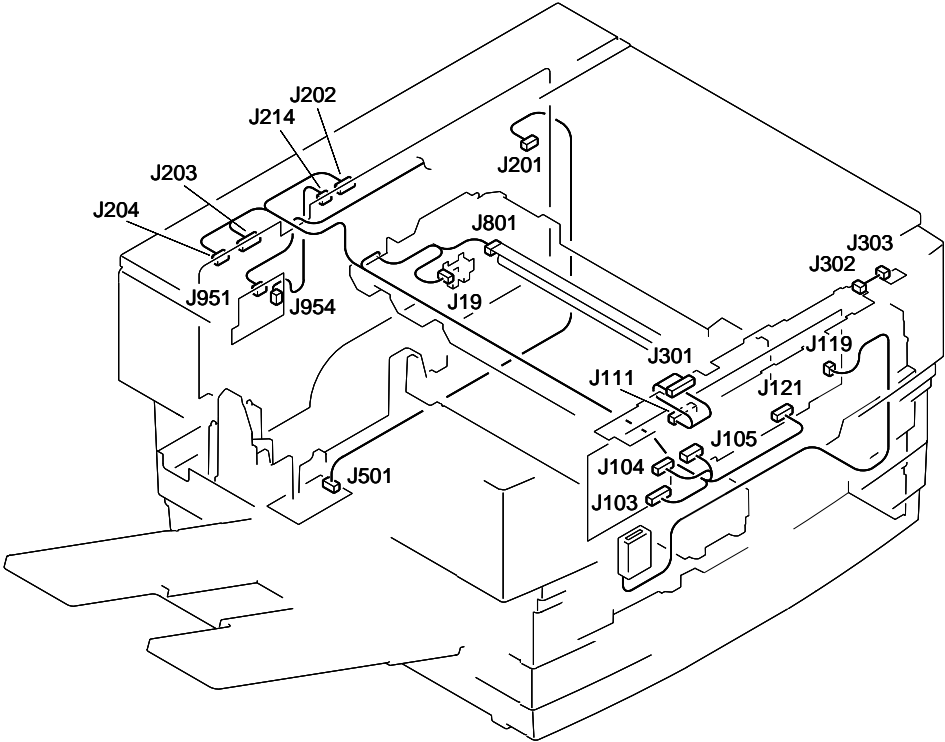


FIGURE & KEY NO.	PART NUMBER	RANK	QTY	DESCRIPTION	SERIAL NUMBER / REMARKS
B -	NPN		RF	LIST OF CONNECTORS	
J 1	PCB			ADF CONTROLLER	NP6312
	VS3 - 5083 - 004		1	CONNECTOR, 4P, FEMALE	NP6312
	WS3 - 5160 - 000		4	SOCKET CONTACT, 18-24AWG	NP6312
J 2	WS3 - 5174 - 000		2	SOCKET CONTACT, 16-20AWG	
	WS3 - 5352 - 000		1	CONNECTOR, 2P, FEMALE	
	WS3 - 5353 - 000		1	CONNECTOR, 2P, MALE	
	WS3 - 5354 - 000		2	PIN CONTACT, 16-20AWG	
	PCB			ADF CONTROLLER	NP6312
	VS1 - 0842 - 008		1	CONNECTOR, 8P, FEMALE	NP6312
J 3	NPN			PAPER PICK-UP CLUTCH SOLENOID	SL1
	VS1 - 0842 - 002		1	CONNECTOR, 2P, FEMALE	
	VS1 - 5057 - 002		1	CONNECTOR, SNAP TIGHT	
	PCB			ADF CONTROLLER	NP6312
	VS1 - 0842 - 007		1	CONNECTOR, 7P, FEMALE	NP6312
J 4	NPN			REGIST. CLUTCH SOLENOID	SL2
	VS1 - 0842 - 002		1	CONNECTOR, 2P, FEMALE	
	VS1 - 5057 - 002		1	CONNECTOR, SNAP TIGHT	
J 5	NPN			LENS DRIVE SOLENOID	SL3
	VS1 - 0842 - 002		1	CONNECTOR, 2P, FEMALE	
	VS1 - 5057 - 002		1	CONNECTOR, SNAP TIGHT	
	PCB			ADF CONTROLLER	NP6312
	VS1 - 0842 - 009		1	CONNECTOR, 9P, FEMALE	NP6312
J 6	NPN			MULTI FEED P. PICK-UP SOLENOID	SL4
	VS1 - 0842 - 003		1	CONNECTOR, 3P, FEMALE	
	VS1 - 5057 - 003		1	CONNECTOR, SNAP TIGHT	
	PCB			ADF CONTROLLER	NP6312
	VS3 - 5083 - 002		1	CONNECTOR, 2P, FEMALE	NP6312
	WS3 - 5160 - 000		2	SOCKET CONTACT, 18-24AWG	NP6312
J 7	NPN			SCANNER HOME POSITION SENSOR	PS1

FIGURE & KEY NO.	PART NUMBER	R A N K	Q' T Y	DESCRIPTION	SERIAL NUMBER / REMARKS
B - J 7	VS1 - 0842 - 003		1	CONNECTOR, 3P, FEMALE	
J 8	NPN			FIXING HEATER	H1
	FH2 - 5795 - 000		1	SOCKET CONTACT, 18-22AWG	
	FH2 - 5796 - 000		1	SLEEVE, CONTACT	
J 9	VS1 - 0842 - 003		2	CONNECTOR, 3P, FEMALE	
	VS1 - 5057 - 003		1	CONNECTOR, SNAP TIGHT	
	NPN			FIXING HEATER	H1
	FH2 - 5795 - 000		1	SOCKET CONTACT, 18-22AWG	
	FH2 - 5796 - 000		1	SLEEVE, CONTACT	
J 10	NPN			PAPER DELIVERY SENSOR	PS3
J 11	VS1 - 0842 - 003		1	CONNECTOR, 3P, FEMALE	
	NPN			FIXING FILM SENSOR	PS4
	VS1 - 0842 - 003		1	CONNECTOR, 3P, FEMALE	
J 12	NPN			LENS HOME POSITION SENSOR	PS2
	VS1 - 0842 - 003		1	CONNECTOR, 3P, FEMALE	
J 15	VS1 - 0842 - 006		2	CONNECTOR, 6P, FEMALE	
	VS1 - 5057 - 006		1	CONNECTOR, SNAP TIGHT	
J 19	NPN			WASTE TONER SENSOR	PS5
	VS1 - 0842 - 003		1	CONNECTOR, 3P, FEMALE	
J 101	PCB			DC CONTROLLER	
	VS1 - 0842 - 003		1	CONNECTOR, 3P, FEMALE	
	VS1 - 0279 - 004		1	CONNECTOR, 4P, FEMALE	NP6312
	VS3 - 0108 - 004		1	CONNECTOR, 4P, MALE	NP6312
	WS3 - 0885 - 000		4	PIN CONTACT, 20-30AWG	NP6312
	WS4 - 0181 - 000		4	PIN CONTACT	NP6312
J 102	PCB			DC CONTROLLER	
	NPN			CENTER FIXING THERMISTOR	TH1
	VS1 - 0842 - 008		2	CONNECTOR, 8P, FEMALE	NP6312
	VS1 - 5057 - 008		1	CONNECTOR, SNAP TIGHT	NP6312
J 103	PCB			DC CONTROLLER	

FIGURE & KEY NO.	PART NUMBER	RANK	QTY	DESCRIPTION	SERIAL NUMBER / REMARKS
B - J 1 0 3	VS1 - 0842 - 012		1	CONNECTOR, 12P, FEMALE	NP6312 M1
	NPN			BELT DRIVE MOTOR	
J 1 0 4	VS1 - 0842 - 005		1	CONNECTOR, 5P, FEMALE	NP6312
	PCB			DC CONTROLLER	
	VS1 - 0842 - 007		1	CONNECTOR, 7P, FEMALE	
J 1 0 5	NPN			PICK-UP DRIVE MOTOR	NP6312 M2
	VS1 - 0842 - 002		1	CONNECTOR, 2P, FEMALE	
	PCB			DC CONTROLLER	
	VS1 - 0279 - 006		1	CONNECTOR, 6P, FEMALE	
	WS3 - 0437 - 000		6	SOCKET CONTACT, 20-30AWG	
J 1 0 6	VS1 - 0842 - 006		2	CONNECTOR, 6P, FEMALE	NP6312
	VS1 - 5057 - 006		1	CONNECTOR, SNAP TIGHT	
	PCB			DC CONTROLLER	
	VS1 - 5824 - 002		1	CONNECTOR, 2P, FEMALE	
	WS3 - 5358 - 000		2	SOCKET CONTACT, 22-26AWG	
J 1 0 7	PCB			DC CONTROLLER	
	VS1 - 0279 - 005		1	CONNECTOR, 5P, FEMALE	
	WS3 - 0437 - 000		5	SOCKET CONTACT, 20-30AWG	
J 1 0 8	PCB			DC CONTROLLER	
	VS1 - 0842 - 005		1	CONNECTOR, 5P, FEMALE	
J 1 0 9	PCB			DC CONTROLLER	
	VS1 - 0842 - 014		1	CONNECTOR, 14P, FEMALE	
J 1 1 0	PCB			DC CONTROLLER	M2
	NPN			SCANNER MOTOR	
J 1 1 1	PCB			DC CONTROLLER	
J 1 1 2	FH2 - 6231 - 000		1	CABLE, FLAT	
	PCB			DC CONTROLLER	
	VS1 - 0842 - 004		1	CONNECTOR, 4P, FEMALE	
J 1 1 4	PCB			DC CONTROLLER	NP6312
	VS1 - 0842 - 008		1	CONNECTOR, 8P, FEMALE	

FIGURE & KEY NO.	PART NUMBER	RANK	QTY	DESCRIPTION	SERIAL NUMBER / REMARKS		
B - J 1 1 7	PCB			DC CONTROLLER	TH2		
	NPN			FIXING SIDE THERMISTOR			
	J 1 1 9	PCB				DC CONTROLLER	
		NPN				TOTAL COUNTER	
	J 1 2 1	PCB				DC CONTROLLER	CNT1
J 1 2 2	VS1 - 0842 - 005		1	CONNECTOR, 5P, FEMALE	SL5		
	PCB			DC CONTROLLER			
	NPN			BLANK EXPOSURE SOLENOID			
	J 2 0 1	PCB				DC POWER SUPPLY	
		WS3 - 5174 - 000		2		SOCKET CONTACT, 16-20AWG	
	J 2 0 2	WS3 - 5175 - 000		1		CONNECTOR, 2P, FEMALE	NP6312 PI1 NP6312
NPN				PAPER DELIVERY SENSOR			
VS1 - 0842 - 003			1	CONNECTOR, 3P, FEMALE			
PCB				DC POWER SUPPLY			
VS3 - 5083 - 006			1	CONNECTOR, 6P, FEMALE			
J 2 0 3		WS3 - 5160 - 000		6	SOCKET CONTACT, 18-24AWG	NP6312 PI2 NP6312	
	NPN			REGISTRATION SENSOR			
	VS1 - 0842 - 003		1	CONNECTOR, 3P, FEMALE			
	PCB			DC POWER SUPPLY			
	VS1 - 0842 - 012		1	CONNECTOR, 12P, FEMALE			
	J 2 0 4	NPN			PAPER PICK-UP SENSOR		NP6312 PI3 NP6312
VS1 - 0852 - 003			1	CONNECTOR, 3P, FEMALE			
PCB				DC POWER SUPPLY			
VS1 - 0842 - 007			1	CONNECTOR, 7P, FEMALE			
J 2 0 5		PCB			DC POWER SUPPLY		
J 2 0 6	VS1 - 0861 - 006		1	CONNECTOR, 6P, MALE			
	PCB			DC POWER SUPPLY			
	VS1 - 0279 - 006		1	CONNECTOR, 6P, FEMALE			
	WS3 - 0437 - 000		4	SOCKET CONTACT, 20-30AWG			
	J 2 0 7	PCB				DC POWER SUPPLY	

FIGURE & KEY NO.	PART NUMBER	RANK	QTY	DESCRIPTION	SERIAL NUMBER / REMARKS
B - J 2 0 7	WS3 - 5174 - 000		2	SOCKET CONTACT, 16-20AWG	
	WS3 - 5175 - 000		1	CONNECTOR, 2P, FEMALE	
	J 2 1 1	PCB		DC POWER SUPPLY	
	VS3 - 5083 - 003		1	CONNECTOR, 3P, FEMALE	
	WS3 - 5160 - 000		2	SOCKET CONTACT, 18-24AWG	
J 2 1 4	PCB			DC POWER SUPPLY	
	VS1 - 0861 - 003		1	CONNECTOR, 3P, FEMALE	
J 3 0 1	PCB			CONTROL PANEL	
	FH2 - 6231 - 000		1	CABLE, FLAT	
J 3 0 2	PCB			CONTROL PANEL	
J 3 0 3	VS1 - 0978 - 002		1	CONNECTOR, 2P, MALE	
	PCB			CONTROL PANEL	
	VS1 - 0978 - 002		1	CONNECTOR, 2P, MALE	
J 4 0 1	PCB			INTENSITY / AE SENSOR	
	VS1 - 0279 - 005		1	CONNECTOR, 5P, FEMALE	
J 4 0 2	WS3 - 0437 - 000		5	SOCKET CONTACT, 20-30AWG	
	PCB			INTENSITY / AE SENSOR	
	VS1 - 0978 - 002		1	CONNECTOR, 2P, MALE	
J 4 0 3	PCB			INTENSITY / AE SENSOR	
	VS1 - 0978 - 002		1	CONNECTOR, 2P, MALE	
J 5 0 1	PCB			NOISE FILTER	
	WS3 - 5174 - 000		2	SOCKET CONTACT, 16-20AWG	
	WS3 - 5175 - 000		1	CONNECTOR, 2P, FEMALE	
J 6 0 1	PCB			SIDE BLANK	
	VS1 - 5824 - 002		1	CONNECTOR, 2P, FEMALE	
J 6 0 2	WS3 - 5358 - 000		2	SOCKET CONTACT, 22-26AWG	
	PCB			SIDE BLANK	
	VS1 - 5824 - 002		1	CONNECTOR, 2P, FEMALE	
	WS3 - 5358 - 000		2	SOCKET CONTACT, 22-26AWG	
J 7 5 1	PCB			SENSOR BOARD	

FIGURE & KEY NO.	PART NUMBER	RANK	QTY	DESCRIPTION	SERIAL NUMBER / REMARKS
B - J 7 5 1	VS1 - 0842 - 005		1	CONNECTOR, 5P, FEMALE	M1
J 8 0 1	PCB			BLANK EXPOSURE LAMP	
	VS1 - 0842 - 002		1	CONNECTOR, 2P, FEMALE	
J 9 0 1	NPN			MAIN MOTOR	
	VS1 - 0842 - 006		1	CONNECTOR, 6P, FEMALE	
J 9 5 1	PCB			TONER SENSING	
	VS1 - 5824 - 002		1	CONNECTOR, 2P, FEMALE	
	WS3 - 5358 - 000		2	SOCKET CONTACT, 22-26AWG	
J 9 5 4	PCB			TONER SENSING	
	VS1 - 0842 - 003		1	CONNECTOR, 3P, FEMALE	

D NUMERICAL INDEX

PART NUMBER	FIGURE & KEY NO.	PART NUMBER	FIGURE & KEY NO.	PART NUMBER	FIGURE & KEY NO.
FA4 - 1159 - 000	340 - 1	FB2 - 4875 - 000	101 - 2 1	FB3 - 0627 - 000	101 - 2 9
FA5 - 2864 - 020	161 - 1	FB2 - 4877 - 000	101 - 2 2	FB3 - 0629 - 000	230 - 4
	290 - 1	FB2 - 4900 - 000	915 - 1	FB3 - 0630 - 000	101 - 3 0
FA9 - 2568 - 000	102 - 1	FB2 - 4901 - 000	915 - 2	FB3 - 0632 - 000	101 - 3 1
FA9 - 3063 - 000	530 - 1 5 A	FB2 - 4927 - 000	230 - 2	FB3 - 0633 - 000	101 - 3 2
FA9 - 3065 - 000	400 - 1	FB2 - 4928 - 020	102 - 6	FB3 - 0639 - 000	101 - 3 3
FA9 - 3102 - 000	160 - 1	FB2 - 4929 - 000	102 - 7	FB3 - 0661 - 000	130 - 1
	300 - 1	FB2 - 4930 - 000	102 - 8	FB3 - 0662 - 000	130 - 2
FA9 - 3207 - 000	640 - 1		102 - 9	FB3 - 0663 - 000	130 - 3
FA9 - 3268 - 000	290 - 2	FB2 - 4933 - 000	102 - 1 0	FB3 - 0664 - 000	130 - 4
FA9 - 3416 - 000	100 - 1	FB2 - 4939 - 000	530 - 5	FB3 - 0665 - 000	130 - 5
FB1 - 0715 - 000	400 - 2 0 A	FB2 - 4942 - 000	101 - 2 3	FB3 - 0666 - 020	130 - 6
FB1 - 7267 - 000	102 - 2	FB2 - 4943 - 000	101 - 2 4	FB3 - 0667 - 020	130 - 7
FB1 - 7270 - 000	102 - 3	FB2 - 5015 - 000	810 - 1	FB3 - 0670 - 000	101 - 3 4
FB1 - 7275 - 000	102 - 4	FB2 - 5016 - 000	810 - 2	FB3 - 0686 - 000	640 - 2
FB1 - 7283 - 000	100 - 2	FB2 - 5019 - 020	810 - 3	FB3 - 0687 - 000	640 - 3
FB1 - 7295 - 000	100 - 2 6 A	FB2 - 5020 - 000	810 - 4	FB3 - 0688 - 000	640 - 4
FB1 - 7403 - 000	100 - 3	FB2 - 5021 - 000	810 - 5	FB3 - 0691 - 000	640 - 5
FB1 - 7427 - 000	530 - 1	FB2 - 5022 - 000	810 - 6	FB3 - 0693 - 000	640 - 6
FB1 - 7431 - 000	530 - 2	FB2 - 5029 - 020	102 - 1 1	FB3 - 0694 - 000	640 - 7
FB1 - 8581 - 000	340 - 2	FB2 - 5030 - 000	102 - 1 2	FB3 - 0695 - 000	640 - 8
FB1 - 8870 - 000	160 - 2	FB2 - 5031 - 000	102 - 1 3	FB3 - 0696 - 000	640 - 9
FB1 - 9766 - 000	100 - 4	FB2 - 5032 - 000	102 - 1 4	FB3 - 0697 - 000	640 - 1 0
FB2 - 2559 - 000	300 - 2	FB2 - 5033 - 000	102 - 1 5	FB3 - 0710 - 000	640 - 2 3 A
FB2 - 4603 - 000	101 - 1	FB2 - 5034 - 000	102 - 1 6	FB3 - 0711 - 000	640 - 1 1
FB2 - 4606 - 000	100 - 5	FB2 - 5040 - 000	102 - 1 7	FB3 - 0712 - 000	640 - 2 2 A
FB2 - 4607 - 000	100 - 6	FB2 - 5041 - 000	102 - 1 8	FB3 - 0713 - 000	640 - 1 2
FB2 - 4610 - 000	101 - 2	FB2 - 5042 - 000	102 - 1 9	FB3 - 0714 - 000	640 - 1 3
FB2 - 4611 - 000	101 - 3	FB2 - 5052 - 000	240 - 1	FB3 - 0715 - 000	640 - 1 4
FB2 - 4612 - 000	101 - 4	FB2 - 5054 - 000	100 - 8	FB3 - 0716 - 000	640 - 1 5
FB2 - 4613 - 000	101 - 5	FB2 - 5055 - 000	100 - 9	FB3 - 0718 - 000	640 - 1 6
FB2 - 4614 - 000	101 - 6	FB2 - 5058 - 000	101 - 4 3 A	FB3 - 0719 - 020	640 - 2 2 B
FB2 - 4616 - 000	220 - 1	FB2 - 5060 - 000	102 - 2 0	FB3 - 0720 - 000	640 - 2 3 B
	401 - 1	FB2 - 5070 - 000	810 - 7	FB3 - 0721 - 000	640 - 1 7
FB2 - 4622 - 020	101 - 7	FB2 - 5153 - 000	530 - 1 5 B	FB3 - 0722 - 000	640 - 1 8
FB2 - 4626 - 000	101 - 8	FB2 - 5156 - 000	530 - 6	FB3 - 0724 - 000	640 - 1 9
FB2 - 4627 - 000	101 - 9	FB2 - 5159 - 000	530 - 7	FB3 - 0725 - 000	640 - 2 2 C
FB2 - 4628 - 000	101 - 1 0	FB2 - 5161 - 030	102 - 2 1	FB3 - 0726 - 000	640 - 2 0
FB2 - 4629 - 000	101 - 1 1	FB2 - 5162 - 000	102 - 2 2	FB3 - 0727 - 000	640 - 2 2 D
FB2 - 4650 - 000	400 - 2	FB2 - 5163 - 000	102 - 2 3	FB3 - 0728 - 000	640 - 2 2 E
FB2 - 4651 - 000	400 - 3	FB2 - 5164 - 000	102 - 2 4	FB3 - 0732 - 000	102 - 4 4
FB2 - 4652 - 000	400 - 4	FB2 - 5169 - 000	530 - 8	FB3 - 0736 - 030	101 - 3 5
FB2 - 4653 - 000	400 - 5	FB2 - 5182 - 000	102 - 2 5	FB3 - 0743 - 000	102 - 4 5
FB2 - 4654 - 000	400 - 6	FB2 - 5183 - 000	102 - 2 6	FB3 - 0744 - 000	102 - 4 6
FB2 - 4655 - 000	400 - 7	FB2 - 5198 - 000	250 - 1	FB3 - 0745 - 000	102 - 4 7
FB2 - 4658 - 020	400 - 8	FB2 - 5199 - 000	250 - 2	FB3 - 0748 - 000	102 - 4 8
FB2 - 4659 - 020	400 - 9	FB2 - 5213 - 000	100 - 1 0	FB3 - 0774 - 000	450 - 1
FB2 - 4660 - 000	400 - 1 0	FB2 - 5214 - 020	100 - 1 1	FB3 - 0775 - 000	450 - 2
FB2 - 4662 - 020	400 - 1 1	FB2 - 5215 - 020	100 - 1 2	FB3 - 0776 - 000	450 - 3
FB2 - 4663 - 020	400 - 1 2	FB2 - 5216 - 000	100 - 1 3	FB3 - 0777 - 000	450 - 4
FB2 - 4664 - 000	400 - 1 3	FB2 - 5217 - 000	100 - 1 4	FB3 - 0778 - 000	450 - 5
FB2 - 4665 - 000	400 - 1 4	FB2 - 5221 - 000	102 - 2 7	FB3 - 0779 - 020	450 - 6
FB2 - 4666 - 030	400 - 1 5	FB2 - 5222 - 020	102 - 2 8	FB3 - 0780 - 000	450 - 7
FB2 - 4667 - 020	400 - 1 6	FB2 - 5223 - 000	102 - 2 9	FB3 - 0781 - 000	450 - 8
FB2 - 4669 - 000	400 - 1 7	FB2 - 5224 - 000	102 - 3 0	FB3 - 0782 - 000	450 - 9
	401 - 2	FB2 - 5301 - 000	102 - 3 1	FB3 - 0784 - 000	450 - 1 0
FB2 - 4676 - 000	401 - 3	FB2 - 5304 - 000	102 - 3 2	FB3 - 0788 - 000	640 - 2 1
FB2 - 4677 - 020	401 - 4	FB2 - 5305 - 000	102 - 3 3	FB3 - 0791 - 000	450 - 2 0 A
FB2 - 4678 - 020	401 - 5	FB2 - 5309 - 000	102 - 3 4	FB3 - 0805 - 000	450 - 1 1
FB2 - 4694 - 020	402 - 1	FB2 - 5310 - 000	102 - 3 5	FB3 - 0806 - 000	450 - 1 2
FB2 - 4695 - 030	402 - 2	FB2 - 5311 - 000	102 - 3 6	FB3 - 0807 - 000	450 - 1 3
FB2 - 4701 - 020	220 - 2	FB2 - 5380 - 030	102 - 3 7	FB3 - 0809 - 000	100 - 1 7
FB2 - 4702 - 000	220 - 3	FB2 - 5381 - 000	102 - 3 8	FB3 - 0811 - 020	450 - 1 4
FB2 - 4703 - 000	220 - 4	FB2 - 5382 - 000	102 - 3 9	FB3 - 0815 - 020	450 - 1 5
FB2 - 4704 - 000	220 - 5	FB2 - 5383 - 020	102 - 4 0	FB3 - 0817 - 000	100 - 2 9 A
FB2 - 4734 - 000	101 - 1 2	FB2 - 5385 - 000	102 - 4 1	FB3 - 0829 - 000	161 - 2
FB2 - 4736 - 000	101 - 1 3	FB2 - 5388 - 000	102 - 4 2	FB3 - 0831 - 000	102 - 4 9
FB2 - 4780 - 000	102 - 5	FB2 - 5392 - 020	102 - 4 3	FB3 - 0832 - 000	102 - 5 0
FB2 - 4785 - 000	100 - 7	FB2 - 5403 - 020	300 - 5	FB3 - 0833 - 000	102 - 9
FB2 - 4790 - 020	100 - 2 8 A	FB2 - 5407 - 020	300 - 6	FB3 - 0837 - 000	102 - 4 4
FB2 - 4791 - 000	100 - 2 7 A	FB2 - 5408 - 000	300 - 7	FB3 - 0839 - 020	100 - 7
FB2 - 4792 - 000	101 - 1 4	FB2 - 5410 - 000	300 - 8	FB3 - 0840 - 000	102 - 5 1
FB2 - 4793 - 000	100 - 2 7 B	FB2 - 5413 - 000	300 - 9	FB3 - 0850 - 000	100 - 1 8
FB2 - 4794 - 000	100 - 2 7 C	FB2 - 5423 - 000	160 - 3	FB3 - 3311 - 000	161 - 3
FB2 - 4840 - 000	101 - 1 5	FB2 - 5424 - 000	160 - 4	FB3 - 3312 - 000	161 - 4
FB2 - 4854 - 000	230 - 1	FB2 - 5487 - 000	100 - 8	FB3 - 3314 - 020	161 - 5
FB2 - 4861 - 000	530 - 3	FB2 - 5500 - 000	100 - 1 5	FB3 - 3315 - 020	161 - 6
FB2 - 4862 - 000	530 - 4	FB2 - 5501 - 030	101 - 2 5	FB3 - 3316 - 000	161 - 7
FB2 - 4863 - 000	300 - 3	FB2 - 5502 - 000	100 - 1 6	FB3 - 3318 - 000	161 - 3 8 A
FB2 - 4864 - 000	300 - 4	FB2 - 5507 - 000	100 - 2 8 B	FB3 - 3319 - 000	161 - 3 8 B
FB2 - 4866 - 020	101 - 1 6	FB3 - 0570 - 000	101 - 2 6	FB3 - 3320 - 000	161 - 3 8 C
FB2 - 4870 - 000	101 - 1 7	FB3 - 0583 - 000	230 - 3	FB3 - 3321 - 000	161 - 8
FB2 - 4871 - 000	101 - 1 8	FB3 - 0623 - 000	101 - 2 7	FB3 - 3322 - 000	161 - 9
FB2 - 4872 - 000	101 - 1 9	FB3 - 0625 - 000	101 - 4 4 A	FB3 - 3323 - 000	161 - 1 0
FB2 - 4873 - 000	101 - 2 0	FB3 - 0626 - 000	101 - 2 8	FB3 - 3324 - 000	161 - 1 1

D NUMERICAL INDEX

PART NUMBER	FIGURE & KEY NO.	PART NUMBER	FIGURE & KEY NO.	PART NUMBER	FIGURE & KEY NO.
FB3 - 3325 - 000	161 - 12	FF3 - 0475 - 000	910 - J 2 1 4	FG5 - 5509 - 000	101 - 4 5
FB3 - 3326 - 000	161 - 13	FF3 - 0476 - 000	910 - 4	FG5 - 6411 - 000	290 -
FB3 - 3330 - 000	161 - 14	FF3 - 0477 - 000	910 - J 9 5 2	FG5 - 6412 - 000	162 -
FB3 - 3332 - 000	161 - 15	FF3 - 0479 - 000	102 - 6 0 A	FG5 - 6413 - 000	355 -
FB3 - 3335 - 000	161 - 16	FF3 - 0480 - 020	400 - 1 9	FG5 - 9977 - 00S	400 -
FB3 - 3336 - 000	161 - 17	FF3 - 1069 - 000	935 - 1	FG6 - 0085 - 00S	910 -
FB3 - 3338 - 000	161 - 18	FF3 - 1070 - 000	161 - 3 6	FG6 - 0086 - 00S	930 -
FB3 - 3340 - 000	161 - 3 9 A	FF3 - 1071 - 000	355 - 8	FG6 - 0087 - 00S	930 -
FB3 - 3342 - 000	161 - 1 9	FF3 - 1215 - 000	102 - 5 4	FH2 - 5276 - 030	102 - 6 1
FB3 - 3343 - 000	161 - 2 0	FF5 - 2858 - 000	102 - 5 5	FH2 - 5761 - 000	102 - 6 2
FB3 - 3344 - 000	161 - 2 1	FF5 - 2859 - 000	101 - 4 1	FH2 - 5795 - 000	B - J 8
FB3 - 3345 - 000	161 - 2 2	FF5 - 2867 - 020	101 - 4 2		B - J 9
FB3 - 3346 - 000	161 - 2 3	FF5 - 2870 - 000	530 - 1 5		B - J 8
FB3 - 3347 - 000	161 - 2 4	FF5 - 2871 - 020	530 - 1 6		B - J 9
FB3 - 3348 - 000	161 - 2 5	FF5 - 2874 - 000	250 - 3		915 - 3
FB3 - 3353 - 000	161 - 2 6	FF5 - 2875 - 000	100 - 2 6		B - J 1 1 1
FB3 - 3356 - 000	161 - 2 7	FF5 - 2887 - 000	230 - 9		B - J 3 0 1
FB3 - 3357 - 020	161 - 2 8	FF5 - 2888 - 000	230 - 1 0	FH3 - 0569 - 000	910 - T 3 0 1
FB3 - 3358 - 000	161 - 2 9	FF5 - 2889 - 000	400 - 2 0	FH3 - 0660 - 000	910 - T 3 0 2
FB3 - 3361 - 000	161 - 3 0	FF5 - 2899 - 000	401 - 6	FH3 - 0666 - 000	910 - T 1 0 4
FB3 - 3364 - 000	161 - 3 1	FF5 - 2900 - 000	401 - 7	FH3 - 0667 - 000	910 - T 1 0 3
FB3 - 3365 - 000	161 - 3 2	FF5 - 2901 - 000	402 - 3	FH3 - 0668 - 000	910 - T 2 0 1
FB3 - 3367 - 000	162 - 5 A	FF5 - 2902 - 000	402 - 4	FH3 - 0733 - 000	910 - T 1 0 1
FB3 - 3371 - 000	290 - 3	FF5 - 2903 - 000	300 - 1 1	FH3 - 0734 - 000	910 - T 4 0 1
FB3 - 3373 - 020	290 - 4	FF5 - 3713 - 000	530 - 1 7	FH3 - 0735 - 000	910 - T 4 0 2
FB3 - 3377 - 000	290 - 5	FF5 - 3714 - 000	102 - 5 6	FH3 - 0780 - 000	910 - T 1 0 2
FB3 - 3378 - 000	290 - 6	FF5 - 3716 - 000	101 - 4 3	FH3 - 7169 - 000	910 - L 4 0 1
FB3 - 3379 - 000	355 - 1	FF5 - 3720 - 000	530 - 1 8	FH3 - 7195 - 000	910 - L 1 0 1
FB3 - 3381 - 000	355 - 9 A	FF5 - 3728 - 000	100 - 2 7	FH4 - 1251 - 000	930 - Q 1 0 1
FB3 - 3382 - 000	355 - 2	FF5 - 3729 - 000	100 - 2 7	FH4 - 9163 - 000	910 - R 3 2 2
FB3 - 3383 - 000	355 - 3	FF5 - 3901 - 000	450 - 1 8	FH4 - 9169 - 000	910 - R 3 0 3
FB3 - 3385 - 020	355 - 4	FF5 - 3902 - 000	450 - 1 9	FH4 - 9186 - 000	910 - R 3 2 8
FB3 - 3386 - 000	355 - 5	FF5 - 3903 - 030	100 - 2 8	FH6 - 1079 - 000	220 - 6
FB3 - 3387 - 000	355 - 6	FF5 - 3904 - 000	450 - 2 0	FH6 - 1209 - 000	230 - 1 1
FB3 - 3388 - 000	355 - 7	FF5 - 3905 - 000	100 - 2 9	FH6 - 1237 - 000	290 - 1 1
FB3 - 3389 - 000	355 - 1 0 A	FF5 - 3907 - 020	640 - 2 2	FH6 - 1238 - 000	290 - 1 2
FB3 - 3391 - 000	162 - 1	FF5 - 3908 - 000	640 - 2 3	FH6 - 3494 - 000	930 - X 1 0 1
FB3 - 3392 - 000	162 - 4 A	FF5 - 3910 - 020	640 - 2 4	FH7 - 3272 - 000	400 - 2 2
	162 - 6 A	FF5 - 3912 - 000	101 - 4 4	FH7 - 3277 - 000	915 - LED 3 1 5
FB3 - 3395 - 000	162 - 2	FF5 - 3913 - 000	640 - 2 5	FH7 - 5564 - 000	220 - 7
FB3 - 3396 - 000	162 - 3	FF5 - 3920 - 040	100 - 2 8	FH7 - 5627 - 000	102 - 6 3
FB3 - 3399 - 000	161 - 3 3	FF5 - 3927 - 000	102 - 5 7	FH7 - 5628 - 000	102 - 6 4
FB3 - 3400 - 000	290 - 7	FF5 - 3928 - 020	102 - 5 8	FH7 - 6197 - 000	910 - RL 1 0 1
FB3 - 3401 - 000	161 - 3 4	FF5 - 4674 - 000	161 - 3 7	FH7 - 6216 - 000	102 - 6 5
FB3 - 3402 - 020	161 - 3 5	FF5 - 4675 - 000	161 - 3 8	FH9 - 0367 - 000	910 - R 3 1 3
FB3 - 3408 - 000	355 - 9 B	FF5 - 4677 - 000	161 - 3 9		910 - R 3 1 6
FB4 - 1088 - 00S	100 - 1 9	FF5 - 4678 - 000	162 - 4	FH9 - 0483 - 000	930 - Q 1 4 2
FB4 - 1091 - 00S	300 - 1 0	FF5 - 4679 - 000	161 - 4 0		930 - Q 1 4 3
FB4 - 1096 - 00S	100 - 2 0	FF5 - 4680 - 000	290 - 8		930 - Q 1 4 4
FB4 - 1097 - 00S	100 - 2 1	FF5 - 4681 - 000	290 - 9		930 - Q 1 4 5
FB4 - 1109 - 00S	100 - 2 2	FF5 - 4683 - 000	162 - 5		930 - Q 1 6 3
FB4 - 1143 - 000	130 - 8	FF5 - 4684 - 000	162 - 6		930 - Q 1 8 0
FB4 - 1145 - 000	130 - 8	FF5 - 4685 - 020	355 - 9		930 - Q 1 8 5
FB4 - 1194 - 00S	101 - 3 6	FF5 - 4686 - 000	355 - 1 0	FN5 - 4018 - 000	400 - 2 3
FB4 - 1195 - 00S	100 - 2 3	FF5 - 6734 - 00S	100 - 3 0	FN5 - 4019 - 000	401 - 8
FB4 - 1196 - 00S	100 - 2 4	FF5 - 6735 - 00S	100 - 3 0	FN5 - 4020 - 000	402 - 5
FB4 - 1197 - 00S	100 - 2 5	FF5 - 6740 - 00S	300 - 1 2	FN5 - 4021 - 000	101 - 4 6
FF2 - 9724 - 000	230 - 5	FF9 - 1504 - 000	102 - 5 9	FS1 - 1190 - 000	161 - 4 5
FF2 - 9725 - 000	230 - 6	FG2 - 7466 - 000	935 -		290 - 1 3
FF2 - 9726 - 000	230 - 7	FG2 - 7467 - 000	161 - 4 1	FS1 - 1205 - 000	355 - 1 1
FF2 - 9727 - 000	230 - 8	FG2 - 7468 - 000	290 - 1 0	FS1 - 1213 - 000	290 - 1 4
FF2 - 9729 - 000	400 - 1 8	FG2 - 7469 - 000	161 - 4 2	FS1 - 1341 - 000	355 - 1 2
FF2 - 9730 - 000	101 - 3 7	FG2 - 7470 - 000	161 - 4 3	FS1 - 1422 - 000	355 - 1 3
FF2 - 9731 - 000	450 - 1 6	FG2 - 7471 - 000	161 - 4 4	FS5 - 0883 - 000	102 - 6 6
FF2 - 9732 - 000	101 - 3 8	FG5 - 3463 - 000	401 -	FS5 - 0885 - 000	102 - 6 7
FF2 - 9733 - 000	810 - 8	FG5 - 3464 - 000	402 -	FS5 - 0887 - 000	102 - 6 8
FF2 - 9760 - 000	101 - 3 9	FG5 - 3465 - 040	220 -	FS5 - 0890 - 000	250 - 4
FF2 - 9762 - 000	530 - 9	FG5 - 3493 - 080	810 -	FS5 - 0900 - 000	250 - 5
FF2 - 9763 - 000	530 - 1 0	FG5 - 3501 - 000	240 -	FS5 - 0903 - 000	102 - 6 9
FF2 - 9764 - 000	530 - 1 1	FG5 - 3511 - 000	250 -	FS5 - 0905 - 000	230 - 1 2
FF2 - 9765 - 000	530 - 1 2	FG5 - 3516 - 000	811 -	FS5 - 0906 - 000	230 - 1 3
FF2 - 9766 - 000	530 - 1 3	FG5 - 3531 - 000	340 -	FS5 - 0907 - 000	230 - 1 4
FF2 - 9769 - 000	940 - 1	FG5 - 3532 - 000	160 -	FS5 - 0908 - 000	230 - 1 5
FF2 - 9770 - 000	940 - 2	FG5 - 3541 - 000	400 - 2 1	FS5 - 0911 - 000	240 - 2
FF2 - 9772 - 000	910 - 1	FG5 - 3544 - 000	940 -	FS5 - 0912 - 000	240 - 3
FF2 - 9773 - 000	910 - 2	FG5 - 3550 - 000	101 - 4 5	FS5 - 0913 - 020	102 - 7 0
FF2 - 9774 - 000	910 - 3	FG5 - 5450 - 000	130 -	FS5 - 0914 - 000	810 - 1 0
FF2 - 9775 - 000	910 - J 2 0 5	FG5 - 5452 - 000	130 -	FS5 - 0915 - 000	102 - 7 1
FF2 - 9779 - 000	530 - 1 4	FG5 - 5460 - 040	530 -	FS5 - 0917 - 000	220 - 8
	810 - 9	FG5 - 5465 - 080	640 -	FS5 - 0918 - 000	220 - 9
FF2 - 9789 - 000	102 - 5 2	FG5 - 5469 - 000	915 -	FS5 - 0919 - 000	220 - 1 0
FF2 - 9799 - 000	101 - 4 0	FG5 - 5476 - 000	230 -	FS5 - 1439 - 000	220 - 1 1
FF2 - 9800 - 000	102 - 5 3	FG5 - 5496 - 000	102 - 6 0	FS5 - 1440 - 000	102 - 7 2
FF3 - 0416 - 000	910 - Q 5 0 1	FG5 - 5497 - 000	915 -	FS5 - 1530 - 000	640 - 2 6
FF3 - 0471 - 000	450 - 1 7	FG5 - 5499 - 000	450 - 2 1	FS5 - 2032 - 000	400 - 2 4

D NUMERICAL INDEX

PART NUMBER	FIGURE & KEY NO.	PART NUMBER	FIGURE & KEY NO.	PART NUMBER	FIGURE & KEY NO.
FS5 - 2335 - 000	530 - 16 A	VS1 - 0279 - 005	B - J 1 0 7	WS3 - 0437 - 000	B - J 2 0 6
FS5 - 2351 - 000	102 - 7 3		B - J 4 0 1		B - J 4 0 1
FS5 - 2767 - 000	102 - 7 4	VS1 - 0279 - 006	B - J 1 0 5	WS3 - 0885 - 000	B - J 1 0 1
FS5 - 2769 - 000	100 - 3 1		B - J 2 0 6	WS3 - 5160 - 000	B - J 1
FS5 - 2770 - 000	100 - 3 2	VS1 - 0842 - 002	B - J 3		B - J 6
FS5 - 2771 - 000	102 - 7 5		B - J 4		B - J 2 0 2
FS5 - 2772 - 000	102 - 7 6		B - J 5		B - J 2 1 1
FS5 - 2773 - 000	102 - 7 7		B - J 1 0 4	WS3 - 5174 - 000	B - J 2
FS5 - 2774 - 000	530 - 1 9		B - J 8 0 1		B - J 2 0 1
FS5 - 2776 - 000	100 - 3 3	VS1 - 0842 - 003	B - J 6		B - J 2 0 7
FS5 - 2778 - 000	102 - 7 8		B - J 7		B - J 5 0 1
FS5 - 2780 - 000	300 - 1 3		B - J 9	WS3 - 5175 - 000	B - J 2 0 1
FS5 - 2781 - 020	300 - 1 4		B - J 1 0		B - J 2 0 7
FS5 - 2782 - 000	300 - 1 5		B - J 1 1		B - J 5 0 1
FS5 - 2783 - 000	102 - 7 9		B - J 1 2	WS3 - 5352 - 000	B - J 2
FS5 - 2784 - 000	530 - 2 0		B - J 1 9	WS3 - 5353 - 000	B - J 2
FS5 - 2785 - 000	230 - 1 6		B - J 1 0 1	WS3 - 5354 - 000	B - J 2
FS5 - 2786 - 000	240 - 4		B - J 2 0 1	WS3 - 5358 - 000	B - J 1 0 6
FS5 - 2790 - 000	450 - 2 2		B - J 2 0 2		B - J 6 0 1
FS5 - 2794 - 000	810 - 1 1		B - J 9 5 4		B - J 6 0 2
FS5 - 2795 - 000	810 - 1 2	VS1 - 0842 - 004	B - J 1 1 2		B - J 9 5 1
FS5 - 2796 - 000	810 - 1 3	VS1 - 0842 - 005	B - J 1 0 3	WS4 - 0181 - 000	B - J 1 0 1
FS5 - 2797 - 000	101 - 4 7		B - J 1 0 8	WT2 - 5041 - 000	101 - 4 5 A
FS5 - 2798 - 000	102 - 8 0		B - J 1 2 1		101 - 5 5
FS5 - 2799 - 000	102 - 8 1		B - J 7 5 1		101 - 5 6
FS5 - 2800 - 000	102 - 8 2	VS1 - 0842 - 006	B - J 1 5		102 - 9 4
FS5 - 2802 - 000	101 - 4 8		B - J 1 0 5		450 - 1 6 A
FS5 - 2803 - 020	101 - 4 9		B - J 9 0 1	XA1 - 7260 - 309	290 - 5 0 1
FS5 - 2806 - 000	102 - 8 3	VS1 - 0842 - 007	B - J 3	XA9 - 0187 - 000	101 - 5 7
FS5 - 2810 - 000	300 - 1 6		B - J 1 0 4		220 - 1 5
FS5 - 2815 - 000	400 - 2 5		B - J 2 0 4	XA9 - 0632 - 000	161 - 6 1
FS5 - 2821 - 000	220 - 1 2	VS1 - 0842 - 008	B - J 2		161 - 6 2
FS5 - 3457 - 000	290 - 1 5		B - J 1 0 2	XA9 - 0633 - 000	161 - 6 3
FS5 - 3458 - 000	161 - 4 6		B - J 1 1 4		161 - 6 4
FS5 - 3459 - 000	355 - 1 4	VS1 - 0842 - 009	B - J 5		355 - 1 8
FS5 - 3460 - 000	355 - 1 5	VS1 - 0842 - 012	B - J 1 0 3	XA9 - 0650 - 000	101 - 5 8
FS5 - 6393 - 000	230 - 1 7		B - J 2 0 3		450 - 2 8
FS5 - 6394 - 000	640 - 2 7	VS1 - 0842 - 014	B - J 1 0 9	XA9 - 0760 - 000	100 - 3 5
FS5 - 6453 - 000	161 - 4 7	VS1 - 0852 - 003	B - J 2 0 3		101 - 5 9
FS5 - 6454 - 000	161 - 4 8	VS1 - 0861 - 003	B - J 2 1 4		101 - 6 0
FS5 - 6455 - 000	161 - 4 9	VS1 - 0861 - 006	B - J 2 0 5		220 - 1 6
	355 - 1 6	VS1 - 0978 - 002	B - J 3 0 2		230 - 1 8
	640 - 2 8		B - J 3 0 3		230 - 1 9
FS6 - 0437 - 000	640 - 2 8		B - J 4 0 2		450 - 2 9
FS6 - 0439 - 000	640 - 2 9		B - J 4 0 3	XA9 - 0762 - 000	100 - 3 6
FS6 - 0440 - 000	640 - 3 0	VS1 - 5057 - 002	102 - 9 0		101 - 6 1
FS6 - 0442 - 000	640 - 3 1		102 - 9 1	XA9 - 0763 - 000	102 - 9 5
FS6 - 0443 - 000	640 - 3 2		220 - 1 3	XA9 - 0794 - 000	101 - 6 2
FS6 - 0445 - 000	640 - 3 3		B - J 3	XA9 - 0813 - 000	101 - 6 3
FS6 - 0446 - 000	640 - 3 4		B - J 4	XA9 - 0911 - 000	400 - 2 6
FS6 - 0613 - 000	290 - 1 6		B - J 5		401 - 9
FS6 - 0616 - 000	290 - 1 7	VS1 - 5057 - 003	101 - 5 0		402 - 6
FS6 - 0617 - 000	290 - 1 8		102 - 9 2	XA9 - 0942 - 000	640 - 3 6
FS6 - 0618 - 000	290 - 1 9		B - J 6	XB1 - 2300 - 409	102 - 5 0 1
FS6 - 2229 - 000	450 - 2 3		B - J 9		220 - 5 0 1
FS6 - 2230 - 000	450 - 2 4	VS1 - 5057 - 006	161 - 4 3 A		300 - 5 0 1
FS6 - 2231 - 000	450 - 2 5		220 - 1 4		810 - 5 0 1
FS6 - 2232 - 000	102 - 8 4		B - J 1 5	XB1 - 2300 - 607	530 - 5 0 1
	102 - 8 5		B - J 1 0 5	XB1 - 2300 - 609	101 - 5 0 1
FS6 - 2233 - 000	102 - 8 5	VS1 - 5057 - 008	101 - 4 5 B		230 - 5 0 1
FS6 - 2234 - 000	102 - 8 3		B - J 1 0 2		355 - 5 0 1
FS6 - 2238 - 000	640 - 3 5	VS1 - 5824 - 002	B - J 1 0 6		400 - 5 0 1
FS6 - 2239 - 000	102 - 8 6		B - J 6 0 1		402 - 5 0 1
FS6 - 2240 - 000	102 - 8 7		B - J 6 0 2		530 - 5 0 2
FS6 - 2241 - 000	102 - 8 8		B - J 9 5 1	XB1 - 2300 - 809	102 - 5 0 2
FS6 - 2242 - 000	450 - 2 6		B - J 1 0 1		402 - 5 0 2
FS6 - 2270 - 000	100 - 3 4	VS3 - 0108 - 004	B - J 6		161 - 5 0 1
FS6 - 2369 - 000	161 - 5 0	VS3 - 5083 - 002	B - J 2 1 1	XB1 - 2301 - 209	161 - 5 0 2
FS6 - 2370 - 000	161 - 5 1	VS3 - 5083 - 003	B - J 1	XB1 - 2400 - 609	161 - 5 0 3
FS6 - 2371 - 000	161 - 5 2	VS3 - 5083 - 004	B - J 2 0 2		162 - 5 0 1
FS6 - 2373 - 000	161 - 5 3	VS3 - 5083 - 006	B - J 5 8		230 - 5 0 2
FS6 - 2374 - 000	161 - 5 4	WC4 - 5030 - 000	940 - 3		290 - 5 0 2
FS6 - 2375 - 000	355 - 1 7	WD9 - 5028 - 000	102 - 5 4 A		355 - 5 0 2
FS6 - 8193 - 000	161 - 5 5	WE8 - 0087 - 000	102 - 9 3	XB1 - 2402 - 009	290 - 5 0 3
FS6 - 8194 - 000	161 - 5 6		101 - 5 1	XB2 - 6300 - 607	161 - 5 0 4
FS6 - 8195 - 000	161 - 5 7	WE8 - 5086 - 000	101 - 5 2		810 - 5 0 2
FS6 - 8196 - 000	162 - 6 B	WG8 - 5001 - 000	101 - 5 3	XB2 - 7300 - 607	101 - 5 0 2
FS6 - 8197 - 000	162 - 7		450 - 2 7		102 - 5 0 3
RH2 - 5015 - 050	102 - 8 9		810 - 1 4		102 - 5 0 4
RH6 - 3069 - 000	910 - R 3 0 6	WG8 - 5187 - 000	101 - 5 4	XB2 - 8300 - 607	102 - 5 0 5
	910 - R 4 1 3	WG8 - 5206 - 010	161 - 5 9		400 - 5 0 2
	910 - R 4 1 4	WG8 - 5309 - 000	161 - 6 0	XB4 - 7300 - 509	300 - 5 0 2
VD7 - 1506 - 301	940 - F U 5 0 1	WK1 - 0082 - 000	930 - B A T 1	XB4 - 7300 - 609	101 - 5 0 3
VL5 - 0390 - 086	940 - L 5 0 1	WS3 - 0437 - 000	B - J 1 0 5		101 - 5 0 4
VR5 - 2650 - 103	530 - 2 1		B - J 1 0 7	XB4 - 7300 - 809	101 - 5 0 5
VS1 - 0279 - 004	B - J 1 0 1				

D NUMERICAL INDEX

PART NUMBER	FIGURE & KEY NO.	PART NUMBER	FIGURE & KEY NO.	PART NUMBER	FIGURE & KEY NO.	
XB4 - 7300 - 809	101 - 506					
	101 - 507					
	102 - 506					
	102 - 507					
	400 - 503					
	401 - 501					
	402 - 503					
	530 - 503					
	640 - 501					
	XB4 - 7301 - 009	102 - 508				
		401 - 502				
		640 - 502				
	XB4 - 7301 - 209	161 - 505				
		530 - 504				
XB4 - 7400 - 609	102 - 509					
XB4 - 7400 - 809	161 - 506					
	161 - 507					
XB4 - 7401 - 009	100 - 501					
XB4 - 7401 - 609	161 - 508					
XB6 - 7300 - 609	102 - 510					
XB6 - 7301 - 609	161 - 509					
XB7 - 2200 - 409	401 - 503					
XD1 - 2100 - 307	530 - 505					
XD2 - 1100 - 322	102 - 511					
	161 - 510					
	355 - 503					
	450 - 501					
	290 - 504					
XD2 - 1100 - 372	102 - 512					
	290 - 505					
	355 - 504					
	640 - 503					
	811 - 501					
	161 - 511					
XD2 - 1100 - 402	355 - 505					
	161 - 512					
XD2 - 1100 - 502	810 - 503					
	101 - 508					
	102 - 513					
XD2 - 1100 - 642	161 - 513					
	102 - 514					
	340 - 501					
XD2 - 2100 - 802	450 - 502					
XD2 - 2300 - 202	290 - 506					
XD2 - 2300 - 502	102 - 96					
	102 - 97					
	101 - 64					
	220 - 17					
	250 - 6					
XD3 - 2160 - 062	401 - 10					
	290 - 20					
XD3 - 2160 - 142	355 - 19					
XD3 - 2200 - 062	640 - 37					
XD3 - 2200 - 142	161 - 65					
XD9 - 0134 - 000	100 - 37					
XD9 - 0136 - 000						
XF9 - 0350 - 000						
XF9 - 0562 - 000						
XG9 - 0177 - 000						
XG9 - 0237 - 000						
XH9 - 0084 - 000						

Prepared by
OFFICE IMAGING PRODUCTS TECHNICAL SUPPORT DEPT.1
OFFICE IMAGING PRODUCTS TECHNICAL SUPPORT DIV.
CANON INC.
Printed in Japan

REVISION 0 [JULY 1997]

5-1, Hakusan 7-chome, Toride-shi, Ibaraki 302, Japan

Canon