

PARTS CATALOG

**PC1000s/1200s/imageCLASS
D600s/imageCLASS D800s**

Canon

Oct 21 2004

PREFACE

This Parts Catalog contains listings of parts used

Diagrams are provided with the listings to aid the service technician in identifying clearly, the item to be ordered.

Whenever ordering parts, consult this Parts Catalog for all of the information pertaining to each item. Be sure to include, in the Parts Request, the full item description, the item part number, and the quantity.

COPYRIGHT (C) 1999 CANON INC.

Use of this manual should be strictly supervised to avoid disclosure of confidential information.

Contents

Parts List Index

PC1000s/1200s/imageCLASS D600s/imageCLASS D800s 1-1

PC1000s/1200s/imageCLASS D600s/imageCLASS D800s

A	ASSEMBLY LOCATION DIAGRAM	2-1
100	EXTERNAL COVERS, PANELS, ETC.	2-3
101	INTERNAL COMPONENTS 1	2-7
102	INTERNAL COMPONENTS 2	2-11
103	INTERNAL COMPONENTS 3	2-14
130	CONTROL PANEL ASSEMBLY	2-18
160	COPYBOARD COVER ASSEMBLY (COPYBOARD COVER TYPE) 2-24	
161	ADF ASSEMBLY (ADF TYPE)	2-25
210	READER ASSEMBLY	2-32
220	READER DRIVE ASSEMBLY	2-35
240	ADF DRIVE ASSEMBLY (ADF TYPE)	2-37
250	MAIN DRIVE ASSEMBLY	2-38
300	CASSETTE(250 SHEET UNIVERSAL TYPE)	2-41
301	CASSETTE(250 SHEET A4 TYPE)	2-49
302	CASSETTE(500 SHEET LTR/LGL TYPE)	2-51
303	CASSETTE(500 SHEET A4 TYPE)	2-53
320	REGISTRATION ASSEMBLY	2-55
330	PAPER FEEDER ASSEMBLY	2-57
460	LASER SCANNER ASSEMBLY	2-60
810	FIXING ASSEMBLY	2-61
930	PCB ASSEMBLY	2-64
950	IMAGE PROCESSOR PCB ASSEMBLY	2-67
B	LIST OF CONNECTORS	2-70

NUMERICAL INDEX

PC1000s/1200s/imageCLASS D600s/imageCLASS D800s

PARTS NUMBER	FIGURE & KEY NO.	PARTS NUMBER	FIGURE & KEY NO.	PARTS NUMBER	FIGURE & KEY NO.
FB2-5303-000	102 - 1	FB5-0222-000	303 - 6	FB6-0142-000	130 - 9
FB2-5502-000	103 - 1	FB5-0229-000	302 - 7	FB6-0143-000	130 - 10
FB2-9653-000	330 - 1	FB5-0229-000	303 - 7	FB6-0144-000	130 - 11
FB3-3395-000	161 - 1	FB5-0230-000	302 - 8	FB6-0145-000	130 - 12
FB3-3396-000	161 - 2	FB5-0230-000	303 - 8	FB6-0147-000	103 - 6
FB4-9817-030	330 - 22A	FB5-0231-000	302 - 9	FB6-0157-000	330 - 6
FB4-9819-000	330 - 22B	FB5-0231-000	303 - 9	FB6-0158-000	330 - 7
FB4-9820-000	330 - 22C	FB5-0232-000	302 - 10	FB6-0160-000	320 - 1
FB4-9847-000	330 - 22D	FB5-0234-000	302 - 11	FB6-0162-000	330 - 30
FB5-0159-000	300 - 1	FB5-2843-00S	301 - 6	FB6-0163-000	102 - 4
FB5-0159-000	301 - 1	FB5-2844-00S	301 - 7	FB6-0164-000	102 - 5
FB5-0161-000	300 - 2	FB5-8706-000	300 - 17	FB6-0165-000	102 - 6
FB5-0162-000	301 - 2	FB6-0074-000	101 - 1	FB6-0166-000	330 - 8
FB5-0163-000	301 - 3	FB6-0075-000	103 - 2	FB6-0167-000	330 - 9
FB5-0164-000	301 - 4	FB6-0076-000	103 - 3	FB6-0168-000	330 - 10
FB5-0165-000	300 - 3	FB6-0077-000	102 - 2	FB6-0169-000	330 - 11
FB5-0165-000	300 - 4	FB6-0079-000	330 - 2	FB6-0171-000	210 - 1
FB5-0167-000	300 - 5	FB6-0080-000	330 - 3	FB6-0172-000	210 - 2
FB5-0168-000	300 - 6	FB6-0081-000	330 - 4	FB6-0173-000	210 - 3
FB5-0169-000	300 - 7	FB6-0082-000	330 - 5	FB6-0176-000	210 - 4
FB5-0170-000	300 - 8	FB6-0085-000	100 - 1	FB6-0177-000	210 - 5
FB5-0171-000	300 - 9	FB6-0086-000	102 - 3	FB6-0178-000	210 - 6
FB5-0171-000	300 - 10	FB6-0093-000	103 - 4	FB6-0179-000	103 - 7
FB5-0172-000	300 - 11	FB6-0094-000	103 - 5	FB6-0181-000	210 - 7
FB5-0173-000	300 - 12	FB6-0104-000	250 - 1	FB6-0182-000	210 - 8
FB5-0173-000	301 - 5	FB6-0114-000	810 - 1	FB6-0183-000	210 - 9
FB5-0173-000	302 - 1	FB6-0115-000	810 - 2	FB6-0184-000	210 - 10
FB5-0173-000	303 - 1	FB6-0116-000	810 - 3	FB6-0185-000	210 - 11
FB5-0175-000	300 - 13	FB6-0121-000	810 - 4	FB6-0187-000	161 - 3
FB5-0176-000	300 - 14	FB6-0122-000	810 - 5	FB6-0191-000	210 - 14
FB5-0177-000	300 - 15	FB6-0123-020	100 - 2	FB6-0197-000	210 - 15
FB5-0178-000	300 - 20A	FB6-0124-020	100 - 3	FB6-0198-000	210 - 16
FB5-0178-000	300 - 21A	FB6-0125-000	100 - 4	FB6-0202-000	210 - 27A
FB5-0180-000	300 - 16	FB6-0126-000	100 - 5	FB6-0203-000	210 - 27B
FB5-0181-000	300 - 17	FB6-0127-000	100 - 6	FB6-0204-000	210 - 6
FB5-0218-000	302 - 2	FB6-0128-000	100 - 7	FB6-0208-000	210 - 18
FB5-0218-000	303 - 2	FB6-0132-000	130 - 1	FB6-0210-000	210 - 20
FB5-0219-000	302 - 3	FB6-0133-000	130 - 2	FB6-0211-020	210 - 21
FB5-0219-000	303 - 3	FB6-0136-000	130 - 3	FB6-0212-000	210 - 22
FB5-0220-000	302 - 4	FB6-0137-000	130 - 4	FB6-0214-000	220 - 1
FB5-0220-000	303 - 4	FB6-0138-000	130 - 5	FB6-0215-000	220 - 2
FB5-0221-000	302 - 5	FB6-0139-000	130 - 6	FB6-0216-000	220 - 3
FB5-0221-000	303 - 5	FB6-0140-000	130 - 7	FB6-0219-000	220 - 4
FB5-0222-000	302 - 6	FB6-0141-000	130 - 8	FB6-0224-000	210 - 23

NUMERICAL INDEX

PC1000s/1200s/imageCLASS D600s/imageCLASS D800s

PARTS NUMBER	FIGURE & KEY NO.	PARTS NUMBER	FIGURE & KEY NO.	PARTS NUMBER	FIGURE & KEY NO
FB6-0229-000	210 - 24	FB6-0323-000	100 - 12	FB6-2332-000	161 - 4
FB6-0233-000	220 - 5	FB6-0324-000	210 - 26	FB6-2333-020	161 - 5
FB6-0234-000	103 - 8	FB6-0327-000	100 - 17	FB6-2912-000	130 - 14
FB6-0235-000	220 - 6	FB6-0328-000	300 - 19	FB6-2913-000	130 - 9
FB6-0237-000	210 - 25	FB6-0328-000	301 - 8	FB6-2915-000	130 - 1
FB6-0241-000	330 - 13	FB6-0329-000	302 - 12	FB6-3938-000	130 - 8
FB6-0242-000	100 - 8	FB6-0329-000	303 - 11	FB6-4216-000	100 - 17
FB6-0243-000	100 - 9	FB6-0330-000	160 - 1	FB6-4217-000	100 - 17
FB6-0245-000	330 - 14	FB6-0332-000	160 - 2	FB6-4218-000	100 - 17
FB6-0248-000	330 - 15	FB6-2285-000	130 - 3	FB6-4219-000	100 - 17
FB6-0249-000	101 - 2	FB6-2286-000	130 - 3	FB6-4220-000	100 - 17
FB6-0250-000	100 - 10	FB6-2287-000	130 - 3	FB6-4221-000	100 - 17
FB6-0251-000	101 - 3	FB6-2288-000	130 - 3	FB6-4222-000	100 - 17
FB6-0252-000	103 - 9	FB6-2289-000	130 - 3	FB6-4223-000	100 - 17
FB6-0253-000	103 - 10	FB6-2289-000	130 - 3	FB6-4225-000	100 - 17
FB6-0256-000	103 - 11	FB6-2290-000	130 - 3	FB6-4226-000	100 - 17
FB6-0258-000	330 - 12	FB6-2292-000	130 - 3	FB6-4227-000	100 - 17
FB6-0260-000	330 - 16	FB6-2293-000	130 - 3	FB6-4228-000	100 - 17
FB6-0261-000	330 - 17	FB6-2294-000	100 - 12	FB6-4230-000	100 - 17
FB6-0265-000	101 - 4	FB6-2298-000	130 - 14	FB6-4232-00S	100 - 18
FB6-0268-000	101 - 5	FB6-2299-000	130 - 13	FB6-4234-00S	100 - 18
FB6-0269-000	101 - 6	FB6-2300-000	100 - 13	FB6-4235-00S	100 - 18
FB6-0274-000	330 - 18	FB6-2301-000	100 - 13	FB6-4237-000	160 - 3
FB6-0276-000	102 - 7	FB6-2302-000	320 - 2A	FB6-4556-000	102 - 12
FB6-0277-000	102 - 8	FB6-2303-000	100 - 14	FB6-4557-000	102 - 13
FB6-0278-000	102 - 9	FB6-2304-000	100 - 15	FB6-4783-000	100 - 27
FB6-0279-000	100 - 11	FB6-2305-000	100 - 15	FB6-5504-000	161 - 6
FB6-0282-000	100 - 13	FB6-2306-000	100 - 16	FB6-5505-000	161 - 6
FB6-0283-000	100 - 14	FB6-2307-000	100 - 16	FB6-5506-000	161 - 6
FB6-0284-000	100 - 14	FB6-2308-000	100 - 16	FB6-5507-000	161 - 6
FB6-0286-000	330 - 19	FB6-2310-000	130 - 1	FB6-5509-000	130 - 3
FB6-0289-000	102 - 10	FB6-2312-000	130 - 1	FB6-5510-000	130 - 9
FB6-0290-000	930 - 1	FB6-2313-000	130 - 1	FB6-5511-000	130 - 1
FB6-0291-000	101 - 7	FB6-2314-000	130 - 1	FB6-5512-000	320 - 4
FB6-0292-000	930 - 2	FB6-2316-000	130 - 1	FB6-5515-000	161 - 4
FB6-0293-000	930 - 3	FB6-2317-000	130 - 1	FB6-5519-000	250 - 3
FB6-0295-000	930 - 4	FB6-2323-000	130 - 10	FB6-5521-000	130 - 3
FB6-0296-000	330 - 20	FB6-2324-000	130 - 10	FB6-5727-000	100 - 27
FB6-0297-000	330 - 21	FB6-2325-000	130 - 9	FB6-5827-000	101 - 17A
FB6-0303-000	102 - 10	FB6-2326-000	161 - 4	FB6-5828-000	101 - 17B
FB6-0304-000	103 - 12	FB6-2327-020	161 - 5	FB6-5829-000	101 - 17C
FB6-0307-000	102 - 11	FB6-2328-000	161 - 4	FB6-5830-000	101 - 17D
FB6-0314-000	101 - 8A	FB6-2329-020	161 - 5	FB6-6355-000	161 - 85
FB6-0321-000	250 - 2	FB6-2331-020	161 - 5	FB6-6831-000	330 - 7

NUMERICAL INDEX

PC1000s/1200s/imageCLASS D600s/imageCLASS D800s

PARTS NUMBER	FIGURE & KEY NO.	PARTS NUMBER	FIGURE & KEY NO.	PARTS NUMBER	FIGURE & KEY NO
FB6-6833-000	100 - 17	FC5-0067-000	161 - 83	FF5-9033-030	300 - 18
FB6-6834-000	100 - 17	FC5-0070-000	161 - 40	FF5-9033-030	300 - 18
FB6-6835-000	100 - 17	FC5-6087-000	161 - 44A	FF5-9034-000	300 - 20
FB6-6839-000	100 - 14	FC5-6088-000	161 - 44B	FF5-9035-000	300 - 21
FC3-0030-000	330 - 1	FC6-3932-000	130 - 3	FF5-9073-000	302 - 13
FC5-0002-000	161 - 7	FC6-3933-000	130 - 3	FF5-9073-000	303 - 12
FC5-0003-000	161 - 8	FC6-3934-000	130 - 4	FF5-9074-000	302 - 14
FC5-0004-000	161 - 9	FC6-3935-000	130 - 5	FF5-9074-000	303 - 13
FC5-0005-000	161 - 10	FC6-3936-000	130 - 6	FF6-1435-020	210 - 27
FC5-0006-000	161 - 11	FC6-3937-000	130 - 7	FF6-1437-000	810 - 6
FC5-0007-000	161 - 12	FC6-3939-000	130 - 9	FF6-1441-000	320 - 2
FC5-0009-000	161 - 13	FC6-3940-000	130 - 10	FF6-1443-000	210 - 28
FC5-0011-000	161 - 14	FC6-3941-000	130 - 11	FF6-1443-000	B - J317
FC5-0013-000	161 - 15	FC6-3942-000	130 - 14	FF6-1443-000	B - J501
FC5-0014-000	161 - 16	FC6-3943-000	130 - 13	FF6-1455-000	103 - 13
FC5-0018-000	161 - 17	FC6-3945-000	130 - 12	FF6-1456-000	210 - 12
FC5-0019-000	161 - 18	FC6-3946-000	100 - 12	FF6-1457-000	100 - 4
FC5-0020-000	161 - 19	FC6-3947-000	100 - 28	FF6-1460-000	101 - 16
FC5-0021-000	161 - 20	FC6-3948-000	100 - 12	FG3-2279-000	103 - 14
FC5-0022-000	161 - 21	FC6-3950-000	130 - 4	FG3-3267-000	103 - 15
FC5-0023-020	161 - 22	FC6-3951-000	130 - 9	FG6-1011-000	930 - 5
FC5-0024-000	161 - 23	FC6-3952-000	130 - 14	FG6-7923-000	250 -
FC5-0025-000	161 - 24	FE5-3192-000	100 - 25	FG6-7924-000	250 - 4
FC5-0026-000	161 - 25	FE5-3193-000	100 - 26	FG6-7925-000	460 -
FC5-0027-000	161 - 26	FE5-3194-000	810 - 23	FG6-7926-000	320 -
FC5-0028-000	161 - 27	FE5-3195-000	101 - 4	FG6-7933-020	220 -
FC5-0029-000	161 - 28	FE5-3196-000	100 - 12	FG6-7934-000	810 -
FC5-0034-000	161 - 29	FE5-3197-000	130 - 3	FG6-7937-000	810 - 7
FC5-0035-000	161 - 30	FE5-3198-000	130 - 3	FG6-7938-000	130 -
FC5-0036-000	161 - 31	FE5-3200-000	130 - 3	FG6-7944-000	160 -
FC5-0037-000	161 - 32	FE5-3201-000	130 - 3	FG6-7945-000	810 -
FC5-0038-000	161 - 33	FE5-3208-000	130 - 1	FG6-7946-000	810 - 7
FC5-0039-000	161 - 34	FE5-3210-000	130 - 1	FG6-7947-000	810 -
FC5-0047-000	161 - 35	FE5-3213-000	130 - 9	FG6-7953-000	101 - 8
FC5-0052-000	161 - 36	FE5-3214-000	130 - 9	FG6-7954-000	330 - 22
FC5-0054-000	161 - 37	FE5-3215-000	130 - 4	FG6-7957-000	130 -
FC5-0057-000	161 - 38	FE5-3216-000	130 - 11	FG6-7958-000	130 -
FC5-0059-000	161 - 84	FE5-3217-000	130 - 14	FG6-7959-000	130 -
FC5-0060-000	161 - 43A	FE5-3218-000	100 - 17	FG6-7960-000	130 -
FC5-0061-000	161 - 45A	FE5-3219-000	100 - 17	FG6-7961-000	130 -
FC5-0063-000	161 - 43B	FE5-3221-000	100 - 17	FG6-7962-000	130 -
FC5-0064-000	161 - 43C	FE5-3228-000	303 - 10	FG6-7963-000	130 -
FC5-0065-000	240 - 1	FE5-3230-000	100 - 17	FG6-7972-000	101 - 9
FC5-0066-000	161 - 39	FE5-3231-000	100 - 17	FG6-8523-000	130 -

NUMERICAL INDEX

PC1000s/1200s/imageCLASS D600s/imageCLASS D800s

PARTS NUMBER	FIGURE & KEY NO.	PARTS NUMBER	FIGURE & KEY NO.	PARTS NUMBER	FIGURE & KEY NO
FG6-8524-000	130 -	FG6-8841-000	103 - 19	FH2-6935-000	B - J321
FG6-8526-000	130 -	FG6-8842-000	103 - 20	FH2-6936-000	103 - 25
FG6-8527-000	130 -	FG6-8844-000	103 - 21	FH2-6936-000	B - J1
FG6-8528-000	130 -	FG6-8845-000	103 - 22	FH2-6936-000	B - J320
FG6-8529-000	130 -	FG6-8849-000	810 - 8	FH2-6937-000	103 - 26
FG6-8530-000	101 - 17	FG6-9438-000	950 -	FH2-6937-000	B - J318
FG6-8530-000	101 - 17	FG6-9441-020	950 - 1	FH2-6937-000	B - J701
FG6-8535-000	103 - 21	FG6-9441-020	950 - 1	FH2-7080-000	930 - 11
FG6-8543-000	930 - 5	FG6-9442-000	950 -	FH2-7081-000	930 - 15
FG6-8547-000	930 - 6	FG6-9443-000	950 -	FH3-2638-000	930 - 16
FG6-8548-000	930 - 7	FG6-9444-000	950 -	FH3-2639-000	930 - 16
FG6-8549-000	103 - 16	FG6-9445-000	950 -	FH3-2643-000	930 - 16
FG6-8550-000	220 - 7	FG6-9446-000	950 -	FH3-2651-000	930 - 16
FG6-8552-030	950 - 1	FG6-9447-000	950 -	FH5-1088-000	250 - 6
FG6-8800-000	210 - 29	FG6-9448-000	210 - 31	FH5-3221-000	130 - 19
FG6-8801-000	210 - 30	FG6-9802-000	950 - 1	FH5-3408-000	103 - 15
FG6-8804-000	130 - 15	FG6-9809-020	950 - 1	FH5-3413-000	103 - 15
FG6-8805-000	130 - 15	FG6-9809-020	950 - 1	FH5-3414-000	103 - 15
FG6-8805-000	130 - 15	FG6-9811-020	950 - 1	FH5-3467-000	103 - 38
FG6-8806-000	950 -	FG6-9811-020	950 - 1	FH5-3679-000	103 - 15
FG6-8807-000	950 -	FG6-9812-000	950 -	FH6-0812-000	130 - 16
FG6-8809-000	950 -	FG6-9814-000	950 -	FH6-0813-000	130 - 16
FG6-8810-000	950 -	FG6-9823-000	950 - 1	FH6-0845-000	130 - 16
FG6-8811-000	950 -	FH2-5276-030	930 - 10	FH6-0846-000	130 - 16
FG6-8812-000	950 -	FH2-5288-000	100 - 19	FH6-1921-000	102 - 15
FG6-8813-000	950 -	FH2-6577-000	930 - 12	FH6-1922-000	220 - 8
FG6-8814-000	950 -	FH2-6578-000	930 - 13	FH6-1923-000	250 - 6
FG6-8816-000	950 -	FH2-6929-000	210 - 32	FH6-5037-000	330 - 23
FG6-8817-000	950 -	FH2-6929-000	B - J503	FH6-5038-000	103 - 27
FG6-8818-000	950 -	FH2-6929-000	B - J504	FH7-6337-000	130 - 17
FG6-8819-000	950 -	FH2-6931-000	210 - 33	FH7-7565-000	210 - 34
FG6-8821-000	950 -	FH2-6931-000	B - J502	FL2-0004-000	161 - 42
FG6-8822-000	950 -	FH2-6931-000	B - J601	FL2-0005-000	161 - 43
FG6-8828-000	103 - 17	FH2-6932-000	103 - 23	FL2-0006-000	161 - 44
FG6-8829-000	103 - 17	FH2-6932-000	B - J315	FL2-0007-000	161 - 45
FG6-8830-000	103 - 17	FH2-6932-000	B - J401	FL2-0008-000	161 - 46
FG6-8831-000	103 - 17	FH2-6933-000	930 - 14	FM1-0579-000	320 -
FG6-8832-000	930 - 8	FH2-6933-000	B - J204	FM1-0582-000	810 -
FG6-8833-000	930 - 9	FH2-6933-000	B - J303	FM2-0002-030	161 - 47
FG6-8834-000	250 - 5	FH2-6934-000	102 - 14	FM2-0004-000	240 -
FG6-8836-000	161 - 41	FH2-6934-000	B - J316	FM2-0015-000	161 - 48
FG6-8837-000	103 - 18	FH2-6934-000	B - J801	FM2-3113-000	130 -
FG6-8839-000	210 - 31	FH2-6935-000	103 - 24	FM5-0992-000	810 -
FG6-8840-000	103 - 16	FH2-6935-000	B - J6	FM5-0994-000	810 -

NUMERICAL INDEX

PC1000s/1200s/imageCLASS D600s/imageCLASS D800s

PARTS NUMBER	FIGURE & KEY NO.	PARTS NUMBER	FIGURE & KEY NO.	PARTS NUMBER	FIGURE & KEY NO
FM5-0995-000	460 -	FS7-2691-000	100 - 20	FU5-3007-000	161 - 72
FM5-0996-000	130 -	FS7-2692-000	100 - 21	FU5-3008-000	161 - 51
FM5-0996-000	130 -	FS7-2693-000	100 - 22	FU5-6001-000	161 - 73
FM5-0997-000	130 -	FS7-2694-000	102 - 16	FU5-6002-000	161 - 74
FM5-0999-000	130 -	FS7-2695-000	103 - 28	FU5-6003-000	161 - 75
FM5-1000-000	130 -	FS7-2696-000	103 - 29	HB1-3023-000	130 - 18
FM5-1004-000	950 -	FS7-2697-000	101 - 10	HG1-4365-000	103 - 30
FM5-1006-000	950 - 1	FS7-2698-000	210 - 37	HG5-1866-000	103 - 30
FM5-1010-000	930 - 5	FS7-2700-000	810 - 9	HG5-2587-000	103 - 30
FM5-1012-000	250 -	FS7-2701-000	220 - 11	HG5-2598-000	103 - 30
FM5-1016-000	950 -	FS7-2706-000	101 - 18	HH2-2824-000	103 - 31
FM5-1017-000	950 -	FS7-2989-000	330 - 28	NPN	100 -
FM5-1019-000	950 - 1	FS7-2990-000	810 - 9	NPN	101 -
FM5-1021-000	103 - 14	FU3-0068-000	250 - 7	NPN	102 -
FM5-5275-000	950 -	FU3-0069-000	250 - 8	NPN	103 -
FM5-5276-000	950 - 1	FU3-0070-000	250 - 9	NPN	161 -
FM5-5278-000	130 - 15	FU3-0071-000	320 - 3	NPN	210 -
FM5-5278-000	130 - 15	FU3-0072-000	101 - 11	NPN	300 -
FM5-5279-000	130 - 15	FU3-0073-000	330 - 26	NPN	301 -
FM5-5279-000	130 - 15	FU3-0074-000	330 - 27	NPN	302 -
FM5-5279-000	130 -	FU3-0075-020	220 - 12	NPN	303 -
FM5-5319-000	930 - 5	FU3-0076-020	220 - 13	NPN	330 -
FM5-5320-000	950 -	FU3-0107-000	220 - 14	NPN	930 -
FM5-5321-000	950 - 1	FU5-0001-000	161 - 53	NPN	B -
FM5-5323-000	950 -	FU5-0001-000	161 - 54	NPN	B - J307
FM5-5324-000	950 -	FU5-0002-000	161 - 55	NPN	B - J309
FM5-5325-000	950 - 1	FU5-0002-000	240 - 2	NPN	B - J402
FM5-5326-000	103 - 14	FU5-1001-000	161 - 56	NPN	B - J403
FS1-1512-000	161 - 49	FU5-1002-000	161 - 57	NPN	B - J404
FS1-1569-000	161 - 50	FU5-2001-000	161 - 58	NPN	B - J504
FS2-9478-000	220 - 9	FU5-2002-000	161 - 59	NPN	B - J801
FS5-9739-000	220 - 10	FU5-2003-000	161 - 60	NPN	B - J1051
FS5-9740-000	161 - 52	FU5-2004-000	161 - 61	NPN	B - J1102
FS5-9740-000	210 - 35	FU5-2005-000	161 - 62	NPN	B - J3051
FS7-0457-000	300 - 22	FU5-2006-000	161 - 63	NPN	B - J3081
FS7-2201-000	300 - 23	FU5-2007-000	161 - 64	NPN	B - J3111
FS7-2201-000	301 - 9	FU5-2008-000	161 - 65	NPN	B - J3112
FS7-2202-000	300 - 24	FU5-2009-000	161 - 66	NPN	B - J3112
FS7-2202-000	301 - 10	FU5-2010-000	161 - 67	NPN	B - J3113
FS7-2211-000	302 - 15	FU5-3001-000	161 - 68	NPN	B - J3114
FS7-2211-000	303 - 14	FU5-3002-000	161 - 69	NPN	B - J3122
FS7-2687-000	210 - 36	FU5-3003-000	161 - 70	NPN	B - J3123
FS7-2689-000	330 - 24	FU5-3004-000	240 - 3	NPN	B - J3124
FS7-2690-000	330 - 25	FU5-3006-000	161 - 71	NPN	B - J3126

NUMERICAL INDEX

PC1000s/1200s/imageCLASS D600s/imageCLASS D800s

PARTS NUMBER	FIGURE & KEY NO.	PARTS NUMBER	FIGURE & KEY NO.	PARTS NUMBER	FIGURE & KEY NO
PCB	B - J1	PCB	B - J401	RB2-2986-000	810 - 15
PCB	B - J2	PCB	B - J402	RB2-3041-020	101 - 12
PCB	B - J3	PCB	B - J403	RB2-3042-020	101 - 13
PCB	B - J3	PCB	B - J404	RB2-3043-000	101 - 14
PCB	B - J4	PCB	B - J501	RB2-3044-000	101 - 15
PCB	B - J6	PCB	B - J502	RB2-3046-000	100 - 23
PCB	B - J7	PCB	B - J503	RB2-3084-000	101 - 17D
PCB	B - J7	PCB	B - J601	RB2-6357-000	810 - 17
PCB	B - J8	PCB	B - J701	RB2-6402-000	810 - 16
PCB	B - J8	RB2-2831-020	102 - 17	RF5-2601-000	810 - 18
PCB	B - J10	RB2-2837-000	103 - 32	RF5-2603-000	810 - 19
PCB	B - J10	RB2-2843-000	330 - 28	RG5-4130-000	330 - 31
PCB	B - J102	RB2-2883-000	101 - 17A	RG9-1473-000	250 - 16
PCB	B - J103	RB2-2884-000	101 - 17B	RS6-0442-000	810 - 20
PCB	B - J104	RB2-2885-000	101 - 17C	RS6-0443-000	810 - 21
PCB	B - J105	RB2-2900-000	101 - 8B	RS6-0446-000	250 - 17
PCB	B - J106	RB2-2901-000	101 - 8C	RS6-0447-000	250 - 18
PCB	B - J107	RB2-2902-000	101 - 8D	RS6-0448-000	250 - 19
PCB	B - J108	RB2-2903-000	101 - 8E	RS6-0449-000	250 - 20
PCB	B - J109	RB2-2909-000	320 - 5	RS6-0450-000	250 - 21
PCB	B - J201	RB2-2910-000	320 - 6	RS6-0458-000	810 - 22
PCB	B - J202	RB2-2911-000	320 - 7	RS6-0459-000	330 - 31B
PCB	B - J203	RB2-2912-000	320 - 8	RS6-2022-000	330 - 32
PCB	B - J204	RB2-2913-000	320 - 9	RS6-2026-000	320 - 16
PCB	B - J210	RB2-2918-000	320 - 10	RS6-2027-020	250 - 22
PCB	B - J301	RB2-2919-000	320 - 11	RS6-2029-000	810 - 23
PCB	B - J302	RB2-2920-000	320 - 12	RS6-2030-000	101 - 18
PCB	B - J303	RB2-2921-000	320 - 13	RS6-2031-000	250 - 23
PCB	B - J304	RB2-2922-000	320 - 14	RS6-8382-000	460 - 1
PCB	B - J305	RB2-2923-000	320 - 2B	SYS	B - J2101
PCB	B - J307	RB2-2925-020	330 - 31A	VS1-0842-002	B - J305
PCB	B - J308	RB2-2926-020	330 - 29	VS1-0842-002	B - J3051
PCB	B - J309	RB2-2933-000	320 - 15	VS1-0842-003	B - J109
PCB	B - J310	RB2-2935-000	250 - 10	VS1-0842-003	B - J201
PCB	B - J311	RB2-2936-000	250 - 11	VS1-0842-003	B - J304
PCB	B - J312	RB2-2943-000	250 - 12	VS1-0842-003	B - J1051
PCB	B - J314	RB2-2947-000	250 - 13	VS1-0842-003	B - J1101
PCB	B - J315	RB2-2949-000	250 - 14	VS1-0842-004	B - J105
PCB	B - J316	RB2-2950-000	250 - 15	VS1-0842-004	B - J1102
PCB	B - J317	RB2-2973-000	810 - 10	VS1-0842-004	B - J3121
PCB	B - J318	RB2-2975-000	810 - 11	VS1-5057-003	250 - 5A
PCB	B - J319	RB2-2977-000	810 - 12	VS1-5057-003	930 - 6A
PCB	B - J320	RB2-2978-000	810 - 13	VS1-5057-003	B - J1101
PCB	B - J321	RB2-2985-000	810 - 14	VS1-5057-003	B - J3124

NUMERICAL INDEX

PC1000s/1200s/imageCLASS D600s/imageCLASS D800s

PARTS NUMBER	FIGURE & KEY NO.	PARTS NUMBER	FIGURE & KEY NO.	PARTS NUMBER	FIGURE & KEY NO
VS1-5057-004	101 - 19	WE8-5702-000	103 - 21A	XA9-1164-000	930 - 18
VS1-5057-004	210 - 31A	WE8-5885-000	210 - 38	XB1-1300-807	103 - 501
VS1-5057-004	930 - 7A	WE8-5908-000	103 - 33	XB1-2300-607	103 - 502
VS1-5057-004	B - J1102	WE8-5941-000	220 - 7A	XB1-2300-607	130 - 501
VS1-5057-004	B - J3102	WE8-5947-000	103 - 34	XB1-2300-607	161 - 501
VS1-5057-004	B - J3121	WG2-5190-000	103 - 35	XB1-2300-607	210 - 501
VS1-5057-006	161 - 41A	WG2-5190-000	103 - 35	XB1-2300-607	210 - 502
VS1-5057-006	B - J3111	WG8-5309-000	103 - 36	XB1-2300-607	250 - 501
VS1-5057-011	930 - 8A	WG8-5309-000	810 - 24	XB1-2300-607	250 - 502
VS1-5057-011	B - J2101	WG8-5362-000	161 - 76	XB1-2300-809	302 - 501
VS1-5824-003	B - J3113	WG8-5362-000	161 - 77	XB1-2300-809	303 - 501
VS1-5824-003	B - J3114	WK1-5112-000	950 - BAT1	XB1-2400-609	161 - 502
VS1-5824-004	B - J103	WK1-5133-000	950 - BAT2	XB2-7300-407	103 - 503
VS1-5824-004	B - J301	WS3-1226-000	B - J107	XB2-7300-407	240 - 501
VS1-5824-004	B - J3102	WS3-1309-000	B - J3126	XB2-7300-407	250 - 503
VS1-5824-006	B - J3111	WS3-5358-000	B - J103	XB3-6300-800	101 - 501
VS1-6094-003	B - J3112	WS3-5358-000	B - J301	XB3-6300-800	102 - 501
VS1-6225-004	B - J3122	WS3-5358-000	B - J3102	XB3-6300-800	103 - 504
VS1-6302-003	B - J314	WS3-5358-000	B - J3111	XB4-5300-809	130 - 502
VS1-6314-003	B - J308	WS3-5358-000	B - J3112	XB4-5300-809	161 - 503
VS1-6314-004	B - J310	WS3-5358-000	B - J3113	XB4-5401-007	101 - 502
VS1-6314-008	B - J104	WS3-5358-000	B - J3114	XB4-5401-007	101 - 503
VS1-6314-008	B - J302	WS3-5569-000	B - J314	XB4-5401-007	161 - 504
VS1-6314-009	B - J108	WS3-5721-000	B - J311	XB4-5401-007	161 - 505
VS1-6314-009	B - J203	WT1-5155-000	B - J2	XB4-5401-007	161 - 506
VS1-6314-010	B - J106	WT1-5155-000	B - J4	XB4-5401-007	210 - 503
VS1-6314-010	B - J202	WT1-5155-000	B - J102	XB4-5401-007	330 - 501
VS1-6314-010	B - J312	WT1-5155-000	B - J319	XB4-7400-809	300 - 501
VS1-6320-003	B - J3124	WT2-5565-000	161 - 41B	XB4-7400-809	301 - 501
VS1-6321-003	B - J3081	WT2-5565-000	210 - 31B	XB4-7400-809	302 - 502
VS1-6321-003	B - J3123	WT3-5106-000	930 - 17	XB4-7400-809	303 - 502
VS1-6321-004	B - J3102	X71-7503-000	300 - 25	XB4-7401-009	101 - 504
VS1-6321-004	B - J3121	X71-7503-000	300 - 26	XB4-7401-009	101 - 505
VS1-6321-011	B - J210	XA9-0265-000	161 - 78	XB4-7401-009	103 - 505
VS1-6321-011	B - J2101	XA9-0813-000	102 - 18	XB4-7403-509	102 - 502
VS1-6757-015	B - J311	XA9-0836-000	810 - 25	XB6-7300-607	220 - 501
VS3-0320-006	B - J3126	XA9-0903-000	302 - 16	XB6-7300-807	100 - 501
VS3-5080-002	B - J4	XA9-0903-000	303 - 15	XB6-7300-807	102 - 503
VS3-5080-002	B - J102	XA9-0924-000	810 - 26	XD1-1104-131	220 - 502
VS3-5080-002	B - J102	XA9-0931-000	100 - 24	XD1-1104-635	300 - 502
VS3-5080-006	B - J2	XA9-0931-000	102 - 19	XD2-1100-242	161 - 507
VS3-5080-006	B - J319	XA9-0976-000	102 - 20	XD2-1100-322	161 - 508
VS3-5118-003	B - J107	XA9-1164-000	103 - 37	XD2-1100-322	220 - 503
WA1-6525-000	330 - 33	XA9-1164-000	250 - 24	XD2-1100-402	161 - 509

NUMERICAL INDEX

PC1000s/1200s/imageCLASS D600s/imageCLASS D800s

PARTS NUMBER	FIGURE & KEY NO.	PARTS NUMBER	FIGURE & KEY NO.	PARTS NUMBER	FIGURE & KEY NO.
XD2-1100-402	161 - 510				
XD2-1100-502	161 - 511				
XD2-1100-502	161 - 512				
XD2-1100-502	161 - 513				
XD2-1100-502	161 - 514				
XD2-1100-502	330 - 502				
XD2-1100-642	161 - 515				
XD2-1100-642	240 - 502				
XD2-1200-202	300 - 503				
XD2-2300-302	330 - 503				
XD3-1160-142	101 - 506				
XD3-2200-082	161 - 516				
XD3-2200-102	161 - 517				
XD3-2200-102	161 - 518				
XD3-2200-102	161 - 519				
XD3-2200-122	161 - 520				
XD9-0159-000	101 - 8F				
XF2-1605-240	161 - 79				
XF2-1606-440	240 - 4				
XF2-1611-240	161 - 80				
XF9-0404-000	161 - 81				
XF9-0525-000	161 - 82				

**PC1000s/1200s/imageCLASS
imageCLASS D800s**

D600s/

120V 60Hz	F14-1407-000STS
100V 50/60Hz	F14-1411-000LUL
100V 50/60Hz	F14-1412-000LUV
100V 50/60Hz	F14-1413-000LUK
100V 50/60Hz	F14-1414-000LUU
100V 50/60Hz	F14-1415-000LUM
100V 50/60Hz	F14-1417-000LUP
220/240V 50Hz	F14-1428-000QTJ
220/240V 50Hz	F14-1428-000TTG
220/240V 50Hz	F14-1428-000UUK
220/240V 50Hz	F14-1428-000UUU
220/240V 50Hz	F14-1428-000UUV
220/240V 50Hz	F14-1428-000U UW
120V 60Hz	F14-1431-000ZTR
120V 60Hz	F14-1432-000ZTU
120V 60Hz	F14-1434-000ZTQ
120V 60Hz	F14-1434-000ZUE
120V 60Hz	F14-1435-000ZTS
120V 60Hz	F14-1435-000ZUF
120V 60Hz	F14-1436-000ZTV
120V 60Hz	F14-1437-000ZTT
120V 60Hz	F14-1439-000ZTX
220/240V 50Hz	F14-1443-000PVR
220/240V 50Hz	F14-1443-000PVX
120V 60Hz	F14-1445-000STR
220/240V 50Hz	F14-1447-000PVS

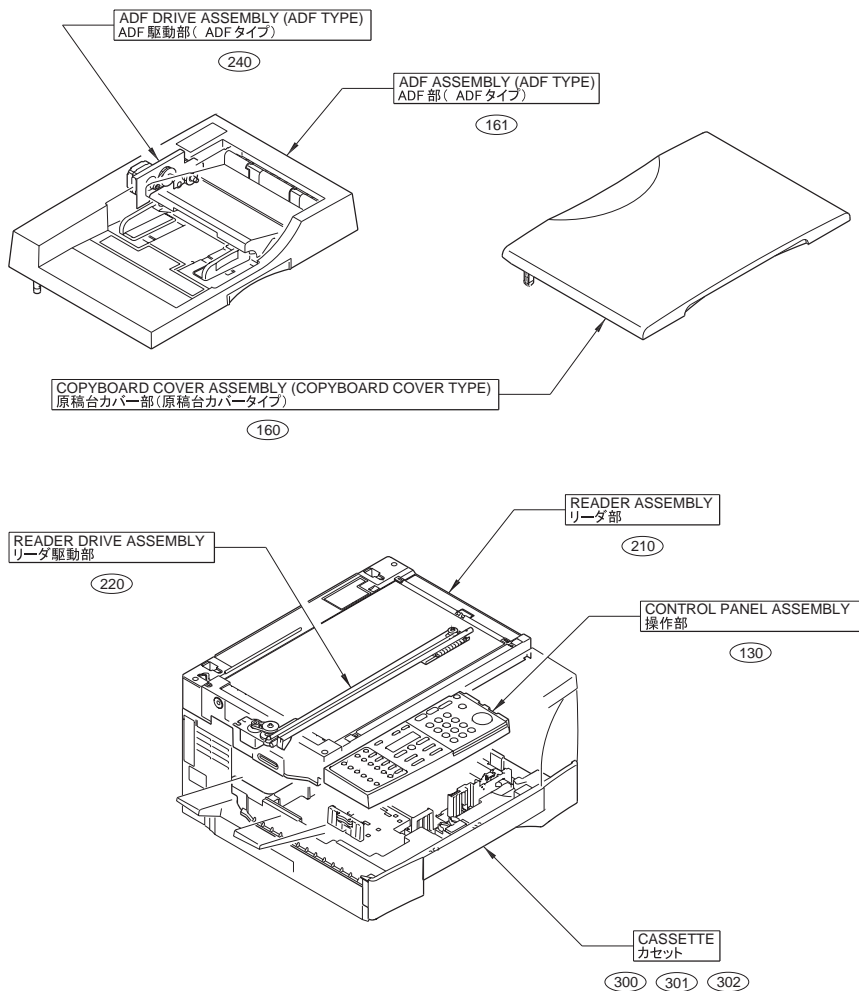
220/240V 50Hz	F14-1447-000PVY
220/240V 50Hz	F14-1449-000UGA
220/240V 50Hz	F14-1459-000UHA
220V 50Hz	F14-1460-000RTV
220/240V 50Hz	F14-1469-000UIA
220V 60Hz	F14-1470-000RTX
220/240V 50Hz	F14-1478-000QTK
220/240V 50Hz	F14-1478-000TTH
220/240V 50Hz	F14-1478-000UUM
220/240V 50Hz	F14-1478-000UUX
220/240V 50Hz	F14-1478-000UUY
220/240V 50Hz	F14-1478-000UUZ
220V 50Hz	F14-1480-000RTW
220V 60Hz	F14-1490-000RTY
100V 50/60Hz	F18-8311-000JHQ
100V 50/60Hz	F18-8313-000JHP
120V 60Hz	F18-8333-000JHH
120V 60Hz	F18-8333-000JHM
120V 60Hz	F18-8335-000JHJ
120V 60Hz	F18-8335-000JHN
120V 60Hz	F18-8338-000JHK
120V 60Hz	F18-8633-000JXY
120V 60Hz	F18-8633-000JXZ
120V 60Hz	F18-8635-000KAB
120V 60Hz	F18-8635-000KAC
120V 60Hz	F18-8638-000KAD

Contents

A	ASSEMBLY LOCATION DIAGRAM	2-1
100	EXTERNAL COVERS, PANELS, ETC.	2-4
101	INTERNAL COMPONENTS 1	2-9
102	INTERNAL COMPONENTS 2	2-14
103	INTERNAL COMPONENTS 3	2-18
130	CONTROL PANEL ASSEMBLY	2-23
160	COPYBOARD COVER ASSEMBLY (COPYBOARD	2-29
161	ADF ASSEMBLY (ADF TYPE)	2-31
210	READER ASSEMBLY	2-39
220	READER DRIVE ASSEMBLY	2-43
240	ADF DRIVE ASSEMBLY (ADF TYPE)	2-45
250	MAIN DRIVE ASSEMBLY	2-47
300	CASSETTE(250 SHEET UNIVERSAL TYPE)	2-51
301	CASSETTE(250 SHEET A4 TYPE)	2-60
302	CASSETTE(500 SHEET LTR/LGL TYPE)	2-63
303	CASSETTE(500 SHEET A4 TYPE)	2-66
320	REGISTRATION ASSEMBLY	2-69
330	PAPER FEEDER ASSEMBLY	2-72
460	LASER SCANNER ASSEMBLY	2-75
810	FIXING ASSEMBLY	2-77
930	PCB ASSEMBLY	2-81
950	IMAGE PROCESSOR PCB ASSEMBLY	2-84
B	LIST OF CONNECTORS	2-88

FIGURE A

ASSEMBLY LOCATION DIAGRAM



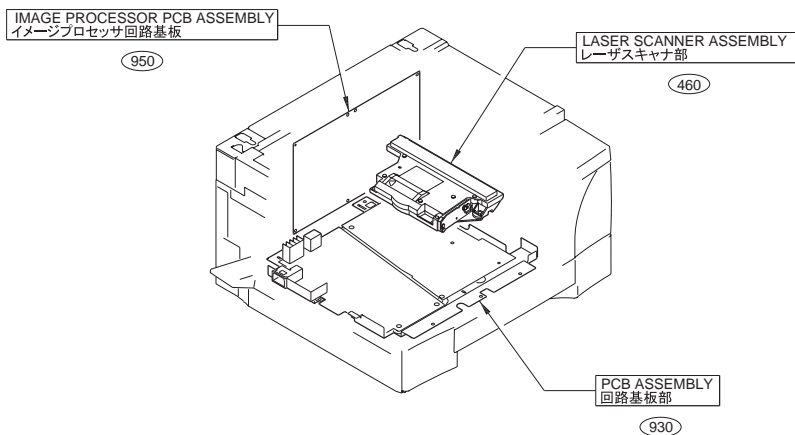
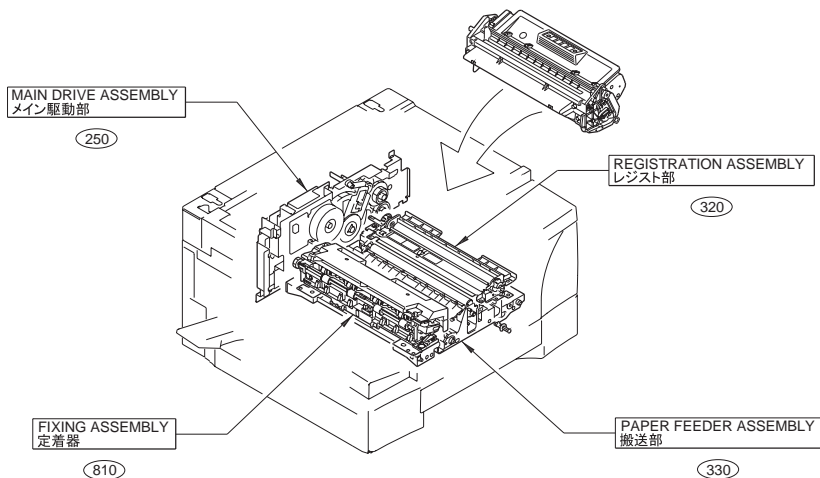


FIGURE 100

EXTERNAL COVERS, PANELS, ETC.

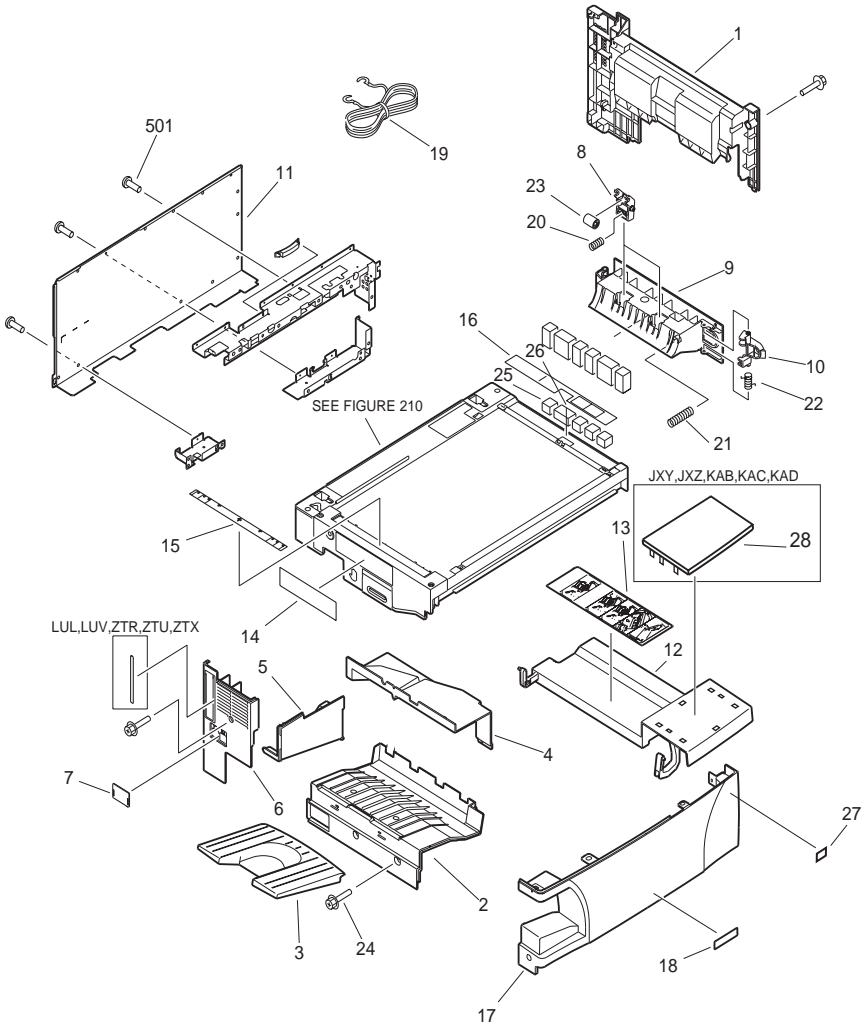


FIGURE & KEY NO.	PARTS NUMBER	R A N K	Q'TY	DESCRIPTION	SERIAL NUMBER/ REMARKS	S V C
Fig.100	NPN		RF	EXTERNAL COVERS, PANELS, ETC.		
1	FB6-0085-000		1	PANEL, RIGHT		
2	FB6-0123-020		1	PANEL, PAPER DELIVERY		
3	FB6-0124-020		1	TRAY, PAPER DELIVERY		
4	FF6-1457-000		1	PANEL, PAPER DELIVERY, UPPER		
4	FB6-0125-000		1	PANEL, PAPER DELIVERY, UPPER		
5	FB6-0126-000		1	PANEL, PAPER DELIVERY, REAR		
6	FB6-0127-000		1	PANEL, LEFT		
7	FB6-0128-000		1	LID, MODULAR JACK	LUM,LUP,PVS,PVY,QTJ, QTK,RTW,RTY,STR,STS, TTG,TTH,UGA,UHA,UUK, UUM,UUU,UUV,UUW,UU X, UUY,UUZ,ZTS,ZTT,ZTU, ZTV,ZTX,ZUF,KAB,KAC,K AD	
8	FB6-0242-000		2	ARM, PRESSURE		
9	FB6-0243-000		1	DOOR, RIGHT		
10	FB6-0250-000		1	ARM, LOCK		
11	FB6-0279-000		1	PANEL, REAR		
12	FB6-0323-000		1	PANEL, CARTRIDGE, UPPER	EXCEPT LUU,LUV,ZTQ EXCEPT ZTS,ZUE,ZUF	
12	FB6-2294-000		1	PANEL, CARTRIDGE, UPPER	LUU,LUV,ZTQ,ZTS,ZUE, ZUF	
12	FE5-3196-000		1	PANEL, CARTRIDGE, UPPER	JHP,JHQ,JHH,JHM,JHJ,J HN,JHK	
12	FC6-3946-000		1	PANEL, CARTRIDGE, UPPER	JXY,JXZ,KAB,KAC,KAD	
12	FC6-3948-000		1	OPEN/CLOSE COVER, UPPER	JXY,JXZ	
13	FB6-0282-000		1	LABEL, 'CARTRIDGE REPLACING'	PVR,PVS,PVX,PVY,RTV, RTW,RTX,RTY,STR,STS	
13	FB6-2300-000		1	LABEL, 'CARTRIDGE REPLACING'	LUK,LUL,LUM,LUP,LUU, LUV,ZTQ,ZTR,ZTS,ZTT, ZTU,ZTV,ZTX,ZUE,ZUF,J HP,JHQ,JHH,JHM,JHJ,JH N,JHK,JXY,JXZ,KAB,KAC ,KAD	
13	FB6-2301-000		1	LABEL, 'CARTRIDGE REPLACING'	QTJ,QTK,TTG,TTH,UGA, UHA,UIA,UUK,UUM,UUU, UUV,UUW,UUX,UUY,UUZ	
14	FB6-0283-000		1	LABEL, REMOVAL	QTJ,QTK,TTG,TTH,UGA, UHA,UIA,UUK,UUM,UUU, UUV,UUW,UUX,UUY,UUZ	

FIGURE & KEY NO.	PARTS NUMBER	R A N K	Q'TY	DESCRIPTION	SERIAL NUMBER/ REMARKS	S V C
14	FB6-0284-000		1	LABEL, REMOVAL	PVR,PVS,PVX,PVY,RTV, RTW,RTX,RTY,STR,STS	
14	FB6-2303-000		1	LABEL, REMOVAL	LUK,LUL,LUM,LUP,LUU, LUV,ZTQ,ZTR,ZTS,ZTT, ZTU,ZTV,ZTX,ZUE,ZUF,J HP,JHQ,JHH,JHM,JHJ,JH N,JHK	
14	FB6-6839-000		1	LABEL, REMOVAL	JXY,JXZ,KAB,KAC,KAD	
15	FB6-2304-000		1	LABEL, DOCUMENT SIZE	LUK,LUL,LUM,LUP,LUU, LUV,JHP,JHQ,JHH,JHM,J HJ,JHN,JHK,JXY,JXZ,KA B,KAC,KAD	
15	FB6-2305-000		1	LABEL, DOCUMENT SIZE	EXCEPT LUK,LUL,LUM EXCEPT LUP,LUU,LUV	
16	FB6-2306-000		1	LABEL, READER SLIDE	LUK,LUL,LUM,LUP,LUU, LUV,ZTQ,ZTR,ZTS,ZTT, ZTU,ZTV,ZTX,ZUE,ZUF,J HP,JHQ,JHH,JHM,JHJ,JH N,JHK,JXY,JXZ,KAB,KAC ,KAD	
16	FB6-2307-000		1	LABEL, READER SLIDE	QTJ,QTK,TTG,TTH,UGA, UHA,UJA,UUK,UUM,UUU, UUV,UUW,UUX,UUY,UUZ	
16	FB6-2308-000		1	LABEL, READER SLIDE	PVR,PVS,PVX,PVY,RTV, RTW,RTX,RTY,STR,STS	
17	FB6-0327-000		1	PANEL, FRONT	ZTR	
17	FB6-4216-000		1	PANEL, FRONT	LUL	
17	FB6-4217-000		1	PANEL, FRONT	LUK	
17	FB6-4218-000		1	PANEL, FRONT	LUM	
17	FB6-4219-000		1	PANEL, FRONT	LUP	
17	FB6-4220-000		1	PANEL, FRONT	ZTU	
17	FB6-4221-000		1	PANEL, FRONT	ZTX	
17	FB6-4222-000		1	PANEL, FRONT	PVS,PVY,RTW,RTY,STS, ZTT	
17	FB6-4223-000		1	PANEL, FRONT	STR,ZTS,ZUF	
17	FB6-4225-000		1	PANEL, FRONT	PVR,PVX,RTV,RTX,ZTQ, ZUE	
17	FB6-4226-000		1	PANEL, FRONT	QTJ,QTK,TTG,TTH,UGA, UHA,UJA,UUK,UUM,UUU, UUV,UUW,UUX,UUY,UUZ	
17	FB6-4227-000		1	PANEL, FRONT	ZTV	
17	FB6-4228-000		1	PANEL, FRONT	LUV	

FIGURE & KEY NO.	PARTS NUMBER	R A N K	Q'TY	DESCRIPTION	SERIAL NUMBER/ REMARKS	S V C
17	FB6-4230-000		1	PANEL, FRONT	LUU	
17	FE5-3218-000		1	PANEL, FRONT	JHH,JHM	
17	FE5-3219-000		1	PANEL, FRONT	JHJ,JHN	
17	FE5-3221-000		1	PANEL, FRONT	JHK	
17	FE5-3230-000		1	PANEL, FRONT	JHP	
17	FE5-3231-000		1	PANEL, FRONT	JHQ	
17	FB6-6833-000		1	PANEL, FRONT	JXY,JXZ	
17	FB6-6834-000		1	PANEL, FRONT	KAB,KAC	
17	FB6-6835-000		1	PANEL, FRONT	KAD	
18	FB6-4232-00S		1	LABEL, MODEL NAME	QTK,TTH,UHA,UUM,UUX, UUY,UUZ	
18	FB6-4234-00S		1	LABEL, MODEL NAME	QTJ,TTG,UGA,UUK,UUU, UUV,UUW	
18	FB6-4235-00S		1	LABEL, MODEL NAME	UIA	
19	FH2-5288-000		1	WIRE, GROUNDING	LUK,LUL,LUM,LUP,LUU, LUV,JHP,JHQ,JHH,JHM,J HJ,JHN,JHK	
20	FS7-2691-000		2	SPRING, COMPRESSION		
21	FS7-2692-000		1	SPRING, COMPRESSION		
22	FS7-2693-000		1	SPRING, TORSION		
23	RB2-3046-000		2	ROLLER		
24	XA9-0931-000		AR	SCREW, RS, M3X12		
25	FE5-3192-000		4	SHEET, SILENCER 1	JHP,JHQ,JHH,JHM,JHJ,J HN,JHK,JXY,JXZ,KAB,KA C,KAD	
26	FE5-3193-000		1	SHEET, SILENCER 2	JHP,JHQ,JHH,JHM,JHJ,J HN,JHK,JXY,JXZ,KAB,KA C,KAD	
27	FB6-4783-000		1	LABEL, 'SUPER G3'	ZTQ, ZUE,JXY,JXZ	
27	FB6-5727-000		1	LABEL, 'SUPER G3'	LUU,LUV,JHP,JHQ,JHH,J HM,JHJ,JHN,JHK	
28	FC6-3947-000		1	LID,CRG OPEN/CLOSE COVER UPPER	JXY,JXZ	
501	XB6-7300-807		AR	SCREW,TP,M3X8		

FIGURE 101 INTERNAL COMPONENTS 1

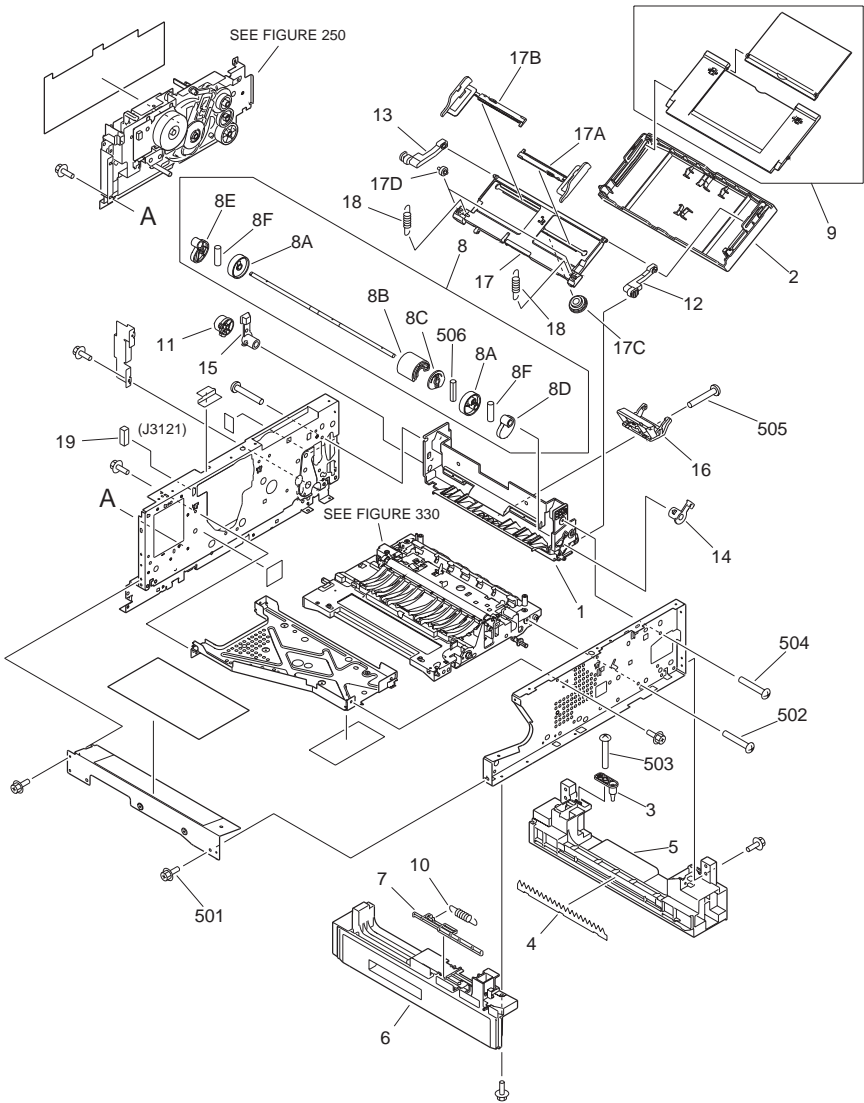


FIGURE & KEY NO.	PARTS NUMBER	R A N K	Q'TY	DESCRIPTION	SERIAL NUMBER/ REMARKS	S V C
Fig.101	NPN		RF	INTERNAL COMPONENTS 1		
1	FB6-0074-000		1	FRAME, MULTI FEED		
2	FB6-0249-000		1	PANEL, MULTI PICK-UP		
3	FB6-0251-000		1	PIN, HINGE		
4	FB6-0265-000		1	SHEET, NOISE PREVENTION	LUK,LUL,LUM,LUP,LUU,LUV,PVR,PVS,PVX,PVY,QTJ,QTK,RTV,RTW,ZTR,RTX,RTY,STR,STS,TTG,TT H,UGA,UHA,UIA,UUK,UUM,UUU,UUV,UUW,UUX,UUY,UUZ,ZTQ,ZTS,ZTU,ZTT,ZTV,ZTX,ZUE,ZUF	
4	FE5-3195-000		1	SHEET, NOISE PREVENTION	JHP,JHQ,JHH,JHM,JHJ,JHN,JHK,JXY,JXZ,KAB,KAC,KAD	
5	FB6-0268-000		1	RAIL, CASSETTE, RIGHT		
6	FB6-0269-000		1	RAIL, CASSETTE, LEFT		
7	FB6-0291-000		1	LEVER, CASSETTE SENSOR		
8	FG6-7953-000		1	MP PICK-UP ROLLER UNIT		
8A	FB6-0314-000		2	COLLAR, MP		
8B	RB2-2900-000		1	ROLLER, MP PICK-UP		
8C	RB2-2901-000		1	CAM, ROLLER		
8D	RB2-2902-000		1	CAM, MP, LEFT		
8E	RB2-2903-000		1	CAM, MP, RIGHT		
8F	XD9-0159-000		2	PIN, DOWEL		
9	FG6-7972-000		1	PAPER PICK-UP TRAY UNIT		
10	FS7-2697-000		1	SPRING, TENSION		
11	FU3-0072-000		1	GEAR, 26T		
12	RB2-3041-020		1	HINGE, LEFT		
13	RB2-3042-020		1	HINGE, RIGHT		
14	RB2-3043-000		1	BUSHING, LEFT		
15	RB2-3044-000		1	BUSHING, RIGHT		
16	FF6-1460-000		1	SEPARATION PAD UNIT		

FIGURE & KEY NO.	PARTS NUMBER	R A N K	Q'TY	DESCRIPTION	SERIAL NUMBER/ REMARKS	S V C
17	FG6-8530-000		1	MULTI-PURPOSE TRAY ASS'Y	LUK,LUL,LUM,LUP,LUU,L UV,PVR,PVS,PVX,PVY,Q TJ,QTK,RTV,RTW,ZTR,R TX,RTY,STR,STS,TTG,TT H,UGA,UHA,UIA,UUK,UU M,UUU,UUV,UUW,UUX,U UY,UUZ,ZTQ,ZTS,ZTU,ZT T,ZTV,ZTX,ZUE,ZUF,JHP, JHQ	
17	FG6-8530-000		1	MULTI-PURPOSE TRAY ASS'Y	JHH,JHM,JHJ,JHN,JHK,J XY,JXZ,KAB,KAC,KAD	
17A	FB6-5827-000		1	GUIDE, SLIDE, LEFT	JHH,JHM,JHJ,JHN,JHK,J XY,JXZ,KAB,KAC,KAD	
17A	RB2-2883-000		1	GUIDE, SLIDE, LEFT	LUK,LUL,LUM,LUP,LUU,L UV,PVR,PVS,PVX,PVY,Q TJ,QTK,RTV,RTW,ZTR,R TX,RTY,STR,STS,TTG,TT H,UGA,UHA,UIA,UUK,UU M,UUU,UUV,UUW,UUX,U UY,UUZ,ZTQ,ZTS,ZTU,ZT T,ZTV,ZTX,ZUE,ZUF,JHP, JHQ	
17B	FB6-5828-000		1	GUIDE, SLIDE, RIGHT	JHH,JHM,JHJ,JHN,JHK,J XY,JXZ,KAB,KAC,KAD	
17B	RB2-2884-000		1	GUIDE, SLIDE, RIGHT	LUK,LUL,LUM,LUP,LUU,L UV,PVR,PVS,PVX,PVY,Q TJ,QTK,RTV,RTW,ZTR,R TX,RTY,STR,STS,TTG,TT H,UGA,UHA,UIA,UUK,UU M,UUU,UUV,UUW,UUX,U UY,UUZ,ZTQ,ZTS,ZTU,ZT T,ZTV,ZTX,ZUE,ZUF,JHP, JHQ	
17C	FB6-5829-000		1	GEAR, 18T	JHH,JHM,JHJ,JHN,JHK,J XY,JXZ,KAB,KAC,KAD	
17C	RB2-2885-000		1	GEAR, 18T	LUK,LUL,LUM,LUP,LUU,L UV,PVR,PVS,PVX,PVY,Q TJ,QTK,RTV,RTW,ZTR,R TX,RTY,STR,STS,TTG,TT H,UGA,UHA,UIA,UUK,UU M,UUU,UUV,UUW,UUX,U UY,UUZ,ZTQ,ZTS,ZTU,ZT T,ZTV,ZTX,ZUE,ZUF,JHP, JHQ	
17D	FB6-5830-000		2	COLLAR, MP	JHH,JHM,JHJ,JHN,JHK,J XY,JXZ,KAB,KAC,KAD	

FIGURE & KEY NO.	PARTS NUMBER	RANK	Q'TY	DESCRIPTION	SERIAL NUMBER/REMARKS	SVC
17D	RB2-3084-000		2	COLLAR, MP	LUK,LUL,LUM,LUP,LUU,LUV,PVR,PVS,PVX,PVY,QTJ,QTk,RTV,RTW,ZTR,RTX,RTY,STR,STS,TTG,TT H,UGA,UHA,UIA,UUK,UUM,UUU,UUV,UUW,UUX,UUY,UUZ,ZTQ,ZTS,ZTU,ZT T,ZTV,ZTX,ZUE,ZUF,JHP,JHQ	
18	FS7-2706-000		2	SPRING, TENSION	JHP,JHQ,JHH,JHM,JHJ,JHN,JHK,JXY,JXZ,KAB,KAC,KAD	
18	RS6-2030-000		2	SPRING, TENSION	LUK,LUL,LUM,LUP,LUU,LUV,PVR,PVS,PVX,PVY,QTJ,QTk,RTV,RTW,ZTR,RTX,RTY,STR,STS,TTG,TT H,UGA,UHA,UIA,UUK,UUM,UUU,UUV,UUW,UUX,UUY,UUZ,ZTQ,ZTS,ZTU,ZT T,ZTV,ZTX,ZUE,ZUF,JHP,JHQ	
19	VS1-5057-004		1	CONNECTOR, SNAP TIGHT	J3121	
501	XB3-6300-800		21	SCREW,RS,M3X8		
502	XB4-5401-007		AR	SCREW,P,M4X10		
503	XB4-5401-007		14	SCREW,P,M4X10		
504	XB4-7401-009		4	SCREW,TAPPING,TRUSS HEAD,M4X10		
505	XB4-7401-009		AR	SCREW,TAPPING,TRUSS HEAD,M4X10		
506	XD3-1160-142		1	PIN,SPRING		

FIGURE 102

INTERNAL COMPONENTS 2

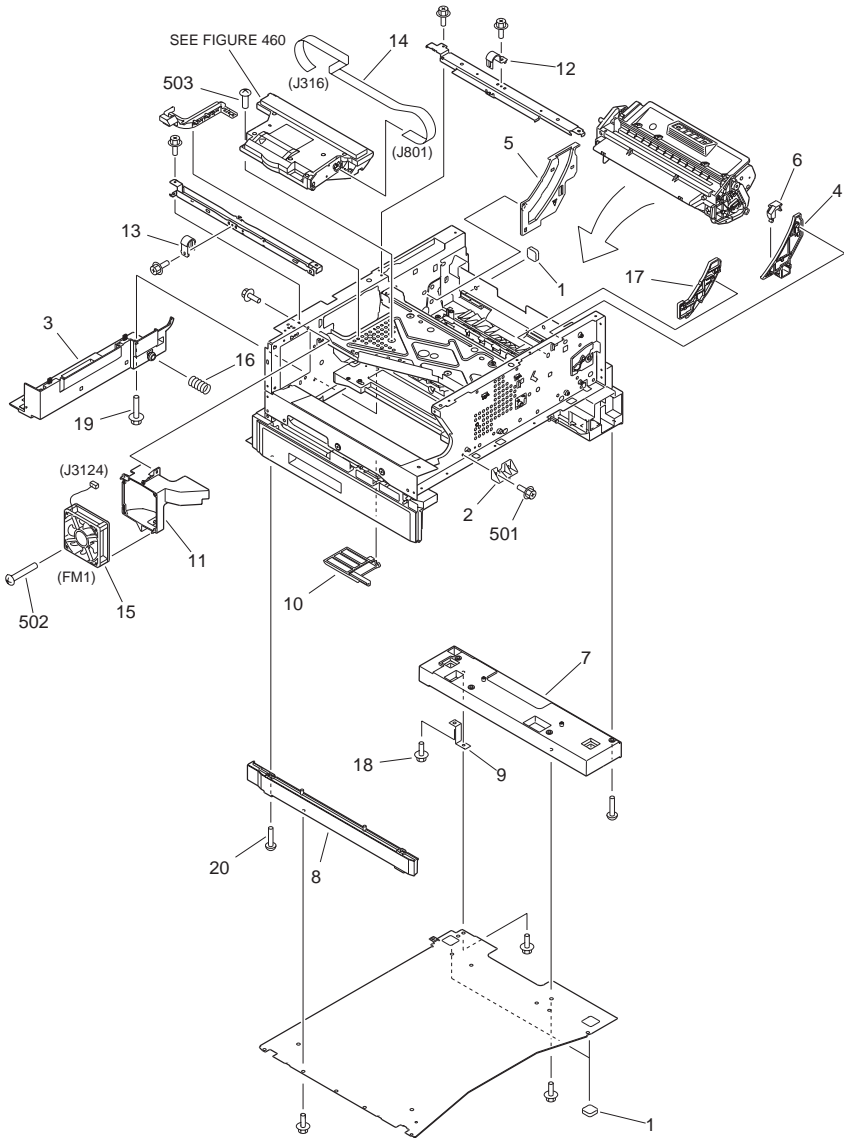


FIGURE & KEY NO.	PARTS NUMBER	R A N K	Q'TY	DESCRIPTION	SERIAL NUMBER/REMARKS	S V C
Fig.102	NPN		RF	INTERNAL COMPONENTS 2		
1	FB2-5303-000		3	FOOT, RUBBER		
2	FB6-0077-000		1	LOCK, CASSETTE		
3	FB6-0086-000		1	PANEL, CABLE HOLDER		
4	FB6-0163-000		1	GUIDE, CARTRIDGE, FRONT		
5	FB6-0164-000		1	GUIDE, CARTRIDGE, REAR		
6	FB6-0165-000		1	RETAINER, SPRING		
7	FB6-0276-000		1	SUPPORT, RAIL, RIGHT	ZTQ,ZTR,ZTS,ZTU,ZTV, ZTX,ZUE,ZUF,JXY,JXZ,K AB,KAC,KAD	
8	FB6-0277-000		1	SUPPORT, RAIL, LEFT	ZTQ,ZTR,ZTS,ZTU,ZTV, ZTX,ZUE,ZUF,JXY,JXZ,K AB,KAC,KAD	
9	FB6-0278-000		1	PLATE, GROUNDING	ZTQ,ZTR,ZTS,ZTU,ZTV, ZTX,ZUE,ZUF	
10	FB6-0289-000		1	LEVER, DETECT SENSOR, 1	LUK,LUL,LUM,LUP,LUU, LUV,PVR,PVS,PVX,PVY, QTJ,QTK,RTV,RTW,RTX, RTY,STR,STS,TTG,TTH, UGA,UHA,UIA,UUK,UUM, UUU,UUV,UUW,UUX,UU Y, UUZ,ZTT,JHP,JHQ,JHH,J HM,JHJ,JHN,JHK,JXY, JXZ,KAB,KAC,KAD	
10	FB6-0303-000		1	LEVER, DETECT SENSOR, 1	ZTQ,ZTR,ZTS,ZTU,ZTV, ZTX,ZUE,ZUF	
11	FB6-0307-000		1	HOLDER, FAN		
12	FB6-4556-000		1	PLATE, GROUNDING		
13	FB6-4557-000		1	PLATE, GROUNDING		
14	FH2-6934-000		1	CABLE, FLAT	J316,801	
15	FH6-1921-000		1	FAN	FM1 J3124	
16	FS7-2694-000		1	SPRING, COMPRESSION		
17	RB2-2831-020		1	GUIDE, CARTRIDGE, LEFT		
18	XA9-0813-000		1	SCREW,RS,M3X8	ZTQ,ZTR,ZTS,ZTU,ZTV, ZTX,ZUE,ZUF	
19	XA9-0931-000		AR	SCREW, RS, M3X12		
20	XA9-0976-000		6	SCREW,P,M4X16	ZTQ,ZTR,ZTS,ZTU,ZTV, ZTX,ZUE,ZUF	
501	XB3-6300-800		AR	SCREW,RS,M3X8		

FIGURE & KEY NO.	PARTS NUMBER	R A N K	Q'TY	DESCRIPTION	SERIAL NUMBER/ REMARKS	S V C
502	XB4-7403-509		2	SCREW,TAPPING,TRUSS HEAD,M4X35		
503	XB6-7300-807		AR	SCREW,TP,M3X8		

FIGURE 103 INTERNAL COMPONENTS 3

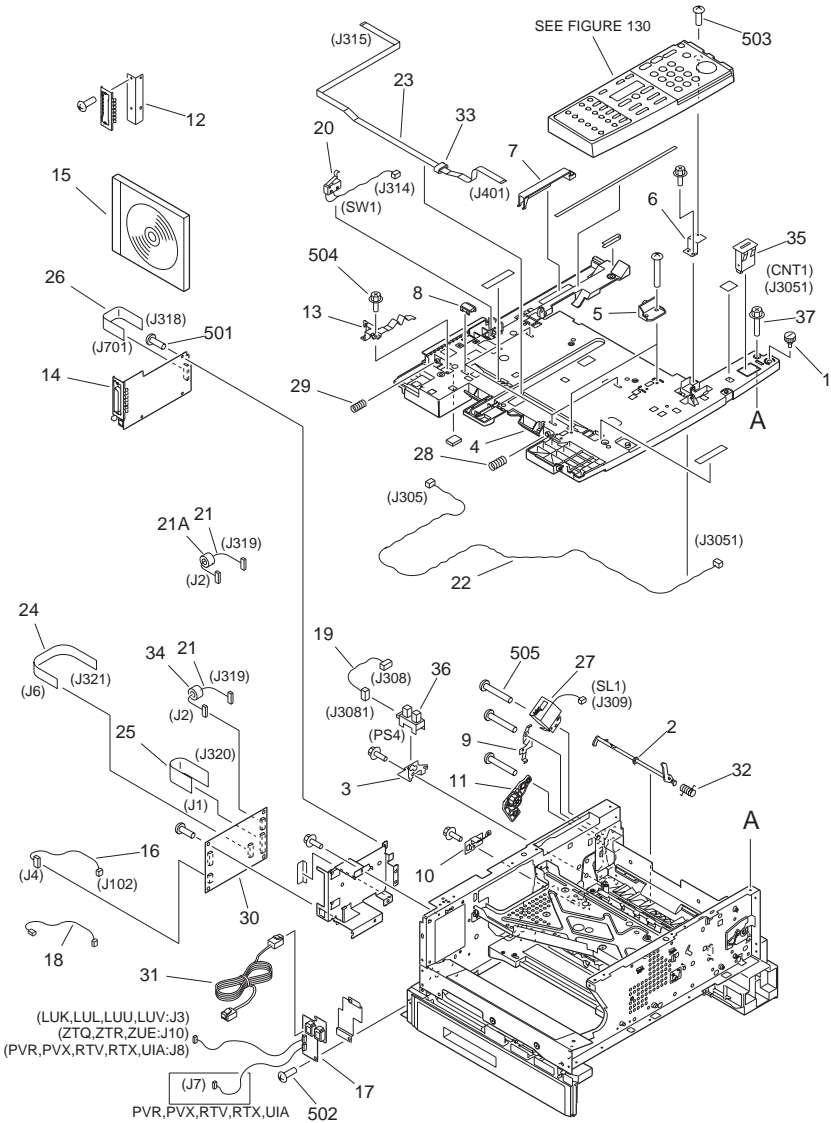


FIGURE & KEY NO.	PARTS NUMBER	RANK	Q'TY	DESCRIPTION	SERIAL NUMBER/REMARKS	SVC
Fig.103	NPN		RF	INTERNAL COMPONENTS 3		
1	FB2-5502-000		1	SCREW,STEPPED,M3	EXCEPT JXY,JXZ,KAB,KAC,KAD	
2	FB6-0075-000		1	FLAG, MULTI PICK-UP SENSOR		
3	FB6-0076-000		1	SUPPORT, MULTI PICK-UP SENSOR		
4	FB6-0093-000		1	PANEL, UPPER		
5	FB6-0094-000		2	SUPPORT, READER STOP		
6	FB6-0147-000		1	PLATE, GROUNDING		
7	FB6-0179-000		1	COVER, DF CABLE		
8	FB6-0234-000		4	COLLAR, SWING		
9	FB6-0252-000		1	PLATE, GROUNDING		
10	FB6-0253-000		1	PLATE, GROUNDING		
11	FB6-0256-000		1	DAMPER GEAR UNIT		
12	FB6-0304-000		1	PLATE, BLANKING	LUL,LUV,ZTR,ZTU,ZTX,J HP,JHQ,JHH,JHM,JHJ,JH N,JHK,JXY,JXZ,KAB,KAC ,KAD	
13	FF6-1455-000		1	PLATE, GROUNDING		
14	FG3-2279-000		1	PRINTER CONTROLLER PCB ASSY	LUK,LUP,LUU,PVR,PVS, PVX,PVY,QTJ,QTK,RTV, RTW,RTX,RTY,STR,STS, TTG,TTH,UGA,UHA,UIA, UUK,UUM,UUU,UUV,UU W, UUX,UUY,UUZ,ZTQ,ZTS, ZTT,ZTV,ZUE,ZUF	
14	FM5-1021-000		1	PRINTER CONTROLLER PCB ASSY	JHP,JHH,JHM,JHJ,JHN,J HK	
14	FM5-5326-000		1	PRINTER CONTROLLER PCB ASSY	JXY,JXZ,KAB,KAC,KAD	
15	FG3-3267-000		1	CD-ROM, USERSOFTWARE	LUU	
15	FH5-3408-000		1	CD-ROM, USERSOFTWARE	ZTQ,ZTS,ZTT,ZTV,ZUE, ZUF	
15	FH5-3413-000		1	CD-ROM, USERSOFTWARE	LUK,LUM,LUP	
15	FH5-3414-000		1	CD-ROM, USERSOFTWARE	PVR,PVS,PVX,PVY,RTV, RTW,RTX,RTY,STR,STS	
15	FH5-3679-000		1	CD-ROM, USERSOFTWARE	JXY,JXZ,KAB,KAC,KAD	
16	FG6-8549-000		1	CABLE, VH	LUK,LUL,LUU,LUV,JHP,J HQ,JHH,JHM,JHJ,JHN,JH K J4,102	

FIGURE & KEY NO.	PARTS NUMBER	R A N K	Q'TY	DESCRIPTION	SERIAL NUMBER/ REMARKS	S V C
16	FG6-8840-000		1	CABLE, PSEUDO, CI	PVR,PVX,RTV,RTX,UIA, ZTQ,ZTR,ZUE J4,102	
17	FG6-8828-000		1	MODULAR JACK PCB ASSEMBLY	LUK,LUL,LUU,LUV,JHP,J HQ,JHH,JHM,JHJ,JHN,JH K	
17	FG6-8829-000		1	MODULAR JACK PCB ASSEMBLY	ZTQ,ZTR,ZUE,JXY,JXZ	
17	FG6-8830-000		1	MODULAR JACK PCB ASSEMBLY	UIA	
17	FG6-8831-000		1	MODULAR JACK PCB ASSEMBLY	PVR,PVX,RTV,RTX	
18	FG6-8837-000		1	CABLE, GROUNDING	LUK,LUL,LUU,LUV,JHP,J HQ,JHH,JHM,JHJ,JHN,JH K	
19	FG6-8841-000		1	CABLE, MULTI PICK-UP	J308,3081	
20	FG6-8842-000		1	CABLE, READER SWITCH	SW1 J314	
21	FG6-8535-000		1	CABLE, NCU ANALOG	LUU,LUV,JHP,JHQ,JHH,J HM,JHJ,JHN,JHKJ2,319	
21	FG6-8844-000		1	CABLE, NCU ANALOG	LUK,LUL,PVR,PVX,RTV, RTX,UIA,ZTQ,ZTR,ZUE,J XY,JXZ J2,319	
21A	WE8-5702-000		1	CORE, FERRITE	LUU,LUV,JHP,JHQ,JHH,J HM,JHJ,JHN,JHK,JXY,JX Z,KAB,KAC,KAD	
22	FG6-8845-000		1	CABLE, COUNTER	PVR,PVS,PVX,PVY,RTX, RTY,STR,STS J305,3051	
23	FH2-6932-000		1	CABLE, FLAT	J315,401	
24	FH2-6935-000		1	CABLE, FLAT	PVR,PVX,RTV,RTX,UIA J6,321	
25	FH2-6936-000		1	CABLE, FLAT	LUK,LUL,LUU,LUV,PVR, PVX,RTV,RTX,UIA,ZTQ, ZTR,ZUE,JHP,JHQ,JHH,J HM,JHJ,JHN,JHK,JXY,JX Z,KAB,KAC,KADJ1,320	
26	FH2-6937-000		1	CABLE, FLAT	LUK,LUP,LUU,PVR,PVS, PVX,PVY,QTJ,QTK,RTV, RTW,RTX,RTY,STR,STS, TTG,TTH,UGA,UHA,UIA, UUK,UUM,UUU,UUV,UU W, UUX,UUY,UUZ,ZTQ,ZTS, ZTT,ZTV,ZUE,ZUF,JXY,J XZ,KAB,KAC,KAD J318,701	
27	FH6-5038-000		1	SOLENOID	SL1 J309	
28	FS7-2695-000		1	SPRING, COMPRESSION		
29	FS7-2696-000		1	SPRING, COMPRESSION		

FIGURE & KEY NO.	PARTS NUMBER	R A N K	Q'TY	DESCRIPTION	SERIAL NUMBER/ REMARKS	S V C
30	HG1-4365-000		1	NCU PCB ASSEMBLY	ZTQ,ZTR,ZUE,JXY,JXZ	
30	HG5-1866-000		1	NCU PCB ASSEMBLY	LUK,LUL,LUU,LUV,JHP,JHQ,JHH,JHM,JHJ,JHN,JHK	
30	HG5-2587-000		1	NCU PCB ASSEMBLY	UIA	
30	HG5-2598-000		1	NCU PCB ASSEMBLY	PVR,PVX,RTV,RTX	
31	HH2-2824-000		1	CORD, MODULAR	LUK,LUL,LUU,LUV,PVR,PVX,RTV,RTX,UIA,ZTQ,ZTR,ZUE,JHP,JHQ,JHH,JHM,JHJ,JHN,JHK,JXY,JXZ	
32	RB2-2837-000		1	SPRING, TORSION		
33	WE8-5908-000		1	CORE, RING		
34	WE8-5947-000		1	CORE, FERRITE	LUK,LUL,PVR,PVX,RTV,RTX,UIA,ZTQ,ZTR,ZUE	
35	WG2-5190-000		1	COUNTER,ELECTROMAGNETIC	PVR,PVS,PVX,PVY,RTX,RTY,STR,STS	
35	WG2-5190-000		1	COUNTER,ELECTROMAGNETIC	CNT1 J3051	
36	WG8-5309-000		1	PHOTO-INTERRUPTER	PS4 J3081	
37	XA9-1164-000		AR	SCREW,RS,M3X6.5		
38	FH5-3467-000		1	CD-ROM, USERSOFTWARE		
501	XB1-1300-807		2	SCREW,MACH.,PAN HEAD,M3X8	LUK,LUP,LUU,PVR,PVS,PVX,PVY,QTJ,QTK,RTV,RTW,RTX,RTY,STR,STS,TTG,TTH,UGA,UHA,UIA,UUK,UUM,UUU,UUV,UUW,UUX,UUY,UUZ,ZTQ,ZTS,ZTT,ZTV,ZUE,ZUF	
502	XB1-2300-607		5	SCREW,MACH.,TRUSS HEAD,M3X6		
503	XB2-7300-407		1	SCREW,W/WASHER,M3X4		
504	XB3-6300-800		AR	SCREW,RS,M3X8		
505	XB4-7401-009		AR	SCREW,TAPPING,TRUSS HEAD,M4X10		

FIGURE 130 CONTROL PANEL ASSEMBLY

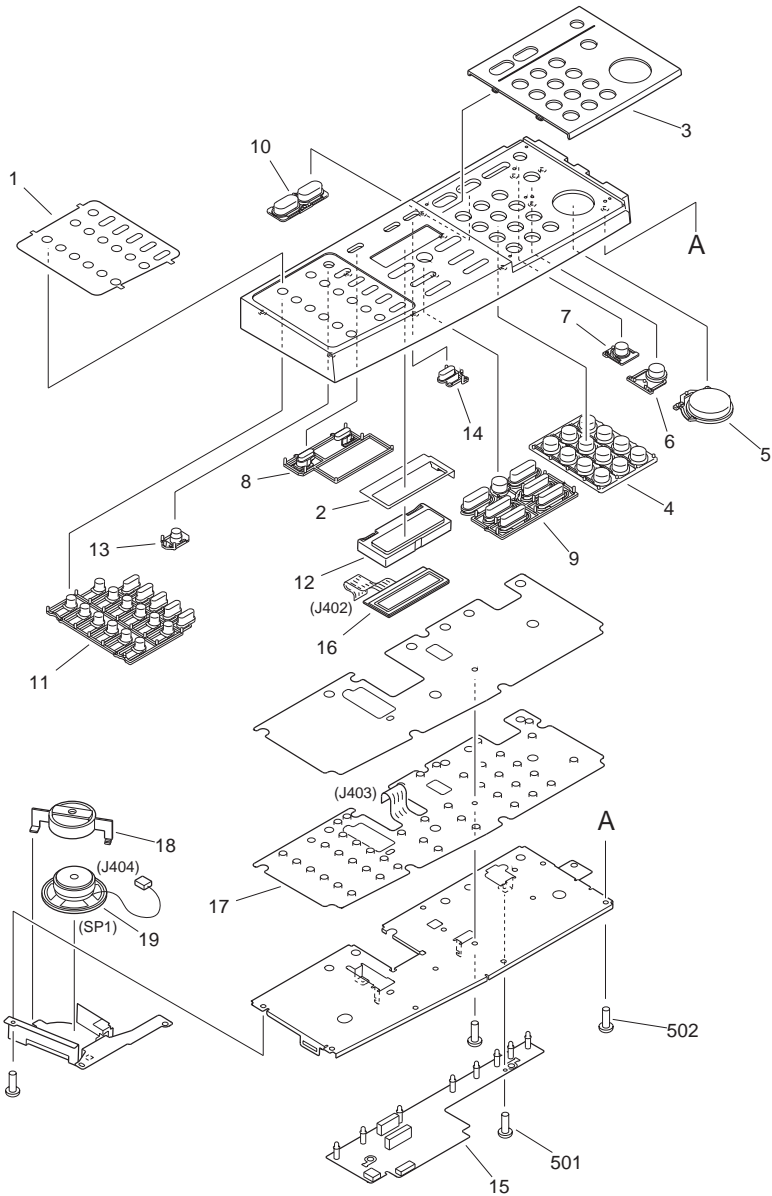


FIGURE & KEY NO.	PARTS NUMBER	R A N K	Q'TY	DESCRIPTION	SERIAL NUMBER/ REMARKS	S V C
Fig.130	FG6-7938-000		1	CONTROL PANEL ASSEMBLY	LUK,LUL	
Fig.130	FG6-7957-000		1	CONTROL PANEL ASSEMBLY	LUM,LUP	
Fig.130	FG6-7958-000		1	CONTROL PANEL ASSEMBLY	ZTR	
Fig.130	FG6-7959-000		1	CONTROL PANEL ASSEMBLY	ZTU,ZTV,ZTX	
Fig.130	FG6-7960-000		1	CONTROL PANEL ASSEMBLY	UIA	
Fig.130	FG6-7961-000		1	CONTROL PANEL ASSEMBLY	QTJ,QTK,RTW,RTY,STR, STS,TTG,TTH,UGA,UHA, UUK,UUM,UUU,UUV,UU W, UUX,UUY,UUZ	
Fig.130	FG6-7962-000		1	CONTROL PANEL ASSEMBLY	PVR,PVX	
Fig.130	FG6-7963-000		1	CONTROL PANEL ASSEMBLY	RTV	
Fig.130	FG6-8523-000		1	CONTROL PANEL ASSEMBLY	RTX	
Fig.130	FG6-8524-000		1	CONTROL PANEL ASSEMBLY	PVS,PVY	
Fig.130	FG6-8526-000		1	CONTROL PANEL ASSEMBLY	ZTQ,ZUE	
Fig.130	FG6-8527-000		1	CONTROL PANEL ASSEMBLY	ZTS,ZUF	
Fig.130	FG6-8528-000		1	CONTROL PANEL ASSEMBLY	LUU	
Fig.130	FG6-8529-000		1	CONTROL PANEL ASSEMBLY	LUV	
Fig.130	FM5-0996-000		1	CONTROL PANEL ASSEMBLY	JHH,JHM	
Fig.130	FM5-0996-000		1	CONTROL PANEL ASSEMBLY	JHK	
Fig.130	FM5-0997-000		1	CONTROL PANEL ASSEMBLY	JHJ,JHN	
Fig.130	FM5-0999-000		1	CONTROL PANEL ASSEMBLY	JHP	
Fig.130	FM5-1000-000		1	CONTROL PANEL ASSEMBLY	JHQ	
Fig.130	FM2-3113-000		1	CONTROL PANEL ASSEMBLY	KAB,KAC,KAD	
1	FB6-0132-000		1	SHEET, ONE-TOUCH	LUK,LUL	
1	FB6-2310-000		1	SHEET, ONE-TOUCH	ZTR	
1	FB6-2314-000		1	SHEET, ONE-TOUCH	RTV	
1	FB6-2316-000		1	SHEET, ONE-TOUCH	RTX	
1	FB6-2317-000		1	SHEET, ONE-TOUCH	PVR,PVX,UIA	
1	FB6-2915-000		1	SHEET, ONE-TOUCH	ZTQ,ZUE	
1	FB6-5511-000		1	SHEET, ONE-TOUCH	LUU,LUV	
1	FE5-3208-000		1	SHEET, ONE-TOUCH	JHH,JHM	
1	FE5-3210-000		1	SHEET, ONE-TOUCH	JHP,JHQ	
1	FB6-2312-000		1	SHEET, ONE-TOUCH	UIA:FRENCH	

FIGURE & KEY NO.	PARTS NUMBER	R A N K	Q'TY	DESCRIPTION	SERIAL NUMBER/ REMARKS	S V C
1	FB6-2313-000		1	SHEET, ONE-TOUCH	UIA:ITALIAN	
2	FB6-0133-000		1	PLATE, GROUNDING		
3	FB6-0136-000		1	COVER, CONTROL PANEL	LUK,LUL	
3	FB6-2285-000		1	COVER, CONTROL PANEL	ZTR	
3	FB6-2286-000		1	COVER, CONTROL PANEL	RTV,RTX,UIA	
3	FB6-2287-000		1	COVER, CONTROL PANEL	LUM,LUP	
3	FB6-2288-000		1	COVER, CONTROL PANEL	PVS,PVY,ZTT,ZTU,ZTV, ZTX	
3	FB6-2289-000		1	COVER, CONTROL PANEL	QTJ,QTK,RTW,RTY,STR, STS,TTG,TTH,UGA,UHA,	
3	FB6-2289-000		1	COVER, CONTROL PANEL	UUK,UUM,UUU,UUV,UU W, UUX,UUY,UUZ	
3	FB6-2290-000		1	COVER, CONTROL PANEL	PVR,PVX	
3	FB6-2292-000		1	COVER, CONTROL PANEL	ZTQ,ZUE	
3	FB6-2293-000		1	COVER, CONTROL PANEL	ZTS,ZUF	
3	FB6-5509-000		1	COVER, CONTROL PANEL	LUU	
3	FB6-5521-000		1	COVER, CONTROL PANEL	LUV	
3	FE5-3197-000		1	COVER, CONTROL PANEL	JHH,JHM	
3	FE5-3198-000		1	COVER, CONTROL PANEL	JHJ,JHN,JHK	
3	FE5-3200-000		1	COVER, CONTROL PANEL	JHP	
3	FE5-3201-000		1	COVER, CONTROL PANEL	JHQ	
3	FC6-3932-000		1	COVER, CONTROL PANEL	JXY,JXZ	
3	FC6-3933-000		1	COVER, CONTROL PANEL	KAB,KAC,KAD	
4	FB6-0137-000		1	KEY TOP, NUMBERS	LUK,LUL,LUM,LUP,LUU,L UV,PVR,PVS,PVX,PVY,Q TJ,QTK,RTV,RTW,ZTR,R TX,RTY,STR,STS,TTG,TT H,UGA,UHA,UIA,UUK,UU M,UUU,UUV,UUW,UUX,U UY,UUZ,ZTQ,ZTS,ZTU,ZT T,ZTV,ZTX,ZUE,ZUF	
4	FE5-3215-000		1	KEY TOP, NUMBERS	JHP,JHQ,JHH,JHM,JHJ,J HN,JHK	
4	FC6-3950-000		1	KEY TOP, NUMBERS	JXY,JXZ	
4	FC6-3934-000		1	KEY TOP, NUMBERS	KAB,KAC,KAD	
5	FB6-0138-000		1	KEY TOP, START		
5	FC6-3935-000		1	KEY TOP, START	JXY,JXZ,KAB,KAC,KAD	

FIGURE & KEY NO.	PARTS NUMBER	RANK	Q'TY	DESCRIPTION	SERIAL NUMBER/REMARKS	SVC
6	FB6-0139-000		1	KEY TOP, STOP		
6	FC6-3936-000		1	KEY TOP, STOP	JXY,JXZ,KAB,KAC,KAD	
7	FB6-0140-000		1	KEY TOP, ESS		
7	FC6-3937-000		1	KEY TOP, ESS	JXY,JXZ,KAB,KAC,KAD	
8	FB6-0141-000		1	KEY TOP, USER-MODE		
8	FB6-3938-000		1	KEY TOP, USER-MODE	JXY,JXZ,KAB,KAC,KAD	
9	FB6-0142-000		1	KEY TOP, OK	LUK,LUL,LUM,LUP,PVR, PVS,PVX,PVY,QTJ,QTK, RTV,RTW,RTX,RTY,STR, STS,TTG,TTH,UGA,UHA, UIA,UUK,UUM,UUU,UUV, U UW,UUX,UUY,UUZ	
9	FB6-2325-000		1	KEY TOP, OK	ZTR,ZTT,ZTU,ZTV,ZTX	
9	FB6-2913-000		1	KEY TOP, OK	ZTQ,ZTS,ZUE,ZUF	
9	FB6-5510-000		1	KEY TOP, OK	LUU,LUV	
9	FE5-3213-000		1	KEY TOP, OK	JHH,JHM,JHJ,JHN,JHK	
9	FE5-3214-000		1	KEY TOP, OK	JHP,JHQ	
9	FC6-3951-000		1	KEY TOP, OK	JXY,JXZ	
9	FC6-3939-000		1	KEY TOP, OK	KAB,KAC,KAD	
10	FB6-0143-000		1	KEY TOP, CHANGE	LUK,LUL,LUU,LUV	
10	FB6-2323-000		1	KEY TOP, CHANGE	PVR,PVX,ZTQ,ZTR,ZUE	
10	FB6-2324-000		1	KEY TOP, CHANGE	RTX,UIA	
10	FC6-3940-000		1	KEY TOP, CHANGE	JXY,JXZ	
11	FB6-0144-000		1	KEY TOP, ONE-TOUCH	LUK,LUL,LUU,LUV,PVR, PVX,RTV,RTX,UIA,ZTQ, ZTR,ZUE	
11	FE5-3216-000		1	KEY TOP, ONE-TOUCH	JHP,JHQ,JHH,JHM,JHJ,J HN	
11	FC6-3941-000		1	KEY TOP, ONE-TOUCH	JXY,JXZ	
12	FB6-0145-000		1	CASE, LCD		
12	FC6-3945-000		1	CASE, LCD	JXY,JXZ,KAB,KAC,KAD	
13	FC6-3943-000		1	KEY TOP, FUNCTION	JXY,JXZ	
13	FB6-2299-000		1	KEY TOP, FUNCTION	LUK,LUL,LUU,LUV,PVR, PVX,RTV,RTX,UIA,ZTQ, ZTR,ZUE,JHP,JHQ,JHH,J HM,JHJ,JHN,JHK	
14	FB6-2298-000		1	KEY TOP, 2 IN 1	EXCEPT LUU,LUV,ZTQ EXCEPT ZTS,ZUE,ZUF	

FIGURE & KEY NO.	PARTS NUMBER	R A N K	Q'TY	DESCRIPTION	SERIAL NUMBER/ REMARKS	S V C
14	FB6-2912-000		1	KEY TOP, 2 IN 1	LUU,LUV,ZTQ,ZTS,ZUE, ZUF	
14	FE5-3217-000		1	KEY TOP, 2 IN 1	JHP,JHQ,JHH,JHM,JHJ,JHN,JHK	
14	FC6-3952-000		1	KEY TOP, 2 IN 1	JXY,JXZ	
14	FC6-3942-000		1	KEY TOP, 2 IN 1	KAB,KAC,KAD	
15	FG6-8804-000		1	CONTROL PANEL PCB ASSEMBLY	Old Type LUK,LUL,LUU,LUV,PVR, PVX,RTV,RTX,UIA,ZTQ, ZTR,ZUE,JHP,JHQ,JHH,JHM,JHJ,JHN,JHK	
15	FG6-8805-000		1	CONTROL PANEL PCB ASSEMBLY	Old Type LUM,LUP,PVS,PVY,QTJ, QTK,RTW,RTY,STR,STS, TTG,TTH,UGA,UHA,UUK, UUM,UUU,UUV,UUW,UU X,	
15	FG6-8805-000		1	CONTROL PANEL PCB ASSEMBLY	Old Type UUY,UUZ,ZTS,ZTT,ZTU ZTV,ZTX,ZUF	
15	FM5-5278-000		1	CONTROL PANEL PCB ASSEMBLY	JXY,JXZ	
15	FM5-5279-000		1	CONTROL PANEL PCB ASSEMBLY	KAB,KAC,KAD	
16	FH6-0812-000		1	LCD CONTROL PANEL UNIT	Old Type LUK,LUL,LUM,LUP,LUU, LUV,JHP,JHQ,JHH,JHM,JHJ,JHN,JHKJ402	
16	FH6-0813-000		1	LCD CONTROL PANEL UNIT	Old Type EXCEPT LUK,LUL,LUM EXCEPT LUP,LUU,LUV J402	
17	FH7-6337-000		1	SWITCH, MEMBRANE	J403	
18	HB1-3023-000		1	HOLDER, SPEAKER	LUK,LUL,LUU,LUV,PVR, PVX,RTV,RTX,UIA,ZTQ, ZTR,ZUE,JHP,JHQ,JHH,JHM,JHJ,JHN,JHK	
19	FH5-3221-000		1	SPEAKER	SP1 J404 LUK,LUL,LUU,LUV,PVR, PVX,RTV,RTX,UIA,ZTQ, ZTR,ZUE,JHP,JHQ,JHH,JHM,JHJ,JHN,JHK	
501	XB1-2300-607		2	SCREW,MACH.,TRUSS HEAD,M3X6		
502	XB4-5300-809		12	SCREW,P,M3X8		
15	FM5-5278-000		1	CONTROL PANEL PCB ASSEMBLY	New Type LUK,LUL,LUU,LUV,PVR, PVX,RTV,RTX,UIA,ZTQ, ZTR,ZUE,JHP,JHQ,JHH,JHM,JHJ,JHN,JHK	

FIGURE & KEY NO.	PARTS NUMBER	RANK	Q'TY	DESCRIPTION	SERIAL NUMBER/REMARKS	SVC
15	FM5-5279-000		1	CONTROL PANEL PCB ASSEMBLY	New Type LUM,LUP,PVS,PVY,QTJ, QTK,RTW,RTY,STR,STS, TTG,TTH,UGA,UHA,UJK, UUM,UUU,UUV,UUW,UU X, UUY,UUZ,ZTS,ZTT,ZTU ZTV,ZTX,ZUF	
	FM5-5279-000		1	CONTROL PANEL PCB ASSEMBLY		
16	FH6-0845-000		1	LCD CONTROL PANEL UNIT	New Type LUK,LUL,LUM,LUP,LUU, LUV,JHP,JHQ,JHH,JHM,J HJ,JHN,JHKJ402	
16	FH6-0846-000		1	LCD CONTROL PANEL UNIT	New Type EXCEPT LUK,LUL,LUM EXCEPT LUP,LUU,LUV J402	

FIGURE 160

COPYBOARD COVER ASSEMBLY (COPYBOARD COVER TYPE)

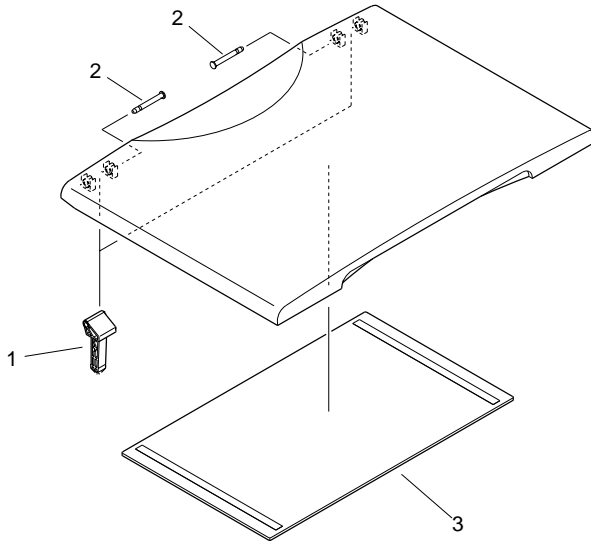
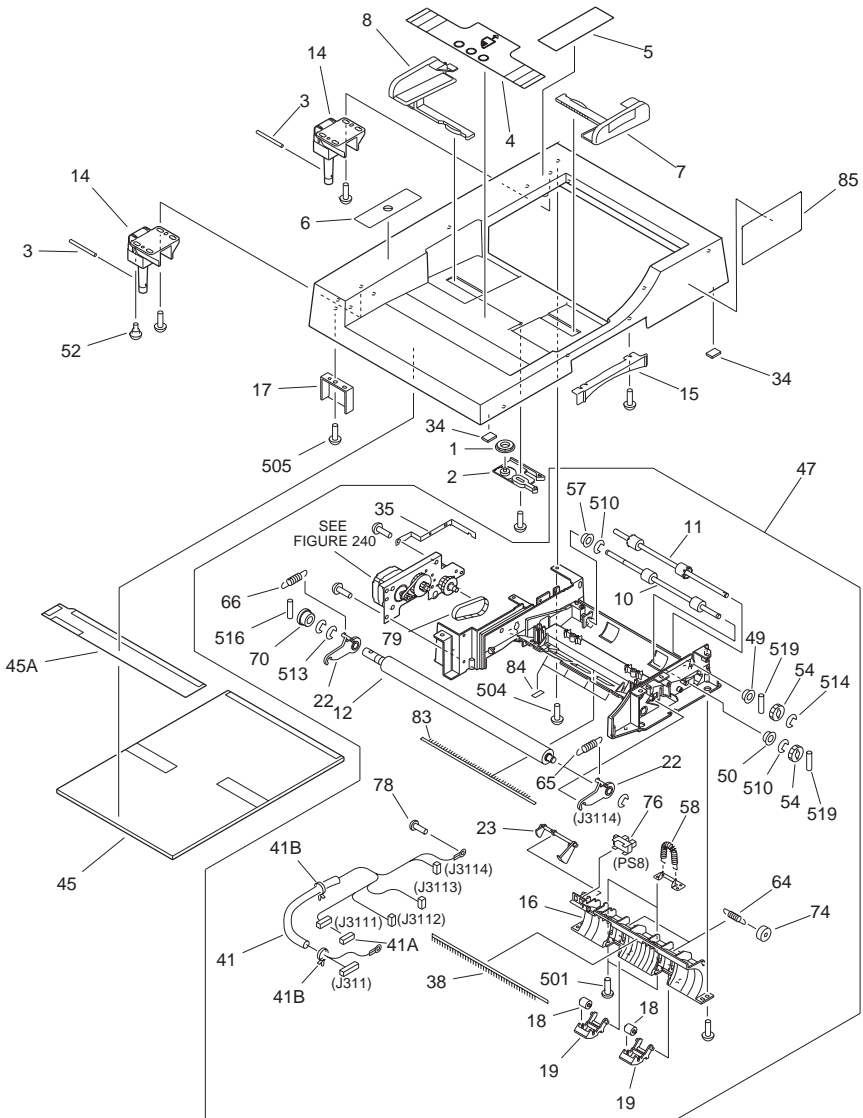


FIGURE & KEY NO.	PARTS NUMBER	R A N K	Q'TY	DESCRIPTION	SERIAL NUMBER/ REMARKS	S V C
Fig.160	FG6-7944-000		1	COPYBOARD COVER ASSEMBLY	LUP,UUK,UUU,UUV,UUW QTJ,TTG,UGA,ZTT,RTW, PVS,PVY,STS,RTY	
1	FB6-0330-000		2	HINGE, COPYBOARD COVER		
2	FB6-0332-000		2	SHAFT, HINGE		
3	FB6-4237-000		1	SHEET, COPYBOARD		

FIGURE 161
ADF ASSEMBLY (ADF TYPE)



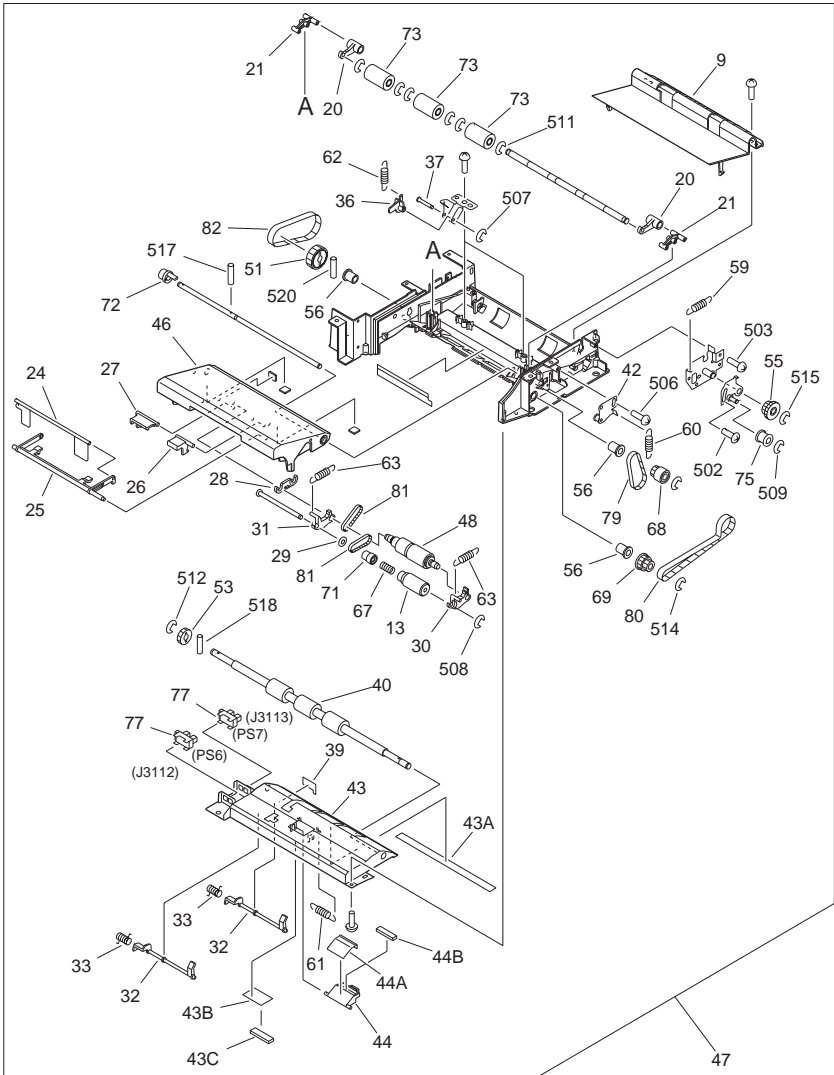


FIGURE & KEY NO.	PARTS NUMBER	RANK	Q'TY	DESCRIPTION	SERIAL NUMBER/REMARKS	SVC
Fig.161	NPN		RF	ADF ASSEMBLY	LUK,LUL,LUM,LUU,LUV, PVR,PVX,QTK,RTV,RTX, STR,TTH,UHA,UIA,UUM, UUX,UUY,UUZ,ZTQ,ZTR, ZTS,ZTU,ZTV,ZTX,ZUE, ZUF,JHP,JHQ,JHH,JHM,JHJ,JH N,JHK,JXY,JXZ,KAB,KAC ,KAD	
1	FB3-3395-000		1	GEAR, 20T		
2	FB3-3396-000		1	PLATE, SLIDE		
3	FB6-0187-000		2	PIN, FIXING, DF HINGE		
4	FB6-2326-000		1	LABEL, 'PAPER SIZE'	LUK,LUL,LUM,LUU,LUV,J HP,JHQ,JHH,JHM,JHJ,JH N,JHK,JXY,JXZ,KAB,KAC ,KAD	
4	FB6-2328-000		1	LABEL, 'PAPER SIZE'	ZTQ,ZTR,ZTS,ZTU,ZTV, ZTX,ZUE,ZUF	
4	FB6-2332-000		1	LABEL, 'PAPER SIZE'	PVR,PVX,RTV,RTX,STR	
4	FB6-5515-000		1	LABEL, 'PAPER SIZE'	QTK,TTH,UHA,UIA,UUM, UUX,UUY,UUZ	
5	FB6-2327-020		1	LABEL, 'COPYBOARD GLASS CLEAN	LUK,LUL,LUM,LUU,LUV,J HP,JHQ,JHH,JHM,JHJ,JH N,JHK,JXY,JXZ,KAB,KAC ,KAD	
5	FB6-2329-020		1	LABEL, 'COPYBOARD GLASS CLEAN	ZTQ,ZTR,ZTS,ZTU,ZTV, ZTX,ZUE,ZUF	
5	FB6-2331-020		1	LABEL, 'COPYBOARD GLASS CLEAN	QTK,TTH,UHA,UIA,UUM, UUX,UUY,UUZ	
5	FB6-2333-020		1	LABEL, 'COPYBOARD GLASS CLEAN	PVR,PVX,RTV,RTX,STR	
6	FB6-5504-000		1	LABEL, PROHIBITED DOCUMENTS	ZTQ,ZTR,ZTS,ZTU,ZTV, ZTX,ZUE,ZUF	
6	FB6-5505-000		1	LABEL, PROHIBITED DOCUMENTS	LUK,LUL,LUM,LUU,LUV,J HP,JHQ,JHH,JHM,JHJ,JH N,JHK,JXY,JXZ,KAB,KAC ,KAD	
6	FB6-5506-000		1	LABEL, PROHIBITED DOCUMENTS	QTK,TTH,UHA,UIA,UUM, UUX,UUY,UUZ	
6	FB6-5507-000		1	LABEL, PROHIBITED DOCUMENTS	PVR,PVX,RTV,RTX,STR	
7	FC5-0002-000		1	GUIDE, SIDE, FRONT		
8	FC5-0003-000		1	GUIDE, SIDE, REAR		
9	FC5-0004-000		1	TRAY, PAPER DELIVERY		
10	FC5-0005-000		1	ROLLER, PAPER FEED		
11	FC5-0006-000		1	ROLLER, PAPER DELIVERY		

FIGURE & KEY NO.	PARTS NUMBER	R A N K	Q'TY	DESCRIPTION	SERIAL NUMBER/ REMARKS	S V C
12	FC5-0007-000		1	ROLLER, WHITE		
13	FC5-0009-000		1	ROLLER, PICK-UP		
14	FC5-0011-000		2	HINGE UNIT		
15	FC5-0013-000		1	HANDLE		
16	FC5-0014-000		1	GUIDE, DELIVERY, EXTERNAL		
17	FC5-0018-000		1	HOLDER, DF DETECT SENSOR		
18	FC5-0019-000		2	COLLAR, PAPER FEED		
19	FC5-0020-000		2	HOLDER, PAPER FEED COLLAR		
20	FC5-0021-000		2	ARM, REGIST. PRESSURE RELEASE		
21	FC5-0022-000		2	LINK, REGIST. PRESSURE RELEASE		
22	FC5-0023-020		2	ARM, SWING		
23	FC5-0024-000		1	FLAG, DELIVERY SENSOR		
24	FC5-0025-000		1	SHUTTER		
25	FC5-0026-000		1	LINK, SHUTTER, 1		
26	FC5-0027-000		1	LINK, SHUTTER, 2		
27	FC5-0028-000		1	LINK, SHUTTER, 3		
28	FC5-0029-000		1	ARM, ROLLER SEPARATION		
29	FC5-0034-000		1	PAD		
30	FC5-0035-000		1	ARM, PAPER PICK-UP, FRONT		
31	FC5-0036-000		1	ARM, PAPER PICK-UP, REAR		
32	FC5-0037-000		2	FLAG, PAPER PICK-UP SENSOR		
33	FC5-0038-000		2	SPRING, TORSION		
34	FC5-0039-000		3	SEAL		
35	FC5-0047-000		1	PLATE, GROUNDING		
36	FC5-0052-000		2	ARM, REGIST COLLAR PRESSURE		
37	FC5-0054-000		2	SHAFT, REGIST PRESSURE ARM		
38	FC5-0057-000		1	ELIMINATOR, STATIC CHARGE		
39	FC5-0066-000		1	SHEET, PAPER PICK-UP SENSOR		
40	FC5-0070-000		1	ROLLER, REGISTRATION		
41	FG6-8836-000		1	CABLE, ADF	J311,3111-3114	
41A	VS1-5057-006		1	CONNECTOR, SNAP TIGHT	J3111	
41B	WT2-5565-000		2	CLAMP, CABLE		

FIGURE & KEY NO.	PARTS NUMBER	R A N K	Q'TY	DESCRIPTION	SERIAL NUMBER/ REMARKS	S V C
43A	FC5-0060-000	N	1	SHEET, REGIST. LOWER GUIDE		
43B	FC5-0063-000		1	SHEET, PICK-UP		
43C	FC5-0064-000		1	PAD, PICK-UP		
44A	FC5-6087-000		1	PAD, RUBBER		
44B	FC5-6088-000		1	PAD, SPONGE		
45A	FC5-0061-000		1	SHEET, A		
42	FL2-0004-000		1	ARM, TENSION		
43	FL2-0005-000		1	GUIDE, REGISTRATION LOWER		
44	FL2-0006-000		1	PAD MOUNT UNIT		
45	FL2-0007-000		1	WHITE SHEET UNIT		
46	FL2-0008-000		1	PANEL, OPEN/CLOSE		
47	FM2-0002-030		1	FRAME, FEEDER ASSEMBLY		
48	FM2-0015-000		1	SEPARATION ROLLER UNIT		
49	FS1-1512-000		2	BUSHING		
50	FS1-1569-000		1	BUSHING		
51	FU5-3008-000		1	PULLEY, 25T		
52	FS5-9740-000		1	SCREW, STEPPED, M4		
53	FU5-0001-000		1	GEAR, 18T		
54	FU5-0001-000		2	GEAR, 18T		
55	FU5-0002-000		1	GEAR, 30T/PULLEY 30T		
56	FU5-1001-000		3	BUSHING		
57	FU5-1002-000		1	BUSHING		
58	FU5-2001-000		2	SPRING, TENSION		
59	FU5-2002-000		1	SPRING, TENSION		
60	FU5-2003-000		1	SPRING, TENSION		
61	FU5-2004-000		1	SPRING, TENSION		
62	FU5-2005-000		2	SPRING, TENSION		
63	FU5-2006-000		2	SPRING, TENSION		
64	FU5-2007-000		2	SPRING, TENSION		
65	FU5-2008-000		1	SPRING, TENSION		
66	FU5-2009-000		1	SPRING, TENSION		
67	FU5-2010-000		1	SPRING, COMPRESSION		

FIGURE & KEY NO.	PARTS NUMBER	R A N K	Q'TY	DESCRIPTION	SERIAL NUMBER/ REMARKS	S V C
68	FU5-3001-000		1	PULLEY, 18T		
69	FU5-3002-000		1	PULLEY, 18T/24T		
70	FU5-3003-000		1	PULLEY, 18T		
71	FU5-3006-000		1	PULLEY, 14T		
72	FU5-3007-000		1	PULLEY, 16T		
73	FU5-6001-000		3	COLLAR, REGISTRATION		
74	FU5-6002-000		2	COLLAR, PAPER DELIVERY		
75	FU5-6003-000		1	COLLAR, BELT IDLER		
76	WG8-5362-000		1	PHOTO-INTERRUPTER	PS8 J3114	
77	WG8-5362-000		2	PHOTO-INTERRUPTER	PS6,7 J3112,3113	
78	XA9-0265-000		1	SCREW,W/WASHER,TRUSS HEAD		
79	XF2-1605-240		2	BELT, TIMING		
80	XF2-1611-240		1	BELT, TIMING		
81	XF9-0404-000		2	BELT, COGGED DRIVE, 71T		
82	XF9-0525-000		1	BELT, TIMING, 59T		
83	FC5-0067-000		4	ELMILATOR,STATIC CHARGE		
84	FC5-0059-000		1	SHEET, REGIST, ROLLER, FRONT		
85	FB6-6355-000		1	LABEL, READER SLIDE		
501	XB1-2300-607		4	SCREW,MACH.,TRUSS HEAD,M3X6		
502	XB1-2400-609		1	SCREW,MACH.,TRUSS HEAD,M4X6		
503	XB4-5300-809		2	SCREW,P,M3X8		
504	XB4-5401-007		4	SCREW,P,M4X10		
505	XB4-5401-007		11	SCREW,P,M4X10		
506	XB4-5401-007		12	SCREW,P,M4X10		
507	XD2-1100-242		2	RING,E		
508	XD2-1100-322		1	RING,E		
509	XD2-1100-402		1	RING,E		
510	XD2-1100-402		3	RING,E		
511	XD2-1100-502		6	RING,E		
512	XD2-1100-502		1	RING,E		
513	XD2-1100-502		3	RING,E		
514	XD2-1100-502		5	RING,E		

FIGURE & KEY NO.	PARTS NUMBER	R A N K	Q'TY	DESCRIPTION	SERIAL NUMBER/ REMARKS	S V C
515	XD2-1100-642		1	RING,E		
516	XD3-2200-082		1	PIN,DOWEL		
517	XD3-2200-102		1	PIN,DOWEL		
518	XD3-2200-102		1	PIN,DOWEL		
519	XD3-2200-102		3	PIN,DOWEL		
520	XD3-2200-122		1	PIN,DOWEL		

FIGURE 210 READER ASSEMBLY

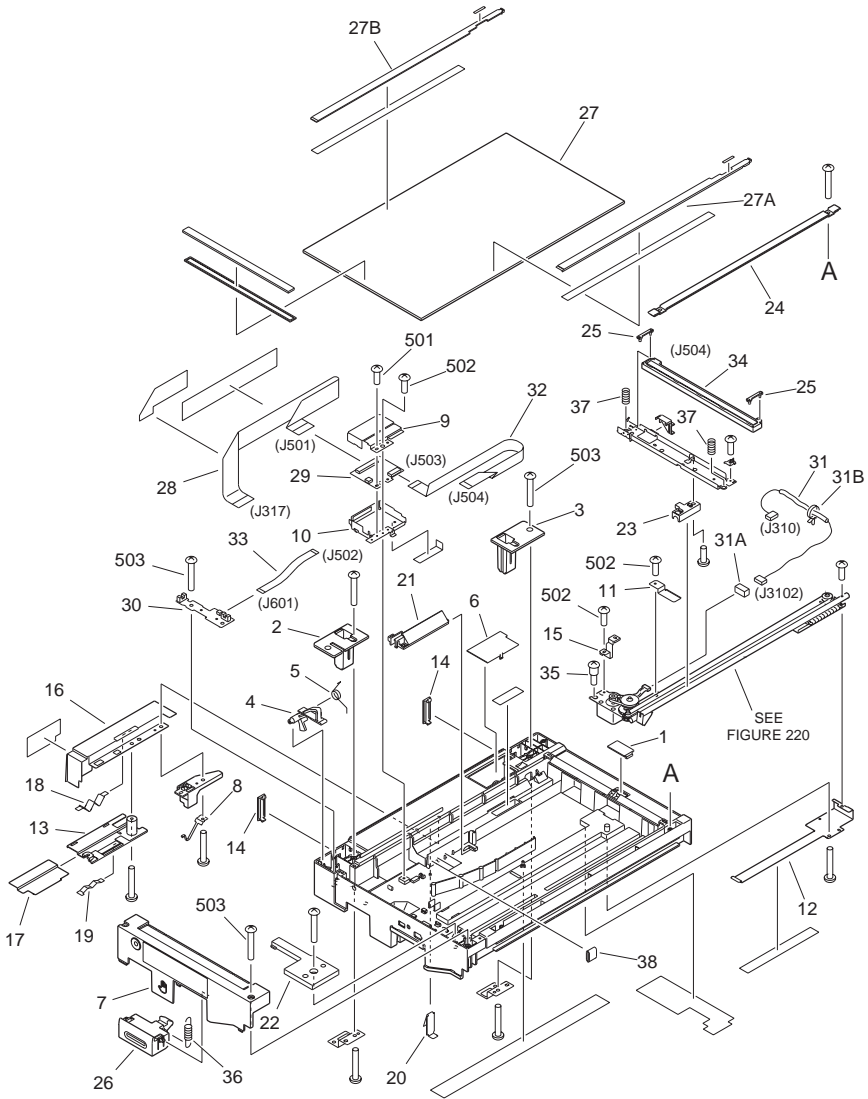


FIGURE & KEY NO.	PARTS NUMBER	R A N K	Q'TY	DESCRIPTION	SERIAL NUMBER/ REMARKS	S V C
Fig.210	NPN		RF	READER ASSEMBLY		
1	FB6-0171-000		1	COVER, BLANKING, SMALL		
2	FB6-0172-000		1	MOUNT, DF, LEFT		
3	FB6-0173-000		1	MOUNT, DF, RIGHT		
4	FB6-0176-000		1	FLAG, SENSOR		
5	FB6-0177-000		1	SPRING, TORSION		
6	FB6-0178-000		1	COVER, READER	LUK,LUL,LUM,LUU,LUV, PVR,PVX,QTK,RTV,RTX, STR,TTH,UHA,UIA,UUM, UUX,UUY,UUZ,ZTQ,ZTR, ZTS,ZTU,ZTV,ZTX,ZUE, ZUF,JHP,JHQ,JHH,JHM,J HJ,JHN,JHK,JXY,JXZ,KA B,KAC,KAD	
6	FB6-0204-000		1	COVER, BLANKING	LUP,PVS,PVY,QTJ,RTW, RTY,STS,TTG,UGA,UUK, UUU,UUV,UUW,ZTT	
7	FB6-0181-000		1	GUIDE, DOCUMENT STOP		
8	FB6-0182-000		1	SPRING, LEAF		
9	FB6-0183-000		1	SHIELD, UPPER		
10	FB6-0184-000		1	SHIELD, LOWER		
11	FB6-0185-000		1	PLATE, GROUNDING, LEFT		
12	FF6-1456-000		1	PLATE, GROUNDING, RIGHT		
14	FB6-0191-000		2	COVER, REAR		
15	FB6-0197-000		1	PLATE, GROUNDING		
16	FB6-0198-000		1	COVER, SHIELD		
18	FB6-0208-000		1	SPRING, LEAF		
20	FB6-0210-000		1	SPRING, LEAF		
21	FB6-0211-020		1	GUIDE, PRESS DOWN		
22	FB6-0212-000		1	GUIDE, PRESS DOWN		
23	FB6-0224-000		1	BLOCK, SLIDE		
24	FB6-0229-000		1	COVER, FRONT		
25	FB6-0237-000		2	SPACER		
26	FB6-0324-000		1	LEVER, READER		
27	FF6-1435-020		1	GLASS, COPYBOARD		
27A	FB6-0202-000		1	GUIDE, POSITIONING, FRONT		

FIGURE & KEY NO.	PARTS NUMBER	R A N K	Q'TY	DESCRIPTION	SERIAL NUMBER/ REMARKS	S V C
27B	FB6-0203-000		1	GUIDE, POSITIONING, REAR		
28	FF6-1443-000		1	CABLE, FLAT	J317,501	
29	FG6-8800-000		1	ANALOG PROCESSOR PCB ASSEMBLY		
30	FG6-8801-000		1	SENSOR PCB ASSEMBLY		
31	FG6-8839-000		1	CABLE, READER MOTOR CONNECTIN	J310,3102	
31	FG6-9448-000		1	CABLE, READER MOTOR CONNECTIN		
31A	VS1-5057-004		1	CONNECTOR, SNAP TIGHT	J3102	
31B	WT2-5565-000		1	CLAMP, CABLE		
32	FH2-6929-000		1	CABLE, FLAT	J503,504	
33	FH2-6931-000		1	CABLE, FLAT	J502,601	
34	FH7-7565-000		1	CONTACT IMAGE SENSOR UNIT	J504	
35	FS5-9740-000		1	SCREW,STEPPEDED,M4		
36	FS7-2687-000		1	SPRING, TENSION		
37	FS7-2698-000		2	SPRING, COMPRESSION		
38	WE8-5885-000		3	CORE, FERRITE		
501	XB1-2300-607		2	SCREW,MACH.,TRUSS HEAD,M3X6		
502	XB1-2300-607		5	SCREW,MACH.,TRUSS HEAD,M3X6		
503	XB4-5401-007		20	SCREW,P,M4X10		

FIGURE 220 READER DRIVE ASSEMBLY

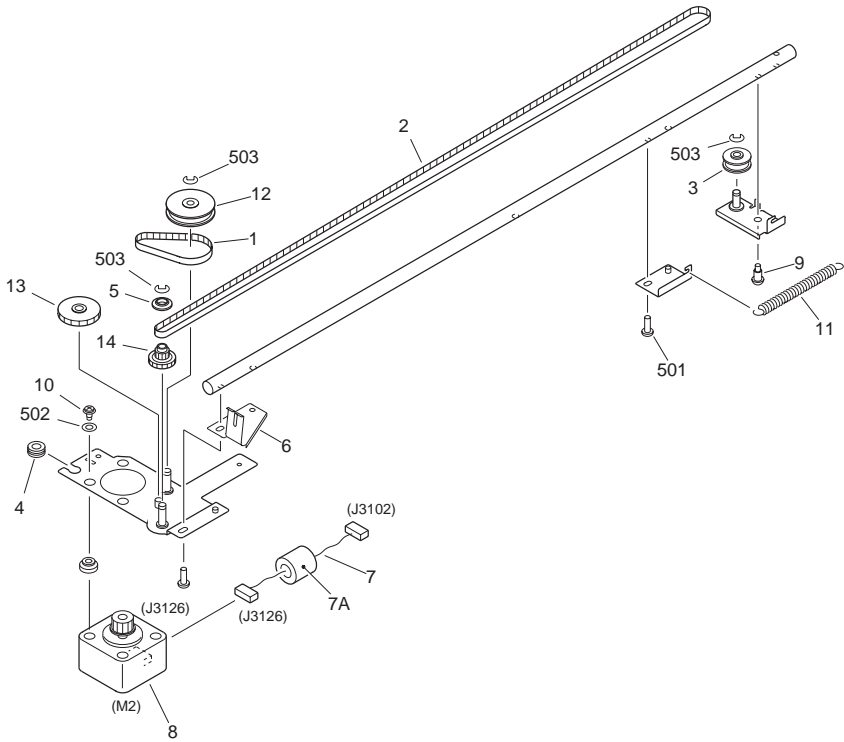


FIGURE & KEY NO.	PARTS NUMBER	R A N K	Q'TY	DESCRIPTION	SERIAL NUMBER/ REMARKS	S V C
Fig.220	FG6-7933-020		1	READER DRIVE ASSEMBLY		
1	FB6-0214-000		1	BELT, MOTOR DRIVE		
2	FB6-0215-000		1	BELT, TIMING		
3	FB6-0216-000		1	PULLEY, 20T		
4	FB6-0219-000		1	GROMMET		
5	FB6-0233-000		1	FLANGE		
6	FB6-0235-000		1	SPRING, LEAF		
7	FG6-8550-000		1	CABLE, READER MOTOR	J3102,3126	
7A	WE8-5941-000		1	CORE, FERRITE		
8	FH6-1922-000		1	MOTOR, STEPPING	M2 J3126	
9	FS2-9478-000		1	SCREW, STEPPED, M3X3		
10	FS5-9739-000		3	SCREW,STEPPED,M3		
11	FS7-2701-000		1	SPRING, TENSION		
12	FU3-0075-020		1	PULLEY, 37T/GRAR, 16T		
13	FU3-0076-020		1	GEAR, 45T		
14	FU3-0107-000		1	PULLEY, 13T/GEAR, 28T		
501	XB6-7300-607		2	SCREW,TP,M3X6		
502	XD1-1104-131		3	SHIM		
503	XD2-1100-322		3	RING,E		

FIGURE 240

ADF DRIVE ASSEMBLY (ADF TYPE)

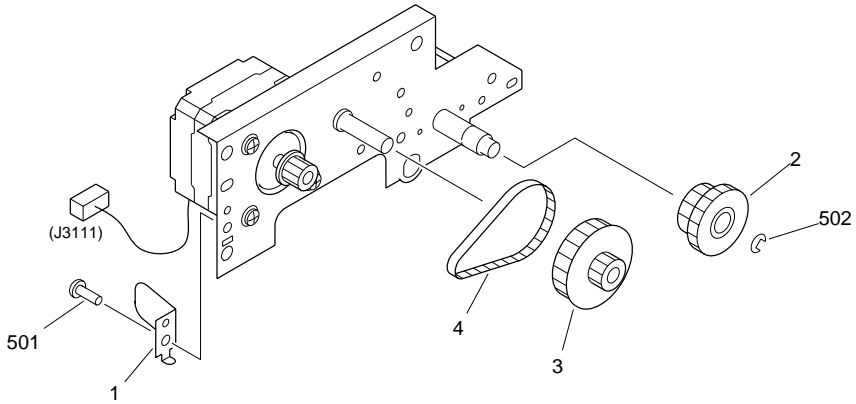


FIGURE & KEY NO.	PARTS NUMBER	RANK	QTY	DESCRIPTION	SERIAL NUMBER/REMARKS	SVC
Fig.240	FM2-0004-000		1	ADF DRIVE ASSEMBLY	ZTR,ZTU,ZTX,LUU,LUK, LUV,LUL,LUM,UUM,UUX, UUY,UUZ,QTK,TTH,UHA, UIA,ZTS,ZUF,STR,ZTV, ZTQ,ZUE,RTV,PVR,PVX, \ ,JHP,JHQ,JHH,JHM,JHJ, JHN,JHK,JXY,JXZ,KAB,KA C,KAD	
1	FC5-0065-000		1	SPRING, LEAF		
2	FU5-0002-000		1	GEAR, 30T/PULLEY 30T		
3	FU5-3004-000		1	PULLEY, 20T/48T		
4	XF2-1606-440		1	BELT, TIMING		
501	XB2-7300-407		1	SCREW,W/WASHER,M3X4		
502	XD2-1100-642		1	RING,E		

FIGURE 250 MAIN DRIVE ASSEMBLY

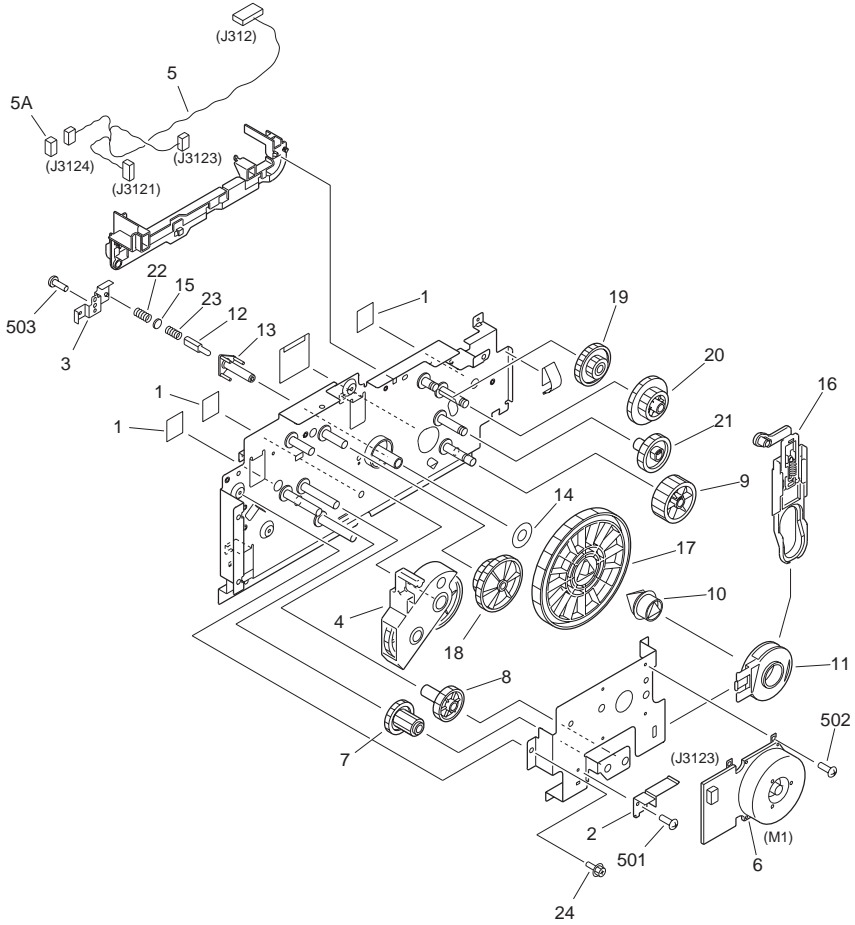


FIGURE & KEY NO.	PARTS NUMBER	RANK	Q'TY	DESCRIPTION	SERIAL NUMBER/REMARKS	SVC
Fig.250	FG6-7923-000		1	MAIN DRIVE ASSEMBLY	LUK,LUL,LUM,LUP,LUU,LUV,PVR,PVS,PVX,PVY,QTJ,QTK,RTV,RTW,ZTR,RTX,RTY,STR,STS,TTG,TT H,UGA,UHA,UIA,UUK,UUM,UUU,UUV,UUW,UUX,UUY,UUZ,ZTQ,ZTS,ZTU,ZT T,ZTV,ZTX,ZUE,ZUF,JHQ	
Fig.250	FM5-1012-000		1	MAIN DRIVE ASSEMBLY	JHP,JHH,JHM,JHJ,JHN,JHK,JXY,JXZ,KAB,KAC,KAD	
1	FB6-0104-000		3	SHEET, BLANKING		
2	FB6-0321-000		1	COVER, GEAR		
3	FB6-5519-000		1	PLATE, SPRING		
4	FG6-7924-000		1	SWING GEAR UNIT		
5	FG6-8834-000		1	CABLE, MOTOR/FAN	J312,3121,3123,3124	
5A	VS1-5057-003		1	CONNECTOR, SNAP TIGHT	J3124	
6	FH5-1088-000		1	MOTOR, DC BRUSHLESS	M1 J3123 JHP,JHQ,JHH,JHM,JHJ,JHN,JHK,JXY,JXZ,KAB,KAC,KAD	
6	FH6-1923-000		1	MOTOR, DC BRUSHLESS	M1 J3123 LUK,LUL,LUM,LUP,LUU,LUV,PVR,PVS,PVX,PVY,QTJ,QTK,RTV,RTW,ZTR,RTX,RTY,STR,STS,TTG,TT H,UGA,UHA,UIA,UUK,UUM,UUU,UUV,UUW,UUX,UUY,UUZ,ZTQ,ZTS,ZTU,ZT T,ZTV,ZTX,ZUE,ZUF	
7	FU3-0068-000		1	GEAR, 14T/28T		
8	FU3-0069-000		1	GEAR ,28T		
9	FU3-0070-000		1	GEAR, 36T		
10	RB2-2935-000		1	SHAFT, COUPLING		
11	RB2-2936-000		1	BUSHING		
12	RB2-2943-000		1	PIN		
13	RB2-2947-000		1	HOLDER, PIN		
14	RB2-2949-000		1	WASHER		
15	RB2-2950-000		1	FLANGE, SPRING		
16	RG9-1473-000		1	COUPLING ASS'Y		
17	RS6-0446-000		1	GEAR, 201T		
18	RS6-0447-000		1	GEAR, 58T/92T		

FIGURE & KEY NO.	PARTS NUMBER	RANK	Q'TY	DESCRIPTION	SERIAL NUMBER/REMARKS	SVC
19	RS6-0448-000		1	GEAR, 17T/68T		
20	RS6-0449-000		1	GEAR, 25T/41T		
21	RS6-0450-000		1	GEAR, 31T		
22	RS6-2027-020		1	SPRING, COMPRESSION		
23	RS6-2031-000		1	SPRING, COMPRESSION		
24	XA9-1164-000		3	SCREW,RS,M3X6.5		
501	XB1-2300-607		1	SCREW,MACH.,TRUSS HEAD,M3X6		
502	XB1-2300-607		4	SCREW,MACH.,TRUSS HEAD,M3X6		
503	XB2-7300-407		1	SCREW,W/WASHER,M3X4		

FIGURE 300

CASSETTE(250 SHEET UNIVERSAL TYPE)

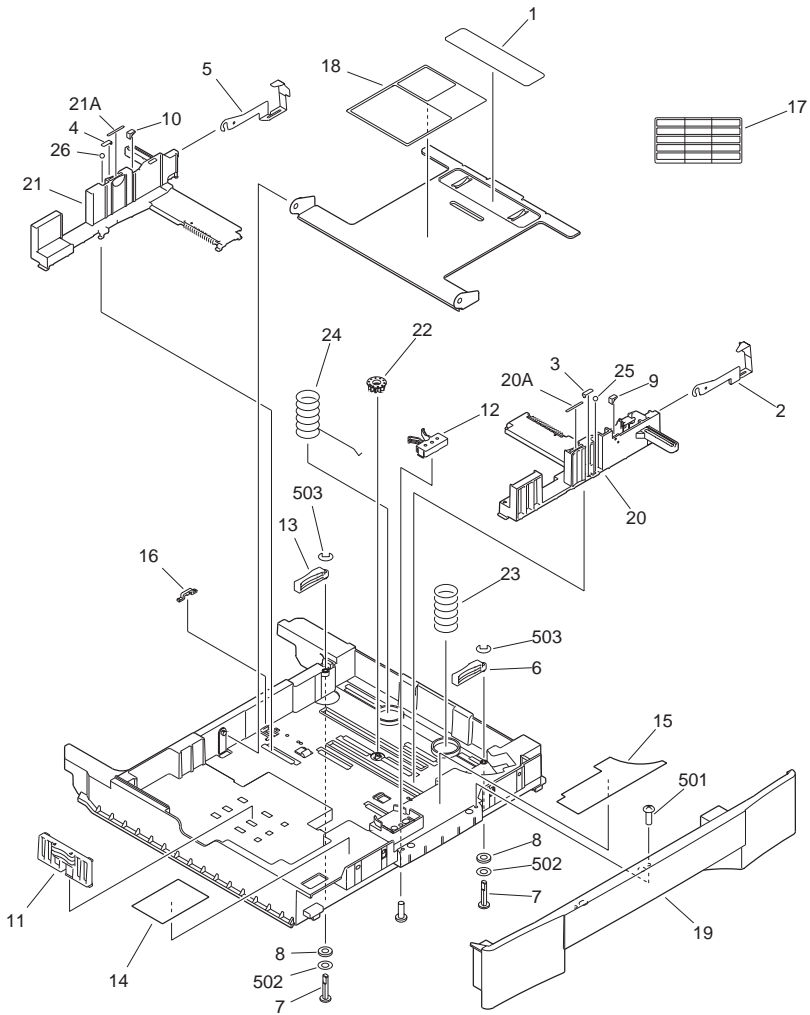


FIGURE & KEY NO.	PARTS NUMBER	R A N K	Q'TY	DESCRIPTION	SERIAL NUMBER/ REMARKS	S V C
Fig.300	NPN		RF	CASSETTE	LUK,LUL,LUM,LUP,LUU,L UV,PVR,PVS,PVX,PVY,Q TJ,QTk,RTV,RTW,RTX,R TY,SL1,SL2,STR,STS,TH 1,TH2,TTG,TTH,UGA,UH A,UIA,UUK,UUM,UUU,UU V,UUW,UUX,UUY,UUZ,Z TQ,ZTR,ZTS,ZTT,ZTU,ZT V,ZTX,ZUE,ZUF,JHH,JHM JHJ,JHN,JHK,JXY,JXZ,K AB,KAC,KAD	
1	FB5-0159-000		1	SHEET, SEPARATION	LUK,LUL,LUM,LUP,LUU,L UV,PVR,PVS,PVX,PVY,Q TJ,QTk,RTV,RTW,RTX,R TY,SL1,SL2,STR,STS,TH 1,TH2,TTG,TTH,UGA,UH A,UIA,UUK,UUM,UUU,UU V,UUW,UUX,UUY,UUZ,Z TQ,ZTR,ZTS,ZTT,ZTU,ZT V,ZTX,ZUE,ZUF,JHH,JHM JHJ,JHN,JHK,JXY,JXZ,K AB,KAC,KAD	
2	FB5-0161-000		1	CLAW, SEPARATION, FRONT	LUK,LUL,LUM,LUP,LUU,L UV,PVR,PVS,PVX,PVY,Q TJ,QTk,RTV,RTW,RTX,R TY,SL1,SL2,STR,STS,TH 1,TH2,TTG,TTH,UGA,UH A,UIA,UUK,UUM,UUU,UU V,UUW,UUX,UUY,UUZ,Z TQ,ZTR,ZTS,ZTT,ZTU,ZT V,ZTX,ZUE,ZUF,JHH,JHM JHJ,JHN,JHK,JXY,JXZ,K AB,KAC,KAD	
3	FB5-0165-000		1	SPRING, LEAF	LUK,LUL,LUM,LUP,LUU,L UV,PVR,PVS,PVX,PVY,Q TJ,QTk,RTV,RTW,RTX,R TY,SL1,SL2,STR,STS,TH 1,TH2,TTG,TTH,UGA,UH A,UIA,UUK,UUM,UUU,UU V,UUW,UUX,UUY,UUZ,Z TQ,ZTR,ZTS,ZTT,ZTU,ZT V,ZTX,ZUE,ZUF,JHH,JHM JHJ,JHN,JHK,JXY,JXZ,K AB,KAC,KAD	
4	FB5-0165-000		1	SPRING, LEAF	LUK,LUL,LUM,LUP,LUU,L UV,PVR,PVS,PVX,PVY,Q TJ,QTk,RTV,RTW,RTX,R TY,SL1,SL2,STR,STS,TH 1,TH2,TTG,TTH,UGA,UH A,UIA,UUK,UUM,UUU,UU V,UUW,UUX,UUY,UUZ,Z TQ,ZTR,ZTS,ZTT,ZTU,ZT V,ZTX,ZUE,ZUF,JHH,JHM JHJ,JHN,JHK,JXY,JXZ,K AB,KAC,KAD	

FIGURE & KEY NO.	PARTS NUMBER	RANK	Q'TY	DESCRIPTION	SERIAL NUMBER/REMARKS	SVC
5	FB5-0167-000		1	CLAW, SEPARATION, REAR	LUK,LUL,LUM,LUP,LUU,LUV,PVR,PVS,PVX,PVY,QTJ,QTk,RTV,RTW,RTX,RTY,SL1,SL2,STR,STS,TH1,TH2,TTG,TTH,UGA,UH A,UIA,UUK,UUM,UUU,UUV,UUW,UUX,UUY,UUZ,ZTQ,ZTR,ZTS,ZTT,ZTU,ZTV,ZTX,ZUE,ZUF,JHH,JHM,JHJ,JHN,JHK,JXY,JXZ,KAB,KAC,KAD	
6	FB5-0168-000		1	LEVER, SIDE PLATE LOCK, FRONT	LUK,LUL,LUM,LUP,LUU,LUV,PVR,PVS,PVX,PVY,QTJ,QTk,RTV,RTW,RTX,RTY,SL1,SL2,STR,STS,TH1,TH2,TTG,TTH,UGA,UH A,UIA,UUK,UUM,UUU,UUV,UUW,UUX,UUY,UUZ,ZTQ,ZTR,ZTS,ZTT,ZTU,ZTV,ZTX,ZUE,ZUF,JHH,JHM,JHJ,JHN,JHK,JXY,JXZ,KAB,KAC,KAD	
7	FB5-0169-000		2	SHAFT, LOCK LEVER	LUK,LUL,LUM,LUP,LUU,LUV,PVR,PVS,PVX,PVY,QTJ,QTk,RTV,RTW,RTX,RTY,SL1,SL2,STR,STS,TH1,TH2,TTG,TTH,UGA,UH A,UIA,UUK,UUM,UUU,UUV,UUW,UUX,UUY,UUZ,ZTQ,ZTR,ZTS,ZTT,ZTU,ZTV,ZTX,ZUE,ZUF,JHH,JHM,JHJ,JHN,JHK,JXY,JXZ,KAB,KAC,KAD	
8	FB5-0170-000		2	PAD, RUBBER	LUK,LUL,LUM,LUP,LUU,LUV,PVR,PVS,PVX,PVY,QTJ,QTk,RTV,RTW,RTX,RTY,SL1,SL2,STR,STS,TH1,TH2,TTG,TTH,UGA,UH A,UIA,UUK,UUM,UUU,UUV,UUW,UUX,UUY,UUZ,ZTQ,ZTR,ZTS,ZTT,ZTU,ZTV,ZTX,ZUE,ZUF,JHH,JHM,JHJ,JHN,JHK,JXY,JXZ,KAB,KAC,KAD	
9	FB5-0171-000		1	SUPPORT, CLAW	LUK,LUL,LUM,LUP,LUU,LUV,PVR,PVS,PVX,PVY,QTJ,QTk,RTV,RTW,RTX,RTY,SL1,SL2,STR,STS,TH1,TH2,TTG,TTH,UGA,UH A,UIA,UUK,UUM,UUU,UUV,UUW,UUX,UUY,UUZ,ZTQ,ZTR,ZTS,ZTT,ZTU,ZTV,ZTX,ZUE,ZUF,JHH,JHM,JHJ,JHN,JHK,JXY,JXZ,KAB,KAC,KAD	

FIGURE & KEY NO.	PARTS NUMBER	RANK	Q'TY	DESCRIPTION	SERIAL NUMBER/REMARKS	SVC
10	FB5-0171-000		1	SUPPORT, CLAW	LUK,LUL,LUM,LUP,LUU,LUV,PVR,PVS,PVX,PVY,QTJ,QTK,RTV,RTW,RTX,RTY,SL1,SL2,STR,STS,TH1,TH2,TTG,TTH,UGA,UHA,UIA,UUK,UUM,UUU,UUV,UUW,UUX,UUY,UUZ,ZTQ,ZTR,ZTS,ZTT,ZTU,ZTV,ZTX,ZUE,ZUF,JHH,JHM,JHJ,JHN,JHK,JXY,JXZ,KAB,KAC,KAD	
11	FB5-0172-000		1	PLATE, END SIDE LIMIT	LUK,LUL,LUM,LUP,LUU,LUV,PVR,PVS,PVX,PVY,QTJ,QTK,RTV,RTW,RTX,RTY,SL1,SL2,STR,STS,TH1,TH2,TTG,TTH,UGA,UHA,UIA,UUK,UUM,UUU,UUV,UUW,UUX,UUY,UUZ,ZTQ,ZTR,ZTS,ZTT,ZTU,ZTV,ZTX,ZUE,ZUF,JHH,JHM,JHJ,JHN,JHK,JXY,JXZ,KAB,KAC,KAD	
12	FB5-0173-000		1	GUIDE, POSITIONING	LUK,LUL,LUM,LUP,LUU,LUV,PVR,PVS,PVX,PVY,QTJ,QTK,RTV,RTW,RTX,RTY,SL1,SL2,STR,STS,TH1,TH2,TTG,TTH,UGA,UHA,UIA,UUK,UUM,UUU,UUV,UUW,UUX,UUY,UUZ,ZTQ,ZTR,ZTS,ZTT,ZTU,ZTV,ZTX,ZUE,ZUF,JHH,JHM,JHJ,JHN,JHK,JXY,JXZ,KAB,KAC,KAD	
13	FB5-0175-000		1	LEVER, SIDE PLATE LOCK, REAR	LUK,LUL,LUM,LUP,LUU,LUV,PVR,PVS,PVX,PVY,QTJ,QTK,RTV,RTW,RTX,RTY,SL1,SL2,STR,STS,TH1,TH2,TTG,TTH,UGA,UHA,UIA,UUK,UUM,UUU,UUV,UUW,UUX,UUY,UUZ,ZTQ,ZTR,ZTS,ZTT,ZTU,ZTV,ZTX,ZUE,ZUF,JHH,JHM,JHJ,JHN,JHK,JXY,JXZ,KAB,KAC,KAD	
14	FB5-0176-000		1	LABEL, PAPER INSTRUCTION	LUK,LUL,LUM,LUP,LUU,LUV,PVR,PVS,PVX,PVY,QTJ,QTK,RTV,RTW,RTX,RTY,SL1,SL2,STR,STS,TH1,TH2,TTG,TTH,UGA,UHA,UIA,UUK,UUM,UUU,UUV,UUW,UUX,UUY,UUZ,ZTQ,ZTR,ZTS,ZTT,ZTU,ZTV,ZTX,ZUE,ZUF,JHH,JHM,JHJ,JHN,JHK,JXY,JXZ,KAB,KAC,KAD	

FIGURE & KEY NO.	PARTS NUMBER	R A N K	Q'TY	DESCRIPTION	SERIAL NUMBER/ REMARKS	S V C
15	FB5-0177-000		1	LABEL, SIZE CHANGE INSTRUCTION	LUK,LUL,LUM,LUP,LUU,L UV,PVR,PVS,PVX,PVY,Q TJ,QTK,RTV,RTW,RTX,RTY,SL1,SL2,STR,STS,TH1,TH2,TTG,TTH,UGA,UH A,UIA,UUK,UUM,UUU,UUV,UUW,UUX,UUY,UUZ,ZTQ,ZTR,ZTS,ZTT,ZTU,ZTV,ZTX,ZUE,ZUF,JHH,JHM,JHJ,JHN,JHK,JXY,JXZ,KAB,KAC,KAD	
16	FB5-0180-000		1	SUPPORT, STOP	LUK,LUL,LUM,LUP,LUU,LUV,PVR,PVS,PVX,PVY,RTV,RTW,RTX,RTY,STR,STS,JHH,JHM,JHJ,JHN,JHK,JXY,JXZ,KAB,KAC,KAD	
17	FB5-0181-000		1	LABEL, SIZE CHANGE	LUK,LUL,LUM,LUP,LUU,LUV,PVR,PVS,PVX,PVY,STR,STS,ZTT,JHH,JHM,JHJ,JHN,JHK,JXY,JXZ,KAB,KAC,KAD	
17	FB5-8706-000		1	LABEL, SIZE CHANGE	RTV,RTW,RTX,RTY	
18	FF5-9033-030		1	PLATE, PAPER LIFTING	LUK,LUL,LUM,LUP,LUU,LUV,PVR,PVS,PVX,PVY,STR,STS,ZTT,JHH,JHM,JHJ,JHN,JHK,JXY,JXZ,KAB,KAC,KAD	
18	FF5-9033-030		1	PLATE, PAPER LIFTING	RTV,RTW,RTX,RTY	
19	FB6-0328-000		1	PANEL, CASSETTE, FRONT	LUK,LUL,LUM,LUP,LUU,L UV,PVR,PVS,PVX,PVY,Q TJ,QTK,RTV,RTW,RTX,RTY,SL1,SL2,STR,STS,TH1,TH2,TTG,TTH,UGA,UH A,UIA,UUK,UUM,UUU,UUV,UUW,UUX,UUY,UUZ,ZTQ,ZTR,ZTS,ZTT,ZTU,ZTV,ZTX,ZUE,ZUF,JHH,JHM,JHJ,JHN,JHK,JXY,JXZ,KAB,KAC,KAD	
20	FF5-9034-000		1	PLATE, SIDE LIMIT, FRONT	LUK,LUL,LUM,LUP,LUU,L UV,PVR,PVS,PVX,PVY,Q TJ,QTK,RTV,RTW,RTX,RTY,SL1,SL2,STR,STS,TH1,TH2,TTG,TTH,UGA,UH A,UIA,UUK,UUM,UUU,UUV,UUW,UUX,UUY,UUZ,ZTQ,ZTR,ZTS,ZTT,ZTU,ZTV,ZTX,ZUE,ZUF,JHH,JHM,JHJ,JHN,JHK,JXY,JXZ,KAB,KAC,KAD	

FIGURE & KEY NO.	PARTS NUMBER	RANK	Q'TY	DESCRIPTION	SERIAL NUMBER/REMARKS	SVC
20A	FB5-0178-000		1	LABEL, SIDE PLATE OPERATION	LUK,LUL,LUM,LUP,LUU,LUV,PVR,PVS,PVX,PVY,QTJ,QTk,RTV,RTW,RTX,RTY,SL1,SL2,STR,STS,TH1,TH2,TTG,TTH,UGA,UHA,UIA,UUK,UUM,UUU,UUV,UUW,UUX,UUY,UUZ,ZTQ,ZTR,ZTS,ZTT,ZTU,ZTV,ZTX,ZUE,ZUF,JHH,JHM,JHJ,JHN,JHK,JXY,JXZ,KAB,KAC,KAD	
21	FF5-9035-000		1	PLATE, SIDE LIMIT, REAR	LUK,LUL,LUM,LUP,LUU,LUV,PVR,PVS,PVX,PVY,QTJ,QTk,RTV,RTW,RTX,RTY,SL1,SL2,STR,STS,TH1,TH2,TTG,TTH,UGA,UHA,UIA,UUK,UUM,UUU,UUV,UUW,UUX,UUY,UUZ,ZTQ,ZTR,ZTS,ZTT,ZTU,ZTV,ZTX,ZUE,ZUF,JHH,JHM,JHJ,JHN,JHK,JXY,JXZ,KAB,KAC,KAD	
21A	FB5-0178-000		1	LABEL, SIDE PLATE OPERATION	LUK,LUL,LUM,LUP,LUU,LUV,PVR,PVS,PVX,PVY,QTJ,QTk,RTV,RTW,RTX,RTY,SL1,SL2,STR,STS,TH1,TH2,TTG,TTH,UGA,UHA,UIA,UUK,UUM,UUU,UUV,UUW,UUX,UUY,UUZ,ZTQ,ZTR,ZTS,ZTT,ZTU,ZTV,ZTX,ZUE,ZUF,JHH,JHM,JHJ,JHN,JHK,JXY,JXZ,KAB,KAC,KAD	
22	FS7-0457-000		1	GEAR, 10T	LUK,LUL,LUM,LUP,LUU,LUV,PVR,PVS,PVX,PVY,QTJ,QTk,RTV,RTW,RTX,RTY,SL1,SL2,STR,STS,TH1,TH2,TTG,TTH,UGA,UHA,UIA,UUK,UUM,UUU,UUV,UUW,UUX,UUY,UUZ,ZTQ,ZTR,ZTS,ZTT,ZTU,ZTV,ZTX,ZUE,ZUF,JHH,JHM,JHJ,JHN,JHK,JXY,JXZ,KAB,KAC,KAD	
23	FS7-2201-000		1	SPRING, COMPRESSION	LUK,LUL,LUM,LUP,LUU,LUV,PVR,PVS,PVX,PVY,QTJ,QTk,RTV,RTW,RTX,RTY,SL1,SL2,STR,STS,TH1,TH2,TTG,TTH,UGA,UHA,UIA,UUK,UUM,UUU,UUV,UUW,UUX,UUY,UUZ,ZTQ,ZTR,ZTS,ZTT,ZTU,ZTV,ZTX,ZUE,ZUF,JHH,JHM,JHJ,JHN,JHK,JXY,JXZ,KAB,KAC,KAD	

FIGURE & KEY NO.	PARTS NUMBER	RANK	Q'TY	DESCRIPTION	SERIAL NUMBER/REMARKS	SVC
24	FS7-2202-000		1	SPRING, COMPRESSION	LUK,LUL,LUM,LUP,LUU,LUV,PVR,PVS,PVX,PVY,QTJ,QTk,RTV,RTW,RTX,RTY,SL1,SL2,STR,STS,TH1,TH2,TTG,TTH,UGA,UH A,UIA,UUK,UUM,UUU,UUV,UUW,UUX,UUY,UUZ,ZTQ,ZTR,ZTS,ZTT,ZTU,ZTV,ZTX,ZUE,ZUF,JHH,JHM,JHJ,JHN,JHK,JXY,JXZ,KAB,KAC,KAD	
25	X71-7503-000		1	BALL, SLIDE CLICK FEELING	LUK,LUL,LUM,LUP,LUU,LUV,PVR,PVS,PVX,PVY,QTJ,QTk,RTV,RTW,RTX,RTY,SL1,SL2,STR,STS,TH1,TH2,TTG,TTH,UGA,UH A,UIA,UUK,UUM,UUU,UUV,UUW,UUX,UUY,UUZ,ZTQ,ZTR,ZTS,ZTT,ZTU,ZTV,ZTX,ZUE,ZUF,JHH,JHM,JHJ,JHN,JHK,JXY,JXZ,KAB,KAC,KAD	
26	X71-7503-000		1	BALL, SLIDE CLICK FEELING	LUK,LUL,LUM,LUP,LUU,LUV,PVR,PVS,PVX,PVY,QTJ,QTk,RTV,RTW,RTX,RTY,SL1,SL2,STR,STS,TH1,TH2,TTG,TTH,UGA,UH A,UIA,UUK,UUM,UUU,UUV,UUW,UUX,UUY,UUZ,ZTQ,ZTR,ZTS,ZTT,ZTU,ZTV,ZTX,ZUE,ZUF,JHH,JHM,JHJ,JHN,JHK,JXY,JXZ,KAB,KAC,KAD	
501	XB4-7400-809		3	SCREW,TAPPING,TRUSS HEAD,M4X8	LUK,LUL,LUM,LUP,LUU,LUV,PVR,PVS,PVX,PVY,QTJ,QTk,RTV,RTW,RTX,RTY,SL1,SL2,STR,STS,TH1,TH2,TTG,TTH,UGA,UH A,UIA,UUK,UUM,UUU,UUV,UUW,UUX,UUY,UUZ,ZTQ,ZTR,ZTS,ZTT,ZTU,ZTV,ZTX,ZUE,ZUF,JHH,JHM,JHJ,JHN,JHK,JXY,JXZ,KAB,KAC,KAD	
502	XD1-1104-635		2	SHIM	LUK,LUL,LUM,LUP,LUU,LUV,PVR,PVS,PVX,PVY,QTJ,QTk,RTV,RTW,RTX,RTY,SL1,SL2,STR,STS,TH1,TH2,TTG,TTH,UGA,UH A,UIA,UUK,UUM,UUU,UUV,UUW,UUX,UUY,UUZ,ZTQ,ZTR,ZTS,ZTT,ZTU,ZTV,ZTX,ZUE,ZUF,JHH,JHM,JHJ,JHN,JHK,JXY,JXZ,KAB,KAC,KAD	

FIGURE & KEY NO.	PARTS NUMBER	R A N K	Q'TY	DESCRIPTION	SERIAL NUMBER/ REMARKS	S V C
503	XD2-1200-202		2	RING,E	LUK,LUL,LUM,LUP,LUU,LUV,PVR,PVS,PVX,PVY,QTJ,QTK,RTV,RTW,RTX,RTY,SL1,SL2,STR,STS,TH1,TH2,TTG,TTH,UGA,UH A,UIA,UUK,UUM,UUU,UUV,UUW,UUX,UUY,UUZ,ZTQ,ZTR,ZTS,ZTT,ZTU,ZTV,ZTX,ZUE,ZUF,JHH,JHM,JHJ,JHN,JHK,JXY,JXZ,KAB,KAC,KAD	

FIGURE 301
CASSETTE(250 SHEET A4 TYPE)

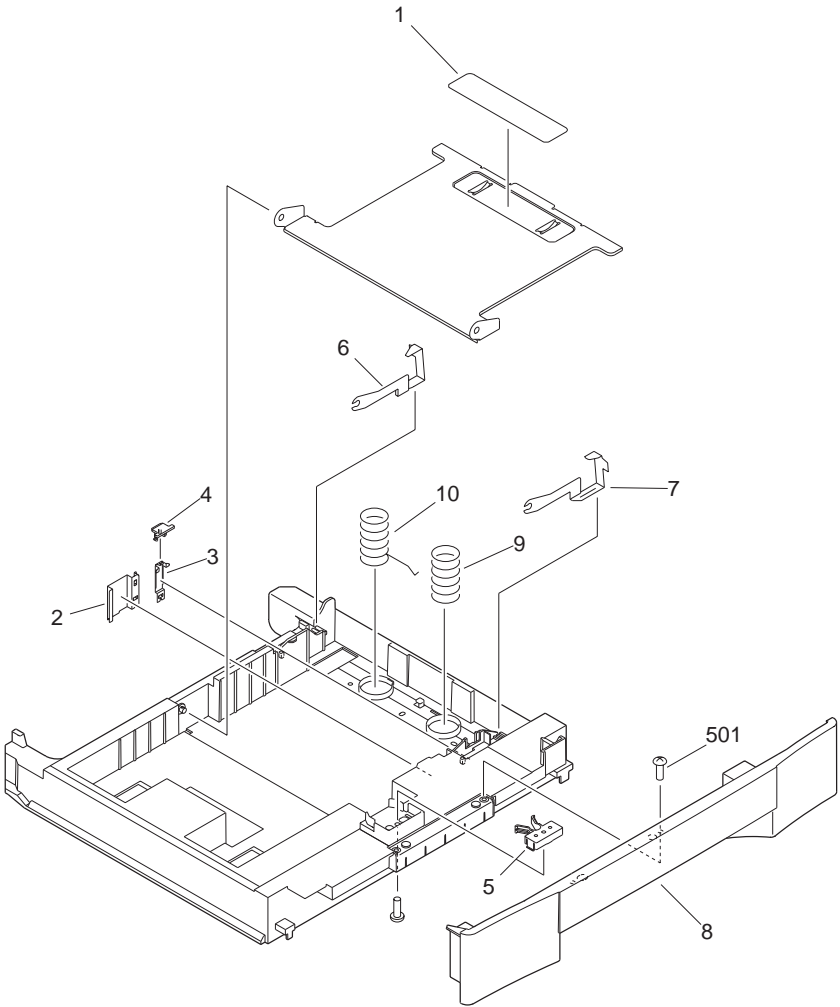


FIGURE & KEY NO.	PARTS NUMBER	RANK	Q'TY	DESCRIPTION	SERIAL NUMBER/REMARKS	SVC
Fig.301	NPN		RF	CASSETTE	QTJ, QTK, TTG, TTH, UGA, UHA, UIA, UUK, UUM, UUU, UUV, U UW, UUX, UUY, UUZ	
1	FB5-0159-000		1	SHEET, SEPARATION		
2	FB5-0162-000		1	SPRING, LEAF		
3	FB5-0163-000		1	SPRING, LEAF		
4	FB5-0164-000		1	RETAINER, SIDE		
5	FB5-0173-000		1	GUIDE, POSITIONING		
6	FB5-2843-00S		1	CLAW, SEPARATION, FRONT		
7	FB5-2844-00S		1	CLAW, SEPARATION, REAR		
8	FB6-0328-000		1	PANEL, CASSETTE, FRONT		
9	FS7-2201-000		1	SPRING, COMPRESSION		
10	FS7-2202-000		1	SPRING, COMPRESSION		
501	XB4-7400-809		3	SCREW, TAPPING, TRUSS HEAD, M4X8		

FIGURE 302 CASSETTE(500 SHEET LTR/LGL TYPE)

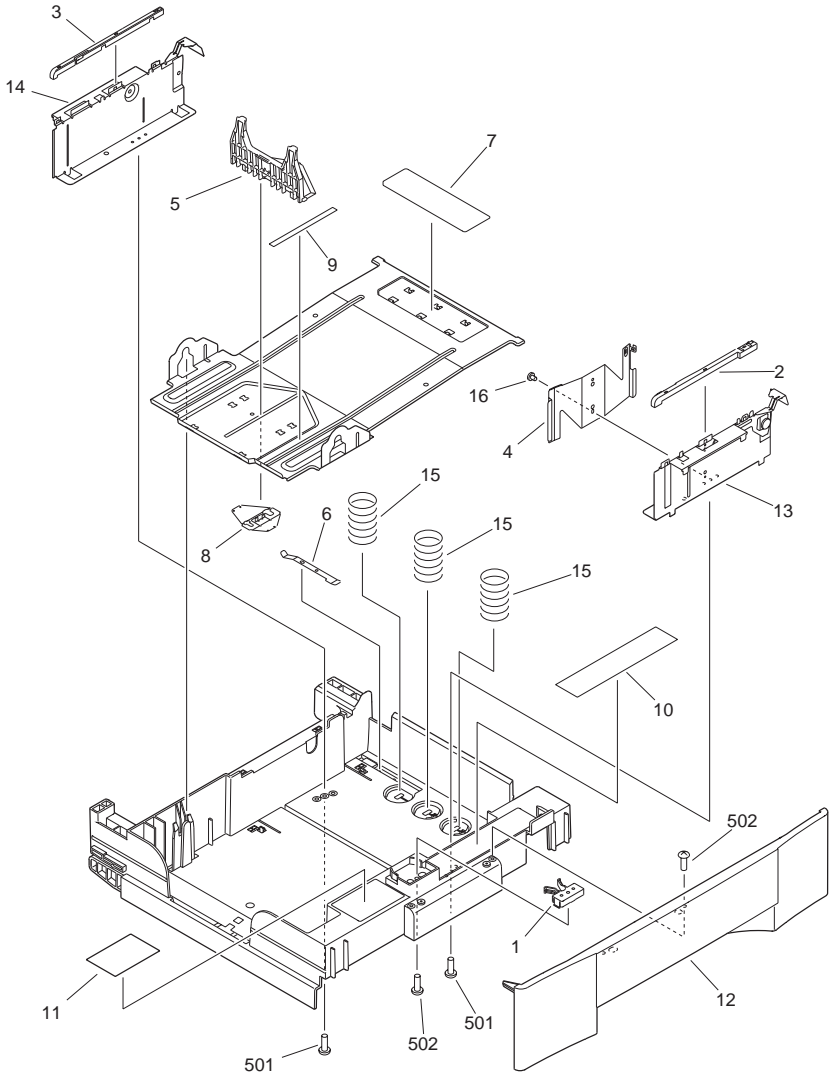


FIGURE & KEY NO.	PARTS NUMBER	RANK	Q'TY	DESCRIPTION	SERIAL NUMBER/REMARKS	SVC
Fig.302	NPN		RF	CASSETTE	ZTQ,ZTR,ZTS,ZTU,ZTV, ZTX,ZUE,ZUF	
1	FB5-0173-000		1	GUIDE, POSITIONING		
2	FB5-0218-000		1	COVER, LIMIT PLATE, FRONT		
3	FB5-0219-000		1	COVER, LIMIT PLATE, REAR		
4	FB5-0220-000		1	SPRING, LEAF, SIDE LIMIT		
5	FB5-0221-000		1	PLATE, END SIDE LIMIT		
6	FB5-0222-000		1	SPRING, LEAF		
7	FB5-0229-000		1	SHEET, SEPARATION		
8	FB5-0230-000		1	SPRING, LEAF, END LIMIT		
9	FB5-0231-000		1	LABEL, PAPER SIZE		
10	FB5-0232-000		1	LABEL, END LIMIT		
11	FB5-0234-000	N	1	LABEL, PAPER SET		
12	FB6-0329-000		1	PANEL, CASSETTE, FRONT		
13	FF5-9073-000		1	PLATE, SIDE LIMIT, FRONT		
14	FF5-9074-000		1	PLATE, SIDE LIMIT, REAR		
15	FS7-2211-000		3	SPRING, COMPRESSION		
16	XA9-0903-000		2	SCREW,M3X5		
501	XB1-2300-809		2	SCREW,MACH.,TRUSS HEAD,M3X8		
502	XB4-7400-809		3	SCREW,TAPPING,TRUSS HEAD,M4X8		

FIGURE 303
CASSETTE(500 SHEET A4 TYPE)

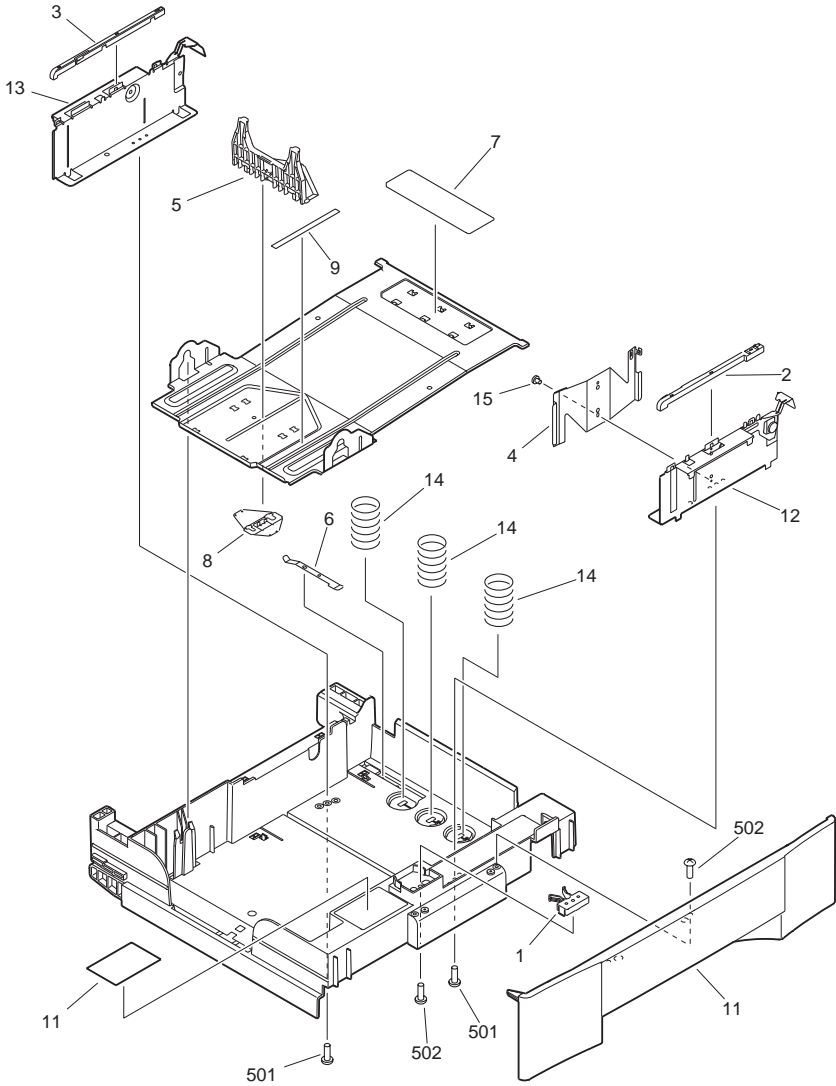
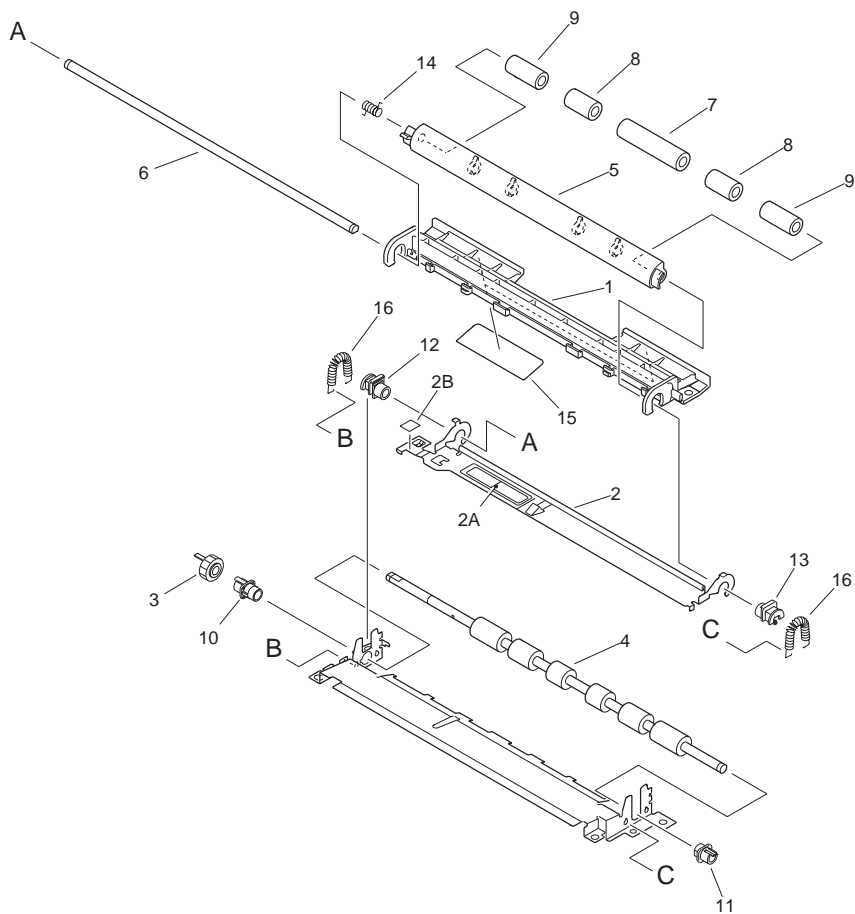


FIGURE & KEY NO.	PARTS NUMBER	R A N K	Q'TY	DESCRIPTION	SERIAL NUMBER/ REMARKS	S V C
Fig.303	NPN		RF	CASSETTE(500 SHEET A4 TYPE)	JHP,JHQ	
1	FB5-0173-000		1	GUIDE, POSITIONING	JHP,JHQ	
2	FB5-0218-000		1	COVER, LIMIT PLATE, FRONT	JHP,JHQ	
3	FB5-0219-000		1	COVER, LIMIT PLATE, REAR	JHP,JHQ	
4	FB5-0220-000		1	SPRING, LEAF, SIDE LIMIT	JHP,JHQ	
5	FB5-0221-000		1	PLATE, END SIDE LIMIT	JHP,JHQ	
6	FB5-0222-000		1	SPRING, LEAF	JHP,JHQ	
7	FB5-0229-000		1	SHEET, SEPARATION	JHP,JHQ	
8	FB5-0230-000		1	SPRING, LEAF, END LIMIT	JHP,JHQ	
9	FB5-0231-000		1	LABEL, PAPAR SIZE	JHP,JHQ	
10	FE5-3228-000		1	LABEL, PAPER SET	JHP,JHQ	
11	FB6-0329-000		1	PANEL, CASSETTE, FRONT	JHP,JHQ	
12	FF5-9073-000		1	PLATE, SIDE LIMIT, FRONT	JHP,JHQ	
13	FF5-9074-000		1	PLATE, SIDE LIMIT, REAR	JHP,JHQ	
14	FS7-2211-000		3	SPRING, COMPRESSION	JHP,JHQ	
15	XA9-0903-000		2	SCREW,M3X5	JHP,JHQ	
501	XB1-2300-809		2	SCREW,MACH.,TRUSS HEAD,M3X8	JHP,JHQ	
502	XB4-7400-809		3	SCREW,TAPPING,TRUSS HEAD,M4X8	JHP,JHQ	

FIGURE 320 REGISTRATION ASSEMBLY



NOTE: This assembly does not include the part shown with key No.3.

注: このユニットに Key No. 3の部品は含まれません。

FIGURE & KEY NO.	PARTS NUMBER	R A N K	Q'TY	DESCRIPTION	SERIAL NUMBER/ REMARKS	S V C
Fig.320	FG6-7926-000		1	REGISTRATION ASSEMBLY	EXCEPT JXY,JXZ,KAB,KAC,KAD	
Fig.320	FM1-0579-000		1	REGISTRATION ASSEMBLY	JXY,JXZ,KAB,KAC,KAD	
1	FB6-0160-000		1	GUIDE, REGISTRATION FRONT		
2	FF6-1441-000		1	GUIDE, TRANSFER, UPPER	EXCEPT JXY,JXZ,KAB,KAC,KAD	
2A	FB6-2302-000		1	LABEL, JAM		
2B	RB2-2923-000		1	LABEL, TRANSFER GUIDE		
3	FU3-0071-000		1	GEAR, 14T	SEE NOTE	
4	FB6-5512-000		1	ROLLER, REGISTRATION		
5	RB2-2909-000		1	SHUTTER, REGISTRATION		
6	RB2-2910-000		1	SHAFT, REGISTRATION ROLLER		
7	RB2-2911-000		1	ROLLER		
8	RB2-2912-000		2	ROLLER		
9	RB2-2913-000		2	ROLLER		
10	RB2-2918-000		1	BUSHING, RIGHT		
11	RB2-2919-000		1	BUSHING, LEFT		
12	RB2-2920-000		1	BUSHING		
13	RB2-2921-000		1	BUSHING		
14	RB2-2922-000		1	SPRING, TORSION		
15	RB2-2933-000		2	SHEET, REGISTRATION FRONT		
16	RS6-2026-000		2	SPRING, TENSION		

FIGURE & KEY NO.	PARTS NUMBER	R A N K	Q'TY	DESCRIPTION	SERIAL NUMBER/ REMARKS	S V C
Fig.330	NPN		RF	PAPER FEEDER ASSEMBLY		
1	FB2-9653-000		1	LABEL, CAUTION		
1	FC3-0030-000		1	LABEL, CAUTION		
2	FB6-0079-000		1	GUIDE, PAPER FEED, 1		
3	FB6-0080-000		2	GUIDE, PAPER FEED, 2		
4	FB6-0081-000		2	GUIDE, PAPER FEED, 3		
5	FB6-0082-000		2	GUIDE, PAPER FEED, 4		
6	FB6-0157-000		1	SPRING, LEAF		
7	FB6-0158-000		1	FLAG, REGISTRATION SENSOR	EXCEPT JXY,JXZ,KAB,KAC,KAD	
7	FB6-6831-000		1	FLAG, REGISTRATION SENSOR	JXY,JXZ,KAB,KAC,KAD	
8	FB6-0166-000		1	SPRING UNIT, CONTACT		
9	FB6-0167-000		1	SPRING UNIT, CONTACT		
10	FB6-0168-000		1	SPRING UNIT, CONTACT		
11	FB6-0169-000		1	SPRING UNIT, CONTACT		
12	FB6-0258-000		1	ROLLER, PAPER FEED		
13	FB6-0241-000		1	FLAG, PAPER SENSOR		
14	FB6-0245-000		1	SHAFT, JOINT		
15	FB6-0248-000		1	ARM, RETURN		
16	FB6-0260-000		1	GUIDE, ARM		
17	FB6-0261-000		2	BUSHING		
18	FB6-0274-000		2	SEAL, PAPER FEED FRAME		
19	FB6-0286-000		1	SPRING, TORSION		
20	FB6-0296-000		1	ELIMINATOR, STATIC CHARGE		
21	FB6-0297-000		1	SPRING UNIT, CONTACT		
22	FG6-7954-000		1	PAPER PICK-UP SHAFT ASSEMBLY		
22A	FB4-9817-030		2	ROLLER, PICK-UP		
22B	FB4-9819-000		2	HOLDER, PICK-UP SHAFT		
22C	FB4-9820-000		1	COLLAR, SPRING		
22D	FB4-9847-000		2	SPACER, PICK-UP ROLLER		
23	FH6-5037-000		1	SOLENOID	SL2 J307	
24	FS7-2689-000		1	SPRING, TENSION		

FIGURE & KEY NO.	PARTS NUMBER	R A N K	Q'TY	DESCRIPTION	SERIAL NUMBER/ REMARKS	S V C
25	FS7-2690-000		1	SPRING, COMPRESSION		
26	FU3-0073-000		1	GEAR, 32T		
27	FU3-0074-000		1	GEAR, 14T		
28	RB2-2843-000		1	SPRING, TORSION	EXCEPT JXY, JXZ, KAB, KAC, KAD	
28	FS7-2989-000		1	SPRING, TORSION	JXY, JXZ, KAB, KAC, KAD	
29	RB2-2926-020		1	BUSHING, TRANSFER, RIGHT		
30	FB6-0162-000		1	SPRING, LEAF, GROUNDING		
31	RG5-4130-000		1	TRANSFER ROLLER UNIT		
31A	RB2-2925-020		1	BUSHING, TRANSFER, LEFT		
31B	RS6-0459-000		1	GEAR, 17T		
32	RS6-2022-000		1	SPRING, COMPRESSION		
33	WA1-6525-000		1	DIODE, V17C33A		
501	XB4-5401-007		1	SCREW, P, M4X10		
502	XD2-1100-502		1	RING, E		
503	XD2-2300-302		7	RING, TOOTHED LOCK		

FIGURE 460 LASER SCANNER ASSEMBLY

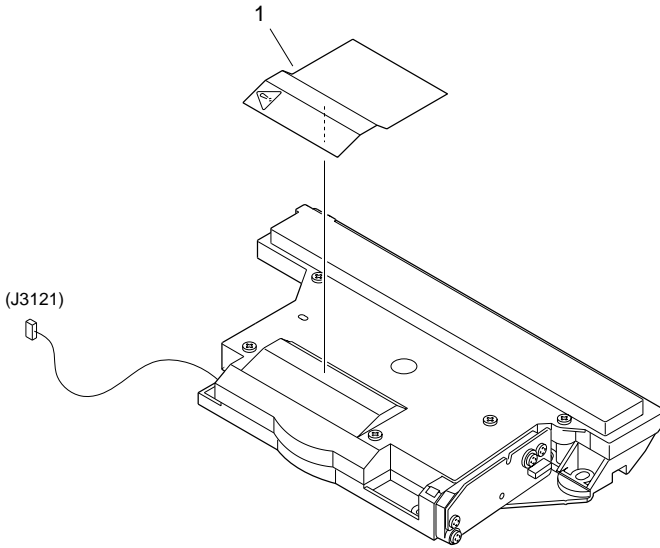


FIGURE & KEY NO.	PARTS NUMBER	RANK	Q'TY	DESCRIPTION	SERIAL NUMBER/REMARKS	SVC
Fig.460	FG6-7925-000		1	SCANNER ASSEMBLY	LUK,LUL,LUM,LUP,LUU,LUV,PVR,PVS,PVX,PVY,QTJ,QTK,RTV,RTW,ZTR,RTX,RTY,STR,STS,TTG,TTH,UGA,UHA,UIA,UUK,UUM,UUU,UUV,UUW,UUX,UUY,UUZ,ZTQ,ZTS,ZTU,ZTT,ZTV,ZTX,ZUE,ZUF	
Fig.460	FM5-0995-000		1	SCANNER ASSEMBLY	JHP,JHQ,JHH,JHM,JHJ,JHN,JHK,JXY,JXZ,KAB,KAC,KAD	
1	RS6-8382-000		1	LABEL, 'WARNING LASER'		

FIGURE 810 FIXING ASSEMBLY

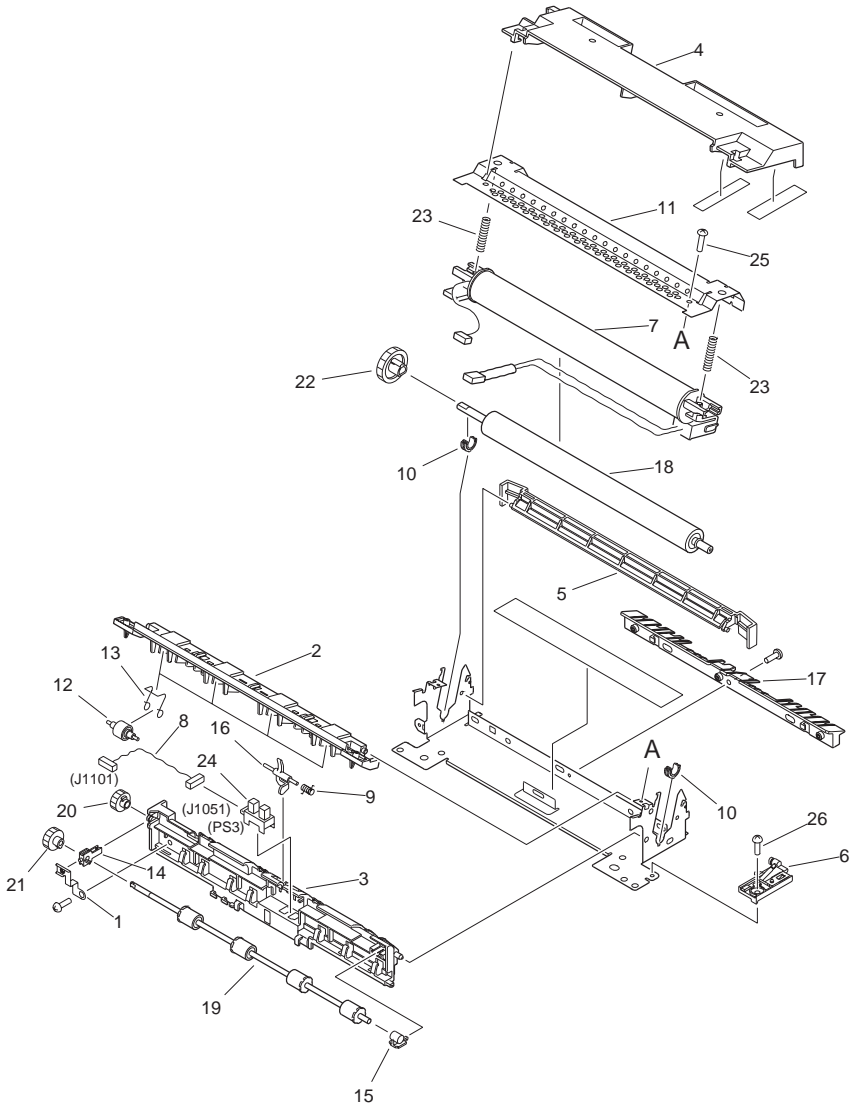


FIGURE & KEY NO.	PARTS NUMBER	RANK	Q'TY	DESCRIPTION	SERIAL NUMBER/REMARKS	SVC
Fig.810	FG6-7934-000		1	FIXING ASSEMBLY	LUK,LUL,LUM,LUP,LUU, LUV	
Fig.810	FG6-7945-000		1	FIXING ASSEMBLY	PVR,PVS,PVX,PVY,QTJ, QTK,RTV,RTW,RTX,RTY, TTG,TTH,UGA,UHA,UJA, UUK,UUM,UUU,UUV,UU W, UUX,UUY,UUZ	
Fig.810	FG6-7947-000		1	FIXING ASSEMBLY	STR,STS,ZTQ,ZTR,ZTS, ZTT,ZTU,ZTV,ZTX,ZUE, ZUF	
Fig.810	FM5-0992-000		1	FIXING ASSEMBLY	JHJ,JHN,JHK,JHH,JHM	
Fig.810	FM5-0994-000		1	FIXING ASSEMBLY	JHP,JHQ	
Fig.810	FM1-0582-000		1	FIXING ASSEMBLY	JXY,JXZ,KAB,KAC,KAD	
1	FB6-0114-000		1	PLATE, GROUNDING		
2	FB6-0115-000		1	GUIDE, SEPARATION, UPPER		
3	FB6-0116-000		1	GUIDE, SEPARATION, LOWER		
4	FB6-0121-000		1	COVER, FIXING		
5	FB6-0122-000		1	GUIDE, FIXING INLET, UPPER		
6	FF6-1437-000		1	FIXING TERMINAL UNIT		
7	FG6-7937-000		1	FIXING FILM GUIDE ASSEMBLY	LUK,LUL,LUM,LUP,LUU, LUV,JHP,JHQ	
7	FG6-7946-000		1	FIXING FILM GUIDE ASSEMBLY	PVR,PVS,PVX,PVY,QTJ, QTK,RTV,RTW,RTX,RTY, TTG,TTH,UGA,UHA,UJA, UUK,UUM,UUU,UUV,UU W, UUX,UUY,UUZ	
8	FG6-8849-000		1	CABLE, DELIVERY SENSOR	J1101,1051	
9	FS7-2700-000		1	SPRING, TORSION	EXCEPT JXY,JXZ,KAB,KAC,KAD	
9	FS7-2990-000		1	SPRING, TORSION	JXY,JXZ,KAB,KAC,KAD	
10	RB2-2973-000		2	BUSHING		
11	RB2-2975-000		1	PLATE, PRESSURE		
12	RB2-2977-000		4	ROLLER, DELIVERY		
13	RB2-2978-000		4	SPRING, COMPRESSION		
14	RB2-2985-000		1	BUSHING		
15	RB2-2986-000		1	BUSHING		
16	RB2-6402-000		1	LEVER, DELIVERY		
17	RB2-6357-000		1	GUIDE, ENTRANCE		

FIGURE & KEY NO.	PARTS NUMBER	R A N K	Q'TY	DESCRIPTION	SERIAL NUMBER/ REMARKS	S V C
18	RF5-2601-000		1	ROLLER, PRESSURE		
19	RF5-2603-000		1	ROLLER, DELIVERY		
20	RS6-0442-000		1	GEAR, 14T		
21	RS6-0443-000		1	GEAR, 15T		
22	RS6-0458-000		1	GEAR, 26T		
23	FE5-3194-000		2	SPRING, COMPRESSION	JHP,JHQ,JHH,JHM,JHK	
23	RS6-2029-000		2	SPRING, COMPRESSION	LUK,LUL,LUM,LUP,LUU,LUV,PVR,PVS,PVX,PVY,Q T J,QTK,RTV,RTW,ZTR,R TX,RTY,STR,STS,TTG,TT H,UGA,UHA,UIA,UUK,UU M,UUU,UUV,UUW,UUX,UUY,UUZ,ZTQ,ZTS,ZTU,ZT T,ZTV,ZTX,ZUE,ZUF,JHJ,JHN	
24	WG8-5309-000		1	PHOTO-INTERRUPTER	PS3 J1051	
25	XA9-0836-000		2	SCREW,TP,M3X6		
26	XA9-0924-000		3	SCREW,W/WASHER,M3X8		

FIGURE 930 PCB ASSEMBLY

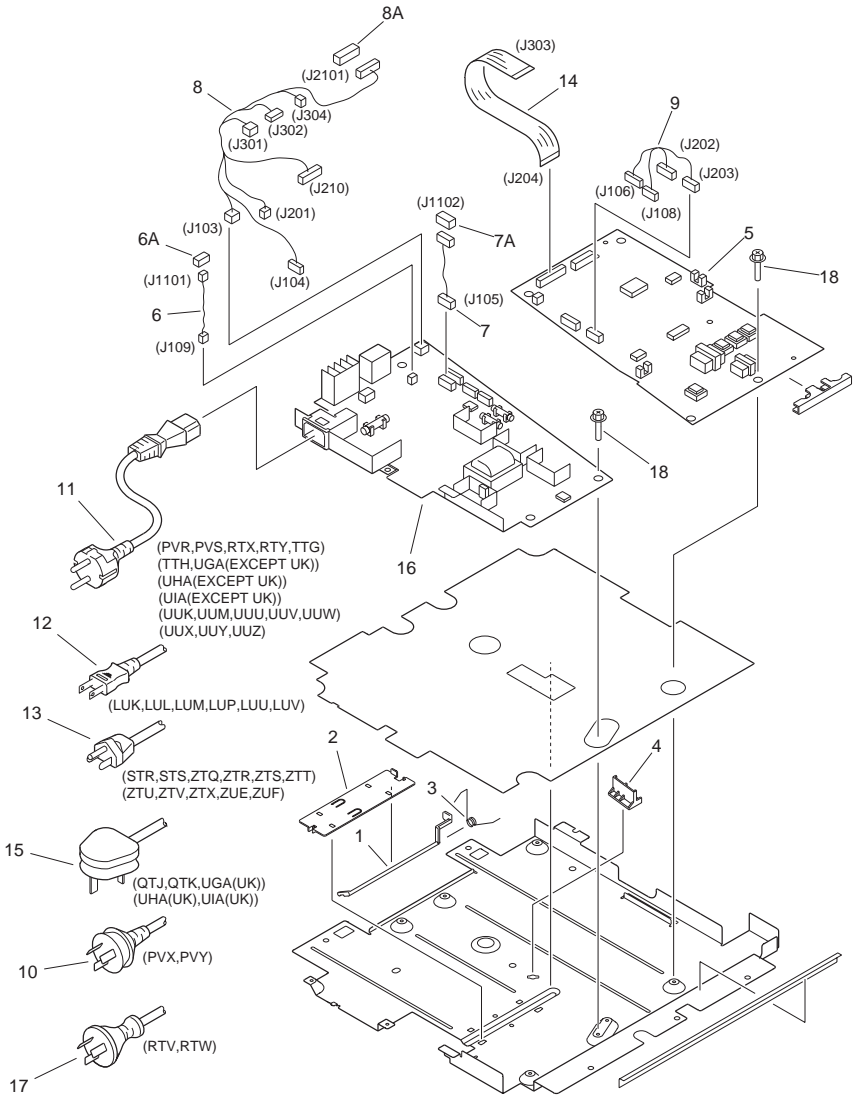


FIGURE & KEY NO.	PARTS NUMBER	R A N K	Q'TY	DESCRIPTION	SERIAL NUMBER/ REMARKS	S V C
Fig.930	NPN		RF	PCB ASSEMBLY		
1	FB6-0290-000		1	FLAG, SENSOR, 2		
2	FB6-0292-000		1	HOLDER, SENSOR FLAG		
3	FB6-0293-000		1	SPRING, TORSION		
4	FB6-0295-000		1	SPACER, CONTROLLER MOUNT		
5	FG6-1011-000		1	DC CONTROLLER PCB ASSEMBLY	JHJ,JHN,JHK	
5	FG6-8543-000		1	DC CONTROLLER PCB ASSEMBLY	LUK,LUL,LUM,LUP,LUU,LUV,PVR,PVS,PVX,PVY,QTJ,QTK,RTV,RTW,ZTR,RTX,RTY,STR,STS,TTG,TT H,UGA,UHA,UIA,UUK,UUM,UUU,UUV,UUW,UUX,UUY,UUZ,ZTQ,ZTS,ZTU,ZT T,ZTV,ZTX,ZUE,ZUF	
5	FM5-1010-000		1	DC CONTROLLER PCB ASSEMBLY	JHP,JHQ	
5	FM5-5319-000		1	DC CONTROLLER PCB ASSEMBLY	JXY,JXZ,KAB,KAC,KAD	
6	FG6-8547-000		1	CABLE, PAPER DELIVERY SENSOR	J109,1101	
6A	VS1-5057-003		1	CONNECTOR, SNAP TIGHT	J1101	
7A	VS1-5057-004		1	CONNECTOR, SNAP TIGHT	J1102	
8A	VS1-5057-011		1	CONNECTOR, SNAP TIGHT	J2101	
7	FG6-8548-000		1	CABLE, THRMISTOR	J105,1102	
8	FG6-8832-000		1	CABLE, POWER SUPPLY/IP	J103,104,201,210 J301,302,304,2101	
9	FG6-8833-000		1	CABLE, POWER SUPPLY/DC	J106,108,202,203	
10	FH2-5276-030		1	CORD, POWER SUPPLY	PVX,PVY	
11	FH2-7080-000		1	CORD, POWER SUPPLY	PVR,PVS,RTX,RTY,TTG, TTH,UGA(EXCEPT UK), UHA(EXCEPT UK), UIA(EXCEPT UK), UUK,UUM,UUU,UUV,UU W, UUX,UUY,UUZ	
12	FH2-6577-000		1	CORD, POWER SUPPLY	LUK,LUL,LUM,LUP,LUU, LUV,JHP,JHQ,JHH,JHM,J HJ,JHN,JHK	
13	FH2-6578-000		1	CORD, POWER SUPPLY	STR,STS,ZTQ,ZTR,ZTS, ZTT,ZTU,ZTV,ZTX,ZUE, ZUF,JXY,JXZ,KAB,KAC,K AD	
14	FH2-6933-000		1	CABLE, FLAT	J204,303	
15	FH2-7081-000		1	POWER CORD	QTJ,QTK,UGA(UK), UHA(UK),UIA(UK)	

FIGURE & KEY NO.	PARTS NUMBER	RANK	Q'TY	DESCRIPTION	SERIAL NUMBER/REMARKS	SVC
16	FH3-2638-000		1	DC POWER SUPPLY PCB ASSEMBLY	LUK,LUL,LUM,LUP,LUU, LUV,JHP,JHQ,JHH,JHM, HJ,JHN,JHK,JXY,JXZ,KA B,KAC,KAD	
16	FH3-2639-000		1	DC POWER SUPPLY PCB ASSEMBLY	STR,STS,ZTQ,ZTR,ZTS, ZTT,ZTU,ZTV,ZTX,ZUE, ZUF,JXY,JXZ,KAB,KAC,K AD	
16	FH3-2643-000		1	DC POWER SUPPLY PCB ASSEMBLY	QTJ,QTK,TTG,TTH,UGA, UHA,UIA,UUK,UUM,UUU, UUV,UUW,UUX,UUY,UUZ	
16	FH3-2651-000		1	DC POWER SUPPLY PCB ASSEMBLY	PVR,PVS,PVX,PVY,RTV, RTW,RTX,RTY	
17	WT3-5106-000		1	CORD, POWER SUPPLY	RTV,RTW	
18	XA9-1164-000		9	SCREW,RS,M3X6.5		

FIGURE 950 IMAGE PROCESSOR PCB ASSEMBLY

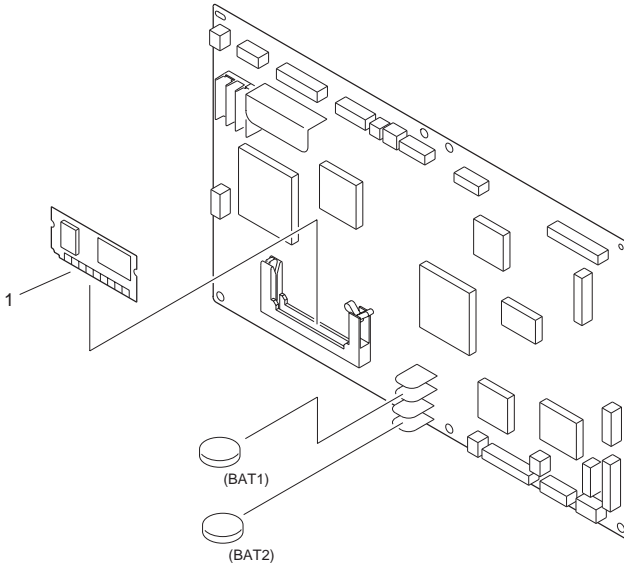
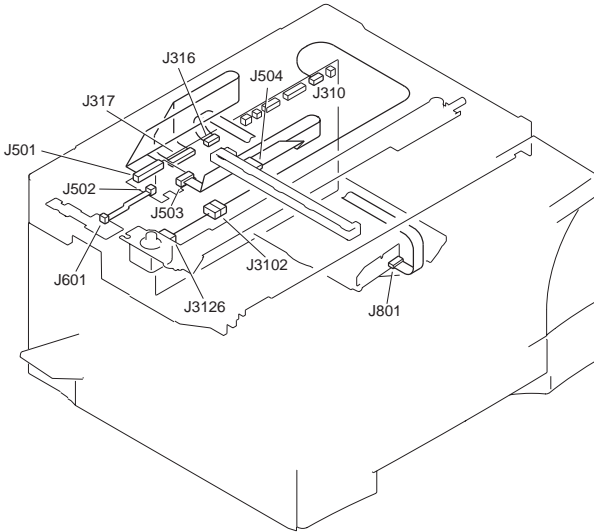
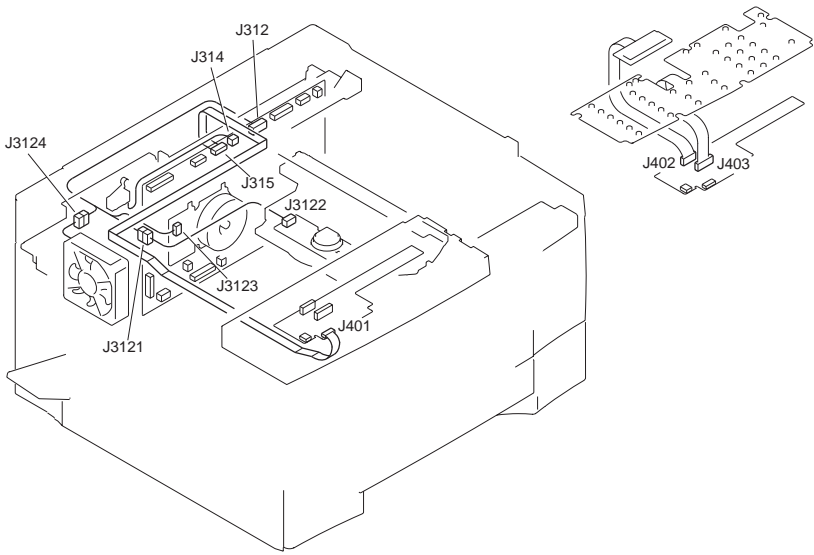


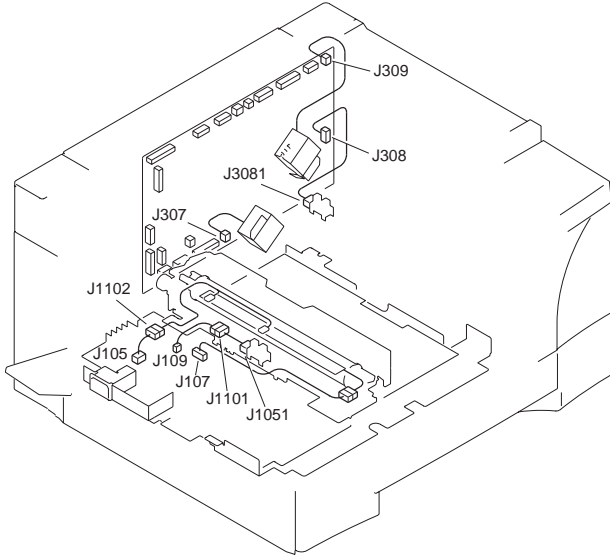
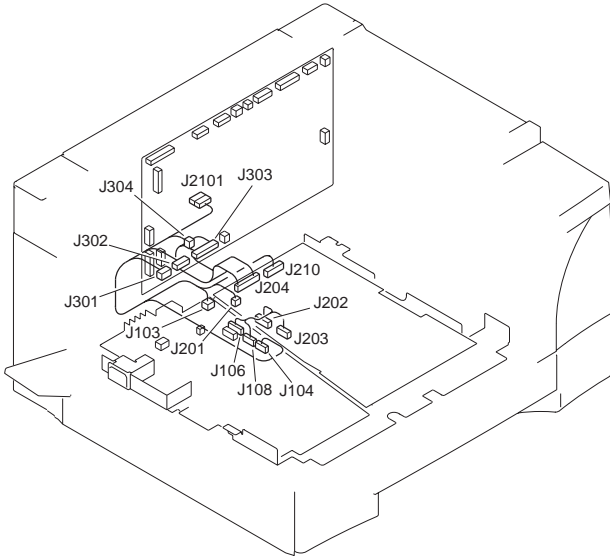
FIGURE & KEY NO.	PARTS NUMBER	RANK	QTY	DESCRIPTION	SERIAL NUMBER/REMARKS	SVC
Fig.950	FG6-8806-000		1	IMAGE PROCESSOR PCB ASSEMBLY	STR	
Fig.950	FG6-8807-000		1	IMAGE PROCESSOR PCB ASSEMBLY	LUK	
Fig.950	FG6-8809-000		1	IMAGE PROCESSOR PCB ASSEMBLY	PVR,PVX	
Fig.950	FG6-8810-000		1	IMAGE PROCESSOR PCB ASSEMBLY	UIA	
Fig.950	FG6-8811-000		1	IMAGE PROCESSOR PCB ASSEMBLY	LUL	
Fig.950	FG6-8812-000		1	IMAGE PROCESSOR PCB ASSEMBLY	ZTR	
Fig.950	FG6-8813-000		1	IMAGE PROCESSOR PCB ASSEMBLY	LUM	
Fig.950	FG6-8814-000		1	IMAGE PROCESSOR PCB ASSEMBLY	ZTS,ZUF	
Fig.950	FG6-8816-000		1	IMAGE PROCESSOR PCB ASSEMBLY	QTK,TTH,UHA,UUM,UUX, UUY,UUZ	
Fig.950	FG6-8817-000		1	IMAGE PROCESSOR PCB ASSEMBLY	STS	
Fig.950	FG6-8818-000		1	IMAGE PROCESSOR PCB ASSEMBLY	LUP	
Fig.950	FG6-8819-000		1	IMAGE PROCESSOR PCB ASSEMBLY	ZTT	
Fig.950	FG6-8821-000		1	IMAGE PROCESSOR PCB ASSEMBLY	QTJ,TTG,UGA,UUK,UUU, UUV,UUW	
Fig.950	FG6-8822-000		1	IMAGE PROCESSOR PCB ASSEMBLY	ZTU	

FIGURE & KEY NO.	PARTS NUMBER	R A N K	Q'TY	DESCRIPTION	SERIAL NUMBER/ REMARKS	S V C
Fig.950	FG6-9438-000		1	IMAGE PROCESSOR PCB ASSEMBLY	ZTX	
Fig.950	FG6-9442-000		1	IMAGE PROCESSOR PCB ASSEMBLY	ZTV	
Fig.950	FG6-9443-000		1	IMAGE PROCESSOR PCB ASSEMBLY	RTX	
Fig.950	FG6-9444-000		1	IMAGE PROCESSOR PCB ASSEMBLY	RTV	
Fig.950	FG6-9445-000		1	IMAGE PROCESSOR PCB ASSEMBLY	PVS,PVY	
Fig.950	FG6-9446-000		1	IMAGE PROCESSOR PCB ASSEMBLY	RTY	
Fig.950	FG6-9447-000		1	IMAGE PROCESSOR PCB ASSEMBLY	RTW	
Fig.950	FG6-9812-000		1	IMAGE PROCESSOR PCB ASSEMBLY	LUU,ZTQ,ZUE	
Fig.950	FG6-9814-000		1	IMAGE PROCESSOR PCB ASSEMBLY	LUV	
Fig.950	FM5-1004-000		1	IMAGE PROCESSOR PCB ASSEMBLY	JHJ,JHN	
Fig.950	FM5-1016-000		1	IMAGE PROCESSOR PCB ASSEMBLY	JHQ	
Fig.950	FM5-1017-000		1	IMAGE PROCESSOR PCB ASSEMBLY	JHP,JHH,JHM	
Fig.950	FM5-5275-000		1	IMAGE PROCESSOR PCB ASSEMBLY	JHK	
Fig.950	FM5-5320-000		1	IMAGE PROCESSOR PCB ASSEMBLY	JXY,JXZ	
Fig.950	FM5-5323-000		1	IMAGE PROCESSOR PCB ASSEMBLY	KAB,KAC	
Fig.950	FM5-5324-000		1	IMAGE PROCESSOR PCB ASSEMBLY	KAD	
1	FM5-5321-000		1	DIMM ASS'Y	JXY,JXZ,KAB,KAC	
1	FM5-5325-000		1	DIMM ASS'Y	KAD	
1	FG6-8552-030		1	DIMM ASS'Y	LUK,LUL,LUM,LUP	
1	FG6-9441-020		1	DIMM ASS'Y	ZTV	
1	FG6-9441-020		1	DIMM ASS'Y	ZTX	
1	FG6-9802-000		1	DIMM ASS'Y	PVS,PVY	
1	FG6-9809-020		1	DIMM ASS'Y	PVR,PVX,QTJ,QTK,TTG, TTH,UGA,UHA,UIA,UUK, UUM,UUU,UUV,UUW,UU X,UUY,UUZ	
1	FG6-9809-020		1	DIMM ASS'Y	RTV,RTW,RTX,RTY	
1	FG6-9811-020		1	DIMM ASS'Y	STR,STS,ZTS,ZTT,ZUF	
1	FG6-9811-020		1	DIMM ASS'Y	ZTR,ZTU	
1	FG6-9823-000		1	DIMM ASS'Y	LUU,LUV,ZTQ,ZUE	
1	FM5-1006-000		1	DIMM ASS'Y	JHH,JHM,JHJ,JHN	
1	FM5-1019-000		1	DIMM ASS'Y	JHP,JHQ	
1	FM5-5276-000		1	DIMM ASS'Y	JHK	

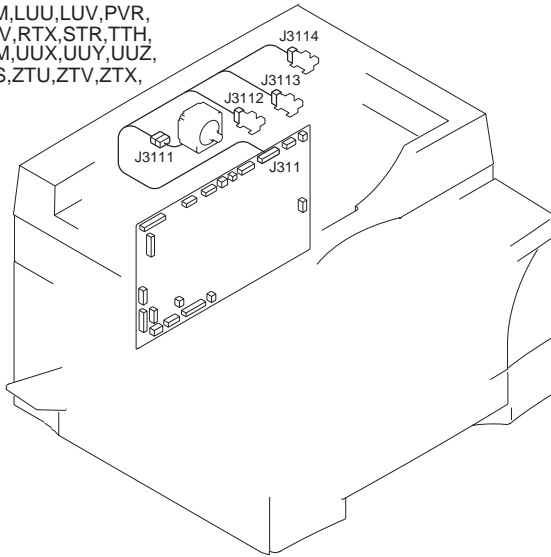
FIGURE & KEY NO.	PARTS NUMBER	R A N K	Q'TY	DESCRIPTION	SERIAL NUMBER/ REMARKS	S V C
BAT1	WK1-5112-000		1	LITHIUM BATTERY, CR2450VN75N		
BAT2	WK1-5133-000		1	BATTERY, LI-AI/V205,VL2330/G1C		

FIGURE B LIST OF CONNECTORS

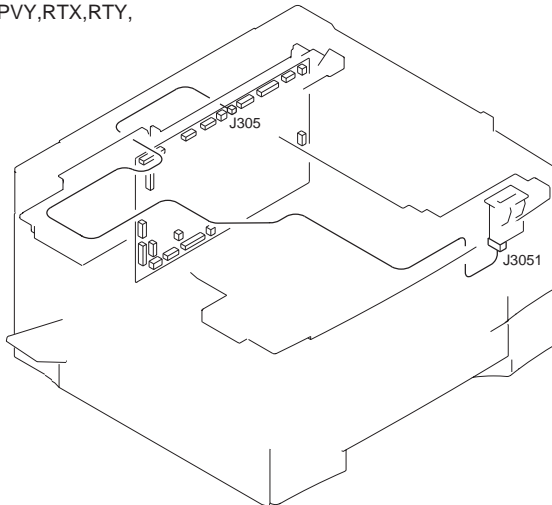




LUK,LUL,LUM,LUU,LUV,PVR,
PVX,QTK,RTV,RTX,STR,TTH,
UHA,UIA,UUM,UUX,UUY,UUZ,
ZTQ,ZTR,ZTS,ZTU,ZTV,ZTX,
ZUE,ZUF

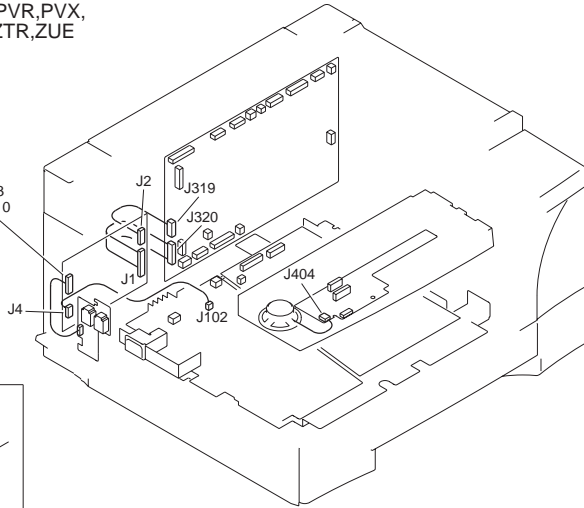


PVR,PVS,PVX,PVY,RTX,RTY,
STR,STS

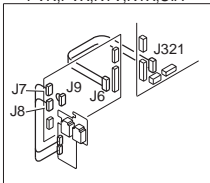


LUK,LUL,LUU,LUV,PVR,PVX,
RTV,RTX,UIA,ZTQ,ZTR,ZUE

LUK,LUL,LUU,LUV: J3
ZTQ,ZTR,ZUE: J10



PVR,PVX,RTV,RTX,UIA



LUK,LUP,LUU,PVR,PVS,PVX,
PVY,QTJ,QTK,RTV,RTW,RTX,
RTY,STR,STS,TTG,TTH,UGA,
UHA,UIA,UUK,UUM,UUU,UUV,
UUW,UUX,UUY,UUZ,ZTQ,ZTS,
ZTT,ZTV,ZUE,ZUF

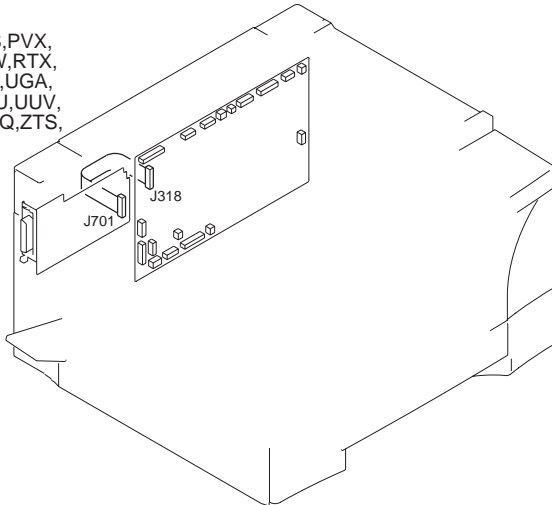


FIGURE & KEY NO.	PARTS NUMBER	RANK	Q'TY	DESCRIPTION	SERIAL NUMBER/REMARKS	SVC
Fig.B	NPN		RF	LIST OF CONNECTORS		
J1	PCB		1	NCU BOARD	LUK,LUL,LUU,LUV,PVR,PVX,RTV,RTX,UIA,ZTQ,ZTR,ZUE	
J1	FH2-6936-000		1	CABLE, FLAT	LUK,LUL,LUU,LUV,PVR,PVX,RTV,RTX,UIA,ZTQ,ZTR,ZUE	
J2	PCB		1	NCU BOARD	LUK,LUL,LUU,LUV,PVR,PVX,RTV,RTX,UIA,ZTQ,ZTR,ZUE	
J2	VS3-5080-006		1	CONNECTOR, 6P, FEMALE	LUK,LUL,LUU,LUV,PVR,PVX,RTV,RTX,UIA,ZTQ,ZTR,ZUE	
J2	WT1-5155-000		6	TERMINAL	LUK,LUL,LUU,LUV,PVR,PVX,RTV,RTX,UIA,ZTQ,ZTR,ZUE	
J3	PCB		1	NCU BOARD	LUK,LUL,LUU,LUV	
J3	PCB		1	MODULAR BOARD	LUK,LUL,LUU,LUV	
J4	PCB		1	NCU BOARD	LUK,LUL,LUU,LUV,PVR,PVX,RTV,RTX,UIA,ZTQ,ZTR,ZUE	
J4	VS3-5080-002		1	CONNECTOR, 2P, MALE	LUK,LUL,LUU,LUV,PVR,PVX,RTV,RTX,UIA,ZTQ,ZTR,ZUE	
J4	WT1-5155-000		2	TERMINAL	LUK,LUL,LUU,LUV,PVR,PVX,RTV,RTX,UIA,ZTQ,ZTR,ZUE	
J6	PCB		1	NCU BOARD	PVR,PVX,RTV,RTX,UIA	
J6	FH2-6935-000		1	CABLE, FLAT	PVR,PVX,RTV,RTX,UIA	
J7	PCB		1	NCU BOARD	PVR,PVX,RTV,RTX,UIA	
J7	PCB		1	MODULAR BOARD	PVR,PVX,RTV,RTX,UIA	
J8	PCB		1	NCU BOARD	PVR,PVX,RTV,RTX,UIA	
J8	PCB		1	MODULAR BOARD	PVR,PVX,RTV,RTX,UIA	
J10	PCB		1	NCU BOARD	ZTQ,ZTR,ZUE	
J10	PCB		1	MODULAR BOARD	ZTQ,ZTR,ZUE	
J102	PCB		1	DC POWER SUPPLY	LUK,LUL,LUU,LUV,PVR,PVX,RTV,RTX,UIA,ZTQ,ZTR,ZUE	
J102	VS3-5080-002		1	CONNECTOR, 2P, MALE	LUK,LUL,LUU,LUV,PVR,PVX,RTV,RTX,UIA,ZTQ,ZTR,ZUE	
J102	VS3-5080-002		1	CONNECTOR, 2P, MALE	ZTR,ZUE	

FIGURE & KEY NO.	PARTS NUMBER	RANK	Q'TY	DESCRIPTION	SERIAL NUMBER/REMARKS	SVC
J102	WT1-5155-000		2	TERMINAL	LUK,LUL,LUU,LUV,PVR, PVX,RTV,RTX,UIA,ZTQ, ZTR,ZUE	
J103	PCB		1	DC POWER SUPPLY		
J103	VS1-5824-004		1	CONNECTOR, 4P, FEMALE		
J103	WS3-5358-000		4	SOCKET CONTACT, 22-26AWG		
J104	PCB		1	DC POWER SUPPLY		
J104	VS1-6314-008		1	CONNECTOR, 8P, FEMALE		
J105	PCB		1	DC POWER SUPPLY		
J105	VS1-0842-004		1	CONNECTOR, 4P, FEMALE		
J106	PCB		1	DC POWER SUPPLY		
J106	VS1-6314-010		1	CONNECTOR, 10P, FEMALE		
J107	PCB		1	DC POWER SUPPLY		
J107	VS3-5118-003		1	CONNECTOR, 3P, FEMALE		
J107	WS3-1226-000		2	SOCKET CONTACT		
J108	PCB		1	DC POWER SUPPLY		
J108	VS1-6314-009		1	CONNECTOR, 9P, FEMALE		
J109	PCB		1	DC POWER SUPPLY		
J109	VS1-0842-003		1	CONNECTOR, 3P, FEMALE		
J201	PCB		1	DC CONTROLLER		
J201	VS1-0842-003		1	CONNECTOR, 3P, FEMALE		
J202	PCB		1	DC CONTROLLER		
J202	VS1-6314-010		1	CONNECTOR, 10P, FEMALE		
J203	PCB		1	DC CONTROLLER		
J203	VS1-6314-009		1	CONNECTOR, 9P, FEMALE		
J204	PCB		1	DC CONTROLLER		
J204	FH2-6933-000		1	CABLE, FLAT		
J210	PCB		1	DC CONTROLLER		
J210	VS1-6321-011		1	CONNECTOR, 11P, FEMALE		
J301	PCB		1	IMAGE PROCESSOR		
J301	VS1-5824-004		1	CONNECTOR, 4P, FEMALE		
J301	WS3-5358-000		4	SOCKET CONTACT, 22-26AWG		
J302	PCB		1	IMAGE PROCESSOR		

FIGURE & KEY NO.	PARTS NUMBER	RANK	Q'TY	DESCRIPTION	SERIAL NUMBER/REMARKS	SVC
J302	VS1-6314-008		1	CONNECTOR, 8P, FEMALE		
J303	PCB		1	IMAGE PROCESSOR		
J303	FH2-6933-000		1	CABLE, FLAT		
J304	PCB		1	IMAGE PROCESSOR		
J304	VS1-0842-003		1	CONNECTOR, 3P, FEMALE		
J305	PCB		1	IMAGE PROCESSOR	PVR,PVS,PVX,PVY,RTX,RTY,STR,STS	
J305	VS1-0842-002		1	CONNECTOR, 2P, FEMALE	PVR,PVS,PVX,PVY,RTX,RTY,STR,STS	
J307	PCB		1	IMAGE PROCESSOR		
J307	NPN		1	CASSETTE PICK-UP SOLENOID	SL2	
J308	PCB		1	IMAGE PROCESSOR		
J308	VS1-6314-003		1	CONNECTOR, 3P, FEMALE		
J309	NPN		1	MANUAL FEED PICK-UP SOLENOID	SL1	
J309	PCB		1	IMAGE PROCESSOR		
J310	PCB		1	IMAGE PROCESSOR		
J310	VS1-6314-004		1	CONNECTOR, 4P, FEMALE		
J311	PCB		1	IMAGE PROCESSOR	LUK,LUL,LUM,LUU,LUV,PVR,PVX,QTK,RTV,RTX,STR,TTH,UHA,UIA,UUM,UUX,UUY,UUZ,ZTQ,ZTR,ZTS,ZTU,ZTV,ZTX,ZUE,ZUF	
J311	VS1-6757-015		1	CONNECTOR, 15P, FEMALE	LUK,LUL,LUM,LUU,LUV,PVR,PVX,QTK,RTV,RTX,STR,TTH,UHA,UIA,UUM,UUX,UUY,UUZ,ZTQ,ZTR,ZTS,ZTU,ZTV,ZTX,ZUE,ZUF	
J311	WS3-5721-000		15	SOCKET CONTACT	LUK,LUL,LUM,LUU,LUV,PVR,PVX,QTK,RTV,RTX,STR,TTH,UHA,UIA,UUM,UUX,UUY,UUZ,ZTQ,ZTR,ZTS,ZTU,ZTV,ZTX,ZUE,ZUF	
J312	PCB		1	IMAGE PROCESSOR		
J312	VS1-6314-010		1	CONNECTOR, 10P, FEMALE		
J314	PCB		1	IMAGE PROCESSOR		
J314	VS1-6302-003		1	CONNECTOR, 3P, FEMALE		
J314	WS3-5569-000		2	SOCKET CONTACT, 22-28AWG		

FIGURE & KEY NO.	PARTS NUMBER	RANK	Q'TY	DESCRIPTION	SERIAL NUMBER/REMARKS	SVC
J315	PCB		1	IMAGE PROCESSOR		
J315	FH2-6932-000		1	CABLE, FLAT		
J316	PCB		1	IMAGE PROCESSOR		
J316	FH2-6934-000		1	CABLE, FLAT		
J317	PCB		1	IMAGE PROCESSOR		
J317	FF6-1443-000		1	CABLE, FLAT		
J318	PCB		1	IMAGE PROCESSOR	LUK,LUP,LUU,PVR,PVS, PVX,PVY,QTJ,QTK,RTV, RTW,RTX,RTY,STR,STS, TTG,TTH,UGA,UHA,UIA, UUK,UUM,UUU,UUV,UU W, UUX,UUY,UUZ,ZTQ,ZTS, ZTT,ZTV,ZUE,ZUF	
J318	FH2-6937-000		1	CABLE, FLAT	LUK,LUP,LUU,PVR,PVS, PVX,PVY,QTJ,QTK,RTV, RTW,RTX,RTY,STR,STS, TTG,TTH,UGA,UHA,UIA, UUK,UUM,UUU,UUV,UU W, UUX,UUY,UUZ,ZTQ,ZTS, ZTT,ZTV,ZUE,ZUF	
J319	PCB		1	IMAGE PROCESSOR	LUK,LUL,LUU,LUV,PVR, PVX,RTV,RTX,UIA,ZTQ, ZTR,ZUE	
J319	VS3-5080-006		1	CONNECTOR, 6P, FEMALE	LUK,LUL,LUU,LUV,PVR, PVX,RTV,RTX,UIA,ZTQ, ZTR,ZUE	
J319	WT1-5155-000		6	TERMINAL	LUK,LUL,LUU,LUV,PVR, PVX,RTV,RTX,UIA,ZTQ, ZTR,ZUE	
J320	PCB		1	IMAGE PROCESSOR	LUK,LUL,LUU,LUV,PVR, PVX,RTV,RTX,UIA,ZTQ, ZTR,ZUE	
J320	FH2-6936-000		1	CABLE, FLAT	LUK,LUL,LUU,LUV,PVR, PVX,RTV,RTX,UIA,ZTQ, ZTR,ZUE	
J321	PCB		1	IMAGE PROCESSOR	PVR,PVX,RTV,RTX,UIA	
J321	FH2-6935-000		1	CABLE, FLAT	PVR,PVX,RTV,RTX,UIA	
J401	PCB		1	CONTROL PANEL		
J401	FH2-6932-000		1	CABLE, FLAT		
J402	PCB		1	CONTROL PANEL		
J402	NPN		1	LCD PANEL		
J403	PCB		1	CONTROL PANEL		

FIGURE & KEY NO.	PARTS NUMBER	RANK	Q'TY	DESCRIPTION	SERIAL NUMBER/REMARKS	SVC
J403	NPN		1	MEMBRANE SWITCH		
J404	PCB		1	CONTROL PANEL	LUK,LUL,LUU,LUV,PVR,PVX,RTV,RTX,UIA,ZTQ,ZTR,ZUE	
J404	NPN		1	SPEAKER	LUK,LUL,LUU,LUV,PVR,PVX,RTV,RTX,UIA,ZTQ,ZTR,ZUESP1	
J501	PCB		1	ANALOG PROCESSOR		
J501	FF6-1443-000		1	CABLE, FLAT		
J502	PCB		1	ANALOG PROCESSOR		
J502	FH2-6931-000		1	CABLE, FLAT		
J503	PCB		1	ANALOG PROCESSOR		
J503	FH2-6929-000		1	CABLE, FLAT		
J504	NPN		1	CONTACT SENSOR		
J504	FH2-6929-000		1	CABLE, FLAT		
J601	PCB		1	READER SENSOR		
J601	FH2-6931-000		1	CABLE, FLAT		
J701	PCB		1	PRINTER CONTROLLER	LUK,LUP,LUU,PVR,PVS,PVX,PVY,QTJ,QTK,RTV,RTW,RTX,RTY,STR,STS,TTG,TTH,UGA,UHA,UIA,UUK,UUM,UUU,UUV,UUW,UUX,UUY,UUZ,ZTQ,ZTS,ZTT,ZTV,ZUE,ZUF	
J701	FH2-6937-000		1	CABLE, FLAT	LUK,LUP,LUU,PVR,PVS,PVX,PVY,QTJ,QTK,RTV,RTW,RTX,RTY,STR,STS,TTG,TTH,UGA,UHA,UIA,UUK,UUM,UUU,UUV,UUW,UUX,UUY,UUZ,ZTQ,ZTS,ZTT,ZTV,ZUE,ZUF	
J801	NPN		1	LASER UNIT		
J801	FH2-6934-000		1	CABLE, FLAT		
J1051	NPN		1	DELIVERY SENSOR	PS3	
J1051	VS1-0842-003		1	CONNECTOR, 3P, FEMALE		
J1101	VS1-0842-003		2	CONNECTOR, 3P, FEMALE		
J1101	VS1-5057-003		1	CONNECTOR, SNAP TIGHT		
J1102	NPN		1	THERMISTOR	TH1,TH2	
J1102	VS1-0842-004		1	CONNECTOR, 4P, FEMALE		

FIGURE & KEY NO.	PARTS NUMBER	RANK	Q'TY	DESCRIPTION	SERIAL NUMBER/REMARKS	SVC
J1102	VS1-5057-004		1	CONNECTOR, SNAP TIGHT		
J2101	SYS		1	FOR FACTORY		
J2101	VS1-5057-011		1	CONNECTOR, SNAP TIGHT		
J2101	VS1-6321-011		1	CONNECTOR, 11P, FEMALE		
J3051	NPN		1	COUNTER	PVR,PVS,PVX,PVY,RTX,RTY,STR,STSCNT1	
J3051	VS1-0842-002		1	CONNECTOR, 2P, FEMALE	PVR,PVS,PVX,PVY,RTX,RTY,STR,STS	
J3081	NPN		1	MANUAL FEED TRAY PAPER SENSOR	PS4	
J3081	VS1-6321-003		1	CONNECTOR, 3P, FEMALE		
J3102	VS1-5057-004		1	CONNECTOR, SNAP TIGHT		
J3102	VS1-5824-004		1	CONNECTOR, 4P, FEMALE		
J3102	VS1-6321-004		1	CONNECTOR, 4P, FEMALE		
J3102	WS3-5358-000		4	SOCKET CONTACT, 22-26AWG		
J3111	NPN		1	ADF MOTOR	LUK,LUL,LUM,LUU,LUV,PVR,PVX,QTK,RTV,RTX,STR,TTH,UHA,UIA,UUM,UUX,UUY,UUZ,ZTQ,ZTR,ZTS,ZTU,ZTV,ZTX,ZUE,ZUFM3	
J3111	VS1-5057-006		1	CONNECTOR, SNAP TIGHT	LUK,LUL,LUM,LUU,LUV,PVR,PVX,QTK,RTV,RTX,STR,TTH,UHA,UIA,UUM,UUX,UUY,UUZ,ZTQ,ZTR,ZTS,ZTU,ZTV,ZTX,ZUE,ZUF	
J3111	VS1-5824-006		1	CONNECTOR, 6P, FEMALE	LUK,LUL,LUM,LUU,LUV,PVR,PVX,QTK,RTV,RTX,STR,TTH,UHA,UIA,UUM,UUX,UUY,UUZ,ZTQ,ZTR,ZTS,ZTU,ZTV,ZTX,ZUE,ZUF	
J3111	WS3-5358-000		6	SOCKET CONTACT, 22-26AWG	LUK,LUL,LUM,LUU,LUV,PVR,PVX,QTK,RTV,RTX,STR,TTH,UHA,UIA,UUM,UUX,UUY,UUZ,ZTQ,ZTR,ZTS,ZTU,ZTV,ZTX,ZUE,ZUF	
J3112	NPN		1	ORIGINAL SENSOR	LUK,LUL,LUM,LUU,LUV,PVR,PVX,QTK,RTV,RTX,STR,TTH,UHA,UIA,UUM,UUX,UUY,UUZ,ZTQ,ZTR,	
J3112	NPN		1	ORIGINAL SENSOR	ZTS,ZTU,ZTV,ZTX,ZUE,ZUFPS6	

FIGURE & KEY NO.	PARTS NUMBER	RANK	Q'TY	DESCRIPTION	SERIAL NUMBER/REMARKS	SVC
J3112	VS1-6094-003		1	CONNECTOR, 3P, FEMALE	LUK,LUL,LUM,LUU,LUV, PVR,PVX,QTK,RTV,RTX, STR,TTH,UHA,UIA,UUM, UUX,UUY,UUZ,ZTQ,ZTR, ZTS,ZTU,ZTV,ZTX,ZUE, ZUF	
J3112	WS3-5358-000		3	SOCKET CONTACT, 22-26AWG	LUK,LUL,LUM,LUU,LUV, PVR,PVX,QTK,RTV,RTX, STR,TTH,UHA,UIA,UUM, UUX,UUY,UUZ,ZTQ,ZTR, ZTS,ZTU,ZTV,ZTX,ZUE, ZUF	
J3113	NPN		1	REGISTRATION SENSOR	LUK,LUL,LUM,LUU,LUV, PVR,PVX,QTK,RTV,RTX, STR,TTH,UHA,UIA,UUM, UUX,UUY,UUZ,ZTQ,ZTR, ZTS,ZTU,ZTV,ZTX,ZUE, ZUF PS7	
J3113	VS1-5824-003		1	CONNECTOR, 3P, FEMALE	LUK,LUL,LUM,LUU,LUV, PVR,PVX,QTK,RTV,RTX, STR,TTH,UHA,UIA,UUM, UUX,UUY,UUZ,ZTQ,ZTR, ZTS,ZTU,ZTV,ZTX,ZUE, ZUF	
J3113	WS3-5358-000		3	SOCKET CONTACT, 22-26AWG	LUK,LUL,LUM,LUU,LUV, PVR,PVX,QTK,RTV,RTX, STR,TTH,UHA,UIA,UUM, UUX,UUY,UUZ,ZTQ,ZTR, ZTS,ZTU,ZTV,ZTX,ZUE, ZUF	
J3114	NPN		1	ORIGINAL DELIVERY SENSOR	LUK,LUL,LUM,LUU,LUV, PVR,PVX,QTK,RTV,RTX, STR,TTH,UHA,UIA,UUM, UUX,UUY,UUZ,ZTQ,ZTR, ZTS,ZTU,ZTV,ZTX,ZUE, ZUF PS8	
J3114	VS1-5824-003		1	CONNECTOR, 3P, FEMALE	LUK,LUL,LUM,LUU,LUV, PVR,PVX,QTK,RTV,RTX, STR,TTH,UHA,UIA,UUM, UUX,UUY,UUZ,ZTQ,ZTR, ZTS,ZTU,ZTV,ZTX,ZUE, ZUF	
J3114	WS3-5358-000		3	SOCKET CONTACT, 22-26AWG	LUK,LUL,LUM,LUU,LUV, PVR,PVX,QTK,RTV,RTX, STR,TTH,UHA,UIA,UUM, UUX,UUY,UUZ,ZTQ,ZTR, ZTS,ZTU,ZTV,ZTX,ZUE, ZUF	
J3121	VS1-0842-004		1	CONNECTOR, 4P, FEMALE		
J3121	VS1-5057-004		1	CONNECTOR, SNAP TIGHT		
J3121	VS1-6321-004		1	CONNECTOR, 4P, FEMALE		
J3122	NPN		1	SCANNER MOTOR	M4	

FIGURE & KEY NO.	PARTS NUMBER	R A N K	Q'TY	DESCRIPTION	SERIAL NUMBER/ REMARKS	S V C
J3122	VS1-6225-004		1	CONNECTOR, 4P, FEMALE		
J3123	NPN		1	MAIN MOTOR	M1	
J3123	VS1-6321-003		1	CONNECTOR, 3P, FEMALE		
J3124	NPN		1	EXHAUST FAN	FM1	
J3124	VS1-5057-003		1	CONNECTOR, SNAP TIGHT		
J3124	VS1-6320-003		1	CONNECTOR, 3P, FEMALE		
J3126	NPN		1	READER MOTOR	M2	
J3126	VS3-0320-006		1	CONNECTOR, 6P, FEMALE		
J3126	WS3-1309-000		4	SOCKET CONTACT, 28AWG		

Prepared by
OFFICE IMAGING PRODUCTS QUALITY ASSURANCE CENTER
CANON INC.

Canon