

# 5 Parts List

**Overview**

Introduction ..... 5-3  
 Subsystem Information ..... 5-4  
 Symbology ..... 5-5

**Parts Lists**

**Drives**

PL 1.1 Drive Unit ..... 5-7  
 PL 1.2 Main Drive Motor Assembly ..... 5-8  
 PL 1.3 IBT Steering Motor and MOB Sensor ..... 5-9

**Paper Transportation**

PL 2.1 Tray 1: 1 of 2 ..... 5-10  
 PL 2.2 Tray 1: 2 of 2 ..... 5-11  
 PL 2.3 Tray 1 Feeder and Left Lower Cover Assembly ..... 5-12  
 PL 2.4 Tray 1 Feeder: 1 of 2 ..... 5-13  
 PL 2.5 Tray 1 Feeder: 2 of 2 ..... 5-14  
 PL 2.6 Registration Transport ..... 5-15  
 PL 2.7 Left Cover Unit ..... 5-16  
 PL 2.8 Left Cover Assembly: 1 of 2 ..... 5-17  
 PL 2.9 Left Cover Assembly: 2 of 2 ..... 5-18  
 PL 2.10 Exit Transport Assembly ..... 5-19  
 PL 2.11 Tray 5 (1 of 2) ..... 5-20  
 PL 2.12 Tray 5 (2 of 2) ..... 5-21  
 PL 2.13 Tray 5 Feed Assembly ..... 5-22  
 PL 2.14 Tray 5 Assembly ..... 5-23

**ROS**

PL 3.1 ROS Assembly ..... 5-24

**Xerographics**

PL 4.1 Xerographic Module: 1 of 2 ..... 5-25  
 PL 4.2 Xerographic Module: 2 of 2 ..... 5-26

**Transfer**

PL 5.1 Lift Unit ..... 5-27  
 PL 5.2 IBT Unit ..... 5-28  
 PL 5.3 IBT Belt Assembly ..... 5-29  
 PL 5.4 IBT Frame Assembly: 1 of 2 ..... 5-30  
 PL 5.5 IBT Frame Assembly: 2 of 2 ..... 5-31  
 PL 5.6 IBT Elevator ..... 5-32

**Development**

PL 6.1 Developer Unit: 1 of 2 ..... 5-33  
 PL 6.2 Developer Unit: 2 of 2 ..... 5-34

**Fuser**

PL 7.1 Fuser Assembly: 1 of 2 ..... 5-35  
 PL 7.2 Fuser Assembly: 2 of 2 ..... 5-36

**Air System**

PL 8.1 Air System ..... 5-37

**Electrical Components**

PL 9.1 Electrical Components: 1 of 4 ..... 5-38  
 PL 9.2 Electrical Components: 2 of 4 ..... 5-39  
 PL 9.3 Electrical Components: 3 of 4 ..... 5-40  
 PL 9.4 Electrical Components: 4 of 4 ..... 5-41

**Covers**

PL 10.1 Front Cover ..... 5-42  
 PL 10.2 Top Covers and Inner Covers ..... 5-43  
 PL 10.3 Rear Cover ..... 5-44

**Inverter**

PL 11.1 Inverter Transport: 1 of 2 ..... 5-45  
 PL 11.2 Inverter Transport: 2 of 2 ..... 5-46

**Duplex Transport**

PL 12.1 Duplex Transport Assembly: 1 of 2 ..... 5-47  
 PL 12.2 Duplex Transport Assembly: 2 of 2 ..... 5-48

**ESS Assembly**

PL 13.1 ESS Box Assembly ..... 5-49  
 PL 13.2 ESS PWB Unit ..... 5-50  
 PL 13.3 ESS Option ..... 5-51  
 PL 13.4 ESS Chassis Assembly (WC7328/7335/7345 Only) ..... 5-52

**1T 3T Modules**

PL 15.1 Tray 2/3/4 Feeders & Paper Trays ..... 5-53  
 PL 15.2 Tray Assembly ..... 5-54  
 PL 15.3 Tray 2 Feeder: 1 of 2 ..... 5-55  
 PL 15.4 Tray 2 Feeder: 2 of 2 ..... 5-56  
 PL 15.5 Tray 3 Feeder: 1 of 2 ..... 5-57  
 PL 15.6 Tray 3 Feeder: 2 of 2 ..... 5-58  
 PL 15.7 Tray 4 Feeder: 1 of 2 ..... 5-59  
 PL 15.8 Tray 4 Feeder: 2 of 2 ..... 5-60  
 PL 15.9 Electrical Components and Casters ..... 5-61  
 PL 15.10 Left Cover Assembly ..... 5-62  
 PL 15.11 Covers ..... 5-63

**Tray Module - TT**

PL 16.1 Tray 2/3/4 Assembly ..... 5-64  
 PL 16.2 Tray 2 ..... 5-65  
 PL 16.3 Tray 3 ..... 5-66  
 PL 16.4 Tray 4 ..... 5-67  
 PL 16.5 Paper Feeder: 1 of 2 ..... 5-68  
 PL 16.6 Paper Feeder: 2 of 2 ..... 5-69  
 PL 16.7 Tray 2 Feeder: 1 of 2 ..... 5-70

PL 16.8 Tray 2 Feeder: 2 of 2 .....	5-71	PL 21.4 Finisher Stack .....	5-114
PL 16.9 Tray 3 Feeder: 1 of 2 .....	5-72	PL 21.5 Finisher Punch .....	5-115
PL 16.10 Tray 3 Feeder: 2 of 2 .....	5-73	PL 21.6 Finisher Stapler .....	5-116
PL 16.11 Tray 4 Feeder: 1 of 2 .....	5-74	PL 21.7 Finisher Eject: 1 of 3 .....	5-117
PL 16.12 Tray 4 Feeder: 2 of 2 .....	5-75	PL 21.8 Finisher Eject: 2 of 3 .....	5-118
PL 16.13 Left Cover Assembly .....	5-76	PL 21.9 Finisher Eject: 3 of 3 .....	5-119
PL 16.14 Tray 3/4 Lift Gear Assembly .....	5-77	PL 21.10 Finisher Transport: 1 of 2 .....	5-120
PL 16.15 Electrical Components and Casters .....	5-78	PL 21.11 Finisher Transport: 2 of 2 .....	5-121
PL 16.16 Covers .....	5-79	PL 21.12 Finisher Electrical .....	5-122
<b>Office Finisher</b>			
PL 17.1 Finisher .....	5-80	PL 21.13 Finisher Harness .....	5-123
PL 17.2 Gate Assembly .....	5-81	PL 21.15 Booklet Accessory .....	5-124
PL 17.3 H-Transport Assembly: 1 of 2 .....	5-82	PL 21.16 Booklet Component - 1 .....	5-125
PL 17.4 H-Transport Assembly: 2 of 2 .....	5-83	PL 21.17 Booklet Component -2 (End Guide) .....	5-126
PL 17.5 Covers .....	5-84	PL 21.18 Booklet Component -3 .....	5-127
PL 17.6 Top Cover and Eject Roll .....	5-85	PL 21.19 Booklet Component -4 .....	5-128
PL 17.7 Paper Transportation: 1 of 2 .....	5-86	PL 21.20 Booklet Component -5 .....	5-129
PL 17.8 Paper Transportation: 2 of 2 .....	5-87	PL 21.21 Booklet Component -6 (Chute) .....	5-130
PL 17.9 Stapler Unit .....	5-88	PL 21.22 Booklet Component -7 .....	5-131
PL 17.10 Compiler Tray Assembly .....	5-89	PL 21.23 Booklet Tray Component .....	5-132
PL 17.11 Elevator .....	5-90	PL 21.24 H - Transport: 1 of 4 .....	5-133
PL 17.12 Exit Assembly .....	5-91	PL 21.25 H - Transport: 2 of 4 .....	5-134
PL 17.13 Electrical Components .....	5-92	PL 21.26 H - Transport: 3 of 4 .....	5-135
PL 17.14 Rack Assembly .....	5-93	PL 21.27 H - Transport: 4 of 4 .....	5-136
<b>IIT</b>			
PL 18.1 IIT Assembly .....	5-94	<b>Common Hardware</b>	
PL 18.2 Control Panel .....	5-95	Common Hardware .....	5-137
PL 18.3 Platen Glass, IIT/IPS PWB .....	5-96	Part Number Index .....	5-138
PL 18.4 CCD PWB, Sensor .....	5-97		
PL 18.5 Carriage Cable/ Motor .....	5-98		
PL 18.6 Full/Half Rate Carriage .....	5-99		
<b>Rack, Rear Wall</b>			
PL 19.1 Rack .....	5-100		
<b>DADF</b>			
PL 20.1 DADF Accessory .....	5-101		
PL 20.2 DADF Component Cover .....	5-102		
PL 20.3 DADF Base Cover .....	5-103		
PL 20.4 DADF Feeder Component .....	5-104		
PL 20.5 Top Cover Component .....	5-105		
PL 20.6 Takeaway Pinch Roll, Nudger Motor, Nudger/Feed Roll .....	5-106		
PL 20.7 DADF Feeder-Chute .....	5-107		
PL 20.8 DADF Feeder-Roll .....	5-108		
PL 20.9 Motor Unit Assembly .....	5-109		
PL 20.10 DADF Document Tray .....	5-110		
<b>A/P Finisher</b>			
PL 21.1 A/P Finisher .....	5-111		
PL 21.2 Finisher Cover: 1 of 2 .....	5-112		
PL 21.3 Finisher Cover: 2 of 2 .....	5-113		

# Introduction

## Overview

The Parts List section identifies all part numbers and the corresponding location of all spared subsystem components.

## Organization

### Parts Lists

Each item number in the part number listing corresponds to an item number in the related illustration. All the parts in a given subsystem of the machine will be located in the same illustration or in a series of associated illustrations.

### Electrical Connectors and Fasteners

This section contains the illustrations and descriptions of the plugs, jacks, and fasteners used in the machine. A part number listing of the connectors is included.

### Common Hardware

The common hardware is listed in alphabetical order by the letter or letters used to identify each item in the part number listing and in the illustrations. Dimensions are in millimeters unless otherwise identified.

### Part Number Index

This index lists all the spared parts in the machine in numerical order. Each number is followed by a reference to the parts list on which the part may be found.

## Other Information

### Abbreviations

Abbreviations are used in the parts lists and the exploded view illustrations to provide information in a limited amount of space. The following abbreviations are used in this manual:

Table 1

Abbreviation	Meaning
A3	297 x 594 Millimeters
A4	210 x 297 Millimeters
A5	148 x 210 Millimeters
AD	Auto Duplex
AWG	American Wire Gauge
EMI	Electro Magnetic Induction
GB	Giga Byte
KB	Kilo Byte
MB	Mega Byte
MM	Millimeters
MOD	Magneto Optical Drive
NOHAD	Noise Ozone Heat Air Dirt
PL	Parts List
P/O	Part of

Table 1

Abbreviation	Meaning
R/E	Reduction/Enlargement
REF:	Refer to
SCSI	Small Computer Systems Interface
W/	With
W/O	Without

Table 2

Operating Companies	
Abbreviation	Meaning
AO	Americas Operations
NASG - US	North American Solutions Group - US
NASG - Canada	North American Solutions Group - Canada
XE	Xerox Europe

## Symbology

Symbology used in the Parts List section is identified in the Symbology section.

## Service Procedure Referencing

If a part or assembly has an associated repair or adjustment procedure, the procedure number will be listed at the end of the part description in the parts lists e.g. (REP 5.1, ADJ 5.3)

## Subsystem Information

### Use of the Term “Assembly”

The term “assembly” will be used for items in the part number listing that include other itemized parts in the part number listing. When the word “assembly” is found in the part number listing, there will be a corresponding item number on the illustrations followed by a bracket and a listing of the contents of the assembly.

### Brackets

A bracket is used when an assembly or kit is spared, but is not shown in the illustration. The item number of the assembly or kit precedes the bracket; the item numbers of the piece parts follow the bracket.

### Tag

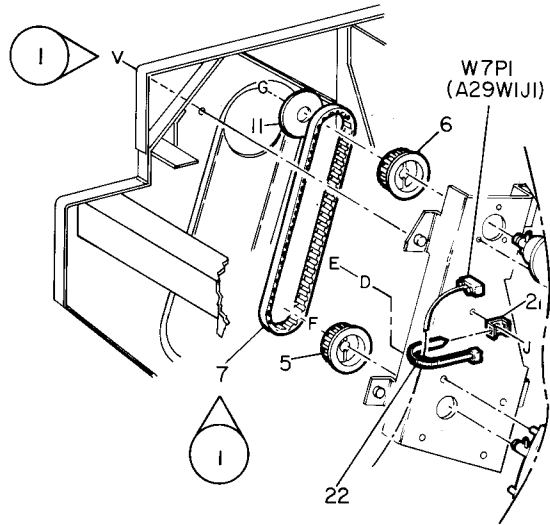
The notation “W/Tag” in the parts description indicates that the part configuration has been updated. Check the change Tag index in the General Information section of the Service Data for the name and purpose of the modification.

In some cases, a part or assembly may be spared in two versions: with the Tag and without the Tag. In those cases, use whichever part is appropriate for the configuration of the machine on which the part is to be installed. If the machine does not have a particular Tag and the only replacement part available is listed as “W/Tag”, install the Tag kit or all of the piece parts. The Change Tag Index tells you which kit or piece parts you need.

Whenever you install a Tag kit or all the piece parts that make up a Tag, mark the appropriate number on the Tag matrix.

## Symbology

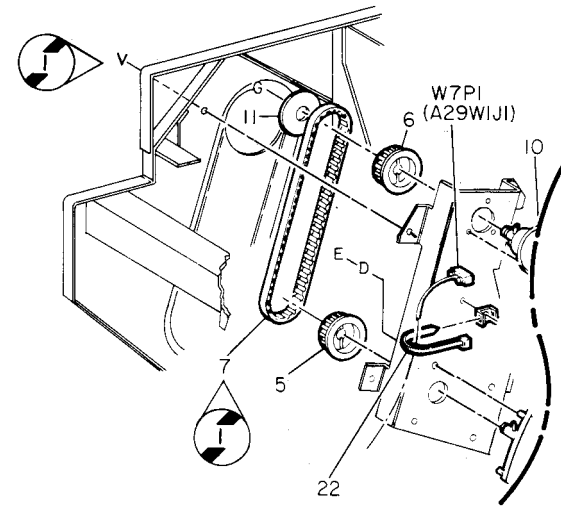
A Tag number within a circle pointing to an item number shows that the part has been changed by the tag number within the circle (Figure 1). Information on the modification is in the Change Tag Index.



O	Z004	A
850	PL	M I

Figure 1 With Tag Symbol

A Tag number within a circle having a shaded bar and pointing to an item number shows that the configuration of the part shown is the configuration before the part was changed by the Tag number within the circle (Figure 2).



O	Z005	A
850	PL	M I

Figure 2 Without Tag Symbol

A tag number within a circle with no apex shows that the entire drawing has been changed by the tag number within the circle (Figure 3). Information on the modification is in the Change Tag Index.

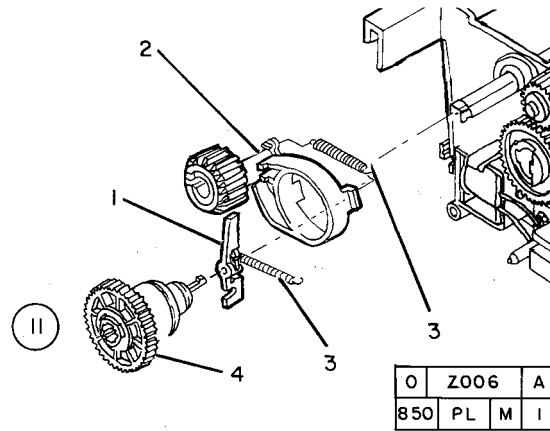


Figure 3 Entire Drawing With Tag Symbol

A tag number within a circle with no apex and having a shaded bar shows that the entire drawing was the configuration before being changed by the tag number within the circle (Figure 4).

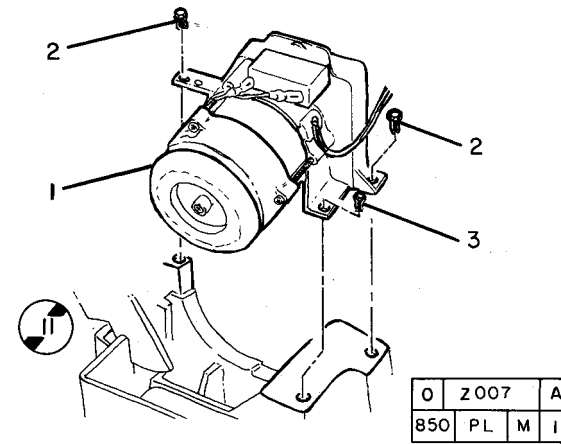
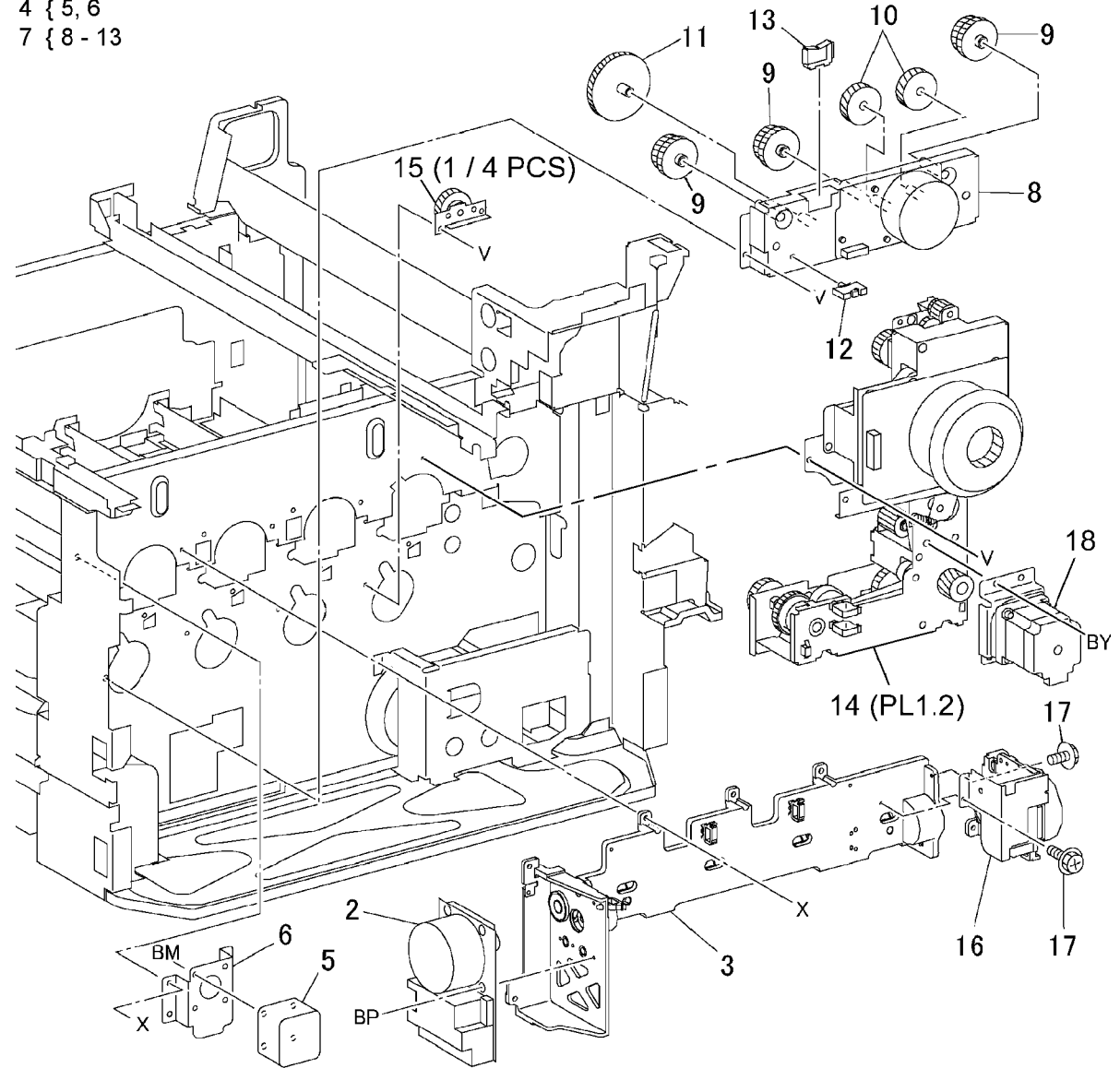


Figure 4 Entire Drawing Without Tag Symbol

# PL 1.1 Drive Unit

Item	Part	Description
1	007K88604	Drum Motor Assembly (REP 4.4)
-	007K97940	Drum Motor Assembly (WC7328/7335/7345 Only) (REP 4.4)
2	-	Drum Motor (Y, M, C) (P/O Item 1)
3	-	Gear Bracket (P/O Item 1)
4	007K87601	IBT Motor Assembly (REP 4.2)
5	-	IBT Motor (P/O Item 4)
6	-	Gear Bracket (P/O Item 4)
7	007K88661	Developer Drive Motor Assembly (REP 4.3)
-	007K97770	Developer Drive Motor Assembly (WC7328/7335/7345 Only) (REP 4.3)
8	-	Developer Drive Motor (P/O Item 7)
9	-	Gear (47/38T) (P/O Item 7)
10	-	Gear (51/25T) (P/O Item 7)
11	-	Gear (P/O Item 7) (76T)
12	-	Clamp (P/O Item 7)
13	-	Edge Saddle (P/O Item 7)
14	007K88114	Main Motor Assembly (REP 4.1)
15	007K87221	Developer Gear
16	-	Drum Motor (K) (P/O Item 1)
17	-	Screw (P/O Item 1)
18	127K38881	Take Away Motor

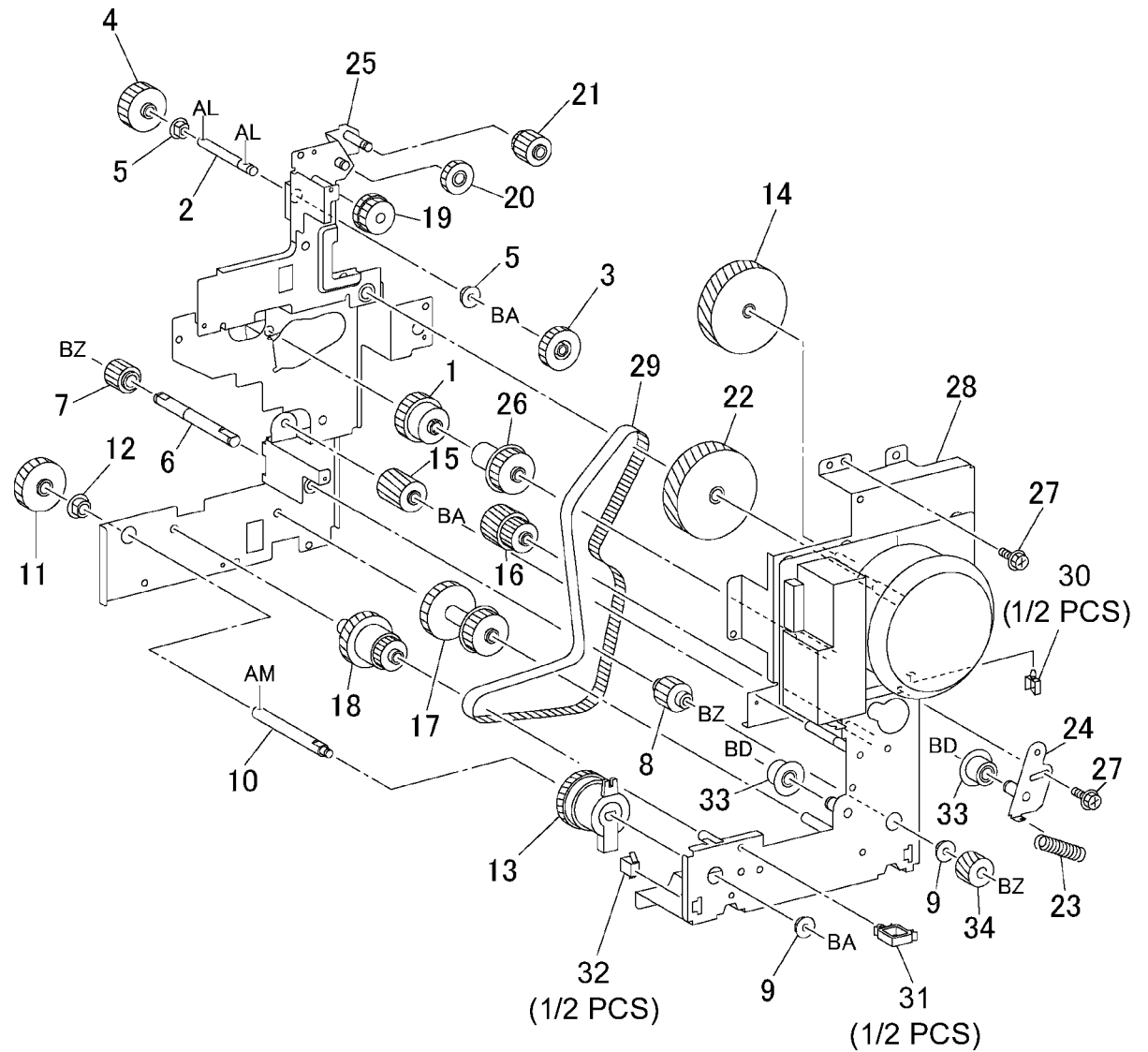
1 { 2, 3, 16, 17  
 4 { 5, 6  
 7 { 8 - 13



0501001A-COP

## PL 1.2 Main Drive Motor Assembly

Item	Part	Description
1	-	Friction Clutch (P/O PL1.1 Item 14)
2	-	Shaft (P/O PL1.1 Item 14)
3	-	Gear (32T) (P/O PL1.1 Item 14)
4	-	Gear (28T) (P/O PL1.1 Item 14)
5	-	Bearing (P/O PL1.1 Item 14)
6	-	Shaft (P/O PL1.1 Item 14)
7	-	Gear (20T) (P/O PL1.1 Item 14)
8	-	Gear (25T) (Not Spared)
9	-	Bearing (P/O PL1.1 Item 14)
10	-	Shaft (P/O PL1.1 Item 14)
11	-	Gear (39T) (P/O PL1.1 Item 14)
12	-	Bearing (P/O PL1.1 Item 14)
13	121K23270	Developer K Clutch
14	-	Gear (69/27T) (P/O PL1.1 Item 14)
15	-	Gear (23T) (P/O PL1.1 Item 14)
16	-	Gear (28/22T) (P/O PL1.1 Item 14)
17	-	Gear (45/30T) (P/O PL1.1 Item 14)
18	-	Gear (41/25T) (P/O PL1.1 Item 14)
19	-	Gear (24/20T) (P/O PL1.1 Item 14)
20	-	Gear (19T) (P/O PL1.1 Item 14)
21	-	Gear (18T) (P/O PL1.1 Item 14)
22	-	Gear (73/23T) (P/O PL1.1 Item 14)
23	-	Spring (P/O PL1.1 Item 14)
24	-	Tension Bracket (P/O PL1.1 Item 14)
25	-	Bracket (P/O PL1.1 Item 14)
26	-	Pulley (P/O PL1.1 Item 14)
27	-	Screw (P/O PL1.1 Item 14)
28	-	Main Motor (P/O PL1.1 Item 14)
29	-	Belt (P/O PL1.1 Item 14)
30	-	Clamp (P/O PL1.1 Item 14)
31	-	Clamp (P/O PL1.1 Item 14)
32	-	Connector (P/O PL1.1 Item 14)
33	-	Pulley (P/O PL1.1 Item 14)
34	-	Gear (30T) (P/O PL1.1 Item 14)



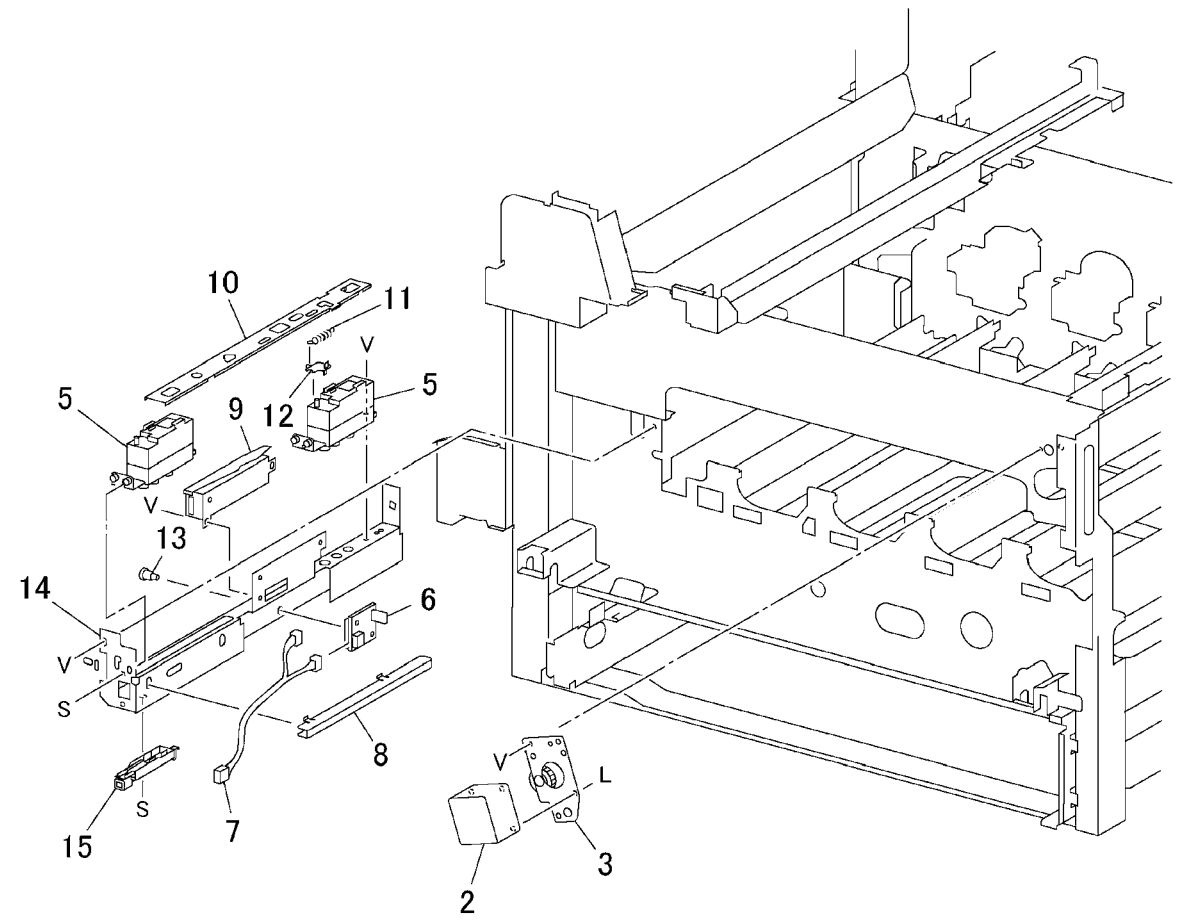
0501002A-COP



# PL 1.3 IBT Steering Motor and MOB Sensor

Item	Part	Description
1	007K85582	IBT Steering Drive Assembly (REP 9.12)
2	-	IBT Steering Motor (P/O Item 1)
3	-	Plate (P/O Item 1)
4	130K60867	MOB Sensor Assembly (REP 9.14)
5	-	MOB Sensor (P/O Item 4)
6	-	Environment Sensor (P/O Item 4)
7	-	Wire Harness (P/O Item 4)
8	-	Cover (P/O Item 4)
9	-	ADC Sensor (P/O Item 4)
10	-	Shutter (P/O Item 4)
11	-	Spring (P/O Item 4)
12	-	Link (P/O Item 4)
13	-	Spacer (P/O Item 4)
14	-	MOB Bracket (P/O Item 4)
15	-	Slide (P/O Item 4)

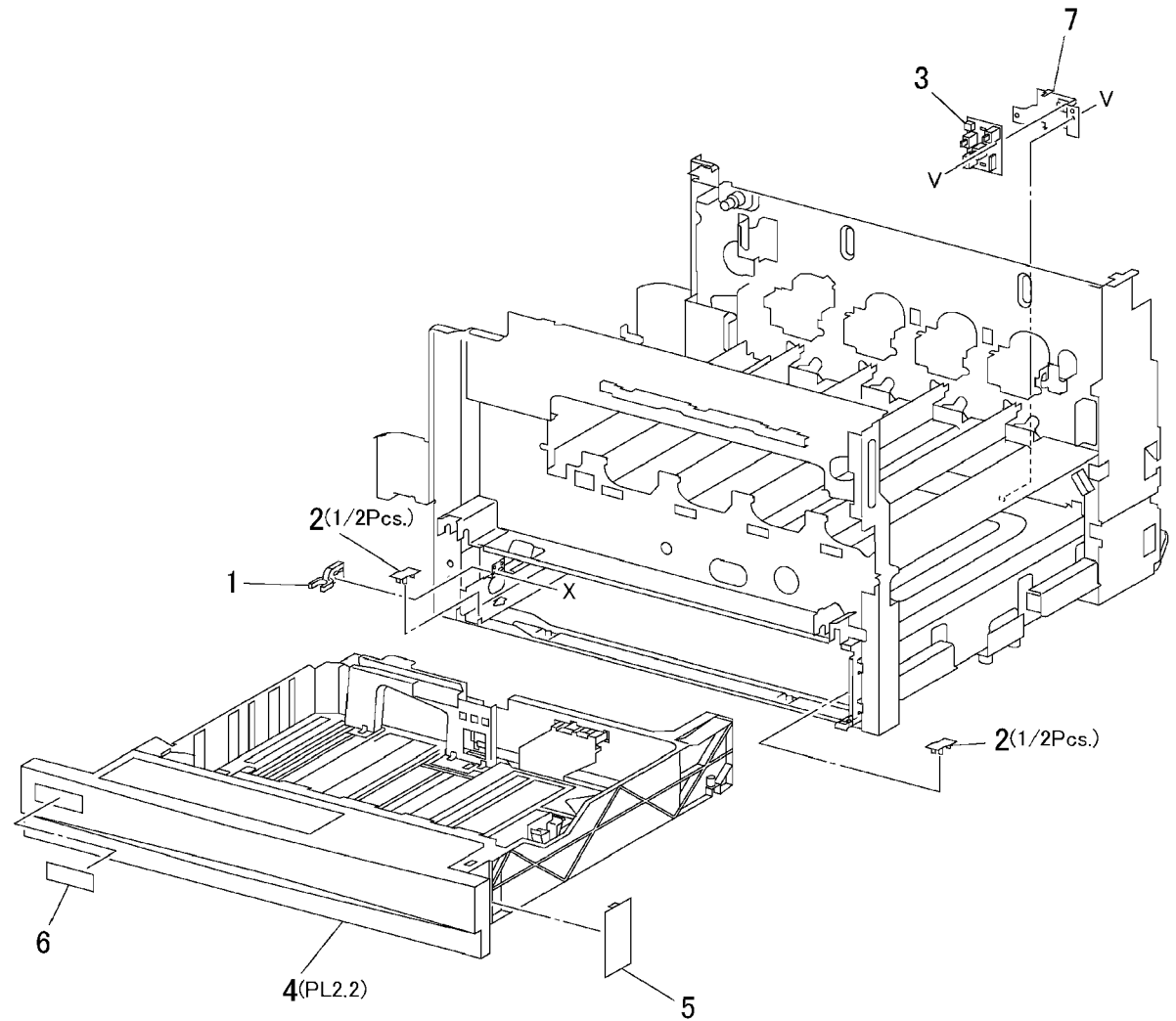
1 { 2, 3  
4 { 5 - 15



0501003A-SPD

## PL 2.1 Tray 1: 1 of 2

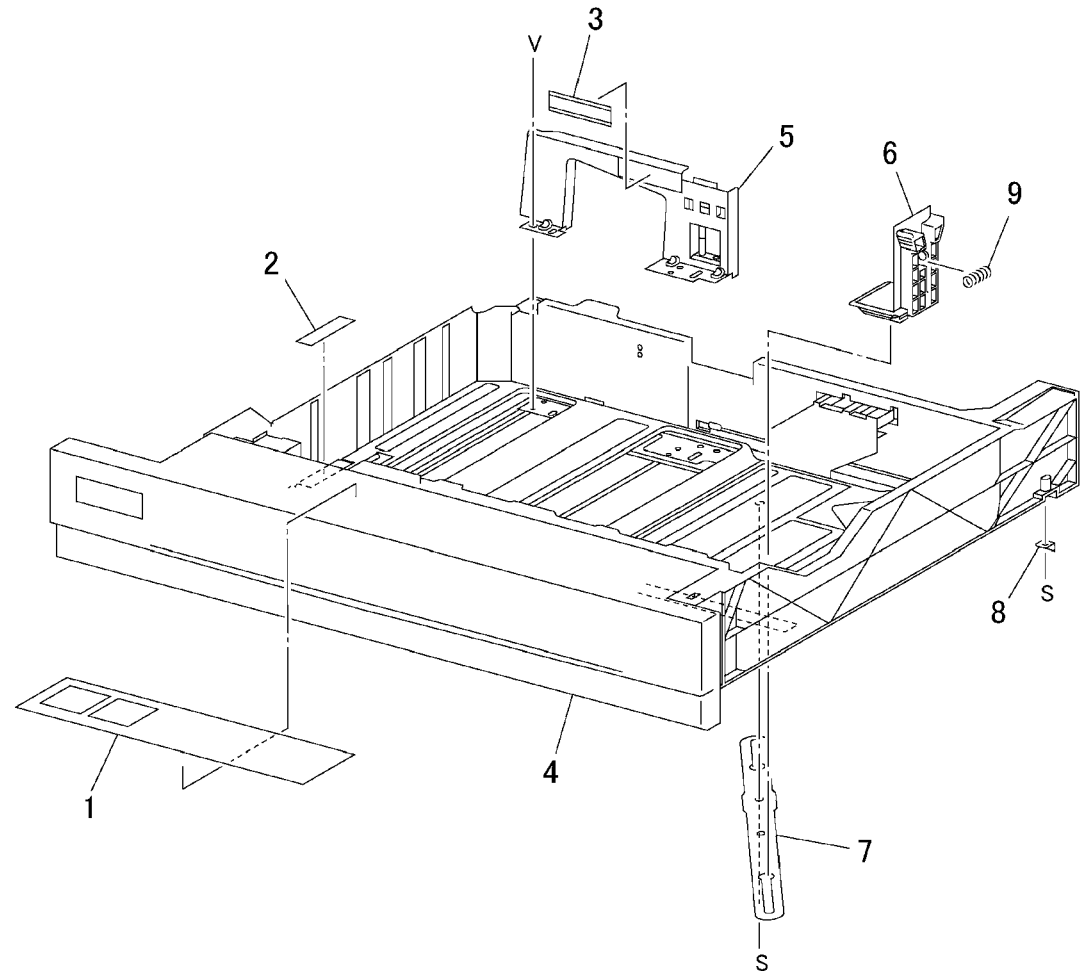
Item	Part	Description
1	003E23672	Stop
2	014E42850	Spacer
3	110K12990	Tray 1 Paper Size Sensor (REP 7.5)
4	050K49613	Tray 1 (REP 7.8)
5	-	Cover (Not Spared)
6	892E82830	Label (1)
7	-	Bracket (Not Spared)



0502001A-SPD

## PL 2.2 Tray 1: 2 of 2

Item	Part	Description
1	892E90351	Instruction Label (WC7328/7335/7345 Only)
-	892E97560	Instruction Label (XC)
2	-	Pad (P/O PL2.1 Item 4)
3	-	Max Label (P/O PL2.1 Item 4)
4	-	Tray (P/O PL2.1 Item 4)
5	-	Side Guide (P/O PL2.1 Item 4)
6	-	End Guide (P/O PL2.1 Item 4)
7	-	Link (P/O PL2.1 Item 4)
8	-	Stop (P/O PL2.1 Item 4)
9	-	Spring (P/O PL2.1 Item 4)

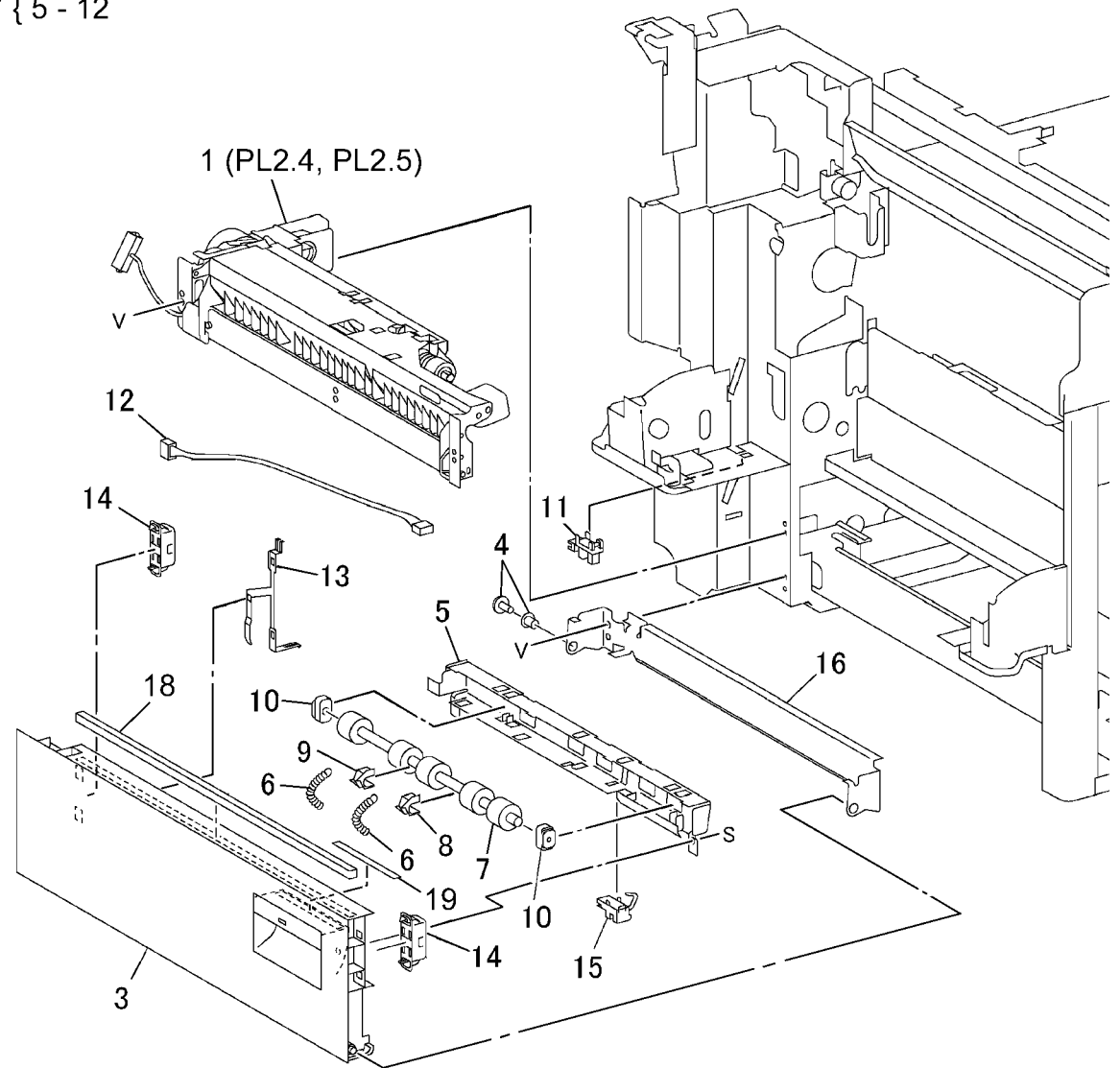


0502002A-SPD

## PL 2.3 Tray 1 Feeder and Left Lower Cover Assembly

Item	Part	Description
1	059K15577	Tray 1 Feeder (REP 7.3)
2	802K56394	Left Lower Cover Assembly (REP 14.6)
3	-	Left Lower Cover (P/O Item 2)
4	029E31600	Rivet
5	-	Bracket (P/O Item 2, Item 17)
6	-	Spring (P/O Item 2, Item 17)
7	-	Pinch Roll (P/O Item 2, Item 17)
8	-	Bearing (P/O Item 2, Item 17)
9	-	Bearing (P/O Item 2, Item 17)
10	-	Bearing (P/O Item 2, Item 17)
11	130E82190	LH Lower Cover Interlock Switch
12	-	Wire Harness (P/O Item 2, Item 17)
13	-	Ground Plate (P/O Item 2)
14	-	Magnet (P/O Item 2)
15	130K60851	Tray 1 Feed Out Sensor
16	-	Bracket (Not Spared)
17	-	Pinch Roll Assembly
18	-	Seal (P/O Item 2)
19	-	Seal (P/O Item 2)

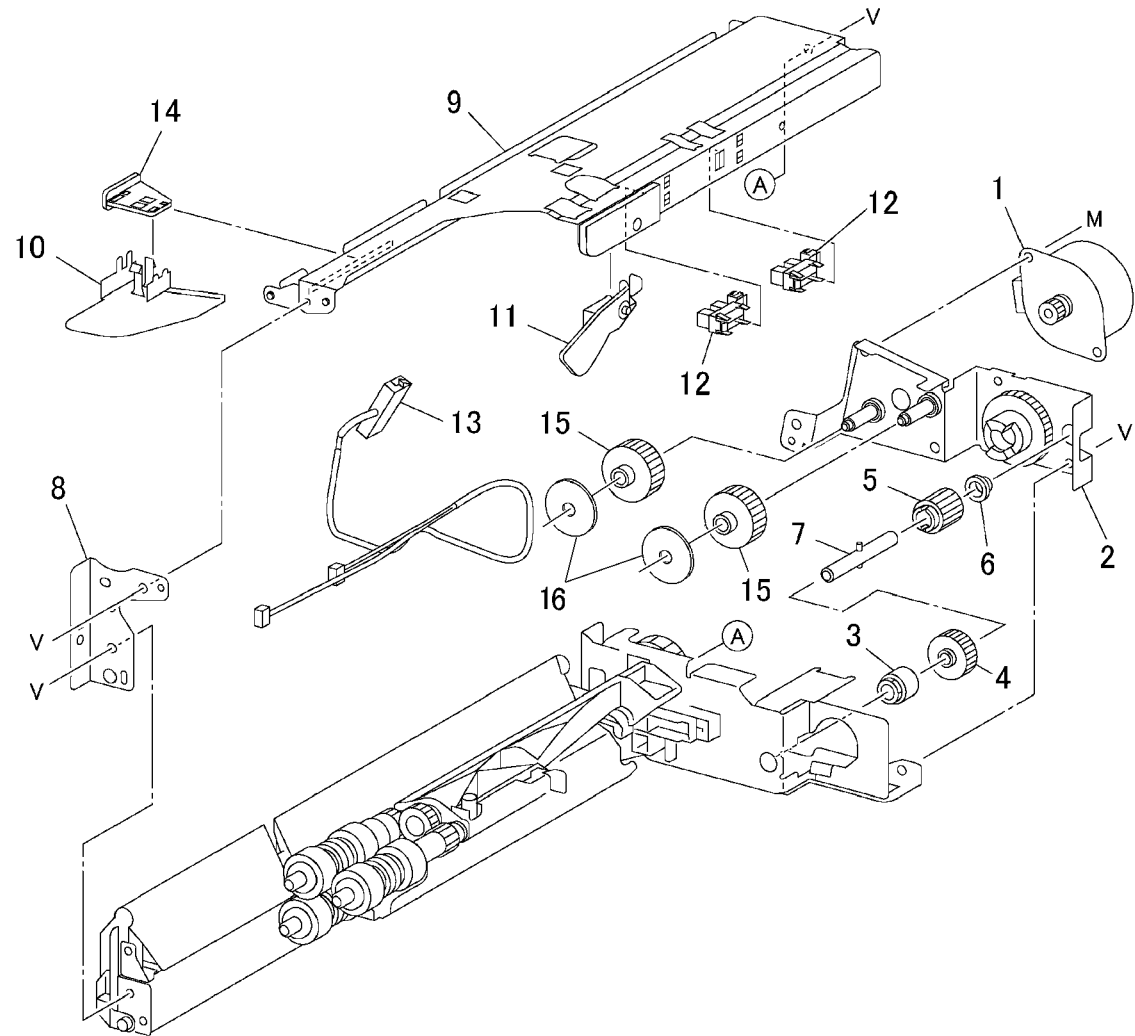
2 { 3, 5 - 14, 18, 19  
17 { 5 - 12



0502003A-C

## PL 2.4 Tray 1 Feeder: 1 of 2

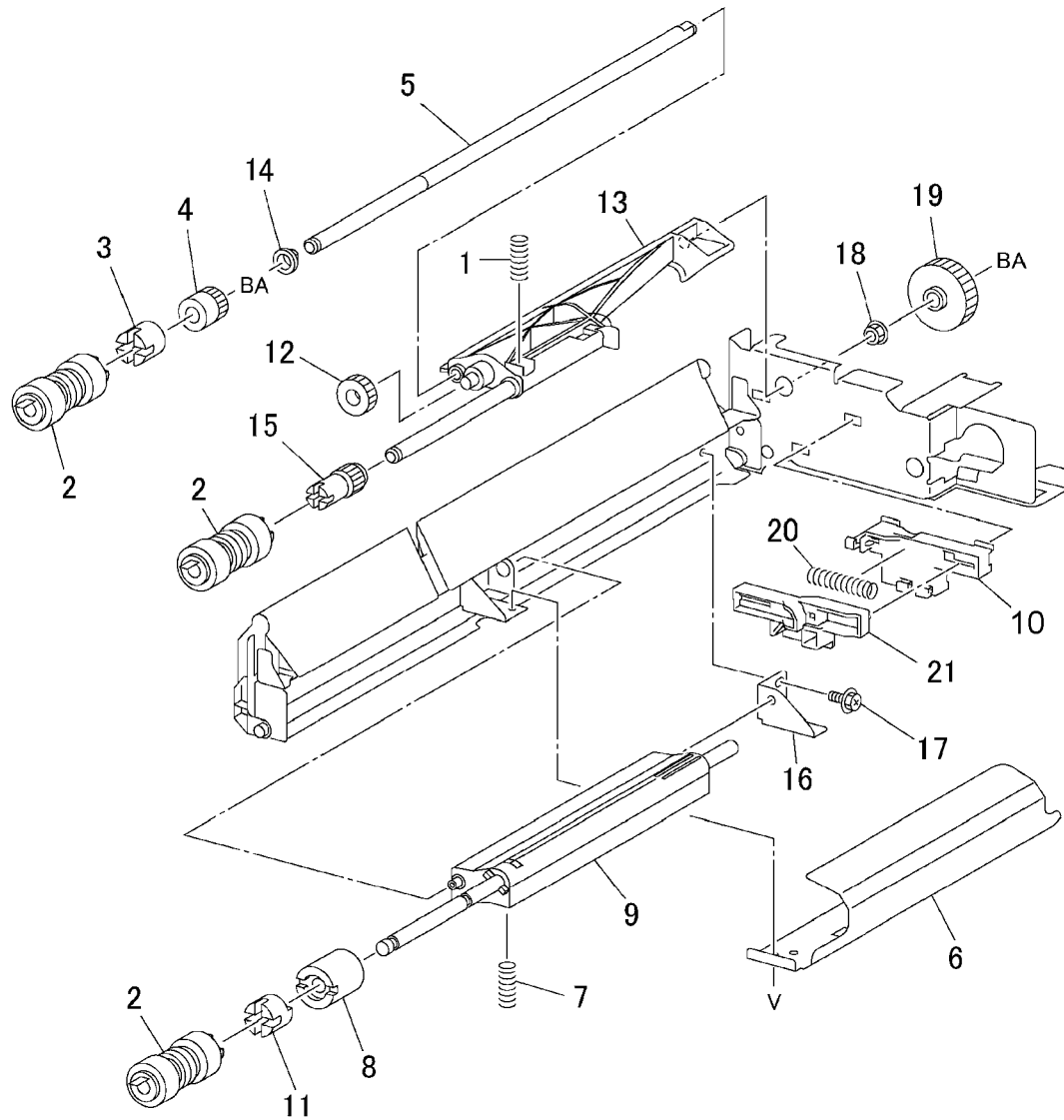
Item	Part	Description
1	127K23231	Tray 1 Feed/Lift Motor (REP 7.4)
2	-	Bracket (P/O PL2.3 Item 1)
3	005K83081	One-way Clutch
4	007K85730	One-way Gear
5	-	Gear (13T) (P/O PL2.3 Item 1)
6	-	Bearing (P/O PL2.3 Item 1)
7	-	Shaft (P/O PL2.3 Item 1)
8	-	Front Frame (P/O PL2.3 Item 1)
9	-	Upper Frame (P/O PL2.3 Item 1)
10	-	Front Chute (P/O PL2.3 Item 1)
11	120E18141	Actuator
12	130E82190	Tray 1 Level / No Paper Sensor
13	-	Wire Harness (P/O PL2.3 Item 1)
14	-	Support (P/O PL2.3 Item 1)
15	-	Gear (15T) (P/O PL2.3 Item 1)
16	-	Washer (P/O PL2.3 Item 1)



0502004A-SPD

## PL 2.5 Tray 1 Feeder: 2 of 2

Item	Part	Description
1	-	Spring (P/O PL2.3 Item 1)
2	600K78460	Roll Kit (3 Rolls/Kit)
3	005K05890	One-way Clutch
4	-	Gear (P/O PL2.3 Item 1)
5	-	Shaft (P/O PL2.3 Item 1)
6	-	Chute (P/O PL2.3 Item 1)
7	-	Spring (P/O PL2.3 Item 1)
8	-	Friction Clutch (P/O PL2.3 Item 1)
9	-	Support (P/O PL2.3 Item 1)
10	-	Holder (P/O PL2.3 Item 1)
11	-	Spacer (P/O PL2.3 Item 1)
12	-	Gear (31T) (P/O PL2.3 Item 1)
13	-	Support (P/O PL2.3 Item 1)
14	-	Bearing (P/O PL2.3 Item 1)
15	-	Gear (P/O PL2.3 Item 1)
16	-	Support (P/O PL2.3 Item 1)
17	-	Screw (P/O PL2.3 Item 1)
18	-	Bearing (P/O PL2.3 Item 1)
19	-	Gear (35T) (P/O PL2.3 Item 1)
20	-	Spring (P/O PL2.3 Item 1)
21	-	Lever (P/O PL2.3 Item 1)

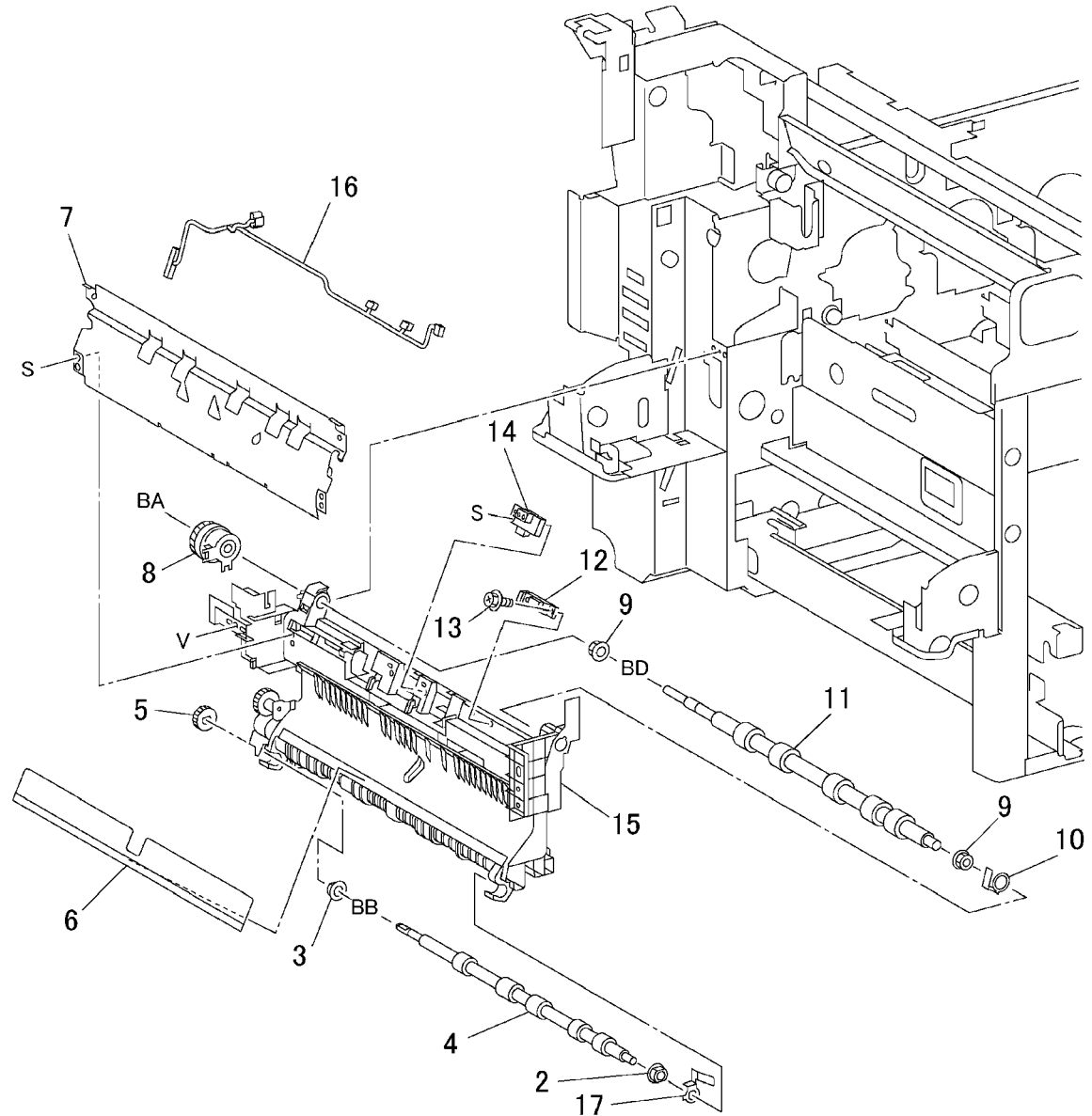


0502005B-SPD

## PL 2.6 Registration Transport

Item	Part	Description
1	059K26794	Registration Transport Assembly (REP 8.6)
2	—	Bearing (P/O Item 1)
3	—	Bearing (P/O Item 1)
4	—	Takeaway Roll (P/O Item 1)
5	—	Gear (22T) (P/O Item 1)
6	—	Paper Guide (P/O Item 1)
7	—	Registration Chute (P/O Item 1)
8	121K22220	Registration Clutch
9	—	Bearing (P/O Item 1)
10	—	Ground Plate (P/O Item 1)
11	—	Registration Roll (P/O Item 1)
12	130E87400	Registration Sensor
13	—	Screw (P/O Item 1)
14	960K16660	OHP Sensor
15	—	Registration Support (P/O Item 1)
16	—	Wire Harness (P/O Item 1)
17	—	Ground Plate (P/O PL 2.6 Item 1)

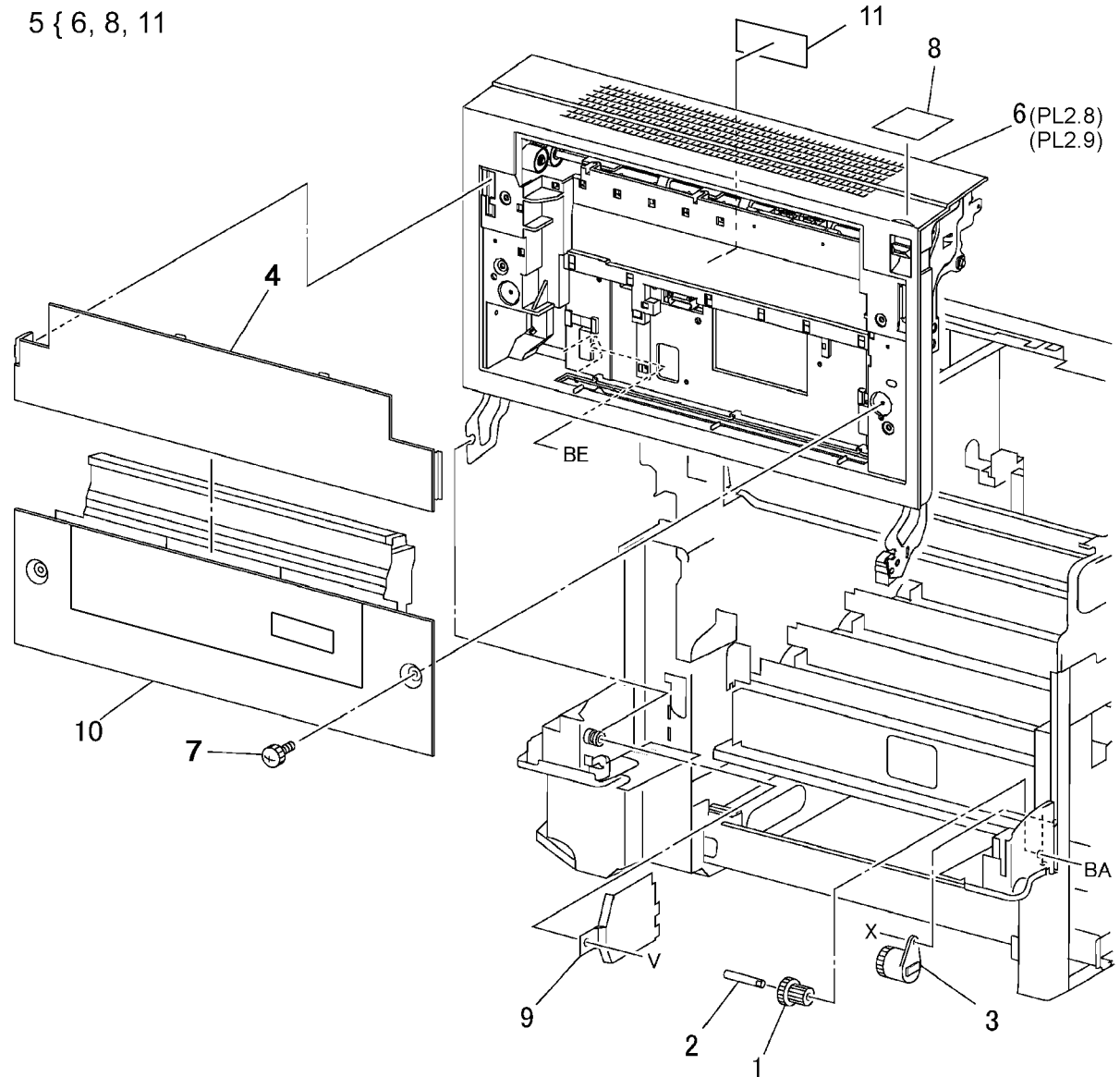
1 { 2 - 17



0502006A-COP

## PL 2.7 Left Cover Unit

Item	Part	Description
1	007E64740	Damper Gear (11/23T)
2	-	Stud (Not Spared)
3	004E11831	Damper (White)
4	-	Left Upper Cover (Not Spared)
5	802K67624	Left Cover Assembly (REP 8.1)
6	-	Left Cover (P/O Item 5)
7	-	Screw (Not Spared)
8	-	Label (P/O Item 5)
9	-	Cover (Not Spared)
10	-	Lower Cover (Not Spared)
11	-	Label (P/O Item 5)



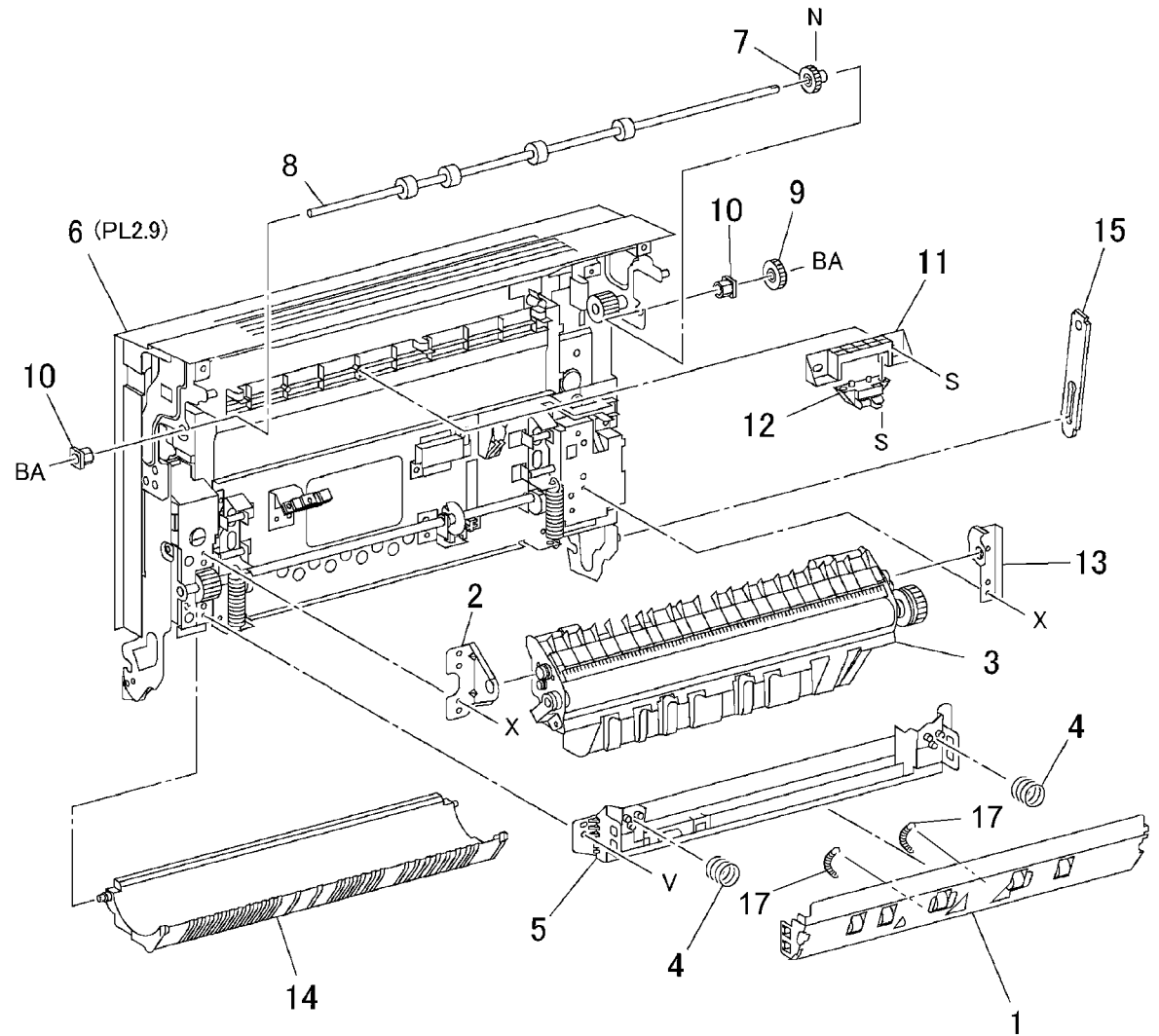
0502007A-COP



# PL 2.8 Left Cover Assembly: 1 of 2

Item	Part	Description
1	054K22411	Registration Chute
2	-	Holder (P/O PL2.7 Item 1)
3	604K19991	2nd BTR (REP 9.24)
4	809E29620	Spring
5	015K48383	Support
6	-	Left Cover (P/O PL2.7 Item 1)
7	007E62630	Gear (22T)
8	059K15613	Exit Roll
9	007E79480	Gear (22T)
10	-	Bearing (P/O PL2.7 Item 1)
11	-	Holder (P/O Item 16)
12	110K10651	Fuser Exit Switch
13	-	Holder (P/O PL2.7 Item 1)
14	054K16131	Duplex Chute (REP 8.2)
15	-	Stop (P/O PL2.7 Item 1)
16	-	Fuser Exit Switch Assembly (P/O PL2.7 Item 1)
17	809E26070	Extension Spring

16 { 11, 12

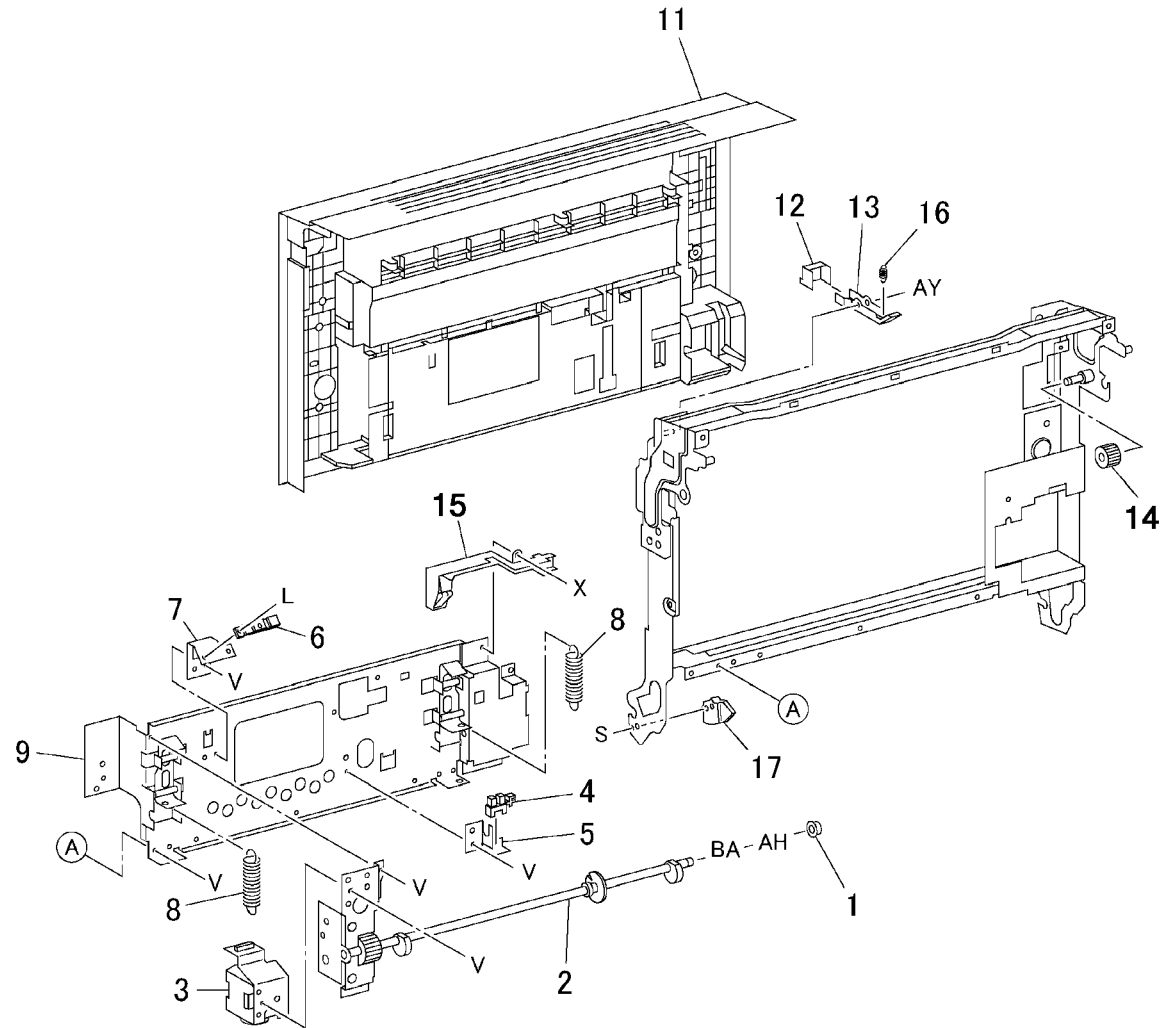


0502008A-COP

## PL 2.9 Left Cover Assembly: 2 of 2

Item	Part	Description
1	-	Bearing (P/O PL2.7 Item 1)
2	007K85522	Gear Assembly
3	127K29513	2nd BTR Retract Motor
4	130E82190	2nd BTR Retract Sensor
5	-	Bracket (P/O PL2.7 Item 1)
6	130E84300	POB Sensor
7	-	Bracket (Not Spared)
8	-	Spring (P/O PL2.7 Item 1)
9	-	Bracket (P/O PL2.7 Item 1)
10	802K27076	Left Cover Assembly
11	-	Left Cover (P/O Item 10)
12	-	Lever (P/O Item 10)
13	-	Bracket (P/O Item 10)
14	-	Gear (21T) (P/O Item 10)
15	-	Connector Assembly (P/O PL2.7 Item 1)
16	-	Spring (P/O Item 10)
17	604K22880	Damper Gear (45T)

10 { 11-14,16,17

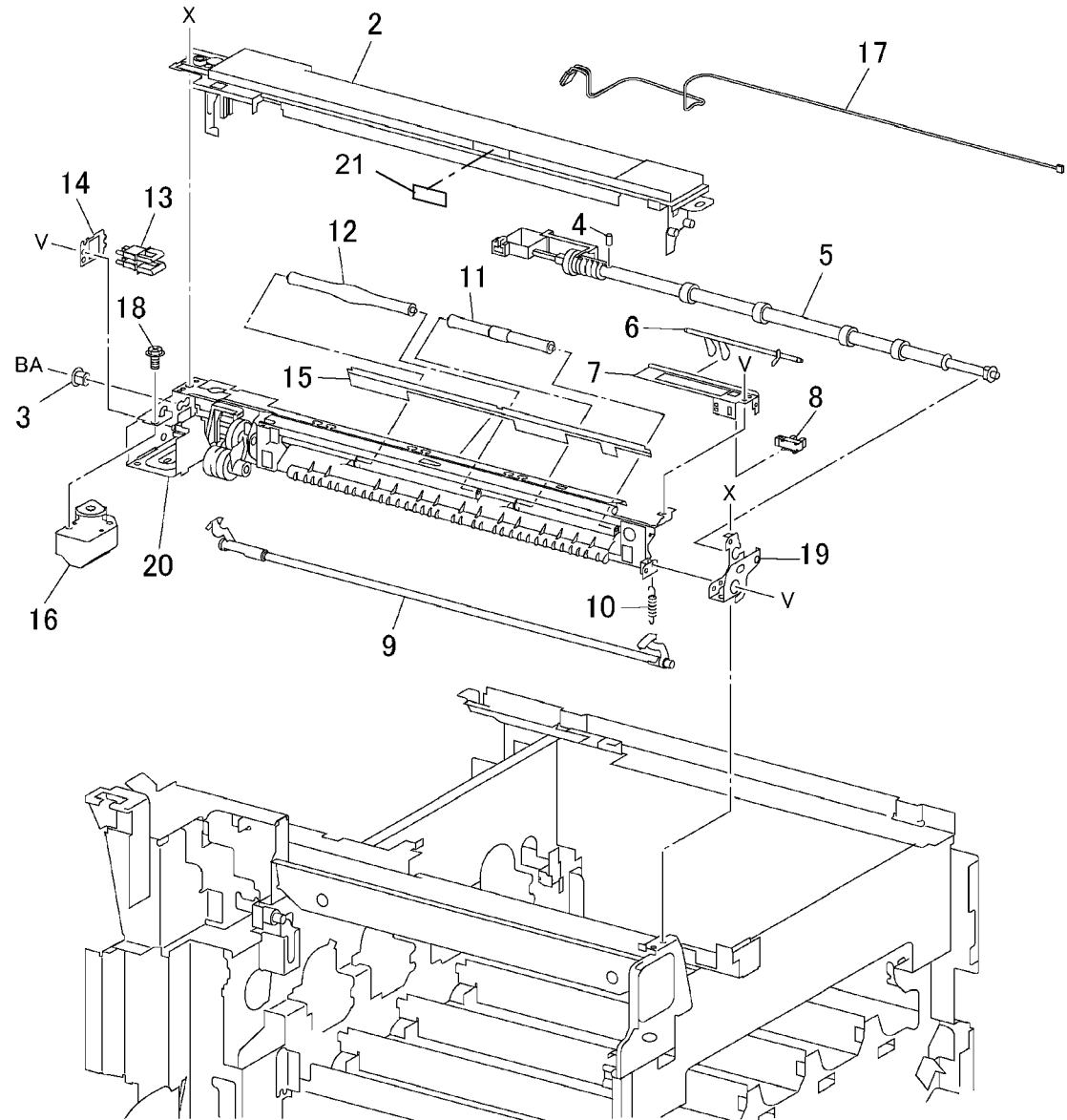


0502009A-SPD

## PL 2.10 Exit Transport Assembly

Item	Part	Description
1	059K27187	Exit Transport Assembly (REP 8.7)
2	-	Exit Transport Cover (P/O Item 1)
3	-	Bearing (P/O Item 1)
4	-	Pin (P/O Item 1)
5	-	Exit Roll (P/O Item 1)
6	120E18162	Actuator
7	-	Bracket (P/O Item 1)
8	130E82190	Full Paper Stack Sensor
9	-	Latch (P/O Item 1)
10	-	Spring (P/O Item 1)
11	-	Pinch Roll (P/O Item 1)
12	-	Pinch Roll (P/O Item 1)
13	-	LH Cover Interlock Switch (P/O Item 1)
14	-	Bracket (P/O Item 1)
15	-	Static Eliminator (P/O Item 1)
16	-	Offset Motor (P/O Item 1)
17	-	Wire Harness (P/O Item 1)
18	-	Screw (P/O Item 1)
19	-	Front Bracket (P/O Item 1)
20	-	Frame (P/O Item 1)
21	-	Label (Not Spared)

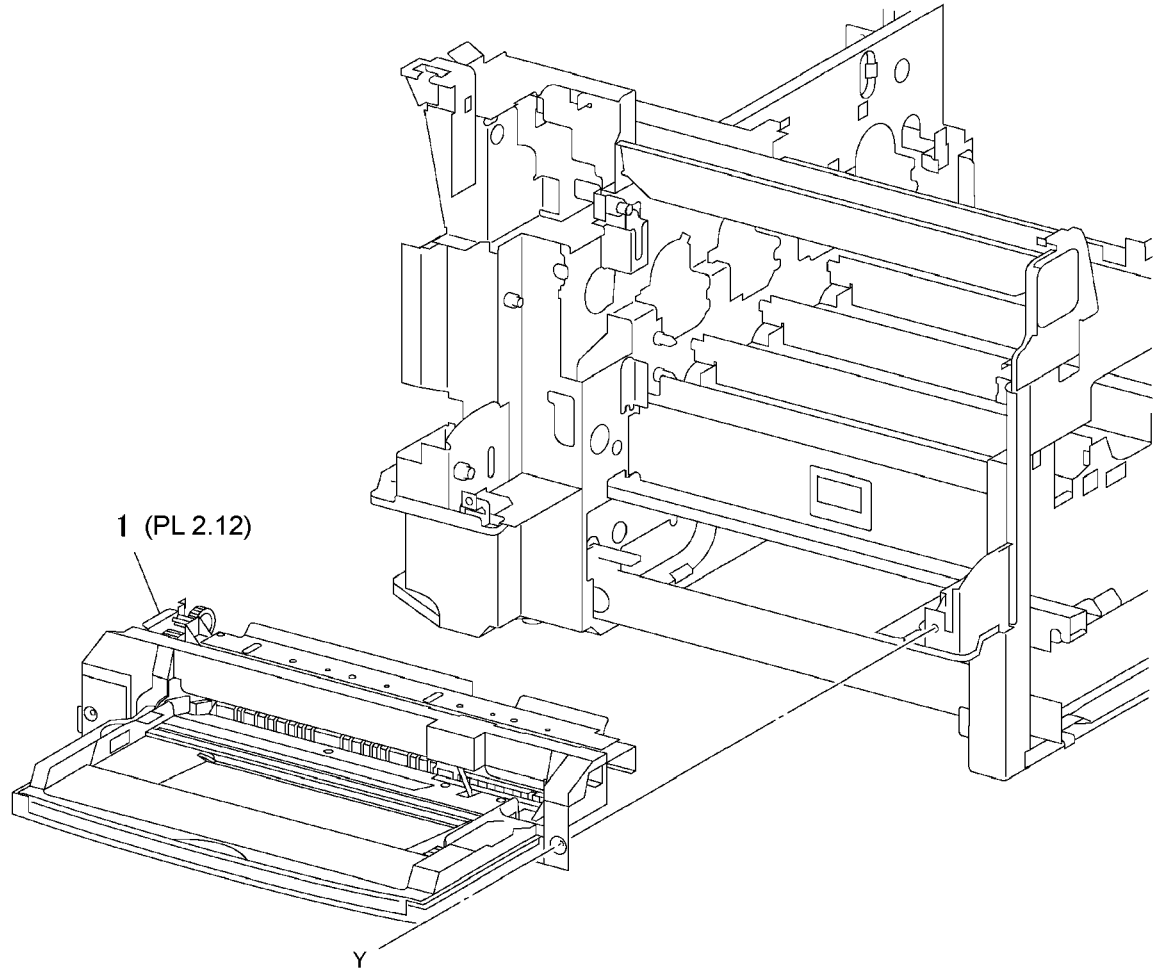
1 { 2 - 20



0502010A-COP

## PL 2.11 Tray 5 (1 of 2)

Item	Part	Description
1	059K36763	Tray 5 (REP 7.1)
-	059K36764	Tray 5 (WC7328/7335/7345 Only) (REP 7.1)

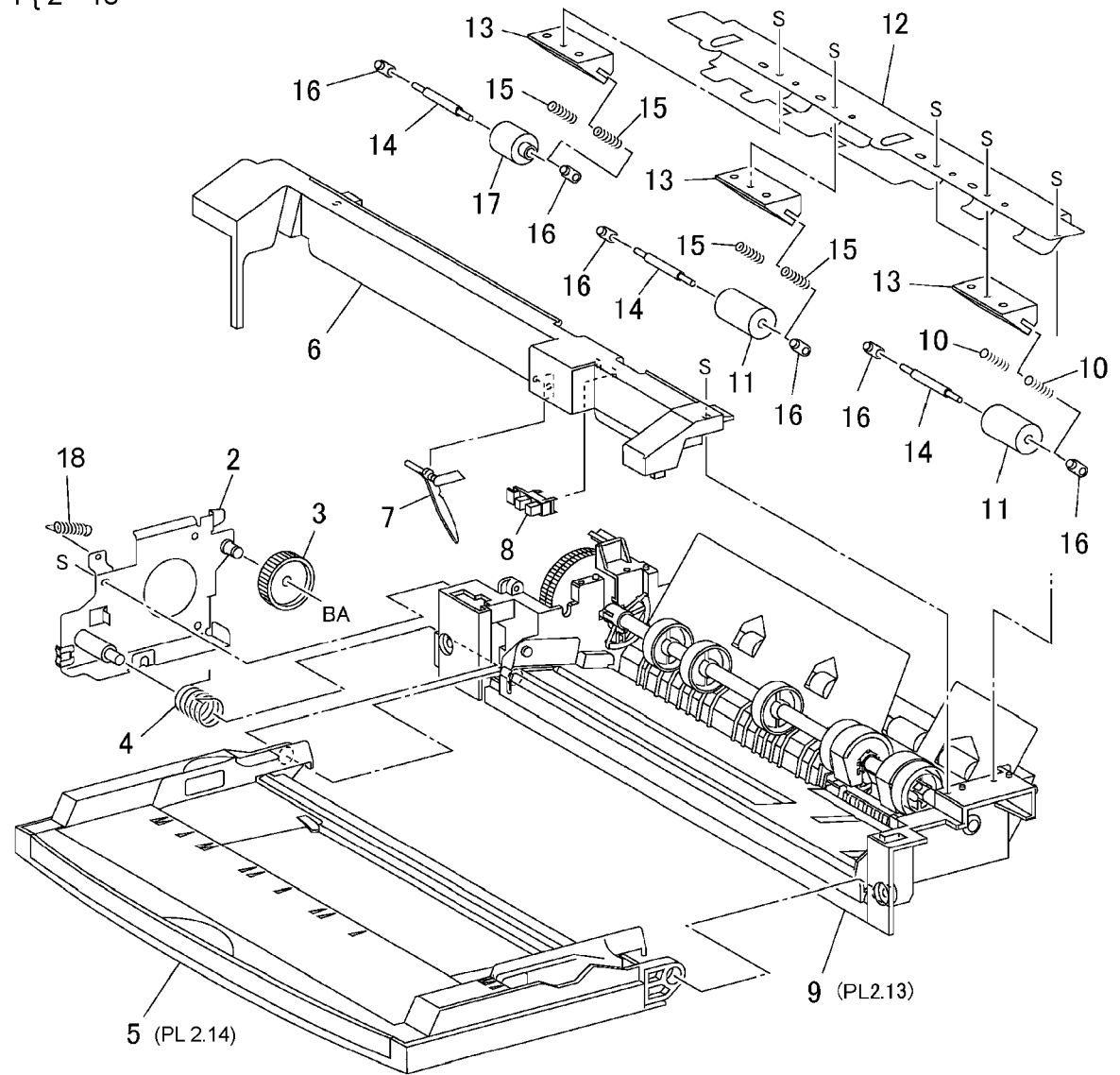


0502011A-SPD

## PL 2.12 Tray 5 (2 of 2)

Item	Part	Description
1	059K36764	Tray 5 Assembly (WC7328/7335/7345 Only) (REP 7.1)
-	059K47111	Tray 5 Assembly
2	-	Bracket (P/O Item 1)
3	-	Gear (P/O Item 1)
4	-	Spring (P/O Item 1)
5	050K51322	Tray 5 Assembly
6	-	Upper Frame (P/O Item 1)
7	120E11971	Actuator
8	130E82190	Tray 5 No Paper Sensor
9	-	Tray 5 Feed Assembly (P/O Item 1)
10	-	Spring (P/O Item 1)
11	-	Pinch Roll 1/2 (P/O Item 1)
12	-	Chute (P/O Item 1)
13	-	Guide (P/O Item 1)
14	-	Shaft (P/O Item 1)
15	-	Spring (P/O Item 1)
16	-	Spacer (P/O Item 1)
17	-	Pinch Roll 3 (P/O Item 1)
18	-	Spring (P/O Item 1)

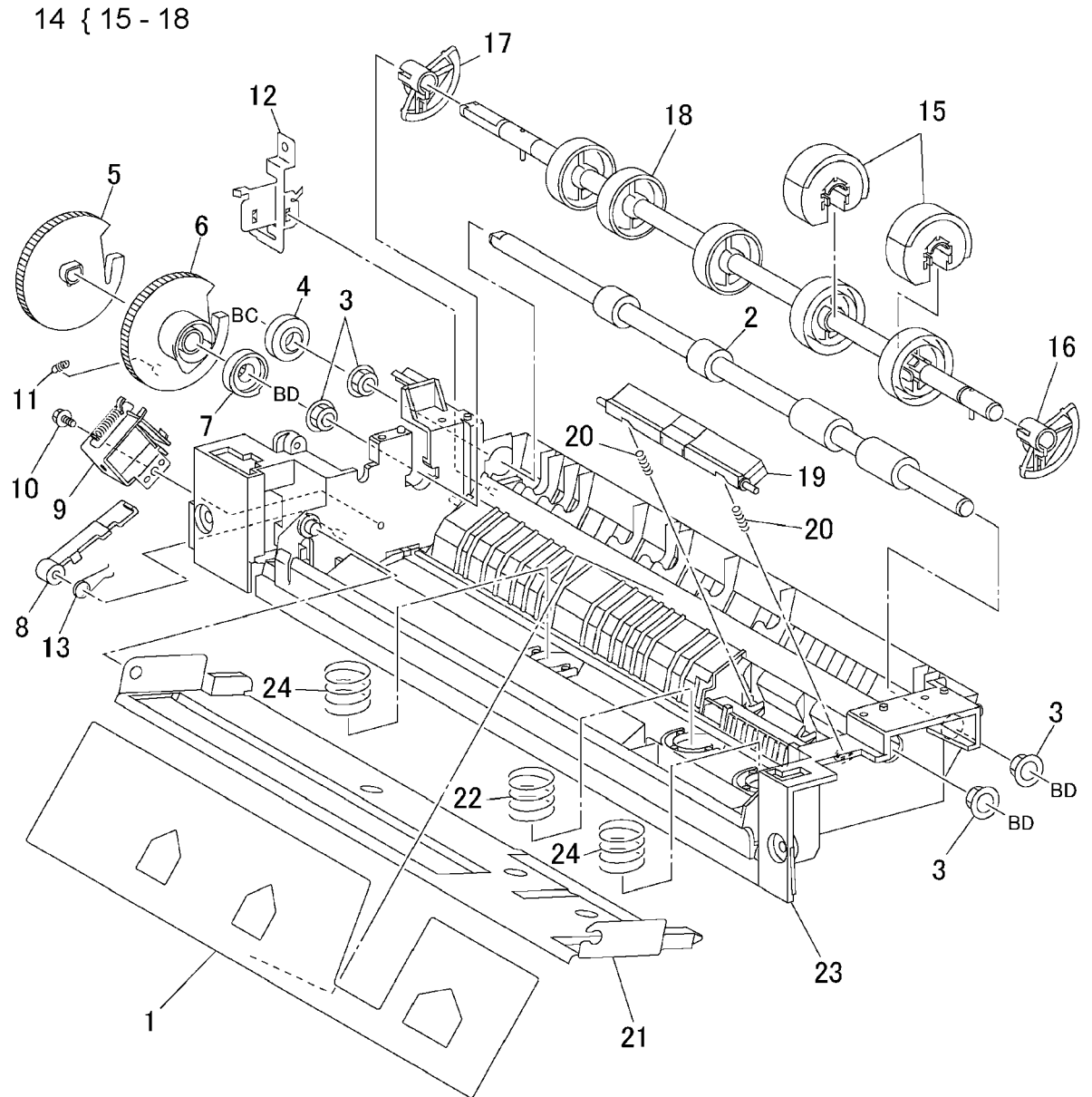
1 { 2 - 18



0502012B-SPD

# PL 2.13 Tray 5 Feed Assembly

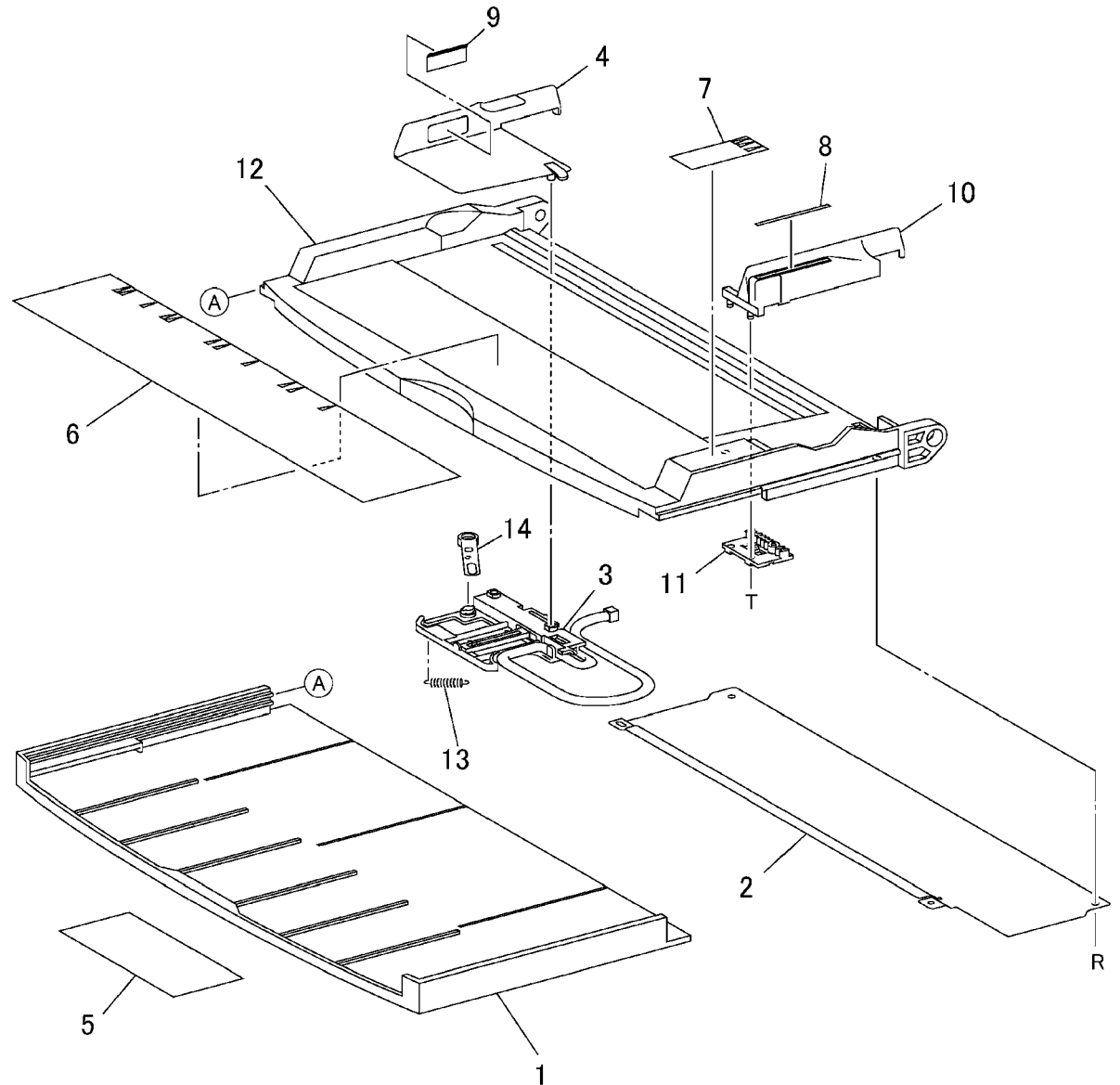
Item	Part	Description
1	038E23560	Paper Guide
2	-	Takeaway Roll (P/O PL2.12 Item 1)
3	-	Bearing (P/O PL2.12 Item 1)
4	-	Gear (P/O PL2.12 Item 1)
5	-	Pick-up Gear (P/O PL2.12 Item 1)
6	-	Cam Gear (P/O PL2.12 Item 1)
7	-	Stop Lever (P/O PL2.12 Item 1)
8	-	Gear Lever (P/O PL2.12 Item 1)
9	121E92780	Tray 5 Feed Solenoid
10	-	Screw (P/O PL2.12 Item 1)
11	-	Spring (P/O PL2.12 Item 1)
12	-	Ground Plate (P/O PL2.12 Item 1)
13	-	Spring (P/O PL2.12 Item 1)
14	059K24020	Feed Roll Assembly
15	059K24010	Feed Roll (REP 7.2)
16	-	Cam (P/O Item 14)
17	-	Cam (P/O Item 14)
18	-	Shaft (P/O Item 14)
19	019K08650	Retard Pad
20	-	Spring (P/O PL2.12 Item 1)
21	-	Bottom Plate (P/O PL2.12 Item 1)
22	-	Spring (P/O PL2.12 Item 1)
23	-	Lower Frame (P/O PL2.12 Item 1)
24	-	Spring (P/O PL2.12 Item 1)



0502013A-SPD

## PL 2.14 Tray 5 Assembly

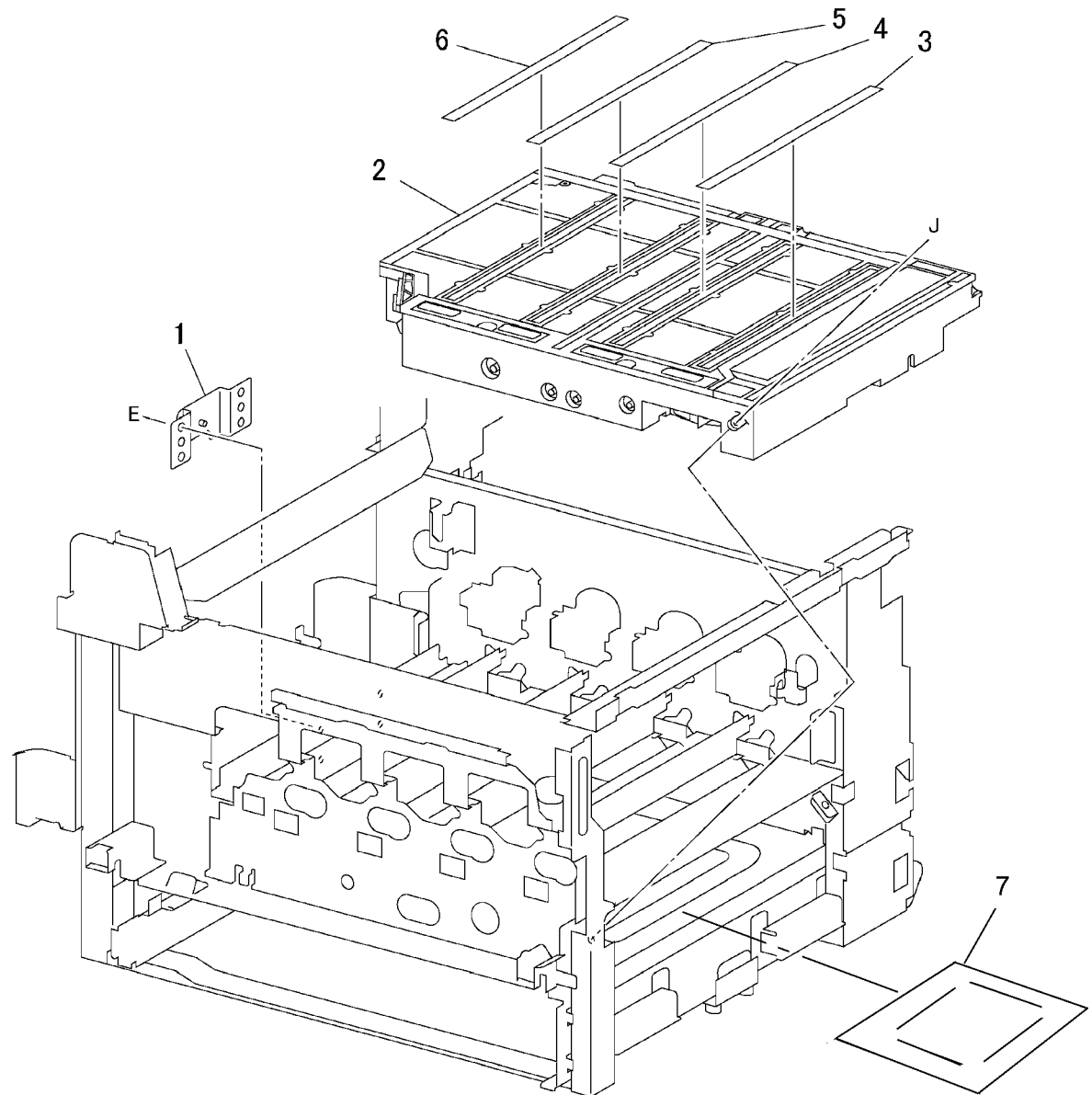
Item	Part	Description
1	–	Lower Tray (P/O PL2.12 Item 5)
2	–	Cover (P/O PL2.12 Item 5)
3	–	Paper Size Sensor (P/O PL2.12 Item 5)
4	–	Side Guide (P/O PL2.12 Item 5)
5	–	Attention Label (P/O PL2.12 Item 5)
6	–	Instruction Label (P/O PL2.12 Item 5)
7	–	Label (P/O PL2.12 Item 5)
8	–	Label (P/O PL2.12 Item 5)
9	–	Max Label (P/O PL2.12 Item 5)
10	–	Registration Guide (P/O PL2.12 Item 5)
11	–	Holder (P/O PL2.12 Item 5)
12	–	Tray (P/O PL2.12 Item 5)
13	–	Spring (P/O PL2.12 Item 5)
14	–	Link (P/O PL2.12 Item 5)



0502014A-SPD

## PL 3.1 ROS Assembly

Item	Part	Description
1	-	Bracket (Not Spared)
2	062K12332	ROS Assembly (WC7328/7335/7345 Only) (REP 6.1)
-	062K16910	ROS (REP 6.1)
3	-	Seal Glass (Y) (Not Spared)
4	-	Seal Glass (M) (Not Spared)
5	- </td <td>Seal Glass (C) (Not Spared)</td>	Seal Glass (C) (Not Spared)
6	-	Seal Glass (K) (Not Spared)
7	-	M/C Heater (Not Spared)

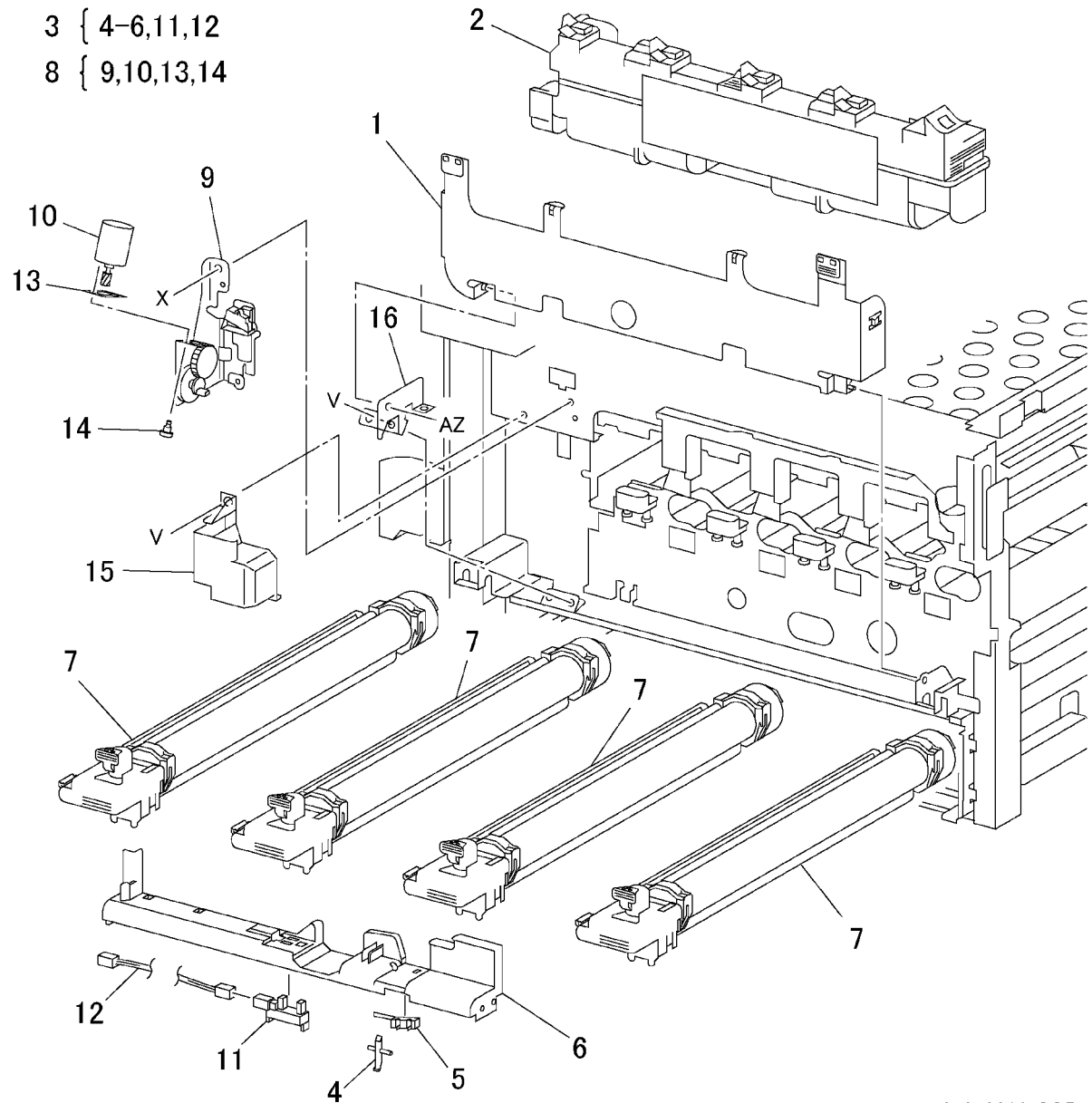


0503001A-COP



## PL 4.1 Xerographic Module: 1 of 2

Item	Part	Description
1	802K47090	Waste Toner Cartridge Cover (REP 9.3)
2	008R12903	Waste Toner Cartridge (REP 9.4)
3	003K86123	Sensor Holder Assembly
4	-	Lever (P/O Item 3)
5	-	Waste Toner Cartridge Interlock Switch (P/O Item 3)
6	-	Holder (P/O Item 3)
7	013R00624	Drum Cartridge (REP 9.1)
8	127K29244	Agitator Motor Assembly (REP 9.13)
9	-	Bracket (P/O Item 8)
10	-	Agitator Motor (P/O Item 8)
11	130E91010	Full Toner Sensor (REP 9.5)
12	-	Wire Harness (P/O Item 3)
13	-	Damper (P/O Item 8)
14	-	Screw (P/O Item 8)
15	-	Inner Cover (Not Spared)
16	-	Bracket (Not Spared)

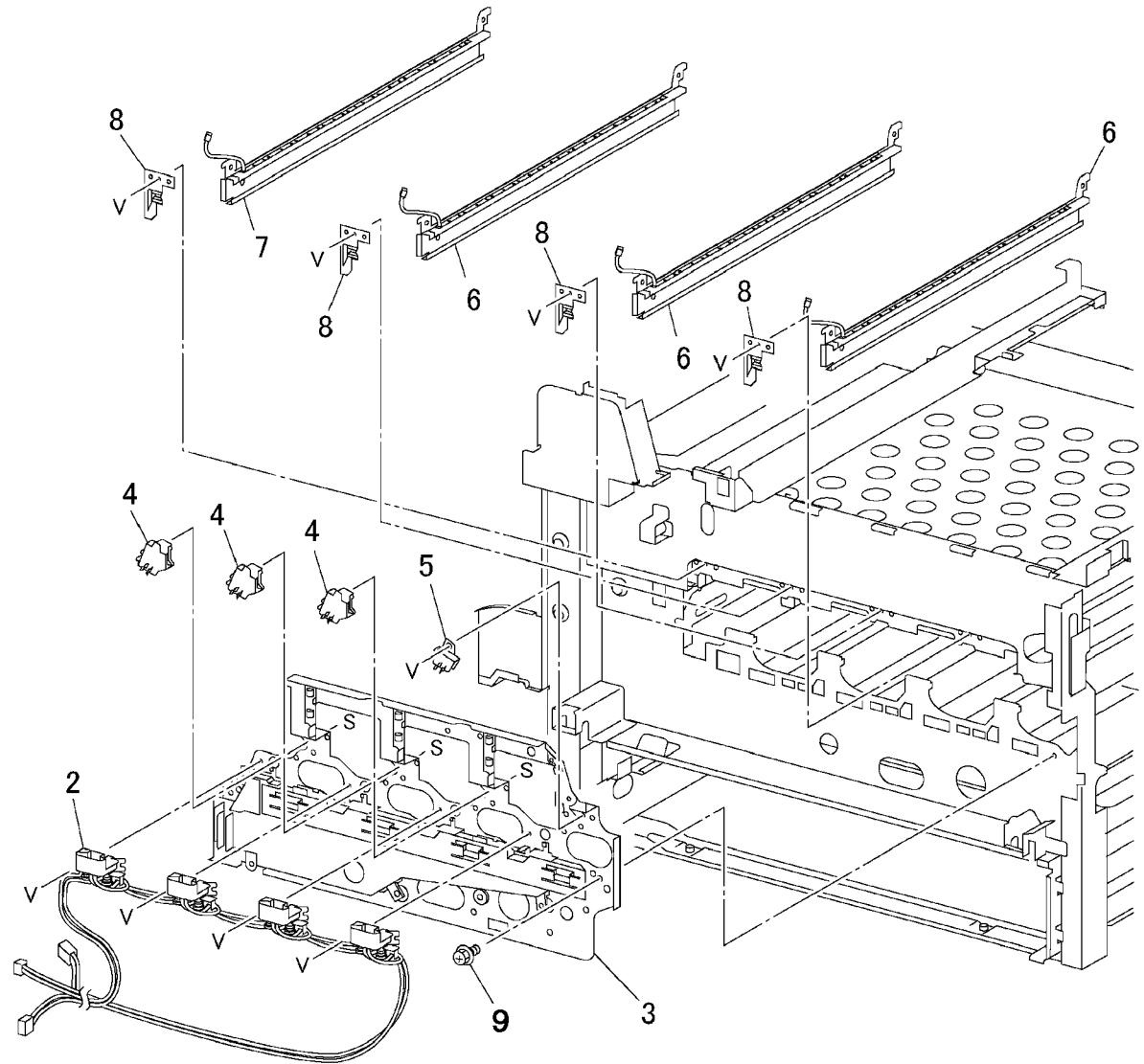


0504001A-COP

## PL 4.2 Xerographic Module: 2 of 2

Item	Part	Description
1	015K52324	Plate Assembly (REP 9.8)
2	-	Wire Harness (P/O Item 1)
3	-	Xero PLate (P/O Item 1)
4	-	Block (M, C, K) (P/O Item 1)
5	-	Block (Y) (P/O Item 1)
6	122K93331	Erase Lamp w/Rail (Y, M, C) (REP 9.25)
7	122K93341	Erase Lamp w/Rail (K)
8	-	Bracket (Not Spared)
9	-	Screw (Not Spared)

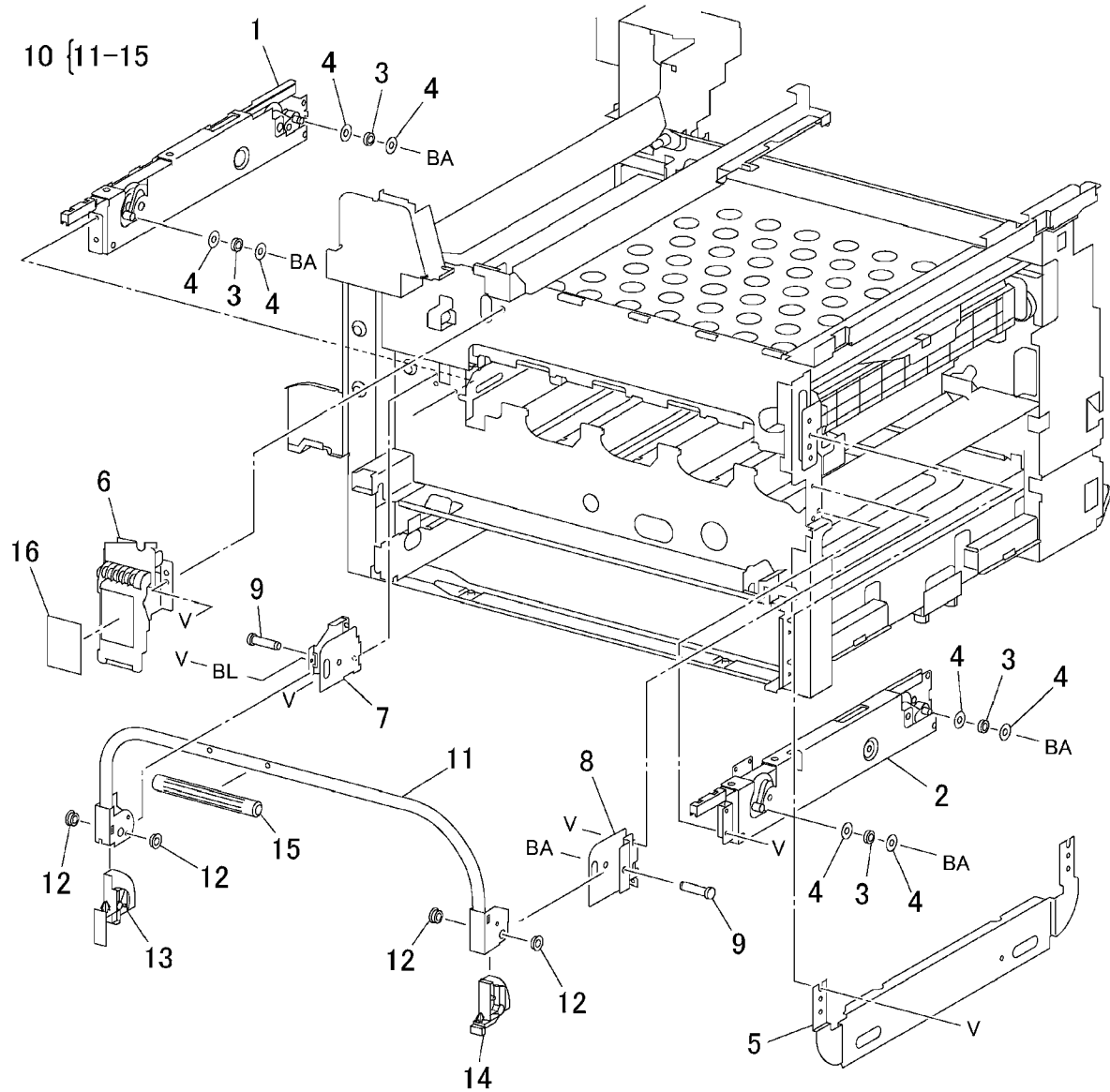
1 { 2 - 5



0504002A-SPD

# PL 5.1 Lift Unit

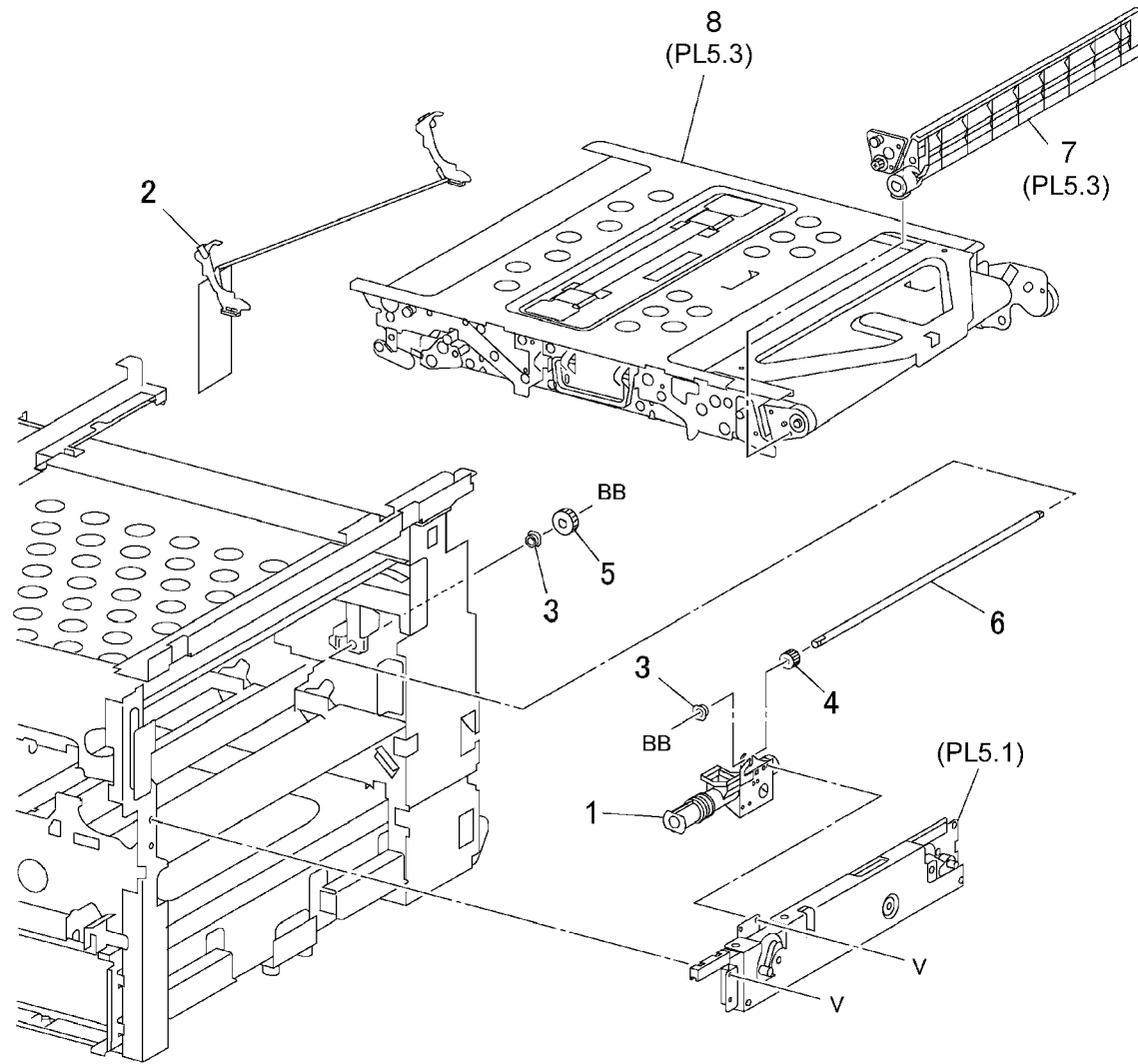
Item	Part	Description
1	001K70543	Left Lift Assembly (REP 9.21)
2	001K70552	Right Lift Assembly (REP 9.20)
3	-	Bearing (Not Spared)
4	-	Washer (Not Spared)
5	-	Plate (Not Spared)
6	003K12882	Latch Assembly
7	003E52291	Left Hinge (REP 9.19)
8	003E52301	Right Hinge (REP 9.19)
9	006E71740	Shaft
10	011K94970	Lever Assembly (REP 9.18)
11	-	IBT Cam Lever (P/O Item 10)
12	-	Bearing (P/O Item 10)
13	-	Left Cap (P/O Item 10)
14	-	Right Cap (P/O Item 10)
15	-	Grip (P/O Item 10)
16	-	Label (Not Spared)



0505001A-SPD

## PL 5.2 IBT Unit

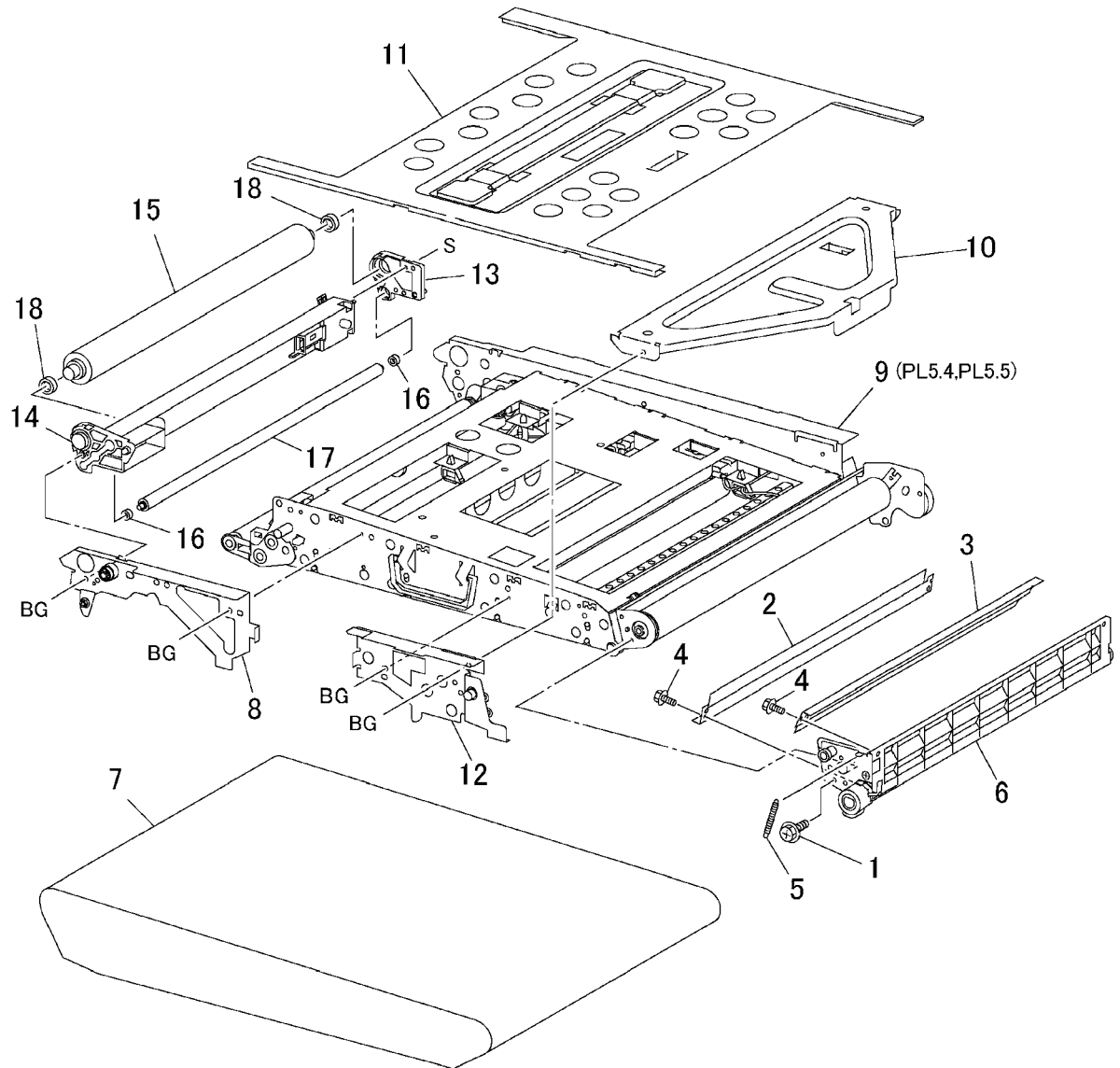
Item	Part	Description
1	802K12951	Auger Assembly (REP 9.17)
2	003K12650	Removal Support
3	-	Bearing (Not Spared)
4	007E61910	Gear (14T)
5	007E61890	Gear (18T)
6	-	Shaft (Not Spared)
7	042K92445	IBT Belt Cleaner Assembly
8	604K20892	IBT Belt Assembly (REP 9.15)



0505002B-COP

## PL 5.3 IBT Belt Assembly

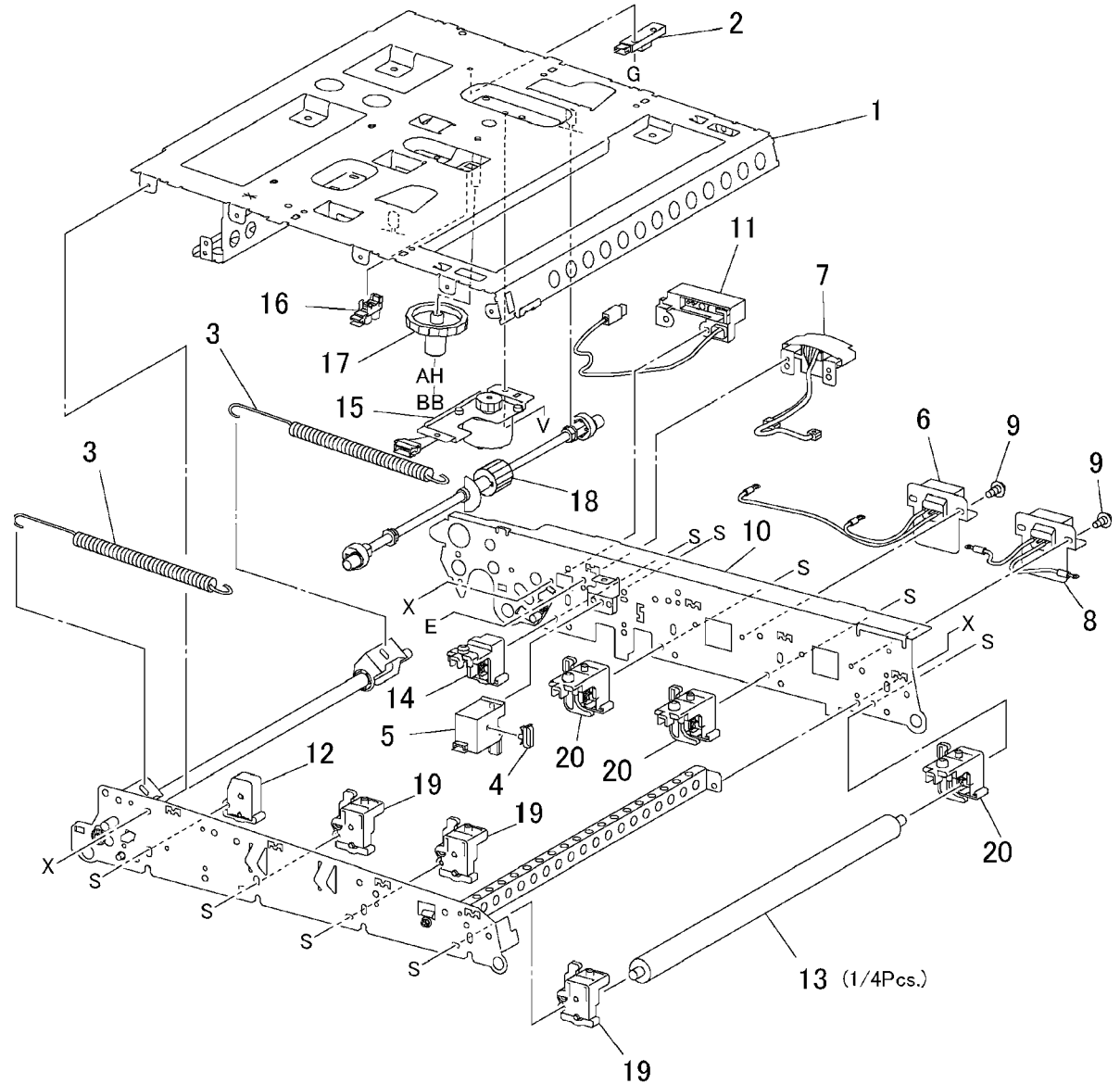
Item	Part	Description
1	—	Screw (P/O PL5.2 Item 7) (REP 9.16)
2	—	Blade (P/O PL5.2 Item 7)
3	—	Seal (P/O PL5.2 Item 7)
4	—	Screw (P/O PL5.2 Item 7)
5	—	Spring (P/O PL5.2 Item 7)
6	—	Housing (P/O PL5.2 Item 7)
7	064K91451	Transfer Belt (REP 9.22)
8	—	Support (Not Spared)
9	—	IBT Frame (Not Spared)
10	—	Right Handle (Not Spared)
11	—	Left Handle (Not Spared)
12	—	Bracket (Not Spared)
13	—	Housing (Not Spared)
14	—	Housing (Not Spared)
15	059K23150	Backup Roll
16	—	Bearing (Not Spared)
17	—	Pre Roll (Not Spared)
18	013E18980	Bearing



0505003A-IMP

# PL 5.4 IBT Frame Assembly: 1 of 2

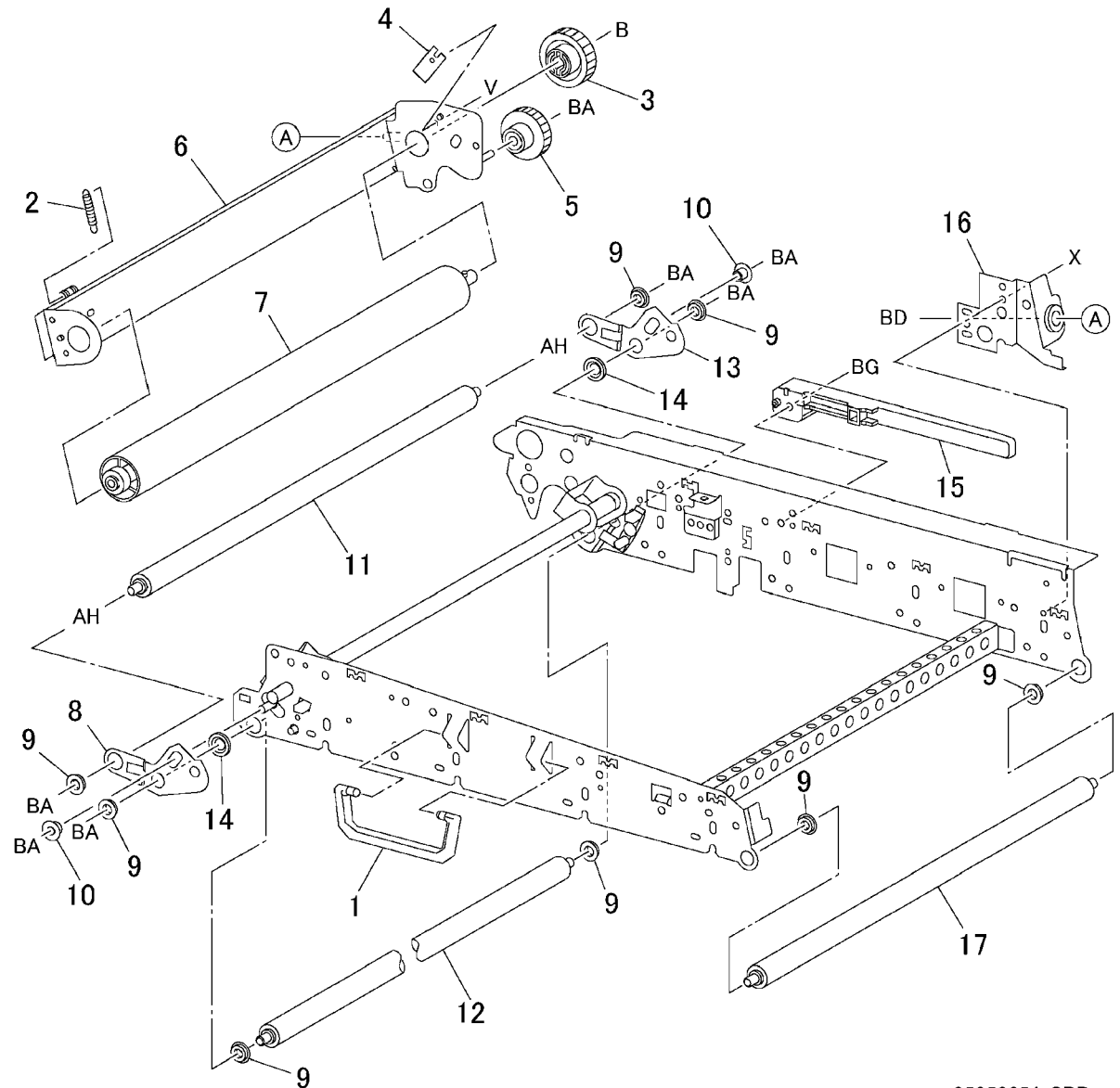
Item	Part	Description
1	-	Frame (Not Spared)
2	130E84270	IBT Home Sensor
3	-	Spring (Not Spared)
4	-	Clamp (Not Spared)
5	130K60830	IBT Edge Sensor
6	962K35480	Connector (C, K)
7	-	Connector (Not Spared)
8	962K35490	Connector (Y, M)
9	-	Screw (Not Spared)
10	-	Rear Frame (Not Spared)
11	-	Connector (Not Spared)
12	019K98201	Front Holder
13	059K36250	1st BTR Roll (REP 9.23)
14	019K98941	Rear Holder
15	127K33950	Retract Motor
16	130E82190	Retract Sensor
17	-	Worm Gear (Not Spared)
18	-	Retract Shaft (Not Spared) (REP 9.27)
19	019K97550	Front Holder
20	019K98931	Rear Holder



0505004A-SPD

# PL 5.5 IBT Frame Assembly: 2 of 2

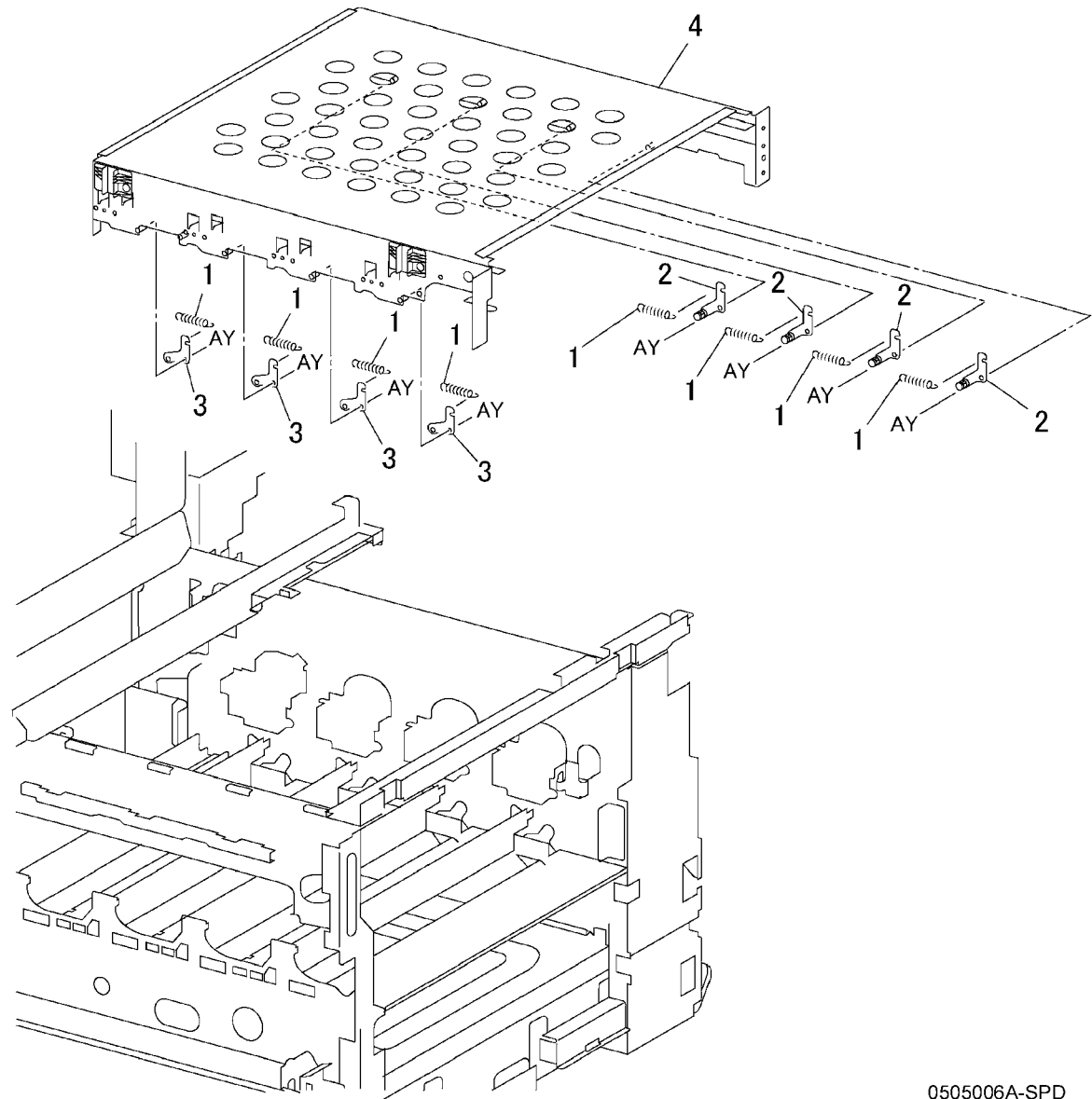
Item	Part	Description
1	-	Handle (Not Spared)
2	-	Spring (Not Spared)
3	-	Gear (Not Spared)
4	-	Plate (Not Spared)
5	-	Gear (Not Spared)
6	-	Bracket (Not Spared)
7	-	Top Roll (Not Spared)
8	-	Front Bracket (Not Spared)
9	-	Bearing (Not Spared)
10	-	Bearing (Not Spared)
11	-	Roll (Not Spared)
12	-	Roll (Not Spared)
13	-	Rear Bracket (Not Spared)
14	-	Collar (Not Spared)
15	-	Latch (Not Spared)
16	-	Bracket (Not Spared)
17	-	Roll (Not Spared)



0505005A-SPD

## PL 5.6 IBT Elevator

Item	Part	Description
1	809E26330	Spring
2	015K49481	Rear Plunger
3	015K49311	Front Plunger
4	-	Frame (Not Spared)



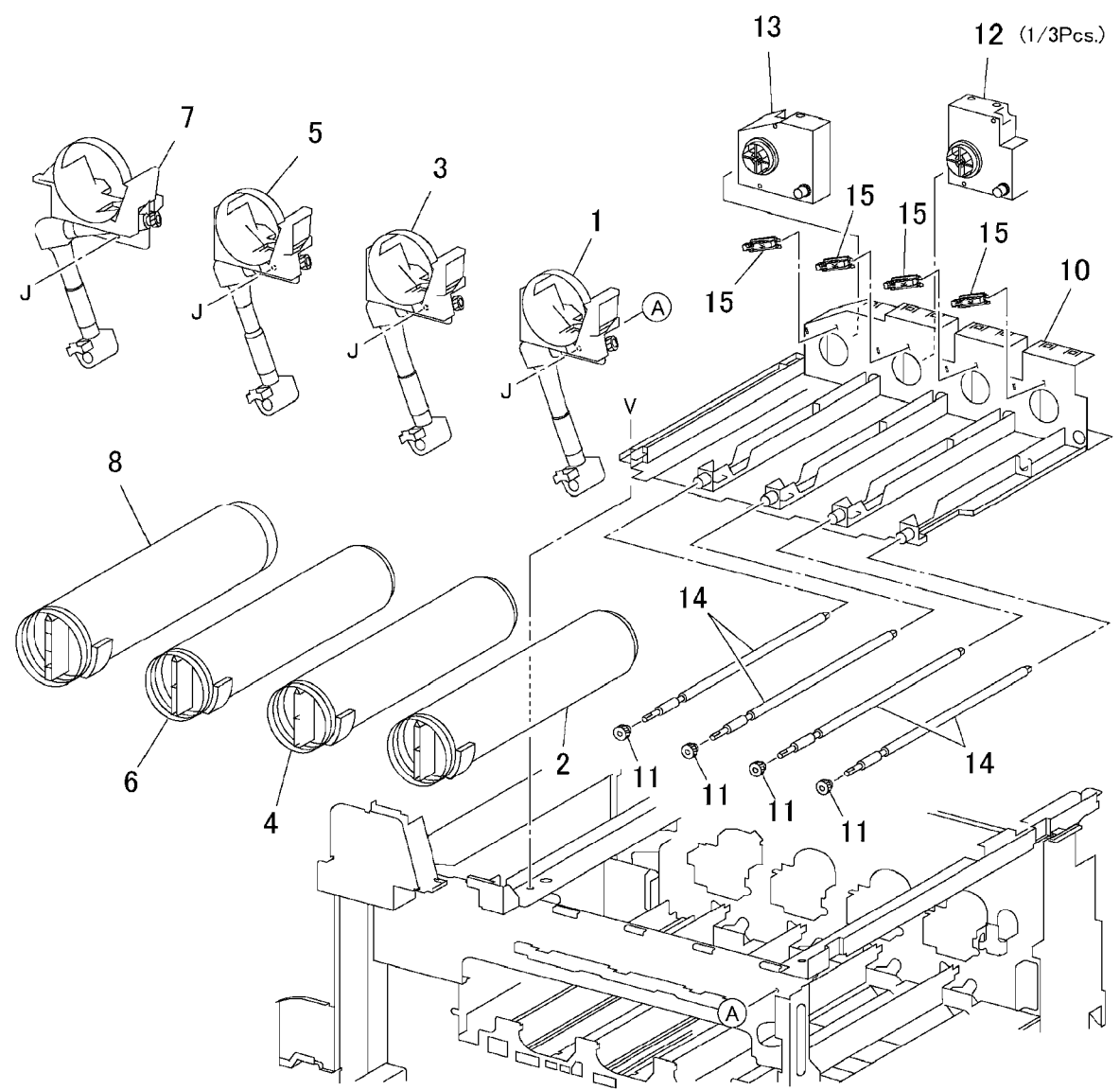
0505006A-SPD



# PL 6.1 Developer Unit: 1 of 2

Item	Part	Description
1	802K67651	Dispenser Assembly (Y) (REP 9.7)
2	006R01283	Toner Cartridge (Y)
3	802K67661	Dispenser Assembly (M) (REP 9.7)
4	006R01282	Toner Cartridge (M)
5	802K67671	Toner Dispenser (C) (REP 9.7)
6	006R01281	Toner Cartridge (C)
7	802K67681	Dispenser Assembly (K) (REP 9.7)
8	006R01280	Toner Cartridge (K) (Not Spared)
9	802K33094	Toner Dispenser Base Assembly (WC7328/7335/7345 Only) (REP 9.11)
-	802K89081	Toner Dispenser Base Assembly (REP 9.11)
10	-	Toner Dispenser Base (P/O Item 9)
11	007E64500	Gear (P/O Item 9)
12	127K33932	Toner Dispenser Motor (Y, M, C)
13	127K33942	Toner Dispenser Motor (K)
14	-	Shaft (P/O Item 9)
15	116K90811	New Cartridge Detect Switch

9 { 10-15

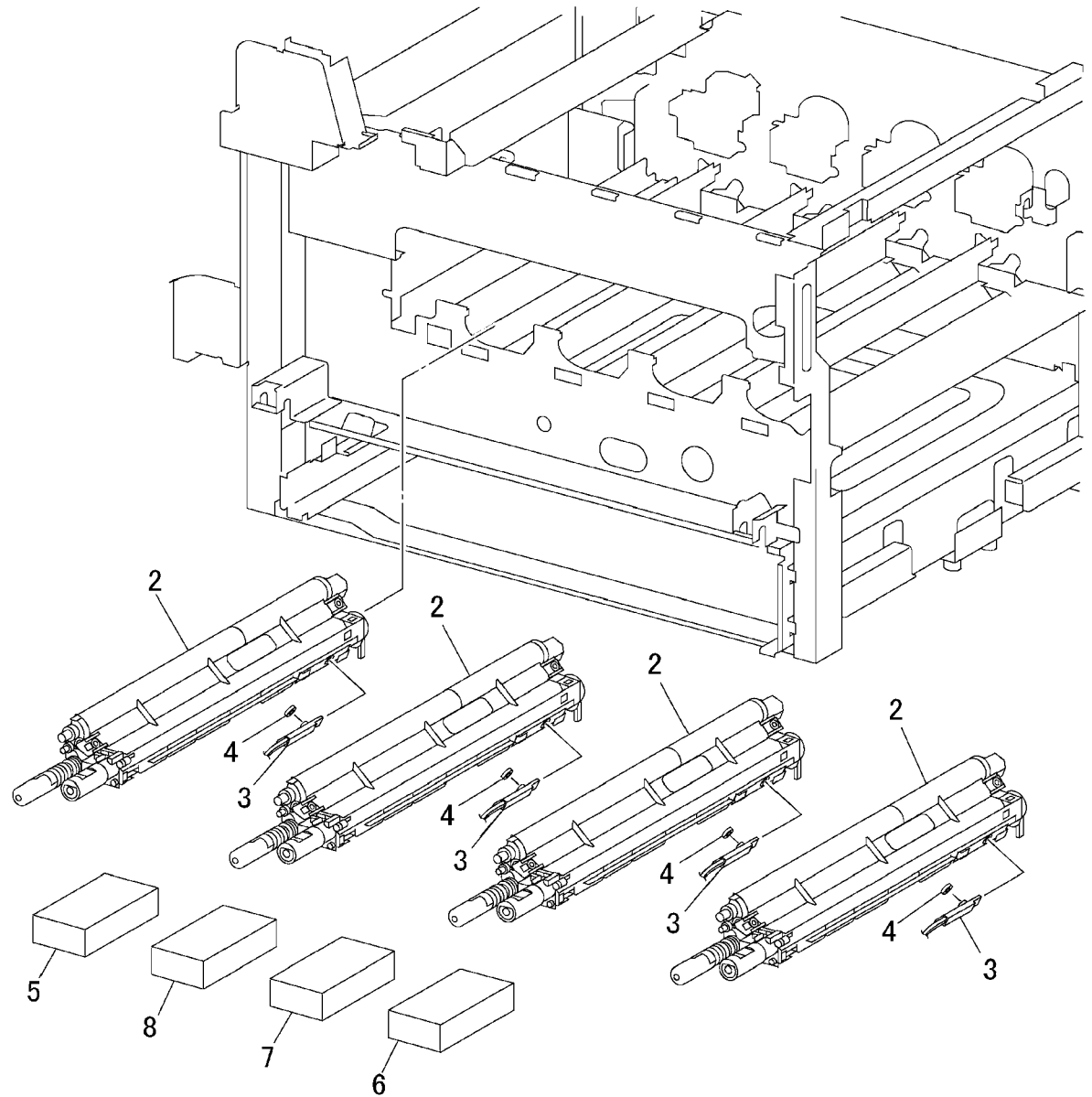


0506001A-COP

## PL 6.2 Developer Unit: 2 of 2

Item	Part	Description
1	802K60194	Developer Housing (Y, M, K, C) (REP 9.9)
2	—	Developer Housing (P/O Item 1)
3	130K63000	ATC Sensor (Y, M, K, C) (REP 9.26)
4	035E65010	Seal
5	604K22550	Developer (K) (REP 9.10)
6	604K22520	Developer (Y) (REP 9.10)
7	604K22530	Developer (M) (REP 9.10)
8	604K22540	Developer (C) (REP 9.10)

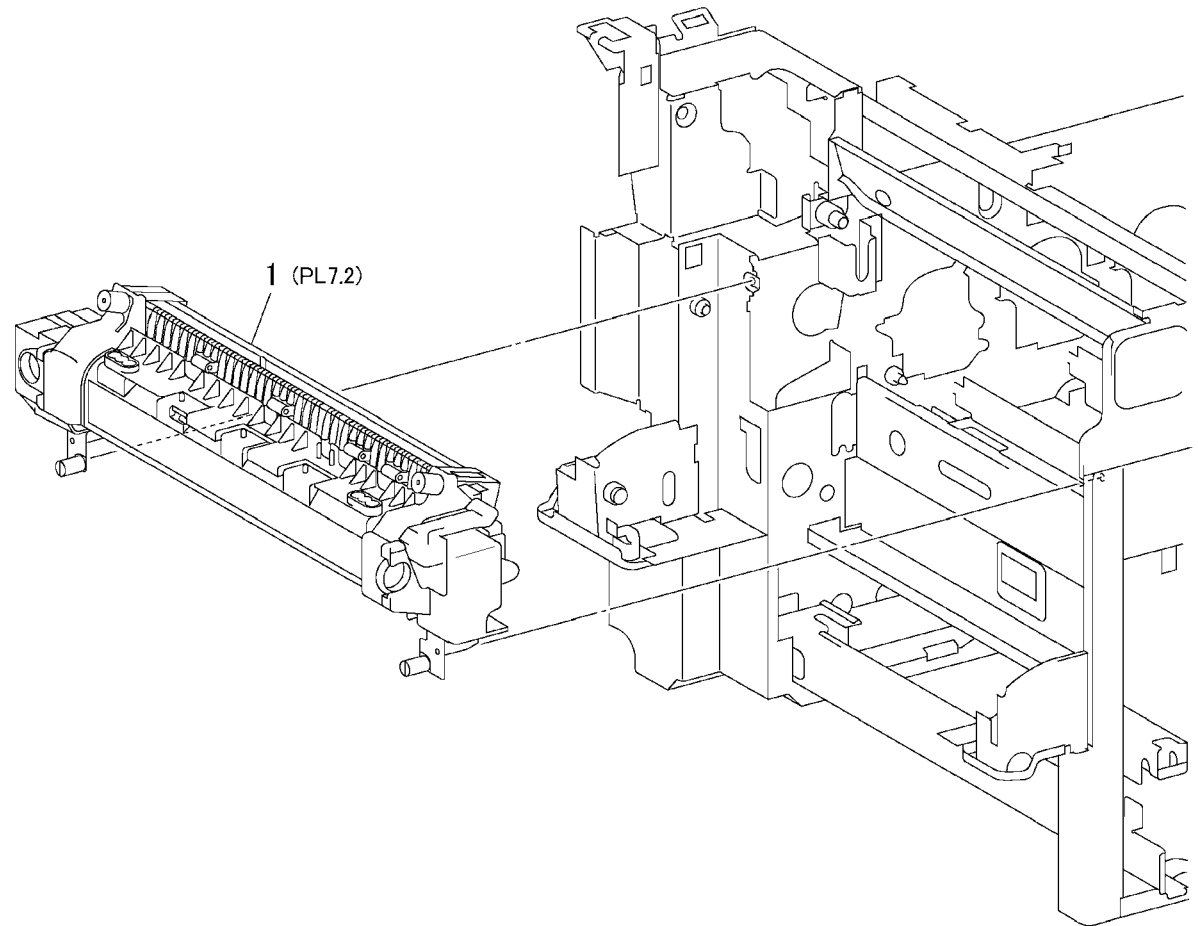
1 { 2 - 4



0506002A-SPD

## PL 7.1 Fuser Assembly: 1 of 2

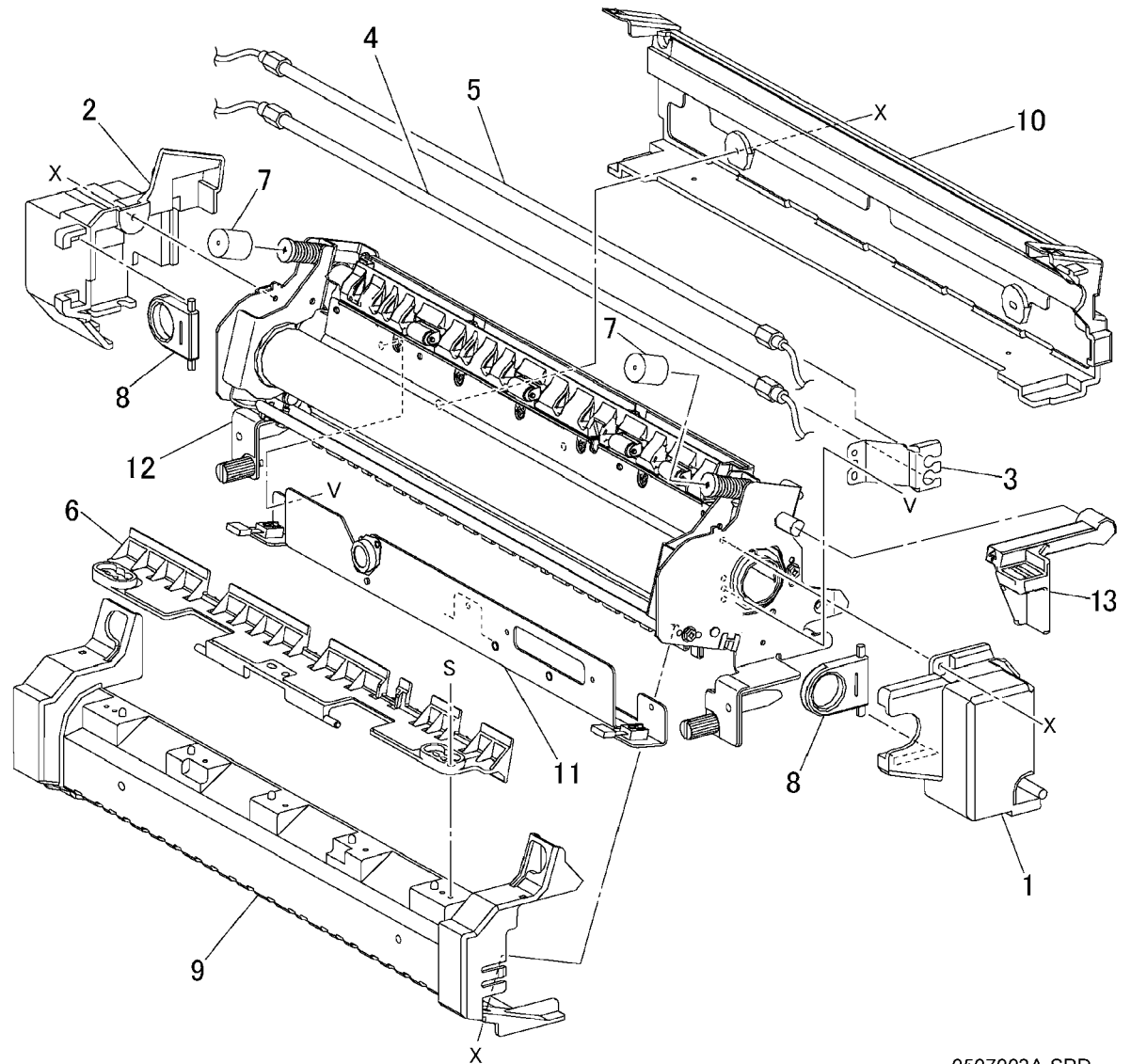
Item	Part	Description
1	-	Fuser (REP 10.1)



0507001A-SPD

## PL 7.2 Fuser Assembly: 2 of 2

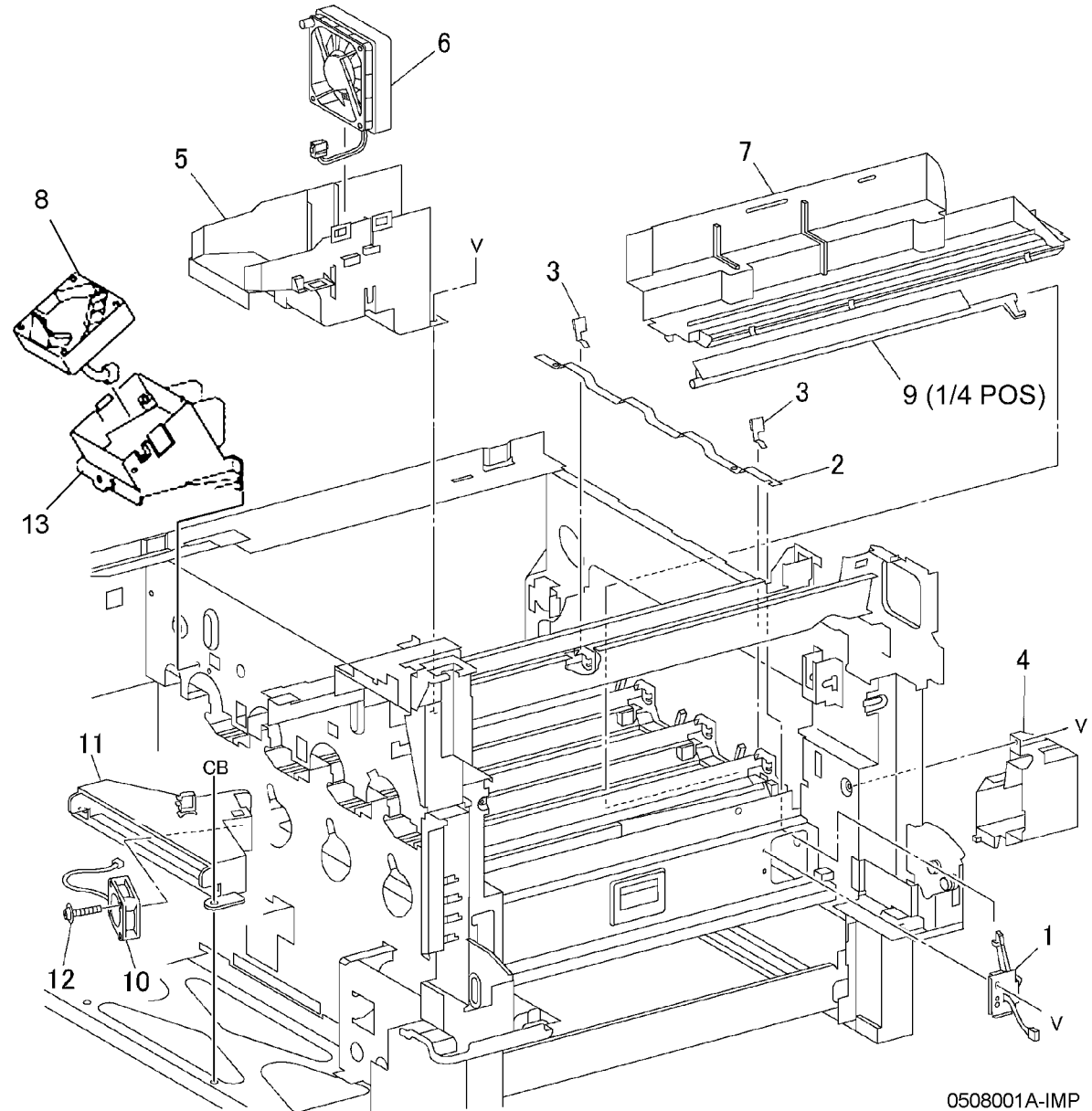
Item	Part	Description
1	-	Front Cover (P/O PL7.1 Item 1)
2	-	Rear Cover (P/O PL7.1 Item 1)
3	-	Front Lamp Bracket (P/O PL7.1 Item 1)
4	126K13950	Main Heater Rod (110V) (WC7328/7335/7345 Only)
-	126K13980	Main Heater Rod (220V) (REP 10.3)
5	126K13960	Sub Heater Rod (110V) (WC7328/7335/7345 Only)
-	126K13990	Sub Heater Rod (220V) (REP 10.3)
6	-	Exit Chute (P/O PL7.1 Item 1)
7	-	Cap (P/O PL7.1 Item 1)
8	-	Handle (P/O PL7.1 Item 1)
9	-	Upper Cover (P/O PL7.1 Item 1)
10	-	Lower Cover (P/O PL7.1 Item 1)
11	130K61021	Sensor Assembly
12	-	Fuser (P/O PL7.1 Item 1)
13	003E61390	Fuser Nip Handle



0507002A-SPD

## PL 8.1 Air System

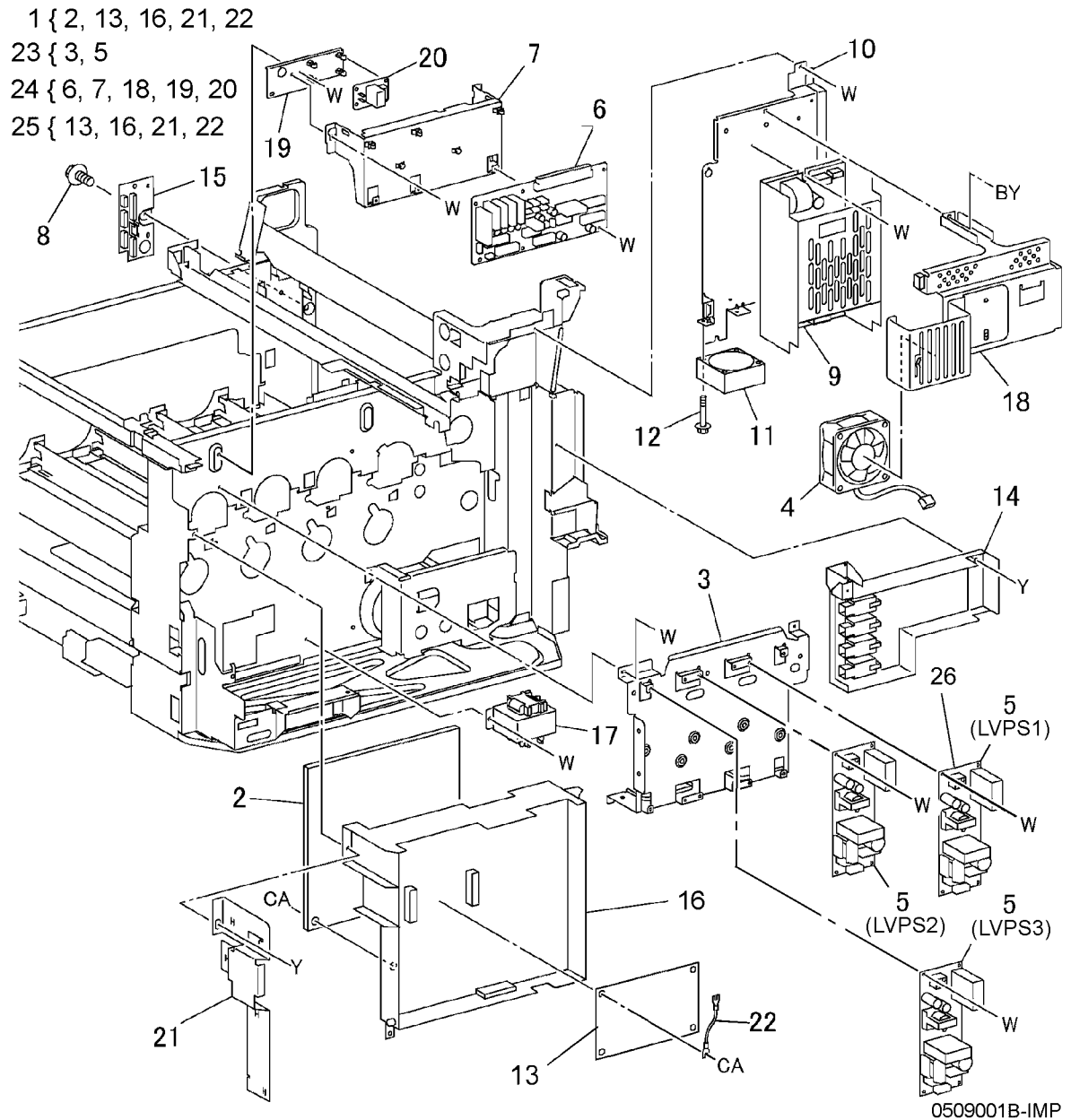
Item	Part	Description
1	127K32731	ROS Shutter Motor (REP 9.2)
2	-	Link (Not Spared)
3	-	Spring (Not Spared)
4	-	Inner Cover (Not Spared) (REP 14.10)
5	-	Duct (Not Spared)
6	127K29342	Fuser Fan (WC7328/7335/7345 Only) (REP 10.2)
-	127K50240	Fuser Fan (REP 10.2)
7	-	Duct (Not Spared)
8	127K36642	Rear Fan (WC7328/7335/7345 Only)
-	127K50250	Rear Fan
9	-	BCR Cleaning CAM (Not Spared)
10	054K26141	Bottom Fan
11	-	Duct (Not Spared)
12	-	Screw (Not Spared)
13	054E21700	Rear Far Duct



0508001A-IMP

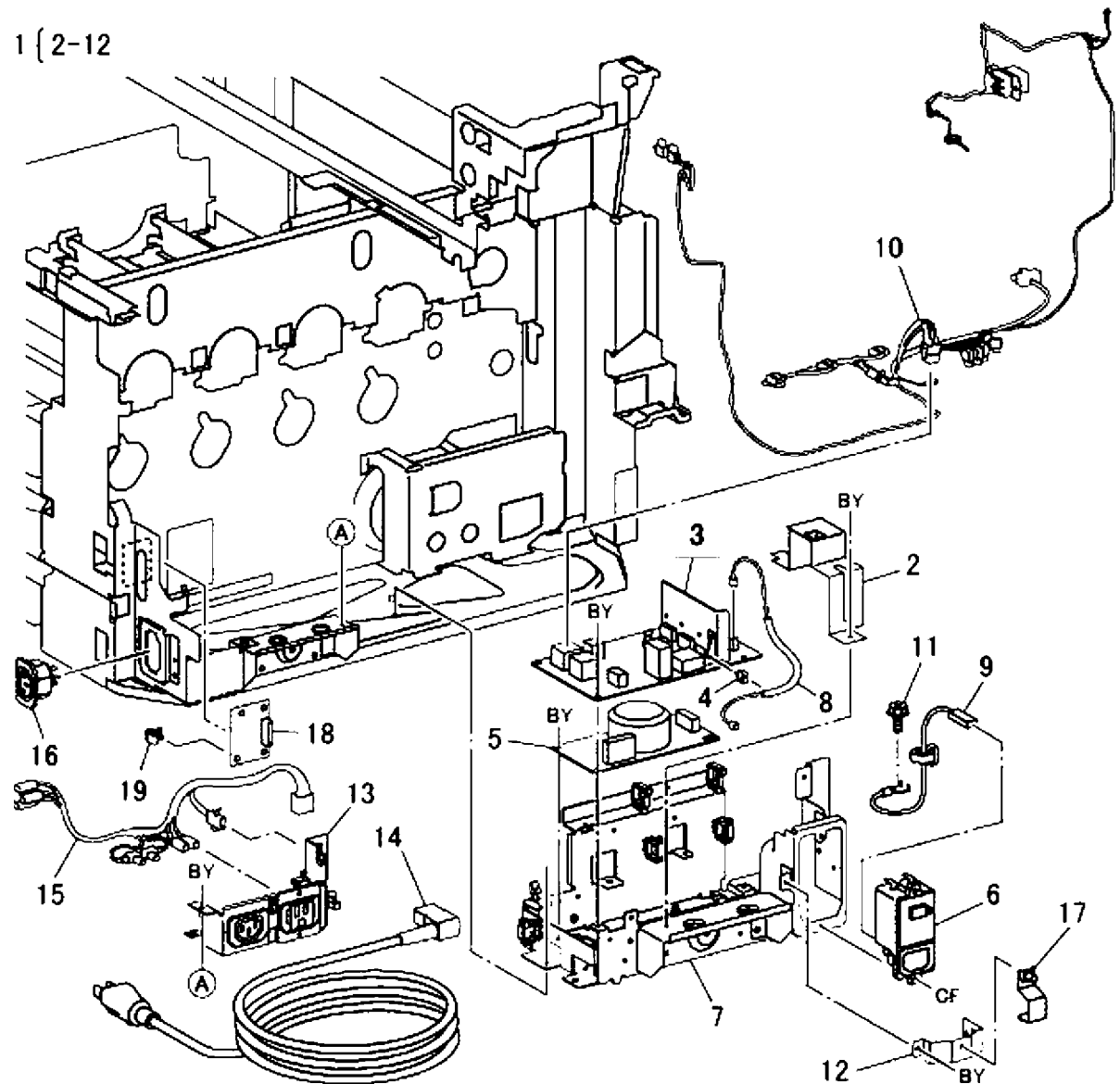
# PL 9.1 Electrical Components: 1 of 4

Item	Part	Description
1	105K20463	HVPS Assembly (T10KT11) (WC7328/7335/7345 Only) (REP 1.7)
-	105K23050	HVPS Assembly (T13ST) (WC7328/7335/7345 Only) (REP 1.7)
-	105K23140	HVPS T13 (DEV/BTR2/DTS) (REP 1.7)
2	105E11972	HVPS T11 (WC7328/7335/7345 Only)
-	105E17690	HVPS T14 (BCR) (REP 1.7)
3	-	LVPS Assembly (Not Spared) (REP 1.1)
4	127K49040	Developer Fan
5	105E16280	+5V LVPS1, LVPS2, LVPS3 (REP 1.4)
6	160K97332	I/F PWB (WC7328/7335/7345 Only) (REP 1.8)
-	960K15800	I/F PWB (MDD) (REP 1.8)
7	-	Bracket Assembly (P/O Item 24)
8	-	Screw (Not Spared)
9	105E15190	24V LVPS (REP 1.5)
10	-	+24V LVPS Bracket Assembly (Not Spared) (REP 1.9)
11	127K29331	LVPS Fan (WC7328/7335/7345 Only)
-	127K50280	LVPS Fan
12	-	Screw (Not Spared)
13	-	HVPS Control PWB (P/O Item 1)
14	105E11982	HVPS-T12 (BTR1) (REP 1.10)
15	-	Connector Chassis (Not Spared)
16	105E17820	HVPS Chassis T13 (With Item 13) (REP 1.6)
17	104E94220	Resistor (220V)
18	-	Bracket
19	-	Plate (Not Spared)
20	160K88292	Interlock Relay PWB
21	-	Plate (P/O Item 1)
22	-	Wire Harness (P/O Item 1)
23	-	LVPS Assembly
24	-	MDD I/F PWB Assembly
25	105K20452	HVPS T10 Assembly (WC7328/7335/7345 Only)
26	105E16270	PSLV, LF506QR (WC7328/7335/7345 Only) (One Place)



## PL 9.2 Electrical Components: 2 of 4

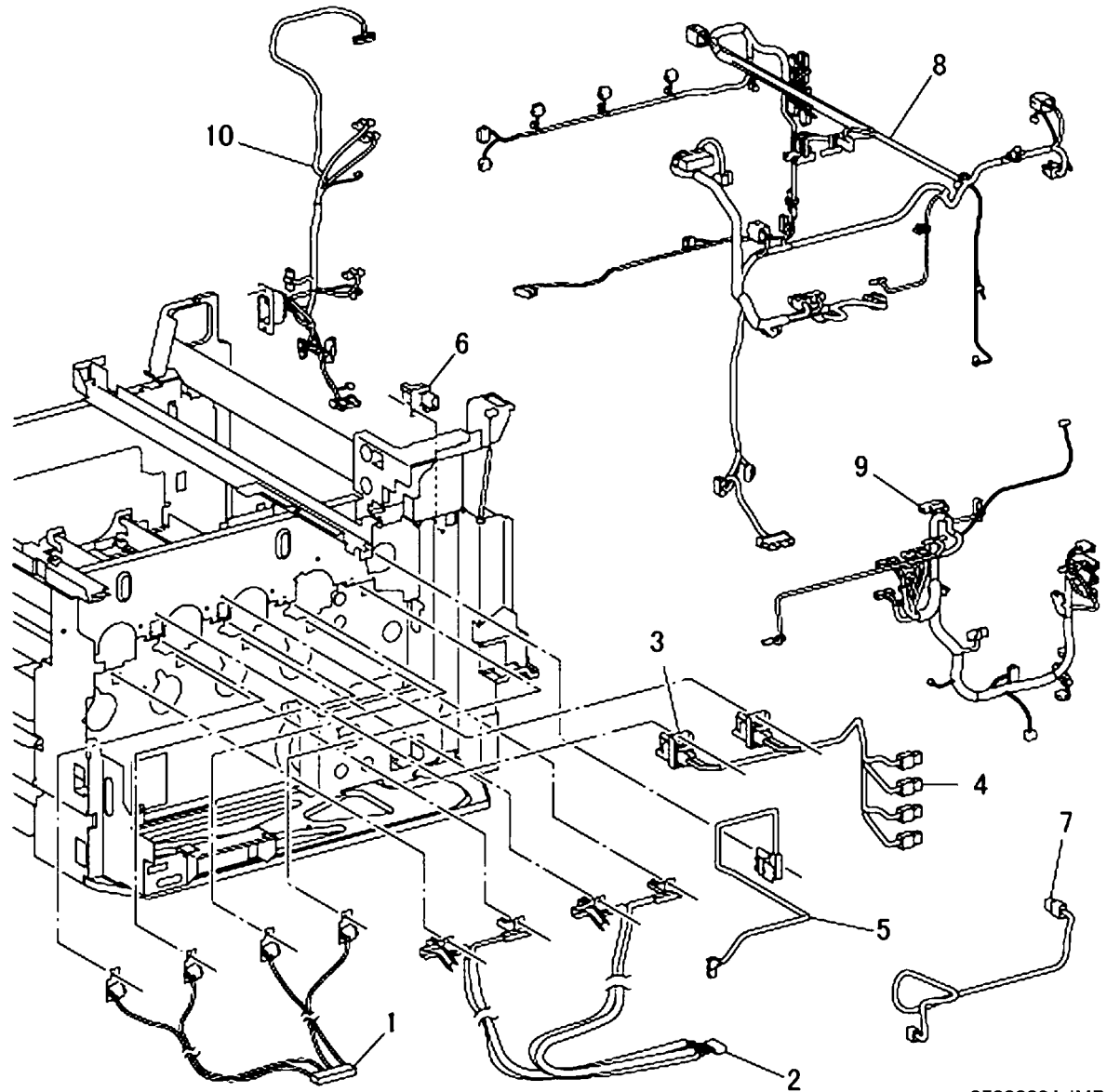
Item	Part	Description
1	101K52401	AC Power Chassis Assembly (110V) (WC7328/7335/7345 Only)
-	101K53980	AC Power Chassis Assembly (220V)
2	-	Bracket (P/O Item 1)
3	960K28900	AC Drive PWB (110V) (WC7328/7335/7345 Only) (REP 1.11)
-	960K28910	AC Drive PWB (220V) (REP 1.11)
4	-	Clamp (P/O Item 1)
5	160K97661	Noise Filter PWB (WC7328/7335/7345 Only)
-	960K28930	Noise Filter PWB (220V)
-	960K28920	Noise Filter PWB (110V) (WC7328/7335/7345 Only)
6	908W01201	GFI Breaker
7	-	AC Power Chassis (P/O Item 1)
8	-	Wire Harness (P/O Item 1)
9	962K41680	Wire Harness
10	962K20052	Wire Harness (WC7328/7335/7345 Only)
-	962K59600	Wire Harness
11	-	Screw (P/O Item 1)
12	-	Bracket (P/O Item 1)
13	074K97292	Outlet Panel
14	117E16210	Power Cord (220V)
-	152S05108	Power Cord (250V, 10A)
-	117K31400	Power Cord (110V)
15	-	Wire Harness
16	-	Outlet
17	-	Holder
18	105E16620	DC Converter PWB
19	-	PWB Support (Not Spared)



0509002A-IMP

## PL 9.3 Electrical Components: 3 of 4

Item	Part	Description
1	014K81604	Developer Block Assembly
2	162K62113	Wire Harness (Xero)
3	162K55941	Developer Wire Harness (Y, M)
4	162K55971	Developer Wire Harness (C, K)
5	162K56000	2nd Wire Harness
6	113K82310	DTS Connector
7	162K56031	DTS Wire Harness
8	962K37974	DC Main Harness
9	962K37980	Wire Harness (LH)
10	962K37991	Wire Harness (RH)

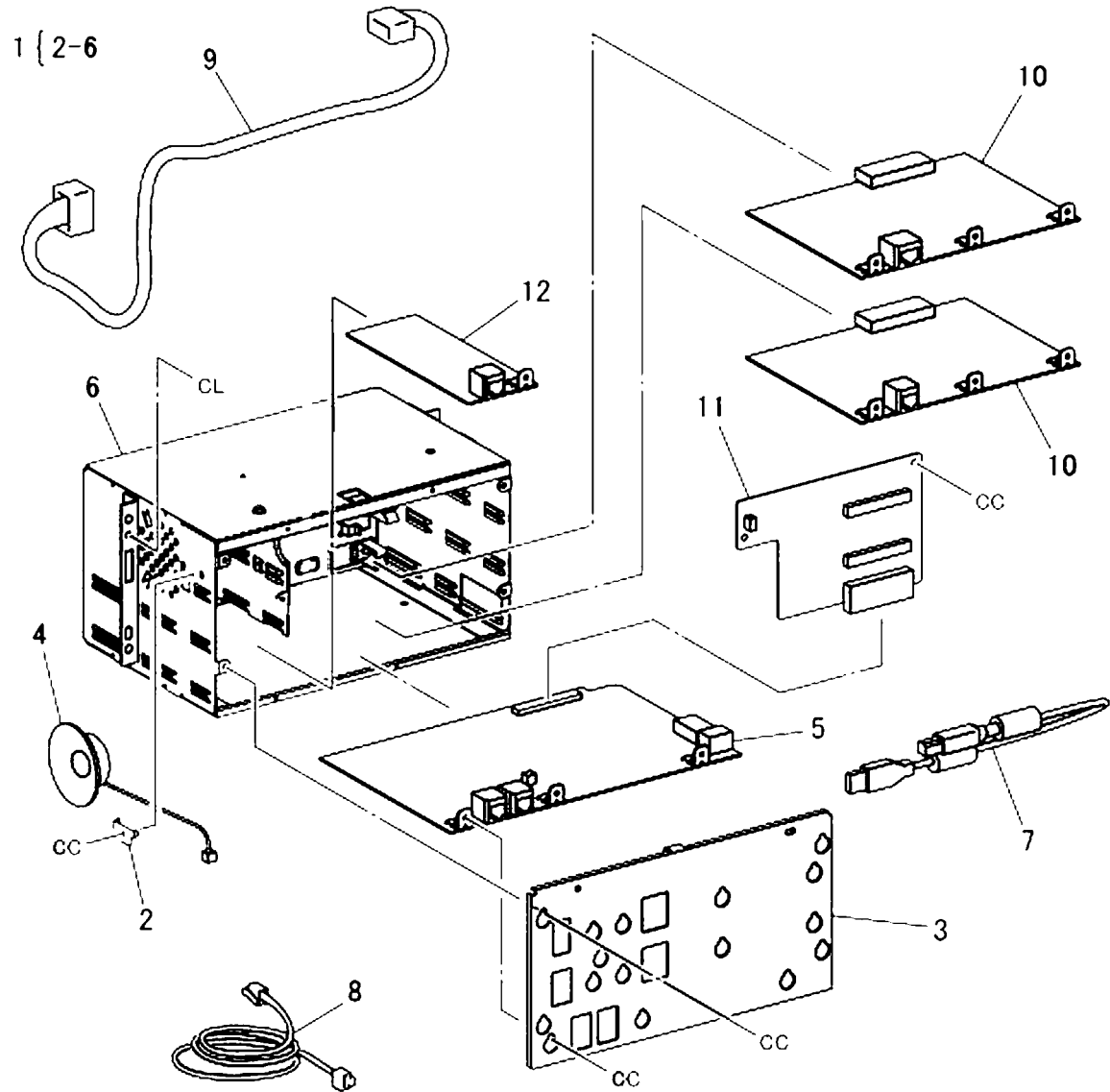


0509003A-IMP



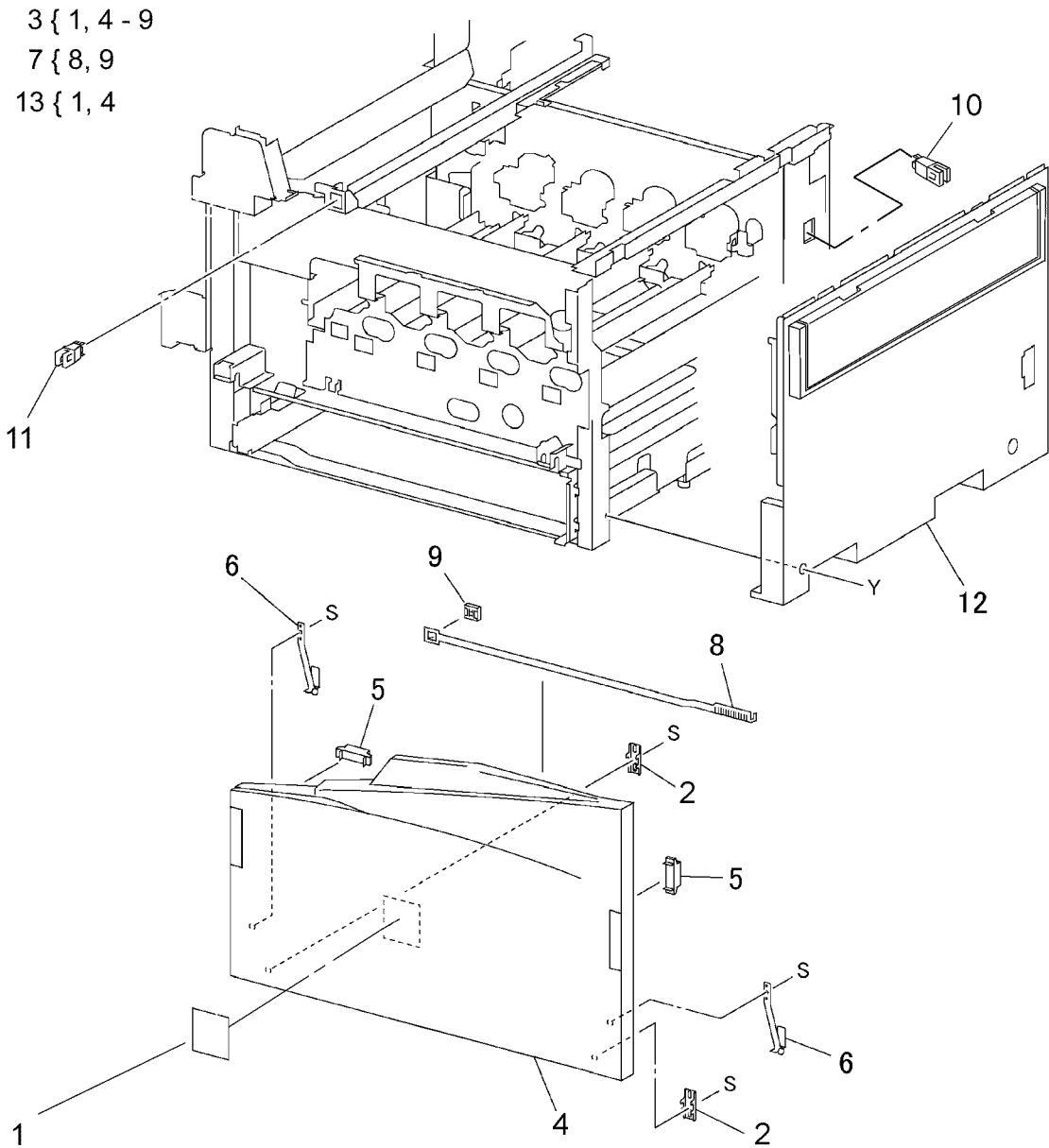
## PL 9.4 Electrical Components: 4 of 4

Item	Part	Description
1	-	Fax Box Assembly (Not Spared)
2	-	Bracket (P/O Item 1)
3	-	Cover (P/O Item 1)
4	-	Speaker
5	160K97646	Fax PWB
-	960K24953	Fax PWB (XE)
6	-	Box (P/O Item 1)
7	117K36340	USB Cable
8	-	Data Cable
9	117K36140	Wire Harness
10	-	G3 PWB
11	-	Riser PWB
12	-	EXT PWB



## PL 10.1 Front Cover

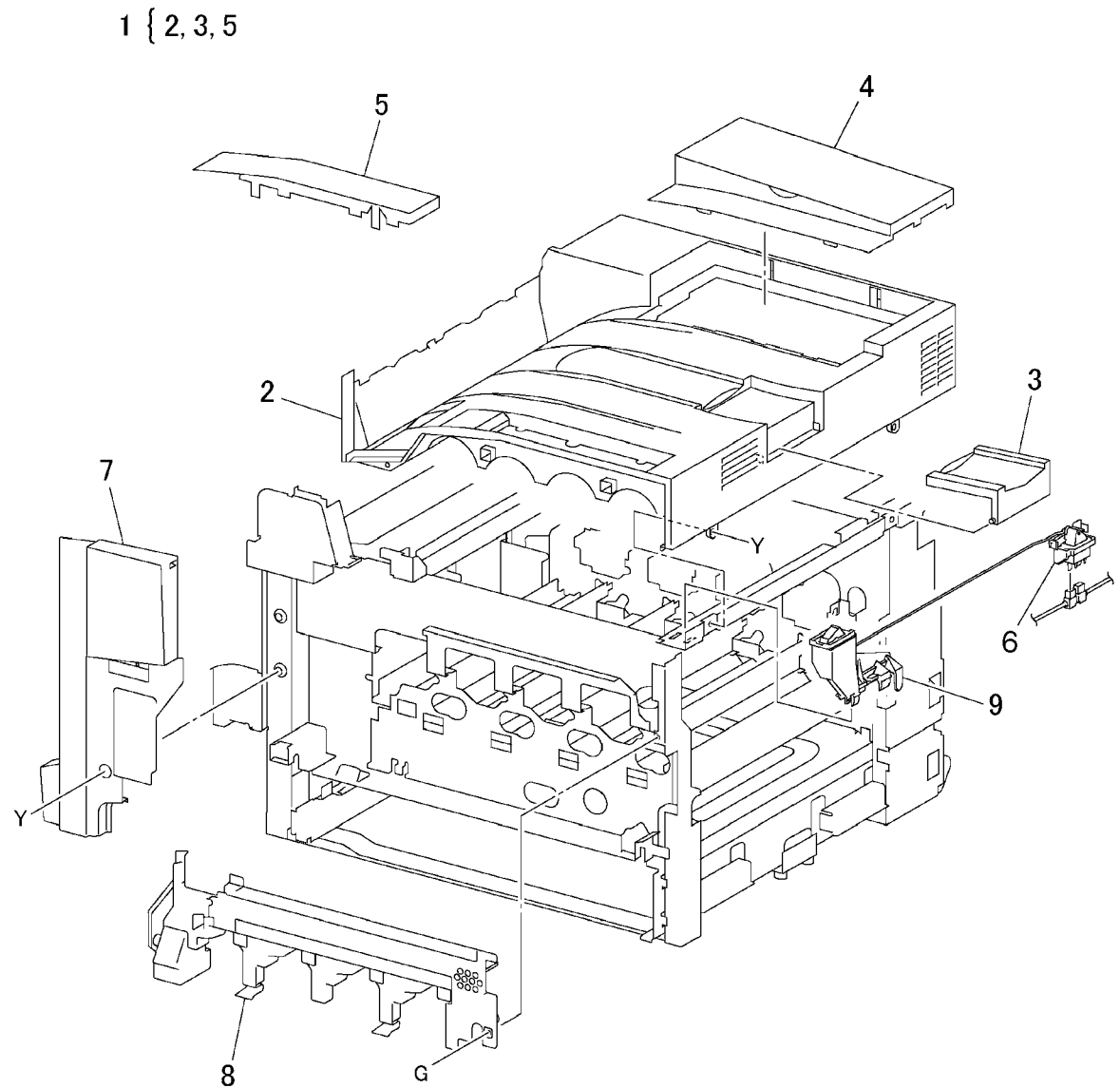
Item	Part	Description
1	848K06221	Logo Plate
2	-	Hinge (Not Spared)
3	802K52452	Front Cover Assembly (WC7328/7335/7345 Only)
-	802K92610	Front Cover Assembly (REP 14.7)
4	-	Front Cover (P/O Item 3)
5	-	Magnet (P/O Item 3)
6	-	Strip (P/O Item 3)
7	042K91990	ROS Cleaner Assembly
8	-	ROS Cleaner (P/O Item 7)
9	-	Cleaner Base (P/O Item 7)
10	110E94770	Right Interlock Switch
11	110E97990	Front Interlock Switch
12	802K50161	Right Cover (REP 14.3)
13	848K05500	Front Cover Assembly



0510001C-SPD

## PL 10.2 Top Covers and Inner Covers

Item	Part	Description
1	802K49803	Top Cover Assembly (WC7328/7335/7345 Only) (REP 14.1)
-	802K84701	Top Cover Assembly (REP 14.1)
2	-	Top Cover (P/O Item 1)
3	-	Stop (P/O Item 1)
4	802E12400	Connector Cover (WC7328/7335/7345 Only)
-	802E90050	Connector Cover
5	-	Panel (P/O Item 1)
6	110K11211	Main Power Switch
-	110K11540	Main Power Switch (WC7328/7335/7345 Only)
7	802E12432	Fuser Cover (REP 14.8)
8	802K46071	Inner Cover (REP 9.6)
9	012K94261	Link
-	012K94760	Link Assembly

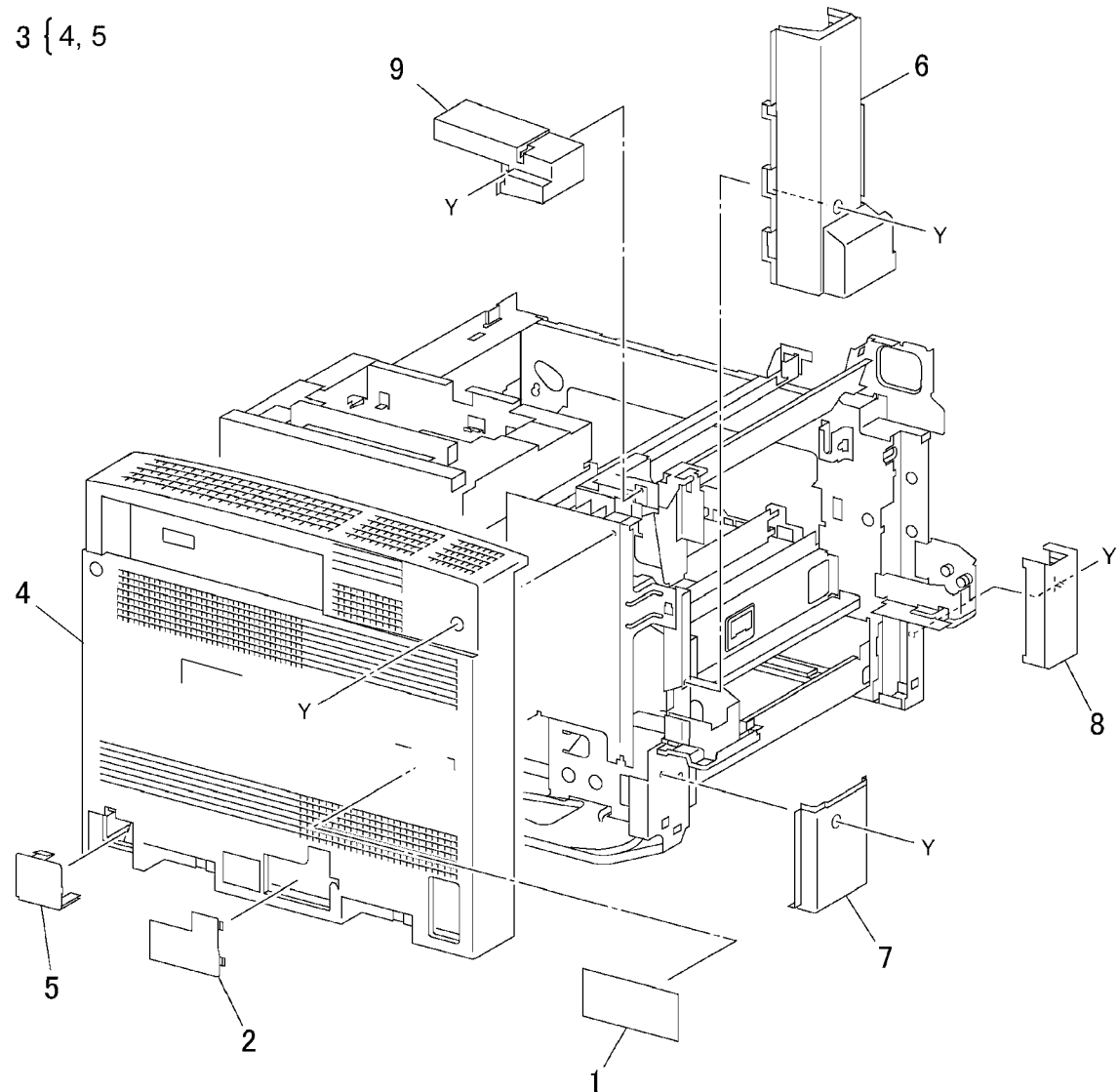


0510002B-SPD

## PL 10.3 Rear Cover

Item	Part	Description
1	–	Data Plate (Not Spared)
2	802E33910	Blind Cover
3	802K93180	Rear Cover Assembly
–	802K68001	Rear Cover (120V)
4	–	Rear Cover (P/O Item 3) (REP 14.2)
5	802E12490	Blind Cover
6	802E12501	Rear Left Middle Cover (REP 14.4)
7	–	Rear Left Lower Cover (Not Spared)
8	–	Front Left Cover (Not Spared)
9	802E27861	Rear Left Upper Cover (REP 14.5)

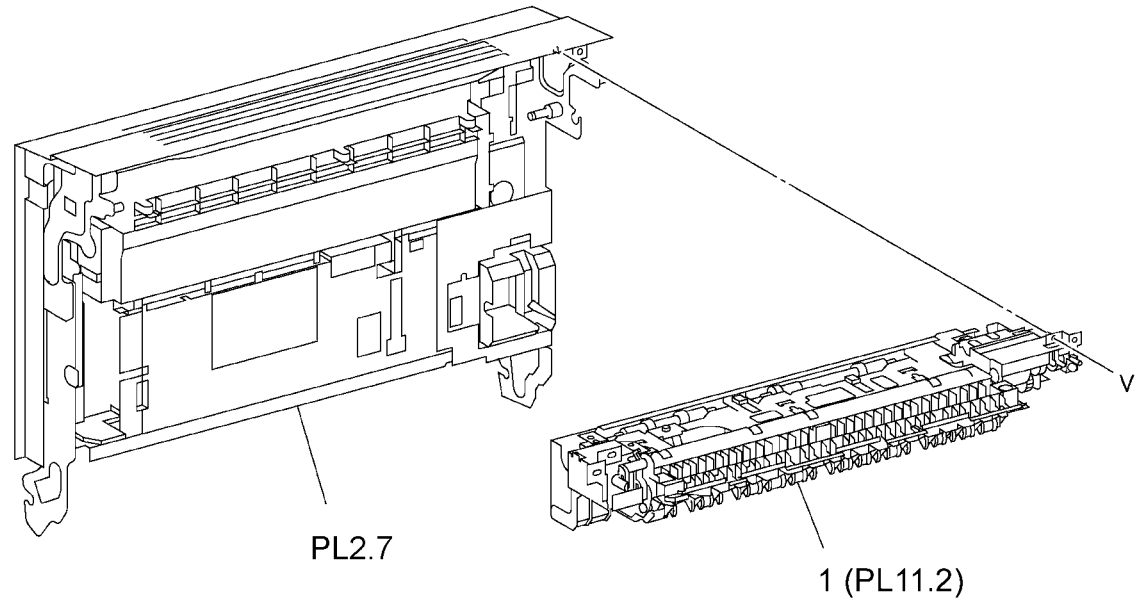
3 { 4, 5



0510003B-SPD

## PL 11.1 Inverter Transport: 1 of 2

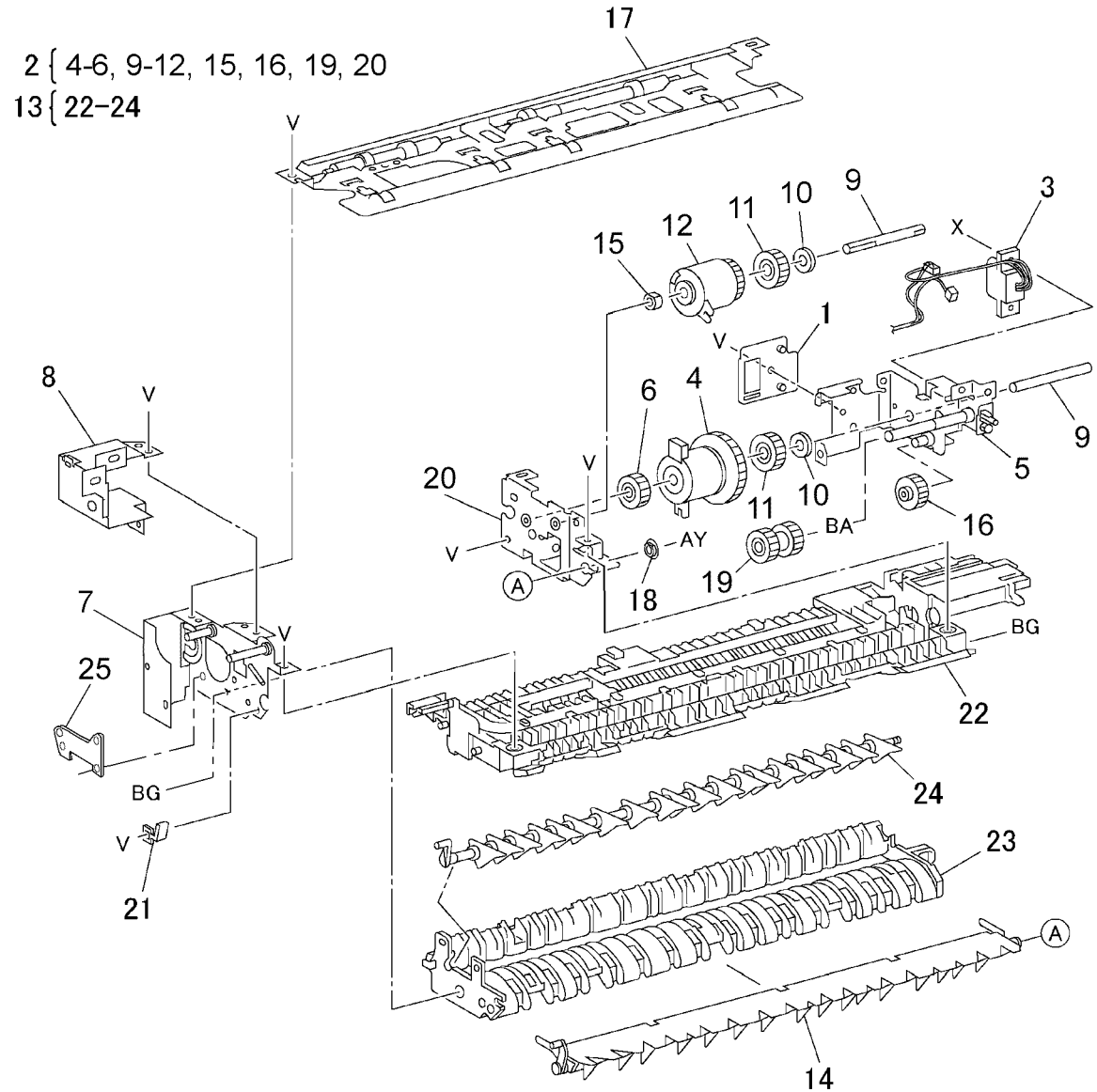
Item	Part	Description
1	059K36873	Inverter Transport (REP 8.5)



0511001A-COP

## PL 11.2 Inverter Transport: 2 of 2

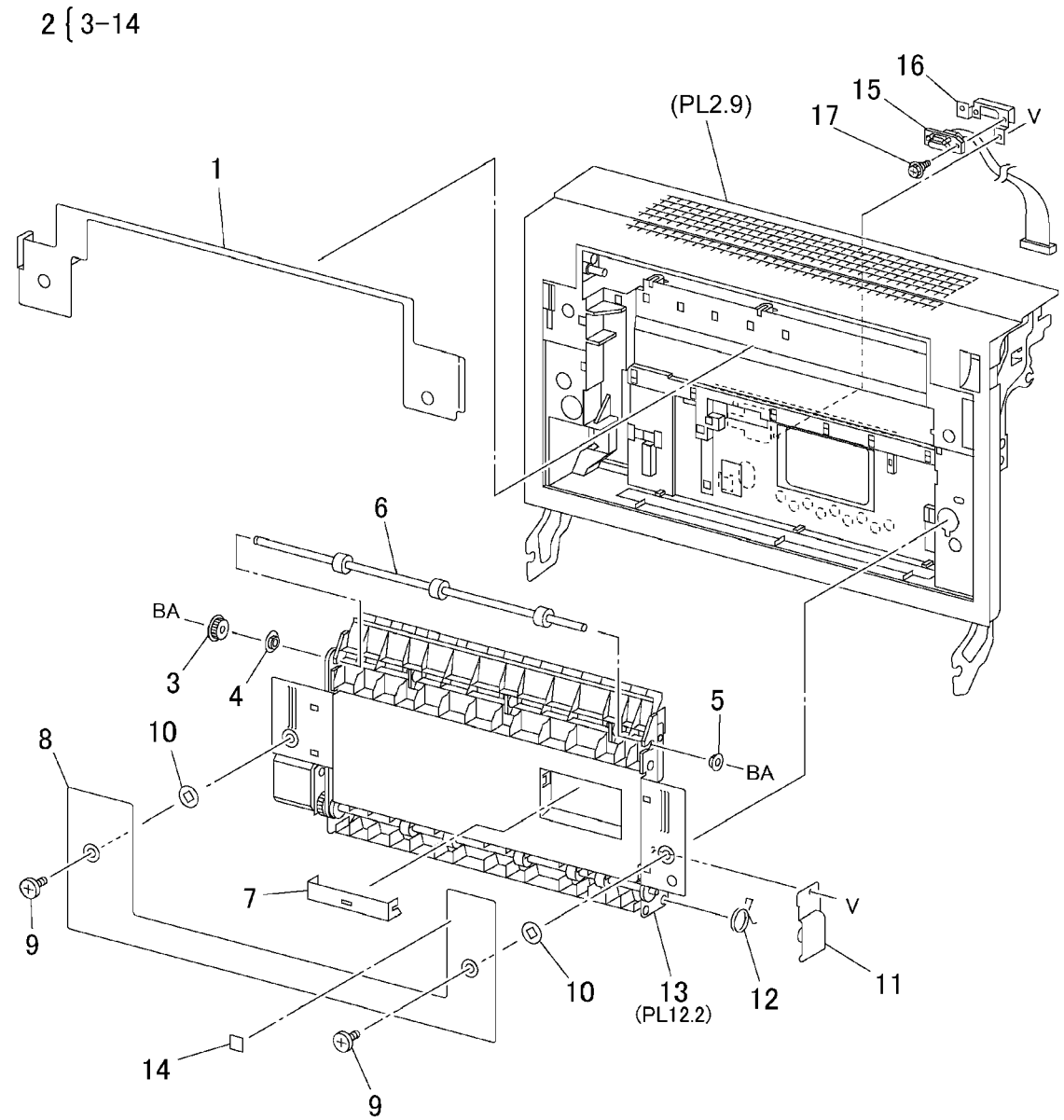
Item	Part	Description
1	-	Data Plate (P/O PL11.1 Item 1)
2	015K61321	Clutch Assembly
3	-	Wire Harness (P/O PL11.1 Item 1)
4	121K22870	Reverse Clutch
5	011E10711	Interlock Actuator
6	-	Gear (23T) (P/O Item 2)
7	-	Bracket (P/O PL11.1 Item 1)
8	-	Bracket (P/O PL11.1 Item 1)
9	-	Shaft (P/O Item 2)
10	-	Bearing (P/O Item 2)
11	-	Gear (23T) (P/O Item 2)
12	121K22860	Forward Clutch
13	054K17242	Inverter Chute Assembly
14	-	Exit Gate (P/O PL11.1 Item 1)
15	-	Spacer (P/O Item 2)
16	-	Gear (P/O Item 2)
17	-	Tie Plate (P/O PL11.1 Item 1)
18	-	Bearing (P/O PL11.1 Item 1)
19	-	Gear (P/O Item 2)
20	-	Bracket (P/O Item 2)
21	-	Holder (P/O PL11.1 Item 1)
22	-	Upper Chute (P/O Item 13)
23	-	Lower Chute (P/O Item 13)
24	-	Duplex Gate (P/O Item 13)
25	830E97760	Gate Plate



0511002A-SPD

# PL 12.1 Duplex Transport Assembly: 1 of 2

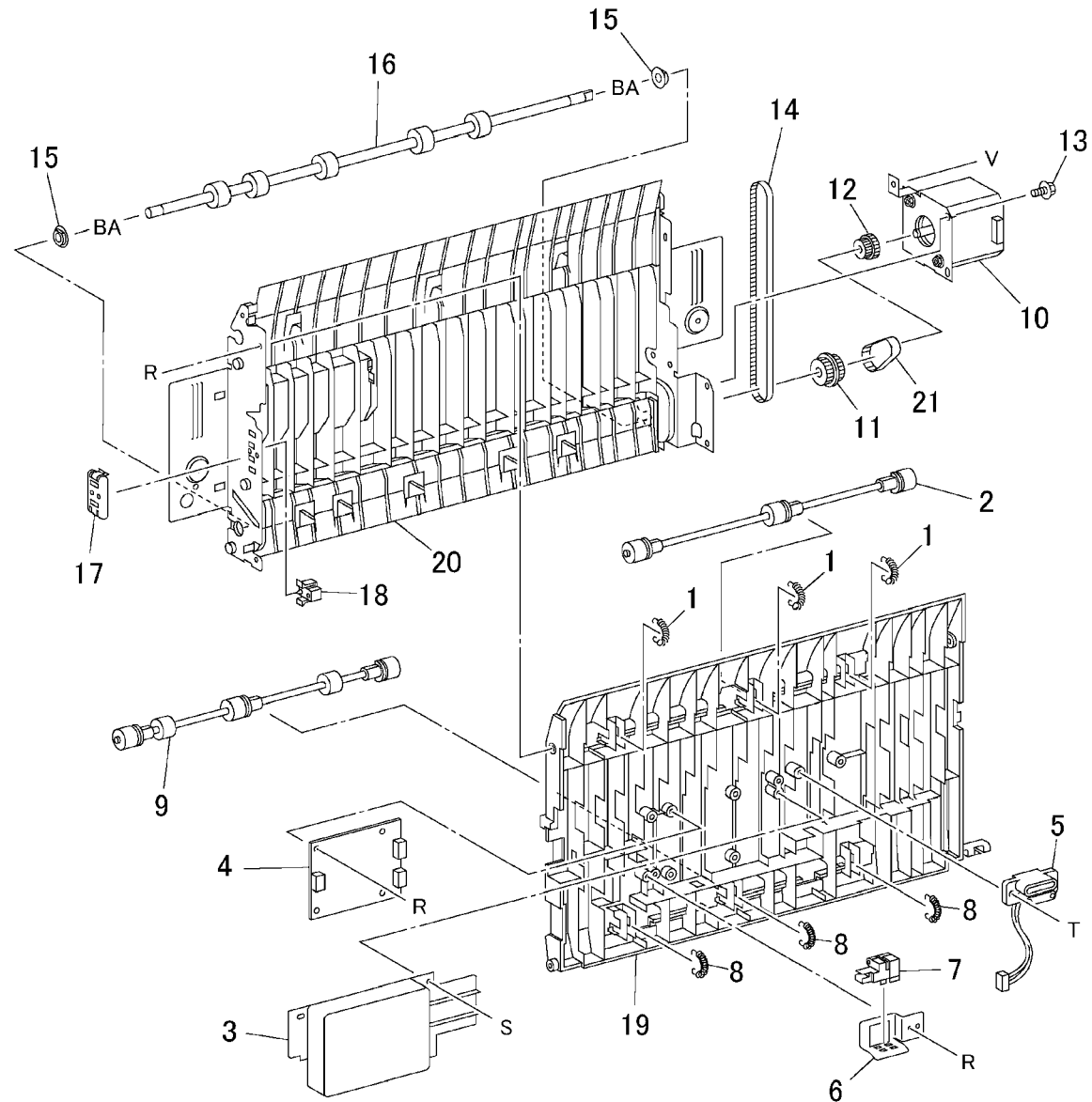
Item	Part	Description
1	-	Duplex Transport Upper Cover (Not Spared)
2	059K36902	Duplex Transport Assembly (REP 8.3)
3	-	One-way Pulley (P/O Item 2)
4	-	Bearing (P/O Item 2)
5	-	Bearing (P/O Item 2)
6	059K23960	Duplex Transport Roll
7	-	Handle (P/O Item 2)
8	-	Lower Cover (P/O Item 2)
9	-	Screw (P/O Item 2)
10	-	Nylon Washer (P/O Item 2)
11	-	Cover (P/O Item 2)
12	-	Spring (P/O Item 2)
13	-	Duplex Transport (P/O Item 2)
14	-	Label (P/O Item 2)
15	-	Wire Harness (Not Spared)
16	-	Bracket (Not Spared)
17	-	Screw (Not Spared)



0512001A-SPD

# PL 12.2 Duplex Transport Assembly: 2 of 2

Item	Part	Description
1	-	Spring (P/O PL12.1 Item 2)
2	059K23470	Pinch Roll
3	-	Cover (P/O PL12.1 Item 2)
4	160K97412	Duplex Transport PWB
5	-	Wire Harness (P/O PL12.1 Item 2)
6	-	Bracket (P/O PL12.1 Item 2)
7	130K61250	Duplex Transport Wait Sensor
8	-	Spring (P/O PL12.1 Item 2)
9	059K23980	Pinch Roll
10	127K38020	Duplex Transport Motor
11	-	Pulley (20/21T) (P/O PL12.1 Item 2)
12	-	Pulley (15T) (P/O PL12.1 Item 2)
13	-	Screw (P/O PL12.1 Item 2)
14	-	Belt (P/O PL12.1 Item 2)
15	-	Bearing (P/O PL12.1 Item 2)
16	059K23970	Wait Roll
17	-	Cover (P/O PL12.1 Item 2)
18	110E93440	Interlock Switch
19	-	Inner Chute (P/O PL12.1 Item 2)
20	-	Outer Chute (P/O PL12.1 Item 2)
21	-	Belt (P/O PL12.1 Item 2)

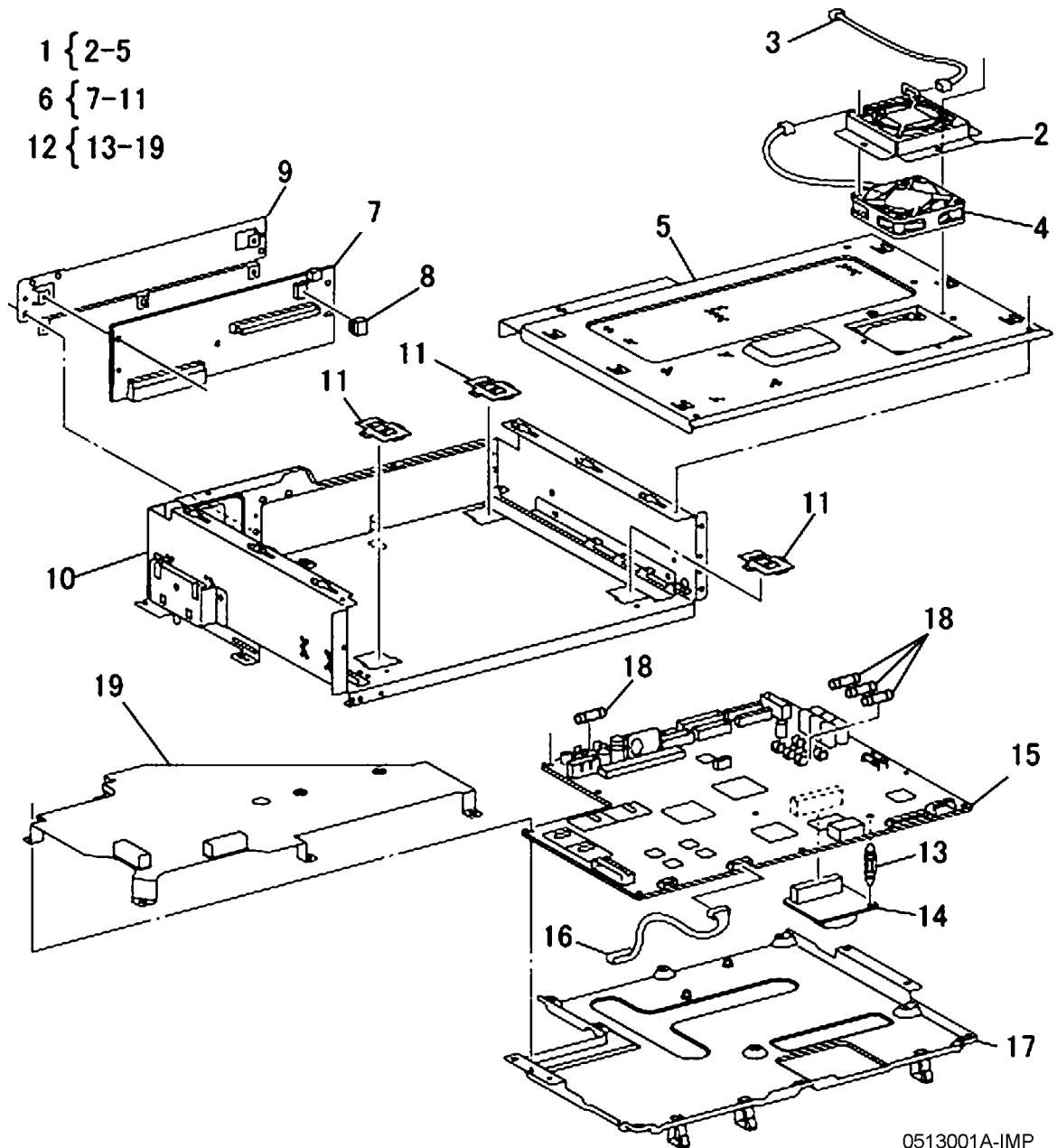


0512002A-SPD



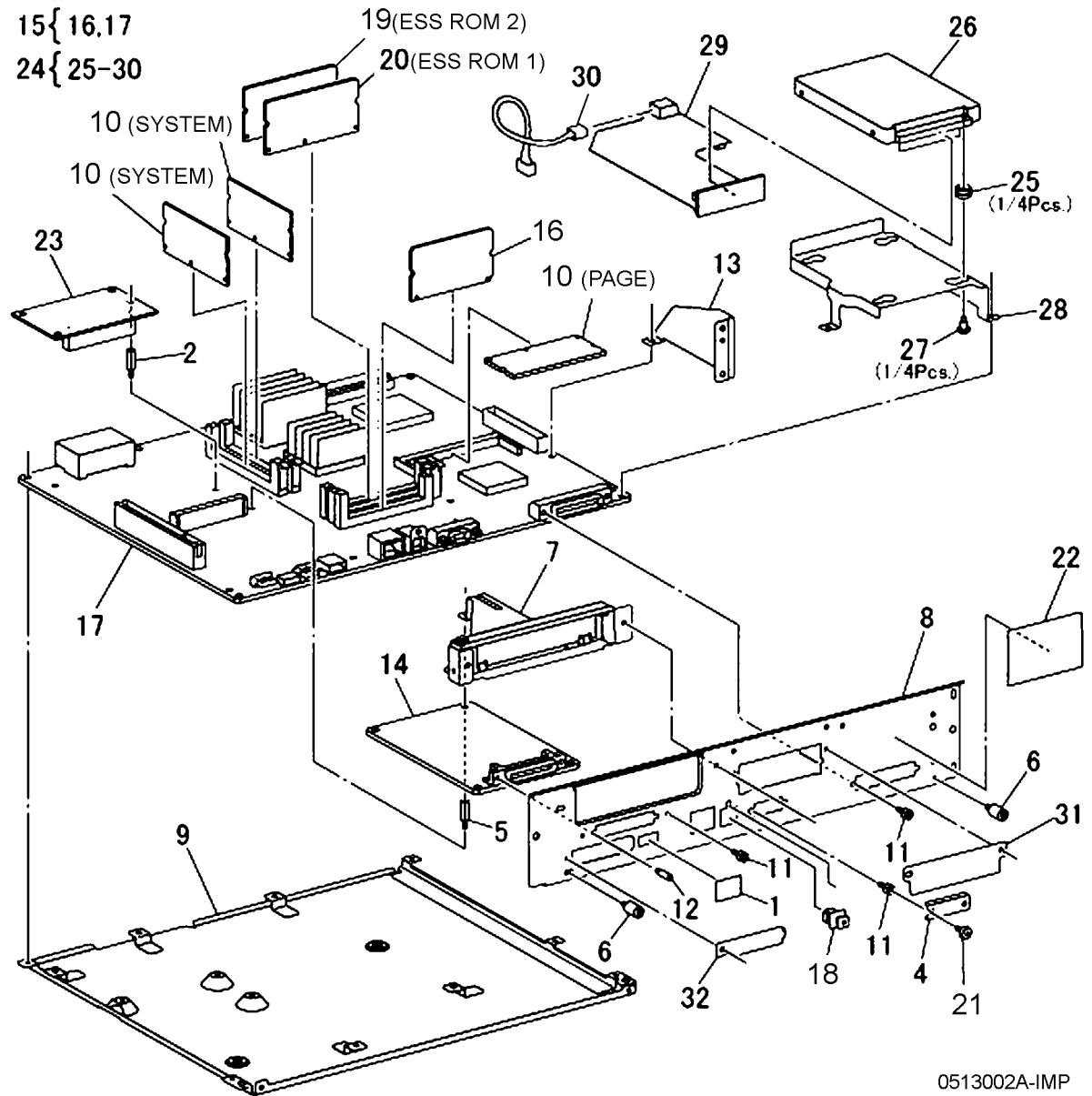
## PL 13.1 ESS Box Assembly

Item	Part	Description
1	-	ESS Cover Assembly (Not Spared)
2	-	Bracket (Not Spared)
3	-	Wire Harness
4	127K49440	ESS Fan
5	-	Cover (Not Spared)
6	-	Chassis Assembly (Not Spared)
7	960K22830	BP PWB (REP 1.13)
8	-	SEEP Rom (P/O Item 6)
9	-	Plate (P/O Item 6)
10	-	Chassis (P/O Item 6)
11	-	Spring (P/O Item 6)
12	-	MCU PWB Assembly (P/O Item 6)
13	-	Spacer (P/O Item 12)
14	960K03639	MCU-MF NVM PWB (WC7328/7335/7345 Only) (REP 1.2.1)
15	960K23014	MCU PWB (REP 1.2)
-	960K31350	MCU PWBA (WC7328/7335/7345) (REP 1.2)
16	-	Wire Harness (P/O Item 12)
17	-	Shield (P/O Item 12)
18	-	Fuse (4A) (P/O Item 12)
19	-	MCU Cover (P/O Item 12)



## PL 13.2 ESS PWB Unit

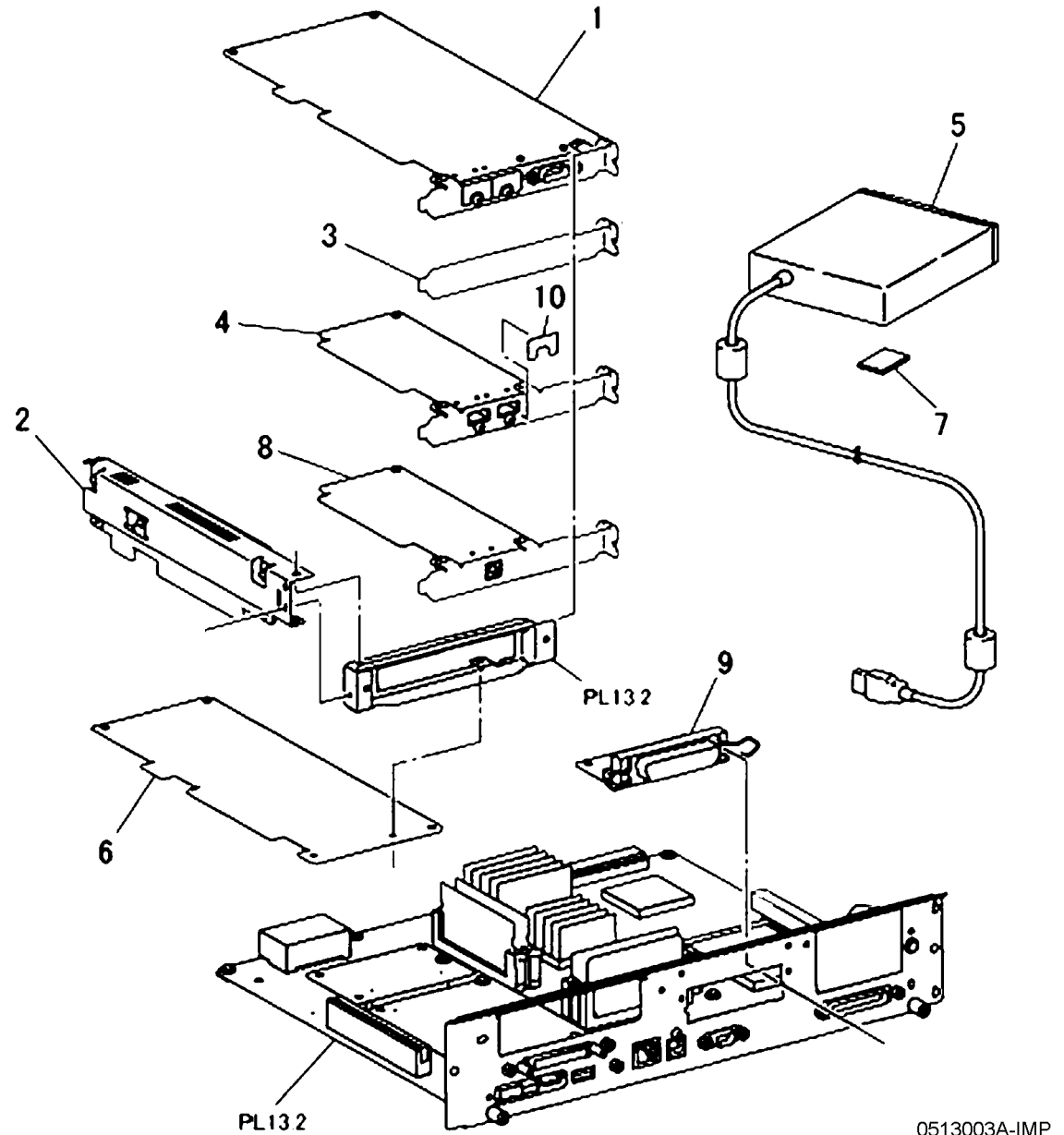
Item	Part	Description
1	-	Seal (Not Spared)
2	-	Spacer (Not Spared)
3	-	Cap (Not Spared)
4	-	Optional Cover (Not Spared)
5	-	Spacer (Not Spared)
6	-	Knurled Screw (Not Spared)
7	-	Bracket (Not Spared)
8	-	Panel (Not Spared)
-	101K52281	Rear Panel (WC7328/7335/7345 Only)
9	-	Chassis (Not Spared)
10	133K23691	System Memory (256MB) (REP 1.12.7)
-	133K23811	System Memory (512MB) (REP 1.12.7)
-	133K24760	System Memory (512MB) (WC7328/7335/7345 Only) (REP 1.12.7)
11	-	Lock Screw (Not Spared)
12	-	Screw (Not Spared)
13	-	Support (Not Spared)
14	960K16750	UI PWB (REP 1.12.5)
15	960K26551	ESS PWB Assembly (REP 1.12)
16	160K99202	ESS NVM PWB (REP 1.12.2)
17	960K09093	ESS PWB (REP 1.12.1)
18	-	Panel (Not Spared)
19	540K04023	ESS ROM2
20	540K04014	ESS ROM1
21	-	Screw (Not Spared)
22	-	Label (Caution) (Not Spared)
23	960K16120	JPEG PWB (REP 1.12.6)
24	960K29230	HDD Assembly
25	-	Bumper (P/O Item 24)
26	-	HDD (P/O Item 24)
27	-	Screw (P/O Item 24)
28	-	Bracket (P/O Item 24)
29	962K57440	Flat Cable
30	962K23070	Wire Harness
31	-	Panel (Not Spared)



0513002A-IMP

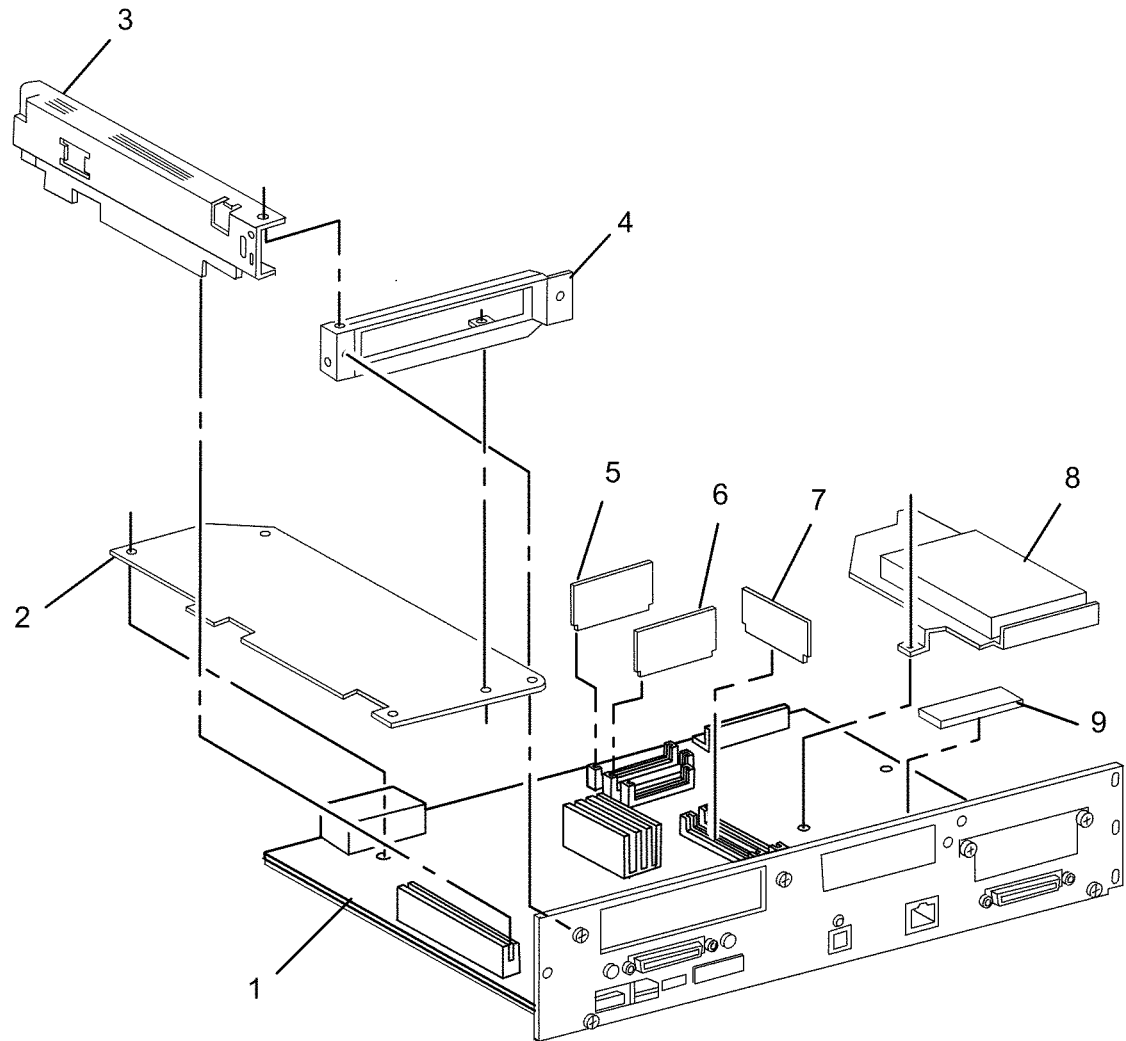
## PL 13.3 ESS Option

Item	Part	Description
1	960K18180	Image Comp PWB
2	960K18190	Riser PWB
3	-	Plate (Not Spared)
4	960K18140	Media Card I/F PWB
5	-	Media Card Reader (Not Spared)
6	960K16200	Thumbnail Preview PWB
7	-	Sticky Back Velcro Fastener (4) (Not Spared)
8	960K18150	USB Print PWB
9	-	Parallel Print PWB (Not Spared)
10	-	Label (Not Spared)



## PL 13.4 ESS Chassis Assembly (WC7328/7335/7345 Only)

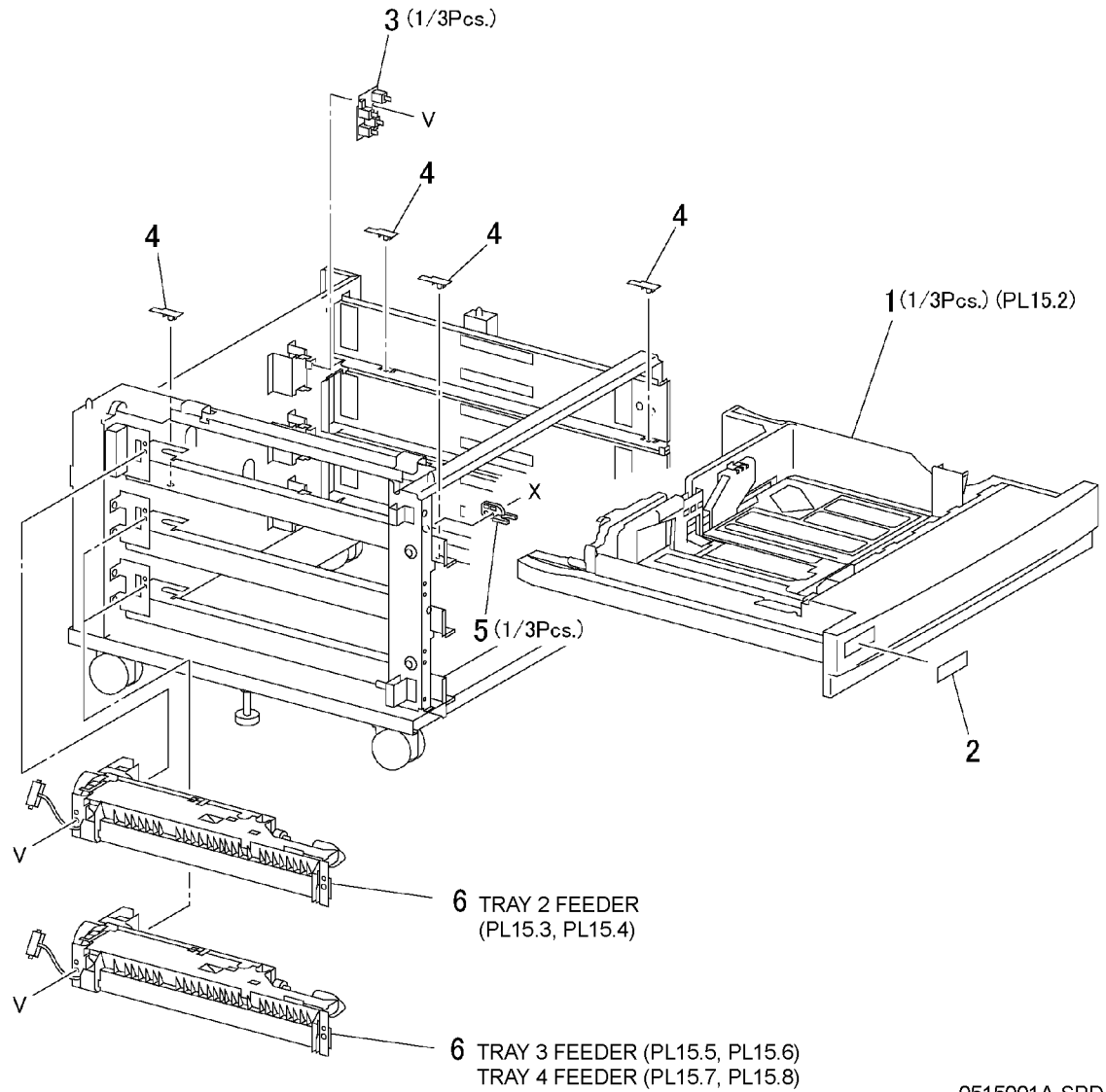
Item	Part	Description
1	960K25995	PWB Assembly
2	960K16120	JPEG PWB
3	—	PWB Riser Assembly
4	—	Bracket (Not Spared)
5	540K06960	ESS MN1 EPROM
6	540K06440	ESS MN2 EPROM
7	133K24760	512MB DIMM
8	960K29230	HDD Assembly
9	—	128MB DIMM (Not Spared)



0513004A-IMP

# PL 15.1 Tray 2/3/4 Feeders & Paper Trays

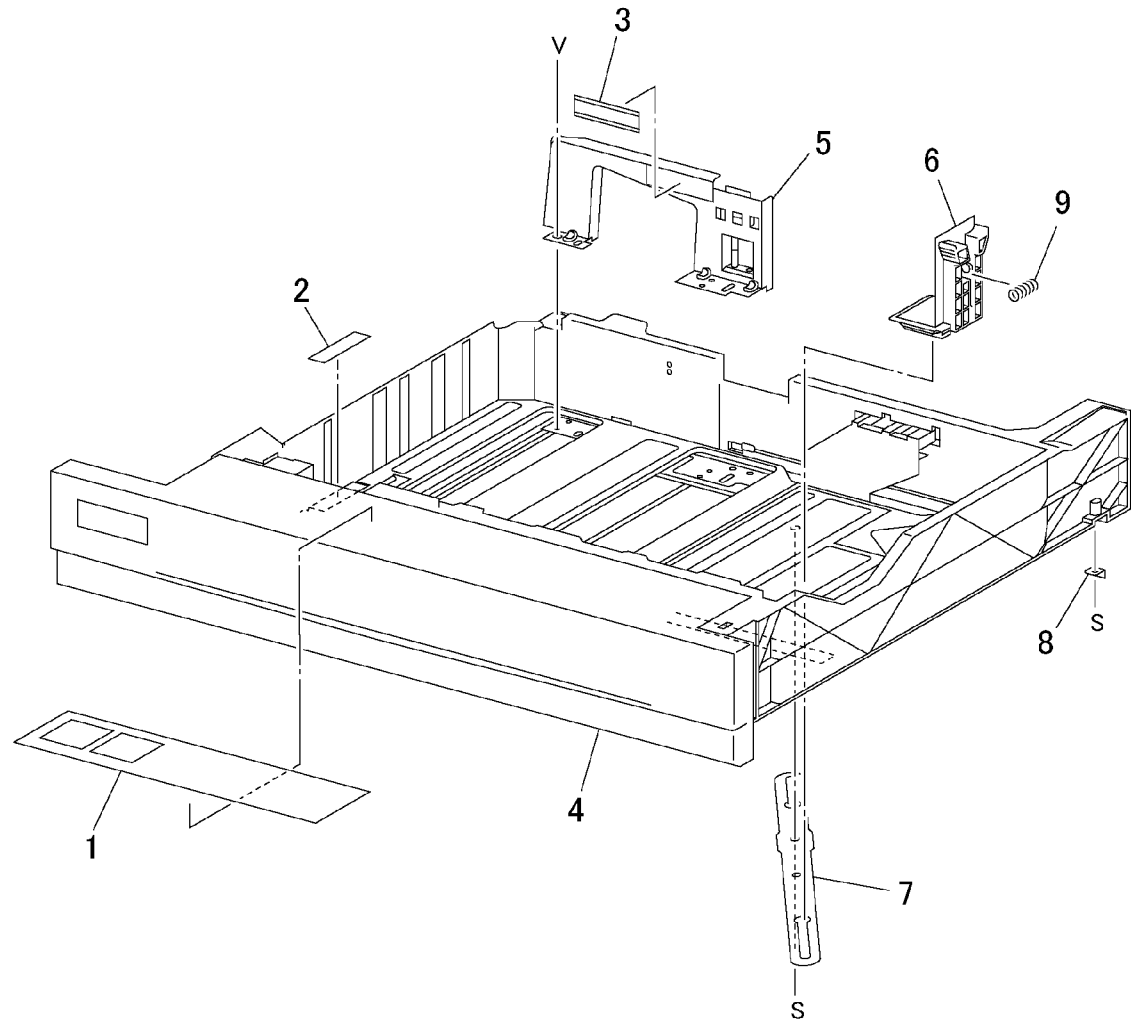
Item	Part	Description
1	050K49613	Tray 2/3/4 (REP 7.13 7.14 7.15)
2	892E82840	Label (Tray 2)
-	892E82860	Label (Tray 4)
-	892E82850	Label (Tray 3)
3	110K12990	Paper Size Sensor (Tray 2/3/4)
4	-	Spacer (Not Spared)
5	003E23672	Stop
6	059K15577	Feeder (Tray 2/3/4) (REP 7.16 7.17 7.18)



0515001A-SPD

## PL 15.2 Tray Assembly

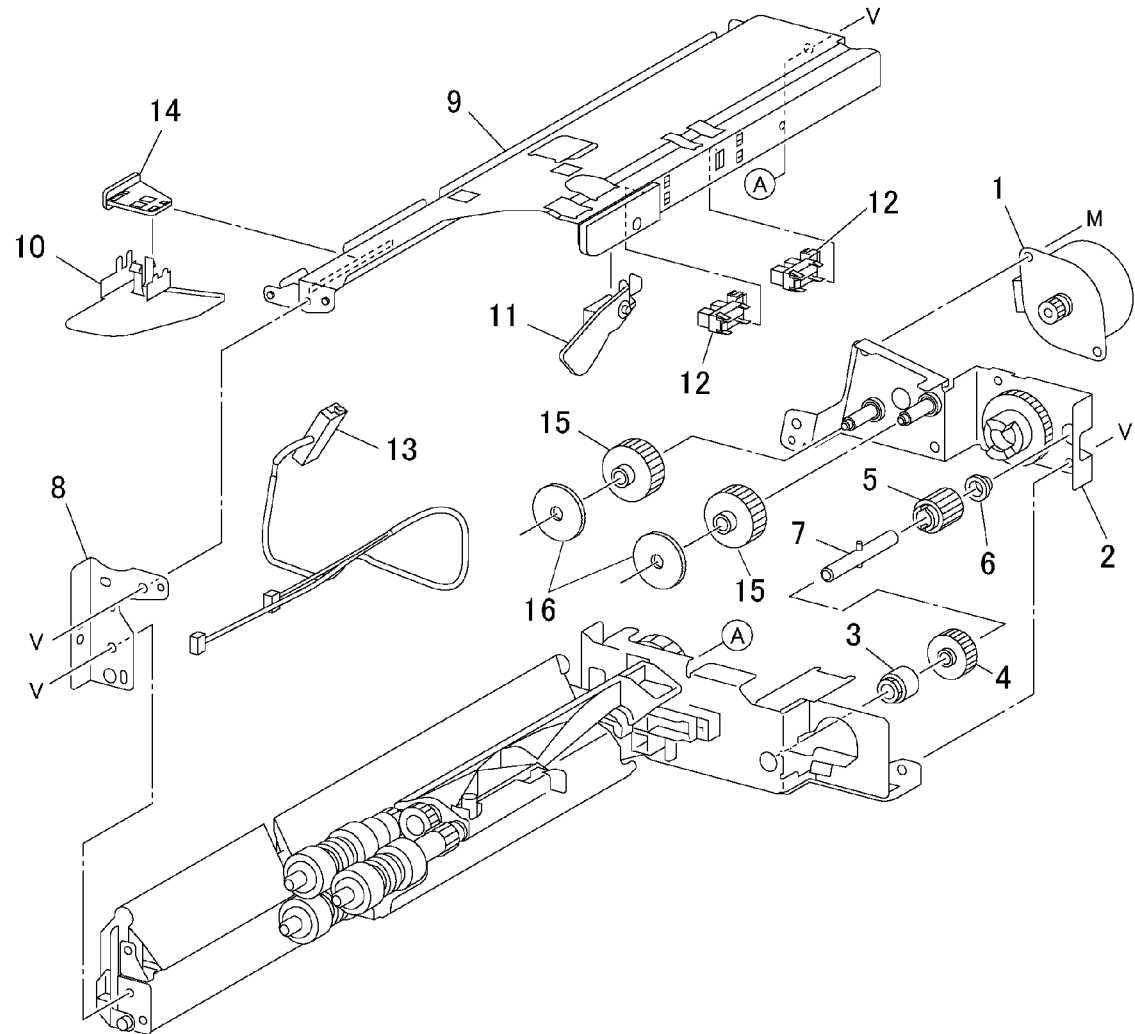
Item	Part	Description
1	892E90351	Instruction Label (WC7328/7335/7345 Only)
–	892E97560	Instruction Label (XC)
2	–	Pad (P/O PL15.1 Item 1)
3	–	Max Label (P/O PL15.1 Item 1)
4	–	Tray (P/O PL15.1 Item 1)
5	–	Side Guide (P/O PL15.1 Item 1)
6	–	End Guide (P/O PL15.1 Item 1)
7	–	Link (P/O PL15.1 Item 1)
8	–	Stop (P/O PL15.1 Item 1)
9	–	Spring (P/O PL15.1 Item 1)



0515002B-SPD

## PL 15.3 Tray 2 Feeder: 1 of 2

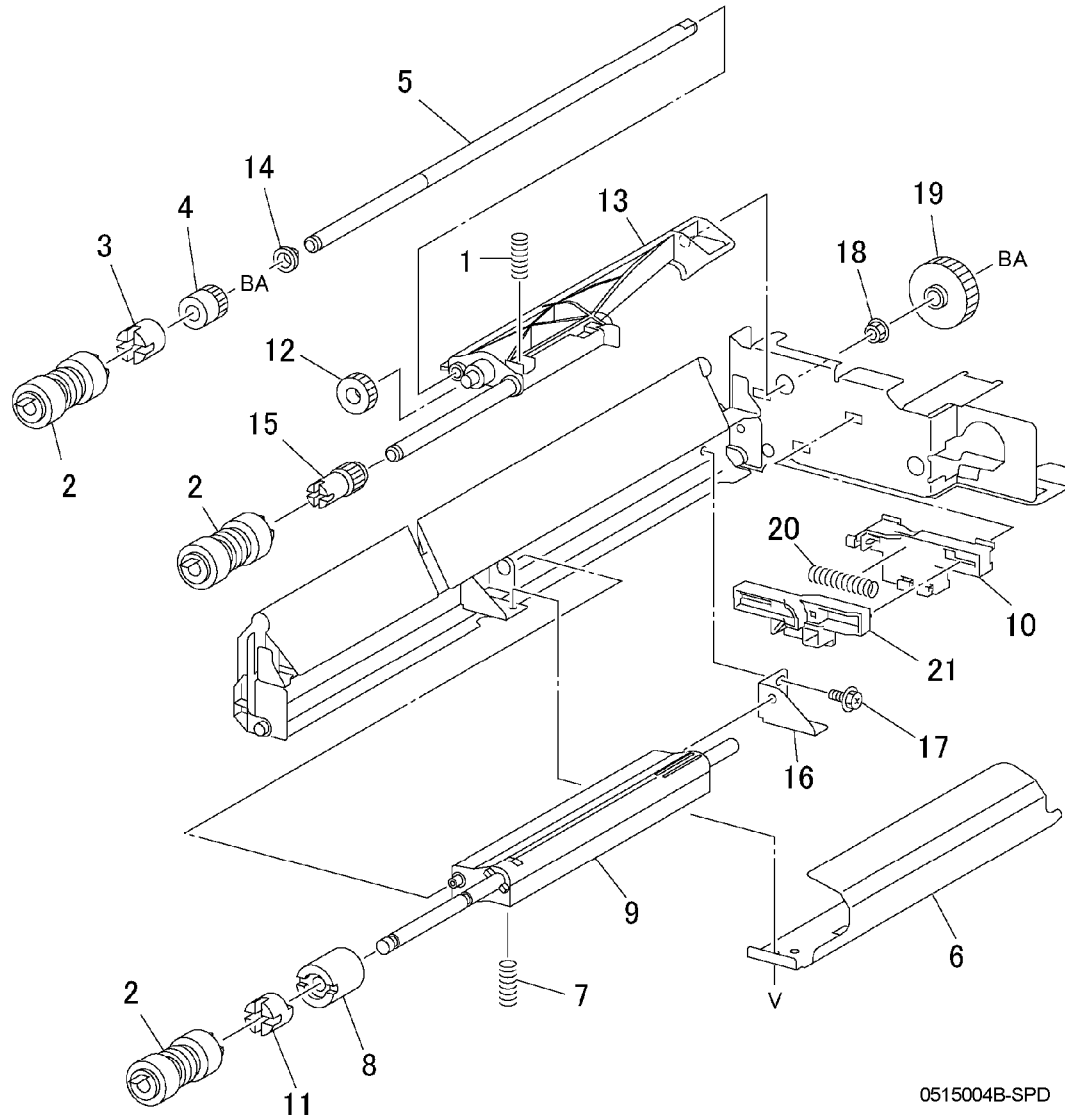
Item	Part	Description
1	127K23231	Tray 2 Feed/Lift Motor (REP 7.4)
2	-	Bracket (P/O PL15.1 Item 6)
3	005K83081	One-way Clutch
4	007K85730	One-way Gear
5	-	Gear (13T) (P/O PL15.1 Item 6)
6	-	Bearing (P/O PL15.1 Item 6)
7	-	Shaft (P/O PL15.1 Item 6)
8	-	Front Frame (P/O PL15.1 Item 6)
9	-	Upper Frame (P/O PL15.1 Item 6)
10	-	Front Chute (P/O PL15.1 Item 6)
11	120E18141	Actuator
12	-	Tray 2 Level / No Paper Sensor (Not Spared)
13	-	Wire Harness (P/O PL15.1 Item 6)
14	-	Support (P/O PL15.1 Item 6)
15	-	Gear (15T) (P/O PL15.1 Item 6)
16	-	Washer (P/O PL15.1 Item 6)



0515003A-SPD

## PL 15.4 Tray 2 Feeder: 2 of 2

Item	Part	Description
1	—	Spring (P/O PL15.1 Item 6)
2	600K78460	Roll Kit (3 Rolls/Kit)
3	005K05890	One-way Clutch
4	—	Gear (P/O PL15.1 Item 6)
5	—	Shaft (P/O PL15.1 Item 6)
6	—	Chute (P/O PL15.1 Item 6)
7	—	Spring (P/O PL15.1 Item 6)
8	—	Friction Clutch (P/O PL15.1 Item 6)
9	—	Support (P/O PL15.1 Item 6)
10	—	Holder (P/O PL15.1 Item 6)
11	—	Spacer (P/O PL15.1 Item 6)
12	—	Gear (31T) (P/O PL15.1 Item 6)
13	—	Support (P/O PL15.1 Item 6)
14	—	Bearing (P/O PL15.1 Item 6)
15	—	Gear (P/O PL15.1 Item 6)
16	—	Support (P/O PL15.1 Item 6)
17	—	Screw (P/O PL15.1 Item 6)
18	—	Bearing (P/O PL15.1 Item 6)
19	—	Gear (35T) (P/O PL15.1 Item 6)
20	—	Spring (P/O PL15.1 Item 6)
21	—	Lever (P/O PL15.1 Item 6)

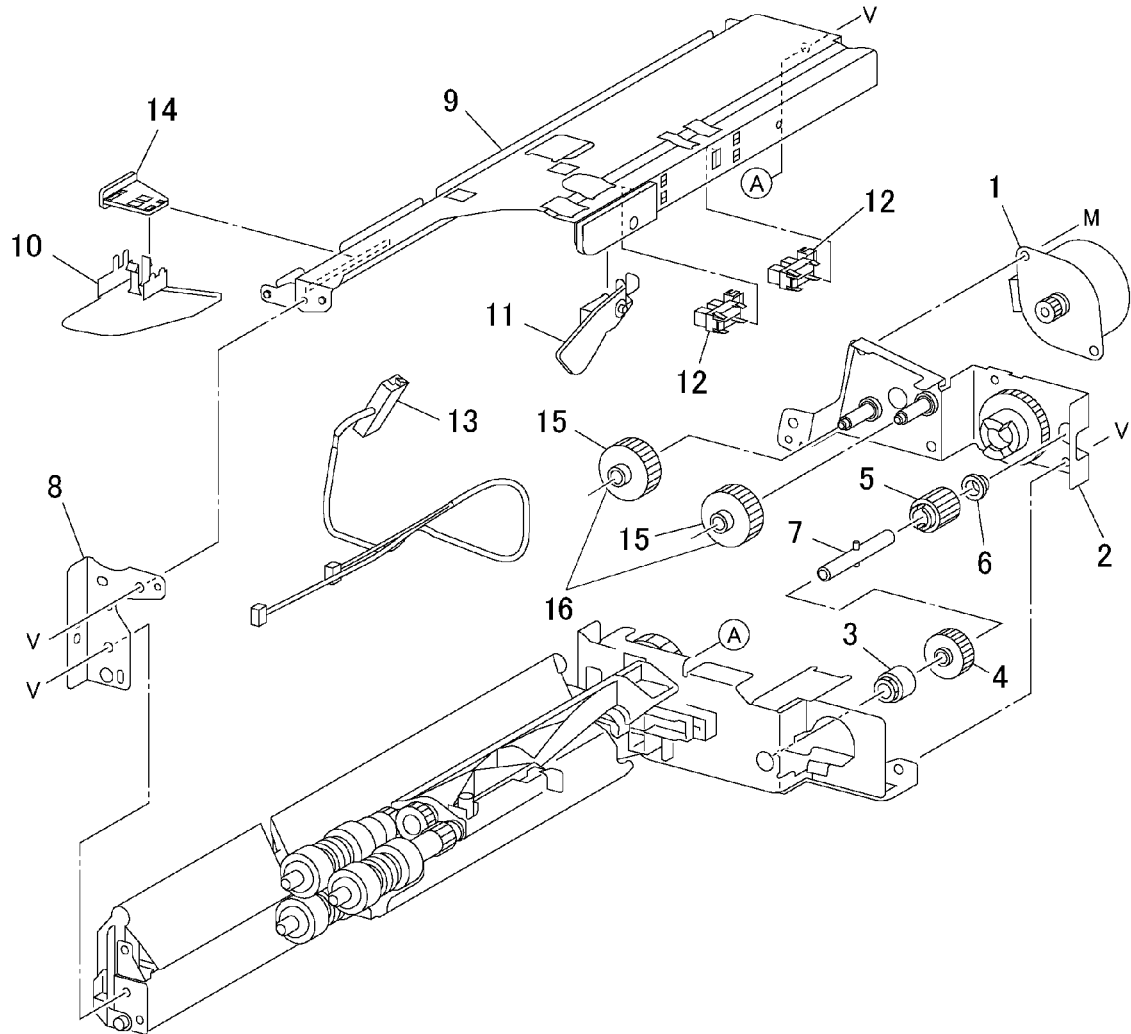


0515004B-SPD



## PL 15.5 Tray 3 Feeder: 1 of 2

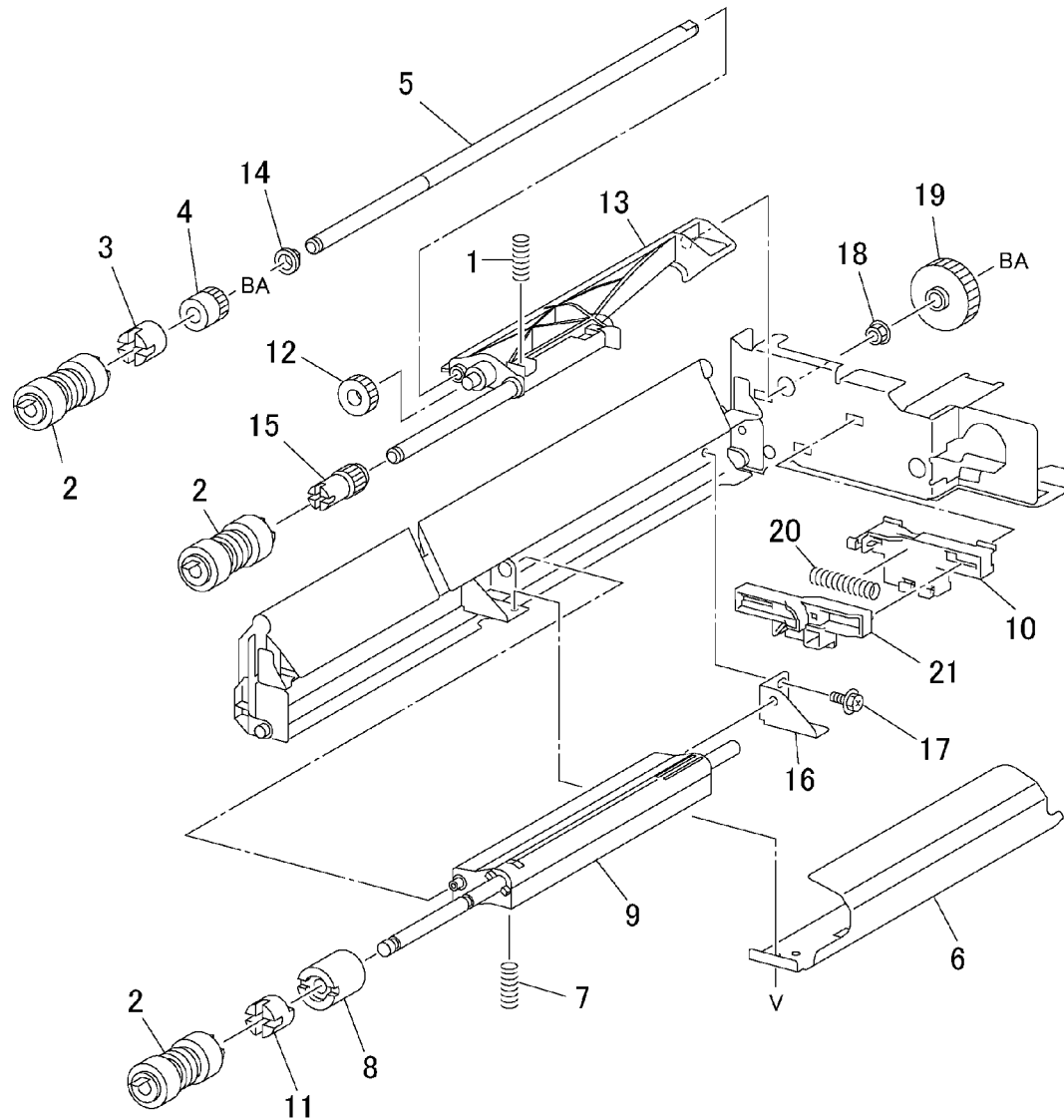
Item	Part	Description
1	127K23231	Tray 3 Feed/Lift Motor (REP 7.4)
2	-	Bracket (P/O PL15.1 Item 6)
3	005K83081	One-way Clutch
4	007K85730	One-way Gear
5	-	Gear (13T) (P/O PL15.1 Item 6)
6	-	Bearing (P/O PL15.1 Item 6)
7	-	Shaft (P/O PL15.1 Item 6)
8	-	Front Frame (P/O PL15.1 Item 6)
9	-	Upper Frame (P/O PL15.1 Item 6)
10	-	Front Chute (P/O PL15.1 Item 6)
11	120E18141	Actuator
12	-	Tray 3 Level / No Paper Sensor (Not Spared)
13	-	Wire Harness (P/O PL15.1 Item 6)
14	-	Support (P/O PL15.1 Item 6)
15	-	Gear (15T) (P/O PL15.1 Item 6)
16	-	Washer (P/O PL15.1 Item 6)



0515005B-SPD

## PL 15.6 Tray 3 Feeder: 2 of 2

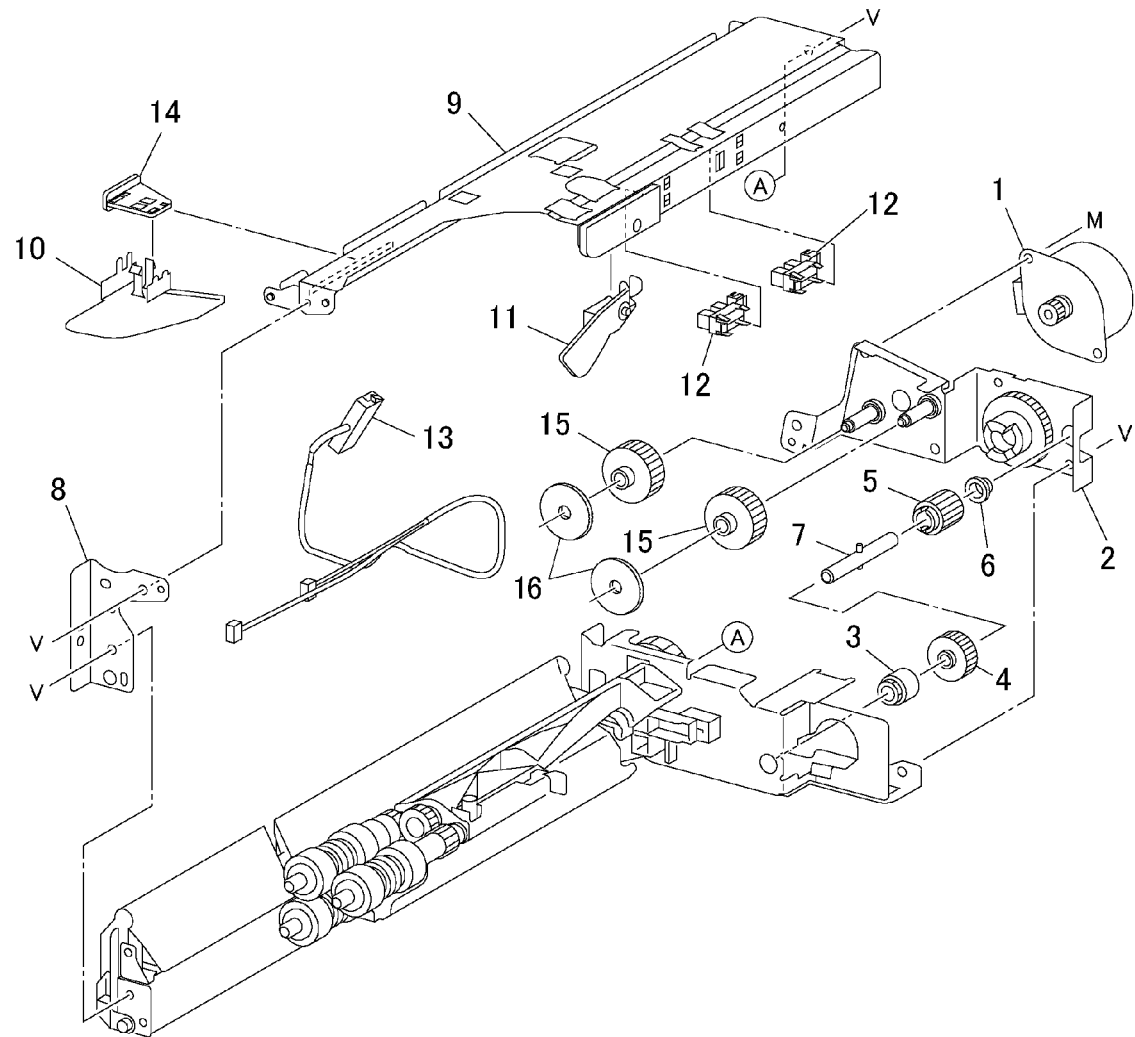
Item	Part	Description
1	-	Spring (P/O PL15.1 Item 6)
2	600K78460	Roll Kit (3 Rolls/Kit)
3	005K05890	One-way Clutch
4	-	Gear (P/O PL15.1 Item 6)
5	-	Shaft (P/O PL15.1 Item 6)
6	-	Chute (P/O PL15.1 Item 6)
7	-	Spring (P/O PL15.1 Item 6)
8	-	Friction Clutch (P/O PL15.1 Item 6)
9	-	Support (P/O PL15.1 Item 6)
10	-	Holder (P/O PL15.1 Item 6)
11	-	Spacer (P/O PL15.1 Item 6)
12	-	Gear (31T) (P/O PL15.1 Item 6)
13	-	Support (P/O PL15.1 Item 6)
14	-	Bearing (P/O PL15.1 Item 6)
15	-	Gear (P/O PL15.1 Item 6)
16	-	Support (P/O PL15.1 Item 6)
17	-	Screw (P/O PL15.1 Item 6)
18	-	Bearing (P/O PL15.1 Item 6)
19	-	Gear (35T) (P/O PL15.1 Item 6)
20	-	Spring (P/O PL15.1 Item 6)
21	-	Lever (P/O PL15.1 Item 6)



0515006A-SPD

## PL 15.7 Tray 4 Feeder: 1 of 2

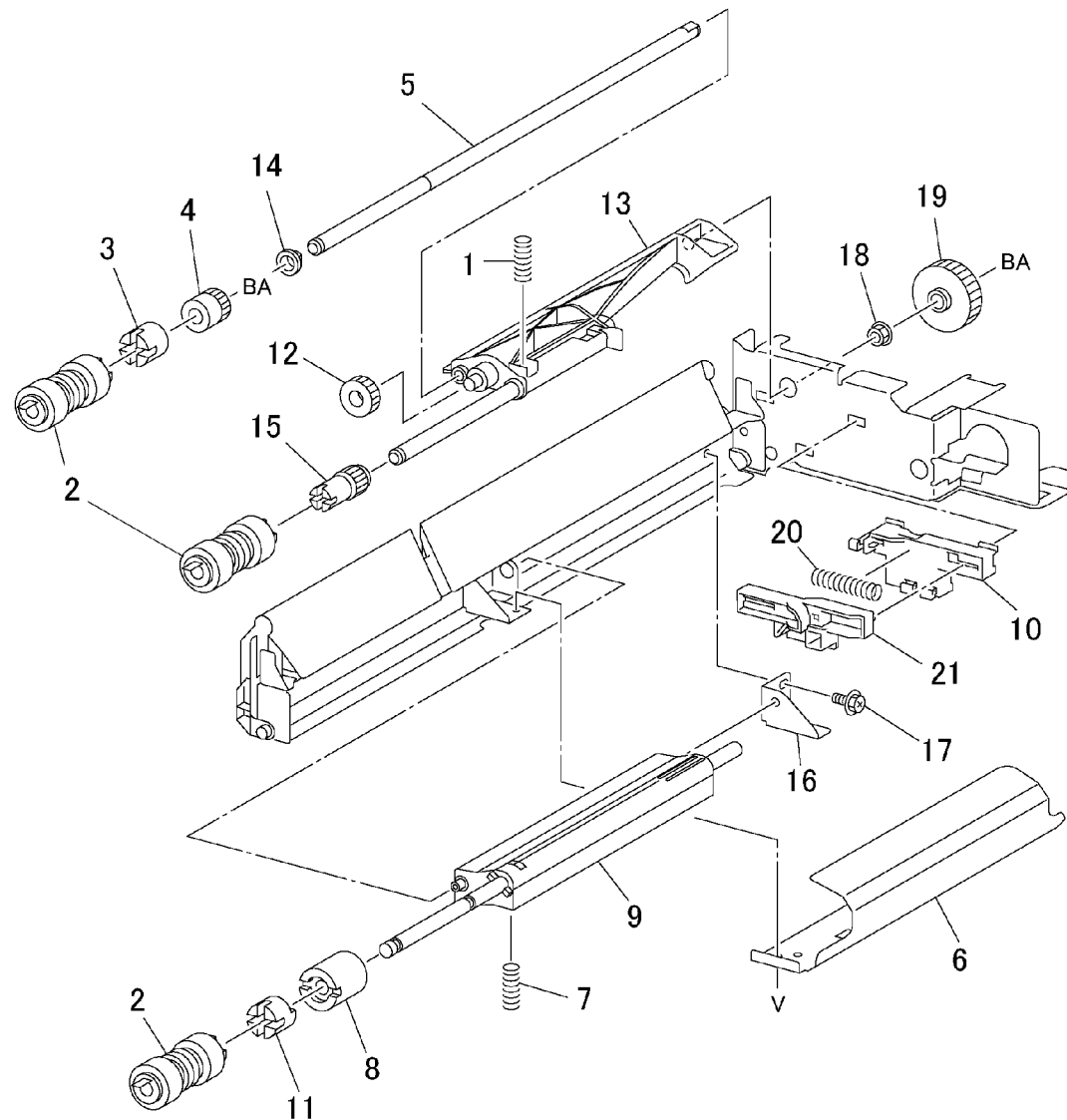
Item	Part	Description
1	—	Tray 4 Feed/Lift Motor (REP 7.4)
2	—	Bracket (P/O PL15.1 Item 6)
3	005K83081	One-way Clutch
4	007K85730	One-way Gear
5	—	Gear (13T) (P/O PL15.1 Item 6)
6	—	Bearing (P/O PL15.1 Item 6)
7	—	Shaft (P/O PL15.1 Item 6)
8	—	Front Frame (P/O PL15.1 Item 6)
9	—	Upper Frame (P/O PL15.1 Item 6)
10	—	Front Chute (P/O PL15.1 Item 6)
11	120E18141	Actuator
12	—	Tray 4 Level / No Paper Sensor (Not Spared)
13	—	Wire Harness (P/O PL15.1 Item 6)
14	—	Support (P/O PL15.1 Item 6)
15	—	Gear (15T) (P/O PL15.1 Item 6)
16	—	Washer (P/O PL15.1 Item 6)



0515007A-SPD

## PL 15.8 Tray 4 Feeder: 2 of 2

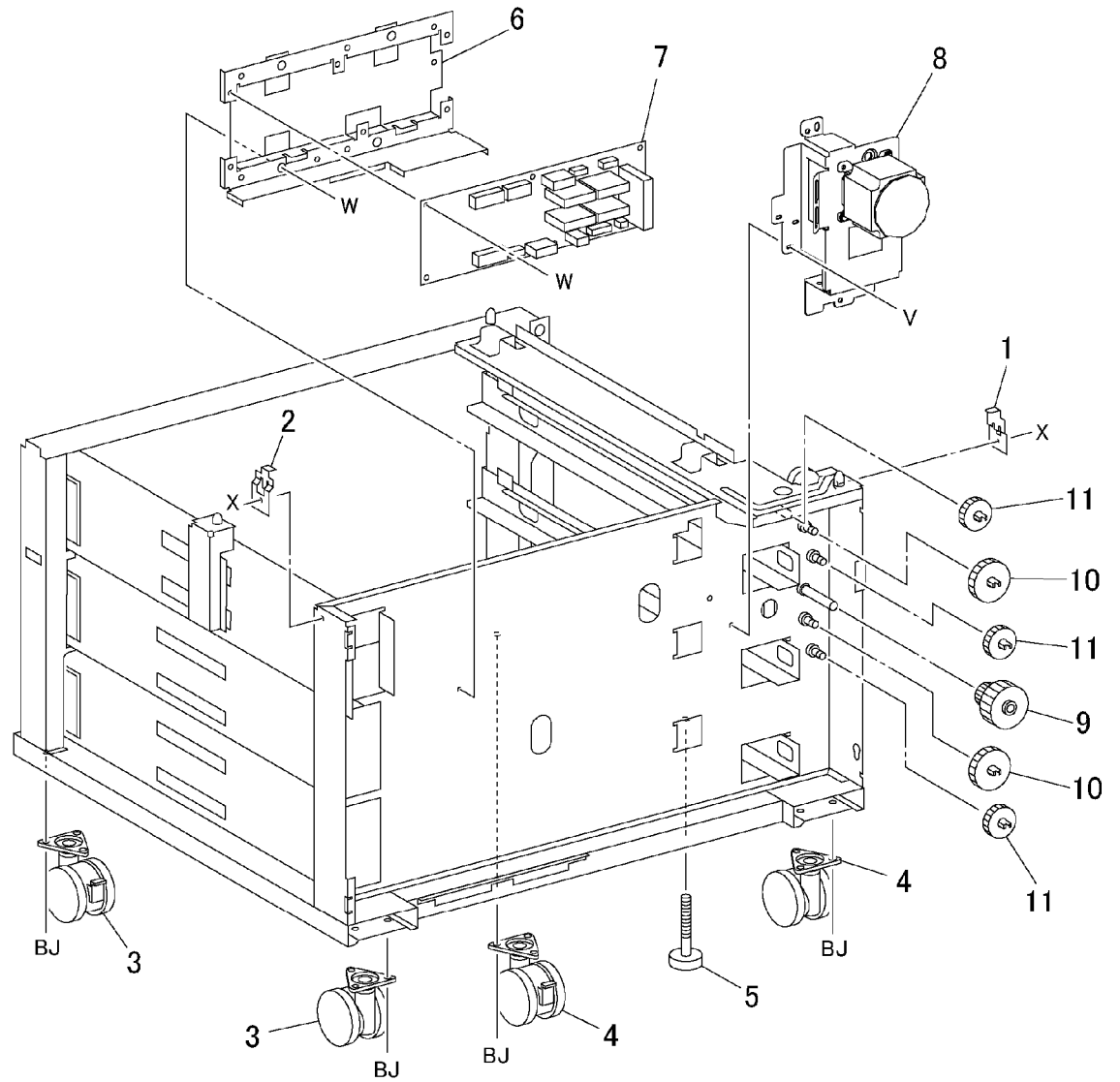
Item	Part	Description
1	-	Spring (P/O PL15.1 Item 6)
2	600K78460	Roll Kit (3 Rolls/Kit)
3	005K05890	One-way Clutch
4	-	Gear (P/O PL15.1 Item 6)
5	-	Shaft (P/O PL15.1 Item 6)
6	-	Chute (P/O PL15.1 Item 6)
7	-	Spring (P/O PL15.1 Item 6)
8	-	Friction Clutch (P/O PL15.1 Item 6)
9	-	Support (P/O PL15.1 Item 6)
10	-	Holder (P/O PL15.1 Item 6)
11	-	Spacer (P/O PL15.1 Item 6)
12	-	Gear (31T) (P/O PL15.1 Item 6)
13	-	Support (P/O PL15.1 Item 6)
14	-	Bearing (P/O PL15.1 Item 6)
15	-	Gear (P/O PL15.1 Item 6)
16	-	Support (P/O PL15.1 Item 6)
17	-	Screw (P/O PL15.1 Item 6)
18	-	Bearing (P/O PL15.1 Item 6)
19	-	Gear (35T) (P/O PL15.1 Item 6)
20	-	Spring (P/O PL15.1 Item 6)
21	-	Lever (P/O PL15.1 Item 6)



0515008A-SPD

# PL 15.9 Electrical Components and Casters

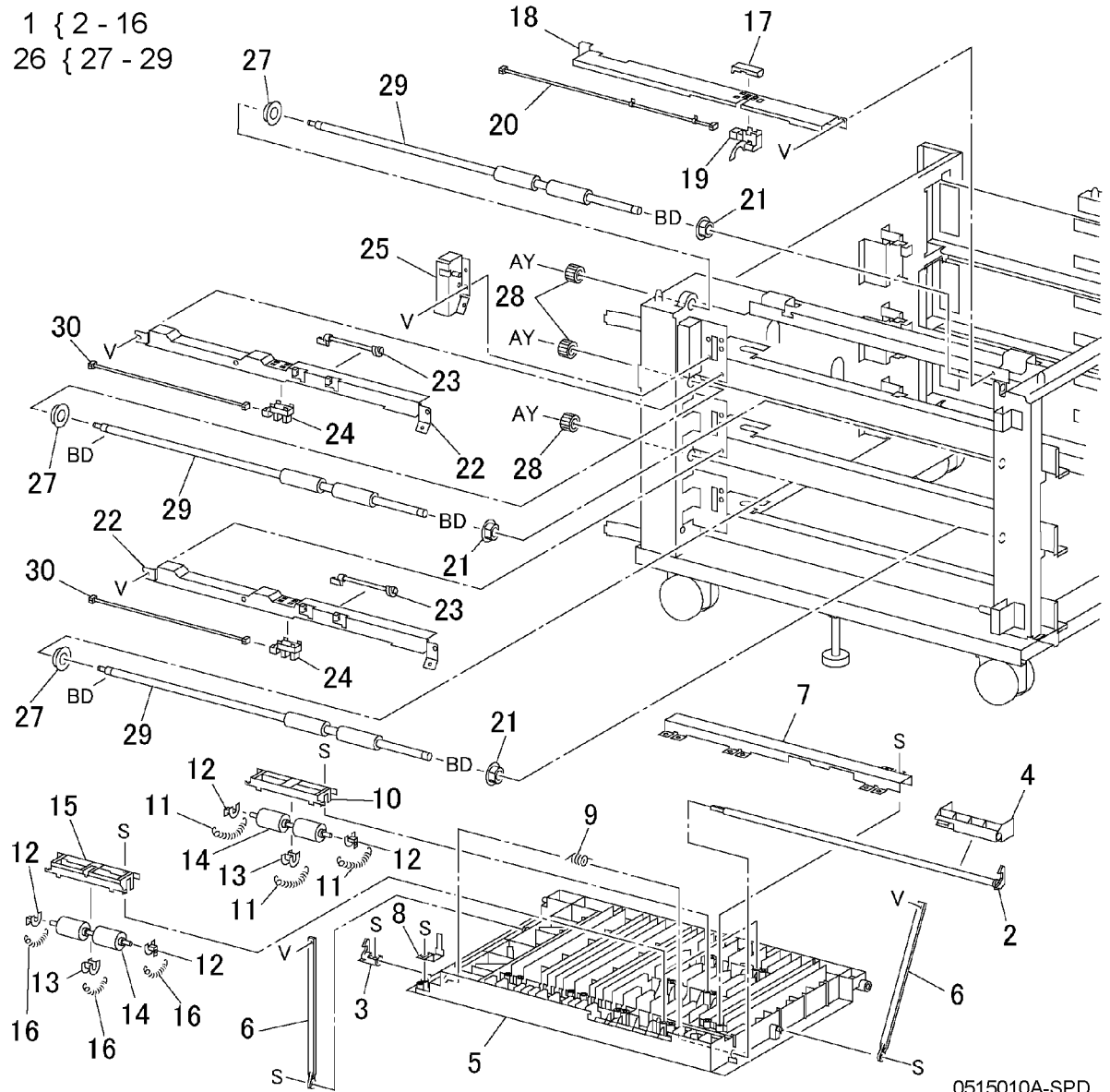
Item	Part	Description
1	-	Left Connecting Bracket (Not Spared)
2	-	Right Connecting Bracket (Not Spared)
3	017K93740	Caster
4	017K93750	Caster
5	-	Foot (Not Spared)
6	-	Bracket (Not Spared)
7	960K01742	1 Tray Module PWB
-	-	3 Tray Module PWB (Not Spared)
8	127K36021	Takeaway Motor 1
9	007E66060	Gear (23/46T)
10	007E66070	Gear (46T)
11	007E66050	Gear (33T)



0515009A-SPD

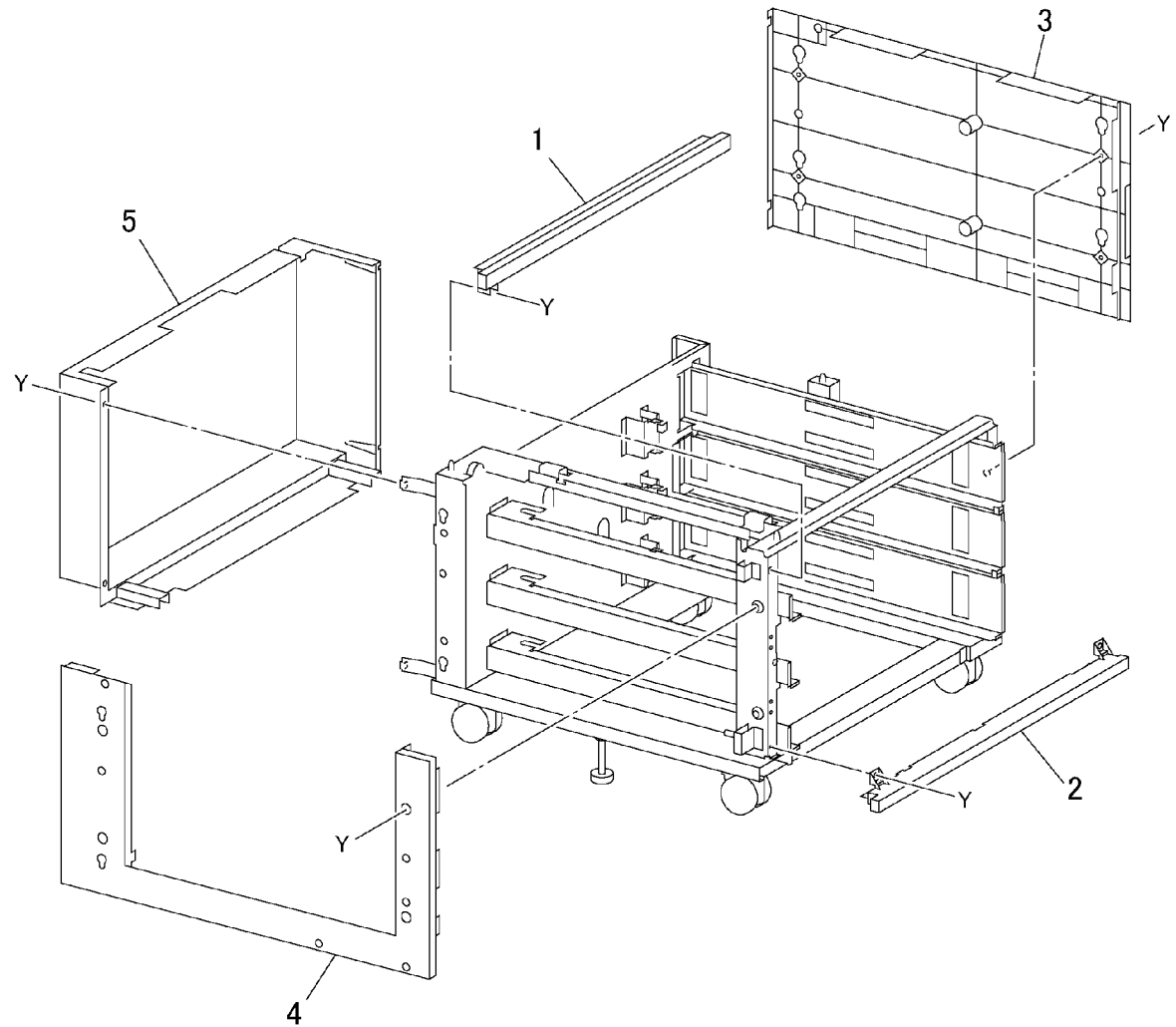
# PL 15.10 Left Cover Assembly

Item	Part	Description
1	802K65591	Left Cover Assembly (REP 14.11)
2	003E53701	Shaft
3	003E53710	Hook
4	011E10800	Handle
5	-	Left Cover (P/O Item 1)
6	-	Support (P/O Item 1)
7	-	Cover (P/O Item 1)
8	-	Actuator (P/O Item 1)
9	-	Spring
10	-	Bearing (P/O Item 1)
11	809E28961	Spring
12	-	Bearing (P/O Item 1)
13	-	Bearing (P/O Item 1)
14	-	Roll (P/O Item 1)
15	-	Bracket (P/O Item 1)
16	809E28980	Spring
17	-	Cover (Not Spared)
18	-	Chute (Not Spared)
19	130K61511	Takeaway Sensor
20	162K62811	Wire Harness
21	-	Bearing (Not Spared)
22	-	Chute (Not Spared)
23	120E18820	Actuator
24	130E81600	Feedout Sensor (Tray 3/4)
25	015K49471	Interlock Switch
26	059K18901	Takeaway Roll Assembly
27	-	Bearing (P/O Item 26)
28	-	Gear (P/O Item 26)
29	-	Takeaway Roll (P/O Item 26)
30	-	Wire Harness (Not Spared)



## PL 15.11 Covers

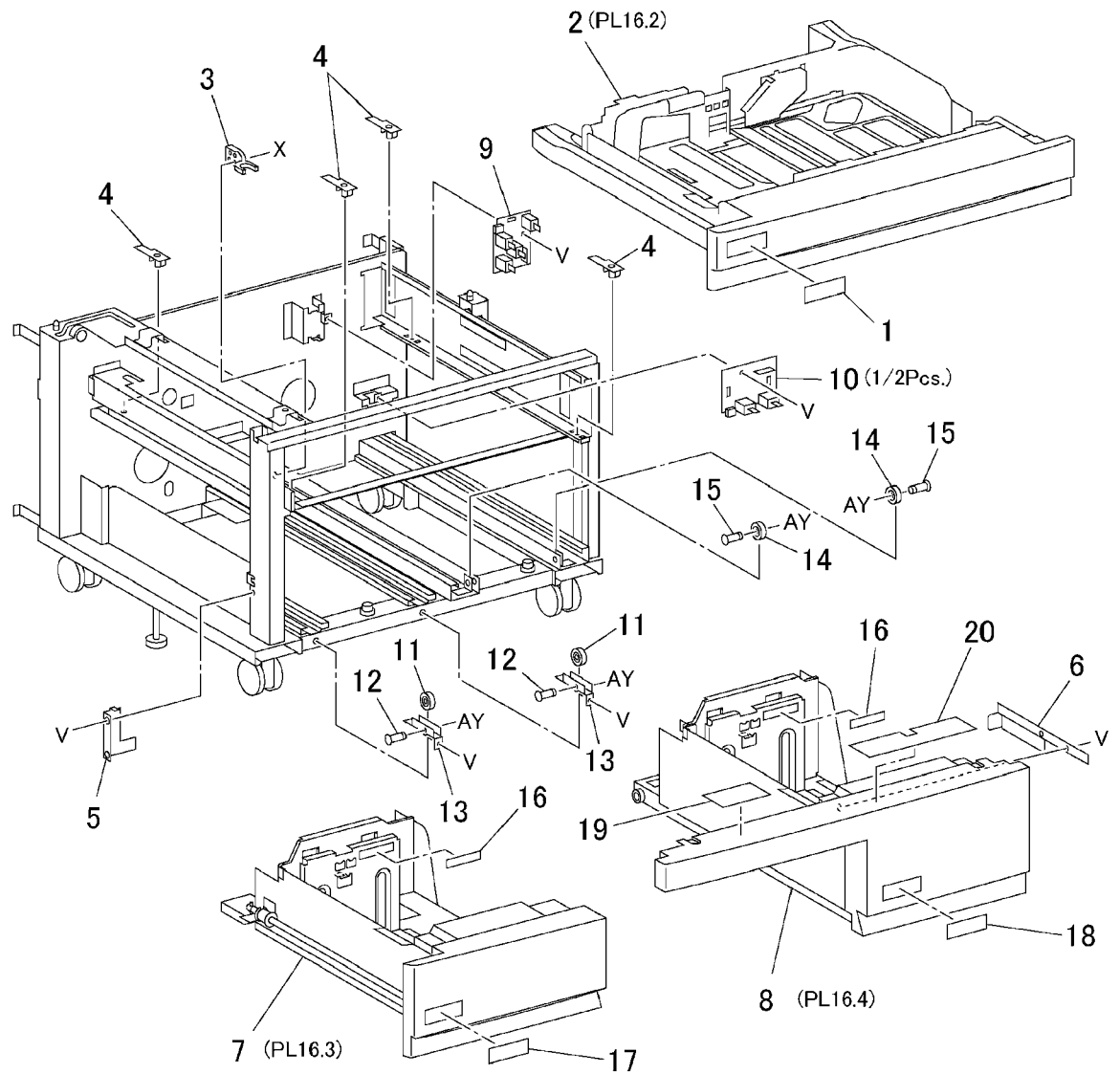
Item	Part	Description
1	802E23952	Front Upper Cover
2	802E23961	Front Lower Cover
3	802E23941	Right Cover
4	802E23931	Left Lower Cover (REP 14.12)
5	802K50492	Rear Cover



0515011A-SPD

## PL 16.1 Tray 2/3/4 Assembly

Item	Part	Description
1	-	Tray 2 Label (Not Spared)
2	050K51394	Tray 2 (REP 7.9)
3	003E23672	Tray 2 Stop
4	014E42850	Tray 2 Spacer
5	-	Tray 3 Stop (Not Spared)
6	-	Tray 4 Stop (Not Spared)
7	-	Tray 3 (REP 7.6)
8	-	Tray 4 (REP 7.7)
9	110K12990	Tray 2 Paper Size Sensor
10	110K10881	Tray 3/4 Paper Size Sensor
11	059E95930	Roll
12	-	Shaft (Not Spared)
13	-	Bracket (Not Spared)
14	-	Roll (Not Spared)
15	-	Shaft (Not Spared)
16	-	Max Label (Not Spared)
17	-	Tray 3 Label
18	-	Tray 4 Label
19	-	Label (Not Spared)
20	-	Instruction Label (Not Spared)

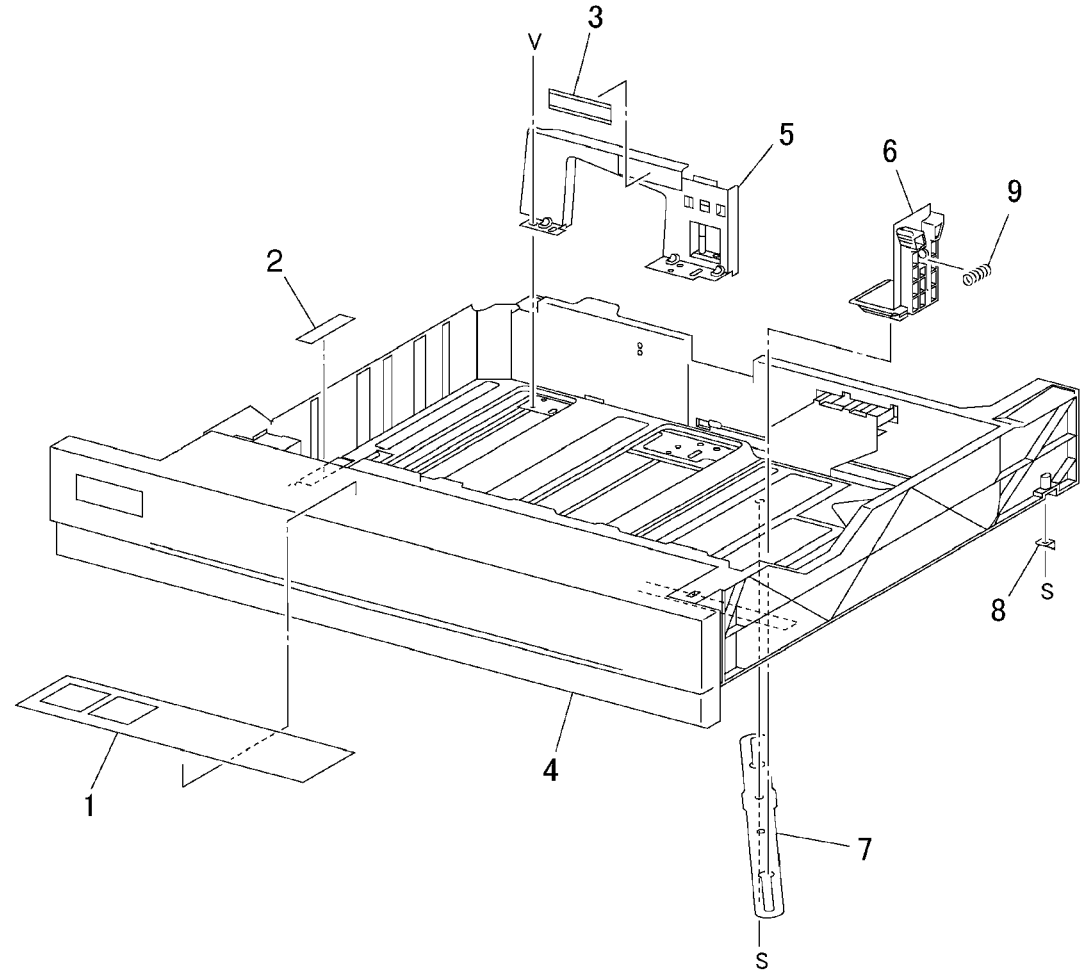


0516001A-SPD



## PL 16.2 Tray 2

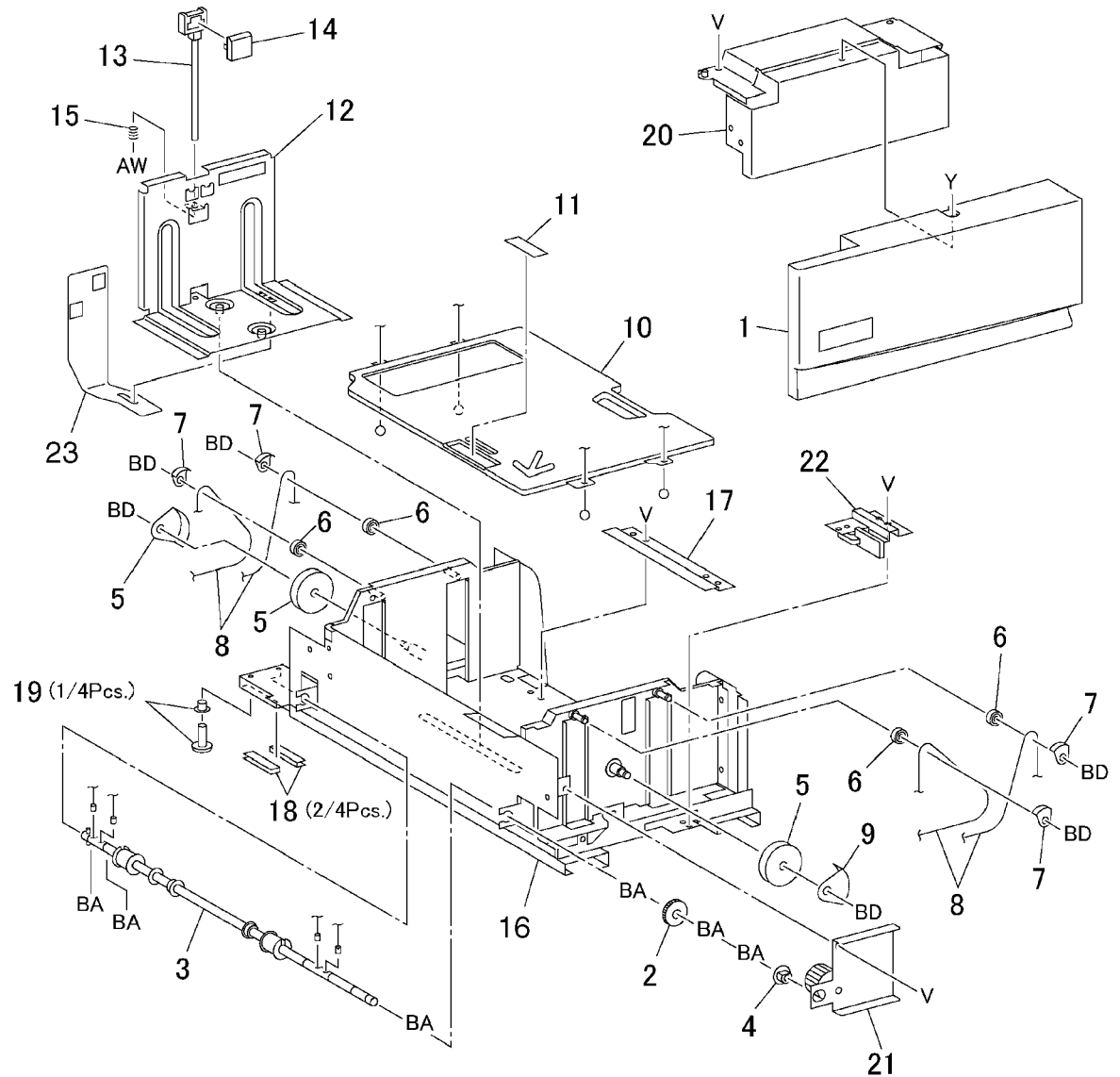
Item	Part	Description
1	892E90351	Instruction Label (WC7328/7335/7345 Only)
2	—	Pad (P/O PL16.1 Item 2)
3	—	Max Label (P/O PL16.1 Item 2)
4	—	Tray (P/O PL16.1 Item 2)
5	—	Side Guide (P/O PL16.1 Item 2)
6	—	End Guide (P/O PL16.1 Item 2)
7	—	Link (P/O PL16.1 Item 2)
8	—	Stop (P/O PL16.1 Item 2)
9	—	Spring (P/O PL16.1 Item 2)



0516002A-SPD

# PL 16.3 Tray 3

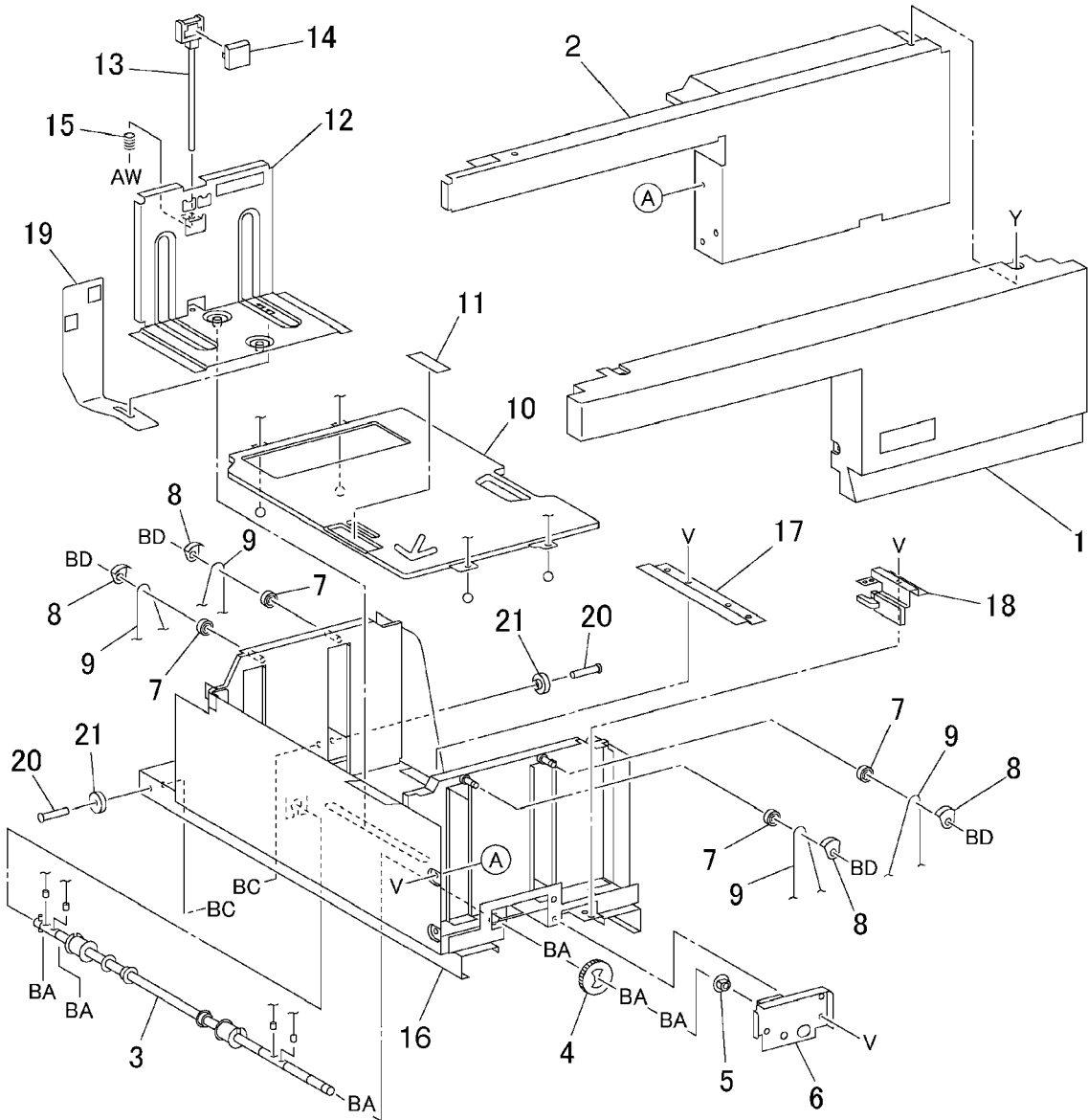
Item	Part	Description
1	802E23992	Tray 3 Cover
2	-	Pulley (P/O PL16.1 Item 7)
3	-	Lift Shaft (P/O PL16.1 Item 7)
4	-	Bearing (P/O PL16.1 Item 7)
5	020E93120	Pulley
6	-	Pulley (P/O PL16.1 Item 7)
7	-	Cable Guide (P/O PL16.1 Item 7)
8	-	Pulley Cable (P/O PL16.1 Item 7)
9	-	Cable Guide (P/O PL16.1 Item 7)
10	-	Bottom Plate (P/O PL16.1 Item 7)
11	-	Pad (P/O PL16.1 Item 7)
12	-	Side Guide (P/O PL16.1 Item 7)
13	-	Knob (P/O PL16.1 Item 7)
14	-	Knob (P/O PL16.1 Item 7)
15	009E26970	Spring
16	-	Frame (P/O PL16.1 Item 7)
17	-	Bracket (P/O PL16.1 Item 7)
18	-	Spacer (P/O PL16.1 Item 7)
19	-	Spacer (P/O PL16.1 Item 7)
20	-	Bracket (P/O PL16.1 Item 7)
21	-	Brake (P/O PL16.1 Item 7)
22	-	Latch (P/O PL16.1 Item 7)
23	-	Actuator (P/O PL16.1 Item 7)



0516003A-SPD

# PL 16.4 Tray 4

Item	Part	Description
1	802E23982	Tray 4 Cover
2	-	Tray Front Frame (P/O PL16.1 Item 8)
3	-	Lift Shaft (P/O PL16.1 Item 8)
4	-	Lift Gear (P/O PL16.1 Item 8)
5	-	Bearing (P/O PL16.1 Item 8)
6	-	Brake (P/O PL16.1 Item 8)
7	-	Pulley (P/O PL16.1 Item 8)
8	-	Cable Guide (P/O PL16.1 Item 8)
9	012E10070	Tray Cable
10	-	Bottom Plate (P/O PL16.1 Item 8)
11	-	Pad (P/O PL16.1 Item 8)
12	-	Side Guide (P/O PL16.1 Item 8)
13	-	Knob (P/O PL16.1 Item 8)
14	-	Knob (P/O PL16.1 Item 8)
15	009E26970	Spring
16	-	Tray Frame (P/O PL16.1 Item 8)
17	-	Bracket (P/O PL16.1 Item 8)
18	-	Latch (P/O PL16.1 Item 8)
19	-	Actuator (P/O PL16.1 Item 8)
20	-	Shaft (P/O PL16.1 Item 8)
21	059E95920	Roll

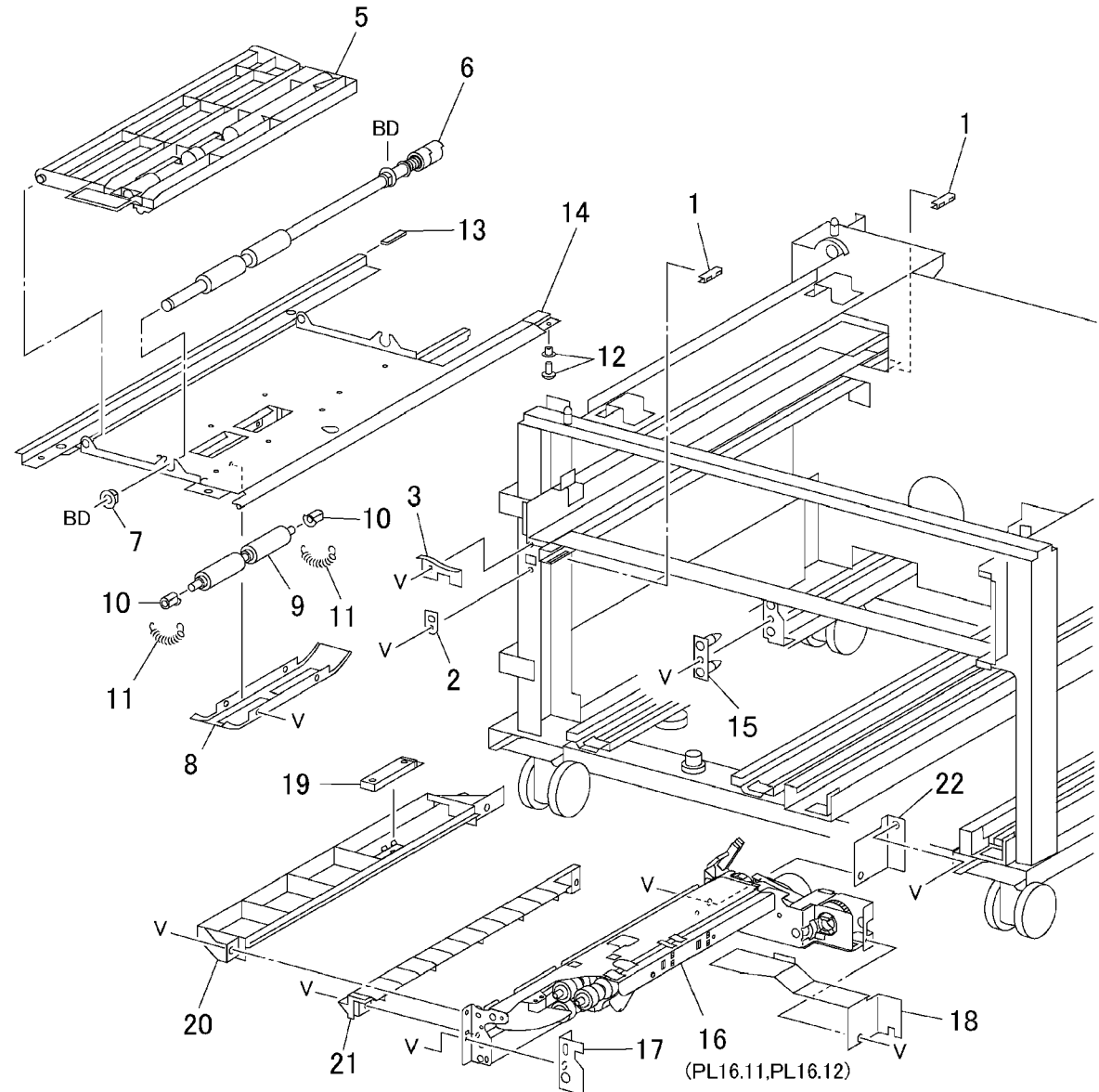


0516004A-SPD

# PL 16.5 Paper Feeder: 1 of 2

Item	Part	Description
1	-	Spacer (Not Spared)
2	-	Guide (Not Spared)
3	-	Stop (Not Spared)
4	059K21792	Tray 4 Transport Assembly
5	-	Upper Chute (P/O Item 4)
6	-	Takeaway Roll (P/O Item 4)
7	-	Bearing (P/O Item 4)
8	-	Cover (P/O Item 4)
9	-	Pinch Roll (P/O Item 4)
10	-	Bearing (P/O Item 4)
11	-	Spring (P/O Item 4)
12	-	Spacer (P/O Item 4)
13	-	Spacer (P/O Item 4)
14	-	Lower Chute (P/O Item 4)
15	-	Bracket (Not Spared)
16	-	Tray 4 Feeder (REP 7.12)
17	-	Bracket (Not Spared)
18	-	Bracket (Not Spared)
19	130E87400	Tray 4 Feedout Sensor
20	054E18542	Upper Chute
21	054E18532	Lower Chute
22	-	Bracket (Not Spared)

4 { 5 - 14

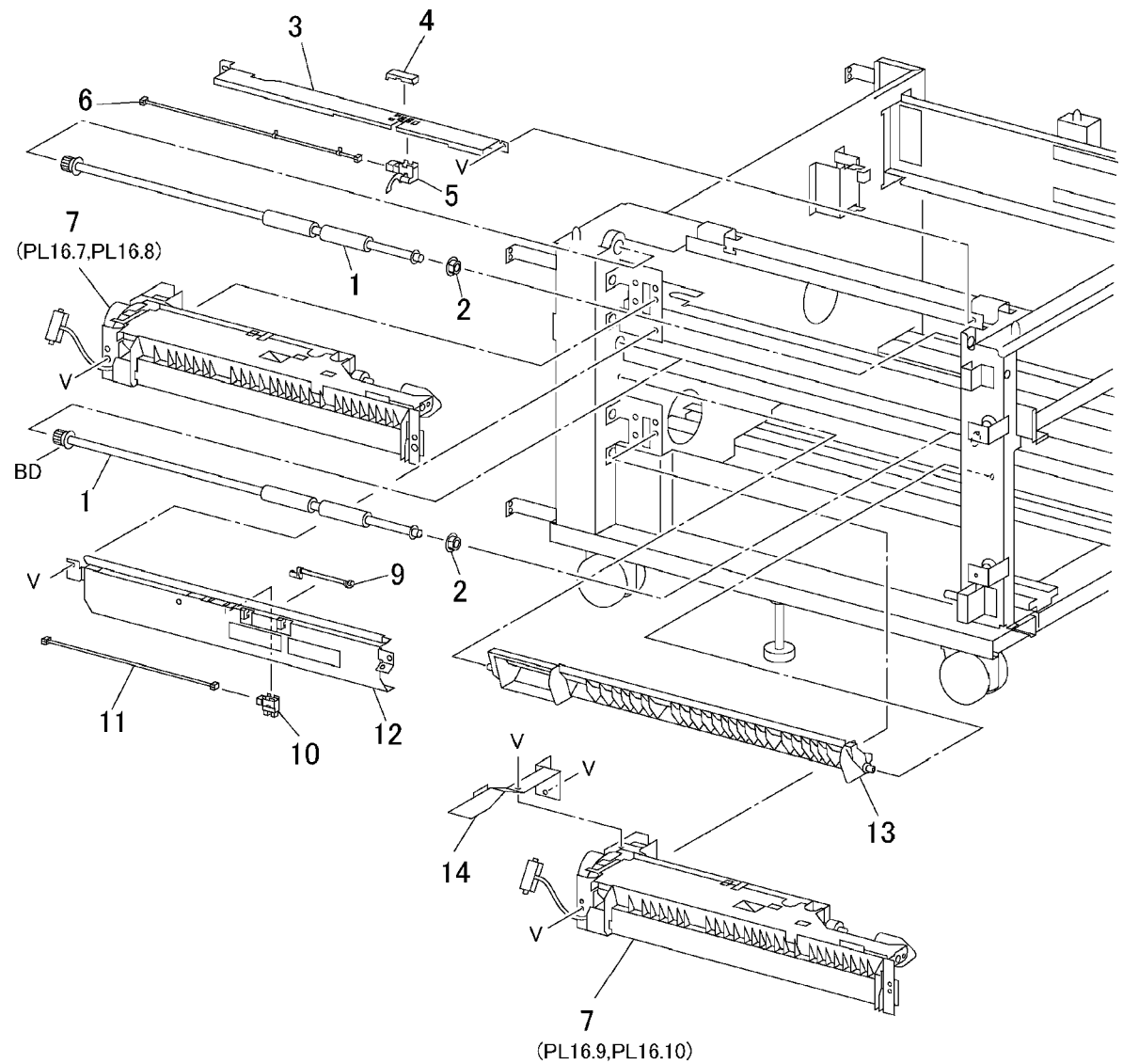


0516005A-SPD

## PL 16.6 Paper Feeder: 2 of 2

Item	Part	Description
1	059K18901	Takeaway Roll
2	-	Bearing (Not Spared)
3	-	Chute (Not Spared)
4	-	Cover (Not Spared)
5	130K61511	Takeaway Sensor
6	162K62811	Wire Harness
7	-	Tray 2 Feeder, Tray 3 Feeder (Not Spared) (REP 7.10 7.11)
8	054K18271	Chute Assembly
9	-	Actuator (P/O Item 8)
10	130E81600	Tray 3 Feedout Sensor
11	-	Wire Harness (P/O Item 8)
12	-	Chute (P/O Item 8)
13	054E18521	Lower Chute
14	-	Bracket (Not Spared)

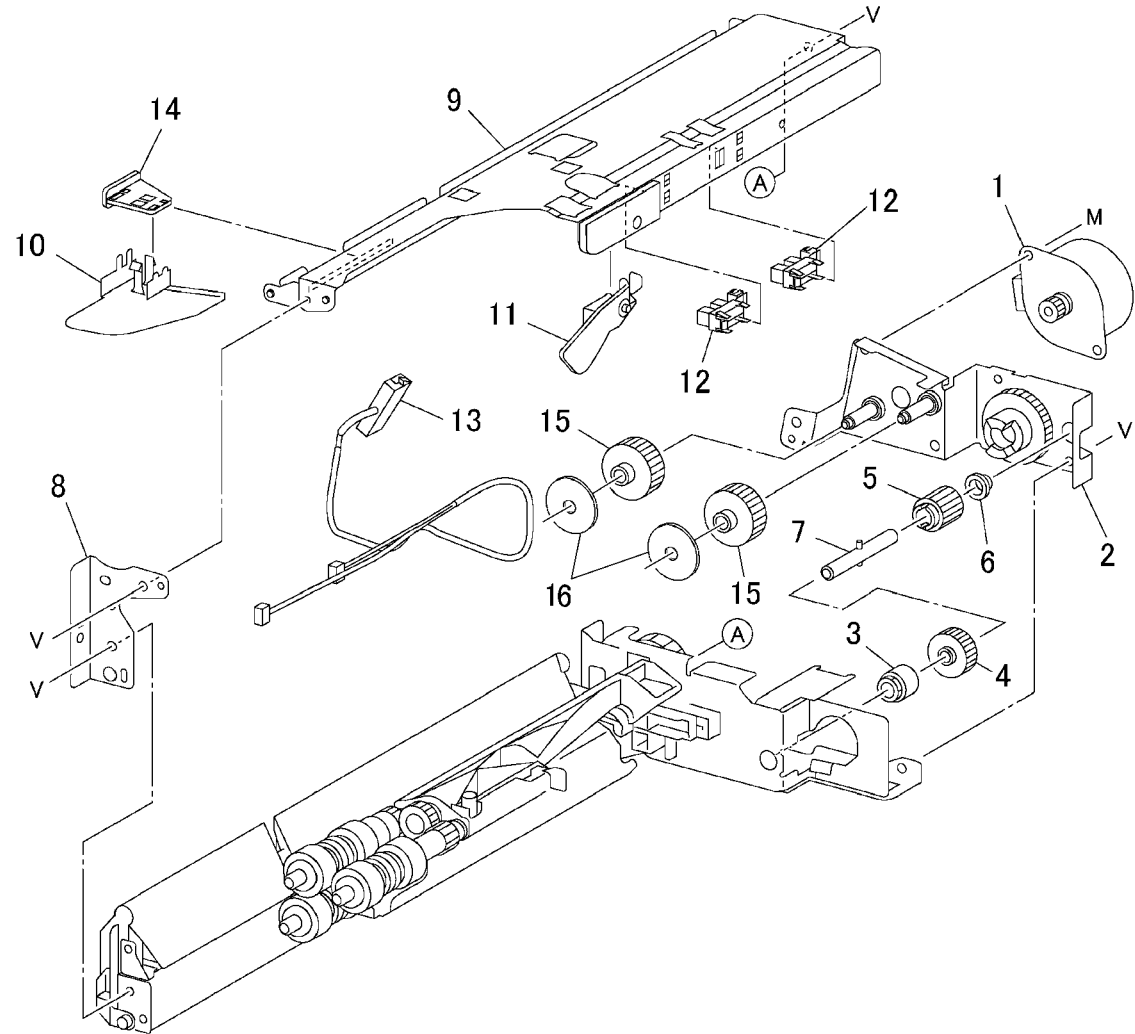
8 { 9 - 12



0516006B-SPD

## PL 16.7 Tray 2 Feeder: 1 of 2

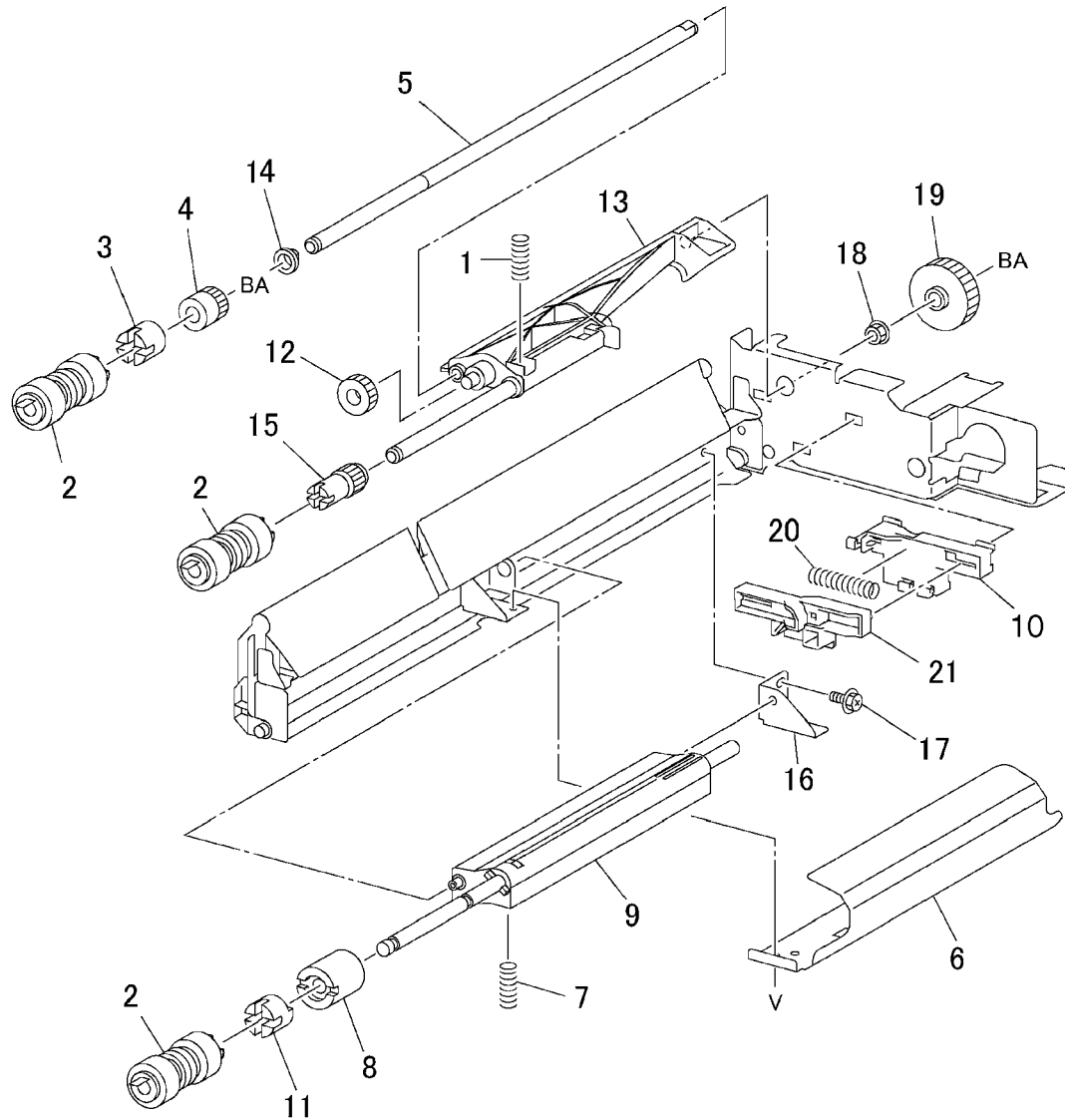
Item	Part	Description
1	127K23231	Tray 2 Feed/Lift Motor
2	-	Bracket (P/O PL16.6 Item 7)
3	005K83081	One-way Clutch
4	007K85730	One-way Gear
5	-	Gear (13T) (P/O PL16.6 Item 7)
6	-	Bearing (P/O PL16.6 Item 7)
7	-	Shaft (P/O PL16.6 Item 7)
8	-	Front Frame (P/O PL16.6 Item 7)
9	-	Upper Frame (P/O PL16.6 Item 7)
10	-	Front Chute (P/O PL16.6 Item 7)
11	-	Actuator (P/O PL16.6 Item 7)
12	130E82190	Tray 2 Level Sensor
13	-	Wire Harness (P/O PL16.6 Item 7)
14	-	Support (P/O PL16.6 Item 7)
15	-	Gear (29T) (P/O PL16.6 Item 7)
16	-	Washer (P/O PL16.6 Item 7)



0516007A-SPD

## PL 16.8 Tray 2 Feeder: 2 of 2

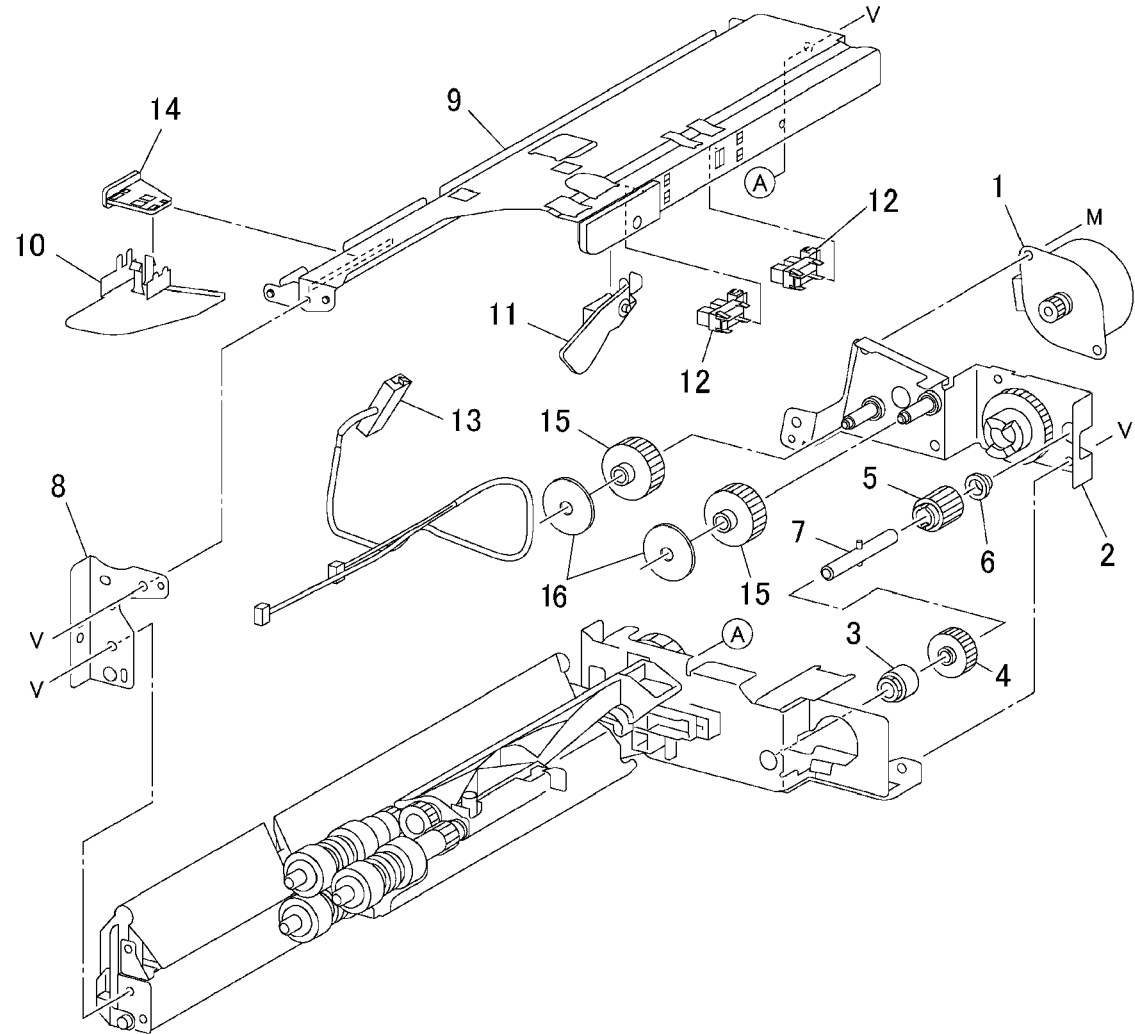
Item	Part	Description
1	—	Spring (P/O PL16.6 Item 7)
2	600K78460	Roll Kit (3 Rolls/Kit)
3	005K05890	One-way Clutch
4	—	Gear (P/O PL16.6 Item 7)
5	—	Shaft (P/O PL16.6 Item 7)
6	—	Chute (P/O PL16.6 Item 7)
7	—	Spring (P/O PL16.6 Item 7)
8	—	Friction Clutch (P/O PL16.6 Item 7)
9	—	Support (P/O PL16.6 Item 7)
10	—	Holder (P/O PL16.6 Item 7)
11	—	Spacer (P/O PL16.6 Item 7)
12	—	Gear (31T) (P/O PL16.6 Item 7)
13	—	Support (P/O PL16.6 Item 7)
14	—	Bearing (P/O PL16.6 Item 7)
15	—	Gear (P/O PL16.6 Item 7)
16	—	Support (P/O PL16.6 Item 7)
17	—	Screw (P/O PL16.6 Item 7)
18	—	Bearing (P/O PL16.6 Item 7)
19	—	Gear (35T) (P/O PL16.6 Item 7)
20	—	Spring (P/O PL16.6 Item 7)
21	—	Lever (P/O PL16.6 Item 7)



0516008A-SPD

## PL 16.9 Tray 3 Feeder: 1 of 2

Item	Part	Description
1	127K23231	Tray 3 Feed/Lift Motor
2	-	Bracket (P/O PL16.6 Item 7)
3	005K83081	One-way Clutch
4	007K85730	One-way Gear
5	-	Gear (13T) (P/O PL16.6 Item 7)
6	-	Bearing (P/O PL16.6 Item 7)
7	-	Shaft (P/O PL16.6 Item 7)
8	-	Front Frame (P/O PL16.6 Item 7)
9	-	Upper Frame (P/O PL16.6 Item 7)
10	-	Front Chute (P/O PL16.6 Item 7)
11	-	Actuator (P/O PL16.6 Item 7)
12	130E82190	Tray 3 Level/No Paper Sensor
13	-	Wire Harness (P/O PL16.6 Item 7)
14	-	Support (P/O PL16.6 Item 7)
15	-	Gear (29T) (P/O PL16.6 Item 7)
16	-	Washer (P/O PL16.6 Item 7)

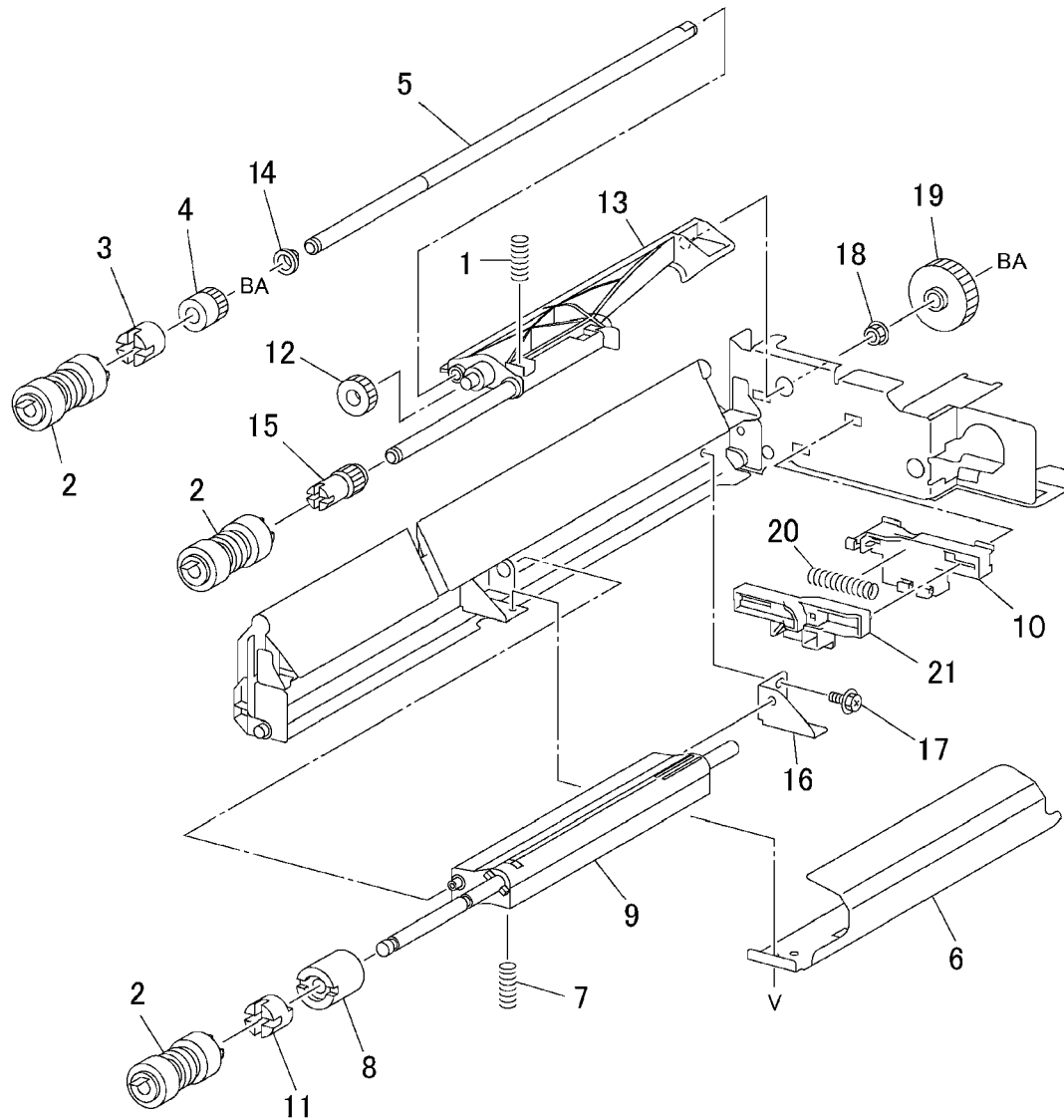


0516009A-SPD



## PL 16.10 Tray 3 Feeder: 2 of 2

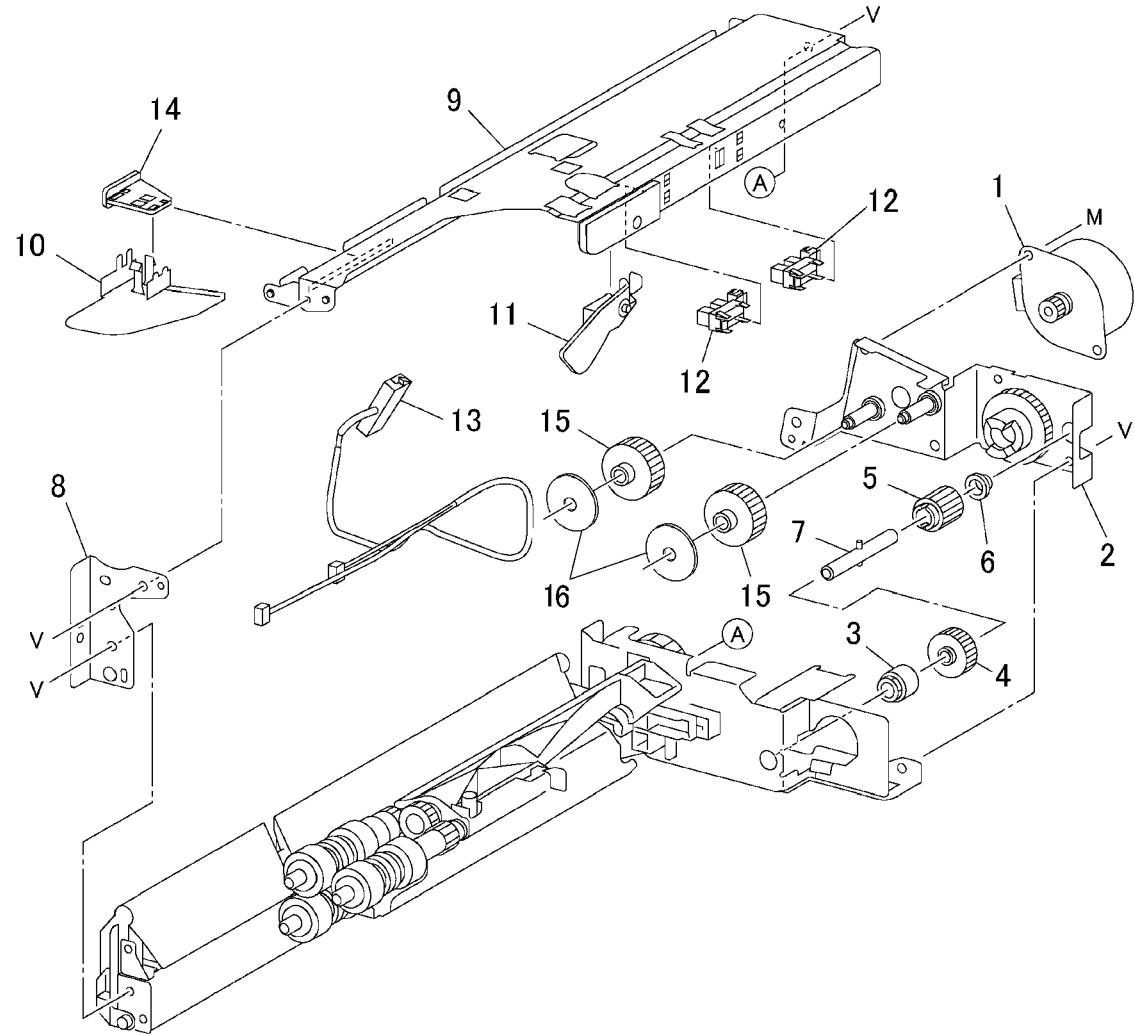
Item	Part	Description
1	-	Spring (P/O PL16.6 Item 7)
2	600K78460	Roll Kit (3 Rolls/Kit)
3	005K05890	One-way Clutch
4	-	Gear (P/O PL16.6 Item 7)
5	-	Shaft (P/O PL16.6 Item 7)
6	-	Chute (P/O PL16.6 Item 7)
7	-	Spring (P/O PL16.6 Item 7)
8	-	Friction Clutch (P/O PL16.6 Item 7)
9	-	Support (P/O PL16.6 Item 7)
10	-	Holder (P/O PL16.6 Item 7)
11	-	Spacer (P/O PL16.6 Item 7)
12	-	Gear (31T) (P/O PL16.6 Item 7)
13	-	Support (P/O PL16.6 Item 7)
14	-	Bearing (P/O PL16.6 Item 7)
15	-	Gear (P/O PL16.6 Item 7)
16	-	Support (P/O PL16.6 Item 7)
17	-	Screw (P/O PL16.6 Item 7)
18	-	Bearing (P/O PL16.6 Item 7)
19	-	Gear (35T) (P/O PL16.6 Item 7)
20	-	Spring (P/O PL16.6 Item 7)
21	-	Lever (P/O PL16.6 Item 7)



0516010A-SPD

## PL 16.11 Tray 4 Feeder: 1 of 2

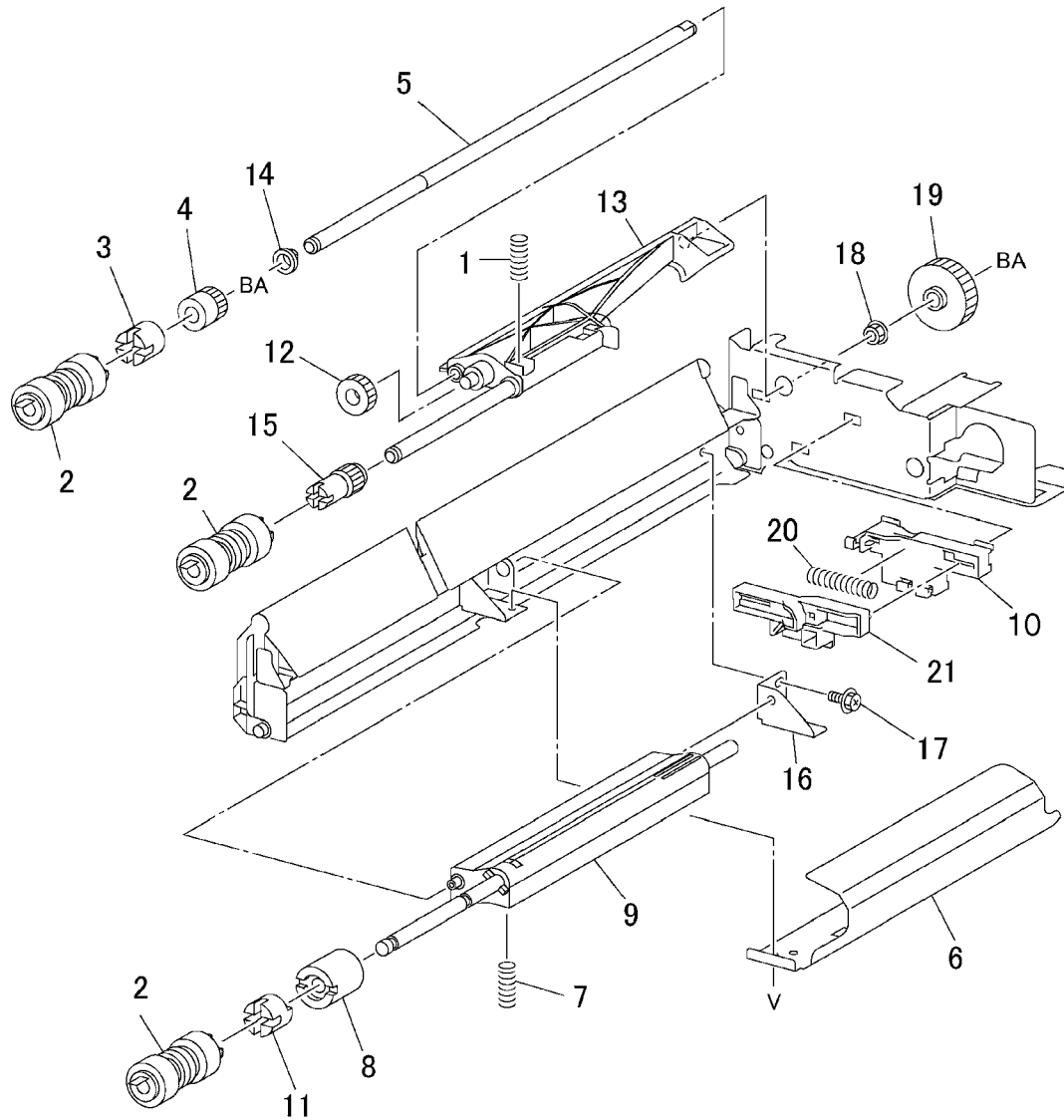
Item	Part	Description
1	127K23231	Tray 4 Feed/Lift Motor (REP 7.4)
2	-	Bracket (P/O PL16.5 Item 16)
3	005K83081	One-way Clutch
4	007K85730	One-way Gear
5	-	Gear (13T) (P/O PL16.5 Item 16)
6	-	Bearing (P/O PL16.5 Item 16)
7	-	Shaft (P/O PL16.5 Item 16)
8	-	Front Frame (P/O PL16.5 Item 16)
9	-	Upper Frame (P/O PL16.5 Item 16)
10	-	Front Chute (P/O PL16.5 Item 16)
11	-	Actuator (P/O PL16.5 Item 16)
12	-	Tray 4 Level/No Paper Sensor
13	162K56590	Wire Harness
14	-	Support (P/O PL16.5 Item 16)
15	-	Gear (29T) (P/O PL16.5 Item 16)
16	-	Washer (P/O PL16.5 Item 16)



0516011A-SPD

## PL 16.12 Tray 4 Feeder: 2 of 2

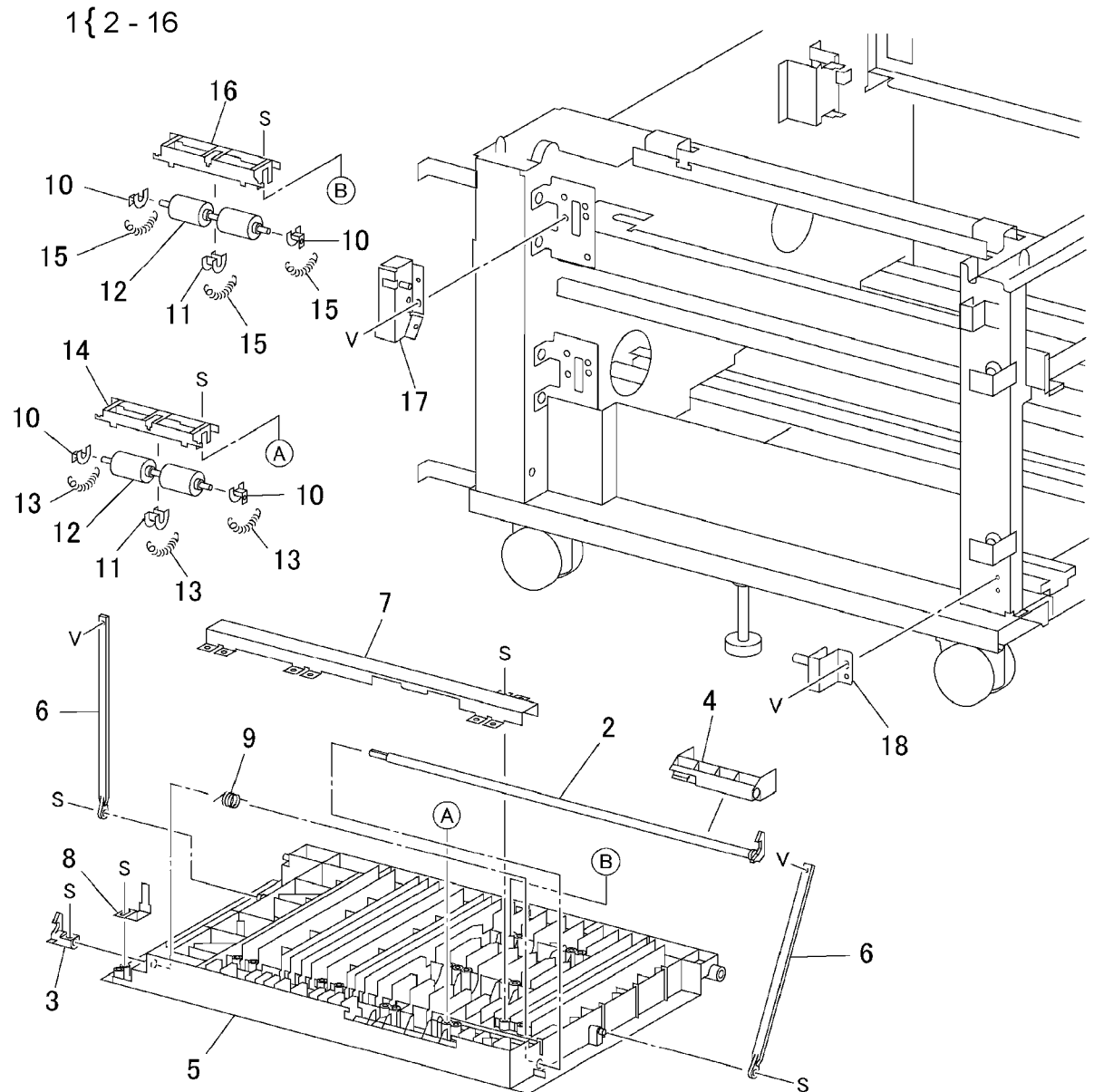
Item	Part	Description
1	–	Spring (P/O PL16.5 Item 16)
2	600K78460	Roll Kit (3 Rolls/Kit)
3	005K05890	One-way Clutch
4	–	Gear (P/O PL16.5 Item 16)
5	–	Shaft (P/O PL16.5 Item 16)
6	–	Chute (P/O PL16.5 Item 16)
7	–	Spring (P/O PL16.5 Item 16)
8	–	Friction Clutch (P/O PL16.5 Item 16)
9	–	Support (P/O PL16.5 Item 16)
10	–	Holder (P/O PL16.5 Item 16)
11	–	Spacer (P/O PL16.5 Item 16)
12	–	Gear (31T) (P/O PL16.5 Item 16)
13	–	Support (P/O PL16.5 Item 16)
14	–	Bearing (P/O PL16.5 Item 16)
15	–	Gear (P/O PL16.5 Item 16)
16	–	Support (P/O PL16.5 Item 16)
17	–	Screw (P/O PL16.5 Item 16)
18	–	Bearing (P/O PL16.5 Item 16)
19	–	Gear (35T) (P/O PL16.5 Item 16)
20	–	Spring (P/O PL16.5 Item 16)
21	–	Lever (P/O PL16.5 Item 16)



0516012A-SPD

# PL 16.13 Left Cover Assembly

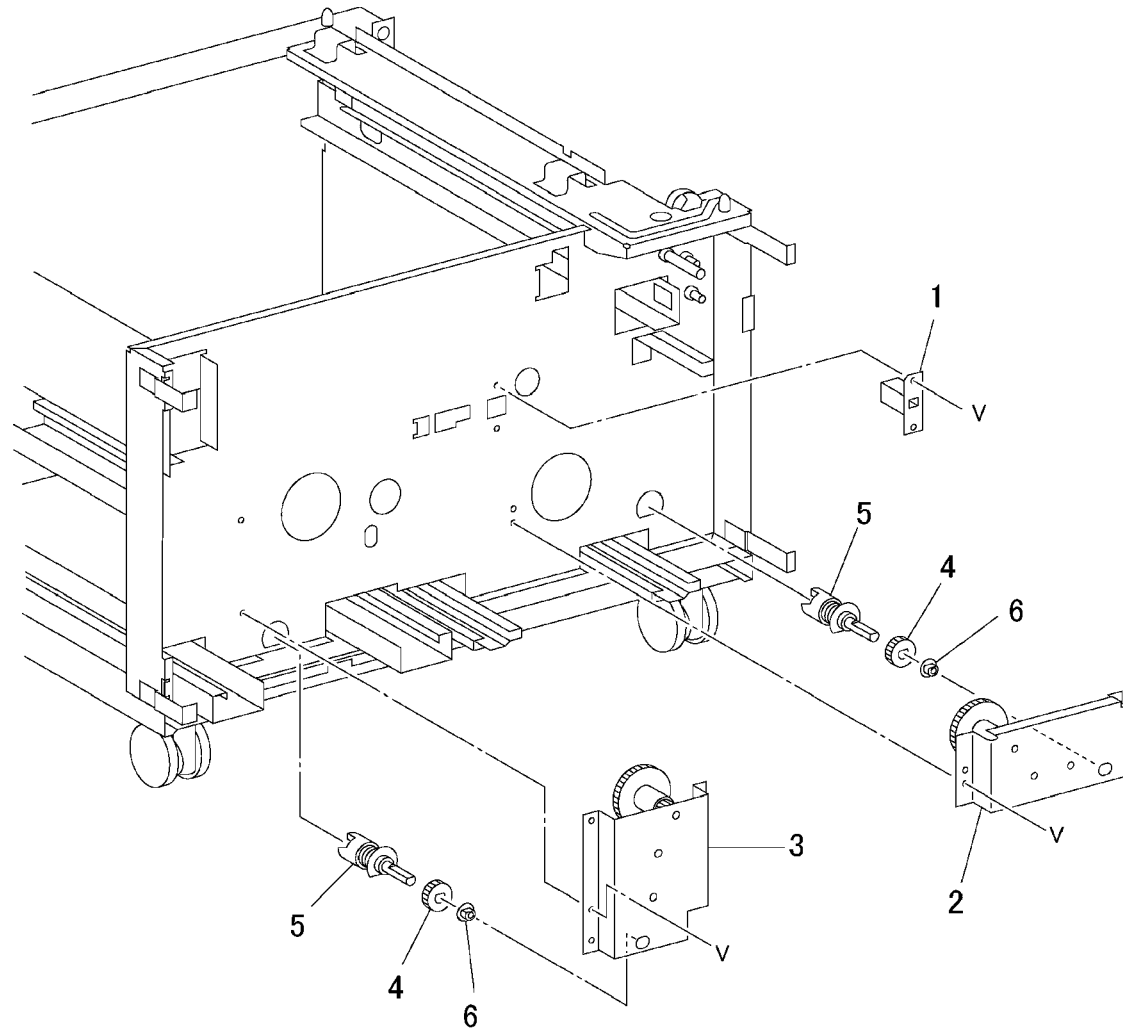
Item	Part	Description
1	802K65601	Left Cover Assembly (REP 14.11)
2	003E53701	Shaft
3	003E53710	Hook
4	011E10800	Handle
5	-	Left Cover (P/O Item 1)
6	-	Support (P/O Item 1)
7	-	Cover (P/O Item 1)
8	-	Actuator (P/O Item 1)
9	-	Spring (P/O Item 1)
10	-	Bearing (P/O Item 1)
11	-	Bearing (P/O Item 1)
12	-	Pinch Roll (P/O Item 1)
13	809E28961	Spring
14	-	Bracket (P/O Item 1)
15	809E28980	Spring
16	-	Bracket (P/O Item 1)
17	015K49471	Interlock Switch
18	-	Bracket (Not Spared)



0516013B-SPD

## PL 16.14 Tray 3/4 Lift Gear Assembly

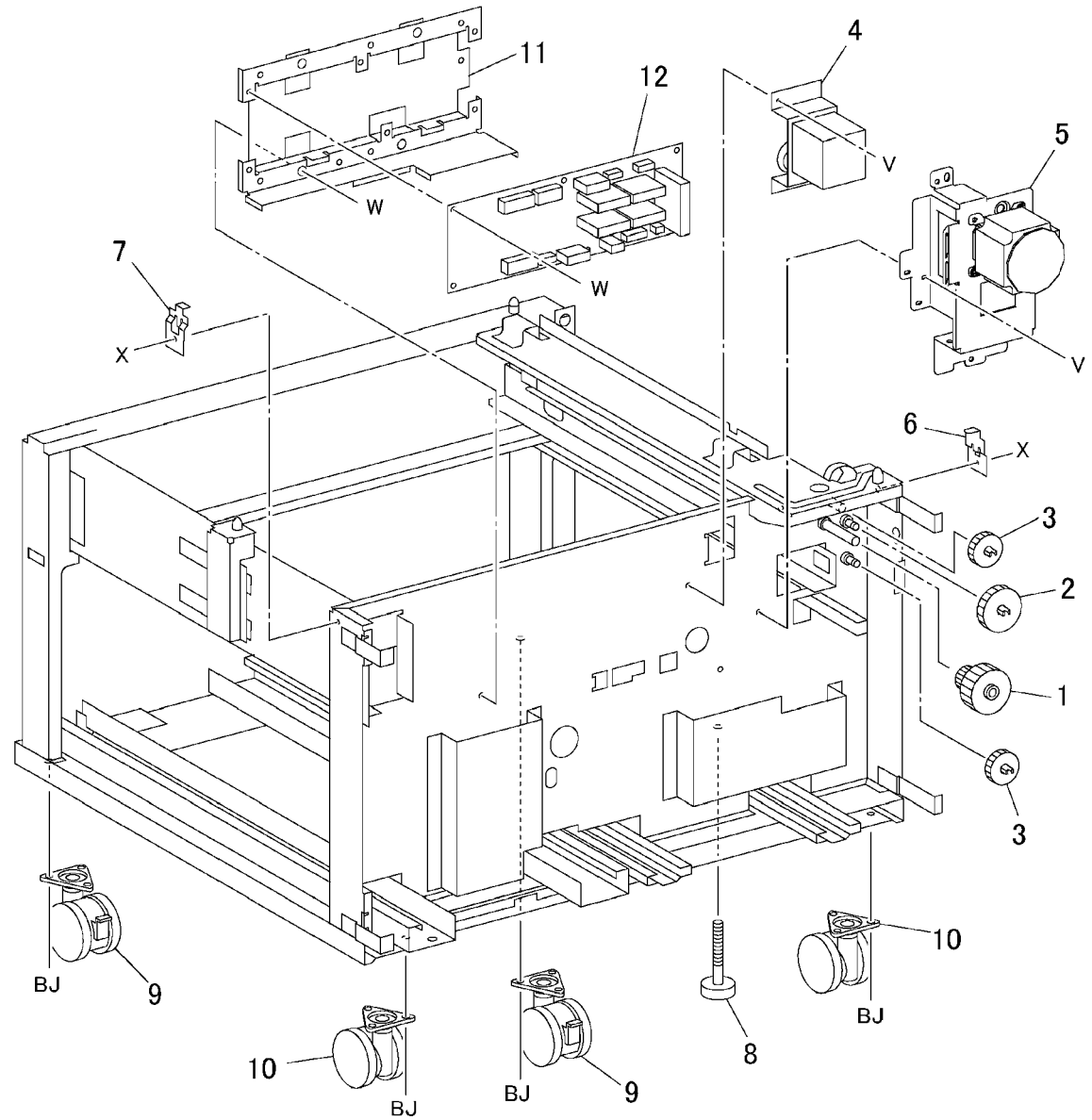
Item	Part	Description
1	-	Transport Guide (Not Spared)
2	015K49461	Gear Assembly (Tray 3)
3	015K49451	Gear Assembly (Tray 4)
4	007E66080	Lift Gear
5	011K96791	Coupling
6	-	Bearing (Not Spared)



0516014A-SPD

# PL 16.15 Electrical Components and Casters

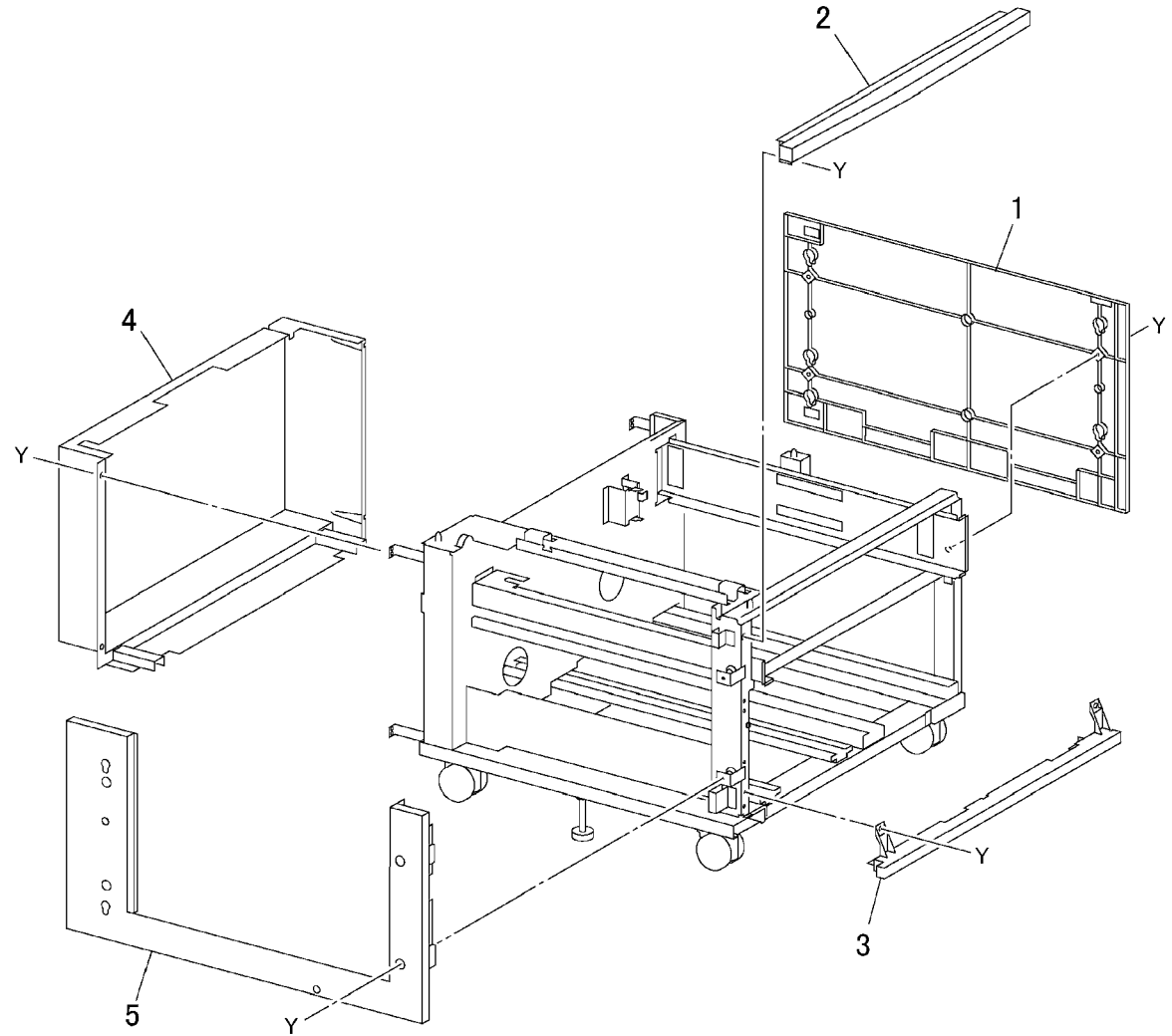
Item	Part	Description
1	007E66060	Gear (23/46T)
2	007E66070	Gear (46T)
3	007E66050	Gear (33T)
4	127K31841	Takeaway Motor 2
5	127K36021	Takeaway Motor 1
6	-	Left Coupling (Not Spared)
7	-	Right Coupling (Not Spared)
8	-	Foot (Not Spared)
9	017K93740	Caster
10	017K93750	Caster
11	-	Bracket (Not Spared)
12	960K01752	TT Module PWB



0516015A-SPD

## PL 16.16 Covers

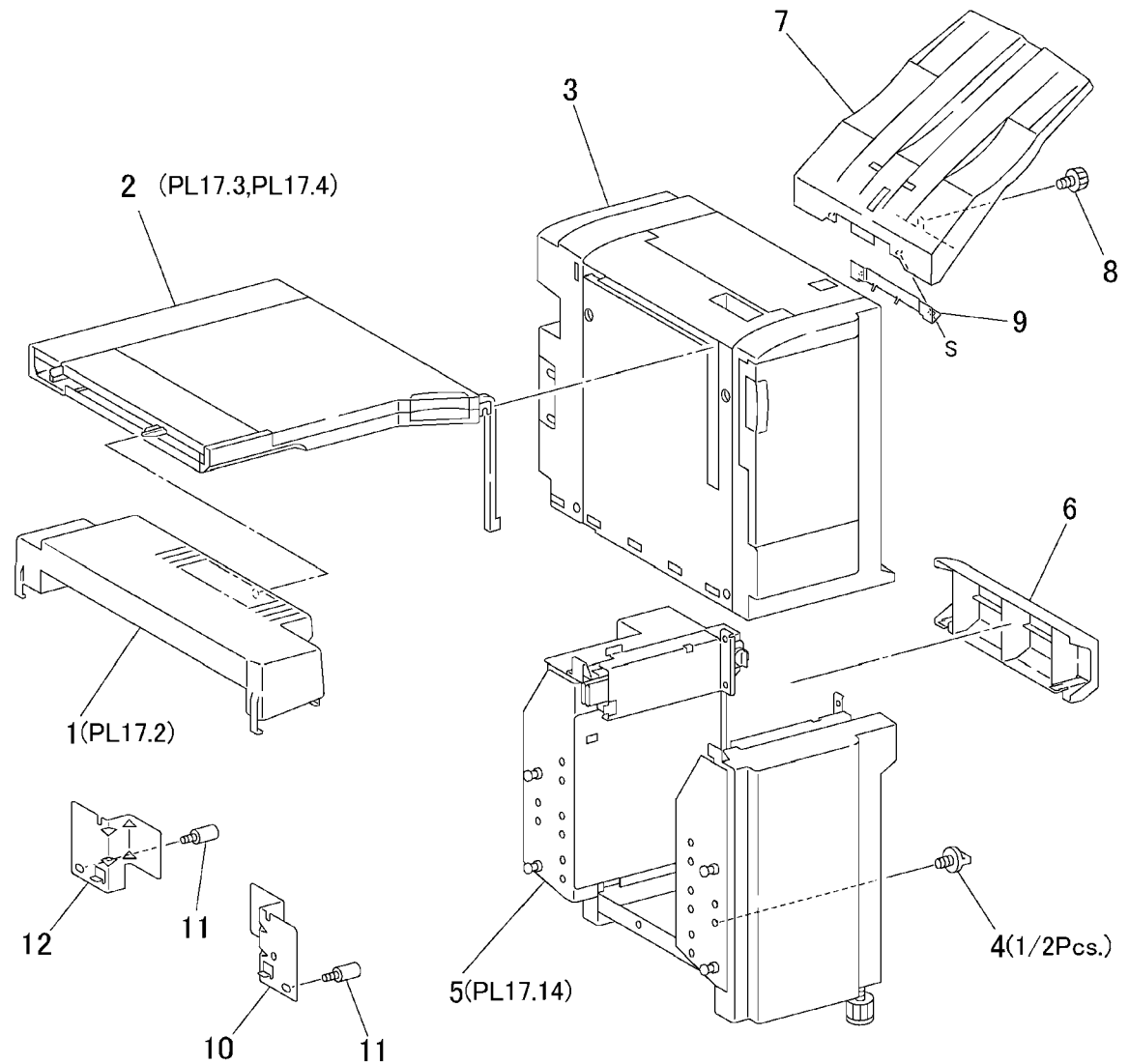
Item	Part	Description
1	-	Right Cover (Not Spared)
2	-	Front Upper Cover
3	802E23961	Front Lower Cover
4	802K50492	Rear Cover (REP 14.9)
5	-	Left Lower Cover (REP 14.12)



0516016B-SPD

## PL 17.1 Finisher

Item	Part	Description
1	802K49901	Gate Assembly
2	801K03603	H-Transport Assembly (REP 12.1)
3	-	Stapler Finisher (Not Spared)
4	003K12090	Knob Screw
5	-	Rack Assembly (Not Spared) (REP 12.19)
6	-	Right Cover (Not Spared)
7	050E19620	Stacker Tray (REP 12.20)
8	026E93560	Screw
9	-	Bracket (Not Spared)
10	-	Front Bracket (Not Spared)
11	-	Stud Screw (Not Spared)
12	-	Rear Bracket (Not Spared)

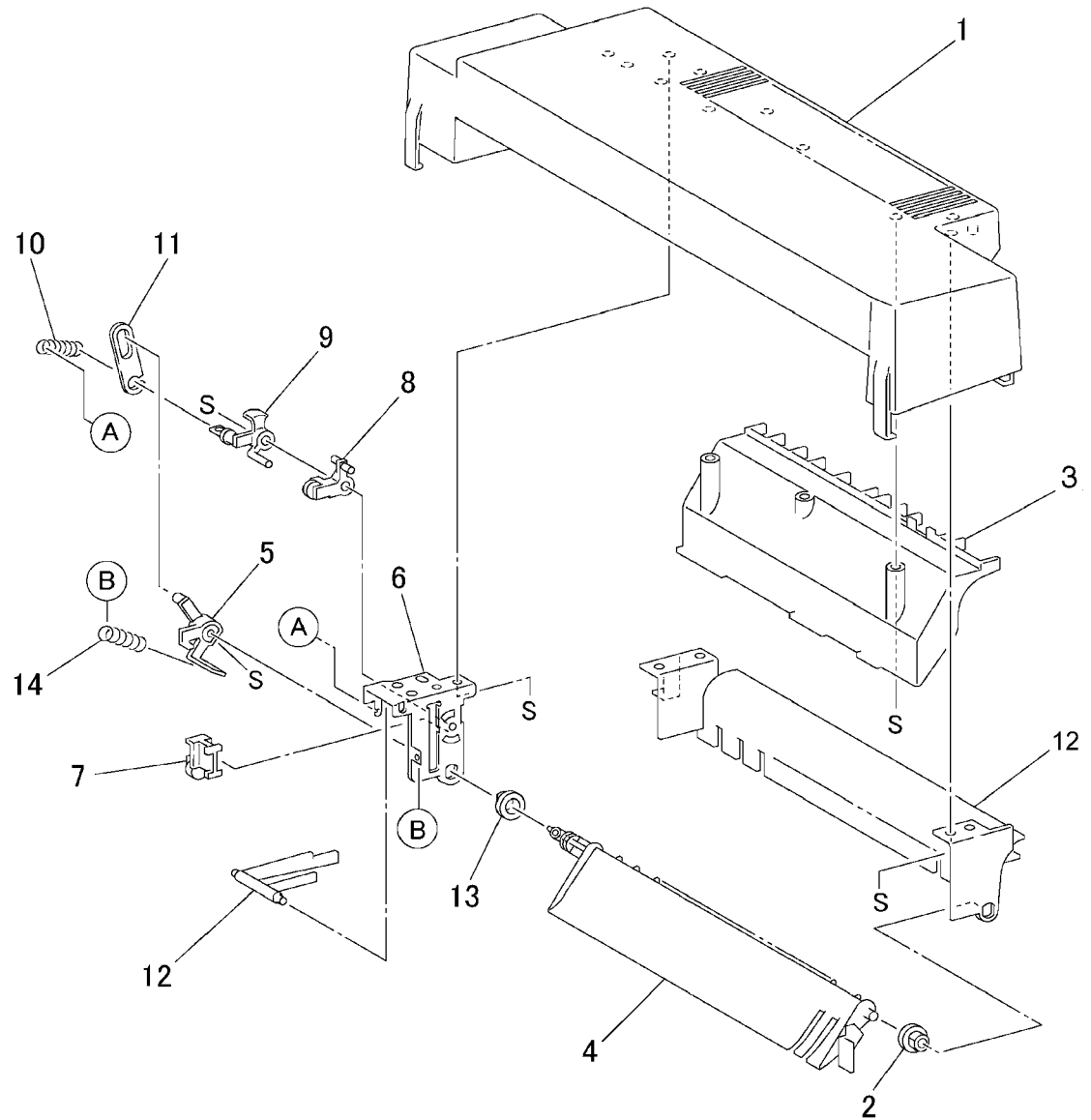


0517001A-SPD



## PL 17.2 Gate Assembly

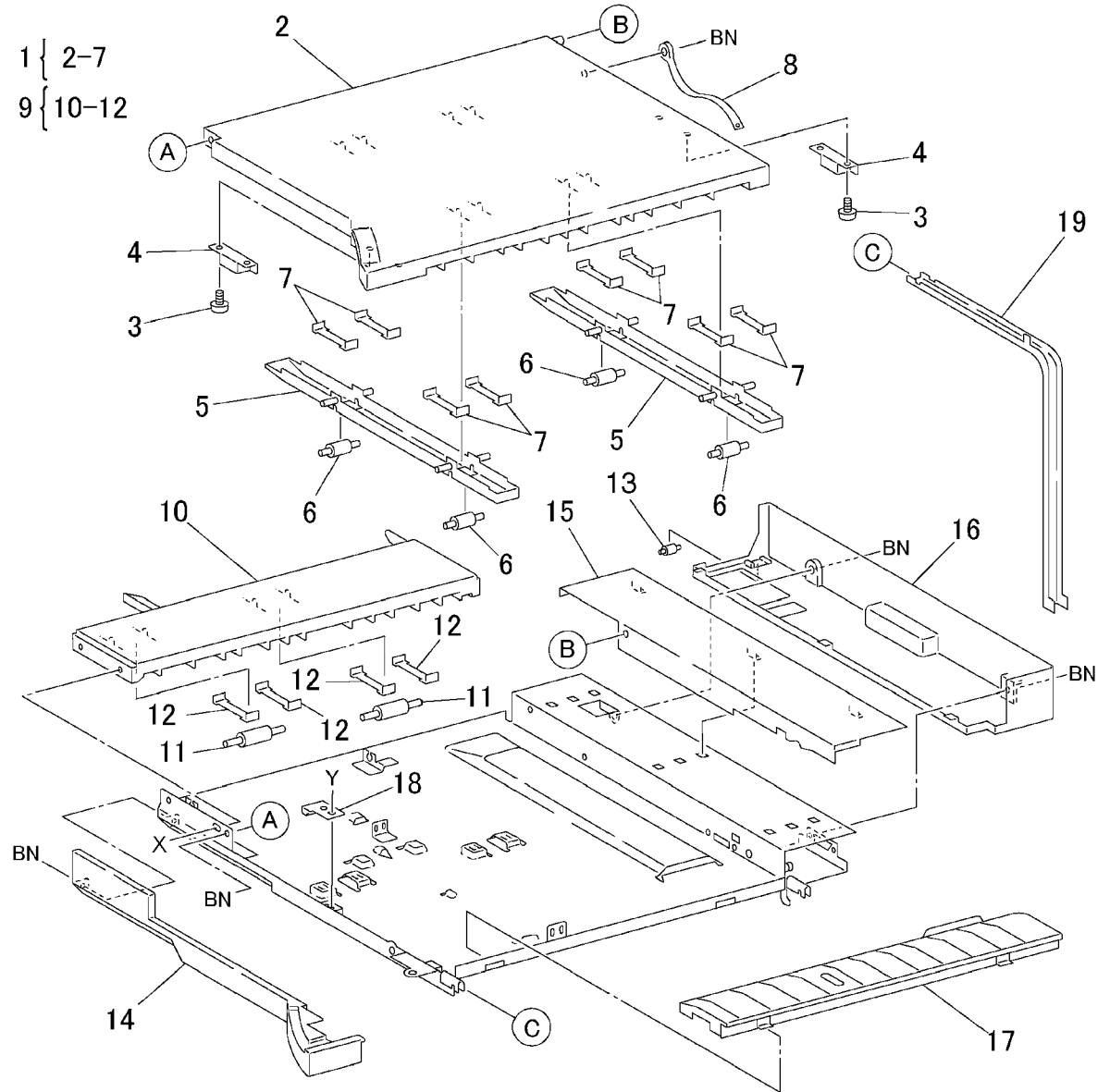
Item	Part	Description
1	-	Gate Cover (P/O PL17.1 Item 1)
2	-	Bearing (P/O PL17.1 Item 1)
3	-	Chute (P/O PL17.1 Item 1)
4	-	In Gate (P/O PL17.1 Item 1)
5	-	In Gate Lever (P/O PL17.1 Item 1)
6	-	Gate Bracket (P/O PL17.1 Item 1)
7	-	Link Assembly (P/O PL17.1 Item 1)
8	-	Lever Assembly (P/O PL17.1 Item 1)
9	-	Lever (P/O PL17.1 Item 1)
10	-	Spring (P/O PL17.1 Item 1)
11	-	Gate Link (P/O PL17.1 Item 1)
12	-	Exit Chute (P/O PL17.1 Item 1)
13	-	Bearing (P/O PL17.1 Item 1)
14	-	Spring (P/O PL17.1 Item 1)



0517002A-SPD

# PL 17.3 H-Transport Assembly: 1 of 2

Item	Part	Description
1	802K28601	Entrance Upper Cover Assembly
2	-	H-Transport Cover (P/O Item 1) (REP 12.17)
3	-	Screw (P/O Item 1)
4	121E89781	Magnet
5	-	Guide (P/O Item 1)
6	-	Roll (P/O Item 1)
7	-	Spring Plate (P/O Item 1)
8	-	Stop (P/O PL17.1 Item 2)
9	802K28591	H-Transport Cover Assembly
10	-	Entrance Upper Cover (P/O Item 9)
11	-	Roll (P/O Item 9)
12	-	Spring Plate (P/O Item 9)
13	-	Roll (P/O PL17.1 Item 2)
14	-	Front Cover (P/O PL17.1 Item 2)
15	-	Upper Rear Cover (P/O PL17.1 Item 2)
16	-	Rear Cover (P/O PL17.1 Item 2)
17	-	Exit Guide (P/O PL17.1 Item 2)
18	-	Stop (P/O PL17.1 Item 2)
19	849E04831	Support

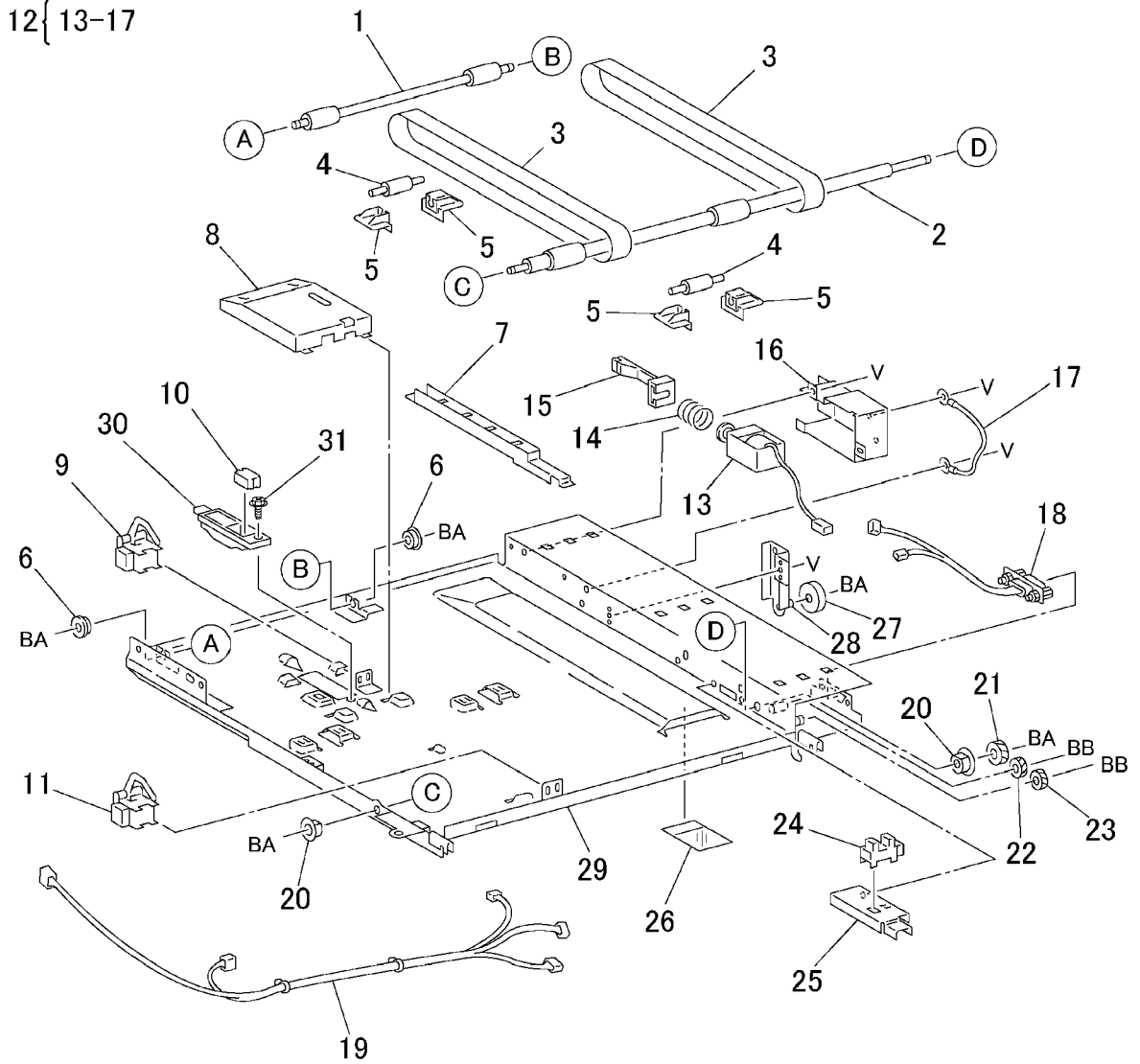


0517003A-SPD

# PL 17.4 H-Transport Assembly: 2 of 2

Item	Part	Description
1	-	H-Transport Roll (In) (P/O PL17.1 Item 2)
2	-	H-Transport Roll (Out) (P/O PL17.1 Item 2)
3	023E20021	H-Transport Belt (REP 12.2)
4	-	Roll (P/O PL17.1 Item 2)
5	-	Support (P/O PL17.1 Item 2)
6	-	Bearing (P/O PL17.1 Item 2)
7	802E30150	Harness Guide
8	802E30140	Cover
9	130K69840	Entrance Sensor (REP 12.3)
10	130E84300	Top Tray Full Sensor
11	130K69830	Exit Sensor
12	802K28581	Gate In Solenoid Assembly
13	-	Gate In Solenoid (P/O Item 12)
14	-	Spring (P/O Item 12)
15	-	Link (P/O Item 12)
16	-	Cover (P/O Item 12)
17	-	Ground Wire (P/O Item 12)
18	162K69072	Wire Harness
19	962K14551	Wire Harness
20	-	Bearing (P/O PL17.1 Item 2)
21	007E67850	Gear (37T)
22	007E67860	Gear (30T)
23	007E67870	Gear (26T)
24	130K88780	Interlock Sensor
25	-	Bracket (P/O PL17.1 Item 2)
26	038E24650	Paper Guide
27	022E88210	Roll
28	-	Bracket (P/O PL17.1 Item 2)
29	-	Frame (P/O PL17.1 Item 2)
30	-	Bracket (P/O PL17.1 Item 2)
31	-	Screw (P/O PL17.1 Item 2)

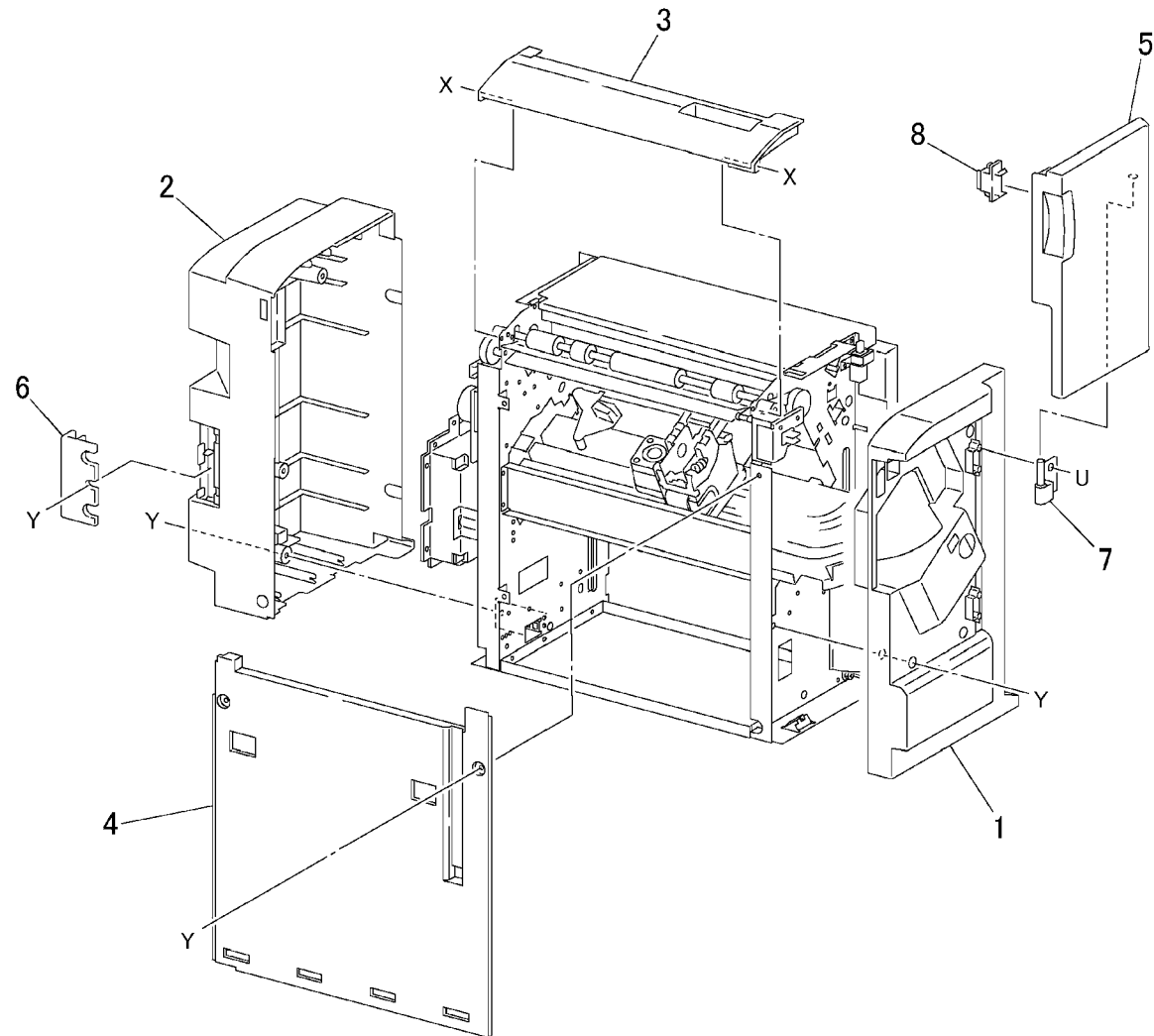
12 { 13-17



0517004A-SPD

## PL 17.5 Covers

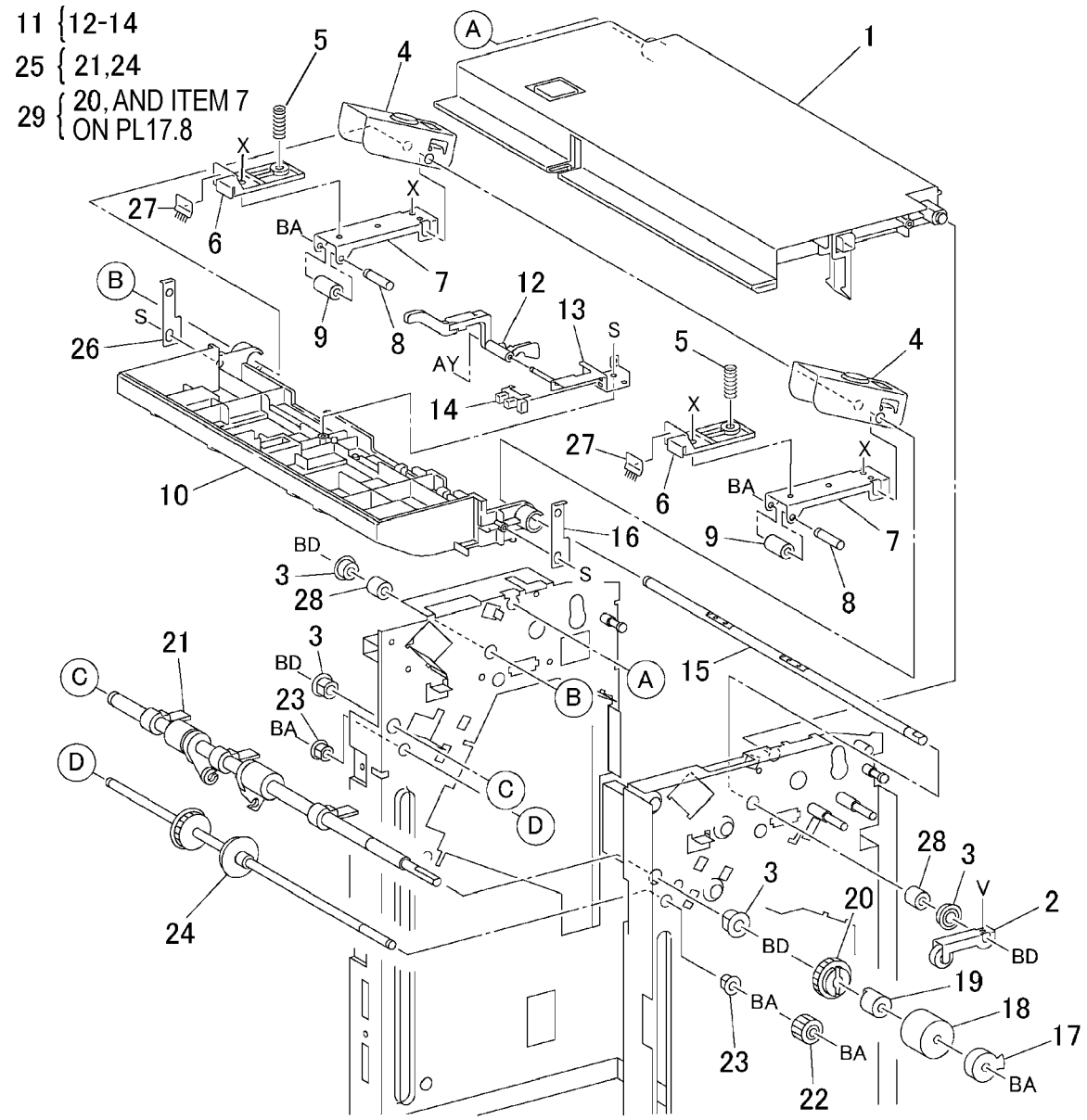
Item	Part	Description
1	802E28560	Front Cover
2	802E28521	Rear Cover
3	802E28530	Top Cover
4	802E50710	Left Cover
5	802E28550	Front Cover Door
6	802E28570	Left Panel
7	-	Hinge (Not Spared)
8	121E88470	Magnet



0517005A-SPD

# PL 17.6 Top Cover and Eject Roll

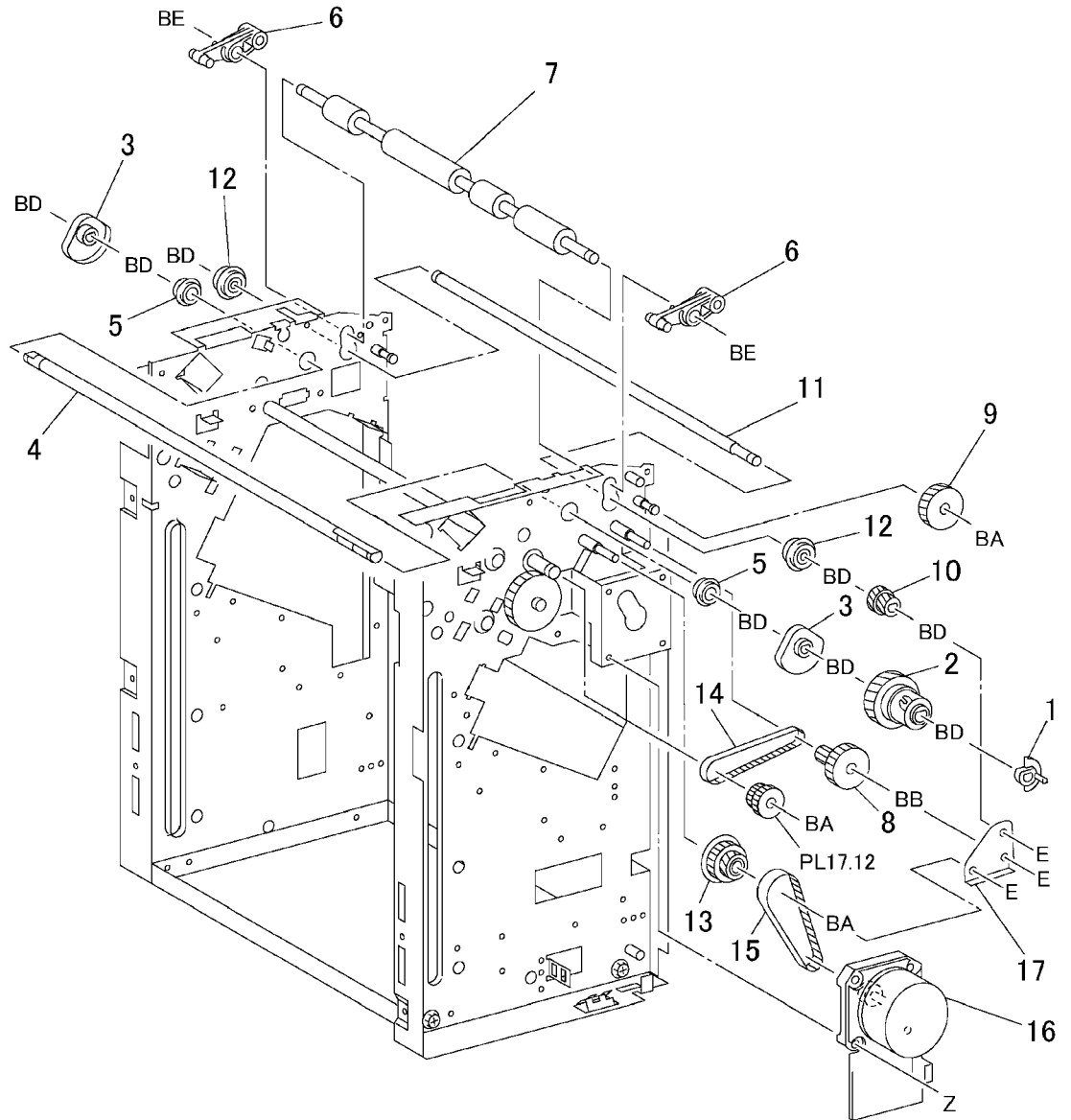
Item	Part	Description
1	802K28571	Top Cover
2	-	Arm (Not Spared)
3	-	Bearing (Not Spared)
4	-	Bracket (Not Spared)
5	-	Spring (Not Spared)
6	830E81670	Support
7	-	Bracket (Not Spared)
8	-	Shaft (Not Spared)
9	022K61480	Eject Pinch Roll
10	-	Eject Chute (Not Spared)
11	130K61920	Stack Height Sensor Assembly (REP 12.5)
12	-	Actuator (P/O Item 11)
13	-	Bracket (P/O Item 11)
14	130K88770	Stack Height Sensor
15	-	Shaft (Not Spared)
16	-	Link (Not Spared)
17	120E20970	Actuator
18	005E16220	Clutch
19	005E16510	Collar
20	007E76930	Gear
21	-	Eject Roll (P/O Item 25)
22	007K86910	Gear (20T)
23	013E20240	Bearing
24	-	Eject Shaft (P/O Item 25)
25	006K21730	Eject Roll Assembly (REP 12.6)
26	-	Link (Not Spared)
27	-	Static Eliminator (Not Spared)
28	-	Collar (Not Spared)
29	604K09720	Eject Gear Kit



0517006A-SPD

# PL 17.7 Paper Transportation: 1 of 2

Item	Part	Description
1	120E20690	Actuator
2	121K24610	Decurler Cam Clutch
3	008E94070	Cam
4	-	Shaft (Not Spared)
5	-	Bearing (Not Spared)
6	031E94030	Arm
7	059K20210	Decurler Roll (REP 12.7)
8	007E67740	Gear
9	007E67750	Gear
10	007E72090	Gear
11	-	Shaft (Not Spared)
12	-	Bearing (Not Spared)
13	007E67730	Gear
14	023E20160	Belt (REP 12.9)
15	423W29655	Belt
16	127K45830	Finisher Drive Motor (REP 12.8)
17	-	Bracket (Not Spared)

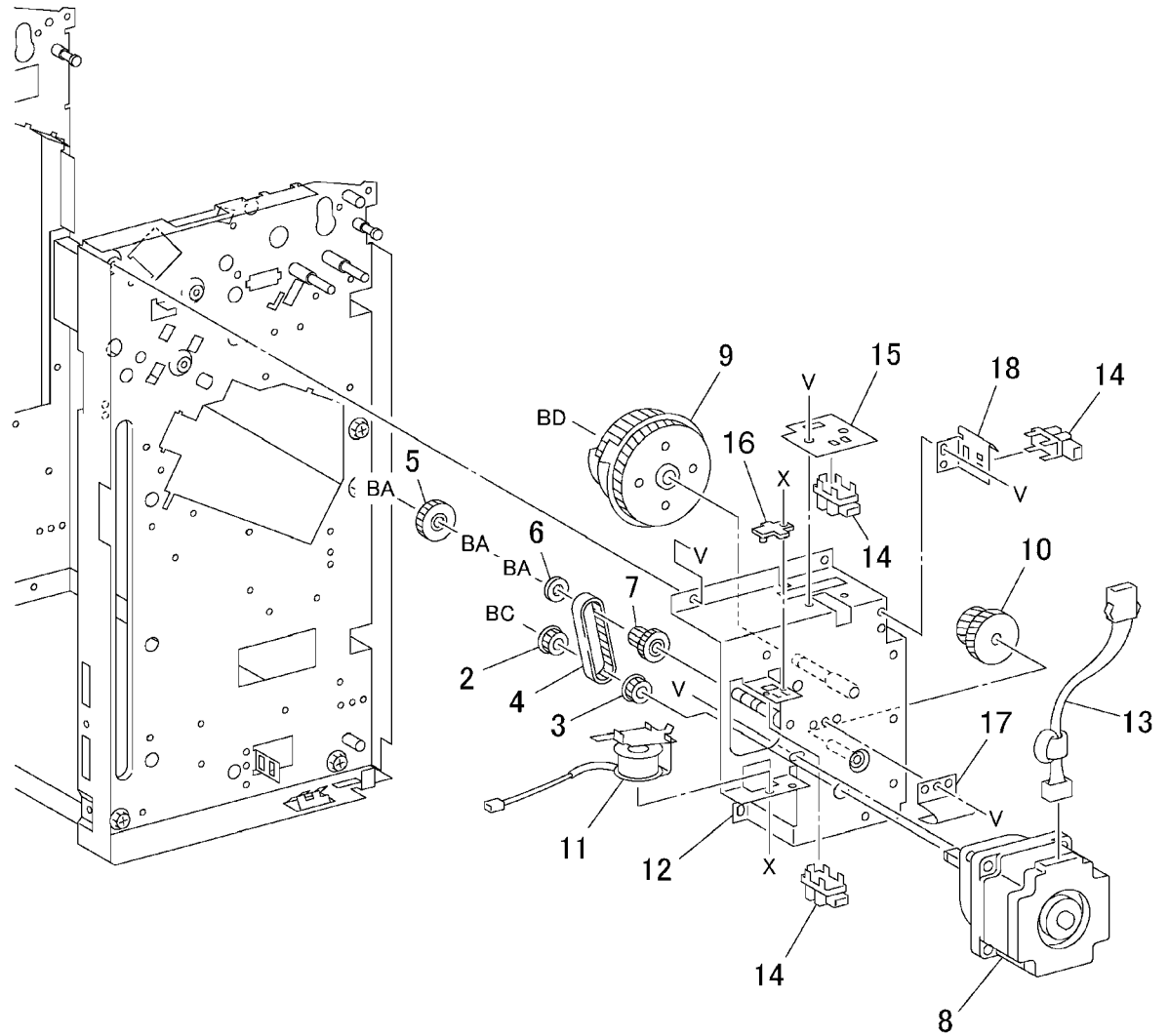


0517007A-SPD

# PL 17.8 Paper Transportation: 2 of 2

Item	Part	Description
1	604K36490	Finisher DR Repair Kit (REP 12.18)
2	020E34970	Pulley
3	007E67780	Gear
4	423W28054	Belt
5	007E67810	Gear
6	-	Collar (P/O Item 1)
7	007E76940	Gear Pulley
8	127K32870	Eject Motor
9	007E67800	Cam Gear
10	007E67770	Gear
11	-	Set Clamp Solenoid (Not Spared)
12	-	Bracket (P/O Item 1)
13	-	Wire Harness (Not Spared)
14	130K88780	Home Sensor
15	-	Plate (Not Spared)
16	-	Stop (P/O Item 1)
17	-	Spring (Not Spared)
18	-	Bracket (Not Spared)

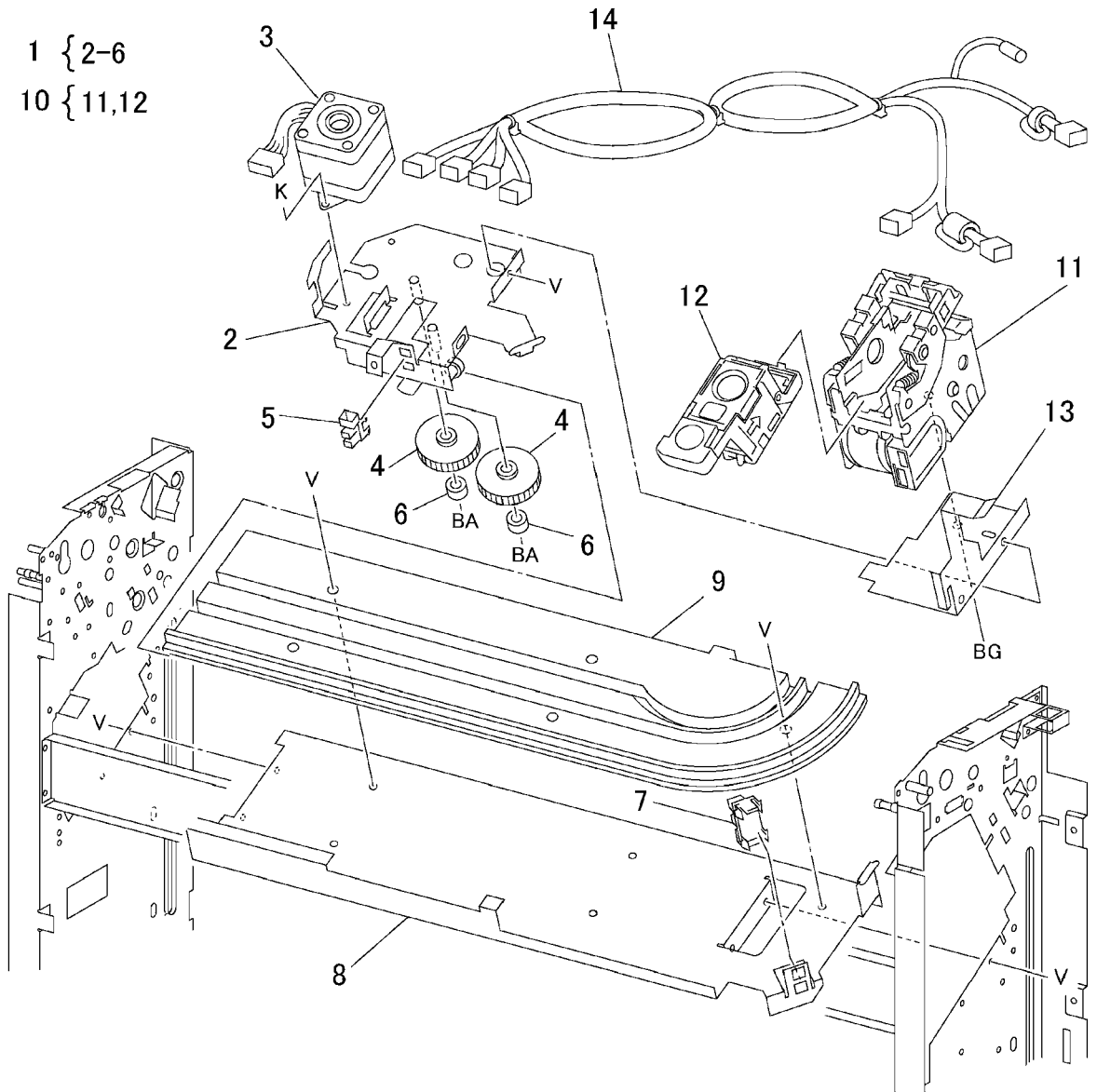
1 { 2 - 12, 14, 16



0517008A-SPD

# PL 17.9 Stapler Unit

Item	Part	Description
1	041K94260	Carriage Assembly
2	-	Bracket (P/O Item 1)
3	127K32861	Staple Move Motor
4	-	Gear (P/O Item 1)
5	130K88770	Staple Move Sensor
6	-	Roll (P/O Item 1)
7	-	Staple Front Corner Sensor (Not Spared)
8	-	Plate (Not Spared)
9	001E59600	Rail (REP 12.10)
10	029K03720	Stapler Assembly (REP 12.11)
11	-	Stapler (P/O Item 10)
12	050K48750	Cartridge
13	-	Bracket (Not Spared)
14	962K07440	Stapler Harness

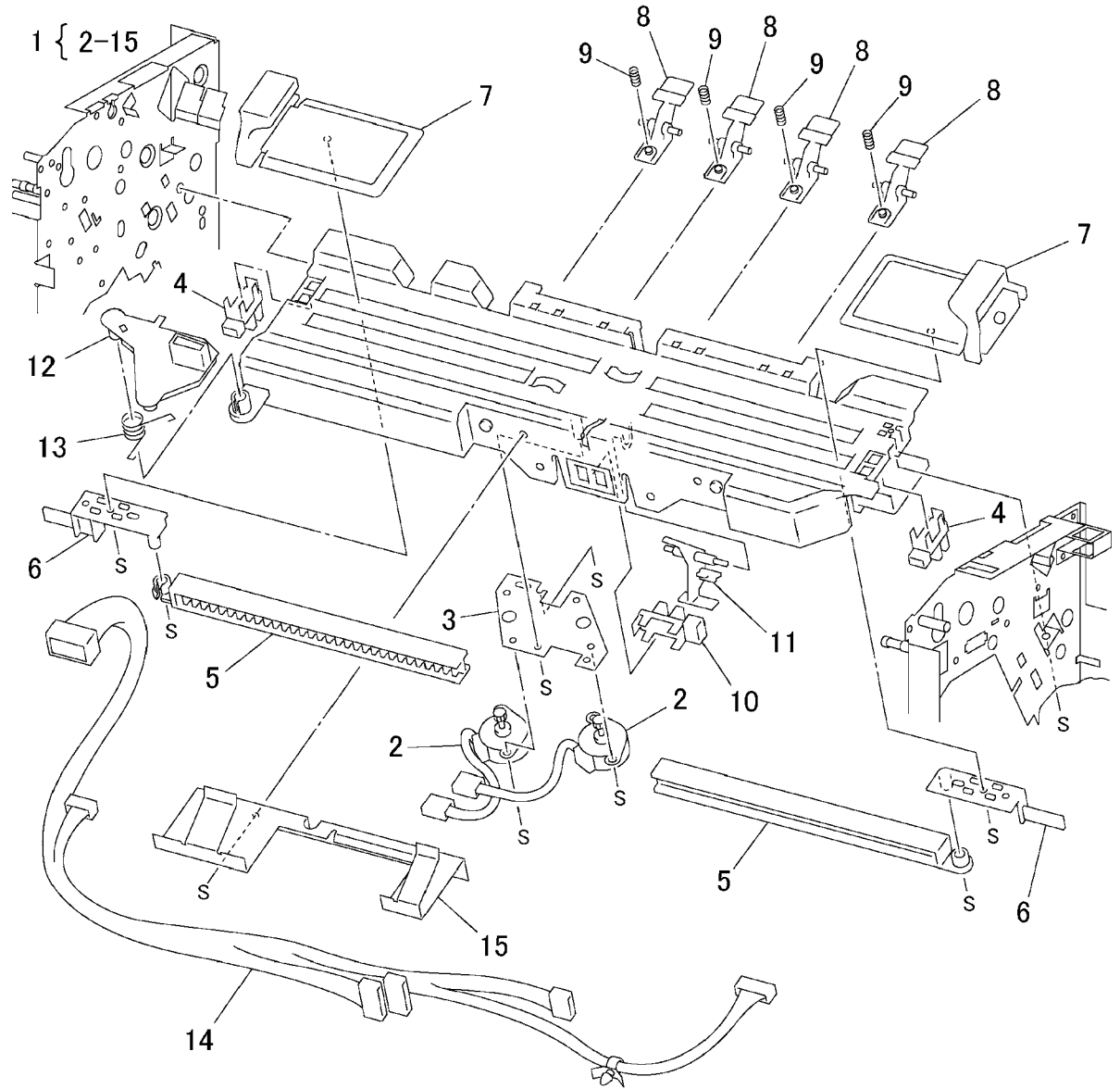


0517009A-SPD



# PL 17.10 Compiler Tray Assembly

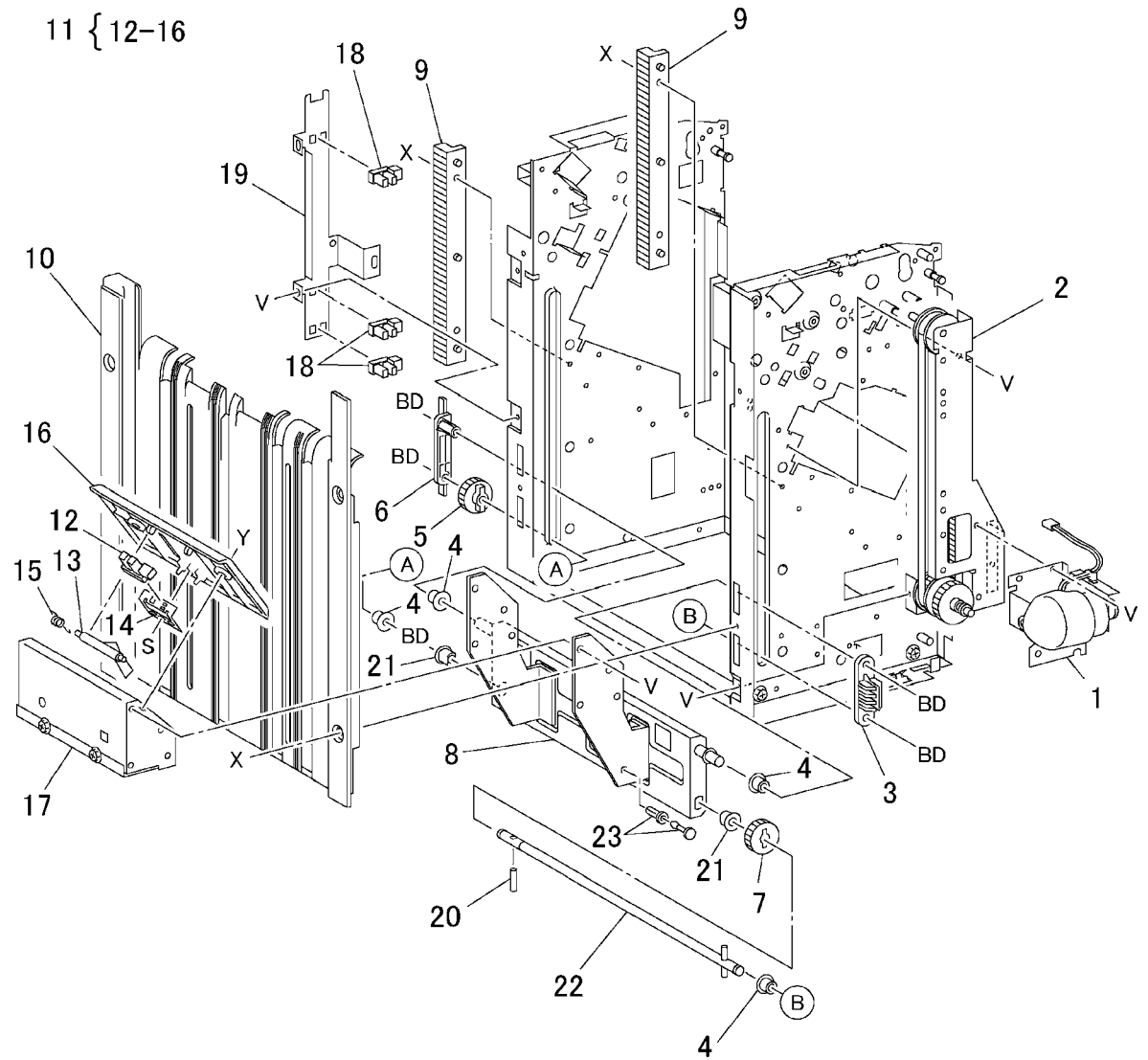
Item	Part	Description
1	050K43881	Compiler Tray Assembly (REP 12.12)
2	127K48210	Front/Rear Tamper Motor
3	-	Plate (P/O Item 1)
4	130K88770	Front/Rear Tamper Home Sensor
5	-	Rack (P/O Item 1)
6	-	Actuator (P/O Item 1)
7	-	Tamper (P/O Item 1)
8	-	Finger (P/O Item 1)
9	-	Spring (P/O Item 1)
10	130K88780	Compiler Paper Sensor
11	-	Actuator (P/O Item 1)
12	038E24410	Paper Guide
13	809E33600	Spring
14	-	Wire Harness (P/O Item 1)
15	-	End Guide (P/O Item 1)



0517010A-SPD

# PL 17.11 Elevator

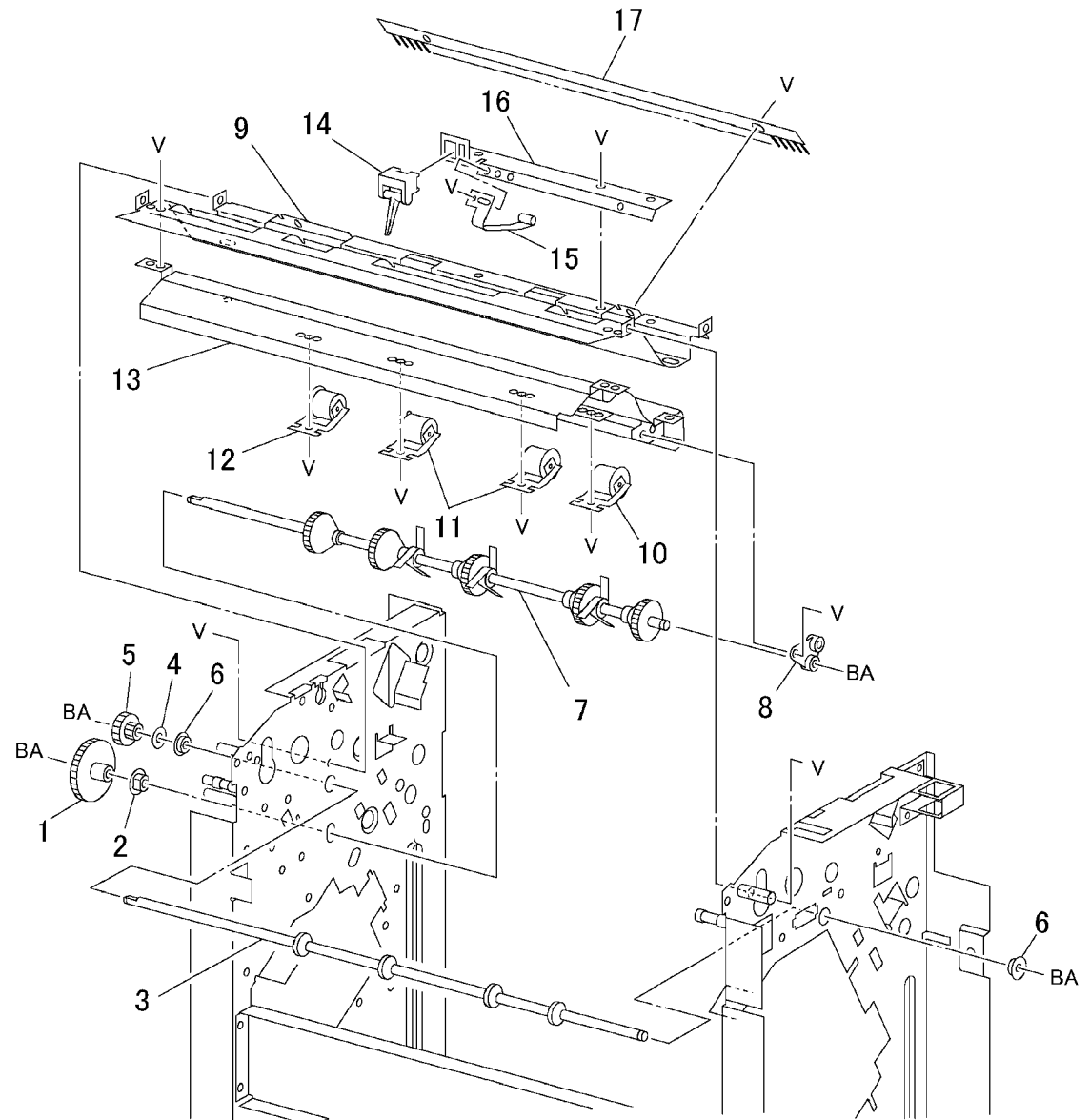
Item	Part	Description
1	127K33420	Stacker Motor Assembly (REP 12.13)
2	015K50680	Front Elevator Bracket (REP 12.14)
3	019E50340	Clamp
4	-	Bearing (Not Spared)
5	007E67830	Rear Gear
6	-	Actuator (Not Spared)
7	007E67840	Front Gear
8	-	Bracket (Not Spared)
9	007E67820	Rack
10	-	Tray Guide (Not Spared)
11	015K51640	Stacker Paper Sensor Assembly
12	130K88770	Sensor
13	-	Actuator (P/O Item 11)
14	-	Bracket (P/O Item 11)
15	-	Spring (P/O Item 11)
16	-	Cover (P/O Item 11)
17	-	Bracket (Not Spared)
18	-	Sensor (Not Spared)
19	-	Bracket (Not Spared)
20	-	Pin (Not Spared)
21	-	Bearing (Not Spared)
22	-	Shaft (Not Spared)
23	-	Rivet (Not Spared)



0517011A-SPD

## PL 17.12 Exit Assembly

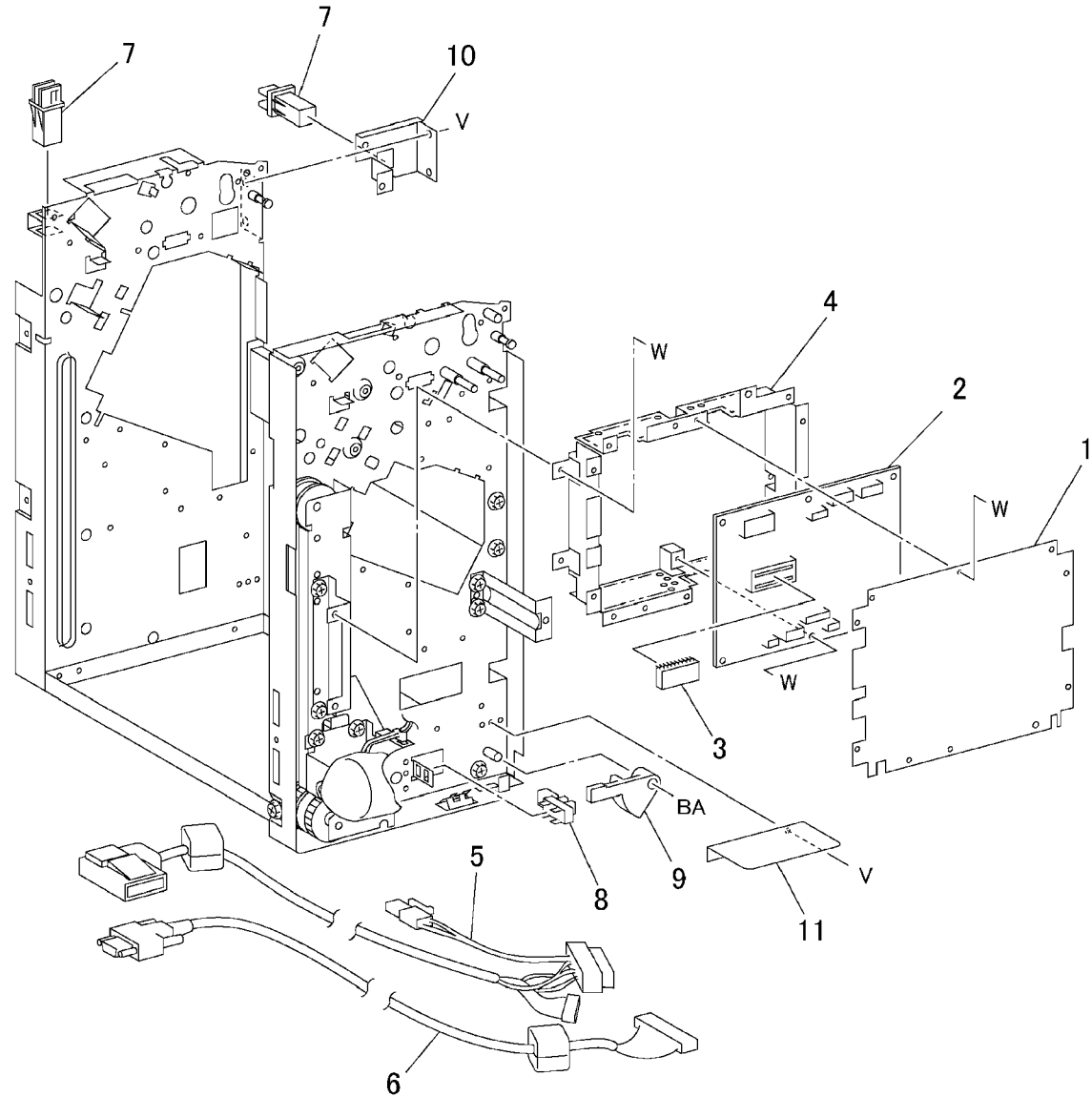
Item	Part	Description
1	007E72080	Gear
2	-	Bearing (Not Spared)
3	006K21721	Exit Shaft
4	-	Collar (Not Spared)
5	007E72070	Gear
6	-	Bearing (Not Spared)
7	006K21971	Paddle Gear Shaft (REP 12.15)
8	013E20250	Paddle Bearing
9	-	Lower Exit Chute (Not Spared)
10	022K65880	Pinch Roll
11	-	Pinch Roll (Not Spared)
12	-	Pinch Roll (Not Spared)
13	-	Upper Exit Chute (Not Spared)
14	130K88800	Compiler Entrance Sensor
15	-	Spring Plate (Not Spared)
16	-	Bracket (Not Spared)
17	105E11320	Static Eliminator



0517012A-SPD

## PL 17.13 Electrical Components

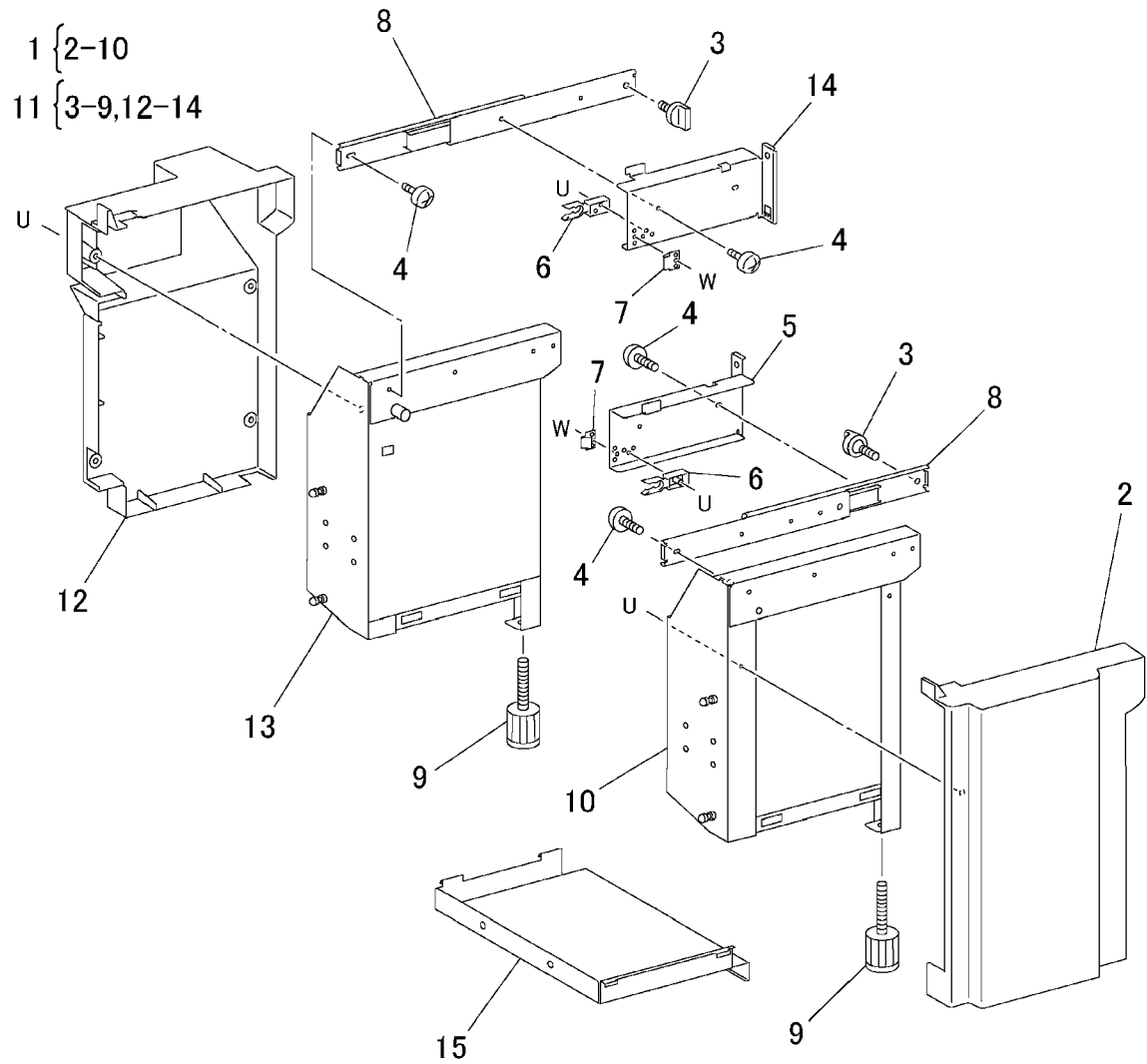
Item	Part	Description
1	–	PWB Cover (Not Spared)
2	160K76661	Finisher PWB (REP 12.16)
3	537K64131	ROM (Office Finisher)
–	537K69341	ROM
4	–	PWB Bracket (Not Spared)
5	962K10121	DC Harness
6	962K10131	Cable
7	110E97990	Top Cover/Front Door Interlock Switch
8	130K88770	Docking Interlock Switch
9	–	Spring Plate (Not Spared)
10	–	Bracket (Not Spared)
11	–	Plate (Not Spared)



0517013A-SPD

# PL 17.14 Rack Assembly

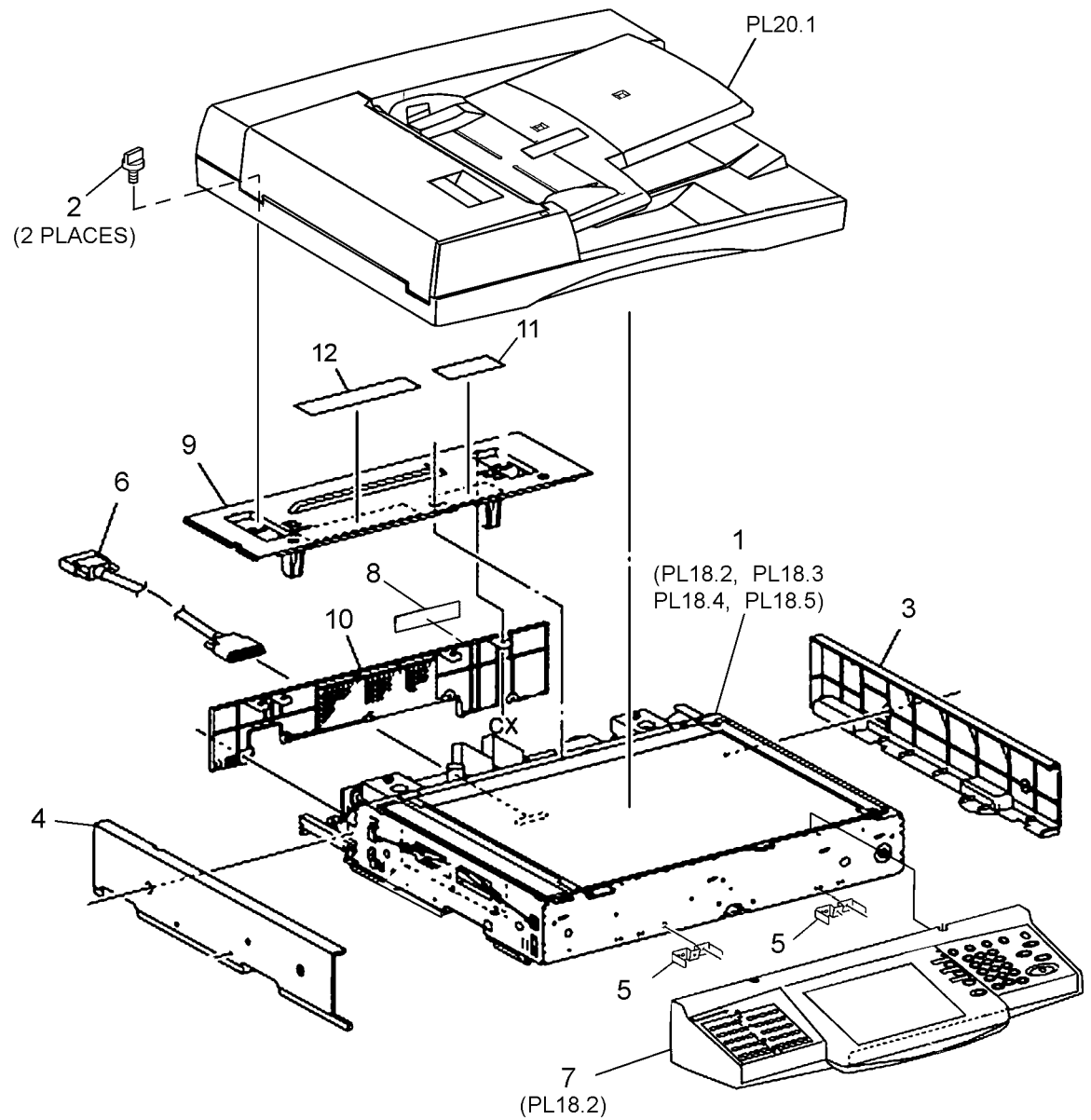
Item	Part	Description
1	802K36661	Front Rack Assembly
2	-	Front Cover (P/O Item 1)
3	003K12090	Knob Screw
4	-	Screw (P/O Item 1, Item 11)
5	-	Bracket (P/O Item 1, Item 11)
6	-	Stop (P/O Item 1, Item 11)
7	-	Spring Plate (P/O Item 1, Item 11)
8	001E60051	Rail
9	017E94661	Foot
10	-	Front Rack (P/O Item 1)
11	802K36671	Rear Rack Assembly
12	-	Rear Cover (P/O Item 11)
13	-	Rear Rack (P/O Item 11)
14	-	Bracket (P/O Item 11)
15	015E77040	Bottom Plate



0517014A-SPD

# PL 18.1 ITT Assembly

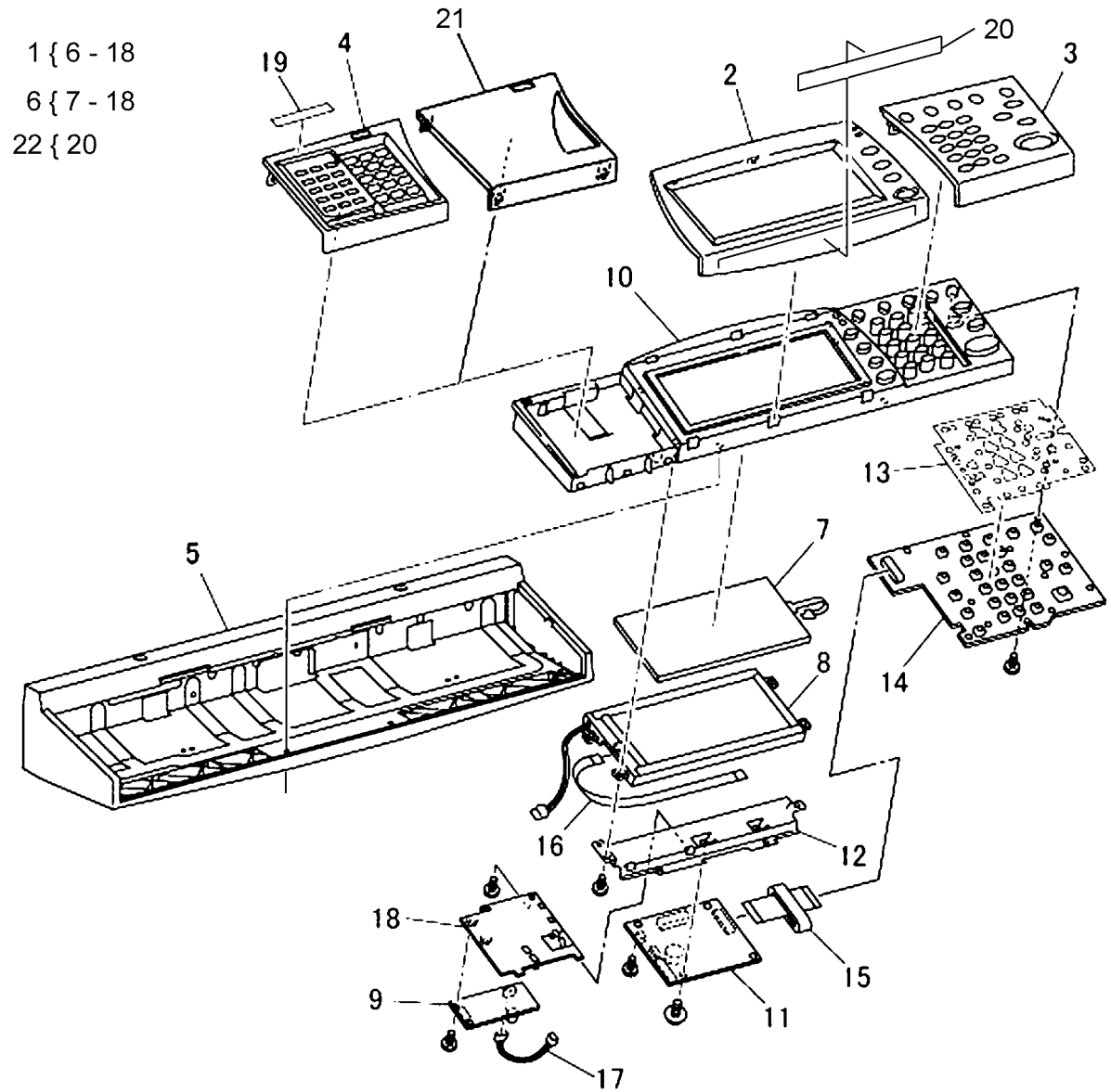
Item	Part	Description
1	062K17927	ITT Main Assembly
-	062K18730	IIT Assembly (120V) (WC7328/7335/7345 Only)
-	062K18751	IIT Assembly (220V) (WC7328/7335/7345 Only)
2	-	Thumbscrew (Not Spared)
3	848E04340	Right Cover
4	802K97350	Left Cover
5	-	Bracket (Not Spared)
6	117E21691	IF Cable
7	802K91011	Console Assembly (ADJ 9.13)
8	091P80361	Name Plate
9	-	Top Cover (Not Spared)
10	-	Rear Cover (Not Spared)
11	-	Label (Not Spared)
12	-	Label (Caution) (Not Spared)



0518001B-IMP

## PL 18.2 Control Panel

Item	Part	Description
1	802K91011	Console Assembly (REP 11.1.2)
2	802E97990	Center Panel
-	848E14470	Center Panel (WC7328/7335/7345 Only)
3	848E14600	Right Panel (WC7328/7335/7345 Only)
-	802E98000	Right Panel
4	-	One Touch Panel (Not Spared)
5	802K85760	Left Panel
6	-	Console Assembly Base (P/O Item 1)
7	-	Touch Panel (P/O Item 1)
8	123K97440	Display Assembly
9	-	Inverter PWB (P/O Item 1)
10	-	Case (P/O Item 1)
11	-	HB UI I/F PWB (P/O Item 1)
12	-	Bracket (P/O Item 1)
13	-	Sheet (P/O Item 1)
14	-	Control Panel Pwb (P/O Item 1)
15	-	Flat Cable (P/O Item 1)
16	-	Flat Cable (P/O Item 1)
17	-	Wire Harness (P/O Item 1)
18	-	Bracket (P/O Item 1)
19	-	Label (P/O Item 1)
20	092K05740	WC7228 Nameplate
-	896E38400	WC7328 Name Label
-	896E38410	WC7335 Name Label
-	896E38420	WC7328 Name Label
21	848E01540	Left Panel Overlay
22	092K05810	Name Label Kit

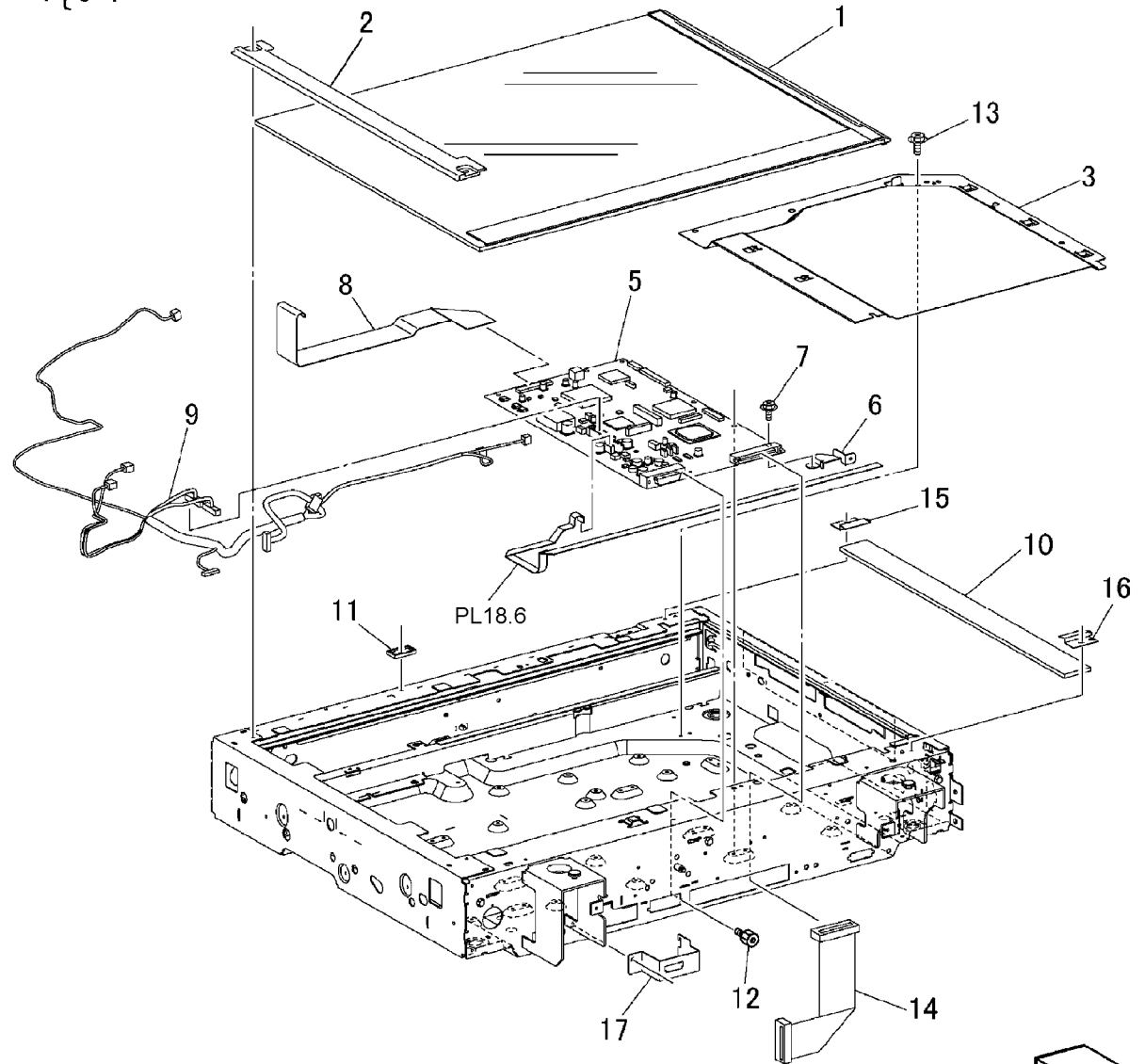


0518002B-IMP

## PL 18.3 Platen Glass, IIT/IPS PWB

Item	Part	Description
1	090K02332	Platen Glass (REP 11.3.1)
2	090K93011	Glass Support
3	-	IPS Cover (P/O PL18.1 Item 1)
4	960K17739	IPS PWB
5	960K05534	IIT/IPS PWB (REP 11.3.2)
-	960K31841	IPS PWB (WC7328/7335/7345) (REP 11.3.2)
6	-	IPS Bracket (P/O Item 4)
7	-	Screw (P/O Item 4)
8	117E26161	FCC CCD
9	-	IIT Harness (P/O PL18.1 Item 1)
10	815E04811	Right Side Plate
11	-	Glass Support (P/O PL18.1 Item 1)
12	-	Lock Screw (P/O PL18.1 Item 1)
13	-	Screw (P/O PL18.1 Item 1)
14	-	ESS Cable (Not Spared)
15	-	Front Support Bracket (P/O PL18.1 Item 1)
16	-	Rear Support Bracket (P/O PL18.1 Item 1)
17	-	Bracket (P/O PL18.1 Item 1)

4 { 5-7

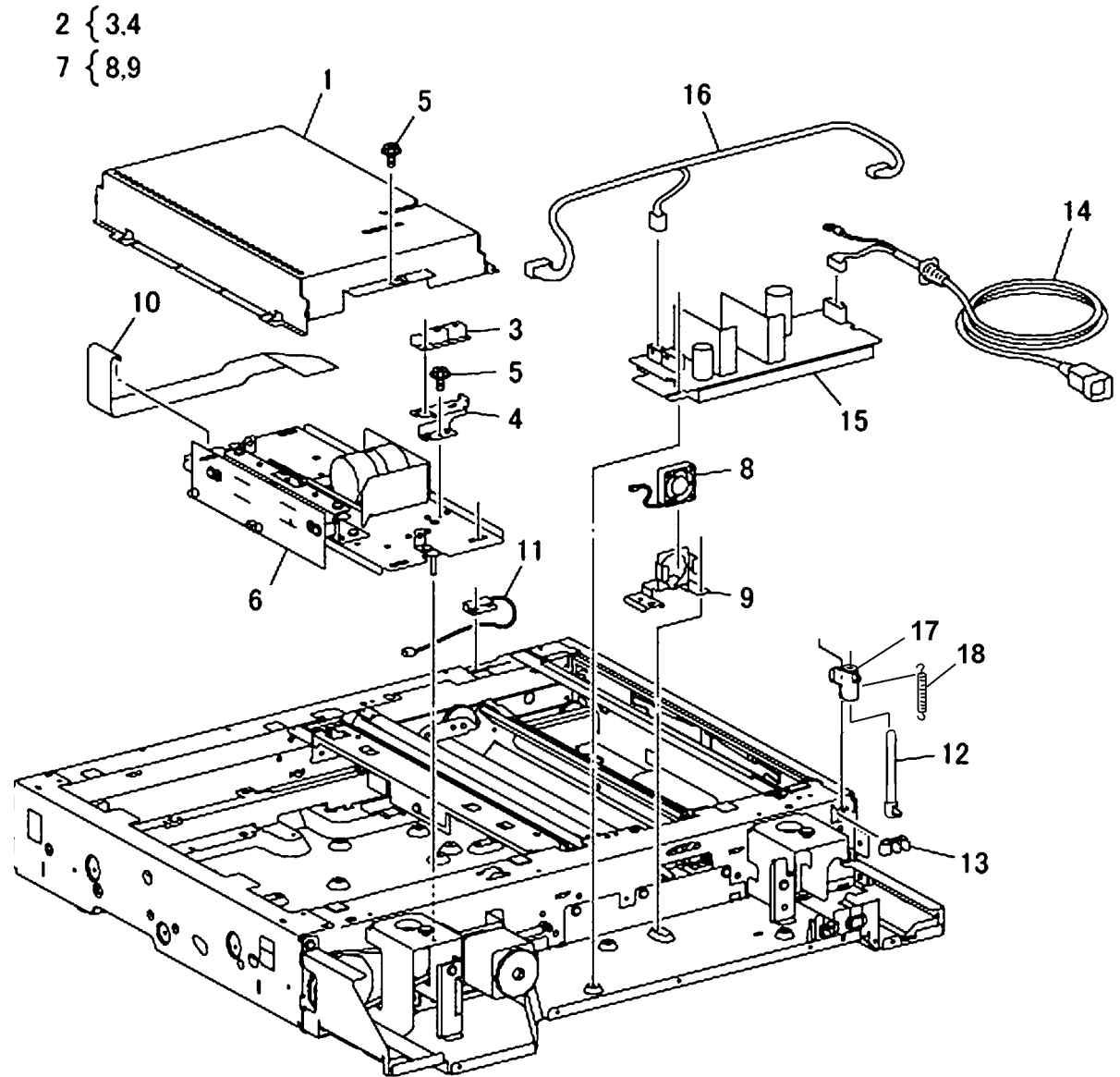


0518003A-IMP



# PL 18.4 CCD PWB, Sensor

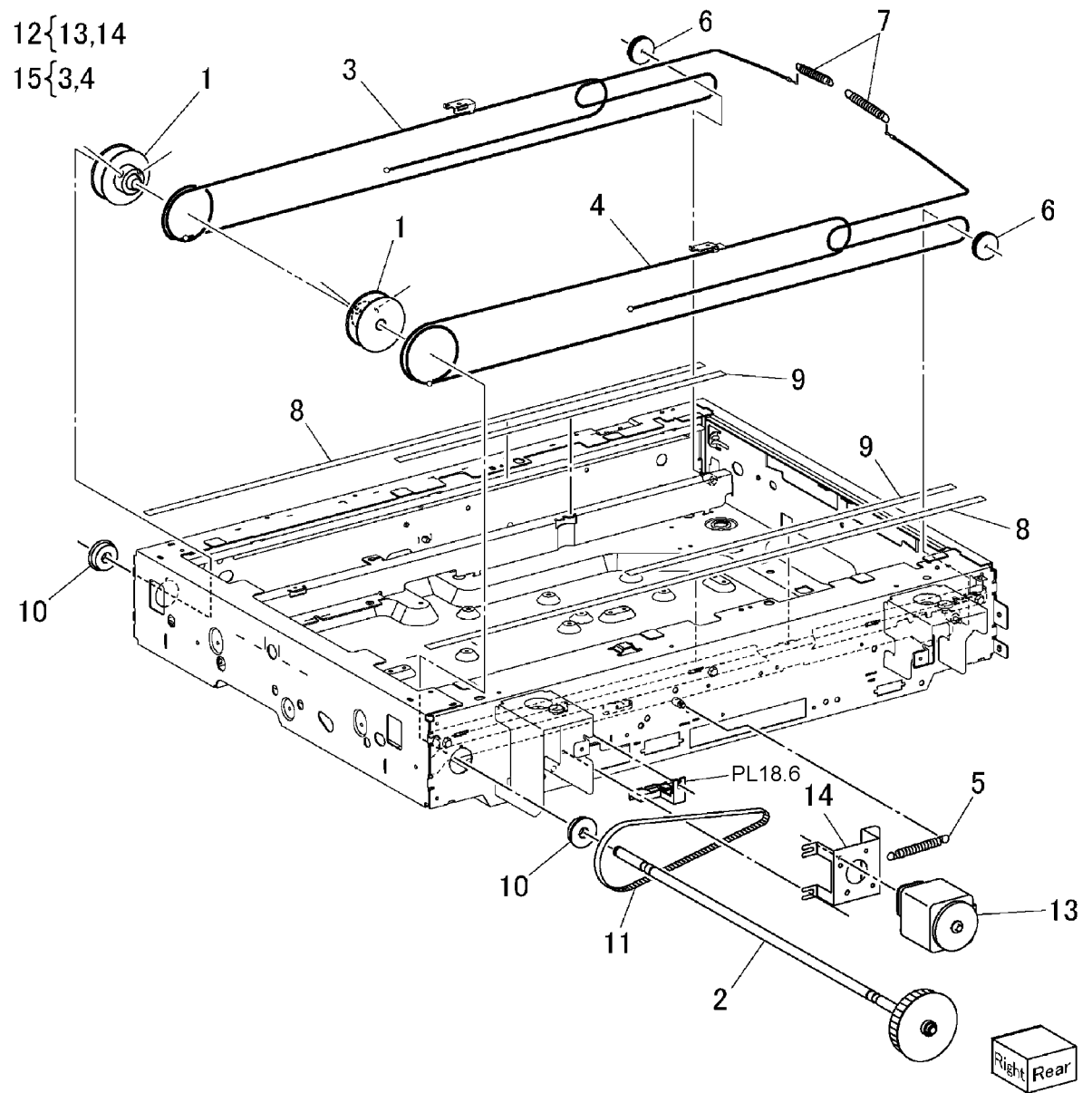
Item	Part	Description
1	-	Lens Cover (P/O PL18.1 Item 1)
2	-	APS Sensor Assembly (P/O PL18.1 Item 1)
3	130K64150	APS Sensor
4	-	Bracket (P/O Item 2)
5	-	Screw (P/O PL18.1 Item 1)
6	604K29711	CCD Lens Assembly (REP 11.4.1, ADJ 9.16 9.7)
7	127K49700	LVPS Fan Assembly
8	-	IIT LVPS Fan (P/O Item 7)
9	-	Bracket (P/O Item 7)
10	117E26161	FFC Harness
11	110K11960	Platen Interlock Switch
12	120E22030	Actuator
13	130E87280	Platen Angle Sensor
14	962K50850	AC Harness (WC7328/7335/7345 Only)
-	962K50860	Wire Harness (AC)
15	105E16810	IIT LVPS (WC7328/7335/7345 Only) (REP 11.7)
-	105E16940	IIT LVPS (REP 11.7)
16	-	Wire Harness (P/O PL18.1 Item 1)
17	-	Actuator Base (P/O PL 18.1 Item 1)
18	-	Spring (P/O PL 18.1 Item 1)



0518004A-IMP

# PL 18.5 Carriage Cable/ Motor

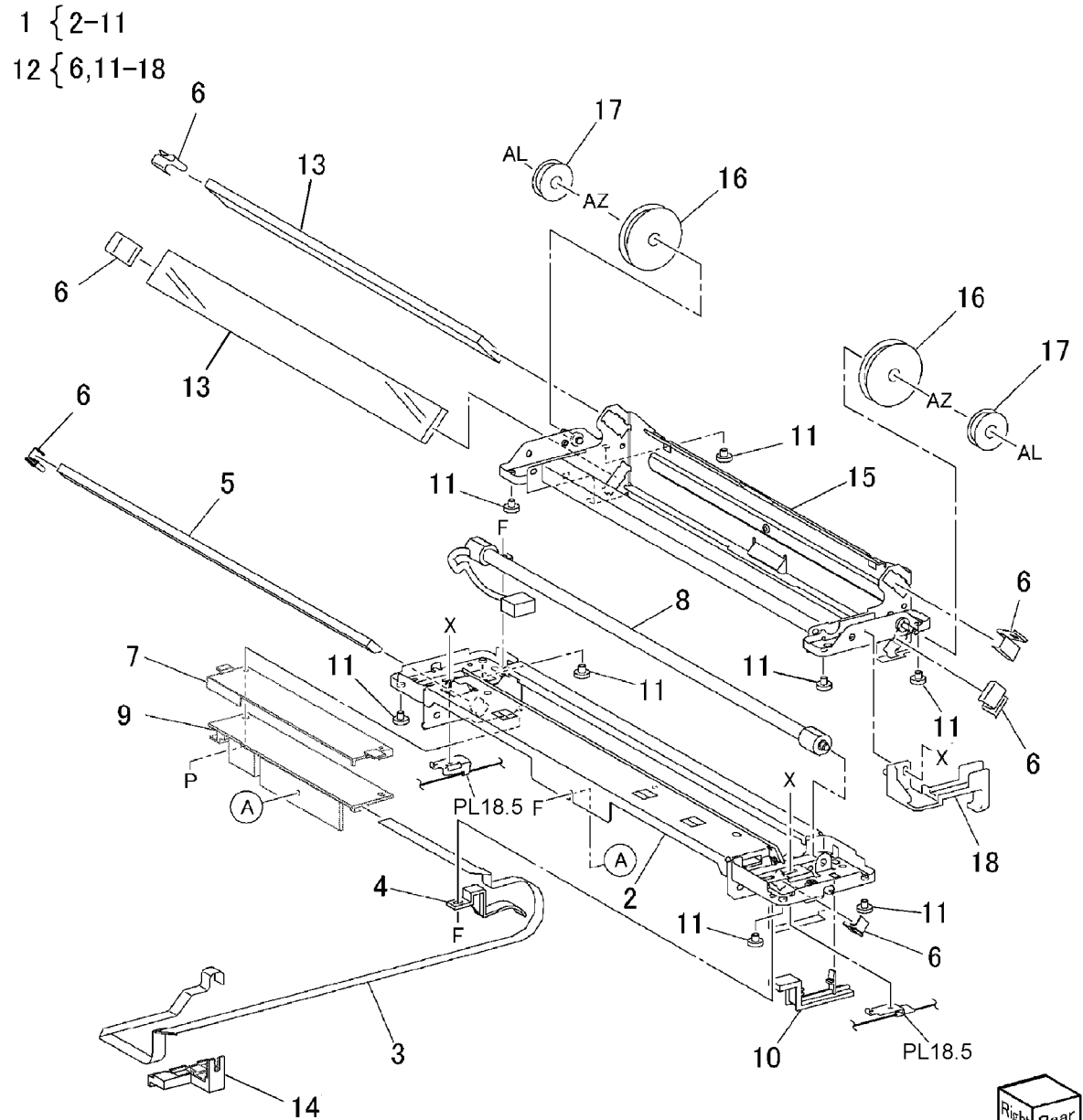
Item	Part	Description
1	-	Capstan Shaft (P/O PL18.1 Item 1)
2	-	Drive Shaft (P/O PL18.1 Item 1)
3	-	Front Carriage Cable (P/O Item 15)
4	-	Rear Carriage Cable (P/O Item 15)
5	604K20440	Spring Kit
6	020E37030	Pulley
7	-	Spring (P/O PL18.1 Item 1)
8	-	Tape (P/O PL18.1 Item 1)
9	-	Tape (P/O PL18.1 Item 1)
10	-	Bearing (P/O PL18.1 Item 1)
11	023E26430	Timing Belt 245N
12	127K49532	IIT Motor Assembly (REP 11.5.2)
13	-	ITT Motor (P/O Item 12)
14	-	Motor Bracket (P/O Item 12)
15	604K20510	ITT Cable Kit (REP 11.5.1)



0518005A-IMP

# PL 18.6 Full/Half Rate Carriage

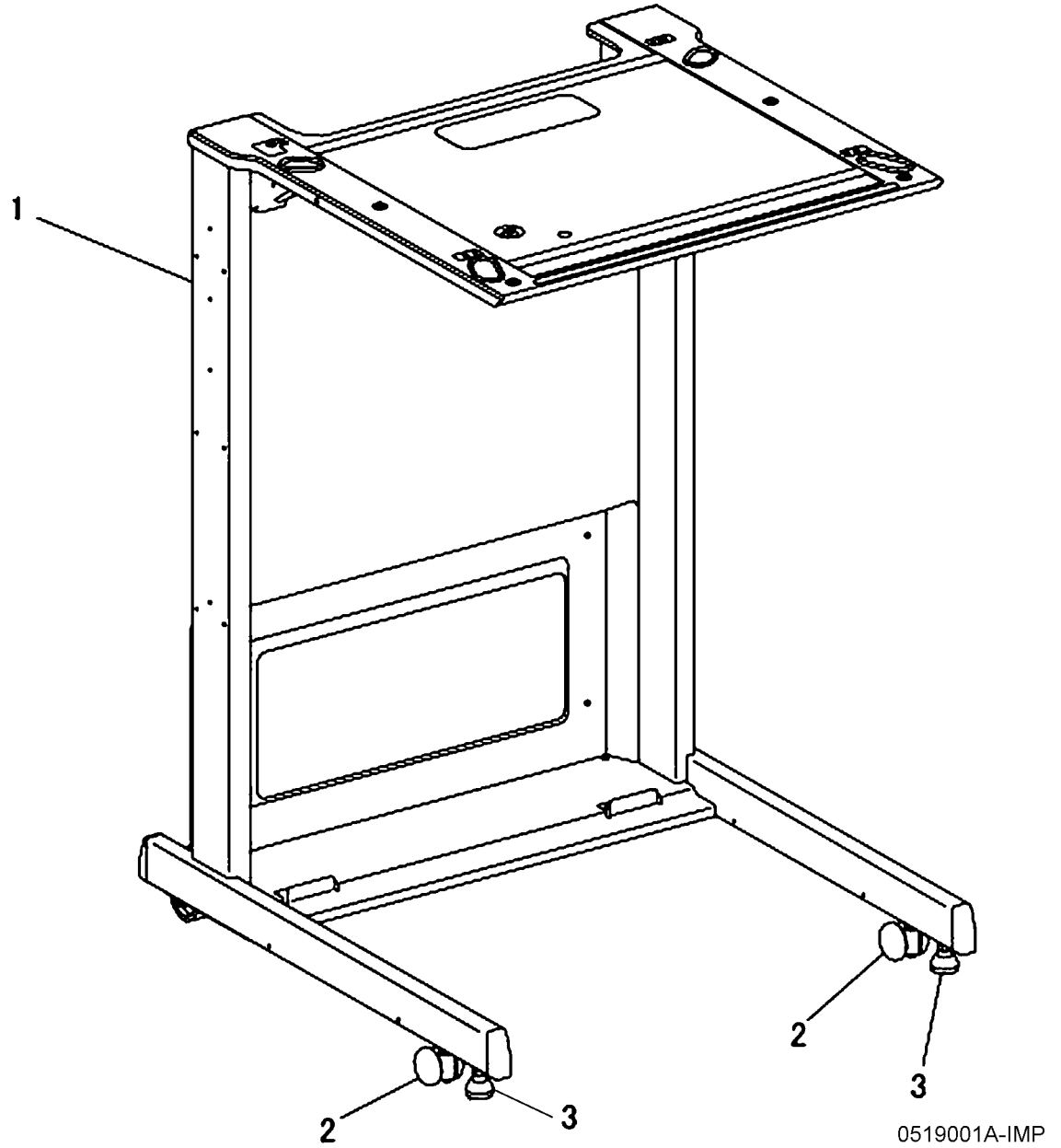
Item	Part	Description
1	041K94830	Full Rate Carriage Assembly
2	-	Full-Rate Carriage (P/O Item 1) (ADJ 11.6.1)
3	117E26350	Lamp Wire Harness (REP 11.6.2)
4	-	Cord Guide (P/O Item 1)
5	062E10040	Mirror No. 1
6	-	Mirror Clip (P/O Item 1)
7	-	Insulator (P/O Item 1)
8	122K93910	Exposure Lamp (REP 11.6.1)
9	105E16700	Lamp Ballast PWB
10	-	Cord Guide (P/O Item 1)
11	-	Pad (P/O Item 1)
12	041K94441	Half-Rate Carriage Assembly (ADJ 11.6.1)
13	-	No 2 and No 3 Mirror (P/O Item 12)
14	-	Card Holder (P/O Item 12)
15	-	Half Rate Carriage (P/O Item 12)
16	-	Pulley (P/O Item 12)
17	-	Pulley (P/O Item 12)
18	-	Cord Guide (P/O Item 12)



0518006A-IMP

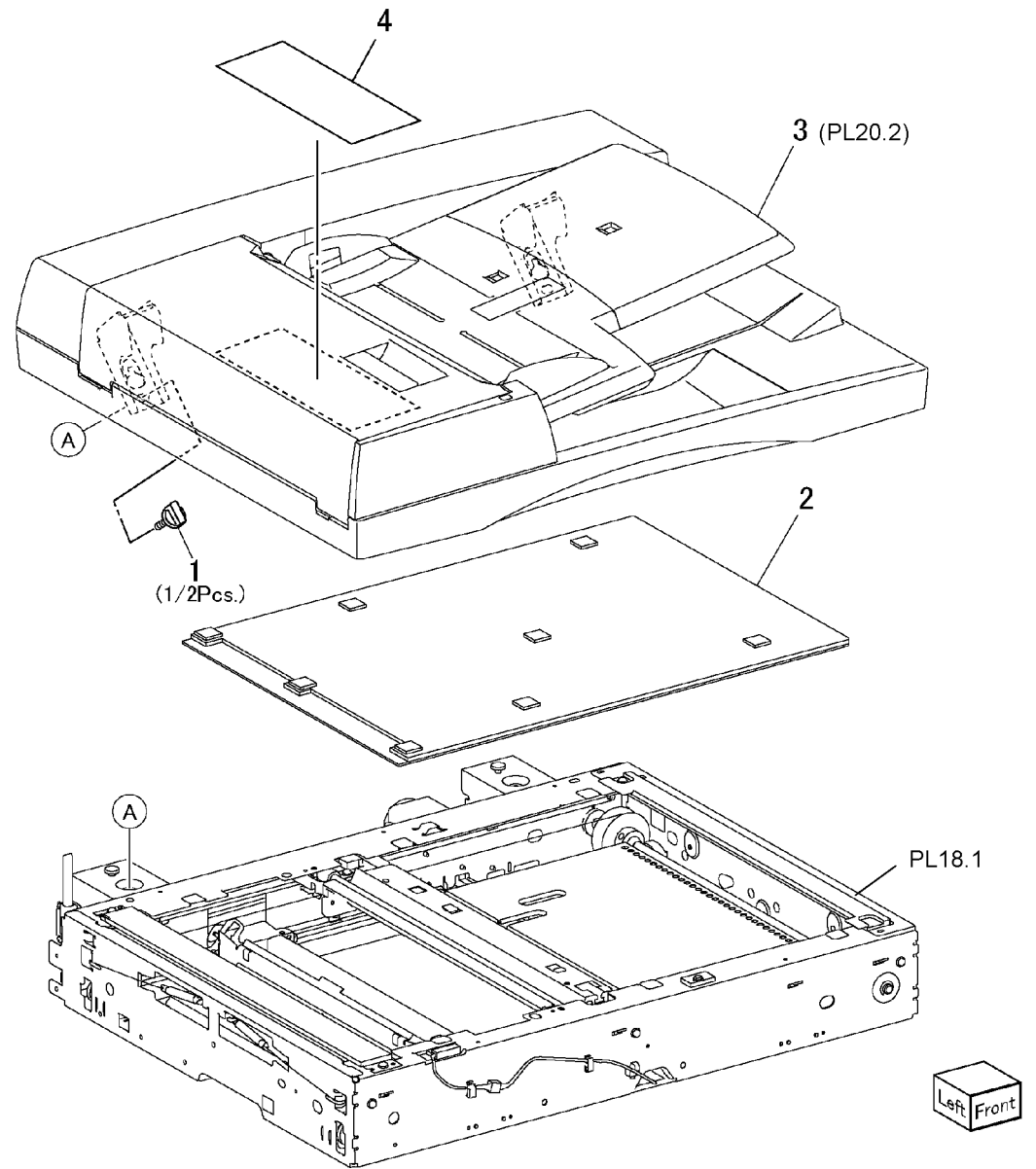
# PL 19.1 Rack

Item	Part	Description
1	-	Plate Assembly (Not Spared)
2	-	Swivel Caster (Not Spared)
3	-	Foot (Not Spared)



## PL 20.1 DADF Accessory

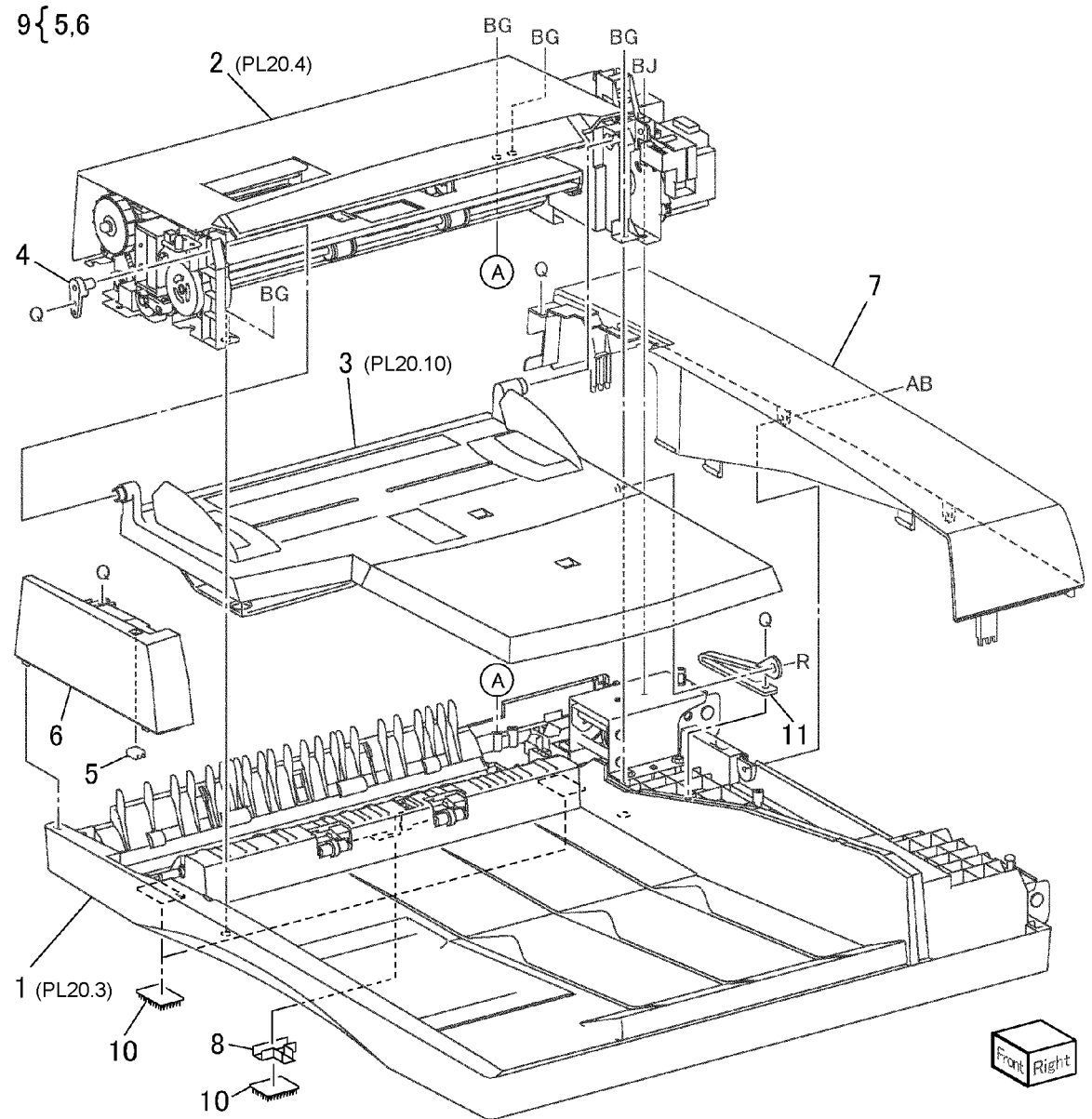
Item	Part	Description
1	-	Knob Screw (Not Spared)
2	604K25430	DADF Platen Cushion (Not Spared) (REP 11.1.1 15.1.2)
3	059K54572	Feeder Assembly (REP 15.1.1)
4	-	Label (Not Spared)



0520001A-IMP

## PL 20.2 DADF Component Cover

Item	Part	Description
1	801K22541	DADF Base Assembly (P/O PL20.1 Item 3)
2	059K45233	DADF Feeder Assembly (P/O PL20.1 Item 3) (REP 15.2.2)
3	050K56180	DADF Document Tray (REP 15.2.1)
4	-	Tray Hinge (Not Spared)
5	-	LED Cap (P/O Item 9)
6	802E57292	DADF Front Cover (REP 15.2.3)
7	802E57444	DADF Rear Cover (REP 15.2.4)
8	-	Solenoid Cover (Not Spared)
9	-	DADF Front Cover (Not Spared)
10	-	Fastener Tape (Not Spared)
11	-	Tray Support

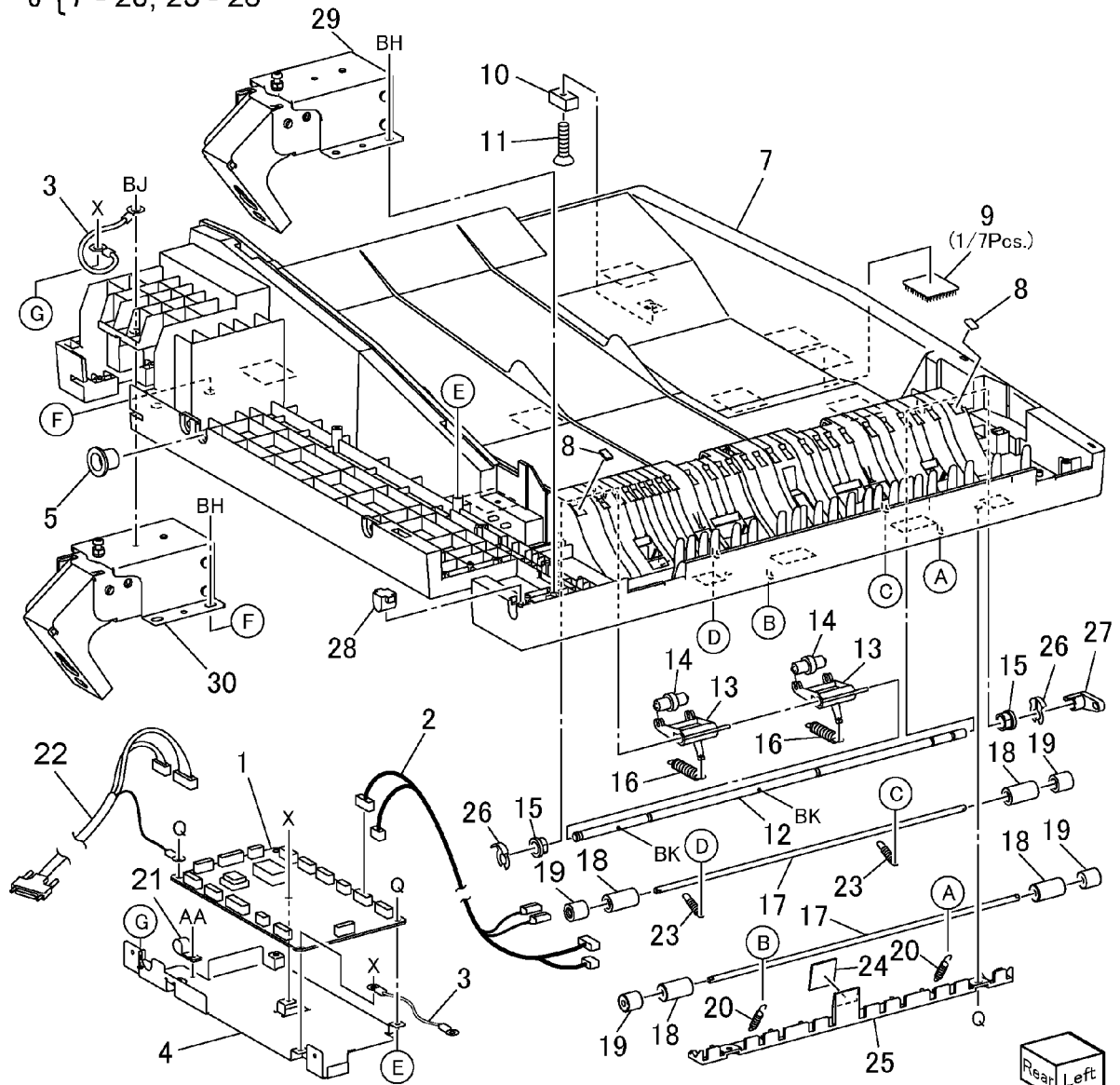


0520002A-IMP

# PL 20.3 DADF Base Cover

Item	Part	Description
1	960K32500	DADF PWB (REP 15.3.1)
2	962K19793	Harness
3	-	Ground Wire (P/O PL20.1 Item 3)
4	-	PWB Bracket
5	-	Open Type Bush (P/O PL20.1 Item 3)
6	801K22541	Frame Assembly
7	-	DADF Base Frame (P/O Item 6)
8	-	Gate Pad (P/O Item 6)
9	-	Tape (P/O Item 6)
10	-	Magnet (Interlock) (P/O Item 6)
11	-	Magnet Screw (P/O Item 6)
12	-	Exit Shaft (P/O Item 6)
13	-	Exit Holder (P/O Item 6)
14	-	Exit Pinch Roll (P/O Item 6)
15	-	Bearing (P/O Item 6)
16	-	Exit Spring (P/O Item 6)
17	-	Pinch Shaft (P/O Item 6)
18	-	Registration Pinch Roll (P/O Item 6)
19	-	Registration Pinch Roll (P/O Item 6)
20	-	Registration Spring (P/O Item 6)
21	-	P-Clamp (P/O PL20.1 Item 3)
22	117E27450	DADF IIT Cable
23	-	Spring (P/O Item 6)
24	-	Sensor Pad (P/O Item 6)
25	-	Registration Cover (P/O Item 6)
26	028E94260	KL-Clip (P/O Item 6)
27	-	Solenoid Lever (P/O PL20.1 Item 3)
28	-	Rear Cap Cover (P/O PL20.1 Item 3)
29	036K91551	Left Counter Balance (P/O PL16.2 Item 1) (REP 15.3.2)
30	036K91561	Right Counter Balance (P/O PL16.2 Item 1) (REP 15.3.3)

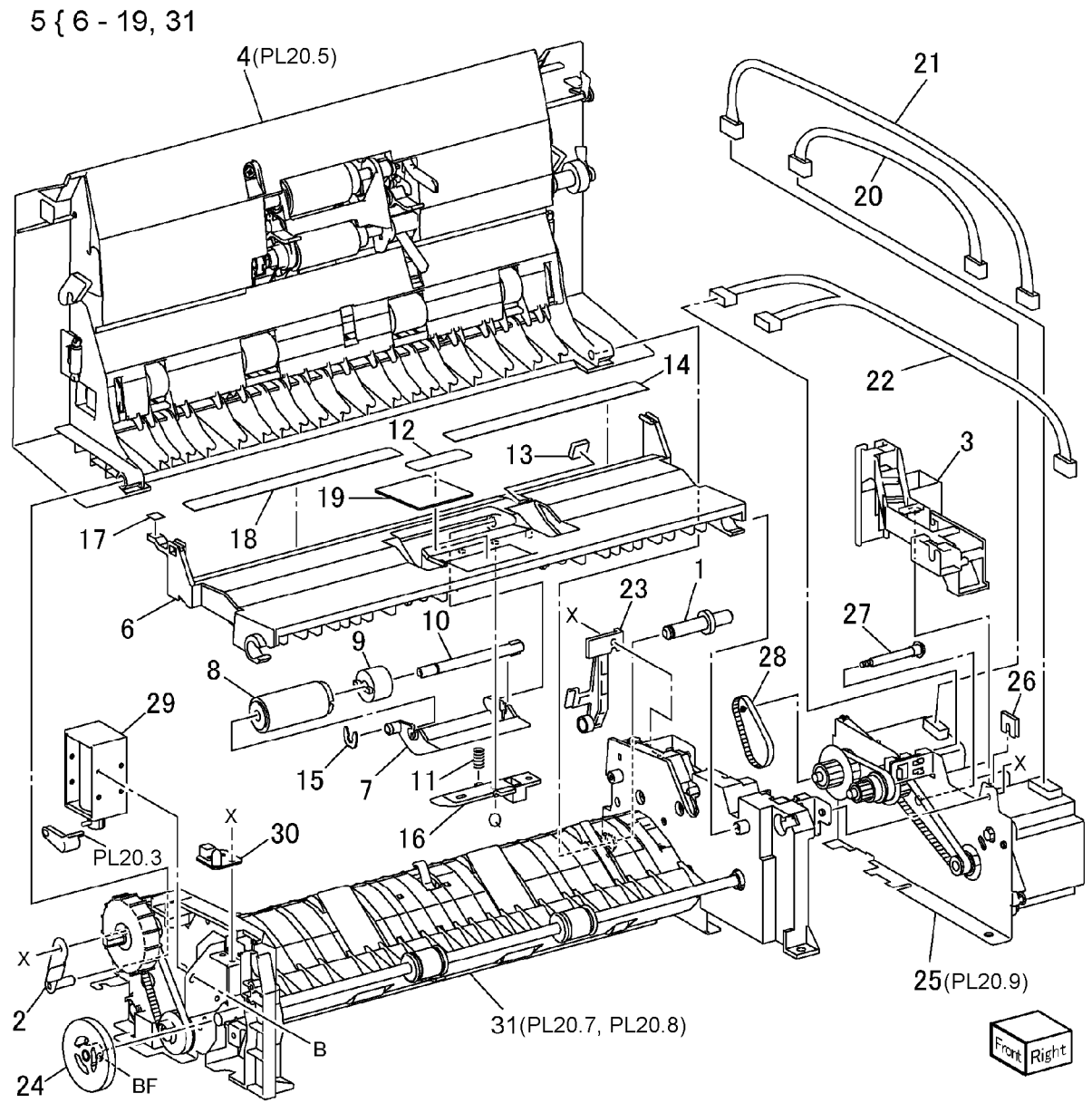
6 { 7 - 20, 23 - 26



0520003A-IMP

# PL 20.4 DADF Feeder Component

Item	Part	Description
1	-	Hinge Stud (P/O PL20.2 Item 2)
2	-	Bracket (Not Spared)
3	-	Harness Guide (P/O PL20.1 Item 3)
4	059K45216	Upper Feed Assembly
5	059K45231	DADF Feeder Assembly
6	-	Retard Chute (P/O Item 5)
7	-	Retard Housing (P/O Item 5)
8	059K44920	Retard Roll (REP 15.4.1)
9	019K98770	Brake (P/O Item 5)
10	-	Retard Shaft (P/O Item 5)
11	-	Retard Spring (P/O Item 5)
12	-	Pad (P/O Item 5)
13	019K99070	Actuator Pad
14	-	Seal (P/O Item 5)
15	-	C-Clip (P/O Item 5)
16	-	Retard Guide (P/O Item 5)
17	-	Label (Retard) (P/O Item 5)
18	-	Front Seal (P/O PL20.1 Item 3)
19	-	Retard Seal (P/O Item 5)
20	962K19750	FE Harness
21	962K19740	Harness
22	962K19731	Harness
23	-	Harness Guide (P/O PL20.1 Item 3)
24	-	Damper Roll (P/O PL20.1 Item 3)
25	-	Motor Assembly (P/O PL20.1 Item 3)
26	-	Harness Guide (Not Spared)
27	-	Screw (Not Spared)
28	604K20780	DADF Belt Kit
29	121K31912	Soleniod
30	160K97600	LED PWB
31	-	DADF Feeder (P/O Item 5)

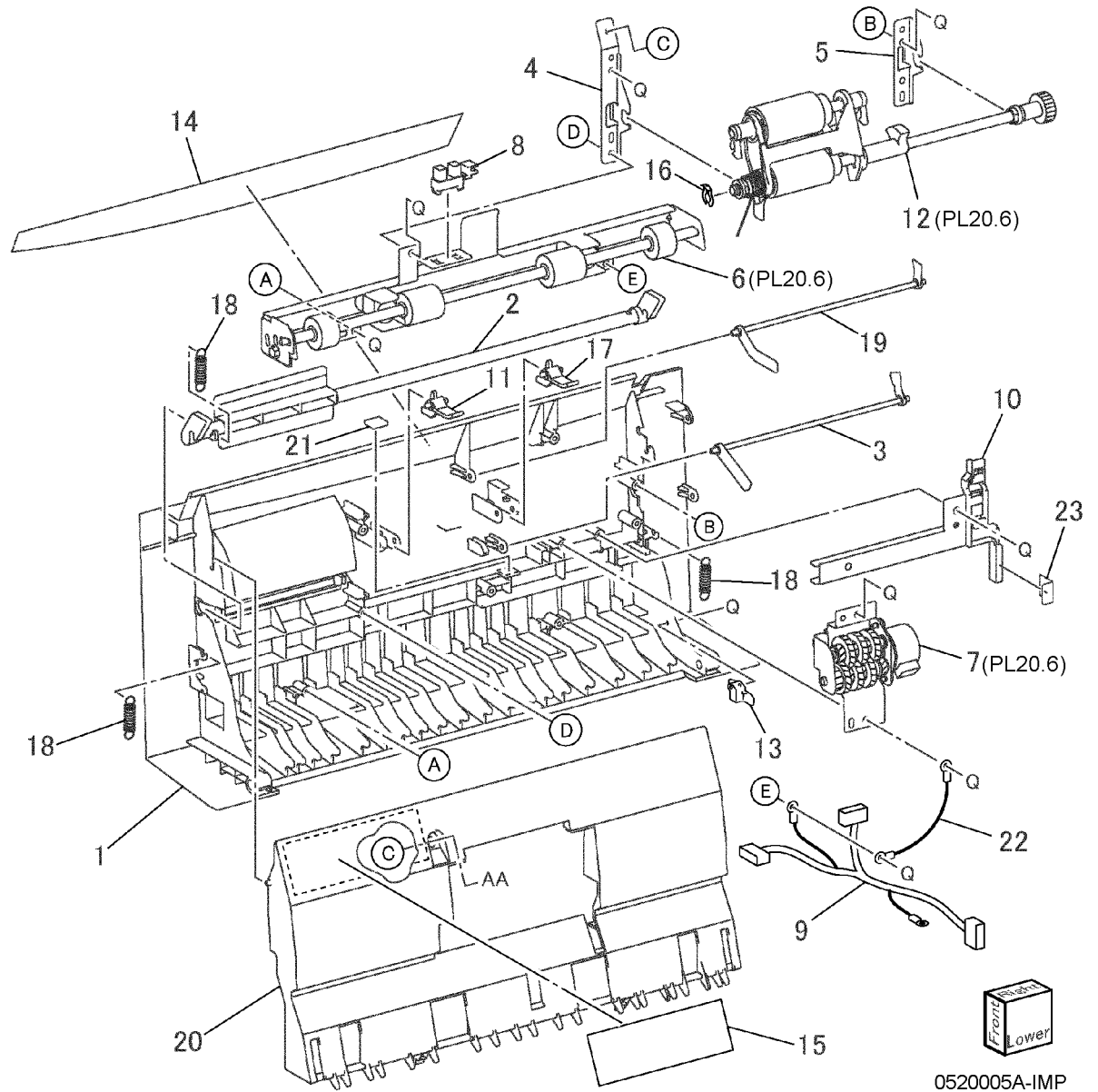


0520004A-IMP



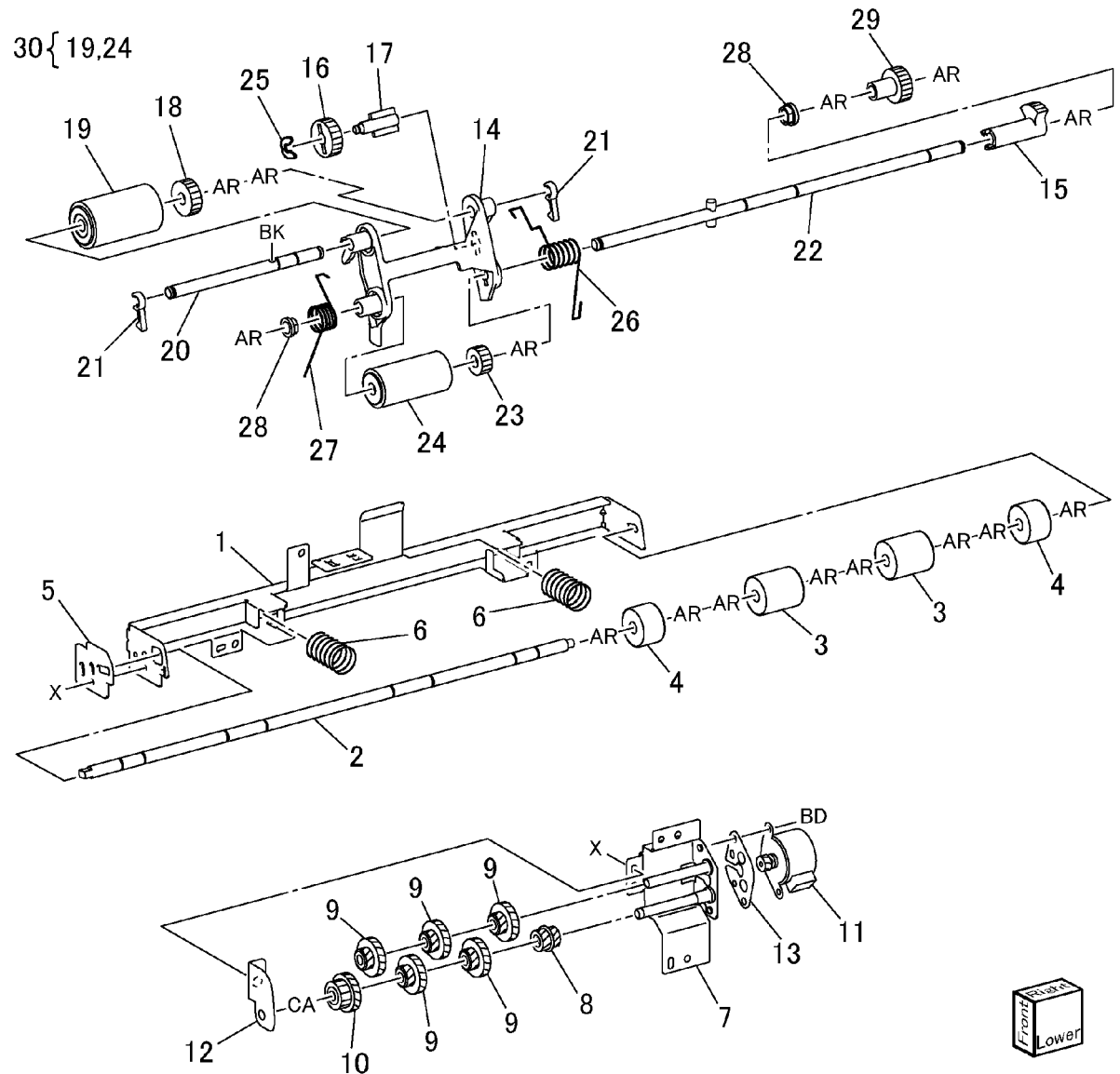
# PL 20.5 Top Cover Component

Item	Part	Description
1	-	Cover (P/O PL20.4 Item 4) (REP 15.4.2)
2	-	Handle Lever (P/O PL20.4 Item 4)
3	-	Actuator (Feed Out) (P/O PL20.4 Item 4)
4	-	Feeder Bracket (Front) (P/O PL20.4 Item 4)
5	-	Feeder Bracket (Rear) (P/O PL20.4 Item 4)
6	059K31291	Takeaway Pinch Roll
7	127K38411	DADF Nudger Motor
8	-	DADF Nudger Sensor (P/O PL20.4 Item 4)
9	962K19705	Nudger Harness
10	-	Harness Guide (P/O PL20.4 Item 4)
11	-	Front Guide-Set (P/O PL20.4 Item 4)
12	059K48900	Feeder Assembly
13	-	Harness Guide (P/O PL20.4 Item 4)
14	-	Label (Size) (P/O PL20.4 Item 4)
15	-	Label (Jam Clear) (P/O PL20.4 Item 4)
16	-	KL-Clip (P/O PL20.4 Item 4)
17	-	Rear Guide Set (P/O PL20.4 Item 4)
18	-	Exit Spring (P/O PL20.4 Item 4)
19	-	Actuator (Set) (P/O PL20.4 Item 4)
20	-	Chute (P/O PL20.4 Item 4)
21	-	Actuator Pad (P/O PL20.4 Item 4)
22	-	Ground Wire (P/O PL20.4 Item 4)
23	-	Harness Seal (P/O PL20.4 Item 4)



# PL 20.6 Takeaway Pinch Roll, Nudger Motor, Nudger/Feed Roll

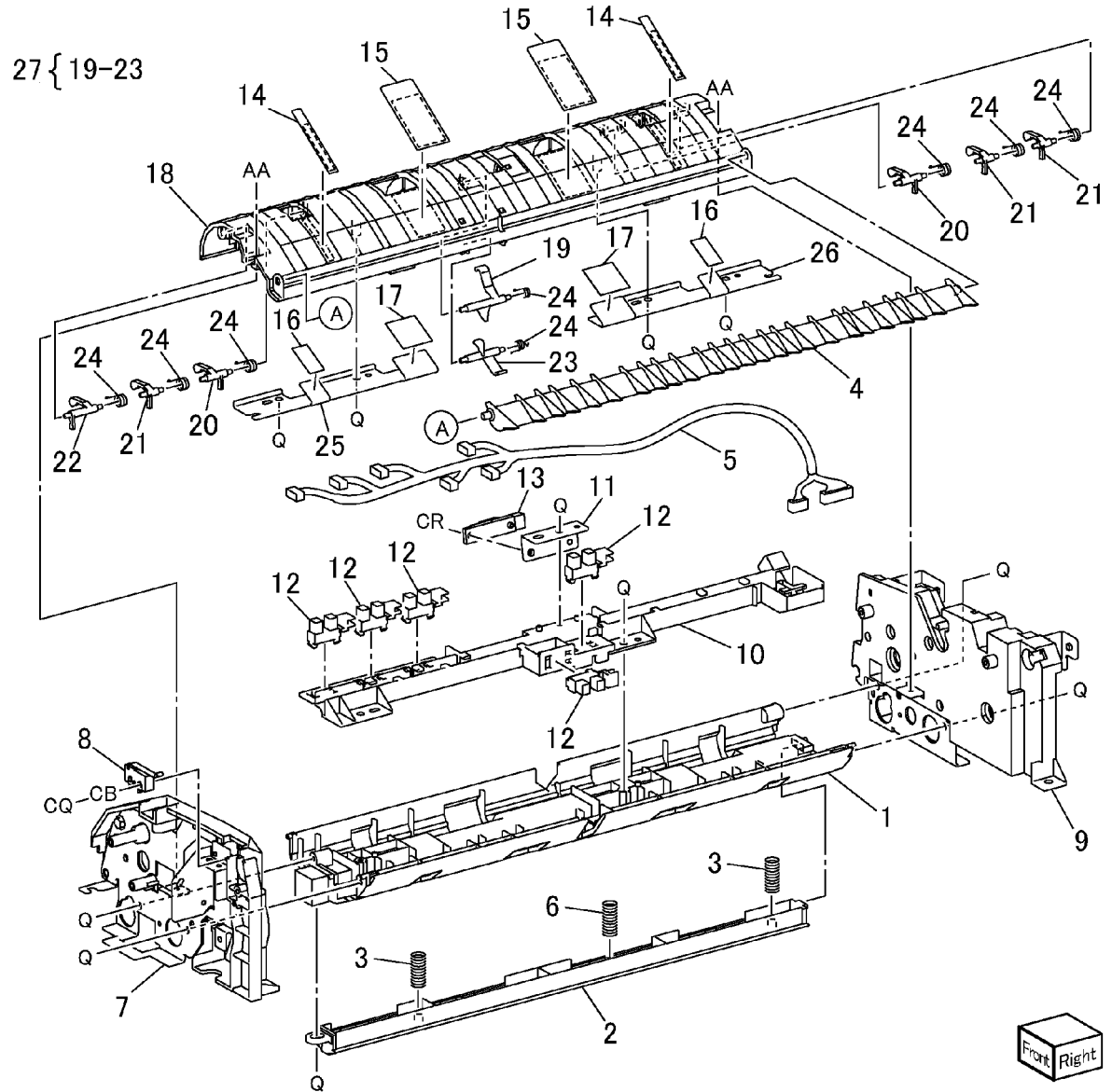
Item	Part	Description
1	-	Bracket (P/O PL20.5 Item 6)
2	-	Shaft (Takeaway Pinch Roll) (P/O PL20.5 Item 6)
3	-	Roll (P/O PL20.5 Item 6)
4	-	Roll (P/O PL20.5 Item 6)
5	-	Bracket (P/O PL20.5 Item 6)
6	-	Spring (P/O PL20.5 Item 6)
7	-	Bracket (P/O PL20.5 Item 7)
8	-	Gear (18T/19T) (P/O PL20.5 Item 7)
9	-	Gear (36T/19T) (P/O PL20.5 Item 7)
10	-	Gear (36T/16T) (P/O PL20.5 Item 7)
11	-	Lift Motor (P/O PL20.5 Item 7)
12	-	Lift Bracket (P/O PL20.5 Item 7)
13	-	Motor Bracket (P/O PL20.5 Item 7)
14	-	Nudger Housing (P/O PL20.5 Item 12)
15	-	Gear (28T) (P/O PL20.5 Item 12)
16	-	Idler Gear (36T) (P/O PL20.5 Item 12)
17	-	Nudger Shaft (P/O PL20.5 Item 12)
18	-	Nudger Gear (34T) (P/O PL20.5 Item 12)
19	-	Nudger Roll (P/O Item 30) (REP 15.6.1)
20	-	Nudger Shaft (P/O PL20.5 Item 12)
21	-	Set Stopper (P/O PL20.5 Item 12)
22	-	Feed Shaft (P/O PL20.5 Item 12)
23	807E00550	Feed Gear (26T)
24	-	Feed Roll (P/O Item 30)
25	-	C-Clip (P/O PL20.5 Item 12)
26	-	Rear Nudger/Feed Spring (P/O PL20.5 Item 12)
27	-	Front Nudger/Feed Spring (P/O PL20.5 Item 12)
28	-	Bearing (P/O PL20.5 Item 12)
29	007K88751	Feed Gear (20T)
30	604K20760	DADF Roll Kit (Feeder/Nudger/Retard) (Not Spared)



0520006A-IMP

# PL 20.7 DADF Feeder-Chute

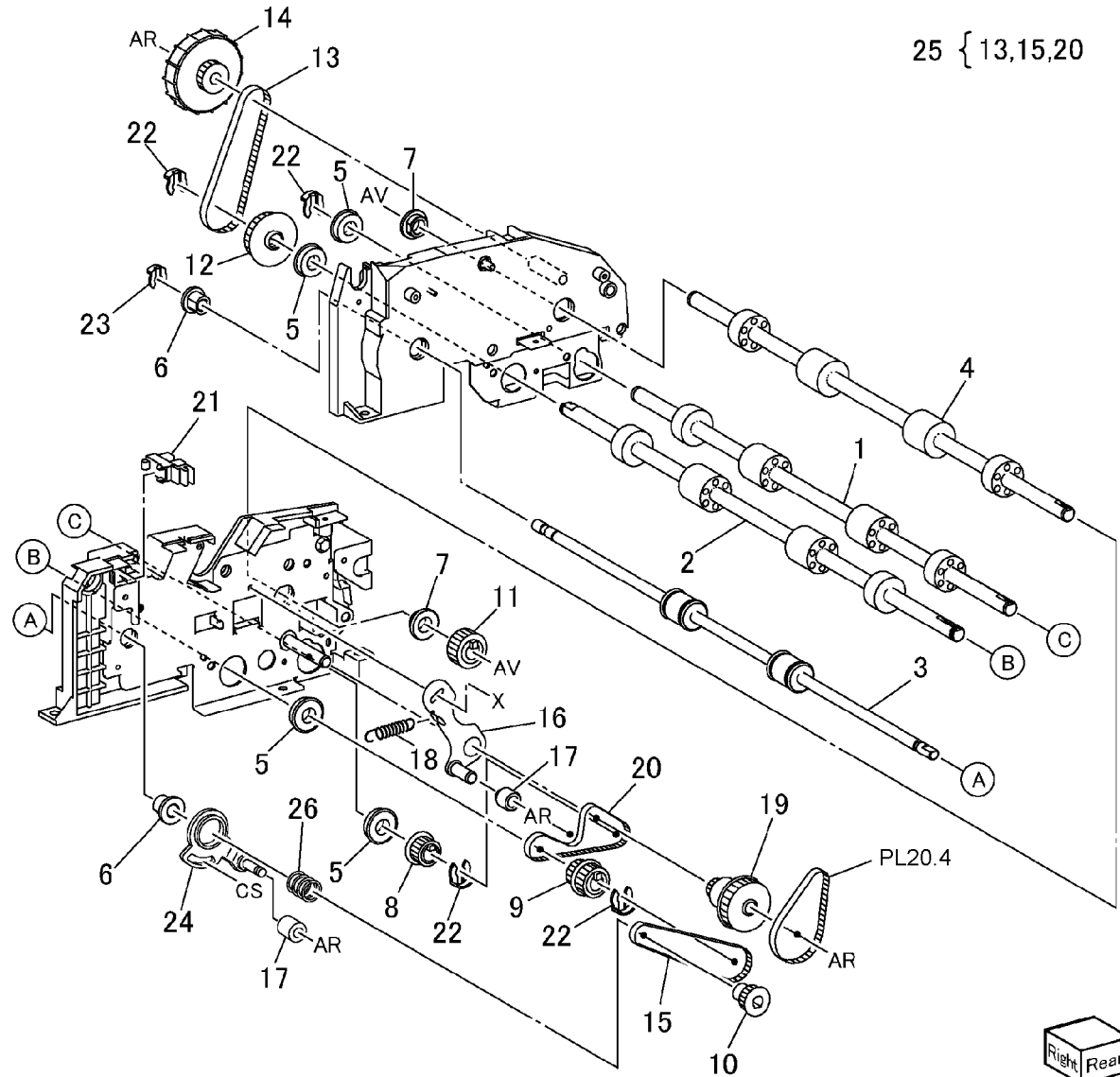
Item	Part	Description
1	-	Lower Chute (P/O PL20.4 Item 5)
2	-	Chute (Scan Position) (P/O PL20.4 Item 5)
3	-	Spring (P/O PL20.4 Item 5)
4	-	Invert Guide (P/O PL20.4 Item 5)
5	962K19722	FE Harness (P/O PL20.4 Item 5)
6	-	CVT Spring (P/O PL20.4 Item 5)
7	-	Feed Frame (Front) (P/O PL20.4 Item 5)
8	110K11981	DADF Interlock Switch
9	-	Feed Frame (Rear) (P/O PL20.4 Item 5)
10	-	Guide Sensor (P/O PL20.4 Item 5)
11	-	Registration Sensor Bracket (P/O PL20.4 Item 5)
12	930W00111	DADF APS 1 Sensor, DADF APS 2 Sensor, DADF APS 3 Sensor, DADF Preregistration Sensor, DADF Invert Sensor
13	-	Registration Sensor (P/O PL20.4 Item 5)
14	-	Seal (P/O PL20.4 Item 5)
15	-	Seal (P/O PL20.4 Item 5)
16	-	Eliminator (P/O PL20.4 Item 5)
17	-	Eliminator (P/O PL20.4 Item 5)
18	-	Chute (P/O PL20.4 Item 5)
19	-	Actuator (Preregistration) (P/O Item 27)
20	-	Actuator (APS 1) (P/O Item 27)
21	-	Actuator (APS 2) (P/O Item 27)
22	-	Actuator (APS3) (P/O Item 27)
23	-	Actuator (Invert) (P/O Item 27)
24	-	Torsion Spring (P/O PL20.4 Item 5)
25	-	Front Chute Bracket (P/O PL20.4 Item 5)
26	-	Chute Bracket (Rear) (P/O PL20.4 Item 5)
27	604K20770	DADF Actuator Kit



0520007A-IMP

# PL 20.8 DADF Feeder-Roll

Item	Part	Description
1	-	Registration Roll (P/O PL20.4 Item 5) (REP 15.8.1)
2	-	Out Roll (P/O PL20.4 Item 5)
3	-	Exit Roll (P/O PL20.4 Item 5)
4	-	Takeaway Roll (P/O PL20.4 Item 5)
5	-	Ball Bearing (P/O PL20.4 Item 5)
6	-	Exit Bearing (P/O PL20.4 Item 5)
7	-	Bearing (P/O PL20.4 Item 5)
8	-	Pulley (Registration) (P/O PL20.4 Item 5)
9	-	Pulley (Out) (P/O PL20.4 Item 5)
10	-	Pulley (Exit) (P/O PL20.4 Item 5)
11	-	Gear (Takeaway) (P/O PL20.4 Item 5)
12	-	Flange Pulley (P/O PL20.4 Item 5)
13	-	Belt (P/O Item 25)
14	-	Handle Pulley (P/O PL20.4 Item 5)
15	-	Belt (P/O Item 25)
16	-	Tension Bracket (P/O PL20.4 Item 5)
17	-	Tension Roller (P/O PL20.4 Item 5)
18	809E50762	Tension Spring
19	-	Idler Pulley (P/O PL20.4 Item 5)
20	-	Belt (P/O Item 25)
21	930W00111	DADF Document Set Sensor
22	-	KL-Clip (P/O PL20.4 Item 5)
23	-	KL-Clip (P/O PL20.4 Item 5)
24	-	Tension Bracket (P/O PL20.4 Item 5)
25	604K20780	DADF Belt Kit
26	-	Exit Spring (P/O PL20.4 Item 5)

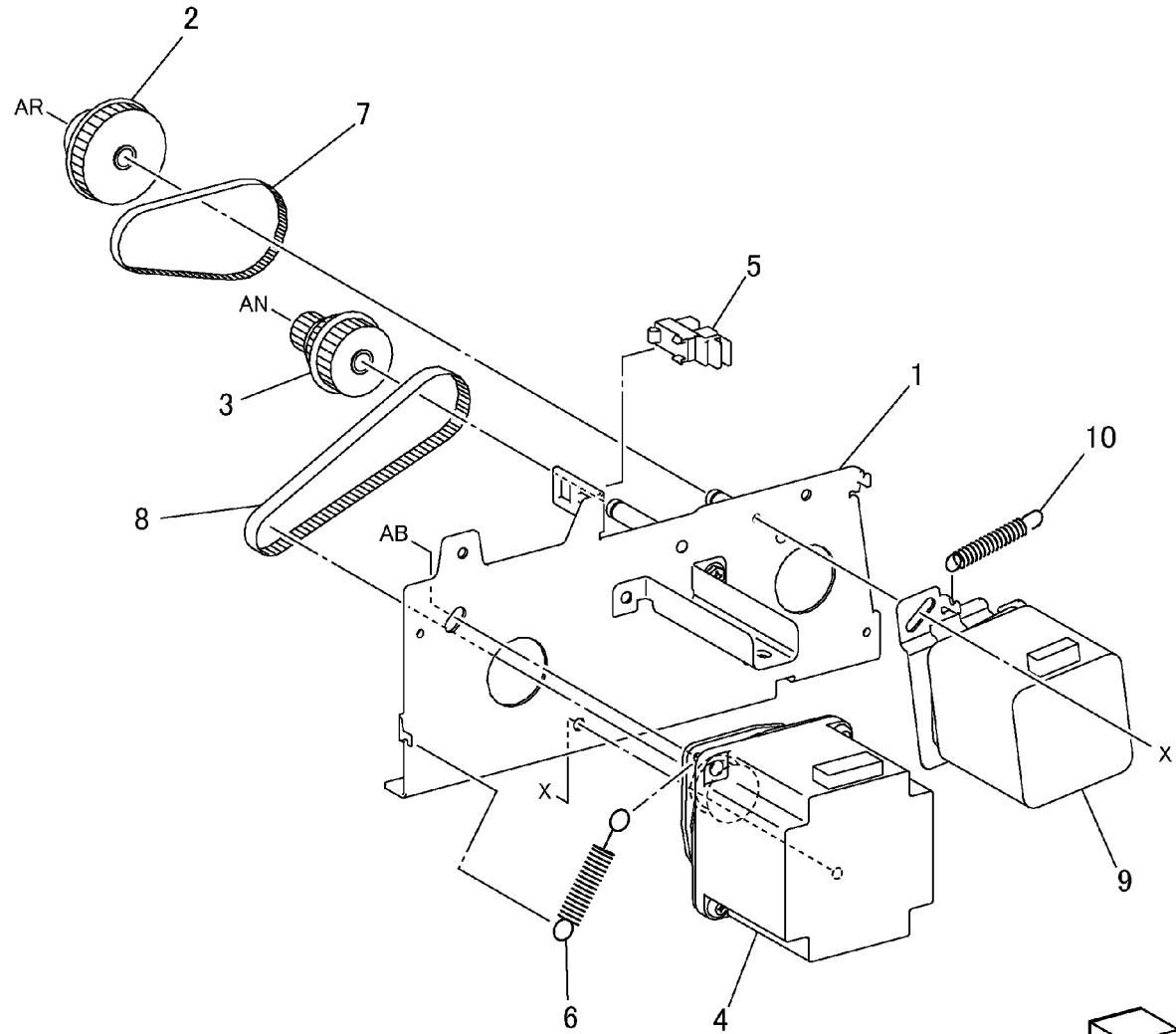


25 { 13,15,20

Right Rear  
0520008A-IMP

## PL 20.9 Motor Unit Assembly

Item	Part	Description
1	–	Motor Bracket (P/O PL20.1 Item 3)
2	–	Gear Pulley (20/50) (P/O PL20.1 Item 3)
3	–	Gear Pulley (14/32/37) (P/O PL20.1 Item 3)
4	127K38440	DADF Feed Motor
5	930W00111	DADF Feed Out Sensor
6	–	Spring
7	423W08055	Takeaway Belt (4mm)
8	423W29955	Feed Belt (6mm)
9	127K38460	DADF Registration Motor
10	809E50762	Spring

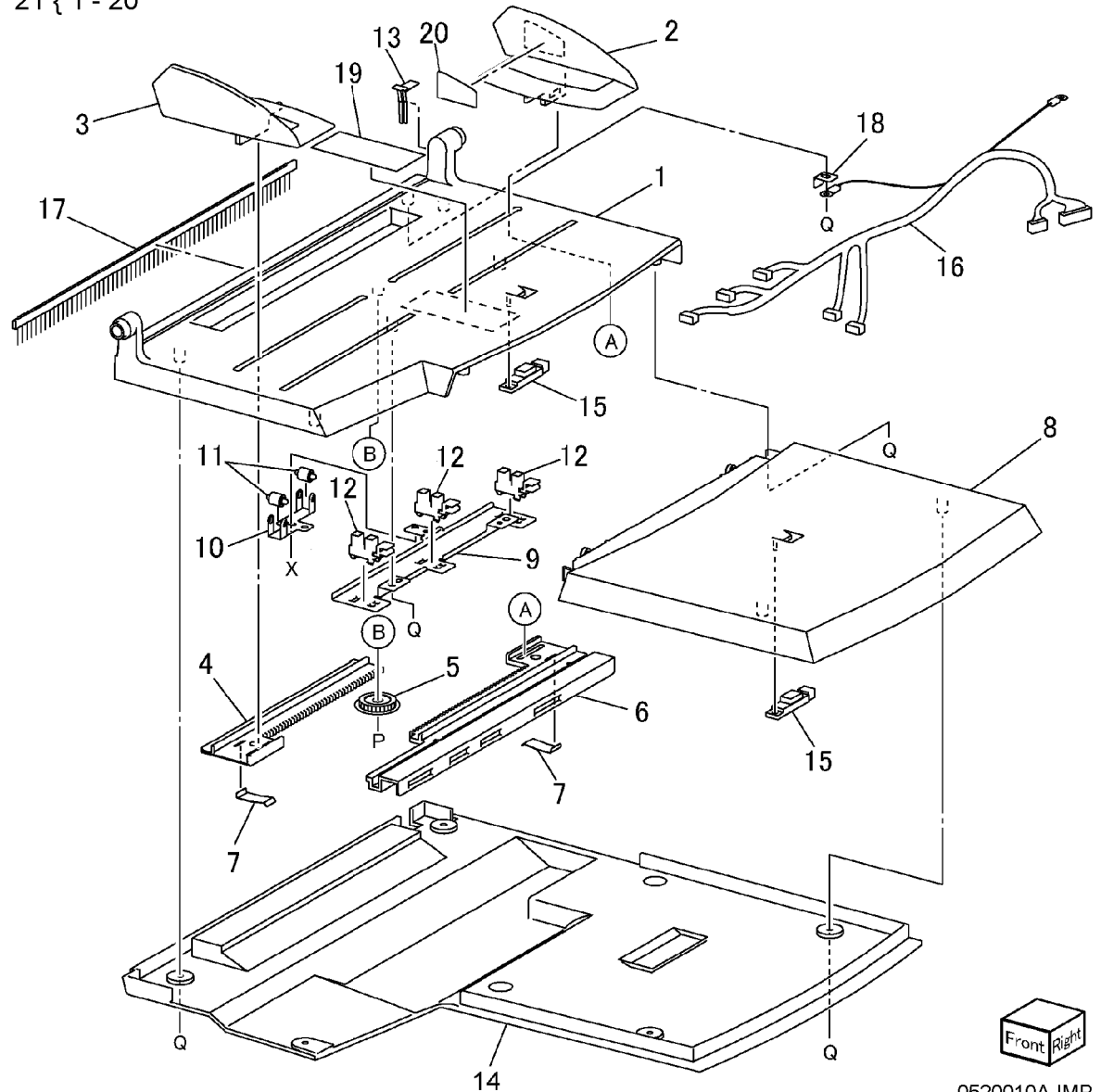


0520009A-IMP

# PL 20.10 DADF Document Tray

Item	Part	Description
1	-	Hinge Tray (P/O Item 21)
2	-	Side Guide (Rear) (P/O Item 21)
3	-	Side Guide (Front) (P/O Item 21)
4	-	Rack Gear (P/O Item 21)
5	-	Pinion Gear (P/O Item 21)
6	120E22370	Rack Gear and Actuator
7	809E51860	Rack Spring (P/O PL 16.2 Item 3)
8	-	Tray Upper Cover (P/O Item 21)
9	-	Sensor Bracket (P/O Item 21)
10	-	Tray Spring (P/O Item 21)
11	-	Roller (P/O Item 21)
12	930W00111	DADF Tray Set Guide Sensor 1, DADF Tray Set Guide Sensor 2, DADF Tray Set Guide Sensor 3 (P/O PL 16.2 Item 3)
13	-	Harness Guide (P/O Item 21)
14	-	Tray Lower Cover (P/O Item 21)
15	130E89950	DADF Tray Size 1 Sensor, DADF Tray Size 2 Sensor (P/O PL 16.2 Item 3)
16	962K19712	Tray Wire Harness (P/O PL 16.2 Item 3)
17	105E06910	Eliminator (P/O PL 16.2 Item 3)
18	-	Earth Bracket (P/O Item 21)
19	-	Label (Installation) (P/O Item 21)
20	-	Label (Max) (P/O Item 21)
21	050K56180	DADF Document Tray Assembly

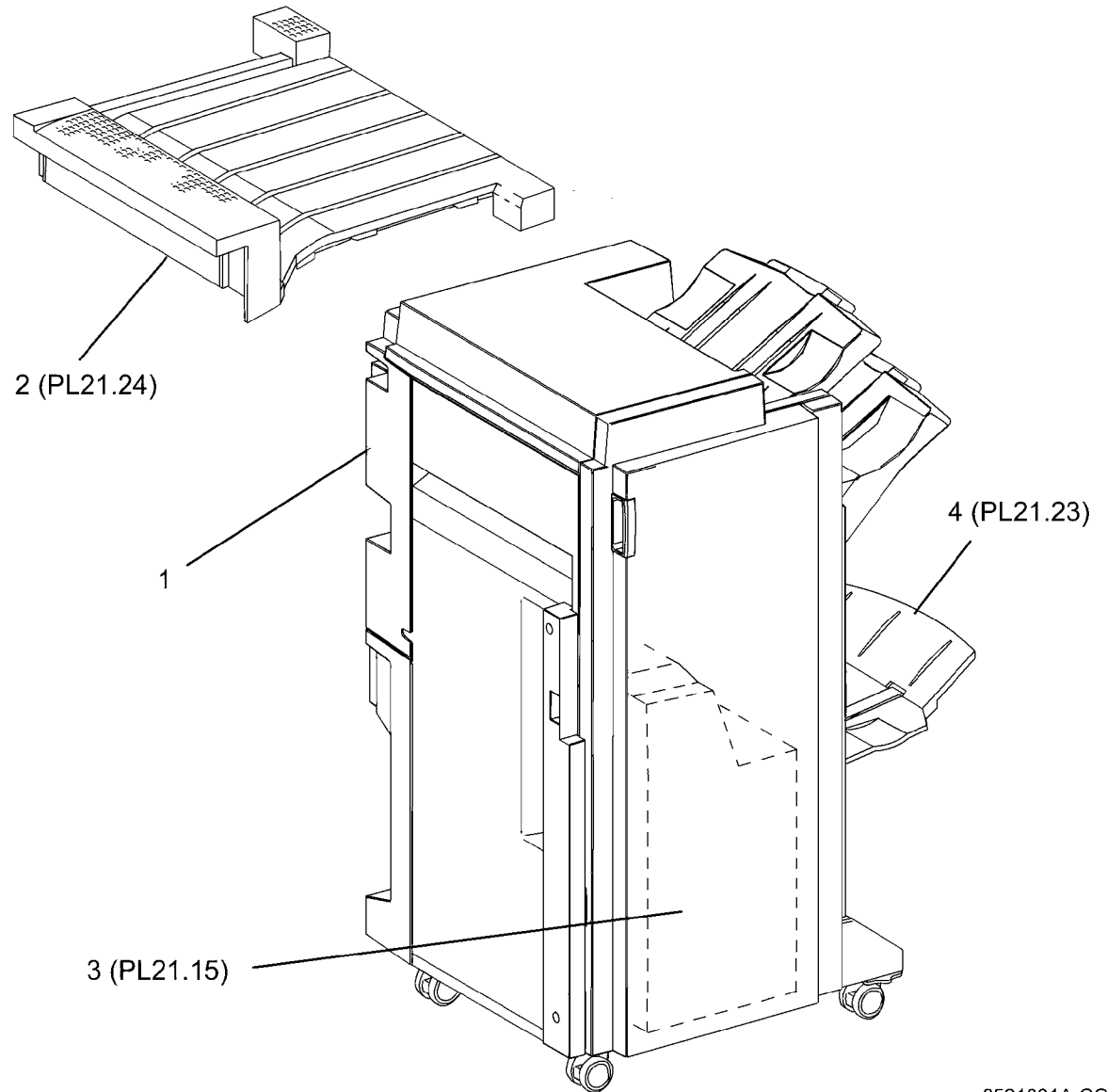
21 { 1 - 20



0520010A-IMP

## PL 21.1 A/P Finisher

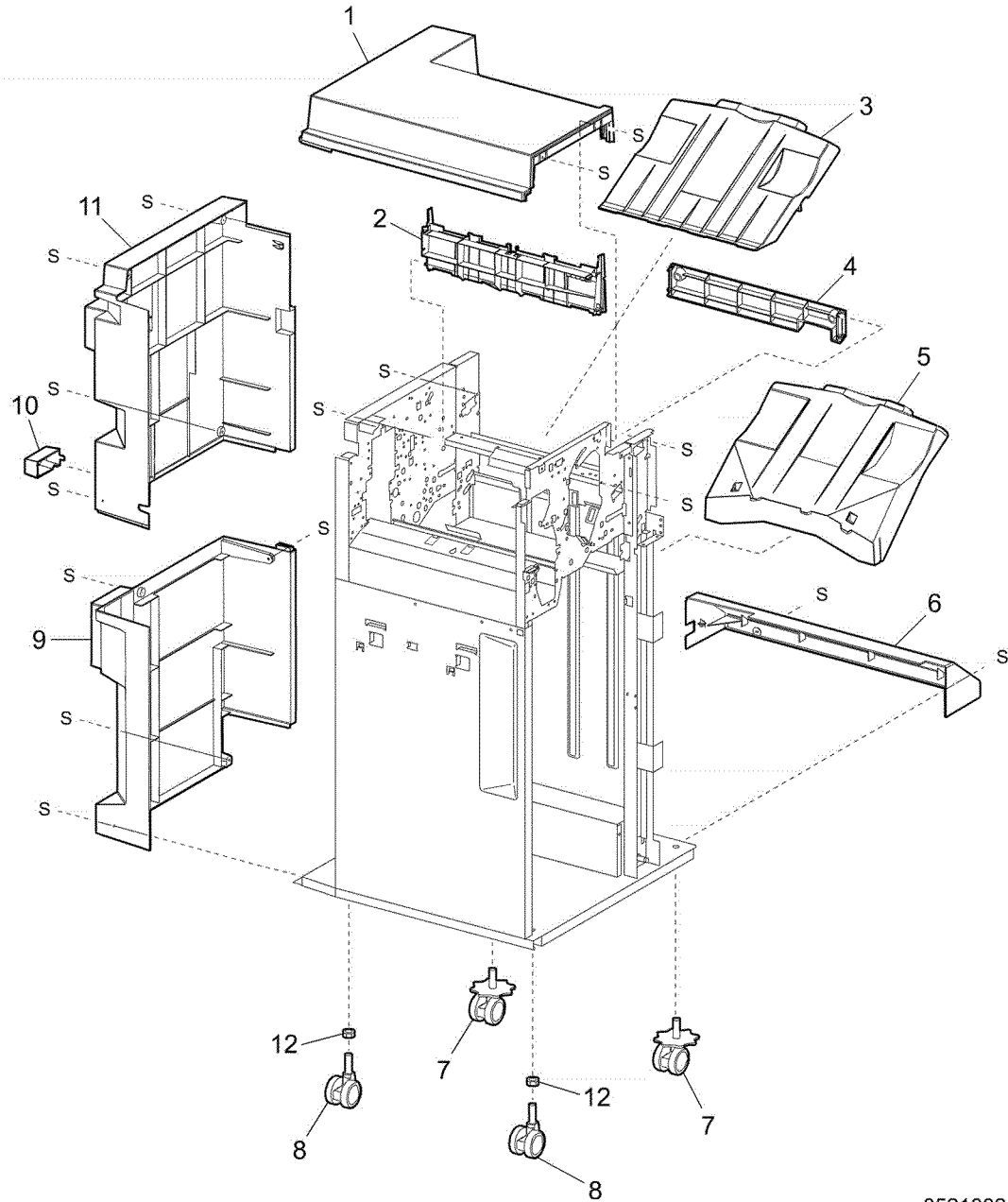
Item	Part	Description
1	–	A/P Finisher (Not Spared) (REP 12.50)
2	059K37917	H-Transport Assembly (XC) (REP 12.51)
–	059K41099	H-Transport Assembly (REP 12.51)
3	–	Booklet Maker (REP 12.55)
4	–	Booklet Tray



0521001A-COP

## PL 21.2 Finisher Cover: 1 of 2

Item	Part	Description
1	-	Top Cover (Not Spared) (REP 12.43)
2	-	Tray Spring Guide (Not Spared) (REP 12.47)
3	050K51270	Top Tray (REP 12.45)
4	-	Eject Cover (Not Spared) (REP 12.46)
5	050K51280	Stacker Tray (REP 12.58)
6	-	Bottom Cover (Not Spared)
7	017E98040	Caster
8	017E97230	Caster
9	-	Rear Lower Cover (Not Spared) (REP 12.42)
10	-	H-Transport Connector Cover (Not Spared)
11	-	Rear Upper Cover (Not Spared) (REP 12.41)
12	-	Nut M12X1.25 (Not Spared)

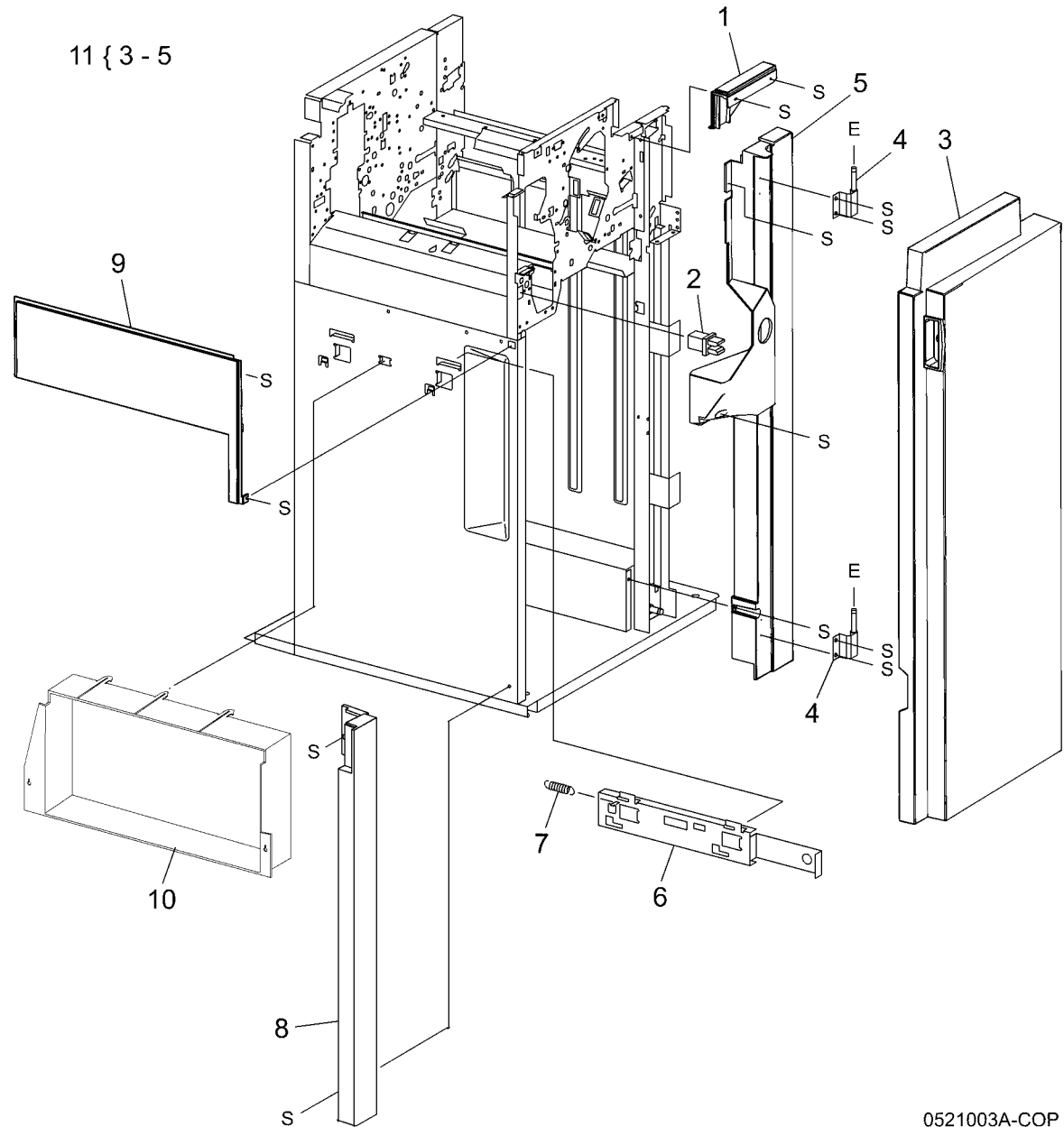


0521002A-COP



## PL 21.3 Finisher Cover: 2 of 2

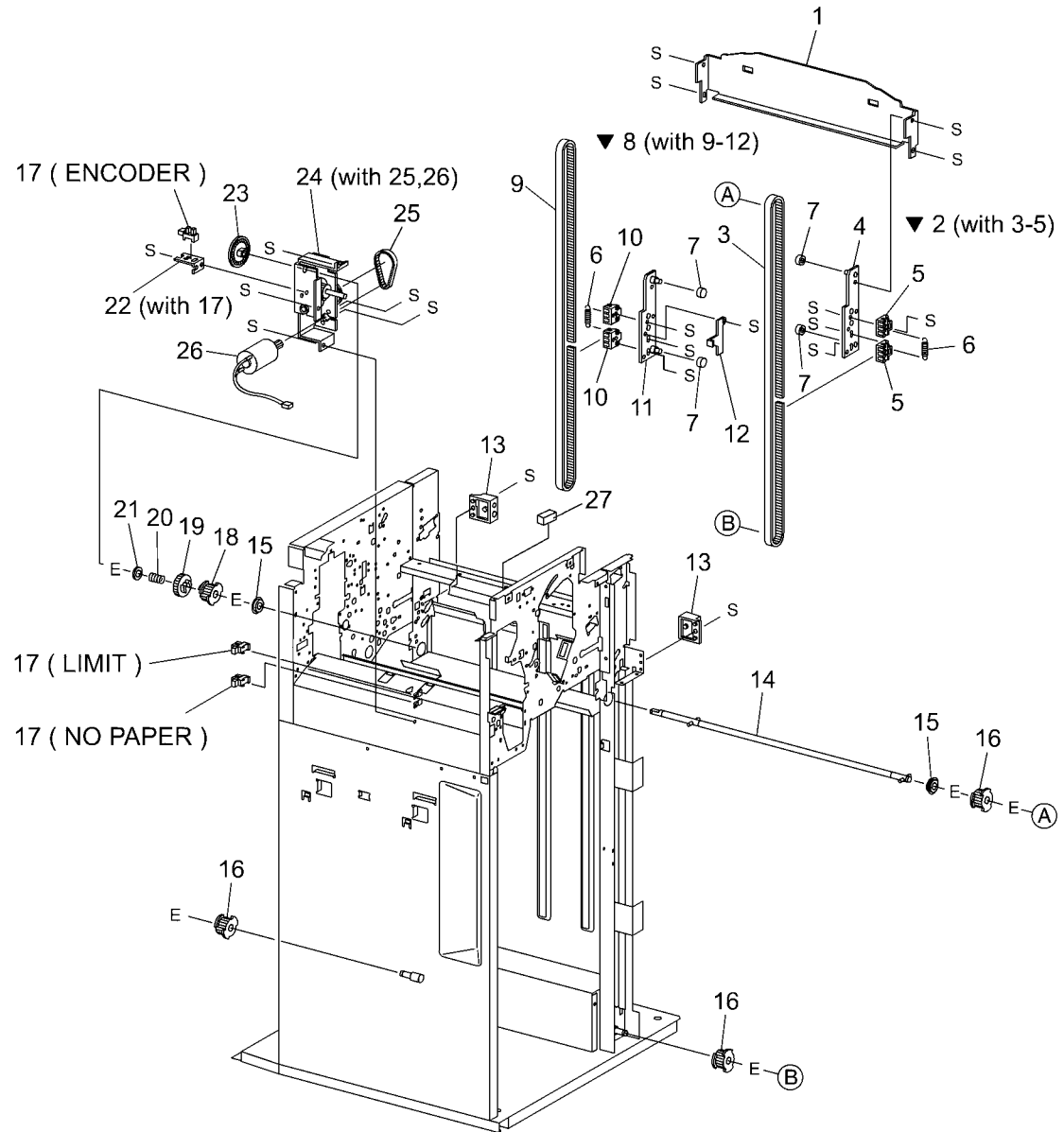
Item	Part	Description
1	-	Front Top Cover (Not Spared) (REP 12.44)
2	110E97990	Front Door Interlock Switch
3	-	Front Door (P/O Item 11)
4	-	Hinge Bracket (P/O Item 11)
5	-	Front Right Cover (P/O Item 11)
6	-	Docking Plate (Not Spared)
7	-	Spring (Not Spared)
8	802E73871	Front Left Cover
9	-	Left Top Cover (Not Spared) (REP 12.49)
10	015K67230	IOT Docking Plate
11	802K67130	Front Door Assembly (REP 12.40)
12	-	Interlock Cover (Not Spared)



0521003A-COP

## PL 21.4 Finisher Stack

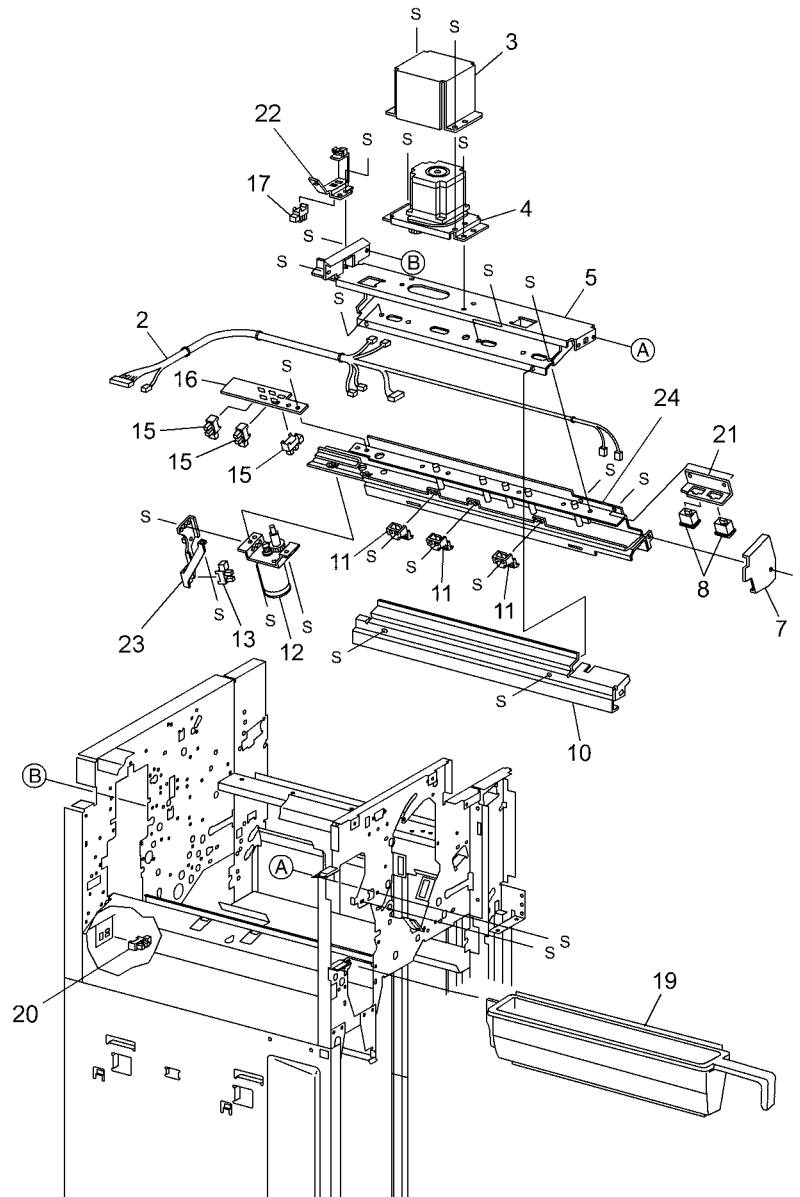
Item	Part	Description
1	-	Stacker Tray Bracket (Not Spared)
2	041K94720	Left Carriage Assembly
3	-	Stacker Drive Belt (P/O Item 2) (REP 12.60)
4	-	Left Carriage Bracket (P/O Item 2)
5	-	Belt Clamp (P/O Item 2)
6	809E56850	Spring
7	013E27150	Carriage Bearing
8	041K94730	Right Carriage Assembly
9	023E21520	Stacker Drive Belt (P/O Item 8) (REP 12.60)
10	019E58660	Belt Clamp (P/O Item 8)
11	-	Right Carriage Bracket (P/O Item 8)
12	-	Stacker Sensor Actuator (P/O Item 8)
13	802K67140	Stack Height Sensor (Front, Rear)
14	-	Elevator Drive Shaft (Not Spared)
15	413W77559	Bearing
16	020E37720	Pulley (18T)
17	130K88770	Stacker Encoder Sensor, Stacker No Paper Sensor (No Paper), Upper Limit Sensor (Limit)
18	020E37710	Clutch Pulley
19	807E08990	Clutch Gear
20	809E56860	Spring
21	251W31178	Washer
22	-	Sensor Bracket (Not Spared)
23	146E01770	Stacker Encoder
24	015K65900	Elevator Motor Assembly
25	-	Elevator Motor Drive Belt (P/O Item 24)
26	-	Elevator Motor (P/O Item 24)
27	110E11990	Down Load Interlock Switch



0521004A-COP

# PL 21.5 Finisher Punch

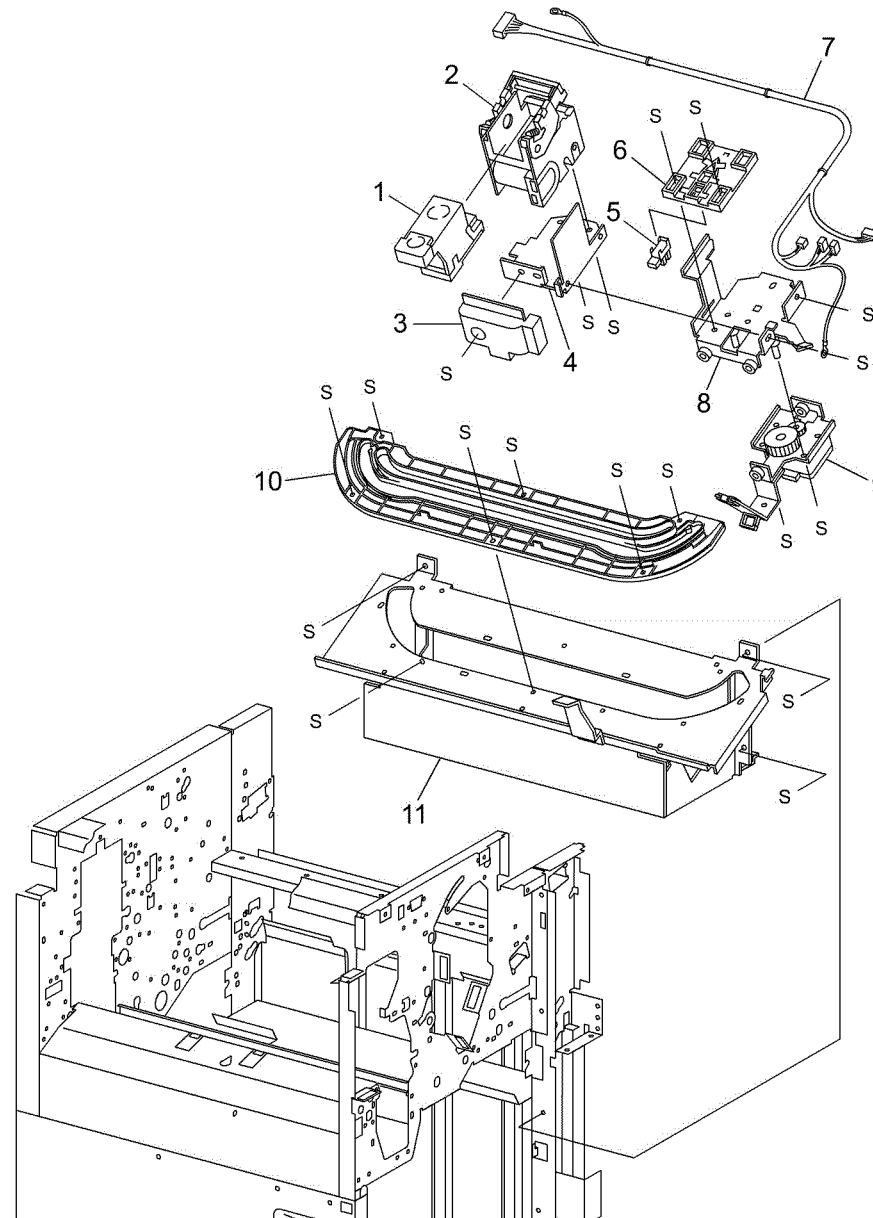
Item	Part	Description	Quantity
1	801K15881	3 Hole Punch (WC7328/7335/7345 Only)	1 { 2 - 8
-	801K16771	2/4 Hole Puncher Assembly (REP 12.52)	6 { 8, 21
2	-	Puncher Unit Harness (P/O Item 9)	9 { 2, 6 - 16
3	-	Puncher Motor Cover (P/O Item 1)	14 { 12, 13, 23
4	015K65880	Puncher Move Motor	18 { 17, 22
5	-	Frame Assembly Holder (Not Spared)	
6	015K65840	Sensor Registration Bracket Assembly	
7	-	Front Punch Cover (Not Spared)	
8	-	Side Registration Sensor 1 (Reg 1) and 2 (Reg 2) (P/O Item 6)	
9	015K65870	Punch Bracket Assembly	
-	015K65871	3 Hole Punch Bracket Assembly (WC7328/7335/7345 Only)	
-	030K76641	2/4 Punch Bracket Assembly	
10	-	Left Punch Cover (Not Spared)	
11	-	Guide Assembly (P/O Item 9)	
12	-	Punch Motor Assembly (P/O Item 9)	
13	-	Punch Motor Sensor (P/O Item 14)	
14	015K65921	Punch Motor Bracket Assembly	
15	-	Front Punch Sensor (Front), Home Punch Sensor (Home), Hole Select Punch Sensor (Hole) (P/O Item 9)	
16	-	Sensor Bracket (P/O Item 9)	
17	-	Punch Move Home Sensor (P/O Item 18)	
18	015K65830	Punch Move Home Sensor Assembly	
19	060E01140	Puncher Waste Bin	
20	130K88770	Puncher Box Set Sensor	
21	-	Bracket (P/O Item 6)	
22	-	Bracket (P/O Item 18)	
23	-	Motor Bracket (P/O Item 14)	
24	-	Bracket (Not Spared)	



0521005A-COP

## PL 21.6 Finisher Stapler

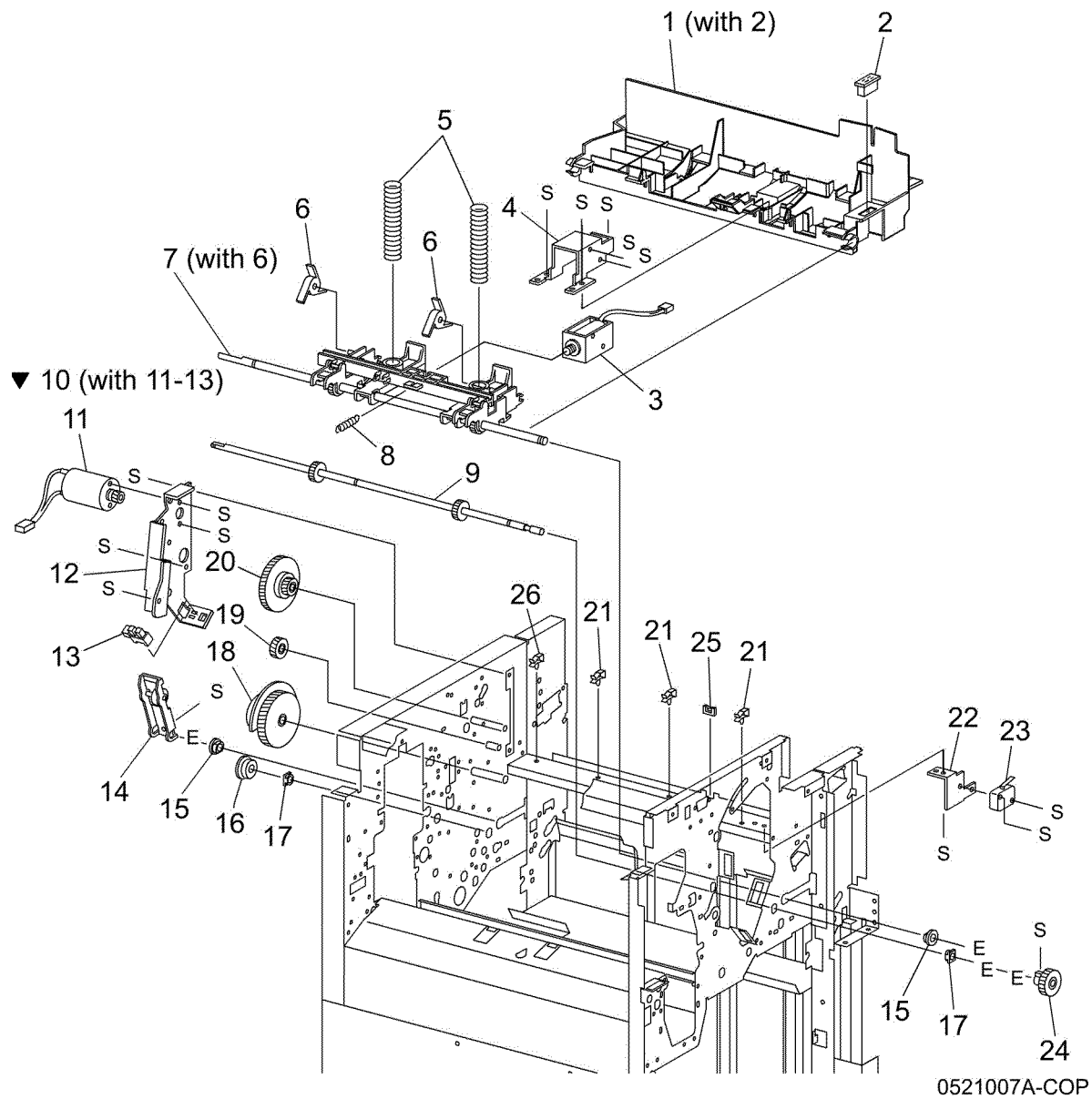
Item	Part	Description
1	-	Staple Cartridge (Not Spared)
2	029K92151	Stapler Assembly (REP 12.53)
3	-	Stapler Cover (Not Spared)
4	-	Stapler Holder (Not Spared)
5	130K88770	Stapler Move Position Sensor
6	-	Stapler Harness Guide (Not Spared)
7	-	Staple Harness (Not Spared)
8	-	Upper Stapler Carriage (Not Spared)
9	041K94750	Stapler Move Motor
10	001E66640	Stapler Rail (REP 12.54)
11	-	Stapler Frame (Not Spared)



0521006A-COP

# PL 21.7 Finisher Eject: 1 of 3

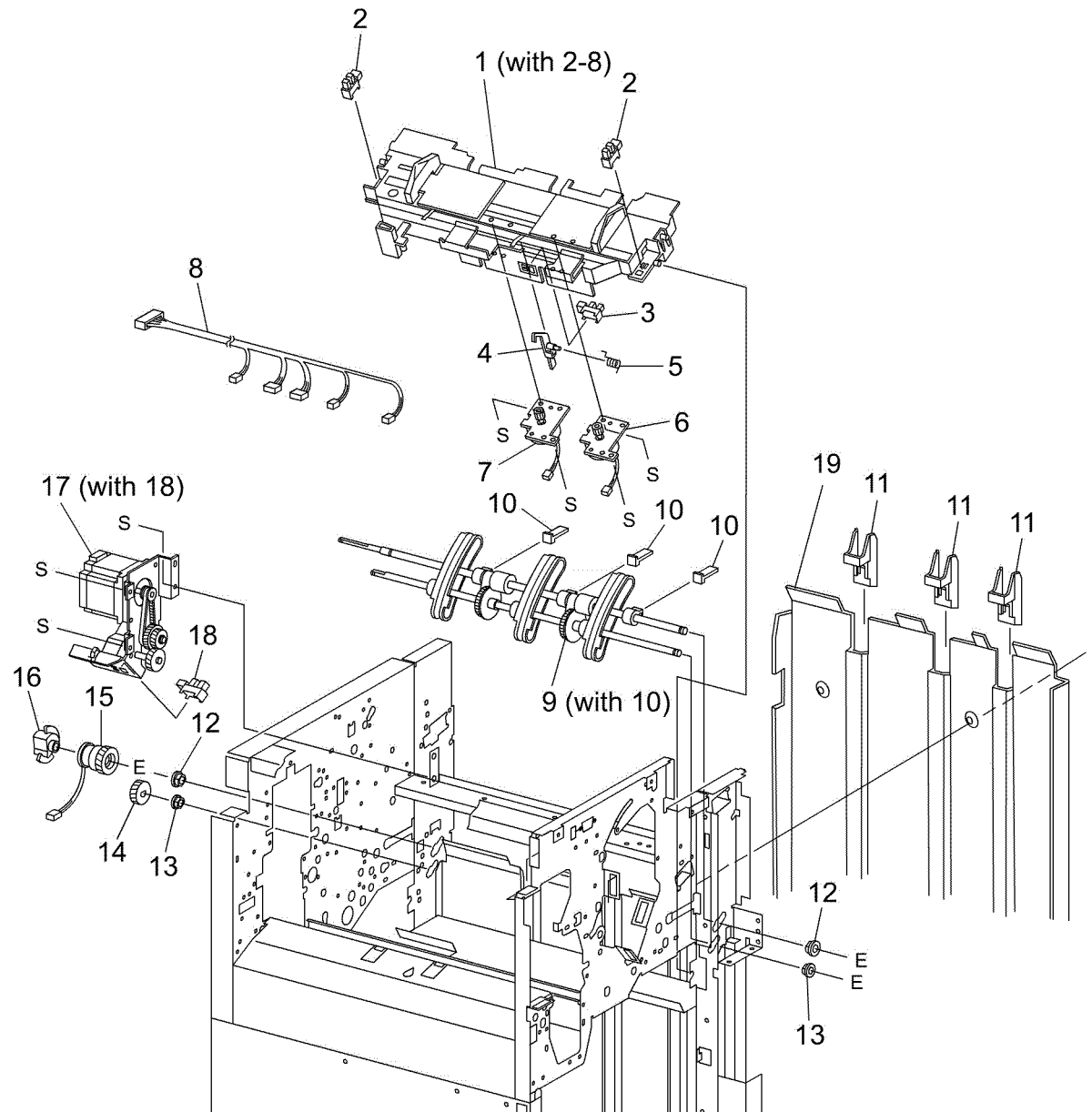
Item	Part	Description
1	-	Eject Chute Assembly (REP 12.67)
2	-	Magnet (P/O Item 1)
3	121K34620	Sub Paddle Solenoid
4	-	Solenoid Bracket (Not Spared)
5	-	Pinch Spring (Not Spared)
6	-	Cyclone Paddle (P/O Item 7)
7	006K24160	Eject Pinch Shaft Assembly
8	809E56880	Solenoid Spring
9	006K24090	Paddle Shaft
10	015K65860	Eject Clamp Motor Assembly (with 11-13)
11	-	Eject Clamp Motor (P/O Item 10)
12	-	Eject Clamp Bracket (P/O Item 10)
13	130K88780	Eject Clamp Home Sensor
14	011K97710	Eject Cam Follower
15	413W77559	Bushing
16	807E04700	Gear (23T)
17	413W11660	Bushing
18	807E04750	Cam Gear (70T)
19	807E08990	Gear (23T)
20	807E04740	Gear (68T/20T)
21	-	Wire Clip (Not Spared)
22	-	Switch Bracket (Not Spared)
23	110E11590	Eject Cover Switch
24	-	Entrance Knob (Not Spared)
25	-	Wire Clamp (Not Spared)
26	-	Wire Clip (Not Spared)



0521007A-COP

## PL 21.8 Finisher Eject: 2 of 3

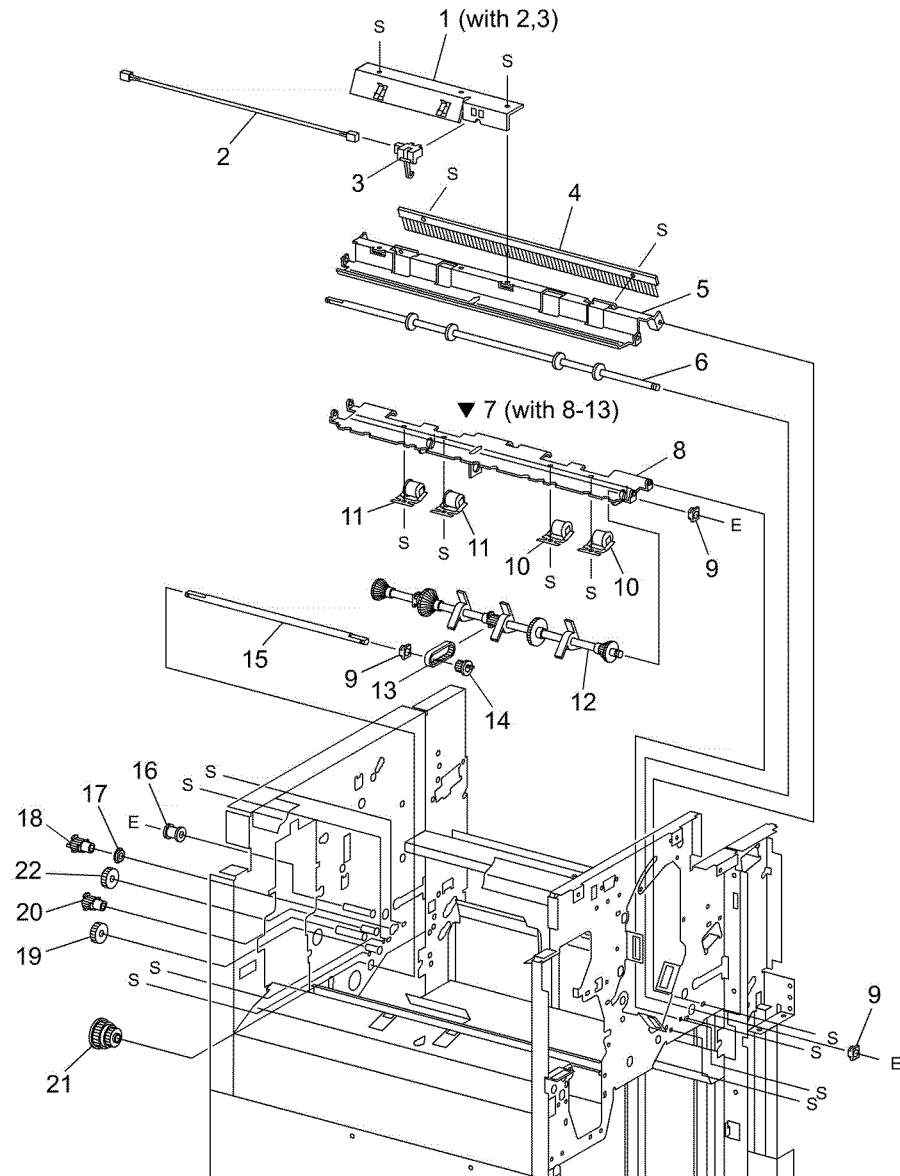
Item	Part	Description
1	—	Compiler Tray Assembly (REP 12.57)
2	130K88770	Tamper Home Sensor (Front, Rear) (P/O Item 1)
3	130K88780	Compiler Tray No Paper Sensor (P/O Item 1)
4	—	Sensor Actuator (P/O Item 1)
5	—	Torsion Spring (P/O Item 1)
6	—	Front Tamper Motor (P/O Item 1)
7	—	Rear Tamper Motor (P/O Item 1)
8	962K27671	Compiler Harness
9	—	Eject Roll Shaft Assembly
10	—	Set Clamp Paddle (P/O Item 9)
11	—	Paddle Guide (Not Spared)
12	—	Bushing (Not Spared)
13	—	Bushing (Not Spared)
14	807E04760	Gear (39T)
15	121K34630	Set Clamp Clutch (34T)
16	120E24310	Set Clamp Actuator
17	015K65850	Eject Motor Assembly
18	—	Set Clamp Home Sensor (P/O Item 17)
19	—	Inner Cover (Not Spared) (REP 12.48)



0521008A-COP

# PL 21.9 Finisher Eject: 3 of 3

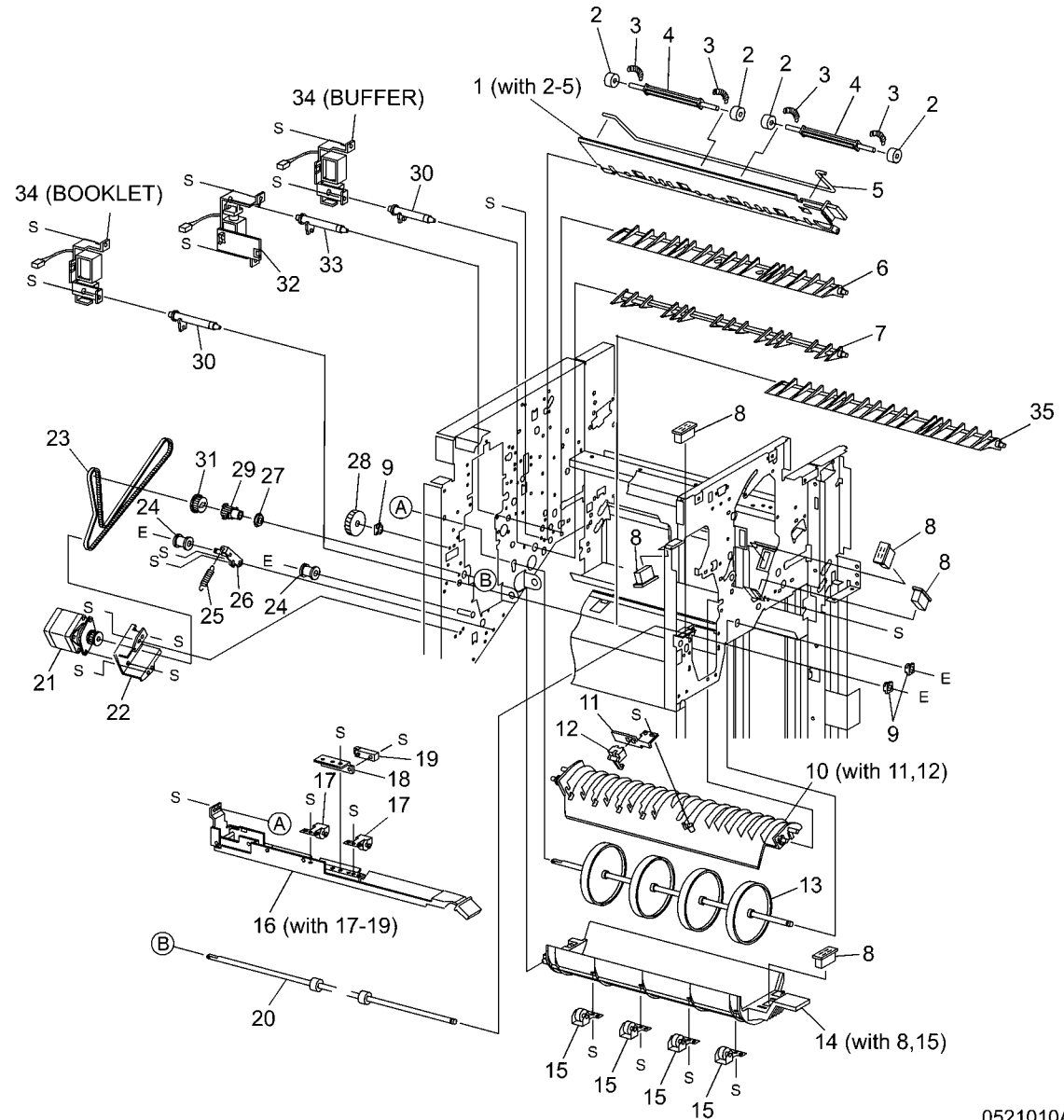
Item	Part	Description
1	-	Sensor Bracket Assembly
2	-	Complier Sensor Harness (P/O Item 1)
3	130K88190	Complier Exit Sensor (P/O Item 1)
4	105E13100	Static Eliminator
5	-	Upper Exit Chute (Not Spared)
6	-	Lower Exit Roll (Not Spared)
7	-	Lower Exit Roll Chute Assembly
8	-	Lower Exit Roll Chute (P/O Item 7)
9	-	Bushing (P/O Item 7)
10	022K67870	Exit Pinch Roller 1 (P/O Item 7)
11	022K67880	Exit Pinch Roller 2
12	006K24240	Paddle Shaft (P/O Item 7) (REP 12.59)
13	423W25554	Synchronous Belt (55T) (P/O Item 7)
14	-	Pulley (17T) (Not Spared)
15	-	Paddle Drive Shaft (Not Spared)
16	-	Pulley (Not Spared)
17	-	Bearing (Not Spared)
18	020E37690	Pulley (20T)
19	-	Gear (23T) (Not Spared)
20	020E37660	Pulley (20T)
21	020E37670	Pulley (44T/20T)
22	-	Gear (23T) (Not Spared)



0521009-COP

# PL 21.10 Finisher Transport: 1 of 2

Item	Part	Description
1	-	Upper Exit Open Chute Assembly
2	-	Pinch Roller (P/O Item 1)
3	-	Spring (P/O Item 1)
4	-	Shaft (P/O Item 1)
5	-	Torsion Spring (P/O Item 1)
6	-	Transport Gate (Not Spared)
7	-	Buffer Gate (Not Spared)
8	121E92890	Magnet (P/O Item 14)
9	413W11660	Bushing
10	-	Top Buffer Chute Assembly
11	-	Sensor Bracket (P/O Item 10)
12	130K88190	Buffer Path Sensor (P/O Item 10) (REP 12.61)
13	022K71010	Buffer Roll (REP 12.64)
14	054K27160	Bottom Buffer Chute Assembly (REP 12.65)
15	-	Exit Pinch roller (P/O Item 14)
16	-	Upper Entrance Chute Assembly
17	022K67850	Entrance Pinch Roller (P/O Item 16)
18	-	Sensor Bracket (P/O Item 16)
19	130E87370	Transport Entrance Sensor (P/O Item 16)
20	022K70970	Entrance Roll
21	127K40281	Finisher Transport Motor
22	-	Motor Bracket (Not Spared)
23	423W87054	Finisher Transport Motor Belt
24	-	Pulley (Not Spared)
25	-	Tension Spring (Not Spared)
26	-	Tension Bracket (Not Spared)
27	413W66250	Bearing
28	604K36220	Gear (46T)
29	020E37660	Pulley (20T)
30	012E11991	Buffer Link
31	807E04700	Gear (23T)
32	015K65810	Transport Gate Solenoid
33	012E11980	Transport Link
34	015K65821	Buffer Gate Solenoid, Booklet Gate Solenoid
35	-	Booklet Gate (Not Spared)

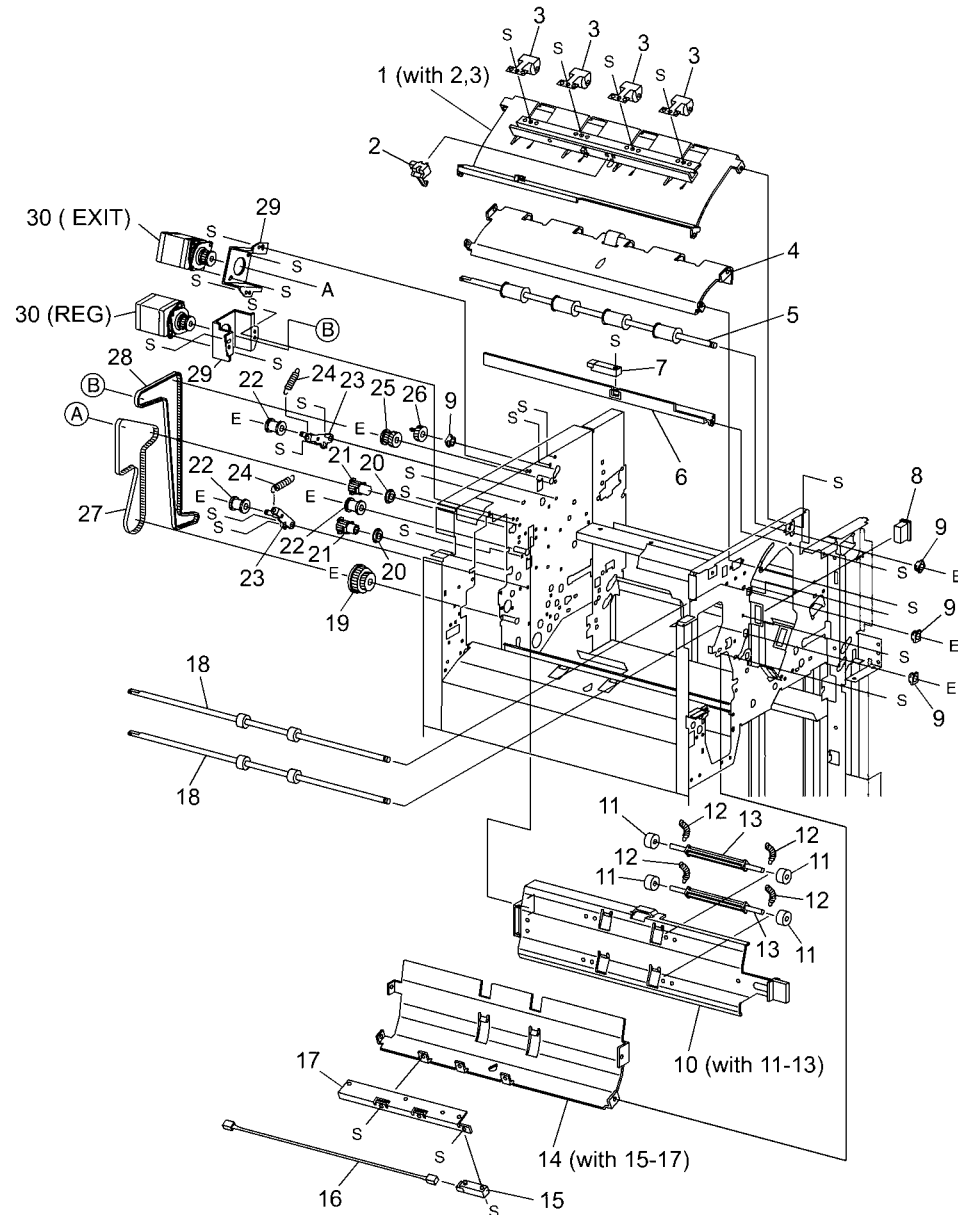


0521010A-C1



# PL 21.11 Finisher Transport: 2 of 2

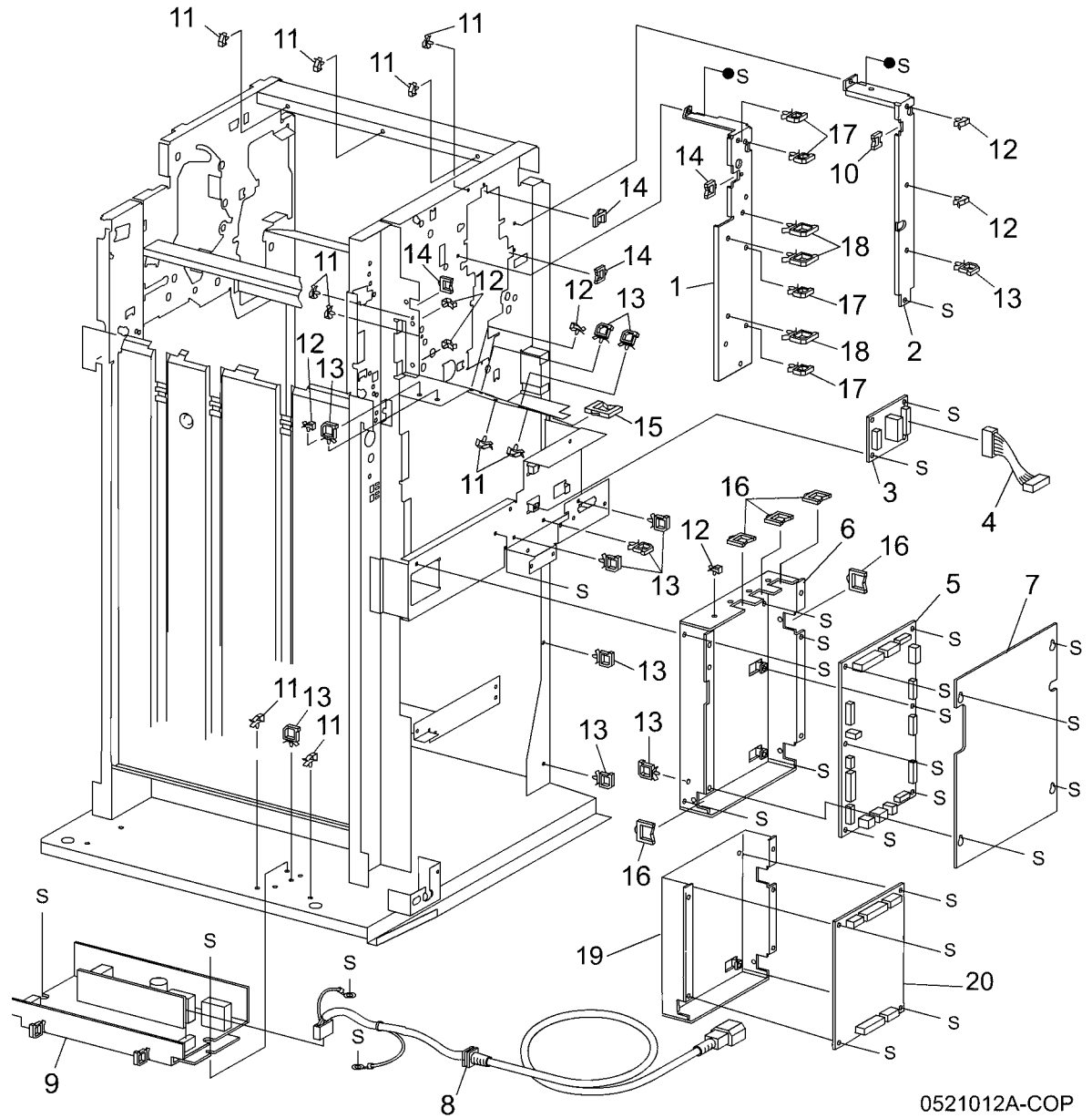
Item	Part	Description
1	–	Top Tray Exit Baffle Assembly (Not Spared)
2	130K88190	Top Tray Exit Sensor (P/O Item 1)
3	022K67860	Exit Pinch Roller (P/O Item 1)
4	–	Top Tray Lower Exit Baffle (Not Spared)
5	022K70990	Exit Drive Shaft
6	–	Sensor Bracket (Not Spared)
7	130E87370	Top Tray Full Sensor (REP 12.63)
8	121E92890	Magnet
9	413W11660	Bushing
10	054K27580	Lower Top Exit Chute Assembly
11	–	Pinch Roller (P/O Item 10)
12	–	Spring (P/O Item 10)
13	–	Shaft (P/O Item 10)
14	–	Upper Top Exit Chute Assembly
15	130E87410	Gate Sensor (P/O Item 14) (REP 12.62)
16	–	Sensor Harness (P/O Item 14)
17	–	Sensor Bracket (P/O Item 14)
18	022K70980	Transport Roll
19	020E37680	Pulley (53T/23T)
20	413W66250	Bearing
21	020E37690	Pulley (20T)
22	–	Pulley (Not Spared)
23	–	Tension Bracket (Not Spared)
24	–	Tension Spring (Not Spared)
25	020E37700	Pulley (20T/20T)
26	807E04720	Gear (20T)
27	423W40054	Registration Motor Drive Belt
28	423W86454	Exit Motor Drive Belt
29	–	Motor Bracket (Not Spared)
30	127K40281	Registration Motor (Reg) and Exit Motor (Exit)



0521011A-COP

# PL 21.12 Finisher Electrical

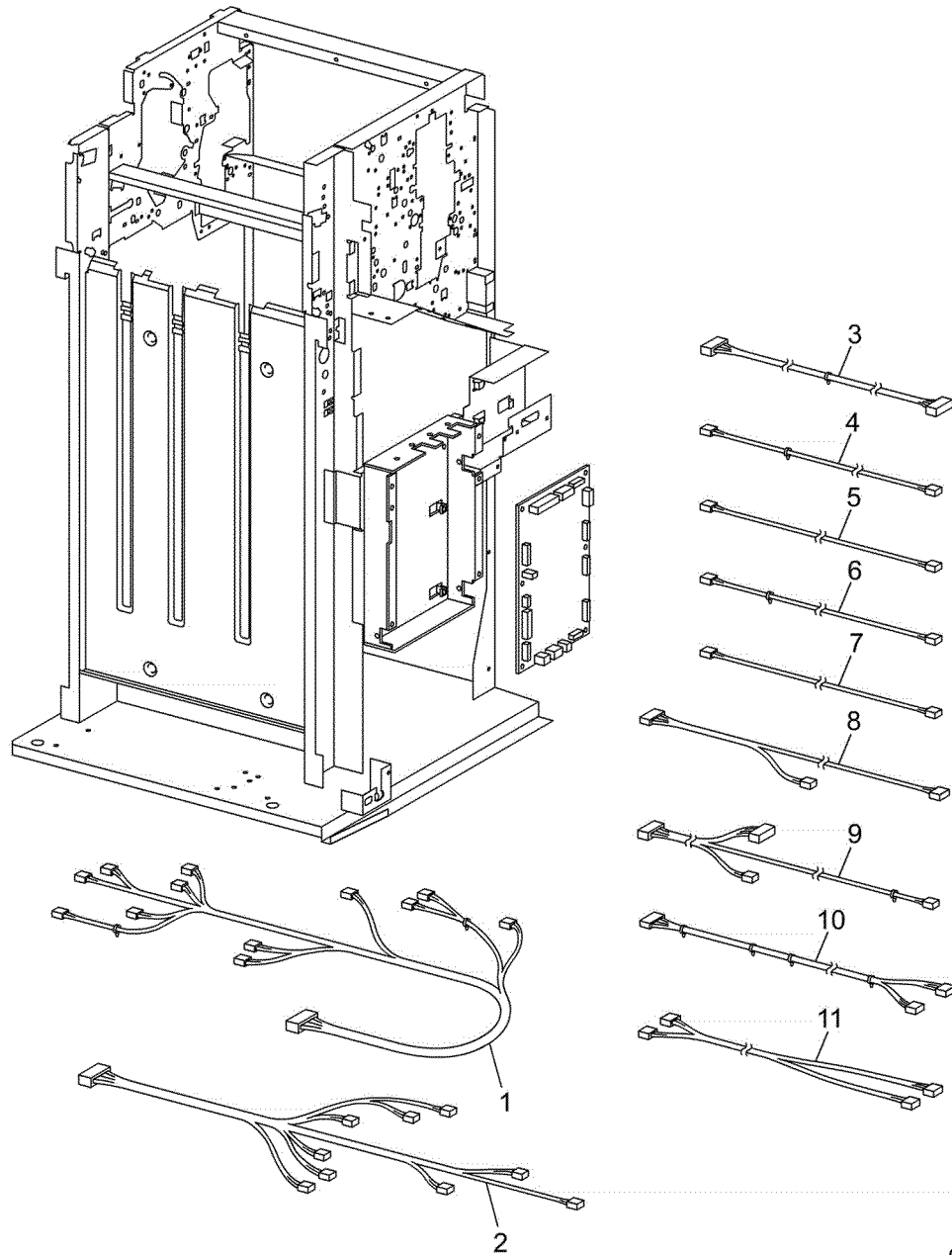
Item	Part	Description
1	-	Left Harness Bracket (Not Spared)
2	-	Right Harness Bracket (Not Spared)
3	960K04681	H-Transport PWB
4	962K29160	Harness
5	960K35480	Finisher PWB (REP 12.68)
6	-	Finisher PWB Bracket (Not Spared)
7	-	Finisher PWB Cover (Not Spared)
8	962K36610	AC Inlet Harness
9	105K21081	Finisher LVPS
10	-	Wire Clamp (Not Spared)
11	-	Wire Clip (Not Spared)
12	-	Wire Clip (Not Spared)
13	-	Wire Clip (Not Spared)
14	-	Wire Clamp (Not Spared)
15	-	Wire Clamp (Not Spared)
16	-	Wire Clamp (Not Spared)
17	-	Wire Clip (Not Spared)
18	-	Wire Clip (Not Spared)
19	-	Booklet PWB Bracket (Not Spared)
20	960K04672	Booklet PWB



0521012A-COP

## PL 21.13 Finisher Harness

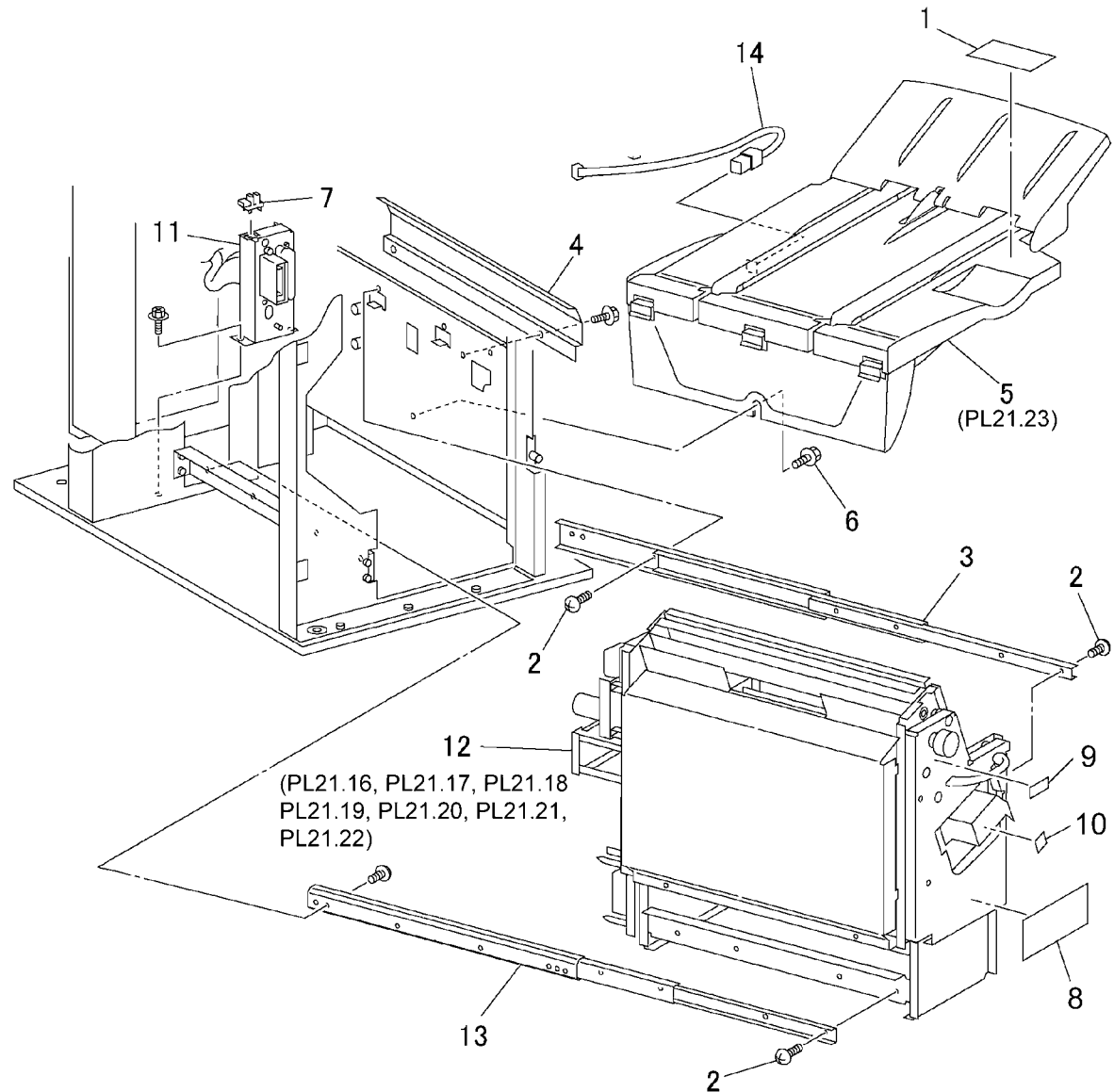
Item	Part	Description
1	-	Main Sensor Harness (Not Spared)
2	-	Main Drive Harness (Not Spared)
3	-	Interface Harness (Not Spared)
4	-	Transport Entrance Sensor Harness (Not Spared)
5	-	Buffer Sensor Harness (Not Spared)
6	-	Top Exit Sensor Harness (Not Spared)
7	-	Top Sensor Harness (Not Spared)
8	-	Punch Drive Harness (Not Spared)
9	-	Punch Sensor Harness (Not Spared)
10	-	LVPS Harness (Not Spared)
11	-	Interlock Harness (Not Spared)



0521013A-COP

## PL 21.15 Booklet Accessory

Item	Part	Description
1	—	Label (Not Spared)
2	—	Screw (Not Spared)
3	801K16560	Right Rail
4	—	Cover (Not Spared)
5	050K49302	Booklet Tray Assembly
6	—	Knob Screw (Not Spared)
7	130K88770	Booklet Drawer Set Sensor
8	—	Label (Not Spared)
9	—	Label (Not Spared)
10	—	Label (Not Spared)
11	—	Connector (Not Spared)
12	801K16554	Booklet Drawer Assembly (REP 12.55)
13	801K16581	Left Rail
14	962K29221	Wire Harness

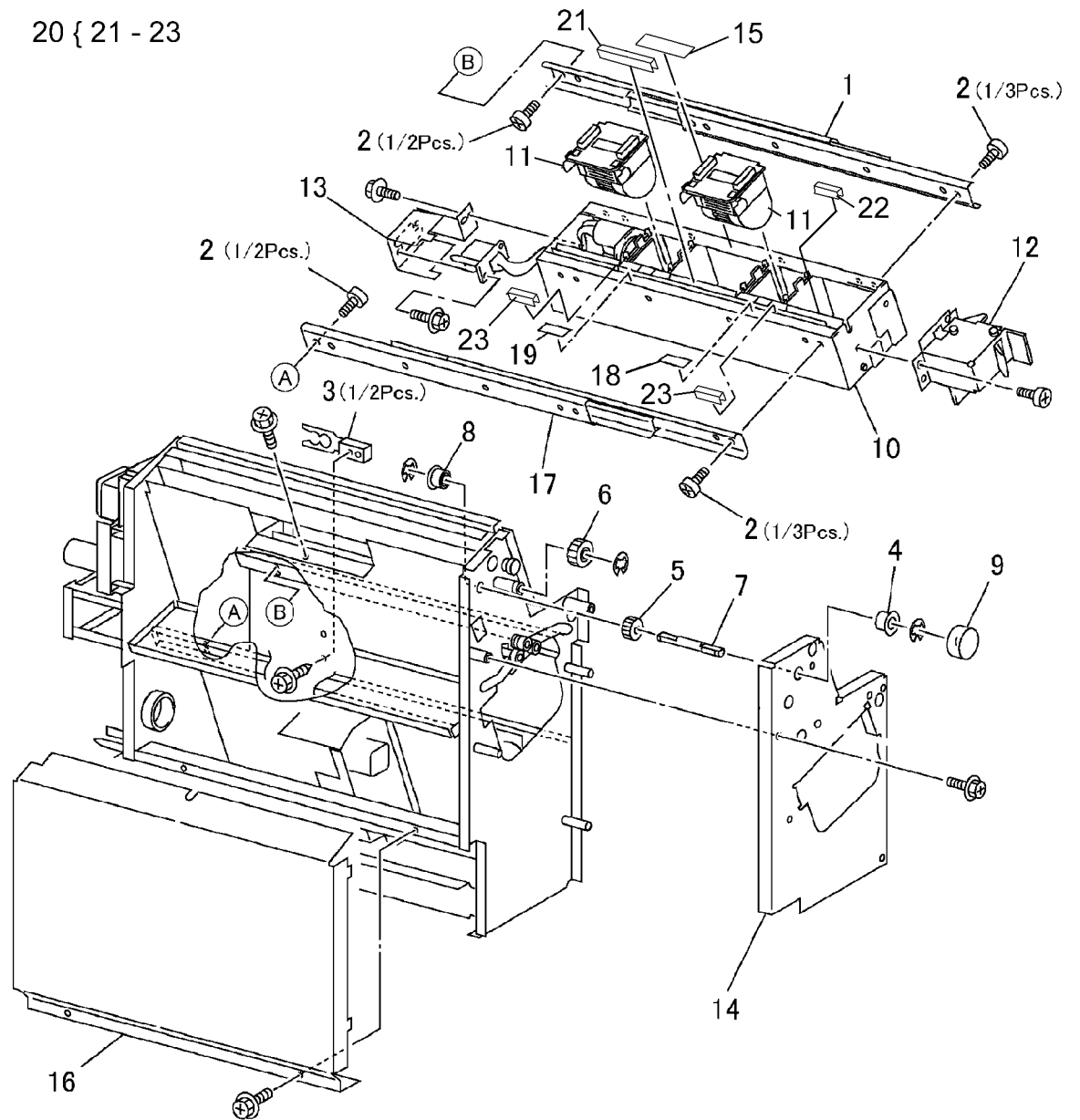


0521015A-COP

# PL 21.16 Booklet Component - 1

Item	Part	Description
1	801K18730	Right Rail
2	-	Screw (P/O PL21.15 Item 12)
3	003E59690	Stopper
4	-	Bearing (P/O PL21.15 Item 12)
5	407W07717	Gear (17T)
6	407W07731	Gear (31T)
7	-	Shaft (P/O PL21.15 Item 12)
8	-	Ball Bearing (P/O PL21.15 Item 12)
9	003K13680	Knob
10	029K92291	Stapler (REP 12.56)
11	029K92041	Staple
12	015K67280	Latch
13	-	Bracket (P/O PL21.15 Item 12)
14	-	Front Cover (P/O PL21.15 Item 12)
15	-	Label (P/O PL21.15 Item 12)
16	-	Left Cover (P/O PL21.15 Item 12)
17	801K16581	Left Rail
18	-	Label (P/O PL21.15 Item 12)
19	-	Label (P/O PL21.15 Item 12)
20	604K13841	Paper Skew Guide Kit
-	604K18741	Mylar Guide Kit
21	-	Paper Guide (Center) (P/O Item 20)
22	-	Paper Guide (Front) (P/O Item 20)
23	-	Paper Guide (Clinch) (P/O Item 20)

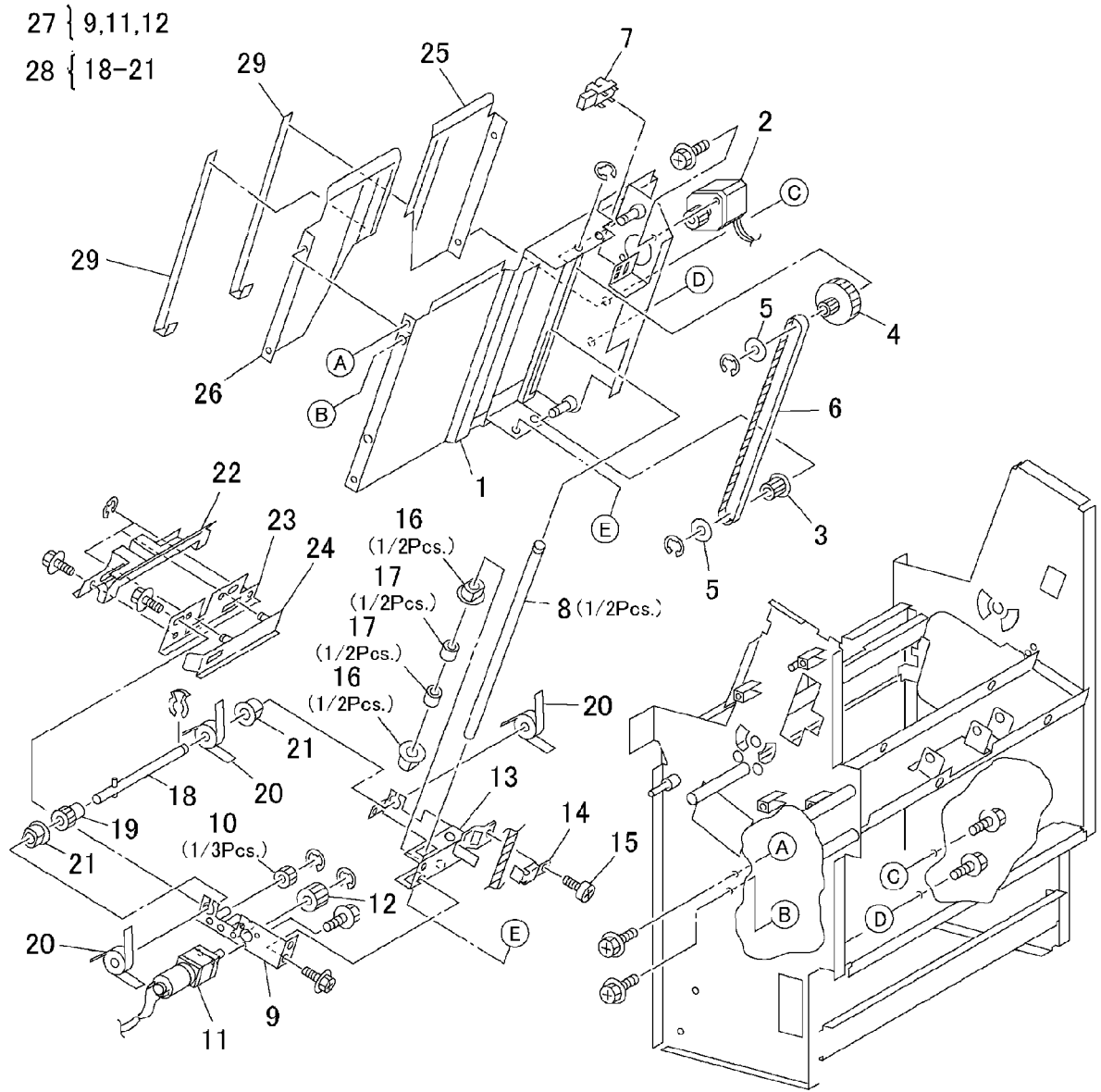
20 { 21 - 23



0521016A-COP

# PL 21.17 Booklet Component -2 (End Guide)

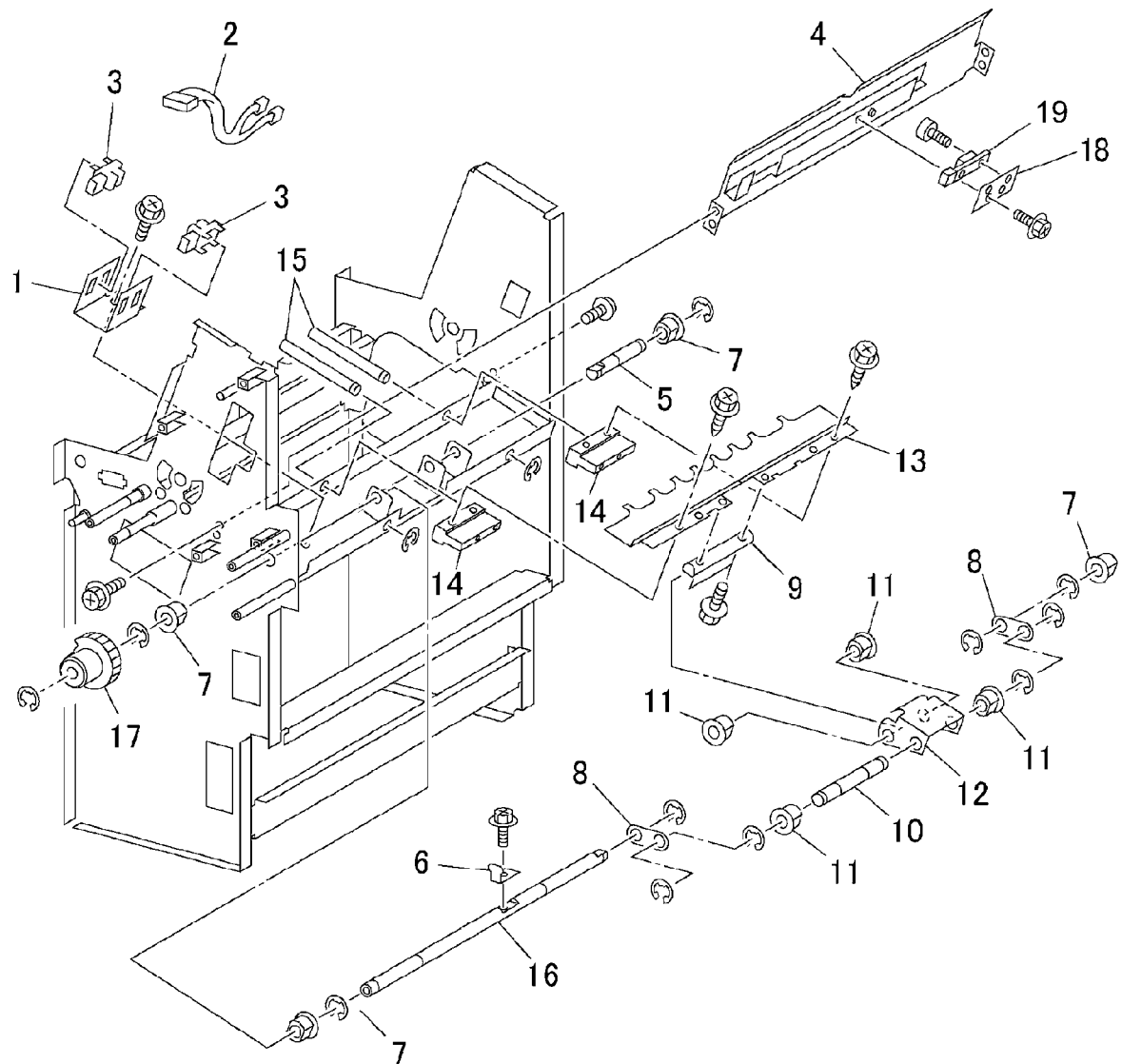
Item	Part	Description
1	-	Compile Chute (P/O PL21.15 Item 12)
2	127K46170	Booklet End Guide Motor
3	020E37210	Pulley
4	807E02050	Gear Pulley (40T/20T)
5	-	Washer (P/O PL21.15 Item 12)
6	423W86254	Belt
7	130K88780	Booklet End Guide Home Sensor
8	-	Shaft (P/O PL21.15 Item 12)
9	-	Bracket (P/O Item 27)
10	807E02070	Gear (14T)
11	-	Booklet Paddle Motor (P/O Item 27)
12	-	Gear (14T) (P/O Item 27)
13	-	Bracket (P/O PL21.15 Item 12)
14	-	Stopper (P/O PL21.15 Item 12)
15	-	Screw (P/O PL21.15 Item 12)
16	-	Bearing (P/O PL21.15 Item 12)
17	-	Roll (P/O PL21.15 Item 12)
18	-	Shaft (P/O Item 28)
19	-	Gear (14T) (P/O Item 28)
20	-	Paddle (P/O Item 28)
21	-	Bearing (P/O Item 28)
22	-	End Guide (P/O PL21.15 Item 12)
23	-	Support Bracket (P/O PL21.15 Item 12)
24	-	Adjust Bracket (P/O PL21.15 Item 12)
25	-	Chute (Front) (Not Spared)
26	-	Chute (Rear) (P/O PL21.15 Item 12)
27	015K60410	Booklet Paddle Motor Assembly
28	006K22960	Paddle Shaft Assembly
29	-	Paper Guide (P/O PL21.15 Item 12)



0521017A-COP

## PL 21.18 Booklet Component -3

Item	Part	Description
1	-	Bracket (P/O PL21.15 Item 12)
2	962K18401	Wire Harness
3	130K88780	Knife Home Sensor, Knife Folder Sensor
4	-	Chute (P/O PL21.15 Item 12)
5	-	Shaft (P/O PL21.15 Item 12)
6	-	Actuator (P/O PL21.15 Item 12)
7	-	Bearing (P/O PL21.15 Item 12)
8	-	Joint (P/O PL21.15 Item 12)
9	-	Shaft (Not Spared)
10	-	Shaft (P/O PL21.15 Item 12)
11	-	Bearing (P/O PL21.15 Item 12)
12	-	Bracket (P/O PL21.15 Item 12)
13	015K67272	Bracket Assembly Knife
14	-	Guide (P/O PL21.15 Item 12)
15	-	Shaft (P/O PL21.15 Item 12)
16	-	Shaft (P/O PL21.15 Item 12)
17	807E02060	Gear (42T)
18	-	Bracket (P/O PL21.15 Item 12)
19	130E87410	Booklet Compile No Paper Sensor

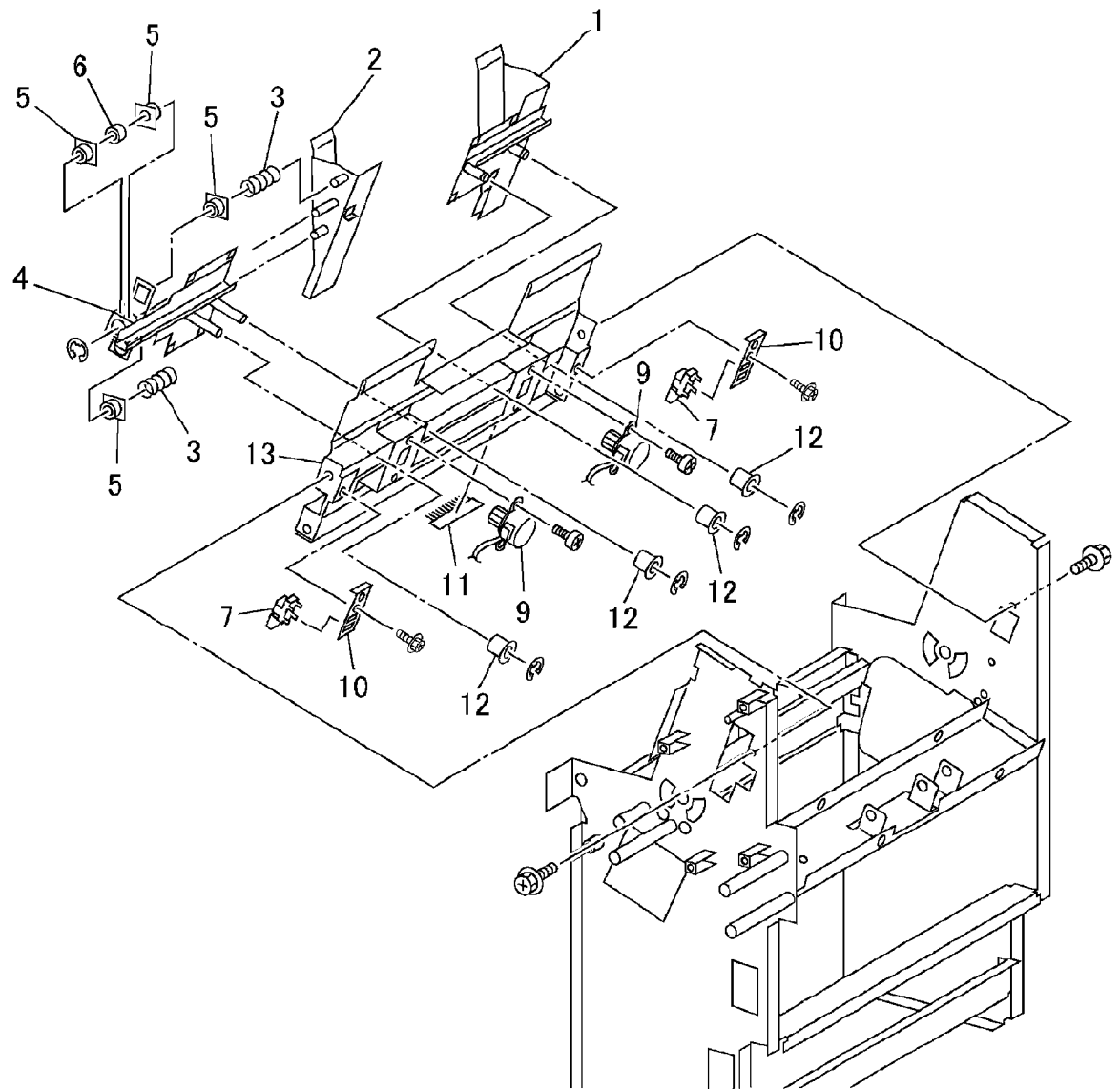


0521018A-COP

## PL 21.19 Booklet Component -4

Item	Part	Description
1	604K20610	Front Tamper Guide
2	-	Rear Tamper Guide (P/O Item 8)
3	-	Spring (P/O Item 8)
4	-	Rack (P/O Item 8)
5	-	Bearing (P/O Item 8)
6	-	Roll (P/O Item 8)
7	130K88780	Booklet Tamper Home Sensor (Front and Rear)
8	038K87371	Rear Tamper Assembly
9	127K48210	Booklet Tamper Motor (Front and Rear)
10	-	Bracket (P/O PL21.15 Item 12)
11	105E15120	Static Eliminator
12	013E25490	Roll
13	-	Frame (P/O PL21.15 Item 12)

8 { 2-6

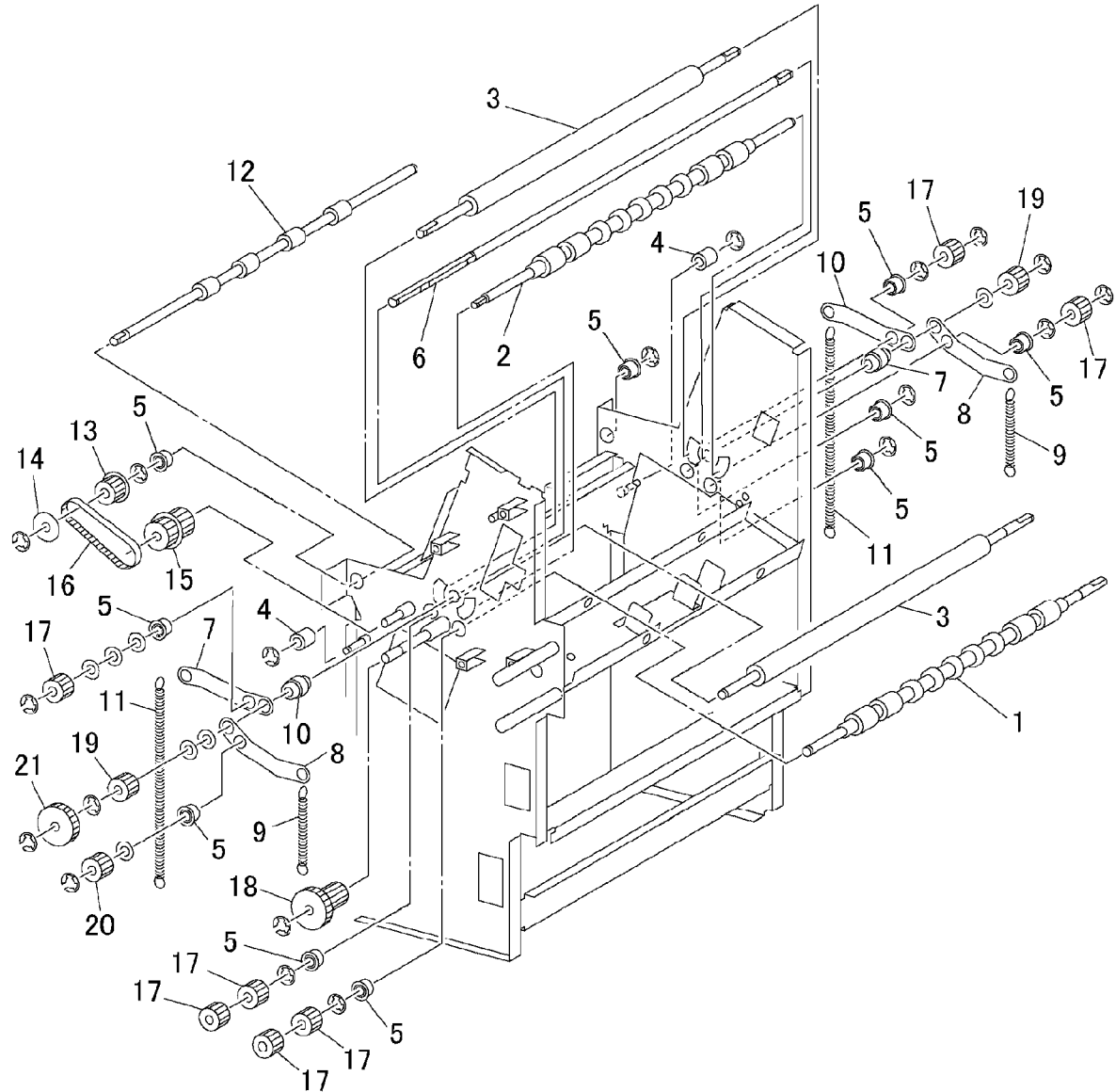


0521019A-COP



# PL 21.20 Booklet Component -5

Item	Part	Description
1	022K71020	Booklet Pre-Folding Roll
2	022K71040	Booklet Pre-Folding Nip Roll
3	022K66870	Booklet Folding Roll
4	022K66880	Booklet Folding Nip Roll
5	-	Ball Bearing (P/O PL21.15 Item 12)
6	-	Shaft (P/O PL21.15 Item 12)
7	013E25480	Bearing
8	-	Tension Plate 1 (P/O PL21.15 Item 12)
9	809E59991	Spring
10	-	Tension Plate 2 (P/O PL21.15 Item 12)
11	809E59981	Spring
12	-	Booklet Eject Roll (P/O PL21.15 Item 12)
13	-	Pulley (16T) (P/O PL21.15 Item 12)
14	-	Flange (P/O PL21.15 Item 12)
15	807E02040	Gear Pulley (20T/25T)
16	423W46754	Belt
17	007E89980	Gear (16T)
18	007E89990	Gear (38T/18T)
19	007E89970	Gear (18T)
20	407W07516	Gear (16T)
21	007E77770	Gear (38T)

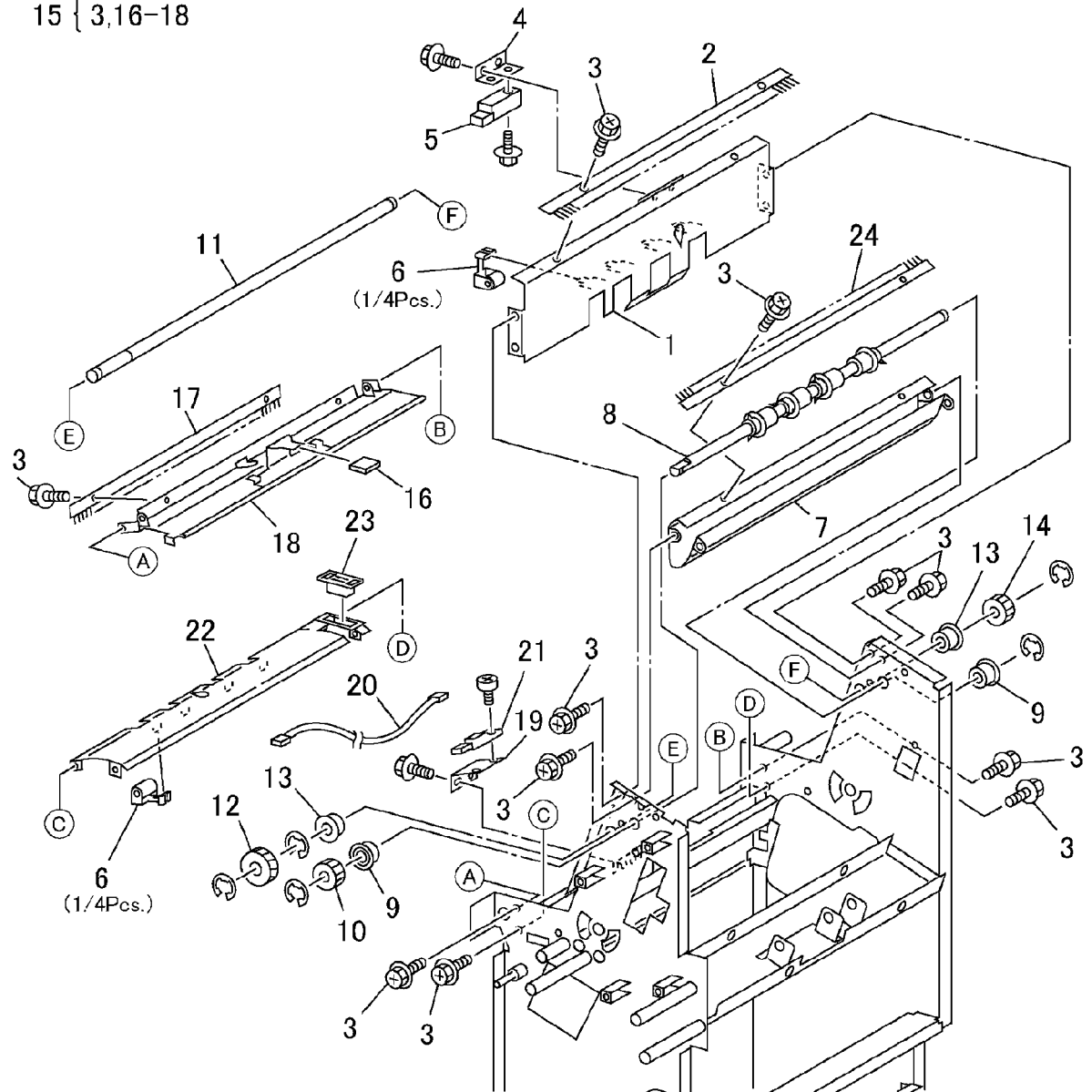


0521020A-COP

# PL 21.21 Booklet Component -6 (Chute)

Item	Part	Description
1	-	Chute (P/O PL21.15 Item 12)
2	105E12060	Static Eliminator
3	-	Screw (P/O Item 15)
4	-	Bracket (P/O PL21.15 Item 12)
5	130E87370	Booklet In Sensor
6	059K00521	Pinch Roll
7	-	Chute (P/O PL21.15 Item 12)
8	-	Booklet In Roll (P/O PL21.15 Item 12)
9	-	Ball Bearing (P/O PL21.15 Item 12)
10	407W07516	Gear (16T)
11	-	Shaft (P/O PL21.15 Item 12)
12	407W08727	Gear (27T)
13	-	Bearing (P/O PL21.15 Item 12)
14	-	Gear (17T) (P/O PL21.15 Item 12)
15	054K28570	Upper Exit Chute Assembly
16	003E63380	Knob
17	105E12170	Static Eliminator
18	-	Upper Exit Chute (P/O Item 15)
19	-	Bracket (P/O PL21.15 Item 12)
20	962K18411	Wire Harness
21	130E87410	Booklet Folder Roll Exit Sensor
22	-	Lower Exit Chute (P/O PL21.15 Item 12)
23	121E92720	Magnet
24	105E12080	Static Eliminator

15 { 3,16-18

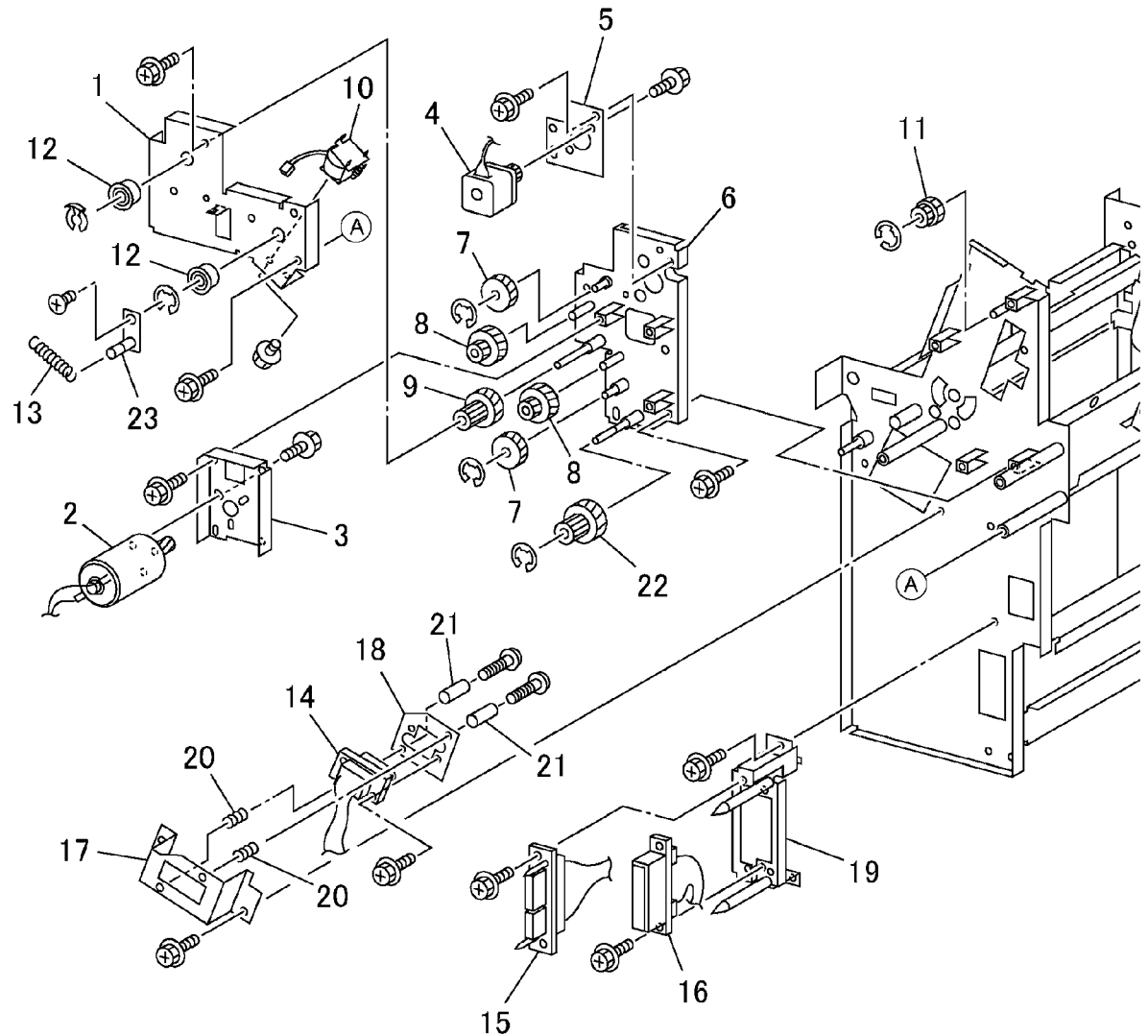


0521021A-COP

# PL 21.22 Booklet Component -7

Item	Part	Description
1	-	Bracket (P/O PL21.15 Item 12)
2	-	Booklet Fold Motor (P/O Item 24)
3	-	Bracket (P/O Item 24)
4	127K46170	Booklet Paper Path Motor
5	-	Bracket (P/O PL21.15 Item 12)
6	-	Bracket (P/O PL21.15 Item 12)
7	007E77620	Gear (45T)
8	007E77610	Gear (43T/14T)
9	007E77600	Gear (44T/16T)
10	121K31361	Knife Solenoid
11	807E01750	Gear (27T/34T)
12	-	Ball Bearing (P/O PL21.15 Item 12)
13	809E41620	Spring
14	962K18421	Wire Harness
15	962K18431	Wire Harness
16	962K18441	Wire Harness
17	-	Bracket (P/O PL21.15 Item 12)
18	-	Bracket (P/O PL21.15 Item 12)
19	-	Bracket (P/O PL21.15 Item 12)
20	809E41570	Spring
21	-	Spacer (P/O PL21.15 Item 12)
22	807E02080	Gear (48T/18T)
23	-	Link (P/O PL21.15 Item 12)
24	015K69650	Booklet Fold Motor Assembly

24 { 2,3

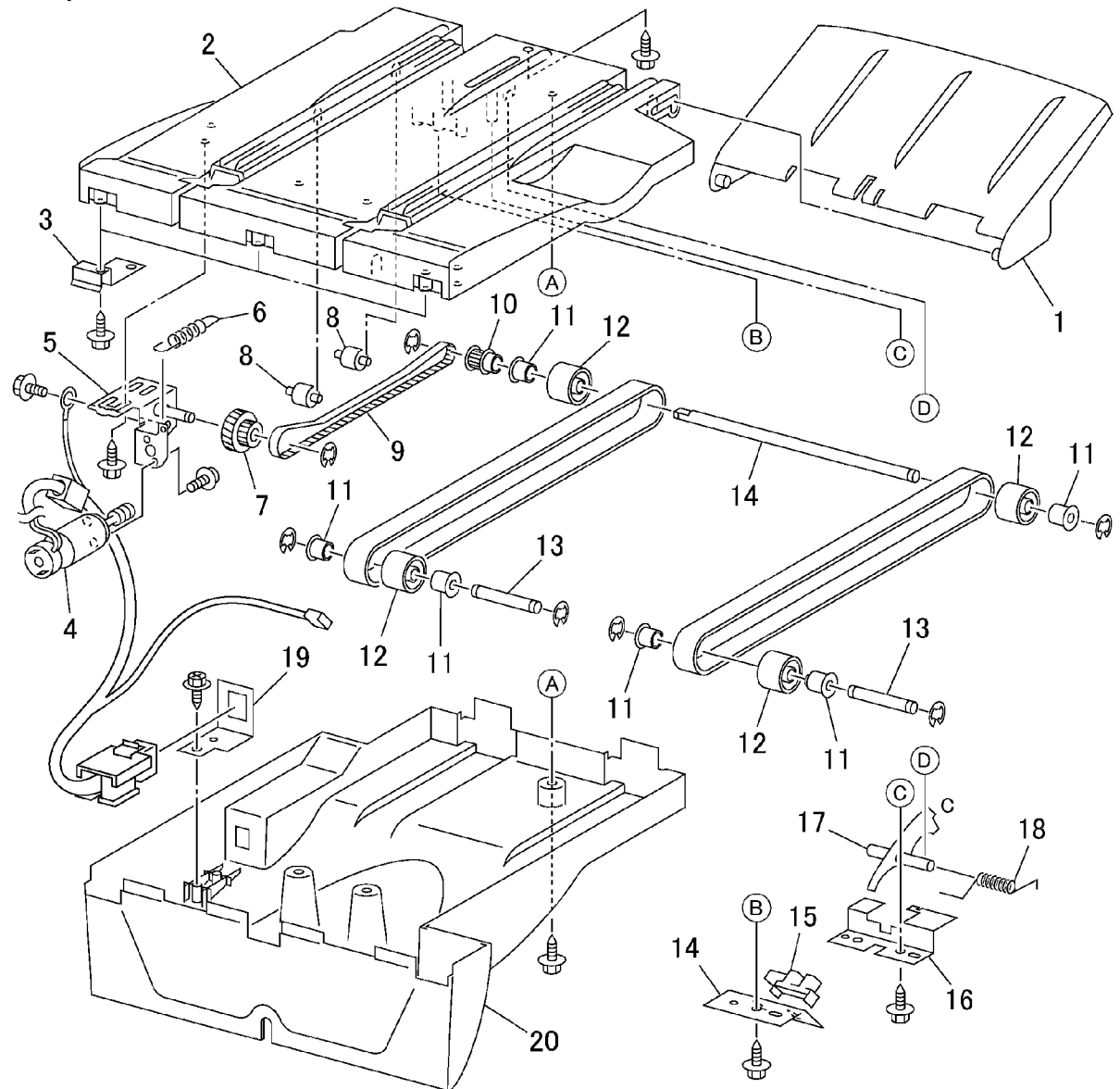


0521022A-COP

# PL 21.23 Booklet Tray Component

Item	Part	Description
1	050E19901	Tray
2	-	Upper Tray (Not Spared)
3	-	Bracket (P/O PL21.15 Item 5)
4	127K38051	Tray Belt Drive Motor
5	-	Bracket (P/O PL21.15 Item 5)
6	-	Spring (P/O PL21.15 Item 5)
7	-	Gear Pulley (P/O PL21.15 Item 5)
8	-	Roll (P/O PL21.15 Item 5)
9	-	Belt (P/O PL21.15 Item 5)
10	-	Pulley (P/O PL21.15 Item 5)
11	-	Bearing (P/O PL21.15 Item 5)
12	-	Roll (P/O PL21.15 Item 5)
13	-	Shaft (P/O PL21.15 Item 5)
14	-	Shaft (P/O PL21.15 Item 5)
15	130K64301	Booklet No Paper Sensor
16	-	Bracket (P/O PL21.15 Item 5)
17	-	Actuator (P/O Item 21)
18	-	Spring (P/O Item 21)
19	-	Bracket (P/O PL21.15 Item 5)
20	-	Lower Tray (P/O PL21.15 Item 5)
21	604K13841	Actuator Assembly

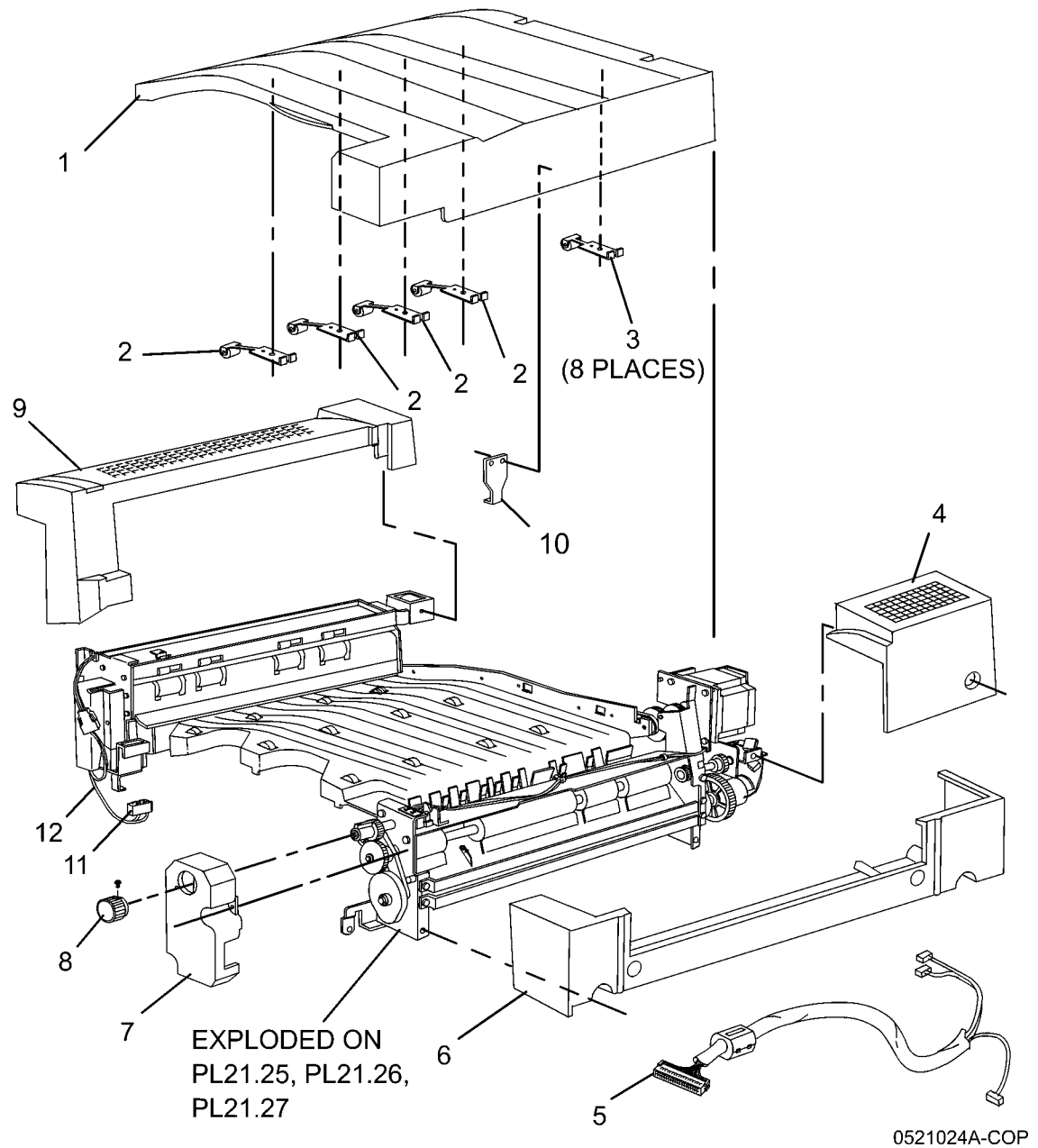
21 { 17,18



0521023A-COP

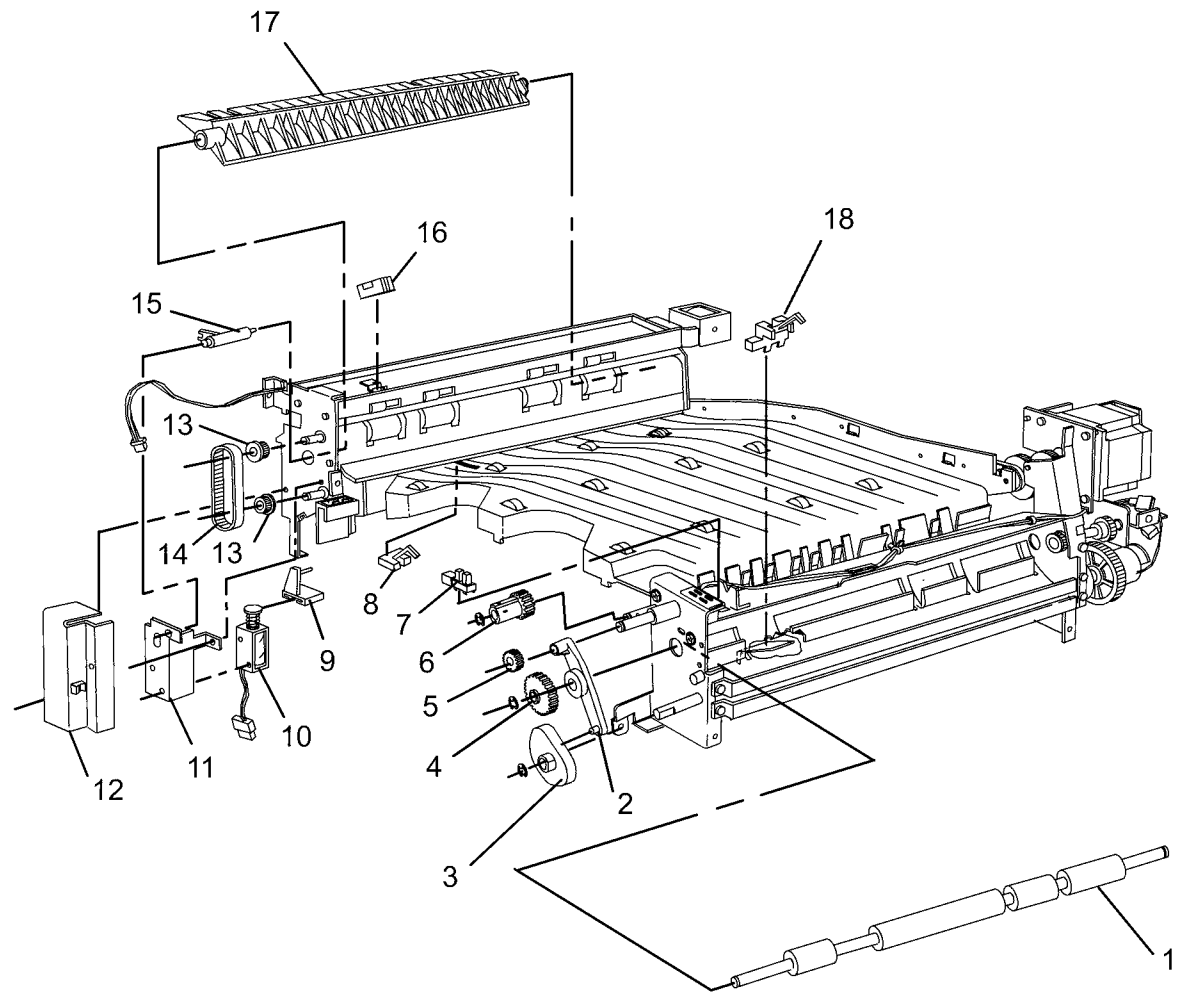
# PL 21.24 H - Transport: 1 of 4

Item	Part	Description
1	-	H - Transport Center Tray (Not Spared)
2	022K71111	Pinch Spring Assembly
3	022K71121	Pinch Spring Assembly
4	-	Upper Decurler Cover (Not Spared)
5	-	Harness Assembly (Not Spared)
6	-	Decurler Cover (Not Spared)
7	-	Cover (Not Spared)
8	-	Knob (Not Spared)
9	-	Top Exit Cover (Not Spared)
10	-	Latch Bracket (Not Spared)
11	110K12282	Interlock Switch
12	113E20900	Interlock Switch Harness



## PL 21.25 H - Transport: 2 of 4

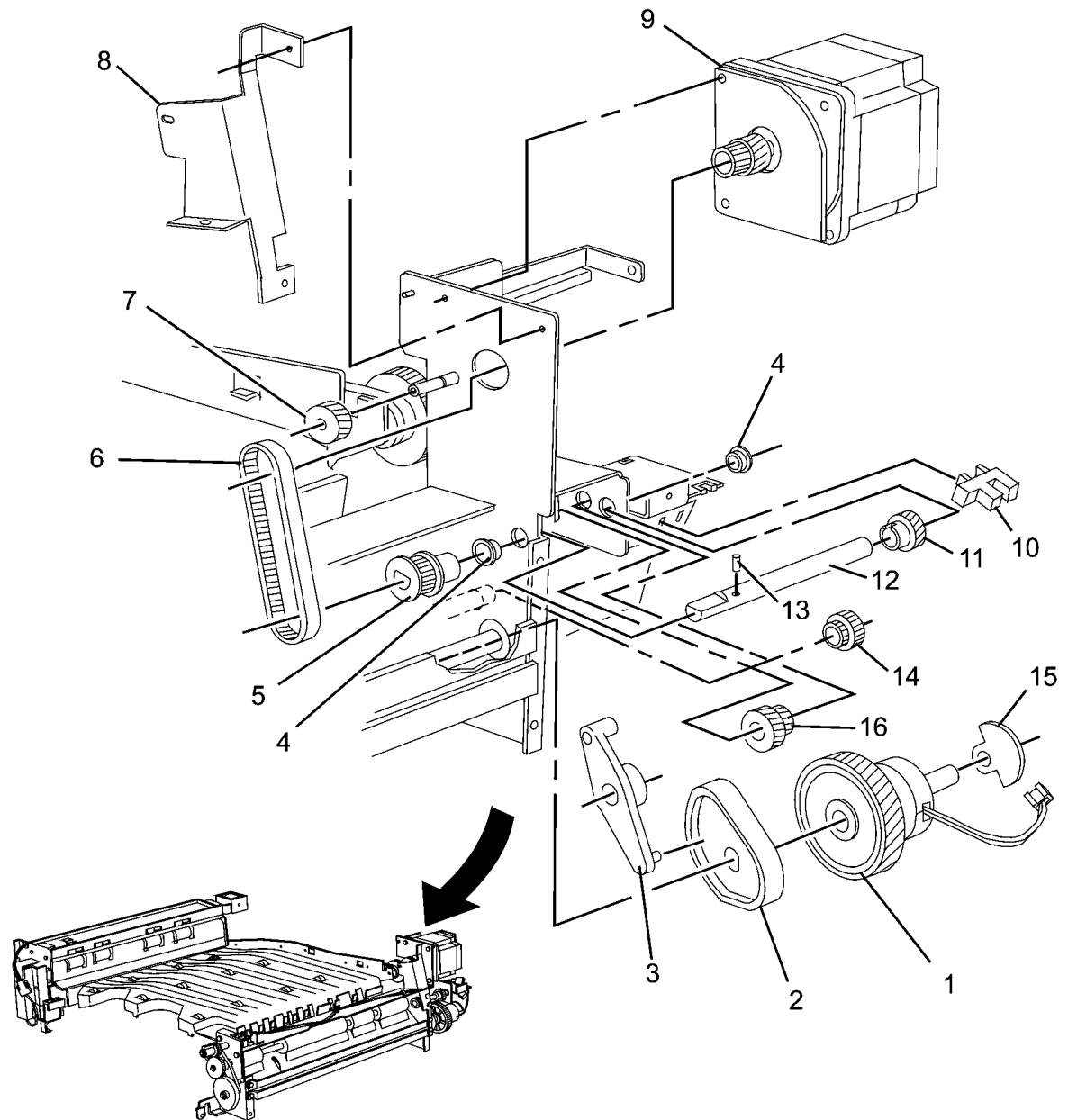
Item	Part	Description
1	022K67641	Decurler Roll
2	031E94651	Decurler Arm
3	008E94070	Decurler Cam
4	007K89451	Gear (20T)
5	807E08980	Gear
6	604K25210	Knob Gear
7	130K88780	H - Transport Interlock Sensor
8	130K88291	H - Transport Entrance Sensor
9	012E12110	Guide
10	121K35291	Gate Solenoid
11	-	Solenoid Bracket (Not Spared)
12	-	Solenoid Cover (Not Spared)
13	020E37490	Pulley (18T)
14	423W26754	Exit Drive Roll Belt (67T)
15	012E12170	Gate Link
16	130E88350	Center Tray Exit Sensor
17	050E89621	Entrance Gate
18	-	H - Transport Exit Sensor



0521025A-COP

# PL 21.26 H - Transport: 3 of 4

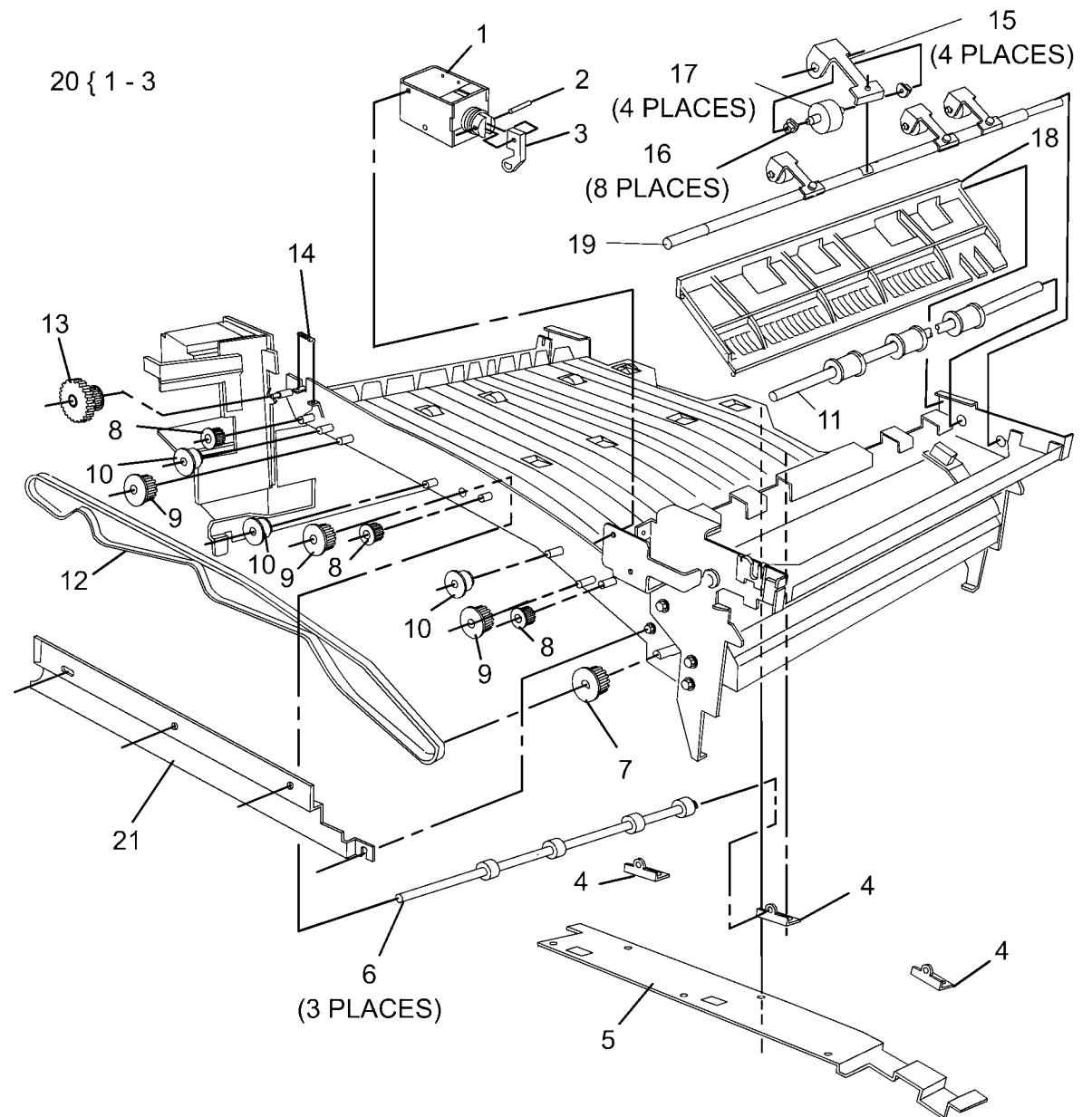
Item	Part	Description
1	121K24610	Decurler Cam Clutch
2	008E94070	Decurler Cam
3	-	Decurler Arm (Not Spared)
4	-	Bushing (Not Spared)
5	020E37480	Pulley (20T)
6	423W27854	H - Transport Motor Belt (78T)
7	807E08600	Gear (20T)
8	-	Cover (Not Spared)
9	127K40051	H - Transport Drive Motor
10	130K88780	Decurler Cam Sensor
11	807E04000	Gear (24T)
12	-	Shaft (Not Spared)
13	-	Pin (Not Spared)
14	807E04010	Gear (20T/24T)
15	120E20690	Sensor Flag
16	007K89440	One Way Gear (18T)



0521026A-COP

# PL 21.27 H - Transport: 4 of 4

Item	Part	Description
1	-	Tray Nip Solenoid (P/O Item 20)
2	-	Pin (P/O Item 20)
3	-	Tray Nip Link (P/O Item 20)
4	-	Support Bracket (Not Spared)
5	-	Bracket (Not Spared)
6	022K67631	H - Transport Drive Roll
7	020E37750	Pulley (26T)
8	020E37440	Pulley (18T)
9	020K10760	One Way Pulley
10	022E27700	Idler Roll
11	022K67653	Exit Drive Roll
12	423W88254	H - Transport Drive Belt (450T) (REP 12.66)
13	020E37460	Gear Pulley (40T/26T)
14	-	Spring (Not Spared)
15	809E56092	Pinch Roll Spring
16	013E26740	Bushing
17	022E27750	Exit Pinch Roll
18	054E26112	Upper Exit Chute
19	-	Pinch Roll Shaft (Not Spared)
20	121K35314	Tray Nip Solenoid Assembly
21	-	Bracket (Not Spared)



0521027A-COP



## Common Hardware

Item	Part	Description
A	112W27651	Screw (M3x6)
B	112W27659	Screw (M3x6)
C	112W27851	Screw (M3x8)
D	112W28451	Screw (M3x14)
E	113W20457	Screw (M3x4)
F	113W20651	Screw (M3x6)
G	113W20857	Screw (M3x8)
H	113W21057	Screw (M3x10)
J	113W21657	Screw (M3x16)
K	113W27451	Screw (M3x4)
L	113W27551	Screw (M3x5)
M	113W27651	Screw (M3x6)
N	113W27851	Screw (M3x8)
P	113W28051	Screw (M3x10)
Q	113W28851	Screw (M3x20)
R	153W17655	Thread-forming Screw (M3x6)
S	153W17855	Thread-forming Screw (M3x8)
T	153W18055	Thread-forming Screw (M3x10)
U	153W27855	Thread-forming Screw (M3x8)
V	158W27655	Screw (M3x6)
W	158W27663	Screw (M3x6)
X	158W27855	Screw (M3x8)
Y	158W27863	Screw (M3x8)
Z	158W28255	Screw (M3x12)
AA	158W35855	Screw (M4x8)
AB	220W21250	Flange Nut (M3)
AC	251W24251	Washer (4)
AD	251W24450	Washer (4)
AE	252W24250	Nylon Washer (4)
AF	252W26450	Nylon Washer (5)
AG	252W27350	Nylon Washer (6)
AH	252W27450	Nylon Washer (6)
AJ	252W29450	Nylon Washer (8)
AK	271W16050	Dowel Pin (2x10)
AL	271W28250	Dowel Pin (3x12)
AM	271W28650	Dowel Pin (3x16)
AN	271W28950	Dowel Pin (3x22)
AP	271W36850	Dowel Pin (4x20)
AQ	285W15651	Spring Pin (2x6)
AR	285W15851	Spring Pin (2x8)
AS	285W16251	Spring Pin (2x12)
AT	285W28051	Spring Pin (3x10)
AU	285W28251	Spring Pin (3x12)
AV	285W28651	Spring Pin (3x16)
AW	354W15251	E-Clip (2)
AX	354W19251	E-Clip (2.5)
AY	354W21251	E-Clip (3)
AZ	354W21254	K-Clip (3)
BA	354W24251	E-Clip (4)
BB	354W24254	K-Clip (4)
BC	354W26251	E-Clip (5)
BD	354W27251	E-Clip (6)
BE	354W27254	K-Clip (6)
BF	354W29251	E-Clip (8)
BG	113W20657	Screw (M3x6)
BH	113W16051	Screw (M2x10)
BJ	158W45055	Screw (M5x10)
BK	158W36355	Screw (M4x12)
BL	251W24451	Washer (4)
BM	113W20557	Screw (M3x5)
BN	113W15851	Screw (M2x8)
BP	113W28056	Screw (M3x10)
BQ	113W28251	Screw (M3x12)
BR	113W28256	Screw (M3x12)
BS	153W27650	Thread-forming Screw (M3x6)
BT	153W27850	Thread-forming Screw (M3x8)
BU	252W27250	Nylon Washer (6)
BV	252W29350	Nylon Washer (8)
BW	285W29151	Spring Pin (3x25)
BX	158W35655	Screw (M4x6)
BY	113W36257	Screw (M4x12)
BZ	158W35863	Thread-forming Screw - Deltite Tip (M4x8)
CA	158W36055	Screw (M4x10)
CB	153W71153	Screw (M3x8)
CC	153W71453	Screw (M3x14)
CD	153W42353	Screw (M4x12)
CE	354W27278	E-Ring

# Part Number Index

Table 1 Part Number Index

Part Number	Part List
001E59600	PL 17.9
001E60051	PL 17.14
001E66640	PL 21.6
001K70543	PL 5.1
001K70552	PL 5.1
003K12090	PL 17.1
003K12090	PL 17.14
003K12650	PL 5.2
003K12882	PL 5.1
003K13680	PL 21.16
003E23672	PL 15.1
003E23672	PL 16.1
003E23672	PL 2.1
003E52291	PL 5.1
003E52301	PL 5.1
003E53701	PL 15.10
003E53701	PL 16.13
003E53710	PL 15.10
003E53710	PL 16.13
003E59690	PL 21.16
003E61390	PL 7.2
003E63380	PL 21.21
003K86123	PL 4.1
004E11831	PL 2.7
005K05890	PL 15.4
005K05890	PL 15.6
005K05890	PL 15.8
005K05890	PL 16.10
005K05890	PL 16.12
005K05890	PL 2.5
005K05890	PL 16.8
005E16220	PL 17.6
005E16510	PL 17.6
005K83081	PL 15.3
005K83081	PL 15.7
005K83081	PL 16.9
005K83081	PL 2.4
005K83081	PL 16.11
005K83081	PL 16.7

Table 1 Part Number Index

Part Number	Part List
005K83081	PL 15.5
006R01280	PL 6.1
006R01281	PL 6.1
006R01282	PL 6.1
006R01283	PL 6.1
006K21721	PL 17.12
006K21730	PL 17.6
006K21971	PL 17.12
006K22960	PL 21.17
006K24090	PL 21.7
006K24160	PL 21.7
006K24240	PL 21.9
006E71740	PL 5.1
007E61890	PL 5.2
007E61910	PL 5.2
007E62630	PL 2.8
007E64500	PL 6.1
007E64740	PL 2.7
007E66050	PL 15.9
007E66050	PL 16.15
007E66060	PL 15.9
007E66060	PL 16.15
007E66070	PL 15.9
007E66070	PL 16.15
007E66080	PL 16.14
007E67730	PL 17.7
007E67740	PL 17.7
007E67750	PL 17.7
007E67770	PL 17.8
007E67780	PL 17.8
007E67800	PL 17.8
007E67810	PL 17.8
007E67820	PL 17.11
007E67830	PL 17.11
007E67840	PL 17.11
007E67850	PL 17.4
007E67860	PL 17.4
007E67870	PL 17.4
007E72070	PL 17.12
007E72080	PL 17.12
007E72090	PL 17.7

**Table 1 Part Number Index**

Part Number	Part List
007E76930	PL 17.6
007E76940	PL 17.8
007E77600	PL 21.22
007E77610	PL 21.22
007E77620	PL 21.22
007E77770	PL 21.20
007E79480	PL 2.8
007K85522	PL 2.9
007K85582	PL 1.3
007K85730	PL 15.3
007K85730	PL 15.7
007K85730	PL 16.11
007K85730	PL 15.5
007K85730	PL 16.7
007K85730	PL 16.9
007K85730	PL 2.4
007K86910	PL 17.6
007K87221	PL 1.1
007K87601	PL 1.1
007K88114	PL 1.1
007K88604	PL 1.1
007K88661	PL 1.1
007K88751	PL 20.6
007K89440	PL 21.26
007K89451	PL 21.25
007E89970	PL 21.20
007E89980	PL 21.20
007E89990	PL 21.20
007K97770	PL 1.1
007K97940	PL 1.1
008R12903	PL 4.1
008E94070	PL 17.7
008E94070	PL 21.25
008E94070	PL 21.26
009E26970	PL 16.3
009E26970	PL 16.4
011E10711	PL 11.2
011E10800	PL 15.10
011E10800	PL 16.13
011K94970	PL 5.1
011K96791	PL 16.14

**Table 1 Part Number Index**

Part Number	Part List
011K97710	PL 21.7
012E10070	PL 16.4
012E11980	PL 21.10
012E11991	PL 21.10
012E12110	PL 21.25
012E12170	PL 21.25
012K94261	PL 10.2
012K94760	PL 10.2
013R00624	PL 4.1
013E18980	PL 5.3
013E20240	PL 17.6
013E20250	PL 17.12
013E25480	PL 21.20
013E25490	PL 21.19
013E26740	PL 21.27
013E27150	PL 21.4
014E42850	PL 16.1
014E42850	PL 2.1
014K81604	PL 9.3
015K48383	PL 2.8
015K49311	PL 5.6
015K49451	PL 16.14
015K49461	PL 16.14
015K49471	PL 15.10
015K49471	PL 16.13
015K49481	PL 5.6
015K50680	PL 17.11
015K51640	PL 17.11
015K52324	PL 4.2
015K60410	PL 21.17
015K61321	PL 11.2
015K65810	PL 21.10
015K65821	PL 21.10
015K65830	PL 21.5
015K65840	PL 21.5
015K65850	PL 21.8
015K65860	PL 21.7
015K65870	PL 21.5
015K65871	PL 21.5
015K65880	PL 21.5
015K65900	PL 21.4

Table 1 Part Number Index

Part Number	Part List
015K65921	PL 21.5
015K67230	PL 21.3
015K67272	PL 21.18
015K67280	PL 21.16
015K69650	PL 21.22
015E77040	PL 17.14
017K93740	PL 15.9
017K93740	PL 16.15
017K93750	PL 15.9
017K93750	PL 16.15
017E94661	PL 17.14
017E97230	PL 21.2
017E98040	PL 21.2
019K08650	PL 2.13
019E50340	PL 17.11
019E58660	PL 21.4
019K97550	PL 5.4
019K98201	PL 5.4
019K98770	PL 20.4
019K98931	PL 5.4
019K98941	PL 5.4
019K99070	PL 20.4
020K10760	PL 21.27
020E34970	PL 17.8
020E37030	PL 18.5
020E37210	PL 21.17
020E37440	PL 21.27
020E37460	PL 21.27
020E37480	PL 21.26
020E37490	PL 21.25
020E37660	PL 21.10
020E37660	PL 21.9
020E37670	PL 21.9
020E37680	PL 21.11
020E37690	PL 21.11
020E37690	PL 21.9
020E37700	PL 21.11
020E37710	PL 21.4
020E37720	PL 21.4
020E37750	PL 21.27
020E93120	PL 16.3

Table 1 Part Number Index

Part Number	Part List
022E27700	PL 21.27
022E27750	PL 21.27
022K61480	PL 17.6
022K65880	PL 17.12
022K66870	PL 21.20
022K66880	PL 21.20
022K67631	PL 21.27
022K67641	PL 21.25
022K67653	PL 21.27
022K67850	PL 21.10
022K67860	PL 21.11
022K67870	PL 21.9
022K67880	PL 21.9
022K70970	PL 21.10
022K70980	PL 21.11
022K70990	PL 21.11
022K71010	PL 21.10
022K71020	PL 21.20
022K71040	PL 21.20
022K71111	PL 21.24
022K71121	PL 21.24
022E88210	PL 17.4
023E20021	PL 17.4
023E20160	PL 17.7
023E21520	PL 21.4
023E26430	PL 18.5
026E93560	PL 17.1
028E94260	PL 20.3
029K03720	PL 17.9
029E31600	PL 2.3
029K92041	PL 21.16
029K92151	PL 21.6
029K92291	PL 21.16
030K76641	PL 21.5
031E94030	PL 17.7
031E94651	PL 21.25
035E65010	PL 6.2
036K91551	PL 20.3
036K91561	PL 20.3
038E23560	PL 2.13
038E24410	PL 17.10

Table 1 Part Number Index

Part Number	Part List
038E24650	PL 17.4
038K87371	PL 21.19
041K94260	PL 17.9
041K94441	PL 18.6
041K94720	PL 21.4
041K94730	PL 21.4
041K94750	PL 21.6
041K94830	PL 18.6
042K91990	PL 10.1
042K92445	PL 5.2
050E19620	PL 17.1
050E19901	PL 21.23
050K43881	PL 17.10
050K48750	PL 17.9
050K49302	PL 21.15
050K49613	PL 15.1
050K49613	PL 2.1
050K51270	PL 21.2
050K51280	PL 21.2
050K51322	PL 2.12
050K51394	PL 16.1
050K56180	PL 20.10
050K56180	PL 20.2
050E89621	PL 21.25
054K16131	PL 2.8
054K17242	PL 11.2
054K18271	PL 16.6
054E18521	PL 16.6
054E18532	PL 16.5
054E18542	PL 16.5
054E21700	PL 8.1
054K22411	PL 2.8
054E26112	PL 21.27
054K26141	PL 8.1
054K27160	PL 21.10
054K27580	PL 21.11
054K28570	PL 21.21
059K00521	PL 21.21
059K15577	PL 15.1
059K15577	PL 2.3
059K15613	PL 2.8

Table 1 Part Number Index

Part Number	Part List
059K18901	PL 15.10
059K18901	PL 16.6
059K20210	PL 17.7
059K21792	PL 16.5
059K23150	PL 5.3
059K23470	PL 12.2
059K23960	PL 12.1
059K23970	PL 12.2
059K23980	PL 12.2
059K24010	PL 2.13
059K24020	PL 2.13
059K26794	PL 2.6
059K27187	PL 2.10
059K31291	PL 20.5
059K36250	PL 5.4
059K36763	PL 2.11
059K36764	PL 2.11
059K36764	PL 2.12
059K36873	PL 11.1
059K36902	PL 12.1
059K37917	PL 21.1
059K41099	PL 21.1
059K44920	PL 20.4
059K45216	PL 20.4
059K45231	PL 20.4
059K45233	PL 20.2
059K47111	PL 2.12
059K48900	PL 20.5
059K54572	PL 20.1
059E95920	PL 16.4
059E95930	PL 16.1
060E01140	PL 21.5
062E10040	PL 18.6
062K12332	PL 3.1
062K16910	PL 3.1
062K17927	PL 18.1
062K18730	PL 18.1
062K18751	PL 18.1
064K91451	PL 5.3
074K97292	PL 9.2
090K02332	PL 18.3

Table 1 Part Number Index

Part Number	Part List
090K93011	PL 18.3
091P80361	PL 18.1
092K05740	PL 18.2
092K05810	PL 18.2
101K52281	PL 13.2
101K52401	PL 9.2
101K53980	PL 9.2
104E94220	PL 9.1
105E06910	PL 20.10
105E11320	PL 17.12
105E11972	PL 9.1
105E11982	PL 9.1
105E12060	PL 21.21
105E12080	PL 21.21
105E12170	PL 21.21
105E13100	PL 21.9
105E15120	PL 21.19
105E15190	PL 9.1
105E16270	PL 9.1
105E16280	PL 9.1
105E16620	PL 9.2
105E16700	PL 18.6
105E16810	PL 18.4
105E16940	PL 18.4
105E17690	PL 9.1
105E17820	PL 9.1
105K20452	PL 9.1
105K20463	PL 9.1
105K21081	PL 21.12
105K23050	PL 9.1
105K23140	PL 9.1
110K10651	PL 2.8
110K10881	PL 16.1
110K11211	PL 10.2
110K11540	PL 10.2
110E11590	PL 21.7
110K11960	PL 18.4
110K11981	PL 20.7
110E11990	PL 21.4
110K12282	PL 21.24
110K12990	PL 15.1

Table 1 Part Number Index

Part Number	Part List
110K12990	PL 16.1
110K12990	PL 2.1
110E93440	PL 12.2
110E94770	PL 10.1
110E97990	PL 10.1
110E97990	PL 17.13
110E97990	PL 21.3
113E20900	PL 21.24
113K82310	PL 9.3
116K90811	PL 6.1
117E16210	PL 9.2
117E21691	PL 18.1
117E26161	PL 18.3
117E26161	PL 18.4
117E26350	PL 18.6
117E27450	PL 20.3
117K31400	PL 9.2
117K36140	PL 9.4
117K36340	PL 9.4
120E11971	PL 2.12
120E18141	PL 15.3
120E18141	PL 15.7
120E18141	PL 15.5
120E18141	PL 2.4
120E18162	PL 2.10
120E18820	PL 15.10
120E20690	PL 17.7
120E20690	PL 21.26
120E20970	PL 17.6
120E22030	PL 18.4
120E22370	PL 20.10
120E24310	PL 21.8
121K22220	PL 2.6
121K22860	PL 11.2
121K22870	PL 11.2
121K23270	PL 1.2
121K24610	PL 17.7
121K24610	PL 21.26
121K31361	PL 21.22
121K31912	PL 20.4
121K34620	PL 21.7

Table 1 Part Number Index

Part Number	Part List
121K34630	PL 21.8
121K35291	PL 21.25
121K35314	PL 21.27
121E88470	PL 17.5
121E89781	PL 17.3
121E92720	PL 21.21
121E92780	PL 2.13
121E92890	PL 21.10
121E92890	PL 21.11
122K93331	PL 4.2
122K93341	PL 4.2
122K93910	PL 18.6
123K97440	PL 18.2
126K13950	PL 7.2
126K13960	PL 7.2
126K13980	PL 7.2
126K13990	PL 7.2
127K23231	PL 15.3
127K23231	PL 16.11
127K23231	PL 16.7
127K23231	PL 2.4
127K23231	PL 16.9
127K23231	PL 15.5
127K29244	PL 4.1
127K29331	PL 9.1
127K29342	PL 8.1
127K29513	PL 2.9
127K31841	PL 16.15
127K32731	PL 8.1
127K32861	PL 17.9
127K32870	PL 17.8
127K33420	PL 17.11
127K33932	PL 6.1
127K33942	PL 6.1
127K33950	PL 5.4
127K36021	PL 15.9
127K36021	PL 16.15
127K36642	PL 8.1
127K38020	PL 12.2
127K38051	PL 21.23
127K38411	PL 20.5

Table 1 Part Number Index

Part Number	Part List
127K38440	PL 20.9
127K38460	PL 20.9
127K38881	PL 1.1
127K40051	PL 21.26
127K40281	PL 21.10
127K40281	PL 21.11
127K45830	PL 17.7
127K46170	PL 21.17
127K46170	PL 21.22
127K48210	PL 17.10
127K48210	PL 21.19
127K49040	PL 9.1
127K49440	PL 13.1
127K49532	PL 18.5
127K49700	PL 18.4
127K50240	PL 8.1
127K50250	PL 8.1
127K50280	PL 9.1
130K60830	PL 5.4
130K60851	PL 2.3
130K60867	PL 1.3
130K61021	PL 7.2
130K61250	PL 12.2
130K61511	PL 15.10
130K61511	PL 16.6
130K61920	PL 17.6
130K63000	PL 6.2
130K64150	PL 18.4
130K64301	PL 21.23
130K69830	PL 17.4
130K69840	PL 17.4
130E81600	PL 15.10
130E81600	PL 16.6
130E82190	PL 16.7
130E82190	PL 2.10
130E82190	PL 2.12
130E82190	PL 16.9
130E82190	PL 5.4
130E82190	PL 2.3
130E82190	PL 2.4
130E82190	PL 2.9

Table 1 Part Number Index

Part Number	Part List
130E84270	PL 5.4
130E84300	PL 17.4
130E84300	PL 2.9
130E87280	PL 18.4
130E87370	PL 21.10
130E87370	PL 21.21
130E87370	PL 21.11
130E87400	PL 16.5
130E87400	PL 2.6
130E87410	PL 21.11
130E87410	PL 21.21
130E87410	PL 21.18
130K88190	PL 21.10
130K88190	PL 21.11
130K88190	PL 21.9
130K88291	PL 21.25
130E88350	PL 21.25
130K88770	PL 17.10
130K88770	PL 17.6
130K88770	PL 21.8
130K88770	PL 21.6
130K88770	PL 21.5
130K88770	PL 21.4
130K88770	PL 21.15
130K88770	PL 17.9
130K88770	PL 17.13
130K88770	PL 17.11
130K88780	PL 17.10
130K88780	PL 21.18
130K88780	PL 21.25
130K88780	PL 21.8
130K88780	PL 21.7
130K88780	PL 21.26
130K88780	PL 21.19
130K88780	PL 21.17
130K88780	PL 17.8
130K88780	PL 17.4
130K88800	PL 17.12
130E89950	PL 20.10
130E91010	PL 4.1
133K23691	PL 13.2

Table 1 Part Number Index

Part Number	Part List
133K23811	PL 13.2
133K24760	PL 13.2
133K24760	PL 13.4
146E01770	PL 21.4
152S05108	PL 9.2
160K76661	PL 17.13
160K88292	PL 9.1
160K97332	PL 9.1
160K97412	PL 12.2
160K97600	PL 20.4
160K97646	PL 9.4
160K97661	PL 9.2
160K99202	PL 13.2
162K55941	PL 9.3
162K55971	PL 9.3
162K56000	PL 9.3
162K56031	PL 9.3
162K56590	PL 16.11
162K62113	PL 9.3
162K62811	PL 15.10
162K62811	PL 16.6
162K69072	PL 17.4
251W31178	PL 21.4
407W07516	PL 21.20
407W07516	PL 21.21
407W07717	PL 21.16
407W07731	PL 21.16
407W08727	PL 21.21
413W11660	PL 21.10
413W11660	PL 21.11
413W11660	PL 21.7
413W66250	PL 21.10
413W66250	PL 21.11
413W77559	PL 21.4
413W77559	PL 21.7
423W08055	PL 20.9
423W25554	PL 21.9
423W26754	PL 21.25
423W27854	PL 21.26
423W28054	PL 17.8
423W29655	PL 17.7



Table 1 Part Number Index

Part Number	Part List
423W29955	PL 20.9
423W40054	PL 21.11
423W46754	PL 21.20
423W86254	PL 21.17
423W86454	PL 21.11
423W87054	PL 21.10
423W88254	PL 21.27
537K64131	PL 17.13
537K69341	PL 17.13
540K04014	PL 13.2
540K04023	PL 13.2
540K06440	PL 13.4
540K06960	PL 13.4
600K78460	PL 15.4
600K78460	PL 16.10
600K78460	PL 16.8
600K78460	PL 16.12
600K78460	PL 15.8
600K78460	PL 2.5
600K78460	PL 15.6
604K09720	PL 17.6
604K13841	PL 21.16
604K13841	PL 21.23
604K18741	PL 21.16
604K19991	PL 2.8
604K20440	PL 18.5
604K20510	PL 18.5
604K20610	PL 21.19
604K20760	PL 20.6
604K20770	PL 20.7
604K20780	PL 20.4
604K20780	PL 20.8
604K20892	PL 5.2
604K22520	PL 6.2
604K22530	PL 6.2
604K22540	PL 6.2
604K22550	PL 6.2
604K22880	PL 2.9
604K25210	PL 21.25
604K25430	PL 20.1
604K29711	PL 18.4

Table 1 Part Number Index

Part Number	Part List
604K36220	PL 21.10
604K36490	PL 17.8
801K03603	PL 17.1
801K15881	PL 21.5
801K16554	PL 21.15
801K16560	PL 21.15
801K16581	PL 21.15
801K16581	PL 21.16
801K16771	PL 21.5
801K18730	PL 21.16
801K22541	PL 20.2
801K22541	PL 20.3
802E12400	PL 10.2
802E12432	PL 10.2
802E12490	PL 10.3
802E12501	PL 10.3
802K12951	PL 5.2
802E23931	PL 15.11
802E23941	PL 15.11
802E23952	PL 15.11
802E23961	PL 15.11
802E23961	PL 16.16
802E23982	PL 16.4
802E23992	PL 16.3
802K27076	PL 2.9
802E27861	PL 10.3
802E28521	PL 17.5
802E28530	PL 17.5
802E28550	PL 17.5
802E28560	PL 17.5
802E28570	PL 17.5
802K28571	PL 17.6
802K28581	PL 17.4
802K28591	PL 17.3
802K28601	PL 17.3
802E30140	PL 17.4
802E30150	PL 17.4
802K33094	PL 6.1
802E33910	PL 10.3
802K36661	PL 17.14
802K36671	PL 17.14

Table 1 Part Number Index

Part Number	Part List
802K46071	PL 10.2
802K47090	PL 4.1
802K49803	PL 10.2
802K49901	PL 17.1
802K50161	PL 10.1
802K50492	PL 15.11
802K50492	PL 16.16
802E50710	PL 17.5
802K52452	PL 10.1
802K56394	PL 2.3
802E57292	PL 20.2
802E57444	PL 20.2
802K60194	PL 6.2
802K65591	PL 15.10
802K65601	PL 16.13
802K67130	PL 21.3
802K67140	PL 21.4
802K67624	PL 2.7
802K67651	PL 6.1
802K67661	PL 6.1
802K67671	PL 6.1
802K67681	PL 6.1
802K68001	PL 10.3
802E73871	PL 21.3
802K84701	PL 10.2
802K85760	PL 18.2
802K89081	PL 6.1
802E90050	PL 10.2
802K91011	PL 18.1
802K91011	PL 18.2
802K92610	PL 10.1
802K93180	PL 10.3
802K97350	PL 18.1
802E97990	PL 18.2
802E98000	PL 18.2
807E00550	PL 20.6
807E01750	PL 21.22
807E02040	PL 21.20
807E02050	PL 21.17
807E02060	PL 21.18
807E02070	PL 21.17

Table 1 Part Number Index

Part Number	Part List
807E02080	PL 21.22
807E04000	PL 21.26
807E04010	PL 21.26
807E04700	PL 21.10
807E04700	PL 21.7
807E04720	PL 21.11
807E04740	PL 21.7
807E04750	PL 21.7
807E04760	PL 21.8
807E08600	PL 21.26
807E08980	PL 21.25
807E08990	PL 21.4
807E08990	PL 21.7
809E26070	PL 2.8
809E26330	PL 5.6
809E28961	PL 15.10
809E28961	PL 16.13
809E28980	PL 15.10
809E28980	PL 16.13
809E29620	PL 2.8
809E33600	PL 17.10
809E41570	PL 21.22
809E41620	PL 21.22
809E50762	PL 20.8
809E50762	PL 20.9
809E51860	PL 20.10
809E56092	PL 21.27
809E56850	PL 21.4
809E56860	PL 21.4
809E56880	PL 21.7
809E59981	PL 21.20
809E59991	PL 21.20
815E04811	PL 18.3
830E81670	PL 17.6
830E97760	PL 11.2
848E01540	PL 18.2
848E04340	PL 18.1
848K05500	PL 10.1
848K06221	PL 10.1
848E14470	PL 18.2
848E14600	PL 18.2

**Table 1 Part Number Index**

Part Number	Part List
849E04831	PL 17.3
892E82830	PL 2.1
892E82840	PL 15.1
892E82850	PL 15.1
892E82860	PL 15.1
892E90351	PL 15.2
892E90351	PL 2.2
892E90351	PL 16.2
892E97560	PL 15.2
892E97560	PL 2.2
896E38400	PL 18.2
896E38410	PL 18.2
896E38420	PL 18.2
908W01201	PL 9.2
930W00111	PL 20.10
930W00111	PL 20.8
930W00111	PL 20.9
930W00111	PL 20.7
960K01742	PL 15.9
960K01752	PL 16.15
960K03639	PL 13.1
960K04672	PL 21.12
960K04681	PL 21.12
960K05534	PL 18.3
960K09093	PL 13.2
960K15800	PL 9.1
960K16120	PL 13.2
960K16120	PL 13.4
960K16200	PL 13.3
960K16660	PL 2.6
960K16750	PL 13.2
960K17739	PL 18.3
960K18140	PL 13.3
960K18150	PL 13.3
960K18180	PL 13.3
960K18190	PL 13.3
960K22830	PL 13.1
960K23014	PL 13.1
960K24953	PL 9.4
960K25995	PL 13.4
960K26551	PL 13.2

**Table 1 Part Number Index**

Part Number	Part List
960K28900	PL 9.2
960K28910	PL 9.2
960K28920	PL 9.2
960K28930	PL 9.2
960K29230	PL 13.2
960K29230	PL 13.4
960K31350	PL 13.1
960K31841	PL 18.3
960K32500	PL 20.3
960K35480	PL 21.12
962K07440	PL 17.9
962K10121	PL 17.13
962K10131	PL 17.13
962K14551	PL 17.4
962K18401	PL 21.18
962K18411	PL 21.21
962K18421	PL 21.22
962K18431	PL 21.22
962K18441	PL 21.22
962K19705	PL 20.5
962K19712	PL 20.10
962K19722	PL 20.7
962K19731	PL 20.4
962K19740	PL 20.4
962K19750	PL 20.4
962K19793	PL 20.3
962K20052	PL 9.2
962K23070	PL 13.2
962K27671	PL 21.8
962K29160	PL 21.12
962K29221	PL 21.15
962K35480	PL 5.4
962K35490	PL 5.4
962K36610	PL 21.12
962K37974	PL 9.3
962K37980	PL 9.3
962K37991	PL 9.3
962K41680	PL 9.2
962K50850	PL 18.4
962K50860	PL 18.4
962K57440	PL 13.2

**Table 1 Part Number Index**

<b>Part Number</b>	<b>Part List</b>
962K59600	PL 9.2