



Parts Catalog - CLP-320/325 Series



- Model series :
 - CLP-320/325
 - CLP-320N/CLP-321N(Network model)
 - CLP-325W (Wireless model)
- Speed(Color/Mono) : 4/16 ppm(A4). 4/17ppm(Let)
- Printing resolution : Max. 2,400 x 600 dpi
- Emulation : SPL-C / PCL-6(Network Model)
- Memory : 32MB (USB Model) / 256MB (Network/Wireless Model)
- Processor : Jupiter5(360MHz,CLP-320/325/320N/325W)
- Interface : IEEE 802.3,Ethernet(10/100Mbps)
Wireless: IEEE 802.11b/g(Only wireless model)
- Toner Cartridge
 - Initial : 1K Toner(K), 0.7K Toner(C,M,Y, each)
 - Sales : 1.5K Toner(K), 1K toner(C, M, Y each)
- Printer Life : 100,000 pages
Monthly Max. Duty : 20,000 pages/month

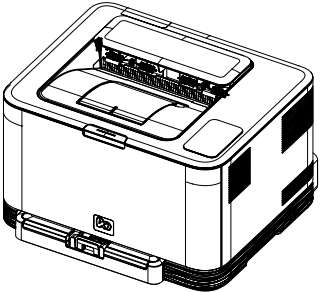
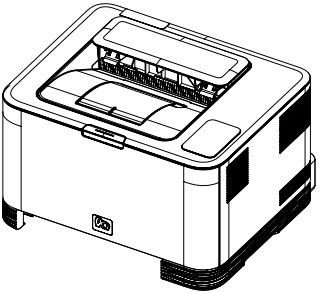
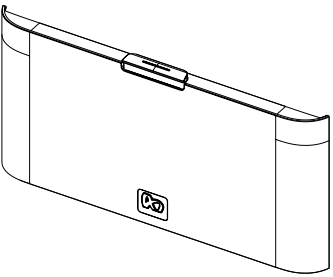
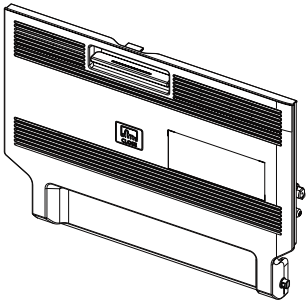
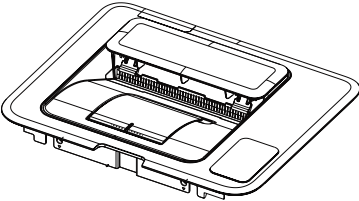
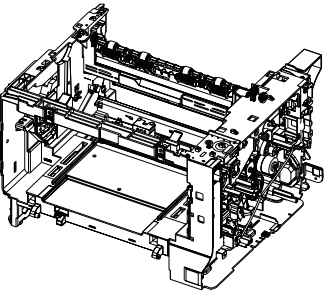
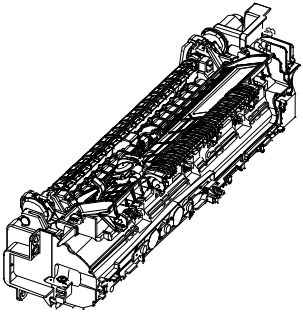
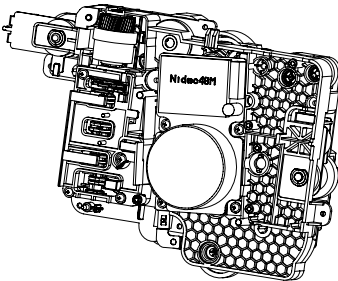
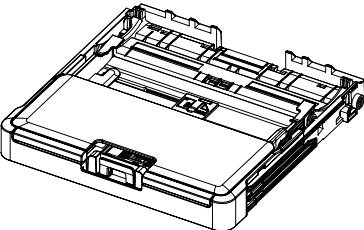
**This Parts Catalog is a property of Samsung Electronics Co.,Ltd.
Any unauthorized use of this manual can be punished under
applicable International and/or domestic law.**

Exploded View and Parts List

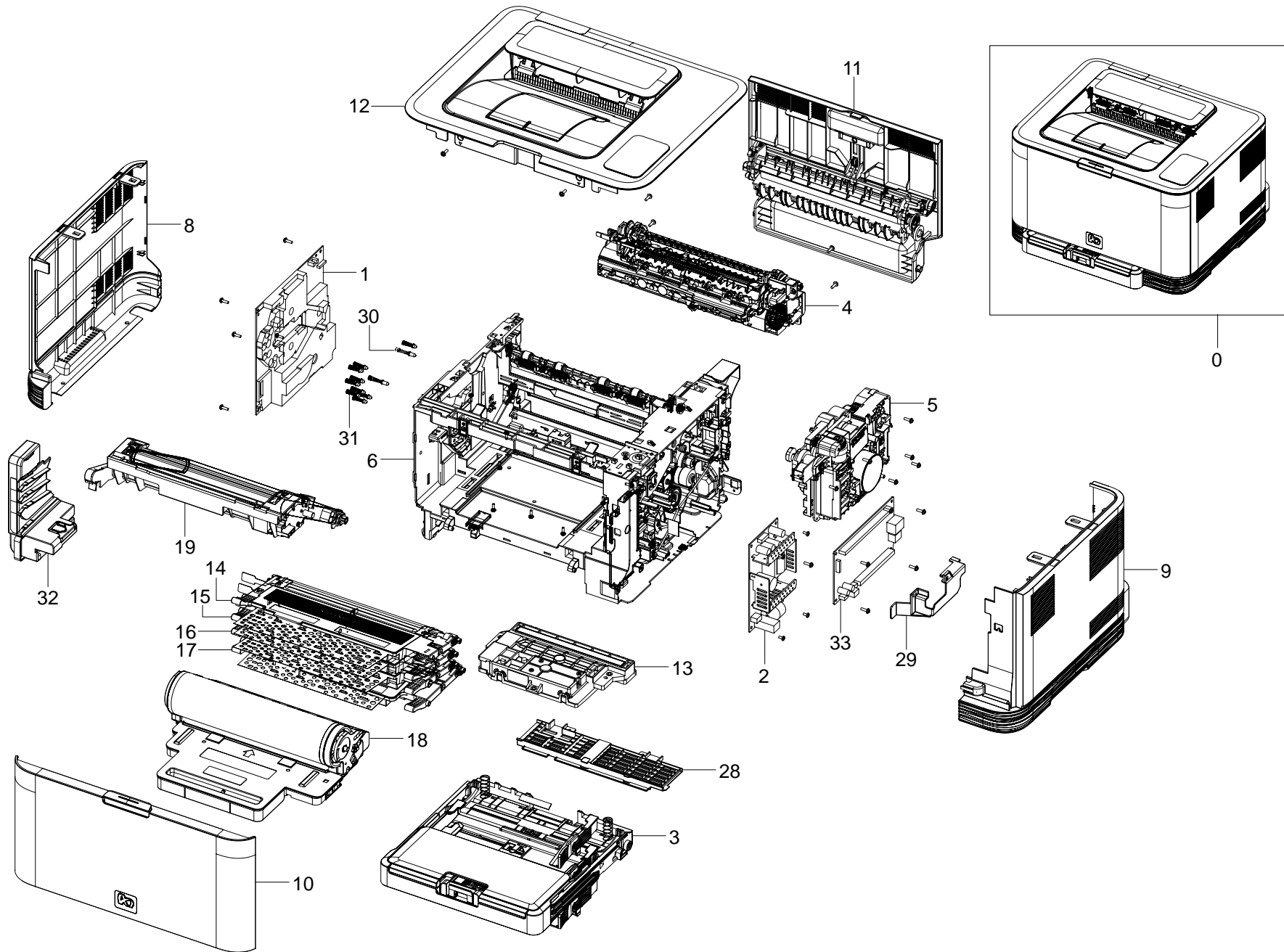
Contents

Thumbnail	4
1. MAIN	5
2. COVER	7
2A. COVER-FRONT	9
2B. COVER-REAR	11
2C. COVER-TOP	13
3. FRAME	15
4. FUSER	18
5. DRIVE	20
6. CASSETTE	22

Thumbnail

				
<p>1. MAIN</p>	<p>2. COVER</p>	<p>2A. COVER-FRONT</p>	<p>2B. COVER-REAR</p>	<p>2C. COVER-TOP</p>
				
<p>3. FRAME</p>	<p>4. FUSER</p>	<p>5. DRIVE</p>	<p>6. CASSETTE</p>	

1. MAIN



MAIN Parts List

SA : SERVICE AVAILABLE, SNA : SERVICE not AVAILABLE

Drawer#	SEC-Code	Description	Qty	Service	Remark
1	JC44-00190A	HVPS	1	SA	
2	JC44-00095C	SMPS	1	SA	110V
2	JC44-00096C	SMPS	1	SA	220V
3	JC90-00997A	CASSETTE	1	SA	325/325W
3	JC90-00997B	CASSETTE	1	SA	320/320N
4	JC91-00977A	FUSER	1	SA	110V
4	JC91-00978A	FUSER	1	SA	220V
5	JC93-00183A	DRIVE	1	SA	
6	JC93-00207A	FRAME	1	SNA	320/320N/325
6	JC93-00207B	FRAME	1	SNA	325W
7	JC63-01574A	COVER-CABLE	1	SA	
8	JC63-02742A	COVER-LEFT	1	SNA	325/325W
8	JC63-02817A	COVER-LEFT	1	SNA	320/320N
9	JC63-02753A	COVER-RIGHT	1	SNA	325
9	JC63-02753B	COVER-RIGHT	1	SNA	325W
9	JC63-02818A	COVER-RIGHT	1	SNA	320
9	JC63-02818B	COVER-RIGHT	1	SNA	320N
10	JC95-01200A	COVER-FRONT	1	SA	325/325W
10	JC95-01200B	COVER-FRONT	1	SA	320/320N
11	JC95-01201A	COVER-REAR	1	SA	325/325W
11	JC95-01201B	COVER-REAR	1	SA	320N
12	JC95-01202A	COVER-TOP	1	SA	325
12	JC95-01202B	COVER-TOP	1	SA	325W
12	JC95-01202C	COVER-TOP	1	SA	320
12	JC95-01202D	COVER-TOP	1	SA	320N

Drawer#	SEC-Code	Description	Qty	Service	Remark
13	JC96-04826A	ELA UNIT-LSU	1	SA	
14	JC96-05823A	CARTRIDGE-TONER Y	1	SNA	Sales
15	JC96-05824A	CARTRIDGE-TONER M	1	SNA	Sales
16	JC96-05825A	CARTRIDGE-TONER C	1	SNA	Sales
17	JC96-05826A	CARTRIDGE-TONER K	1	SNA	Sales
18	JC96-05827A	CARTRIDGE-DRUM	1	SNA	Sales
19	JC96-05874A	CARTRIDGE-TRANSFER	1	SA	
21	6003-000196	SCREW-TAPTYPE	1	SA	
22	6003-000269	SCREW-TAPTYPE	1	SA	
23	6003-000301	SCREW-TAPTYPE	1	SA	
24	JC39-01404A	HARNESS-BLDC	1	SA	
25	JC39-01363A	HARNESS-SMPS_SIGNAL	1	SNA	
26	JC39-01364A	HARNESS-SMPS_POWER	1	SNA	
27	JC39-01366A	HARNESS-GND	1	SNA	
28	JC61-02368A	HOUSING-HARNESS	1	SNA	
29	JC63-01575A	COVER-HARNESS	1	SNA	
30	JC96-01673A	ELA UNIT-TERMINAL TR S	2	SA	
31	JC97-01771A	MEA UNIT-TERMINAL S	9	SA	
32	JC97-03021A	MEA UNIT-TANK WASTE	1	SA	
33	JC92-02294A	PBA-MAIN	1	SA	320_325/XAA
33	JC92-02294B	PBA-MAIN	1	SA	320_325/SEE
33	JC92-02295A	PBA-MAIN	1	SA	320N/XAA
33	JC92-02295B	PBA-MAIN	1	SA	320N/SEE
33	JC92-02296A	PBA-MAIN	1	SA	325W/XAA
33	JC98-01339B	PBA-MAIN	1	SA	325W/SEE

Drawer# :33 (PBA-MAIN)

Parts code	JC92-02294A	JC92-02294B	JC92-02294C	JC92-02294D	JC92-02294E	JC92-02294F	JC92-02294G
normal model	CLP-320/XAA CLP-325/XAA	CLP-320/ELS CLP-325/ELS,SEE	CLP-320/STS,XEV,XFA ,XSG,XSS,CLP-325/SAU ,STS,XEV,XFA,XSA,XSG ,XSS	CLP-325/TEC,TED CLP-325/TEC,TED	CLP-320/XAX CLP-325/XAX,XBG,XBH	CLP-326/XIL,XIP	CLP-325/ETS
Parts code	JC92-02295A	JC92-02295B	JC92-02295C	JC92-02295D	JC92-02295E	JC92-02295F	-
network model	CLP-320N/XAA	CLP-320N/ELS,SEE,XEG	CLP-320/STS,XEV ,XFA,XSA,XSG,XSS	CLP-320N/TED	CLP-320N/XAX,XBG	CLP-321N/XIL,XIP	-
Parts code	JC92-02296A	JC92-02296B	JC92-02296C	-	-	-	-
wireless model	CLP-325W/XAA	CLP-325W/ELS,SEE,XEG	CLP-325W/XFA,XSA ,XSG,XSS	-	-	-	-

Drawer# :33 (PBA-MAIN)

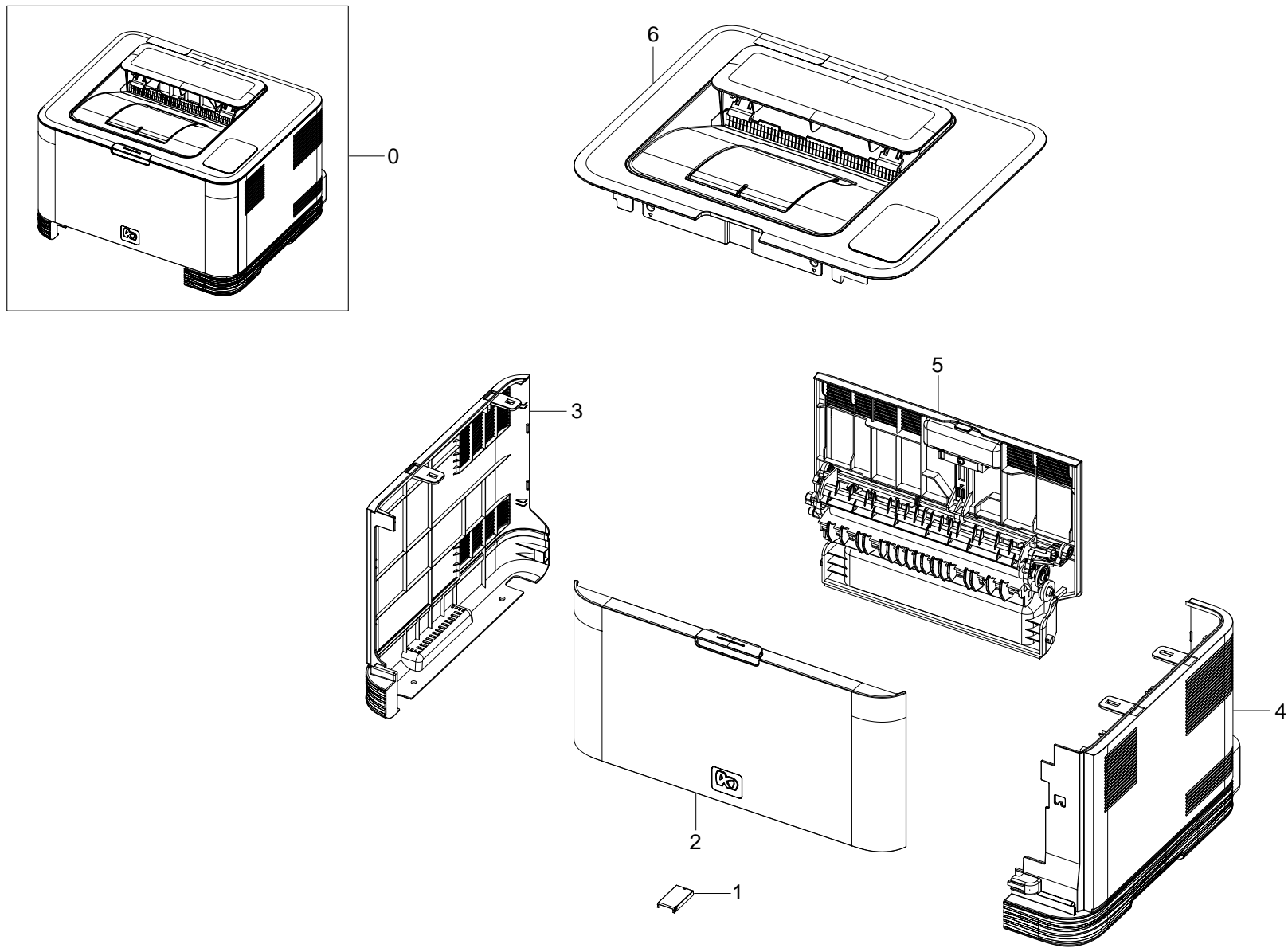
Parts code	JC92-02294A	JC92-02294B	JC92-02294C	JC92-02294D	JC92-02294E	JC92-02294F	JC92-02294G
normal model	CLP-320/XAA CLP-325/XAA	CLP-320/ELS CLP-325/ELS,SEE	CLP-320/STS,XEV,XFA XSG,XSS, CLP-325/SAU STS,XEV,XFA,XGA,XGG XSS	CLP-325/TEC,TED CLP-325/TEC,TED	CLP-320/XAX CLP-325/XAX,XBG,XBH	CLP-328/XIL,XIP	CLP-326/ETS
Parts code	JC92-02295A	JC92-02295B	JC92-02295C	JC92-02295D	JC92-02295E	JC92-02295F	-
network model	CLP-320N/XAA	CLP-320N/ELS,SEE,XEG	CLP-320/STS,XEV XFA,XSA,XSG,XSS	CLP-320N/TED	CLP-320N/XAX,XBG	CLP-321N/XIL,XIP	-
Parts code	JC92-02296A	JC92-02296B	JC92-02296C	-	-	-	-
wireless model	CLP-325W/XAA	CLP-325W/ELS,SEE,XEG	CLP-325W/XFA,XSA XSG,XSS	-	-	-	-



83507453

83507453

2. COVER



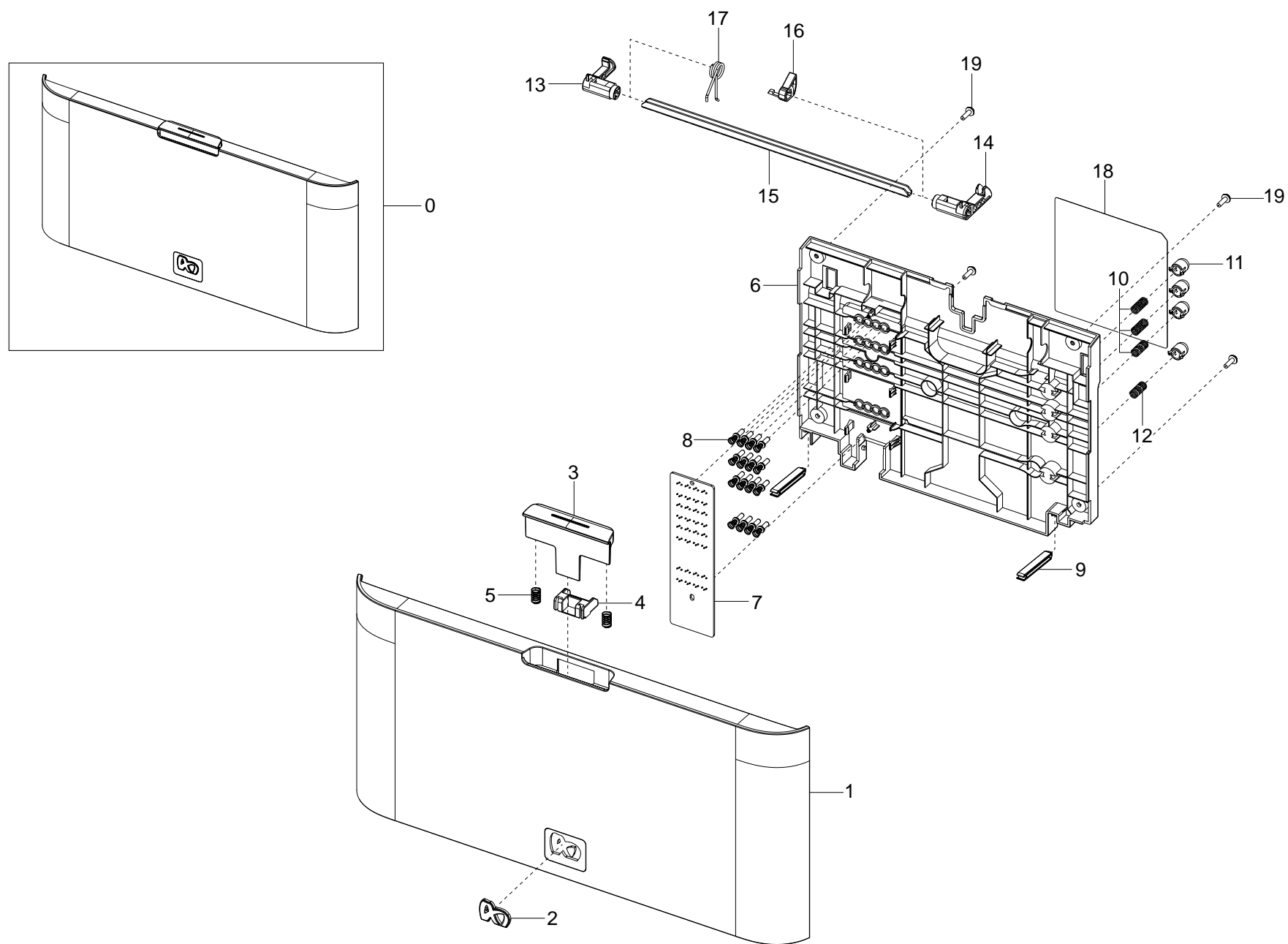
COVER Parts List

SA : SERVICE AVAILABLE, SNA : SERVICE not AVAILABLE

Drawer#	SEC_Code	Description	QT'y	Service	Remark
0	JC95-01199A	COVER	1	SNA	325
0	JC95-01199B	COVER	1	SNA	325W
0	JC95-01199C	COVER	1	SNA	320
0	JC95-01199D	COVER	1	SNA	320N
1	JC63-01574A	COVER-CABLE	1	SA	
2	JC95-01200A	COVER-FRONT	1	SA	325/325W
2	JC95-01200B	COVER-FRONT	1	SA	320/320N
3	JC63-02742A	COVER-LEFT	1	SA	325/325W
3	JC63-02817A	COVER-LEFT	1	SA	320/320N
4	JC63-02753A	COVER-RIGHT	1	SA	325

Drawer#	SEC_Code	Description	QT'y	Service	Remark
4	JC63-02753B	COVER-RIGHT	1	SA	325W
4	JC63-02818A	COVER-RIGHT	1	SA	320
4	JC63-02818B	COVER-RIGHT	1	SA	320N
5	JC95-01201A	COVER-REAR	1	SA	325/325W
5	JC95-01201B	COVER-REAR	1	SA	320/320N
6	JC95-01202A	COVER-TOP	1	SA	325
6	JC95-01202B	COVER-TOP	1	SA	325W
6	JC95-01202C	COVER-TOP	1	SA	320
6	JC95-01202D	COVER-TOP	1	SA	320N

2A. COVER-FRONT



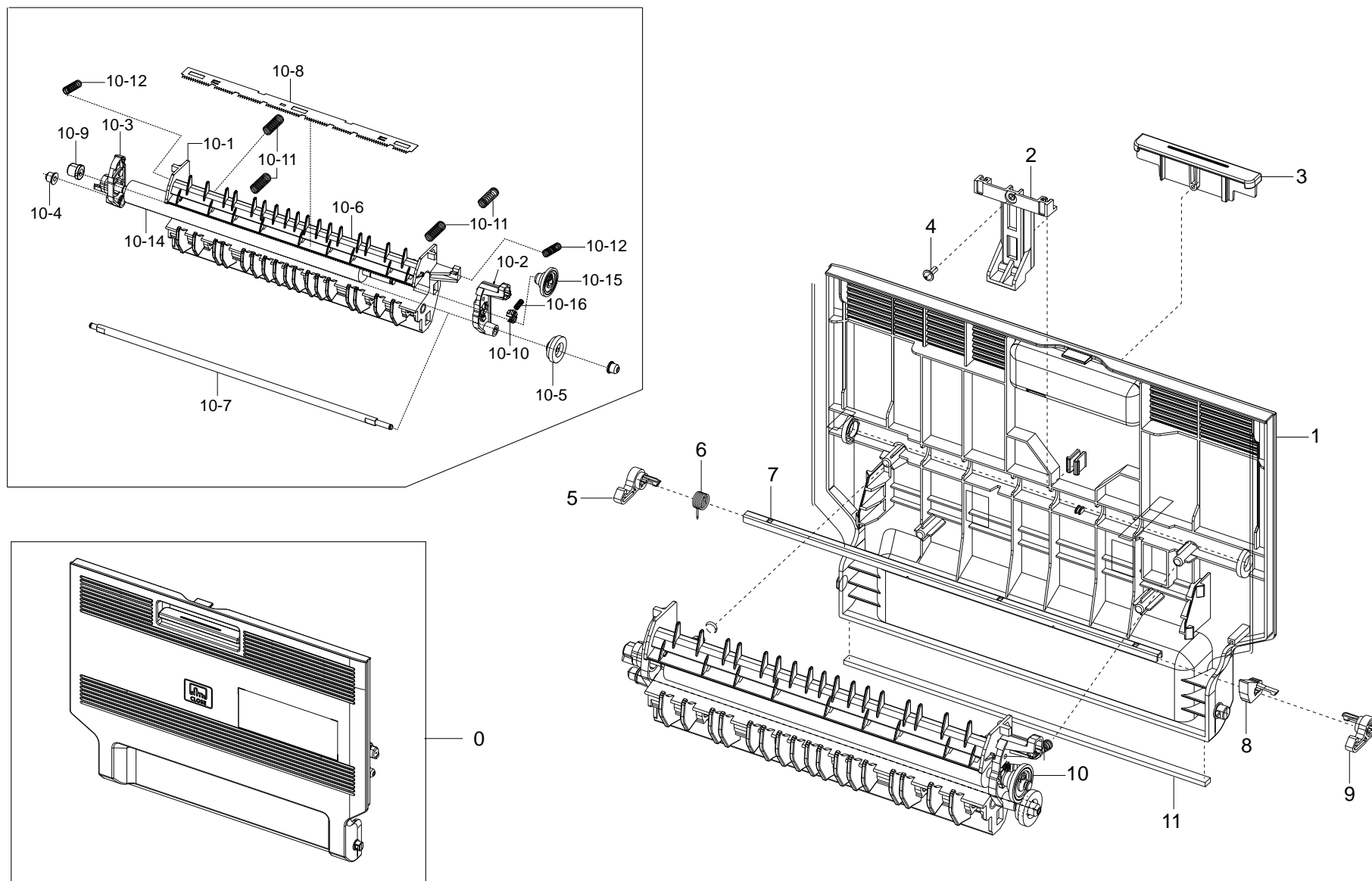
COVER-FRONT Parts List

SA : SERVICE AVAILABLE, SNA : SERVICE not AVAILABLE

Drawer#	SEC_Code	Description	QT'y	Service	Remark
0	JC95-01200A	COVER-FRONT	1	SA	325/325W
0	JC95-01200B	COVER-FRONT	1	SA	320/320N
1	JC63-02748A	COVER-FRONT	1	SNA	325/325W
1	JC63-02815A	COVER-FRONT	1	SNA	320/320N
2	JC64-00429A	BADGE-COLOR SMALL	1	SNA	
3	JC64-00578A	HANDLE-FRONT	1	SNA	325/325W
3	JC64-00595A	HANDLE-FRONT	1	SNA	320/320N
4	JC66-01734A	LEVER-FRONT LOCK	1	SNA	
5	6107-001497	SPRING-CS	2	SA	
6	JC63-02751A	COVER-FRONT INNER	1	SNA	325/325W
6	JC63-02751B	COVER-FRONT INNER	1	SNA	320/320N
7	JC92-01989A	PBA SUB-CRUMJOINT	1	SA	

Drawer#	SEC_Code	Description	QT'y	Service	Remark
8	JC97-03039A	MEA-CRUM TERMINAL	16	SA	
9	JC66-01748A	LEVER-LSU	2	SNA	
10	6107-001404	SPRING-CS	3	SA	
11	JC64-00349A	BUTTON-SUPPORT	4	SNA	
12	6107-001403	SPRING-CS	1	SA	
13	JC64-00368A	LOCKER-FRONT_R	1	SNA	
14	JC64-00367A	LOCKER-FRONT_L	1	SNA	
15	JC66-01789A	SHAFT-LOCK BAR FRONT	1	SNA	
16	JC61-02255A	HOLDER-HOOK FRONT C	1	SNA	
17	6107-001392	SPRING-TS	1	SA	
18	JC68-02467A	LABEL-INFORMATION	1	SNA	
19	6003-000196	SCREW-TAPTITE	4	SA	

2B. COVER-REAR



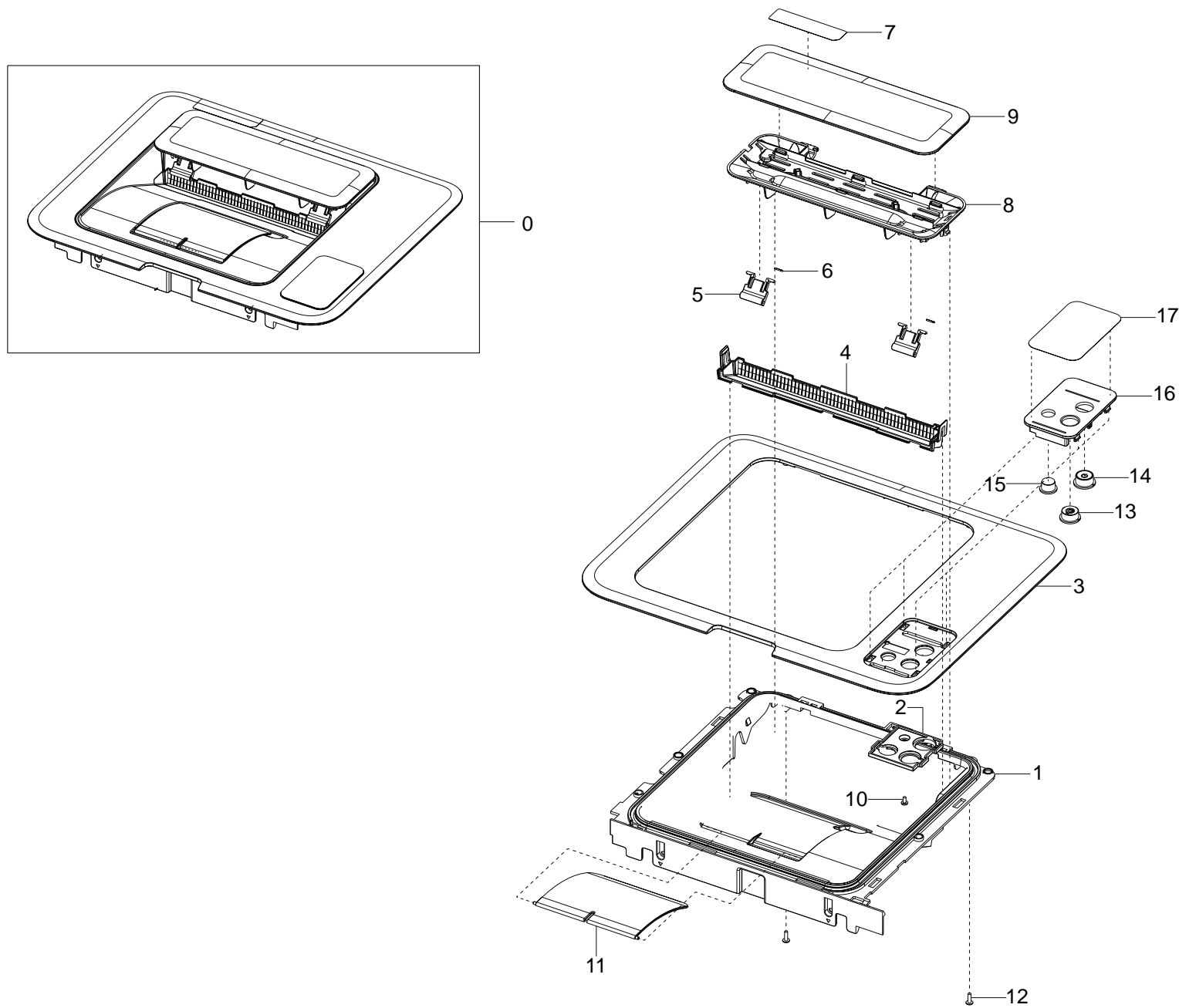
COVER-REAR Parts List

SA : SERVICE AVAILABLE, SNA : SERVICE not AVAILABLE

Drawer#	SEC_Code	Description	QT'y	Service	Remark
0	JC95-01201A	COVER REAR	1	SA	325/325W
0	JC95-01201B	COVER REAR	1	SA	320/320N
1	JC63-02749A	COVER-REAR	1	SNA	325/325W
1	JC63-02816A	COVER-REAR	1	SNA	320N
2	JC66-02707A	LEVER-REAR LOCK	1	SNA	
3	JC64-00579A	BUTTON-OPEN REAR	1	SNA	325/325W
3	JC64-00596A	BUTTON-OPEN REAR	1	SNA	320N
4	6002-000440	SCREW-TAPPING	2	SA	
5	JC61-01461A	HOLDER-HOOK REAR R	1	SNA	
6	6107-001268	SPRING-TS	1	SA	
7	JC66-01089A	SHAFT-P-LOCKBAR REAR	1	SNA	
8	JC61-02254A	HOLDER-HOOK REAR C	1	SA	
9	JC61-01456A	HOLDER-HOOK REAR L	1	SA	
10	JC95-01197A	MEA UNIT-TRANSFER	1	SA	
10-1	JC61-03960A	FRAME-TRANSFER_T	1	SNA	

Drawer#	SEC_Code	Description	QT'y	Service	Remark
10-2	JC66-01747A	LEVER-T2 R	1	SNA	
10-3	JC66-01746A	LEVER-T2 L	1	SNA	
10-4	JC61-01469A	HOLDER-M-LOCATE SHAFT	1	SNA	
10-5	JC66-01745A	GEAR-T2 DRIVE	1	SA	
10-6	JC61-03794A	PLATE-GND	1	SNA	
10-7	JC66-01072A	SHAFT-LOCATE	1	SNA	
10-8	JC70-10232A	IPR-PLATE SAW	1	SA	
10-9	JC61-01543A	BUSH-CHARGE LEFT	1	SNA	
10-10	JC72-40332A	PMO-BUSHING_CHARGE	1	SNA	
10-11	6107-001278	SPRING-CS	4	SA	
10-12	6107-001387	SPRING-CS	2	SA	
10-14	JC66-02717A	ROLLER-TRANSFER	1	SNA	
10-15	JC66-01743A	GEAR-T2 ROLLER	1	SA	
10-16	6107-000103	SPRING-CS	1	SNA	
11	JC72-01452A	SPONGE-COVER RIGHT	1	SNA	

2C. COVER-TOP



COVER-TOP Parts List

SA : SERVICE AVAILABLE, SNA : SERVICE not AVAILABLE

Drawer#	SEC_Code	Description	QT'y	Service	Remark
0	JC95-01202A	COVER TOP	1	SA	325
0	JC95-01202B	COVER TOP	1	SA	325W
0	JC95-01202C	COVER TOP	1	SA	320
0	JC95-01202D	COVER TOP	1	SA	320N
1	JC63-02745A	COVER-TOP	1	SNA	325/325W
1	JC63-02745B	COVER-TOP	1	SNA	320/320N
2	JC63-02752A	COVER-LED	1	SNA	
3	JC63-02750A	COVER-TOP-SUB	1	SNA	325/325W
3	JC63-02819A	COVER-TOP-SUB	1	SNA	320/320N
4	JC63-02754A	COVER-EXIT	1	SNA	325/325W
4	JC63-02754B	COVER-EXIT	1	SNA	320/320N
5	JC72-01001A	PMO-SUB STACKER	2	SA	
6	JC66-02016A	DAMPER-PAD	2	SA	
7	JC68-02037A	LABEL-INFORMATION	1	SNA	
8	JC63-02746A	COVER-JAM	1	SNA	325/325W
8	JC63-02746B	COVER-JAM	1	SNA	320/320N

Drawer#	SEC_Code	Description	QT'y	Service	Remark
9	JC63-02747A	COVER-DUST	1	SNA	325/325W
9	JC63-02823A	COVER-DUST	1	SNA	320/320N
10	6003-000261	SCREW-TAPTITE	1	SA	
11	JC61-03965A	STACKER-MAIN	1	SA	325/325W
11	JC61-03965B	STACKER-MAIN	1	SA	320/320N
12	6003-000196	SCREW-TAPTITE	2	SA	
13	JC64-00577A	KEY-OPE	1	SA	
14	JC64-00576A	KEY-POWER	1	SA	
15	JC64-00575A	KEY-PRINT_SCREEN	1	SA	320/325
15	JC64-00575B	KEY-PRINT_SCREEN	1	SA	325W
15	JC64-00575C	KEY-PRINT_SCREEN	1	SA	320N
16	JC63-02755A	COVER-OPE-DECO	1	SNA	325
16	JC63-02755B	COVER-OPE-DECO	1	SNA	325W
16	JC63-02755C	COVER-OPE-DECO	1	SNA	320
16	JC63-02755D	COVER-OPE-DECO	1	SNA	320N
17	JC63-02761A	SHEET-COVER-OPE-DECO	1	SNA	

FRAME Parts List

SA : SERVICE AVAILABLE, SNA : SERVICE not AVAILABLE

Drawer#	SEC_Code	Description	QT'y	Service	Remark
0	JC93-00207A	FRAME	1	SNA	320/325/320N
0	JC93-00207B	FRAME	1	SNA	325W
5	6003-000152	SCREW-TAPTYPE	2	SA	
6	6003-000196	SCREW-TAPTYPE	25	SA	
7	6003-000269	SCREW-TAPTYPE	1	SA	
8	6003-000301	SCREW-TAPTYPE	1	SA	
9	6031-001255	WASHER-PLAIN	1	SA	
10	6044-000001	RING-CS	2	SA	
11	6044-000125	RING-E	2	SA	
12	6107-001120	SPRING-CS	1	SNA	
13	6107-001309	SPRING-CS	2	SA	
14	6107-001409	SPRING-CS	2	SA	
15	6107-002638	SPRING-TS	1	SA	
16	6502-000132	CABLE CLAMP	2	SNA	
17	JC33-00026A	SOLENOID-PICK UP	1	SA	
18	JC39-00866A	FLAT CABLE	1	SNA	
19	JC39-00867A	FLAT CABLE	1	SNA	
20	JC39-00900A	HARNESS-COVERSW	1	SNA	
21	JC39-01366A	HARNESS-GND	1	SNA	
22	JC39-00906A	HARNESS-CRUMJOINT	1	SNA	
23	JC39-00956A	HARNESS-FUSER_GND	1	SNA	
24	JC39-01365A	HARNESS-INLET	1	SNA	
26	JC47-00019A	CLUTCH-DEVE CAM	1	SA	
27	JC47-00020A	CLUTCH-FUSER CAM	1	SA	
28	JC61-01548A	HOLDER-M-CAM	1	SNA	
29	JC61-02357A	GUIDE-RAIL R	1	SNA	
30	JC61-02359A	GUIDE-RAIL L	1	SNA	
31	JC61-02369A	PLATE-GROUND OPC L	1	SNA	
32	JC61-02372A	BUSH-D6/L4	2	SA	
33	JC61-02376A	PLATE-GROUND FUSER	1	SNA	
34	JC61-02377A	PLATE-GROUND REGI	1	SNA	

Drawer#	SEC_Code	Description	QT'y	Service	Remark
35	JC61-02379A	PLATE-GROUND T2	1	SNA	
36	JC61-02415A	SPRING ETC-OPC L	1	SA	
37	JC61-02417A	SPRING ETC-ITB L	1	SA	
38	JC61-02425A	HOLDER-CLUTCH	1	SA	
39	JC61-03795A	FRAME-BASE TISSOT	1	SNA	
40	JC61-02473A	PLATE-SWITCH	1	SNA	
41	JC61-40001A	FOOT-ML80	2	SA	
42	JC61-70940A	SPRING ETC-TR(12)	1	SA	
43	JC63-01592A	COVER-GROUND OPC	1	SNA	
44	JC63-01654A	SHIELD-SMPS	1	SNA	
45	JC63-01779A	SHEET-DEFLECTION	2	SNA	
46	JC63-02631A	GROUND-MAIN T	1	SNA	
49	JC63-02743A	GROUND-T2	1	SNA	
50	JC64-00349A	BUTTON-SUPPORT	1	SNA	
51	JC64-00350A	SHUTTER-LSU	1	SNA	
52	JC64-00365A	LOCKER-ITB	2	SA	
53	JC66-00050A	CAM-CATCH	2	SA	
54	JC66-01120A	SHAFT-FEED IDLE	1	SNA	
55	JC66-01207A	SHAFT-M-CLUTCH FUSER	1	SA	
56	JC66-01721A	GEAR-REGI DRIVE	1	SA	
57	JC66-01722A	GEAR-REGI RELAY	1	SA	
58	JC66-01740A	LINK-LSU	2	SNA	
59	JC66-02720A	ROLLER-REGI_T	1	SNA	
60	JC67-00168A	BRUSH-LSU	1	SNA	
61	JC72-00102A	PMO-BUSHING_TR(L)	2	SA	
62	JC90-00994A	EXIT	1	SA	
64	JC92-02297A	PBA-OPE	1	SNA	320/325/320N
64	JC92-02298A	PBA-OPE	1	SNA	325W
65	JC96-04756A	ELA UNIT-SENSOR WASTE	1	SA	
66	JC97-01771A	MEA UNIT-TERMINAL S	2	SA	
67	JC97-02638A	MEA UNIT-TERMINAL GND	1	SA	

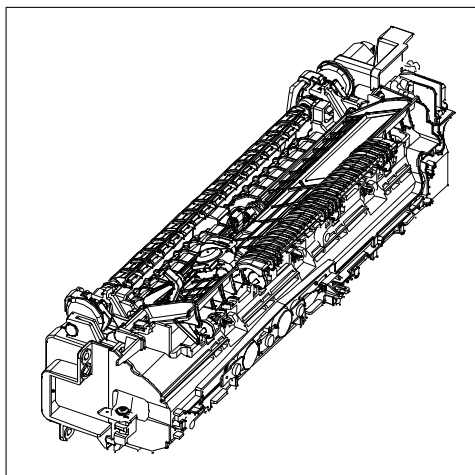
FRAME Parts List

SA : SERVICE AVAILABLE, SNA : SERVICE not AVAILABLE

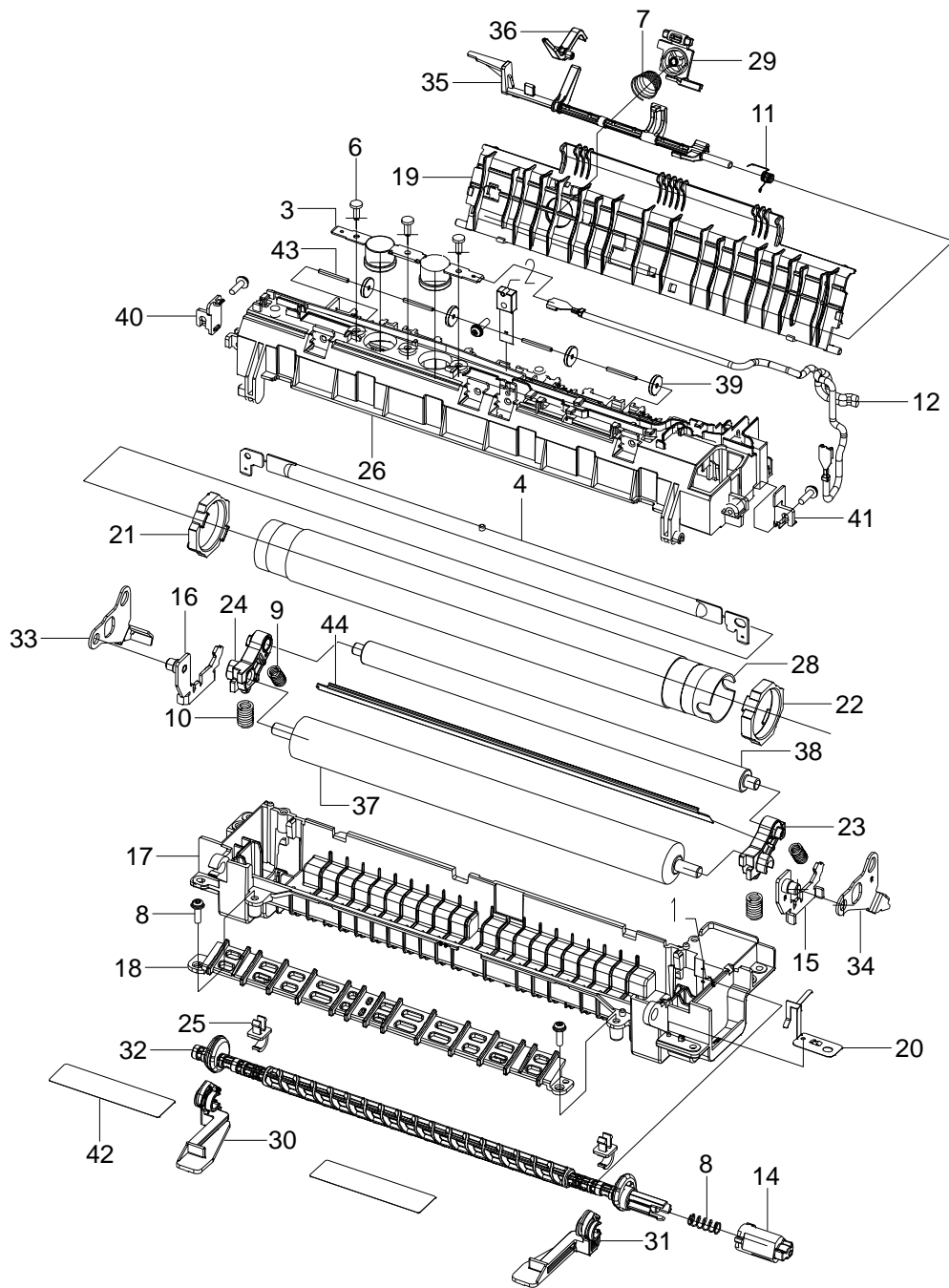
Drawer#	SEC_Code	Description	QT'y	Service	Remark
68	JC97-03027A	MEA UNIT-PICK UP GEAR	1	SA	
69	JC97-03028A	MEA UNIT-PICK UP ROLL	1	SA	
70	JC97-03029A	MEA UNIT-GUIDE PICKUP	1	SA	

Drawer#	SEC_Code	Description	QT'y	Service	Remark
71	JC97-03030A	MEA UNIT-ACT REGI	1	SA	
72	JC98-01393A	BOARD-PTL	1	SNA	

4. FUSER



0



FUSER Parts List

SA : SERVICE AVAILABLE, SNA : SERVICE not AVAILABLE

Drawer#	SEC_Code	Description	QT'y	Service	Remark
0	JC91-00977A	FUSER	1	SA	110V
0	JC91-00978A	FUSER	1	SA	220V
2	1404-001447	THERMISTOR-NTC ASSY	1	SA	
3	4712-001031	THERMOSTAT	1	SA	
4	4713-001242	LAMP-HALOGEN	1	SA	110V
4	4713-001243	LAMP-HALOGEN	1	SA	220V
5	6003-000196	SCREW-TAPTYPE	7	SA	
6	6003-000282	SCREW-TAPTYPE	3	SA	
7	6107-001169	SPRING-CS	1	SA	
8	6107-001290	SPRING-CS	1	SA	
9	6107-001397	SPRING-CS	2	SA	
10	6107-002618	SPRING-CS	2	SA	
11	6107-001507	SPRING-TS	1	SA	
12	JC39-01368A	HARNESS-FUSER_LINK2	1	SNA	
13	JC39-01367A	HARNESS-FUSER_AC	1	SNA	
14	JC61-01647A	HOLDER-M-SHAFT FUSER	1	SA	
15	JC61-02287A	HOLDER-BUSH R	1	SNA	
16	JC61-02290A	HOLDER-BUSH L	1	SNA	
17	JC61-03732A	FRAME-LOWER FUSER	1	SNA	
18	JC61-03730A	GUIDE-INPUT FUSER	1	SNA	
19	JC61-02364A	GUIDE-OUTPUT FUSER	1	SA	
20	JC61-02371A	PLATE-GROUND FUSER	1	SNA	
21	JC61-02392A	BUSH-HR L	2	SNA	

Drawer#	SEC_Code	Description	QT'y	Service	Remark
22	JC61-02393A	BUSH-HR R	1	SNA	
23	JC61-03742A	BUSH-2PR R	1	SNA	
24	JC61-03743A	BUSH-2PR L	1	SNA	
25	JC61-02411A	BUSH-TX	2	SNA	
26	JC61-03208A	FRAME-UPPER FUSER	1	SNA	
27	JC66-01699A	GEAR-FUSER	1	SA	
28	JC66-02722A	ROLLER-HEAT	1	SNA	
29	JC66-01695A	LEVER-COVER OPEN	1	SNA	
30	JC66-01700A	LEVER-JAM L	1	SNA	
31	JC66-01701A	LEVER-JAM R	1	SNA	
32	JC66-01737A	SHAFT-CAM FUSER	1	SA	
33	JC66-01738A	LEVER-RELEASE L	1	SNA	
34	JC66-01742A	LEVER-RELEASE R	1	SNA	
35	JC66-02568A	ACTUATOR-EXIT FUSER	1	SNA	
36	JC66-02569A	ACTUATOR-EXIT SUB	1	SNA	
37	JC66-02567B	ROLLER-PRESSURE	1	SNA	
38	JC66-01804A	ROLLER-PRESSURE SHAFT	1	SNA	
39	JC66-02010A	ROLLER-IDLE	4	SNA	
40	JC67-00280A	CAP-FUSER L	1	SNA	
41	JC67-00281A	CAP-FUSER R	1	SNA	
42	JC68-01581C	LABEL-CAUTION	2	SNA	
43	JC70-20901A	IEX-SHAFT IDLE,F/UP	4	SA	
44	JC61-03729A	GUIDE PR	1	SNA	

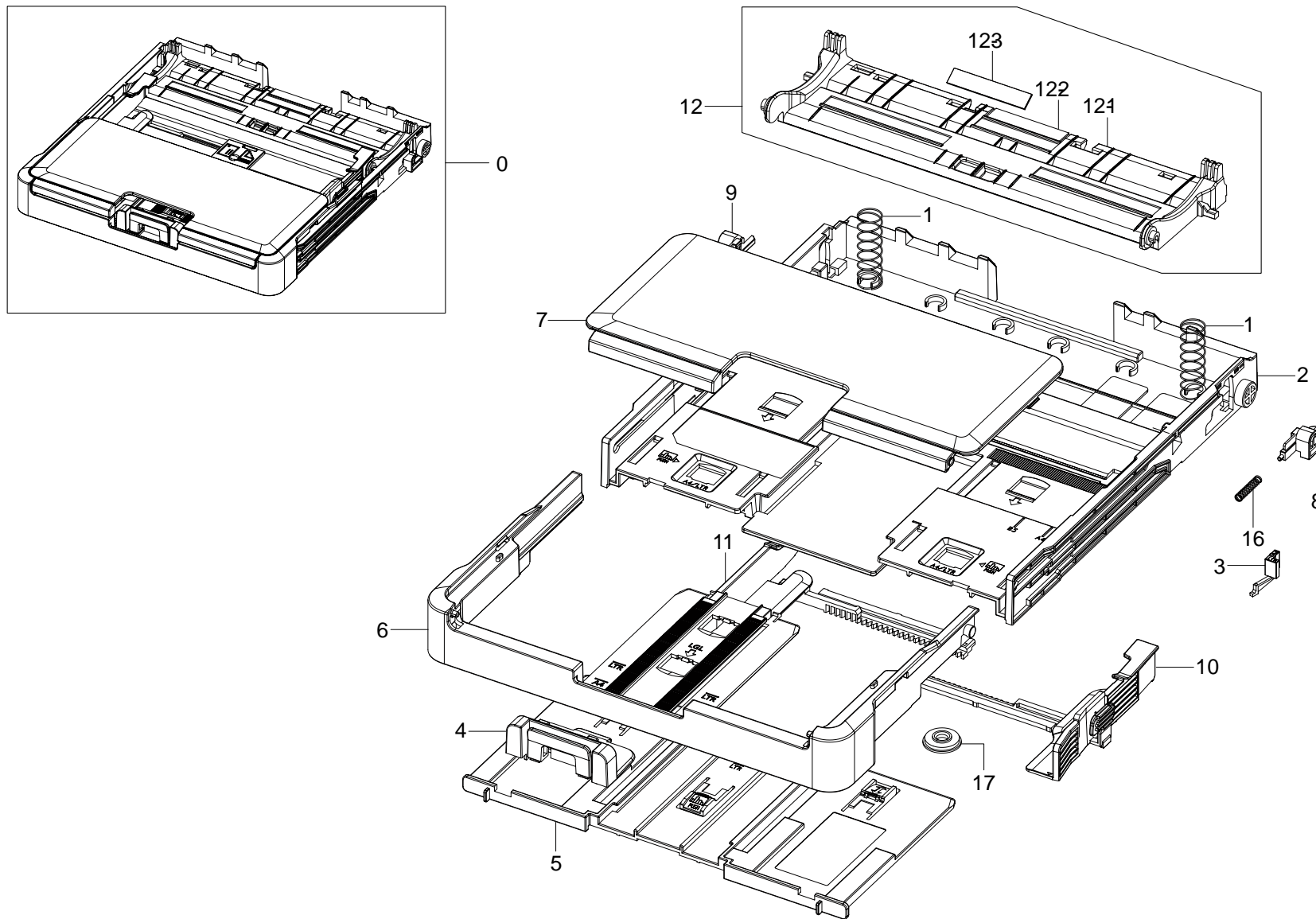
DRIVE Parts List

SA : SERVICE AVAILABLE, SNA : SERVICE not AVAILABLE

Drawer#	SEC_Code	Description	QT'y	Service	Remark
0	JC93-00183A	DRIVE	1	SA	
1	JC61-03880A	BRACKET-DRIVE MAIN/T	1	SNA	
2	JC61-02279A	BRACKET-STUD	1	SNA	
3	6002-000440	SCREW-TAPPING	25	SA	
4	JC61-02374A	PLATE-GROUND MOTOR	1	SNA	
5	JC31-00091A	MOTOR BLDC	1	SA	
6	6003-000301	SCREW-TAPTYPE	1	SA	
7	JC67-00278A	CAP-PUSH COUPLING	3	SNA	
8	JC66-02617A	LINK-PUSH BLACK CAP/T	1	SNA	
9	JC92-01986A	PBA SUB-DEVEHOME	1	SA	
10	JC61-02372A	BUSH-D6/L4	4	SA	
11	JC47-00019A	CLUTCH-DEVE CAM	1	SA	
12	JC66-02618A	SHAFT-DEVE CAM/T	1	SNA	
13	JC61-02292A	HOLDER-DEVE CAM	1	SNA	
14	6031-001490	WASHER-PLAIN	4	SNA	
15	JC66-02616A	GEAR-IDLE DEVE/T	2	SA	
16	JC66-02607A	GEAR-IDLE Z39 T	1	SA	
17	JC66-01707A	GEAR-EXIT IDLE	1	SA	
18	JC66-01714A	GEAR-IDLE ITB Z57	1	SA	
19	JC66-01697A	GEAR-RDCN DEVE CAM	1	SA	
20	6044-000159	RING-C	1	SNA	
21	JC66-01060A	SHAFT-WORM GEAR	1	SNA	
22	JC66-01057A	GEAR-WORM DEVE CAM	1	SA	
23	JC66-01705A	GEAR-DEVE COUPLING	4	SA	
24	6107-001362	SPRING-CS	4	SA	
25	JC66-02605A	GEAR-RDCN OPC	1	SA	
26	JC66-02701A	GEAR-ITB_DRIVE_HT	1	SA	
27	JC66-01728A	GEAR-RDCN EXIT	1	SA	

Drawer#	SEC_Code	Description	QT'y	Service	Remark
28	JC66-01727A	GEAR-RDCN P_PATH	1	SA	
29	JC66-02600A	GEAR-RDCN DEVE	1	SA	
30	JC66-02601A	GEAR-OPC DRIVE T	1	SA	
31	JC66-01704A	GEAR-DEVE CLUTCH Z27	1	SA	
32	JC66-01710A	GEAR-IDLE CLUTCH CAM	1	SA	
33	JC66-01708A	GEAR-EXIT RELAY	1	SA	
34	JC66-01711A	GEAR-IDLE FUSER CAM	1	SA	
35	JC66-01729A	GEAR-RDCN FUSER CAM	1	SA	
36	JC66-01709A	GEAR-FUSER DRIVE	1	SA	
37	JC66-01706A	GEAR-DEVE DRIVE	4	SA	
38	JC66-01718A	GEAR-PICK UP DRIVE	1	SA	
39	JC66-01715A	GEAR-IDLE Z32	1	SA	
40	JC66-01814A	SHAFT-DRIVE FUSER	1	SNA	
41	JC47-00007F	CLUTCH-ITB CAM	2	SA	
42	6044-000231	RING-E	1	SNA	
43	6031-001255	WASHER-PLAIN	12	SA	
44	JC66-01717A	GEAR-IDLE Z39 F	1	SA	
45	JC66-01061A	SHAFT-IDLE D8	1	SNA	
48	JC61-03881A	BRACKET-DRIVE FRONT/T	1	SNA	
49	6001-000130	SCREW-MACHINE	1	SA	
50	JC61-02419A	SPRING ETC-GROUND OPC	1	SNA	
51	JC61-02373A	PLATE-GROUND OPC	1	SNA	
52	JC66-01724A	SHAFT-ITB CLEAN CAM	1	SNA	
53	JC66-01723A	SHAFT-T2 CAM	1	SNA	
54	JC66-02702A	LATCH-M_HUB_CLUTCH_T	1	SNA	
55	JC66-01155B	GEAR-FUSER RDCN OUT V	1	SA	
56	JF68-10532B	LABEL(P)-BAR CODE	1	SNA	
57	JC67-00454A	CAP-PUSH COUPLING	1	SNA	

6. CASSETTE



CASSETTE Parts List

SA : SERVICE AVAILABLE, SNA : SERVICE not AVAILABLE

Drawer#	SEC_Code	Description	QT'y	Service	Remark
0	JC90-00997A	CASSETTE	1	SA	325/325W
0	JC90-00997B	CASSETTE	1	SA	320/320N
1	6107-001240	SPRING-CS	2	SA	
2	JC61-02327A	FRAME-SEMI CASSETTE	1	SNA	
2	JC61-02327C	FRAME-SEMI CASSETTE	1	SNA	
3	JC61-02484A	STOPPER-ADJUSTER	1	SNA	
4	JC61-03971A	STOPPER-PAPER REAR_T	1	SNA	
5	JC63-00872A	TRAY-M-EXT CASSETTE	1	SNA	
6	JC63-02744A	TRAY-EXTENSION SMALL	1	SNA	325/325W
6	JC63-02744B	TRAY-EXTENSION SMALL	1	SNA	320/320N
7	JC63-02757A	COVER-CASSETTE_T	1	SNA	
8	JC64-00222A	LOCKER-M-KNOCK UP R	1	SA	

Drawer#	SEC_Code	Description	QT'y	Service	Remark
9	JC64-00223A	LOCKER-M-KNOCK UP L	1	SA	
10	JC70-00516A	ADJUST-M-CASSETTE R	1	SA	
11	JC70-00517A	ADJUST-M-CASSETTE L	1	SA	
12	JC97-03040A	MEA UNIT-PLATE K_UP	1	SA	325/325W
12	JC90-01019A	CASSETTE-PLATE KNOCK UP	1	SA	320/320N
12-1	JC61-02378A	PLATE-KNOCKUP	1	SNA	325/325W
12-1	JC61-02378C	PLATE-KNOCKUP	1	SNA	320/320N
12-2	JC73-00140A	RPR-FRICTION PAD	1	SA	
12-3	JC73-00141A	RPR-PAD CASSETTE	1	SA	
16	JG61-70531A	SPRING ETC-LOCKER,PLATE	2	SA	
17	JG66-40003A	GEAR-PINION	1	SA	