

8 Parts and diagrams

- [Order parts and supplies](#)
- [Assembly locations](#)
- [Covers](#)
- [Internal assemblies](#)
- [Alphabetical parts list](#)
- [Numerical parts list](#)

Order parts and supplies

Parts

Order replacement parts from the following Web sites:

<http://h30074.www3.hp.com/csn-aux/srvcdlvry/epdo/default/ePDOLogin.asp> (technicians)

<http://h20141.www2.hp.com/hpparts> (customers)

Related documentation and software

Order documentation and software from the companies listed in the following table; some documentation and software is available at the following Web sites.

Table 8-1 Technical support Web sites

HP Customer Care Online	http://www.hp.com/support
Software drivers, support documentation, and answers to frequently asked questions	
HP Technical Training	http://education.itrc.hp.com/TrainerII/en-US/index.jsp
(North America)	
Classes and schedules	

Supplies

Printer supplies are listed in this chapter. Consumables are available directly from HP at the following numbers.

- US: 800-538-8787
- Canada: 800-387-3154 (in Toronto: 416-671-8383)
- United Kingdom: 0734-441212
- Germany: 0130-3322

Contact your local HP Parts Coordinator for other local phone numbers.

Assembly locations

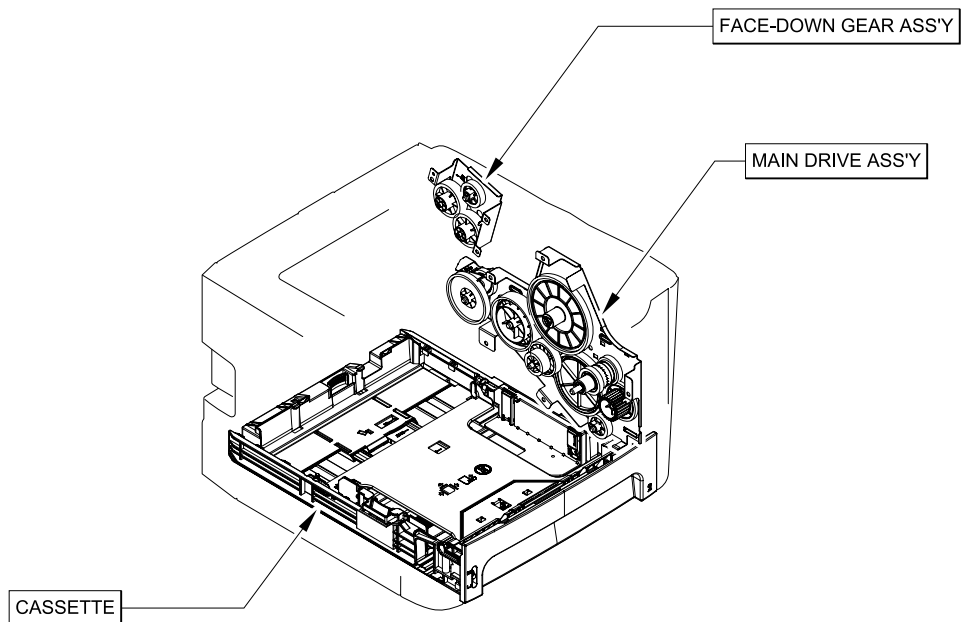


Figure 8-1 Assembly locations (1 of 2)

Table 8-2 Assembly locations (1 of 2)

Ref	Description	Part number	Qty
	Face-down gear assembly	RM1-1305-000	
	Main drive assembly	RM1-4253-000	
	Cassette	RM1-4251-000	
	Registration assembly	RM1-4244-000	1

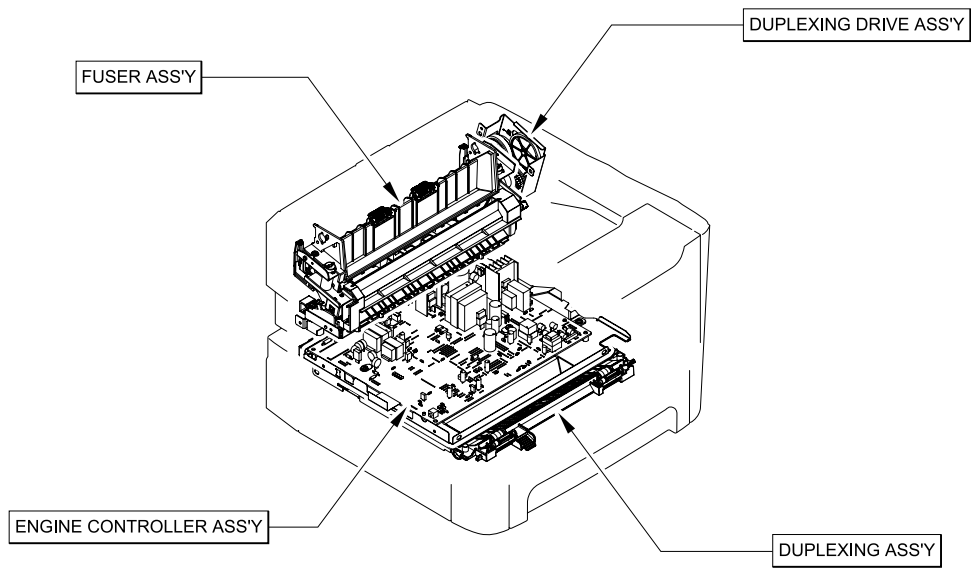


Figure 8-2 Assembly locations (2 of 2)

Table 8-3 Assembly locations (2 of 2)

Ref	Description	Part number	Qty
	Fuser assembly (110 V)	RM1-4247-000	1
	Fuser assembly (220 V)	RM1-4248-000	
	Duplex-drive assembly	RM1-4255-000	
	Duplexing assembly (HP LJ P2015d, P2015dn, and P2015x)	RM1-4258-000	
	ECU assembly (110 V)	RM1-4273-000	
	ECU assembly (220 V)	RM1-4273-000	

Covers

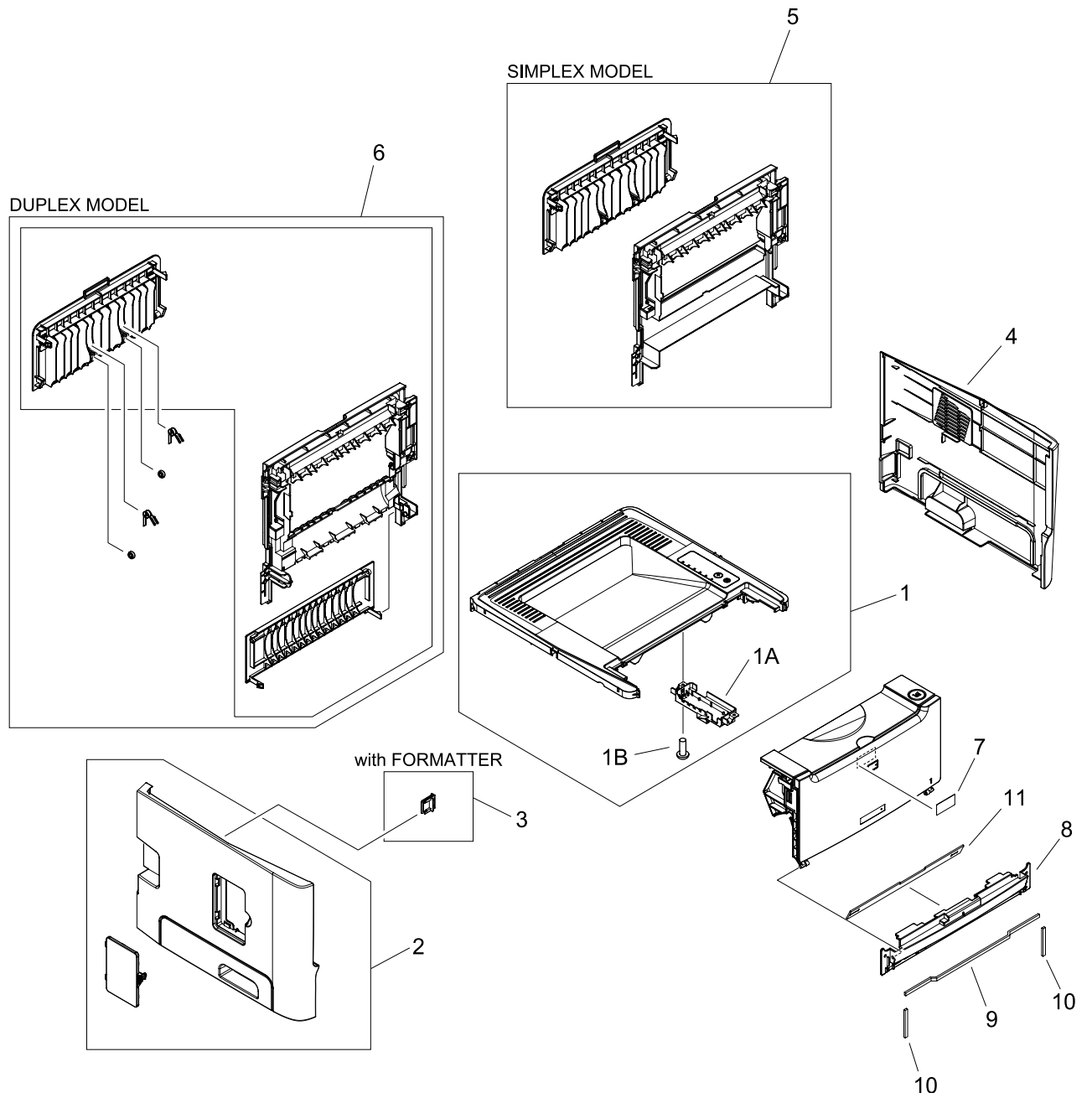


Figure 8-3 Covers

Table 8-4 Covers

Ref	Description	Part number	Qty
1	Top cover assembly	RM1-4272-000	1
1A	Holder, panel PCB	RC2-0316-000	1
1B	Screw, tap, binding head, M3x8	XB4-7300-809	2
2	Left cover assembly	RL1-1529-000	1
3	Cover, connector	RC2-0332-000	1
4	Right cover assembly	RL1-1530-000	1
5	Rear cover assembly (HP LJ P2015)	RM1-4277-000	1
6	Rear cover assembly (HP LJ P2015d, P2015dn, and P2015x)	RM1-4270-000	1
7	Label, stapler prohibition	RC1-3794-000	1
8	Cover, front	RC2-0330-000	1
9	Sheet, noise absorb	RC2-0312-000	1
10	Sheet, noise absorb	RC2-0311-000	2
11	Sheet, insulator	RC2-0314-000	1

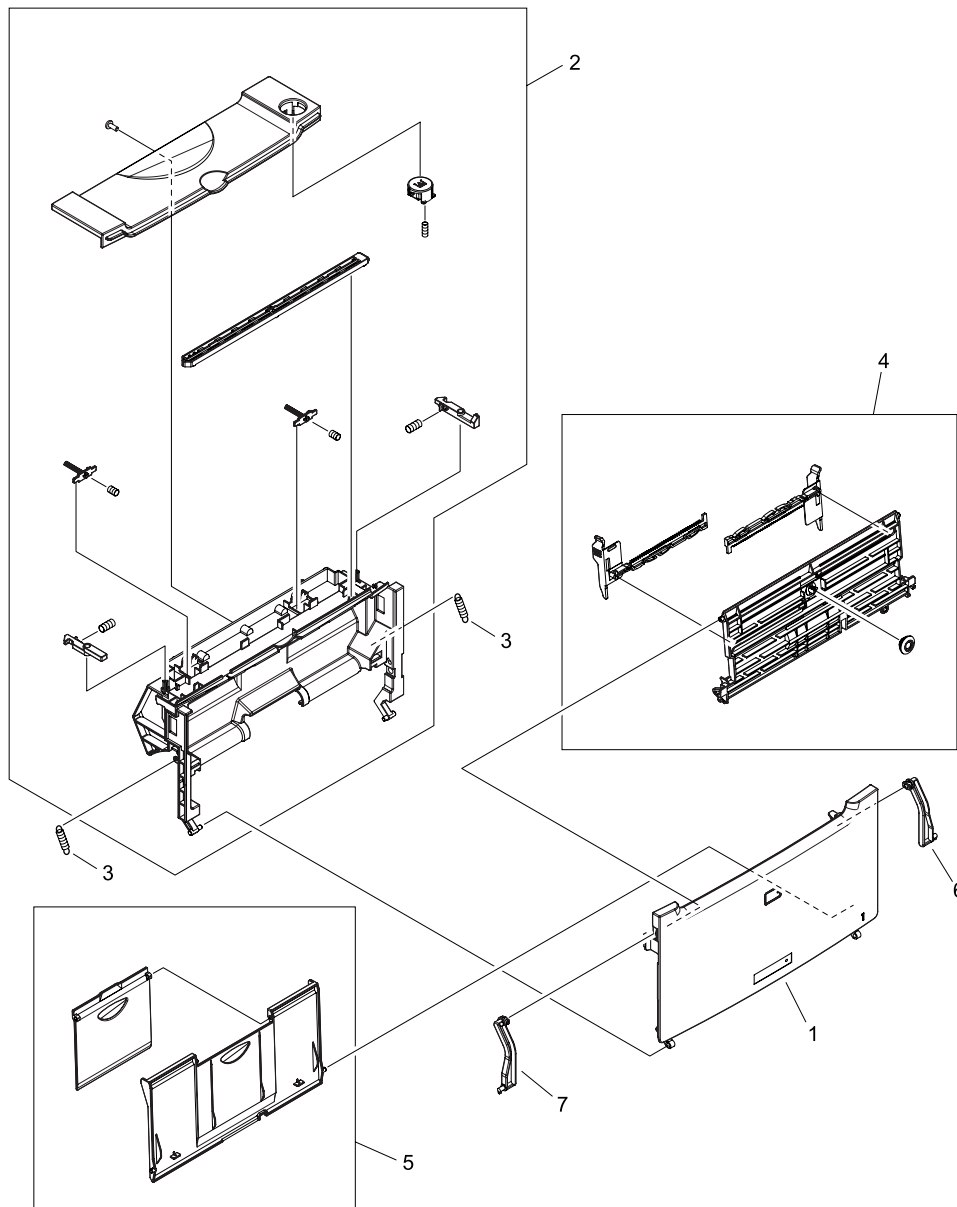


Figure 8-4 Cartridge-door assembly

Table 8-5 Cartridge-door assembly

Ref	Description	Part number	Qty
	Cartridge-door assembly	RM1-4266-000	1
1	Cover, multipurpose	RM2-0407-000	1
2	Inner cover assembly	RM1-4267-000	1
3	Spring, tension	RU5-2895-000	2
4	M.P. lifting-plate assembly	RM1-4268-000	1
5	Expansion-tray assembly	RM1-4269-000	1
6	Hinge, multipurpose, right	RC2-0422-000	1
7	Hinge, multipurpose, left	RC2-0421-000	1

Internal assemblies

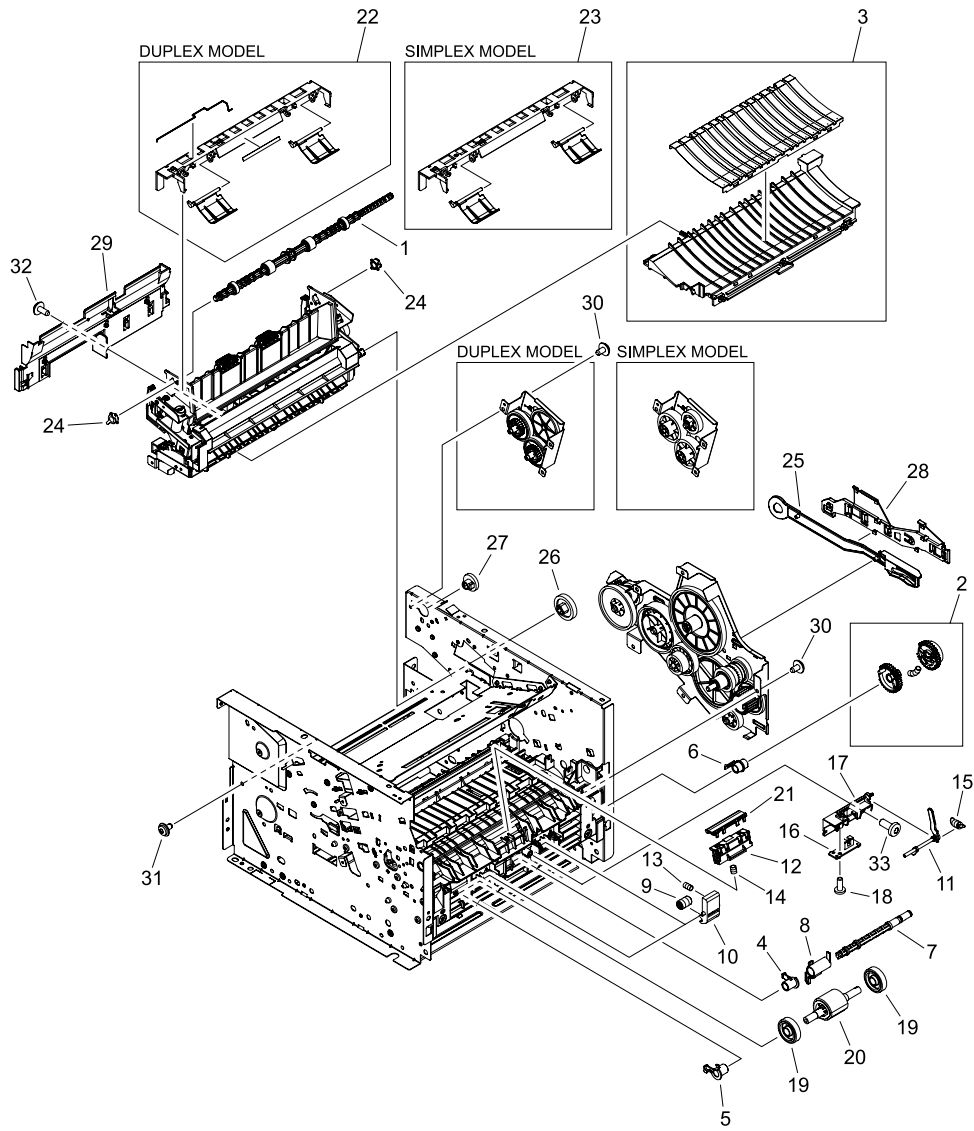


Figure 8-5 Internal components (1 of 4)

Table 8-6 Internal components (1 of 4)

Ref	Description	Part number	Qty
1	Roller, face-down	RL1-0527-000	1
2	Paper pick-up gear assembly	RM1-1301-000	1
3	Paper-feed guide assembly	RM1-4263-000	1
4	Bushing, right	RB2-2895-000	1
5	Bushing, left	RB2-2896-000	1
6	Bushing	RB2-2897-000	1
7	Shaft, paper pick-up drive	RC1-3471-000	1
8	Flag, paper-sensing	RC1-3472-000	1
9	Roller, idler	RC1-3481-000	2
10	Arm, idler roller	RC1-3482-000	2
11	Flag, M.P. sensor	RC2-0415-000	1
12	Base, separation pad	RC2-0419-000	1
13	Spring, compression	RU5-2323-000	2
14	Spring compression	RU5-2894-000	1
15	Spring, tension	RU5-2898-000	1
16	M.P. sensor PCB assembly	RM1-4162-000	1
17	Holder, M.P. sensor	RC2-0414-000	1
18	Screw, tap, binding head, M3x8	XB4-7300-809	1
19	Roller, paper pickup idler	RC1-3470-000	2
20	Roller, paper pick-up	RL1-0540-000	1
21	Pad, M.P. separation	RL1-1524-000	1
22	Paper-retaining assembly (HP LJ P2015d, P2015dn, and P2015x)	RM1-4265-000	1
23	Paper retaining assembly (HP LJ P2015)	RM1-4276-000	1
24	Bushing	RC1-3665-000	2
25	Link, gear release	RC1-3668-000	1
26	Gear, 29T	RU5-0331-000	1
27	Gear, 19T	RU5-0332-000	1
28	Guide, cable	RC2-1569-000	1
29	Guide, reverse	RC2-0323-000	1
30	Screw, RS, M3x6	XA9-1495-000	7
31	Screw, tap, M3x6	XA9-1503-000	6
32	Screw, RS, M3x8	XA9-1504-000	1
33	Screw, tapping, truss head, M4x10	XB4-7401-005	1

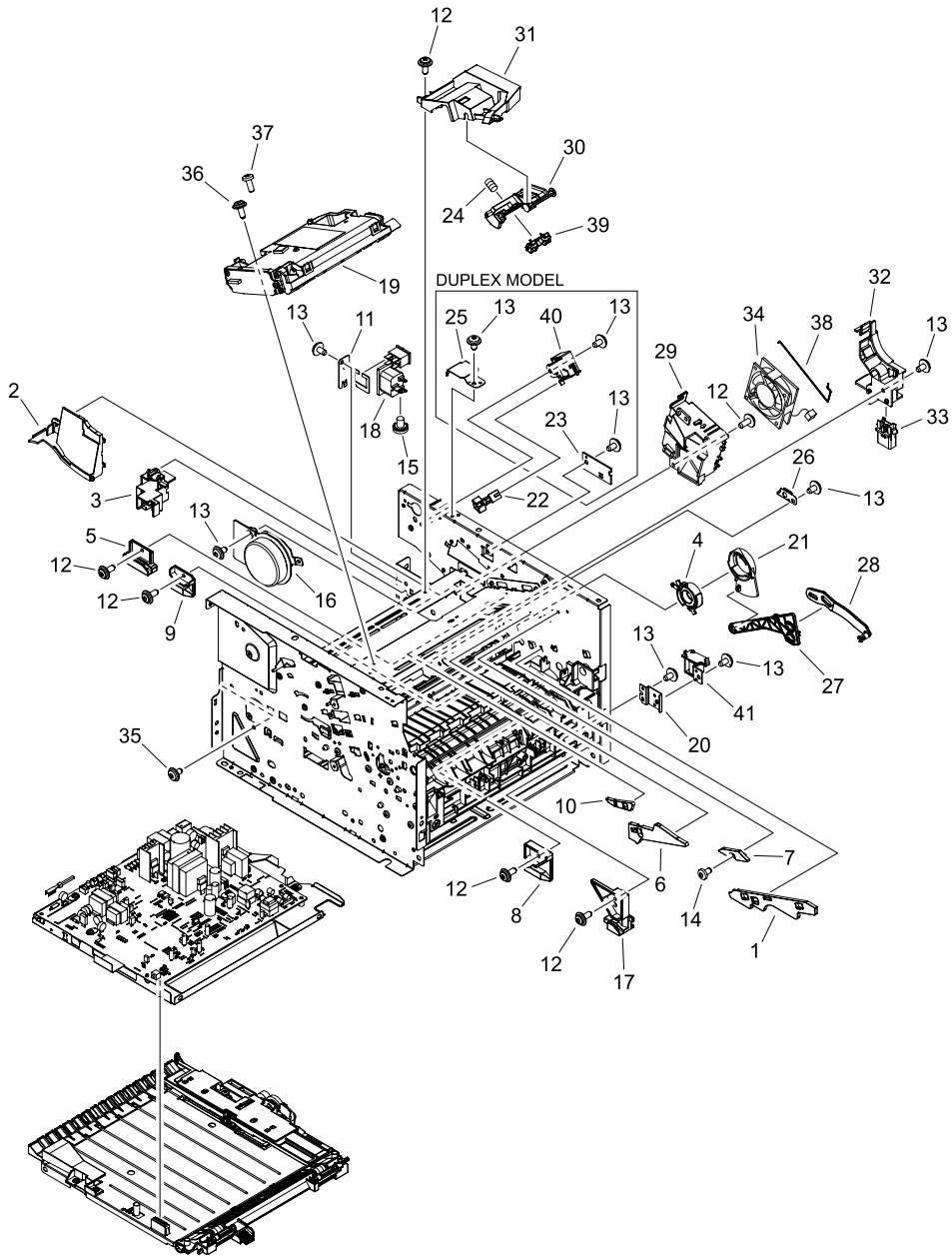


Figure 8-6 Internal components (2 of 4)

Table 8-7 Internal components (2 of 4)

Ref	Description	Part number	Qty
1	Guide, cartridge, right lower	RC2-0346-000	1
2	Duct	RC2-0351-000	1
3	Guide, cable	RC2-0397-000	1
4	Cam	RC2-0410-000	1
5	Guide, cassette, right rear	RC2-0416-000	1
6	Guide, cartridge, right upper	RC2-0426-000	1
7	Guide, shutter, front	RC2-0428-000	1
8	Guide, cassette, right center 1	RC1-3456-000	1
9	Guide, cassette, right center 2	RC1-3457-000	1
10	Guide, shutter, rear	RC1-3535-000	1
11	Holder, switch	RC1-3727-000	1
12	Screw, RS, M3x8	XA9-1504-000	8
13	Screw, RS, M3x6 (HP LJ P2015d, P2015dn, and P2015x)	XA9-1495-000	10
13	Screw, RS, M3x6 (HP LJ P2015)	XA9-1495-000	7
14	Screw, RS, M3x6	XA9-1561-000	1
15	Screw, toothed washer, M4x6	XB2-7400-606	1
16	Motor, DC	RK2-1567-000	1
17	Guide, cassette, right front	RL1-0517-000	1
18	Inlet/switch cable assembly	RM1-4169-000	1
19	Scanner assembly	RM1-4262-000	1
20	Plate, solenoid holder	RC1-3459-000	1
21	Cam, right	RC1-3546-000	1
22	Stopper	RC1-3580-000	1
23	Duplex driver PCB assembly (HP LJ P2015d, P2015dn, and P2015x)	RM1-1262-000	1
24	Spring, compression	RU5-2335-000	1
25	Shield, duplexing solenoid (HP LJ P2015d, P2015dn, and P2015x)	RC2-0347-000	1
26	Plate, grounding	RC2-1568-000	1
27	Arm, cam	RC2-0405-000	1
28	Arm, link	RC2-0406-000	1
29	Holder, fan	RC2-0349-000	1
30	Arm, tag	RC2-0392-000	1
31	Duct	RC2-0354-000	1
32	Holder, drawer connector	RC2-0396-000	1

Ref	Description	Part number	Qty
33	Connector, drawer	VS1-7258-007	1
34	Fan	RK2-1589-000	1
35	Screw, tap, M3x6	XA9-1503-000	3
36	Screw, tap, M3x8	XA9-1648-000	4
37	Screw, tap, binding head, M3x8	XB4-7300-809	1
38	Rod, grounding	RC2-0350-000	1
39	Cable, memory tag	RM1-4163-000	1
40	Solenoid (HP LJ P2015d, P2015dn, and P2015x)	RK2-0420-000	1
41	Solenoid (HP LJ P2015)	RK2-0424-000	1

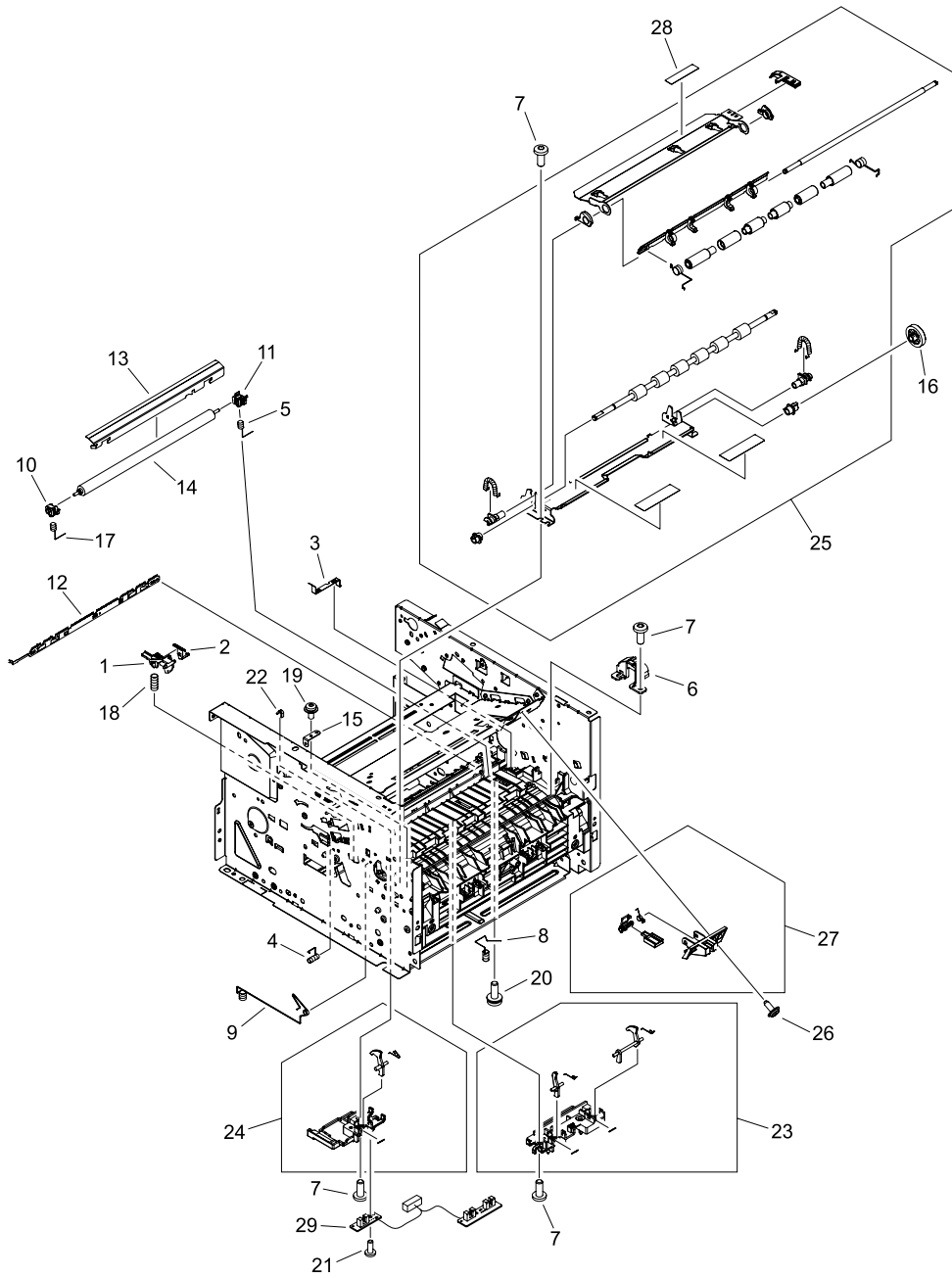


Figure 8-7 Internal components (3 of 4)

Table 8-8 Internal components (3 of 4)

Ref	Description	Part number	Qty
1	Cover, drum	RC1-3563-000	1
2	Plate, drum grounding	RC1-3565-000	1
3	Plate, transfer grounding	RC1-3698-000	1
4	Spring, grounding	RC1-3700-000	1
5	Spring, transfer, right	RC1-3702-000	1
6	Cover, registration gear	RC1-3708-000	1
7	Screw, tapping, truss head, M4x10	XB4-7401-005	7
8	Spring, compression	RC1-3736-000	1
9	Spring, contact	RC2-0344-000	1
10	Bushing	RC2-0356-000	1
11	Bushing	RC2-0357-000	1
12	Eliminator, static charge	RC2-0358-000	1
13	Guide, transfer front	RC2-0359-000	1
14	Roller, transfer	RM1-4279-000	1
15	Plate, registration grounding	RC2-0384-000	1
16	Gear, 33T	RU5-0320-000	1
17	Spring, compression	RU5-2144-000	1
18	Spring, compression	RU5-2338-000	1
19	Screw, with washer, M3x8	XA9-1420-000	1
20	Screw, with washer, M4x12	XA9-1422-000	1
21	Screw, tap, binding head, M3x8	XB4-7300-809	2
22	Sheet, registration damper	RC1-3695-000	1
23	Top sensor assembly	RM1-1283-000	1
24	Paper-width sensor assembly	RM1-4245-000	1
25	Registration assembly	RM1-4244-000	1
26	Screw, RS, M3x8	XA9-1504-000	1
27	Shutter link assembly	RM1-1321-000	1
28	Label, transfer guide open	RC1-3796-000	1
29	Paper-sensor PCB assembly	RM1-4159-000	1

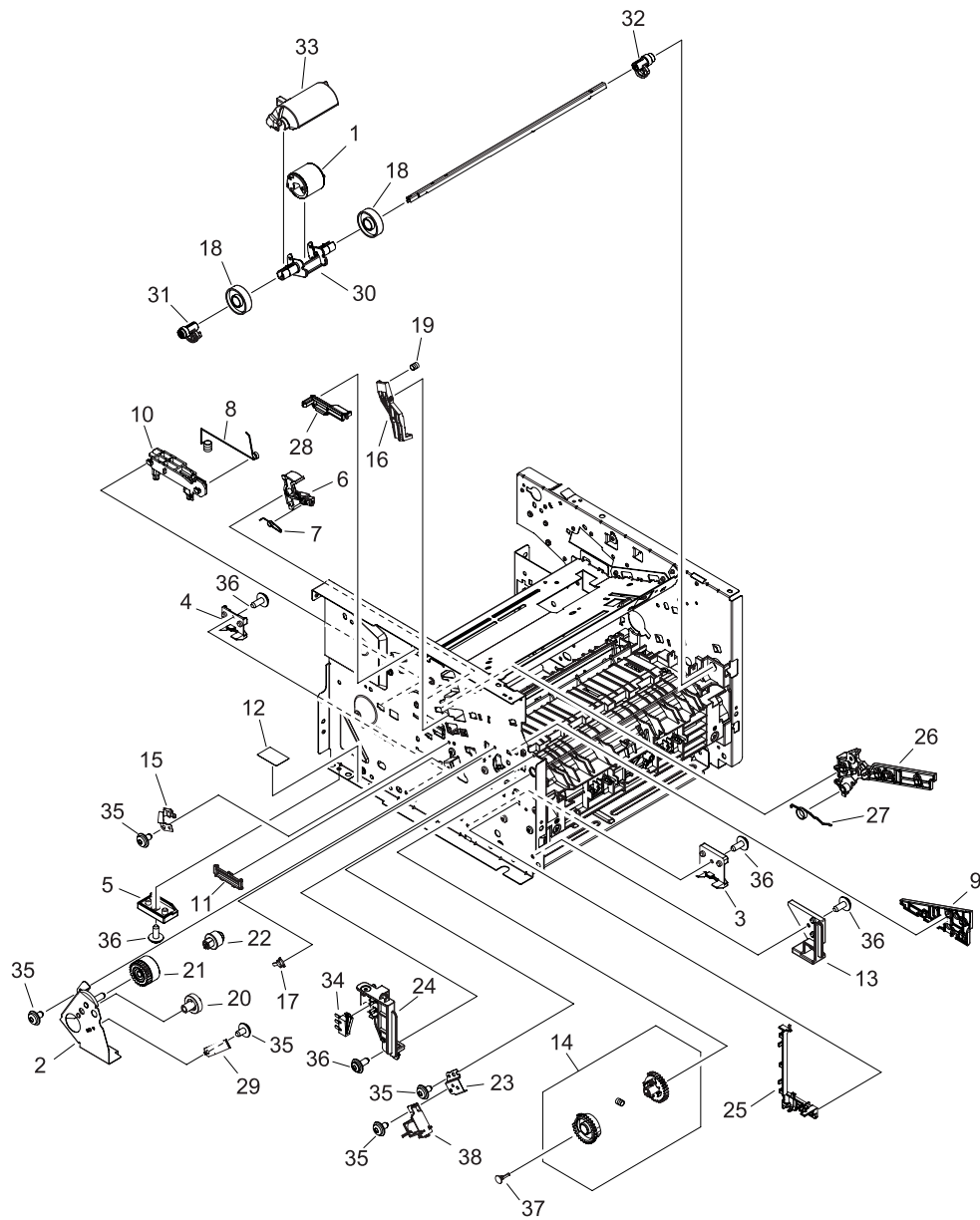


Figure 8-8 Internal components (4 of 4)

Table 8-9 Internal components (4 of 4)

Ref	Description	Part number	Qty
1	Roller, M.P. paper pick-up	RL1-1525-000	1
2	Side plate, M.P. drive	RL1-1531-000	1
3	Guide, cassette, left center 1	RC1-3461-000	1
4	Guide, cassette, left center 2	RC1-3462-000	1
5	Guide, cassette, left rear	RC1-3463-000	1
6	Lever, cartridge contact	RC1-3542-000	1
7	Spring, torsion	RC1-3543-000	1
8	Spring, contact	RC1-3719-000	1
9	Guide, cartridge, left lower	RC2-0339-000	1
10	Holder contact	RC2-0342-000	1
11	Guide, F.F.C	RC2-0423-000	1
12	Sheet, plate bottom	RC2-1578-000	1
13	Guide, cassette, left front	RL1-0518-000	1
14	Paper pick-up gear assembly	RM1-4275-000	1
15	Plate, drum grounding	RC1-3541-000	1
16	Arm lock	RC1-3561-000	1
17	Bushing	RC1-3562-000	1
18	Roller	RC1-0950-000	2
19	Spring, compression	RU5-2337-000	1
20	Gear, 19T	RU5-0927-000	1
21	Gear, 26T	RU5-0928-000	1
22	Gear, 14T	RU5-0929-000	1
23	Holder, M.P. solenoid	RC2-0334-000	1
24	Guide, cartridge font	RC2-0340-000	1
25	Guide, M.P. cable	RC2-0335-000	1
26	Guide, cartridge, left upper	RC2-0425-000	1
27	Spring, torsion	RC2-0427-000	1
28	Guide, F.F.C	RC2-0424-000	1
29	Spring, grounding	RC1-0944-000	1
30	Holder, paper pick-up roller	RC2-0386-000	1
31	Cam, M.P., left	RC2-0387-000	1
32	Cam, M.P., right	RC2-0388-000	1
33	Cover, paper pick-up roller	RC2-0420-000	1
34	Microswitch	RK2-0534-000	1

Ref	Description	Part number	Qty
35	Screw, RS, M3x6	XA9-1495-000	6
36	Screw, RS, M3x8	XA9-1504-000	6
37	Cap, continuity	RA0-1068-000	1
38	Solenoid	RK2-1587-000	1

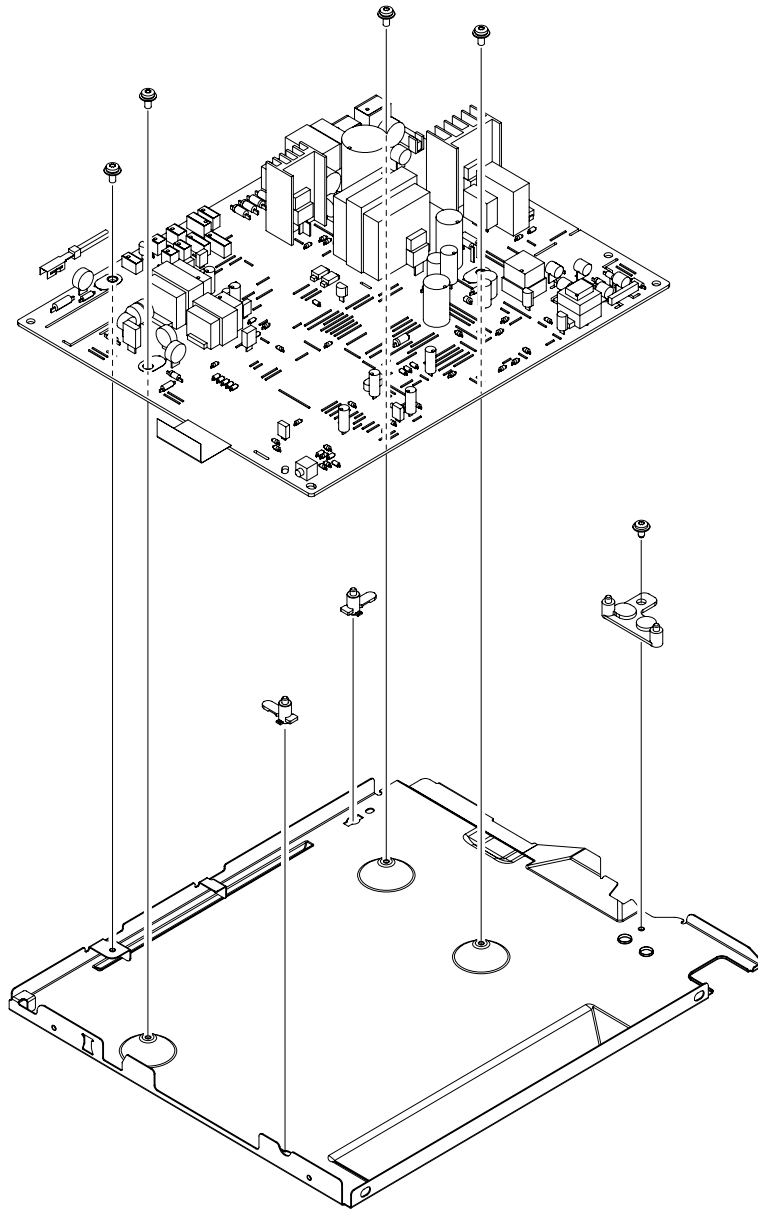


Figure 8-9 ECU assembly

Table 8-10 ECU assembly

Ref	Description	Part number	Qty
	ECU assembly (110 V)	RM1-4273-000	1
	ECU assembly (220 V)	RM1-4274-000	1

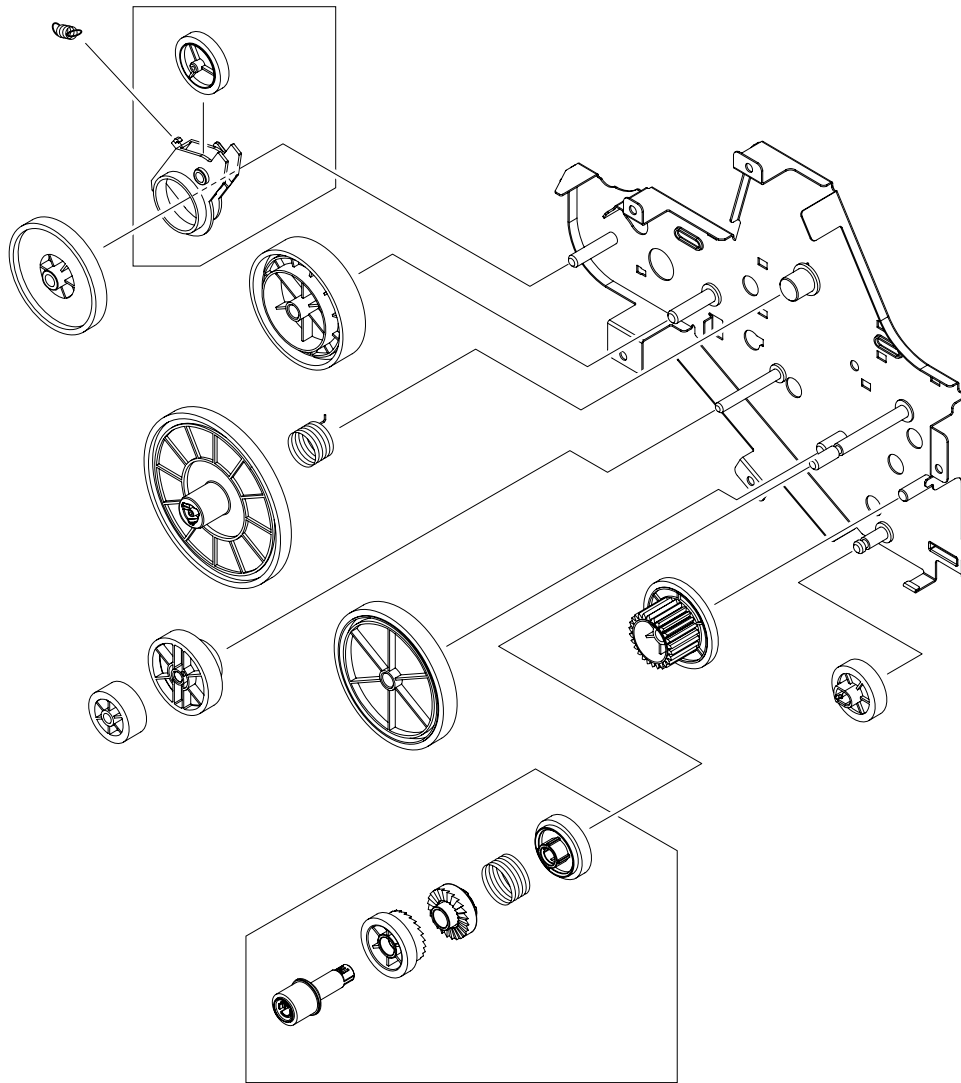


Figure 8-10 Main drive assembly

Table 8-11 Main drive assembly

Ref	Description	Part number	Qty
	Main drive assembly	RM1-4253-000	1

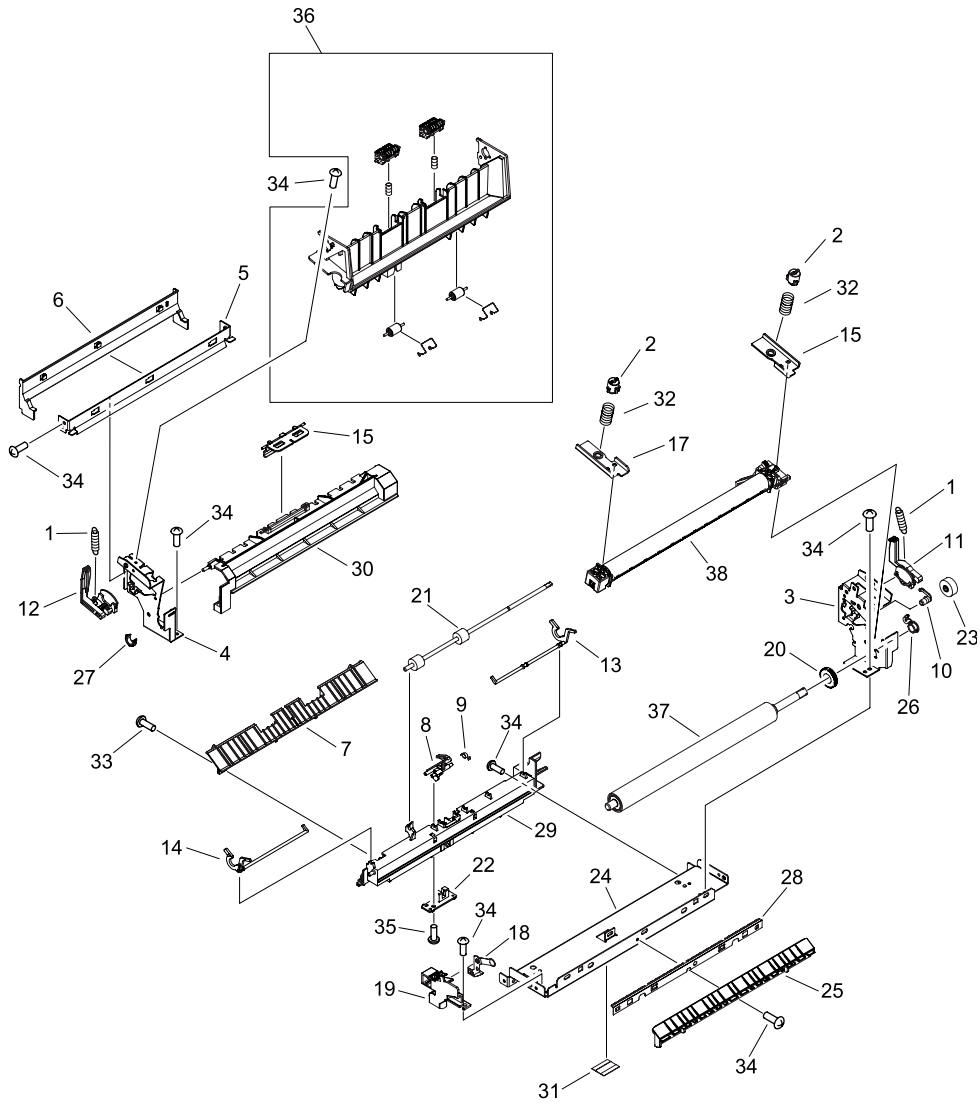


Figure 8-11 Fuser assembly

Table 8-12 Fuser assembly

Ref	Description	Part number	Qty
	Fuser assembly (110 V)	RM1-4247-000	1
	Fuser assembly (220 V)	RM1-4248-000	1
1	Spring, tension	RA0-1090-000	2
2	Retainer, spring	RA0-1189-000	1
3	Side plate, fixing, right	RC1-3604-000	1
4	Side plate, fixing, left	RC1-3605-000	1
5	Plate, fixing reinforcement	RC1-3606-000	1
6	Guide, fixing, upper	RC1-3607-000	1
7	Guide, paper separate, lower	RC1-3611-000	1
8	Flag, paper delivery sensor	RC1-3613-000	1
9	Spring, torsion	RC1-3614-000	1
10	Bushing	RC1-3615-000	1
11	Lever, pressure release, right	RC1-3616-000	1
12	Lever, pressure release, left	RC1-3617-000	1
13	Lever, pressure-release sensor, right	RC1-3618-000	1
14	Lever, pressure release sensor, left	RC1-3619-000	1
15	Flag, intertwine prevention	RC1-3622-000	1
16	Plate, pressure, right	RC1-3623-000	1
17	Plate, pressure, left	RC1-3624-000	1
18	Spring, compression	RC1-3625-000	1
19	Holder, leaf spring	RC1-3627-000	1
20	Ring, conductive rubber	RC1-3628-000	1
21	Roller, face-up	RC1-3633-000	1
22	Delivery sensor PCB assembly	RM1-1251-000	1
23	Gear, 17T	RU5-0330-000	1
24	Frame, fixing	RC2-0295-000	1
25	Guide, fixing entrance	RC2-0296-000	1
26	Bushing	RC2-0297-000	1
27	Bushing	RC2-0298-000	1
28	Needle, fixing static charge	RC2-0299-000	1
29	Holder, separate lower guide	RC2-0429-000	1
30	Cover, fixing	RC2-0300-000	1
31	Sheet, fixing bottom	RC2-0431-000	1
32	Spring, compression	RU5-2901-000	2

Ref	Description	Part number	Qty
33	Screw, with washer, M4x12	XA9-1422-000	1
34	Screw, tap, M3x6	XA9-1503-000	10
35	Screw, tap, binding head, M3x8	XB4-7300-809	1
36	Delivery frame assembly	RM1-1291-000	1
37	Roller, pressure	RC2-0303-000	1
38	Film guide assembly (110 V)	RM1-4249-000	1
39	Film guide assembly (220 V)	RM1-4250-000	1

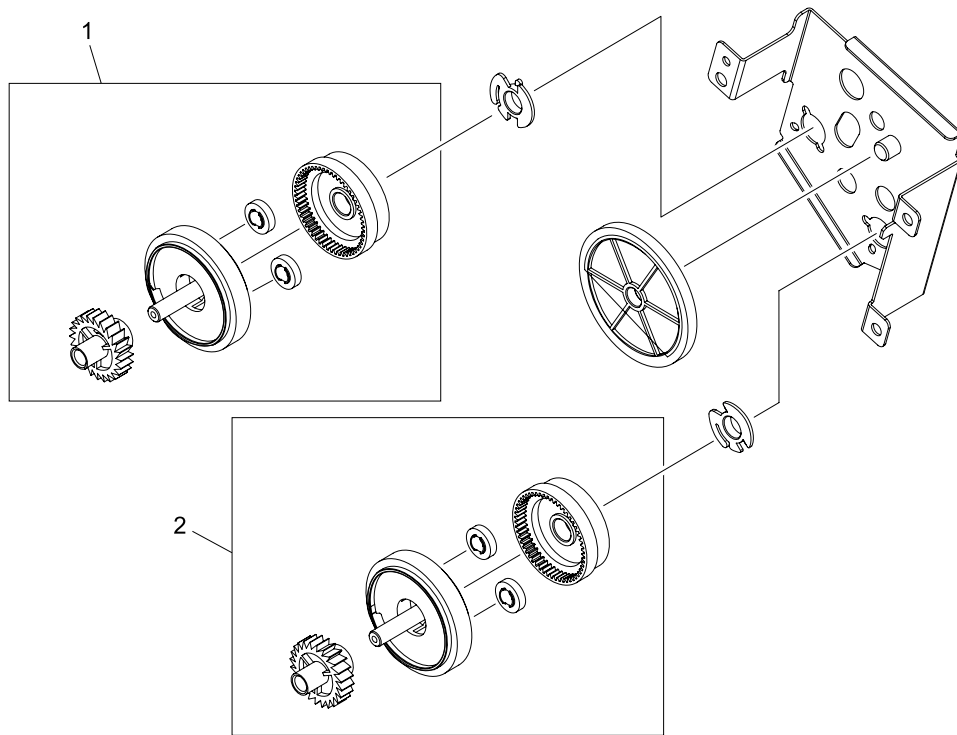


Figure 8-12 Duplexing drive assembly

Table 8-13 Duplexing drive assembly

Ref	Description	Part number	Qty
	Duplexing drive assembly (HP LJ P2015d, P2015dn, and P2015x)	RM1-4255-000	1
1	Normal-rotation drive assembly (HP LJ P2015d, P2015dn, and P2015x)	RM1-4256-000	1
2	Reverse-rotation drive assembly (HP LJ P2015d, P2015dn, and P2015x)	RM1-4257-000	1

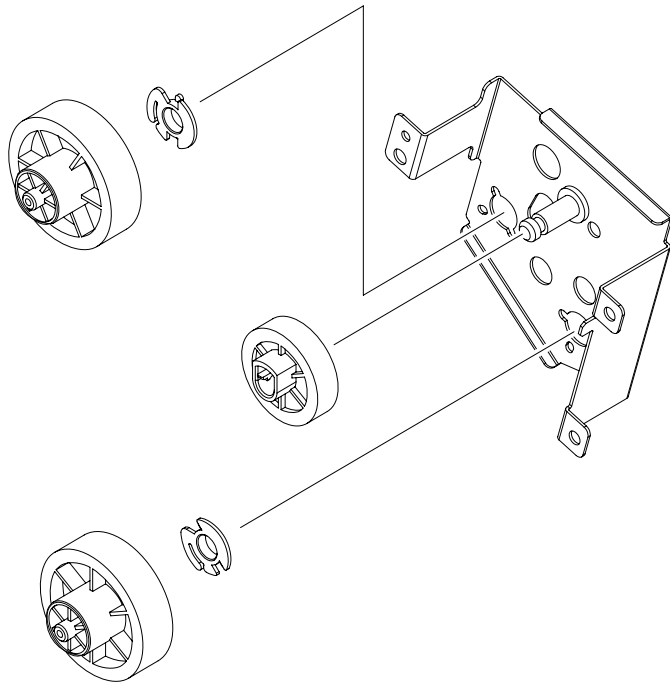


Figure 8-13 Face-down gear assembly

Table 8-14 Face-down gear assembly

Ref	Description	Part number	Qty
	Face-down gear assembly	RM1-1305-000	1

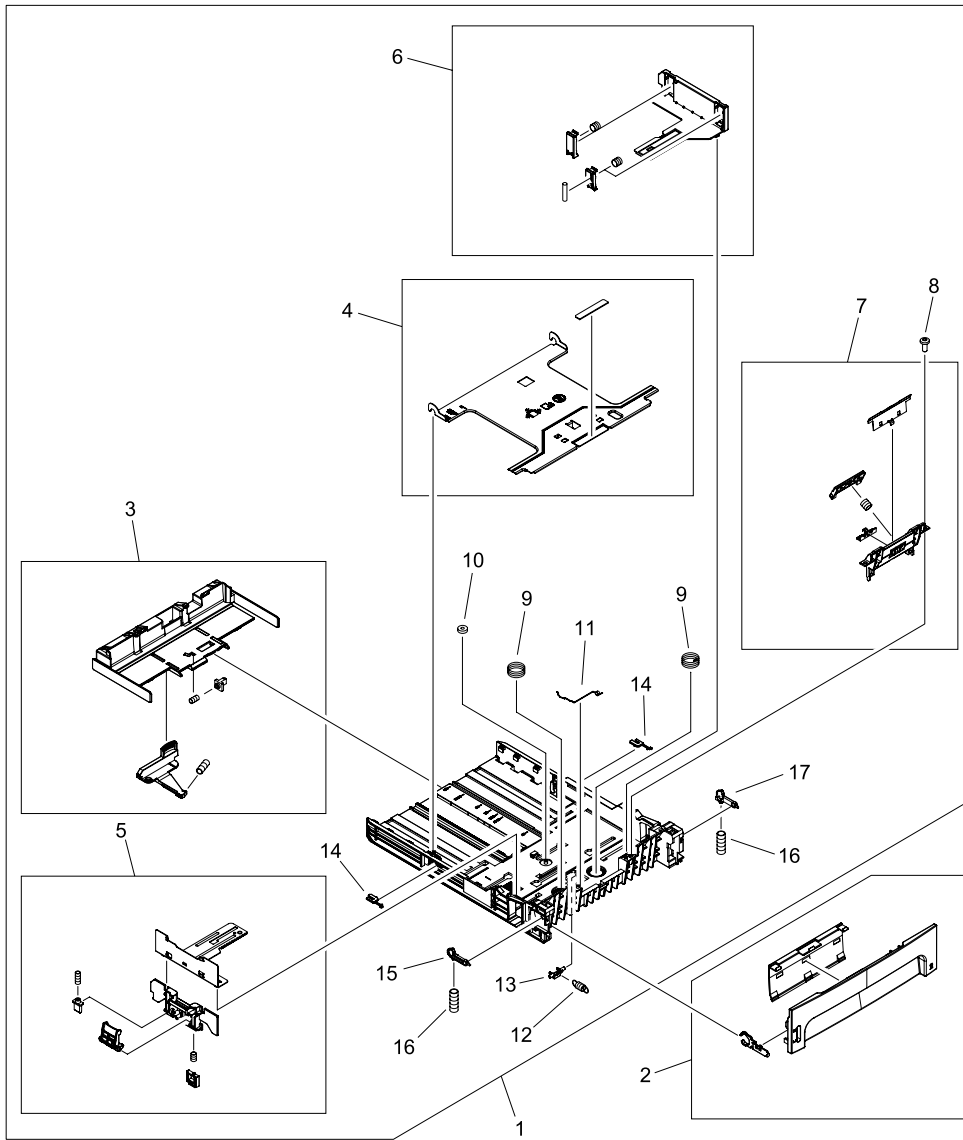


Figure 8-14 Cassette assembly

Table 8-15 Cassette assembly

Ref	Description	Part number	Qty
	Cassette	RM1-4251-000	1
1	Cassette body assembly	RC1-3483-000	1
2	Cassette cover assembly	RM1-4252-000	1
3	Back end limit assembly	RM1-1295-000	1
4	Plate, lifter	RL1-0522-000	1
5	Left paper side-end assembly	RM1-1296-000	1
6	Right paper side-end assembly	RM1-1297-020	1
7	Separation pad assembly	RM1-1298-000	1
8	Screw, M4x10	XB4-7401-005	2
9	Spring, compression	RC1-3489-000	2
10	Gear, 10T	RU5-0328-000	1
11	Spring, grounding	RC1-3492-000	1
12	Spring, tension	RU5-2324-000	1
13	Lock, lifter plate	RC1-3490-000	1
14	Stopper, claw	RC1-4198-000	2
15	Stopper, cassette left	RC1-3508-000	1
16	Spring, compression	RU5-2327-000	2
17	Stopper, cassette right	RC1-3507-000	1

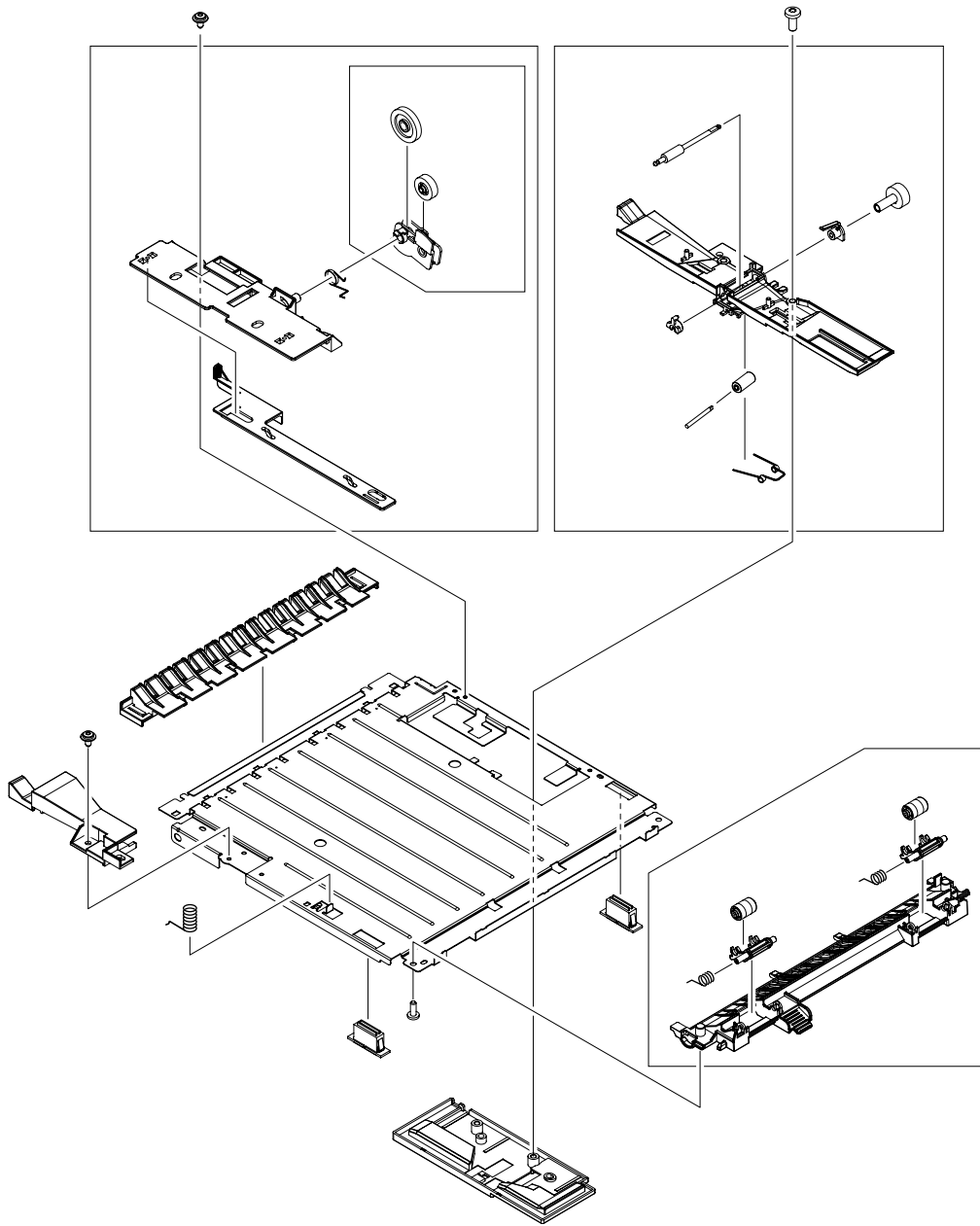


Figure 8-15 Duplexing assembly

Table 8-16 Duplexing assembly

Ref	Description	Part number	Qty
	Duplexing assembly (HP LJ P2015d, P2015dn, and P2015x)	RM1-4258-000	1

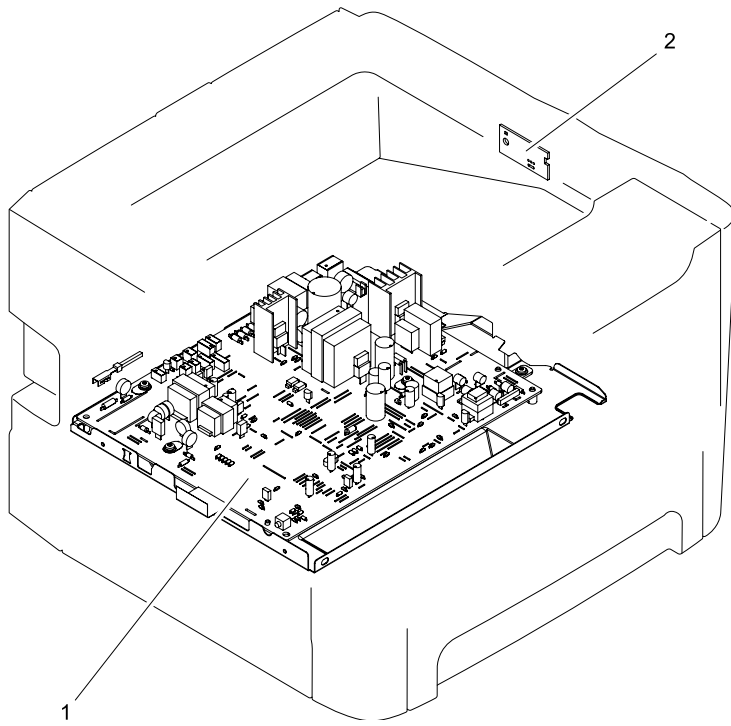


Figure 8-16 PCB assembly locations

Table 8-17 PCB assembly locations

Ref	Description	Part number	Qty
1	ECU assembly (110 V)	RM1-4273-000	1
1	ECU assembly (220 V)	RM1-4274-000	1
2	Duplex driver PCB assembly (HP LJ P2015d, P2015dn, and P2015x)	RM1-1262-000	1