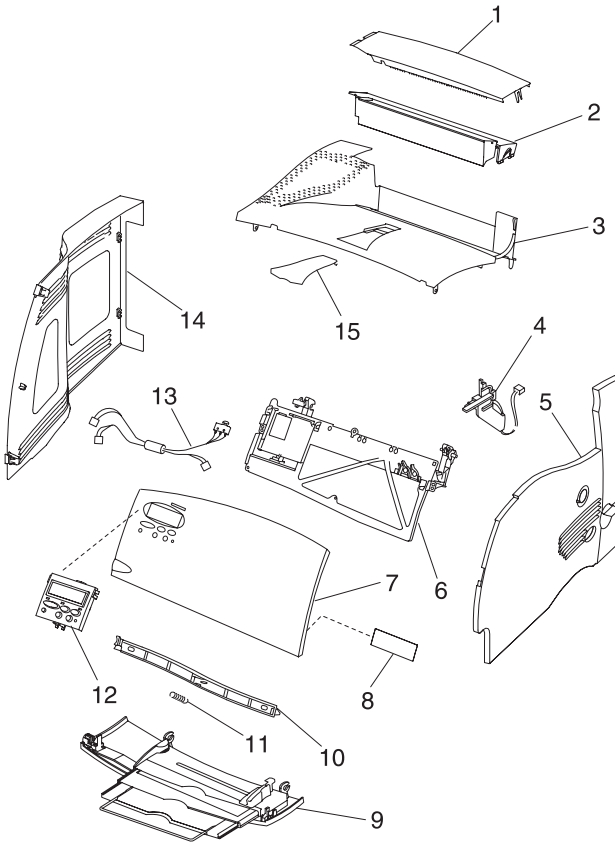


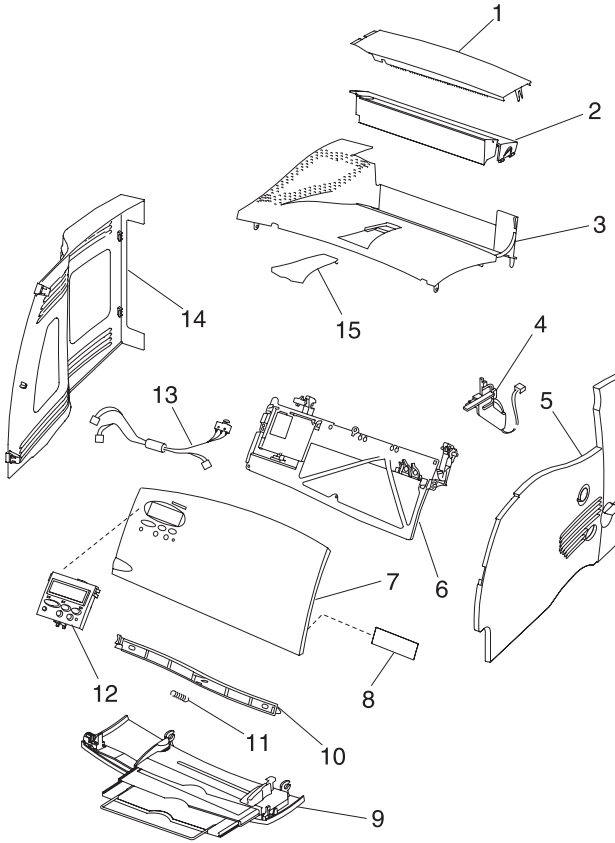
Assembly 1: Covers



4069-5XX/7XX

Asm-Index	Part Number	Units	Description
1-1	99A1512	1	Cover Assembly, Redrive Cap
1-2	99A1508	1	Cover, Fuser Wick Assembly
1-3	99A1507	1	Cover Asm, Laser 500 Output
1-4	99A2471	1	Contact Asm, Smart Cartridge
1-5	99A2482	1	Cover, Right Side 520/52n
1-5	99A1505	1	Cover, Right Side 722/72n
1-6	99A2433	1	Hinge Assembly, Upper Front Cover
1-7	99A2415	1	Kit, Upper Front Cover with Labels 520/52n
1-7	99A2416	1	Kit, Upper Front Cover with Lables 722/72n
NS		4	Screw, Laser Cover PP 99A0263
NS		2	Screw, Upper Front Cvr Mtg PP 99A0263
NS		2	Screw, Right Side Cvr Mtg PP 99A0263

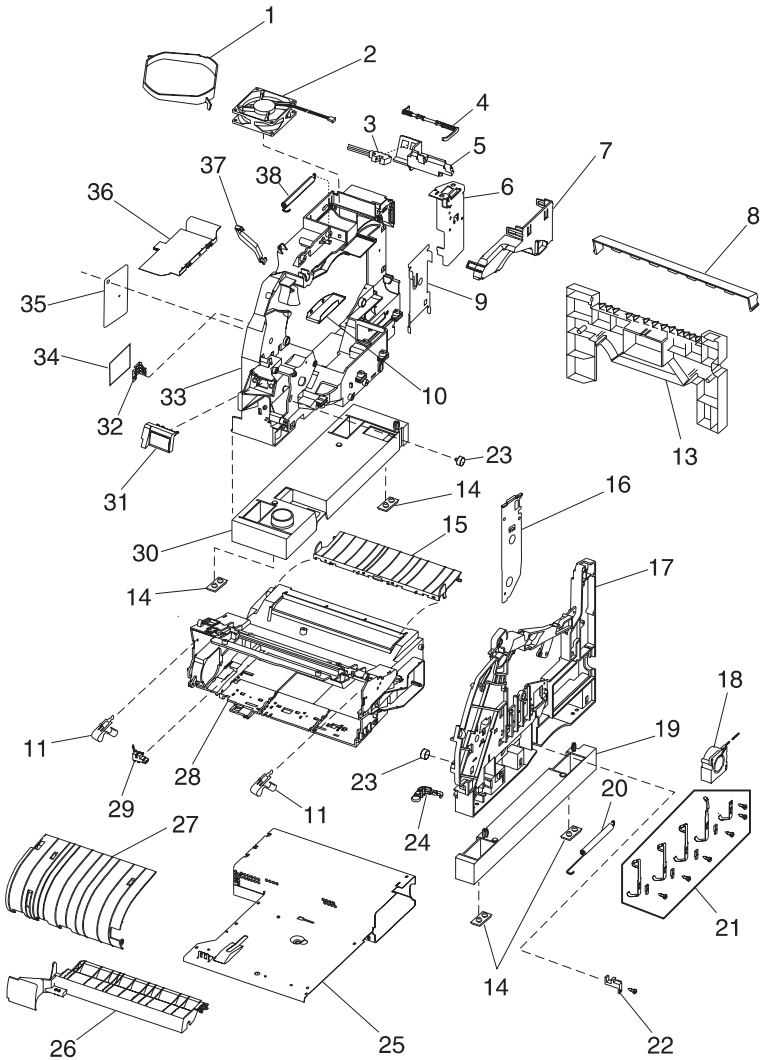
Assembly 1: Covers (continued)



4069-5XX/7XX

Asm-Index	Part Number	Units	Description
1-8	99A0007	1	Label, TLI/ID/Serial No. - Blank
1-9	99A1511	1	Cover Assembly, Lower Front
1-10	99A1502	1	Latch, Upper Cover
1-11	99A0004	1	Spring, Latch
1-12	99A1501	1	Operator Panel Assembly
1-13	99A2414	1	Switch, Cover Open w/Operator Panel Cable Assembly
1-14	99A1510	1	Cover, Left Door
1-15	99A1587	1	Support, Paper
NS	99A0577	1	Cable Tie
NS	99A1594	1	Retainer, Cable

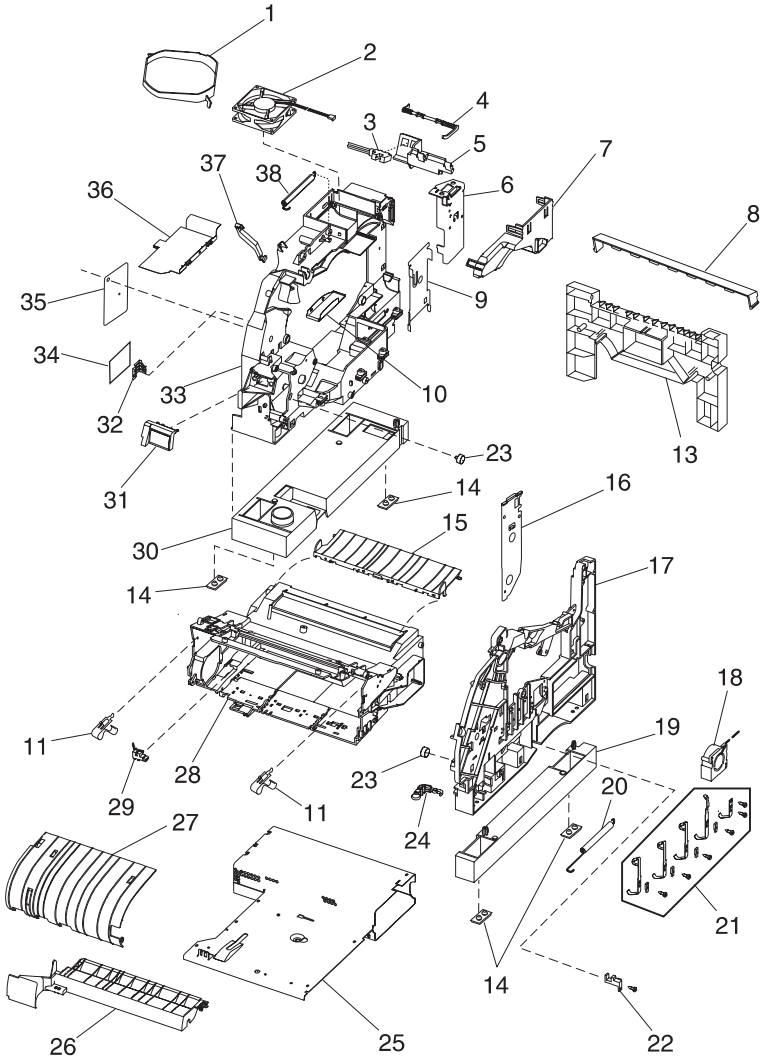
Assembly 2: Frame



4069-5XX/7XX

Asm-Index	Part Number	Units	Description
2-1	99A1592	1	Shroud, Fan 500
2-2	99A2441	1	Fan, Main
2-3	99A2443	1	Sensor, Standard Bin Level
2-4	99A1580	1	Flag, Output Paper Level
2-5	99A1879	1	Bracket, Level Sensor
2-6	99A1516	1	Duct, 500 Left Stacker
2-7	99A0867	1	Duct, Main Body
2-8	99A1832	1	Guide, Extension 500 Input
2-9	99A1662	1	Support, Left Lower Stacker
2-10	99A0113	1	Pan, Drip ITC
2-11	99A1924	2	Spring, Cartridge Hold Down
2-13	99A1519	1	Extension, 500 Input
2-14	99A0058	4	Pad, Machine Mounting
2-15	99A1588	1	Transfer Plate Assembly
2-16	99A1968	1	Support, Right Stacker Plate
2-17	99A1535	1	Right Sideframe
2-18	99A2484	1	Fan, Cartridge 722/72n
2-19	99A1518	1	Frame Extension, Right 500 Internal
2-20	99A0028	1	Spring, Tray Bias
2-21		1	Contact Kit PP 99A0585
		3	o Contact, Doctor Blade/TAR/Developer Roll
		1	o Contact, PC Drum
		1	o Contact, Charge Roll
		4	o Block, Contact Mounting
		5	o Screw, Contact Mounting

Assembly 2: Frame (continued)

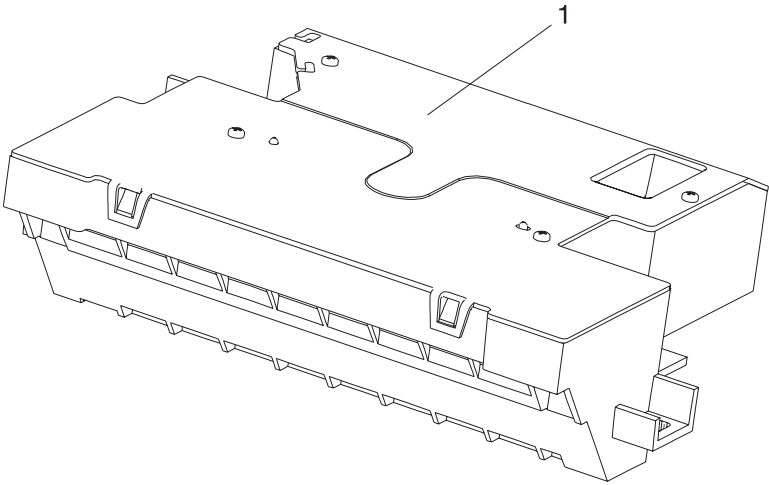


4069-5XX/7XX

Asm-Index	Part Number	Units	Description
2-22	99A0466	1	Sensor, Toner Cartridge Level
2-23	99A0039	2	Roller, Developer Support
2-24	99A0026	1	Tray Bias Arm Assembly
2-25	99A1522	1	Pan, Center Assembly
2-26	99A1525	1	Deflector, Upper PF
2-27	99A1888	1	Kit, Inner Deflector o Inner Deflector o Side Restraint
2-28	99A2418	1	Frame, EP Module
2-29	99A0053	1	Sensor, Input
2-30	99A1517	1	Frame Extension, Left 500 Internal
2-31	99A0549	1	Shield, ESD Assembly with label
2-32	99A0063	1	Spring, Switch Activate
2-33	99A2417	1	Left Side Frame Assembly
2-34	99A0128	1	Board, Input Tray (ITC)
2-35	99A2445	1	Guard, Gear
2-36	99A0899	1	Pan, Motor Drip
2-37	99A0567	1	Link, Gear Release
2-38	99A0556	1	Spring, Counterbalance
NS		17	Screw PP 99A0263
NS	99A1524	1	Spring, Cartridge Load
NS	99A1546	1	Shield, Gear
NS	99A1596	1	Contact, LSF Ground
NS	99A1538	1	Contact, RSF Ground
NS	99A1540	4	Nutplate, Frame
NS	99A1541	1	Spring, Duplex Ground
NS	99A2419	1	Block, Cartridge
NS	99A2474	1	Spacer, Cartridge Block
NS	99A2435	1	Spring, Cartridge Load

4069-5XX/7XX

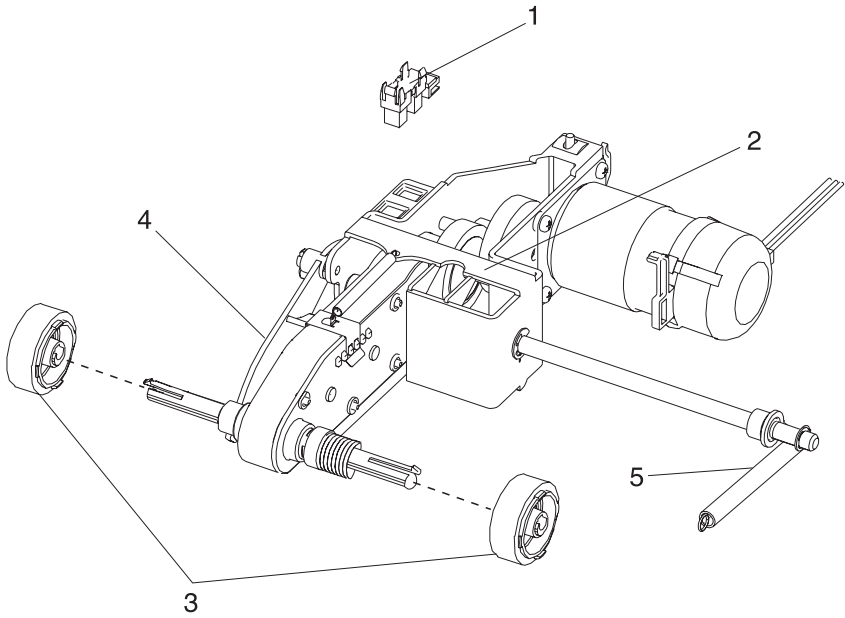
Assembly 3: Printhead



4069-5XX/7XX

Asm-Index	Part Number	Units	Description
3-1	99A2448	1	Printhead Assembly 520/52n
3-1	99A2449	1	Printhead Assembly 722/72n
NS		3	Screw, Printhead Mounting PP 99A0263
NS	99A2442	1	Fan, Printhead Cooling 722/72n

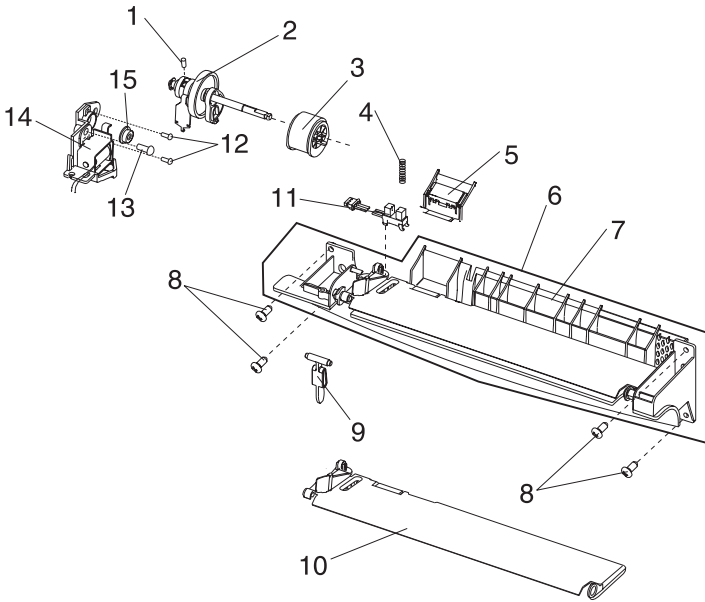
Assembly 4: Paper Feed (Auto compensator)



4069-5XX/7XX

Asm-Index	Part Number	Units	Description
4-1	99A0060	1	Sensor, Paper Out Internal Tray
4-2	99A2444	1	Pick Arm Assembly (500)
4-3	99A0070	2	Pick Rolls
4-4	99A1616	1	Flag, Paper Out 500 Tray
4-5	99A1930	1	Spring, Bellcrank Internal 500
NS		1	Screw, Hanger PP 99A0263

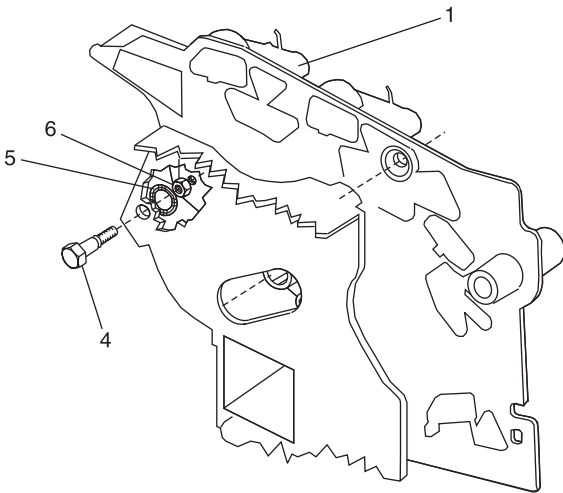
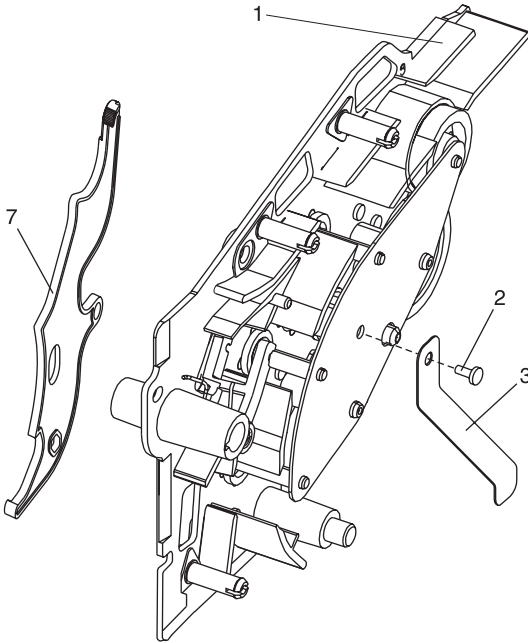
Assembly 5: Paper Feed - Multipurpose Unit



4069-5XX/7XX

Asm-Index	Part Number	Units	Description
5-1	99A0075	1	Screw, Socket Set M4X5 mm
5-2	99A2436	1	Arm Assembly, MPT
5-3	99A0076	1	Pick Roll Assembly
5-4	99A0081	1	Spring Assembly, Separator
5-5	99A0083	1	MPT Pad Assembly Kit o Restraint Pad o MPT Pad Assembly
5-6	99A2439	1	Deflector Assembly, MPT
5-7	99A1531	1	Deflector, Lower
5-8		2	Screw, Lower Deflector Mounting 8 mm PP 99A0263
5-8		2	Screw, Lower Deflector Mounting 12 mm PP 99A0263
5-9	99A0084	1	Flag, MPT Paper Out
5-10	99A0082	1	Plate Assembly, MPT
5-11	99A2440	1	Sensor, MPT Paper Out
5-12	99A0073	2	Screw, Damper
5-13		1	Screw, Frame Mounting PP 99A0263
5-14	99A2438	1	Solenoid, MPT
5-15	99A0074	2	Bushing, Pick Roll Shaft
NS		2	Clip, Pick Roll Shaft PP 99A0267

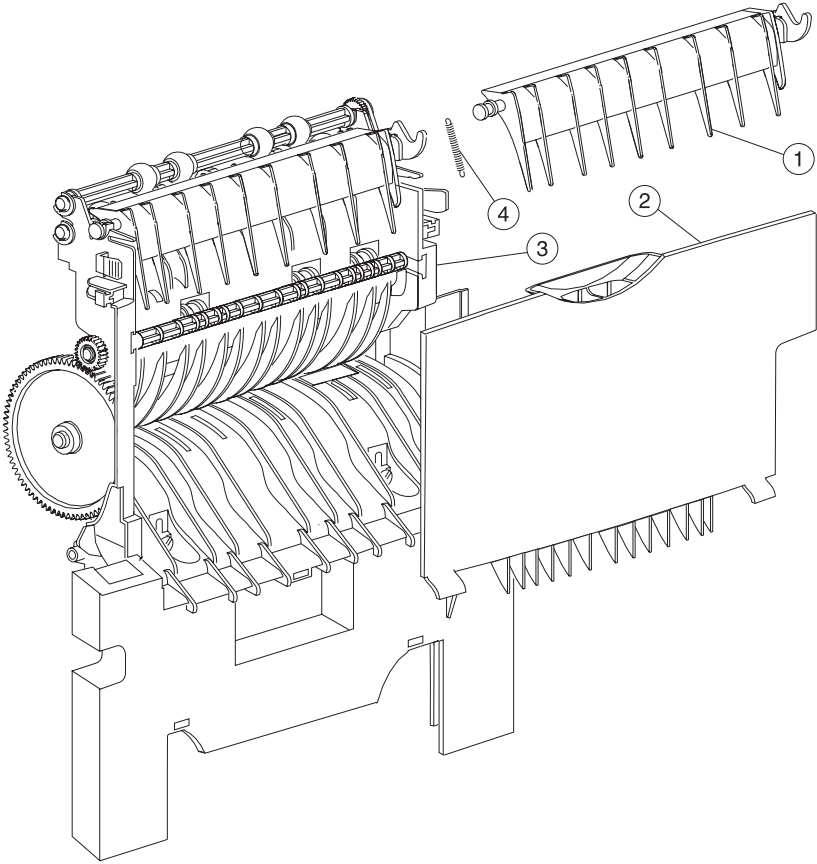
Assembly 6: Paper Feed - Alignment



4069-5XX/7XX

Asm-Index	Part Number	Units	Description
6-1	99A0089	1	Alignment Assembly Paper Feed
6-2	99A1953	1	Screw, Reference Ground Clip
6-3	99A0490	1	Clip, Reference Ground
6-4	99A0492	1	Screw, Paper Reference Adjustment
6-5	99A0565	1	Washer, Reference Adjustment
6-6	99A0566	1	Nut, Paper Reference Adjustment
6-7	99A0559	1	Lever, Bellcrank Release
NS		2	Screw, Alignment Asm Mtg PP 99A0263

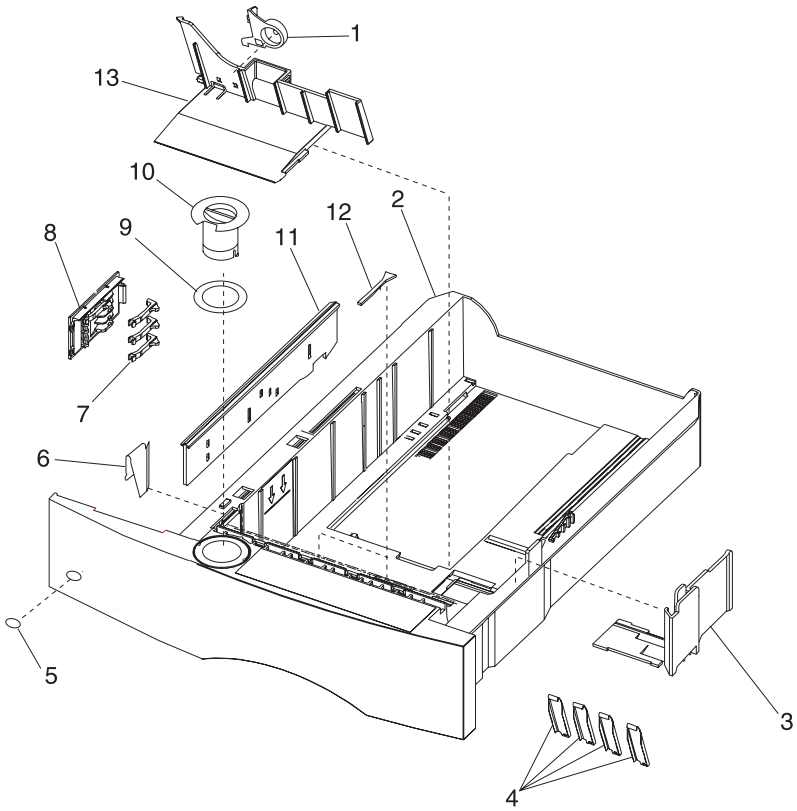
Assembly 7: Paper Feed - Output



4069-5XX/7XX

Asm-Index	Part Number	Units	Description
7-1	99A1857	1	Deflector, Upper Redrive
7-2	99A1534	1	Door Assembly, Redrive 500
7-3	99A1533	1	Redrive Assembly, Inner 500
7-4	99A0104	1	Spring, Upper Diverter
NS		2	Screw, SEMS-Duplex Path PP 99A0263

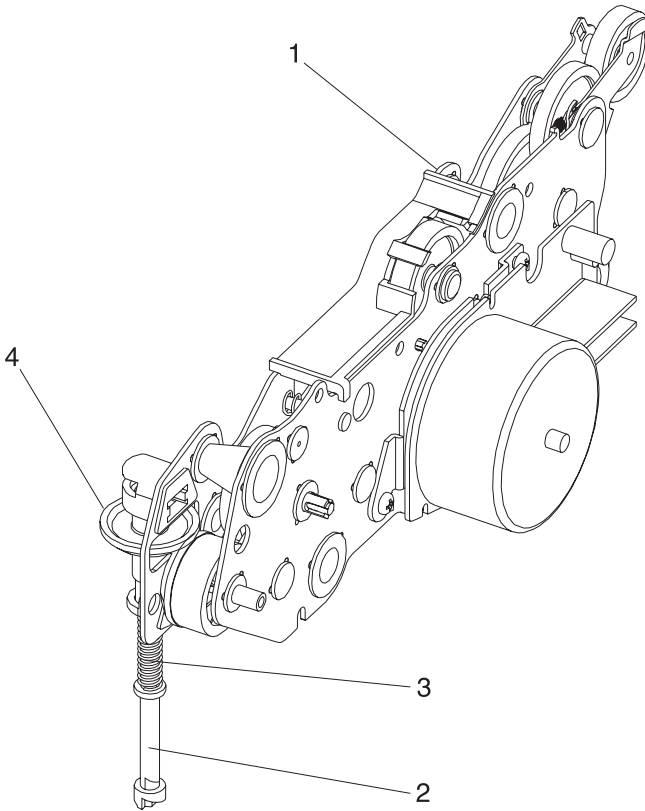
Assembly 8: Integrated Paper Tray - 500 Sheet



4069-5XX/7XX

Asm-Index	Part Number	Units	Description
8-1	99A1601	1	Latch, Back Restraint
8-2	99A1576	1	Tray Assembly 500 Sheet
8-3	99A1895	1	Restraint, Side/Latch Side
8-4	99A0292	4	Strip, Wear
8-5	99A1812	1	Label, Tray Option Number
8-6	99A1583	1	Plate, 500 Tray Wear
8-7	99A0126	3	Finger, Autosize
8-8	99A0124	1	Plate, Snap-in
8-9	99A1952	1	Label, Paper Size
8-10	99A1537	1	Knob, Paper Size
8-11	99A1582	1	Slider, Autosize 500
8-12	99A0120	2	Pad, Restraint
8-13	99A1602	1	Restraint, Back

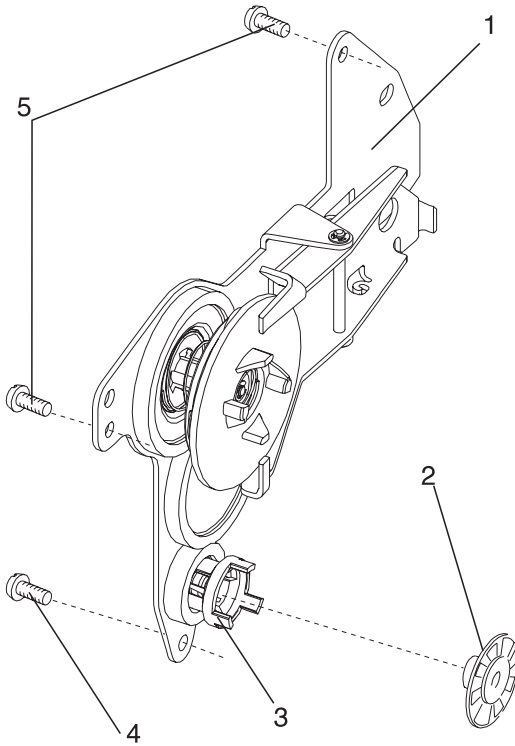
Assembly 9: Main Drive



4069-5XX/7XX

Asm-Index	Part Number	Units	Description
9-1	99A2446	1	Gearbox, w/Motor 520/52n
9-1	99A2447	1	Gearbox, w/Motor 722/72n
9-2	99A1569	1	Shaft, Power Take Off 500
9-3	99A0275	1	Spring, Power Take Off Shaft
9-4	99A0954	1	Gear, Bevel with Grease Packet
NS		4	Screw, Gearbox Mounting PP 99A0263
NS		3	Screw, Motor Mounting PP 99A0263

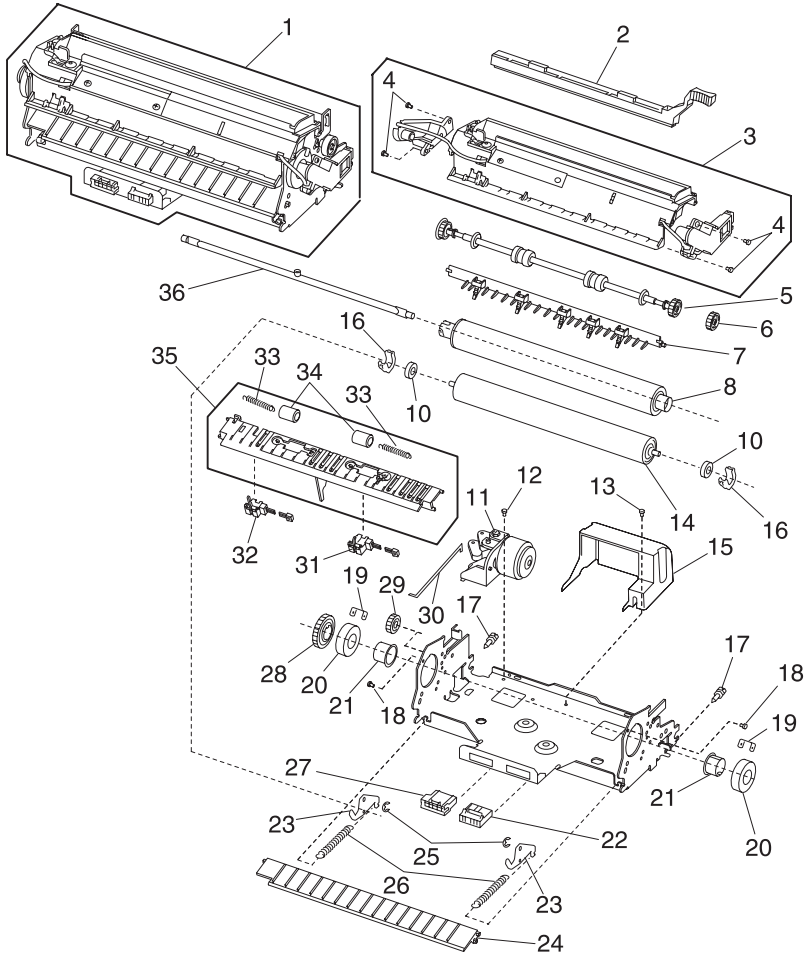
Assembly 10: Developer Drive



4069-5XX/7XX

Asm-Index	Part Number	Units	Description
10-1	99A1544	1	Developer Drive Assembly
10-2	99A0136	1	Shaft, Developer Drive
10-3	99A0564	1	Coupler, Gear #55
10-4		1	Screw, Developer Drive Ground PP 99A0263
10-5		2	Screw, Developer Drive Mtg PP 99A0263

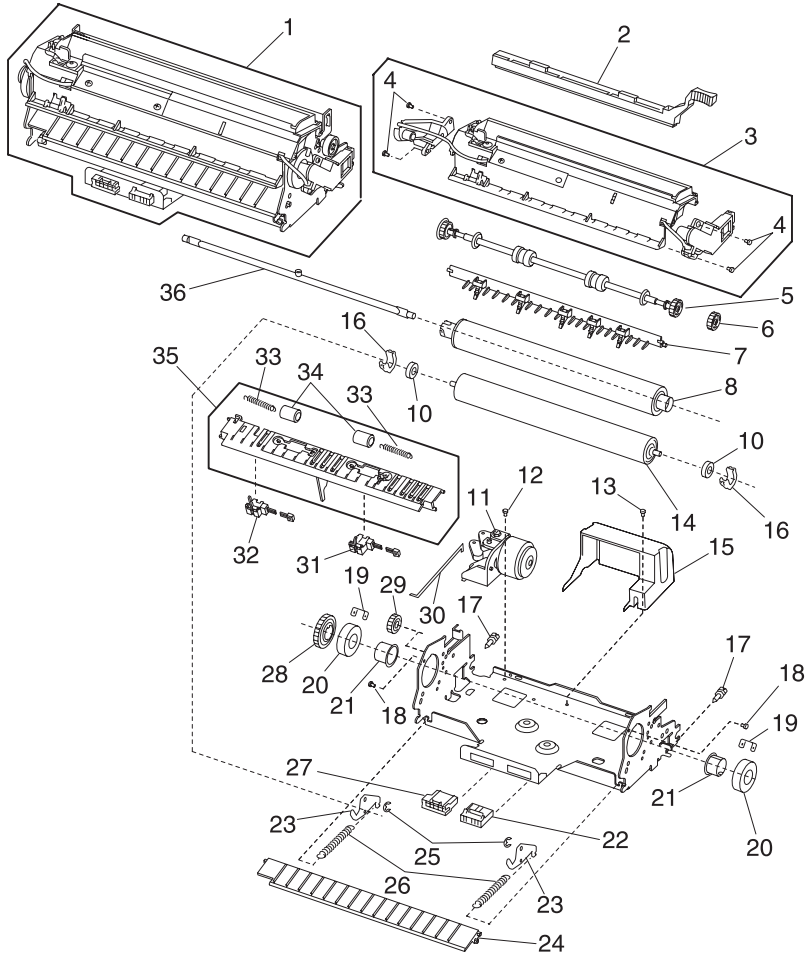
Assembly 11: Hot Roll Fuser



4069-5XX/7XX

Asm-Index	Part Number	Units	Description
11-1	99A2402	1	Fuser Assembly w/115V 875W Lamp 520/52n
11-1	99A2401	1	Fuser Assembly w/220V 875W Lamp 520/52n
11-1	99A2405	1	Fuser Assembly w/115V 875W Lamp 722/72n
11-1	99A2404	1	Fuser Assembly w/220V 875W Lamp 722/72n
11-2	99A0725	1	Wiper Assembly, Wet
11-3	99A2468	1	Cover, Fuser Assembly with Thermistor, Thermal Fuse, and LH & RH Fuser Lamp Contact Assemblies
11-4		4	Screw, Contact Assembly PP 99A0263
11-5	99A2469	1	Exit Roll Assembly
11-6	99A1520	1	Gear, Upper Redrive
11-7	99A2472	1	Detack Assembly
11-8	99A1549	1	Hot Roll
11-10	99A1621	2	Bearing, BUR
11-11	99A2465	1	Solenoid Assembly, Envelope Conditioner
11-12		1	Screw, Solenoid Mounting PP 99A0263
11-13		1	Screw, Board Cover Mounting PP 99A0263
11-14	99A2470	1	Backup Roll, 22 mm, 520/52n
11-14	99A0158	1	Backup Roll, 28 mm, 720/72n
11-15	99A1598	1	Shield, Fuser Board
11-16	99A0144	2	Retainer, Backup Roll Bearing
11-17	99A1649	2	Screw, Fuser Mounting

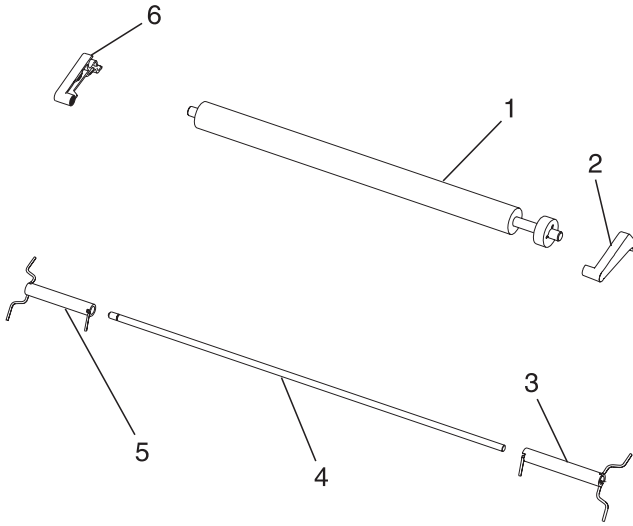
Assembly 11: Hot Roll Fuser (continued)



4069-5XX/7XX

Asm-Index	Part Number	Units	Description
11-18		2	Screw, Fuser Cover Assembly PP 99A0263
11-19	99A0142	2	Retainer, Hot Roll Bearing
11-20	99A0143	2	Bearing, Hot Roll
11-21	99A0150	2	Bushing, Hot Roll
11-22	99A1554	1	Fuser Cable, AC Ground
11-23	99A1659	2	Bellcrank, Backup Roll 520/52n
11-23	99A1600	2	Bellcrank, Backup Roll 722/72n
11-24	99A1591	1	Guide, Fuser Entry
11-25		2	Retainer, Backup Roll Bellcrank PP 99A0267
11-26	99A0410	2	Spring, Backup Roll Bellcrank
11-27	99A2466	1	Fuser Cable, DC - Fuser Internal
11-28	99A0157	1	Gear, Hot Roll
11-29	99A0148	1	Gear, Idler
11-30	99A0297	1	Link, Solenoid
11-31	99A2478	1	Sensor, Narrow Media
11-32	99A2479	1	Sensor, Exit
11-33	99A0897	2	Spring, Redrive Idler
11-34	99A0167	4	Roller, Redrive Idler
11-35	99A2467	1	Guide Assembly, Lower Exit
11-36	99A1547	1	Lamp, 115V 875W CC Gold
11-36	99A1548	1	Lamp, 220V 875W CC Silver
NS	99A1658	1	Cover, Fuser Wiper Cavity
NS		7	Screw, Hanger PP 99A0263
NS	99A0196	1	Clamp, DC Fuser Cable

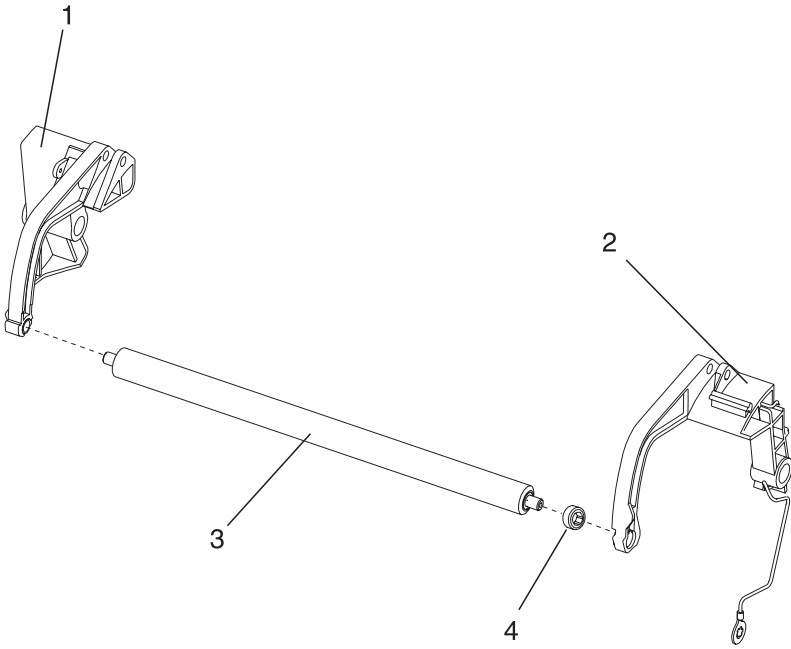
Assembly 12: Transfer



4069-5XX/7XX

Asm-Index	Part Number	Units	Description
12-1	99A1015	1	Transfer Roll Assembly
12-2	99A0349	1	Arm, Transfer Roll Assembly Right
12-3	99A0184	1	Spring, Transfer Roll Right
12-4	99A0185	1	Shaft, Transfer Pivot
12-5	99A0181	1	Spring, Transfer Roll Left
12-6	99A1578	1	Arm, Transfer Roll Left
NS		1	Retainer, Pivot Shaft PP 99A0267

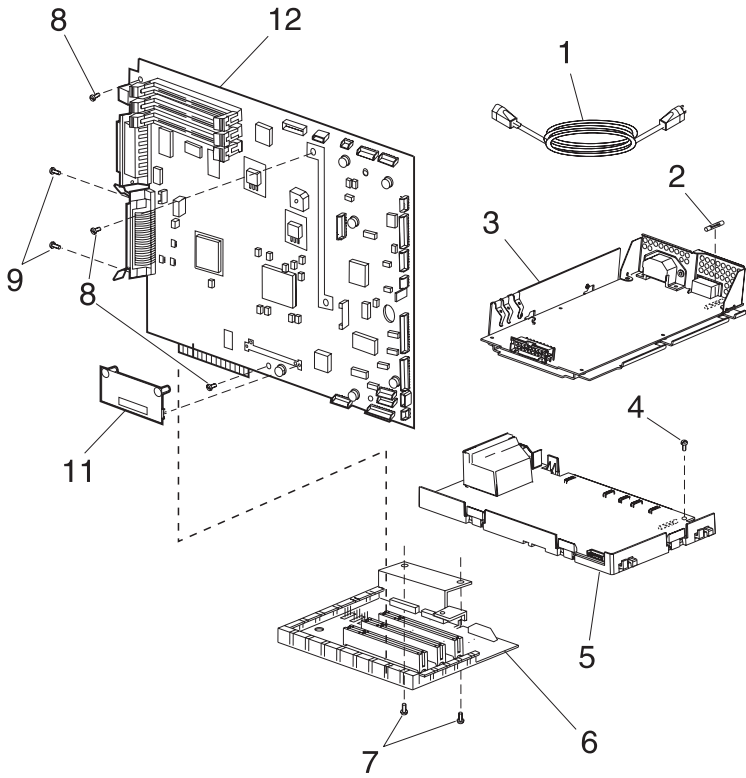
Assembly 13: Charging



4069-5XX/7XX

Asm-Index	Part Number	Units	Description
13-1	99A0512	1	Link Assembly, Charge Left Kit
13-2	99A0513	1	Link Assembly, Charge Right Kit
13-3	99A1017	1	Roll Assembly, Charge
13-4	99A1555	1	Bushing, Charge Roll
NS		1	Screw, Charge Roll PP 99A0263

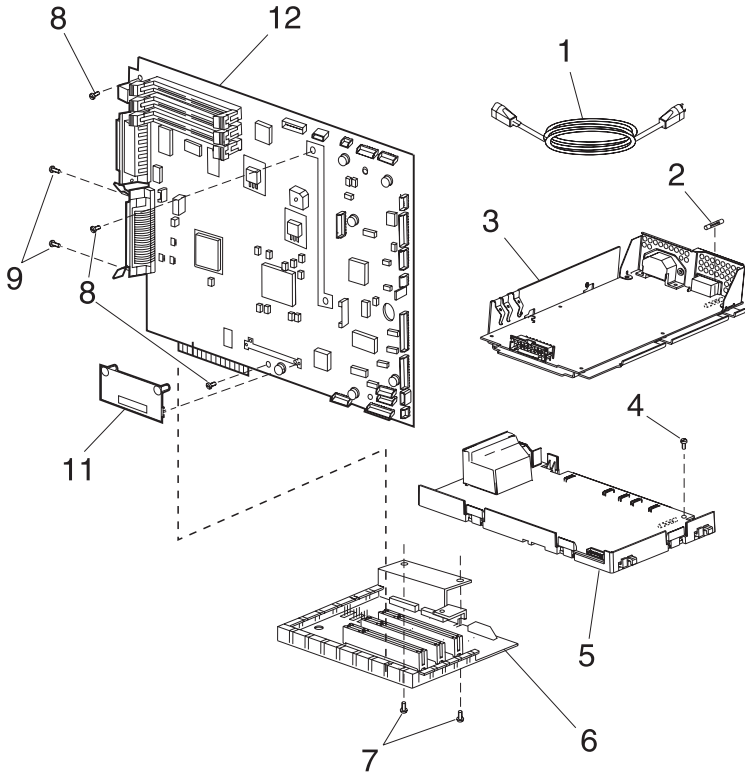
Assembly 14: Electronics



4069-5XX/7XX

Asm-Index	Part Number	Units	Description
14-1	1342514	1	Power Cord Set, 8 ft. - U.S., Canada (LV), Nicaragua, Venezuela, Peru (LV), Brazil (LV), Bolivia (HV), Colombia, Costa Rica, Ecuador, Dominican Republic, El Salvador, Guatemala, Honduras, Mexico, Panama, Puerto Rico, Virgin Islands, Saudi Arabia (LV), AP English (LV), Taiwan (520/52n)
14-1	43H5248	1	Power Cord Set, 8 ft. - U.S., Canada (LV), Brazil (HV) Nicaragua (LV), Venezuela (LV), Peru (LV), Bolivia, Puerto Rico (LV), Virgin Islands, Colombia (LV), Costa Rica (LV), El Salvador (LV), Guatemala (LV), Honduras (LV), Mexico (LV), Panama (LV), AP English (LV) (722/72n)
14-1	1339538	1	Power Cord Set, 6 ft - Paraguay, Uruguay, Austria, Germany, Hungary, Slovakia, Finland, France, Belgium, Netherlands, Greece, Italy, Czechoslovakia, Lebanon, Syria, Egypt, Jordan, Iran, Euro English, Norway, Sweden, Poland, Russia, Turkey, CIS, Portugal, Spain, Catalan
14-1	1342536	1	Power Cord Set, 6 ft. - APG (LV)
14-1	1339537	1	Power Cord Set, 8 ft. - U.K., Ireland, Iceland, Kuwait, Bahrain, Qatar, UAE, Oman, Pakistan, Iraq, Libya, Cyprus
14-1	1339539	1	Power Cord Set, 6 ft. - Israel
14-1	1339540	1	Power Cord Set - Switzerland (French), Switzerland (German), Switzerland (Italian)
14-1	1339541	1	Power Cord Set, - South Africa, Namibia, Lesotho, Botswana
14-1	1339546	1	Power Cord Set, 6 ft. - Two-Prong Argentina (HV)
14-1	1342534	1	Power Cord Set, 8 ft. - Chile (HV)
14-1	1339543	1	Power Cord Set, 8 ft. - Denmark
14-1	1339542	1	Power Cord Set, 6 ft. - Italy
14-1	1374067	1	Power Cord Set, 8 ft. - Peru (HV)
14-1	1339544	1	Power Cord Set, 8 ft. - Straight Argentina (HV)
14-1	1339545	1	Power Cord Set, 8 ft. - Right Angle Argentina (HV)
14-1	1342530	1	Power Cord Set - Brazil
14-1	43H5546	1	Power Cord Set - PRC (HV) (520)

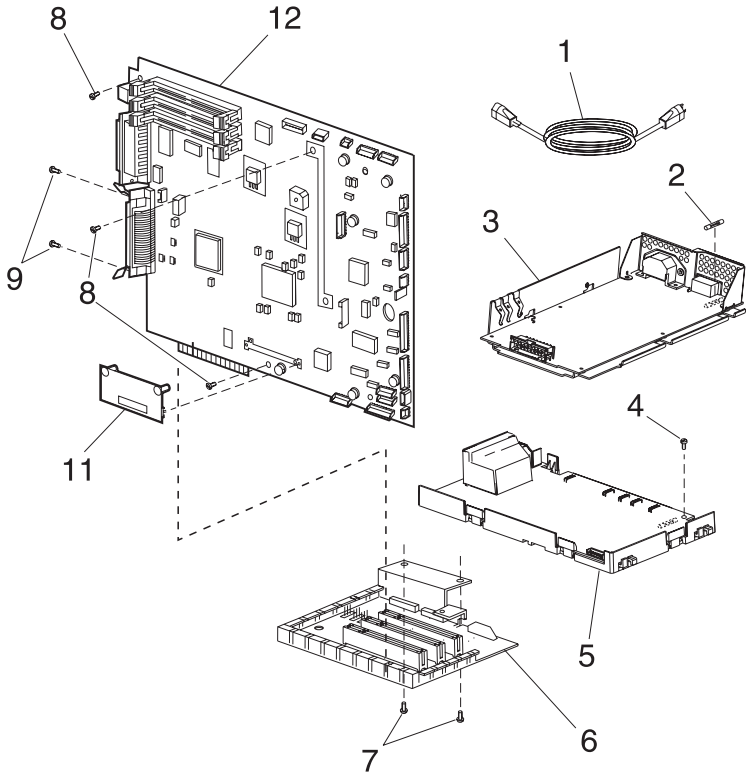
Assembly 14: Electronics (continued)



4069-5XX/7XX

Asm-Index	Part Number	Units	Description
14-2	99A2491	1	Fuse, 110 V ac LVPS 12.5A 250V
14-2	99A2492	1	Fuse, 220 V ac 6.3A 250V
14-3	99A2452	1	LVPS, 110 V ac 520/52n
14-3	99A2453	1	LVPS, 110 V ac 722/72n
14-3	99A2454	1	LVPS, 220 V ac 520/52n
14-3	99A2455	1	LVPS, 220 V ac 722/72n
14-4		1	Screw, HVPS Mounting PP 99A0263
14-5	99A2451	1	High Voltage Power Supply
14-6	99A2425	1	Interconnect Board Assembly o 2 Slot with shield
14-7		2	Screw, Int Board Mounting PP 99A0263
14-8		3	Screw, System Bd Mounting Front PP 99A0263
14-9	99A2490	2	Screw, Parallel Connector Mounting
14-11	99A2430	1	Card Assembly, NAND Flash

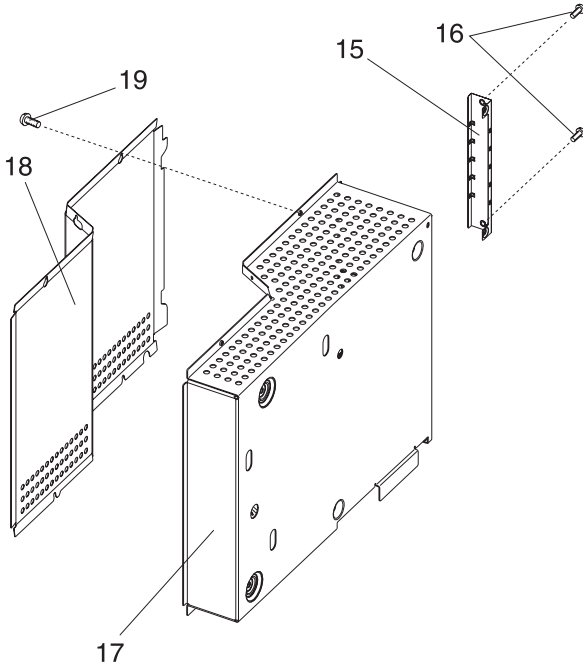
Assembly 14: Electronics (continued)



4069-5XX/7XX

Asm-Index	Part Number	Units	Description
14-12	56P1220	1	System Board Assembly 520
14-12	56P1221	1	System Board Assembly 52n
14-12	56P1222	1	System Board Assembly 722
14-12	56P1223	1	System Board Assembly 72n
NS	99A1612	1	Cable, Deflector
NS	99A0346	1	Clip, EMC Six Finger
NS	99A0227	1	Clip, EMC Gnd Two Finger

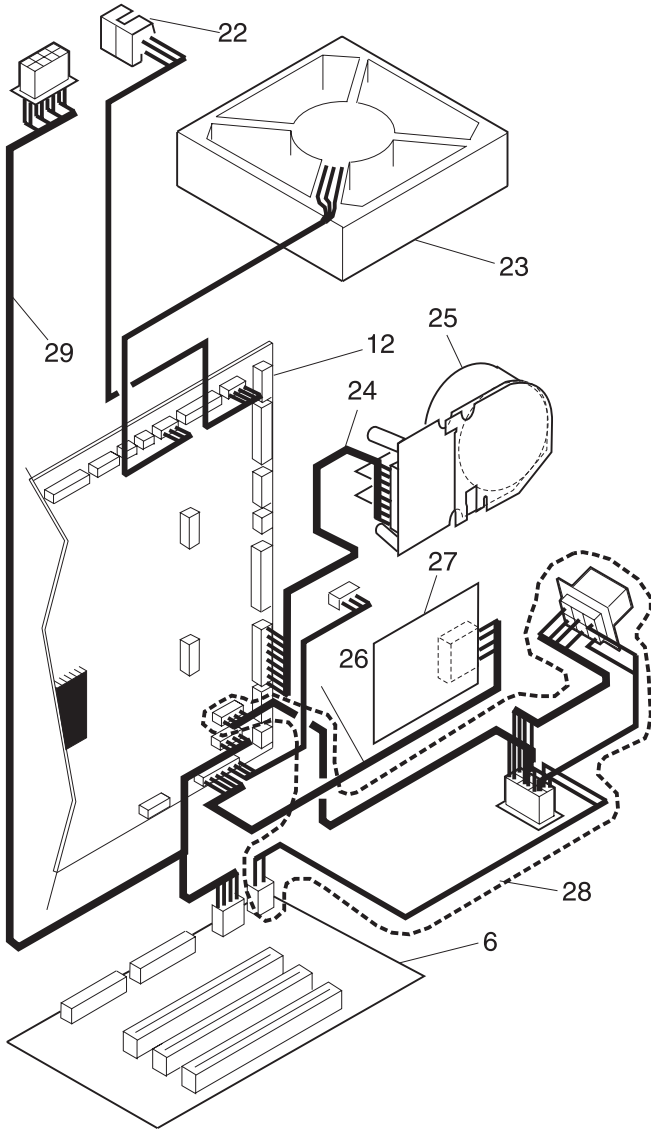
Assembly 14: Electronics (continued)



4069-5XX/7XX

Asm-Index	Part Number	Units	Description
14-15	99A0408	1	Cover, INA Flat (Blank)
14-16		6	Screw, INA Cover Mounting PP 99A0263
14-16		4	Screw, INA Cover Mounting PP 99A0263
14-16		2	Screw, INA Cover Mounting PP 99A0263
		1	o Cover, INA Blank
14-17	99A2431	1	Shield, Inner Assembly, 2 slot
		2	o Cover, INA Blank
14-18	99A0206	1	Shield, Outer 2 slot
14-19		4	Screw, Outer Shield Mounting PP 99A0263
14-19		6	Screw, Outer Shield Mounting PP 99A0263
NS		2	Screw, Int/Pan Mounting PP 99A0263
NS	99A0260	1	Clip, Cable
NS	99A1611	1	Shield, Ethernet Blank
NS	99A1610	1	Shield, Serial Blank
NS	99A2432	1	Shield, Parallel Blank

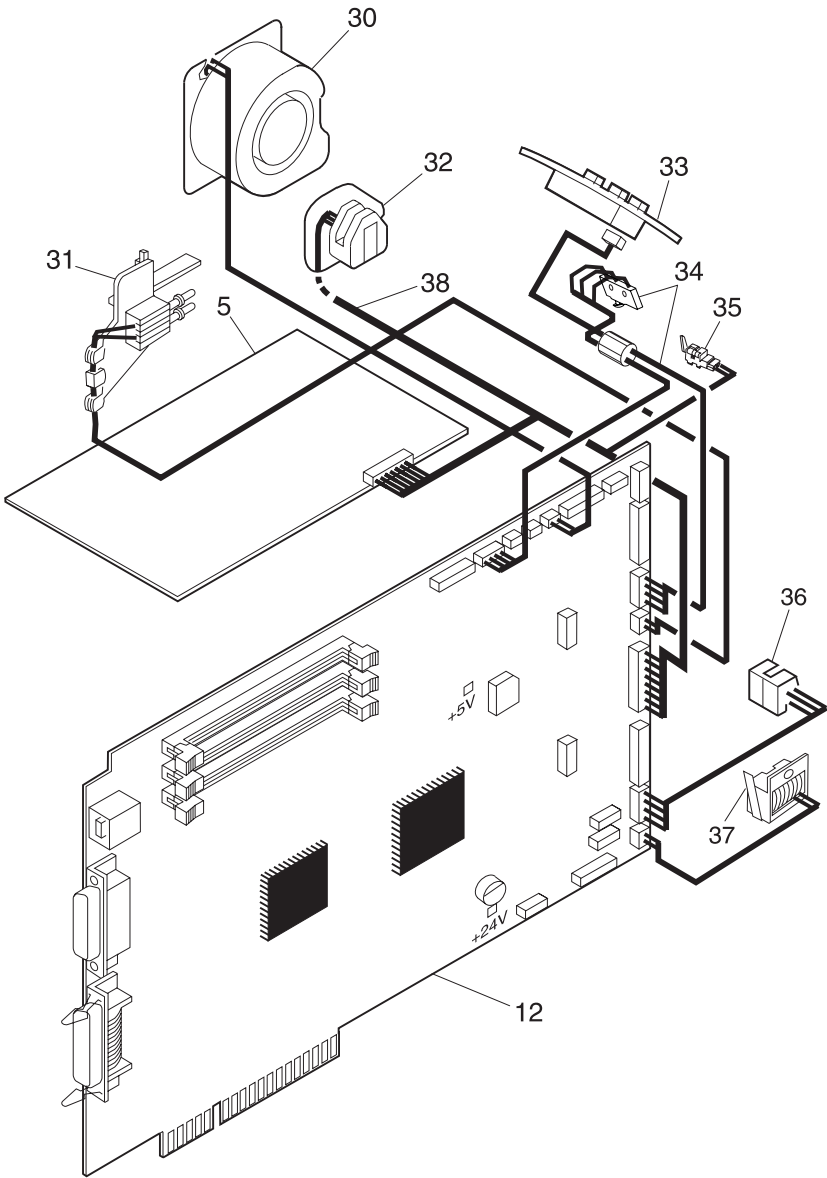
Assembly 14: Electronics (continued)



4069-5XX/7XX

Asm-Index	Part Number	Units	Description
14-22	99A2443	1	Sensor, Standard Bin Level
14-23	99A2441	1	Fan, Main
14-24	99A2459	1	Cable, Main Drive Motor
14-25	99A2446	1	Gearbox, w/Motor 520/52n
14-25	99A2447	1	Gearbox, w/Motor 722/72n
14-26	99A2456	1	Cable, Integrated Tray
14-27	99A0128	1	Board, Input Tray (ITC)
14-28	99A2463	1	Cable, Auto Connect Bottom
14-29	99A2460	1	Cable, Auto Connect Top

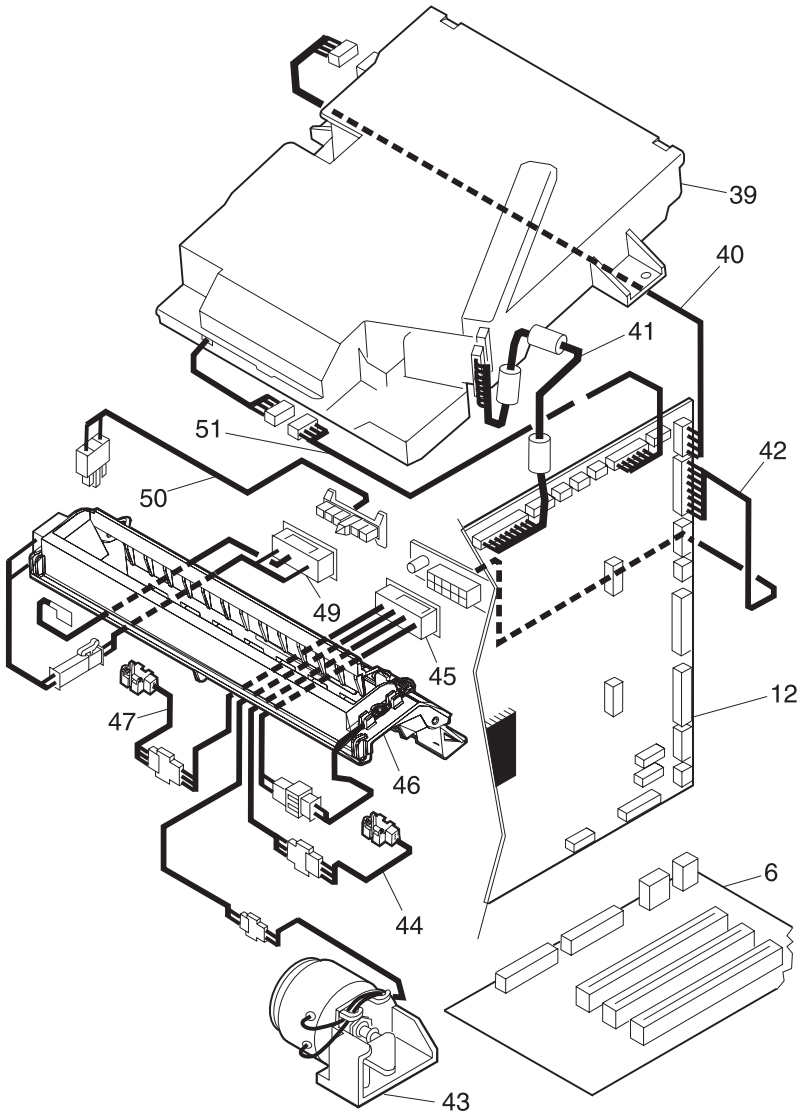
Assembly 14: Electronics (continued)



4069-5XX/7XX

Asm-Index	Part Number	Units	Description
14-30	99A2442	1	Fan, Cartridge 722/72n
14-31	99A2471	1	Smart Cartridge Contact Assembly
14-32	99A0466	1	Sensor, Toner Cartridge Level
14-33	99A1501	1	Operator Panel Assembly
14-34	99A2414	1	Switch, Cover Open w/Operator Panel Cable Assembly
14-35	99A0053	1	Sensor, Input
14-36	99A2440	1	Sensor, MPT Paper Out
14-37	99A2438	1	MPT Solenoid
14-38	99A2457	1	Cable, Front Harness

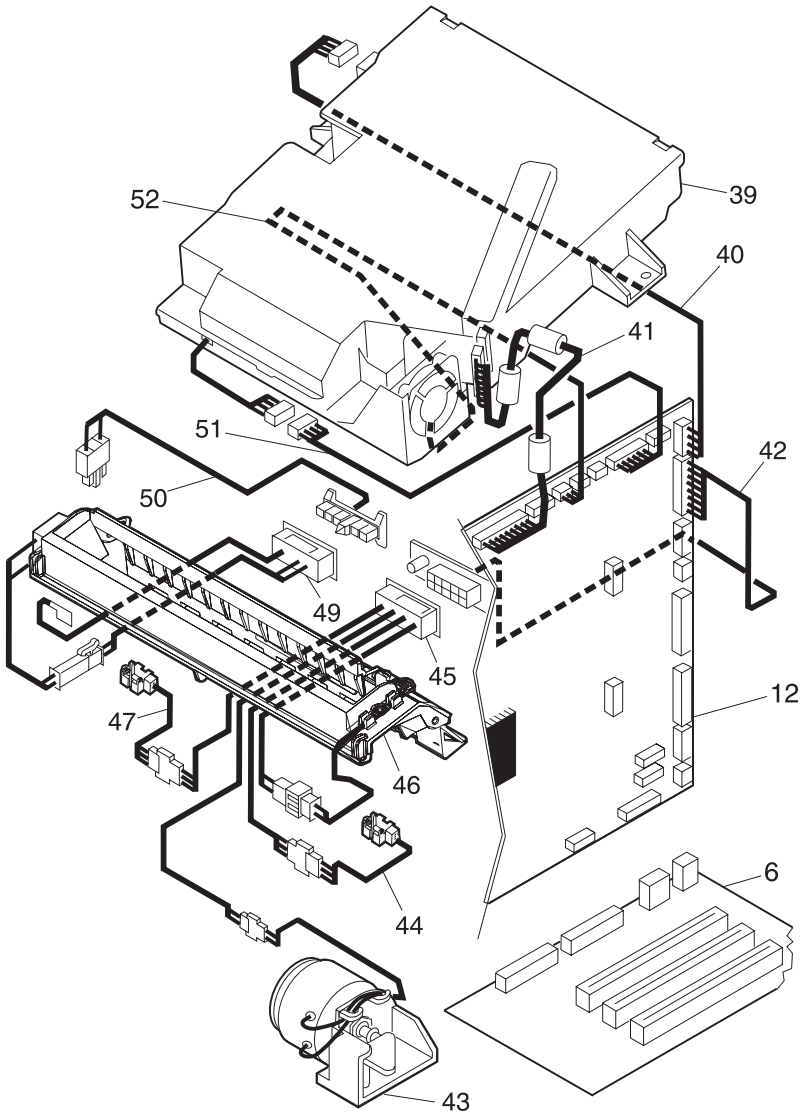
Assembly 14: Electronics (continued)



4069-5XX/7XX

Asm-Index	Part Number	Units	Description
14-39	99A2448	1	Printhead Assembly 520/52n
14-39	99A2449	1	Printhead Assembly 722/72n
14-40	99A2458	1	Cable, Hysnc
14-41	99A2461	1	Cable, Laser
14-42	99A2464	1	Cable, Fuser DC EP Auto Connect to System Board
14-43	99A2465	1	Solenoid Assembly, Envelope Conditioner
14-44	99A2479	1	Sensor, Exit
14-45	99A2466	1	Cable, Fuser DC, Fuser Internal
14-46	99A2468	1	Cover, Fuser Assembly with Thermistor, Thermal Fuse and RH Fuser Lamp Contact Assembly
14-47	99A2478	1	Sensor, Narrow Media
14-49	99A1554	1	Cable, AC Input
14-50	99A1575	1	Cable, Fuser AC EP Auto Connect to LVPS
14-51	99A2477	1	Cable, Mirror Motor
NS	99A1612	1	Cable, Deflector

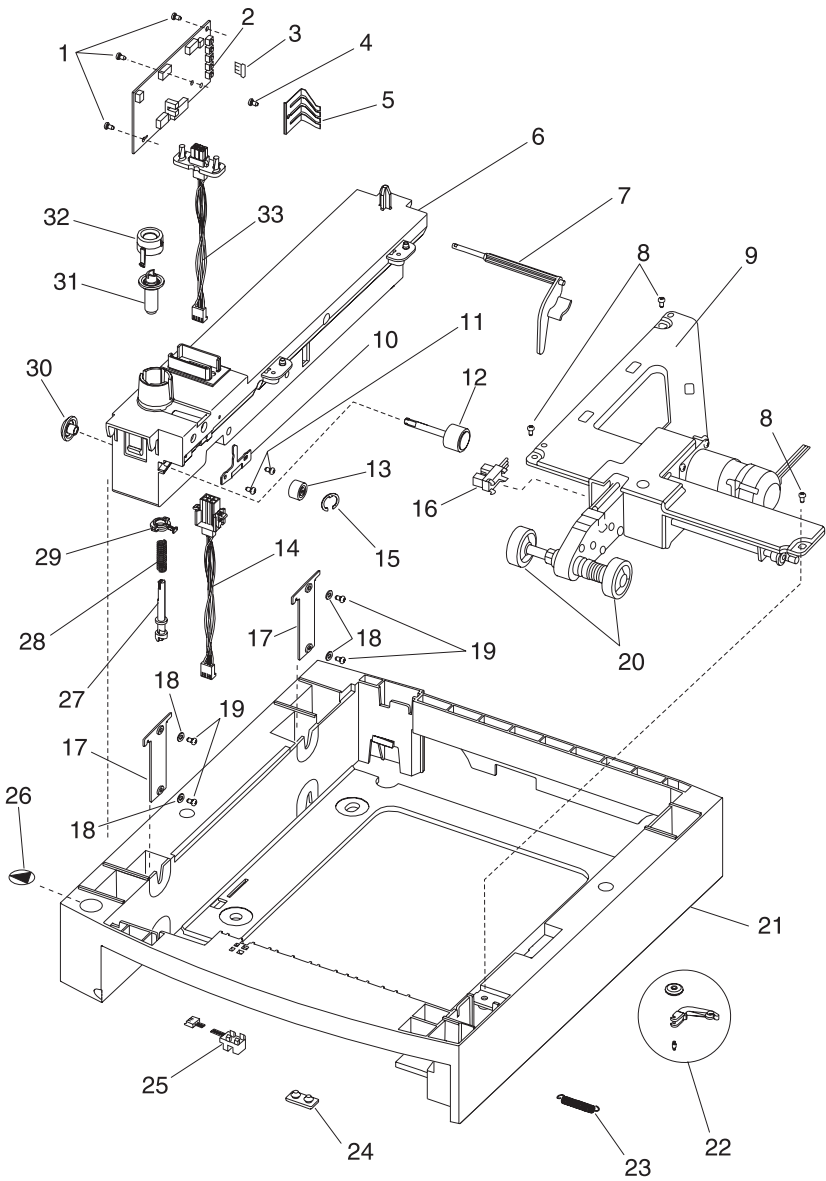
Assembly 14: Electronics (continued)



4069-5XX/7XX

Asm-Index	Part Number	Units	Description
14-52	99A2442	1	Printhead Fan

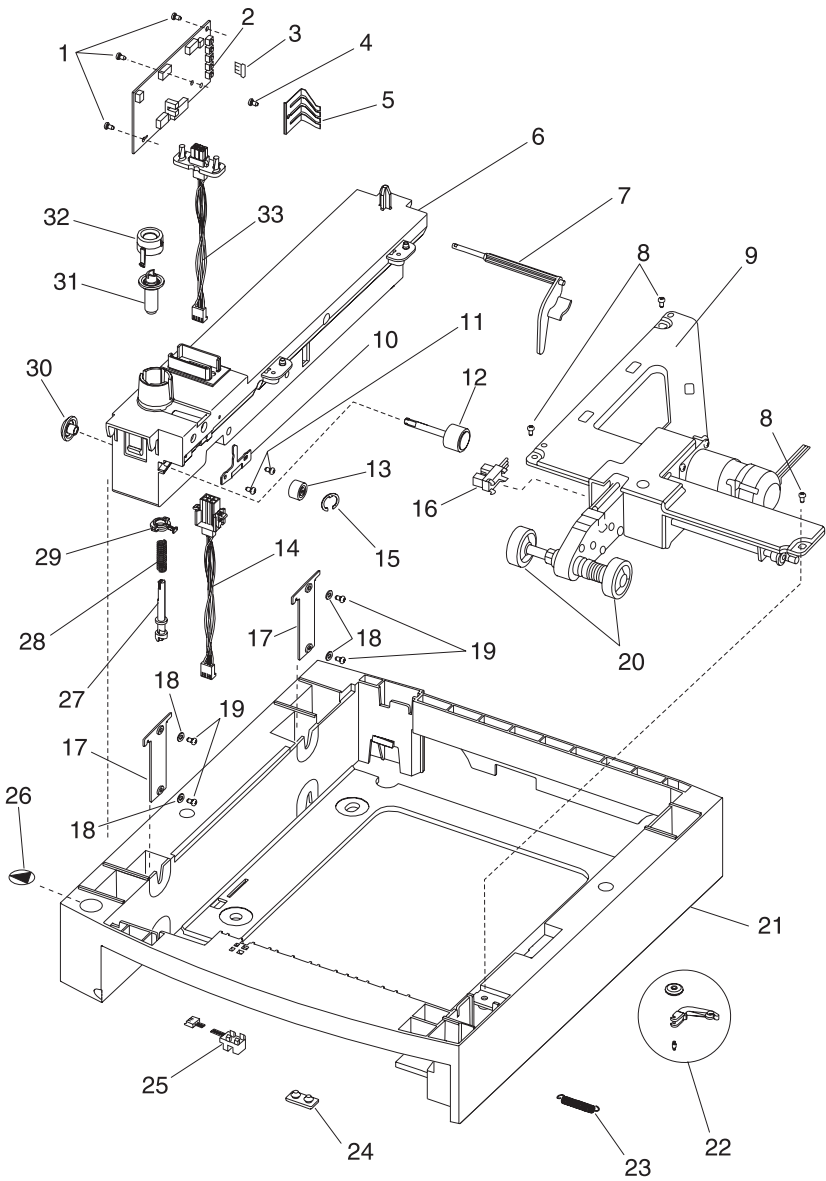
Assembly 15: 250-Sheet Tray



4069-5XX/7XX

Asm-Index	Part Number	Units	Description
15-1		3	Screw, Option Board Mounting PP 99A0263
15-2	99A1967	1	Board, Option Tray
15-3	99A0627	1	Jumper, 2-pin
15-4		1	Screw, Switch Activate Spring Mounting PP 99A0263
15-5	99A0063	1	Spring, Switch Activate
15-6	99A0445	1	Stud Assembly, 250 Frame
15-7	99A0448	1	Arm, Paper Out 250
15-8		3	Screw, Auto Comp Mounting PP 99A0263
15-9	99A1054	1	Pick Arm Assembly
15-10	99A0277	1	Wear Plate, Pass Thru 250 Tray
15-11		2	Screw, Wear Plate Mounting PP 99A0263
15-12	99A0276	1	Roll Assembly, Drive 500 Dual
15-13	99A0451	1	Roller, Skewed Backup
15-14	99A0282	1	Cable, 250 Tray Option
15-15	99A0450	1	Retainer, Roller
15-16	99A0350	1	Sensor, Paper Low
15-17	99A0679	2	Bracket, 250 Frame Retention
15-18		4	Washer, Bracket 250 Frame Retention Mounting PP 99A0677
15-19		4	Screw, Bracket 250 Frame Retention Mounting PP 99A0263

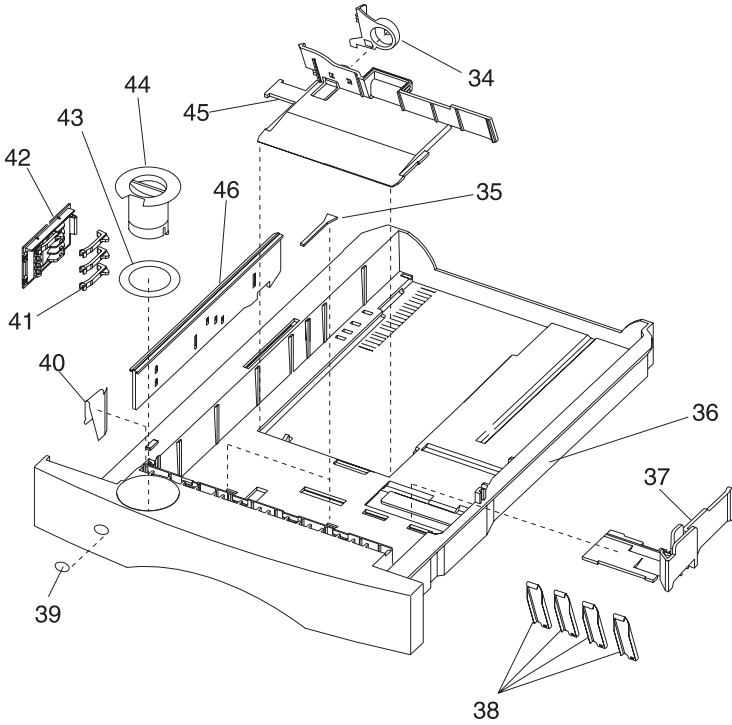
Assembly 15: 250-Sheet Tray (continued)



4069-5XX/7XX

Asm-Index	Part Number	Units	Description
15-20	99A0070	2	Roll Assembly, Pick
15-21	99A1638	1	Base, 250 Option
15-22	99A0026	1	Tray Bias Arm Assembly
15-23	99A0419	1	Spring, Tray Bias
15-24	99A0058	4	Pad, Machine Mounting
15-25	99A0288	1	Sensor, Option Pass Thru
15-26	99A1666	1	Label, Options
15-27	99A0272	1	Shaft, 250 Drive
15-28	99A0275	1	Spring, Power Takeoff
15-29	99A0280	1	Bushing, Drive Shaft Low
15-30	99A0274	1	Gear, Feed Roll
15-31	99A0273	1	Gear, Bevel
15-32	99A0279	1	Bearing, Drive Shaft
15-33	99A0281	1	Cable, 250 Auto Connect Option
NS	99A0438	2	Bushing, Drive Roll
NS	99A0278	1	Bellcrank, Roller Release
NS	99A1929	1	Spring, Bellcrank 250 Tray Option

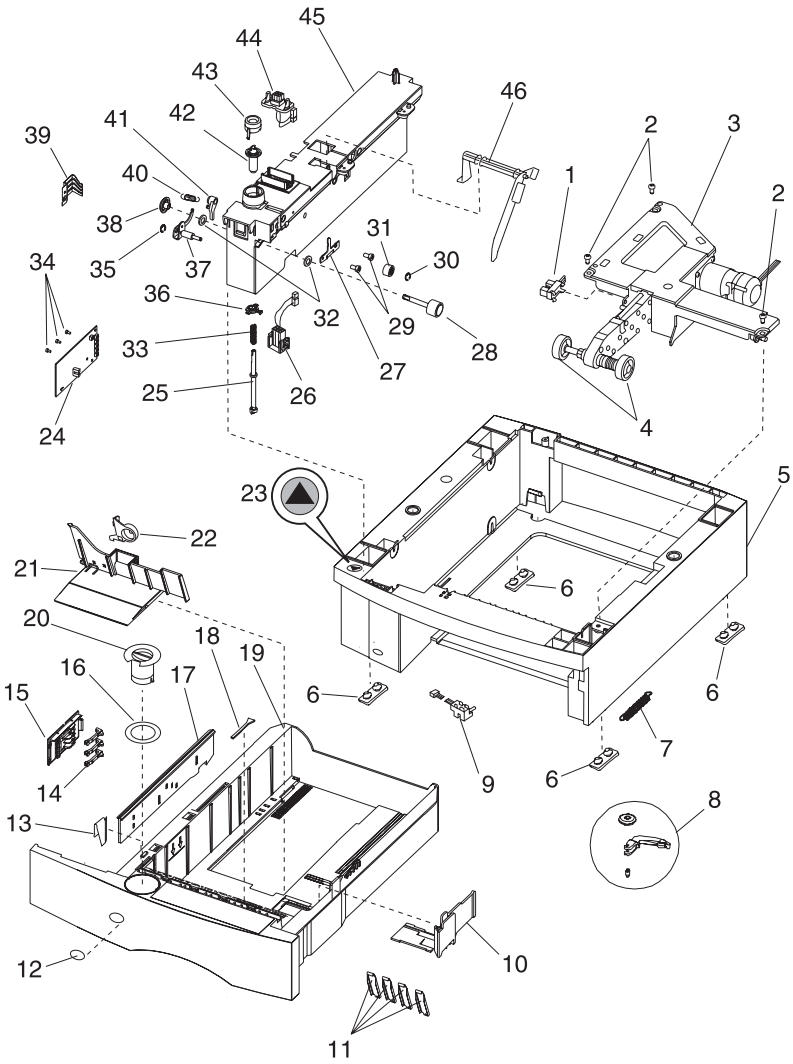
Assembly 15: 250-Sheet Tray (continued)



4069-5XX/7XX

Asm-Index	Part Number	Units	Description
15-34	99A1601	1	Latch, Back Restraint
15-35	99A0120	2	Restraint Pad
15-36	99A1536	1	Tray Assembly, 250-Sheet Option
15-37	99A1894	1	Restraint, Side 250-Sheet Tray
15-38	99A0119	4	Wear Strips
15-43	99A1952	1	Label, Paper Size
15-39	99A1829	1	Label, Tray Option Number
15-40	99A0121	1	Clip, 250 Tray Wear
15-41	99A0126	4	Finger, Autosize
15-42	99A0124	1	Plate, Snap-In
15-44	99A1537	1	Knob, Paper Size
15-45	99A0893	1	Restraint, Back 250 Sheet Tray
15-46	99A0127	1	Slider, Autosize 250
NS	99A0286	1	Spring, Backup Roller

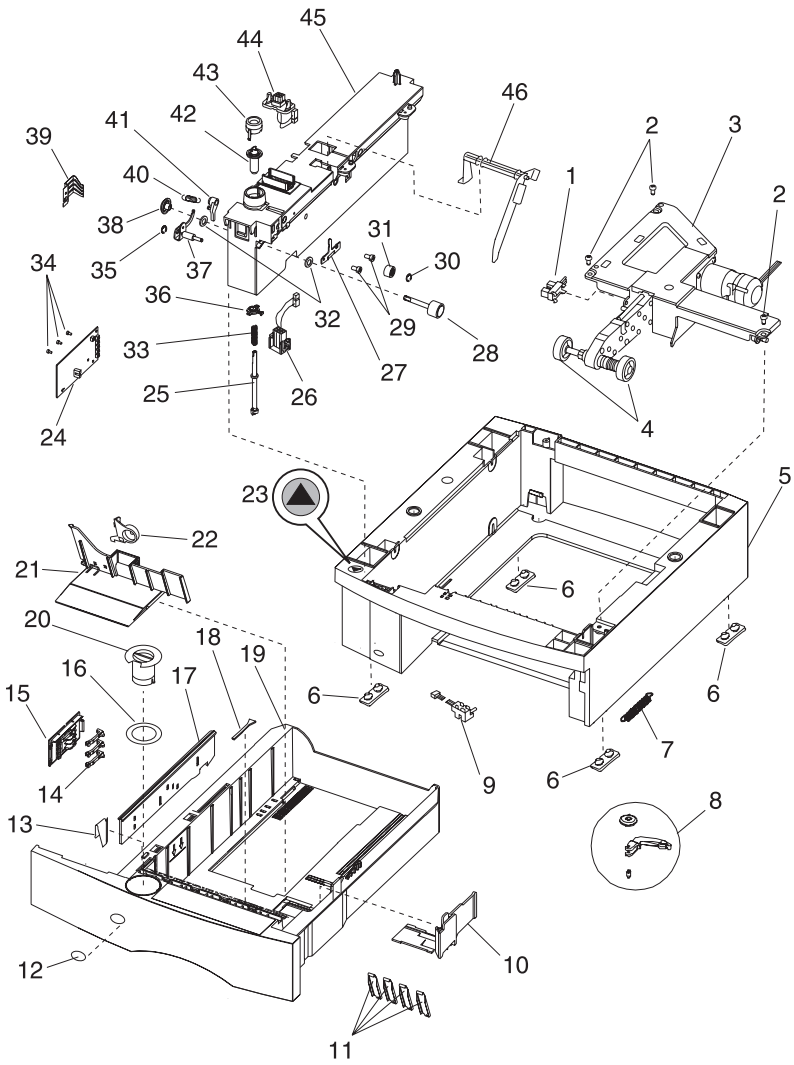
Assembly 16: 500-Sheet Tray



4069-5XX/7XX

Asm-Index	Part Number	Units	Description
16-1	99A0350	1	Sensor, Paper Low
16-2		3	Screw, Auto Comp Mounting PP 99A0263
16-3	99A0405	1	Pick Arm Assembly
16-4	99A0070	2	Pick Roll Assembly
16-5	99A1636	1	Base, 500 Tray
16-6	99A0058	4	Pad, Base 500
16-7	99A0419	1	Spring, Tray Bias
16-8	99A0026	1	Tray Bias Arm Assembly
16-9	99A0288	1	Sensor, Option Pass Thru
16-10	99A1895	1	Restraint, Side 500-Sheet Tray
16-11	99A0292	4	Wear Strips
16-12	99A1829	1	Label, Tray Option Number
16-13	99A1583	1	Plate, 500 Tray Wear
16-14	99A0126	4	Finger, Autosize
16-15	99A0124	1	Plate, Snap-In
16-16	99A1952	1	Label, Paper Size
16-17	99A1582	1	Slider, Autosize 500
16-18	99A0120	2	Restraint Pad
16-19	99A1576	1	Tray Assembly, 500 Sheet
16-20	99A1537	1	Knob, Paper Size
16-21	99A1602	1	Restraint, Back 500-Sheet Tray
16-22	99A1601	1	Latch, Back Restraint
16-23	99A1666	1	Label, Options
16-24	99A1967	1	Board, Tray
16-25	99A0447	1	Shaft, 500 Drive

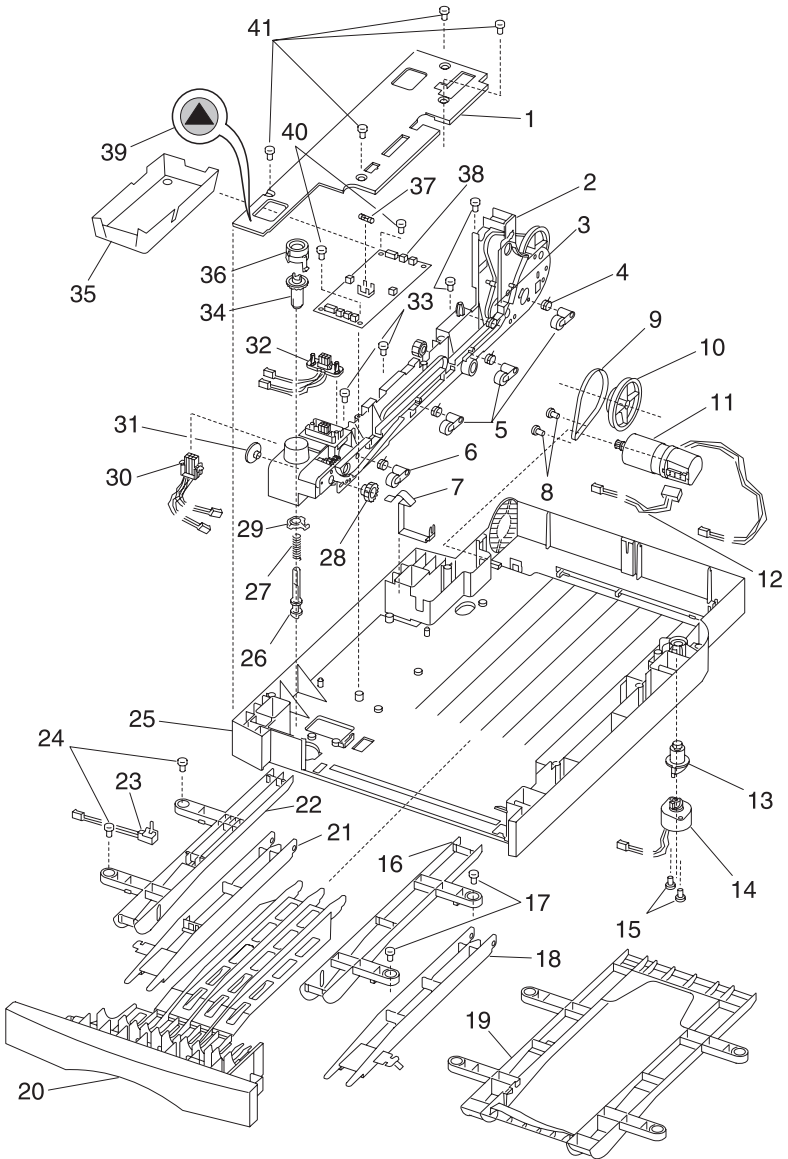
Assembly 16: 500-Sheet Tray (continued)



4069-5XX/7XX

Asm-Index	Part Number	Units	Description
16-26	99A0282	1	Cable, 500 Auto Connect Bottom
16-27	99A1750	1	Wear Plate, Pass Thru
16-28	99A0276	1	Roll Assembly, Drive 500
16-29		2	Screw, Wear Plate Mounting PP 99A0263
16-30	99A0450	1	Retainer, Roller
16-31	99A0451	1	Roller, Skewed Backup
16-32	99A0438	2	Bearing, Drive Roll
16-33	99A0275	1	Spring, Power Takeoff
16-34		3	Screw, Board Mounting PP 99A0263
16-35		1	Retainer, Aligner Assembly PP 99A0267
16-36	99A0280	1	Bearing, Drive Shaft Low
16-37	99A0446	1	Aligner Assembly, Paper
16-38	99A0274	1	Gear, Feed Roll
16-39	99A0063	1	Spring, Switch Activate
16-40	99A0286	1	Spring, Backup Roller
16-41	99A1664	1	Bellcrank, Roller Release
16-42	99A0273	1	Gear, Bevel
16-43	99A0279	1	Bearing, Drive Shaft
16-44	99A0281	1	Cable, 500 Auto Connect Top
16-45	99A1702	1	Stud Assembly, 500 Frame
16-46	99A1645	1	Arm, Paper Out 500
NS	99A0452	4	Washer, Frame Mounting
NS	99A1665	1	Deflector, Base 500
NS	99A1667	2	Bracket, 500 Tray Retention
NS	99A1928	1	Spring, Bellcrank 500 Option Tray

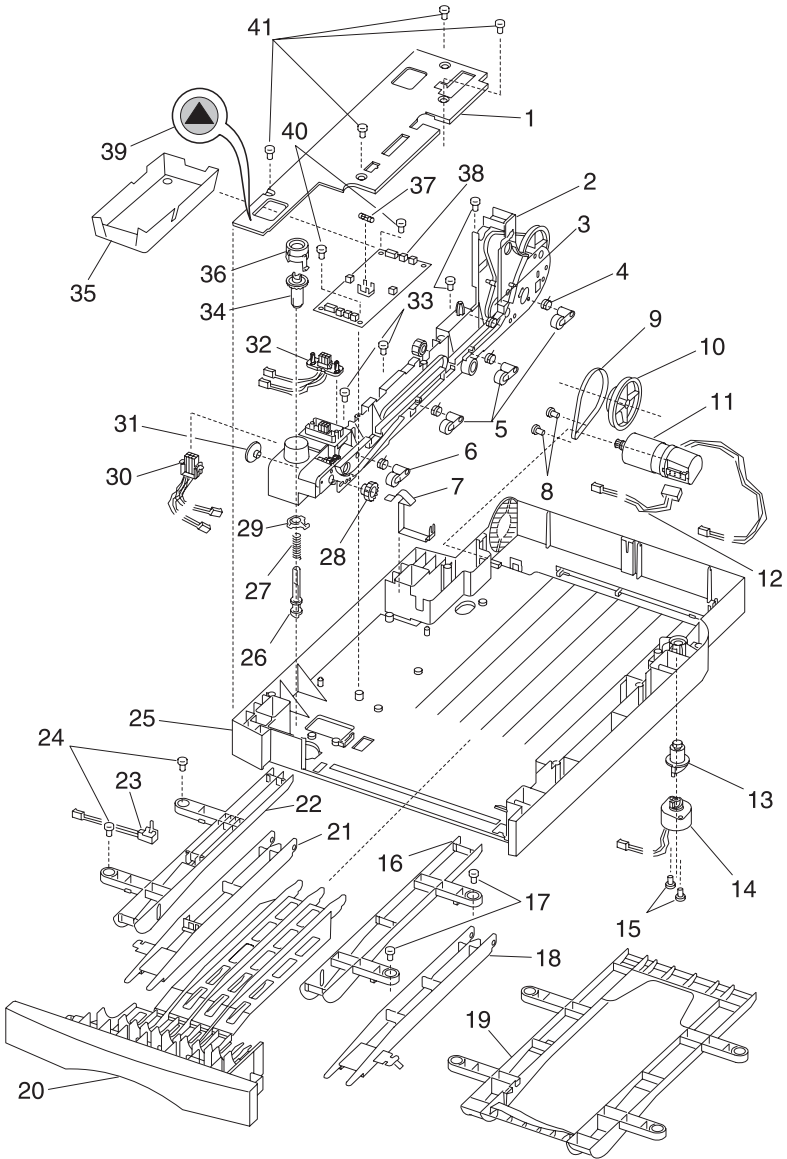
Assembly 17: Duplex



4069-5XX/7XX

Asm-Index	Part Number	Units	Description
17-1	99A1674	1	Cover, System Board
17-2	99A1693	1	Main Frame Assembly 500 Duplex
17-3	99A0324	1	Idler Assembly, Belt Tension
17-4	99A0326	3	Spring, Aligner
17-5	99A0323	3	Guide Assembly, Paper
17-6	99A1675	1	Guide Assembly, Paper
17-7	99A0314	2	Spring, Chassis Ground
17-8		2	Screw, Motor Mount 3 mm PP 99A0413
17-9	99A0328	1	Belt, Motor 114 Gear
17-10	99A0329	1	Pulley, Main Drive 96/54 Gear
17-11	99A0321	1	Motor Assembly, DC Drive
17-12	99A1673	1	Cable, D.C. Motor Tach 250 Duplex
17-13		1	Cam Follower Assembly Kit PP 99A0299
17-14	99A0312	1	Actuator Assembly, Deflector
17-15		2	Screw, Actuator Assembly Mounting PP 99A0413
17-16	99A1130	1	Guide, Return RH Upper 250 Duplex
17-17		2	Screw, Upper Return Guide Mounting PP 99A0413
17-18	99A1680	1	Guide, Return RH Lower 500 Duplex
17-19	99A1579	1	Guide, Upper 500 Duplex
17-20	99A1134	1	Tray Assembly, Jam Removal 500 Duplex
NS		2	Retainer 6 mm - Backup Roll PP 99A0404
NS		2	Screw, M3x6L:G Supradrive PP 99A0413

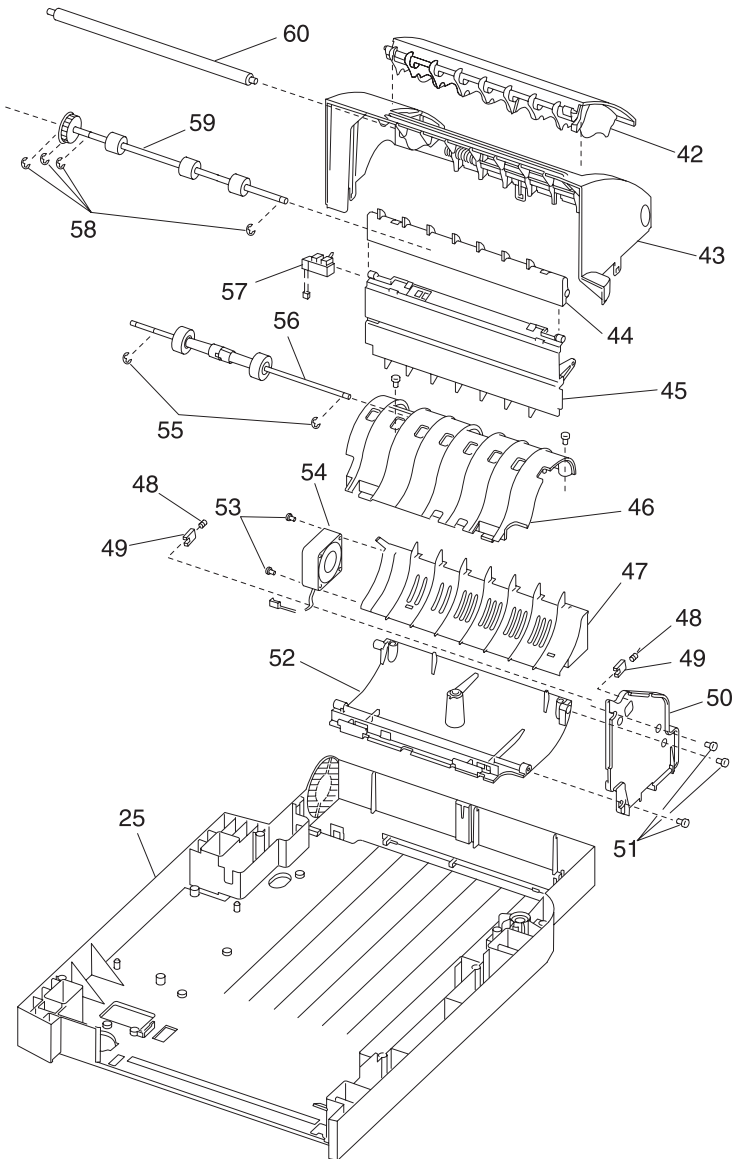
Assembly 17: Duplex (continued)



4069-5XX/7XX

Asm-Index	Part Number	Units	Description
17-21	99A1682	1	Guide, LH Lower Return 500 Duplex
17-22	99A1131	1	Guide, Return LH Upper 250 Duplex
17-23	99A0341	1	Sensor, Exit - Optical
17-24		2	Screw, LH Upper Return Guide Mounting PP 99A0413
17-25	99A1677	1	Base Assembly, w/Tray Bias 500 Duplex
17-26	99A0316	1	Shaft, Duplex Drive
17-27	99A0315	1	Spring, Duplex Shaft
17-28	99A0325	1	Gear, Pass Thru Idler
17-29	99A0280	1	Bearing, Drive Shaft Low
17-30	99A0311	1	Cable, Auto Connect Bottom
17-31	99A0274	1	Gear, Pass Thru Drive Roll
17-32	99A0310	1	Cable, Auto Connect Top
17-33		4	Screw, Main Frame Assembly Mounting PP 99A0413
17-34	99A0317	1	Gear, Duplex Bevel
17-35	99A0434	1	Pan, System Board Drip
17-36	99A0279	1	Bearing, Drive Shaft
17-37	99A0191	1	Fuse, 8A SB
17-38	99A1669	1	Board, System with Jumper
17-39	99A1666	1	Label, Options
17-40		2	Screw, System Board Mounting PP 99A0413
17-41		4	Screw, System Board Cover PP 99A0413
NS	99A1129	1	Roller, Duplex Pass Thru

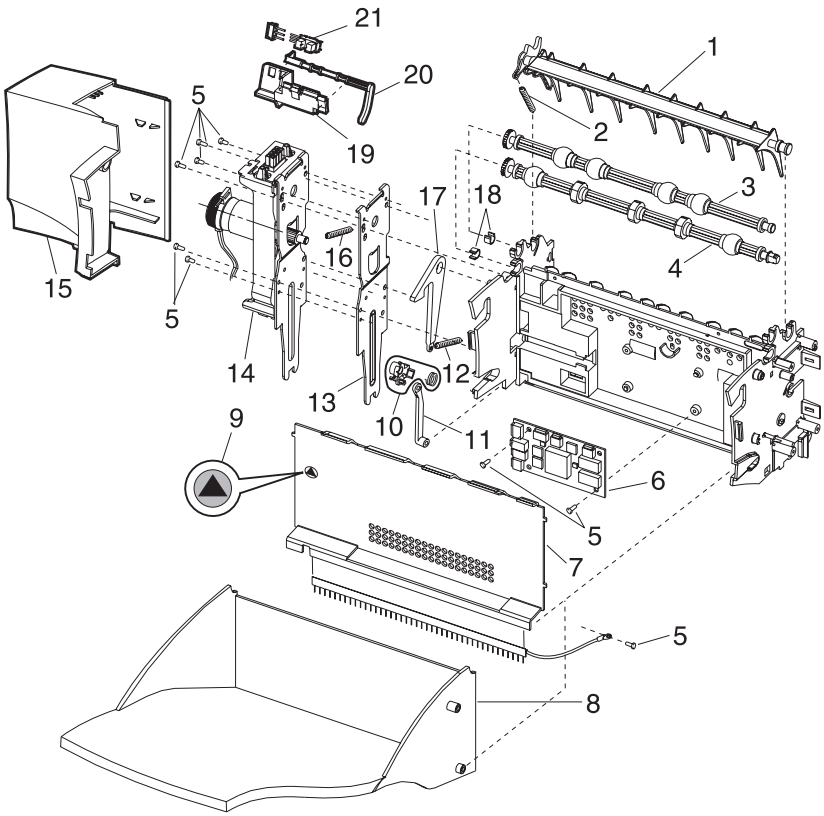
Assembly 17: Duplex (continued)



4069-5XX/7XX

Asm-Index	Part Number	Units	Description
17-42	99A1280	1	Top Cover Assembly, Movable 500 Duplex
17-43	99A1679	1	Top Cover Assembly, Fixed 500 Duplex
NS		1	Retainer, 6 mm Top Cover PP 99A0404
17-44	99A1691	1	Guide, Lower Entry 500 Duplex
17-45	99A1672	1	Guide Assembly, Paper Decurl
17-46	99A0332	1	Guide, Center Drive Upper
17-47	99A0307	1	Air Plenum
17-48	99A0335	2	Spring, Decurl Shaft
17-49	99A0334	2	Bushing, Decurl Shaft
17-50	99A1903	1	Frame Assembly, Outer
17-51		3	Screw, Outer Frame PP 99A0413
17-52	99A0330	1	Guide Assembly, Center Drive
17-53		1	Parts Packet, Duplex Option PP 99A0269
		2	o Screw, Fan Mounting M4x30
		2	o Washer, Fan - M4
		2	o Nut, Fan - M4
17-54	99A0308	1	Fan, Cooling Duplex
17-55		2	Retainer, 5 mm Main Drive PP 99A0404
17-56	99A0337	1	Main Drive Assembly
17-57	99A1676	1	Sensor, Input Optical 500 Duplex
17-58		4	Retainer, 6 mm Drive Roll PP 99A0404
17-59	99A1692	1	Shaft Assembly, Drive 3 Roll 500 Duplex
NS	99A1695	1	Shaft Assembly, Drive 2 Roll 500 Duplex
17-60	99A1059	1	Shaft Assembly, Decurl
NS		1	Screw, Tensioner PP 99A0413
NS		2	Retainer, 6 mm Clutch Roll PP 99A0404
NS	99A0058	4	Feet, Duplex Base
NS	99A1164	1	Guide, Debuckle

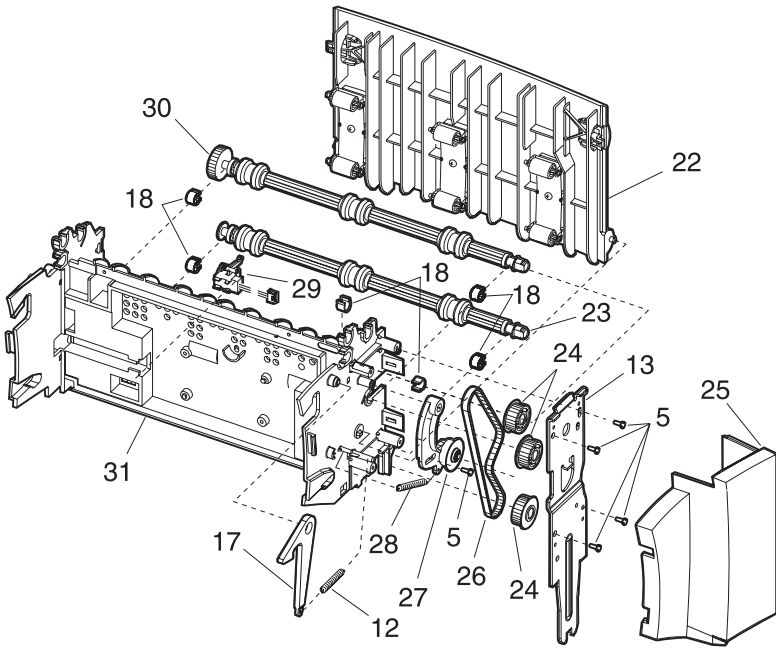
Assembly 18: Output Expander



4069-5XX/7XX

Asm-Index	Part Number	Units	Description
18-1	99A1857	1	Deflector, Upper Redrive Also order 99A0104
18-2	99A0104	1	Spring, Upper Diverter
18-3	99A0369	1	Shaft Assembly, Exit Also order PP 99A0572
18-4	99A0052	1	Shaft Assembly, Lower Exit Also order PP 99A0572
18-5		11	Screw, PP 99A0263
18-6	99A0915	1	Board, Output Expander DC motor
18-7	99A0571	1	Cover, Front Control Board with ESD Brush
18-8	99A1817	1	Tray, Output Expander
18-9	99A1666	1	Label, Options
18-10	99A1689	1	Spring Clutch Assembly
18-11	99A1688	1	Diverter Arm
18-12	99A0482	1	Spring, Output Tray
18-13	99A1784	2	Bracket, Attach
18-14	99A0914	1	Output Expander Assembly, Mechanical Linkage
18-15	99A0372	1	Cover, Left Side
18-16	99A0415	2	Spring, Swing Arm
18-17	99A0481	1	Latch, Output Tray
18-18		2	Shaft Bearing PP 99A0572
18-19	99A0409	1	Level Sensor Bracket
18-20	99A1580	1	Flag, Output Paper Level
18-21	99A0414	1	Sensor, Dual Bin Full

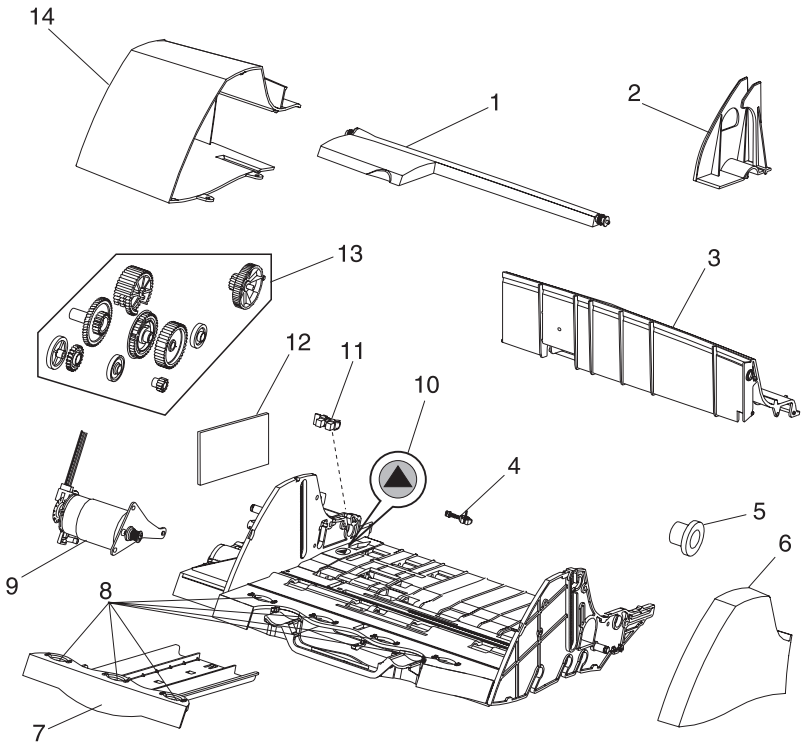
Assembly 18: Output Expander (continued)



4069-5XX/7XX

Asm-Index	Part Number	Units	Description
18-22	99A1748	1	Door Assembly, Rear Access
18-23	99A0368	1	Shaft Assembly, Lower Also order PP 99A0572
18-24	99A0363	3	Pulley, Drive
18-25	99A0371	1	Cover, Right Side
18-26	99A0361	1	Belt, 160 Gear
18-27	99A0362	1	Arm Assembly, Belt Idler
18-28	99A0364	1	Spring, Belt Tensioner
18-29	99A0351	1	Sensor, Output Expander Pass Thru
18-30	99A0913	1	Shaft Assembly, Middle 40T Also order PP 99A0572
18-31	99A0912	1	Frame Assembly

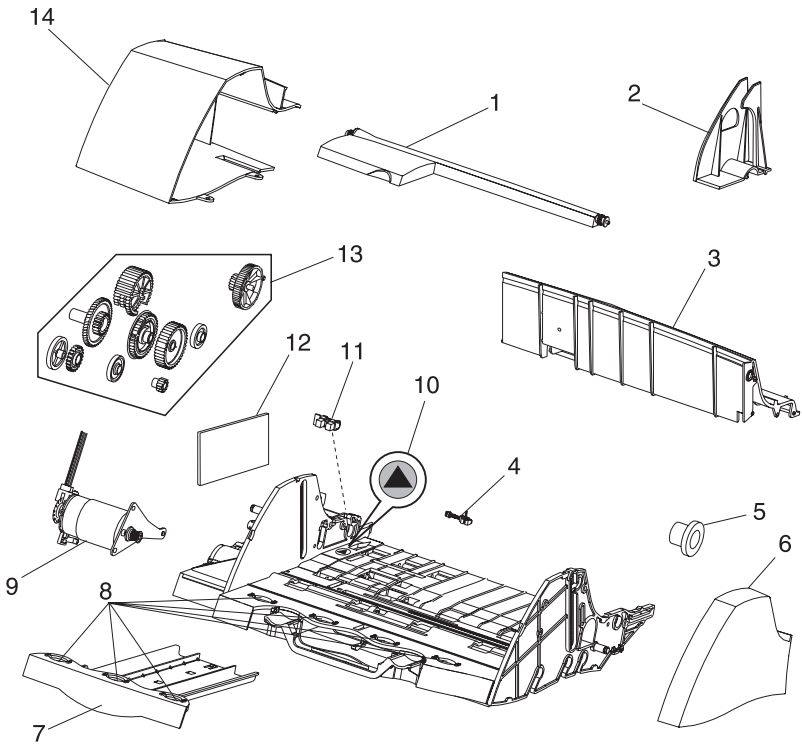
Assembly 19: Envelope Feeder



4069-5XX/7XX

Asm-Index	Part Number	Units	Description
19-1	99A0389	1	Paper Weight Assembly
19-2	99A1694	1	Guide, Edge
19-3	99A1696	1	Cover, Top
19-4	99A0485	1	Sensor, Envelope Pass Thru
19-5	99A0393	1	Clutch, Restraint/Gear
19-6	99A1697	1	Cover, Right Side
19-7	99A0390	1	Support, Slide Out
19-8	99A0488	7	Roller, Support
19-9	99A0382	1	Motor, Stepper D.C.
19-10	99A1666	1	Label, Options
19-11	99A0388	1	Switch, Envelope Out
19-12	99A1700	1	Board Assembly, Electronic Control
NS		6	Screw, Top/Motor/Board
NS	99A0484	1	Belt, Gear Drive
NS	99A0491	1	Bracket, Stack Limiter
NS	99A0400	1	Spring, Restraint Roll Shaft
NS	99A0489	1	Spring, Latch Return
NS	99A0487	1	Flag, Envelope Out Sensor

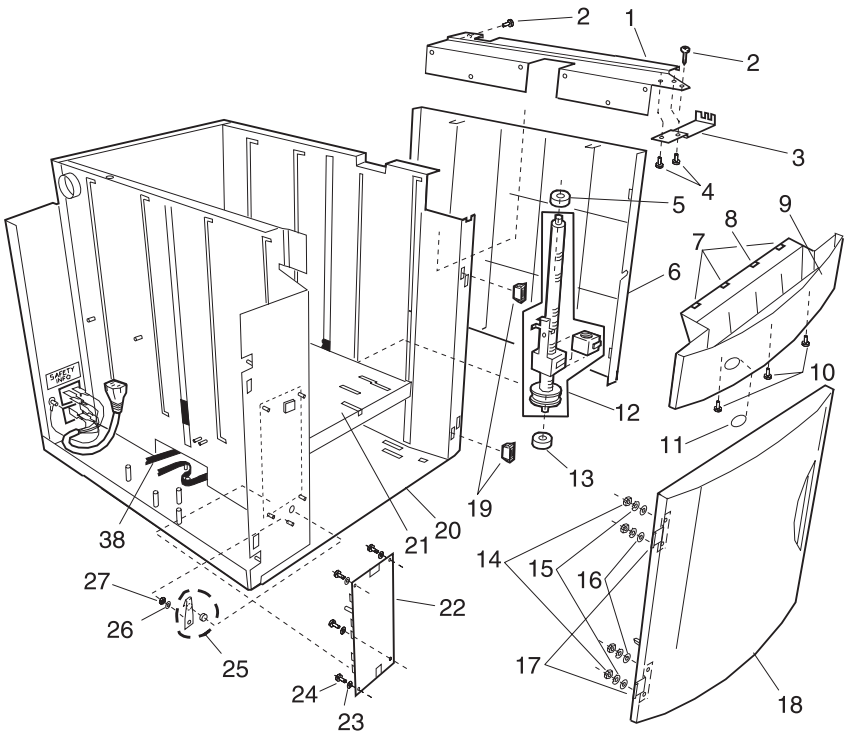
Assembly 19: Envelope Feeder (continued)



4069-5XX/7XX

Asm-Index	Part Number	Units	Description
19-13		1	Gear Kit, PP 99A0271
		1	o Gear, Feed
		1	o Gear, Master Cam
		1	o Gear, Drive Roll Shaft
		3	o Gear, Master/Feed Kick
		2	o Gear, Drive Idler
		1	o Gear, Comp Drive/Clutch
		1	o Gear, Kick Roll Connect
		1	o Gear, Kick CNCT Idler
		1	o Gear, Feed Shaft Right
		1	o Gear, Drive Idler Rear
19-14	99A1698	1	Cover, Left Side
NS		1	Retainer, 4 mm PP 99A0404
NS		3	Retainer, Clip 5 mm Shaft PP 99A0404
NS		2	Retainer, 6 mm PP 99A0404
NS		3	Retainer, 7 mm Shaft PP 99A0404
NS	99A0384	1	Shaft, Drive Pressure Roller
NS	99A0385	1	Cable, Auto Connect Front
NS	99A0494	1	Spring, Cam Clutch
NS	99A0427	1	Label, Envelope Orientation Icon
NS	99A0469	1	Deflector Guide
NS	99A1699	1	Guard, Pass Thru Sensor

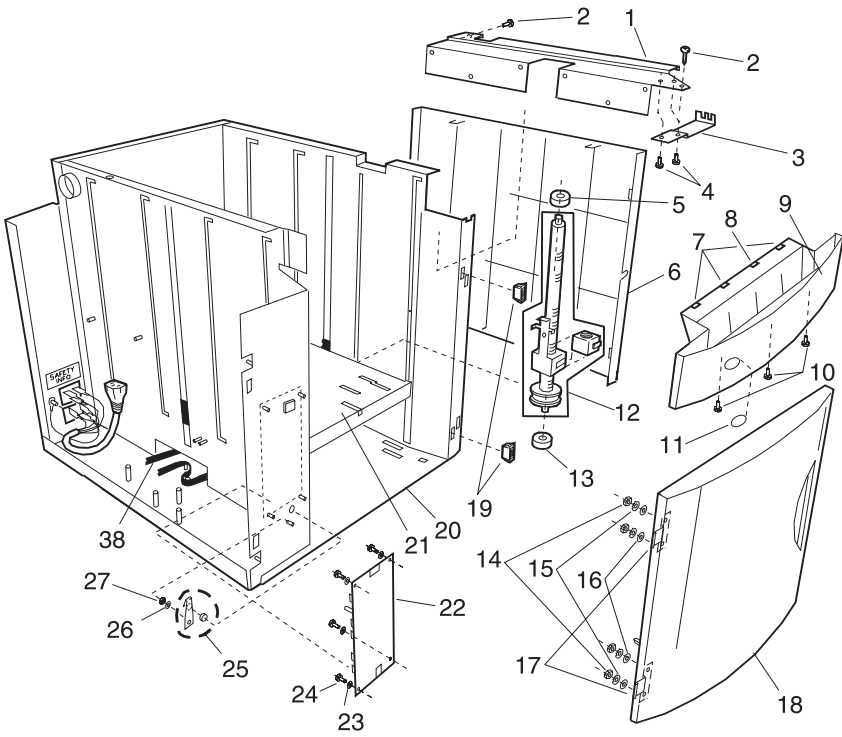
Assembly 20: High-Capacity Feeder



4069-5XX/7XX

Asm-Index	Part Number	Units	Description
20-1	99A0660	1	Frame, Printer Support Frame 2
20-2		3	Screw, Printer Support 2 Frame Mounting PP 99A0675
20-3	99A0698	2	Clamp, Feed Frame
20-4		4	Screws, Feed Frame Clamp PP 99A0675
20-5	99A0691	2	Bearing, Nyliner Leadscrew Top
20-6	99A0656	1	Cover, Side
20-7	99A0681	3	Strip, Wear
20-8	99A1818	1	Strip, Wear Dimple
20-9	99A1809	1	Deflector Assembly Front
20-10		3	Screw, Deflector Mounting 8-18 x 7/8 inch PP 99A0675
20-11	99A1829	1	Label, Tray Option Number
20-12	99A0662	2	Transfer Lead Screw Assembly
20-13	99A0716	1	Bearing, Leadscrew Bottom
NS		6	Washer, Printer Support Frame 2 Star PP 99A0677
NS		6	Nut, Printer Support Frame 2, 8-32 Hex PP 99A0676

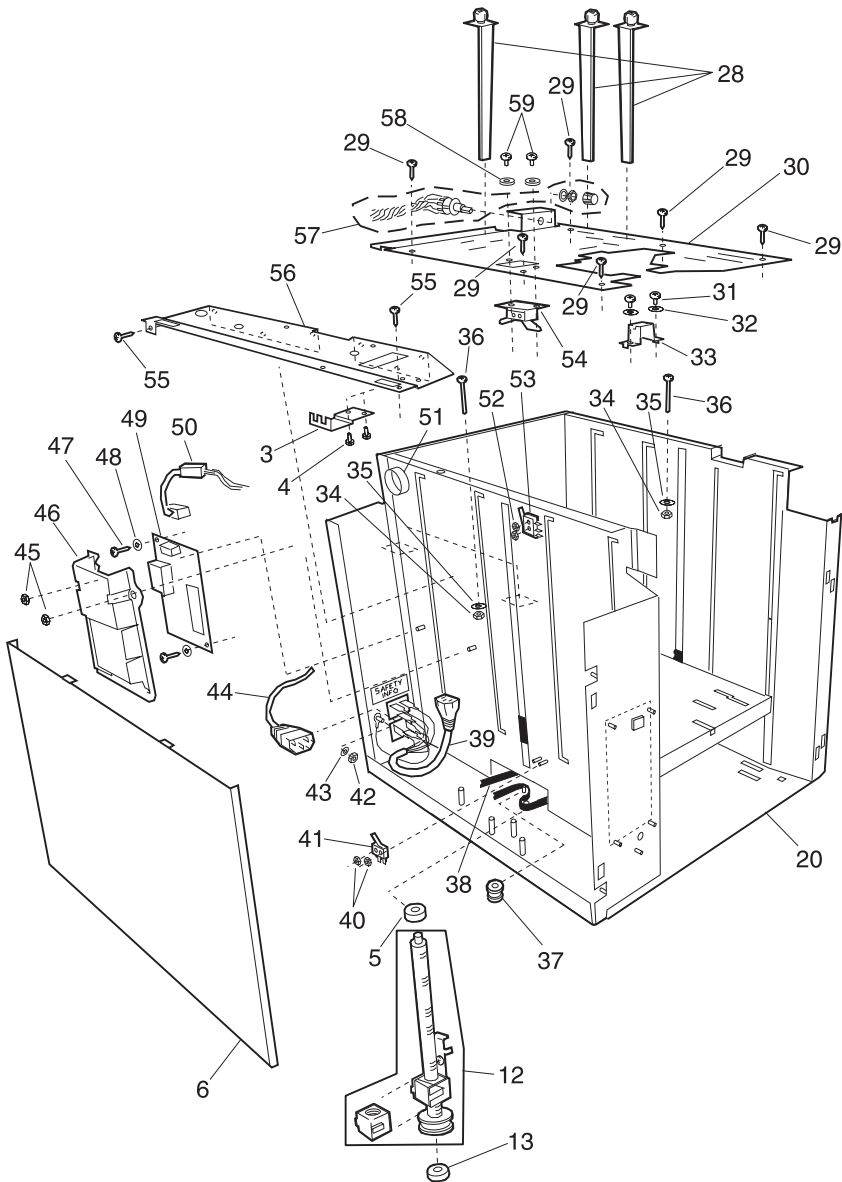
Assembly 20: High-Capacity Feeder (continued)



4069-5XX/7XX

Asm-Index	Part Number	Units	Description
20-14		4	Nut, 6-32 Hinge Mounting PP 99A0676
20-15		4	Washer, Hinge Mounting Flat PP 99A0677
20-16		4	Washer, Hinge Mounting Star PP 99A0677
20-17	99A0657	2	Hinge, Door
20-18	99A0655	1	Door Assembly, Front
20-19	99A0658	2	Magnet, Door
20-20	99A0650	1	Frame Assembly
20-21	99A0661	1	Tray Assembly, Elevator
20-22	99A1806	1	Card Assembly, 2000 Option Control
20-23		4	Washer, Card Assembly Mounting PP 99A0677
20-24		4	Screw, Card Assembly Mounting PP 99A0675
20-25	99A0392	1	Kit, Door Switch Spring and Bumper
20-26		1	Washer, Door Switch Spring Mounting PP 99A0677
20-27		1	Nut, Door Switch Spring Mounting PP 99A0676
NS	99A0690	1	Cable, Optical Sensor

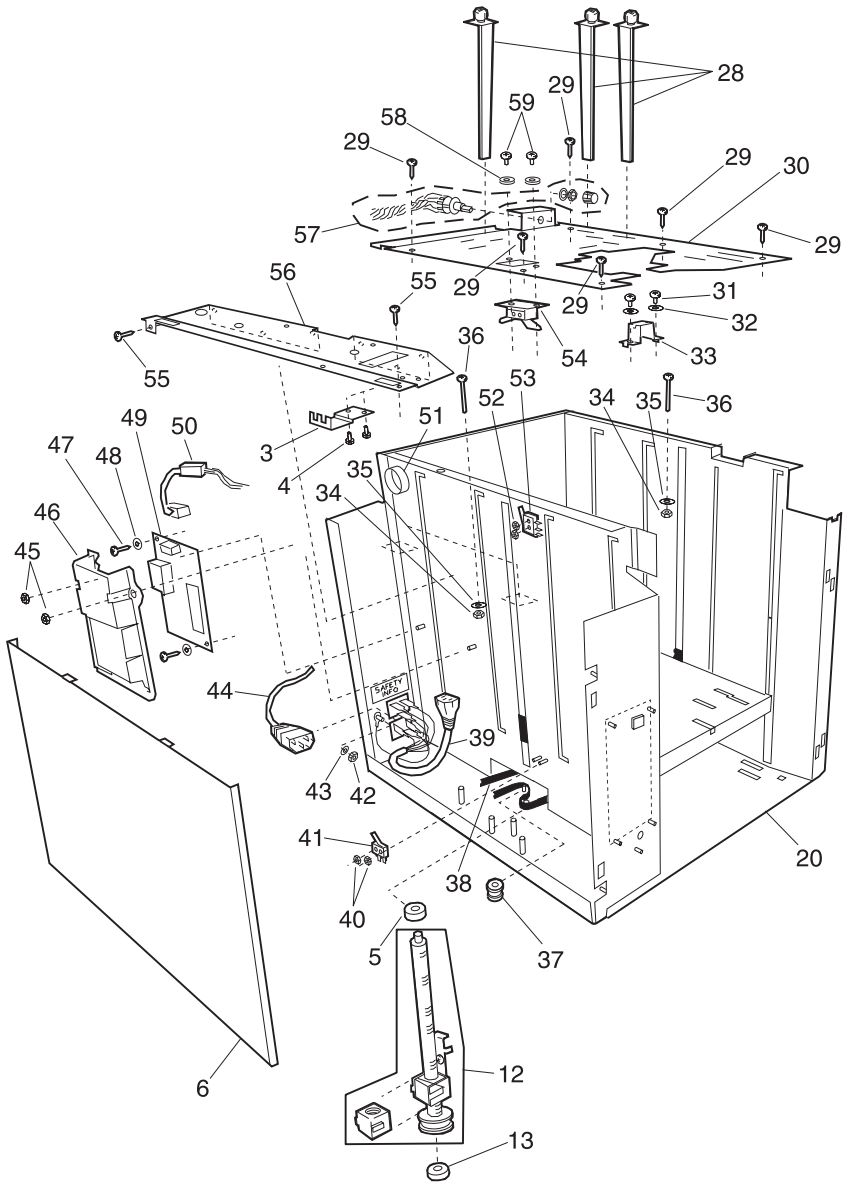
Assembly 20: High-Capacity Feeder (continued)



4069-5XX/7XX

Asm-Index	Part Number	Units	Description
20-28	99A0188	3	Guide, Rear Paper with retainer arm Use with 99A0219
20-29		6	Screw, Top Frame Mounting PP 99A0675
20-30	99A0219	1	Frame Assembly, Top with labels
20-31		2	Screw, Top Frame Clamp Mounting PP 99A0675
20-32		2	Washer, Top Frame Clamp PP 99A0677
20-33	99A0719	1	Clamp, Top Frame Mounting
20-34		2	Nut, Base Mounting PP 99A0676
20-35		2	Washer, Base Mounting PP 99A0677
20-36		2	Screw, Base Mounting PP 99A0675
20-37	99A0663	1	Pulley, Idler
20-38	99A0664	1	Belt, Drive
20-39	99A1807	1	Cable, AC Internal Wiring
20-40		2	Nut, 2-56 Lower Limit Switch Mounting PP 99A0676
20-41	99A0653	1	Switch, Lower Limit Microswitch
20-42		2	Nut, Power Supply Ground PP 99A0676
20-43		4	Washer, Motor Plate Mounting PP 99A0677
20-44	99A1808	1	Cord, AC External Jumper
20-45		2	Nut, Power Supply Cover PP 99A0676
20-46	99A0714	1	Cover, Power Supply
20-47		2	Screw, Power Supply Board Mounting PP 99A0675

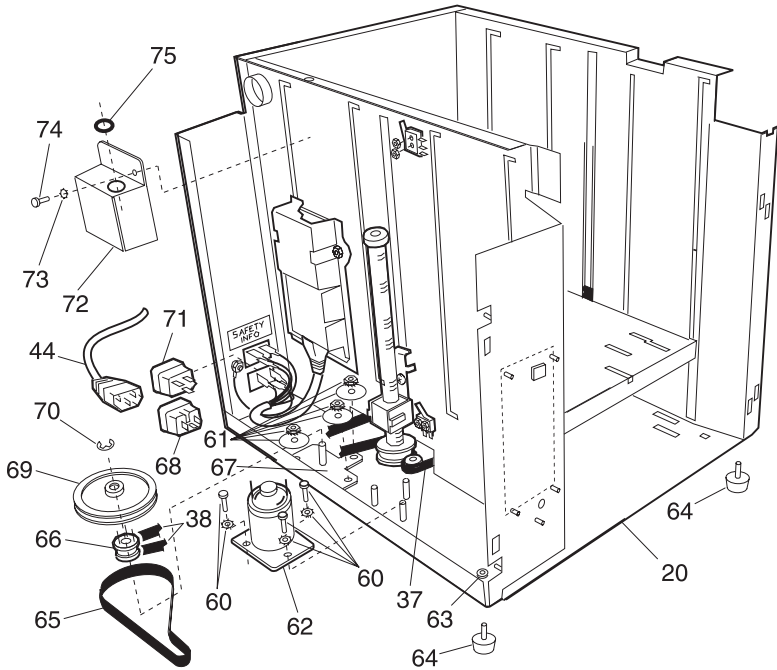
Assembly 20: High-Capacity Feeder (continued)



4069-5XX/7XX

Asm-Index	Part Number	Units	Description
20-48		2	Washer, Power Supply Board PP 99A0677
20-49	99A0667	1	Power Supply Board
20-50	99A0715	1	Cable, Low Voltage Power Supply
20-51	99A0685	1	Bushing
20-52		2	Nut, 2-56 Paper Low Switch Mounting PP 99A0676
20-53	99A0654	1	Switch, Paper Low
20-54	99A0651	1	Sensor Assembly, Paper Out/Upper Limit
20-55		3	Screw, Printer Support 1 Frame Mounting PP 99A0675
20-56	99A0659	1	Frame, Printer Support 1
20-57	99A0695	1	Parts Kit, Paper Size Switch Assembly including cable, switch, lock washer, nut and knob
20-58		2	Washer, Sensor Bracket Mounting PP 99A0677
20-59		2	Screw, Sensor Bracket Mounting PP 99A0675
NS	99A0684	1	Cable, HCIT-14Pin Flex
NS		6	Washer, Printer Support Frame 1 Star PP 99A0677
NS		6	Nut, Printer Support Frame 1 8-32 Hex PP 99A0676
NS		10	Screw, Door to Door Frame Mounting PP 99A0675

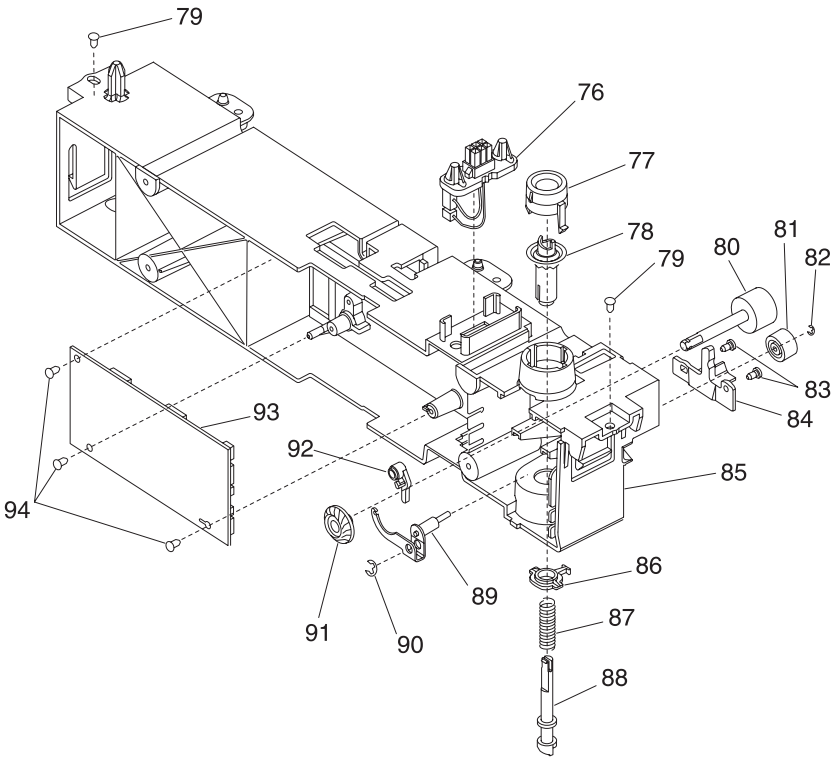
Assembly 20: High-Capacity Feeder (continued)



4069-5XX/7XX

Asm-Index	Part Number	Units	Description
20-60		3	Screw w/washer, Motor Mounting PP 99A1793
20-61		3	Nut w/lockwasher, Drive Pulley Plate PP 99A1794
20-62	99A1795	1	Motor Assembly, DC
20-63		4	Foot, Stabilizer PP 99A0672
20-64		4	Mounting Feet PP 99A0687
20-65	99A1796	1	Belt, DC Motor Drive
20-66	99A1797	1	Idler Pulley, Belt Tension
20-67	99A1798	1	Plate, Drive Pulley
20-68	99A1799	1	AC Receptacle, Lower AC
20-69	99A1800	1	Pulley, Drive
20-70	99A1801	1	Retainer, C-Clip
20-71	99A1802	1	AC Receptacle, Upper AC
20-72	99A1803	1	Cover, Top LVPS
20-73	99A1804	3	Nut w/lockwasher, Top LVPS Cover Mounting
20-74	99A1804	1	Nut w/lockwasher, Top LVPS Cover Mounting
20-75	99A1805	1	Grommet, Top LVPS Cover

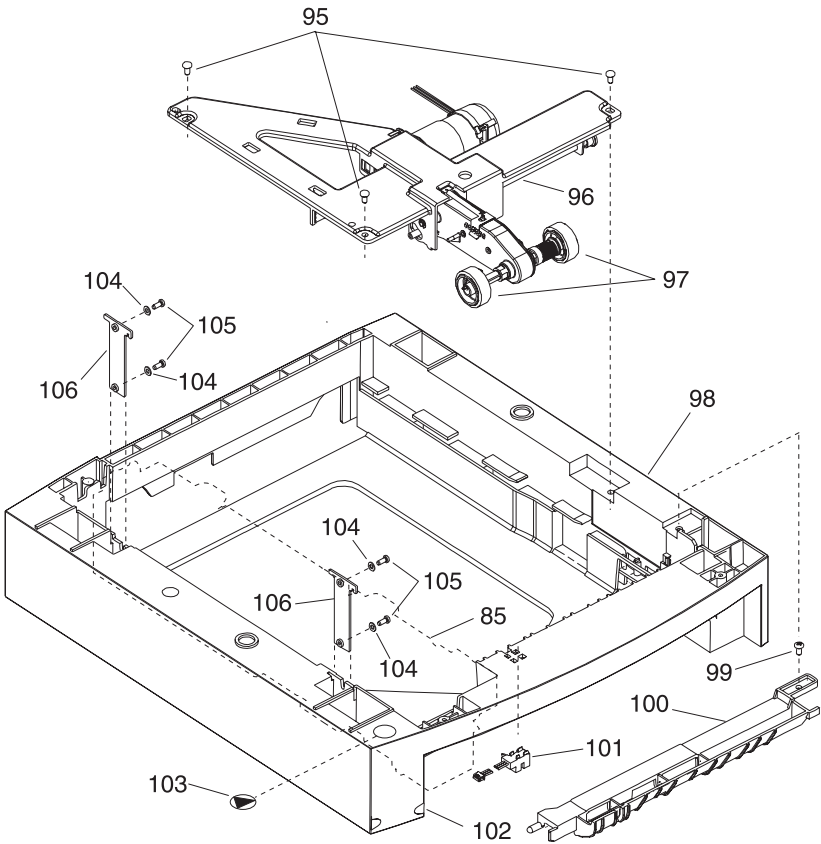
Assembly 20: High-Capacity Feeder (continued)



4069-5XX/7XX

Asm-Index	Part Number	Units	Description
20-76	99A0281	1	Cable, 250 Auto Connect
20-77	99A0279	1	Bearing, Drive Shaft
20-78	99A0273	1	Gear, Bevel
20-79		2	Screw, Frame Mounting PP 99A0263
20-80	99A0276	1	Roll Assembly, Drive 250 Option
20-81	99A0451	1	Roll, Skew Backup
20-82		1	Retainer, Roller PP 99A0267
20-83		2	Screw, Wear Plate Mounting PP 99A0675
20-84	99A0277	1	Plate Wear, Pass Thru
20-85	99A0445	1	Stud Assembly, 250 Frame
20-86	99A0280	1	Bearing, Drive Shaft Low
20-87	99A0275	1	Spring, Power Takeoff
20-88	99A0272	1	Shaft, 250 Drive
20-89	99A0446	1	Aligner Assembly, Paper
20-90		1	Retainer, Aligner Assembly PP 99A0267
20-91	99A0274	1	Gear, Feed Roll
20-92	99A0278	1	Bellcrank, Roller Release
20-93	99A1967	1	Card Assembly, 2000 Tray Option
20-94		3	Screw, 2000 Tray Option Card Mounting PP 99A0263
NS	99A0286	1	Spring, Backup Roller

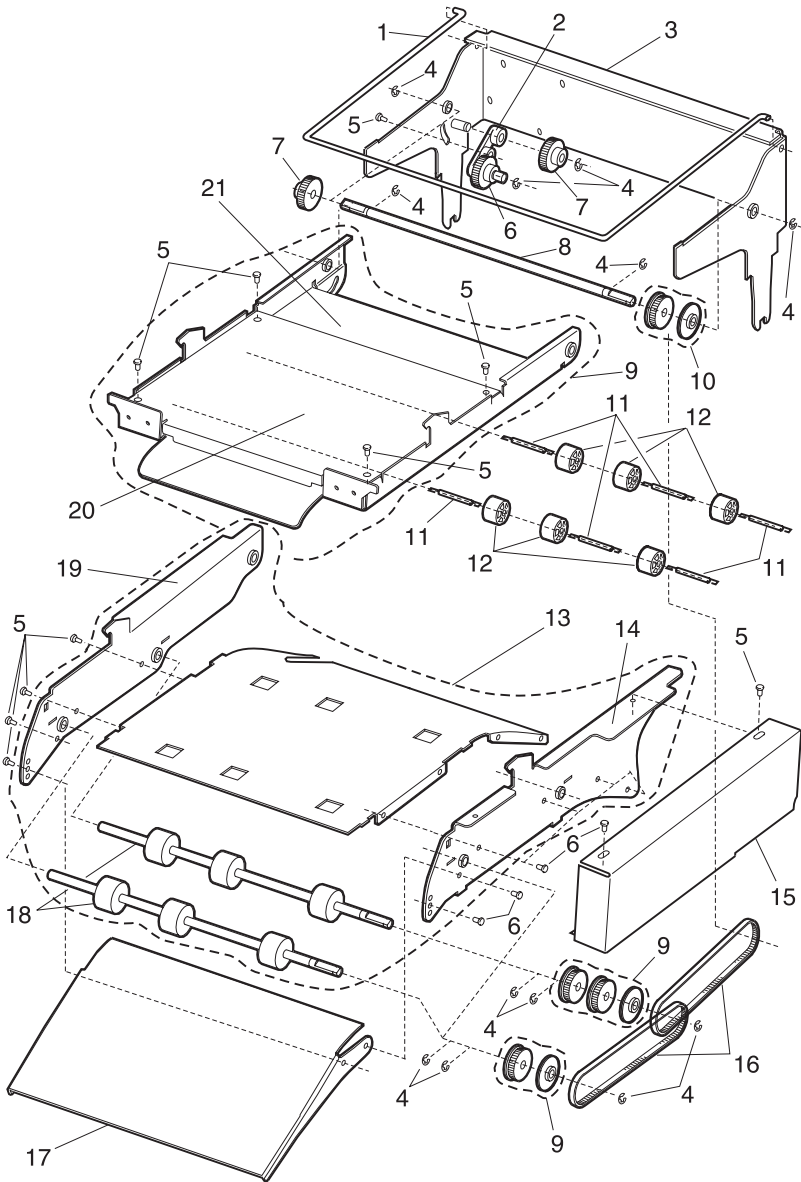
Assembly 20: High-Capacity Feeder (continued)



4069-5XX/7XX

Asm-Index	Part Number	Units	Description
20-95		3	Screw, Auto Comp Assembly Mounting PP 99A0263
20-96	99A1055	1	Arm Assembly, Pick 2000
20-97	99A0070	2	Roll Assembly, Pick
20-98	99A0692	1	Base, 2000 Option
20-99		1	Screw, Deflector Mounting PP 99A0263
20-100	99A0678	1	Deflector, Base
20-101	99A0288	1	Sensor, Pass Thru
20-102	99A1812	1	Label, Tray Option Number
20-103	99A1666	1	Label, Options
20-104		4	Washer, Bracket 250 Frame Retention Mounting PP 99A0677
20-105		4	Screw, Bracket 250 Frame Retention Mounting PP 99A0263
20-106	99A0679	2	Bracket, 250 Frame Retention
NS	99A0717	1	Cable, Paper Low Switch
NS	99A0720	1	Cable, Lower Limit Switch

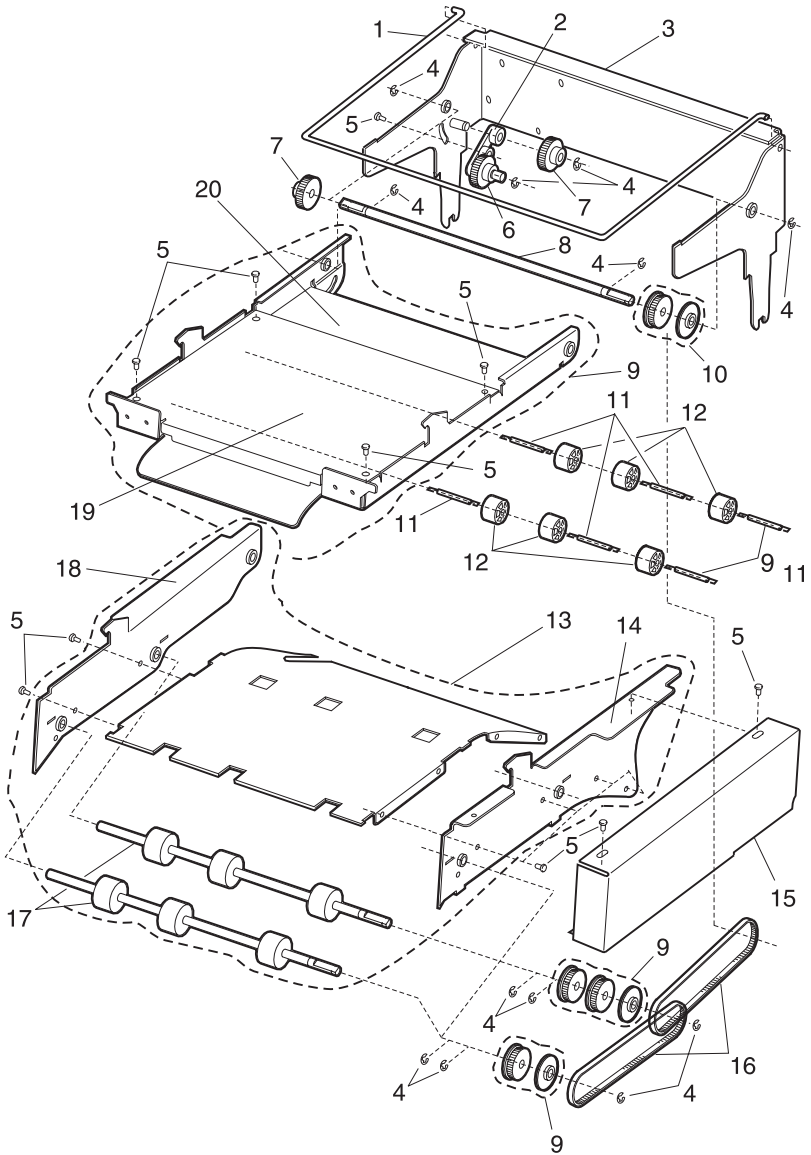
Assembly 21: Kiosk - Vertical Paper Adapter



4069-5XX/7XX

Asm-Index	Part Number	Units	Description
21-1	99A0231	1	Bail, Support
21-2	99A1646	1	Arm Assembly, Pivot
21-3	99A1819	1	Mounting, Frame Assembly
21-4		12	Retainer PP 99A0240
21-5		16	Screws PP 99A0234
21-6	99A1705	1	Gear, Idler
21-7	99A1704	2	Gear, Idler
21-8	99A0197	1	Shaft, Drive Rear
21-9	99A0079	1	Tray Assembly, Backup Roller
21-10		3	Parts, Pulley PP 99A0208
21-11	99A0087	6	Spring, Backup Roller
21-12	99A0086	6	Roller, Backup
21-13	99A1706	1	Tray Assembly, Drive Roller
21-14	99A0125	1	Frame Assembly, Right Side
21-15	99A0232	1	Cover, Right
21-16	99A1820	2	Belt, 185G
21-17	99A0226	1	Guide, Paper Exit
21-18	99A0122	2	Shaft Assembly, Drive Roller
21-19	99A0137	1	Frame Assembly, Left Side
21-20	99A0088	1	Cover, Backup Tray
21-21	99A0085	1	Tray, Backup Roller

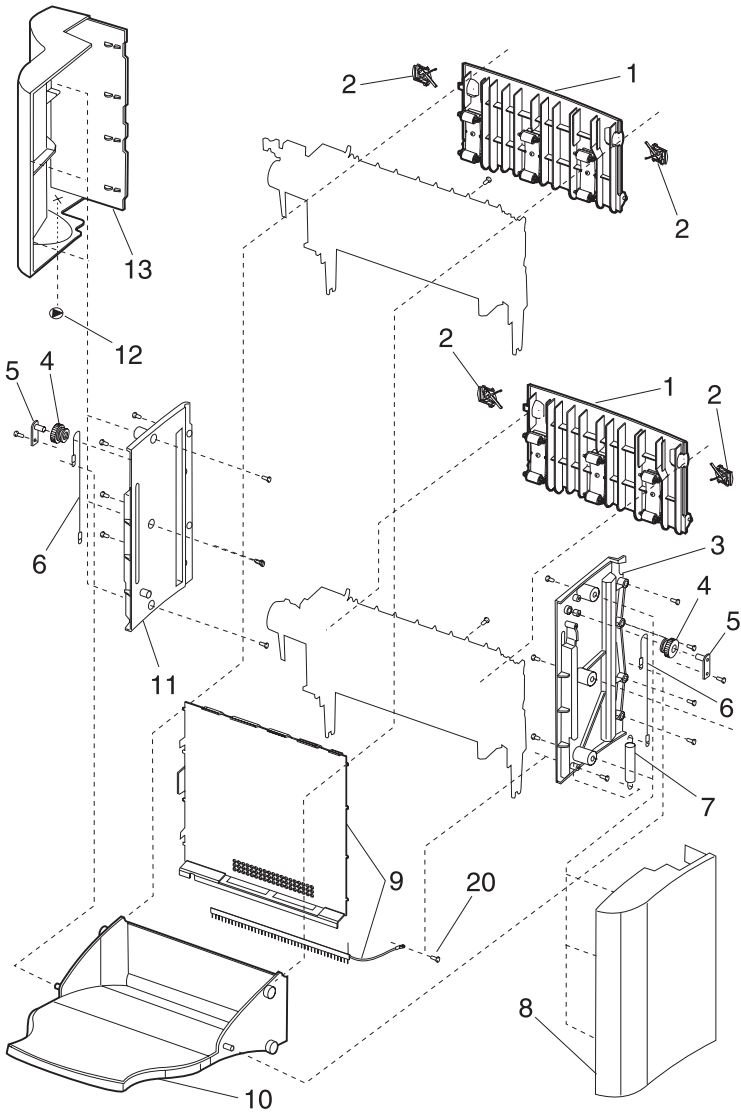
Assembly 22: Kiosk - Horizontal Paper Adapter



4069-5XX/7XX

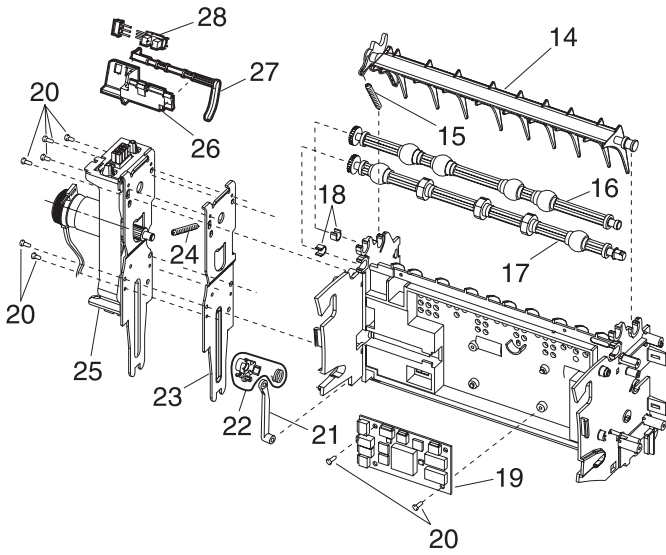
Asm-Index	Part Number	Units	Description
22-1	99A0231	1	Bail, Support
22-2	99A1646	1	Arm Assembly, Pivot
22-3	99A1819	1	Mounting, Frame Assembly
22-4		12	Retainer PP 99A0240
22-5		15	Screws PP 99A0234
22-6	99A1705	1	Gear, Idler
22-7	99A1704	2	Gear, Idler
22-8	99A0197	1	Shaft, Drive Rear
22-9	99A0079	1	Tray Assembly, Backup Roller
22-10		3	Parts, Pulley PP 99A0208
22-11	99A0087	6	Spring, Backup Roller
22-12	99A0086	6	Roller, Backup
22-13	99A1707	1	Tray Assembly, Drive Roller
22-14	99A0907	1	Frame Assembly, Right Side
22-15	99A0232	1	Cover, Right
22-16	99A1820	2	Belt, 185G
22-17	99A0122	2	Shaft Assembly, Drive Roller
22-18	99A0906	1	Frame Assembly, Left Side
22-19	99A0088	1	Cover, Backup Tray
22-20	99A0085	1	Tray, Backup Roller

Assembly 23: High-Capacity Output Stacker



Asm-Index	Part Number	Units	Description
23-1	99A1748	2	Door Asm, Rear Access
23-2	99A1785	4	Latch, Rear Door
23-3	99A1783	1	Frame, Right
23-4	99A1778	2	Pulley, Output Tray
23-5	99A1782	2	Shaft, Pulley
23-6	99A1790	2	Guide, Output Tray
23-7	99A1779	2	Spring, Output Tray
23-8	99A1746	1	Cover, Right
23-9	99A1747	1	Cover, Front
23-10	99A1701	1	Tray Asm, Output
23-11	99A1781	1	Frame, Left
23-12	99A1666	1	Label, Options
23-13	99A1745	1	Cover, Left
23-NS	99A1751	1	Switch Asm, Tray Sensing
23-NS	99A1777	1	Flag, Tray Sensing Switch
23-NS	99A1780	2	Gear, Damping
23-NS	99A1744	2	Kit, High-Capacity Output Stacker

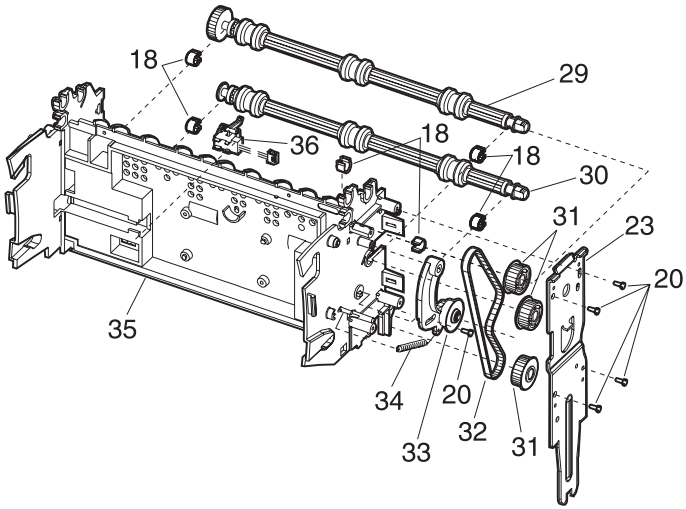
Assembly 23: High-Capacity Output Stacker (cont'd)



4069-5XX/7XX

Asm-Index	Part Number	Units	Description
23-14	99A0107	2	Deflector, Upper Also order 99A0104
23-15	99A0104	2	Spring, Upper Diverter
23-16	99A0369	1	Shaft Asm, Exit Upper Stacker Asm
23-17	99A0052	1	Shaft Asm, Stacker Lower Exit Upper Stacker Asm
23-18		12	Bearings, Shaft PP 99A0572
23-19	99A1749	2	Board Asm, High-Capacity Output Stacker
23-20		31	Screws, PP 99A0263
23-21	99A1688	1	Arm, Diverter
23-22	99A1689	1	Clutch Asm, Output Stacker
23-23	99A1784	2	Bracket, Attach
23-24	99A0415	2	Spring, Swing Arm
23-25	99A0914	2	Drive Asm, Output Stacker DC Motor
23-26	99A0409	1	Bracket, Dual Sensor Mounting Upper Stacker Asm
23-27	99A1613	1	Flag, Bin Full Dual Sensor Upper Stacker Asm
23-28	99A0414	1	Sensor Asm, Bin Full Dual Upper Stacker Asm
23-NS	99A1690	1	Belt, 95G Lower Stacker Asm

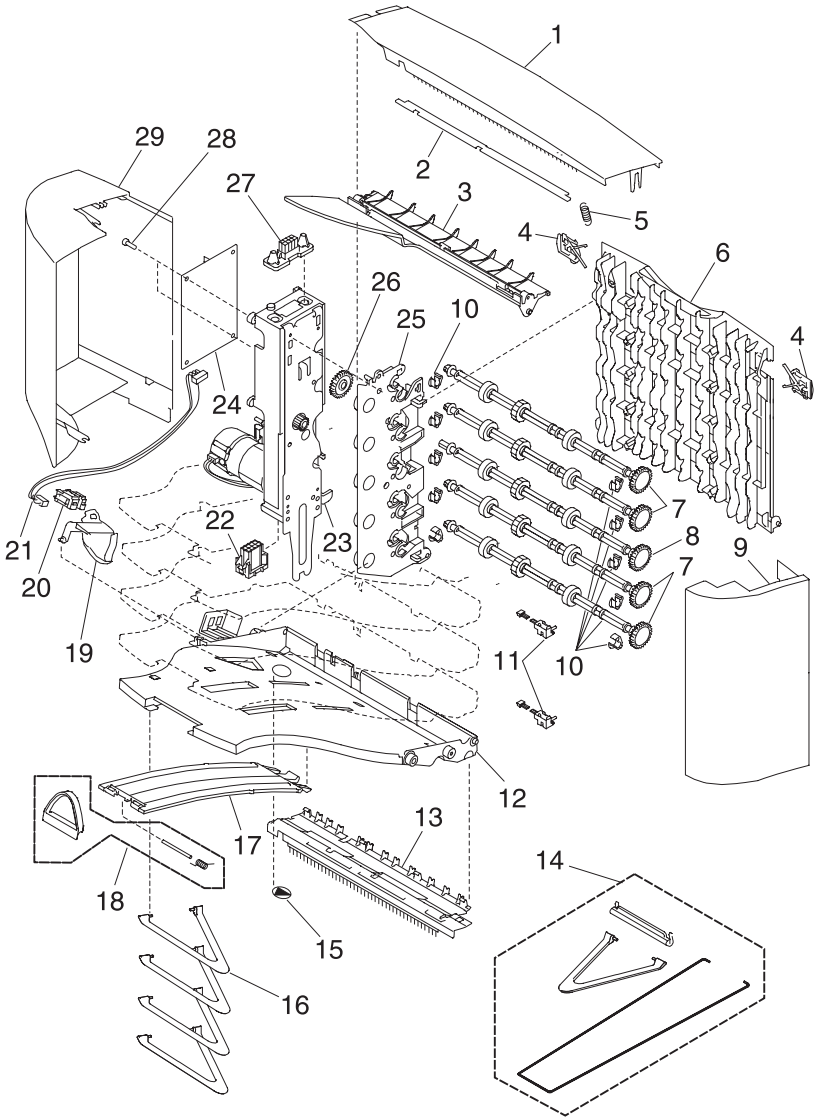
Assembly 23: High-Capacity Output Stacker (cont'd)



4069-5XX/7XX

Asm-Index	Part Number	Units	Description
23-29	99A0913	2	Shaft, 40T Middle Output Stacker
23-30	99A0368	2	Shaft Asm Lower
23-31	99A0363	6	Pulley, Drive
23-32	99A0361	1	Belt, 160G Upper Stacker Asm
23-33	99A0362	1	Arm Asm, Belt Idler
23-34	99A0364	2	Spring, Belt Tensioner
23-35	99A1791	1	Stacker Asm, Paper Path Lower
23-35	99A1792	1	Stacker, Asm Paper Path Upper
23-36	99A0351	2	Sensor, Stacker Pass thru
23-NS	99A1751	1	Switch Asm
23-NS	99A0462	1	Packet Grease, IBM #23
23-NS	99A0627	1	Jumper, 2 pin (Use with 99A1749)

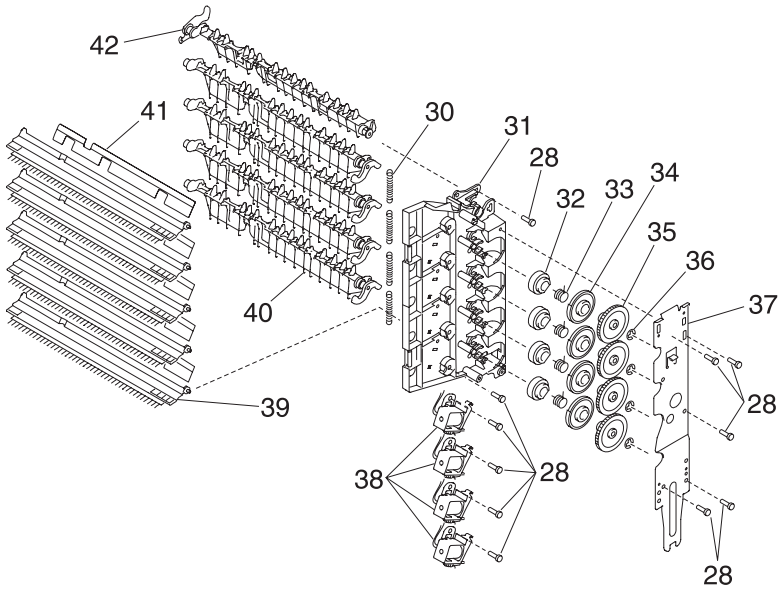
Assembly 24: 5-Bin Mailbox



4069-5XX/7XX

Asm-Index	Part Number	Units	Description
24-1	99A1512	1	Cover, Redrive Cap
24-2	99A1710	1	Cover, Wire
24-3	99A1711	1	Cover, Top Bin
24-4	99A1785	2	Latch, Rear Access Door
24-5	99A0104	1	Spring, Upper Diverter
24-6	99A1714	1	Door, Rear Access
24-7	99A1723	4	Shaft Asm, Drive
24-8	99A1724	1	Shaft Asm, Drive W/Gear
24-9	99A1708	1	Cover, Right Side
24-10	99A1725	1	Packet, Drive Shaft Bushing
24-11	99A1742	2	Sensor, 5-Bin Mailbox Pass thru
24-12	99A1712	5	Tray, Paper Cap
24-13	99A1739	1	Bracket Asm, Bail Attach w/Brush
24-14	99A1743	1	Kit, 5-Bin Mailbox Asm
24-15	99A1666	1	Label, Options
24-16		1	Bail, order 99A1743, 5-Bin Mailbox Asm Kit
24-17	99A1713	5	Support, Paper Tray
24-18	99A1687	5	Stop Asm, Paper Tray
24-19	99A1735	5	Flag, Bin Full
24-20	99A1737	5	Sensor, Dual Paper Height
24-21	99A1736	5	Cable, Dual Sensor
24-22	99A1718	1	Cable Asm, Lower Auto Connect
24-23	99A1716	1	Drive Asm, Main DC Drive
24-24	99A1740	1	Board Asm, 5-Bin Mailbox System
24-25	99A1726	1	Frame Asm, Left w/Clutch Asm
24-26	99A1786	1	Gear, Drive
24-27	99A1719	1	Cable Asm, Upper Auto Connect
24-28		12	Screw, Board Mounting PP 99A0263
24-29	99A1709	1	Cover, Left Side

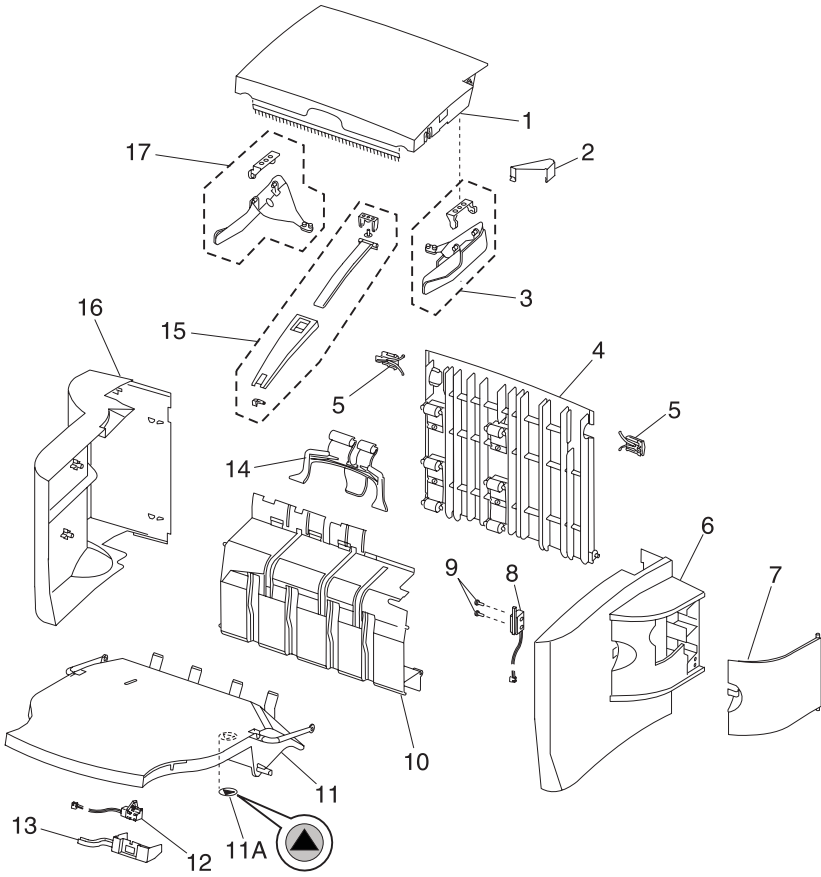
Assembly 24: 5-Bin Mailbox (continued)



4069-5XX/7XX

Asm-Index	Part Number	Units	Description
24-30	99A1741	4	Spring, Diverter
24-31	99A1727	1	Frame Asm, Right Side
24-32	99A1728	4	Cam, Diverter Actuator
24-33	99A1731	4	Spring, Diverter Actuator
24-34	99A1729	4	Latch, Diverter Actuator
24-35	99A1730	4	Arbor, Diverter Actuator
24-36	99A1789	4	C-clip
24-37	99A1720	1	Bracket, Attach
24-38	99A1732	4	Solenoid, Diverter
24-39	99A1738	5	Deflector, Paper Exit w/Brush
24-40	99A1722	4	Deflector, Paper
24-41	99A1787	4	Deflector
24-42	99A1721	1	Deflector, Paper Top Bin
24-NS	99A1734	1	Spring, Static Ground
24-NS	99A0462	1	Grease Packet, IBM #23
24-NS	99A1715	1	Roller Asm, Rear Access Door
24-NS	99A1717	1	Gear, Drive
24-NS	99A1788	1	Retainer, R-Ring

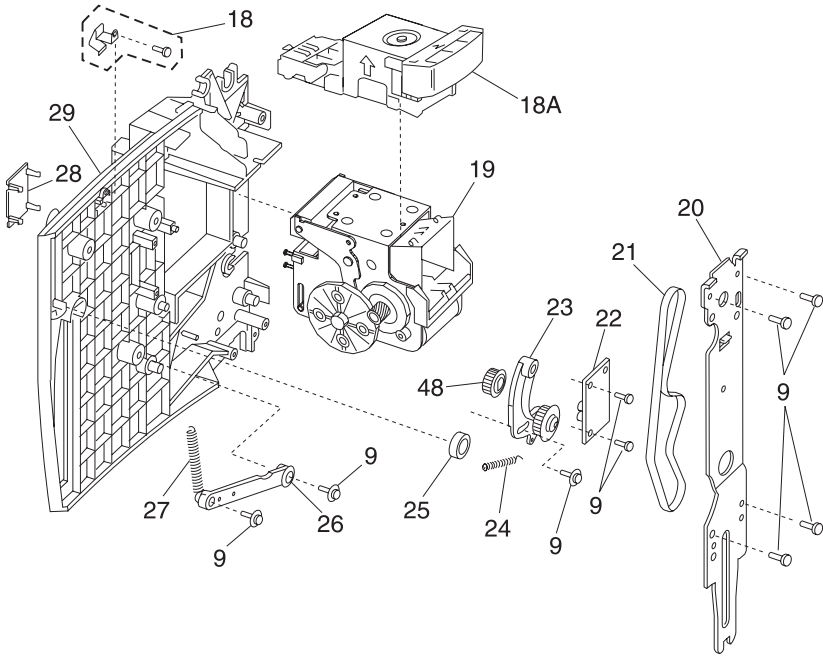
Assembly 25: StapleSmart Finisher



4069-5XX/7XX

Asm-Index	Part Number	Units	Description
25-1	99A2505	1	Cover, Top Assembly
25-2	99A2510	1	Clip, Brush Ground
25-3	99A2506	1	Top Cover Bail/Plate, Right Side
25-4	99A2512	1	Door, Rear Access
25-5	99A1785	2	Latch, Rear Access Door
25-6	99A2501	1	Cover, Right Base Assembly
25-7	99A2503	1	Cover, Stapler Access
25-8	99A2502	1	Switch, Stapler Access Door Assembly
25-9		2	Screws, Switch (Stapled Access) Mounting 99A2509 Parts Packet
25-10	99A2519	1	Cover, Accumulator Assembly
25-11	99A2520	1	Tray, Output Assembly
25-11	99A2542	1	Tray, Output
25-11A	99A1666	1	Label, Tray Options
25-12	99A2521	1	Sensor, Stapler Bin Empty
25-13	99A2541	1	Sensor Cover, Stapler Bin Empty
25-14	99A2511	1	Bail, Center Stapler
25-15	99A2508	1	Kit, Stacking Bail
25-16	99A2500	1	Cover, Left Base Assembly
25-17	99A2507	1	Top Cover Bail/Plate, Left Side

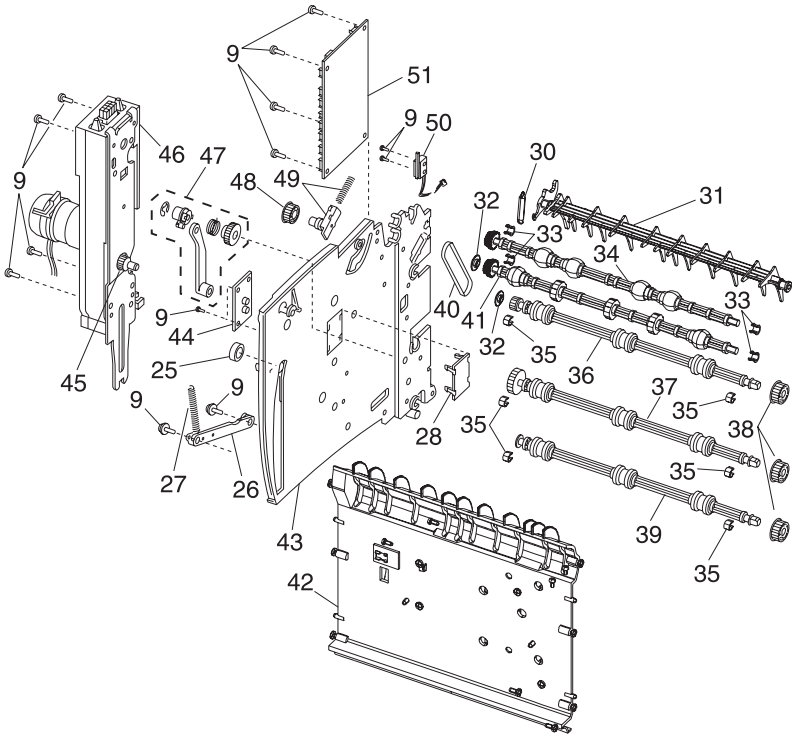
Assembly 25: StapleSmart Finisher (continued)



4069-5XX/7XX

Asm-Index	Part Number	Units	Description
25-18	99A2557	1	Clip, Static Ground
25-18A	99A2575	1	Stapler Cartridge Holder 321-C
25-19	99A2526	1	Stapler Assembly
25-20	99A2556	1	Bracket, Attach
25-21	99A1820	1	Belt, Main Drive
25-22	99A2544	1	Card Assembly, Right Stapler Bin Level
25-23	99A0362	1	Arm Assembly, Belt Idler
25-24	99A2545	1	Spring, Swing Arm
25-25	99A2548	1	Bumper, Output Tray
25-26	99A2533	1	Bar, Upper Output Tray
25-27	99A2523	2	Spring, Output Tray
25-28	99A2543	2	Cover, Optical Sensor
25-29	99A2528	1	Frame Assembly, Right

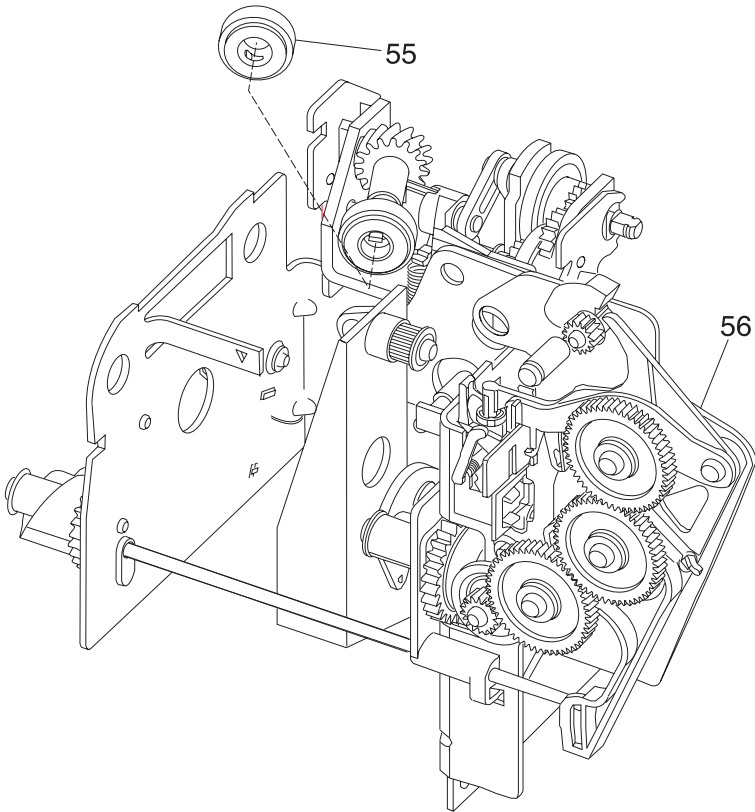
Assembly 25: StapleSmart Finisher (continued)



4069-5XX/7XX

Asm-Index	Part Number	Units	Description
25-30	99A0104	1	Spring, Upper Diverter
25-31	99A2516	1	Deflector, Upper
25-32	99A2539	1	Flange, Pulley
25-33	99A2540	4	Bearing, Redrive
25-34	99A2517	1	Shaft Assembly, Upper Exit
25-35		1	Bushings PP 99A0572
25-36	99A2515	1	Shaft Assembly, Upper Drive
25-37	99A0913	1	Shaft Assembly, 40T Middle Stacker
25-38	99A0363	1	Pulley, Drive
25-39	99A0368	1	Shaft Assembly, Lower
25-40	99A2538	1	Belt, FHT 86T
25-41	99A2518	1	Shaft Assembly, Lower Exit
25-42	99A2529	1	Guide, Inner Bias
25-43	99A2527	1	Frame Assembly, Left
25-44	99A2549	1	Card Assembly, Left Stapler Bin Level
25-45	99A1717	1	Gear, Drive
25-46	99A2513	1	Motor Assembly, Drive
25-47	99A2551	1	Clutch Assembly, Stapler Option
25-48	99A2547	1	Pulley, Belt Idler
25-49	99A2552	1	Bushing, Tensioner CBM
25-50	99A2531	1	Switch Assembly, Top Cover Open
25-51	99A2537	1	System Card Assembly, Stapler Option

Assembly 25: StapleSmart Finisher (continued)



4069-5XX/7XX

Asm-Index	Part Number	Units	Description
25-55	99A2559	1	Paper Alignment Wheel
25-56	99A2560	1	Gearbox Drive Assembly, Paper Aligner
NS	99A2480	1	Kit, Maintenance StapleSmart Wheels
NS	99A2525	1	Sensor, Stapler Pass Thru
NS	99A2530	1	Cable Assembly, Right Stapler Bin Level
NS	99A2534	2	Ground Cable, Stapler Tray Bar
NS	99A2524	1	Cable, Stapler
NS	99A2532	1	Cable, Ground
NS	99A2504	1	Cable Assembly, Left Stapler Bin Level
NS	99A2546	1	Label, Pinch Point
NS	99A0548	1	Tie, Cable

Assembly 26: Options

Asm-Index	Part Number	Units	Description
26	99A1752	1	4MB SDRAM DIMM
26	99A1753	1	8MB SDRAM DIMM
26	99A1754	1	16MB SDRAM DIMM
26	99A1755	1	32MB SDRAM DIMM
26	99A1756	1	64MB SDRAM DIMM
26	99A1773	1	128MB SDRAM DIMM
26	99A1757	1	2MB Flash DIMM
26	99A1758	1	4MB Flash DIMM
26	99A1759	1	8MB Flash DIMM
26	99A1774	1	16MB Flash DIMM
26	56P1118	1	Card Assembly, Bar Code
26	56P0582	1	Card Assembly, PRESCRIBE 5/4/2 Flash
26	56P1200	1	Card Assembly for IPDS and SCS/TNe
26	99A2488	1	Hard Disk, with Control Board 5.0+ GB
26	99A0629	1	Adapter Card, SES for SCS
26	13A0296	1	Cable, Twinax
26	13A0297	1	Cable, Coax
26	99A0545	1	Adapter, Serial
26	13A0298	1	Cable, Serial
26	99A0923	1	Board, USB/Parallel Interface
26	99A1182	1	Card Assembly, ImageQuick

Assembly 26: Options (continued)

Asm-Index	Part Number	Units	Description
26	99A1890	1	Tray Assembly, 250 Special Media
26	99A1647	1	Rib Assembly, 250 Special Media Tray
26	99A1654	1	Tray, Universal Adjustable 250 Sheet
26	99A2489	1	Drive, Optra Forms HD 5.0+ GB or larger
26	99A1605	1	Kit, Cap/Stack Bails 500
26	12G1695	1	MarkNet N2001e 10/100 ethernet
26	12G1696	1	MarkNet N2002e 10base2/10baseT
26	12G1697	1	MarkNet N2000t 4/16
26	99A0560	1	Adapter, Omnibus INA Card
26	99A1889	1	Paper Presentator, Front
26	99A2485	1	Tray, Assembly UAT 400 Sheet
26	99A1683	1	Optra Forms 2 MB Flash DIMM
26	99A1684	1	Optra Forms 4 MB Flash DIMM
26	99A1685	1	Optra Forms 8 MB Flash DIMM
26	99A1686	1	Optra Forms 16 MB Flash DIMM
26	56P1100	1	Cartridge, Empty Shipping - T62X/T52X
26	56P1101	1	Cable Assembly, 6' Parallel, A-C
26	56P0161	1	Cable Assembly, SER+PAR 1284C INA
26	56P0162	1	Cable, Parallel 1284 C-B Adapter

Assembly 27: Miscellaneous

Asm-Index	Part Number	Units	Description
27	99A1633	1	Parts Packet, Screws
27	99A0585	1	Parts Packet, Contact Kit
27	99A0267	1	Parts Packet, Retainers
27	99A0268	1	Parts Packet, Springs Paper Feed
27	99A0269	1	Parts Packet, Duplex Option Fan Mounting
27	99A0299	1	Parts Packet, Duplex Option Cam Follower Assembly
27	99A0271	1	Parts Packet, Envelope Option Gears
27	99A0404	1	Parts Packet, Retainers Envelope Option
27	99A0413	1	Parts Packet, Screws Duplex
27	99A0572	1	Parts Packet, 500 Sheet Feeder Option Shaft Bearings
27	99A0577	1	Parts Packet, Cable Ties (10 each)
27	99A0675	1	Parts Packet, Screws High Capacity Feeder
27	99A0676	1	Parts Packet, Nuts High Capacity Feeder
27	99A0677	1	Parts Packet, Washers High Capacity Feeder
27	99A0083	1	Parts Kit, Multipurpose Tray
27	99A0512	1	Parts Kit, Charge Roll Link Asm, Left Side
27	99A0513	1	Parts Kit, Charge Roll Link Asm, Right Side
27	99A0702	2	Printer Stand Caster, Non Locking
27	99A0703	2	Printer Stand Caster, Locking
27	99A0704	1	Printer Stand Grommet, Wire
27	99A0705	2	Printer Stand Lock, Cam
27	99A0706	1	Printer Stand Storage Shelf
27	99A0707	1	Printer Stand Door Assembly, Cabinet
27	99A0710	1	Printer Stand Filler, Rear Top Piece
27	99A0711	1	Printer Stand Table Assembly, Large
27	99A0712	1	Printer Stand Table Assembly, Small
27	99A2509	1	Parts Packet, Screws Stapler Option

Assembly 27:Miscellaneous (continued)

Asm-Index	Part Number	Units	Description
27	99A0208	1	Parts Packet, Pulley - Kiosk
27	99A0234	1	Parts Packet, Screws - Kiosk
27	99A0394	1	Grease Packet, Nyogel 744
27	99A0462	1	Grease Packet, IBM 23
27	99A1854	1	Packaging, 4069 500/500 printer
27	99A1855	1	Packaging, 4069 500/500 plus 500 Optional Tray
27	99A0240	1	Parts Packet, Retainer