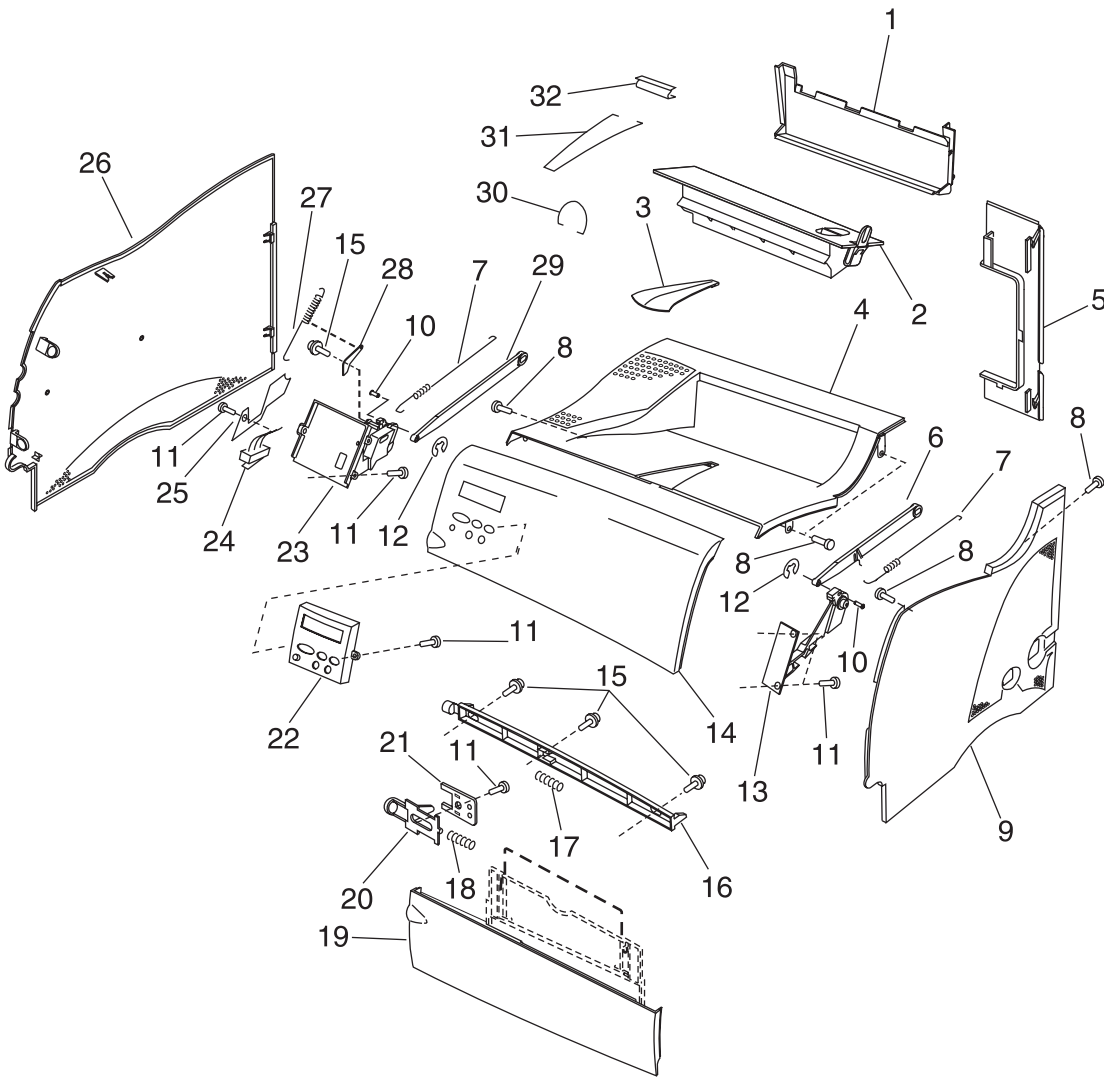


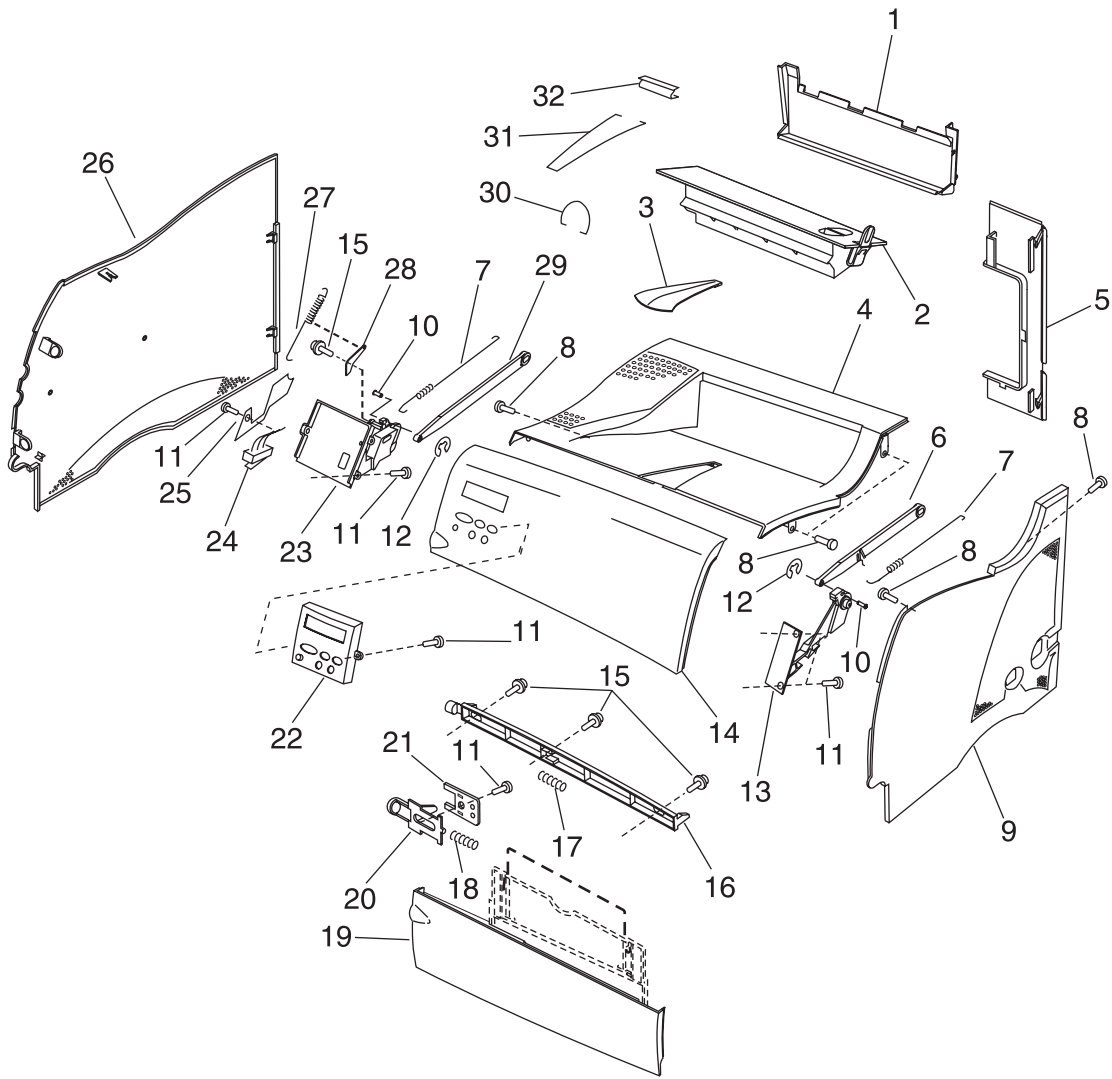
Assembly 1: Covers



4045-XXX

Asm-Index	Part Number	Units	Description
1-1	12G0258	1	Cover, Exit
1-2	12G0259	1	Duct, Fuser Cooling Air
1-3	12G0254	1	Support, Paper
1-3	1263566	1	Bail Assembly, Optional
1-4	12G0253	1	Cover, Top
1-5	12G0257	1	Cover, Rear
1-6	12G0428	1	Link, Right Hinge
1-7	12G0267	2	Link, Spring
1-8		6	Screw, M4x8 PP 12G0445
1-9	12G0256	1	Cover, Right Side
1-10	12G0426	2	Pin, Hinge
1-11		10	Screw, M3x8 PP 12G0445
1-12		2	Clip, PP 12G0445
1-13	12G0427	1	Hinge, Right
1-14	12G0260	1	Cover, Upper Front M410
1-14	12G3550	1	Cover, Upper Front M412
1-15		4	Screw w/washer, M3x8 PP12G0445
1-16	12G0264	1	Hook, Upper
1-17	12G0265	1	Spring, Upper Hook
1-18	12G0431	1	Spring, MPF Latch
1-19	12G0266	1	Tray, MPF Input
1-20	12G0430	1	Latch, MPF Tray
1-21	12G0429	1	Cover, MPF Latch
1-22	12G0440	1	Panel Asm, Operator, 110V
1-22	12G0441	1	Panel Asm, Operator, 220V
1-23	12G0424	1	Hinge, Left
1-24	12G1860	1	Cable Asm, Op Panel & Cover Open Switch
1-25	12G0262	1	Cover, Left Hinge
1-26	12G0255	1	Cover, Left Side
1-27	12G0269	1	Spring, End Stop

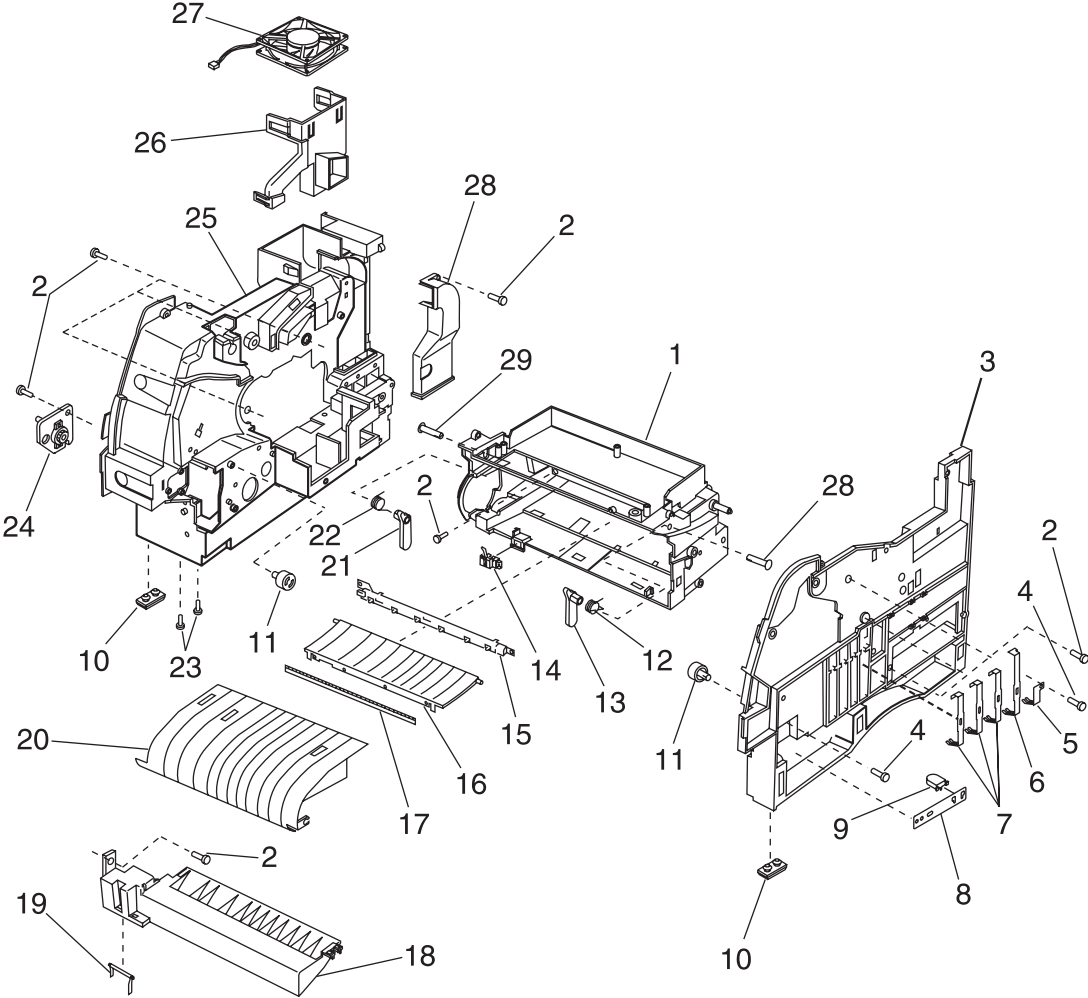
Assembly 1: Covers (continued)



4045-XXX

Asm-Index	Part Number	Units	Description
1-28	12G0268	1	Stop, End
1-29	12G0425	1	Link, Left Hinge
1-30	12G0437	1	Bail, Optional Front Paper
1-31	12G0438	1	Bail, Main Rear Paper
1-32	12G0439	1	Holder, Rear Paper Bail
NS	12G3701	1	Overlay NLS pack: English, French, German, Italian, Spanish, Danish, Dutch, Norwegian, Swedish, Finnish
NS	12G3702	1	Overlay XNLS pack: Czech, Hungarian, Polish, Russian, Turkish
NS	12G3703	1	Overlay pack: French/Canadian

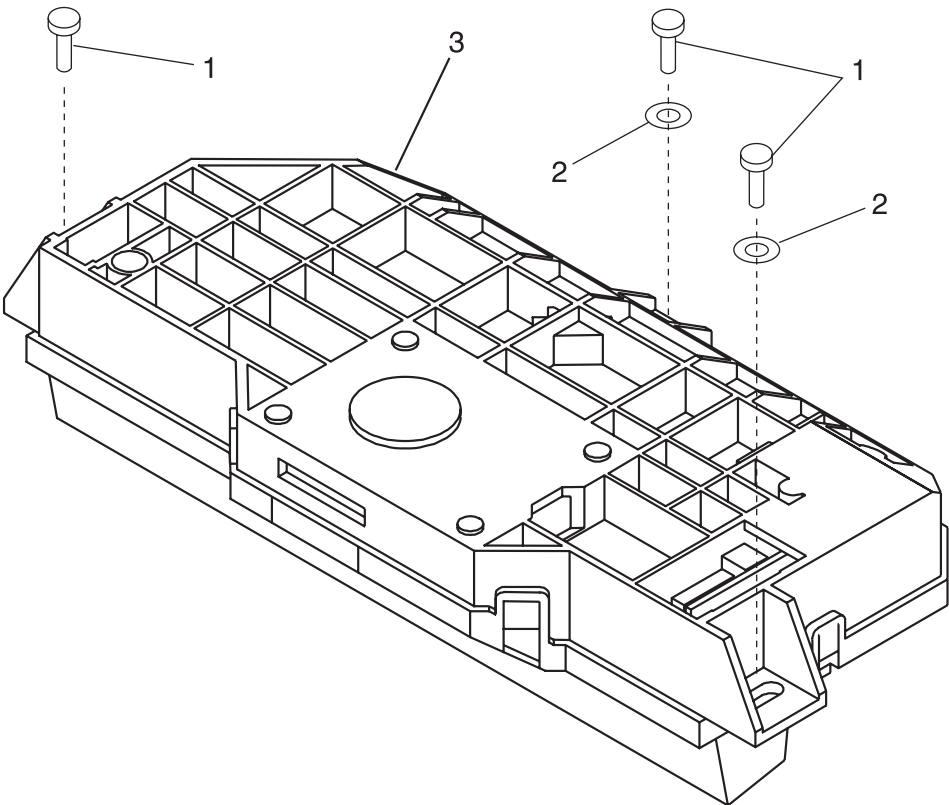
Assembly 2: Frame



4045-XXX

Asm-Index	Part Number	Units	Description
2-1	12G0274	1	Frame, Base
2-2		8	Screw, M4x12 PP 12G0445
2-3	12G0288	1	Frame, Right Side
2-4		2	Screw, M3x8 PP 12G0445
2-5	12G0291	1	Contact, HVPS Charge
2-6	12G0290	1	Contact, HVPS Drum
2-7	12G0289	3	Contact, HVPS Drum
2-8	12G0293	1	Spring, Cartridge Locate
2-9	12G0292	1	Pin, Cartridge Locate
2-10	12G0250	4	Foot, Rubber
2-11	12G0423	2	Support, Cartridge
2-12	12G0277	1	Spring, IC Locate Arm, Right
2-13	12G0275	1	Arm, IC Locate, Right
2-14	12G3560	1	Sensor, Paper Input
2-15	12G0451	1	LED Asm, Erase
2-16	12G0281	1	Guide, Middle Paper
2-17	12G0282	1	Brush, Erase
2-18	12G0296	1	Guide, Paper
2-19	12G0295	1	Lever, Input Sensor
2-20	12G0280	1	Guide, Front Paper
2-21	12G0276	1	Arm, IC Locate, Left
2-22	12G0278	1	Spring, IC Locate Arm, Left
2-23		2	Screw, M4x8 PP 12G0445
2-24	12G0294	1	Plate Asm, MPF
2-25	12G0283	1	Frame, Left Side
2-26	12G0285	1	Duct, Fuser Cooling Air
2-27	12G0284	1	Cable & Fan Asm, Cooling
2-28	12G0286	1	Cover, Inner Air Duct
2-29	12G0279	2	Pin, IC Locate Arm

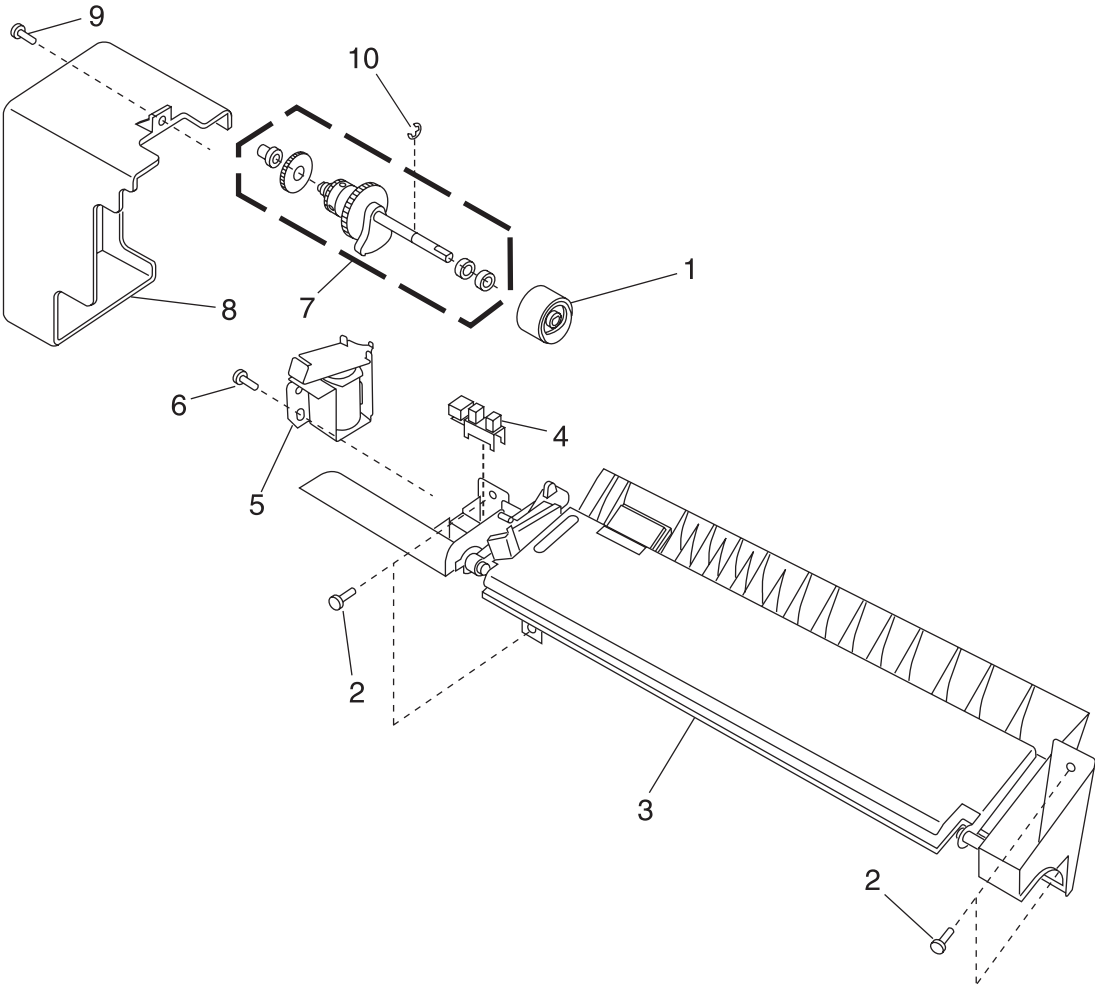
Assembly 3: Printhead



4045-XXX

Asm-Index	Part Number	Units	Description
3-1		3	Screw, M4x12 PP 12G0445
3-2		2	Washer, PP 12G0445
3-3	12G0298	1	Printhead, Complete M410
3-3	12G3551	1	Printhead, Complete M412

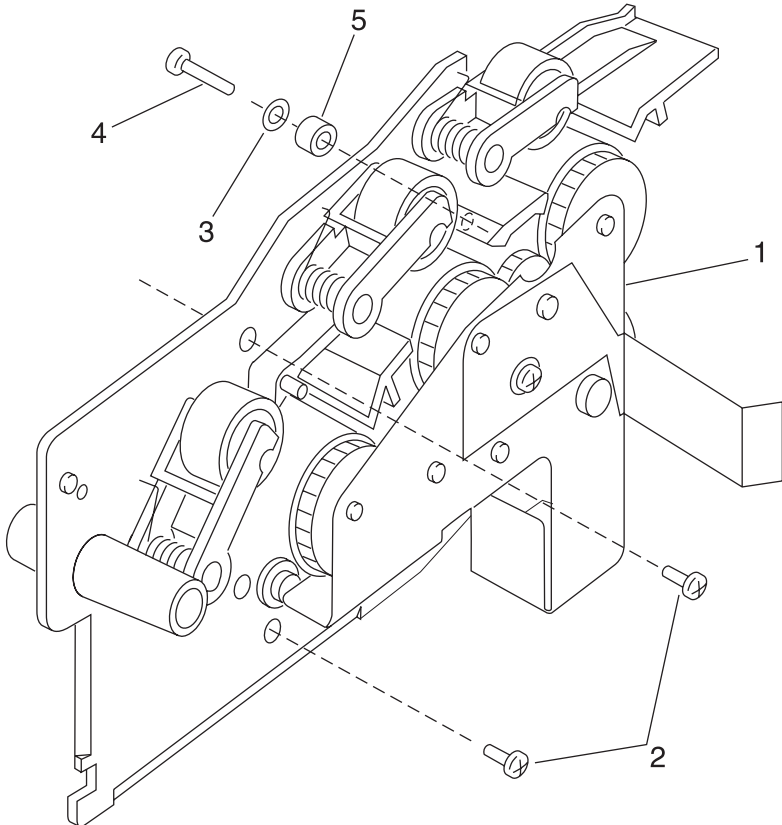
Assembly 4: Paper Feed - Multipurpose Unit



4045-XXX

Asm-Index	Part Number	Units	Description
4-1	12G0299	1	Roller Asm, MPF Pick
4-2		4	Screw, M4x12 PP 12G0445
4-3	12G0301	1	Feeder Asm, MPF
4-4	12G0252	1	Sensor, MPF Input
4-5	12G0251	1	Solenoid, MPF Pick Roller
4-6		1	Screw, M3x8 PP 12G0445
4-7	12G0300	1	Shaft Asm, MPF Pick Roller
4-8	12G0302	1	Cover, Gear
4-9		1	Screw, M4x8 PP 12G0445
4-10		1	Clip, PP 12G0445

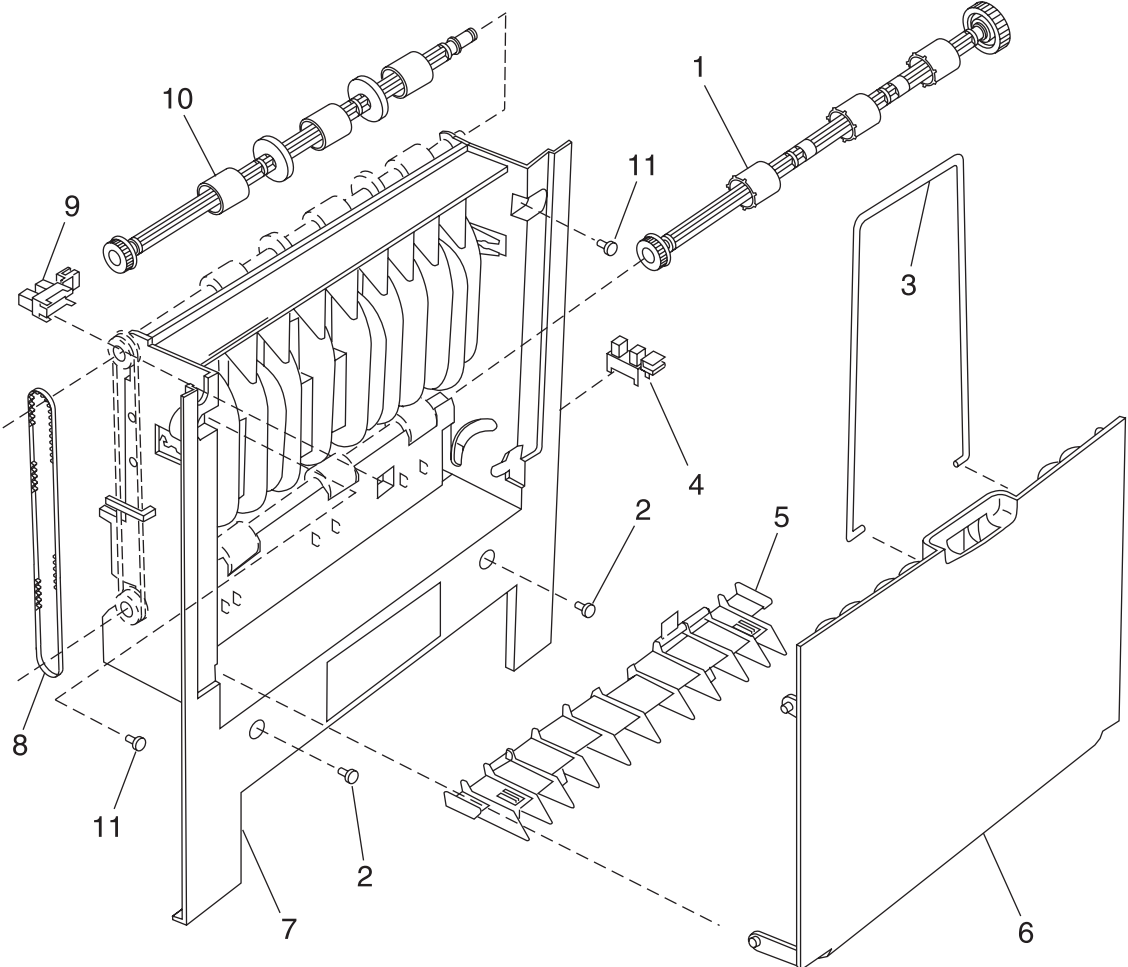
Assembly 5: Paper Feed - Alignment



4045-XXX

Asm-Index	Part Number	Units	Description
5-1	12G0303	1	Aligner Asm, Paper Feed
5-2		2	Screw, M4x8 PP 12G0445
5-3		1	Spring Washer, PP 12G0445
5-4		1	Screw, Adjustment M3x16 PP 12G0445
5-5	12G0452	1	Spacer, Adjustment Screw

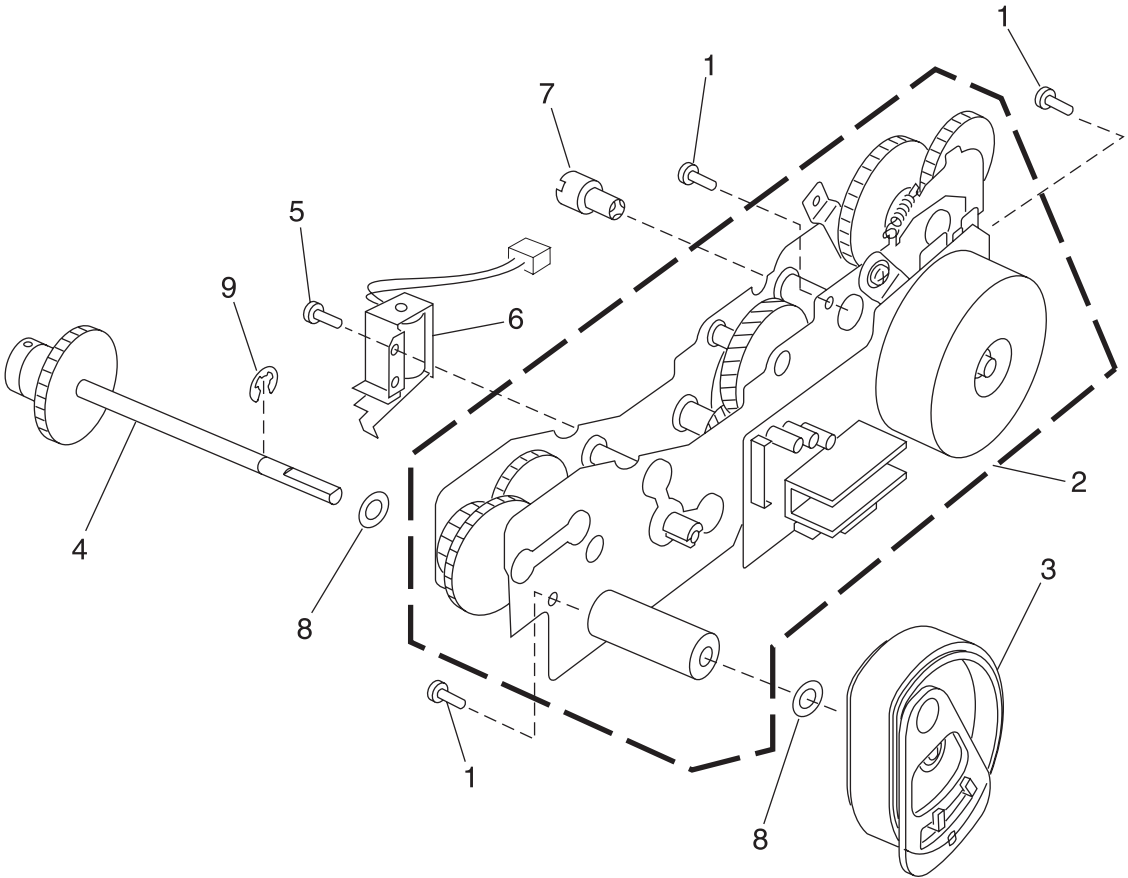
Assembly 6: Paper Feed - Output



4045-XXX

Asm-Index	Part Number	Units	Description
6-1	12G0308	1	Roller, Lower Redrive
6-2		2	Screw, M3x6 PP 12G0445
6-3	12G0305	1	Bail, Rear Door Paper
6-4	12G0252	1	Sensor, Rear Door
6-5	12G0309	1	Deflector, Paper
6-6	12G0304	1	Door, Rear
6-7	12G0306	1	Frame, Rear Paper Exit
6-8	12G0310	1	Belt, Redrive Roller
6-9	12G0252	1	Sensor, Paper Exit
6-10	12G0307	1	Roller, Upper Redrive
6-11		2	Screw, M4x8 PP 12G0445

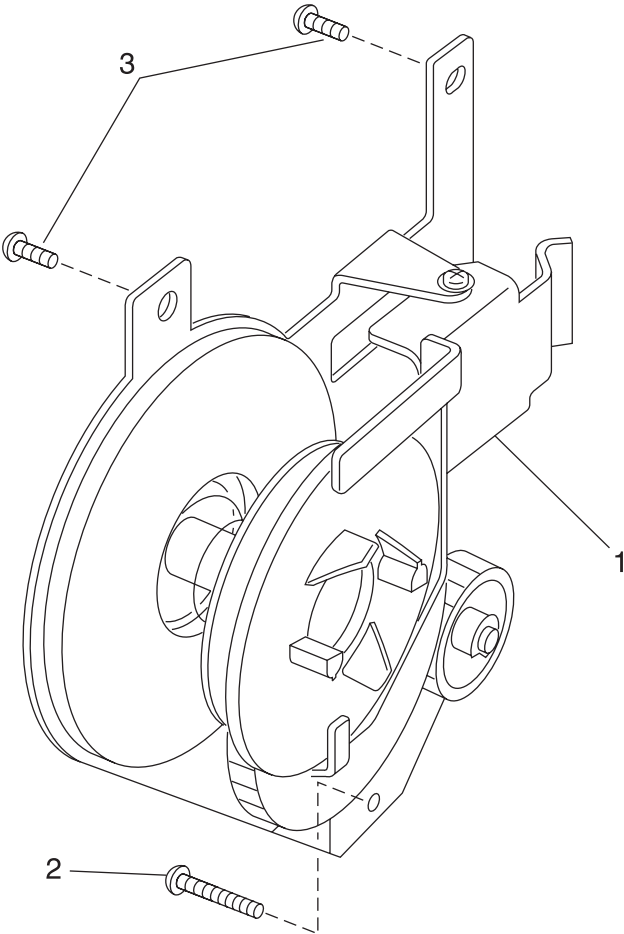
Assembly 7: Main Drive



4045-XXX

Asm-Index	Part Number	Units	Description
7-1		3	Screw, M4x12 PP 12G0445
7-2	12G0321	1	Drive Asm, Main M410
7-2	12G3552	1	Drive Asm, Main M412
7-3	12G0323	1	Roller, Pick
7-4	12G0322	1	Shaft Asm, Pick Roller
NS	12G3673	1	Clutch Spring, Pick Roller
7-5		1	Screw, M3x8 PP 12G0445
7-6	12G0443	1	Solenoid, Main Pick Roller
7-7	12G0324	1	Coupling, Spline Drive
7-8		2	Washer, PP12G0445
7-9		1	Clip, PP12G0445

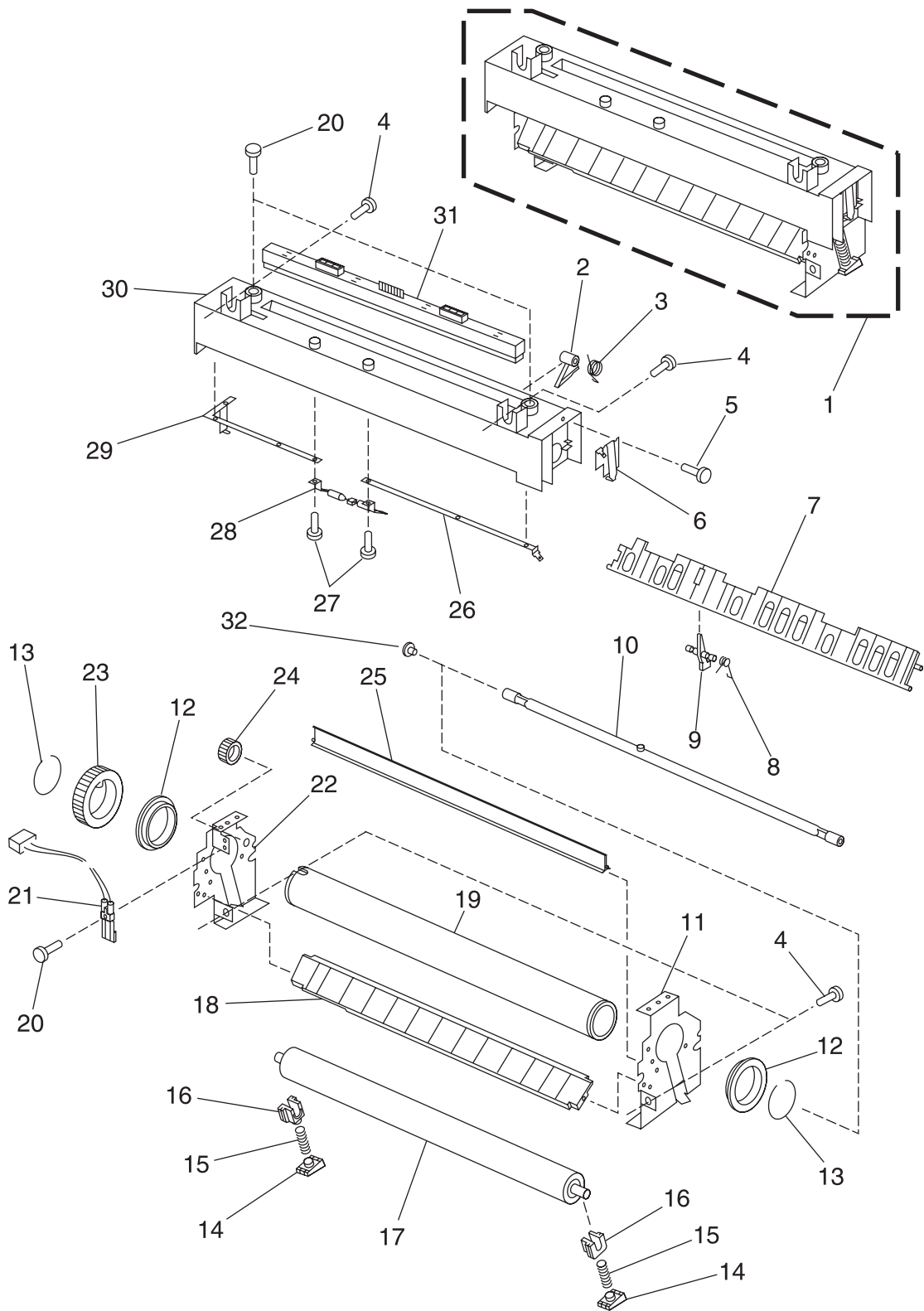
Assembly 8: Developer Drive



4045-XXX

Asm-Index	Part Number	Units	Description
8-1	12G0325	1	Drive Asm, Developer
8-2		1	Screw, M3x25 PP12G0445
8-3		2	Screw, M4x12 PP12G0445

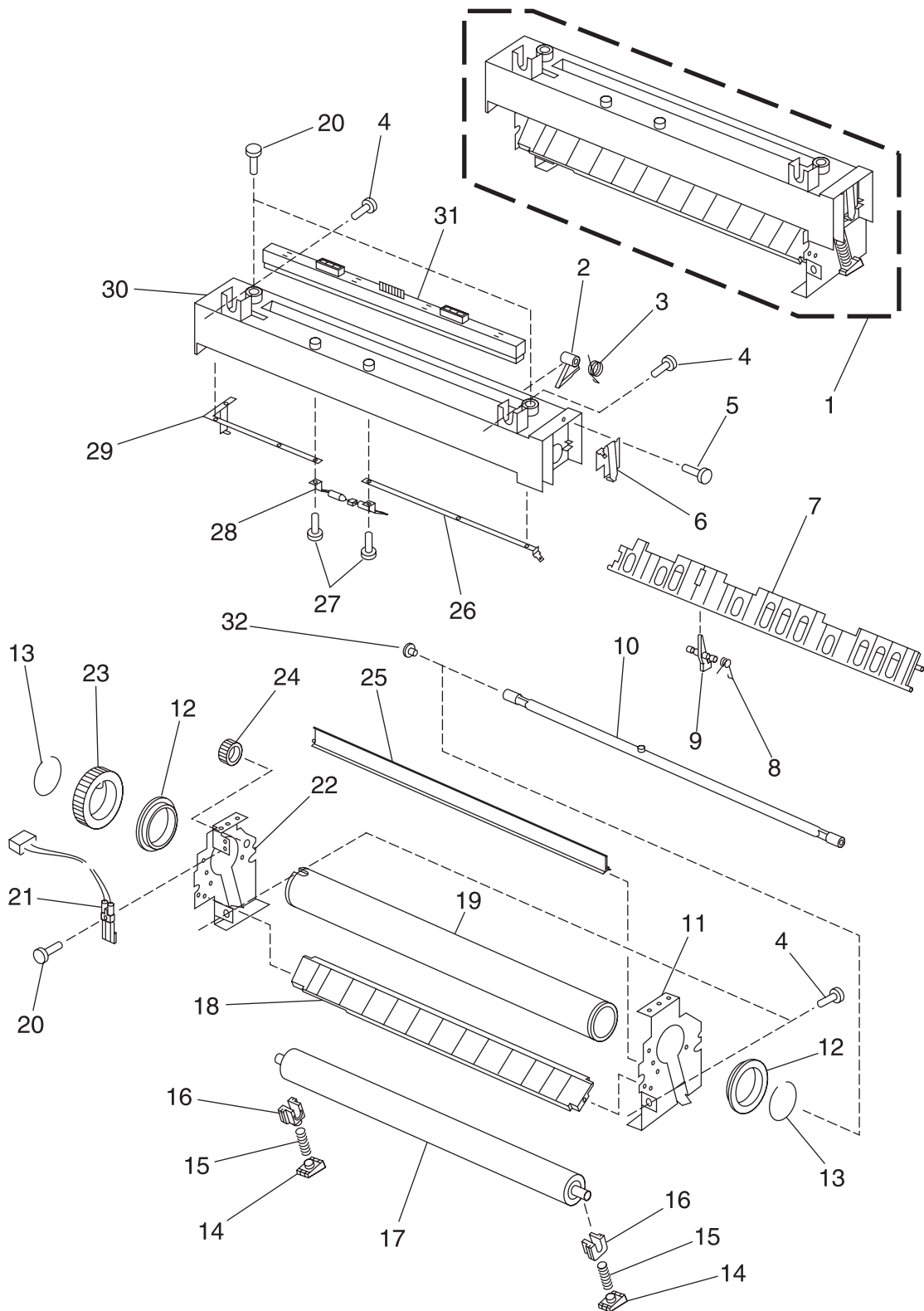
Assembly 9: Fuser



4045-XXX

Asm-Index	Part Number	Units	Description
9-1	12G3982	1	Fuser Asm, 115V M410
9-1	12G3984	1	Fuser Asm, 115V M412
9-1	12G3983	1	Fuser Asm, 220V M410
9-1	12G3985		Fuser Asm, 220V M412
9-2	12G0331	4	Finger, Detack
9-3	12G0344	4	Spring, Detack Finger
9-4		4	Screw, M4x12 PP 12G0445
9-5		3	Screw, M3x8SW PP 12G0445
9-6	12G0343	1	Contact, Fuser Lamp, Rear
9-7	12G0347	1	Guide, Fuser Paper Exit
9-8	12G0349	1	Spring, Exit Sensor Lever
9-9	12G0348	1	Lever, Paper Exit Sensor
9-10	12G0328	1	Lamp, 115V M410
9-10	12G0329	1	Lamp, 220V M410
9-10	12G3562	1	Lamp, 115V M412
9-10	12G3563	1	Lamp, 220V M412
9-11	12G0339	1	Frame, Right Fuser
9-12	12G0330	2	Bushing, Hot Roll
9-13	12G0334	2	Clip, Gear Retaining
9-14	12G0337	2	Stand, Bushing Spring
9-15	12G0336	2	Spring, Roller Bushing M410
9-15	12G3553	2	Spring, Roller Bushing M412

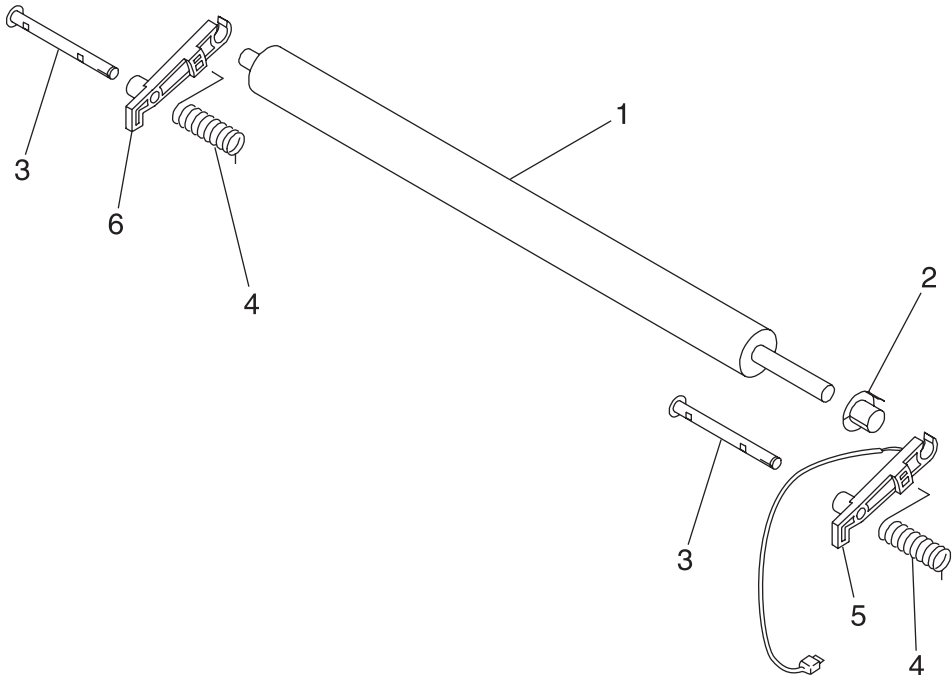
Assembly 9: Fuser (continued)



4045-XXX

Asm-Index	Part Number	Units	Description
9-16	12G0335	2	Bushing, Backup Roller
9-17	12G0327	1	Roller, Fuser Backup M410
9-17	12G3561	1	Roller, Fuser Backup M412
9-18	12G0350	1	Guide, Fuser Paper Entry
9-19	12G0326	1	Hot Roll, Fuser
9-20		3	Screw, M3x8 PP 12G0445
9-21	12G0353	1	Thermistor, Fuser
9-22	12G0338	1	Frame, Left Fuser
9-23	12G0332	1	Gear, Hot Roll
9-24	12G0346	1	Gear, Fuser Idler
9-25	12G0446	1	Guide, Upper Fuser Entry
9-26	12G0342	1	Contact, Fuser Lamp, Front
9-27		2	Screw, M3x5 PP 12G0445
9-28	12G3980	1	Fuse, Thermal
9-29	12G0341	1	Contact, Lamp to Fuse
9-30	12G3981	1	Cover, Fuser
9-31	12G0345	1	Wiper, Fuser
9-32	12G0453	1	Cover, Lamp

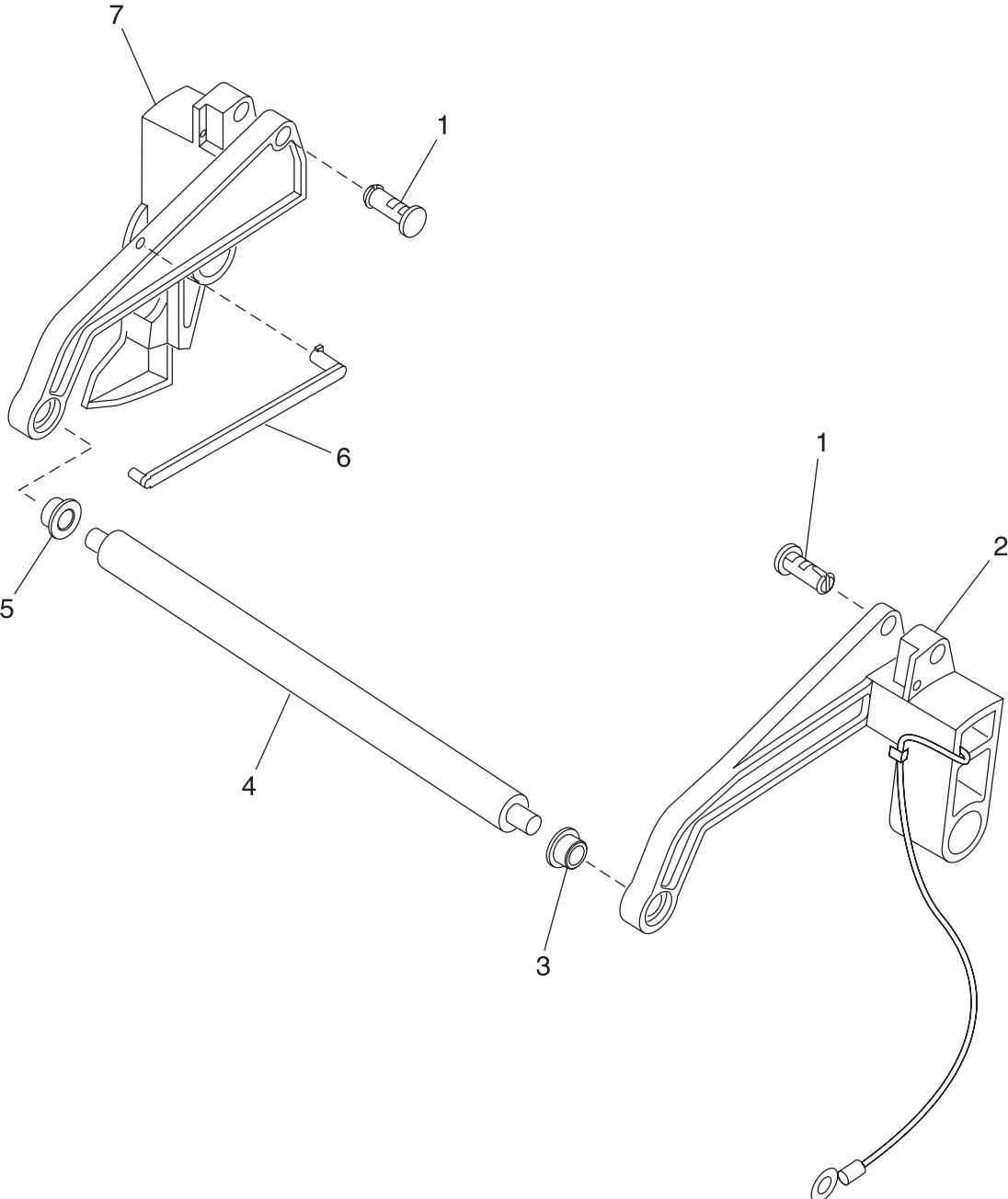
Assembly 10: Transfer



4045-XXX

Asm-Index	Part Number	Units	Description
10-1	12G0354	1	Roller, Transfer
10-2	12G0358	1	Bushing, Right Roller
10-3	12G0355	2	Pin, Transfer Roller
10-4	12G0359	2	Spring, Transfer Roller
10-5	12G0357	1	Arm, Right Transfer Roller
10-6	12G0356	1	Arm, Left Transfer Roller

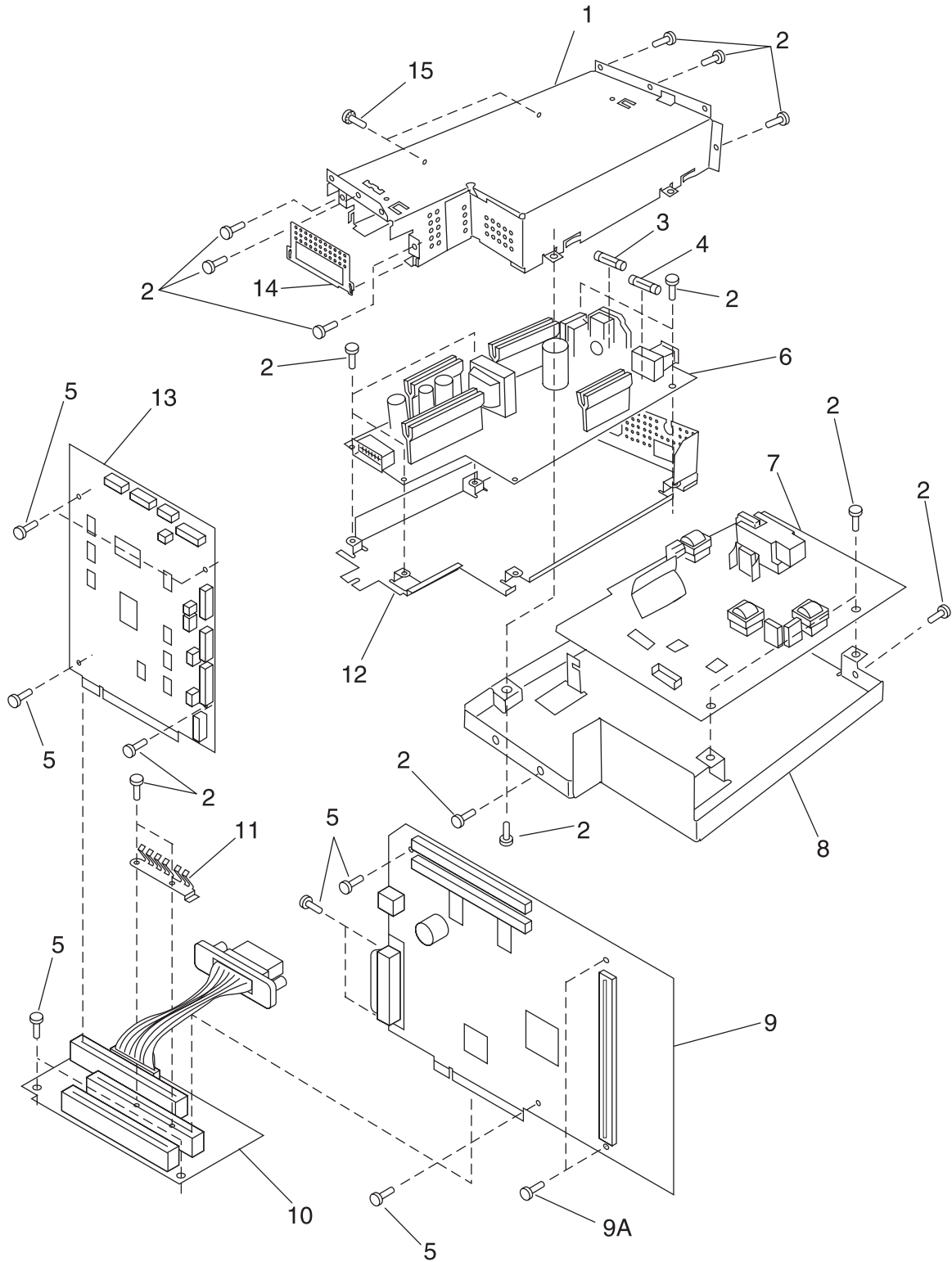
Assembly 11: Charging



4045-XXX

Asm-Index	Part Number	Units	Description
11-1	12G0364	2	Pin, Charge Roller Arm
11-2	12G0362	1	Arm, Right Charge Roller
11-3	12G0358	1	Bushing, Right Roller
11-4	12G0360	1	Roller, Charge
11-5	12G0363	1	Bushing, Left Charge Roller
11-6	12G0365	1	Link, Developer Drive Engage
11-7	12G0361	1	Arm, Left Charge Roller

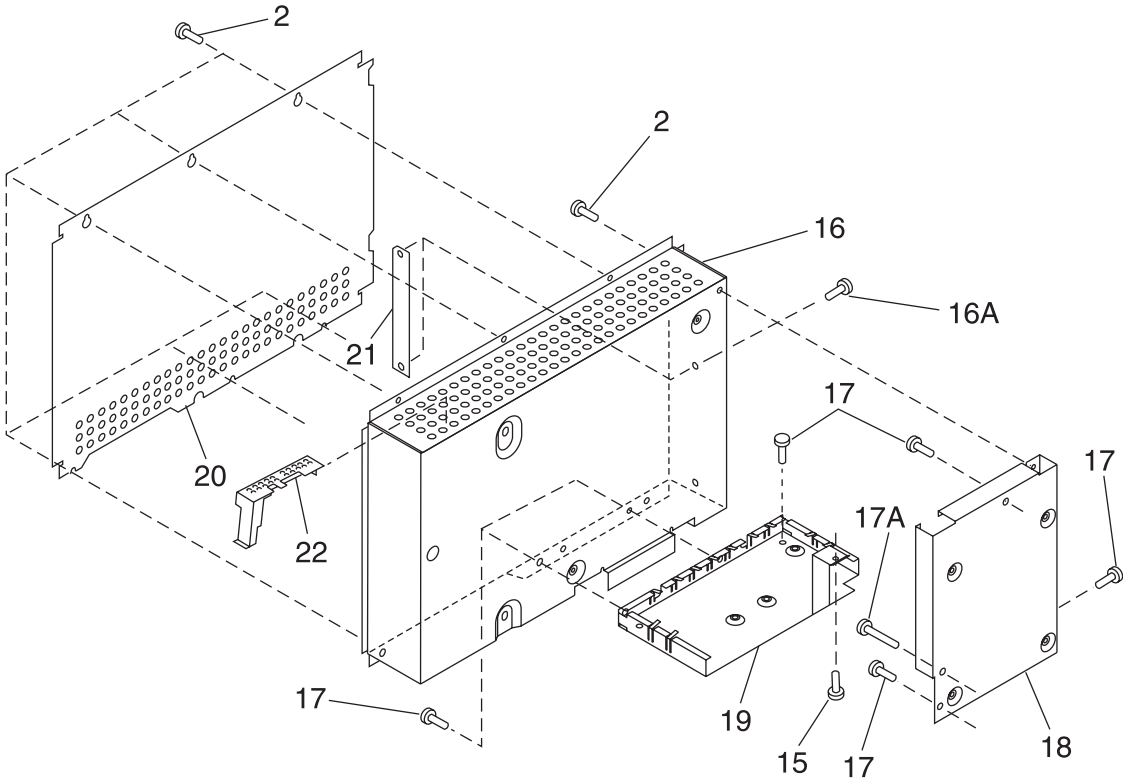
Assembly 12: Electronics



4045-XXX

Asm-Index	Part Number	Units	Description
12-1	12G0367	1	Frame, Upper LVPS
12-2		26	Screw, M3x6 PP 12G0445
12-3	12G0370	1	Fuse, 4A, 110V
12-3	12G0373	1	Fuse, 2A, 220V
12-4	12G0371	1	Fuse, 12A, 110V
12-4	12G0374	1	Fuse, 6.3A, 220V
12-5		12	Screw, M3x5 PP 12G0445
12-6	12G0369	1	Card Asm, LVPS 110V
12-6	12G0372	1	Card Asm, LVPS 220V
12-7	12G0376	1	Card Asm, HVPS
12-8	12G0366	1	Base Plate, HVPS
12-9	12G3567	1	Card Asm, Controller/RIP M410
12-9	12G3556	1	Card Asm, Controller/RIP M412
12-9A		2	Screw, M4x8 PP 12G0445
12-10	12G0379	1	Card Asm, Interconnect
12-11	12G0380	1	Contact, Ground
12-12	12G0375	1	Frame, Lower LVPS
12-13	12G0378	1	Card Asm, Engine M410
12-13	12G3557	1	Card Asm, Engine M412
12-14	12G0368	1	Cover, LVPS Connector
12-15		3	Screw w/Starwasher, M3x6 PP 12G0445

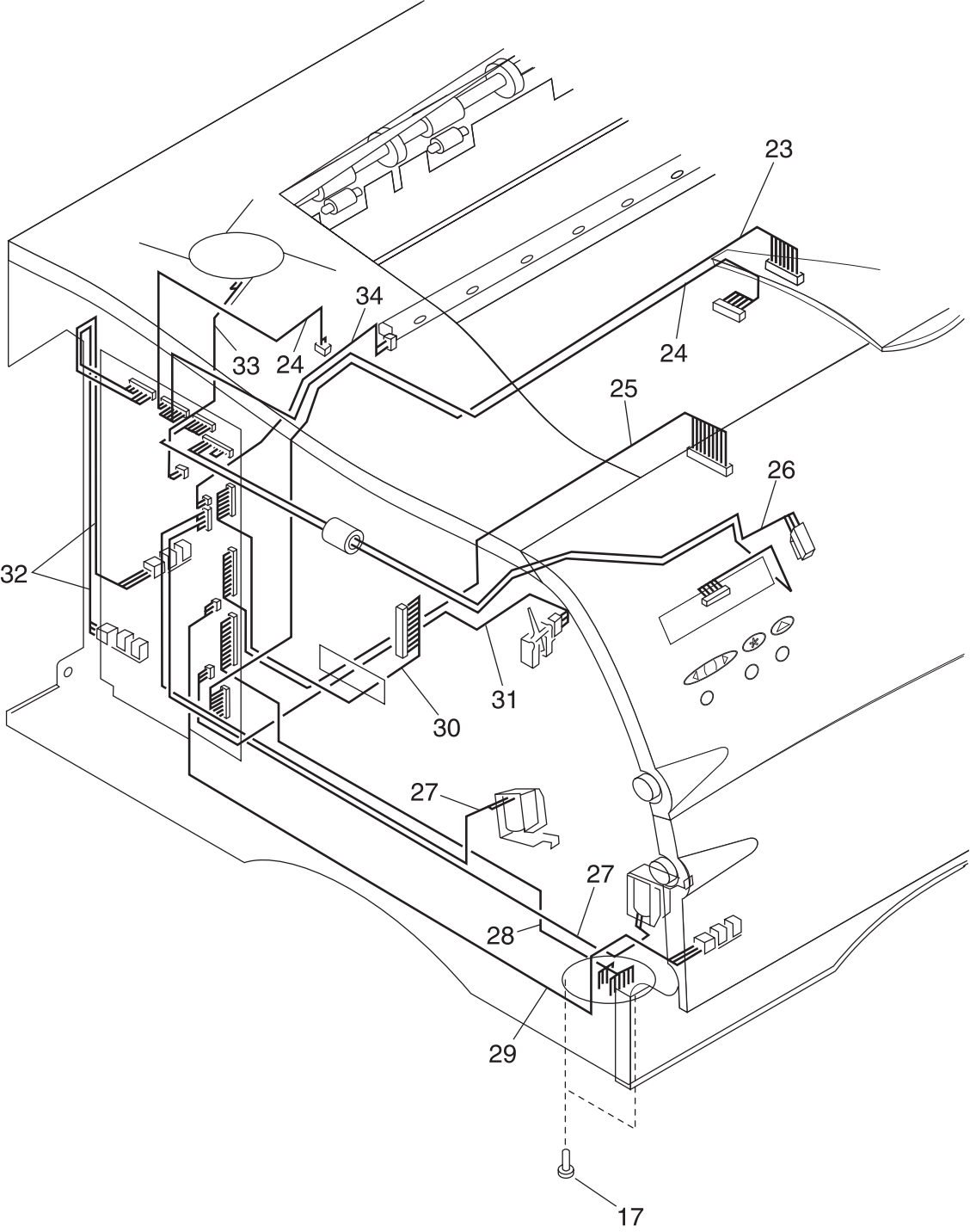
Assembly 12: Electronics (continued)



4045-XXX

Asm-Index	Part Number	Units	Description
12-16	12G0381	1	Shield, Controller Board
12-16A		2	Screw, M3x6T PP 12G0445
12-17		9	Screw, M4x8 PP 12G0445
12-17A		1	Screw, M3x25 PP 12G0445
12-18	12G0384	1	Shield, Engine Board
12-19	12G0383	1	Shield, Interface Board
12-20	12G0382	1	Cover, Controller Bd Shield
12-21	12G0385	1	Cover, Blank Bus
12-22	12G0436	1	Cover, Internal Gear

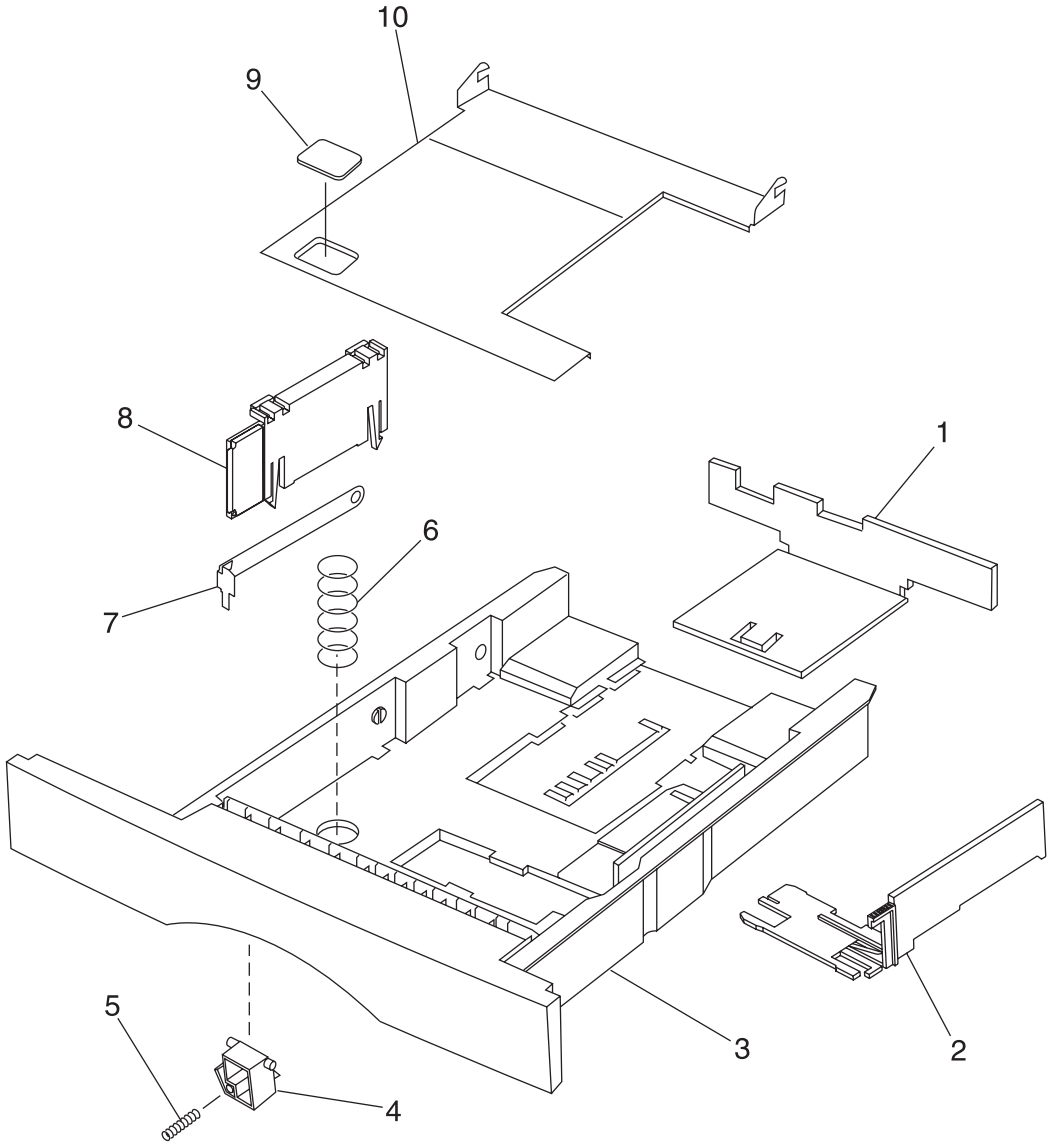
Assembly 12: Electronics (continued)



4045-XXX

Asm-Index	Part Number	Units	Description
12-23	12G0422	1	Cable, Printhead
12-24	12G0413	1	Cable, Thermistor & Mirror Motor
12-25	12G0420	1	Cable, HVPS
12-26	12G1860	1	Cable Asm, Op Panel & Cover Open Switch
12-27	12G0411	1	Cable, Solenoid
12-28	12G0421	1	Cable, Tray 2 M410
12-28	12G3559	1	Cable, Tray 2 M412
12-29	12G0417	1	Cable, MPF Paper Present Sensor
12-30	12G0419	1	Cable, Main Motor
12-31	12G0418	1	Cable, Paper Input Sensor
12-32	12G0412	1	Cable, Rear Door & Exit Sensor
12-33	12G0284	1	Cable & Fan Asm, Cooling
12-34	12G0416	1	Cable, Erase LED
NS	1342530	1	Power Cord Set, Brazil (HV)
NS	1342534	1	Power Cord Set, 8 ft. - Chile (HV)
NS	1339535	1	Power Cord Set, 8 ft. - U.S., Canada (LV), Nicaragua, Venezuela, Peru (LV), Bolivia, Colombia, Costa Rica, Ecuador, El Salvador, Guatemala, Honduras, Mexico, Panama, Brazil (LV)
NS	1342536	1	Power Cord Set, 6 ft. - Argentina (HV), Paraguay (HV), Uruguay (HV), APG (LV)
NS	1339537	1	Power Cord Set, 8 ft. - U.K., Ireland, Finland, Bahrain, Qatar, Oman, Jordan, Iraq, Quwait, Yeman, Egypt, Sudan, Saudi Arabia
NS	1339538	1	Europe, 6 ft.
NS	1339539	1	Power Cord Set, 6 ft. - Israel
NS	1339540	1	Power Cord Set, 6 ft. - Switzerland
NS	1339541	1	Power Cord Set, 6 ft. - South Africa
NS	1339542	1	Power Cord Set, 6 ft. - Italy
NS	1339543	1	Power Cord Set, 8 ft. - Denmark

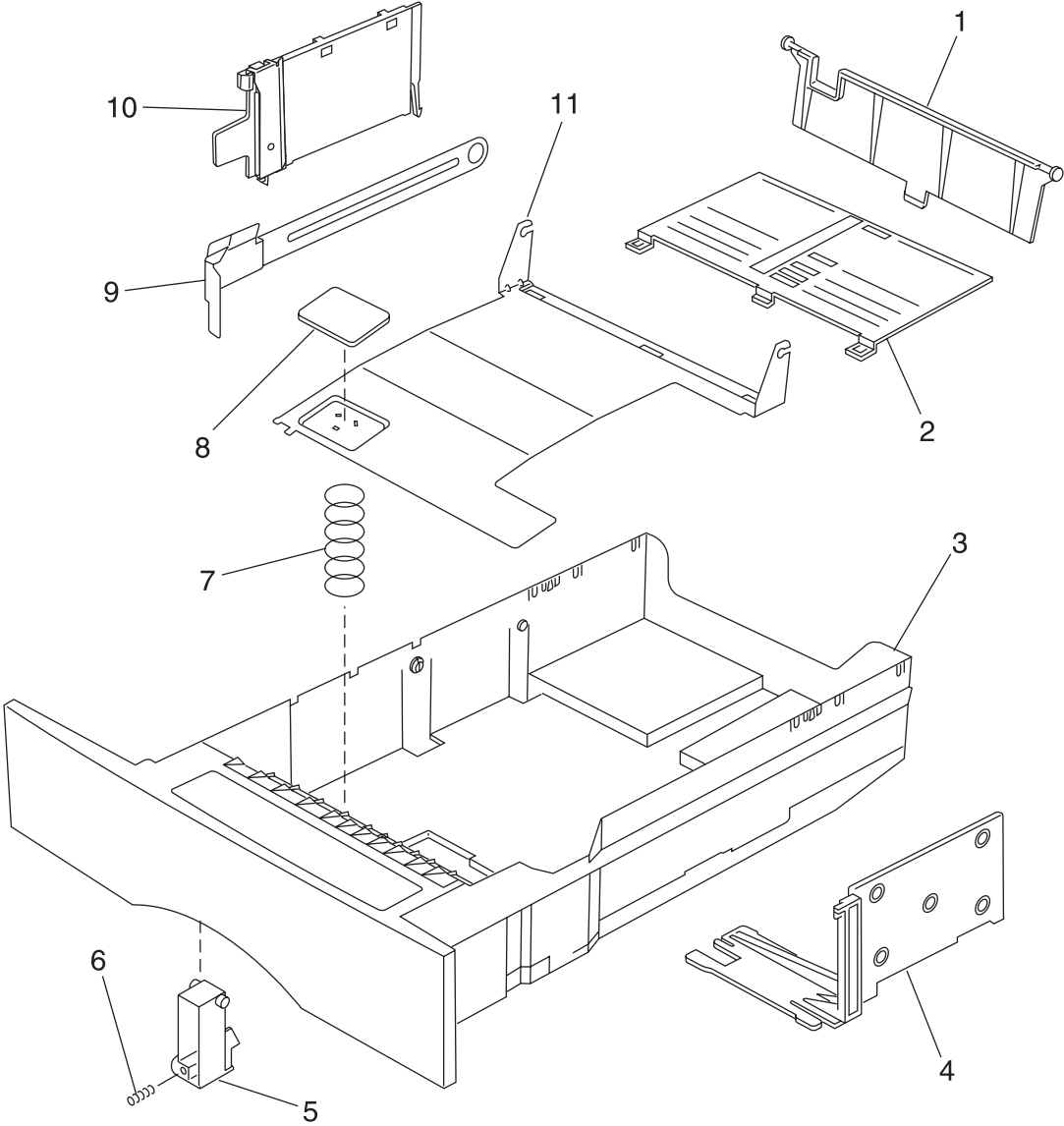
Assembly 13: 250-Sheet Tray



4045-XXX

Asm-Index	Part Number	Units	Description
13-1	12G0315	1	Guide, Rear Paper
13-2	12G0313	1	Guide, Right Paper
13-3	12G0311	1	Base, 250-Sheet Paper Tray
13-4	12G0319	1	Holder, Lift Plate
13-5	12G0320	1	Spring, Lift Plate Holder
13-6	12G0318	1	Spring, Lift Plate
13-7	12G0314	1	Buckler, Corner
13-8	12G0316	1	Cover Asm, Corner Buckler
13-9	12G0317	1	Pad, Pick Roller Friction
13-10	12G0312	1	Plate, Lift

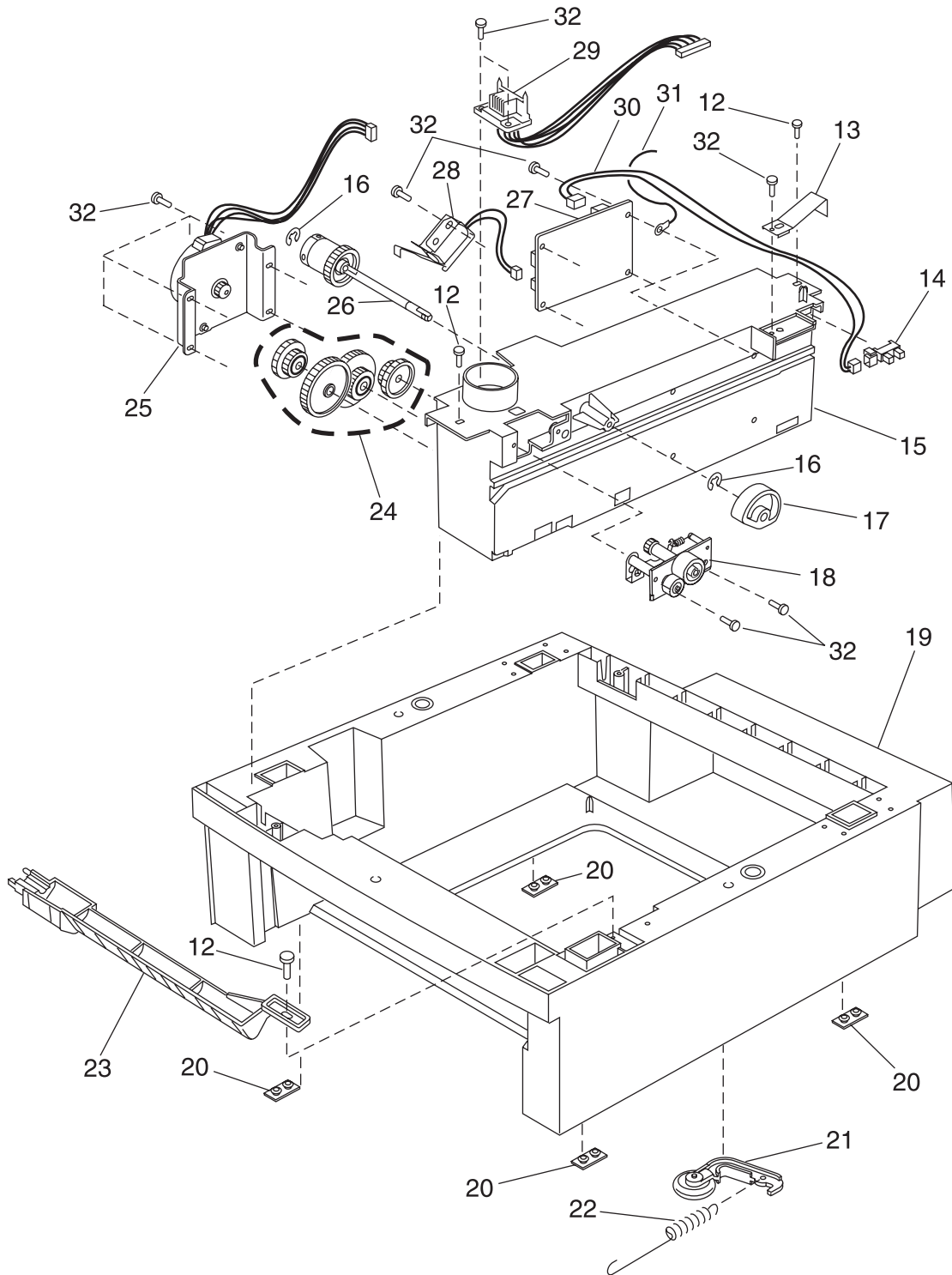
Assembly 14: 500-Sheet Tray



4045-XXX

Asm-Index	Part Number	Units	Description
14-1	12G0391	1	Guide, Rear Paper
14-2	12G0392	1	Slider, Rear Paper Guide
14-3	12G0386	1	Base, 500-Sheet Paper Tray
14-4	12G0393	1	Guide, Right Paper
14-5	12G0390	1	Holder, Lift Plate
14-6	12G0396	1	Spring, Lift Plate Holder
14-7	12G0395	1	Spring, Lift Plate
14-8	12G0394	1	Pad, Pick Roller Friction
14-9	12G0387	1	Buckler, Corner
14-10	12G0388	1	Cover Asm, Corner Buckler
14-11	12G0389	1	Plate, Lift

Assembly 14: 500-Sheet Tray (continued)



4045-XXX

Asm-Index	Part Number	Units	Description
14-12		3	Screw, M4x10, PP 12G0445
14-13	12G0404	1	Lever, Tray 1 Inserted
14-14	12G0252	1	Sensor, Tray 1 Inserted
14-15	12G0398	1	Frame, 500-Sheet Drive
14-16		2	Clip, PP 12G0445
14-17	12G0399	1	Roller, 500-Sheet Pick
14-18	12G0403	1	Roller Asm, Alignment
14-19	12G0397	1	Base, 500-Sheet Feeder M410
14-19	12G3564	1	Base, 500-Sheet Feeder M412
14-20	12G0250	4	Foot, Rubber
14-21	12G0402	1	Lever Asm, Tray Bias
14-22	12G0405	1	Spring, Tray Bias
14-23	12G0406	1	Guide, Paper
14-24		1	Gears, Tray 2 Idler PP 12G0448
14-25	12G0409	1	Motor Asm, Tray 2 M410
14-25	12G3565	1	Motor Asm, Tray 2 M412
14-26	12G0400	1	Shaft Asm, 500-Sheet P. Roller
14-27	12G0408	1	Card Asm, Tray 2 M410
14-27	12G3558	1	Card Asm, Tray 2 M412
14-28	12G0444	1	Solenoid, Tray 2 Pick Roller
14-29	12G0407	1	Cable, Tray 2 Interconnect
14-30	12G0449	1	Cable, Tray 1 Sensor
14-31	12G0450	1	Cable, Tray 2 Ground
14-32		14	Screw, M3x10 PP 12G0445

Assembly 15: Options

Asm-Index	Part Number	Units	Description
15	99A1752	1	Memory, 4MB SDRAM DIMM
15	99A1753	1	Memory, 8MB SDRAM DIMM
15	99A1754	1	Memory, 16MB SDRAM DIMM
15	99A1755	1	Memory, 32MB SDRAM DIMM
15	99A1756	1	Memory, 64MB SDRAM DIMM
15	99A1757	1	Memory, 2MB Flash DIMM
15	99A1758	1	Memory, 4MB Flash DIMM
15	99A1759	1	Memory, 8MB Flash DIMM
15	99A1774	1	Memory, 16MB Flash DIMM
15	99A1683	1	Memory, 2MB Flash DIMM w/ Optra Forms
15	99A1684	1	Memory, 4MB Flash DIMM w/ Optra Forms
15	99A1685	1	Memory, 8MB Flash DIMM w/ Optra Forms
15	99A1686	1	Memory, 16MB Flash DIMM w/ Optra Forms
15	12G1695	1	Card Asm, INA, Ethernet 10/100BaseTX
15	12G1696	1	Card Asm, INA, 10Base2/T
15	12G1697	1	Card Asm, INA, Token Ring
15	99A0560	1	Card Asm, Tri-port
15	99A0516	1	Adapter, Hard Disk
15	99A0459	1	Disk Drive, 2.1+ GB
15	99A0799	1	Disk Drive, 2.1+ GB w/OptraForms
15	99A0923	1	Card Asm, Parallel/USB
15	16A0190	1	Card Asm, ENA Marknet Pro 1 10/100 Base TX
15	16A0187	1	Card Asm, ENA Marknet Pro 1 10Base 2/T
15	16A0185	1	Card Asm, ENA Marknet Pro 3 10/100 Base TX
15	16A0186	1	Card Asm, ENA Marknet Pro 3 Token Ring
15	99A1140	1	Card Asm, Bar Code M410
15	99A1141	1	Card Asm, Bar Code M412
15	99A0629	1	Adapter, Coax/Twinax for SCS