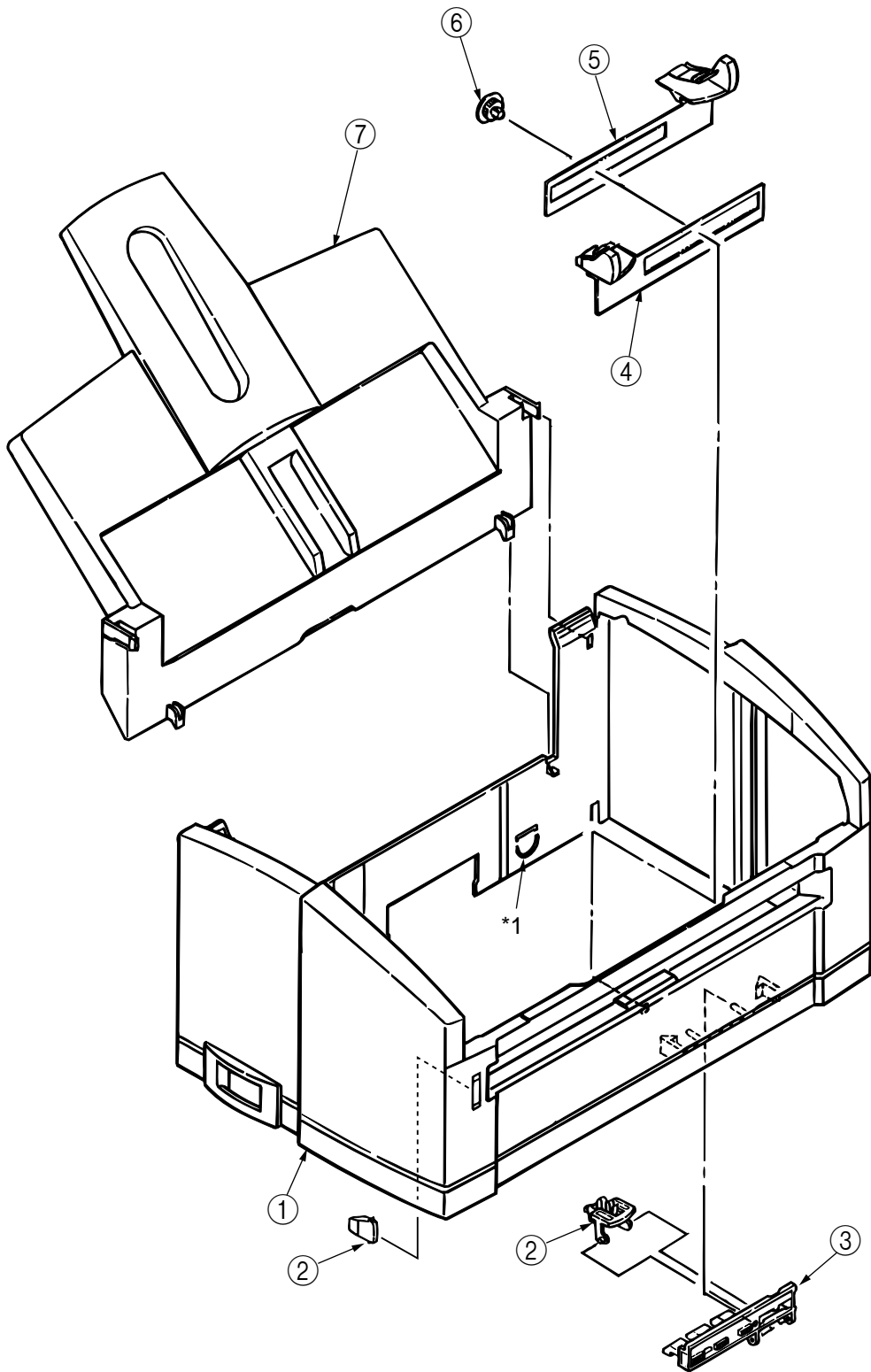


Cover Assy Upper

No.	Part No.	Part Name	Q'ty	Remarks
1	40412501	Cover-Upper 1	1	OKIPAGE 8p
	40412601	Cover-Upper 2	1	OKIPAGE 8w
2	40413101	Lens 1	1	OKIPAGE 8p
	40413201	Lens 2	1	OKIPAGE 8w
3	40413001	Switch	1	OKIPAGE 8p
4	2PP4128-1256P001	Guide Side (L)	1	
5	2PP4128-1257P001	Guide Slide (R)	1	
6	4PP4128-1260P001	Gear Spur A	1	
7	40412901	Plate-Hopper	1	

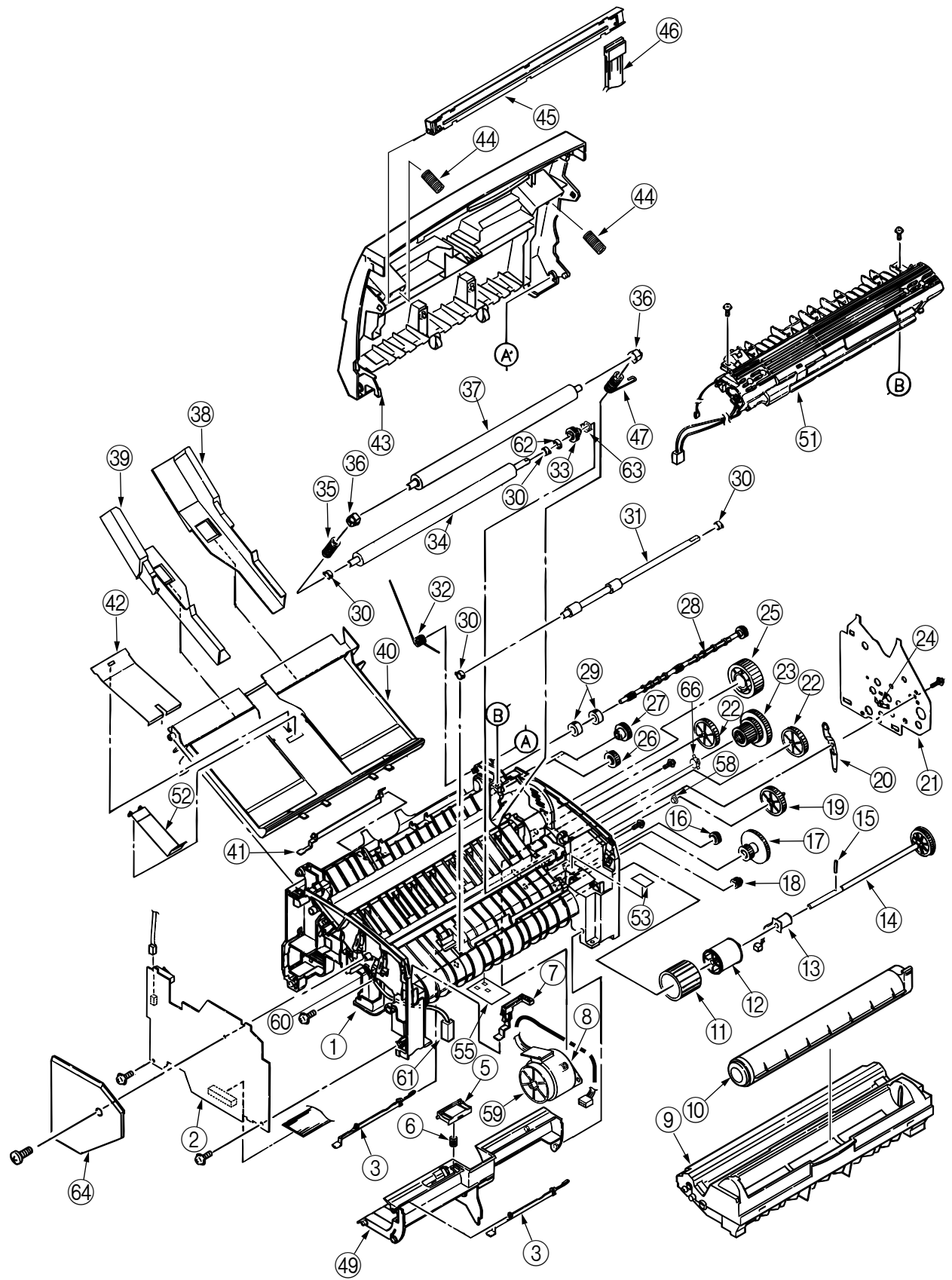
COVER ASSY UPPER



Base Frame Unit

No.	Part No.	Part Name	Q'ty	Remarks
1	40593201	Frame Unit Assy	1	
2	40607401	High-Voltage Power Supply Board P	1	
3	3PP4083-1191P001	Paper Sensor E	2	
4				
5	40721301	Separator Assy	1	
6	40781701	Compression Spring S	1	
7	3PA4083-1193G001	Toner Sensor Assy	1	
8	40496401	Pulse Motor	1	
9		Ep Unit (Type 6)	1	Consumable
10		Toner Cartridge Unit (Type 6)	1	Consumable
11	40779601	Hopping Roller	1	
12	3PP4083-1128P001	Roller Holder (Hopping Roller)	1	
13	3PB4083-1127P001	Magnet H(Hopping Shaft)	1	
14	3PA4083-1133G001	Hopping Shaft Assy	1	
15	NK2-10-SUS	Knock Pin	1	
16	4PP4083-1143P001	Idle Gear R	1	
17	3PP4083-1184P001	Idle Gear 2R	1	
18	3PP4083-1142P001	Gear R	1	
19	3PP4083-1181P001	Idle Gear M	1	
20	3PP4083-1189P001	Earth Plate A	1	
21	3PP4083-1188P001	Side Plate M	1	
22	3PP4083-1182P001	Idle Gear P	2	
23	40721001	Idle Gear 3R	1	
24	4PP4083-1165P001	Tension Plate	1	
25	3PP4083-1185P001	Idle Gear Heat	1	
26	4PP4083-1186P001	Idle Gear E (A)	1	
27	3PP4083-1187P001	Idle Gear E (B)	1	
28	3PP4083-1170P001	Drive Shaft E (Eject)	1	
29	40074601	Eject Roller	2	
30	3PP4083-1141P001	Regist Bearing	4	ECO-OP8-068
31	3PB4083-1140P001	Regist Roller	1	
32	40654001	Tension Spring	1	
33	40737801	Gear T	1	
34	40713601	Transfer Roller	1	
35	4PP4083-1136P001	Bias Spring (L) (Back Up Roller)	1	
36	3PP4083-1161P001	Bearing BU (Back Up Roller)	2	
37	40594601	Pressure Roller B (Back Up Roller)	1	
38	40249501	Paper Guide (R)	1	
39	40249401	Paper Guide (L)	1	
40	1PP4083-1231P001	Paper Holder	1	
41	3PP4083-1192P001	Paper Sensor Exit	1	
42	4PP4083-1247P001	Hopper Spring	1	
43	40592101	Top Cover Assy	1	OKIPAGE 8p (OEL)
	40592102	Top Cover Assy	1	OKIPAGE 8w (OEL)
	40592104	Top Cover Assy	1	OKIPAGE 8w (ODA)
44	4PP4083-6168P001	Head Spring	2	
45	40521101	LED Head	1	
46	40591201	Flat Cable Assy	1	120V
	40591202	Flat Cable Assy	1	230V
47	4PP4083-1137P001	Bias Spring (R) (Back Up Roller)	1	
48				
49	40562401	Sheet Guide	1	
50				
	41982501	Heat Assy	1	120V DCO-SQ1-1709
	41982502	Heat Assy	1	230V DCO-SQ1-1709
52	40034001	Stopper Spring	1	
53	4PB4091-6047P001	Caution Label (TR)	1	230V
54				

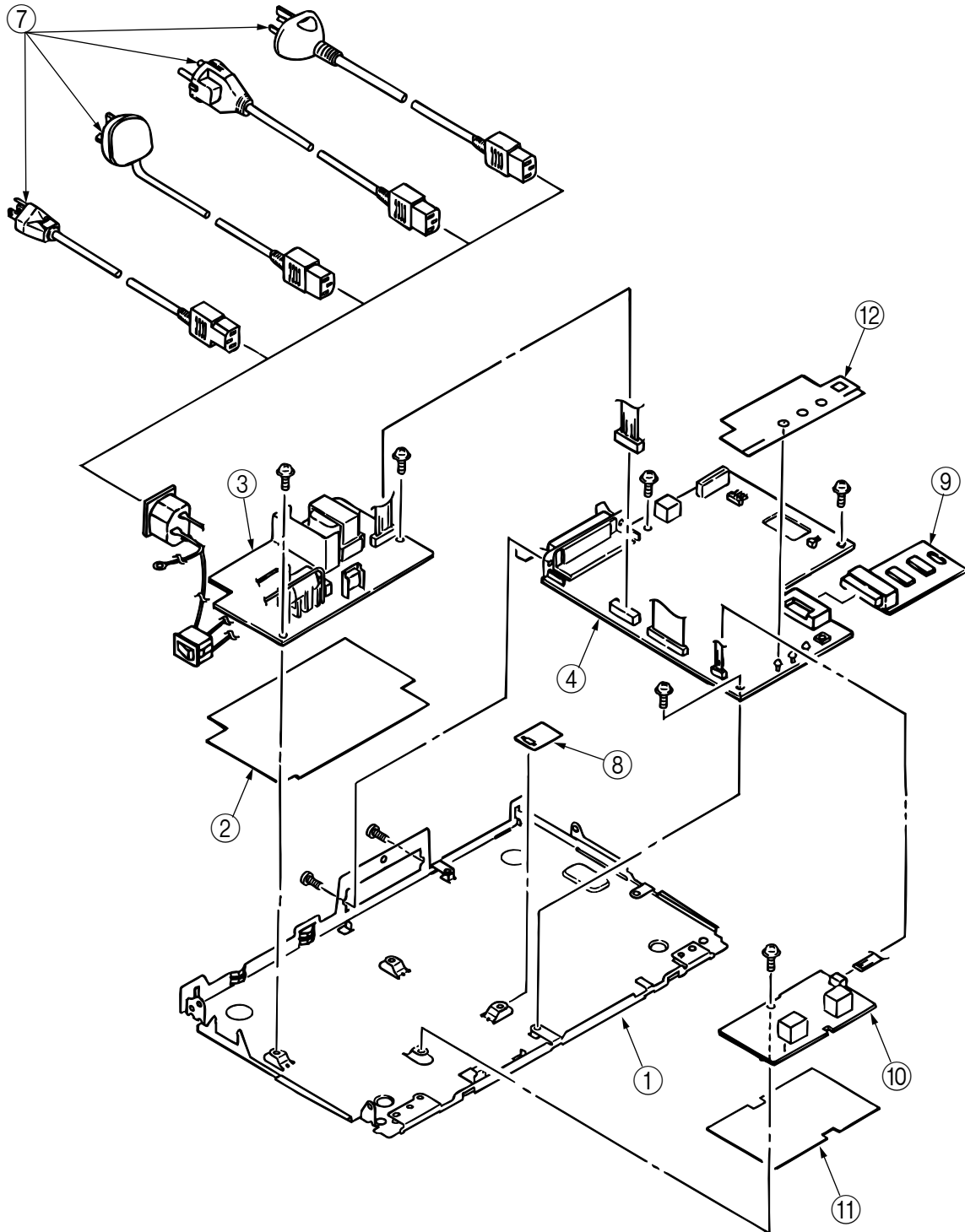
ASE FRAME UNIT



Base Frame Unit

No.	Part No.	Part Name	Q'ty	Remarks
55	4PP4083-1139P001	Film Guide	1	
56				
57				
58	40634701	Bearing Gear	1	
59	40625401	Fan	1	
60	40638001	Contact CB	1	
61	40638101	CONN Cord HV	1	
62	40688601	Washer TR	1	
63	40710301	Guide Gear T	1	
64	40413401	Cover HV	1	
66	42889301	Bearing-Gear-Idle-3R	1	ECO-OP8-068

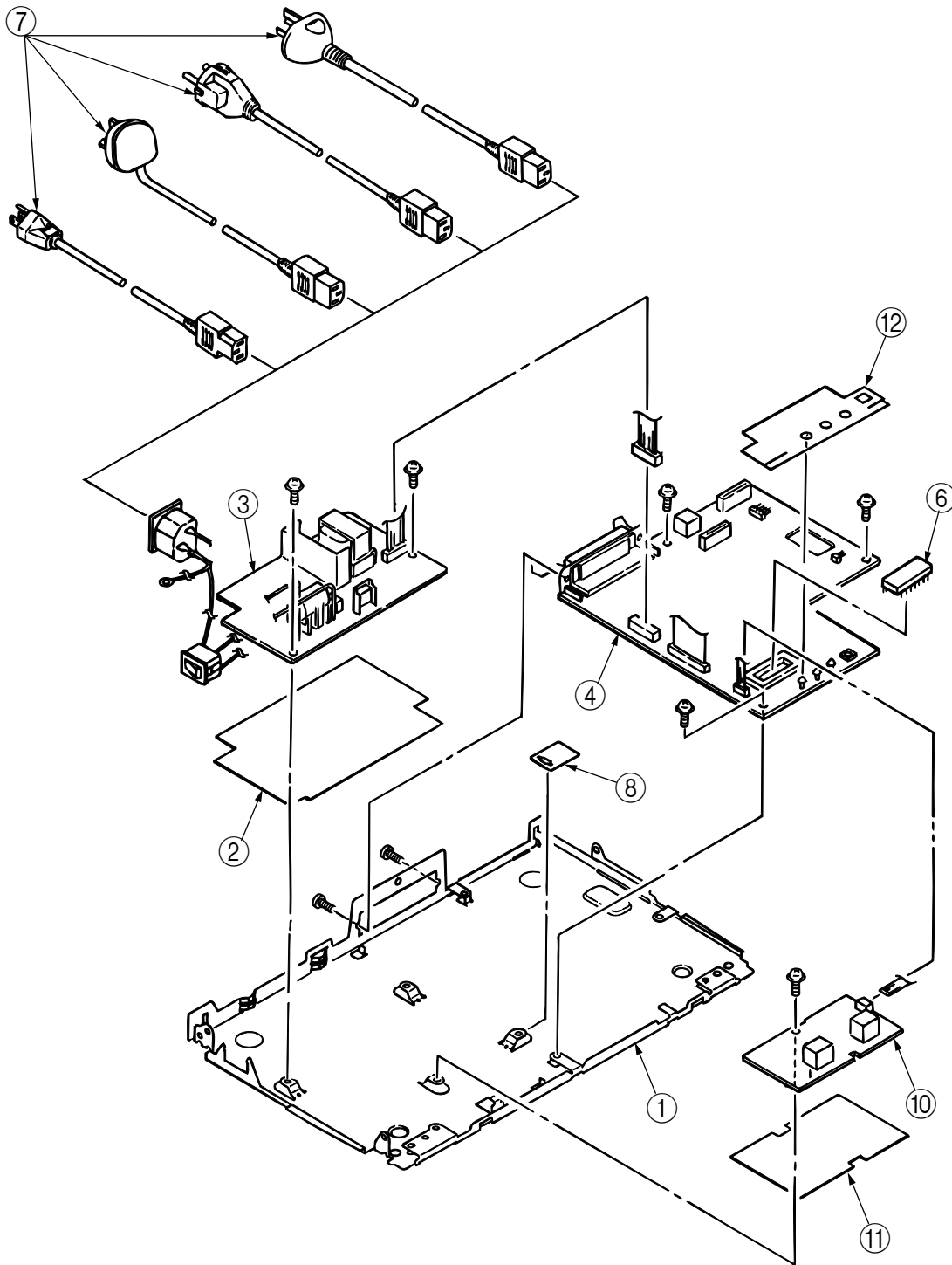
BASE PLATE UNIT (OKIPAGE 8P)



Base Plate Unit

No.	Part No.	Part Name	Q'ty	Remarks
1	40592201	Base Plate Assy	1	
2	40722501	Insulation Sheet A	1	
3	40455702	Power Supply Unit	1	120V DCO-SL2-0158
	40455801	Power Supply Unit	1	230V
4	40681602	Main Control Board (HBY-)	1	For OP 8w (EPROM type)
	40551101	Main Control Board (H63-)	1	For OP 8w (Mask CPU type)
	40433802	Main Control Board (NMA-)	1	For OP 8p
5				
6	40681701	Program ROM	1	OP8w EPROM
7	3YS4011-1315P001	AC Cord	1	USA (TAIWAN)
	3YS4011-1266P001	AC Cord	1	Continental
	3YS4011-1270P001	AC Cord	1	U.K.
	40398702	AC Cord	1	Australia
8	40043001	Insulation Sheet B	1	
9	40559001	Option RAM Board	1	For OP 8p
10	40605601	High Voltage Power Supply Board P6L	1	
11	40593101	Insulation Sheet C	1	
12	40727401	Insulation Sheet	1	For OP 8p OP 8W(EPROM Type)

BASE PLATE UNIT (OKIPAGE 8W EPROM TYPE)



BASE PLATE UNIT (OKIPAGE 8W MASK CPU TYPE)

