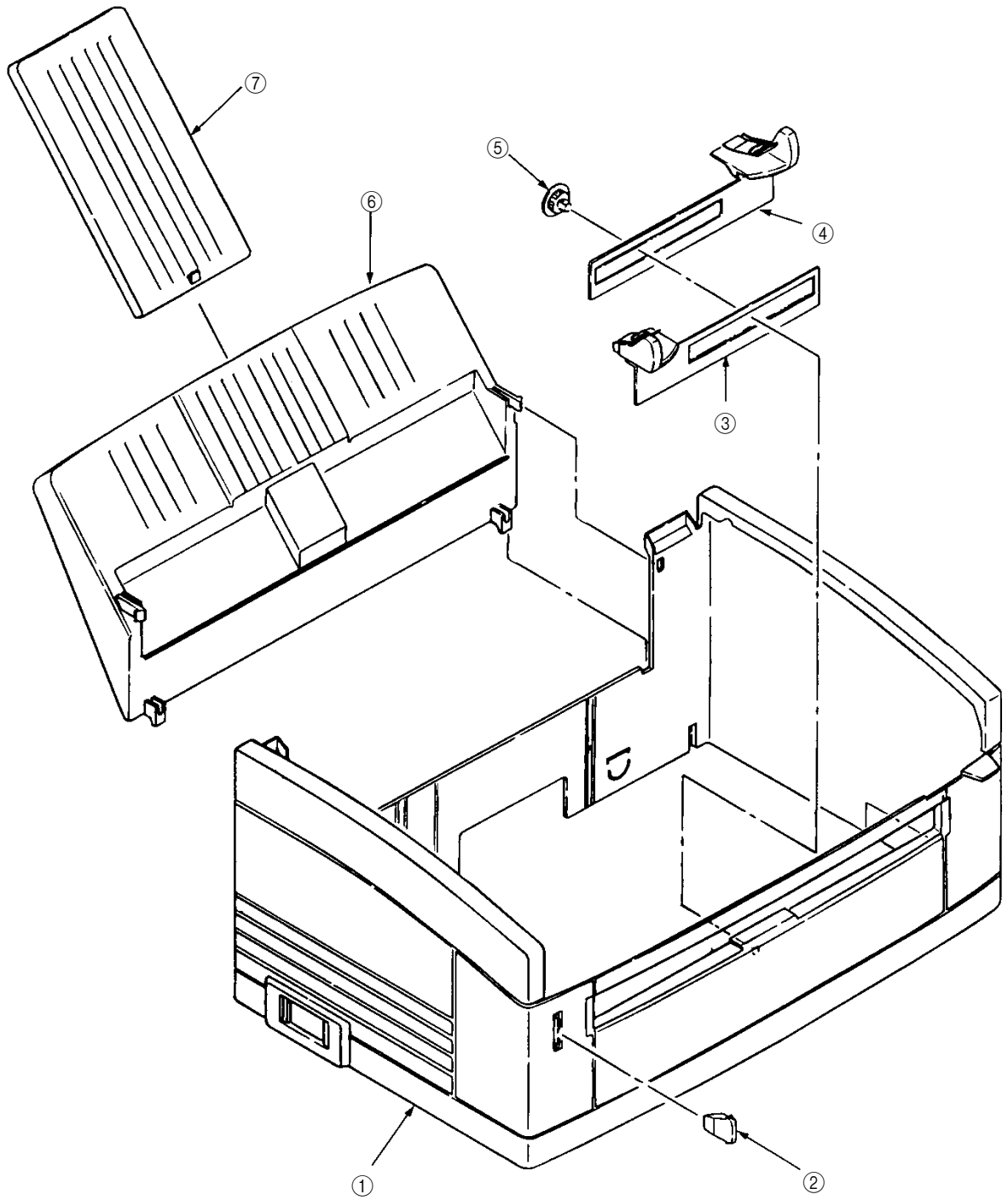


Cover Assy Upper

No.	Part Name	Part No.	Q'ty	Remarks
1	Upper Cover	1PP4128-1251P1	1	
2	Lamp	3PP4128-1255P1	1	
3	Guide Slide (L)	2PP4128-1256P1	1	
4	Guide Slide (R)	2PP4128-1257P1	1	
5	Spur Gear (A)	4PP4128-1260P1	1	
6	Hopper Plate	1PP4128-1254P1	1	
7	Extend Plate	2PP4128-1258P1	1	

PARTS LIST

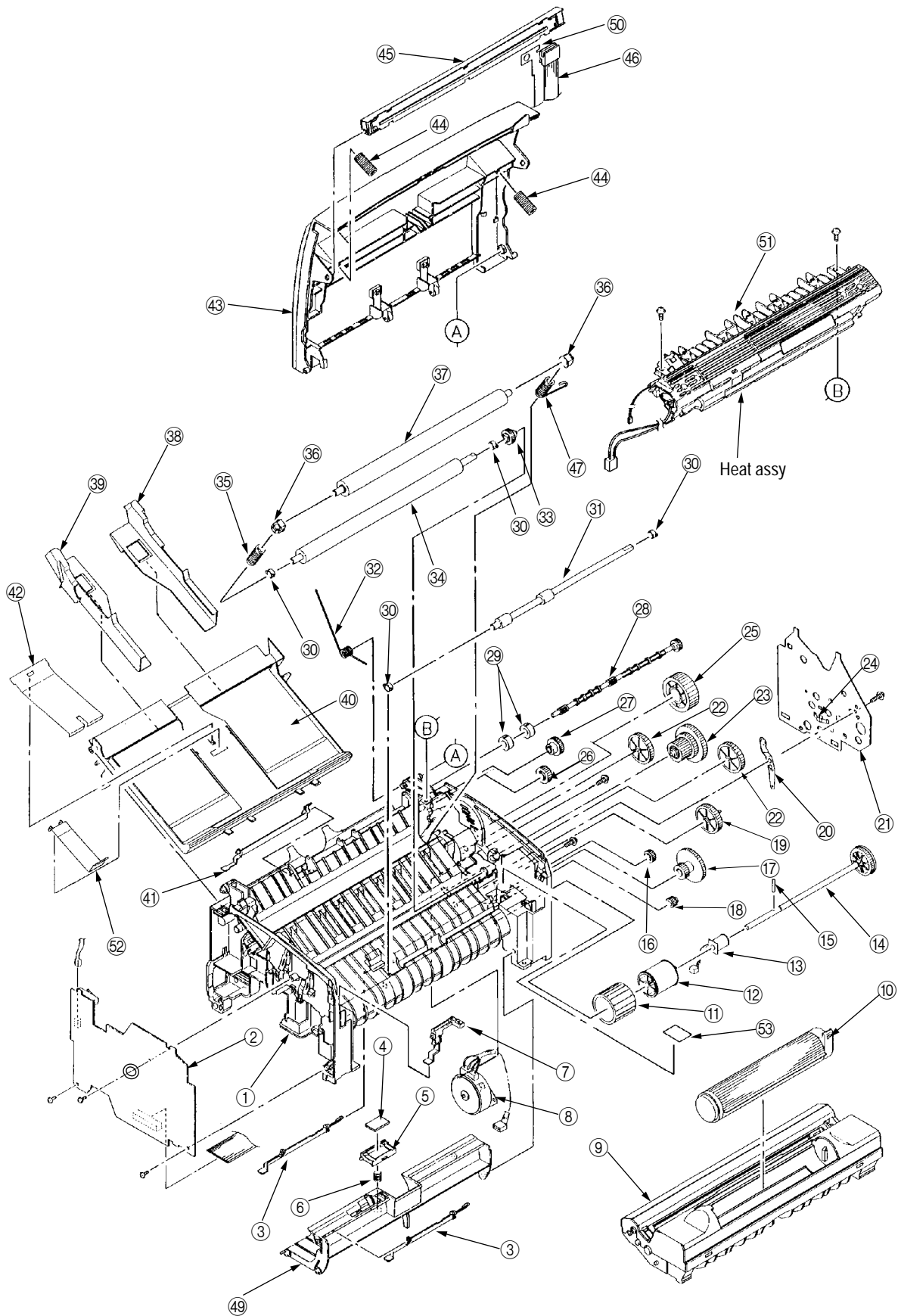


Cover Assy Upper

Base Frame Unit

No.	Part Name	Part No.	Q'ty	Remarks
1	Base Frame Assy	2PA4083-1132G1	1	
2	High-Voltage Power Supply Board	4YA4130-1004G1	1	
3	Paper Sensor E	3PP4083-1191P1	2	
4	Friction Pad	4PB4083-1245P1	1	
5	Separator Guide	3PP4083-1244P1	1	
6	Compression Spring S	4PP4083-1246P1	1	
7	Toner Sensor Assy	3PA4083-1193G1	1	
8	Pulse Motor (Main)	4PB4083-1172P1	1	
9	Ep Unit	4YA4083-1380G2	1	For ODA
	Ep Unit	4YA4083-1380G3	1	For OEL/OKI-INT
10	Toner Cartridge Unit	40035001	1	For ODA
	Toner Cartridge Unit	4YA4083-1450G3	1	For OEL/OKI-INT
11	Hopping Roller	4PB4083-1129P1	1	
12	Roller Holder (Hopping Roller)	3PP4083-1128P1	1	
13	Magnet H (Hopping Shaft)	3PB4083-1127P1	1	
14	Hopping Shaft Assy	3PA4083-1133G1	1	
15	Knock Pin	NK2-10-SUS	1	
16	Idle Gear R	4PP4083-1143P1	1	
17	Idle Gear 2R	3PP4083-1184P1	1	
18	Gear R	3PP4083-1142P1	1	
19	Idle Gear M	3PP4083-1181P1	1	
20	Earth Plate A	3PP4083-1189P1	1	
21	Side Plate M	3PP4083-1188P1	1	
22	Idle Gear P	3PP4083-1182P1	2	
23	Idle Gear 3R	3PP4083-1183P1	1	
24	Tension Plate	4PP4083-1165P1	1	
25	Idle Gear Heat	3PP4083-1185P1	1	
26	Idle Gear E (A)	4PP4083-1186P1	1	
27	Idle Gear E (B)	3PP4083-1187P1	1	
28	Drive Shart E (Eject)	3PP4083-1170P1	1	
29	Eject Roller	4PB4083-1171P1	2	
30	Resistration Bearing	3PP4083-1141P1	4	
31	Resistration Roller	3PB4083-1140P1	1	
32	Torsion Spring	4PP4083-1252P1	1	

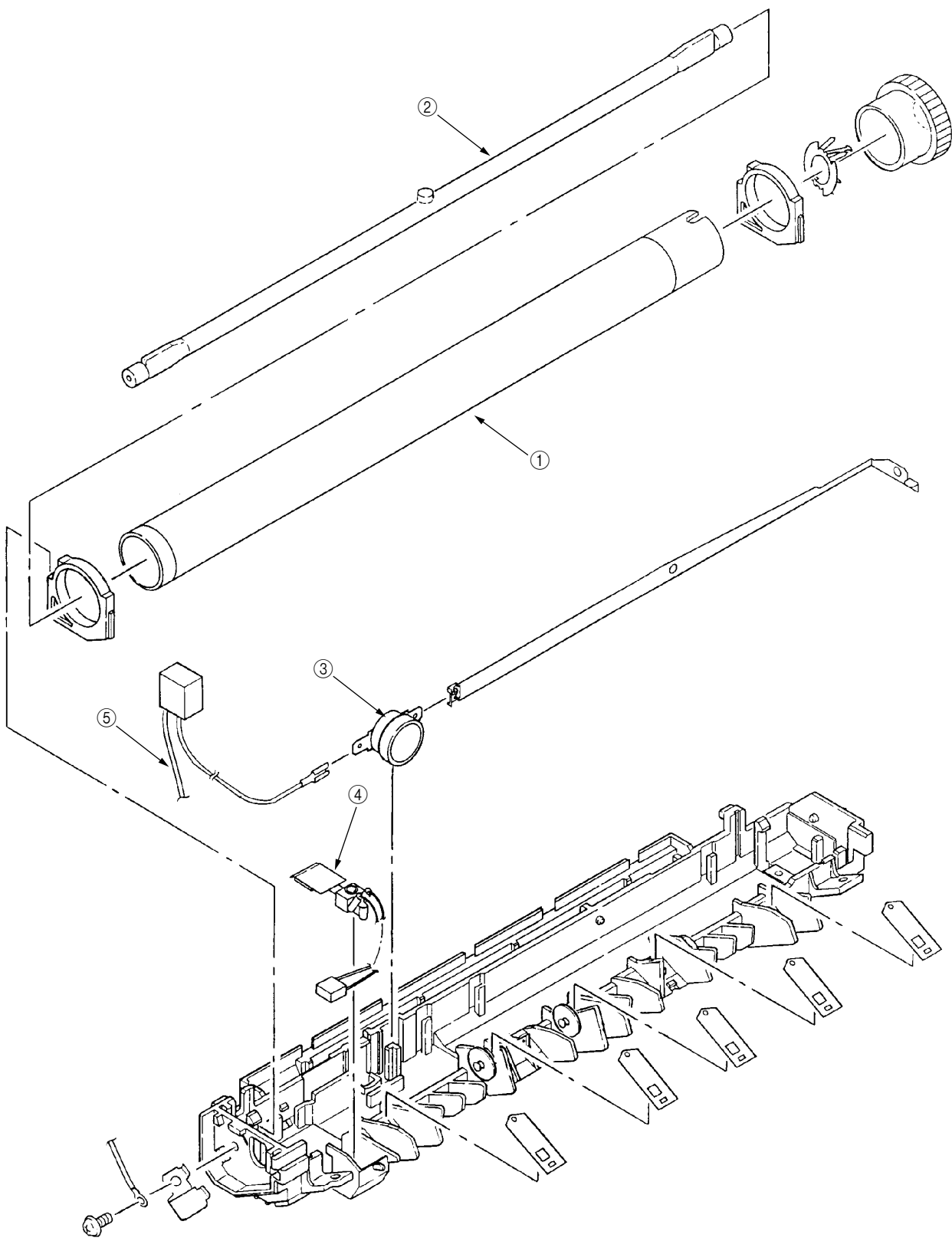
No.	Part Name	Part No.	Q'ty	Remarks
33	Gear T	3PP4083-1151P1	1	
34	Transfer Roller	3YB4083-1150P1	1	
35	Bias Spring (L) (Back Up Roller)	4PP4083-1136P1	1	
36	Bearing BU (Back Up Roller)	3PP4083-1161P1	2	
37	Pressure Roller B (Back Up Roller)	3PB4083-1160P2	1	
38	Paper Guide (R)	3PP4083-1233P1	1	
39	Paper Guide (L)	3PP4083-1232P1	1	
40	Paper Holder	1PP4083-1231P1	1	
41	Paper Sensor Exit	3PP4083-1192P1	1	
42	Hopper Spring	4PP4083-1247P1	1	
43	Top Cover Assy	2PA4128-1271G1	1	For ODA
	Top Cover Assy	2PA4128-1271G2	1	For OEL/OKI-INT
44	Head Spring	4PP4083-6168P1	2	
45	LED Head	4YA4116-1228G1	1	
46	Flat Cable Assy	4YX4083-1134G1	1	
47	Bias Spring (R) (Back Up Roller)	4PP4083-1137P1	1	
48	_____	_____	_____	
49	Sheet Guide	1PP4083-1241P1	1	
50	Film FG	40011401	1	
51	Heat Assy	1YX4083-1200G1	1	120V
	Heat Assy	1YX4083-1200G2	1	230V
52	Stopper Spring	40034001	1	
53	Caution Label (TR)	4PB4091-6047P1	1	230V



Base Frame Unit

Heat Assy

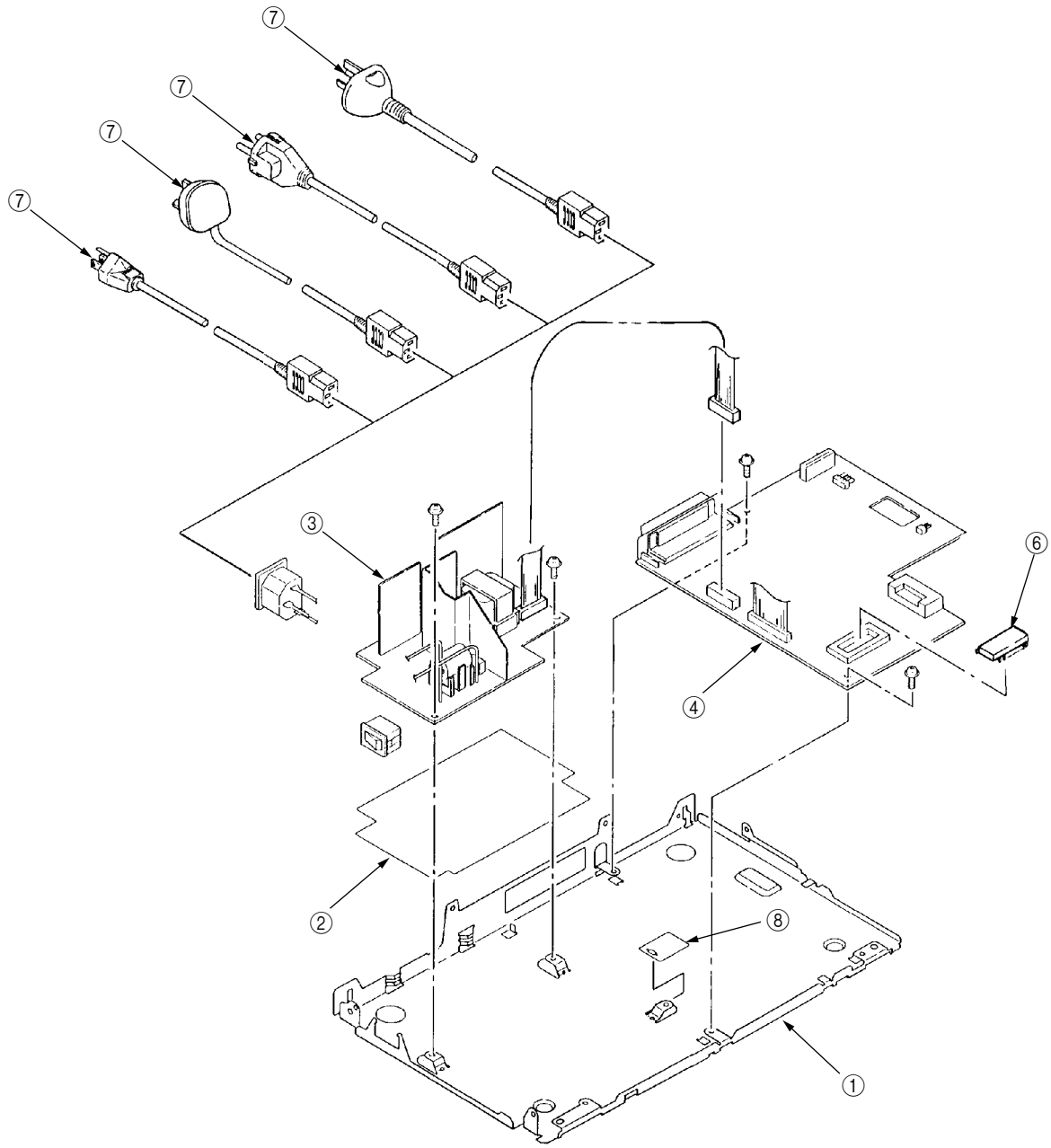
No.	Part Name	Part No.	Q'ty	Remarks
1	Heat Roller	3PB4083-1202P1	1	
2	Halogen Lamp	3PB4083-6103P4	1	120V
	Halogen Lamp	3PB4083-6103P5	1	230V
3	Thermostat	4PB4083-1204P1	1	
4	Thermistor	4PB4083-1205P1	1	
5	Heat Cord	4PB4083-1213P1	1	



Heat Assy

Base Plate Unit

No.	Part Name	Part No.	Q'ty	Remarks
1	Base Plate Assy	3PA4083-1135G1	1	
2	Insulation Sheet	3PB4083-1251P1	1	
3	Power Supply Unit	4YB4049-1853P1	1	120V
	Power Supply Unit	4YB4049-1854P1	1	230V
4	Main Control Board (HBMC-2 PCB)	4YA4121-2516G2	1	Without ROM
6	Program ROM	4YR4077-1670G1	1	EP ROM
7	AC Cord	3YS4011-1315P1	1	USA
	AC Cord	3YS4011-1266P1	1	Continental
	AC Cord	3YS4011-1270P1	1	U.K.
	AC Cord	3YS4011-1329P2	1	Australia
8	Insulation Sheet B	40043001	1	



iBase Plate Unit