

Lower Base Unit

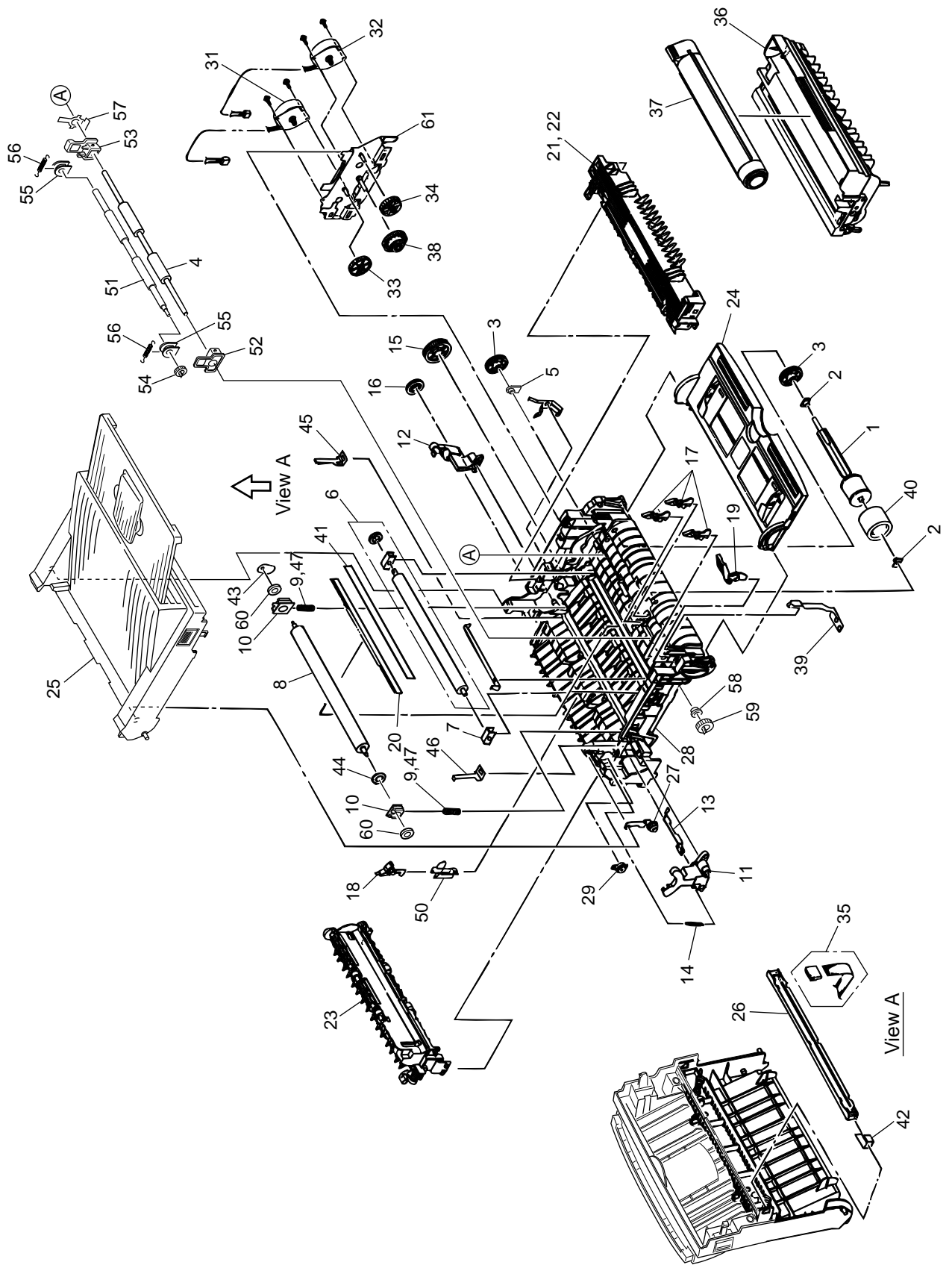
No.	Part No.	Name/Rating	Use	Remarks	ODA Part No.
1	3PP4083-6020P001	Hopping roller shaft	1		51112601
2	4PP4083-6022P002	Bearing	2		51607402
3	4PB4083-6024P001	Hopping roller one-way clutch gear	2		51228901
4	41281101	Roller registration	1		
5	4PP4083-6031P001	Bearing (registration)	1		51607501
6	40437802	Roller-Transfer Assy	1		
7	40438001	Bearing TR	1		
8	41301801	Roller Back-up	1		
9	41584101	Spring Bias	2		
10	41536201	Holder BU	2		
11	40581801	Lever-Reset L	1	*	50805801
12	3PP4083-6054P001	Reset lever R	1		50805901
13	42551201	Arm-Switch	1	*ECO-B4200-006	
14	4PP4083-6057P001	Stacker cover reset spring	1		50924201
15	4PP4083-6080P001	Fuser roller idle gear	1		51229101
16	4PP4083-6081P001	Eject roller idle gear	1		51229201
17	4PP4083-6083P001	Sensor plate (inlet)	3		51010701
18	40771401	Lever eject sensor Assembly	1		
19	4PP4083-6086G001	Toner sensor (adhesion)	1		50405501
20	4PB4083-6979P001	Diselectrification bar	1		
21	40470107	Heat Assy - OP14i	1	120V	
22	40470108	Heat Assy - OP14i	1	230V	
23	40772501	Roller assy - Eject	1		
24	40715501	Manual feed guide assy	1		
25	41423101	Stacker-Assy	1		
26	41366001	LED head unit - 51LS	1		
27	4PP4083-6191G001	Stacker cover damper arm	1		53069101
28	41453901	Frame subassy	1		
29	4PB4083-6197P001	Stacker cover damper	1		51229401
30					
31	41301901	Motor-Pulse (main)	1		
32	40722301	Motor-Pulse (regist)	1		
33	41279001	Gear-Idle A (Z60/20)	1		
34	41279201	Gear-Reduction	1		
35	40241702	Cord-LED Assembly	1		
36	41331601	Image drum unit	1	ODA	
	41331602	Image drum unit	1	OEL	
	41331603	Image drum unit	1	APS	
37	40433203	Toner Cartridge	1	APS(2.5k)	
	41331701	Toner Cartridge (Type 8)	1	ODA(4k)	
	41331702	Toner Cartridge (Type 8)	1	OEL(4k)	
	41331703	Toner Cartridge (Type 8)	1	APS(4k)	
38	41279101	Gear-Idle B	1		
39	4PP4083-7663P001	FG plate (O.P.)	1		
40	4PB4076-5447P001	Hopping roller rubber	1		
41	3PB4083-6089P001	Diselectrification Film	1		
42	4PP4083-6173P001	LED Contact	1		
43	4PP4120-1210P001	Washer C	1		
44	4PP4120-1209P001	Washer B	1		
45	41583901	Spacer-Bearing R	1		
46	41584001	Spacer-Bearing L	1		
47	41599601	Bias spring A	2	Special parts for envelope	
48					
49					
50	41027701	Sensor wire Assembly	1		
51	41281001	Roller-Pressure	1		
52	41279501	Holder-Regist L	1		

Lower Base Unit

No.	Part No.	Name/Rating	Use	Remarks	ODA Part No.
53	41279601	Holder-Regist R	1		
54	41279801	Gear-Pressure	1		
55	41279401	Bearing-Pressure	2		
56	41281201	Spring-Tension	2		
57	41280401	Plate-Contact PA	1		
58	41279301	Bearing-Regist L	1		
59	41279701	Gear-Regist	1		
60	41584201	Bearing-Ball	2		
61	41280001	Bracket-Motor	1		

- * Lever-Reset L 40581801 has been modified in its shape because of modification to specification of Switch-Arm-Lever. At the time of replacing Switch-Arm-Lever, install Arm-Switch 42551201 instead and also replace simultaneously Lever-Reset L 40581801, of which Lever-Reset L is version 6 or greater.
- ** This part is countermeasur for envelope wrinkle.
Both side springs must be exchanged at the same time.

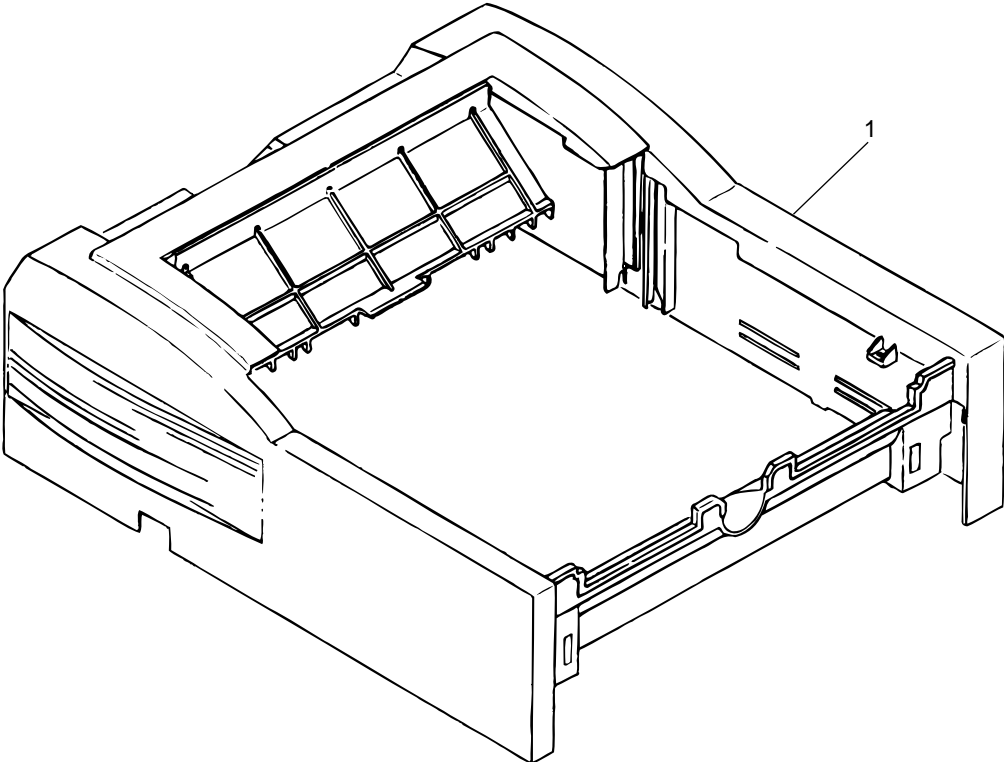
LOWER BASE UNIT



Upper Cover Unit

No.	Part No.	Name/Rating	Use	Remarks	ODA Part No.
1	40715101	Cover-Upper	1		

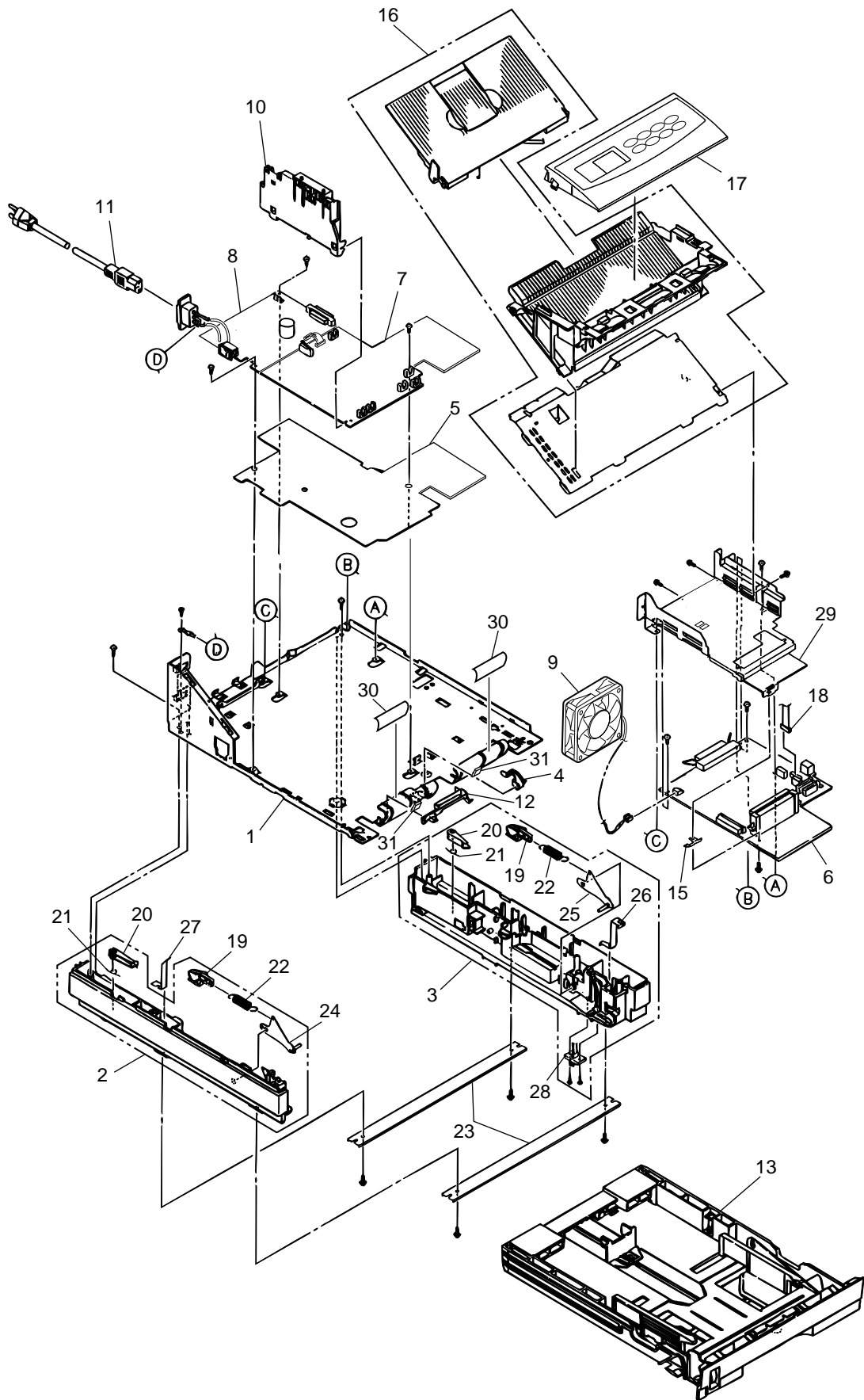
UPPER COVER UNIT



Base Unit

No.	Part No.	Name/Rating	Use	Remarks	ODA Part No.
1	41279901	Plate base	1		
2	3PP4083-7670G001	Cassette guide (L) assy	1		51011201
3	3PP4083-7671G001	Cassette guide (R) assy	1		51011301
4	4PP4083-7667P001	Sensor plate (paper supply)	1		51011401
5	41301601	Plate-Insulator	1		
6	41249206	Board-M7E	1		
7	41228501	PCB Assy-HV1	1		
8	41087901	Power supply Unit	1	120V	
	41088001	Power supply Unit	1	230V	
9	41454401	Fan motor	1		
10	41445801	Contact assy	1		
11	3YS4011-1315P001	AC cord	1	120V	51011501
	3YS4011-1266P001	AC cord	1	220~240V	
12	3PP4083-6154P001	Cassette sensor plate	1		
13	40473006	Cassette Assy-Paper	1		
14					
15	4PP4083-6137P001	Earth plate	1		51011601
16	2PA4128-1143G001	Face up stacker cover assy	1		51011301
17	40715207	Frame Assy-OP Panel	1	ODA/OEL/INT	
18	41445901	Cord assy /OP	1		
19	4PP4122-1170P001	Link pull block	2		
20	3PP4083-7653P001	Cassette lock lever	2		
21	4PP4083-7655P001	Cassette lock lever spring	2		
22	4PP4083-7666P001	Sheet spring	2		
23	3PP4083-7660P001	Beam	2		
24	4PP4083-7657G001	Sheet link L assy	1		
25	4PP4083-7658G001	Sheet link R assy	1		
26	4PP4083-7662P001	FG plate (2nd)	1		
27	4PP4083-7665P001	FG plate (bm)	1		
28	3YS4111-3527P001	Connector cord	1		
29	41301701	Plate Guide-PCB	1		
30	4YC4061-5115P001	Polyethylene Tape	2	L=91.5mm	
31	40828301	Guide-Paper H	2		
32	4PB4013-3501P002	CS-RING(CS3-SUS)	2		
33	40755408	Board-MN6	1	APS	
	41047304	Board-MN8	1	APS	

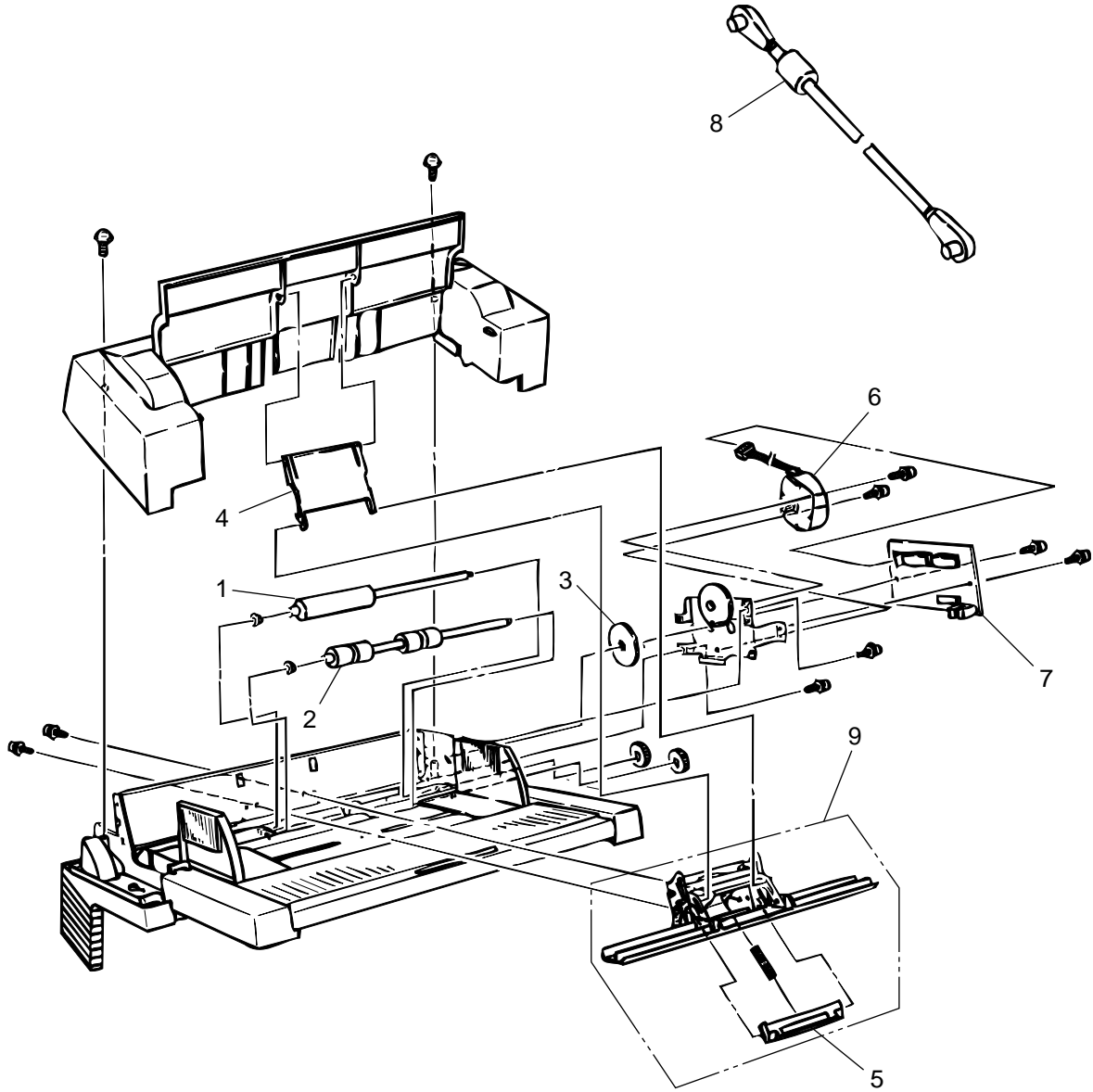
BASE UNIT



Multi Purpose Feeder

No.	Description	OKI-J Part No.	Q'ty	Remark
1	3PB4083-5514P001	Roller-A	1	
2	3PB4083-5524P001	Roller-B	1	
3	4PP4083-5520P001	Planet gear	1	
4	3PP4083-5540P001	Link	1	
5	4PP4083-5544G001	Separator	1	
6	4PB4083-6075P001	Pulse motor	1	Same as printer unit.
7	4YA4121-1014G011	OLEV-11-PCB	1	
8	3YS4011-3141P003	Connector cable	1	ODA (exist the label)
	3YS4011-3141P001		1	OEL/INT(without the label)
9	3PA4083-5549G001	Separator assy	1	

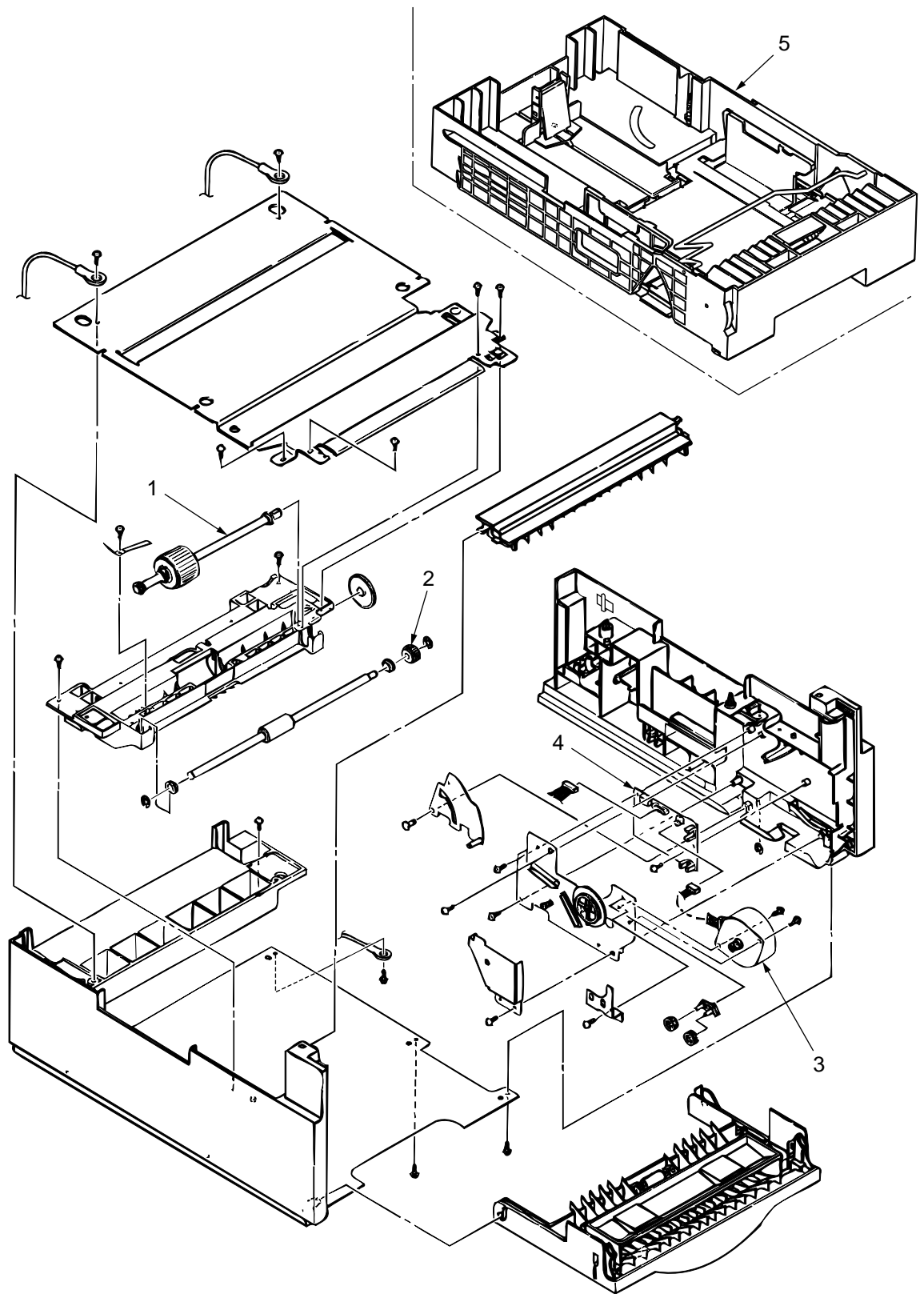
MULTI-PURPOSE FEEDER



High Capacity Paper Feeder

No.	Description	OKI-J Part No.	Q'ty	Remark
1	3PA4122-1367G001	Hopping roller shaft assy	1	
2	4PB4122-1382P001	One-way clutch gear	1	
3	3PB4122-1399P001	Stepping motor	1	
4	4YA4046-1651G002	TQSB-2 PCB	1	
5	1PA4122-1362G004	Cassette assy (2nd tray)	1	

HIGH CAPACITY SECOND PAPER FEEDER



2nd Tray

No.	Description	OKI Parts No.	Q'ty/U	500	1000	Remark
1	1PP4122-1401P001	Plate, upper	1	3	5	
2	3PA4122-1370G001	Sheet guide assembly	1	3	5	
3	1PA4122-1369G001	Front cover assembly	1	3	5	*
4	3PA4122-1371G001	Inner guide assembly	1	3	5	
5	1PA4122-1362G004	Cassette assembly (2nd tray)	1	3	6	***
6	4PA4120-1009G001	Separation frame assembly	1	6	12	
7	1PP4122-1323P001	Cover, rear	1	3	5	
8	4PB4122-1441P001	Stick finger	1	3	5	
9	1PA4122-1366G001	Hopping flame assembly	1	3	6	
10	4PP3522-3568P001	Bush, metal (ADF)	1	3	5	
11	4PP4122-1207P001	Gear (z70)	1	3	5	
12	3PP4122-1331P001	Lever, sensor (p)	1	3	5	
13	3PA4122-1393G001	Feed roller assembly	1	3	5	
14	3YS4111-3528P001	Cable & connector	1	3	5	
15	3PB4122-1399P001	Stepping motor	1	3	6	
16	4PP4122-1384G001	Bracket	1	3	5	
17	4PP4122-1383P001	Gear (z24)	2	3	5	
18	4PP4122-1226P001	Gear (z87/z60)	1	3	5	
19	2PP4122-1389P001	Plate, bottom	1	3	5	
20	1PA4122-1365G001	2nd cassette guide (L) assy	1	3	6	
21	3PA4122-1367G001	Hopping roller assembly	1	3	6	
22	1YX4122-1364G002	2nd cassette guide (R) assy	1	3	6	**
23	4PB4122-1382P001	One-way clutch gear	1	6	12	
24	4YA4046-1651G002	TQSB-2 GRT	1	3	6	
25	41804801	Spring, Tension	1	3	6	
26	PP4122-1416P001	Lever, sensor (T)	1	3	6	

2nd Tray

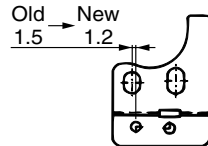
No.	Description	OKI Parts No.	Q'ty/U	500	1000	Remark
-----	-------------	---------------	--------	-----	------	--------

* For the rev. no. of the Parts List for the Front cover assembly should be applied No.6.
The No.6 includes a change of Release spring [P194, iv]

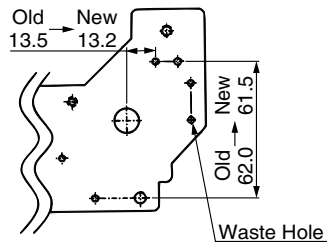
** For the rev. no. of the Parts List for the 2nd cassette guide (R) assy should be applied No.5.

In the No.5, the oval hole in the Guide Bracket [P195, ii] and the hole in the Motor Bracket [P195, iii] are relocated as shown in the following illustrations, respectively:

Guide Bracket Part No.: 4PP4122-1392P001



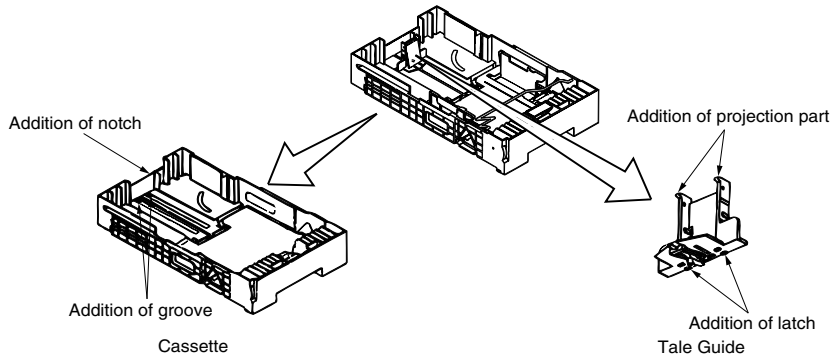
Motor Bracket Part No.: 3PP4122-1345P001



Note: Parts Nos. 3 and 22 need concurrent replacing.

*** For the rev. no. of the Parts List for the Cassette assembly (2nd tray) should be applied No.10.

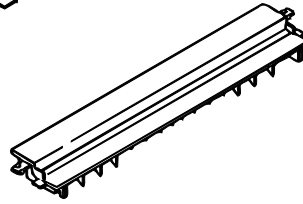
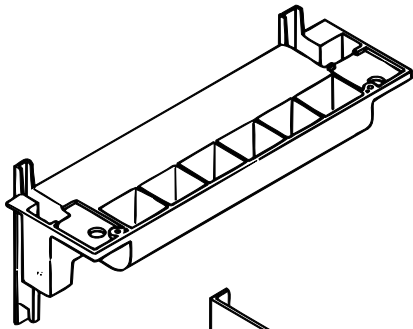
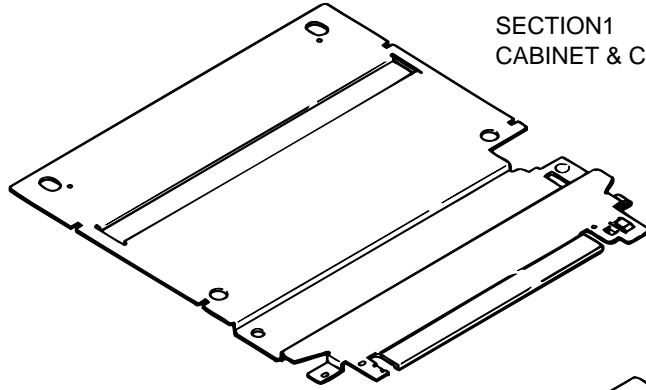
The No.10 includes a change of cassette and Tale Guide.



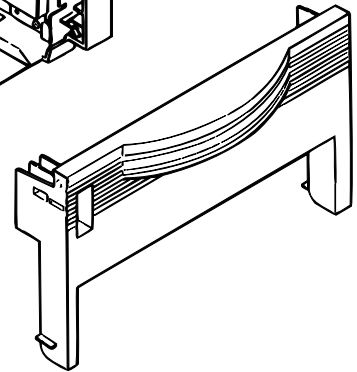
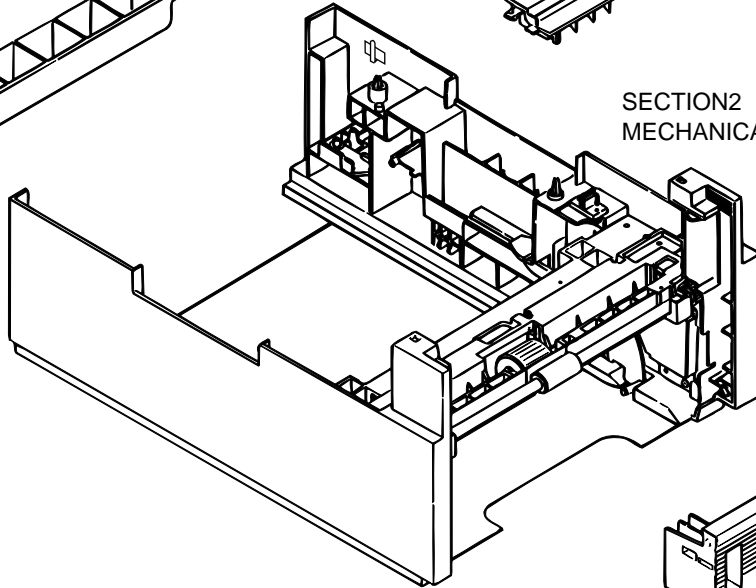
Note: Cassette and Tale Guide need concurrent replacing.

2nd Tray ASSEMBLY

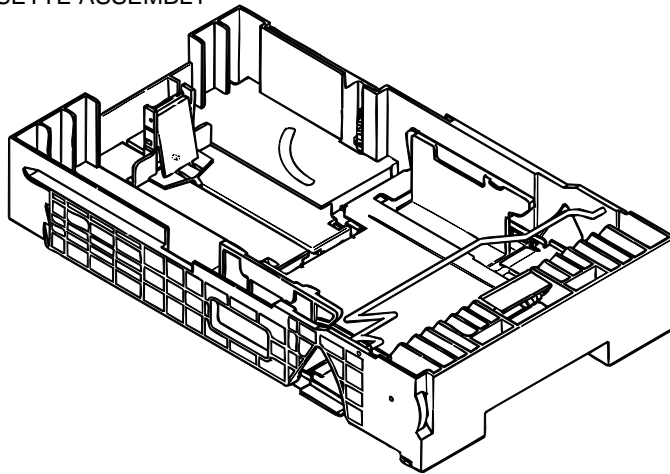
SECTION1
CABINET & CASSETTE ASSEMBLY



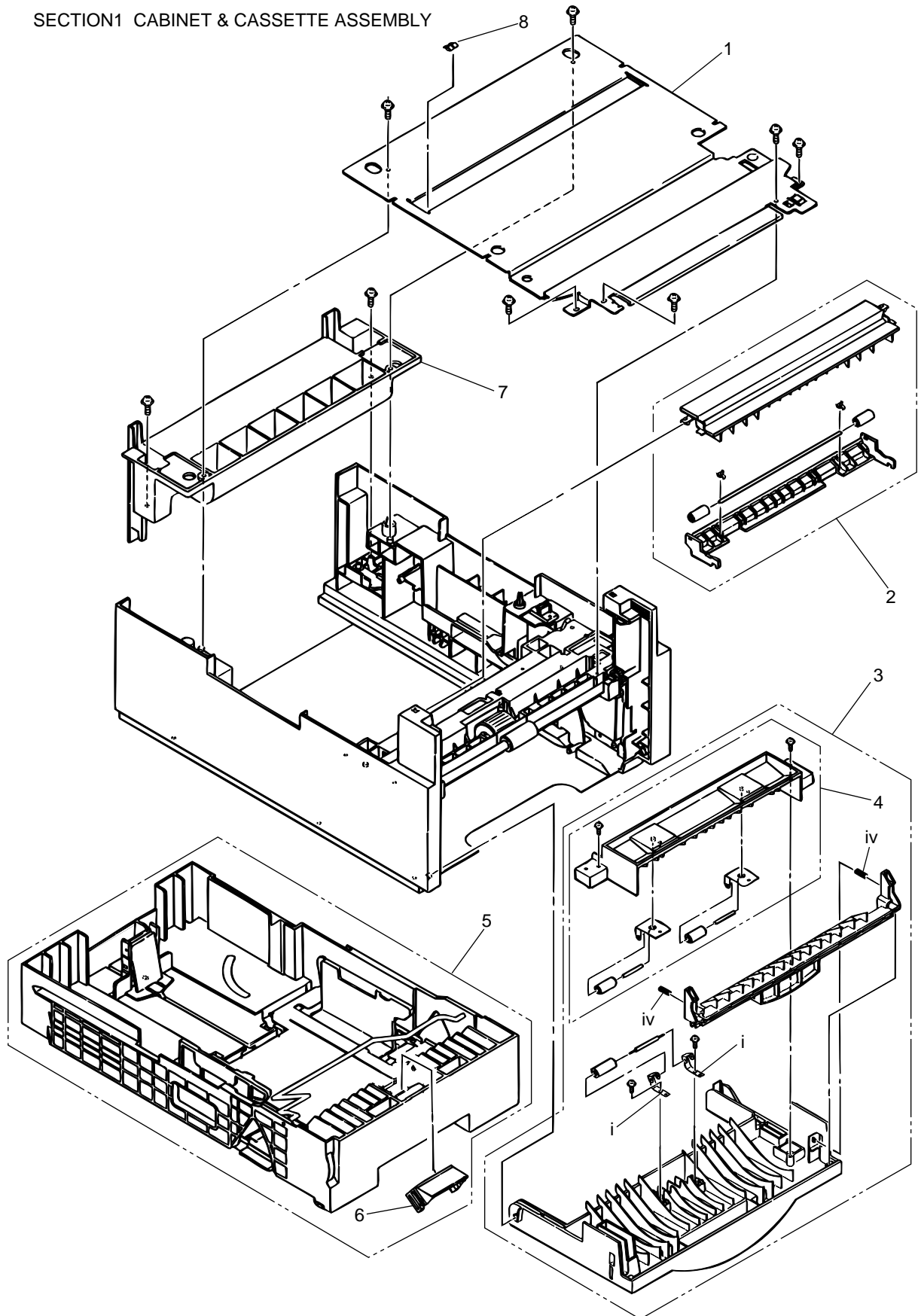
SECTION2
MECHANICAL ASSEMBLY



SECTION1
CABINET & CASSETTE ASSEMBLY



SECTION1 CABINET & CASSETTE ASSEMBLY



SECTION2 MECHANICAL ASSEMBLY

