

8. Parts List

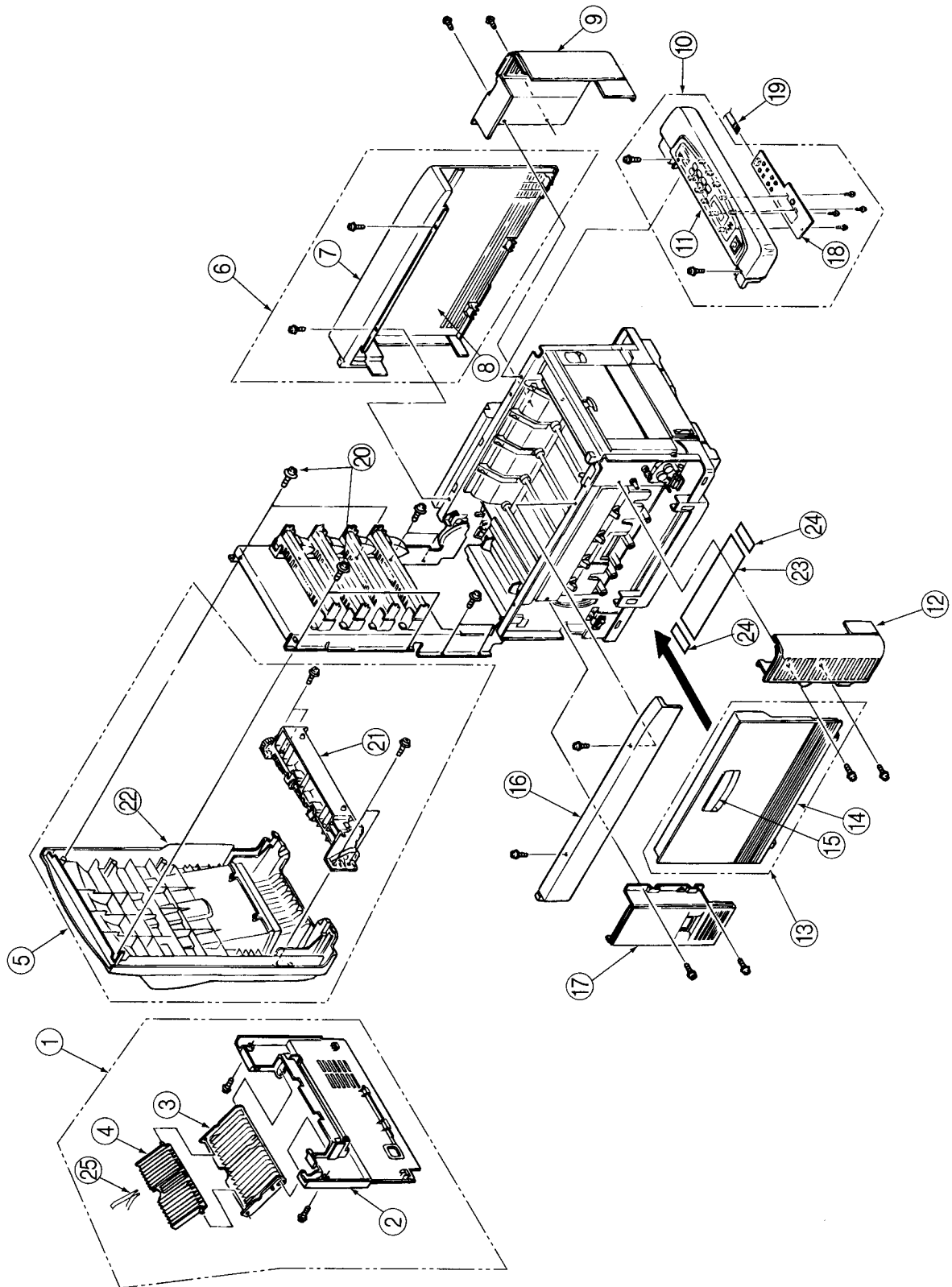


Fig.8-1

# Okipage 8C

Table 8-1							
No.	Parts No.	Name	Q'ty/U	Recommended Qty			Remarks
				500	1000	2000	
1	40315201	Cover Assy Rear	1	3	6	12	
2	40098401	Cover Rear	1	3	6	12	
3	40187501	Stacker Faceup	1	3	6	12	
4	40187601	Support Stacker	1	3	6	12	
5	40314801	Cover Assy Stacker	1	3	6	12	
6	40315001	Cover Assy Side (R)	1	3	6	12	
7		Cover Side(R)	-	-	-	-	
8		Frame Side (A)	-	-	-	-	
9	40098301	Cover Front (A)	1	3	6	12	
10	40314905	Cover Assy OP Panel	1	3	6	12	ODA(120V)
	40314906	Cover Assy OP Panel	1	3	6	12	OELJINT(230V)
11	40492603	CoverSubAssy	1	3	6	12	OEL'INT
	40492604	CoverSub	1	3	6	12	ODA
12	40098201	Cover Front (L)	1	3	6	12	
13	40315101	CoverAssy Side (L)	1	3	6	12	
14		Cover Side(L)	-	-	-	-	
15		CoverKnob	-	-	-	-	
16	40195601	Frame Side (L)	1	3	6	12	
17	40195701	Cover Rear (L)	1	3	6	12	
18	40387201	Board-PCO	1	3	6	12	
19	40919301	ConnectorCord	1	3	6	12	
20	4PB4083-5670P001	Screw	4	12	24	48	
21	40303601	GuideEject	1	3	6	12	
22	40449901	Cover Sub Assy Stacker	1	3	6	12	
23	40728601	Film Waste Toner	1	3	6	12	
24	40728701	Foam-Seal (Cover)	2	6	12	24	
25	40664701	Spring-Support (FU)	1	3	6	12	
::							

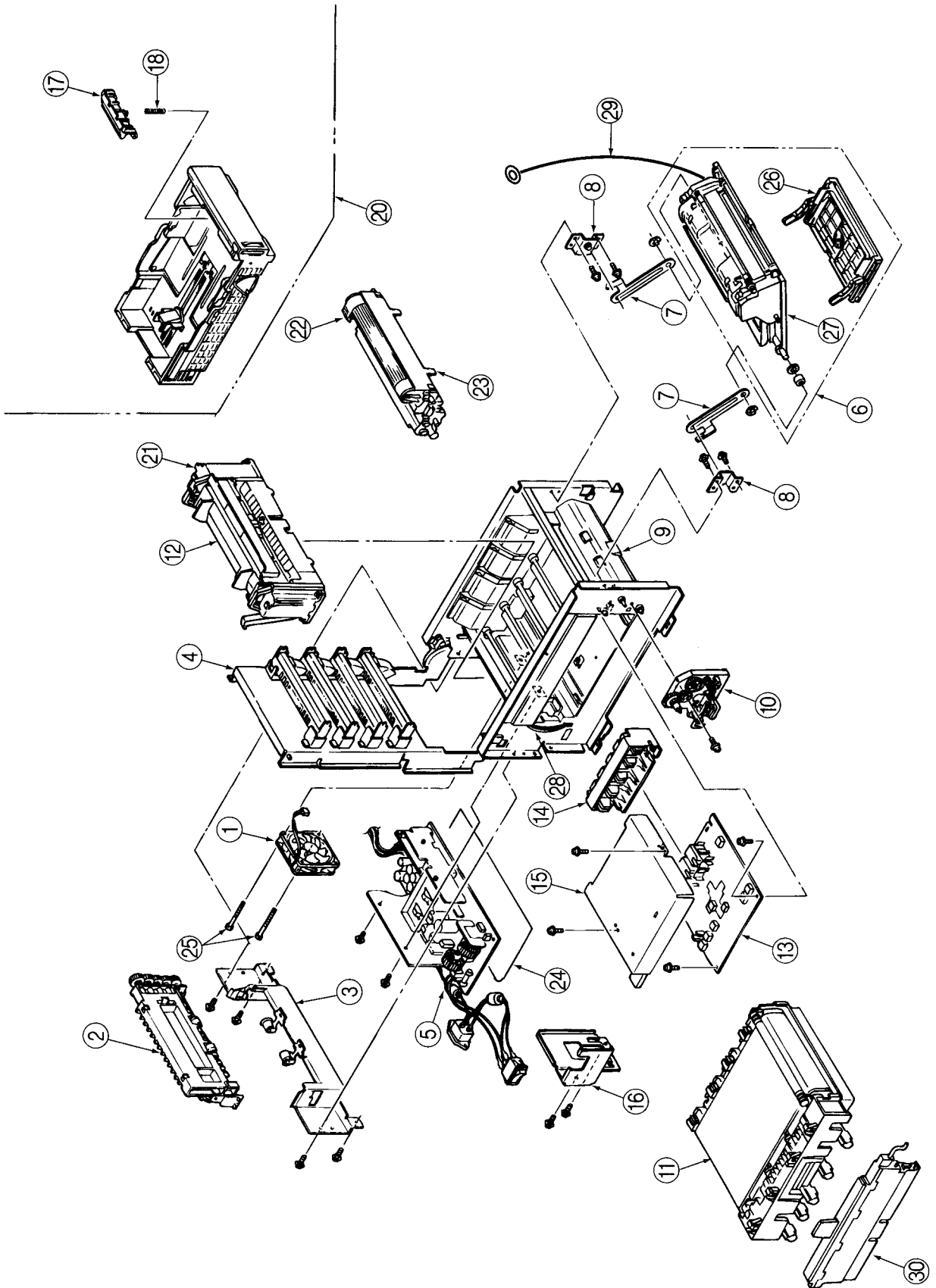


Fig.8-2

# Okipage 8C

Table 8-2							
No.	Parts No.	Name	Q'ty/U	Recommended Qty			Remarks
				500	1000	2000	
1	40255201	Motor Fan(80-25)	1	3	6	12	
2	40303501	FrameEject	1	3	6	12	
3	40303401	Guide Paper Eject Assy	1	3	6	12	
4	40410701	Frame Upper Assy	1	3	6	12	See Fig.8-8
5	40018901	Power UnitAC	1	3	6	12	ODA(120V)
	40019001	PowerUnit	1	3	6	12	OEL/ODA(230V)
6	40311201	FDR Unit Front	1	3	6	12	
7	40193501	Plate FF Link	2	6	12	24	
8	40193601	Bracket FF Link	2	6	12	24	
9	40303301	Guide Paper Input Assy	1	3	6	12	
10	40309801	Holder GearTonerAssy	1	3	6	12	
11	40490801	Belt Unit	1	3	6	12	Replacement Kit (ODA)
	40490802	Belt Unit	1	3	6	12	Replacement Kit (OEL/INT)
12	40645301	Oil Roller Unit	1	-	-	-	-Consumable: ODA
	40645302	Oil Roller Unit	1	-	-	-	Consumable: OEL/INT
13	40065601	High Voltage Power Supply	1	3	6	12	
14	40325001	Bracket HV(BT)ASSY	1	3	6	12	
15	40168001	PlateHV	1	3	6	12	
16	40193201	Holder Innret	1	3	6	12	
17	40607101	Separator Frame Assy	1	3	6	12	
18	41179801	SeparationSpring	1	3	6	12	
19							
20	40744401	Paper Cassette Assy	1	3	6	12	
21	40490901	Fuser Unit	1	3	6	12	ReplacementUnit:
	40490902	FuserUnit	1	3	6	12	
	40490904	Fuser Unit	1	3	6	12	ReplacementUnit:ODA(230V)
22	41012301	TonerCartridgeBK	1	-	-	-	-Consumable: ODA
	41012302	Toner CartridgeY	1	-	-	-	-Consumable: ODA
	41012303	Toner CartridgeM	1	-	-	-	-Consumable: ODA
	41012304	Toner Cartridge C	1	-	-	-	-Consumable: ODA
	41012305	Toner Cartridge BK	1	-	-	-	-Consumable: OEL
	41012306	Tonercartridge	1	-	-	-	-Consumable: CEL
	41012307	TonerCartridge	1	-	-	-	-Consumable: OEL
	41012308	TonerCartridge	1	-	-	-	Consumable OEL
	41012309	Toner CartridgeBK	1	-	-	-	-Consumable: NT
	41012310	TonerCartridgeY	1	-	-	-	-Consumable: NT
	41012311	Toner CartridgeM	1	-	-	-	-Consumable: NT
	41012312	TonerCartridgeC	1	-	-	-	-Consumable: NT
23	41070201	ID Unit C6C ODAEPCFGI-BK	1	-	-	-	Consumable: ODA(120V)
	41070202	ID Unit C6C ODAEPCFGI-YM	1	-	-	-	Consumable: ODA(120V)
	41070203	ID Unit C6C ODAEPCFGI-MN	1	-	-	-	Consumable: ODA(120V)
	41070204	ID Unit C6C ODAEPCFGI-CM	1	-	-	-	Consumable: ODA(120V)
	41070205	ID Unit C6C OELEPCFGI-BK	1	-	-	-	Consumable: OEL(230V)
	41070206	ID Unit C6C OELEPCFGI-YM	1	-	-	-	Consumable: OEL(230V)
	41070207	ID Unit C6C OELEPCFGI-MM	1	-	-	-	Consumable: OEL(230V)
	41070208	ID Unit 060 OELEPCFGI-CM	1	-	-	-	Consumable: OEL(230V)
24	40191201	Sheet Insulation	1	3	6	12	
25	PSW2W3-300	Screw	2	6	12	24	
26	40838801	Manual Hopper Assy				12	
27	40449001	FDR Unit Main Assy	1	3	6	12	
28	40294201	CONN Cord Wire	1	3	6	12	
29	40641801	OONN Cord Wire	1	3	6	12	
30	40645401	Waste Toner Box	1	3	6	12	Consumable(CDA)
	40645402	Waste Toner Box	1	3	6	12	Consumable(OEL/INT)
::							

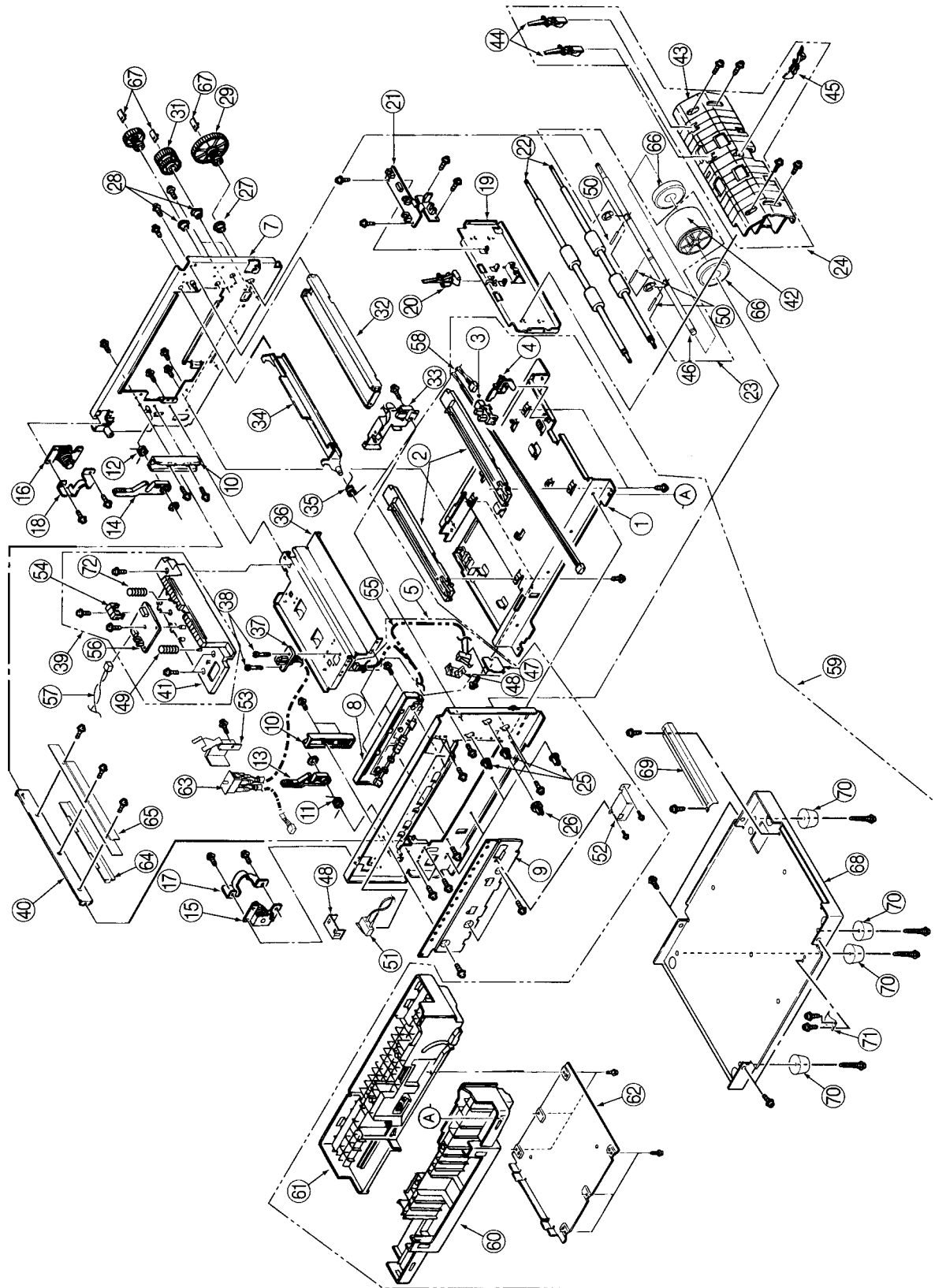


Fig.8-3

# Okipage 8C

Table 8-3						
No.	Parts No.		Qty	Recommended Qty		Remarks
				500	1000	2000
1	40175701	Plate Base	1	3	6	12
2	40096401	Guide Belt(F)	2	6	12	24
3	40135301	Photo Interrupter	1	3	6	12
4	4PP4076-5154P001	LeverPaper	1	3	6	12
5	40450401	Sensor Assy Box Toner	1	3	6	12
6	40171401	Frame Side(L)	1	3	6	12
7	40171301	Frame Side(R)	1	3	6	12
8	40308801	Contact SB Assy	1	3	6	12
9	40290201	Plate Blind	1	3	6	12
10	40163401	Guide Side Heatunit	2	6	12	24
11	40163701	SpringLock(L)	1	3	6	12
12	40835001	Spring Lock Heat	1	3	6	12
13	40163501	Lever Lock Heatunit(L)	1	3	6	12
14	40163601	Lever Lock Heatunit(R)	1	3	6	12
15	40383701	Limiter-2Way(L)	1	3	6	12
16	40383801	Limiter-2Way(R)	1	3	6	12
17	40335001	Plate Guard(L)	1	3	6	12
18	40335101	Plate Guard(R)	1	3	6	12
19	40171201	StayLower	1	3	6	12
20	40144501	Lever Regist Sensor	1	3	6	12
21	40437601	Board-PXM	1	3	6	12
22	40130801	Roller Registration	2	6	12	24
23	40310601	Roller Assy Hopping	1	3	6	12
24	40303301	GuidePaper	1	3	6	12
25	40261301	BearingHopping	3	9	IB	36
26	40130301	Gear(Z20)	1	3	6	12
27	4PP4076-5308P001	Bearing F	1	3	6	12
28	4PP4076-3949P001	Bush	2	6	12	24
29	40250901	Gear Oneway(96)	1	3	6	12
30						
31	40164301	Gear Oneway(Z48)	2	6	12	24
32	40171101	Stay Upper(Front)	1	3	6	12
33	40388501	Bracket SW	1	3	6	12
34	40195101	Plate Latchlever(FD)	1	3	6	12
35	40195001	Spring Latchlever(FD)	1	3	6	12
36	40175201	Stay Heat	1	3	6	12
37	40563101	Connection cord wire	1	3	6	12
::						

## Okipage 8C

No.	Parts No.	Name	Qty/U	Recommended Qty			Remarks
				500	1000	2000	
38	4PB4043-4718P001	Screw	2	6	12	24	
39	40162101	GuideAssy		3	6	12	
40	40175101	StayEP	1	3	6	12	
41	40449401	GuideAssyHeat	1	3	6	12	
42	40449701	Hopping Roller Boss Assy	1	3	6	12	
43	40097301	Guide Paper Input A	1	3	6	12	
44	40144301	Leverinput	2	6	12	24	
45	40144401	Lever 2nd feed Sensor	1	3	6	12	
46	40189601	Shaft Hoppingroller(1st)	1	3	6	12	
47	40450201	Bracket Switch	1	3	6	12	
48	40408601	Holder Switch	4	12	24	48	
49	40264401	SpringEject	1	3	6	12	
50	NK3-18-SUS	Knock Pin	1	3	6	12	
51	40447201	CONN Cord Wire	1	3	6	12	
52	40388401	Bracket Switch(Side)	1	3	6	12	
53	40446501	InterLockSW	1	3	6	12	
54	40162201	Cover Sensor	1	3	6	12	
55	-40172401	(AMP6P-AMP4P)	-1	-3	-6	-12	Designated in Fig.8-5
56	40437501	Board-PXL	1	3	6	12	
57	40171801	CordwireAMP7PAMP7P	1	3	6	12	
58	40447301	Cordwire JST6PAMP3PX2	1	3	6	12	
59	40303201	PlateBase	1	3	6	12	
60	40303101	Guide Cassette(L)Assy	1	3	6	12	
61	40302901	Guide Cassette(R)Assy	1	3	6	12	
62	40164801	Plate Bottom	1	3	6	12	
63	40448501	Conection cord wire	1	3	6	12	
64	40551301	Plate Shield Heat	1	3	6	12	
65	40714401	Heat-Sink(801)	1	3	6	12	
66	40743701	Roller Ass-Hopping(Sub)	2	6	12	24	
67	40686701	Spacer-Registgear	3	9	18	36	-
68	40661001	Cover-Bottom( Weld)	1	3	6	12	
69	40661501	Plate-Guide	1	3	6	12	
70	40671001	Rubber-Footer	4	12	24	48	
71	4PB4017-5125P002	Big-Finger	1	3	6	12	
72	40834901	Spring-Eject-Heat	1	3	6	12	
::							

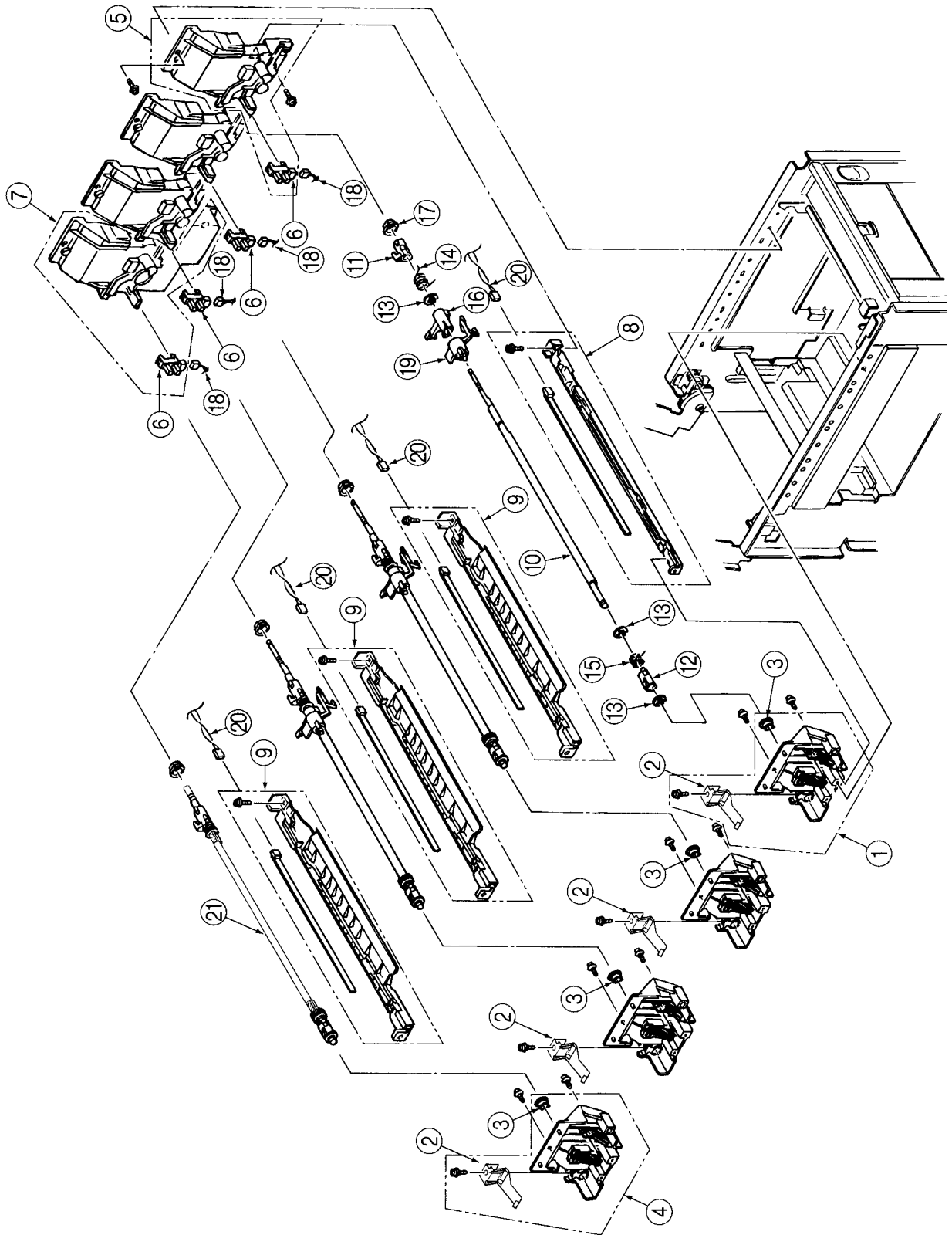


Fig.8-4



# Okipage 8C

Table 8-4						
No.	Parts No.	Name	Qty/U	Recommended Qty		Remarks
				500	1000	2000
1	40324501	CotacL(BLL)Assy	3	9	18	36
2	40278101	Plate Earth(LK)	1	3	6	12
3	4PP4076-5308P001	Bearing	1	3	6	12
4	40324401	Contact(CL	1	3	6	12
5	40324601	ContactBKT(BL	3	9	18	36
6	40135301	Photo Interrupter	1	3	6	12
7	40309001	Contact BKT(CL R) Assy	1	3	6	12
8	40308501	EraserBKT	1	3	6	12
9	40324301	EraserBKT(KCM)	3	9	18	36
10	40167901	Shaft Link	3	9	18	36
11	40132301	Lever Link(R)	4	12	24	48
12	40132401	Lever Link(L)	4	12	24	48
13	RE6-SUS	E Ring	16	48	96	192
14	40168401	SpringSupport(R)	4	12	24	48
15	40188501	SpringSupport(L)	4	12	24	48
16	40136201	Bracket Sensor Toner(KCM)	3	9	18	36
17	4PP3522-3568P001	Bearing	4	12	24	48
18	40173301	AMP14P-AMP3X4	1	3	6	12
19	40449502	Sensor Assy T(KCM)	3	9	18	36
20	40172701	CordwireAMP8P	1	3	6	12
21	40664301	Shaft (k) Assy	1	3	6	12
::						

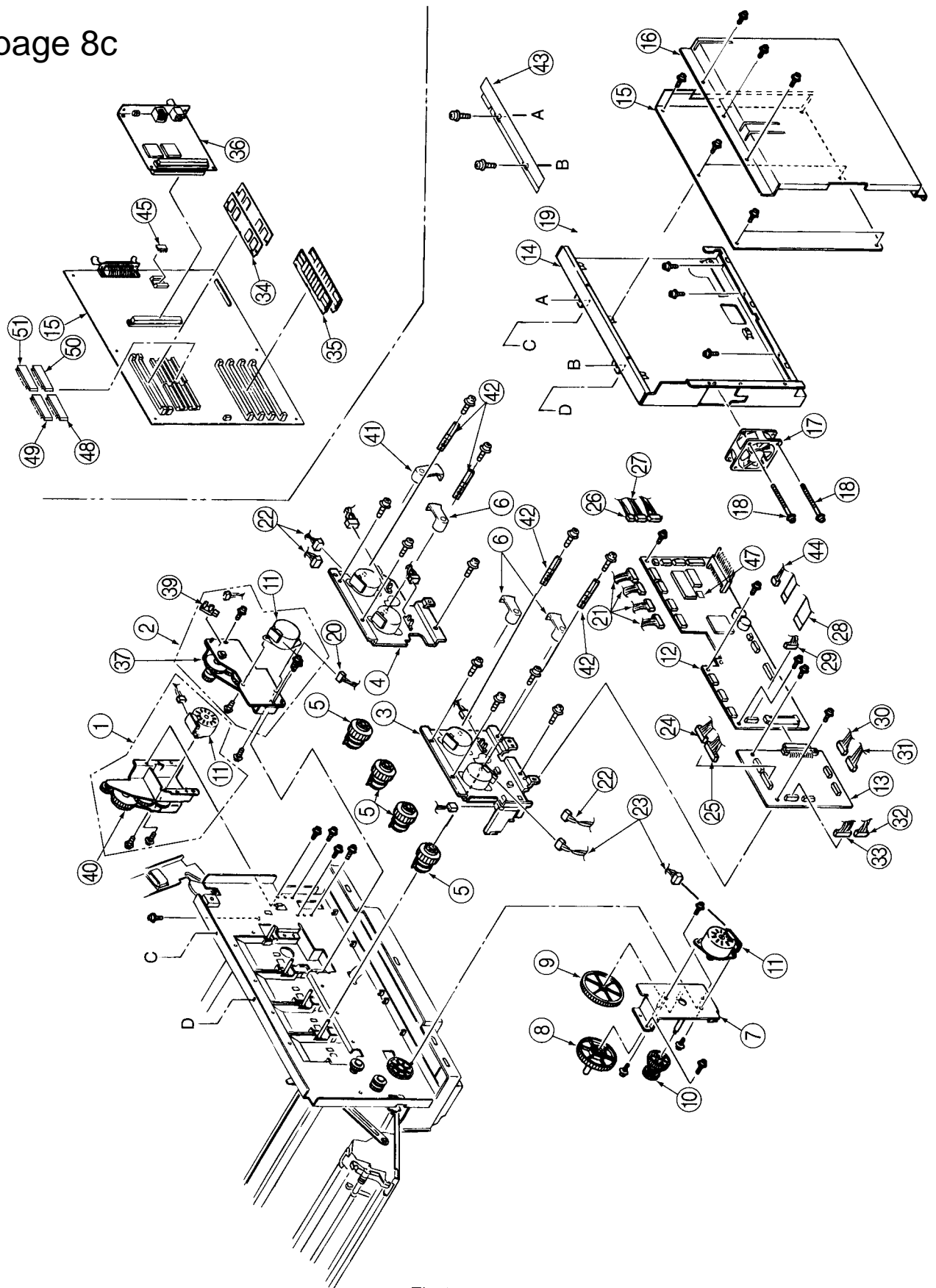


Fig.8-5

# Okipage 8C

Table 8-5							
No.	Parts No.	Name	Qty	Recommended Qty			Remarks
				500	1000	2000	
1	40310001	Gear Heat Assy	1	3	6	12	
2	40392301	Motor	1	3	6	12	
3	40309101	Motor	1	3	6	12	
4	40309201	Main Motor(B)Assy	1	3	6	12	
5	40208101	Gear Oneway(730)	4	12	24	48	
6	40664401	Lever Up! Dn2(YMC)	3	9	18	36	
7	40175001	Bracket Hopping Motor	1	3	6	12	
8	40143401	Gear Idle(92)	1	3	6	12	
9	40143501	Gear Feed(118/17)	1	3	6	12	
10	40164401	Gear Oneway(Z48/74)	1	3	6	12	
11	40124101	Motor Pulse(ID)	3	9	18	36	
12	40634106	Board-PX4	1	3	6	12	EEPROM Is excluded
13	40437201	Board-PXF	1	3	6	12	
14	40233901	Cover CU	1	3	6	12	
15	40950902	Board-PCE	1	3	6	12	
16	40376901	Plate Sealed	1	3	6	12	
17	40197101	Motor Fan	1	3	6	12	
18	PSW2WS-25C	Screw(SW+2W)	2	6	12	24	
19	40377001	Board IF	1	3	6	12	
20	40171002	AMP8P-AMP4PX2	1	3	6	12	
21	40456101	JST12AMP1SAMP1OAMP9 c	1	3	6	12	Cable Assy
22	40173001	AMP12P-AMP3PX2	1	3	6	12	
23	40171001	AMP8P-AMP4PX2	1	3	6	12	
24	40447101	AMP12P-AMP3PX4	1	3	6	12	
25	-40173301	(AMP14P-AMP3PX4)	-1	-3	-6	-12	Designated n Fig.8-4
26	-40171801	(AMP7P-AMP7P)	-1	-3	-6	-12	Designated in Fig8-3
27	40172401	AMP6P-AMP4P	1	3	6	12	
28	2381005P0003	HCUJ (1.25)-16F-300	1	3	6	12	
29	40172801	AMP12P-AMP4, 3X2	1	3	6	12	
30	-40447301	(JST6P-AMP3PX2)	-1	-3	-6	-12	Designated n Fig.8-3
31	-40177701	(AMP7P-AMP7P)	-1	-3	-6	-12	Designated in Fig.8-7
32	40447001	JST8P-JSTBP	1	3	6	12	
33	-40172701	(AMP8P-AMP2PX4)	-1	-3	-6	-12	Designated in Fig.8-4
34	41073305	PS-SIMM	1	3	6	12	
35	8020003M6601	DRAM-SIMM	2	6	12	24	
	-	DRAM-SIMM	-1	-3	-6	-12	Optional, commercialpurch
36	-	NETWORK-CARD	-1	-3	-6	-12	Optional, commercialpurch
37	40450001	Belt Motor Mech Assy	1	3	6	12	
38	-	-	-	-	-	-	
39	40135301	Photo Interrupter	1	3	6	12	
40	40448901	GearHeat	1	3	6	12	
41	40664501	Lever Up Dn2(K)	1	3	6	12	
42	40583901	Plate Earth(LKR)	4	12	24	48	
43	40704901	Plate Shield(CU)	1	3	6	12	
44	-40447201	CONN Cord Wire	-1	-3	-6	-12	Designated in Fig.8-3
45	8164303M0000	EPROM1	1	3	6	12	
46							
47	816A2323M0000	NM93C66N-NW	1	3	6	12	
48	41088101	PROM Control	1	3	6	12	
49	41088201	PROM Control	1	3	6	12	
50	41088301	PROM Control	1	3	6	12	
51	41088401	PROM Control	1	3	6	12	
::							

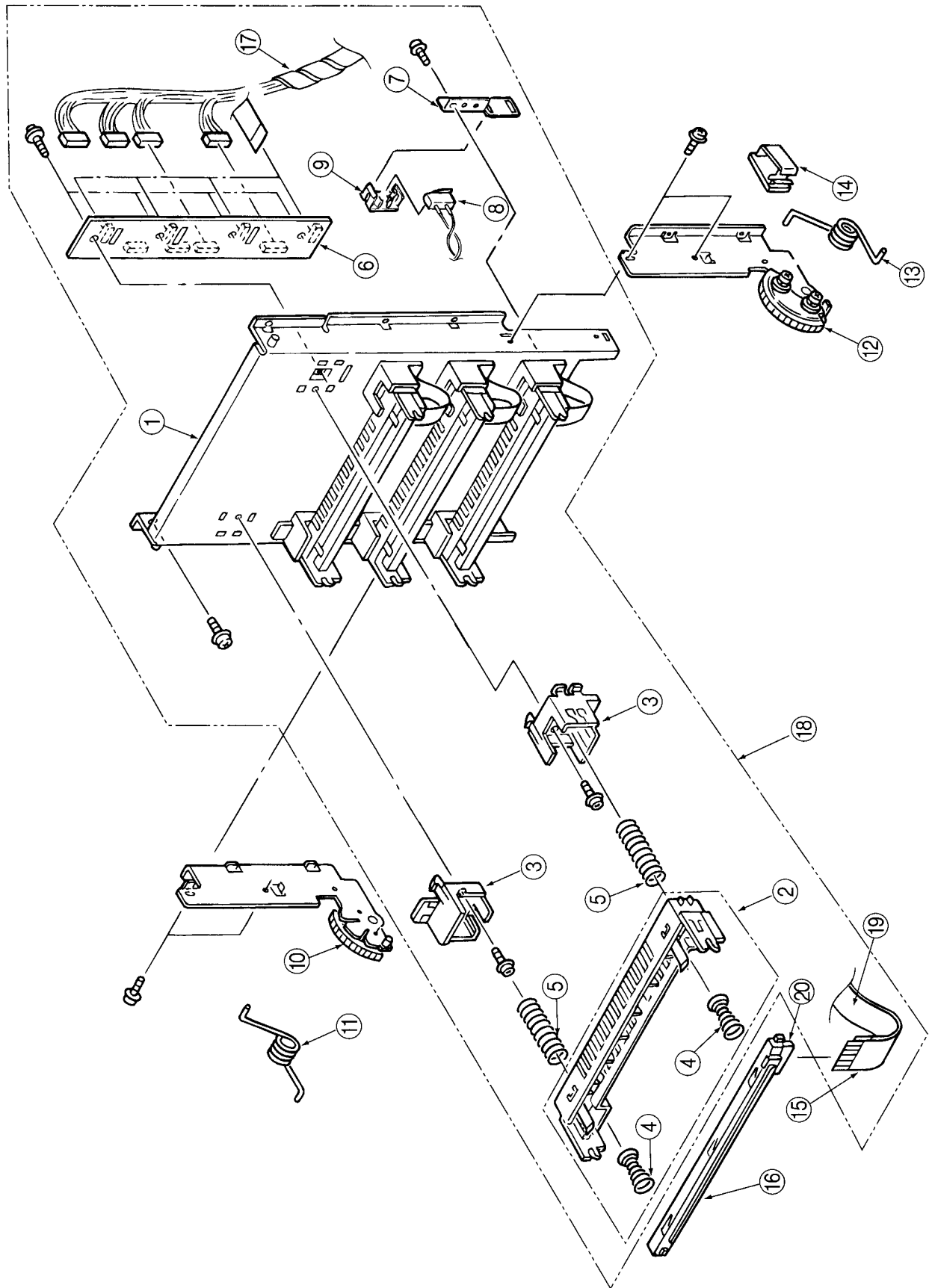


Fig.8-6

# Okipage 8C

Table 8-6							
No.	Parts No.	Name	Qty/U	Recommended Qty			Remarks
				500	1000	2000	
1	40187901	Frame Upper	1	3	6	12	
2	40449101	HolderLED	4	12	24	48	
3	40187801	Guide Holder	8	6	12	24	
4	40829701	SpringHead	8	6	12	24	
5	40197705	SpringEP	8	6	12	24	
6	40536001	Board PD6	1	3	6	12	
7	40394201	Plate Oil Sensor	1	3	6	12	
8	40171702	AMP2P MSW	1	3	6	12	
9	40408601	Holder SW	1	3	6	12	
10	40449301	PlateSupport.	1	3	6	12	
11	40197401	Torsion Spring(A)	1	3	6	12	
12	40449201	Plate~Support(R)Assy	1	3	6	12	
13	40218301	Torsion Spring(B)	1	3	6	12	
14	LP-6665-1	Flat CableClip	1	3	6	12	
15	2381005P0001	HCUJ(1.25)-14F-140-10S6(B	4	12	24	48	
16	40547301	LED Head Unit-51M	4	12	24	48	
17	-40456101	JST12AMP15AMP10AMP9c	-1	-3	-6	-12	Designated n Fig.8-5
18	40410701	FrameUpper	1	3	6	12	
19	2381005P0006	HCUJ(1.25)-12F-160	4	12	24	48	
20	224A1287P0260	PXW26-1250B	4	12	24	48	

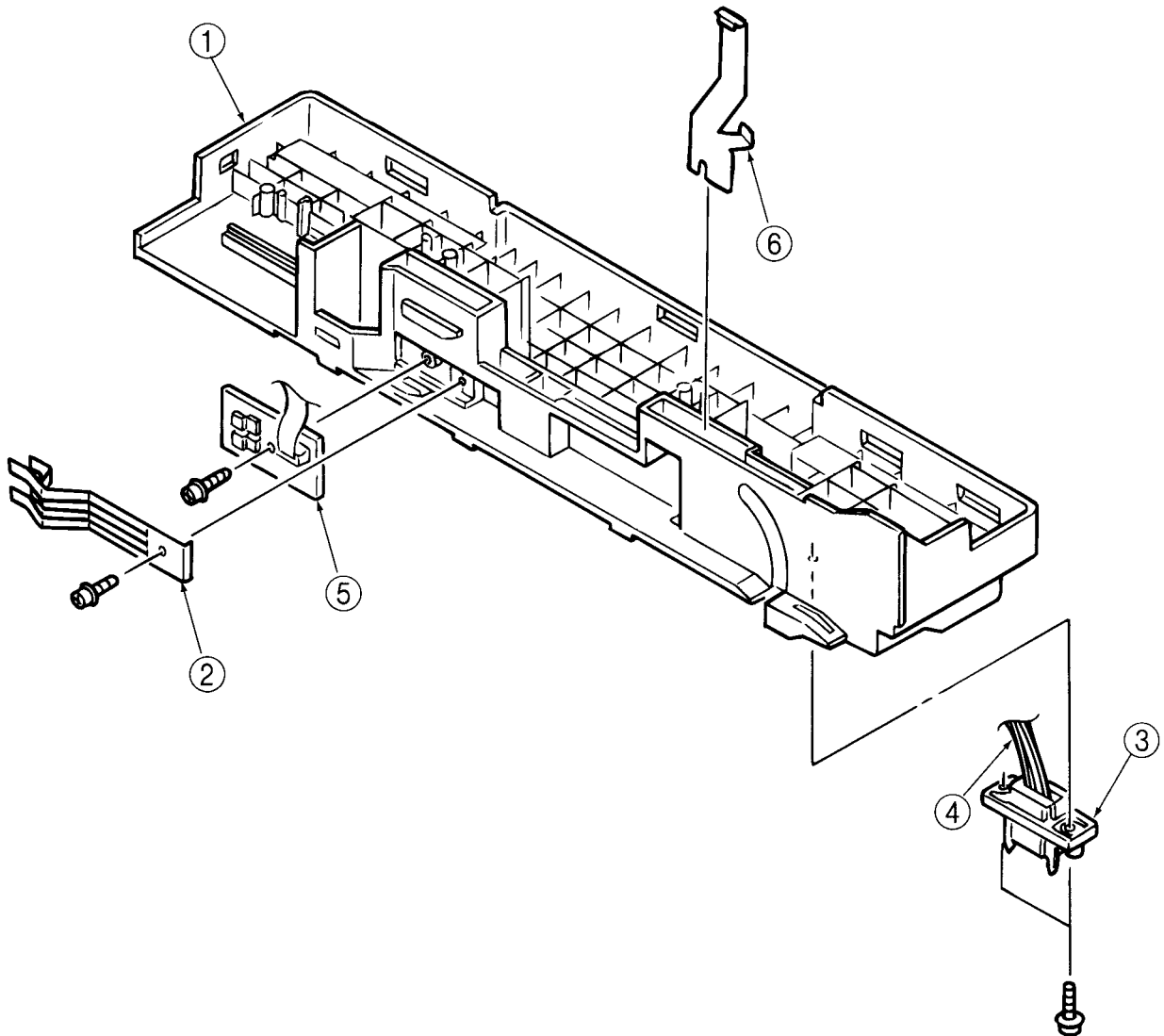
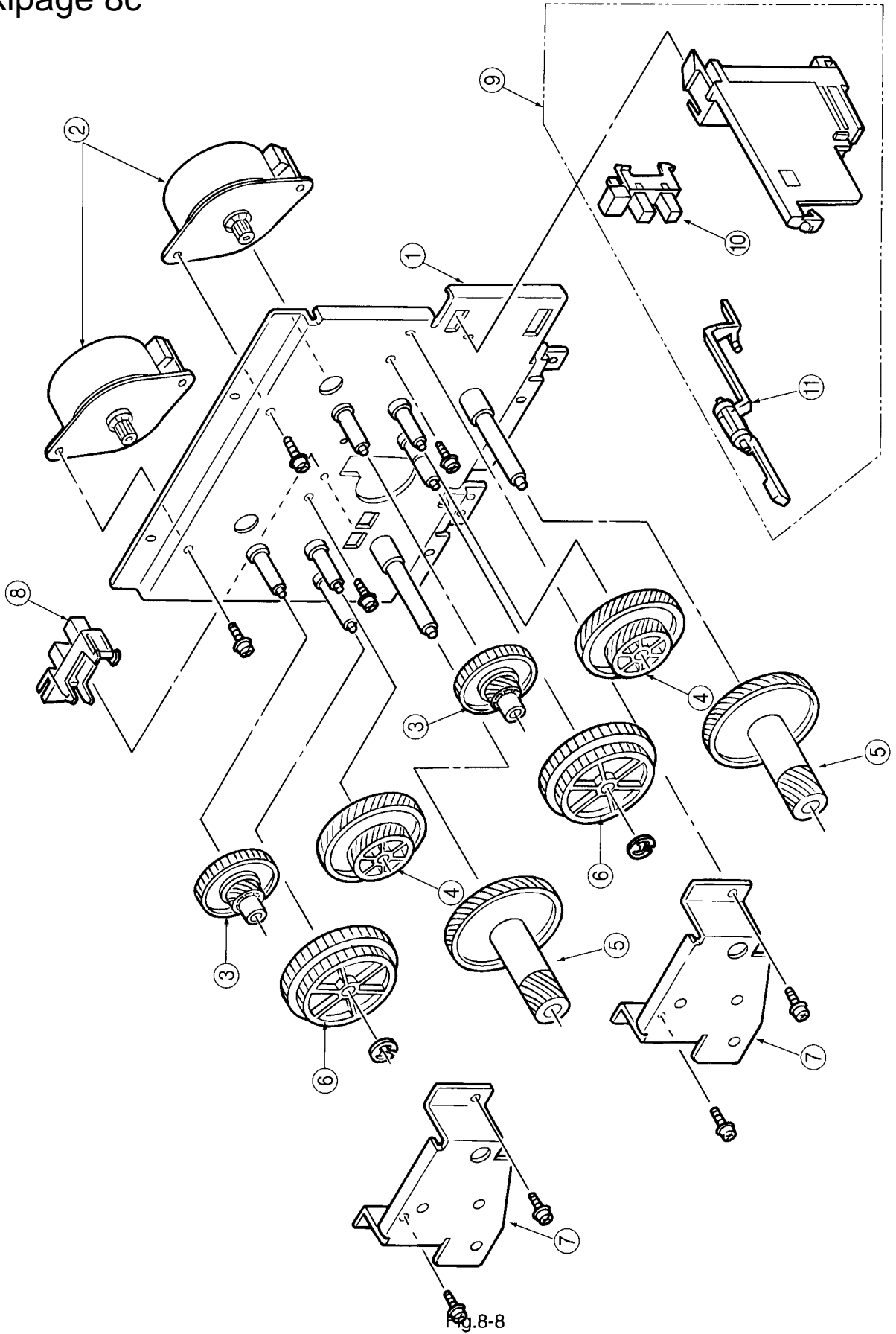


Fig.8-7

## Okipage 8C

::							
<b>Table 8-7</b>							
No.	Parts No.	Name	Qty/U	Recommended Qty			Remarks
				500	1000	2000	
1	40449801	GuideCassette(R)Sub	1	3	6	12	
2	4PP4076-5360P001	SpringDetector	1	3	6	12	
3	220A1866P0140	Squareshaped	1	3	6	12	
4	40177701	Connector Cord	1	3	6	12	
5	40368301	Board-PXC	1	3	6	12	
6	4PP4076-5742P001	Plato Earth (link)	1	3	6	12	





## Okipage 8C

Table8-8							
No.	Parts No.	Name	Qty	Recommended Qty			Remarks
				500	1000	2000	
1	40165301	FrameMotor	1	3	6	12	
2	40124101	Motor Pulse(ID)	2	6	12	24	
3	40129901	Gear (25/75)	2	6	12	24	
4	40130701	Gear Helical(67143/24)	2	6	12	24	
5	40130601	Gear Helical(67/18)	2	6	12	24	
6	40130201	Gear Z53/44	2	6	12	24	
7	40129501	BracketSupport(ID)	2	6	12	24	
8	40135301	Photointerrupter	1	3	6	12	
9	40308601	TonerSensor(Y)Assy	1	3	6	12	
10	40135301	Photo Interrupter	1	3	6	12	
11	40449601	Sensor Assy T(Y)	1	3	6	12	

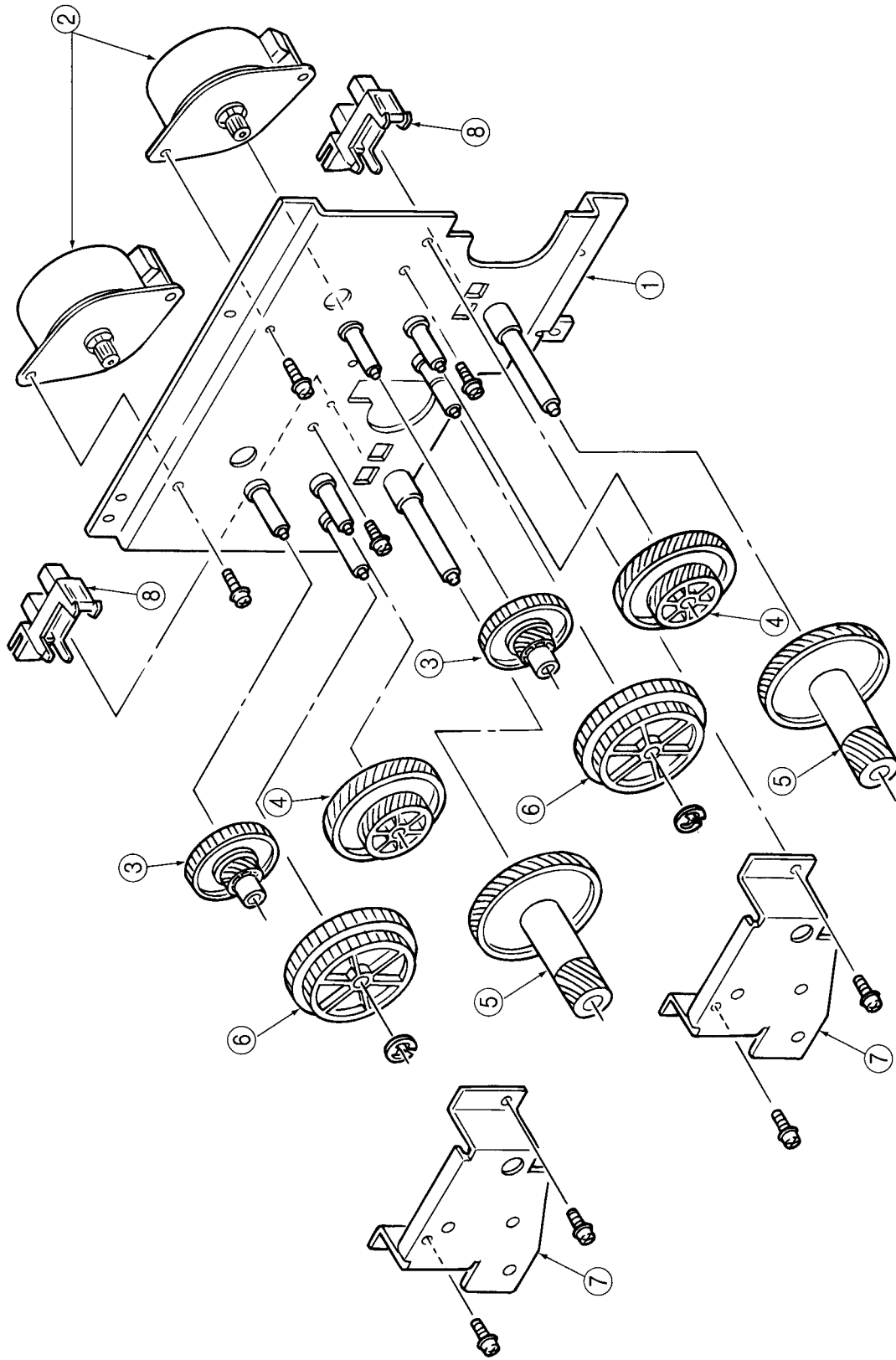


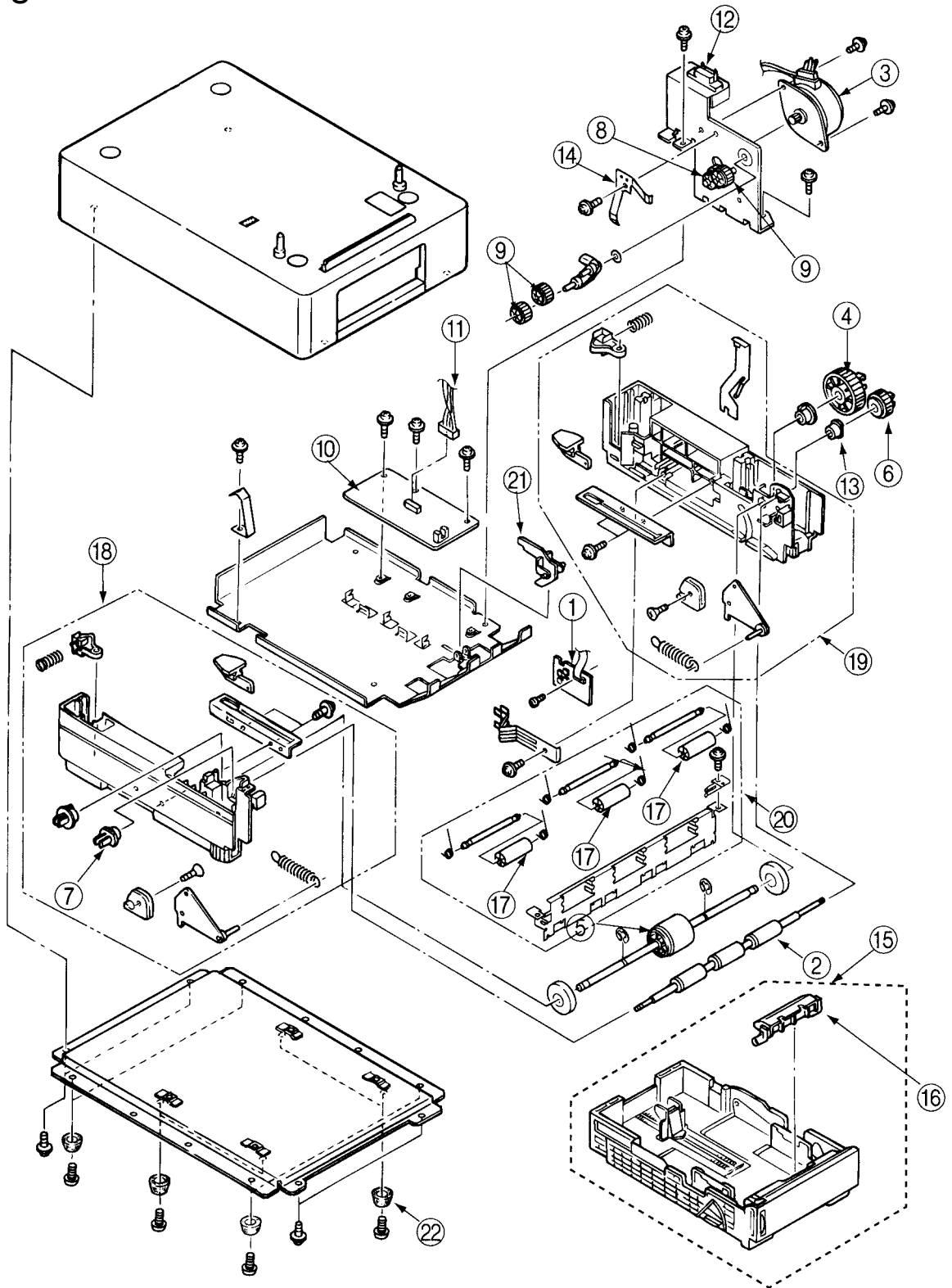
Fig.8-9

## Okipage 8C

::							
<b>Table.8-9</b>							
No.	Parts No.	Name		Recommended Qty			Remarks
				500	1000	2000	
1	40129401	Frame Motor(ID)	1	3	6	12	
2	40124101	Motor Pulse(ID)	2	6	12	24	
3	40129901	Gear (25/75)	2	6	12	24	
4	40130701	Gear Helical(67/43/24)	2	6	12	24	
5	40130601	Gear Helical(67/18)	2	6	12	24	
6	40130201	Gear Z53/44	2	6	12	24	
7	40129501	BracketSupport	2	6	12	24	
8	40135301	Photo Interrupter	2	6	12	24	

## 6. PARTS LIST

Okipage 8c



# Okipage 8C

Table 6-1 High Capacity Second Paper Feeder							
No.	Description	Part No.	Qty	Recommended Qty			Remarks
				500	1000	2000	
1	AOLD-PCB	4YA4046-1646G011	1	3	6	12	
2	Feed roller	41174001	1	3	6	12	
3	Hopping motor	4PB4076-5718P001	1	3	6	12	
4	Hopping gear	4PB4043-4486P001	1	3	6	12	
5	Hopping roller assy	4PA4076-5755G001	1	3	6	12	
6	Feed roller gear	4PB4043-4488P001	1	3	6	12	
7	Feed roller bearing	4PP4043-4489P001	1	3	6	12	
8	Feed idle gear	4PP4076-5712P001	1	3	6	12	
9	Planet gear	4PP4043-4491P001	3	9	18	36	
10	AOLT-PCB	4YA4046-1645G011	1	3	6	12	
11	Connectorcord	4YS4011-4448P003	1	3	6	12	
12	Square-shaped conr	220A1866P0141	1	3	6	12	
13	Bush	4PP4076-3949P001	1	3	6	12	
14	Shaft earth plate	4PP4076-5719P001	1	3	6	12	
15	Papercassetteassy	40744401	1	3	6	12	
16	Separator frame ass	40607101	1	3	6	12	
17	Idle roller	4PP4043-4477P001	3	9	18	36	
18	Frameassy-side L	40411901	1	3	6	12	
19	Frameassy-side	40412001	1	3	6	12	
20	Holderassy	40727201	1	3	6	12	
21	Lever paper end	4PP4076-5154P001	1	3	6	12	
22	Rubber-Foot	40671001	8	24	48	96	