

# Okipage 6w

## 8. PARTS LIST

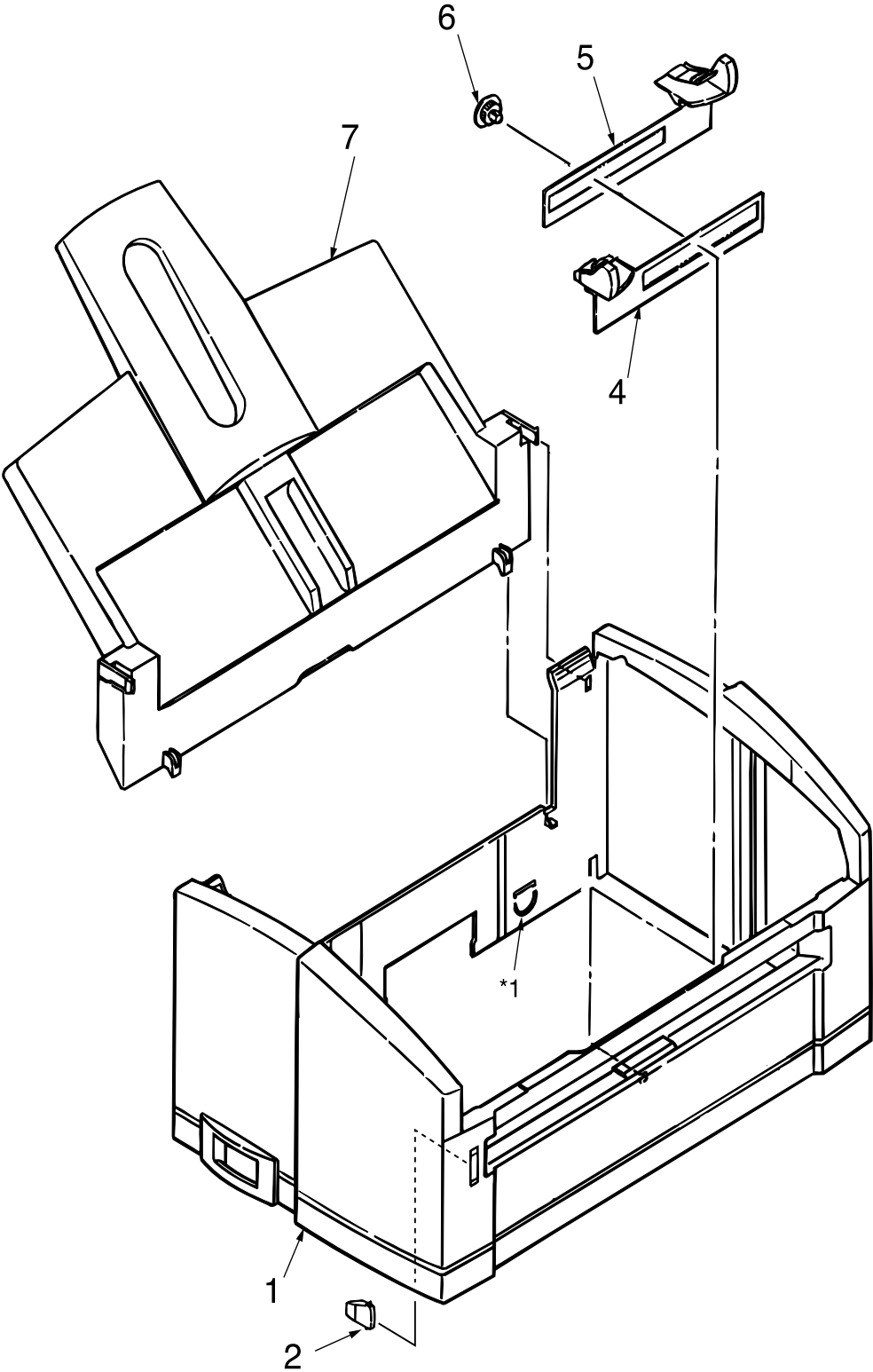


Figure 8-1 Cover Assy Upper

# Okipage 6w

**Table 8-1 Cover Assy Upper**

No.	Part Name	Part No.	Qty	Remarks
1	Cover-Upper 2	40412601	1	
2	Lens 2	40413201	1	
4	Guide Side (L)	2PP4128-1256P001	1	
5	Guide Slide (R)	2PP4128-1257P001	1	
6	Gear Spur A	4PP4128-1260P001	1	
7	Plate-Hopper	40412901	1	

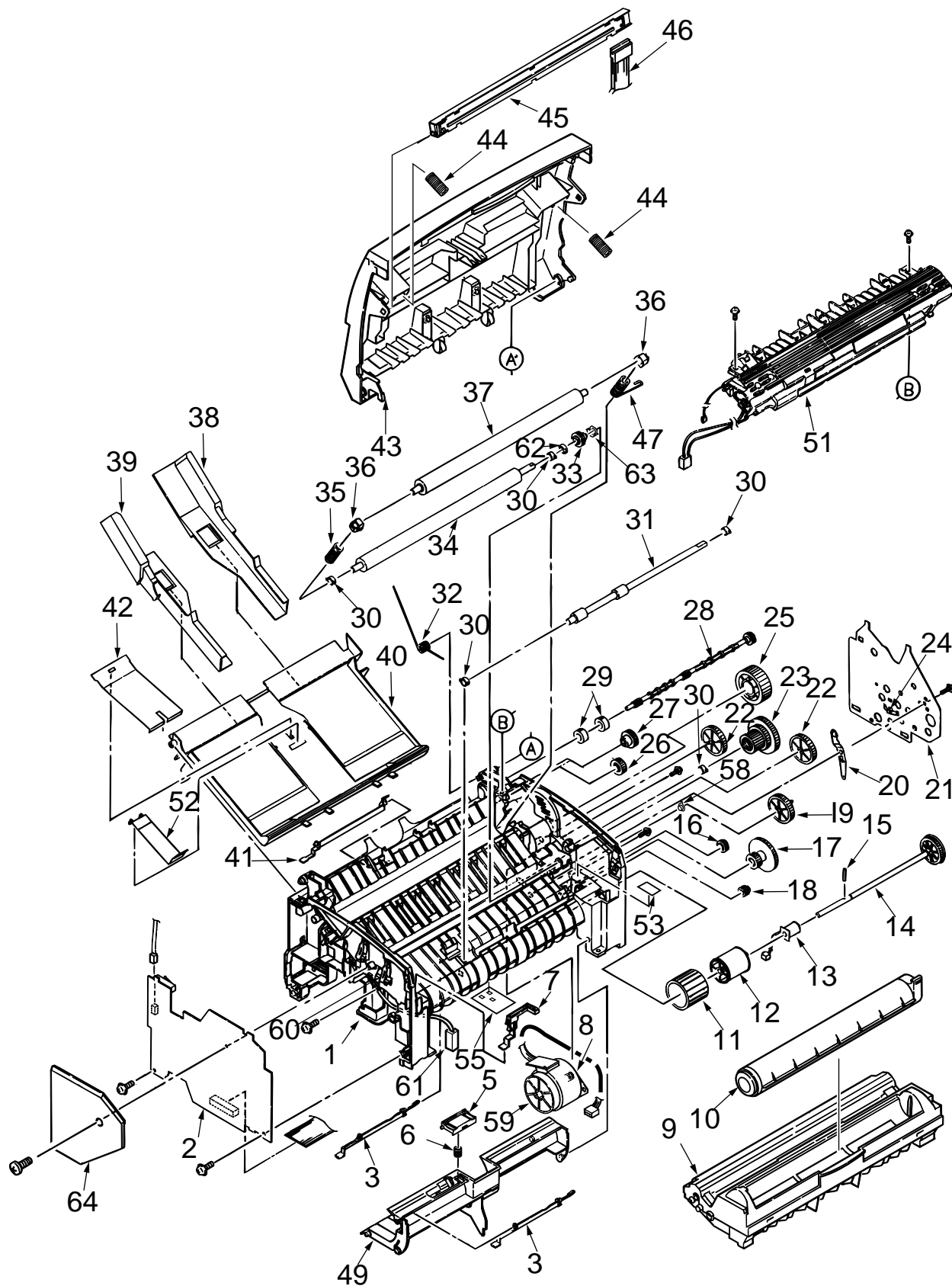


Figure 8-2 Base Frame Unit

# Okipage 6w

**Table 8-2 Base Frame Unit**

No.	Part Name	Part No.	Q'ty	Remarks
1	Frame Unit Assy	40593201	1	
2	High-Voltage Power Supply Board P2H	40607401	1	
3	Paper Sensor E	3PP4083-1191P001	2	
4				
5	Separator Assy	40721301	1	
6	Compression Spring S	40781701	1	
7	Toner Sensor Assy	3PA4083-1193G001	1	
8	Pulse Motor	40496401	1	
9	Ep Unit (Type 6)	_____	1	Consumable
10	Toner Cartridge Unit (Type 6)	_____	1	Consumable
11	Hopping Roller	40779601	1	
12	Roller Holder (Hopping Roller)	3PP4083-1128P001	1	
13	Magnet H (Hopping Shaft)	3PB4083-1127P001	1	
14	Hopping Shaft Assy	3PA4083-1133G001	1	
15	Knock Pin	NK2-10-SUS	1	
16	Idle Gear R	4PP4083-1143P001	1	
17	Idle Gear 2R	3PP4083-1184P001	1	
18	Gear R	3PP4083-1142P001	1	
19	Idle Gear M	3PP4083-1181P001	1	
20	Earth Plate A	3PP4083-1189P001	1	
21	Side Plate M	3PP4083-1188P001	1	
22	Idle Gear P	3PP4083-1182P001	2	
23	Idle Gear 3R	40721001	1	
24	Tension Plate	4PP4083-1165P001	1	
25	Idle Gear Heat	3PP4083-1185P001	1	
26	Idle Gear E (A)	4PP4083-1186P001	1	
27	Idle Gear E (B)	3PP4083-1187P001	1	
28	Drive Shaft E (Eject)	3PP4083-1170P001	1	
29	Eject Roller	40074601	2	
30	Regist Bearing	3PP4083-1141P001	5	
31	Regist Roller	3PB4083-1140P001	1	
32	Tension Spring	40654001	1	
33	Gear T	40737801	1	
34	Transfer Roller	40713601	1	

# Okipage 6w

No.	Part Name	Part No.	Qty	Remarks
35	Bias Spring (L) (Back Up Roller)	4PP4083-1136P001	1	
36	Bearing BU (Back Up Roller)	3PP4083-1161P001	2	
37	Pressure Roller B (Back Up Roller)	40594601	1	
38	Paper Guide (R)	40249501	1	
39	Paper Guide (L)	40249401	1	
40	Paper Holder	1PP4083-1231P001	1	
41	Paper Sensor Exit	3PP4083-1192P001	1	
42	Hopper Spring	4PP4083-1247P001	1	
43	Top Cover Assy	40592308	1	OKIPAGE 6w (OEL)
44	Head Spring	4PP4083-6168P001	2	
45	LED Head	40274001	1	
46	Flat Cable Assy	41016101	1	
47	Bias Spring (R) (Back Up Roller)	4PP4083-1137P001	1	
48				
49	Sheet Guide	40562401	1	
50				
51	Heat Assy	40592801	1	120V
	Heat Assy	40592802	1	230V
52	Stopper Spring	40034001	1	
53	Caution Label (TR)	4PB4091-6047P001	1	230V
54				
55	Film Guide	4PP4083-1139P001	1	
56				
57				
58	Bearing Gear	40634701	1	
59	Fan	40625401	1	
60	Contact CB	40638001	1	
61	CONN Cord HV	40638101	1	
62	Washer TR	40688601	1	
63	Guide Gear T	40710301	1	
64	Cover HV	40413401	1	

# Okipage 6w

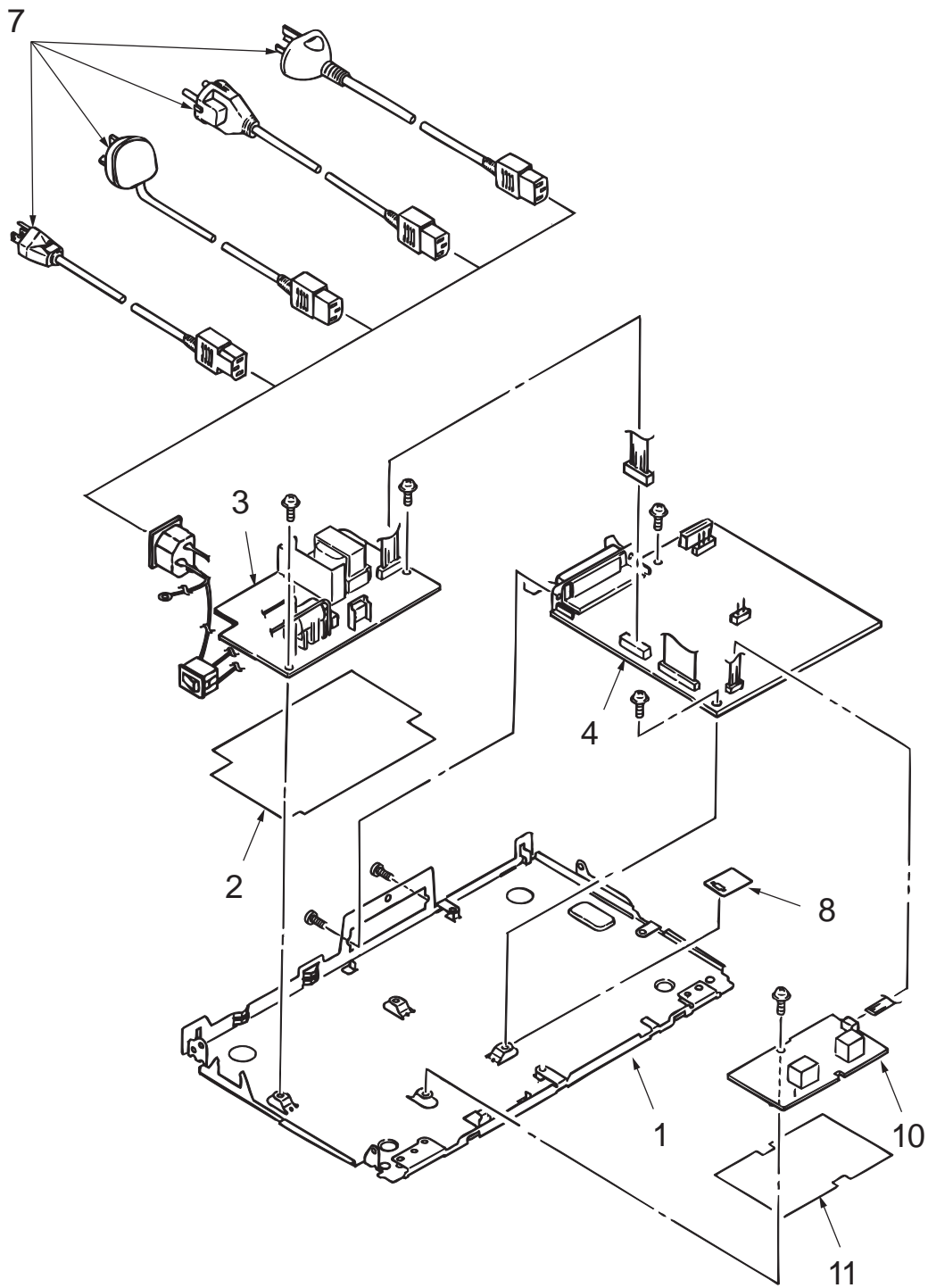


Figure 8-3-3 Base Plate Unit (OKIPAGE 6w Mask CPU type)

Table 8-3 Base Plate Unit

No.	Part Name	Part No.	Qty	Remarks
1	Base Plate Assy	40592201	1	
2	Insulation Sheet A	40722501	1	
3	Power Supply Unit	40455801	1	230V
4	Main Control Board	00096101	1	For OP 6w
	HUK			(Mask CPU type)
5				
6				
7	AC Cord	3YS4011-1270P001	1	U.K.
8	Insulation Sheet B	40043001	1	
9				
10	High Voltage Power Supply Board P6L	40605601	1	
11	Insulation Sheet C	40593101	1	
12				