

# OL 20n

## 8. PARTS LIST

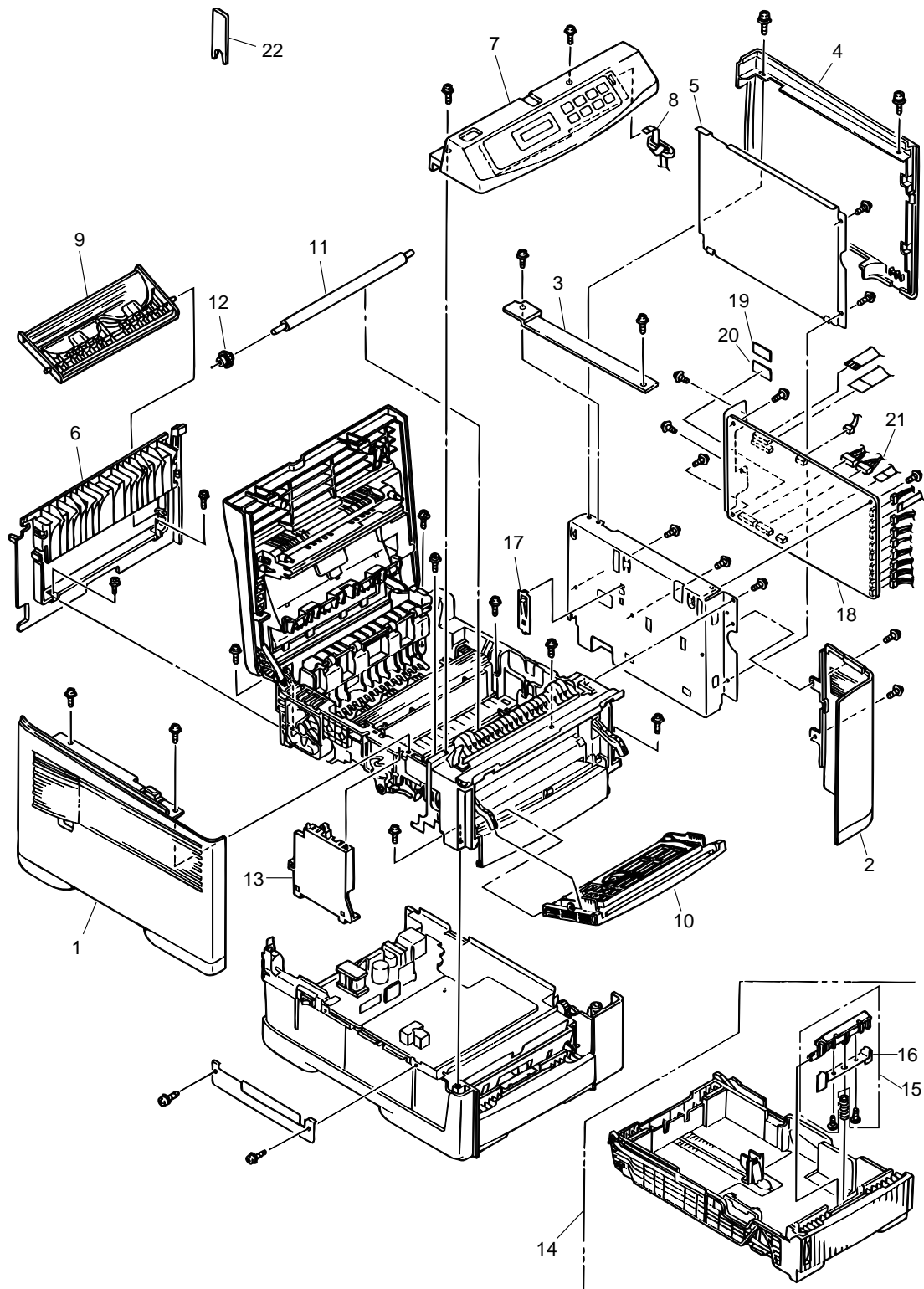


Figure 8-1 Printer Unit

# OL 20n

Table 8-1 Printer Unit

No.	Parts No.	Name	Q'ty/U	Reccomended Q'ty			Remarks
				50	100	1000	
1	40441001	Cover-Side(L) Ass.	1	1	3	6	
2	40304101	Cover-Side(R)	1	1	3	6	
3	40304401	Cover-Frame	1	1	3	6	
4	40304301	Cover-Side(I/F)	1	1	3	6	
5	40323401	Plate-Shield	1	1	3	6	
6	40304001	Cover-Rear	1	1	3	6	
7	40304501	Frame-OP panel Ass. (ODA)	1	1	3	6	
	40304503	Frame-OP Panel Ass. (OEL)	1	1	3	6	
	40304502	Frame-OP panel Ass. (INT)	1	1	3	6	
8	2381002P0007	SMCD6X280BDX10(BL)	1	2	5	10	
9	2PA4128-1074G001	Face-up Stacker Assy	1	1	3	6	*
10	40441301	Manual Feed Assy	1	1	3	6	
11	40027002	ROLLER-Transfer	1	1	3	6	
12	4PP4076-5042P001	TR Gear	1	1	3	6	*
13	40378001	Contact Assy	1	1	3	6	
14	40378401	CASE Assy.-Cassette	1	1	3	6	
15	40607101	Frame Assy.-Separation	1	1	3	6	*
16		PLATE-Damper	1	0	3	6	*
17	4PP4076-5067P001	Earth Plate BK (R)	1	0	3	6	*
18	40285702	Board-AAA	1	2	5	10	Without ROM
19	8174627M0002	MX23C2410PC-10-075(Program ROM)	1	2	5	10	Location: IC6
20	8174627M0001	MX23C2410PC-10-074(Program ROM)	1	2	5	10	Location: IC8
21	40295701	Connection Code-Wire(Power Supply)	1	0	3	6	
22	4059701	Hold-TR Eject	1	2	5	10	

# OL 20n

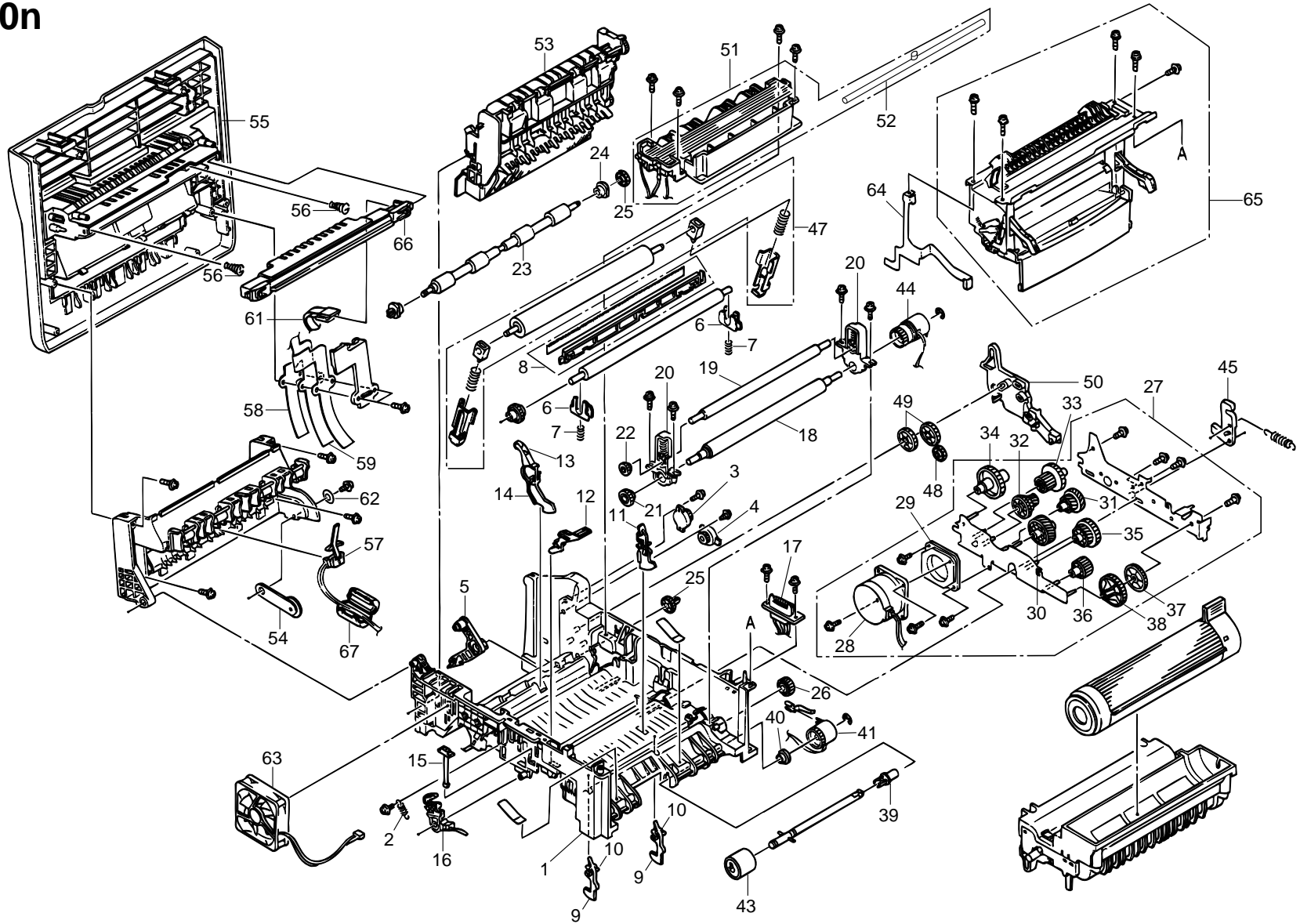


Figure 8-2 Frame-Main Unit

# OL 20n

Table 8-2 Frame-Main Unit

No.	Parts No.	Name	Q'ty/U	Reccomended Q'ty			Remarks
				50	100	1000	
1	40596901	FRAME Assy-Main(For Maintenance)	1	1	3	6	Refer to sheet"Assy"
2	4LB-192600-6	Spring(TSP3.3/0.35-16.2*33.9/230G)	1	0	3	6	*
3	4PB4083-6197P001	Damper	1	1	3	6	*
4	4PB4076-5015P001	Damper	1	1	3	6	*
5	40315801	LEVER-Separator	1	1	3	6	
6	4PP4076-5035P001	TR Bearing	2	2	6	12	*
7	4PP4076-5039P001	TR Spring R	2	2	6	12	*
8	40299701	GUIDE ASS.-Discharge	1	1	3	6	
9	40032901	Sensor-In	2	0	6	12	
10	40033001	Spring-In Sensor	2	0	6	12	
11	3PP4076-5082P001	Write Sensor Lever	1	0	3	6	*
12	4PP4076-5086G001	Toner Sensor Lever (Adhesive)	1	0	3	6	*
13	40583801	LEVER Assy.-Out sensor	1	0	3	6	Refer to sheet"Assy"
14	40324001	SPRING-Out Sensor	1	0	3	6	
15	4PP4076-5047P001	EP Lock Shaft	1	0	3	6	
16	4PA4076-5048G001	EP Rock Lever L Assy	1	0	3	6	*
17	40597001	Code Ass.-Front	1	0	3	6	
18	40301601	ROLLER-Regist	1	1	3	6	
19	40301701	ROLLER-Pressure	1	1	3	6	
20	40614401	Bearing Assy.-Registration	2	2	6	12	*
21	40301801	GEAR-Regist	1	1	3	6	
22	40301901	GEAR-Pressure	1	1	3	6	
23	40323901	ROLLER-Feed (C)	1	1	3	6	
24	4PP4076-3949P001	Bush	1	1	3	6	
25	40316301	GEAR-Roller (C)	1	0	3	6	
26	40302401	GEAR-Idle K	1	0	3	6	
27	40298201	Motor Ass.-Main	1	0	3	6	
28	40298301	MOTOR-Main	1	1	3	6	
29	40298801	PLATE-Damper	1	1	3	6	
30	40332901	GEAR-Idle A	1	0	3	6	
31	40320301	GEAR-Idle B	1	0	3	6	
32	40299201	GEAR-Idle C	1	0	3	6	
33	40302201	GEAR-Idle D	1	0	3	6	
34	40299301	GEAR-Idle E	1	0	3	6	
35	40299401	GEAR-Idle F	1	0	3	6	

# OL 20n

Table 8-2 Frame-Main Unit

No.	Parts No.	Name	Q'ty/U	Reccomended Q'ty			Remarks
				50	100	1000	
36	40299501	GEAR-Idle G	1	0	3	6	
37	40299601	GEAR-Idle H	1	0	3	6	
38	40302301	GEAR-Idle J	1	0	3	6	
39	40313501	BEARING-Plastic (Feed)	1	0	3	6	
40	4PP4076-5308P001	Bearing	1	0	3	6	*
41	40371501	GEAR Assy.-Clutch (Z50)	1	1	3	6	
42	4032301	PLATE-FG (1st)	1	0	3	6	
43	40313201	ROLLER Ass.-Feed	1	2	6	12	
44	40371601	GEAR Assy.-Clutch (Z40)	1	1	3	6	
45	4PP4076-5044P001	EP Rock Lever R	1	0	3	6	*
46	4PP4076-5045P001	EP Lock Spring	1	0	3	6	*
47	40301001	ROLLER ASS.-BK	1	1	3	6	
48	40316101	GEAR-Idle (EA)	1	0	3	6	
49	40316201	GEAR-Idle (EB)	2	0	6	12	
50	40302501	LEVER-Back up release	1	0	3	6	
51	40300501	HEAT-Assy (A4 120V)	1	2	10	20	
	40300502	HEAT-Assy (A4 230V)	1	2	10	20	
52	40306401	LAMP-Halogen 750W 120V	1	2	5	10	
	40306402	LAMP-Halogen 750W 230V	1	2	5	10	
53	40307401	GUIDE Assy.-Eject	1	1	3	6	
54	4PP4076-5191G001	Damper Arm (Caulking)	1	1	3	6	*
55	40587001	Stacker Assy (For Maintenance)	1	0	3	6	Refer to sheet"Assy"
56	4PP4128-1164P001	HEAD Spring	2	0	6	12	*
57	40365401	SENSOR-Stack Full	1	2	5	10	
58	40409201	Film-Guide	1	1	3	6	
59	40409301	Film-FG	1	1	3	6	
60	2PP4128-1096P001	Cable Cover	1	0	3	6	*
61	40450501	HEAD Cable Assy	1	2	5	10	
62	4PP4076-5009P001	Washer	1	0	3	6	*
63	3PB4076-5290P001	DC Fan Motor (92)	1	1	3	6	*
64	40307201	PLATE-FG (F)	1	0	3	6	
65	40443301	Feeder Unit-FRONT	1	0	3	6	
66	40443301	LED-HEAD	1	2	10	20	
67	40438201	ZCAT1325-0530A R CORE	1	1	3	6	

# OL20n

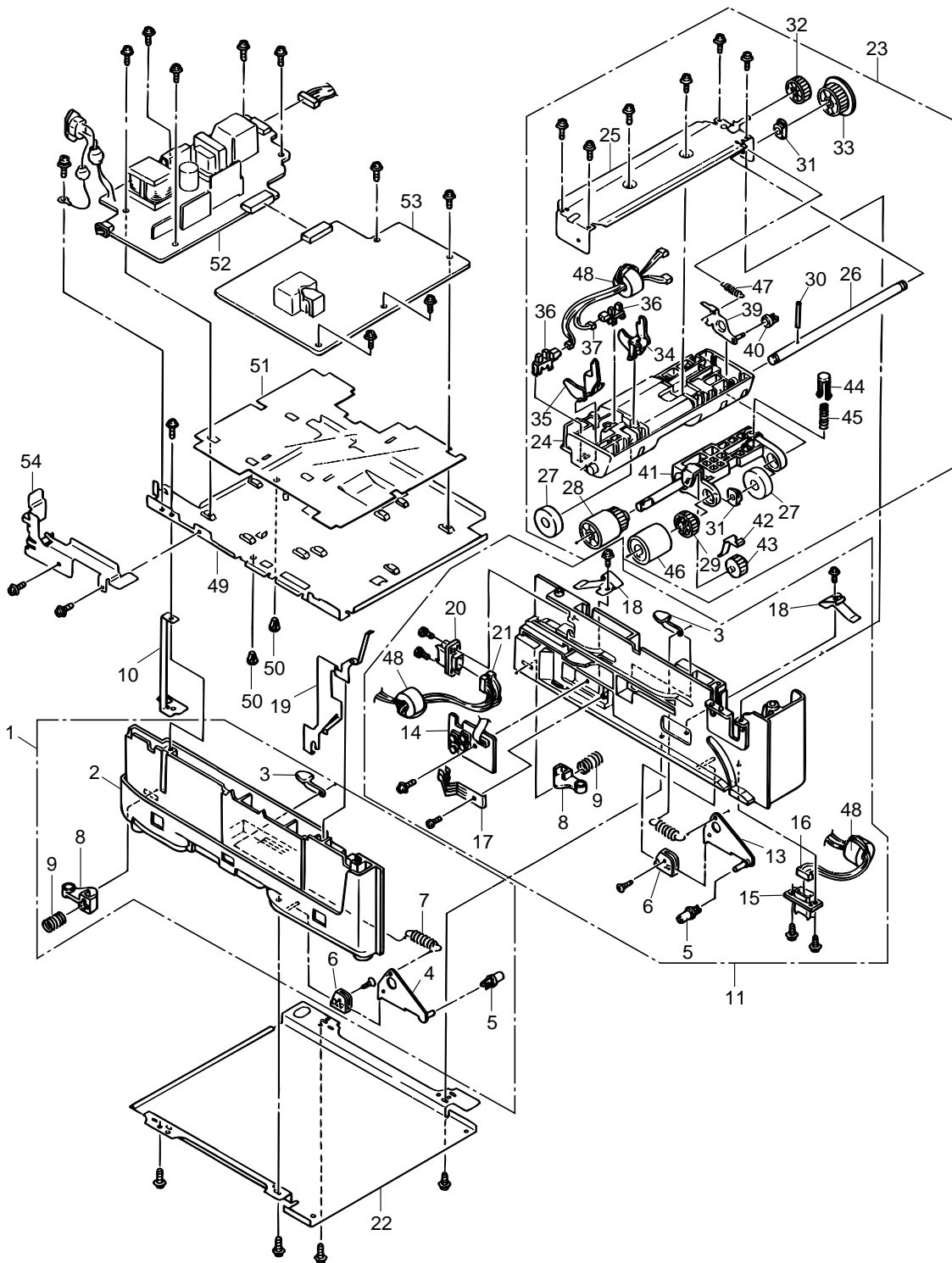


Figure 8-3 Base Unit

# OL 20n

Table 8-3 Base Unit

No.	Parts No.	Name	Q'ty/U	Reccomended Q'ty			Remarks
				50	100	1000	
1	40377601	GUIDE Assy.-Cassette(L)	1	1	3	6	
2	40597101	GUIDE-Cassette (L)[For Maintenance]	1	1	3	6	Refer to sheet"Assy"
3	4PP4122-1217P001	Pull Block	2	2	6	12	*
4	40349102	Lever-Link (Caulking)	1	1	3	6	
5	40349701	ROLLER-Link	2	2	6	12	
6	4PP4076-5358P001	Rink Support	2	2	6	12	*
7	40607201	Spring-Sheet	2	0	6	12	*
8	4PP4076-5359P001	Cassette Stopper	2	2	6	12	*
9	4PP4043-4526P001	Pressure Coil Spring	2	0	6	12	*
10	40445601	Earth Plate L	1	1	3	6	
11	40377701	GUIDE Assy.-Cassette(R)	1	1	3	6	
12	40597201	GUIDE-Cassette (R)[For Maintenance]	1	1	3	6	Refer to sheet"Assy"
13	40349101	Lever-Link (Caulking)	1	1	3	6	
14	40368302	Board PXC	1	1	3	6	
15	2201000P0140	Connector (IMSA-9714N-14A)	1	0	3	6	
16	4YS4011-4448P003	Nylon Connector Cord	1	0	3	6	To 2nd Tray
17	4PP4076-5360P001	Detector Spring	1	1	3	6	*
18	40389801	PLATE-Earth (Bottom)	2	2	6	12	
19	40518501	PLATE-Earth (Link)	1	1	3	6	
20	2201000P0141	Connector (IMSA-9714N-14B)	1	0	3	6	
21	40375001	Connection Code-Wire	1	0	3	6	To Duplex
22	40316901	PLATE-Bottom	1	0	3	6	
23	40377801	FRAME ASS.-Hopping	1	1	3	6	
24	40597301	FRAME-Hopping (For Maintenance)	1	0	3	6	Refer to sheet"Assy"
25	40322101	PLATE-Hopping (caulking)	1	0	3	6	
26	40317401	SHAFT-Hopping	1	0	3	6	
27	40442501	ROLLER-Guide	2	0	6	12	
28	40371301	ROLLER-Assy.-Hopping	1	2	6	12	
29	40317601	GEAR-Z38	1	1	3	6	
30	NK3-16SUS	Knock Pin	1	1	3	6	
31	4PP3522-3568P001	ADF Bearing	2	2	6	12	
32	40325401	GEAR-Z58	1	1	3	6	
33	40325301	GEAR-Z42	1	1	3	6	
34	40317901	Lever-Paper end	1	1	3	6	
35	40318001	Lever-Paper near end	1	1	3	6	

# OL 20n

No.	Parts No.	Name	Q'ty/U	Reccomended Q'ty			Remarks
				50	100	1000	
36	4YB4120-1137P001	FX050 Photo Sensor	2	2	6	12	
37	40375202	Connection Code-Wire	1	0	3	6	To P.E.
38	40375302	Connection Code-Wire	1	0	3	6	To P.N.E.
39	40337301	LEVER-Sub roller (caulking)	1	0	3	6	
40	40337601	ROLLER-Link (Sub)	1	1	3	6	
41	40433701	Bracket-Sub roller (Press fitting)	1	1	3	6	
42	40358101	Plate-Planet	1	0	3	6	
43	40317701	GEAR-Planet (z28)	1	1	3	6	
44	40367101	BRACKET-Spring (Sub)	1	0	3	6	
45	40607301	SPRING-Sub Roller	1	0	3	6	
46	40313201	ROLLER Ass.-Feed	1	2	6	12	
47	40371901	SPRING-Release	1	0	3	6	
48	105A1051C2001	TR-23-11-14 R CORE	3	3	9	18	
49	40298001	PLATE-Base	1	0	3	6	
50	40494601	Spacer-Card (KGPS-5RF)	2	2	6	12	
51	40298101	FILM-Insulation	1	1	3	6	
52	40159901	Power Supply Unit [AC-DC (120V)]	1	2	5	10	ODA (120V)
	40160001	Power Supply Unit [AC-DC (230V)]	1	2	5	10	ODA(230V)/OEL/INT
53	40160301	Power Supply Unit (High Voltage)	1	2	5	10	
54	40307301	BRACKET-AC	1	0	3	6	