

# Op 1200ex-16n

## 8. PARTS LIST

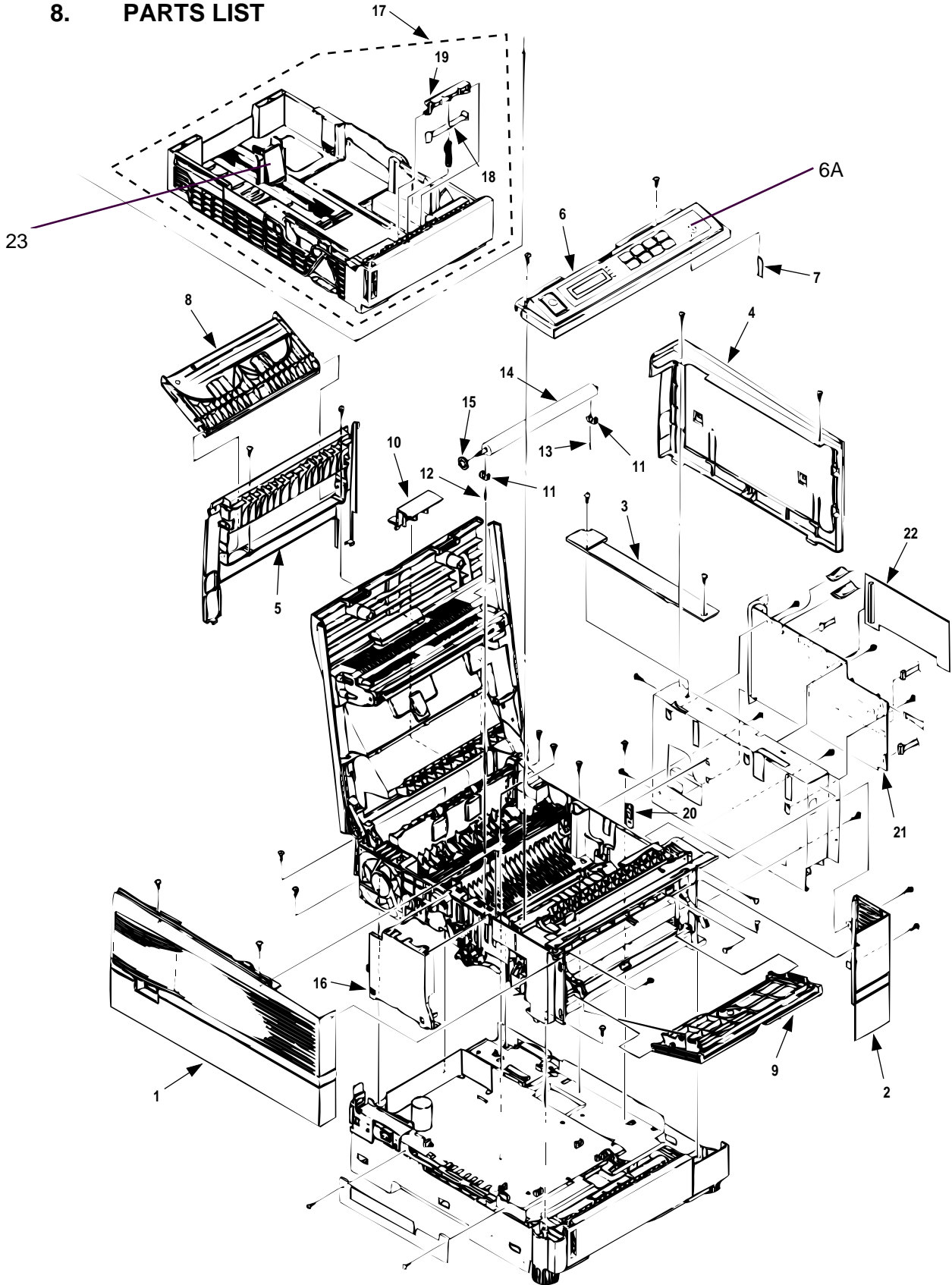


Figure 8-1 Printer Unit

# Op 1200ex-16n

Table 8-1 Printer Unit

	Name / Rating	Parts No.	Q'ty	Q'ty			Remarks
				50	500	1000	
1	Side cover (L) Assy	3PP4128-1118G1	1	1	3	6	53073501
2	Side cover (R)	1PP4128-1065P1	1	1	3	6	53073601
3	Cover Frame	40033501	1	1	3	6	
4	I/F cover assy	2PA4128-1066G1	1	1	3	6	53073801
5	Rear cover	1PP4128-1069P1	1	1	3	6	53073901
6	Operator panel assy (ODA op16n)	40035401	1	1	3	6	
6A	Operator panel sheet	40035601	1	1	3	6	
6	Operator panel assy (OEL/INT)	40035403	1	1	3	6	
7	Flexible cable (OP panel)	238A1071P0012	1	2	5	10	56627901
8	Face-up stacker assy	2PA4128-1074G1	1	1	3	6	50108201
9	Manual feed hopper assy	2PA4128-1076G1	1	1	3	6	55700401
10	Connector cover	3PP4076-5052P1	1	0	3	6	53073301
11	TR shaft bearing	4PP4076-5035P1	2	0	3	6	51608501
12	Transfer roller spring (L)	4PP4076-5036P1	1	0	3	6	50928601
13	Transfer roller spring (R) (with red mark)	4PP4076-5039P1	1	0	3	6	
14	Transfer roller	3YB4076-5040P1	1	1	3	6	50408601
15	TR gear	4PP4076-5042P1	1	0	3	6	51234901
16	Contact assy	3PA4076-5090G1	1	1	3	6	56731101
17	Paper cassette assy	1PA4076-5430G1	1	1	3	6	50108001
18	Damper spring assy	40093801	1	0	3	6	
19	Separator frame assy	3PP4083-5663G1	1	1	3	6	53345601
20	FG plate BK (R)	4PP4076-5067P1	1	0	3	6	53346401
21	BOARD-COM	40030302	1	2	5	10	
22	BOARD-PSBA	4YA4046-1632G11	1	2	5	10	
	Program/font ROM (ODD)	8174624M0001	1	2	5	10	F/W Rev.
	Program/font ROM (EVEN)	8174624M0002	1	2	5	10	F/W Rev.
	PostScript ROM (ODD)	8174624M0004	1	2	5	10	
	PostScript ROM (EVEN)	8174624M0003	1	2	5	10	
23	Paper Tray Slider	40378101	1				

# Op 1200ex-16n

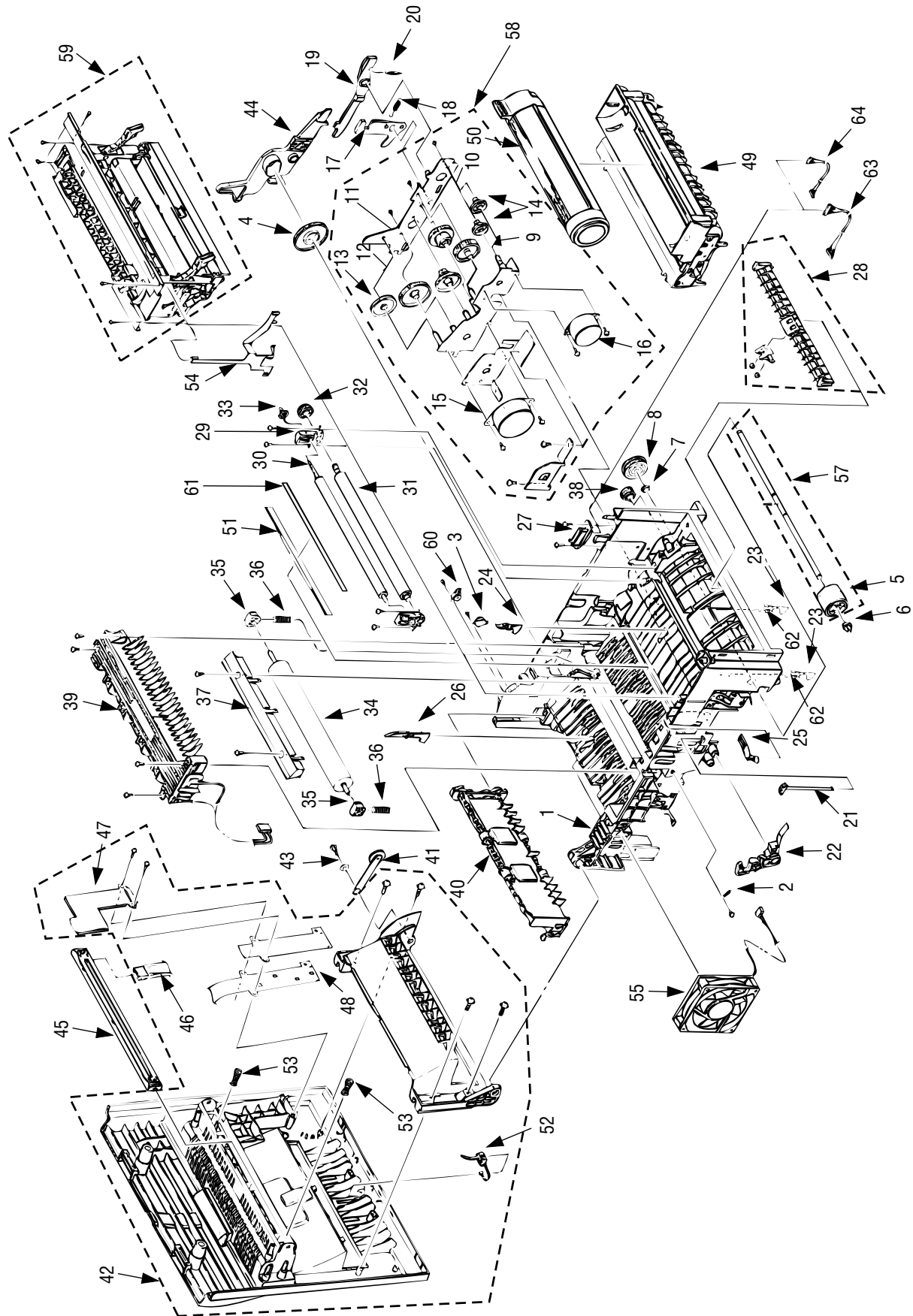


Figure 8-2 Main Shassis Unit

# Op 1200ex-16n

Table 8-2 Main Chassis Unit

	Name / Rating	Parts No.	Q'ty	Q'ty			Remarks
				50	500	1000	
1	Frame assy-Main	40106701	1	1	3	6	
2	Spring [EP lock lever (L) assy]	4LB-192600-6	1	0	3	6	50928306
3	Stacker cover damper	4PB4083-6197P1	1	1	3	6	51229401
4	Idle gear (exit)	4PP4043-4532P1	1	0	3	6	51234301
5	Hopping roller assy	4PA4076-5755G1	1	1	3	6	without shaft 50407901
6	Bearing L (Hopping roller assy)	4PP4076-5345P1	1	0	3	6	51608101
7	Bearing R (Hopping roller assy)	4PP4076-5308P1	1	0	3	6	51608201
8	Hopping roller gear (One way)	4PB4076-5327P1	1	0	3	6	51235501
9	Idle gear A	4PP4076-5061P1	1	0	3	6	51233701
10	Idle gear B	4PP4076-5062P1	1	0	3	6	51233801
11	Idle gear C	4PP4076-5063P1	1	0	3	6	51233901
12	Idle gear D	4PP4076-5064P1	1	0	3	6	51234001
13	Gear idle	40045101	1	0	3	6	
14	Registration idle gear	4PP4076-5068P1	2	0	6	12	51234201
15	Main motor	4PB4076-5075P2	1	1	3	6	56511801
16	Registration motor	4PB4076-5076P1	1	1	3	6	
17	EP lock lever	4PP4076-5044P1	1	0	3	6	50807301
18	EP lock spring	4PP4076-5045P1	1	0	3	6	50928401
19	Pressure release lever	3PP4076-5046P1	1	0	3	6	50807401
20	Spring (Pressure release lever)	4LB-192500-7	1	0	3	6	50922107
21	EP lock shaft	4PP4076-5047P1	1	0	3	6	51113301
22	EP lock lever (L) assy	4PA4076-5048G1	1	0	3	6	50807501
23	Sensor-In	40032901	2	0	6	12	
24	Paper sensor lever	3PP4076-5082P1	1	0	3	6	
25	Toner sensor lever	4PP4076-5086G1	1	0	3	6	
26	Exit sensor lever	3PP4076-5085P1	1	0	3	6	50807701
27	Square-shaped connector	220A1866P0220	1	2	5	10	22P fixed side 56730620
28	Paper supply guide D (A4) assy	3PA4076-5759G1	1	0	3	6	51015901
29	Registration bearing assy	4PA4076-5756G1	2	2	6	12	51608501
30	Pressure roller	3PP4076-5032P1	1	1	3	6	50408101
31	Registration roller	3PB4076-5030P2	1	1	3	6	80408201
32	Registration gear	4PP4043-4529P1	1	1	3	6	51234401
33	Pressure roller gear	4PP4043-4530P1	1	1	3	6	51234501
34	Fuser pressure roller (A4)	40032401	1	1	3	6	
35	Fuser pressure roller bearing	4PP4076-5051P1	2	0	6	12	51608601
36	Bias spring	4PP4043-4388P1	2	0	6	12	50928501
37	Fusing guide	2PP4076-5021P1	1	1	3	6	51016001
38	Idle gear (HF)	4PP4043-4535P1	1	0	3	6	50234601
39	Fusing assy	1YX4076-5100G1	1	2	10	20	120V 50219901
	Fusing assy	1YX4076-5100G2	1	2	10	20	230V 50219902

# Op 1200ex-16n

Table 8-2 Main Chassis Unit

	Name / Rating	Parts No.	Q'ty	Q'ty			Remarks
				50	500	1000	
40	Exit roller assy	2PA4076-5120G1	1	1	3	6	50408401
41	Damper arm	4PP4076-5191G1	1	1	3	6	53073101
42	Stacker assy for EECD HEAD (ODA)	40031601	1	0	3	6	Note 1
	for Normal HEAD (ODA, OEL, INT)	2YX4128-1080G1	1	0	3	6	
43	Washer	4PP4076-5009P1	1	0	3	6	50516701
44	Fuser pressure roller release lever	3PP4076-5347P1	1	0	3	6	50808101
45	LED head Normal Type (OEL/INT)	4YA4116-1200G2	1	2	10	20	56111401
	EECD Type (ODA)	40029601	1	2	10	20	
46	Head cable assy						
	for Normal HEAD (ODA/OEL/INT)	4YX4076-5760G1	1	2	5	10	
	for EECD HEAD (ODA)	40110901	1	2	5	10	Note 1
47	Cable cover	2PP4128-1096P1	1	0	3	6	53073401
48	Cable guide (B)	3PB4128-1110P1	1	1	3	6	51016501
49	I/D unit		1				
50	Toner cartridge		1				
51	Anti-static strip	40106501	1	1	3	6	
52	Stacker full sensor assy	4YB4128-1101P2	1	2	5	10	
53	Head spring	4PP4128-1164P1	2	0	6	12	
54	Earth plate	4PP4043-4688P1	1	0	3	6	
55	DC fan motor	3PB4076-5290P1	1	1	3	6	
56	FG film	3PB4128-1181P1	1	1	3	6	
57	Hopping roller assy	4PA4076-5333G3	1	2	5	10	
58	Motor assy	3YX4076-5070G1	1	0	3	6	
59	Front feeder unit	1YX4076-5300G1	1	0	3	6	
60	Stacker cover damper	4PB4076-5015P1	1	1	3	6	
61	Anti-static film	3PB4083-6089P4	1	1	3	6	
62	Spring (Sensor-In)	40033001	2	0	6	12	
63	Nylon Connector Cord (11P-9P)	4YS4011-4463P1	1	2	5	10	
64	Nylon Connector Cord (7P-7P)	4YS4011-4448P3	1	2	5	10	

Note 1: The Serial No. will be informed by ECO later.

# Op 1200ex-16n

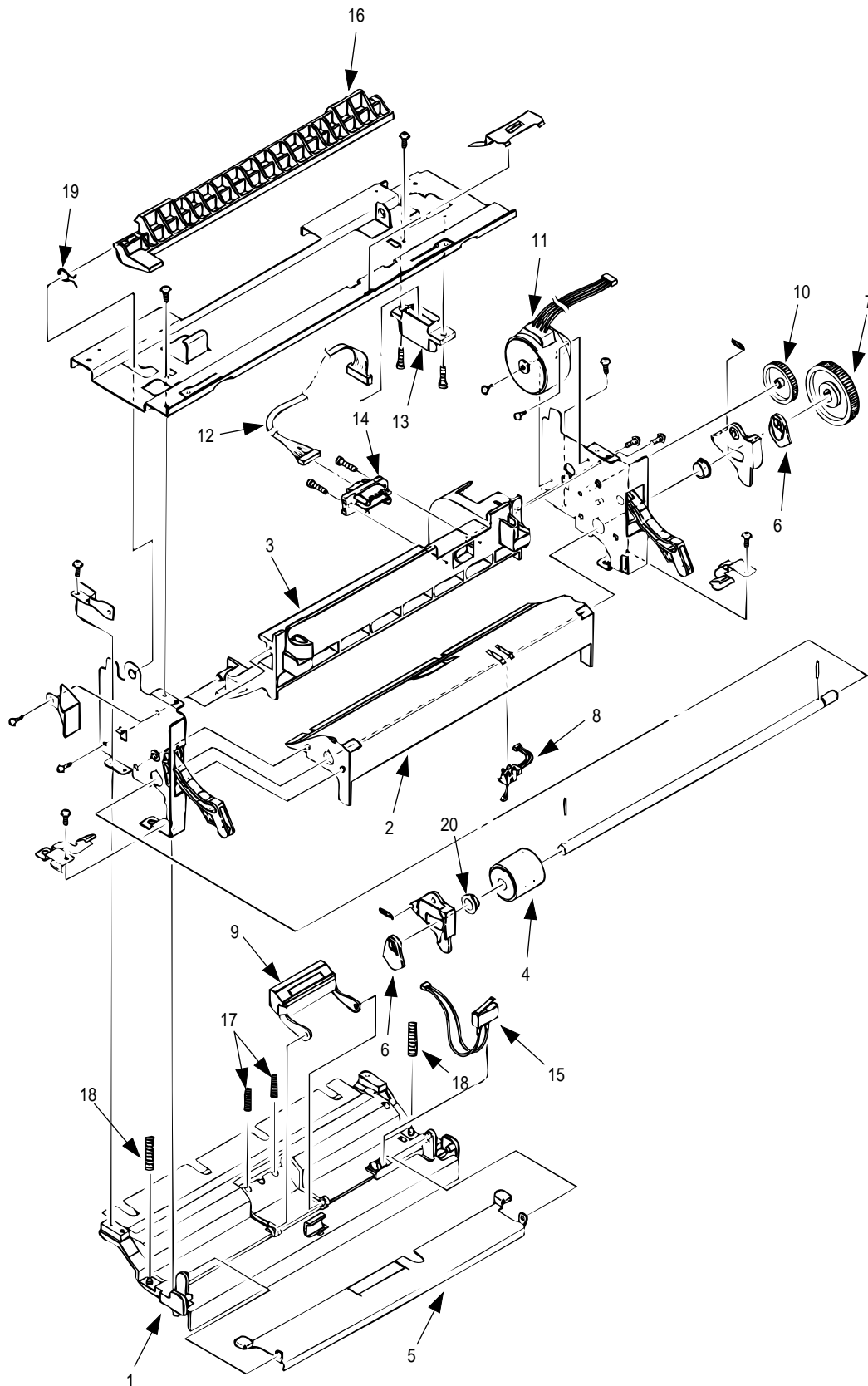


Figure 8-3 Front Feeder Unit

# Op 1200ex-16n

Table 8-3 Front Feeder Unit

	Name / Rating	Parts No.	Q'ty	Q'ty			Remarks
				50	500	1000	
1	Paper supply guide A (Affix)	3PP4076-5348G1	1	0	3	6	51016101
2	Paper supply guide B	1PP4076-5303P1	1	0	3	6	51016201
3	Paper supply guide C	1PP4076-5304P1	1	0	3	6	51016301
4	FF roller assy	4PA4076-5757G1	1	1	3	6	50408501
5	FF plate (Affix)	4PP4076-5310G1	1	1	3	6	51016601
6	FF cam	4PP4076-5313P1	2	0	6	12	51235601
7	Front feeder gear	4PB4076-5314P1	1	0	3	6	51234701
8	Front feeder paper end sensor	4YB4076-5316P1	1	2	5	10	50408901
9	Separator assy	4PP4076-5317G1	1	1	3	6	53346301
10	Idle gear	4PP4076-5326P1	1	0	3	6	51234801
11	Hopping motor	4PB4076-5330P1	1	1	3	6	56511701
12	Connector cord	4YS4011-4448P2	1	2	5	10	56730802
13	Square shaped connector (22P)	220A1866P0221	1	2	5	10	56730621
14	Square shaped connector (14P)	220A1866P0140	1	2	5	10	56730640
15	Switch assy	4PB4078-1412P1	1	2	5	10	56212901
16	Cover lock lever	3PP4076-5389P1	1	0	3	6	
17	Spring (Separator)	4LB-190500-5	2	1	3	6	
18	FF spring	4PP4043-4742P1	2	1	3	6	
19	Spring (Lock lever)	4PP4076-5391P1	1	0	3	6	
20	Bearing F	4PP4076-5308P1	2	1	3	6	

# Op 1200ex-16n

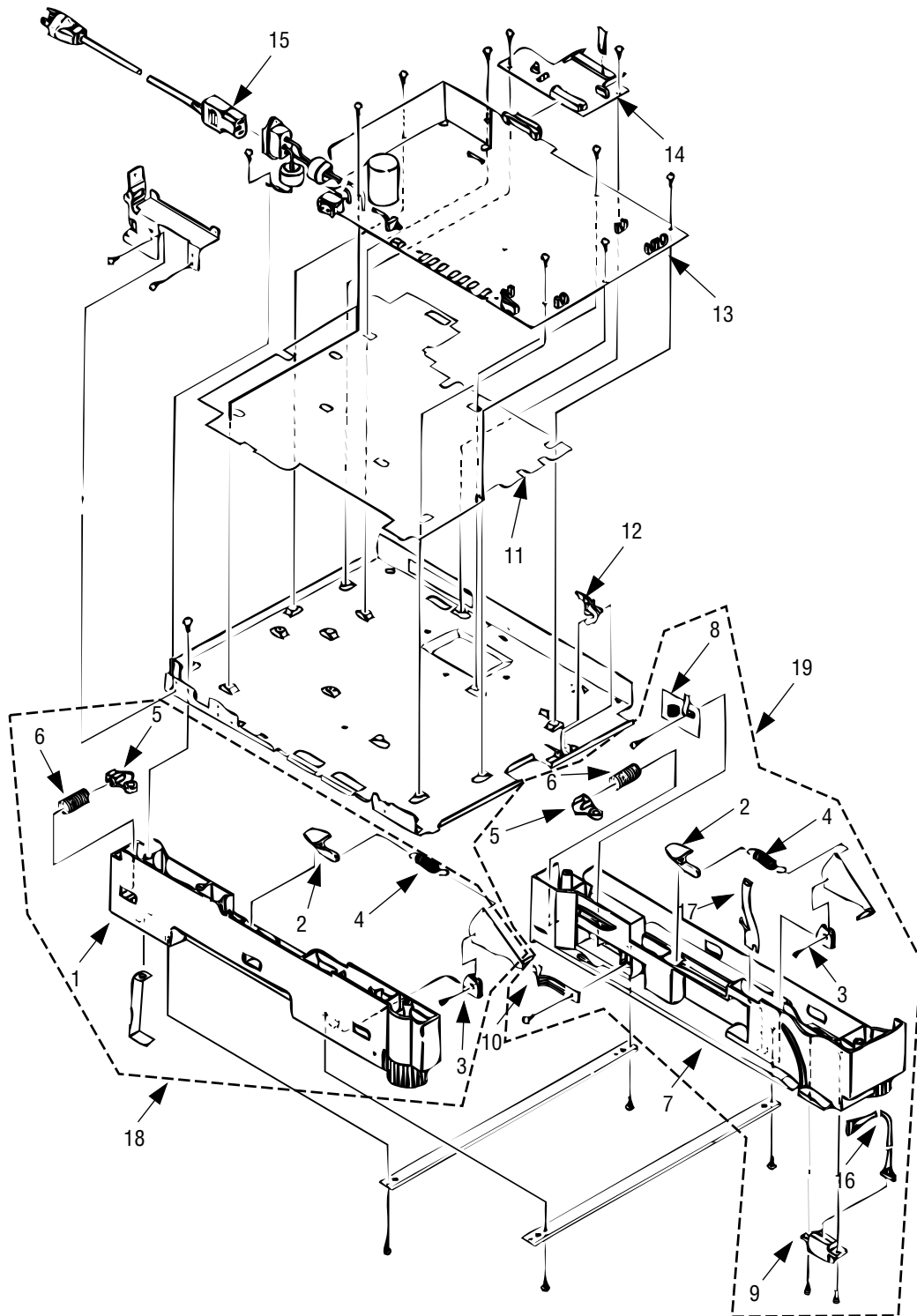


Figure 8-4 Base Unit



# Op 1200ex-16n

Table 8-4 Base Unit

	Name / Rating	Parts No.	Q'ty	Q'ty			Remarks
				50	500	1000	
1	Guide rail (L) Assy	2PP4076-5753G1	1	1	3	6	51016701
2	Pull block	4PP4122-1217P1	2	2	6	12	51500301
3	Link support	4PP4076-5358P1	2	2	6	12	50516801
4	Cassette lock spring	4PP4076-5417P1	2	0	6	12	50927302
5	Cassette stopper	4PP4076-5359P1	2	2	6	12	50607201
6	Pressure coil spring	4PP4043-4526P1	2	0	6	12	50928801
7	Guide rail (R) assy	2PP4076-5754G1	1	1	3	6	51016801
8	AOLS-PCB	4YA4046-1621G11	1	2	5	10	55077101
9	Square shaped connector (fixed side)	220A1866P0140	1	2	5	10	56730640
10	Detector spring	4PP4076-5360P1	1	1	3	6	50928901
11	Insulator	3PB4076-5144P1	1	1	3	6	51711001
12	Paper end lever	4PP4076-5154P1	1	1	3	6	50808201
13	Power/sensor-PCB (120V)	4YB4049-1879P1	1	2	5	10	
	Power/sensor-PCB (230V)	4YB4049-1880P1	1	2	5	10	
14	AOLC-PCB	4YA4046-1620G11	1	2	5	10	55077211
15	AC cord (ODA 120V)	3YS4011-1315P1	1	1	3	6	56609701
	AC cord (ODA 220V)	3YS4011-1266P1	1	1	3	6	
	AC cord (IPL 240V)	3YS4011-1329P2	1	1	3	6	
16	Nylon connector cord	4YS4011-4448P3	1	2	5	10	56730803
17	Earth plate	4PP4076-5742P1		0	3	6	53346601
18	Guide rail assy (L)	1PA4076-5410G1	1	0	3	6	
19	Guide rail assy (R)	1YX4076-5420G1	1	0	3	6	