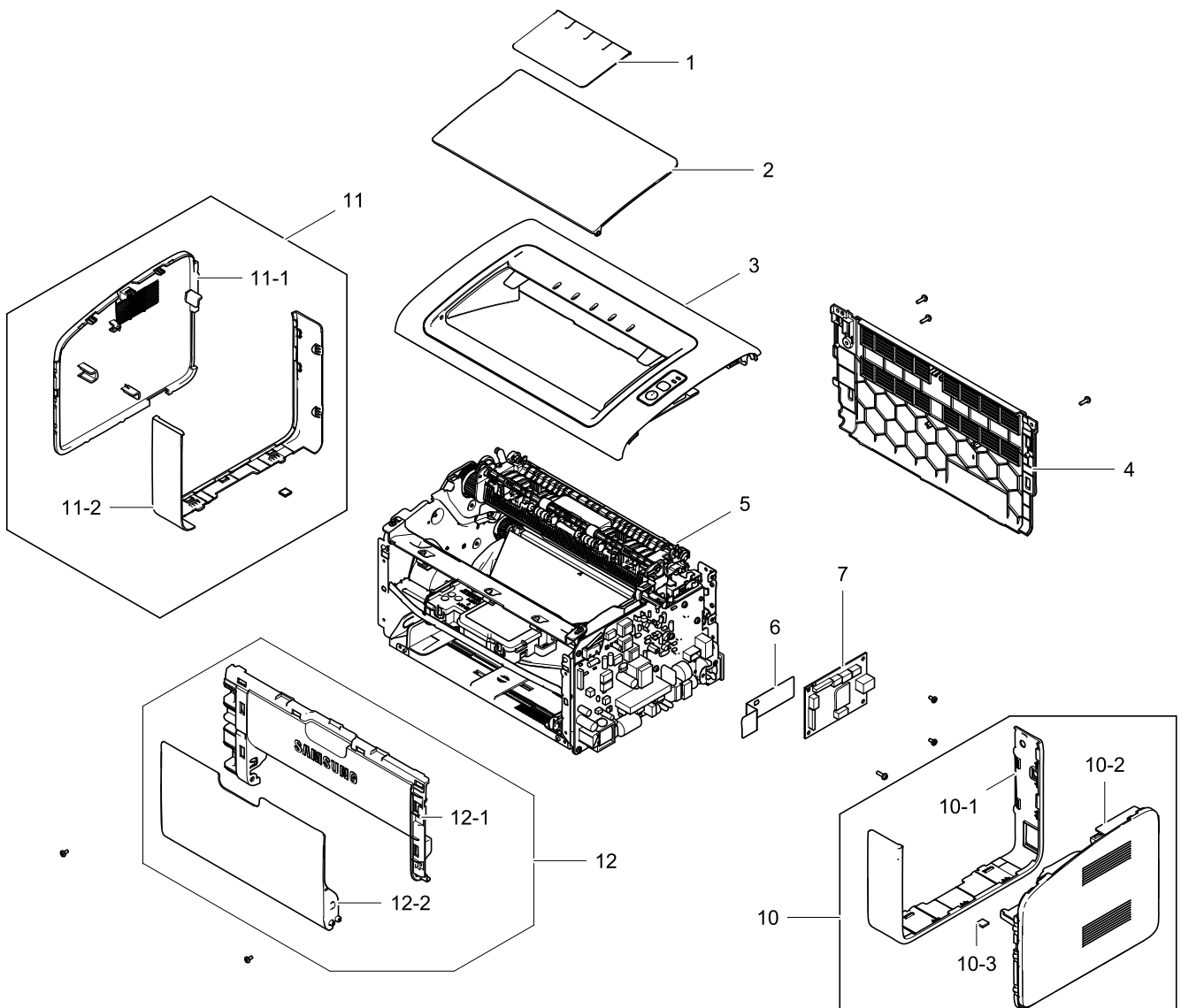


1. MAIN

Exploded View



Parts List

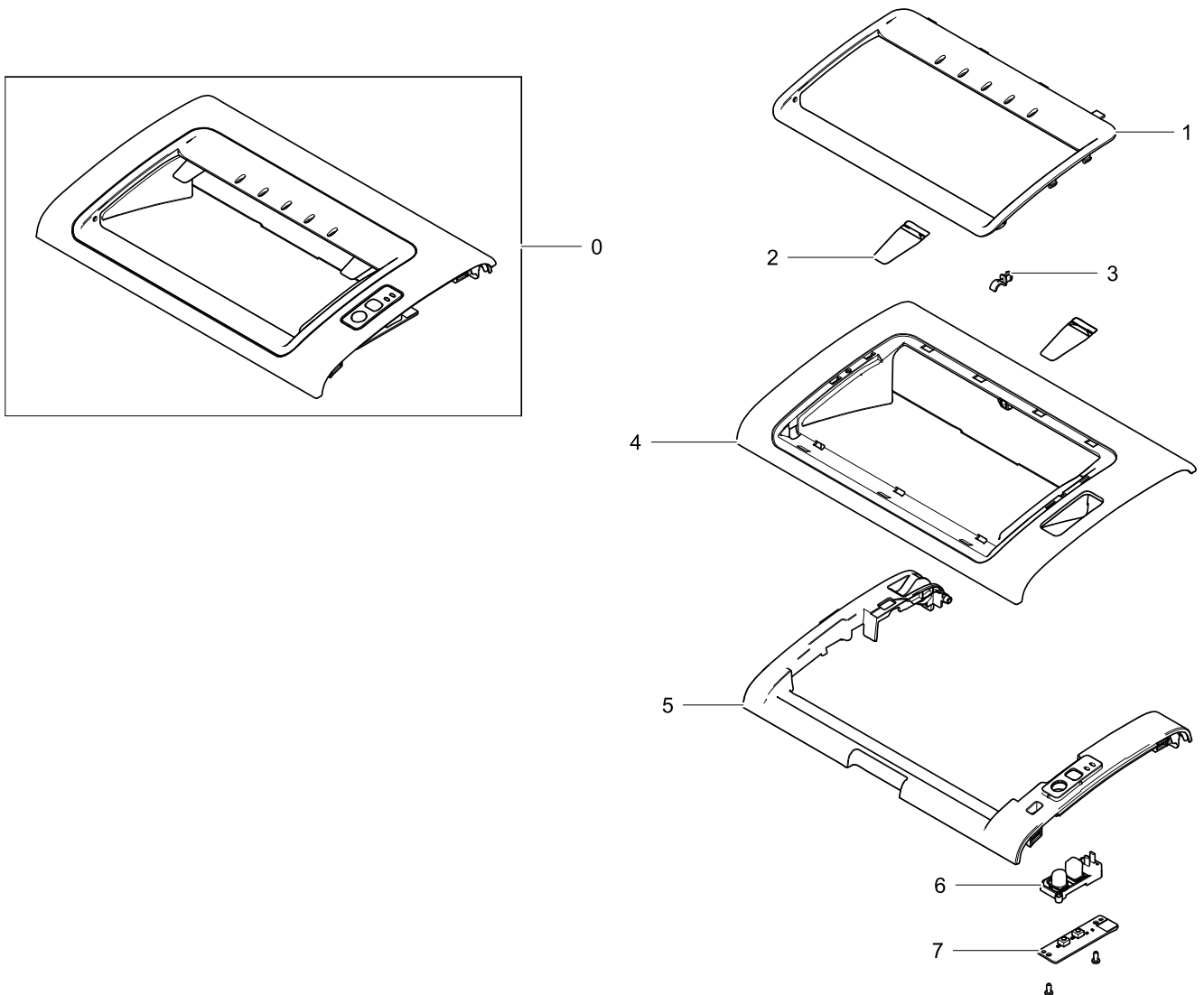
No.	Parent	Lvl.	Loc.	Material Code	Description & Specification	SNA	Qty.
1	JC98-01904A	2		JC61-04451A	STACKER-SUB; ML-2165,HIPS,CREAM WHITE,GUI	SA	1
2	JC98-01904A	2		JC61-04450A	STACKER-MAIN; ML-2165,HIPS,CREAM WHITE,GU	SA	1
3	ML-2165/ETS	1		JC95-01537A	COVER-TOP; ML-2165,SEC	SA	1
4	JC95-01545A	2		JC63-03220A	COVER-REAR; ML-2165,HIPS,CREAM WHITE	SA	1
5	ML-2165/ETS	1		JC93-00521B	FRAME; ML-2160,SEC,SEE	SNA	1
6	JC98-01892A	2		JC63-03183A	SHEET-INSULATOR-MAIN; ML-2160,PC,0.254,91	SNA	1

Exploded Views and Parts List

No.	Parent	Lvl.	Loc.	Material Code	Description & Specification	SNA	Qty.
7	ML-2165/ETS	1		JC92-02393D	PBA-MAIN; ML-2160,SEC,MAIN,MEA,64.25mmX90	SA	1
10	JC95-01545A	2		JC95-01539A	COVER-RIGHT; ML-2165,SEC	SA	1
10-1	JC95-01539A	3		JC63-03223A	COVER-RIGHT; ML-2165,ABS+PC,CREAM WHITE	SNA	1
10-2	JC95-01539A	3		JC63-03224A	COVER-RIGHT DECO; ML-2165,ABS+PC,WAVE GRA	SNA	1
10-3	JC95-01540A	3	L9447	JC61-03982A	FOOT; ML-1660,CR,9*9,BLACK	SNA	1
11	JC95-01545A	2		JC95-01540A	COVER-LEFT; ML-2165,SEC	SA	1
11-1	JC95-01540A	3		JC63-03222A	COVER-LEFT DECO; ML-2165,HIPS,WAVE GRAY	SNA	1
11-2	JC95-01540A	3		JC63-03221A	COVER-LEFT; ML-2165,HIPS,CREAM WHITE	SNA	1
12	JC95-01545A	2		JC95-01543A	COVER-FRONT; ML-2165,SEC	SA	1
12-1	JC95-01543A	3		JC63-03218A	COVER-INNER; ML-2165,HIPS,CREAM WHITE	SNA	1
12-2	JC95-01543A	3		JC63-03219A	COVER-CASSETTE; ML-2165,HIPS,CREAM WHITE	SNA	1

2. Cover-top

Exploded View



Parts List

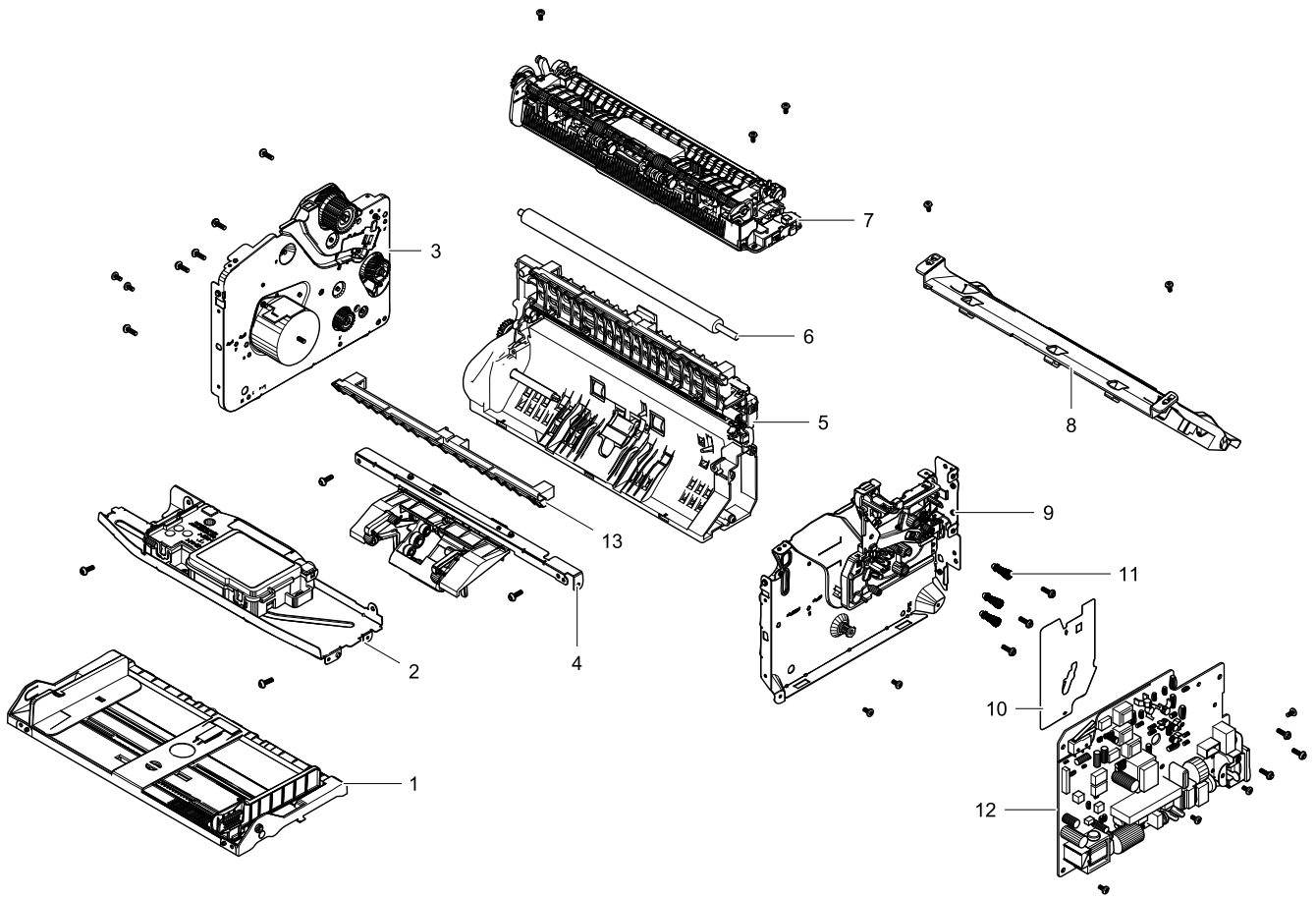
No.	Parent	Lvl.	Loc.	Material Code	Description & Specification	SNA	Qty.
0	ML-2165/STS	1		JC95-01537A	COVER-TOP; ML-2165,SEC	SA	1
1	JC95-01537A	2		JC63-03217A	COVER-OPEN DECO; ML-2165,HIPS,WAVE GRAY	SNA	1
2	JC95-01537A	2	L9472	JC63-02629A	SHEET-STACKING; ML-1660,PET,0.188,BLACK	SNA	2
3	JC95-01537A	2		JC61-04453A	HOLDER-SHAFT; ML-2160,POM,BLACK,K300	SNA	1
4	JC95-01537A	2		JC63-03216A	COVER-OPEN; ML-2165,HIPS,CREAM WHITE	SNA	1
5	JC95-01537A	2		JC63-03215A	COVER-TOP; ML-2165,HIPS,CREAM WHITE	SNA	1

Exploded Views and Parts List

No.	Parent	Lvl.	Loc.	Material Code	Description & Specification	SNA	Qty.
6	JC95-01537A	2		JC64-00671A	KEY-SET; ML-2165,ABS,ABS(CREAM WHITE)PC(M	SNA	1
7	JC95-01537A	2		JC92-02392A	PBA-OPE; ML-2160,SEC,OPE,74 mm X 22 mm X	SA	1

3. Frame

Exploded View



Parts List

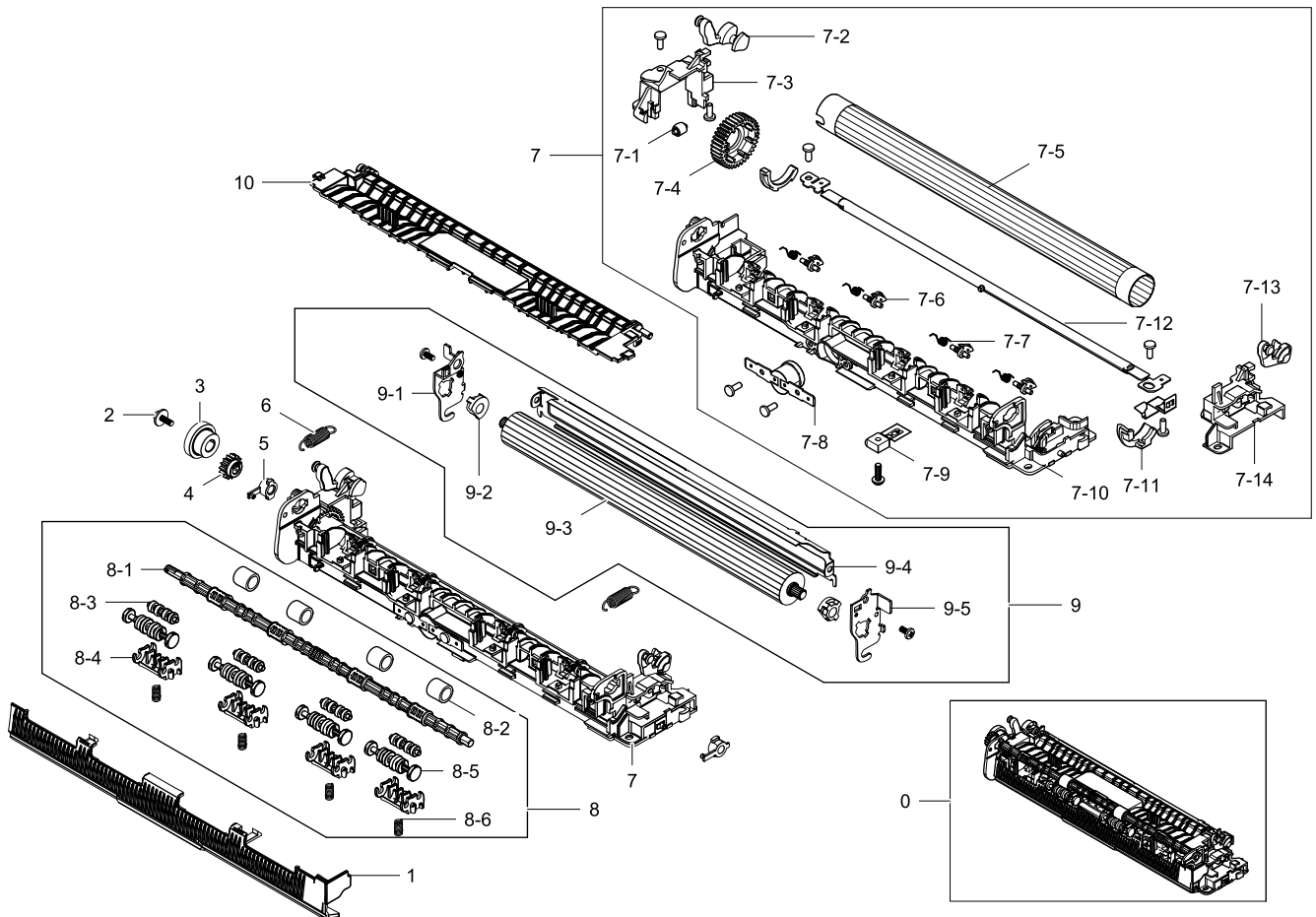
No.	Parent	Lvl.	Loc.	Material Code	Description & Specification	SNA	Qty.
1	JC93-00521B	2		JC93-00520A	FRAME MAIN-BOTTOM; ML-2160,SEC	SA	1
2	JC93-00521B	2		JC93-00519A	FRAME MAIN-MIDDLE; ML-2160,SEC	SNA	1
3	JC93-00521B	2		JC93-00517A	FRAME MAIN-LEFT; ML-2160,SEC	SNA	1
4	JC93-00521B	2		JC93-00524A	FRAME-FEED IDLE; ML-2160,SEC	SA	1
5	JC93-00521B	2		JC93-00514A	FRAME-PATH; ML-2160,SEC	SNA	1
6	JC93-00521B	2	L9509	JC66-02709A	ROLLER-TRANSFER; ML-1660,NBR+ECO+SUM22L+N	SA	1
7	JC91-01075A	3		JC91-01077A	FUSER; ML-2160,SEC,220V	SA	1
8	JC93-00521B	2		JC63-03178A	COVER-LSU; ML-2160,HIPS,1.5,285.7,146.1,B	SNA	1
9	JC93-00521B	2		JC93-00518A	FRAME MAIN-RIGHT; ML-2160,SEC	SNA	1
10	JC93-00521B	2		JC63-03182A	SHEET-INSULATOR HVPS; ML-2160,PC,0.254,64	SNA	1
11	JC93-00521B	2		JC93-00402A	FRAME-TERMINAL; ML-2950ND,SEE	SA	2

Exploded Views and Parts List

No.	Parent	Lvl.	Loc.	Material Code	Description & Specification	SNA	Qty.
12	JC93-00521B	2		JC44-00209A	SMPS/HVPS-V2; ML-2160,Bluejay V2,FLYBACK,	SA	1
13	JC93-00521B	2	L9426	JC61-03775A	GUIDE-INPUT; ML-1660,PET+GF,218,BLACK,PAT	SNA	1

3.1. Fuser

Exploded View



Parts List

No.	Parent	Lvl.	Loc.	Material Code	Description & Specification	SNA	Qty.
0	JC93-00521B	2		JC91-01075A	FUSER; ML-2160,SEC,220V	SNA	1
1	JC91-01077A	4	L9461	JC63-02616A	COVER-EXIT; ML-1660,PC,1.7T	SNA	1
2	JC91-01077A	4	F9900	6006-001078	SCREW-TAPTYPE; PH,+,WSP,B,M3,L10,ZPC(WHT)	SA	1
3	JC91-01077A	4	L9488	JC66-02583A	GEAR-EXIT DRV; ML-1660,POM,0.8/0.8,z24,z1	SNA	1
4	JC91-01077A	4		JC66-03058A	GEAR-EXIT; ML-2160,POM,m0.8,z15,BLK,SPUR	SNA	1
5	JC91-01077A	4	L9432	JC61-03782A	BUSH-SHAFT_EXIT; ML-1660,POM,5,9.1,WHITE,	SNA	2
6	JC91-01077A	4	L9380	6107-002664	SPRING-ES; SWP B,PI0.85,L24.4,OD7.0,14.25	SNA	2
7	JC91-01077A	4		JC91-01073A	FUSER-UPPER; ML-2160,SEC,220V	SNA	1
7-1	JC91-01073A	5	L9442	JC61-03968A	STOPPER-GEAR_FUSER; ML-1660,PA66,NATURAL	SNA	1

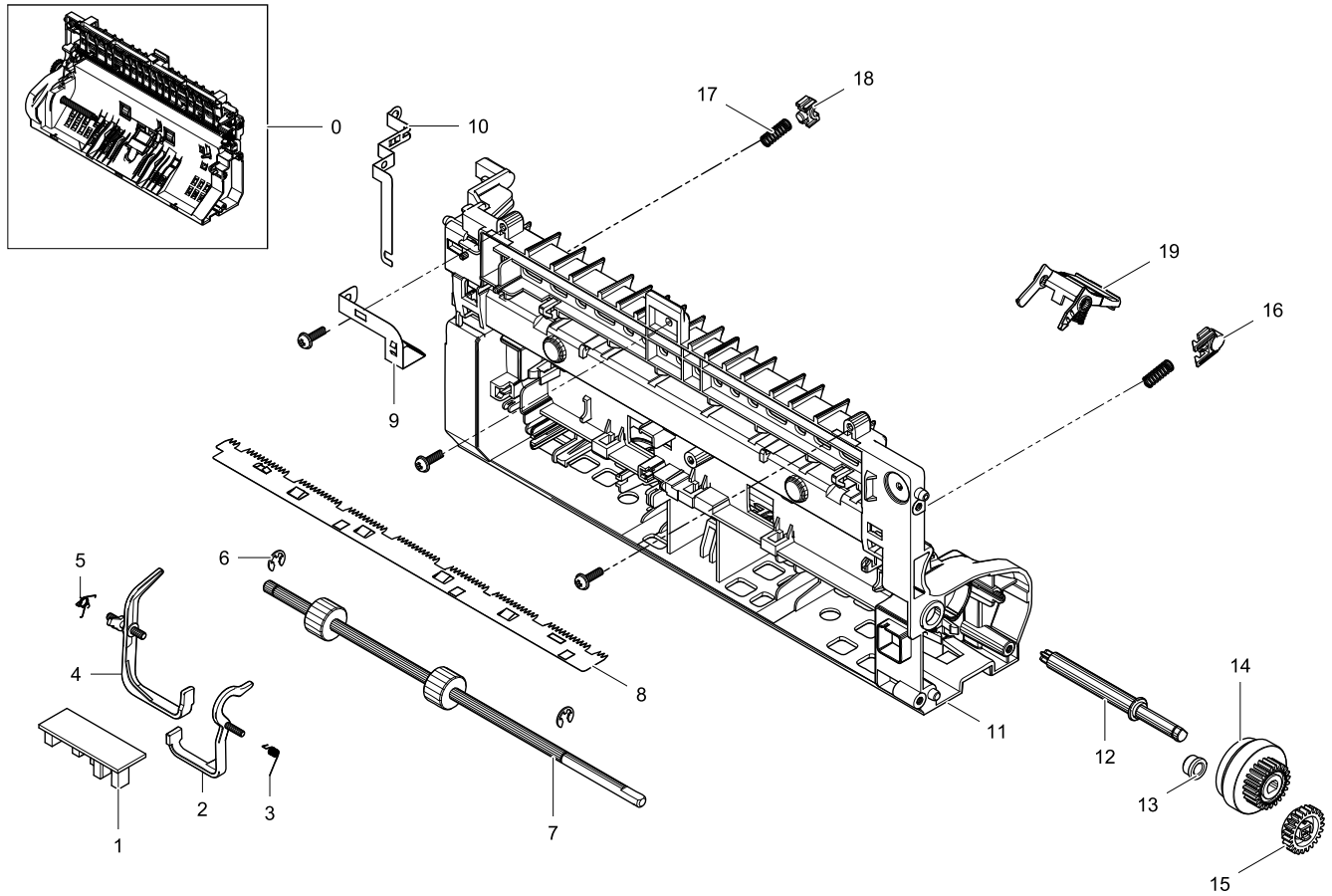
Exploded Views and Parts List

No.	Parent	Lvl.	Loc.	Material Code	Description & Specification	SNA	Qty.
7-2	JC91-01073A	5		JC66-03083A	LEVER-JAM_L; ML-2160,PC,BLACK,ACTUATOR-Lo	SA	1
7-3	JC91-01073A	5		JC63-03238A	COVER-LAMP L; ML-2160,PET+GF30,1.6	SNA	1
7-4	JC91-01073A	5		JC66-03080A	GEAR-FUSER; ML-2160,PPS,0.8,37,BROWN,31.2	SNA	1
7-5	JC91-01073A	5		JC66-03089A	ROLLER-HEAT; ML-2160,AL5052+PTFE,20.25,24	SA	1
7-6	JC91-01073A	5	L9444	JC61-03970A	GUIDE-CLAW; ML-1660,PTFE,WHITE,CLAW	SNA	4
7-7	JC91-01073A	5	L9382	6107-002674	SPRING-TS; SUS304,PI0.35,L6.475,ID3.2,OD3	SNA	4
7-8	JC91-01073A	5		4712-001091	THERMOSTAT; AC125/250V,195+-5100	SNA	1
7-9	JC91-01073A	5	L9361	1404-001541	THERMISTOR-NTC ASSY; 7Kohm,3370K,0.3mW/C	SNA	1
7-10	JC91-01073A	5		JC63-03235A	COVER-FUSER; ML-2160,PET+GF,1.7T,292.8,FR	SNA	1
7-11	JC91-01073A	5	L9410	JC61-03755A	BUSH-HR_R; ML-1660,PPS,17.6,BLACK,CONDUCT	SA	1
7-12	JC91-01073A	5		4713-001641	LAMP-HALOGEN; 230V,750W,287	SA	1
7-13	JC91-01073A	5		JC66-03084A	LEVER-JAM R; ML-2160,PC,BLACK,ACTUATOR-Lo	SA	1
7-14	JC91-01073A	5		JC63-03239A	COVER-LAMP R; ML-2160,PET+GF30,1.6	SNA	1
8	JC91-01077A	4		JC91-01070A	FUSER-EXIT ROLLER; ML-2160,SEC	SA	1
8-1	JC91-01070A	5		JC66-03082A	SHAFT-EXIT F DOWN; ML-2160,PET+GF,254.75,	SNA	1
8-2	JC91-01070A	5	E4156	JC73-40915B	RMO-RUBBER EXIT_DUP; ML-2150,EPDM,11.6	SC	4
8-3	JC91-01070A	5	R0128	JC66-00934A	ROLLER-M_EXIT FR; ML-1610,TEFLON-NTR,6.5,	SNA	4
8-4	JC91-01070A	5	L9431	JC61-03781A	HOLDER-EXIT F DOWN; ML-1660,PC,BLACK,HN-1	SNA	4
8-5	JC91-01070A	5	L9513	JC66-02742A	ROLLER-EXIT_MAIN; ML-1660,POM,9.2,BLACK	SA	4
8-6	JC91-01070A	5	G1505	6107-001163	SPRING-CS; SUS304-WPB,PI0.4,D3.9,L13,OD4.	SA	4
9	JC91-01077A	4		JC91-01071A	FUSER-LOWER; ML-2160,SEC,PR20 pi	SNA	1
9-1	JC91-01071A	5	L9433	JC61-03783A	BRACKET-PR_L; ML-1660,SECC,1.2T,47.7	SNA	1
9-2	JC91-01071A	5	L9411	JC61-03756A	BUSH-PR; ML-1660,PPS,6.1,10,BLACK,CONDUCT	SA	2
9-3	JC91-01071A	5	L9622	JC66-02716B	ROLLER-PRESSURE; ML-1660,SUM22/23,20,237.	SA	1
9-4	JC91-01071A	5	L9430	JC61-03779A	FRAME-FUSER; ML-1660,SECC,0.6T	SNA	1

No.	Parent	Lvl.	Loc.	Material Code	Description & Specification	SNA	Qty.
9-5	JC91-01071A	5	L9434	JC61-03784A	BRACKET-PR_R; ML-1660,SECC,1.2T,46.7	SNA	1
10	JC91-01077A	4		JC63-03257A	COVER-FUSER DUMMY; ML-2160,PET+GF,2,243.3	SNA	1

3.2. FRAME-PATH

Exploded View



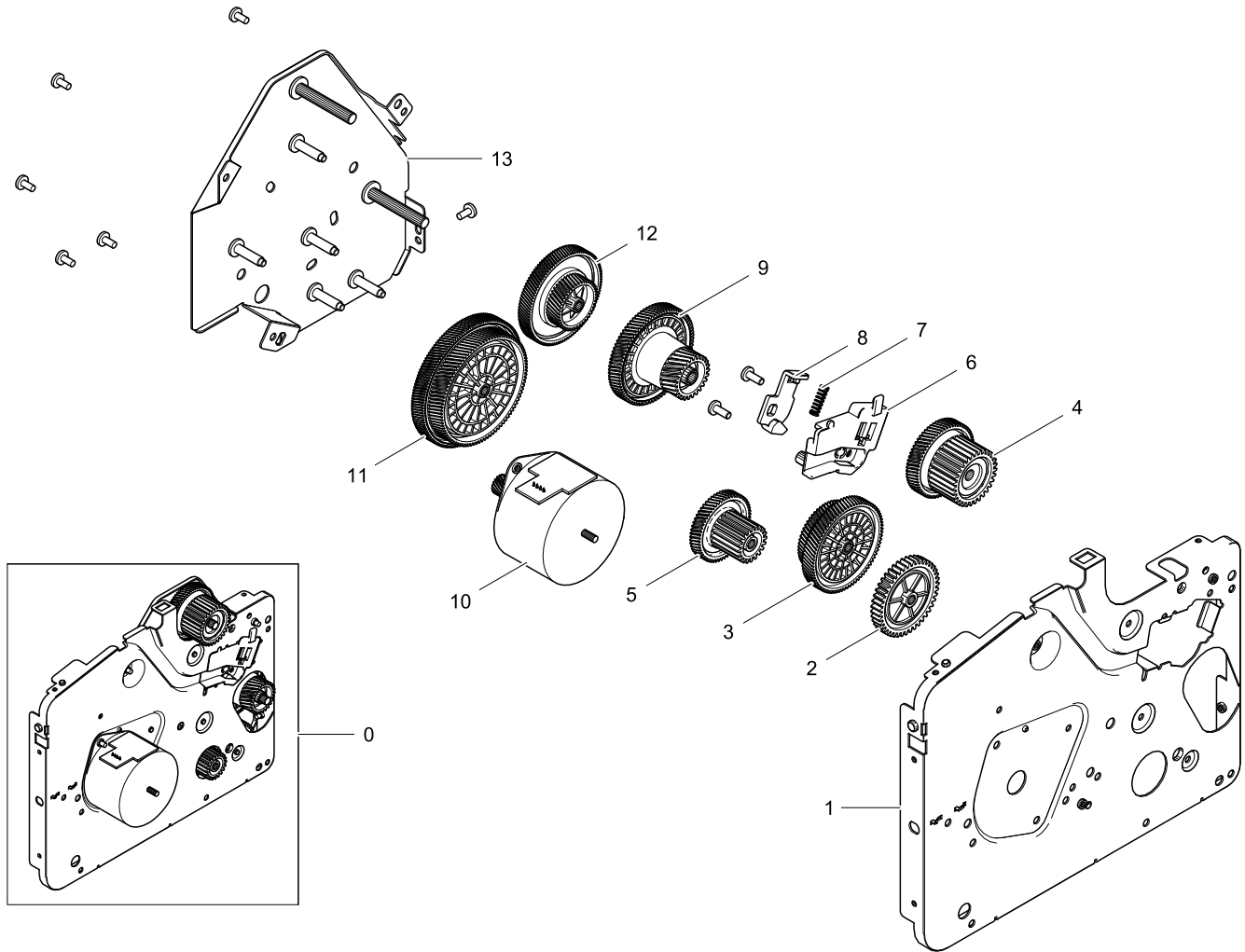
Parts List

No.	Parent	Lvl.	Loc.	Material Code	Description & Specification	SNA	Qty.
0	JC93-00521B	2		JC93-00514A	FRAME-PATH; ML-2160,SEC	SNA	1
1	JC93-00514A	3	L9546	JC92-02288A	PBA-FEED SENSOR; ML-1660,SEC,FEED SENSOR,	SA	1
2	JC93-00515A	4		JC66-03049A	ACTUATOR-FEED; ML-2160,PC,2,39.2,28.9,NH-	SNA	1
3	JC93-00515A	4	L9378	6107-002633	SPRING-TS; SUS304,PI0.2,ID2.7,OD3.1,LEFT,	SA	1
4	JC93-00516A	4		JC66-03050A	ACTUATOR-WIDTH; ML-2160,ABS,2.1,49.77,34.	SNA	1
5	JC93-00516A	4	G1591	6107-001164	SPRING-TS; SUS304-WPB,PI0.15,D3.95,ID3.8,	SA	1
6	JC93-00514A	3	F8266	6044-000125	RING-E; ID4,OD9,T0.6,STSC	SA	2
7	JC93-00514A	3		JC66-02598B	ROLLER-FEED; ML-2160,SUM22,5,213.8,DARK G	SA	1
8	JC93-00514A	3	E9623	JC61-00604A	PLATE-P-SAW; ML-1400,SUS304-CSP,0.15,15.1	SNA	1

No.	Parent	Lvl.	Loc.	Material Code	Description & Specification	SNA	Qty.
9	JC93-00514A	3	L9470	JC63-02625A	GROUND-SAW; ML-1660,SUS,0.2,36.4,18.5,GRO	SNA	1
10	JC93-00514A	3		JC63-03181A	GROUND-THV; ML-2160,SUS,0.2,29.95,44.9,GR	SNA	1
11	JC93-00514A	3		JC61-04430A	GUIDE-PAPER-PATH; ML-2160,HIPS,2,266.1,12	SNA	1
12	JC93-00514A	3		JC66-03068A	SHAFT-HOUSING PICK UP; ML-2160,POM,10,BLA	SNA	1
13	JC93-00514A	3	F0104	JB72-00819A	PMO-BUSH; SCX-1110F,POM,NTR	SA	2
14	JC93-00514A	3		JC47-00033B	CLUTCH-ELECTRIC; ML-2160,DC24V 10%,125mA	SA	1
15	JC93-00514A	3		JC66-03061A	GEAR-FEED; ML-2160,POM,m0.8,z23,BLK,SPUR	SA	1
16	JC93-00514A	3	L9428	JC61-03777A	BUSH-TR L; ML-1660,POM	SA	1
17	JC93-00514A	3	G1432	JC61-70940A	SPRING ETC-TR(12); ML-5500,0.5,5,13,SUS30	SA	2
18	JC93-00514A	3	L9427	JC61-03776A	BUSH-TR R; ML-1660,POM,Black,ST4200-8003	SA	1
19	JC93-00514A	3		JC93-00522A	FRAME-HOLDER PAD; ML-2160,SEC	SA	1

3.3. FRAME MAIN-LEFT

Exploded View



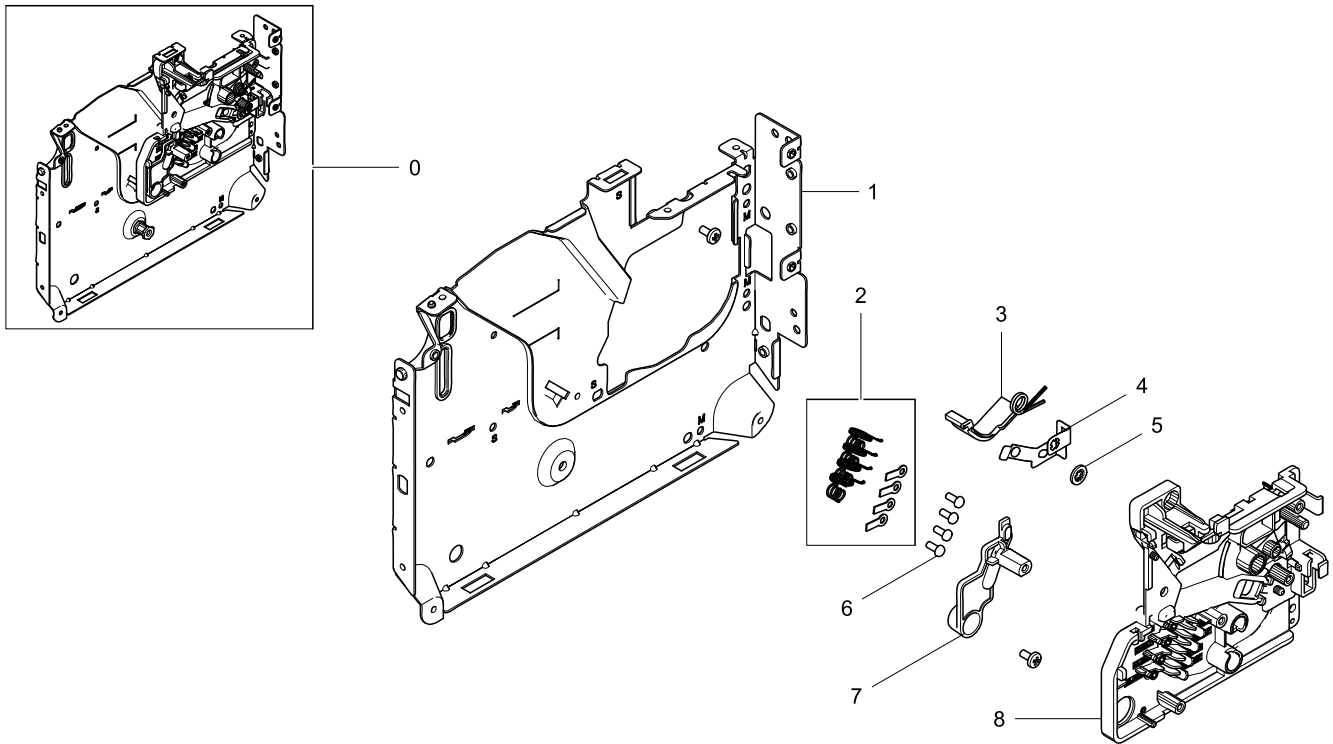
Parts List

No.	Parent	Lvl.	Loc.	Material Code	Description & Specification	SNA	Qty.
0	JC93-00521B	2		JC93-00517A	FRAME MAIN-LEFT; ML-2160,SEC	SNA	1
1	JC93-00517A	3		JC61-04437A	FRAME-LEFT; ML-2160,SECC,T0.8,191,156.3	SNA	1
2	JC93-00517A	3		JC66-03060A	GEAR-FEED DRV; ML-2160,POM,m0.8,z43,WHT,S	SNA	1
3	JC93-00517A	3		JC66-03054A	GEAR-RDCN OPC; ML-2160,POM,m0.5/m0.5,z78/	SNA	1
4	JC93-00517A	3		JC66-03057A	GEAR-FUSER DRV; ML-2160,POM,m0.4/m0.8,z79	SNA	1
5	JC93-00517A	3		JC66-03059A	GEAR-RDCN FEED; ML-2160,POM,m0.5/m0.8,z57	SNA	1
6	JC93-00517A	3		JC61-04432A	GUIDE-DEVE-RAIL-L; ML-2160,ABS,1.5,43.3,2	SNA	1
7	JC93-00517A	3		6107-003019	SPRING-CS; SWPB,0.55,3.75,18.4,4.3	SNA	1

No.	Parent	Lvl.	Loc.	Material Code	Description & Specification	SNA	Qty.
8	JC93-00517A	3		JC64-00679A	LOCKER-DEVE; ML-2160,POM,NATURAL,K300	SNA	1
9	JC93-00517A	3		JC66-03055A	GEAR-OPC DRV; ML-2160,POM,m0.5/m0.7,z83/z	SNA	1
10	JC93-00517A	3		JC93-00530A	DRIVE-MOTOR STEP; ML-2160,SEC,XAA	SA	1
11	JC93-00517A	3		JC66-03053A	GEAR-RDCN A; ML-2160,POM,m0.4/m0.5,z139/z	SNA	1
12	JC93-00517A	3		JC66-03056A	GEAR-RDCN FUSER; ML-2160,POM,m0.4/m0.4,z1	SNA	1
13	JC93-00517A	3		JC61-04439A	BRACKET-GEAR; ML-2160,SECC,0.8T,140,143	SNA	1

3.4. FRAME MAIN-RIGHT

Exploded View

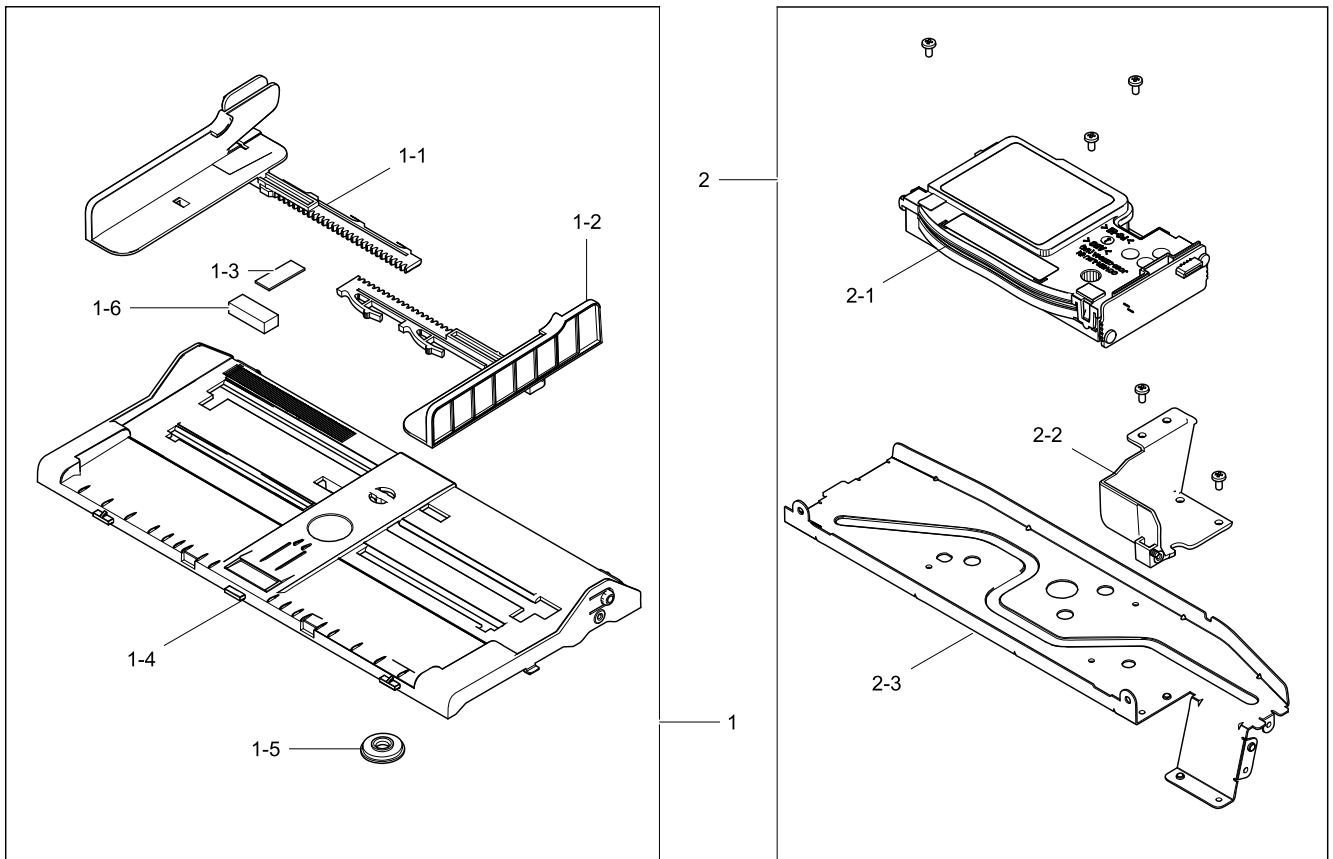


Parts List

No.	Parent	Lvl.	Loc.	Material Code	Description & Specification	SNA	Qty.
0	JC93-00521B	2		JC93-00518A	FRAME MAIN-RIGHT; ML-2160,SEC	SNA	1
1	JC93-00518A	3		JC61-04436A	FRAME-RIGHT; ML-2160,SECC,T0.8,201,159	SNA	1
2	JC93-00518A	3		JC65-00053A	TERMINAL-CRUM; ML-2160,SUS304WPB,0.55	SA	4
3	JC93-00518A	3	L9376	6107-002625	SPRING-TS; SWP B,PI1.1,D7.5,ID6.4,OD8.6,2	SNA	1
4	JC93-00518A	3		JC63-03180A	GROUND-OPC; ML-2160,SUS,0.2,32.2,17,GROUN	SNA	1
5	JC93-00518A	3	F8258	6044-000001	RING-CS; ID2.8,OD8,T0.25,BLACK,SK-5	SNA	1
6	JC93-00518A	3	L5476	6002-000308	SCREW-TAPTYPE; PH,+,-,B,M2.6,L6,ZPC(WHT),	SNA	4
7	JC93-00518A	3		JC63-03176A	COVER-CRUM; ML-2160,ABS,1.8,28.4,45.6,Bla	SNA	1
8	JC93-00518A	3		JC61-04431A	GUIDE-DEVE RAIL R; ML-2160,ABS,2,110.8,10	SNA	1

3.5. FRAME MAIN-MIDDLE and BOTTOM

Exploded View



Parts List

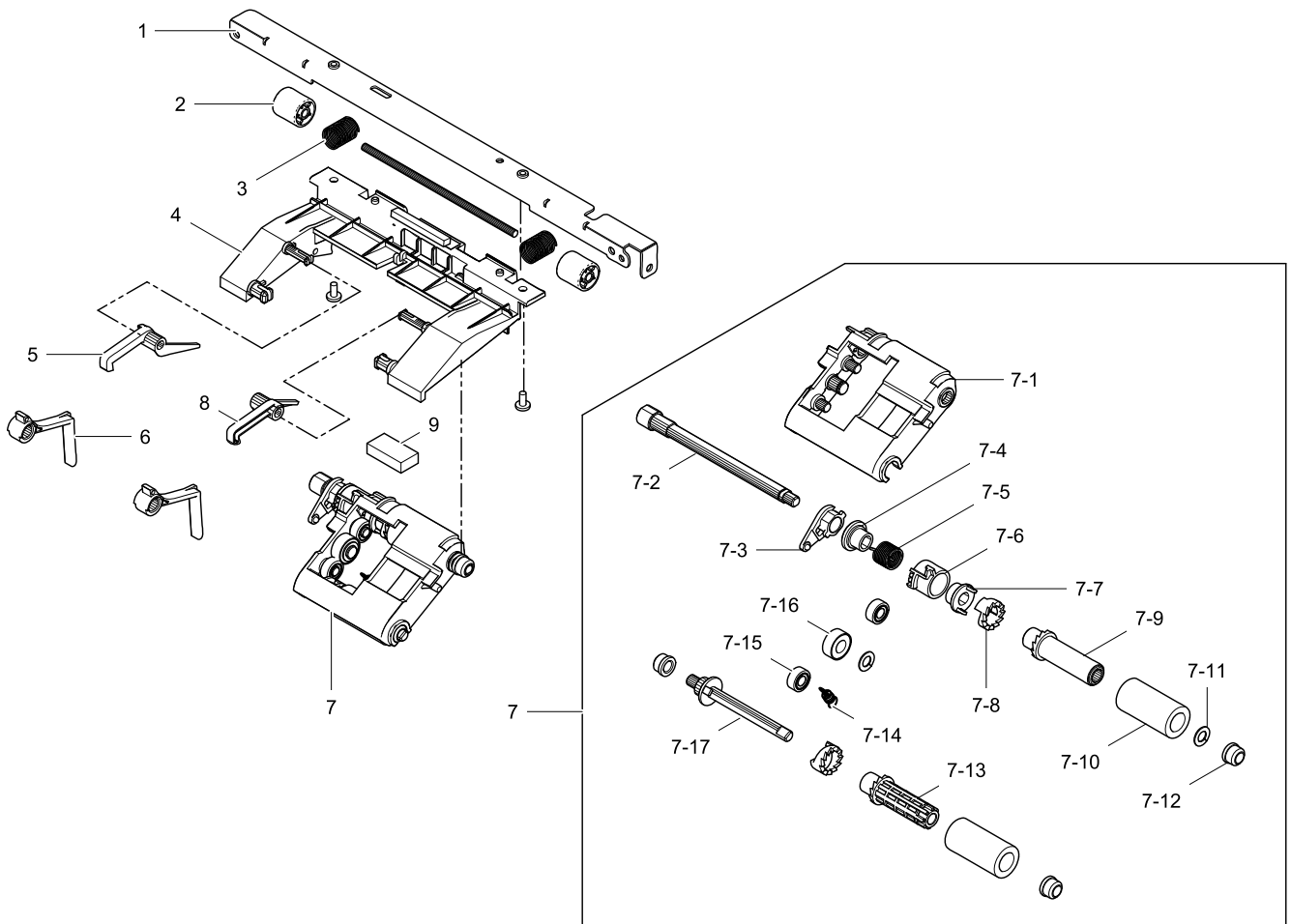
No.	Parent	Lvl.	Loc.	Material Code	Description & Specification	SNA	Qty.
1	JC93-00521B	2		JC93-00520A	FRAME MAIN-BOTTOM; ML-2160,SEC	SA	1
1-1	JC93-00520A	3		JC61-04455A	ADJUST-R; ML-2160,HIPS,1.7,120.5,110,HR-1	SNA	1
1-2	JC93-00520A	3		JC61-04454A	ADJUST-L; ML-2160,HIPS,1.7,120.5,110,HR-1	SNA	1
1-3	JC93-00520A	3		JC67-00550A	PAD RUBBER-FRICTION; ML-2160,EPDM,1,23x8.	SA	1
1-4	JC93-00520A	3		JC61-04445A	PLATE-BOTTOM; ML-2160,HIPS,2,265.9,124.5,	SNA	1
1-5	JC93-00520A	3	C3690	JG66-40003A	GEAR-PINION; SF4000,POM,1,Z16,WHT	SA	1
1-6	JC93-00520A	3		JC66-03438A	DAMPER-SPONGE; ML-2160,SPONGE,5t,9x9,SHL	SNA	1
2	JC93-00521B	2		JC93-00519A	FRAME MAIN-MIDDLE; ML-2160,SEC	SNA	1
2-1	JC93-00519A	3		JC97-03775B	LSU; ML-1860,SEC,Single,A4(Ltr),600,S1,78	SA	1

Exploded Views and Parts List

No.	Parent	Lvl.	Loc.	Material Code	Description & Specification	SNA	Qty.
2-2	JC93-00519A	3		JC63-03179A	COVER-MOTOR; ML-2160,HIPS,2,48.6,64.6,Bla	SNA	1
2-3	JC93-00519A	3		JC61-04434A	BRACKET-LSU; ML-2160,EGI-SECC,T0.8,266.1,	SNA	1

3.6. FRAME-FEED IDLE

Exploded View



Parts List

No.	Parent	Lvl.	Loc.	Material Code	Description & Specification	SNA	Qty.
1	JC93-00524A	3		JC61-04438A	PLATE-IDLE-HOLDER; ML-2160,EGI-SECC,T1.0,	SNA	1
2	JC93-00524A	3	F8922	JC66-00529A	ROLLER-M-IDLE FEED; ML-1510,POM(DELTRIN890	SA	2
3	JC93-00524A	3		6107-003107	SPRING-CS; SWP B,0.5,12.3,4.1,5.1,5,RIGHT	SNA	2
4	JC93-00524A	3		JC61-04446A	PLATE-GUIDE; ML-2160,ABS,2,132.2,HF-0660I	SNA	1
5	JC93-00524A	3		JC66-03063A	LATCH-L; ML-2160,POM,11.6,48.9,20.4	SNA	1
6	JC93-00524A	3		JC61-04452A	STOPPER-PAPER; ML-2160,POM,6.3,42.9,34.5,	SNA	2
7	JC93-00524A	3		JC93-00525A	FRAME-PICK UP; ML-2160,SEC	SA	1
7-1	JC93-00525A	4		JC61-04440A	HOUSING-PICKUP; ML-2160,ABS,2,HF0660i	SNA	1
7-2	JC93-00525A	4		JC66-03067A	SHAFT-PICKUP; ML-2160,PC,92.5,9	SNA	1

Exploded Views and Parts List

No.	Parent	Lvl.	Loc.	Material Code	Description & Specification	SNA	Qty.
7-3	JC93-00525A	4	I7270	JC61-02260A	HOLDER-SHAFT; CLX-6200FX,POM	SNA	1
7-4	JC93-00525A	4	G0795	JC61-02807A	SLEEVE-CLUTCH MP; ML-2855ND,1.2,6.1,8.4,8	SNA	1
7-5	JC93-00525A	4		6107-002958	SPRING-TS; SWRS82A,10,8.13,9.7,RIGHT	SNA	1
7-6	JC93-00525A	4		JC61-04443A	COLLAR-MP; ML-2160,POM,10.6,13.4,WHITE	SNA	1
7-7	JC93-00525A	4		JC66-03066A	GEAR-JOINT; ML-2160,POM,0.5,17,-,WHITE,9.	SNA	1
7-8	JC93-00525A	4	F4568	JB72-00845A	PMO-PICK UP CLUTCH SUB; SCX-1110F,POM(DE8	SNA	2
7-9	JC93-00525A	4	G0798	JC61-02808A	SLEEVE-MP; ML-2855ND,2,9,41.4,10	SNA	1
7-10	JC93-00525A	4		JC66-03439A	ROLLER-PICKUP; ML-2160,EPDM,15,30,GRAY	SA	2
7-11	JC93-00525A	4	L8199	6031-001255	WASHER-PLAIN; NYLON,CUTTING,ID5,OD9,T0.5,	SNA	2
7-12	JC93-00525A	4	F0104	JB72-00819A	PMO-BUSH; SCX-1110F,POM,NTR	SA	3
7-13	JC93-00525A	4	G0794	JC61-02503A	SLEEVE-ADF; CLX-3170FN,5,39.4,10,BLK	SNA	1
7-14	JC93-00525A	4		6107-003105	SPRING-ES; SUS304,0.3,15,3.9,4.5,20.25,RI	SNA	1
7-15	JC93-00525A	4	C3485	JC66-01918A	GEAR-IDLE PICK UP; CLX-3170FN,POM,0.5,20,	SNA	2
7-16	JC93-00525A	4	C3370	JC66-01755A	GEAR-FEED IDLE D; CLX-6200FX,POM,M0.5,Z23	SA	1
7-17	JC93-00525A	4	F8981	JC66-01910A	ROLLER-SHAFT ADFDRIVE; CLX-3170FN,POM,9.5	SNA	1
8	JC93-00524A	3		JC66-03062A	LATCH-R; ML-2160,POM,13.3,48.9,20.4	SNA	1
9	JC93-00524A	3		JC66-03581A	DAMPER-SPONGE ADF; ML-2160,SPONGE,4T,8,17	SNA	1