

Spare Parts Listings + Disassembly Diagrams

ML5520



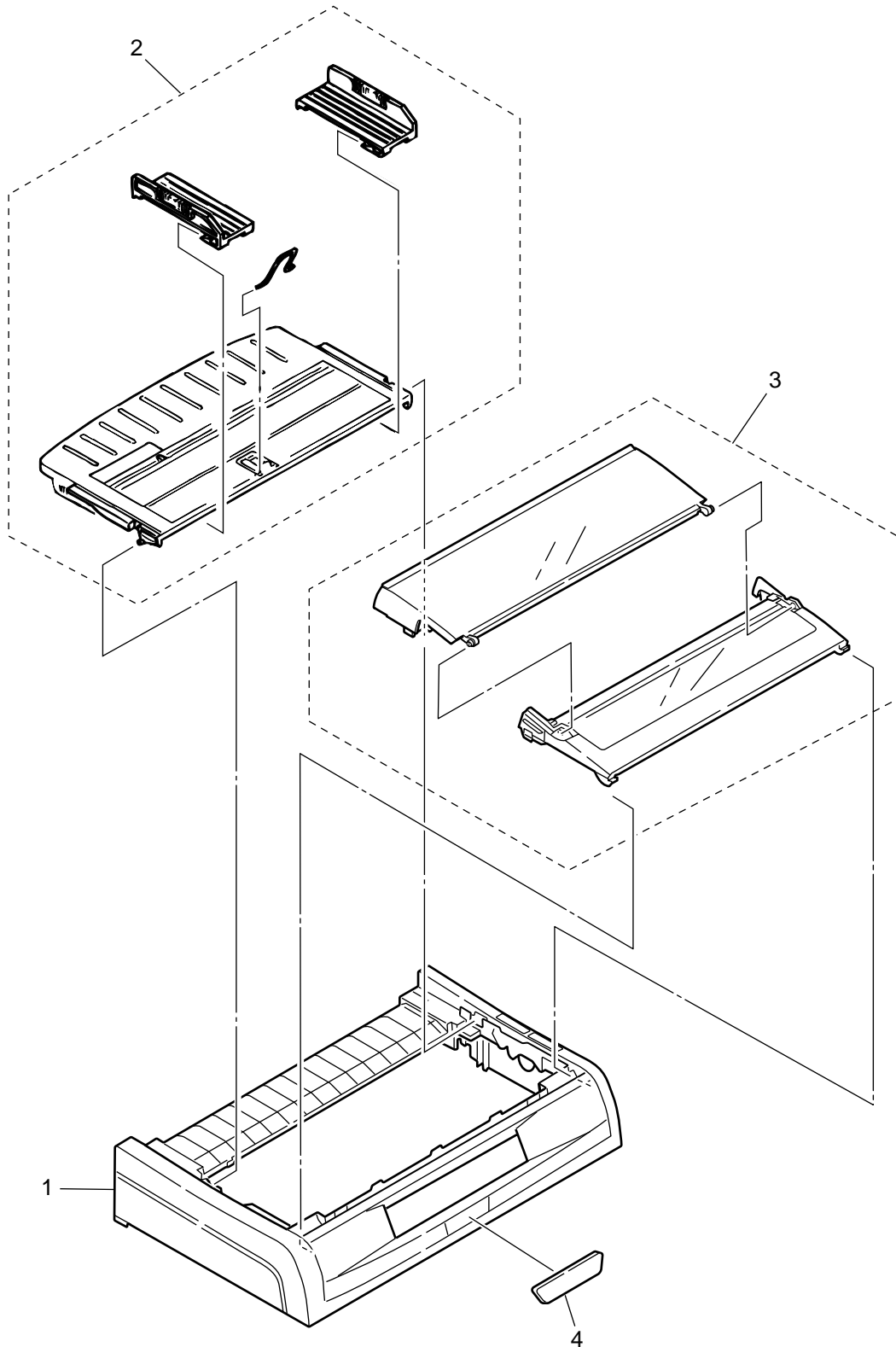
Revision 2

Rev.	Unit Name	No.	Part No.	SAP part no	Part Name	Q'ty /Unit	Recommended Q'ty/Year			Remarks	Del /Add	Remarks for environment
							per 500	per 1000	per 2000			
2	Printer General Assy	1	PP4025-2871P021	2PP4025-2871P021	Platen knob	1	1	2	4	A standard color		-
	Printer General Assy	1	40211004		Knob-Platen	1	1	2	4	Dell color(ODA)		-
	Printer General Assy	2	42024002		PCB assembly TPW	1	9	18	36			G
	Printer General Assy	3	43431504		Board-NNX	1	9	18	36	ODA(Without ROM)		-
	Printer General Assy	3	43431506		Board-NNX	1	9	18	36	OEL(Without ROM)		-
	Printer General Assy	3	43431508		Board-NNX	1	9	18	36	ODA(Activant) (With ROM)		-
	Printer General Assy	3	43431510		Board-NNX	1	9	18	36	ODA(Activant) (Without ROM)		-
	Printer General Assy	3	43431502		Board-NNX	1	9	18	36	INT(Without ROM)		-
	Printer General Assy	4	YA4042-1516G007	4YA4042-1516G007	OPE PCB assembly LEOP	1	3	6	12			G
2	Printer General Assy	5	42116101		OP Panel -	1	2	4	8	A standard color (ODA,INT)		-
	Printer General Assy	5	42116105		OP Panel -	1	2	4	8	Dell color(ODA)		-
	Printer General Assy	5	42116106		OP Panel -					OEL		-
7	Printer General Assy	6	41888902		OR-CONN Cord(Australia)	1	1	2	4	INT(AUS)		-
	Printer General Assy	7	41923901		Dot head-9pin	1	10	20	40			G
	Printer General Assy	8	42124701		Fuse-Trans(120V)	1	10	20	40	120V (ODA)		-
	Printer General Assy	8	42124702		Fuse-Trans(230V)	1	10	20	40	230V		-
	Printer General Assy	9	42021401		PWR unit-ACDC DROP(120V)	1	2	4	8	120V (ODA)		G
	Printer General Assy	9	42021501		PWR unit-ACDC DROP(230V)	1	2	4	8	230V		G
	Printer General Assy	10	42105001		FG_PLATE_B	1	2	4	8			G
7	Printer General Assy	11	42475601		Sheet-PCB	1	2	4	8			-
2	Upper Cover Assy	1	42040801		Cover-Upper(N)	1	2	4	8	PD426 A standard color		-
	Upper Cover Assy	1	42040802		Cover-Upper(N)	1	2	4	8	PD426 Dell color(ODA)		-
	Upper Cover Assy	1	42040901		Cover-Upper(W)	1	2	4	8	PD427 A standard color		-
3	Upper Cover Assy	1	42040902		Cover-Upper(W)	1	2	4	8	PD427 Dell color(ODA)		-
2	Upper Cover Assy	2	PA4094-7305G010	1PA4094-7305G010	Sheet guide assembly(N)	1	2	4	8	PD426 A standard color		-
	Upper Cover Assy	2	40165004		Sheet guide assembly(N)	1	2	4	8	PD426 Dell color(ODA)		-
	Upper Cover Assy	2	PA4094-7308G011	1PA4094-7308G011	Sheet guide assembly(W)	1	2	4	8	PD427 A standard color		-
3	Upper Cover Assy	2	41772403		Sheet guide assembly(W)	1	2	4	8	PD427 Dell color(ODA)		-
2	Upper Cover Assy	3	42115401		Cover-Access-Assy(N)	1	2	4	8	PD426 A standard color		-
	Upper Cover Assy	3	42115402		Cover-Access-Assy(N)	1	2	4	8	PD426 Dell color(ODA)		-
	Upper Cover Assy	3	42115301		Cover-Access-Assy(W)	1	2	4	8	PD427 A standard color		-
3	Upper Cover Assy	3	42115304		Cover-Access-Assy(W)	1	2	4	8	PD427 Dell color(ODA)		-
11	Upper Cover Assy	4	43756901		Plate-Logo	1	2	4	8	INT PD426	A	-
11	Upper Cover Assy	4	43756905		Plate-Logo	1	2	4	8	ODA PD426	A	-
11	Upper Cover Assy	4	43756909		Plate-Logo	1	2	4	8	OEL PD426	A	-
11	Upper Cover Assy	4	43756902		Plate-Logo	1	2	4	8	INT PD427	A	-
11	Upper Cover Assy	4	43756906		Plate-Logo	1	2	4	8	ODA PD427	A	-
11	Upper Cover Assy	4	43756910		Plate-Logo	1	2	4	8	OEL PD427	A	-
2	Printer Unit	1	42114901		Main-Chassie Assy(N)	1	2	4	8	PD426 A standard color		G
	Printer Unit	1	42114902		Main-Chassie Assy(N)	1	2	4	8	PD426 Dell color(ODA)		G
	Printer Unit	1	42115001		Main Chassie Assy(W)	1	2	4	8	PD427 A standard color		G
3	Printer Unit	1	42115003		Main Chassie Assy(W)	1	2	4	8	PD427 Dell color(ODA)		G
	Printer Unit	2	PP4044-5012P001	3PP4044-5012P001	Bottom paper end lever	1	1	2	4			-
	Printer Unit	3	PP4044-5019P001	4PP4044-5019P001	Pressure spring(F)	3	2	4	8	PD426		-
	Printer Unit	3	PP4044-5019P001	4PP4044-5019P001	Pressure spring(F)	5	4	8	16	PD427		-
	Printer Unit	4	PP4044-5031P001	4PP4044-5031P001	Roller holder(F)	3	6	12	24	PD426		-
	Printer Unit	4	PP4044-5031P001	4PP4044-5031P001	Roller holder(F)	5	8	16	32	PD427		-
	Printer Unit	5	PA4025-3327G002	4PA4025-3327G002	Front pressure roller assembly	3	6	12	24	PD426		-
	Printer Unit	5	PA4025-3327G002	4PA4025-3327G002	Front pressure roller assembly	5	8	16	32	PD427		-
	Printer Unit	6	PP4044-5015P001	3PP4044-5015P001	Release shaft(N)	1	2	4	8	PD426		-
	Printer Unit	6	PP4044-5157P001	3PP4044-5157P001	Release shaft(W)	1	2	4	8	PD427		-
	Printer Unit	7	PP4044-5021P001	1PP4044-5021P001	Paper pan plate(N)	1	2	4	8	PD426		-
	Printer Unit	7	PP4044-5158P001	1PP4044-5158P001	Paper pan plate(W)	1	2	4	8	PD427		-
6	Printer Unit	8	42256301		Spring-leaf(N)	1	2	4	8	PD426		-
6	Printer Unit	8	42256201		Spring-leaf(W)	1	2	4	8	PD427		-
	Printer Unit	9	PP4044-5011P001	3PP4044-5011P001	Paper end lever	1	1	2	4			-
	Printer Unit	10	40775901		Sensor lever	1	1	2	4			-
	Printer Unit	11	PP4025-3340P001	4PP4025-3340P001	Change gear	1	2	4	8			-
	Printer Unit	12	PP4025-3341P001	3PP4025-3341P001	Tractor gear	1	2	4	8			-
	Printer Unit	13	PP4044-5020P001	4PP4044-5020P001	Pressure spring(R)	3	2	4	8			-
	Printer Unit	14	PP4044-5163P001	4PP4044-5163P001	Pressure spring(W)	2	1	2	4	PD427		-
	Printer Unit	15	PP4044-5033P001	3PP4044-5033P001	Roller holder(R)	3	6	12	24	PD426		-
	Printer Unit	15	PP4044-5033P001	3PP4044-5033P001	Roller holder(R)	5	10	20	40	PD427		-
	Printer Unit	16	PP4044-5017P001	4PP4044-5017P001	Change arm lever	1	2	4	8			-
	Printer Unit	17	PP4044-5014P001	3PP4044-5014P001	Switch lever	1	1	2	4			-
	Printer Unit	18	PP4044-5024P001	4PP4044-5024P001	Idle gear (PLT)	1	2	4	8			-
2	Printer Unit	19	PP4044-5016P001	2PP4044-5016P001	Change lever	1	2	4	8	A standard color		-
	Printer Unit	19	42439101		Lever-Change	1	2	4	8	Dell color(ODA)		-
6	Printer Unit	20	42895401		Reset Spring D	1	2	4	8			G
	Printer Unit	21	41737901		LF motor assembly	1	4	8	16			G
	Printer Unit	22	PP4044-5034P001	3PP4044-5034P001	Rear pressure roller(N)	1	2	4	8	PD426		-
	Printer Unit	22	PP4044-5162P001	3PP4044-5162P001	Rear pressure roller(W)	1	2	4	8	PD427		-
	Printer Unit	23	PA4044-5025G002	3PA4044-5025G002	Platen assembly(N)	1	3	6	12	PD426		G
	Printer Unit	23	PA4044-5159G002	3PA4044-5159G002	Platen assembly(W)	1	3	6	12	PD427		G
	Printer Unit	24	40907901		Space rack gear (N)	1	3	6	12	PD426		-
	Printer Unit	24	40908001		Space rack gear (W)	1	3	6	12	PD427		-
	Printer Unit	25	PB4025-3377P002	4PB4025-3377P002	Rack tension spring	1	1	2	4			-
	Printer Unit	26	PP4044-5008P001	3PP4044-5008P001	Guide rail plate (N)	1	1	2	4	PD426		G
	Printer Unit	26	PP4044-5155P001	3PP4044-5155P001	Guide rail plate (W)	1	1	2	4	PD427		G

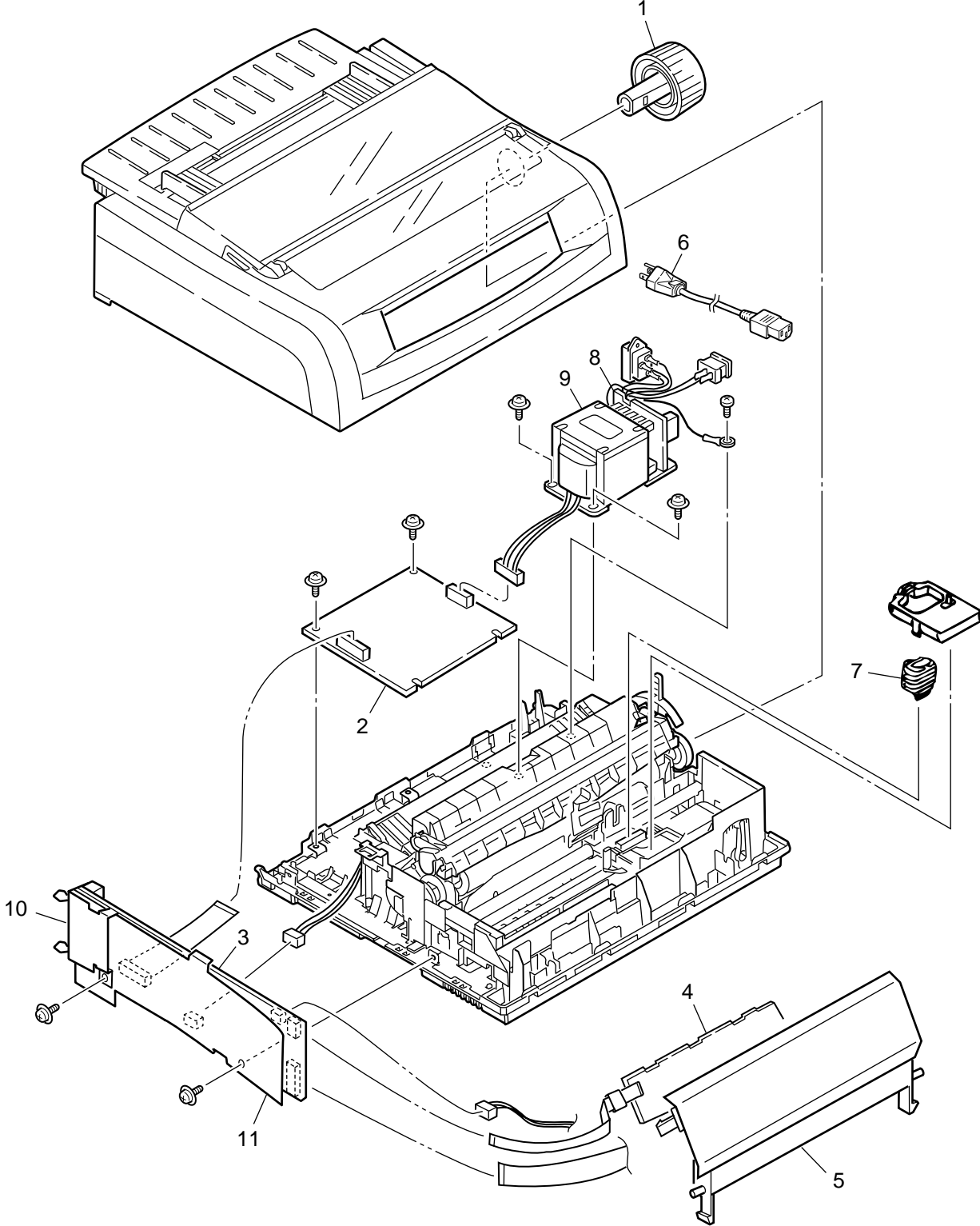
Rev.	Unit Name	No.	Part No.	SAP part no	Part Name	Q'ty /Unit	Recommended Q'ty/Year			Remarks	Del /Add	Remarks for environment
							per 500	per 1000	per 2000			
	Printer Unit	27	PP4025-2810P002	3PP4025-2810P002	Adjust cam	1	1	2	4			-
	Printer Unit	28	PP4044-5009P001	4PP4044-5009P001	Carriage shaft	1	1	2	4	PD426		G
	Printer Unit	28	PP4044-5009P002	4PP4044-5009P002	Carriage shaft	1	1	2	4	PD427		G
	Printer Unit	29	42284401		FGPlate-Weld	1	1	2	4			G
7	Printer Unit	30	PA4044-5050G002	3PA4044-5050G002	Pull-up roller assembly(N)	1	2	4	8	PD426 OEL		-
	Printer Unit	30	42044701		Pull-up roller assembly(N)	1	2	4	8	PD426 ODA,INT A standard color		-
	Printer Unit	30	42044703		Pull-up roller assembly(N)	1	2	4	8	PD426 Dell color(ODA)		-
7	Printer Unit	30	42895901		Pull up Roller_Assy(N)	1	2	4	8	PD426 Activant(ODA)		-
7	Printer Unit	30	PA4044-5165G002	3PA4044-5165G002	Pull-up roller assembly(W)	1	2	4	8	PD427 OEL		-
	Printer Unit	30	42045701		Pull-up roller assembly (W)	1	2	4	8	PD427 ODA,INT A standard color		-
3	Printer Unit	30	42045704		Pull-up roller assembly (W)	1	2	4	8	PD427 Dell color(ODA)		-
7	Printer Unit	30	42896001		Pull up Roller_Assy(W)	1	2	4	8	PD427 Activant(ODA)		-
	Printer Unit	31	40355101		Idle gear 9	1	4	8	16			-
	Printer Unit	32	PA4044-5041G002	4PA4044-5041G002	Tractor frame assembly (R)	1	2	4	8			G
	Printer Unit	33	PA4044-5043G002	4PA4044-5043G002	Tractor frame assembly (L)	1	2	4	8			G
	Printer Unit	34	PP4025-3335P003	4PP4025-3335P003	Drive shaft	1	2	4	8	PD426		G
	Printer Unit	34	PP4025-3335P004	4PP4025-3335P004	Drive shaft	1	2	4	8	PD427		G
	Printer Unit	35	PP4044-5046P001	3PP4044-5046P001	Tractor sheet guide	1	2	4	8	PD427		-
	Printer Unit	36	42111701		Film-Head_Cable(W)	1	2	4	8			-
	Printer Unit	37	PP4044-5089P001	3PP4044-5089P001	Change gear shaft	1	2	4	8			G
	Printer Unit	38	42119001		Motor-Fan	1	4	8	16			G
2	Printer Unit	39	42086601		Fan-Cover	1	2	4	8	A standard color		-
	Printer Unit	39	42086602		Fan-Cover	1	2	4	8	Dell color(ODA)		-
	Printer Unit	40	42277201		Shield_Sheet_Front	1	2	4	8	PD427		-
	Printer Unit	40	42277202		Shield_Sheet_Front	1	2	4	8	PD426		-
	Printer Unit	41	42105201		FG_SPRING_F	1	2	4	8			-
	Printer Unit	42	PP4044-5018P001	4PP4044-5018P001	Support spring D	1	2	4	8			-
	Carriage Assy	1	PP4044-5061G001	4PP4044-5061G001	Carriage frame	1	2	4	8			-
	Carriage Assy	3	40917101		Holder Assy.-Buck-up roller	1	2	4	8			-
	Carriage Assy	4	40493301		Guide-roller Ass	1	2	4	8			-
	Carriage Assy	6	42103601		SP Motor-9pin	1	4	8	16			G
	Carriage Assy	7	42177302		Head cable	1	5	10	20			-
	Carriage Assy	8	PB4044-5125P001	3PB4044-5125P001	15Pin connector	1	2	4	8			G
10	Carriage Assy	9	42348103		Gear_Case_Assy	1	3	6	12	OEL,ODA	A	-
10	Carriage Assy	9	42348104		Gear_Case_Assy	1	3	6	12	INT	A	-
	Carriage Assy	10	PP4044-5068P001	3PP4044-5068P001	HEAD CLAMP HOLDER	1	1	2	4			-
	Carriage Assy	11	PP4044-5067P001	4PP4044-5067P001	HEAD PLATE	1	1	2	4			-
	Carriage Assy	12	PP4044-5064P001	3PP4044-5064P001	RIBBON PROTECTOR FRAME	1	2	4	8			-
	Carriage Assy	13	PP4025-3397P002	4PP4025-3397P002	Back-up roller holder spring	1	1	2	4			-
	Carriage Assy	14	PP4044-5066P001	4PP4044-5066P001	GUIDE ROLLER HOLDER SPRING	1	1	2	4			-
	Option Spare Parts	1	PA4025-3608G001	4PA4025-3608G001	Pull and bottom tractor assy (L)	1	2	4	8			G
	Option Spare Parts	2	PA4025-3603G001	4PA4025-3603G001	Pull and bottom tractor assy (R)	1	2	4	8			G
	Option Spare Parts	3	PP4128-1239G001	2PP4128-1239G001	Tractor cover assy (N)	1	3	6	12	PD426		-
	Option Spare Parts	3	PP4128-1243G001	2PP4128-1243G001	Tractor cover assy (W)	1	3	6	12	PD427		-
2	Option Spare Parts	4	PA4128-1277G001	1PA4128-1277G001	Bottom push stand (L)	1	2	4	8	A standard color		-
	Option Spare Parts	4	42451601		Stand Assy.-	1	2	4	8	Dell color(ODA)		-
2	Option Spare Parts	5	PA4128-1277G002	1PA4128-1277G002	Bottom push stand (R)	1	2	4	8	A standard color		-
	Option Spare Parts	5	42451602		Stand Assy.-	1	2	4	8	Dell color(ODA)		-
	Option Spare Parts	6	PP4094-7385G001	4PP4094-7385G001	Paper knife (N)	1	1	2	4	PD426		-
	Option Spare Parts	6	PP4094-7386G001	4PP4094-7386G001	Paper knife (W)	1	1	2	4	PD427		-
5	Option Spare Parts	7	40208201		PCB Unit-CSF-Single	1	3	6	12			G
5	Option Spare Parts	8	40208202		PCB Unit-CSF-Dual	1	3	6	12			G

Quantity per year: Indicates the recommended number of each part that should be ordered for routine maintenance for one year for 500 units of printers and assuming that the printers are operated for 2 hours/day of 600 hours/year. The following codes are used to indicate the number of printers for which maintenance parts are ordered.

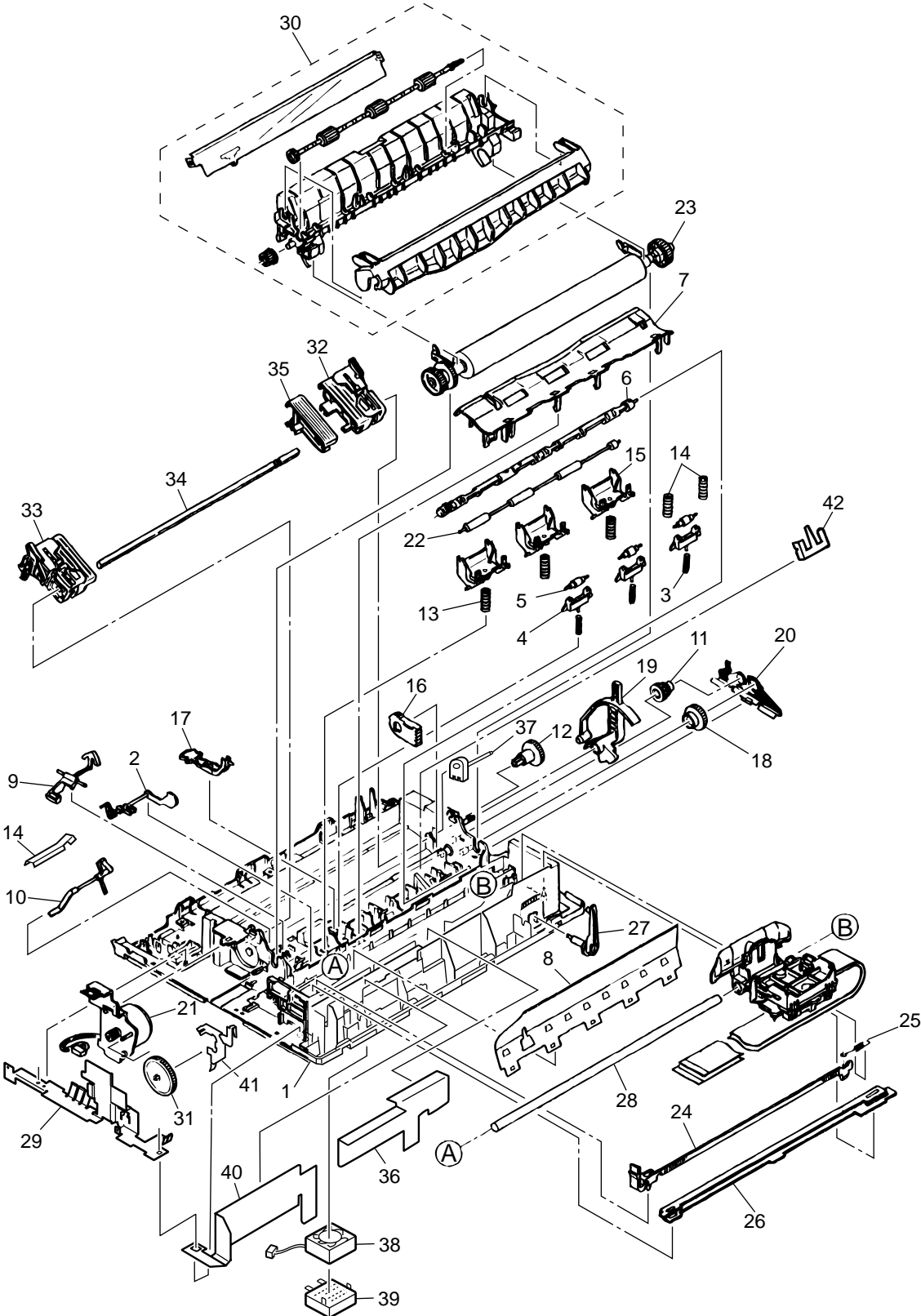
Upper Cover Assy



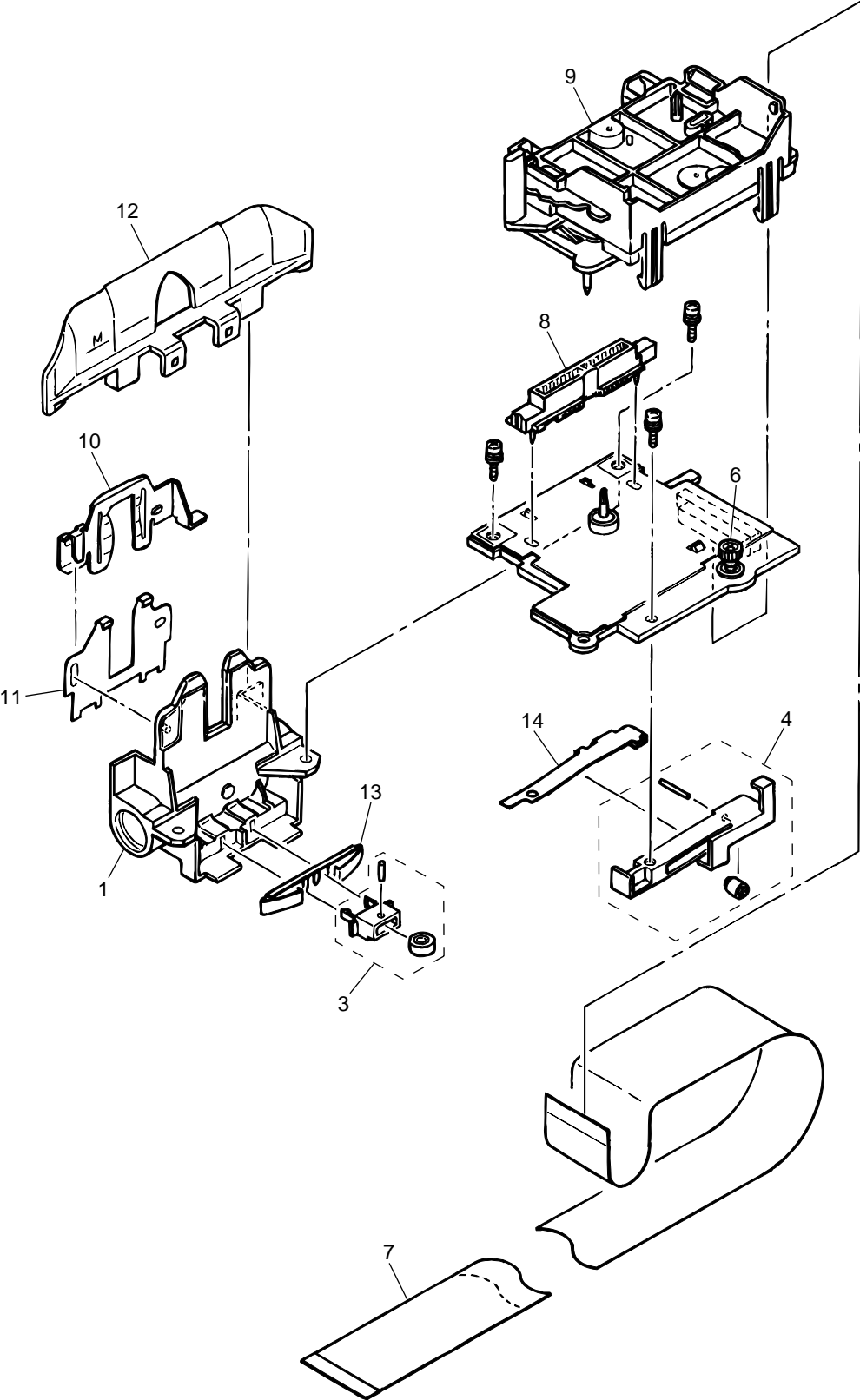
Printer General Assy



Printer Unit

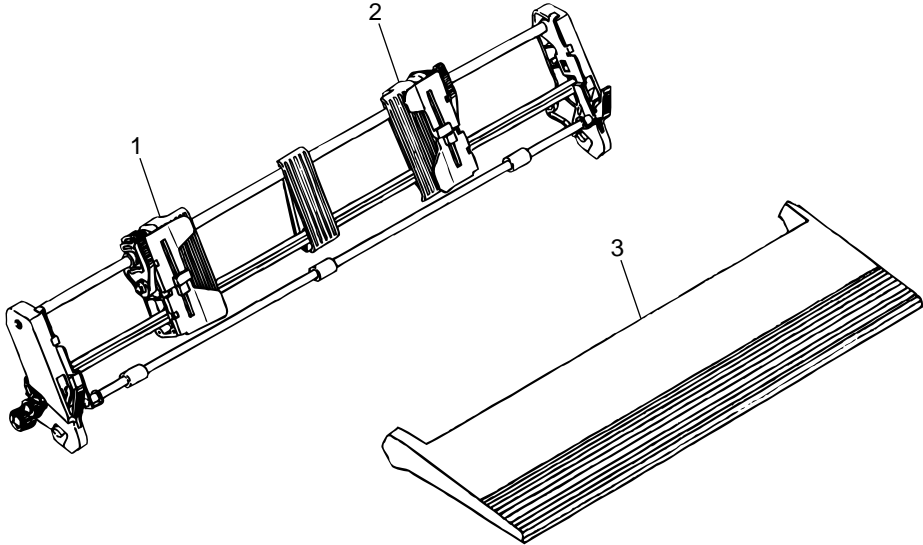


Carriage Assy

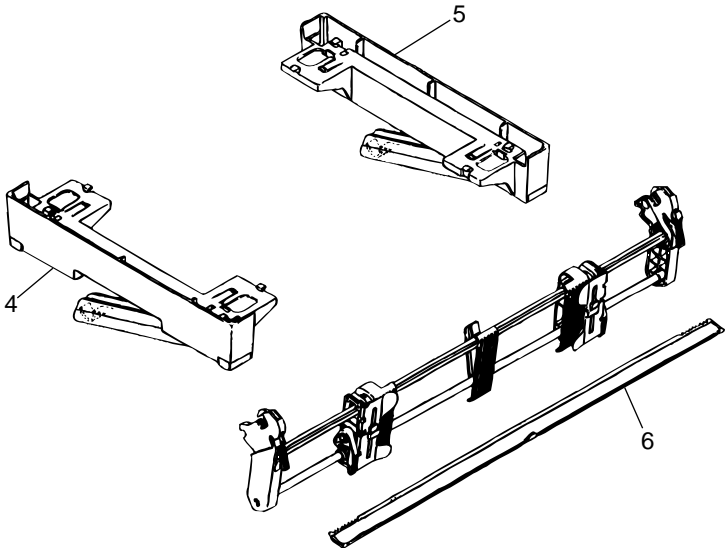


Option Spare Parts

[Pull-Tractor]



[Bottom-Tractor]



[I/F Board]

