

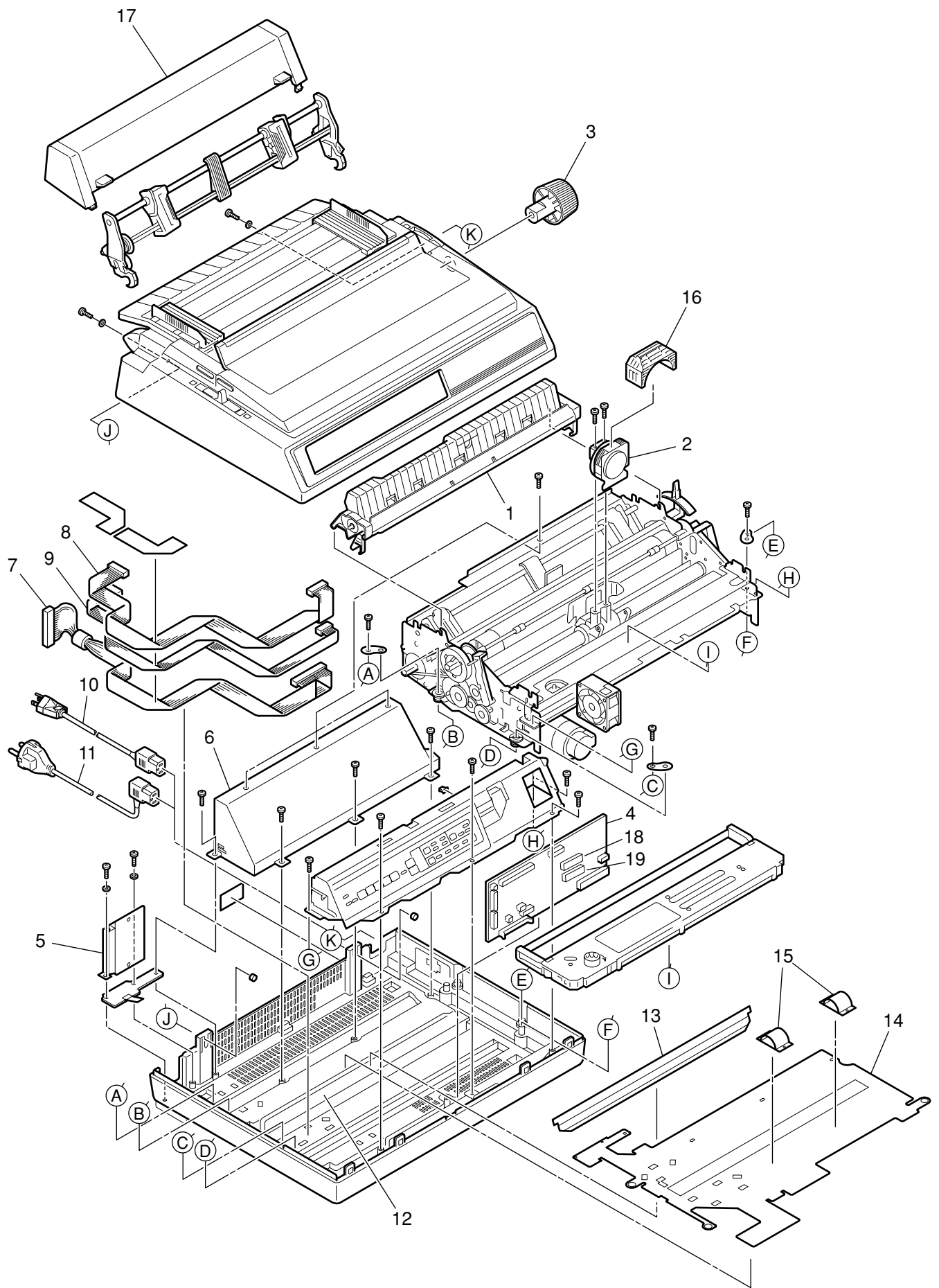
Spare Parts Listings + Disassembly Diagrams

ML395

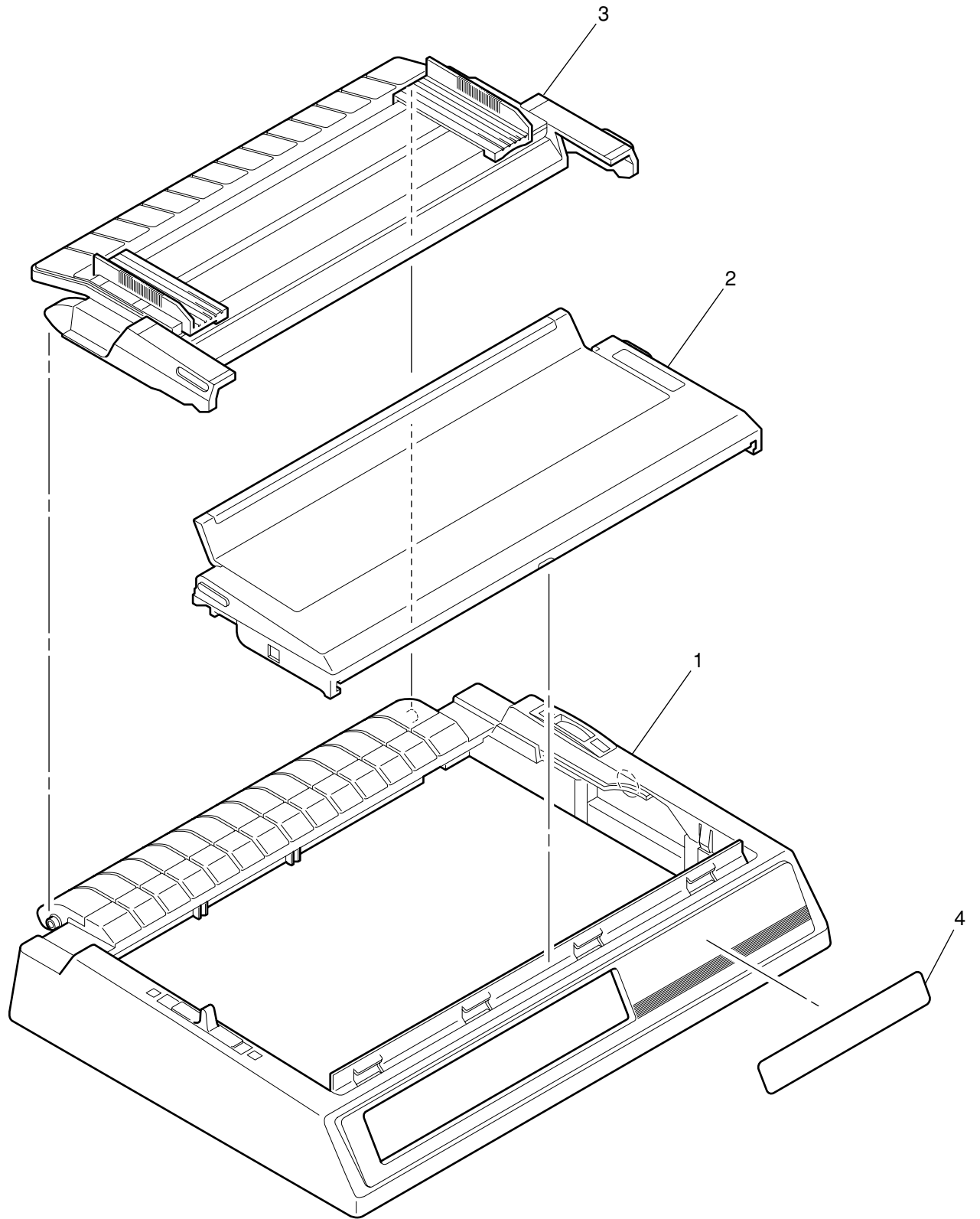


Revision 2

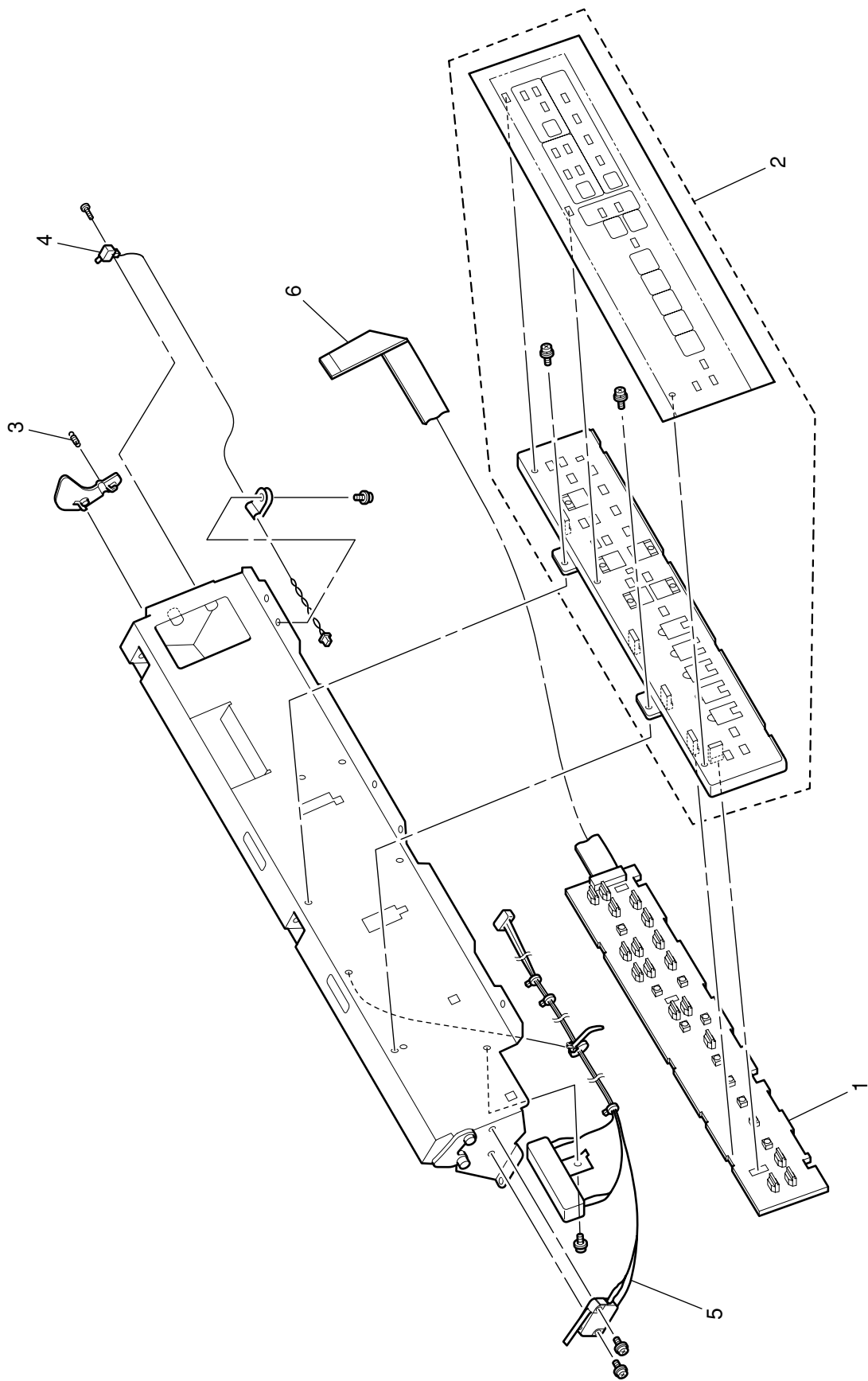
Rev.	Unit Name	No.	Part No.	SAP Part No	Part Name	Q'ty /Unit	Recommended Q'ty/Year			Remarks	Del /Add	Remarks for environment
							per 500	per 1000	per 2000			
	Carriage Assy(Color modle)	3	PP4043-2745P001	4PP4043-2745P001	Shoulder Screw	1	1	2	4	ML395C		G
	Carriage Assy(Color modle)	4	PP4043-3803P001	4PP4043-3803P001	Ribbon Shift Spring	1	1	2	4	ML395C		-
	Carriage Assy(Color modle)	5	PP4043-2477P002	3PP4043-2477P002	Ribbon Guide	1	1	2	4	ML395C		-
	Carriage Assy(Color modle)	6	PP4043-2611G001	3PP4043-2611G001	Carriage Frame(Press Fit)	1	1	2	4	ML395C		-
	Tractor unit (Option)	1	PA4043-2684G001	4PA4043-2684G001	Pin Tractor Assy(L)	1	1	2	4			G
	Tractor unit (Option)	2	PA4043-2685G001	4PA4043-2685G001	Pin Tractor Assy(R)	1	1	2	4			G
	Tractor unit (Option)	3	PP4025-2653P001	4PP4025-2653P001	4P Sheet Guide	1	1	2	4			-
	Bottom Push unit (Option)	1	PB4043-4249P001	3PB4043-4249P001	LF Motor	1	1	2	4			G
	Bottom Push unit (Option)	2	PP4053-2693P001	4PP4053-2693P001	Drive Pulley	1	1	2	4			-
4	Bottom Push unit (Option)	3	PB4053-2882P002		Mini Pitch Belt	1	1	2	4		A	-
	Bottom Push unit (Option)	4	PA4094-6159G001		Bottom Door Assy	1	1	2	4	ODA		G
	Bottom Push unit (Option)	4	PA4094-6159G002	2PA4094-6159G002	Bottom Door Assy	1	1	2	4	OEL,AOS		G
	Bottom Push unit (Option)	5	PP4043-4300P001	4PP4043-4300P001	Coil Spring	1	1	2	4			-
	Bottom Push unit (Option)	6	YA4042-1513G002	4YA4042-1513G002	Boad-BTFD-2	1	1	2	4			G
	Bottom Push unit (Option)	7	YA4043-4280G001		Pull Up Roller Mech.Spec.	1	1	2	4	ODA		G
	Bottom Push unit (Option)	7	YA4043-4280G002	4YA4043-4280G002	Pull-up Roller Assy	1	1	2	4	OEL,AOS		G
	Bottom Push unit (Option)	8	PA4043-2684G002	4PA4043-2684G002	Pin Tractor Assy(L)	1	1	2	4			G
	Bottom Push unit (Option)	9	PA4043-2685G002	4PA4043-2685G002	Pin Tractor Assy(R)	1	1	2	4			G
	Bottom Push unit (Option)	10	PP4025-2653P001	4PP4025-2653P001	4P Sheet Guide	1	1	2	4			-



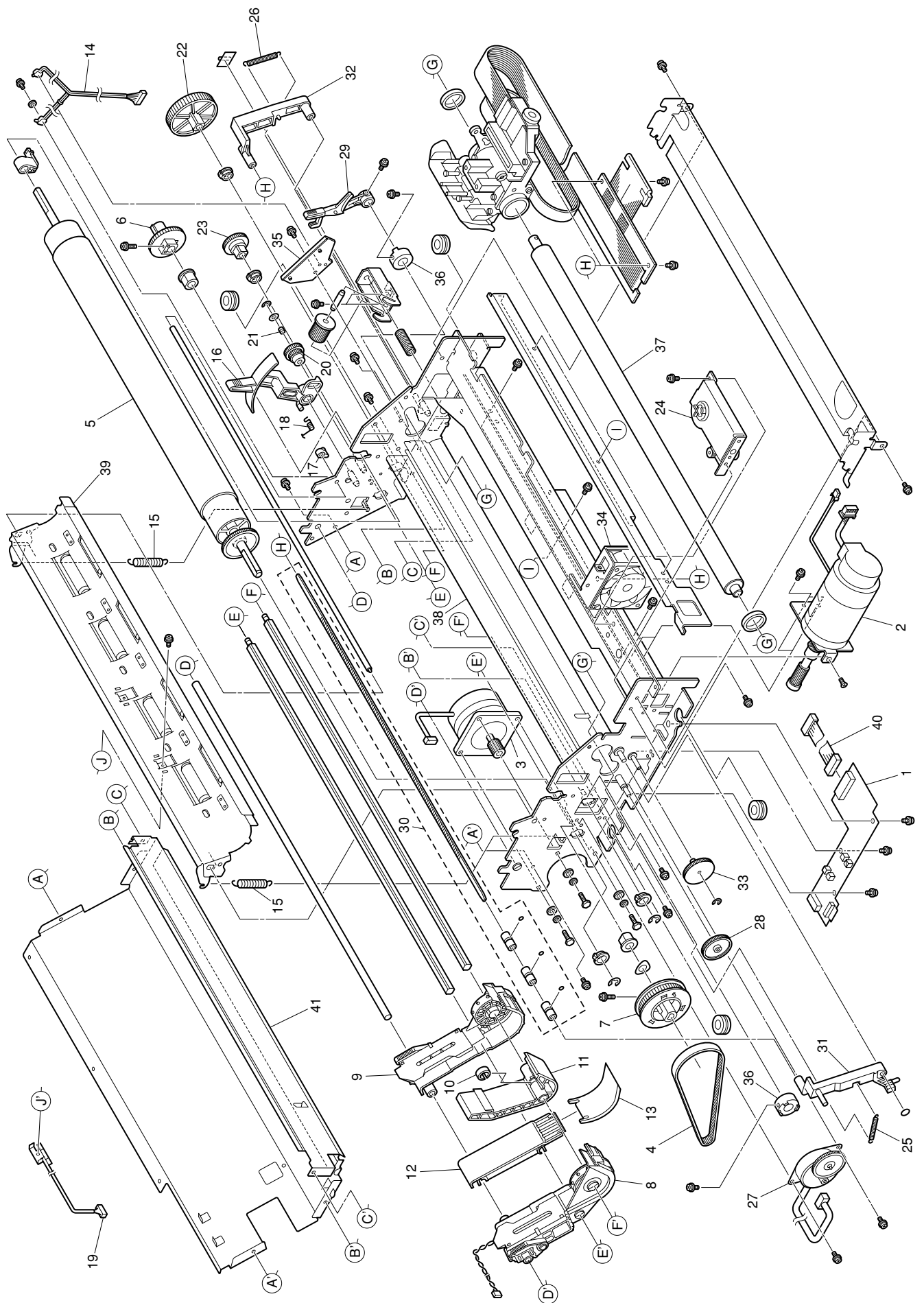
Printer Unit general assembly



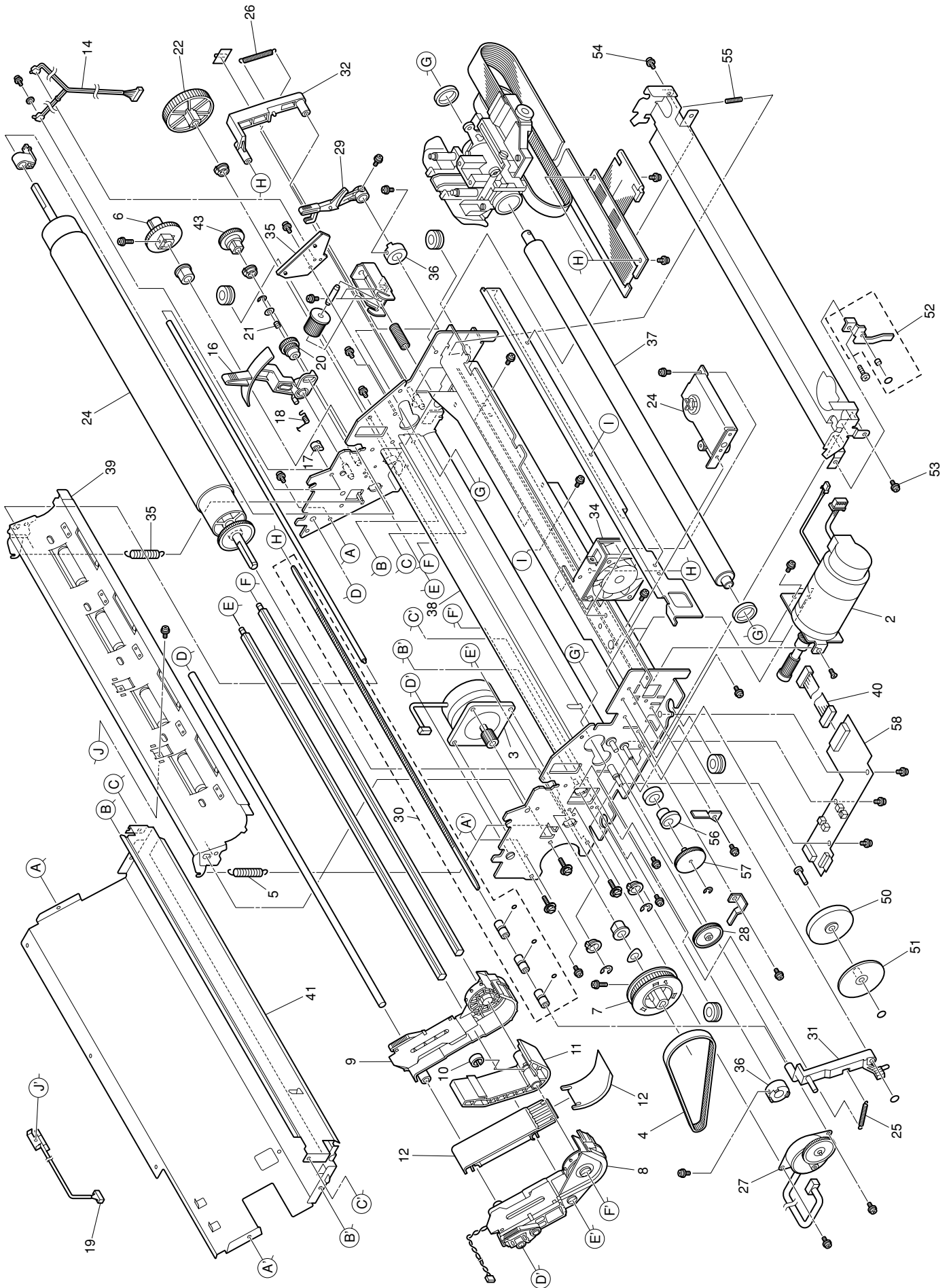
Upper cover assembly



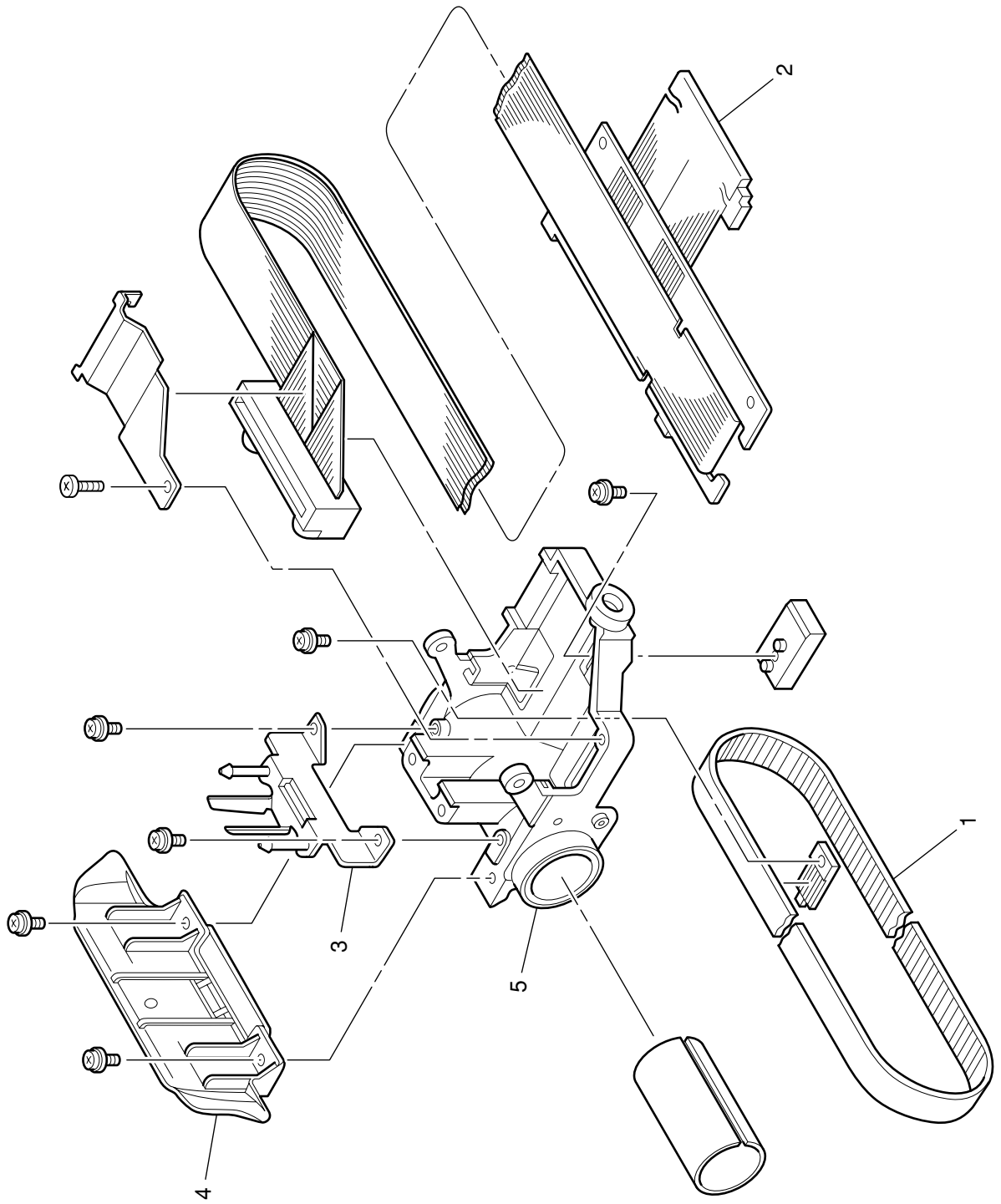
Shield cover assembly



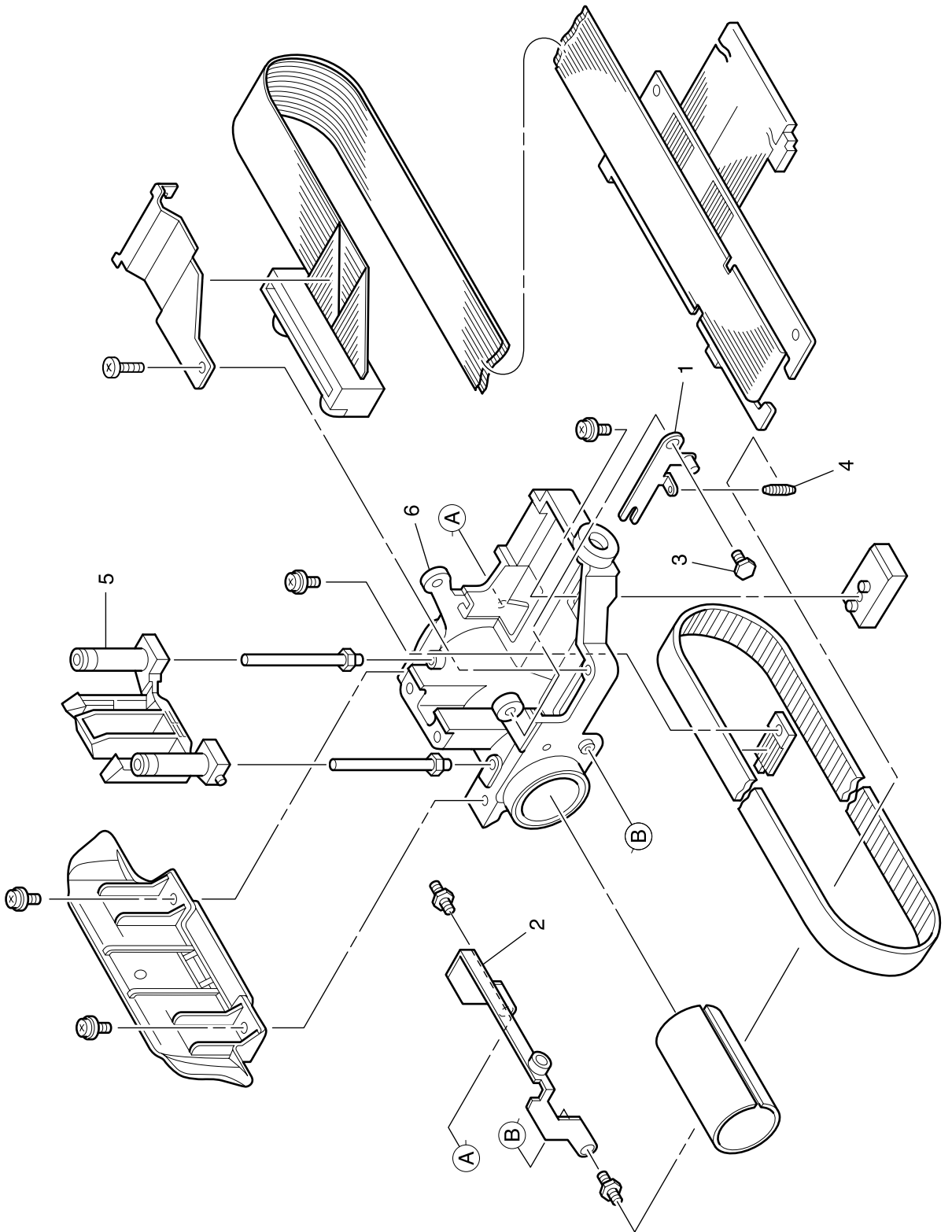
Printer mechanism(Monochrome model)



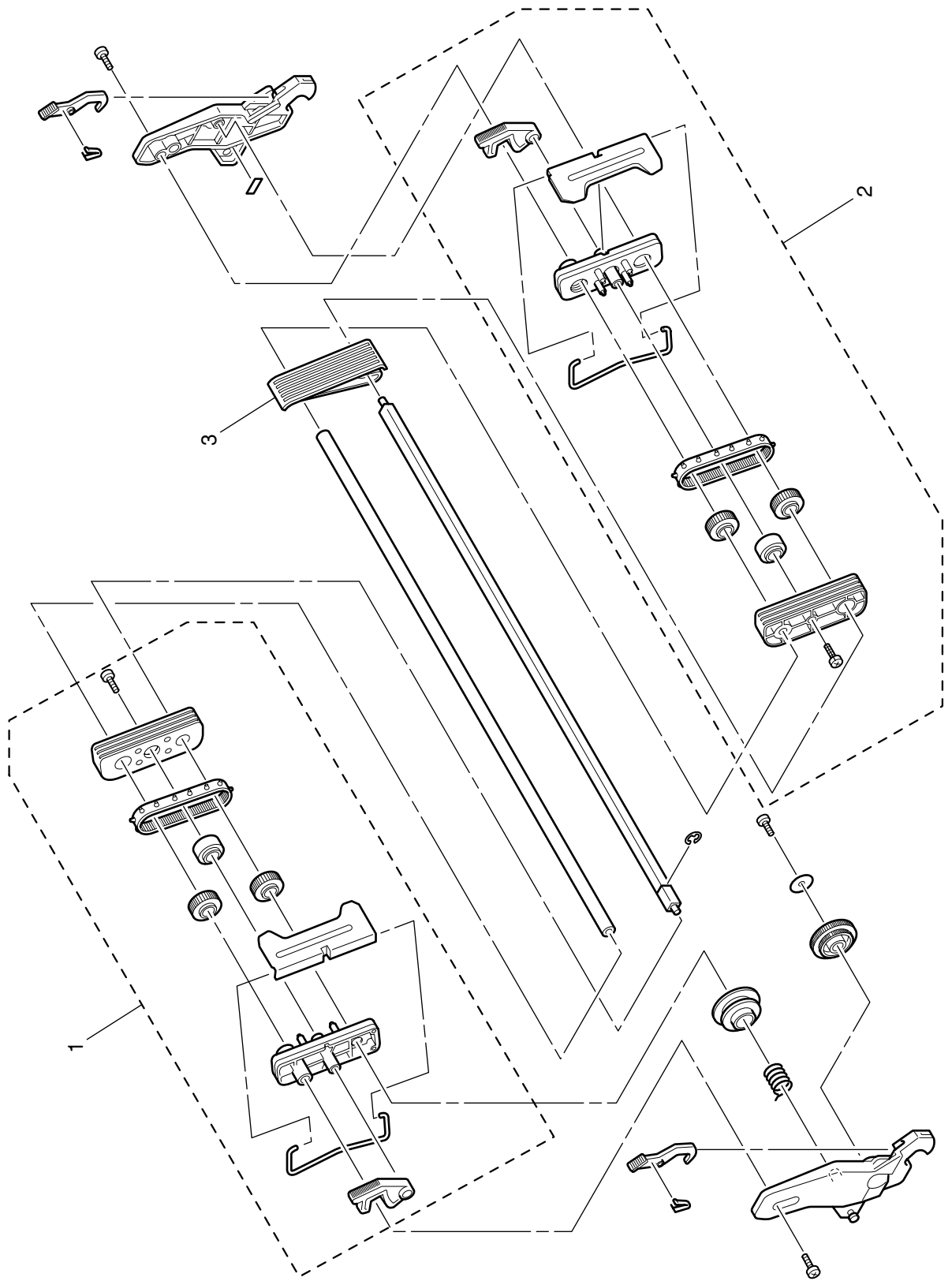
Printer mechanism(Color model)



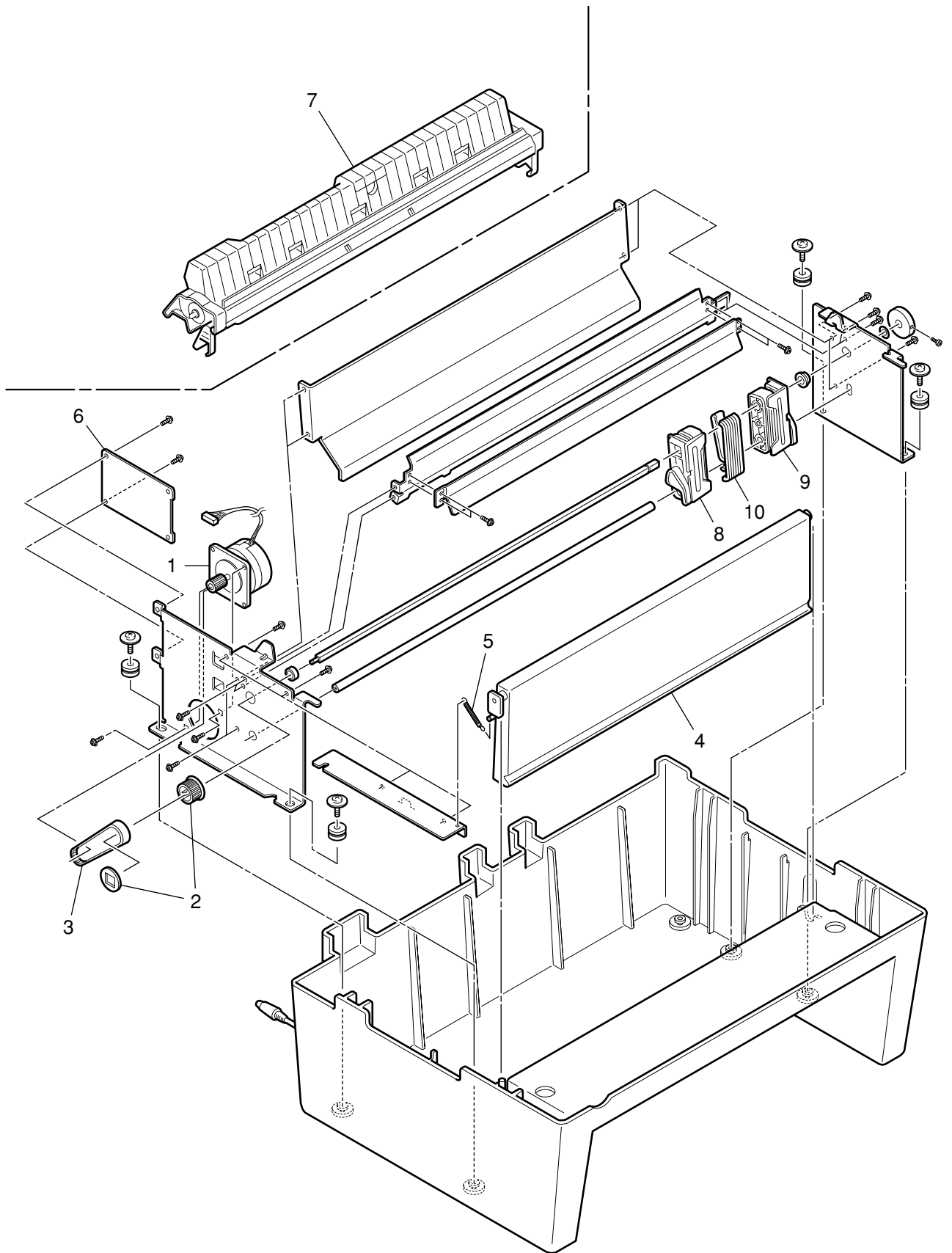
Carriage assembly (Monochrome model)



Carriage assembly (Color model)



Tractor unit (Option)



Bottom Push Tractor (Option)